

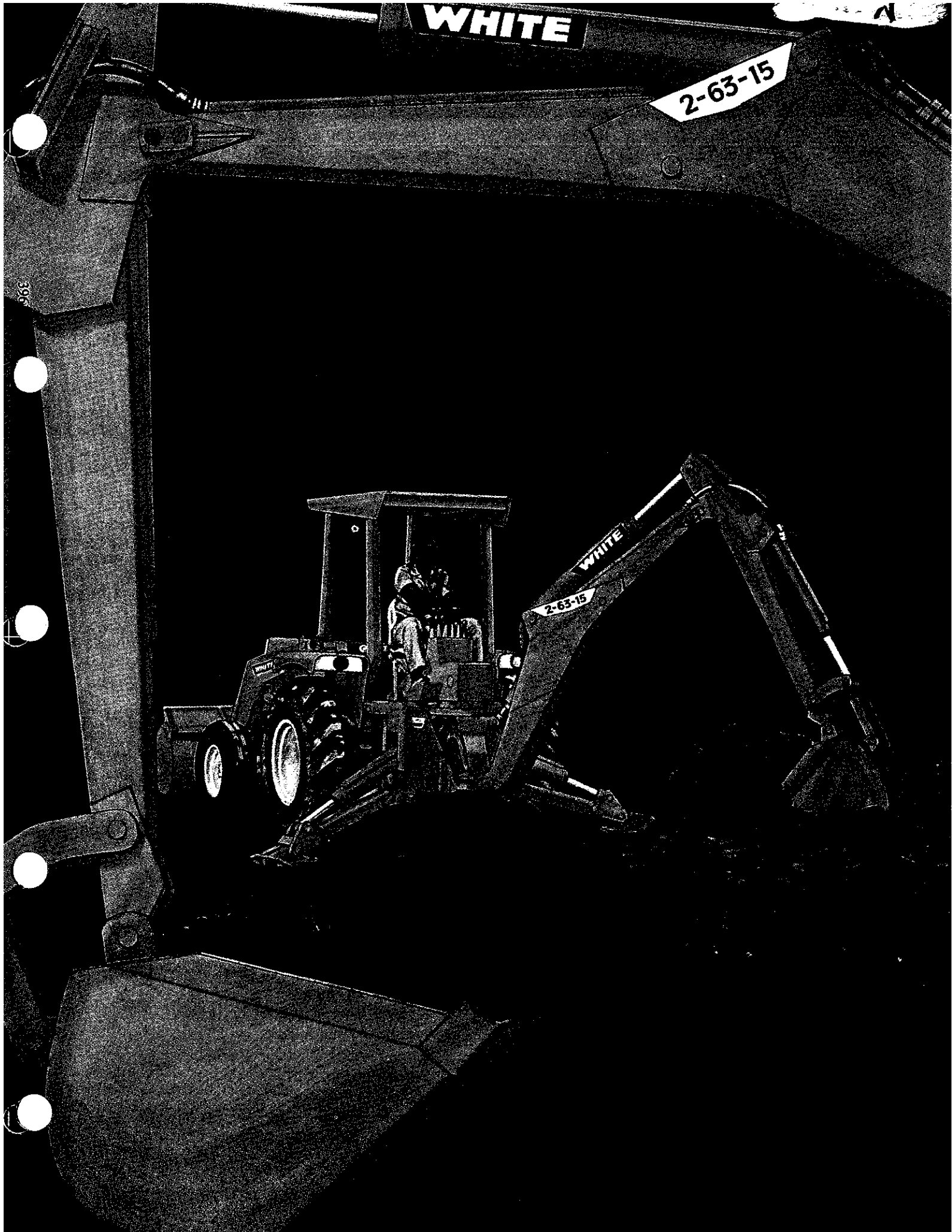
WHITE

2-63-15

396

2-63-15

WHITE



HYDRAULIC SYSTEM

Type Open Center
 System Press Ldr. & Backhoe 2,125 PSI
 Pump Type Gear
 Pump Capacity 28 GPM @ 2000 PSI
 Filter Suction-60 Mesh Screen

HYDRAULIC CYLINDERS

	Bore	Stroke	Rod Diameter
Backhoe			
Boom	4"	32"	2"
Dipper	4"	32"	2"
Bucket	4"	23-1/8"	2"
Stabilizer (2)	4"	14"	2"
Swing	6"	8" Dia. (Rotary)	

LOADER

Lift	2-3/4"	30"	1-1/2"
Bucket	2-1/2"	28"	1-1/2"

LOADER SPECIFICATIONS

Lift Capacity to Full Height 4,300 Lbs.
 Height to Bucket Hinge Pin 135"
 Bucket Roll Back on Ground Level 32°
 Breakout Force Tilt Cylinders 5,300 Lbs.
 Breakout Force Lift Cylinders 4,050 Lbs.
 Dump Angle at Full Height 45°
 Digging Depth Below Ground 2-5/8"
 Dump Clearance at Full Height 108"
 Raising Time 3.8 Seconds
 Bucket Dump Time 2.4 Seconds
 Lowering Time 3.0 Seconds
 Float Down Time 5.4 Seconds
 Standard Bucket Size 78" (7/8 Cu. Yd.)
 Optional Bucket Size 90" (1-1/2 Cu. Yd.)

BACKHOE SPECIFICATIONS

Digging Depth (IEMC) 15 Ft.
 Overall Reach Rear
 Axle Centerline 246"
 Reach From Swing
 Pivot Post 218"
 Loading Height 111"
 Digging Force-Bucket Cylinder 9,000 Lbs.
 Digging Force Dipper Cylinder 4,900 Lbs.
 Swing Arc 180°
 Bucket Rotation 169°
 Stabilizer Spread Transport Position 92"
 Stabilizer Spread Operating Position (IEMC) 130"
 Boom Cylinder 1,300 Lbs.
 Lifting Capacity Dipper-Stick Cylinder 2,280 Lbs.

LIFTING TIME

Ground Level to
 Full Height 1.8 Sec.
 Bucket Close Time 2.5 Sec.
 Bucket Open Time 2.0 Sec.

BUCKET CAPACITY

13-1/2" Bucket - 2.30 Cu. Ft.
 16" Bucket - 2.75 Cu. Ft.
 20" Bucket - 3.80 Cu. Ft.
 24" Bucket - 4.80 Cu. Ft.
 24" Heavy Duty - 6.38 Cu. Ft.
 30" Bucket - 6.38 Cu. Ft.
 36" Bucket - 7.95 Cu. Ft.

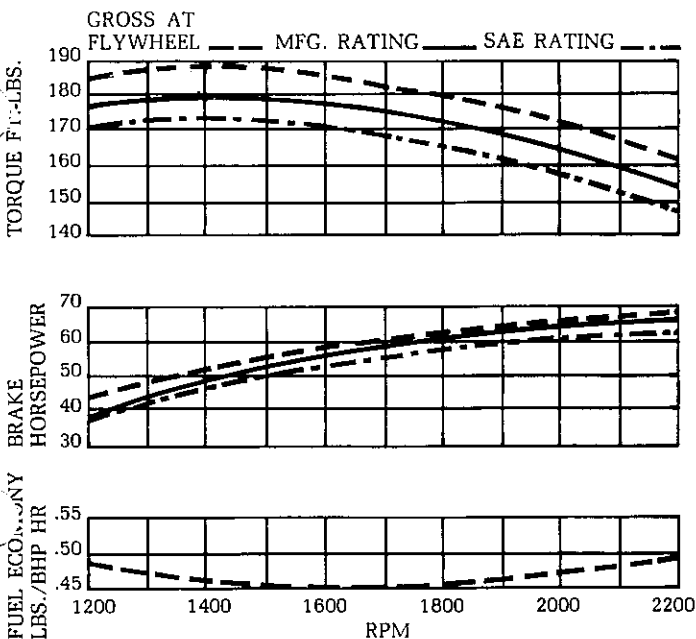
GROUND CLEARANCE

Backhoe Stabilizer 14"
 Front Axle 12"
 Rear Frame 15"

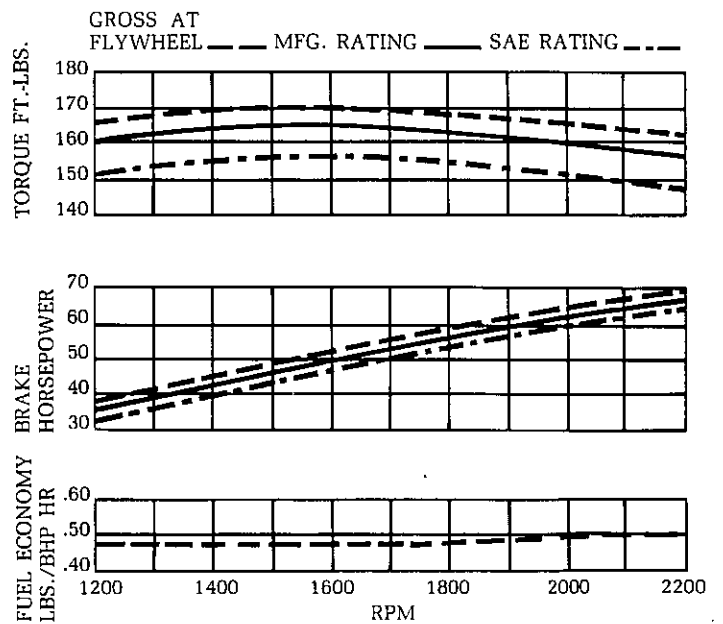
Weight (w/ROPS) 10,500#

ROPS-SAE certified rollover protective structure with metal canopy and seat belt.

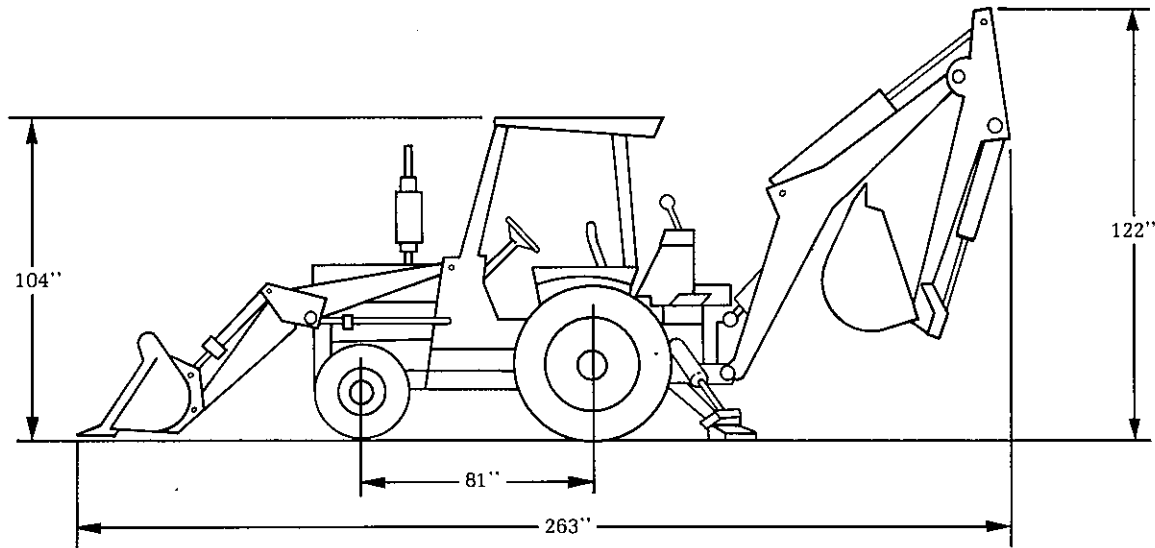
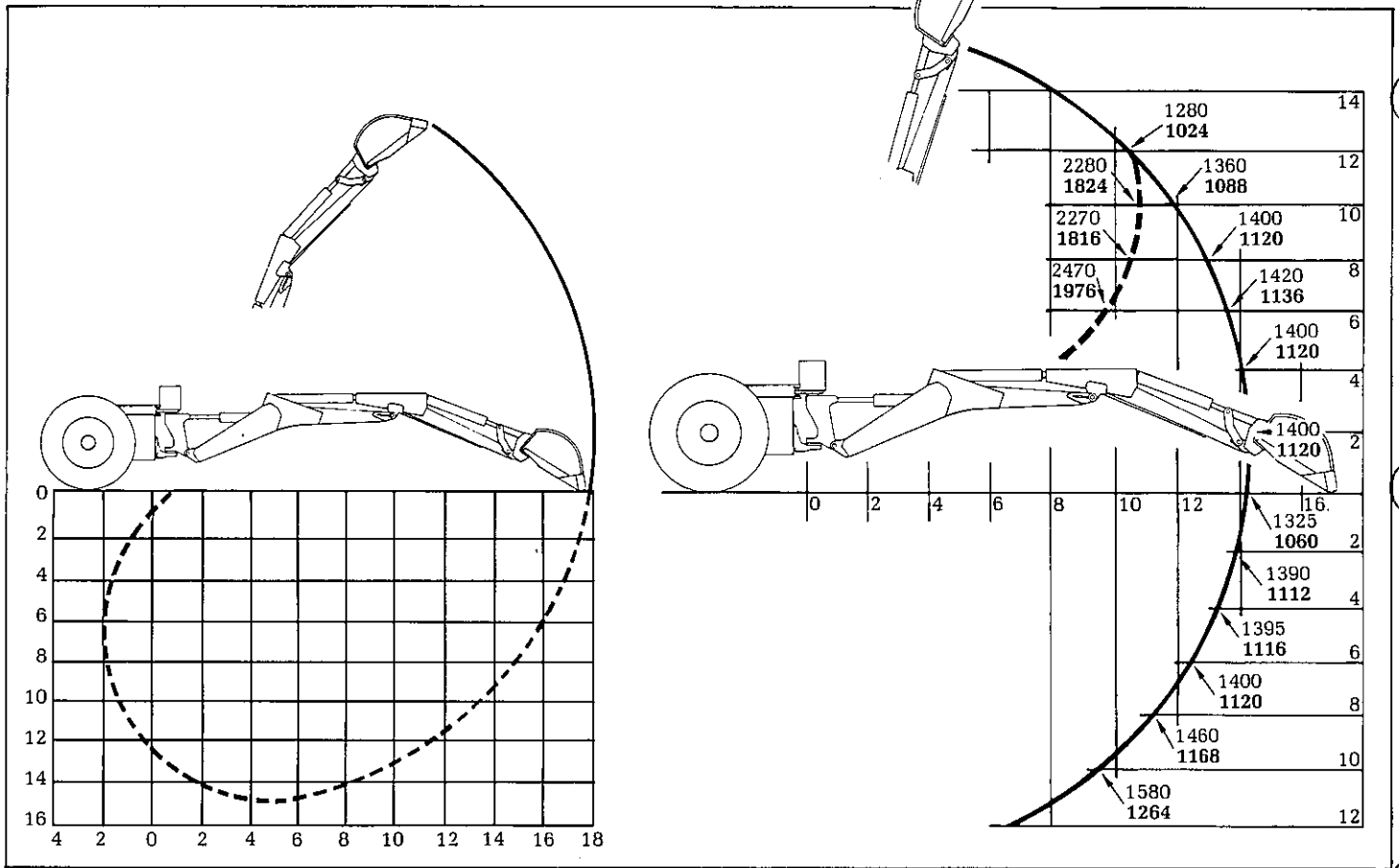
MODEL 2-63 DIESEL ENGINE



MODEL 2-63 GASOLINE ENGINE



PROFILES



CONSTRUCTION EQUIPMENT DIVISION

130 Ninth Avenue, South
Hopkins, Minnesota 55343
(612) 935-5181

The manufacturer reserves the right to change specifications without notice and without incurring obligation. Information contained herein is from data available at time of printing.



Wherever applicable, specifications in accordance with I.E.M.C. standards