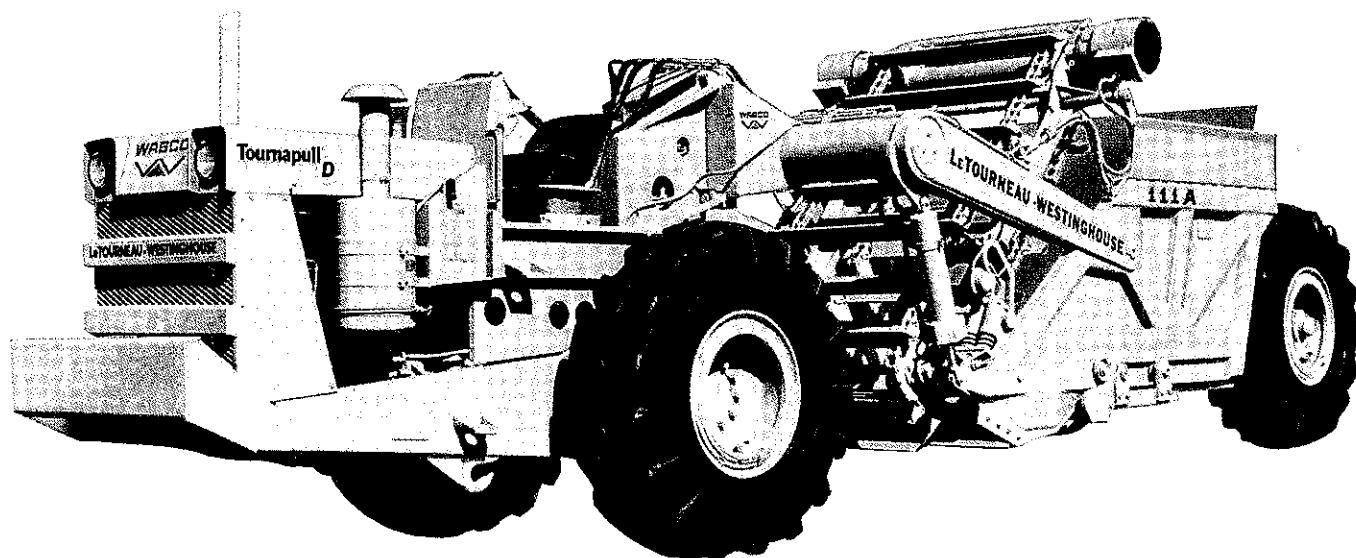


WABCO

MODEL

D

TOURNAPULL®
With 111A Elevating Scraper



148 Horsepower • 11 Cu. Yds. (8,41 m³)

LETOURNEAU-WESTINGHOUSE COMPANY
A SUBSIDIARY OF WESTINGHOUSE AIR BRAKE COMPANY • PEORIA, ILLINOIS

D TOURNAPULL with 111A ELEVATING SCRAPER SPECIFICATIONS

Specifications are subject to change without notice or obligation.

D TOURNAPULL

ENGINE (Diesel)	GM 4-71
Number of Cylinders	4
Operating Cycle	2 Stroke
*Rated Brake Horsepower	148 HP @ 2100 RPM
**Flywheel HP	129 HP @ 2100 RPM
Baseline Rating	Sea Level @ 60° F. (15,5° c)
Maximum Torque	395 ft. lb. @ 1400 RPM
Bore	4 1/4" (108 mm)
Stroke	5" (127 mm)
Displacement	283.7 cu. in. (4,65 liters)

*(Rated Brake HP is the output of the engine as installed in this machine, at governed RPM and with engine manufacturer's approved fuel setting. Accessory losses included are water pump, fuel pump and lube oil pump. Output guaranteed within ±5%.)

** (Flywheel Horsepower is the rated horsepower at the engine flywheel minus the average accessory losses. Accessories include Fan, Air Compressor and Hydraulic Pump.)

TRANSMISSION

Power Shift Type	Allison VCLT-3341 with Allison VTC-430 Torque Converter
------------------------	---

SPEED, in MPH and (Kilometers per Hour)

*Forward Loading, 1st	0 - 3.4 (5,47)
Travel, 1st	3.6 (5,80)
2nd	9.6 (15,45)
3rd	18.3 (29,45)
4th	25.4 (40,88)
Reverse, 1st	4.2 (6,76)
2nd	5.9 (9,50)

*Loading speed varies with variable capacity converter input power.

DIFFERENTIAL.....Power transfer, automatic friction type, no-slip differential

SERVICE CAPACITIES

	Gallons (U.S. Standard)	Liters
Cooling System	8 1/2	(32)
Crankcase	4	(15)
Fuel Tank	65	(246)
Final Drive (Main Case)	32	(121)
Transmission and Torque Converter	6	(23)

111A SCRAPER

CAPACITY

Cubic Yards	11 (8,41 m ³)
Tons	13 (11,79 m. tons)

CUTTING BLADE

Method of Control	Two 4 1/2" x 18" (11,43 cm x 45,72 cm) Hydraulic Remote Cylinders
Width of Cut (outside of router blade)	90" (2,28 m)
Cutting Edge length	88" (2,23 m)
One drop center blade	1" x 13" x 43 3/4" (2,54 cm x 33,02 cm x 111,13 cm)
Two end blades, each	1" x 13" x 22" (2,54 cm x 33,02 cm x 55,88 cm)
Ripper Teeth (Heavy Duty)	3

EJECTION

Operation	Positive
Control	Two 4 1/2" x 18" (11,43 cm x 45,72 cm) Hydraulic Remote Cylinders
Method	Combination sliding bowl pan and ejector endgate

ELEVATOR

Width	4' 8" (1,42 m)
Length	9' 9" (2,97 m)
Number of flights	16
Speed, Forward	@ 2100 Engine RPM, 238 FPM (72,54 m/min)
Reverse (optional)	@ 2100 Engine RPM, 238 FPM (72,54 m/min)
Power Source	Two No.1 LW Electric Motors with LW No. 2 Gear Boxes, 86:1 Ratio

GENERAL

OVERALL MEASUREMENTS

Length	32' 0" (9,75 m)
Length, scraper only	20' 2" (6,15 m)
Width with 18.00-25 tires	8' 0" (2,44 m)
Width with 23.5-25 tires	8' 6" (2,59 m)
Height, to top of Exhaust Stack	9' 1 1/2" (2,78 m)
Height, to the top of Scraper	9' 4" (2,84 m)
Wheelbase	18' 10 1/2" (5,75 m)
Ground clearance, Tournapull	15" (38,1 cm)
Ground clearance, scraper bowl	13 1/4" (33,6 cm)

TIRES

Standard	18.00-25, 16 ply rating, Traction
Optional	23.5-25, 16 ply rating, Traction

STEERING.....Positive power steer, electric control
 Maximum turning angle90° left and right
 Width required for 180° turn26' 11½" (8,22 m)

BRAKES, Shoe Type—Wedge Actuated.....Air over Hydraulic
 on all four wheels
 Size20¼" x 4" (51,44 cm x 10,2 cm)

WEIGHT
 Shipping weight, approximate30,300 lbs. (13,744 kg)

Distribution	Empty	Loaded
Drive Axle	65.8%	50%
Rear Axle	34.2%	50%

STANDARD EQUIPMENT

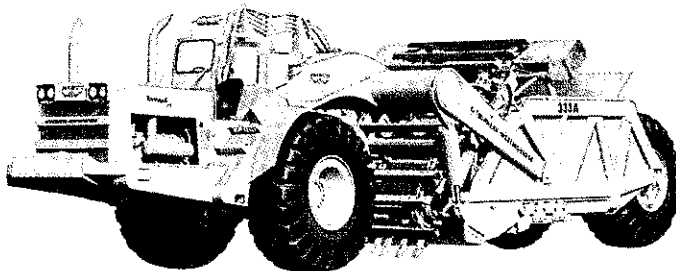
Manifold type muffler, dry type air cleaner, head lights, twin air horns, hourmeter, tachometer, heavy duty ripper teeth and tow hooks.

OPTIONAL ACCESSORIES

Supplementary lube oil and fuel oil filters, hand throttle, cab, cab heater, safety glass windshield, windshield wiper, windshield defroster, air suspension seat, cold weather starting aid, sand baffles, elevator reversing switch, tire inflation kit, and tail light.

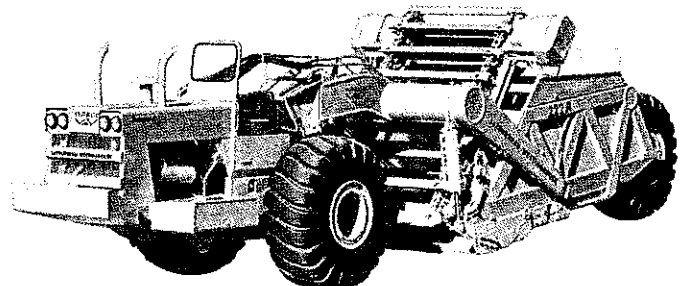
Other LW Elevating Scrapers

These scrapers give you capacity loads without a pusher.

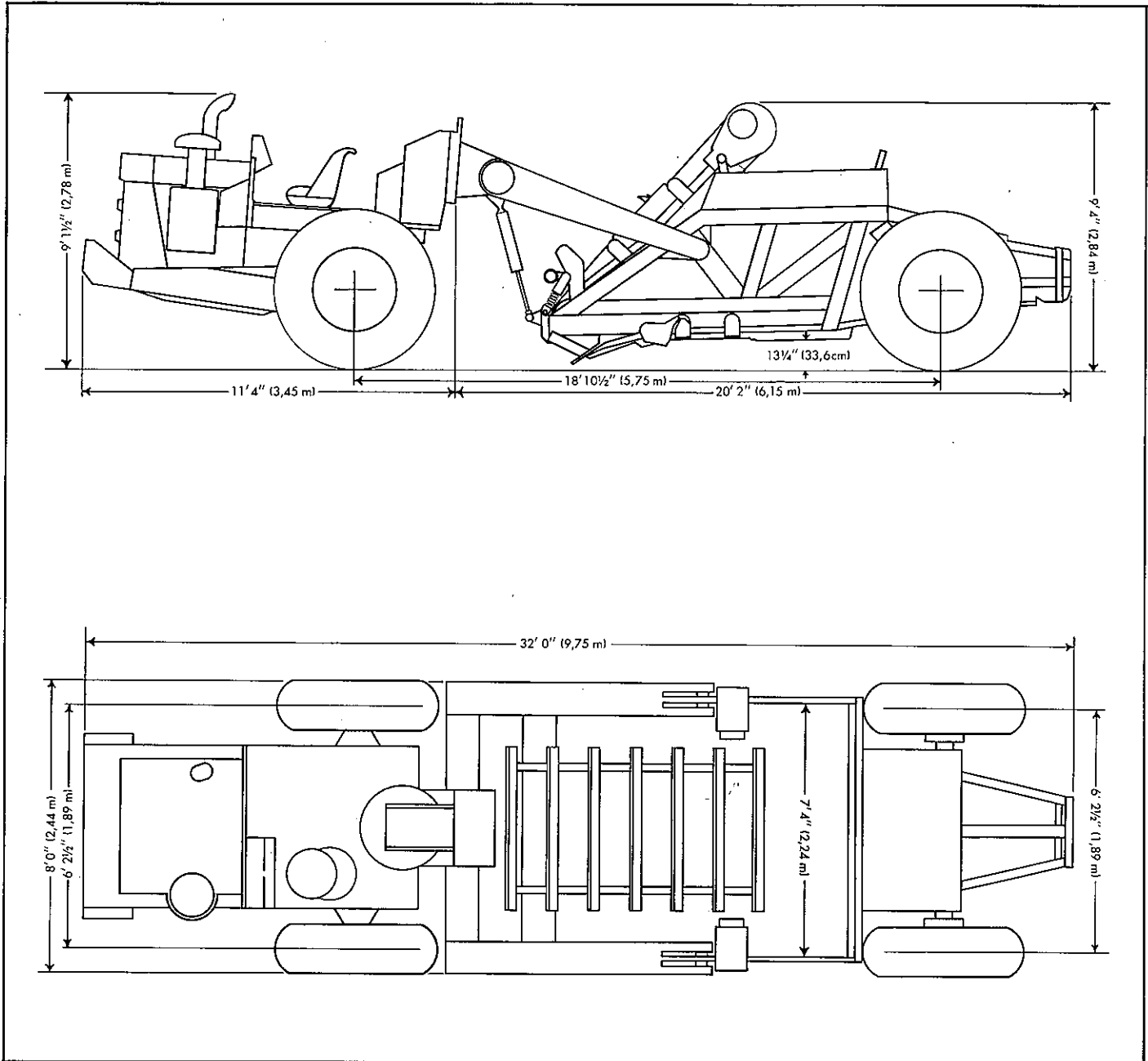


333A ELEVATING SCRAPER
 31 cubic yards (23,70 m³) capacity.

222A ELEVATING SCRAPER
 21 cubic yards (16,06 m³) capacity.



D TOURNAPULL with 111A ELEVATING SCRAPER



WABCO
LeTOURNEAU-WESTINGHOUSE COMPANY
Peoria, Illinois, U.S.A. • A Subsidiary of Westinghouse Air Brake Co.