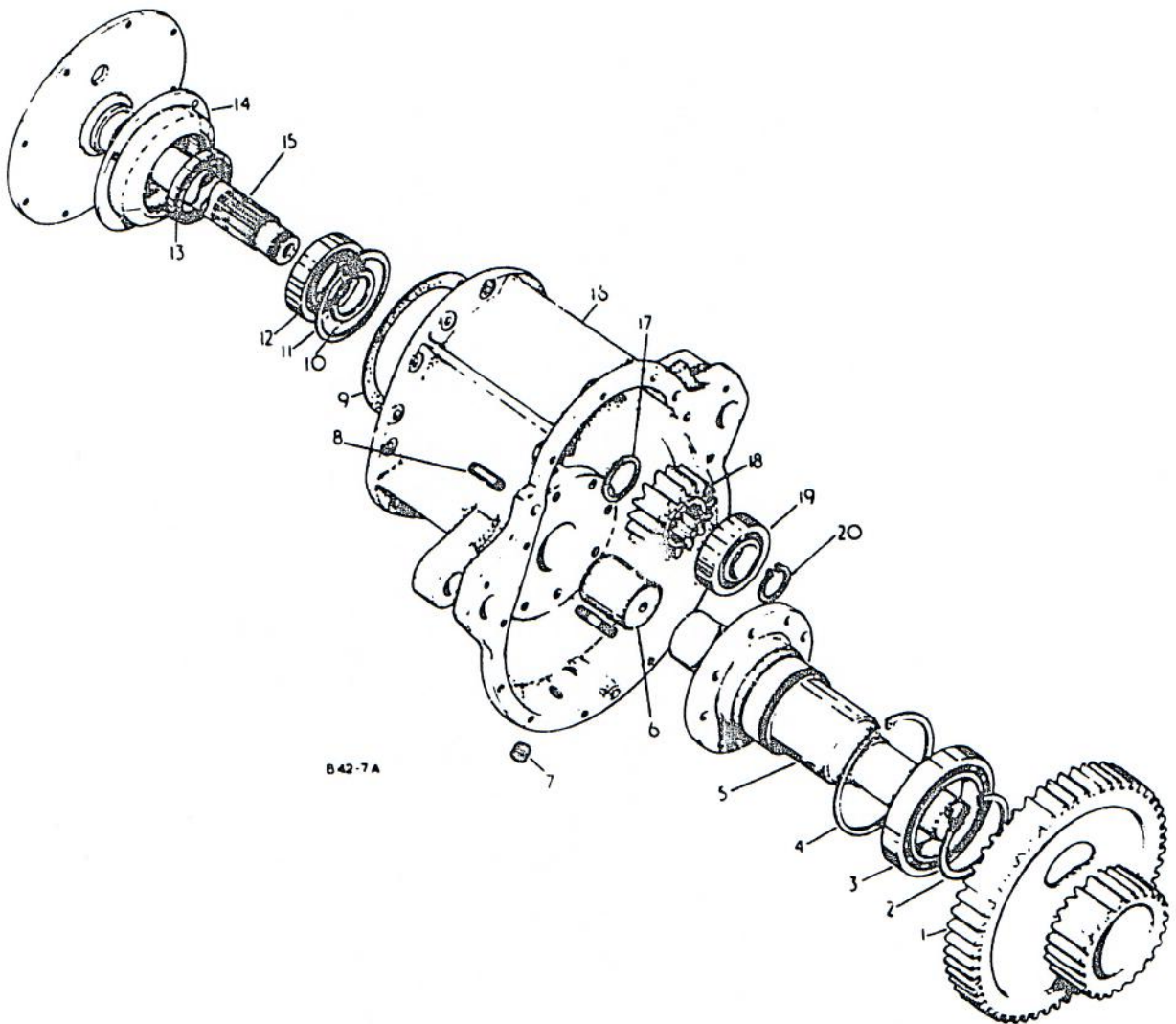


SPROCKET DRIVE CARRIER  
B42-7A



B42-7A

GROUP 7  
DRIVE TRAIN

-73-

GRID E14 (1)

REF NO	PART NUMBER	DESCRIPTION	165	QTY
1	3 115 863 R1	SPROCKET DRIVE CARRIER CONTINUED GEAR, BULL AND SUN		2
		PIGNON ZAHNRAD ENGRANE		
2	3 068 587 R1	RING, RETAINER, BULL GEAR SUPPORT BEARING		2
		BAGUE RING ANILLO		
3	3 111 117 R91	BEARING, BULLGEAR SUPPORT COUSSINET LAGER COJINETE		2
3	3 068 588 R91	BEARING, BULLGEAR SUPPORT - OPTIONAL -		2
		COUSSINET LAGER COJINETE		
4	3 068 589 R1	RING, RETAINER, BULLGEAR SUPPORT BEARING		2
		BAGUE RING ANILLO		
5	3 074 384 R1	SHAFT, STUB		2
		ARBRE WELLE FLECHA		
6	3 115 873 R1	BAR, SPIGOT		2
		BARRE STAB BARRA		
7	444 800	PLUG, DRAIN 1 INS 11-1/2 NPSF SQ SOCKET		4
		BOUCHON STOPFEN TAPON		

GROUP 7  
DRIVE TRAIN

-74-

GRID E15 (1)

REF NO	PART NUMBER	DESCRIPTION	165	QTY
8	3 074 329 R1	SPROCKET DRIVE CARRIER CONTINUED PIN, SPROCKET CARRIER TO PLANETARY RING GEAR DOWEL		6
9	3 068 623 R1	CHEVILLE STIFT PASADOR GASKET, STEERING CLUTCH SUPPORT BEARING CAGE		2
10	3 064 407 R1	JOINT DICHTUNG JUNTA CLIP, RETAINING STEERING CLUTCH SUPPORT BEARING PINCE D'ATTACHE KLAMMER BROCHE		2
10	3 074 379 R1	CLIP, RETAINING PINCE D'ATTACHE KLAMMER BROCHE		2
10	703 696 R1	CLIP, RETAINING - OPTIONAL - PINCE D'ATTACHE KLAMMER BROCHE		2
11	933 078 R1	RING, RETAINING 110MM INTERNAL BORE BAGUE RING ANILLO		2
12	3 119 730 R91	BEARING, STEERING CLUTCH SUPPORT - UPTO 689 - COUSSINET LAGER COJINETE		2
12	85 662	BEARING - 690 UP - COUSSINET LAGER COJINETE		2

GROUP 7  
DRIVE TRAIN

-75-

GRID E16 (1)

REF NO	PART NUMBER	DESCRIPTION	165	QTY
13	3 120 659 R1	SPROCKET DRIVE CARRIER CONTINUED SEAL, OIL		2
14	3 074 340 R1	JOINT D'ETANCHEITE DICHTUNG SELLO CAGE, STEERING CLUTCH SPROCKET BEARING - UPTO 689 - CAGE KAFIG JAULA		2
14	3 120 658 R1	CAGE, STEERING CLUTCH SPROCKET BRG CAGE KAFIG JAULA		2
	181 364	BOLT, 3/8 UNF X 1 HEX HD BOULÓN SCHRAUBE TORNILLO		8
	103 321	WASHER, 3/8 SPRING MED LOCK RONDELLE U-SCHEIBE ARANDELA		8
15	3 115 867 R2	SHAFT, BULL PINION DRIVE ARBRE WELLE FLECHA		2
16	3 115 869 R1	CARRIER, SPROCKET DRIVE CPT. PORTEUR TRAGER PORTA-CARGA		2
	80 295 R1	BOLT, 1/2-20 X 1-1/2 TYPE 8 BOULÓN SCHRAUBE TORNILLO		26
	25 536 R1	WASHER, .531 X 1.062 X .095 HARDENED RONDELLE U-SCHEIBE ARANDELA		26
	3 068 619 R1	STUD, SPROCKET DRIVE CARRIER ERGOT STIFTSCHRAUBE BIRLO		18

GROUP 7  
DRIVE TRAIN

-76-

GRID E17 (1)

REF NO	PART NUMBER	DESCRIPTION	165	QTY
		SPROCKET DRIVE CARRIER		
		CONTINUED		
	3 062 288 R1	NUT, 5/8 UNF PHILIDAS		18
		ECROU		
		MUTTER		
		TUERCA		
	3 115 871 R1	STUD, 1/2 DIA.		4
		ERGOF		
		STIFTSCHRAUBE		
		BIRLO		
	3 110 942 R1	NUT, 1/2 UNF LOCK		4
		ECROU		
		MUTTER		
		TUERCA		
	3 111 070 R1	NUT, 1/2 UNF LOCK PHILIDAS		4
		ECROU		
		MUTTER		
		TUERCA		
	3 112 543 R1	NUT, 1/2 UNF SELF LOCKING		4
		- OPTIONAL -		
		ECROU		
		MUTTER		
		TUERCA		
17	3 074 381 R1	RING, RETAINER		2
		BAGUE		
		RING		
		ANILLO		
18	3 115 868 R1	GEAR, BULL PINION		2
		PIGNON		
		ZAHNRAD		
		ENGRANE		
19	3 111 701 R91	BEARING, SPROCKET DRIVE PINION -OUTER-		2
		COUSSINET		
		LAGER		
		COJINETE		
19	3 068 631 R91	BEARING, SPROCKET DRIVE PINION -OUTER-		2
		COUSSINET		
		LAGER		
		COJINETE		
19	3 068 940 R91	BEARING, SPROCKET DRIVE PINION -OUTER-		2
		COUSSINET		
		LAGER		
		COJINETE		

GROUP 7  
DRIVE TRAIN

-77-

GRID E18 (1)

REF NO	PART NUMBER	DESCRIPTION	165	QTY
19	3 068 942 R91	SPROCKET DRIVE CARRIER CONTINUED BEARING, SPROCKET DRIVE PINION -OUTER- - OPTIONAL -		2
20	933 075 R1	COUSSINET LAGER COJINETE RING, RETAINER BULL PINION SUPPORT BEARING EAGUE RING ANILLO		2