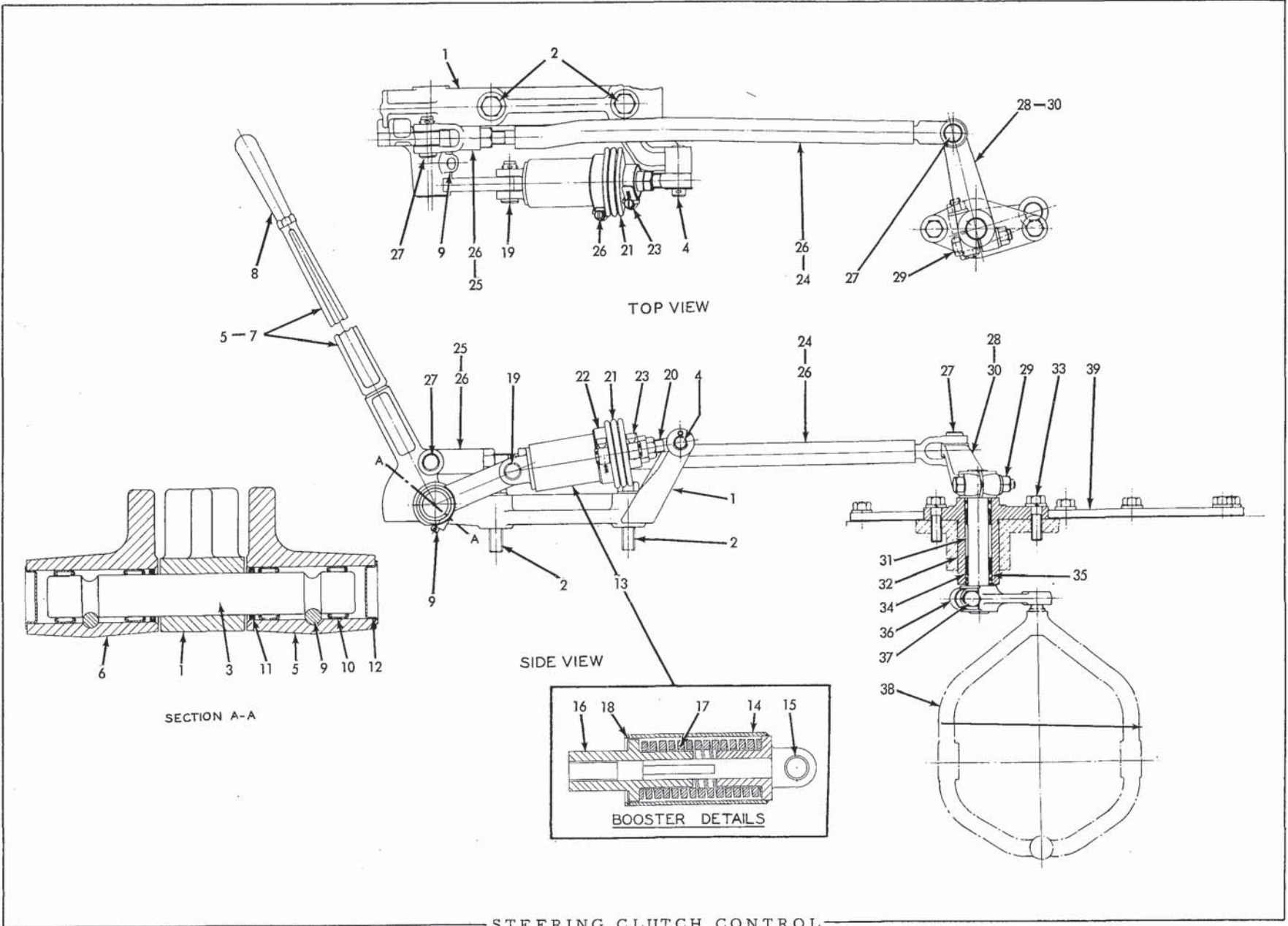


STEERING CLUTCH AND BEVEL GEAR

STEERING CLUTCH AND BEVEL GEAR

ITEM	PART NUMBER	QTY.	DESCRIPTION	KIT NUMBER
1	056780	1	GEAR, spiral bevel (50 teeth)	
	052270	10	BOLT, 5/8"NF x 2-1/2"	
	072366	10	NUT, high, 5/8"NF	
	067618	5	LOCK, nut	
5	067577	1	RING, bolt locking	
6	056778	1	SHAFT ASSEMBLY (Includes item 7)	
7	069409	2	SLEEVE, shaft	
8	069656	2	CONE ASSEMBLY, bearing	
9	604406	2	CUP, bearing	
	056797	12	SHIM, bearing adjusting (.005" thick. Use as req'd)	
10	056798	12	SHIM, bearing adjusting (.007" thick. Use as req'd)	
	056799	10	SHIM, bearing adjusting (.010" thick. Use as req'd)	
11	056795	2	CAGE ASSEMBLY, bearing (Includes item 13)	
12	035018	20	CAPSCREW, 1/2"NC x 1-1/2"	
	904208	20	LOCKWASHER, 1/2"	
13	051291	2	PIN, wear, bearing cage	
14	047275	2	SEAL, oil	
15	069220	2	HUB, steering clutch driving	
	035061	20	CAPSCREW, 1/2"NC x 1-1/4"	
	904208	20	LOCKWASHER, 1/2"	
17	064520	2	WASHER ASSEMBLY, clutch hub retaining (Includes item 18)	
	035793	2	PIN, clutch hub retaining washer (1/4" x 3/4")	
	050226	2	CAPSCREW, clutch hub retaining (1"NF x 1-3/4")	
20	050225	2	WASHER, locking, clutch hub retaining capscrew	
21	056790	2	CLUTCH ASSEMBLY, steering (consists of items 22 thru 32)	
22	056791	2	HUB, steering clutch	
23	057375	34	DISC, friction, steering clutch (bi-metallic)	
24	041781	34	DISC, friction, steering clutch (steel)	
25	056792	2	PLATE, spacing	
26	056793	2	PLATE, pressure	
27	073755	16	SPRING, pressure	
28	034300	16	WASHER, pressure spring	
29	050214	2	PLATE, throwout	
30	056817	16	CAPSCREW, throwout plate (1/2"NC x 6")	
31	023633	8	WIRE, locking (1/16" x 12")	
32	056794	16	SPACER, throwout plate	
33	050223	2	SLEEVE, throwout	
34	050440	2	BEARING, ball, throwout sleeve	
	050249	2	CAGE ASSEMBLY, throwout bearing (Includes item 36)	
	901652	2	PLUG, pipe, 1/4"NPT	
36	050227	4	BUSHING, pivot, throwout bearing (steel)	

(Continued)



STEERING CLUTCH CONTROL

STEERING CLUTCH AND BEVEL GEAR (Cont'd)

PART
ITEM NUMBER QTY. DESCRIPTION

KIT NUMBER

37	050248	2	YOKE ASSEMBLY, clutch throwout (Includes items 38 and 39)
	035878	2	BALL, throwout yoke
39	050220	2	PIN, wear, throwout yoke
40	050222	4	PIN, trunion
41	050221	4	BLOCK, trunion pin locking
42	{ 047478 904204	4	CAPSCREW, 1/4"NC x 5/8"
		4	LOCKWASHER, 1/4"
	061457	2	TUBE, lubricating, throwout bearing (9" long. Includes adapter fitting. Serviced only as a unit)
43	{ 901722 901764 901478	2	ELBOW, pipe, street, 90°, 1/4"NPT
		2	COUPLING, pipe, 1/4"NPT
		2	NIPPLE, pipe, 1/4" x 7/8"
44	042538	2	ELBOW, throwout bearing tube (90°, 1/4"NPT male and female, long type)

STEERING CLUTCH CONTROL

1	069470	1	BRACKET ASSEMBLY, operating lever (Includes items 3 and 4)
2	{ 037573 904209	2	CAPSCREW, 5/8"NC x 2-3/4"
		2	LOCKWASHER, 5/8"
3	049994	1	SHAFT, pivot, operating levers
	069521	2	PIN, booster pivot
4	{ 900806 911100	2	PIN, cotter, 1/8" x 1"
		2	WASHER, plain, SAE std., 5/8"
5	069489	1	LEVER ASSEMBLY, operating - left (Includes item 7)
6	069490	1	LEVER ASSEMBLY, operating - right (Includes item 7)
7	052669	4	BUSHING, operating lever
8	052591	2	GRIP, operating lever
9	{ 031854 900942	2	PIN, retaining, operating lever
		2	PIN, cotter, 3/32" x 5/8"
10	058322	4	BEARING, needle, operating lever
11	053926	2	SEAL, dust, operating lever
12	064942	2	COVER, operating lever
13	068166	2	BOOSTER ASSEMBLY, operating lever (Consists of items 14 thru 18)
14	068169	2	TUBE ASSEMBLY, booster (Includes item 15)
15	052619	4	BUSHING, booster tube yoke
16	068172	2	SLEEVE, booster
17	042259	2	SPRING, booster
18	068173	2	RING, snap, booster
19	{ 052671 900806	2	PIN, booster pivot
		2	PIN, cotter, 1/8" x 1"
20	{ 068163 911049	2	BOLT, eye, booster pivot
		2	NUT, jam, 5/8"NF

(Continued)

STEERING CLUTCH CONTROL (Cont'd)

ITEM NUMBER	PART NUMBER	QTY.	DESCRIPTION	KIT NUMBER
21	068165	2	BOOT, booster	
22	051819	2	CLAMP, hose, adjustable, 1-7/8" diam. to 2-3/4" diam.	
23	059850	2	CLAMP, hose, adjustable, 1-9/16" diam. to 2-9/16" diam.	
24	{ 067865 911044	2	ROD ASSEMBLY, control (Each includes 2 BUSHINGS 052619)	
25	052620	2	YOKE ASSEMBLY, control rod (Each includes 2 BUSHINGS 052619)	
26	052619	8	BUSHING, yoke	
27	{ 052671 900806	4	PIN, control rod yoke	
		4	PIN, cotter, 1/8" x 1"	
28	067623	2	LEVER ASSEMBLY, control rod (Each includes 1 BUSHING 052669)	
29	{ 035892 911043 904208	2	CAPSCREW, 1/2"NF x 2-1/2"	
		2	NUT, 1/2"NF	
		2	LOCKWASHER, 1/2"	
30	052669	2	BUSHING, control rod lever	
31	067622	2	SHAFT, lever	
32	067619	2	CAGE, lever shaft bearing	
33	{ 035073 904208	4	CAPSCREW, 1/2"NF x 1-3/4"	
		4	LOCKWASHER, 1/2"	
34	051513	4	BEARING, needle, lever shaft	
35	053926	4	SEAL, dust, lever shaft bearing	
36	057842	2	LEVER - lower	
	035892	2	CAPSCREW, 1/2"NF x 2-1/2"	
37	{ 911043 904208	2	NUT, 1/2"NF	
		2	LOCKWASHER, 1/2"	
38	-----	-	YOKE ASSEMBLY (See STEERING CLUTCH)	
39	-----	-	COVER (See STEERING CLUTCH AND FINAL DRIVE HOUSING)	