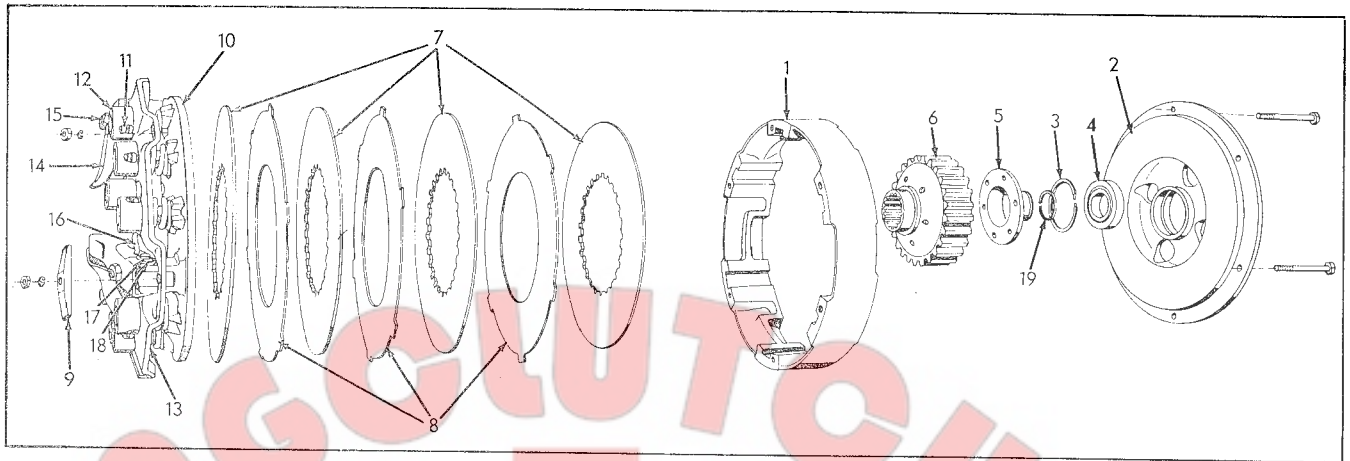


BRAKE PEDALS & STEERING CLUTCH LEVER

ITEM	PART NUMBER	QTY.	DESCRIPTION	ASSEMBLY OR PACKAGE NO.
1	233825	1	PEDAL, brake, L.H.	
	233830	1	PEDAL, brake, R.H.	
2	233831	2	SHAFT, brake pedal	
			1 919390	WASHER
			1 900808	PIN, cotter
3	233834	2	ROD, brake	
			1 917666	YOKE, rod end
			1 913177	NUT, jam
			1 917648	PIN, yoke
			2 900806	PIN, cotter
			2 912233	WASHER, plain
4	233821	1	SHAFT ASSY., L.H.	
	233824	1	SHAFT ASSY., R.H.	
5	234339	1	LEVER, clutch hand L.H.	
	234340	1	LEVER, clutch hand R.H.	
			1 905850	KEY
			1 921525	CAPSCREW
			1 910577	CAPSCREW
			1 913744	NUT, jam



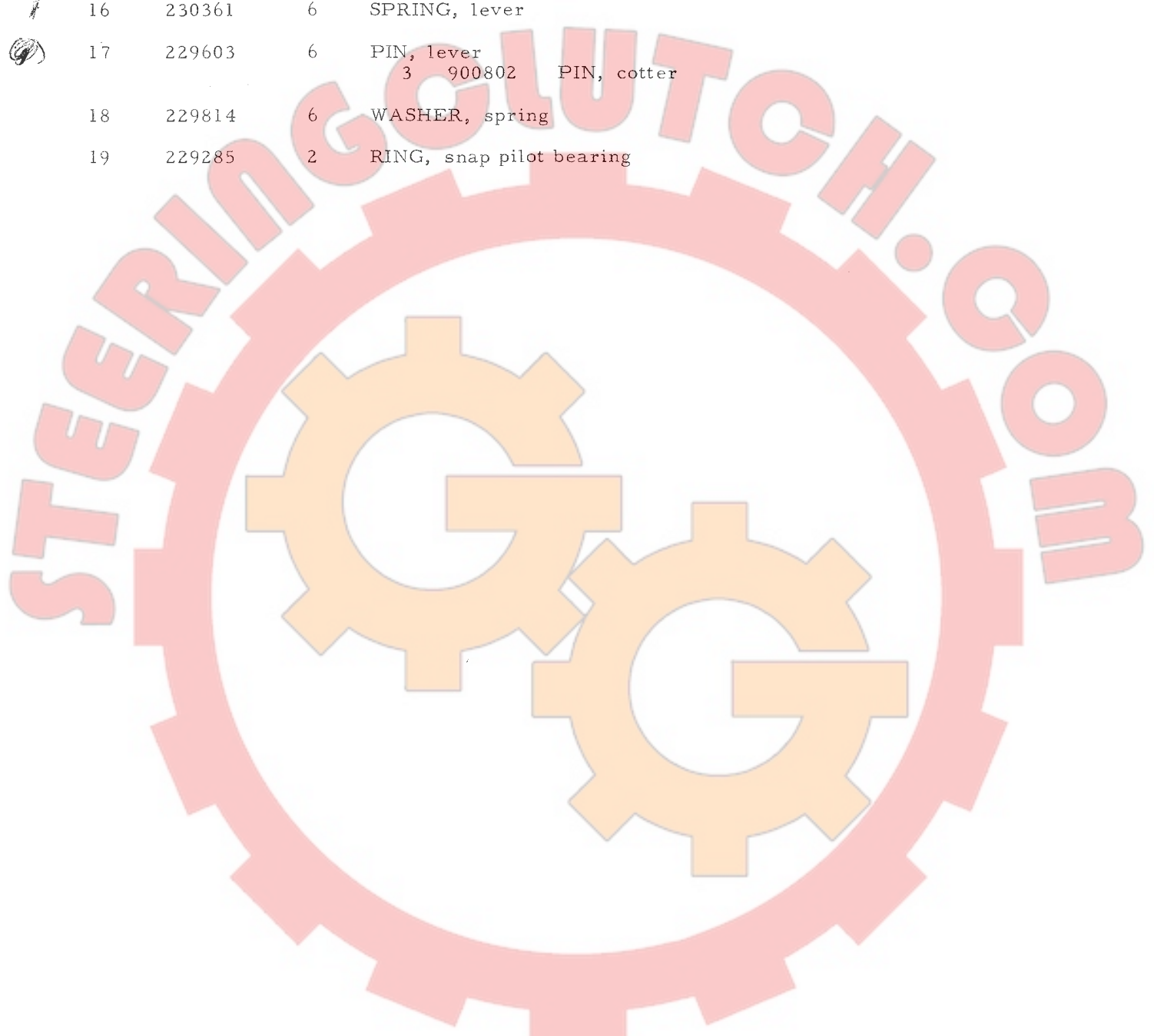
STEERING CLUTCH

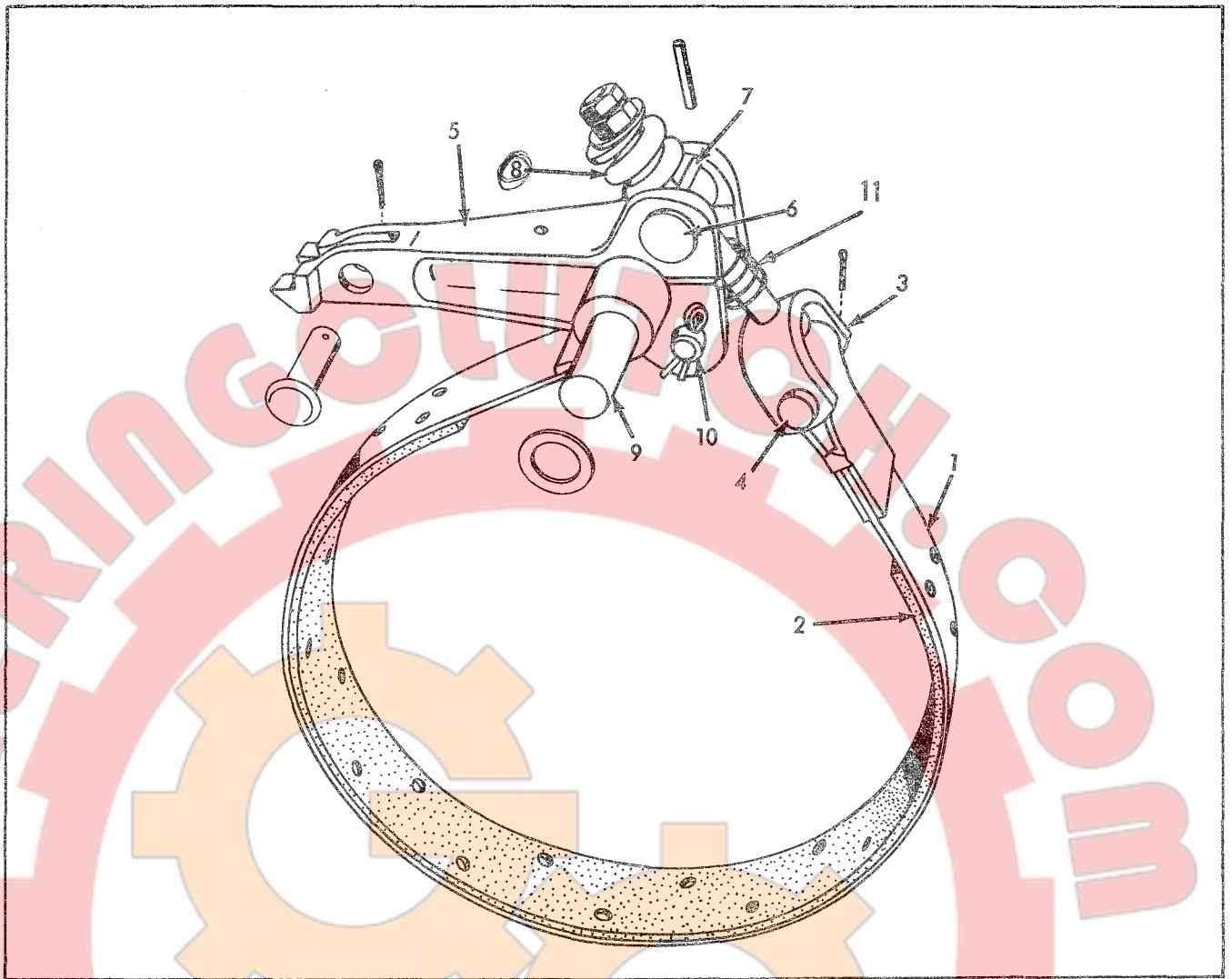
ITEM	PART NUMBER	QTY.	DESCRIPTION	ASSEMBLY OR PACKAGE NO.
-	0254685-1	2	CLUTCH ASSY., steering (Replaces 233879)	
1	0252552-5	2	DRUM, brake (Replaces 233880)	
2	0252551-7	2	FLYWHEEL, clutch (Replaces 233881)	
		3	0918062-1 CAPSCREW (Replaces 921077)	
		3	0926696-6 NUT (Replaces 919441)	
3	233882	2	RING, snap	
4	233883	2	BEARING, pilot	
5	233884	2	PILOT, bearing	
		6	915813 CAPSCREW	
		6	904205 LOCKWASHER	
6	233885	2	HUB, driving, disc.	
7	233887	8	DISC, driving	
	1003719-0	8	DISC, driving (Used w/233717)	
8	233886	6	DISC, driven	
9	0252546-7	6	CLAMP, pressure plate (Replaces 233890)	
		3	0926153-8 CAPSCREW (Replaces 921321)	
		3	0926696-6 NUT (Replaces 910323)	
10	230423	2	PLATE, pressure	
	233888	2	PLATE ASSY., pressure (Incl. items 11 thru 18 & SEAT & CLIP)	
11	233889	18	SPRING, pressure	
12	234073	18	CUP, spring	
13	230428	2	PLATE ASSY., back (Incl. SEAT)	
14	230380	6	LEVER, release	

Continued

STEERING CLUTCH (Cont'd)

ITEM	PART NUMBER	QTY.	DESCRIPTION	ASSEMBLY OR PACKAGE NO.
15	229601	6	SCREW, adjusting 3 910876 NUT	
16	230361	6	SPRING, lever	
17	229603	6	PIN, lever 3 900802 PIN, cotter	
18	229814	6	WASHER, spring	
19	229285	2	RING, snap pilot bearing	





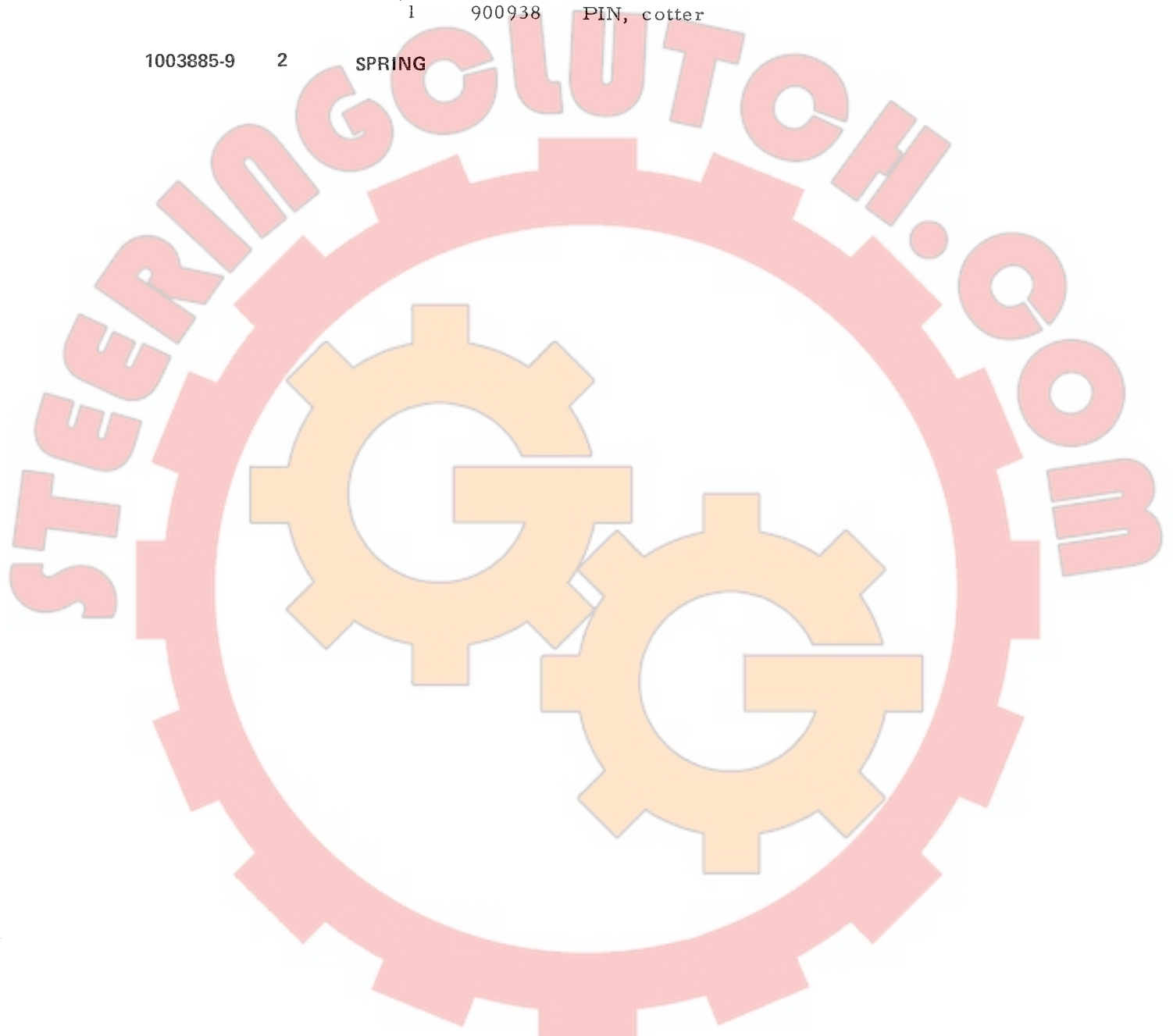
BRAKE BAND & ARM

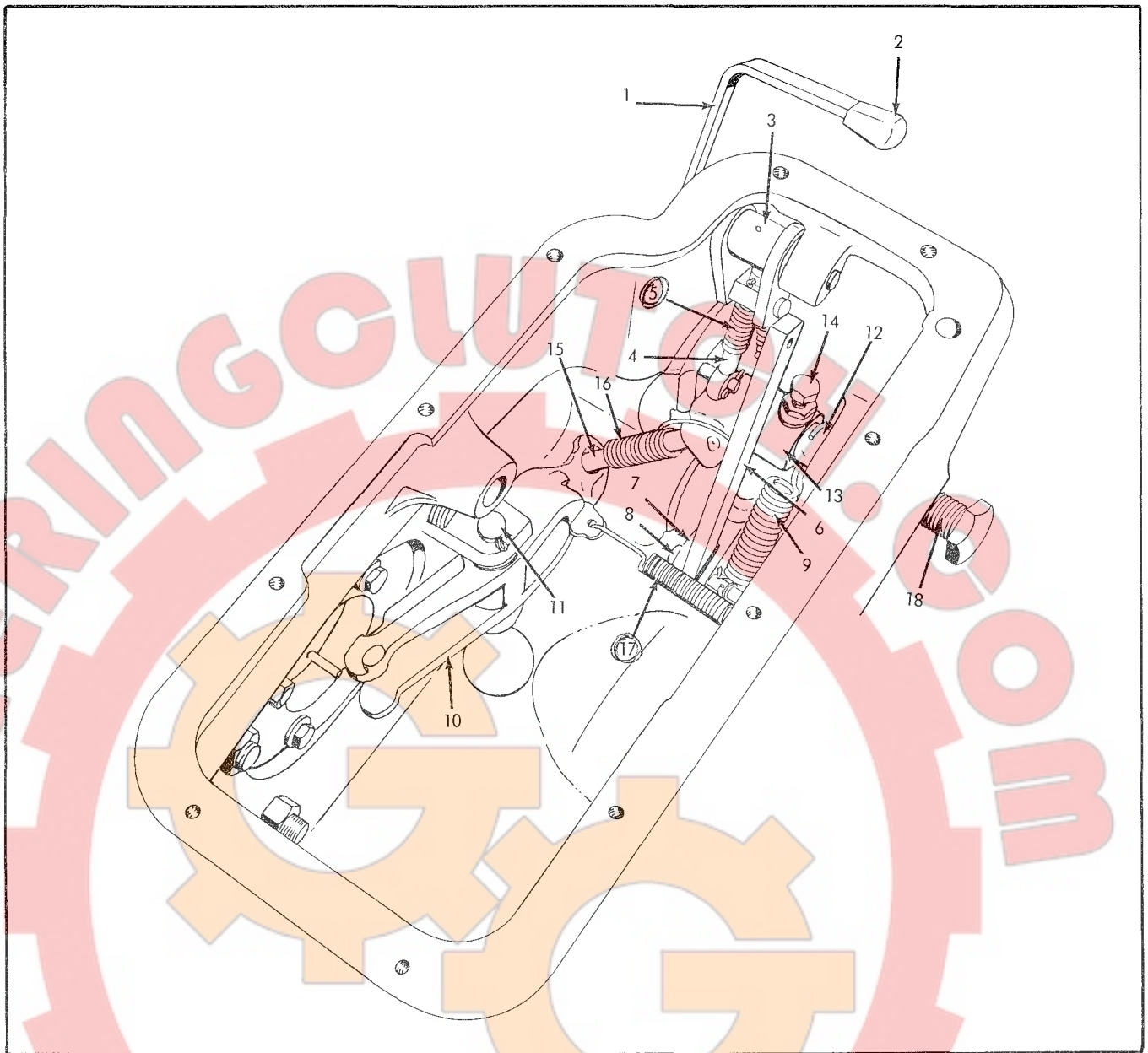
ITEM	PART NUMBER	QTY.	DESCRIPTION	ASSEMBLY OR PACKAGE NO.
1	1003881-8	2	BAND ASSY., brake (Incl. Item 2) (Replaces 240876)	
2	0240877-1	2	LINING, brake	240878
3	233807	2	YOKE ASSY. (Incl. BOLT) 1 913744 NUT, jam 1 916951 NUT 1 917379 WASHER	
4	233810	2	PIN, yoke 1 900938 PIN, cotter	
5	233811	2	ARM, brake 1 921373 PIN, link 1 900938 PIN, cotter	
6	233812	2	PIN, yoke, brake arm	
7	233813	2	PLATE, lock	
8	233814	2	SPRING	

Continued

BRAKE BAND & ARM (Cont'd.)

ITEM	PAF NUMBER	QTY.	DESCRIPTION	ASSEMBLY OR PACKAGE NO.
9	233815	2	SHAFT, brake anchor	
		3	915714 WASHER, plain	
		1	916937 PIN, roll	
10	233816	2	PIN, brake arm	
		1	900938 PIN, cotter	
	1003885-9	2	SPRING	





BRAKE LINKAGE & CLUTCH SHIFTER

ITEM	PART NUMBER	QTY.	DESCRIPTION	ASSEMBLY OR PACKAGE NO.
1	233844	1	LEVER ASSY., brake latch, L.H.	
	233847	1	LEVER ASSY., brake latch, R.H.	
2	229816	2	KNOB, lever brake latch	
3	233843	1	LATCH ASSY., brake, R.H.	
	233838	1	LATCH ASSY., brake, L.H.	
		1	916936 PIN, roll	

Continued

BRAKE LINKAGE & CLUTCH SHIFTER (Cont'd.)

ITEM	PART NUMBER	QTY.	DESCRIPTION	ASSEMBLY OR PACKAGE NO.
4	233836	2	ROD, end	
			1 921894 PIN, pivot	
			1 900806 PIN, cotter	
			1 918994 WASHER, plain	
			1 904001 PIN, cotter	
5	233837	2	SPRING, rod end	
6	233817	2	LINK	
			1 921373 PIN, link	
			1 900938 PIN, cotter	
7	233818	2	LEVER, brake link	
			1 904208 LOCKWASHER	
			1 904541 CAPSCREW	
8	233819	2	PIN, brake lever	
			2 900938 PIN, cotter	
			1 912007 WASHER, plain	
9	240356	2	SPRING, brake return (Supersedes 233820 and 236855)	
10	0236882-7	1	FORK, clutch, R. H. (Replaces 233895)	
	0236881-9	1	FORK, clutch, L. H. (Replaces 233894)	
11	233896	2	PIN, pivot clutch fork	
			1 900808 PIN, cotter	
12	233897	2	SHAFT, hand lever	
			1 905125 KEY, woodruff	
13	0236877-7	1	LEVER, fork, L. H. (Replaces 233898)	
	0236878-5	1	LEVER, fork, R. H. (Replaces 233899)	
14	235403	2	SETSCREW, fork lever	
			1 921893 NUT, jam	
15	233900	2	STILT, shifter clutch	
16	233901	2	SPRING, stilt	
17	233902	2	SPRING, fork return	
18	233907	2	SCREW, adjusting	
			1 910098 NUT, jam	