



22-B MACHINE No 23343

WARNING
IF YOU WANT PARTS
THAT WILL FIT GIVE
SERIAL NUMBER OF MACHINE



22-B MACHINE No 23343

WARNING

**IF YOU WANT PARTS
THAT WILL FIT GIVE
SERIAL NUMBER OF MACHINE**

Instructions for Ordering Parts

The drawings in this catalog are of general application to machines of this model and may not show your machine accurately in all details. We will furnish parts to fit the machine of which you give the shop number, even if some of the illustrations do not show them quite as they actually appear on the machine.

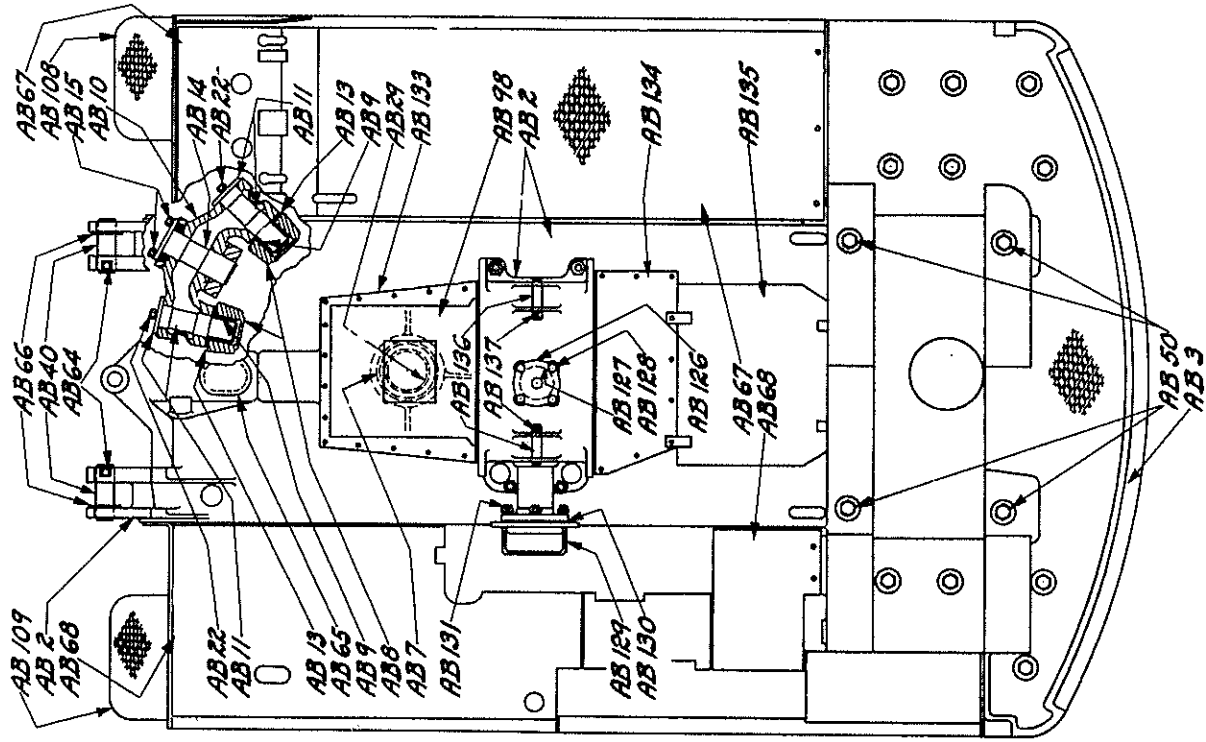
As you stand at the engine and face toward the boom, parts to the right are called "right hand" and those to the left are called "left hand". The boom end of the machine is called "front," and the engine end is called "rear". The driving tumblers are at the rear end of the Cats.

Each part, and in some cases groups of parts and units, is given a Number and Name for use when ordering by letter or telephone, and a Code Word for use when ordering by telegraph.

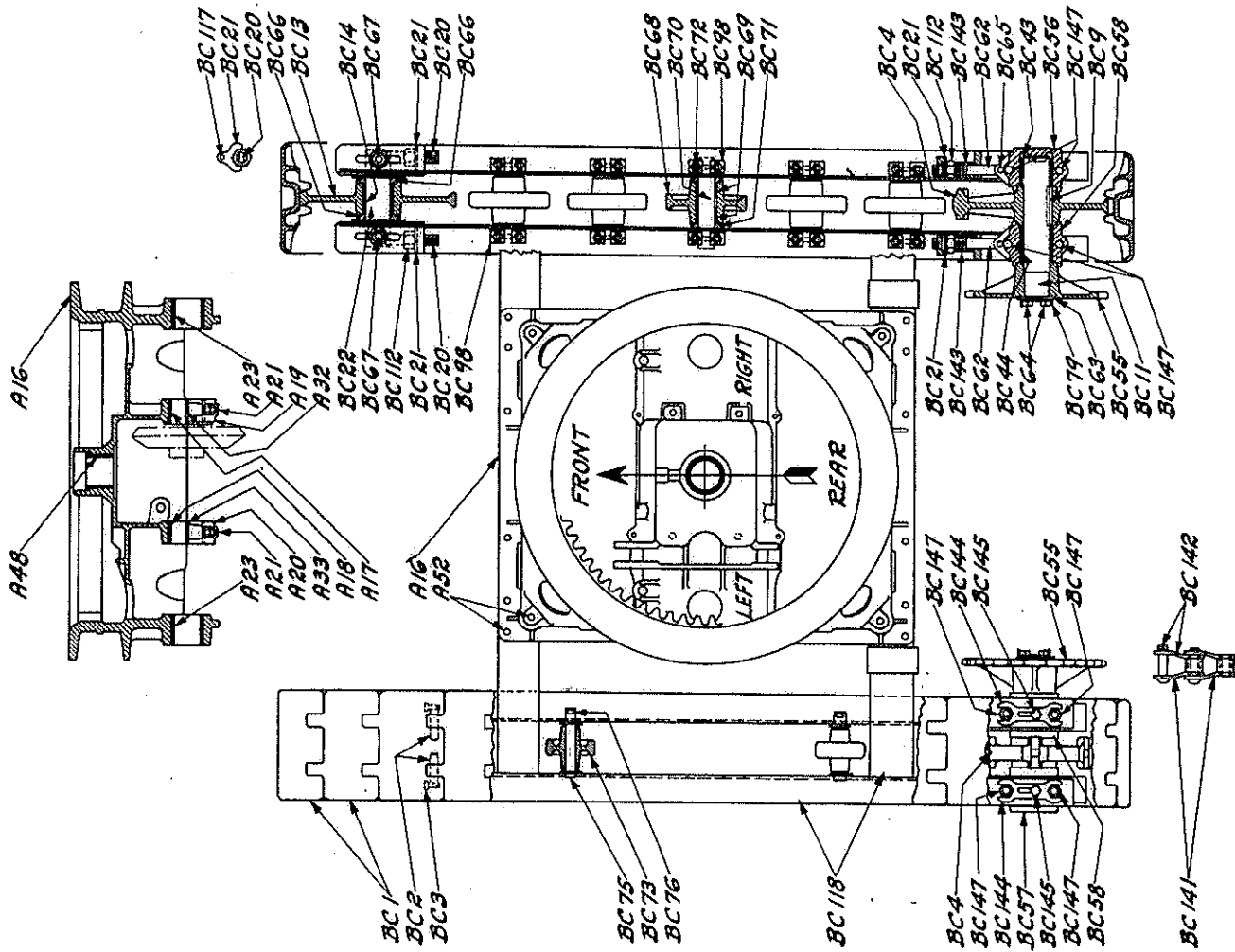
When ordering parts please give the following information

- 1—Either the Number and Name of the Part, or the Code Word.
- 2—The Quantity Wanted.
- 3—The Shop Number Found on the Name Plate Attached to the Machine.
- 4—The Destination and Method of Shipment. State whether shipment is to be made by freight, express or parcel post. Mention any special routing or invoicing instructions.
- 5—When ordering parts for dragline and clam-shell buckets, engines, light plants, electric motors, etc., give the serial numbers appearing on the name plates attached to them.

Bucyrus-Erie Company



CODE	NUMBER AND NAME
ABHBE	Front frame casting (includes AB7 and AB29)
ABHTEH	Rear end casting
ABHOS	Center bushing
ABHQU	Roller (1 only—includes AB9)
ABHUY	Roller bushing
ABHXA	Roller frame
ABHYB	Roller pin (1 only)
ABIBD	Roller washer (1 only)
ABICE	Roller frame pin
ABIDF	Roller frame pin lock (1 only)
ABIKN	Roller pin lock (1 only)
ABIRU	Propelling shaft upper bushing
ABJGI	Boom foot pin (1 only)
ABKNO	Boom foot pin lock (1 only)
ABMON	Rear casting bolts (set)
ABMPO	Hand hole cover
ABMUT	Boom foot pin washer (1 only)
ABMVU	Right deck plate complete
ABMYX	Left deck plates complete (set)
ABOSP	Front oil pan cover
ACZVI	Right step
ACZYL	Left step
CETFY	Vertical swing shaft bearing retainer
CETHA	Retainer gasket
CETIB	Retainer cap screw (1 only)
CETLE	Horizontal swing shaft bearing housing
CETOH	Housing gasket
CETPI	Housing bolts (set)
CETVO	Oil pan frame
CETYR	Rear oil pan cover
CEUAS	Rear cover plate
CEUBT	Brake anchor pin (1 only)
CEUCU	Anchor pin lock (1 only)



CODE	NUMBER AND NAME
ABAPA	A16 Truck frame casting — includes bushings, caps and cap bolts
ABARC	A17 Lower shaft right bushing (2 halves)
ABASD	A18 Lower shaft left bushing (2 halves)
ABATE	A19 Lower shaft right cap
ABAUJ	A20 Lower shaft left cap
ABAVG	A21 Cap bolt (1 only)
ABAXI	A22 Clutch shaft bushing (1 only)
ABBQA	A23 Right bearing shims (set)
ABBUE	A32 Left bearing shims (set)
ABDIR	A48 Vertical shaft lower bushing
ABDSA	A52 Truck frame foundation bolts (set)
ABOVS	BC1 Track link
ABOWT	BC2 Track link pin (1 only)
ABOXU	BC3 Link pin lock (1 only)
ABOYV	BC4 Driving tumbler
ABPIE	BC9 Driving tumbler key
ABPOK	BC11 Driving tumbler shaft
ABPUQ	BC18 Take-up tumbler (includes BC14)
ABPYU	BC14 Take-up tumbler bushing
ABQNI	BC20 Take-up screw (1 only—includes BC112)
ABQOJ	BC21 Nut lock
ABQTO	BC22 Take-up shaft
ABSUN	BC43 Tumbler shaft outer bushing
ABSVO	BC44 Tumbler shaft inner bushing
ABTYQ	BC55 Chain sprocket
ABUAR	BC56 Right outside bearing (includes BC43)
ABUES	BC57 Left outside bearing (includes BC43)
ABUCT	BC58 Inside bearing (includes BC44)
ABUGY	BC62 Propelling chain adj. screw (1 only—includes BC112)
ABUHZ	BC63 Chain sprocket retainer
ABUJA	BC64 Retainer cap screw (1 only)
ABUKB	BC65 Adjusting screw pin
ABULC	BC66 Take-up tumbler dust shield (1 only)
ABUMD	BC67 Take-up shaft bolt (1 only)
ABUNE	BC68 Lower roller (includes BC69)
ABUOF	BC69 Lower roller bushings (set of 2)
ABUPG	BC70 Lower roller shaft
ABUQH	BC71 Lower roller dust shield (1 only)
ABURI	BC72 Lower roller shaft U-bolt (1 only)
ABUSJ	BC73 Upper roller
ABUUL	BC75 Upper roller shaft
ABUVM	BC76 Upper roller shaft lock
ABUYJ	BC79 Retainer cap screw lock
ABWUJ	BC98 U-bolt bevel washer (1 only)
ABYGU	BC112 Take-up nut (1 only)
ABYLZ	BC117 Lock bolt
ABYNA	BC118 Welded cat frame complete
ACAAM	BC141 Propelling chain (1 only)
ACAEN	BC142 Propelling chain link (includes pin, bushing and roller)
ACACO	BC143 Adjusting screw spacer
ACADP	BC144 Bearing bolt nut lock (1 only)
ACAER	BC145 Lock cap screw
ACAGT	BC147 Bearing bolt (1 only)