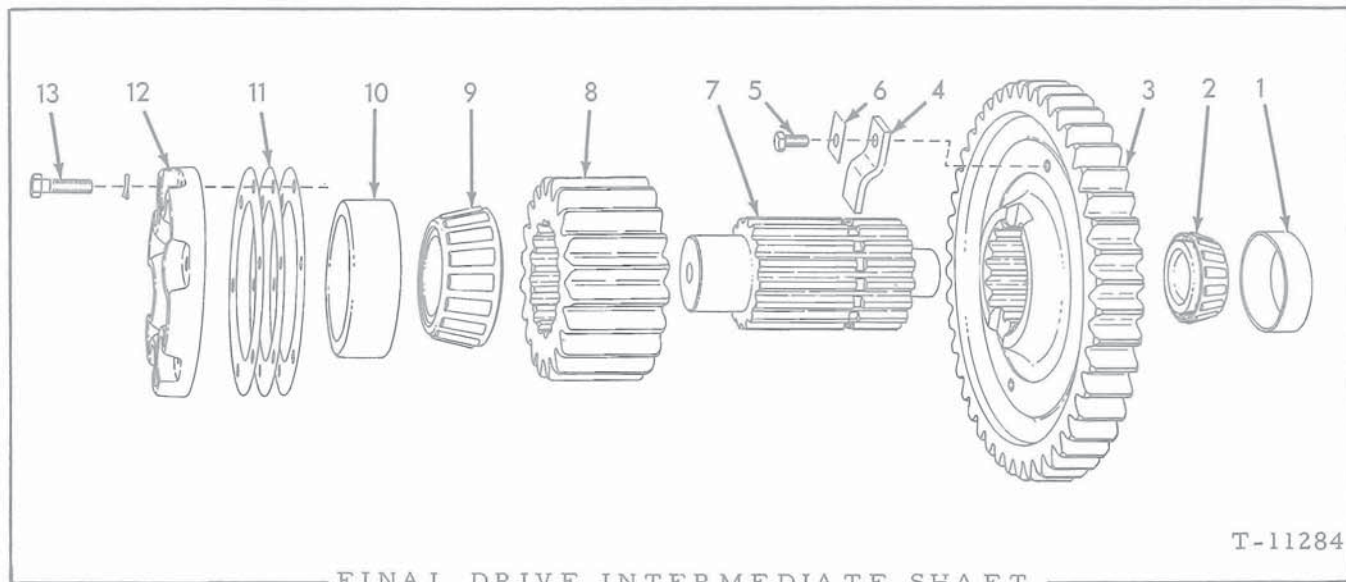
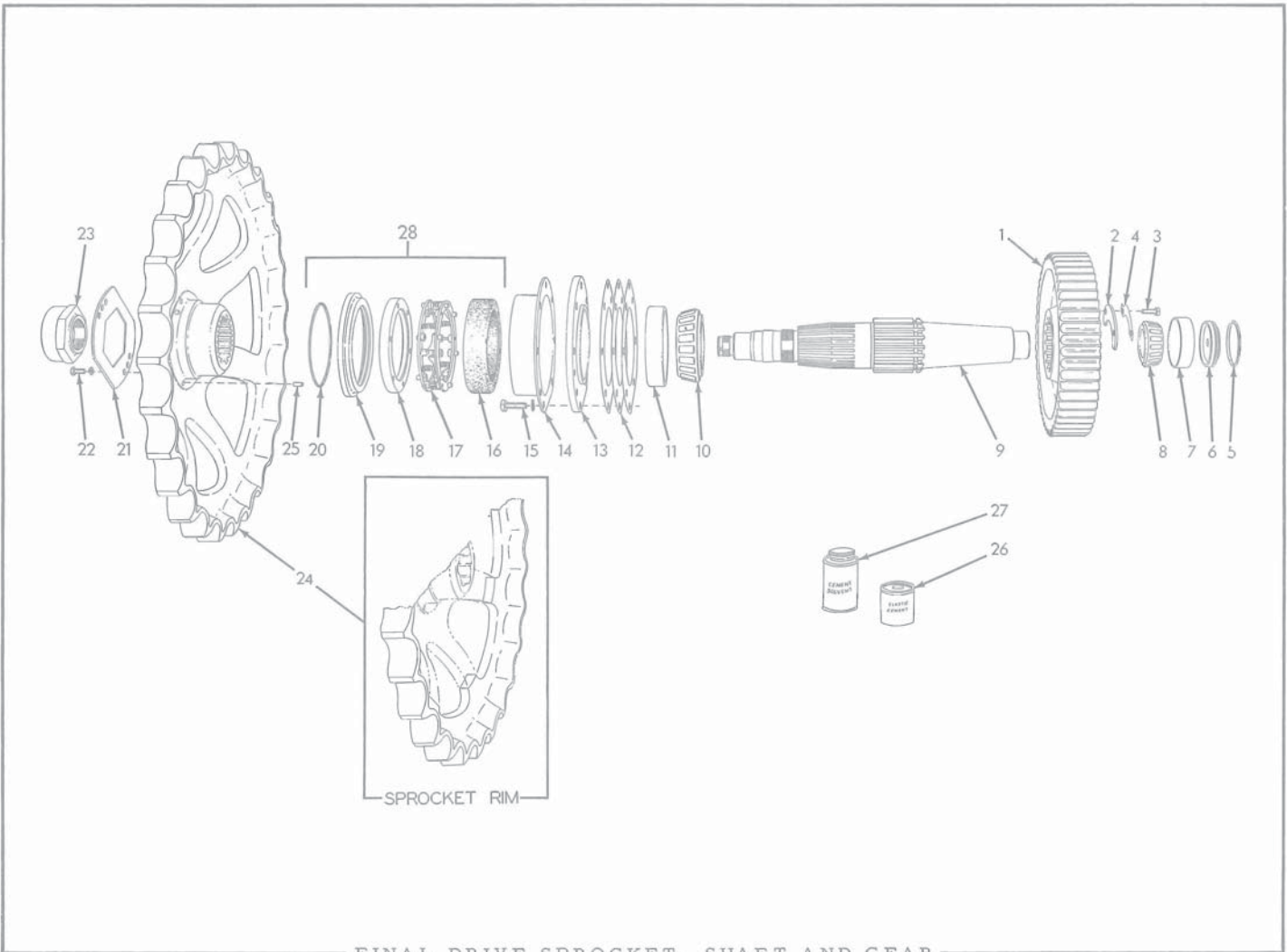


| ITEM | PART NO. | QTY. | DESCRIPTION |
|------|--------------------|------|--|
| 1 | 647868 | 2 | DRUM, brake |
| 2 | 049937 | 2 | HUB, brake drum |
| 3 | 650835 | 16 | BOLT, self-locking, 1/2"NC x 1" |
| 4 | 050264 | 2 | SEAL, oil (neoprene) |
| 5 | 630045 | 2 | CAPSCREW, hub retaining (1"NF x 1-3/4") |
| 6 | 651745 | 2 | WASHER, locking, hub retaining capscREW |
| 7 | 637932 | 2 | WASHER ASSEMBLY, hub retaining (Includes item 8) |
| 8 | 035793 | 2 | PIN, hub retaining washer |
| 9 | 053670 | 2 | SEAL, oil |
| 10 | 629675 | 2 | CAGE, inner bearing (If for tractors prior to #14882 also order GASKET 629672) |
| 11 | 922211 | 12 | CAPSCREW, Nylok, 3/8"NC x 1-1/4" |
| | 904206 | 12 | LOCKWASHER, 3/8" |
| 12 | { 051245 629672 | 2 | □ GASKET, inner bearing cage (Used prior to tractor #14882) |
| | | 2 | GASKET, inner bearing cage (Effective with tractor #14882) |
| 13 | 063912 | 2 | BEARING, roller, inner |
| 14 | 049945 | 2 | SHAFT |
| 15 | 040831 | 2 | RING, snap, intermediate bearing |
| 16 | 063912 | 2 | BEARING, roller, intermediate |
| 17 | 049899 | 2 | RING, snap, pinion shaft |
| 18 | 049881 | 2 | PINION (20 teeth) |
| 19 | 050273 | 2 | BEARING, roller, outer |
| 20 | 049903 | 2 | □ GASKET, outer bearing cover |
| 21 | 049818 | 2 | COVER, outer bearing |
| 22 | 013058 | 8 | CAPSCREW, 3/8"NC x 1-1/4" |
| | 904206 | 8 | LOCKWASHER, 3/8" |



* Standard
 ** Optional. Used to reduce final drive loads and to increase tractor speed from 5.5 MPH to 5.8 MPH

| ITEM | PART NO. | QTY. | | DESCRIPTION |
|------|----------|------|----|---|
| | | * | ** | |
| 1 | 050275 | 2 | 2 | CUP, inner bearing |
| 2 | 064200 | 2 | 2 | CONE ASSEMBLY, inner bearing |
| 3 | 068501 | 2 | - | GEAR (44 teeth) |
| | 628824 | - | 2 | GEAR (44 teeth) |
| 4 | 049829 | 4 | - | LOCK, gear retaining |
| | 628815 | - | 4 | LOCK, gear retaining |
| 5 | 035244 | 4 | 4 | CAPSCREW, 3/8"NC x 3/4" |
| 6 | 049936 | 4 | 4 | LOCK, cap screw |
| 7 | 051246 | 2 | - | SHAFT |
| | 630778 | - | 2 | SHAFT |
| 8 | 049886 | 2 | - | PINION (20 teeth) |
| | 628107 | - | 2 | PINION (19 teeth)(Requires use of 46-tooth sprocket shaft gear. See page 153) |
| 9 | 051438 | 2 | 2 | CONE ASSEMBLY, outer bearing |
| 10 | 051347 | 2 | 2 | CUP, outer bearing |
| 11 | 051450 | 4 | 4 | SHIM, bearing adjustment (.005" thick) |
| | 051448 | 4 | 4 | SHIM, bearing adjustment (.007" thick) |
| | 051449 | 10 | 10 | SHIM, bearing adjustment (.010" thick) |
| | | | | } Use as req'd. |
| 12 | 051243 | 2 | 2 | COVER, outer bearing |
| 13 | 013058 | 12 | 12 | CAPSCREW, 3/8"NC x 1-1/4" |
| | 904206 | 12 | 12 | LOCKWASHER, 3/8" |



FINAL DRIVE SPROCKET, SHAFT AND GEAR

FINAL DRIVE SPROCKET, SHAFT AND GEAR

* Tractors prior to serial No. 13595
 ** Tractors serial No. 13595 and up

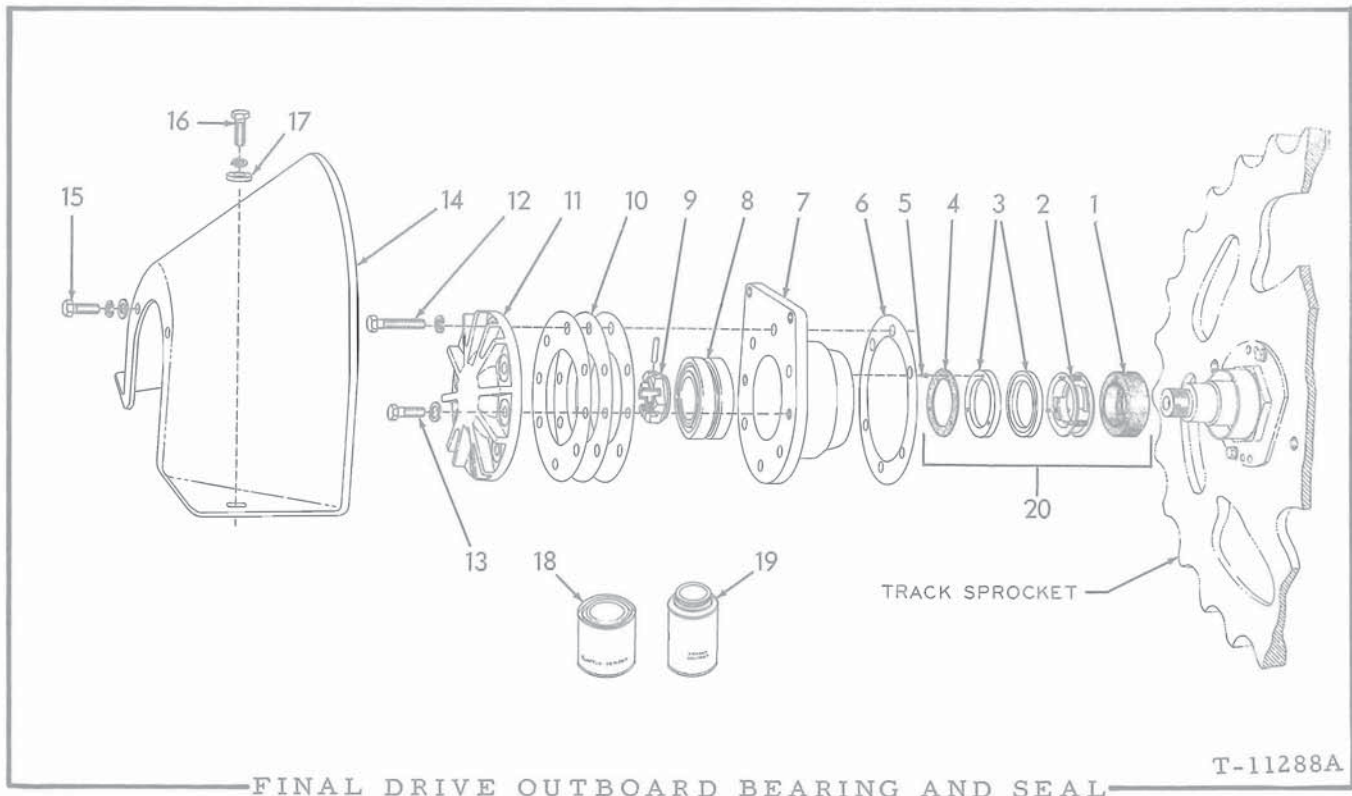
| ITEM | PART NO. | QTY. | | DESCRIPTION |
|------|----------|------|----|---|
| | | * | ** | |
| 1 | 051400 | 2 | 2 | GEAR (51 teeth) (Standard equipment) |
| | 628108 | 2 | 2 | GEAR (46 teeth) (Special, Used only with 19-tooth pinion. See page 151) |
| 2 | 051395 | 2 | 2 | LOCK, gear retaining |
| 3 | 036034 | 4 | 4 | CAPSCREW, 3/8"NF x 1" |
| 4 | 051396 | 2 | 2 | LOCK, capscrew |
| 5 | 034108 | 2 | 2 | RING, sealing, shaft end cover |
| 6 | 091325 | 2 | 2 | COVER, shaft end, inner |
| 7 | 210740 | 2 | 2 | CUP, inner bearing |
| 8 | 043491 | 2 | 2 | CONE ASSEMBLY, inner bearing |
| 9 | 080954 | 2 | - | SHAFT, track sprocket (6 splines) |
| | 621238 | - | 2 | SHAFT, track sprocket (20 splines) |
| 10 | 050278 | 2 | - | CONE ASSEMBLY, intermediate bearing |
| | 054246 | - | 2 | CONE ASSEMBLY, intermediate bearing |
| 11 | 050276 | 2 | 2 | CUP, intermediate bearing |
| 12 | 051240 | 4 | 4 | SHIM, bearing adjustment (.005" thick) |
| | 051241 | 4 | 4 | SHIM, bearing adjustment (.007" thick) |
| | 051242 | 16 | 16 | SHIM, bearing adjustment (.010" thick) |
| 13 | 051244 | 2 | 2 | RETAINER, intermediate bearing |
| 14 | 049851 | 2 | 2 | GUARD, inner seal |
| 15 | 035190 | 16 | 16 | CAPSCREW, 1/2"NC x 1-1/2" |
| | 904208 | 16 | 16 | LOCKWASHER, 1/2" |
| 16 | 049826 | 2 | 2 | □BOOT, inner seal |
| 17 | 049825 | 2 | 2 | □FOLLOWER ASSEMBLY, inner seal (Serviced only as a unit) |
| 18 | 096158 | 2 | 2 | □RING, inner seal (stationary) |
| 19 | 096159 | 2 | 2 | □RING, inner seal (rotating) |
| 20 | 923825 | 2 | 2 | □O-RING, seal ring |
| 21 | 096155 | 2 | - | LOCK, sprocket retaining nut |
| | 621243 | - | 2 | LOCK, sprocket retaining nut |
| 22 | 035439 | 4 | 4 | CAPSCREW, 3/8"NC x 1" |
| | 904206 | 4 | 4 | LOCKWASHER, 3/8" |
| 23 | 081369 | 2 | - | NUT, sprocket retaining |
| | 621241 | - | 2 | NUT, sprocket retaining |

Use as req'd.

□ Indicates components of item 28
 (Continued)

FINAL DRIVE SPROCKET, SHAFT AND GEAR (Continued)

| ITEM | PART NO. | QTY. * ** | DESCRIPTION | |
|------|----------|--------------|--|---|
| 24 | 096146 | 2 - | SPROCKET ASSEMBLY, track (Standard) | } 6-spline type. Each includes item 25 |
| | 096167 | 2 - | SPROCKET ASSEMBLY, track (Special. Has narrow tooth-base to minimize packing of track) | |
| | 622623 | - 2 | SPROCKET ASSEMBLY, track (Standard) | } 20-spline type. Each includes item 25 |
| | 629274 | - 2 | SPROCKET ASSEMBLY, track (Special. Has narrow tooth-base to minimize packing fo track) | |
| | 629269 | 2 2 | SPROCKET RIM only (Standard type. Requires welding to install) | |
| 25 | 042930 | 6 6 | PIN, driving, inner seal ring | |
| 26 | 033288 | - - | CEMENT, neoprene, 1/2 pt. can | } For cementing seal boots |
| 27 | 054890 | - - | SOLVENT, neoprene cement, 1/2 pt. can | |
| 28 | 096278 | 2 2 | SEAL KIT (Includes parts for one (1) side only; items 16 thru 20) | |

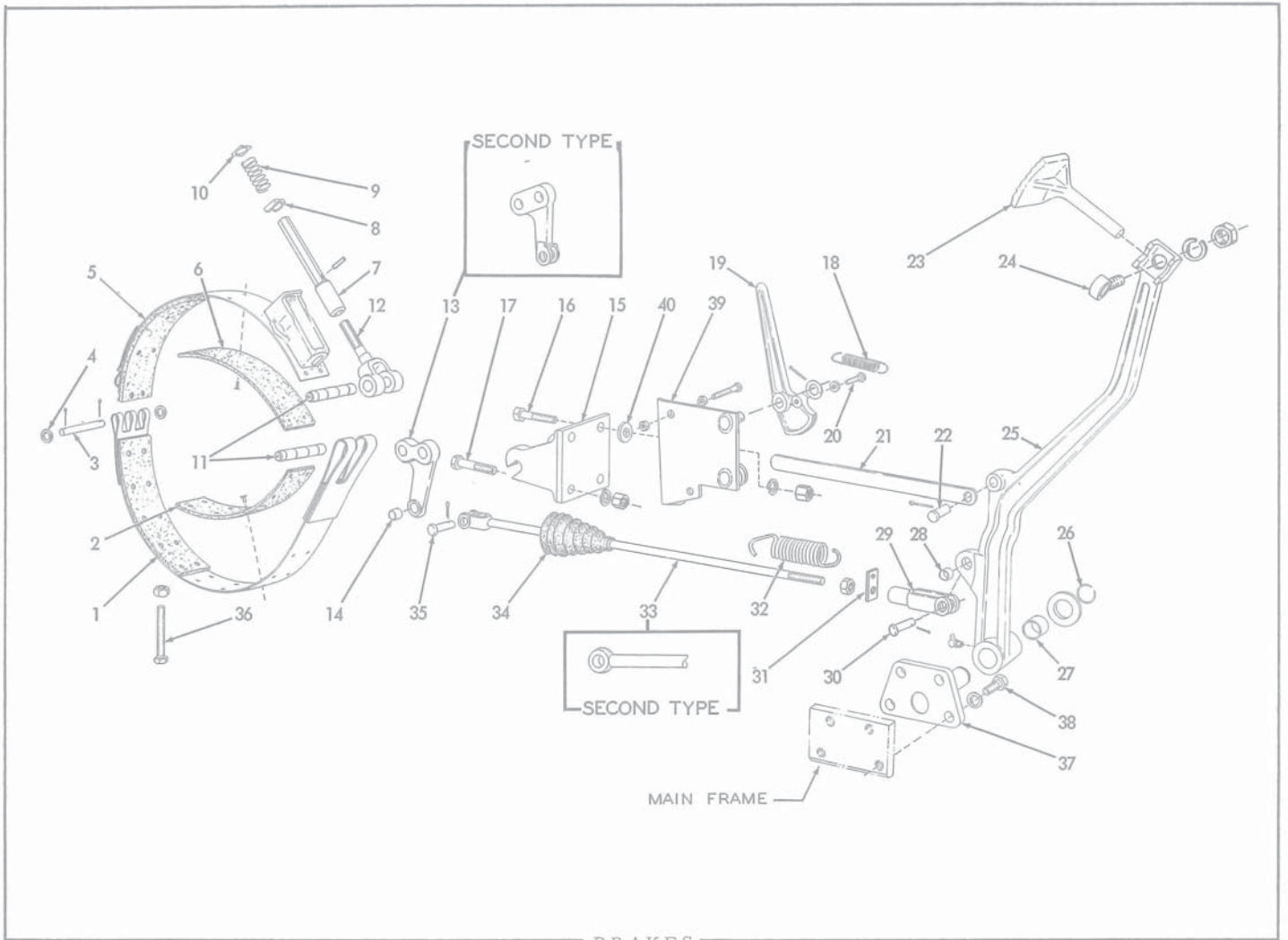


FINAL DRIVE OUTBOARD BEARING AND SEAL

* Tractors prior to serial No. 13595
 ** Tractors serial No. 13595 and up

| ITEM | PART NO. | QTY. | | DESCRIPTION | |
|------|----------|------|----|--|-----------------------------------|
| | | * | ** | | |
| 1 | 049109 | 2 | - | □BOOT, seal | |
| | 051112 | - | 2 | □BOOT, seal | |
| 2 | 049111 | 2 | - | □SPRING ASSEMBLY, seal (Serviced only as a unit) | |
| | 051121 | - | 2 | □SPRING ASSEMBLY, seal (Serviced only as a unit) | |
| 3 | 049110 | 4 | - | □RING, seal | |
| | 051124 | - | 4 | □RING, seal | |
| 4 | 049836 | 2 | - | □GASKET, seal ring | |
| | 051125 | - | 2 | □GASKET, seal ring | |
| 5 | 081194 | 6 | 6 | STUD, locating, seal ring (Rivets to cage) | |
| 6 | 085726 | 12 | 12 | SHIM, outboard bearing cage (.015" thick. Use as req'd) | |
| 7 | 085834 | 2 | - | CAGE ASSEMBLY, outboard bearing (Includes item 5) | |
| | 621245 | - | 2 | CAGE ASSEMBLY, outboard bearing (Includes item 5) | |
| 8 | 629354 | 2 | 2 | BEARING, roller (Each consists of 1 roller assembly and cups. Serviced only as a unit) | |
| 9 | 081242 | 2 | 2 | NUT, retaining, outboard bearing | |
| | 915513 | 2 | 2 | PIN, spring, 1/4" x 3/4" | |
| 10 | 085827 | 4 | 4 | SHIM, bearing adjustment (.005" thick) | } Use as req'd. |
| | 085829 | 4 | 4 | SHIM, bearing adjustment (.007" thick) | |
| | 085828 | 10 | 10 | SHIM, bearing adjustment (.010" thick) | |
| 11 | 085831 | 2 | 2 | CAP, outboard bearing | |
| 12 | 035068 | 12 | 12 | CAPSCREW, 1/2"NF x 2-1/4" | |
| 13 | 035525 | 4 | 4 | CAPSCREW, 1/2"NF x 1-1/8" | |
| | 904208 | 16 | 16 | LOCKWASHER, 1/2" | |
| 14 | 633559 | 2 | 2 | GUARD, track sprocket (Tractors prior to #15620) | |
| | 631973 | - | 2 | GUARD, track sprocket (Tractors #15620 and up) | |
| 15 | 070469 | 4 | 4 | CAPSCREW, 1/2"NF x 1-1/4" | |
| 16 | 900818 | 4 | 4 | WASHER, plain, U.S. std., 1/2" | |
| | 614478 | 4 | 4 | CAPSCREW, 1/2"NF x 1-3/8" (Early units) | |
| | 035073 | - | 4 | CAPSCREW, 1/2"NF x 1-3/4" (Late units) | |
| | 904208 | 8 | 8 | LOCKWASHER, 1/2" | |
| 17 | 064531 | 4 | 4 | WASHER, plain | |
| 18 | 033288 | - | - | CEMENT, neoprene, 1/2 pt. can | } For cementing boots and gaskets |
| 19 | 054890 | - | - | SOLVENT, neoprene cement, 1/2 pt. can | |
| 20 | 073763 | 2 | - | SEAL KIT (Includes parts for one (1) side only; items 1 thru 4) | |
| | 660382 | - | 2 | SEAL KIT (Includes parts for one (1) side only; items 1 thru 4) | |

□ Indicates components of item 20



BRAKES

BRAKES

* Tractors prior to serial No. 18571 (2-1/2" brakes)
 ** Tractors serial No. 18571 and up (4" brakes)

| ITEM | PART NO. | QTY. | | DESCRIPTION |
|------|----------|------|----|---|
| | | * | ** | |
| 1 | 622820 | 2 | - | BAND ASSEMBLY, lower half (Includes lining) |
| | 643767 | - | 2 | BAND ASSEMBLY, lower half (Includes lining) |
| 2 | ----- | 4 | - | LINING, lower band (Order item 41) |
| | 911097 | 36 | - | RIVET, tubular, brass, flat-hd., 3/16" x 3/8" |
| | 911098 | 4 | - | RIVET, tubular, brass, flat-hd., 3/16" x 9/16" |
| | 057208 | - | 6 | LINING, lower band (See item 41) |
| 2 | 911097 | - | 32 | RIVET, tubular, brass, flat-hd., 3/16" x 3/8" |
| | 915639 | - | 4 | RIVET, tubular, brass, flat-hd., 3/16" x 21/32" |
| | 050325 | 2 | - | PIN, band hinge |
| 3 | 910967 | 4 | - | PIN, cotter, 1/8" x 7/8" |
| | 057207 | - | 2 | PIN, band hinge |
| 3 | 900805 | - | 4 | PIN, cotter, 1/8" x 3/4" |
| | 058614 | 4 | - | WASHER, band hinge pin |
| 4 | 910244 | - | 4 | WASHER, band hinge pin |
| | 622823 | 2 | - | BAND ASSEMBLY, upper half (Includes lining) |
| 5 | 057381 | - | 2 | BAND ASSEMBLY, upper half (Includes lining) |
| | ----- | 4 | - | LINING, upper band (Order item 41) |
| 6 | 911097 | 28 | - | RIVET, tubular, brass, flat-hd., 3/16" x 3/8" |
| | 911098 | 4 | - | RIVET, tubular, brass, flat-hd., 3/16" x 9/16" |
| | 057208 | - | 3 | LINING, upper band (See item 41) |
| 6 | 911097 | - | 28 | RIVET, tubular, brass, flat-hd., 3/16" x 3/8" |
| | 915639 | - | 8 | RIVET, tubular, brass, flat-hd., 3/16" x 21/32" |
| 7 | 090960 | 2 | 2 | ADJUSTER, brake band |
| | 916227 | 2 | 2 | PIN, spring, 1/4" x 1" |
| 8 | 090958 | 2 | 2 | BLOCK, adjuster spring |
| 9 | 079203 | 2 | 2 | SPRING, adjuster |
| 10 | 079229 | 2 | 2 | WASHER, adjuster spring |
| 11 | 092787 | 4 | 4 | PIN, band end |
| 12 | 050328 | 2 | 2 | FORK, band adjustment |
| 13 | 050323 | 2 | - | BELLCRANK ASSEMBLY (Includes item 14) |
| | 645521 | - | 1 | BELLCRANK ASSEMBLY, left side |
| | 645522 | - | 1 | BELLCRANK ASSEMBLY, right side |
| 14 | 049988 | 2 | - | BUSHING, bellcrank (steel) |

(Continued)

BRAKES (Continued)

| ITEM | PART NO. | QTY. | | DESCRIPTION |
|------|----------|------|----|--|
| | | * | ** | |
| 15 | 622754 | 2 | - | BRACKET, bellcrank |
| | 645543 | - | 2 | BRACKET, bellcrank, left side |
| | 645544 | - | 2 | BRACKET, bellcrank, right side |
| 16 | 035278 | 4 | 4 | CAPSCREW, 1/2"NF x 2-3/4" |
| 17 | 035892 | 4 | 4 | CAPSCREW, 1/2"NF x 2-1/2" |
| | 904208 | 8 | 8 | LOCKWASHER, 1/2" |
| | 038234 | 8 | 8 | NUT, high, 1/2"NF |
| | | | | |
| 18 | 605603 | 2 | 2 | SPRING, parking brake lock |
| 19 | 084548 | 2 | 2 | LOCK, parking brake |
| 20 | 046321 | 2 | 2 | CAPSCREW, 5/16"NC x 1-1/2" |
| | 906652 | 2 | 2 | NUT, jam, 5/16"NC |
| 21 | 097765 | 2 | 2 | BAR, locking, parking brake |
| 22 | 049993 | 2 | 2 | PIN, parking brake locking bar |
| | 910967 | 2 | 2 | PIN, cotter, 1/8" x 7/8" |
| 23 | 050434 | 2 | 2 | PAD, pedal |
| 24 | 050433 | 2 | 2 | BOLT, eye, pedal pad |
| | 911044 | 2 | 2 | NUT, 5/8"NF |
| | 904209 | 2 | 2 | LOCKWASHER, 5/8" |
| 25 | 097677 | 1 | 1 | PEDAL ASSEMBLY, left brake (Includes items 27 and 28) |
| | 915276 | 1 | 1 | FITTING, lubricating, 90°, 1/8"NPT" |
| | 097678 | 1 | 1 | PEDAL ASSEMBLY, right brake (Includes items 27 and 28) |
| | 915276 | 1 | 1 | FITTING, lubricating, 90°, 1/8"NPT" |
| 26 | 054182 | 2 | 2 | RING, snap, pedal shaft |
| 27 | 034514 | 4 | 4 | BUSHING, pedal (bronze) |
| 28 | 049988 | 2 | 2 | BUSHING, pedal (steel) |
| 29 | 068389 | 2 | 2 | YOKE, operating rod |
| 30 | 049993 | 2 | 2 | PIN, brake operating rod yoke |
| | 910967 | 2 | 2 | PIN, cotter, 1/8" x 7/8" |
| 31 | 638558 | 2 | 2 | CLIP, pedal spring |
| 32 | 638567 | 2 | 2 | SPRING, pedal retracting |
| 33 | 097741 | 2 | - | ROD, brake operating |
| | 645280 | - | 2 | ROD, brake operating |
| | 911043 | 2 | 2 | NUT, 1/2"NF |
| 34 | 078908 | 2 | 2 | BOOT, brake operating rod (rubber) |

(Continued)

BRAKES (Continued)

| ITEM | PART NO. | QTY. | | DESCRIPTION |
|------|----------|------|----|---|
| | | * | ** | |
| 35 | 049993 | 2 | - | PIN, brake operating rod |
| | 094317 | - | 2 | PIN, brake operating rod |
| | 910967 | 2 | 2 | PIN, cotter, 1/8" x 7/8" |
| 36 | 050268 | 2 | 2 | SCREW, band supporting (hex-hd., 1/2"NC x 3-1/4") |
| | 911028 | 2 | 2 | NUT, 1/2"NC |
| 37 | 097566 | 2 | 2 | SHAFT ASSEMBLY, pedal (Includes bracket) |
| | 911159 | 2 | 2 | WASHER, plain, SAE std., 1" |
| 38 | 035018 | 8 | 8 | CAPSCREW, 1/2"NF x 1-1/2" |
| | 904208 | 8 | 8 | LOCKWASHER, 1/2" |
| 39 | 098237 | 1 | 1 | BRACKET, parking brake lock, left side |
| | 098238 | 1 | 1 | BRACKET, parking brake lock, right side |
| | 910235 | 2 | 2 | CAPSCREW, 5/16"NF x 2-1/4" (spring anchor) |
| | 913636 | 4 | 4 | NUT, 5/16"NF |
| | 910244 | 2 | 2 | WASHER, plain, SAE std., 1/2" |
| | 910967 | 2 | 2 | PIN, cotter, 1/8" x 7/8" |
| 40 | 099376 | 4 | 4 | WASHER, spacing, parking brake lock bracket |
| 41 | 076552 | 2 | - | LINING KIT (Includes parts for one (1) side only; 4 linings and 36 rivets)(Not illustrated) |
| | 076123 | - | 2 | LINING KIT (Includes parts for one (1) side; 6 linings and 36 rivets) (Not illustrated) |