

DRIVE SHAFT & RING GEAR
(R. H. Side Shown)

ITEM	NUMBER	QTY.	DESCRIPTION
1	233906	2	RETAINER ASSY., drive shaft
2	0252653-1	2	SHAFT, drive
3	246951	1	HOUSING ASSY., differential (incl. Item 4)
4	237246	2	SLEEVE, wear
5	-----	1	GEAR, ring
6	-----	12	BOLT, ring gear w/o nut
			1 919443 NUT, lock, pltd., 5/16NF
7	234011	2	CONE, bearing
8	234010	2	CUP, bearing
9	234013	2	SEAL, oil
10	224747	*	SHIM, retainer, carrier bearing
	206579	*	SHIM, retainer, carrier bearing
	206581	*	SHIM, retainer, carrier bearing
11	923817	2	O-RING
12	234012	2	RETAINER, carrier bearing
			8 921212 CAPSCREW, 7/16NC x 1-1/2, Gr. 5
			8 918199 WASHER, lock, 7/16
13	234050	2	SLEEVE ASSY., clutch shifter
			3 921958 CAPSCREW, 1/4NC x 1-1/2, Gr. 5
			3 916964 WASHER, lock, 1/4
			3 911114 WASHER, plain, 9/32 x 5/8 x 1/16
14	233892	2	CARRIER, bearing, clutch release
15	225152	2	PIN, quick hitch
16	233893	2	BEARING, clutch release

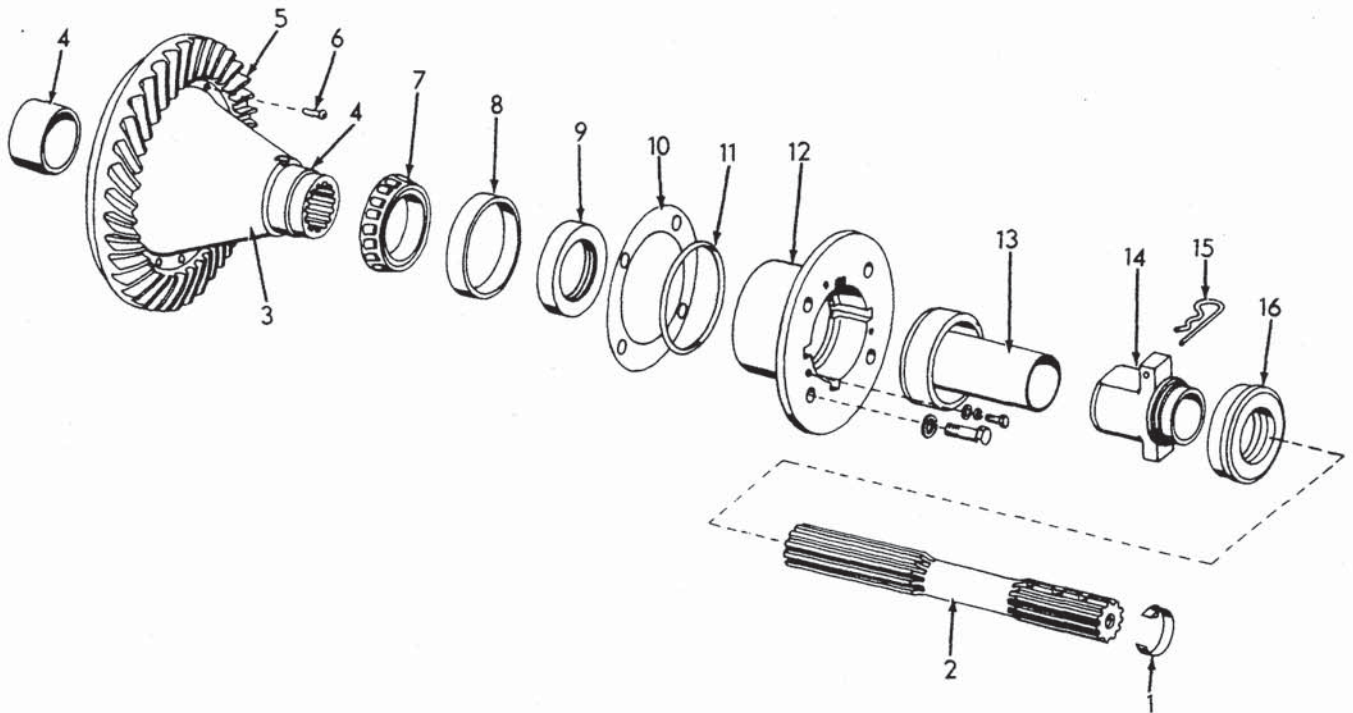
* Use as required

ASSEMBLIES & PACKAGES

--	247251	--	KIT, pinion shaft (incl. Item 5)
--	248490	--	KIT, bolt (differential ring gear, incl. Item 6)

104-83

DRIVE SHAFT & RING GEAR
(R. H. Side Shown)



LOCKING RETAINER 233906 ITEM#1