

Due to a continuous program of research and development, some procedures, specifications and parts may be altered in a constant effort to improve machines.

Periodic revisions may be made to this publication and mailed automatically to distributors. It is recommended that customers contact their distributor or dealer for information on the latest revision.

TD-9 SERIES B
CRAWLER TRACTOR AND
HYDRAULIC BULLDOZER
AND BULLGRADER
FORM TC-92C
OCTOBER, 1974
(Supercedes FORM TC-92B)

The Importance of ADEQUATE PARTS and SERVICE

The wise purchaser of a new machine gives consideration to the following factors:

1. *Original quality*
2. *Availability of service parts*
3. *Availability of adequate service facilities*

In many cases the machine becomes the only means of performing certain tasks that must be done in a limited period of time. Wear is to be expected and under extreme conditions even breakage of parts may occur. However, the user can still be assured of getting his work done on time if service parts and adequate service facilities are available.

Foresighted International Harvester distributors and dealers make every effort to provide good service and maintain a completely adequate stock of service parts.

When in need of parts, always give your authorized International Engine distributor or dealer your Chassis and Engine serial numbers. We suggest that you write these serial numbers in the spaces provided below, for ready reference when parts are required.

Chassis Serial No. _____
(Stamped on name plate on dash also on upper right-hand side near rear face of rear main frame)

Bullgrader Serial No. _____
(Stamped on model plate located on top right-hand corner in back of blade)

Engine Serial No. _____
(Stamped on right-hand side of engine to the front and above fuel injection pump)

Bulldozer Serial No. _____
(Stamped on model plate located on top right-hand corner in back of blade)

INSTRUCTIONS FOR ORDERING PARTS

- (a) All parts orders should be sent to parts depot when so instructed. Give complete address, state the county and railroad station (when shipping point is different than post office), also whether shipment is to go by parcel post, express, truck or freight.
- (b) When ordering parts, give the IH part number, including suffix or prefix letters. To facilitate identification of these parts, "Complete Serial Numbers" (including letters and numerals) assigned to machines, if any, should be furnished.
- (c) Parts should be ordered on the standard parts order blank. The parts should be arranged in sequence by part numbers to facilitate service on orders at the parts depot.
- (d) Claims for shortage or error in the handling of an order for parts must be made upon receipt of goods.

It is the policy of International Harvester Company to improve its products whenever it is possible and practical to do so.

We reserve the right to make changes or add improvements in the design or construction of parts at any time without incurring the obligation to install such changes on products previously delivered.



This catalog contains a list of service parts for the following:

CRAWLER TRACTOR

TD-9 SERIES B	Manual Shift
TD-9 SERIES B	Power Shift
TD-9 SERIES B	Agricultural *
TD-9 SERIES B	Revolving Crane **
TD-9 SERIES B	Sideboom ***

(* - The agricultural tractor is a manual shift tractor and the parts will be identified throughout this catalog as an Agr. tractor.)

(** - The Revolving Crane tractor is a manual shift tractor and the parts will be identified throughout this catalog as a Revolving Crane tractor.)

(*** - The Sideboom tractor is a manual shift tractor and the parts will be identified throughout this catalog as a Sideboom tractor.)

The TD-9 SERIES B manual shift tractor, TD-9 SERIES B Agr. crawler tractor, TD-9 SERIES B Revolving Crane tractor and TD-9 SERIES B Sideboom tractor have a six-cylinder 3-11/16 x 4.390 inch (DT-282 turbocharged diesel engine.

The TD-9 SERIES B power shift crawler tractor has a six-cylinder 3-11/16 x 4.390 inch (D-282) naturally aspirated diesel engine.

HYDRAULIC OPERATED BULLDOZERS AND BULLGRADERS

Model 9 D-41 B	Bulldozer
Model 9 G-41 B	Bullgrader

Following is a brief summary of the system used in compiling this catalog. It is to your advantage to carefully study this summary.

This catalog is printed in a double column page format, and is divided into four sections—Introductory Pages, Indexes to Units, Illustrations and Parts Lists, and Numerical Index.

(1) INDEXES. Two types of indexes are used. The index to units alphabetically lists all of the units by page number. The numerical index at the back of the catalog lists all part numbers (excluding standard fasteners) giving the page number where the part is listed.

NOTE - Refer frequently to the Index to Units to save time in locating the proper unit.

(2) ILLUSTRATIONS. Parts in this catalog are illustrated by the "exploded view" method. Individual parts in each illustration are shown where they belong in relation to one another. Reference numbers only are shown in each illustration. These numbers correspond with numbers in the Reference Number column in the accompanying list of parts. Parts in illustrations without reference numbers are the same as duplicate parts with reference numbers.

CAUTION: Reference numbers should not be used when ordering parts. Always use IH part numbers or description when ordering.

(3) METHOD OF LISTING. The parts list of each classification is divided into units. Parts are listed in order according to reference number shown in the illustration, followed by a full description based upon the "noun first" method—i.e., the noun name of the part is listed first then the modifying descriptive information which serves to specifically identify the item. For example: SHAFT w/two PLUGS ASSEMBLY, valve lever. Parts not shown in illustrations appear at end of list in alphabetical sequence by noun name. Parts listed will work on all units covered in this catalog unless a serial number or other qualifying designation is given for purpose of identification.

Throughout this catalog the term "Front" indicates the radiator end. Whenever the terms "Right" or "Left" are used it should be understood to mean from a rear position looking toward the radiator end.

MANUFACTURER'S PART NUMBERS ARE LISTED IN BRACKETS FOLLOWING THE DESCRIPTION OF THE PART

(4) NUMBER REQUIRED. In this new double-column format the single "No. Req'd" column is eliminated and the quantity used of each item is shown in parenthesis (4) following the description of the item. Where no quantity is indicated it should be understood to mean that only one (1) is required.

In many parts lists it is possible to include more than one assembly or attachment. The assemblies or attachments are listed at the beginning of the parts lists with the letters A, B, C, etc., preceding the part number of the assembly or attachment. The number required information is shown in parenthesis following the description of the parts. When letters (A, B, C, etc.,) are shown without a quantity, it should be understood to mean only one (1) is required. Parts without letters after the description indicate the part is used for all assemblies or attachments listed in the heading.

(5) ASSEMBLIES AND ATTACHMENTS. Wherever possible the component parts of assemblies or attachments are shown in the "exploded views" by use of boxes, brackets or arrows. Component parts of assemblies or attachments are listed by one of the following methods.

(a) The listings are fully covered by descriptions for simple assemblies and attachments.

(b) When four or more parts are contained in the assemblies or attachments the listing of components immediately follows the description with the wording "(Composed of -)."

(c) Assemblies or attachments consisting of many parts show the assembly or attachment number at the beginning of the unit list, followed by the listing of the components.

Exceptions to the above methods are explained by footnotes in the text.

Individual parts of an assembly which are not available for service are marked with a symbol s. In some instances, such parts are listed with a notation giving the information which is to be used for ordering.

INTRODUCTION - Continued

(6) REVISIONS. Due to a continuous program of research and development, some procedures, specifications and parts may be altered in a constant effort to improve machines. Periodic revisions may be made to this publication and mailed automatically to distributors. It is recommended that customers contact their distributor or dealer for information on the latest revision.

(7) MISCELLANEOUS PARTS. Standard bolts, screws, nuts, etc.—are not identified by a reference number. These parts are known as COMMON HARDWARE items and appear in abbreviated nomenclature and are shown indented under the major items with which they are used. They should be ordered as listed since they are not component parts of the pieces they attach. Hardware parts identified with part numbers have been designed for a specific usage. Standard hardware parts should not be substituted for them.

WARNING: Attaching parts especially made for their location should never be substituted with regular standard parts.

The following rules are established to govern the listing of attaching parts:

The part number for Common Hardware items is eliminated. However, Design Hardware items will continue to be listed by part number and description.

All Carriage, Machine and Plow BOLTS; NUTS; Cap, Machine and Set SCREWS, will be considered furnished with National Coarse Thread unless otherwise specified. The number of threads per inch will be eliminated.

All NUTS will be considered "hex" unless otherwise specified.

All WASHERS will be considered "Plain" unless otherwise specified. The "ID", "OD" and "No." identity will be eliminated. The inside dimension will be listed first, followed by the outside diameter and the thickness.

All lock WASHERS will be considered "Medium" type unless specified as "Light" or "Heavy."

All cotter PINS will be considered "Extended-Prong" type unless otherwise specified.

All groove PINS will be considered "Standard Groove" unless otherwise specified.

All common RIVETS will be considered "Annealed" unless otherwise specified.

All countersunk-head tubular RIVETS will be considered "Copper-Plated Steel" unless otherwise specified.

All oval-head tubular RIVETS will be considered "Brass."

Standard bolts used in International Harvester Products are manufactured under standards known as Unified National Coarse Thread (U.N.C.) and Unified National Fine Thread (U.N.F.) with the number of threads per inch for various diameters as follows:

Diameter of Bolt	No. of Threads per inch (U.N.C.)	No. of Threads per inch (U.N.F.)
1/4"	20	28
5/16"	18	24
3/8"	16	24
7/16"	14	20
1/2"	13	20
9/16"	12	18
5/8"	11	18
3/4"	10	16
7/8"	9	14
1"	8	14
1-1/8"	7	12
1-1/4"	7	12
1-3/8"	6	12
1-1/2"	6	12

(8) ABBREVIATIONS. The abbreviations used in this catalog are explained in the list of abbreviations on page 6.

(9) SERIAL NUMBERS

(A) CRAWLER TRACTORS

Following is a list of starting numbers for these units.

Crawler Tractor	Engine Starting Serial Number	Chassis Starting Serial Number
TD-9 SERIES B Manual Shift	TD-9BGM 5700	TD-9BG 6502
TD-9 SERIES B Power Shift	TD-9BPM 5700	TD-9BP 6525
TD-9 SERIES B Agr.	TD-9BGAM 5700	TD-9BGA 6616
TD-9 SERIES B Revolving Crane	TD-9BGCM 8410 to 97305	TD-9BGC 9231 to 16800
TD-9 SERIES B Sideboom	TD-9BGSM 8483 to 97305	TD-9BGS 9239 to 16800

The engine serial number is stamped on the right side of the engine to the front and above fuel injection pump.

The chassis (or crawler tractor) serial number is stamped on the name plate which is located on the dash.

The chassis serial numbers are also stamped on the upper right hand side near rear face of rear main frame.

(B) BULLGRADERS AND BULLDOZERS

Following is a list of starting serial numbers for these units.

<u>Model</u>	<u>Starting Serial Numbers</u>
9D-41B Bulldozer	9D-41 501
9G-41B Bullgrader	9G-41 501

The serial numbers are stamped on the name plate on the back of the blade at the top of the right hand corner.

LETTER CODE

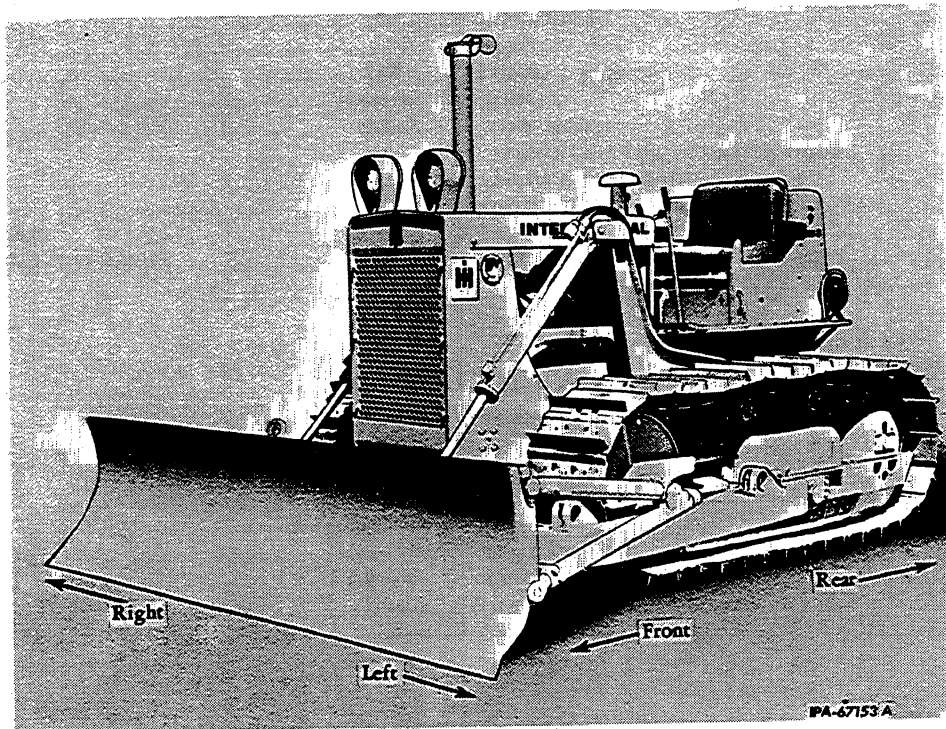
G - Bullgrader

D - Bulldozer

No attempt is made at the factory to have the engine and chassis serial numbers correspond.

Customers should be urged to supply the engine and chassis numbers, including model prefix and suffix letters, when ordering parts.

MEMORANDA



TD-9 Series B Bullgrader Crawler Tractor with Track Roller Shield

LIST OF ABBREVIATIONS

A period after the abbreviation is used only when the abbreviation form spells a common English word.

adj	adjustable	int	internal
al	aluminum	lb	pound, pounds
aly-stl	alloy steel	lentil-hd	lentil head
amp	ampere, amperes	LH	left hand
anl	annealed	lkg	locking
approx	approximately	LP Gas	Liquefied Petroleum Gas
assy	assembly	lub	lubrication
att	attachment	mach	machine
bd-hd	binding head	med	medium
b-hd	button head	MI	malleable iron
brg	bearing	NC	National Coarse Thread
brs	brass	NF	National Fine Thread
brz	bronze	ni	nickel
cd-pltd	cadmium plated	ni-pltd-stl	nickel plated steel
cd-pltd-stl	cadmium plated steel	No.	number
cr-pltd	chromium plated	NPT	National pipe thread
cr-pltd-stl	chromium plated steel	OC	outside circumference
CI	cast iron	OD	outside diameter
csk	countersunk	O/S	oversize
csk-hd	countersunk head	ov-hd	oval head
cl-rec-hd	clutch recess head	oz	ounce
com	common	parkerized-stl	parkerized steel
cone-pt	cone point	pkg	package
contd	continued	pltd	plated
cop	copper	pt	point
cop-pltd	copper plated	PTO	power take-off
cot.	cotter	rd-end	round end
c-pin	cotter pin	rd-hd	round head
cres	corrosion-resistant-steel (stainless)	rd-pt	round point
cr-rec-hd	cross recess head	reg	regular
cre	corrosion resisting	RH	right hand
crg	carriage	RPM	revolutions per minute
cup-pt	cup point	SAE	Society of Automotive Engineers
cyl	cylinder, cylinders	sf	semi-finished
deg	degree	slt	slotted
dia	diameter	slt-hd	slotted head
dld	drilled	slt-bd-hd	slotted binding head
dld-f c-pin	drilled for cotter pin	slt-fil-hd	slotted fillister head
dld-f lkg-wire	drilled for locking wire	slt-f-hd	slotted flat head
dog-pt	dog point	slt-hex-hd	slotted hexagon head
ext	external	slt-pan-hd	slotted pan head
f	for	slt-rd-hd	slotted round head
fem	female	slt-truss-hd	slotted truss head
fil-hd	fillister head	sq	square
fin-nk	fin neck	sq-hd	square head
f-csk-hd	flat countersunk head	sq-nk	square neck
f-fil-hd	flat fillister head	std	standard
f-hd	flat head	std-hd	standard head
f-pt	flat-point	stl	steel
flex	flexible	str	straight
ftd	fluted	T	teeth
ft	foot (or feet)	tap.	tapping
ga	gauge	thd	thread
hd	head	U/S	undersize
hdls	headless	unfin	unfinished
hex.	hexagon	wagon-box-hd	wagon box head
hex-hd	hexagonal-head	w/	with
hex-soc-hd	hexagon socket head	w/brz	with bronze
hp	horsepower	w/hex.	with hexagon
hv	heavy	w/o	without
hyd	hydraulic	zn	zinc
ID	inside diameter	zn-ct	zinc coated
in.	inch or inches	zn-pltd	zinc plated

-7-
ALPHABETICAL INDEX

DESCRIPTION	PAGE	FICHE	DESCRIPTION	PAGE	FICHE
A			D		
Air Cleaner Check Serial Numbers and Restrictions On Top Of Each Page Listed Before Ordering Parts)	30,33, 35,36, 38		Dash	213	
Alarm, Back up	111,112		Decelerator	226	
Altitude Compensation	258		Drawbar	241	
Air Cleaner Pipe Extension	63		Drive, fan	73	
Alternator	89		Drive, bevel gear	161	
Auxiliary, rear light	114		E		
B			Electric Starting and Lighting	97	
Battery, support	109		Electrical Switches	90,97, 102	
Belt, fan	71		Engine, replacement	12	
Belt, pulley	244		Engine Clutch	115	
Blade			Engine Controls	226	
Bulldozer	269		Engine Oil Cooler	70	
Bullgrader	270		Equalizer		
Breakaway Coupling	206		Bar	122	
Bulldozer Push Arm	271		Spring	122	
C			Exhaust Manifold	24,25	
"C" Frame	272		F		
Camshaft and Related Parts	23		Fan		
Canopy (Roll-over protection structure)	217		Blower	74	
Cap, lockable exhaust rain	26,27, 28		Suction	72	
Cap, Locking	243		Reversible	73	
Channels, main frame	123		Fan Pulley	73	
Connecting Rods	19		Fenders	211	
Crankcase	17		Filter, fuel	60,61	
Crankcase Cover	16		Filter, lubricating oil	75,76	
Crankcase Gasket Set	267		Filter, transmission pressure	151	
Crankcase Oil Pan	77		Filter, transmission safety	152	
Cranking Motor	94		Filter, transmission suction	152	
Crankshaft and Related Parts	21		Flywheel	23,24	
Cylinder Head	13		Front Engine Support	23	
Cylinder Head Gasket Package	267		Front Idler	169	
Cylinder Sleeve	19		Front Pull Hook	242	
Cylinder, Hydraulic Tilt	280		Fuel Filters	60,61	
			Fuel Injection Pump		
			Roosa-Master	49	
			International	53	
			Fuel Tank and Connections	41,45	

ALPHABETICAL INDEX

DESCRIPTION	PAGE	FICHE	DESCRIPTION	PAGE	FICHE
G			L		
Gasket Sets			Lights, head, rear and auxiliary	92	
Cylinder Head	267		Lock, oil level dipstick	243	
Crankcase.	267		Lock, pad	26,27 254	
Transmission	267		Lubricating Oil Cooler	70	
Generator.	87		Lubricating Oil Filter.	75,76	
Generator and Connections	82		Lubricating Oil Gauge	235, 237, 239	
Glow, plug	59		Lubricating Oil Pump.	77	
Guard, fan	74		Lubricators	255	
Guard, brush	92,93		M		
Guard, radiator	68		Master, switch lock	110, 113	
Guard, crankcase	242		Main Frame	120	
H			Master Switch	109	
Headlight, rear light and auxiliary rear light	92		Muffler, exhaust.	26,27, 28,220	
Hood Check Serial Numbers and Restrictions On Top Of Each Page Before Ordering Parts)	40, 213, 215, 219		O		
Horn, electric warning	91		Odometer	264	
Hourmeter	108		Oil Cooler	70	
Hydraulic Control Unit	187		Oil Pan	77	
Hydraulic Cylinders	276		P		
Hydraulic Lines and Connections	275		Packages - NOTE: Refer to major part desired.		
Hydraulic Lift Frame	274		Pipes, fuel injection	49,53	
Hydraulic Pump	192		Pistons	19	
Hydraulic Tilt	280		Pipe, exhaust	26,27, 28,220	
Hydraulic System, transmission	136		Pivot Shaft	183	
Hydraulic Track Adjuster	171		Platform.	222, 224	
Hydraulic Tank	210		Power Take-Off	247, 248, 250	
Hydraulic Valve	203		Product Graphics	265	
I			Pump, fuel injection	49,53	
Idler			Pump, hydraulic.	192	
Fan	72		Pump, lubricating oil	77	
Front	169		Pump, water	71	
Track	168				
Injector Nozzles	59				
Instruments and Panel	234, 236, 239				
Intake Manifold	24,25				

-9-
ALPHABETICAL INDEX

DESCRIPTION	PAGE	FICHE	DESCRIPTION	PAGE	FICHE
R			T - Continued		
Radiator	67		Track Roller	174	
Radiator Connections	64		Track Roller Shield	177	
Radiator Guard	68,69		Track Shoes	178	
S			Track Spring	165, 167	
Safety Seat Belt	243		Transmission (manual shift)	125	
Seat	221, 223		Transmission (power shift)	133	
Side Sheets	212		Turbocharger	78,80	
Sprocket	183		Tube, exhaust	63	
Sprocket Drive	183		V		
Starting Motor (see cranking motor)	94		Valve Cover	13	
Steering Brakes	156		Valve, hydraulic	153	
Steering Clutch Controls	158 163		Valve, main regulator	153	
Release Shaft			Valve, range selector	153	
Struts	273		Valves, engine	13	
Sweeps, front	217		Vibration Damper	21	
Switch, Lighting	90		Voltage Regulator	84,85, 86	
Switch, Starting	99,103		W		
T			Watchdog Fuel Filter	261	
Thermostat	72		Water Conditioner	259	
Tilt, Hydraulic	280		Water Pump	71	
Tools	250, 251, 252		Water, trap	256	
Tool Box	251, 252		Weather cap	30,33, 35,36	
Torque Converter	118				
Track Chain	175				
Track chain w/shoes	175				
Track, frame diagonal brace	182				
Track Frame	165, 167				
Track, frame guide and rollers	165, 167				
Track Idler	168				

QUICK REFERENCE
FILTER ELEMENTS AND BELTS
FOR
TD-9 SERIES B CRAWLER TRACTORS
FILTER ELEMENTS

FUEL SYSTEM ELEMENTS

PART NO.

Primary fuel filter element with gasket (not for units equipped with water separator attachment)	306 353 R91
Primary fuel filter element with gasket (for units equipped with water separator attachment)	610 309 C91
Final fuel filter element with gasket	304 101 R91

AIR CLEANER ELEMENTS

Air cleaner element (for manual shift, revolving crane, side boom tractors and for power shift tractors not equipped w/altitude compression attachment)	317 702 R91
---	-------------

TD-9BG 6502 to 15966
also 15994 to 16217 except 15996
TD-9BP 6525 to 15966
also 15994 to 16217 except 15996
TD-9BGC 9231 to 16800
TD-9BGS 9239 to 15966
also 15994 to 16217 except 15996

Air cleaner element (for agr. tractors and for power shift tractors equipped w/altitude compensation attachment)	338 744 R91
--	-------------

TD-9BP 6525 to 15966
also 15994 to 16217 except 15996
TD-9BGA 6616 to 15966
also 15994 to 16217 except 15996

Air cleaner element (for all tractors except revolving crane)	627 114 C1
---	------------

TD-9BG 15967 to 15993 and 16218 up
also 15996
TD-9BP 15967 to 15993 and 16218 up
also 15996
TD-9BGA 15967 to 15993 and 16218 up
also 15996
TD-9BGS 15967 to 15993 and 16218 to 16800
also 15996

Air cleaner safety element (for all tractors except revolving crane)	627 115 C1
--	------------

TD-9BG 15967 to 15993 and 16218 up
also 15996
TD-9BP 15967 to 15993 and 16218 up
also 15996
TD-9BGA 15967 to 15993 and 16218 up
also 15996
TD-9BGS 15967 to 15993 and 16218 to 16800
also 15996

Air cleaner element (heavy duty)	610 636 C91
----------------------------------	-------------

QUICK REFERENCE
FILTER ELEMENTS AND BELTS
FOR
TD-9 SERIES B CRAWLER TRACTORS
FILTER ELEMENTS

LUBRICATING OIL SYSTEM ELEMENTS

PART NO.
323 827 R91

Lubrication oil filter element with gasket
TD-9BPM 5700 to 10859
TD-9BGM 5700 to 10859
TD-9BGAM 5700 to 10859
TD-9BGCM 8410 to 10859
TD-9BGSM 8483 to 10859

279 994 R91

Lubrication oil filter element
TD-9BPM 10860 up
TD-9BGM 10860 up
TD-9BGAM 10860 up
TD-9BGCM 10860 to 97305
TD-9BGSM 10860 to 97305

TRANSMISSION ELEMENTS

302 574 R91

Pressure filter element with gasket

346 821 R91

Safety filter and suction filter element (used w/filter 610 794 C91)

321 029 R91

Safety filter and suction filter element (used w/filter 333 734 R91)

619 214 C1

Safety filter and suction filter element (used w/filter 659 063 C91)

WATER FILTER ATTACHMENT ELEMENTS

237 364 R91

Water filter element

BELTS

ELECTRICAL SYSTEM

306 658 R1

Generator belt

670 572 C1

Alternator belt

328 539 R1

Fan belt

SKELETON, BASIC AND REPLACEMENT SERVICE ENGINES

SKELETON SERVICE ENGINE (See NOTE)

345 245 R92 ENGINE, Skeleton Service Diesel
 (Consists of -
 Camshaft and Related Parts
 Connecting Rods and Pistons
 Crankcase
 Crankcase Front Plate, Idler Gear and Related Parts
 Crankshaft and Related Parts
 Oil Pump)

REPLACEMENT SERVICE ENGINE (See NOTE)

609 074 C91 ENGINE, replacement (TD-9 SERIES B Manual Shift Tractor) (Diesel engine complete from Water Pump to Flywheel inclusive except Cranking Motor, Fan, Exhaust, Muffler, Rain Cap, Pipe Extension, and Voltage Regulator)

609 075 C91 ENGINE, replacement (TD-9 SERIES B Revolving Crane and Sideboom Tractors) (Diesel engine complete from Water Pump to Flywheel inclusive except Cranking Motor, Fan, Exhaust, Muffler, Rain Cap, Pipe Extension, and Voltage Regulator)

609 076 C91 ENGINE, replacement (TD-9 SERIES B Power Shift Tractor) (Diesel engine complete from Water Pump to Flywheel inclusive except Cranking Motor, Fan, Exhaust, Muffler, Rain Cap, Pipe Extension, and Voltage Regulator)

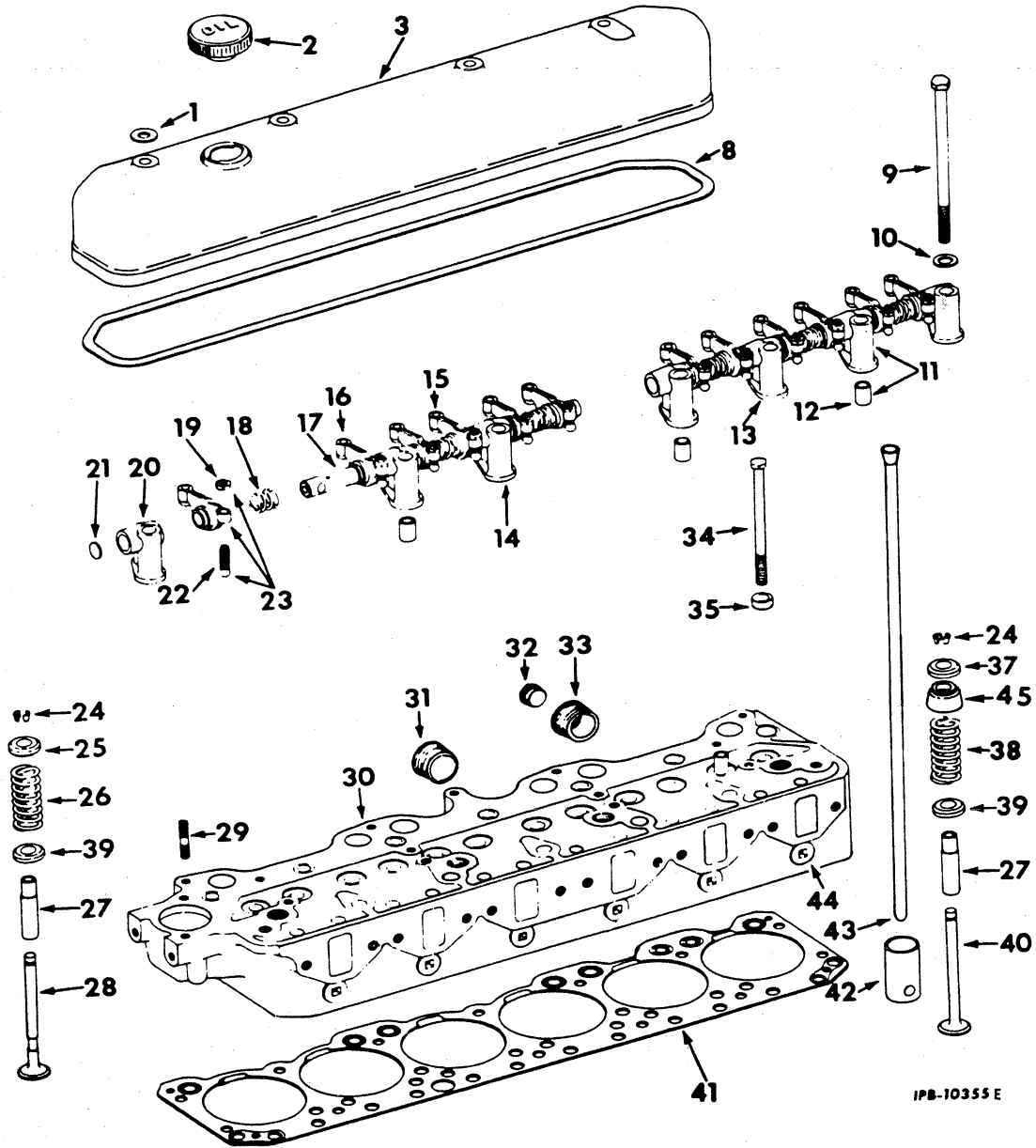
609 077 C91 ENGINE, replacement (TD-9 SERIES B Agr. Tractor) (Diesel engine complete from Water Pump to Flywheel inclusive except Cranking Motor, Fan, Exhaust, Muffler, Rain Cap, Pipe Extension, and Voltage Regulator)

NOTE: When ordering a service Engine, give complete serial number (including letters and numerals) shown on crankcase of engine to be replaced.

DIESEL ENGINE

REF. NO.	PART NUMBER	DESCRIPTION	REF. NO.	PART NUMBER	DESCRIPTION
----------	-------------	-------------	----------	-------------	-------------

CYLINDER HEAD, VALVE COVER, VALVES AND ROCKER ARM ASSEMBLY



IPB-10355 E

1	116 103	WASHER, valve cover bolt (13/32 x 13/16" x 16 ga) (copper) (4)	8	278 308 R1	GASKET, valve cover
2	84 079 R91	CAP, oil filler (optional with 86 900 R91)	9	320 097 R1	BOLT, cylinder head (long) (9)
2	86 900 R91	CAP, oil filler (optional with 84 079 R91)	10	345 409 R1	WASHER, cylinder head bolt (7)
3	315 825 R1 17 790 R1	COVER, valve SCREW, 3/8 x 4-3/4" hex-hd cap (4)	11	76 860 R11	BRACKET w/DOWEL, 69 500 R1, rocker arm shaft (Nos. 2, 4, and 6) (3)
			12	69 500 R1	DOWEL, rocker arm shaft bracket (3)

DIESEL ENGINE

REF. NO.	PART NUMBER	DESCRIPTION	REF. NO.	PART NUMBER	DESCRIPTION
CYLINDER HEAD, VALVE COVER, VALVES AND ROCKER ARM ASSEMBLY - Continued			28	612 312 C1	VALVE, exhaust (for use with Cylinder Head, 323 771 R21 and 323 771 R31) (optional with 349 381 R1)
13	76 858 R1	BRACKET, rocker arm shaft (No. 5)			(6) TD-9BGM 8278 up
14	76 858 R1	BRACKET, rocker arm shaft (No. 3)			(6) TD-9BPM 8278 up
15	278 304 R21	ARM w/SCREW, 16 067 DA and NUT, 133 093 R1, RH exhaust rocker (3)			(6) TD-9BGAM 8278 up
16	323 727 R91	ARM w/SCREW, 16 067 DA and NUT, 133 093 R1, intake rocker (6)	29	303 473 R1	STUD, exhaust manifold (10)
17	318 020 R11	SHAFTw/PLUG, 169 071 R1 rocker arm (2)	30	278 368 R61	HEAD ASSY, cylinder TD-9BGM 5700 to 6081 TD-9BPM 5700 to 6081 TD-9BGAM 5700 to 6081
18	35 619 H	SPRING, rocker arm shaft (6)			(Composed of -
19	133 093 R1	NUT, tappet adjusting screw lock (12)			1 BUSHING 142 765
20	76 859 R1	BRACKET, rocker arm shaft (Nos. 1 and 7) (2)			12 GUIDE 278 300 R1
21	169 071 R1	PLUG, cup (2)			s 1 HEAD
22	16 067 DA	SCREW, tappet adjusting (12)			1 PLUG 444 589
23	278 303 R21	ARM w/SCREW, 16 067 DA and NUT, 133 093 R1, LH exhaust rocker (3)			5 PLUG 264 057 R1
24	41 339 D	KEY, valve spring seat (24)			11 PLUG 271 848 R91
25	151 167 R3	RETAINER, valve spring (6)			s 6 SLEEVE
26	315 744 R1	SPRING, exhaust valve (6)			10 STUD 303 473 R1)
27	278 300 R1	GUIDE, valve (12)	30	323 771 R31	HEAD ASSY, cylinder TD-9BGM 6082 up TD-9BPM 6082 up TD-9BGAM 6082 up TD-9BGCM 8410 to 97305 TD-9BGSM 8483 to 97305
28	278 302 R1	VALVE, exhaust (for use with Cylinder Head 278 368 R61) (6) TD-9BGM 5700 to 6081 (6) TD-9BPM 5700 to 6081 (6) TD-9BGAM 5700 to 6081			(Composed of -
28	323 800 R1	VALVE, exhaust (for use with Cylinder Head, 323 771 R11) (6) TD-9BGM 6082 to 8277 (6) TD-9BPM 6082 to 8277 (6) TD-9BGAM 6082 to 8277	31	601 244 C1	1 BUSHING 142 765
28	349 381 R1	VALVE, exhaust (for use with Cylinder Head, 323 771 R21 and 323 771 R31) (optional with 612 312 C1) (6) TD-9BGM 8278 up (6) TD-9BPM 8278 up (6) TD-9BGAM 8278 up (6) TD-9BGCM 8410 to 97305 (6) TD-9BGSM 8483 to 97305	32	444 589	12 GUIDE 278 300 R1
			33	142 765	s 1 HEAD
			34	278 305 R1	1 PLUG 444 589
			35	278 306 R1	5 PLUG 601 244 C1
			37	151 167 R3	11 PLUG 271 848 R1
			38	315 744 R1	s 6 SLEEVE
			40	278 301 R1	10 STUD 303 473 R1)
					31 601 244 C1 PLUG, 1-1/4" csk-hdls pipe (5)
					32 444 589 PLUG, 1/2" sq hd pipe
					33 142 765 BUSHING, 1-1/4 x 1/2" reducing pipe
					34 278 305 R1 BOLT, cylinder head (short) (5)
					35 278 306 R1 SPACER, cylinder head bolt (5)
					37 151 167 R3 RETAINER, valve spring (6)
					38 315 744 R1 SPRING, intake valve (6)
					39 317 935 R91 ROTOCOIL, intake and exhaust (12)
					40 278 301 R1 VALVE, intake (for use with Cylinder Head, 278 368 R61) (6) TD-9BGM 5700 to 6081 (6) TD-9BPM 5700 to 6081 (6) TD-9BGAM 5700 to 6081

s - Not furnished separately.

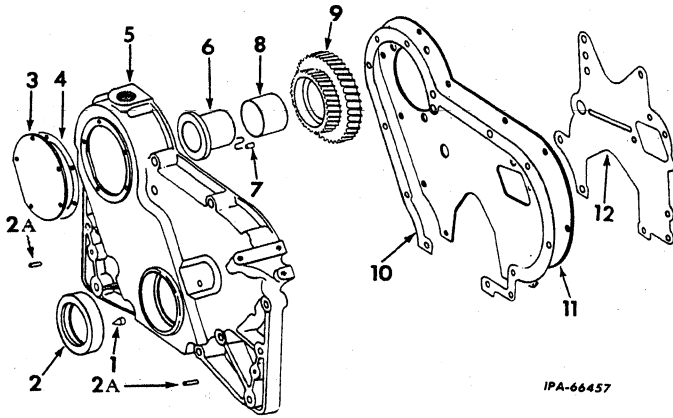
DIESEL ENGINE

REF. NO.	PART NUMBER	DESCRIPTION	REF. NO.	PART NUMBER	DESCRIPTION
CYLINDER HEAD, VALVE COVER, VALVES AND ROCKER ARM ASSEMBLY - Continued					
40	323 774 R1	VALVE, intake (for use with Cylinder Head, 323 771 R11, 323 711 R21 and 323 771 R31) (6) TD-9BGM 6082 up (6) TD-9BPM 6082 up (6) TD-9BGAM 6082 up (6) TD-9BGDM 8410 to 97305 (6) TD-9BGSM 8483 to 97305			
41	601 509 C1	GASKET, cylinder head			
42	684 729 C1	TAPPETS, valve (12)			
43	164 436 R91	ROD w/upper and lower rod ENDS, valve lifter (12)			
44	271 848 R1	PLUG, 3/4" sq-soc pipe (11)			
45	612 107 C1	DEFLECTOR, intake valve stem oil (6)			
	50 410 DA	PLUG, 1/8" sq-soc pipe (2)			
	315 701 R1	SPACER, cylinder head bolt (2)			

DIESEL ENGINE

REF. NO.	PART NUMBER	DESCRIPTION	REF. NO.	PART NUMBER	DESCRIPTION
----------	-------------	-------------	----------	-------------	-------------

CRANKCASE FRONT COVER



1	367 572 R1	POINTER, timing
2	606 750 C91	OIL SEAL, crankshaft (used with Vibration Damper, 306 367 R91 or 338 951 R91)
2	317 549 R91	OIL SEAL, crankshaft (used with Vibration Damper, 338 951 R91)
2A	19 892 R1	DOWEL, 3/8 x 1.5" (2)
3	278 269 R1 179 814	COVER, injection pump gear
	103 320	SCREW, 5/16 x 9/16" hex-hd cap (5) WASHER, 5/16" lock (5)
4	278 270 R2	GASKET, injection pump gear cover
5	328 542 R11	COVER w/POINTER, 367 572 R1 and two DOWEL, 19 892 R1, crankcase front
	179 893	SCREW, 1/2 x 3" hex-hd cap (6)
	179 839	SCREW, 3/8 x 1" hex-hd cap (6)
	103 321	WASHER, 3/8" lock (6)
	103 323	WASHER, 1/2" lock (6)
6	367 580 R11	SHAFT w/DOWEL, 141 150, idler gear
	179 890	SCREW, 1/2 x 2-1/4" hex-hd cap
	103 323	WASHER, 1/2" lock
7	141 150	DOWEL, 3/16 x 7/16" idler gear shaft
8	367 578 R1	BUSHING, idler gear
9	278 263 R11	GEAR w/BUSHING, 367 578 R1 idler
10	278 268 R1	GASKET, crankcase front cover

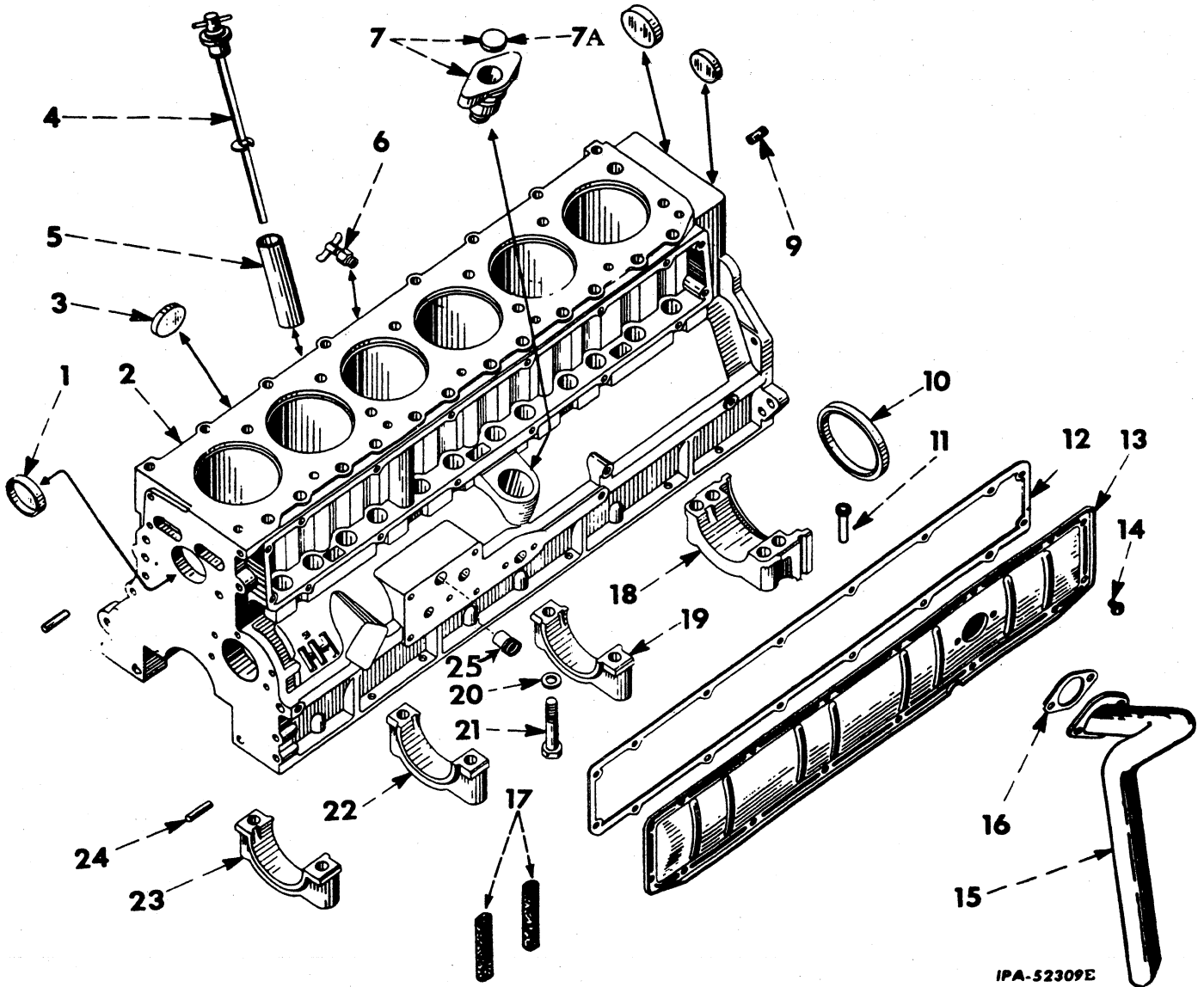
11	278 264 R11	PLATE, w/three NUT, 264 723 R1, crankcase front
		TD-9BGM 5700 to 12177 TD-9BPM 5700 to 12177 TD-9BGAM 5700 to 12177 TD-9BGCM 5700 to 12177 TD-9BGSM 5700 to 12177
	179 838	SCREW, 3/8 x 7/8" hex-hd cap
	103 321	WASHER, 3/8" lock (4)
11	612 151 C11	PLATE, crankcase front
		TD-9BGM 12178 up TD-9BPM 12178 up TD-9BGAM 12178 up TD-9BGCM 12178 to 97305 TD-9BGSM 12178 to 97305
	179 838	SCREW, 3/8 x 7/8" hex-hd cap (4)
	103 321	WASHER, 3/8" lock (4)
12	278 265 R1	GASKET, crankcase front plate
	171 823 R1	ELBOW, hose (#) (\$)
	444 592	PLUG, front cover (+)

- (+) - Used On Power Shift Tractors Not Equipped With Altitude Compensation Attachment.
- (#) - Used On Manual Shift Or Agr. Tractors.
- (\$)- Used On Power Shift Tractors Equipped With Altitude Compensation Attachment.

DIESEL ENGINE

REF. NO.	PART NUMBER	DESCRIPTION	REF. NO.	PART NUMBER	DESCRIPTION
----------	-------------	-------------	----------	-------------	-------------

CRANKCASE AND RELATED PARTS



IPA-52309E

1	20 840 R1	PLUG, core hole (2)	2	612 017 C92	CRANKCASE ASSY, (will work for CRANKCASE 601 776 C91) (order CRANKCASE PACKAGE 612 094 C91 for CRANKCASE, 312 434 R93) - Continued (Composed of - Continued
2	612 017 C92	CRANKCASE ASSY, (will work for CRANKCASE, 601 776 C91) (order CRANKCASE PACKAGE, 612 094 C91 for CRANKCASE, 312 434 R93) (Composed of -			2 PIN 19 328 R1
		§ 4 BEARING			1 PLUG 50 410 DA
		10 BOLT 328 512 R1			6 PLUG 70 128 R1
		§ 4 CAP			2 PLUG 20 840 R1
		§ 1 CRANKCASE			3 PLUG 444 571
		2 DOWEL 141 285			2 PLUG 444 783
		2 DOWEL 371 699 R2			§ 6 SLEEVE
					1 TUBE 368 985 R2

(§) - Not Furnished Separately.

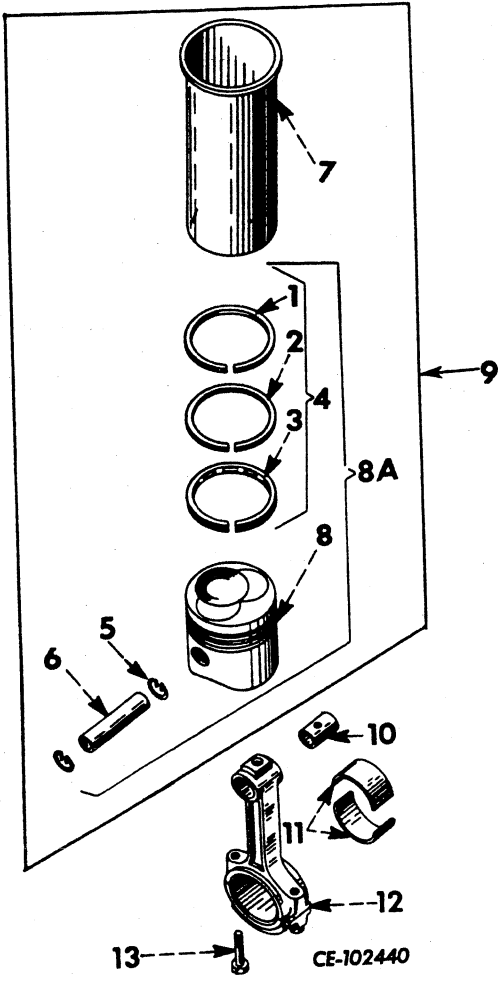
DIESEL ENGINE

REF. NO.	PART NUMBER	DESCRIPTION	REF. NO.	PART NUMBER	DESCRIPTION
CRANKCASE AND RELATED PARTS - Continued			17	315 849 R1	ELEMENT, breather (optional with 349 363 R1) (2)
2	612 017 C92	CRANKCASE ASSY, (will work for CRANKCASE 601 776 C91) (order CRANKCASE PACKAGE 612 094 C91 for CRANKCASE, 312 434 R93) - Continued (Composed of - Continued	17	349 363 R1	ELEMENT, breather (optional with 315 849 R1) (2)
	444 783	10 WASHER 345 409 R1) PLUG, 3/8" sq-soc-hd pipe (short) (2)	18	306 674 R1	CAP, crankshaft rear bearing
	179 838	SCREW, 3/8 x 7/8" hex-hd cap	19	306 673 R1	CAP, crankshaft rear intermediate bearing
	179 883	SCREW, 1/2 x 1-1/4" hex-hd cap (6) (*)	20	345 409 R1	WASHER, crankshaft bearing cap bolt (10)
	271 558	SCREW, 5/8 x 1-1/2" hex-hd cap (7) (+)	21	328 512 R1	BOLT, crankshaft bearing cap (10)
	181 444	SCREW, 1/2NF x 3-1/2" hex-hd cap (2)	22	306 672 R1	CAP, crankshaft intermediate front bearing
	103 321	WASHER, 3/8" lock	23	306 671 R1	CAP, crankshaft front bearing
	103 323	WASHER, 1/2" lock (8)	24	141 285	DOWEL, 1/2 x 1-1/4" crankcase front plate (2)
	103 343	WASHER, 17/32 x 1-1/16 x .095" (2)			
2	612 094 C91	CRANKCASE PACKAGE (will work for CRANKCASE, 312 434 R93) (Consists of -	25	612 092 C91	VALVE, oil pressure regulating (used only when CRANKCASES 601 776 C91 or 612 017 C92 replace CRANKCASE, 312 434 R93) (Also listed with oil filters)
		1 CRANKCASE 612 017 C92		349 055 R2	"O" RING, oil pressure regulating valve (used only when CRANKCASES, 601 776 C91 or 612 017 C92 replace CRANKCASE, 312 434 R93) (Also listed with oil filters)
		1 RING 349 055 R2			PIN, roll (2)
		1 VALVE 612 092 C91)			PLUG
3	70 128 R1	PLUG, core hole (6)		19 238 R1	PLUG, 1/8" sq-hd pipe (3)
4	368 986 R91	GAUGE, oil level		50 410 DA	
5	368 985 R2	TUBE, oil filler		444 571	
6	9 982 T	VALVE, 1/4" drain			
7	306 637 R11	SUPPORT w/PLUG, 41 162 D, oil pump shaft			
7A	41 162 D	PLUG, oil pump shaft support			
9	371 699 R2	DOWEL, engine rear support (2)			
10	538 983 R1	OIL SEAL, rear bearing cap			
11	310 665 R1	BOOT, rear bearing cap seal (2)			
12	369 982 R1	GASKET, valve push rod cover			
13	315 970 R91	COVER, w/two ELEMENT, 315 849 R1, valve push rod			
14	375 612 R91	SCREW, 1/4 x 1/2" slt-rd-hd mach w/WASHER (valve push rod cover) (16)			
15	328 560 R11	PIPE, breather			
	347 587 R91	SCREW (2)			
	47 401 D	WASHER, breather pipe screw sealing (2)			
16	369 981 R1	GASKET, breather pipe			

DIESEL ENGINE

REF. NO.	PART NUMBER	DESCRIPTION	REF. NO.	PART NUMBER	DESCRIPTION
----------	-------------	-------------	----------	-------------	-------------

CONNECTING ROD AND PISTON



4	674 727 C91	RING SET, piston (Koppers) (Consists of two compression Ring and one Oil Ring) (Optional w/PACKAGE, 680 035 C91)
5	338 835 R1	RING, piston pin retainer (12)
6	332 436 R1	PIN, piston (standard size) (6)
7	278 272 R1	SLEEVE, cylinder (6) TD-9BGM 5700 to 11440 (6) TD-9BPM 5700 to 11440 (6) TD-9BGAM 5700 to 11440 (6) TD-9BGCM 8410 to 11440 (6) TD-9BGSM 8483 to 11440
7	323 802 R1	SLEEVE, cylinder (.002" oversize) (part of PACKAGE, 609 346 C91) (X) TD-9BGM 5700 to 11440 (X) TD-9BPM 5700 to 11440 (X) TD-9BGAM 5700 to 11440 (X) TD-9BGCM 8410 to 11440 (X) TD-9BGSM 8483 to 11440
7	601 289 C1	SLEEVE, cylinder (.010" oversize) (X) TD-9BGM 5700 to 11440 (X) TD-9BPM 5700 to 11440 (X) TD-9BGAM 5700 to 11440 (X) TD-9BGCM 8410 to 11440 (X) TD-9BGSM 8483 to 11440
7	609 028 C11	SLEEVE, cylinder (X) TD-9BGM 11441 up (X) TD-9BPM 11441 up (X) TD-9BGAM 11441 up (X) TD-9BGCM 11441 to 97305 (X) TD-9BGSM 11441 to 97305
7	612 000 C11	SLEEVE, cylinder (.002" oversize) (X) TD-9BGM 11441 up (X) TD-9BPM 11441 up (X) TD-9BGAM 11441 up (X) TD-9BGCM 11441 to 97305 (X) TD-9BGSM 11441 to 97305
7	612 001 C11	SLEEVE, cylinder (.010" oversize) (X) TD-9BGM 11441 up (X) TD-9BPM 11441 up (X) TD-9BGAM 11441 up (X) TD-9BGCM 11441 to 97305 (X) TD-9BGSM 11441 to 97305

1		RING, piston (top compression) (Order PACKAGE, 680 035 C91) (6)
2		RING, piston (chrome plated intermediate compression) (Order PACKAGE, 680 035 C91) (6)
3		RING, piston (oil regulating) (Order PACKAGE, 680 035 C91) (6)
4	680 035 C91	PACKAGE, piston ring service (sealed power) (consists of two compression Ring and one Oil Ring) (Optional w/Ring Set 674 727 C91)

8		PISTON (Not Furnished Separately) (6)
8A	680 337 C91	PACKAGE, piston and ring (Includes parts shown in bracket, except Ref. No. 6)
9	609 344 C91	SLEEVE w/PISTON and RING ASSY, cylinder (6) TD-9BGM 5700 to 11440 (6) TD-9BPM 5700 to 11440 (6) TD-9BGAM 5700 to 11440 (6) TD-9BGCM 5700 to 11440 (6) TD-9BGSM 5700 to 11440

(X) - As Required.

DIESEL ENGINE

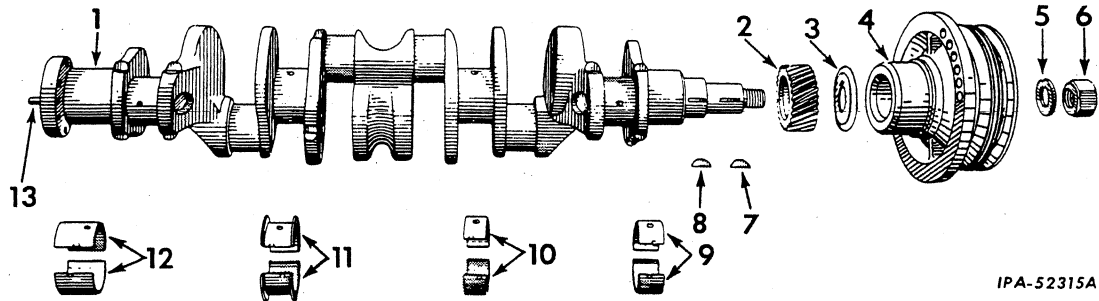
REF. NO.	PART NUMBER	DESCRIPTION	REF. NO.	PART NUMBER	DESCRIPTION
CONNECTING ROD AND PISTON - Continued					
9	612 008 C92	SLEEVE w/PISTON and RING ASSY, cylinder (X) TD-9BGM 11441 up (X) TD-9BPM 11441 up (X) TD-9BGAM 11441 up (X) TD-9BGCM 11441 to 97305 (X) TD-9BGSM 11441 to 97305			
10	306 708 R1	BUSHING, piston pin (6)			
11	367 408 R11	BEARING, connecting rod (standard) (two halves) (6)			
11	367 632 R11	BEARING, connecting rod (.002" undersize) (two halves) (6)			
11	367 631 R11	BEARING, connecting rod (.030" undersize) (two halves) (6)			
11	376 666 R11	BEARING, connecting rod (.010" undersize) (two halves) (6)			
11	376 668 R11	BEARING, connecting rod (.020" undersize) (two halves) (6)			
12	306 280 R12	ROD w/two BOLTS, 316 366 R1 and BUSHING, 306 708 R1 connecting (6)			
13	316 366 R1	BOLT, connecting rod (12)			
	367 630 R91	BEARING SET, connecting rod (consists of six rod BEARING, 367 408 R11)			
	320 017 R91	PACKAGE, cylinder sleeve (consists of SLEEVE, 278 272 R1, SHIM, 320 000 R1, two SHIM, 320 018 R1 and PAMPHLET, 1 014 864 R3) (6)			
	609 346 C91	PACKAGE, piston and oversize cylinder sleeve (.002" oversize) field service (X) TD-9BGM 5700 to 11440 (X) TD-9BPM 5700 to 11440 (X) TD-9BGAM 5700 to 11440 (X) TD-9BGCM 8410 to 11440 (X) TD-9BGSM 8483 to 11440 (Consists of - § 1 PISTON 1 PIN 332 436 R1 § 3 RING 2 RING 338 835 R1 1 SHIM 320 000 R1 2 SHIM 320 018 R1 1 SLEEVE 323 802 R1 1 PAMPHLET 1 014 864 R3)			
	320 000 R1	SHIM, cylinder sleeve (.005") (6)			
	320 018 R1	SHIM, cylinder sleeve (.003") (12)			

(§) - Not Furnished Separately.
(X) - As Required.

DIESEL ENGINE

REF. NO.	PART NUMBER	DESCRIPTION	REF. NO.	PART NUMBER	DESCRIPTION
----------	-------------	-------------	----------	-------------	-------------

CRANKSHAFT, BEARINGS AND VIBRATION DAMPER



1		CRANKSHAFT (standard size) (order PACKAGE, 320 188 R93)	10	367 291 R91	BEARING, crankshaft intermediate front (.030" undersize) (two halves)
2	367 272 R1	GEAR, crankshaft	11	367 282 R91	BEARING, crankshaft intermediate rear (standard size) (two halves) (#)
3	71 763 R2	SLINGER, crankshaft oil	11	332 267 R91	BEARING, crankshaft intermediate rear (standard size (two halves) (&)
4	338 951 R91	DAMPER, vibration (together with OIL SEAL, 317 549 R91 will work for DAMPER, 306 367 R91)	11	367 306 R91	BEARING, crankshaft intermediate rear (.002" undersize) (two halves) (#)
5	70 109 R1	WASHER, starting crank nut			
6	219 755	NUT, 1 NF jam	11	332 273 R91	BEARING, crankshaft intermediate rear (.002" undersize) (two halves) (&)
7	117 984	KEY, 5/16 x 1-3/8" fan drive pulley (Woodruff No. 23)	11	376 676 R91	BEARING, crankshaft intermediate rear (.010" undersize) (two halves) (#)
8	103 462	KEY, 3/16 x 1" crankshaft gear (Woodruff No. 13)			
9	367 276 R91	BEARING, crankshaft front (standard size) (two halves)	11	332 276 R91	BEARING, crankshaft intermediate rear (.010" undersize) (two halves) (&)
9	367 300 R91	BEARING, crankshaft front (.002" undersize) (two halves)	11	376 689 R91	BEARING, crankshaft intermediate rear (.020" undersize) (two halves) (#)
9	376 670 R91	BEARING, crankshaft front (.010" undersize) (two halves)	11	332 279 R91	BEARING, crankshaft intermediate rear (.020" undersize) (two halves) (&)
9	376 683 R91	BEARING, crankshaft front (.020" undersize) (two halves)			
9	367 288 R91	BEARING, crankshaft front (.030" undersize) (two halves)	11	367 294 R91	BEARING, crankshaft intermediate rear (.030" undersize) (two halves) (#)
10	367 279 R91	BEARING, crankshaft intermediate front (standard size) (two halves)	11	332 270 R91	BEARING, crankshaft intermediate rear (.030" undersize) (two halves) (&)
10	367 303 R91	BEARING, crankshaft intermediate front (.002" undersize) (two halves)	12	367 285 R91	BEARING, crankshaft rear (standard size) (two halves)
10	376 673 R91	BEARING, crankshaft intermediate front (.010" undersize) (two halves)	12	367 309 R91	BEARING, crankshaft rear (.002" undersize) (two halves)
10	376 686 R91	BEARING, crankshaft intermediate front (.020" undersize) (two halves)			

(#) - TD-9BM, TD-9BPM and TD-9BGAM 5700 to 6902.
 (&) - TD-9BM, TD-9BPM and TD-9BGAM 6903 up.

DIESEL ENGINE

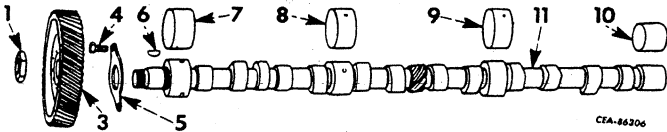
REF. NO.	PART NUMBER	DESCRIPTION	REF. NO.	PART NUMBER	DESCRIPTION
CRANKSHAFT, BEARINGS AND VIBRATION DAMPER - Continued					
12	376 679 R91	BEARING, crankshaft rear (.010" undersize) (two halves)			
12	376 692 R91	BEARING, crankshaft rear (.020" undersize) (two halves)			
12	367 297 R91	BEARING, crankshaft rear (.030" undersize) (two halves)			
13	82 970 R1	PIN, flywheel to crankshaft dowel			
13	382 357 R91	BEARING SET, crankshaft (standard size) (Consists of -			
		1 BEARING 367 276 R91			
		1 BEARING 367 279 R91			
		1 BEARING 332 267 R91			
		1 BEARING 367 285 R91)			
320 188 R93		PACKAGE, crankshaft w/BEARINGS, field service (standard size) (Composed of -			
		1 BEARING SET 382 357 R91			
		1 BEARING SET 367 630 R91			
		s 1 CRANKSHAFT			
		1 BEARING 367 282 R91			
		1 PIN 82 970 R1			
		1 PAMPHLET 1 019 253 R1)			

(s) - Not Furnished Separately.

DIESEL ENGINE

REF. NO.	PART NUMBER	DESCRIPTION
----------	-------------	-------------

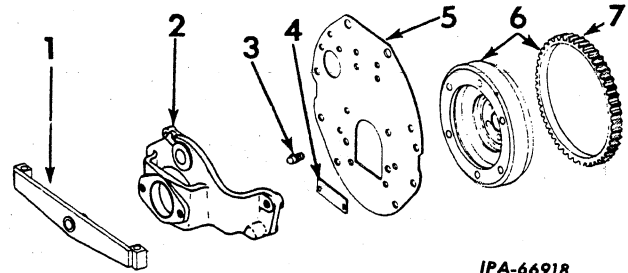
CAMSHAFT AND RELATED PARTS



1	16 026 DB	NUT, camshaft gear
3	367 240 R1	GEAR, camshaft
4	70 425 R1	BOLT, camshaft thrust plate (2)
5	35 650 HA	PLATE, camshaft thrust
6	218 211	KEY, 1/4 x 3/4" camshaft gear (Woodruff No. 91)
7	70 259 R2	BEARING, camshaft (front) (will work for 367 515 R1 and 367 514 R1)
8	70 260 R1	BEARING, camshaft (intermediate front) (will work for 71 326 R1)
9	70 261 R2	BEARING, camshaft (intermediate rear) (will work for 70 131 R1)
10	70 262 R1	BEARING, camshaft (rear) (will work for 70 132 R1)
11	367 229 R1	CAMSHAFT

REF. NO.	PART NUMBER	DESCRIPTION
----------	-------------	-------------

FLYWHEEL AND ENGINE SUPPORTS
(Used on manual shift, Revolving Crane, Sideboom and Agr. tractors)



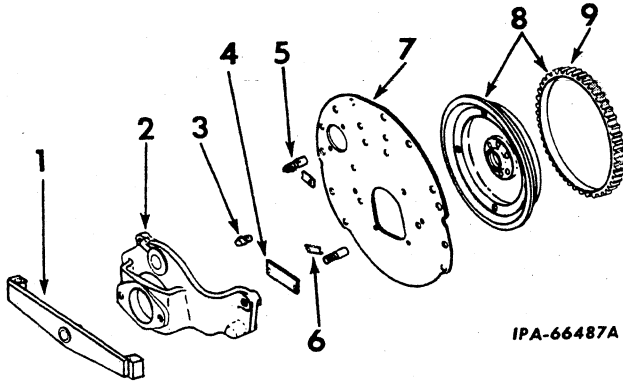
1	306 648 R91	SUPPORT, front engine
	271 569	SCREW, 5/8 x 3-3/4" hex-hd cap (4)
	103 325	WASHER, 5/8" lock (4)
2	332 111 R1	BRACKET, front engine support
3	Q 5 009	FITTING, lubrication
4	367 225 R1	SEAL, rear engine support dust
	179 814	SCREW, 5/16 x 5/8" hex-hd cap (2)
	103 340	WASHER, 11/32 x 11/16" x No. 16 ga plain (2)
5	306 645 R11	SUPPORT, rear engine
	179 883	SCREW, 1/2 x 1-1/4" hex-hd cap (6)
	103 323	WASHER, 1/2" lock (6)
6	306 638 R11	FLYWHEEL w/RING GEAR 33 817 DE
7	33 817 DE	GEAR, flywheel ring (149T)
	601 558 C1	BOLT, 7/16NF x 3" hex lock flywheel to crankshaft (6)
	48 384 D	SHIM, front engine support (heavy) (X)
	48 385 D	SHIM, front engine support (light) (X)

(X) - As Required

DIESEL ENGINE

REF. NO.	PART NUMBER	DESCRIPTION
----------	-------------	-------------

FLYWHEEL AND ENGINE SUPPORTS
(Used on power shift tractors)



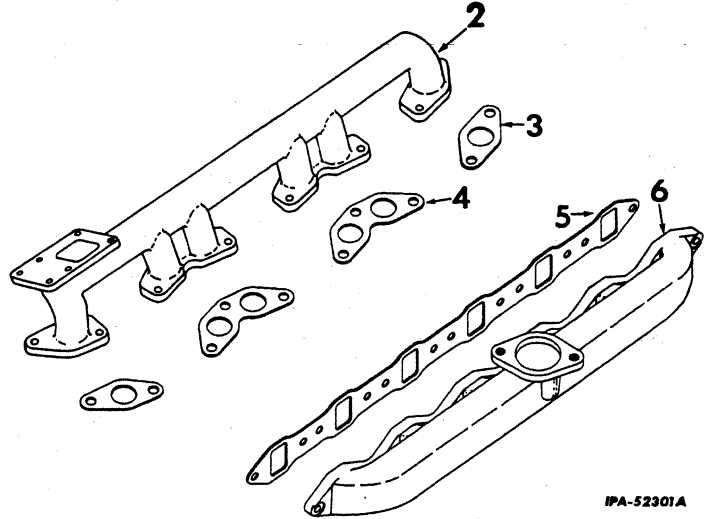
IPA-66487A

1	306 648 R91 271 569 103 325	SUPPORT, front engine SCREW, 5/8 x 3-3/4" hex-hd cap (4) WASHER, 5/8" lock (4)
2	332 111 R1	BRACKET, front engine support
3	Q 5 009	FITTING, 1/8" x 30° lubrication
4	367 225 R1 179 814 103 340	SEAL, rear engine support dust SCREW, 5/16 x 5/8" hex-hd cap (2) WASHER, 11/32 x 11/16" x 16ga (2)
5	331 384 R1	DOWEL, main frame (.7453 standard size) (2)
5	331 792 R2	DOWEL, main frame (.8140 oversize) (2)
5	331 793 R2	DOWEL, main frame (.8453 oversize) (2)
6	331 383 R1	RETAINER, dowel (2) SCREW, 1/2 x 3/4" hex-hd cap (2)
7	328 544 R21 179 883 103 323	SUPPORT, rear engine SCREW, 1/2 x 1-1/4" hex-hd cap (6) WASHER, 1/2" lock (6)
8	328 543 R21	FLYWHEEL w/ring GEAR, 33 817 DE
9	33 817 DE	GEAR, flywheel ring (149T)
	332 136 R1	BOLT, 7/16NF x 3" hex-hd lock (flywheel to crankshaft) (6)
	48 384 D	SHIM, front engine support (heavy) (X)
	48 385 D	SHIM, front engine support (light) (X)

(X) - As Required.

REF. NO.	PART NUMBER	DESCRIPTION
----------	-------------	-------------

INTAKE AND EXHAUST MANIFOLD
(Used on manual shift, revolving crane, sideboom and Agr. tractors) (Used on power shift tractors equipped with altitude compensation attachment)



IPA-52301A

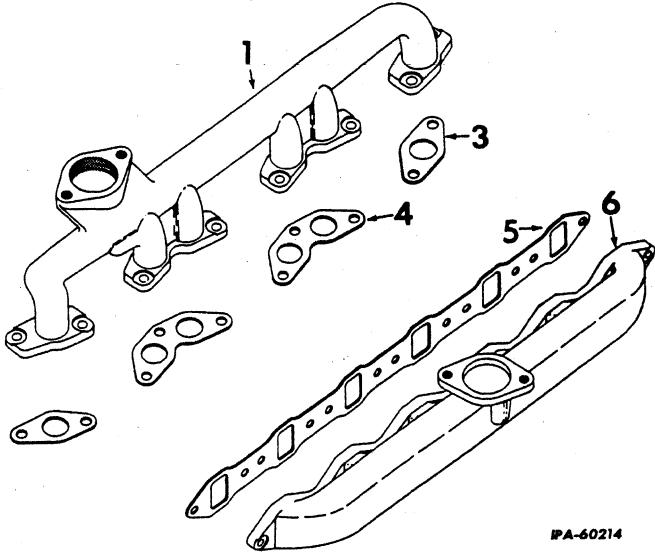
2	306 656 R1	MANIFOLD, exhaust
3	278 313 R2	GASKET, exhaust manifold (end) (2)
4	278 314 R1	GASKET, exhaust manifold (center) (2)
5	305 804 R1	GASKET, intake manifold
6	332 110 R11 179 840 103 321	MANIFOLD w/PLUG, 444 571, intake SCREW, 3/8 x 1-1/8" hex-hd cap (12) WASHER, 3/8" lock (12)
	264 196 R91	CLIP, pipe
	39 524 DA	NUT, exhaust manifold stud (10)
	444 571	PLUG, 1/8" sq-hd pipe
	444 576	PLUG, 1/4NPT sq-hd (optional with 444 575)
	444 575	PLUG, 1/4NPT sq-hd (optional with 444 576)
	113 934 H	WASHER, exhaust manifold flat (10)

DIESEL ENGINE

REF. NO.	PART NUMBER	DESCRIPTION	REF. NO.	PART NUMBER	DESCRIPTION
----------	-------------	-------------	----------	-------------	-------------

INTAKE AND EXHAUST MANIFOLD

(Used on power shift tractors not equipped with altitude compensation attachment)

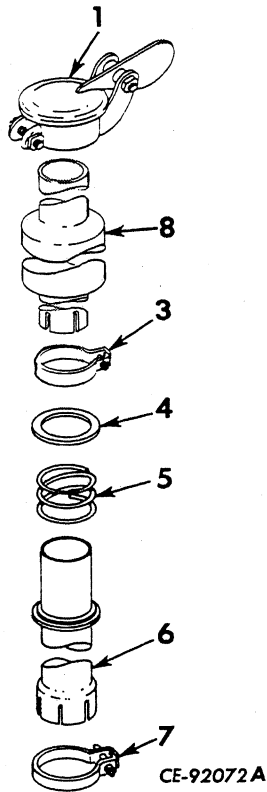
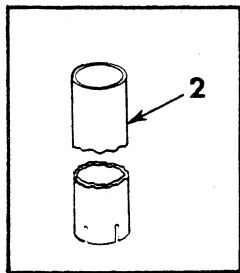


PA-60214

1	278 643 R2	MANIFOLD, exhaust
3	278 313 R2	GASKET, exhaust manifold (end) (2)
4	278 314 R1	GASKET, exhaust manifold (center) (2)
5	305 804 R1	GASKET, intake manifold
6	332 110 R11	MANIFOLD w/PLUG, 444 571 intake
	179 840	SCREW, 3/8 x 1-1/8" hex-hd cap (12)
	103 321	WASHER, 3/8" lock (12)
	264 196 R91	CLIP, pipe (2)
	39 524 DA	NUT, exhaust manifold stud (10)
	444 571	PLUG, 1/8" sq-hd pipe (intake manifold)
	113 934 H	WASHER, exhaust manifold flat (10)

DIESEL ENGINE

REF. NO.	PART NUMBER	DESCRIPTION	REF. NO.	PART NUMBER	DESCRIPTION
EXHAUST PIPE, RAIN CAP AND RELATED PARTS (Not Used on Tractors Equipped with Heavy Duty Air Cleaner) (For Power Shift Crawler Tractors Equipped with Altitude Compensation Attachments)					
			2	620 149 C1	PIPE, exhaust expansion (%)
			3	276 223 R91	CLAMP, exhaust pipe extension (\$) (2) TD-9BP 6525 to #
			3	299 864 R1	CLAMP, pipe (%) (2) TD-9BP 6525 to #
			3	650 984 C1	CLAMP, exhaust pipe extension (\$) TD-9BP # to 16721
				102 635	NUT (2)
				354 921 R1	SCREW, hex-hd cap (2)
				103 321	WASHER, lock (2)
			3	674 079 C1	CLAMP, exhaust muffler (\$) TD-9BP 16722 and up
				25 522 R1	NUT (2)
				275 804 R1	SCREW, hex-hd cap (2)
				25 544 R1	WASHER, flat (4)
				115 093	WASHER, lock (2)
			3	650 987 C1	CLAMP, exhaust pipe extension (%) (2)
				102 635	NUT (2)
				354 921 R1	SCREW, hex-hd cap (2)
				103 321	WASHER, lock (2)
			4	320 537 R11	RETAINER, spring (%)
			5	318 987 R1	SPRING, exhaust baffle (%)
			6	330 737 R11	PIPE, exhaust (%)
			7	276 223 R91	CLAMP, (%)
			8	680 604 C1	MUFFLER, exhaust (\$) TD-9BP 16722 and up
				628 164 C91	ATTACHMENT, lockable exhaust rain cap (used on tractor equipped w/PIPE 620 148 C1 or 620 149 C1) (See NOTES 1 and 3) (Consists of CAP 650 430 C91) TD-9BP 6525 to 16721
				650 382 C91	ATTACHMENT, exhaust rain cap padlock w/KEYS (See NOTES 1 and 3)



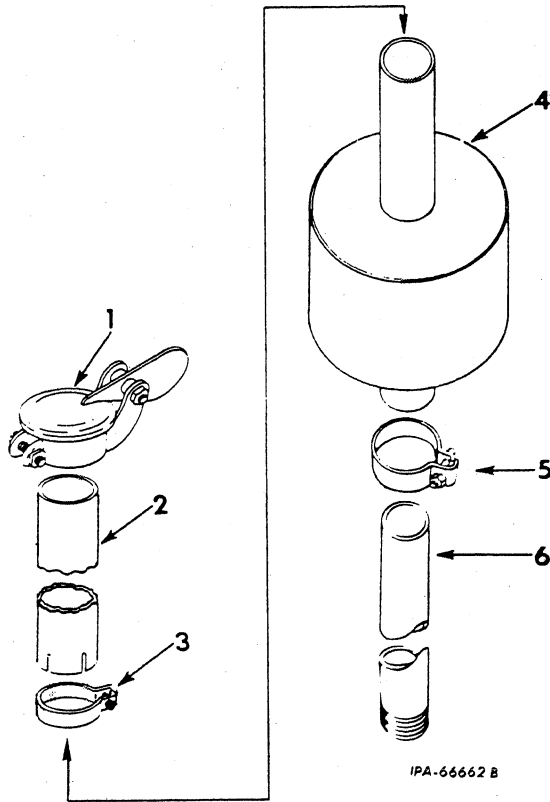
NOTE 1 - Factory Application - Order On Machine Order Form
 NOTE 3 - Field Application - Order Through Service Parts Channels
 (\$) - Used on Power Shift Tractor Equipped with Altitude Compensation Attachment Without Heavy Hood
 (%) - Used on Power Shift Tractors Equipped with Altitude Compensation Attachment with Heavy Hood
 (*) - Now Regular Equipment from Serial Number 11700 Up
 (#) - Serial Number Not Available

DIESEL ENGINE

REF. NO.	PART NUMBER	DESCRIPTION	REF. NO.	PART NUMBER	DESCRIPTION
----------	-------------	-------------	----------	-------------	-------------

EXHAUST MUFFLER, EXHAUST PIPE, RAIN CAP AND RELATED PARTS
 (Not Used on Tractors Equipped with Heavy Duty Air Cleaner)
 (For Power Shift Crawler Tractors Not Equipped with Altitude Compensation Attachments)

4	606 208 C91	MUFFLER, exhaust (together with PIPE, 604 677 C1 will work for MUFFLER, 333 701 R91)
5	350 602 R1 179 841 102 635 103 321	CLAMP, muffler SCREW, 3/8 x 1-1/4" hex-hd cap NUT, 3/8" WASHER, 3/8" lock
6		PIPE, exhaust (2" std-pipe 8.6" long, obtain locally) (used with MUFFLER, 333 701 R91)
6	604 677 C1	PIPE, exhaust (used with MUFFLER, 606 208 C91)
	628 165 C91	ATTACHMENT, lockable exhaust rain cap (used on tractor equipped w/ PIPE 620 147 C1) (See NOTES 1 and 3) (Consists of CAP, 650 428 C91)
	650 382 C91	ATTACHMENT, exhaust rain cap padlock w/KEYS (See NOTES 1 and 3)

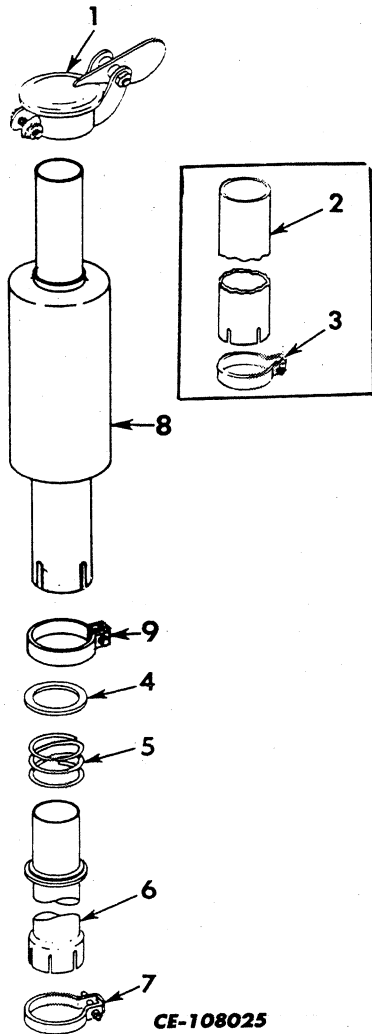


1	650 428 C91	CAP, lockable exhaust rain (will work for CAPS 283 280 R91 and 321 574 R91)
2	620 147 C1	PIPE, exhaust muffler extension (together with CAP, 650 428 C91 will work for PIPE 276 224 R2) TD-9BP (*)
3	620 175 C1	CLAMP, exhaust muffler pipe extension (Order the following - 1 CLAMP 650 982 C1 1 NUT 102 635 1 SCREW 354 921 R1 1 WASHER 103 321)
3	650 982 C1 102 635 354 921 R1 103 321	CLAMP, exhaust muffler pipe extension NUT SCREW, hex-hd cap WASHER, lock

NOTE 1 - Factory Application - Order On Machine Order Form
 NOTE 3 - Field Application - Order On Machine Order Form
 (*) - Now Regular Equipment From Serial Number 11700 and Up

DIESEL ENGINE

REF. NO.	PART NUMBER	DESCRIPTION	REF. NO.	PART NUMBER	DESCRIPTION
EXHAUST PIPE, RAIN CAP AND RELATED PARTS (Not Used on Tractors Equipped with Heavy Duty Air Cleaner) (For Manual Shift Tractors)			2	620 149 C1	EXTENSION, muffler and pipe TD-9BGA 12984 to 16721
			3	276 223 R91	CLAMP, exhaust pipe extension (2) TD-9BG 6502 to # (2) TD-9BGA 6616 to # (2) TD-9BGC 9231 to #
			3	650 984 C1	CLAMP, exhaust pipe extension (2) TD-9BG # to 16721 (2) TD-9BGC # to 16721 (2) TD-9BGS # to 16721
				102 635	NUT (2)
				354 921 R1	SCREW (2)
				103 321	WASHER (2)
			3	650 987 C1	CLAMP, exhaust pipe extension TD-9BGA # to 16721
				102 635	NUT (2)
				354 921 R1	SCREW (2)
				103 321	WASHER (2)
			4	320 537 R11	RETAINER, spring TD-9BGA 12984 up
			5	318 987 R1	SPRING, exhaust baffle TD-9BGA 12984 up
			6	330 737 R11	PIPE, exhaust TD-9BGA 12984 up
			7	299 864 R1	CLAMP, extension pipe TD-9BGA 12984 up
			8	680 604 C1	MUFFLER, exhaust TD-9BG 16722 and up TD-9BGC 16722 to 16800 TD-9BGS 16722 to 16800
			8	680 669 C1	MUFFLER, exhaust TD-BGA 16722 and up
			9	674 079 C1	CLAMP, exhaust muffler TD-9BG 16722 and up TD-9BGC 16722 to 16800 TD-9BGS 16722 to 16800
				25 522 R1	NUT (2)
				275 804 R1	SCREW, hex-hd cap (2)
				115 093	WASHER, lock (2)
				25 544 R1	WASHER (4)
			9	673 863 C1	CLAMP, exhaust muffler TD-9BGA 16722 and up
				25 522 R1	NUT
				275 804 R1	SCREW, hex-hd cap
				115 093	WASHER, lock
				25 544 R1	WASHER, flat (2)
1	650 430 C92	CAP, lockable exhaust rain (will work for CAPS 283 001 R91 and 321 576 R91)			
1	650 673 C91	CAP, lockable exhaust rain (Part of ATTACHMENT 632 290 C91)			
2	620 148 C1	PIPE, exhaust muffler extension (together with CAP, 650 430 C91) will work for PIPE, 306 921 R1) (*) TD-9BG 6502 to 16721 TD-9BGA 11700 to 12983 TD-9BGC 9231 to 16721 TD-9BGS 9239 to 16721			



(*) - Now Regular Equipment From
Serial Number 11700 and up
- Serial Number Not Available

DIESEL ENGINE

REF. NO.	PART NUMBER	DESCRIPTION	REF. NO.	PART NUMBER	DESCRIPTION
EXHAUST PIPE, RAIN CAP AND RELATED PARTS - Continued (Not Used on Tractors Equipped with Heavy Duty Air Cleaner) (For Manual Shift Tractors)					
628 164 C91		ATTACHMENT, lockable exhaust rain cap (used on tractors equipped w/PIPE 620 148 C1 or 620 149 C1) (See NOTE 3) (Consists of CAP, 650 430 C91) TD-9BG 6502 to 16721 TD-9BGA 6616 to 16721 TD-9BGC 9231 to 16721 TD-9BGS 9239 to 16721			
632 290 C91		ATTACHMENT, lockable exhaust rain cap (used on tractor equipped w/MUFFLER 680 604 C1 and 680 669 C1) (See NOTES 1 and 3) TD-9BG 16722 up TD-9BGA 16722 up TD-9BGC 16722 to 16800 TD-9BGS 16722 to 16800			
650 382 C91		ATTACHMENT, exhaust rain cap padlock w/KEYS (See NOTES 1 and 3)			

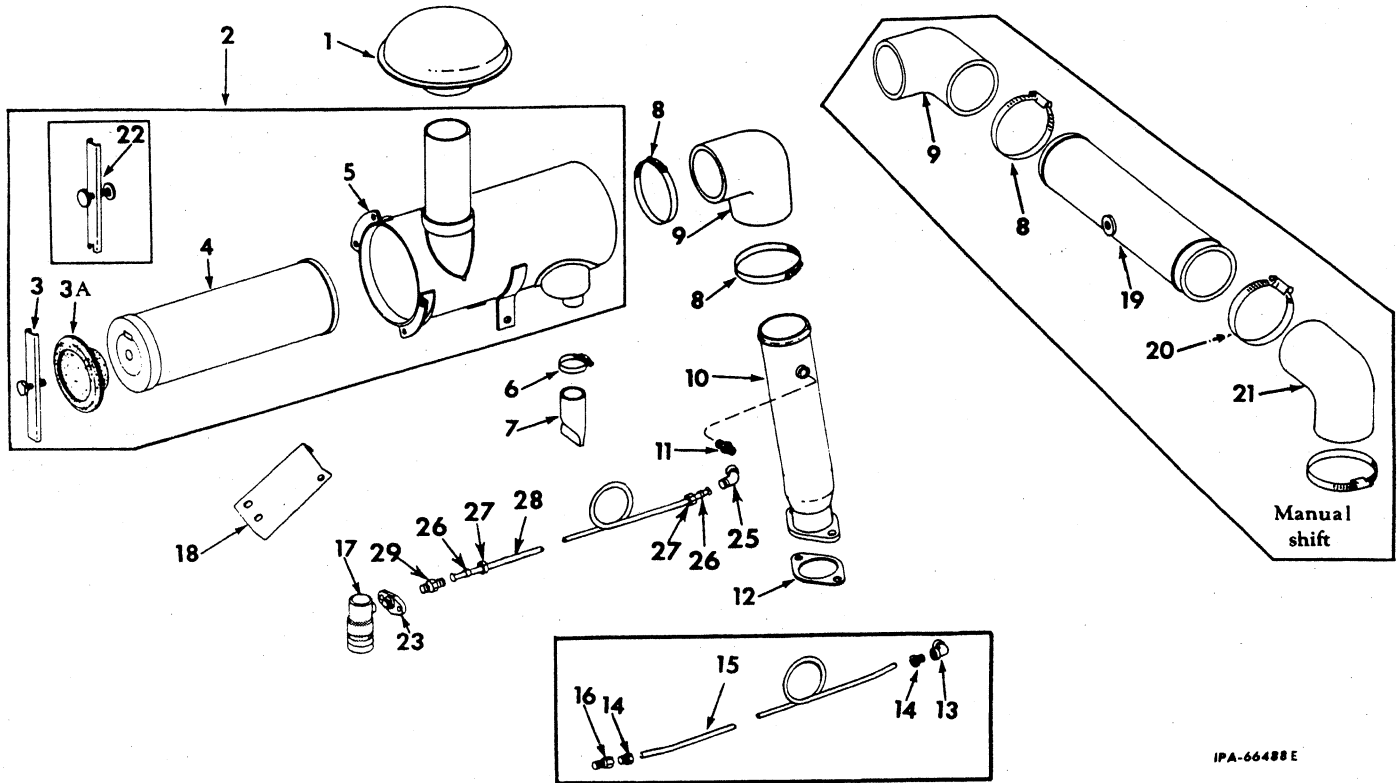
NOTE 1 - Factory Application - Order
On Machine Order Form
NOTE 3 - Field Application - Order
On Machine Order Form

FUEL SYSTEM

REF. NO.	PART NUMBER	DESCRIPTION	REF. NO.	PART NUMBER	DESCRIPTION
----------	-------------	-------------	----------	-------------	-------------

AIR CLEANER AND CONNECTIONS

(United Specialties) (Used on Manual Shift, Revolving Crane and Sideboom Tractors) (Used on Power Shift Tractors Not Equipped with Altitude Compensation Attachment)
 TD-9BG 6502 to 15966, also 15994 to 16217 except 15996
 TD-9BP 6525 to 15966, also 15994 to 16217 except 15996
 TD-9BGC 9231 to 16800
 TD-9BGS 9239 to 15966, also 15994 to 16217 except 15996



IPA-66488 E

1	313 625 R91	CAP, weather	9	304 398 R1	ELBOW, air cleaner outlet hose (*) (%) (+) TD-9BP 6525 to 8928
2	327 468 R91	CLEANER ASSY, air (+) (*)	9	345 795 R1	ELBOW, air cleaner outlet hose (+) TD-9BP 8929 to 15966, also 15994 to 16217 except 15996
2	347 846 R91	CLEANER ASSY, air (%)	10	330 622 R11	PIPE, air cleaner outlet (order PIPE, 345 794 R11, and ELBOW, 345 795 R1) (+) TD-9BP 6525 to 8928
	25 520 R1	NUT, 5/16" (4)	10	345 794 R11	PIPE, air cleaner outlet (+) TD-9BP 8929 to 15966, also 15994 to 16217 except 15996
	25 228 R1	SCREW, 5/16 x 3/4", hex-hd cap (4)		24 849 R1	SCREW, 7/16 x 1", hex-hd cap (2)
	110 120	WASHER, 5/16", lock (4)		115 314	WASHER, 7/16" lock (2)
3	313 930 R91	LOCK, filter element (furnished as part of AIR CLEANER ASSY, 327 468 R91) (+) (*)			
3A	603 824 C1	GASKET, element seal			
4	317 702 R91	ELEMENT			
5		BODY (Not Furnished Separately)			
6	274 085 R91	CLAMP, automatic dust unloader			
7	324 194 R1	UNLOADER, automatic dust			
8	274 089 R91	CLAMP, air cleaner outlet hose elbow (2)			

(+) - For Power Shift Tractors.
 (*) - For Manual Shift and Sideboom Tractors.
 (%) - For Revolving Crane Tractors.

FUEL SYSTEM

REF. NO.	PART NUMBER	DESCRIPTION	REF. NO.	PART NUMBER	DESCRIPTION
AIR CLEANER AND CONNECTIONS - Continued (United Specialties) (Used on Manual Shift, Revolving Crane and Sideboom Tractors) (Used on Power Shift Tractors Not Equipped with Altitude Compensation Attachment) TD-9BG 6502 to 15966, also 15994 to 16217 except 15996 TD-9BP 6525 to 15966, also 15994 to 16217 except 15996 TD-9BGC 9231 to 16800 TD-9BGS 9239 to 15966, also 15994 to 16217 except 15996			23	284 874 C1	FLANGE, air cleaner filter indicator mounting
				103 089	NUT, No. 12 (2)
				100 779	SCREW, No. 12 x 3/4", hex-hd cap (2)
				106 498	WASHER, lock, No. 12 (2)
				606 519 C1	PLATE, air cleaner indicator name
			25	610 040 C1	ELBOW, air cleaner indicator tube
11	317 972 R91	NIPPLE and FILTER, air cleaner			TD-9BG 12166 to 15966, also 15994 to 16217 except 15996
12	369 497 R2	GASKET, air cleaner outlet pipe (+)			TD-9BP 12167 to 15966, also 15994 to 16217 except 15996
13	19 717 R1	ELBOW, 1/8" NPT TD-9BG 6502 to 12165 TD-9BP 6525 to 12166 TD-9BGC 9231 to 12165 TD-9BGS 9239 to 12165			TD-9BGC 12166 to 16800 TD-9BGS 12166 to 15966, also 15994 to 16217 except 15996
14	36 092 D	NUT, 1/8" tube coupling (2) TD-9BG 6502 to 12165 (2) TD-9BP 6525 to 12166 (2) TD-9BGC 9231 to 12165 (2) TD-9BGS 9239 to 12165	26	606 926 C1	SLEEVE TD-9BG 12166 to 15966, also 15994 to 16217 except 15996 TD-9BP 12167 to 15966, also 15994 to 16217 except 15996 TD-9BGC 12166 to 16800 TD-9BGS 12166 to 15966, also 15994 to 16217 except 15996
15	331 976 R1	TUBE, air cleaner indicator TD-9BG 6502 to 12165 TD-9BP 6525 to 12166 TD-9BGC 9231 to 12165 TD-9BGS 9239 to 12165			
15	331 977 R1	TUBE, air cleaner indicator (*) (%) TD-9BG 6502 to 12165 TD-9BP 6525 to 12166 TD-9BGC 9231 to 12165 TD-9BGS 9239 to 12165	27	606 925 C1	NUT
			28	611 427 C11	TUBE w/two SLEEVE, 606 926 C1, and two NUT, 606 925 C1, air cleaner indicator (+) TD-9BG 12166 to 15966, also 15994 to 16217 except 15996 TD-9BP 12167 to 15966, also 15994 to 16217 except 15996 TD-9BGC 12166 to 16800 TD-9BGS 12166 to 15966, also 15994 to 16217 except 15996
16	59 939 D	CONNECTOR, hi-duty male pipe TD-9BG 6502 to 12165 TD-9BP 6525 to 12166 TD-9BGC 9231 to 12165 TD-9BGS 9239 to 12165			
17	346 666 R91	INDICATOR, air cleaner filter			
18	327 983 R11	BRACKET, air cleaner support (+) (*)			
	24 839 R1	SCREW, 3/8 x 3/4", hex-hd cap (4)			
	115 093	WASHER, 3/8" lock (4)			
	25 522 R1	NUT, 3/8"			
19	327 998 R11	PIPE, air cleaner to turbocharger (*) (%)			
20	279 029 R91	CLAMP, air cleaner to turbocharger pipe hose elbow (*) (%) (2)			
21	327 999 R1	ELBOW, air cleaner to turbocharger pipe hose (*) (%)			
22	313 965 R91	LOCK, filter element (193B3K030) (furnished as part of AIR CLEANER ASSY, 347 846 R91) (%)			

(+) - For Power Shift Tractors
 (*) - For Manual Shift and Sideboom Tractors
 (%) - For Revolving Crane Tractors

FUEL SYSTEM

REF. NO.	PART NUMBER	DESCRIPTION	REF. NO.	PART NUMBER	DESCRIPTION
AIR CLEANER AND CONNECTIONS - Continued (United Specialties) (Used on Manual Shift, Revolving Crane and Sideboom Tractors) (Used on Power Shift Tractors Not Equipped with Altitude Compensation Attachment) TD-9BG 6502 to 15966, also 15994 to 16217 except 15996 TD-9BP 6525 to 15966, also 15994 to 16217 except 15996 TD-9BGC 9231 to 16800 TD-9BGS 9239 to 15966, also 15994 to 16217 except 15996					
28	611 428 C11	TUBE w/two SLEEVE, 606 926 C1, and two NUT, 606 925 C1, air cleaner indicator (*) (%) TD-9BG 12166 to 15966, also 15994 to 16217 except 15996 TD-9BP 12167 to 15966, also 15994 to 16217 except 15996 TD-9BGC 12166 to 16800 TD-9BGS 12166 to 15966, also 15994 to 16217 except 15996			
29	606 999 C1	CONNECTOR, air cleaner filter indicator tube TD-9BG 12166 to 15966, also 15994 to 16217 except 15996 TD-9BP 12167 to 15966, also 15994 to 16217 except 15996 TD-9BGC 12166 to 16800 TD-9BGS 12166 to 15966, also 15994 to 16217 except 15996			

(+) - For Power Shift Tractors.
(*) - For Manual Shift and Sideboom Tractors.
(%) - For Revolving Crane Tractors.

FUEL SYSTEM

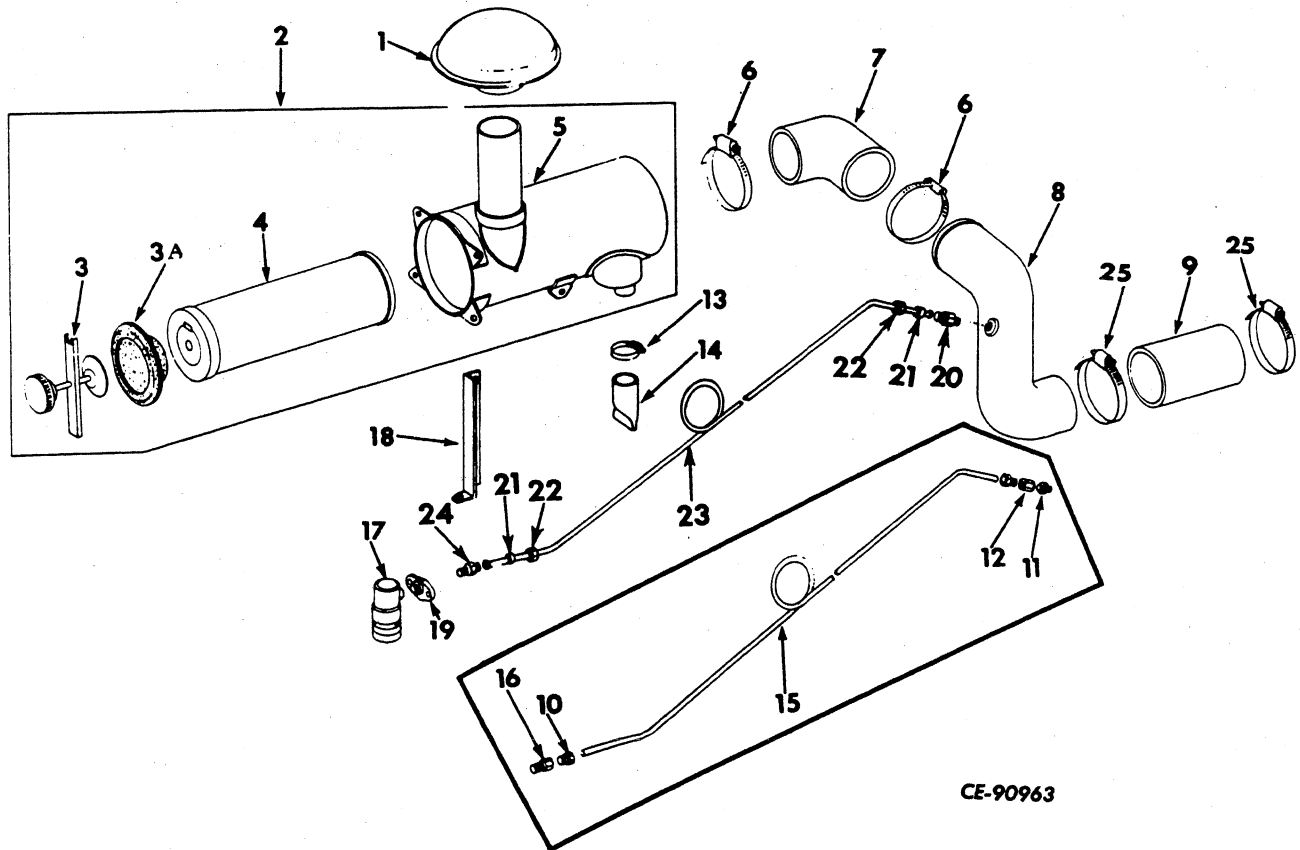
REF. NO.	PART NUMBER	DESCRIPTION	REF. NO.	PART NUMBER	DESCRIPTION
----------	-------------	-------------	----------	-------------	-------------

AIR CLEANER AND CONNECTIONS

(United Specialties) (Used on Agr. Tractors) (Used on Power Shift Tractors Equipped with Altitude Compensation Attachment)

TD-9BP 6525 to 15966, also 15994 to 16217 except 15996

TD-9BGA 6616 to 15966, also 15994 to 16217 except 15996



1	313 625 R91	CAP, weather	6	274 089 R91	CLAMP, hose (2)
1	272 152 R91	CAP, air cleaner weather (used on power shift tractors with heavy hood, 331 728 R11)	7	304 398 R1	ELBOW, air cleaner outlet hose
2	338 725 R91	CLEANER ASSY, air (See Note)	8	331 703 R1	PIPE, air cleaner to turbocharger
	25 522 R1	NUT, 3/8" (4)	9	407 015 R1	HOSE, air cleaner to turbocharger pipe (3" ID x 2-1/2" lg*)
	24 839 R1	SCREW, 3/8 x 3/4", hex-hd cap (4)			
	115 093	WASHER, 3/8" lock (4)			
3	338 743 R91	LOCK, filter element			
3A	603 823 C1	GASKET, element seal			
4	338 744 R91	ELEMENT			
5		BODY (Not Furnished Separately)			

NOTE - AIR CLEANER ASSY, 338 725 R91, no longer available; order AIR CLEANER ASSY, 627 096 C91, listed under AIR CLEANER and CONNECTIONS, TD-9BGA 15967 to 15993 and 16218, up; also, 15996 - TD-9BP 15967 to 15993 and 16218, up; also, 15996.

* - Part Number and Price Cover One Foot of Hose. Furnished Only in Three-Foot Lengths.

FUEL SYSTEM

REF. NO.	PART NUMBER	DESCRIPTION	REF. NO.	PART NUMBER	DESCRIPTION
AIR CLEANER AND CONNECTIONS - Continued (United Specialties) (Used on Agr. Tractors) (Used on Power Shift Tractors Equipped with Altitude Compensation Attachment) TD-9BP 6525 to 15966, also 15994 to 16217 except 15996 TD-9BGA 6616 to 15966, also 15994 to 16217 except 15996			24	606 999 C1	CONNECTOR, air cleaner filter indicator tube TD-9BGA 12167 to 15996, also 15994 to 16217 except 15996
10	36 092 D	NUT, 1/8" tube coupling (2) TD-9BGA 6616 to 12166	25	274 089 R91	CLAMP, hose (used with heavy hood 609 826 C11) (2)
11	317 972 R91	NIPPLE and FILTER, air cleaner	25	279 029 R91	CLAMP, hose (used with heavy hood 331 728 R11) (2)
12	19 715 R1	CONNECTOR, 1/8" NPT TD-9BGA 6616 to 12166		606 519 C1	PLATE, air conditioner indicator name
13	274 085 R91	CLAMP, automatic dust unloader			
14	324 194 R1	UNLOADER, automatic dust			
15	331 978 R1	TUBE, air cleaner indicator TD-9BGA 6616 to 12166			
16	59 939 D	CONNECTOR, hi-duty male pipe TD-9BGA 6616 to 12166			
17	346 666 R91	INDICATOR, air cleaner filter			
18	331 706 R1 25 522 R1 24 839 R1 115 093	SUPPORT, air cleaner NUT, 3/8" SCREW, 3/8 x 3/4", hex-hd cap WASHER, 3/8" lock			
19	284 874 C1 103 089 100 779 106 498	FLANGE, air cleaner filter indicator mounting NUT, No. 12 (2) SCREW, No. 12 x 3/4", hex-hd cap (2) WASHER, No. 12 lock (2)			
20	610 858 C1	CONNECTOR, air cleaner indicator tube TD-9BGA 12167 to 15966, also 15994 to 16217 except 15996			
21	606 926 C1	SLEEVE (2) TD-9BGA 12167 to 15966, also 15994 to 16217 except 15996			
22	606 925 C1	NUT (2) TD-9BGA 12167 to 15966, also 15994 to 16217 except 15996			
23	611 429 C11	TUBE w/two SLEEVE, 606 926 C1, and two NUT, 606 925 C1, air cleaner indicator TD-9BGA 12167 up to 15966, also 15994 to 16217 except 15996			

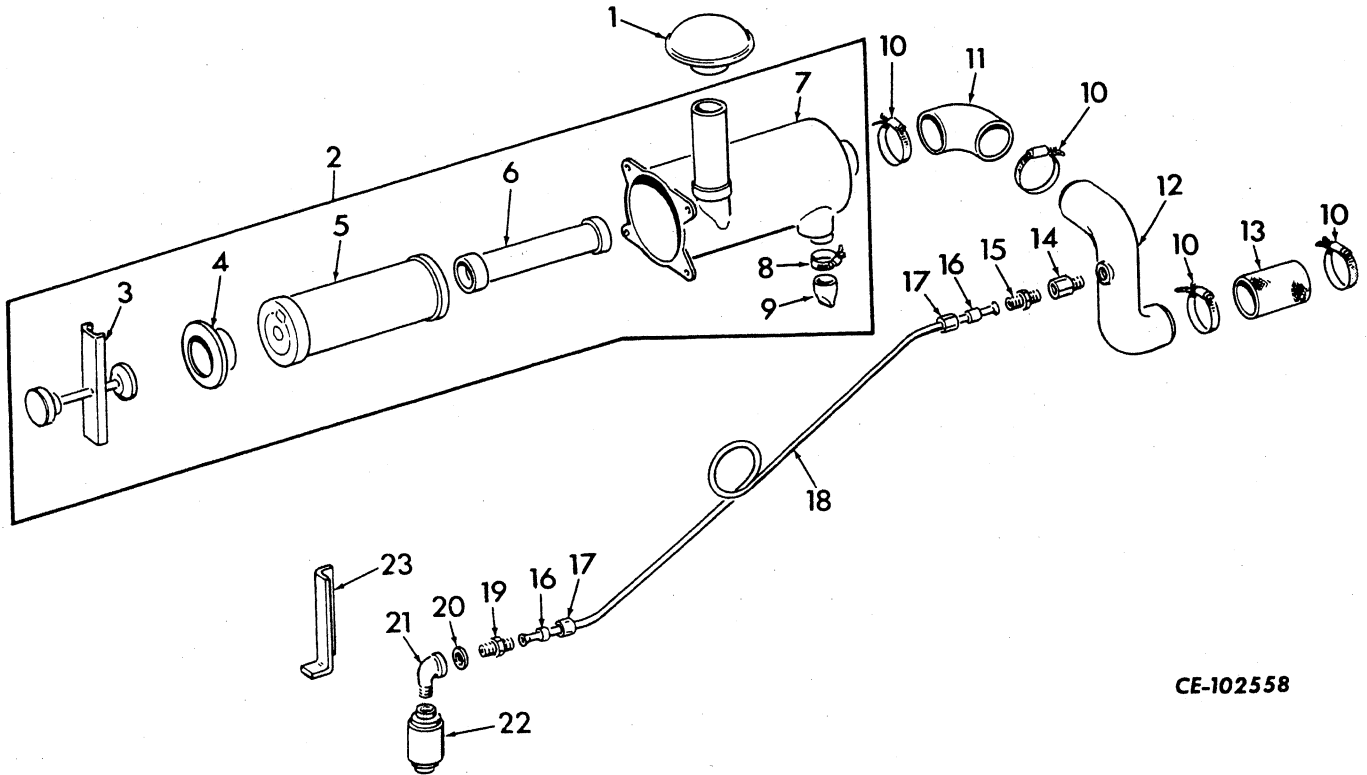
FUEL SYSTEM

REF. NO.	PART NUMBER	DESCRIPTION	REF. NO.	PART NUMBER	DESCRIPTION
----------	-------------	-------------	----------	-------------	-------------

AIR CLEANER AND CONNECTIONS

(United Specialties) (Used on Manual Shift Agr. or Sideboom Tractors) (Used on Power Shift Tractors with Altitude Compensation Attachment)

TD-9BG 15967 to 15993 and 16218 up, also 15996
 TD-9B 15967 to 15993 and 16218 up, also 15996
 TD-9BGA 15967 to 15993 and 16218 up, also 15996
 TD-9BGS 15967 to 15993 and 16218 to 16800, also 15996



CE-102558

1	272 152 R91	CAP, weather	13	407 015 R1	HOSE, air cleaner pipe
2	627 096 C91	CLEANER ASSY, air	14	317 972 R91	NIPPLE and FILTER, air cleaner
	25 522 R1	NUT, 3/8" (4)	15	610 858 C1	CONNECTOR, air cleaner indicator tube
	24 839 R1	SCREW, 3/8 x 3/4", hex-hd cap (4)	16	606 926 C1	SLEEVE (2)
	115 093	WASHER, 3/8" lock (4)	17	606 925 C1	NUT (2)
3	338 743 R91	LOCK, filter element	18	611 429 C11	TUBE w/two SLEEVE, 606 926 C1, and two NUT, 606 925 C1, air cleaner indicator
4		NOT USED	19	606 999 C1	CONNECTOR, air cleaner filter indicator tube
5	627 114 C1	ELEMENT, air cleaner	20	21 403 R1	WASHER, air cleaner filter indicator
6	627 115 C1	ELEMENT, cleaner safety	21	444 476	ELBOW, air cleaner filter indicator
7		BODY (Not Furnished Separately)	22	366 078 C1	INDICATOR, air cleaner filter
8	526 609 R91	CLAMP, dust unloader	23	331 706 R1	BRACKET, air cleaner support
9	324 194 R1	UNLOADER, dust		24 839 R1	SCREW, 3/8 x 3/4", hex-hd cap
10	274 089 R91	CLAMP, air cleaner hose (4)		115 093	WASHER, 3/8" lock
11	304 398 R1	ELBOW, air cleaner outlet hose		25 522 R1	NUT, 3/8"
12	331 703 R1	PIPE, air cleaner to turbocharger			

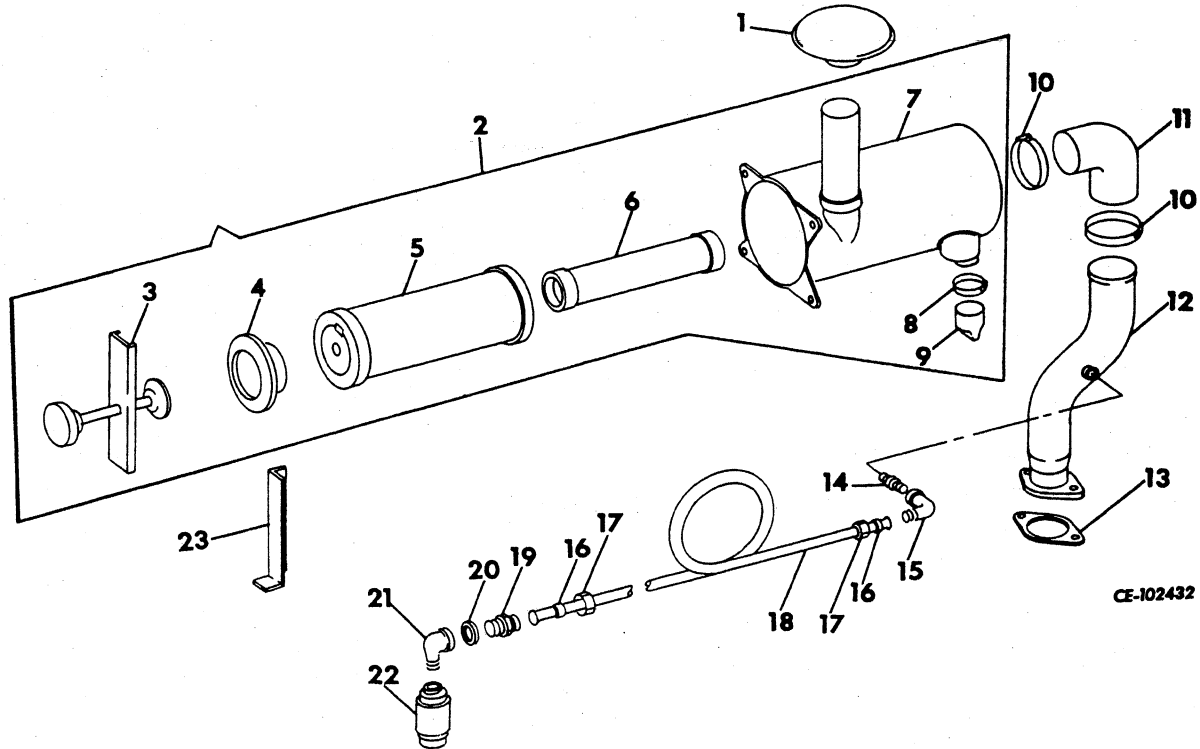
FUEL SYSTEM

REF. NO.	PART NUMBER	DESCRIPTION	REF. NO.	PART NUMBER	DESCRIPTION
----------	-------------	-------------	----------	-------------	-------------

AIR CLEANER AND CONNECTIONS

(United Specialties) (Used on Power Shift Tractors Without Altitude Compensation Attachment)

TD-9BP 15967 to 15993 and 16218 up, also 15996

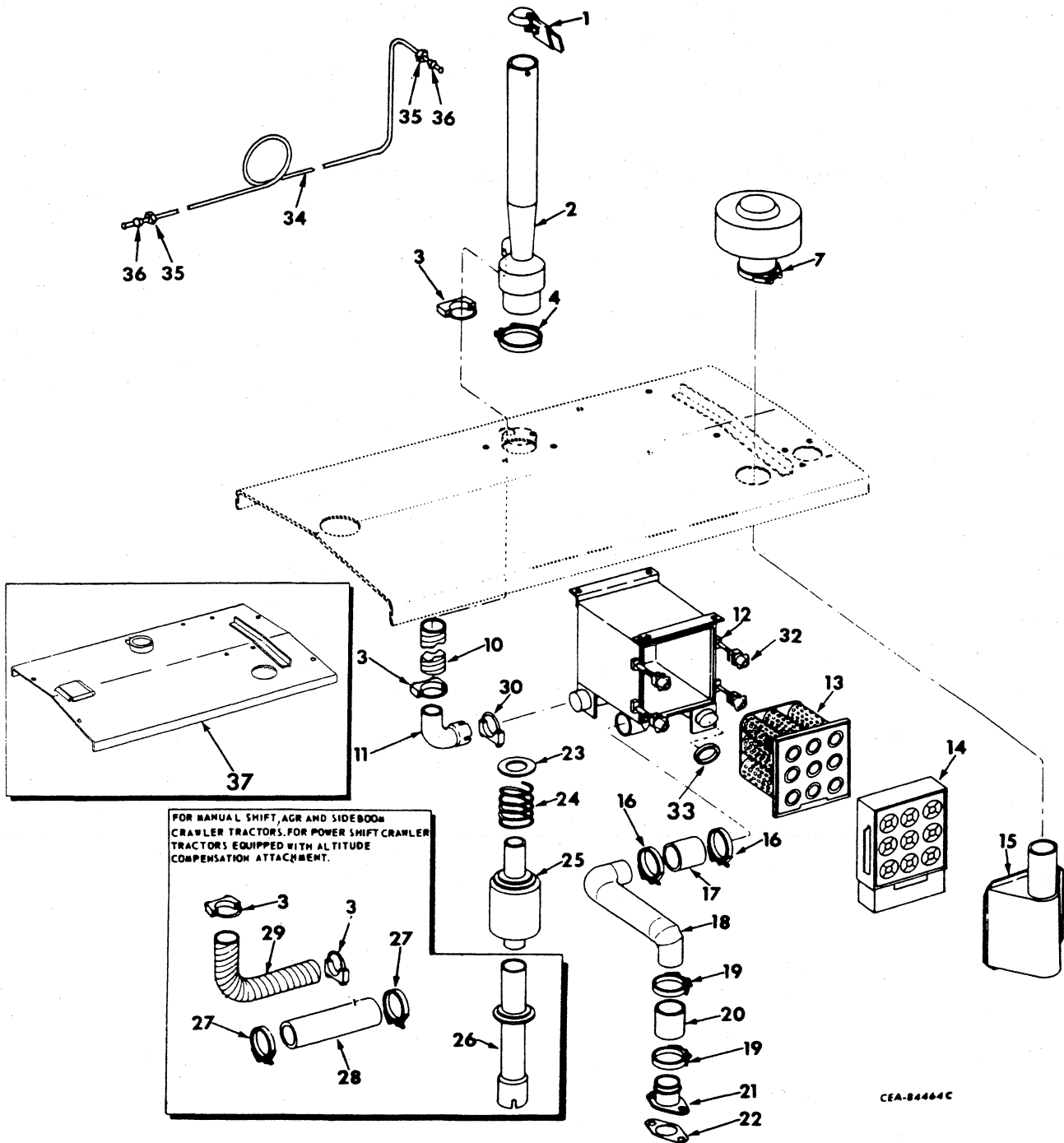


1	272 152 R91	CAP, weather	13	369 497 R2	GASKET, air cleaner outlet pipe
2	627 096 C91	CLEANER ASSY, air	14	317 972 R91	NIPPLE and FILTER, air cleaner
	25 523 R1	NUT, 3/8" (4)	15	610 040 C1	ELBOW, air cleaner indicator tube
	24 839 R1	SCREW, 3/8 x 3/4", hex-hd cap (4)	16	606 926 C1	SLEEVE (2)
	115 093	WASHER, 3/8" lock (4)	17	606 925 C1	NUT (2)
3	338 743 R91	LOCK, filter element	18	624 909 C91	TUBE w/two SLEEVE, 606 926 C1, and two NUT, 606 925 C1, air cleaner indicator
4		NOT USED	19	606 999 C1	CONNECTOR, air cleaner filter indicator tube
5	627 114 C1	ELEMENT, air cleaner	20	21 403 R1	WASHER, air cleaner filter indicator
6	627 115 C1	ELEMENT, cleaner safety	21	444 476	ELBOW, air cleaner filter indicator
7		BODY (Not Furnished Separately)	22	366 078 C1	INDICATOR, air cleaner filter
8	526 609 R91	CLAMP, dust unloader	23	331 706 R1	BRACKET, air cleaner support
9	324 194 R1	UNLOADER, dust		25 522	NUT, 3/8"
10	274 089 R91	CLAMP, air cleaner outlet hose elbow (2)		24 839 R1	SCREW, 3/8 x 3/4", hex-hd cap
11	304 398 R1	ELBOW, air cleaner outlet hose		115 093	WASHER, 3/8" lock
12	624 900 C2	PIPE, air cleaner outlet			
	24 849 R1	SCREW, 7/16 x 1", hex-hd cap (2)			
	115 314	WASHER, 7/16" lock (2)			

MEMORANDA

FUEL SYSTEM

AIR CLEANER (Heavy Duty) (Farr Co.)



FUEL SYSTEM

REF. NO.	PART NUMBER	DESCRIPTION	REF. NO.	PART NUMBER	DESCRIPTION
AIR CLEANER (Heavy Duty) - Continued (Farr Co.)			10	610 642 C1	HOSE, 1-1/2" ID x 10" metal (Attachment B, D, E and F)
			11	610 641 C1	ELBOW, dust outlet (Attachments B, D, and F)
		Parts without letters after the description indicate the part is used for all attachments listed below. Letters A, B, C, D, E and F are used to identify separate attachments.	12	702 725 C91	HOUSING w/GASKET, 615 864 C1, and four FASTENER, 702 718 C1, air cleaner
A	609 831 C91	ATTACHMENT, heavy duty air cleaner (for Manual Shift, Agr. and Sideboom Crawler Tractors) (for Power Shift Crawler Tractors equipped with Altitude Compensation Attachment) (Order Heavy Duty Air Cleaner Attachment 700 389 C91)	13	610 636 C91	ELEMENT, air cleaner
			14	702 726 C1	PANEL, rotopamic
			15	610 637 C92	ADAPTER, air inlet
			16	274 089 R91	CLAMP, 3" ID hose (for Attachments B, D, E, and F) (2)
			17		HOSE, 3" ID x 2-1/2" long (cut from bulk HOSE, 407 015 R1) (Attachments B, D and F)
B	609 832 C91	ATTACHMENT, heavy duty air cleaner (for Power Shift Crawler Tractors) (Order Heavy Duty Air Cleaner Attachment 700 390 C91)	18	610 646 C1	TUBE, outlet (Attachments B, D and F)
			19	279 028 R91	CLAMP, 2-1/4" ID hose (for Attachments B, D and F) (2)
C	609 833 C92	ATTACHMENT, heavy duty air cleaner (for Manual Shift Crawler Tractors equipped with Heavy Hood Attachment 331 529 R91) (for Agr. Tractors built after TD-9BGA 12983) (for Power Shift Tractors equipped with Altitude Compensation Attachment with Heavy Hood 331 728 R11) (see NOTE 3)	20		HOSE, 2-1/4" ID x 2-1/2" long (cut from bulk HOSE 407 010 R1) (Attachments B, D and F)
			21	610 648 C91	CONNECTOR, air inlet (Attachments B, D and F)
D	609 834 C92	ATTACHMENT, heavy duty air cleaner (for Power Shift Crawler Tractors equipped with Heavy Hood Attachment 331 528 R91) (see NOTE 3)	22	369 497 R2	GASKET, air inlet connector (Attachments B, D and F)
			23	320 535 R11	RETAINER, spring (for Attachments B and F) (2)
E	700 389 C92	ATTACHMENT, heavy duty air cleaner (for Manual Shift and Sideboom Crawler Tractors) (for Agr. Crawler Tractors below TD-9BGA 12984) (for Power Shift Crawler Tractors with Altitude Compensation without Heavy Hood) (see NOTE 3)	23	320 537 R11	RETAINER, spring (Attachments A and E)
			24	318 985 R1	SPRING, exhaust baffle (Attachments B and F)
			24	318 987 R1	SPRING, exhaust baffle (Attachments A and E)
F	700 390 C92	ATTACHMENT, heavy duty air cleaner (for Power Shift Crawler Tractors) (see NOTE 3)	25		MUFFLER, exhaust (Not Furnished as Part of these Attachments)
			26	330 737 R11	PIPE, exhaust (Attachments A and E)
1	610 645 C91	CAP, exhaust rain	27	274 089 R91	CLAMP, 3" ID hose (for Attachments A and C) (2)
2	610 644 C91	ASPIRATOR, exhaust			HOSE, 3" ID x 11" long (cut from bulk HOSE, 407 015 R1)
3	170 570 R91	CLAMP, metal tube	28		
4	615 232 C91	CLAMP, aspirator	29	610 642 C1	HOSE, metal (Attachments A, C, E and F)
7	606 827 C91	CAP, air inlet			

NOTE 3 - Field Application - Order Through Regular Service Parts Channels.

FUEL SYSTEM

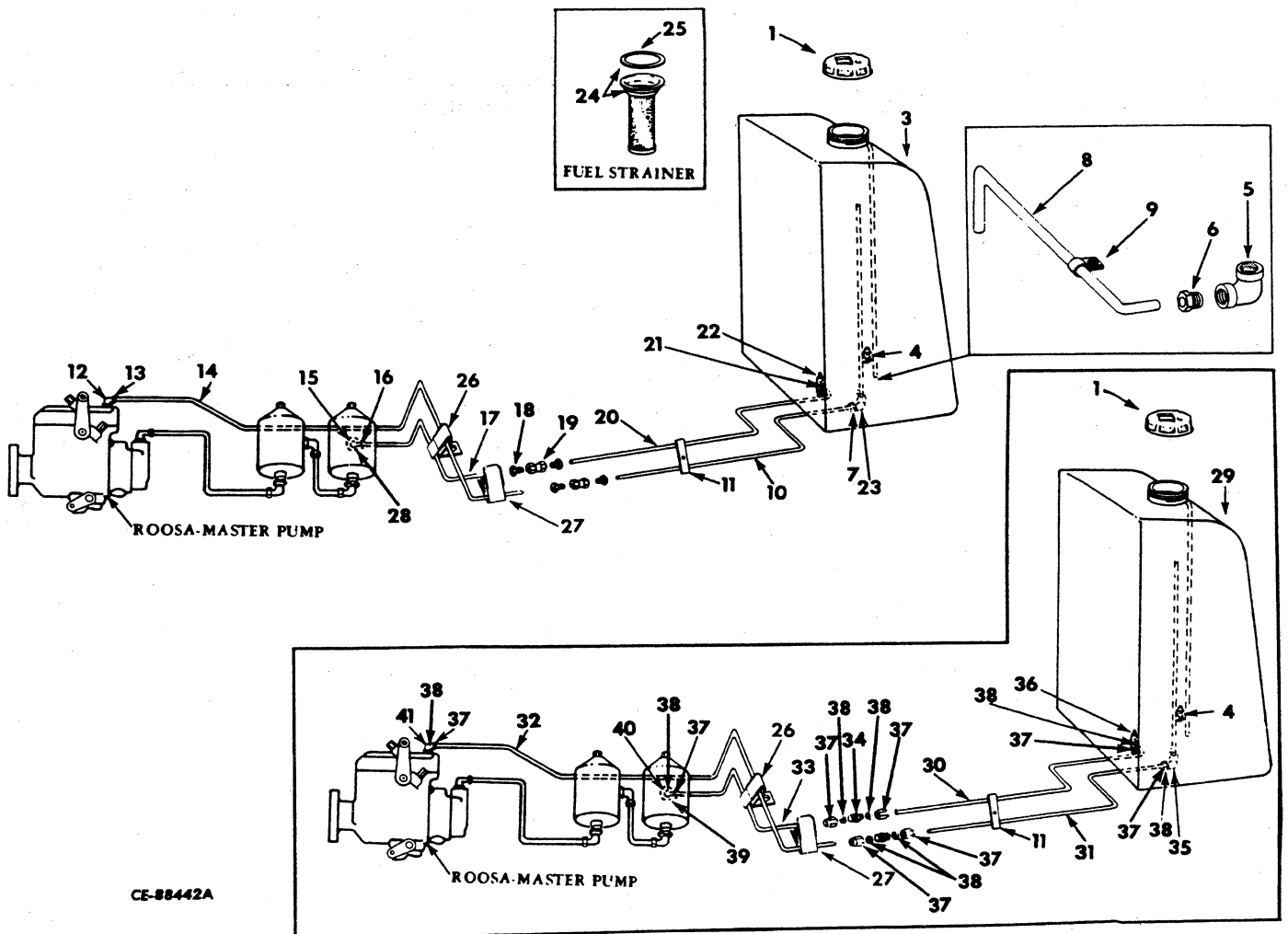
REF. NO.	PART NUMBER	DESCRIPTION	REF. NO.	PART NUMBER	DESCRIPTION
AIR CLEANER (Heavy Duty) - Continued (Farr Co.)					
30	610 647 C91	CLAMP, elbow (Attachments B, D, E and F)			
32	702 718 C1	FASTENER, cam-type panel (4)			
33	615 864 C1	GASKET, aspirator tube			
34	616 284 C11	TUBE, w/two NUT, 606 925 C1, and two SLEEVE, 606 926 C1, air cleaner indicator (Attachments C, D, E and F)			
35	606 925 C1	NUT, air cleaner indicator tube (Attachments C, D, E and F) (2)			
36	616 926 C1	SLEEVE, air cleaner indicator tube (Attachments C, D, E and F) (2)			
37	609 826 C11	HOOD, heavy (Attachment E)			
37	609 828 C11	HOOD, heavy (Attachment F)			
	24 860 R1	SCREW (rear), 1/2 x 1", hex-hd cap (4)			
	24 861 R1	SCREW (front), 1/2 x 1-1/4", hex-hd cap (4)			
	116 121	WASHER, 1/2" lock (8)			
	85 035	WASHER, 17/32", flat (8)			
	20 337 R1	ELBOW, engine and transmission oil pressure (cast iron) (cd-zn-pltd) (optional with 446 163 and 20 338 R1) (3)			
	444 163	ELBOW, engine and transmission oil pressure (brass) (optional with 20 337 R1 and 20 338 R1) (3)			
	20 338 R1	ELBOW, engine and transmission oil pressure (malleable iron) (cd-zn-pltd) (optional with 20 337 R1 and 444 163) (3)			
	407 010 R1	HOSE, 2-1/4" ID bulk (x)			
	407 015 R1	HOSE, 3" ID bulk (x)			
1 085 172 R1		PAMPHLET, installation instruction (Attachments, A, B, C and D)			
1 085 312 R1		PAMPHLET, installation instruction (Attachment F)			
1 085 313 R1		PAMPHLET, installation instruction (Attachment E)			
2 752 940 R1		PRODUCT GRAPHIC, air cleaner instructions			

(x) - Order Cut Length as Required.

FUEL SYSTEM

REF. NO.	PART NUMBER	DESCRIPTION	REF. NO.	PART NUMBER	DESCRIPTION
----------	-------------	-------------	----------	-------------	-------------

FUEL TANK, PIPING AND FUEL STRAINER
For Roosa-Master Fuel Injection Pump



CE-88442A

1	701 922 C2	CAP, w/Gasket 618 688 C1 filler (will work for CAP 305 798 R11)	3	341 947 R91	TANK, fuel (33 gal) (not for Agr. tractor) - Continued
	618 688 C1	GASKET (Used w/CAP 701 922 C1)			(Order the following parts - Continued
					1 TUBE 611 424 C11
					TD-9BG 6826 up
					TD-9BP 6826 up
3	341 947 R91	TANK, fuel (33 gal) (not for Agr. tractor)			1 TUBE 611 425 C11
		TD-9BG 6502 to 12563			1 TUBE 611 426 C11
		TD-9BP 6525 to 12561			1 VALVE 606 928 C91)
		TD-9BGC 9231 to 12563	179 883	SCREW, 1/2 x 1-1/4", hex-hd cap (6)	
		TD-9BGS 9239 to 12563	103 323	WASHER, 1/2" lock (6)	
		(Order the following parts -			
		2 CONNECTOR 603 867 C1			
		1 CONNECTOR 606 819 C1			
		1 ELBOW 606 930 C1	3	604 590 C91	TANK, fuel (44 gal) (for Agr. tractor)
		1 TANK 611 419 C92			TD-9BGA 6616 to 12631
		1 TUBE 611 423 C11			(Order the following parts -
		1 TUBE 611 434 C11			2 CONNECTOR 603 867 C1
		TD-9BG 6502 to 6825			1 CONNECTOR 606 819 C1
		TD-9BP 6525 to 6825			1 ELBOW 606 930 C1

FUEL SYSTEM

REF. NO.	PART NUMBER	DESCRIPTION	REF. NO.	PART NUMBER	DESCRIPTION
FUEL TANK, PIPING AND FUEL STRAINER - Continued For Roosa-Master Fuel Injection Pump			11	42 385 D	CLAMP, fuel pipe (4) TD-9BG 6502 to 10074 (4) TD-9BP 6525 to 10074 (4) TD-9BGA 6616 to 10074 (4) TD-9BGC 9231 to 10074 (4) TD-9BGS 9239 to 10074
3	604 590 C91	TANK, fuel (44 gal) (for Agr. tractor)- Continued (Order the following parts - Continued		25 522 R1 24 842 R1 24 841 R1 115 093	NUT, 3/8" (2) SCREW, 3/8 x 1-3/4", hex-hd cap (2) SCREW, 3/8 x 1-1/2", hex-hd cap WASHER, 3/8" lock (3)
		1 TANK 611 422 C92 1 TUBE 611 423 C11 1 TUBE 611 424 C11 1 TUBE 611 425 C11 1 TUBE 611 426 C11 1 VALVE 606 928 C91)	11	604 557 C1	CLIP, fuel pipe (on steering clutch inspection cover bolt) TD-9BG 10075 to 14047 TD-9BP 10075 to 14047 TD-9BGA 10075 to 14047 TD-9BGC 10075 to 14047 TD-9BGS 10075 to 14047
4	31 729 D	VALVE, fuel tank drain			
5	67 869 D	ELBOW, fuel tank overflow tube TD-9BG 6502 to 10074 TD-9BP 6525 to 10074 TD-9BGA 6616 to 10074 TD-9BGC 9231 to 10074 TD-9BGS 9329 to 10074	11	616 369 C1	CLIP, rear, fuel line (on steering clutch inspection cover bolt) TD-9BG 14048 up TD-9BP 14048 up TD-9BGA 14048 up TD-9BGC 14048 to 16800 TD-9BGS 14048 to 16800
6	29 898 D	NUT, fuel tank overflow tube (nylon) TD-9BG 6502 to 10074 TD-9BP 6525 to 10074 TD-9BGA 6616 to 10074 TD-9BGC 9231 to 10074 TD-9BGS 9239 to 10074	12	37 167 D	ELBOW, 1/8" (hi-duty) fuel return (in pump) (for Roosa-Master Pumps) TD-9BGM 5700 to 12165 TD-9BPM 5700 to 12165 TD-9BGAM 5700 to 12165
7	37 165 D	NUT, nylon fuel return (in stand pipe elbow) TD-9BG 6502 to 12165 TD-9BP 6525 to 12166 TD-9BGA 6616 to 12166 TD-9BGC 9231 to 12165 TD-9BGS 9239 to 12165	13	37 165 D	NUT, return tube (pump end) TD-9BGM 5700 to 12165 TD-9BPM 5700 to 12165 TD-9BGAM 5700 to 12165
8	318 729 R1	TUBE, fuel tank overflow TD-9BG 6502 to 10074 TD-9BP 6525 to 10074 TD-9BGA 6616 to 10074 TD-9BGC 9231 to 10074 TD-9BGS 9239 to 10074	14	311 352 R1	TUBE, front fuel return TD-9BG 6502 to 12165 TD-9BP 6525 to 12166 TD-9BGA 6616 to 12166 TD-9BGC 9231 to 12165 TD-9BGS 9239 to 12165
9	61 387 D	CLIP, fuel tank overflow tube TD-9BG 6502 to 10074 TD-9BP 6525 to 10074 TD-9BGA 6616 to 10074 TD-9BGC 9231 to 10074 TD-9BGS 9239 to 10074	15	50 607 D	ELBOW, fuel supply tube TD-9BGM 5700 to 12165 TD-9BGAM 5700 to 12165 TD-9BPM 5700 to 12165 TD-9BGCM 8410 to 12165 TD-9BGSM 8483 to 12165
10	318 734 R1	TUBE, rear fuel return (for use w/ TANK, 318 737 R91) TD-9BG 6502 to 6825 TD-9BP 6525 to 6825 TD-9BGA 6616 to 6825	16	19 986 R1	NUT (nylon), fuel supply tube TD-9BGM 5700 to 12165 TD-9BGAM 5700 to 12165 TD-9BPM 5700 to 12165 TD-9BGCM 8410 to 12165 TD-9BGSM 8483 to 12165
10	331 487 R1	TUBE, rear fuel return (for use w/ TANK, 341 947 R91 or 604 590 C91) TD-9BG 6826 to 12165 TD-9BP 6826 to 12166 TD-9BGA 6826 to 12166 TD-9BGC 9231 to 12165 TD-9BGS 9239 to 12165	17	311 350 R1	TUBE, front fuel supply TD-9BG 6502 to 12165 TD-9BP 6525 to 12166 TD-9BGA 6616 to 12166 TD-9BGC 9231 to 12165 TD-9BGS 9239 to 12165

FUEL SYSTEM

REF. NO.	PART NUMBER	DESCRIPTION	REF. NO.	PART NUMBER	DESCRIPTION
FUEL TANK, PIPING AND FUEL STRAINER - Continued For Roosa-Master Fuel Injection Pump			26	616 367 C1	CLIP, front fuel line (on clutch cover bolt) TD-9BG 14048 up TD-9BP 14048 up TD-9BGA 14048 up TD-9BGC 14048 to 16800 TD-9BGS 14048 to 16800
18	37 165 D	NUT (nylon), fuel supply and fuel return tube connector (4) TD-9BG 6502 to 12165 (4) TD-9BP 6525 to 12166 (4) TD-9BGA 6616 to 12166 (4) TD-9BGC 9231 to 12165 (4) TD-9BGS 9239 to 12165	27	604 558 C1	CLIP, center fuel line (on clutch cover bolt) TD-9BG 10075 to 14047 TD-9BP 10075 to 14047 TD-9BGA 10075 to 14047 TD-9BGC 10075 to 14047 TD-9BGS 10075 to 14047
19	55 999 D	CONNECTOR, fuel supply and fuel return tubes (2) TD-9BG 6502 to 12165 (2) TD-9BP 6525 to 12166 (2) TD-9BGA 6616 to 12166 (2) TD-9BGC 9231 to 12165 (2) TD-9BGS 9239 to 12165	27	616 368 C1	CLIP, center fuel line (on clutch cover bolt) TD-9BG 14048 up TD-9BP 14048 up TD-9BGA 14048 up TD-9BGC 14048 to 16800 TD-9BGS 14048 to 16800
20	318 735 R1	TUBE, rear fuel supply TD-9BG 6502 to 12165 TD-9BP 6525 to 12166 TD-9BGA 6616 to 12166 TD-9BGC 9231 to 12165 TD-9BGS 9239 to 12165	28	38 026 DM	CONNECTOR TD-9BG 6502 to 12165 TD-9BP 6525 to 12166 TD-9BGA 6616 to 12166 TD-9BGC 9231 to 12165 TD-9BGS 9239 to 12165
21	37 165 D	NUT (nylon), fuel supply (valve end) TD-9BG 6502 to 12165 TD-9BP 6525 to 12166 TD-9BGA 6616 to 12166 TD-9BGC 9231 to 12165 TD-9BGS 9239 to 12165	29	611 419 C92	TANK w/CAP, 701 922 C2, fuel (33 gal) (not for Agr. tractors) TD-9BG 12564 up TD-9BP 12562 up TD-9BGC 12564 to 16800 TD-9BGS 12564 to 16800
22	307 881 R91	VALVE, fuel shut off TD-9BG 6502 to 12165 TD-9BP 6525 to 12166 TD-9BGA 6616 to 12166 TD-9BGC 9231 to 12165 TD-9BGS 9239 to 12165		24 861 R1	SCREW, 1/2 x 1-1/4", hex-hd cap (6)
				116 121	WASHER, 1/2" lock (6)
23	319 884 R1	ELBOW, fuel return stand pipe TD-9BG 6502 to 12165 TD-9BP 6525 to 12166 TD-9BGA 6616 to 12166 TD-9BGC 9231 to 12165 TD-9BGS 9239 to 12165	29	611 422 C92	TANK w/CAP, 701 922 C2, fuel (43.6 gal) (for Agr. tractor) TD-9BGA 12632 up
				24 861 R1	SCREW, 1/2 x 1-1/4", hex-hd cap (6)
				116 121	WASHER, 1/2" lock (6)
24	266 337 R91	ATTACHMENT, fuel strainer (consists of STRAINER and GASKET, 303 962 R1) (see NOTES 1 and 3)	30	611 423 C11	TUBE w/two NUT, 265 205 R1, and two SLEEVE, 265 204 R1, rear fuel supply TD-9BG 12166 up TD-9BP 12167 up TD-9BGA 12167 up TD-9BGC 12166 to 16800 TD-9BGS 12166 to 16800
25	303 962 R1	GASKET, fuel strainer			
26	604 559 C1	CLIP, front fuel line (on clutch cover bolt) TD-9BG 10075 to 14047 TD-9BP 10075 to 14047 TD-9BGA 10075 to 14047 TD-9BGC 10075 to 14047 TD-9BGS 10075 to 14047	31	611 424 C1	TUBE w/two NUT, 265 205 R1, and two SLEEVE, 265 204 R1, rear fuel return TD-9BG 12166 up TD-9BP 12167 up

NOTE 1 - Factory Application - Order on Machine Order Form.

NOTE 3 - Field Application - Order Through Regular Service Parts Channels.

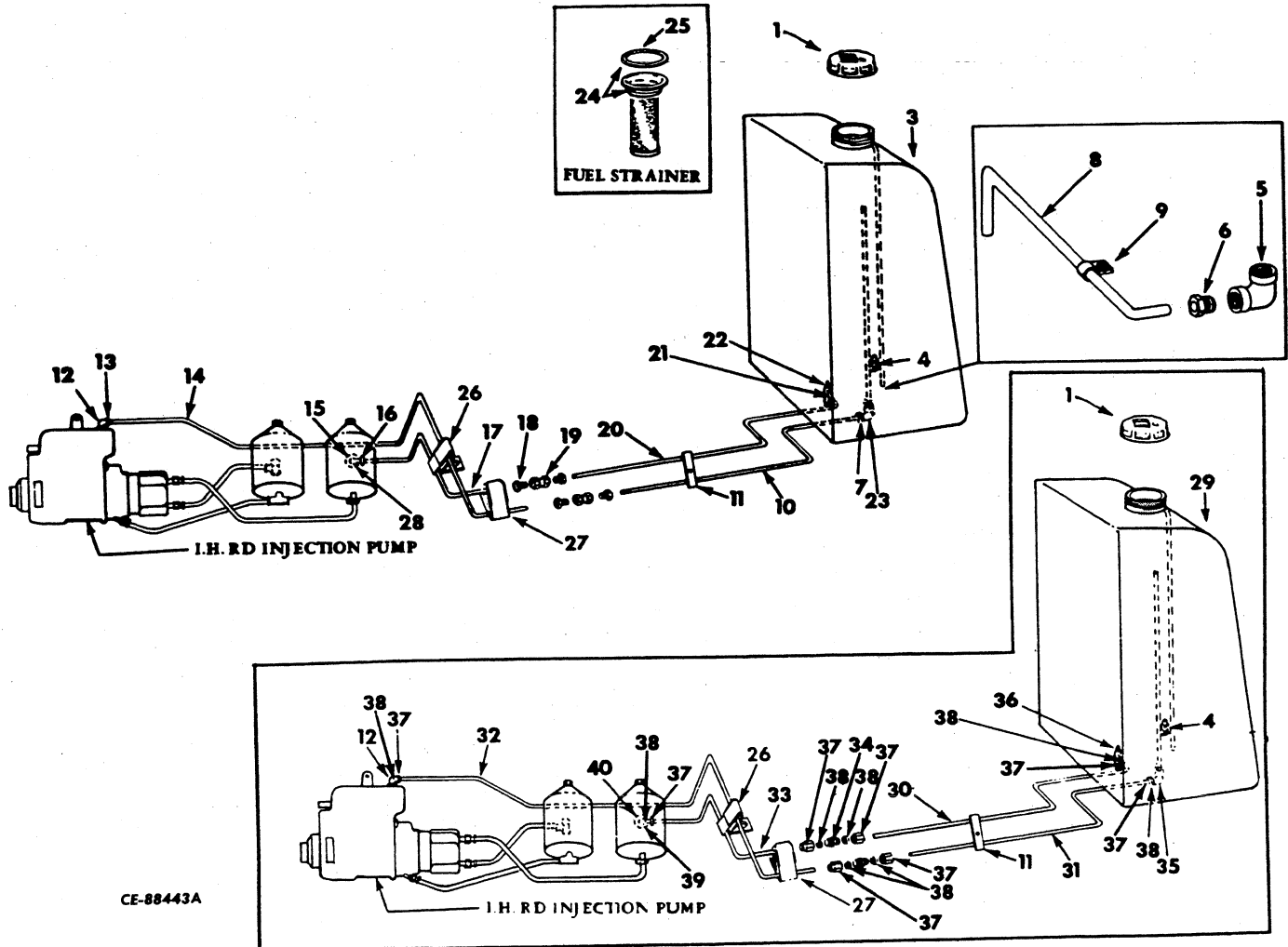
FUEL SYSTEM

REF. NO.	PART NUMBER	DESCRIPTION	REF. NO.	PART NUMBER	DESCRIPTION
FUEL TANK, PIPING AND FUEL STRAINER - Continued For Roosa-Master Fuel Injection Pump			39	606 819 C1	CONNECTOR TD-9BG 12166 up TD-9BP 12167 up TD-9BGA 12167 up TD-9BGC 12166 to 16800 TD-9BGS 12166 to 16800
31	611 424 C1	TUBE w/two NUT, 265 205 R1, and two SLEEVE, 265 204 R1, rear fuel return - Continued TD-9BGA 12167 up TD-9BGC 12166 to 16800 TD-9BGS 12166 to 16800	40	613 689 C1	ELBOW, front fuel supply TD-9BG 12166 up TD-9BGA 12166 up TD-9BP 12166 up TD-9BGC 12166 to 16800 TD-9BGS 12166 to 16800
32	611 425 C11	TUBE w/two NUT, 265 205 R1, and two SLEEVE, 265 204 R1, front TD-9BG 12166 up TD-9BP 12167 up TD-9BGA 12167 up TD-9BGC 12166 to 16800 TD-9BGS 12166 to 16800	41	606 930 C1	ELBOW, 1/8" fuel return (in pump) TD-9BG 12166 up TD-9BP 12166 up TD-9BGA 12166 up TD-9BGC 12166 to 16800 TD-9BGS 12166 to 16800
33	611 426 C11	TUBE, w/two NUT, 265 205 R1, and two SLEEVE, 265 204 R1, front fuel supply TD-9BG 12166 up TD-9BP 12167 up TD-9BGA 12167 up TD-9BGC 12166 to 16800 TD-9BGS 12166 to 16800	275 159 R11	BRACKET, fuel tank support (2) TD-9BG 16466 and below TD-9BP 16466 and below TD-9BGA 16466 and below TD-9BGC 16466 and below TD-9BGS 16466 and below	
34	603 867 C1	CONNECTOR, tube (2) TD-9BG 12166 up (2) TD-9BP 12167 up (2) TD-9BGA 12167 up (2) TD-9BGC 12166 to 16800 (2) TD-9BGS 12166 to 16800	120 755	COUPLING, 3/8" pipe (for use with drain valve)	
			144 603	NIPPLE, 3/8" NPT x 3" long pipe (for use with drain valve)	
			305 799 R1	RING, sealing (used w/CAP 305 798 R11)	
35	333 774 R1	ELBOW, fuel return stand pipe TD-9BG 12166 up TD-9BP 12167 up TD-9BGA 12167 up TD-9BGC 12166 to 16800 TD-9BGS 12166 to 16800			
36	606 928 C91	VALVE, fuel shut-off TD-9BG 12166 up TD-9BP 12167 up TD-9BGA 12167 up TD-9BGC 12166 to 16800 TD-9BGS 12166 to 16800			
37	265 205 R1	NUT, fuel supply and return (8) TD-9BG 12166 up (8) TD-9BP 12167 up (8) TD-9BGA 12167 up (8) TD-9BGC 12166 to 16800 (8) TD-9BGS 12166 to 16800			
38	265 204 R1	SLEEVE (8) TD-9BG 12166 up (8) TD-9BP 12167 up (8) TD-9BGA 12167 up (8) TD-9BGC 12166 to 16800 (8) TD-9BGS 12166 to 16800			

FUEL SYSTEM

REF. NO.	PART NUMBER	DESCRIPTION	REF. NO.	PART NUMBER	DESCRIPTION
----------	-------------	-------------	----------	-------------	-------------

FUEL TANK, PIPING AND FUEL STRAINER
For I.H.R.D. Fuel Injection Pumps



CE-88443A

1	701 922 C2	CAP, w/Gasket 618 688 C1 filler (will work for CAP 305 798 R11)	3	341 947 R91	TANK, fuel (33 gal) (not for Agr. tractor) - Continued
	618 688 C1	GASKET (Used w/CAP 701 922 C1)			(Order the following parts - Continued
3	341 947 R91	TANK, fuel (33 gal) (not for Agr. tractor)			TD-9BG 6502 to 6825
		TD-9BG 6502 to 12563			TD-9BP 6525 to 6825
		TD-9BP 6525 to 12561			1 TUBE 611 424 C11
		TD-9BGC 9231 to 12563			TD-9BG 6826 up
		TD-9BGS 9239 to 12563			TD-9BP 6826 up
		(Order the following parts -			1 TUBE 611 433 C11
		2 CONNECTOR 603 867 C1	179 883		1 TUBE 611 426 C11
		2 CONNECTOR 606 819 C1			1 VALVE 606 928 C91)
		1 TANK 611 419 C92	103 323		SCREW, 1/2 x 1-1/4", hex-hd cap (6)
		1 TUBE 611 423 C11			WASHER, 1/2" lock (6)
		1 TUBE 611 434 C11			

FUEL SYSTEM

REF. NO.	PART NUMBER	DESCRIPTION	REF. NO.	PART NUMBER	DESCRIPTION
FUEL TANK, PIPING AND FUEL STRAINER - Continued For I.H.R.D. Fuel Injection Pumps			10	611 434 C11	TUBE w/two NUT, 265 205 R1, and two SLEEVE, 265 204 R1, rear fuel return (for use w/TANK, 611 419 C91) TD-9BG 6502 to 6825 TD-9BP 6525 to 6825
3	604 590 C91	TANK, fuel (44 gal) (for Agr. tractor) TD-9BGA 6616 to 12631 (Order the following parts - 2 CONNECTOR 603 867 C1 2 CONNECTOR 606 819 C1 1 TANK 611 422 C92 1 TUBE 611 423 C11 1 TUBE 611 424 C11 1 TUBE 611 433 C11 1 TUBE 611 426 C11 1 VALVE 606 928 C91)	11	42 385 D	CLAMP, fuel pipe (4) TD-9BG 6502 to 10074 (4) TD-9BP 6525 to 10074 (4) TD-9BGA 6616 to 10074 (4) TD-9BGC 9231 to 10074 (4) TD-9BGS 9239 to 10074 NUT, 3/8" (2) SCREW, 3/8 x 1-3/4", hex-hd cap (2) SCREW, 3/8 x 1-1/2", hex-hd cap WASHER, 3/8" lock (3)
4	31 729 D	VALVE, fuel tank drain	11	604 557 C1	CLIP, fuel pipe (on steering clutch inspection cover bolt) TD-9BG 10075 to 14047 TD-9BP 10075 to 14047 TD-9BGA 10075 to 14047 TD-9BGC 10075 to 14047 TD-9BGS 10075 to 14047
5	67 869 D	ELBOW, fuel tank overflow tube TD-9BG 6502 to 10074 TD-9BP 6525 to 10074 TD-9BGA 6616 to 10074 TD-9BGC 9231 to 10074 TD-9BGS 9239 to 10074	11	616 369 C1	CLIP, rear fuel line (on steering clutch inspection cover bolt) TD-9BG 14048 up TD-9BP 14048 up TD-9BGA 14048 up TD-9BGC 14048 to 16800 TD-9BGS 14048 to 16800
6	29 898 D	NUT, fuel tank overflow tube (nylon) TD-9BG 6502 to 10074 TD-9BP 6525 to 10074 TD-9BGA 6616 to 10074 TD-9BGC 9231 to 10074 TD-9BGS 9239 to 10074	12	37 323 D	ELBOW, fuel return (in pump) for International RD pump serial No. 1000 to 6227)
7	37 165 D	NUT, nylon fuel return (in stand pipe elbow) TD-9BG 6502 to 12165 TD-9BP 6525 to 12166 TD-9BGA 6616 to 12166 TD-9BGC 9231 to 12165 TD-9BGS 9239 to 12165	12	346 792 R1	ELBOW, 1/4" x 90°, restricted fuel return (in pump) (for International RD pump serial No. 6228 up)
8	318 729 R1	TUBE, fuel tank overflow TD-9BG 6502 to 10074 TD-9BP 6525 to 10074 TD-9BGA 6616 to 10074 TD-9BGC 9231 to 10074 TD-9BGS 9239 to 10074	13	37 165 D	NUT, return tube (pump end) TD-9BGM 5700 to 12165 TD-9BPM 5700 to 12165 TD-9BGAM 5700 to 12165
9	61 387 D	CLIP, fuel tank overflow tube TD-9BG 6502 to 10074 TD-9BP 6525 to 10074 TD-9BGA 6616 to 10074 TD-9BGC 9231 to 10074 TD-9BGS 9239 to 10074	14	338 107 R1	TUBE, front fuel return (used w/ TANK, 341 947 R91, or TANK, 604 590 C91) TD-9BG 6502 to 12563 TD-9BP 6525 to 12561 TD-9BGA 6616 to 12631 TD-9BGC 9231 to 12563 TD-9BGS 9239 to 12563
10	318 734 R1	TUBE, rear fuel return (for use w/ TANK, 318 737 R91) TD-9BG 6502 to 6825 TD-9BP 6525 to 6825 TD-9BGA 6616 to 6825	15	50 607 D	ELBOW, fuel supply tube TD-9BGM 5700 to 12165 TD-9BGAM 5700 to 12165 TD-9BPM 5700 to 12165 TD-9BGCM 8410 to 12165 TD-9BGSM 8483 to 12165
10	331 487 R1	TUBE, rear fuel return (for use w/ TANK, 341 947 R91, or 604 590 C91) TD-9BG 6826 to 12165 TD-9BP 6826 to 12166 TD-9BGA 6826 to 12166 TD-9BGC 9231 to 12165 TD-9BGS 9239 to 12165	16	19 986 R1	NUT (nylon), fuel supply tube TD-9BGM 5700 to 12165 TD-9BGAM 5700 to 12165 TD-9BPM 5700 to 12165 TD-9BGCM 8410 to 12165 TD-9BGSM 8483 to 12165

FUEL SYSTEM

REF. NO.	PART NUMBER	DESCRIPTION	REF. NO.	PART NUMBER	DESCRIPTION
FUEL TANK, PIPING AND FUEL STRAINER - Continued For I.H.R.D. Fuel Injection Pumps			26	604 559 C1	CLIP, front fuel line (on clutch cover bolt) TD-9BG 10075 to 14047 TD-9BP 10075 to 14047 TD-9BGA 10075 to 14047 TD-9BGC 10075 to 14047 TD-9BGS 10075 to 14047
17	311 350 R1	TUBE, front fuel supply TD-9BG 6502 to 12165 TD-9BP 6525 to 12166 TD-9BGA 6616 to 12166 TD-9BGC 9231 to 12165 TD-9BGS 9239 to 12165	26	616 367 C1	CLIP, front fuel line (on clutch cover bolt) TD-9BG 14048 up TD-9BP 14048 up TD-9BGA 14048 up TD-9BGC 14048 to 16800 TD-9BGS 14048 to 16800
18	37 165 D	NUT (nylon), fuel supply and fuel return tube connector (4) TD-9BG 6502 to 12165 (4) TD-9BP 6525 to 12166 (4) TD-9BGA 6616 to 12166 (4) TD-9BGC 9231 to 12165 (4) TD-9BGS 9239 to 12165	27	604 558 C1	CLIP, center fuel line (on clutch cover bolt) TD-9BG 10075 to 14047 TD-9BP 10075 to 14047 TD-9BGA 10075 to 14047 TD-9BGC 10075 to 14047 TD-9BGS 10075 to 14047
19	55 999-D	CONNECTOR, fuel supply and fuel return tubes (2) TD-9BG 6502 to 12165 (2) TD-9BP 6525 to 12166 (2) TD-9BGA 6616 to 12166 (2) TD-9BGC 9231 to 12165 (2) TD-9BGS 9239 to 12165	27	616 368 C1	CLIP, center fuel line (on clutch cover bolt) TD-9BG 14048 up TD-9BP 14048 up TD-9BGA 14048 up TD-9BGC 14048 to 16800 TD-9BGS 14048 to 16800
20	318 735 R1	TUBE, rear fuel supply TD-9BG 6502 to 12165 TD-9BP 6525 to 12166 TD-9BGA 6616 to 12166 TD-9BGC 9231 to 12165 TD-9BGS 9239 to 12165	28	38 026 DM	CONNECTOR TD-9BG 6502 to 12165 TD-9BP 6525 to 12166 TD-9BGA 6616 to 12166 TD-9BGC 9231 to 12165 TD-9BGS 9239 to 12165
21	37 165 D	NUT (nylon), fuel supply (valve end) TD-9BG 6502 to 12165 TD-9BP 6525 to 12166 TD-9BGA 6616 to 12166 TD-9BGC 9231 to 12165 TD-9BGS 9239 to 12165	29	611 419 C92	TANK w/CAP, 701 922 C2, fuel (33 gal) (not for Agr. tractor) TD-9BG 12564 up TD-9BP 12562 up TD-9BGC 12564 to 16800 TD-9BGS 12564 to 16800
22	307 881 R91	VALVE, fuel shut-off TD-9BG 6502 to 12165 TD-9BP 6525 to 12166 TD-9BGA 6616 to 12166 TD-9BGC 9231 to 12165 TD-9BGS 9239 to 12165		24 861 R1	SCREW, 1/2 x 1-1/4", hex-hd cap (6)
				116 121	WASHER, 1/2" lock (6)
23	319 884 R1	ELBOW, fuel return stand pipe TD-9BG 6502 to 12165 TD-9BP 6525 to 12166 TD-9BGA 6616 to 12166 TD-9BGC 9231 to 12165 TD-9BGS 9239 to 12165	29	611 422 C92	TANK w/CAP, 701 922 C2, fuel (43.6 gal) (for Agr. tractor) TD-9BGA 12632 up
				24 861 R1	SCREW, 1/2 x 1-1/4", hex-hd cap (6)
				116 121	WASHER, 1/2" lock (6)
24	266 337 R91	ATTACHMENT, fuel strainer (consists of STRAINER and GASKET, 303 962 R1) (see NOTES 1 and 3)			
25	303 962 R1	GASKET, fuel strainer			

NOTE 1 - Factory Application - Order on Machine Order Form.

NOTE 3 - Field Application - Order Through Regular Service Parts Channels.

FUEL SYSTEM

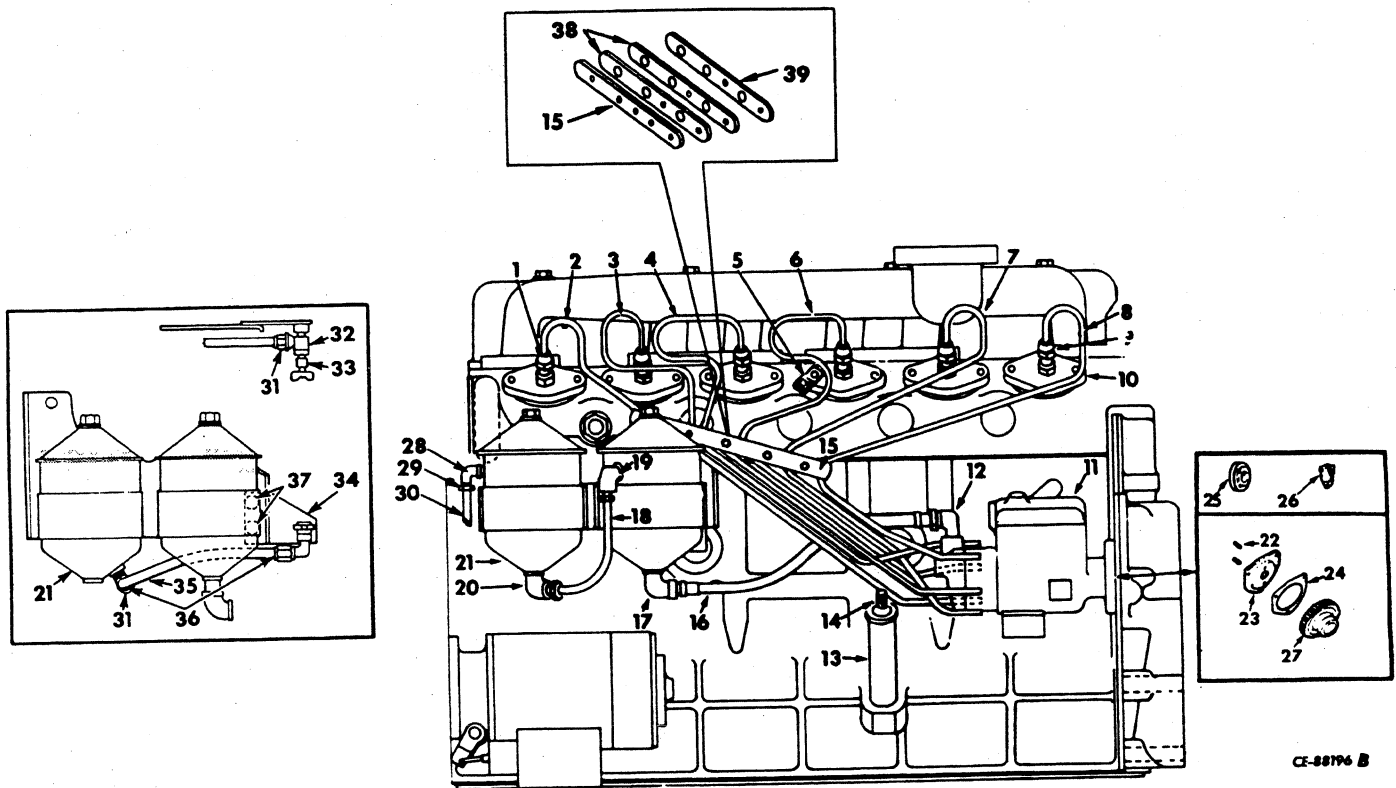
REF. NO.	PART NUMBER	DESCRIPTION	REF. NO.	PART NUMBER	DESCRIPTION
FUEL TANK, PIPING AND FUEL STRAINER - Continued For I.H.R.D. Fuel Injection Pumps			37	265 205 R1	NUT, fuel supply and return (8) TD-9BG 12166 up (8) TD-9BP 12167 up (8) TD-9BGA 12167 up (8) TD-9BGC 12166 to 16800 (8) TD-9BGS 12166 to 16800
30	611 423 C11	TUBE w/two NUT, 265 205 R1, and two SLEEVE, 265 204 R1, rear fuel supply TD-9BG 12166 up TD-9BP 12167 up TD-9BGA 12167 up TD-9BGC 12166 to 16800 TD-9BGS 12166 to 16800	38	265 204 R1	SLEEVE (8) TD-9BG 12166 up (8) TD-9BP 12167 up (8) TD-9BGA 12167 up (8) TD-9BGC 12166 to 16800 (8) TD-9BGS 12166 to 16800
31	611 424 C1	TUBE w/two NUT, 265 205 R1, and two SLEEVE, 265 204 R1, rear fuel return TD-9BG 12166 up TD-9BP 12167 up TD-9BGA 12167 up TD-9BGC 12166 to 16800 TD-9BGS 12166 to 16800	39	606 819 C1	CONNECTOR TD-9BG 12166 up TD-9BP 12167 up TD-9BGA 12167 up TD-9BGC 12166 to 16800 TD-9BGS 12166 to 16800
32	611 433 C11	TUBE w/two NUT, 265 205 R1, and two SLEEVE, 265 204 R1, front fuel return (used with TANK, 611 419 C91, or TANK, 611 422 C91) TD-9BG 12166 up TD-9BP 12167 up TD-9BGA 12167 up TD-9BGC 12166 to 16800 TD-9BGS 12166 to 16800	40	613 689 C1	ELBOW, front fuel supply TD-9BGM 12166 up TD-9BGAM 12166 up TD-9BPM 12166 up TD-9BGCM 12166 to 16800 TD-9BGSM 12166 to 16800
33	611 426 C11	TUBE, w/two NUT, 265 205 R1, and two SLEEVE, 265 204 R1, front fuel supply TD-9BG 12166 up TD-9BP 12167 up TD-9BGA 12167 up TD-9BGC 12166 to 16800 TD-9BGS 12166 to 16800	275 159 R11		BRACKET, fuel tank support (2)
			120 755		COUPLING, 3/8" pipe (for use with drain valve)
			144 603		NIPPLE, 3/8" NPT x 3" long pipe (for use with drain valve)
			305 799 R1		RING, sealing (used w/CAP, 305 798 R11)
34	603 867 C1	CONNECTOR, tube (2) TD-9BG 12166 up (2) TD-9BP 12167 up (2) TD-9BGA 12167 up (2) TD-9BGC 12166 to 16800 (2) TD-9BGS 12166 to 16800			
35	333 774 R1	ELBOW, fuel return stand pipe TD-9BG 12166 up TD-9BP 12167 up TD-9BGA 12167 up TD-9BGC 12166 to 16800 TD-9BGS 12166 to 16800			
36	606 928 C91	VALVE, fuel shut-off TD-9BG 12166 up TD-9BP 12167 up TD-9BGA 12167 up TD-9BGC 12166 to 16800 TD-9BGS 12166 to 16800			

FUEL SYSTEM

REF. NO.	PART NUMBER	DESCRIPTION	REF. NO.	PART NUMBER	DESCRIPTION
----------	-------------	-------------	----------	-------------	-------------

FUEL INJECTION PUMP, PUMP DRIVE AND INJECTION PIPES

(Used with Roosa-Master Fuel Injection Pump)
 TD-9BGM 5700 to 6671, also TD-9BGM 10998 up;
 TD-9BGAM 5700 to 6677, also TD-9BGAM 10965 up;
 TD-9BPM 5700 to 6674, also TD-9BPM 11143 up;
 TD-9BGCM 10963 to 97305;
 TD-9BGSM 10998 to 97305.



CE-88196 B

1	250 617 R1	NUT, injection pipe (nozzle end) (6)	10		NOZZLE ASSY, injection (for components, see list of parts under details of "Injection Nozzle") (6)
2	278 707 R11	PIPE, injection (cylinder No. 6)			
3	278 706 R11	PIPE, injection (cylinder No. 5)	11	338 347 R91	PUMP ASSY, fuel injection (DBGFC-631-75 AE) (2300 RPM) (used on power shift crawler tractors) (see NOTE) (+) TD-9BPM 5700 to 6674
4	278 705 R11	PIPE, injection (cylinder No. 4)			
5	42 915 D	BLOCK, junction (refer to "Electric Starting")	11	610 503 C91	PUMP ASSY, fuel injection (DBGFC-631-28 AJ) (2300 RPM) (used on power shift crawler tractors not equipped with altitude compensation attachment) (see NOTE) (+) TD-9BPM 11143 up
6	278 704 R11	PIPE, injection (cylinder No. 3)			
7	278 703 R11	PIPE, injection (cylinder No. 2)			
8	278 702 R21	PIPE, injection (cylinder No. 1)			
9	278 321 R1	FITTING, nozzle (also listed and illustrated with "Injection Nozzle") (6)			

NOTE - Pumps Listed with Symbol (+) Are Not Available Under Part Numbers Shown. Order Basic Pump and Necessary Parts as Shown in the Parts Catalog PU-70. Also Refer to the PU-70 Catalog for Detail Parts on All Roosa-Master Pumps.

FUEL SYSTEM

REF. NO.	PART NUMBER	DESCRIPTION	REF. NO.	PART NUMBER	DESCRIPTION
FUEL INJECTION PUMP, PUMP DRIVE AND INJECTION PIPES - Continued (Used with Roosa-Master Fuel Injection Pump) TD-9BGM 5700 to 6671, also TD-9BGM 10998 up; TD-9BGAM 5700 to 6677, also TD-9BGAM 10965 up; TD-9BPM 5700 to 6674, also TD-9BPM 11143 up; TD-9BGCM 10998 to 97305; TD-9BGSM 10998 to 97305.			15	332 490 R1 181 317	CLAMP, injection pipe (tapped) SCREW, 1/4 NF x 1-1/4", hex-hd cap (5)
				103 319 103 339	WASHER, 1/4" lock (3) WASHER, 9/32 x 5/8" x 16 ga (3)
			16	275 946 R91	HOSE w/FITTINGS, final fuel filter to injection pump (HOSE, 5/16" ID x 14-1/2" long w/FITTINGS)
			17	137 538	ELBOW, 1/2" x 90° (final fuel filter outlet)
11	338 819 R91	PUMP ASSY, fuel injection (DBGFC-631-78 AE) (2300 RPM) (used on power shift crawler tractors equipped with altitude compensation attachment) (see NOTE) (+) TD-9BPM 5700 to 6674	18	278 335 R11	PIPE, auxiliary filter to final fuel filter
			19	22 510 D	ELBOW, final fuel filter inlet
			20	65 834 D	ELBOW, auxiliary fuel filter outlet
11	615 070 C91	PUMP ASSY, fuel injection (DBGFC-631-95 AE) (used on power shift crawler tractors equipped with altitude compensation attachment) (see NOTE) (+) TD-9BPM 11143 up	21		FILTER ASSY, fuel (for components, see list of parts under details of "Primary and Final Fuel Filters") (2)
			22	303 463 R1	STUD, Roosa pump adapter (2)
11	321 202 R91	PUMP ASSY, fuel injection (DBGFC-631-52 AE) (1700 RPM) (used on manual shift crawler tractors) (see NOTE) (+) TD-9BGM 5700 to 6671	23	303 462 R11 179 838 103 321	ADAPTER w/two STUD, 303 463 R1, Roosa pump SCREW, 3/8 x 7/8", hex-hd cap (3) WASHER, 3/8" lock (3)
			24	278 347 R1	GASKET, injection pump adapter
11	610 501 C91	PUMP ASSY, fuel injection (DBGFC-631-87 AE) (1700 RPM) (used on manual shift, revolving crane and sideboom crawler tractors) (see NOTE) (+) TD-9BGM 10998 up TD-9BGCM 10998 to 97305 TD-9BGSM 10998 to 97305	25	278 316 R1	HUB, injection pump gear (used with GEAR, 278 315 R1) SCREW, 5/16 x 1-1/4" hex-hd mach, w/external-tooth lock WASHER (3)
			26	278 317 R1	WASHER, injection pump gear (used with 278 315 R1)
11	338 767 R91	PUMP ASSY, fuel injection (DBGFC-631-76 AE) (1850 RPM) (used on Agr. crawler tractors) (see NOTE) (+) TD-9BGAM 5700 to 6677	27	612 084 C1	GEAR, injection pump drive (will work for injection pump GEAR, 278 315 R1, HUB, 278 316 R1, and WASHER, 278 317 R1)
				114 497 103 324	NUT, 9/16 NF jam WASHER, 9/16" lock
11	610 504 C91	PUMP ASSY, fuel injection (DBGFC-631-89 AE) (1850 RPM) (used on Agr. crawler tractors) (see NOTE) (+) TD-9BGAM 10965 up	28	613 689 C1	ELBOW, front fuel supply ("flex" type) TD-9BGM 12166 up TD-9BGAM 12166 up TD-9BPM 12166 up TD-9BGCM 12166 to 97305 TD-9BGSM 12166 to 97305
12	118 755	ELBOW, 3/8" x 90°, flared tube (injection pump inlet)			
13	368 985 R2	TUBE, oil filler (also listed and illustrated with "Crankcase and Related Parts")			
14	368 986 R91	GAUGE, oil level (also listed and illustrated with "Crankcase and Related Parts")			

NOTE - Pumps Listed with Symbol (+) Are Not Available Under Part Numbers Shown. Order Basic Pump and Necessary Parts as Shown in the Parts Catalog PU-70. Also Refer to the PU-70 Catalog for Detail Parts on All Roosa-Master Pumps.

FUEL SYSTEM

REF. NO.	PART NUMBER	DESCRIPTION	REF. NO.	PART NUMBER	DESCRIPTION
FUEL INJECTION PUMP, PUMP DRIVE AND INJECTION PIPES - Continued (Used with Roosa-Master Fuel Injection Pump) TD-9BGM 5700 to 6671, also TD-9BGM 10998 up; TD-9BGAM 5700 to 6677, also TD-9BGAM 10965 up; TD-9BPM 5700 to 6674, also TD-9BPM 11143 up; TD-9BGCM 10998 to 97305; TD-9BGSM 10998 to 97305.			39	670 004 C11	CLAMP w/three PINS, 19 387 R1, injection pipe (drilled) TD-9BGM 12851 up TD-9BGAM 12851 up TD-9BPM 12851 up TD-9BGCM 12851 to 97305 TD-9BGSM 12851 to 97305
				19 387 R1	PIN, spring (used w/CLAMP 670 004 C11) (3)
28	50 607 D	ELBOW, front fuel supply TD-9BGM 5700 to 12165 TD-9BGAM 5700 to 12165 TD-9BPM 5700 to 12165 TD-9BGCM 8410 to 12165 TD-9BGSM 8483 to 12165		703 246 C91	ATTACHMENT, water separator element (see NOTES 1 and 3) (Consists of the following parts - 1 BRACKET 703 247 C1 1 COCK 134 519 1 ELEMENT 610 309 C91 2 ELBOW 606 930 C1 1 GASKET 304 102 R1 1 TEE 9 409 943 1 TUBE 616 300 C11)
29	19 986 R1	NUT (nylon), front fuel supply TD-9BGM 5700 to 12165 TD-9BGAM 5700 to 12165 TD-9BPM 5700 to 12165 TD-9BGCM 8410 to 12165 TD-9BGSM 8483 to 12165		278 318 R1 179 858 103 322	BRACKET, fuel filter SCREW, 7/16 x 1", hex-hd cap (3) WASHER, 7/16" lock (3)
30		TUBE, front fuel supply*		304 313 R1	BRACKET, junction block
31	609 930 C1	ELBOW, 90° x 1/8 NPT (filter outlet and tee inlet) (for water separator attachment) (2)		263 717 R91	CLIP
				265 126 R91	CLIP, pipe
32	9 409 943	TEE, 1/8" pipe (for water separator attachment)		606 930 C1	ELBOW, 1/8" (hi-duty) fuel return (in pump) (for Roosa-Master pumps) ("flex" type) TD-9BGM 12166 up TD-9BPM 12166 up TD-9BGAM 12166 up
33	134 519	COCK, drain, 1/8" pipe (for water separator attachment)		37 167 D	ELBOW, 1/8" (hi-duty) fuel return (in pump) (for Roosa-Master pumps) TD-9BGM 5700 to 12165 TD-9BPM 5700 to 12165 TD-9BAM 5700 to 12165
34	703 247 C1 179 817 102 634 103 340 103 320	BRACKET, water drain tube (for water separator attachment) SCREW, 5/16 x 7/8", hex-hd cap NUT, 5/16 WASHER, 11/32 x 11/16" GA WASHER, 5/16" lock		367 984 R1	GASKET, fuel line connector (12)
35	616 300 C11	TUBE, w/two SLEEVE, 265 204 R1, and two NUT, 265 205 R1, water drain (for water separator attachment)			
36	265 204 R1	SLEEVE (for water separator attachment) (2)			
37	265 205 R1	NUT (for water separator attachment) (2)			
38	332 491 R2	PAD, injection pipe clamp (2)			
39	332 489 R1	CLAMP, injection pipe (drilled) (order PACKAGE 701 127 C91) TD-9BGM 5700 to 6671, also 10998 to 12850 TD-9BGAM 5700 to 6677, also 10965 to 12850 TD-9BPM 5700 to 6674, also 11143 to 12850 TD-9BGCM 10998 to 12850 TD-9BGSM 10998 to 12850			

* - Listed and Illustrated with "Fuel Tank, Piping and Fuel Strainer."

NOTE - Pumps Listed with Symbol (+) Are Not Available Under Part Numbers Shown. Order Basic Pump and Necessary Parts as Shown in the Parts Catalog PU-70. Also Refer to the PU-70 Catalog for Detail Parts on All Roosa-Master Pumps.

NOTE 1 - Factory Application - Order on Machine Order Form.

NOTE 3 - Field Application - Order Through Service Parts Channels.

FUEL SYSTEM

REF. NO.	PART NUMBER	DESCRIPTION	REF. NO.	PART NUMBER	DESCRIPTION
----------	-------------	-------------	----------	-------------	-------------

FUEL INJECTION PUMP, PUMP DRIVE AND INJECTION PIPES - Continued

(Used with Roosa-Master Fuel Injection Pump)
TD-9BGM 5700 to 6671, also TD-9BGM 10998 up;
TD-9BGAM 5700 to 6677, also TD-9BGAM 10965 up;
TD-9BPM 5700 to 6674, also TD-9BPM 11143 up;
TD-9BGCM 10998 to 97305;
TD-9BGSM 10998 to 97305.

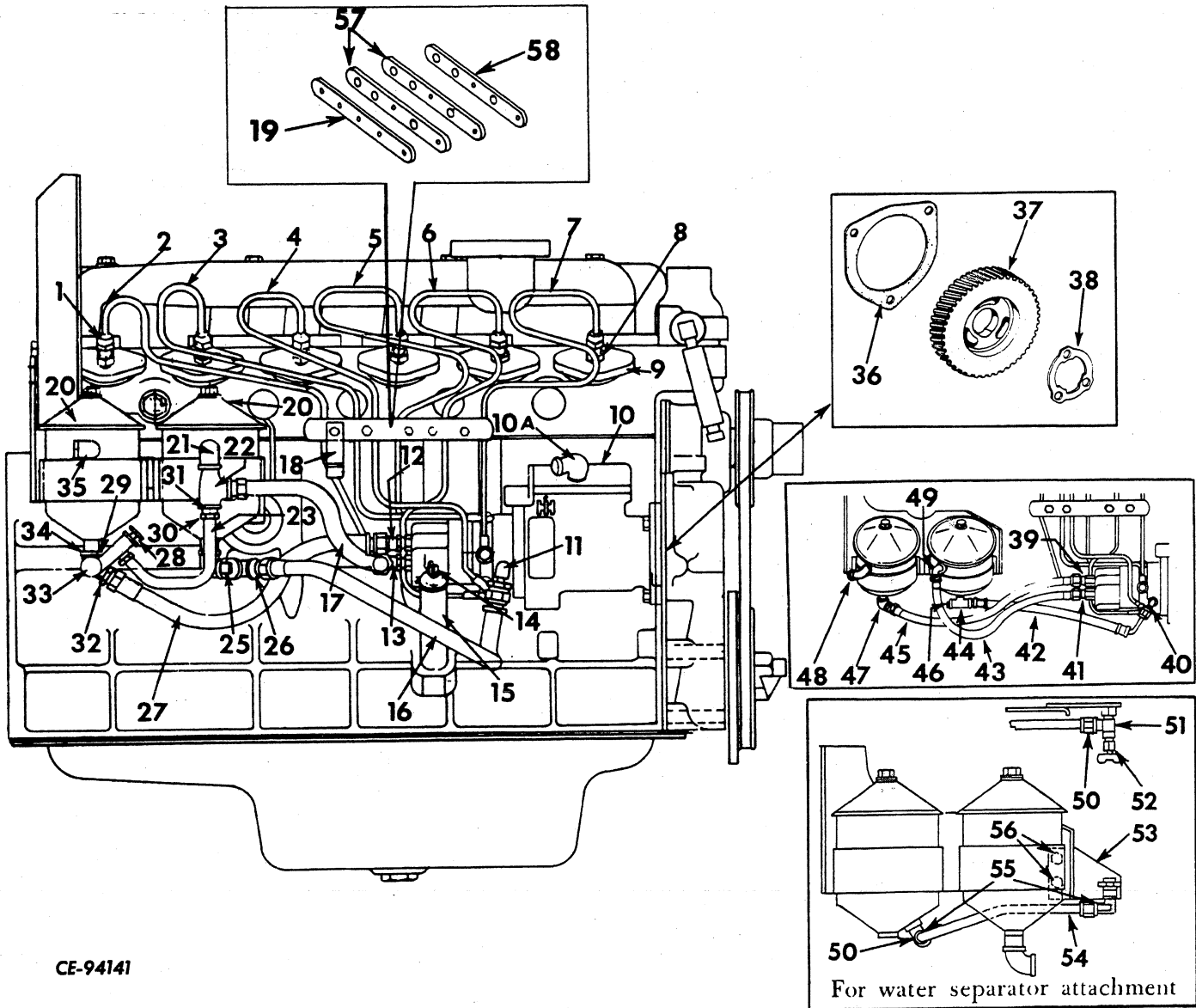
37 165 D	NUT, return tube (pump end)	TD-9BGM 5700 to 12165 TD-9BPM 5700 to 12165 TD-9BGAM 5700 to 12165
250 610 R2	SLEEVE, injection pipe (6)	
701 127 C91	PACKAGE, pipe clamp parts	TD-9BGM 5700 to 6671, also 10998 to 12850 TD-9BGAM 5700 to 6677, also 10965 to 12850 TD-9BPM 5700 to 6674, also 11143 to 12850 TD-9BGCM 10998 to 12850 TD-9BGSM 10998 to 12850 (Composed of - 1 CLAMP 670 004 C11 2 PADS 332 491 R2 3 WASHER 103 339 3 WASHER 103 319)
678 026 C1	WIRE, lock (injection pump) (2)	
678 027 C1	LOCK, seal wire (injection pump) (2)	
673 178 C1	PRODUCT GRAPHIC, engine warranty policy	

FUEL SYSTEM

REF. NO.	PART NUMBER	DESCRIPTION	REF. NO.	PART NUMBER	DESCRIPTION
----------	-------------	-------------	----------	-------------	-------------

FUEL INJECTION PUMP, PIPES AND CONNECTIONS

(Used with International R.D. Pump)
 TD-9BGM 6672 to 10997, TD-9BGAM 6678 to 10964,
 TD-9BPM 6675 to 11142, TD-9BGCM 8410 to 10997 and
 TD-9BGSM 8483 to 10997



CE-94141

1	250 617 R1	NUT, injection pipe (nozzle end) (6)	4	332 618 R11	PIPE, injection (cylinder No. 4)
2	323 717 R1	PIPE, injection (cylinder No. 6)	5	601 133 C11	PIPE, injection (cylinder No. 3)
	332 026 R91	FITTING, extended banjo (on No. 6 injection pipe pump end)	6	601 132 C11	PIPE, injection (cylinder No. 2)
	250 617 R1	NUT, injection pipe (pump end)	7	601 131 C11	PIPE, injection (cylinder No. 1)
	250 610 R2	SLEEVE, injection pipe (pump end)	8		FITTING, nozzle (also listed and illustrated with "Injection Nozzle") (6)
3	323 716 R11	PIPE, injection (cylinder No. 5)			

FUEL SYSTEM

REF. NO.	PART NUMBER	DESCRIPTION	REF. NO.	PART NUMBER	DESCRIPTION
FUEL INJECTION PUMP, PIPES AND CONNECTIONS - Continued (Used with International R.D. Pump) TD-9BGM 6672 to 10997, TD-9BGAM 6678 to 10964, TD-9BPM 6675 to 11142, TD-9BGCM 8410 to 10997 and TD-9BGSM 8483 to 10997			10	323 728 R92	PUMP ASSY, International RD fuel injection (used on revolving crane and sideboom crawler tractors) (1800 RPM) (See NOTE B)
				179 840	SCREW, 1-1/8" hex-hd cap (3)
				103 321	WASHER, lock (3)
				142 619 H	WASHER (3)
9		NOZZLE ASSY, injection (for components see list of parts under details of "Injection Nozzle") (6)			(Order the following parts - 1 PACKAGE 609 121 C91 1 PACKAGE 609 124 C91 1 PUMP, (+) 610 501 C91 Roosa-Master (See NOTE A)
10	318 369 R92	PUMP ASSY, International RD fuel injection (used on manual shift crawler tractors (1700 RPM) (See NOTE B)	10A	37 323 D	ELBOW, fuel return Pump Serial No. 1000 to 6227
	179 840	SCREW, 1-1/8" hex-hd cap (3)	10A	346 792 R1	ELBOW, 1/4" x 90° restricted fuel return Pump Serial No. 6228 up
	103 321	WASHER, lock (3)			
	142 619 H	WASHER (3)			
		(Order the following parts - 1 PACKAGE 609 121 C91 1 PACKAGE 609 124 C91 1 PUMP, (+) 610 501 C91 Roosa-Master (See NOTE A)	11	324 274 R1	ELBOW, injection pump inlet TD-9BGM 6672 to 7765 TD-9BPM 6675 to 7765 TD-9BGAM 6678 to 7765
10	339 106 R92	PUMP ASSY, International RD fuel injection (used on power shift crawler tractors not equipped with altitude compensation) (2300 RPM) (See NOTE B)	12	324 273 R1	CONNECTOR, primary pump inlet TD-9BGM 6672 to 7765 TD-9BPM 6675 to 7765 TD-9BGAM 6678 to 7765
	179 840	SCREW, 1-1/8" hex-hd cap (3)	13	324 273 R1	CONNECTOR, primary pump outlet TD-9BGM 6672 to 7765 TD-9BPM 6675 to 7765 TD-9BGAM 6678 to 7765
	103 321	WASHER, lock (3)			
	142 619 H	WASHER (3)			
		(Order the following parts - 1 PACKAGE 609 121 C91 1 PACKAGE 609 124 C91 1 PUMP, (+) 610 503 C91 Roosa-Master (See NOTE A)	14		GAUGE, oil level (also listed and illustrated with "Crankcase and Related Parts")
10	339 108 R92	PUMP ASSY, International RD fuel injection (used on Agr. crawler tractors) (1850 RPM) (See NOTE B)	15		TUBE, oil filler (also listed and illustrated with "Crankcase and Related Parts")
	179 840	SCREW, 1-1/8" hex-hd cap (3)	16	343 968 R91	HOSE w/FITTINGS, final filter to injection pump (HOSE, .38" ID x 16" long including FITTINGS) TD-9BGM 6672 to 7765 TD-9BPM 6675 to 7765 TD-9BGAM 6678 to 7765
	103 321	WASHER, lock (3)			
	142 619 H	WASHER (3)			
		(Order the following parts - 1 PACKAGE 609 121 C91 1 PACKAGE 609 124 C91 1 PUMP, (+) 610 504 C91 Roosa-Master (See NOTE A)	17	343 713 R91	HOSE w/FITTINGS, primary pump to final filter (HOSE, .38" ID x 10" long including (FITTINGS) TD-9BGM 6672 to 7765 TD-9BPM 6675 to 7765 TD-9BGAM 6678 to 7765
10	339 110 R91	PUMP ASSY, International RD fuel injection (used on power shift crawler tractors equipped with altitude compensation attachment) (2300 RPM) (See NOTE B)			
	179 840	SCREW, 1-1/8" hex-hd cap (3)			
	103 321	WASHER, lock (3)			
	142 619 H	WASHER (3)			
		(Order the following parts - 1 PACKAGE 609 121 C91 1 PACKAGE 609 124 C91 1 PUMP, (+) 615 070 C91 Roosa-Master (See NOTE A)			

NOTE A - Pumps Listed with Symbol (+) Are Not Available Under Part Numbers Shown. Order Basic Pump and Necessary Parts As Shown in the Parts Catalog PU-70. Also Refer to the PU-70 Catalog for Detail Parts on all Roosa-Master Pumps.

NOTE B - Refer to "International Model RD Fuel Injection Pump Parts Catalog PU-67A" When Ordering Detail Parts for Complete Injection Pumps.

FUEL SYSTEM

REF. NO.	PART NUMBER	DESCRIPTION	REF. NO.	PART NUMBER	DESCRIPTION
FUEL INJECTION PUMP, PIPES AND CONNECTIONS - Continued (Used with International R.D. Pump) TD-9BGM 6672 to 10997, TD-9BGAM 6678 to 10964, TD-9BPM 6675 to 11142, TD-9BGCM 8410 to 10997 and TD-9BGSM 8483 to 10997			31	278 953 R91	NUT, tube TD-9BGM 6672 to 7765 TD-9BPM 6675 to 7765 TD-9BGAM 6678 to 7765
			32	444 169	ELBOW (3/8" x 90° street) primary filter outlet (brass) TD-9BGM 6672 to 7765 TD-9BPM 6675 to 7765 TD-9BGAM 6678 to 7765
18	42 915 D	BLOCK, junction (also listed with "Electric Starting")			
19	332 490 R1 181 317 103 319 103 339	CLAMP, injection pipe (tapped) SCREW, 1-1/4" hex-hd cap (5) WASHER, lock (3) WASHER, 5/8" x 16 ga (3)	33	444 259	TEE (3/8") primary filter outlet (brass) TD-9BGM 6672 to 7765 TD-9BPM 6675 to 7765 TD-9BGAM 6678 to 7765
20		FILTER ASSY, fuel (for components see list of parts under details of "Fuel Filter") (2)	34	444 199	ELBOW (3/8" x 90° street) primary filter outlet (brass) TD-9BGM 6672 to 7765 TD-9BPM 6675 to 7765 TD-9BGAM 6678 to 7765
21	444 169	ELBOW (3/8" x 90° street) final filter inlet (brass) TD-9BGM 6672 to 7765 TD-9BPM 6675 to 7765 TD-9BGAM 6678 to 7765	35	20 034 R1	ELBOW (3/8" x 90° female) primary filter inlet TD-9BGM 6672 to 7765 TD-9BPM 6675 to 7765 TD-9BGAM 6678 to 7765
22	444 259	TEE (3/8") final filter inlet (brass) TD-9BGM 6672 to 7765 TD-9BPM 6675 to 7765 TD-9BGAM 6678 to 7765	36	278 347 R1	GASKET, fuel injection pump
23	332 624 R1	TUBE, primary filter to final filter TD-9BGM 6672 to 7765 TD-9BPM 6675 to 7765 TD-9BGAM 6678 to 7765	37	278 315 R1 347 230 R91	GEAR, fuel injection pump SCREW w/lock, 1-1/4" hex-hd WASHER (3)
25	444 584	PLUG, 3/8" sq-hd pipe (brass) TD-9BGM 6672 to 7765 TD-9BPM 6675 to 7765 TD-9BGAM 6678 to 7765	38	278 317 R1	WASHER, injection pump gear
26	120 281	TEE (3/8") final filter outlet (brass) TD-9BGM 6672 to 7765 TD-9BPM 6675 to 7765 TD-9BGAM 6678 to 7765	39	9 410 202	CONNECTOR, primary pump inlet (3/8" - 37° flared tube) TD-9BGM 7766 to 10997 TD-9BPM 7766 to 11142 TD-9BGAM 7766 to 10964 TD-9BGCM 8410 to 10997 TD-9BGSM 8483 to 10997
27	343 712 R91	HOSE w/FITTINGS, primary filter to primary pump (HOSE, .38" x 18" long including FITTINGS) TD-9BGM 6672 to 7765 TD-9BPM 6675 to 7765 TD-9BGAM 6678 to 7765	40	9 410 976	ELBOW, injection pump inlet (3/8" - 37° flared tube) TD-9BGM 7766 to 10997 TD-9BPM 7766 to 1142 TD-9BGAM 7766 to 10964 TD-9BGCM 8410 to 10997 TD-9BGSM 8483 to 10997
28	336 070 R91	VALVE, primary to final filter needle TD-9BGM 6672 to 7765 TD-9BPM 6675 to 7765 TD-9BGAM 6678 to 7765	41	9 410 202	CONNECTOR, primary pump outlet (3/8" - 37° flared tube) TD-9BGM 7766 to 10997 TD-9BPM 7766 to 11142 TD-9BGAM 7766 to 10964 TD-9BGCM 8410 to 10997 TD-9BGSM 8483 to 10997
29	119 928	BUSHING (3/8 x 1/4") reducing pipe TD-9BGM 6672 to 7765 TD-9BPM 6675 to 7765 TD-9BGAM 6678 to 7765	42	347 823 R91	HOSE w/FITTINGS, final filter to injection pump (HOSE, .38" ID x 16" long including FITTINGS) TD-9BGM 7766 to 10997 TD-9BPM 7766 to 11142 TD-9BGAM 7766 to 10964 TD-9BGCM 8410 to 10997 TD-9BGSM 8483 to 10997
30	42 409 D	CONNECTOR, tube TD-9BGM 6672 to 7765 TD-9BPM 6675 to 7765 TD-9BGAM 6678 to 7765			

FUEL SYSTEM

REF. NO.	PART NUMBER	DESCRIPTION	REF. NO.	PART NUMBER	DESCRIPTION
FUEL INJECTION PUMP, PIPES AND CONNECTIONS - Continued (Used with International R.D. Pump) TD-9BGM 6672 to 10997, TD-9BGAM 6678 to 10964, TD-9BPM 6675 to 11142, TD-9BGCM 8410 to 10997 and TD-9BGSM 8483 to 10997			51	9 409 943	TEE, 1/8" pipe
			52	134 519	COCK, drain 1/8" pipe
			52	703 247 C1 179 817	BRACKET, water drain tube SCREW, 5/16 -18 x 7/8" hex-hd cap
				102 634	NUT, 5/16 -18
				103 340	WASHER, 11/32 x 11/16 x 16 ga
				103 320	WASHER, 5/16 lock
43	347 823 R91	HOSE w/FITTINGS, primary pump to final filter (HOSE, .38" ID x 16" long including FITTINGS) TD-9BGM 7766 to 10997 TD-9BPM 7766 to 11142 TD-9BGAM 7766 to 10964 TD-9BGCM 8410 to 10997 TD-9BGSM 8483 to 10997	54	616 300 C11	TUBE w/two SLEEVE, 265 204 R1 and two NUT, 265 205 R1 water drain
			55	265 204 R1	SLEEVE (2)
44	120 498	TEE, final filter outlet (1/4" pipe) TD-9BGM 7766 to 10997 TD-9BPM 7766 to 11142 TD-9BGAM 7766 to 10964 TD-9BGCM 8410 to 10997 TD-9BGSM 8483 to 10997	56	265 205 R1	NUT (2)
			57	332 491 R2	PAD, injection pipe clamp (2)
			58	332 489 R1	CLAMP, injection pipe (drilled) (order PACKAGE, 701 127 CJ1)
45	347 823 R91	HOSE w/FITTINGS, primary filter to primary pump (HOSE, .38" ID x 16" long including FITTINGS) TD-9BGM 7766 to 10997 TD-9BPM 7766 to 11142 TD-9BGAM 7766 to 10964 TD-9BGCM 8410 to 10997 TD-9BGSM 8483 to 10997	58	670 004 C11	CLAMP w/three PINS, 19 387 R1, injection pipe (drilled) (part of PACKAGE, 701 127 C91)
				19 387 R1	PIN, spring (used w/CLAMP, 670 004 C11) (3)
				703 246 C91	ATTACHMENT, water separator element (Consists of the following parts) (see NOTES 1 and 3)
					1 BRACKET 703 247 C1
					1 COCK 134 519
					1 ELEMENT 610 309 C91
					2 ELBOW 606 930 C1
					1 GASKET 304 102 R1
					1 TEE 9 409 943
					1 TUBE 616 300 C11
46	103 866	PLUG, 1/4" sq-hd pipe (gauge connection hole) TD-9BGM 7766 to 10997 TD-9BPM 7766 to 11142 TD-9BGAM 7766 to 10964 TD-9BGCM 8410 to 10997 TD-9BGSM 8483 to 10997			
47	444 577	ELBOW, primary filter outlet (1/4" x 90° pipe) TD-9BGM 7766 to 10997 TD-9BPM 7766 to 11142 TD-9BGAM 7766 to 10964 TD-9BGCM 8410 to 10997 TD-9BGSM 8483 to 10997		278 318 R1 179 858	BRACKET, fuel filter SCREW, 7/16 x 1-1/8" hex-hd cap (3)
				103 322	WASHER, 7/16" lock (3)
				263 717 R91	CLIP
				265 717 R91	CLIP, pipe
48	50 607 D	ELBOW, primary filter inlet TD-9BGM 7766 to 10997 TD-9BPM 7766 to 11142 TD-9BGAM 7766 to 10964 TD-9BGCM 8410 to 10997 TD-9BGSM 8483 to 10997		144 604	NIPPLE, primary fuel filter inlet (1-1/8" pipe nipple) TD-9BGM 6672 to 7765 TD-9BPM 6675 to 7765 TD-9BGAM 6678 to 7765
49	444 040	ELBOW, final filter inlet (1/4" x 90° pipe street) TD-9BGM 7766 to 10997 TD-9BPM 7766 to 11142 TD-9BGAM 7766 to 10964 TD-9BGCM 8410 to 10997 TD-9BGSM 8483 to 10997			
50	606 930 C1	ELBOW, 90° x 1/8 NPT (filter outlet and tee inlet) (2)			

NOTE 1 - Factory Application - Order On Machine Order Form
 NOTE 3 - Field Application - Order Through Regular Service Parts Channels

FUEL SYSTEM

REF. NO.	PART NUMBER	DESCRIPTION	REF. NO.	PART NUMBER	DESCRIPTION
FUEL INJECTION PUMP, PIPES AND CONNECTIONS - Continued (Used with International R.D. Pump) TD-9BGM 6672 to 10997, TD-9BGAM 6678 to 10964, TD-9BPM 6675 To 11142, TD-9BGCM 8410 to 10997 and TD-9BGSM 8483 to 10997			609 121 C91	PACKAGE, engine field conversion (less fuel injection pumps) (chassis conversion package, 609 124 C91) must be used in conjunction with this package) (see NOTE) - continued (Consists of - continued	
278 953 R91	NUT,	primary filter inlet elbow TD-9BGM 7766 to 10997 TD-9BPM 7766 to 11142 TD-9BGAM 7766 to 10964 TD-9BGCM 8410 to 10997 TD-9BGSM 8483 to 10997		3	SCREW w/external-tooth lock, 5/16 x 1-1/4" hex-hd mach
					WASHER 347 230 R91
				1	HOSE, w/FIT- 275 946 R91 TING, final fuel filter to injection pump (HOSE, 5/16" ID x 14-1/2" long w/FITTINGS)
303 545 R1	"O" RING (.468 x .624 x .078") in-	jection pump fuel fittings (3)		6	NUT, injection 250 617 R1 pipe (nozzle end)
701 127 C91	PACKAGE, pipe clamp parts	(Composed of -		1	NUT, fuel re- 278 953 R91 turn line elbow
	1 CLAMP	670 004 C11		1	PIPE, injection 278 702 R11 (cylinder No. 1)
	2 PADS	332 491 R2		1	PIPE, injection 278 703 R11 (cylinder No. 2)
	3 WASHER	103 339		1	PIPE, injection 278 704 R11 (cylinder No. 3)
	3 WASHER	103 319)		1	PIPE, injection 278 705 R11 (cylinder No. 4)
	FIELD CONVERSION PACKAGE (Engine) (For converting engines equipped with International Model "R.D." Injection Pumps to Roosa-Master Fuel Injection Pumps) TD-9BGM 5700 to 10997 TD-9BPM 5700 to 11142 TD-9BGAM 5700 to 10964 TD-9BGCM 8410 to 10997 TD-9BGSM 8483 to 10997			1	PIPE, injection 278 706 R11 (cylinder No. 5)
				1	PIPE, injection 278 707 R11 (cylinder No. 6)
				1	PIPE, primary 278 335 R11 filter to final filter
				1	SEAL, injection 279 673 R91 pump torque SCREW
609 121 C91	PACKAGE, engine field conversion	(less fuel injection pumps) (chassis conversion package, 609 124 C91) must be used in conjunction with this package) (see NOTE) (Consists of -		6	SLEEVE, injec- 250 610 R2 tion pipe Injection pump mounting hardware
	1 ADAPTER,	303 462 R11 Roosa-Master		2	NUTS, 3/8"
	3 SCREW, 3/8" hex-hd cap			2	WASHERS, 3/8" lock
	3 WASHER, 3/8" lock			2	WASHERS 142 619 H Injection pump gear mounting hardware
	1 CLAMP, injec-	332 489 R1 tion pipe (drilled)		1	NUT, 9/16NF, jam
	1 CLAMP, injec-	332 490 R1 tion pipe (tapped)		1	WASHER, 9/16" lock
	2 PAD, injection	332 491 R1 pipe clamp		1	DRAWING, IZG-7896 Roosa-Master fuel injection pump installation
	5 SCREW, 1/4NF x 1-1/4" hex-hd cap			1	DRAWING, IZG-7897 package installation instructions
	1 ELBOW, final	22 510 D filter inlet		FIELD CONVERSION PACKAGE (Chassis) (for use in conjunction with engine conversion package, 609 121 C91 when converting engines equipped with International Model "R.D." Fuel Injection Pumps to Roosa-Master Fuel Injection Pumps) TD-9BGM 5700 to 10997 TD-9BPM 5700 to 11142 TD-9BGAM 5700 to 10964 TD-9BGCM 8410 to 10997 TD-9BGSM 8483 to 10997	
	1 ELBOW, fuel	37 165 D return line		NOTE - All Parts Listed in This Conversion Package Are Listed and Illustrated Throughout This Catalog.	
	1 ELBOW, primary	65 834 D filter outlet			
	1 ELBOW, final	137 538 fuel filter outlet			
	1 ELBOW, injec-	118 755 tion pump inlet			
	1 GASKET, injec-	278 347 R1 tion pump adapter			
	1 HUB, injection	278 316 R1 pump gear			

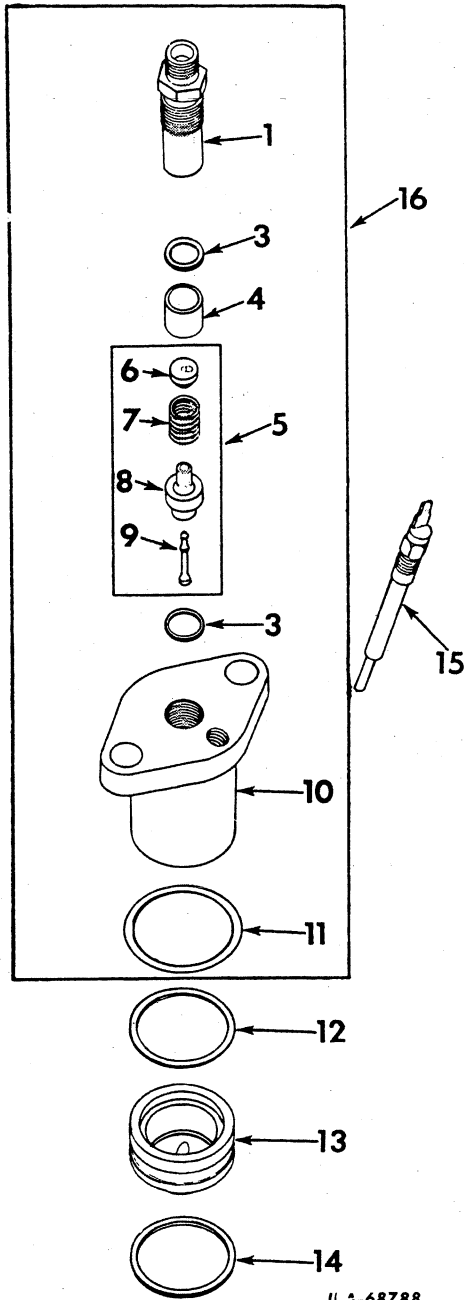
FUEL SYSTEM

REF. NO.	PART NUMBER	DESCRIPTION	REF. NO.	PART NUMBER	DESCRIPTION
FUEL INJECTION PUMP, PIPES AND CONNECTIONS -					
Continued					
(Used with International R.D. Pump)					
TD-9BGM 6672 to 10997, TD-9BGAM 6678 to 10964,					
TD-9BPM 6675 to 11142, TD-9BGCM 8410 to 10997 and					
TD-9BGSM 8483 to 10997					
609 124 C91		PACKAGE, chassis field conversion (see NOTE) (Consists of -			
		1 CLEVIS, 5/16" 116 535 adjusting			
		1 DRAWING, IZG-6358 fuel pump linkage adjusting			
		1 DRAWING, IZG-7885 fuel piping			
		1 DRAWING, IZG-7898 product graphic location			
		1 NUT, 5/16NF jam			
		2 PIN, 3/8" rod 103 496 end			
		2 PIN, cotter 3/32 x 5/8"			
		1 PLUG, button 432 577			
		1 PRODUCT 2 752 515 R1 GRAPHIC, primary fuel filter			
		1 PRODUCT 2 752 521 R1 GRAPHIC, final fuel filter			
		1 ROD, injec- 609 958 C11 tion pump control			
		1 TUBE, front 311 352 R1 fuel return			
		1 PAMPHLET, 1 085 208 R1 instruction			
250 610 R2		SLEEVE, injection pump (nozzle end) (6)			

NOTE - All Parts Listed in This Conversion Package
Are Listed and Illustrated Throughout
This Catalog.

FUEL SYSTEM

REF. NO.	PART NUMBER	DESCRIPTION	REF. NO.	PART NUMBER	DESCRIPTION
INJECTION NOZZLE, PRECOMBUSTION CHAMBER AND GLOW PLUG					



6	310 394 R1	SEAT, nozzle spring (.102" thick) (6)
6	310 395 R1	SEAT, nozzle spring (.104" thick) (6)
6	310 396 R1	SEAT, nozzle spring (.106" thick) (6)
6	310 397 R1	SEAT, nozzle spring (.108" thick) (6)
6	310 398 R1	SEAT, nozzle spring (.110" thick) (6)
6	310 399 R1	SEAT, nozzle spring (.112" thick) (6)
6	310 400 R1	SEAT, nozzle spring (.114" thick) (6)
6	310 401 R1	SEAT, nozzle spring (.116" thick) (6)
7	310 393 R1	SPRING, nozzle valve (6)
8		SEAT, nozzle valve (order 332 496 R91) (6)
		VALVE, nozzle (order 332 496 R91) (6)
10	310 389 R1	BODY, nozzle (6)
11	251 044 R2	SEAL, nozzle body dust (6)
12	260 879 R4	GASKET, nozzle body (6)
13	278 275 R3	CHAMBER, precombustion (6)
14	260 879 R4	GASKET, precombustion chamber (6)
15	304 131 R3	PLUG, glow (optional with 343 894 R1) (6)
15	343 894 R1	PLUG, glow (optional with 304 131 R3) (6)
16	332 495 R91	NOZZLE ASSY, injection (6) (Composed of -
		1 BODY 310 389 R1
		1 FITTING 278 321 R1
		3 GASKET 279 274 R1
		1 SEAL 251 044 R2
		1 SLEEVE 310 402 R1
		1 VALVE 332 496 R91)
	179 849	SCREW, 3/8 x 2-1/2" hex-hd cap (12)

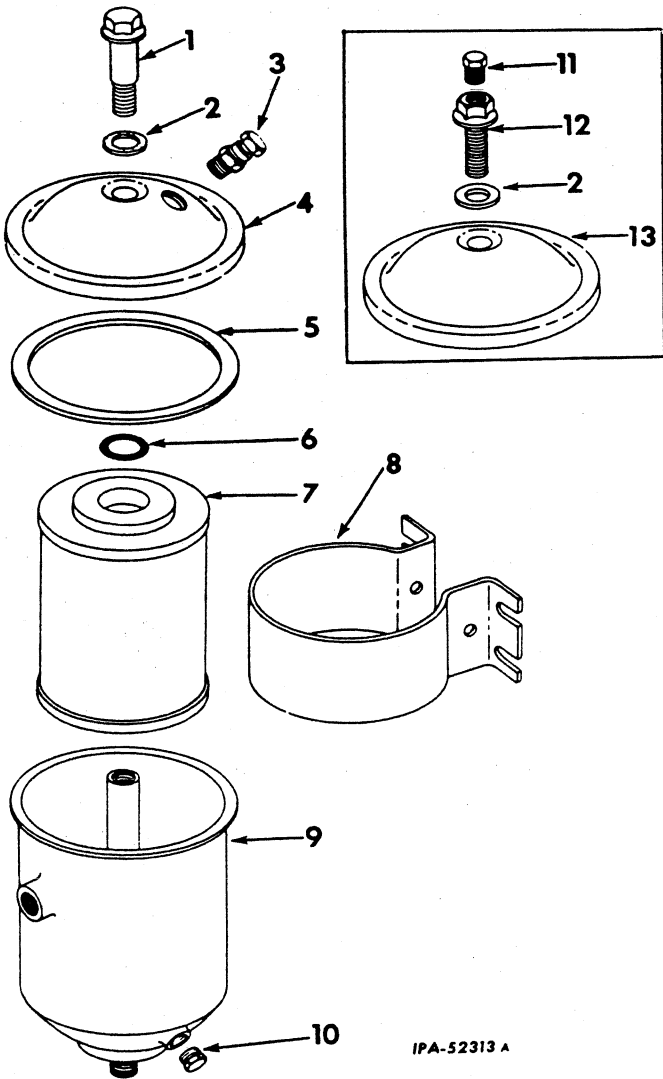
1	278 321 R1	FITTING, nozzle (6)
3	279 274 R1	GASKET, nozzle valve (18)
4	310 402 R1	SLEEVE, nozzle valve (6)
5	332 496 R91	VALVE ASSEMBLY, nozzle (6)

II A-68788

FUEL SYSTEM

REF. NO.	PART NUMBER	DESCRIPTION
----------	-------------	-------------

PRIMARY AND FINAL FILTERS
(Fram Corporation)



IPA-52313 A

Parts without letters after the description indicate the part is used for all filters listed below. Letters "A" and "B" are used to identify separate filters.

REF. NO.	PART NUMBER	DESCRIPTION
----------	-------------	-------------

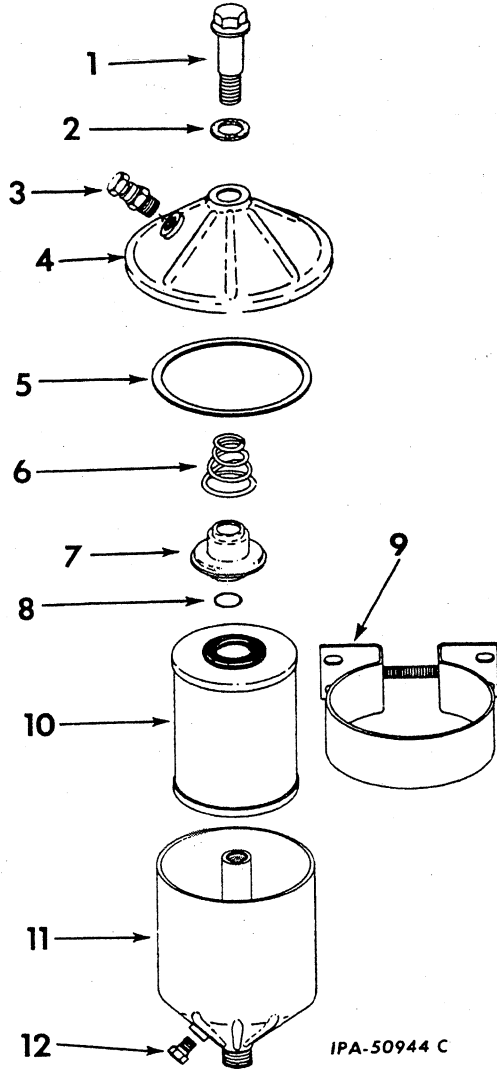
A	306 399 R91	FILTER ASSEMBLY, final fuel (order final fuel FILTER 347 066 R91)
	102 634	NUT, 5/16" (2)
	179 817	SCREW, 5/16 x 7/8" hex-hd cap (2)
	103 320	WASHER, 5/16" lock (2)
	103 340	WASHER, 11/32 x 11/16" x No. 16 ga (2)

B	601 508 C91	FILTER ASSEMBLY, less STRAP, primary fuel (order BRACKET, 304 104 R91 and FILTER ASSY, 610 932 C91)
	102 634	NUT, 5/16" (2)
	179 817	SCREW, 5/16 x 7/8" hex-hd cap (2)
	103 320	WASHER, 5/16" lock (2)
	103 340	WASHER, 11/32 x 11/16" x No. 16 ga (2)
1	321 822 R1	SCREW, fuel filter retaining cap (2 for FILTER B)
2	368 493 R1	GASKET, vent cap screw (2)
3	39 677 DA	BLEEDER, fuel filter for FILTER B
4	603 941 C91	COVER, fuel filter (2 for FILTER B)
5	304 102 R1	GASKET, element cover (2)
6	306 777 R1	"O" RING, 9/16 x 3/4 x 3/32" (2)
7	304 101 R91	PACKAGE, final fuel filter element field service (consists of ELEMENT and GASKET, 304 102 R1) (FILTER A)
7	306 353 R91	PACKAGE, primary fuel filter element field service (consists of ELEMENT and GASKET, 304 102 R1) (FILTER B)
7	610 309 C91	PACKAGE, primary fuel filter element (consists of ELEMENT and GASKET, 304 102 R1) (for units equipped w/water separator element attachment)
8	306 780 R1	STRAP, bracket (not furnished as part of fuel filter assembly) (2)
	120 372	NUT, 1/4" sq (2)
	133 082	SCREW, 1/4 x 3" rd-hd slit mach (2)
	120 380	WASHER, 1/4" lock (2)
9	306 775 R91	BODY (2 for FILTER A)
9		BODY (not furnished separately) (2 for FILTER B)
10	258 995 R1	PLUG, fuel filter drain (2 for FILTER A)
10	444 612	PLUG, fuel filter drain (2 for FILTER B)
11	306 778 R1	PLUG, vent (2 for FILTER A)
12	368 492 R1	SCREW, vent cap (2 for FILTER A)
13	306 776 R91	COVER (2 for FILTER A)

FUEL SYSTEM

REF. NO.	PART NUMBER	DESCRIPTION	REF. NO.	PART NUMBER	DESCRIPTION
----------	-------------	-------------	----------	-------------	-------------

PRIMARY AND FINAL FUEL FILTERS
(Purolator Products, Inc.)



IPA-50944 C

Parts without letters after the description indicate the part is used for all filters listed below. Letters "A" and "B" are used to identify separate filters.

B	610 932 C91	FILTER ASSY, primary fuel (less BRACKET (together with BRACKET, 304 104 R91 will work for primary fuel FILTERS, 278 062 R91 or 601 508 C91) (also together with ADAPTER, 444 014 BRACKET, 304 104 R91 and TEE, 116 386 will work for primary fuel FILTER, 333 863 R91)
	102 634	NUT, 5/16" (2)
	179 817	SCREW, 5/16 x 7/8" hex-hd cap (2)
	103 320	WASHER, 5/16" lock (2)
	103 340	WASHER, 11/32 x 11/16" ga (2)
1	321 727 R1	SCREW, retaining (FILTER A)
1	368 333 R1	SCREW, retaining (FILTER B)
2	368 334 R1	GASKET, retaining (2)
3	39 677 DA	BLEEDER
4	321 720 R91	COVER and BUSHING (2)
5	304 102 R1	GASKET, element cover (2)
6	321 721 R1	SPRING, retaining (2)
7	321 722 R1	RETAINER, gasket (2)
8	355 966 R1	GASKET, "O" RING retainer (2)
9	304 104 R91	BRACKET, fuel filter (not furnished as part of fuel filter assemblies) (2)
10	304 101 R91	PACKAGE, final fuel filter field service (consists of ELEMENT and GASKET, 304 102 R1) (FILTER A)
10	306 353 R91	PACKAGE, primary fuel filter element field service (consists of ELEMENT and GASKET, 304 102 R1) (FILTER B)
10	610 309 C91	PACKAGE, primary fuel filter element (consists of ELEMENT and GASKET, 304 102 R1) (for units equipped w/water separator element attachment)
11	304 100 R91	CASE (2)

A	347 066 R91	FILTER ASSY, final fuel (less BRACKET) (together with BRACKET, 304 104 R91 will work for final fuel FILTER, 278 062 R91 or 306 399 R91) also (together with BRACKET, 304 104 R91, ELBOW 179 547 and ELBOW, 37 323 D will work for final fuel filter 333 863 R91)
	102 634	NUT, 5/16" (2)
	179 817	SCREW, 5/16 x 7/8" hex-hd cap (2)
	103320	WASHER, 5/16" lock (2)
	103 340	WASHER, 11/32 x 11/16 x 16 ga (2)

(#) - Used With Final Fuel Filter, 347 066 R91 Only When It Replaces Final Fuel Filter, 333 863 R91

(t) - Used With Primary Fuel Filter, 601 507 C91 Only When It Replaces Primary Fuel Filter, 333 863 R91

FUEL SYSTEM

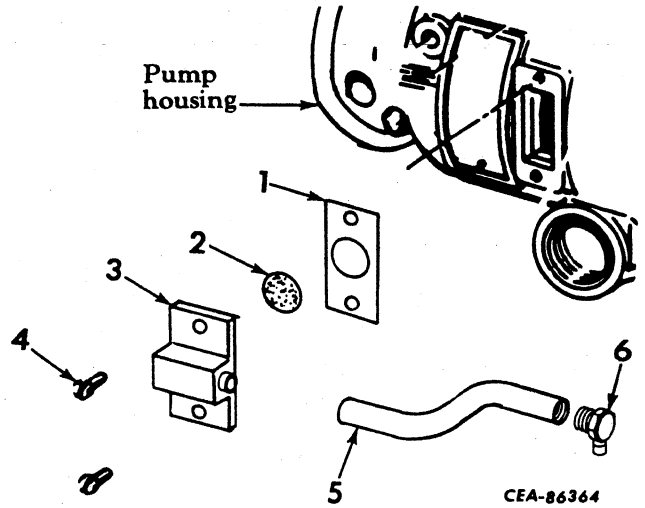
REF. NO.	PART NUMBER	DESCRIPTION
----------	-------------	-------------

REF. NO.	PART NUMBER	DESCRIPTION
----------	-------------	-------------

PRIMARY AND FINAL FILTERS - Continued
(Purolator Products, Inc.)

12	258 995 R1	PLUG, fuel filter drain (2)
	444 014	ADAPTER, primary fuel filter inlet (t) (FILTER B)
	37 323 D	ELBOW, 3/8" x 90° final filter inlet (#) (FILTER A)
	179 547	ELBOW, 3/8 x 1/4" reducing pipe (final filter outlet) (#) (FILTER A)
	603 945 C1	NUT, flat speed (FILTER B)
	336 109 R1	SCREW, retaining (2 for use with FILTER, 333 863 R91)
	116 386	TEE, 3/8 x 3/8 x 1/4" reducing (primary fuel filter outlet) (t) (FILTER B)

RETURN FUEL BY-PASS
(Roosa-Master) (Hartford Machine Screw Co.)



606 847 C91	KIT, return fuel by-pass system (see NOTE) (Consists of the following parts -
1	610 953 C1 GASKET, timing and return oil fitting
2	610 955 C1 SCREEN, return oil
3	610 951 C91 FITTING, timing and return oil
4	SCREW, No. 8 x 5/16" slt-ov-hd (timing line cover) (2)
5	610 952 C1 HOSE, return oil
6	610 954 C91 FITTING, inlet
	610 950 C91 CONNECTOR, return line (top of governor control cover)

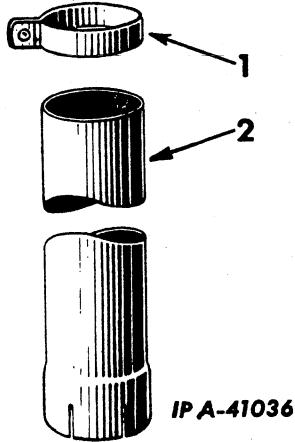
(#) - Used With Final Fuel Filter, 347 066 R91 Only When It Replaces Final Fuel Filter, 333 863 R91

(t) - Used With Primary Fuel Filter, 601 507 C91 Only When It Replaces Primary Fuel Filter, 333 863 R91

NOTE - Parts For Reference Numbers 1 To 6 Are Also Listed and Illustrated in Roosa-Master Fuel Injection Pump Parts Catalog, PU-70.

FUEL SYSTEM

REF. NO.	PART NUMBER	DESCRIPTION	REF. NO.	PART NUMBER	DESCRIPTION
AIR CLEANER PIPE EXTENSION AND AIR INTAKE PIPE EXTENSION			1	299 864 R1	CLAMP, pipe (part of ATTACHMENT, 700 385 C91) (2)
			1	604 399 C1	CLAMP, air cleaner pipe extension (part of ATTACHMENT, 334 789 R91)
			2	330 737 R1	PIPE, air cleaner pipe extension (part of ATTACHMENT, 331 794 R91)
			2	334 788 R1	PIPE, air cleaner pipe extension (part of ATTACHMENT, 334 789 R91)
			2	616 116 C1	PIPE, air intake extension (part of ATTACHMENT, 700 385 C91)



331 794 R91 ATTACHMENT, air cleaner pipe extension (used on Agr. tractors below TD-9BGA 1284) (used on all power shift tractors with altitude compensation attachment) (not used on units equipped with heavy duty [FARR] air cleaner or equipped with heavy hood attachment 700 388 C91) (see NOTES 1 and 3)

334 789 R91 ATTACHMENT, air cleaner pipe extension (not used on tractors equipped with altitude compensation attachment or equipped with heavy duty [FAN] air cleaner) (see NOTE 3)
 TD-6502 to 15966, also 15994 to 16217, except 15996
 TD-9BP 6525 to 15966, also 15994 to 16217, except 15996
 TD-9BGA 6616 to 15966, also 15994 to 16217, except 15996

700 385 C91 ATTACHMENT, air intake pipe extension (used on Agr. tractors below TD-9BGA with heavy hood attachment 700 388 C91) (used on all Agr. tractors above TD-9BGA 12984) (not used with heavy duty [FARR] air cleaner) (see NOTES 1 and 3)

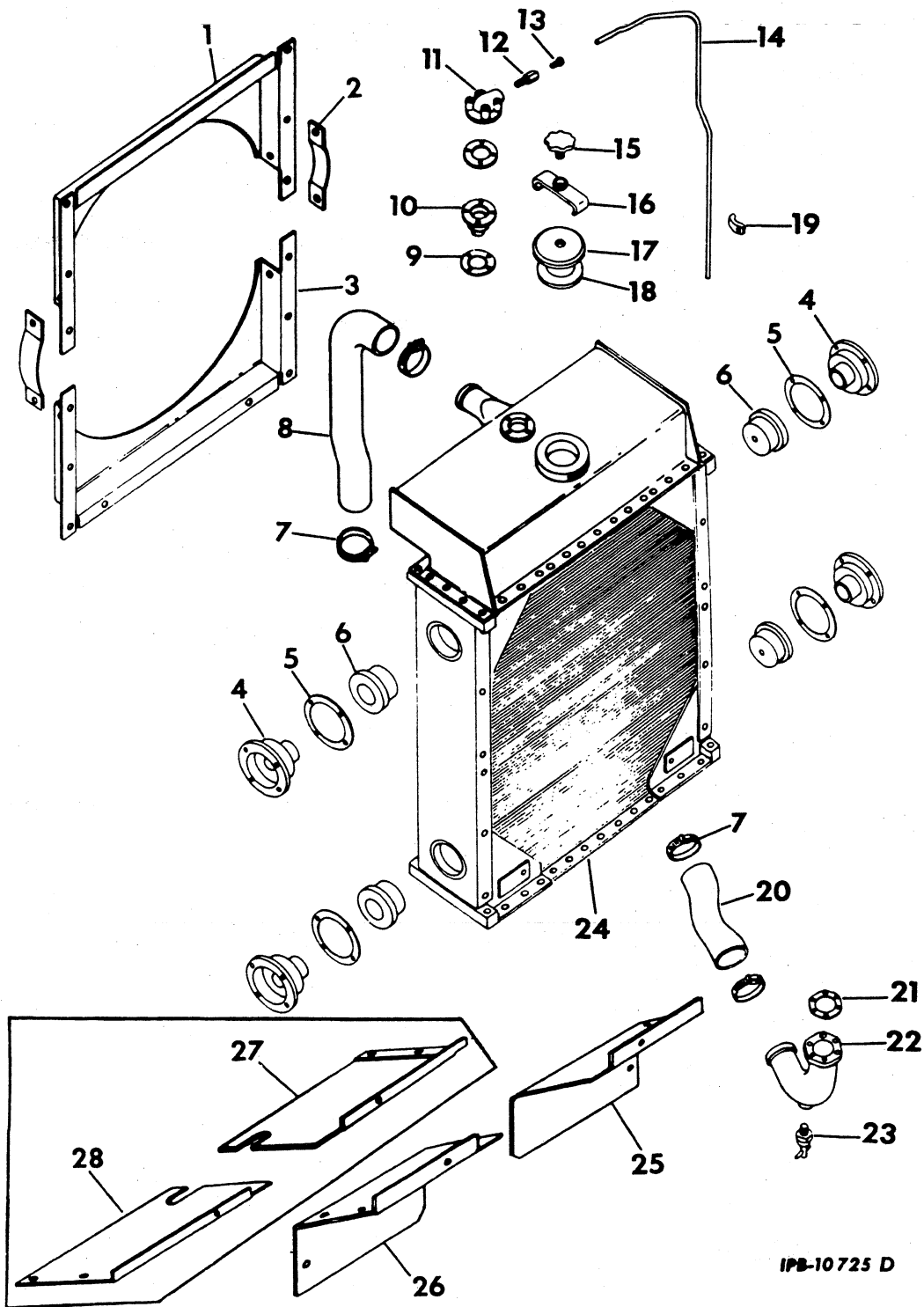
1 276 223 R91 CLAMP, air cleaner pipe extension (part of ATTACHMENT, 331 794 R91)

NOTE 1 - Factory Application - Order On Machine Order Form.

NOTE 3 - Field Application - Order Through Regular Service Parts Channels.

COOLING SYSTEM

RADIATOR CONNECTIONS



IPB-10725 D

COOLING SYSTEM

REF. NO.	PART NUMBER	DESCRIPTION	REF. NO.	PART NUMBER	DESCRIPTION
RADIATOR CONNECTIONS - Continued			15	703 482 C1	HANDLE, w/1-1/4" long bolt, radiator cap clamp TD-9BG 15569 up TD-9BP 15569 up TD-9BGA 15569 up TD-9BGC 15569 to 16800 TD-9BGS 15569 to 16800 (Order the following - 1 CAP 663 167 C1 1 CLAMP 663 169 C1 1 GASKET 620 086 C1 1 HANDLE 663 165 C1)
1	330 663 R11	SHEET, fan housing, upper (%)			
1	334 101 R11 181 356	SHEET, fan housing, upper (#) SCREW, 3/8 NF x 5/8", hex-hd cap (6)			
	103 321	WASHER, 3/8" lock (6)			
	103 341	WASHER, 13/32 x 13/16 x .065" (6)			
2	330 665 R1	EXTENSION, fan housing (%) (2)			
2	334 103 R1 181 356	EXTENSION, fan housing (#) (2) SCREW, 3/8 NF x 5/8", hex-hd cap (4)	15	663 165 C1	HANDLE, w/1-1/2" long bolt, radiator cap TD-9BG 15569 up TD-9BP 15569 up TD-9BGA 15569 up TD-9BGC 15569 to 16800 TD-9BGS 15569 to 16800
	103 321	WASHER, 3/8" lock (4)			
	103 341	WASHER, 13/32 x 13/16 x .065" (4)			
3	330 664 R11	SHEET, fan housing, lower (%)		17 271 R1	PIN, spring
3	334 102 R11 181 356	SHEET, fan housing, lower (#) SCREW, 3/8 NF x 5/8", hex-hd cap (8)	16	259 603 R91	CLAMP, radiator cap TD-9BG 6502 to 15568 TD-9BP 6525 to 15568 TD-9BGA 6616 to 15568 TD-9BGC 9231 to 15568 TD-9BGS 9239 to 15568
	103 321	WASHER, 3/8" lock (8)			
	103 341	WASHER, 13/32 x 13/16 x .065" (8)			
4	311 218 R1 616 373 C1	BRACKET, radiator mounting (4) BOLT, radiator mounting bracket (16)	16	703 481 C1	CLAMP, radiator cap (use w/ HANDLE, 703 482 C1) TD-9BG 15569 up TD-9BP 15569 up TD-9BGA 15569 up TD-9BGC 15569 to 16800 TD-9BGS 15569 to 16800 (Order the following - 1 CAP 663 167 C1 1 CLAMP 663 169 C1 1 GASKET 620 086 C1 1 HANDLE 663 165 C1)
5	325 990 R1	SPACER, radiator mounting bracket (4)			
6	274 287 R2	MOUNTING, radiator (rubber) (4)			
7	279 026 R91	CLAMP, radiator inlet and outlet hose (4)			
8	330 661 R2	HOSE, radiator inlet			
9	320 391 R1	GASKET, pressure relief valve (2)			
10	321 149 R92	VALVE, w/"O" RING, 257 707 R1, pressure relief	16	663 169 C1	CLAMP, radiator cap (use w/ HANDLE, 663 165 C1) TD-9BG 15569 up TD-9BP 15569 up TD-9BGA 15569 up TD-9BGC 15569 to 16800 TD-9BGS 15569 to 16800
11	612 558 C1	HOUSING, pressure relief valve (together with PIPE, 330 856 R2, will work for HOUSING, 325 371 R1)			
	24 841 R1	SCREW, 3/8 x 1-1/2", hex-hd cap (4)	17	259 599 R91	CAP w/GASKET, 620 086 C1, radiator TD-9BG 6502 to 15568 TD-9BP 6525 to 15568 TD-9BGA 6616 to 15568 TD-9BGC 9231 to 15568 TD-9BGS 9239 to 15568
	115 093	WASHER, 3/8" lock (4)			
12	18 506 R1	CONNECTOR, overflow pipe			
13	371 217 R1	NUT, overflow pipe coupling			
14	330 856 R2	PIPE, radiator overflow			
15	262 603 R12	HANDLE, radiator cap clamp TD-9BG 6502 to 15568 TD-9BP 6525 to 15568 TD-9BGA 6616 to 15568 TD-9BGC 9231 to 15568 TD-9BGS 9239 to 15568			

(#) - Part of Reversible Fan Attachment, 331 702 R91.

(%) - Not Used on Units Equipped with Reversible Fan Attachment, 331 702 R91

COOLING SYSTEM

REF. NO.	PART NUMBER	DESCRIPTION	REF. NO.	PART NUMBER	DESCRIPTION
RADIATOR CONNECTIONS - Continued			26	703 605 C1	BAFFLE, RH radiator bottom (used on manual shift tractors) TD-9BG 14002 up TD-9BP 15423 up TD-9BGA 14002 up TD-9BGC 14002 to 16800 TD-9BGS 14002 to 16800
17	703 480 C1	CAP, radiator (use w/HANDLE, 703 482 C1) TD-9BG 15569 up TD-9BP 15569 up TD-9BGA 15569 up TD-9BGC 15569 to 16800 TD-9BGS 15569 to 16800 (Order the following - 1 CAP 663 167 C1 1 CLAMP 663 169 C1 1 GASKET 620 086 C1 1 HANDLE 663 165 C1)	26	703 606 C1	BAFFLE, RH radiator bottom air (used on power shift tractors) TD-9BP 14002 to 15422 179 787 SCREW, 1/4 x 3/8", hex-hd cap 181 356 SCREW, 3/8 NF x 5/8" hex-hd cap 103 319 WASHER, 1/4" lock 103 341 WASHER, 13/32 x 13/16" x 16 ga
17	663 167 C1	CAP, radiator (use w/HANDLE, 663 165 C1) TD-9BG 15569 up TD-9BP 15569 up TD-9BGA 15569 up TD-9BGC 15569 to 16800 TD-9BGS 15569 to 16800	27	331 740 R1	BAFFLE, LH radiator bottom air (used on manual shift tractors) TD-9BG 6502 to 14001 TD-9BGA 6616 to 14001 TD-9BGC 9231 to 14001 TD-9BGS 9239 to 14001
18	620 086 C1	GASKET	27	331 741 R1	BAFFLE, LH radiator bottom air (used on power shift tractors) TD-9BP 6525 to 14001 179 789 SCREW, 1/4 x 3/8" hex-hd cap 181 356 SCREW, 3/8 NF x 5/8" hex-hd cap 103 319 WASHER, 1/4" lock 103 321 WASHER, 3/8" lock 103 341 WASHER, 13/32 x 13/16 x .065"
	650 382 C91	ATTACHMENT, radiator cap pad-lock w/KEYS (see NOTES 1 and 3)			
19	274 239 R1	CLIP, radiator overflow pipe (2)			
20	330 848 R1	HOSE, radiator outlet			
21	330 662 R1	GASKET, radiator outlet elbow			
22	330 660 R1 179 840 103 321	ELBOW, radiator outlet SCREW, 3/8 x 1-1/8", hex-hd cap (6) WASHER, 3/8" lock (6)	28	331 739 R11	BAFFLE, RH radiator bottom air (used on manual shift tractors) TD-9BG 6502 to 14001 TD-9BGA 6616 to 14001 TD-9BGC 9231 to 14001 TD-9BGS 9239 to 14001
23	627 799 C1	VALVE, drain	28	331 742 R11	BAFFLE, RH radiator bottom air (used on power shift tractors) TD-9BP 6525 to 14001 179 789 SCREW, 1/4 x 3/8" hex-hd cap 181 356 SCREW, 3/8 NF x 5/8" hex-hd cap 103 319 WASHER, 1/4" lock 103 321 WASHER, 3/8" lock 103 341 WASHER, 13/32 x 13/16 x .065"
24		RADIATOR, for components, see list of parts under details of "RADIATOR"			
25	620 114 C1	BAFFLE, LH radiator bottom air (used on manual shift tractors) TD-9BG 14002 up TD-9BGA 14002 up TD-9BGC 14002 to 16800 TD-9BGS 14002 to 16800			
25	620 116 C1 179 789 181 356 103 319 103 321 103 341	BAFFLE, LH radiator bottom air TD-9BP 14002 up SCREW, 1/4 x 3/8", hex-hd cap SCREW, 3/8 NF x 5/8" hex-hd cap WASHER, 1/4" lock WASHER, 3/8" lock WASHER, 13/32 x 13/16 ga			

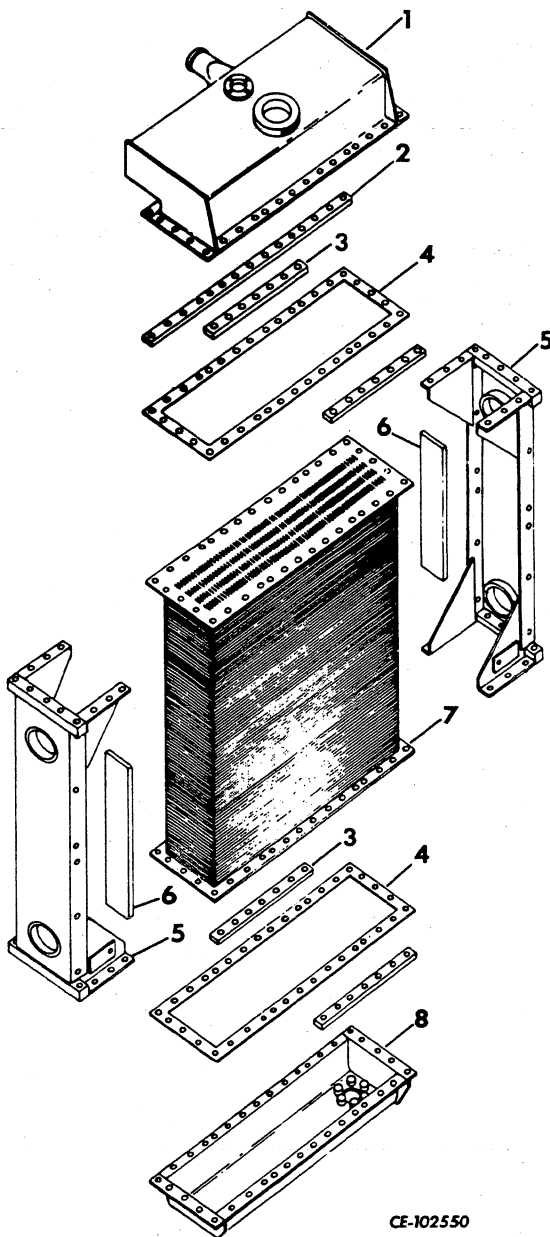
NOTE 1- Factory Application - Order on Machine Order Form.

NOTE 3- Field Application - Order through Service Parts Channels.

COOLING SYSTEM

REF. NO.	PART NUMBER	DESCRIPTION	REF. NO.	PART NUMBER	DESCRIPTION
----------	-------------	-------------	----------	-------------	-------------

RADIATOR



CE-102550

- A Service parts for Radiator Assy (for manual shift, power shift and Agr.) (IH)
 TD-9BG 6502 to 16170
 TD-9BP 6525 to 16170
 TD-9BGA 6616 to 16170
- B Service parts for Radiator Assy (for sideboom and revolving crane) (IH)
 TD-9BGS 9239 to 16170
 TD-9BGC 9231 to 16170

- C Service parts for Radiator Assy (for manual shift, power shift and Agr.) (MODINE)
 TD-9BG 16171 up
 TD-9BP 16181 up
 TD-9BGA 16171 up
- D Service parts for Radiator Assy (for sideboom and revolving crane) (MODINE)
 TD-9BGS 16171 to 16800
 TD-9BGC 16171 to 16800
- E Service parts for Radiator Assy (for manual shift, power shift and Agr.) (PERFEX) (Service parts not yet available)
 TD-9BG 16171 up
 TD-9BP 16171 up
 TD-9BGA 16171 up
- F Service parts for Radiator Assy (for sideboom and revolving crane) (PERFEX) (Service parts not yet available)
 TD-9BGS 16171 to 16800
 TD-9BGC 16171 to 16800
- G 331 679 R91 ATTACHMENT, forest radiator (see NOTE 4)
- 1 330 667 R91 TANK, radiator upper (A and B)
 25 522 R1 NUT, 3/8" (13)
 24 840 R1 SCREW, 3/8 x 1" hex-hd cap (12)
 179 840 SCREW, 3/8 x 1-1/8" hex-hd cap (14)
 115 093 WASHER, 3/8" lock (26)
- 1 630 465 C1 TANK, radiator upper (C and D)
 25 522 R1 NUT, 3/8" (13)
 24 840 R1 SCREW, 3/8 x 1", hex-hd cap (26)
 115 093 WASHER, 3/8" lock (26)
- 2 330 669 R1 BAR, upper tank mounting (A and B)
- 2 630 494 C1 BAR, upper tank mounting (C and D)
- 3 330 668 R1 STIFFENER, upper and lower radiator core (A and B) (4)
- 3 630 488 C1 BAR, top and bottom tank header (C and D) (4)
- 4 330 670 R1 GASKET, upper and lower tank (A, B, and G) (2)
- 4 627 940 C91 KIT, w/four gasket strips and four end gaskets, radiator gasket (C and D)
- 5 330 672 R11 CHANNEL, side (A and B) (2)
 179 838 SCREW, 3/8 x 7/8" hex-hd cap (20)
 115 093 WASHER, 3/8" lock (20)

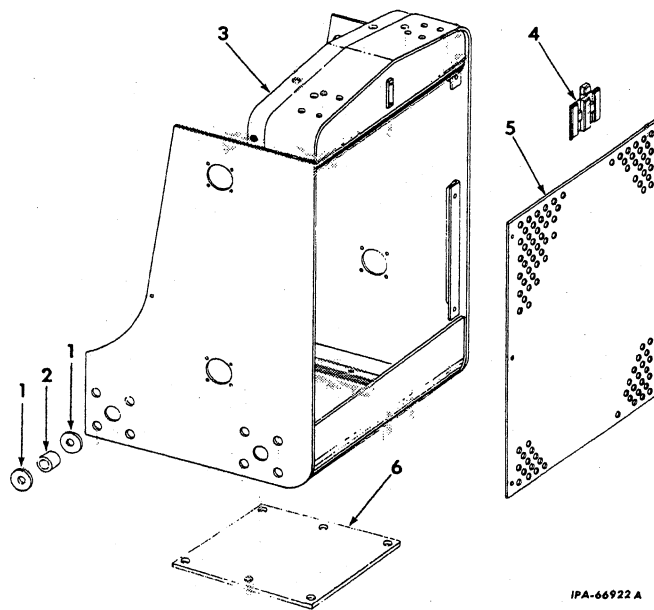
NOTE 4 - Attachment No Longer Available; Service Parts Will Be Furnished as Ordered.

COOLING SYSTEM

REF. NO.	PART NUMBER	DESCRIPTION
RADIATOR - Continued		
5	630 486 C1	MEMBER, RH and LH side (C and D) (2)
	24 840 R1	SCREW, 3/8 x 1", hex-hd cap (20)
	115 093	WASHER, 3/8" lock (20)
6	330 874 R1	SNUBBER, radiator core (A, B, and G) (2)
7	619 661 C1	CORE, radiator (A)
7	338 564 R91	CORE, radiator (Armored) (B)
7	630 453 C1	CORE, radiator (C)
7	630 454 C1	CORE, radiator (D)
7	330 840 R91	CORE, radiator (G)
8	330 671 R91	TANK, radiator lower (A and B)
	25 522 R1	NUT, 3/8" (14)
	24 840 R1	SCREW, 3/8 x 1", hex-hd cap (12)
	179 840	SCREW, 3/8 x 1-1/8", hex-hd cap
	115 093	WASHER, 3/8" lock (26)
8	630 472 C1	TANK, radiator lower (C and D)
	25 522 R1	NUT, 3/8" (36)
	24 840 R1	SCREW, 3/8 x 1", hex-hd cap (26)
	115 093	WASHER, 3/8" lock (26)
1 019 024 R2		PAMPHLET, installation (G)

RADIATOR GUARD

TD-9BG 6502 to 14000
 TD-9BP 6525 to 14000
 TD-9BGA 6616 to 14000
 TD-9BGC 9231 to 14000
 TD-9BGS 9239 to 14000

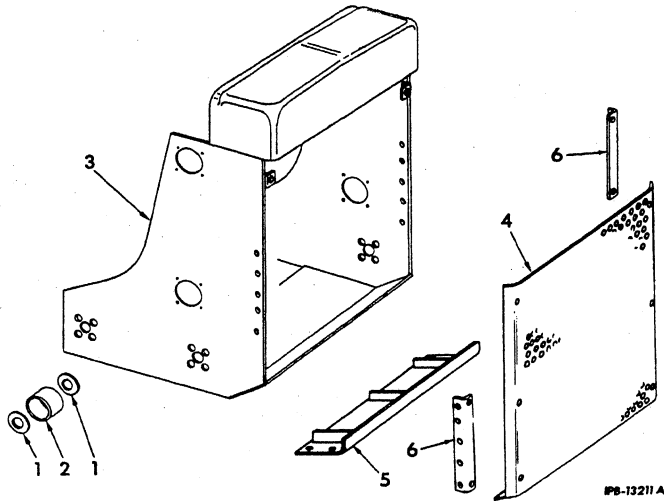


IPA-66922 A

1	103 345	RETAINER, dowel (8)
	25 528 R1	NUT, 5/8" (4)
	24 876 R1	SCREW, 5/8 x 2-1/4", hex-hd cap (4)
2	330 653 R1	DOWEL, radiator guard mounting (4)
3	331 493 R91	GUARD, radiator
	25 529 R1	NUT, 3/4" (16)
	24 888 R1	SCREW, 3/4 x 2" hex-hd cap (16)
4	345 610 R91	PRODUCT GRAPHIC, IH Emblem (for use on tractors painted yellow) (used on tractors equipped with Guard, 331 493 R91)
4	331 263 R1	PRODUCT GRAPHIC, IH Emblem (for use on tractors painted other than yellow) (used on tractors equipped with Guard, 331 493 R91)
		SCREW, No. 4 x 1/4" drive (2)
5	330 647 R11	DOOR, radiator guard
	24 860 R1	SCREW, 1/2 x 1", hex-hd cap (6)
	116 121	WASHER, 1/2" lock (6)
	25 535 R1	WASHER, 17/32 x 1-1/16 x 13 ga (6)
6	330 646 R1	COVER, radiator guard bottom
	24 861 R1	SCREW, 1/2 x 1-1/4" hex-hd cap (6)
	116 121	WASHER, 1/2" lock (6)
	330 645 R1	SEAL, radiator top air baffle

COOLING SYSTEM

REF. NO.	PART NUMBER	DESCRIPTION	REF. NO.	PART NUMBER	DESCRIPTION
RADIATOR GUARD			3	624 948 C1	GUARD, radiator TD-9BG 14001 up TD-9BP 14001 up TD-9BGA 14001 up TD-9BGC 14001 to 16800 TD-9BGS 14001 to 16800
				25 529 R1	NUT, 3/4" (16)
				24 888 R1	SCREW, 3/4 x 2", hex-hd cap (16)
			4	703 385 C1	DOOR, radiator guard
				275 635 R1	SCREW, 1/2 x 3", hex-hd cap (6)
				116 121	WASHER, 1/2" lock (6)
				25 535 R1	WASHER, 17/32 x 1-1/16 x 13 ga (6)
			5	330 646 R1	COVER, radiator guard bottom
				24 861 R1	SCREW, 1/2 x 1-1/4", hex-hd cap (6)
				116 121	WASHER, 1/2" lock (6)
			6	624 411 C1	ANGLE, radiator guard door lower mounting (used w/GUARD, 703 382 C2, and 624 617 C1) (2)
				24 872 R1	SCREW, 5/8 x 1-1/4", hex-hd cap (10)
				25 528 R1	NUT, 5/8" (10)
				330 645 R1	SEAL, radiator top air baffle
1	103 345	RETAINER, dowel (8)			
	25 528 R1	NUT, 5/8" (4)			
	24 876 R1	SCREW, 5/8 x 2-1/4" hex-hd cap (4)			
2	330 653 R1	DOWEL, radiator guard mounting (4)			
3	703 382 C1	GUARD, radiator TD-9BG 14001 to 15422 TD-9BP 14001 to 15422 TD-9BGA 14001 to 15422 TD-9BGC 14001 to 15422 TD-9BGS 14001 to 15422 (Order the following parts - 2 ANGLE 624 411 C1 2 GUARD 624 390 C1 1 GUARD 624 948 C1 2 SWIVEL 303 706 R1)			
3	703 382 C2	GUARD, radiator TD-9BG 15423 to 15524 TD-9BP 15423 to 15524 TD-9BGA 15423 to 15524 TD-9BGC 15423 to 15524 TD-9BGS 15423 to 15524 (Order the following parts - 1 GUARD 624 948 C1 2 GUARD 624 390 C1 2 SWIVEL 303 706 R1)			



IPB-13211 A

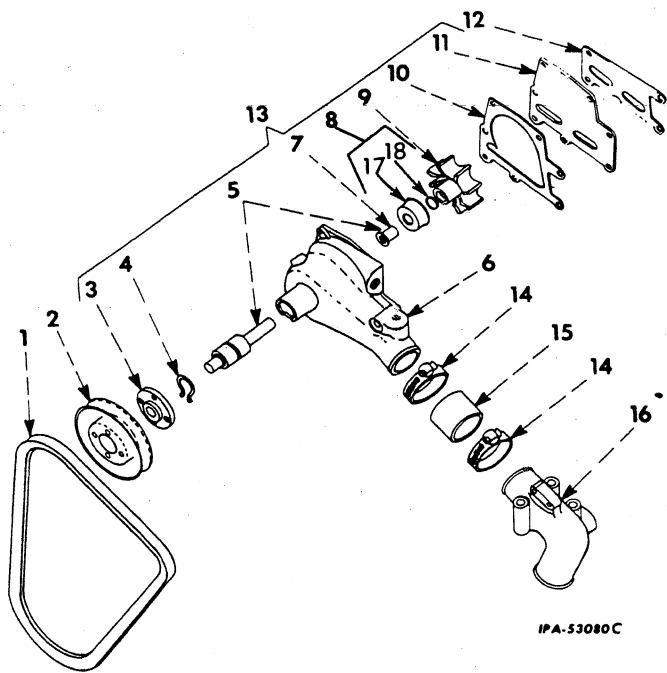
COOLING SYSTEM

REF. NO.	PART NUMBER	DESCRIPTION	REF. NO.	PART NUMBER	DESCRIPTION
ENGINE OIL COOLER			13	141 615	VALVE, drain TD-9BGM 14301 up TD-9BPM 14301 up TD-9BGAM 14301 up TD-9BGCM 14301 to 97305 TD-9BGSM 14301 to 97305
			14	9 409 927	ELBOW, 1/8" x 45° street TD-9BGM 5700 to 14300 TD-9BPM 5700 to 14300 TD-9BGAM 5700 to 14300 TD-9BGCM 8410 to 14300 TD-9BGSM 8483 to 14300
<p>IPA-49898 E</p>			14	444 054	ELBOW, 1/4" x 45° street TD-9BGM 14301 up TD-9BPM 14301 up TD-9BGAM 14301 up TD-9BGCM 14301 to 97305 TD-9BGSM 14301 to 97305
1	320 182 R1	CONNECTOR, water pump inlet oil cooler	15	305 206 R1	HOSE, engine oil cooler water outlet
2	320 275 R1	ELBOW, water outlet oil cooler	362 123 R1	CLIP	
3	274 085 R91	CLAMP, water hose (4)	444 577	PLUG, 1/4 NPT sq-hd pipe (2)	
4	321 878 R1	HOSE, engine oil cooler water inlet			
5	279 212 R91	COOLER, engine oil			
	102 634	NUT, 5/16" (4)			
	103 320	WASHER, 5/16" lock (4)			
6	350 684 R1	"O" RING, oil cooler to manifold (3/4 x 15/16 x 3/32") (2)			
7	349 038 R1	GASKET, oil cooler manifold			
8	251 400 R1	VALVE, oil cooler relief			
9	279 163 R1	SPRING, oil cooler relief valve.			
10	251 403 R1	GASKET, relief valve plug			
11	251 402 R1	PLUG, relief valve			
12	279 160 R11	MANIFOLD ASSY, engine oil cooler (Composed of - 1 GASKET 251 403 R1 s 1 MANIFOLD 2 PLUG 103 866 1 PLUG 251 402 R1 1 SPRING 279 163 R1 1 VALVE 251 400 R1)			
13	134 519	VALVE, drain TD-9BGM 5700 to 14300 TD-9BPM 5700 to 14300 TD-9BGAM 5700 to 14300 TD-9BGCM 8410 to 14300 TD-9BGSM 8483 to 14300			

s - Not Furnished Separately.

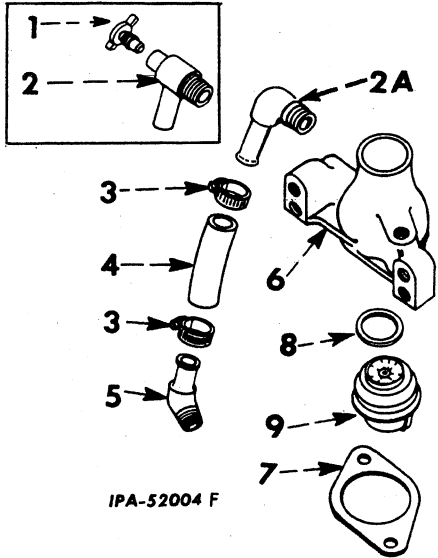
COOLING SYSTEM

REF. NO.	PART NUMBER	DESCRIPTION	REF. NO.	PART NUMBER	DESCRIPTION
WATER PUMP AND FAN BELT					
			10	69 674 R1	GASKET, water pump plate
			11	69 675 R1 441 444	PLATE, water pump SCREW, 1/4 x 1/2" pan-hd slit mach (3)
			12	69 676 R1	GASKET, water pump
			13	601 816 C92	PUMP ASSY, water (will work for PUMP ASSY, 318 119 R92) (Composed of - 1 BODY 318 118 R21 1 GASKET 69 674 R1 1 HUB 368 501 R2 1 IMPELLER 387 931 R1 1 PLATE 69 675 R1 1 RING 102 069 H § 1 SEAL 1 SHAFT and BEARING 376 602 R91 1 SEAT 684 432 C1 179 848 SCREW, 3/8 x 2-1/4", hex-hd cap 179 849 SCREW, 3/8 x 2-1/2", hex-hd cap 103 321 WASHER, 3/8" lock (4)
			14	279 038 R91	CLAMP, water pump inlet hose (2)
			15	407 008 R1	HOSE, 1-3/4 x 2 x 3/16", water pump inlet (*)
			16	278 278 R2 179 850 103 321	ELBOW, water inlet SCREW, 3/8 x 2-3/4", hex-hd cap (3) WASHER, 3/8" lock (3)
			17		SEAL, water pump (order PACKAGE, 701 331 C92)
				374 544 R93	PACKAGE, water pump field service (Consists of the following parts - 1 GASKET 69 674 R1 1 GASKET 69 676 R1 1 PACKAGE 601 817 C91 1 RING 102 069 H § 1 SEAL 1 SHAFT and BEARING 376 602 R91)
				601 817 C91	PACKAGE, water pump impeller (Consists of IMPELLER, 387 931 R1, and PACKAGE, 607 467 C91) (will work for IMPELLER, 332 117 R1) 444 589 PLUG, 1/2" sq-hd pipe (2) 444 789 PLUG, 1/2" sq-soc-hd pipe 444 661 PLUG, 3/8" sq-hd pipe
1	328 539 R1	BELT, fan (used on power shift tractors)	18	684 432 C1	SEAT, water pump
1	328 540 R1	BELT, fan (used on manual shift tractors)			§ - Not Furnished Separately.
2	306 625 R1 181 309 103 319	PULLEY, water pump SCREW, 1/4 x 1/2", hex-hd cap (4) WASHER, 1/4" lock (4)			(*) - Part Number and Price Cover One Foot of Hose. Furnished Only in Three-Foot Lengths.
3	368 501 R2	HUB, pulley			
4	102 069 H	RING, bearing retainer			
5	376 602 R91	SHAFT and BEARING w/SLINGER, 71 351 R1			
6	318 118 R21	BODY w/two PLUG, 444 589, PLUG, 444 661, and PLUG, 444 789, water pump			
7	71 351 R1	SLINGER, water pump			
8	701 331 C92	PACKAGE, water pump seal			
9	332 117 R1	IMPELLER, water pump (used w/ PUMP ASSY, 318 119 R92) (order PACKAGE, 601 817 C91)			
9	387 931 R1	IMPELLER, water pump (used w/ PUMP, 601 816 C91, and PACKAGE, 601 817 C91)			



COOLING SYSTEM

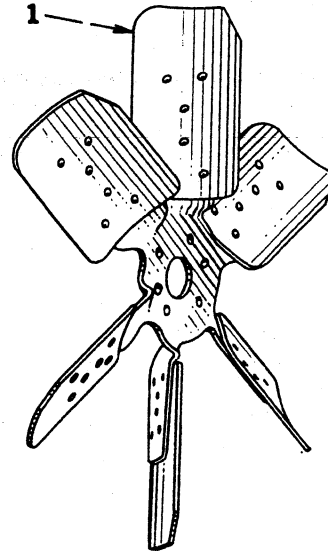
REF. NO.	PART NUMBER	DESCRIPTION
THERMOSTAT, THERMOSTAT HOUSING, WATER PUMP, BY-PASS HOSE AND CONNECTIONS		



IPA-52004 F

1	538 V	STEM, water pump by-pass valve (order ELBOW, 320 275 R1)
2	303 483 R1	BODY, water pump by-pass valve (order ELBOW, 320 275 R1)
2A	320 275 R1	ELBOW, water pump by-pass hose (90°) (will work for BODY, 303 483 R1, and STEM, 538 V)
3	274 085 R91	CLAMP, water pump by-pass hose (2)
4	278 807 R1	HOSE, water pump by-pass (4 x 5/8 x 3/16")
5	278 089 R1	ELBOW, water pump by-pass hose (45°)
6	278 279 R2 179 869 103 322	HOUSING, thermostat SCREW, 7/16 x 2-3/4", hex-hd cap (2) WASHER, 7/16" lock (2)
7	278 280 R1	GASKET, thermostat housing
8	262 882 R1	GASKET, seal
9	313 942 R91	THERMOSTAT w/GASKET, 262 882 R1 (170° to 190°)

REF. NO.	PART NUMBER	DESCRIPTION
SUCTION FAN		

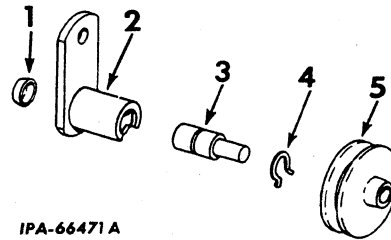


IPA-66604

Suction fan

1	333 700 R91	FAN, suction (SCHWITZER-CUMMINS) SCREW, 3/8 x 7/8", hex-hd cap (6) WASHER, 3/8" lock (6)
---	-------------	--

IDLER



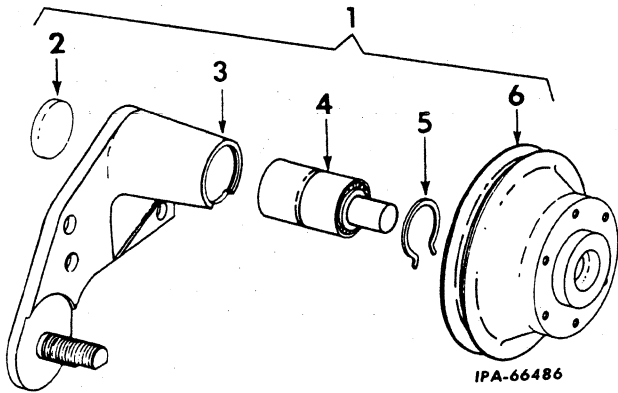
IPA-66471 A

1	169 071 R1	PLUG, cup (for use only w/ARM, 322 384 R12)
1	172 547	PLUG, expansion (for use only w/ARM, 322 384 R11)
2	322 384 R12	ARM, adjuster (together w/PLUG, 169 071 R1, will work for 322 384 R11)
3	284 670 R91	BEARING and SHAFT
4	322 386 R1	RETAINER, bearing and shaft
5	9 102 D	PULLEY
	322 383 R1 102 639	WASHER, idler NUT, 5/8"

COOLING SYSTEM

REF. NO.	PART NUMBER	DESCRIPTION	REF. NO.	PART NUMBER	DESCRIPTION
----------	-------------	-------------	----------	-------------	-------------

FAN DRIVE



1	330 018 R91	DRIVE ASSY, fan (used on power shift tractors)
1	330 019 R91	DRIVE ASSY, fan (used on manual shift tractors)
2	145 201 R91	PLUG, core hole
3	328 991 R11 304 016 R1 179 860 103 322	BRACKET, fan drive BOLT SCREW, 7/16 x 1-1/4", hex-hd cap WASHER, 7/16" lock
4	306 365 R91	SHAFT w/BEARING
5	306 630 R1	RING, bearing retainer
6	328 535 R1	PULLEY, fan (used with DRIVE ASSY, 330 018 R91)
6	328 537 R1	PULLEY, fan (used with DRIVE ASSY, 330 019 R91)

REVERSIBLE FAN ATTACHMENT

331 702 R91	ATTACHMENT, reversible fan (see NOTE 3) (Consists of the following parts -
334 103 R1	EXTENSION, fan housing (#) (2)
25 770 R1	SCREW, 3/8 NF x 5/8" hex-hd cap (4)
115 093	WASHER, 3/8" lock (4)
10 334	WASHER, 13/32 x 13/16 x .065" (4)
333 835 R91	FAN, reversible (22" dia) (6 blade)
25 770 R1	SCREW, 3/8 x 7/8", hex-hd cap (6)
115 093	WASHER, 3/8" lock (6)
334 101 R11	SHEET, fan housing upper (#)
25 770 R1	SCREW, 3/8 NF x 5/8", hex-hd cap (6)
115 093	WASHER, 3/8" lock (6)
103 341	WASHER, 13/32 x 13/16 x .065" (6)
334 102 R11	SHEET, fan housing lower (#)
25 770 R1	SCREW, 3/8 NF x 5/8", hex-hd cap (8)
115 093	WASHER, 13/32 x 13/16 x .065" (8)

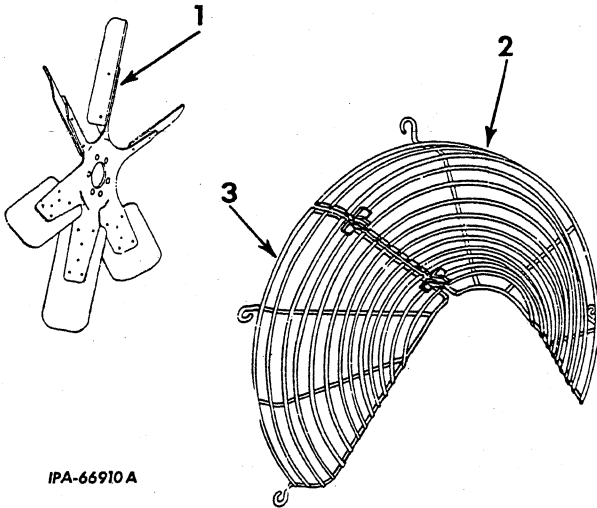
(#) - Illustrated and Listed with "Radiator and Connection."

NOTE 3 - Field Application - Order Through Regular Service Parts Channels.

COOLING SYSTEM

REF. NO.	PART NUMBER	DESCRIPTION	REF. NO.	PART NUMBER	DESCRIPTION
----------	-------------	-------------	----------	-------------	-------------

BLOWER FAN AND FAN GUARD ATTACHMENTS



IPA-66910 A

	331 662 R91	ATTACHMENT, blower fan (see NOTE 3)
	331 663 R91	ATTACHMENT, blower fan (see NOTE 3)
	331 525 R91	ATTACHMENT, fan guard (consists of Fan Guard, 331 526 R91) (see NOTES 1 and 3)
1	327 499 R91	FAN, blower (part of ATTACHMENTS, 331 662 R91, and 331 663 R91)
	25 496 R1	SCREW, 3/8 x 7/8", hex-hd cap (6)
	115 093	WASHER, 3/8" lock (6)
2	612 591 C91	GUARD, RH fan (part of ATTACHMENTS, 331 525 R91, 331 662 R91, and 331 663 R91) (also used w/REVERSIBLE FAN, 333 835 R91)
	24 839 R1	SCREW, 3/8 x 3/4", hex-hd cap (3)
	115 093	WASHER, 3/8" lock (3)
	25 544 R1	WASHER, 3/8 x 7/8" x 14 ga (3)
3	612 590 C91	GUARD, LH fan (part of ATTACHMENTS, 331 525 R91, 331 662 R91, and 331 663 R91) (also used w/REVERSIBLE FAN, 333 835 R91)
		NUT, 3/8" (2)
	24 839 R1	SCREW, 3/8 x 3/4", hex-hd cap (5)
	115 093	WASHER, 3/8" lock (5)
	25 544 R1	WASHER, 3/8 x 7/8 x 14 ga (5)
	338 564 R91	CORE, radiator (part of ATTACHMENT, 331 662 R91)
	330 670 R1	GASKET, radiator water tank (part of ATTACHMENT, 331 662 R91) (2)

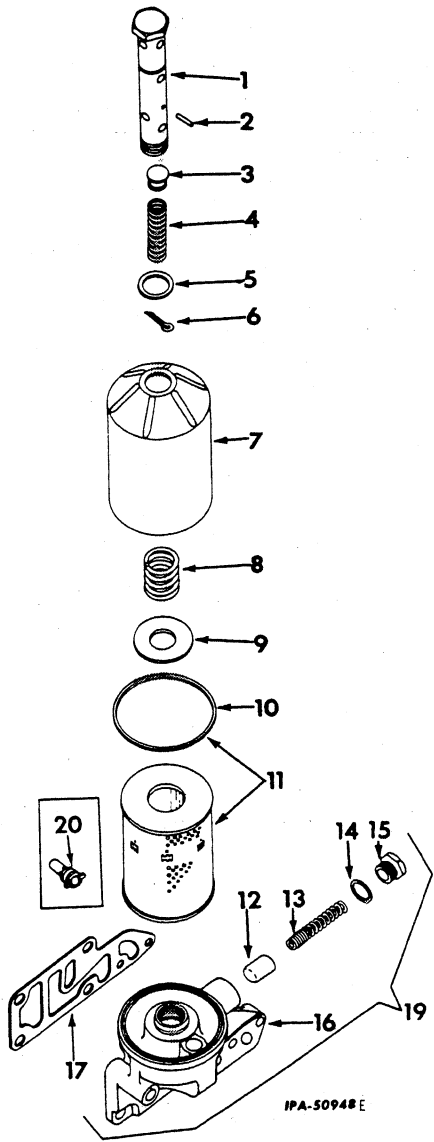
NOTE 1 - Factory Application - Order on Machine Order Form.

NOTE 3 - Field Application - Order Through Regular Service Parts Channels.

LUBRICATION SYSTEM

REF. NO.	PART NUMBER	DESCRIPTION	REF. NO.	PART NUMBER	DESCRIPTION
----------	-------------	-------------	----------	-------------	-------------

LUBRICATING OIL FILTER



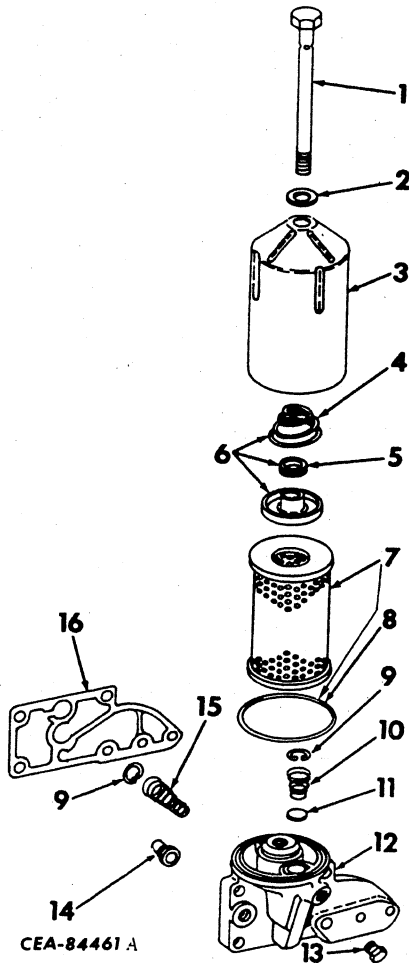
Parts without letters after the description indicate the part is used for all filters listed below: letters "A" and "B" are used to identify separate filters.

A	304 003 R91	FILTER ASSY, oil (+) TD-9BPM 5700 to 10859	3	304 008 R1	VALVE, by-pass
B	318 381 R91	FILTER ASSY, oil (%) TD-9BGM 5700 to 10859 TD-9BGAM 5700 to 10859 TD-9BGCM 8410 to 10859 TD-9BGSM 8483 to 10859	4	304 009 R1	SPRING, by-pass valve
1	304 005 R91	TUBE w/PIN, 17 141 R1, VALVE, 304 008 R1, and SPRING, 304 009 R1, center	5	304 012 R1	GASKET, center tube
2	17 141 R1	PIN, 5/32 x 1" (by-pass valve and spring retainer)	6	103 364	PIN, 1/16 x 1-1/8", cotter
			7	303 998 R1	CASE, lubricating oil filter
			8	304 011 R1	SPRING, element hold down
			9	304 010 R1	WASHER, element retainer
			10	304 854 R1	GASKET, oil filter case
			11	323 827 R91	PACKAGE, lubricating oil filter element service (consists of ELEMENT, and GASKET, 304 854 R1)
			12	61 261 VA	VALVE, relief
			13	49 946 HA	SPRING, relief valve
			14	3 405 H	GASKET, relief valve plug
			15	61 263 VA	PLUG, relief valve
			16		BASE (Not Furnished Separately)
			17	349 039 R1	GASKET, lubricating oil filter base
			19	320 285 R11	BASE ASSY (consists of Ref. 12 to 16 and PLUG, 20 972 R1)
				70 427 R1	SCREW, 7/16 x 1-1/4", hex-hd cap (3)
				203 762 R1	SCREW, 7/16 x 2", hex-hd cap
				138 225	SCREW, 5/16 x 1-3/4", hex-soc- hd cap (2)
				103 322	WASHER, 7/16" lock (4)
			20	612 092 C91	VALVE, oil pressure regulating (used only when Crankcase 601 776 C91 or 612 017 C91 replaces Crankcase 312 434 R93)
				349 055 R2	"O" RING
				362 123 R1	CLIP
				120 063	ELBOW, 3/8" x 90° street (for manual shift and Agr. tractors and for power shift tractor equipped with altitude compensation attachment) (also listed and illustrated with "Turbo- charger and Piping"
				20 972 R1	PLUG, 3/8 NPT sq-hd pipe (for power shift tractor not equipped with alti- tude compensation attachment)
				444 618	PLUG, pipe
					(+) - Not Used on Power Shift Crawler Tractors Equipped with Altitude Compensation Attach- ment.
					(%) - Used on Power Shift Crawler Tractors Equipped with Altitude Compensation Attachment.

LUBRICATION SYSTEM

REF. NO.	PART NUMBER	DESCRIPTION	REF. NO.	PART NUMBER	DESCRIPTION
----------	-------------	-------------	----------	-------------	-------------

LUBRICATING OIL FILTER



3	384 529 R1	CASE, oil filter
4	384 536 R1	SPRING, element hold down
5	384 535 R1	GROMMET, element retaining washer
6	384 533 R91	RETAINER w/GROMMET, 384 535 R1, and SPRING, 384 536 R1, element
7	323 827 R91	PACKAGE, lubricating oil filter element service (consists of ELEMENT and GASKET, 304 854 R1)
8	304 854 R1	GASKET, oil filter case
9	303 322 R1	RING, snap (2)
10	384 525 R1	SPRING, check valve
11	384 528 R2	VALVE, oil filter base
12	601 789 C11	BASE w/PLUG, 445 673, oil filter
13	444 618	PLUG, 1/4" automotive hex-hd pipe
14	341 195 R92	VALVE, oil pressure regulating (*)
15	384 527 R1	SPRING, element by-pass
16	601 790 C1	GASKET, oil filter base (*)
	445 673	PLUG, oil filter base

601 786 C91 FILTER ASSY, lubricating oil (+)
TD-9BPM 10860 up

601 788 C91 FILTER ASSY, lubricating oil (%)
TD-9BGM 10860 up
TD-9BGAM 10860 up
TD-9BGCM 10860 to 97305
TD-9BGSM 10860 to 97305

70 427 R1 SCREW, 7/16 x 1-1/4", hex-hd
cap (3)

203 762 R1 SCREW, 7/16 x 2", hex-hd cap

138 225 SCREW, 5/16 x 1-3/4", hex-soc-hd
cap (2)

103 322 WASHER, 7/16" lock (4)

1 384 530 R11 TUBE ASSY, oil filter center

2 384 532 R1 GASKET, center tube

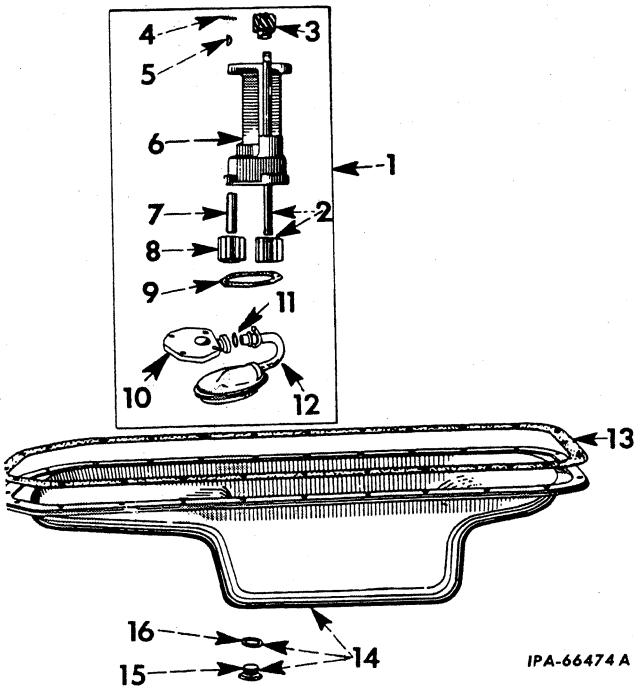
(*) - Not Furnished as Part of Filter Assembly.

(+) - Not Used on Power Shift Crawler Tractors Equipped with Altitude Compensation Attachment.

(%) - Used on Power Shift Crawler Tractors Equipped with Altitude Compensation Attachment.

LUBRICATION SYSTEM

REF. NO.	PART NUMBER	DESCRIPTION	REF. NO.	PART NUMBER	DESCRIPTION
CRANKCASE OIL PAN AND OIL PUMP			12	347 372 R91	SCREEN, oil pump (not furnished as part of PUMP, 230 421 R91) (together with COVER, 169 679 R1, PIN, 137 195, and "O" RING, 352 221 R1, will work for COVER and SCREEN, 327 409 R91)



137 195		PIN, 1/8 x 1-1/4", cotter
13	369 984 R1	GASKET, crankcase oil pan
14	332 137 R91	PAN w/GASKET, 3 405 H, and PLUG, 445 096, crankcase oil
	179 816	SCREW, 5/16 x 3/4", hex-hd cap (25)
	103 320	WASHER, 5/16" lock (25)
15	445 096	PLUG, crankcase oil pan drain
16	3 405 H	GASKET, crankcase oil pan drain plug

230 421 R91 PUMP ASSY, oil (less SCREEN and "O" RING - Ref. 11 and 12) (together with SCREEN, 347 372 R91, PIN, 137 195, and "O" RING, 352 221 R1, will work for PUMP, 328 546 R91)

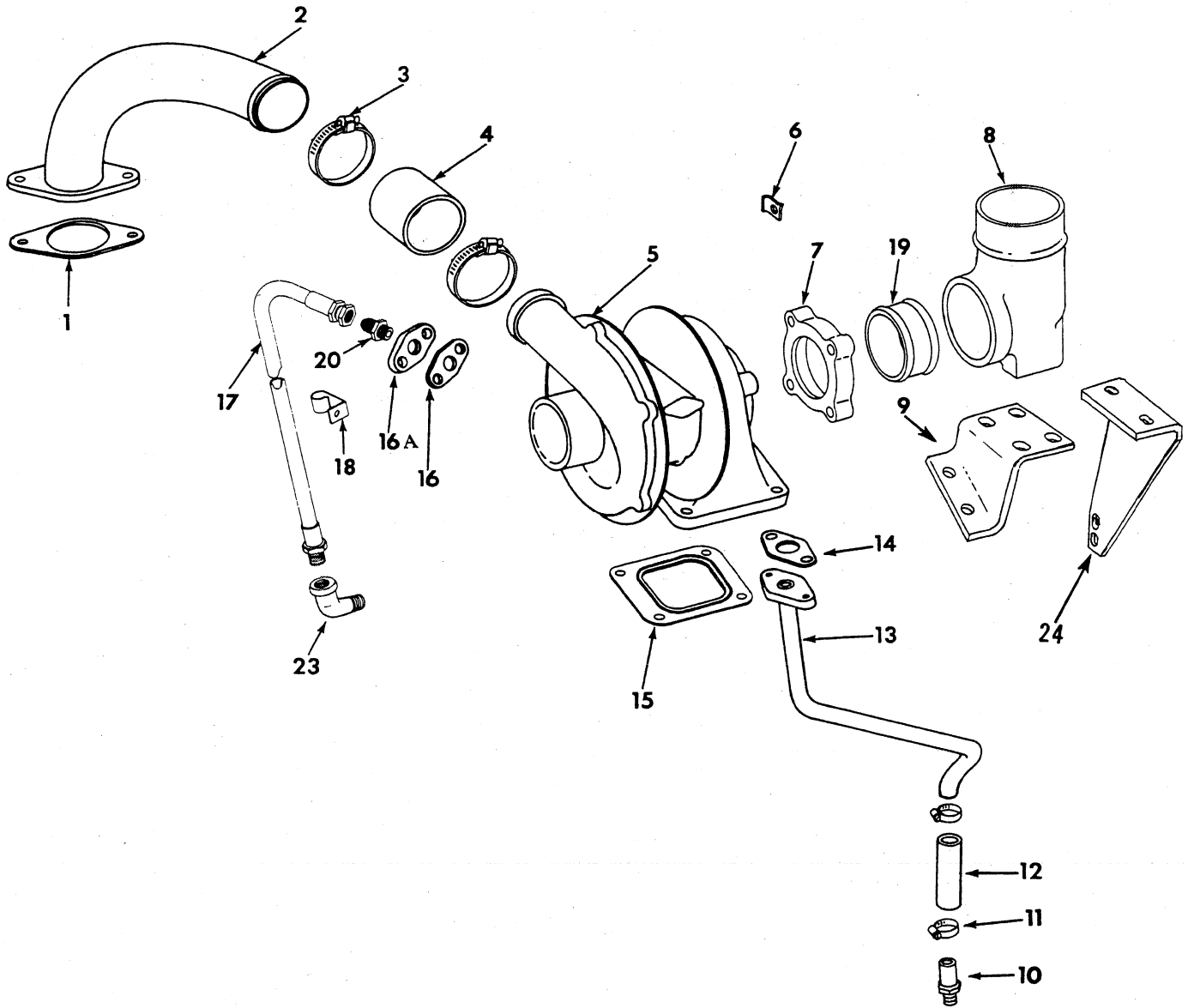
179 818 SCREW, 5/16 x 1", hex-hd cap (2)
103 320 WASHER, 5/16" lock (2)

2	230 409 R91	SHAFT w/GEAR, oil pump drive
3	69 608 R1	GEAR, oil pump drive
4	112 011	PIN, 1/8 x 7/8", square end straight
5	103 905	KEY, oil pump drive gear (Woodruff No. 5)
6		BODY (Not Furnished Separately)
7	35 647 H	SHAFT, idler gear
8	227 713 R1	GEAR, pump body driven
9	69 607 R1	GASKET, oil pump cover
10	169 679 R1	COVER, oil pump body
	179 818	SCREW, 5/16 x 1" hex-hd cap (4)
	103 320	WASHER, 5/16" lock (4)
11	352 221 R1	"O" RING (3/4 x 9/16 x 3/32") (not furnished as part of PUMP, 230 421 R91)

TURBOCHARGER

TURBOCHARGER AND PIPING

(Used on Manual Shift, Agr. Revolving Crane and Sideboom Tractors) (Used on Power Shift Tractors Equipped with Altitude Compensation Attachment)



IPA52650H

TURBOCHARGER

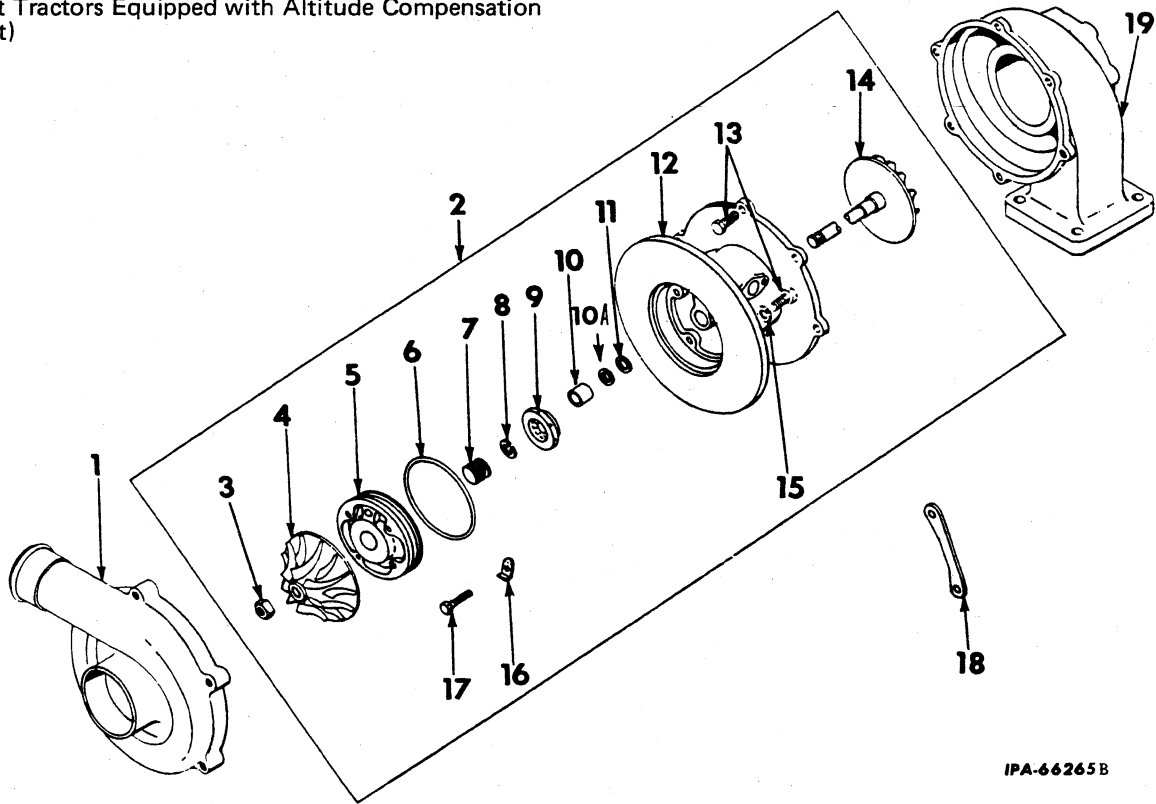
REF. NO.	PART NUMBER	DESCRIPTION	REF. NO.	PART NUMBER	DESCRIPTION
TURBOCHARGER AND PIPING - Continued (Used on Manual Shift, Agr., Revolving Crane and Sideboom Tractors) (Used on Power Shift Tractors Equipped with Altitude Compensation Attachment)			17	606 696 C91	HOSE w/FITTING, turbocharger oil inlet (HOSE, 1/2 x 27" lg w/ FITTINGS)
			18	318 380 R1	CLAMP, turbocharger oil inlet line
1	369 497 R2	GASKET, air outlet pipe flange (will work for 306 662 R1)	19	316 051 R1	SLEEVE, turbocharger exhaust
2	306 660 R11	PIPE w/PLUG, 444 577, turbocharger air outlet	20	321 359 R1	ADAPTER, turbocharger oil inlet
	179 859	SCREW, 7/16 x 1-1/8", hex-hd cap (2)	23	120 063	ELBOW' 3/8" x 90°, street (also listed with "Lubricating Oil Filter"
	103 322	WASHER, 7/16" lock (2)	24	680 602 C1	SUPPORT, turbo-exhaust elbow
	444 577	PLUG, 1/4 NPT sq-hd MI pipe (optional with 444 589)			
	444 589	PLUG, 1/4 NPT sq-hd stl pipe (optional with 444 577)			
3	279 038 R91	CLAMP, air outlet pipe hose (2)			
4	310 385 R1	HOSE, air outlet pipe (2-1/4 x 2-5/8 x 2-3/4")			
5		TURBOCHARGER (for components, see list of parts under details of "Turbocharger")			
	310 427 R1	BOLT, turbocharger mounting (4)			
	113 934 H	WASHER (4)			
6	50 408 D	LOCK, exhaust discharge elbow bolt (4)			
7	316 050 R1	RETAINER, exhaust elbow			
	304 426 R1	BOLT, exhaust discharge elbow (4)			
8	680 601 C1	ELBOW' exhaust discharge			
	310 427 R1	BOLT, exhaust discharge elbow (4)			
	113 934 H	WASHER (4)			
9	316 053 R1	BRACE, exhaust elbow, upper			
	304 451 R1	NUT (2)			
	181 376	SCREW, 3/8 NF x 1-5/8", hex-hd cap (2)			
	113 934 H	WASHER (2)			
10	171 823 R1	NIPPLE, 3/4 NPT x 3/4" hose			
11	122 316 R91	CLAMP, turbocharger oil outlet (2)			
12	312 109 R1	HOSE, turbocharger oil outlet (3/4 x 1-1/4 x 4.2")			
13	308 361 R11	TUBE, turbocharger oil outlet			
	179 837	SCREW, 3/8 x 3/4", hex-hd cap (2)			
	103 321	WASHER, 3/8" lock (2)			
14	253 664 R2	GASKET, turbocharger oil outlet			
15	304 391 R2	GASKET, turbocharger			
16	253 660 R1	GASKET, turbocharger oil inlet flange			
16A	318 379 R1	FLANGE, turbocharger oil inlet tube			
	179 837	SCREW, 3/8 x 3/4", hex-hd cap (2)			
	103 321	WASHER, 3/8" lock (2)			

TURBOCHARGER

REF. NO.	PART NUMBER	DESCRIPTION	REF. NO.	PART NUMBER	DESCRIPTION
----------	-------------	-------------	----------	-------------	-------------

TURBOCHARGER

(Air Research Industrial Division) (Used on Manual Shift, Agr., Revolving Crane and Sideboom Tractors) (Used on Power Shift Tractors Equipped with Altitude Compensation Attachment)



IPA-66265B

321 373 R91	TURBOCHARGER ASSY (for manual shift, Agr. revolving crane and sideboom tractors) (Consists of the following parts, unless otherwise indicated)	8	321 379 R1	RING, compressor wheel seal	
324 032 R91	TURBOCHARGER ASSY (for power shift tractors equipped with altitude compensation attachment) (Consists of the following parts, unless otherwise indicated)	9	615 374 C1	WASHER, thrust	
1	309 126 R1	HOUSING, compressor	10	615 841 C1	BUSHING, rotate shaft (together with WASHER, 615 842 C1, will work for BUSHING, 319 971 R1) (2)
2	321 374 R91	CORE ASSY, center housing and rotating (not remanufactured)	10A	615 842 C1	WASHER, bushing (used with BUSHING, 615 841 C1) (2)
2	627 915 C91	CORE ASSY (remanufactured) (individual component parts making up remanufactured core assys are not serviceable by themselves)	11	21 519 R1	RING, shaft bushing retaining (3)
3	19 839 R1	NUT, 5/16 NF lock	12		HOUSING (order 321 374 R91)
4	324 255 R1	WHEEL, compressor	13	179 816	SCREW, 5/16 x 3/4" hex-hd cap (not part of center housing and rotating core assy) (6)
5	321 377 R91	PLATE ASSY, housing thrust	14	324 258 R91	WHEEL and SHAFT ASSY, turbine
6	319 970 R1	"O" RING, thrust plate (2.98 x 3.25 x .135")	15	456 946	WASHER, 5/16", extra heavy lock (not part of center housing and rotating core assembly) (6)
7	324 256 R1	SPACER, thrust	16	321 378 R1	PLATE, thrust lock (4)
			17	9 415 665	SCREW, No. 10 x 7/8", hex-hd mach (4)

TURBOCHARGER

REF. NO.	PART NUMBER	DESCRIPTION	REF. NO.	PART NUMBER	DESCRIPTION
TURBOCHARGER - Continued					
(Air Research Industrial Division) (Used on Manual Shift, Agr., Revolving Crane and Sideboom Tractors) (Used on Power Shift Tractors Equipped with Altitude Compensation Attachment)					
18	321 375 R1	PLATE, turbine housing lock (6)			
19	309 127 R1	HOUSING, turbine (part of Turbo-charger Assy, 321 373 R91)			
19	324 039 R1	HOUSING, turbine (part of Turbo-charger Assy, 324 032 R91)			
	309 164 R1	FLANGE, oil inlet blank			
	253 660 R1	GASKET, flange			
	307 787 R1	RING, oil inlet screen snap (order 601 005 C91)			
	321 376 R91	ROTATING ASSY, compressor and turbine wheel (Composed of -			
		1 NUT	19 839 R1		
		1 RING	321 379 R1		
		1 SPACER	324 256 R1		
		1 WASHER	615 374 C1		
		1 WHEEL	324 255 R1		
		1 WHEEL and SHAFT	324 258 R91)		
180 120		SCREW, 3/8 x 3/4", hex-hd cap (2)			
103 321		WASHER, 3/8" lock (2)			

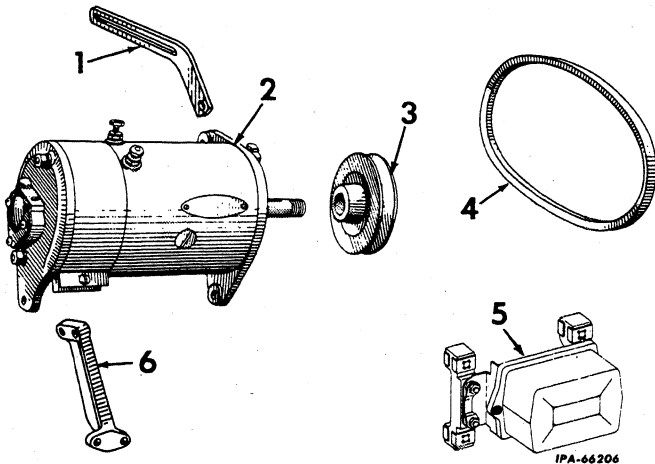
ELECTRICAL SYSTEM

REF. NO.	PART NUMBER	DESCRIPTION	REF. NO.	PART NUMBER	DESCRIPTION
----------	-------------	-------------	----------	-------------	-------------

GENERATOR AND CONNECTIONS

TD-9BG 6502 to 14843
 TD-9BP 6525 to 14843
 TD-9BGA 6616 to 14843
 TD-9BGC 9231 to 14843
 TD-9BGS 9239 to 14843

100 770 H CLIP, cable harness (on Generator Bracket)
 23 316 H SPACER, generator front mounting bolt (used with High Output Generator)
 612 559 C91 ATTACHMENT, High Output Generator (consists of GENERATOR [DELCO-REMY No. 1105134], PULLEY, 322 760 R1, REGULATOR [DELCO-REMY No. 1119247], and SPACER, 23 316 H) (see NOTE 3)



1	274 191 R2 271 500 179 838 103 341 103 321 103 322	BRACE, generator NUT, 7/16" SCREW, 3/8 x 7/8", hex-hd cap WASHER, 13/32 x 13/16" x 16 ga WASHER, 3/8" lock WASHER, 7/16" lock
2	102 635 179 843 179 847 103 321	GENERATOR ASSY w/o PULLEY (for components, see list of parts under details of "Generator" [Standard or High Output]) NUT, 3/8" SCREW, 3/8 x 1-1/2", hex-hd cap SCREW, 3/8 x 2", hex-hd cap WASHER, 3/8" lock (2)
3	306 659 R1	PULLEY, generator (used with Standard Generator)
3	322 760 R1	PULLEY, generator (used with High Output Generator)
4	306 658 R1	BELT, generator
5	120 375 180 020 174 916	REGULATOR, voltage (for components, see list of parts under details of "Voltage Regulator") NUT, 1/4" NF SCREW, 1/4 NF x 3/4" hex-hd cap (2) WASHER, 1/4" lock (4)
6	306 657 R1 179 818 103 320 62 493 D	BRACKET, generator SCREW, 5/16 x 1", hex-hd cap (2) WASHER, 5/16" lock (2) WASHER

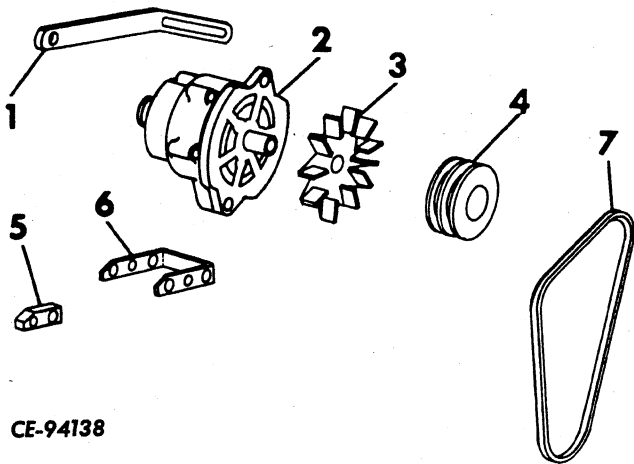
NOTE 3 - Field Application - Order through Regular Service Parts Channels.

ELECTRICAL SYSTEM

REF. NO.	PART NUMBER	DESCRIPTION	REF. NO.	PART NUMBER	DESCRIPTION
----------	-------------	-------------	----------	-------------	-------------

ALTERNATOR AND CONNECTIONS

TD-9BG 14844 up
 TD-9BP 14844 up
 TD-9BGA 14844 up
 TD-9BGC 14844 to 16800
 TD-9BGS 14844 to 16800



CE-94138

1	384 997 R1 179 819 179 858 103 320 103 322 280 185 R1	BRACE, alternator SCREW, 5/16 x 1-1/8" hex-hd cap SCREW, 7/16 x 1", hex-hd cap WASHER, 5/16" lock WASHER, 7/16" lock WASHER, flat
2		ALTERNATOR ASSY (for components, see list of parts under details of "Alternator")
3	221 425 R1	FAN, alternator
4	678 030 C1 102 635 186 282 103 321	PULLEY, alternator NUT, 3/8" SCREW, 3/8 x 3-1/4" hex-hd cap WASHER, 3/8" lock
5	384 996 R1	SPACER, bracket
6	384 995 R1 179 824 179 845 103 320 103 321	BRACKET, alternator SCREW, 5/16 x 1-3/4", hex-hd cap SCREW, 3/8 x 1-3/4", hex-hd cap WASHER, 5/16" lock WASHER, 3/8" lock
7	670 572 C1	BELT, alternator "V"

ELECTRICAL SYSTEM

REF. NO.	PART NUMBER	DESCRIPTION	REF. NO.	PART NUMBER	DESCRIPTION
----------	-------------	-------------	----------	-------------	-------------

VOLTAGE REGULATOR

(Delco-Remy)

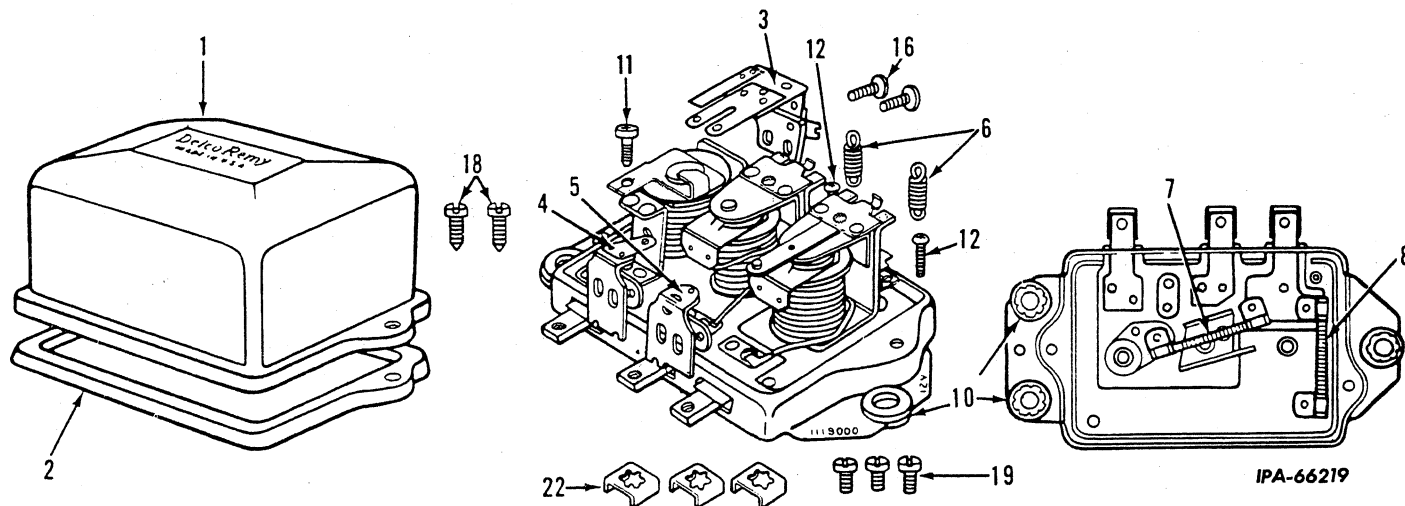
TD-9BG 6502 to 14843

TD-9BP 6525 to 14843

TD-9BGA 6619 to 14843

TD-9BGC 9231 to 14843

TD-9BGS 9239 to 14843



Parts without letter after the description indicate the part is used for all "Regulators" listed below: letters "A" and "B" are used to identify separate "Regulators."

			6	1 923 517	SPRING, voltage regulator armature (Regulator B)
			6	1 912 176	SPRING, current regulator armature
A	1 119 257	REGULATOR ASSY, voltage (12 volt - 17 amp) (used with GENERATOR, 1 105 121) (order REGULATOR, 1 119 682)	7	1 910 174	RESISTOR, "F" terminal to ground
			8	1 910 174	RESISTOR, "F" terminal to relay
B	1 119 247	REGULATOR ASSY, voltage (12 volt - 24 amp) (used with GENERATOR, 1 105 134)	10	1 879 663	GROMMET, in base (rubber) (3)
			11	1 912 159	SCREW, relay armature adjusting
			12	1 944 590	SCREW, regulator armature adjusting (2)
1		COVER (Not Furnished Separately)	16	1 924 764	SCREW, relay armature attaching (2)
2	1 931 887	GASKET, cover	18	1 943 385	SCREW, cover (2)
3	1 939 646	ARMATURE, relay	19	1 878 502	SCREW, terminal (3)
4	1 945 732	CONTACT and SUPPORT, voltage regulator (Regulator A)	22	1 878 503	CLAMP, terminal (3)
4	1 878 517	CONTACT and SUPPORT, voltage regulator (Regulator B)		1 933 941	LEAD, ground
5	1 945 732	CONTACT and SUPPORT, current regulator (Regulator A)		124 818	NUT, shock mount attaching (3)
5	1 933 239	CONTACT and SUPPORT, current regulator (Regulator B)		1 911 034	SHOCK, mount (4 hole)
6	1 949 142	SPRING, voltage regulator armature (Regulator A)		1 911 028	SHOCK, mount (3 hole)
				273 484	SCREW, shock mount attaching (3)
				1 874 495	WASHER, mount attaching screw lock (3)

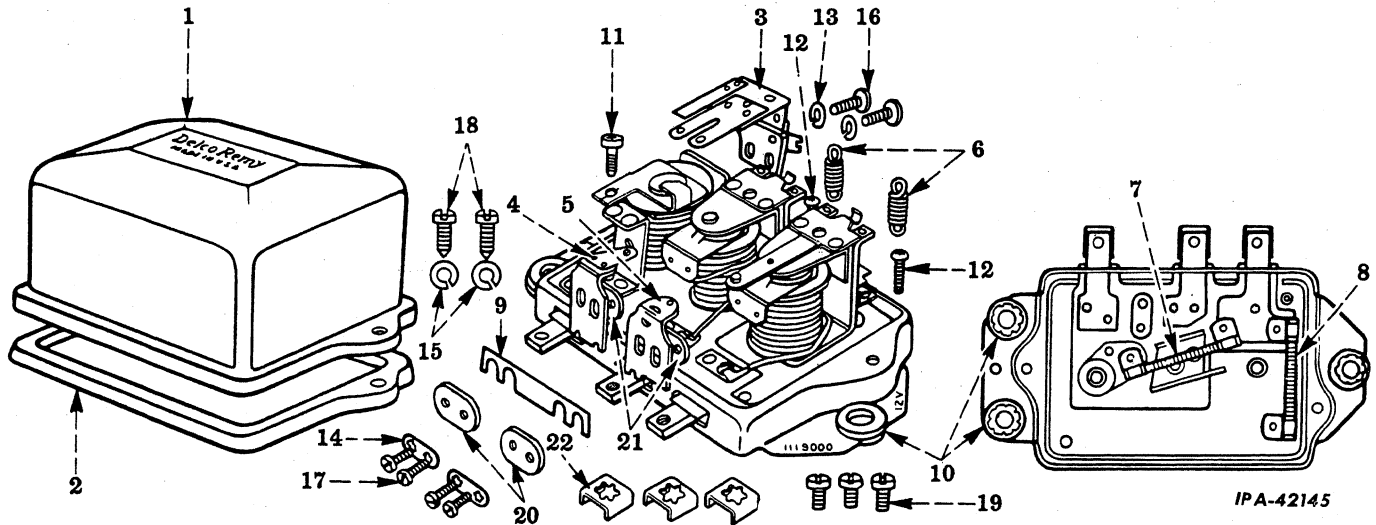
Always Give Voltage Regulator Number When Ordering Parts.

ELECTRICAL SYSTEM

REF. NO.	PART NUMBER	DESCRIPTION	REF. NO.	PART NUMBER	DESCRIPTION
----------	-------------	-------------	----------	-------------	-------------

VOLTAGE REGULATOR

(Delco-Remy)
 TD-9BG 6502 to 14843
 TD-9BP 6525 to 14843
 TD-9BGA 6619 to 14843
 TD-9BGC 9231 to 14843
 TD-9BGS 9239 to 14843



1	1 119 682	REGULATOR ASSY, voltage (12 volt) (will work for REGULATOR, 1 119 257) (used with GENERATOR, 1 105 121) (Consists of the following parts -	17	1 943 854	SCREW, voltage regulator contact attaching (3)
1		COVER (Not Furnished Separately)	18	1 943 386	SCREW, cover (2)
2	1 931 887	GASKET	19	1 914 800	SCREW, terminal (3)
3	1 942 909	ARMATURE, relay	20	1 922 599	BUSHING, current regulator contact attaching screw
4	1 878 493	CONTACT and SUPPORT, current regulator	21	1 878 507	WASHER, current regulator attaching screw insulating
5	1 939 658	CONTACT and SUPPORT, voltage regulator	22	1 878 503	CLAMP, terminal (3)
6	1 912 176	SPRING, regulator armature (current)		1 855 978	CLAMP, ground screw (in base)
6	1 959 948	SPRING, regulator armature (voltage)		1 939 659	INSULATOR, voltage contact support
7	1 941 431	RESISTOR, relay to voltage circuit		1 933 941	LEAD ASSY, ground
7	1 941 432	RESISTOR, current to field		1 910 966	PACKAGE, shock mount
8	1 941 431	RESISTOR, current to ground		1 950 267	RESISTOR, voltage adjusting (110 ohm)
9	1 939 661	CONNECTOR, voltage and current		1 950 268	RESISTOR, voltage adjusting (55 ohm)
10	1 879 663	GROMMET, rubber (in base) (3)		1 950 269	RESISTOR, voltage adjusting (36 ohm)
11	1 912 159	SCREW, relay armature adjusting		1 950 270	RESISTOR, voltage adjusting (20 ohm)
12	1 944 590	SCREW, regulator adjusting (2)		274 577	SCREW, ground (in base)
13	1 924 764	SCREW and lock WASHER ASSY, relay armature attaching (2)		1 950 276	SCREW and lock WASHER, voltage adjusting
14	1 878 505	WASHER, current regulator contact attaching screw lock		1 922 996	WASHER, insulating contact (1/32 thick)
15		NOT USED		1 957 462	WASHER, insulating contact
16	1 924 764	SCREW and lock WASHER ASSY, relay armature attaching			
17	1 878 516	SCREW, current regulator contact attaching (3)			

Always Give Voltage Regulator Number When Ordering Parts.

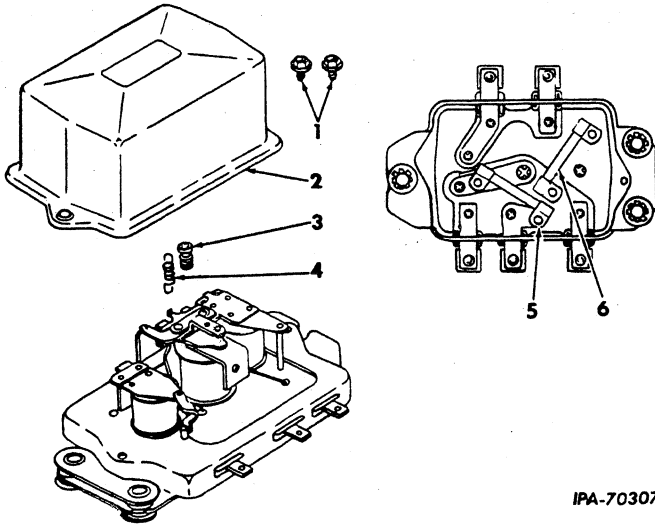
ELECTRICAL SYSTEM

REF. NO.	PART NUMBER	DESCRIPTION	REF. NO.	PART NUMBER	DESCRIPTION
----------	-------------	-------------	----------	-------------	-------------

VOLTAGE REGULATOR

(Delco-Remy)

- TD-9BG 14844 up
- TD-9BP 14844 up
- TD-9BGA 14844 up
- TD-9BGC 14844 to 16800
- TD-9BGS 14844 to 16800



IPA-70307

1	119 513	REGULATOR w/SHOCK BRACKET, voltage (used with ALTERNATOR, 1 100 812) (Composed of -
		1 PACKAGE 1 962 629
		1 REGULATOR 1 119 507
		3 SCREW 454 669
		3 WASHER 120 380)
	120 375	NUT, 1/4" NF
	180 020	SCREW, 1/4 x 3/4", standard machine (2)
	174 916	WASHER, 1/4" lock (3)
	120 423	WASHER, 1/4", Int. tooth lock
1	119 507	REGULATOR ASSY, voltage (Consists of Ref. Nos. 1 thru 6) (furnished as part of REGULATOR, 1 119 513)
1	9 418 115	SCREW, cover attaching (2)
2	1 958 151	COVER, regulator
3	1 958 148	SCREW, adjusting
4	1 958 137	SPRING, adjusting screw
5	1 941 431	RESISTOR
6	1 960 347	RESISTOR
	1 962 629	PACKAGE, shock bracket
	454 669	SCREW, terminal (3)
	120 380	WASHER, terminal screw lock (3)

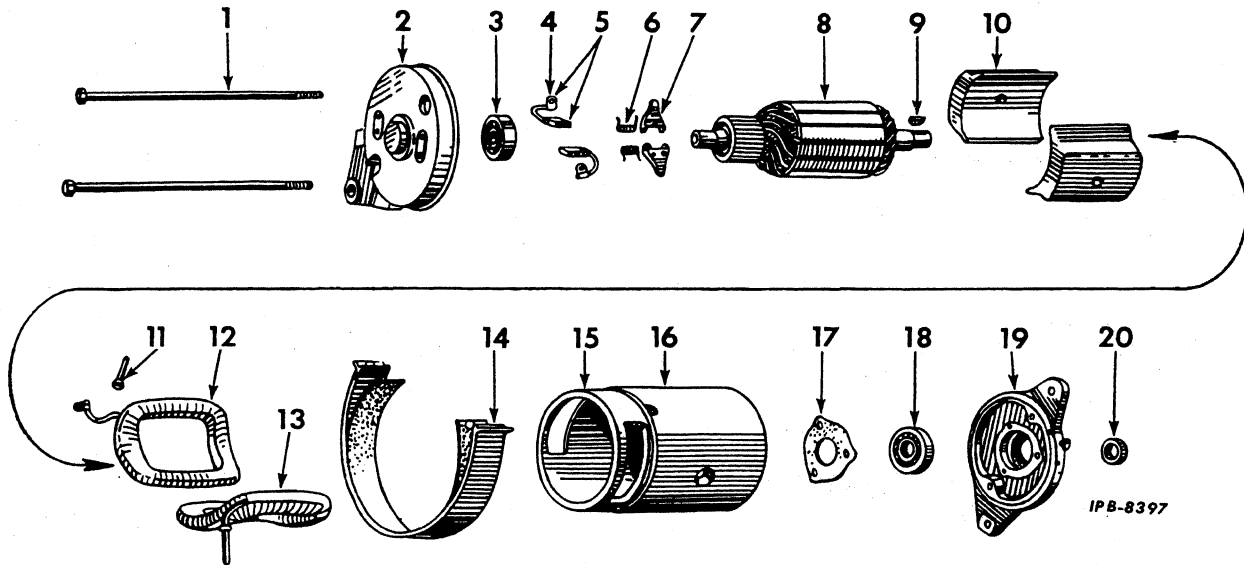
Always Give Voltage Regulator Number When Ordering Parts.

ELECTRICAL SYSTEM

REF. NO.	PART NUMBER	DESCRIPTION	REF. NO.	PART NUMBER	DESCRIPTION
----------	-------------	-------------	----------	-------------	-------------

GENERATOR

(12 Volt) (Delco-Remy) (Standard)
 TD-9BG 6502 to 14843
 TD-9BP 6525 to 14843
 TD-9BGA 6616 to 14843
 TD-9BGC 9231 to 14843
 TD-9BGS 9239 to 14843



	1 105 121	GENERATOR ASSY (12 volt)	15	809 062	PIN, dowel, commutator end and drive end (2)
1	809 763	BOLT, thru (2)			
	9 421 424	WASHER, thru bolt lock (2)	16		FRAME (Not Furnished Separately)
2	1 936 330	FRAME, commutator end		131 238	SCREW, frame
	1 929 959	RING, bearing retainer		453 294	WASHER, frame lock
3	904 751	BEARING, commutator end ball	17	1 911 263	PLATE, drive end ball bearing retainer
4	200 362	CLIP, terminal to brush		1 914 580	SCREW, ball bearing retainer plate attaching (3)
5	1 932 506	BRUSH (2)		1 962 276	WASHER, ball bearing retainer plate attaching screw lock (3)
	453 460	SCREW, brush lead attaching (2)	18	900 529	BEARING, drive end ball
	1 914 816	WASHER, brush lead attaching lock (2)	19	1 936 333	FRAME, drive end
6	1 856 993	SPRING, brush (2)	20	1 858 603	COLLAR, drive end space (outside)
7	1 878 183	ARM, brush (2)		809 945	COLLAR, drive end space (inside)
	1 857 412	WASHER, brush arm space (2)		1 885 090	INSULATOR, terminal (2)
8	1 950 357	ARMATURE		1 915 172	NUT, drive end shaft
9	124 545	KEY (Woodruff)		1 915 265	WASHER, drive end shaft
10	1 918 004	SHOE, pole (2)			
	1 914 750	SCREW, pole shoe (2)			
11	1 858 751	STUD, terminal (2)			
	1 902 746	WASHER, insulating terminal stud (2)			
	1 881 409	WASHER, plain terminal stud (2)			
	121 743	NUT, terminal stud (4)			
	1 914 579	WASHER, terminal stud lock (4)			
12	1 945 276	COIL, RH field			
13	1 945 275	COIL, LH field			
14	1 879 530	BAND, cover			
	453 479	SCREW, cover band			
	34 816	NUT, cover band			

IPB-8397

ELECTRICAL SYSTEM

REF. NO.	PART NUMBER	DESCRIPTION	REF. NO.	PART NUMBER	DESCRIPTION
----------	-------------	-------------	----------	-------------	-------------

GENERATOR

(12 Volt) (Delco-Remy) (High Output)

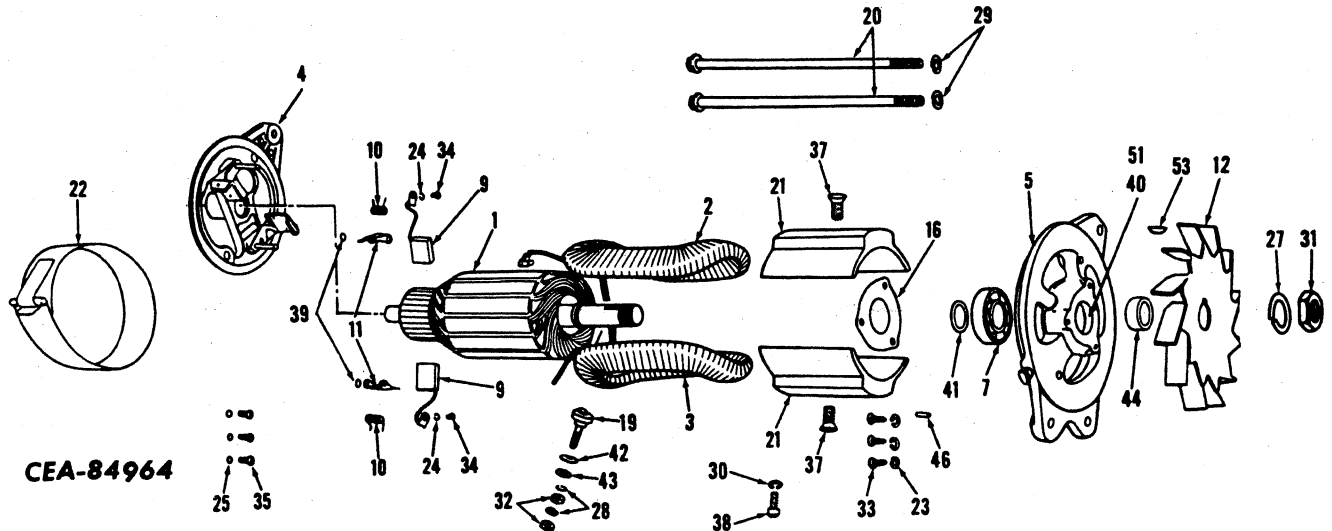
TD-9BG 6502 to 14843

TD-9BP 6525 to 14843

TD-9BGA 6616 to 14843

TD-9BGC 9231 to 14843

TD-9BGS 9239 to 14843



CEA-84964

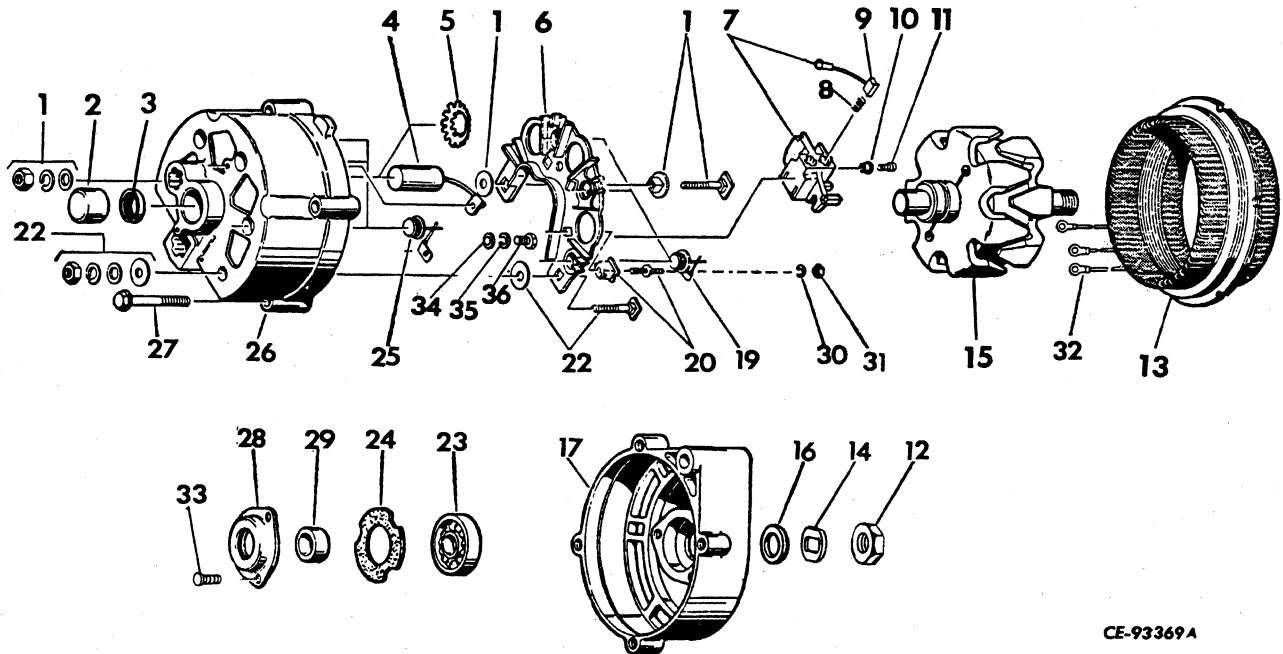
	1 105 134	GENERATOR ASSY	30	453 294	WASHER, field frame lock
1	1 938 209	ARMATURE	31	9 418 881	NUT, shaft
2	1 945 276	COIL, RH field	32	121 743	NUT, terminal stud
3	1 945 275	COIL, LH field	33	1 914 580	SCREW, bearing retainer plate (drive end)
4	1 938 207	FRAME, commutator end	34	453 460	SCREW, brush lead attaching
5	1 934 553	FRAME, drive end	35	1 917 123	SCREW, commutator cover attaching
6	900 529	BEARING, commutator end ball	37	1 914 750	SCREW, pole shoe
7	900 529	BEARING, drive end ball	38	131 238	SCREW, field frame
9	1 932 506	BRUSH (2)	39	1 857 412	WASHER, brush arm spacer
10	1 856 993	SPRING, brush (2)	40	809 961	WASHER, felt
11	1 878 183	ARM, brush (2)	41	809 945	WASHER, commutator end spacer
12	1 937 227	FAN, drive end	42	1 902 746	WASHER, terminal stud insulating
16	1 935 923	PLATE, bearing retainer	43	1 881 409	WASHER, terminal stud plain
19	1 858 751	STUD, terminal	44	1 913 689	COLLAR, fan
20	809 763	BOLT, thru (2)	46	809 062	PIN, drive end dowel
21	1 918 004	SHOE, pole (2)	51	1 929 959	RING, bearing clamp
22	1 879 530	BAND, cover	52	200 362	CLIP, terminal to brush
23	1 962 276	WASHER, ball bearing retainer screw lock	53	124 548	KEY, drive end
24	1 914 816	WASHER, brush lead attaching screw lock		1 885 090	BUSHING, terminal
25	1 962 276	WASHER, commutator cover lock		1 945 119	COVER, commutator end
27	1 905 406	WASHER, shaft nut lock		1 912 073	INSULATION, field coil
28	1 914 579	WASHER, terminal stud lock			
29	9 421 424	WASHER, thru bolt lock			

ELECTRICAL SYSTEM

REF. NO.	PART NUMBER	DESCRIPTION	REF. NO.	PART NUMBER	DESCRIPTION
----------	-------------	-------------	----------	-------------	-------------

ALTERNATOR

(Delco-Remy)
 TD-9BG 14844 up
 TD-9BP 14844 up
 TD-9BGA 14844 up
 TD-9BGC 14844 to 16800
 TD-9BGS 14844 to 16800



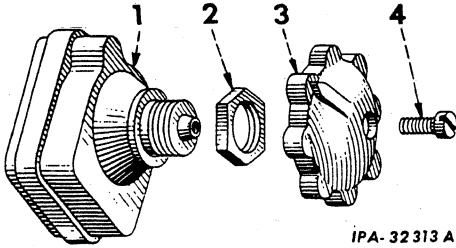
CE-93369A

1	100 812	ALTERNATOR ASSY (12V-22 amp) (Consists of the following parts -	16	1 959 991	COLLAR
	1 959 833	TERMINAL, package ground	17	1 970 595	FRAME, drive end
2	7 451 763	BEARING, slip ring end	19	1 964 353	DIODE, positive (3)
3	1 959 790	SEAL, slip ring end	20	1 959 834	TERMINAL PACKAGE
4	1 959 455	CAPACITOR	22	1 959 832	TERMINAL PACKAGE, battery
	1 959 523	WASHER, capacitor screw insulator	23	908 019	BEARING, drive end
5	1 960 750	RETAINER, capacitor retaining	24	1 912 008	GASKET
6	1 959 828	HEAT SINK ASSY (Composed of -	25	1 964 354	DIODE, negative (3)
		3 DIODE 1 964 353	26	800 396	FRAME, slip ring - end
		1 NUT 453 434			(Composed of -
		1 TERMINAL PACKAGE 1 959 834			1 BEARING 7 451 763
		1 WASHER 9 419 392)			3 DIODE 1 964 354
7	1 964 682	BRUSH HOLDER and BRUSH ASSY	27	1 956 975	BOLT (4)
8	1 964 117	SPRING	28	1 955 494	RETAINER ASSY
9		BRUSH (Not Furnished Separately)	29	1 963 139	COLLAR
10	1 959 389	INSULATOR, brush holder - screw	30	9 419 392	WASHER, lock
11	1 957 501	SCREW, brush holder	31	453 434	NUT, diode junction terminal
	9 419 392	WASHER, spring, brush holder attaching screw	32	1 959 532	CLIP (3)
12	1 915 172	NUT, shaft	33	1 965 104	SCREW (3)
13	1 959 381	STATOR ASSY w/three CLIP, 1 959 532	34	815 540	WASHER, plain capacitor terminal screw
14	1 941 978	WASHER, shaft nut drive end lock	35	9 419 392	WASHER, capacitor terminal screw lock
15	1 966 614	ROTOR ASSY	36	132 768	SCREW, capacitor terminal

ELECTRICAL SYSTEM

REF. NO.	PART NUMBER	DESCRIPTION	REF. NO.	PART NUMBER	DESCRIPTION
----------	-------------	-------------	----------	-------------	-------------

LIGHTING SWITCH
(Delco-Remy)

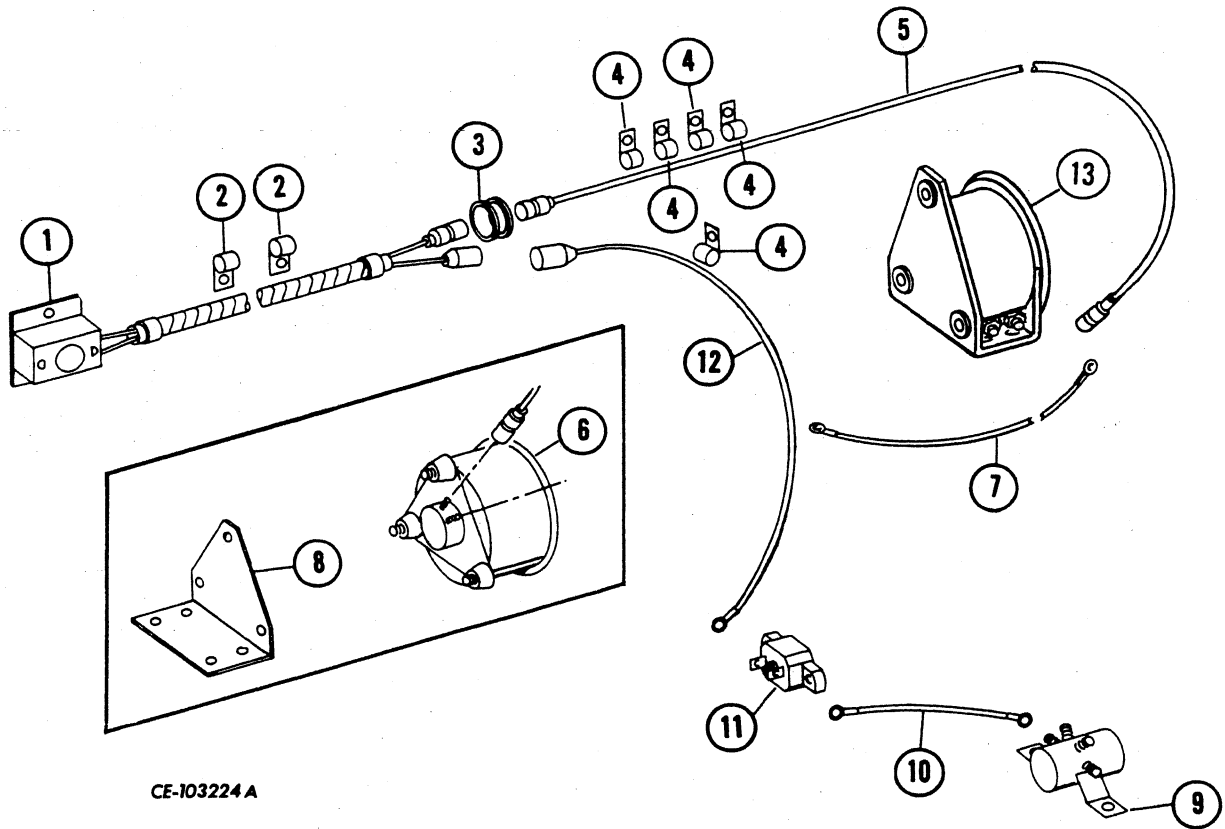


1	1 994 050	SWITCH ASSY, lighting
	1 882 994	SCREW, terminal
	453 844	WASHER, terminal screw lock
2	1 914 305	NUT, lighting switch mounting
3	1 882 013	KNOB, lighting switch
4	453 418	SCREW, lighting switch knob mounting
	106 496	WASHER, No. 8 cd-pltd lock

ELECTRICAL SYSTEM

REF. NO.	PART NUMBER	DESCRIPTION	REF. NO.	PART NUMBER	DESCRIPTION
----------	-------------	-------------	----------	-------------	-------------

ELECTRIC WARNING HORN



CE-103224 A

	663 104 C91	ATTACHMENT, electrical warning horn (see NOTES 1 and 3) (Consists of the following parts -			
1	663 101 C1 171 716 120 217	SWITCH, pushbutton SCREW, pan-hd tapping (2) WASHER, lock (2)			
2	362 121 R1	CLIP, cable (2)			
3	617 259 C1	GROMMET			
4	362 120 R1	CLIP, cable (5)			
5	663 103 C1	CABLE, pushbutton switch connector to horn terminal			
6	663 093 C1	HORN, electric warning TD-9BG 6502 to * TD-9BP 6525 to * TD-9BGA 6616 to * TD-9BGC 9231 to * TD-9BGS 9239 to *			
7	663 063 C1	CABLE, alarm ground terminal to mounting bolt			
8	663 062 C1 180 126 120 382 120 377	BRACKET, alarm mounting (used w/ HORN 663 093 C1) SCREW, hex-hd cap (4) WASHER, lock (4) NUT (4)			
			9		SWITCH, magnetic (Not furnished as part of ATTACHMENT)
			10	624 231 C1	CABLE, "H" terminal on magnetic switch to circuit breaker
			11	683 072 C1 110 495 106 497 120 391 110 633	BREAKER, circuit (6 amp) SCREW, hex-hd cap (2) WASHER, lock (2) WASHER, flat (2) NUT (2)
			12	651 035 C1	CABLE, circuit breaker to pushbutton switch ground
			13	668 080 C1	HORN, electric warning TD-9BG * up TD-9BGA * up TD-9BGC * up

NOTE 1 - Factory Application - Order on Machine Order Form.

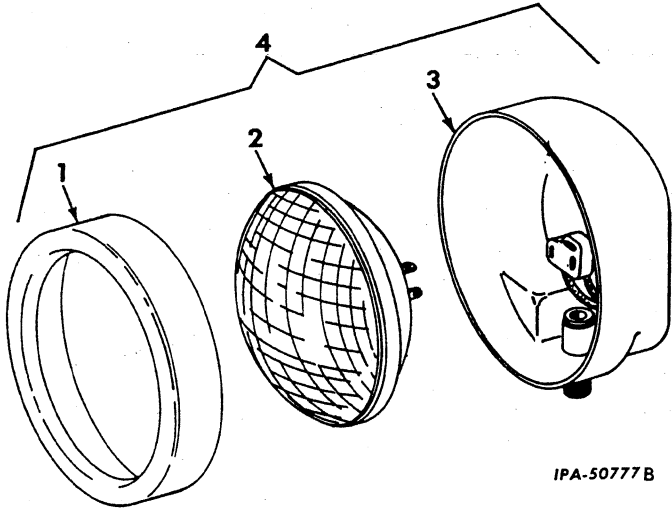
NOTE 3 - Field Application - Order Through Regular Service Parts Channels.

* - Serial Number Not Available

ELECTRICAL SYSTEM

REF. NO.	PART NUMBER	DESCRIPTION
----------	-------------	-------------

HEADLIGHT, REAR LIGHT AND AUXILIARY REAR LIGHT (Hobbs)

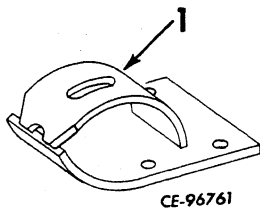


IPA-50777 B

- | | | |
|---|-------------|---|
| 1 | 313 957 R1 | RETAINER, lamp (4) |
| 2 | 272 061 R91 | UNIT, sealed (4) |
| 3 | | SHELL (order 303 704 R92) (4) |
| 4 | 303 704 R92 | HEADLIGHT and REAR LIGHT and AUXILIARY REAR LIGHT ASSY (optional with LIGHT, 338 826 R91) (4) |
| | 103 028 | NUT, 1/2 NF (4) |
| | 103 323 | WASHER, 1/2" lock (4) |
| | 600 658 C1 | WASHER, headlight upper (2) |
| | 446 229 | WASHER, headlight lower (2) |
| | 303 724 R1 | SUPPORT, lamp (4) |

HEADLIGHT BRACKET

(Part of Electric Lighting Attachment 334 786 R91, and Auxiliary Rear Light Attachments, 277 456 R91 and 604 084 C91)

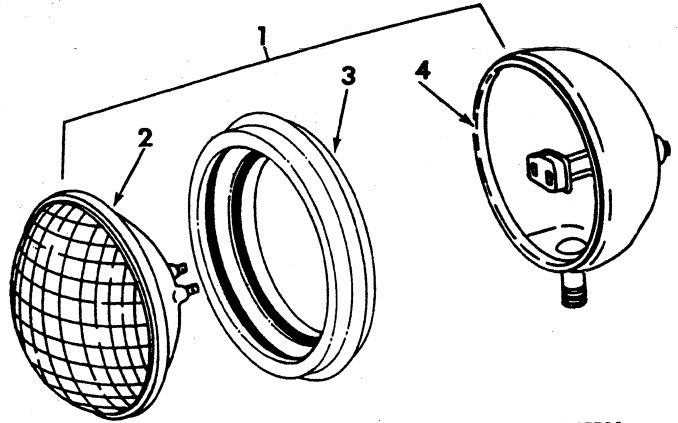


CE-96761

- | | | |
|---|-------------|--------------------------------------|
| 1 | 331 145 R91 | BRACKET, headlight mounting (2) |
| | 271 500 | NUT, 7/16" (8) |
| | 560 170 R1 | SCREW, 7/16 x 1-1/4", hex-hd cap (8) |
| | 103 322 | WASHER, 7/16" lock (8) |

REF. NO.	PART NUMBER	DESCRIPTION
----------	-------------	-------------

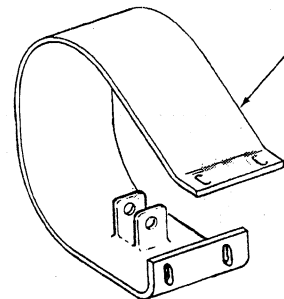
HEADLIGHT, REAR LIGHT AND AUXILIARY REAR LIGHT (Guide Lamp)



IPA-67725

- | | | |
|---|-------------|--|
| 1 | 338 826 R91 | HEADLIGHT, REAR LIGHT and AUXILIARY REAR LIGHT ASSY (optional with LIGHT, 303 704 R92) (4) |
| | 103 028 | NUT, 1/2 NF (4) |
| | 103 323 | WASHER, 1/2" lock (4) |
| | 600 658 C1 | WASHER, headlight upper (2) |
| | 446 221 | WASHER, headlight lower (2) |
| 2 | 272 061 R91 | UNIT, sealed (12 volt) (4) |
| 3 | 338 896 R1 | RETAINER, sealed unit (5 941 604) (4) |
| 4 | | BODY (order 338 826 R91) (4) |

HEADLIGHT BRUSH GUARD



CE-96759

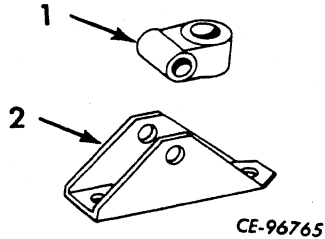
- | | | |
|---|------------|-------------------------------------|
| 1 | 624 390 C1 | GUARD, head lamp brush (2) |
| | 560 170 R1 | SCREW, 7/16 x 1-1/4" hex-hd cap (8) |
| | 103 322 | WASHER, 7/16" lock (8) |
| | 103 342 | WASHER, 15/32 x 59/64" x 16 ga (8) |

ELECTRICAL SYSTEM

REF. NO.	PART NUMBER	DESCRIPTION
----------	-------------	-------------

BRACKET FOR REAR LIGHT AND SWIVELS FOR HEADLIGHTS, REAR LIGHTS AND AUXILIARY REAR LIGHTS

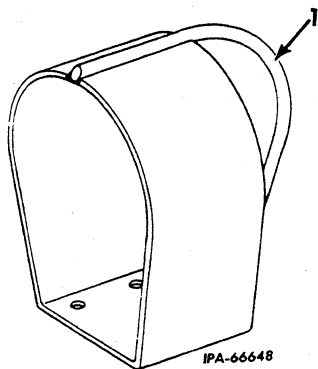
(Part of Electric Lighting Attachment, 334 786 R91, 624 384 C91, 624 386 C91, and Auxiliary Rear Light Attachments, 277 456 R91 and 604 084 C91)



1	303 706 R1	SWIVEL, headlight, rear light and auxiliary rear light (4) NUT, 1/2 NF (4) SCREW, 1/2 NF x 2-1/2", hex-hd cap (4) WASHER, 1/2" lock (4)
2	281 923 R1	BRACKET, rear light and auxiliary rear light mounting (2) NUT, 1/2 NF (4) SCREW, 1/2 NF x 1", hex-hd cap (4) WASHER, 1/2" lock (4) NUT, 1/2 NF (*) (2) SCREW, 1/2 NF x 1", hex-hd cap (*) (2) SCREW, 1/2 NF x 3/4", hex-hd cap (*) (2) WASHER, 1/2" lock (*) (4)

(*) - For Agr. Tractors with 44 Gallon Fuel Tank, 604 590 C91; TD-9BGA 10123 to 15528.

HEADLIGHT BRUSH GUARD



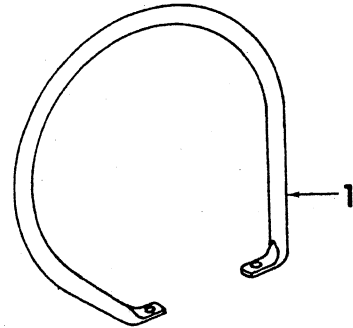
A	331 238 R91	ATTACHMENT, headlight brush guard (see NOTE 3) TD-9BG 6502 to 15528 TD-9BP 6525 to 15528 TD-9BGA 6616 to 15528
---	-------------	---

B SERVICE PARTS FOR TRACTORS EQUIPPED WITH A CANOPY (roll-over protective structure)

REF. NO.	PART NUMBER	DESCRIPTION
----------	-------------	-------------

1	330 714 R11	HEADLIGHT, brush guard (2 for A) (4 for B)
	271 500	NUT, 7/16"
	560 170 R1	SCREW, 7/16 x 1-1/4", hex-hd cap
	103 322	WASHER, 7/16" lock (8 for A) (16 for B)

REAR LIGHT BRUSH GUARD



A	277 457 R91	ATTACHMENT, rear light brush guard (for use on tractors equipped with electric lighting) (for Power Shift, Manual Shift, Sideboom and Revolving Crane Crawler Tractors (for Agr. Crawler Tractors without 44 gallon fuel TANK, 604 590 C91) (see NOTE 3) TD-9BG 6502 to 15528 TD-9BP 6525 to 15528 TD-9BGA 6616 to 10122 TD-9BGC 9231 to 15528 TD-9BGS 9239 to 15528
---	-------------	---

B	604 082 C91	ATTACHMENT, rear light brush guard (for Agr. Crawler Tractors with electric lighting and 44 gallon fuel tank, 604 590 C91) (see NOTE 3) TD-9BGA 10123 to 15528
---	-------------	---

C		GUARD, rear light brush (service for tractors equipped w/ATTACHMENTS, 624 384 C91 or 624 386 C91)
---	--	---

1	281 268 R2	GUARD, rear light brush
	103 028	NUT, 1/2 NF (2 for A and C)
	181 433	SCREW, 1/2 NF x 1-3/4", hex-hd cap (2 for A and C)
	24 860 R1	SCREW, 1/2 x 1", hex-hd cap (2 for B)
	103 323	WASHER, 1/2" lock (2)

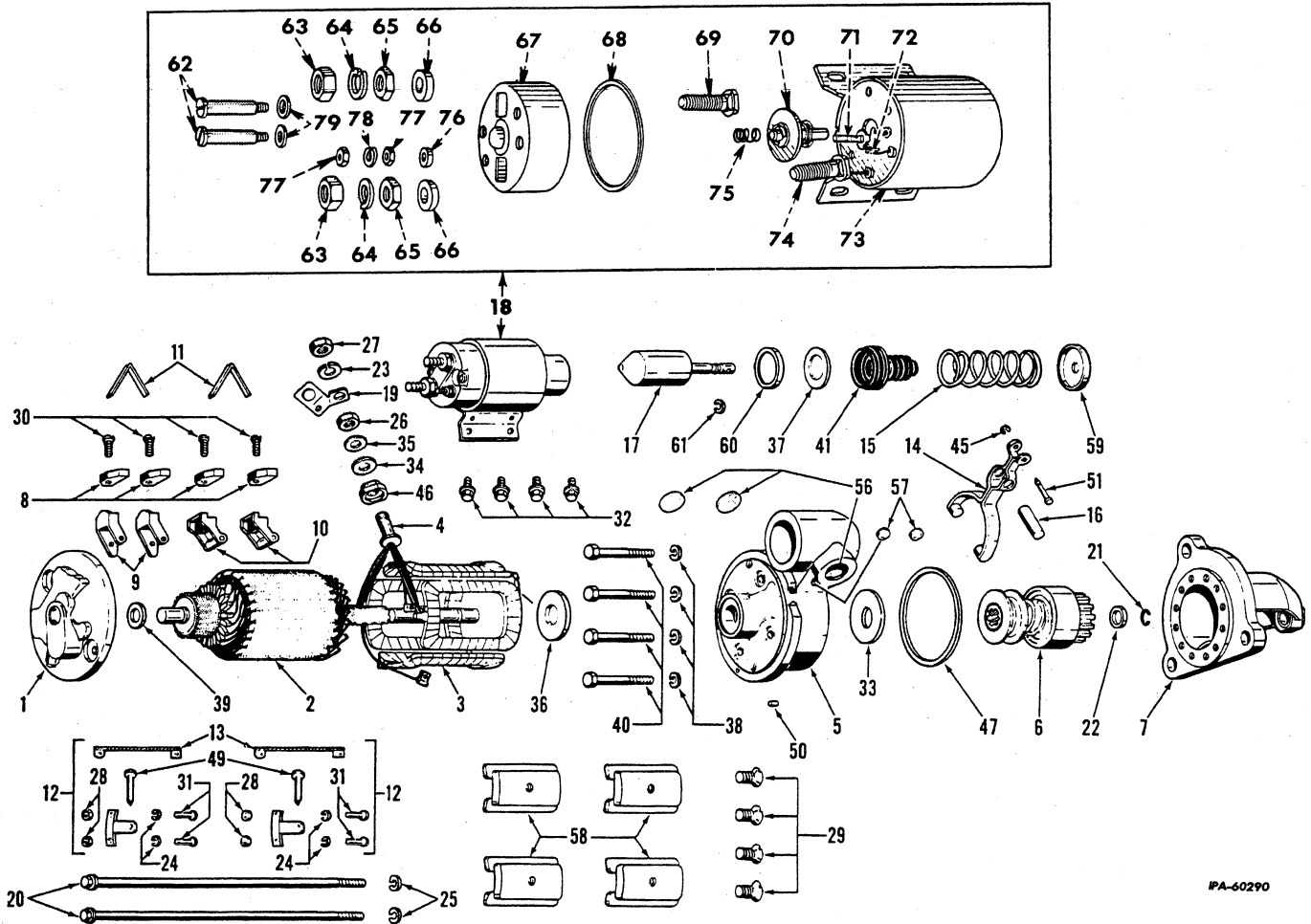
NOTE 1 - Factory Application - Order on Machine Order Form.

NOTE 3 - Field Application - Order Through Regular Service Parts Channels.

ELECTRICAL SYSTEM

REF. NO.	PART NUMBER	DESCRIPTION	REF. NO.	PART NUMBER	DESCRIPTION
----------	-------------	-------------	----------	-------------	-------------

CRANKING MOTOR
(Delco-Remy)



IPA-60290

Parts without letters after the description indicate the part is used for all cranking motor assemblies listed below; letters "A" and "B" are used to identify separate cranking motor assemblies.

			1	1 946 555	FRAME ASSY, commutator end (Cranking Motor A) (Composed of - 1 BUSHING 1 872 678 § 1 FRAME 1 PLUG 125 947 1 WICK 1 909 654)
A	1 113 626	MOTOR ASSY, cranking (12 volt) (with long shaft armature) (order cranking MOTOR ASSY w/short shaft ARMATURE, DELCO-REMY, No. 1 113 626)	1	1 945 617	FRAME ASSY, commutator end (Cranking Motor B) (Composed of - 1 BUSHING 1 872 678 § 1 FRAME 1 PLUG 125 947 1 PLUG 810 819 1 WICK 1 909 654)
	179 842	SCREW, 3/8 x 1-3/8", hex-hd cap (3)			
	103 321	WASHER, 3/8" lock (3)			
B	1 113 626	MOTOR ASSY, cranking (12 volt) (with short shaft armature) (will work for cranking MOTOR ASSY w/long shaft ARMATURE, DELCO-REMY No. 1 113 626)	2	1 946 391	ARMATURE (long shaft) (Cranking Motor A)
	179 842	SCREW, 3/8 x 1-3/8", hex-hd cap (3)			Always Give Cranking Motor Number When Ordering Parts.
	103 321	WASHER, 3/8" lock (3)			§ - Not Furnished Separately.

ELECTRICAL SYSTEM

REF. NO.	PART NUMBER	DESCRIPTION	REF. NO.	PART NUMBER	DESCRIPTION
CRANKING MOTOR - Continued (Delco-Remy)			19	1 946 394	CONNECTOR, switch
			20	1 883 865	BOLT, thru (2)
2	1 948 999	ARMATURE (short shaft) (Cranking Motor B)	21	1 928 022	RING, pinion stop retaining
3	1 946 386	COIL w/STUD, 1 945 626, field (4 coils)	22	1 928 021	COLLAR, pinion stop
4	1 945 626	STUD, terminal	23	120 381	WASHER, terminal stud lock (Cranking Motor A)
5	1 942 241	HOUSING ASSY, lever (Composed of -	23	9 421 425	WASHER, terminal stud lock (Cranking Motor B)
		1 BUSHING 1 933 999	24	453 435	WASHER, brush support attaching screw lock (2)
		§ 1 HOUSING	25	120 214	WASHER, thru bolt lock (2)
		1 PLUG 273 913			
		2 PLUG 9 411 375	26		NOT USED
		1 PLUG 1 948 694			
		1 WICK 1 936 465)			
6	1 941 157	DRIVE ASSY, motor (Composed of -	27	134 566	NUT, terminal stud (1/4" thick)
		1 BUSHING 37 535	28	120 361	NUT, brush support attaching screw (2)
		1 COLLAR 1 904 443	29	1 843 646	SCREW, pole shoe (4 for Cranking Motor A)
		1 LOCKWIRE 1 904 436			
		1 SPRING 1 932 354)	29	1 913 960	SCREW, pole shoe (4 for Cranking Motor B)
7	1 946 383	HOUSING w/BUSHING, 1 943 628, PLUG, 125 947, and WICK, 1 909 654, drive end			
8	1 906 987	BRUSH (4)	30	9 413 326	SCREW, brush attaching (4)
9	1 926 617	HOLDER, brush ground (2)	31	445 639	SCREW, brush support attaching (2)
10	1 926 618	HOLDER, brush insulated (2 for Cranking Motor A)	32	1 916 529	SCREW, switch attaching (4)
10	1 950 546	HOLDER, brush insulated (2 for Cranking Motor B)	33	821 453	WASHER, brake (between lever housing and motor drive housing)
11	1 945 620	SPRING, brush (2)	34	1 857 268	WASHER, terminal stud, insulating
12	1 945 923	PACKAGE, brush support (Consists of -	35	805 790	WASHER, terminal stud
		1 LEAD 1 930 694	36	1 946 395	WASHER, space (between lever housing and armature)
		2 NUT 120 361	37	1 942 259	WASHER, retainer spring
		1 PIN 1 938 058	38	120 214	WASHER, lock (4)
		2 RIVET 1 945 630	39	833 602	WASHER, commutator end space
		2 SCREW 445 639	40	122 077	BOLT (4)
		2 WASHER 120 217)	41	1 942 257	BOOT
13	1 930 694	LEAD, ground	45	1 938 376	RING, snap (lever attaching pin)
14	1 942 245	LEVER, shift	46	1 931 783	BUSHING, terminal stud insulating
15	1 942 260	SPRING, lever	47		NOT USED
16	1 942 255	SHAFT, lever	49	1 938 058	PIN, brush holder
17	1 942 250	PLUNGER			
18	1 119 833	SWITCH, solenoid (Cranking Motor A)			
18	1 119 890	SWITCH, solenoid (Cranking Motor B)			

Always Give Cranking Motor Number
When Ordering Parts.

ELECTRICAL SYSTEM

REF. NO.	PART NUMBER	DESCRIPTION	REF. NO.	PART NUMBER	DESCRIPTION
CRANKING MOTOR - Continued (Delco-Remy)			75	1 853 342	SPRING, contact return
			76	1 923 935	WASHER, terminal insulating
50	809 593	PIN, dowel (drive housing)	77	453 996	NUT, terminal stud (2)
51	1 942 253	PIN, lever attaching	78	1 915 334	WASHER, terminal stud lock
56	9 411 375	PLUG, expansion (lever housing, 1-3/16" dia) (2)	79	1 923 935	WASHER, cover attaching screw (2 for Cranking Motor A)
57	1 948 694	PLUG, expansion (lever housing, 1/2" dia)		37 535	BUSHING, motor drive
58	1 934 478	SHOE, pole (4)		1 872 678	BUSHING, commutator end frame
59	1 942 282	RETAINER, spring (13/32" hole)		1 933 999	BUSHING, lever housing
60	1 942 256	RETAINER, spring (1-13/64" hole)		1 943 628	BUSHING, drive end
61	9 415 234	RING, snap (spring retainer)		1 904 443	COLLAR, motor drive
62	132 903	SCREW, cover attaching (2)		1 913 534	INSULATING, field coil (2)
63	134 566	NUT, terminal stud (1/4" thick) (2)		125 947	PLUG, pipe (commutator end frame)
64	453 290	WASHER, terminal stud lock (2)		125 947	PLUG, pipe (drive end)
65	1 904 419	NUT, terminal stud (5/32" thick) (2)		273 913	PLUG, pipe (lever housing, 15/64" dia)
66	1 927 345	WASHER, terminal stud insulating (2 for Cranking Motor A)		810 819	PLUG, expansion (commutator end frame) (Cranking Motor B)
67	1 931 818	COVER (Cranking Motor A)		1 945 630	RIVET, brush support (2)
67	1 952 122	COVER (Cranking Motor B)		1 932 354	SPRING, motor drive
68	1 930 629	GASKET, cover (Cranking Motor A)		1 909 654	WICK, commutator end
68	1 957 650	GASKET, cover (Cranking Motor B)		1 909 654	WICK, drive end
69	1 927 344	STUD, battery terminal (Cranking Motor A)		1 936 465	WICK, lever housing
69	1 950 061	STUD, battery terminal (Cranking Motor B)		1 904 436	WIRE, lock
70	1 912 059	CONTACT and ROD, push (Cranking Motor A)		1 950 064	WASHER, sealing, terminal stud (Cranking Motor B)
70	1 952 563	CONTACT and ROD, push (Cranking Motor B)		1 950 071	WASHER, terminal stud
71	1 837 533	STUD, terminal (Cranking Motor A)			
71	1 950 069	STUD, terminal (Cranking Motor B)			
72	1 937 381	CLIP, terminal			
73	1 931 813	CASE and COIL (Cranking Motor A)			
73	1 956 428	CASE and COIL (Cranking Motor B)			
74	1 931 814	STUD, motor terminal (Cranking Motor A)			
74	1 956 427	STUD, motor terminal (Cranking Motor B)			

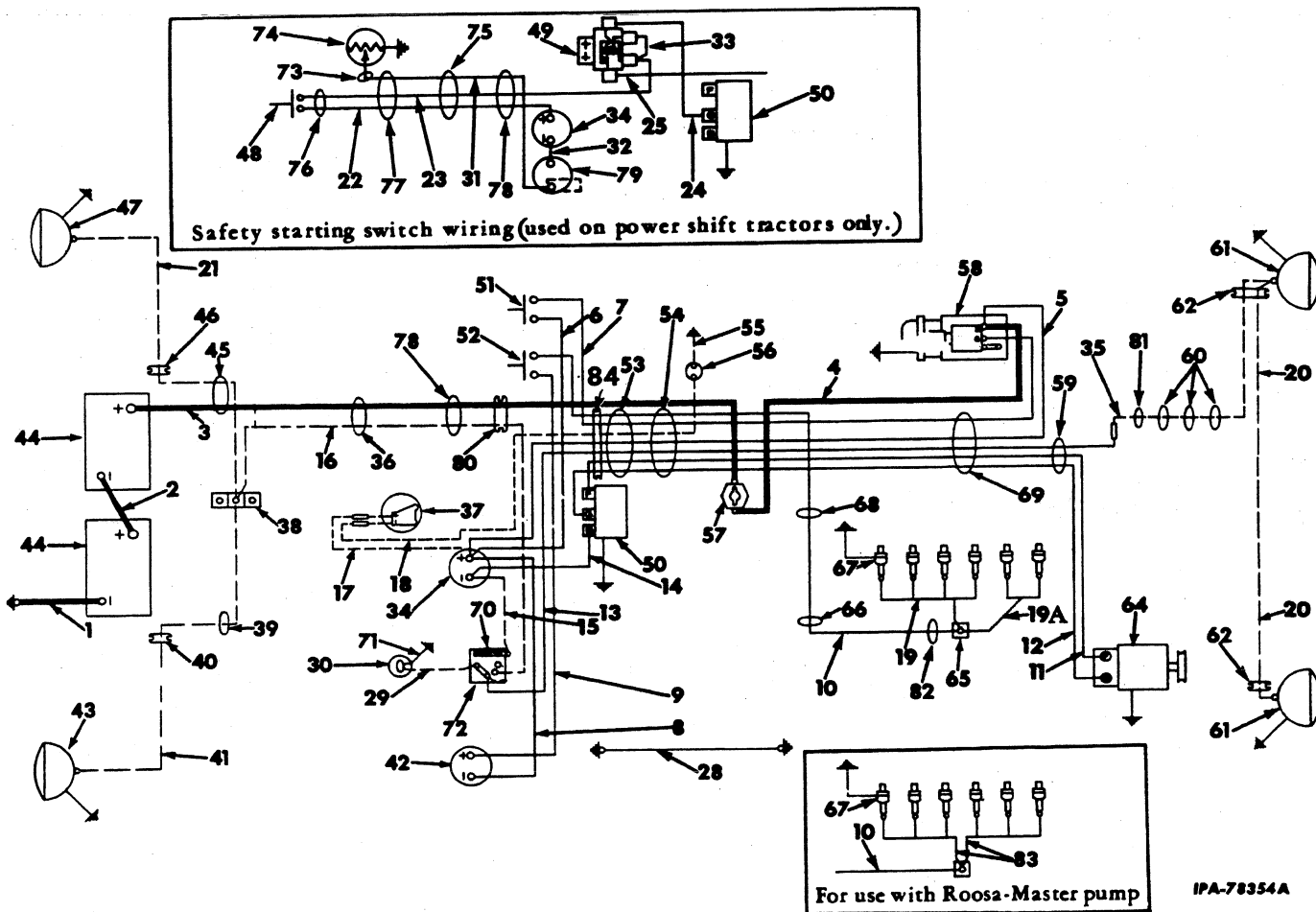
Always Give Cranking Motor Number
When Ordering Parts.

ELECTRICAL SYSTEM

REF. NO.	PART NUMBER	DESCRIPTION	REF. NO.	PART NUMBER	DESCRIPTION
----------	-------------	-------------	----------	-------------	-------------

ELECTRIC STARTING AND LIGHTING

TD-9BG 6502 to 14843
 TD-9BP 6525 to 14843
 TD-9BGA 6616 to 14843
 TD-9BGC 9231 to 14843
 TD-9BGS 9239 to 14843



1	330 823 R91	CABLE, battery to ground	8	278 209 R92	CABLE, minus (-) on glow plug meter to plus (+) on ammeter
	356 062 R91	WASHER, 1/2" lock BOLT, battery cable	9	278 210 R91	CABLE, glow plug switch to plus (+) on glow plug meter
2	266 854 R91	CABLE, battery to battery	10	325 585 R91	CABLE, glow plug switch to glow plug junction block
3	264 200 R91	CABLE, battery to master switch	11		CABLE, "F" on generator to "F" on regulator (blue) (order HARNESS, 330 825 R91)
4	345 526 R91	CABLE, master switch to solenoid	12		CABLE, "A" on generator to "G" on regulator (yellow) (order HARNESS, 330 825 R91)
5		CABLE, "B" on solenoid to plus (+) on ammeter (red) (order HARNESS, 330 825 R91)			
6	359 374 R91	CABLE, plus (+) on ammeter to starting switch (used on Manual Shift Tractors)			
7		CABLE, starting switch to "S" on solenoid (gray) (used on Manual Shift Tractors) (order HARNESS, 330 825 R91) (see NOTE 4)			

NOTE 4 - Reference Nos. 7 and 25 Are the Same Cable in HARNESS, 330 825 R91, But Are Connected at Different Points for Use on Manual Shift Tractors and Power Shift Tractors.

ELECTRICAL SYSTEM

REF. NO.	PART NUMBER	DESCRIPTION	REF. NO.	PART NUMBER	DESCRIPTION
ELECTRIC STARTING AND LIGHTING - Continued			24	358 588 R91	CABLE, "KD" on relay to "G" on regulator (used on Power Shift Tractors)
TD-9BG 6502 to 14843			25		CABLE, "S" on starting relay to "S" on solenoid (gray) (used on Power Shift Tractors) (order HARNESS, 330 825 R91) (see NOTE 4)
TD-9BP 6525 to 14843					
TD-9BGA 6616 to 14843					
TD-9BGC 9231 to 14843					
TD-9BGS 9239 to 14843					
13		CABLE, light switch to headlight junction block (black) (order HARNESS, 330 825 R91)	28	274 304 R91	CABLE, instrument panel to ground (on relay mounting bolt) SCREW, 1/4 x 3/4", hex-hd cap (for instrument panel grounding cable on dash relay mounting) WASHER, 1/4" internal-external lock (for instrument panel grounding cable on dash relay mounting) (2) NUT, No. 10 NF (on gauge for panel grounding cable) WASHER, No. 10 internal-external lock (on gauge for panel grounding cable) (2)
14	359 437 R91	CABLE, minus (-) on ammeter to "B" on regulator			
15	30 436 DA	CABLE, minus (-) on ammeter to fuse on light switch (part of Electric Lighting Attachments)			
16	358 581 R91	CABLE, light switch to rear light junction block (part of Electric Lighting Attachments, 334 786 R91, and 604 083 C91)			
17	271 065 R91	CABLE, plus (+) on ammeter to plus (+) on hourmeter	29		CABLE, light switch to instrument panel light (order PACKAGE, 603 467 C91)
18	305 366 R91	CABLE, minus (-) on hourmeter to engine oil pressure switch	30		PACKAGE, panel light field service (part of Electric Lighting Attachments, 334 786 R91, and 604 083 C91) (listed and illustrated w/instrument and instrument panel)
19	319 966 R91	HARNESS, glow plug (rear) (for units equipped with International R.D. fuel injection pump)			
19A	320 150 R91	HARNESS, glow plug (front) (for units equipped with International R.D. fuel injection pump)	31		CABLE, terminal with tag on clutch pressure gauge to clutch pressure sending unit (purple) (order HARNESS, 334 701 R91) (used on Power Shift Tractors)
20	46 886 DA	CABLE, LH headlight to RH headlight (part of Electric Lighting Attachments, 334 786 R91, and 604 083 C91) TD-9BG 9294 to 14843 TD-9BP 9294 to 14843 TD-9BGA 9294 to 14843	32	358 584 R91	CABLE, negative terminal on ammeter to clutch pressure gauge (used on Power Shift Tractors w/GAUGE, 338 977 R92)
21	358 563 R91	CABLE, rear light to junction block (part of Electric Lighting Attachments, 334 786 R91, and 604 083 C91)	33		CABLE, terminal No. 2 to terminal No. 3 (order HARNESS, 334 701 R91, or 703 375 C1) TD-9BP 7782 to 14843
22		CABLE, plus (+) on ammeter to starting switch (green) (used on Power Shift Tractors) (order HARNESS, 334 701 R91, or 703 375 C1)	34		AMMETER (listed and illustrated with "Instruments and Instrument Panel)
23		CABLE, starting switch to "B" on starting relay (gray) (used on Power Shift Tractors) (order HARNESS, 334 701 R91, or 703 375 C1)	35	624 387 C91	CABLE, harness connector to LH headlight (part of Electric Lighting Attachments, 334 786 R91, and 604 083 C91) TD-9BG 9294 to 14843 TD-9BP 9294 to 14843 TD-9BGA 9294 to 14843

NOTE 4 - Reference Nos. 7 and 25 Are the Same Cable in HARNESS, 330 825 R92, But Are Connected at Different Points for Use on Manual Shift Tractors and Power Shift Tractors.

ELECTRICAL SYSTEM

REF. NO.	PART NUMBER	DESCRIPTION	REF. NO.	PART NUMBER	DESCRIPTION
ELECTRIC STARTING AND LIGHTING - Continued			48	700 395 C91	SWITCH w/CAP, 702 268 C1, starting (Continued)
	TD-9BG 6502 to 14843			700 393 C1	BRACKET, starting switch mounting (used only w/SWITCH, 700 395 C91) (*)
	TD-9BP 6525 to 14843			12 935 R1	BOLT (2)
	TD-9BGA 6619 to 14843			702 268 C1	CAP and FACE NUT (used only w/SWITCH, 700 395 C91)
	TD-9BGC 9231 to 14843				
	TD-9BGS 9239 to 14843				
36	263 515 R91	CLIP, cable (on gear shift housing) (used on gear drive tractors)	49		RELAY, starting (used on Power Shift Tractors) (DELCO-REMY, 1 116 963)
37		HOURMETER (for details, see "Electric Hourmeter") (also listed and illustrated with "Instrument and Instrument Panel")		25 519 R1	NUT, 1/4" (2)
				25 752 R1	SCREW, 1/4 x 1/2" hex-hd cap
					WASHER, 1/4" internal-external tooth lock (2)
38	42 915 D	BLOCK, rear lamp junction (part of Electric Lighting Attachment, 334 786 R91, and 604 083 C91) (2)	50		REGULATOR ASSY, voltage (for components, see list of parts under details of "Voltage Regulator")
	132 852	SCREW, hex-hd cap (2)			
	106 497	WASHER, lock (2)	51		SWITCH, starting (DELCO-REMY, 1 996 097) (used on Manual Shift, Agr., Revolving Crane and Sideboom Tractors)
	110 633	NUT (2)			
	354 260	SPACER, pipe (2)			
39	362 120 R1	CLIP, auxiliary rear light cable (on RH seat side sheet)	52		SWITCH, glow plug (DELCO-REMY, 1 996 097)
		NUT, 3/8 NF			
40	112 734	GROMMET, auxiliary rear light cable (on RH seat side sheet)	53	103 213 H	CLIP, main harness (on RH bottom bolt of governor control ratchet)
41	358 563 R91	CABLE, auxiliary rear light to junction block	54	103 213 H	CLIP, main cable harness (on LH dash upper bolt)
42		METER, glow plug (listed and illustrated with "Instruments and Instrument Panel")		25 520 R1	NUT, 5/16"
				25 751 R1	SCREW, 5/16 x 1-1/4", hex-hd cap
				116 120	WASHER, 5/16" lock
43		REAR LIGHT ASSY, auxiliary (for components, see list of parts under details of "Headlight, Rear Light and Auxiliary Rear Light")	55	274 304 R91	CABLE, engine oil pressure switch to ground
					TD-9BG 6502 to 9808
					TD-9BP 6525 to 9808
					TD-9BGA 6616 to 9808
44		BATTERY (6 volt) (dry charged) (PRESTOLITE 2A9Y) (2)	55	341 874 R91	CABLE, engine oil pressure switch to ground
45	267 788 R91	CLIP, rubber covered cable (on LH seat side sheet)			TD-9BG 9809 to 14843
					TD-9BP 9809 to 14843
					TD-9BGA 9809 to 14843
46	112 734	GROMMET, rear light (on LH seat side sheet) (part of Electric Lighting Attachments, 334 786 R91, and 604 083 C91)	56	132 244 R91	SWITCH, engine oil pressure
47		REAR LIGHT ASSY (for components, see list of parts under details of "Headlight, Rear Light and Auxiliary Rear Light") (part of Electric Lighting Attachments, 334 786 R91, and 604 083 C91)	57		SWITCH, master (for components, see list of parts under details of "Master Switch")
			58		MOTOR ASSY, cranking (for components, see list of parts under details of "Cranking Motor")
				364 910 R1	COVER, terminal (on solenoid terminals)
48	700 395 C91	SWITCH w/CAP, 702 268 C1, starting (used on Power Shift Crawler Tractors) (together with BRACKET, 700 393 C1, will work for SWITCH, 347 906 R91, 334 702 R91, and 606 289 C91)	59	264 196 R91	CLIP, rubber-covered cable (on engine intake manifold bolt-fifth from front)

(*) - Also Listed and Illustrated with "Gear Selector Hand Lever."

ELECTRICAL SYSTEM

REF. NO.	PART NUMBER	DESCRIPTION	REF. NO.	PART NUMBER	DESCRIPTION
ELECTRIC STARTING AND LIGHTING - Continued			75	263 515 R91	CLIP, cable (on steering clutch inspection cover inner bolt) (used on Power Shift Tractors)
TD-9BG 6502 to 14843			76	263 513 R91	CLIP, cable (on lower front bolt of range selector valve) (used on Power Shift Tractors)
TD-9BP 6525 to 14843			77	362 120 R1	CLIP, cable (on lower front bolt of main regulator valve) (used on Power Shift Tractors)
TD-9BGA 6619 to 14843			78	267 788 R91	CLIP, rubber-covered cable (on engine clutch cover, LH bolt)
TD-9BGC 9231 to 14843			79		GAUGE, clutch oil pressure (listed and illustrated with "Instruments and Instrument Panel") (used on Power Shift Tractors)
TD-9BGS 9239 to 14843			80	142 350	GROMMET, main harness (on dash) (2) TD-9BG 6502 to 14047 (2) TD-9BP 6525 to 14047 (1) TD-9BG 14048 to 14843 (1) TD-9BP 14048 to 14843
60	100 700 H	CLIP, rubber-covered cable (on fan shroud) (3)	81	100 770 H	CLIP, cable (on front bolt of generator bracket)
61		HEADLIGHT ASSY (for components, see list of parts under details of "Headlight, Rear Light and Auxiliary Rear Light") (part of Electric Lighting Attachments, 334 786 R91, and 604 083 C91) (2)	82	263 717 R91	CLIP, cable (on forward mounting cap screw of fifth nozzle)
62	59 995 R1	GROMMET, front light cable (on radiator guard) (part of Electric Lighting Attachments, 334 786 R91, and 604 083 C91) (2)	83	319 965 R91	HARNESS, glow plug cable (2 for units equipped with ROOSA-MASTER pump)
64		GENERATOR ASSY (for components, see list of parts under details of "Generator")	84	52 062 D	GROMMET (on upper portion of dash, LH) TD-9BG 14048 to 14843 TD-9BP 14048 to 14843
65	42 915 D	BLOCK, glow plug junction NUT, No. 10 SCREW, No. 10 x 1/2" slt-rd-hd WASHER, No. 10 lock	334 786 R91		ATTACHMENT, electric lighting (not used on Agr. Crawler Tractors equipped with 44-gallon fuel TANK, 604 590 C91) (see NOTES 1 and 3)
66	263 717 R91	CLIP, cable (on cylinder head rear upper bolt)	(Composed of -		
67		PLUG, glow (listed and illustrated with "Injection Nozzle, Precombustion Chamber and Glow Plug")	2	BLOCK	42 915 D
68	62 302 D	CLIP, glow plug (on RH upper dash support bolt)	1	BRACKET	281 923 R1
69	264 196 R91	CLIP, rubber-covered cable (on intake manifold bolt, third from rear)	2	BRACKET	331 145 R91
70	432 644	FUSE, lighting (SFE-20 amp) (part of Electric Lighting Attachments)	1	CABLE	30 436 DA
71		CABLE, instrument panel light to ground (order instrument panel LIGHT, 324 083 R91)	1	CABLE	46 886 DA
72		SWITCH, light (for components, see list of parts under details of "Lighting Switch") (part of Electric Lighting Attachments, 334 786 R91, and 604 083 C91)	1	CABLE	624 387 C1
73	263 308 R91	CLIP, cable (on rear bolt of regulator bracket) TD-9BP 6525 to 14047	1	CABLE	358 563 R91
74		UNIT, clutch oil pressure sending (listed with "Instruments and Instrument Panel") TD-9BP 7782 to 14047	1	CABLE	358 581 R91
			3	CLIP	100 770 H
			1	DRAWING	12G8744
			1	DRAWING	12G7053
			1	FUSE	432 644
			1	GROMMET	112 734
			2	GROMMET	59 995 R1
			1	KNOB [Delco-Remy]	1 882 013
			[Continued on next page]		

NOTE 1 - Factory Application - Order on Machine Order Form.

NOTE 3 - Field Application - Order Through Regular Service Parts Channels.

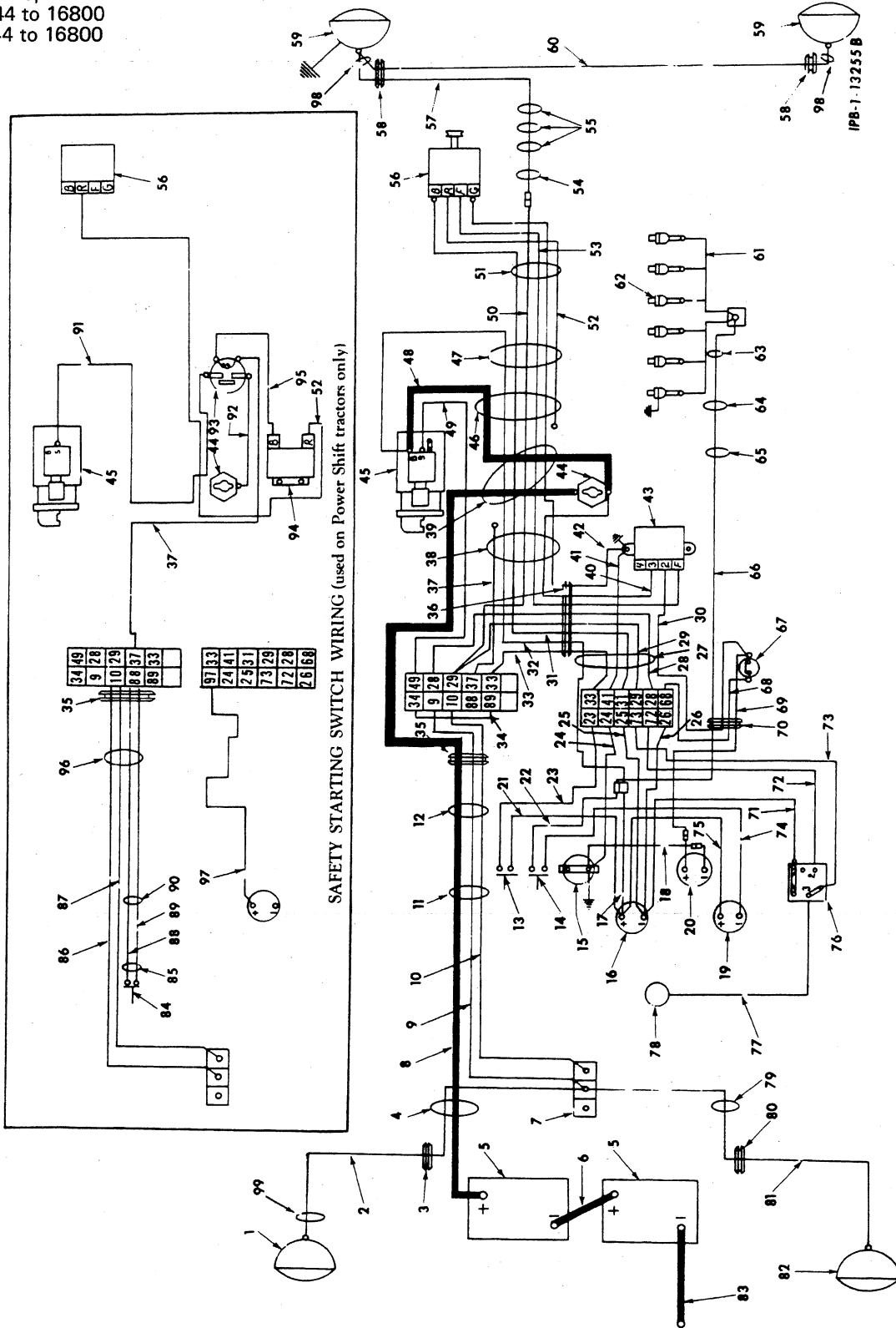
ELECTRICAL SYSTEM

REF. NO.	PART NUMBER	DESCRIPTION	REF. NO.	PART NUMBER	DESCRIPTION
ELECTRIC STARTING AND LIGHTING - Continued			42 915 D	BLOCK, front junction	TD-9BG 6502 to 14843 TD-9BP 6525 to 14843 TD-9BGA 6619 to 14843 TD-9BGC 9231 to 14843 TD-9BGS 9239 to 14843
334 786 R91		ATTACHMENT, electric lighting (not used on Agr. Crawler Tractors equipped with 44-gallon fuel TANK, 604 590 C91) (see NOTES 1 and 3) (Continued)	115 707	WASHER, No. 10 lock	
		(Composed of - Continued	358 583 R91	CABLE, junction block to headlight	(2) TD-9BG 6502 to 9293 (2) TD-9BP 6525 to 9293 (2) TD-9BGA 6616 to 9293
	3	LIGHT 303 704 R92	100 770 H1	CLIP (used with HARNESS, 330 825 R91)	
	1	NUT [Delco-Remy] 1 882 012	88 398 R1	CLIP, dash harness (mount on engine side of dash with lower LH regulator bolt)	
	1	PACKAGE 603 467 C91	115 109	NUT, 1/4 NF WASHER, 1/4" lock	
	1	SCREW [Delco-Remy] 1 864 099	267 788 R91	CLIP, cable (mount on seat side sheet) (used only on Agr. Crawler Tractors with 44-gallon fuel TANK, 604 590 C91)	
	1	SWITCH [Delco-Remy] 1 994 050	118 833	GROMMET, starter safety switch, pressure switch and glow plug cable (on dash)	
	1	SWIVEL 303 706 R1	330 825 R92	HARNESS, main cable (consists of Ref. Nos. 5, 7, 11, 12, 13 and 25) (see NOTE 4)	
	2	WASHER 600 658 C1	334 701 R91	HARNESS, safety starting (consists of Ref. Nos. 22, 23, 31 and 33) (used on Power Shift Tractors w/GAUGE, 338 977 R92)	
	2	WASHER 446 229)	703 375 C1	HARNESS, starting safety switch (consists of Ref. Nos. 22, 23 and 33) (used on Power Shift Tractors w/GAUGE, 703 232 C1)	
604 083 C91		ATTACHMENT, electric lighting (used on Agr. Crawler Tractors equipped with 44-gallon fuel tank) (see NOTES 1 and 3) (Composed of -	340 877 R1	PAD, light bracket mounting (mount on fuel tank) (used only on Agr. Crawler Tractors w/44-gallon fuel TANK, 604 590 C91) SCREW, 3/8 x 1-3/8", hex-hd cap (2)	
	2	BLOCK 42 915 D			
	1	BRACKET 281 923 R1			
	2	BRACKET 331 145 R91			
	1	CABLE 30 436 DA			
	1	CABLE 46 886 DA			
	1	CABLE 624 387 C1			
	1	CABLE 358 563 R91			
	1	CABLE 358 581 R91			
	3	CLIP 100 770 H			
	2	CLIP 267 788 R91			
	1	DRAWING LAMP INST. 12G7053			
	1	DRAWING SCHEMATIC 12G8744			
	1	FUSE 432 644			
	1	GROMMET 112 734			
	2	GROMMET 59 995 R1			
	1	KNOB [Delco-Remy] 1 882 013			
	3	LIGHT 303 704 R92			
	1	NUT [Delco-Remy] 1 882 012			
	1	PACKAGE 603 467 C91			
	1	PAD 340 877 R1			
	1	SCREW [Delco-Remy] 1 864 099			
	1	SWITCH [Delco-Remy] 1 994 050			
	1	SWIVEL 303 706 R1			
	2	WASHER 600 658 C1			
	2	WASHER 446 229)			
			NOTE 1 - Factory Application - Order on Machine Order Form.		
			NOTE 3 - Field Application - Order Through Regular Service Parts Channels.		
			NOTE 4 - Reference Nos. 7 and 25 Are the Same Cable in HARNESS, 330 825 R91, But Are Connected at Different Points for Use on Manual Shift Tractors and Power Shift Tractors.		

ELECTRICAL SYSTEM

ELECTRIC STARTING AND LIGHTING

TD-9BG 14844 up
TD-9BP 14844 up
TD-9BGA 14844 up
TD-9BGC 14844 to 16800
TD-9BGS 14844 to 16800



ELECTRICAL SYSTEM

REF. NO.	PART NUMBER	DESCRIPTION	REF. NO.	PART NUMBER	DESCRIPTION
ELECTRIC STARTING AND LIGHTING - Continued			11	267 787 R91	CLIP, cable (on gear shift housing)
	TD-9BG 14844 up		12	267 788 R91	CLIP, rubber-covered cable (on engine clutch cover LH bolt)
	TD-9BP 14844 up		13		SWITCH, starting (DELCO-REMY, 1 996 097) (used on Manual Shift, Agr., Revolving Crane and Sideboom Tractors)
	TD-9BGA 14844 up		14		SWITCH, glow plug (DELCO-REMY, 1 996 097)
	TD-9BGC 14844 to 16800		15		GAUGE, engine oil pressure (listed and illustrated with "Instruments and Instrument Panel")
	TD-9BGS 14844 to 16800		16		AMMETER (listed and illustrated with "Instruments and Instrument Panel")
1		REAR LIGHT ASSY (for components, see list of parts under details of "Headlight, Rear Light and Auxiliary Rear Light") (part of Electric Lighting Attachments; also used with canopy and front sweeps (roll-over protective structure)	17		CABLE, positive terminal on ammeter to instrument panel harness line connector (order HARNESS, 624 266 C1)
2	358 563 R91	CABLE, rear light to junction block (part of Electric Lighting ATTACHMENTS, 334 786 R91, and 604 083 C91)	18	271 065 R91	CABLE, negative terminal on hourmeter to engine oil pressure gauge
2	624 389 C1	CABLE, rear junction block to rear light (part of Electric Lighting ATTACHMENTS, 624 384 C91, and 624 386 C91)	19		METER, glow plug (listed and illustrated with "Instruments and Instrument Panel")
2	651 665 C1	CABLE, rear lamp to rear junction block (for tractors equipped with canopy and front sweeps) (roll-over protective structure)	20		HOURMETER, electric (for components, see list of parts under details of "Electric Hourmeter")
3	112 734	GROMMET, rear light (part of Electric Lighting ATTACHMENTS, 334 786 R91, and 604 083 C91) (also used with canopy and front sweeps) (roll-over protective structure)	21	359 374 R91	CABLE, positive terminal on ammeter to starting switch (used on Manual Shift Crawler Tractors)
3	112 734	GROMMET, rear light (part of Electric Lighting ATTACHMENTS, 334 786 R91, and 604 083 C91)	22		CABLE, glow plug switch to line connector (order HARNESS, 624 226 C1)
4	267 788 R91	CLIP, rubber-covered cable (on LH seat side sheet)	23		CABLE, starting switch to dash connector (white) (order HARNESS, 624 226 C1) (used on Manual Shift Tractors) (*)
5		BATTERY (6 volt) (PRESTOLITE 2A9Y)(2)	24		CABLE, engine oil pressure gauge to dash connector (ground) (order HARNESS, 624 226 C1)
6	266 854 R91	CABLE, battery to battery	25		CABLE, negative terminal on ammeter to dash connector (brown) (order HARNESS, 624 226 C1)
7	42 915 D	BLOCK, rear lamp junction (2)	26		CABLE, negative terminal on ammeter to dash connector (yellow) (order HARNESS, 624 226 C1)
	132 852	SCREW, hex-hd cap (2)			
	106 497	WASHER, lock (2)			
	110 633	NUT (2)			
	354 260 R1	SPACER (2)			
8	264 200 R91	CABLE, battery to master switch			
9		CABLE, safety switch connector to rear lamp junction block (dark blue) (order HARNESS, 624 228 C1) (used on Manual Shift Tractors)			
10		CABLE, safety switch connector to junction block (dark green) (order HARNESS, 624 228 C1) (used on Manual Shift Tractors)			

(*) - Reference Nos. 23 and 97 Are the Same Cable in HARNESS, 624 226 C1, But Are Connected at Different Points for Use on Manual Shift and Power Shift Crawler Tractors.

ELECTRICAL SYSTEM

REF. NO.	PART NUMBER	DESCRIPTION	REF. NO.	PART NUMBER	DESCRIPTION
ELECTRIC STARTING AND LIGHTING - Continued			40		CABLE, number-three terminal on regulator to master switch (orange) (order HARNESS, 624 225 C1)
	TD-9BG 14844 up				
	TD-9BP 14844 up				
	TD-9BGA 14844 up				
	TD-9BGC 14844 to 16800		41		CABLE, dash connector to mounting bolt of regulator (order HARNESS, 624 225 C1)
	TD-9BGS 14844 to 16800				
27	88 398 R1	CLIP, on RH top of dash (on RH relay mounting bolt hole)	42		CABLE, "G" terminal on alternator to mounting bolt of regulator (order HARNESS, 624 225 C1)
	25 752 R1	SCREW, 1/4 x 1/2", hex-hd cap			
	115 109	WASHER, 1/4" lock			
	25 519 R1	NUT, 1/4"	43		REGULATOR ASSY (for components, see list of parts under details of "Voltage Regulator Assy")
28		CABLE, dash connector to safety switch connector (rear lamp) (dark blue) (order HARNESS, 624 225 C1)	44		SWITCH, master (for components, see list of parts under details of "Master Switch")
29		CABLE, dash connector to safety switch connector (dark green) (order HARNESS, 624 225 C1)	45		MOTOR ASSY, cranking (for components, see list of parts under details of "Cranking Motor")
30		CABLE, number-two terminal on regulator to engine oil pressure switch (light blue) (order HARNESS, 624 225 C1)		364 910 R1	COVER, terminal (on solenoid terminals)
31		CABLE, dash connector to "B" terminal on alternator (brown) (order HARNESS, 624 225 C1)	46		CLIP (welded on LH bottom of dash)
32		CABLE, main harness line connector to "B" terminal on solenoid (red) (order HARNESS, 624 225 C1)	47	264 196 R91	CLIP, rubber-covered cable (on intake manifold bolt, third from rear)
33		CABLE, dash connector to safety switch connector (white) (order HARNESS, 624 225 C1)	48	345 526 R91	CABLE, master switch to solenoid
34		CABLE, safety switch terminals 32 to 44 (order HARNESS, 624 228 C1) (use on Manual Shift Tractors)	49		CABLE, "S" terminal on solenoid to safety switch connector (white) (order HARNESS, 624 225 C1)
35	142 350	GROMMET, harness (on lower dash)	50		CABLE, safety switch connector to front lamps connector (dark green) (order HARNESS, 624 225 C1)
36	52 062 D	GROMMET (on upper portion of dash, LH)	51	264 196 R91	CLIP, rubber-covered cable (on engine intake manifold bolt) (fifth from front)
37		CABLE, magnetic switch to safety switch connector (white) (order HARNESS, 624 225 C1) (used on Power Shift Tractors)	52		CABLE, "R" terminal on relay to "R" terminal on alternator (order HARNESS, 624 225 C1) (used on Power Shift Tractors)
37		CABLE (not used on Manual Shift Tractors, and should be taped securely back to harness)	52		CABLE (not used on Manual Shift Tractors and should be taped securely back to harness)
38	88 398 R1	CLIP, dash harness (mount on engine side of dash with lower LH regulator bolt)	53		CABLE, "F" terminal on regulator to "F" terminal on alternator (light green) (order HARNESS, 624 225 C1)
39	604 375 C1	CLIP, cable harness (mount on LH bottom of dash)	54	100 770 H	CLIP, rubber-covered cable (on front bolt of alternator bracket)
		NUT, 1/4"	55	100 770 H	CLIP, rubber-covered cable (on fan shroud LH bolts) (3)
		SCREW, 1/4 x 1-1/4", hex-hd cap	56		ALTERNATOR ASSY (for components, see list of parts under details of "Alternator")
		WASHER, 1/4" lock			
		WASHER, 1/4 x 1/2" x 18 ga			

ELECTRICAL SYSTEM

REF. NO.	PART NUMBER	DESCRIPTION	REF. NO.	PART NUMBER	DESCRIPTION
ELECTRIC STARTING AND LIGHTING - Continued			71	30 436 DA	CABLE, negative terminal on ammeter to fuse terminal on light switch
TD-9BG 14844 up			72		CABLE, number-two terminal on light switch to dash connector (rear lamps) (dark blue) (order HARNESS, 624 226 C1)
TD-9BP 14844 up			73		CABLE, light switch to dash connector (front lamps) (dark green) (order HARNESS, 624 226 C1)
TD-9BGA 14844 up			74	278 210 R91	CABLE, negative terminal on glow plug meter to glow plug switch
TD-9BGC 14844 to 16800			75	278 209 R92	CABLE, positive terminal on ammeter to positive terminal on glow plug meter
TD-9BGS 14844 to 16800			76		SWITCH, light (for components, see list of parts under details of "Lighting Switch")
57	624 387 C91	CABLE, harness connector to LH headlight (part of Electric Lighting Attachments) (also used with canopy and front sweeps) (roll-over protective structure)	77		CABLE, light switch to instrument panel light (order PACKAGE, 603 467 C91)
58	59 995 R1	GROMMET, front light cable (on radiator guard) (part of Electric Lighting Attachments) (also used with canopy and front sweeps) (roll-over protective structure) (2)	78	603 467 C91	PACKAGE, panel light field service (less bulb) (consists of Light, GROMMET, 273 406 R1, and WASHER, 273 405 R1)
59		HEADLIGHT ASSY (for components, see list of parts under details of "Headlight, Rear Light and Auxiliary Rear Light") (part of Electric Lighting Attachments) (also used with canopy and front sweeps) (roll-over protective structure) (2)	79	362 120 R11	CLIP, auxiliary rear light cable (on RH seat side sheet) NUT, 3/8" NF
60	46 886 DA	CABLE, LH headlight to RH headlight (part of Electric Lighting ATTACHMENTS, 334 786 R91, and 604 083 C91)	80	112 734	GROMMET, auxiliary rear light cable (on RH seat side sheet)
60	624 388 C1	CABLE, LH headlight to RH headlight (part of Electric Lighting ATTACHMENTS, 624 384 C91, and 624 386 C91) (also used with canopy and front sweeps) (roll-over protective structure)	81	358 563 R91	CABLE, auxiliary rear light to junction block (for tractors without canopy and front sweeps) (roll-over protective structure)
61	319 965 R91	HARNESS, glow plug cable (2)	81	358 563 R91	CABLE, auxiliary rear light to junction block for tractors equipped w/canopy and front sweeps (roll-over protective device)
62		PLUG, glow (listed and illustrated with "Injector Nozzle, Precombustion Chamber and Glow Plug")	82		REAR LIGHT ASSY, auxiliary (for components, see list of parts under details of "Headlights, Rear Light and Auxiliary Rear Light")
63	263 717 R91	CLIP, cable (on forward mounting cap screw of fifth nozzle)	83	330 823 R91	CABLE, battery ground strap (negative terminal on battery)
64	263 717 R91	CLIP, cable (on cylinder head, RH side, rear upper bolt)		356 062 R91	BOLT, battery terminal WASHER, 1/2" lock
65	263 717 R91	CLIP, cable (on RH upper bolt of dash support)	84	700 395 C91	SWITCH, w/CAP, 702 268 C1, and PAMPHLET, 1 085 291 R2, starting (used on Power Shift Crawler Tractors)
66	624 232 C1	CABLE, line connector to glow plug junction block		702 268 C1	NUT, cap and face
67	132 244 R91	SWITCH, engine oil pressure	85	263 513 R91	CLIP, starting switch harness (on lower front bolt of range selector bracket) (used on Power Shift Tractors)
68		CABLE, dash connector to engine oil pressure switch (yellow) (order HARNESS, 624 225 C1)			
69	271 066 R92	CABLE, positive terminal on hour-meter to engine oil pressure switch			
70	118 833	GROMMET (on upper portion of dash, RH)			

ELECTRICAL SYSTEM

REF. NO.	PART NUMBER	DESCRIPTION	REF. NO.	PART NUMBER	DESCRIPTION
ELECTRIC STARTING AND LIGHTING - Continued			97		CABLE, positive terminal on ammeter to dash connector (white) (order HARNESS, 624 226 C1) (used on Power Shift Tractors) (*)
	TD-9BG 14844 up				
	TD-9BP 14844 up				
	TD-9BGA 14844 up				
	TD-9BGC 14844 to 16800				
	TD-9BGS 14844 to 16800				
86		CABLE, starting switch and lighting harness safety switch connector to rear lamp junction block (dark blue) (order HARNESS, 624 227 C1) (used on Power Shift Tractors)	98	263 514 R91	CLAMP, front lamp cable (on lamp guard side rear mounting bolt) (part of Electric Lighting ATTACHMENTS, 624 384 C91, and 624 386 C91) (also used with canopy and front sweeps) (roll-over protective structure)
87		CABLE, starting switch and lighting harness safety switch connector to front lamp junction block (dark green) (order HARNESS, 624 227 C1) (used on Power Shift Tractors)	99	263 514 R91	CLAMP, cable (on LH rear lamp bracket rear bolt) (part of Electric Lighting ATTACHMENTS, 624 384 C91, and 624 386 C91) (also used with canopy and front sweeps) (roll-over protective structure)
88		CABLE, starting switch and lighting harness safety switch connector to safety starting switch (white) (order HARNESS, 624 227 C1) (used on Power Shift Tractors)	334 786 R91		ATTACHMENT, electric lighting (not used on Agr. Crawler Tractors equipped with 44-gallon fuel TANK, 604 590 C91) (see NOTE 3) TD-9BG 14844 to 15528 TD-9BP 14844 to 15528 TD-9BGC 14844 to 15528 TD-9BGS 14844 to 15528
89		CABLE, starting switch and lighting harness safety switch connector to safety starting switch (white) (order HARNESS, 624 227 C1) (used on Power Shift Tractors)			(Composed of - 1 BLOCK 300 559 R91 1 BRACKET 281 923 R91 2 BRACKET 331 145 R91 1 CABLE 30 436 DA 1 CABLE 46 886 DA 1 CABLE 624 387 C1 1 CABLE 358 563 R91 1 CABLE 358 581 R91 3 CLIP 100 770 H 1 DRAWING IZG 8744 1 DRAWING IZG 7053 1 FUSE 432 644 1 GROMMET 112 734 2 GROMMET 59 995 R1 1 KNOB [Delco-Remy] 1 882 013 3 LIGHT 303 704 R92 1 NUT [Delco-Remy] 1 882 012 1 PACKAGE 603 467 C91 1 SCREW [Delco-Remy] 1 864 099 1 SWITCH [Delco-Remy] 1 994 050 1 SWIVEL 303 706 R1 2 WASHER 600 658 C1 2 WASHER 446 229)
90	362 120 R1	CLIP, starting switch harness (on lower front bolt of main frame regulator valve) (used on Power Shift Tractors)			
91	624 230 C1	CABLE, "S" terminal on solenoid to magnetic switch (used on Power Shift Tractors)			
92	624 229 C1	CABLE, master switch to magnetic switch (used on Power Shift Tractors)			
93	706 124 C1	SWITCH, magnetic (used on Power Shift Tractors)			
	179 791	SCREW, 1/4 x 1/2" hex-hd cap (2)			
	103 319	WASHER, 1/2" lock (2)			
	109 084	NUT, 1/4" (2)			
	120 214	WASHER, 5/16" lock (2)			
	120 376	NUT, 5/16" (2)			
	120 217	WASHER, No. 10 lock (2)			
	120 614	NUT, No. 10 (2)			
94		RELAY, starting (used on Power Shift Tractors) (DELCO-REMY, 1 115 885) SCREW, 1/4 x 5/8", hex-hd cap (2) NUT, 1/4" (2) WASHER, 1/4" int. tooth lock (2) WASHER, 1/4" lock (2)			
95	624 231 C1	CABLE, "B" terminal on relay to magnetic switch (used on Power Shift Tractors)			
96	263 515 R91	CLIP, cable (on steering clutch inspection cover)			

(*) - Reference Nos. 23 and 97 Are the Same Cable in HARNESS, 624 226 C1, But Are Connected at Different Points for Use on Manual Shift and Power Shift Crawler Tractors.

NOTE 3 - Field Application - Order Through Regular Service Parts Channels.

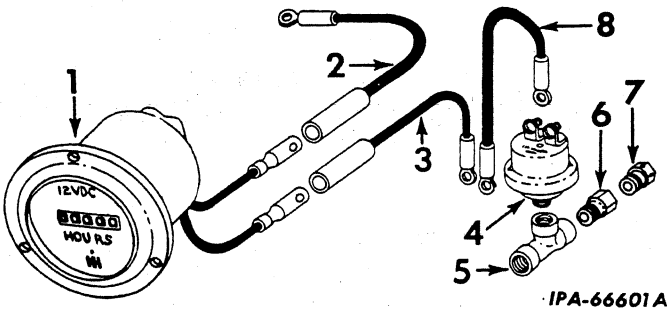
ELECTRICAL SYSTEM

REF. NO.	PART NUMBER	DESCRIPTION	REF. NO.	PART NUMBER	DESCRIPTION
ELECTRIC STARTING AND LIGHTING - Continued			624 386 C91		ATTACHMENT, electric lighting (used on Agr. Crawler Tractors equipped with 44-gallon fuel tank) (not used on Agr. Tractors equipped with roll-over protective structure) (see NOTES 1 and 3) TD-9BGA 15529 and up (Composed of - 1 BRACKET 281 923 R1 3 CLAMP 263 514 R91 1 CABLE 624 388 C1 1 CABLE 624 387 C1 1 CABLE 624 389 C1 1 CLIP 267 788 R91 2 GUARD 624 390 C1 1 GUARD 281 268 R2 2 GROMMET 59 995 R1 3 LIGHT 303 704 R92 1 PAD 340 877 R1 3 SWIVEL 303 706 R1)
604 083 C91		ATTACHMENT, electric lighting (used on Agr. Crawler Tractors equipped with 44-gallon fuel tank) (see NOTE 3) TD-9BGA 14844 to 15528 (Composed of - 1 BLOCK 300 559 R91 1 BRACKET 281 923 R1 2 BRACKET 331 145 R91 1 CABLE 30 436 DA 1 CABLE 46 886 DA 1 CABLE 624 387 C1 1 CABLE 358 563 R91 1 CABLE 358 581 R91 3 CLIP 100 770 H 2 CLIP 267 788 R91 1 DRAWING IZG 7053 1 DRAWING IZG 8744 1 FUSE 432 644 1 GROMMET 112 734 2 GROMMET 59 995 R1 1 KNOB [Delco-Remy] 1 882 013 3 LIGHT 303 704 R92 1 NUT [Delco-Remy] 1 882 012 1 PACKAGE 603 467 C91 1 PAD 340 877 R1 1 SCREW [Delco-Remy] 1 864 099 1 SWITCH [Delco-Remy] 1 994 050 1 SWIVEL 303 706 R1 2 WASHER 600 658 C1 2 WASHER 446 229)	88 398 R1		CLIP (on RH mounting bolt of relay) (used on Power Shift Tractors)
			624 225 C1		HARNESS, main cable (consists of Ref. Nos. 28 thru 33, 37, 40 thru 42, 49, 50, 52, 53 and 68) NUT, No. 12 WASHER, No. 12 lock NUT, No. 10 WASHER, No. 10 lock
			116 119		
			115 707		
			624 226 C1		HARNESS, instrument cable (consists of Ref. Nos. 17, 22 thru 26, 72 and 73)
			624 228 C1		HARNESS, lighting cable (consists of Ref. Nos. 9, 10 and 34) (used on Manual Shift Tractors)
			624 227 C1		HARNESS, starting switch and lighting (consists of Ref. Nos. 86, 87, 88 and 89) (used on Power Shift Tractors)
624 384 C91		ATTACHMENT, electric lighting (not used on Agr. Crawler Tractors equipped with 44-gallon fuel TANK, 604 590 C91, or any tractor equipped with roll-over protective structure) (see NOTES 1 and 3) TD-9BG 15529 up TD-9BP 15529 up TD-9BGC 15529 to 16800 TD-9BGS 15529 to 16800 (Composed of - 1 BRACKET 281 923 R1 3 CLAMP 263 514 R91 1 CABLE 624 388 C1 1 CABLE 624 387 C1 1 CABLE 624 389 C1 2 GUARD 624 390 C1 1 GUARD 281 268 R2 2 GROMMET 59 995 R1 3 LIGHT 303 704 R92 3 SWIVEL 303 706 R1)	340 877 R1		PAD, light bracket mounting (mount on fuel tank) (part of Electric Lighting ATTACHMENTS, 604 083 C91, and 624 386 C91)
					NOTE 1 - Factory Application - Order on Machine Order Form.
					NOTE 3 - Field Application - Order Through Regular Service Parts Channels.

ELECTRICAL SYSTEM

REF. NO.	PART NUMBER	DESCRIPTION	REF. NO.	PART NUMBER	DESCRIPTION
----------	-------------	-------------	----------	-------------	-------------

ELECTRIC HOURMETER



8	341 874 R91	CABLE, pressure switch to ground (Hourmeter "A")
	263 514 R91	CLIP, rubber-covered cable
	444 163	ELBOW, hourmeter pressure switch
	264 674 R91	DAMPER, hourmeter vibration (Hourmeter "A")
	116 117	SCREW, No. 6 x 1/2", slt-rd-hd (3) WASHER, No. 6 lock (3)
1	019 023 R1	PAMPHLET, installation instructions (Hourmeter B)

Parts without letters after the description indicate the part is used for both Hourmeters. Letters "A" and "B" are used to identify separate Hourmeters.

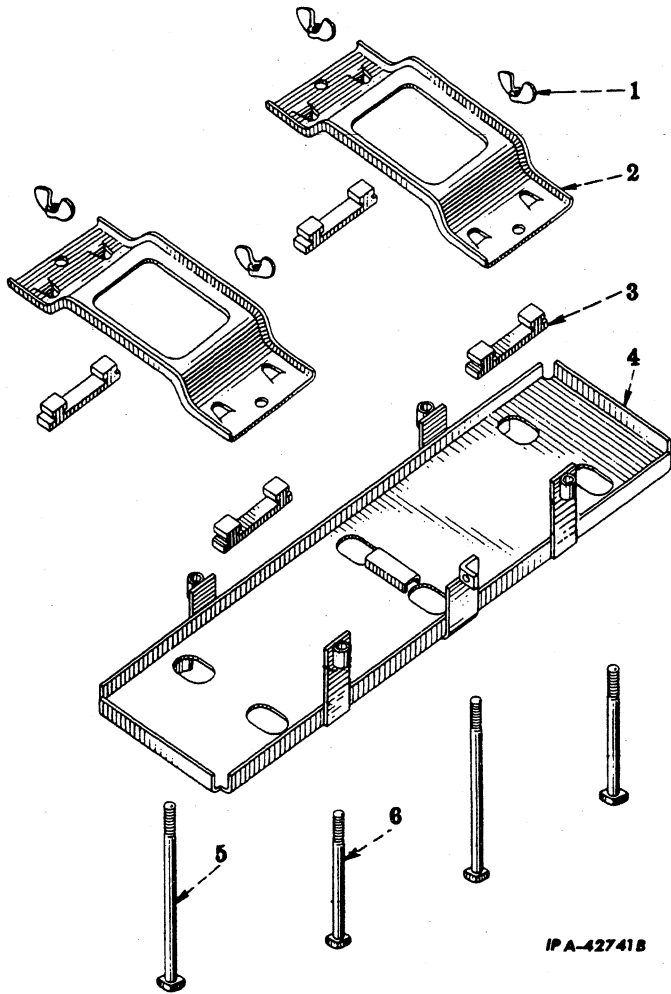
A		Service parts for Hourmeter, electric (regular) TD-9BG TD-9BP TD-9BGA TD-9BGC TD-9BGS 9809 and up
B	330 868 R91	ATTACHMENT, electric hourmeter (see NOTE 3) TD-9BG 6502 to 9808 TD-9BP 6525 to 9808 TD-9BGA 6616 to 9808 TD-9BGC 9231 to 9808 TD-9BGS 9239 to 9808
1	621 657 C91 103 091	HOURMETER (12 volt) NUT, No. 6 (3 for Hourmeter "B") SCREW, No. 6 x 3/8", slt-rd-hd (3 for Hourmeter "B") SCREW, No. 6 x 1/2" slt-rd-hd (3 for Hourmeter "A") WASHER, No. 6 lock (3)
2	271 065 R91	CABLE, ammeter to hourmeter
3	305 366 R91	CABLE, hourmeter to pressure switch
4	132 244 R91	SWITCH, pressure (optional with 277 748 R91)
4	277 748 R91	SWITCH, pressure (optional with 132 244 R91)
5	444 221	TEE, pressure switch (Hourmeter "B")
5	444 253	TEE, pressure switch (Hourmeter "A")
6	29 901 D	BODY, connector (Hourmeter "B")
7	369 987 R1	NUT, nylon (Hourmeter "B")
8	274 304 R91	CABLE, pressure switch to ground (Hourmeter "B")

NOTE 3 - Field Application - Order Through Regular Service Parts Channels.

ELECTRICAL SYSTEM

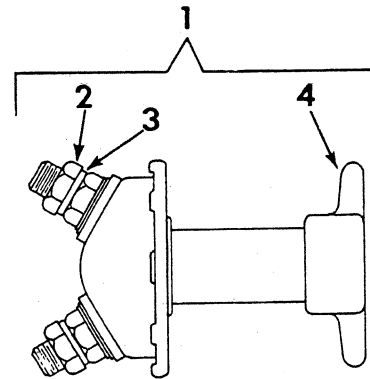
REF. NO.	PART NUMBER	DESCRIPTION	REF. NO.	PART NUMBER	DESCRIPTION
----------	-------------	-------------	----------	-------------	-------------

BATTERY SUPPORT



1		NUT, wing, 3/8", battery hold-down bolt (4)
	115 093	PIN, 1/16 x 5/8", cotter (4) WASHER, 3/8" lock (4)
2	280 703 R1	CLAMP, battery hold down (2)
3	280 704 R1	BUMPER, battery hold down (4)
4	276 979 R92 274 864 R1 103 343	SUPPORT, battery BOLT, 1/2 x 1-3/8" (nylock) (6) WASHER, 17/32 x 1-1/16" x 13 ga (6)
5	267 917 R1	BOLT, battery hold down (front) (long) (2)
6	276 976 R1	BOLT, battery hold down (rear) (short) (2)
	275 241 R1	SPACER, battery support (2)

MASTER SWITCH
(Delco-Remy)



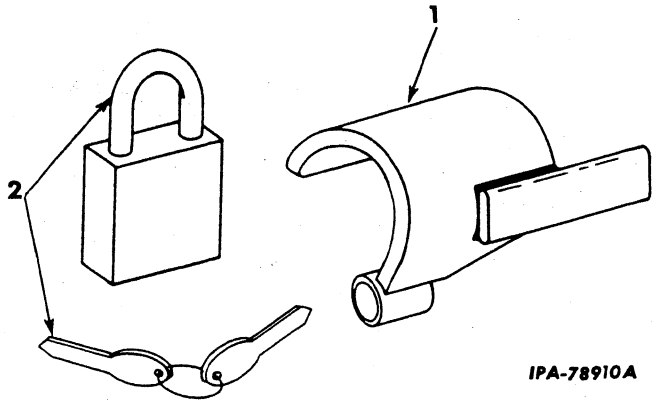
1	1 996 495	SWITCH ASSY, master (order 1 996 496)
1	1 996 496	SWITCH ASSY, master (will work for 1 996 495)
	109 084	NUT, 1/4"
	179 795	SCREW, 1/4 x 3/4", hex-hd cap
	103 319	WASHER, 1/4" lock
2	453 787	NUT, terminal (2)
3	9 421 425	WASHER, terminal nut lock (2)
4	1 886 953	KNOB, control (part of Switch ASSY, 1 996 495)
	132 110	SCREW, knob attaching
	9 422 354	WASHER, knob attaching screw lock
	3 649 10R1	COVER TERMINAL (not furnished as part of master switch assy)

ELECTRICAL SYSTEM

REF. NO.	PART NUMBER	DESCRIPTION	REF. NO.	PART NUMBER	DESCRIPTION
----------	-------------	-------------	----------	-------------	-------------

MASTER SWITCH LOCK AND PADLOCK W/KEYS

TD-9BG 6502 to 16382
 TD-9BP 6525 to 16382
 TD-9BGA 6616 to 16382
 TD-9BGC 9231 to 16382
 TD-9BGS 9239 to 16382

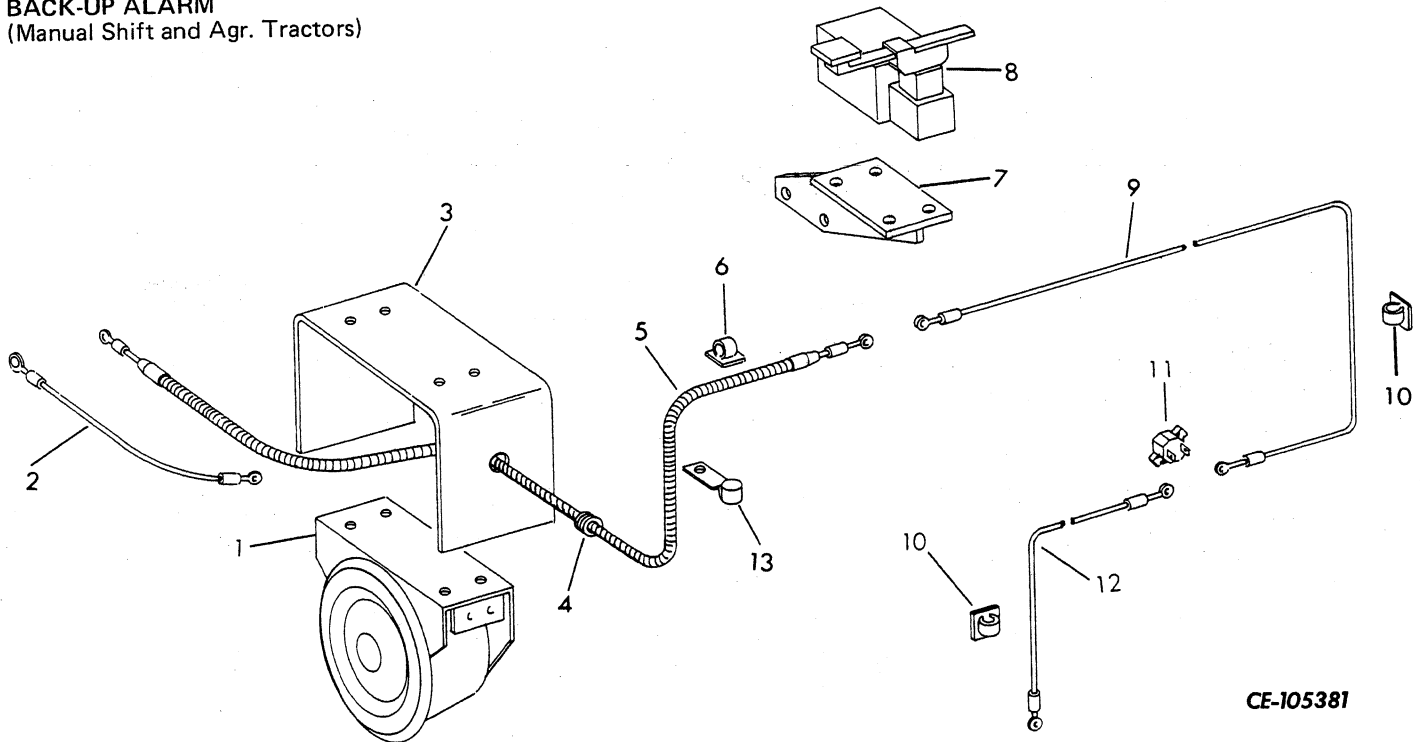


1	314 751 R31	LOCK, master switch (order two SLEEVE, 650 937 C1)
	109 084	NUT, 1/4"
	179 800	SCREW, 1/4 x 1-3/8", hex-hd cap
	103 319	WASHER, 1/4" lock
	16 558 R1	WASHER, 1/4" flat (2)
2	650 382 C91	PADLOCK w/KEYS
	314 753 R1	SPACER, master switch lock
	16 558 R1	WASHER, master switch lock, flat

ELECTRICAL SYSTEM

REF. NO.	PART NUMBER	DESCRIPTION	REF. NO.	PART NUMBER	DESCRIPTION
----------	-------------	-------------	----------	-------------	-------------

BACK-UP ALARM
(Manual Shift and Agr. Tractors)



CE-105381

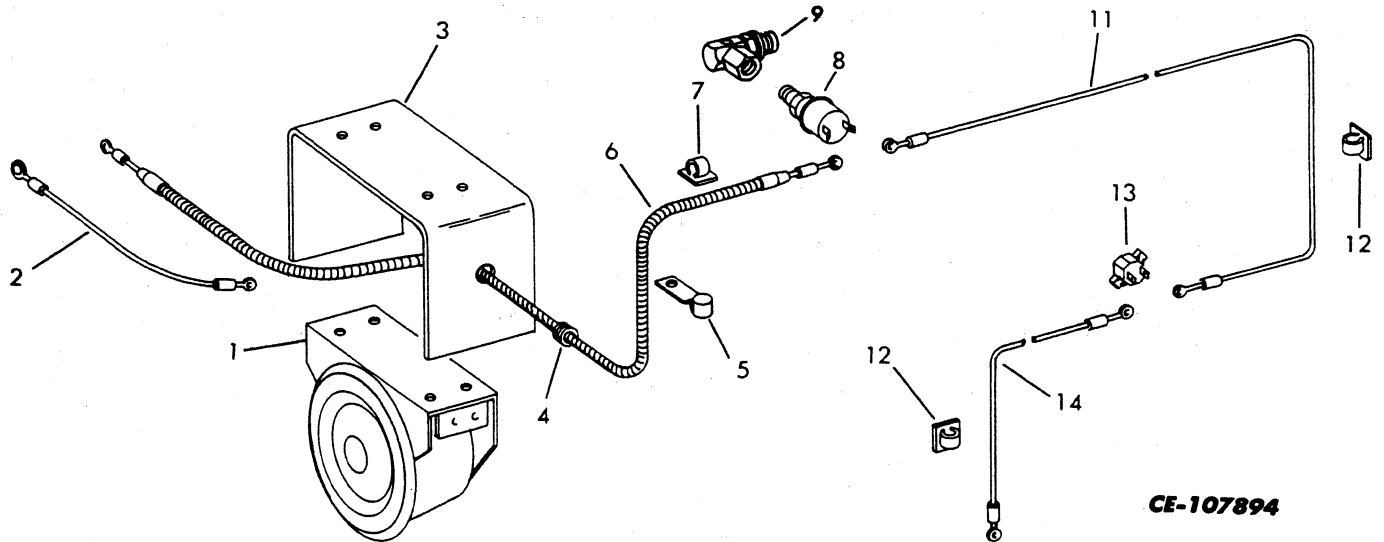
	629 994 C91	ATTACHMENT, back-up alarm (see NOTE 3) (Consists of -	9	663 187 C1	CABLE, pressure switch to circuit breaker
1	663 478 C1 109 084 179 795 120 392 103 319	ALARM, back-up NUT (4) SCREW, hex-hd cap (4) WASHER, flat (8) WASHER, lock (4)	10	663 189 C1	CLAMP (15)
2	266 770 R91	CABLE, alarm to alarm mounting bolt	11	683 072 C1 110 633 110 495 106 497 120 391	CIRCUIT BREAKER NUT (2) SCREW, hex-hd cap (2) WASHER, lock WASHER, flat (2)
3	663 485 C1 179 837 103 321 120 394	GUARD, alarm SCREW, hex-hd cap (4) WASHER, lock (4) WASHER, flat (4)	12	663 187 C1	CABLE, circuit breaker to power source
4	108 827 R1	GROMMET, on RH side of alarm guard	13	363 660 R1 663 188 C1 663 182 C1	CLIP, on RH rear bolt of alarm PACKAGE, terminals BRACKET, switch mounting
5	663 186 C1	CABLE, alarm to pressure switch			
6	663 185 C1	CLAMP (10)			
7	651 784 C1 25 480 R1 115 109	BRACKET, switch mounting assy SCREW, hex-hd cap (4) WASHER (4)			
8	663 181 C1 651 798 C1	SWITCH, limit GRIP, switch cable			

NOTE 3 - Field Application - Order Through Regular Service Parts Channels.

ELECTRICAL SYSTEM

REF. NO.	PART NUMBER	DESCRIPTION	REF. NO.	PART NUMBER	DESCRIPTION
----------	-------------	-------------	----------	-------------	-------------

BACK-UP ALARM
(Power Shift Tractors)



	629 993 C91	ATTACHMENT, back-up alarm (see NOTE 3) (Consists of -	9	651 829 C1	ELBOW, pressure switch
1	663 478 C1 109 084 179 795 120 392 103 319	ALARM, back-up NUT (4) SCREW, hex-hd cap (4) WASHER, flat (8) WASHER, lock (4)	10	650 354 C1	CABLE, switch to switch (2)
2	266 770 R91	CABLE, alarm to alarm mounting bolt	11	663 187 C1	CABLE, pressure switch to circuit breaker
3	663 485 C1 179 837 103 321 120 394	GUARD, assembly alarm SCREW, hex-hd cap (4) WASHER, lock (4) WASHER, flat (4)	12	663 189 C1	CLAMP (15)
4	108 827 R1	GROMMET, on RH side of alarm guard	13	683 072 C1 110 633 110 495 106 497 120 391	CIRCUIT BREAKER NUT (2) SCREW, hex-hd cap (2) WASHER, lock (2) WASHER, flat (2)
5	363 660 R1	CLIP, on RH rear bolt of alarm	14	663 187 C1	CABLE, circuit breaker to power source
6	663 186 C1	CABLE, alarm to pressure switch		663 188 C1	PACKAGE, terminals
7	663 185 C1	CLAMP (10)			
8	651 828 C1	SWITCH, pressure			

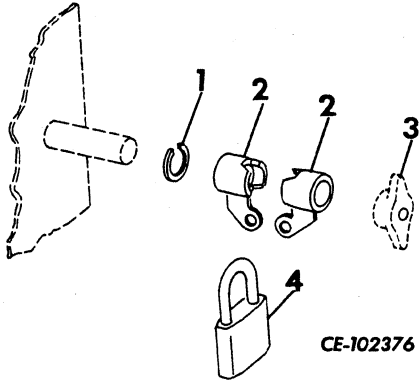
NOTE 3 - Field Application - Order Through Regular Service Parts Channels.

ELECTRICAL SYSTEM

REF. NO.	PART NUMBER	DESCRIPTION	REF. NO.	PART NUMBER	DESCRIPTION
----------	-------------	-------------	----------	-------------	-------------

MASTER SWITCH LOCK AND PADLOCK W/KEYS

TD-9BG 16383 and up
TD-9BP 16383 and up
TD-9BGA 16383 and up
TD-9BGC 16383 to 16800
TD-9BGS 16383 to 16800



- 1 NOT USED
- 2 650 937 C1 SLEEVE, lock (2)
- 3 KNOB, master switch (reference only)
- 4 650 382 C91 PADLOCK w/KEYS

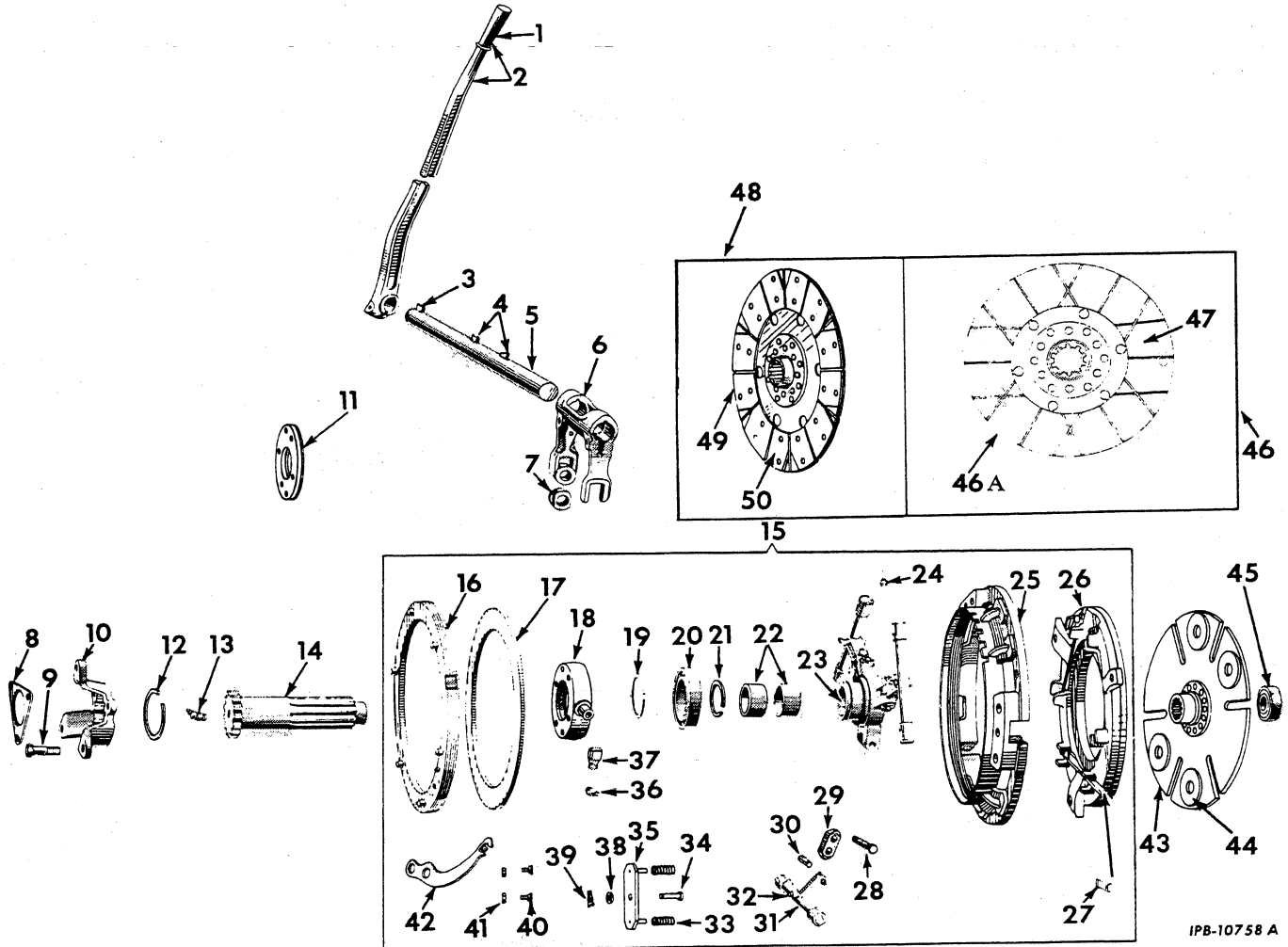
ELECTRICAL SYSTEM

REF. NO.	PART NUMBER	DESCRIPTION	REF. NO.	PART NUMBER	DESCRIPTION
AUXILIARY REAR LIGHT (Not for Tractors Equipped with Canopy and Front Sweeps) (Roll-Over Protective Structure)			340 877 R1	PAD, light bracket mounting (on fuel tank) (Attachment B)	
			25 497 R1	SCREW, 3/8 x 1-3/8", hex-hd cap (2)	
Parts without letters after the description indicate the part is used for all attachments listed below; letters "A" and "B" are used to identify separate attachments.			303 706 R1	SWIVEL, rear light (see NOTE 5)	
			103 028	NUT, 1/2 NF	
			181 436	SCREW, 1/2 NF x 2-1/2", hex-hd cap	
			103 323	WASHER, 1/2" lock	
A	277 456 R91	ATTACHMENT, auxiliary rear light (for use on tractors equipped with electric lighting) (when this attachment is ordered, the approval of sales engineering is required) (for Manual Shift, Sideboom and Revolving Crane Crawler Tractors) (for Agr. Crawler Tractors without 44-gallon fuel TANK, 604 590 C91; serial numbers TD-9BGA 6616 to 10122) (see NOTES 1 and 3)			
B	604 084 C91	ATTACHMENT, auxiliary rear light (for use on tractors equipped with electric lighting) (when this attachment is ordered, the approval of sales engineering is required) (for Agr. Crawler Tractors with 44-gallon fuel TANK, 604 590 C91; serial numbers TD-9BGA 10123 and up) (see NOTES 1 and 3)			
	281 923 R1	BRACKET, rear light (see NOTE 5)			
	103 028	NUT, 1/2 NF (2 for Attachment "A")			
	181 427	SCREW, 1/2 NF x 1", hex-hd cap (2 for Attachment "A")			
	181 425	SCREW, 1/2 NF x 3/4", hex-hd cap (2 for Attachment "B")			
	103 323	WASHER, 1/2" lock (2)			
	358 563 R91	CABLE, junction block to rear light (see NOTE 6)			
	267 788 R91	CLIP, cable (rubber covered) (see NOTE 6) (2 for Attachment "B")			
	362 120 R1	CLIP, cable (rubber covered) (see NOTE 6) NUT, 3/8 NF			
	112 734	GROMMET (on side sheet) (see NOTE 6)			
	303 704 R92	REAR LIGHT ASSY (HOBBS) (optional with 338 826 R91) (for components, see list of parts under details of "Headlight, Rear Light and Auxiliary Rear Light")		NOTE 1 - Factory Application - Order on Machine Order Form.	
	338 826 R91	REAR LIGHT ASSY (Guide Lamp) (optional with 303 704 R92) (for components, see list of parts under details of "Headlight, Rear Light and Auxiliary Rear Light")		NOTE 3 - Field Application - Order Through Regular Service Parts Channels. NOTE 5 - Illustrated with "Brackets and Swivels for Headlight, Rear Light and Auxiliary Rear Light." NOTE 6 - Illustrated with "Electric Starting and Lighting."	

CLUTCH

REF. NO.	PART NUMBER	DESCRIPTION	REF. NO.	PART NUMBER	DESCRIPTION
----------	-------------	-------------	----------	-------------	-------------

ENGINE OVER-CENTER CLUTCH, 13"
 (Hand Operated) (Rockford Drilling Machine) (Used on Manual Shift, Agr., Revolving Crane and Sideboom Tractors)



IPB-10758 A

1	619 405 C1	HANDLE, engine clutch hand lever	5	53 494 D	SHAFT, engine clutch release
2	303 536 R11	LEVER w/HANDLE, 619 405 C1, engine clutch hand (for Revolving Crane and Sideboom Tractors)	6	8 247 DB 181 374	FORK, engine clutch release SCREW, 3/8 NF x 1-1/2", hex-hd cap (2)
2	275 227 R11	LEVER w/HANDLE, 619 405 C1, engine clutch hand (for Manual Shift and Agr. Tractors)	7	103 321	WASHER, 3/8" lock (2)
	103 028	NUT, 1/2 NF	8	51 227 DB	BUSHING, engine clutch release pin (2)
	181 436	SCREW, 1/2 NF x 2-1/2", hex-hd cap	8	259 688 R1 181 343	PLATE, engine clutch shaft end SCREW, 5/16 NF x 1/2", hex-hd cap (3)
	103 323	WASHER, 1/2" lock		103 320	WASHER, 5/16" lock (3)
3	103 909	KEY, 1/4 x 1-1/8" (WOODRUFF) (engine clutch hand lever)	9	54 969 D 271 505 103 322	BOLT, engine clutch coupling dowel (3) NUT, 7/16 NF (3) WASHER, 7/16" lock (3)
4	103 462	KEY, 3/16 x 1" (WOODRUFF) (engine clutch release fork) (2)			

CLUTCH

REF. NO.	PART NUMBER	DESCRIPTION	REF. NO.	PART NUMBER	DESCRIPTION
ENGINE OVER-CENTER CLUTCH, 13" - Continued (Hand Operated) (Rockford Drilling Machine) (Used on Manual Shift, Agr., Revolving Crane and Sideboom Tractors)			33	304 785 R2	SPRING, return (6)
			34	304 786 R1	PIN, return spring retaining (3)
			35	304 787 R91	STOP, return spring (3)
10	266 457 R11	COUPLING, engine clutch	36	273 347	FITTING, engine clutch release bearing lubrication
11	317 861 R1	FACING, brake clutch bearing (optional with 317 862 R1)	37	191 759	ADAPTER, engine clutch release bearing lubrication fitting, angle elbow (optional with 145 017 H)
11	317 862 R1	FACING, brake clutch bearing (optional with 317 861 R1)	37	145 017 H	ADAPTER, engine clutch release bearing lubrication fitting, angle elbow (optional with 191 759)
12	266 458 R1	RING, engine clutch coupling snap	38	615 029 R1	WASHER, return spring retaining pin (3)
13	109 460	FITTING, engine clutch pilot bearing lubrication	39	267 689 R1	"X" WASHER, return spring retaining pin (3)
14	266 459 R1	SHAFT, engine clutch	40	61 115 D	SCREW, adjusting ring lock (2)
15	317 859 R93 179 883	CLUTCH ASSY, less driven member SCREW, 1/2 x 1-1/4", hex-hd cap (6)	41	103 026	NUT, 3/8" NF (2)
	103 323	WASHER, 1/2" lock (6)	42	264 679 R1	LOCK, adjusting ring
16	55 371 DA	RING, adjusting	43	702 537 C91	MEMBER w/eight FACING, and four RIVET, 338 360 R1, cerametallic driven (will work for MEMBER, 324 999 R1)
17	31 238 DA	PLATE, adjusting ring	44	702 550 C1	PACKAGE, driven member, cerametallic facing field service (consists of two cerametallic FACING and RIVET, 338 360 R1) (6)
18	317 860 R91	CARRIER w/FACING and six RIVET, 96 189 R1, throw-out bearing		338 360 R1	RIVET, special (CL-10858-1) (4)
19	29 780 D	RING, snap	45	ST 211	BEARING, clutch pilot ball
20	972 386 R91	BEARING, throw-out ball	46	604 644 C91	ATTACHMENT, semimetallic clutch driven member (see NOTES 1 and 3)
21	304 780 R1	RING, snap	46A	277 675 R91	MEMBER, w/two FACING and twenty-six RIVET, 50 413 D, semimetallic driven
22	26 039 DA	BUSHING, release sleeve (2)	47	277 676 R91	PACKAGE, semimetallic clutch facing field service (consists of two semimetallic FACING and twenty-six RIVET, 50 413 D)
23	304 778 R92	SLEEVE w/two BUSHING, 26 039 DA, and FITTING, 126 121, release		50 413 D	RIVET, clutch facing (26)
24	126 121	FITTING, release sleeve lubrication	48	331 204 R91	ATTACHMENT, bimetallic driven member (see NOTES 1 and 3)
25	304 776 R1	PLATE, back	49	313 531 R92	MEMBER, w/two FACING and twenty-six RIVET, 250 263 R1, bimetallic driven
26	304 777 R1	PLATE, pressure			
27	267 665 R91 261 106 R1	BLOCK, cam (set of 6) SCREW, hex-hd cap WASHER, 1/4" external-tooth lock (6)			
28	324 561 R91	PACKAGE, connecting link pin field service (consists of PIN, WASHER and "X" WASHER) (3)			
29	304 782 R1	LINK, connecting (3)			
30	304 784 R2	PIN, connecting link (short) (3)			
31	702 390 C1	CAMSHAFT w/three FITTING, 109 460 (set of 3)			NOTE 1 - Factory Application - Order on Machine Order Form.
32	109 460	FITTING, camshaft lubrication (9)			NOTE 3 - Field Application - Order Through Regular Service Parts Channels.

CLUTCH

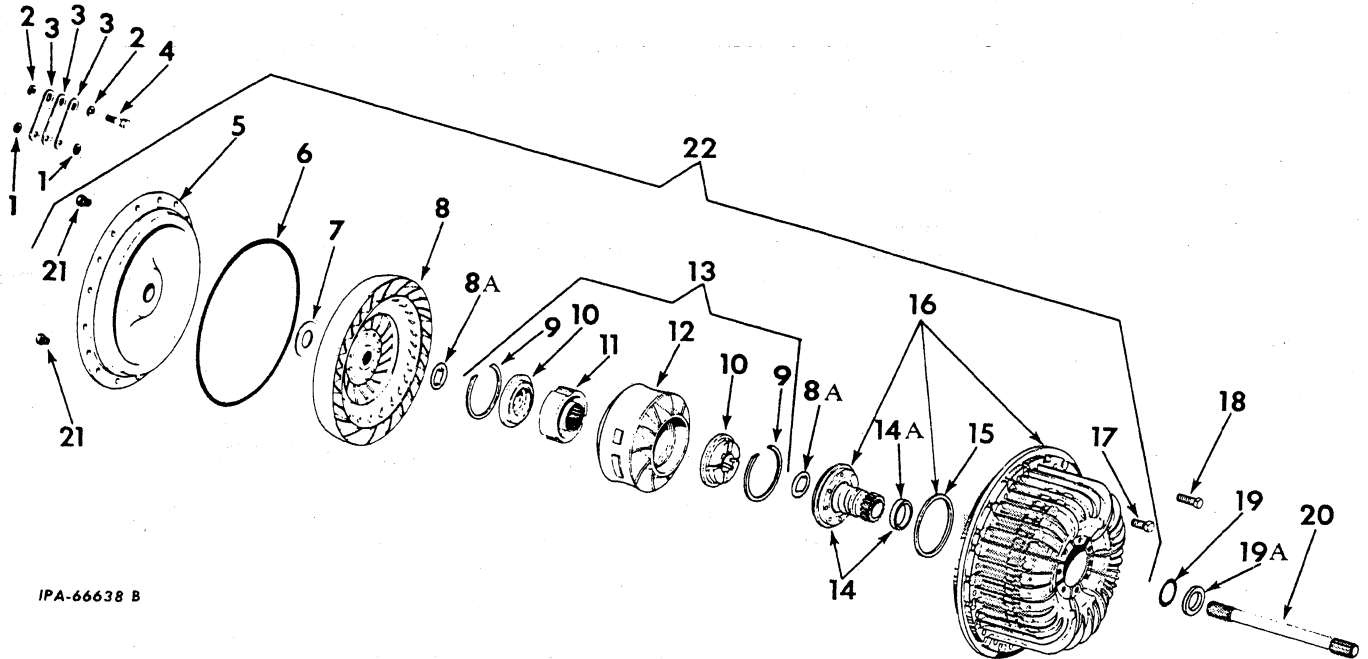
REF. NO.	PART NUMBER	DESCRIPTION	REF. NO.	PART NUMBER	DESCRIPTION
ENGINE OVER-CENTER CLUTCH, 13" - Continued (Hand Operated) (Rockford Drilling Machine) (Used on Manual Shift, Agr., Revolving Crane and Sideboom Tractors)					
50	313 530 R92	PACKAGE, bimetallic driven member field service (consists of two bimetallic FACING and twenty-six RIVET, 250 263 R1) (2)			
	250 263 R1	RIVET, clutch facing (26)			
	324 549 R91	PACKAGE, clutch brake facing field service (consists of FACING and eight RIVET) (for CARRIER, 317 860 R91) (optional with 324 560 R91)			
	324 560 R91	PACKAGE, clutch brake facing field service (consists of FACING and eight RIVET) (optional with 324 549 R91) (for CARRIER, 317 860 R91)			
	324 998 R91	PACKAGE, driven member cerametallic facing field service (consists of two cerametallic FACING, and RIVET, 338 360 R1) (2)			

TORQUE CONVERTER

REF. NO.	PART NUMBER	DESCRIPTION	REF. NO.	PART NUMBER	DESCRIPTION
----------	-------------	-------------	----------	-------------	-------------

TORQUE CONVERTER OUTPUT SHAFT AND RELATED PARTS

(Borg and Beck) (Used on Power Shift Tractors)



IPA-66638 B

1		SPACER, converter (order PACKAGE, 338 078 R91) (8)	14	338 646 R1	HUB, impeller (for use w/CONVERTER ASSY, 338 550 R92) TD-9BP 6525 to 9905
2		SPACER, flywheel (order PACKAGE, 338 078 R91) (8)	14	606 334 C91	HUB, w/SLEEVE, 606 294 C1, impeller (for use w/CONVERTER ASSY, 606 333 C91) TD-9BP 9906 and up
3		STRAP, drive (order PACKAGE, 338 078 R91) (12)			SCREW, 1/4 x 5/8" hex-hd cap (8) WASHER, 1/4" lock (8)
4	297 330 R1	BOLT, 3/8 x 1" (4)			
5	338 645 R91	COVER, w/two PLUG, 444 813,			
6	158 512 R1	GASKET, converter cover	14A	606 294 C1	SLEEVE, pump drive housing wear (for use w/CONVERTER ASSY, 606 333 C91) TD-9BP 9906 and up
7	158 511 R1	WASHER, turbine forward thrust			
8	338 643 R92	TURBINE, converter	15	158 503 R1	RING, seal
8A	603 803 C1	WASHER, thrust (2) TD-9BP 9126 and up	16	338 642 R91	IMPELLER ASSY (for use w/CONVERTER ASSY, 338 550 R92) TD-9BP 6525 to 9905
9	158 510 R1	RING, snap (2)			
10	158 506 R1	WASHER, stator thrust (order WASHER, 603 804 C1, together with WASHER, 603 803 C1) (2) TD-9BP 6525 to 9125	16	606 391 C91	IMPELLER, w/HUB ASSY, 606 334 C91, SEAL, 158 503 R1, eight SCREW and eight WASHER (for use w/CONVERTER ASSY, 606 333 C91) TD-9BP 9906 and up
10	603 804 C1	WASHER, stator thrust (2) TD-9BP 9126 and up			
11	338 648 R1	HUB, stator	17	158 513 R1	BOLT, cover (18) NUT, 5/16" lock (18)
12	119 739 H1	STATOR	18	327 447 R1	BOLT, cover (to attach drive strap to cover) (4)
13	338 644 R92	STATOR, and HUB ASSY (together with WASHER, 603 803 C1, will work for 338 644 R91) TD-9BP 9126 and up	19	341 808 R1	"O" RING, 1-15/16" x 2-1/8" x 3/32" (for use w/CONVERTER ASSY, 338 550 R92) TD-9BP 6525 to 9905

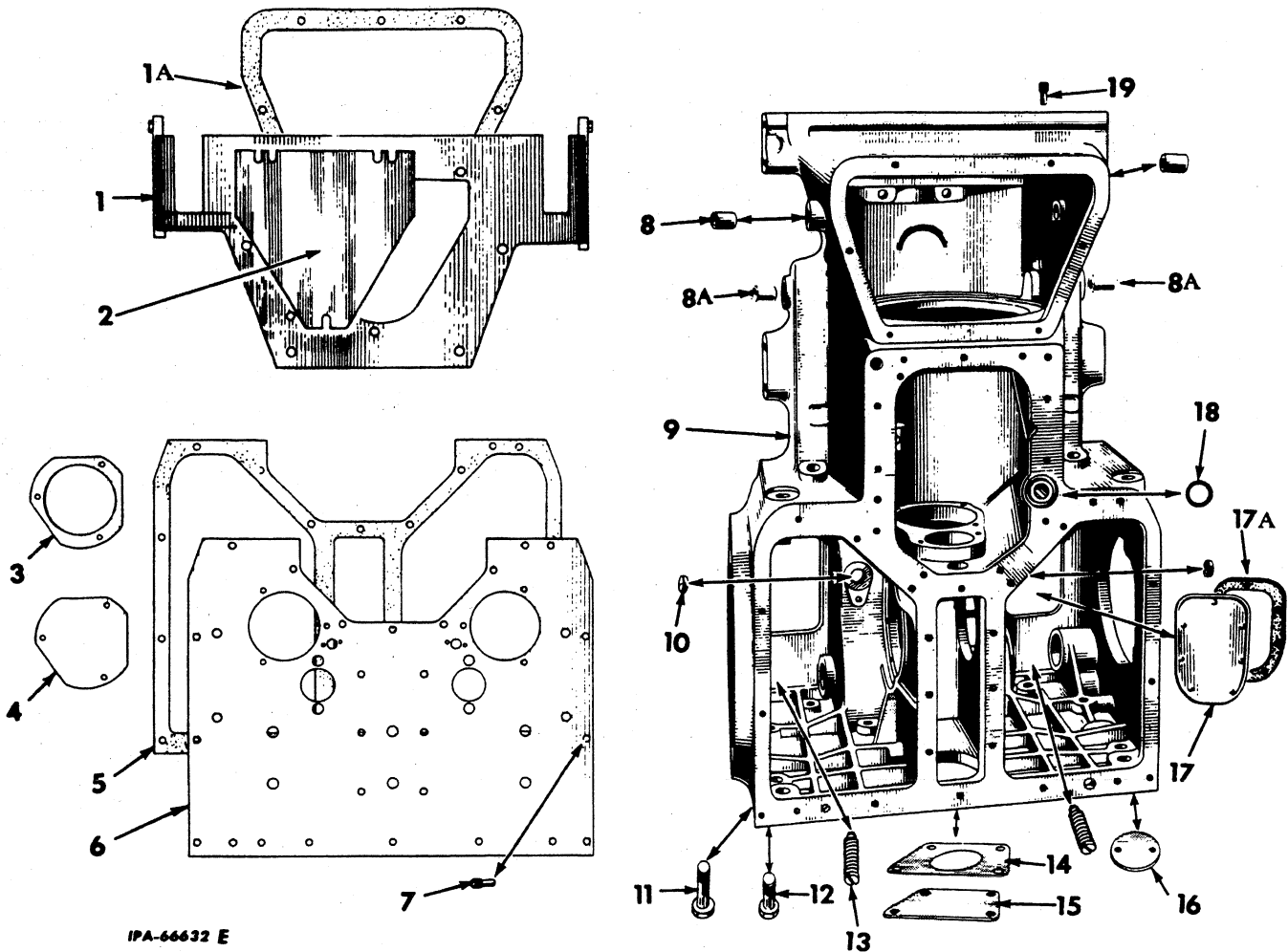
TORQUE CONVERTER

REF. NO.	PART NUMBER	DESCRIPTION	REF. NO.	PART NUMBER	DESCRIPTION
TORQUE CONVERTER, OUTPUT SHAFT AND RELATED PARTS - Continued (Borg and Beck) (Used on Power Shift Tractors)					
19	604 844 C1	"O" RING, 1-7/8" x 2-1/32" x 5/64" (for use w/CONVERTER ASSY, 606 333 C91) TD-9BP 9906 and up			
19A	606 295 C1	RING, converter hub rectangular sealing (for use w/CONVERTER ASSY, 606 333 C91) TD-9BP 9906 and up			
20	327 717 R2	SHAFT, converter output			
21	444 813	PLUG, 1/8", automotive hex-hd pipe (2)			
22	338 550 R92	CONVERTER ASSY, torque TD-9BP 6525 to 9905			
22	606 333 C91	CONVERTER ASSY, torque TD-9BP 9906 and up			
	338 078 R91	PACKAGE, converter driving strap field service (consists of three STRAP and one BOLT, 297 330 R1) (4)			

MAIN FRAME

REF. NO.	PART NUMBER	DESCRIPTION	REF. NO.	PART NUMBER	DESCRIPTION
----------	-------------	-------------	----------	-------------	-------------

MAIN FRAME AND COVERS



IPA-66632 E

1	275 200 R31 102 635 24 839 R1 24 840 R1 24 842 R1	COVER, converter NUT, 3/8" (2) SCREW, 3/8 x 3/4", hex-hd cap (4) SCREW, 3/8 x 1", hex-hd cap (2) SCREW, 3/8 x 1-3/4", hex-hd cap (2)	5	604 358 C2	GASKET, main frame cover
1A	331 724 R1	GASKET, converter and engine clutch cover	6	280 706 R22 20 052 R1 24 848 R1	COVER, main frame SCREW, 7/16 x 1-1/8", hex-hd cap SCREW, 7/16 x 3/4", hex-hd cap (4)
2	331 496 R1 25 768 R1 115 093	COVER, converter inspection SCREW, 3/8 x 5/8", hex-hd cap WASHER, 3/8" lock	7	18 585 DA	PIN, main frame cover dowel (2)
3	53 714 D	GASKET, steering clutch inspection cover (2)	8	45 120 D	BUSHING, engine clutch release shaft (2)
4	53 559 D 25 961 R1 116 120	COVER, steering clutch inspection (2) SCREW, 5/16 NF x 1/2", hex-hd cap (6) WASHER, 5/16" lock	8A	46 332 D	BUSHING, steering brake operating shaft (4) (*)
			8A	331 716 R1	BUSHING, steering brake operating shaft (4) (+)
			10	103 342	WASHER, flat (24)
			11		
			12		
			13		
			14		
			15		
			16		

(*) - Used on Manual Shift Tractors, Revolving Crane and Sideboom Tractors.

(+) - Used on Power Shift Tractors.

MAIN FRAME

REF. NO.	PART NUMBER	DESCRIPTION	REF. NO.	PART NUMBER	DESCRIPTION
MAIN FRAME AND COVERS - Continued			14	48 073 D	GASKET, power take-off cover
9	331 380 R11	FRAME ASSY (+) TD-9BP 6525 to 8149 (Order the following parts - 1 BAFFLE, sump tube 338 150 R1 1 CLAMP, sump tube 308 882 R1 1 FRAME, main 604 361 C11 1 "O" RING, 1-1/4 x 1-1/2 x 1/8" 252 483 R1 3 SCREW, 3/8 x 1-1/4", hex-hd cap 2 SPACER, sump tube baffle 253 729 R1 1 TUBE, sump 338 151 R11 3 WASHER, lock, 3/8 x 13/16" x 16 ga)	15	48 072 D 24 871 R1	COVER, power take-off SCREW, 5/8 x 1", hex-hd cap (4)
			16	275 066 R1 24 860 R1 116 121	COVER, steering clutch lubrication port (2) SCREW, 1/2 x 1", hex-hd cap (4) WASHER, 1/2" lock (4)
			17	48 044 D 24 840 R1 115 093	COVER, steering brake inspection (2) SCREW, 3/8 x 1", hex-hd cap (14) WASHER, 3/8" lock (14)
			17A	331 722 R1	GASKET, steering brake inspection cover (2)
			18	461 173 R1	"O" RING, 1-5/8 x 2 x 3/16" (also listed with "Gear Shifter Housing, Lever and Related Parts" (+)
			19	266 079 R1	PIN, rear engine support dowel (2) (*)
9	604 361 C11	FRAME ASSY, main (+) TD-9BP 8150 up (Composed of - s 1 FRAME 4 BUSHING 331 716 R1 1 PLUG 444 679 1 PLUG 254 817 R92 2 PLUG 41 600 D)		334 600 R1 45 120 D	ANCHOR, draw bar (%) BUSHING, engine clutch release shaft (2) (*)
				282 818 R2	GASKET, steering clutch lubrication port cover (2)
				331 497 R1	GASKET, converter inspection cover
9	604 357 C11	FRAME ASSY, main (*) (Composed of - 6 BOLT 272 527 R1 2 BUSHING 45 120 D 4 BUSHING 46 332 D 1 CAP 6 612 D 2 CORK 104 941 7 CORK 106 613 4 CORK 117 928 2 COVER 275 066 R1 s 1 FRAME 2 GASKET 282 818 R2 2 PIN 266 079 R1 2 PLUG 444 679 1 PLUG 271 647 R1 1 PLUG 254 817 R92 2 PLUG 41 600 D)		13 044 R1	PIN, 3/16 x 3/4" cotter
				444 655	PLUG, pipe
				444 679	PLUG, pipe (2)
				444 667	PLUG, engine clutch compartment drain
				271 647 R1	PLUG, 1" drain (3)
				254 817 R92	PLUG, w/PIN, 13 044 R1, 1/2" engine clutch compartment drain
	104 941	CORK, No. 5, 11/16" dia x 7/8" long (2)			
	106 613	CORK, No. 9, 15/16" dia x 1-1/8" long (7)			
	117 928	CORK, No. 14, 1-1/4" dia x 1-1/4" long (4)			
	271 601	SCREW, 3/4 x 7/8", hex-hd cap			
10	41 600 D	PLUG, steering brake pivot shaft cup (2)			
11	24 888 R1	SCREW, 3/4 x 2", hex-hd cap (4)			
12	24 892 R1	SCREW, 3/4 x 3", hex-hd cap (2)			
13	46 809 D	SCREW, track frame pivot shaft set (see NOTE) (2)			
	25 949 R1	NUT, 5/8" jam (2)			

(%) - Used on Revolving Crane and Sideboom Tractors.

NOTE - Also Listed Under Heading "Track Frame Pivot Shaft."

(*) - Used on Manual Shift Tractors, Revolving Crane and Sideboom Tractors.

(+) - Used on Power Shift Tractors.

s - Not Furnished Separately.

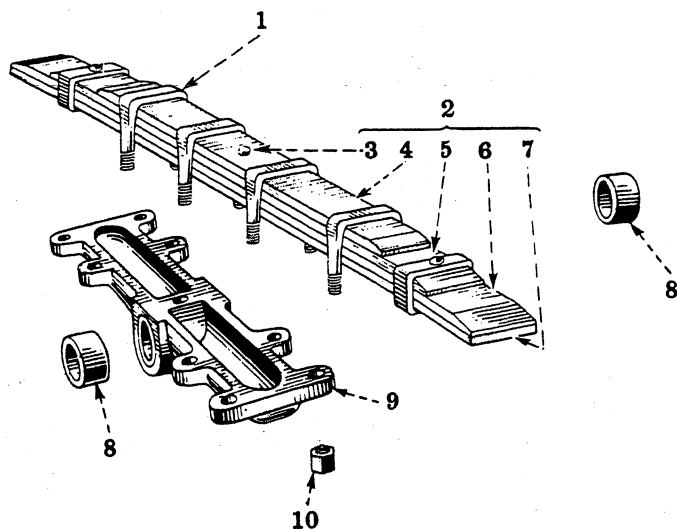
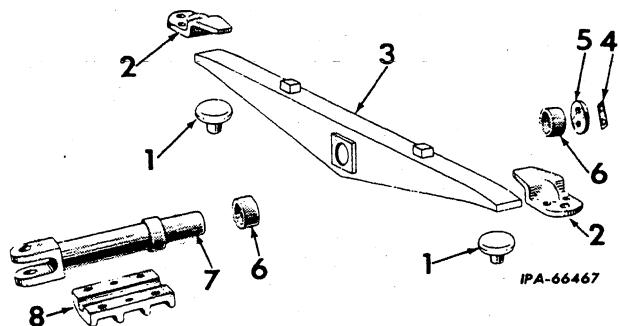
MAIN FRAME

REF. NO.	PART NUMBER	DESCRIPTION
----------	-------------	-------------

REF. NO.	PART NUMBER	DESCRIPTION
----------	-------------	-------------

EQUALIZER BAR
(Not Used on Revolving Crane and Sideboom Tractors)

EQUALIZER SPRING
(Heavy Duty) (Not Used on Revolving Crane or Sideboom Tractors)



1	8 493 DA	PAD, guide (2)
2	255 317 R1	BRACKET, rebound (2)
	24 873 R1	SCREW, 5/8 x 1-1/2", hex-hd cap (2)
	24 875 R1	SCREW, 5/8 x 2", hex-hd cap (4)
3	330 852 R11	BAR, w/two BUSHING, 47 594 DA, equalizer
4	254 922 R1	LOCK, washer retainer screw
5	254 923 R1	WASHER, retainer
6	47 594 DA	BUSHING, equalizer bar (2)
7	254 921 R1	SHAFT, pivot
	25 809 R1	SCREW, 1/2 NF x 1-1/4", hex-hd cap (2)
8	6 612 D	CAP, equalizer bar pivot shaft
	272 527 R1	BOLT, equalizer bar pivot shaft cap (6)
	103 345	WASHER (shims) (X)

607 536 C91 ATTACHMENT, heavy-duty equalizer spring (for Manual Shift, Power Shift and Agr. Tractors) (see NOTE 3)

1	53 898 DA	CLIP, equalizer spring (4)
2	255 316 R91	SPRING ASSY, heavy-duty equalizer (Composed of -
		1 BOLT 60 476 DX
		1 LEAF 255 304 R1
		1 LEAF 255 302 R1
		1 LEAF 255 303 R1
		1 LEAF 255 327 R1)
3	60 476 DX	BOLT, w/NUT, equalizer spring NUT, 1/2 NF
4	255 327 R1	LEAF, equalizer spring No. 4
5	255 304 R1	LEAF, equalizer spring No. 3
6	255 303 R1	LEAF, equalizer spring No. 2
7	255 302 R1	LEAF, equalizer spring No. 1
8	47 594 DA	BUSHING, equalizer spring saddle (2) (*)
9	47 599 DAXA	SADDLE, w/BUSHING, 47 594 DA, equalizer spring
10	41 842 D	NUT, equalizer spring clip (8)

IZG-7490 DIAGRAM, crankcase guard rework

(*) - Also Illustrated with "Equalizer Spring (Not Heavy Duty)."

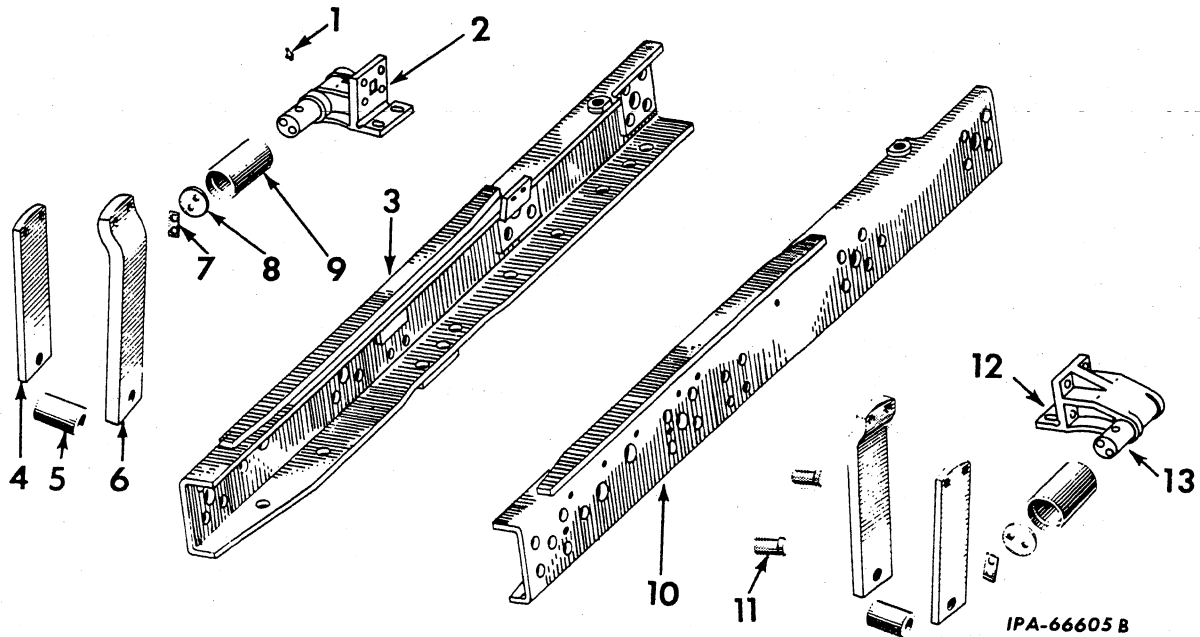
NOTE 3 - Field Application - Order Through Regular Service Parts Channels.

(X) - As Required.

MAIN FRAME

REF. NO.	PART NUMBER	DESCRIPTION	REF. NO.	PART NUMBER	DESCRIPTION
----------	-------------	-------------	----------	-------------	-------------

MAIN FRAME CHANNELS, TRACK FRAME GUIDE, ROLLERS AND BRACKETS



1	109 461	FITTING, track frame guide roller lubrication (+) (*) (2)	3	330 830 R91	CHANNEL, LH main frame side (+)
2	275 186 R21	BRACKET, w/SHAFT, 47 978 D, LH track frame guide roller (+) (*) TD-9BG 6502 to 9616 TD-9BGA 6616 to 9616 TD-9BP 6525 to 9647 (Order the following parts - 1 BRACKET 604 189 C11 4 SHIM 604 191 C1 2 SCREW, 5/8 NF x 2" 2 SCREW, 5/8 NF x 2-1/4" 2 WASHER, 21/32 x 1-5/16" x 13 ga 1 CHART IZG-7140)	3	345 864 R91 24 887 R1 25 693 R1	CHANNEL, LH main frame side (%) SCREW, 3/4 x 1-3/4", hex-hd cap (4) SCREW, 7/8 x 2", hex-hd cap (4)
2	604 189 C11	BRACKET, w/SHAFT, 47 978 D, LH track frame guide roller (+) (*) TD-9BG 9617 up TD-9BGA 9617 up TD-9BP 9648 up	4	65 868 D 271 587 131 165	PLATE, inner frame guide (+) (*) (2) SCREW, 5/8 NF x 2", hex-hd cap (4) WASHER, 5/8" lock (4)
	103 030	NUT, 5/8 NF (4)	5	49 587 D	SPACER, track frame guide (+) (*) (2)
	218 197	NUT, 3/4 NF (2)	6	65 869 D	PLATE, outer track frame guide (+) (*) (2)
	271 587	SCREW, 5/8 NF x 2", hex-hd cap (2)		24 874 R1	SCREW, 5/8 x 1-3/4", hex-hd cap (4)
	271 588	SCREW, 5/8 NF x 2-1/4" hex-hd cap (2)		271 667	SCREW, 7/8 x 4-3/4", hex-hd cap (2)
	371 638	SCREW, 3/4 NF x 3", hex-hd cap (2)	7	47 991 D	LOCK, track frame guide roller retaining washer (+) (*) (2)
	603 345	WASHER, 21/32 x 1-5/16" x 13 ga (2)	8	47 990 D	WASHER, track frame guide roller retaining (+) (*) (2)
3	330 828 R11	CHANNEL, LH main frame side (*)		25 770 R1	SCREW, 3/8 NF x 3/4", hex-hd cap (4)
			9	47 979 D	ROLLER, track frame guide (+) (*) (2)

(+) - Used on Power Shift Tractors.

(*) - Used on Manual Shift and Agr. Tractors.

(%) - Used on Revolving Crane and Sideboom Tractors.

MAIN FRAME

REF. NO.	PART NUMBER	DESCRIPTION	REF. NO.	PART NUMBER	DESCRIPTION
MAIN FRAME CHANNELS, TRACK FRAME GUIDE, ROLLERS AND BRACKETS - Continued					
10	330 829 R11	CHANNEL, RH main frame side (*)			
10	330 831 R91	CHANNEL, RH main frame side (+)			
10	345 865 R91	CHANNEL, RH main frame side (%)			
11	48 074 D	DOWEL, main frame side channel (4) TD-9BG 6502 to 16466 TD-9BP 6525 to 16466 TD-9BGA 6616 to 16466 TD-9BGC 9231 to 16800 TD-9BGS 9239 to 16800			
12	275 187 R21	BRACKET, w/SHAFT, 47 978 D, RH track frame guide roller (+) (*) TD-9BG 6502 to 9616 TD-9BGA 6616 to 9616 TD-9BP 6525 to 9647 (Order the following parts - 1 BRACKET 604 190 C11 4 SHIM 604 191 C1 2 SCREW, 5/8 NF x 2" 2 SCREW, 5/8 NF x 2-1/4" 2 WASHER, 21/32 x 1-5/16" x 13 ga 1 CHART IZG-7140)			
12	604 190 C11	BRACKET, w/SHAFT, 47 978 D, RH track frame guide roller (+) (*) TD-9BG 9617 up TD-9BGA 9617 up TD-9BP 9648 up			
	103 030	NUT, 5/8 NF (4)			
	218 197	NUT, 3/4 NF (2)			
	271 587	SCREW, 5/8 NF x 2", hex-hd cap (2)			
	271 588	SCREW, 5/8 NF x 2-1/4", hex-hd cap (2)			
	271 638	SCREW, 3/4 NF x 3", hex-hd cap (2)			
	103 345	WASHER, 21/32 x 1-5/16" x 13 ga (2)			
13	47 978 D	SHAFT, track frame guide roller (+) (*) (2)			
	604 191 C1	SHIM, track frame guide roller bracket (+) (*) (X)			

(+) - Used on Power Shift Tractors.

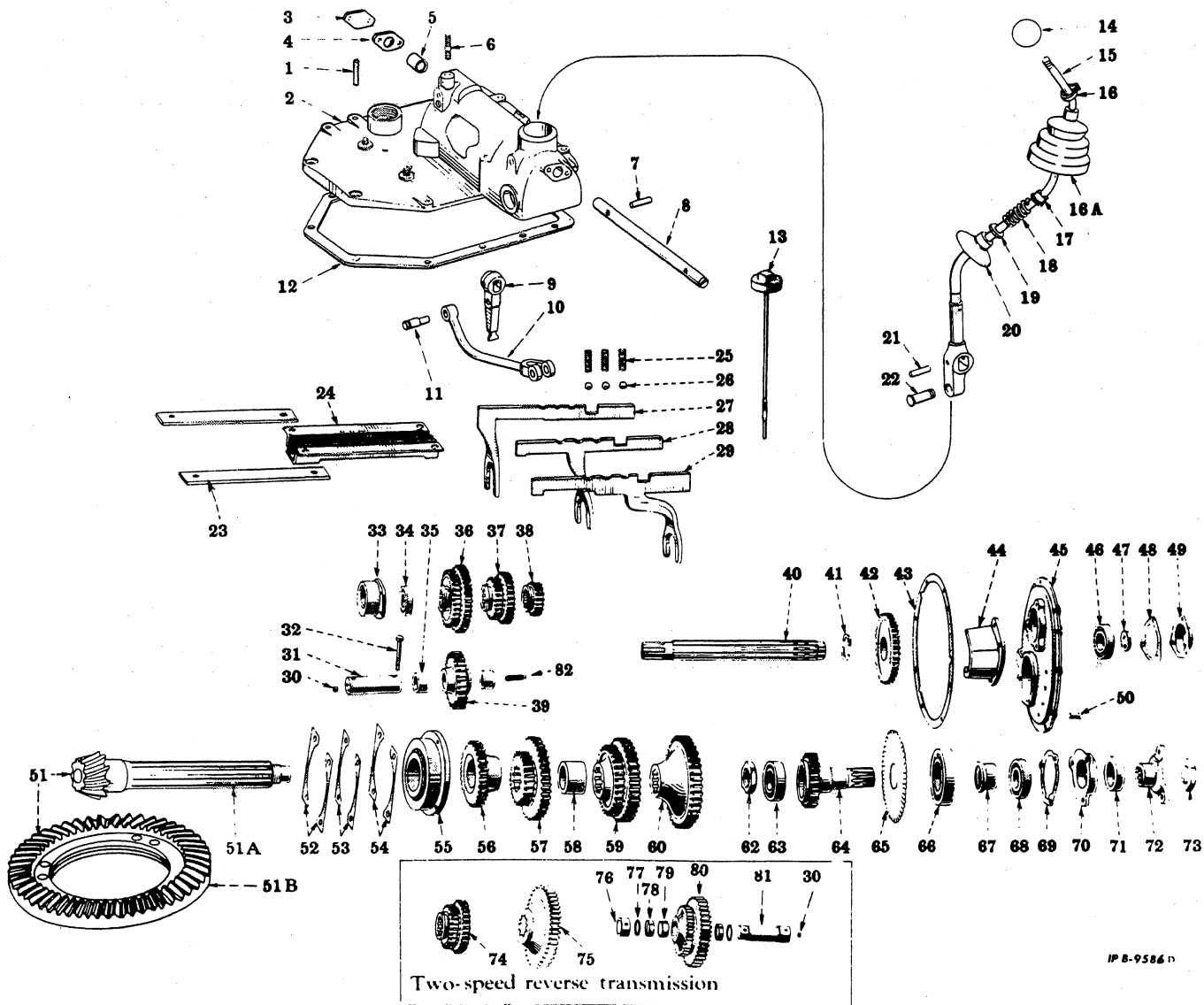
(*) - Used on Manual Shift and Agr. Tractors.

(%) - Used on Revolving Crane and Sideboom Tractors.

-125-
TRANSMISSION
 (Used on Manual Shift or Agr. Tractors)

REF. NO.	PART NUMBER	DESCRIPTION	REF. NO.	PART NUMBER	DESCRIPTION
----------	-------------	-------------	----------	-------------	-------------

TRANSMISSION
 (Five Speeds Forward, One Reverse)



IP 8-9586 D

1	18 585 DA	DOWEL, transmission gear shifter housing main frame (3)	2	604 368 C11	HOUSING ASSY, transmission gear shifter (for units with odometer attachment)
2	604 362 C11	HOUSING ASSY, transmission gear shifter (not for units with odometer attachment) (Composed of -			(Composed of -
		2 ANCHOR 50 826 D			2 ANCHOR 50 826 D
		1 BUSHING 276 156 R1			1 BUSHING 276 156 R1
		§ 1 HOUSING			§ 1 HOUSING
		1 STUD 41 633 D)			1 STUD 41 633 D)
	20 049 R1	SCREW, 7/16 x 1-3/8", hex-hd cap (4)		20 049 R1	SCREW, 7/16 x 1-3/8", hex-hd cap (4)
	20 050 R1	SCREW, 7/16 x 1-5/8", hex-hd cap (5)		20 050 R1	SCREW, 7/16 x 1-5/8", hex-hd cap (5)
	20 051 R1	SCREW, 7/16 x 3-1/8", hex-hd cap (2)		20 051 R1	SCREW, 7/16 x 3-1/8", hex-hd cap (2)

§ - Not Furnished Separately.

TRANSMISSION

(Used on Manual Shift or Agr. Tractors)

REF. NO.	PART NUMBER	DESCRIPTION	REF. NO.	PART NUMBER	DESCRIPTION
TRANSMISSION GEAR SHIFTER MECHANISM - Continued			23	62 779 D	LOCK, gear shifter rail guide support bolt (2)
3	275 226 R1	COVER, transmission gear shift lever shaft end (2)	24	69 466 DA	GUIDE, gear shifter rail
	25 768 R1	SCREW, 3/8 x 5/8", hex-hd cap (4)	24	24 839 R1	SCREW, 3/8 x 3/4", hex-hd cap (4)
	115 093	WASHER, 3/8" lock (4)	25	D2 616	POPPET, gear shifter rail (grade 3, 1/2" steel ball) (optional with 13 722 D) (3)
4	275 225 R1	GASKET, transmission gear shift lever shaft end cover (2)	26	D 2 616	POPPET, gear shifter rail (grade 3, 1/2" steel ball) (optional with 13 722 D) (3)
5	276 156 R1	BUSHING, shifter lever shaft	26	13 722 D	POPPET, gear shifter rail (grade 4, 1/2" steel ball) (optional with D2 616) (3)
6	41 633 D	STUD, platform	27	53 480 DA	RAIL and FORK, fourth and fifth gear shifter
7	277 037 R1	PIN, transmission gear shift hand lever -upper	28	53 481 DA	RAIL and FORK, second and third gear shifter
8	275 744 R2	SHAFT, transmission gear shift lever-upper	29	69 464 DB	RAIL and FORK, low and reverse gear shifter
9	275 747 R12	LEVER, w/PIN, 275 748 R2, transmission gear shift	30	45 361 D	PLUG, transmission reverse idler gear shaft
10	275 745 R11	LINK, w/CLEVIS, transmission gear shift selector	31	46 905 DX	SHAFT, w/PLUG, 45 361 D, transmission reverse idler gear (≠)
11	275 748 R2	PIN, transmission gear shift lever-lower	32	4 457 D	BOLT, transmission reverse idler gear shaft
	148 152	SPRING, 1/2" retainer			NUT, 3/8 NF slt-hex PIN, 3/32 x 3/4", cotter
12	604 363 C1	GASKET, transmission gear shifter housing	33	6 477 DB	CAGE, transmission spline shaft, rear bearing
13	53 683 DA	ROD, w/PLUG and SHIELD, transmission oil level		25 496 R1	SCREW, 3/8 x 7/8", hex-hd cap (2)
14	264 055 R2	BALL, transmission gear shift hand lever		115 093	WASHER, 3/8" lock (2)
15	275 739 R12	LEVER, transmission gear shift hand	34	272 478 R91	BEARING, transmission spline shaft, rear
16	64 604 D	CLAMP, transmission gear shift hand lever boot	35	46 904 DR	BUSHING, transmission reverse idler gear (2)
16A	275 742 R1	BOOT, transmission gear shift hand lever	36	271 861 R1	GEAR, sliding transmission, fourth and fifth speed (33 and 38 T) TD-9BG 6502 to 14000 TD-9BGA 6616 to 14000
17	11 373 D	STOP, transmission gear shift hand lever swivel shield spring-upper	36	616 475 C1	GEAR, sliding transmission, fourth and fifth speed TD-9BG 14001 up TD-9BGA 14001 up
		RIVET, 3/16 x 1-1/4", rd-hd (iron)	37	63 256 DA	GEAR, sliding transmission, second and third speed (24 and 29 T) (≠)
18	29 547 D	SPRING, transmission gear shift hand lever swivel shield	38	258 626 R3	GEAR, transmission, first and reverse speed sliding (19 T)
19	17 700 D	STOP, transmission gear shift hand lever swivel shield spring-lower	39	52 237 DAX	GEAR, w/two BUSHING, 46 904 DR, transmission reverse idler (33 T) (≠)
20	275 743 R1	SHIELD, transmission gear shift hand lever swivel	40	258 625 R2	SHAFT, transmission spline
21	277 037 R1	PIN, transmission gear shift hand lever -upper			(≠) - Not Used with Two-Speed Reverse Transmission.
22	275 746 R1	PIN, transmission gear shift hand lever -lower			
	148 152	SPRING, 1/2" retainer			

TRANSMISSION
(Used on Manual Shift or Agr. Tractors)

REF. NO.	PART NUMBER	DESCRIPTION	REF. NO.	PART NUMBER	DESCRIPTION
TRANSMISSION GEAR SHIFTER MECHANISM - Continued			55	271 863 R91	BEARING, bevel pinion and shaft, rear - Continued
41	53 632 D	COLLAR, transmission driven gear split half (2)		616 416 C1	SCREW, 1/2 x 1-5/8", special (4) TD-9BG 14001 and up TD-9BGA 14001 and up
42	52 211 D	GEAR, transmission driven (39 T)		116 121	WASHER, 1/2" lock (4)
43	46 918 D	GASKET, transmission end cover	56	616 477 C1	GEAR, transmission, fourth speed TD-9BG 14001 up TD-9BGA 14001 up
44	8 779 D 25 492 R1	POCKET, transmission end cover, oil SCREW, 5/16 x 7/8", hex-hd cap (3)	56	271 860 R2	GEAR, transmission, fourth speed (32 T) TD-9BG 6502 to 14000 TD-9BGA 6616 to 14000
	116 120	WASHER, 5/16" lock (3)			
45	6 480 DC 274 863 R1	COVER, transmission end SCREW, 7/16 x 1-1/8", hex-hd cap (8)	57	52 213 DA	GEAR, transmission, second and fifth speed (27 and 41 T) TD-9BG 6502 to 14000 TD-9BGA 6502 to 14000
46	ST 238	BEARING, transmission spline shaft, front	57	616 479 C1	GEAR, transmission, second and fifth speed TD-9BG 14001 up TD-9BGA 14001 up
47	45 357 D 181 395	WASHER, transmission spline shaft bearing, retainer front SCREW, 7/16 NF x 1", hex-hd cap (2) WASHER, 7/16" external-tooth, lock (2)	58	46 859 D	SPACER, bevel pinion shaft
48	46 913 D	GASKET, transmission spline shaft, front bearing retainer	59	63 255 DA	GEAR, transmission, third and reverse speed (36 and 41 T) (≠)
49	46 912 D	RETAINER, transmission spline shaft bearing, front	60	52 215 DB	GEAR, transmission, first speed (46 T)
	24 839 R1 115 093	SCREW, 3/8 x 3/4", hex-hd cap (3) WASHER, 3/8" lock (3)	62	279 733 R1	NUT, bevel pinion and shaft lock
50	45 132 D	PIN, transmission end cover dowel	63	615 893 C92	BEARING, bevel pinion shaft, front TD-9BG 13056 up TD-9BGA 13056 up
51	279 339 R91	PINION and SHAFT BEVEL w/ drive bevel GEAR, 279 338 R1 (matched pair) (see NOTE)	63	324 119 R1	BEARING, bevel pinion shaft, front (order BEARING, 615 893 C1, and SPACER, 615 901 C1) TD-9BG 6502 to 13055 TD-9BGA 6616 to 13055
51A		PINION and SHAFT, bevel (9 T) (order PINION and SHAFT BEVEL w/ drive bevel GEAR, 279 339 R91) (see NOTE)	64	616 338 C1	SHAFT and GEAR, transmission driving (26 T) (together with BEARING, 615 893 C1, will work for SHAFT, 262 751 R3)
51B	279 338 R1	GEAR, drive bevel (38 T) (see NOTE)	65	262 752 R1	SLINGER, transmission oil
52	53 635 D	SHIM, bevel pinion and shaft, rear bearing cage (heavy) (X)	66	272 480 R92	BEARING, transmission driving shaft, rear
53	53 636 D	SHIM, bevel pinion and shaft, rear bearing cage (medium) (X)	67	6 478 D	SPACER, transmission driving shaft bearing
54	53 637 D	SHIM, bevel pinion and shaft, rear bearing cage (light) (X)	68	ST238	BEARING, transmission driving shaft, front
54	250 307 R1	SHIM, bevel pinion and shaft, rear bearing cage (extra light) (X)	69	46 916 D	GASKET, transmission driving shaft bearing retainer, front
55	271 863 R91 179 886	BEARING, bevel pinion and shaft, rear SCREW, 1/2 x 1-5/8", hex-hd cap (4) TD-9BG 6502 to 14000 TD-9BGA 6616 to 14000			(≠) - Not Used with Two-Speed Reverse Transmission Attachment. (*) - Used with Two-Speed Reverse Transmission Attachment. (X) - As Required.

TRANSMISSION
(Used on Manual Shift or Agr. Tractors)

REF. NO.	PART NUMBER	DESCRIPTION	REF. NO.	PART NUMBER	DESCRIPTION
TRANSMISSION - Continued (Five Speeds Forward, One Reverse)					
70	6 479 DB	RETAINER, transmission driving shaft bearing, front			
	24 840 R1	SCREW, 3/8 x 1", hex-hd cap (3)			
	115 093	WASHER, 3/8" lock (3)			
71	310 508 R91	OIL SEAL, transmission driving shaft			
72	52 208 D	COUPLING, transmission drive			
73	255 630 R1	NUT, transmission drive coupling, retaining			
74	260 153 R1	GEAR, transmission, second and high reverse sliding (24 and 28 T) (*)			
75	260 151 R1	GEAR, transmission, high and low reverse speed (41 T) (*)			
76	279 433 R1	SLEEVE, reverse idler gear shaft (*)			
77	279 427 R1	RING, high and low reverse idler gear snap (*) (2)			
78	313 946 R91	BEARING, high and low reverse idler (*) (2)			
79	311 277 R1	SPACER, high and low reverse idler gear (*)			
80	279 431 R2	GEAR, high and low reverse idler (24 and 33 T) (*)			
81	279 435 R11	SHAFT, w/PLUG, 45 361 D, reverse idler gear (*)			
82	279 434 R92	STRAINER, oil reverse idler			
	50 826 D	ANCHOR, steering clutch release lever return spring (2)			
	311 279 R1	CLIP, high and low reverse idler gear thrust washer stop (*)			
	250 868 R1	DOWEL, gear shifter housing			
	172 529	PLUG, 5/8" expansion (4)			
	172 574	PLUG, 1-1/2" expansion (3)			
	311 278 R1	WASHER, high and low reverse idler gear thrust (*)			
	615 901 C1	SPACER, bevel pinion shaft, front (used w/BEARING, 615 893 C1) TD-9BG 13056 to 14003 TD-9BGA 13056 to 14003			

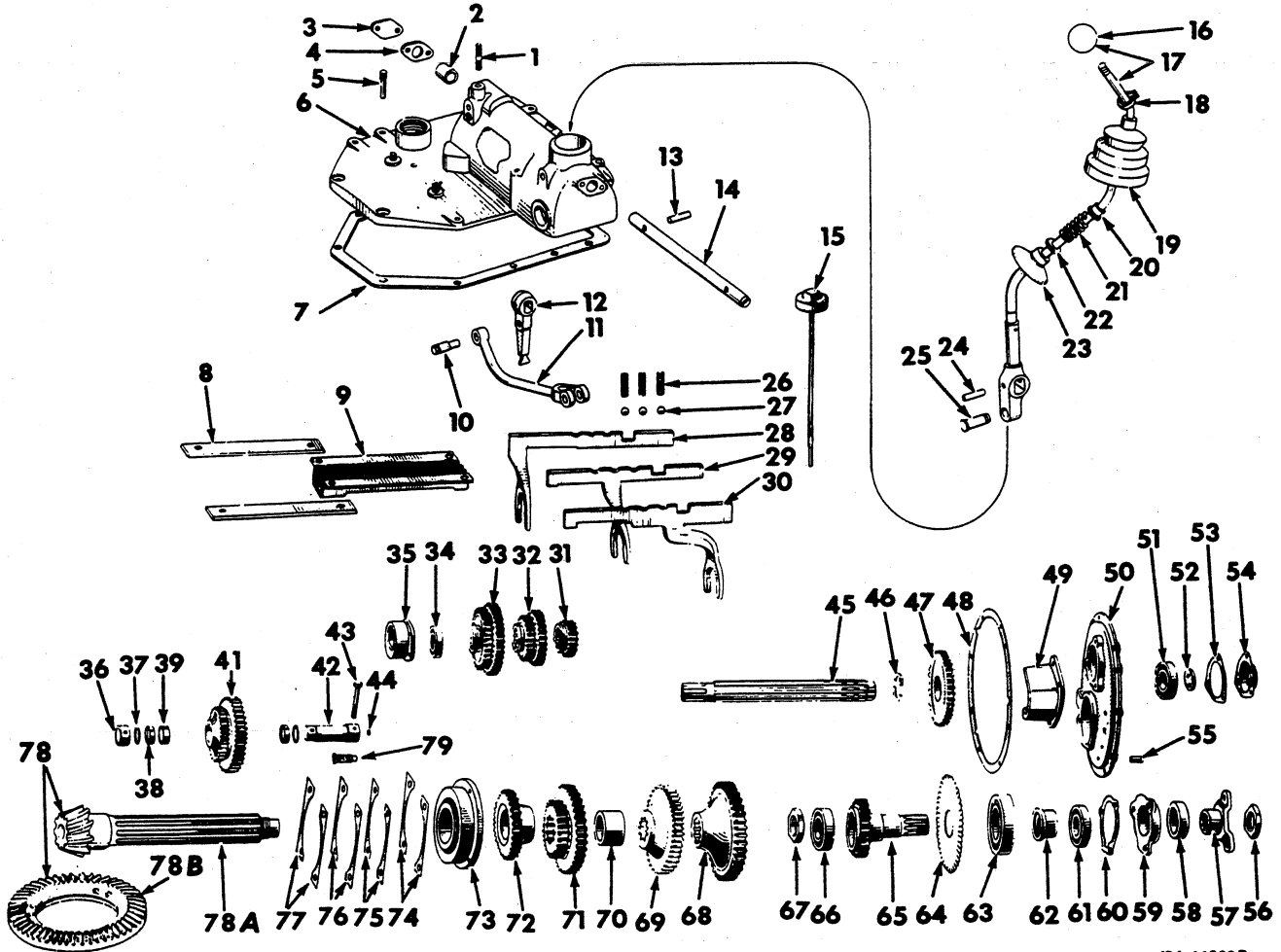
(*) - Used with Two-Speed Reverse Transmission Attachment.

TRANSMISSION

(Used on Revolving Crane or Sideboom Tractors)

REF. NO.	PART NUMBER	DESCRIPTION	REF. NO.	PART NUMBER	DESCRIPTION
----------	-------------	-------------	----------	-------------	-------------

TRANSMISSION
(Four Speeds Forward, Two Reverse) (Manual Shift)



IPA-66928B

1	41 633 D	STUD, platform	6	604 362 C11	HOUSING ASSY, transmission gear shifter (not for units with odometer attachment) (Composed of -
2	276 156 R1	BUSHING, shifter lever shaft			2 ANCHOR 50 826 D
3	275 226 R1	COVER, transmission gear shift lever shaft end (2)			1 BUSHING 276 156 R1
		SCREW, 3/8 x 5/8" hex-hd cap (4)			s 1 HOUSING
		WASHER, 3/8" lock (4)			1 STUD 41 633 D)
4	275 225 R1	GASKET, transmission gear shift lever shaft end cover (2)		20 049 R1	SCREW, 7/16 x 1-3/8" hex-hd cap (4)
5	18 585 DA	DOWEL, transmission gear shifter housing main frame (3)		20 050 R1	SCREW, 7/16 x 1-5/8" hex-hd cap (5)
				20 051 R1	SCREW, 7/16 x 3-1/8" hex-hd cap (2)

s - Not Furnished Separately.

TRANSMISSION

(Used on Revolving Crane or Sideboom Tractors)

REF. NO.	PART NUMBER	DESCRIPTION	REF. NO.	PART NUMBER	DESCRIPTION
TRANSMISSION - Continued (Four Speeds Forward, Two Reverse) (Manual Shift)			23	275 743 R1	SHIELD, transmission gear shift hand lever swivel
6	604 368 C11	HOUSING ASSY, transmission gear shifter (for units with odometer attachment) (Composed of - 2 ANCHOR 50 826 D 1 BUSHING 276 156 R1 s 1 HOUSING 1 STUD 41 633 D)	24	277 037 R1	PIN, transmission gear shift hand lever upper
	20 049 R1	SCREW, 7/16 x 1-3/8" hex-hd cap (4)	25	275 746 R1	PIN, transmission gear shift hand lever lower
	20 050 R1	SCREW, 7/16 x 1-5/8" hex-hd cap (5)		148 152	SPRING, 1/2" retainer
	20 051 R1	SCREW, 7/16 x 3-1/8" hex-hd cap (2)	26	64 163 D	SPRING, gear shifter rail poppet (3)
7	604 363 C1	GASKET, transmission gear shifter housing	27	D 2 616	POPPET, gear shifter rail (grade 3, 1/2" steel ball) (optional with 13 722 D) (3)
8	62 779 D	LOCK, gear shifter rail guide support bolt (2)	27	13 722 D	POPPET, gear shifter rail (grade 4, 1/2" steel ball) (optional with D 2 616) (3)
9	69 466 DA	GUIDE, gear shifter rail SCREW, 3/8 x 3/4" hex-hd cap (4)	28	53 480 DA	RAIL and FORK, third and fourth gear shifter
10	275 748 R2 148 152	PIN, transmission gear shift lever lower SPRING, 1/2" retainer	29	53 481 DA	RAIL and FORK, second and high reverse gear shifter
11	275 745 R11	LINK w/CLEVIS, transmission gear shift selector	30	69 464 DB	RAIL and FORK, first speed and low reverse gear shifter
12	275 747 R12	LEVER w/PIN, 275 748 R2, transmission gear shift	31	258 626 R3	GEAR, transmission first and low reverse speed sliding (19 T)
13	277 037 R1	PIN, transmission gear shift hand lever upper	32	260 153 R1	GEAR, transmission second and high reverse (24 and 28 T)
14	275 744 R2	SHAFT, transmission gear shift lever upper	33	616 476 C1	GEAR, sliding transmission third and fourth speed TD-9BGC 14001 to 16800 TD-9BGS 14001 to 16800
15	53 683 DA	ROD w/PLUG and SHIELD, transmission oil level	33	271 861 R1	GEAR, sliding transmission third and fourth speed (33 and 38 T) TD-9BGC 9231 to 14000 TD-9BGS 9239 to 14000
16	264 055 R2	BALL, transmission gear shift hand lever	34	272 478 R91	BEARING, transmission spline shaft rear
17	276 099 R92	LEVER w/BALL, 264 055 R2, transmission gear shift hand	35	6 477 DB	CAGE, transmission spline shaft rear bearing
18	64 604 D	CLAMP, transmission gear shift hand lever boot		25 496 R1 115 093	SCREW, 3/8 x 7/8" hex-hd cap (2) WASHER, 3/8" lock (2)
19	275 742 R1	BOOT, transmission gear shift hand lever	36	279 433 R1	SLEEVE, reverse idler gear shaft
20	11 373 D	STOP, transmission gear shift hand lever swivel shield spring upper RIVET (iron) 3/16 x 1-1/4" rd-hd	37	279 427 R1	RING, high and low reverse idler gear snap (2)
21	29 547 D	SPRING, transmission gear shift hand lever swivel shield	38	313 946 R91	BEARING, high and low reverse idler gear (2)
22	17 700 D	STOP, transmission gear shift hand lever swivel shield spring lower	39	311 277 R1	SPACER, high and low reverse idler gear
			41	279 431 R2	GEAR, high and low reverse idler (24 and 33 T)

s - Not Furnished Separately.

TRANSMISSION

(Used on Revolving Crane or Sideboom Tractors)

REF. NO.	PART NUMBER	DESCRIPTION	REF. NO.	PART NUMBER	DESCRIPTION
TRANSMISSION - Continued (Four Speed Forward, Two Reverse) (Manual Shift)			61	ST 238	BEARING, transmission driving shaft front
42	279 435 R11	SHAFT w/PLUG, 45 361 D, transmission reverse idler gear	62	6 478 D	SPACER, transmission driving shaft bearing
43	4 457 D	BOLT, transmission reverse idler gear shaft NUT, 3/8NF slt-hex PIN, 3/32 x 3/4" cotter	63	272 480 R91	BEARING, transmission driving shaft rear
44	45 361 D	PLUG, transmission reverse idler gear shaft	64	262 752 R1	SLINGER, transmission oil
45	258 625 R2	SHAFT, transmission spline	65	307 082 R1	SHAFT, transmission driving (23 T)
46	53 632 D	COLLAR, transmission driven gear split half (2)	66	307 819 R91	BEARING, bevel pinion shaft front
47	307 155 R1	GEAR, transmission driven (42 T)	67	279 733 R1	NUT, bevel pinion and shaft lock
48	46 918 D	GASKET, transmission end cover	68	52 215 DB	GEAR, transmission first speed (46 T)
49	8 779 D 25 492 R1	POCKET, transmission end cover oil SCREW, 5/16 x 7/8" hex-hd cap (3)	69	260 151 R1	GEAR, transmission high and low reverse speed (41 T)
	116 120	WASHER, 5/16" lock (3)	70	46 859 D	SPACER, bevel pinion shaft
50	6 480 DC 274 863 R1	COVER, transmission end BOLT, transmission end cover (8)	71	52 213 DA	GEAR, transmission second and fourth speed (27 and 41 T)
51	ST 238	BEARING, transmission spline shaft front	72	616 477 C1	GEAR, transmission fourth speed TD-9BGC 14001 to 16800 TD-9BGS 14001 to 16800
52	45 357 D	WASHER, transmission spline shaft bearing retainer front SCREW, 7/16NF x 1" hex-hd cap (2) WASHER, 7/16" external-tooth lock (2)	72	271 8600 R2	GEAR, transmission fourth speed (32 T) TD-9BGC 9231 to 14000 TD-9BGS 9239 to 14000
53	46 913 D	GASKET, transmission spline shaft front bearing retainer	73	271 863 R91 179 886	BEARING, bevel pinion and shaft rear SCREW, 1/2 x 1-5/8" hex-hd cap (4) TD-9BGC 9231 to 14000 TD-9BGS 9239 to 14000
54	46 912 D 24 839 R1 115 093	RETAINER, transmission spline shaft bearing front SCREW, 3/8 x 3/4" hex-hd cap (3) WASHER, 3/8" lock (3)		616 416 C1	SCREW, 1/2 x 1-5/8" special (4) TD-9BGC 14001 to 16800 TD-9BGS 14001 to 16800 WASHER, 1/2" lock (4)
55	45 132 D	PIN, transmission end cover dowel	74	53 635 D	SHIM, bevel pinion and shaft rear bearing cage (heavy) (X)
56	255 630 R1	NUT, transmission drive coupling retaining	75	53 636 D	SHIM, bevel pinion and shaft rear bearing cage (medium) (X)
57	52 208 D	COUPLING, transmission drive	76	53 637 D	SHIM, bevel pinion and shaft rear bearing cage (light) (X)
58	310 508 R91	OIL SEAL, transmission driving shaft	77	250 307 R1	SHIM, bevel pinion and shaft rear bearing cage (extra light) (X)
59	6 479 DB 24 840 R1 115 093	RETAINER, transmission driving shaft bearing front SCREW, 3/8 x 1" hex-hd cap (3) WASHER, 3/8" lock (3)	78	279 339 R91	PINION and SHAFT, bevel w/drive bevel GEAR, 279 338 R1 (matched pair) (see NOTE)
60	46 916 D	GASKET, transmission driving shaft bearing retainer front			NOTE - Also Listed and Illustrated Under Heading STEERING SYSTEM - "Drive Bevel Gear" (X) - As Required.

TRANSMISSION

(Used on Revolving Crane or Sideboom Tractors)

REF. NO.	PART NUMBER	DESCRIPTION	REF. NO.	PART NUMBER	DESCRIPTION
TRANSMISSION - Continued (Four Speeds Forward, Two Reverse) (Manual Shift)					
78A		PINION and SHAFT, bevel (9 T) (order PINION and SHAFT, bevel w/ drive bevel GEAR, 279 339 R91) (see NOTE)			
78B	279 338 R1	GEAR, drive bevel (38 T) (see NOTE)			
79	279 434 R92	STRAINER, oil reverse idler			
	50 826 D	ANCHOR, steering clutch release lever return spring (2)			
	311 279 R1	CLIP, high and low reverse idler gear thrust washer stop			
	250 868 R1	DOWEL, gear shifter housing			
	172 529	PLUG, 5/8" expansion (4)			
	172 574	PLUG, 1-1/2" expansion (3)			
	311 278 R1	WASHER, high and low reverse idler gear thrust			

NOTE - Also Listed and Illustrated
Under Heading STEERING
SYSTEM - "Drive Bevel
Gear."

-133-
TRANSMISSION
 (Used on Power Shift Tractors)

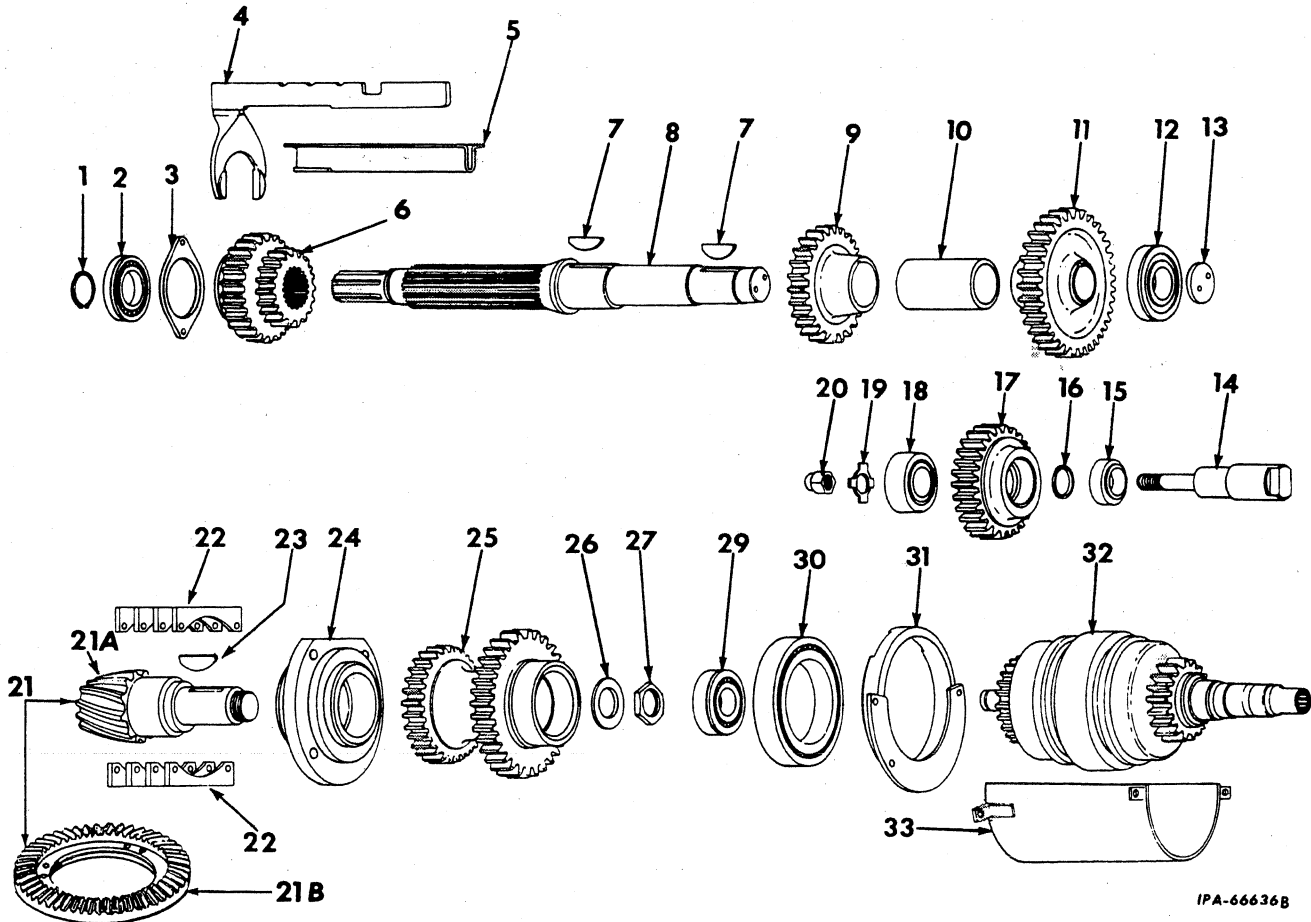
REF. NO.	PART NUMBER	DESCRIPTION	REF. NO.	PART NUMBER	DESCRIPTION
GEAR SHIFT HOUSING, LEVER AND RELATED PARTS			11	341 949 R1	TUBE, transmission vent TD-9BP 8089 to 12166
			12	327 932 R91	PIPE, transmission filler (order PACKAGE, 341 950 R91) TD-9BP 6225 to 8088
			12	327 932 R92	PIPE, transmission filler TD-9BP 8089 up
			13	327 940 R11	ROD, transmission oil level
			14	51 434 D	ELBOW, transmission vent tube TD-9BP 8089 to 12166
			15	19 986 R1	NUT, transmission vent tube elbow TD-9BP 8089 to 12166
			16	604 364 C1 20 049 R1	HOUSING, gear shifter SCREW, 7/16 x 1-3/8" hex-hd cap (4)
				20 050 R1	SCREW, 7/16 x 1-5/8" hex-hd cap (7) WASHER, 15/32 x 59/64" x 16 ga (11)
			17	18 585 DA	DOWEL, gear shifter housing to main frame (3)
			18	461 173 R1	"O" RING, 1-5/8 x 2 x 3/16" (illustrated and listed with "Main Frame")
			19	604 365 C1	GASKET, gear shifter housing
20	13 722 D	BALL, gear shifter rail (optional with D-2616)			
20	D 2 616	BALL, gear shifter rail (optional with 13 722 D)			
21	64 163 D	SPRING, gear shifter rail ball			
22	50 826 D	ANCHOR, steering clutch release lever return spring (2)			
23	611 432 C11	TUBE, w/two NUT, 265 205 R1 and two SLEEVE, 265 204 R1, transmission vent TD-9BP 12167 up			
24	265 204 R1	SLEEVE TD-9BP 12167 up			
25	265 205 R1	NUT TD-9BP 12167 up			
26	606 889 C1	ELBOW, transmission vent tube TD-9BP 12167 up			
	250 868 R1	DOWEL, gear shifter housing			
	172 529	PLUG, 5/8" expansion (2)			
1	264 055 R2	BALL, gear shift hand lever			
2	64 604 D	CLAMP, gear shift hand lever boot			
3	64 603 DA	BOOT, gear shift hand lever			
4	104 073	RIVET, 3/16 x 1-1/4"			
5	11 373 D	STOP, upper gear shift lever spring			
6	29 547 D	SPRING, gear shift lever			
7	17 700 D	STOP, lower gear shift lever spring			
8	355 889 R3	SHIELD, gear shift housing swivel			
9	327 941 R91	LEVER, gear shift hi-low			
10	57 904 DA	PIN, gear shift hand lever			

IPA-66608 D

-134-
TRANSMISSION
 (Used on Power Shift Tractors)

REF. NO.	PART NUMBER	DESCRIPTION	REF. NO.	PART NUMBER	DESCRIPTION
----------	-------------	-------------	----------	-------------	-------------

TRANSMISSION COUNTERSHAFT, GEARS AND RELATED PARTS



IPA-66636B

1	631 255 R 1	RING, countershaft rear bearing snap	7	17 138 R 1	KEY, 1/4 x 2-3/4" (Woodruff) (2)
2	319 962 R91	BEARING, countershaft rear	8	327 951 R 1	SHAFT, transmission counter (order gear, 331 375 R2 and shaft, 327 951 R2) TD-9BP 6525 to 6976
3	327 936 R 1 24 840 R 1 115 093	RETAINER, countershaft rear bearing SCREW, 3/8 x 1" hex-hd cap (2) WASHER, 3/8" lock (2)	8	327 951 R 2	SHAFT, transmisison counter TD-9BP 6977 up
4	327 949 R91	RAIL and FORK, hi-low speed shifter	9	327 952 R 1	GEAR, reverse countershaft (28 T)
5	327 939 R 11 62 778 D 24 839 R 1	GUIDE, gear shifter rail LOCK, gear shifter rail guide screw (2) SCREW, 3/8 x 3/4" hex-hd cap (4)	10	327 935 R 1	SPACER, transmission countershaft gear
6	331 375 R 1	GEAR, hi-low sliding (18 T and 25 T) (order shaft, 327 951 R2 and gear, 331 375 R2) TD-9BP 6525 to 6976	11	327 959 R 1	GEAR, forward countershaft (35 T)
6	331 375 R 2	GEAR, hi-low sliding (18 T and 25 T) TD-9BP 6977 up	12	327 427 R91	BEARING, countershaft front
			13	327 929 R 1	WASHER, countershaft front bearing retainer
				181 395	SCREW, 7/16NF x 1" hex-hd cap (2)
				115 314	WASHER, 7/16" lock (2)

-135-
TRANSMISSION
 (Used on Power Shift Tractors)

REF. NO.	PART NUMBER	DESCRIPTION	REF. NO.	PART NUMBER	DESCRIPTION
TRANSMISSION COUNTERSHAFT, GEARS AND RELATED PARTS - Continued			22	53 637 D	SHIM, rear bearing (light) (X)
			22	250 307 R1	SHIM, rear bearing (extra light) (X)
14	327 943 R1	SHAFT, reverse idler	23	38 260 D	KEY, 3/8 x 2-3/4" (Woodruff)
15		BEARING (order 327 426 R91)	24	327 425 R91	BEARING, pinion shaft
16		SPACER (order 327 426 R91)		313 692 R1	SCREW, 1/2 x 1-3/4" hex-hd cap (4)
17	327 955 R1	GEAR, reverse idler (27 T)		116 121	WASHER, 1/2" lock (4)
18		BEARING (order 327 426 R91)	25	331 376 R1	GEAR, hi-low driven (35 T)
19	327 927 R1	WASHER, reverse idler shaft nut lock	26	351 048 R1	RETAINER, hi-low driven gear (for use with bevel PINION and SHAFT SET, 327 965 R91)
20	18 558 R1	NUT, reverse idler shaft (3/4NF)			TD-9BP 6525 to 8414
21	327 965 R91	PINION and SHAFT, BEVEL, 327 960 R1 w/drive bevel GEAR, 279 338 R1 (matched pair) (order GEAR and PINION SET, 609 969 C91. RETAINER, 341 811 R1, NUT, 20 017 R1) (see NOTE)	26	341 811 R1	RETAINER, hi-low driven gear (for use with bevel PINION and SHAFT SET, 609 969 C91)
		TD-9BP 6525 to 8414			TD-9BP 8415 up
21	609 969 C91	PINION and SHAFT, BEVEL, 609 968 C1 w/drive bevel GEAR, 609 967 C1 (matched pair) (see NOTE)	27	279 732 R1	NUT, bevel pinion shaft (for use with bevel PINION and SHAFT SET, 327 965 R91)
		TD-9BP 8415 up			TD-9BP 6525 to 8414
21A	327 960 R1	PINION and SHAFT, bevel (9 T) (20° spiral angle) (order PINION and SHAFT SET 609 969 C91, RETAINER, 341 811 R1 and NUT, 20 017 R1) (see NOTE)	27	20 017 R1	NUT, bevel pinion shaft (for use with bevel PINION and SHAFT SET, 609 969 C91)
		TD-9BP 6525 to 8414			TD-9BP 8415 up
21A	341 812 R1	PINION and SHAFT, bevel (9 T) (order PINION and SHAFT SET, 609 969 C91) (see NOTE)	29	327 429 R92	BEARING, input shaft rear
		TD-9BP 8415 to 12768	30	279 456 R93	BEARING, pinion shaft front
21A	609 968 C1	PINION and SHAFT, bevel (9 T) (30° spiral angle) (see NOTE)	31	327 950 R1	CAGE, pinion shaft front bearing
		TD-9BP 12769 up			SCREW, 3/8 x 1-1/4" hex-hd cap (3)
21B	279 338 R1	GEAR, drive bevel (38 T) (20° pressure angle) (for TD-9BP 6525 to 8414 order PINION and SHAFT SET, 609 969 C91, RETAINER, 341 811 R1 and NUT 20 017 R1) (for TD-9BP 8415 to 12768 order PINION and SHAFT SET, 609 969 C91) (see NOTE)			WASHER, 3/8" lock (3)
		TD-9BP 6525 to 12768	32		PACK ASSY, clutch (for components see list of parts under details of "Clutch Pack and Related Parts")
21B	609 967 C1	GEAR, drive bevel (38 T) (22-1/2° pressure angle) (see NOTE)	33	327 956 R11	BAFFLE, transmission oil
		TD-9BP 12769 up		297 330 R1	SCREW, 3/8 x 1" hex-hd cap (2)
22	53 635 D	SHIM, rear bearing (heavy) (X)			TD-9BP 6525 to 8013
22	53 636 D	SHIM, rear bearing (medium) (X)		327 426 R91	BEARING, reverse idler gear (consists of Ref. Nos. 15, 16 and 18)

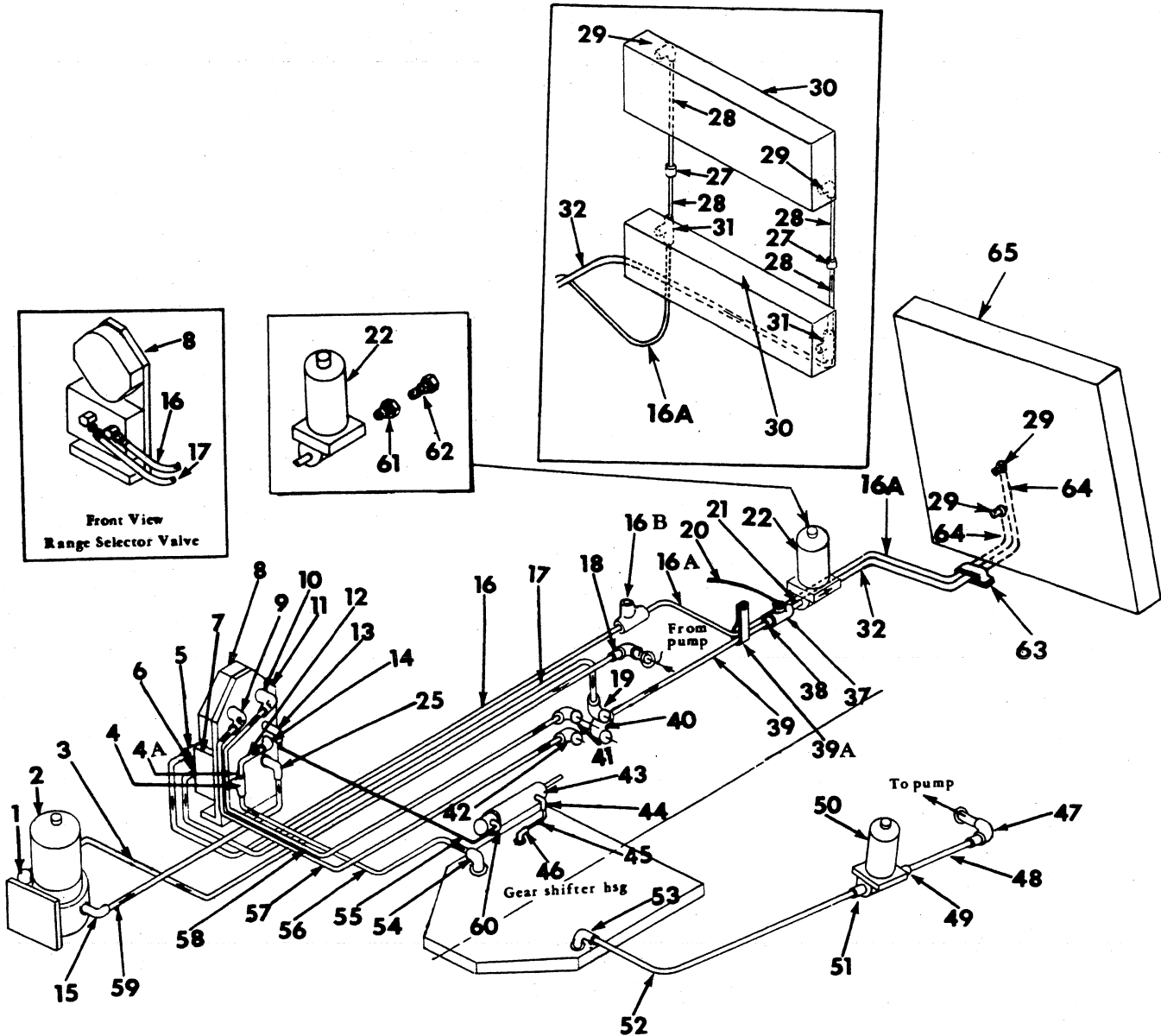
NOTE - Also Listed and Illustrated Under Heading "STEERING SYSTEM - Drive Bevel Gear."

(X) - As Required.

-136-
TRANSMISSION
 (Used on Power Shift Tractors)

REF. NO.	PART NUMBER	DESCRIPTION	REF. NO.	PART NUMBER	DESCRIPTION
----------	-------------	-------------	----------	-------------	-------------

TRANSMISSION PIPING
 TD-9BP 6525 to 16366



IPB-10731 F

1	297 581 R91	ELBOW, 90° adapter	3	338 621 R91	HOSE w/FITTINGS, pump to pressure filter (HOSE, 3/4" ID x 45" long w/FITTINGS)
2		FILTER, pressure (for components see list of parts under details of "Pressure Filter")	4	338 335 R91	ADAPTER, 90° swivel (3/4-1/8NPT)
	25 522 R1	NUT, 3/8" (4)	4A	9 409 271	CONNECTOR, 1/8NPT
	140 483 H	SCREW, 3/8 x 1-1/4" hex-hd cap (4)		272 982	FERRULE
	115 093	WASHER, 3/8" lock (4)		9 409 521	NUT
	615 031 R1	WASHER, 3/8" (4)			

-137-
TRANSMISSION
(Used on Power Shift Tractors)

REF. NO.	PART NUMBER	DESCRIPTION	REF. NO.	PART NUMBER	DESCRIPTION
TRANSMISSION PIPING - Continued			16A	347 958 R91	HOSE w/two FITTINGS, 347 957 R91, thermo by-pass to regulator - front (HOSE, 5/8" ID x 23" long including FITTINGS) TD-9BP 9810 to 10701
5	297 581 R91 144 056	ELBOW, 90° adapter REDUCER, 1-3/4NPT	16A		HOSE w/o FITTINGS, cut length 5/8" ID x 19-5/8" long cut from bulk HOSE, 319 710 R1 TD-9BP 9810 to 10701
6	346 505 R91	UNION, 90° adapter	319 752 R91		FITTING, male pipe hose (2)
7		VALVE ASSY, main regulator (for components see list of parts under details of "Main Regulator Valve")	16A	619 788 C1	HOSE w/two FITTINGS, oil cooler outlet front (HOSE, 1/2" ID x 68" long w/FITTINGS) TD-9BP 15423 up
	24 916 R1	SCREW, 3/8 x 4-3/4" hex-hd cap (11)			
	25 522 R1 115 093	NUT, 3/8" (11) WASHER, 3/8" lock (11)			
8		VALVE ASSY, range selector (for components see list of parts under details of "Range Selector Valve")	16B	347 516 R91	TEE, thermo by-pass hose swivel TD-9BP 9809 up
		NUT, 5/16NF (8)	17	343 563 R91	HOSE w/two FITTINGS, regulator to converter (HOSE, 5/8" ID x 41" long including FITTINGS)
		SCREW, 5/16NF x 4-1/2" hex-hd cap (6)	18	338 586 R91	ADAPTER, union (3/4NPT)
		SCREW, 5/16NF x 5" hex-hd cap (2)	19	338 596 R91 570 838 R1	UNION, 90° adapter "O" RING (.644 x .818 x .087")
	338 587 R91 364 839 R1	WASHER, 5/16" lock (8) UNION, adapter (3/8NPT x 90°) "O" RING (.468 x .624 x .078")	20		CABLE, converter temperature (part of converter temperature gauge)
10	338 587 R91 364 839 R1	UNION, adapter (3/8NPT x 90°) "O" RING (.468 x .624 x .078")	21	127 878	NIPPLE, 1 x 1-1/2NPT
11	331 669 R1	BRACKET, regulator and selector valve	22	610 794 C91	FILTER ASSY, safety (consists of ELEMENT 346 821 R91, "O" RING, 313 337 R1 and SPRING, 346 822 R1) (Filter Assembly, 610 794 C91 will work for Filter Assembly 333 734 R91)
	25 526 R1 25 506 R1	NUT, 1/2" (3) SCREW, 1/2 x 1-5/8" hex-hd cap (3)		25 281 R1	SCREW, 1/2 x 2-3/4" hex-hd cap (2)
	116 121	WASHER, 1/2" lock (3)		103 343	WASHER, 17/32 x 1-1/16" x 13 ga (2)
12	334 740 R1	TUBE, regulator to tee		116 121	WASHER, 1/2" lock (2)
13	338 587 R91 364 839 R1	UNION, adapter (3/8NPT x 90°) (2) "O" RING (.468 x .624 x .078")	25	336 009 R91 368 269 R1	UNION, adapter (3/4NPT x 90°) "O" RING (.924 x 1.166 x .116")
14	9 409 323 272 982 9 409 521	ELBOW, 1/8NPT FERRULE NUT	27	324 169 R91	COUPLING, pipe (2) TD-9BP 6525 to 15422
15	444 377	ELBOW, 3/4NPT street (optional with 454 112)	28	330 993 R1	PIPE, cooler connector (4) TD-9BP 6525 to 15422
15	454 112	ELBOW, 3/4NPT street (optional with 444 377)	29	444 044	ELBOW, 90° street (2)
16	343 562 R91	HOSE w/two FITTINGS, thermo by-pass to regulator (HOSE, 5/8" ID x 80" long including FITTINGS) TD-9BP 6501 to 9808	30	333 705 R92	COOLER, oil (mount ahead of radiator) (2) TD-9BP 6525 to 15422
16	347 935 R91	HOSE w/FITTINGS, thermo by-pass to regulator (rear) (HOSE, 5/8" ID x 56" long including FITTINGS) TD-9BP 9809 to 16366		181 361	SCREW, 3/8NF x 7/8" hex-hd cap (2)
				181 356	SCREW, 3/8NF x 5/8" hex-hd cap (8)
				115 093	WASHER, 3/8" lock (6)
				106 262	WASHER, 3/8" plain (2)

TRANSMISSION
(Used on Power Shift Tractors)

REF. NO.	PART NUMBER	DESCRIPTION	REF. NO.	PART NUMBER	DESCRIPTION
TRANSMISSION PIPING - Continued			50		FILTER ASSY, suction (For components see list of parts under details of SAFETY and SUCTION FILTERS)
31	444 138	TEE, 1/2NPT (2) TD-9BP 6525 to 15422	51	9 409 278	CONNECTOR, 1NPT TD-9BP 6525 to 16347
32	343 565 R91	HOSE w/FITTINGS, by-pass housing to oil cooler (HOSE, 1/2" ID x 51" long w/FITTINGS) (2) TD-9BP 6525 to 15422	9 409 528	272 989	NUT FERRULE
32	619 789 C1	HOSE w/two FITTINGS, safety filter to oil cooler inlet (HOSE, 1/2" ID x 43" long w/FITTINGS) TD-9BP 15423 to 16366	51	9 410 708	UNION, 1" short swivel TD-9BP 16348 and up
37	179 626	TEE, reducing (1-1/2 - 1/2")	296 247 R1		"O" RING
38	336 234 R91	ORIFICE, converter outlet (1/4")	9 409 528	272 989	NUT
39	343 564 R91	HOSE w/two FITTINGS, converter to safety filter (HOSE, 5/8" ID x 27" long including FITTINGS)	9 409 528	272 989	FERRULE
39A	326 078 R1	CLAMP, hose	49	9 409 278	CONNECTOR, 1NPT
40	338 783 R91 570 828 R1	UNION, adapter (1/2NPT x 90°) "O" RING (.644 x .818 x .087") TD-9BP 6525 to 16366	272 989	9 409 528	FERRULE NUT
41	338 587 R91 364 839 R1	UNION, adapter (3/8NPT x 90°) "O" RING (.468 x .624 x .078")	50	610 794 C91	FILTER w/ELEMENT, 346 821 R91, "O" RING, 313 337 R91, and SPRING, 346 822 R1, suction
42	338 587 R91 364 839 R1	UNION, adapter (3/8NPT x 90°) "O" RING (.468 x .624 x .078")	51	9 409 278	CONNECTOR, 1NPT
43		CYLINDER, decelerator (illustrated and listed with "Engine Controls")	9 409 528	272 989	NUT FERRULE
44	333 712 R1 272 984 9 409 523	ELBOW, 1/8NPT FERRULE NUT	52	330 789 R1	TUBE, sump to filter
45	330 808 R1	TUBE, decelerator to sump	53	9 409 330	ELBOW, 1NPT
46	9 409 325 272 984 9 409 523	ELBOW, 1/4NPT FERRULE NUT	272 989	9 409 528	FERRULE NUT
47	9 409 343 272 989 9 409 528	ELBOW, 1NPT FERRULE NUT	54	297 581 R91	ELBOW, 90° adapter
48	330 790 R1	TUBE, filter to pump	55	338 622 R91	HOSE w/two FITTINGS, regulator to decelerator (HOSE, 3/8" ID x 25" long including FITTINGS)
49	9 409 278 272 989 9 409 528	CONNECTOR, 1NPT TD-9BP 6525 to 16347 FERRULE NUT	56	702 200 C1	HOSE w/two FITTINGS, regulator to sump (HOSE, 3/4" ID x 17" long including FITTINGS) TD-9BP 6525 to 16366
49	9 410 708 296 247 R1 9 409 528 272 989	UNION, 1" short swivel TD-9BP 16348 and up "O" RING NUT FERRULE	57	338 624 R91	HOSE w/FITTINGS, reverse selector to manifold (HOSE, 1/2 x 40" long w/FITTINGS)
			58	338 623 R91	HOSE w/FITTINGS, forward selector to manifold (HOSE, 1/2 x 44" long w/FITTINGS)
			59	702 200 C1	HOSE w/two FITTINGS, pressure filter to regulator (HOSE, 3/4" ID x 17" long including FITTINGS)
			61	120 062	BUSHING, filter reducer pipe TD-9BP 10702 up
				293 350 R91	UNION, 3/8NPT x 90° adapter
			62	347 521 R91	ADAPTER, safety filter to oil cooler inlet TD-9BP 10702 to 15422

-139-
TRANSMISSION
 (Used on Power Shift Tractors)

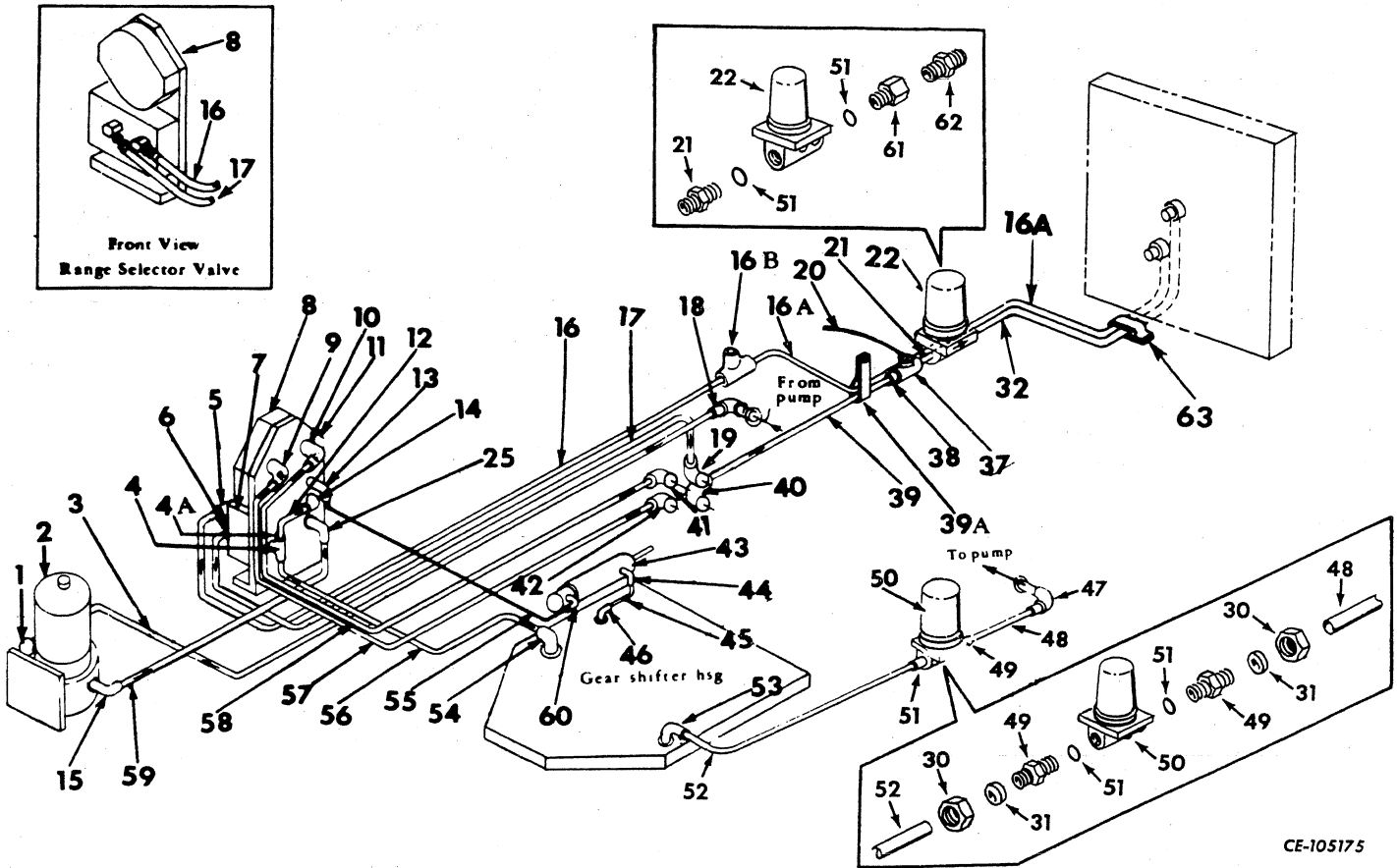
REF. NO.	PART NUMBER	DESCRIPTION	REF. NO.	PART NUMBER	DESCRIPTION
TRANSMISSION PIPING - Continued			319 709 R1		HOSE, 1/2" ID bulk (X)
62	255 678 C1	NIPPLE, safety filter to oil cooler inlet TD-9BP 15423 up	219 679		NIPPLE, 1 x 4-1/2" (used on units equipped with a thermo by-pass valve) TD-9BP 6525 to 10701
63	651 569 C1	CLAMP, cooler hose TD-9BP 15423 up	313 337 R91		"O" RING, safety and suction filter (3.250 x 3.500 x .125") (optional with 354 836 R1) (2)
	24 839 R1	SCREW, 3/8 x 3/4" hex-hd cap	354 836 R1		"O" RING, safety and suction filter (3.250 x 3.500 x .125") (optional with 313 337 R91) (2)
	103 341	WASHER, 13/32 x 13/16 x 16 ga			
64	255 678 C1	NIPPLE, cooler inlet and outlet elbow (2) TD-9BP 15423 up			
65	619 787 C2	COOLER, oil (mount ahead of radiator)			
	25 496 R1	SCREW, 3/8 x 7/8" hex-hd cap (4)			
	115 093	WASHER, 3/8" lock (4)			
	103 341	WASHER, 13/32 x 13/16" x 16 ga (4)			
	338 784 R91	ADAPTER, 90° swivel (used on units equipped with a thermo by-pass valve) TD-9BP 6525 to 10701			
	345 811 R91	BAFFLE w/SEAL, 345 810 R1, dust (mounted on top of lower cooler) TD-9BP 9809 to 15422			
	160 834 R91	CLAMP, hose (2)			
	301 819 R1	CLAMP (3) TD-9BP 6525 to 15422			
	24 839 R1	SCREW, 3/8 x 3/4" hex-hd cap (3)			
	330 929 R1	CLIP, oil cooler outlet hose (mounted to front safety filter bolt) TD-9BP 10702 up			
	321 029 R91	ELEMENT, safety and suction filter (used with FILTER, 333 734 R91) (2)			
	346 821 R91	ELEMENT, safety and suction filter (used with FILTER, 610 794 C91) (2)			
	325 040 R1	GASKET, regulator valve			
	325 041 R1	GASKET, hydraulic valve spacer			
	317 623 R1	GROMMET (2) TD-9BP 6525 to 15422			
	318 497 R1	GROMMET, 1-3/4" ID, oil cooler HOSE TD-9BP 15423 up			

(X) - Order Cut Length Required.

-140-
TRANSMISSION
 (Used on Power Shift Tractors)

REF. NO.	PART NUMBER	DESCRIPTION	REF. NO.	PART NUMBER	DESCRIPTION
----------	-------------	-------------	----------	-------------	-------------

TRANSMISSION PIPING
 TD-9BP 16367 and up



1	297 581 R91	ELBOW, 90° adapter	6	346 505 R91	UNION, 90° adapter
2		FILTER, pressure (for components see list of parts under details of "Pressure Filter")	7		VALVE ASSY, main regulator (for components see list of parts under details of "Main Regulator Valve")
	25 522 R1	NUT, 3/8" (4)		24 916 R1	SCREW, 3/8 x 4-3/4" hex-hd cap (11)
	140 483 H	SCREW, 3/8 x 1-1/4" hex-hd cap (4)		25 522 R1	NUT, 3/8" (11)
	115 093	WASHER, 3/8" lock (4)		115 093	WASHER, 3/8" lock (11)
	615 031 R1	WASHER, 3/8" (4)	8		VALVE ASSY, range selector (for components see list of parts under details of "Range Selector Valve")
3	338 621 R91	HOSE w/FITTINGS, pump to pressure filter (HOSE, 3/4" ID x 45" long w/FITTINGS)		103 025	NUT, 5/16NF (8)
4	338 335 R91	ADAPTER, 90° swivel (3/4 - 1/8NPT)		193 485	SCREW, 5/16NF x 4-1/2" hex-hd cap
4A	9 409 271	CONNECTOR, 1/8NPT		186 306	SCREW, 5/16NF x 5" hex-hd cap (2)
	272 982	FERRULE		116 120	WASHER, 5/16" lock (8)
	9 409 521	NUT	9	338 587 R91	UNION, adapter (3/8NPT x 90°)
5	297 581 R91	ELBOW, 90° adapter		364 839 R1	"O" RING (.468 x .624 x .078")
	144 056	REDUCER, 1-3/4NPT			

-141-
TRANSMISSION
 (Used on Power Shift Tractors)

REF. NO.	PART NUMBER	DESCRIPTION	REF. NO.	PART NUMBER	DESCRIPTION
TRANSMISSION PIPING - Continued TD-9BP 16367 and up			32	619 789 C1	HOSE w/two FITTINGS, safety filter to oil cooler inlet (HOSE, 1/2" ID x 43" long w/FITTINGS)
10	338 587 R91 364 839 R1	UNION, adapter (3/8NPT x 90°) "O" RING (.468 x .624 x .078")	37	179 626	TEE, reducing (1-1/2 - 1/2")
11	331 669 R1	BRACKET, regulator and selector valve	38	336 234 R91	ORIFICE, converter outlet (1/4")
	25 526 R1 116 121	NUT, 1/2" (3) WASHER, 1/2" lock (3)	39	343 564 R91	HOSE w/two FITTINGS, converter to safety filter (HOSE, 5/8" ID x 27" long including FITTINGS)
12	334 740 R1	TUBE, regulator to tee	39A	326 078 R1	CLAMP, hose
13	338 587 R91 364 839 R1	UNION, adapter (3/8NPT x 90°) (2) "O" RING (.468 x .614 x .078")	40	338 783 R91 570 828 R1	UNION, adapter (1/2NPT x 90°) "O" RING (.644 x .818 x .087")
14	9 409 323 272 982 9 409 521	ELBOW, 1/8NPT FERRULE NUT	41	338 587 R91 364 839 R1	UNION, adapter (3/8NPT x 90°) "O" RING (.468 x .624 x .078")
15	444 377	ELBOW, 3/4NPT street (optional with 454 112)	42	338 587 R91 364 839 R1	UNION, adapter (3/8NPT x 90°) "O" RING (.468 x .624 x .078")
15	454 112	ELBOW, 3/4NPT street (optional with 444 377)	43		CYLINDER, decelerator (illustrated and listed with "Engine Controls")
16	347 935 R91	HOSE w/FITTINGS, oil cooler outlet (rear) (HOSE, 5/8" ID x 56" long including FITTINGS)	44	333 712 R1 272 984 9 409 523	ELBOW, 1/8NPT FERRULE NUT
16A	619 788 C1	HOSEw/two FITTINGS, oil cooler outlet front (HOSE, 1/2" ID x 68" long w/FITTINGS)	45	330 809 R1	TUBE, decelerator to sump
16B	347 516 R91	TEE, thermo by-pass hose swivel	46	9 409 325 272 984 9 409 523	ELBOW, 1/4NPT FERRULE NUT
17	343 563 R91	HOSE w/two FITTINGS, regulator to converter (HOSE, 5/8" ID x 41" long including FITTINGS)	47	9 409 343 272 989 9 409 528	ELBOW, 1NPT FERRULE NUT
18	338 586 R91	ADAPTER, union (3/4NPT)	48	330 790 R1	TUBE, filter to pump
19	338 596 R91 570 838 R1	UNION, 90° adapter "O" RING (.644 x 818 x .087")	49	9 410 708	UNION, 1" short swivel
20		CABLE, converter temperature (Part of converter temperature gauge)	50		FILTER ASSY, suction (For components see list of parts under details of SAFETY and SUCTION FILTERS)
21	9 409 278	CONNECTOR, 1" tube safety filter inlet	51	296 247 R1	"O" RING
22		FILTER ASSY, safety (For components, see list of parts under details of SAFETY and SUCTION FILTERS)	52	330 789 R1	TUBE, sump to filter
23	336 009 R91 368 269 R1	UNION, adapter (3/4NPT x 90°) "O" RING (.924 x 1.166 x 116")	53	9 409 330 272 989 9 409 528	ELBOW, 1NPT FERRULE NUT
29	444 044	ELBOW, 90° street (2)	54	297 581 R91	ELBOW, 90° adapter
30	9 409 528	NUT, tube	55	338 622 R91	HOSE w/two FITTINGS, regulator to decelerator (HOSE, 3/8" ID x 25" long including FITTINGS)
31	272 989	FERRULE	56	702 200 C1	HOSE w/two FITTINGS, regulator to sump (HOSE, 3/4" ID x 17" long including FITTINGS)

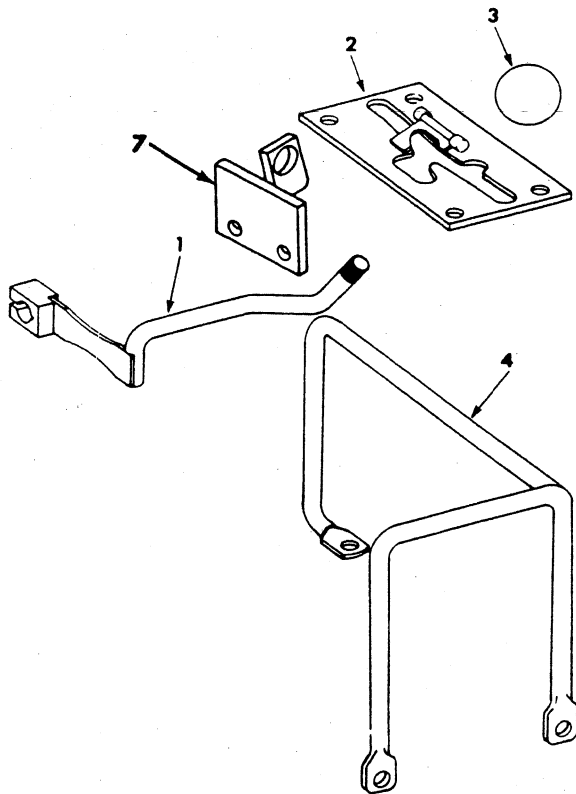
-142-
TRANSMISSION
 (Used on Power Shift Tractors)

REF. NO.	PART NUMBER	DESCRIPTION	REF. NO.	PART NUMBER	DESCRIPTION
TRANSMISSION PIPING - Continued TD-9BP 16367 and up			325 030 R1		SPACER, hydraulic valve
			291 572 R91		UNION, 90° adapter (3/4NPT)
57	338 624 R91	HOSE w/FITTINGS, reverse selector to manifold (HOSE, 1/2 x 40" long w/FITTINGS)	331 775 R1		PAD, hydraulic hose clamp (2)
			444 661		PLUG, 3/8" sq-soc pipe (used on units equipped with a thermo by-pass valve) TD-9BP 6525 to 10701
58	338 623 R91	HOSE w/Fittings, forward selector to manifold (HOSE, 1/2 x 44" long w/FITTINGS)	345 810 R1		SEAL, dust baffle
59	702 200 C1	HOSE w/two FITTINGS, pressure filter to regulator (HOSE, 3/4" x 17" long including FITTINGS)	325 030 R1		SPACER, hydraulic valve
60	293 350 R91	UNION, 3/8NPT x 90° adapter	346 822 R1		SPRING, safety and suction filter (used with FILTER, 610 794 C91) (2)
61	659 076 C1	ADAPTER, filter reducer	291 572 R91		UNION, 90° adapter (3/4NPT)
62	255 678 C1	NIPPLE, safety filter to oil cooler inlet	291 572 R91		UNION, 90° adapter (used on units equipped with a thermo by-pass valve) TD-9BP 6525 to 10701
63	651 569 C1 24 839 R1 103 341	CLAMP, cooler hose SCREW, 3/8 x 3/4" hex-hd cap WASHER, 13/32 x 13/16 x 16 ga	346 505 R91		UNION, 45° adapter (used on units equipped with a thermo by-pass valve) TD-9BP 6525 to 10701
64	255 678 C1	NIPPLE, cooler inlet and outlet elbow (2)			
65	619 787 C2 25 496 R1 115 093	COOLER, oil (mount ahead of radiator) SCREW, 3/8 x 7/8" hex-hd cap (4) WASHER, 13/32 x 13/16" x 16 ga (4)			
	160 834 R91	CLAMP, hose (2)			
	330 929 R1	CLIP, oil cooler outlet hose (mounted to front safety filter bolt)			
	325 040 R1	GASKET, regulator valve			
	325 041 R1	GASKET, hydraulic valve spacer			
	318 497 R1	GROMMET, 1-3/4" ID, oil cooler HOSE			
	331 775 R1	PAD, hydraulic hose clamp (2)			
	345 810 R1	SEAL, dust baffle			
	325 030 R1	SPACER, hydraulic valve			
	291 572 R91	UNION, 90° adapter (3/4NPT)			
	331 775 R1	PAD, hydraulic hose clamp (2)			
	444 661	PLUG, 3/8" sq-soc pipe (used on units equipped with a thermo by-pass valve) TD-9BP 6525 to 10701			
	345 810 R1	SEAL, dust baffle			

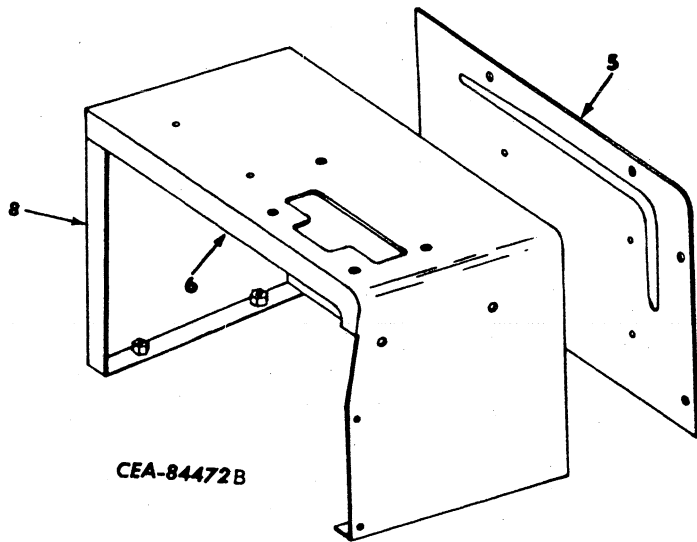
-143-
TRANSMISSION
 (Used on Power Shift Tractors)

REF. NO.	PART NUMBER	DESCRIPTION	REF. NO.	PART NUMBER	DESCRIPTION
----------	-------------	-------------	----------	-------------	-------------

GEAR SELECTOR HAND LEVER, HOUSING, GUARD AND GATE



2	700 394 C1	GATE, gear selector hand lever (together with SWITCH, 700 395 C91, BRACKET, 700 393 C1, and two BOLT, 12 935 R1 will work for GATE, 330 799 R13, 604 852 C91 or 612 711 C91)
	25 522 R1	NUT, 3/8" (3)
	25 496 R1	SCREW, 3/8 x 7/8" hex-hd cap (3)
	115 093	WASHER, 3/8" lock (3)
	106 263	WASHER, 7/16 x 1" x 14 ga (3)
3	264 055 R2	BALL, gear selector hand lever
4	331 963 R91	GUARD, gear selector hand lever
5	330 804 R1	SHEET, gear selector housing side LH
	25 768 R1	SCREW, 3/8 x 5/8" hex-hd cap (6)
	115 093	WASHER, 3/8" lock (6)
6	330 802 R11	HOUSING, gear selector hand lever
7	700 393 C1	BRACKET, starting switch mounting (used only with SWITCH, 700 395 C91) (*)
	12 935 R1	BOLT (2)
8	330 803 R11	PLATE, pressure filter mounting
	24 840 R1	SCREW, 3/8 x 1" hex-hd cap (2)
	25 768 R1	SCREW, 3/8 x 5/8" hex-hd cap (2)
	115 093	WASHER, 3/8" lock (4)



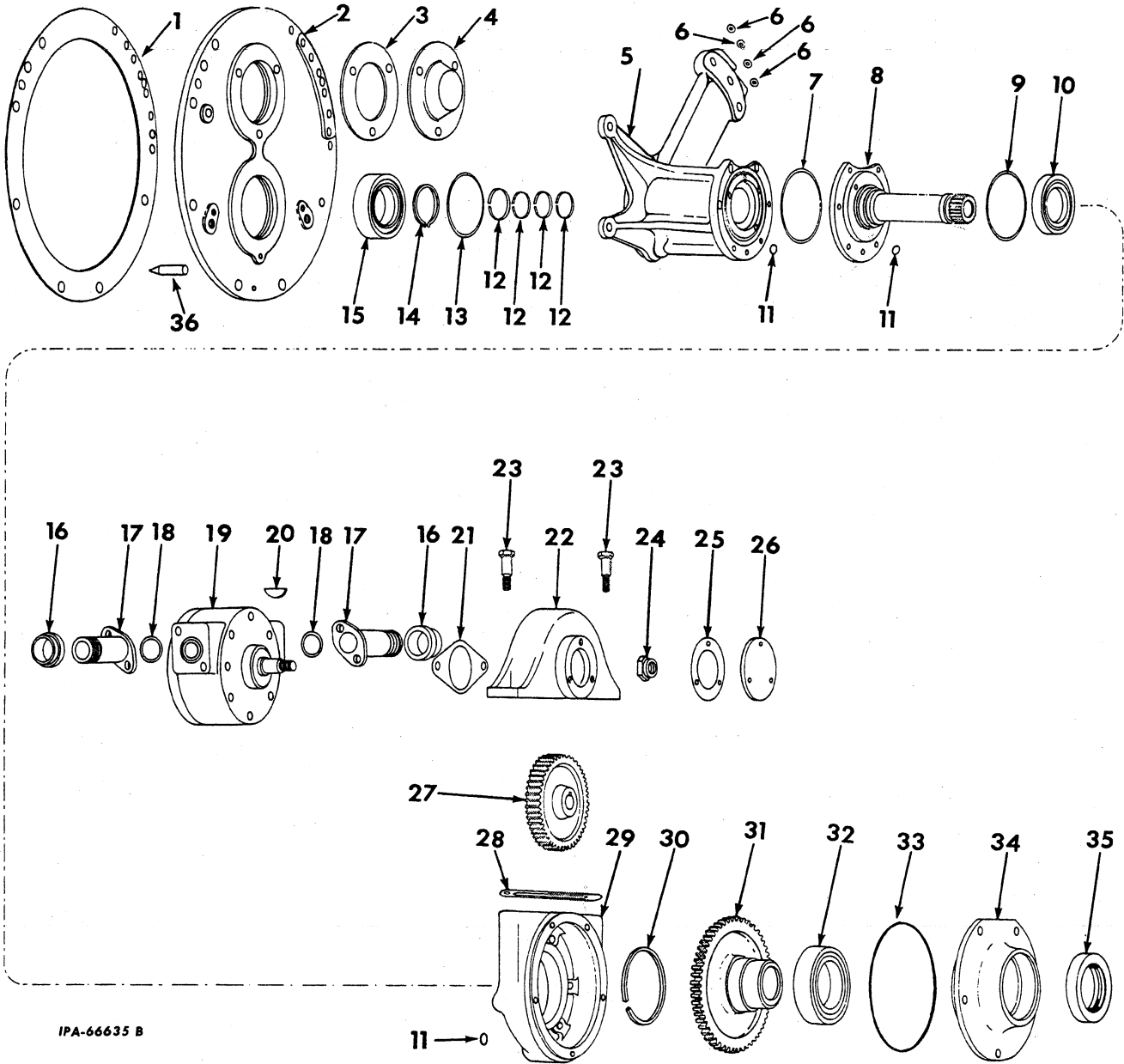
1	330 796 R12	LEVER, gear selector hand
	25 522 R1	NUT, 3/8"
	24 843 R1	SCREW, 3/8 x 2" hex-hd cap
	115 093	WASHER, 3/8" lock

(*) - Also listed with "Electric Starting and Lighting."

-144-
TRANSMISSION
 (Used on Power Shift Tractors)

REF. NO.	PART NUMBER	DESCRIPTION	REF. NO.	PART NUMBER	DESCRIPTION
----------	-------------	-------------	----------	-------------	-------------

TRANSMISSION FRONT COVER, OIL PUMP AND RELATED PARTS



IPA-66635 B

1	331 461 R1	GASKET, transmission front cover	4	338 165 R1	RETAINER, transmission counter-shaft bearing
2	331 463 R11	COVER, w/two PIN, 316 079 R1		297 330 R1	SCREW, 3/8 x 1" hex-hd cap (3)
	274 863 R1	SCREW, 7/16 x 1-1/8" hex-hd cap (7)	5	331 460 R11	SUPPORT w/PIN, 141 275 and PLUG, 126 045, pump drive housing
3	327 925 R1	GASKET, transmission countershaft front bearing retainer		274 864 R1	SCREW, 1/2 x 1-3/8" hex-hd cap (3)
				24 855 R1	SCREW, 7/16 x 3" hex-hd cap (3)
				115 314	WASHER, 7/16" lock (3)

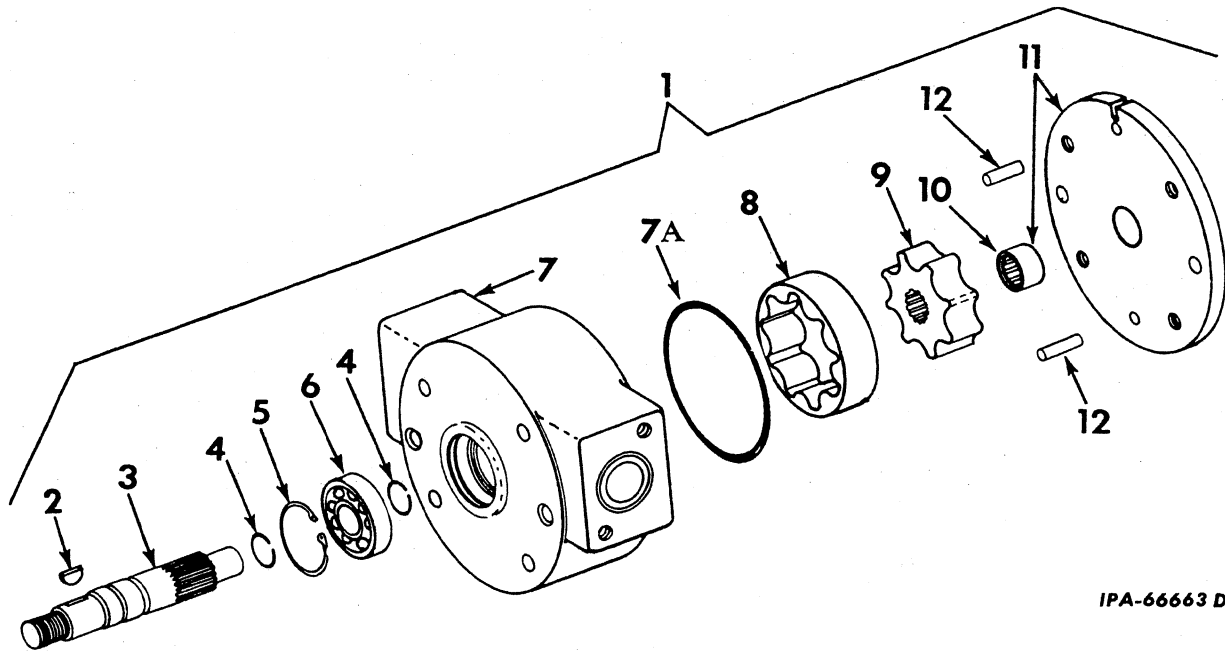
-145-
TRANSMISSION
 (Used on Power Shift Tractors)

REF. NO.	PART NUMBER	DESCRIPTION	REF. NO.	PART NUMBER	DESCRIPTION
TRANSMISSION FRONT COVER, OIL PUMP AND RELATED PARTS - Continued			28	327 923 R1	GASKET, pump mounting housing
			29	327 963 R2	HOUSING, pump drive (together w/ "O" RING, 264 681 R1 will work for 327 963 R1)
6	252 739 R1	"O" RING (1/2 x 11/16 x 3/32") (4)	30	327 420 R1	RING, pump drive gear sealing
7	259 246 R1	"O" RING, converter stator support quill (3-7/8 x 4-1/8")	31	327 953 R1	GEAR, pump drive (33 T) TD-9BP 6525 to 9905
8	331 462 R1 313 756 R1	QUILL, converter stator support SCREW, 3/8 x 1-1/4" hex-hd cap (6)	31	604 845 C1	GEAR, pump drive (33 T) TD-9BP 9906 up
9	468 339 R1	"O" RING, converter stator support quill (4 x 4-1/4 x 1/8")	32	65 490 D	BEARING, pump drive gear front
10	ST-572	BEARING, input drive	33	264 681 R1	"O" RING (6-1/2 x 6-3/4 x 1/8") TD-9BP 9906 up
11	355 967 R1	"O" RING (3/8 x 1/2 x 1/16") (3)	33	327 928 R1	GASKET, pump drive housing cover TD-9BP 6525 to 9905
12	325 059 R1	RING, input shaft sealing (4)	34	327 957 R2 25 496 R1 115 093	COVER, pump drive housing SCREW, 3/8 x 7/8" hex-hd cap (5) WASHER, 3/8" lock (5)
13	610 411 C1	"O" RING, pump drive housing support (3-1/2 x 3-3/4 x 1/8")	35	327 424 R92	SEAL, pump drive housing TD-9BP 6525 to 9905 (Order the following parts - 1 SEAL 643 247 C91 1 SLEEVE 709 612 C1 1 DRAWING CZG 2355)
14	466 191 R1	RING, input shaft front bearing snap	35	643 247 C91	SEAL, pump drive housing TD-9BP 6525 to 9905
15	327 428 R92	BEARING, input shaft front		709 612 C1	SLEEVE, seal (used w/SEAL, 643 247 C91)
16	330 851 R1	BUSHING, pump inlet and outlet pipe (2)	35	606 293 C91	SEAL, pump drive housing TD-9BP 9906 up
17	330 850 R11 24 840 R1 115 093	PIPE, pump inlet and outlet (2) SCREW, 3/8 x 1" hex-hd cap (4) WASHER, 3/8" lock (4)	36	316 079 R1	PIN, transmission baffle guide (2) TD-9BP 8014 up
18	708 560 R1	"O" RING (1-5/16 x 1/8") (2)	36	341 763 R1	PIN, transmission baffle guide (furnished as part of PACKAGE, 341 762 R91) (2) TD-9BP 6525 to 8013
19	327 421 R91	PUMP, converter supply (for components see list of parts under details of "Converter Supply Pump")		141 275	PIN, pump drive housing support dowel
	275 804 R1 115 093	SCREW, 3/8 x 3" hex-hd cap (2) WASHER, 3/8" (brass) (2)		45 132 D	PIN, front cover dowel
20	124 549	KEY, 3/16 x 3/4" (Woodruff No. 91)		444 783	PLUG, pump drive housing support pipe (3/8")
21	327 945 R1	GASKET, pump			
22	327 964 R1	HOUSING, pump mounting			
23	327 924 R2	BOLT, pump housing dowel (2) WASHER, 1/2" external tooth lock (2)			
24	19 263 R1	NUT, 5/8NF (Esna)			
25	327 922 R1	GASKET, pump mounting housing cover			
26	327 921 R1 25 228 R1 116 120	COVER, pump mounting housing SCREW, 5/16 x 3/4" hex-hd cap (3) WASHER, 5/16" lock (3)			
27	327 961 R1	GEAR, pump driven (46 T)			

TRANSMISSION
(Used on Power Shift Tractors)

REF. NO.	PART NUMBER	DESCRIPTION	REF. NO.	PART NUMBER	DESCRIPTION
----------	-------------	-------------	----------	-------------	-------------

CONVERTER SUPPLY PUMP
(Webster)



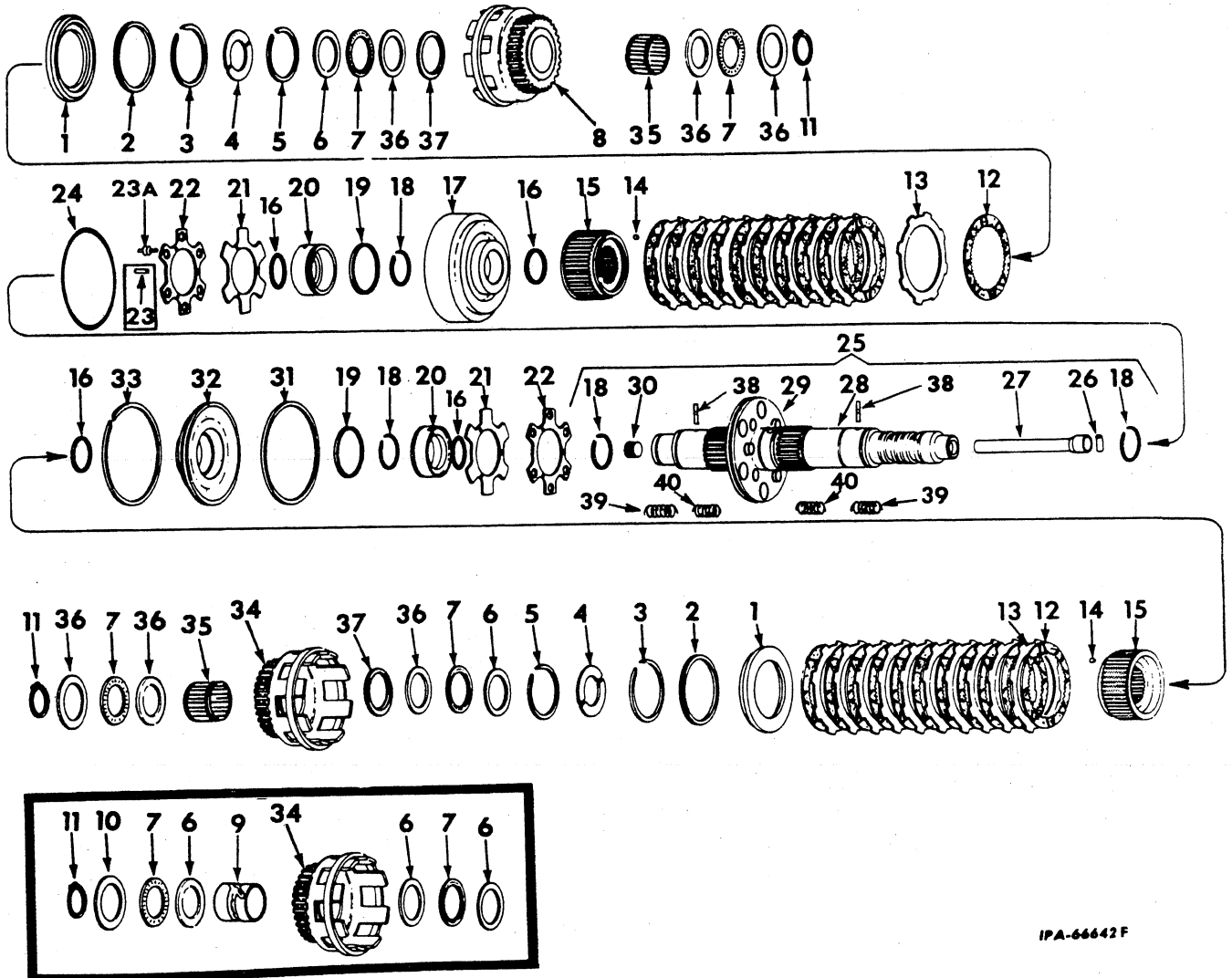
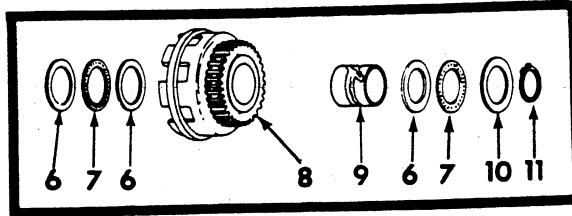
IPA-66663 D

1	327 421 R91	PUMP, converter supply	7A	343 700 R1	"O" RING (4 x 4-3/16 x 3/32")
2	124 549	KEY, pump drive gear (Woodruff) (3/16 x 3/4")	8	333 827 R1	GEAR, outer
3	333 825 R2	SHAFT, drive	9	333 826 R1	GEAR, inner
4	454 331 R1	RING, shaft retaining (2)	10	276 578 R91	BEARING, needle
5	272 842 R1	RING, bearing retainer	11	333 822 R91	COVER w/BEARING, 276 578 R91, pump housing end
6	333 829 R91	BEARING, ball	12	343 691 R1	PIN, cover mounting dowel (2)
7	333 824 R1 333 830 R1	HOUSING, pump SCREW, counterbore (5/16 x 2") (4)			

-147-
TRANSMISSION
 (Used on Power Shift Tractors)

REF. NO.	PART NUMBER	DESCRIPTION	REF. NO.	PART NUMBER	DESCRIPTION
----------	-------------	-------------	----------	-------------	-------------

CLUTCH PACK AND RELATED PARTS
 (Rockford)



IPA-66642F

1	324 242 R 1	PLATE, clutch backing (used w/HUB, 346 647 R91) (2)	2	267 367 C 1	RING, snap (INT) (part of HUB ASSY, 627 401 C91) (2)
1	627 365 C 1	PLATE, backing (part of HUB ASSY, 627 401 C91) (2)	3	333 857 R 2	RING, snap (EXT) (used w/HUB, 346 647 R91) (2)
1	324 245 R 1	RING, snap (INT) (used w/HUB, 346 647 R91) (2)	3	627 366 C 1	RING, snap (EXT) (part of HUB ASSY, 627 401 C91) (2)

TRANSMISSION
(Used on Power Shift Tractors)

REF. NO.	PART NUMBER	DESCRIPTION	REF. NO.	PART NUMBER	DESCRIPTION
CLUTCH PACK AND RELATED PARTS - Continued (Rockford)			20	324 221 R1	PISTON, accelerating (order two PISTON, 610 481 C1)
4	324 231 R1	RETAINER, clutch hub (4)	20	610 481 C1	PISTON, accelerating (used with CLUTCH PACK 610 484 C91 and 610 752 C92) (2)
5	324 232 R1	RING, snap (internal) (2)	20	627 093 C1	PISTON, accelerating (used with CLUTCH PACK 625 777 C91) (Order 1 HOUSING 627 669 C1, 1 PISTON, 627 668 C1, 2 PISTON, 627 667 C1, and 3 PIN, 627 666 C1) (2)
6	584 269 R1	SPACER, washer (6) TD-9BP 6525 to 12648 (2) TD-9BP 12649 up	20	627 667 C2	PISTON, accelerating (used with CLUTCH PACK 625 777 C92) (2)
7	584 268 R91	BEARING, needle thrust (4)	21	610 751 C1	VALVE, disc (2)
8	333 852 R91	GEAR w/BUSHING, 610 008 C1, clutch second speed drive TD-9BP 6525 to 12648	22	610 760 C1	DISC, reinforcing (used with CLUTCH PACK, 610 464 C91 and 610 752 C92)
8	610 827 C91	GEAR, clutch second speed drive TD-9BP 12469 up	22	625 205 C1	DISC, reinforcing (used with CLUTCH PACK, 327 422 R92 and 625 777 C92)
9	610 008 C1	BUSHING, first and second drive clutch gear (2) TD-9BP 6525 to 12648	23	324 218 R1	PIN, dowel (used with CLUTCH PACK, 327 422 R92) (3)
10	333 853 R1	SPACER, washer (2) TD-9BP 6525 to 12648	23A	610 755 C1	PIN, dowel (used with CLUTCH PACK, 610 464 C91 and 610 752 C92) (for CLUTCH PACK, 625 777 C91 order 1 HOUSING, 627 669 C1, 1 PISTON, 627 668 C1, 2 PISTON, 627 667 C1, and 3 PIN, 627 666 C1) (3)
11	287 049 R1	RING, external snap (2)	23A	627 666 C2	PIN, dowel (used with CLUTCH PACK, 625 777 C92) (3)
12	324 240 R1	PLATE, internal splined (order 22 plate 702 959 C1) (see NOTE)	24	324 227 R1	"O" RING
12	702 959 C1	PLATE, internal splined (22 plates, 702 959 C1 will work for plates, 324 240 R1) (see NOTE) (22)	25	333 854 R92	SHAFT ASSY, clutch (order KIT, 630 110 C1) TD-9PB 6525 to 11305
13	324 241 R1	plate, external plined (20)	25	610 809 C91	SHAFT ASSY, clutch (order KIT, 630 110 C1) TD-9BP 11306 to 12648
14	324 244 R1	PIN, dowel (used w/HUB 346 647 R91) (2)	25	610 825 C91	SHAFT ASSY, clutch TD-9BP 12649 to 15338 (Order the following - 2 DISC 625 205 C1 2 PISTON 627 667 C1 1 SHAFT 627 091 C91 6 SPRING 625 206 C1 6 SPRING 625 821 C1)
15	346 647 R91	HUB, clutch (order HUB ASSY, 627 401 C91) (2)	25	627 091 C91	SHAFT ASSY, clutch TD-9BP 15339 up (Composed of - 1 PIN 606 102 C1 2 PIN 17 164 R1 1 PLATE 627 092 C1 1 PLUG 347 553 R1 2 RING 324 222 R1 s 1 SHAFT)
15	627 400 C1	HUB, clutch (part of HUB ASSY, 627 401 C91) (2)			
16	627 969 C1	"O" RING (piston hook type) (2, used with CLUTCH PACK, 610 464 C91 and 610 752 C92, 4, used with CLUTCH PACK, 625 777 C92)			
17	324 228 R2	HOUSING, piston (for CLUTCH PACK 610 464 C91 and 610 752 C92 order HOUSING 627 669 C1) (for CLUTCH PACK 625 777 C91 order 1 HOUSING 627 669 C1, 1 PISTON 627 668 C1, 2 PISTON, 627 667 C1, and 3 PIN 627 666 C1)			
17	627 669 C2	HOUSING, piston			
18	324 222 R1	RING, snap (external) (4)			
19	324 223 R1	"O" RING (piston hook type) (2)			

s - Not Furnished Separately

TRANSMISSION
(Used on Power Shift Tractors)

REF. NO.	PART NUMBER	DESCRIPTION	REF. NO.	PART NUMBER	DESCRIPTION
CLUTCH PACK AND RELATED PARTS - Continued (Rockford)			627 401 C91	HUB ASSY (2) (Composed of -	
				1 HUB	627 400 C1
				1 PLATE	627 365 C1
				1 RING	627 366 C1
				1 RING	627 367 C1)
26	606 102 C1	PIN, dowel			
27		TUBE, clutch shaft (not furnished separately)	610 464 C91	PACK ASSY, final clutch (will work for 327 422 R92)	
28		SHAFT (not furnished separately)		TD-9BP 6525 to 12648	
29	346 596 R91	PLATE, separator (order PACKAGE, 610 877 C91) TD-9BP 6525 to 11305		(Consists of -	
				4 BEARING	584 268 R91
				2 DISC	610 760 C1
				1 GEAR ASSY	333 851 R91
				1 GEAR ASSY	333 852 R91
				1 HOUSING	627 669 C1
				2 HUB ASSY	627 401 C91
				2 "O" RING	324 223 R1
				4 "O" RING	627 969 C1
				1 "O" RING	324 226 R1
				1 "O" RING	324 227 R1
				3 PIN	610 755 C1
				2 PISTON	610 481 C1
				1 PISTON	627 668 C1
				22 PLATE	702 959 C1
				20 PLATE	324 241 R1
				4 RETAINER	324 231 R1
				2 RING	287 049 R1
				4 RING	324 222 R1
				2 RING	324 232 R1
				1 RING	347 297 R1
				s 1 SHAFT ASSY	
				2 SPACER	333 853 R1
				6 SPACER	584 269 R1
				2 VALVE	610 751 C1)
29	610 478 C1	PLATE, separator TD-9BP 11306 to 15338			
29	627 092 C1	PLATE, separator TD-9BP 15339 up			
30	324 236 R1	PLUG, 3/8" pipe TD-9BP 6525 to 8625			
30	347 552 R1	PLUG, 1/2" pipe TD-9BP 8626 up			
31	324 226 R1	"O" RING (lathe cut)			
32	324 225 R2	PISTON, clutch (for CLUTCH PACK, 610 464 C91 and 610 752 C92, order PISTON, 627 668 C1) (for CLUTCH PACK, 625 777 C91, order 1 HOUSING, 627 669 C1, 1 PISTON, 627 668 C1, 2 PISTON, 627 667 C1, and 3 PIN, 627 666 C1			
32	627 668 C2	PISTON, clutch	610 752 C92	PACK ASSY, final clutch (order PACK ASSY, 625 777 C92)	
33	347 297 R1	RING, snap (internal)		TD-9BP 12649 to 15338	
34	333 851 R91	GEAR w/BUSHING, 610 008 C1, clutch first speed drive TD-9BP 6525 to 12648		(Consists of -	
34	610 826 C91	GEAR, clutch first speed drive TD-9BP 12649 up		4 BEARING	584 268 R91
35	610 828 C91	BEARING, roller, first and second drive clutch gear (2) TD-9BP 12649 up		2 BEARING	610 828 C91
36	610 769 C1	WASHER, thrust (6) TD-9BP 12649 up		2 DISC	610 760 C1
37	610 829 C1	SPACER, bearing (2) TD-9BP 12649 up		1 GEAR ASSY	610 826 C91
38	17 164 R1	PIN, spring		1 GEAR ASSY	610 827 C91
39	625 206 C1	SPRING, comp (6) TD-9BP 15339 up		1 HOUSING	627 669 C1
40	625 821 C1	SPRING, comp (6) TD-9BP 15339 up		2 HUB ASSY	627 401 C91
				2 "O" RING	324 223 R1
				4 "O" RING	627 969 C1
				1 "O" RING	324 226 R1
				1 "O" RING	324 227 R1
				3 PIN	610 755 C1
				2 PISTON	610 481 C1
				1 PISTON	627 668 C1
				22 PLATE	702 959 C1
				20 PLATE	324 241 R1
				4 RETAINER	324 231 R1
				2 RING	287 049 R1
				4 RING	324 222 R1
				2 RING	324 232 R1
				1 RING	347 297 R1
				1 SHAFT ASSY	610 825 C91
				2 SPACER	610 829 C1
				2 SPACER	584 269 R1
				2 VALVE	610 751 C1
				6 WASHER	610 769 C1)

s - Not Furnished Separately

TRANSMISSION
(Used on Power Shift Tractors)

REF. NO.	PART NUMBER	DESCRIPTION	REF. NO.	PART NUMBER	DESCRIPTION
----------	-------------	-------------	----------	-------------	-------------

CLUTCH PACK AND RELATED PARTS - Continued
(Rockford)

625 777 C92	PACK ASSY, final clutch TD-9BP 15339 up				
	(Consists of -				
	4 BEARING	584 268 R91			
	2 BEARING	610 828 R91			
	2 DISC	625 205 C1			
	1 GEAR ASSY	610 826 C91			
	1 GEAR ASSY	610 827 C91			
	1 HOUSING	627 669 C2			
	2 HUB ASSY	627 401 C91			
	2 "O" RING	324 223 R1			
	4 "O" RING	627 969 C1			
	1 "O" RING	324 226 R1			
	1 "O" RING	324 227 R1			
	3 PIN	627 666 C1			
	2 PISTON	627 667 C2			
	1 PISTON	627 668 C2			
	22 PLATE	702 959 C1			
	20 PLATE	324 241 R1			
	4 RETAINER	324 231 R1			
	2 RING	287 049 R1			
	4 RING	324 222 R1			
	2 RING	324 232 R1			
	1 RING	347 297 R1			
	1 SHAFT ASSY	627 091 C91			
	2 SPACER	610 829 C1			
	2 SPACER	584 269 R1			
	6 SPRING	625 206 C1			
	6 SPRING	625 821 C1			
	2 VALVE	610 751 C1			
	6 WASHER	610 769 C1)			

630 110 C1	KIT, clutch shaft field service TD-9BP 6525 to 12648				
	(Consists of -				
	2 DISC	625 205 C1			
	1 HOUSING	627 669 C1			
	3 PIN	627 666 C1			
	2 PIN	17 169 R1			
	2 PISTON	627 667 C1			
	1 PISTON	627 668 C1			
	1 RING	324 226 R1			
	1 RING	324 227 R1			
	2 RING	324 223 R1			
	4 RING	627 969 C1			
	1 RING	347 297 R1			
	2 RING	324 222 R1			
	§ 1 SHAFT ASSY				
	6 SPRING	625 206 C1			
	6 SPRING	625 821 C1			
	2 VALVE	610 751 C1)			

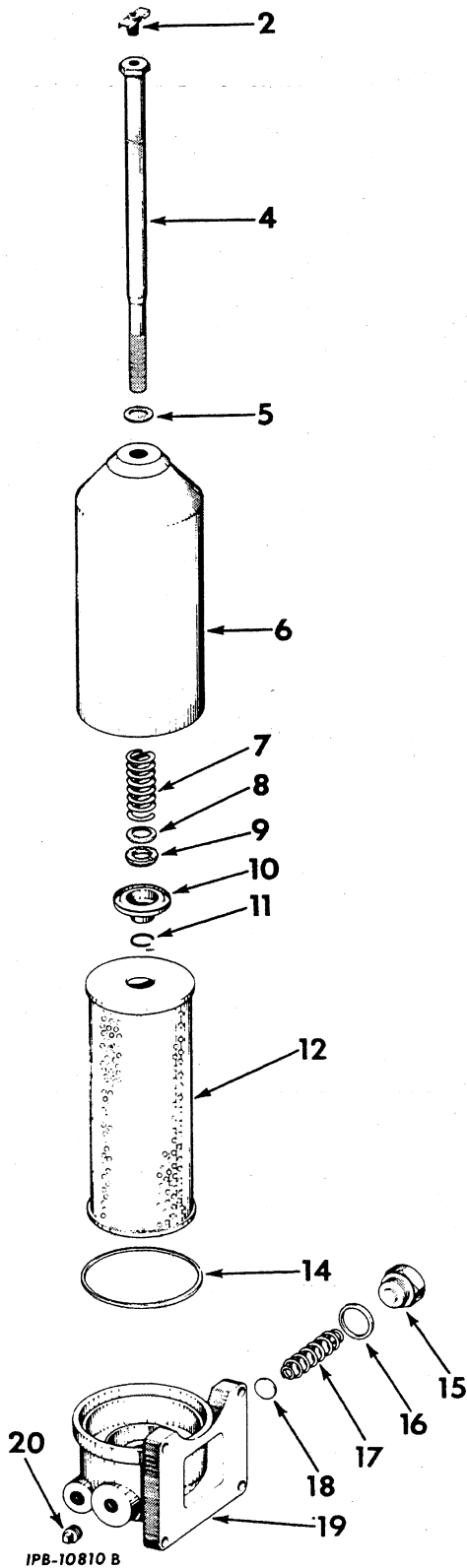
610 877 C91	PACKAGE, separator plate field service TD-9BP 6525 to 11305				
	(Consists of -				
	2 DISC	610 760 C1			
	3 PIN	610 755 C1			
	1 PLATE	610 478 C1			
	2 PISTON	610 481 C1			
	1 RING	324 226 R1			
	1 RING	324 227 R1			
	2 VALVE	610 751 C1)			

§ - Not Furnished Separately

-151-
TRANSMISSION
 (Used on Power Shift Tractors)

REF. NO.	PART NUMBER	DESCRIPTION	REF. NO.	PART NUMBER	DESCRIPTION
----------	-------------	-------------	----------	-------------	-------------

**PRESSURE FILTER
 (AC)**



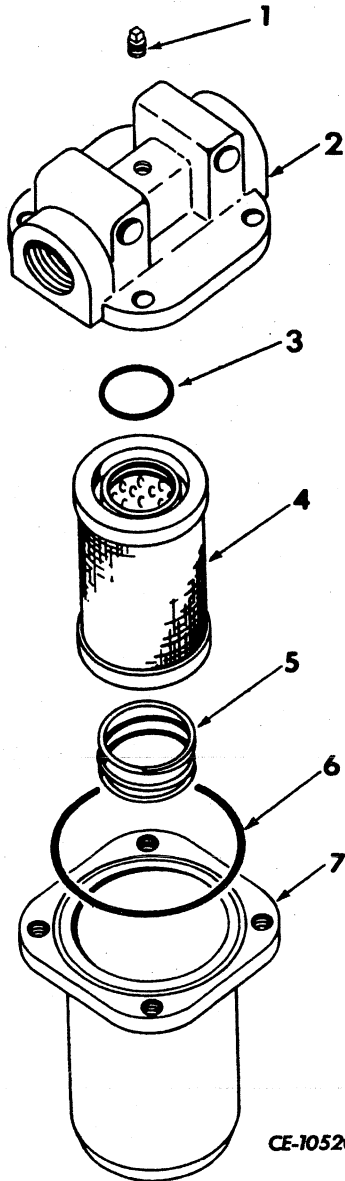
	333 719 R91	FILTER ASSY, pressure			
	102 635	NUT, 3/8" (4)			
	179 841	SCREW, 3/8 x 1-1/4" hex-hd cap (4)			
	615 031 R1	WASHER, 3/8" (4)			
	103 321	WASHER, 3/8" lock (4)			(Consists of the following -
2	338 836 R91	VALVE, purge (not furnished separately)			
4		STUD, center (not furnished separately)			
5	302 567 R1	GASKET, oil filter shell stud			
6		SHELL (not furnished separately)			
7	313 021 R1	SPRING, oil filter shell			
8	302 570 R1	WASHER, oil filter shell			
9	302 571 R1	SEAL, filter element retainer			
10	302 572 R1	RETAINER, filter element			
11	302 573 R1	RING, filter element snap			
12	302 574 R91	PACKAGE, filter element field service (consists of ELEMENT, GASKET, 302 565 R1 and GASKET, 302 567 R1) (AC) (optional w/PACKAGE, 613 797 C91)			
12	613 797 C91	PACKAGE, filter element full service (consists of ELEMENT, GASKET, 303 123 R1, and GASKET, 306 330 R1) (Purolator) (optional w/PACKAGE 302 574 R91)			
14	302 565 R1	GASKET, oil filter base			
15	338 754 R1	PLUG			
16	338 751 R1	GASKET			
17	338 752 R1	SPRING			
18	338 753 R1	VALVE			
19		BASE, oil filter (not furnished separately)			
20	444 577	PLUG, oil filter drain (1/4"NPT) (2)			

IPB-10810 B

TRANSMISSION
(Used on Power Shift Tractors)

REF. NO.	PART NUMBER	DESCRIPTION	REF. NO.	PART NUMBER	DESCRIPTION
----------	-------------	-------------	----------	-------------	-------------

SAFETY AND SUCTION FILTERS



C	659 063 C91	FILTER ASSY, safety TD-9BP 16367 and up			
	25 281 R1	SCREW, hex-hd cap (2)			
	103 343	WASHER, flat (2)			
	116 121	WASHER, lock (2)			
D	610 794 C91	FILTER ASSY, safety (will work for FILTER ASSY, 333 734 R91) TD-9BP 6525 to 16366			
	25 281 R1	SCREW, hex-hd cap (2)			
	103 343	WASHER, flat (2)			
	116 121	WASHER, lock (2)			
1	445 684	PLUG, pipe			
2		HEAD, filter (not furnished separately)			
3	708 560 R1	"O" RING, 1-5/16"			
4	619 214 C1	ELEMENT w/"O" RING, 708 560 R1 (A) (C)			
4	346 821 R91	ELEMENT w/"O" RING, 708 560 R1 (B) (D)			
5	346 822 R1	SPRING			
6	354 836 R1	"O" RING, 3-1/4" (A) (C)			
6	313 337 R91	"O" RING, 3-1/4" (B) (D)			
7		BODY, filter (not furnished separately)			

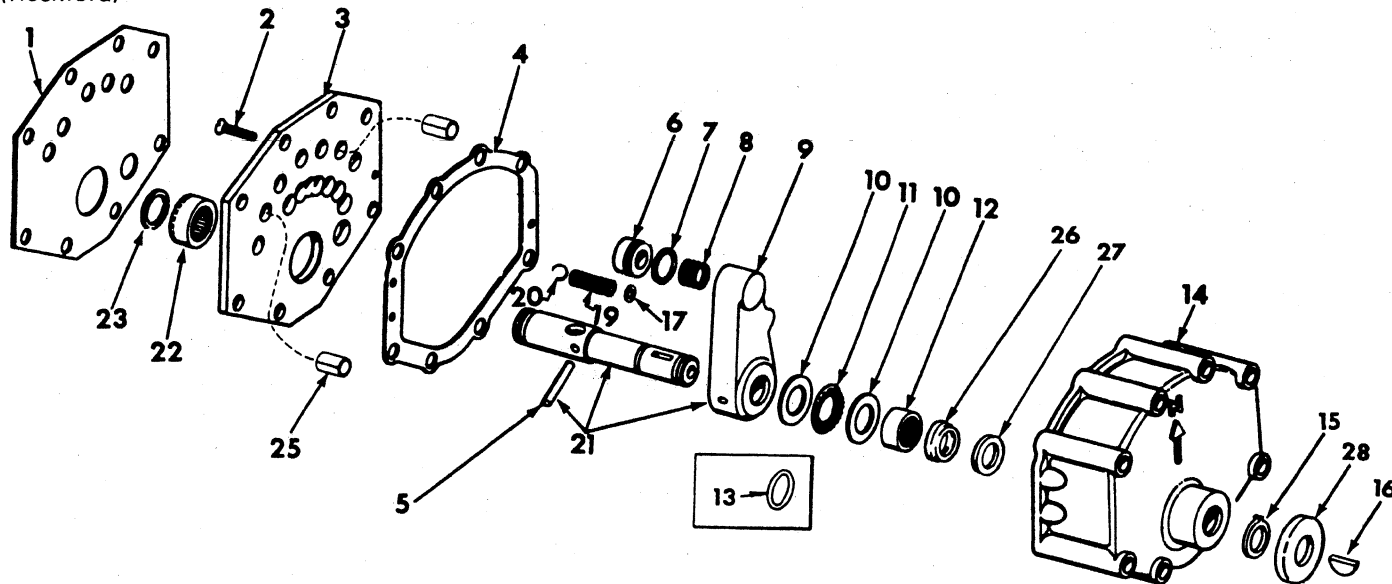
Parts without letters after the description indicate the part is used for all filter assemblies listed below.

A	659 063 C91	FILTER ASSY, suction TD-9BP 16349 and up
B	610 794 C91	FILTER ASSY, suction TD-9BP 6525 to 16348

-153-
TRANSMISSION
 (Used on Power Shift Tractors)

REF. NO.	PART NUMBER	DESCRIPTION	REF. NO.	PART NUMBER	DESCRIPTION
----------	-------------	-------------	----------	-------------	-------------

RANGE SELECTOR VALVE
 (Rockford)

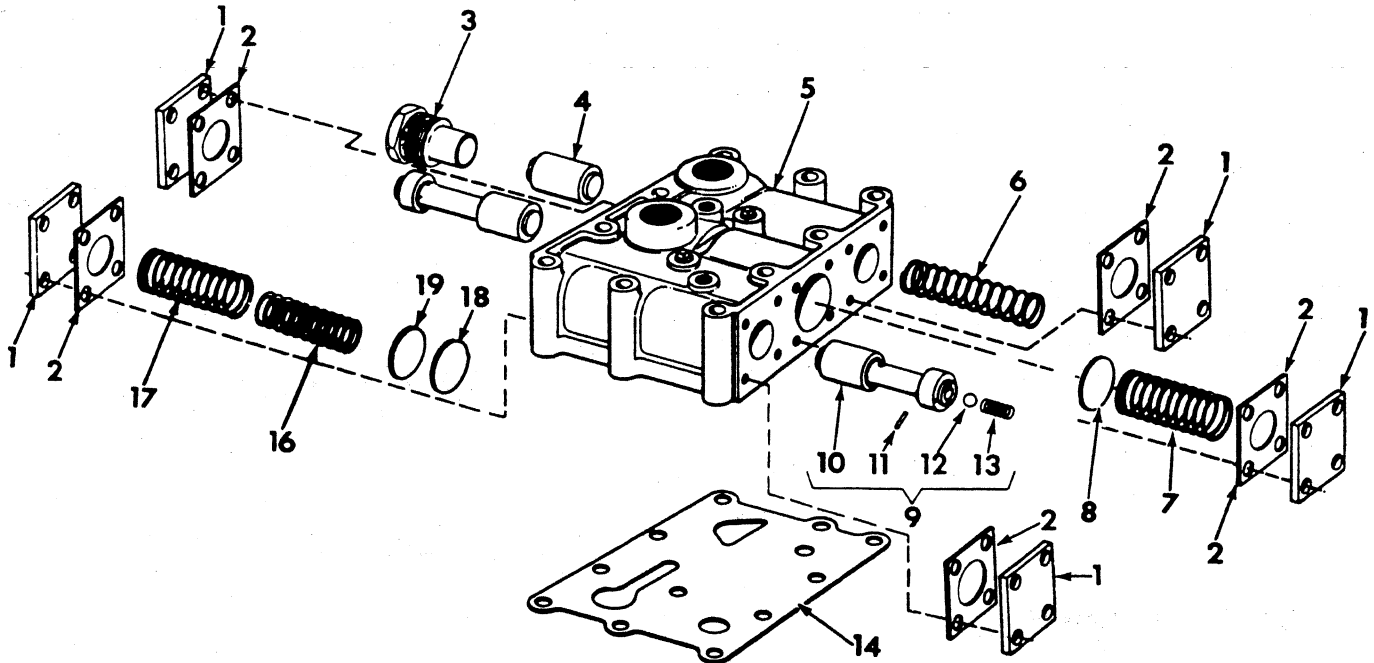


1	324 021 R1	GASKET, valve plate	22	10 026 R	BEARING, plate needle
2		SCREW, 1/4 x 3/4" fl-hd	23	324 022 R1	RING, piston hook type
3	606 068 C91	PLATE w/BEARING, 10 026 R and two PIN, 20 348 R1, selector valve	25	20 348 R1	PIN, roll (2)
4	324 019 R1	GASKET, range selector valve	26	615 851 C1	SEAL, shaft TD-9BP 14001 up
5		PIN (not furnished separately)	27	615 850 C1	WASHER, seal back up TD-9BP 14001 up
6	324 009 R1	WIPER, range selector valve	28	616 285 C1	SHIELD, range selector dust TD-9BP 14001 up
7	347 641 R1	"O" RING, wiper (3/4 x 7/8 x 1/16")			
8	324 010 R1	SPRING, valve wiper	606 067 C92	VALVE ASSY, range selector TD-9BP 14001 up	(Composed of -
9		VALVE (not furnished separately)			1 BALL 13 722 D
10	324 004 R2	WASHER, thrust (2)			1 BEARING 10 026 R
11	324 105 R91	BEARING, thrust needle			1 BEARING 276 578 R91
12	276 578 R91	BEARING			1 BEARING 324 105 R91
13	324 030 R1	"O" RING, shaft (3/4 x 1 x 1/8") (order SEAL, 615 851 C1 and WASHER, 615 850 C1)			1 COVER 324 003 R1
14	324 003 R1	COVER, range selector valve			1 GASKET 324 019 R1
15	516 010 R1	RING, snap (2) TD-9BP 6525 to 14000 (1) TD-9BG 14001 up			1 GASKET 324 021 R1
16	124 549	KEY			1 KEY 124 549
17	324 013 R1	RETAINER, spring			1 "O" RING 347 641 R1
19	324 012 R1	SPRING, detent			1 PLATE 606 068 C91
21	324 006 R92	SHAFT w/PIN and VALVE, range selector valve			1 RETAINER 324 013 R1
					1 RING 516 010 R1
					1 RING 324 022 R1
					1 SEAL 615 851 C1
					1 SHAFT 324 006 R92
					1 SPRING 324 010 R1
					1 SPRING 324 012 R1
					1 WIPER 324 009 R1
					2 WASHER 324 004 R2
					1 WASHER 615 850 C1)
			606 067 C91	VALVE ASSY, range selector (order PACKAGE 703 239 C91)	

-154-
TRANSMISSION
 (Used on Power Shift Tractors)

REF. NO.	PART NUMBER	DESCRIPTION	REF. NO.	PART NUMBER	DESCRIPTION
----------	-------------	-------------	----------	-------------	-------------

MAIN REGULATOR VALVE
 (Rockford)



IPA-66252F

1	321 991 R1	COVER, valve (5) SCREW, 5/16 x 3/4" hex-hd cap w/lock WASHER (20)	18	606 506 C1	WASHER, spring (X)
2	321 992 R1	GASKET, valve cover (5)	19	321 997 R1	WASHER, spring (X)
3	343 556 R1	PLUG		444 613	PLUG, 1/8"NPT sq-hd pipe (3)
4	321 994 R1	VALVE, lube pressure regulator		333 787 R92	VALVE ASSY, main regulator (Composed of -
5		BODY, main regulator valve (not furnished separately)		§ 1	BODY
6	336 103 R1	SPRING, lube valve		5	COVER 321 991 R1
7	338 415 R1	SPRING, by-pass valve		5	GASKET 321 992 R1
8	321 997 R1	WASHER		1	PLUG 343 556 R1
9	338 651 R94	VALVE ASSY, main spool		3	PLUG 444 613
10		VALVE, main regulator (not furnis- ed separately)		1	SPRING 336 103 R1
11	20 139 R1	PIN, main spool valve		1	SPRING 338 415 R1
12	346 509 R1	BALL, main spool valve		1	SPRING 324 300 R1
13	347 243 R1	SPRING, main spool valve		1	SPRING 324 299 R1
14	325 040 R2	GASKET, main valve body (not part of valve assy, 333 787 R92)		1	VALVE 321 994 R1
15	321 998 R1	VALVE, by-pass		1	VALVE 321 998 R1
16	324 299 R1	SPRING, main pressure regulator (inner)		1	VALVE 338 651 R94
17	324 300 R1	SPRING, main regulator		1	WASHER 606 506 C1
				1	WASHER 321 997 R1)
				25 522 R1	NUT, 3/8" (11)
				24 916 R1	SCREW, 3/8 x 4-3/4" hex-hd cap (11)
				115 093	WASHER, 3/8" lock (11)

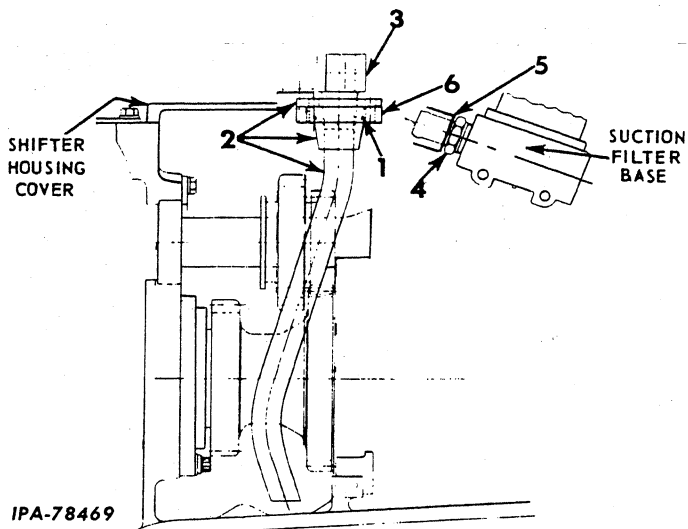
(X) - As Required.

§ - Not Furnished Separately.

-155-
TRANSMISSION
 (Used on Power Shift Tractors)

REF. PART
 NO. NUMBER DESCRIPTION

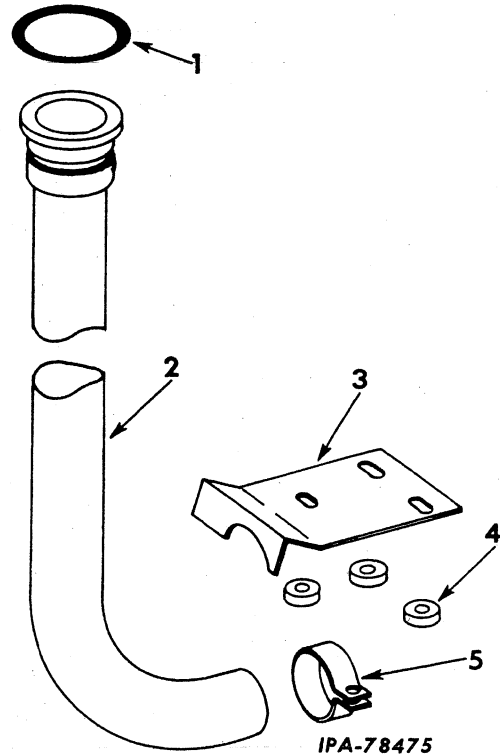
TRANSMISSION SUMP TUBE AND RELATED PARTS
 (Used on Power Shift Tractors Equipped with Package,
 345 577 R91)
 TD-9BP 6525 to 8149



- | | | |
|---|--------------------------|--|
| 1 | 298 384 R1 | "O" RING, 1-11/16 x 1-7/8 x 3/32"
(tube flange) |
| 2 | 345 576 R11
24 840 R1 | TUBE, sump
SCREW, 3/8 x 1" hex-hd cap |
| 3 | 444 048 | ELBOW, 90° automotive |
| 4 | 343 834 R1 | NIPPLE, hose (2) |
| 5 | 272 281 R1 | HOSE (molded) |
| 6 | 345 574 R1 | ADAPTER, sump tube |
| | 279 027 R91 | CLAMP, hose (2) |
| | 604 365 C2 | GASKET, shifter housing |
| | 444 679 | PLUG, 1" pipe |

REF. PART
 NO. NUMBER DESCRIPTION

TRANSMISSION SUMP TUBE AND RELATED PARTS
 (Used on Power Shift Tractors)
 TD-9BP 8150 up

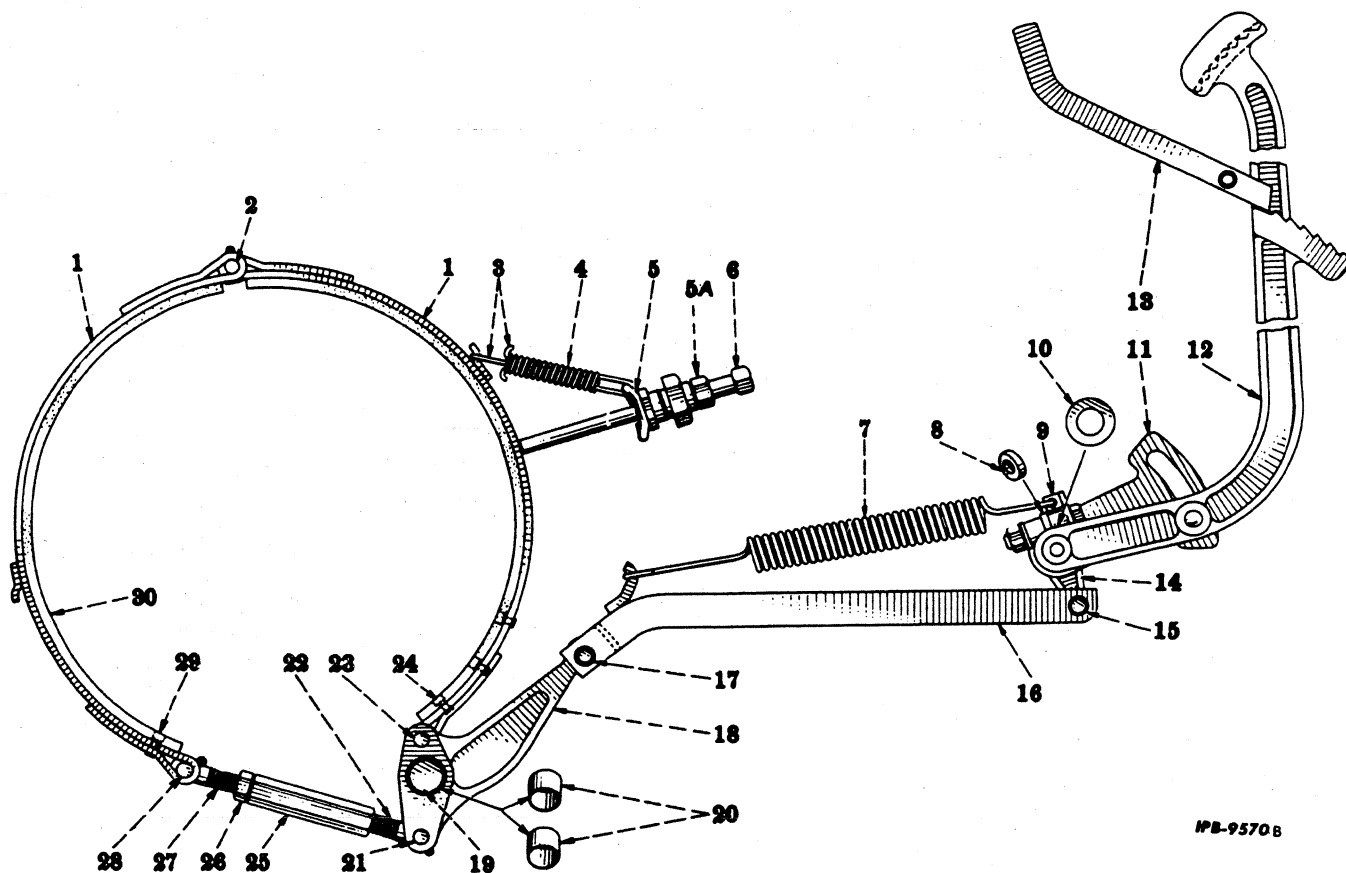


- | | | |
|---|---|--|
| 1 | 252 483 R1 | "O" RING, 1-1/4 x 1-1/2 x 1/8"
sump tube |
| 2 | 338 151 R11 | TUBE, sump |
| 3 | 338 150 R1
140 483 H
115 093
103 341 | BAFFLE, sump tube
SCREW, 3/8 x 1-1/4" hex-hd cap
(3)
WASHER, 3/8" lock (3)
WASHER, 13/32 x 13/16" x 16 ga
(3) |
| 4 | 253 729 R1 | SPACER, baffle (3) |
| 5 | 308 882 R1 | CLAMP, sump tube |

STEERING SYSTEM

REF. NO.	PART NUMBER	DESCRIPTION	REF. NO.	PART NUMBER	DESCRIPTION
----------	-------------	-------------	----------	-------------	-------------

STEERING BRAKES AND CONTROLS



1	703 387 C91	BAND w/LINING (long life) twenty-two RIVET, 269 164 R1 and two RIVET, 274 164 R1 steering brake (4)	5	43 644 DC	ANCHOR, steering brake return spring (2)
				26 004 R1	NUT, 1" jam (2)
			5A		NUT, 5/8" brake band set SCREW lock (2)
1	274 160 R91	BAND w/four LINING (high capacity) twenty-two RIVET, 269 164 R1 and two RIVET, 274 164 R1 steering brake (optional with 603 468 C91) (4)	6	53 490 D	SCREW, steering brake band set (2)
				25 528 R1	NUT, 5/8" (2)
1	603 468 C91	BAND w/four LINING (high capacity) twenty-two RIVET, 269 164 R1 and two RIVET, 274 164 R1 steering brake (optional with 274 160 R91) (4)	7	53 495 D	SPRING, steering brake rod return (2)
			8	20 841 D	KEY, steering brake lever (2)
			9	53 497 D	ANCHOR, steering brake rod return spring (2)
2	274 165 R1	PIN, steering brake band joint (2)	10	41 519 D	SEAL, steering brake pedal shaft dirt (2)
		PIN, 1/8 x 1-1/8" cotter (2)			
3	269 178 R1	HOOK, steering brake band anchor spring (4)	11	53 503 DA	SHAFT and ADJUSTER, LH steering brake pedal
4	269 177 R1	SPRING, steering brake band anchor (2)	11	53 504 DA	SHAFT and ADJUSTER, RH steering brake pedal

STEERING SYSTEM

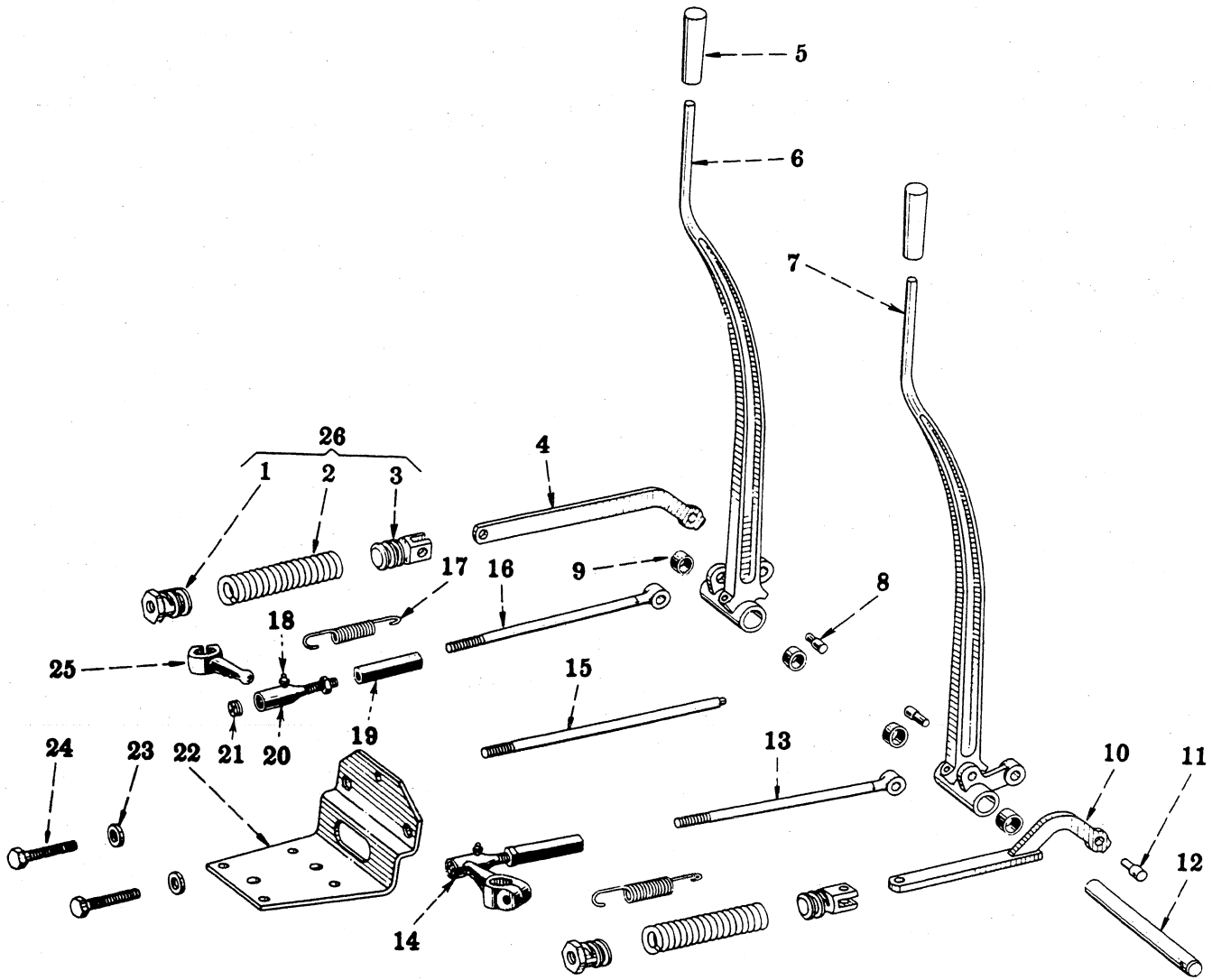
REF. NO.	PART NUMBER	DESCRIPTION	REF. NO.	PART NUMBER	DESCRIPTION
STEERING BRAKES AND CONTROLS - Continued			29	274 164 R1	RIVET, steering brake band (long) (8)
12	275 179 R2	PEDAL, LH steering brake	30		LINING, steering brake band (order 703 388 C91)
12	275 180 R2	PEDAL, RH steering brake	105 422		ELBOW, steering brake pedal shaft lubrication fitting (+)
		SCREW, 1/2NF x 1-1/2" hex-hd cap (2)	273 348		FITTING, steering brake pedal shaft lubrication (Alemite 1684-B) (optional with 443 564) (+)
		SCREW, 1/2NF x 2-3/4" hex-hd cap (2)	443 564		FITTING, steering brake pedal shaft lubrication (Lincoln 5009) (optional with 273 348) (+)
		WASHER, 1/2" lock (4)	127 743		FITTING, steering brake pedal shaft lubrication (2)
13	304 768 R91	PAWL, LH steering brake ratchet	53 514 DB		LOCK, steering brake pedal adjuster (2)
13	304 769 R91	PAWL, RH steering brake ratchet	274 166 R91		PACKAGE, steering brake band lining (high capacity) field service (consists of four LINING, twenty-two RIVET, 269 164 R1 and two RIVET, 274 164 R1) (for use with steering brake BAND, 274 160 R91) (4)
		PIN, 1/8 x 5/8" cotter (2)	604 942 C91		PACKAGE, steering brake (high capacity) lining field service (consists of four LINING, twenty-two RIVET, 269 164 R1 and two RIVET, 274 164 R1) (for use with steering brake BAND, 603 468 C91) (4)
14	8 444 DA	LEVER, steering brake (2)	703 388 C91		PACKAGE, steering brake lining (high capacity) field service (consists of four LINING, twenty-two RIVET, 269 164 R1, and two RIVET, 274 164 R1) (for use with steering brake BAND, 703 387 C91) (4)
	103 028	NUT, 1/2NF (2)	274 699 R1		SPACER, steering brake pivot lever (2)
	181 436	SCREW, 1/2NF x 2-1/4" hex-hd cap (2)	277 209 R1		STUD, steering brake pivot shaft (2)
	116 121	WASHER, 1/2" lock (2)	116 121		WASHER, 1/2" lock (2)
15	103 498	PIN, 1/2" rod end (steering brake rod) (short) (2)			
		PIN, 1/8 x 3/4" cotter (2)			
16	264 830 R21	ROD, steering brake (2)			
17	275 734 R1	PIN, steering brake rod end (long) (2)			
	148 150	SPRING, retainer (3/8" groove) (2)			
18	274 167 R11	LEVER w/two BUSHINGS, 46 023 D, steering brake pivot (2)			
19	274 698 R1	SHAFT, steering brake pivot (2)			
20	46 023 D	BUSHING, steering brake pivot lever (4)			
21	274 169 R1	PIN, steering brake band turnbuckle eye (short) (2)			
		PIN, 1/8 x 1-1/8" cotter (2)			
22	274 168 R1	EYE, steering brake band turnbuckle (LH thread) (2)			
23	274 165 R1	PIN, steering brake band pivot joint (2)			
		PIN, 1/8 x 1-1/8" cotter (2)			
24	269 164 R1	RIVET, steering brake band (short) (88)			
25	59 311 D	TURNBUCKLE, steering brake band (2)			
26		NUT, 5/8NF (2)			
27	274 170 R1	EYE, steering brake band turnbuckle (RH thread) (2)			
28	274 165 R1	PIN, steering brake band turnbuckle eye (long) (2)			
		PIN, 1/8 x 1-1/8" cotter (2)			

(+) - Used On Power Shift Tractors

STEERING SYSTEM

REF. NO.	PART NUMBER	DESCRIPTION	REF. NO.	PART NUMBER	DESCRIPTION
----------	-------------	-------------	----------	-------------	-------------

STEERING CLUTCH CONTROLS



IPB-9568 A

1	275 219 R1	NUT, steering clutch hand lever booster spring adjuster (2)	5	619 405 C1	HANDLE, steering clutch hand lever (2)
2	275 218 R1	SPRING, steering clutch hand lever booster (2)	6	278 140 R11	LEVER ASSEMBLY, LH steering clutch hand (+) (*) (Composed of -
3	275 220 R1	YOKE, steering clutch hand lever booster spring (2)			2 BUSHING 42 175 D 1 EYE 275 784 R2 1 HANDLE 619 405 C1
4	604 737 C1	LINK, LH, steering clutch hand lever booster spring, (together with EYE, 275 784 R2, will work for LINK, LH 275 715 R1)			§ 1 LEVER 1 PIN 59 310 D 1 PIN 257 620 R1)
	103 385	PIN, 1/8 x 1" cotter		271 500	NUT, 7/16"
	147 587	WASHER, 23/32 x 1-3/8" x 13 ga		179 860	SCREW, 7/16 x 1-1/4" hex-hd cap

(+) - Used on Power Shift Tractors.
 (*) - Used on Manual Shift Tractors.
 § - Not Furnished Separately.

STEERING SYSTEM

REF. NO.	PART NUMBER	DESCRIPTION	REF. NO.	PART NUMBER	DESCRIPTION
STEERING CLUTCH CONTROLS - Continued			11	257 620 R1	PIN, steering clutch booster link front (2)
6	303 537 R11	LEVER ASSY, LH steering clutch hand (%) (Composed of - 2 BUSHING 42 175 D 1 EYE 275 784 R2 1 HANDLE 619 405 C1 § 1 LEVER 1 PIN 59 310 D 1 PIN 257 620 R1) 179 860 SCREW, 7/16 x 1-1/4" hex-hd cap 271 500 NUT, 7/16"	12	275 217 R1 179 826 103 320	SHAFT, steering clutch hand lever SCREW, 5/16 x 2" hex-hd cap WASHER, 5/16" lock
			13	275 785 R1 114 507	EYE, RH steering clutch operating turnbuckle NUT (LH thread) 5/8NF jam
			14	59 313 D 114 507	SOCKET, RH steering clutch operating turnbuckle NUT, 5/8NF jam
7	278 141 R11	LEVER ASSY, RH steering clutch hand (*) (Composed of - 2 BUSHING 42 175 D 1 EYE 275 785 R1 1 HANDLE 619 405 C1 § 1 LEVER 1 PIN 59 310 D 1 PIN 257 620 R1) 271 560 NUT, 7/16" 179 810 SCREW, 7/16 x 1-1/4" hex-hd cap	15	275 223 R1	BRACE, steering clutch hand lever booster spring anchor (*) (%)
			15	327 980 R1 114 507	BRACE, steering clutch hand lever booster spring anchor (+) NUT, 5/8" jam (2)
			16	275 784 R2	EYE, LH steering clutch operating turnbuckle NUT, (LH thread) 5/8NF jam
7	327 981 R11	LEVER ASSY, RH steering clutch hand (+) (Composed of - 2 BUSHING 42 175 D 1 EYE 275 785 R1 § 1 LEVER 1 PIN 59 310 D 1 PIN 257 620 R1) 271 500 NUT, 7/16" 179 860 SCREW, 7/16 x 1-1/4" hex-hd cap	17	59 315 D	SPRING, steering clutch release lever return (2)
			18	109 461	FITTING, steering clutch operating turnbuckle socket lubrication (2)
			19	59 311 D	TURNBUCKLE, steering clutch operating (2)
			20	59 312 D 114 507	SOCKET, LH steering clutch operating turnbuckle NUT, 5/8NF jam
7	303 538 R11	LEVER ASSY, RH steering clutch hand (%) (Composed of - 2 BUSHING 42 175 D 1 EYE 275 785 R1 1 HANDLE 619 405 C1 § 1 LEVER 1 PIN 59 310 D 1 PIN 257 620 R1) 179 860 SCREW, 7/16 x 1-1/4" hex-hd cap 271 560 NUT, 7/16"	21	59 314 D 103 387	PLUG, steering clutch operating turnbuckle socket (2) PIN, 1/8" x 1-1/2" cotter (2)
			22	275 224 R1 20 050 R1 103 342	ANCHOR, steering clutch hand lever booster spring SCREW, 7/16 x 1-5/8" hex-hd cap (4) WASHER, 15/32 x 59/64" x 16 ga (4)
8	59 310 D	PIN, steering clutch operating turnbuckle eye (2)	23	257 625 R1	WASHER, steering clutch hand lever booster spring adjuster bolt (2)
9	42 175 D	BUSHING, steering clutch hand lever (4)	24	275 222 R1	BOLT, steering clutch hand lever booster spring adjuster (2)
10	275 716 R91	LINK, RH steering clutch hand lever booster spring (*) (%)			
10	327 979 R1 103 385 147 587	LINK, RH steering clutch hand lever booster spring (+) PIN, 1/8 x 1" cotter WASHER, 23/32 x 1-3/8" x No. 13 ga			

(%) - Used on Revolving Crane and Sideboom Tractors.
 (+) - Used on Power Shift Tractors.
 (*) - Used on Manual Shift Tractors.
 § - Not Furnished Separately.

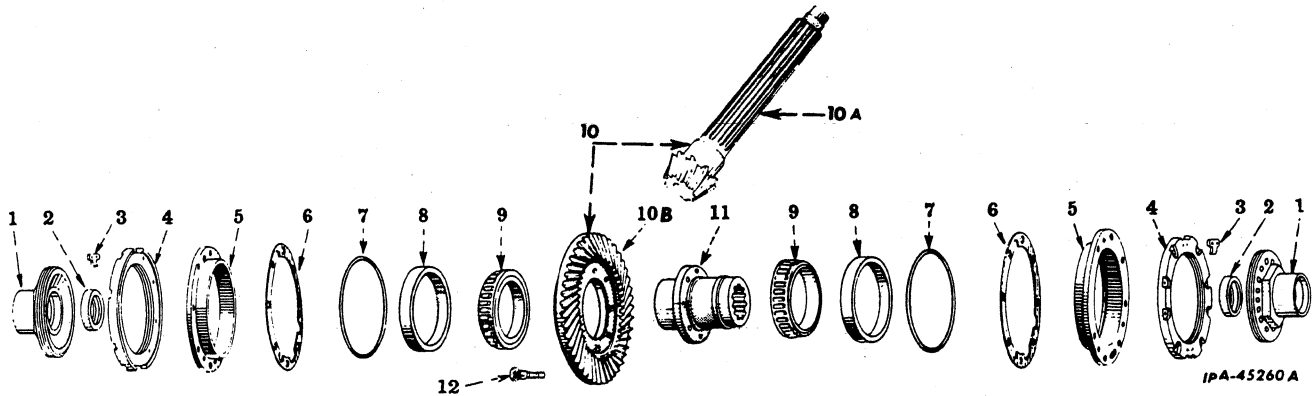
STEERING SYSTEM

REF. NO.	PART NUMBER	DESCRIPTION	REF. NO.	PART NUMBER	DESCRIPTION
STEERING CLUTCH CONTROLS - Continued					
25	59 317 DA	LEVER, steering clutch release (2)			
	103 628	NUT, 1/2NF (2)			
	181 440	SCREW, 1/2NF x 2-1/2" hex-hd cap (2)			
	103 323	WASHER, 1/2" lock (2)			
26	275 221 R91	SPRING w/NUT, 275 219 R1, SPRING, 275 218 R1 and YOKE, 275 220 R1, steering clutch hand lever booster (2)			
		PIN, 1/2" rod rnd (2)			
	108 630	PIN, 1/8 x 7/8" cotter (2)			
	109 461	FITTING, steering clutch hand lever lubrication (2)			
	109 454	FITTING, steering clutch operating turnbuckle eye lubrication (2)			

STEERING SYSTEM

REF. NO.	PART NUMBER	DESCRIPTION	REF. NO.	PART NUMBER	DESCRIPTION
----------	-------------	-------------	----------	-------------	-------------

DRIVE BEVEL GEAR



1	341 925 R1	ADJUSTER, drive bevel gear (together with "O" RING, 264 270 R1, will work for ADJUSTER, 271 855 R4) (2)	10	327 965 R92	PINION and SHAFT, BEVEL, 327 960 R1 w/drive bevel GEAR, 279 338 R1 (matched pair) (order GEAR and PINION SET, 609 969 C91, RETAINER, 341 811 R1 and NUT, 20 017 R1 (see NOTE 2) TD-9BP 6525 to 8414
2	313 913 R92	OIL SEAL, steering clutch shaft coupling (2)	10	609 969 C91	PINION and SHAFT, BEVEL, 609 968 C1 w/drive bevel GEAR, 609 967 C1 (matched pair) (see NOTE 2) TD-9BP 8415 up
3	271 762 R1	LOCK, drive bevel gear bearing adjuster (2)	10A		PINION and SHAFT, BEVEL (9T) (order PINION and SHAFT, BEVEL w/drive bevel GEAR, 279 339 R91) (see NOTE 1)
	311 269 R1	SCREW, 3/8 x 1/2" hex-hd cap (4)	10A	327 960 R1	PINION and SHAFT, bevel (9T) (20° spiral angle) (order PINION and SHAFT SET, 609 969 C91, RETAINER, 341 811 R1 and NUT, 20 017 R1) (see NOTE 2) TD-9BP 6525 to 8414
	278 027 R1	WIRE, bulk locking (No. 16 ga) (customer must specify amount required)	10A	341 812 R1	PINION and SHAFT, bevel (order PINION and SHAFT SET, 609 969 C91) TD-9BP 8415 to 12768
4	271 856 R2	RING, drive bevel gear bearing adjuster (2)	10A	609 968 C1	PINION and SHAFT, bevel (9T) (30° spiral angle) (see NOTE 2) TD-9BP 12769 up
5	271 854 R1	CAGE, drive bevel gear bearing (2)			
6	341 764 R1	GASKET, drive bevel gear bearing cage (2)			
7	271 857 R2	RING, drive bevel gear bearing adjuster sealing (for use with ADJUSTER, 271 855 R4) (2)			
7	264 270 R1	"O" RING, drive bevel gear bearing, adjuster sealing (6-3/4" ID x 7-1/8" OD x 3/16") (for use with ADJUSTER, 341 925 R1) (2)			
8	272 120 R1	CUP, drive bevel gear bearing (2)			
9	272 119 R91	CONE, drive bevel gear bearing (2)			
10	279 339 R91	PINION and SHAFT, bevel w/drive bevel GEAR, 279 338 R1) (matched pair) (see NOTE 1)			

NOTE 1 - Used on Manual Shift Tractors. Also Listed and Illustrated Under Heading "Transmission (Manual Shift)."

NOTE 2 - Used on Power Shift Tractors. Also Listed and Illustrated Under Heading "Transmission, Countershaft, Gears and Related Parts."

STEERING SYSTEM

REF. NO.	PART NUMBER	DESCRIPTION	REF. NO.	PART NUMBER	DESCRIPTION
DRIVE BEVEL GEAR - Continued					
10B	279 338 R1	GEAR, drive bevel (38T) (20° pressure angle) (continue to furnish for gear drive tractors) (for TD-BP 6525 to 8414 order PINION and SHAFT SET 609 969 C91, RETAINER, 341 811 R1 and NUT, 20 017 R1) (for TD-9BP 8415 to 12768 order PINION and SHAFT SET, 609 969 C91) (see NOTE 1 and 2) TD-9BP 6525 to 12768			
10B	609 967 C1	GEAR, drive bevel (38T) (22-1/2° pressure angle) (see NOTE 2) TD-9BP 12769 up			
11	271 853 R1	HUB, drive bevel gear			
12	274 075 R2	BOLT, drive bevel gear dowel (6)			
	274 864 R1	BOLT, drive bevel gear bearing cage and adjuster RING (6)			
	25 079 D	NUT, drive bevel gear dowel bolt (6)			

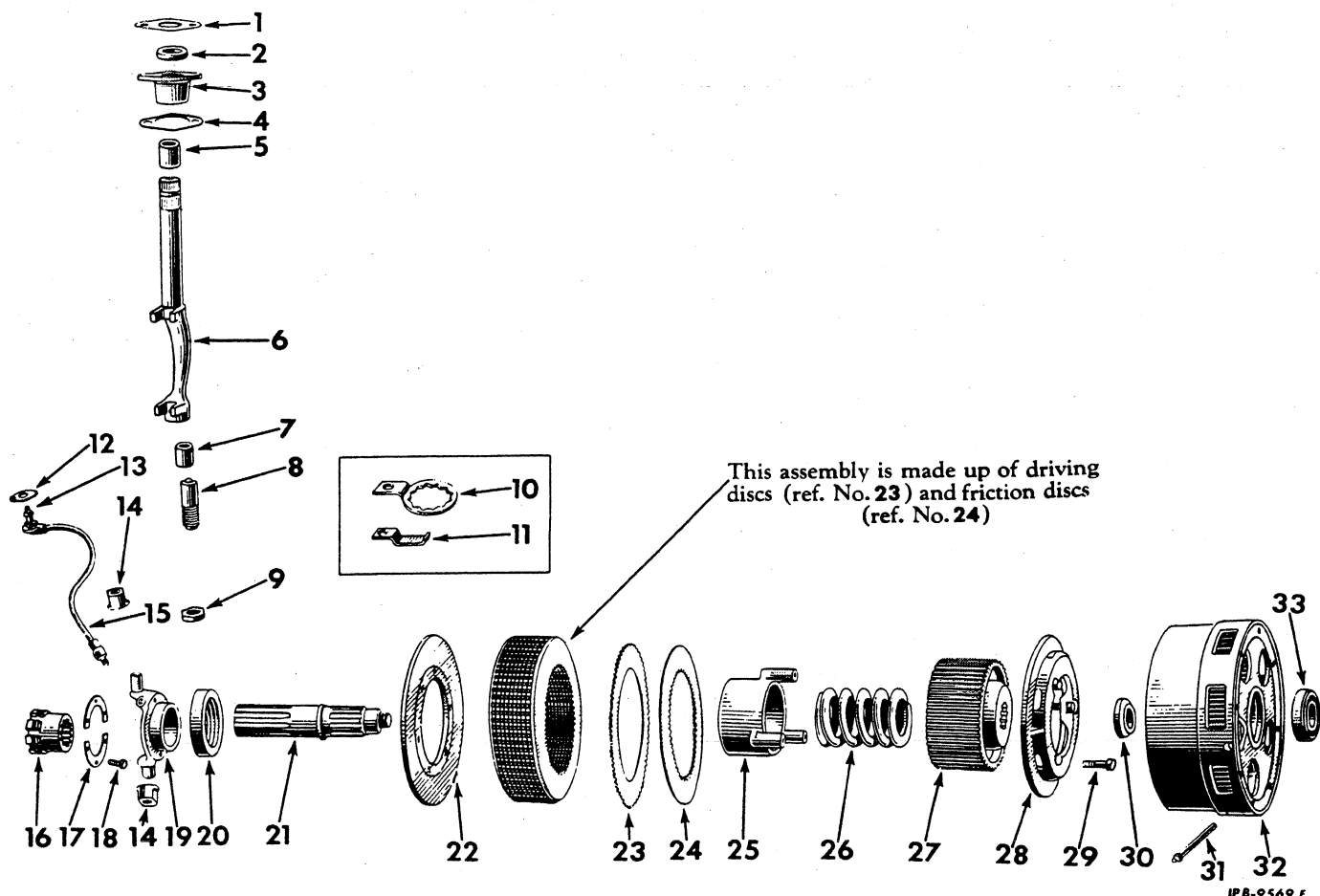
NOTE 1 - Used On Manual Shift Tractors. Also Listed and Illustrated Under Heading "Transmission (Manual Shift)."

NOTE 2 - Used on Power Shift Tractors. Also Listed and Illustrated Under Heading "Transmission, Countershaft, Gears and Related Parts."

STEERING SYSTEM

REF. NO.	PART NUMBER	DESCRIPTION	REF. NO.	PART NUMBER	DESCRIPTION
----------	-------------	-------------	----------	-------------	-------------

STEERING CLUTCH RELEASE SHAFT AND MECHANISM



1	46 040 D	RETAINER, steering clutch release shaft bearing felt (2)	10	60 096 D	LOCK, steering clutch release fork pivot nut (2)
	871 570 R1	BOLT, 7/16 x 1" nylock (4)	11	60 095 D	LOCK, steering clutch release fork pivot (2)
2	46 038 D	FELT, steering clutch release shaft bearing (2)		24 860 R1	SCREW, 1/2 x 1" hex-hd cap (2)
3	604 366 C11	BEARING w/BUSHING, 53 597 D, steering clutch release shaft (2)		116 121	WASHER, 1/2" lock (2)
4	338 249 R1	GASKET, clutch release shaft	12	282 233 R1	GASKET, release bearing grease tube (2)
5	53 597 D	BUSHING, steering clutch release shaft (2)	13	127 743	FITTING, steering clutch release bearing lubrication (2)
6	55 959 DD	FORK w/BUSHING, 55 955 DA, steering clutch release (2)	14	42 298 DB	BUSHING, steering clutch release pin (4)
7	55 955 DA	BUSHING, steering clutch release fork pivot (2)	15	52 244 DX	TUBE w/COUPLING and BRACKET, steering clutch release bearing grease (2)
8	55 954 DA	PIVOT, steering clutch release fork (2)		13 253 R1	BOLT, 1/4 x 1" sq-hd mach (4)
9	47 726 D	NUT, steering clutch release fork pivot lock (2)		25 519 R1	NUT, 1/4" (4)
				115 109	WASHER, 1/4" lock (4)

STEERING SYSTEM

REF. NO.	PART NUMBER	DESCRIPTION	REF. NO.	PART NUMBER	DESCRIPTION
STEERING CLUTCH RELEASE SHAFT AND MECHANISM - Continued			33	ST 333	BEARING, steering clutch pilot (2)
				109 461	FITTING, steering clutch release fork lubrication (2)
16	254 967 R21	COUPLING w/PLUG, 324 745 R1, steering clutch shaft (6 T) (2)		105 404	NIPPLE, steering clutch release collar (1/8 x 3/4" long cloved nipple) (2)
17	254 968 R1	RETAINER, steering clutch shaft coupling (4)		258 278 R1	NUT, steering clutch pilot bearing retainer (2)
18	333 785 R1	BOLT, steering clutch shaft coupling retainer (12)		103 883	PLUG, 1/8" hdl's steering clutch release collar pipe (2)
19	52 243 DAX	COLLAR w/PLUG, 103 883, steering clutch release (2)		324 745 R1	PLUG, steering clutch shaft coupling (2)
20	55 745 D	BEARING, steering clutch release thrust (2)		320 398 R91	ATTACHMENT, bi-metallic steering clutch (consists of twenty-four DISC, 320 395 R91 and two DISC, 46 826 D) (see NOTE 3)
21	258 277 R3	SHAFT, steering clutch (2)			
22	6 470 D 24 849 R1 115 314	PLATE, steering clutch hub (2) SCREW, 7/16 x 1" hex-hd cap (12) WASHER, 7/16" lock (21)			
23	46 826 D	DISC, steering clutch driving (for units not equipped with ATTACHMENT, 320 398 R91 -20 used on all tractors except Agr., 18 used on Agr. tractors) (for units equipped with ATTACHMENT, 320 398 R91 - 22 used on all tractors except Agr., 20 used on Agr. tractors)			
24	320 395 R91	DISC, steering clutch friction (used with ATTACHMENT, 320 398 R91) (24)			
24	624 849 C1	DISC, steering clutch friction (not used with ATTACHMENT, 320 398 R91) (22 used on all tractors except Agr., 20 used on Agr. tractors)			
25	8 236 DA	RETAINER, steering clutch pressure spring (2)			
26	54 610 DB	SPRING, steering clutch pressure (2)			
27	8 238 DB	HUB, steering clutch (2)			
28	8 237 DB	PLATE, steering clutch pressure (2)			
29	54 969 D	BOLT, steering clutch pressure plate dowel (6) WASHER, 7/16" lock (6)			
30	52 239 D	SPACER, steering clutch pilot bearing (2)			
31	46 831 D	FITTING, steering clutch pilot bearing lubrication (2)			
32	8 235 DB 338 357 R1	DRUM, steering clutch (*) (2) BOLT, steering clutch drum (16)			

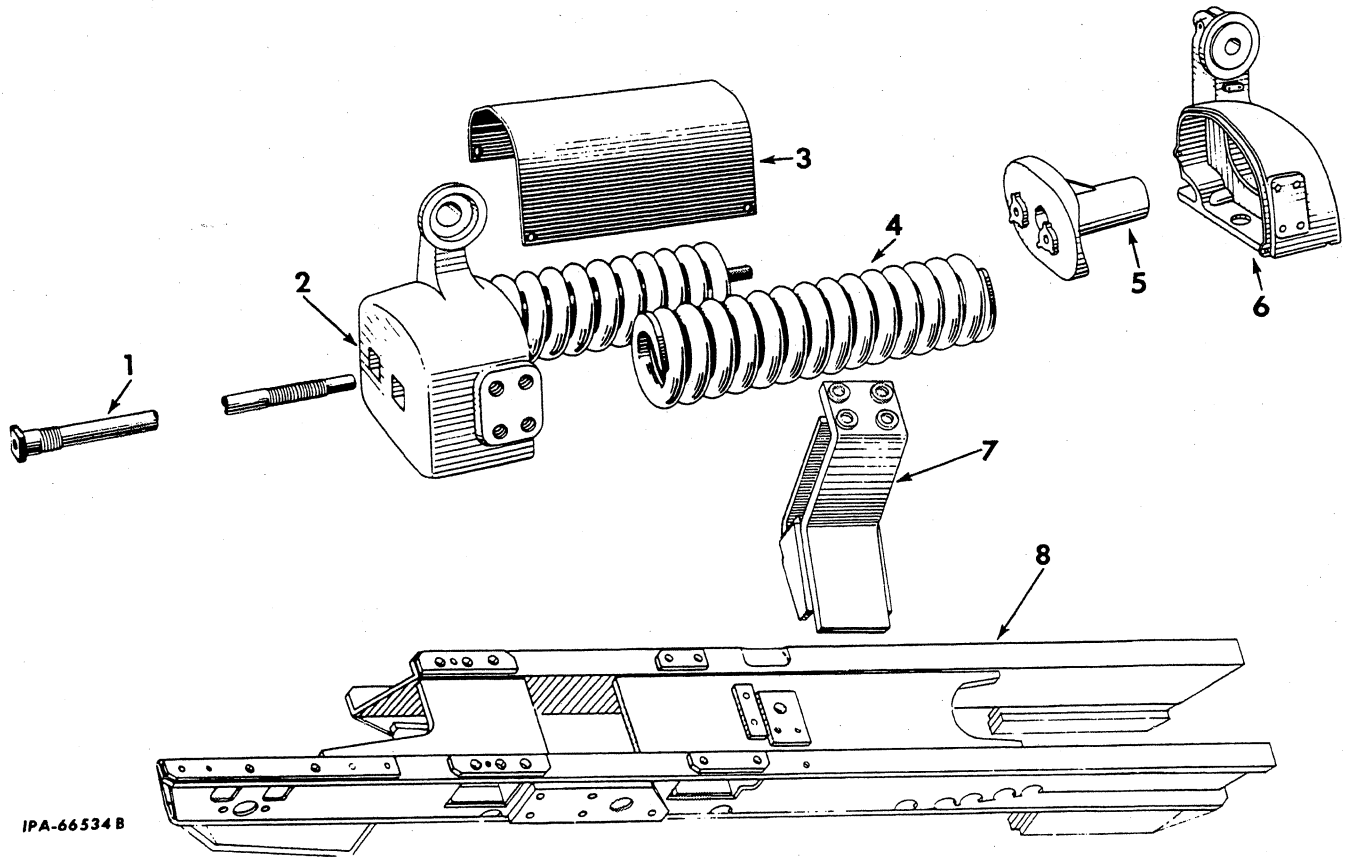
(*) - Do not use 8235D drum on one side and a 8235DB drum on the other side. If necessary order two 8235DB drums, if 8235D drums are no longer available. This recommendation is being made so that an equal adjustment and wear pattern will be apparent on both drums after operation.

NOTE 3 - Field Application - Order Through Regular Service Parts Channels.

TRACK DRIVE

REF. NO.	PART NUMBER	DESCRIPTION	REF. NO.	PART NUMBER	DESCRIPTION
----------	-------------	-------------	----------	-------------	-------------

TRACK FRAME, SPRING AND RETAINERS
(For Manual Shift, Power Shift and Agr. Tractors)



1	272 932 R1	ROD, track spring adjusting (4)	6	266 069 R2	GUIDE, LH track frame and track spring
		NUT, 1-1/4NF cd-pltd thick slotted (4)			
	25 951 R1	NUT, 1-1/2NF jam (4)	6	266 070 R2	GUIDE, RH track frame and track spring
		PIN, 5/32 x 2" cotter (4)		104 942	CORK, 3/4" dia x 15/16" (size 6) (16)
2	273 323 R2	RETAINER, LH rear track spring		103 028	NUT, 1/2NF (2)
2	273 324 R2	RETAINER, RH rear track spring		181 444	SCREW, 1/2NF x 3-1/2" hex-hd cap (2)
	104 942	CORK, 3/4" dia x 15/16" (size 6) (12)		116 121	WASHER, 1/2" lock (2)
	103 028	NUT, 1/2NF (2)	7	331 003 R92	SUPPORT, lift frame front (regular for tractors with blade equipment - also furnished as part of ATTACHMENT, 331 550 R91)
	181 444	SCREW, 1/2NF x 3-1/2" hex-hd cap (2)			
	116 121	WASHER, 1/2" lock (2)			
3	49 586 DAX	GUARD, track spring (2)	7	331 550 R91	ATTACHMENT, front support (direct lift) (consists of two SUPPORT, 331 003 R92 and DRAWING, IZG-5675) (see NOTE 2) (for Agr. tractors and tractors without blade equipment)
	24 839 R1	SCREW, 3/8 x 3/4" hex-hd cap (8)			
	115 093	WASHER, 3/8" lock (8)			
	103 341	WASHER, 13/32 x 13/16" x 16 ga (8)			
4	272 931 R1	SPRING, track (4)			
5	266 067 R1	RETAINER, front track spring (2)			

NOTE 2 - Field Application - Order On Machine Order Form.

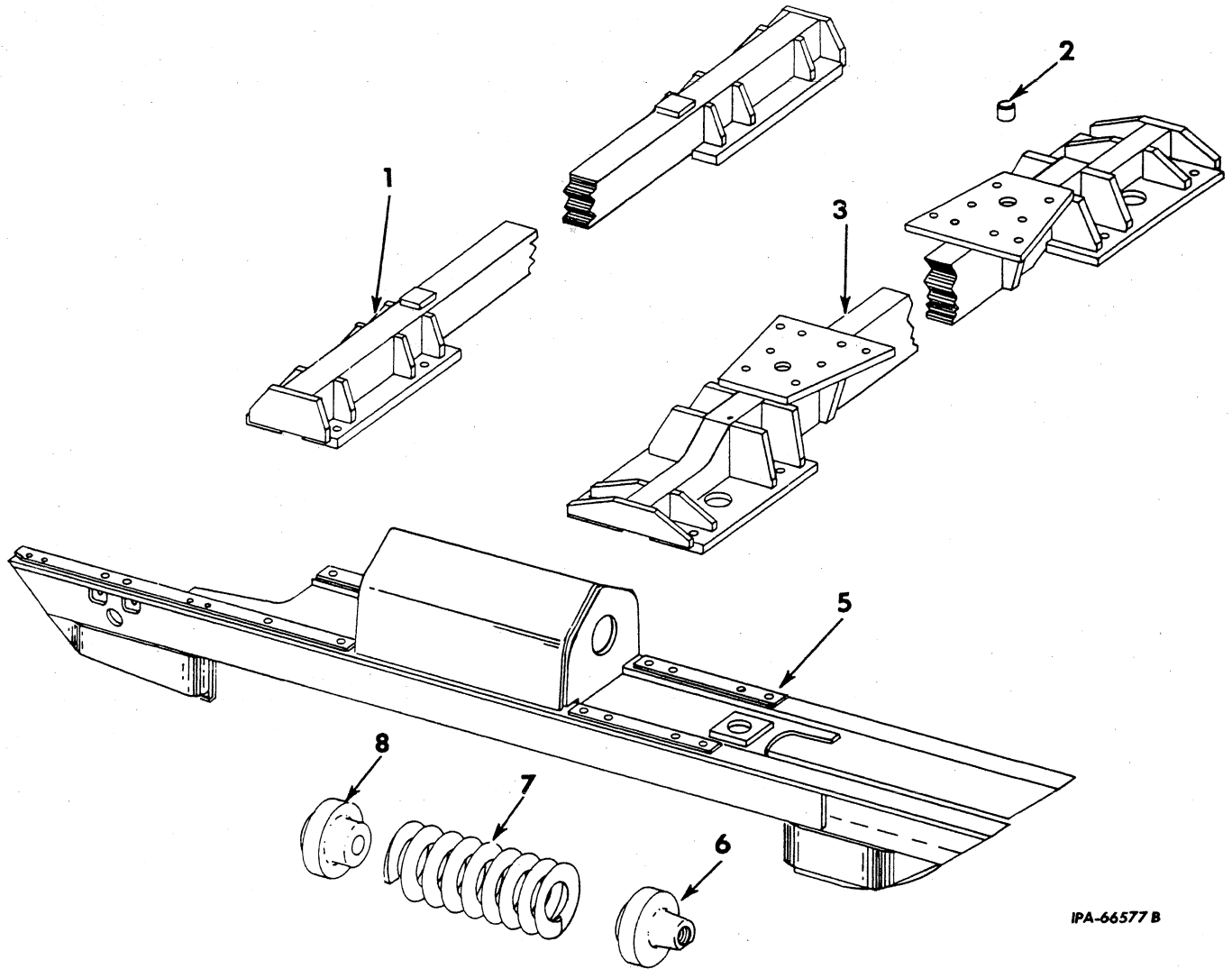
TRACK DRIVE

REF. NO.	PART NUMBER	DESCRIPTION	REF. NO.	PART NUMBER	DESCRIPTION
TRACK FRAME, SPRING AND RETAINERS - Continued (For Manual Shift, Power Shift and Agr. Tractors)					
8	273 337 R92	FRAME, LH track			
8	273 338 R92	FRAME, RH track			
	266 071 R1	BOLT, track frame and track spring guide short (RH and LH) (8)			
	266 072 R1	BOLT, track frame and track spring guide long (RH and LH) (4)			
	277 921 R1	BOLT, rear track spring retainer (8)			
	316 602 R1	DOWEL, rear track spring retainer (4)			

TRACK DRIVE

REF. NO.	PART NUMBER	DESCRIPTION	REF. NO.	PART NUMBER	DESCRIPTION
----------	-------------	-------------	----------	-------------	-------------

TRACK FRAME AND SPRING
(For Revolving Crane and Sideboom Tractors)



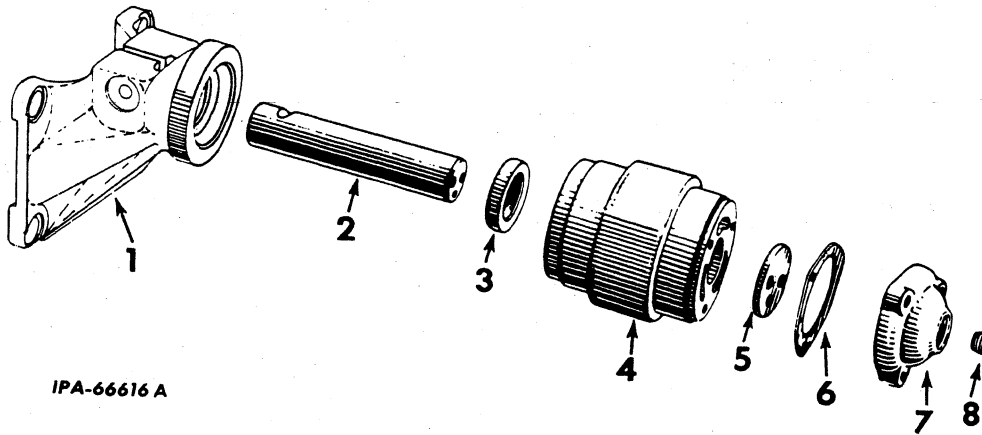
IPA-66577 B

1	330 600 R91	CROSSBAR, rigid rear	5	327 978 R92	FRAME, RH track
	25 517 R1	SCREW, 1 x 2" hex-hd cap (8)	6	330 638 R1	SEAT, track spring front (2)
2	330 845 R1	DOWEL, equipment mounting (2)	7	330 631 R1	SPRING, track (2)
3	330 607 R91	CROSSBAR, rigid front	8	330 637 R1	SEAT, track spring rear (2)
	24 888 R1	SCREW, 3/4 x 2" hex-hd cap (4)		334 420 R1	GUIDE, hydraulic track adjuster rod (2)
	25 517 R1	SCREW, 1 x 2" hex-hd cap (16)		24 861 R1	SCREW, 1/2 x 1-1/4" hex-hd cap (4)
5	327 977 R92	FRAME, LH track		116 121	WASHER, 1/2" lock (4)

TRACK DRIVE

REF. NO.	PART NUMBER	DESCRIPTION	REF. NO.	PART NUMBER	DESCRIPTION
----------	-------------	-------------	----------	-------------	-------------

TRACK IDLER



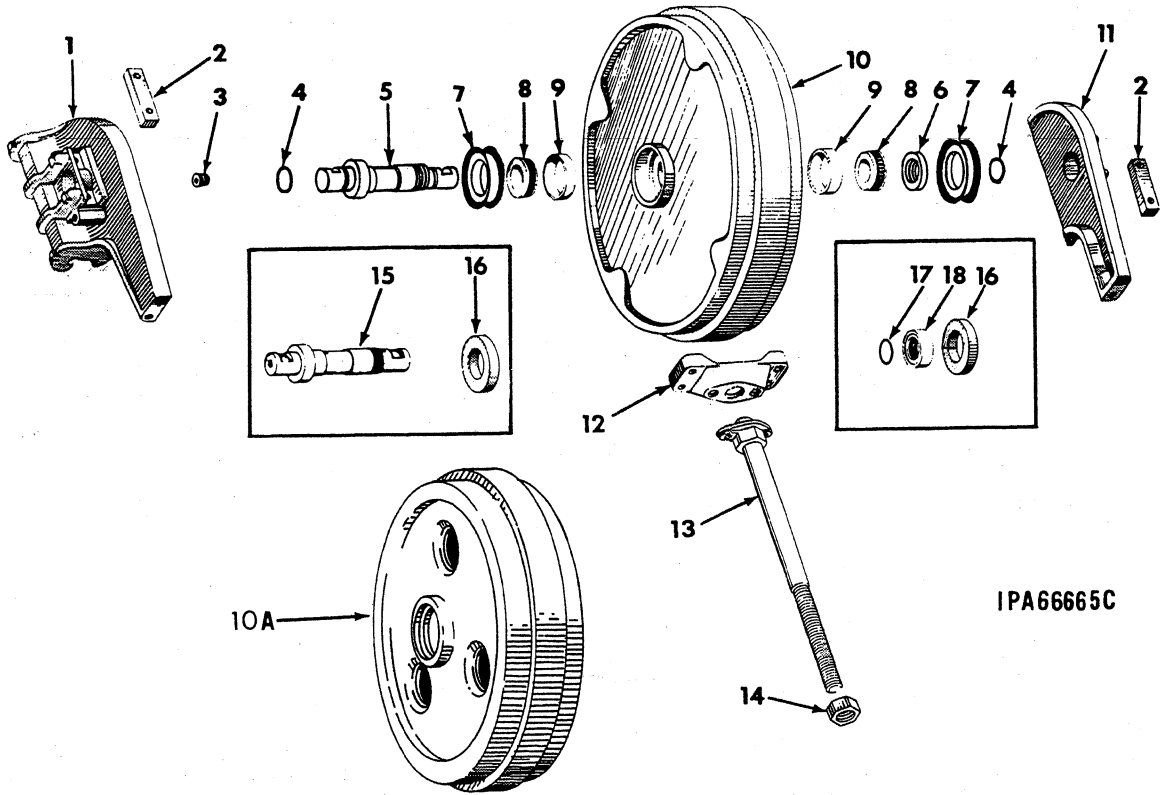
1	330 721 R1 24 888 R1	SUPPORT, track idler (2*) SCREW, 3/4 x 2" hex-hd cap (8)	5	307 033 R2 181 429	WASHER, track idler thrust (4) (2*) SCREW, 1/2NF x 1-1/4" hex-hd cap (8) (4*)
2	307 041 R2 103 028 181 444 116 121	SHAFT, track idler (4) (2*) NUT, 1/2NF (4) (2*) SCREW, 1/2NF x 3-1/2" hex-hd cap (4) (2*) WASHER, 1/2" lock (4) (2*)	6	48 229 D	GASKET, track idler (4) (2*)
3	321 292 R91	OIL SEAL, track idler (4) (2*)	7	307 042 R2 24 862 R1 116 121	CAP, track idler (4) (2*) SCREW, 1/2 x 1-1/2" hex-hd cap (12) (6*) WASHER, 1/2" lock (12) (6*)
4	320 641 R1	IDLER, track (4) (2*)	8	271 647 R1	PLUG, 1" track idler lubrication (4) (2*)

(*) - Revolving Crane and Sideboom Tractors

TRACK DRIVE

REF. NO.	PART NUMBER	DESCRIPTION	REF. NO.	PART NUMBER	DESCRIPTION
----------	-------------	-------------	----------	-------------	-------------

FRONT IDLER



1	316 992 R2	GUIDE, LH front idler (2) TD-9BG 6502 to 14000 (2) TD-9BP 6525 to 14000 (2) TD-9BGA 6616 to 14000 (2) TD-9BGC 9231 to 14000 (2) TD-9BGS 9239 to 14000	7	604 187 C91	OIL SEAL w/PAMPHLET, 1 085 226 R1, metal face type front idler (2) TD-9BG, TD-9BP, TD-9BGA, TD-9BGC, TD-9BGS 14001 and up
1	616 342 C1	GUIDE, LH front idler (2) TD-9BG, TD-9BP, TD-9BGA, TD-9BGC, TD-9BGS 14001 and up	8	13 367 DC	CONE, front idler shaft roller bearing (4)
2	263 441 R1	CLAMP, front idler shaft (4) SCREW, 9/16 x 1-7/8" hex-hd cap (18)	9	13 363 D	CUP, front idler shaft roller bearing (4)
	116 122	WASHER, 9/16" lock (4)	10	316 990 R1	IDLER, front (not weighted) (2) TD-9BG 6502 to 14000 (2) TD-9BP 6525 to 14000 (2) TD-9BGA 6616 to 14000
3	268 996 R1	PLUG, front idler lubrication (2)	10	616 340 C1	IDLER, front (not weighted) (2) TD-9BG 14001 and up (2) TD-9BP 14001 and up (2) TD-9BGA 14001 and up
4	382 432 R1	"O" RING, 2 x 2-1/4 x 1/8" (2) TD-9BG, TD-9BP, TD-9BGA, TD-9BGC, TD-9BGS 14001 and up	10	316 988 R1	IDLER, front (not weighted) (2) TD-9BGC 9231 to 14000 (2) TD-9BGS 9239 to 14000
5	616 344 C1	SHAFT, front idler (2) TD-9BG, TD-9BP, TD-9BGA, TD-9BGC, TD-9BGS 14001 and up	10	616 229 C1	IDLER, front (not weighted) (2) TD-9BGC 14001 to 16800 (2) TD-9BGS 14001 to 16800
6	616 345 C1	NUT, front idler adjusting TD-9BG, TD-9BP, TD-9BGA, TD-9BGC, TD-9BGS 14001 and up			

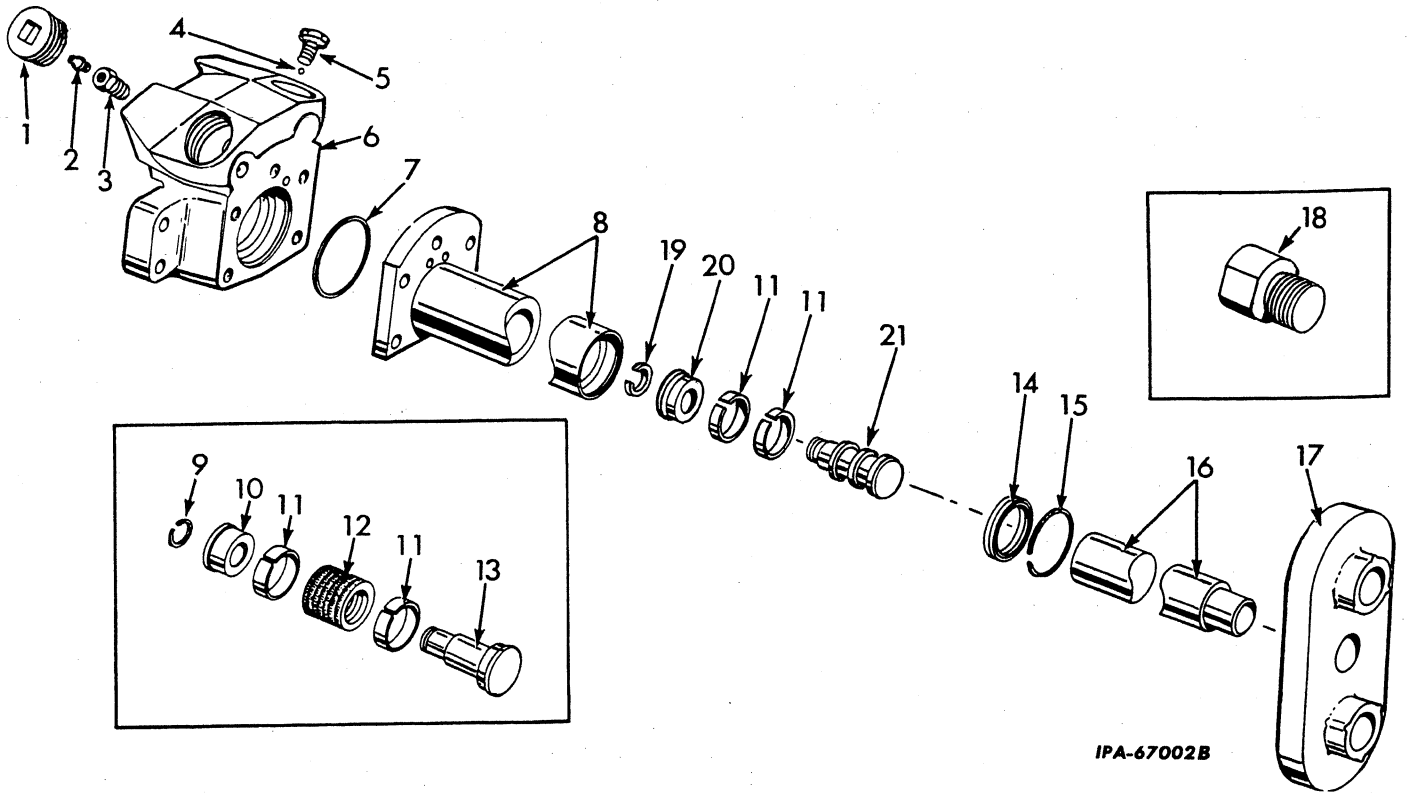
TRACK DRIVE

REF. NO.	PART NUMBER	DESCRIPTION	REF. NO.	PART NUMBER	DESCRIPTION
FRONT IDLER - Continued			15	316 991 R1	SHAFT, front idler (2) TD-9BG 6502 to 14000 (2) TD-9BP 6525 to 14000 (2) TD-9BGA 6616 to 14000 (2) TD-9BGC 9231 to 14000 (2) TD-9BGS 9239 to 14000
	331 750 R11	IDLER, front (weighted) (part of ATTACHMENT, 331 752 R91) (2) TD-9BGA 6616 to 14000			
10	703 330 C1	IDLER, front (weighted) (part of ATTACHMENT, 331 752 R91) (2) TD-9BGA 14001 and up	16	319 635 R91	OIL SEAL, front idler (4) (4) TD-9BG 6502 to 14000 (4) TD-9BP 6525 to 14000 (4) TD-9BGA 6616 to 14000 (4) TD-9BGC 9231 to 14000 TD-9BGS 9239 to 14000
10A	655 678 C1	IDLER, front (not weighted) (2) TD-9BG 14001 and up (2) TD-9BP 14001 and up (2) TD-9BGA 14001 and up			
10A	655 677 C1	IDLER, front (not weighted) (2) TD-9BGC 14001 to 16800 (2) TD-9BGS 14001 to 16800	17	321 736 R1	"O" RING, 2-1/2 x 2-3/4 x 1/8" front idler nut) (2) TD-9BG 6502 to 14000 (2) TD-9BP 6525 to 14000 (2) TD-9BGA 6616 to 14000 (2) TD-9BGC 9231 to 14000 (2) TD-9BGS 9239 to 14000
10A	655 900 C1	IDLER, front (weighted) (part of ATTACHMENT 331 752 R91) (2) TD-9BGA 14001 and up			
11	316 993 R2	GUIDE, RH front idler (2) TD-9BG 6502 to 14000 (2) TD-9BP 6525 to 14000 (2) TD-9BGA 6616 to 14000 (2) TD-9BGC 9231 to 14000 TD-9BGS 9239 to 14000	18	316 987 R1	NUT, front idler adjusting (2) TD-9BG 6502 to 14000 (2) TD-9BP 6525 to 14000 (2) TD-9BGA 6616 to 14000 (2) TD-9BGC 9231 to 14000 (2) TD-9BGS 9239 to 14000
11	616 343 C1	GUIDE, RH front idler (2) TD-9BG 14001 up (2) TD-9BP 14001 up (2) TD-9BGA 14001 up (2) TD-9BGC 14001 to 16800 TD-9BGS 14001 to 16800	606 133 C91	PACKAGE, front idler oil seal field service (consists of WASHER, two BAND, two WIPER and PAMPHLET, 1 019 085 R1) (PACKAGE to be used to service OIL SEAL, 604 187 C91) (2) TD-9BG 14001 up (2) TD-9BP 14001 up (2) TD-9BGA 14001 up (2) TD-9BGC 14001 to 16800 (2) TD-9BGS 14001 to 16800	
12	53 398 DA 24 874 R1	PLATE, front idler guide cross (*) (2) SCREW, 5/8 x 1-3/4" hex-hd cap (8)	606 628 C91	PACKAGE, reunitionization band field service (consists of 50 RETAINER BAND) (PACKAGE to be used to service OIL SEAL, 604 187 C91) (X) (2) TD-9BG 14001 up (2) TD-9BP 14001 up (2) TD-9BGA 14001 up (2) TD-9BGC 14001 to 16800 (2) TD-9BGS 14001 to 16800	
13	63 996 DB 24 863 R1 116 121	ADJUSTER, front idler (for all tractors except revolving crane and sideboom) (*) (2) SCREW, 1/2 x 1-1/4" hex-hd cap (4) WASHER, 1/2" lock (4)			
13	330 635 R1 24 861 R1 116 121	ADJUSTER, front idler (for revolving crane and sideboom tractors) (*) (2) SCREW, 1/2 x 1-1/4" hex-hd cap (4) WASHER, 1/2" lock (4)			
14	266 068 R1	NUT, front idler adjuster locking (*) (2)			
	331 752 R91	ATTACHMENT, front idler (weighted) (used on Agr. tractors) (see NOTES 1 and 3) (Composed of - 4 CONE 13 367 DC 4 CUP 13 363 D 2 IDLER 703 330 C1 4 OIL SEAL 604 187 C91 2 "O" RING 382 432 R1 1 NUT 616 345 C1 2 PLUG 268 996 R1 2 SHAFT 616 344 C1)			(* - Not used on units equipped with hydraulic track adjuster attachment. NOTE 1 - Factory Application - Order On Machine Order Form. NOTE 3 - Field Application - Order Through Regular Service Parts Channels.

TRACK DRIVE

REF. NO.	PART NUMBER	DESCRIPTION	REF. NO.	PART NUMBER	DESCRIPTION
----------	-------------	-------------	----------	-------------	-------------

HYDRAULIC TRACK ADJUSTER



IPA-67002B

		Parts without letters after the description indicate the part is used for all attachments listed below. Letters "A" and "B" are used to identify separate attachments.	6	331 540 R1	PLATE, cross RH (Order the following parts - 1 CYLINDER 345 643 R91 1 PLATE 345 646 R1 5 BOLT 570 879 R1 1 "O" RING 606 170 C1)
A	331 543 R91	ATTACHMENT, hydraulic track adjuster (for all tractors except revolving crane (see NOTES 1 and 3)	6	345 645 R1 345 646 R1 25 336 R1	PLATE, cross LH PLATE, cross RH SCREW, 5/8 x 1-7/8" hex-hd cap (8) TD-9BG, TD-9BP and TD-9BGA 9005 up
B	331 541 R91	ATTACHMENT, hydraulic track adjuster (for revolving crane and side-boom tractors) (see NOTES 1 and 3)			
1	20 979 R1	PLUG, 1-1/4" sq-soc pipe (2)	7	606 170 C1	"O" RING, track adjusting sealing (2)
2	109 461	FITTING, lubrication (2)			
3	319 628 R91	VALVE, check (2)			
4	16 012 R1	BALL, 3/8" steel (2)			
5	311 070 R1	BOLT, vent (2)			
6	331 539 R1	PLATE, cross LH (Order the following parts - 1 CYLINDER 345 643 R91 1 PLATE 345 645 R1 5 BOLT 570 879 R1 1 "O" RING 606 170 C1)			

NOTE 1 - Factory Application - Order On Machine Order Form.

NOTE 3 - Field Application - Order Through Regular Service Parts Channels.

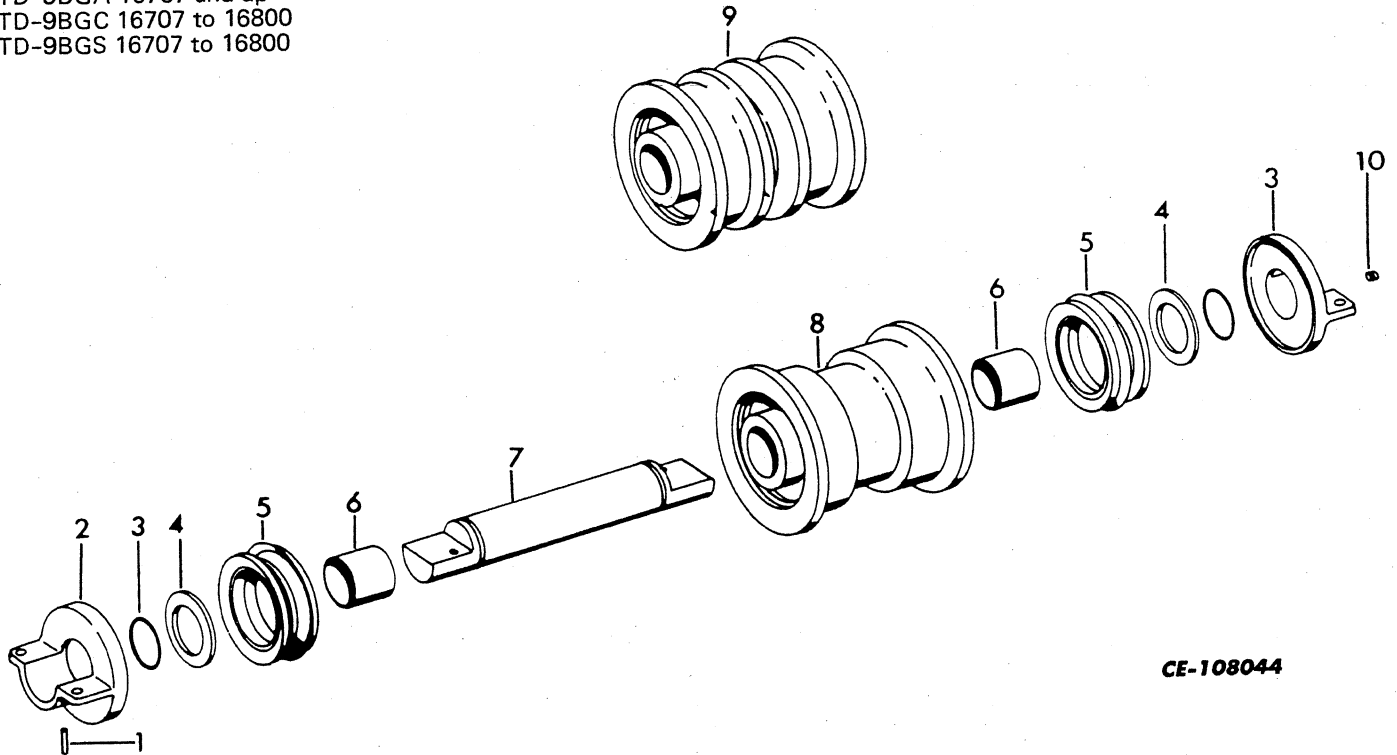
TRACK DRIVE

REF. NO.	PART NUMBER	DESCRIPTION	REF. NO.	PART NUMBER	DESCRIPTION
HYDRAULIC TRACK ADJUSTER - Continued			18	331 531 R1	ADAPTER, hydraulic track adjuster rod (2 for Attachment B)
8	345 649 R91	CYLINDER, LH hydraulic track adjuster	19	376 909 R1	RING, retaining (2)
	25 281 R1	SCREW, 1/2 x 2-3/4" hex-hd cap (4)	20	655 658 C1	SEAL (2)
	116 121	WASHER, 1/2" lock (4)	21	655 655 C1	PISTON, hydraulic track adjuster (2)
		(Order the following parts -			
		1 CYLINDER 345 643 R91			
		1 PLATE 345 645 R1			
		5 BOLT 570 879 R1			
		1 "O" RING 606 170 C1)			
8	345 649 R91	CYLINDER, RH hydraulic track adjuster			
	19 993 R1	SCREW, 1/2 x 2-3/4" hex-hd cap (4)			
	116 121	WASHER, 1/2" lock (4)			
		(Order the following parts -			
		1 CYLINDER 345 643 R91			
		1 PLATE 345 646 R1			
		5 BOLT 570 879 R1			
		1 "O" RING 606 170 C1)			
8	345 643 R91	CYLINDER, hydraulic track adjuster (2) TD-9BG, TD-9BP and TD-9BGA 9005 up			
	570 879 R1	BOLT, 5/8 x 2-1/4" (10)			
9	369 875 R1	RING, snap (2)			
		TD-9BG 6502 to 16429			
		TD-9BP 6525 to 16429			
		TD-9BGA 6516 to 16429			
		TD-9BGC 9231 to 16429			
		TD-9BGS 9239 to 16429			
10	331 537 R1	END, hydraulic track adjuster piston (order 1 PISTON, 655 655 C1, 1 RING, 376 909 R1, 1 SEAL, 655 656 C1) (2)			
11	338 393 R1	RING, piston wear (4)			
12	338 391 R1	PACKING, hydraulic track adjuster (2)			
		TD-9BG 6502 to 16429			
		TD-9BP 6525 to 16429			
		TD-9BGA 6516 to 16429			
		TD-9BGC 9231 to 16429			
		TD-9BGS 9239 to 16429			
13	331 538 R1	BODY, piston hydraulic track adjuster (order 1 PISTON, 655 655 C1, 1 RING, 376 909 R1, 1 SEAL, 655 656 C1) (2)			
14	338 392 R91	WIPER, seal (2)			
15	338 390 R1	RING, snap (2)			
16	331 532 R2	ROD, hydraulic track adjuster (2)			
17	314 142 R1	RETAINER, track spring front (2 for Attachment A)			

TRACK DRIVE

REF. NO.	PART NUMBER	DESCRIPTION	REF. NO.	PART NUMBER	DESCRIPTION
----------	-------------	-------------	----------	-------------	-------------

TRACK ROLLER
 TD-9BG 16707 and up
 TD-9BP 16707 and up
 TD-9BGA 16707 and up
 TD-9BGC 16707 to 16800
 TD-9BGS 16707 to 16800



CE-108044

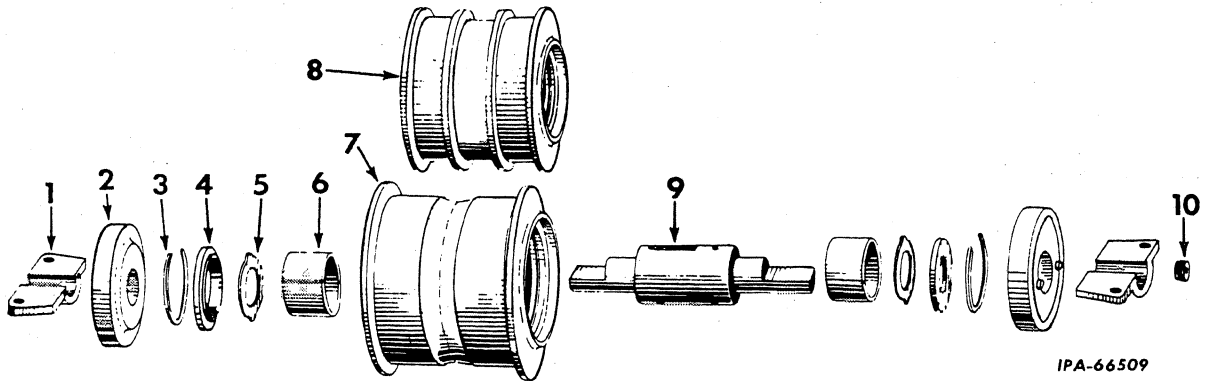
		Parts without letters after the description indicate the part is used for all assemblies listed below.	5	606 133 C91	PACKAGE, track roller oil seal field service (consists of 1 Washer, 2 BAND, 2 WIPER, and 1 PAMPHLET, 1 019 085 R1) (X)
A	662 510 C91	ROLLER and SHAFT ASSY, track (Single Flange) (installed in position 2, 4, and 5) (6)	6	621 474 C3	BUSHING, track roller (24)
B	662 511 C91	ROLLER and SHAFT ASSY, track (Double Flange) (installed in position 1, 3, and 6) (6)	7	655 111 C1	SHAFT, track roller (12)
	24 862 R1	SCREW, hex-hd cap (24 for A) (16 for B)	8	621 471 C93	ROLLER, w/two BUSHING, 621 474 C3 track (Single Flange) (A) (6)
	25 536 R1	WASHER, flat (24 for A) (16 for B)	9	655 925 C92	ROLLER w/two BUSHING, 621 474 C3, track (Double Flange) (B) (6)
1	19 885 R1	PIN, coiled spring (24)	10	268 996 R1	PLUG, 3/8" pipe (12)
2	655 113 C1	BRACKET, shaft support (24)			
3	364 108 R1	"O" RING, bracket (24)			
4	621 476 C1	WASHER, thrust (24)			
5	604 187 C91	SEAL w/PAMPHLET, 1 085 226 R1, track roller (12)			
5	606 628 C91	PACKAGE, reunition band field service (consists of 50 retainer bands) (X)			

(X) - As Required

TRACK DRIVE

REF. NO.	PART NUMBER	DESCRIPTION	REF. NO.	PART NUMBER	DESCRIPTION
----------	-------------	-------------	----------	-------------	-------------

TRACK ROLLER
 TD-9BG 6502 to 16706
 TD-9BP 6525 to 16706
 TD-9BGA 6616 to 16706
 TD-9BGC 9231 to 16706
 TD-9BGS 9239 to 16706



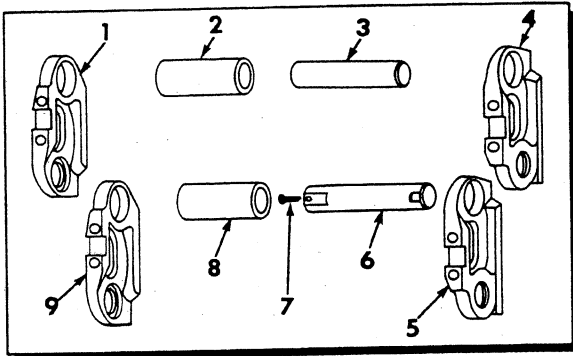
1	311 431 R1 24 862 R1 116 121	BRACKET, track roller shaft (20) (24*) SCREW, 1/2 x 1-1/2" hex-hd cap (40) (48*) WASHER, 1/2" lock (40) (48*)	331 626 R92	PACKAGE, track roller oil seal field service (20) (24*) (Consists of RING, 331 408 R2 and OIL SEAL)
2		OIL SEAL, track roller (order PACKAGE, 331 626 R92)	331 408 R2	RING, track roller oil seal (20) (24*)
3	272 623 R2	RING, track roller retainer snap (20) (24*)	306 125 R92	ROLLER and SHAFT ASSY, track (single flange) (order TRACK ROLLER and SHAFT, 662 510 C91) (6) (Composed of -
4	322 528 R1	RETAINER, track roller (20) (24*)		1 PLUG 268 996 R1
5	53 369 D	WASHER, track roller thrust (.083 - .085) (20) (24*)		2 RETAINER 322 528 R1
5	322 247 R1	WASHER, track roller thrust (.100 - .105) (X)		2 RING 272 623 R2
6	314 937 R91	BUSHING SET, track roller (set of two) (10) (12*)		1 ROLLER 306 127 R93
7	306 127 R93	ROLLER, track w/BUSHING SET, 314 937 R91 (single flange) (6)	306 126 R92	1 SHAFT 304 915 R93
8	306 128 R93	ROLLER, track w/BUSHING SET, 314 937 R91 (double flange) (4) (6*)		2 WASHER 53 369 D)
9	304 915 R93	SHAFT, track roller (10) (12*)		306 126 R92 ROLLER and SHAFT ASSY, track (double flange) (order TRACK ROLLER and SHAFT, 662 511 C91) (4) (6*) (Composed of -
10	268 996 R1	PLUG, track roller shaft lubrication (10) (12*)		1 PLUG 268 996 R1
				2 RETAINER 322 528 R1
				2 RING 272 623 R2
				1 ROLLER 306 128 R93
				1 SHAFT 304 915 R93
				2 WASHER 53 369 D)

(*) - Revolving Crane and Sideboom Tractors
 (X) - As Required

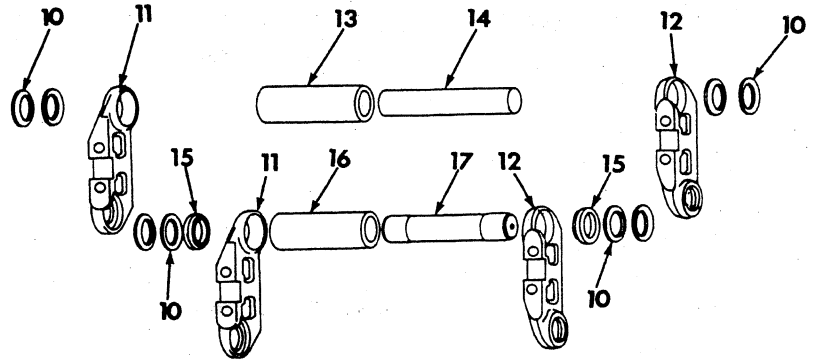
TRACK DRIVE

REF. NO.	PART NUMBER	DESCRIPTION	REF. NO.	PART NUMBER	DESCRIPTION
----------	-------------	-------------	----------	-------------	-------------

TRACK CHAIN AND TRACK CHAIN W/SHOES



CE-89098A



Parts without letters after the description indicate the part is used for all track assemblies listed below. Letters A, B, C and D are used to identify separate track assemblies.

			1	316 841 R3	LINK, LH master track (track A and B) (Order the following parts - 1 LH LINK, 616 185 C1 1 RH LINK, 616 186 C1 2 SPACER 616 189 C1 4 WASHER 616 187 C1 1 PIN 616 190 C1)
A	316 845 R93	TRACK ASSY (less shoes) (for Manual Shift, Power Shift and Agr. Tractors) (2) TD-9BG 6502 to 14000 (2) TD-9BP 6525 to 14000 (2) TD-9BGA 6616 to 14000 (Order the following parts - 144 BOLT 616 191 C1 144 NUT 616 192 C1 1 TRACK 703 125 C1)	2	263 973 R3	BUSHING, track link (35 for track A, 38 for track B)
			3	263 975 R1	PIN, track link (35 for track A, 38 for track B)
B	316 846 R93	TRACK ASSY (less shoes) (for Revolving Crane and Sideboom Tractors) (2) TD-9BGC 9231 to 14000 TD-9BGS 9239 to 14000 (Order the following parts - 156 BOLT 616 191 C1 156 NUT 616 192 C1 1 TRACK 703 127 C91)	4	316 842 R3	LINK, RH master track (track A and B) (Order the following parts - 1 LH LINK, 616 185 C1 1 RH LINK, 616 186 C1 2 SPACER 616 189 C1 4 WASHER 616 187 C1 1 PIN 616 190 C1)
C	703 125 C91	TRACK ASSY (less shoes) (for Manual Shift, Power Shift and Agr. Tractors) (2) TD-9BG 14001 up (2) TD-9BP 14001 up (2) TD-9BGA 14001 up	5	316 839 R3	LINK, LH track (order 1 LINK, 616 185 C2 and 2 WASHER, 616 187 C1) (35 for track A, 38 for track B)
D	703 127 C91	TRACK ASSY (less shoes) (for Revolving Crane and Sideboom Tractors) (2) TD-9BGC 14001 to 16800 (2) TD-9BGS 14001 to 16800	6	263 976 R1	PIN, track master link (track A and B)

TRACK DRIVE

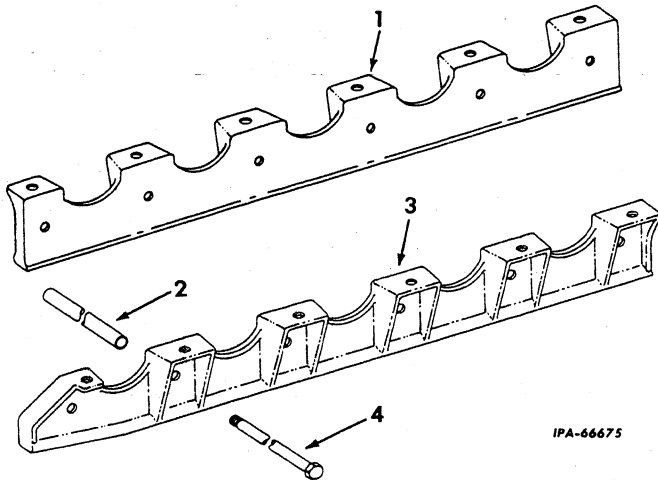
REF. NO.	PART NUMBER	DESCRIPTION	REF. NO.	PART NUMBER	DESCRIPTION
TRACK CHAIN AND TRACK CHAIN W/SHOES - Continued			318 839 R93		CHAIN, track (with shoes) (16" clipped corner shoe). Not for Revolving Crane or Sideboom Tractors (*) (Composed of - 144 BOLT 616 191 C1 1 CHAIN 703 125 C91 144 NUT 616 192 C1 36 SHOES 49 473 DD)
7	19 795 R1	LOCKWIRE, track master link pin (track A and B)			
8	263 974 R3	BUSHING, track master link (track A and B)			
9	316 840 R3	LINK, RH track (order 1 LINK, 616 186 C2 and 2 WASHER, 616 187 C1) (35 for track A, 38 for track B)	624 949 C91		CHAIN, track (with shoes) (18" clipped corner shoe). Not for Revolving Crane or Sideboom Tractors (*) (Composed of - 144 BOLT 616 191 C1 1 CHAIN 703 125 C91 144 NUT 616 192 C1 36 SHOES 49 474 DD)
10	616 187 C1	SEAL, track chain bushing (144 for track C, 156 for track D)			
11	616 186 C1	LINK, track RH (36 for track C, 39 for track D)	318 840 R94		CHAIN, track (with shoes) (15" overlapping flat, low profile 3 grouser) For Revolving Crane or Sideboom Tractors (*) (Composed of - 156 BOLT 616 191 C1 1 CHAIN 703 127 C91 156 NUT 616 192 C1 39 SHOES 277 507 R2)
12	616 185 C1	LINK, track LH (36 for track C, 39 for track D)			
13	621 299 C1	BUSHING, track chain (35 for track C, 38 for track D)			
14	263 975 R1	PIN, track chain (36 for track C, 38 for track D)	272 858 R92		PACKAGE, track link bushing field service (consists of BUSHING, 263 974 R3, PIN, 263 975 R1 and two SPACER, 272 853 R2)
15	616 189 C1	SPACER, master link (2)			
15	272 853 R2	SPACER, master link (used with PACKAGE, 272 858 R92) (2)			
16	621 402 C1	BUSHING, track master (track C and D)			
17	616 190 C1	PIN, master (track C and D)			
318 836 R93		CHAIN, track (with shoes) (13" clipped corner shoe). Not for Revolving Crane or Sideboom Tractors (*) (Composed of - 1 CHAIN 703 125 C91 144 BOLT 616 191 C1 144 NUT 616 192 C1 36 SHOES 49 471 DD)			
318 837 R93		CHAIN, track (with shoes) (14" clipped corner shoe). Not for Revolving Crane or Sideboom Tractors (*) (Composed of - 144 BOLT 616 191 C1 1 CHAIN 703 125 C91 144 NUT 616 192 C1 36 SHOES 50 312 DD)			
318 838 R93		CHAIN, track (with shoes) (15" clipped corner shoe). Not for Revolving Crane or Sideboom Tractors (*) (Composed of - 144 BOLT 616 191 C1 1 CHAIN 703 125 C91 144 NUT 616 192 C1 36 SHOES 49 472 DD)			

(*) - Above CHAINS Service One Side of Tractors. Order Two of Any Above to Service Both Sides of Tractor.

TRACK DRIVE

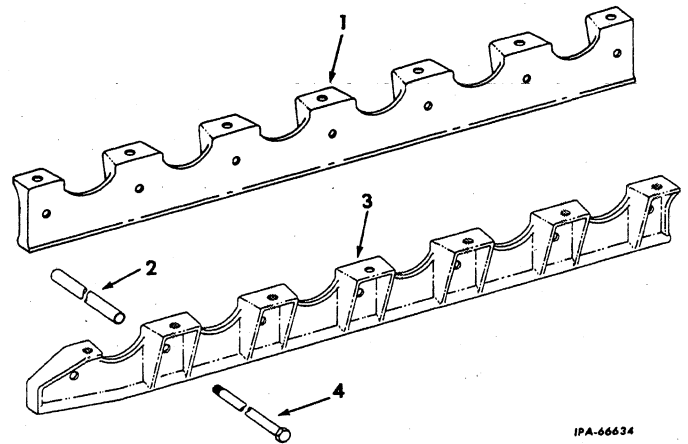
REF. NO.	PART NUMBER	DESCRIPTION
----------	-------------	-------------

TRACK ROLLER SHIELD
(For Manual Shift, Power Shift and Agr. Tractors)



REF. NO.	PART NUMBER	DESCRIPTION
----------	-------------	-------------

TRACK ROLLER SHIELD
(For Sideboom and Revolving Crane Tractors)



	325 982 R91	ATTACHMENT, track roller shield (see NOTES 1 and 3)
1	331 130 R1 24 872 R1	SHIELD, outer track roller (2) SCREW, 5/8 x 1-1/4" hex-hd cap (12)
	609 298 C1	WASHER, hardened (12)
2	621 397 C1	SPACER, track roller shield (2)
3	331 128 R1 24 872 R1	SHIELD, inner LH track roller SCREW, 5/8 x 1-1/4" hex-hd cap (6)
	609 298 C1	WASHER, hardened (6)
3	331 129 R1 24 872 R1	SHIELD, inner RH track roller SCREW, 5/8 x 1-1/4" hex-hd cap (6)
	609 298 C1	WASHER, hardened (6)
4	18 749 R1	BOLT, track roller shield spacer (12) NUT, 3/4NF (12)

325 981 R92 ATTACHMENT, track roller shield (see NOTES 1 and 3)

1	331 133 R2 24 872 R1	SHIELD, outer track roller (2) SCREW, 5/8 x 1-1/4" hex-hd cap (14)
	609 298 C1	WASHER, hardened (14)
2	621 397 C1	SPACER, track roller shield (14)
3	331 131 R1	SHIELD, inner LH track roller
3	331 132 R1 24 872 R1	SHIELD, inner RH track roller SCREW, 5/8 x 1-1/4" hex-hd cap (14)
	609 298 C1	WASHER, hardened (14)
4	18 749 R1	BOLT, track roller shield spacer (14) NUT, 3/4NF (14)

NOTE 1 - Factory Application - Order On Machine Order Form.

NOTE 3 - Field Application - Order Through Regular Service Parts Channels.

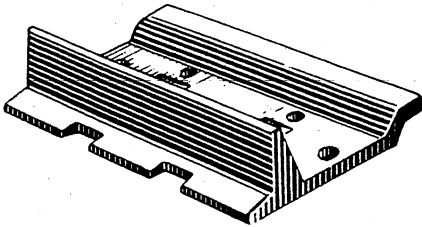
NOTE 1 - Factory Application - Order On Machine Order Form.

NOTE 3 - Field Application - Order Through Regular Service Parts Channels.

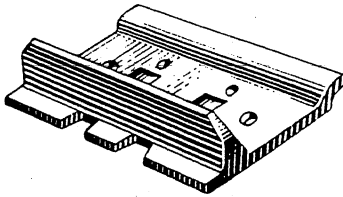
TRACK DRIVE

REF. NO.	PART NUMBER	DESCRIPTION	REF. NO.	PART NUMBER	DESCRIPTION
----------	-------------	-------------	----------	-------------	-------------

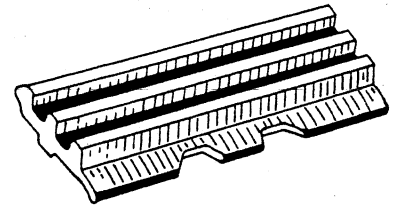
TRACK SHOES



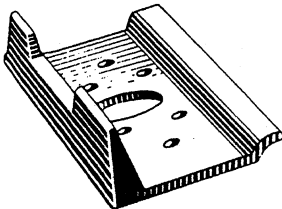
Square corner shoe



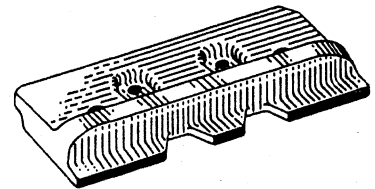
Clipped corner shoe



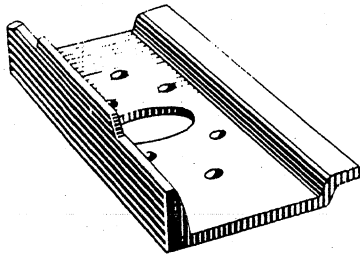
Flat shoe
(3 Grouser)



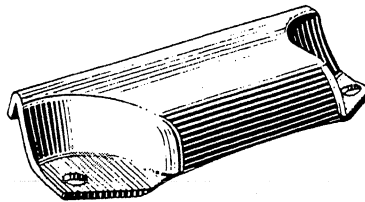
End lug grouser



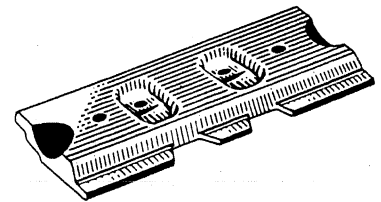
Flat shoe
(Low straight grouser)



Center lug grouser



Street plate



Overlapping flat shoes

IPA-66944

CLIPPED CORNER

49 471 DD	SHOE, track 13" (Standard) (*) (72)
261 452 R3	SHOE, track 22" (Standard) (%) (78)
50 312 DD	SHOE, track 14" (part of ATTACHMENT, 262 468 R93) (*) (72)
49 472 DD	SHOE, track 15" (part of ATTACHMENT, 331 737 R92) (*) (72)
49 473 DD	SHOE, track 16" (part of ATTACHMENT, 330 995 R92) (*) (72)
49 474 DD	SHOE, track 18" (part of ATTACHMENT, 330 996 R92) (*) (72)
49 475 DD	SHOE, track 20" (part of ATTACHMENT, 331 684 R92) (*) (72)

CLIPPED CORNER - Continued

49 475 DD	SHOE, track 20" (part of ATTACHMENT, 311 085 R92) (%) (78)
261 452 R3	SHOE, track 22" (part of ATTACHMENT, 331 685 R92) (*) (72)
261 453 R3	SHOE, track 24" (part of ATTACHMENT, 331 686 R92) (*) (72)

(*) - Not For Revolving Crane or Sideboom Crawler Tractors.

(%) - For Sideboom Crawler Tractors Only.

TRACK DRIVE

REF. NO.	PART NUMBER	DESCRIPTION	REF. NO.	PART NUMBER	DESCRIPTION
TRACK SHOES - Continued			SQUARE CORNER		
			46 839 DC		SHOE, track 13" (part of ATTACHMENT, 257 770 R92) (*) (72)
			50 311 DC		SHOE, track 14" (part of ATTACHMENT, 254 803 R92) (*) (72)
			49 466 DC		SHOE, track 15" (part of ATTACHMENT, 257 771 R92) (*) (72)
			49 467 DC		SHOE, track 22" (part of ATTACHMENT, 254 804 R92) (*) (72)
			49 468 DC		SHOE, track 24" (part of ATTACHMENT, 254 805 R92) (*) (72)
			49 469 DC		SHOE, track 20" (part of ATTACHMENT, 331 687 R92) (*) (72)
			261 450 R2		SHOE, track 22" (part of ATTACHMENT, 331 688 R92) (*) (\$) (72)
			316 843 R2		BOLT, track shoe
			273 871 R1		NUT, track shoe bolt (See NOTE 5) (288) TD-9BG 6502 to 14000 (288) TD-9BP 6525 to 14000 (288) TD-9BGA 6616 to 14000
			616 191 C1		BOLT, track shoe
			616 192 C1		NUT, track shoe bolt (288) TD-9BG 14001 up (288) TD-9BP 14001 up (312) TD-9BGS 14001 to 16800
126 468 R93		ATTACHMENT, track shoe (includes 72 SHOE, 50 312 DD, 288 BOLT, 616 191 C1 and 288 NUT, 616 192 C1) (See NOTE 3) (*)			
331 737 R92		ATTACHMENT, track shoe (includes 72 SHOE, 49 472 DD, 288 BOLT, 616 191 C1 and 288 NUT, 616 192 C1) (See NOTES 1 and 3) (*)			
330 995 R92		ATTACHMENT, track shoe (includes 72 SHOE, 49 473 DD, 288 BOLT, 616 191 C1 and 288 NUT, 616 192 C1) (See NOTES 1 and 3) (*)			
330 996 R92		ATTACHMENT, track shoe (includes 72 SHOE, 49 474 DD, 288 BOLT, 616 191 C1 and 288 NUT, 616 192 C1) (See NOTES 1 and 3) (*)			
331 684 R92		ATTACHMENT, track shoe (includes 72 SHOE, 49 475 DD, 288 BOLT, 616 191 C1 and 288 NUT, 616 192 C1) (See NOTES 1 and 3) (*) (\$)			
311 085 R92		ATTACHMENT, track shoe (includes 78 SHOE, 49 475 DD, 312 BOLT, 616 191 C1 and 312 NUT, 616 192 C1) (See NOTE 3) (%)			
331 685 R92		ATTACHMENT, track shoe (includes 72 SHOE, 261 452 R3, 288 BOLT, 616 191 C1 and 288 NUT, 616 192 C1) (See NOTES 1 and 3) (*) (\$)			
331 686 R92		ATTACHMENT, track shoe (includes 72 SHOE, 261 453 R3, 288 BOLT, 616 191 C1 and 288 NUT, 616 192 C1) (See NOTE 4) (*) (\$)			
					(*) - Not For Revolving Crane or Sideboom Crawler Tractors.
					(%) - For Sideboom Crawler Tractors Only.
					(\$)
					NOTE 1 - Factory Application - Order on Machine Order Form.
					NOTE 3 - Field Application - Order Through Regular Service Parts Channels.
					NOTE 4 - Attachment No Longer Available. Service Parts will be Furnished as Ordered.
					NOTE 5 - Square Type Track Shoe Bolt Nut, 263 981 R1 also Available For Service in Place of Hex Type, 273 871 R1.

TRACK DRIVE

REF. NO.	PART NUMBER	DESCRIPTION	REF. NO.	PART NUMBER	DESCRIPTION
TRACK SHOES - Continued			STAGGERED LUG GROUSER - Continued		
SQUARE CORNER - Continued			255 879 R92		ATTACHMENT, track shoe (includes 36 SHOE, 57 515 DA, 36 SHOE, 57 516 DA, 288 BOLT, 616 191 C1 and 288 NUT, 616 192 C1) (See NOTE 4) (*)
257 770 R92		ATTACHMENT, track shoe (includes 72 SHOE, 46 839 DC, 288 BOLT, 616 191 C1 and 288 NUT, 616 192 C1) (See NOTE 4) (*)	270 822 R92		ATTACHMENT, track shoe (includes 36 SHOE, 270 823 R1, 36 SHOE, 270 824 R1, 288 BOLT, 616 191 C1 and 288 NUT, 616 192 C1) (See NOTE 3) (*)
254 803 R92		ATTACHMENT, track shoe (includes 72 SHOE, 50 311 DC, 288 BOLT, 616 191 C1 and 288 NUT, 616 192 C1) (See NOTE 4) (*)	FLAT SHOE		
257 771 R92		ATTACHMENT, track shoe (includes 72 SHOE, 49 466 DC, 288 BOLT, 616 191 C1 and 288 NUT, 616 192 C1) (See NOTE 4) (*)	9 245 DA		SHOE, track 15" (Standard) (+) (78)
254 804 R92		ATTACHMENT, track shoe (includes 72 SHOE, 49 467 DC, 288 BOLT, 616 191 C1 and 288 NUT, 616 192 C1) (See NOTE 4) (*)	9 245 DA		SHOE, track 15" (part of ATTACHMENT, 254 981 R92) (*) (72)
254 805 R92		ATTACHMENT, track shoe (includes 72 SHOE, 49 468 DC, 288 BOLT, 616 191 C1 and 288 NUT, 616 192 C1) (See NOTE 4) (*)	258 874 R1		SHOE, track 15" (part of ATTACHMENT, 258 873 R92) (*) (72)
331 687 R92		ATTACHMENT, track shoe (includes 72 SHOE, 49 469 DC, 288 BOLT, 616 191 C1 and 288 NUT, 616 192 C1) (See NOTE 4) (\$)	277 507 R2		SHOE, track 15" (part of ATTACHMENT, 277 509 R93) (*) (72)
331 688 R92		ATTACHMENT, track shoe (includes 72 SHOE, 261 450 R2, 288 BOLT, 616 191 C1 and 288 NUT, 616 192 C1) (See NOTE 4) (*) (\$)	277 507 R2		SHOE, track 15" (part of ATTACHMENT, 303 524 R93) (+) (78)
STAGGERED LUG GROUSER			316 843 R2		BOLT, track shoe
57 515 DA		SHOE, track 15" (center lug grouser) (part of ATTACHMENT, 255 879 R92) (*) (36)	273 871 R1		NUT, track shoe bolt (See NOTE 5) (288) TD-9BG 6502 to 14000 (288) TD-9BP 6525 to 14000 (288) TD-9GA 6616 to 14000 (312) TD-9BGC 9231 to 14000
57 516 DA		SHOE, track 15" (end lug grouser) (part of ATTACHMENT, 255 879 R92) (*) (36)	(*) - Not For Revolving Crane or Sideboom Crawler Tractors.		
270 823 R1		SHOE, track 16" (center lug grouser) (part of ATTACHMENT, 270 822 R1) (*) (36)	(+)- For Revolving Crane Crawler Tractors Only.		
270 824 R1		SHOE, track 16" (end lug grouser) (part of ATTACHMENT, 270 822 R1) (*) (36)	(\$)- Not Used On Crawler Tractors Equipped With Bulldozer or Bullgrader Equipment.		
316 843 R2		BOLT, track shoe	NOTE 3 - Field Application - Order Through Regular Service Parts Channels.		
273 871 R1		NUT, track shoe bolt (See NOTE 5) (288) TD-9BG 6502 to 14000 (288) TD-9BP 6525 to 14000 (288) TD-9GA 6616 to 14000	NOTE 4 - Attachment No Longer Available. Service Parts will be Furnished as Ordered.		
616 191 C1		BOLT, track shoe	NOTE 5 - Square Type Track Shoe Bolt Nut, 263 981 R1 also Available For Service in Place of Hex Type, 273 871 R1.		
616 192 C1		NUT, track shoe bolt (288) TD-9BG 14001 up (288) TD-9BP 14001 up (288) TD-9BGA 14001 up			

TRACK DRIVE

REF. NO.	PART NUMBER	DESCRIPTION	REF. NO.	PART NUMBER	DESCRIPTION
----------	-------------	-------------	----------	-------------	-------------

TRACK SHOES - Continued

FLAT SHOE - Continued

616 191 C1		BOLT, track shoe			
616 192 C1		NUT, track shoe bolt (288) TD-9BG 14001 up (288) TD-9BP 14001 up (288) TD-9BGA 14001 up (312) TD-9BGC 14001 to 16800			
254 981 R92		ATTACHMENT, track shoe (includes 72 SHOE, 9 245 DA, 288 BOLT, 616 191 C1 and 288 NUT, 616 192 C1) (See NOTE 3) (*)			
258 873 R92		ATTACHMENT, track shoe (includes 72 SHOE, 258 874 R1, 288 BOLT, 616 191 C1 and 288 NUT, 616 192 C1) (See NOTES 1 and 3) (*)			
277 509 R93		ATTACHMENT, track shoe (includes 72 SHOE, 277 507 R2, 288 BOLT, 616 191 C1 and 288 NUT, 616 192 C1) (See NOTES 1 and 3) (*)			
303 524 R93		ATTACHMENT, track shoe (includes 78 SHOE, 277 507 R2, 312 BOLT, 616 191 C1 and 312 NUT, 616 192 C1) (See NOTE 3) (+)			

STREET PLATE

29 802 DB		PLATE, street (part of ATTACHMENT, 254 807 R91) (*) (36) SCREW, 5/8NF x 1-1/4" hex-hd cap (72) NUT, 5/8"NF (72)			
254 807 R91		ATTACHMENT, track shoe (street plate-half set) (includes 36 STREET PLATE, 29 802 DB) (See NOTE 4) (*)			

(*) - Not For Revolving Crane or Sideboom Crawler Tractors.

(+) - For Revolving Crane Crawler Tractors Only.

NOTE 1 - Factory Application - Order on Machine Order Form.

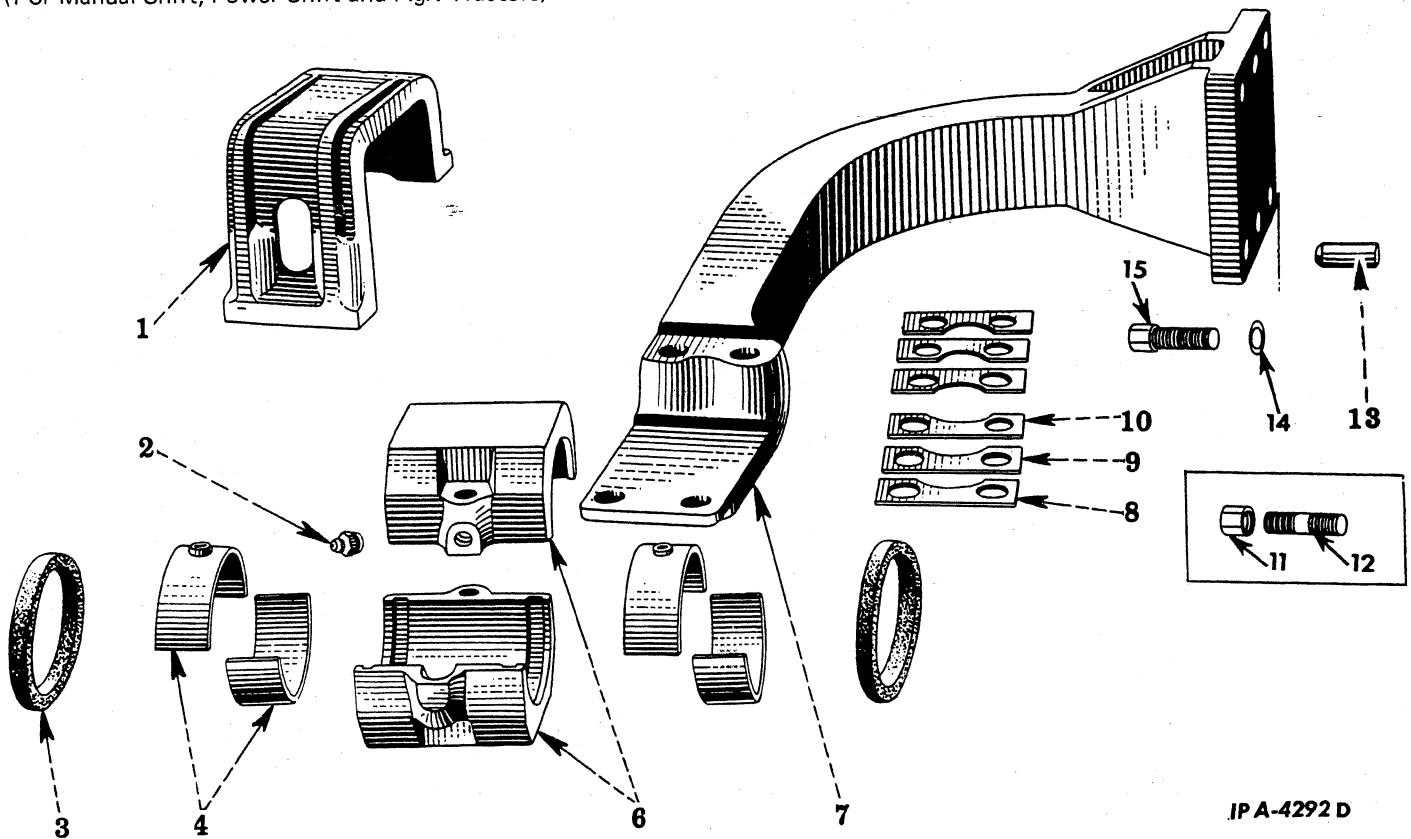
NOTE 3 - Field Application - Order Through Regular Service Parts Channels.

NOTE 4 - Attachment No Longer Available. Service Parts will be Furnished as Ordered.

TRACK DRIVE

REF. NO.	PART NUMBER	DESCRIPTION	REF. NO.	PART NUMBER	DESCRIPTION
----------	-------------	-------------	----------	-------------	-------------

TRACK FRAME DIAGONAL BRACE
(For Manual Shift, Power Shift and Agr. Tractors)



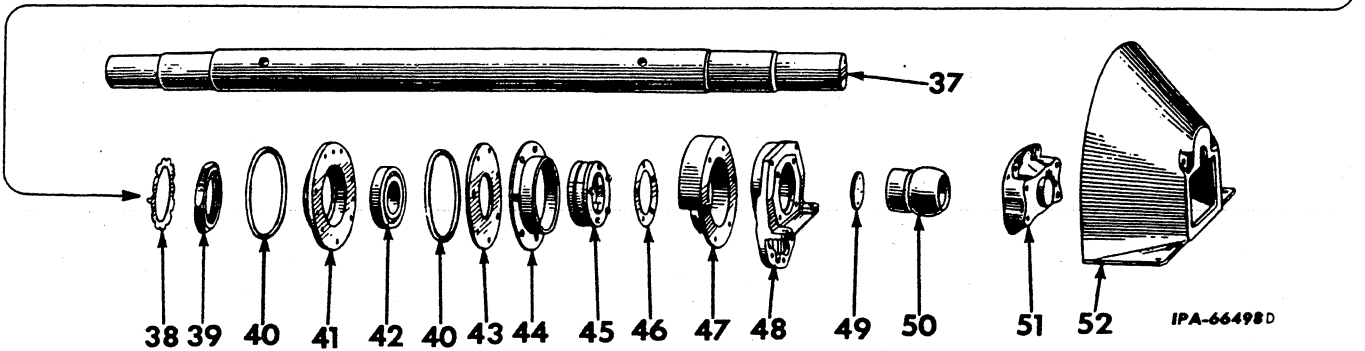
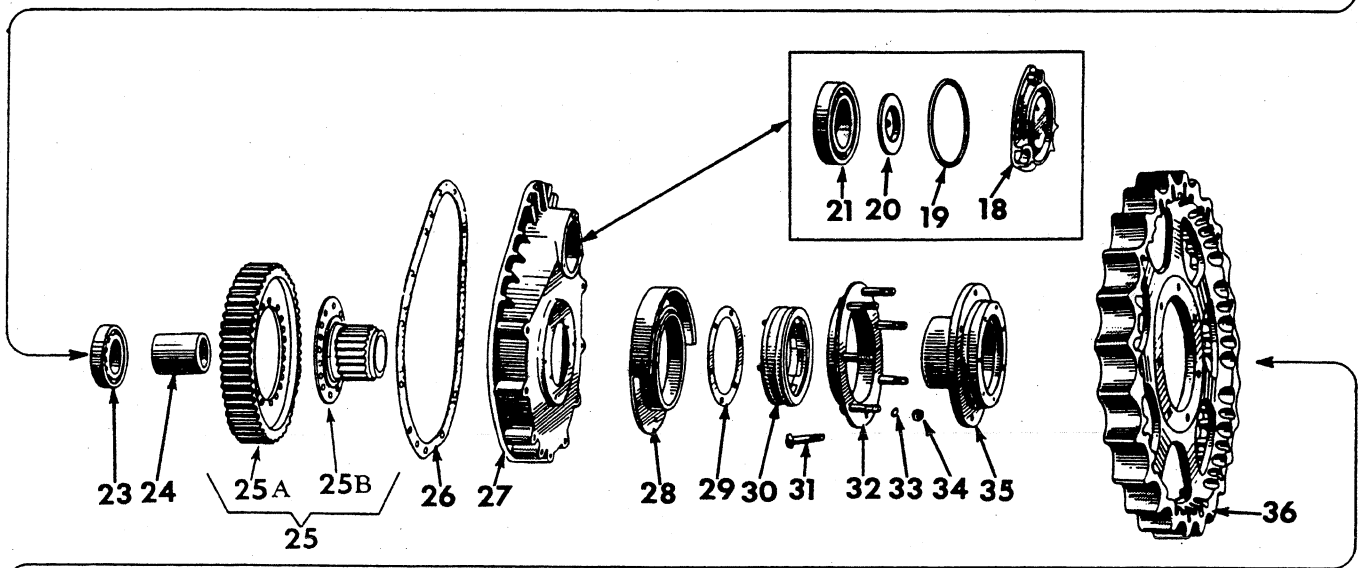
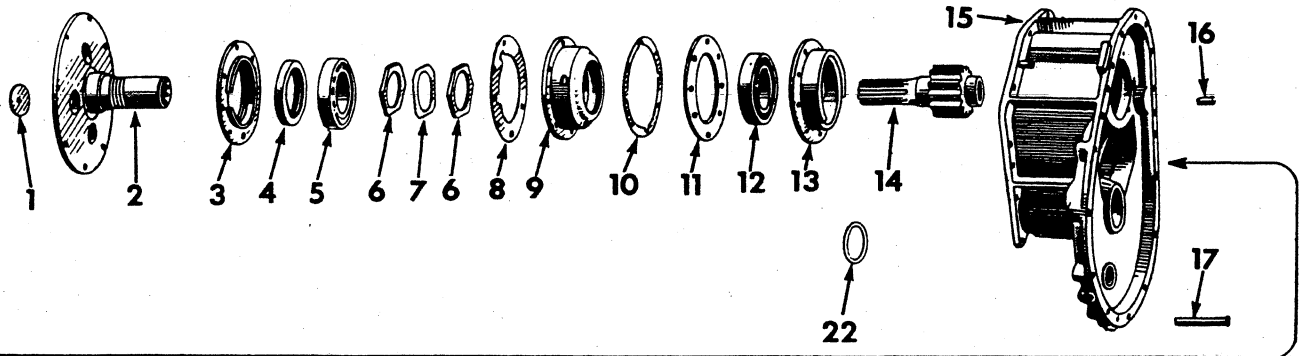
IPA-4292 D

1	8 471 DA	CLAMP, track frame diagonal brace (2)	8	47 780 D	SHIM, track frame diagonal brace clamp (light) (8)
	271 558	SCREW, 5/8 x 1-1/2" hex-hd cap (4)	9	47 779 D	SHIM, track frame diagonal brace clamp (medium) (4)
	271 567	SCREW, 5/8 x 3-1/4" hex-hd cap (4)	10	47 778 D	SHIM, track frame diagonal brace clamp (heavy) (4)
2	109 461	FITTING, track frame diagonal brace bearing lubrication (2)	11	45 293 D	NUT, track frame diagonal brace stud (used w/STUD, 331 139 R1) (8)
3	53 656 D	FELT, track frame diagonal brace bearing (4)	12	331 139 R1	STUD, track frame diagonal brace (order SCREW, 223 451 and WASHER, 341 799 R1) (8)
4	57 239 D	BUSHING, track frame diagonal brace bearing (set of four) (2)	13	266 064 R1	PIN, track frame diagonal brace dowel (4)
6	57 235 DA	BEARING SET, track frame diagonal brace (upper and lower) (2)			SCREW, 1NF x 3/4" hex-soc-hd flat pt. set (4)
	271 505	NUT, 7/16NF (4)	14	341 799 R1	WASHER, 49/64 hardened (used w/SCREW, 223 451) (8)
	181 411	SCREW, 7/16NF x 3" hex-hd cap (4)	15	223 451	SCREW, 3/4 x 2-1/8" hex-hd cap (TYPE 8) (Together w/WASHER, 341 799 R1 will work for STUD, 331 139 R1) (8)
		WASHER, 7/16" external-tooth lock (4)			
7	258 299 R4	BRACE, LH track frame diagonal			
7	258 300 R4	BRACE, RH track frame diagonal			

FINAL DRIVE

REF. NO.	PART NUMBER	DESCRIPTION	REF. NO.	PART NUMBER	DESCRIPTION
----------	-------------	-------------	----------	-------------	-------------

SPROCKET DRIVE, SHAFT, PINION, SPROCKET AND TRACK FRAME PIVOT SHAFT



IPA-66498D

1	172 599	PLUG, steering clutch support shaft (expansion 2-3/8") (2)	4	310 514 R91	OIL SEAL, steering clutch support shaft (2)
2	52 210 DAXA	SHAFT w/PLUG, 172 599 and two NUTS, 54 013 D sprocket drive pinion (2)	5	ST 276	BEARING, steering clutch support (2)
3	8 508 DA	RETAINER, steering clutch support bearing (2)	6	54 013 D	NUT, steering clutch support bearing (4)
	25 497 R1	SCREW, 3/8 x 1-3/8" hex-hd cap (8)	7	54 016 D	LOCK, steering clutch support bearing nut (2)
	115 093	WASHER, 3/8" lock (8)			

FINAL DRIVE

REF. NO.	PART NUMBER	DESCRIPTION	REF. NO.	PART NUMBER	DESCRIPTION
SPROCKET DRIVE, SHAFT, PINION, SPROCKET AND TRACK FRAME PIVOT SHAFT - Continued			19	264 123 R1	"O" RING, 5-1/8 x 5-3/8 x 1/8" sprocket drive pinion outer bearing cap (2)
8	54 004 D	GASKET, steering clutch support bearing retainer (2)	20	46 821 D	RETAINER, sprocket drive pinion outer bearing (not used on power shift tractors) (2)
9	275 600 R1	GAGE, LH steering clutch support bearing	181 397		SCREW, 7/16NF x 1-1/4" hex-hd cap (4)
9	275 601 R1	GAGE, RH steering clutch support bearing	115 314		WASHER, 7/16" lock (4)
10	54 003 D	GASKET, steering clutch support bearing cage (2)	21	ST 655	BEARING, sprocket drive pinion outer (*) (2)
11	54 010 D	RETAINER, sprocket drive pinion inner bearing (2)	21	333 703 R91	BEARING, sprocket drive pinion outer (+) (2)
	140 483H	SCREW, 3/8 x 1-1/4" hex-hd cap (4)	22	471 140 R1	"O" RING, 3 x 3-3/8 x 3/16" (track frame pivot shaft oil seal) (2)
	115 093	WASHER, 3/8" lock (4)	23	278 063 R91	BEARING, inner sprocket drive gear (2)
12	ST 655	BEARING, sprocket drive pinion inner (*) (2)	24	52 225 D	SPACER, sprocket drive gear bearing (2)
12	333 703 R91	BEARING, sprocket drive pinion inner (+) (2)	25	306 899 R91	GEAR w/CARRIER, 52 228 DD, GEAR, 306 898 R2 and twenty RIVET, 142 393 sprocket drive (2)
13	8 509 D	CAGE, sprocket drive pinion inner bearing (2)	25A	306 898 R2	GEAR, 58 teeth (2)
14	306 896 R1	PINION, sprocket drive (11 T) (2)	25B	52 228 DD 142 393	CARRIER, 24 teeth (2) RIVET, 1/2 x 1-7/8" (40)
15	8 511 DEX	CARRIER, w/two PLUG, 9 409 949, PLUG, 18 524 R1 and GASKET, 142 756 (2) (Order the following - 1 CARRIER 8 511 DFX 9 SCREW, 3/8 x 3" hex-hd cap (type 4) 9 WASHER, 13/32 x 1" x 4 ga. flat	26	54 012 D	GASKET, sprocket drive gear housing (2)
15	8 511 DFX	CARRIER, w/two PLUG, 9 409 949, PLUG, 18 524 R1 and GASKET, 142 756 (together w/9 SCREW, 3/8 x 3" hex-hd cap (type 4) and 9 WASHER, 13/32 x 1" x 4 ga. flat (will work for CARRIER, 8 511 DEX) (See NOTE) (2)	27	306 700 R1	HOUSING, outer sprocket drive gear (2) TD-9BG 6502 to 15558 TD-9BP 6525 to 15558 TD-9BGA 6616 to 15558 TD-9BGC 9231 to 15558 TD-9BGS 9239 to 15558
	18 524 R1	PLUG, 1-1/4" sp-soc stl pipe (filler plug) (4)	25 527 R1		NUT, 1/2NF (16)
9 409 949		PLUG, 3/4" sq-soc stl pipe (drain plug) (2)	181 431		SCREW, 1/2NF x 1-1/2" hex-hd cap (12)
	25 505 R1	SCREW, 1/2 x 1-3/8" hex-hd cap (32)	181 436		SCREW, 1/2NF x 2-3/4" hex-hd cap (4)
	116 121	WASHER, 1/2" lock (32)	25 507 R1		SCREW, 1/2 x 3-3/4" hex-hd cap (18)
			116 121		WASHER, 1/2" lock (34)
16	22 977 DA	PIN, sprocket drive gear housing to carrier dowel, upper (4)	(*) - Used On Manual Shift Agr. Revolving Crane And Sideboom Tractors		
17	54 007 D	PIN, lower sprocket drive gear housing to carrier dowel (2)	(+)- Used On Power Shift Tractors		
18	306 897 R1	CAP, sprocket drive pinion outer bearing (2)	NOTE - When CARRIER, 8 511 DFX Is Furnished On Units Equipped With Sprocket Drive Housing Shield ATTACHMENT, 331 548 R91, New COLLAR, 259 896 R1 Must Be Furnished Along With New Carrier.		
	24 861 R1	SCREW, 1/2 x 1-1/4" hex-hd cap (6)			
	116 121	WASHER, 1/2" lock (6)			

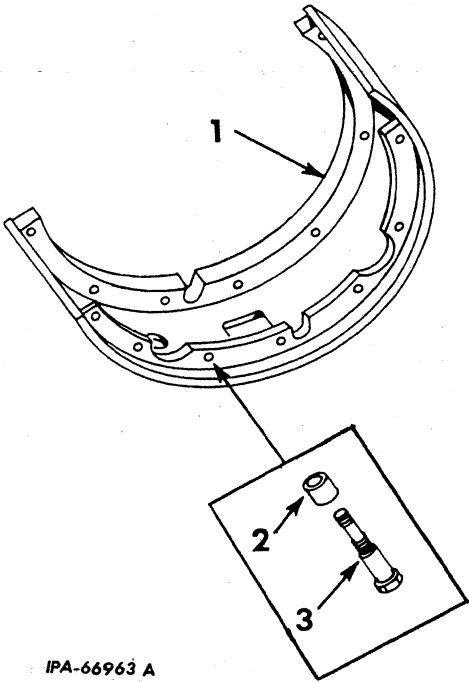
FINAL DRIVE

REF. NO.	PART NUMBER	DESCRIPTION	REF. NO.	PART NUMBER	DESCRIPTION
SPROCKET DRIVE, SHAFT, PINION, SPROCKET AND TRACK FRAME PIVOT SHAFT - Continued			44	54 515 D	DEFLECTOR, track frame pivot oil seal dirt (2)
27	624 539 C1	HOUSING, outer sprocket drive gear TD-9BG 15559 up TD-9BP 15559 up TD-9BGA 15559 up TD-9BGC 15559 to 16800 TD-9BGS 15559 to 16800		264 259 R1	BOLT, sprocket drive gear outer bearing retainer (14) WASHER, 7/16" external-tooth lock (14)
	25 527 R1	NUT, 1/2"NF (16)	45	313 206 R91	OIL SEAL, track frame pivot (2)
	181 431	SCREW, 1/2NF x 1-1/2" hex-hd cap (12)	46	313 191 R1	GASKET, track frame pivot oil seal snap-on (2)
	277 232 R1	SCREW, 3/8 x 2-3/4" hex-hd cap (Type 8) (18)	47	46 800 D	GUARD w/INNER and OUTER dirt reflectors track frame pivot oil seal (2)
	181 441	SCREW, 1/2NF x 2-3/4" hex-hd cap (4)		25 768 R1	SCREW, 3/8 x 5/8" hex-hd cap (12)
	116 121	WASHER, 1/2" lock (16)		115 093	WASHER, 3/8" lock (12)
28	52 231 D	GUARD w/INNER and OUTER dirt reflectors sprocket drive oil seal (2)	48	266 059 R2	BRACKET, track frame pivot (2)
	24 839 R1	SCREW, 3/8 x 3/4" hex-hd cap (12)		262 650 R1	BOLT, track frame pivot bracket (top) (4)
	115 093	WASHER, 3/8" lock (12)		266 060 R1	BOLT, track frame pivot bracket (side) (6)
29	313 190 R1	GASKET, sprocket drive oil seal snap-on (2)		262 651 R1	NUT, track frame pivot bracket top bolt (4)
30	313 205 R91	OIL SEAL, sprocket drive (2)		45 293 D	NUT, track frame pivot bracket side (6)
31	52 226 DA	BOLT, sprocket carrier (14)	49	261 289 R1	SHIM, track frame pivot bearing (heavy) (12)
32	52 222 D	DEFLECTOR, sprocket drive oil seal dirt (2)	49	261 290 R1	SHIM, track frame pivot bearing (light) (8)
33		WASHER, lock sprocket carrier bolt (external-tooth 5/8") (14)	50	260 892 R2	BEARING, track frame pivot (2)
34	32 454 D	NUT, sprocket carrier bolt (14)			SCREW, 5/8NF x 1-1/2" hex-hd cap (4)
35	52 229 DA	CARRIER, sprocket (2)	51	8 461 DA	CAP, track frame pivot bracket (2)
36	8 450 DC	SPROCKET, (27 T) (not cutaway) (2)		271 664 R1	BOLT, track frame pivot bracket cap (8)
36	8 775 DC	SPROCKET (cutaway) (27 T) (2)		104 940	CORK (no. 4 5/8" dia x 1-3/16" long) (4)
37	260 894 R1	SHAFT, track frame pivot	52	53 539 DBX	SHIELD w/SUPPORT and SPACER, sprocket (2)
38	46 795 D	LOCK, sprocket drive gear carrier nut (2)		25 526 R1	NUT, 1/2" (4)
39	46 794 DA	NUT, sprocket drive gear carrier (2)		24 851 R1	SCREW, 7/16 x 1-3/4" hex-hd cap (4)
40	264 263 R1	RING, sprocket drive gear outer bearing cage, packing (outer ring) (2)		24 860 R1	SCREW, 1/2 x 1" hex-hd cap (4)
40	264 262 R1	RING, sprocket drive gear outer bearing cage, packing (inner ring) (2)		24 862 R1	SCREW, 1/2 x 1-1/2" hex-hd cap (4)
41	264 261 R3	CAGE, sprocket drive gear outer bearing (2)		115 314	WASHER, 7/16" lock (4)
42	ST 684	BEARING, outer sprocket drive gear (2)		116 121	WASHER, 1/2" lock (8)
43	54 514 D	RETAINER, sprocket drive gear outer bearing (2)		57 536 DA	ATTACHMENT, cutaway sprocket (consists of two SPROCKETS, 8 775 DC and two LOCKWIRE, 263 945 R1) (See NOTE 4)
				126 152	FITTING, 45° lubrication (not used on revolving crane or sideboom tractors) (2)
				53 627 D	GASKET, bracket cap (not used on revolving crane or sideboom tractors) (2)
				142 756	GASKET, sprocket drive oil filler plug (2)
				46 809 D	SCREW, set track frame pivot shaft (2)
				25 949 R1	NUT, 5/8" jam (2)
				263 945 R1	WIRE, lock track master link pin (2)

NOTE 4 - Attachment No Longer Available. Service Parts Will Be Furnished As Ordered.

FINAL DRIVE

REF. NO.	PART NUMBER	DESCRIPTION	REF. NO.	PART NUMBER	DESCRIPTION
		SPROCKET DRIVE HOUSING SHIELD	2		COLLAR, sprocket drive housing shield (3/8" extra strong pipe x 5/8" long, obtain locally) (10) TD-9BG 7248 to 7982 (10) TD-9BP 7248 to 7982 (10) TD-9BGA 7248 to 7982 (14) TD-9BG 7983 up (14) TD-9BP 7983 up (14) TD-9BGA 7983 up (14) TD-9BGC 9231 to 16800 (14) TD-9BGS 9239 to 16800
			3	257 785 R1 25 523 R1	BOLT, sprocket drive housing shield NUT, 3/8NF WASHER, 3/8" external-tooth lock (10) TD-9BG 6502 to 7982 (10) TD-9BP 6525 to 7982 (10) TD-9BGA 6616 to 7982 (14) TD-9BG 7983 to 15558 (14) TD-9BP 7983 to 15558 (14) TD-9BGA 7983 to 15558 (14) TD-9BGC 9231 to 15558 (14) TD-9BGS 9239 to 15558
			3	624 541 C1 115 093 25 522 R1	BOLT, sprocket drive housing shield WASHER, 13/32 x 1" x 4 ga. flat WASHER, 3/8" lock NUT, 3/8" (14) TD-9BG 15559 up (14) TD-9BP 15559 up (14) TD-9BGA 15559 up (14) TD-9BGC 15559 to 16800 (14) TD-9BGS 15559 to 16800
				603 492 C91	PACKAGE, LH rockshield field service TD-9BG 6502 to 7982 TD-9BP 6225 to 7982 TD-9BGA 6616 to 7982 (Composed of - 2 BOLT 257 785 R1 2 COLLAR 257 786 R1 2 COLLAR (3/8" extra strong pipe x 5/8" long, obtain locally) 1 SHIELD 331 545 R11)
				603 493 C91	PACKAGE, RH rockshield field service TD-9BG 6502 to 7982 TD-9BP 6525 to 7982 TD-9BGA 6616 to 7982 (Composed of - 2 BOLT 257 785 R1 2 COLLAR 257 786 R1 2 COLLAR (3/8" extra strong pipe x 5/8" long, obtain locally) 1 SHIELD 331 545 R11)
1	331 544 R11	SHIELD, LH sprocket drive housing			
1	331 545 R11	SHIELD, RH sprocket drive housing			
2	257 786 R1	COLLAR, sprocket drive housing shield (10) TD-9BG 6502 to 7247 (10) TD-9BP 6525 to 7247 (10) TD-9BGA 6616 to 7247			
					1 019 026 R1 PAMPHLET, installation (ATTACHMENT, 331 548 R91)
					NOTE 1 - Factory Application - Order On Machine Order Form. NOTE 3 - Field Application - Order Through Regular Service Parts Channels.

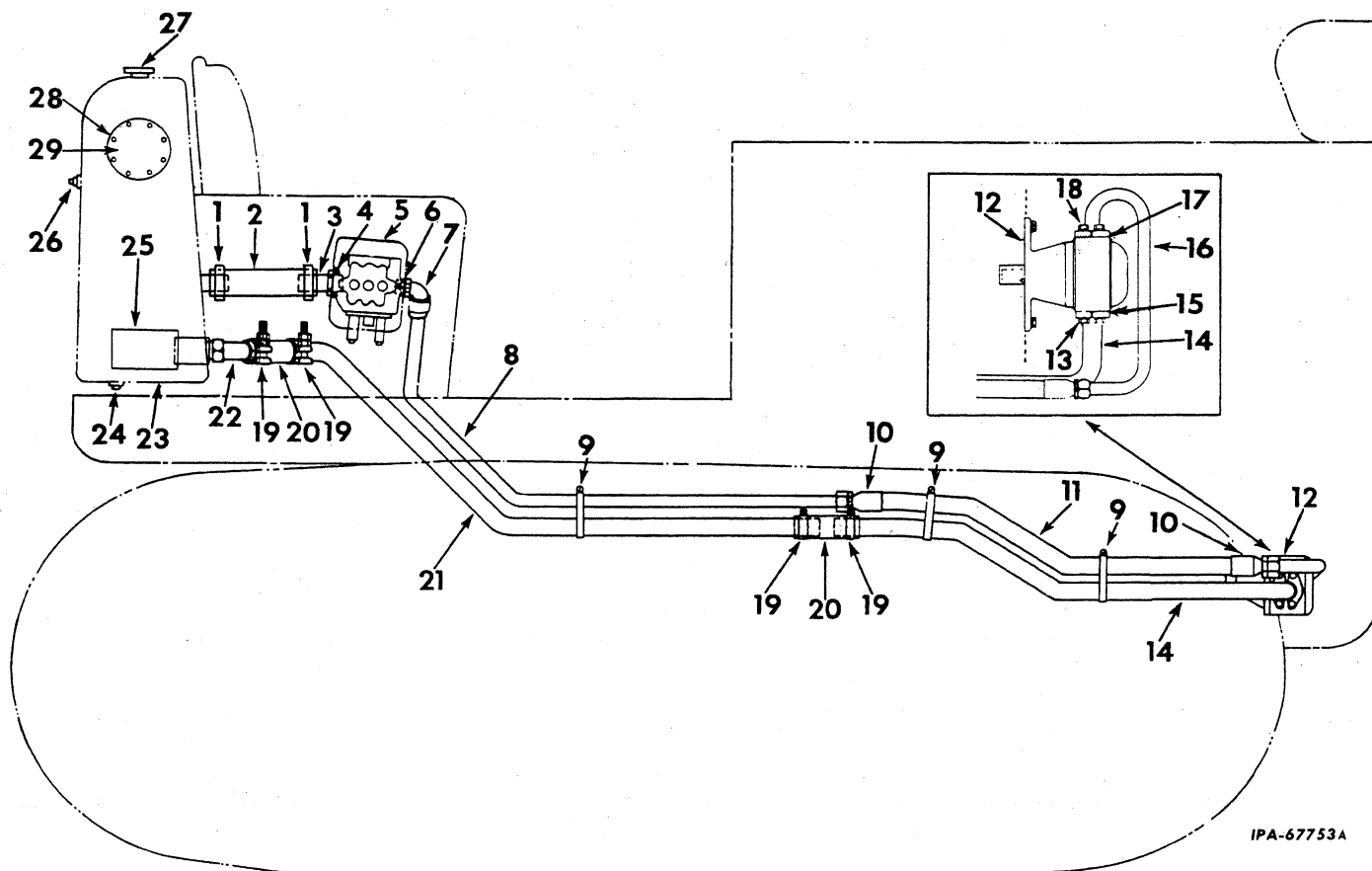


IPA-66963 A

HYDRAULIC SYSTEM

REF. NO.	PART NUMBER	DESCRIPTION	REF. NO.	PART NUMBER	DESCRIPTION
----------	-------------	-------------	----------	-------------	-------------

HYDRAULIC CONTROL UNIT



Parts without letters after the description indicate the part is used for all attachments listed below. Letters "A" through "J" are used to identify separate attachments.

A	330 878 R91	ATTACHMENT, hydraulic control unit (single-spool valve) (order Hydraulic Control Unit ATTACHMENT, 345 681 R91, and Hydraulic Power Supply ATTACHMENT, 345 682 R91 or 345 683 R91 or 345 684 R91) (*)	D	330 941 R92	ATTACHMENT, hydraulic control unit (triple-spool valve) (order Hydraulic Control Unit ATTACHMENT, 345 680 R91, and Hydraulic Power Supply ATTACHMENT, 345 682 R91 or 345 683 R91 or 345 684 R91) (*)
B	330 879 R92	ATTACHMENT, hydraulic control unit (single-spool valve) (order Hydraulic Control Unit ATTACHMENT, 345 681 R91, and Hydraulic Power Supply ATTACHMENT, 345 682 R91 or 345 683 R91 or 345 684 R91) (+)	E	345 680 R91	ATTACHMENT, hydraulic control unit (triple-spool valve) (not for use on units equipped w/Belt Pulley ATTACHMENT, 275 767 R91 or 275 768 R91 or Rear Power Take-Off ATTACHMENT, 275 763 R91) (*) (+) (see NOTES 1 and 3)
C	330 940 R91	ATTACHMENT, hydraulic control unit (triple-spool valve) (order Hydraulic Control Unit ATTACHMENT, 345 680 R91, and Hydraulic Power Supply ATTACHMENT, 345 682 R91 or 345 683 R91 or 345 684 R91) (*)			

NOTE 1 - Factory Application - Order on Machine Order Form.

NOTE 3 - Field Application - Order Through Regular Service Parts Channels.

(*) - Used on Manual Shift Tractors.

(+) - Used on Power Shift Tractors and Agr. Tractors.

HYDRAULIC SYSTEM

REF. NO.	PART NUMBER	DESCRIPTION	REF. NO.	PART NUMBER	DESCRIPTION
HYDRAULIC CONTROL UNIT - Continued			7	9 410 981	ELBOW, 90° (Attachments "A," "B," "C," "D," "G," "H," and "J")
F	345 681 R91	ATTACHMENT, hydraulic control unit (single-spool valve) (not for use on units equipped w/Belt Pulley ATTACHMENT, 275 767 R91, or ATTACHMENT, 275 763 R91) (*) (+) (see NOTES 1 and 3)	8	324 514 R92	TUBE, high pressure, rear (Attachments "A," "B," "C" and "D")
G	345 682 R91	ATTACHMENT, hydraulic power supply (2015 GPM) (when this attachment is applied to the regular or Agr. Crawl Tractor, Front-Power Take-Off ATTACHMENT, 331 667 R91, must be used) (*) (+) (see NOTES 1 and 3)	8	345 686 R11	TUBE, high pressure, rear (Attachments "G," "H" and "J")
H	345 683 R91	ATTACHMENT, hydraulic power supply (2020 GPM) (when this attachment is applied to the regular or Agr. Crawler Tractor, Front-Power Take-Off ATTACHMENT, 331 667 R91, must be used) (*) (+) (see NOTES 1 and 3)	9	279 029 R91	CLAMP, tube (3 for Attachments "A," "B," "C," "D," "G," "H" and "J")
J	345 684 R91	ATTACHMENT, hydraulic power supply (2025 GPM) (when this attachment is applied to the regular or Agr. Crawler Tractor, Front-Power Take-Off ATTACHMENT, 331 667 R91, must be used) (*) (+) (see NOTES 1 and 3)	10	313 392 R91	FITTING, male flare hose (2 for Attachments "A," "B," "C," "D," "G," "H" and "J")
1	274 087 R91	CLAMP, valve to tank hose (2 for Attachments "A," "B," "C," "D," "E," and "F")	11	324 518 R91	HOSE, w/two FITTING, 313 392 R91, high-pressure (HOSE, 1" ID x 36" long, including FITTINGS) (Attachments "A," "B," "C," "D," "G," "H" and "J")
2	327 074 R1	HOSE, valve to tank (Attachments "C," "D," and "E")	11		HOSE, w/o FITTING, cut length, 1" ID x 31" long, cut from bulk HOSE, 313 245 R1
2	324 500 R1	HOSE, valve to tank (Attachments "A," "B" and "F")	12	336 176 R91	PUMP ASSY, hydraulic (for components, see list of parts under details of "Hydraulic Pump") (used on Power Shift Tractors, serial No. TD-9BP 6525 to 7370) (when PUMP, 336 176 R91, is required for service, order the following parts - 2 FLANGE 295 698 R1 1 FLANGE 343 653 R1 1 "O" RING 252 482 R1 1 "O" RING 283 189 R1 1 PUMP 343 649 R91 1 TUBE 338 062 R11 1 TUBE 338 063 R11)
3	325 327 R91	STEM, valve return line (Attachments "A," "B," "C," "D," "E," and "F")	12	333 777 R91	PUMP ASSY, hydraulic (for components, see list of parts under details of "Hydraulic Pump") (Attachments "A" and "C") (also used on Agr. Tractors, serial No. TD-9BGA 6616 to 7370) (when PUMP, 333 777 R91, is required for service for Agr. Tractors, order the following parts - 2 FLANGE 295 698 R1 1 FLANGE 343 653 R1 1 "O" RING 283 189 R1 1 "O" RING 252 482 R1 1 PUMP 343 649 R91 1 TUBE 338 062 R11 1 TUBE 338 063 R11)
4	307 915 R1	"O" RING, valve return line stem (1.475 x 1.711 x .118") (Attachments "A," "B," "C," "D," "E," and "F")		24 862 R1	SCREW, 1/2 x 1-1/2", hex-hd cap (2)
5	324 462 R91	VALVE ASSY, single spool (for components, see list of parts under details of "Hydraulic Control Valve") (Attachments "A," "B" and "F")		116 121	WASHER, 1/2" lock (2)
5	324 463 R91	VALVE ASSY, triple spool (for components, see list of parts under details of "Hydraulic Control Valve") (Attachments "C," "D," and "E")			
	9 413 956	NUT, stover lock (3) SCREW, 1/2 x 3-3/4", hex-hd cap (3)			
6	296 247 R1	"O" RING, 1.171 x 1.403 x .116" (Attachments "A," "B," "C," "D," "G," "H" and "J")			

NOTE 1 - Factory Application - Order on Machine Order Form.
NOTE 3 - Field Application - Order Through Regular Service Parts Channels.
(*) - Used on Manual Shift Tractors.
(+) - Used on Power Shift Tractors and Agr. Tractors.

HYDRAULIC SYSTEM

REF. NO.	PART NUMBER	DESCRIPTION	REF. NO.	PART NUMBER	DESCRIPTION
HYDRAULIC CONTROL UNIT - Continued			14	345 687 R11	TUBE, low pressure, front (Attachments "G" and "H")
12	343 649 R91	PUMP ASSY, hydraulic (for components, see list of parts under details of "Hydraulic Pump") (Attachments "B," "D," and "G") TC-9BP 7371 up TD-9BGA 7371 up	14	345 693 R11	TUBE, low pressure, front (Attachment "J")
	24 862 R1	SCREW, 1/2 x 1-1/2", hex-hd cap (2)	15	255 088 R1	"O" RING (1-7/8 x 2-1/8 x 1/8") TD-9BG 6502 up TD-9BP 6525 to 7370 TD-9BGA 6616 to 7370
	116 121	WASHER, 1/2" lock (2)	15	252 482 R1	"O" RING (1-1/2 x 1-3/4 x 1/8") (Attachments "B," "D," "G" and "H")
12	347 582 R91	PUMP ASSY, hydraulic (for components, see list of parts under details of "Hydraulic Pump") (Attachment "H")	15	21 924 R1	"O" RING (1-7/8 x 2-1/8 x 1/8") (Attachment "J")
	24 862 R1	SCREW, 1/2 x 1-1/2", hex-hd cap (2)	16	338 062 R11	TUBE, high pressure, front (Attachments "B" and "D") TD-9BP 7371 up TD-9BGA 7371 up
	116 121	WASHER, 1/2" lock (2)	16	345 685 R11	TUBE, high pressure, front (Attachments "G" and "H")
12	333 777 R91	PUMP ASSY, hydraulic (for components, see list of parts under details of "Hydraulic Pump") (Attachment "J")	16	345 692 R11	TUBE, high pressure, front (Attachment "J")
	24 862 R1	SCREW, 1/2 x 1-1/2", hex-hd cap (2)	17	252 482 R1	"O" RING, 1-1/2 x 1-3/4 x 1/8" TD-9BG 6502 up TD-9BP 6525 to 7370 TD-9BGA 6616 to 7370
	116 121	WASHER, 1/2" lock (2)	17	708 560 R1	"O" RING (1-5/16 x 1-9/16 x 1/8") (Attachments "B," "D," "G" and "H") TD-9BP 7371 up TD-9BGA 7371 up
13	301 844 R1	CLAMP HALF, split flange (1-1/2") (2) TD-9BG 6502 up TD-9BP 6525 to 7370 TD-9BGA 6616 to 7370	17	707 253 R1	"O" RING (1-1/2 x 1-3/4 x 1/8") (Attachment "J")
	24 862 R1	SCREW, 1/2 x 1-1/2", hex-hd cap (4)	18	290 045 R1	CLAMP HALF, split flange (1-1/4") (2) TD-9BG 6502 up TD-9BP 6525 to 7370 TD-9BGA 6616 to 7370
	116 121	WASHER, 1/2" lock (4)		24 850 R1	SCREW, 7/16 x 1-1/2", hex-hd cap (4)
13	343 653 R1	CLAMP, one-piece flange (Attachments "B" and "D") TD-9BP 7371 up TD-9BGA 7371 up		115 314	WASHER, 7/16" lock
	24 850 R1	SCREW, 7/16 x 1-1/2", hex-hd cap (4)	13	290 045 R1	CLAMP HALF, split flange (2 for Attachments "G" and "H")
	115 314	WASHER, 7/16" lock (4)		24 850 R1	SCREW, 7/16 x 1-1/2", hex-hd cap (4)
13	301 844 R1	CLAMP HALF, split flange (2 for Attachment "J")		115 314	WASHER, 7/16" lock (4)
	24 862 R1	SCREW, 1/2 x 1-1/2", hex-hd cap (4)	13	301 844 R1	CLAMP HALF, split flange (2 for Attachment "J") (Attachments "B," "D," "G" and "H") TD-9BP 7371 up TD-9BGA 7371 up
	116 121	WASHER, 1/2" lock (4)		140 483 H	SCREW, 3/8 x 1-1/4", hex-hd cap (4)
14	334 075 R91	TUBE, low pressure, front TD-9BG 6502 up TD-9BP 6525 to 7370 TD-9BGA 6616 to 7370		115 093	WASHER, 3/8" lock (4)
14	338 063 R11	TUBE, low pressure, front (Attachments "B" and "D") TD-9BP 7371 up TD-9BGA 7371 up	18	290 045 R1	CLAMP HALF, split flange (2 for Attachment "J")
				24 850 R1	SCREW, 7/16 x 1-1/2", hex-hd cap (4)
				115 314	WASHER, 7/16" lock (4)

HYDRAULIC SYSTEM

REF. NO.	PART NUMBER	DESCRIPTION	REF. NO.	PART NUMBER	DESCRIPTION
HYDRAULIC CONTROL UNIT - Continued			345 690 R1	CLAMP, tube (Attachments "G," "H," and "J")	
19	327 257 R91	CLAMP, low pressure tube (2 for Attachments "A," "B," "C," "D," "G," "H" and "J")	25 522 R1	NUT, 3/8"	
			24 621 R1	SCREW, 3/8 x 2-1/4", hex-hd cap	
			115 093	WASHER, 3/8" lock	
20	327 255 R1	HOSE, tube connecting (Attachments "A," "B," "C," "D," "G," "H," and "J")	309 898 R1	CLAMP, high pressure hose (Attachments "G," "H" and "J")	
			179 877	SCREW, 1/2 x 5/8", hex-hd cap	
21	324 465 R1	TUBE, low pressure, rear (Attachments "A," "B," "C" and "D")	299 926 R2	COUPLING, front power take-off (splined)	
21	345 688 R1	TUBE, low pressure, rear (Attachments "G," "H" and "J")	331 041 R2	CUSHION, RH seat side (illustrated and listed with "Seats and Supports")	
22	331 040 R91	TUBE, tank suction	Q-3995	FITTING, 1/8" lubrication (Attachments "A," "B" and "F") (3 for Attachments "C," "D" and "E") (%)	
23	331 021 R92	TANK, w/BLOCK, 64 572 D, hydraulic (Attachments "A," "B," "C," "D," "E," and "F")	331 032 R1	GASKET, cover plate	
	2 751 900 R1	PRODUCT GRAPHIC, oil level	331 018 R11	HANDLE, w/BUSHING, 324 512 R1, control (Attachments "A," "B," "C," "D," "E" and "F")	
	25 526 R1	NUT, 1/2" (2)			
	24 861 R1	SCREW, 1/2 x 1-1/4", hex-hd cap (2)	313 245 R1	HOSE, 1" ID bulk (X)	
	263 561 R2	SHIM, tank mounting (x)	331 037 R91	LEVER, w/BUSHING, 324 512 R1, back auxiliary control (Attachments "C," "D" and "E") (%)	
	116 121	WASHER, 1/2" lock (2)	331 038 R91	LEVER, w/BUSHING, 324 512 R1, middle auxiliary controls (Attachments "C," "D" and "E") (%)	
24	444 589	PLUG, drain (1/2" sq-hd pipe) (Attachments "A," "B," "C," "D," "E" and "F")	331 020 R1	LINK, valve control (Attachments "A," "B," and "F") (3 for Attachments "C," "D," and "E") (%)	
25	324 459 R91	FILTER, hydraulic tank (Attachments "A," "B," "C," "D," "E" and "F")	374 187 R1	WASHER (Attachments "A," "B," and "F") (3 for Attachments "C," "D," and "E") (%)	
26	20 972 R1	PLUG, oil level (3/8" sq-hd pipe) (Attachments "A," "B," "C," "D," "E" and "F")	103 496	PIN, rod end (Attachments "A," "B" and "F") (3 for Attachments "C," "D" and "E") (%)	
27	80 889 R91	CAP, No. 7 filler (Attachments "A," "B," "C," "D," "E," and "F")	107 762	PIN, 3/32 x 5/8", cotter (Attachments "A," "B" and "F") (3 for Attachments "C," "D" and "E") (%)	
28	331 032 R1	GASKET, cover	18 518 R1	PIN, 1/8 x 1", roll (Attachments "A," "B" and "F") (2 for Attachments "C," "D" and "E") (%)	
29	331 034 R1	PLATE, cover	17 084 R1	PIN, 1/8 x 1-1/4", roll (Attachments "A," "B," "C," "D," "E" and "F")	
	24 840 R1	SCREW, 3/8 x 1", hex-hd cap (8)	331 034 R1	PLATE, cover (Attachments "E" and "F")	
	115 093	WASHER, 3/8" lock (8)	179 839	SCREW, 3/8 x 1", hex-hd cap (8)	
	264 097 R2	BALL (Attachments "A," "B" and "F") (3 for Attachments "C," "D," and "F") (%)	102 635	WASHER, 3/8" lock (8)	
	64 572 D	BLOCK, tapping			
	324 512 R1	BUSHING, control handle (Attachments "A," "B" and "F") (3 for Attachments "C," "D" and "E") (%)			
	345 689 R11	CLAMP, tube support (Attachments "G," "H" and "J")			
	140 483 H	SCREW, 3/8 x 1-1/4", hex-hd cap (2)			
	115 093	WASHER, 3/8" lock (2)			

(X) - Order Cut Length As Required.
(x) - As Required.
(%) - Illustrated and Listed with "Hydraulic Controls."

HYDRAULIC SYSTEM

REF. NO.	PART NUMBER	DESCRIPTION	REF. NO.	PART NUMBER	DESCRIPTION
HYDRAULIC CONTROL UNIT - Continued			HYDRAULIC PUMP UNIT ATTACHMENT (For Sideboom Tractors)		
331 012 R92		PLATE, valve mounting (Attachments "A," "B," "C," "D," "E" and "F")	603 470 C91		ATTACHMENT, hydraulic pump (for use on Sideboom Tractors when used with J & L Crane Loader) (see NOTES 1 and 3) (Consists of the following -
181 356		SCREW, 3/8 NF x 5/8", hex-hd cap (6)			
179 837		SCREW, 3/8 x 3/4", hex-hd cap (6)			
102 635		WASHER, 3/8" lock (12)			
331 017 R1		SHAFT, control lever (Attachments "A," "B," "C," "D," "E" and "F") (%)	331 667 R91		ATTACHMENT, front power take-off (for components, see list of parts under details of "Front Power Take-Off Drive")
331 042 R1		SHAFT, auxiliary control lever (Attachments "C," "D," and "E") (%)	299 926 R2		COUPLING, power take-off, splined
331 035 R1		SHEET, RH side (also listed with "Seats and Supports") (Attachments "A," "B," "C," "D," "E," and "F")	17 084 R1		PIN, 1/8 x 1-1/4", roll
179 835		SCREW, 3/8 x 5/8", hex-hd cap (8)	343 639 R91		PUMP, hydraulic (for components, see list of parts under details of "Hydraulic Pump," Hydreco)
102 635		WASHER, 3/8" lock (8)	24 862 R1		SCREW, 1/2 x 1-1/2", hex-hd cap (2)
331 036 R11		SHEET, valve enclosure (Attachments "A," "B," "C," "D," "E" and "F")	116 121		WASHER, 1/2" lock (2)
179 835		SCREW, 3/8 x 5/8", hex-hd cap (4)			
179 838		SCREW, 3/8 x 7/8", hex-hd cap			
102 635		WASHER, 3/8" lock (5)			
331 016 R1		SUPPORT, blade control (Attachments "A," "B," "C," "D," "E" and "F")			
179 838		SCREW, 3/8 x 1", hex-hd cap (2)			
102 635		WASHER, 3/8" lock (2)			
331 039 R1		SUPPORT, auxiliary control (Attachments "C," "D" and "E") (%)			
179 839		SCREW, 3/8 x 1", hex-hd cap (3)			
102 635		WASHER, 3/8" lock (3)			
1 019 044 R1		PAMPHLET, installation (for field application) (Attachments "A," "B," "C" and "D")			

% - Illustrated and Listed with "Hydraulic Controls."

NOTE 1 - Factory Application - Order on Machine Order Form.

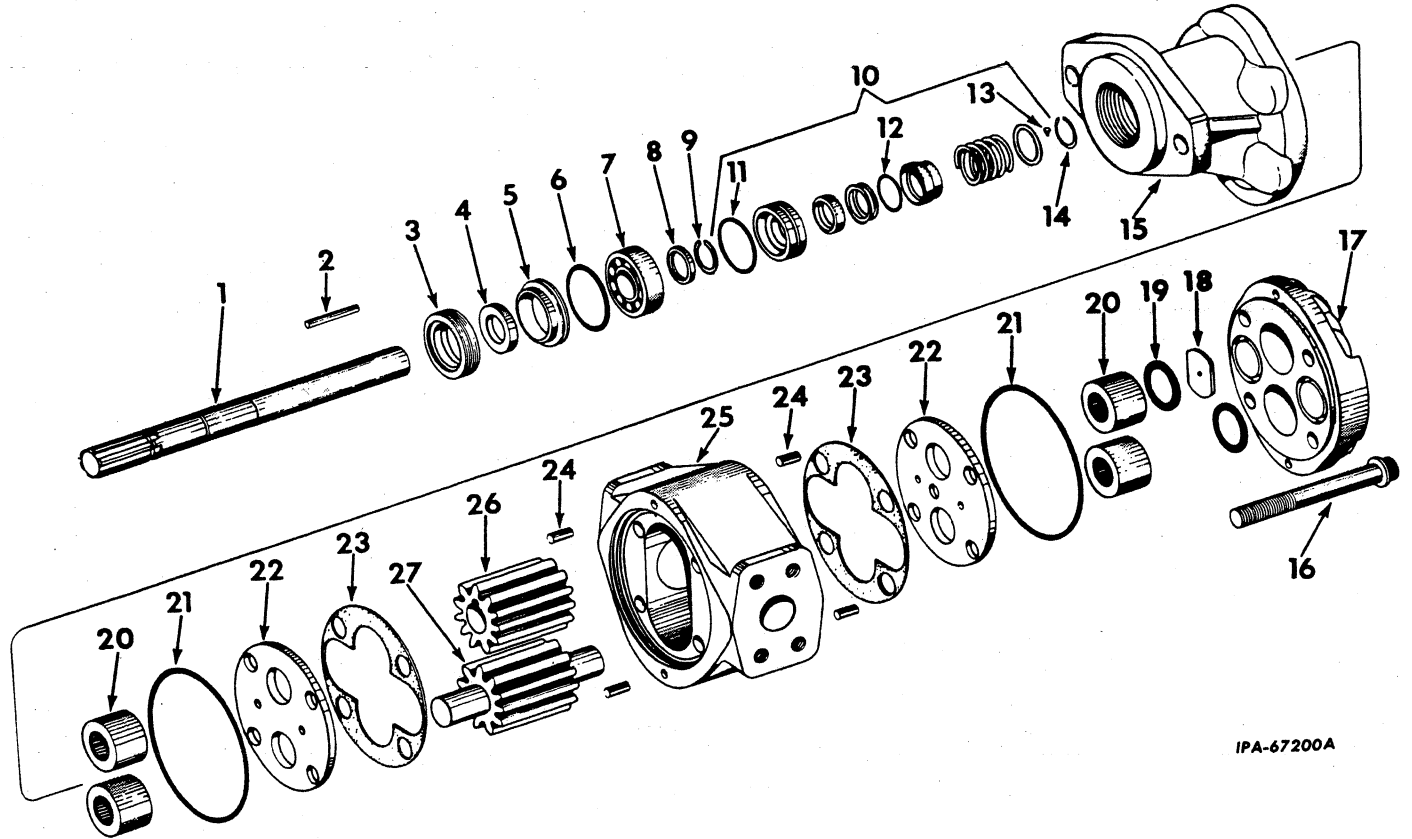
NOTE 3 - Field Application - Order Through Regular Service Parts Channels.

HYDRAULIC SYSTEM

REF. NO.	PART NUMBER	DESCRIPTION	REF. NO.	PART NUMBER	DESCRIPTION
----------	-------------	-------------	----------	-------------	-------------

HYDRAULIC PUMP

(Hydreco) (Part of Hydraulic Control Unit Attachment and Hydraulic Pump Attachment)



IPA-67200A

Parts without letters after the description indicate the part is used for all hydraulic pumps listed below. Letters "A," "B," "C" and "D" are used to identify separate pumps.

- A** **333 777 R91** PUMP ASSY, hydraulic (part of Hydraulic Control Unit ATTACHMENTS, 330 878 R91, 330 940 R91, and 345 684 R91) (used on Manual Shift Tractors) (also used on Agr. Tractors, serial No. TD-9BGA 6616 to 7370) (when PUMP, 333 777 R91, is required for service for Agr. Tractors, order the following parts -
- | | | |
|---|----------|--------------|
| 2 | FLANGE | 295 698 R1 |
| 1 | FLANGE | 343 653 R1 |
| 1 | "O" RING | 252 482 R1 |
| 1 | "O" RING | 283 189 R1 |
| 1 | PUMP | 343 649 R91 |
| 1 | TUBE | 338 062 R11 |
| 1 | TUBE | 338 063 R11) |

- B** **336 176 R91** PUMP ASSY, hydraulic (used on Power Shift Tractors, serial No. TD-9BP 6525 to 7370) (when PUMP, 336 176 R91, is required for service, order the following parts -
- | | | |
|---|----------|--------------|
| 2 | FLANGE | 295 698 R1 |
| 1 | FLANGE | 343 653 R1 |
| 1 | "O" RING | 252 482 R1 |
| 1 | "O" RING | 283 189 R1 |
| 1 | PUMP | 343 649 R91 |
| 1 | TUBE | 338 062 R11 |
| 1 | TUBE | 338 063 R11) |

- C** **343 649 R91** PUMP ASSY, hydraulic (part of Hydraulic Control Unit ATTACHMENTS, 330 879 R92, 345 682 R91 and 330 941 R92) (for Power Shift Tractors, serial No. TD-9BP 7371 and up, and Agr. Tractors, serial No. TD-9BGA 7371 and up; also for Sideboom Tractors)

- D** **347 582 R91** PUMP ASSY, hydraulic (part of ATTACHMENT, 345 683 R91)

HYDRAULIC SYSTEM

REF. NO.	PART NUMBER	DESCRIPTION	REF. NO.	PART NUMBER	DESCRIPTION
HYDRAULIC PUMP - Continued (Hydrec) (Part of Hydraulic Control Unit Attachment and Hydraulic Pump Attachment)			22	321 765 R1	PLATE, wear (2)
			23	296 938 R1	GASKET (X)
1	338 562 R1	SHAFT, drive (Pump "B" and "D")	23	296 937 R1	GASKET (X)
1	338 568 R1	SHAFT, drive (Pump "A")	24	272 843 R1	PIN, locating (4)
1	603 655 C1	SHAFT, drive (Pump "C")	25	338 563 R1	HOUSING, pump (Pump "B")
2	321 767 R1	PIN, drive gear (Pump "B" and "D")	25	338 569 R1	HOUSING, pump (Pump "A")
2	338 571 R1	PIN, drive gear (Pump "A")	25	603 650 C1	HOUSING, pump (Pump "C")
2	347 634 R1	PIN, drive gear (Pump "C")	25	603 651 C1	HOUSING, pump (Pump "D")
3	321 764 R91	RETAINER, bearing	26	321 766 R1	GEAR, drive (Pump "B")
4	321 770 R91	OIL SEAL, sleeve	26	338 570 R1	GEAR, drive (Pump "A")
5	321 763 R1	SLEEVE, shaft seal	26	603 657 C1	GEAR, drive (Pump "C")
6	612 681 R1	"O" RING, seal sleeve (1.875 x 2.0625 x .0937")	26	603 659 C1	GEAR, drive (Pump "D")
7	156 483 H1	BEARING, shaft roller	27	296 851 R1	GEAR, driven (Pump "A")
8	321 762 R1	RETAINER, snap ring	27	296 859 R1	GEAR, driven (Pump "B" and "D")
9	321 761 R1	RING, snap	27	603 653 C1	GEAR, driven (Pump "C")
10	321 755 R91	PACKAGE, seat and seal field service			
11	321 759 R1	"O" RING, seal seat (1.812 x 2 x .094")			
12	382 137 R1	"O" RING, drive shaft seal (1 x 1-3/16 x 3/32")			
13	321 757 R1	KEY, seal seat			
14	296 939 R1	RING, snap			
15	338 546 R1	ADAPTER			
16	296 854 R1	SCREW, 5/8 NF x 4-1/2" (4 for Pump "A")			
16	296 860 R1	SCREW, 5/8 NF x 4" (4 for pump "B" and "D")			
16		SCREW, 5/8 NF x 3-1/2" soc-hd (4 for Pump "C")			
17	321 753 R1	COVER, pump			
18	321 768 R1	WASHER, thrust			
19	293 739 R1	"O" RING, cover (1-3/8 x 1-5/8 x 1/8") (4 for Pump "A" and "B," 2 for Pump "C" and "D")			
20	321 769 R91	BEARING, roller (4)			
21	252 735 R1	"O" RING, housing (5 x 5.250 x .125") (2)			

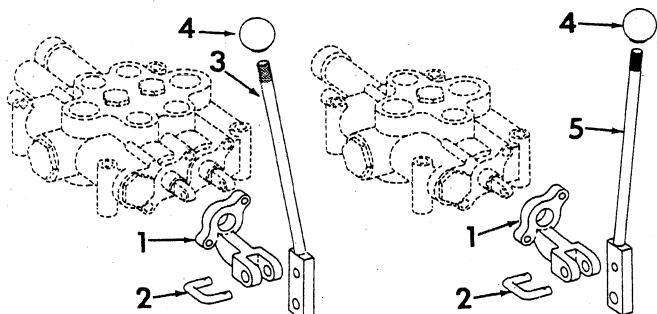
(X) - As Required.

HYDRAULIC SYSTEM

REF. NO.	PART NUMBER	DESCRIPTION	REF. NO.	PART NUMBER	DESCRIPTION
----------	-------------	-------------	----------	-------------	-------------

HYDRAULIC CONTROLS

(Part of Hydraulic Remote Control Attachment, 331 659 R91, and 331 660 R91)



IPA-60145 A

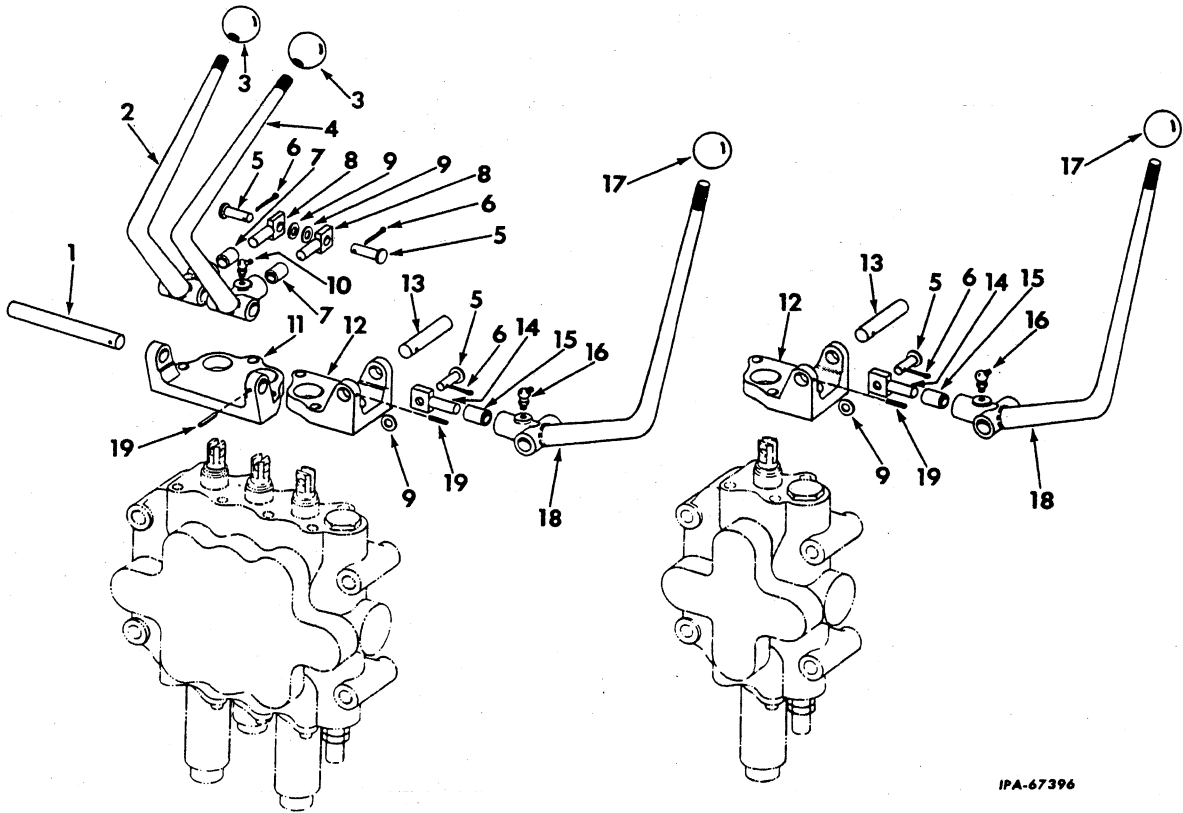
Parts without letters after the description indicate the part is used for all hydraulic remote controls listed below. Letters "A" and "B" are used to identify separate controls.

A		HYDRAULIC CONTROLS for Hydraulic Remote Control ATTACHMENT, 331 659 R91
B		HYDRAULIC CONTROLS for Hydraulic Remote Control ATTACHMENT, 331 660 R91
1	309 574 R1	BRACKET, hydraulic control handle (Controls "A" and 2 for Controls "B")
	28 484 R1	SCREW, 1/4 x 1-1/8", hex-hd cap (2 for Controls "A" and 4 for Controls "B")
	115 109	WASHER, 1/4" lock (2 for Controls "A" and 4 for Controls "B")
2	311 110 R1	LINK, valve-mounted control (Controls "A" and 2 for Controls "B")
		PIN, 1/8 x 5/8" cotter (2 for Controls "A" and 4 for Controls "B")
	103 340	WASHER, 11/32 x 11/16" x 16 ga flat (2 for Controls "A" and 4 for Controls "B")
3	314 117 R91	HANDLE, LH control valve (Controls "B")
3	314 118 R91	HANDLE, RH control valve (Controls "B")
		NUT, 1/2 NF stover lock
	181 443	SCREW, 1/2 NF x 3-1/4", hex-hd cap
	103 343	WASHER, 17/32 x 1-1/16 x 3/32" flat
4	264 097 R2	BALL, control valve handle (Controls "A" and 2 for Controls "B")
5	314 117 R91	HANDLE, control valve (Controls "A")
		NUT, 1/2 NF stover lock
	181 432	SCREW, 1/2 NF hex-hd cap

HYDRAULIC SYSTEM

REF. NO.	PART NUMBER	DESCRIPTION	REF. NO.	PART NUMBER	DESCRIPTION
----------	-------------	-------------	----------	-------------	-------------

HYDRAULIC CONTROLS
(Part of "Hydraulic Control Unit Attachment")



IPA-67396

Parts without letters after the description indicate the part is used for all hydraulic controls listed below. Letters "A" and "B" are used to identify separate controls.

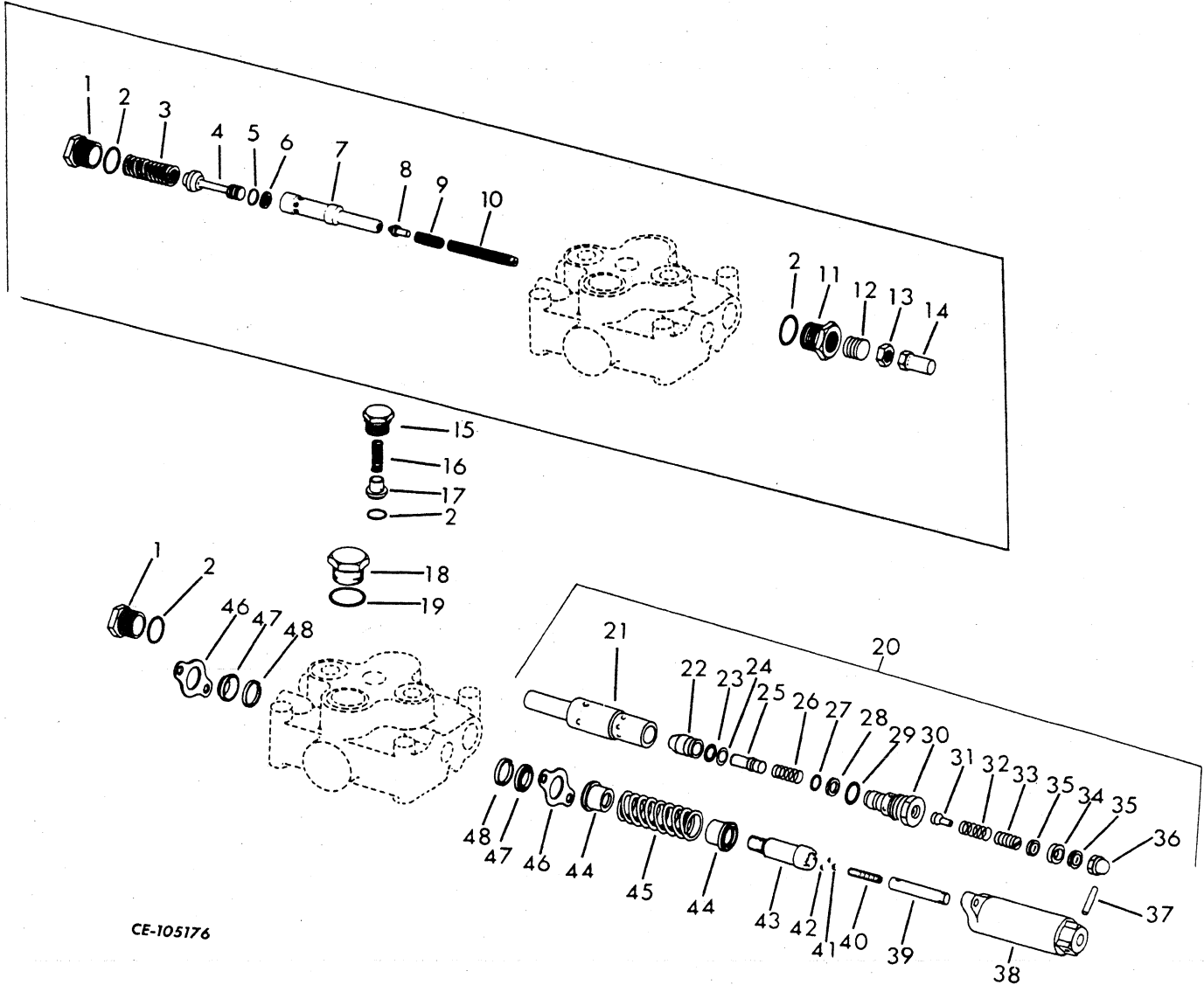
A		HYDRAULIC CONTROLS for triple-spool valve (part of Hydraulic Control ATTACHMENTS, 330 940 R91, 330 941 R92, and 345 680 R91)
B		HYDRAULIC CONTROLS for single-spool valve (part of Hydraulic Control ATTACHMENTS, 330 878 R91, 330 879 R92, and 345 681 R91)
1	331 042 R1	SHAFT, auxiliary control lever (Controls "A")
2	331 037 R91	LEVER, w/BUSHING, 324 512 R1, back auxiliary control (Controls "A")
3	264 097 R2	BALL, control lever (3 for Controls "A")
4	331 038 R91	LEVER, w/BUSHING, 324 512 R1, middle auxiliary control (Controls "A")
5	103 496	PIN, 3/8" rod end (3 for Controls "A") (Controls "B")
6	107 762	PIN, 3/32 x 5/8" cotter (3 for Controls "A") (Controls "B")

7	324 512 R1	BUSHING, control lever (2 for Controls "A")
8	331 020 R1	LINK, control valve lever (3 for Controls "A")
9	261 035 R1	WASHER, 25/64 x 3/4 x 3/32" (3 for Controls "A") (Controls "B")
10	Q-3995	FITTING, control lever lubrication (1/8" x 45°) (2 for Controls "A")
11	331 039 R1	SUPPORT, auxiliary control lever (Controls "A")
	24 840 R1	SCREW, 3/8 x 1", hex-hd cap (3)
	115 093	WASHER, 3/8" lock (3)
12	331 016 R1	SUPPORT, blade control handle
	24 840 R1	SCREW, 3/8 x 1", hex-hd cap (2)
	115 093	WASHER, 3/8" lock (2)
13	331 017 R1	SHAFT, control handle
14	331 020 R1	LINK, control valve handle
15	324 512 R1	BUSHING, control handle
16	109 460	FITTING, control handle lubrication (1/8" x 45°)
17	264 097 R2	BALL, control handle
18	331 018 R11	HANDLE, w/BUSHING, 324 512 R1, control
19	18 518 R1	PIN, 1/8 x 1", roll (2 for Controls "A") (Controls "B")

HYDRAULIC SYSTEM

REF. NO.	PART NUMBER	DESCRIPTION	REF. NO.	PART NUMBER	DESCRIPTION
----------	-------------	-------------	----------	-------------	-------------

HYDRAULIC CONTROL VALVE
 (Husco) (Part of Hydraulic Control Unit Attachment)
 (Single Spool)



324 462 R91 VALVE ASSY, single spool (Part of ATTACHMENT, 330 878 R91, 330 879 R92 and 345 681 R91) (Composed of -

1	324 593 R1	PLUG, relief valve
2	350 818 R1	"O" RING, 1 x 1-1/4" (3)
3	157 900 H1	SPRING, relief valve
		TD-9BG 6502 to #
		TD-9BP 6525 to #
		TD-9BGA 6616 to #
		TD-9BGC 9231 to #
		TD-9BGS 9239 to #

4	157 902 H1	POPPET, relief valve	
		TD-9BG 6502 to #	
		TD-9BP 6525 to #	
		TD-9BGA 6616 to #	
		TD-9BGC 9231 to #	
		TD-9BGS 9239 to #	

5	355 966 R1	"O" RING, poppet	
		TD-9BG 6502 to #	
		TD-9BP 6525 to #	
		TD-9BGA 6616 to #	
		TD-9BGC 9231 to #	
		TD-9BGS 9239 to #	

- Serial Number Not Available.

HYDRAULIC SYSTEM

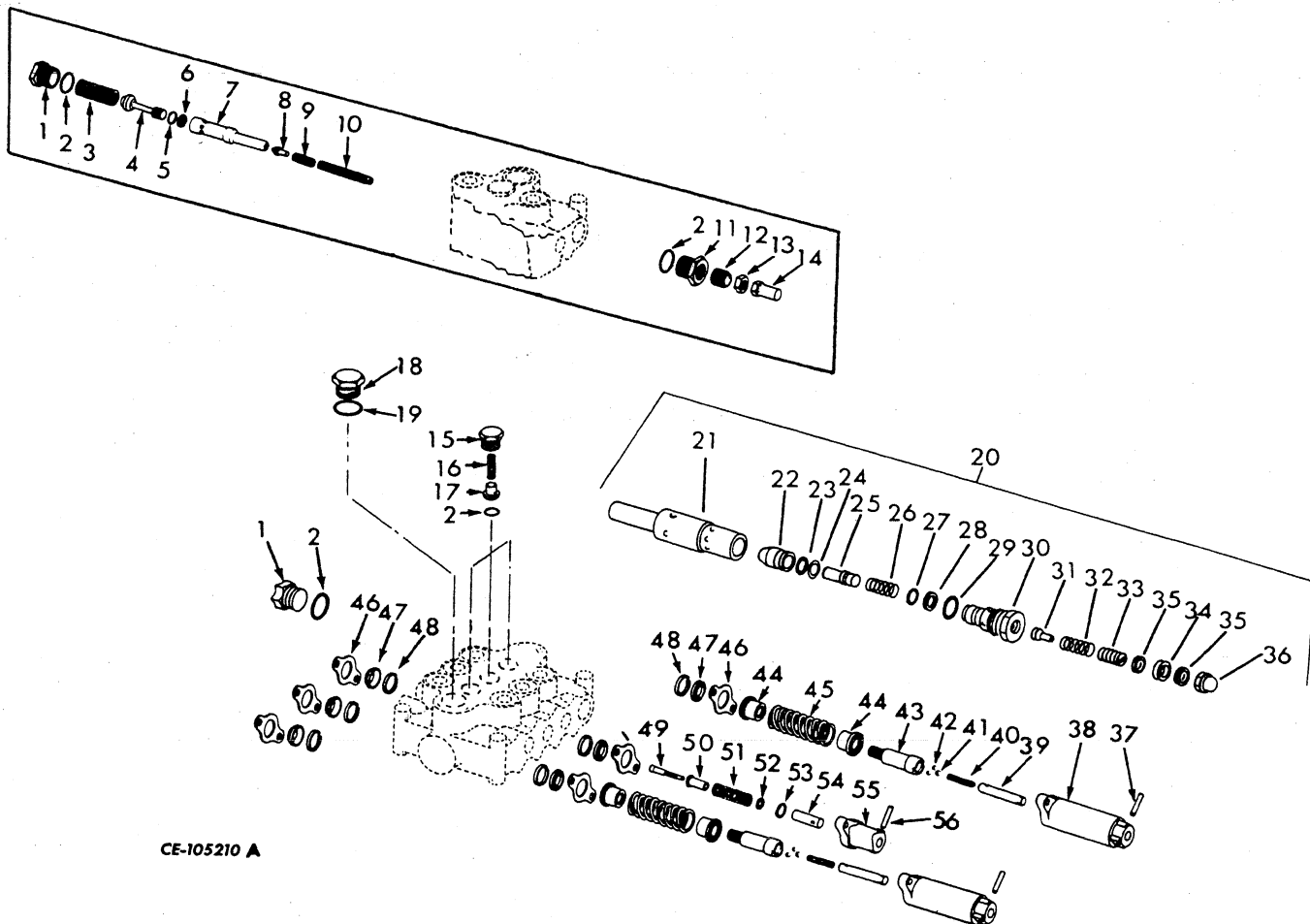
REF. NO.	PART NUMBER	DESCRIPTION	REF. NO.	PART NUMBER	DESCRIPTION
HYDRAULIC CONTROL VALVE - Continued (Husco) (Part of Hydraulic Control Unit Attachment) (Single Spool)			19	296 247 R1	"O" RING
6	157 925 H1	RING, back-up TD-9BG 6502 to # TD-9BP 6525 to # TD-9BGA 6616 to # TD-9BGC 9231 to # TD-9BGS 9239 to #	20	631 015 C91	VALVE, relief TD-9BG # and up TD-9BP # and up TD-9BGA # and up TD-9BGC # to 16800 TD-9BGS # to 16800
7	157 901 H1	SLEEVE, relief valve TD-9BG 6502 to # TD-9BP 6525 to # TD-9BGA 6616 to # TD-9BGC 9231 to # TD-9BGS 9239 to #	21	929 839 C1	SLEEVE, relief valve
8	144 606 H1	POPPET, pilot valve TD-9BG 6502 to # TD-9BP 6525 to # TD-9BGA 6616 to # TD-9BGC 9231 to # TD-9BGS 9239 to #	22	615 171 C1	POPPET, relief valve
9	144 605 H1	SPRING, relief valve TD-9BG 6502 to # TD-9BP 6525 to # TD-9BGA 6616 to # TD-9BGC 9231 to # TD-9BGS 9239 to #	23	889 224 C1	RING, back-up
10	157 908 H1	SCREW, relief valve adjusting TD-9BG 6502 to # TD-9BP 6525 to # TD-9BGA 6616 to # TD-9BGC 9231 to # TD-9BGS 9239 to #	24	336 191 R1	"O" RING, 1/2 x 11/16"
11	157 906 H1	PLUG, relief valve pilot TD-9BG 6502 to # TD-9BP 6525 to # TD-9BGA 6616 to # TD-9BGC 9231 to # TD-9BGS 9239 to #	25	615 170 C1	PISTON, relief valve
12	157 903 H1	PLUG, relief valve adjusting TD-9BG 6502 to # TD-9BP 6525 to # TD-9BGA 6616 to # TD-9BGC 9231 to # TD-9BGS 9239 to #	26	613 999 C1	PLUNGER
13	157 904 H1	NUT, adjusting screw TD-9BG 6502 to # TD-9BP 6525 to # TD-9BGA 6616 to # TD-9BGC 9231 to # TD-9BGS 9239 to #	27	615 007 C1	"O" RING, 9/16 x 3/4"
14	111 392 H1	NUT, castle TD-9BG 6502 to # TD-9BP 6525 to # TD-9BGA 6616 to # TD-9BGC 9231 to # TD-9BGS 9239 to #	28	928 954 C1	RING, back-up
15	157 914 H1	PLUG, check valve	29	876 069 C1	"O" RING, 1 x 1-1/4"
16	144 604 H1	SPRING, check valve	30	615 173 C1	PLUG, relief valve
17	157 915 H1	POPPET, check valve	31	613 996 C1	POPPET, relief valve
18	324 605 R1	PLUG	32	615 001 C1	SPRING, relief valve
			33	613 998 C1	SCREW, adjusting
			34	114 494	NUT
			35	347 391 R1	WASHER, plain (2)
			36	131 486	NUT, acorn
			37	17 053 R1	PIN, drive
			38	176 147 H1 138 242	CAP, plunger SCREW, socket-hd cap (2)
			39	176 150 G1	PIN, detent
			40	157 920 H1	SPRING, detent
			41	16 009 R1	BALL
			42	16 007 R1	BALL (3)
			43	324 586 R1	SLEEVE, plunger detent end
			44	176 151 H1	SEAT (2)
			45	324 585 R1	SPRING, plunger
			46	157 927 H1 24 606 R1	SEAL, plate (2) SCREW, hex-hd cap (2)
			47	157 905 H1	SEAL, wiper (2)
			48	157 926 H1	RING, seal support (2)
				297 459 R1	"O" RING, valve plug (x)
				9 410 362	PLUG, valve (x)

- Serial Number Not Available.
(x) - As Required.

HYDRAULIC SYSTEM

REF. NO.	PART NUMBER	DESCRIPTION	REF. NO.	PART NUMBER	DESCRIPTION
----------	-------------	-------------	----------	-------------	-------------

HYDRAULIC CONTROL VALVE
(Husco) (Part of Hydraulic Control Unit Attachment)
(Triple Spool)



CE-105210 A

	324 463 R91	VALVE ASSY, triple spool (Part of ATTACHMENT, 330 940 R91, 330 941 R92 and 345 680 R91) (Composed of -	5	355 966 R1	"O" RING, poppet TD-9BG 6502 to # TD-9BP 6525 to # TD-9BGA 6616 to # TD-9BGC 9231 to # TD-9BGS 9239 to #
1	324 593 R1	PLUG, relief valve			
2	350 818 R1	"O" RING, 1 x 1-1/4" (5)	6	157 925 H1	RING, back-up TD-9BG 6502 to # TD-9BP 6525 to # TD-9BGA 6616 to # TD-9BGC 9231 to # TD-9BGS 9239 to #
3	157 900 H1	SPRING, relief valve TD-9BG 6502 to # TD-9BP 6525 to # TD-9BGA 6616 to # TD-9BGC 9231 to # TD-9BGS 9239 to #			
4	157 902 H1	POPPET, relief valve TD-9BG 6502 to # TD-9BP 6525 to # TD-9BGA 6616 to # TD-BGC 9231 to # TD-9BGS 9239 to #	7	157 901 H1	SLEEVE, relief valve TD-9BG 6502 to # TD-9BP 6525 to # TD-9BGA 6616 to # TD-9BGC 9231 to # TD-9BGS 9239 to #

- Serial Number Not Available.

HYDRAULIC SYSTEM

REF. NO.	PART NUMBER	DESCRIPTION	REF. NO.	PART NUMBER	DESCRIPTION
HYDRAULIC CONTROL VALVE - Continued (Husco) (Part of Hydraulic Control Unit Attachment) (Triple Spool)			23	889 224 C1	RING, back-up
			24	336 191 R1	"O" RING, 1/2 x 11/16"
8	144 606 H1	POPPET, pilot valve TD-9BG 6502 to # TD-9BP 6525 to # TD-9BGA 6616 to # TD-9BGC 9231 to # TD-9BGS 9239 to #	25	615 170 C1	PISTON, relief valve
			26	613 999 C1	PLUNGER
			27	615 007 C1	"O" RING, 9/16 x 3/4"
			28	928 954 C1	RING, back-up
9	144 605 H1	SPRING, relief valve TD-9BG 6502 to # TD-9BP 6525 to # TD-9BGA 6616 to # TD-9BGC 9231 to # TD-9BGS 9239 to #	29	876 069 C1	"O" RING, 1 x 1-1/4"
			30	615 173 C1	PLUG, relief valve
			31	613 996 C1	POPPET, relief valve
			32	615 001 C1	SPRING, relief valve
10	157 908 H1	SCREW, relief valve adjusting TD-9BG 6502 to # TD-9BP 6525 to # TD-9BGA 6616 to # TD-9BGC 9231 to # TD-9BGS 9239 to #	33	613 998 C1	SCREW, adjusting
			34	114 494	NUT
			35	347 391 R1	WASHER, plain (2)
			36	131 486	NUT, acorn
11	157 906 H1	PLUG, relief valve pilot TD-9BG 6502 to # TD-9BP 6525 to # TD-9BGA 6616 to # TD-9BGC 9231 to # TD-9BGS 9239 to #	37	17 053 R1	PIN, drive (2)
			38	176 147 H1 138 242	CAP, plunger (2) SCREW, socket-hd cap (2)
			39	176 150 H1	PIN, detent (2)
12	157 903 H1	PLUG, relief valve adjusting TD-9BG 6502 to # TD-9BP 6525 to # TD-9BGA 6616 to # TD-9BGC 9231 to # TD-9BGS 9239 to #	40	157 920 H1	SPRING, detent (2)
			41	16 009 R1	BALL (2)
			42	16 007 R1	BALL (6)
			43	324 586 R1	SLEEVE, plunger detent end (2)
13	157 904 H1	NUT, adjusting screw TD-9BG 6502 to # TD-9BP 6525 to # TD-9BGA 6616 to # TD-9BGC 9231 to # TD-9BGS 9239 to #	44	176 151 H1	SEAT (4)
			45	324 585 R1	SPRING, plunger (2)
			46	157 927 H1 24 606 R1	SEAL, plate (6) SCREW, hex-hd cap (2)
14	111 392 H1	NUT, castle TD-9BG 6502 to # TD-9BP 6525 to # TD-9BGA 6616 to # TD-9BGC 9231 to # TD-9BGS 9239 to #	47	157 905 H1	SEAL, wiper (6)
			48	157 926 H1	RING, seal support (6)
			49	157 909 H1	SCREW, plunger cap
15	157 914 H1	PLUG, check valve (3)	50	157 916 H1	SLEEVE, plunger
16	144 604 H1	SPRING, check valve (3)	51	157 917 H1	SPRING, plunger
17	157 915 H1	POPPET, check valve (3)	52	157 911 H1	WASHER, spring stop
18	324 605 R1	PLUG	53	324 911 H1	WASHER, spring stop
19	296 247 R1	"O" RING	54	157 910 H1	PIN, plunger female
20	631 015 C91	VALVE, relief TD-9BG # and up TD-9BP # and up TD-9BGA # and up TD-9BGC # to 16800 TD-9BGS # to 16800	55	157 921 H1	CAP, plunger
			56	17 053 R1	PIN, plunger female pin retaining
				297 459 R1	"O" RING, valve plug (x)
				9 410 362	PLUG, valve (x)
21	929 839 C1	SLEEVE, relief valve			# - Serial Number Not Available.
22	615 171 C1	POPPET, relief valve			(x) - As Required.

HYDRAULIC SYSTEM

REF. NO.	PART NUMBER	DESCRIPTION	REF. NO.	PART NUMBER	DESCRIPTION
HYDRAULIC REMOTE CONTROL ATTACHMENTS (For Manual Shift Tractors or Agr. Tractors)			331 668 R2		COUPLING, power take-off splined
		(Many of the parts in the Attachments listed below are illustrated on the following pages)	25 527 R1		NUT, 1/2NF
		Parts without letters after the description indicate the part is used for all Attachments listed below. Letters A and B are used to identify separate Attachments.	103 341		WASHER, 17/32 x 1-1/16 x 3/32"
			108 686		ELBOW, 1/2" x 90° street (at pump)
			108 687		ELBOW, 1" x 90° street (at tank)
			141 621		ELBOW, 3/4" x 90° street (at pump)
			313 383 R91		FITTING, rigid male pipe hose (2)
A	331 659 R91	ATTACHMENT, hydraulic remote control (single spool) (for tractors equipped with front power take-off drive ATTACHMENT) (See NOTES 1 and 3)	324 933 R1		GUARD, hose
			314 117 R91		HANDLE, control valve (ATTACHMENT A)
			9 413 957		NUT, 1/2NF stover lock
B	331 660 R91	ATTACHMENT, hydraulic remote control (dual spool) (for tractors equipped with front power take-off drive ATTACHMENT) (See NOTES 1 and 3)	181 432		SCREW, 1/2NF x 1-5/8" hex-hd cap
			314 117 R91		HANDLE, LH control valve (ATTACHMENT B)
			314 118 R91		HANDLE, RH control valve (ATTACHMENT B)
	606 054 C1	ADAPTER, swivel tube (2)	9 413 957		NUT, 1/2NF stover lock
	264 097 R2	BALL, control valve handle (ATTACHMENT A and 2 for ATTACHMENT B)	181 442		SCREW, 1/2NF x 3-1/4" hex-hd cap
	309 574 R1	BRACKET, hydraulic control handle (ATTACHMENT A and 2 for ATTACHMENT B)	103 341		WASHER, 17/32 x 1-1/16 x 3/32"
	25 484 R1	SCREW, 1/4 x 1-1/8" hex-hd cap (2 for ATTACHMENT A, 4 for ATTACHMENT B)	313 487 R91		HOSE, return
	115 109	WASHER, 1/4" lock (2 for ATTACHMENT A, 4 for ATTACHMENT B)	625 324 C91		HOSE w/two FITTING, 313 383 R91, pump to pressure line tube (HOSE, 1/2" ID x 100" long including FITTINGS)
	128 003	BUSHING, 1" to 3/4 reducer (at tank)			HOSE w/o FITTINGS, cut length 1/2" ID x 97" long cut from bulk HOSE, 317 593 R1
	144 034	BUSHING, 3/4" to 1/2 reducer (at pump pressure port)	317 593 R1		HOSE, bulk, 1/2" ID (+)
	274 086 R91	CLAMP, hose (2)	311 110 R1		LINK, valve mounted control (ATTACHMENT A and 2 for ATTACHMENT B)
	279 026 R91	CLAMP, hose (2)			PIN, 1/8 x 5/8" cotter (2 for ATTACHMENT A and 4 for ATTACHMENT B)
	301 819 R1	CLAMP, hose			WASHER, 11/32 x 11/16" x 16 ga flat (2 for ATTACHMENT A and 4 for ATTACHMENT B)
	308 882 R1	CLAMP, hose	310 594 R1		NUT, tube adapter swivel (2)
	25 522 R1	NUT, 3/8"			(+) - Order Cut Length Required.
	140 483 H	SCREW, 3/8 x 1-1/4" hex-hd cap			NOTE 1 - Factory Application - Order On Machine Order Form.
	115 093	WASHER, 3/8" lock			NOTE 3 - Field Application - Order Through Regular Service Parts Channels.
	128 145	WASHER, 7/16 x 1-3/8 x .083"			
	326 296 R1	CLAMP, hose			
	24 860 R1	SCREW, 1/2 x 1" hex-hd cap			
	25 526 R1	NUT, 1/2"			
	345 798 R1	CLAMP, hose (2)			
	179 877	SCREW, 1/2 x 5/8" hex-hd cap			
	24 860 R1	SCREW, 1/2 x 1" hex-hd cap			
	25 526 R1	NUT, 1/2"			

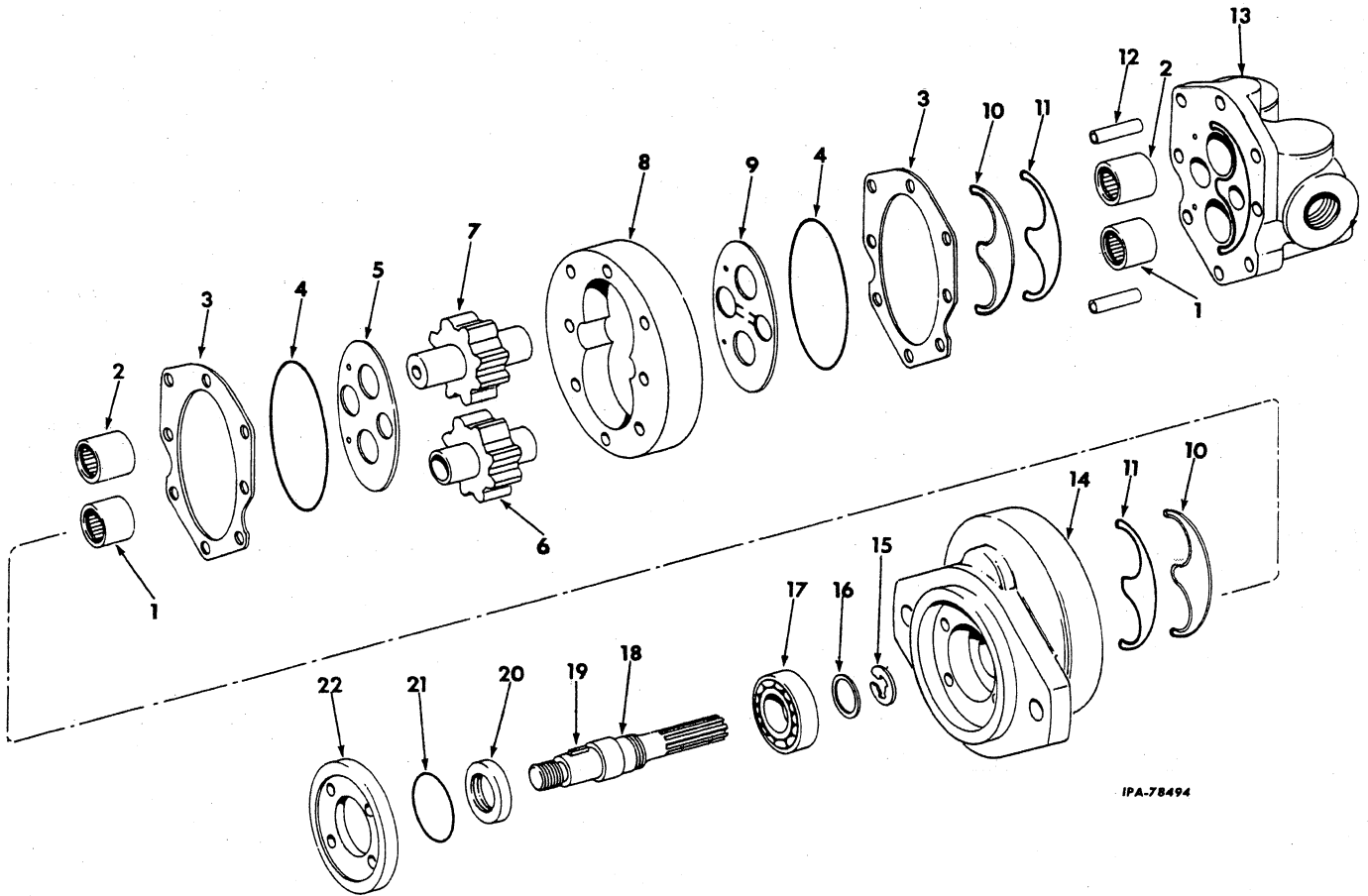
HYDRAULIC SYSTEM

REF. NO.	PART NUMBER	DESCRIPTION	REF. NO.	PART NUMBER	DESCRIPTION
HYDRAULIC REMOTE CONTROL ATTACHMENTS -					
Continued					
(For Manual Shift Tractors or Agr. Tractors)					
	444 679	PLUG, 1" pipe (filler and drain) (2)			
	9 410 360	PLUG, cylinder port (2 for ATTACHMENT A and 4 for ATTACHMENT B)			
	338 734 R91	PUMP ASSY, hydraulic (for components, see list of parts under details of "Hydraulic Pump (Webster)")			
	181 429	SCREW, 1/2NF x 1-1/4" hex-hd cap (2)			
	116 121	WASHER, 1/2" lock (2)			
	314 121 R91	RESERVOIR, oil			
	24 840 R1	SCREW, 3/8 x 1" hex-hd cap (3)			
	115 093	WASHER, 3/8" lock (3)			
	289 767 R91	RETARDER, splash			
	297 459 R1	RING, tube seal (2)			
	350 818 R1	RING, tube seal (2)			
	364 885 R1	RING, cylinder port sealing (2 for ATTACHMENT A and 4 for ATTACHMENT B)			
	354 868 R93	STRAINER, oil reservoir			
	310 596 R91	TUBE, return			
	313 486 R91	TUBE, pressure			
	313 490 R91	TUBE, valve to tank			
	309 174 R91	VALVE ASSY, single spool (for components see list of parts under details of "Hydraulic Valve") (ATTACHMENT A)			
	309 200 R91	VALVE ASSY, dual spool (for components see list of parts under details of "Hydraulic Valve") (ATTACHMENT B) NUT, 3/8" (3) SCREW, 3/8 x 3" hex-hd cap (3)			
	309 572 R1	WASHER, tube back up (2)			
	309 571 R1	WIRE, tube adapter retaining (2)			
	1 019 061 R1	PAMPHLET, instruction			

HYDRAULIC SYSTEM

REF. NO.	PART NUMBER	DESCRIPTION	REF. NO.	PART NUMBER	DESCRIPTION
----------	-------------	-------------	----------	-------------	-------------

HYDRAULIC PUMP
(Webster) (Part of Hydraulic Remote Control Attachment)



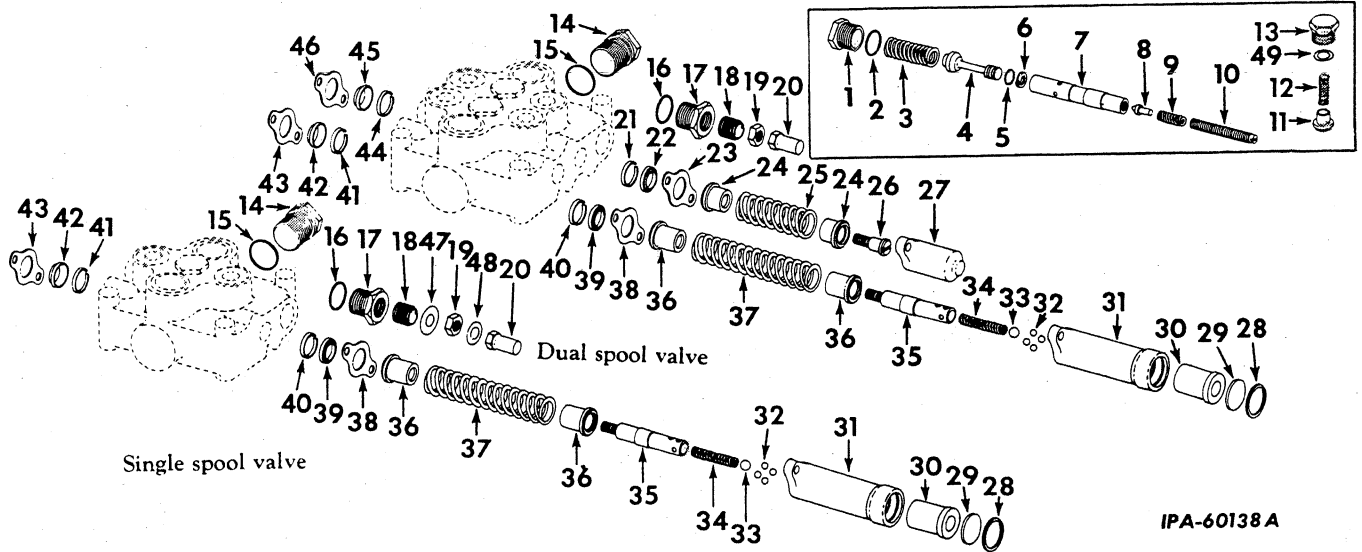
IPA-78494

	338 734 R91	PUMP ASSY, hydraulic (Part of Remote Control Attachments, 331 659 R91 and 331 660 R91) (Consists of the following parts -			
1	343 542 R91	BEARING, pump body needle	14	343 526 R91	BODY w/BEARING, 142 928 H and BEARING, 343 542 R91, pump
1	343 542 R91	BEARING, pump cover needle		897 414 R1	SCREW, 1/4 x 3" hex-soc-hd (2)
2	142 928 H	BEARING, pump body needle		25 234 R1	SCREW, 5/16 x 2-1/4" hex-soc-hd (2)
2	142 928 H	BEARING, pump cover needle		25 236 R1	SCREW, 5/16 x 3" hex-soc-hd (4)
3	343 535 R1	PLATE, retaining (2)		343 527 R1	WASHER, 5/16" lock (4)
4	215 748 H1	SEAL, retaining plate (2)	15	276 575 R1	RING, retaining
5	343 533 R1	PLATE, wear	16	276 569 R1	WASHER, 49/64 x 59/64 x .030"
6	343 537 R1	GEAR, pump drive	17	343 543 R91	BEARING, drive shaft ball
7	343 538 R1	GEAR, pump idler	18	343 529 R1	SHAFT, drive
8	343 530 R1	PLATE, gear	19	124 546	KEY, pump drive shaft (5/32 x 5/8" Woodruff No. 6)
9	343 534 R1	PLATE, wear	20	311 994 R91	OIL SEAL, pump drive shaft
10	343 531 R1	RING, back-up (2)	21	364 145 R1	"O" RING, plate (2-1/8 x 2-5/16 x 3/32")
11	343 532 R1	RING, sealing (2)	22	343 528 R1	PLATE, pilot
12	343 540 R1	PIN, dowel (2)			SCREW, No. 10 x 5/8" f-hd mach (4)
13	343 525 R91	COVER w/BEARING, 142 928 H and BEARING, 343 542 R91, pump		379 181 R1	"O" RING (5/8 x 3/4 x 1/16") (2)

HYDRAULIC SYSTEM

REF. NO.	PART NUMBER	DESCRIPTION	REF. NO.	PART NUMBER	DESCRIPTION
----------	-------------	-------------	----------	-------------	-------------

HYDRAULIC VALVES
(Husco) (Part of Hydraulic Remote Control Attachment)



Parts without letters after the description indicate the part is used for all Hydraulic Valves listed below. Letters A and B are used to identify separate valves.

			12	310 820 R1	SPRING, check valve poppet (1 for VALVE A and 2 for VALVE B)
			13	310 821 R1	PLUG, check valve (1 for VALVE A and 2 for VALVE B)
A	309 174 R91	VALVE w/Standard Float SPOOL, single spool (part of Hydraulic Remote Control ATTACHMENT, 331 659 R91)	14	310 850 R1	PLUG, port (2)
			15	297 459 R1	"O" RING, 7/8" tubing (2)
			16	368 269 R1	"O" RING, 3/4" tubing
B	309 200 R91	VALVE w/Standard Float SPOOL, dual spool (part of Hydraulic Remote Control ATTACHMENT, 331 660 R91)	17	310 815 R1	PLUG, relief valve pilot
			18	310 814 R1	SLEEVE, adjusting screw
			19	310 817 R1	NUT, adjusting screw lock
1	310 807 R1	PLUG, relief valve	20	310 818 R1	NUT, adjusting screw castle
2	368 269 R1	"O" RING, 3/4" tubing	21	310 797 R1	RING, standard plunger seal support (detent end) (1 for VALVE A and 2 for VALVE B)
3	310 808 R1	SPRING, relief valve poppet	22	310 796 R1	SEAL and WIPER, standard plunger oil (detent end) (VALVE B)
4	310 810 R1	POPPET, relief valve	23	310 798 R1	PLATE, standard plunger seal (detent end) (VALVE B)
5	355 967 R1	"O" RING, 1/2 x 3/8 x 1/16"	24	310 822 R1	SEAT, standard plunger detent spring (2 for VALVE B)
6	310 811 R1	RING, back-up	25	310 823 R1	SPRING, standard plunger detent (VALVE B)
7	310 809 R1	SLEEVE, relief valve	26	310 824 R1	SCREW, standard plunger detent (VALVE B)
8	310 812 R1	POPPET, relief valve pilot			
9	310 813 R1	SPRING, relief valve pilot			
10	310 816 R1	SCREW, relief valve adjusting			
11	310 819 R1	POPPET, check valve (1 for VALVE A and 2 for VALVE B)			

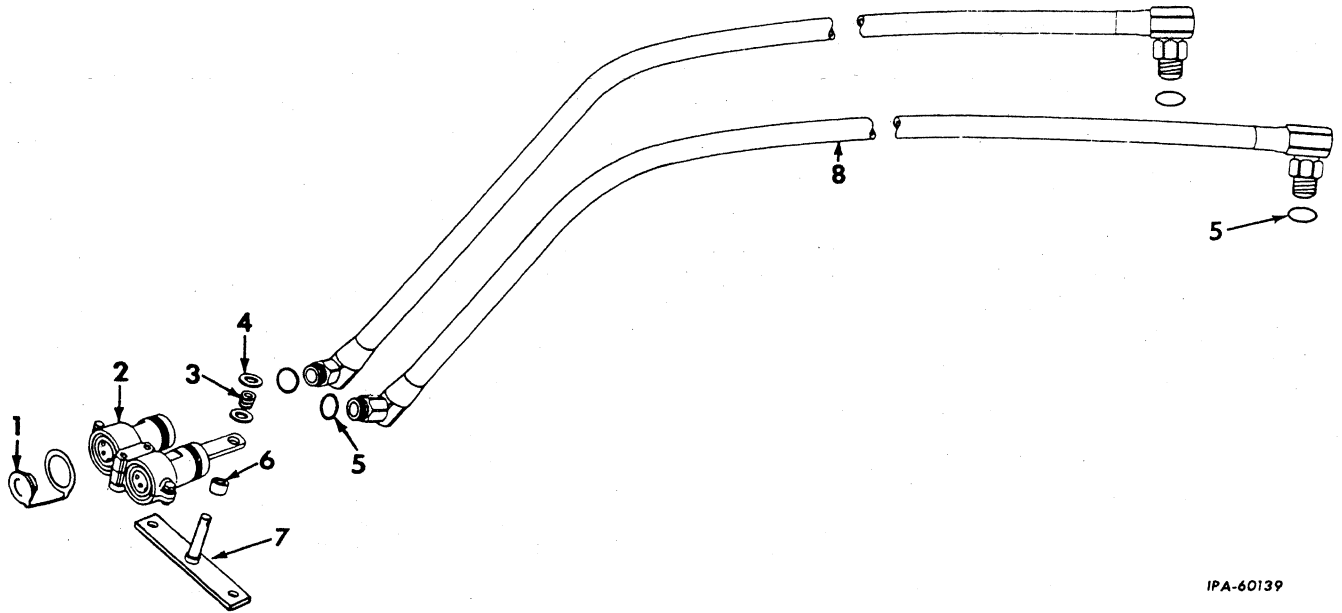
HYDRAULIC SYSTEM

REF. NO.	PART NUMBER	DESCRIPTION	REF. NO.	PART NUMBER	DESCRIPTION
HYDRAULIC VALVES - Continued (Husco) (Part of Hydraulic Remote Control Attachment)					
27	310 825 R1	CAP, standard plunger detent (VALVE B) SCREW, 1/4 x 7/8" hex-hd cap (2)			
28	310 806 R1	RING, snap			
29	310 805 R1	PLUG, detent			
30	310 803 R1	SLEEVE, float plunger detent			
31	310 799 R1	CAP, float plunger detent SCREW, 1/4 x 7/8" hex-soc-hd mach (2)			
32	148 578 H1	BALL, 1/4" steel (Grade 2) (4 for VALVES A and B)			
33	16 011 R1	BALL, 11/32" steel (Grade 2)			
34	310 804 R1	SPRING, float plunger detent			
35	310 802 R1	PIN, float plunger detent			
36	310 800 R1	SEAT, float plunger detent return spring (2)			
37	310 801 R1	SPRING, float plunger detent return			
38	310 798 R1	PLATE, float plunger seal (detent end) (VALVE A)			
39	310 796 R1	SEAL and WIPER, float plunger oil (detent end)			
40	310 797 R1	RING, float plunger seal support (detent end)			
41	310 797 R1	RING, float plunger seal support (eye end)			
42	310 796 R1	SEAL and WIPER, float plunger oil (eye end)			
43	310 798 R1	PLATE, float plunger seal (eye end) SCREW, 1/4 x 3/8" rd-hd slt mach (2)			
44	310 797 R1	RING, standard plunger seal support (eye end) (VALVE B)			
45	310 796 R1	SEAL and WIPER, standard plunger oil (eye end) (VALVE B)			
46	310 798 R1	PLATE, standard plunger seal (eye end) (VALVE B) SCREW, 1/4 x 3/8" rd-hd slt mach (2)			
47	175 683 H1	WASHER (VALVE A)			
48	175 684 H1	WASHER (VALVE A)			
49	364 885 R1	"O" RING, 5/8" tubing (1 for VALVE A and 2 for VALVE B)			

HYDRAULIC SYSTEM

REF. NO.	PART NUMBER	DESCRIPTION	REF. NO.	PART NUMBER	DESCRIPTION
----------	-------------	-------------	----------	-------------	-------------

HYDRAULIC REMOTE CONTROL ADAPTER
 (Used with Remote Control Attachment)
 (For Manual Shift or Agr. Tractors)



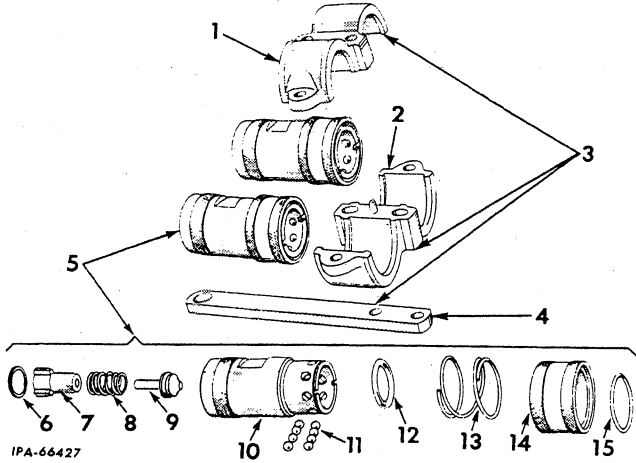
IPA-60139

	314 115 R91	ATTACHMENT, hydraulic remote control adapter (See NOTES 1 and 3) (*)	7	262 630 R11	BRACKET, breakaway coupling
				25 526 R1	NUT, 1/2" (2)
				24 861 R1	SCREW, 1/2 x 1-1/4" hex-hd cap (2)
1	373 220 R1	CAP, hydraulic self-sealing and breakaway coupling dust (2)		116 121	WASHER, 1/2" lock (2)
2	374 777 R94	COUPLING, hydraulic breakaway front section (for components see list of parts under details of "Break-away and Self-Sealing Coupling")	8	313 488 R91	HOSE, 32" long valve to coupling (2)
3	353 213 R2	SPRING, breakaway coupling bracket		1 085 000 R1	PAMPHLET, instruction
4		WASHER, 17/32 x 1-1/16" x .095 ga (2) PIN, 1/8 x 1" cotter			NOTE 1 - Factory Application - Order On Machine Order Form.
5	364 885 R1	"O" RING, valve to coupling hose (for 5/8" tubing) (4)			NOTE 3 - Field Application - Order Through Regular Service Parts Channels.
6	23 111 H	SPACER, breakaway coupling			(*) - May Be Ordered In Multiples Of Two For Dual Spool If So Desired.

HYDRAULIC SYSTEM

REF. NO.	PART NUMBER	DESCRIPTION
----------	-------------	-------------

HYDRAULIC BREAKAWAY AND SELF-SEALING COUPLINGS
(Part of Hydraulic Remote Control Adapter Attachment)



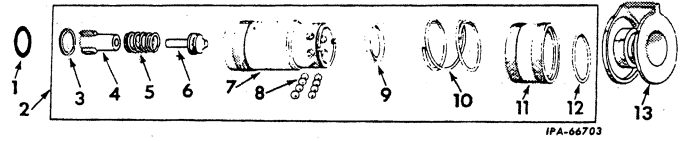
IPA-66427

	374 777 R94	COUPLING ASSY, breakaway, (Composed of FRAME, 371 110 R91 and two COUPLING, 395 150 R91) (x)
1	371 115 R1 25 222 R1	CLAMP, self-sealing coupling frame SCREW, 1/4 x 3/4" hex-hd cap (2) WASHER, 1/4" cd-pltd lock (2)
2	371 114 R1	FRAME, self-sealing coupling
3	371 110 R91	FRAME ASSY, self-sealing coupling
4	371 116 R1 25 654 R1	BRACKET, self-sealing coupling frame SCREW, 5/16 x 1-1/2" hex-hd cap (2)
5	395 150 R91	COUPLING ASSY, self-sealing female (2)
6		RETAINER, check valve spring (Not furnished separately)
7		RETAINER, check valve spring (Not furnished separately)
8		SPRING, check valve retaining (Not furnished separately)
9		VALVE, check (Not furnished separately)
10		BODY, self-sealing coupling - female (Not furnished separately)
11		BALL, lock (Not furnished separately)
12		"O" RING, self-sealing coupling (Not furnished separately)
13		SPRING, lock ball retainer (Not furnished separately)
14		RETAINER, lock ball (Not furnished separately)
15		STOP, lock ball retainer (Not furnished separately)

(x) - As Required.

REF. NO.	PART NUMBER	DESCRIPTION
----------	-------------	-------------

QUICK DISCONNECT
(For Manual Shift, Power Shift and Agr. Tractors)
(Used on Attachment, 330 877 C91)



IPA-66703

	331 009 R91	ATTACHMENT, quick disconnect (See NOTES 1 and 3)
1	364 885 R1	"O" RING, coupling to hose (for 5/8" tubing) (2)
2	395 150 R91	COUPLING ASSY, self-sealing female (2)
3		RING, retaining (Not furnished separately)
4		RETAINER, check valve spring (Not furnished separately)
5		SPRING, check valve (Not furnished separately)
6		VALVE, check (Not furnished separately)
7		BODY (Not furnished separately)
8		BALL, lock (Not furnished separately)
9		"O" RING, 13/16 x 1-1/16 x 1/8" (Not furnished separately)
10		SPRING, lock ball retainer (Not furnished separately)
11		RETAINER, lock ball (Not furnished separately)
12		STOP, lock ball retainer (Not furnished separately)
13	373 220 R1	CAP, dust (2)

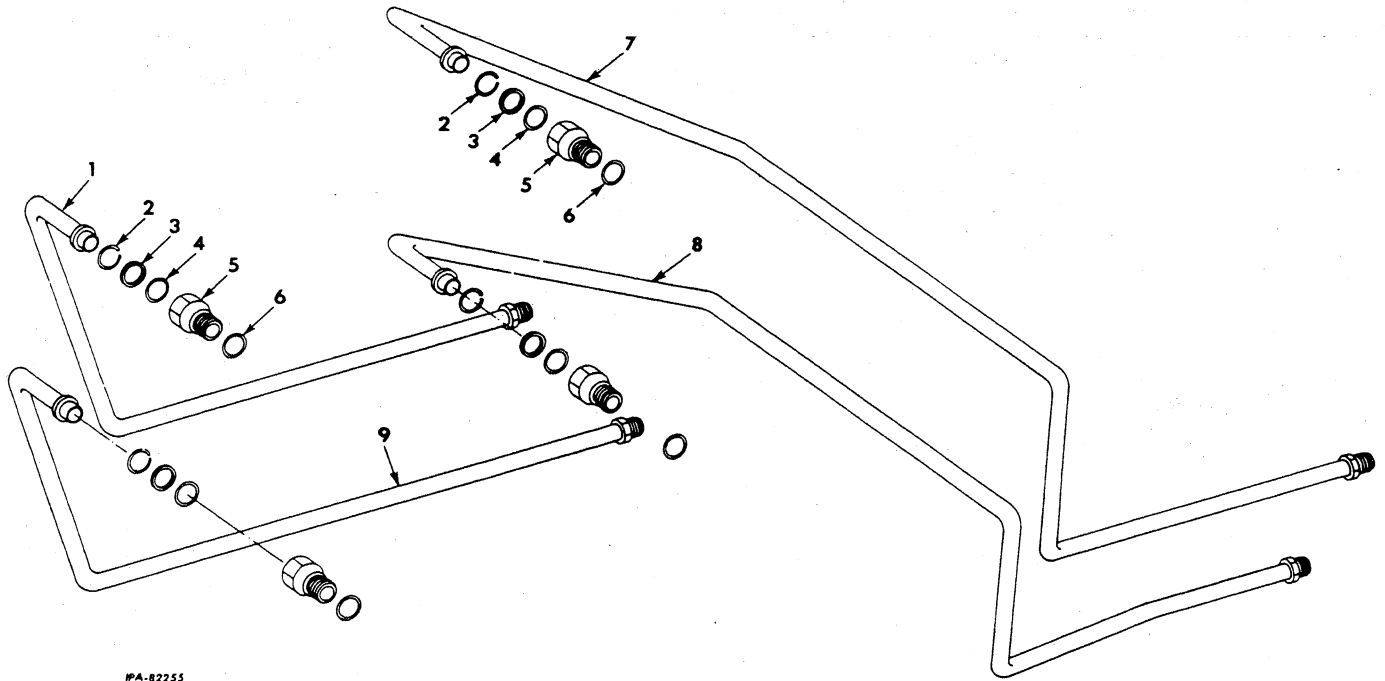
NOTE 1 - Factory Application - Order On Machine Order Form.

NOTE 3 - Field Application - Order Through Regular Service Parts Channels.

HYDRAULIC SYSTEM

REF. NO.	PART NUMBER	DESCRIPTION	REF. NO.	PART NUMBER	DESCRIPTION
----------	-------------	-------------	----------	-------------	-------------

SINGLE CIRCUIT AUXILIARY PIPING
 (For Manual Shift, Power Shift and Agr. Tractors)
 (For Tractors Not Equipped with Canopy and Front Sweeps)
 (Roll-Over Protective Structure)



IPA-82255

Parts without letters after the description indicate the part is used for all Attachments listed below: Letter A, B, C and D are used to identify separate Attachments.

			1	324 503 R91	TUBE, RH inner (ATTACHMENT D)	
			2	309 571 R1	RING, tube retainer snap (2)	
			3	309 572 R1	WASHER, "O" ring back up (2)	
			4	350 818 R1	"O" RING, 1 x 1-1/4 x 1/8" (2)	
			5	606 054 C1	ADAPTER, tube connection (ATTACHMENTS A, B and C) (2)	
			5	310 594 R1	NUT, valve connection (ATTACHMENT D) (2)	
			6	297 459 R1	"O" RING, 1.048 x 1.280 x .116" (2)	
			7	334 080 R91	TUBE, LH inner (ATTACHMENT B)	
			8	334 081 R91	TUBE, LH outer (ATTACHMENT B)	
			9	334 079 R91	TUBE, RH outer (ATTACHMENT C)	
			9	334 083 R91	TUBE, RH outer (ATTACHMENT A)	
			9	324 504 R91	TUBE, RH outer (ATTACHMENT D)	
A	330 875 R91	ATTACHMENT, single circuit RH auxiliary piping (for single spool valve) (for machines not equipped w/hydraulic tilt attachment) (See NOTE 3)				
B	330 876 R91	ATTACHMENT, single circuit LH auxiliary piping (for triple spool valve) (for machines not equipped w/hydraulic tilt attachment) (See NOTE 3)				
C	330 877 R91	ATTACHMENT, single circuit RH auxiliary piping (for triple spool valve) (for machines not equipped w/hydraulic tilt attachment) (See NOTE 3)				
D	331 007 R91	ATTACHMENT, single circuit RH auxiliary piping (for machines equipped w/hydraulic tilt attachment) (See NOTE 3)				
1	334 078 R91	TUBE, RH inner (ATTACHMENT C)				
1	334 082 R91	TUBE, RH inner (ATTACHMENT A)				

NOTE 3 - Field Application - Order Through Regular Service Parts Channels.

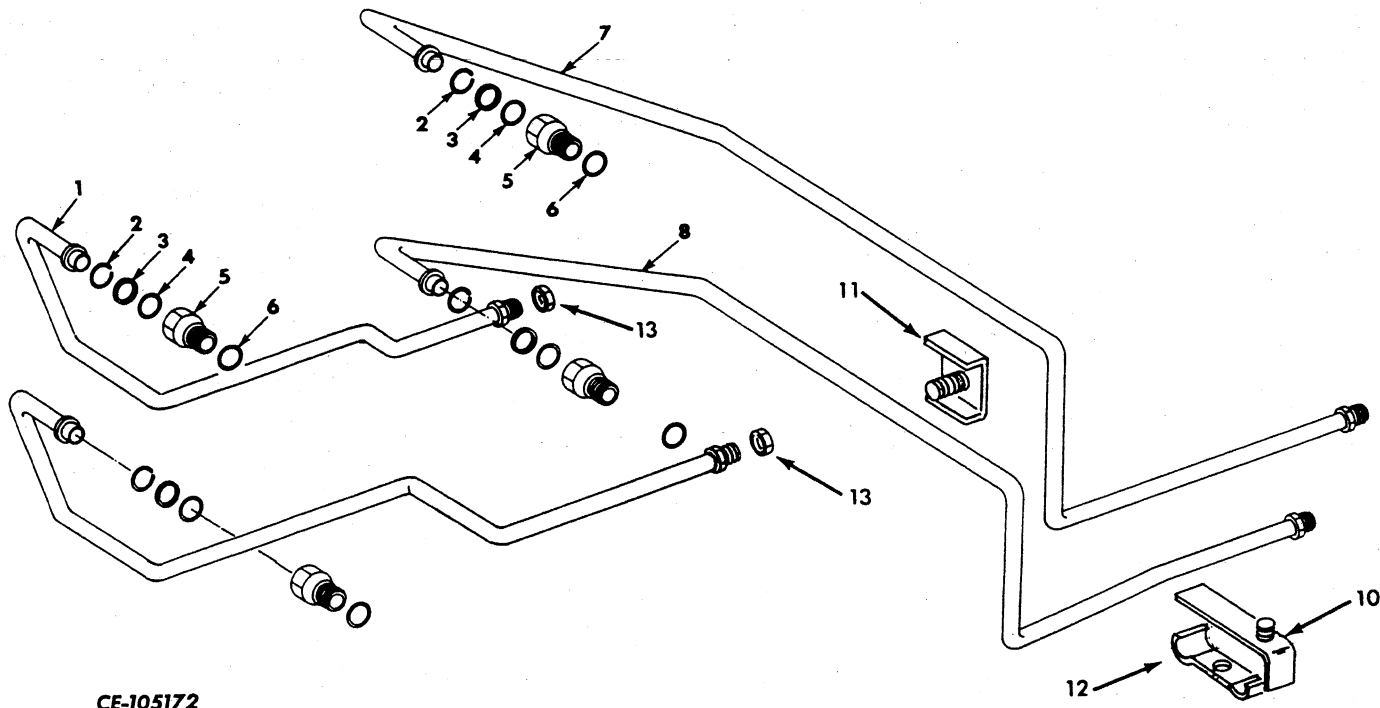
HYDRAULIC SYSTEM

REF. NO.	PART NUMBER	DESCRIPTION	REF. NO.	PART NUMBER	DESCRIPTION
SINGLE CIRCUIT AUXILIARY PIPING - Continued					
(For Manual Shift, Power Shift and Agr. Tractors)					
(For Tractors Not Equipped with Canopy and Front Sweeps)					
(Roll-Over Protective Structure)					
	334 781 R1	ANGLE, tube support (ATTACHMENT B)			
9 413 953		NUT, stover lock			
	24 839 R1	SCREW, 3/8 x 3/4" hex-hd cap			
	334 784 R1	BAR, tube clamp (ATTACHMENT B)			
	334 783 R1	CLAMP, auxiliary tube (2 for ATTACHMENT B)			
9 413 953		NUT, stover lock (2)			
	326 030 R1	CLAMP, tube (on fender)			
9 413 953		NUT, stover lock			
	101 896 R1	SCREW, 3/8 x 1-1/8" hex-hd cap			
	118 833	GROMMET (ATTACHMENT B)			
9 403 373		NUT, cap (6)			
	338 046 R1	RETAINER, grommet (ATTACHMENT B)			
	24 839 R1	SCREW, 3/8 x 3/4" hex-hd cap			
	115 093	WASHER, 3/8" lock			
	334 780 R11	SUPPORT, tube clamp (ATTACHMENT B)			
		SCREW, 1/2 x 1-1/2" hex-hd cap (2)			
1 019 043 R1		PAMPHLET, installation			

HYDRAULIC SYSTEM

REF. NO.	PART NUMBER	DESCRIPTION	REF. NO.	PART NUMBER	DESCRIPTION
----------	-------------	-------------	----------	-------------	-------------

SINGLE CIRCUIT AUXILIARY PIPING
 (For Manual Shift, Power Shift and Agr. Tractors)
 (For Tractors Equipped with Canopy and Front Sweeps)
 (Roll-Over Protective Structure)



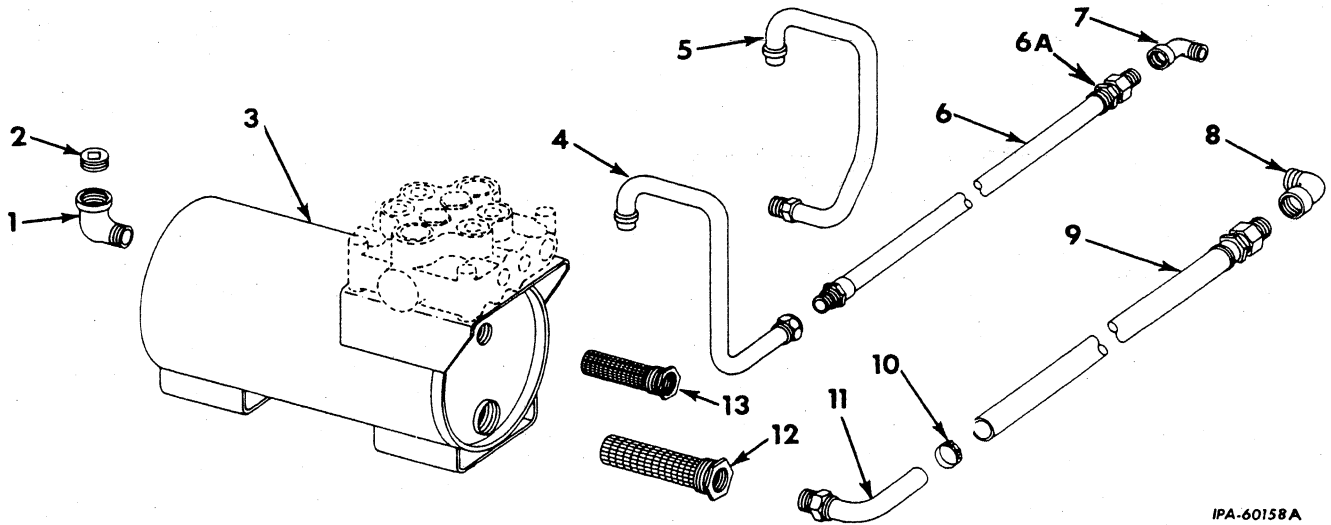
CE-105172

		Parts without letters after the description indicate the part is used for all service parts listed below:	3	309 572 R1	WASHER, "O" ring back-up (2)
			4	350 818 R1	"O" RING, tube (2)
A		Service parts for single circuit RH auxiliary piping (for triple spool valve) (for tractors equipped with a hydraulic tilt attachment and a canopy (Roll-Over Protective Structure))	5	606 054 C1	ADAPTER, valve connection (2)
			6	297 459 R1	"O" RING, adapter (2)
			7	334 080 R91	TUBE, LH inner (D)
			8	334 081 R91	TUBE, LH outer (D)
B		Service parts for single circuit RH auxiliary piping (For tractors equipped with a canopy (Roll-Over Protective Structure)) (Not for use with a hydraulic tilt attachment)	9	646 759 C1	TUBE, auxiliary line (lower port) (A)
			9	646 754 C1	TUBE, lower port (B)
			9	646 757 C1	TUBE, lower port (C)
C		Service parts for single circuit RH auxiliary piping (For single spool valve on tractors equipped with a canopy (Roll-Over Protective Structure))	10	646 751 C1	SUPPORT, RH tube clamp (A, B, and C)
			10	646 750 C1	SUPPORT, LH tube clamp (D)
				24 862 R1	SCREW, hex-hd cap (2)
D		Service parts for single circuit LH auxiliary piping (For triple spool valve) (For tractors equipped with a canopy (Roll-Over Protective Structure)) (Not for use with a hydraulic tilt attachment)	11	334 783 R91	CLAMP, auxiliary tube (2 for D)
				9 413 979	NUT, lock (2)
			12	326 030 R1	CLAMP, tube
				9 413 979	NUT, lock
			13	9 403 373	NUT, cap (2)
1	646 758 C1	TUBE, auxiliary line (upper port) (A)		334 781 R1	ANGLE, tube support (D)
1	646 755 C1	TUBE, top port (B)		24 839 R1	SCREW, hex-hd cap
1	646 756 C1	TUBE, upper port (C)		9 413 979	NUT, lock
2	309 571 R1	WIRE, retaining (2)		334 784 R1	BAR, tube clamp (D)

HYDRAULIC SYSTEM

REF. NO.	PART NUMBER	DESCRIPTION	REF. NO.	PART NUMBER	DESCRIPTION
----------	-------------	-------------	----------	-------------	-------------

RESERVOIR AND CONNECTIONS
 (Part of Hydraulic Remote Control Attachment,
 331 659 R91 and 331 660 R91)

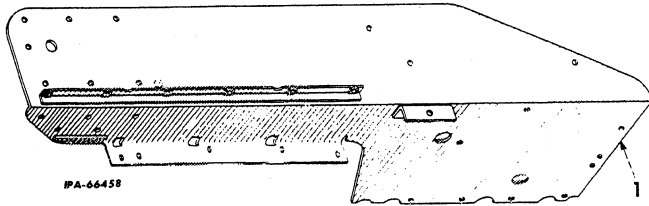


IPA-60158A

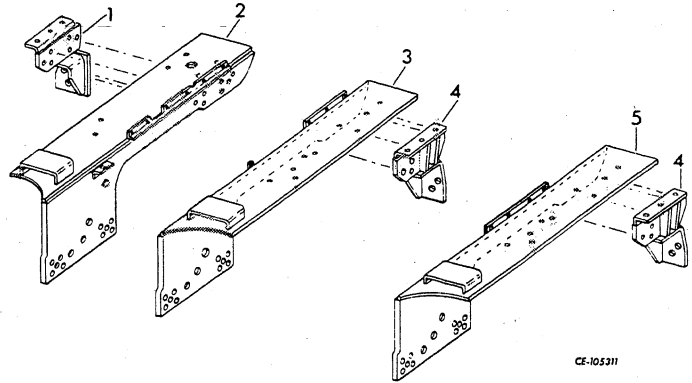
1	108 687	ELBOW, 1" 90° street (at tank)	6A		FITTING (order HOSE, 625 323 C1)
2	144 000	PLUG, 1" pipe (filler and drain) (2)	7	108 686	ELBOW, 1/2" x 90° street (at pump)
3	314 121 R91 24 840 R1 115 093	RESERVOIR, oil SCREW, 3/8 x 1" hex-hd cap (3) WASHER, 3/8" lock (3)	8	141 621	ELBOW, 3/4" x 90° street (at pump)
4	313 486 R91	TUBE, pressure	9	313 487 R91 326 296 R1 24 860 R1 25 526 R1	HOSE, return CLAMP, suction hose SCREW, 1/2 x 1" hex-hd cap NUT, 1/2"
5	313 490 R91	TUBE, valve to tank	10	274 086 R91	CLAMP, hose (2)
6	625 323 C1	HOSE w/FITTING, pump to pressure line tube (HOSE, 1/2" ID x 100" long including FITTINGS)	11	310 596 R91	TUBE, return
	345 798 R1	CLAMP, pressure hose SCREW, 1/2 x 1" hex-hd cap NUT, 1/2"	12	354 868 R93	STRAINER, oil reservoir
			13	289 767 R91	RETARDER, splash

HYDRAULIC SYSTEM

REF. NO.	PART NUMBER	DESCRIPTION
FENDERS		
TD-9BG	6502 to 16466	
TD-9BP	6525 to 16466	
TD-9BGA	6616 to 16466	
TD-9BGC	9231 to 16800	
TD-9BGS	9239 to 16800	



REF. NO.	PART NUMBER	DESCRIPTION
FENDERS AND MOUNTS		
TD-9BG	16467 and up	
TD-9BP	16467 and up	
TD-9BGA	16467 and up	

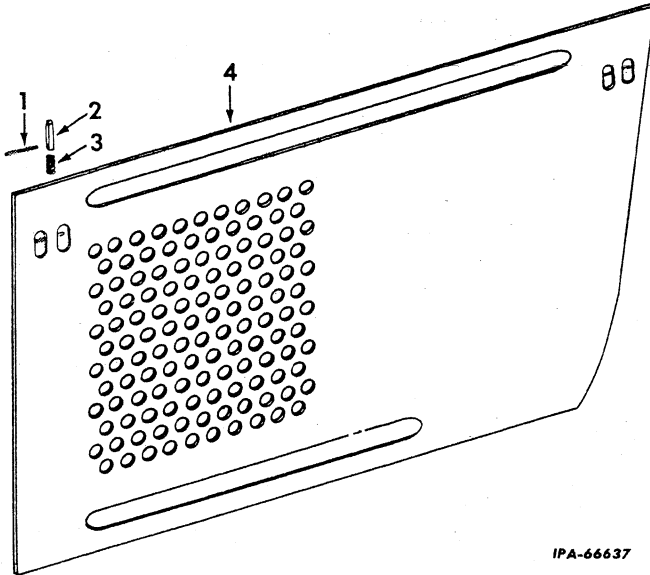


1	275 239 R41	FENDER, LH (for Manual Shift, Revolving Crane and Sideboom Crawler Tractors) (for Manual Shift Crawler Tractors equipped with Bulldozer or Bullgrader) (for Agr. Crawler Tractors without 44 gallon fuel TANK, 604 590 C91; serial numbers TD-9BGA 6616 to 10122)
1	604 075 C91	FENDER, LH (for Agr. Crawler Tractors with 44 gallon fuel TANK, 604 590 C91; serial numbers TD-9BGA 10123 and up)
1	322 983 R91	FENDER, RH (for Manual Shift Tractors, Revolving Crane Tractors, Sideboom Tractors and Agr. Tractors)
1	330 725 R11	FENDER, LH (for Power Shift Tractors)
1	330 726 R11	FENDER, RH (for Power Shift Tractors, also for Manual Shift Tractors equipped with Bulldozer or Bullgrader)
	25 522 R1	NUT, 3/8" (2)
	25 526 R1	NUT, 1/2" (8)
	24 840 R1	SCREW, 3/8 x 1" hex-hd cap (2)
	24 860 R1	SCREW, 1/2 x 1" hex-hd cap (side channel) (8)
	24 861 R1	SCREW, 1/2 x 1-1/4" hex-hd cap (fuel tank) (8)
		BOLT, 7/16 x 1-1/4" nylock (4)
		BOLT, 7/16 x 1-1/2" nylock (4)
	115 093	WASHER, 3/8" lock (2)
	116 121	WASHER, 1/2" lock (16)
	103 342	WASHER, 15/32 x 59/64 x 16 ga (8)
	264 630 R1	WASHER (8)

1	646 720 C1	MOUNTING, LH rear
2	646 353 C2	FENDER, RH
3	646 352 C2	FENDER, LH (Power Shift and Manual Shift Tractors only)
	646 387 C2	PIN, main frame dowel (2)
	24 894 R1	SCREW, 3/4" hex-hd cap (4)
	26 039 R1	SCREW, 7/8" hex-hd cap (4)
	25 500 R1	SCREW, 3/8" hex-hd cap
	25 538 R1	WASHER, 3/4" flat (8)
	25 539 R1	WASHER, 7/8" flat (8)
4	646 721 C1	MOUNTING, RH rear
	646 388 C1	BOLT, tie
	25 531 R1	NUT, 1" (2)
	25 528 R1	NUT, 5/8" (6)
	25 764 R1	SCREW, 7/8" hex-hd cap
	25 340 R1	SCREW, 5/8" hex-hd cap (6)
	25 547 R1	WASHER (12)
5	663 141 C2	FENDER, LH (Agr.)
	346 387 C2	PIN, main frame dowel (2)
	25 358 R1	SCREW, 3/4" hex-hd cap (4)
	25 760 R1	SCREW, 7/8" hex-hd cap (4)
	25 500 R1	SCREW, 3/8" hex-hd cap

SHEET METAL, FENDERS, HOOD, SIDE SHEETS AND SIDE DOORS

REF. NO.	PART NUMBER	DESCRIPTION	REF. NO.	PART NUMBER	DESCRIPTION
HOOD SIDE DOORS (For Manual Shift, Power Shift, Agr. and Sideboom Tractors)			4	330 858 R11	DOOR ASSY, RH, hood side (Composed of - 2 BODY 278 506 R1 § 1 DOOR 2 PIN 278 508 R1 2 PLUNGER 278 507 R1 2 SPRING 278 509 R1)
				278 506 R1	BODY, latch (4)



NOTE 1 - Factory Application - Order on Machine Order Form.

NOTE 3 - Field Application - Order Through Regular Service Parts Channels.

§ - Not Furnished Separately.

Parts without letters after the description indicate the part is used for all attachments listed below. Letters "A" and "B" are used to identify separate attachments.

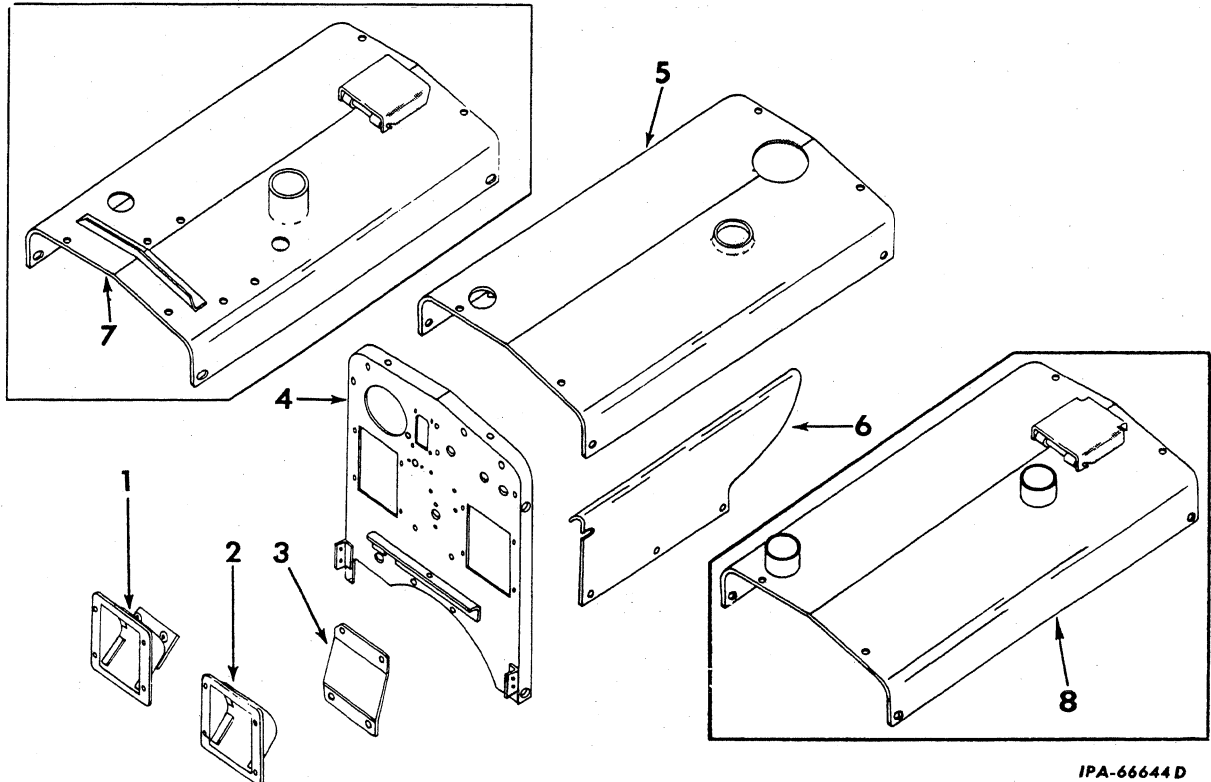
A	325 985 R91	ATTACHMENT, hood side doors (for machines not equipped w/hydraulic tilt attachment) (see NOTES 1 and 3)
B	624 838 C91	ATTACHMENT, hood side doors (for Manual Shift or Power Shift Bulldozer equipped w/hydraulic tilt attachments) (see NOTES 1 and 3)
1	278 508 R1	PIN, hood side door latch (4)
2	278 507 R1	PLUNGER, hood side door latch (4)
3	278 509 R1	SPRING, hood side door latch (4)
4	330 857 R11	DOOR ASSY, LH, hood side (Attachment "A") (Composed of - 2 BODY 278 506 R1 § 1 DOOR 2 PIN 278 508 R1 2 PLUNGER 278 507 R1 2 SPRING 278 509 R1)
4	624 835 C91	DOOR ASSY, LH hood side (Attachment "B") (Composed of - 2 BODY 278 506 R1 § 1 DOOR 2 PIN 278 508 R1 2 PLUNGER 278 507 R1 2 SPRING 278 509 R1)

SHEET METAL, FENDERS, HOOD, SIDE SHEETS AND SIDE DOORS

REF. NO.	PART NUMBER	DESCRIPTION	REF. NO.	PART NUMBER	DESCRIPTION
----------	-------------	-------------	----------	-------------	-------------

HOOD, DASH AND ENGINE SIDE SHEETS

TD-9BG 6502 to 15966, also 15994 to 16217 except 15996
 TD-9B 6525 to 15966, also 15994 to 16217 except 15996
 TD-9BGA 6616 to 15966, also 15994 to 16217 except 15996
 TD-9BGC 9231 to 15966, also 15994 to 16217 except 15996
 TD-9BGS 9239 to 15966, also 15994 to 16217 except 15996



IPA-66644 D

1	330 750 R92	POCKET, dash foot (RH) (used on Manual Shift and Sideboom Crawler Tractors) (used on Power Shift Crawler Tractors not equipped w/ altitude compensation attachment)	3	306 876 R1 25 526 R1 24 859 R1 24 861 R1 116 121	PLATE, dash support NUT, 1/2" (2) SCREW, 1/2 x 3/4", hex-hd cap (2) SCREW, 1/2 x 1-1/4", hex-hd cap (2) WASHER, 1/2" lock (4)
1	331 715 R91	POCKET, dash foot (RH) (used on Agr. Crawler Tractors) (used on Power Shift Crawler Tractors equipped w/altitude compensation attachment)	4	331 415 R11	DASH (used on Manual Shift Crawler Tractors and Power Shift Crawler Tractors not equipped w/altitude compensation attachment) TD-9BGM 5700 to 6671 TD-9BPM 5700 to 6674
	25 519 R1	NUT, 1/4"	4	331 709 R11	DASH (used on Agr. Crawler Tractors) TD-9BGAM 5700 to 6677
	25 752 R1	SCREW, 1/4 x 1/2" hex-hd cap (3)	4	338 103 R41	DASH (used on Power Shift Crawler Tractors equipped w/altitude compensation attachment) (used on tractors equipped w/heavy-duty air cleaner)
	25 483 R1	SCREW, 1/4 x 1", hex-hd cap	4	338 102 R41	DASH (not used on Agr. Crawler Tractors or Power Shift Crawler Tractors equipped w/altitude compensation attachment) TD-9BGM 6672 up (Continued on next page)
	115 109	WASHER, 1/4" lock (4)			
2	330 749 R92	POCKET, dash foot (LH) (used on Manual Shift and Sideboom Crawler Tractors) (used on Power Shift Crawler Tractors not equipped w/ altitude compensation attachment)			
2	331 704 R91	POCKET, dash foot (LH) (used on Agr. Crawler Tractors) (used on Power Shift Crawler Tractors equipped w/altitude compensation attachment)			
	25 752 R1	SCREW, 1/4 x 1/2", hex-hd cap (4)			
	115 109	WASHER, 1/4" lock (4)			

SHEET METAL, FENDERS, HOOD, SIDE SHEETS AND SIDE DOORS

REF. NO.	PART NUMBER	DESCRIPTION	REF. NO.	PART NUMBER	DESCRIPTION
HOOD, DASH AND ENGINE SIDE SHEETS - Continued TD-9BG 6502 to 15966, also 15994 to 16217 except 15996 TD-9B 6525 to 15966, also 15994 to 16217 except 15996 TD-9BGA 6616 to 15966, also 15994 to 16217 except 15996 TD-9BGC 9231 to 15966, also 15994 to 16217 except 15996 TD-9BGS 9239 to 15966, also 15994 to 16217 except 15996			7	609 826 C11	HOOD, w/RIVET, 104 249, heavy (used on Manual Shift and Sideboom Crawler Tractors equipped w/heavy-duty air cleaner) (used on Power Shift Crawler Tractors equipped w/heavy-duty air cleaner and altitude compensation)
4	338 102 R41	DASH (used on Agr. Crawler Tractors or Power Shift Crawler Tractors equipped w/altitude compensation attachment) - Continued TD-9BPM 6675 up TD-9BGCM 8410 to 97305 TD-9BGSM 8483 to 97305		24 860 R1	SCREW, 1/2 x 1", hex-hd cap (rear) (4)
				24 861 R1	SCREW, 1/2 x 1-1/4", hex-hd cap (front) (4)
				116 121	WASHER, 1/2" lock (8)
				Q-5035	WASHER (8)
4	338 103 R41	DASH (used on Agr. Crawler Tractors) TD-9BGAM 6678 up	8	331 728 R11	HOOD, w/RIVET, 104 249, heavy (used on Agr. Tractors and Power Shift Tractors equipped w/altitude compensation attachment) (not used on tractors equipped w/heavy-duty air cleaner) TD-9BGA 12984 to 15966, also 15994 to 16217 except 15996
	25 274 R1	SCREW, 1/2 x 1-1/8", hex-hd cap (2)		24 860 R1	SCREW, 1/2 x 1", hex-hd cap (4)
	24 875 R1	SCREW, 5/8 x 2", hex-hd cap (2)		24 861 R1	SCREW, 1/2 x 1-1/4", hex-hd cap (4)
	116 121	WASHER, 1/2" lock (2)		110 121	WASHER, 1/2" lock (8)
	106 265	WASHER, 9/16 x 1-3/8" x 12 ga (X)		Q-5035	WASHER, 17/32", flat (8)
5	331 411 R11	HOOD (not heavy hood) (used on Manual Shift, Revolving Crane and Sideboom Crawler Tractors) (not used on tractors equipped w/heavy-duty air cleaner)		127 741	PLUG, button (used on Manual Shift and Sideboom Crawler Tractors) (2)
5	331 412 R11	HOOD (not heavy hood) (not used on tractors equipped w/heavy-duty air cleaner or equipped w/altitude compensation attachment)		104 249	RIVET
	179 837	SCREW, 3/8 x 3/4", hex-hd cap (8)			
	103 321	WASHER, 3/8" lock (8)			
	103 343	WASHER, 17/32 x 1-11/16 x 3/32" (8)			
5	331 708 R11	HOOD (not heavy hood) (used on Agr. Tractor or Power Shift Tractors equipped w/altitude compensation attachment) (not used on tractors equipped w/heavy-duty air cleaner) TD-9BGA 6616 to 12983			
	25 272 R1	SCREW, 1/2 x 7/8", hex-hd cap (8)			
	116 121	WASHER, 1/2" lock (8)			
	Q-5035	WASHER, 17/32 x 1" x 16 ga (8)			
6	330 746 R21	SHEET, engine side (LH)			
6	330 747 R11	SHEET, engine side (RH)			
	25 522 R1	NUT, 3/8" (2)			
	24 839 R1	SCREW, 3/8 x 3/4", hex-hd cap (8)			
	25 490 R1	SCREW, 3/8 x 7/8", hex-hd cap (2)			
	115 093	WASHER, 3/8" lock (10)			
	103 341	WASHER, 13/32 x 13/16" x No. 16 ga (2)			
7	609 828 C11	HOOD, w/RIVET, 104 249, heavy (used on Power Shift Crawler Tractors equipped w/heavy-duty air cleaner—not equipped w/altitude compensation)			

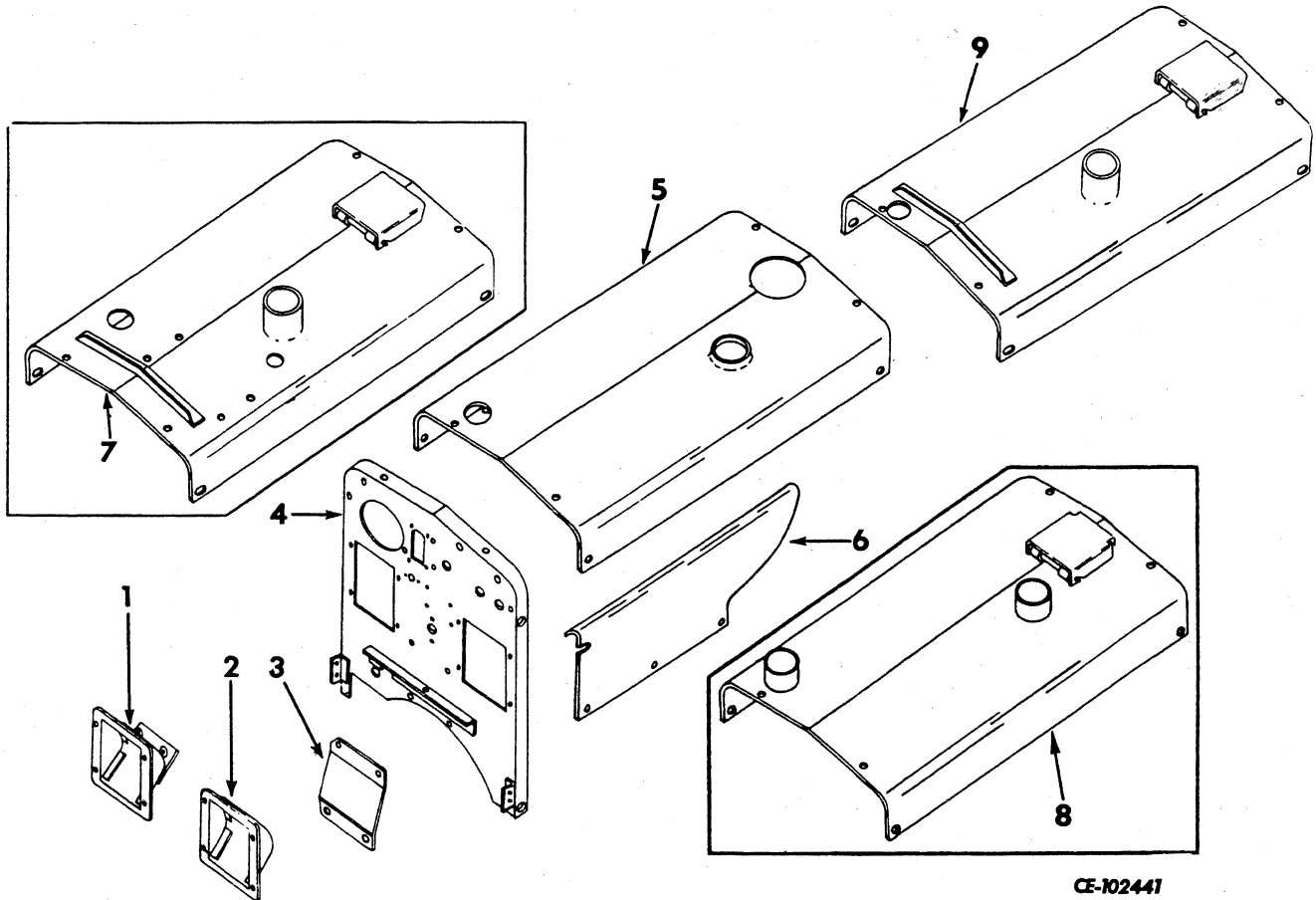
(X) - As Required.

SHEET METAL, FENDERS, HOOD, SIDE SHEETS AND SIDE DOORS

REF. NO.	PART NUMBER	DESCRIPTION	REF. NO.	PART NUMBER	DESCRIPTION
----------	-------------	-------------	----------	-------------	-------------

HOOD, DASH AND ENGINE SIDE SHEETS

TD-9BG 15967 to 15993 and 16218 up, also 15996
 TD-9BP 15967 to 15993 and 16218 up, also 15996
 TD-9BGA 15967 to 15993 and 16218 up, also 15996
 TD-9BGC 15967 to 15993 and 16218 to 16800
 TD-9BGS 15967 to 15993 and 16218 to 16800, also 15996



CE-102441

1	330 750 R92	POCKET, dash foot (RH) (not used on Revolving Crane Tractors)	4	338 103 R41	DASH (not used on Revolving Crane Tractors)
	25 519 R1	NUT, 1/4"	4	338 102 R41	DASH (used on Revolving Crane Tractors)
	25 752 R1	SCREW, 1/4 x 1/2", hex-hd cap (3)		25 274 R1	SCREW, 1/2 x 1-1/8", hex-hd cap (2)
	25 483 R1	SCREW, 1/4 x 1", hex-hd cap		24 875 R1	SCREW, 5/8 x 2", hex-hd cap (2)
	115 109	WASHER, 1/4" lock (4)		116 121	WASHER, 1/2" lock (2)
2	624 902 C91	POCKET, dash foot (LH) (not used on Revolving Crane or Agr. Tractors)		106 265	WASHER, 9/16 x 1-3/8" x 12 ga (X)
2	331 704 R91	POCKET, dash foot (LH) (used on Agr. Tractors)	5	331 708 R11	HOOD (not heavy hood) (used on Manual Shift and Sideboom Tractors) (used on Power Shift Tractors equipped w/altitude compensation) (standard hood) (*)
	25 752 R1	SCREW, 1/4 x 1/2", hex-hd cap (4)			
	115 109	WASHER, 1/4" lock (4)	5	624 903 C1	HOOD (not heavy hood) (used on Power Shift Tractors not equipped w/altitude compensation) (*)
3	306 876 R1	PLATE, dash support			
	25 526 R1	NUT, 1/2" (2)			
	24 859 R1	SCREW, 1/2 x 3/4", hex-hd cap (2)			
	24 861 R1	SCREW, 1/2 x 1-1/4", hex-hd cap (2)			
	116 121	WASHER, 1/2" lock (4)			

(X) - As Required.

(*) - Not Used on Tractors Equipped with Heavy-Duty Air Cleaner.

SHEET METAL, FENDERS, HOOD, SIDE SHEETS AND SIDE DOORS

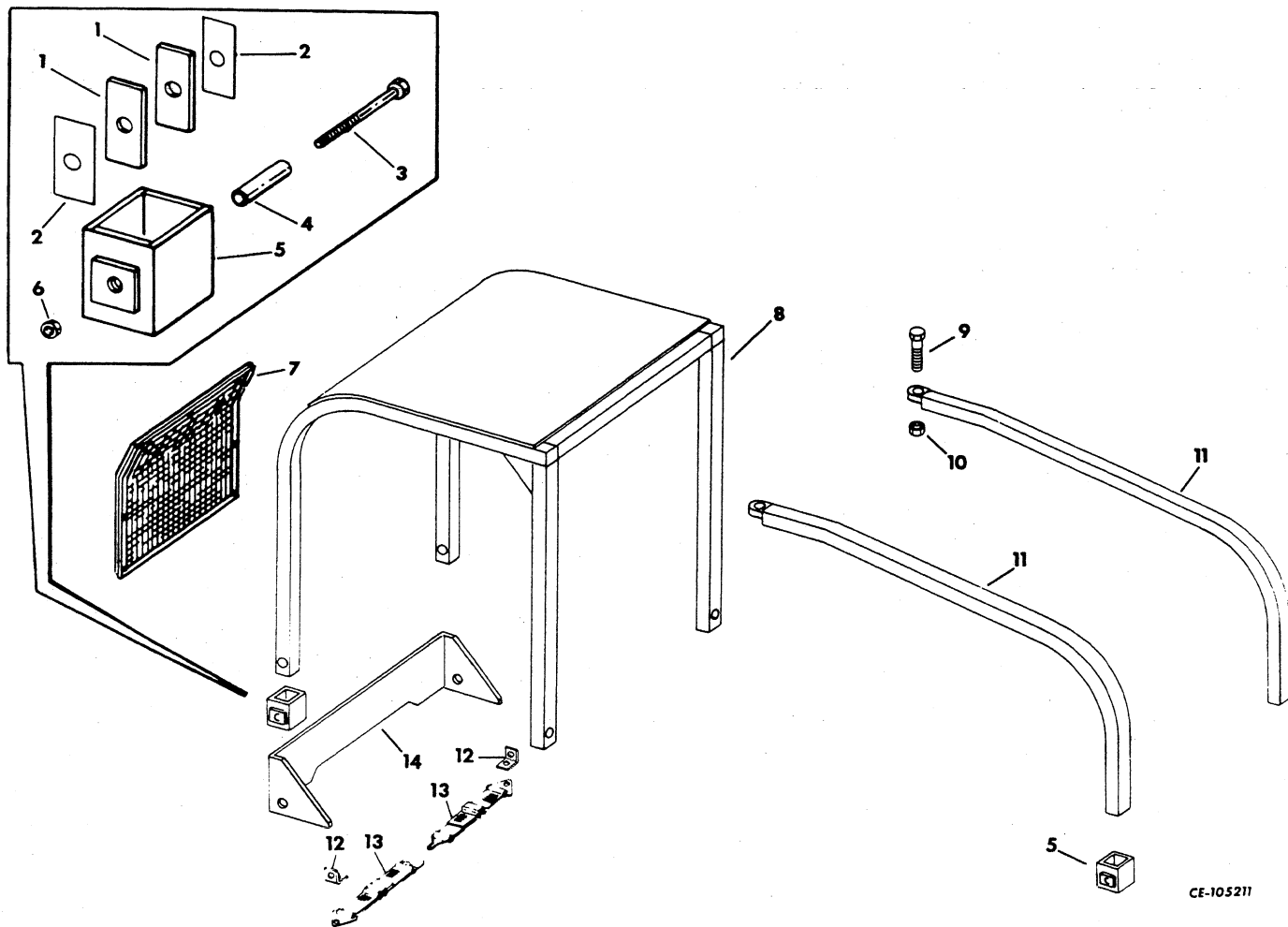
REF. NO.	PART NUMBER	DESCRIPTION	REF. NO.	PART NUMBER	DESCRIPTION
HOOD, DASH AND ENGINE SIDE SHEETS - Continued					
TD-9BG 15967 to 15993 and 16218 up, also 15996					
TD-9BP 15967 to 15993 and 16218 up, also 15996					
TD-9BGA 15967 to 15993 and 16218 up, also 15996					
TD-9BGC 15967 to 15993 and 16218 to 16800, also 15996					
TD-9BGS 15967 to 15993 and 16218 to 16800, also 15996					
5	331 411 R11	HOOD (not heavy hood) (used on Revolving Crane Tractor) (*)			
	25 272 R1	SCREW, 1/2 x 7/8", hex-hd cap (8)			
	116 121	WASHER, 1/2" lock (8)			
	Q-5035	WASHER, 17/32 x 1" x 16 ga (8)			
6	330 746 R21	SHEET, engine side (LH)			
6	330 747 R11	SHEET, engine side (RH)			
	25 522 R1	NUT, 3/8" (2)			
	25 496 R1	SCREW, 3/8 x 7/8", hex-hd cap (2)			
	24 839 R1	SCREW, 3/8 x 3/4", hex-hd cap (8)			
	115 093	WASHER, 3/8" lock (10)			
	103 341	WASHER, 13/32 x 13/16" x 16 ga (2)			
7	609 828 C11	HOOD, w/RIVET, 104 249, heavy (used on Power Shift Tractors equipped w/heavy-duty air cleaner—not equipped w/altitude compensation)			
7	609 826 C11	HOOD, w/RIVET, 104 249, heavy (used on Manual Shift and Sideboom Tractors equipped w/heavy-duty air cleaner) (used on Power Shift Tractors equipped w/heavy-duty air cleaner and altitude compensation)			
	24 860 R1	SCREW, 1/2 x 1", hex-hd cap (rear) (4)			
	24 861 R1	SCREW, 1/2 x 1-1/4", hex-hd cap (front) (4)			
	116 121	WASHER, 1/2" lock (8)			
	Q-5035	WASHER, 17/32 x 1" x 16 ga (8)			
8	331 728 R11	HOOD, w/RIVET, 104 249, heavy (used on Agr. Tractor) (*)			
	24 860 R1	SCREW, 1/2 x 1", hex-hd cap (rear) (4)			
	24 861 R1	SCREW, 1/2 x 1-1/4", hex-hd cap (front) (4)			
	116 121	WASHER, 1/2" lock (8)			
	Q-5035	WASHER, 17/32 x 1" x 16 ga (8)			
9	624 907 C1	HOOD, heavy (used on Power Shift Tractors equipped w/altitude compensation) (heavy hood) (*)			
	24 860 R1	SCREW, 1/2 x 1", hex-hd cap (rear) (4)			
	24 861 R1	SCREW, 1/2 x 1-1/4", hex-hd cap (front) (4)			
	116 121	WASHER, 1/2" lock (8)			
	Q-5035	WASHER, 17/32 x 1" x 16 ga (8)			
	127 741	PLUG, button (used on Manual Shift and Sideboom Tractors) (2)			
	104 249	RIVET			

(*) - Not Used on Tractors Equipped with Heavy-Duty Air Cleaner.

SHEET METAL, FENDERS, HOOD, SIDE SHEETS AND SIDE DOORS

REF. NO.	PART NUMBER	DESCRIPTION	REF. NO.	PART NUMBER	DESCRIPTION
----------	-------------	-------------	----------	-------------	-------------

CANOPY, FRONT SWEEPS AND SAFETY SEAT BELT
(Manual Shift, Power Shift and Agr. Crawler Tractors)



CE-105211

Parts without letters after the description indicate the part is used for all attachments.

			2	646 998 C1	SHIM (.060) ("B" and "D") (*) (X)
				-OR-	
			2	646 999 C1	SHIM (.120) ("B" and "D") (*) (X)
A	629 717 C91	ATTACHMENT, canopy mount (see NOTE 3)	3	25 698 R1	SCREW, hex-hd cap (4 for "B," 2 for "D")
B	629 718 C91	ATTACHMENT, canopy with seat belt (roll-over protective structure) (see NOTE 3)	4	645 982 C1	BUSHING, socket (4 for "B," 2 for "D")
C	629 719 C91	ATTACHMENT, canopy rear screen (roll-over protective structure) (see NOTES 1 and 3)	5	645 979 C1	SOCKET, front and rear canopy and front sweep (4 for "B," 2 for "D")
D	629 720 C91	ATTACHMENT, canopy front sweep (roll-over protective structure) (see NOTES 1 and 3) (Consists of -	6	18 444 R1	NUT (4 for "B," 2 for "D")
1	645 984 C1	PAD, socket (8 for "B," 4 for "D")			

(X) - As Required.

(*) - Maximum Quantity of Two Shims to Be Used in Combination Per Socket for Attachments "B" and "D."

NOTE 1 - Factory Application - Order on Machine Order Form.

NOTE 3 - Field Application - Order Through Regular Service Parts Channels.

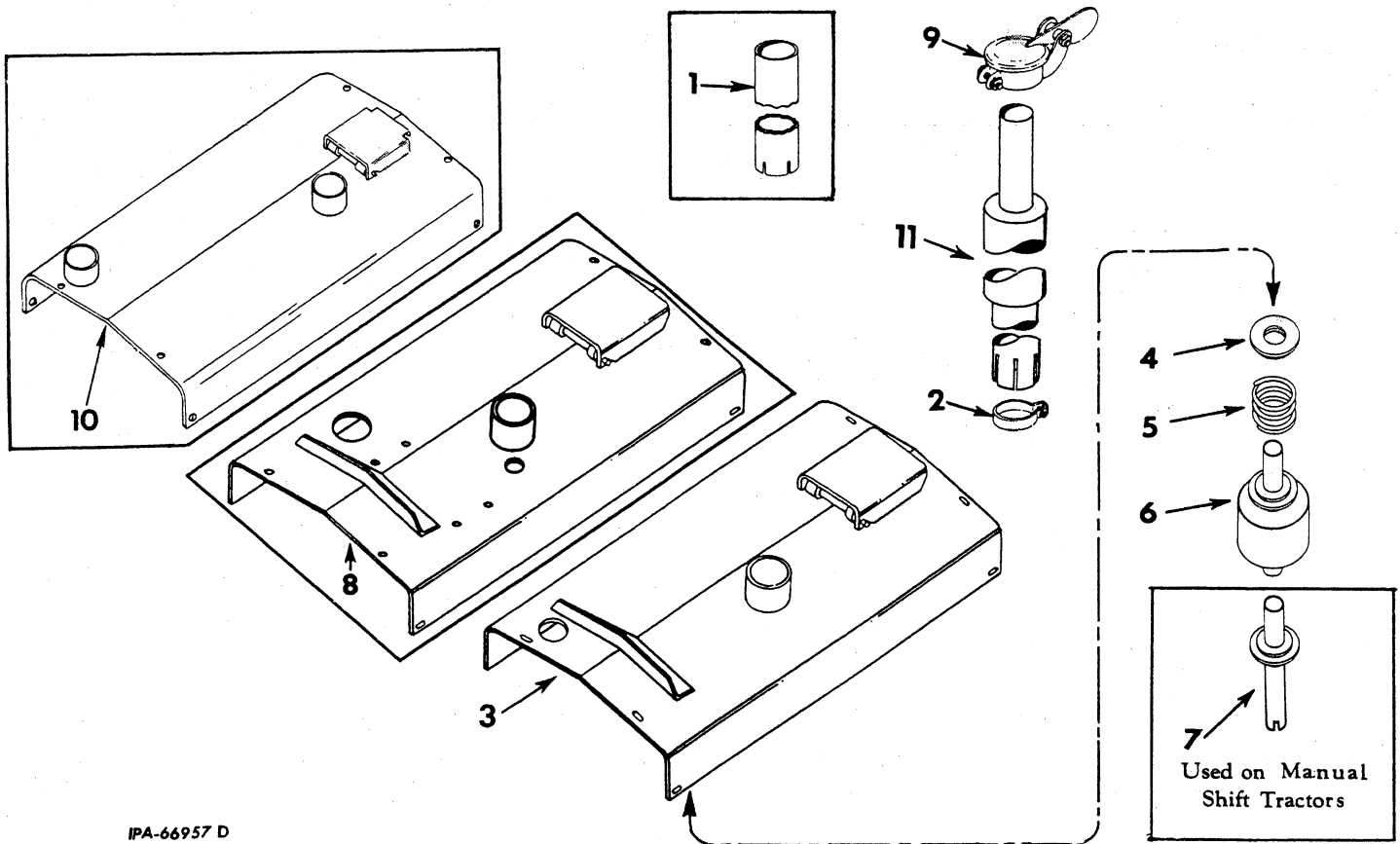
SHEET METAL, FENDERS, HOOD, SIDE SHEETS AND SIDE DOORS

REF. NO.	PART NUMBER	DESCRIPTION	REF. NO.	PART NUMBER	DESCRIPTION
CANOPY, FRONT SWEEPS AND SAFETY SEAT BELT - Continued (Manual Shift, Power Shift and Agr. Crawler Tractors)					
7	646 370 C1	SCREEN, canopy, rear ("C")			
	19 605 R1	NUT (6)			
	24 865 R1	SCREW, hex-hd cap (6)			
	118 777	WASHER, flat (12)			
8	646 346 C2	CANOPY, w/SEAT BELT (roll-over protective structure) ("B")			
9	645 994 C1	SCREW, hex-hd cap (2 for "D")			
10	272 323	NUT (2 for "D")			
11	646 368 C1	SWEEP, canopy, front (2 for "D")			
	103 415	PIN, cotter (2)			
	645 932 C1	WASHER, sweep shock (2)			
	557 273 R1	WASHER, 1-1/32" flat (4)			
12	616 167 C1	BRACKET, seat hold down (2 for "B")			
	24 862 R1	SCREW, hex-hd cap (2)			
13	702 248 C3	BELT, seat ("B")			
	25 526 R1	NUT (2)			
	24 860 R1	SCREW, hex-hd cap (2)			
	116 121	WASHER, lock (2)			
14	646 719 C1	PLATE, rear tie ("A")			
	646 978 C1	PRODUCT GRAPHIC, ROPS approval ("A")			
	647 172 C1	PRODUCT GRAPHIC, ROPS warning ("A")			

SHEET METAL, FENDERS, HOOD, SIDE SHEETS AND SIDE DOORS

REF. NO.	PART NUMBER	DESCRIPTION	REF. NO.	PART NUMBER	DESCRIPTION
----------	-------------	-------------	----------	-------------	-------------

HEAVY HOOD



IPA-66957 D

A	331 528 R91	ATTACHMENT, heavy hood (Power Shift Tractor) (see NOTE 3) TD-9BP 6525 to 15966, also 15994 to 16217 except 15996	E	700 388 C91	ATTACHMENT, heavy hood (Agr. Tractor) (when an air-intake pipe extension attachment is used with this attachment, it is recommended that 700 385 C91 air-intake pipe extension ATTACHMENT, hood mounted, be used) (see NOTE 3)
B	624 912 C91	ATTACHMENT, heavy hood (Power Shift Tractor) (see NOTES 1 and 3) TD-9BP 15967 to 15993 and 16218 up, also 15996	1	620 149 C1	PIPE, exhaust muffler extension (together with CAP, 650 430 C91, will work for PIPE, 318 982 R1) TD-9BG 6502 to 16721 TD-9BP 6525 up
C	331 529 R91	ATTACHMENT, heavy hood (Manual Shift Tractor) (see NOTE 3) TD-9BG 6502 to 15966, also 15994 to 16217 except 15996	2	299 864 R1	CLAMP, exhaust muffler extension pipe (2) TD-9BG 6502 to % (2) TD-9BP 6525 to %
D	624 913 C91	ATTACHMENT, heavy hood (Manual Shift Tractor) (see NOTES 1 and 3) TD-9BG 15967 to 15993 and 16218 up, also 15996			

NOTE 1 - Factory Application - Order on Machine Order Form.

NOTE 3 - Field Application - Order Through Regular Service Parts Channels.

% - Serial Number Not Available.

SHEET METAL, FENDERS, HOOD, SIDE SHEETS AND SIDE DOORS

REF. NO.	PART NUMBER	DESCRIPTION	REF. NO.	PART NUMBER	DESCRIPTION
HEAVY HOOD - Continued			9	650 430 C92	CAP, exhaust rain (used with, but not part of ATTACHMENTS "A," "B," "C," and "D")
2	650 987 C1	CLAMP, exhaust muffler extension pipe (2) TD-9BG% to 1674 (2) TD-9BP% up	10	331 728 R11	HOOD, w/RIVET, 104 249, heavy ("E")
	102 635	NUT (2)	11	680 669 C1	MUFFLER, exhaust ("D") TD-9BG 16722 and up
	354 921 R1	SCREW, hex-hd cap (2)		604 677 C1	PIPE, exhaust (not part of ATTACHMENT) (also listed and illustrated w/exhaust MUFFLER in diesel engine section of this catalog) (+)
	103 321	WASHER, lock (2)			
2	673 863 C1	CLAMP, exhaust muffler (D) TD-9BG 16722 and up			
	25 522 R1	NUT			
	275 804 R1	SCREW, hex-hd cap			
	25 544 R1	WASHER, flat			
	115 093	WASHER, lock			
	15 022 R1	BOLT, 5/16 x 1-1/4", carriage ("A" and "C") NUT, 5/16"			
3	331 413 R11	HOOD, heavy ("A") (#)			
3	624 905 C1	HOOD, heavy ("B") (#)			
3	331 414 R11	HOOD, heavy ("C") (#)			
3	624 907 C1	HOOD, heavy ("D") (#)			
	24 860 R1	SCREW, 1/2 x 1", hex-hd cap (rear) (4)			
	24 861 R1	SCREW, 1/2 x 1-1/4", hex-hd cap (front) (4)			
	116 121	WASHER, 1/2" lock (8)			
	Q-5035	WASHER, 17/32 x 1" x 16 ga (8)			
4	320 535 R11	RETAINER, exhaust baffle spring ("A" and "B")			
4	320 537 R11	RETAINER, exhaust baffle spring ("C," "D" and "E")			
5	318 985 R1	SPRING, exhaust baffle ("A" and "B")			
5	318 987 R1	SPRING, exhaust baffle ("C," "D" and "E")			
6	604 678 C91	MUFFLER, exhaust (together with PIPE, 604 677 C1, will work for MUFFLER, 330 736 R91) ("A" and "B")			
7	330 737 R11	PIPE, exhaust ("C," "D" and "E") TD-9BG 6502 to 16721			
8	609 826 C11	HOOD, heavy (used on Manual Shift Crawler Tractor equipped w/heavy-duty air cleaner)			
8	609 828 C11	HOOD, heavy (used on Power Shift Crawler Tractor equipped w/heavy-duty air cleaner)			

(#) - Not Used on Tractors Equipped with Heavy-Duty Air Cleaner.

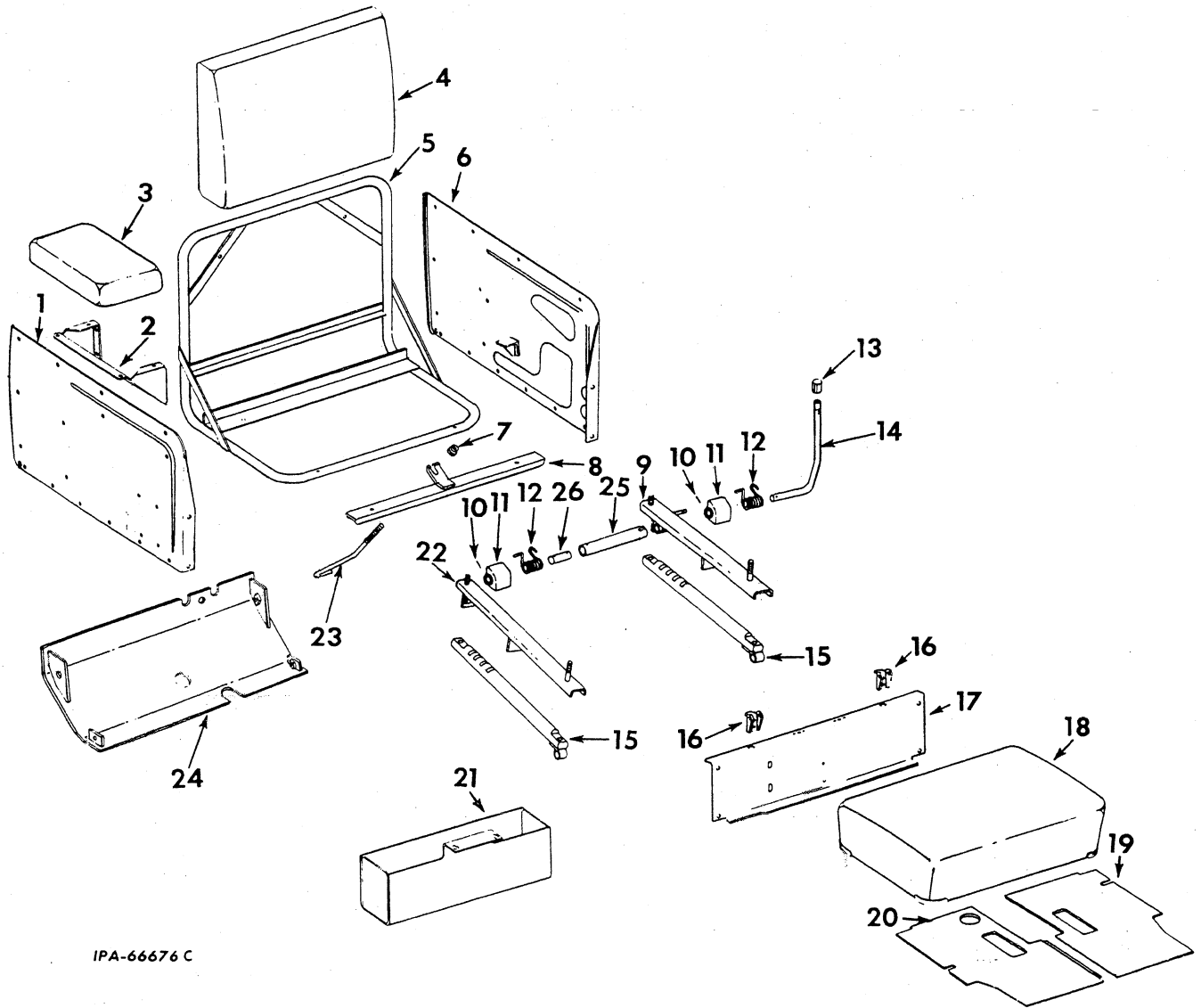
(+) - Used on Power Shift Tractors Not Equipped with Altitude Compensation Attachments.

% - Serial Number Not Available.

SEAT AND SUPPORTS

REF. NO.	PART NUMBER	DESCRIPTION	REF. NO.	PART NUMBER	DESCRIPTION
----------	-------------	-------------	----------	-------------	-------------

SEAT AND SUPPORTS
(Used on Power Shift Tractors)



IPA-66676 C

1	275 259 R21 24 839 R1 181 356 115 093	SHEET, RH seat side SCREW, 3/8 x 3/4", hex-hd cap (6) SCREW, 3/8 NF x 5/8", hex-hd cap (6) WASHER, 3/8" lock (12)	4	273 499 R92 25 228 R1 116 120 103 340	CUSHION, back seat SCREW, 5/16 x 3/4", hex-hd cap (2) WASHER, 5/16" lock (2) WASHER, 11/32 x 11/16" (2)
2	252 172 R11 24 839 R1 115 093	SUPPORT, seat cushion side SCREW, 3/8 x 3/4", hex-hd cap (4) WASHER, 3/8" lock (4)	5	307 312 R91 25 521 R1 307 315 R1	FRAME, seat NUT, 5/16 NF (2) NUT, seat cushion bottom pilot (2) WASHER, 5/16" internal-tooth lock (4)
3	620 316 C1	CUSHION, seat side	6	330 741 R11 24 839 R1 181 353 115 093	SHEET, LH seat side SCREW, 3/8 x 3/4", hex-hd cap (6) SCREW, 3/8 NF x 3/8", hex-hd cap (6) WASHER, 3/8" lock (12)

SEAT AND SUPPORTS

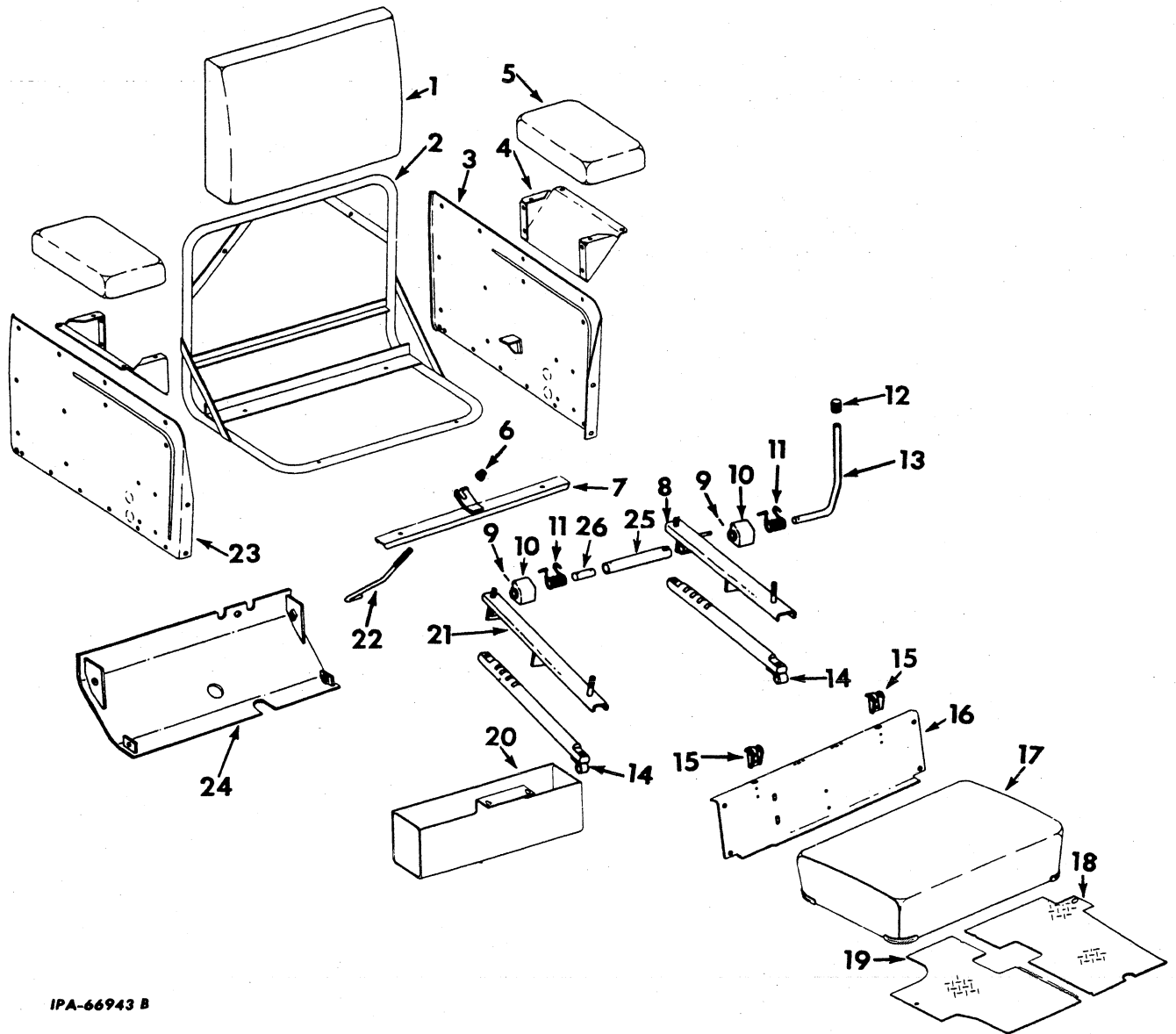
REF. NO.	PART NUMBER	DESCRIPTION	REF. NO.	PART NUMBER	DESCRIPTION
SEAT AND SUPPORTS - Continued (Used on Power Shift Tractors)			20	330 742 R11	PLATFORM, RH
				24 840 R1	SCREW, 3/8 x 1", hex-hd cap
				24 839 R1	SCREW, 3/8 x 3/4", hex-hd cap
				115 093	WASHER, 3/8" lock
7	266 383 R2 103 341	NUT, seat hold-down rod WASHER, 13/32 x 13/16 x .065"	21	275 248 R92	BOX, w/two STUD, 275 264 R1, and two PIN, 725 265 R1, tool
8	275 266 R11	SUPPORT, rear seat	22	307 317 R12	CHANNEL, seat frame slide TD-9BP 6525 to 9104
9	331 596 R91	CHANNEL, seat frame slide (LH)	22	331 596 R91	CHANNEL, seat frame slide TD-9BP 9105 up
10	19 371 R1	PIN, 1/8 x 3/4", spiral TD-9BP 6525 to 9104	23	276 975 R1	ROD, seat hold down PIN, 1/8 x 5/8" cotter
10	19 938 R1	PIN, 1/8 x 7/8", spiral (4) TD-9BP 9105 up	24	331 796 R11	SHEET, rear enclosure TD-9BP 6525 to 16466
11	331 595 R1	LOCK, seat (1) TD-9BP 6525 to 9104 (2) TD-9BP 9105 up		24 840 R1	SCREW, 3/8 x 1", hex-hd cap (2)
12	331 594 R1	SPRING, latch tension (1) TD-9BP 6525 to 9104 (2) TD-9BP 9105 up		25 505 R1	SCREW, 1/2 x 1-3/8", hex-hd cap (2)
13	1 017 851 R1	PLUG, seat adjusting handle TD-9BP 6525 to 9104		115 093	WASHER, 3/8" lock (2)
14	331 592 R1	HANDLE, seat adjusting TD-9BP 6525 to 9104	24	651 843 C1	SHEET, rear enclosure TD-9BP 16347 and up
14	338 267 R1	HANDLE, seat adjusting TD-9BP 9105 up		25 281 R1	SCREW, 1/2" hex-hd cap (2)
15	316 825 R91	RAIL, seat frame slide (2) TD-9BP 6525 to 9104 (Order the following parts - 1 PACKAGE 331 606 R92 2 RAIL 338 270 R11)		24 840 R1	SCREW, 3/8" hex-hd cap (2)
				115 093	WASHER, lock (2)
				25 535 R1	WASHER, flat (2)
15	338 270 R11	RAIL, seat frame slide (2) TD-9BP 9105 up	25	338 269 R1	EXTENSION, seat lock (narrow seat) TD-9BP 9105 up
	25 521 R1	NUT, 5/16 NF (4)	25	341 718 R1	EXTENSION, seat lock (wide seat) TD-9BP 9105 up
	181 341	SCREW, 5/16 NF x 1-1/4", hex-hd cap (4)	26	338 266 R1	SHAFT, seat lock TD-9BP 9105 up
	116 120	WASHER, 5/16" lock (4)		338 268 R1	BOLT, seat hinge (2) TD-9BP 9105 up
16	338 265 R1	BRACKET, seat hinge (2)		25 521 R1	NUT, 5/16 NF (2)
	26 030 R1	NUT, 1/4 NF (4)		116 110	WASHER, 5/16" lock (2)
	25 222 R1	SCREW, 1/4 x 3/4", hex-hd cap (4)		103 340	WASHER, 11/32 x 11/16" x 16 ga
	115 109	WASHER, 1/4" lock (4)		46 883 H	PIN, seat hinge (2) TD-9BP 6525 to 9104 PIN, 3/32 x 5/8" cotter (2)
17	330 744 R21	SUPPORT, front seat		275 265 R1	PIN, tool box fastener, wing-head stud (2)
	25 523 R1	NUT, 3/8 NF (4)		331 599 R1	PLATE, platform hold down
	181 360	SCREW, 3/8 NF x 3/4", hex-hd cap (4)		275 264 R1	STUD, tool box fastener, wing head (2)
	115 093	WASHER, 3/8" lock (4)		604 021 C1	TREAD, safety walk (one used on tractors w/CARCO WINCH, two used on tractors w/o CARCO WINCH)
18	273 500 R93	CUSHION, bottom seat			
19	330 743 R11	PLATFORM, LH			
	24 839 R1	SCREW, 3/8 x 3/4", hex-hd cap			
	115 093	WASHER, 3/8" lock			

SEAT AND SUPPORTS

REF. NO.	PART NUMBER	DESCRIPTION	REF. NO.	PART NUMBER	DESCRIPTION
----------	-------------	-------------	----------	-------------	-------------

SEAT AND SUPPORTS

(Used on Manual Shift, Agr., Revolving Crane and Sideboom Crawler Tractors)



IPA-66943 B

<p>1 273 499 R92 CUSHION, seat back 25 228 R1 SCREW, 5/16 x 3/4", hex-hd cap (2) 116 120 WASHER, 5/16" lock (2) 103 340 WASHER, 11/32 x 11/16" x 16 ga (2)</p>	<p>3 604 591 C11 SHEET, LH seat side (not for units w/odometer attachment) (for Agr. Crawler Tractors w/44-gallon fuel TANK, 604 590 C91; serial numbers TD-9BGA 10123 up) 181 356 SCREW, 3/8 NF x 5/8", hex-hd cap (4) 24 839 R1 SCREW, 3/8 x 3/4", hex-hd cap (3) 115 093 WASHER, 3/8" lock (7)</p>
<p>2 307 312 R91 FRAME, seat 25 521 R1 NUT, 5/16 NF (2) 307 315 R1 NUT, seat cushion bottom pilot (2) WASHER, 5/16" internal-tooth lock (4)</p>	

SEAT AND SUPPORTS

REF. NO.	PART NUMBER	DESCRIPTION	REF. NO.	PART NUMBER	DESCRIPTION
SEAT AND SUPPORTS - Continued (Used on Manual Shift, Agr., Revolving Crane and Sideboom Crawler Tractors)			13	331 592 R1	HANDLE, seat adjusting TD-9BG 6502 to 9104 TD-9BGA 6616 to 9104
3	275 258 R32	SHEET, LH seat side (not for units w/ odometer attachment) (for Manual Shift, Revolving Crane and Sideboom Crawler Tractors) (for Agr. Crawler Tractors w/o 44-gallon fuel TANK, 604 590 C91; serial numbers TD-9BGA 6616 to 10122)	13	338 267 R1	HANDLE, seat adjusting TD-9BG 9105 up TD-9BGA 9105 up TD-9BGC 9231 to 16800 TD-9BGS 9239 to 16800
3	341 953 R91	SHEET, LH seat side (for units w/ odometer attachment)	14	316 825 R91	RAIL, seat frame slide (2) TD-9BG 6502 to 9104 (2) TD-9BGA 6616 to 9104 (Order the following parts - 1 PACKAGE 331 606 R92 2 RAIL 338 270 R11)
	24 839 R1	SCREW, 3/8 x 3/4", hex-hd cap (6)	14	338 270 R11	RAIL, seat frame slide (2) TD-9BG 9105 up (2) TD-9BGA 9105 up (2) TD-9BGC 9231 to 16800 (2) TD-9BGS 9239 to 16800
	181 353	SCREW, 3/8 NF x 3/8", hex-hd cap (6)		25 521 R1	NUT, 5/16 NF (4)
	115 093	WASHER, 3/8" lock (12)		181 341	SCREW, 5/16 NF x 1-1/4", hex-hd cap (4)
4	252 172 R11	SUPPORT, seat cushion side (*) (2)		116 120	WASHER, 5/16" lock (4)
	24 839 R1	SCREW, 3/8 x 3/4", hex-hd cap (8)	15	338 265 R1	BRACKET, seat hinge (2)
	115 093	WASHER, 3/8" lock (8)		25 523 R1	NUT, 3/8 NF (4)
5	620 316 C1	CUSHION, seat side (*) (2)		181 360	SCREW, 3/8 NF x 3/4", hex-hd cap (4)
	24 839 R1	SCREW, 3/8 x 3/4", hex-hd cap (8)		115 093	WASHER, 3/8" lock (4)
	115 093	WASHER, 3/8" lock (8)	16	330 744 R21	SUPPORT, front seat
6	266 383 R2	NUT, seat hold-down rod		25 523 R1	NUT, 3/8 NF (4)
	103 341	WASHER, 13/32 x 13/16" x 16 ga		118 360	SCREW, 3/8 NF x 3/4", hex-hd cap (4)
7	275 266 R11	SUPPORT, rear seat	17	273 500 R93	CUSHION, bottom seat
8	331 596 R91	CHANNEL, seat frame slide (LH)	18	275 230 R31	PLATFORM, LH
9	19 371 R1	PIN, 1/8 x 2/4" spiral TD-9BG 6502 to 9104 TD-9BGA 6616 to 9104		24 839 R1	SCREW, 3/8 x 3/4", hex-hd cap
9	19 938 R1	PIN, 1/8 x 7/8" spiral (4) TD-9BG 9105 up (4) TD-9BGA 9105 up (4) TD-9BGC 9231 to 16800 (4) TD-9BGS 9239 to 16800		115 093	WASHER, 3/8" lock
10	331 595 R1	LOCK, seat (1) TD-9BG 6502 to 9104 (1) TD-9BGA 6616 to 9104 (2) TD-9BG 9105 up (2) TD-9BGA 9105 up (2) TD-9BGC 9231 to 16800 (2) TD-9BGS 9239 to 16800	19	275 231 R31	PLATFORM, RH
11	331 594 R1	SPRING, latch (1) TD-9BG 6502 to 9104 (1) TD-9BGA 6616 to 9104 (2) TD-9BG 9105 up (2) TD-9BGA 9105 up (2) TD-9BGC 9231 to 16800 (2) TD-9BGS 9239 to 16800		181 360	NUT, 3/8 NF
12	1 017 851 R1	PLUG, seat adjusting handle TD-9BG 6502 to 9104 TD-9BGA 6616 to 9104		24 839 R1	SCREW, 3/8 x 3/4", hex-hd cap
				103 341	WASHER, 13/32 x 13/16" x 16 ga (2)
			20	275 248 R92	BOX, w/two STUD, 275 264 R1, and two PIN, 275 265 R1, tool
			21	307 317 R12	CHANNEL, seat frame slide TD-9BG 6502 to 9104 TD-9BGA 6616 to 9104
			21	331 596 R91	CHANNEL, seat frame slide TD-9BG 9105 up TD-9BGA 9105 up TD-9BGC 9231 to 16800 TD-9BGS 9239 to 16800
			22	276 975 R1	ROD, seat hold down PIN, 1/8 x 5/8" cotter

(*) - One Required for Revolving Crane and Sideboom Crawler Tractors.

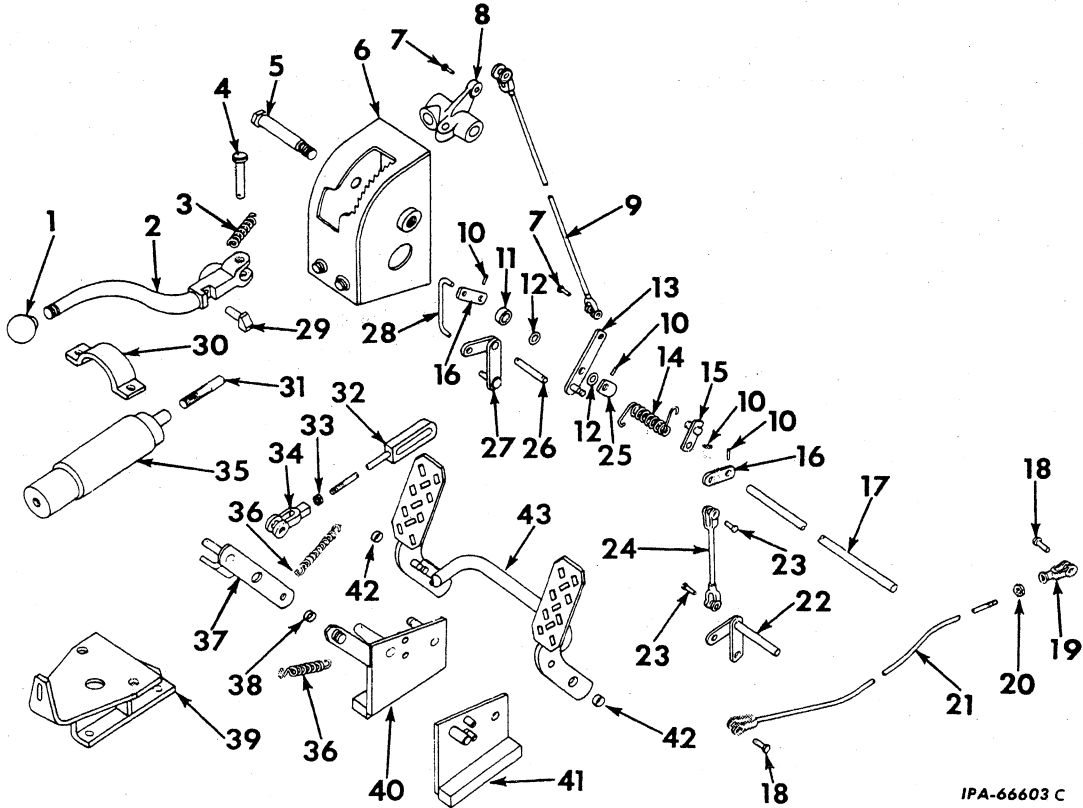
SEAT AND SUPPORTS

REF. NO.	PART NUMBER	DESCRIPTION	REF. NO.	PART NUMBER	DESCRIPTION
SEAT AND SUPPORTS - Continued (Used on Manual Shift, Agr., Revolving Crane and Sideboom Crawler Tractors)			604 021 C1		TREAD, safety walk (one used on tractors w/CARCO WINCH, two used on tractors w/o CARCO WINCH)
23	275 259 R22	SHEET, RH seat side			
	24 839 R1	SCREW, 3/8 x 3/4", hex-hd cap (6)			
	181 356	SCREW, 3/8 NF x 5/8", hex-hd cap (6)			
	115 093	WASHER, 3/8" lock (12)			
24	651 843 C1	SHEET, rear enclosure			
		TD-9BG 16467 and up			
		TD-9BGA 16467 and up			
	25 281 R1	SCREW, 1/2" hex-hd cap (2)			
	24 840 R1	SCREW, 3/8" hex-hd cap (2)			
	115 093	WASHER, lock (2)			
	25 535 R1	WASHER, flat (2)			
24	331 796 R11	SHEET, rear enclosure			
		TD-9BGC 9231 to 16800			
		TD-9BGS 9239 to 16800			
	25 505 R1	SCREW, 1/2" hex-hd cap (2)			
	24 840 R1	SCREW, 3/8" hex-hd cap (2)			
	115 093	WASHER, lock (2)			
25	338 269 R1	EXTENSION, seat lock (narrow seat)			
		TD-9BG 9105 up			
		TD-9BGA 9105 up			
		TD-9BGC 9231 to 16800			
		TD-9BGS 9239 to 16800			
25	341 718 R1	EXTENSION, seat lock (wide seat)			
		TD-9BG 9105 up			
		TD-9BGA 9105 up			
		TD-9BGC 9131 to 16800			
		TD-9BGS 9239 to 16800			
26	338 266 R1	SHAFT, seat lock			
		TD-9BG 9105 up			
		TD-9BGA 9105 up			
		TD-9BGC 9231 to 16800			
		TD-9BGS 9239 to 16800			
	338 268 R1	BOLT, seat hinge			
		(2) TD-9BG 9105 up			
		(2) TD-9BGA 9105 up			
		(2) TD-9BGC 9231 to 16800			
		(2) TD-9BGS 9239 to 16800			
	25 521 R1	NUT, 5/16 NF (2)			
	116 120	WASHER, 5/16" lock (2)			
	103 340	WASHER, 11/32 x 11/16" x 16 ga (2)			
	46 883 H	PIN, seat hinge			
		(2) TD-9BG 6502 to 9104			
		(2) TD-9BGA 6616 to 9104			
		PIN, 3/32 x 5/8", cotter (2)			
	275 265 R1	PIN, tool box fastener, wing-head stud (2)			
	275 264 R1	STUD, tool box fastener, wing head (2)			

ENGINE CONTROLS

REF. NO.	PART NUMBER	DESCRIPTION	REF. NO.	PART NUMBER	DESCRIPTION
----------	-------------	-------------	----------	-------------	-------------

ENGINE CONTROLS AND DECELERATOR
 (Used on Power Shift Tractors Equipped with Roosa-Master Fuel Injection Pump, TD-9BP 6525 to 7464)



IPA-66603 C

1	264 097 R2	BALL, governor control hand lever	12	103 341	WASHER, 13/32 x 13/16 x .065"
2	275 198 R22	LEVER, w/PAWL, 251 846 R1, governor control hand	13	330 956 R11	SUPPORT, upper horizontal rod links and spring
3	261 650 R1	SPRING, governor control hand lever	14	330 980 R1	SPRING, horizontal torsion
4	262 704 R1	PIN, governor control hand lever PIN, 3/32 x 5/8", cotter	15	330 943 R11	BELLCRANK, torsion spring hook support
5	275 199 R1	SHAFT, governor control hand lever	16	330 984 R1	BELLCRANK, upper horizontal (2)
6	330 751 R11 25 522 R1 25 768 R1 115 093	RATCHET, governor control NUT, 3/8" (2) SCREW, 3/8 x 5/8", hex-hd cap (4) WASHER, 3/8" lock (4)	17	330 983 R1	ROD, upper horizontal
7	103 495	PIN, 5/16" rod end (2) PIN, 3/32 x 5/8", cotter (2)	18	103 495	PIN, 5/16" rod end (2) PIN, 3/32 x 5/8", cotter (2)
8	275 197 R1	HUB, governor control hand	19	116 535	CLEVIS, fuel injection pump, lower horizontal rod adjusting (5/16")
9	330 950 R11	ROD, upper fuel injection pump	20	25 521 R1	NUT, 5/16 NF
10	19 674 R1	PIN, roll (4)	21	331 498 R11	ROD, lower fuel injection pump horizontal
11	330 987 R1	SPACER, horizontal rod	22	330 955 R91 103 341	SHAFT, fuel injection pump PIN, 3/32 x 5/8", cotter (2) WASHER, 13/32 x 13/16 x .065" (2)

ENGINE CONTROLS

REF. NO.	PART NUMBER	DESCRIPTION	REF. NO.	PART NUMBER	DESCRIPTION
ENGINE CONTROLS AND DECELERATOR - Continued (Used on Power Shift Tractors Equipped with Roosa-Master Fuel Injection Pump, TD-9BP 6525 to 7464)			41	331 609 R91	SUPPORT, RH decelerator pedal
				24 840 R1	SCREW, 3/8 x 1", hex-hd cap
				24 841 R1	SCREW, 3/8 x 1-1/2", hex-hd cap
23	103 495	PIN, 5/16", rod end (2) PIN, 3/32 x 5/8", cotter (2)	42	333 784 R1	BUSHING, decelerator pedal (2)
24	306 883 R11	ROD, fuel injection pump, lower vertical	43	331 612 R91	PEDAL, w/two BUSHING, 333 784 R1, decelerator
25	330 981 R1	LEVER, ratchet return		324 184 R91	KIT, decelerator cylinder repair (for use on CYLINDER, 327 467 R91) (Composed of -
26	330 988 R1	ROD, lower horizontal (LH) PIN, 3/32 x 5/8", cotter (2)			§ 2 KEY, internal
27	330 957 R11	BELLCRANK, lower horizontal (LH) PIN, 3/32 x 5/8", cotter			§ 1 "O" RING, piston seal
28	330 985 R1	ROD, decelerator, vertical PIN, 3/32 x 5/8", cotter (2)			§ 2 "O" RING, end cover
	103 341	WASHER, 13/32 x 13/16 x .065" (2)			§ 1 PACKING, rod
29	251 846 R1	PAWL, governor control hand lever			§ 2 PACKING, piston
30	331 422 R1	CLAMP, decelerator hydraulic cylinder			§ 1 RING, rod gland snap
	25 522 R1	NUT, 3/8" (2)			§ 1 SCRAPER, rod)
	25 497 R1	SCREW, 3/8 x 1-3/8", hex-hd cap (2)	338 399 R91		KIT, decelerator repair (for use on CYLINDER, 338 383 R91, and 610 739 C91) (Composed of -
	115 093	WASHER, 3/8" lock (2)			§ 1 "O" RING, large
31	325 997 R1	ADJUSTER, decelerator hydraulic cylinder			§ 1 "O" RING, small
32	330 945 R11	ROD, decelerator horizontal			§ 2 RING, piston
33	25 525 R1	NUT, 7/16 NF			§ 1 RING, retaining
34	117 825	CLEVIS, 7/16 NF, rod end			§ 1 SCRAPER, rod)
35	610 739 C91	CYLINDER, w/SPRING, 610 740 C1, decelerator hydraulic	610 740 C1		SPRING, decelerator cylinder compression
		SCREW, 3/8 NF x 7/8", hex-hd cap			
	115 093	WASHER, 3/8" lock			
36	304 522 R1	SPRING, decelerator return (2)			
37	330 958 R11	ARM, w/BUSHING, 333 784 R1, decelerator PIN, 1/8 x 1", cotter			
38	333 784 R1	BUSHING, decelerator arm			
39	330 947 R11	BRACKET, decelerator hydraulic cylinder			
	24 851 R1	SCREW, 7/16 x 1-3/4", hex-hd cap (2)			
	115 314	WASHER, 7/16" lock (2)			
40	330 971 R91	SUPPORT, LH decelerator pedal			
	24 840 R1	SCREW, 3/8 x 1", hex-hd cap			
	24 841 R1	SCREW, 3/8 x 1-1/2", hex-hd cap			
	446 220	WASHER, 1/2 x 1-1/8" x 14 ga (3) PIN, 1/8 x 1", cotter			

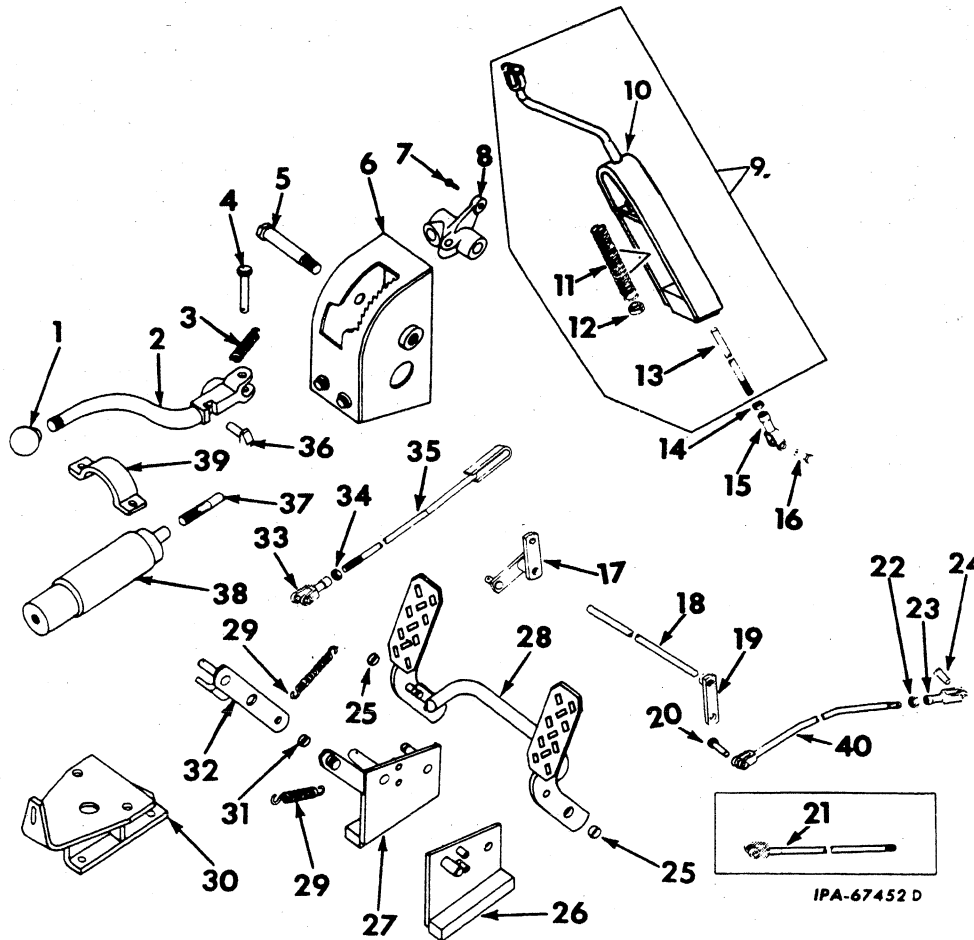
§ - Not Furnished Separately.

ENGINE CONTROLS

REF. NO.	PART NUMBER	DESCRIPTION	REF. NO.	PART NUMBER	DESCRIPTION
----------	-------------	-------------	----------	-------------	-------------

ENGINE CONTROLS AND DECELERATOR

(Used on Power Shift Tractors Equipped with International R.D. Fuel Injection Pump, TD-9BP 7465 to 11737) (Used on Power Shift Tractors Equipped with Roosa-Master Fuel Injection Pump, TD-9BP 11738 up)



1	264 097 R2	BALL, governor control hand lever	9	338 123 R91	ROD ASSY, governor control
2	275 198 R22	LEVER, w/PAWL, 251 846 R1, governor control hand	10		SUPPORT (Not Furnished Separately)
3	261 650 R1	SPRING, governor control hand lever	11	338 098 R1	SPRING, governor control rod
4	262 704 R1	PIN, governor control hand lever PIN, 3/32 x 5/8", cotter	12	338 099 R1 104 058	STOP, governor control rod spring RIVET, 1/8 x 1-1/8"
5	275 199 R1	SHAFT, governor control	13	338 124 R1	ROD, lower governor control
6	330 751 R11 25 768 R1 115 093 25 522 R1	RATCHET, governor control SCREW, 3/8 x 5/8", hex-hd cap (4) WASHER, 3/8" lock (4) NUT, 3/8" (2)	14	25 931 R1	NUT, 5/16 NF, jam
7	103 495	PIN, 5/16", rod end (2) PIN, 3/32 x 5/8", cotter (2)	15	116 535	CLEVIS, governor control rod, lower
8	275 197 R1	HUB, governor control hand	16	103 495	PIN, 5/16", rod end (2) PIN, 3/32 x 5/8", cotter (2)
			17	338 111 R91 18 518 R1	BELLCRANK, cross shaft PIN, 1/8 x 1", roll

ENGINE CONTROLS

REF. NO.	PART NUMBER	DESCRIPTION	REF. NO.	PART NUMBER	DESCRIPTION
ENGINE CONTROLS AND DECELERATOR - Continued (Used on Power Shift Tractors Equipped with International R.D. Fuel Injection Pump, TD-9BP 7465 to 11737) (Used on Power Shift Tractors Equipped with Roosa-Master Fuel Injection Pump, TD-9BP 11738 up)			36	251 846 R1	PAWL, governor control hand lever
			37	325 997 R1	ADJUSTER, decelerator hydraulic cylinder
			38	327 467 R91	CYLINDER (order CYLINDER, 610 739 C91)
18	338 116 R1 103 342	SHAFT, cross PIN, 1/8 x 3/4", cotter WASHER, 15/32 x 59/64 x 16 ga	38	338 383 R91	CYLINDER (order CYLINDER, 610 739 C91)
19	338 113 R11 18 518 R1	LEVER, RH cross shaft PIN, 1/8 x 1", roll	38	610 739 C91	CYLINDER, w/SPRING, 610 740 C1, decelerator hydraulic SCREW, 3/8 NF x 7/8", hex-hd cap
20	103 495	PIN, 5/16", rod end PIN, 3/32 x 5/8", cotter	39	331 422 R1	CLAMP, decelerator hydraulic cylinder
21	345 832 R11	ROD, injection pump control TD-9BP 7465 to 11737		25 522 R1 25 497 R1	NUT, 3/8" (2) SCREW, 3/8 x 1-3/8", hex-hd cap (2)
22	25 931 R1	NUT, 5/16 NF		115 093	WASHER, 3/8" lock (2)
23	116 535	CLEVIS, fuel injection pump, lower horizontal rod adjusting (5/16")	40	612 796 C91	ROD, injection pump control TD-9BP 11738 up
24	103 495	PIN, 5/16", rod end PIN, 3/32 x 5/8", cotter		324 184 R91	KIT, decelerator cylinder, repair (for use on CYLINDER, 327 467 R91) (Composed of -
25	333 784 R1	BUSHING, decelerator pedal (2)			§ 2 KEY, internal
26	331 609 R91 24 840 R1 24 841 R1	SUPPORT, RH decelerator pedal SCREW, 3/8 x 1", hex-hd cap SCREW, 3/8 x 1-1/2", hex-hd cap			§ 1 "O" RING, piston seal § 2 "O" RING, end cover § 1 PACKING, rod § 2 PACKING, piston § 1 RING, red gland snap § 1 SCRAPER, rod
27	330 971 R91 24 840 R1 24 841 R1 446 220	SUPPORT, LH decelerator pedal SCREW, 3/8 x 1", hex-hd cap SCREW, 3/8 x 1-1/2", hex-hd cap WASHER, 1/2 x 1-1/8" x 14 ga (3) PIN, 1/8 x 1", cotter		338 399 R91	KIT, decelerator repair (for use on CYLINDER, 338 383 R91, and 610 739 C91) (Composed of -
28	331 612 R91	PEDAL, w/two BUSHING, 333 784 R1, decelerator			§ 1 "O" RING, large § 1 "O" RING, small § 2 RING, piston § 1 RING, retaining § 1 SCRAPER, rod
29	304 522 R1	SPRING, decelerator return (2)		610 740 C1	SPRING, decelerator cylinder compression
30	330 947 R11 24 851 R1 115 314	BRACKET, decelerator hydraulic cylinder SCREW, 7/16 x 1-3/4", hex-hd cap (2) WASHER, 7/16" lock (2)			
31	333 784 R1	BUSHING, decelerator arm			
32	330 958 R11	ARM, w/BUSHING, 333 784 R1, decelerator PIN, 1/8 x 1", cotter			
33	117 825	CLEVIS, 7/16 NF, rod end			
34	25 931 R1	NUT, 7/16 NF, jam			
35	338 112 R11 615 029 R1	ROD, decelerator horizontal PIN, 3/32 x 5/8", cotter WASHER, 3/8", flat			

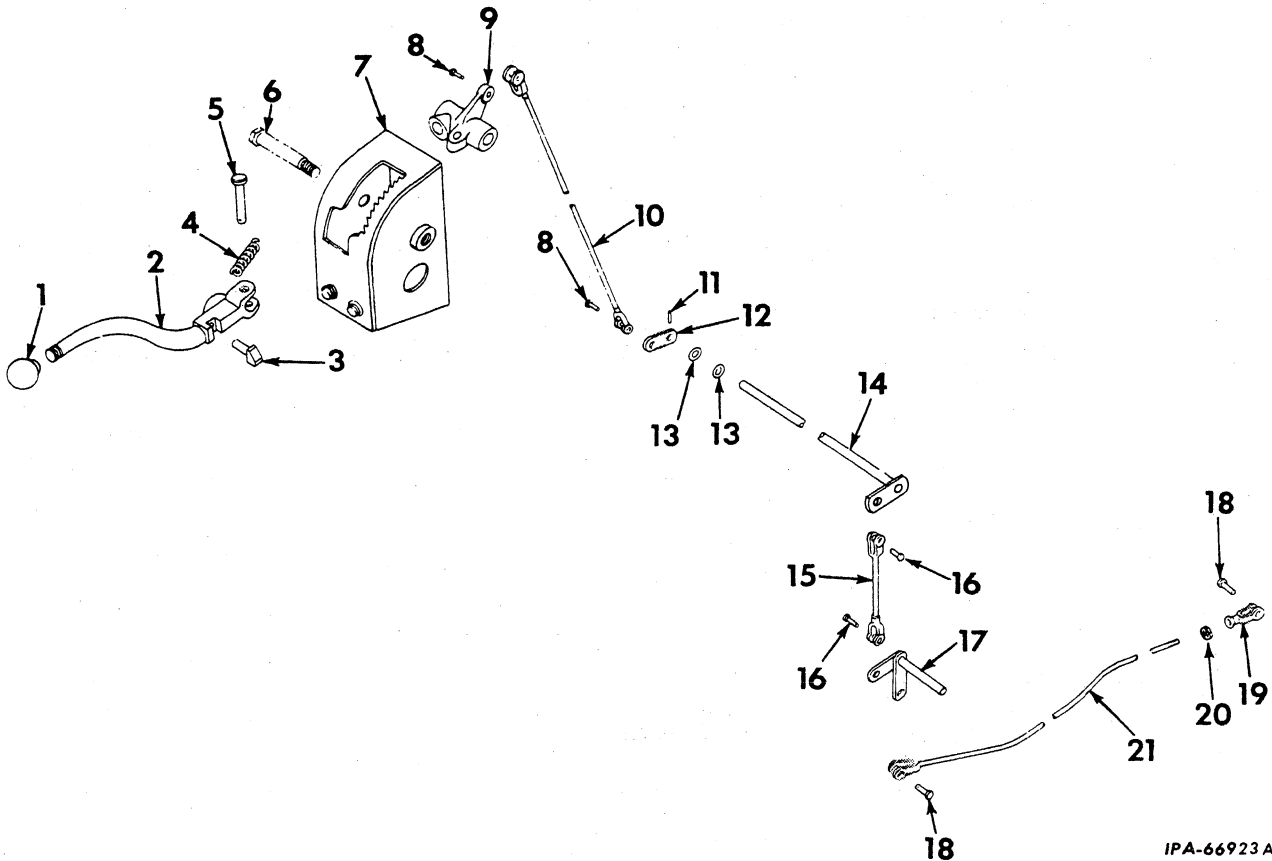
§ - Not Furnished Separately.

ENGINE CONTROLS

REF. NO.	PART NUMBER	DESCRIPTION	REF. NO.	PART NUMBER	DESCRIPTION
----------	-------------	-------------	----------	-------------	-------------

ENGINE CONTROLS

(Used on Manual Shift or Agr. Tractors Equipped With Roosa-Master Fuel Injection Pump TD-9BG 6502 to 7464, TD-9BGA 6616 to 7464)



IPA-66923A

1	264 097 R2	BALL, governor control hand lever	8	103 495	PIN, 5/16" rod end (2) PIN, 3/32 x 5/8" cotter (2)
2	275 198 R22	LEVER w/PAWL, 251 846 R1, governor control hand	9	275 197 R1	HUB, governor control hand
3	251 846 R1	PAWL, governor control hand lever	10	330 950 R11	ROD, upper fuel injection pump
4	261 650 R1	SPRING, governor control hand lever	11	19 674 R1	PIN, roll (4)
5	262 704 R1	PIN, governor control hand lever PIN, 3/32 x 5/8" cotter	12	306 887 R1	LINK, upper horizontal rod
6	275 199 R1	SHAFT, governor control hand lever	13	103 341	WASHER, 13/32 x 13/16 x .065" PIN, 3/32 x 5/8" cotter (2)
7	330 751 R11 25 522 R1 25 768 R1 115 093	RATCHET, governor control NUT, 3/8" (2) SCREW, 3/8 x 5/8" hex-hd cap (4) WASHER, 3/8" lock (4)	14	311 133 R91	ROD, upper horizontal
			15	306 883 R11	ROD, fuel injection pump lower vertical

ENGINE CONTROLS

REF. NO.	PART NUMBER	DESCRIPTION	REF. NO.	PART NUMBER	DESCRIPTION
ENGINE CONTROLS - Continued (Used on Manual Shift or Agr. Tractors Equipped With Roosa-Master Fuel Injection Pump TD-9BG 6502 to 7464, TD-9BGA 6616 to 7464)					
16	103 495	PIN, 5/16" rod end (2) PIN, 3/32 x 5/8" cotter (2)			
17	306 888 R91	SHAFT, fuel injection pump PIN, 3/32 x 5/8" cotter (2)			
	103 341	WASHER, 13/32 x 13/16 x .065" (2)			
18	103 495	PIN, 5/16" rod end (2) PIN, 3/32 x 5/8" cotter (2)			
19	116 535	CLEVIS, fuel injection pump lower horizontal rod adjusting (5/16")			
20	25 521 R1	NUT, 5/16NF			
21	330 986 R11	ROD, lower fuel injection pump horizontal			

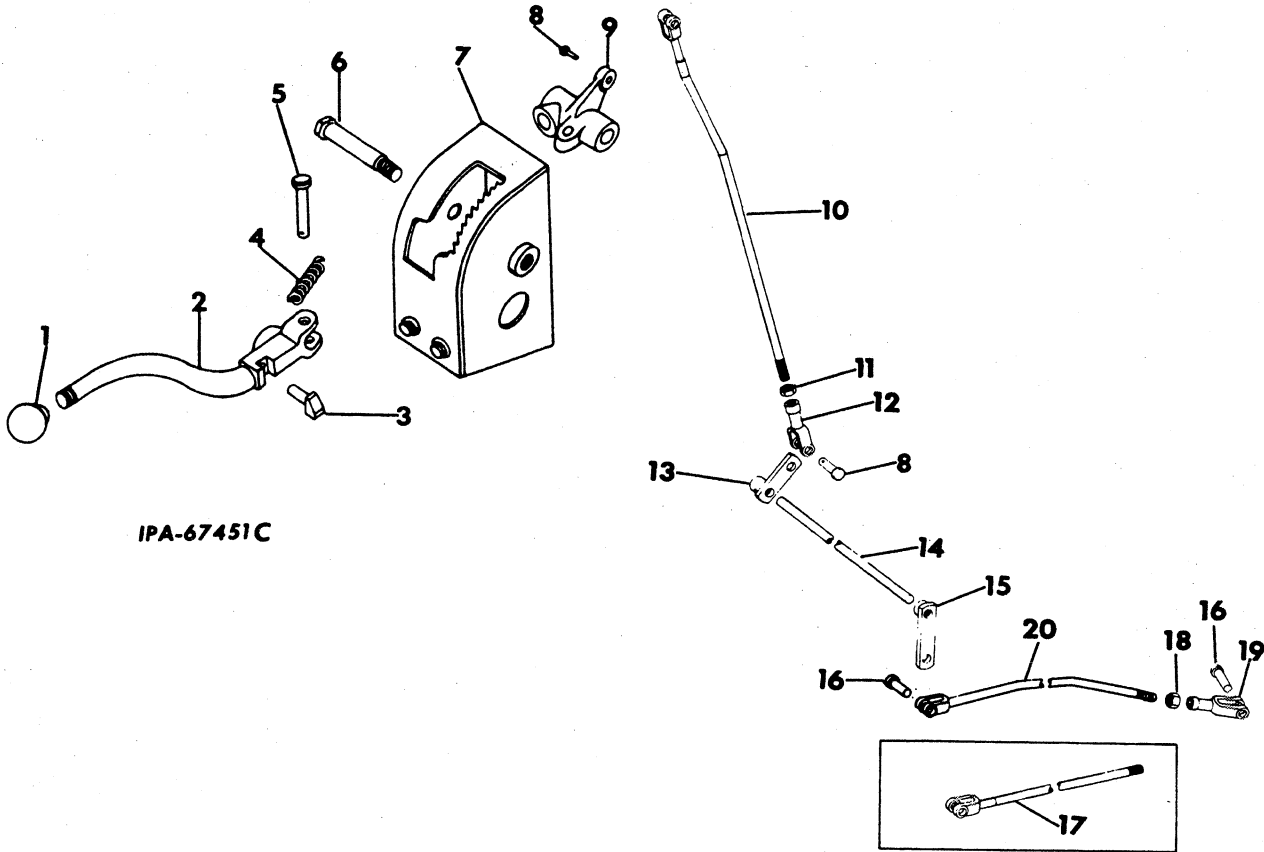
ENGINE CONTROLS

REF. NO.	PART NUMBER	DESCRIPTION	REF. NO.	PART NUMBER	DESCRIPTION
----------	-------------	-------------	----------	-------------	-------------

ENGINE CONTROLS

(Used on Manual Shift, Agr. Revolving Crane and Sideboom Crawler Tractors Equipped with International R.D. Fuel Injection Pump TD-9BG 7465 to 11737, TD-9BGA 7465 to 11687, TD-9BGC 9231 to 11737 and TD-9BGS 9239 to 11737)

(Used on Manual Shift Agr. Revolving Crane and Sideboom Crawler Tractors Equipped with Roosa-Master Fuel Injection Pump TD-9BG 11738 up, TD-9BGA 11688 up, TD-9BGC 11738 to 16800 and TD-9BGS 11738)



IPA-67451C

1	264 097 R2	BALL, governor control hand lever	7	330 751 R11	RATCHET, governor control
2	275 198 R22	LEVER w/PAWL, 251 846 R1, governor control hand		102 635	NUT, 3/8" (2)
3	251 846 R1	PAWL, governor control hand lever		179 835	SCREW, 3/8 x 5/8" hex-hd cap (4)
4	261 650 R1	SPRING, governor control hand lever		103 321	WASHER, 3/8" lock (4)
5	262 704 R1	PIN, governor control hand lever	8	103 495	PIN, 5/16" rod end (2)
	107 762	PIN, 3/32 x 5/8" cotter		107 762	PIN, 3/32 x 5/8" cotter (2)
6	275 199 R1	SHAFT, governor control hand lever	9	275 197 R1	HUB, governor control hand
			10	338 117 R11	ROD, governor control
			11	114 502	NUT, 5/16NF jam
			12	116 535	CLEVIS, 5/16" adjustable

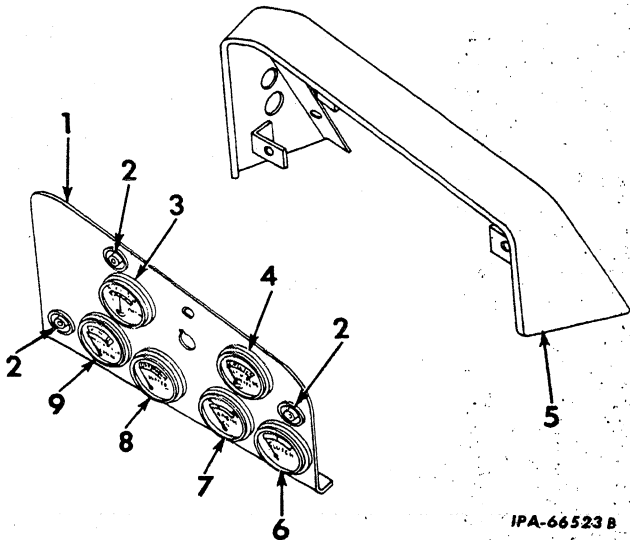
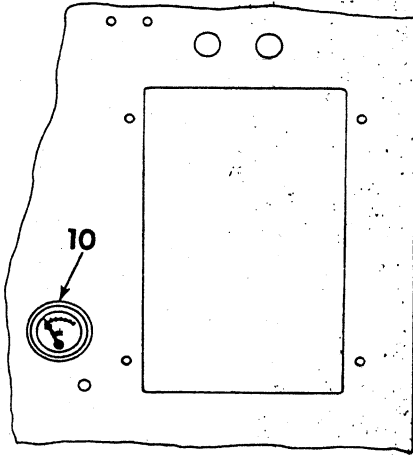
ENGINE CONTROLS

REF. NO.	PART NUMBER	DESCRIPTION	REF. NO.	PART NUMBER	DESCRIPTION
ENGINE CONTROLS - Continued					
(Used on Manual Shift, Agr. Revolving Crane and Sideboom Crawler Tractors Equipped with International R.D. Fuel Injection Pump TD-9BG 7465 to 11737, TD-9BGA 7465 to 11687, TD-9BGC 9231 to 11737 and TD-9BGS 9239 to 11737)					
(Used on Manual Shift Agr. Revolving Crane and Sideboom Crawler Tractors Equipped with Roosa-Master Fuel Injection Pump TD-9BG 11738 up, TD-9BGA 11688 up, TD-9BGC 11738 to 16800 and TD-9BGS 11738)					
13	338 108 R11 18 518 R1	LEVER, LH horizontal rod PIN, 1/8 x 1" roll			
14	338 116 R1 103 384 103 342	SHAFT, cross PIN, 1/8 x 3/4" cotter WASHER, 15/32" x 59/64" x 16 ga			
15	338 113 R11 18 518 R1	LEVER, RH cross shaft PIN, 1/8 x 1" roll			
16	103 495 107 762	PIN, 5/16" rod end (2) PIN, 3/32 x 5/8" cotter (2)			
17	345 832 R11	ROD, injection pump control TD-9BG 7465 to 11737 TD-9BGA 7465 to 11687 TD-9BGC 7465 to 11737 TD-9BGS 7465 to 11737			
18	114 502	NUT, 5/16NF			
19	116 535	CLEVIS, fuel injection pump lower horizontal rod adjustable (5/16")			
20	612 796 C91	ROD, injection pump control TD-9BG 11738 up TD-9BGA 11688 up TD-9BGC 11738 to 16800 TD-9BGS 11738 to 16800			

INSTRUMENTS AND INSTRUMENT PANEL

REF. NO.	PART NUMBER	DESCRIPTION
----------	-------------	-------------

INSTRUMENTS AND INSTRUMENT PANEL
 TD-9BG 6502 to 9808, TD-9BP 6525 to 9808, TD-9BGA 6616 to 9808, TD-9BGC 9231 to 9808 and TD-9BGS 9239 to 9808



IPA-66523 B

1	330 753 R1	PANEL, instrument
2	298 000 R1	MOUNT, vibration (3)
	115 109	SCREW, 1/4NF x 1" hex-hd cap (3) WASHER, 1/4" lock (3)
3	702 284 C1	AMMETER
4	702 282 C1	METER, glow plug
5	330 752 R11	HOUSING, instrument panel
	24 912 R1	SCREW, 3/8 x 5/8" hex-hd cap (5)
	115 093	WASHER, 3/8" lock (5)

REF. NO.	PART NUMBER	DESCRIPTION
----------	-------------	-------------

6	308 622 R91	GAUGE, clutch pressure (optional with 324 077 R91) (+) TD-9BP 6525 to 7781
6	324 077 R91	GAUGE, clutch pressure (optional with 308 622 R91) (+) TD-9BP 6525 to 7781
	330 822 R1	TUBE, clutch pressure (lower)
	330 821 R1	TUBE, clutch pressure (rear)
	35 938 D	CLIP, clutch pressure tube (3)
	9 402 745	CONNECTOR, clutch pressure gauge to clutch pressure hose
	9 410 386	CONNECTOR, hose to tube
	9 410 451	ELBOW, clutch pressure tube
	9 410 425	ELBOW, at regulator valve
	117 966	GROMMET (in dash for clutch pressure hose)
	347 802 R91	HOSE, transmission or clutch oil pressure gauge to junction block
	9 410 610	NUT, 1/4" tube (4)
	274 221	FERRULE (4)
6	338 977 R92	GAUGE, clutch oil pressure (+) TD-9BP 7782 to 9808 (Order the following parts -
	1 ADAPTER	9 402 680
	1 BODY	615 938 C1
	1 CLIP	263 717 R91
	1 CLIP	616 367 C1
	1 CLIP	616 368 C1
	1 CLIP	616 369 C1
	1 CONNECTOR	9 402 745
	1 CONNECTOR	606 885 C1
	1 ELBOW	615 369 C1
	1 GAUGE	619 818 C91
	2 GROMMET	117 966
	1 HOSE	610 863 C91
	1 HOSE	630 528 C91
	1 PLUG	444 619
	1 TEE	444 253
	1 TUBE	616 365 C11
	1 TUBE	616 366 C11)

444 024	BUSHING, clutch oil pressure sending unit reducer (used w/GAUGE, 338 977 R92)
67 869 D	ELBOW, fuel pressure gauge (used w/GAUGE, 338 977 R92)
444 166	ELBOW, clutch oil pressure sending unit (on drain hole of pressure filter) (used w/GAUGE, 338 977 R92)
29 898 D	NUT, 1/4" OD tube (hi-duty) (used w/GAUGE, 338 977 R92)
338 100 R2	TUBE, fuel pressure gauge (used w/GAUGE 338 977 R92)

(+) - Used on Power Shift Tractors.

INSTRUMENTS AND INSTRUMENT PANEL

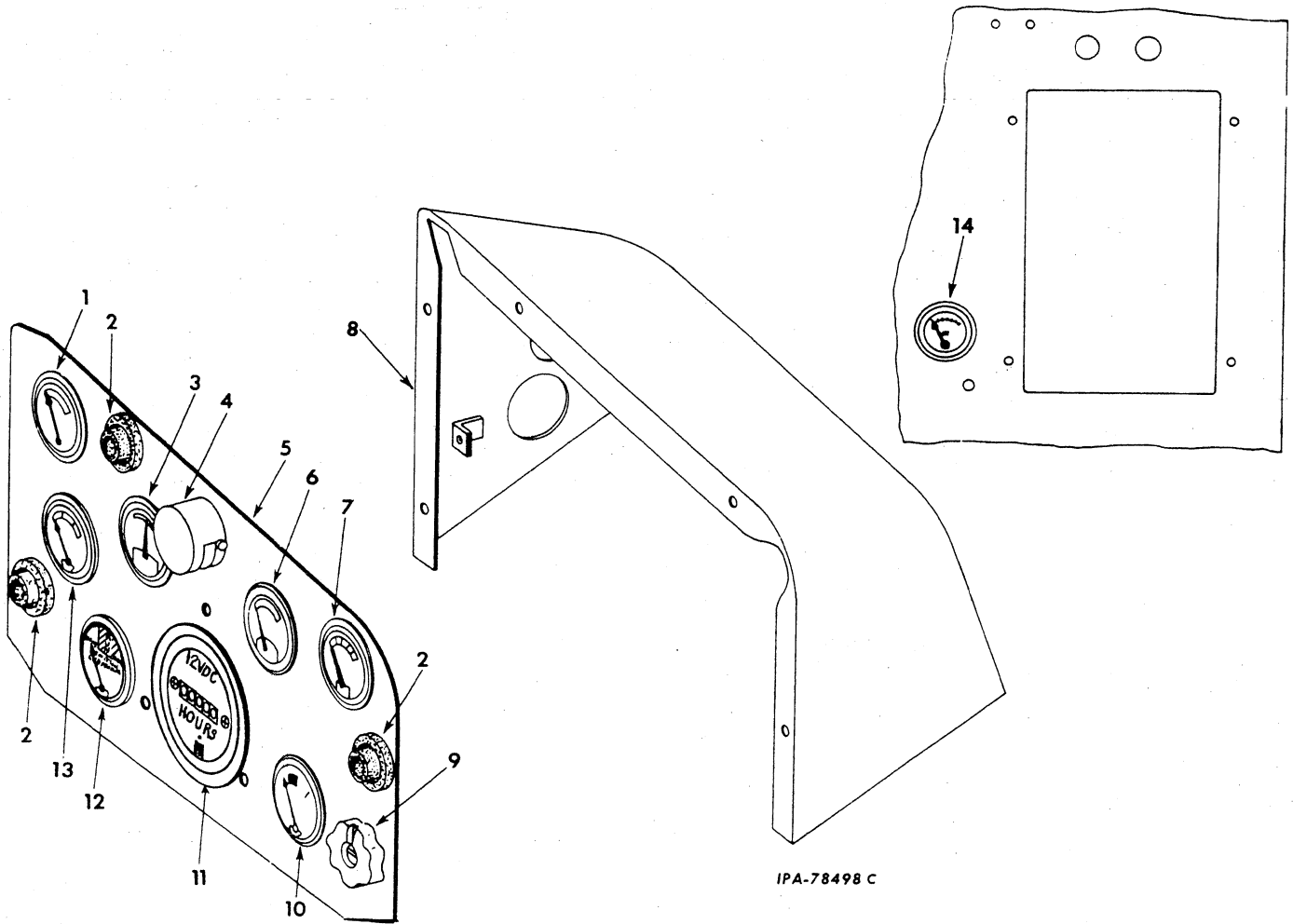
REF. NO.	PART NUMBER	DESCRIPTION	REF. NO.	PART NUMBER	DESCRIPTION
INSTRUMENTS AND INSTRUMENT PANEL - Continued TD-9BG 6502 to 9808, TD-9BP 6525 to 9808, TD-9BGA 6616 to 9808, TD-9BGC 9231 to 9808 and TD-9BGS 9239 to 9808			9	333 723 R91 35 938 D 117 966 144 034	GAUGE, converter temperature (+) CLIP, pressure tube GROMMET REDUCER, 3/4 x 1/2" SCREW, 1/4NF x 1" hex-hd cap (used to attach vibration mount) (3) WASHER, 1/4" lock (used to attach vibration mount) (3)
338 978 R91		UNIT, clutch oil pressure sending (used w/GAUGE 338 977 R92) TD-9BP 7782 to 9808 (Order the following parts - 1 ADAPTER 9 402 680 1 BODY 615 938 C1 1 CLIP 263 717 R91 1 CLIP 616 367 C1 1 CLIP 616 368 C1 1 CLIP 616 369 C1 1 CONNEC- 9 402 745 TOR 1 CONNECTOR 606 885 C1 1 ELBOW 615 369 C1 1 GAUGE 619 818 C91 2 GROMMET 117 966 1 HOSE 610 863 C91 1 HOSE 630 528 C91 1 PLUG 444 619 1 TEE 444 253 1 TUBE 616 365 C11 1 TUBE 616 366 C11)	10	384 203 R91 59 730 H 67 869 D 369 987 R1 338 100 R2 338 101 R2 454 168 142 020 454 168	GAUGE, fuel pump pressure (for power shift tractor equipped with International R.D. fuel injection pump) CONNECTOR, fuel pressure tube (at filter tee) ELBOW, 1/2 x 9/16" fuel pressure gauge NUT, 1/4" OD tube (2) TUBE, fuel pressure gauge TUBE, fuel pressure lower PLUG, panel light button PLUG, light switch button PLUG, button (used to plug start- ing switch hole in instrument pan- el on power shift tractors)
6	336 651 R91	GAUGE, fuel pump pressure (for manual shift tractor equipped with International R.D. fuel injection pump)			
	9 402 746	ADAPTER (5/16" x 37° flared tube) hose to gauge			
	334 445 R1	BLOCK, junction (mounted on RH foot pocket)			
	25 520 R1	NUT, 5/16" (2)			
	25 493 R1	SCREW, 5/16 x 1-1/4" hex-hd cap (2)			
	116 120	WASHER, 5/16" lock (2)			
	59 730 H	CONNECTOR, fuel pressure tube (at filter tee) (2)			
	29 898 D	NUT, 1/4" OD tube (2)			
7	702 027 C1	GAUGE, engine oil pressure			
	651 800 C1	HOSE, engine oil pressure gauge to junction block			
	100 770 H	CLIP, engine oil pressure hose			
	257 523 R1	CONNECTOR, hose to engine oil pressure tube			
	9 402 746	CONNECTOR, engine oil pressure gauge to hose (2)			
	306 936 R1	TUBE, engine oil pressure lower			
	30 402 D	ELBOW, engine oil pressure gauge tube			
	369 987 R1	NUT, engine oil pressure gauge tube nut (2)			
8	362 428 R91	INDICATOR, engine heat			

(+) - Used on Power Shift Tractors.

INSTRUMENTS AND INSTRUMENT PANEL

REF. NO.	PART NUMBER	DESCRIPTION	REF. NO.	PART NUMBER	DESCRIPTION
----------	-------------	-------------	----------	-------------	-------------

INSTRUMENTS AND INSTRUMENT PANEL
(For Power Shift Tractors)
TD-9BP 9809 up



IPA-78498 C

1	333 723 R91	INDICATOR, converter temperature	5	604 072 C2	PANEL, instrument SCREW, 1/4NF x 1" hex-hd cap (3) WASHER, 1/4" lock (3)
2	298 000 R1	MOUNT, vibration (3)	6	702 282 C1	METER, glow plug (also listed and illustrated with "Electric Starting and Lighting")
3	702 284 C1	AMMETER	7	338 977 R92	GAUGE, clutch oil pressure TD-9BP 9809 to 14047 (Order the following parts - 1 ADAPTER 9 402 680 1 BODY 615 938 C1 1 CLIP 263 717 R91 1 CLIP 616 367 C1 1 CLIP 616 368 C1 1 CLIP 616 369 C1
4	603 467 C91	PACKAGE, panel light field service (less bulb) (Consists of - 1 GROMMET 273 406 R1 s 1 LIGHT 1 WASHER 273 405 R1)			
	142 450	BULB, panel light (12 volt)			
	273 406 R1	GROMMET, panel light mounting			
	273 405 R1	WASHER, panel light mounting			

s - Not Furnished Separately.

INSTRUMENTS AND INSTRUMENT PANEL

REF. NO.	PART NUMBER	DESCRIPTION	REF. NO.	PART NUMBER	DESCRIPTION
INSTRUMENTS AND INSTRUMENT PANEL - Continued (For Power Shift Tractors) TD-9BP 9809 up					
7	338 977 R92	GAUGE, clutch oil pressure—Continued TD-9BP 9809 to 14047 (Order the following parts—Continued		606 885 C1	CONNECTOR, junction block to clutch oil pressure tube (*)
		1 CONNecTOR 9 402 745		263 717 R91	CLIP, clutch oil pressure hose (on regulator bracket rear bolt) (*)
		1 CONNECTOR 606 885 C1		615 369 C1	ELBOW, clutch oil pressure tube junction (*)
		1 ELBOW 615 369 C1		117 966	GROMMET, clutch oil pressure lower tube (*)
		1 GAUGE 619 818 C91		117 966	GROMMET, oil pressure hose (*)
		2 GROMMET 117 966		651 801 C1	HOSE w/FITTINGS, clutch oil pressure (together with ADAPTER, 9 402 680, will work for HOSE, 702 540 C1) (*) (HOSE, 3/16" ID x 28" including FITTINGS)
		1 HOSE 610 863 C91		651 799 C1	HOSE w/FITTINGS, clutch oil pressure gauge (*) (HOSE, 3/16" ID x 13-1/2" long including FITTINGS)
		1 HOSE 630 528 C91		444 619	PLUG, pressure filter drain hole (*)
		1 PLUG 444 619		432 577	PLUG, button (on instrument panel) (*)
		1 TEE 444 253		444 253	TEE, regulator valve (*)
		1 TUBE 616 365 C11		616 365 C11	TUBE w/two SLEEVE, 915 500 R1 and two NUT 915 499 R1, upper clutch oil pressure gauge (*)
		1 TUBE 616 366 C11)		915 499 R1	NUT (2)
				915 500 R1	SLEEVE (2)
444 024		BUSHING, clutch oil pressure sending unit reducer (used w/GAUGE, 338 977 R92)		616 366 C11	TUBE w/two SLEEVE, 915 500 R1 and two NUT, 915 499 R1, lower clutch oil pressure gauge (*)
444 166		ELBOW, clutch oil pressure sending unit (on drain hole of pressure filter) (Used with GAUGE, 338 977 R92)	8	330 752 R11	HOUSING, instrument panel SCREW, 3/8 x 5/8" hex-hd cap (5) WASHER, 3/8" lock (5)
338 978 R91		UNIT, clutch oil pressure sending (Used w/GAUGE, 338 977 R92) (Order the following parts -	9		SWITCH ASSY, light (Delco-Remy No. 1994050) (for components see list of parts under details of "Lighting Switch") (also listed and illustrated with "Electric Starting and Lighting")
		1 ADAPTER 9 402 680			
		1 BODY 615 938 C1			
		1 CLIP 263 717 R91			
		1 CLIP 616 367 C1			
		1 CLIP 616 368 C1			
		1 CLIP 616 369 C1			
		1 CONNecTOR 9 402 745			
		1 CONNECTOR 606 885 C1			
		1 ELBOW 615 369 C1			
		1 GAUGE 619 818 C91			
		2 GROMMET 117 966			
		1 HOSE 610 863 C91			
		1 HOSE 630 528 C91			
		1 PLUG 444 619			
		1 TEE 444 253			
		1 TUBE 616 365 C11			
		1 TUBE 616 366 C1.1)			
7	619 818 C91	GAUGE, clutch oil pressure (Will work for 703 232 C1) TD-9BP 14048 up	10	702 027 C1	GAUGE, engine oil pressure
				35 938 D	CLIP, oil pressure tube
				100 770 H	CLIP, oil pressure indicator hose
9 402 681		ADAPTER, hose to regulator valve tee (Used w/HOSE, 702 540 C1) (*)		257 523 R1	CONNECTOR, hose to oil pressure tube
					TD-9BP 9809 to 12166
9 402 680		ADAPTER, hose to regulator valve tee (Use w/HOSE, 630 528 C91)		606 885 C1	CONNECTOR, jet block to oil pressure tube
					TD-9BP 12167 up
615 938 C1		BODY, clutch oil pressure tube to filter hose adapter (*)		9 402 745	CONNECTOR, oil pressure indicator to hose
				30 402 D	ELBOW, oil pressure gauge tube
9 402 745		CONNECTOR, clutch oil pressure gauge (Used w/GAUGE, 703 232 C1)			TD-9BP 9809 to 12166
					(*) - Used w/GAUGE, 703 232 C1 and GAUGE, 619 818 C91

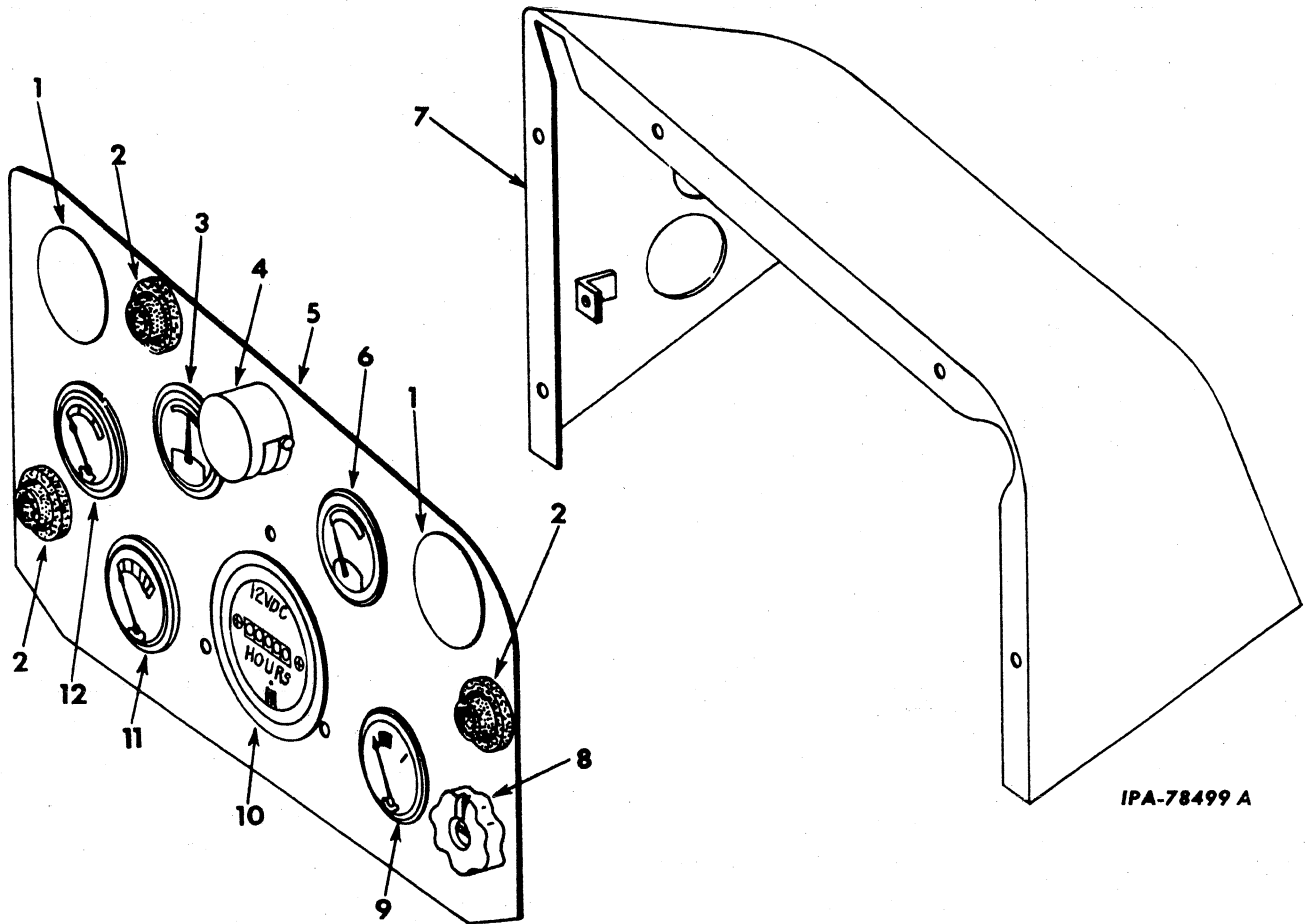
INSTRUMENTS AND INSTRUMENT PANEL

REF. NO.	PART NUMBER	DESCRIPTION	REF. NO.	PART NUMBER	DESCRIPTION
INSTRUMENTS AND INSTRUMENT PANEL - Continued (For Power Shift Tractors) TD-9BP 9809 up			12	702 257 C1	GAUGE, transmission lube pressure - Continued
				610 862 C91	HOSE w/FITTINGS, transmission lube pressure gauge to junction block (HOSE, 3/16" ID x 16" long including FITTINGS)
10	702 027 C1	GAUGE, engine oil pressure - Continued		29 898 D	NUT, transmission lube pressure tube
	319 615 R1	ELBOW, oil pressure gauge tube TD-9BP 12167 up		604 071 C1	(2) TD-9BP 9809 to 12166 TUBE, transmission lube pressure TD-9BP 9809 to 12166
	117 966	GROMMET, oil pressure hose (on firewall)		611 430 C11	TUBE w/two SLEEVE, 915 500 R1 and two NUT, 915 499 R1, transmission lube pressure TD-9BP 12167 to 14047
	610 863 C91	HOSE w/FITTING, 317 768 R91 and FITTING, 317 767 R91, engine oil pressure indicator to pressure line (HOSE, 3/16" ID x 16" long including FITTINGS) TD-9BP 9809 to 14047		915 499 R1	NUT (2)
				915 500 R1	SLEEVE (2)
		HOSE w/o FITTINGS, cut length 3/16" x 14" long cut from bulk HOSE, 319 705 R1	13	702 219 C1	INDICATOR, engine heat
	317 768 R91	FITTING, female swivel		144 034	BUSHING, 3/4 x 1/2" reducing
	317 767 R91	FITTING, male pipe			SCREW, No. 6 x 1/2" (3)
	29 898 D	NUT, oil pressure tube (2) TD-9BP 9809 to 12166			WASHER, No. 6 lock (3)
	604 073 C1	TUBE, oil pressure gauge (2) TD-9BP 9809 to 12166	14	384 203 R91	GAUGE, fuel injection pump pressure (on dash) (used on tractors equipped with International R.D. fuel injection pumps)
	611 431 C11	TUBE w/two NUT, 915 499 R1 and two SLEEVE, 915 500 R1 TD-9BP 12167 to 14047		29 901 D	CONNECTOR, fuel pressure tube (at filter tee)
	616 370 C11	TUBE w/two SLEEVE, 915 500 R1 and two NUT, 915 499 R1 TD-9BP 14048 up		67 869 D	ELBOW, fuel pressure gauge
	915 449 R1	NUT (2)		29 898 D	NUT, fuel pressure tube (2)
	915 500 R1	SLEEVE (2)		338 100 R2	TUBE, fuel pressure gauge
		HOURMETER, electric		334 445 R1	BLOCK, junction
	610 853 C91	HOSE w/FITTING, 317 768 R91 and FITTING, 317 767 R91, transmission lube pressure gauge to junction block (HOSE, 3/16" ID x 16" long including FITTINGS)			SCREW, 5/16 x 1-1/4" hex-hd cap (2)
		HOSE w/o FITTINGS, cut length 3/16" ID x 14" long cut from bulk HOSE, 319 705 R1			NUT, 5/16" (2)
	317 768 R91	FITTING, female swivel			WASHER, 5/16" lock
	317 767 R91	FITTING, male pipe			WASHER, 5/16" int-ext lock (for hourmeter pressure switch ground)
12	702 257 C1	GAUGE, transmission lube pressure TD-9BP 9809 to 14047		278 834 R2	CLAMP, pressure tube
	444 032	ADAPTER, lube pressure tube		278 836 R2	PAD, pressure tube clamp (2)
	59 730 H	CONNECTOR, transmission lube pressure tube TD-9BP 9809 to 12166		25 519 R1	NUT, 1/4" (2)
	606 885 C1	CONNECTOR, transmission lube pressure tube (at junction block) TD-9BP 12167 to 14047		25 485 R1	SCREW, 1/4 x 1-1/4" hex-hd cap (2)
	606 673 C1	CONNECTOR, lube pressure tube TD-9BP 12167 to 14047		115 109	WASHER, 1/4" lock (2)
	9 402 745	CONNECTOR, transmission lube pressure gauge (at gauge)		264 674 R91	DAMPER, hourmeter vibration (also listed with "Electric Hourmeter")
					SCREW, No. 6 x 1/2" slt-rd-hd (3)
					WASHER, No. 6 lock (3)
				454 168	PLUG, instrument panel light button
				142 020	PLUG, light switch button
				444 631	PLUG, transmission lube pressure TD-9BP 14048 up
				454 168	PLUG, button used to plug starting switch hole in instrument panel on power shift tractors

INSTRUMENTS AND INSTRUMENT PANEL

REF. NO.	PART NUMBER	DESCRIPTION	REF. NO.	PART NUMBER	DESCRIPTION
----------	-------------	-------------	----------	-------------	-------------

INSTRUMENTS AND INSTRUMENT PANEL
 (For Manual Shift, Agr., Revolving Crane and Sideboom Tractors)
 TD-9BG 9809 up
 TD-9BGA 9809 up
 TD-9BGC 9809 to 16800
 TD-9BGS 9809 to 16800



IPA-78499 A

1	432 577	PLUG, button (3)	6	702 282 C1	METER, glow plug (also listed and illustrated with "Electric Starting and Lighting")
2	298 000 R1	MOUNT, vibration (3)	7	330 752 R11 25 768 R1 115 093	HOUSING, instrument panel SCREW, 3/8 x 5/8", hex-hd cap (3) WASHER, 3/8" lock (5)
3	702 284 C1	AMMETER	8		SWITCH ASSY, light (DELCO-REMY, 1 994 050) (for components, see list of parts under details of "Lighting Switch") (also listed and illustrated with "Electric Starting and Lighting")
4	603 467 C91	PACKAGE, panel light field service (less bulb) (Consists of - 1 GROMMET 273 406 R1 s 1 LIGHT 1 WASHER 273 405 R1) 142 450 BULB, panel light (12 volt) 273 406 R1 GROMMET, panel light mounting 273 405 R1 WASHER, panel light mounting	9	702 027 C1 35 938 D 100 770 H	GAUGE, engine oil pressure CLIP, oil pressure tube CLIP, oil pressure indicator hose
5	604 072 C2	PANEL, instrument SCREW, 1/4 NF x 1", hex-hd cap (3) 115 109 WASHER, 1/4" lock (3)			

s - Not Furnished Separately.

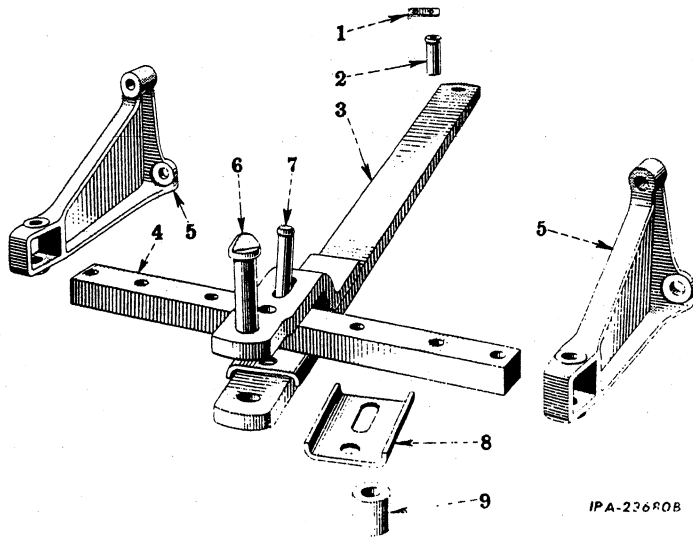
INSTRUMENTS AND INSTRUMENT PANEL

REF. NO.	PART NUMBER	DESCRIPTION	REF. NO.	PART NUMBER	DESCRIPTION
INSTRUMENTS AND INSTRUMENT PANEL - Continued (For Manual Shift, Agr., Revolving Crane and Sideboom Tractors)			10		HOURMETER, electric (for components, see list of parts under details of "Electric Hourmeter")
	TD-9BG 9809 up				SCREW, No. 6 x 1/2", slt-rd-hd (3)
	TD-9BGA 9809 up				WASHER, No. 6 lock (3)
	TD-9BGC 9809 to 16800				
	TD-9BGS 9809 to 16800		11	384 203 R91	GAUGE, fuel injection pump pressure (used on tractors equipped w/International R.D. fuel injection pumps)
257 523 R1	CONNECTOR, hose to oil pressure tube		9 402 746		ADAPTER, hose to gauge
	TD-9BG 9809 to 12165		29 901 D		CONNECTOR, fuel pressure tube (at filter tee)
	TD-9BGA 9809 to 12166		59 730 H		CONNECTOR, tube to junction block
	TD-9BGC 9809 to 12165				
	TD-9BGS 9809 to 12165		651 799 C1		HOSE, w/FITTINGS, gauge to junction block (HOSE, 3/16" ID x 13-1/2" long, including FITTINGS)
606 885 C1	CONNECTOR, jet block to oil pressure tube		29 898 D		NUT, fuel pressure tube (2)
	TD-9BG 12166 up		338 101 R2		TUBE, fuel pressure, lower
	TD-9BGA 12167 up				
	TD-9BGC 12166 to 16800		12	702 221 C1	INDICATOR, engine heat (for Revolving Crane Tractors)
	TD-9BGS 12166 to 16800		12	702 219 C1	INDICATOR, engine heat (for Manual Shift, Agr. and Sideboom Tractors)
9 402 745	CONNECTOR, oil pressure indicator to hose		144 034		BUSHING, 3/4 x 1/2", reducing
30 402 D	ELBOW, oil pressure gauge tube		334 445 R1		BLOCK, junction
	TD-9BG 9809 to 12165		25 751 R1		SCREW, 5/16 x 1-1/4", hex-hd cap (2)
	TD-9BGA 9809 to 12166		25 520 R1		NUT, 5/16" (2)
	TD-9BGC 9809 to 12165		116 120		WASHER, 5/16" lock
	TD-9BGS 9809 to 12165				WASHER, 5/16" int-ext-tooth lock (for hourmeter pressure switch ground)
319 615 R1	ELBOW, oil pressure gauge tube		278 834 R2		CLAMP, pressure tube
	TD-9BG 12166 up		278 836 R2		PAD, pressure tube clamp (2)
	TD-9BGA 12167 up		25 519 R1		NUT, 1/4" (2)
	TD-9BGC 12166 to 16800		25 485 R1		SCREW, 1/4 x 1-1/4", hex-hd cap (2)
	TD-9BGS 12166 to 16800		115 109		WASHER, 1/4" lock (2)
117 966	GROMMET, oil pressure hose (on firewall)		264 674 R91		DAMPER, hourmeter vibration (also listed with "Electric Hourmeter")
610 862 C91	HOSE, w/FITTINGS, engine oil pressure indicator to pressure line (HOSE, 3/16" ID x 16" long, including FITTINGS)				SCREW, No. 6 x 1/2", slt-rd-hd (3)
29 898 D	NUT, oil pressure tube				WASHER, No. 6 lock (3)
	(2) TD-9BG 9809 to 12165		454 168		PLUG, instrument panel light button
	(2) TD-9BGA 9809 to 12166		142 020		PLUG, light button switch
	(2) TD-9BGC 9809 to 12165				
	(2) TD-9BGS 9809 to 12165				
604 073 C1	TUBE, oil pressure gauge				
	TD-9BG 9809 to 12165				
	TD-9BGA 9809 to 12166				
	TD-9BGC 9809 to 12165				
	TD-9BGS 9809 to 12165				
611 431 C11	TUBE, w/two NUT, 915 499 R1, and two SLEEVE, 915 500 R1				
	TD-9BG 12166 up				
	TD-9BGA 12167 up				
	TD-9BGC 12166 to 16800				
	TD-9BGS 12166 to 16800				
915 499 R1	NUT (2)				
915 500 R1	SLEEVE (2)				

DRAWBAR

REF. NO.	PART NUMBER	DESCRIPTION	REF. NO.	PART NUMBER	DESCRIPTION
----------	-------------	-------------	----------	-------------	-------------

DRAWBAR

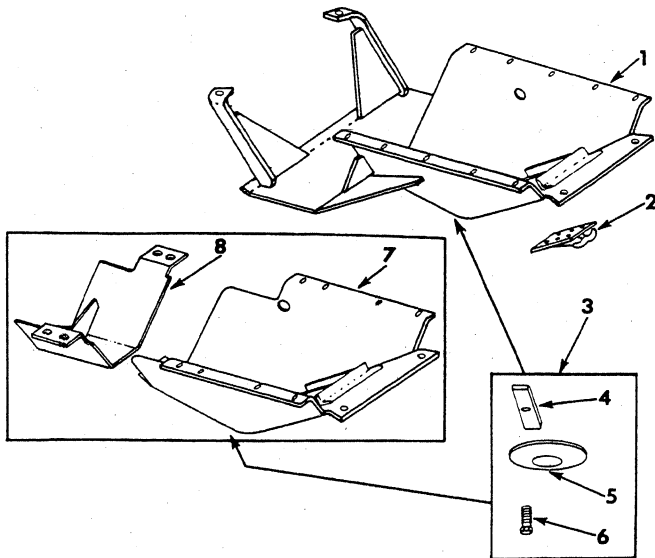


1	47 772 D 181 364 115 093	LOCK, drawbar pin SCREW, 3/8 NF x 1", hex-hd cap WASHER, 3/8" lock
2	47 771 D	PIN, drawbar pivot
3	53 921 DA	DRAWBAR
4	47 773 D 26 083 R1 271 687	GUIDE, drawbar NUT, 7/8 NF (2) SCREW, 7/8 NF x 4-1/4", hex-hd cap (2)
5	52 205 D 24 888 R1 24 892 R1	BRACKET, drawbar guide (2) SCREW, 3/4 x 2", hex-hd cap (4) SCREW, 3/4 x 3", hex-hd cap (2)
6	47 776 D	PIN, drawbar clevis PIN, 3/8 x 2-1/4", cotter
7	47 775 D	PIN, drawbar stop PIN, 1/4 x 1-1/2", cotter
8	53 925 D 25 677 R1 273 051	PLATE, drawbar clevis wear (2) NUT, INF SCREW, INF x 6", hex-hd cap
9		SPACER, drawbar jaw (1-1/2" double extra-strong pipe x 2" long—obtain locally)

DRAWBAR

REF. NO.	PART NUMBER	DESCRIPTION	REF. NO.	PART NUMBER	DESCRIPTION
----------	-------------	-------------	----------	-------------	-------------

CRANKCASE GUARD AND FRONT PULL HOOK



IPA-66661 A

3	67 574 DC	COVER ASSY, oil drain hole (crankcase guards "B," "C" and "D")
4	42 877 DB	SUPPORT, oil drain hole cover (crankcase guards "B," "C" and "D")
5		COVER, oil drain hose (order 67 574 DC) (crankcase guards "B," "C," and "D")
6		SCREW, 1/2 x 1-1/4", hex-hd cap (crankcase guards "B," "C," and "D")
7	330 639 R91	GUARD, crankcase front (crankcase guard "C")
	24 872 R1	SCREW, 5/8 x 1-1/4", hex-hd cap (10)
8	331 861 R11	GUARD, crankcase rear (crankcase guard "C")
	24 888 R1	SCREW, 3/4 x 2", hex-hd cap (4)

Parts without letters after the description indicate the part is used for all crankcase guards and front pull hooks listed below. Letters "A," "B," "C" and "D" are used to identify separate crankcase guards and front pull hooks.

A	5 961 DX	ATTACHMENT, front pull hook (used on tractors equipped w/crankcase guard (see NOTES 1 and 3)
B	325 980 R91	ATTACHMENT, crankcase guard (not for tractors equipped w/sideboom or revolving crane) (see NOTES 1 and 3)
C		SERVICE PARTS for crankcase guard (for tractors equipped w/sideboom or revolving crane)
D	607 537 C91	ATTACHMENT, crankcase guard (for use on machines equipped w/heavy-duty equalizer spring ATTACHMENT, 607 536 C91) (see NOTES 1 and 3)
1	607 538 C91	GUARD, crankcase (attachment "D")
1	330 870 R91	GUARD, crankcase (crankcase guard "B")
	24 872 R1	SCREW, 5/8 x 1-1/4", hex-hd cap (12)
	24 874 R1	SCREW, 5/8 x 1-3/4", hex-hd cap (2)
2	5 961 D	HOOK, front pull (front pull hook "A")
	25 676 R1	NUT, 5/8 NF (6)
	171 587	SCREW, 5/8 NF x 2" hex-hd cap (6)

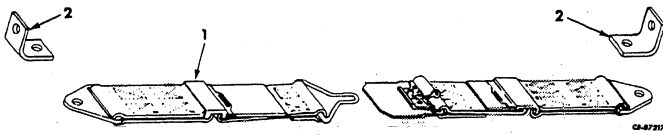
NOTE 1 - Factory Application - Order on Machine Order Form.

NOTE 3 - Field Application - Order Through Regular Service Parts Channels.

MISCELLANEOUS

REF. NO.	PART NUMBER	DESCRIPTION
----------	-------------	-------------

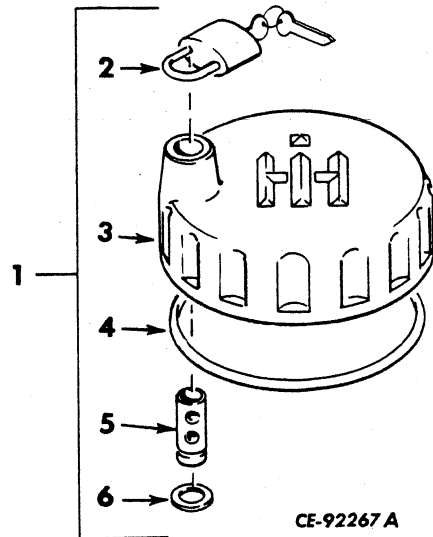
SAFETY BELT



	703 108 C91	ATTACHMENT, safety seat belt (consists of BELT, 702 248 C1, and BRACKET, 616 167 C1) (see NOTES 1 and 3)
1	702 248 C3	BELT, seat (part of ATTACHMENT, 703 108 C91)
	102 637	NUT, 1/2" (2)
	179 881	SCREW, 1/2 x 1", hex-hd cap (2)
	103 323	WASHER, 1/2" lock (2)
2	616 167 C1	BRACKET, seat belt hold down (part of ATTACHMENT, 703 108 C91) (2)
	179 885	SCREW, 1/2 x 1-1/2", hex-hd cap (2)

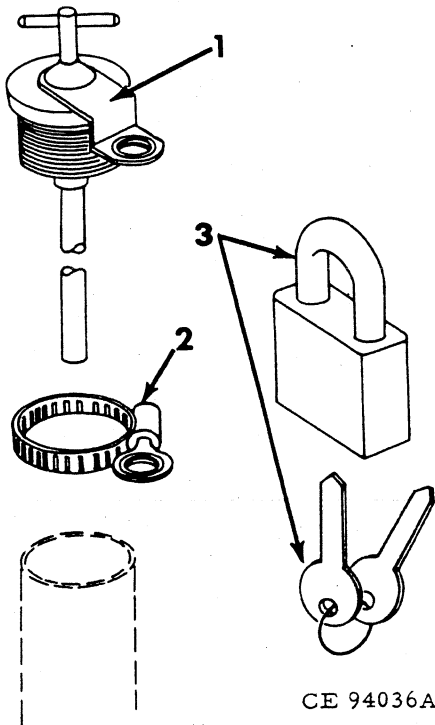
REF. NO.	PART NUMBER	DESCRIPTION
----------	-------------	-------------

LOCKING CAP



	701 980 C92	ATTACHMENT, locking cap (used only w/fuel tank CAP, 701 922 C2) (see NOTES 1 and 3)
1	628 156 C91	CAP, outer locking
2	650 382 C91	PADLOCK, w/KEYS
3		CAP, outer locking (Not Furnished Separately)
4	309 056 R1	RING, retaining (optional w/RING, 300 027 R1)
4	300 027 R1	RING, retaining (optional w/RING, 309 056 R1)
5		PIN, locking cap (Not Furnished Separately)
6	23 221 R1	RING, retaining

OIL LEVEL DIPSTICK LOCK



	628 187 C91	ATTACHMENT, w/INSTALLATION DRAWING, IZG 9264, engine oil level dipstick lock (see NOTES 1 and 3) (Consists of the following parts -
1	672 994 C1	DIPSTICK, engine oil level
2	623 761 C1	CLAMP, lock
3	650 382 C91	LOCK, w/KEYS, pad

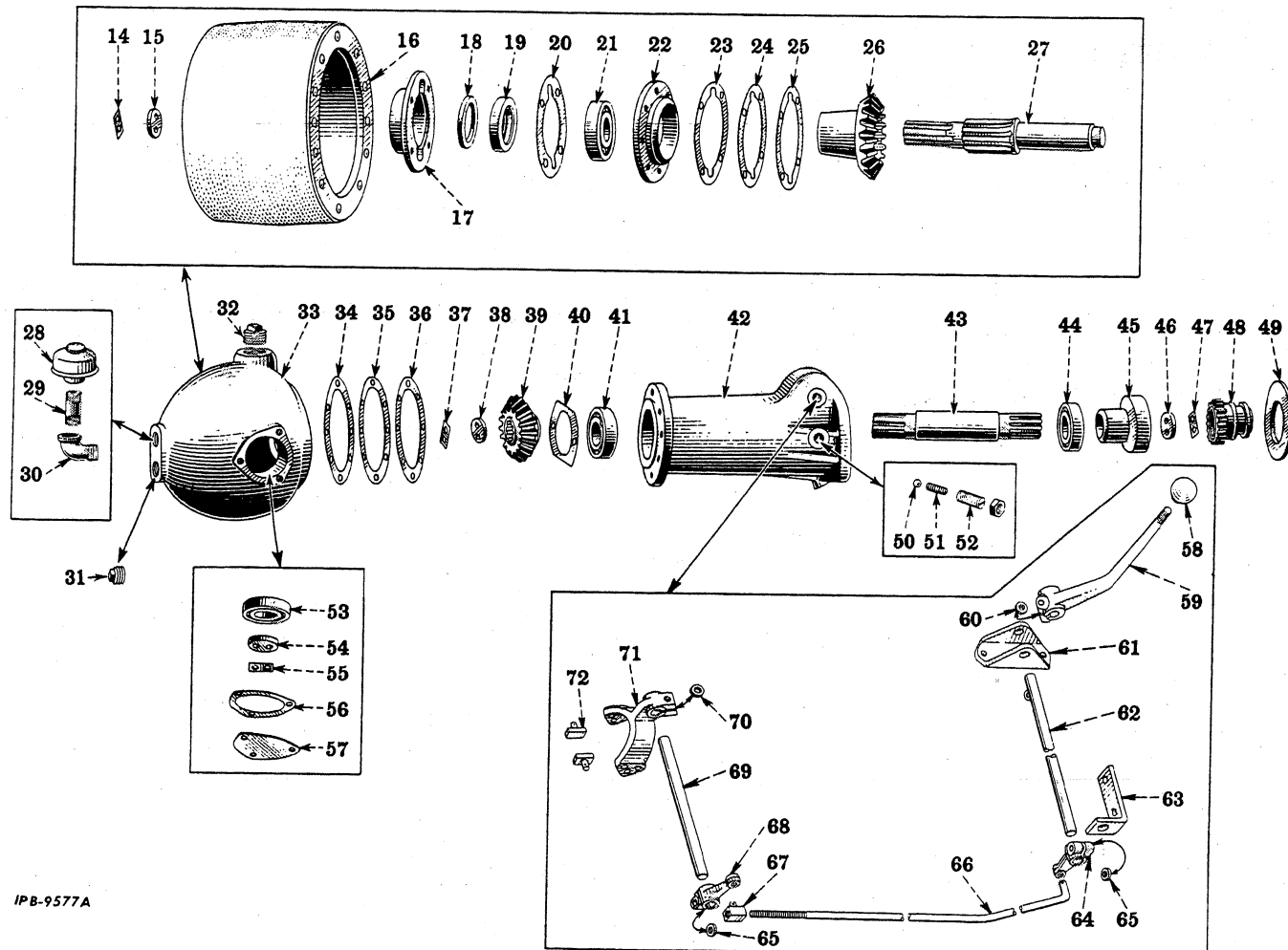
NOTE 1 - Factory Application - Order on Machine Order Form.

NOTE 3 - Field Application - Order Through Regular Service Parts Channels.

MISCELLANEOUS

REF. NO.	PART NUMBER	DESCRIPTION	REF. NO.	PART NUMBER	DESCRIPTION
----------	-------------	-------------	----------	-------------	-------------

BELT PULLEY



IPB-9577A

Parts without letters after the description indicate the part is used for all attachments listed below. Letters "A" and "B" are used to identify separate attachments.

			2		POWER TAKE-OFF, 53 962 DA, illustrated on page 247, are part of ATTACHMENT, 275 767 R91 (attachment "A")
A	275 767 R91	ATTACHMENT, belt pulley, w/power take-off (used on Agr. Tractors and Manual Shift Tractors not equipped w/bulldozer, bullgrader or hydraulic control unit attachments) (see NOTES 1 and 3)	14	45 558 DA	LOCK, belt pulley retaining washer bolt
			15	49 178 DA	WASHER, belt pulley retaining SCREW, 3/8 x 1", hex-hd cap (2)
B	275 768 R91	ATTACHMENT, belt pulley, w/power take-off (used on Agr. Tractors and Manual Shift Tractors equipped w/rear power take-off ATTACHMENT, 53 962 DA) (not used on Agr. Tractors and Manual Shift Tractors equipped w/bulldozer, bullgrader or hydraulic control unit attachment) (see NOTE 4)	16	264 370 R91	PULLEY, belt (11" dia x 8-1/2" face)
			16	264 371 R91	PULLEY, belt (12-1/2" dia x 8-1/2" face)

NOTE 1 - Factory Application - Order on Machine Order Form.

NOTE 3 - Field Application - Order Through Regular Service Parts Channels.

NOTE 4 - Attachment No Longer Available. Service Parts Will Be Furnished As Ordered.

MISCELLANEOUS

REF. NO.	PART NUMBER	DESCRIPTION	REF. NO.	PART NUMBER	DESCRIPTION
BELT PULLEY - Continued			41	ST 206	BEARING, rear belt pulley pinion
17	6 679 D 25 497 R1	RETAINER, belt pulley oil seal SCREW, 3/8 x 1-3/8", hex-hd cap (4)	42	8 390 DB 25 529 R1 24 850 R1	CARRIER, belt pulley NUT, 3/4" SCREW, 7/16 x 1-1/2", hex-hd cap (8)
	115 093	WASHER, 3/8" lock (4)		24 876 R1	SCREW, 5/8 x 2-1/4", hex-hd cap (4)
18	48 524 D	WASHER, belt pulley oil seal, felt		24 887 R1 115 314	SCREW, 3/4 x 1-3/4", hex-hd cap WASHER, 7/16" lock (8)
19	53 970 D	OIL SEAL, belt pulley	43	53 255 D	SHAFT, belt pulley pinion
20	48 526 D	GASKET, belt pulley oil seal retainer	44	ST 215	BEARING, front belt pulley pinion shaft
21	ST 206	BEARING, belt pulley	45	53 253 D 181 364	COUPLING, belt pulley (16 T) SCREW, 3/8 NF x 1", hex-hd cap (2)
22	6 682 D	CAGE, belt pulley bearing	46	49 178 DA	WASHER, belt pulley coupling re- taining
23	48 521 D	SHIM, belt pulley bearing cage (heavy) (X)	47	45 558 DA	LOCK, belt pulley coupling retaining washer bolt
24	48 522 D	SHIM, belt pulley bearing cage (medi- um) (X)	48	53 258 D	COUPLING, belt pulley shifter (16 T)
25	48 523 D	SHIM, belt pulley bearing cage (light) (X)	49	57 255 D	BAFFLE, power shaft bearing cage
26	53 251 D	GEAR, belt pulley (17 T)	50	13 722 D	POPPET, belt pulley shifter (optional w/D 2 616)
27	53 252 D	SHAFT, belt pulley	50	D 2 616	POPPET, belt pulley shifter (optional w/13 722 D)
28	268 500 R91	BREATHER, belt pulley gear box	51	64 163 D	SPRING, belt pulley shifter poppet
29	190 570	PIPE, belt pulley gear box breather	52	49 105 D 25 913 R1	BUSHING, belt pulley shifter poppet NUT, 3/4" jam
30	108 687	ELBOW, 1" x 90°, belt pulley gear box breather pipe	53	ST 205 A	BEARING, belt pulley gear
31		Follows Reference No. 33	54	49 178 DA 181 364	WASHER, belt pulley gear bearing retaining SCREW, 3/8 NF x 1", hex-hd cap
32		Follows Reference No. 33	55	45 558 DA	WASHER, belt pulley gear bearing retaining bolt
33	6 846 DX 444 679 21 502 R1	BOX, gear belt pulley PLUG, 1" sq-soc pipe PLUG (2)	56	49 538 D	GASKET, belt pulley gear bearing cover
34	49 542 D	SHIM, belt pulley carrier (heavy) (X)	57	49 545 D 24 839 R1 115 093	COVER, belt pulley gear bearing SCREW, 3/8 x 3/4", hex-hd cap (3) WASHER, 3/8" lock (3)
35	49 543 D	SHIM, belt pulley carrier (medium) (X)	58	264 097 R2	BALL, belt pulley shifter hand lever
36	49 544 D	SHIM, belt pulley carrier (light) (X)	59	275 777 R11 140 483 H 115 093	LEVER, w/BALL, 265 097 R2, belt pulley shifter hand SCREW, 3/8 x 1-1/4", hex-hd cap WASHER, 3/8" lock
37	45 558 DA	LOCK, belt pulley pinion retaining washer bolt	60	45 532 DA	KEY, belt pulley shifter hand lever
38	49 178 DA 181 364	WASHER, belt pulley pinion retaining SCREW, 3/8 NF x 1", hex-hd cap (2)			
39	53 256 D	PINION, belt pulley (16 T)			
40	49 546 D 24 839 R1 115 093	RETAINER, belt pulley pinion shaft rear bearing SCREW, 3/8 x 3/4", hex-hd cap (2) WASHER, 3/8" lock (2)			

(X) - As Required.

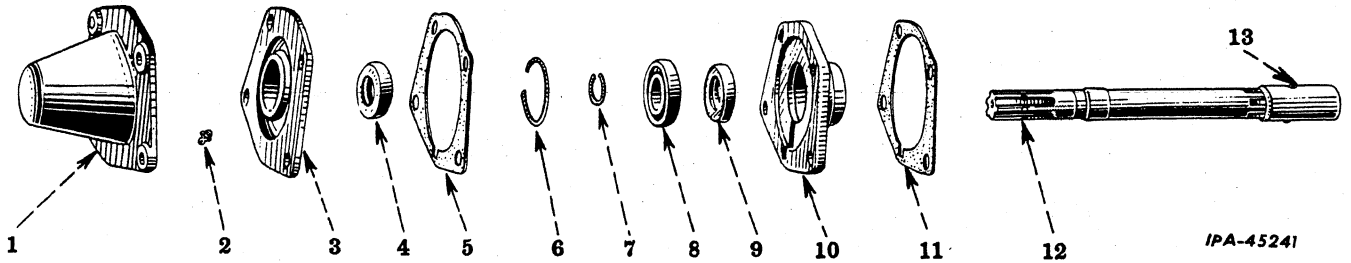
MISCELLANEOUS

REF. NO.	PART NUMBER	DESCRIPTION	REF. NO.	PART NUMBER	DESCRIPTION
BELT PULLEY - Continued					
61	275 775 R1	BRACKET, belt pulley shifter hand lever			
	25 523 R1	NUT, 3/8 NF (2)			
	181 365	SCREW, 3/8 NF x 1-1/8", hex-hd cap (2)			
	115 093	WASHER, 3/8" lock (2)			
62	275 778 R1	SHAFT, belt pulley shifter hand lever			
63	275 776 R1	BRACKET, belt pulley shifter hand lever shaft			
	25 523 R1	NUT, 3/8 NF (2)			
	181 360	SCREW, 3/8 NF x 3/4" hex-hd cap (2)			
	115 093	WASHER, 3/8" lock (2)			
64	8 807 DA	LEVER, short belt pulley shifter			
	140 483 H	SCREW, 3/8 x 1-1/4", hex-hd cap			
	115 093	WASHER, 3/8" lock			
65	45 532 DA	KEY, belt pulley shifter lever (2)			
66	275 765 R1	ROD, belt pulley shifter lever			
	25 523 R1	NUT, 3/8 NF (2)			
		PIN, 1/8 x 3/4", cotter			
67	48 906 D	BLOCK, belt pulley shifter lever rod adjusting			
		PIN, 3/32 x 5/8", cotter			
68	275 764 R1	LEVER, belt pulley shifter (long)			
	140 483 H	SCREW, 3/8 x 1-1/4", hex-hd cap			
	115 093	WASHER, 3/8" lock			
69	275 399 R1	SHAFT, belt pulley shifter			
70	45 532 DA	KEY, belt pulley shifter fork			
71	8 393 DA	FORK, belt pulley shifter			
	181 370	SCREW, 3/8 NF x 1-1/4", hex-hd cap			
	115 093	WASHER, 3/8" lock			
72	49 541 DA	PIN, belt pulley shifter (2)			
	109 461	FITTING, power shaft bearing lubrication (in carrier)			
	49 547 DA	GASKET, belt pulley carrier			
	258 574 R91	PINION, 53 256 D, w/GEAR, 53 251 D, belt pulley drive (matched set)			
	63 416 D	SCREW, belt pulley shifter fork stop			
		WASHER, 3/8" lock			
	1 013 265 R3	PAMPHLET, installation			

MISCELLANEOUS

REF. NO.	PART NUMBER	DESCRIPTION	REF. NO.	PART NUMBER	DESCRIPTION
----------	-------------	-------------	----------	-------------	-------------

REAR POWER TAKE-OFF



IPA-45241

	53 962 DA	ATTACHMENT, power take-off, rear (not used on Revolving Crane or Sideboom Tractors) (see NOTES 1 and 3)	8	ST 205 A	BEARING, ball, power take-off shaft
1	6 843 D	COVER, power take-off, shaft end (not for belt pulley) SCREW, 5/8 x 2", hex-hd cap (4)	9	53 968 D	OIL SEAL, inner power take-off shaft
2	109 461	FITTING, power take-off, shaft bearing lubrication	10	8 392 DA	CAGE, power take-off shaft bearing
3	8 391 D	CAGE, power take-off, shaft bearing oil seal	11	49 547 DA	GASKET, power shaft bearing, oil seal cage
4	53 967 D	OIL SEAL, outer power take-off shaft bearing	12	53 966 DAX	SHAFT, w/COUPLING, 49 548 D, power take-off
5	49 547 DA	GASKET, power take-off, shaft bearing cage	13	49 548 D	COUPLING, power take-off shaft RIVET, 5/16 x 2-5/8", rd-hd steel
6	512 889 R1	RING, outer power take-off, shaft bearing retaining snap	1 013 265 R3		PAMPHLET, installation
7	48 512 D	RING, inner power take-off, shaft bearing retaining snap			

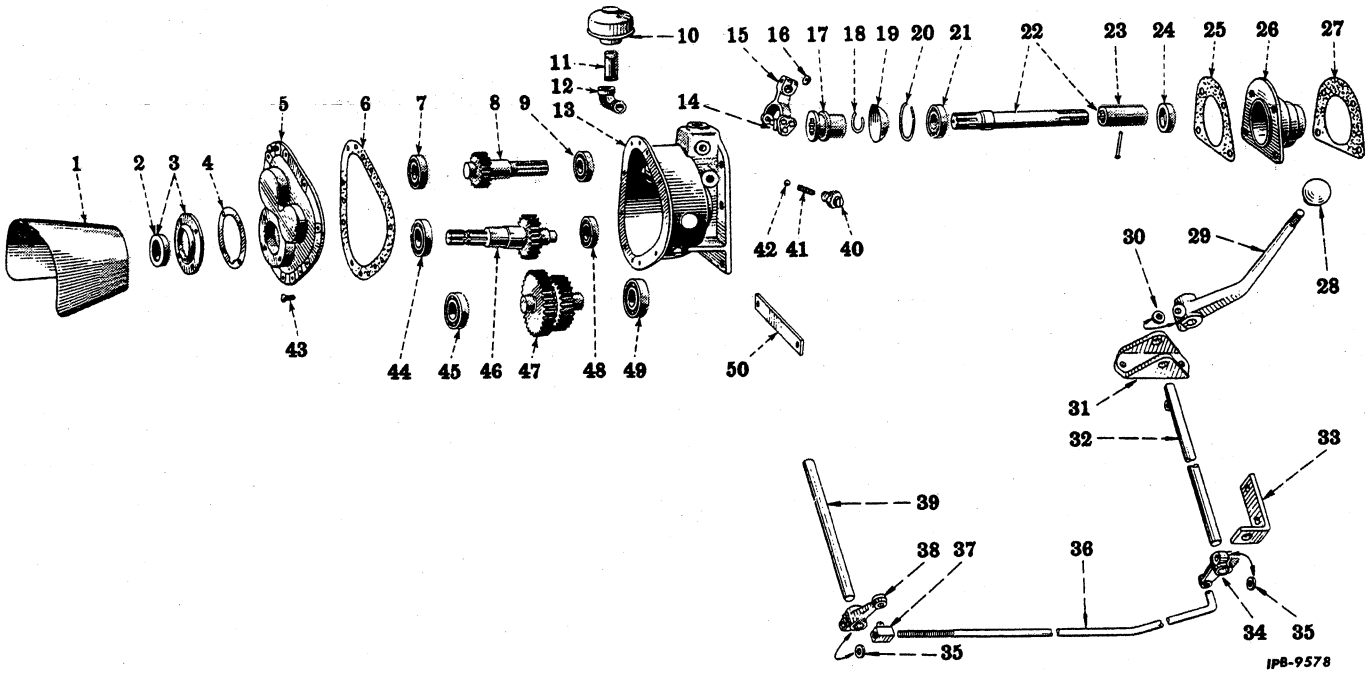
NOTE 1 - Factory Application - Order on Machine Order Form.

NOTE 3 - Field Application - Order Through Regular Service Parts Channels.

MISCELLANEOUS

REF. NO.	PART NUMBER	DESCRIPTION	REF. NO.	PART NUMBER	DESCRIPTION
----------	-------------	-------------	----------	-------------	-------------

REAR REDUCED SPEED POWER TAKE-OFF



	275 763 R91	ATTACHMENT, reduced speed rear power take-off (used on Agr. tractors and manual shift tractors not equipped with Bulldozer, Bullgrader or Hydraulic Control Attachment) (see NOTES 1 and 3)	9	ST 205 A	BEARING, front power take-off pinion
			10	268 500 R91	BREATHER
			11	190 570	PIPE, breather, power take-off
1	58 064 DXA	SHIELD, power take-off safety	11	108 687	ELBOW, breather pipe
		SCREW, 5/16 x 1" hex-hd cap (4)			
		WASHER, 5/16" lock (4)	13	8 811 DX	HOUSING w/two PLUGS, 444 595 and PLUG, 444 601 power take-off
2	58 065 D	OIL SEAL, power take-off gear and shaft		25 529 R1	NUT, 3/4"
3	8 810 D	RETAINER, power take-off gear and shaft oil seal		24 873 R1	SCREW, 5/8 x 1-1/2" hex-hd cap
4	58 080 D	GASKET, power take-off gear and shaft oil seal retainer		24 875 R1	SCREW, 5/8 x 2" hex-hd cap (5)
5	8 812 D	COVER, power take-off housing		24 885 R1	SCREW, 3/4 x 1-1/4" hex-hd cap
	25 523 R1	NUT, 3/8NF (9)		444 595	PLUG (2)
	181 370	SCREW, 3/8NF x 1-1/4" hex-hd cap (9)		444 601	PLUG, 1" sq-hd pipe
	115 093	WASHER, 3/8" lock (9)	14	49 541 DA	PIN, power take-off shifter (2)
6	58 081 D	GASKET, power take-off housing cover	15	8 809 DA	FORK, power take-off shifter
7	ST 214	BEARING, rear power take-off pinion		181 370	SCREW, 3/8NF x 1-1/4" hex-hd cap
8	58 086 DB	PINION, power take-off (18 T)		115 093	WASHER, 3/8" lock
			16	45 532 DA	KEY, power take-off shifter fork
			17	58 073 DB	COUPLING, power take-off shifter

NOTE 1 - Factory Application - Order On Machine Order Form.

NOTE 2 - Field Application - Order Through Regular Service Parts Channels.

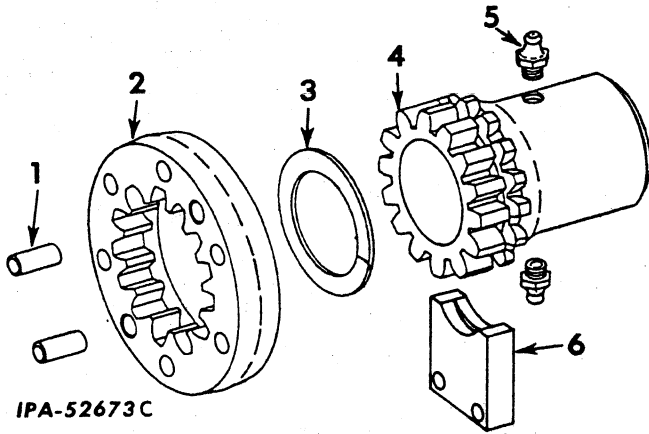
MISCELLANEOUS

REF. NO.	PART NUMBER	DESCRIPTION	REF. NO.	PART NUMBER	DESCRIPTION
REAR REDUCED SPEED POWER TAKE-OFF - Continued			37	48 906 D	BLOCK, power take-off shifter lever rod adjusting PIN, 3/32 x 5/8" cotter
18	48 512 D	RING, power take-off bearing retaining outer snap	38	275 764 R1 140 483 H 115 093	LEVER, power take-off shifter (long) SCREW, 3/8 x 1-1/4" hex-hd cap WASHER, 3/8" lock
19	58 069 D	SLINGER, oil power take-off shaft	39	276 981 R1	SHAFT, power take-off shifter
20	512 889 R1	RING, power take-off shaft bearing retaining inner snap	40	49 105 D 25 913 R1	BUSHING, power take-off shifter poppet NUT, 3/4" jam
21	St 204 A	BEARING, power take-off shaft	41	64 163 D	SPRING, power take-off shifter poppet
22	58 090 DBX	SHAFTw/COUPLING, 49 548 D, power take-off	42	D 2 616	POPPET, power take-off shifter (optional with 13 722 D)
23	49 548 D	COUPLING, power take-off shaft RIVET, 5/16 x 2-5/8" b-hd	42	13 722 D	POPPET, power take-off shifter (optional with D 2 616)
24	53 968 D	OIL SEAL, power take-off shaft bearing	43	45 442 D	PIN, power take-off housing cover dowel (2)
25	58 068 D	GASKET, power take-off housing	44	ST 202	BEARING, rear power take-off gear and shaft
26	8 808 D	CAGE, power take-off shaft bearing	45	ST 205 A	BEARING, rear power take-off idler gear
27	58 068 D	GASKET, power take-off shaft bearing cage	46	58 087 DB	GEAR and SHAFT, power take-off (24 T)
28	264 097 R2	BALL, power take-off shifter hand lever	47	58 084 D	GEAR, power take-off idler (23 and 30 T)
29	275 777 R11 140 483 H 115 093	LEVER w/BALL, 264 097 R2, power take-off shifter hand SCREW, 3/8 x 1-1/4" hex-hd cap WASHER, 3/8" lock	48	ST 241	BEARING, front power take-off gear and shaft
30	45 532 DA	KEY, power take-off shifter hand lever	49	ST 200	BEARING, front power take-off idler gear
31	275 775 R1 25 522 R1 101 896 R1 115 093	BRACKET, power take-off shifter hand lever NUT, 3/8NF (2) SCREW, 3/8 x 1-1/8" hex-hd cap (2) WASHER, 3/8" lock (2)	50	58 072 D 256 051 R11	SPACER, power take-off housing EXTENSION w/SPACER, drawbar
32	275 778 R1	SHAFT, power take-off hand lever			
33	275 776 R1 25 522 R1 140 483 H 115 093	BRACKET, power take-off shifter hand lever shaft NUT, 3/8NF (2) SCREW, 3/8 x 3/4" hex-hd cap (2) WASHER, 3/8" lock (2)			
34	8 807 DA 140 483 H 115 093	LEVER, power take-off shifter (short) SCREW, 3/8 x 1-1/4" hex-hd cap WASHER, 3/8" lock			
35	45 532 DA	KEY, power take-off shifter lever (2)			
36	275 765 R1 25 522 R1	ROD, power take-off shifter lever NUT, 3/8NF (2) PIN, 1/8 x 3/4" cotter			

MISCELLANEOUS

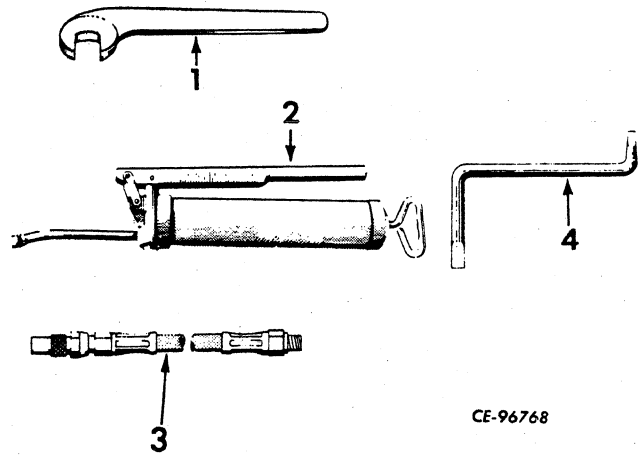
REF. NO.	PART NUMBER	DESCRIPTION
----------	-------------	-------------

FRONT POWER TAKE-OFF DRIVE



REF. NO.	PART NUMBER	DESCRIPTION
----------	-------------	-------------

TOOLS



	331 667 R91	ATTACHMENT, front power take-off drive (see NOTES 1 and 3) (*)
1	269 293 R1	PIN, dowel (2)
2	331 421 R1 306 354 R2	COUPLING, front power take-off BOLT, front power take-off coupling (2)
3	307 080 R1	SEAL, felt
4	330 734 R1	SHAFT, front power take-off coupling
5	126 152	FITTING, lubrication (2)
6	342 968 R1 24 842 R1	RETAINER, shaft SCREW, 3/8 x 1-3/4" hex-hd cap (4)
	115 093	WASHER, 3/8" lock (4)
	1 014 784 R2	PAMPHLET, installation instructions

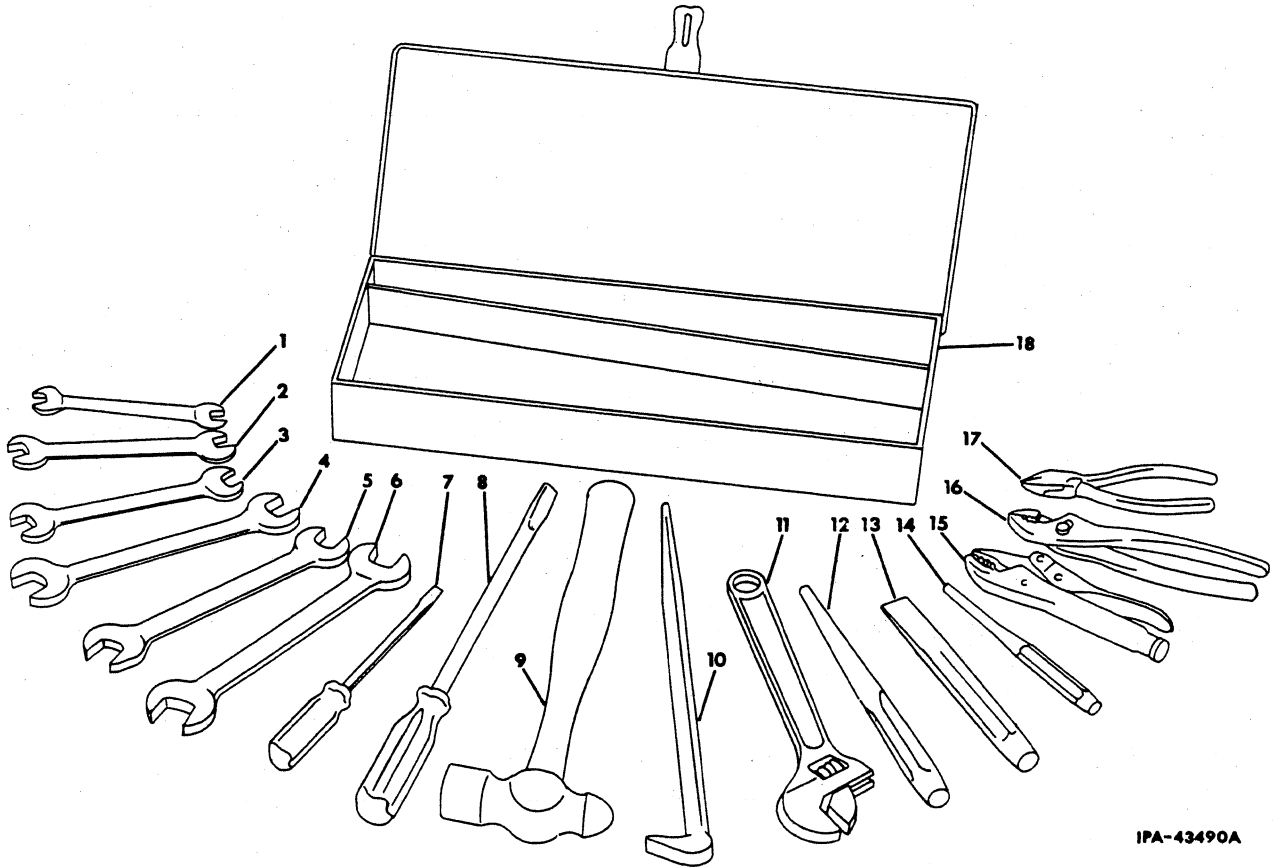
1	9 533 DA	WRENCH, front idler adjuster (not used with hydraulic track adjuster attachment)
2	999 677 R91	LUBRICATOR, hand (15 oz size) (part of ATTACHMENT, 999 677 R91)
3	619 581 C91	EXTENSION, grease gun flexible
4	304 910 R2	WRENCH, socket plug
	309 015 R91	LUBRICATOR (tank type) (for components see list of parts under details of "LUBRICATOR")
	999 677 R91	ATTACHMENT, lubricator hand type (consists of LUBRICATOR, 999 677 R91) (see NOTES 1 and 3)

(*) - For Manual Shift Tractors Without Blade Equipment, Agr. Tractors, Revolving Crane and Side-boom Tractors.
 NOTE 1 - Factory Application - Order On Machine Order Form.
 NOTE 3 - Field Application - Order Through Regular Service Parts Channels.

MISCELLANEOUS

REF. NO.	PART NUMBER	DESCRIPTION	REF. NO.	PART NUMBER	DESCRIPTION
----------	-------------	-------------	----------	-------------	-------------

TOOL SET
(Owatonna Tool Co.)



IPA-43490A

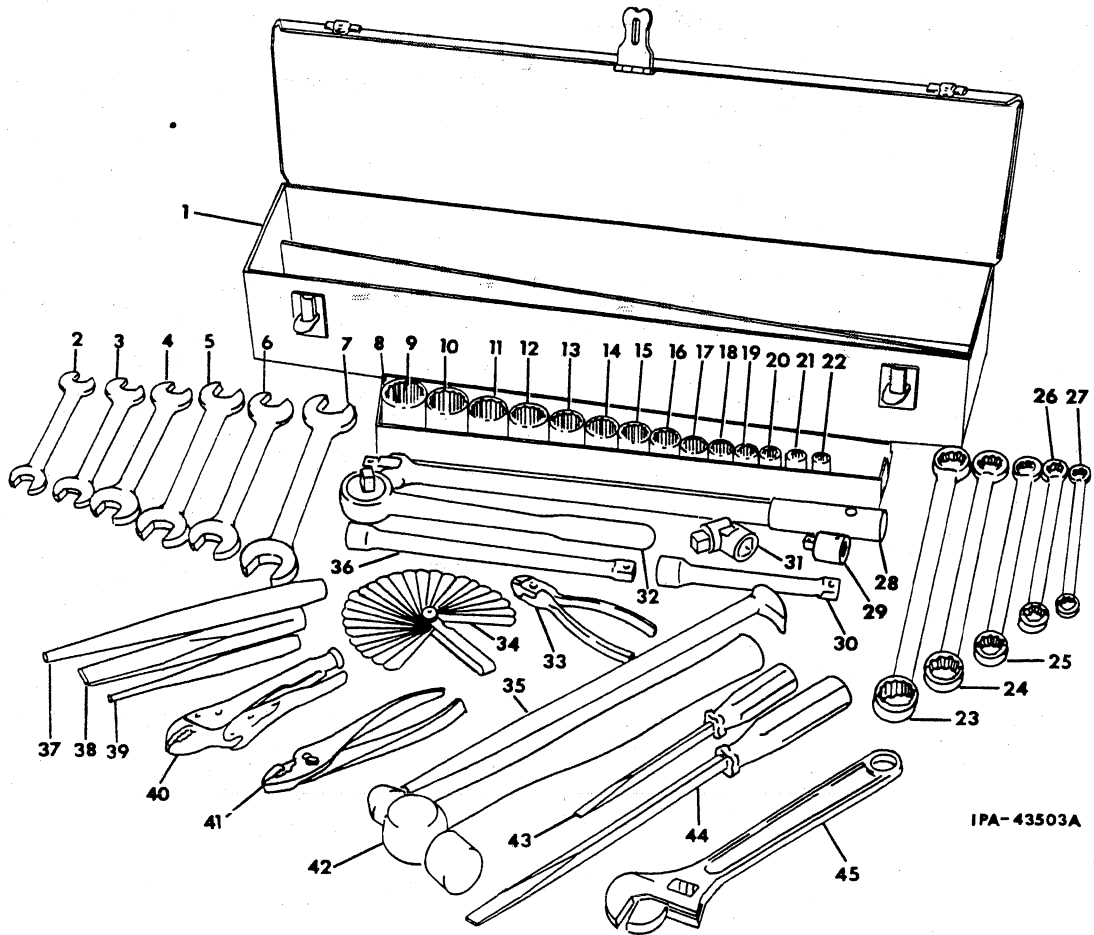
		TOOL SET (consists of seventeen tools and tool box) (also see "Tools" listed in "Miscellaneous" section of this catalog) (IH part number 276 820 R91) (see NOTE)	12	TP-24	PUNCH (5/16" bit x 10" long)
			13	CC-24	CHISEL (7/8" bit x 8" long)
			14	PP-6	PUNCH (3/16" bit x 10" long)
1	E-1416	WRENCH, end (7/16 x 1/2")	15	735	WRENCH, vise grip (7")
2	E-1820	WRENCH, end (9/16 x 5/8")	16	712-A	PLIER (slip joint, 8")
3	E-2022	WRENCH, end (5/8 x 11/16")	17	700-B	CUTTER, diagonal (6")
4	E-2426	WRENCH, end (3/4 x 13/16")	18	H-190	BOX, tool
5	E-2628	WRENCH, end (13/16 x 7/8")			
6	E-3032	WRENCH, end (15/16 x 1")			
7	SS-83	SCREWDRIVER (1/4" shank)			
8	SS-123	SCREWDRIVER (3/8" shank)			
9	BP-32	HAMMER (ball peen)			
10	PB-43	BAR, pry (9/16" rd x 16" long)			
11	DA-12	WRENCH (12", adjustable)			

NOTE - Order Individual Tools and Complete Tool Sets from Service Tools, Inc.
1901 So. Indiana Ave.
Chicago, Illinois 60616

MISCELLANEOUS

REF. NO.	PART NUMBER	DESCRIPTION	REF. NO.	PART NUMBER	DESCRIPTION
----------	-------------	-------------	----------	-------------	-------------

TOOL SET
(Owatonna Tool Co.)



IPA-43503A

TOOL SET (consists of forty-three tools and tool box) (also see "Tools" listed in "Miscellaneous" section of this catalog) (IH part number 276 821 R91) (see NOTE)

1	H-391	BOX, tool	17	124	SOCKET (3/4")
2	E-1416	WRENCH, end (7/16 x 1/2")	18	122	SOCKET (11/16")
3	E-1820	WRENCH, end (9/16 x 5/8")	19	120	SOCKET (5/8")
4	E-2022	WRENCH, end (5/8 x 11/16")	20	118	SOCKET (9/16")
5	E-2426	WRENCH, end (3/4 x 13/16")	21	116	SOCKET (1/2")
6	E-2628	WRENCH, end (13/16 x 7/8")	22	114	SOCKET (7/16")
7	E-3032	WRENCH, end (15/16 x 1")	23	B-3032	WRENCH, box (15/16 x 1")
8	195	TRAY	24	B-2628	WRENCH, box (13/16 x 3/4")
9	140	SOCKET (1-1/4")	25	B-2024	WRENCH, box (5/8 x 3/4")
10	138	SOCKET (1-3/16")	26	B-1820	WRENCH, box (9/16 x 5/8")
11	136	SOCKET (1-1/8")	27	B-1416	WRENCH, box (7/16 x 1/2")
12	134	SOCKET (1-1/16")	28	H-177	HANDLE, flex
13	132	SOCKET (1")	29	D-1612	ADAPTER (1/2" female, 3/8" male)
14	130	SOCKET (15/16")	30	H-172	EXTENSION (6")
15	128	SOCKET (7/8")	31	H-189	JOINT, universal
16	126	SOCKET (13/16")	32	H-163	RATCHET (reversible)
			33	700-B	CUTTER, diagonal (6")

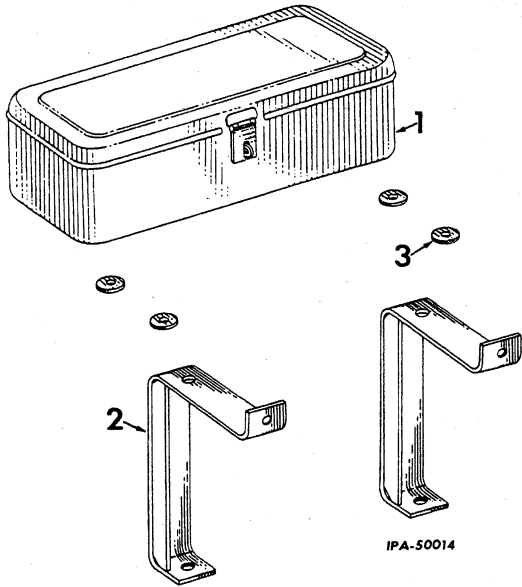
NOTE - Order Individual Tools and Complete Tool Sets from Service Tools, Inc.
1901 So. Indiana Ave.
Chicago, Illinois 60616

MISCELLANEOUS

REF. NO.	PART NUMBER	DESCRIPTION	REF. NO.	PART NUMBER	DESCRIPTION
TOOL SET - Continued (Owatonna Tool Co.)					
34	861	GAUGE, feeler (25 blades)			
35	PB-43	BAR, pry (9/16" rd x 16" long)			
36	H-173	EXTENSION (10")			
37	TP-24	PUNCH (5/16" bit x 10" long)			
38	CC-24	CHISEL (7/8" bit x 8" long)			
39	PP-6	PUNCH (3/16" bit x 7" long)			
40	735	WRENCH, vise grip (7")			
41	712-A	PLIER (slip joint, 8")			
42	BP-32	HAMMER (ball peen)			
43	SS-83	SCREWDRIVER (1/4" shank)			
44	SS-123	SCREWDRIVER (3/8" shank)			
45	DA-12	WRENCH (12", adjustable)			

MISCELLANEOUS

REF. NO.	PART NUMBER	DESCRIPTION	REF. NO.	PART NUMBER	DESCRIPTION
TOOL BOX AND PADLOCK (Used on Manual Shift Tractors or Agr. Tractors)			3	280 874 R1	SPACER, tool box (4 for attachment "A")
				650 382 C1	PADLOCK, w/KEY (attachment "C")



Parts without letters after description indicate the part is used for all attachments listed below. Letters "A," "B," and "C" are used to identify separate attachments and tool box.

A	264 473 R91	ATTACHMENT, tool box, 21" less lock and keys (spacer mounted) (see NOTE 4)
B		SERVICE PARTS for tool box, 21" (bracket mounted)
C	650 382 C91	ATTACHMENT, tool box padlock w/keys (used on Manual Shift, Power Shift or Agr. Tractors) (see NOTES 1 and 3)
1	280 655 R91	BOX, tool (21") (attachment "A")
	102 635	NUT, 3/8" (4)
	179 841	SCREW, 3/8 x 1-1/4", hex-hd cap (4)
	103 321	WASHER, 3/8" lock (4)
1	276 132 R91	BOX, tool (21") (Tool Box "B")
	102 635	NUT, 3/8" (4)
	179 838	SCREW, 3/8 x 7/8", hex-hd cap (2)
	179 839	SCREW, 3/8 x 1", hex-hd cap (2)
	103 321	WASHER, 3/8" lock (4)
2	277 454 R11	BRACKET, tool box mounting (2 for Tool Box "B")
	102 635	NUT, 3/8" (2)
	179 841	SCREW, 3/8 x 1-1/4", hex-hd cap (2)
	103 321	WASHER, 3/8" lock (2)

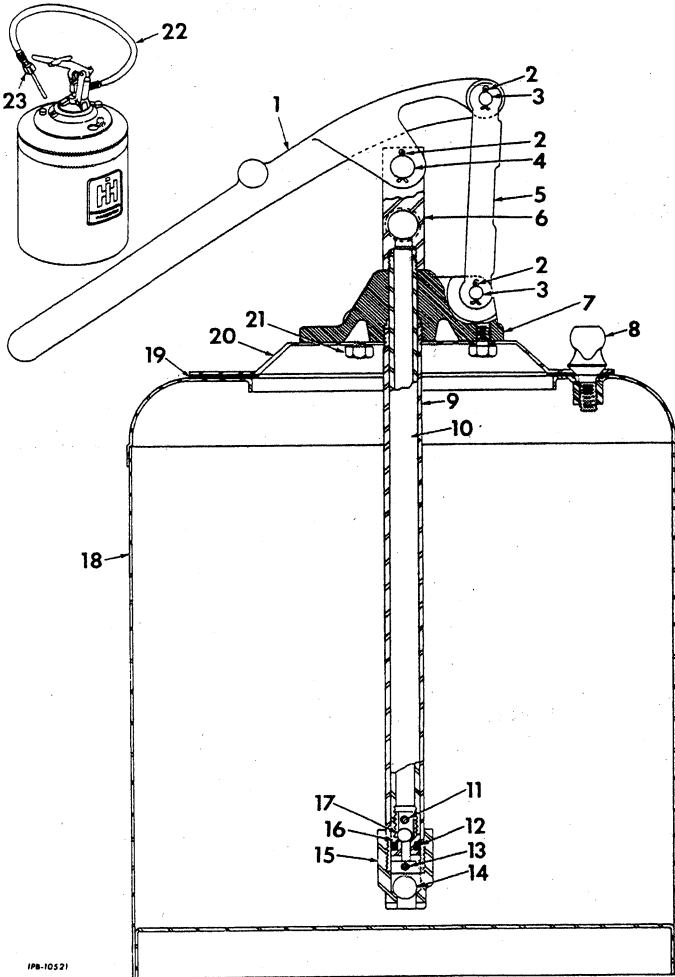
NOTE 1 - Factory Application - Order on Machine Order Form.

NOTE 3 - Field Application - Order Through Regular Service Parts Channels.

NOTE 4 - Attachment No Longer Available. Service Parts Will Be Furnished as Ordered.

MISCELLANEOUS

REF. NO.	PART NUMBER	DESCRIPTION	REF. NO.	PART NUMBER	DESCRIPTION
LUBRICATOR (Tank Type) (Lincoln Engineering Co.)					
9	53 206 D	TUBE, pump	10	53 205 D	ROD, piston
11	53 200 D	PIN, piston	12	53 203 D	PACKING, piston
13	53 201 D	PIN, foot valve	14	H 5 476	BALL, check
15	53 199 D	BODY, foot valve	16	53 198 D	PISTON, plunger
17	39 659 D	BALL, pump check	18	53 209 D	CONTAINER, w/GASKET, 278 919 R1, and three SCREW, 55 479 D)
19	278 919 R1	GASKET, container cover	20	310 924 R91	COVER, container
21		SCREW, 1/4 x 7/16", hex-hd cap (3) WASHER, 1/4" internal-tooth lock (3)	22	53 207 D	HOSE, lubricator (3 ft long)
23	310 944 R91	NOZZLE, lubricator			



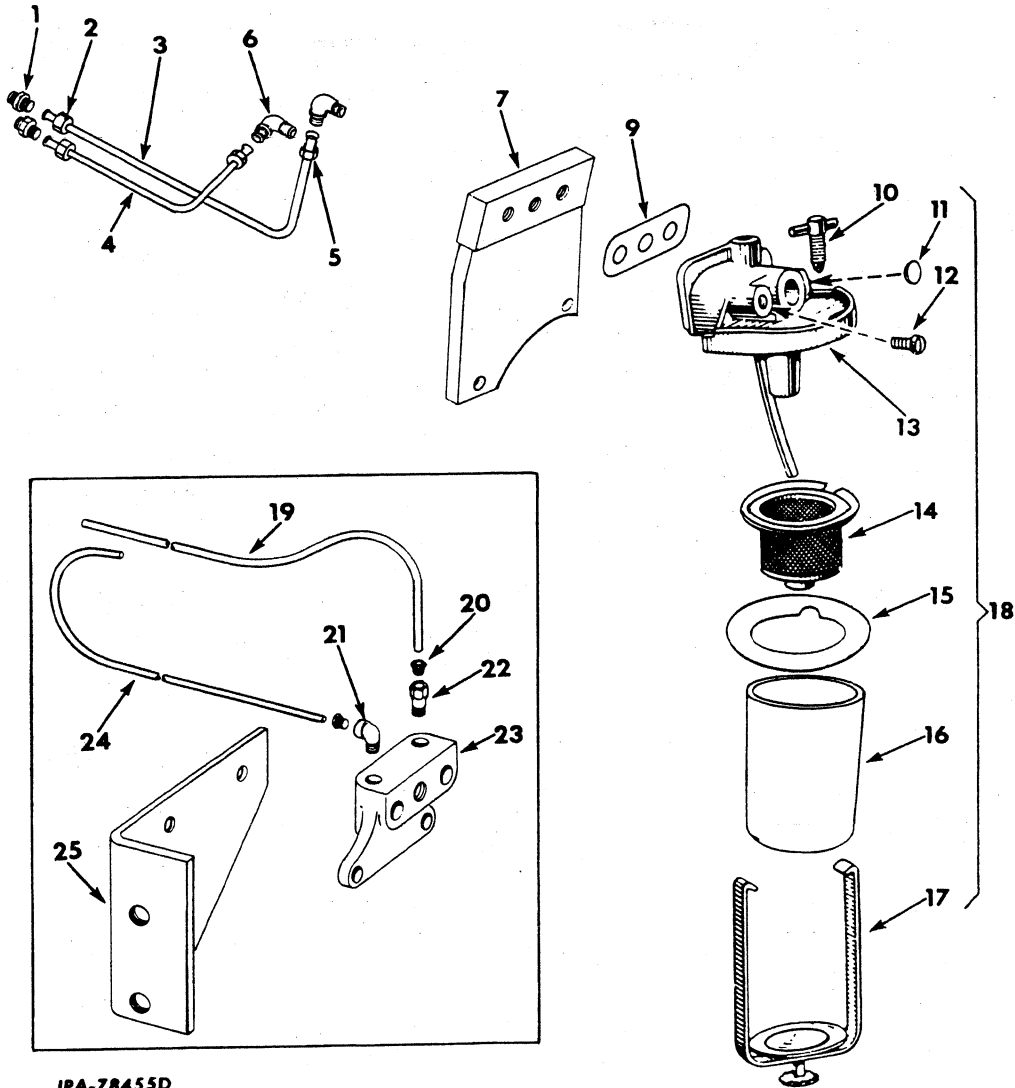
309 015 R91 LUBRICATOR ASSY (700 225)
(Consists of the following parts -

1	55 482 D	HANDLE, lever
2		PIN, 3/32 x 1/2", cotter (3)
3	40 638 D	PIN, toggle (2)
4	40 635 D	PIN, handle
5	277 153 R1	TOGGLE
6	53 202 D	OUTLET, pump
7	310 923 R1	BODY, pump
8	55 479 D	SCREW, container cover (3)

MISCELLANEOUS

REF. NO.	PART NUMBER	DESCRIPTION	REF. NO.	PART NUMBER	DESCRIPTION
----------	-------------	-------------	----------	-------------	-------------

WATER TRAP



IPA-78455D

Parts without letters after the description indicate that part is used for all water traps listed below. Letters "A" and "B" are used to identify separate water traps.

A		SERVICE PARTS for water trap mounted on RH side, main frame channel.	3	612 628 C11	TUBE, w/two NUT, 265 205 R1, and two SLEEVE, 265 204 R1, water trap inlet to fuel supply tube (Water Trap "B")
B	612 626 C92	ATTACHMENT, water trap (mounted on engine front cover) (%)	265 204 R1		SLEEVE, water trap inlet to fuel supply tube (2 for Water Trap "B")
			4	616 283 C11	TUBE, w/two NUT, 265 205 R1, and two SLEEVE, 265 204 R1, water trap outlet to filter (Water Trap "B")
			265 204 R1		SLEEVE, water outlet to filter tube (2 for Water Trap "B")
1	603 867 C1	UNION, 3/8" tube, flexible (Water Trap "B")	5	265 205 R1	NUT, water trap outlet to filter tube (2 for Water Trap "B")
2	265 205 R1	NUT, water trap inlet to fuel supply tube (2 for Water Trap "B")			

(%) - Attachment No Longer Available. Service Parts Will Be Furnished As Ordered.

MISCELLANEOUS

REF. NO.	PART NUMBER	DESCRIPTION	REF. NO.	PART NUMBER	DESCRIPTION
WATER TRAP - Continued			25	331 779 R1	BRACKET, water trap mounting (Water Trap "A")
				25 526 R1	NUT, 1/2" (2)
6	606 845 C1	ELBOW, flex, 1/4 NPT x 3/8" tube (at water trap) (2 for Water Trap "B")		25 505 R1	SCREW, 1/2 x 1-3/8", hex-hd cap (2)
7	700 283 C1	BRACKET, water trap support (Water Trap "B")		116 121	WASHER, 1/2" lock (2)
	140 483 H	SCREW, 3/8 x 1-1/4", hex-hd cap (2)		37 323 D	ELBOW, fuel tube (at filter) (Water Trap "A")
9	51 527 DC	GASKET, water trap		606 845 C1	ELBOW, 1/4 NPT x 3/8" tube, flexible (at filter) (Water Trap "B")
10	279 173 R1	SCREW, water trap drain		37 165 D	NUT, elbow and union (3 for Water Trap "A")
11	24 805 D	PLUG, 3/8 brs expansion (type No. 1)		265 205 R1	NUT, 3/8" tube, flexible (fuel supply tube) (Water Trap "B")
12	60 871 DA	SCREW, water trap vent		265 204 R1	SLEEVE, 3/8" tube, flexible (fuel supply tube) (Water Trap "B")
13	251 380 R91	TOP, w/drain PIPE and PLUG, 24 805 D, water trap		55 999 D	UNION, 3/8 x 9/16" (Water Trap "A")
	275 635 R1	SCREW, 1/2 x 3", hex-hd cap			
	116 121	WASHER, 1/2" lock			
14	251 348 R91	SCREEN, water trap			
15	260 708 R2	GASKET, water trap bowl			
16	60 877 D	GLASS, water trap			
17	60 878 DX	BAIL, w/thumb SCREW, water trap			
18	251 355 R91	TRAP ASSY, water (Composed of - 1 BAIL 60 878 DX 1 GASKET 260 708 R2 1 GLASS 60 877 D 1 SCREEN 251 348 R91 1 SCREW 60 871 DA 1 SCREW 279 173 R1 1 TOP 251 380 R91)			
19	341 823 R1	TUBE, front fuel supply to water trap inlet (Water Trap "A")			
20	37 165 D	NUT, fuel tube (2 for Water Trap "A")			
21	37 323 D	ELBOW, fuel tube (Water Trap "A")			
22	38 026 DM	CONNECTOR, fuel tube (Water Trap "A")			
23	9 311 D	BRACKET (Water Trap "A")			
	25 522 R1	NUT, 3/8" (2)			
	101 896 R1	SCREW, 3/8 x 1-1/8", hex-hd cap (2)			
	115 093	WASHER, 3/8" lock (2)			
24	341 822 R1	TUBE, water trap to fuel filter (outlet) (together w/ELBOW, 37 323 D, will work for 331 773 R1) (Water Trap "A")			

MISCELLANEOUS

REF. NO.	PART NUMBER	DESCRIPTION	REF. NO.	PART NUMBER	DESCRIPTION
ALTITUDE COMPENSATION ATTACHMENT (Used on Power Shift Tractors)			624 915 C91		ATTACHMENT, altitude compensation - Continued (Consists of - Continued)
331 731 R91		ATTACHMENT, altitude compensation TD-9BP 6525 to 15966, also 15994 to 16217 except 15996 (see NOTE 2) (Consists of the following parts - Air Cleaner and Connections [used on Agr. Tractors] [used on Power Shift Tractors equipped w/altitude compensation attachment]) (*) Intake and Exhaust Manifold (used on Manual Shift or Agr. Tractors) (used on Power Shift Tractors equipped w/altitude compensation attachment) (*) Turbocharger and Piping (used on Manual Shift or Agr. Tractors) (used on Power Shift Tractors equipped w/altitude compensation attachment) (*)			1 PIPE 331 703 R1 1 PIPE 620 148 C1 1 PIPE 306 660 R11 1 PLATE 312 552 R1 1 PLUG 444 576 1 RETAINER 316 050 R1 1 SLEEVE 316 051 R1 1 TUBE 611 429 C11 1 TUBE 308 361 R11 1 TURBOCHARGER 324 032 R91)
1 019 019 R2		INSTALLATION INSTRUCTIONS			
624 915 C91		ATTACHMENT, altitude compensation (when an air-pipe extension is desired, air pipe extension ATTACHMENT, 331 794 R91, must be used) TD-9BP 15967 to 15993 and 16218, up; also 15996 (Consists of -			
		1 ADAPTER 321 359 R1 4 BOLT 304 426 R1 1 BRACKET 316 053 R1 2 CLAMP 274 089 R91 2 CLAMP 276 223 R91 1 CLAMP 318 380 R1 2 CLAMP 122 316 R91 2 CLAMP 279 038 R91 1 CONNECTOR 610 858 C1 1 DRAWING IZG - 6745 2 ELBOW 120 063 1 ELBOW 316 052 R2 1 FLANGE 318 379 R1 2 GASKET 278 313 R1 2 GASKET 278 314 R1 1 GASKET 304 854 R1 1 GASKET 304 391 R2 1 GASKET 253 660 R1 1 GASKET 253 664 R2 1 GASKET 369 497 R2 1 HOSE 407 015 R1 1 HOSE 606 696 C91 1 HOSE 312 109 R1 1 HOSE 310 385 R1 4 LOCK 50 408 D 1 MANIFOLD 306 656 R1 2 NIPPLE 171 823 R1 (Continued next column)			

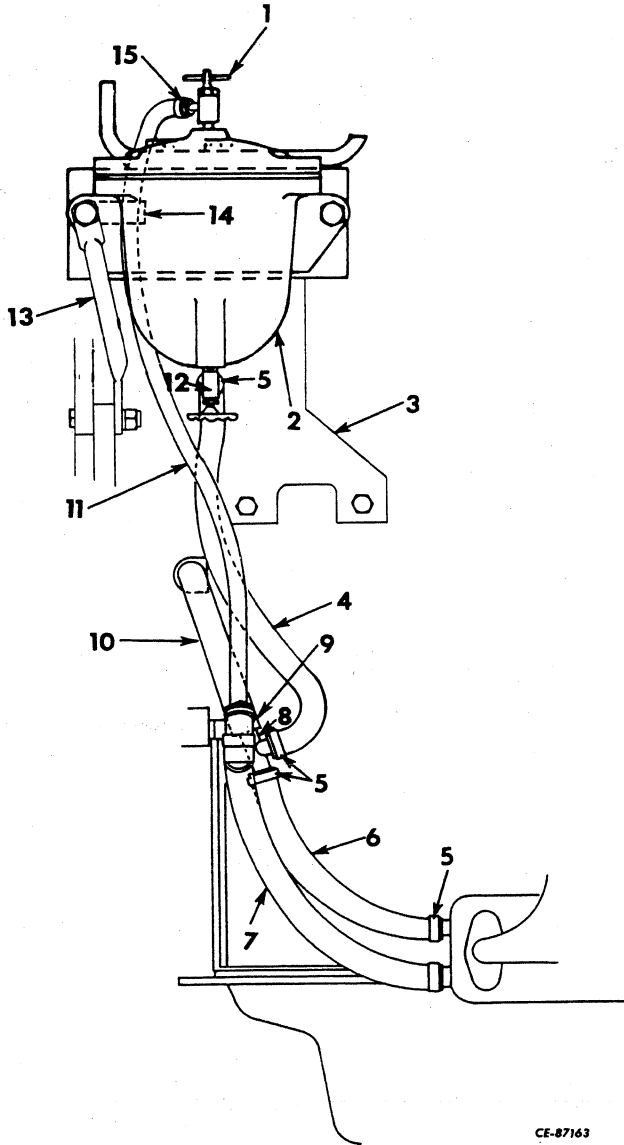
NOTE 2 - Field Application - Order on Machine Order Form.

(*) - Detail Parts Are Listed in the Standard Parts Section of This Catalog.

MISCELLANEOUS

REF. NO.	PART NUMBER	DESCRIPTION	REF. NO.	PART NUMBER	DESCRIPTION
----------	-------------	-------------	----------	-------------	-------------

WATER CONDITIONER
(Perry)



3	612 235 C11 179 842	BRACKET, water conditioner SCREW, 3/8 x 1-3/8", hex-hd cap (2)
4	150 955 R1	HOSE, inlet
5	274 085 R91	CLAMP, hose (4)
6	612 239 C1	HOSE, inlet cooler
7		Not Furnished as part of attachment
8	449 373 R1	TEE, hose (5/8" OD)
9	444 138 171 809 R1 615 460 C1 120 322	TEE, pipe ELBOW, hose NIPPLE, hose REDUCER, pipe
10	684 154 R1	HOSE, inlet cooler (upper)
11	612 240 C1	HOSE, outlet
12	610 789 C91	VALVE, filter inlet
13	612 238 C1 271 500 179 867 103 322	BRACE, water conditioner NUT, 7/16" SCREW, 7/16 x 2-1/4", hex-hd cap WASHER, 7/16" lock
14	308 580 R1	CLIP, hose
15	279 025 R91	CLAMP, hose (2)

CF-87163

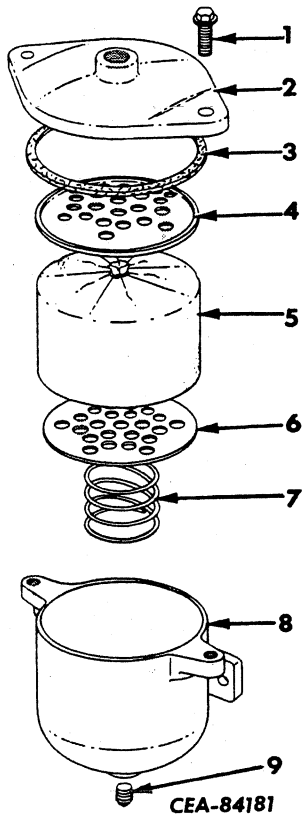
	701 022 C91	ATTACHMENT, water conditioner (see NOTE 4)
1	321 840 C91	VALVE, outlet
2	428 541 R91	FILTER, water (for components, see list of parts under details of "Water Filter")
	102 637 179 890	NUT, 1/2" (2) SCREW, 1/2 x 2-1/4", hex-hd cap (2)
	103 323	WASHER, 1/2" lock (2)

NOTE 4 - Attachment No Longer
Available. Service Parts
Will Be Furnished As
Ordered.

MISCELLANEOUS

REF. NO.	PART NUMBER	DESCRIPTION	REF. NO.	PART NUMBER	DESCRIPTION
----------	-------------	-------------	----------	-------------	-------------

WATER FILTER
(Part of Attachment 701 022 C91)



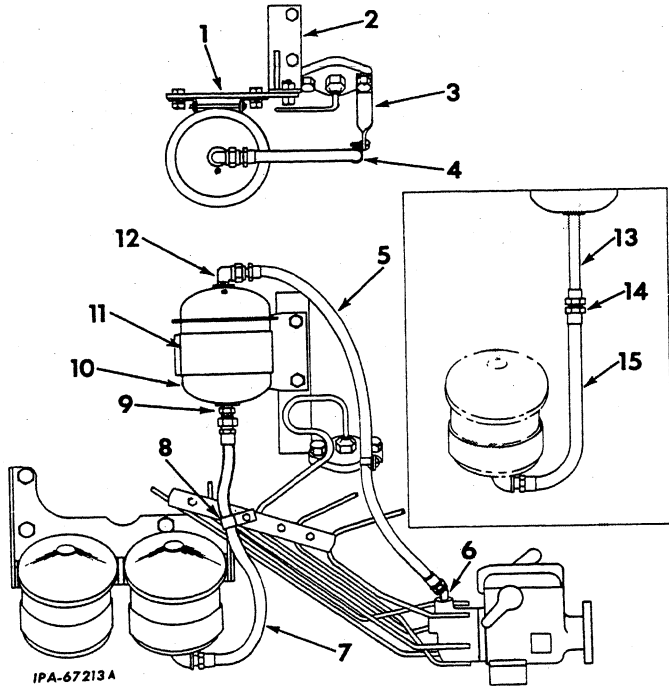
428 541 R91 FILTER ASSY, water
(consists of the following parts -

1	313 586 R91	BOLT w/lock WASHER (2)
2	237 358 R1	COVER, water filter
3	237 361 R1	GASKET, water filter cover
4	237 363 R1	PLATE, upper
5	237 364 R91	CARTRIDGE, water filter
6	237 362 R1	PLATE, lower
7	237 360 R1	SPRING, cartridge support
8		BODY (not furnished separately)
9	444 577	PLUG, drain 1/4"

MISCELLANEOUS

REF. NO.	PART NUMBER	DESCRIPTION
----------	-------------	-------------

WATCHDOG FUEL FILTER
(For Units Equipped With Roosa-Master Fuel Injection Pump)



IPA-67213A

Parts without letters after the description indicate the part is used for all Fuel Filters listed below. Letters A and B are used to identify separate fuel filters.

- A SERVICE PARTS for Watchdog Fuel Filter
 TD-9BGM 5700 to 6671
 TD-9BGAM 5700 to 6677
 TD-9BPM 5700 to 6674

- B SERVICE PARTS, for Watchdog Fuel Filter
 TD-9BGM 10998 up
 TD-9BGAM 10965 up
 TD-9BPM 11143 up
 TD-9BGCM 10998 to 97305
 TD-9BGSM 10998 to 97305

- 1 315 973 R2 PLATE, filter bracket
 25 522 R1 NUT, 3/8" (2)
 25 496 R1 SCREW, 3/8 x 7/8" hex-hd cap (2)
 115 093 WASHER, 3/8" lock (2)
 103 341 WASHER, 13/32 x 13/16" x 16 ga (2)

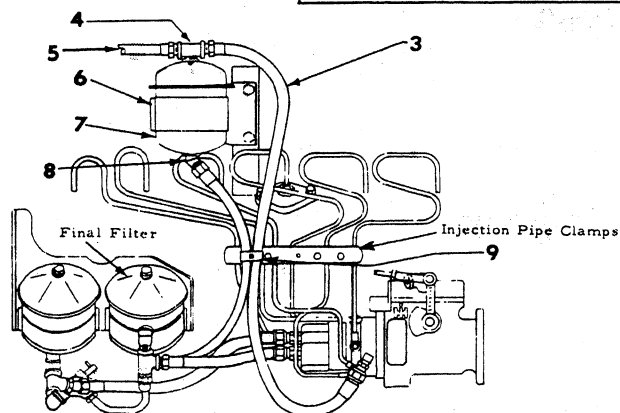
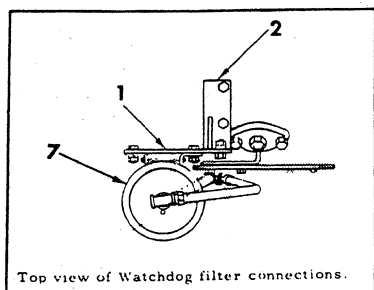
REF. NO.	PART NUMBER	DESCRIPTION
----------	-------------	-------------

- 2 332 112 R21 BRACKET, fuel filter support
 101 896 R1 SCREW, 3/8 x 1-1/8" hex-hd cap (2)
 115 093 WASHER, 3/8" lock (2)
- 3 332 603 R1 BRACKET, fuel hose clamp
- 4 338 822 R1 CLAMP, filter outlet hose
 SCREW, No. 8 x 1/2" slit-rd-hd tapping
- 5 271 140 R91 HOSE, filter outlet
- 6 121 619 ELBOW, pump inlet (1/4" x 45° street)
- 7 277 031 R91 HOSE, filter inlet (Fuel Filter A)
- 8 277 544 R1 CLAMP, inlet hose (Fuel Filter A)
- 9 118 750 CONNECTOR, filter inlet (3/8") (Attachment A)
- 10 277 025 R94 FILTER, Watchdog fuel
- 11 304 104 R91 BRACKET, fuel filter
 25 520 R1 NUT, 5/16" (4)
 25 228 R1 SCREW, 5/16 x 3/4" hex-hd cap (4)
 116 120 WASHER, 5/16" lock (4)
 103 340 WASHER, 11/32 x 11/16" x 16 ga (4)
- 12 118 755 ELBOW, filter outlet (3/8" x 90°)
- 13 119 247 NIPPLE, filter inlet (1/4 x 4" long) (Fuel Filter B)
- 14 121 323 CONNECTOR, final filter hose to nipple (Attachment B)
- 15 275 946 R91 HOSE w/FITTINGS, final fuel filter to Watchdog fuel filter inlet nipple connector (HOSE, 5/16" ID x 14-1/2" long w/FITTINGS)

MISCELLANEOUS

REF. NO.	PART NUMBER	DESCRIPTION
----------	-------------	-------------

WATCHDOG FUEL FILTER
(For Units With International R.D. Fuel Injection Pump)



IPA-78463

REF. NO.	PART NUMBER	DESCRIPTION
----------	-------------	-------------

4	444 136	TEE, watchdog filter outlet (3/8")
5	606 850 C91	HOSE w/FITTINGS, gauge to watchdog filter tee (HOSE, 1/4" ID x 22" long including FITTINGS) (Fuel Filter A)
5	651 799 C1	HOSE w/FITTINGS, gauge to watchdog filter tee (HOSE, 3/16" ID x 13-1/2" long including FITTINGS) (Fuel Filter B)
6	304 104 R91 25 520 R1 25 228 R1	BRACKET, fuel filter NUT, 5/16" (4) SCREW, 5/16 x 3/4" hex-hd cap (4)
	116 120	WASHER, 5/16" lock (4)
7	343 893 R93	FILTER, watchdog fuel
8	9 402 800	ELBOW, filter inlet (3/8" x 45°)
9	328 681 R1 262 038 R1	CLAMP, double hose (2) NUT, speed SCREW, 1/4 x 3/4" slt-mach WASHER, 9/32 x 5/8"
	444 584	PLUG, 3/8" sq-hd pipe
9	402 745	CONNECTOR, hose to gauge (1/4" OD tube) (Fuel Filter B)

Parts without letters after the description indicate the part is used for all Fuel Filters listed below. Letters "A" and "B" are used to identify separate fuel filters.

A SERVICE PARTS for Watchdog fuel filter (for manual shift and Agr. crawler tractors engine serial number TD-9BGM 6672 to 7765, TD-9BGAM 6678 to 7765) (*)

B SERVICE PARTS for Watchdog fuel filter (for power shift crawler tractors engine serial number, TD-9BPM 6675 to 7765) (*)

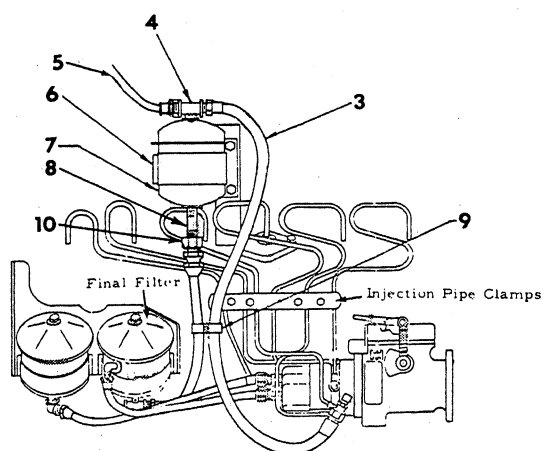
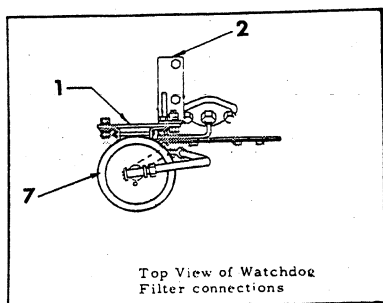
1	315 973 R2 25 522 R1 25 496 R1 115 093	PLATE, watchdog filter bracket NUT, 3/8" (2) SCREW, 3/8 x 7/8" hex-hd cap (2) WASHER, 3/8" lock (2)
2	332 112 R21 101 896 R1 115 093 103 341	BRACKET, fuel filter support SCREW, 3/8 x 1-1/8" hex-hd cap (2) WASHER, 3/8" lock (2) WASHER, 13/32 x 13/16" x 16 ga (2)
3	346 734 R91	HOSE w/FITTINGS, watchdog filter to injection pump (HOSE, 3/8" ID x 40" long w/FITTINGS)

(*) - For Use With International R.D. Fuel Injection Pumps Only.

MISCELLANEOUS

REF. NO.	PART NUMBER	DESCRIPTION	REF. NO.	PART NUMBER	DESCRIPTION
----------	-------------	-------------	----------	-------------	-------------

WATCHDOG FUEL FILTER
(For Units With International R.D. Fuel Injection Pump)



IPA-78462A

3	347 837 R91	HOSE w/FITTINGS, watchdog filter to injection pump (HOSE, 3/8" ID x 40" long w/FITTINGS)
4	444 134	TEE, watchdog filter outlet (1/4")
5	606 850 C91	HOSE w/FITTINGS, gauge to watchdog filter tee (HOSE, 1/4" ID x 22" long including FITTINGS) (Fuel Filter A)
5	651 799 C1	HOSE w/FITTINGS, gauge to watchdog filter tee (HOSE 3/16" ID x 13-1/2" long including FITTINGS) (Fuel Filter B)
6	304 104 R91 25 520 R1 25 228 R1	BRACKET, fuel filter NUT, 5/16" (4) SCREW, 5/16 x 3/4" hex-hd cap (4)
	116 120 103 340	WASHER, 5/16" lock (4) WASHER, 11/32 x 11/16" x 16 ga (4)
7	277 025 R94	FILTER, watchdog fuel
8	192 052	NIPPLE, watchdog filter inlet (1/4 x 1-1/2")
9	328 681 R1 262 038 R1	CLAMP, double hose (2) NUT, speed SCREW, 1/4 x 3/4" slit-mach WASHER, 9/32 x 5/8"
10	9 402 747 444 024 9 402 745	CONNECTOR, watchdog filter inlet REDUCER (1/4 x 1/8") CONNECTOR, hose to gauge (1/4" OD tube) (Fuel Filter B)

Parts without letters after the description indicate the part is used for all Fuel Filters listed below. Letters "A" and "B" are used to identify separate fuel filters.

A SERVICE PARTS for watchdog fuel filter (for manual shift and Agr. crawler tractors engine serial number TD-9BGM 7766 to 10997, TD-9BGAM 7766 to 10964, TD-9BGCM 8410 to 10997 and TD-9BGSM 8483 to 10997) (*)

B SERVICE PARTS for watchdog fuel filter (for power shift crawler tractors engine serial number TD-9BPM 7766 to 10997) (*)

1	315 973 R2 25 522 R1 25 496 R1 115 093	PLATE, watchdog filter bracket NUT, 3/8" (2) SCREW, 3/8 x 7/8" hex-hd cap (2) WASHER, 3/8" lock (2)
2	332 112 R21 101 896 R1 115 093 103 341	BRACKET, fuel filter support SCREW, 3/8 x 1-1/8" hex-hd cap (2) WASHER, 3/8" lock (2) WASHER, 13/32 x 13/16" x 16 ga (2)

(*) - For Use With International R.D. Fuel Injection Pumps Only.

MISCELLANEOUS

REF. NO.	PART NUMBER	DESCRIPTION	REF. NO.	PART NUMBER	DESCRIPTION
ODOMETER			8	604 368 C11	HOUSING ASSY, transmission on gear shifter (Composed of - 2 ANCHOR 50 826 D 1 BUSHING 276 156 R1 s 1 HOUSING 1 STUD 41 633 D) 172 529 PLUG, 5/8" expansion (4) 172 574 PLUG, 1-1/2" expansion (3) 250 868 R1 DOWEL, gear shifter housing
<p>IP B-9579A</p>			9	26 251 D 251 021 R1 Q 105	SHAFT, odometer drive gear (one T) NUT, 3/8NF jam (slotted) PIN, 3/32 x 5/8" cotter WASHER, 25/64 x 7/8" x 16 ga
			10	6 403 T	PIN, odometer drive gear (spiral) bearing
			11	ST 260	BEARING, front odometer drive gear shaft ball
			12	26 249 D	RETAINER, drive gear shaft front bearing
			13	26 248 D	HUB, odometer drive gear
			14	59 055 D	GEAR, odometer drive (16 T)
			15	275 921 R1	EXTENSION, odometer drive shaft
			16	26 257 D	GEAR and SHAFT, RH odometer lower driven (20 T)
			17	26 259 D	WASHER, odometer lower driven gear and shaft thrust
			18	37 574 D	BEARING, odometer drive gear (spiral) ball
			19	31 180 D	LOCK, rear odometer drive gear shaft bearing
			20	26 256 D	BEARING, odometer drive gear shaft (rear)
			21	275 918 R11 24 840 R1 115 093	HOUSING, w/BEARING, 37 574 D and PIN, 6 403 T, odometer drive SCREW, 3/8 x 1" hex-hd cap (2) WASHER, 3/8" lock (2)
			22	362 796 R1	RING, odometer drive housing sealing
			23	50 826 D	ANCHOR, steering clutch release lever return spring (2)
			124	543	KEY, 1/8 x 1/2" odometer drive gear hub (Woodruff No. 3)
			26	250 D	SCREW, odometer drive gear shaft front bearing retainer (4)
			48	712 D	SPACER, odometer (2)
			341	953 R91	SHEET, LH seat side (not furnished as part of ATTACHMENT, 341 951 R91)
1	275 945 R91	SHAFT, odometer drive flexible			
2	275 922 R91	JOINT, odometer drive upper angle			
2A	109 462	FITTING, odometer angle joint lubrication			
3	37 599 D 25 519 R1 25 881 R1 115 109	HEAD, odometer NUT, 1/4" (2) SCREW, 1/4 x 2-1/2" hex-hd cap (2) WASHER, 1/4" lock (2)			
4		SUPPORT, odometer (1/4" std pipe x 1-19/32" long - obtain locally)			
5	15 913 HA	SLEEVE, odometer drive housing			
6	276 156 R1	BUSHING, shifter lever shaft			
7	41 633 D	STUD, platform			

Service parts for odometer (for TD-9 manual shift, Agr. and sideboom tractors)

s - Not Furnished Separately.

MISCELLANEOUS

REF. NO.	PART NUMBER	DESCRIPTION	REF. NO.	PART NUMBER	DESCRIPTION
			604 920	C92	PACKAGE, instruction product graphics field service (for tractors painted IH yellow) (Consists of the following -
		The following identification and instructional Product Graphics are available.			§ 1 PRODUCT GRAPHIC, air cleaner (instructions)
311 263	R1	PRODUCT GRAPHIC, IH emblem (#) TD-9BG 6502 to 13076 TD-9BP 6525 to 13029 TD-9BGA 6616 to 13076 TD-9BGC 9231 to 13076 TD-9BGS 9239 to 13076			§ 1 PRODUCT GRAPHIC, engine running with tractor stopped
					§ 1 PRODUCT GRAPHIC, engine starting procedure
					§ 1 PRODUCT GRAPHIC, engine start warning
					§ 1 PRODUCT GRAPHIC, primary fuel filter (instructions)
345 610	R91	PRODUCT GRAPHIC, IH emblem (for use on tractors painted yellow) TD-9BG 6502 to 13076 TD-9BP 6525 to 13029 TD-9BGA 6616 to 13076 TD-9BGC 9231 to 13076 TD-9BGS 9239 to 13076			§ 1 PRODUCT GRAPHIC, fuel priming procedure (for units equipped with International R.D. fuel injection pump w/ internal priming valve)
					§ 1 PRODUCT GRAPHIC, fuel pump priming
2 750 008	R1	PRODUCT GRAPHIC, shifting diagram (for two speed reverse transmission)			§ 1 PRODUCT GRAPHIC, fuel pump warning
2 750 387	R1	PRODUCT GRAPHIC, primary fuel filter instruction			§ 1 PRODUCT GRAPHIC, fuel tank drain
2 750 390	R1	PRODUCT GRAPHIC, final fuel filter instruction			§ 1 PRODUCT GRAPHIC, generator warning
2 751 307	R2	PRODUCT GRAPHIC, model symbol (not used on dozer tractors) (#) (*) (2)			§ 1 PRODUCT GRAPHIC, lubricating oil filter instructions
2 751 311	R2	PRODUCT GRAPHIC, Series B (#) (2)			§ 1 PRODUCT GRAPHIC, master switch warning
2 751 319	R2	PRODUCT GRAPHIC, model symbol (#) (2)			§ 1 PRODUCT GRAPHIC, oil pressure warning
2 751 345	R1	PRODUCT GRAPHIC, model symbol (&) (#) (2)			§ 1 PRODUCT GRAPHIC, on-off master switch
2 751 389	R1	PRODUCT GRAPHIC, fuel pump warning (for units equipped with International R.D. fuel injection pump w/externally mounted priming valve)			§ 1 PRODUCT GRAPHIC, rear power take-off shaft rotation
2 751 392	R1	PRODUCT GRAPHIC, fuel pump priming (for units equipped with International R.D. fuel injection pump w/externally mounted priming valve)			§ 3 PRODUCT GRAPHIC, shifting diagram
547 495	R91	PRODUCT GRAPHIC, International (on guard) (#)			§ 1 PRODUCT GRAPHIC, shifter plate hand lever gate
604 021	C1	TREAD, safety walk (one used on tractors without Carco Winch, two used on tractors with Carco Winch)			§ 2 PRODUCT GRAPHIC, suction and safety filter
628 073	C1	PRODUCT GRAPHIC, custom application (#) (2)			§ 1 PRODUCT GRAPHIC, travel direction change
					§ 1 PRODUCT GRAPHIC, final fuel filter (instructions)

- (§) - Not Furnished Separately
- (#) - Used on Tractors Painted Other Than Yellow
- (&) - Used on Agriculture Tractors
- (*) - Used on Manual Shift Tractor, Revolving Crane Tractor and Sideboom Tractor

MISCELLANEOUS

REF. NO.	PART NUMBER	DESCRIPTION	REF. NO.	PART NUMBER	DESCRIPTION
----------	-------------	-------------	----------	-------------	-------------

PRODUCT GRAPHICS - Continued

- 603 288 C93 PACKAGE, product identification product graphic field service (for tractors painted IH yellow)
(Consists of the following -
 - § 2 PRODUCT GRAPHIC, agricultural
 - § 1 PRODUCT GRAPHIC, "IHC of Canada"
 - § 3 PRODUCT GRAPHIC "IH" monogram
 - § 3 PRODUCT GRAPHIC, "International"
 - § 2 PRODUCT GRAPHIC, "TD-9 Power Shift" model symbol
 - § 2 PRODUCT GRAPHIC, "TD-9 Dozer" model symbol
 - § 2 PRODUCT GRAPHIC, "SERIES B" model symbol
 - § 2 PRODUCT GRAPHIC, "150" model symbol

547 495 R91 PACKAGE, "INTERNATIONAL" trademark (#)

(§) - Not Furnished Separately

(#) - Used on Tractors Painted Other Than Yellow

MISCELLANEOUS

REF. NO.	PART NUMBER	DESCRIPTION	REF. NO.	PART NUMBER	DESCRIPTION
		PACKAGE ASSORTED GASKETS	604 739 C91		PACKAGE, transmission gasket field service (for use on Power Shift Tractors) - Continued (Consists of the following - Continued
332 652 R91		GASKET SET, crankcase (Consists of the following gaskets -			
310 665 R1		BOOT, seal [2]	324 223 R2		RING, accelerating piston [2]
69 674 R1		GASKET, water pump plate	627 969 C1		RING, piston and piston housing sealing [2]
69 676 R1		GASKET, water pump	324 226 R1		RING, clutch piston sealing
349 038 R1		GASKET, oil cooler manifold	324 227 R1		RING, piston housing sealing
251 403 R1		GASKET, relief valve plug	325 059 R1		RING, input shaft sealing [4]
369 982 R1		GASKET, push rod cover	327 420 R1		RING, pump drive gear sealing
369 981 R1		GASKET, breather pipe flange	343 700 R1		RING, pump cover to housing sealing
278 265 R1		GASKET, crankcase front plate			
278 268 R1		GASKET, crankcase front cover	355 967 R1		RING, pump drive housing support sealing [2]
278 270 R2		GASKET, injection pump gear cover	461 173 R1		RING, transmission filler pipe sealing
369 984 R1		GASKET, crankcase oil pan	468 339 R1		RING, converter stator support quill sealing
3 405 H		GASKET, oil pan drain plug			
353 936 R2		GASKET, oil pan shaft support	604 740 C91		PACKAGE, torque converter gasket, field service (for use on Power Shift Tractors) (consists of GASKET, 158 512 R1, RING, 158 503 R1, and RING, 341 808 R1)
278 347 R1		GASKET, injection pump adapter			
51 527 DC		GASKET, water trap			
69 607 R1		GASKET, oil pump body			
304 279 R1		GASKET, lubricating oil filter base			
3 405 H		GASKET, lubricating oil pressure relief valve plug			
304 854 R1		GASKET, oil filter case			
304 012 R1		GASKET, center tube			
304 720 R1		"O" RING, pilot tube			
350 684 R1		"O" RING, oil cooler to manifold [2]			
310 446 R95		GASKET SET, valve grinding (Consists of the following gaskets -			
278 280 R1		GASKET, thermostat housing			
278 308 R1		GASKET, valve cover			
278 313 R2		GASKET, exhaust manifold - ends [2]			
278 314 R1		GASKET, exhaust manifold - center [2]			
601 509 C1		GASKET, cylinder head			
305 804 R1		GASKET, intake manifold			
446 210		WASHER, valve cover [4]			
604 739 C91		PACKAGE, transmission gasket field service (for use on Power Shift Tractors) (Consists of the following -			
327 922 R1		GASKET, pump mounting housing cover			
327 923 R1		GASKET, pump mounting housing			
327 925 R1		GASKET, transmission counter-shaft front bearing retainer			
327 928 R1		GASKET, pump drive housing cover			
327 945 R1		GASKET, converter supply pump			
331 461 R1		GASKET, transmission front cover			
355 967 R1		GASKET, pump drive housing			
604 365 C2		GASKET, gear shift housing			
264 681 R1		"O" RING, pump drive housing cover			
252 739 R1		RING, pump drive housing support sealing [4]			
259 246 R1		RING, converter stator support quill - sealing			
708 560 R1		RING, pump inlet and outlet pipe [2]			
610 411 C1		RING, pump drive housing support sealing			

MISCELLANEOUS

REF. NO.	PART NUMBER	DESCRIPTION	REF. NO.	PART NUMBER	DESCRIPTION
PLATES			ANTI-VANDALISM PACKAGE		
312 552 R1		PLATE, turbocharger warning (mount on dash) RIVET, 5/32 x 3/8" (4)	632 166 C91		PACKAGE, anti-vandalism (see NOTES 1 and 3) (Consists of the following parts - 1 ATTACHMENT, engine oil level dipstick w/lock 628 187 C91 1 ATTACHMENT, fuel tank cap w/lock 701 980 C92 3 ATTACHMENT, padlock w/keys [1 for each: RADIATOR CAP, EXHAUST RAIN CAP, and TOOL BOX] 650 382 R91

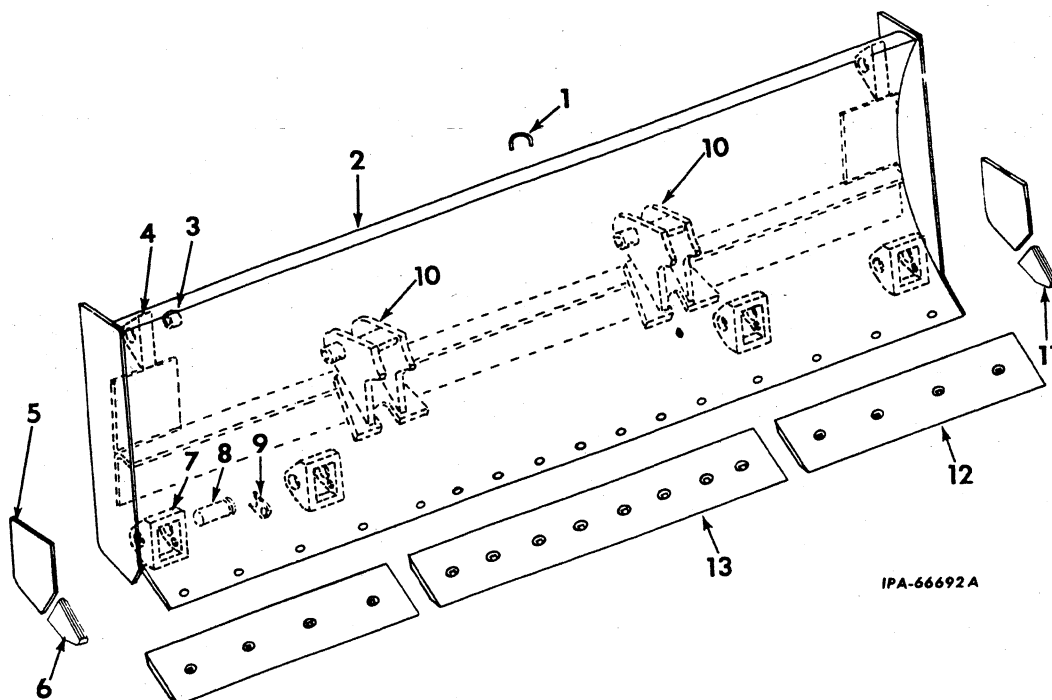
NOTE 1 - Factory Application -
Order on Machine Order
Form.

NOTE 3 - Field Application - Order
Through Regular Service
Parts Channels.

HYDRAULIC BULLGRADER AND BULLDOZER

REF. NO.	PART NUMBER	DESCRIPTION	REF. NO.	PART NUMBER	DESCRIPTION
----------	-------------	-------------	----------	-------------	-------------

BULLDOZER BLADE



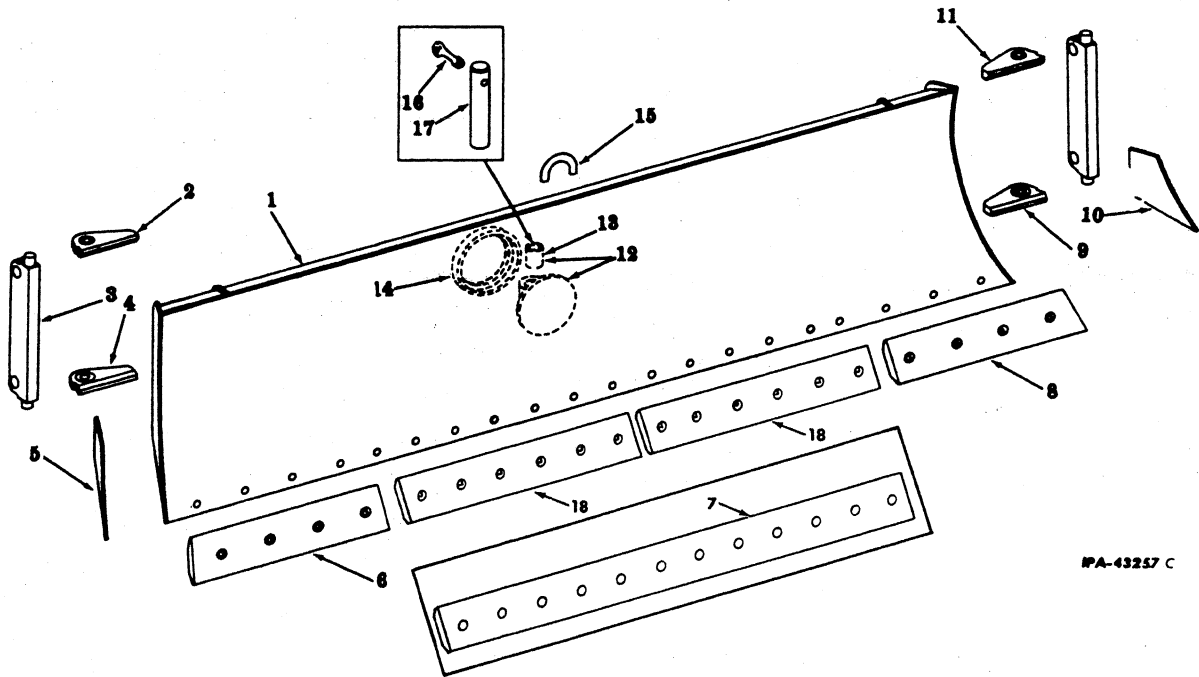
1	292 832 R1	EYE, blade lifting	10	626 287 C1	BRACKET, hydraulic (used w/ BLADE, 626 280 C91) (2)
2	294 695 R93	BLADE, w/EDGE and BIT ASSY (not reinforced) (order BLADE, 626 280 C91)	10	326 000 R91	BRACKET, hydraulic (used w/ BLADE, 294 695 R93) (2)
2	626 280 C91	BLADE, w/EDGE and BIT ASSY (reinforced) (Composed of -	11	326 047 R1	TIP, LH wear plate
		2 BIT	12	626 000 C1	BIT, end (2)
		§ 1 BLADE		296 845 R1	BOLT, 3/4 x 2-1/2", plow (used w/ BLADE, 294 695 R93) (8)
		16 BOLT		198 560 H1	BOLT, 3/4 x 2-1/4", No. 3 HD plow (used w/BLADE, 626 280 C91) (8)
		4 BRACKET		220 081	NUT, 3/4" (8)
		2 BRACKET		103 326	WASHER, 3/4" lock (8)
		1 EDGE			
		1 EYE			
		2 LUG			
		2 PLATE	13	623 992 C1	EDGE, cutting
		1 TIP		296 845 R1	BOLT, 3/4 x 2-1/2" plow (used w/ BLADE, 294 695 R93) (8)
		1 TIP			
3	292 947 R1	BUSHING, strut lug (2)		198 560 H1	BOLT, 3/4 x 2-1/4" No. 3 HD plow (used w/BLADE, 626 280 C91) (8)
4	294 668 R11	LUG, w/BUSHING, 292 947 R1, strut (2)		220 081	NUT, 3/4" (8)
				103 326	WASHER, 3/4" lock (8)
5	326 046 R1	PLATE, wear (2)			
6	326 048 R1	TIP, RH wear plate			
7	292 861 R1	BRACKET, push arm (4)			
8	292 870 R1	PIN, push arm bracket (4)			
9	292 853 R1	PLATE, push arm bracket pin retaining (4)			
	179 880	SCREW, 1/2 x 7/8", hex-hd cap (4)			
	103 323	WASHER, 1/2" lock (4)			

§ - Not Furnished Separately.

HYDRAULIC BULLGRADER AND BULLDOZER

REF. NO.	PART NUMBER	DESCRIPTION	REF. NO.	PART NUMBER	DESCRIPTION
----------	-------------	-------------	----------	-------------	-------------

BULLGRADER BLADE



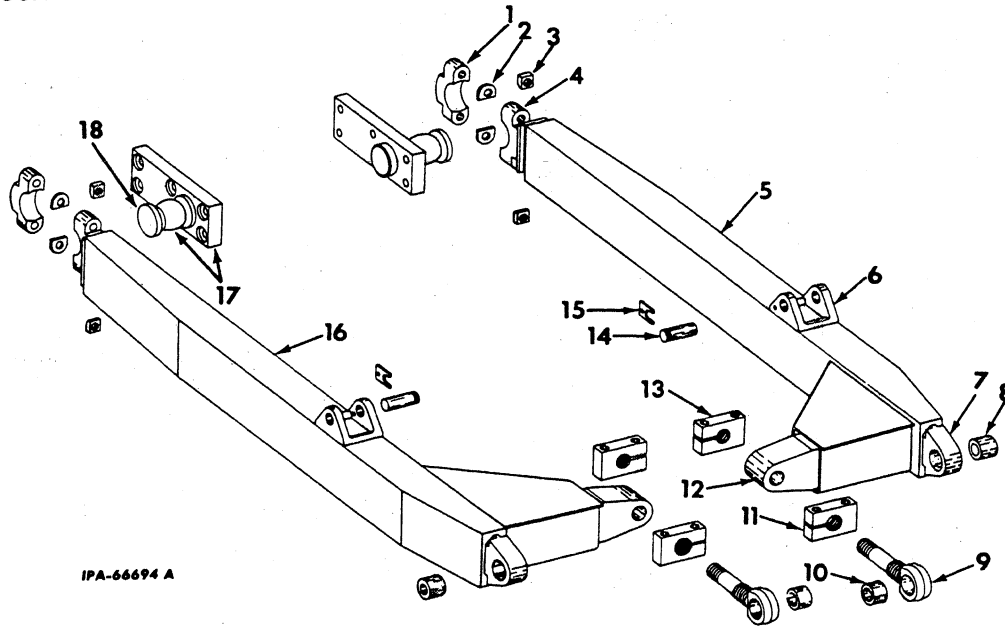
PA-43257 C

1	294 694 R92	BLADE, w/EDGE and BIT ASSY (Composed of - 1 BIT 623 998 C1 1 BIT 623 999 C1 1 BLADE 294 698 R91 12 BOLT 646 534 C1 8 BOLT 198 560 H1 2 EDGE 623 993 C1)	7	298 832 R1	EDGE, cutting (order two EDGE, 623 993 C1)
				198 560 H1	BOLT, 3/4 x 2-1/4", No. 3 HD plow (12) NUT, 3/4" (12)
1	294 698 R91	BLADE, less EDGE and BIT ASSY (Composed of - 1 BRACKET 292 841 R92 2 BRACKET 294 777 R11 2 BRACKET 294 778 R11 1 EYE 292 832 R1 1 PLATE 292 824 R1 1 PLATE 292 825 R1 1 SWIVEL 292 836 R92 2 SWIVEL 294 780 R2)	8	623 998 C1 198 560 H1 220 381 103 326	BIT, LH end BOLT, 3/4 x 2-1/4", No. 3 HD plow (4) NUT, 3/4" (4) WASHER, 3/4" lock (4)
			9	294 778 R11	BRACKET, w/BUSHING, 294 779 R1, lower LH strut swivel
			10	292 824 R1	PLATE, LH end bit reinforcing
			11	294 777 R11	BRACKET, w/BUSHING, 294 779 R1, upper LH strut swivel
			12	292 836 R92	SWIVEL w/BUSHING, 294 938 R1, crosshead
2	294 778 R11	BRACKET w/BUSHING, 294 779 R1, upper RH strut swivel	13	294 938 R1	BUSHING, crosshead swivel
3	294 780 R2	SWIVEL, strut (2)	14	292 841 R2	BRACKET, crosshead swivel
4	294 777 R11	BRACKET, w/BUSHING, 294 779 R1, lower RH strut swivel	15	292 832 R1	EYE, blade lifting
5	292 825 R1	PLATE, RH end bit reinforcing	16	292 847 R1	PIN, crosshead swivel spring eye SCREW, 1/2 x 1-1/8", hex-hd cap WASHER, 1/2" lock
6	623 999 C1 198 560 H1 220 381 103 326	BIT, RH end BOLT, 3/4 x 2-1/4", No. 3 HD plow (4) NUT, 3/4" (4) WASHER, 3/4" lock (4)	17	292 846 R2 294 779 R1	PIN, crosshead swivel BUSHING, strut swivel bracket (4)
			18	623 993 C1 646 534 C1 220 381	EDGE, cutting (2) BOLT, 3/4 x 2", No. 3 HD plow (12) NUT, 3/4" (12)

HYDRAULIC BULLGRADER AND BULLDOZER

REF. NO.	PART NUMBER	DESCRIPTION	REF. NO.	PART NUMBER	DESCRIPTION
----------	-------------	-------------	----------	-------------	-------------

BULLDOZER PUSH ARMS

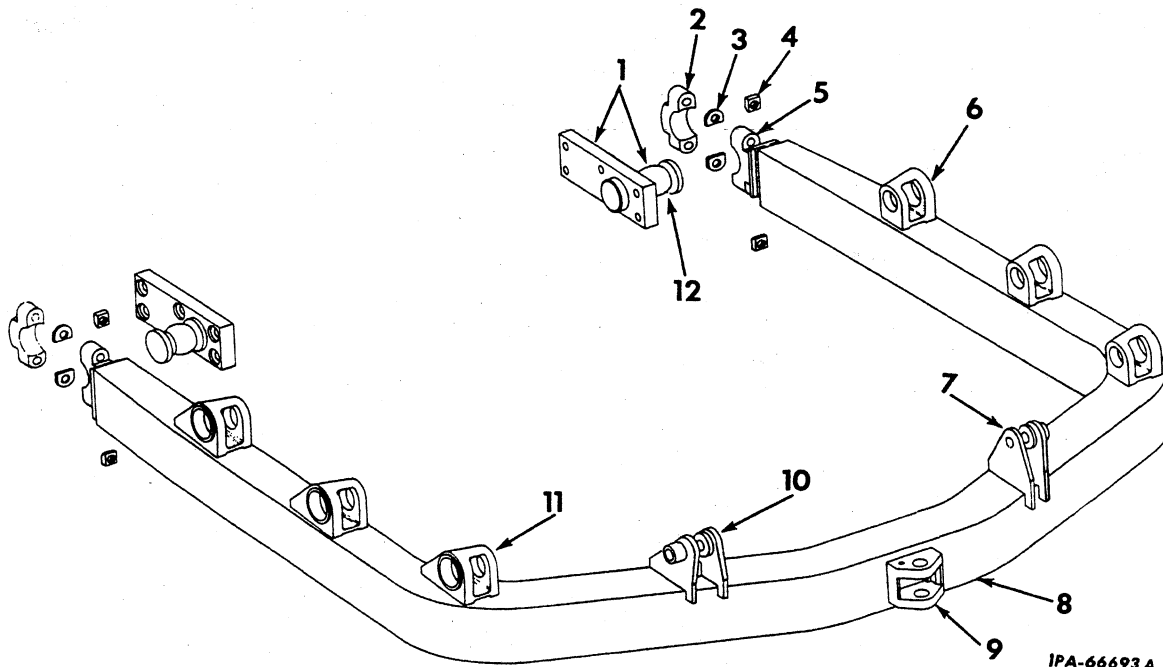


1	292 929 R1	CAP, trunnion bearing (2) SCREW, 3/4 x 4-1/2", hex-hd cap (4)	14	292 852 R1	PIN, strut bracket (2)
2	292 931 R1	SHIM, trunnion bearing cap (16)	15	292 853 R1 25 272 R1	PLATE, strut bracket pin retaining (2) SCREW, 1/2 x 7/8", hex-hd cap (2)
3	292 930 R1	NUT, trunnion bearing (4)	16	326 008 R91	ARM ASSY, RH push (Composed of -
4	292 921 R1	BEARING, trunnion (2)			1 BEARING 292 921 R1 1 BRACKET 292 864 R1 1 PIVOT 292 942 R11 1 PIVOT 292 944 R1)
5	326 007 R91	ARM ASSY, LH push (Composed of -	17	292 954 R91	PLATE, w/TRUNNION, 292 956 R1 (2)
		1 BEARING 292 921 R1 1 BRACKET 292 864 R1 1 PIVOT 292 942 R11 1 PIVOT 292 944 R1)		24 887 R1	SCREW, 3/4 x 1-3/4", hex-hd cap (10)
6	292 864 R1	BRACKET, strut (2)	18	292 956 R1	TRUNNION (2)
7	292 942 R11	PIVOT, w/BUSHING, 292 943 R1, push arm (2)	326 009 R91	ARM ASSY, LH push (Composed of -	
8	292 943 R1	BUSHING, push arm pivot (2)			1 ARM 326 007 R91 1 CAP 292 929 R1 2 NUT 292 930 R1 8 SHIM 292 931 R1)
9	292 946 R11	EYEBOLT, w/BUSHING, 292 947 R1, blade adjusting (2)	326 010 R91	ARM ASSY, RH push (Composed of -	
10	292 947 R1	BUSHING, blade adjusting eyebolt (2)			1 ARM 326 008 R91 1 CAP 292 929 R1 2 NUT 292 930 R1 8 SHIM 292 931 R1)
11	292 949 R1 287 075 R1 25 358 R1	NUT, large adjusting eyebolt lock (2) NUT (2) SCREW, 3/4 x 3-3/4", hex-hd cap (2)			
12	292 944 R1	PIVOT, transverse strut (2)			
13	292 948 R1 287 075 R1 24 893 R1	NUT, small adjusting eyebolt lock (2) NUT (2) SCREW, 3/4 x 3-1/2", hex-hd cap (2)			

HYDRAULIC BULLGRADER AND BULLDOZER

REF. NO.	PART NUMBER	DESCRIPTION	REF. NO.	PART NUMBER	DESCRIPTION
----------	-------------	-------------	----------	-------------	-------------

BULLGRADER C FRAME

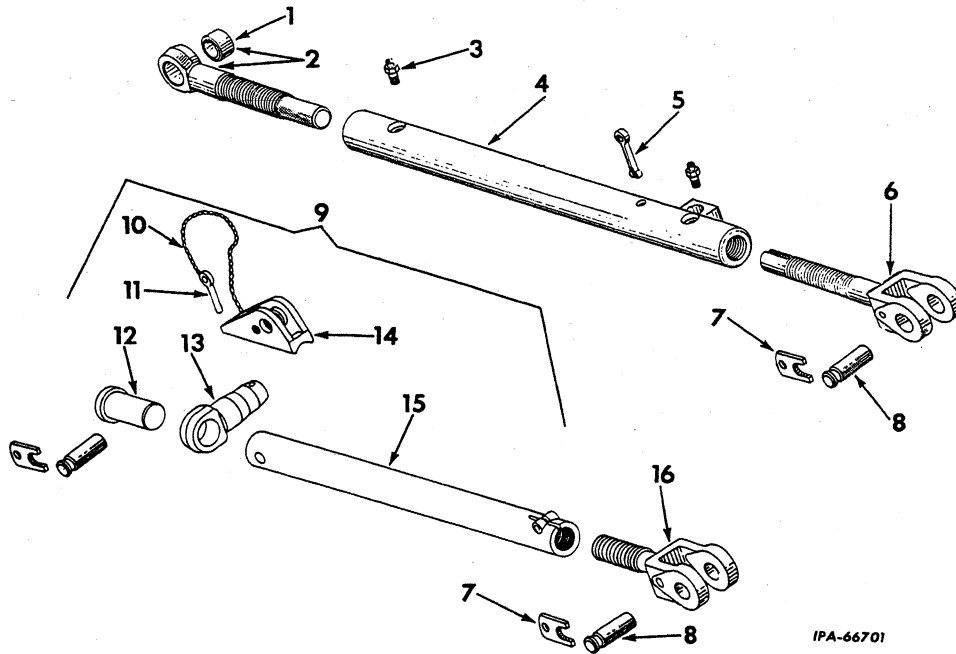


1	292 954 R91	PLATE w/TRUNNION, 292 956 R1 (2)	8	326 011 R91	"C" FRAME ASSY (Composed of -
	24 887 R1	SCREW, 3/4 x 1-3/4" hex-hd cap (10)			2 BEARING 292 921 R1
2	292 929 R1	CAP, trunnion bearing (2)			3 BRACKET 292 919 R1
	25 754 R1	SCREW, 3/4 x 4-1/4" hex-hd cap (4)			3 BRACKET 292 920 R1
3	292 931 R1	SHIM, trunnion bearing cap (16)			1 BRACKET 326 012 R91
4	292 930 R1	NUT, trunnion bearing (4)			1 BRACKET 326 013 R91
5	292 921 R1	BEARING, trunnion (2)			2 CAP 292 929 R1
6	292 919 R1	BRACKET, LH strut (3)			1 CLEVIS 292 918 R2
7	326 012 R91	BRACKET, LH hydraulic lift			4 NUT 292 930 R1
					16 SHIM 292 931 R1)
			9	292 918 R2	CLEVIS, crosshead
			10	326 013 R91	BRACKET, RH hydraulic lift
			11	292 920 R1	BRACKET, RH strut (3)
			12	292 956 R1	TRUNNION (2)

HYDRAULIC BULLGRADER AND BULLDOZER

REF. NO.	PART NUMBER	DESCRIPTION	REF. NO.	PART NUMBER	DESCRIPTION
----------	-------------	-------------	----------	-------------	-------------

STRUTS

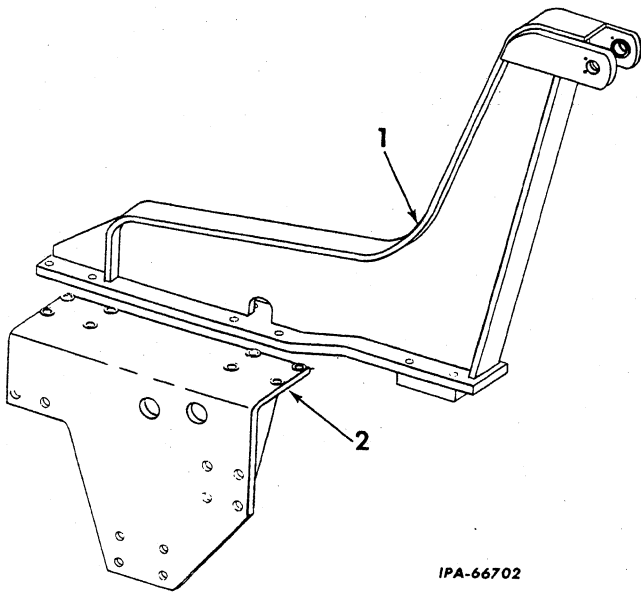


		Parts without letters after the description indicate the part is used for all service parts listed below:	7	292 853 R1	PLATE, strut pin retainer (2 for A) (6 for B)
				25 272 R1	SCREW, 1/2 x 7/8" hex-hd cap (2 for A) (6 for B)
A		Service parts for Bulldozer Struts (9D-41B)		116 121	WASHER, 1/2" lock (2 for A) (6 for B)
B		Service parts for Bullgrader Struts (9G-41B)	8	292 852 R1	PIN, strut (2 for A) (6 for B)
			9	294 791 R91	STRUT ASSY, lower (2 for B)
1	292 947 R1	BUSHING, strut eyebolt (2)	10	290 287 R2	CHAIN, trunnion pin (2 for B)
2	309 906 R11	EYEBOLT w/BUSHING, 292 947 R1 (2)	11	19 642 R1	PIN, trunnion (2 for B)
3	109 461	FITTING, lubrication (4)	12	292 958 R1	PIN, lower strut trunnion swivel (2 for B)
4	309 902 R21	STRUT, upper (2 for B)	13	292 957 R1	TRUNNION, lower strut (2 for B)
4	309 903 R21	STRUT, (for machine not equipped w/reinforced blades) (2 for A)	14	292 959 R1	BRACKET, lower strut (2 for B)
4	626 269 C1	STRUT, (for machine equipped w/reinforced blades) (2 for A)	15	292 898 R11	BODY, lower strut (2 for B)
5	19 639 R1	PIN, spring eye (2)	16	294 711 R1	CLEVIS, lower strut (2 for B)
6	294 703 R21	CLEVIS (2)		9 412 231	NUT, 5/8" (2)
				25 340 R1	SCREW, 5/8 x 3-1/4" hex-hd cap (2)

HYDRAULIC BULLGRADER AND BULLDOZER

REF. NO.	PART NUMBER	DESCRIPTION	REF. NO.	PART NUMBER	DESCRIPTION
----------	-------------	-------------	----------	-------------	-------------

HYDRAULIC LIFT FRAME



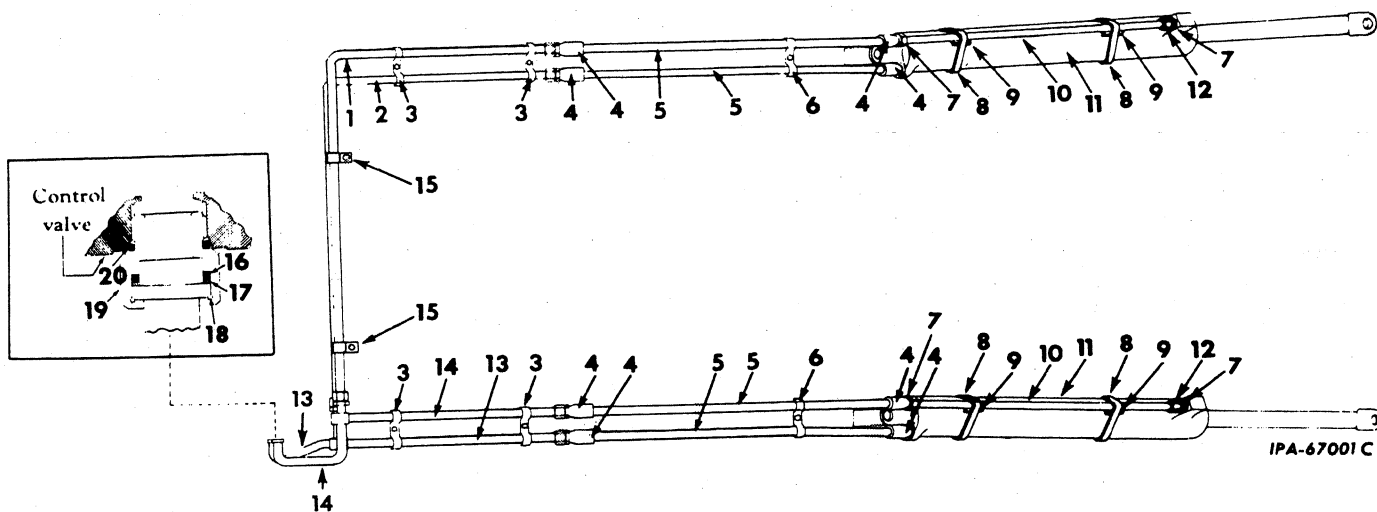
IPA-66702

1	326 020 R91	FRAME, hydraulic lift (2)
	287 078 R1	NUT, 5/8" (24)
	24 877 R1	SCREW, 5/8 x 2-1/2" hex-hd cap (16)
	24 881 R1	SCREW, 5/8 x 4" hex-hd cap (8)
2	326 034 R91	SUPPORT, rear frame LH
	24 873 R1	SCREW, 5/8 x 1-1/2" hex-hd cap (4)
	24 887 R1	SCREW, 3/4 x 1-3/4" hex-hd cap (6)
2	326 035 R91	SUPPORT, rear frame RH
	24 873 R1	SCREW, 5/8 x 1-1/2" hex-hd cap (4)
	24 887 R1	SCREW, 3/4 x 1-3/4" hex-hd cap (6)

HYDRAULIC BULLGRADER AND BULLDOZER

REF. NO.	PART NUMBER	DESCRIPTION	REF. NO.	PART NUMBER	DESCRIPTION
----------	-------------	-------------	----------	-------------	-------------

HYDRAULIC PIPING



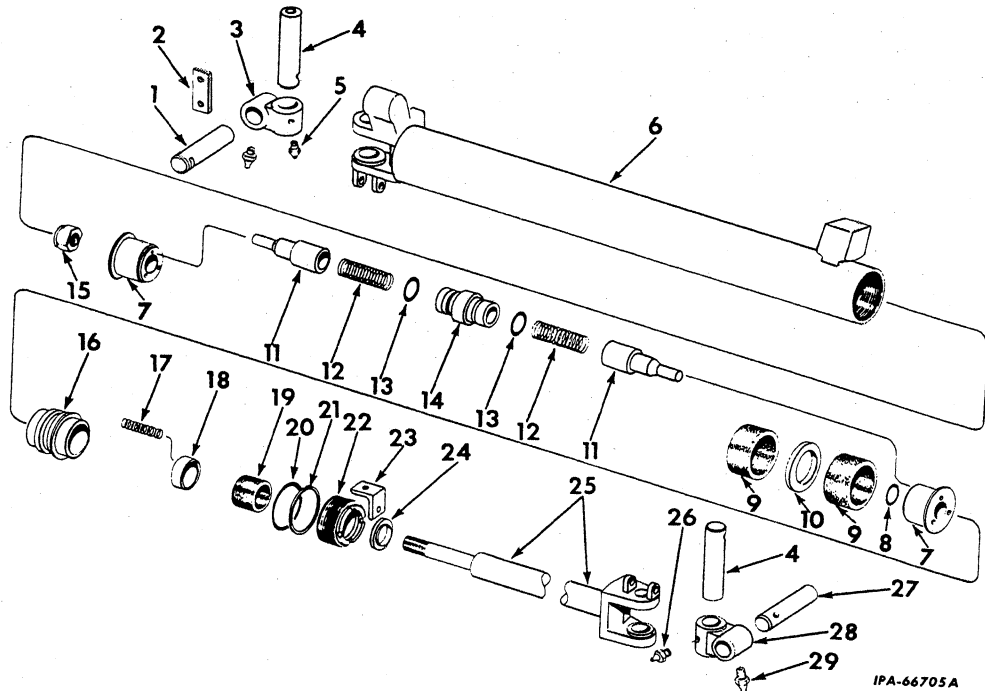
1	324 510 R92	TUBE, control valve to hose LH outer	10	346 095 R91	TUBE, hydraulic cylinder (2) TD-9BG 8011 up (2) TD-9BP 8011 up
2	324 508 R92	TUBE, control valve to hose LH inner	11	324 501 R91	CYLINDER, hydraulic lift (for components see list of parts under details of "Hydraulic Cylinder") (2)
3	326 030 R1 9 413 953	CLAMP, tube to fender (4) NUT, 3/8" lock (4) SCREW, 3/8 x 1-1/8" hex-hd cap (4)	12	9 410 205	CONNECTOR, 37° x 3/4" flared tube short swivel TD-9BG 8011 up TD-9BP 8011 up
4		FITTING (order HOSE, 327 449 R91) (8)	13	324 509 R91	TUBE, control valve to hose RH outer
5	327 449 R91	HOSE w/FITTINGS, control valve tube to cylinder (HOSE, 5/8" ID x 47" long including FITTINGS) (4)	14	324 507 R91	TUBE, control valve to hose RH inner
6	515 030 R1 9 413 953 302 092 R1	CLAMP, hose (2) NUT, 3/8" lock (2) SPACER (2)	15	332 791 R1 9 413 953 24 839 R1 103 341	CLAMP, under seat (2) NUT, 3/8" stover lock (2) SCREW, 3/8 x 3/4" hex-hd cap (2) WASHER, 13/32 x 13/16" x 16 ga (2)
7	368 269 R1	"O" RING (.924 x 1.156 x .116") (4)	16	350 818 R1	"O" RING, control valve to hose RH outer and inner tube (1 x 1-1/4 x 1/8") (2)
8	346 636 R91	CLAMP, 1/4" "T" bolt (optional with CLAMP 435 762 R91) (4) TD-9BG and TD-9BP 8011 up	17	309 572 R1	WASHER, "O" ring back up (2)
8	435 762 R91	CLAMP "T" Bolt (optional w/CLAMP, 346 636 R91) (4) TD-9BG and TD-9BP 8011 up	18	309 571 R1	WIRE, nut retainer (2)
9	346 096 R1	PAD, insulator (4) TD-9BG and TD-9BP 8011 up	19	606 054 C1	NUT, valve connection (2)
10	326 019 R91	TUBE, hydraulic cylinder (2) TD-9BG 6502 to 8010 (2) TD-9BP 6525 to 8010 (Order the following parts - 2 CLAMP 346 636 R91 1 CONNEC- 9 410 205 TOR 2 PAD 346 096 R1 1 TUBE 346 095 R91)	20	297 459 R1 308 581 R1 24 839 R1 319 710 R1	"O" RING, nut (1-3/64 x 1-9/32 x 1/8") (2) CLAMP, closed (2) SCREW, 3/8 x 3/4" hex-hd cap (2) HOSE, bulk 5/8" ID (+)

(+) - Order Cut Length As Required

HYDRAULIC BULLGRADER AND BULLDOZER

REF. NO.	PART NUMBER	DESCRIPTION	REF. NO.	PART NUMBER	DESCRIPTION
----------	-------------	-------------	----------	-------------	-------------

HYDRAULIC CYLINDER
(Husco)



	324 501 R91	CYLINDER ASSY, lift (2)	10	324 580 R1	SPACER (2)
1	326 033 R1	PIN, universal lift frame mounting (2) (*)	11	324 574 R1	POPPET (12)
2	309 608 R1	PLATE, pin locking (2) (*)	12	338 378 R1	SPRING, poppet (12)
	103 341	SCREW, 3/8 x 3/4" hex-hd cap (4)	13	355 967 R1	"O" RING, poppet (3/8 x 1/2 x 1/16") (12)
	115 093	WASHER, 3/8" lock (4)	14	324 575 R1	PIN, poppet (6)
3	326 018 R1	BLOCK, universal lift frame mounting (2) (*)	15	656 071 R1	NUT, 1-1/8NF stop (2)
4	326 032 R1	PIN, universal cylinder mounting (4) (*)	16	324 576 R1	GUIDE, packing gland (2)
	9 413 953	NUT, 3/8" lock (4)	17	338 377 R1	SPRING, packing adapter (16)
	277 232 R1	SCREW, 3/8 x 2-3/4" hex-hd cap (4) (*)	18	324 577 R1	ADAPTER, packing (2)
5	109 461	FITTING, lubrication (4) (*)	19	324 578 R91	PACKING, gland (2)
6	324 569 R91	TUBE (2)	20	352 216 R1	"O" RING, packing gland (3-1/8 x 3-1/2 x 3/16") (2)
7	324 571 R1	PISTON, half (4)	21	338 376 R1	RING, back-up
8	356 005 R1	"O" RING, piston (1-1/8 x 1-3/8 x 1/8") (2)	22	324 579 R1	NUT, adjusting (2)
9	324 573 R91	PACKING, piston "V" (4)			

(*) - Not Part of Cylinder Assy, 324 501 R91

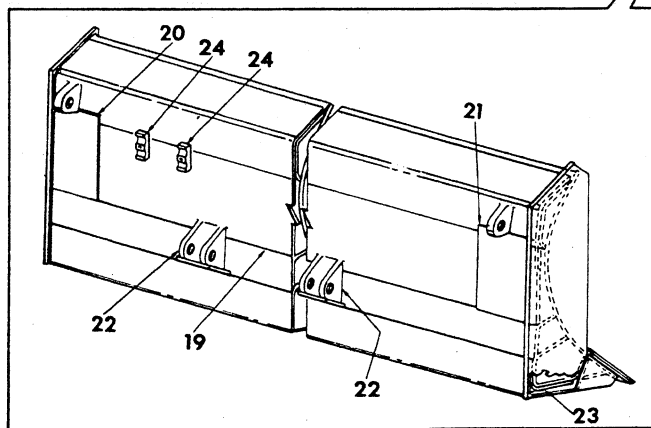
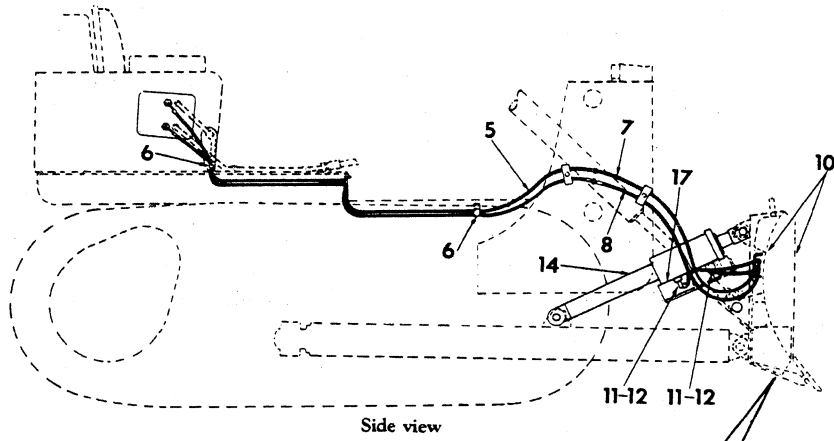
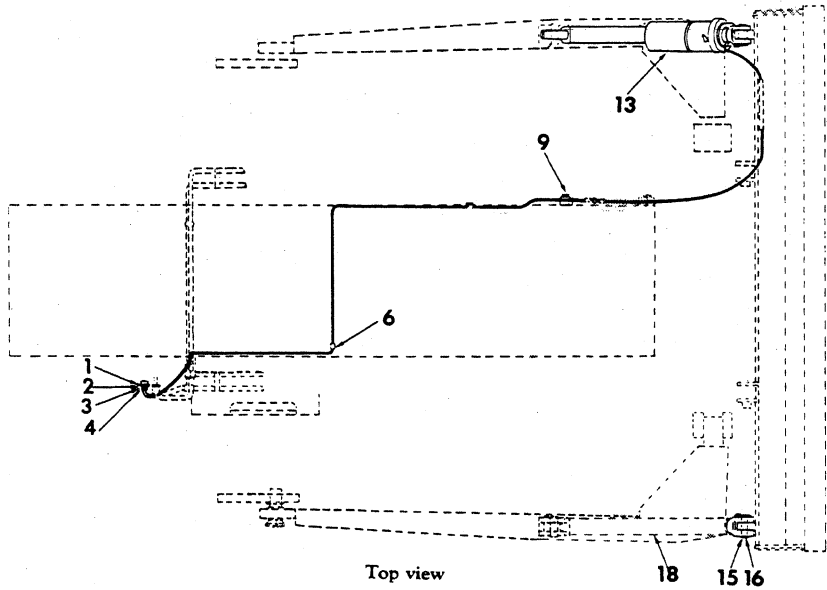
HYDRAULIC BULLGRADER AND BULLDOZER

REF. NO.	PART NUMBER	DESCRIPTION	REF. NO.	PART NUMBER	DESCRIPTION
HYDRAULIC CYLINDER - Continued (Husco)					
23	338 379 R1 25 955 R1	CLEAT, adjusting nut hold SCREW, 5/16 x 5/8" hex-hd cap SCREW, 5/16 x 3/8" soc-hd set			
24	324 581 R91	WIPER, rod (2)			
25	324 570 R91	ROD, plunger (2)			
26	109 461	FITTING, lubrication (2) (*)			
27	326 032 R1 9 413 953 277 232 R1	PIN, universal blade mounting (2) (*) NUT, 3/8" lock (2) SCREW, 3/8 x 2-3/4" hex-hd cap (2)			
28	326 018 R1	BLOCK, universal blade mounting (2) (*)			
29	109 460	FITTING, lubrication (65°) (2) (*)			

(*) - Not Part of Cylinder Assy,
324 501 R91

HYDRAULIC BULLGRADER AND BULLDOZER

HYDRAULIC TILT
(HYDRAULIC TILT PIPING AND RELATED PARTS)
(Model 9D-41B)



CS-98711

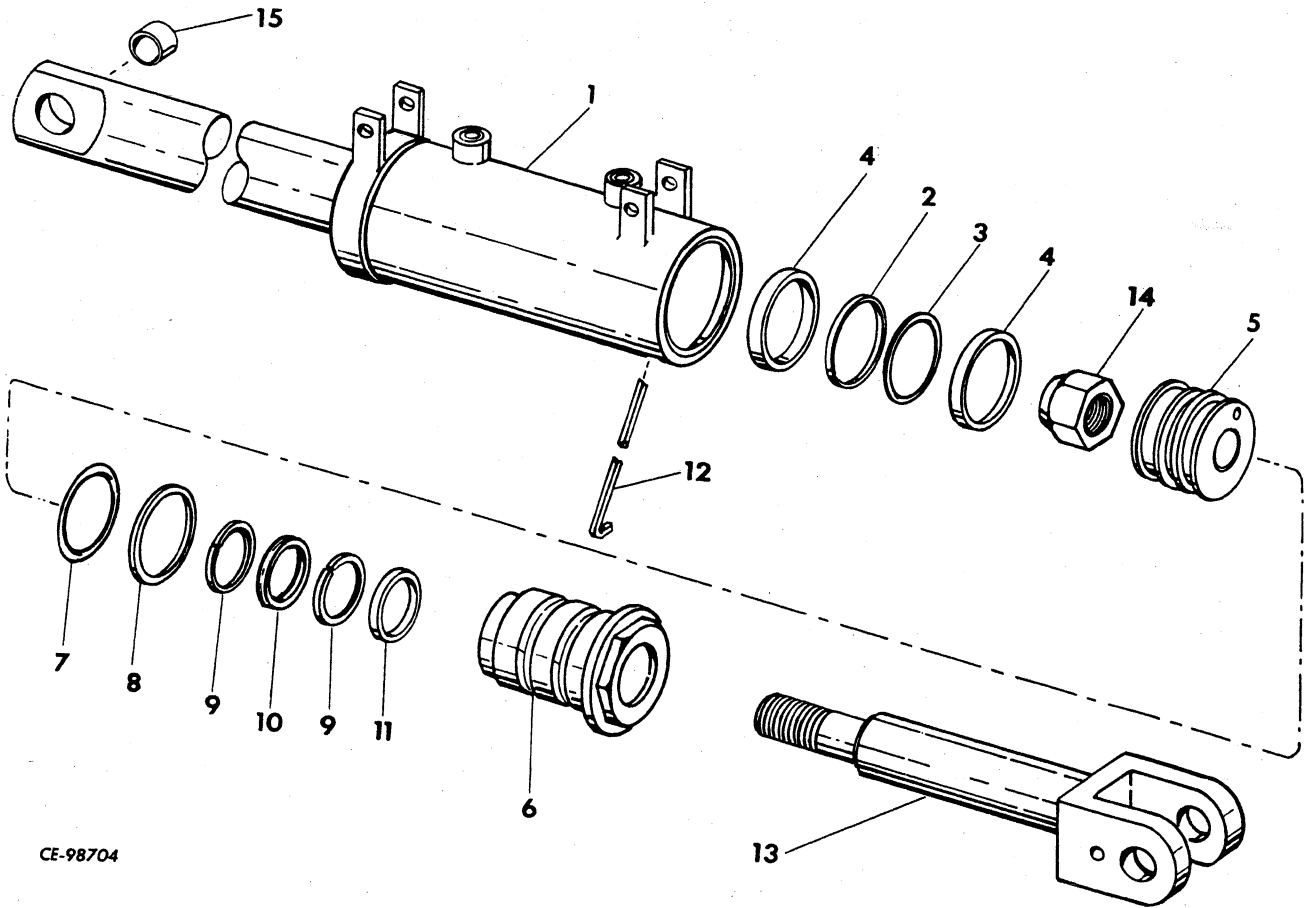
HYDRAULIC BULLGRADER AND BULLDOZER

REF. NO.	PART NUMBER	DESCRIPTION	REF. NO.	PART NUMBER	DESCRIPTION
HYDRAULIC TILT - Continued (HYDRAULIC TILT PIPING AND RELATED PARTS) (Model 9D-41B)			9	326 240 R 1 24 862 R 1 116 121	CLAMP, hose (2) SCREW, 1/2 x 1-1/2" hex-hd cap (2) WASHER, 1/2" lock (2)
A	626 322 C91	ATTACHMENT, hydraulic tilt (used w/triple spool valve attachment and bulldozer blades not reinforced) (see NOTE 2)	10	326 241 R 11 24 863 R 1 116 121	GUARD, hose SCREW, 1/2 x 1-3/4" hex-hd cap (2) WASHER, 1/2" lock (2)
B	626 320 C91	ATTACHMENT, hydraulic tilt (used w/triple spool valve attachment and bulldozer blades reinforced) (see NOTE 2)	11	9 410 977	ELBOW (2)
1	626 318 C1	CONNECTOR, reducer (2)	12	570 828 R 1	"O" RING .644 x 818 x .087" (2)
2	297 459 R1	"O" RING 1.048 x 1.280 x .116" (2)	13	278 053 R91	CLAMP, hose
3	9 410 203	CONNECTOR (2)	14		CYLINDER, hydraulic tilt (for components see list of parts under details of "HYDRAULIC TILT CYLINDER")
4	570 828 R1	"O" RING .644 x 818 x .087" (2)	15	292 852 R 1	PIN, strut (2 for Attachment B) (4 for Attachment A)
5	627 051 C91	HOSE w/FITTING, 319 762 R91 and FITTING, 317 808 R91 (HOSE, 13/32" ID x 117" long including FITTINGS) (2)	16	292 853 R 1 25 272 R 1 116 121	PLATE, strut pin retainer (2) SCREW, 1/2 x 7/8" hex-hd cap (2 for Attachment B) (4 for Attachment A) WASHER, 1/2" lock (1 for Attachment B) (2 for Attachment A)
5		HOSE w/o FITTINGS cut length 13/32" ID x 114" long cut from bulk HOSE, 319 708 R1	17	626 317 C1 870 325 R 1 115 314 25 524 R 1	GUARD, cylinder hose SCREW, 7/16 x 1-3/8" hex-hd cap (4) WASHER, 7/16" lock (4) NUT, 7/16" (4)
	319 762 R91	FITTING, male flare (2)	18		STRUT, upper (for components see list of parts under details of "STRUTS") (Attachment A)
	317 808 R91	FITTING, 90° swivel (2)	19		ANGLE, bottom doubler (Blade Rework) (Not furnished separately) (Attachment A)
6	326 078 R1 25 522 R1 25 526 R1 24 840 R1 25 272 R1 24 860 R1 115 093 116 121 103 341 103 343	CLAMP, hose (3) NUT, 3/8" NUT, 1/2" (2) SCREW, 3/8 x 1" hex-hd cap SCREW, 1/2 x 7/8" hex-hd cap SCREW, 1/2 x 1" hex-hd cap WASHER, 3/8" lock WASHER, 1/2" lock (2) WASHER, 13/32 x 13/16" x 16 ga WASHER, 17/32 x 1-1/16" x 13 ga (2)	20		ANGLE, LH end (Blade Rework) (Not furnished separately) (Attachment A)
7	324 976 R91	HOSE w/two FITTINGS, 103 393 R91 (HOSE 13/32" ID x 82" long including FITTINGS)	21		ANGLE, RH end (Blade Rework) (Not furnished separately) (Attachment A)
7		HOSE w/o FITTINGS cut length 13/32" ID x 78-3/4" long cut from bulk HOSE, 319 708 R1	22	626 287 C1	BRACKET, hydraulic lift (Blade Rework) (Attachment A) (2)
	103 393 R1	FITTING, swivel hose (2)	23		REINFORCEMENT, bottom beam (Blade Rework) (Not furnished separately) (Attachment A)
8	343 668 R91	HOSE w/two FITTING 103 393 R91 (HOSE 13/32" ID x 74" long including FITTINGS)	24		CLAMP, hose tapped (Blade and radiator guard) (Not furnished separately) (Attachment A)
8		HOSE w/o FITTINGS cut length 13/32" ID x 70-3/4" long cut from bulk HOSE, 319 708 R1		1 085 542 R 1	CLIP, retaining (for Rework of Hood side door) (Not furnished separately) PAMPHLET, installation instruction
	103 393 R91	FITTING, swivel hose (2)			NOTE 2 - Field Application - Order on Machine Order Form.

HYDRAULIC BULLGRADER AND BULLDOZER

REF. NO.	PART NUMBER	DESCRIPTION	REF. NO.	PART NUMBER	DESCRIPTION
----------	-------------	-------------	----------	-------------	-------------

TILT CYLINDER



CE-98704

	626 374 C91	CYLINDER, hydraulic tilt	8	399 717 R1	WASHER, split back-up
1	626 303 C91	HOUSING w/BUSHING, 626 311 C1, cylinder	9	381 083 R2	RING, back-up (2)
2	468 340 R1	RING, seal	10	398 978 R1	RING, quad
3	468 339 R1	"O" RING	11	619 072 C91	SEAL
4	339 719 R1	RING, wear (2)	12	399 721 R1	RING, retainer
5	656 435 C1	PISTON	13	656 343 C1	ROD, piston
6	626 313 C1	HEAD, front cylinder	14	20 769 R1	NUT, 1/2"
7	347 914 R1	"O" RING	15	626 311 C1	BUSHING

NUMERICAL INDEX

PART NUMBER	PAGE No.	PART NUMBER	PAGE No.	PART NUMBER	PAGE No.	PART NUMBER	PAGE No.	
No.		103 320	51	103 340	194	104 940	185	
		103 320	56	103 340	221	104 941	121	
		103 320	60	103 340	222	104 942	165	
		103 320	61	103 340	223	105 404	164	
		103 320	70	103 340	225	105 422	157	
		103 320	77	103 340	261	106 262	137	
		103 320	82	103 340	263	106 263	143	
	114	252	103 320	83	103 341	65	106 265	214
	116	252	103 320	115	103 341	66	106 265	215
	118	252	103 320	159	103 341	73	106 496	90
	120	252	103 320	16	103 341	82	106 497	91
	122	252	103 321	18	103 341	120	106 497	99
	124	252	103 321	24	103 341	139	106 497	103
	126	252	103 321	25	103 341	142	106 497	111
	128	252	103 321	26	103 341	155	106 497	112
	130	252	103 321	27	103 341	165	106 498	31
	132	252	103 321	28	103 341	200	106 498	34
	134	252	103 321	50	103 341	214	106 613	121
	136	252	103 321	54	103 341	216	107 762	190
	138	252	103 321	65	103 341	222	107 762	195
	140	252	103 321	66	103 341	224	107 762	232
	195	252	103 321	71	103 341	226	107 762	233
	735	251	103 321	79	103 341	227	108 630	160
	735	253	103 321	81	103 341	230	108 686	200
	861	253	103 321	82	103 341	231	108 686	210
	10 334	73	103 321	83	103 341	261	108 687	200
	25 522	36	103 321	94	103 341	262	108 687	210
	34 816	87	103 321	111	103 341	263	108 687	245
	37 535	96	103 321	112	103 341	275	108 687	248
	85 035	40	103 321	115	103 341	276	109 084	106
100 779	31	103 321	151	103 341	279	109 084	109	
100 779	34	103 321	214	103 342	92	109 084	110	
102 634	51	103 321	220	103 342	120	109 084	111	
102 634	56	103 321	232	103 342	159	109 084	112	
102 634	60	103 321	254	103 342	211	109 454	160	
102 634	61	103 322	51	103 342	229	109 460	116	
102 634	70	103 322	56	103 342	233	109 460	195	
102 635	26	103 322	72	103 343	18	109 460	277	
102 635	27	103 322	73	103 343	109	109 461	123	
102 635	28	103 322	75	103 343	137	109 461	159	
102 635	82	103 322	76	103 343	152	109 461	160	
102 635	83	103 322	79	103 343	194	109 461	164	
102 635	120	103 322	82	103 343	214	109 461	171	
102 635	151	103 322	83	103 343	279	109 461	182	
102 635	190	103 322	92	103 345	68	109 461	246	
102 635	191	103 322	93	103 345	69	109 461	247	
102 635	220	103 322	115	103 345	122	109 461	273	
102 635	232	103 322	259	103 345	124	109 461	276	
102 635	254	103 323	16	103 364	75	109 461	277	
102 637	243	103 323	18	103 384	233	109 462	264	
102 637	259	103 323	23	103 385	158	110 120	30	
102 639	72	103 323	24	103 385	159	110 121	214	
103 025	140	103 323	41	103 387	159	110 495	91	
103 026	116	103 323	45	103 415	218	110 495	111	
103 028	92	103 323	92	103 462	21	110 495	112	
103 028	93	103 323	93	103 462	115	110 633	91	
103 028	114	103 323	114	103 495	226	110 633	99	
103 028	115	103 323	115	103 495	227	110 633	103	
103 028	157	103 323	116	103 495	228	110 633	111	
103 028	165	103 323	160	103 495	229	110 633	112	
103 028	168	103 323	243	103 495	230	112 011	77	
103 030	123	103 323	259	103 495	231	112 734	99	
103 030	124	103 323	269	103 495	232	112 734	103	
103 089	31	103 324	50	103 495	233	112 734	105	
103 089	34	103 325	23	103 496	190	112 734	114	
103 091	108	103 325	24	103 496	195	114 494	197	
103 319	50	103 326	269	103 498	157	114 494	199	
103 319	55	103 326	270	103 628	160	114 497	50	
103 319	66	103 339	50	103 866	56	114 502	232	
103 319	71	103 339	55	103 883	164	114 502	233	
103 319	106	103 340	23	103 905	77	114 507	159	
103 319	109	103 340	24	103 909	115	115 093	26	
103 319	110	103 340	51	104 058	228	115 093	28	
103 319	111	103 340	56	104 073	133	115 093	31	
103 319	112	103 340	60	104 249	214	115 093	33	
103 319	118	103 340	61	104 249	216	115 093	34	
103 320	16							

NUMERICAL INDEX

PART NUMBER	PAGE No.	PART NUMBER	PAGE No.	PART NUMBER	PAGE No.	PART NUMBER	PAGE No.
115 093	35	115 109	222	116 121	279	127 741	214
115 093	36	115 109	234	116 122	169	127 741	216
115 093	42	115 109	238	116 386	62	127 743	157
115 093	46	115 109	239	116 535	226	127 743	163
115 093	65	115 109	240	116 535	228	127 878	137
115 093	67	115 109	264	116 535	229	128 003	200
115 093	68	115 314	30	116 535	231	128 145	200
115 093	73	115 314	36	116 535	232	131 165	123
115 093	74	115 314	134	116 535	233	131 238	87
115 093	109	115 314	144	117 825	227	131 238	88
115 093	120	115 314	164	117 825	229	131 486	197
115 093	121	115 314	184	117 928	121	131 486	199
115 093	126	115 314	185	117 966	234	132 110	109
115 093	127	115 314	189	117 966	235	132 768	89
115 093	128	115 314	227	117 966	237	132 852	99
115 093	130	115 314	229	117 966	238	132 852	103
115 093	131	115 314	245	117 966	240	132 903	96
115 093	134	115 314	279	117 984	21	133 082	60
115 093	136	115 707	101	118 360	224	134 519	51
115 093	137	115 707	107	118 750	261	134 519	56
115 093	139	116 103	13	118 755	50	134 519	70
115 093	140	116 110	222	118 755	261	134 566	95
115 093	142	116 117	108	118 777	218	134 566	96
115 093	143	116 119	107	118 833	101	137 195	77
115 093	145	116 120	99	118 833	105	137 538	50
115 093	154	116 120	120	118 833	208	138 225	75
115 093	155	116 120	127	119 247	261	138 225	76
115 093	165	116 120	131	119 928	55	138 242	197
115 093	183	116 120	140	120 062	138	138 242	199
115 093	184	116 120	145	120 063	75	141 150	16
115 093	185	116 120	221	120 063	79	141 275	145
115 093	186	116 120	222	120 214	95	141 285	18
115 093	189	116 120	223	120 214	106	141 615	70
115 093	190	116 120	224	120 217	91	141 621	200
115 093	195	116 120	225	120 217	106	141 621	210
115 093	200	116 120	235	120 281	55	142 020	235
115 093	201	116 120	240	120 322	259	142 020	238
115 093	208	116 120	261	120 361	95	142 020	240
115 093	210	116 120	262	120 372	60	142 350	100
115 093	211	116 120	263	120 375	82	142 350	104
115 093	214	116 121	40	120 375	86	142 393	184
115 093	216	116 121	43	120 376	106	142 450	236
115 093	220	116 121	47	120 377	91	142 450	239
115 093	221	116 121	68	120 380	60	142 756	185
115 093	222	116 121	69	120 380	86	142 765	14
115 093	223	116 121	121	120 381	95	144 000	210
115 093	224	116 121	127	120 382	91	144 034	200
115 093	225	116 121	135	120 391	91	144 034	235
115 093	226	116 121	137	120 391	111	144 034	238
115 093	227	116 121	141	120 391	112	144 034	240
115 093	228	116 121	152	120 392	111	144 056	137
115 093	229	116 121	157	120 392	112	144 056	140
115 093	230	116 121	163	120 394	111	144 603	44
115 093	234	116 121	165	120 394	112	144 603	48
115 093	239	116 121	167	120 423	86	144 604	56
115 093	241	116 121	168	120 498	56	147 587	158
115 093	245	116 121	170	120 614	106	147 587	159
115 093	246	116 121	172	120 755	44	148 150	157
115 093	248	116 121	174	120 755	48	148 152	126
115 093	249	116 121	184	121 323	261	148 152	130
115 093	250	116 121	185	121 619	261	171 587	242
115 093	257	116 121	188	121 743	87	171 716	91
115 093	261	116 121	189	121 743	88	172 529	128
115 093	262	116 121	190	122 077	95	172 529	132
115 093	263	116 121	191	124 543	264	172 529	133
115 093	264	116 121	201	124 545	87	172 529	264
115 093	276	116 121	205	124 546	202	172 547	72
115 093	279	116 121	211	124 548	88	172 574	128
115 109	101	116 121	213	124 549	145	172 574	132
115 109	104	116 121	214	124 549	146	172 574	264
115 109	111	116 121	215	124 549	153	172 599	183
115 109	163	116 121	216	124 818	84	174 916	82
115 109	194	116 121	218	125 947	96	174 916	86
115 109	200	116 121	220	126 121	116	179 547	62
115 109	213	116 121	257	126 152	185	179 626	138
115 109	215	116 121	273	126 152	250	179 626	141

NUMERICAL INDEX

PART NUMBER	PAGE No.	PART NUMBER	PAGE No.	PART NUMBER	PAGE No.	PART NUMBER	PAGE No.
179 787	66	179 883	45	219 679	139	444 476	35
179 789	66	179 883	116	219 755	21	444 476	36
179 791	106	179 885	243	220 081	269	444 571	18
179 793	118	179 886	127	220 381	270	444 571	24
179 795	109	179 886	131	223 451	182	444 571	25
179 795	111	179 890	16	271 500	82	444 575	24
179 795	112	179 890	259	271 500	92	444 576	24
179 800	110	179 893	16	271 500	93	444 577	56
179 810	159	180 020	82	271 500	158	444 577	70
179 814	16	180 020	86	271 500	159	444 577	79
179 814	23	180 120	81	271 500	259	444 577	151
179 814	24	180 126	91	271 505	115	444 577	260
179 816	77	181 309	71	271 505	182	444 584	55
179 816	80	181 317	50	271 558	18	444 584	262
179 817	51	181 317	55	271 558	182	444 589	14
179 817	56	181 341	222	271 560	159	444 589	71
179 817	60	181 341	224	271 567	182	444 589	79
179 817	61	181 343	115	271 569	23	444 589	190
179 818	77	181 353	221	271 569	24	444 592	16
179 818	82	181 353	224	271 587	123	444 595	248
179 819	83	181 356	65	271 587	124	444 601	248
179 824	83	181 356	66	271 588	123	444 612	60
179 826	159	181 356	137	271 588	124	444 613	154
179 835	191	181 356	191	271 601	121	444 618	75
179 835	232	181 356	221	271 638	124	444 618	76
179 837	79	181 356	223	271 667	123	444 619	237
179 837	111	181 356	225	271 687	241	444 631	238
179 837	112	181 360	222	272 323	218	444 655	121
179 837	191	181 360	224	272 982	136	444 661	71
179 837	214	181 360	246	272 982	137	444 661	142
179 838	16	181 361	137	272 982	140	444 667	121
179 838	18	181 364	241	272 982	141	444 679	121
179 838	50	181 364	245	272 984	138	444 679	155
179 838	67	181 365	246	272 984	141	444 679	201
179 838	82	181 370	246	272 989	138	444 679	245
179 838	191	181 370	248	272 989	141	444 783	18
179 838	254	181 374	115	273 051	241	444 783	145
179 839	16	181 376	79	273 347	116	444 789	71
179 839	190	181 395	127	273 348	157	444 813	119
179 839	191	181 395	134	273 484	84	445 096	77
179 839	254	181 397	184	273 913	96	445 639	95
179 840	24	181 411	182	274 221	234	445 673	76
179 840	25	181 423	93	274 577	85	445 684	152
179 840	54	181 425	114	354 260	99	446 210	267
179 840	66	181 427	93	371 638	123	446 220	227
179 840	67	181 427	114	432 577	237	446 220	229
179 840	68	181 429	168	432 577	239	446 221	92
179 841	27	181 429	201	432 644	100	446 229	92
179 841	151	181 431	184	441 444	71	453 290	96
179 841	254	181 431	185	443 564	157	453 294	87
179 842	94	181 432	194	444 014	62	453 294	88
179 842	259	181 432	200	444 024	234	453 418	90
179 843	82	181 433	93	444 024	237	453 434	89
179 845	83	181 436	114	444 024	263	453 435	95
179 847	82	181 436	115	444 032	238	453 460	87
179 848	71	181 436	157	444 040	56	453 460	88
179 849	59	181 436	184	444 044	137	453 479	87
179 849	71	181 440	160	444 044	141	453 787	109
179 850	71	181 441	185	444 048	155	453 844	90
179 858	51	181 442	200	444 054	70	453 996	96
179 858	56	181 443	194	444 134	263	454 112	137
179 858	83	181 444	18	444 136	262	454 112	141
179 859	79	181 444	165	444 138	138	454 168	235
179 860	73	181 444	168	444 138	259	454 168	238
179 860	158	186 282	83	444 163	40	454 168	240
179 860	159	186 306	140	444 163	108	454 669	86
179 867	259	190 570	245	444 166	234	456 946	80
179 869	72	190 570	248	444 166	237	603 345	123
179 877	190	191 759	116	444 169	55	800 396	89
179 877	200	192 052	263	444 199	55	805 790	95
179 880	269	193 485	140	444 221	108	809 062	87
179 881	243	200 362	87	444 253	108	809 062	88
179 883	18	200 362	88	444 253	237	809 593	96
179 883	23	218 197	123	444 259	55	809 763	87
179 883	24	218 197	124	444 377	137	809 763	88
179 883	41	218 211	23	444 377	141	809 945	87

NUMERICAL INDEX

PART NUMBER	PAGE No.	PART NUMBER	PAGE No.	PART NUMBER	PAGE No.	PART NUMBER	PAGE No.
809 945	88	1 912 176	85	1 942 255	95	1 964 354	89
809 961	88	1 913 534	96	1 942 256	96	1 964 682	89
810 819	96	1 913 689	88	1 942 257	95	1 965 104	89
815 540	89	1 913 960	95	1 942 259	95	1 966 614	89
821 453	95	1 914 305	90	1 942 260	95	1 970 595	89
833 602	95	1 914 579	87	1 942 282	96	1 994 050	90
900 529	87	1 914 579	88	1 942 909	85	1 996 495	109
900 529	88	1 914 580	87	1 943 385	84	1 996 496	109
904 751	87	1 914 580	88	1 943 386	85	7 451 763	89
908 019	89	1 914 750	87	1 943 628	96	9 402 680	237
1 100 812	89	1 914 750	88	1 943 854	85	9 402 681	237
1 105 121	87	1 914 800	85	1 944 590	84	9 402 745	234
1 105 134	88	1 914 816	87	1 944 590	85	9 402 745	237
1 113 626	94	1 914 816	88	1 945 119	88	9 402 745	238
1 119 247	84	1 915 172	87	1 945 275	87	9 402 745	240
1 119 257	84	1 915 172	89	1 945 275	88	9 402 745	262
1 119 507	86	1 915 265	87	1 945 276	87	9 402 745	263
1 119 513	86	1 915 334	96	1 945 276	88	9 402 746	235
1 119 682	85	1 916 529	95	1 945 617	94	9 402 746	240
1 119 833	95	1 917 123	88	1 945 620	95	9 402 747	263
1 119 890	95	1 918 004	87	1 945 626	95	9 402 800	262
1 837 533	96	1 918 004	88	1 945 630	96	9 403 373	208
1 843 646	95	1 922 599	85	1 945 732	84	9 403 373	209
1 853 342	96	1 922 996	85	1 945 923	95	9 409 271	136
1 855 978	85	1 923 517	84	1 946 383	95	9 409 271	140
1 856 993	87	1 923 935	96	1 946 386	95	9 409 278	138
1 856 993	88	1 924 764	84	1 946 391	94	9 409 278	141
1 857 268	95	1 924 764	85	1 946 394	95	9 409 323	137
1 857 412	87	1 926 617	95	1 946 395	95	9 409 323	141
1 857 412	88	1 926 618	95	1 946 555	94	9 409 325	138
1 858 603	87	1 927 344	96	1 948 694	96	9 409 325	141
1 858 751	87	1 927 345	96	1 948 999	95	9 409 330	138
1 858 751	88	1 928 021	95	1 949 142	84	9 409 330	141
1 872 678	96	1 928 022	95	1 950 061	96	9 409 343	138
1 874 495	84	1 929 959	87	1 950 064	96	9 409 343	141
1 878 183	87	1 929 959	88	1 950 069	96	9 409 521	136
1 878 183	88	1 930 629	96	1 950 071	96	9 409 521	137
1 878 493	85	1 930 694	95	1 950 267	85	9 409 521	140
1 878 502	84	1 931 783	95	1 950 268	85	9 409 521	141
1 878 503	84	1 931 813	96	1 950 269	85	9 409 523	138
1 878 503	85	1 931 814	96	1 950 270	85	9 409 523	141
1 878 505	85	1 931 818	96	1 950 276	85	9 409 528	138
1 878 507	85	1 931 887	84	1 950 357	87	9 409 528	141
1 878 516	85	1 931 887	85	1 950 546	95	9 409 927	70
1 878 517	84	1 932 354	96	1 952 122	96	9 409 943	51
1 879 530	87	1 932 506	87	1 952 563	96	9 409 943	56
1 879 530	88	1 932 506	88	1 955 494	89	9 409 949	184
1 879 663	84	1 933 239	84	1 956 427	96	9 410 202	55
1 879 663	85	1 933 941	84	1 956 428	96	9 410 203	279
1 881 409	87	1 933 941	85	1 956 975	89	9 410 205	275
1 881 409	88	1 933 999	96	1 957 462	85	9 410 360	201
1 882 013	90	1 934 478	96	1 957 501	89	9 410 362	197
1 882 994	90	1 934 553	88	1 957 650	96	9 410 362	199
1 883 865	95	1 935 923	88	1 958 137	86	9 410 386	234
1 885 090	87	1 936 330	87	1 958 148	86	9 410 425	234
1 885 090	88	1 936 333	87	1 958 151	86	9 410 451	234
1 886 953	109	1 936 465	96	1 959 381	89	9 410 610	234
1 902 746	87	1 937 227	88	1 959 389	89	9 410 708	138
1 902 746	88	1 937 381	96	1 959 455	89	9 410 708	141
1 904 419	96	1 938 058	95	1 959 455	89	9 410 788	141
1 904 436	96	1 938 207	88	1 959 523	89	9 410 976	55
1 904 443	96	1 938 209	88	1 959 532	89	9 410 977	279
1 905 406	88	1 938 376	95	1 959 790	89	9 410 981	188
1 906 987	95	1 939 646	84	1 959 828	89	9 411 375	96
1 909 654	96	1 939 658	85	1 959 832	89	9 412 231	273
1 910 174	84	1 939 659	85	1 959 833	89	9 413 326	95
1 910 966	85	1 939 661	85	1 959 834	89	9 413 953	208
1 911 028	84	1 941 157	95	1 959 948	85	9 413 953	275
1 911 034	84	1 941 431	85	1 959 991	89	9 413 953	276
1 911 263	87	1 941 431	86	1 960 347	86	9 413 953	277
1 912 008	89	1 941 432	85	1 960 750	89	9 413 956	188
1 912 059	96	1 941 432	85	1 962 276	87	9 413 957	200
1 912 073	88	1 941 978	89	1 962 276	88	9 413 979	209
1 912 159	84	1 942 241	95	1 962 629	86	9 415 234	96
1 912 159	85	1 942 245	95	1 963 139	89	9 415 665	80
1 912 159	85	1 942 250	95	1 964 117	89	9 418 115	86
1 912 176	84	1 942 253	96	1 964 353	89	9 418 881	88

NUMERICAL INDEX

PART NUMBER	PAGE No.	PART NUMBER	PAGE No.	PART NUMBER	PAGE No.	PART NUMBER	PAGE No.
9 419 392	89	603 803 C1	118	606 208 C91	27	610 008 C1	148
9 421 424	87	603 804 C1	118	606 293 C91	145	610 040 C1	31
9 421 424	88	603 823 C1	33	606 294 C1	118	610 040 C1	36
9 421 425	95	603 824 C1	30	606 295 C1	119	610 309 C91	10
9 421 425	109	603 867 C1	44	606 333 C91	119	610 309 C91	60
9 422 354	109	603 867 C1	48	606 334 C91	118	610 309 C91	61
		603 867 C1	256	606 391 C91	118	610 411 C1	145
		603 941 C91	60	606 506 C1	154	610 411 C1	267
		603 945 C1	62	606 519 C1	31	610 464 C91	149
A		604 021 C1	222	606 519 C1	34	610 478 C1	149
		604 021 C1	225	606 628 C91	170	610 481 C1	148
712 A	251	604 021 C1	265	606 628 C91	173	610 501 C91	50
712 A	253	604 071 C1	238	606 673 C1	238	610 503 C91	49
		604 072 C2	236	606 696 C91	79	610 504 C91	50
		604 072 C2	239	606 750 C91	16	610 636 C91	10
		604 073 C1	238	606 819 C1	44	610 636 C91	39
		604 073 C1	240	606 819 C1	48	610 637 C92	39
		604 075 C91	211	606 827 C91	39	610 641 C1	39
B		604 082 C91	93	606 845 C1	257	610 642 C1	39
B 1 416	252	604 083 C91	101	606 847 C91	62	610 644 C91	39
B 1 820	252	604 083 C91	107	606 850 C91	262	610 645 C91	39
B 2 024	252	604 084 C91	114	606 850 C91	263	610 646 C1	39
B 2 628	252	604 187 C91	169	606 885 C1	237	610 647 C91	40
B 3 032	252	604 187 C91	173	606 885 C1	238	610 648 C91	39
BP 32	251	604 189 C11	123	606 885 C1	240	610 739 C91	227
BP 32	253	604 190 C11	124	606 889 C1	133	610 739 C91	229
		604 191 C1	124	606 925 C1	31	610 740 C1	227
		604 357 C11	121	606 925 C1	34	610 740 C1	229
		604 358 C2	120	606 925 C1	35	610 751 C1	148
		604 361 C11	121	606 925 C1	36	610 752 C92	149
		604 362 C11	125	606 925 C1	40	610 755 C1	148
		604 362 C11	129	606 926 C1	31	610 760 C1	148
		604 363 C1	126	606 926 C1	34	610 769 C1	149
		604 363 C1	130	606 926 C1	35	610 789 C91	259
		604 364 C1	133	606 926 C1	36	610 794 C91	137
		604 365 C1	133	606 928 C91	44	610 794 C91	138
CC 24	251	604 365 C2	155	606 928 C91	48	610 794 C91	152
CC 24	253	604 365 C2	267	606 930 C1	44	610 809 C91	148
255 678 C1	139	604 366 C11	163	606 930 C1	51	610 825 C91	148
255 678 C1	142	604 368 C11	125	606 930 C1	56	610 826 C91	149
267 367 C1	147	604 368 C11	130	606 999 C1	32	610 827 C91	148
284 874 C1	31	604 368 C11	264	606 999 C1	34	610 828 C91	149
284 874 C1	34	604 375 C1	104	606 999 C1	35	610 829 C1	149
321 840 C91	259	604 399 C1	63	606 999 C1	36	610 853 C91	238
346 387 C2	211	604 557 C1	42	607 536 C91	122	610 858 C1	34
366 078 C1	35	604 557 C1	46	607 537 C91	242	610 858 C1	35
366 078 C1	36	604 558 C1	43	607 538 C91	242	610 862 C91	238
600 658 C1	92	604 558 C1	47	609 028 C11	19	610 862 C91	240
601 131 C11	53	604 559 C1	43	609 074 C91	12	610 863 C91	238
601 132 C11	53	604 559 C1	47	609 075 C91	12	610 877 C91	150
601 133 C11	53	604 590 C91	41	609 076 C91	12	610 932 C91	61
601 244 C1	14	604 590 C91	42	609 077 C91	12	610 950 C91	62
601 289 C1	19	604 590 C91	46	609 121 C91	57	610 951 C91	62
601 508 C91	60	604 591 C11	223	609 124 C91	58	610 952 C1	62
601 509 C1	15	604 644 C91	116	609 298 C1	177	610 953 C1	62
601 509 C1	267	604 677 C1	27	609 344 C91	19	610 954 C91	62
601 558 C1	23	604 677 C1	220	609 346 C91	20	610 955 C1	62
601 786 C91	76	604 678 C91	220	609 826 C11	40	611 419 C92	43
601 788 C91	76	604 737 C1	158	609 826 C11	214	611 419 C92	47
601 789 C11	76	604 739 C91	267	609 826 C11	216	611 422 C92	43
601 790 C1	76	604 740 C91	267	609 826 C11	220	611 422 C92	47
601 816 C92	71	604 844 C1	119	609 828 C11	40	611 423 C11	43
601 817 C91	71	604 845 C1	145	609 828 C11	214	611 423 C11	48
603 288 C93	266	604 920 C92	265	609 828 C11	216	611 424 C1	43
603 467 C91	105	604 942 C91	157	609 828 C11	220	611 424 C1	44
603 467 C91	236	606 054 C1	200	609 831 C91	39	611 424 C1	48
603 467 C91	239	606 054 C1	207	609 832 C91	39	611 425 C11	44
603 468 C91	156	606 054 C1	209	609 833 C92	39	611 426 C11	44
603 470 C91	191	606 054 C1	275	609 834 C92	39	611 426 C11	48
603 492 C91	186	606 067 C91	153	609 930 C1	51	611 427 C11	31
603 493 C91	186	606 067 C92	153	609 967 C1	135	611 428 C11	32
603 650 C1	193	606 068 C91	153	609 967 C1	162	611 429 C11	34
603 651 C1	193	606 102 C1	149	609 968 C1	135	611 429 C11	35
603 653 C1	193	606 133 C91	170	609 968 C1	161	611 430 C11	238
603 655 C1	193	606 133 C91	173	609 969 C91	135	611 431 C11	238
603 657 C1	193	606 170 C1	171	609 969 C91	161	611 431 C11	240
603 659 C1	193						

NUMERICAL INDEX

PART NUMBER	PAGE No.	PART NUMBER	PAGE No.	PART NUMBER	PAGE No.	PART NUMBER	PAGE No.
611 432 C11	133	616 284 C11	40	624 231 C1	106	628 165 C91	27
611 433 C11	48	616 285 C1	153	624 232 C1	105	628 187 C91	243
611 434 C11	46	616 300 C11	51	624 384 C91	107	629 717 C91	217
612 000 C11	19	616 300 C11	56	624 386 C91	107	629 718 C91	217
612 001 C11	19	616 338 C1	127	624 387 C91	98	629 719 C91	217
612 008 C92	20	616 340 C1	169	624 387 C91	105	629 720 C91	217
612 017 C92	17	616 342 C1	169	624 388 C1	105	629 993 C91	112
612 017 C92	18	616 343 C1	170	624 389 C1	103	629 994 C91	111
612 084 C1	50	616 344 C1	169	624 390 C1	92	630 110 C1	150
612 092 C91	18	616 345 C1	169	624 411 C1	69	630 453 C1	68
612 092 C91	75	616 365 C11	237	624 539 C1	185	630 454 C1	68
612 094 C91	18	616 366 C11	237	624 540 C91	186	630 465 C1	67
612 107 C1	15	616 367 C1	43	624 541 C1	186	630 472 C1	68
612 151 C11	16	616 367 C1	47	624 835 C91	212	630 486 C1	68
612 235 C11	259	616 368 C1	43	624 838 C91	212	630 488 C1	67
612 238 C1	259	616 368 C1	47	624 849 C1	164	630 494 C1	67
612 239 C1	259	616 369 C1	42	624 900 C2	36	631 015 C91	197
612 240 C1	259	616 369 C1	46	624 902 C91	215	631 015 C91	199
612 312 C1	14	616 370 C11	238	624 903 C1	215	632 166 C91	268
612 558 C1	65	616 373 C1	65	624 905 C1	220	632 290 C91	29
612 559 C91	82	616 416 C1	127	624 907 C1	216	643 247 C91	145
612 590 C91	74	616 416 C1	131	624 907 C1	220	645 932 C1	218
612 591 C91	74	616 475 C1	126	624 909 C91	36	645 979 C1	217
612 626 C92	256	616 476 C1	130	624 912 C91	219	645 982 C1	217
612 628 C11	256	616 477 C1	127	624 913 C91	219	645 984 C1	217
612 796 C91	229	616 477 C1	131	624 915 C91	258	645 994 C1	218
612 796 C91	233	616 479 C1	127	624 948 C1	69	646 346 C2	218
613 689 C1	44	616 926 C1	40	624 949 C91	176	646 352 C2	211
613 689 C1	48	617 259 C1	91	625 205 C1	148	646 353 C2	211
613 689 C1	50	618 688 C1	41	625 206 C1	149	646 368 C1	218
613 797 C91	151	618 688 C1	45	625 323 C1	210	646 370 C1	218
613 996 C1	197	619 072 C91	280	625 324 C91	200	646 387 C2	211
613 996 C1	199	619 214 C1	11	625 777 C92	150	646 388 C1	211
613 998 C1	197	619 214 C1	152	625 821 C1	149	646 534 C1	270
613 998 C1	199	619 405 C1	115	626 000 C1	269	646 719 C1	218
613 999 C1	197	619 405 C1	158	626 269 C1	273	646 720 C1	211
613 999 C1	199	619 581 C91	250	626 280 C91	269	646 721 C1	211
615 001 C1	197	619 661 C1	68	626 287 C1	269	646 721 C1	211
615 001 C1	199	619 787 C2	139	626 287 C1	279	646 750 C1	209
615 007 C1	197	619 787 C2	142	626 303 C91	280	646 751 C1	209
615 007 C1	199	619 788 C1	137	626 311 C1	280	646 754 C1	209
615 070 C91	50	619 788 C1	141	626 313 C1	280	646 755 C1	209
615 170 C1	197	619 789 C1	138	626 317 C1	279	646 756 C1	209
615 170 C1	199	619 789 C1	141	626 318 C1	279	646 757 C1	209
615 171 C1	197	619 818 C91	237	626 320 C91	279	646 758 C1	209
615 171 C1	199	620 086 C1	66	626 322 C91	279	646 759 C1	209
615 173 C1	197	620 114 C1	66	626 374 C91	280	646 759 C1	209
615 173 C1	199	620 116 C1	66	627 051 C91	279	646 978 C1	218
615 232 C91	39	620 147 C1	27	627 091 C91	148	646 998 C1	217
615 369 C1	237	620 148 C1	26	627 092 C1	149	646 999 C1	217
615 374 C1	80	620 148 C1	28	627 093 C1	148	647 172 C1	218
615 460 C1	259	620 149 C1	26	627 096 C91	35	650 354 C1	112
615 841 C1	80	620 149 C1	28	627 096 C91	36	650 382 C1	254
615 842 C1	80	620 149 C1	219	627 114 C1	10	650 382 C91	26
615 850 C1	153	620 175 C1	27	627 114 C1	35	650 382 C91	27
615 851 C1	153	620 316 C1	221	627 114 C1	36	650 382 C91	66
615 864 C1	40	620 316 C1	224	627 115 C1	36	650 382 C91	110
615 893 C92	127	621 299 C1	176	627 115 C1	35	650 382 C91	113
615 901 C1	128	621 397 C1	177	627 115 C1	36	650 382 C91	243
615 938 C1	237	621 402 C1	176	627 115 C1	36	650 382 C91	254
616 116 C1	63	621 471 C93	173	627 365 C1	147	650 428 C91	27
616 167 C1	218	621 474 C3	173	627 366 C1	147	650 430 C92	26
616 167 C1	243	621 476 C1	173	627 400 C1	148	650 430 C92	28
616 185 C1	176	621 476 C1	173	627 401 C91	149	650 430 C92	220
616 186 C1	176	621 657 C91	108	627 666 C2	148	650 430 C92	28
616 187 C1	176	623 761 C1	243	627 667 C2	148	650 673 C91	28
616 189 C1	176	623 992 C1	269	627 668 C2	149	650 937 C1	113
616 190 C1	176	623 993 C1	270	627 669 C2	148	650 982 C1	27
616 191 C1	179	623 998 C1	270	627 799 C1	66	650 982 C1	26
616 191 C1	180	623 999 C1	270	627 915 C91	80	650 984 C1	28
616 191 C1	181	624 225 C1	107	627 940 C91	67	650 984 C1	26
616 191 C1	179	624 226 C1	107	627 969 C1	148	650 987 C1	28
616 192 C1	180	624 227 C1	107	627 969 C1	267	650 987 C1	28
616 192 C1	181	624 228 C1	107	628 073 C1	265	650 987 C1	220
616 192 C1	181	624 229 C1	106	628 156 C91	243	651 035 C1	91
616 229 C1	169	624 230 C1	106	628 164 C91	26	651 569 C1	139
616 283 C11	256	624 231 C1	91	628 164 C91	29	651 569 C1	142
						651 665 C1	103
						651 784 C1	111

NUMERICAL INDEX

PART NUMBER	PAGE No.	PART NUMBER	PAGE No.	PART NUMBER	PAGE No.	PART NUMBER	PAGE No.
40 635 D	255	47 776 D	241	52 208 D	131	54 007 D	184
40 638 D	255	47 778 D	182	52 210 DAXA	183	54 010 D	184
41 162 D	18	47 779 D	182	52 211 D	127	54 012 D	184
41 339 D	14	47 780 D	182	52 213 DA	127	54 013 D	183
41 519 D	156	47 978 D	124	52 213 DA	131	54 016 D	183
41 600 D	121	47 979 D	123	52 215 DB	127	54 514 D	185
41 633 D	126	47 990 D	123	52 215 DB	131	54 515 D	185
41 633 D	129	47 991 D	123	52 222 D	185	54 610 DB	164
41 633 D	264	48 044 D	121	52 225 D	184	54 969 D	115
41 842 D	122	48 072 D	121	52 226 DA	185	54 969 D	164
42 175 D	159	48 073 D	121	52 228 DD	184	55 371 DA	116
42 298 DB	163	48 074 D	124	52 229 DA	185	55 479 D	255
42 385 D	42	48 229 D	168	52 231 D	185	55 482 D	255
42 385 D	46	48 384 D	23	52 237 DAX	126	55 745 D	164
42 409 D	55	48 384 D	24	52 239 D	164	55 954 DA	163
42 877 DB	242	48 385 D	23	52 243 DAX	164	55 955 DA	163
42 915 D	49	48 385 D	24	52 244 DX	163	55 959 DD	163
42 915 D	55	48 512 D	247	53 198 D	255	55 999 D	43
42 915 D	99	48 512 D	249	53 199 D	255	55 999 D	47
42 915 D	100	48 521 D	245	53 200 D	255	55 999 D	257
42 915 D	101	48 522 D	245	53 201 D	255	57 235 DA	182
42 915 D	103	48 523 D	245	53 202 D	255	57 239 D	182
43 644 DC	156	48 524 D	245	53 203 D	255	57 255 D	245
45 120 D	120	48 526 D	245	53 205 D	255	57 515 DA	180
45 120 D	121	48 712 D	264	53 206 D	255	57 516 DA	180
45 132 D	127	48 906 D	246	53 207 D	255	57 536 DA	185
45 132 D	131	48 906 D	249	53 209 D	255	57 904 DA	133
45 132 D	145	49 105 D	245	53 251 D	245	58 064 DAX	248
45 293 D	182	49 105 D	249	53 252 D	245	58 065 D	248
45 293 D	185	49 178 DA	244	53 253 D	245	58 068 D	249
45 357 D	127	49 178 DA	245	53 255 D	245	58 069 D	249
45 357 D	131	49 466 DC	179	53 256 D	245	58 072 D	249
45 361 D	126	49 467 DC	179	53 258 D	245	58 073 DB	248
45 361 D	131	49 468 DC	179	53 369 D	174	58 080 D	248
45 442 D	249	49 469 DC	179	53 398 DA	170	58 081 D	248
45 532 DA	245	49 471 DD	178	53 480 DA	126	58 084 D	249
45 532 DA	246	49 472 DD	178	53 480 DA	130	58 086 DB	248
45 532 DA	248	49 473 DD	178	53 481 DA	126	58 087 DB	249
45 532 DA	249	49 474 DD	178	53 481 DA	130	58 090 DBX	249
45 558 DA	244	49 475 DD	178	53 490 D	156	59 055 D	264
45 558 DA	245	49 538 D	245	53 494 D	115	59 310 D	159
46 023 D	157	49 541 DA	246	53 495 D	156	59 311 D	157
46 038 D	163	49 541 DA	248	53 497 D	156	59 311 D	159
46 040 D	163	49 542 D	245	53 503 DA	156	59 312 D	159
46 332 D	120	49 543 D	245	53 504 DA	156	59 313 D	159
46 794 DA	185	49 544 D	245	53 514 DB	157	59 314 D	159
46 795 D	185	49 545 D	245	53 539 DBX	185	59 315 D	159
46 800 D	185	49 546 D	245	53 559 D	120	59 317 DA	160
46 809 D	121	49 547 DA	246	53 597 D	163	59 939 D	31
46 809 D	185	49 547 DA	247	53 627 D	185	59 939 D	34
46 821 D	184	49 548 D	247	53 632 D	127	60 095 D	163
46 826 D	164	49 548 D	249	53 632 D	131	60 096 D	163
46 831 D	164	49 586 DAX	165	53 635 D	127	60 476 DX	122
46 839 DC	179	49 587 D	123	53 635 D	131	60 871 DA	257
46 859 D	127	50 311 DC	179	53 635 D	135	60 877 D	257
46 859 D	131	50 312 DD	178	53 636 D	127	60 878 DX	257
46 886 DA	98	50 408 D	79	53 636 D	131	61 115 D	116
46 886 DA	105	50 410 DA	15	53 636 D	135	61 387 D	42
46 904 DR	126	50 410 DA	18	53 637 D	127	61 387 D	46
46 905 DX	126	50 413 D	116	53 637 D	131	62 302 D	100
46 912 D	127	50 607 D	42	53 637 D	135	62 493 D	82
46 912 D	131	50 607 D	46	53 656 D	182	62 778 D	134
46 913 D	127	50 607 D	51	53 683 DA	126	62 779 D	126
46 913 D	131	50 607 D	56	53 683 DA	130	62 779 D	130
46 916 D	127	50 826 D	128	53 714 D	120	63 255 DA	127
46 916 D	131	50 826 D	132	53 898 DA	122	63 256 DA	126
46 918 D	127	50 826 D	133	53 921 DA	241	63 416 D	246
46 918 D	131	50 826 D	264	53 925 D	241	63 996 DB	170
47 401 D	18	51 227 DB	115	53 962 DA	247	64 163 D	130
47 594 DA	122	51 434 D	133	53 966 DAX	247	64 163 D	133
47 599 DAXA	122	51 527 DC	257	53 967 D	247	64 163 D	245
47 726 D	163	51 527 DC	267	53 968 D	247	64 163 D	249
47 771 D	241	52 062 D	100	53 968 D	249	64 572 D	190
47 772 D	241	52 062 D	104	53 970 D	245	64 603 DA	133
47 773 D	241	52 205 D	241	54 003 D	184	64 604 D	126
47 775 D	241	52 208 D	128	54 004 D	184	64 604 D	130

NUMERICAL INDEX

PART NUMBER	PAGE No.	PART NUMBER	PAGE No.	PART NUMBER	PAGE No.	PART NUMBER	PAGE No.
24 840 R1	67	24 862 R1	185	25 358 R1	211	25 522 R1	211
24 840 R1	68	24 862 R1	188	25 358 R1	271	25 522 R1	214
24 840 R1	120	24 862 R1	189	25 480 R1	111	25 522 R1	216
24 840 R1	121	24 862 R1	191	25 483 R1	213	25 522 R1	220
24 840 R1	128	24 862 R1	209	25 483 R1	215	25 522 R1	226
24 840 R1	131	24 862 R1	218	25 484 R1	200	25 522 R1	227
24 840 R1	134	24 862 R1	279	25 485 R1	238	25 522 R1	228
24 840 R1	143	24 863 R1	170	25 485 R1	240	25 522 R1	229
24 840 R1	145	24 863 R1	279	25 490 R1	214	25 522 R1	230
24 840 R1	155	24 865 R1	218	25 492 R1	127	25 522 R1	249
24 840 R1	190	24 871 R1	121	25 492 R1	131	25 522 R1	257
24 840 R1	195	24 872 R1	69	25 493 R1	235	25 522 R1	261
24 840 R1	201	24 872 R1	177	25 496 R1	74	25 522 R1	262
24 840 R1	210	24 872 R1	242	25 496 R1	126	25 522 R1	263
24 840 R1	211	24 873 R1	122	25 496 R1	130	25 522 R1	279
24 840 R1	222	24 873 R1	248	25 496 R1	139	25 523 R1	36
24 840 R1	225	24 873 R1	274	25 496 R1	142	25 523 R1	186
24 840 R1	227	24 874 R1	123	25 496 R1	143	25 523 R1	222
24 840 R1	229	24 874 R1	170	25 496 R1	145	25 523 R1	224
24 840 R1	264	24 874 R1	242	25 496 R1	216	25 523 R1	246
24 840 R1	279	24 875 R1	122	25 496 R1	261	25 523 R1	248
24 841 R1	42	24 875 R1	214	25 496 R1	262	25 524 R1	279
24 841 R1	46	24 875 R1	215	25 496 R1	263	25 525 R1	227
24 841 R1	65	24 875 R1	248	25 497 R1	114	25 526 R1	137
24 841 R1	227	24 876 R1	68	25 497 R1	183	25 526 R1	141
24 841 R1	229	24 876 R1	69	25 497 R1	227	25 526 R1	185
24 842 R1	42	24 876 R1	245	25 497 R1	229	25 526 R1	190
24 842 R1	46	24 877 R1	274	25 497 R1	245	25 526 R1	200
24 842 R1	120	24 881 R1	274	25 500 R1	211	25 526 R1	205
24 842 R1	250	24 885 R1	248	25 505 R1	184	25 526 R1	210
24 843 R1	143	24 887 R1	123	25 505 R1	222	25 526 R1	211
24 848 R1	120	24 887 R1	245	25 505 R1	225	25 526 R1	213
24 849 R1	30	24 887 R1	271	25 505 R1	257	25 526 R1	215
24 849 R1	36	24 887 R1	272	25 506 R1	137	25 526 R1	218
24 849 R1	164	24 887 R1	274	25 507 R1	184	25 526 R1	257
24 850 R1	189	24 888 R1	68	25 517 R1	167	25 526 R1	279
24 850 R1	245	24 888 R1	69	25 519 R1	99	25 527 R1	184
24 851 R1	185	24 888 R1	121	25 519 R1	104	25 527 R1	185
24 851 R1	227	24 888 R1	167	25 519 R1	163	25 527 R1	200
24 851 R1	229	24 888 R1	168	25 519 R1	213	25 528 R1	68
24 855 R1	144	24 888 R1	241	25 519 R1	215	25 528 R1	69
24 859 R1	213	24 888 R1	242	25 519 R1	238	25 528 R1	156
24 859 R1	215	24 892 R1	121	25 519 R1	240	25 528 R1	211
24 860 R1	40	24 892 R1	241	25 519 R1	264	25 529 R1	68
24 860 R1	68	24 893 R1	271	25 520 R1	30	25 529 R1	69
24 860 R1	93	24 894 R1	211	25 520 R1	99	25 529 R1	245
24 860 R1	121	24 912 R1	234	25 520 R1	235	25 529 R1	248
24 860 R1	163	24 916 R1	137	25 520 R1	240	25 531 R1	211
24 860 R1	185	24 916 R1	140	25 520 R1	261	25 535 R1	68
24 860 R1	200	24 916 R1	154	25 520 R1	262	25 535 R1	69
24 860 R1	210	25 222 R1	206	25 520 R1	263	25 535 R1	222
24 860 R1	211	25 222 R1	222	25 521 R1	221	25 535 R1	225
24 860 R1	214	25 228 R1	30	25 521 R1	222	25 536 R1	173
24 860 R1	216	25 228 R1	145	25 521 R1	223	25 538 R1	211
24 860 R1	218	25 228 R1	221	25 521 R1	224	25 539 R1	211
24 860 R1	220	25 228 R1	223	25 521 R1	225	25 544 R1	26
24 860 R1	279	25 228 R1	261	25 521 R1	226	25 544 R1	28
24 861 R1	40	25 228 R1	262	25 521 R1	231	25 544 R1	74
24 861 R1	43	25 228 R1	263	25 522 R1	26	25 544 R1	220
24 861 R1	47	25 234 R1	202	25 522 R1	28	25 547 R1	211
24 861 R1	68	25 236 R1	202	25 522 R1	31	25 654 R1	206
24 861 R1	69	25 272 R1	214	25 522 R1	33	25 676 R1	242
24 861 R1	167	25 272 R1	216	25 522 R1	34	25 677 R1	241
24 861 R1	170	25 272 R1	271	25 522 R1	35	25 693 R1	123
24 861 R1	184	25 272 R1	273	25 522 R1	42	25 698 R1	217
24 861 R1	190	25 272 R1	279	25 522 R1	46	25 751 R1	99
24 861 R1	205	25 274 R1	214	25 522 R1	67	25 751 R1	240
24 861 R1	211	25 274 R1	215	25 522 R1	68	25 752 R1	99
24 861 R1	213	25 281 R1	137	25 522 R1	136	25 752 R1	104
24 861 R1	214	25 281 R1	152	25 522 R1	137	25 752 R1	213
24 861 R1	215	25 281 R1	172	25 522 R1	140	25 752 R1	215
24 861 R1	216	25 281 R1	222	25 522 R1	143	25 754 R1	272
24 861 R1	220	25 281 R1	225	25 522 R1	154	25 760 R1	211
24 862 R1	168	25 336 R1	171	25 522 R1	186	25 764 R1	211
24 862 R1	173	25 340 R1	211	25 522 R1	190	25 768 R1	120
24 862 R1	174	25 340 R1	273	25 522 R1	200	25 768 R1	126

NUMERICAL INDEX

PART NUMBER	PAGE No.	PART NUMBER	PAGE No.	PART NUMBER	PAGE No.	PART NUMBER	PAGE No.
25 768 R1	143	158 510 R1	118	255 302 R1	122	263 515 R91	99
25 768 R1	185	158 511 R1	118	255 303 R1	122	263 515 R91	100
25 768 R1	226	158 512 R1	118	255 304 R1	122	263 515 R91	106
25 768 R1	228	158 513 R1	118	255 316 R91	122	263 561 R2	190
25 768 R1	230	160 834 R91	139	255 317 R1	122	263 717 R91	51
25 768 R1	239	160 834 R91	142	255 327 R1	122	263 717 R91	56
25 770 R1	73	164 436 R91	15	255 630 R1	128	263 717 R91	100
25 770 R1	123	169 071 R1	14	255 630 R1	131	263 717 R91	105
25 809 R1	122	169 071 R1	72	255 630 R1	180	263 717 R91	237
25 881 R1	264	169 679 R1	77	256 051 R11	249	263 945 R1	185
25 913 R1	245	170 570 R91	39	257 523 R1	235	263 973 R3	175
25 913 R1	249	171 809 R1	259	257 523 R1	237	263 974 R3	176
25 931 R1	228	171 823 R1	16	257 523 R1	240	263 975 R1	175
25 931 R1	229	171 823 R1	79	257 620 R1	159	263 975 R1	176
25 949 R1	121	203 762 R1	75	257 625 R1	159	263 976 R1	175
25 949 R1	185	203 762 R1	76	257 770 R92	180	264 055 R2	126
25 951 R1	165	221 425 R1	83	257 771 R92	180	264 055 R2	130
25 955 R1	277	227 713 R1	77	257 785 R1	186	264 055 R2	133
25 961 R1	120	230 409 R91	77	257 786 R1	186	264 055 R2	143
26 004 R1	156	230 421 R91	77	258 277 R3	164	264 097 R2	190
26 030 R1	222	237 358 R1	260	258 278 R1	164	264 097 R2	194
26 039 R1	211	237 360 R1	260	258 299 R4	182	264 097 R2	195
26 083 R1	241	237 361 R1	260	258 300 R4	182	264 097 R2	200
28 484 R1	194	237 362 R1	260	258 574 R91	246	264 097 R2	226
59 995 R1	100	237 363 R1	260	258 625 R2	126	264 097 R2	228
59 995 R1	105	237 364 R91	11	258 625 R2	131	264 097 R2	230
69 500 R1	13	237 364 R91	260	258 626 R3	126	264 097 R2	232
69 607 R1	77	250 263 R1	117	258 626 R3	130	264 097 R2	245
69 607 R1	267	250 307 R1	127	258 626 R3	130	264 097 R2	249
69 608 R1	77	250 307 R1	131	258 873 R92	181	264 123 R1	184
69 674 R1	71	250 307 R1	135	258 874 R1	180	264 196 R91	24
69 674 R1	267	250 610 R2	52	258 995 R1	60	264 196 R91	25
69 675 R1	71	250 610 R2	53	258 995 R1	62	264 196 R91	99
69 676 R1	71	250 610 R2	58	259 246 R1	145	264 196 R91	100
69 676 R1	267	250 617 R1	49	259 246 R1	267	264 196 R91	104
70 109 R1	21	250 617 R1	53	259 599 R91	65	264 196 R91	97
70 128 R1	18	250 868 R1	128	259 603 R91	65	264 200 R91	103
70 259 R2	23	250 868 R1	132	259 688 R1	115	264 200 R91	185
70 260 R1	23	250 868 R1	133	260 151 R1	128	264 259 R1	185
70 261 R2	23	250 868 R1	264	260 151 R1	131	264 261 R3	185
70 262 R1	23	251 021 R1	264	260 153 R1	128	264 262 R1	185
70 425 R1	23	251 044 R2	59	260 153 R1	130	264 263 R1	185
70 427 R1	75	251 348 R91	257	260 708 R2	257	264 270 R1	161
70 427 R1	76	251 355 R91	257	260 879 R4	59	264 370 R91	244
71 351 R1	71	251 380 R91	257	260 892 R2	185	264 371 R91	244
71 763 R2	21	251 400 R1	70	260 894 R1	185	264 473 R91	254
76 858 R1	14	251 402 R1	70	261 035 R1	195	264 630 R1	211
76 859 R1	14	251 403 R1	70	261 106 R1	116	264 674 R91	108
76 860 R11	13	251 403 R1	267	261 289 R1	185	264 674 R91	238
80 889 R91	190	251 403 R1	267	261 290 R1	185	264 674 R91	240
82 970 R1	22	251 846 R1	227	261 290 R1	185	264 674 R91	240
84 079 R91	13	251 846 R1	229	261 450 R2	179	264 679 R1	116
86 900 R91	13	251 846 R1	230	261 452 R3	178	264 681 R1	145
88 398 R1	101	251 846 R1	232	261 453 R3	178	264 681 R1	267
88 398 R1	104	251 846 R1	232	261 650 R1	226	264 830 R21	157
88 398 R1	107	252 172 R11	221	261 650 R1	228	264 830 R21	157
101 896 R1	208	252 172 R11	224	261 650 R1	230	265 126 R91	51
101 896 R1	249	252 482 R1	189	261 650 R1	232	265 204 R1	44
101 896 R1	257	252 483 R1	155	261 650 R1	232	265 204 R1	48
101 896 R1	261	252 735 R1	193	262 038 R1	262	265 204 R1	51
101 896 R1	262	252 739 R1	145	262 038 R1	263	265 204 R1	56
101 896 R1	263	252 739 R1	267	262 468 R93	179	265 204 R1	133
103 393 R1	279	253 660 R1	79	262 603 R12	65	265 204 R1	256
103 393 R91	279	253 660 R1	81	262 603 R12	205	265 204 R1	257
108 827 R1	111	253 664 R2	79	262 630 R11	185	265 204 R1	44
108 827 R1	112	253 729 R1	155	262 650 R1	185	265 205 R1	48
122 316 R91	79	254 803 R92	180	262 651 R1	185	265 205 R1	51
132 244 R91	99	254 804 R92	180	262 704 R1	226	265 205 R1	56
132 244 R91	105	254 805 R92	180	262 704 R1	228	265 205 R1	56
132 244 R91	108	254 807 R91	181	262 704 R1	230	265 205 R1	133
133 093 R1	14	254 817 R92	121	262 704 R1	232	265 205 R1	256
145 201 R91	73	254 921 R1	122	262 752 R1	127	265 205 R1	257
150 955 R1	259	254 922 R1	122	262 752 R1	131	265 717 R91	56
151 167 R3	14	254 923 R1	122	262 882 R1	72	266 059 R2	185
158 503 R1	118	254 967 R21	164	263 308 R91	100	266 060 R1	185
158 506 R1	118	254 968 R1	164	263 441 R1	169	266 064 R1	182
		254 981 R92	181	263 513 R91	100	266 067 R1	165
		255 088 R1	189	263 513 R91	105	266 068 R1	170
				263 514 R91	106	266 069 R2	165
				263 514 R91	108	266 070 R2	165

-292-
NUMERICAL INDEX

PART NUMBER	PAGE No.	PART NUMBER	PAGE No.	PART NUMBER	PAGE No.	PART NUMBER	PAGE No.
266 071 R1	166	273 338 R92	166	275 224 R1	159	276 223 R91	28
266 072 R1	166	273 405 R1	236	275 225 R1	126	276 223 R91	63
266 079 R1	121	273 405 R1	239	275 225 R1	129	276 569 R1	202
266 337 R91	43	273 406 R1	236	275 226 R1	126	276 575 R1	202
266 337 R91	47	273 406 R1	239	275 226 R1	129	276 578 R91	146
266 383 R2	222	273 499 R92	221	275 227 R11	115	276 578 R91	153
266 383 R2	224	273 499 R92	223	275 230 R31	224	276 975 R1	222
266 457 R11	116	273 500 R93	222	275 231 R31	224	276 975 R1	224
266 458 R1	116	273 500 R93	224	275 239 R41	211	276 976 R1	109
266 459 R1	116	273 871 R1	179	275 241 R1	109	276 979 R92	109
266 770 R91	111	273 871 R1	180	275 248 R92	222	276 981 R1	249
266 770 R91	112	274 075 R2	162	275 248 R92	224	277 025 R94	261
266 854 R91	97	274 085 R91	30	275 258 R32	224	277 025 R94	263
266 854 R91	103	274 085 R91	34	275 259 R21	221	277 031 R91	261
267 665 R91	116	274 085 R91	70	275 259 R22	225	277 037 R1	126
267 689 R1	116	274 085 R91	72	275 264 R1	222	277 037 R1	130
267 787 R91	103	274 085 R91	259	275 264 R1	225	277 153 R1	255
267 788 R91	99	274 086 R91	200	275 265 R1	222	277 209 R1	157
267 788 R91	100	274 086 R91	210	275 265 R1	225	277 232 R1	185
267 788 R91	101	274 087 R91	188	275 266 R11	222	277 232 R1	276
267 788 R91	103	274 089 R91	30	275 266 R11	224	277 232 R1	277
267 788 R91	114	274 089 R91	33	275 399 R1	246	277 454 R11	254
267 917 R1	109	274 089 R91	34	275 600 R1	184	277 456 R91	114
268 500 R91	245	274 089 R91	35	275 601 R1	184	277 457 R91	93
268 500 R91	248	274 089 R91	36	275 635 R1	69	277 507 R2	180
268 996 R1	169	274 089 R91	39	275 635 R1	257	277 509 R93	181
268 996 R1	173	274 160 R91	156	275 716 R91	159	277 544 R1	261
268 996 R1	174	274 164 R1	157	275 734 R1	157	277 675 R91	116
269 164 R1	157	274 165 R1	156	275 739 R12	126	277 676 R91	116
269 177 R1	156	274 165 R1	157	275 742 R1	126	277 748 R91	108
269 178 R1	156	274 166 R91	157	275 742 R1	130	277 921 R1	166
269 293 R1	250	274 167 R11	157	275 743 R1	126	278 027 R1	161
270 822 R92	180	274 168 R1	157	275 743 R1	130	278 053 R91	279
270 823 R1	180	274 169 R1	157	275 744 R2	126	278 063 R91	184
270 824 R1	180	274 170 R1	157	275 744 R2	130	278 089 R1	72
271 065 R91	98	274 191 R2	82	275 745 R11	126	278 140 R11	158
271 065 R91	103	274 239 R1	66	275 745 R11	130	278 141 R11	159
271 065 R91	108	274 287 R2	65	275 746 R1	126	278 209 R92	97
271 066 R92	105	274 304 R91	98	275 746 R1	130	278 209 R92	105
271 140 R91	261	274 304 R91	99	275 747 R12	126	278 210 R91	97
271 647 R1	121	274 304 R91	108	275 747 R12	130	278 210 R91	105
271 647 R1	168	274 698 R1	157	275 748 R2	126	278 263 R11	16
271 664 R1	185	274 699 R1	157	275 748 R2	130	278 264 R11	16
271 762 R1	161	274 863 R1	127	275 763 R91	248	278 265 R1	16
271 848 R1	15	274 863 R1	131	275 764 R1	246	278 265 R1	267
271 853 R1	162	274 863 R1	144	275 764 R1	249	278 268 R1	16
271 854 R1	161	274 864 R1	109	275 765 R1	246	278 268 R1	267
271 856 R2	161	274 864 R1	144	275 765 R1	249	278 269 R1	16
271 857 R2	161	274 864 R1	162	275 767 R91	244	278 270 R2	16
271 860 R2	127	275 066 R1	121	275 768 R91	244	278 270 R2	267
271 861 R1	126	275 159 R11	44	275 775 R1	246	278 272 R1	19
271 861 R1	130	275 159 R11	48	275 775 R1	249	278 275 R3	59
271 863 R91	127	275 179 R2	157	275 776 R1	246	278 278 R2	71
271 863 R91	131	275 180 R2	157	275 776 R1	249	278 279 R2	72
272 061 R91	92	275 186 R21	123	275 777 R11	245	278 280 R1	72
272 119 R91	161	275 187 R21	124	275 777 R11	249	278 280 R1	267
272 120 R1	161	275 197 R1	226	275 778 R1	246	278 300 R1	14
272 152 R91	33	275 197 R1	228	275 778 R1	249	278 301 R1	14
272 152 R91	35	275 197 R1	230	275 784 R2	159	278 302 R1	14
272 152 R91	36	275 197 R1	232	275 785 R1	159	278 303 R21	14
272 281 R1	155	275 198 R22	226	275 804 R1	26	278 304 R21	14
272 478 R91	126	275 198 R22	228	275 804 R1	28	278 305 R1	14
272 478 R91	130	275 198 R22	230	275 804 R1	145	278 306 R1	14
272 480 R91	131	275 198 R22	232	275 804 R1	220	278 308 R1	13
272 480 R92	127	275 199 R1	226	275 918 R11	264	278 308 R1	267
272 527 R1	122	275 199 R1	228	275 921 R1	264	278 313 R2	24
272 623 R2	174	275 199 R1	230	275 922 R91	264	278 313 R2	25
272 842 R1	146	275 199 R1	232	275 945 R91	264	278 313 R2	267
272 843 R1	193	275 200 R31	120	275 946 R91	50	278 314 R1	24
272 853 R2	176	275 217 R1	159	275 946 R91	261	278 314 R1	25
272 858 R92	176	275 218 R1	158	276 099 R92	130	278 314 R1	267
272 931 R1	165	275 219 R1	158	276 132 R91	254	278 315 R1	55
272 932 R1	165	275 220 R1	158	276 156 R1	126	278 316 R1	50
273 323 R2	165	275 221 R91	160	276 156 R1	129	278 317 R1	50
273 324 R2	165	275 222 R1	159	276 156 R1	264	278 317 R1	55
273 337 R92	166	275 223 R1	159	276 223 R91	26	278 318 R1	51

NUMERICAL INDEX

PART NUMBER	PAGE No.	PART NUMBER	PAGE No.	PART NUMBER	PAGE No.	PART NUMBER	PAGE No.
278 318 R1	56	287 049 R1	148	296 854 R1	193	304 101 R91	61
278 321 R1	49	287 075 R1	271	296 859 R1	193	304 102 R1	60
278 321 R1	59	287 078 R1	274	296 860 R1	193	304 102 R1	61
278 335 R11	50	289 767 R91	201	296 937 R1	193	304 104 R91	61
278 347 R1	50	289 767 R91	210	296 938 R1	193	304 104 R91	261
278 347 R1	55	290 045 R1	189	296 939 R1	193	304 104 R91	262
278 347 R1	267	290 287 R2	273	297 330 R1	118	304 104 R91	263
278 368 R61	14	291 572 R91	142	297 330 R1	135	304 131 R3	59
278 506 R1	212	292 824 R1	270	297 330 R1	144	304 279 R1	267
278 507 R1	212	292 825 R1	270	297 459 R1	197	304 313 R1	51
278 508 R1	212	292 832 R1	269	297 459 R1	199	304 391 R2	79
278 509 R1	212	292 832 R1	270	297 459 R1	201	304 398 R1	30
278 643 R2	25	292 836 R92	270	297 459 R1	203	304 398 R1	33
278 702 R21	49	292 841 R2	270	297 459 R1	207	304 398 R1	35
278 703 R11	49	292 846 R2	270	297 459 R1	209	304 398 R1	36
278 704 R11	49	292 847 R1	270	297 459 R1	275	304 426 R1	79
278 705 R11	49	292 852 R1	271	297 459 R1	279	304 451 R1	79
278 706 R11	49	292 852 R1	273	297 581 R91	136	304 522 R1	227
278 707 R11	49	292 852 R1	279	297 581 R91	137	304 522 R1	229
278 807 R1	72	292 853 R1	269	297 581 R91	138	304 720 R1	267
278 834 R2	238	292 853 R1	271	297 581 R91	140	304 768 R91	157
278 834 R2	240	292 853 R1	273	297 581 R91	141	304 769 R91	157
278 836 R2	238	292 853 R1	279	298 000 R1	234	304 776 R1	116
278 836 R2	240	292 861 R1	269	298 000 R1	236	304 777 R1	116
278 919 R1	255	292 864 R1	271	298 000 R1	239	304 778 R92	116
278 953 R91	55	292 870 R1	269	298 384 R1	155	304 780 R1	116
278 953 R91	57	292 898 R11	273	298 832 R1	270	304 782 R1	116
279 025 R91	259	292 918 R2	272	299 864 R1	26	304 784 R2	116
279 026 R91	65	292 919 R1	272	299 864 R1	28	304 785 R2	116
279 026 R91	200	292 920 R1	272	299 864 R1	63	304 786 R1	116
279 027 R91	155	292 921 R1	271	299 864 R1	219	304 787 R91	116
279 028 R91	39	292 921 R1	272	299 864 R1	190	304 854 R1	75
279 029 R91	31	292 929 R1	271	299 926 R2	191	304 854 R1	76
279 029 R91	34	292 929 R1	272	300 027 R1	243	304 854 R1	267
279 029 R91	188	292 930 R1	271	301 819 R1	139	304 910 R2	250
279 038 R91	71	292 930 R1	272	301 819 R1	200	304 915 R93	174
279 038 R91	79	292 931 R1	271	301 844 R1	189	305 206 R1	70
279 160 R11	70	292 931 R1	272	302 092 R1	275	305 366 R91	98
279 163 R1	70	292 942 R11	271	302 565 R1	151	305 366 R91	108
279 173 R1	257	292 943 R1	271	302 567 R1	151	305 799 R1	44
279 212 R91	70	292 944 R1	271	302 570 R1	151	305 799 R1	48
279 274 R1	59	292 946 R11	271	302 571 R1	151	305 804 R1	24
279 338 R1	127	292 947 R1	269	302 572 R1	151	305 804 R1	25
279 338 R1	132	292 947 R1	271	302 573 R1	151	305 804 R1	267
279 338 R1	135	292 947 R1	273	302 574 R91	11	306 125 R92	174
279 338 R1	162	292 948 R1	271	302 574 R91	151	306 126 R92	174
279 339 R91	127	292 949 R1	271	303 322 R1	76	306 127 R93	174
279 339 R91	131	292 954 R91	271	303 462 R11	50	306 128 R93	174
279 339 R91	161	292 954 R91	272	303 463 R1	50	306 280 R12	20
279 427 R1	128	292 956 R1	271	303 473 R1	14	306 353 R91	10
279 427 R1	130	292 956 R1	272	303 483 R1	72	306 353 R91	60
279 431 R2	128	292 957 R1	273	303 524 R93	181	306 353 R91	61
279 431 R2	130	292 958 R1	273	303 536 R11	115	306 354 R2	250
279 433 R1	128	292 959 R1	273	303 537 R11	159	306 365 R91	73
279 433 R1	130	293 350 R91	138	303 538 R11	159	306 399 R91	60
279 434 R92	128	293 350 R91	142	303 545 R1	57	306 625 R1	71
279 434 R92	132	293 739 R1	193	303 704 R92	92	306 630 R1	73
279 435 R11	128	294 668 R11	269	303 704 R92	114	306 637 R11	18
279 435 R11	131	294 694 R92	270	303 706 R1	93	306 638 R11	23
279 456 R93	135	294 695 R93	269	303 706 R1	114	306 645 R11	23
279 732 R1	135	294 698 R91	270	303 724 R1	92	306 648 R91	23
279 733 R1	127	294 703 R21	273	303 962 R1	43	306 648 R91	24
279 733 R1	131	294 711 R1	273	303 962 R1	47	306 656 R1	24
279 994 R91	11	294 777 R11	270	303 998 R1	75	306 657 R1	82
280 185 R1	83	294 778 R11	270	304 003 R91	75	306 658 R1	11
280 655 R91	254	294 779 R1	270	304 005 R91	75	306 658 R1	82
280 703 R1	109	294 780 R2	270	304 008 R1	75	306 659 R1	82
280 704 R1	109	294 791 R91	273	304 009 R1	75	306 660 R11	79
280 706 R22	120	294 938 R1	270	304 010 R1	75	306 671 R1	18
280 874 R1	254	296 247 R1	138	304 011 R1	75	306 672 R1	18
281 268 R2	93	296 247 R1	141	304 012 R1	75	306 673 R1	18
281 923 R1	93	296 247 R1	188	304 012 R1	267	306 674 R1	18
281 923 R1	114	296 247 R1	197	304 016 R1	73	306 700 R1	184
282 233 R1	163	296 247 R1	199	304 100 R91	61	306 708 R1	20
282 818 R2	121	296 845 R1	269	304 101 R91	10	306 775 R91	60
284 670 R91	72	296 851 R1	193	304 101 R91	60	306 776 R91	60

NUMERICAL INDEX

PART NUMBER	PAGE No.	PART NUMBER	PAGE No.	PART NUMBER	PAGE No.	PART NUMBER	PAGE No.
306 777 R1	60	310 508 R91	128	313 392 R91	188	317 972 R91	31
306 778 R1	60	310 508 R91	131	313 486 R91	201	317 972 R91	34
306 780 R1	60	310 514 R91	183	313 486 R91	210	317 972 R91	35
306 876 R1	213	310 594 R1	200	313 487 R91	200	317 972 R91	36
306 876 R1	215	310 594 R1	207	313 487 R91	210	318 020 R11	14
306 883 R11	227	310 596 R91	201	313 488 R91	205	318 118 R21	71
306 883 R11	230	310 596 R91	210	313 490 R91	201	318 369 R92	54
306 887 R1	230	310 665 R1	18	313 490 R91	210	318 379 R1	79
306 888 R91	231	310 665 R1	267	313 530 R92	117	318 380 R1	79
306 896 R1	184	310 796 R1	203	313 531 R92	116	318 381 R91	75
306 897 R1	184	310 796 R1	204	313 586 R91	260	318 497 R1	139
306 898 R2	184	310 797 R1	203	313 625 R91	30	318 497 R1	142
306 899 R91	184	310 797 R1	204	313 625 R91	33	318 729 R1	42
306 936 R1	235	310 798 R1	203	313 692 R1	135	318 729 R1	46
307 033 R2	168	310 798 R1	204	313 756 R1	145	318 734 R1	42
307 041 R2	168	310 799 R1	204	313 913 R92	161	318 734 R1	46
307 042 R2	168	310 800 R1	204	313 930 R91	30	318 735 R1	43
307 080 R1	250	310 801 R1	204	313 942 R91	72	318 735 R1	47
307 082 R1	131	310 802 R1	204	313 946 R91	128	318 836 R93	176
307 155 R1	131	310 803 R1	204	313 946 R91	130	318 837 R93	176
307 312 R91	221	310 804 R1	204	313 957 R1	92	318 838 R93	176
307 312 R91	223	310 805 R1	204	313 965 R91	31	318 839 R93	176
307 315 R1	221	310 806 R1	204	314 115 R91	205	318 840 R94	176
307 315 R1	223	310 807 R1	203	314 117 R91	194	318 985 R1	39
307 317 R12	222	310 808 R1	203	314 117 R91	200	318 985 R1	220
307 317 R12	224	310 809 R1	203	314 118 R91	194	318 987 R1	26
307 787 R1	81	310 810 R1	203	314 118 R91	200	318 987 R1	28
307 819 R91	131	310 811 R1	203	314 121 R91	201	318 987 R1	39
307 881 R91	43	310 812 R1	203	314 121 R91	210	318 987 R1	220
307 881 R91	47	310 813 R1	203	314 142 R1	172	319 615 R1	238
307 915 R1	188	310 814 R1	203	314 751 R31	110	319 615 R1	240
308 361 R11	79	310 815 R1	203	314 753 R1	110	319 628 R91	171
308 580 R1	259	310 816 R1	203	314 937 R91	174	319 635 R91	170
308 581 R1	275	310 817 R1	203	315 701 R1	15	319 705 R1	240
308 622 R91	234	310 818 R1	203	315 744 R1	14	319 709 R1	139
308 882 R1	155	310 819 R1	203	315 825 R1	13	319 710 R1	275
308 882 R1	200	310 820 R1	203	315 849 R1	18	319 752 R91	137
309 015 R91	250	310 821 R1	203	315 970 R91	18	319 762 R91	279
309 015 R91	255	310 822 R1	203	315 973 R2	261	319 884 R1	43
309 056 R1	243	310 823 R1	203	315 973 R2	262	319 884 R1	47
309 126 R1	80	310 824 R1	203	315 973 R2	263	319 962 R91	134
309 127 R1	81	310 825 R1	204	316 050 R1	79	319 965 R91	100
309 164 R1	81	310 850 R1	203	316 051 R1	79	319 965 R91	105
309 174 R91	201	310 923 R1	255	316 053 R1	79	319 966 R91	98
309 174 R91	203	310 924 R91	255	316 079 R1	145	319 970 R1	80
309 200 R91	201	310 944 R91	255	316 366 R1	20	320 000 R1	20
309 200 R91	203	311 070 R1	171	316 602 R1	166	320 017 R91	20
309 571 R1	201	311 085 R92	179	316 825 R91	222	320 018 R1	20
309 571 R1	207	311 110 R1	194	316 825 R91	224	320 097 R1	13
309 571 R1	209	311 110 R1	200	316 839 R3	175	320 150 R91	98
309 571 R1	275	311 133 R91	230	316 840 R3	176	320 182 R1	70
309 572 R1	201	311 218 R1	65	316 841 R3	175	320 188 R93	22
309 572 R1	207	311 263 R1	265	316 842 R3	175	320 275 R1	70
309 572 R1	209	311 269 R1	161	316 843 R2	179	320 275 R1	72
309 572 R1	275	311 277 R1	128	316 843 R2	180	320 285 R11	75
309 574 R1	194	311 277 R1	130	316 845 R93	175	320 391 R1	65
309 574 R1	200	311 278 R1	128	316 846 R93	175	320 395 R91	164
309 608 R1	276	311 278 R1	132	316 987 R1	170	320 398 R91	164
309 898 R1	190	311 279 R1	128	316 988 R1	169	320 535 R11	39
309 902 R21	273	311 279 R1	132	316 990 R1	169	320 535 R11	220
309 903 R21	273	311 350 R1	42	316 991 R1	170	320 537 R11	26
309 906 R11	273	311 350 R1	47	316 992 R2	169	320 537 R11	28
310 385 R1	79	311 352 R1	42	316 993 R2	170	320 537 R11	39
310 389 R1	59	311 431 R1	174	317 549 R91	16	320 537 R11	220
310 393 R1	59	311 994 R91	202	317 593 R1	200	320 641 R1	168
310 394 R1	59	312 109 R1	79	317 623 R1	139	321 029 R91	11
310 395 R1	59	312 552 R1	268	317 702 R91	10	321 029 R91	139
310 396 R1	59	313 021 R1	151	317 702 R91	30	321 149 R92	65
310 397 R1	59	313 190 R1	185	317 767 R91	238	321 202 R91	50
310 398 R1	59	313 191 R1	185	317 768 R91	238	321 292 R91	168
310 399 R1	59	313 205 R91	185	317 808 R91	279	321 359 R1	79
310 400 R1	59	313 206 R91	185	317 859 R93	116	321 373 R91	80
310 401 R1	59	313 245 R1	190	317 860 R91	116	321 374 R91	80
310 402 R1	59	313 337 R91	139	317 861 R1	116	321 375 R1	81
310 427 R1	79	313 337 R91	152	317 862 R1	116	321 376 R91	81
310 446 R95	267	313 383 R91	200	317 935 R91	14	321 377 R91	80

NUMERICAL INDEX

PART NUMBER	PAGE No.	PART NUMBER	PAGE No.	PART NUMBER	PAGE No.	PART NUMBER	PAGE No.
321 378 R1	80	324 226 R1	267	325 981 R92	177	327 945 R1	267
321 379 R1	80	324 227 R1	148	325 982 R91	177	327 949 R91	134
321 720 R91	61	324 227 R1	267	325 985 R91	212	327 950 R1	135
321 721 R1	61	324 228 R2	148	325 990 R1	65	327 951 R1	134
321 722 R1	61	324 231 R1	148	325 997 R1	227	327 951 R2	134
321 727 R1	61	324 232 R1	148	325 997 R1	229	327 952 R1	134
321 736 R1	170	324 236 R1	149	326 000 R91	269	327 953 R1	145
321 753 R1	193	324 240 R1	148	326 007 R91	271	327 955 R1	135
321 755 R91	193	324 241 R1	148	326 008 R91	271	327 956 R11	135
321 757 R1	193	324 242 R1	147	326 009 R91	271	327 957 R2	145
321 759 R1	193	324 244 R1	148	326 010 R91	271	327 959 R1	134
321 761 R1	193	324 245 R1	147	326 011 R91	272	327 960 R1	135
321 762 R1	193	324 255 R1	80	326 012 R91	272	327 960 R1	161
321 763 R1	193	324 256 R1	80	326 013 R91	272	327 961 R1	145
321 764 R91	193	324 258 R91	80	326 018 R1	276	327 963 R2	145
321 765 R1	193	324 273 R1	54	326 018 R1	277	327 964 R1	145
321 766 R1	193	324 274 R1	54	326 019 R91	275	327 965 R91	135
321 767 R1	193	324 274 R1	54	326 020 R91	274	327 965 R92	161
321 767 R1	193	324 299 R1	154	326 020 R91	274	327 977 R92	167
321 768 R1	193	324 300 R1	154	326 030 R1	208	327 978 R92	167
321 769 R91	193	324 459 R91	190	326 030 R1	209	327 979 R1	159
321 770 R91	193	324 462 R91	188	326 030 R1	275	327 980 R1	159
321 822 R1	60	324 462 R91	196	326 032 R1	276	327 981 R11	159
321 878 R1	70	324 463 R91	188	326 032 R1	277	327 981 R11	31
321 991 R1	154	324 463 R91	198	326 033 R1	276	327 983 R11	31
321 992 R1	154	324 463 R91	198	326 034 R91	274	327 998 R11	31
321 994 R1	154	324 465 R1	190	326 035 R91	274	327 999 R1	31
321 997 R1	154	324 500 R1	188	326 046 R1	269	328 512 R1	18
321 998 R1	154	324 501 R91	275	326 047 R1	269	328 535 R1	73
322 247 R1	174	324 501 R91	276	326 048 R1	269	328 537 R1	73
322 383 R1	72	324 503 R91	207	326 078 R1	138	328 539 R1	11
322 384 R12	72	324 504 R91	207	326 078 R1	141	328 539 R1	71
322 386 R1	72	324 507 R91	275	326 078 R1	279	328 540 R1	71
322 528 R1	174	324 508 R92	275	326 240 R1	279	328 542 R11	16
322 760 R1	82	324 509 R91	275	326 241 R11	279	328 543 R21	24
322 983 R91	211	324 510 R92	275	326 241 R11	279	328 544 R21	24
323 716 R11	53	324 512 R1	190	326 296 R1	200	328 560 R11	18
323 717 R1	53	324 512 R1	195	326 296 R1	210	328 681 R1	262
323 727 R91	14	324 514 R92	188	327 074 R1	188	328 681 R1	263
323 728 R92	54	324 518 R91	188	327 255 R1	190	328 991 R11	73
323 771 R31	14	324 549 R91	117	327 257 R91	190	330 018 R91	73
323 774 R1	15	324 560 R91	117	327 420 R1	145	330 019 R91	73
323 800 R1	14	324 561 R91	116	327 420 R1	267	330 600 R91	167
323 802 R1	19	324 569 R91	276	327 421 R91	145	330 607 R91	167
323 827 R91	11	324 570 R91	277	327 421 R91	146	330 622 R11	30
323 827 R91	75	324 571 R1	276	327 424 R92	145	330 631 R1	167
323 827 R91	76	324 573 R91	276	327 425 R91	135	330 635 R1	170
324 003 R1	153	324 574 R1	276	327 426 R91	135	330 637 R1	167
324 004 R2	153	324 574 R1	276	327 427 R91	134	330 638 R1	167
324 006 R92	153	324 575 R1	276	327 428 R92	145	330 638 R1	167
324 009 R1	153	324 576 R1	276	327 428 R92	145	330 639 R91	242
324 010 R1	153	324 577 R1	276	327 429 R92	135	330 645 R1	68
324 012 R1	153	324 577 R1	276	327 447 R1	118	330 645 R1	69
324 013 R1	153	324 578 R91	276	327 449 R91	275	330 646 R1	68
324 019 R1	153	324 579 R1	276	327 467 R91	229	330 646 R1	69
324 021 R1	153	324 580 R1	276	327 468 R91	30	330 647 R11	68
324 022 R1	153	324 581 R91	277	327 499 R91	74	330 653 R1	68
324 030 R1	153	324 585 R1	197	327 717 R2	119	330 653 R1	69
324 032 R91	80	324 585 R1	199	327 921 R1	145	330 660 R1	66
324 039 R1	81	324 586 R1	197	327 921 R1	145	330 661 R2	65
324 077 R91	234	324 586 R1	199	327 922 R1	267	330 662 R1	66
324 105 R91	153	324 593 R1	196	327 922 R1	145	330 663 R11	65
324 119 R1	127	324 593 R1	198	327 923 R1	145	330 664 R11	65
324 169 R91	137	324 605 R1	197	327 923 R1	267	330 665 R1	65
324 184 R91	227	324 605 R1	199	327 924 R2	145	330 667 R91	67
324 184 R91	229	324 745 R1	164	327 925 R1	144	330 668 R1	67
324 194 R1	30	324 933 R1	200	327 925 R1	267	330 669 R1	67
324 194 R1	34	324 976 R91	279	327 927 R1	135	330 670 R1	67
324 194 R1	35	324 998 R91	117	327 928 R1	145	330 670 R1	74
324 194 R1	36	325 030 R1	142	327 928 R1	267	330 671 R91	68
324 218 R1	148	325 040 R1	139	327 929 R1	134	330 672 R11	67
324 221 R1	148	325 040 R1	142	327 932 R91	133	330 714 R11	93
324 222 R1	148	325 040 R2	154	327 932 R92	133	330 721 R1	168
324 223 R1	148	325 041 R1	139	327 935 R1	134	330 725 R11	211
324 223 R1	148	325 041 R1	142	327 936 R1	134	330 726 R11	211
324 223 R2	267	325 059 R1	145	327 939 R11	134	330 734 R1	250
324 225 R2	149	325 059 R1	267	327 940 R11	133	330 737 R1	63
324 226 R1	149	325 327 R91	188	327 941 R91	133	330 737 R11	26
		325 585 R91	97	327 943 R1	135		
		325 980 R91	242	327 945 R1	145		

NUMERICAL INDEX

PART NUMBER	PAGE No.	PART NUMBER	PAGE No.	PART NUMBER	PAGE No.	PART NUMBER	PAGE No.
330 737 R11	28	330 980 R1	226	331 498 R11	226	331 796 R11	222
330 737 R11	39	330 981 R1	227	331 525 R91	74	331 796 R11	225
330 737 R11	220	330 983 R1	226	331 528 R91	219	331 861 R11	242
330 741 R11	221	330 984 R1	226	331 529 R91	219	331 963 R91	143
330 742 R11	222	330 985 R1	227	331 531 R1	172	331 976 R1	31
330 743 R11	222	330 986 R11	231	331 532 R2	172	331 977 R1	31
330 744 R21	222	330 987 R1	226	331 537 R1	172	331 978 R1	34
330 744 R21	224	330 988 R1	227	331 538 R1	172	332 026 R91	53
330 746 R21	214	330 993 R1	137	331 539 R1	171	332 110 R11	24
330 746 R21	216	330 995 R92	179	331 540 R1	171	332 110 R11	25
330 747 R11	214	330 996 R92	179	331 541 R91	171	332 111 R1	23
330 747 R11	216	331 003 R92	165	331 543 R91	171	332 111 R1	24
330 749 R92	213	331 007 R91	207	331 544 R11	186	332 112 R21	261
330 750 R92	213	331 009 R91	206	331 545 R11	186	332 112 R21	262
330 750 R92	215	331 012 R92	191	331 548 R91	186	332 112 R21	263
330 751 R11	226	331 016 R1	191	331 550 R91	165	332 117 R1	71
330 751 R11	228	331 016 R1	195	331 592 R1	222	332 136 R1	24
330 751 R11	230	331 017 R1	191	331 592 R1	224	332 137 R91	77
330 751 R11	232	331 017 R1	195	331 594 R1	222	332 267 R91	21
330 752 R11	234	331 018 R11	190	331 594 R1	224	332 270 R91	21
330 752 R11	237	331 018 R11	195	331 595 R1	222	332 273 R91	21
330 752 R11	239	331 020 R1	190	331 595 R1	224	332 276 R91	21
330 753 R1	234	331 020 R1	195	331 596 R91	222	332 279 R91	21
330 789 R1	138	331 021 R92	190	331 596 R91	224	332 436 R1	19
330 789 R1	141	331 032 R1	190	331 599 R1	222	332 489 R1	51
330 790 R1	138	331 034 R1	190	331 609 R91	227	332 489 R1	56
330 790 R1	141	331 035 R1	191	331 609 R91	229	332 490 R1	50
330 796 R12	143	331 036 R11	191	331 612 R91	227	332 490 R1	55
330 802 R11	143	331 037 R91	190	331 612 R91	229	332 491 R2	51
330 803 R11	143	331 037 R91	195	331 626 R92	174	332 491 R2	56
330 804 R1	143	331 038 R91	190	331 659 R91	200	332 495 R91	59
330 808 R1	138	331 038 R91	195	331 660 R91	200	332 496 R91	59
330 809 R1	141	331 039 R1	191	331 662 R91	74	332 603 R1	261
330 821 R1	234	331 039 R1	195	331 663 R91	74	332 618 R11	53
330 822 R1	234	331 040 R91	190	331 667 R91	191	332 624 R1	55
330 823 R91	97	331 041 R2	190	331 667 R91	250	332 652 R91	267
330 823 R91	105	331 041 R2	221	331 668 R2	200	332 791 R1	275
330 825 R92	101	331 042 R1	191	331 669 R1	137	333 700 R91	72
330 828 R11	123	331 042 R1	195	331 669 R1	141	333 703 R91	184
330 829 R11	124	331 128 R1	177	331 679 R91	67	333 705 R92	137
330 830 R91	123	331 129 R1	177	331 684 R92	179	333 712 R1	138
330 831 R91	124	331 130 R1	177	331 685 R92	179	333 712 R1	141
330 840 R91	68	331 131 R1	177	331 686 R92	179	333 719 R91	151
330 845 R1	167	331 132 R1	177	331 687 R92	180	333 723 R91	235
330 848 R1	66	331 133 R2	177	331 688 R92	180	333 723 R91	236
330 850 R11	145	331 139 R1	182	331 702 R91	73	333 774 R1	44
330 851 R1	145	331 145 R91	92	331 703 R1	33	333 774 R1	48
330 852 R11	122	331 204 R91	116	331 703 R1	35	333 777 R91	188
330 856 R2	65	331 238 R91	93	331 704 R91	213	333 777 R91	189
330 857 R11	212	331 263 R1	68	331 704 R91	215	333 777 R91	192
330 858 R11	212	331 375 R1	134	331 706 R1	34	333 784 R1	227
330 868 R91	108	331 375 R2	134	331 706 R1	35	333 784 R1	229
330 870 R91	242	331 376 R1	135	331 706 R1	36	333 785 R1	164
330 874 R1	68	331 380 R11	121	331 708 R11	214	333 787 R92	154
330 875 R91	207	331 383 R1	24	331 708 R11	215	333 822 R91	146
330 876 R91	207	331 384 R1	24	331 709 R11	213	333 824 R1	146
330 877 R91	207	331 408 R2	174	331 715 R91	213	333 825 R2	146
330 878 R91	187	331 411 R11	214	331 716 R1	120	333 826 R1	146
330 879 R92	187	331 411 R11	216	331 722 R1	121	333 827 R1	146
330 929 R1	139	331 412 R11	214	331 724 R1	120	333 829 R91	146
330 929 R1	142	331 413 R11	220	331 728 R11	214	333 830 R1	146
330 940 R91	187	331 414 R11	220	331 728 R11	216	333 835 R91	73
330 941 R92	187	331 415 R11	213	331 728 R11	220	333 851 R91	149
330 943 R11	226	331 421 R1	250	331 731 R91	258	333 852 R91	148
330 945 R11	227	331 422 R1	227	331 737 R92	179	333 853 R1	148
330 947 R11	227	331 422 R1	229	331 739 R11	66	333 854 R92	148
330 947 R11	229	331 460 R11	144	331 740 R1	66	333 857 R2	147
330 950 R11	226	331 461 R1	144	331 741 R1	66	334 075 R91	189
330 950 R11	230	331 461 R1	267	331 742 R11	66	334 078 R91	207
330 955 R91	226	331 462 R1	145	331 750 R11	170	334 079 R91	207
330 956 R11	226	331 463 R11	144	331 752 R91	170	334 080 R91	207
330 957 R11	227	331 487 R1	42	331 775 R1	142	334 080 R91	209
330 958 R11	227	331 487 R1	46	331 779 R1	257	334 081 R91	207
330 958 R11	229	331 493 R91	68	331 792 R2	24	334 081 R91	209
330 971 R91	227	331 496 R1	120	331 793 R2	24	334 082 R91	207
330 971 R91	229	331 497 R1	121	331 794 R91	63	334 083 R91	207

NUMERICAL INDEX

PART NUMBER	PAGE No.	PART NUMBER	PAGE No.	PART NUMBER	PAGE No.	PART NUMBER	PAGE No.
334 101 R11	65	338 268 R1	222	338 835 R1	19	345 409 R1	18
334 101 R11	73	338 268 R1	225	338 836 R91	151	345 526 R91	97
334 102 R11	65	338 269 R1	222	338 896 R1	92	345 526 R91	104
334 102 R11	73	338 269 R1	225	338 951 R91	21	345 574 R1	155
334 103 R1	65	338 270 R11	222	338 977 R92	234	345 576 R11	155
334 103 R1	73	338 270 R11	224	338 977 R92	236	345 610 R91	68
334 420 R1	167	338 335 R91	136	338 977 R92	237	345 610 R91	265
334 445 R1	235	338 335 R91	140	338 978 R91	235	345 643 R91	172
334 445 R1	238	338 347 R91	49	338 978 R91	237	345 645 R1	171
334 445 R1	240	338 357 R1	164	339 106 R92	54	345 646 R1	171
334 600 R1	121	338 360 R1	116	339 108 R92	54	345 649 R91	172
334 701 R91	101	338 376 R1	276	339 110 R91	54	345 680 R91	187
334 740 R1	137	338 377 R1	276	339 719 R1	280	345 681 R91	188
334 740 R1	141	338 378 R1	276	340 877 R1	101	345 682 R91	188
334 780 R11	208	338 379 R1	277	340 877 R1	107	345 683 R91	188
334 781 R1	208	338 383 R91	229	340 877 R1	114	345 684 R91	188
334 781 R1	209	338 390 R1	172	341 195 R92	76	345 685 R11	189
334 783 R1	208	338 391 R1	172	341 718 R1	222	345 686 R11	188
334 783 R91	209	338 392 R91	172	341 718 R1	225	345 687 R11	189
334 784 R1	208	338 393 R1	172	341 763 R1	145	345 688 R1	190
334 784 R1	209	338 399 R91	227	341 764 R1	161	345 689 R11	190
334 786 R91	100	338 399 R91	229	341 799 R1	182	345 690 R1	190
334 786 R91	101	338 415 R1	154	341 808 R1	118	345 692 R11	189
334 786 R91	106	338 546 R1	193	341 812 R1	135	345 693 R11	189
334 788 R1	63	338 550 R92	119	341 812 R1	135	345 794 R11	30
334 789 R91	63	338 562 R1	193	341 812 R1	161	345 795 R1	30
336 009 R91	137	338 563 R1	193	341 822 R1	257	345 798 R1	200
336 009 R91	141	338 564 R91	68	341 823 R1	257	345 798 R1	210
336 070 R91	55	338 564 R91	74	341 874 R91	99	345 810 R1	142
336 103 R1	154	338 568 R1	193	341 874 R91	108	345 811 R91	139
336 109 R1	62	338 569 R1	193	341 925 R1	161	345 832 R11	229
336 176 R91	188	338 570 R1	193	341 947 R91	41	345 832 R11	233
336 176 R91	192	338 571 R1	193	341 947 R91	45	345 864 R91	123
336 191 R1	197	338 586 R91	137	341 949 R1	133	345 865 R91	124
336 191 R1	199	338 586 R91	141	341 953 R91	224	346 095 R91	275
336 234 R91	138	338 587 R91	137	341 953 R91	264	346 096 R1	275
336 234 R91	141	338 587 R91	138	342 968 R1	250	346 505 R91	137
336 651 R91	235	338 587 R91	140	343 525 R91	202	346 505 R91	140
338 046 R1	208	338 587 R91	141	343 526 R91	202	346 505 R91	142
338 062 R11	189	338 587 R91	141	343 526 R91	202	346 509 R1	154
338 063 R11	189	338 596 R91	137	343 527 R1	202	346 509 R1	154
338 078 R91	119	338 596 R91	141	343 528 R1	202	346 596 R91	149
338 098 R1	228	338 621 R91	136	343 529 R1	202	346 636 R91	275
338 099 R1	228	338 621 R91	140	343 529 R1	202	346 647 R91	148
338 100 R2	234	338 622 R91	138	343 530 R1	202	346 647 R91	148
338 100 R2	235	338 622 R91	141	343 531 R1	202	346 666 R91	31
338 100 R2	238	338 622 R91	141	343 532 R1	202	346 666 R91	34
338 101 R2	235	338 623 R91	138	343 533 R1	202	346 734 R91	262
338 101 R2	240	338 623 R91	142	343 533 R1	202	346 792 R1	46
338 102 R41	213	338 624 R91	138	343 534 R1	202	346 792 R1	54
338 102 R41	214	338 624 R91	142	343 535 R1	202	346 821 R91	11
338 102 R41	215	338 624 R91	142	343 537 R1	202	346 821 R91	139
338 103 R41	213	338 642 R91	118	343 538 R1	202	346 821 R91	152
338 103 R41	214	338 643 R92	118	343 540 R1	202	346 822 R1	142
338 103 R41	215	338 644 R92	118	343 540 R1	202	346 822 R1	152
338 103 R41	215	338 645 R91	118	343 542 R91	202	346 822 R1	152
338 103 R41	215	338 645 R91	118	343 543 R91	202	347 066 R91	61
338 107 R1	46	338 646 R1	118	343 556 R1	154	347 230 R91	55
338 108 R11	233	338 648 R1	118	343 562 R91	137	347 243 R1	154
338 111 R91	228	338 651 R94	154	343 563 R91	137	347 297 R1	149
338 112 R11	229	338 725 R91	33	343 563 R91	141	347 372 R91	77
338 113 R11	229	338 734 R91	201	343 564 R91	138	347 391 R1	197
338 113 R11	233	338 734 R91	202	343 564 R91	141	347 391 R1	199
338 116 R1	229	338 743 R91	33	343 565 R91	138	347 391 R1	199
338 116 R1	233	338 743 R91	35	343 639 R91	191	347 516 R91	137
338 117 R11	232	338 743 R91	36	343 649 R91	189	347 516 R91	141
338 123 R91	228	338 743 R91	36	343 649 R91	192	347 521 R91	138
338 124 R1	228	338 744 R91	10	343 649 R91	192	347 521 R91	138
338 150 R1	155	338 744 R91	33	343 653 R1	189	347 552 R1	149
338 151 R11	155	338 744 R91	33	343 653 R1	189	347 552 R1	149
338 165 R1	144	338 751 R1	151	343 668 R91	279	347 582 R91	189
338 249 R1	163	338 751 R1	151	343 691 R1	146	347 582 R91	192
338 265 R1	222	338 752 R1	151	343 700 R1	146	347 587 R91	18
338 265 R1	224	338 753 R1	151	343 700 R1	146	347 587 R91	18
338 266 R1	222	338 754 R1	151	343 712 R91	55	347 634 R1	193
338 266 R1	225	338 754 R1	151	343 712 R91	55	347 641 R1	153
338 267 R1	222	338 767 R91	50	343 713 R91	54	347 802 R91	234
338 267 R1	224	338 783 R91	138	343 834 R1	155	347 823 R91	55
338 267 R1	224	338 783 R91	141	343 834 R1	155	347 823 R91	56
		338 784 R91	139	343 893 R93	262	347 823 R91	56
		338 819 R91	50	343 894 R1	59	347 837 R91	263
		338 822 R1	261	343 968 R91	54	347 846 R91	30
		338 826 R91	92	345 245 R92	12	347 914 R1	280
		338 826 R91	114	345 409 R1	13	347 935 R91	137

NUMERICAL INDEX

PART NUMBER	PAGE No.	PART NUMBER	PAGE No.	PART NUMBER	PAGE No.	PART NUMBER	PAGE No.
347 935 R91	141	364 885 R1	205	376 683 R91	21	656 071 R1	276
347 958 R91	137	364 885 R1	206	376 686 R91	21	684 154 R1	259
349 038 R1	70	364 910 R1	99	376 689 R91	21	707 253 R1	189
349 038 R1	267	364 910 R1	104	376 692 R91	22	708 560 R1	145
349 039 R1	75	364 910 R1	109	376 909 R1	172	708 560 R1	152
349 055 R2	18	367 225 R1	23	379 181 R1	202	708 560 R1	189
349 055 R2	75	367 225 R1	24	381 083 R2	280	708 560 R1	267
349 363 R1	18	367 229 R1	23	382 137 R1	193	870 325 R1	279
349 381 R1	14	367 240 R1	23	382 357 R91	22	871 570 R1	163
350 602 R1	27	367 272 R1	21	382 432 R1	169	897 414 R1	202
350 684 R1	70	367 276 R91	21	384 203 R91	235	915 449 R1	238
350 684 R1	267	367 279 R91	21	384 203 R91	238	915 499 R1	237
350 818 R1	196	367 282 R91	21	384 203 R91	240	915 499 R1	238
350 818 R1	198	367 285 R91	21	384 525 R1	76	915 499 R1	240
350 818 R1	201	367 288 R91	21	384 527 R1	76	915 500 R1	237
350 818 R1	207	367 291 R91	21	384 528 R2	76	915 500 R1	238
350 818 R1	209	367 294 R91	21	384 529 R1	76	915 500 R1	240
350 818 R1	275	367 297 R91	22	384 530 R11	76	972 386 R91	116
351 048 R1	135	367 300 R91	21	384 532 R1	76	999 677 R91	250
352 216 R1	276	367 303 R91	21	384 533 R91	76	1 013 265 R3	246
352 221 R1	77	367 306 R91	21	384 535 R1	76	1 013 265 R3	247
353 213 R2	205	367 309 R91	21	384 536 R1	76	1 014 784 R2	250
353 936 R2	267	367 408 R11	20	384 995 R1	83	1 017 851 R1	222
354 260 R1	103	367 572 R1	16	384 996 R1	83	1 017 851 R1	224
354 836 R1	139	367 578 R1	16	384 997 R1	83	1 019 019 R2	258
354 836 R1	152	367 580 R11	16	387 931 R1	71	1 019 023 R1	108
354 868 R93	201	367 630 R91	20	395 150 R91	206	1 019 024 R2	68
354 868 R93	210	367 631 R11	20	398 978 R1	280	1 019 026 R1	186
354 921 R1	26	367 632 R11	20	399 717 R1	280	1 019 043 R1	208
354 921 R1	27	367 984 R1	51	399 721 R1	280	1 019 044 R1	191
354 921 R1	28	368 269 R1	137	407 008 R1	71	1 019 061 R1	201
354 921 R1	220	368 269 R1	141	407 010 R1	40	1 085 000 R1	205
355 889 R3	133	368 269 R1	203	407 015 R1	33	1 085 172 R1	40
355 966 R1	61	368 269 R1	275	407 015 R1	35	1 085 312 R1	40
355 966 R1	196	368 333 R1	61	407 015 R1	40	1 085 313 R1	40
355 966 R1	198	368 334 R1	61	428 541 R91	259	1 085 542 R1	279
355 967 R1	145	368 492 R1	60	428 541 R91	260	2 718 600 R2	131
355 967 R1	203	368 493 R1	60	435 762 R91	275	2 750 008 R1	265
355 967 R1	267	368 501 R2	71	449 373 R1	259	2 750 387 R1	265
355 967 R1	276	368 985 R2	18	454 331 R1	146	2 750 390 R1	265
356 005 R1	276	368 985 R2	50	461 173 R1	121	2 751 307 R2	265
356 062 R91	97	368 986 R91	18	461 173 R1	133	2 751 311 R2	265
356 062 R91	105	368 986 R91	50	461 173 R1	267	2 751 319 R2	265
358 563 R91	98	369 497 R2	31	466 191 R1	145	2 751 345 R1	265
358 563 R91	99	369 497 R2	36	468 339 R1	145	2 751 389 R1	265
358 563 R91	103	369 497 R2	39	468 339 R1	267	2 751 392 R1	265
358 563 R91	105	369 497 R2	79	468 339 R1	280	2 751 900 R1	190
358 563 R91	114	369 875 R1	172	468 340 R1	280	2 752 940 R1	40
358 581 R91	98	369 981 R1	18	471 140 R1	184		
358 583 R91	101	369 981 R1	267	512 889 R1	247		
358 584 R91	98	369 982 R1	18	512 889 R1	249		
358 588 R91	98	369 982 R1	267	515 030 R1	275		
359 374 R91	97	369 984 R1	77	516 010 R1	153		
359 374 R91	103	369 984 R1	267	526 609 R91	35		
359 437 R91	98	369 987 R1	108	526 609 R91	36	SS 83	251
362 120 R1	91	369 987 R1	235	538 983 R1	18	SS 83	253
362 120 R1	99	371 110 R91	206	547 495 R91	265	SS 123	251
362 120 R1	100	371 114 R1	206	547 495 R91	266	SS 123	253
362 120 R1	106	371 115 R1	206	557 273 R1	218	ST 200	249
362 120 R1	114	371 116 R1	206	560 170 R1	92	ST 202	249
362 120 R11	105	371 217 R1	65	560 170 R1	93	ST 204 A	249
362 121 R1	91	371 699 R2	18	570 828 R1	138	ST 205 A	245
362 123 R1	70	373 220 R1	205	570 828 R1	141	ST 205 A	247
362 123 R1	75	373 220 R1	206	570 828 R1	279	ST 205 A	248
362 428 R91	235	374 187 R1	190	570 838 R1	137	ST 205 A	249
362 796 R1	264	374 544 R93	71	570 838 R1	141	ST 206	245
363 660 R1	111	374 777 R94	205	570 879 R1	172	ST 211	116
363 660 R1	112	374 777 R94	206	584 268 R91	148	ST 214	248
364 108 R1	173	375 612 R91	18	584 269 R1	148	ST 215	245
364 145 R1	202	376 602 R91	71	612 681 R1	193	ST 238	127
364 839 R1	137	376 666 R11	20	615 029 R1	116	ST 238	131
364 839 R1	138	376 668 R11	20	615 029 R1	229	ST 241	249
364 839 R1	140	376 670 R91	21	615 031 R1	136	ST 260	264
364 839 R1	141	376 673 R91	21	615 031 R1	140	ST 276	183
364 885 R1	201	376 676 R91	21	615 031 R1	151	ST 333	164
364 885 R1	204	376 679 R91	22	631 255 R1	134	ST 572	145

NUMERICAL INDEX

PART NUMBER	PAGE No.	PART NUMBER	PAGE No.	PART NUMBER	PAGE No.	PART NUMBER	PAGE No.
ST 655	184						
ST 684	185						
T							
TP 24	251						
TP 24	253						
6 403 T	264						
9 982 T	18						
V							
538 V	72						
61 261 VA	75						
61 263 VA	75						



NEW AND DISPLACED PARTS LIST

NOTE: This list is prepared to assist distributor parts personnel in keeping their inventory records current.

The information on this sheet will not be covered in future revisions, so you may want to retain this copy. Future revisions will include new and displaced parts information for that revision only.

New and displaced parts listed below are new and displaced parts for applications shown on pages listed for this machine, not necessarily new and displaced for other applications for this machine or in the IH system.

The following is a list of new and displaced parts for the Model TD9 Series B Parts Catalog, Form TC92C released since TC92B Rev 12 dated 8 - 73

PAGE NO.	NEW PART NUMBER	DISPLACED PART NUMBER	PAGE NO.	NEW PART NUMBER	DISPLACED PART NUMBER
12	-----	304 449 R91	141	702 200 C1	702 199 C91
15	684 729 C1	75 524 R3	145	643 247 C91	* 327 424 R92
16	606 750 C91	357 672 R91	170	655 678 C1	-----
18	612 094 C91	-----	170	655 677 C1	-----
18	538 983 R1	403 066 R91	170	655 900 C1	-----
19	680 035 C91	674 726 C91	172	-----	* 331 537 R1
19	680 337 C91	609 343 C91	172	-----	* 331 538 R1
22	-----	320 186 R91	172	655 655 C1	-----
26	650 984 C1	-----	172	655 656 C1	-----
26	674 079 C1	-----	172	376 909 R1	-----
26	650 987 C1	-----	+173	-----	-----
26	680 604 C1	-----	174	-----	* 306 125 R92
27	620 175 C1	-----	174	-----	* 306 126 R92
27	650 982 C1	-----	175	-----	* 316 841 R3
28	650 984 C1	-----	175	-----	* 316 842 R3
28	650 987 C1	-----	175	-----	* 316 839 R3
28	680 604 C1	-----	210	625 323 C1	625 324 C91
28	674 079 C1	-----	220	650 987 C1	-----
28	680 669 C1	-----	220	673 863 C1	-----
28	673 863 C1	-----	220	680 669 C1	-----
28	650 673 C91	-----	234	347 802 R91	630 525 C91
29	632 290 C91	-----	235	651 800 C1	630 529 C91
65	663 165 C1	* 703 482 C1	237	651 801 C1	630 528 C91
65	663 169 C1	* 703 481 C1	237	651 799 C1	630 527 C91
66	663 167 C1	* 703 480 C1	238	610 862 C91	610 863 C91
71	701 331 C92	-----	240	610 862 C91	610 863 C91
71	407 008 R1	278 281 R1	240	651 799 C1	630 527 C91
71	684 432 C1	-----	262	651 799 C1	630 527 C91
76	323 827 R91	-----	263	651 799 C1	630 527 C91
77	680 601 C1	316 052 R2	275	327 449 R91	324 511 R91
77	680 602 C1	-----			
106	706 124 C1	1 114 238			
+111	-----	-----			
+112	-----	-----			
137	343 562 R91	603 564 C91			
137	347 935 R91	347 959 R91			
137	343 563 R91	603 565 C91			
138	343 564 R91	603 566 C91			
138	338 622 R91	603 548 C91			
138	702 200 C1	702 199 C91			
141	347 935 R91	347 959 R91			
141	343 563 R91	603 565 C91			
141	343 564 R91	603 566 C91			
141	338 622 R91	603 548 C91			

+ - All part numbers are new for this page.

* - For ordering procedure for displaced part shown, refer to this catalog.

- Detail parts for this assembly or attachment are all new and are listed on the page shown in this revision.

