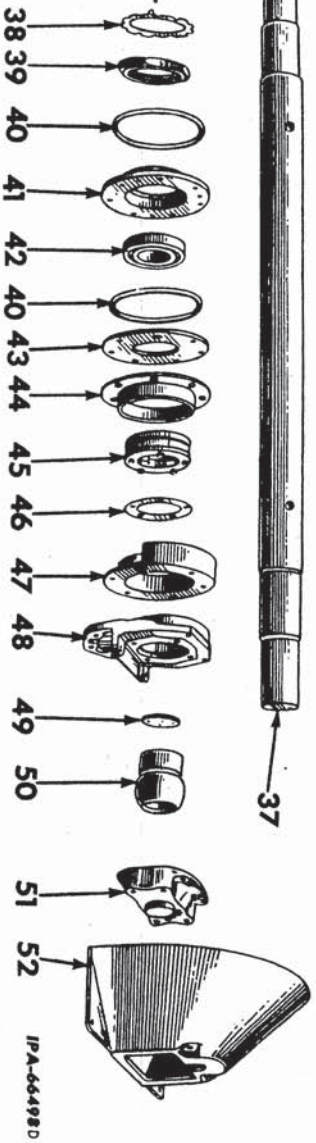
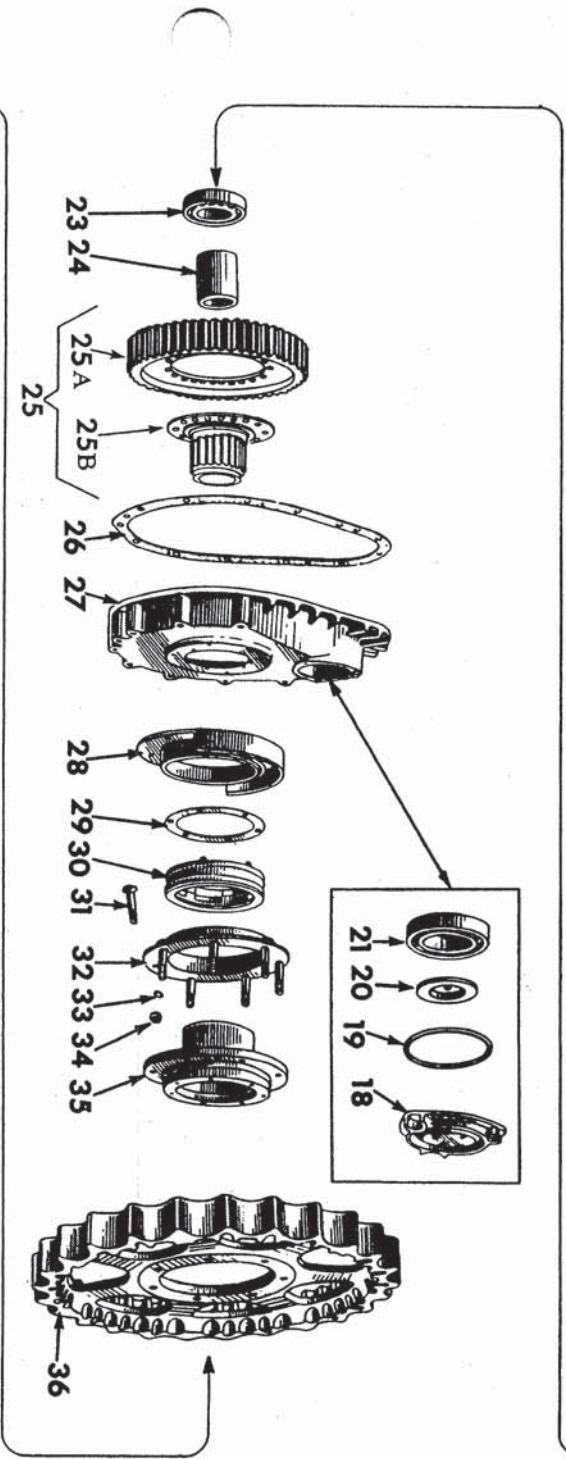
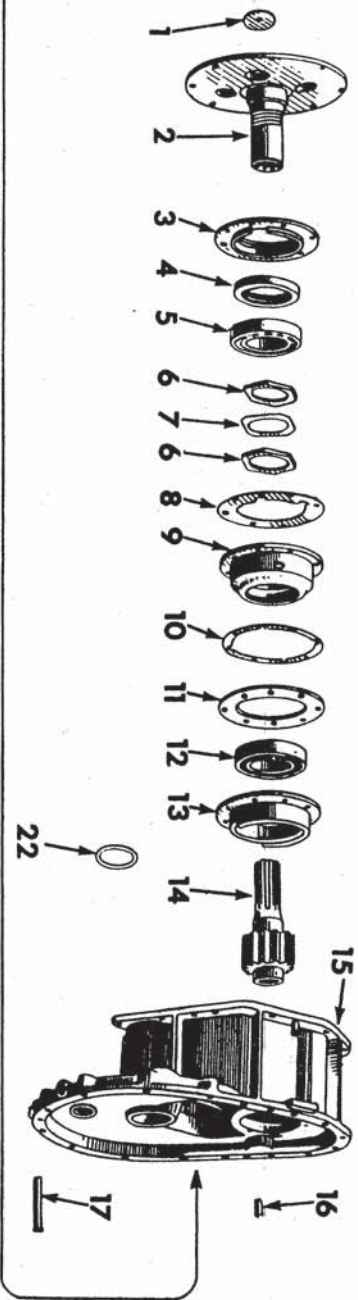


FINAL DRIVE

REF. NO.	PART NUMBER	DESCRIPTION	REF. NO.	PART NUMBER	DESCRIPTION
----------	-------------	-------------	----------	-------------	-------------

SPROCKET DRIVE, SHAFT, PINION, SPROCKET AND TRACK FRAME PIVOT SHAFT



1	172 599	PLUG, steering clutch support shaft (expansion 2.3/8") (2)	4	310 514 R91	OIL SEAL, steering clutch support shaft (2)
2	52 210 DAXA	SHAFT w/PLUG, 172 599 and two NUTS, 54 013 D sprocket drive pinion (2)	5	ST 276	BEARING, steering clutch support (2)
3	8 508 DA	RETAINER, steering clutch support bearing (2)	6	54 013 D	NUT, steering clutch support bearing (4)
	25 497 R1	SCREW, 3/8 x 1-3/8" hex-hd cap (8)	7	54 016 D	LOCK, steering clutch support bearing nut (2)
	115 093	WASHER, 3/8" lock (8)			

IPA-66498D

FINAL DRIVE

REF. NO.	PART NUMBER	DESCRIPTION	REF. NO.	PART NUMBER	DESCRIPTION
SPROCKET DRIVE, SHAFT, PINION, SPROCKET AND TRACK FRAME PIVOT SHAFT - Continued					
8	54 004 D	GASKET, steering clutch support bearing retainer (2)	19	264 123 R1	"O" RING, 5-1/8 x 5-3/8 x 1/8" sprocket drive pinion outer bearing cap (2)
9	275 600 R1	GAGE, LH steering clutch support bearing	20	46 821 D	RETAINER, sprocket drive pinion outer bearing (not used on power shift tractors) (2)
9	275 601 R1	GAGE, RH steering clutch support bearing	181 397	181 397	SCREW, 7/16NF x 1-1/4" hex-hd cap (4)
10	54 003 D	GASKET, steering clutch support bearing cage (2)	115 314	115 314	WASHER, 7/16" lock (4)
11	54 010 D	RETAINER, sprocket drive pinion inner bearing (2)	21	ST 655	BEARING, sprocket drive pinion outer (*) (2)
	140 483H	SCREW, 3/8 x 1-1/4" hex-hd cap (4)	21	333 703 R91	BEARING, sprocket drive pinion outer (+) (2)
	115 093	WASHER, 3/8" lock (4)	22	471 140 R1	"O" RING, 3 x 3-3/8 x 3/16" (track frame pivot shaft oil seal) (2)
12	ST 655	BEARING, sprocket drive pinion inner (*) (2)	23	278 063 R91	BEARING, inner sprocket drive gear (2)
12	333 703 R91	BEARING, sprocket drive pinion inner (+) (2)	24	52 225 D	SPACER, sprocket drive gear bearing (2)
13	8 509 D	CAGE, sprocket drive pinion inner bearing (2)	25	306 899 R91	GEAR w/CARRIER, 52 228 DD, GEAR, 306 898 R2 and twenty RIVET, 142 393 sprocket drive (2)
14	306 896 R1	PINION, sprocket drive (11 T) (2)	25A	306 898 R2	GEAR, 58 teeth (2)
15	8 511 DEX	CARRIER, w/two PLUG, 9 409 949, PLUG, 18 524 R1 and GASKET, 142 756 (2)	25B	52 228 DD	CARRIER, 24 teeth (2)
		(Order the following -	142 393	142 393	RIVET, 1/2 x 1-7/8" (40)
		1 CARRIER	26	54 012 D	GASKET, sprocket drive gear housing (2)
		9 SCREW, 3/8 x 3" hex-hd cap (type 4)	27	306 700 R1	HOUSING, outer sprocket drive gear (2)
		9 WASHER, 13/32 x 1" x 4 ga. flat			TD-9BG 6502 to 15558
15	8 511 DFX	CARRIER, w/two PLUG, 9 409 949, PLUG, 18 524 R1 and GASKET, 142 756 (together w/9 SCREW, 3/8 x 3" hex-hd cap (type 4) and 9 WASHER, 13/32 x 1" x 4 ga. flat (will work for CARRIER, 8 511 DEX) (See NOTE) (2)			TD-9BP 6525 to 15558
		PLUG, 1-1/4" sp-soc stl pipe (filler plug) (4)			TD-9BGA 6616 to 15558
		PLUG, 3/4" sq-soc stl pipe (drain plug) (2)			TD-9BGC 9231 to 15558
		SCREW, 1/2 x 1-3/8" hex-hd cap (32)			TD-9BGS 9239 to 15558
		WASHER, 1/2" lock (32)			
16	22 977 DA	PIN, sprocket drive gear housing to carrier dowel, upper (4)			
17	54 007 D	PIN, lower sprocket drive gear housing to carrier dowel (2)			
18	306 897 R1	CAP, sprocket drive pinion outer bearing (2)			
	24 861 R1	SCREW, 1/2 x 1-1/4" hex-hd cap (6)			
	116 121	WASHER, 1/2" lock (6)			

(\*) - Used On Manual Shift Agr. Revolving Crane And Sideboom Tractors

(+) - Used On Power Shift Tractors  
NOTE - When CARRIER, 8 511 DFX Is Furnished On Units Equipped With Sprocket Drive Housing Shield

ATTACHMENT, 331 548  
R91, New COLLAR, 259 894  
R1 Must Be Furnished  
Along With New Carrier.

FINAL DRIVE

REF. NO.	PART NUMBER	DESCRIPTION	REF. NO.	PART NUMBER	DESCRIPTION
SPROCKET DRIVE, SHAFT, PINION, SPROCKET AND TRACK FRAME PIVOT SHAFT - Continued					
27	624 539 C1	HOUSING, outer sprocket drive gear TD-9BG 15559 up TD-9BP 15559 up TD-9BGA 15559 up TD-9BGC 15559 to 16800 TD-9BGS 15559 to 16800	44	54 515 D	DEFLECTOR, track frame pivot oil seal dirt (2)
				264 259 R1	BOLT, sprocket drive gear outer bearing retainer (14) WASHER, 7/16" external-tooth lock (14)
			45	313 206 R91	OIL SEAL, track frame pivot (2)
			46	313 191 R1	GASKET, track frame pivot oil seal snap-on (2)
			47	46 800 D	GUARD w/INNER and OUTER dirt reflectors track frame pivot oil seal (2)
				25 768 R1	SCREW, 3/8 x 5/8" hex-hd cap (12)
				115 093	WASHER, 3/8" lock (12)
			48	266 059 R2	BRACKET, track frame pivot (2)
				262 650 R1	BOLT, track frame pivot bracket (top) (4)
				266 060 R1	BOLT, track frame pivot bracket (side) (6)
				262 651 R1	NUT, track frame pivot bracket top bolt (4)
				45 293 D	NUT, track frame pivot bracket side (6)
28	52 231 D	GUARD w/INNER and OUTER dirt reflectors sprocket drive oil seal (2)			
				24 839 R1	SCREW, 3/8 x 3/4" hex-hd cap (12)
				115 093	WASHER, 3/8" lock (12)
29	313 190 R1	GASKET, sprocket drive oil seal snap-on (2)	49	261 289 R1	SHIM, track frame pivot bearing (heavy) (12)
30	313 205 R91	OIL SEAL, sprocket drive (2)	49	261 290 R1	SHIM, track frame pivot bearing (light) (8)
31	52 226 DA	BOLT, sprocket carrier (14)	50	260 892 R2	BEARING, track frame pivot (2)
32	52 222 D	DEFLECTOR, sprocket drive oil seal dirt (2)			SCREW, 5/8NF x 1-1/2" hex-hd cap (4)
				8 461 DA	CAP, track frame pivot bracket (2)
				271 664 R1	BOLT, track frame pivot bracket cap (8)
				104 940	CORIK (no. 4 5/8" dia x 1-3/16" long) (4)
33		WASHER, lock sprocket carrier bolt (external-tooth 5/8") (14)			
34	32 454 D	NUT, sprocket carrier bolt (14)	52	53 539 DBX	SHIELD w/SUPPORT and SPACER, sprocket (2)
35	52 229 DA	CARRIER, sprocket (2)			NUT, 1/2" (4)
36	8 450 DC	SPROCKET, (27 T) (not cutaway) (2)			SCREW, 7/16 x 1-3/4" hex-hd cap (4)
36	8 775 DC	SPROCKET (cutaway) (27 T) (2)			SCREW, 1/2 x 1" hex-hd cap (4)
37	260 894 R1	SHAFT, track frame pivot			SCREW, 1/2 x 1-1/2" hex-hd cap (4)
38	46 795 D	LOCK, sprocket drive gear carrier nut (2)			WASHER, 7/16" lock (4)
				115 314	WASHER, 7/16" lock (4)
				116 121	WASHER, 1/2" lock (8)
39	46 794 DA	NUT, sprocket drive gear carrier (2)			ATTACHMENT, cutaway sprocket (consists of two SPROCKETS, 8 775 DC and two LOCKWIRE, 263 945 R1) (See NOTE 4)
40	264 263 R1	RING, sprocket drive gear outer bearing cage, packing (outer ring) (2)			FITTING, 45° lubrication (not used on revolving crane or sideboom tractors) (2)
40	264 262 R1	RING, sprocket drive gear outer bearing cage, packing (inner ring) (2)			GASKET, bracket cap (not used on revolving crane or sideboom tractors) (2)
41	264 261 R3	CAGE, sprocket drive gear outer bearing (2)			GASKET, sprocket drive oil filler plug (2)
42	ST 684	BEARING, outer sprocket drive gear (2)			SCREW, set track frame pivot shaft (2)
				46 809 D	NUT, 5/8" jam (2)
				25 949 R1	WIRE, lock track master link pin (2)
43	54 514 D	RETAINER, sprocket drive gear outer bearing (2)			

NOTE 4 - Attachment No Longer Available. Service Parts Will Be Furnished As Ordered.