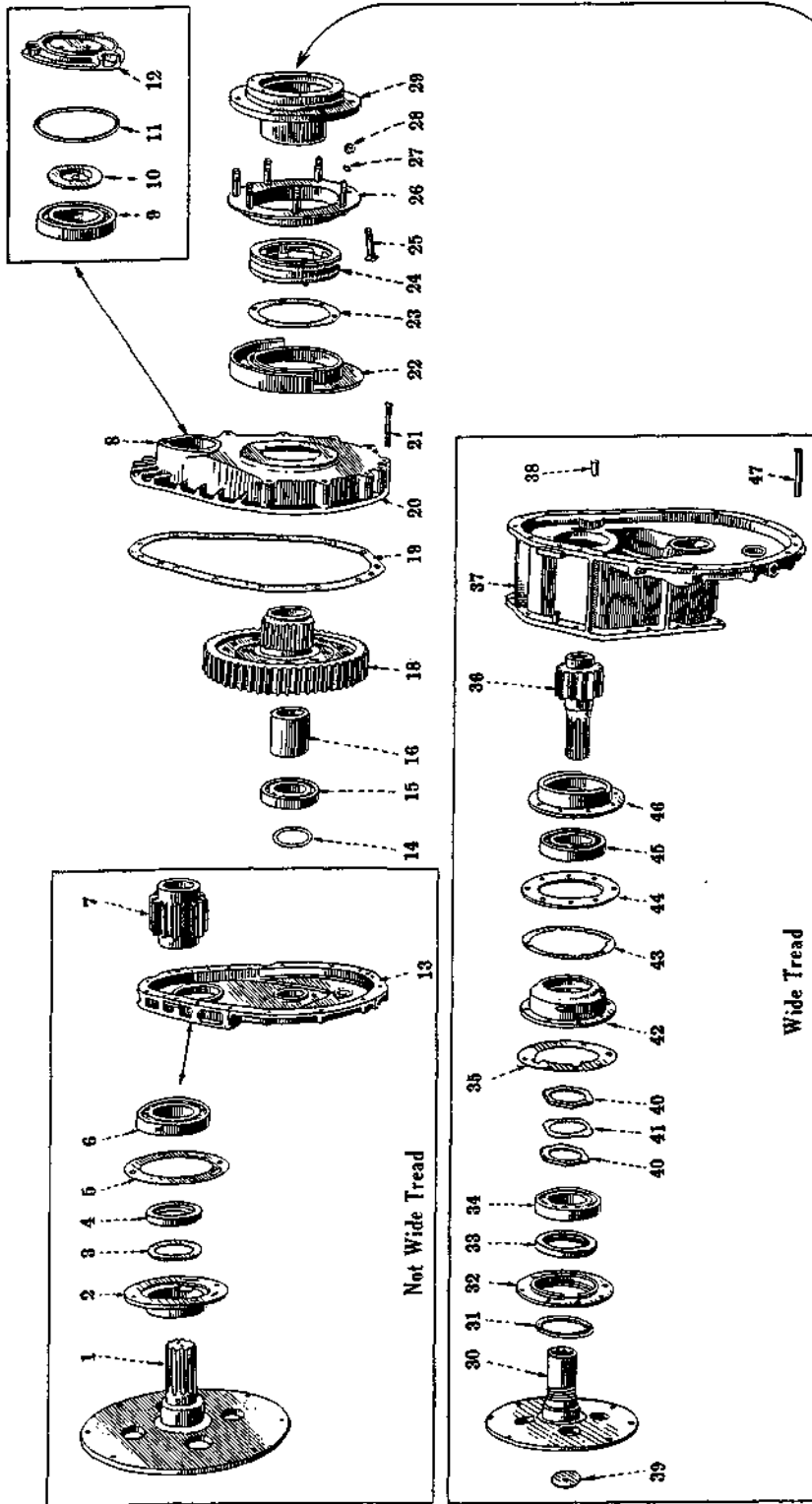


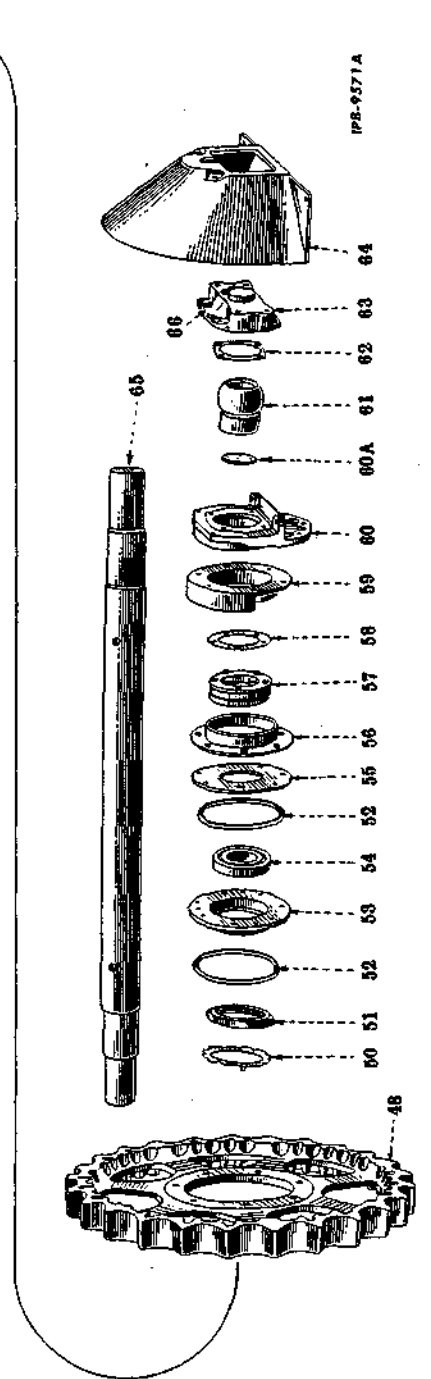
# FINAL DRIVE

SPROCKET DRIVE, SHAFT, PINION AND SPROCKET,  
TRACK FRAME PIVOT SHAFT (T-91)



# FINAL DRIVE

SPROCKET DRIVE, SHAFT, PINION AND SPROCKET,  
TRACK FRAME PIVOT SHAFT (TD-91) - Continued





## FINAL DRIVE

REF. NO.	PART NUMBER	DESCRIPTION
----------	-------------	-------------

**SPROCKET DRIVE, SHAFT, PINION AND SPROCKET,  
TRACK FRAME PIVOT SHAFT (TD-91) - Continued**

1	52 209 DB	SHAFT, sprocket drive pinion (not wide tread) (2)
2	8 510 DA	RETAINER, sprocket drive pinion inner bearing (not wide tread) (2) 3/8 x 1" hex-hd. cap SCREW (4) 3/8" lock WASHER (4)
3	54 011 D	WASHER, sprocket drive pinion shaft felt (not wide tread) (2)
4	273 575 R91	OIL SEAL, sprocket drive pinion shaft (not wide tread) (optional with 276 203 R91) (2)
4	276 203 R91	OIL SEAL, sprocket drive pinion shaft (not wide tread) (optional with 273 575 R91) (2)
5	54 009 D	GASKET, sprocket drive pinion inner bearing retainer (not wide tread) (2)
6	ST 281	BEARING, sprocket drive pinion inner (IHC-PL 275) (2)
7	64 487 DA	PINION, sprocket drive (12 T) (not wide tread) (2)
8	54 006 D	PIN, sprocket drive gear outer housing to main frame dowel (4)
9	ST 228	BEARING, sprocket drive pinion outer (2)
10	46 821 D	RETAINER, sprocket drive pinion outer bearing (2) 7/16NF x 1-1/4" hex-hd. cap SCREW (4) 7/16" lock WASHER (4)
11	264 123 RI	"O" RING, sprocket drive pinion outer bearing cap (2)
12	8 232 DB	CAP, sprocket drive pinion outer bearing (2) 1/2 x 1-1/4" hex-hd. cap SCREW (6) 1/2" lock WASHER (6)
13	8 512 DBX	HOUSING w/two PLUGS, 271 848 R1, PLUG, 18 524 RI and GASKET, 272 925 R1, sprocket drive gear inner (not wide tread) (2) PLUG, 1-1/4" sq-soc-stl. pipe (2) PLUG, 3/4" sq-soc-stl. pipe (4) 1/2 x 1-3/8" hex-hd. cap SCREW (16) 1/2" lock WASHER (16)
14	295 762 RI	RING, track frame pivot shaft oil seal (will work for 46 810 D) (2)
15	ST 315	BEARING, sprocket drive gear inner (2)
16	52 225 D	SPACER, sprocket drive gear bearing (2)
18	64 490 DC	GEAR and CARRIER w/NUT, 46 794 DA, sprocket drive (2)
19	54 012 D	GASKET, sprocket drive gear housing (2)
20	8 513 DB	HOUSING, sprocket drive gear outer (2) 1/2NF NUT (wide tread) (16) 1/2NF x 1-1/2" hex-hd. cap SCREW (wide tread) (12) 1/2NF x 2-3/4" hex-hd. cap SCREW (wide tread) (4) 1/2 x 2-3/4" hex-hd. cap SCREW (not wide tread) (18) 1/2 x 2-3/4" hex-hd. cap SCREW (wide tread) (18) 1/2 x 3-1/2" hex-hd. cap SCREW (not wide tread) (16) 1/2" lock WASHER (34)
21	54 007 D	PIN, sprocket drive gear outer housing to inner housing dowel (not wide tread) (2)

PRINTED IN UNITED STATES OF AMERICA



## FINAL DRIVE

REF. NO.	PART NUMBER	DESCRIPTION
----------	-------------	-------------

**SPROCKET DRIVE, SHAFT, PINION AND SPROCKET,  
TRACK FRAME PIVOT SHAFT (TD-91) - Continued**

22	52 231 D	GUARD w/inner and outer dirt DEFLECTORS, sprocket drive oil seal (2) 3/8 x 3/4" hex-hd. cap SCREW (12) 3/8" lock WASHER (12)
23	46 751 DA	GASKET, sprocket drive oil seal (2)
24	53 537 DA	OIL SEAL, sprocket drive (2)
25	52 226 DA	BOLT, sprocket carrier (14)
26	52 222 D	DEFLECTOR, sprocket drive oil seal dirt (2)
27		WASHER, 5/8" external-tooth sprocket carrier bolt lock (14)
28	32 454 D	NUT, sprocket carrier bolt (14)
29	52 229 DA	CARRIER, sprocket (2)
30	52 210 DAXA	SHAFT w/PLUG, 172 599 and two NUTS, 54 013 D, sprocket drive pinion (wide tread) (2)
31	54 008 D	WASHER, Sprocket drive pinion shaft felt (wide tread) (2) (TD-91 60301 to 66861)
32	8 508 DA	RETAINER, steering clutch support bearing (wide tread) (2) 3/8 x 1-3/8" hex-hd. cap SCREW (8) 3/8" lock WASHER (8)
33	279 491 R92	OIL SEAL, sprocket drive pinion shaft (wide tread) (will work for 273 576 R91) (2)
34	ST 276	BEARING, steering clutch support (wide tread) (2)
35	54 004 D	GASKET, steering clutch support bearing retainer (wide tread) (2)
36	64 488 DA	PINION, sprocket drive (12 T) (wide tread) (2)
37	8 511 DCX	CARRIER w/two PLUGS, 271 848 R1, PLUGS 18 524 RI and GASKET, 272 925 R1, sprocket drive (wide tread) (2) PLUG, 3/4" sq-soc. stl. pipe (4) PLUG, 1-1/4" sq-soc. stl. pipe (2) 1/2 x 1-3/8" hex-hd. cap SCREW (32) 1/2" lock WASHER (32)
38	22 977 DA	PIN, sprocket drive carrier to main frame dowel (wide tread) (4)
39	172 599	PLUG, 2-3/8" steering clutch support shaft expansion (wide tread)
40	54 013 D	NUT, steering clutch support bearing (wide tread) (4)
41	54 016 D	LOCK, steering clutch support bearing nut (wide tread) (2)
42	8 507 D	CAGE, LH steering clutch support bearing (wide tread)
42	8 516 D	CAGE, RH steering clutch support bearing (wide tread)
43	54 003 D	GASKET, steering clutch support bearing cage (wide tread) (2)
44	54 010 D	RETAINER, sprocket drive pinion inner bearing (wide tread) (2) 3/8 x 1-1/4" hex-hd. cap SCREW (4) 3/8" lock WASHER (4)
45	ST 228	BEARING, sprocket drive pinion inner (wide tread) (2)
46	8 509 D	CAGE, sprocket drive pinion inner bearing (wide tread) (2)

PRINTED IN UNITED STATES OF AMERICA

C



**FINAL DRIVE**

REF. NO.	PART NUMBER	DESCRIPTION
SPROCKET DRIVE, SHAFT, PINION AND SPROCKET, TRACK FRAME PIVOT SHAFT (TD-91) - Continued		
47	54 007 D	PIN, sprocket drive gear housing to carrier lower dowel (wide tread) (2)
48	8 450 DA	SPROCKET (27 T) (2)
48	8 775 DA	SPROCKET, cutaway (27 T) (2)
50	46 795 D	LOCK, sprocket drive gear carrier nut (2)
51	46 794 DA	NUT, sprocket drive gear carrier (2)
52	264 263 R1	RING, sprocket drive gear outer bearing cage packing (outer ring) (2)
52	264 262 R1	RING, sprocket drive gear outer bearing cage packing (inner ring) (2)
53	264 261 R2	CAGE, sprocket drive gear outer bearing (2)
54	ST 223	BEARING, sprocket drive gear outer (2)
55	54 514 D	RETAINER, sprocket drive gear outer bearing (2)
56	54 515 D	DEFLECTOR, track frame pivot oil seal dirt (2)
	264 259 R1	BOLT, sprocket drive gear outer bearing retainer (14)
		7/16" external-tooth lock WASHER (14)
57	53 538 DA	OIL SEAL, track frame pivot (2)
58	46 799 DA	GASKET, track frame pivot oil seal (2)
59	46 800 D	GUARD w/inner and outer dirt DEFLECTORS, track frame pivot oil seal (2) 3/8 x 5/8" hex-hd. cap SCREW (12) 3/8" lock WASHER (12)
60	266 059 R1	BRACKET, track frame pivot (2)
	262 650 R1	BOLT, track frame pivot bracket top (4)
	266 060 R1	BOLT, track frame pivot bracket side (6)
	262 651 R1	NUT, track frame pivot bracket top bolt (4)
	45 293 D	NUT, track frame pivot bracket side bolt (6)
60A	261 289 R1	SHIM, track frame pivot bearing (heavy) (X)
60A	261 290 R1	SHIM, track frame pivot bearing (light) (XX)
61	260 892 R2	BEARING, track frame pivot (2) 5/8NF x 1-1/2" hex-hd. cap SCREW (4)
62	53 627 D	GASKET, track frame pivot bracket cap (2)
63	8 461 DA	CAP, track frame pivot bracket (2)
	271 664 R1	BOLT, track frame pivot bracket cap (8)
	104 940	CORK, No. 4, 5/8" dia. x 1-3/16" long (8)
64	53 539 DBX	SHIELD w/SUPPORT and SPACER, sprocket (2) 1/2" NUT (not extended track frame) (4) 7/16 x 1-3/4" hex-hd. cap SCREW (4) 1/2 x 1" hex-hd. cap SCREW (4) 1/2 x 1-1/2" hex-hd. cap SCREW (not extended track frame) (4) 7/16" lock WASHER (4) 1/2" lock WASHER (8)
65	260 893 R1	SHAFT, track frame pivot (not wide tread)
65	260 894 R1	SHAFT, track frame pivot (wide tread)



**FINAL DRIVE**

REF. NO.	PART NUMBER	DESCRIPTION
SPROCKET DRIVE, SHAFT, PINION AND SPROCKET, TRACK FRAME PIVOT SHAFT (TD-91) - Continued		
66	271 415	FITTING, track frame pivot lubrication (Lincoln 105200) (optional with 271 283) (2)
66	271 283	FITTING, track frame pivot lubrication (Alemite 1688-B) (optional with 271 415) (2)
	57 236 D	ATTACHMENT, cutaway sprocket (Consists of two SPROCKETS, 8 775 DA and two WIRES, 263 945 R1) (See NOTE)
	272 925 R1	GASKET, sprocket drive oil filler plug (2)
	46 809 D	SCREW, track frame pivot shaft set (2) 5/8" jam NUT (2)
	263 945 R1	WIRE, lock track master link pin (2)

XX - 8 or more as required.  
X - 12 or more as required.  
NOTE - Factory Application - Order on Machine Order Form.  
Field Application - Order through Regular Service Parts Channels.