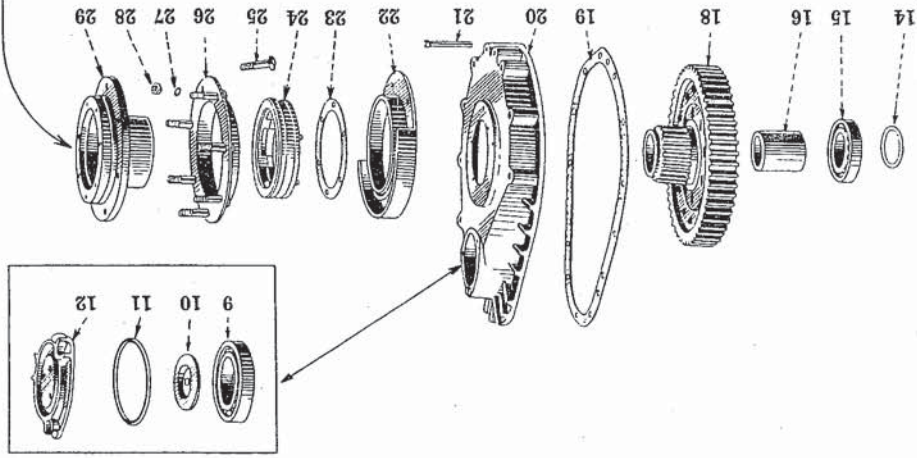


FINAL DRIVE

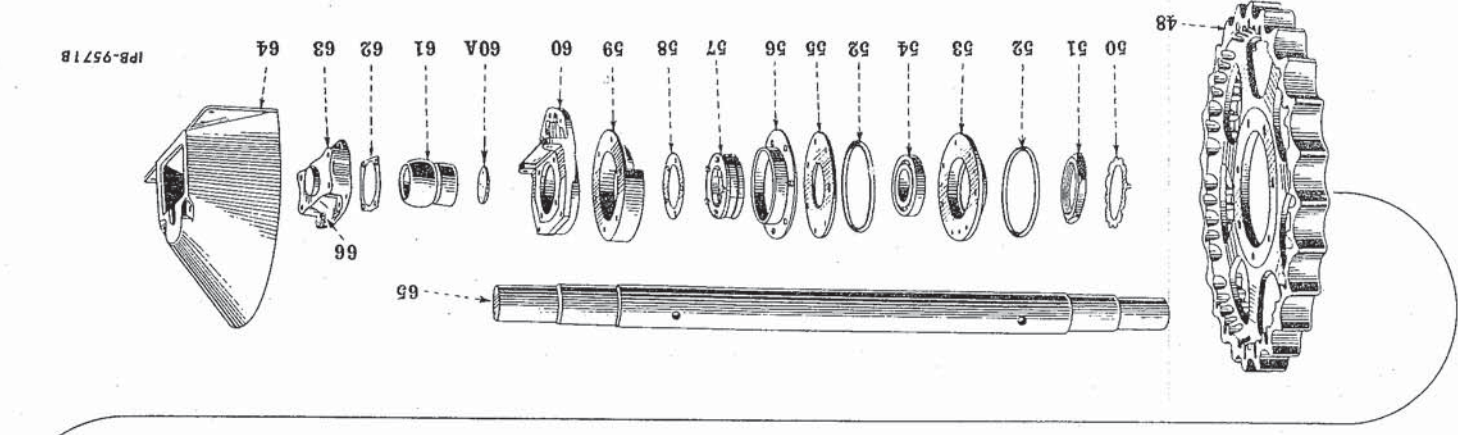


FINAL DRIVE

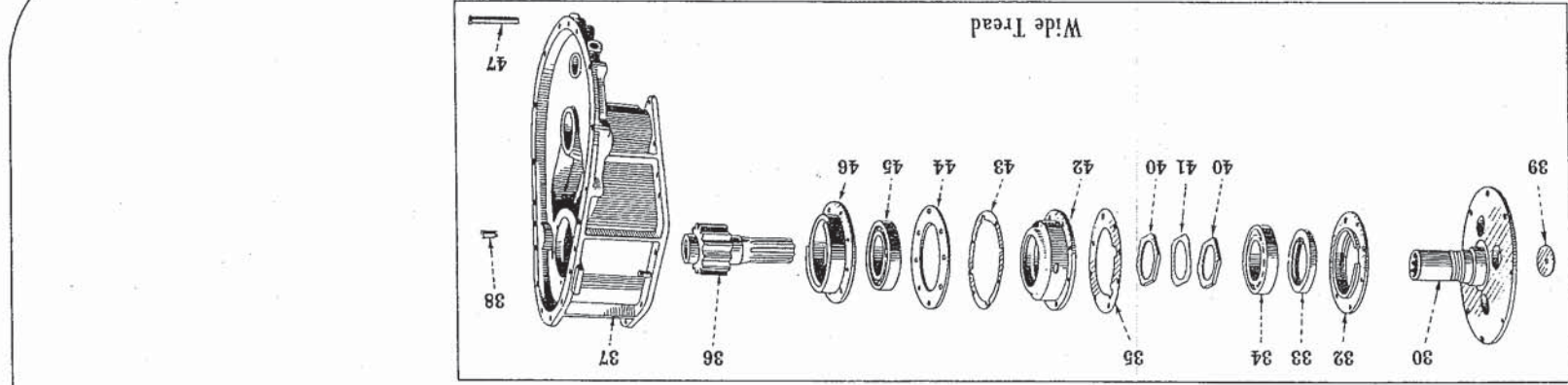
SPROCKET DRIVE, SHAFT, PINION AND SPROCKET AND TRACK FRAME PIVOT SHAFT



SPROCKET DRIVE, SHAFT, PINION AND SPROCKET AND TRACK FRAME PIVOT SHAFT - CONTINUED



SPROCKET DRIVE, SHAFT, PINION AND SPROCKET AND TRACK FRAME PIVOT SHAFT - CONTINUED



FINAL DRIVE

REF. NO.	I.H. PART NUMBER	DESCRIPTION
1	52 209 DA	SHAFT, sprocket-drive pinion (not wide tread) (2)
2	279 825 R1	RETAINER, sprocket drive pinion inner bearing (not wide tread) (2) 3/8 x 1" hex-hd. cap SCREW (4) 3/8" lock WASHER (4)
4	279 493 R92	OIL SEAL, sprocket drive pinion shaft (not wide tread) (2)
5	54 009 D	GASKET, sprocket drive pinion inner bearing retainer (not wide tread) (2)
6	ST 281	BEARING, sprocket drive pinion inner (IHC - PL 275) (2)
7	64 487 DA	PINION, sprocket drive (12 T) (not wide tread) (2)
9	ST 228	BEARING, sprocket drive pinion outer (not wide tread) (2)
9	ST 655	BEARING, sprocket drive pinion outer (wide tread) (2)
10	46 821 D	RETAINER, sprocket drive pinion outer bearing (2) 7/16NF x 1-1/4" hex-hd. cap SCREW (4) 7/16" lock WASHER (4)
11	264 123 R1	"O" RING, 5-1/8 x 5-3/8 x 1/8" sprocket drive pinion outer bearing cap (2)
12	8 232 DB	CAP, sprocket drive pinion outer bearing (not wide tread) (2) 1/2 x 1-1/4" hex-hd. cap SCREW (6) 1/2" lock WASHER (6)
12	306 897 R1	CAP, sprocket drive pinion outer bearing (wide tread) (2)
13	8 512 DBX	HOUSING w/two PLUGS, 271 848 R1, PLUG 18 524 R1 and GASKET, 272 925 R1 inner sprocket drive gear (not wide tread) (2) PLUG, 1-1/4" sq-soc. stl. pipe (filler plug)
13	18 524 R1	PLUG, 3/4" sq-soc. stl. pipe (drain plug) (2)
13	271 848 R1	PLUG, 3/4" sq-soc. stl. pipe (drain plug) (2)
14	295 762 R1	RING, track frame pivot shaft oil seal (2)
15	ST 315	BEARING, inner sprocket drive gear (2)
16	52 225 D	SPACER, sprocket drive gear bearing (2)
18	64 490 DC	GEAR w/NUT, 46 794 DA sprocket drive (57 T) (not wide tread) (2)
18	306 899 R91	GEAR, sprocket drive (58 T) (wide tread) (2)
19	54 012 D	GASKET, sprocket drive gear housing (2)
20	8 513 DB	HOUSING, outer sprocket drive gear (not wide tread) (2) 1/2NF NUT (16) (wide tread) 1/2NF x 1-1/2" hex-hd. cap SCREW (wide tread) (12) 1/2NF x 2-3/4" hex-hd. cap SCREW (wide tread) (4) 1/2 x 3-3/4" hex-hd. cap SCREW (18) 1/2 x 3-1/2" (not wide tread) hex-hd. cap SCREW (16) 1/2" lock WASHER (34)

FINAL DRIVE

REF. NO.	I.H. PART NUMBER	DESCRIPTION
		SPROCKET DRIVE, SHAFT, PINION AND SPROCKET AND TRACK FRAME PIVOT SHAFT - CONTINUED
20	306 700 R1	HOUSING, outer sprocket drive gear (wide tread) (2)
21	54 007 D	PIN, sprocket drive gear outer housing to inner housing dowel (not wide tread) (6)
22	52 231 D	GUARD w/INNER and OUTER dirt reflectors sprocket drive oil seal (2) 3/8 x 3/4" hex-hd. cap SCREW (12) 3/8" lock WASHER (2)
23	313 190 R1	GASKET, sprocket drive oil seal snap-on (will work for 46 751 DA) (2)
24	313 205 R91	OIL SEAL, sprocket drive (will work for 53 537 DA) (2)
25	52 226 DA	BOLT, sprocket carrier (14)
26	52 222 D	DEFLECTOR, sprocket drive oil seal dirt (2)
27		WASHER, lock sprocket carrier bolt (external-tooth 5/8") (14)
28	32 454 D	NUT, sprocket carrier bolt (14)
29	52 229 DA	CARRIER, sprocket (2)
30	52 210 DAXA	SHAFT w/PLUG, 172 599 and two NUTS, 54 013 D sprocket drive pinion (wide tread) (2)
32	8 508 DA	RETAINER, steering clutch support bearing (wide tread) (2) 3/8 x 1-3/8" hex-hd. cap SCREW (8) 3/8" lock WASHER (8)
33	310 514 R91	OIL SEAL, steering clutch support shaft (wide tread) (will work for 279 491 R92) (2)
34	ST 276	BEARING, steering clutch support (wide tread) (2)
35	54 004 D	GASKET, steering clutch support bearing retainer (wide tread) (2)
36	306 896 R1	PINION, sprocket drive (11 T) (wide tread) (2)
37	8 511 DDX	CARRIER w/two PLUG, 271 848 R1, PLUG, 18 524 R1 and GASKET, 272 925 R1 (wide tread) (2) PLUG, 3/4" sq-soc. stl. pipe (drain plug) (2) PLUG, 1-1/4" sq-soc. stl. pipe (filler plug) 1/2 x 1-3/8" hex-hd. cap SCREW (16) 1/2" lock WASHER (16)
38	22 977 DA	PIN, sprocket drive gear housing to carrier dowel, upper, (wide tread) (4)
39	172 599	PLUG, steering clutch support shaft (expansion 2-3/8") (wide tread) (2)
40	54 013 D	NUT, steering clutch support bearing (wide tread) (4)
41	54 016 D	LOCK, steering clutch support bearing nut (wide tread) (2)
42	275 600 R1	CAGE, LH steering clutch support bearing (wide tread)
42	275 601 R1	CAGE, RH steering clutch support bearing (wide tread)

FINAL DRIVE

REF. NO.	I.H. PART NUMBER	DESCRIPTION
SPROCKET DRIVE. SHAFT, PINION AND SPROCKET AND TRACK FRAME PIVOT SHAFT - CONTINUED		
43	54 003 D	GASKET, steering clutch support bearing cage (wide tread) (2)
44	54 010 D	RETAINER, sprocket drive pinion inner bearing (wide tread) (2) 3/8 x 1-1/4" hex-hd. cap SCREW (4) 3/8" lock WASHER (4)
45	ST 655	BEARING, sprocket drive pinion inner (wide tread) (2)
46	8 509 D	CAGE, sprocket drive pinion inner bearing (wide tread) (2)
47	54 007 D	PIN, lower sprocket drive gear housing to carrier dowel (wide tread) (2)
48	8 450 DA	SPROCKET (27 T) (not cutaway) (2)
48	8 775 DA	SPROCKET (cutaway) (27 T) (2)
50	46 795 D	LOCK, sprocket drive gear carrier nut (2)
51	46 794 DA	NUT, sprocket drive gear carrier (2)
52	264 263 R1	RING, sprocket drive gear outer bearing cage, packing (outer ring) (2)
52	264 262 R1	RING, sprocket drive gear outer bearing cage packing (inner ring) (2)
53	264 261 R2	CAGE, sprocket drive gear outer bearing (2)
54	ST 223 A	BEARING, outer sprocket drive gear (2)
55	54 514 D	RETAINER, sprocket drive gear outer bearing (2)
56	54 515 D	DEFLECTOR, track frame pivot oil seal dirt (2)
	264 259 R1	BOLT, sprocket drive gear outer bearing retainer (14) 7/16" external-tooth lock WASHER (12)
57	313 206 R91	OIL SEAL, track frame pivot (will work for 53 538 DA) (2)
58	313 191 R1	GASKET, track frame pivot oil seal snap-on (will work for 46 799 DA) (2)
59	46 800 D	GUARD w/INNER and outer dirt deflectors track frame pivot oil seal (2) 3/8 x 5/8" hex-hd. cap SCREW (12) 3/8" lock WASHER (12)
60	266 059 R1	BRACKET, track frame pivot (2)
	262 650 R1	BOLT, track frame pivot bracket (top) (4)
	266 060 R1	BOLT, track frame pivot bracket (side) (6)
	262 651 R1	NUT, track frame pivot bracket top bolt (4)
	45 293 D	NUT, track frame pivot bracket side (6)
60A	261 289 R1	SHIM, track frame pivot bearing (heavy) (12)
60A	261 290 R1	SHIM, track frame pivot bearing (light) (8)
61	260 892 R2	BEARING, track frame pivot (2) 5/8NF x 1-1/2" hex-hd. cap SCREW (4)
62	53 627 D	GASKET, track frame pivot bracket cap (2)
63	8 461 DA	CAP, track frame pivot bracket (2)
	271 664 R1	BOLT, track frame pivot bracket cap (8)
	104 940	CORK (No. 4 5/8" dia. x 1-3/16" long) (4)

PRINTED IN UNITED STATES OF AMERICA

FINAL DRIVE

REF. NO.	I.H. PART NUMBER	DESCRIPTION
SPROCKET DRIVE, SHAFT, PINION AND SPROCKET AND TRACK FRAME PIVOT SHAFT - CONTINUED		
64	53 539 DBX	SHIELD w/SUPPORT and SPACER, sprocket (2) 1/2" NUT (not extended track frame) (4) 7/16 x 1-3/4" hex-hd. cap SCREW (4)* 1/2 x 1" hex-hd. cap SCREW (4) 1/2 x 1-1/2" hex-hd. cap SCREW (not extended track frame) (4) 7/16" lock WASHER (4) 1/2" lock WASHER (8)
65	260 893 R1	SHAFT, track frame pivot (not wide tread)
65	260 894 R1	SHAFT, track frame pivot (wide tread)
66	126 152	FITTING, track frame pivot lubrication (optional with 271 283) (2)
66	271 283	FITTING, track frame pivot lubrication (optional with 126 152) (2)
	57 536 D	ATTACHMENT, cutaway sprocket (consists of two SPROCKETS, 8 775 DA and two WIRES, 263 945 R1) (See NOTES 1 and 3)
	272 925 R1	GASKET, sprocket drive oil filler plug (4)
	46 809 D	SCREW, set, track frame pivot shaft (2) 5/8" jam NUT (2)
	263 945 R1	WIRE, lock track master link pin (2)

NOTE 1 - Factory Application - Order on Machine Order Form.
NOTE 3 - Field Application - Order through regular Service Parts Channels.

PRINTED IN UNITED STATES OF AMERICA