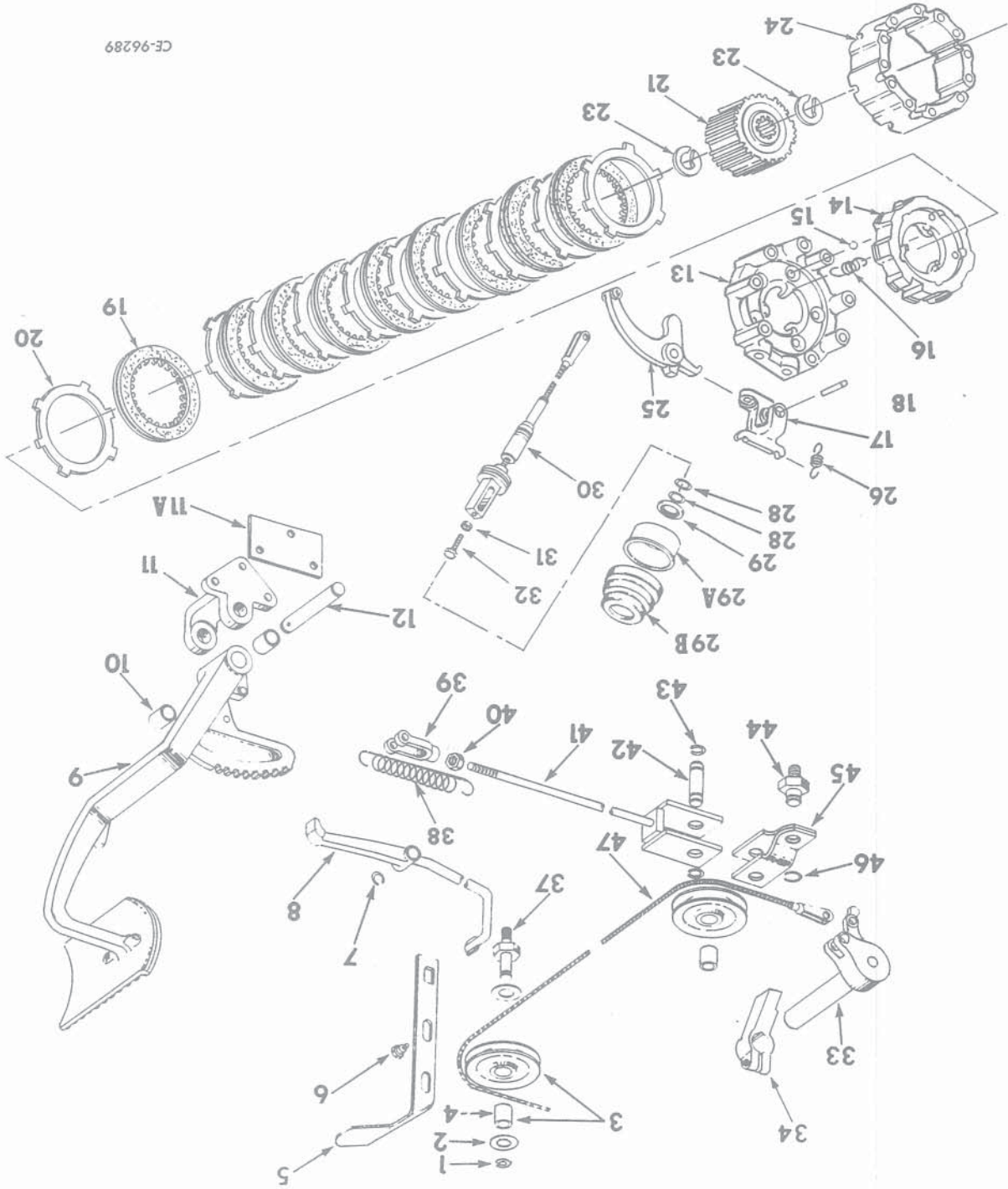


CE-96289



BRAKES AND CONTROLS - Continued

BRAKES AND CONTROLS

REF. NO.	PART NUMBER	DESCRIPTION	REF. NO.	PART NUMBER	DESCRIPTION
----------	-------------	-------------	----------	-------------	-------------

BRAKES AND CONTROLS

REF. NO.	PART NUMBER	DESCRIPTION	REF. NO.	PART NUMBER	DESCRIPTION
----------	-------------	-------------	----------	-------------	-------------

BRAKES AND CONTROLS - Continued

1	631 530 R1	RING, snap	31	271 500	NUT, 7/16" (2)
2	452 971 R1	SPACER, idler pulley (2)	32	609 771 C2	BOLT, brake actuating cable (2)
3	325 558 R11	PULLEY W/BUSHING, 307 434 R1, foot brake actuating cable (2)	33	325 768 R91	BELLGRANK, LH brake actuating
4	307 434 R1	BUSHING, pulley (2)	33	325 769 R91	BELLGRANK, RH brake actuating
5	604 198 C1	LEVER, brake pawl operating	34	334 872 R1	LEVER, pivot brake pick-up (2)
6	603 475 C1	GUIDE, manual brake pawl (2)		179 887	1/2 x 1-3/4" hex-hd cap SCREW (2)
	109 084	1/4" NUT (2)		103 323	1/2" lock WASHER (2)
	103 319	1/4" lock WASHER (2)		124 557	KEY, 5/16 x 1-1/8" (Woodruff No. C)
7	373 692 R1	RING, gear	37	325 559 R1	SHAFT, foot brake actuating cable pulley stud
8	334 401 R22	PAWL, manual brake pedal (power shift)	38	272 536 R1	SPRING, brake pedal return
8	650 265 C1	PAWL, manual brake pedal (manual shift custom)	39	104 039	CLEVIS, short adjustable PIN, rod end
9	345 585 R91	PEDAL w/two BUSHING, 325 180 R1, brake		103 385	1/8 x 1" cotter PIN
10	325 180 R1	BUSHING, brake pedal (2)	40	114 496	NUT, 1/2 NF
11	325 569 R1	BRACKET, brake pedal mounting	41	334 027 R91	YOKER, brake pulley pull rod
	102 637	1/2" NUT (3)	42	325 567 R1	SHAFT, pulley
	179 887	1/2 x 1-3/4" hex-hd cap SCREW (3)	43	631 530 R1	RING, snap (2)
12	325 570 R1	SHAFT, brake pedal PIN, 3/16 x 1-3/4" roll	44	325 562 R1	STUD, pulley support
13	654 673 C1	PLATE, brake actuator pressure (2)	45	330 705 R91	SUPPORT, pulley
	20 063 R1	3/8 x 5" hardened cap SCREW (16)	46	631 530 R1	RING, snap
14	654 674 C1	ACTUATOR, brake (2)	47	325 771 R92	CABLE w/two PIN, foot brake actua- ting
15	17 100 R1	BALL, chrome steel brake actuating (1" dia grade 2) (10)		103 385	1/8 x 1" cotter PIN (2)
				84 727 H	PIN, rod end
16	654 675 C1	SPRING, actuator return (6)		345 974 R2	BUSHING, push rod lever shaft (2)
17	654 707 C1	SUPPORT, brake actuating lever (2)		525 841 R1	BOLT (4)
	524 443 R1	WASHER (4)		273 347	FITTING, brake actuating bellcrank lubrication (2)
18	654 079 C1	SHAFT, brake actuating lever pivot (2)		126 152	FITTING, lubrication, brake pedal
19	619 200 C1	DISC, brake friction (18)			
20	324 452 R1	PLATE, friction disc separator (20)			
21	654 676 C1	HUB, brake retaining (2)			
23	621 247 C1	RING, brake hub retaining (4)			
24	654 672 C2	RETAINER, brake separator plate (2)			
	357 210 R1	SCREW, 3/8 x 3-1/4" hardened cap (16)			
25	654 700 C1	LEVER, brake actuating			
26	654 080 C1	SPRING, brake actuating lever return			
28	324 112 R1	"O" RING, brake actuating cable guide (1 x 1-1/4 x 1/8") (2)			
29	324 103 R91	SEAL, brake actuating cable guide (2)			
29A	338 276 R2	SLEEVE, brake guide boot (2)			
29B	338 277 R3	BOOT, brake cable (2)			
30	654 081 C1	CABLE, brake actuating (2)			
	103 385	1/8 x 1" cotter PIN (4)			
	27 128 H	PIN, rod end (2)			
	98 724 H	PIN, rod end (2)			