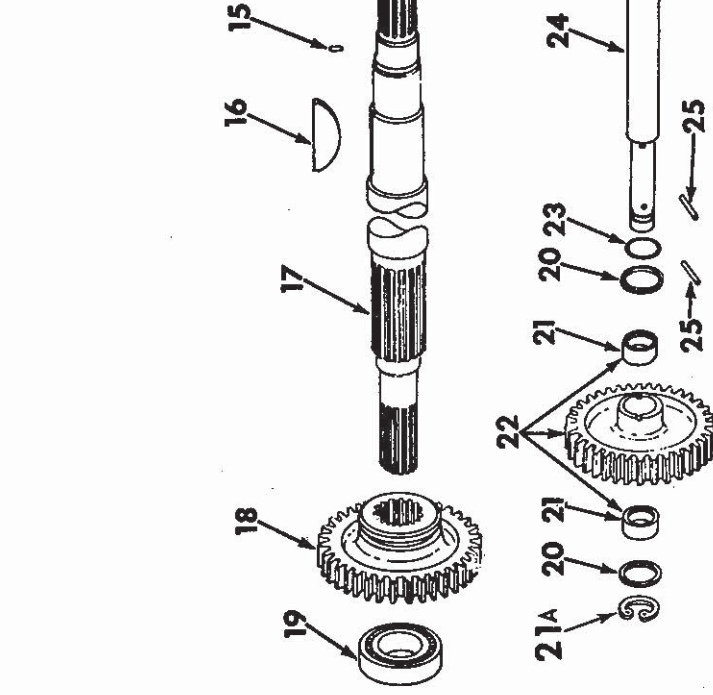


TRANSMISSION

(FOR MANUAL SHIFT CRAWLER TRACTORS)

REVERSE IDLER GEAR, TRANSMISSION INPUT SHAFT AND FIFTH SPEED IDLER SHAFT

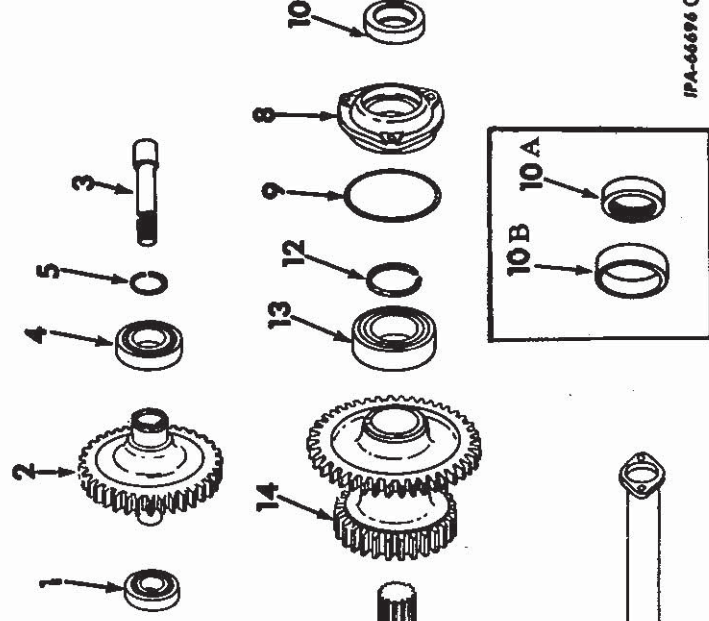


IPA-66696 C

TRANSMISSION

(FOR MANUAL SHIFT CRAWLER TRACTORS)

REVERSE IDLER GEAR, TRANSMISSION INPUT SHAFT AND FIFTH SPEED IDLER SHAFT - CONTINUED



IPA-66696 C

REF. NO.	I.H. PART NUMBER	DESCRIPTION
1	606 161 C91	BEARING, reverse idler rear
2	616 460 C1	GEAR, reverse idler (used with TRANSMISSION, 703 366 C91 and 703 367 C91)
2	603 163 C1	GEAR, reverse idler (used with TRANSMISSION, 331 955 R93 and 603 195 C92)
3	603 200 C11	COUPLING, transmission oil pump (used with TRANSMISSION, 331 955 R93 and 603 195 C92)
4	ST 205 A	BEARING, reverse idler front
5	359 141 R1	RING, reverse idler front bearing snap
8	325 015 R2	HOUSING, input shaft oil seal (See NOTE A) TD-15BG 7260 to 20515 TD-15B(Agr)BGA 7260 to 20515
8	609 515 C1	HOUSING, input shaft oil seal and bearing retainer (Used on units equipped with NOTE A) TD-15BG 7260 to 20515 TD-15B(Agr)BGA 7260 to 20515
8	609 513 C1	HOUSING, input shaft oil seal TD-15BG 20516 up TD-15B(Agr)BGA 20516 up TD-15BGF 21281 up TD-15BCS 21676 up
	179 860	7/16 x 1-1/4" hex-hd cap SCREW (used with HOUSING, 325 015 R2) (3)
	610 081 C1	BOLT, 7/16 x 1-1/8" (Used with HOUSING, 609 513 C1) (3)
	103 322	7/16" lock WASHER (3)
9	610 411 C1	"O" RING, input shaft oil seal housing (3-1/2 x 3-3/4 x 1/8")

REF. NO.	I.H. PART NUMBER	DESCRIPTION
10	321 972 R91	SEAL and ROTOR, transmission input shaft (See NOTE A) TD-15BG 7260 to 20515 TD-15B(Agr)BGA 7260 to 20515
10	619 586 C91	SEAL and ROTOR, transmission input shaft TD-15BG 20516 up TD-15B(Agr)BGA 20516 up TD-15BCF 21281 up TD-15BCS 21676 up
10A	619 584 C91	SEAL, input shaft oil (Used on units equipped with NOTE A)
10B	610 026 C1	SLEEVE, wear (used on units equipped with NOTE A)
10A	619 584 C91	SEAL, input shaft oil (Used on units equipped with NOTE A) TD-15BG 7260 to 20515 TD-15B(Agr)BGA 7260 to 20515
10B	610 026 C1	SLEEVE, wear (used on units equipped with NOTE A)
10A	619 584 C91	SEAL, input shaft oil (Used on units equipped with NOTE A) TD-15BG 7260 to 20515 TD-15B(Agr)BGA 7260 to 20515
10B	610 026 C1	SLEEVE, wear (used on units equipped with NOTE A)
12	358 236 R1	RING, transmission input shaft bearing snap
13	ST 278	BEARING, transmission input shaft front
14	603 162 C1	GEAR, forward and reverse driving
15	141 127	PIN, 5/32 x 5/16" dowel (For use with SHAFT, 327 835 R1 when required)

NOTE A - For service order (1) HOUSING, 609 515 C1 (1) SEAL, 619 584 C91, (1) SLEEVE, 610 026 C1 and (1) RING, 610 411 C1

MEMORANDA

TRANSMISSION
(FOR MANUAL SHIFT CRAWLER TRACTORS)

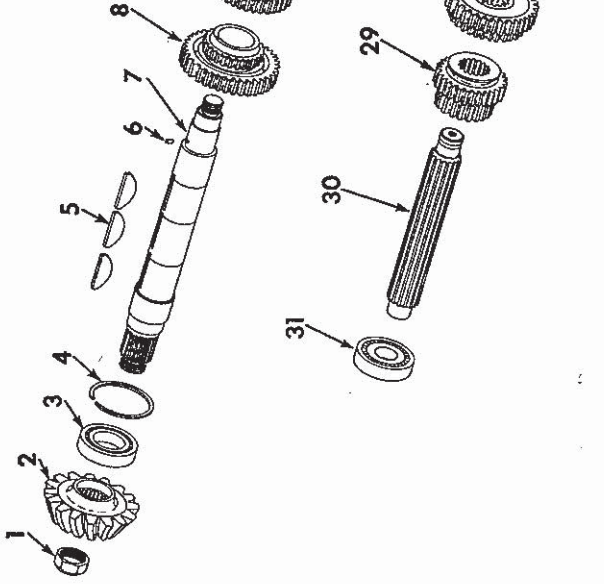
REF. NO.	I. H. PART NUMBER	DESCRIPTION
REVERSE IDLER GEAR, TRANSMISSION INPUT SHAFT AND FIFTH SPEED IDLER SHAFT - CONTINUED		
16	12 484 R1	KEY, forward and reverse driving gear (Woodruff No. 30)
17	327 835 R1	SHAFT, transmission input (See NOTE B) TD-15BG 7260 to 20515 TD-15B(Agr)BGA 7260 to 20515
17	609 512 C1	SHAFT, transmission input TD-15BG 20516 up TD-15B(Agr)BGA 20516 up TD-15BGF 21281 up TD-15BGS 21676 up
18	603 161 C1	GEAR, fifth speed driving
19	321 966 R91	BEARING, transmission input rear
20	327 833 R1	WASHER, 5th speed idler gear thrust (2)
21	308 674 R91	BEARING (2)
21A	631 530 R1	RING, 5th speed idler shaft retainer
22	603 160 C11	GEAR, w/two BEARING, 308 674 R91, 5th speed idler
23	252 483 R1	"O" RING, 5th speed idler shaft (1-1/4 x 1-1/2 x 1/8")
24	334 114 R11 179 860 103 322	SHAFT, 5th speed idler 7/16 x 1-1/4" hex-hd cap SCREW (2) 7/16" lock WASHER (2)
25	141 118	PIN, 1/8 x 1-1/8" dowel (2)
	310 939 R1	"O" RING, transmission input shaft (1-3/4 x 2 x 1/8") (optional with 290 987 R1) TD-15BG 7260 to 20515 TD-15B(Agr)BGA 7260 to 20515
	290 987 R1	"O" RING, transmission input shaft (1-3/4 x 2 x 1/8") (optional with 310 939 R1) TD-15BG 7260 to 20515 TD-15B(Agr)BGA 7260 to 20515

NOTE B - For service order (3) BOLT,
610 081 C1 (1) HOUSING,
609 513 C1 (1) SEAL, 610 025 C91,
(1) SHAFT, 609 512 C1 (1) RING,
610 411 C1 and (1) YOKE,
609 514 C11

TRANSMISSION

(FOR MANUAL SHIFT CRAWLER TRACTORS)

BEVEL PINION SHAFT, SPLINE SHAFT AND RELATED PARTS



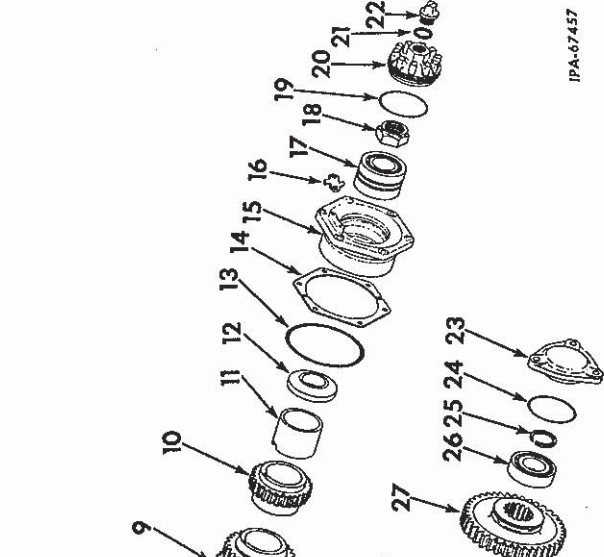
REF. NO.	I.H. PART NUMBER	DESCRIPTION
1	19 829 R1	NUT, bevel pinion retainer
2	325 055 R1	PINION, bevel (*)
3	321 967 R91	BEARING, pinion rear
4	324 049 R1	RING, rear bearing bevel pinion retainer
5	12 484 R1	KEY, driven gear (3)
6	141 127	PIN, 5/32 x 5/16" dowel
7	327 839 R1	SHAFT, bevel pinion
8	603 225 C1	GEAR, first and fifth speed driven (44-26T)
8	603 154 C1	GEAR, first and fifth speed driven (42-26T) (%)
9	603 155 C1	GEAR, second and third speed driven (34-30T) (%)
9	603 226 C1	GEAR, second and third speed driven (39-35T) (%)
10	603 156 C1	GEAR, fourth speed driven (27T) (%)
10	603 227 C1	GEAR, fourth speed driven (29T) (†)
11	325 003 R1	SPACER, bevel pinion shaft rear
12	325 004 R1	SPACER, bevel pinion shaft front
13	610 415 C1	"O" RING, bevel pinion shaft bearing cage (4-7/8 x 5-3/8 x 1/4")
14	334 686 R1	SHIM, bevel pinion shaft (medium) (.015") (X)
14	334 687 R1	SHIM, bevel pinion shaft (light) (.007") (X)
14	334 688 R1	SHIM, bevel pinion shaft (extra light) (.004") (X)
15	334 685 R2	CAGE, pinion shaft bearing
179 862	7/16 x 1-1/2" hex-hd cap SCREW (6)	
103 322	7/16" lock WASHER (6)	
16	325 007 R1	LOCK, bevel pinion shaft front bearing retainer
179 837	3/8 x 3/4" hex-hd cap SCREW (2)	
103 321	3/8" lock WASHER (2)	
17	321 969 R91	BEARING, bevel pinion shaft front
18	19 499 R1	NUT, bevel pinion shaft front

PRINTED IN UNITED STATES OF AMERICA

TRANSMISSION

(FOR MANUAL SHIFT CRAWLER TRACTORS)

BEVEL PINION SHAFT, SPLINE SHAFT AND RELATED PARTS - CONTINUED



IPA-67437

REF. NO.	I.H. PART NUMBER	DESCRIPTION
19	285 723 R1	"O" RING, bevel pinion shaft front bearing retainer (3-1/8 x 3-3/8 x 1/8")
20	325 005 R1	RETAINER, bevel pinion shaft front bearing
21	269 910 R1	GASKET, bevel pinion shaft front bearing retainer plug
22	269 909 R2	PLUG, bevel pinion shaft front bearing retainer
23	603 206 C1	CAP, spline shaft bearing
179 860	7/16 x 1-1/4" hex-hd cap SCREW (3)	
103 322	7/16" lock WASHER (3)	
24	259 246 R1	"O" RING, spline shaft bearing cap (3-7/8 x 4-1/8 x 1/8") (optional with 309 078 R1)
24	309 078 R1	"O" RING, spline shaft bearing cap (3-7/8 x 4-1/8 x 1/8") (optional with 259 246 R1)
25	359 894 R1	RING, spline shaft front bearing snap
26	ST 293	BEARING, spline shaft front
27	603 159 C1	GEAR, forward and reverse driven (45T)
28	603 229 C1	GEAR, third and fourth speed driving (38-32T) (†)
28	603 158 C1	GEAR, third and fourth speed driving (37-40T) (%)
29	603 228 C1	GEAR, first and second speed driving (27-23T) (†)
29	603 157 C1	GEAR, first and second speed driving (25-33T) (%)
30	603 205 C1	SHAFT, spline
324 015 R91	BEARING, spline shaft rear	
334 226 R1	GEAR, drive bevel (*)	
331 786 R91	GEAR, 334 226 R1 and PINION, 325 055 R1, drive bevel (matched set) (*)	

(†) - Manual Shift Backfiller and Sideboom Crawler Tractors.
 (*) - Agr. and Custom Crawler Tractors.
 (*) - Also Listed And Illustrated With "Steering Planetary Drive."
 X - As Required.

PRINTED IN UNITED STATES OF AMERICA