

MICHIGAN

PARTS MANUAL

No. 5012

Model 75IIA

Articulated

Tractor Shovel

**Record Your Machine
Serial Number Here**

CLARK EQUIPMENT COMPANY

INDEX — MODEL 75 III

A		E	
Accelerator Pedal and Linkage.....	1A5	Engine Oil Pressure Line.....	1F11
Air Cleaner Group		Engine Support—Auxiliary Parts.....	1F13
Air Cleaner, Indicator and Connections.....	1A7	F	
Exhaust	1A12	Frame and Cradle—Front and Rear.....	1G4
Axle Group		Fuel Tank	1G8
Axle Assembly—Front Drive.....	1A14	Fuel Piping Diagram.....	1G11
Axle Assembly—Rear Drive.....	1B5	H	
Differential and Carrier Assembly—Front Drive	1B11	Hood, Hand Rails, Valve Cover and Grille.....	2A7
Differential and Carrier Assembly—Rear Drive	1C2	Side Panels	2A11
Planet Carrier Assembly—Front and Rear.....	1C4	Horn and Foot Switch.....	See Cockpit
B		Hydraulic Group	
Batteries and Battery Box.....	1C6	Hydraulic Oil Reservoir and Filter.....	2A12
Brake Group		Hydraulic System—Bucket and Boom.....	2B2
Brake Assembly—Front and Rear.....	1C7	Steering Piping Diagram.....	2B6
Brake Head Assembly—R.H.	1C9	Hydraulic System Steering.....	2B8
Brake Head Assembly—L.H.....	1C10	Hydraulic System—Trans. and Connector.....	2C2
Brake Air Lines	1C12	I	
Power Cluster Assembly.....	1D4	Instrument Panel	2C9
Brake Valve and Controls.....	1D5	M	
Brake Wheel Cylinder—Front and Rear.....	1D6	Mid-Mount Bearing Assembly	2D1
Parking Brake Assembly	1D7	P	
Parking Brake Controls	1D8	Parking Brake and Control.....	See Brake Group
Parking Brake Lever Assembly.....	1D10	Propeller Shaft	2D2
Boom, Bellcranks, Bucket Leveler and Piping.....	1E2	Pump Group	
Bucket Assembly	1E6	Pump Hydraulic—Front End.....	2D7
C		Bucket and Boom Hydraulic Pump.....	2D9
Cab Assembly	1E9	Steering Hydraulic Pump.....	2D10
Clips	1E10	Hydraulic Pump Installation.....	2E2
Cockpit, Horn and Horn Switch.....	1E12	R	
Converter Group		Radiator and Connections.....	2E3
Converter Assembly	1F2	Reservoir, Hydraulic Oil.....	See Hydraulic Group
Cylinder Group		S	
Boom Cylinder Assembly.....	1F4	Seat and Support Group.....	2E7
Bucket Cylinder Assembly	1F6	Steering Group	
Steering Cylinder Assembly.....	1F9	Steering Drag Link.....	2E10
D		Steering Gear Assembly.....	2E12
Decals.....	See Wiring Group	Steering Gear Mounting Group.....	2E13
Drag Link.....	See Steering Group		

WHEN ORDERING PARTS, ALWAYS STATE MODEL AND SERIAL NO. OF MACHINE



INDEX — MODEL 75 III — CONT'D.

T

Transmission Group

Transmission Assembly	2F2
Clutch Group—Forward, Reverse and Low....	2F4
Clutch Group—High	2F5
Transmission Control Levers and Linkage	2F7
Transmission Control Valve	2F9

V

Valve Group

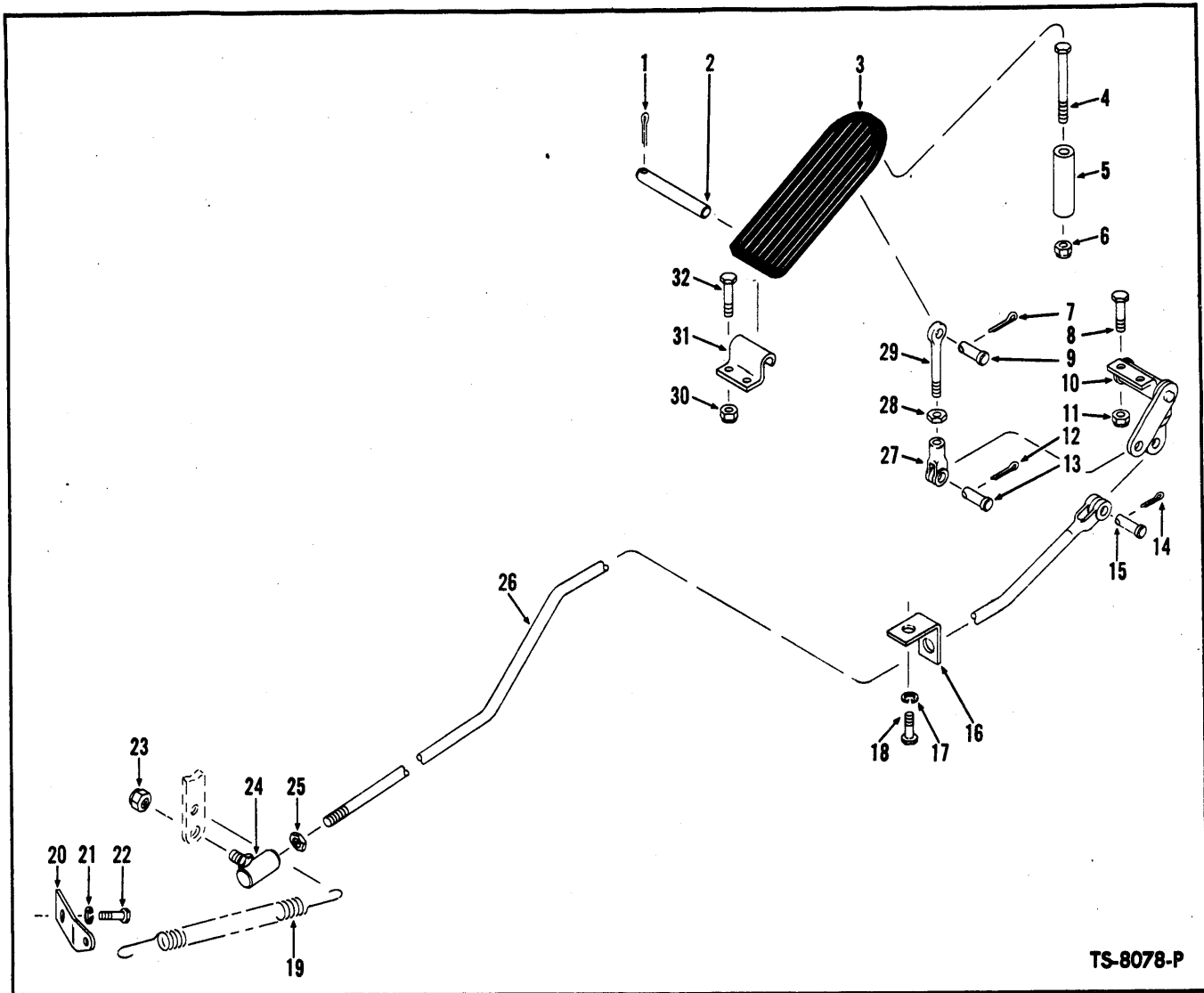
Air Valve Assembly.....	2F10
Control Valve	2F12

Pressure Relief Valve—Steering.....	2F14
Control Valve Front End Equipment.....	2G4
Control Valve Assembly—Main	2G7
Valve Control Levers and Linkage.....	2G9

W

Wheel and Tire Data.....	2G12
Wiring Group	
Wiring Diagrams	2G13
Wiring—Battery Cables	3A7
Decal and Name Plates.....	3A11

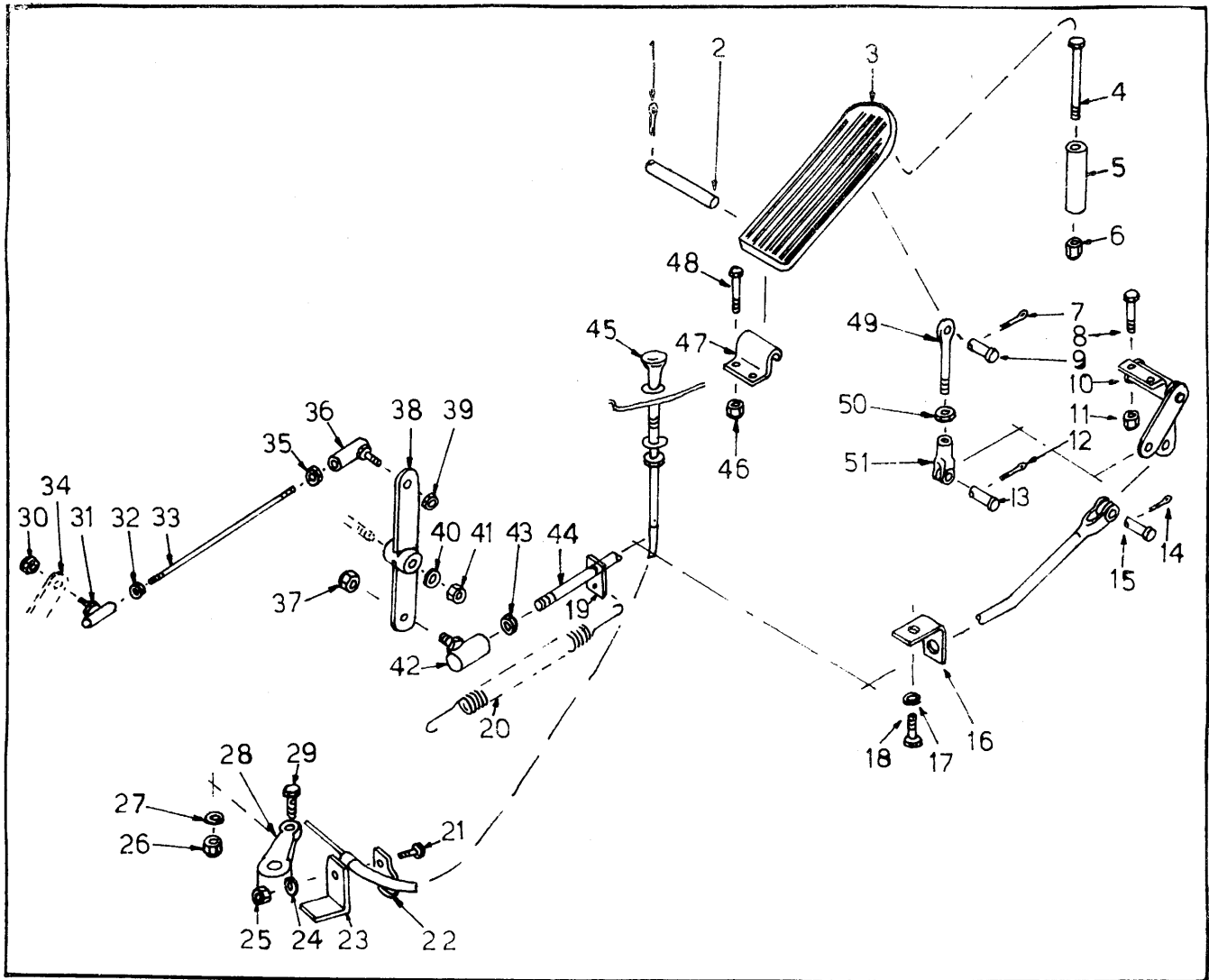
WHEN ORDERING PARTS, ALWAYS STATE MODEL AND SERIAL NO. OF MACHINE



ACCELERATOR PEDAL AND LINKAGE

Item No.	Part No.	Description	No. Req'd.	Item No.	Part No.	Description	No. Req'd.
1	1F-316	COTTER, Accelerator Pedal Pin	1	17	4E-06	LKWSHR, Bracket to Cockpit	1
2	623762	PIN, Accelerator Pedal	1	18	18C-616	BOLT, Bracket to Cockpit	1
3	623829	PEDAL, Accelerator	1	19	551090	SPRING, Return	1
4	24C-448	BOLT, Stop to Cockpit	1	26A	521434	FLAT, Acc. Rod	1
5	551016	STOP, Accelerator Pedal	1	23	66D-05	NUT, Ball Joint to Governor Arm	1
6	18D-04	NUT, Stop to Cockpit	1	24	1301360	BALL JOINT, Rod to Governor Arm	1
7	1F-208	COTTER, Clevis Pin	1	25	8D-04	NUT, Ball Joint Jam	1
8	24C-416	BOLT, Bellcrank to Cockpit	2	26	3235307	ROD, Accelerator (Inc. 16, 24, 25)	1
9	4F-04051	PIN, Rod to Pedal	1	27	2J-4200	CLEVIS, Rod to Bellcrank	1
10	568941	BELLCRANK	1	28	8D-04	NUT, Clevis Jam	1
11	18D-04	NUT, Bellcrank to Cockpit	2	29	550619	ROD, Pedal to Bellcrank	1
12	1F-208	COTTER, Clevis Pin	1	30	18D-04	NUT, Bracket to Cockpit	2
13	4F-04051	PIN, Clevis	1	31	623760	BRACKET, Accelerator Pedal	1
14	1F-208	COTTER, Clevis Pin	1	32	24C-416	BOLT, Bracket to Cockpit	2
15	4F-04051	PIN, Clevis	1				
16	557935	BRACKET, Accelerator Rod Support	1				

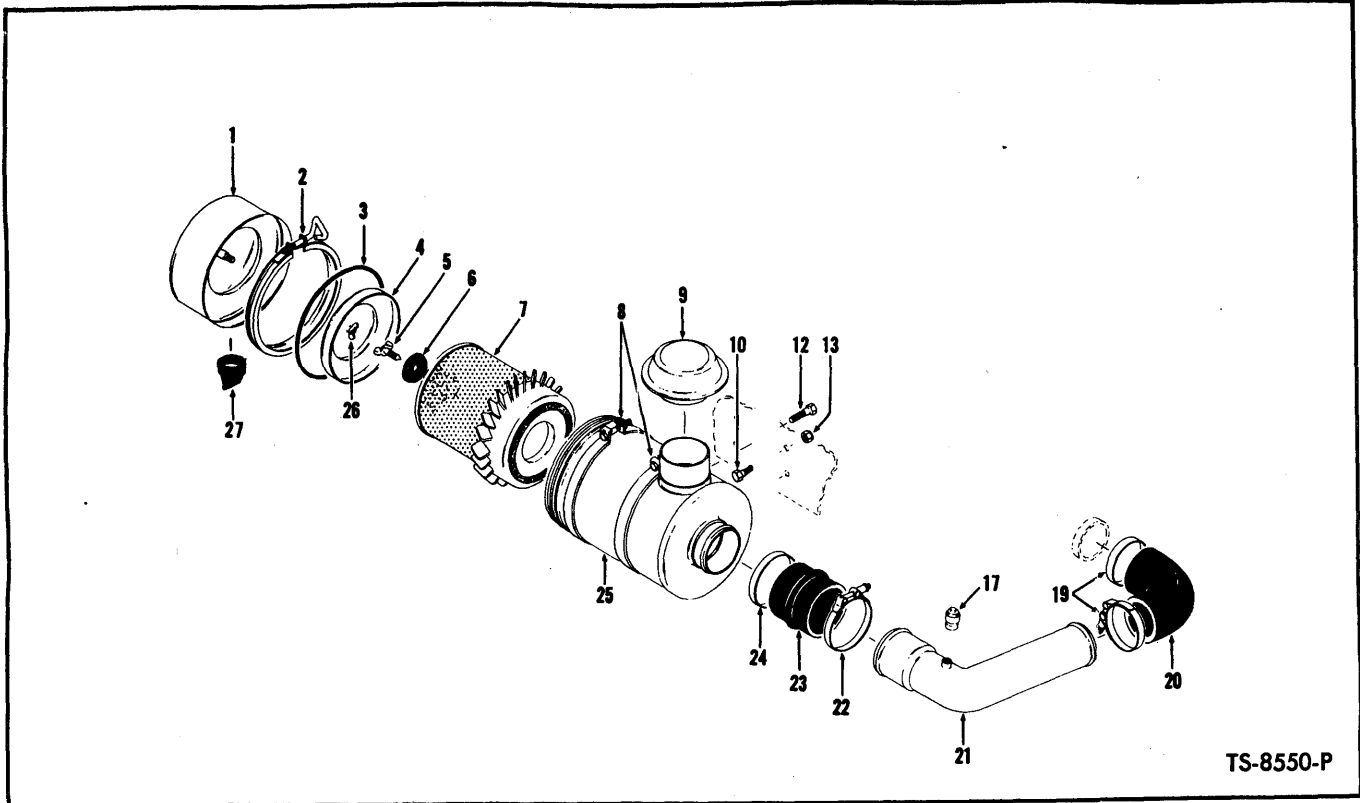
WHEN ORDERING PARTS, ALWAYS STATE MODEL AND SERIAL NO. OF MACHINE



ACCELERATOR PEDAL AND LINKAGE — DAF

Item No.	Part No.	Description	No. Req'd.	Item No.	Part No.	Description	No. Req'd.
1	1F-316	COTTER, Acc. Pedal Pin	1	27	664419	WASHER, Adaptor Mtg	1
2	623762	PIN, Acc. Pedal	1	28		ARM, Engine Stop	1
3	623829	PEDAL, Accelerator	1	29	3208284	ADAPTOR, Cable Engine Stop	1
4	24C-448	BOLT, Stop to Cockpit	1	30	66D-05	NUT, Ball Joint	1
5	551016	STOP, Acc. Pedal	1	31	1301360	BALL JOINT	1
6	18D-04	NUT, Stop to Cockpit	1	32	8D-04	JAM NUT	1
7	1F-208	COTTER, Clevis Pin	1	33	3522277	ACC. ROD, Bellcrank to Engine	1
8	24C-416	BOLT, Bellcrank to Cockpit	2	34		THROTTLE ARM	1
9	4F-04051	PIN, Rod to Pedal	1	35	8D-04	JAM NUT	1
10	568941	BELLCRANK	1	36	1301360	BALL JOINT	1
11	18D-04	NUT, Bellcrank to Cockpit	2	37	66D-05	NUT, Ball Joint	1
12	1F-208	COTTER, Clevis Pin	1	38	3522270	BELLCRANK ASSY	1
13	4F-04051	PIN, Clevis	1	39	66D-05	NUT, Ball Joint	1
14	1F-208	COTTER, Clevis Pin	1	40	619018	WASHER, Bellcrank Mtg	1
15	4F-04051	PIN, Clevis	1	41	18D-04	NUT, Bellcrank Mtg	1
16	3522280	BRACKET, Acc. Rod	1	42	1301360	BALL JOINT	1
17	4E-06	LKWSHR, Bracket to Cockpit	1	43	8D-04	JAM NUT	1
18	18C-516	BOLT, Bracket to Cockpit	1	44	3522278	ACC. ROD ASSY	1
19	521434	FLAT, Acc. Rod Spring	1	45	3233224	STOP CONTROL CABLE	1
20	551090	SPRING, Throttle Return	1	46	18D-04	NUT, Bracket to Cockpit	2
21	3220853	SCREW, Clip to Bracket	1	47	623760	PEDAL BRACKET	1
22	3207293	CLIP, Cable to Bracket	1	48	18C-416	BOLT, Bracket to Floorboard	2
23	3522293	SUPPORT, Stop Cable	1	49	550619	ROD, Pedal to Bellcrank	1
24	743596	WASHER, Clip to Bracket	1	50	8D-04	JAM NUT	1
25	3220859	NUT, Clip to Bracket	1	51	2J-4200	CLEVIS	1
26	3220859	NUT, Adaptor Mtg	1				

WHEN ORDERING PARTS, ALWAYS STATE MODEL AND SERIAL NO. OF MACHINE



TS-8550-P

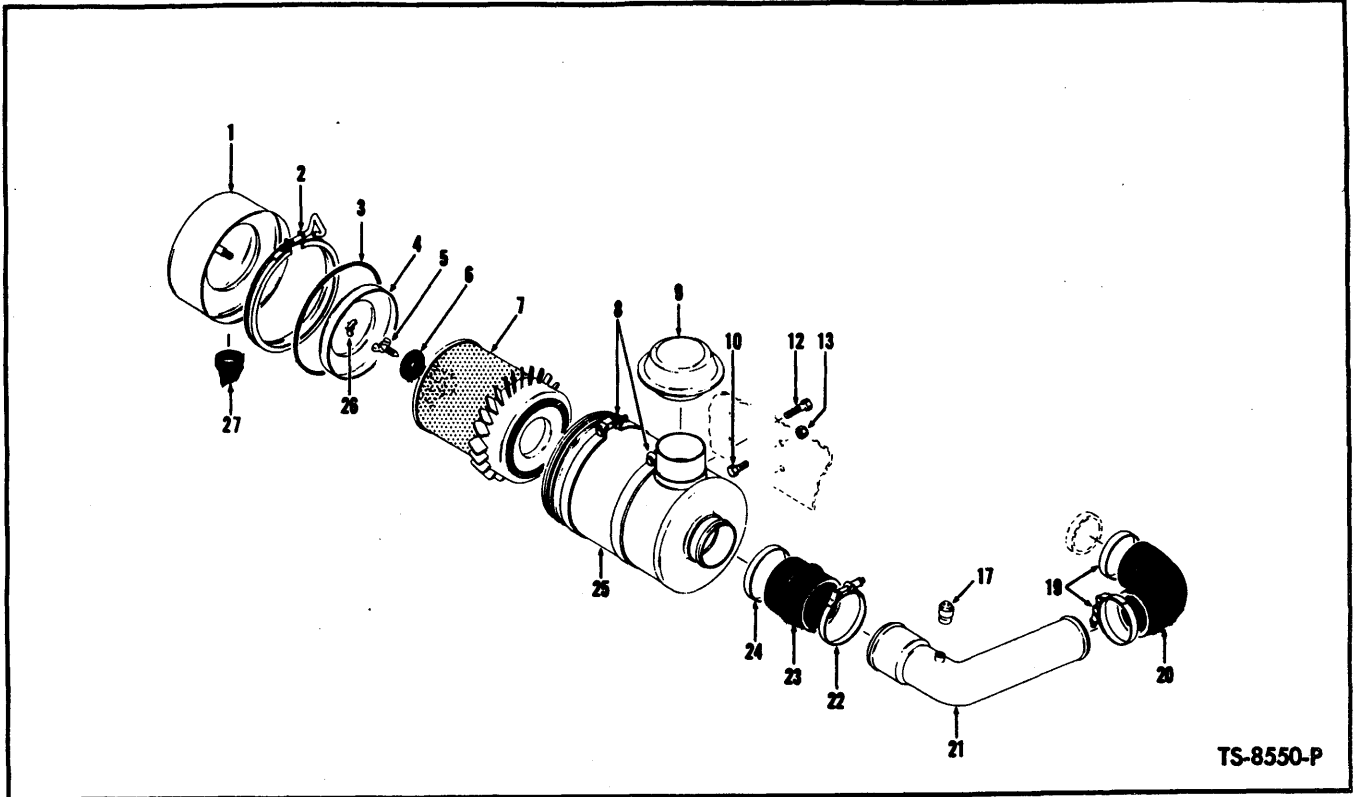
AIR CLEANER, INDICATOR AND CONNECTIONS — PERKINS
S/N 4069/A 101 thru 127

No. Item	No. Part	Description	No. Req'd.
A	1506090	AIR CLEANER ASSY (Inc. 1 thru 7, 25, 26, 27)	1
1	947837	CUP, Dust	1
2	945060	CLAMP, Dust Cover	1
3	895982	GASKET, Air Cleaner	1
4	947838	BAFFLE, (Inc. 26)	1
5	886526	BOLT, Element Attaching	1
6	886527	WASHER, Element Attaching	1
7	1990248	ELEMENT	1
8	941474	BAND, Air Cleaner Mounting	2
9	1523149	CAP, Air Inlet	1
9A	543531	CLAMP	1
12	24C-616	BOLT, Band to Strap	4
13	18D-06	NUT, Air Cleaner Mounting	4
17	3454336	INDICATOR, Air Cleaner (Inc. 18)	1
19	3123090	CLAMP, Hose	4
20	3233212	HOSE, Air Intake Tube to Engine	1
21	3235196	TUBE, Air Intake	1
22	3126039	CLAMP, Hose	1
23	3235198	HOSE, Intake Tube to Air Cleaner	1
24	3126039	CLAMP, Hose	1
25	—	§BODY, Air Cleaner (See A)	—
26	—	§WING NUT (See 4)	—
27	946860	VACUATOR	1
27A	3454350	†SPECIAL FLANGE, Indic. Kit	1
28	24C-410	†BOLT, Flange to Hood	2
29	18D-04	†LOCKNUT, Flange to Hood	2
30	3454358	†HOSE, Ind. Kit to Tube Air Intake	1
31	3123383	†CLAMP	2

†Not Illustrated

§Not Sold Separately

WHEN ORDERING PARTS, ALWAYS STATE MODEL AND SERIAL NO. OF MACHINE



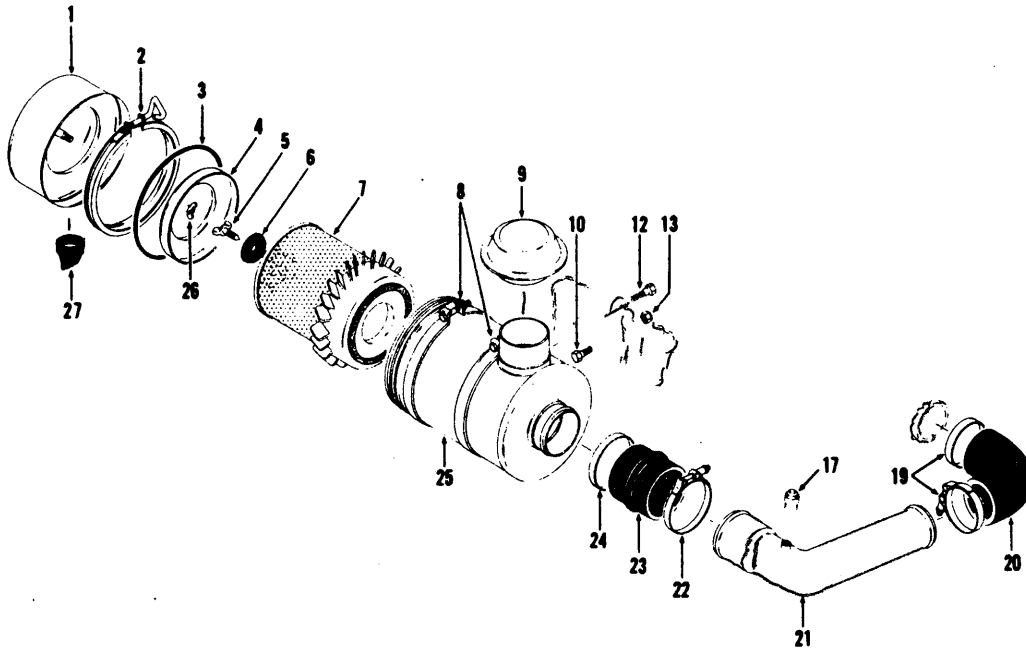
TS-8550-P

AIR CLEANER, INDICATOR AND CONNECTIONS
S/N 4069/A 101 thru 130

No. Item	No. Part	Description	No. Req'd.
A	1503287	AIR CLEANER ASSY (Inc. 1 thru 7, 25, 26, 27)	1
1	947241	CUP, Dust	1
2	947242	CLAMP, Dust Cover	1
3	895982	GASKET, Air Cleaner	1
4	894653	BAFFLE, (Inc. 26)	1
5	886285	BOLT, Element Attaching	1
6	886287	WASHER, Element Attaching	1
7	944954	ELEMENT	1
8	420945	BAND, Air Cleaner Mounting	2
9	568391	CAP, Air Inlet	1
10	24C-612	BOLT, Air Cleaner Mounting	2
12	24C-612	BOLT, Band to Strap	4
13	18D-06	NUT, Air Cleaner Mounting	4
17	3454336	INDICATOR, Air Cleaner (Inc. 18)	1
19	3123090	CLAMP, Hose	4
20	3233212	HOSE, Air Intake Tube to Engine	2
21	3233193	TUBE, Air Intake	1
22	3126038	CLAMP, Hose	1
23	515425	HOSE, Intake Tube to Air Cleaner	1
24	3126038	CLAMP, Hose	1
25	—	§BODY, Air Cleaner (See A)	—
26	—	§WING NUT (See 4)	—
27	946860	VACUATOR	1
27A	3454350	†SPECIAL FLANGE, Indic. Kit	1
28	24C-410	†BOLT, Flange to Hood	2
29	18D-04	†LOCKNUT, Flange to Hood	2
30	3454358	†HOSE, Ind. Kit to Tube Air Intake	1
31	3123383	†CLAMP	4

†Not Illustrated
§Not Sold Separately

WHEN ORDERING PARTS, ALWAYS STATE MODEL AND SERIAL NO. OF MACHINE



TS-8550-P

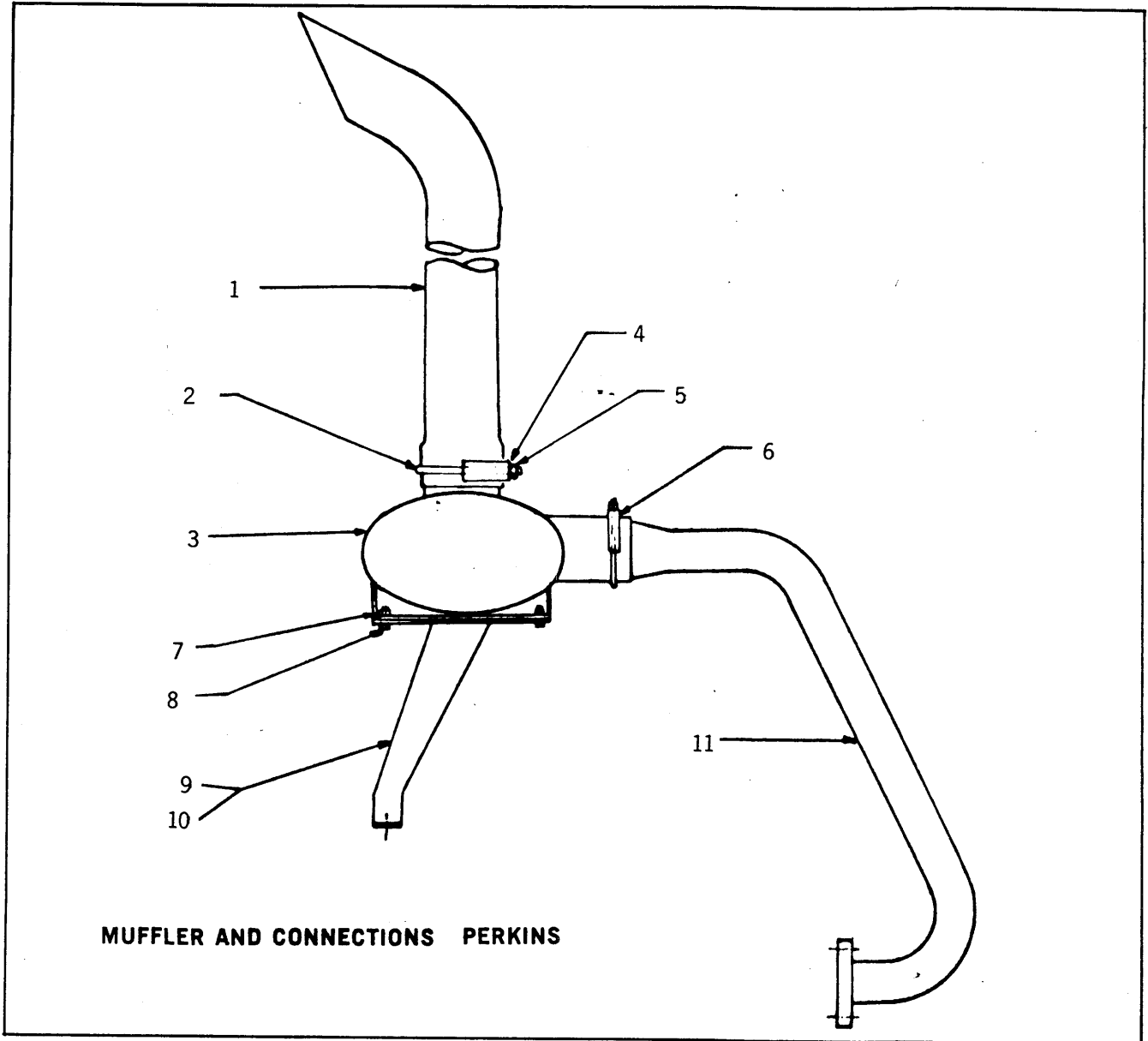
AIR CLEANER, INDICATOR AND CONNECTIONS PERKINS

No. Item	No. Part	Description	No. Req'd.
A	1505090	AIR CLEANER ASSY (Inc. 1 thru 7, 25, 26, 27)	1
1	947241	CUP, Dust	1
2	947242	CLAMP, Dust Cover	1
3	895982	GASKET, Air Cleaner	1
4	894653	BAFFLE, (Inc. 26)	1
5	886285	BOLT, Element Attaching	1
6	886287	WASHER, Element Attaching	1
7	1990248	ELEMENT	1
8	941474	BAND, Air Cleaner Mounting	2
9	1523149	CAP, Air Inlet	1
9A	543531	CLAMP	1
11	656672	WASHER	4
12	24C-520	BOLT, Band to Strap	4
13	18D-06	NUT, Air Cleaner Mounting	4
17	3454336	INDICATOR, Air Cleaner (Inc. 18)	1
19	3123090	CLAMP, Hose	4
20	3233212	HOSE, Air Intake Tube to Engine	2
21	3235196	TUBE, Air Intake	1
22	3126039	CLAMP, Hose	2
23	3235198	HOSE, Intake Tube to Air Cleaner	1
24	3126039	CLAMP, Hose	1
25	-----	§BODY, Air Cleaner (See A)	—
26	-----	§WING NUT (See 4)	—
27	946860	VACUATOR	1
27A	3454350	†SPECIAL FLANGE, Indic. Kit	1
28	24C-410	†BOLT, Flange to Hood	2
29	18D-04	†LOCKNUT, Flange to Hood	2
30	3454358	†HOSE, Ind. Kit to Tube Air Intake	1
31	3123388	†CLAMP	2

†Not Illustrated

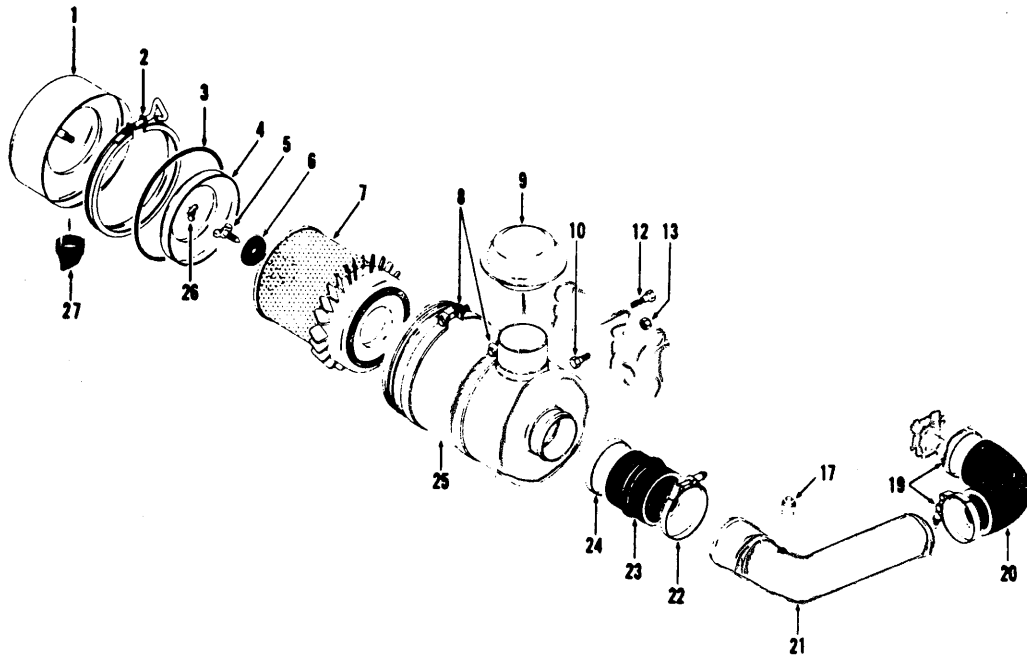
§Not Sold Separately

WHEN ORDERING PARTS, ALWAYS STATE MODEL AND SERIAL NO. OF MACHINE



Item No.	Part No.	Description	No. Req'd.
1	562609	TAIL PIPE	1
2	3224892	CLAMP ASSY	1
3	3235257	MUFFLER	1
4	619023	WASHER	2
5	18D-05	NUT	2
6	507069	CLAMP	2
7	18D-05	LOCKNUT	4
8	24C-516	BOLT	4
9	3233192	MUFFLER SUPPORT ASSY RH	1
10	3233191	MUFFLER SUPPORT ASSY LH	1
11	3233179	EXHAUST PIPE ASSY	2

WHEN ORDERING PARTS, ALWAYS STATE MODEL AND SERIAL NO. OF MACHINE



TS-8550-P

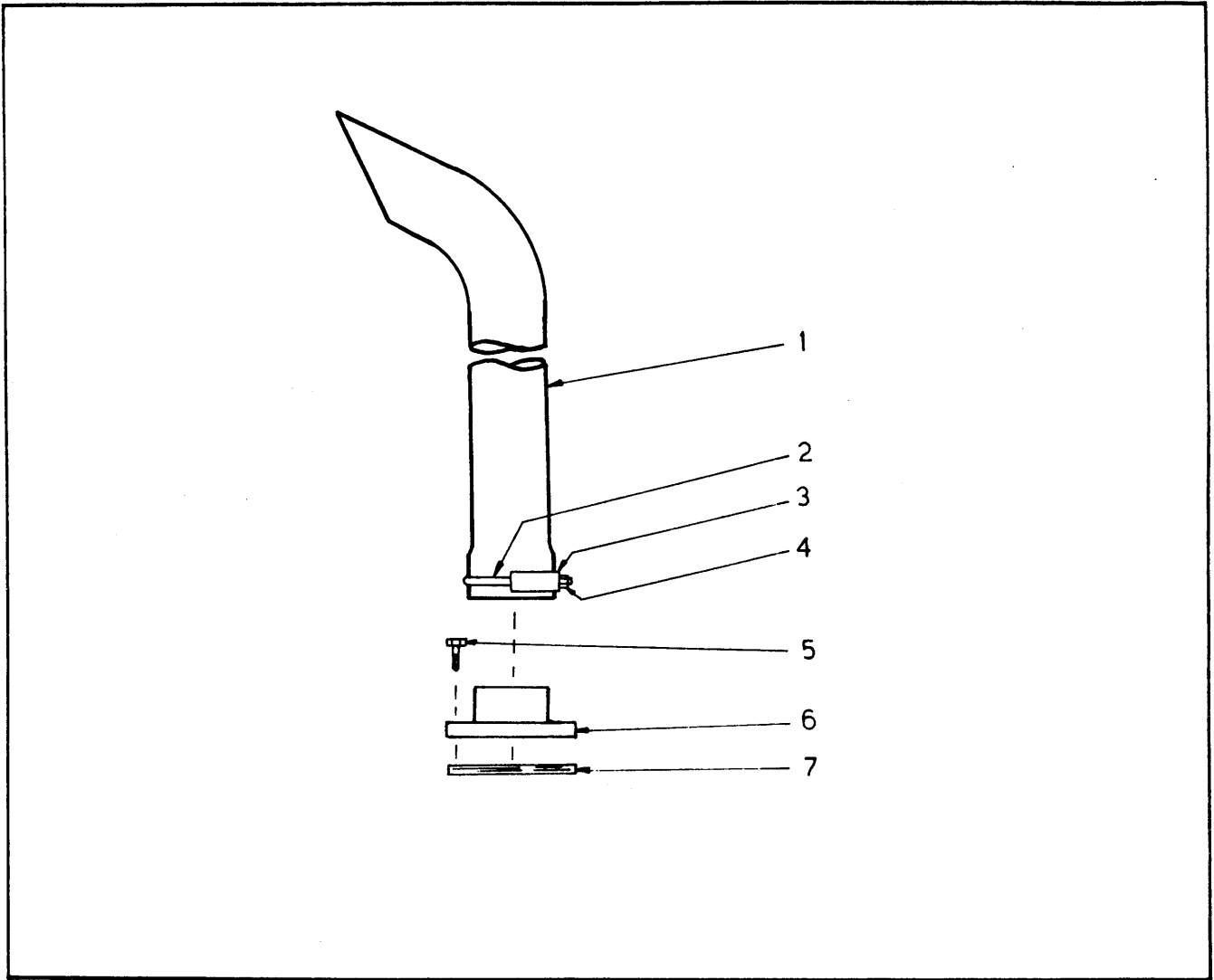
AIR CLEANER, INDICATOR AND CONNECTIONS — DAF

Item No.	Part No.	Description	No. Req'd.
A	1506090	AIR CLEANER ASSY (Inc. 1 thru 7-25-26-27)	1
1	947837	CUP, Dust	1
2	945060	CLAMP, Dust Cover	1
3	895982	GASKET, Air Cleaner	1
4	947838	BAFFLE (Inc. 26)	1
5	886526	BOLT, Element Attaching	1
6	886527	WASHER, Element Attaching	1
7	1990248	ELEMENT	1
8	941474	BAND, Air Cleaner Mounting	2
9	1523149	CAP, Air Inlet	1
9A	543531	CLAMP, Cap to Air Cleaner	1
10	24C-616	BOLT, Air Cleaner Mounting	4
12	—	Not used	—
13	18D-06	NUT, Air Cleaner Mounting	4
17	3454336	INDICATOR, Air Cleaner	1
19	3123389	CLAMP, Hose	2

Item No.	Part No.	Description	No. Req'd.
20	3520408	HOSE, Tube to Engine	1
21	3522336	AIR CLEANER TUBE & ADAPTOR ASSY	1
22	3126039	CLAMP, Hose	1
23	3235198	HOSE — 90° Elbow	1
24	3126039	CLAMP, Hose	1
25	—	§BODY, Air Cleaner (See A)	—
26	—	§WING NUT (See 4)	—
27	946860	VACUATOR	1
28	3454350	†SPECIAL FLANGE, Indicator	1
29	24C-410	†BOLT, Flange to Hood	2
30	18D-04	†LOCKNUT, Flange to Hood	2
31	3522347	†HOSE, Indicator to Air Cleaner Tube	1
32	3128043	†CLAMP, Hose	2
33	30H-31	†CLIP, Indicator Hose Mounting	1
34	18C-616	†BOLT, Indicator Hose Mounting	1
35	18D-06	†LOCKNUT, Indicator Hose Mounting	1

† Not illustrated
§ Not sold separately

WHEN ORDERING PARTS, ALWAYS STATE MODEL AND SERIAL NO. OF MACHINE

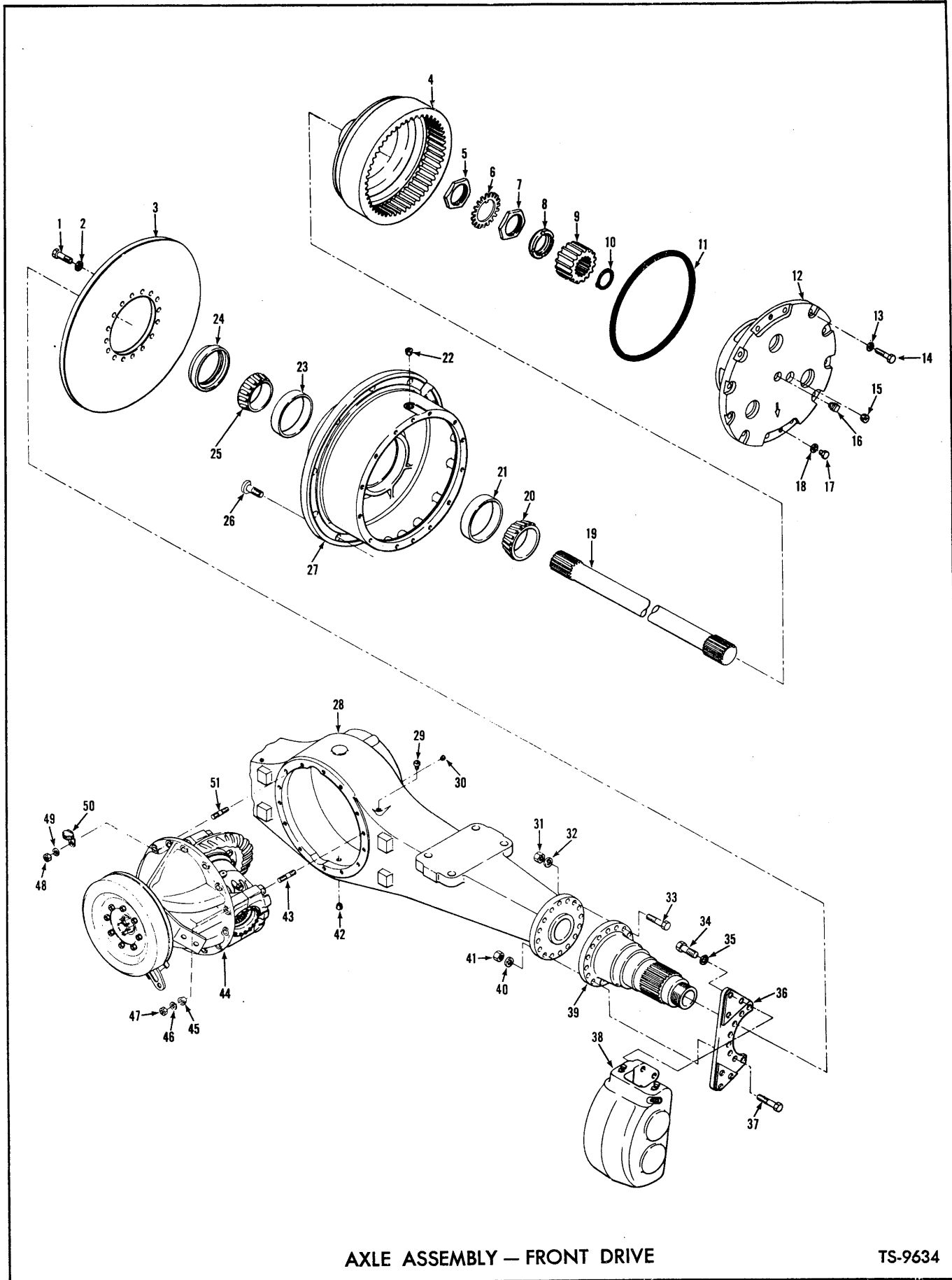


EXHAUST — DAF

Item No.	Part No.	Description	No. Req'd.
1	3520401	TAILPIPE	1
2	3520403	CLAMP	1
3	3520404	BLOCK	1
4	18D-06	NUT	2

Item No.	Part No.	Description	No. Req'd.
5	3520134	BOLT, Adapter to Engine	4
6	3520405	TAILPIPE, Adapter Assy	1
7	3520157	GASKET	1

WHEN ORDERING PARTS, ALWAYS STATE MODEL AND SERIAL NO. OF MACHINE



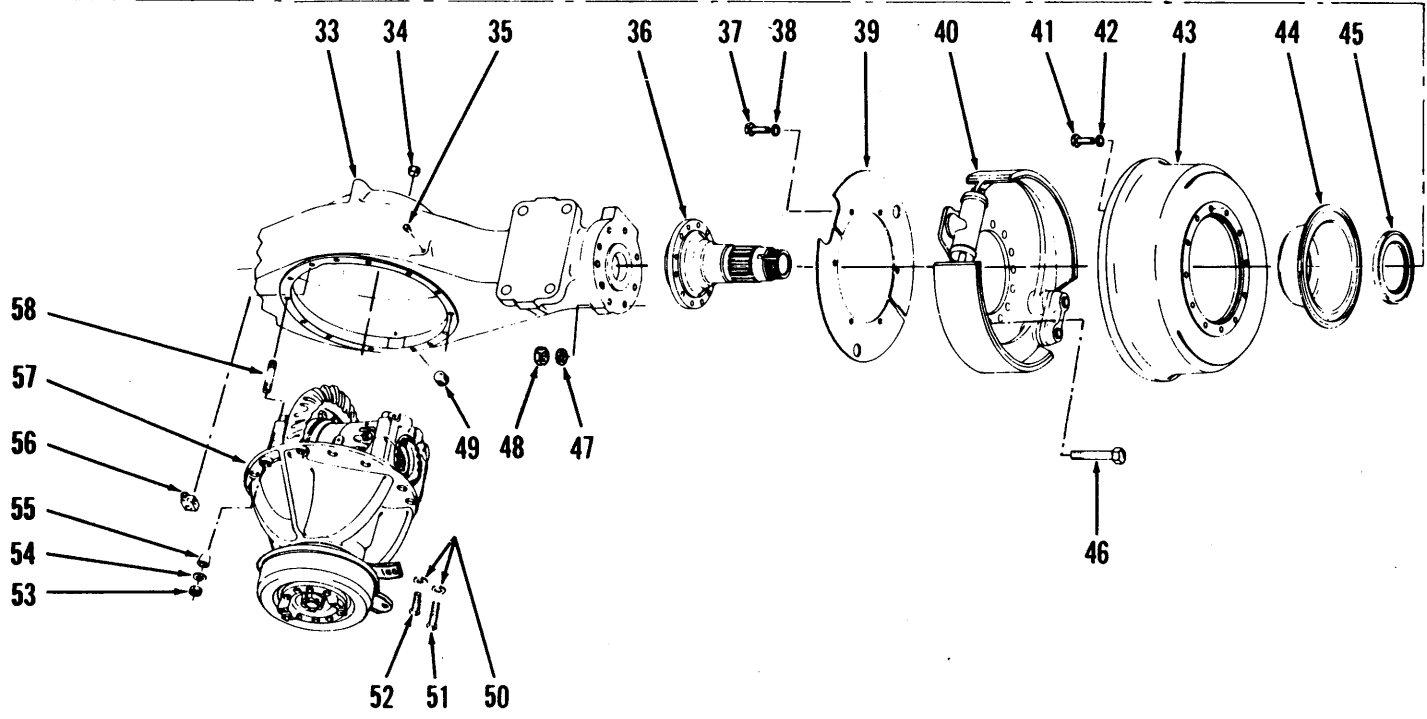
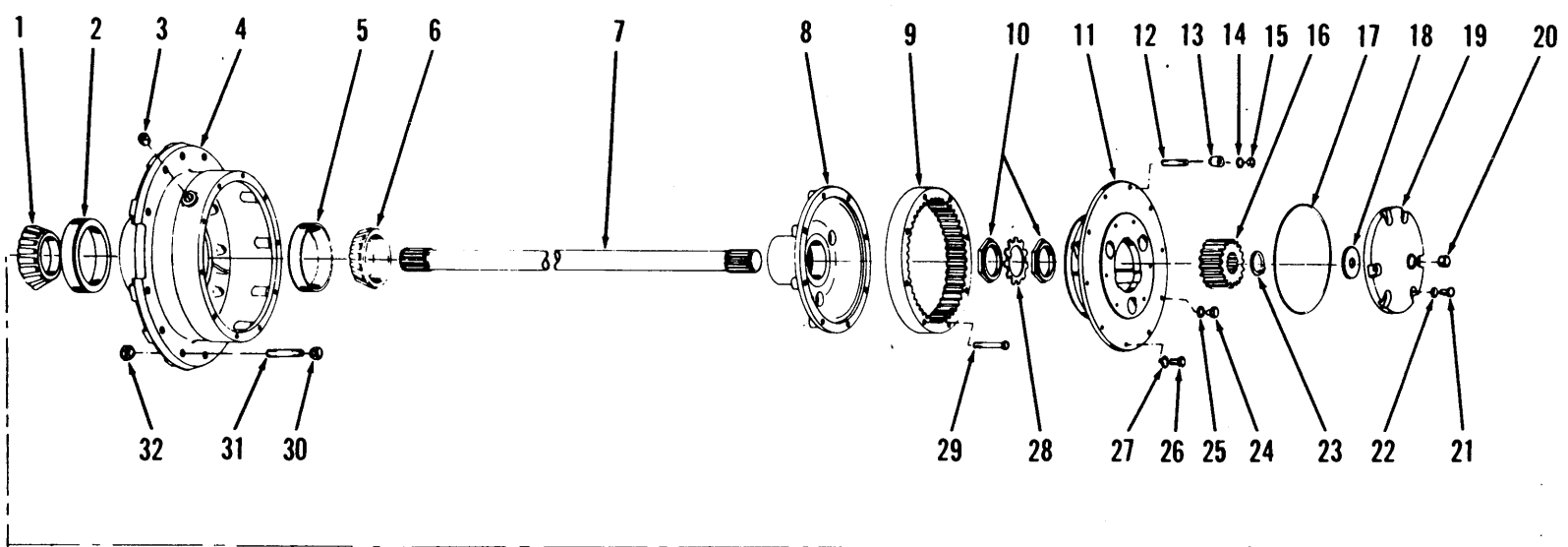
AXLE ASSEMBLY — FRONT DRIVE

TS-9634

AXLE ASSEMBLY — FRONT DRIVE

Item No.	Part No.	Description	No. Req'd.	Item No.	Part No.	Description	No. Req'd.
A	190843	AXLE ASSY (Inc. 1 thru 51).....	1	27	121785	HUB ASSY (Inc. 21, 23)	2
1	110894	BOLT, Disc to Hub	32	28	121797	HOUSING, Axle	1
2	104412	WASHER, Disc to Hub	32	29	106656	BREATHER, Axle Hsg.	1
3	121776	DISC, Brake	2	30	11F-12	PLUG, Housing Filler	1
4	121795	GEAR & HUB, Internal	2	31	106998	NUT, Spindle Attaching	16
5	121013	NUT, Spindle	2	32	104412	WASHER, Spindle Attaching..	16
6	121014	LOCK, Spindle Nut	2	33	106733	BOLT, Spindle Attaching	16
7	121013	NUT, Spindle	2	34	110305	BOLT, Brake Head Attaching	12
8	121015	SLEEVE, Sun Gear Thrust	2	35	111656	WASHER, Brake Head Attaching	12
9	121798	GEAR, Sun	2	36	121793	PLATE, Brake Adapter	2
10	224026	RING, Sun Gear Snap	2	37	121781	BOLT, Adapter Plate & Spindle Attaching	16
11	107348	O-RING, Planet Carrier	2	38	-----	BRAKE HEAD — See Index	—
12	-----	PLANET CARRIER — See Index	—	39	121802	SPINDLE	2
13	106762	WASHER, Planet Carrier to Hub	24	40	104412	WASHER, Adapter Plate & Spindle Attaching	16
14	100970	BOLT, Planet Carrier to Hub..	24	41	106998	NUT, Adapter Plate & Spindle Attaching	16
15	11F-04	PLUG, Oil Level	2	42	119469	PLUG, Housing Drain	1
16	10F-02	PLUG, Planet Carrier	2	43	112286	STUD, Carrier to Hsg.	3
17	1C-808	BOLT, Puller Hole	4	44	-----	DIFF. & CARRIER ASSY — See Index	—
18	3E-08	LKWSHR, Puller Hole	4	45	112287	DOWEL, Carrier to Hsg.	3
19	121800	AXLE SHAFT	2	46	106762	WASHER, Carrier to Hsg.	3
20	675261	CONE, Outer Hub Brg.	2	47	64D-08	NUT, Carrier to Hsg.	3
21	668553	CUP, Outer Hub Brg.	2	48	64D-08	NUT, Carrier to Hsg.	11
22	119469	PLUG, Hub Filler	2	49	106762	WASHER, Carrier to Hsg.	11
23	672004	CUP, Inner Hub Brg.	2	50	550319	TEE, Brake Line	1
24	121012	SEAL, Hub Oil	2	51	112286	STUD, Carrier to Hsg.	11
25	672005	CONE, Inner Hub Brg.	2				
26	121808	STUD, Wheel	24				

WHEN ORDERING PARTS, ALWAYS STATE MODEL AND SERIAL NO. OF MACHINE



AXLE ASSEMBLY — FRONT DRIVE

TS-6782-P

PM5012

30A

(1B-1)

AXLE ASSEMBLY — FRONT DRIVE

Item No.	Part No.	Description	No. Req'd.	Item No.	Part No.	Description	No. Req'd.
A	131599	AXLE ASSY (Inc. 1 thru 58)	1	29	106880	BOLT, Internal Gear to Hub	16
1	799408	CONE, Inner Hub Bearing	2	30	103522	NUT, Wheel	20
2	658985	CUP, Inner Hub Bearing	2	31	103445	STUD, Wheel	20
3	119469	PLUG, Hub Filler	2	32	121062	NUT, Wheel Stud	20
4	112073	HUB ASSY (Inc. 2, 5)	2	33	112086	HOUSING, Axle	1
5	672181	CUP, Outer Hub Bearing	2	34	11F-12	PLUG, Housing Filler	1
6	672182	CONE, Outer Hub Bearing	2	35	106656	BREATHER, Axle Housing	1
7	112077	AXLE SHAFT	2	36	112078	SPINDLE	2
8	106060	HUB, Internal Gear	2	37	1C-612	BOLT, Dust Shield Mounting	12
9	106059	GEAR, Internal	2	38	4E-06	LKWSHR, Dust Shield Mounting	12
10	114433	NUT, Inner Spindle	4	39	114453	SHIELD, Brake Dust	4
11	-----	PLANET CARRIER — See Index	—	40	-----	FRONT BRAKE ASSY — See Index	—
12	116419	STUD, Planet Carrier Mounting	10	41	107256	BOLT, Brake Drum to Hub	24
13	112287	DOWEL, Planet Carrier Mounting	10	42	104412	WASHER, Brake Drum to Hub	24
14	106762	WASHER, Planet Carrier Mounting	10	43	112085	DRUM, Brake	2
15	64D-08	NUT, Planet Carrier Stud	10	44	109055	CATCHER, Oil	2
16	109050	GEAR, Sun	2	45	112055	SEAL, Hub Oil	2
17	114089	"O" RING, Cap to Carrier	2	46	118350	BOLT, Spindle & Brake Attaching	18
18	106455	WASHER, Sun Gear Thrust Cap	2	47	104412	WASHER, Spindle & Brake Attaching	18
19	945129	KIT, Sun Gear Thrust Cap (Inc. 17, 18, 20)	2	48	106998	NUT, Spindle & Brake Attaching	18
20	11F-04	PLUG, Thrust Cap	2	49	119469	PLUG, Housing Drain	1
21	1C-720	BOLT, Thrust Cap	12	50	106762	WASHER, Carrier to Axle Housing	14
22	112278	LKWSHR, Thrust Cap	12				
23	106247	RING, Sun Gear Snap	2	53	64D-08	NUT, Carrier to Axle Housing	14
24	1C-808	BOLT, Planet Puller Hole	4				
25	3E-08	LKWSHR, Planet Puller Hole	4	55	112287	DOWEL, Carrier to Axle Housing	10
26	100970	BOLT, Planet Carrier to Hub	10	56	550318	TEE, Brake Line	1
27	106762	WASHER, Planet Carrier to Hub	10	57	-----	DIFF. & CARRIER ASSY — See Index	—
28	101274	LOCK, Spindle Nut	2	58	112286	STUD, Carrier to Axle Housing	14

WHEN ORDERING PARTS, ALWAYS STATE MODEL AND SERIAL NO. OF MACHINE

C

C

C

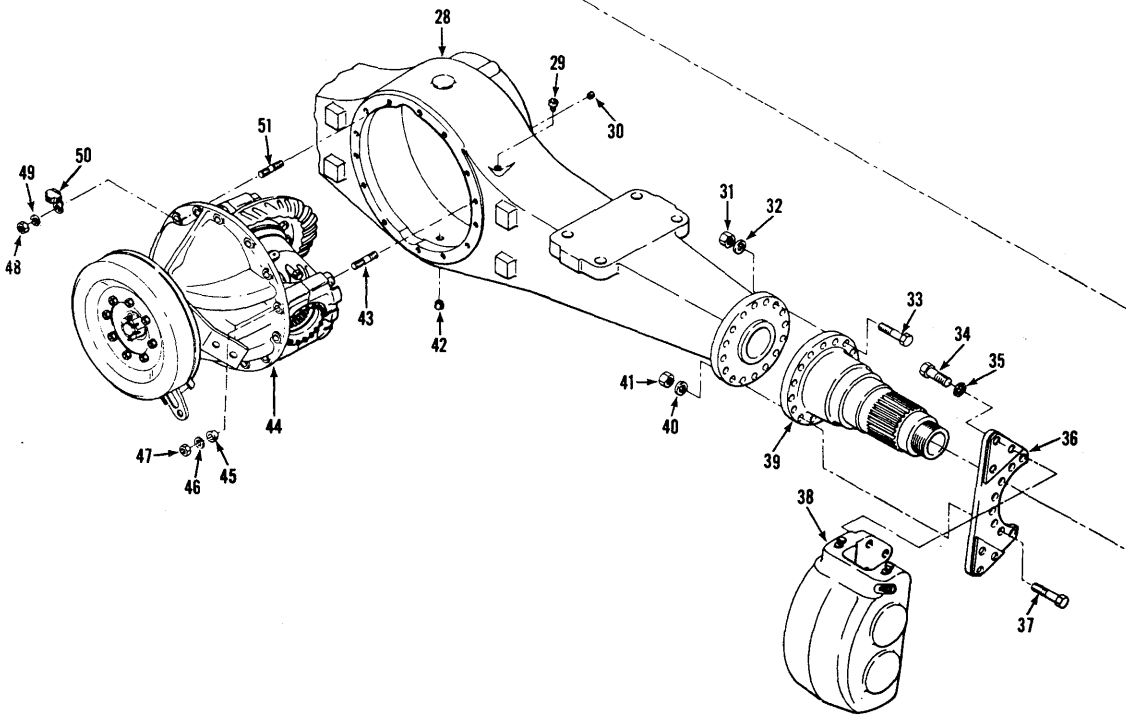
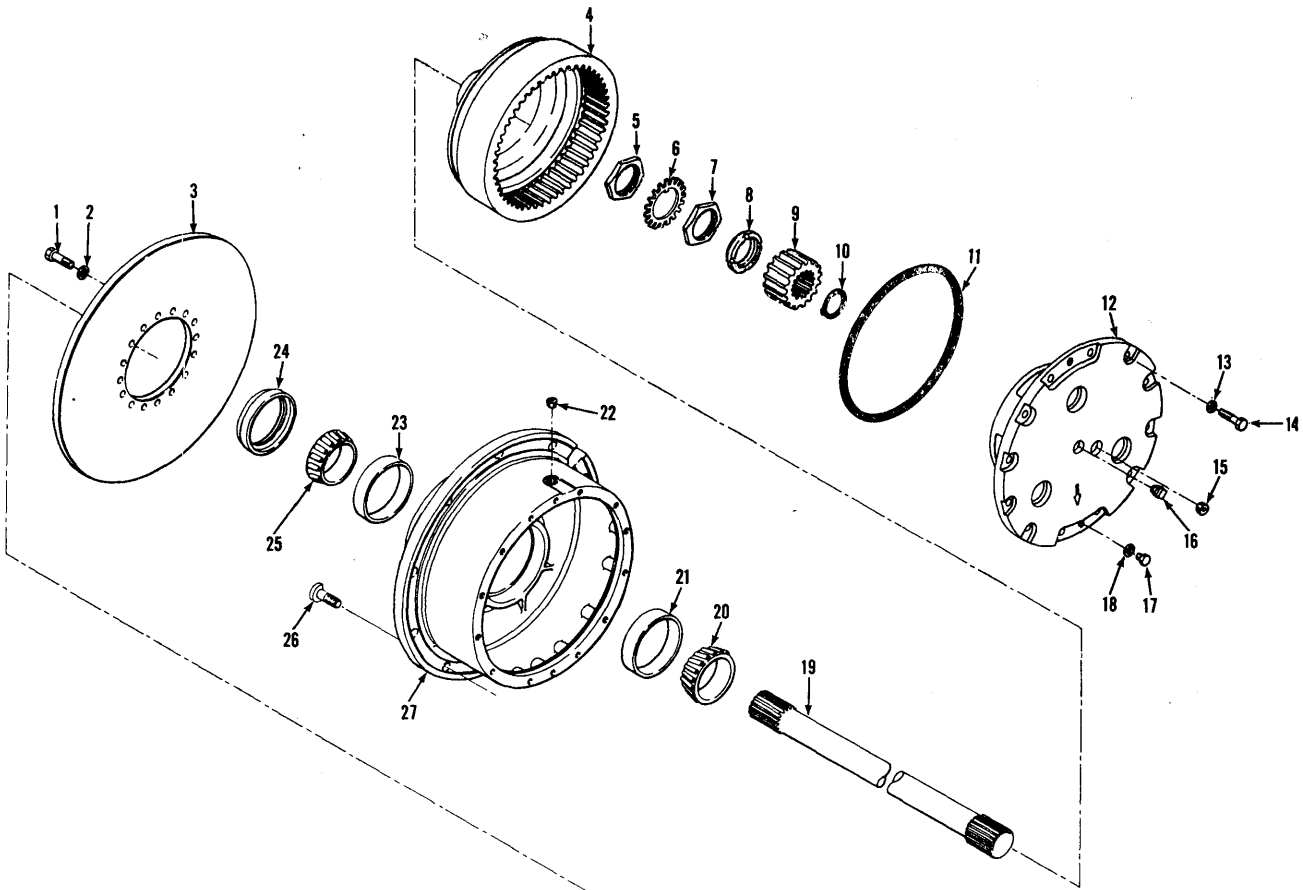


AXLE ASSEMBLY — FRONT DRIVE

S/N 4069/A 101 thru 130

Item No.	Part No.	Description	No. Req'd.	Item No.	Part No.	Description	No. Req'd.
A	131599	AXLE ASSY (Inc. 1 thru 58)	1	29	106880	BOLT, Internal Gear to Hub	16
1	799408	CONE, Inner Hub Bearing	2	30	103522	NUT, Wheel	20
2	658985	CUP, Inner Hub Bearing	2	31	103445	STUD, Wheel	20
3	11F-12	PLUG, Hub Filler	2	32	121062	NUT, Wheel Stud	20
4	112073	HUB ASSY (Inc. 2, 5)	2	33	112086	HOUSING, Axle	1
5	672181	CUP, Outer Hub Bearing	2	34	11F-12	PLUG, Housing Filler	1
6	672182	CONE, Outer Hub Bearing	2	35	106656	BREATHER, Axle Housing	1
7	112077	AXLE SHAFT	2	36	112078	SPINDLE	2
8	106060	HUB, Internal Gear	2	37	1C-612	BOLT, Dust Shield Mounting	12
9	106059	GEAR, Internal	2	38	4E-06	LKWSHR, Dust Shield Mounting	12
10	114433	NUT, Inner Spindle	4	39	114453	SHIELD, Brake Dust	4
11	-----	PLANET CARRIER — See Index	—	40	-----	FRONT BRAKE ASSY — See Index	—
12	116419	STUD, Planet Carrier Mounting	10	41	107256	BOLT, Brake Drum to Hub	24
13	112287	DOWEL, Planet Carrier Mounting	10	42	104412	WASHER, Brake Drum to Hub	24
14	106762	WASHER, Planet Carrier Mounting	10	43	112085	DRUM, Brake	2
15	64D-08	NUT, Planet Carrier Stud	10	44	109055	CATCHER, Oil	2
16	109050	GEAR, Sun	2	45	112055	SEAL, Hub Oil	2
17	114089	"O" RING, Cap to Carrier	2	46	118350	BOLT, Spindle & Brake Attaching	16
18	106455	WASHER, Sun Gear Thrust Cap	2	47	104412	WASHER, Spindle & Brake Attaching	16
19	945129	KIT, Sun Gear Thrust Cap (Inc. 17, 18, 20)	2	48	106998	NUT, Spindle & Brake Attaching	16
20	11F-04	PLUG, Thrust Cap	2	49	11F-12	PLUG, Housing Drain	1
21	1C-720	BOLT, Thrust Cap	12	50	106762	WASHER, Carrier to Axle Housing	14
22	112278	LKWSHR, Thrust Cap	12	51	17C-828	BOLT, Carrier to Axle Housing	3
23	106247	RING, Sun Gear Snap	2	52	17C-824	BOLT, Carrier to Axle Housing	8
24	1C-808	BOLT, Planet Puller Hole	4	53	64D-08	NUT, Carrier to Axle Housing	3
25	3E-08	LKWSHR, Planet Puller Hole	4	54	106762	WASHER, Carrier to Axle Housing	3
26	100970	BOLT, Planet Carrier to Hub	10	55	112287	DOWEL, Carrier to Axle Housing	3
27	106762	WASHER, Planet Carrier to Hub	10	56	550318	TEE, Brake Line	1
28	101274	LOCK, Spindle Nut	2	57	-----	DIFF. & CARRIER ASSY — See Index	—
				58	112286	STUD, Carrier to Axle Housing	3

WHEN ORDERING PARTS, ALWAYS STATE MODEL AND SERIAL NO. OF MACHINE



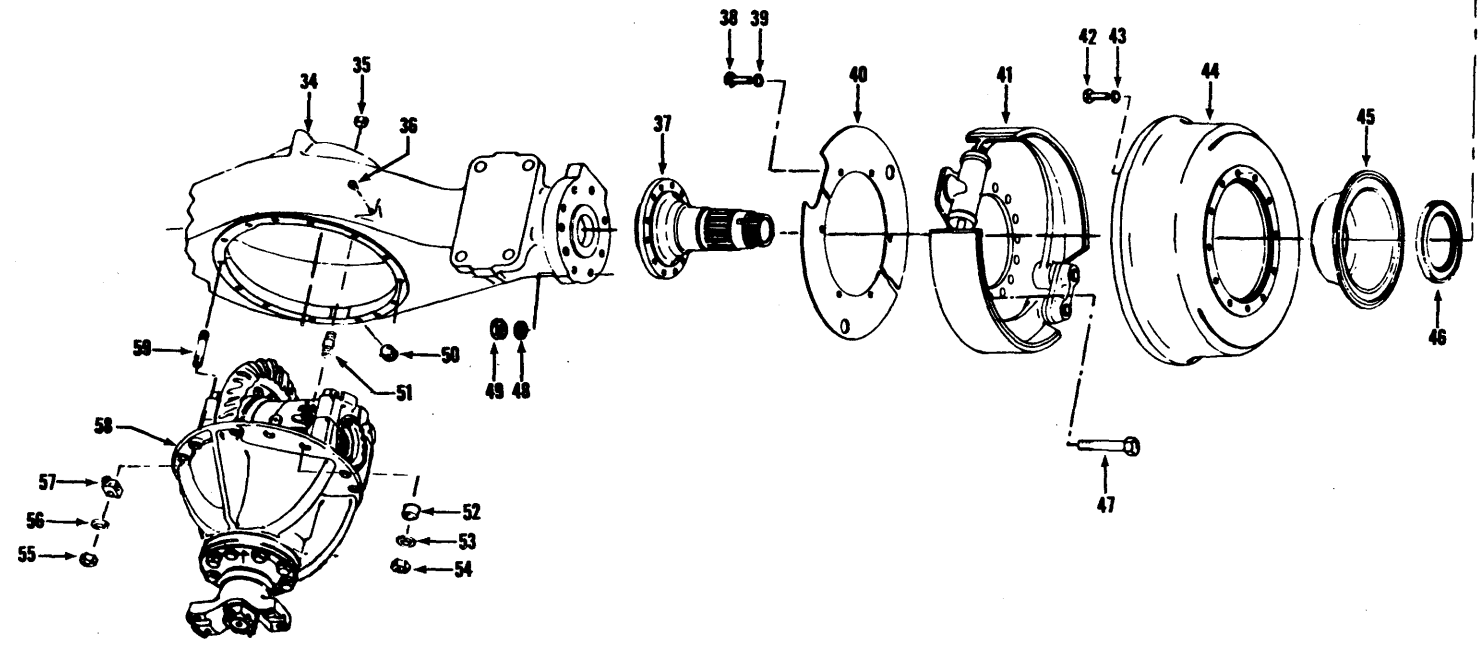
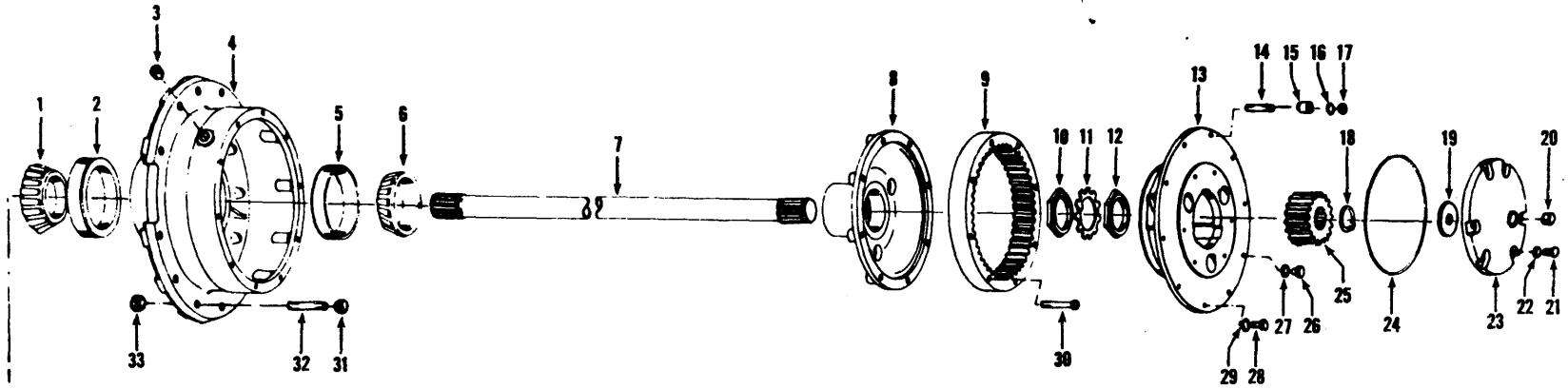
AXLE ASSEMBLY — REAR DRIVE

TS-9634

AXLE ASSEMBLY — REAR DRIVE

Item No.	Part No.	Description	No. Req'd.	Item No.	Part No.	Description	No. Req'd.
A	190844	AXLE ASSY (Inc. 1 thru 50)..	1	27	121785	HUB ASSY (Inc. 21, 23)	2
1	110894	BOLT, Disc to Hub	16	28	121797	HOUSING, Axle	1
2	104412	WASHER, Disc to Hub	16	29	106656	BREATHER, Axle Housing	1
3	121776	DISC, Brake	2	30	11F-12	PLUG, Housing Filler	1
4	121795	GEAR, Internal	2	31	106998	NUT, Spindle Attaching	16
5	121013	NUT, Spindle	2	32	104412	WASHER, Spindle Attaching..	16
6	121014	LOCK, Spindle Nut	2	33	106733	BOLT, Spindle Attaching	16
7	121013	NUT, Spindle	2	34	110305	BOLT, Brake Head Attaching	12
8	121015	SLEEVE, Sun Gear Thrust	2	35	111656	WASHER, Brake Head Attaching	12
9	121798	GEAR, Sun	2	36	121793	PLATE, Disc Brake Adapter..	2
10	224026	RING, Sun Gear Snap	2	37	121781	BOLT, Brake Adapter Attaching	16
11	107348	O-RING, Planet Carrier	2	38	-----	BRAKE HEAD (See P.M.S. 2522)	—
12	121788	PLANET CARRIER (See Index)	2	39	121802	SPINDLE	2
13	106762	WASHER, Planet Carrier	24	40	104412	WASHER, Brake Adapter Plate	16
14	100970	BOLT, Planet Carrier	24	41	106998	NUT, Brake Adapter Plate....	16
15	11F-04	PLUG, Planet Oil Level	2	42	119469	PLUG, Housing Drain	1
16	10F-02	PLUG, Planet Carrier	2	43	112286	STUD, Carrier to Housing	3
17	1C-808	BOLT, Puller Hole	4	44	-----	DIFF. & CARRIER ASSY (See Index)	—
18	3E-08	LKWSHR, Puller Hole	4	45	112287	DOWEL, Carrier to Housing..	3
19	121800	SHAFT, Axle	2	46	106762	WASHER, Carrier to Housing	3
20	675261	CONE, Outer Brg.	2	47	64D-08	NUT, Carrier to Housing	3
21	668553	CUP, Outer Brg.	2	48	64D-08	NUT, Brake Line Tee	11
22	119469	PLUG, Hub Filler	2	49	106762	WASHER, Brake Line Tee	11
23	672004	CUP, Inner Hub Brg.	2	50	536778	TEE, Brake Line	1
24	121012	SEAL, Hub Oil	2	51	112286	STUD, Carrier to Housing	11
25	672005	CONE, Inner Hub Brg.	2				
26	121808	STUD, Wheel	12				

WHEN ORDERING PARTS, ALWAYS STATE MODEL AND SERIAL NO. OF MACHINE



AXLE ASSEMBLY — REAR DRIVE

TS-8375-P

**AXLE ASSEMBLY — REAR DRIVE**

S/N 4069/A 121 thru 130

Item No.	Part No.	Description	No. Req'd.	Item No.	Part No.	Description	No. Req'd.
A	190534	AXLE ASSY (Inc. 1 thru 59)	1	30	106880	SCREW, Gear to Gear Hub	16
1	799408	CONE, Inner Hub Bearing	2	31	103522	NUT, Wheel	20
2	658985	CUP, Inner Hub Bearing	2	32	103445	STUD, Wheel	20
3	11F-12	PLUG, Hub Filler	2	33	121062	NUT, Wheel Stud	20
4	112073	HUB ASSY (Inc. 2 & 5)	2	34	112086	HOUSING, Axle	1
5	672181	CUP, Outer Hub Bearing	2	35	11F-12	PLUG, Housing Filler	1
6	672182	CONE, Outer Hub Bearing	2	36	106656	BREATHER, Housing	1
7	112077	SHAFT, Axle	2	37	112078	SPINDLE	2
8	106060	HUB Internal Gear	2	38	1C-612	BOLT, Dust Cover	12
9	106059	GEAR Internal Ring	2	39	4E-06	LKWSHR, Dust Cover	12
10	114433	NUT, Spindle Inner	2	40	114453	COVER, Brake Dust	4
11	101274	LOCK, Spindle Nut	2	41	117150	BRAKE ASSY	2
12	114433	NUT, Spindle Outer	2	42	107256	BOLT, Drum to Hub	24
13	-----	PLANET CARRIER (See Index)	—	43	104412	WASHER, Drum to Hub	24
14	116419	STUD, Planet Carrier to Hub	10	44	112085	DRUM, Brake	2
15	122287	DOWEL, Planet Carrier to Hub	10	45	109055	CATCHER, Oil	2
16	106762	WASHER, Planet Carrier to Hub	10	46	112055	SEAL, Hub Oil	2
17	64D-08	NUT, Planet Carrier to Hub	10	47	118350	BOLT, Brake & Spindle Attaching	18
18	106247	RING, Sun Gear Retaining	2	48	104412	WASHER, Brake & Spindle Attaching	18
19	106455	WASHER, Sun Gear Thrust	2	49	106998	NUT, Brake & Spindle Attaching	18
20	11F-04	PLUG, Planet Filler	2	50	11F-12	PLUG, Housing Drain	1
21	1C-720	SCREW, Thrust Cap	12	51	112286	*STUD, Carrier to Housing	13
22	112278	WASHER, Thrust Cap	12	52	112287	*DOWEL, Stud	3
23	114119	CAP ASSY, Sun Gear Thrust (Inc. 19)	2	53	106762	*WASHER, Carrier to Housing	14
24	114089	"O" RING, Cap to Planet Carrier	2	54	64D-08	*NUT, Carrier to Housing	14
25	109050	GEAR, Sun	2	55	-----	*NUT, Carrier to Housing (See 54)	—
26	1C-808	SCREW, Puller Hole	4	56	-----	*WASHER (See 53)	—
27	3E-08	LKWSHR, Puller Hole	4	57	550320	TEE, Brake Line	1
28	100970	BOLT, Planet Carrier to Hub	10	58	-----	DIFF. & CARRIER ASSY (See Index)	—
29	106762	WASHER, Planet Carrier to Hub	10	59	112923	*STUD, Carrier to Housing	1

WHEN ORDERING PARTS, ALWAYS STATE MODEL AND SERIAL NO. OF MACHINE



AXLE ASSEMBLY — REAR DRIVE

S/N 4069/A 121 thru 130

Item No.	Part No.	Description	No. Req'd.	Item No.	Part No.	Description	No. Req'd.
A	190534	AXLE ASSY (Inc. 1 thru 59)	1	30	106880	SCREW, Gear to Gear Hub	16
1	799408	CONE, Inner Hub Bearing	2	31	103522	NUT, Wheel	20
2	658985	CUP, Inner Hub Bearing	2	32	103445	STUD, Wheel	20
3	119469	PLUG, Hub Filler	2	33	121062	NUT, Wheel Stud	20
4	112073	HUB ASSY (Inc. 2 & 5)	2	34	112086	HOUSING, Axle	1
5	672181	CUP, Outer Hub Bearing	2	35	11F-12	PLUG, Housing Filler	1
6	672182	CONE, Outer Hub Bearing	2	36	106656	BREATHER, Housing	1
7	112077	SHAFT, Axle	2	37	112078	SPINDLE	2
8	106060	HUB, Internal Gear	2	38	1C-612	BOLT, Dust Cover	12
9	106059	GEAR, Internal Ring	2	39	4E-06	LKWSHR, Dust Cover	12
10	114433	NUT, Spindle Inner	2	40	114453	COVER, Brake Dust	4
11	101274	LOCK, Spindle Nut	2	41	117150	BRAKE ASSY	2
12	114433	NUT, Spindle Outer	2	42	107256	BOLT, Drum to Hub	24
13	-----	PLANET CARRIER (See Index)	—	43	104412	WASHER, Drum to Hub	24
14	116419	STUD, Planet Carrier to Hub	10	44	112085	DRUM, Brake	2
15	122287	DOWEL, Planet Carrier to Hub	10	45	109055	CATCHER, Oil	2
16	106762	WASHER, Planet Carrier to Hub	10	46	112055	SEAL, Hub Oil	2
17	64D-08	NUT, Planet Carrier to Hub	10	47	118350	BOLT, Brake & Spindle Attaching	18
18	106247	RING, Sun Gear Retaining	2	48	104412	WASHER, Brake & Spindle Attaching	18
19	106455	WASHER, Sun Gear Thrust	2	49	106998	NUT, Brake & Spindle Attaching	18
20	11F-04	PLUG, Planet Filler	2	50	119469	PLUG, Housing Drain	1
21	1C-720	SCREW, Thrust Cap	12	51	112286	*STUD, Carrier to Housing	13
22	112278	WASHER, Thrust Cap	12	52	112287	*DOWEL, Stud	3
23	114119	CAP ASSY, Sun Gear Thrust (Inc. 19)	2	53	106762	*WASHER, Carrier to Housing	14
24	114089	"O" RING, Cap to Planet Carrier	2	54	64D-08	*NUT, Carrier to Housing	14
25	109050	GEAR, Sun	2	55	-----	*NUT, Carrier to Housing (See 54)	—
26	1C-808	SCREW, Puller Hole	4	56	-----	*WASHER (See 53)	—
27	3E-08	LKWSHR, Puller Hole	4	57	550320	TEE, Brake Line	1
28	100970	BOLT, Planet Carrier to Hub	10	58	-----	DIFF. & CARRIER ASSY (See Index)	—
29	106762	WASHER, Planet Carrier to Hub	10	59	112923	*STUD, Carrier to Housing	1

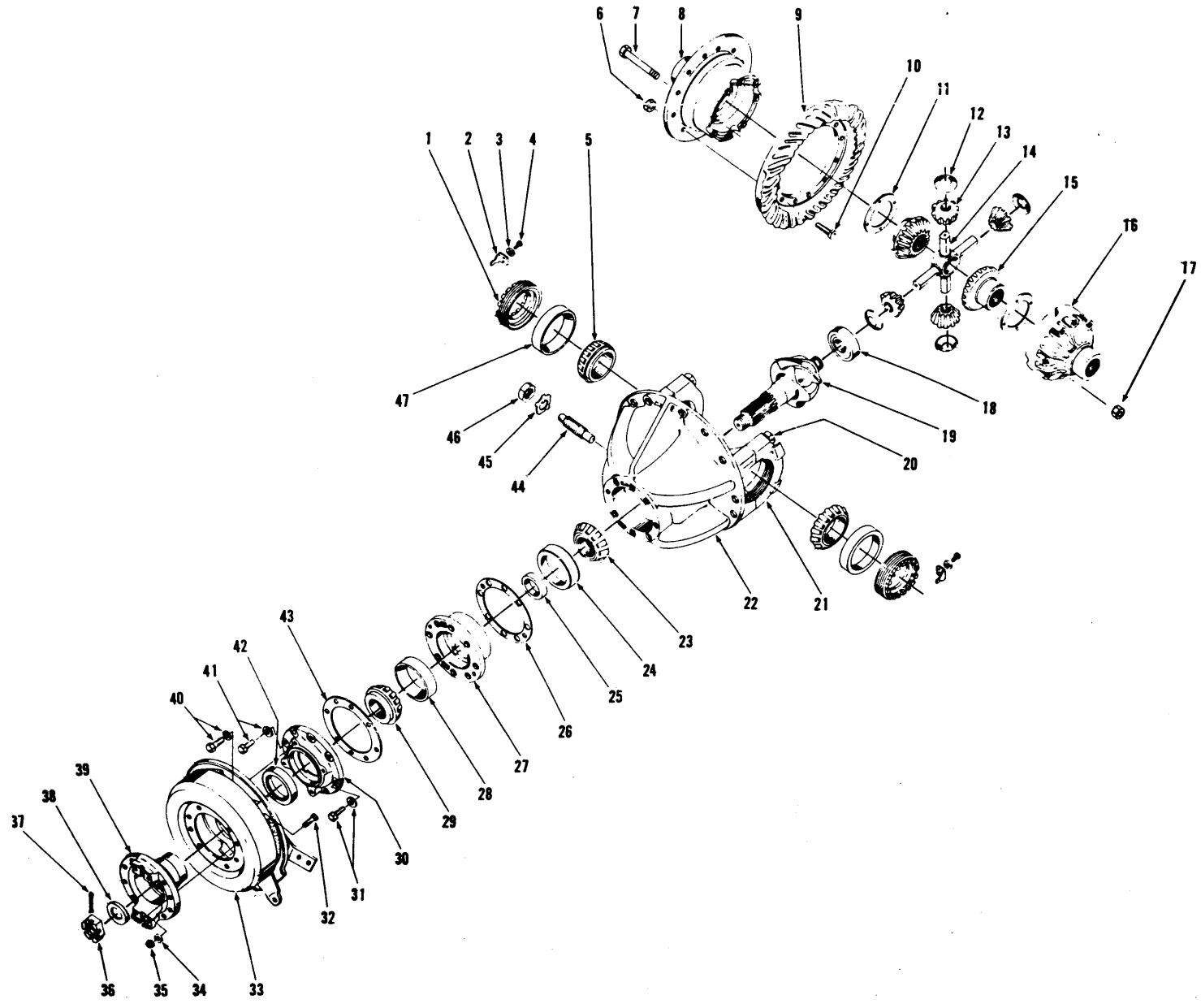
WHEN ORDERING PARTS, ALWAYS STATE MODEL AND SERIAL NO. OF MACHINE

AXLE ASSEMBLY — REAR DRIVE

S/N 4069/A 101 thru 127

Item No.	Part No.	Description	No. Req'd.	Item No.	Part No.	Description	No. Req'd.
A	190534	AXLE ASSY (Inc. 1 thru 59)	1	30	106880	SCREW, Gear to Gear Hub	16
1	799408	CONE, Inner Hub Bearing	2	31	103522	NUT, Wheel	20
2	658985	CUP, Inner Hub Bearing	2	32	103445	STUD, Wheel	20
3	119469	PLUG, Hub Filler	2	33	121062	NUT, Wheel Stud	20
4	112073	HUB ASSY (Inc. 2 & 5)	2	34	112086	HOUSING, Axle	1
5	672181	CUP, Outer Hub Bearing	2	35	11F-12	PLUG, Housing Filler	1
6	672182	CONE, Outer Hub Bearing	2	36	106656	BREATHER, Housing	1
7	112077	SHAFT, Axle	2	37	112078	SPINDLE	2
8	106060	HUB, Internal Gear	2	38	1C-612	BOLT, Dust Cover	12
9	106059	GEAR, Internal Ring	2	39	4E-06	LKWSHR, Dust Cover	12
10	114433	NUT, Spindle Inner	2	40	114453	COVER, Brake Dust	4
11	101274	LOCK, Spindle Nut	2	41	117150	BRAKE ASSY	2
12	114433	NUT, Spindle Outer	2	42	107256	BOLT, Drum to Hub	24
13	-----	PLANET CARRIER (See Index)	—	43	104412	WASHER, Drum to Hub	24
14	116419	STUD, Planet Carrier to Hub	10	44	112085	DRUM, Brake	2
15	122287	DOWEL, Planet Carrier to Hub	10	45	109055	CATCHER, Oil	2
16	106762	WASHER, Planet Carrier to Hub	10	46	112055	SEAL, Hub Oil	2
17	64D-08	NUT, Planet Carrier to Hub	10	47	118350	BOLT, Brake & Spindle Attaching	18
18	106247	RING, Sun Gear Retaining	2	48	104412	WASHER, Brake & Spindle Attaching	18
19	106455	WASHER, Sun Gear Thrust	2	49	106998	NUT, Brake & Spindle Attaching	18
20	11F-04	PLUG, Planet Filler	2	50	119469	PLUG, Housing Drain	1
21	1C-720	SCREW, Thrust Cap	12	51	112286	*STUD, Carrier to Housing	13
22	112278	WASHER, Thrust Cap	12	52	112287	*DOWEL, Stud	3
23	114119	CAP ASSY, Sun Gear Thrust (Inc. 19)	2	53	106762	*WASHER, Carrier to Housing	14
24	114089	"O" RING, Cap to Planet Carrier	2	54	64D-08	*NUT, Carrier to Housing	14
25	109050	GEAR, Sun	2	55	-----	*NUT, Carrier to Housing (See 54)	—
26	1C-808	SCREW, Puller Hole	4	56	-----	*WASHER (See 53)	—
27	3E-08	LKWSHR, Puller Hole	4	57	550320	TEE, Brake Line	1
28	100970	BOLT, Planet Carrier to Hub	10	58	-----	DIFF. & CARRIER ASSY (See Index)	—
29	106762	WASHER, Planet Carrier to Hub	10	59	112923	*STUD, Carrier to Housing	1

WHEN ORDERING PARTS, ALWAYS STATE MODEL AND SERIAL NO. OF MACHINE



DIFFERENTIAL AND CARRIER ASSEMBLY — FRONT DRIVE

TS-8113-P

DIFFERENTIAL AND CARRIER ASSEMBLY — FRONT DRIVE

S/N 4069/A 121 thru 130

Item No.	Part No.	Description	No. Req'd.	Item No.	Part No.	Description	No. Req'd.
A	118508	DIFFERENTIAL & CARRIER ASSY (Inc. 1 thru 47)	1	26B	101259	‡SPACER, Bearing Cage — Thick	—
1	101252	NUT, Differential Adjusting	2	27	110843	CAGE ASSY, Pinion Bearing (Inc. 24, 28)	1
2	100941	LOCK, Differential Adjusting Nut	2	28	667278	CUP, Pinion Bearing — Outer	1
3	4E-06	LKWSHR, Adjusting Nut Lock	2	29	667277	CONE, Pinion Bearing — Outer	1
4	3C-614	BOLT, Adjusting Nut Lock	2	30	110847	RETAINER, Pinion Oil Seal	1
4A	—	†‡LOCKWIRE — 18 ga.	—	31	1C-936	BOLT, Pinion Oil Seal Retainer	7
5	654144	CONE, Differential Bearing	2	31A	4E-09	LKWSHR, Pinion Oil Seal Retainer	7
6	104168	NUT, Ring Gear	12	32	101144	BOLT, Drum to Flange	8
7	118475	BOLT, Differential Case	8	33	—	PARKING BRAKE — See Index	—
8	—	§DIFFERENTIAL CASE — Flange Half — See 51	—	33A	107261	†DRUM, Parking Brake	1
9	—	§RING GEAR — See 50	—	34	2E-06	LKWSHR, Drum to Flange	8
10	101196	BOLT, Ring Gear	12	35	62D-06	NUT, Drum to Flange	8
11	118474	WASHER, Side Gear Thrust	2	36	101262	NUT, Pinion Shaft	1
12	101244	WASHER, Differential Pinion Thrust ..	4	37	1F-732	COTTER, Pinion Shaft Nut	1
13	815745	PINION KIT, Differential	1	38	101263	WASHER, Pinion Shaft	1
14	117022	SPIDER, Differential	1	39	112084	FLANGE, Companion	1
15	104167	GEAR, Differential Side	2	40	1C-920	BOLT, Brake Mounting	4
16	—	§DIFFERENTIAL CASE — Plain Half — See 51	—	40A	4E-09	LKWSHR, Brake Mounting	4
17	104168	NUT, Differential Case	8	41	1C-836	BOLT, Pinion Oil Seal Retainer	1
18	667466	BEARING, Inner Pinion	1	41A	4E-08	LKWSHR, Pinion Oil Seal Retainer	1
19	—	§PINION — See 50	—	42	110897	SEAL, Pinion Shaft Oil	1
20	101210	BOLT, Carrier Cap	4	43	101254	GASKET, Pinion Oil Seal Retainer	1
20A	111658	†WASHER, Carrier Cap	4	44	101226	SCREW, Thrust	1
21	—	§CAP, Differential Carrier — See 22 ..	—	45	101227	LOCK, Thrust Screw	1
22	112289	CARRIER ASSY, Differential (Inc. 20, 20A, 21)	1	46	8D-18	NUT, Thrust Screw	1
23	667276	CONE, Pinion Bearing — Center	1	47	667275	CUP, Differential Bearing	2
24	658988	CUP, Pinion Bearing — Center	1	48	118512	†DIFFERENTIAL ASSY (Inc. 6 thru 17, 19)	1
25	104226	SPACER, Pinion Bearing	1	49	118499	†DIFFERENTIAL BODY SUB-ASSY (Inc. 7, 8, 11 thru 17)	1
26	101257	‡SPACER, Bearing Cage — Thin	—	50	815170	†GEAR & PINION SET (Inc. 9, 19)	1
26A	101258	‡SPACER, Bearing Cage — Medium ..	—	51	815736	†DIFFERENTIAL CASE KIT (Inc. 7, 8, 11, 12, 16, 17)	1

§Not Sold Separately
†Not Illustrated
‡As Required

WHEN ORDERING PARTS, ALWAYS STATE MODEL AND SERIAL NO. OF MACHINE

C

C

C

DIFFERENTIAL AND CARRIER ASSEMBLY — FRONT DRIVE

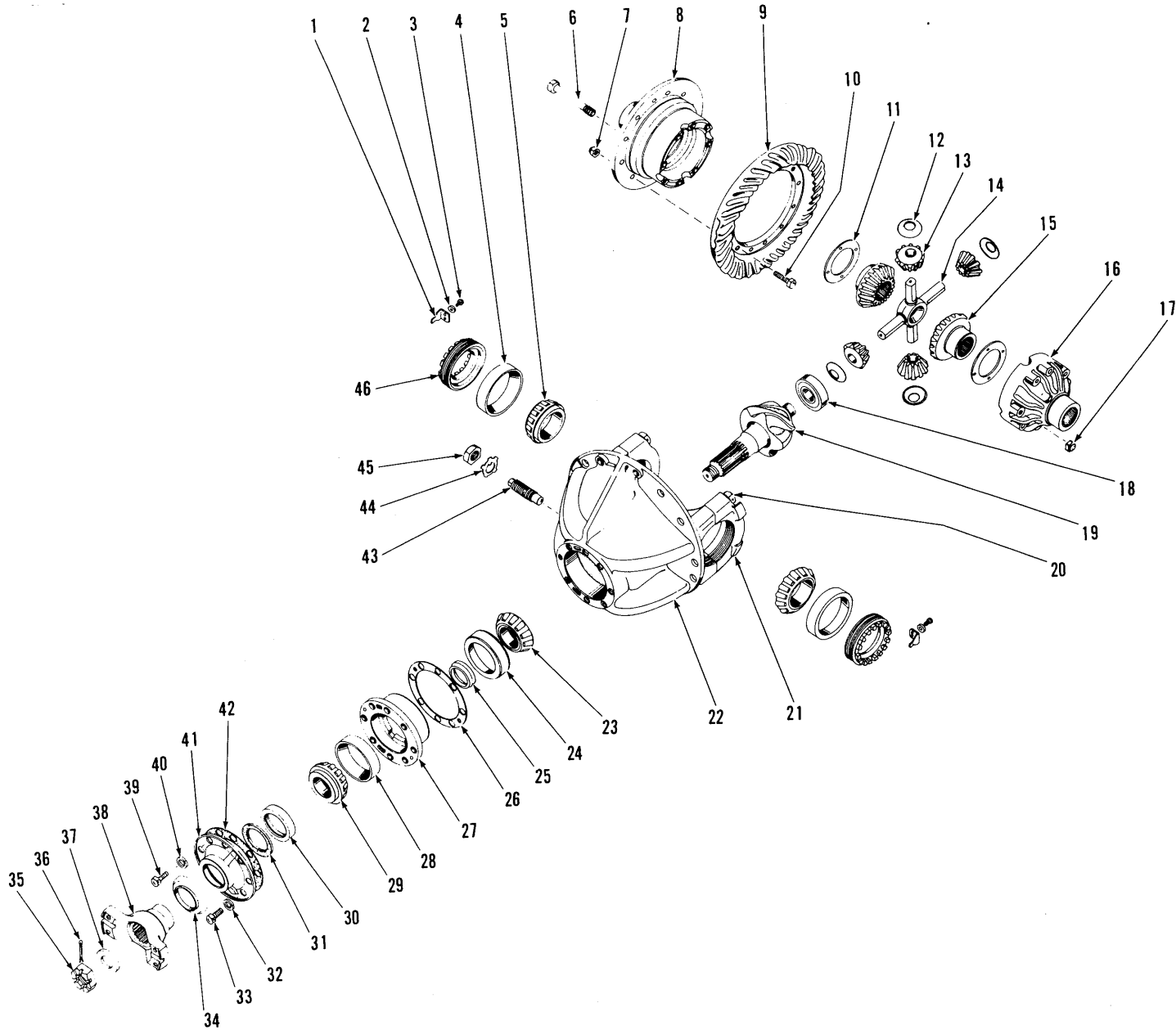
Item No.	Part No.	Description	No. Req'd.	Item No.	Part No.	Description	No. Req'd.
A	118508	DIFFERENTIAL & CARRIER ASSY (Inc. 1 thru 47)	1	26B	101259	‡SPACER, Bearing Cage — Thick	—
1	101252	NUT, Differential Adjusting	2	27	110843	CAGE ASSY, Pinion Bearing (Inc. 24, 28)	1
2	100941	LOCK, Differential Adjusting Nut	2	28	667278	CUP, Pinion Bearing — Outer	1
3	4E-06	LKWSHR, Adjusting Nut Lock	2	29	667277	CONE, Pinion Bearing — Outer	1
4	3C-614	BOLT, Adjusting Nut Lock	2	30	110847	RETAINER, Pinion Oil Seal	1
4A	—	†‡LOCKWIRE — 18 ga.	—	31	1C-936	BOLT, Pinion Oil Seal Retainer	7
5	654144	CONE, Differential Bearing	2	31A	4E-09	LKWSHR, Pinion Oil Seal Retainer	7
6	104168	NUT, Ring Gear	12	32	101144	BOLT, Drum to Flange	8
7	118475	BOLT, Differential Case	8	33	—	PARKING BRAKE — See Index	—
8	—	§DIFFERENTIAL CASE — Flange Half — See 51	—	33A	107261	†DRUM, Parking Brake	1
9	—	§RING GEAR — See 50	—	34	2E-06	LKWSHR, Drum to Flange	8
10	101196	BOLT, Ring Gear	12	35	62D-06	NUT, Drum to Flange	8
11	118474	WASHER, Side Gear Thrust	2	36	101262	NUT, Pinion Shaft	1
12	101244	WASHER, Differential Pinion Thrust ..	4	37	1F-732	COTTER, Pinion Shaft Nut	1
13	815745	PINION KIT, Differential	1	38	101263	WASHER, Pinion Shaft	1
14	117022	SPIDER, Differential	1	39	112084	FLANGE, Companion	1
15	104167	GEAR, Differential Side	2	40	1C-920	BOLT, Brake Mounting	4
16	—	§DIFFERENTIAL CASE — Plain Half — See 51	—	40A	4E-09	LKWSHR, Brake Mounting	4
17	104168	NUT, Differential Case	8	41	1C-836	BOLT, Pinion Oil Seal Retainer	1
18	667466	BEARING, Inner Pinion	1	41A	4E-08	LKWSHR, Pinion Oil Seal Retainer	1
19	—	§PINION — See 50	—	42	110897	SEAL, Pinion Shaft Oil	1
20	101210	BOLT, Carrier Cap	4	43	101254	GASKET, Pinion Oil Seal Retainer	1
20A	111658	†WASHER, Carrier Cap	4	44	101226	SCREW, Thrust	1
21	—	§CAP, Differential Carrier — See 22 ..	—	45	101227	LOCK, Thrust Screw	1
22	112289	CARRIER ASSY, Differential (Inc. 20, 20A, 21)	1	46	8D-18	NUT, Thrust Screw	1
23	667276	CONE, Pinion Bearing — Center	1	47	667275	CUP, Differential Bearing	2
24	658988	CUP, Pinion Bearing — Center	1	48	118512	†DIFFERENTIAL ASSY (Inc. 6 thru 17, 19)	1
25	104226	SPACER, Pinion Bearing	1	49	118499	†DIFFERENTIAL BODY SUB-ASSY (Inc. 7, 8, 11 thru 17)	1
26	101257	‡SPACER, Bearing Cage — Thin	—	50	815170	†GEAR & PINION SET (Inc. 9, 19)	1
26A	101258	‡SPACER, Bearing Cage — Medium	—	51	815736	†DIFFERENTIAL CASE KIT (Inc. 7, 8, 11, 12, 16, 17)	1

§Not Sold Separately

†Not Illustrated

‡As Required

WHEN ORDERING PARTS, ALWAYS STATE MODEL AND SERIAL NO. OF MACHINE



DIFFERENTIAL AND CARRIER ASSEMBLY — REAR DRIVE

TS-2649-P

DIFFERENTIAL AND CARRIER ASSEMBLY — REAR DRIVE

Item No.	Part No.	Description	No. Req'd.	Item No.	Part No.	Description	No. Req'd.
A	118509	DIFF. & CARRIER ASSY (Inc. 1 thru 46)	1	26	101259	SHIM, Bearing Cage — Thick	—
1	100941	LOCK, Differential Adjusting Nut	2	26A	101258	†‡SHIM, Bearing Cage — Medium	—
2	4E-06	LKWSHR, Differential Adjusting Lock	2	26B	101257	†‡SHIM, Bearing Cage — Thin	—
3	3C-614	BOLT, Differential Adjusting Lock	2	27	101250	CAGE ASSY, Pinion Bearing (Inc. 24, 28)	1
4	667275	CUP, Differential Bearing	2	28	667278	CUP, Pinion Bearing	1
5	654144	CONE, Differential Bearing	2	29	667277	CONE, Outer Pinion Bearing	1
6	118475	BOLT, Differential Case	8	30	110897	SEAL, Pinion Oil	1
7	104168	NUT, Ring Gear Bolt	12	31	101256	GASKET, Pinion Oil Seal	1
8	—	§DIFF. CASE — Flange Half — See Item 50	—	32	4E-09	LKWSHR, Pinion Oil Seal Retainer	7
9	—	§RING GEAR — See Item 49	—	33	1C-928	BOLT, Pinion Oil Seal Retainer	7
10	101196	BOLT, Ring Gear	12	34	101261	SHIELD, Companion Flange Dust	1
11	118474	WASHER, Side Gear Thrust	2	35	101262	NUT, Pinion Shaft	1
12	101244	WASHER, Differential Pinion Thrust	4	36	1F-732	COTTER, Pinion Shaft Nut	1
13	815745	KIT, Differential Pinion	1	37	101263	WASHER, Pinion Shaft Nut	1
14	117022	SPIDER, Differential	1	38	117218	FLANGE, Companion	1
15	104167	GEAR, Differential Side	2	39	1C-828	BOLT, Pinion Oil Seal Retainer	1
16	—	§DIFF. CASE — Plain Half — See Item 50	—	40	4E-08	LKWSHR, Pinion Oil Seal Retainer	1
17	104168	NUT, Differential Case	8	41	101253	RETAINER, Pinion Oil Seal	1
18	667466	BEARING, Inner Pinion	1	42	101254	GASKET, Pinion Oil Seal Retainer	1
19	—	§PINION, Differential — See Item 49	—	43	101226	SCREW, Thrust	1
20	101210	BOLT, Differential Carrier Cap	4	44	101227	LOCK, Thrust Screw	1
20A	111658	†WASHER, Carrier Cap Bolt	4	45	8D-18	NUT, Thrust Screw	1
21	—	§CAP, Differential Carrier — See Item 22	—	46	101252	NUT, Differential Adjusting	2
22	112289	CARRIER ASSY (Inc. 20, 20A, 21)	1	47	118513	†DIFF. ASSY (Inc. 6 thru 17)	1
23	667276	CONE, Center Pinion Bearing	1	48	118499	†DIFF. BODY SUB ASSY (Inc. 6, 8, 11 thru 17)	1
24	658988	CUP, Center Pinion Bearing	1	49	815369	†GEAR & PINION SET (Inc. 9, 19)	1
25	104226	SPACER, Pinion Bearing	1	50	815736	†DIFF. CASE KIT (Inc. 6, 8, 12, 16, 17)	1

§Not Sold Separately
†Not Illustrated
‡As Required

WHEN ORDERING PARTS, ALWAYS STATE MODEL AND SERIAL NO. OF MACHINE



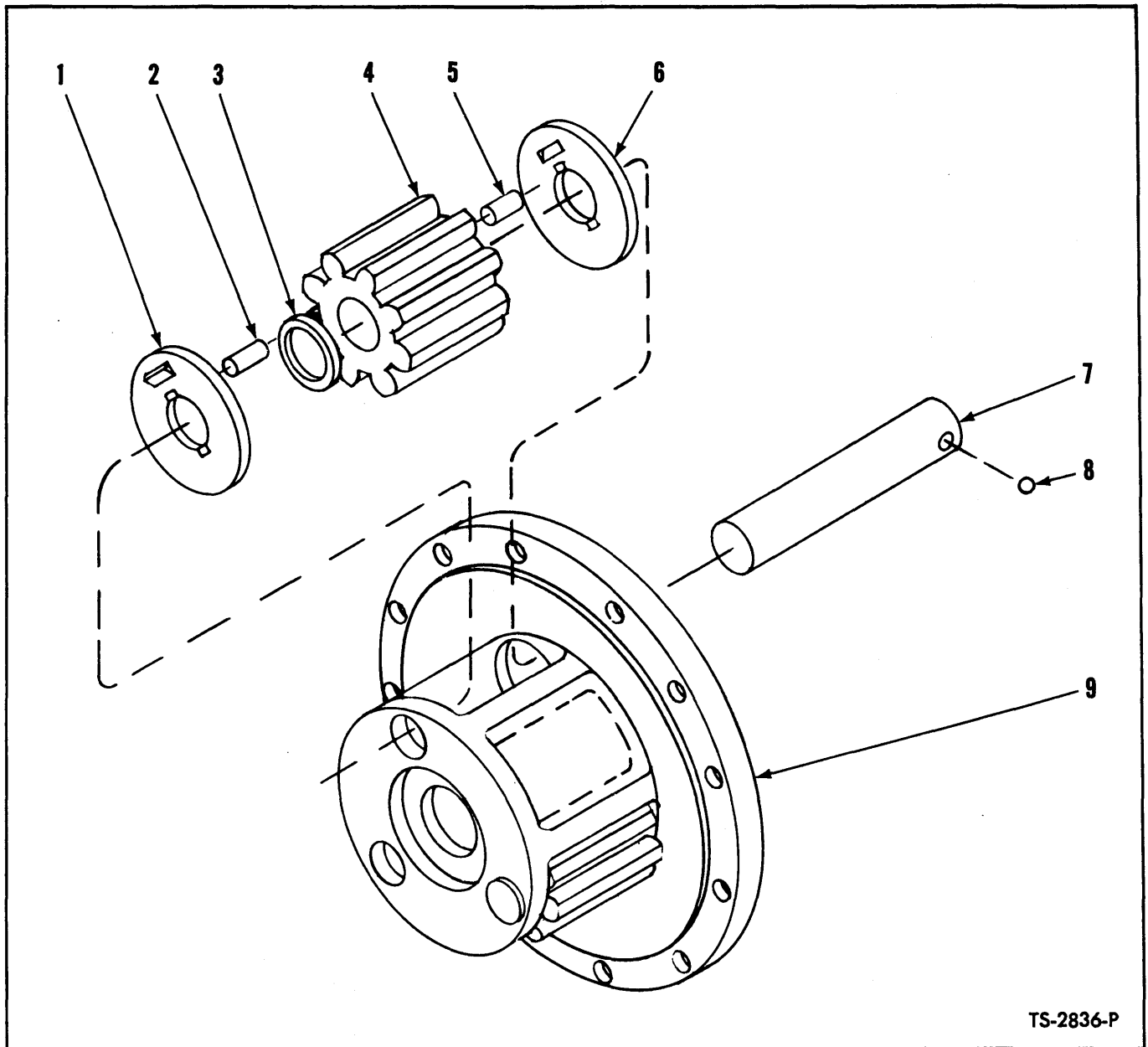
DIFFERENTIAL AND CARRIER ASSEMBLY — REAR DRIVE

S/N 4069/A 101 thru 130

Item No.	Part No.	Description	No. Req'd.	Item No.	Part No.	Description	No. Req'd.
A	118509	DIFF. & CARRIER ASSY (Inc. 1 thru 46)	1	26	101259	SHIM, Bearing Cage — Thick	—
1	100941	LOCK, Differential Adjusting Nut	2	26A	101258	††SHIM, Bearing Cage — Medium	—
2	4E-06	LKWSHR, Differential Adjusting Lock	2	26B	101257	††SHIM, Bearing Cage — Thin	—
3	3C-614	BOLT, Differential Adjusting Lock	2	27	101250	CAGE ASSY, Pinion Bearing (Inc. 24, 28)	1
4	667275	CUP, Differential Bearing	2	28	667278	CUP, Pinion Bearing	1
5	654144	CONE, Differential Bearing	2	29	667277	CONE, Outer Pinion Bearing	1
6	118475	BOLT, Differential Case	8	30	110897	SEAL, Pinion Oil	1
7	104168	NUT, Ring Gear Bolt	12	31	101256	GASKET, Pinion Oil Seal	1
8	—	§DIFF. CASE — Flange Half — See Item 50	—	32	4E-09	LKWSHR, Pinion Oil Seal Retainer	7
9	—	§RING GEAR — See Item 49	—	33	1C-928	BOLT, Pinion Oil Seal Retainer	7
10	101196	BOLT, Ring Gear	12	34	101261	SHIELD, Companion Flange Dust	1
11	118474	WASHER, Side Gear Thrust	2	35	101262	NUT, Pinion Shaft	1
12	101244	WASHER, Differential Pinion Thrust	4	36	1F-732	COTTER, Pinion Shaft Nut	1
13	815745	KIT, Differential Pinion	1	37	101263	WASHER, Pinion Shaft Nut	1
14	117022	SPIDER, Differential	1	38	117218	FLANGE, Companion	1
15	104167	GEAR, Differential Side	2	39	1C-828	BOLT, Pinion Oil Seal Retainer	1
16	—	§DIFF. CASE — Plain Half — See Item 50	—	40	4E-08	LKWSHR, Pinion Oil Seal Retainer	1
17	104168	NUT, Differential Case	8	41	101253	RETAINER, Pinion Oil Seal	1
18	667466	BEARING, Inner Pinion	1	42	101254	GASKET, Pinion Oil Seal Retainer	1
19	—	§PINION, Differential — See Item 49	—	43	101226	SCREW, Thrust	1
20	101210	BOLT, Differential Carrier Cap	4	44	101227	LOCK, Thrust Screw	1
20A	111658	†WASHER, Carrier Cap Bolt	4	45	8D-18	NUT, Thrust Screw	1
21	—	§CAP, Differential Carrier — See Item 22	—	46	101252	NUT, Differential Adjusting	2
22	112289	CARRIER ASSY (Inc. 20, 20A, 21)	1	47	118513	†DIFF. ASSY (Inc. 6 thru 17)	1
23	667276	CONE, Center Pinion Bearing	1	48	118499	†DIFF. BODY SUB ASSY (Inc. 6, 8, 11 thru 17)	1
24	658988	CUP, Center Pinion Bearing	1	49	815369	†GEAR & PINION SET (Inc. 9, 19)	1
25	104226	SPACER, Pinion Bearing	1	50	815736	†DIFF. CASE KIT (Inc. 6, 8, 12, 16, 17)	1

§Not Sold Separately
†Not Illustrated
‡As Required

WHEN ORDERING PARTS, ALWAYS STATE MODEL AND SERIAL NO. OF MACHINE

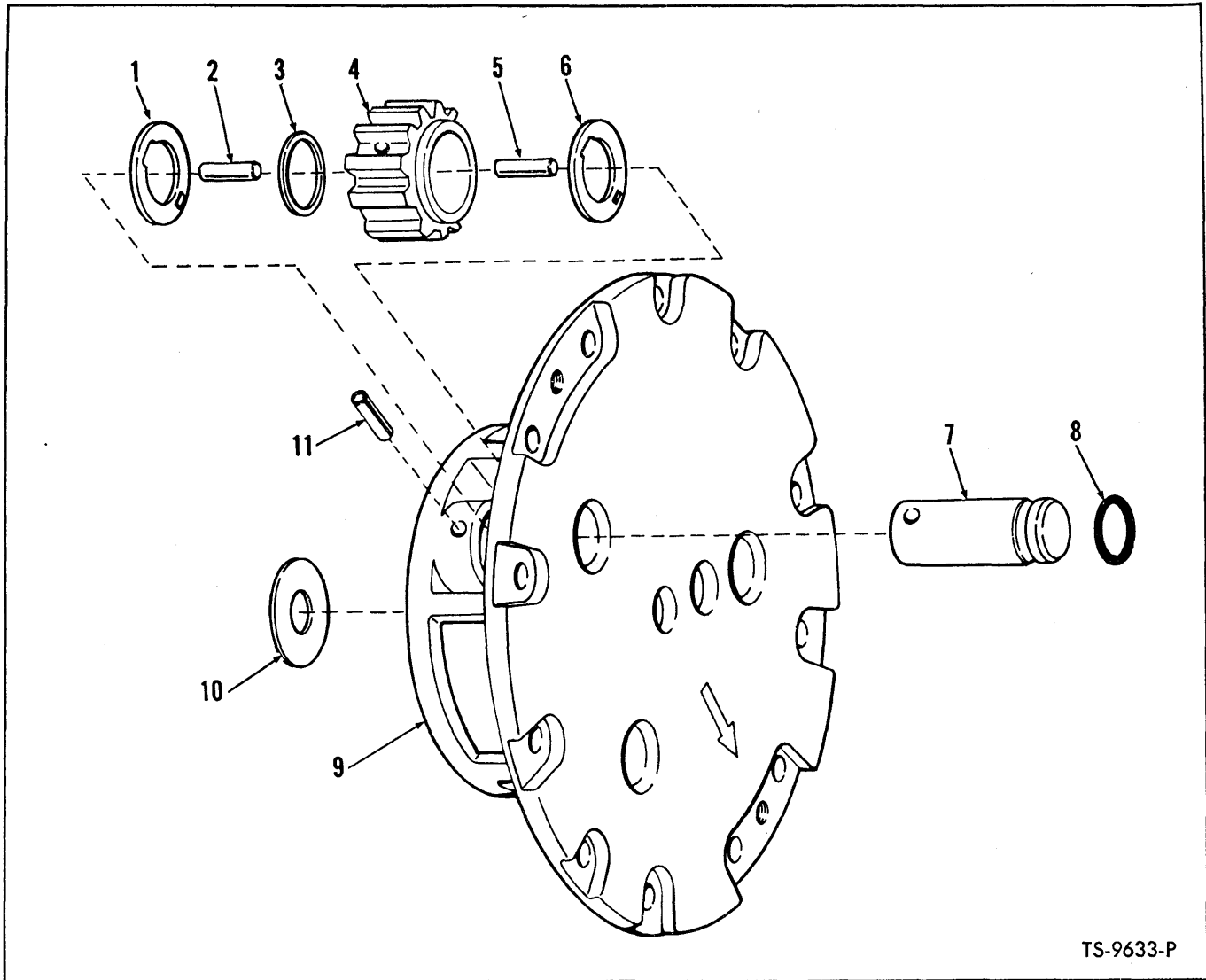


TS-2836-P

PLANET CARRIER ASSEMBLY – FRONT AND REAR

Item No.	Part No.	Description	No. Req'd.
A	114449	CARRIER ASSY, Planet (Inc. 1 thru 9)	4
NOTE: Four (4) Planet Carrier Assemblies used per machine. Quantities listed below are for 1 Planet Carrier.			
1	106350	WASHER, Pinion Thrust	3
2	106351	ROLLER, Pinion	87
3	106352	SPACER, Pinion Roller	3
4	109088	PINION, Planet	3
5	106351	ROLLER, Pinion	87
6	106350	WASHER, Pinion Thrust	3
7	106349	SHAFT, Pinion	3
8	10J-12	BALL, Pinion Shaft	3
9	114450	SPIDER, Planet	1

WHEN ORDERING PARTS, ALWAYS STATE MODEL AND SERIAL NO. OF MACHINE

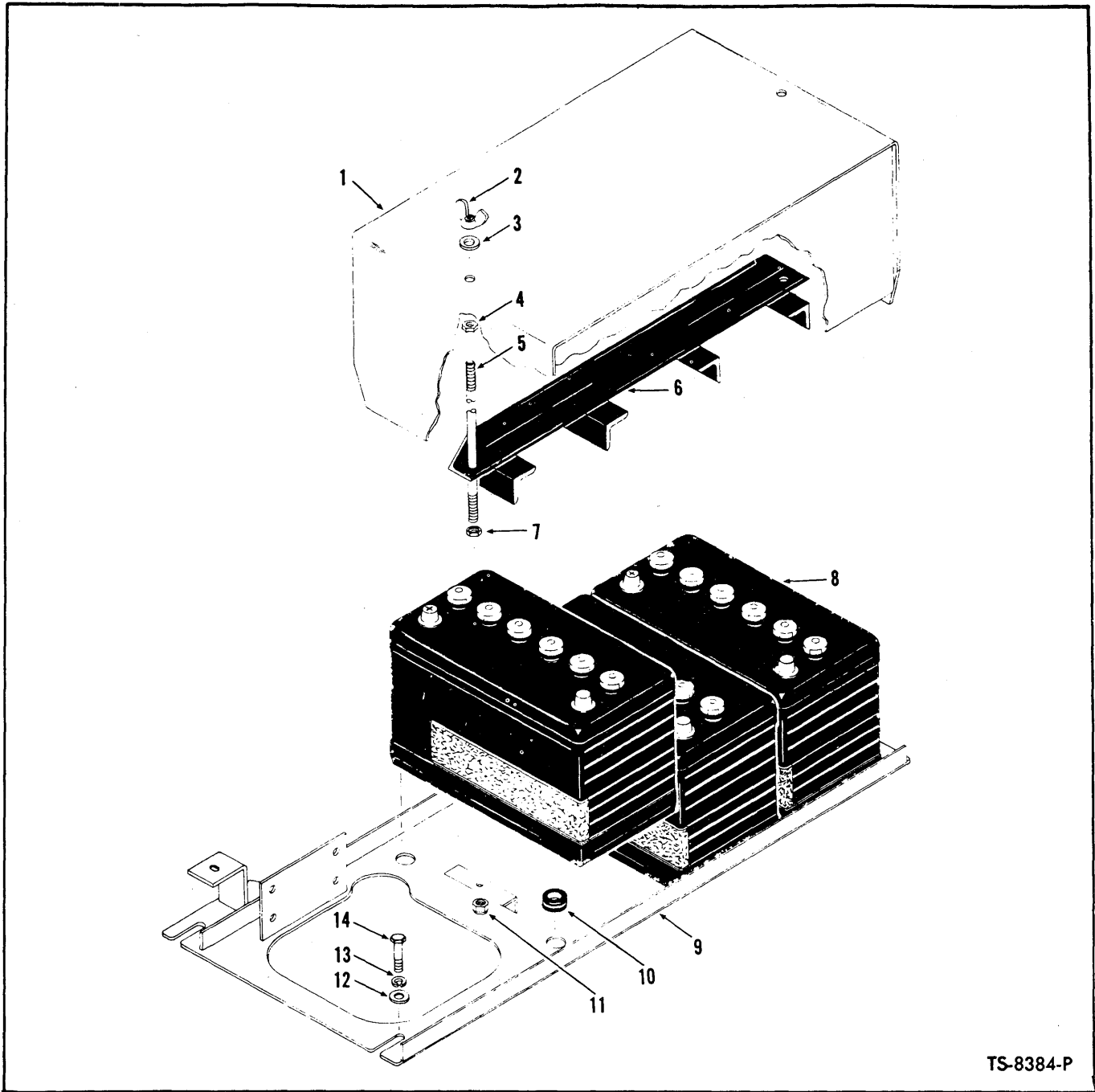


TS-9633-P

PLANET CARRIER ASSEMBLY – FRONT AND REAR

Item No.	Part No.	Description	No. Req'd.
A	121788	CARRIER ASSY, Planet (Inc. 1 thru 11)	4
NOTE: Four (4) Planet Carrier Assemblies used per machine. Quantities listed below are for 1 Planet Carrier.			
1	106350	WASHER, Pinion Thrust	3
2	121792	ROLLER, Pinion	87
3	106352	SPACER, Roller	3
4	121790	PINION, Planet	3
5	121792	ROLLER, Pinion	87
6	106352	SPACER, Roller	3
7	121791	SHAFT, Pinion	3
8	791553	O-RING, Pinion Shaft	3
9	121789	SPIDER, Planet	1
10	121166	WASHER, Thrust	1
11	654841	PIN, Roll	3

WHEN ORDERING PARTS, ALWAYS STATE MODEL AND SERIAL NO. OF MACHINE

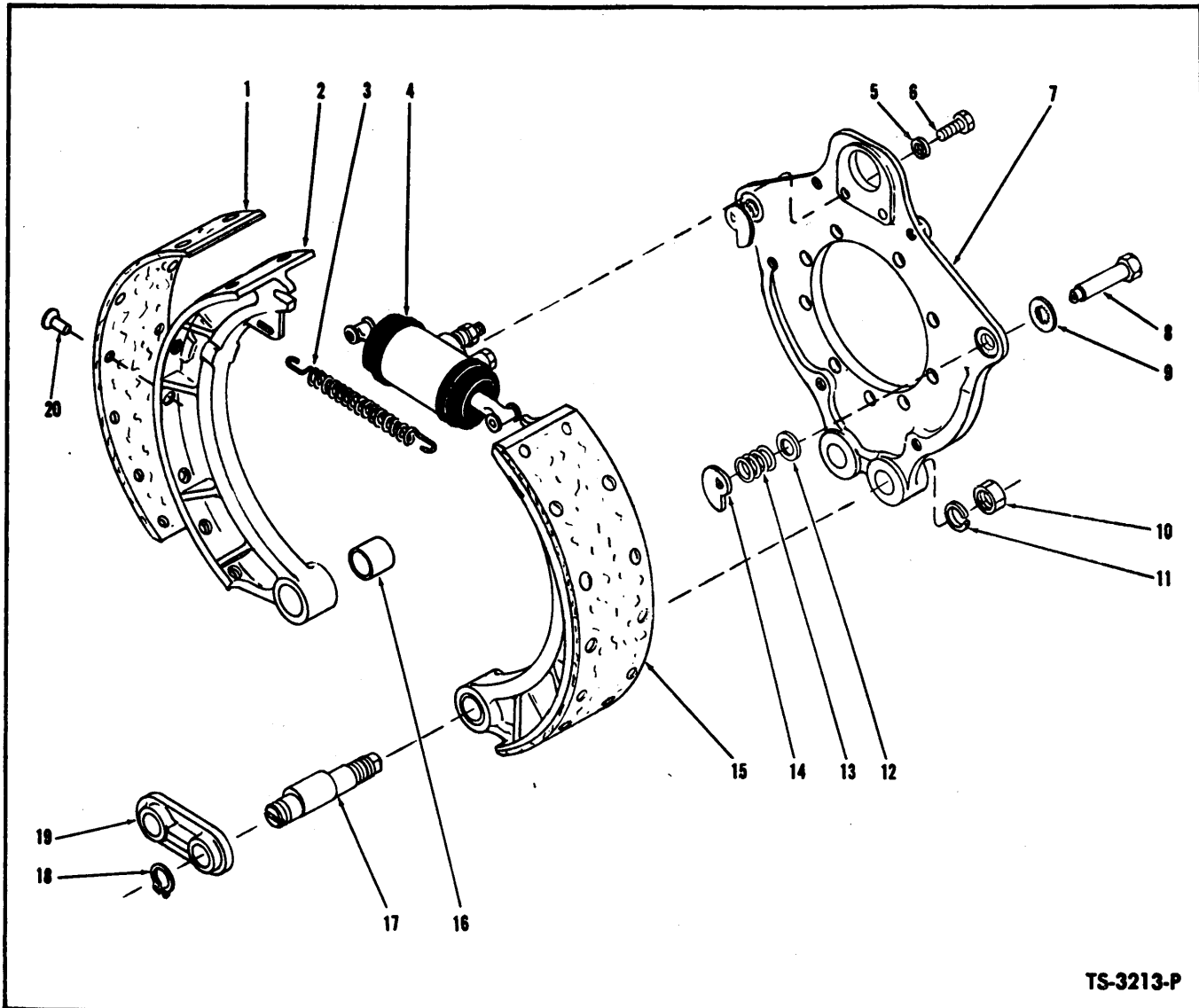


TS-8384-P

BATTERIES, BATTERY BOX AND HOLD DOWN

Item No.	Part No.	Description	No. Req'd.	Item No.	Part No.	Description	No. Req'd.
1	1526004	COVER ASSY, Battery Box (Perkins) ...	1	8	3134119	BATTERY (Perkins)	3
1A	3521543	COVER ASSY, Battery Box (DAF)	1	8A	3522519	BATTERY (Daf)	2
2	16D-05	WING NUT, Cover Retaining	2	9	3233459	BOX ASSY, Battery (Perkins)	1
3	655630	WASHER	2	9A	3521541	BOX ASSY, Battery (DAF)	1
4	17D-2	NUT, Stud	2	10	3221997	GROMMET, Battery Cable	2
5	1526002	STUD, Hold Down	2	11	7D-05	NUT, Stud — Lower	2
6	3520037	HOLD DOWN, Battery (Perk.)	1	12	619024	WASHER, Battery Box Mounting	4
6A	3521538	HOLD DOWN, Battery (DAF)	1	13	4E-06	LKWSHR, Battery Box Mounting	4
7	17D-2	NUT, Stud	2	14	24C-618	BOLT, Battery Box, Mounting	4

WHEN ORDERING PARTS, ALWAYS STATE MODEL AND SERIAL NO. OF MACHINE



TS-3213-P

BRAKE ASSEMBLY — FRONT AND REAR

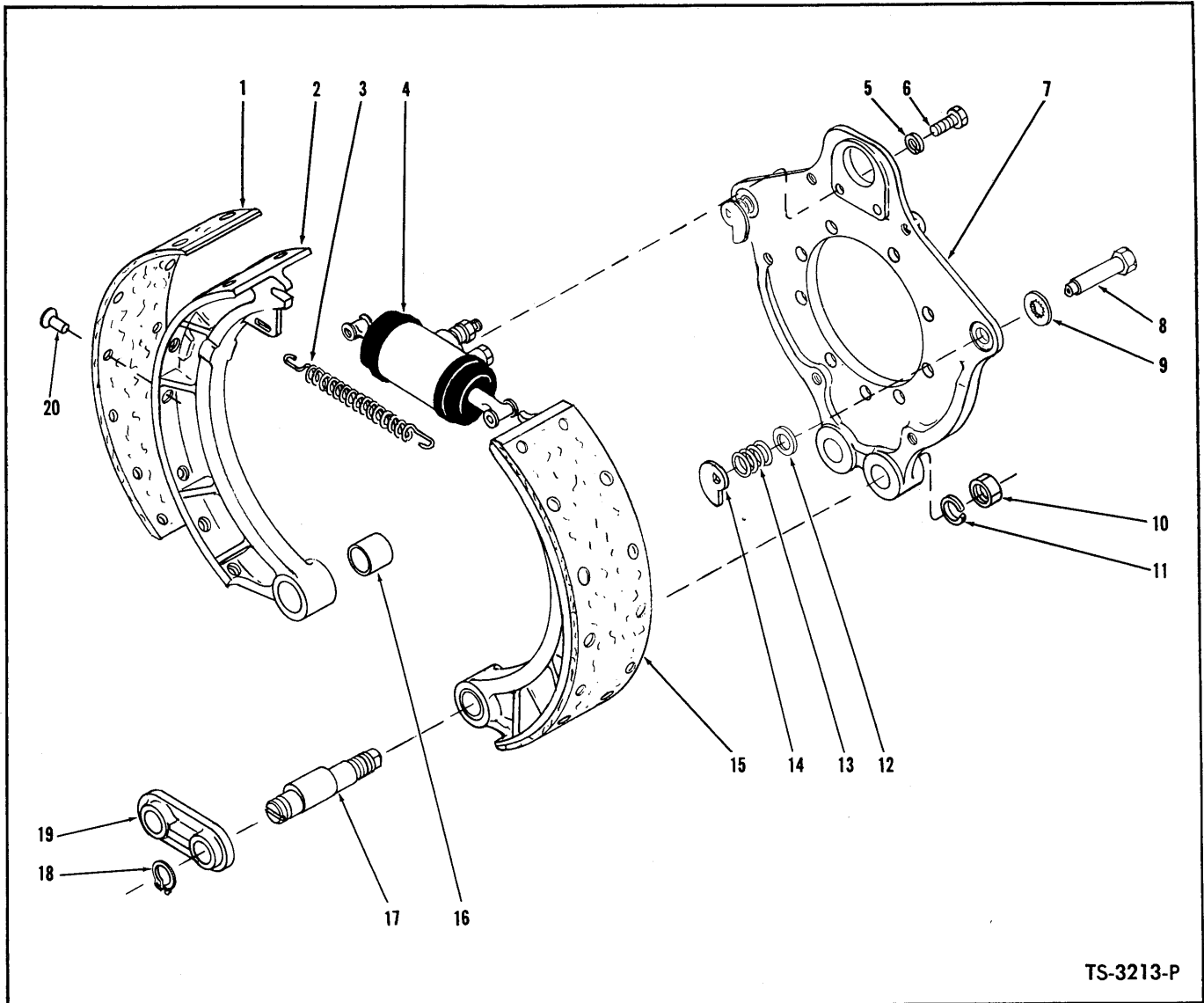
S/N 4069/A 101 thru 149

Item No.	Part No.	Description	No. Req'd.	Item No.	Part No.	Description	No. Req'd.
A	117150	BRAKE ASSY (Inc. 1 thru 20)	4	8	114173	PIN ASSY, Brake Shoe Adjusting (Inc. 9)	2
NOTE: 2 Brake Assemblies used on axle — Quantities listed below are for 1 Brake Assembly				9	100867	WASHER, Brake Shoe Adjusting Pin	2
B		LINING KIT, Brake (Inc. 1, 20)		10	62D-14	NUT, Anchor Pin	2
C	945614	Standard	1	11	2E-14	LKWSHR, Anchor Pin Nut	2
D	945621	*1/8" Oversize	1	12	851771	WASHER, Cam Spring	2
1		SLINING, Brake Shoe — See C & D	2	13	943859	KIT, Adjusting Cam Spring (Inc. 12)	2
2		SHOE, Brake — See 15	2	14	112062	CAM, Shoe Adjusting	2
3	119670	SPRING, Brake Shoe Return	1	15	118267	SHOE ASSY, Brake (Inc. 1, 2, 16, 20)	2
4		WHEEL CYLINDER — See Index	1	16	112068	BUSHING, Brake Shoe	2
5	4E-06	LKWSHR, Wheel Cyl. Mounting	2	17	112069	PIN, Brake Shoe Anchor	2
6	1C-614	BOLT, Wheel Cylinder Mounting	2	18	710776	RING, Anchor Pin Retaining	2
7	112060	SPIDER ASSY, Brake (Inc. 8, 9, 12, 13, 14)	1	19	112070	STRUT, Anchor Pin	1
				20	23H-1008	RIVET, Lining to Shoe	40

Not Sold Separately

*NOTE: When 945621 Lining Kit is utilized Drums must be turned down to 16.370"—16.380". Do Not Exceed this Dimension.

WHEN ORDERING PARTS, ALWAYS STATE MODEL AND SERIAL NO. OF MACHINE



TS-3213-P

BRAKE ASSEMBLY — FRONT AND REAR

S/N 4069/A 121 thru 130

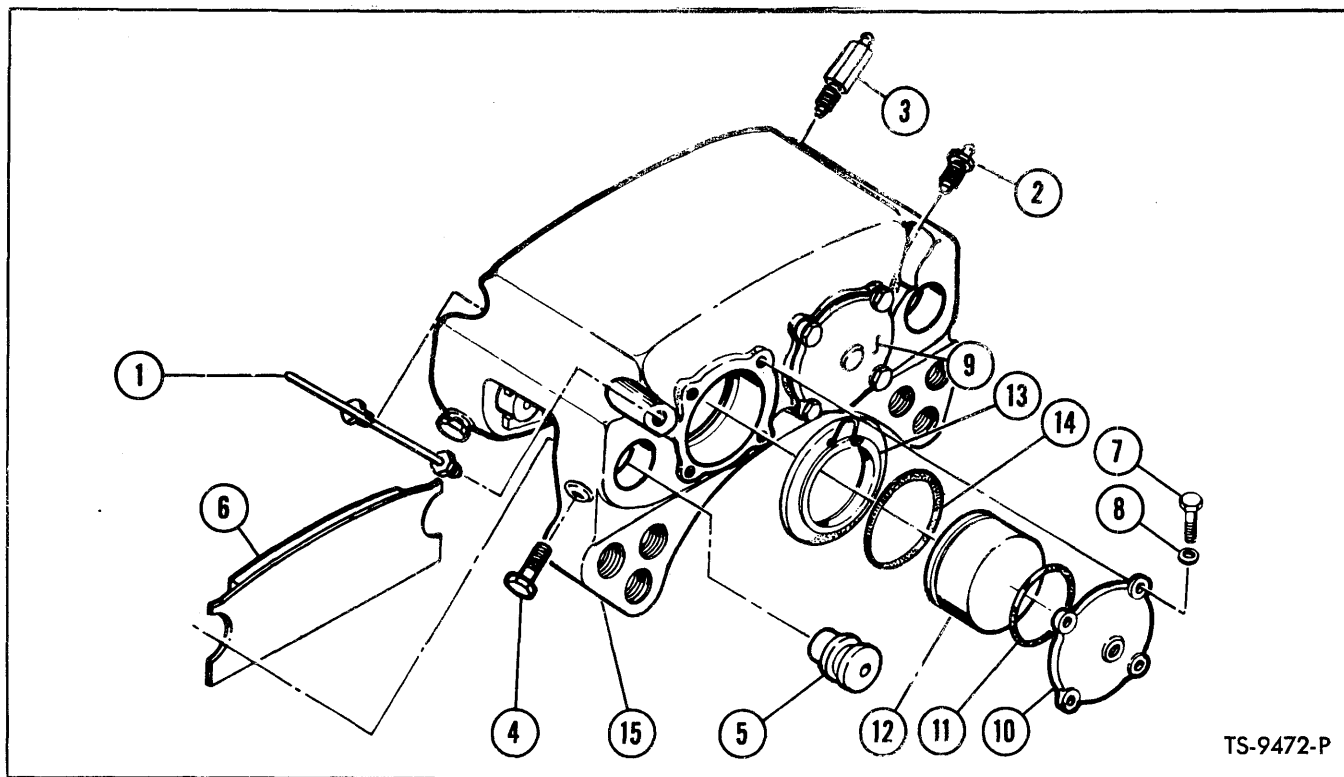
Item No.	Part No.	Description	No. Req'd.
A	117150	BRAKE ASSY (Inc. 1 thru 20)	4
NOTE: 2 Brake Assemblies used on axle — Quantities listed below are for 1 Brake Assembly			
B		LINING KIT, Brake (Inc. 1, 20)	
C	945614	Standard	1
D	945621	* $\frac{1}{16}$ " Oversize	1
1	-----	§LINING, Brake Shoe — See C & D	2
2	-----	§SHOE, Brake — See 15	2
3	119670	SPRING, Brake Shoe Return	1
4	-----	WHEEL CYLINDER — See Index	1
5	4E-06	LKWSHR, Wheel Cyl. Mounting	2
6	1C-614	BOLT, Wheel Cylinder Mounting	2
7	112060	SPIDER ASSY, Brake (Inc. 8, 9, 12, 13, 14)	1

Item No.	Part No.	Description	No. Req'd.
8	114173	PIN ASSY, Brake Shoe Adjusting (Inc. 9)	2
9	100867	WASHER, Brake Shoe Adjusting Pin	2
10	62D-14	NUT, Anchor Pin	2
11	2E-14	LKWSHR, Anchor Pin Nut	2
12	851771	WASHER, Cam Spring	2
13	943859	KIT, Adjusting Cam Spring (Inc. 12)	2
14	112062	CAM, Shoe Adjusting	2
15	118267	SHOE ASSY, Brake (Inc. 1, 2, 16, 20)	2
16	112068	BUSHING, Brake Shoe	2
17	112069	PIN, Brake Shoe Anchor	2
18	710776	RING, Anchor Pin Retaining	2
19	112070	STRUT, Anchor Pin	1
20	23H-1008	RIVET, Lining to Shoe	40

§Not Sold Separately

*NOTE: When 945621 Lining Kit is utilized Drums must be turned down to 16.370"—16.380". Do Not Exceed this Dimension.

WHEN ORDERING PARTS, ALWAYS STATE MODEL AND SERIAL NO. OF MACHINE



TS-9472-P

BRAKE HEAD ASSEMBLY - R.H.

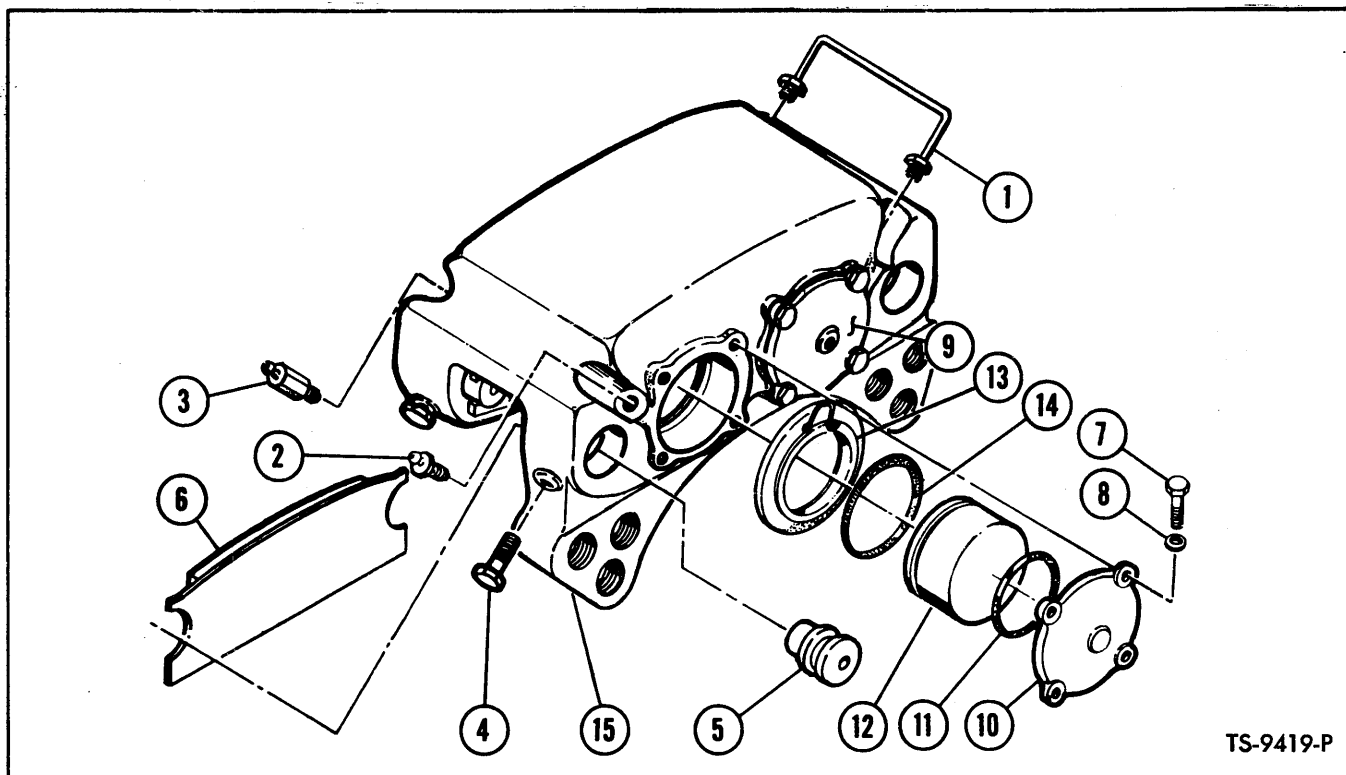
Item No.	Part No.	Description	No. Req'd.
A	121778	*BRAKE HEAD ASSY, R.H. (Inc. 1 thru 15)	—
1	947926	TUBE & NUT ASSY	1
2	947927	VALVE, Hydraulic Bleeder	1
3	947928	VALVE, Hydraulic Bleeder	1
4	947930	BOLT, Self Locking	4
5	947931	PIN, Carrier & Lining Retaining	4
6	947932	CARRIER & LINING ASSY	2
7	1C-620	BOLT, Cap Mounting	8
8	103293	WASHER, Flat	8
9	947934	CAP	1
10	947933	CAP, Inlet	1
11	—	§PACKING, See Item 16	2
12	947935	PISTON	4
13	—	§BOOT, See Item 16	4
14	—	§PACKING, See Item 16	4
15	947940	TORQUE PLATE ASSY	1
16	947939	†REPAIR KIT (Inc. 11, 13, 14)	1
17	121776	†BRAKE DISC	1

†Not Illustrated

§Not Sold Separately

*75 III A uses two 121778 Brake Head Assemblies; 85 III A uses three 121778 Brake Head Assemblies. Quantities listed for Items 1 thru 15 are per assembly.

WHEN ORDERING PARTS, ALWAYS STATE MODEL AND SERIAL NO. OF MACHINE



TS-9419-P

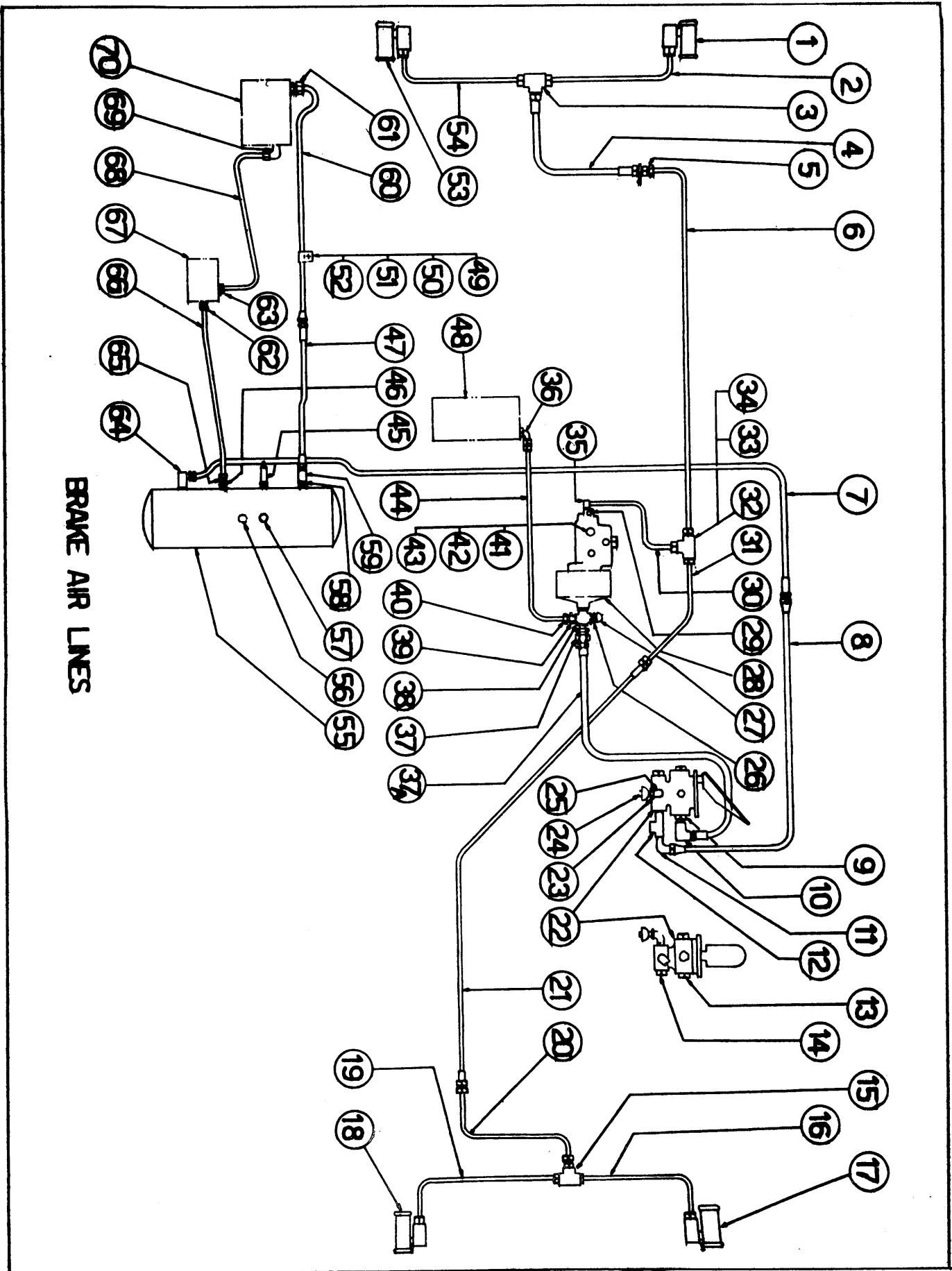
BRAKE HEAD ASSEMBLY - L.H.

Item No.	Part No.	Description	No. Req'd.
A	121777	*BRAKE HEAD ASSY, L.H. (Inc. 1 thru 15)	—
1	947926	TUBE & NUT ASSY	1
2	947927	VALVE, Hydraulic Bleeder	1
3	947928	VALVE, Hydraulic Bleeder	1
4	947930	BOLT, Self Locking	4
5	947931	PIN, Carrier & Lining Retaining	4
6	947932	CARRIER & LINING ASSY	2
7	1C-620	BOLT, Cap Mounting	8
8	103293	WASHER, Flat	8
9	947933	CAP, Inlet	1
10	947934	CAP	1
11	—	§PACKING, See Item 16	2
12	947935	PISTON	4
13	—	§BOOT, See Item 16	4
14	—	§PACKING, See Item 16	4
15	947940	TORQUE PLATE ASSY	1
16	947939	†REPAIR KIT (Inc. 11, 13, 14)	1
17	121776	†BRAKE DISC	1

†Not Illustrated
§Not Sold Separately

*75 III A uses two 121777 Brake Head Assemblies; 85 III A uses three 121777 Brake Head Assemblies: Quantities listed for Items 1 thru 15 are per assembly.

WHEN ORDERING PARTS, ALWAYS STATE MODEL AND SERIAL NO. OF MACHINE



BRAKE AIR LINES

BRAKE AIR LINES — PERKINS

Item No.	Part No.	Description	No. Req'd.	Item No.	Part No.	Description	No. Req'd.
1	—	BRAKE WHEEL CYL. — See Index	1	37A	564670	HOSE	1
1A	15K-4	CONNECTOR	1	38	29K-206	PIPE, Cross	1
2	1544053	TUBE, Tee to Brake	1	39	5K-308	CLOSE, Nipple	2
3	10K-4	TEE, Connection, Rear	1	40	59F-3	CONNECTOR	1
4	1544062	HOSE, Tube to Axle Tee	1	41	659829	SPACER	1
5	—	Not used	1	42	2C-720	BOLT	3
6	1544057	TUBE, Tee to Axle Rear	1	43	4E-07	NUT	1
7	566576	HOSE	1	44	1526342	TUBE	1
8	1526344	TUBE, Valve to Tank	1	45	507815	* SAFETY VALVE	1
9	19F-6	BUSHING, Reducing	1	46	19F-1	BUSHING, Reducing	1
10	27F-2	ADAPTER UNION	1	47	524497	HOSE	1
11	42F-9	ELBOW	1	48	—	TRANSMISSION - See Index	1
12	30F-3	TEE	1	49	6H15	CLIP	1
13	13F-08	PIPE PLUG	4	50	2C-512	BOLT	1
14	13F-04	PIPE PLUG	1	51	655630	WASHER	1
15	10K-4	TEE, Connecting - Front	1	52	4E-05	LKWSHR	1
16	1544054	TUBE, Tee to Brake	1	53	—	BRAKE WHEEL CYL - See Index	1
17	—	BRAKE WHEEL CYL - See Index	1	53A	15K-4	CONNECTOR	1
17A	15K-4	†CONNECTOR	1	54	1544054	BRAKE LINE	1
18	—	BRAKE WHEEL CYL - See Index	1	55	3229336	RESERVOIR, Air	1
18A	15K4	†CONNECTOR	1	56	72F-2	DRAIN COCK	1
19	1544053	TUBE, Tee to Brake	1	57	13F-04	PIPE PLUG	1
20	1544055	HOSE, Tube to Axle Tee	1	59	593370	* CHECK VALVE	1
21	1544061	HOSE, Tube to Tube Front	1	60	3234819	TUBE ASSY	1
22	—	BRAKE FOOT VALVE, See Index	1	61	—	ADAPTOR, Supplied with Engine	1
23	19F-1	BUSHING, Reducing	1	62	—	ADAPTOR, Supplied with Engine	1
24	1534135	SENDER UNIT, Air Pressure	1	63	—	ADAPTOR, Supplied with Engine	1
25	26F-2	ELBOW	1	64	31F-4	ELBOW, 90° Male	1
26	19F-2	BUSHING, Reducing	2	65	49F-2	CONNECTOR	1
27	636260	SWITCH, Stop Light	1	66	3234839	TUBE ASSY	1
28	—	POWER CLUSTER - See Index	1	67	—	GOVERNOR, Supplied with Engine	1
29	874007	PLUG	3	68	3234838	TUBE ASSY	1
29A	613750	†GASKET	3	69	51F-2	ELBOW	1
30	1544058	TUBE, Cluster to Tee	1	70	—	COMPRESSOR, Supplied with Engine	1
31	1544056	TUBE, Tee to Pivot	1	71	3228164	†BRKT, Air reservoir	4
32	10K-4	TEE	1	72	8G-620	†SCREW	2
33	—	Not used	—	73	18C-520	†BOLT	2
34	—	Not used	1	74	18C-696	†BOLT	2
35	83F-4	ELBOW	1	75	18D-06	†NUT	6
36	62F-3	ELBOW	1				
37	36F-3	ADAPTOR	1				

† Not illustrated

‡ Not Sold Separately

*NOTE: Your local authorized Bendix-Westinghouse Distributor is equipped to service components of these parts.

WHEN ORDERING PARTS, ALWAYS STATE MODEL AND SERIAL NO. OF MACHINE

C

C

C

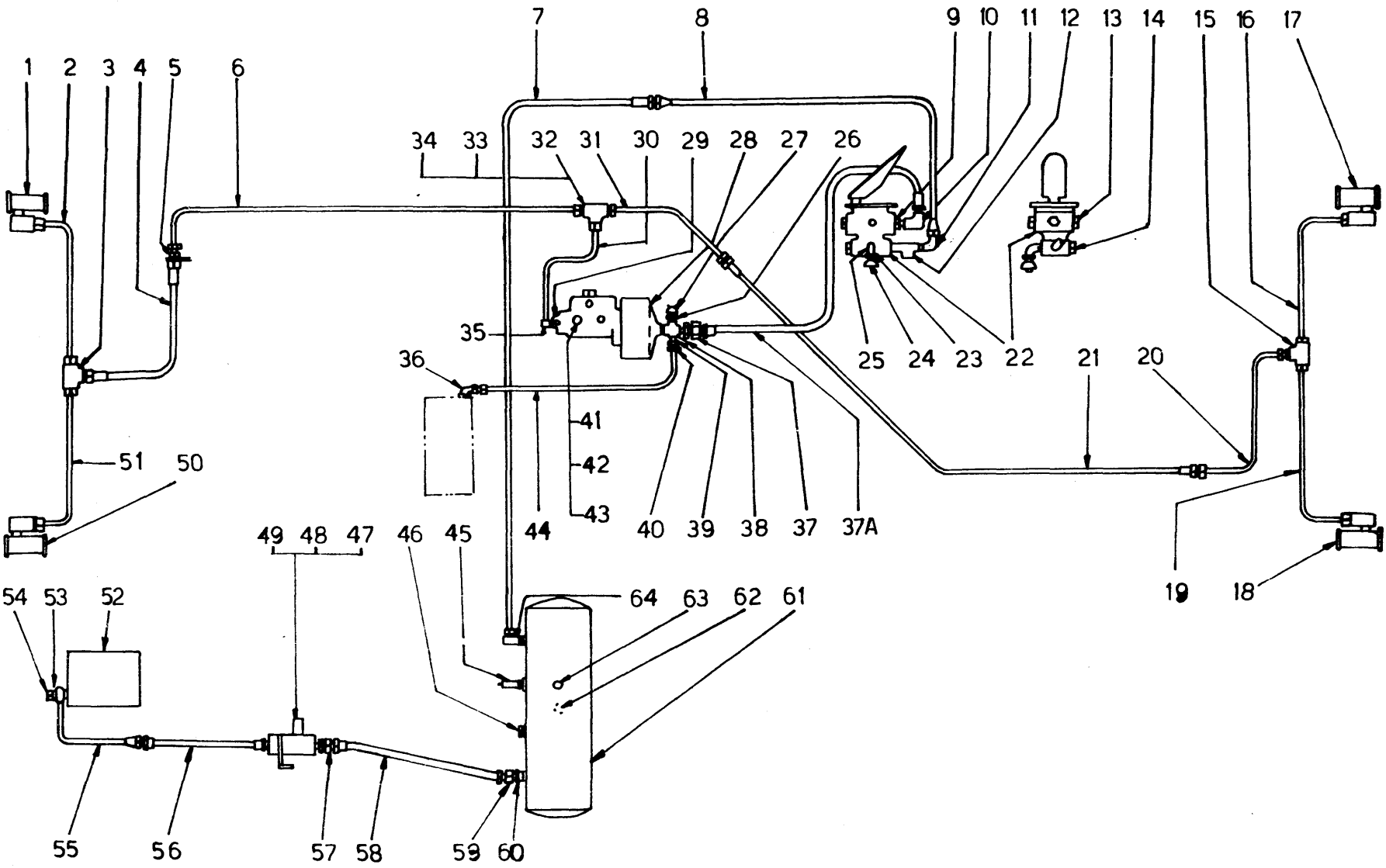
BRAKE AIR LINES

Item No.	Part No.	Description	No. Req'd.	Item No.	Part No.	Description	No. Req'd.
1	—	BRAKE WHEEL CYL, - See Index	1	37A	564670	HOSE	1
2	543740	TUBE, Tee to Brake	1	38	29K-206	PIPE, Cross	1
3	3233890	TEE, Connection, Rear	1	39	5K-308	CLOSE, Nipple	2
4	1526426	HOSE, Tube to Axle Tee	1	40	59F-3	CONNECTOR	1
5	8D-10	NUT, Hose to Clip	1	41	669829	SPACER	1
6	1526341	TUBE, Tee to Axle Rear	1	42	2C-720	BOLT	3
7	566576	HOSE	1	43	4E-07	NUT	1
8	1526344	TUBE, Valve to Tank	1	44	1526342	TUBE	1
9	19F-6	BUSHING, Reducing	1	45	507815	* SAFETY VALVE	1
10	29F-2	ADAPTER UNION	1	46	19F-1	BUSHING, Reducing	1
11	42F-9	ELBOW	1	47	524497	HOSE	1
12	30F-3	TEE	1	48	—	TRANSMISSION - See Index	1
13	13F-08	PIPE PLUG	4	49	30H-37	CLIP	1
14	13F-04	PIPE PLUG	1	50	2C-512	BOLT	1
15	—	TEE, Connecting, Front - Supplied with Axle	1	51	655630	WASHER	1
16	543741	TUBE, Tee to Brake	1	52	4E-05	LKWSHR	1
17	—	BRAKE WHEEL CYL - See Index	1	53	—	BRAKE WHEEL CYL - See Index	1
18	—	BRAKE WHEEL CYL - See Index	1	54	543741	BRAKE LINE	1
19	543740	TUBE, Tee to Brake	1	55	3229336	RESERVOIR, Air	1
20	1502637	HOSE, Tube to Axle Tee	1	56	72F-2	DRAIN COCK	1
21	1502643	HOSE, Tube to Tube Front	1	57	13F-04	PIPE PLUG	1
22	—	BRAKE FOOT VALVE, See Index	1	58	26F-4	ADAPTOR	1
23	19F-1	BUSHING, Reducing	1	59	593370	* CHECK VALVE	1
24	1534135	SENDER UNIT, Air Pressure	1	60	3234819	TUBE ASSY	1
25	26F-2	ELBOW	1	61	—	ADAPTOR, Supplied with Engine	1
26	19F-2	BUSHING, Reducing	2	62	—	ADAPTOR, Supplied with Engine	1
27	636260	SWITCH, Stop Light	1	63	—	ADAPTOR, Supplied with Engine	1
28	—	POWER CLUSTER - See Index	1	64	31F-4	ELBOW, 90° Male	1
29	874007	PLUG	3	65	49F-2	CONNECTOR	1
29A	613750	†GASKET	3	66	3234839	TUBE ASSY	1
30	1526343	TUBE, Cluster to Tee	1	67	—	GOVERNOR, Supplied with Engine	1
31	1502638	TUBE, Tee to Pivot	1	68	3234838	TUBE ASSY	1
32	552897	TEE	1	69	51F-2	ELBOW	1
33	24C-612	BOLT	1	70	—	COMPRESSOR, Supplied with Engine	1
34	4E-06	LKWSH	1	71	3228164	†BRKT, Air reservoir	4
35	62F-3	ELBOW	1	72	8G-620	†SCREW	2
36	62F-3	ELBOW	1	73	18C-620	†BOLT	2
37	36F-3	ADAPTOR	1	74	18C-696	†BOLT	2
				75	18D-06	†NUT	6

‡Not Sold Separately

*NOTE: Your local authorized Bendix-Westinghouse Distributor is equipped to service components of these parts.

WHEN ORDERING PARTS, ALWAYS STATE MODEL AND SERIAL NO. OF MACHINE



BRAKE AIR LINES — DAF

PM5012

47B

(1D-1)



BRAKE AIR LINE — DAF
S/N 4069/A 127 thru 149

Item No.	Part No.	Description	No. Req'd.	Item No.	Part No.	Description	No. Req'd.
1	—	BRAKE WHEEL CYL, - See Index	1	37A	564670	HOSE	1
2	543740	TUBE, Tee to Brake	1	38	29K-206	PIPE, Cross	1
3	3233890	TEE, Connection, Rear	1	39	5K-308	CLOSE, Nipple	2
4	1526426	HOSE, Tube to Axle Tee	1	40	59F-3	CONNECTOR	1
5	8D-10	NUT, Hose to Clip	1	41	659829	SPACER	1
6	1526341	TUBE, Tee to Axle Rear	1	42	2C-720	BOLT	3
7	524497	HOSE	1	43	4E-07	NUT	1
8	1526344	TUBE, Valve to Tank	1	44	1526342	TUBE	1
9	19F-6	BUSHING, Reducing	1	45	507815	* SAFETY VALVE	1
10	29F-2	ADAPTER UNION	1	46	16F-02	STOP	1
11	42F-9	ELBOW	1	47	3229179	VALVE, Unloader	1
12	30F-3	TEE	1	48	18C-416	BOLT, Valve Mtg	2
13	13F-08	PIPE PLUG	4	49	18D-04	NUT, Valve Mtg	2
14	13F-04	PIPE PLUG	1	50	—	BRAKE WHEEL CYL. (See Index)	—
15	—	TEE, Connecting, Front - Supplied with Axle	1	51	543741	BRAKE LINE, LH Rear	1
16	543741	TUBE, Tee to Brake	1	52	—	COMPRESSOR (Furnished with Engine)	—
17	—	BRAKE WHEEL CYL. - See Index	1	53	—	WASHER (Furnished with Engine)	—
18	—	BRAKE WHEEL CYL. - See Index	1	54	—	BOLT (Furnished with Engine)	—
19	543740	TUBE, Tee to Brake	1	55	3522299	TUBE ASSY, Compressor	1
20	1502637	HOSE, Tube to Axle Tee	1	56	516316	HOSE, Tube to Unloader Valve	1
21	1502643	HOSE, Tube to Tube Front	1	57	31F-4	ADAPTOR, Unloader Valve	1
22	—	BRAKE FOOT VALVE, See Index	1	58	3521550	HOSE, Unloader Valve to Res.	1
23	19F-1	BUSHING, Reducing	1	59	593370	CHECK VALVE	1
24	1534135	SENDER UNIT, Air Pressure	1	60	26F-4	ELBOW	1
25	26F-2	ELBOW	1	61	3229336	AIR RESERVOIR	1
26	19F-2	BUSHING, Reducing	2	62	72F-2	DRAIN PLUG	1
27	636260	SWITCH, Stop Light	1	63	13F-04	PLUG	1
28	—	POWER CLUSTER - See Index	1	64	31F-4	ADAPTOR	1
29	874007	PLUG	3	65	3228164	†BRACKET, Air Reservoir	4
29A	613750	†GASKET	3	66	8G-620	†SCREW, Bracket Mtg	2
30	1526343	TUBE, Cluster to Tee	1	67	18C-620	†BOLT, Bracket Mtg	2
31	1502638	TUBE, Tee to Pivot	1	68	18C-696	†BOLT, Bracket to Tank	2
32	552897	TEE	1	69	18D-06	†NUT, Bracket to Tank	2
33	24C-612	BOLT	1				
34	4E-05	LKWSH	1				
35	62F-3	ELBOW	1				
36	62F-3	ELBOW	1				
37	36F-3	ADAPTOR	1				

† Not illustrated

§Not Sold Separately

*NOTE: Your local authorized Bendix-Westinghouse Distributor is equipped to service components of these parts.

WHEN ORDERING PARTS, ALWAYS STATE MODEL AND SERIAL NO. OF MACHINE

BRAKE AIR LINES — DAF

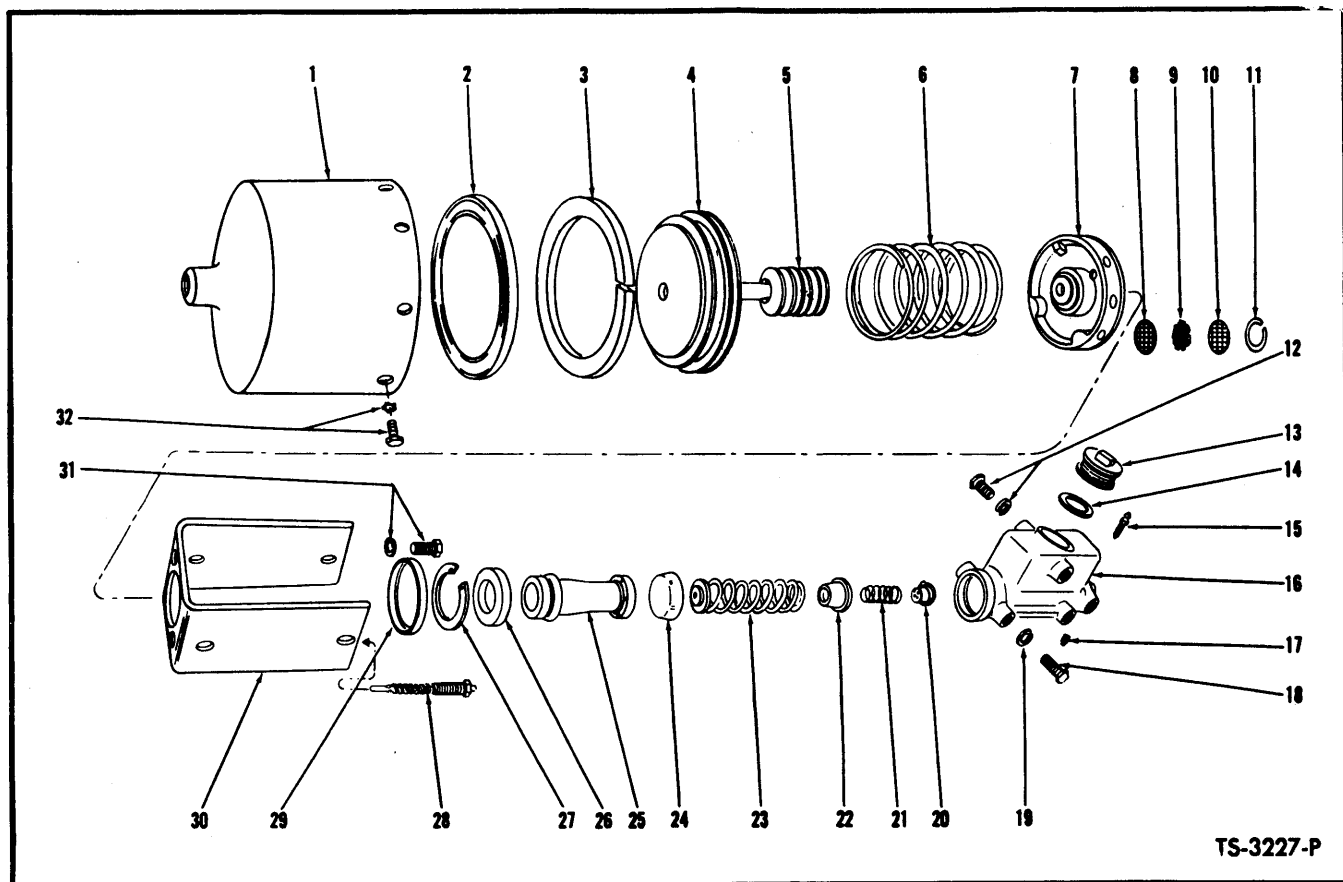
Item No.	Part No.	Description	No. Req'd.	Item No.	Part No.	Description	No. Req'd.
1	—	BRAKE WHEEL CYL. — See Index	1	37A	564670	HOSE	1
1A	15K-4	CONNECTOR	1	38	29K-206	PIPE, Cross	1
2	1544053	TUBE, Tee to Brake	1	39	5K-308	CLOSE, Nipple	2
3	10K-4 0	TEE, Connection, Rear	1	40	59F-3	CONNECTOR	1
4	1544062	HOSE, Tube to Axle Tee	1	41	669829	SPACER	1
5	—	Not used	1	42	2C-720	BOLT	3
6	1544057	TUBE, Tee to Axle Rear	1	43	4E-07	NUT	1
7	524497	HOSE	1	44	1526342	TUBE	1
8	1526344	TUBE, Valve to Tank	1	45	507815	* SAFETY VALVE	1
9	19F-6	BUSHING, Reducing	1	46	16F-02	STOP	1
10	27F-2	ADAPTER UNION	1	47	3229179	VALVE, Unloader	1
11	42F-9	ELBOW	1	48	18C-416	BOLT, Valve Mtg	2
12	30F-3	TEE	1	49	18D-04	NUT, Valve Mtg	2
13	13F-08	PIPE PLUG	4	50	—	BRAKE WHEEL CYL. (See Index)	—
14	13F-04	PIPE PLUG	1	50A	15K-4	CONNECTOR	1
15	10K-4	TEE, Connecting - Front	1	51	1544054	BRAKE LINE, LH Rear	1
			1	52	—	COMPRESSOR (Furnished with Engine)	—
16	1544054	TUBE, Tee to Brake	1	53	—	WASHER (Furnished with Engine)	—
17	—	BRAKE WHEEL CYL. - See Index	1	54	—	BOLT (Furnished with Engine)	—
17A	15K-4	†CONNECTOR	1	55	3522299	TUBE ASSY, Compressor	1
18	—	BRAKE WHEEL CYL. - See Index	1	56	516316	HOSE, Tube to Unloader Valve	1
18A	15K4	†CONNECTOR	1	57	31F-4	ADAPTOR, Unloader Valve	1
19	1544053	TUBE, Tee to Brake	1	58	3521550	HOSE, Unloader Valve to Res.	1
20	1544055	HOSE, Tube to Axle Tee	1	59	593370	CHECK VALVE	1
21	1544061	HOSE, Tube to Tube Front	1	60	26F-4	ELBOW	1
22	—	BRAKE FOOT VALVE, See Index	1	61	3229336	AIR RESERVOIR	1
23	19F-1	BUSHING, Reducing	1	62	72F-2	DRAIN PLUG	1
24	1534135	SENDER UNIT, Air Pressure	1	63	13F-04	PLUG	1
25	26F-2	ELBOW	1	64	31F-4	ADAPTOR	1
26	19F-2	BUSHING, Reducing	2	65	3228164	†BRACKET, Air Reservoir	4
27	636260	SWITCH, Stop Light	1	66	8G-620	†SCREW, Bracket Mtg	2
28	—	POWER CLUSTER - See Index	1	67	18C-620	†BOLT, Bracket Mtg	2
29	874007	PLUG	3	68	18C-696	†BOLT, Bracket to Tank	2
29A	613750	†GASKET	3	69	18D-06	†NUT, Bracket to Tank	2
30	1544058	TUBE, Cluster to Tee	1				
31	1544056	TUBE, Tee to Pivot	1				
32	10K-4	TEE	1				
33	—	Not used	—				
34	—	Not used	1				
35	83F-4	ELBOW	1				
36	62F-3	ELBOW	1				
37	36F-3	ADAPTOR	1				

† Not illustrated

§Not Sold Separately

*NOTE: Your local authorized Bendix-Westinghouse Distributor is equipped to service components of these parts.

WHEN ORDERING PARTS, ALWAYS STATE MODEL AND SERIAL NO. OF MACHINE



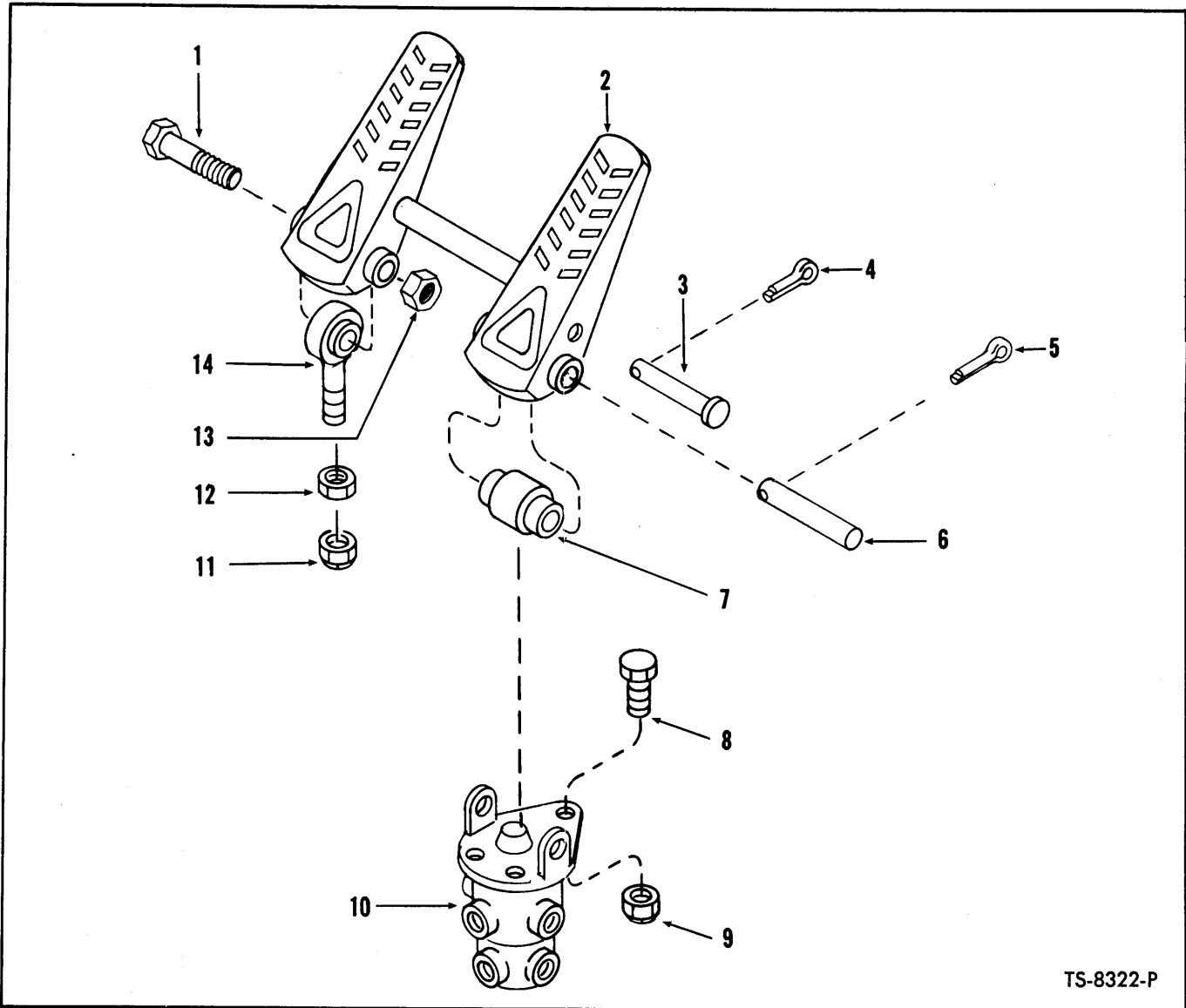
TS-3227-P

POWER CLUSTER ASSEMBLY

Item No.	Part No.	Description	No. Req'd.	Item No.	Part No.	Description	No. Req'd.
A	540555	POWER CLUSTER ASSY (Inc. 1 thru 32A)	1	17	10F-02	PLUG, Master Cylinder	1
1	945033	SHELL, Air Cylinder	1	18	2C-714	BOLT, Cylinder to Bracket	2
2	§	CUP, Piston—See 33	1	19	4E-07	LKWSHR, Cylinder to Bracket	2
3	§	WIPER, Piston—See 33	1	20	§	VALVE, Check—See 33	1
4	945032	PISTON, Air Cylinder	1	21	945026	SPRING, Check Valve	1
5	§	BOOT, Piston—See 33	1	22	945042	RETAINER, Check Valve Spring	1
6	945031	SPRING, Piston Return	1	23	874001	SPRING, Piston Return	1
7	945028	HEAD ASSY, Air Cylinder (Inc. 8 thru 11)	1	24	§	CUP, Piston—See 33	1
8	945029	SCREEN, Filtering	1	25	§	PISTON, Master Cylinder—See 33	1
9	945044	HAIR, Filtering	1	26	874003	PLATE, Piston Stop	1
10	945029	SCREEN, Filtering	1	27	874028	RING, Stop Plate Lock	1
11	945043	RING, Filter Retaining	1	28	945030	INDICATOR, Stroke	1
12	2C-714	BOLT, Cylinder to Bracket	2	29	945023	BAND, Master Cylinder Sealing	1
12A	4E-07	LKWSHR, Cylinder to Bracket	2	30	945024	BRACKET, Master Cylinder Support	1
13	860205	CAP, Filler	1	31	1C-616	BOLT, Bracket to Head	3
14	850287	GASKET, Filler Cap	1	31A	4E-06	LKWSHR, Bracket to Head	4
15	851806	SCREW, Cylinder Bleeder	1	32	1C-510	BOLT, Head to Cylinder	8
16	945027	CASTING, Master Cylinder	1	32A	6E-05	LKWSHR, Head to Cylinder	8
				33	945025	REPAIR KIT (Inc. 2, 3, 5, 20, 24, 25)	1

§Not Sold Separately

WHEN ORDERING PARTS, ALWAYS STATE MODEL AND SERIAL NO. OF MACHINE



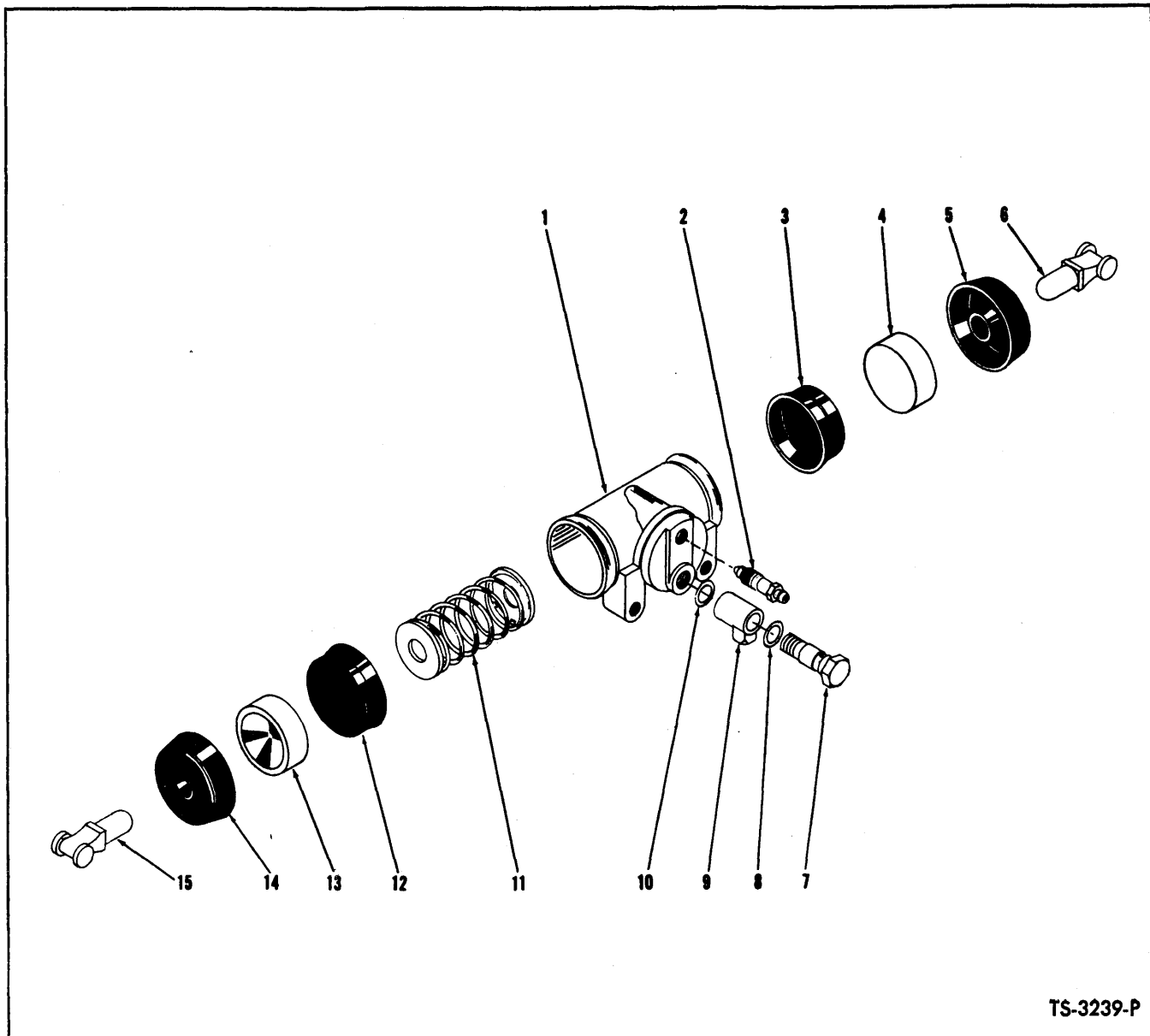
TS-8322-P

BRAKE VALVE AND CONTROLS

Item No.	Part No.	Description	No. Req'd.
1	18C-664	BOLT, Pedal to Bearing	1
2	568659	PEDAL ASSY, Air Brake	1
3	875766	PIN, Pedal to Roller	1
4	1F-312	COTTER, Pedal Pin	1
5	1F-320	COTTER, Pedal Pin	1
6	875767	PIN, Pedal to Valve	1
7	518259	ROLLER, Pedal	1
8	18C-520	BOLT, Valve Mounting	3
9	18D-05	NUT, Valve Mounting	3
10	556562	* VALVE, Air Brake - B.W. #277472	1
11	66D-06	NUT, Bearing Mounting	1
12	8D-06	NUT, Bearing Jam	1
13	66D-06	NUT, Pedal to Bearing	1
14	1525089	BEARING, Spherical	1

*NOTE: Your local authorized Bendix-Westinghouse Distributor is equipped to service components of these parts.

WHEN ORDERING PARTS, ALWAYS STATE MODEL AND SERIAL NO. OF MACHINE



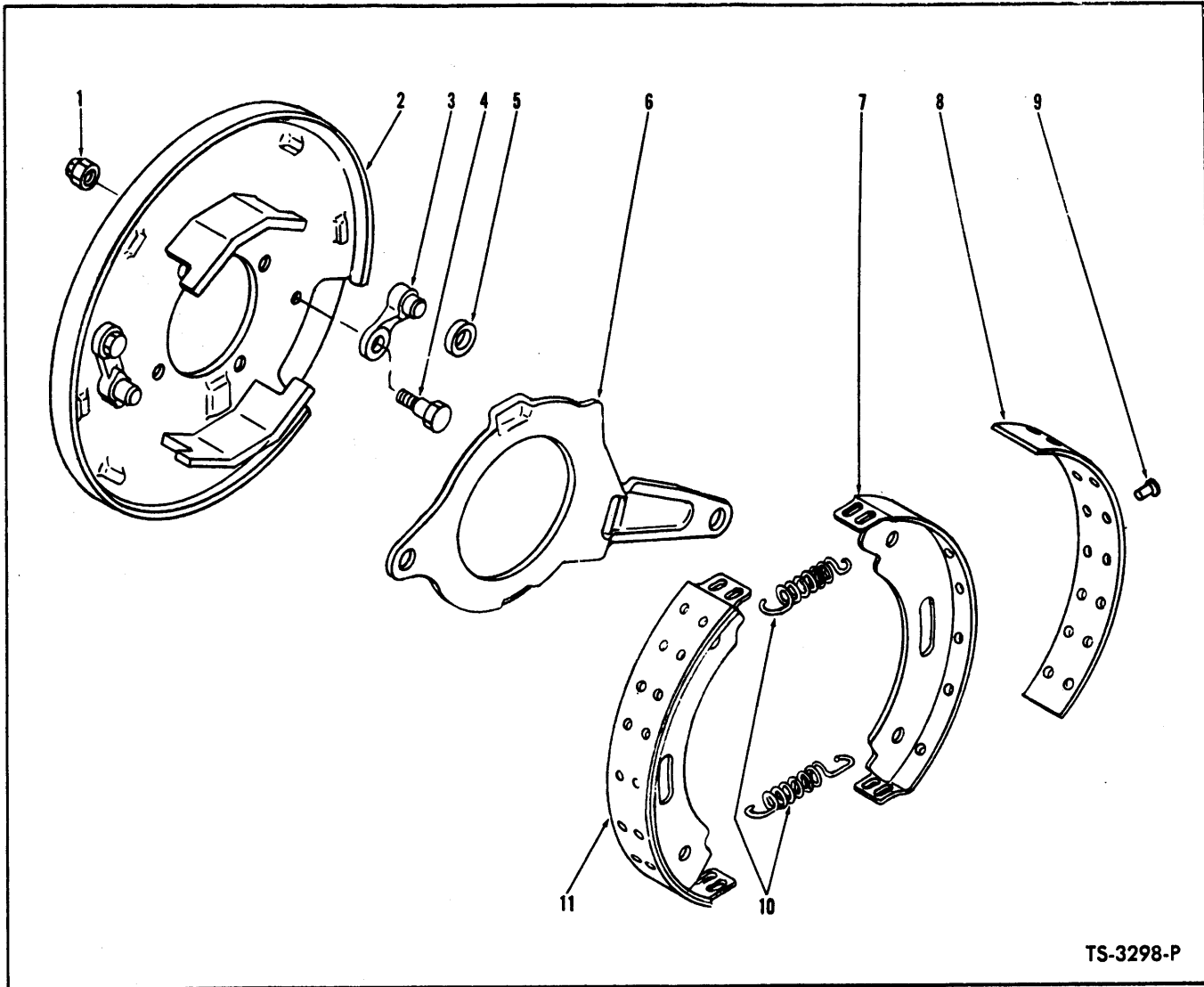
TS-3239-P

BRAKE WHEEL CYLINDER — FRONT AND REAR

Item No.	Part No.	Description	No. Req'd.	Item No.	Part No.	Description	No. Req'd.
A	112072	CYLINDER ASSY (Inc. 1 thru 15)	4	7	944966	BOLT, Fitting to Cylinder	1
NOTE: 2 Wheel Cylinders used per axle — Quantities listed below are for 1 Wheel Cylinder				8	620238	GASKET, Outer Fitting	1
B	957995	REPAIR KIT, Cylinder (Inc. 3, 5, 12, 14)	1	9	944967	FITTING, Cylinder	1
1	—	§CYLINDER, Wheel — See Item "A"	—	10	613750	GASKET, Inner Fitting	1
2	861356	SCREW, Bleeder	1	11	956664	SPRING, Cylinder	1
3	—	§CUP, Piston — See Item "B"	—	12	—	§CUP, Piston — See Item "B"	—
4	—	§PISTON — See Item "A"	—	13	—	§PISTON — See Item "A"	—
5	—	§BOOT — See Item "B"	—	14	—	§BOOT — See Item "B"	—
6	958553	LINK, Wheel Cylinder Connector	1	15	958553	LINK, Wheel Cylinder Connector	1

§Not Sold Separately

WHEN ORDERING PARTS, ALWAYS STATE MODEL AND SERIAL NO. OF MACHINE



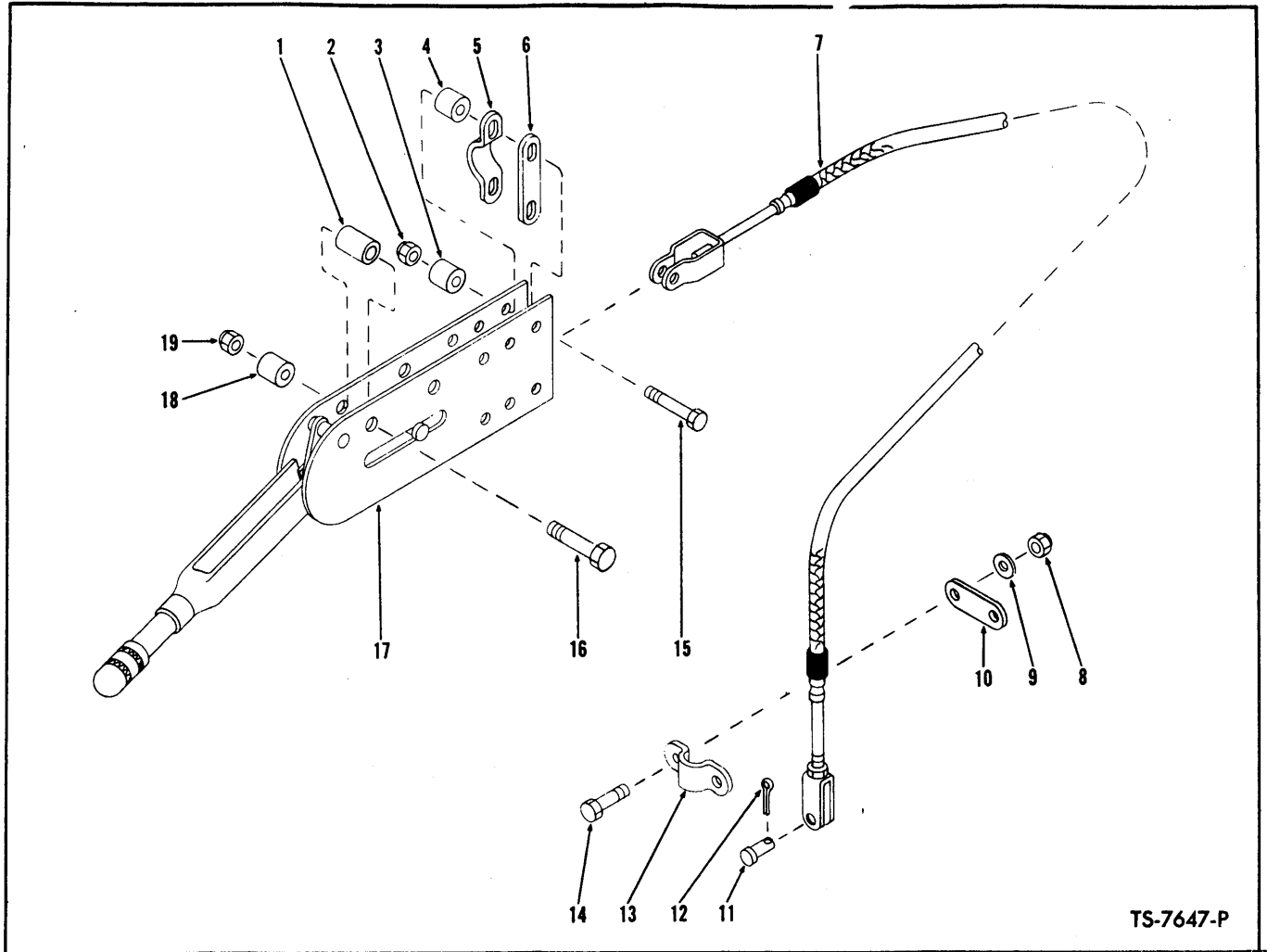
TS-3298-P

PARKING BRAKE ASSEMBLY

Item No.	Part No.	Description	No. Req'd.
A	112439	BRAKE ASSY (Inc. 1 thru 11)	1
1	---	§NUT, Pawl to Plate — See 3	2
2	945084	PLATE, Backing	1
3	886719	BRAKE PAWL KIT (Inc. 1, 4, 5)	2
4	---	§BOLT, Pawl to Plate — See 3	2
5	220968	ROLLER, Brake Actuating	1
6	220965	LEVER, Cam Operating	1
7	---	§SHOE, Brake — See 11	2
8	942405	LINING KIT, Brake Shoe (Inc. 9)	2
9	945051	RIVET, Lining to Shoe	28
10	220969	SPRING, Shoe Return	2
11	872712	SHOE ASSY, Brake (Inc. 7, 8, 9)	2

§Not Sold Separately

WHEN ORDERING PARTS, ALWAYS STATE MODEL AND SERIAL NO. OF MACHINE



TS-7647-P

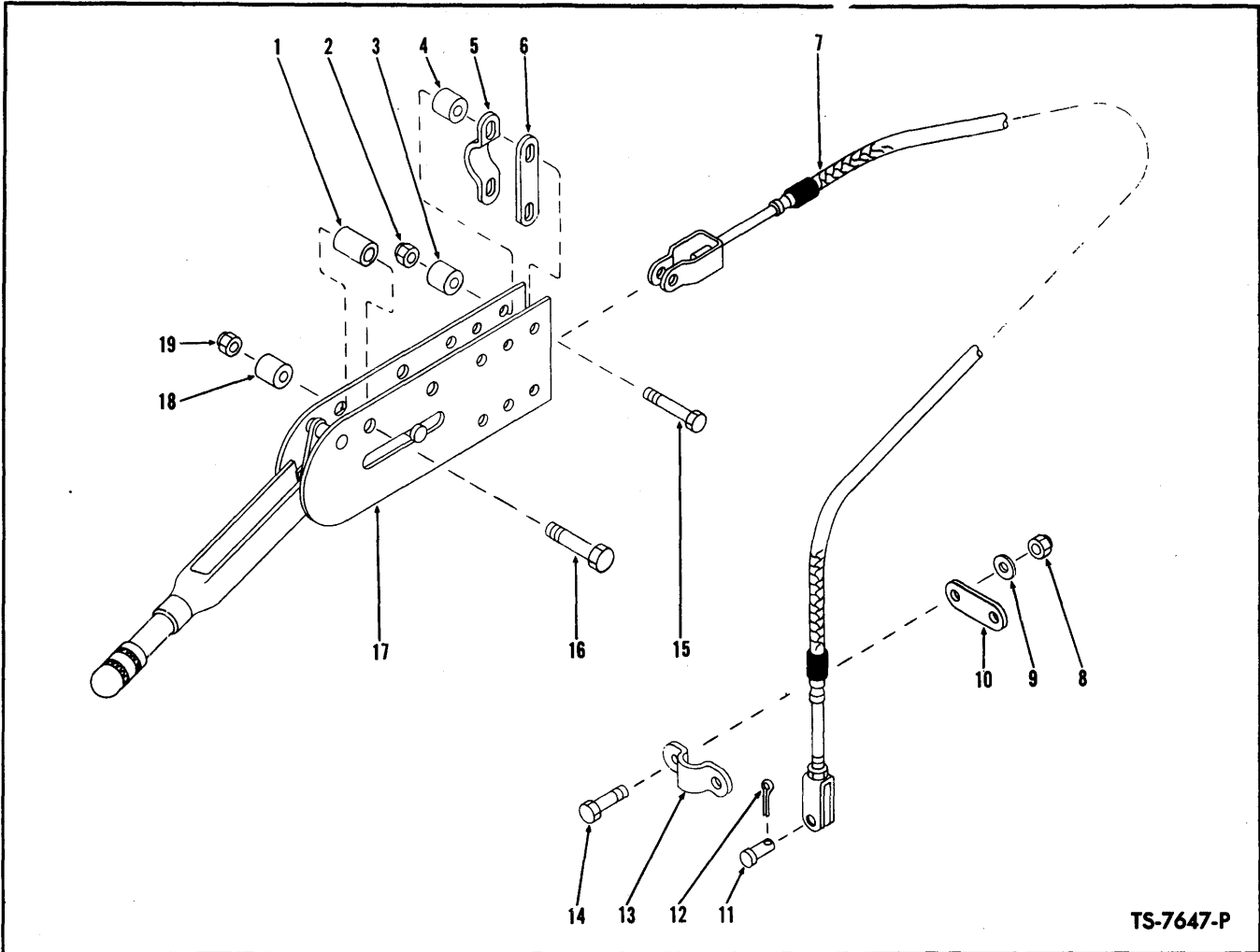
PARKING BRAKE CONTROLS

S/N 4069/A 127 thru 149

Item No.	Part No.	Description	No. Req'd.	Item No.	Part No.	Description	No. Req'd.
1	545005	SPACER, Lever Mounting	2	13	544512	CLAMP, Cable	1
2	18D-05	NUT, Cable Mounting	2	14	24C-620	BOLT, Cable Clamp	4
3		OMIT, Not Used on This Application	—	15	24C-528	BOLT, Cable Clamp	2
4	545006	SPACER, Cable Mounting	2	16	24C-644	BOLT, Lever Mounting	2
5	544512	CLAMP, Cable	1	17		PARKING BRAKE LEVER ASSY —	—
6	645092	LINK, Cable Clamp	1			See Index	—
7	1533794	CABLE, Parking Brake	1	18	545006	SPACER, Lever Mounting	2
8	18D-06	NUT, Clamp	2	19	18D-06	NUT, Lever Mounting	4
9		OMIT, Not used on this Application	—	20	1F-312	†COTTER PIN	1
10	645092	LINK, Cable Clamp	1	21	3229553	†PLATE	1
11	4F-06106	PIN, Cable Clevis	1	22	3229552	†SPACER	1
12	1F-312	COTTER, Clevis Pin	1				

† Not illustrated

WHEN ORDERING PARTS, ALWAYS STATE MODEL AND SERIAL NO. OF MACHINE

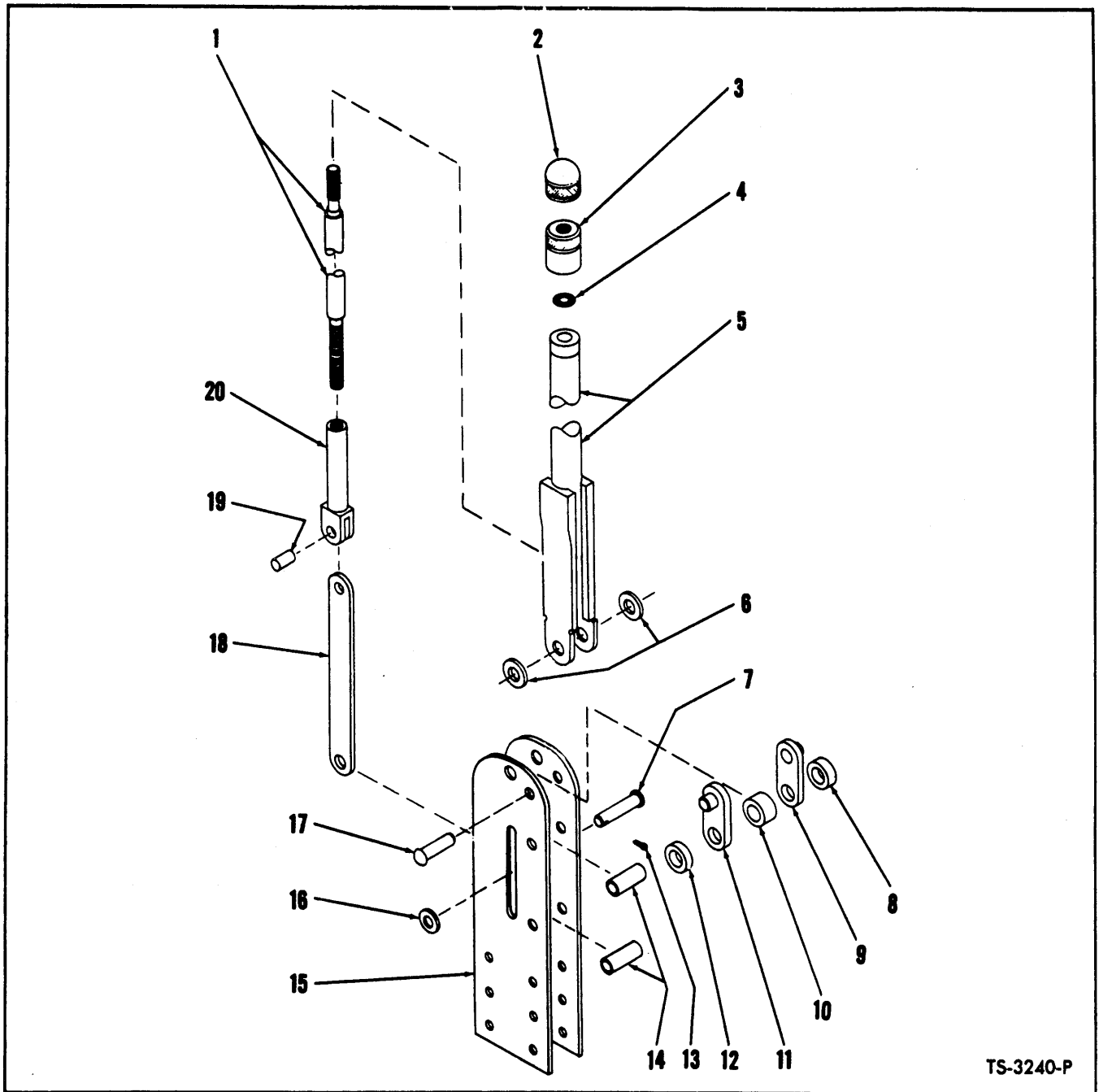


TS-7647-P

PARKING BRAKE CONTROLS
S/N 4069/A 101 thru 127

Item No.	Part No.	Description	No. Req'd.
1	545005	SPACER, Lever Mounting	2
2	18D-05	NUT, Cable Mounting	2
3	-----	OMIT, Not Used on This Application	—
4	545006	SPACER, Cable Mounting	2
5	544512	CLAMP, Cable	1
6	645092	LINK, Cable Clamp	1
7	1533794	CABLE, Parking Brake	1
8	18D-06	NUT, Clamp	2
9	-----	OMIT, Not Used on This Application	—
10	645092	LINK, Cable Clamp	1
11	4F-06106	PIN, Cable Clevis	1
12	1F-312	COTTER, Clevis Pin	1
13	544512	CLAMP, Cable	1
14	24C-620	BOLT, Cable Clamp	2
15	24C-528	BOLT, Cable Clamp	2
16	24C-644	BOLT, Lever Mounting	2
17	-----	PARKING BRAKE LEVER ASSY — See Index	—
18	545006	SPACER, Lever Mounting	2
19	18D-06	NUT, Lever Mounting	2

WHEN ORDERING PARTS, ALWAYS STATE MODEL AND SERIAL NO. OF MACHINE

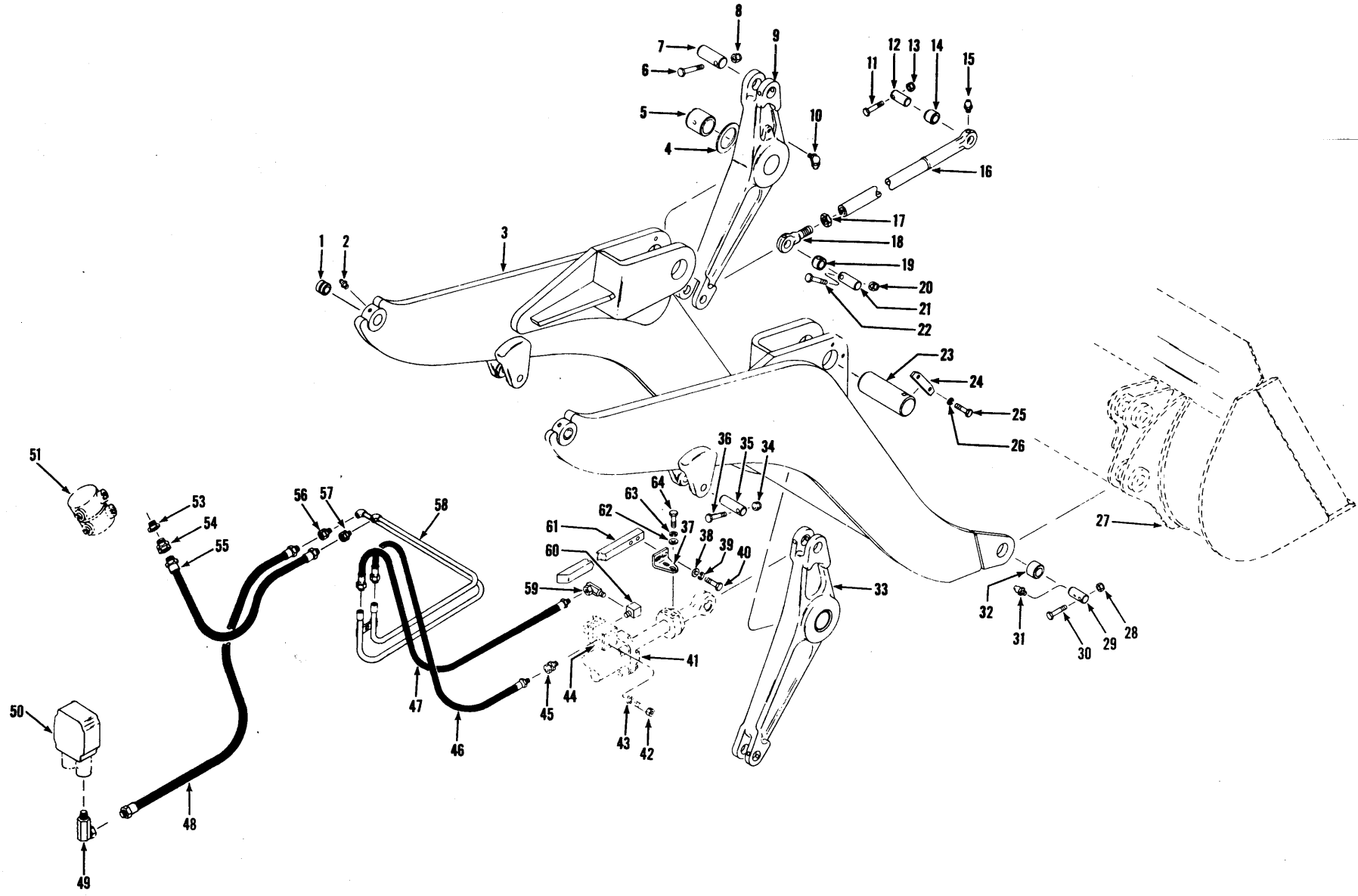


TS-3240-P

PARKING BRAKE LEVER ASSEMBLY

Item No.	Part No.	Description	No. Req'd.	Item No.	Part No.	Description	No. Req'd.
A	544998	LEVER ASSY (Inc. 1 thru 20)	1	11	862653	BRACKET, Pivot	1
1	866349	SCREW, Adjusting	1	12	862656	SPACER, Pivot Bracket	1
2	941227	CAP, Adjusting Knob	1	13	1F-312	COTTER, Link Pivot Pin	1
3	941226	BASE, Adjusting Knob	1	14	645095	SPACER, Mounting Bracket	2
4	946163	WASHER, Base to Body	1	15	944969	BRACKET, Lever Mounting	2
5	866348	BODY, Brake Lever	1	16	619019	WASHER, Link Pivot Pin	1
6	619024	WASHER, Body to Bracket	2	17	944054	RIVET, Pivot Bracket	1
7	862738	PIN, Adjusting Screw Link Pivot	1	18	862652	LINK, Adjusting Screw	1
8	862656	SPACER, Pivot Bracket	1	19	941238	PIN, Link to Tube	1
9	862653	BRACKET, Pivot	1	20	944968	TUBE, Adjusting Screw	1
10	862655	SPACER, Pivot Bracket	1				

WHEN ORDERING PARTS, ALWAYS STATE MODEL AND SERIAL NO. OF MACHINE



BOOM, BELLCRANKS, BUCKET LEVELER AND PIPING

TS-8080-P

PM5012

4

(1E-1)



BOOM, BELLCRANKS, PUSHRODS, BUCKET LEVELER AND PIPING
S/N 4069/A 101 thru 120

Item No.	Part No.	Description	No. Req'd.	Item No.	Part No.	Description	No. Req'd.
1	1521559	BUSHING, Boom Arm	2	34	18D-06	NUT, Pin Retaining	2
2	10H-25	FITTING, Boom Arm Grease	2	35	514921	PIN, Boom Cylinder to Boom	2
3	1537931	BOOM ASSY (Inc. 1 & 32)	1	36	24C-656	BOLT, Pin Retaining	2
4	1535341	SPACER, Bellcrank to Boom	2	37	1528870	BRACKET, Bucket Leveler Cam	1
5	1502644	BUSHING, Bellcrank Pivot	2	38	656672	WASHER, Cam to Bracket	2
6	24C-876	BOLT, Pin Retaining	2	39	4E-06	LKWSHR, Cam to Bracket	2
7	587900	PIN, Cylinder to Bellcrank	2	40	24C-616	BOLT, Cam to Bracket	2
8	18D-08	NUT, Pin Retaining	2	41	-----	BUCKET CYLINDER (See Index)	—
9	1502909	BELLCRANK ASSY — L.H. (Inc. 5)	1	42	2G-1010	SCREW, Air Valve Mounting	4
10	10H-25	FITTING, Bellcrank Pivot Grease	2	43	12E-10	LKWSHR, Air Valve Mounting	4
11	24C-864	BOLT, Pin Retaining	2	44	-----	AIR VALVE ASSY, Bucket Leveler — See Index	1
12	3224882	PIN, Pushrod to Bucket	2	45	36F-2	ADAPTER, Hose to Valve	1
13	18D-08	NUT, Pin Retaining	2	46	559820	HOSE, Tube to Air Valve	1
14	1522732	BUSHING, Pushrod Eye	2	47	1502687	HOSE, Tube to Air Valve	1
15	10H-25	FITTING, Pushrod Grease	4	47A	31H-31	CLIP, Hose Air Valve to Cyl.	1
16	1505343	PUSHROD ASSY (Inc. 14)	2	48	1502686	HOSE, Control Valve to Tube	1
17	8D-24	NUT, Eye - Jam	2	49	31F-2	ADAPTER, Hose to Control Valve	1
18	570850	EYE ASSY, Pushrod Adj. - Inc. 19	2	50	-----	CONTROL VALVE (See Index)	—
19	1522732	BUSHING, Pushrod Adjusting Eye	2	51	-----	BRAKE FOOT VALVE (See Index)	—
20	18D-06	NUT, Pin Retaining	2	53	19F-5	BUSHING, Reducing	1
21	587901	PIN, Pushrod to Bellcrank	2	54	36F-2	ADAPTER, Hose to Bushing	1
22	24C-668	BOLT, Pin Retaining	2	55	1502687	HOSE, Brake Valve to Tube	1
23	1529902	PIN, Bellcrank to Boom	2	57	36F-2	ADAPTER, Hose to Tube	1
24	573525	LOCK PLATE, Pin Retaining	2	58	1502690	TUBE ASSY, Bucket Leveler	1
25	24C-1224	BOLT, Lock Plate Retaining	4	58A	24C-616	†BOLT, Tube Mounting	2
26	4E-12	LKWSHR, Lock Plate Retaining	4	58B	656672	†WASHER, Tube Mounting	2
27	-----	BUCKET ASSY (See Index)	—	58C	4E-06	†LKWSHR, Tube Mounting	2
28	18D-08	NUT, Pin Retaining	2	59	31F-2	ADAPTER, Hose to Elbow	1
29	568483	PIN, Boom to Bucket	2	60	29F-1	ELBOW, Adapter to Valve	1
30	24C-880	BOLT, Pin Retaining	2	61	1528869	CAM, Bucket Leveler	1
30A	1547964	†SPACER, Boom to bucket	AR	62	656672	WASHER, Cam Bracket Mounting	2
31	10H-25	FITTING, Bucket Pivot Grease	2	63	4E-06	LKWSHR, Cam Bracket Mounting	2
32	568482	BUSHING, Bucket Pivot	2	64	24C-616	BOLT, Cam Bracket Mounting	2
33	1502908	BELLCRANK ASSY — R.H. (Inc. 5)	1				

†Not Illustrated

WHEN ORDERING PARTS, ALWAYS STATE MODEL AND SERIAL NO. OF MACHINE



BOOM, BELLCRANKS, PUSHRODS, BUCKET LEVELER AND PIPING
S/N 4069/A 101 thru 120

Item No.	Part No.	Description	No. Req'd.	Item No.	Part No.	Description	No. Req'd.
1	1521559	BUSHING, Boom Arm	2	34	18D-06	NUT, Pin Retaining	2
2	10H-25	FITTING, Boom Arm Grease	2	35	514921	PIN, Boom Cylinder to Boom	2
3	1504552	BOOM ASSY (Inc. 1 & 32)	1	36	24C-656	BOLT, Pin Retaining	2
4	1535341	SPACER, Bellcrank to Boom	2	37	1528870	BRACKET, Bucket Leveler Cam	1
5	1502644	BUSHING, Bellcrank Pivot	2	38	656672	WASHER, Cam to Bracket	2
6	24C-876	BOLT, Pin Retaining	2	39	4E-06	LKWSHR, Cam to Bracket	2
7	587900	PIN, Cylinder to Bellcrank	2	40	24C-616	BOLT, Cam to Bracket	2
8	18D-08	NUT, Pin Retaining	2	41	-----	BUCKET CYLINDER (See Index)	—
9	1502909	BELLCRANK ASSY — L.H. (Inc. 5)	1	42	2G-1010	SCREW, Air Valve Mounting	4
10	10H-25	FITTING, Bellcrank Pivot Grease	2	43	12E-10	LKWSHR, Air Valve Mounting	4
11	24C-864	BOLT, Pin Retaining	2	44	-----	AIR VALVE ASSY, Bucket Leveler — See Index	1
12	3224882	PIN, Pushrod to Bucket	2	45	36F-2	ADAPTER, Hose to Valve	1
13	18D-08	NUT, Pin Retaining	2	46	559820	HOSE, Tube to Air Valve	1
14	1522732	BUSHING, Pushrod Eye	2	47	1502687	HOSE, Tube to Air Valve	1
15	10H-25	FITTING, Pushrod Grease	4	47A	31H-31	CLIP, Hose Air Valve to Cyl.	1
16	1505343	PUSHROD ASSY (Inc. 14)	2	48	1502686	HOSE, Control Valve to Tube	1
17	8D-24	NUT, Eye Jam	2	49	31F-2	ADAPTER, Hose to Control Valve	1
18	570850	EYE ASSY, Pushrod Adjusting (Inc. 19)	2	50	-----	CONTROL VALVE (See Index)	—
19	1522732	BUSHING, Pushrod Adjusting Eye	2	51	-----	BRAKE FOOT VALVE (See Index)	—
20	18D-06	NUT, Pin Retaining	2	53	19F-5	BUSHING, Reducing	1
21	587901	PIN, Pushrod to Bellcrank	2	54	36F-2	ADAPTER, Hose to Bushing	1
22	24C-668	BOLT, Pin Retaining	2	55	1502687	HOSE, Brake Valve to Tube	1
23	1529902	PIN, Bellcrank to Boom	2	56	36F-2	ADAPTER, Hose to Tube	1
24	573525	LOCK PLATE, Pin Retaining	2	57	36F-2	ADAPTER, Hose to Tube	1
25	24C-1224	BOLT, Lock Plate Retaining	4	58	1502690	TUBE ASSY, Bucket Leveler	1
26	4E-12	LKWSHR, Lock Plate Retaining	4	58A	24C-616	†BOLT, Tube Mounting	2
27	-----	BUCKET ASSY (See Index)	—	58B	656672	†WASHER, Tube Mounting	2
28	18D-08	NUT, Pin Retaining	2	58C	4E-06	†LKWSHR, Tube Mounting	2
29	568483	PIN, Boom to Bucket	2	59	31F-2	ADAPTER, Hose to Elbow	1
30	24C-880	BOLT, Pin Retaining	2	60	29F-1	ELBOW, Adapter to Valve	1
31	10H-25	FITTING, Bucket Pivot Grease	2	61	1528869	CAM, Bucket Leveler	1
32	568482	BUSHING, Bucket Pivot	2	62	656672	WASHER, Cam Bracket Mounting	2
33	1502908	BELLCRANK ASSY — R.H. (Inc. 5)	1	63	4E-06	LKWSHR, Cam Bracket Mounting	2
				64	24C-616	BOLT, Cam Bracket Mounting	2

†Not Illustrated

WHEN ORDERING PARTS, ALWAYS STATE MODEL AND SERIAL NO. OF MACHINE

BOOM, BELLCRANKS, PUSHRODS, BUCKET LEVELER AND PIPING
S/N 4069/A 121 thru 130

Item No.	Part No.	Description	No. Req'd.	Item No.	Part No.	Description	No. Req'd.
1	1521559	BUSHING, Boom Arm	2	34	18D-06	NUT, Pin Retaining	2
2	10H-25	FITTING, Boom Arm Grease	2	35	514921	PIN, Boom Cylinder to Boom	2
3	1532526	BOOM ASSY (Inc. 1 & 32)	1	36	24C-656	BOLT, Pin Retaining	2
4	1535341	SPACER, Bellcrank to Boom	2	37	1528870	BRACKET, Bucket Leveler Cam	1
5	1502644	BUSHING, Bellcrank Pivot	2	38	619021	WASHER, Cam to Bracket	2
6	24C-876	BOLT, Pin Retaining	2	39	4E-06	LKWSHR, Cam to Bracket	2
7	587900	PIN, Cylinder to Bellcrank	2	40	24C-616	BOLT, Cam to Bracket	2
8	18D-08	NUT, Pin Retaining	2	41	-----	BUCKET CYLINDER (See Index)	—
9	1502909	BELLCRANK ASSY — L.H. (Inc. 5)	1	42	2G-1010	SCREW, Air Valve Mounting	4
10	12H-15	FITTING, Bellcrank Pivot Grease	2	43	12E-10	LKWSHR, Air Valve Mounting	4
11	18C-860	BOLT, Pin Retaining	2	44	-----	AIR VALVE ASSY, Bucket Leveler — See Index	1
12	3224882	PIN, Pushrod to Bucket	2	45	36F-2	ADAPTER, Hose to Valve	1
13	18D-08	NUT, Pin Retaining	2	46	559820	HOSE, Tube to Air Valve	1
14	587908	BUSHING, Pushrod Eye	2	47	1502687	HOSE, Tube to Air Valve	1
15	10H-25	FITTING, Pushrod Grease	4	47A	31H-31	CLIP, Hose Air Valve to Cyl.	1
16	1505343	PUSHROD ASSY (Inc. 14)	2	48	1502686	HOSE, Control Valve to Tube	1
17	8D-24	NUT, Eye Jam	2	49	31F-2	ADAPTER, Hose to Control Valve	1
18	570850	EYE ASSY, Pushrod Adjusting (Inc. 19)	2	50	-----	CONTROL VALVE (See Index)	—
19	1522732	BUSHING, Pushrod Adjusting Eye	2	51	-----	BRAKE FOOT VALVE (See Index)	—
20	18D-06	NUT, Pin Retaining	2	53	19F-5	BUSHING, Reducing	1
21	587901	PIN, Pushrod to Bellcrank	2	54	36F-2	ADAPTER, Hose to Bushing	1
22	24C-668	BOLT, Pin Retaining	2	55	1502687	HOSE, Brake Valve to Tube	1
23	1529902	PIN, Bellcrank to Boom	2	56	36F-2	ADAPTER, Hose to Tube	1
24	573525	LOCK PLATE, Pin Retaining	2	57	36F-2	ADAPTER, Hose to Tube	1
25	24C-1224	BOLT, Lock Plate Retaining	4	58	1502690	TUBE ASSY, Bucket Leveler	1
26	4E-12	LKWSHR, Lock Plate Retaining	4	58A	24C-616	†BOLT, Tube Mounting	2
27	-----	BUCKET ASSY (See Index)	—	58B	656672	†WASHER, Tube Mounting	2
28	18D-08	NUT, Pin Retaining	2	58C	4E-06	†LKWSHR, Tube Mounting	2
29	568483	PIN, Boom to Bucket	2	59	31F-2	ADAPTER, Hose to Elbow	1
30	24C-880	BOLT, Pin Retaining	2	60	29F-1	ELBOW, Adapter to Valve	1
31	10H-25	FITTING, Bucket Pivot Grease	2	61	1528869	CAM, Bucket Leveler	1
32	568482	BUSHING, Bucket Pivot	2	62	619021	WASHER, Cam Bracket Mounting	2
33	1502908	BELLCRANK ASSY — R.H. (Inc. 5)	1	63	4E-06	LKWSHR, Cam Bracket Mounting	2
				64	24C-616	BOLT, Cam Bracket Mounting	2

†Not Illustrated

WHEN ORDERING PARTS, ALWAYS STATE MODEL AND SERIAL NO. OF MACHINE



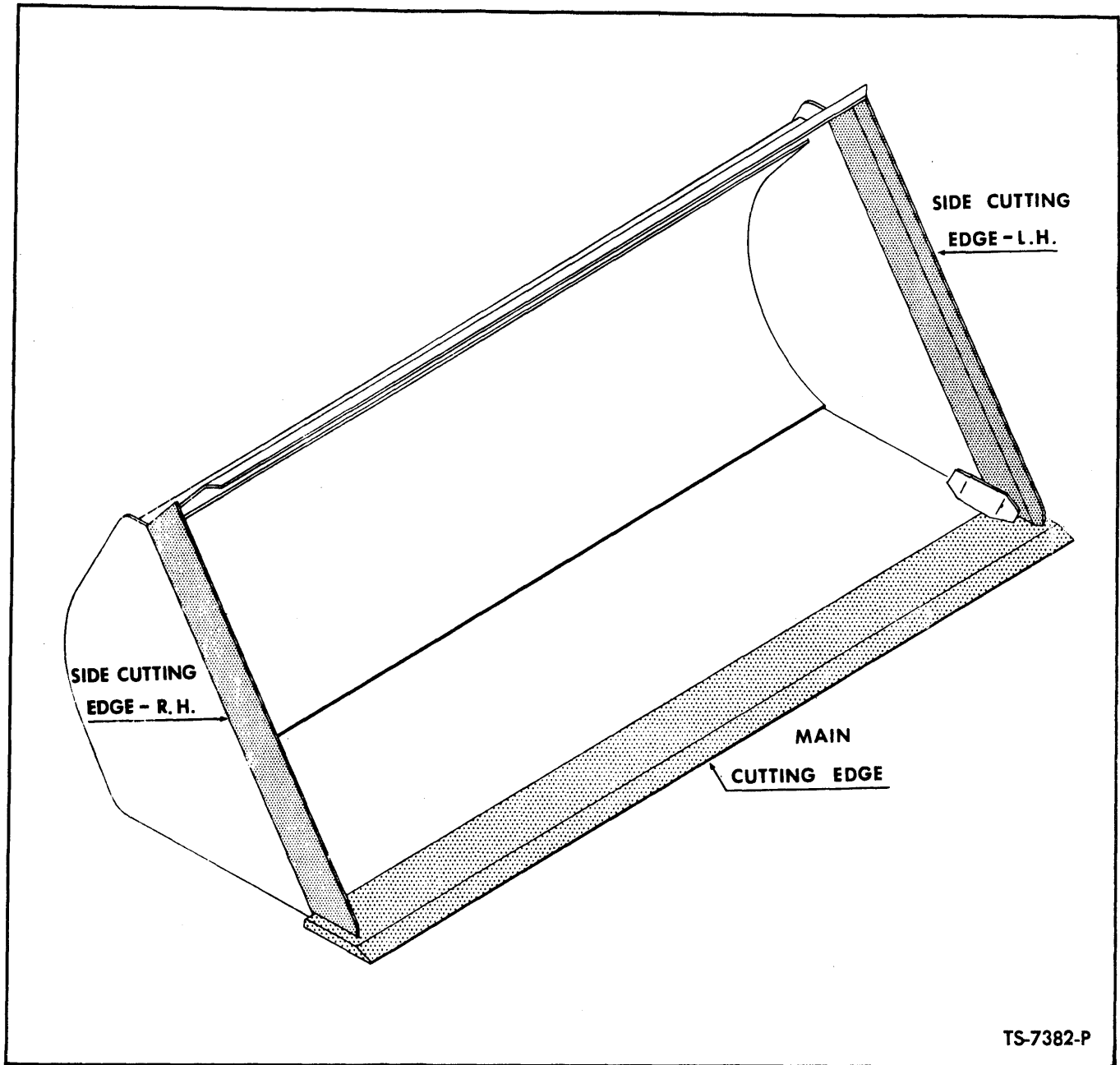
BOOM, BELLCRANKS, PUSHRODS, BUCKET LEVELER AND PIPING

S/N 4069/A 101 thru 127

Item No.	Part No.	Description	No. Req'd.	Item No.	Part No.	Description	No. Req'd.
1	1521559	BUSHING, Boom Arm	2	34	18D-06	NUT, Pin Retaining	2
2	10H-25	FITTING, Boom Arm Grease	2	35	514921	PIN, Boom Cylinder to Boom	2
3	1532526	BOOM ASSY (Inc. 1 & 32)	1	36	24C-656	BOLT, Pin Retaining	2
4	1535341	SPACER, Bellcrank to Boom	2	37	1528870	BRACKET, Bucket Leveler Cam	1
5	1502644	BUSHING, Bellcrank Pivot	2	38	619021	WASHER, Cam to Bracket	2
6	24C-876	BOLT, Pin Retaining	2	39	4E-06	LKWSHR, Cam to Bracket	2
7	587900	PIN, Cylinder to Bellcrank	2	40	24C-616	BOLT, Cam to Bracket	2
8	18D-08	NUT, Pin Retaining	2	41	-----	BUCKET CYLINDER (See Index)	—
9	1502909	BELLCRANK ASSY — L.H. (Inc. 5)	1	42	2G-1010	SCREW, Air Valve Mounting	4
10	12H-15	FITTING, Bellcrank Pivot Grease	2	43	12E-10	LKWSHR, Air Valve Mounting	4
11	18C-860	BOLT, Pin Retaining	2	44	-----	AIR VALVE ASSY, Bucket Leveler — See Index	1
12	3224882	PIN, Pushrod to Bucket	2	45	36F-2	ADAPTER, Hose to Valve	1
13	18D-08	NUT, Pin Retaining	2	46	559820	HOSE, Tube to Air Valve	1
14	1522732	BUSHING, Pushrod Eye	2	47	1502687	HOSE, Tube to Air Valve	1
15	10H-25	FITTING, Pushrod Grease	4	47A	31H-31	CLIP, Hose Air Valve to Cyl.	1
16	570845	PUSHROD ASSY (Inc. 14)	2	48	1502686	HOSE, Control Valve to Tube	1
17	8D-24	NUT, Eye Jam	2	49	31F-2	ADAPTER, Hose to Control Valve	1
18	570850	EYE ASSY, Pushrod Adjusting (Inc. 19)	2	50	-----	CONTROL VALVE (See Index)	—
19	1522732	BUSHING, Pushrod Adjusting Eye	2	51	-----	BRAKE FOOT VALVE (See Index)	—
20	18D-06	NUT, Pin Retaining	2	53	19F-5	BUSHING, Reducing	1
21	587901	PIN, Pushrod to Bellcrank	2	54	36F-2	ADAPTER, Hose to Bushing	1
22	24C-668	BOLT, Pin Retaining	2	55	1502687	HOSE, Brake Valve to Tube	1
23	1529902	PIN, Bellcrank to Boom	2	56	36F-2	ADAPTER, Hose to Tube	1
24	573525	LOCK PLATE, Pin Retaining	2	57	36F-2	ADAPTER, Hose to Tube	1
25	24C-1224	BOLT, Lock Plate Retaining	4	58	1502690	TUBE ASSY, Bucket Leveler	1
26	4E-12	LKWSHR, Lock Plate Retaining	4	58A	24C-616	†BOLT, Tube Mounting	2
27	-----	BUCKET ASSY (See Index)	—	58B	656672	†WASHER, Tube Mounting	2
28	18D-08	NUT, Pin Retaining	2	58C	4E-06	†LKWSHR, Tube Mounting	2
29	568483	PIN, Boom to Bucket	2	59	31F-2	ADAPTER, Hose to Elbow	1
30	24C-880	BOLT, Pin Retaining	2	60	29F-1	ELBOW, Adapter to Valve	1
31	10H-25	FITTING, Bucket Pivot Grease	2	61	1528869	CAM, Bucket Leveler	1
32	568482	BUSHING, Bucket Pivot	2	62	619021	WASHER, Cam Bracket Mounting	2
33	1502908	BELLCRANK ASSY — R.H. (Inc. 5)	1	63	4E-06	LKWSHR, Cam Bracket Mounting	2
				64	24C-616	BOLT, Cam Bracket Mounting	2

†Not Illustrated

WHEN ORDERING PARTS, ALWAYS STATE MODEL AND SERIAL NO. OF MACHINE



TS-7382-P

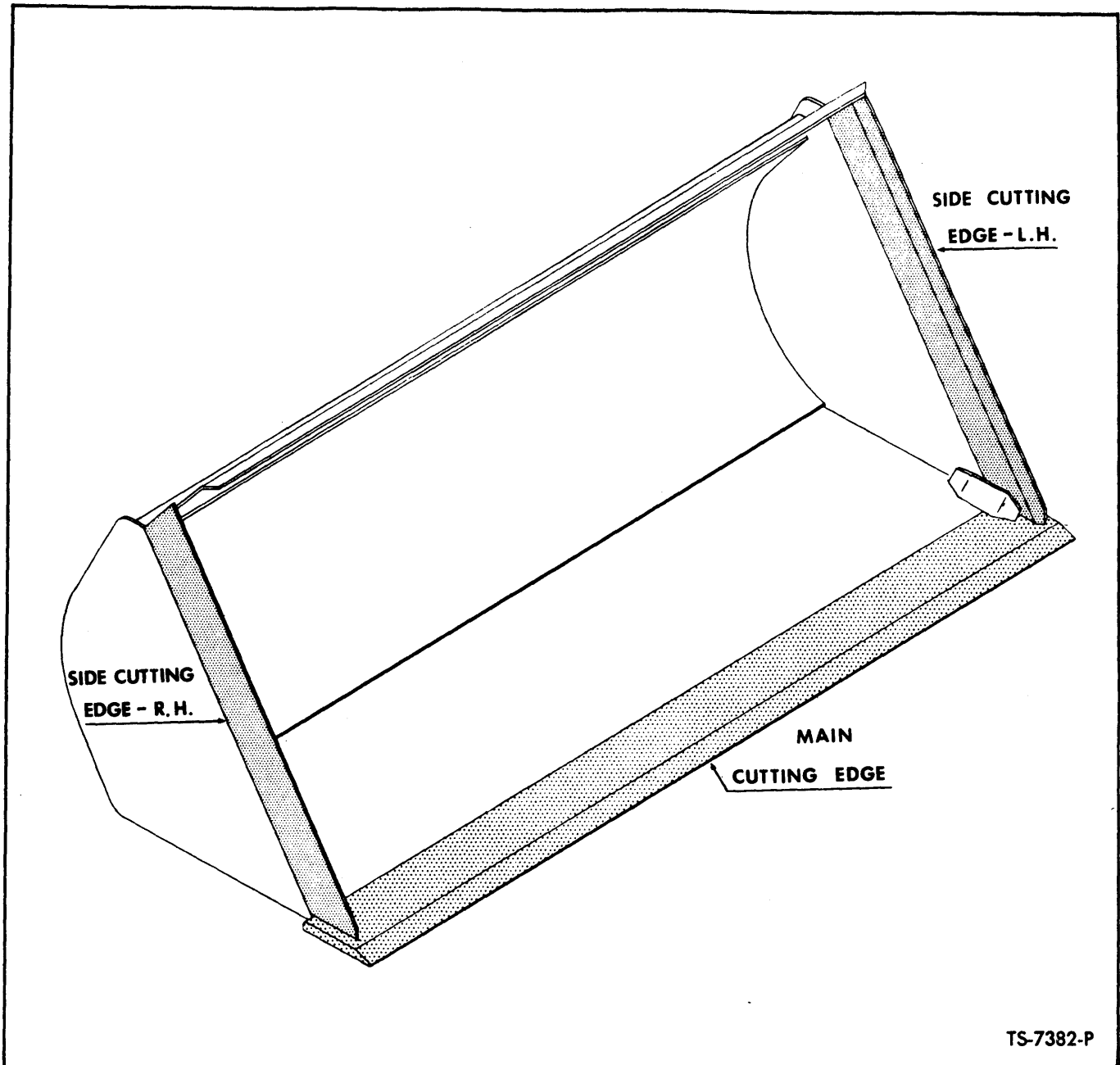
BUCKET ASSEMBLY DATA

BUCKET			MAIN CUTTING EDGE			SIDE CUTTING EDGE			
Width	S.A.E. Heaped Capacity	Part No.	Part No.	Size	Approx. Weight	RH. Part No.	LH. Part No.	Size	Approx. Weight
95¼	2 cu. yd.	1525082	551765	1 x 9 x 97	218	570108	570110	¾ x 6 x 42¾	42
95¼	2¼ cu. yd.	1527394	551765	1 x 9 x 97	218	1527389	1527388	¾ x 6 x 43¼	44
95¼	2½ cu. yd.	1525955	551765	1 x 9 x 97	218	570240	570240	¾ x 6 x 46¼	46
111½	3½ cu. yd.	1535665	545602	1 x 9 x 112¼	250	1535657	1535599	¾ x 6 x 47½	50
95¼	2¾ cu. yd.	1535609	551765	1 x 9 x 97	218	1535600	1535601	¾ x 6 x 47	49
111½	4 cu. yd.	1535838	545602	1 x 9 x 112¼	250	1535715	1535714	¾ x 6 x 49¼	54
103¼	3 cu. yd.	1503531	1503537	1 x 9 x 104	233	1535600	1535601	¾ x 6 x 47	49

C

C

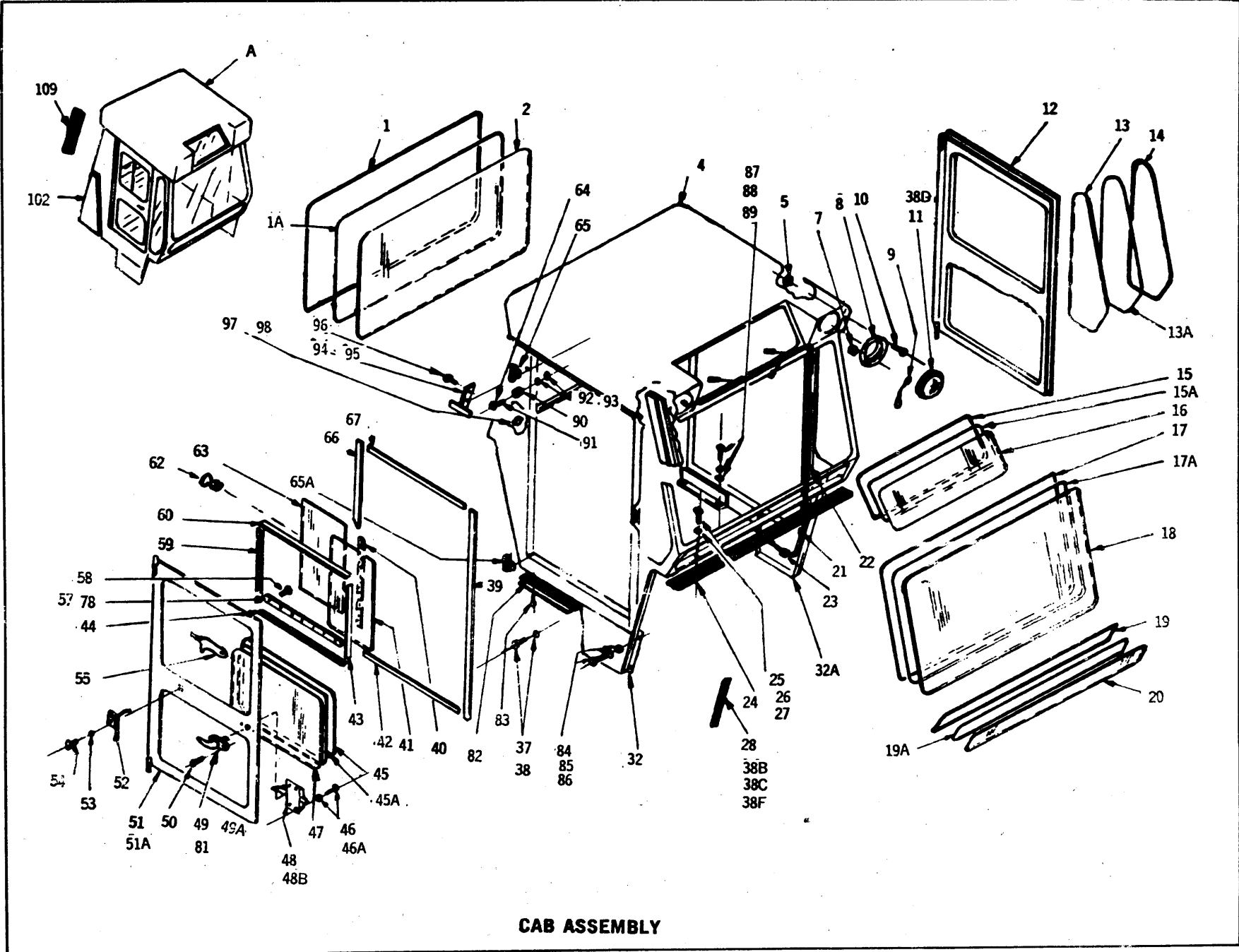
C



TS-7382-P

BUCKET ASSEMBLY DATA
S/N 4069/A 101 thru 127

BUCKET			MAIN CUTTING EDGE			SIDE CUTTING EDGE			
Width	S.A.E. Heaped Capacity	Part No.	Part No.	Size	Approx. Weight	RH. Part No.	LH. Part No.	Size	Approx. Weight
95¼	2 cu. yd.	3235797	551765	1 x 9 x 97	218	570108	570110	¾ x 6 x 42¾	42
95¼	2¼ cu. yd.	3235797	3233475 3233476	1 x 9 x 97	218			¾ x 6 x 43½	44
95¼	2½ cu. yd.	3233895	3233440	1 x 9 x 97	218	3233982	3233981	¾ x 6 x 46¼	46
111½	3½ cu. yd.	1535665	545602	1 x 9 x 112¼	250	1535657	1535599	¾ x 6 x 47½	50
95¼	2¾ cu. yd.	3234935	3233440	1 x 9 x 97	218	3233475	3233476	¾ x 6 x 47	49
111½	4 cu. yd.	3235793	3235056	1 x 9 x 112¼	250	3233475	3233476	¾ x 6 x 49½	54
103¼	3 cu. yd.	1503531	1503537	1 x 9 x 104	233	1535600	1535601	¾ x 6 x 47	49



CAB ASSEMBLY

Item No.	Part No.	Description	No. Req'd.	Item No.	Part No.	Description	No. Req'd.
A	3224097	CAB ASSY - Fully enclosed - Included items 1 thru 5-8-10-12 thru 20-24 thru 38C - 38F thru	1	46A	17E-10	LOCKWASHER, Lock to Door Attaching	4
1	3223805	MOULDING, Rear Window	1	47	945573	GLASS, Lower Door (See item 76)	2
1A	3223811	FILLER STRIP, Rear Window	1	48	3137921	LOCK, Door RH	1
2	586678	GLASS, Rear Window (see item 76)	1	48B	3137920	LOCK, Door LH	1
4	3227463	CAB ASSEMBLY	1	49	3136335	HANDLE, Door RH	1
5	51D-10	NUT, Head lamp adapter attaching	8	49A	3136333	†HANDLE, Door (with Key - Optional)	2
7	50D-10	NUT, Head lamp Attaching	6	50	3220881	SCREW, Handle to Door Attaching	4
8	568675	ADAPTER, Head lamp Panel	2	51	3137917	DOOR, RH	1
9	540882	WIRE, Head lamp Ground	2	51A	3137918	†DOOR, LH	1
10	2G-1008	SCREW, Head lamp Adapter attaching	8	52	3137919	CATCH, Door	2
11	3224355	HEAD LAMP ASSY	2	53	17E-10	LOCKWASHER, Door Catch attaching	3
12		DOOR, See item 51A	1	54	3220851	SCREW, Door Catch attaching	8
13	568681	GLASS, Quarter Window (See item 76)	2	55	3224594	STRIKE, Window Lock	4
13A	3223813	FILLER STRIP, Quarter Window	2	57	3224147	RETAINER, Door channel RH	1
14	3223807	MOULDING, Quarter Window	2	58	18G-405	SCREW, Channel Retainer to Door	14
15	3223806	MOULDING, Roof Window	1	59	568671	CHANNEL, Side glass track	2
15A	3223812	FILLER STRIP, Roof Window	1	60	568672	CHANNEL, Top glass track	2
16	568682	GLASS, Roof Window (See item 76)	1	62	3137924	LOCK, Sliding Glass	4
17	3223808	MOULDING, Upper Windshield	2	63	568673	GLASS, Sliding door (see item 76)	2
17A	3223814	FILLER STRIP, Upper Windshield	1	65	3137922	HINGE, Door - Top - Welded on Cab	2
18	568685	GLASS, Upper Windshield (See item 76)	1	65A	3137923	HINGE, Door - Bottom - Welded on Cab	2
19	3223809	MOULDING, Lower Windshield	1	66	3224563	WEATHER STRIP, Door Rear	2
19A	3223815	FILLER STRIP, Lower Windshield	1	67	568658	WEATHER STRIP, Door Top	2
20	568662	GLASS, Lower Windshield (See item 76)	1	76	945903	†GLASS PATTERN KIT (Incl. 2-13-16-18-20-41-47-63)	1
21	541988	CLIP, Wiring Harness	4	78	3224148	RETAINER, Door channel LH	1
22	3134276	WIRING HARNESS, Cab	1	81	3136334	HANDLE, Door LH	1
23	515069	GROMMET, Cab wiring harness	1	82	3224611	WEATHERSTRIP, Cab Side	2
24	3224613	WEATHER STRIP, Cab to cockpit	1	83	18G-408	SCREW, Cab Side	4
25	17C-632	BOLT, Cab attaching - Front Mount	2	84	17C-410	BOLT, Quarter panel to cockpit	4
26	3221750	WASHER - Cab attaching - Front Mount	2	85	4E-04	L.W., Quarter Panel to cockpit	4
27	619023	WASHER, Cab attaching - Front Mount	2	87	17C-619	BOLT, Cab to Cockpit	4
28	3227461	SEALING STRIP	2	88	619023	LOCKWASHER	4
32	1504465	PANEL, Lower Quarter - RH	1	89	3221750	WASHER	4
32A	1504466	PANEL, Lower Quarter - LH	1	90	3215486	BUMPER RUBBER	2
37	17C-412	BOLT, Lower Quarter panel	8	91	3221865	SCREW, Bumper to Cab	2
38	17D-1	NUT, Lower Quarter panel	8	92	3220859	NUT	2
38B	3227460	SEALING STRIP	2	93	616776	WASHER	2
38C	3227462	SEALING STRIP	2	94	3225149	BRACKET, Door Latch - RH	1
38D	3224544	BULB, Head Lamp - 12 Volt GM	2	95	3225148	BRACKET, Door Latch, LH	1
38F	3227458	SEALING STRIP	2	96	18C-416	BOLT, Bracket to Cab	4
39	568667	WEATHER STRIP, Door Front	2	97	18D-04	NUT, Bracket to Cab	4
40	3224614	CHANNEL, Glass Divider	2	98	619018	WASHER, Bracket to Cab	8
41	568673	GLASS, Sliding Door (See item 76)	2	102	1533903	REAR PANEL ASSY	1
42	568668	WEATHER STRIP, Door bottom	2	103	17C-616	†BOLT, Rear panel to cockpit	5
43	568671	CHANNEL, Side glass track	2	104	17D-3	†NUT, Rear panel to cockpit	5
44	568672	CHANNEL, Bottom Glass track	2	105	619023	†WASHER, Rear panel tot cockpit	5
45	3223804	MOULDING, Lower Door Glass	2	106	17C-615	†BOLT, Rear panel tot Cab	2
45A	3223810	FILLER STRIP, Lower Door Glass	2	107	17D-3	†NUT, Rear panel to Cab	2
46	3220852	SCREW, Lock to Door Attaching	4	108	619023	†WASHER, Rear panel tot Cab	2
				109	3227459	SEALING STRIP	1

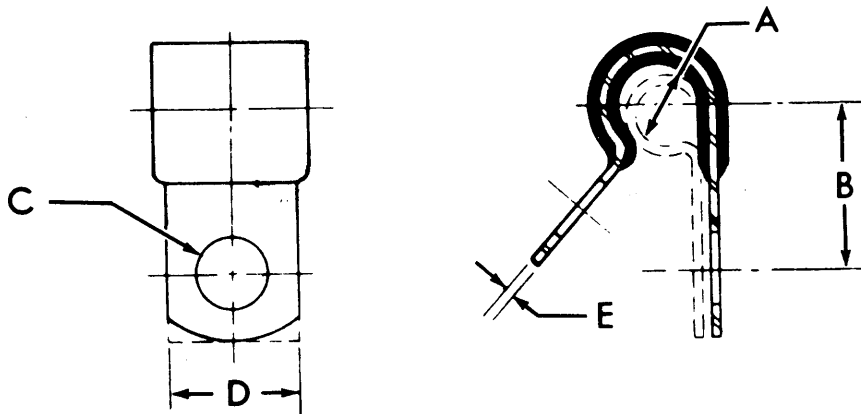
Not illustrated

WHEN ORDERING PARTS, ALWAYS STATE MODEL AND SERIAL NO. OF MACHINE

WIRING, PIPE AND HOSE CLIPS

The following types of clips are used in connection with the various wiring, fuel, air and hydraulic piping systems employed in this unit. When replacing clips identification can be made by checking type and physical dimensions listed to obtain part number.

INSULATED CLIP



TS-5008-P

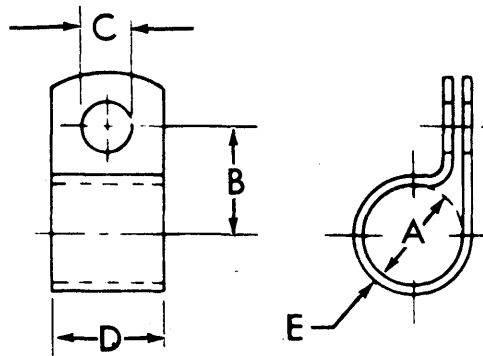
Item No.	PART NUMBER	A	B	C	D	E ^e	F
2	30H-16	1/4	2 1/32	1 3/32	3/4	.032	-----
4	30H-20	5/16	1 1/16	1 3/32	3/4	.032	-----
5	30H-23	3/8	2 3/32	1 3/32	3/4	.032	-----
5A	30H-24	3/8	25/32	15/32	7/8	.032	-----
6	30H-31	1/2	2 5/32	1 3/32	3/4	.048	-----
7	30H-38	5/8	2 7/32	1 3/32	3/4	.048	-----
7A	30H-40	5/8	31/32	17/32	1	.048	-----
8	30H-46	1 3/16	1 5/16	1 3/32	3/4	.048	-----
9	30H-50	1 5/16	1	1 3/32	3/4	.048	-----
9A	30H-57	1 1/8	1 1/32	11/32	5/8	.048	-----
10	30H-60	1 7/16	1 1/4	1 3/32	3/4	.048	-----

WHEN ORDERING PARTS, ALWAYS STATE MODEL AND SERIAL NO. OF MACHINE

WIRING, PIPE AND HOSE CLIPS

The following types of clips are used in connection with the various wiring, fuel, air and hydraulic piping systems employed in this unit. When replacing clips identification can be made by checking type and physical dimensions listed to obtain part number.

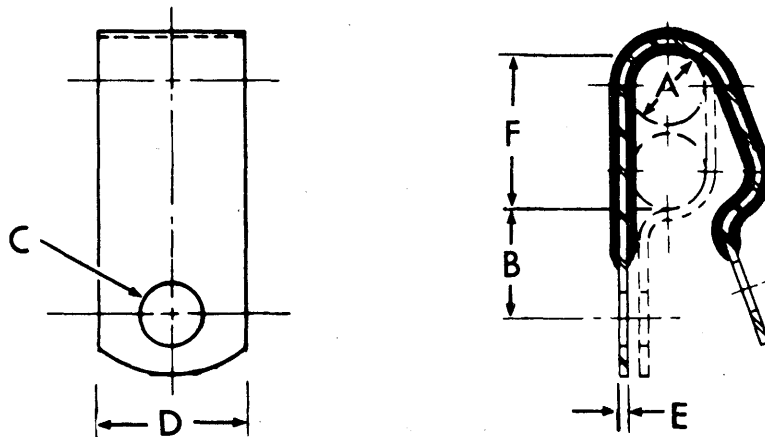
CLOSED CLIP



TS-5009-P

Item No.	PART NUMBER	A	B	C	D	E	F
1	6H-18	$\frac{3}{4}$	$3\frac{1}{32}$	$1\frac{3}{32}$	$\frac{3}{4}$.060	---

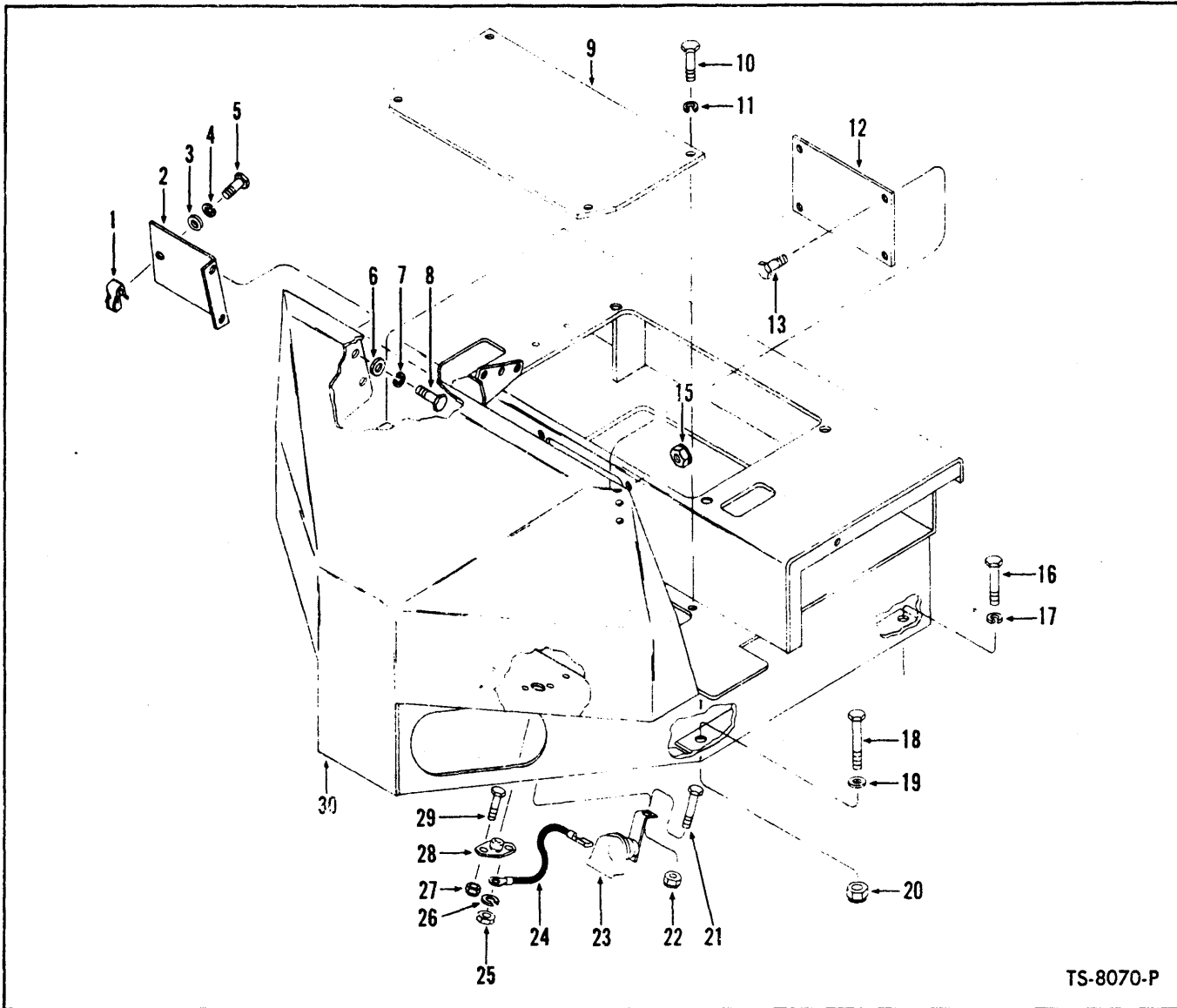
INSULATED CLIP



TS-6372-P

Item No.	PART NUMBER	A	B	C	D	E	F
1	31H-34	$\frac{5}{8}$	$2\frac{7}{32}$	$1\frac{3}{32}$	$\frac{3}{4}$.050	$1\frac{1}{4}$
2	31H-46	$1\frac{5}{16}$	1	$1\frac{3}{32}$	$\frac{3}{4}$.062	$1\frac{7}{8}$

WHEN ORDERING PARTS, ALWAYS STATE MODEL AND SERIAL NO. OF MACHINE

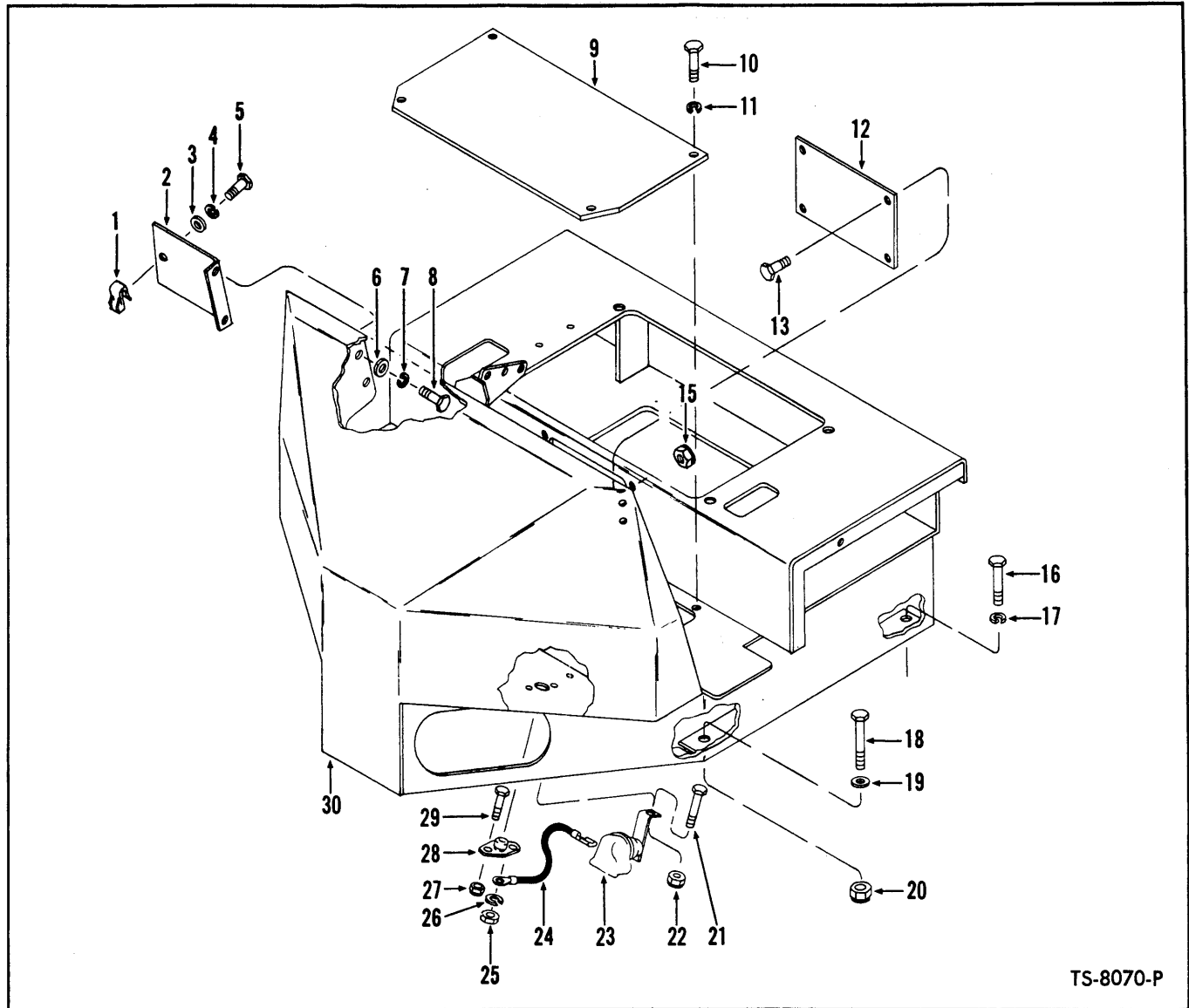


TS-8070-P

COCKPIT, HORN AND HORN SWITCH

Item No.	Part No.	Description	No. Req'd.	Item No.	Part No.	Description	No. Req'd.
2	3229521	PANEL, R.H.	1	19	619029	WASHER, Cockpit Mounting — Front	2
3	56A421	WASHER, Panel to Cockpit	1	20	8D-08	NUT, Cockpit Mounting — Front	2
4	4E-04	LKWSHR, Panel to Cockpit	1	21	24C-416	BOLT, Horn to Cockpit	1
5	23C-416	BOLT, Panel to Cockpit	1	22	18D-04	NUT, Horn to Cockpit	1
6	664421	LOCKWASHER	2	23	3215046	HORN	1
7	4E-06	LKWSHR, Panel to Cockpit	2	24	572373	WIRE, Horn to Foot Switch	1
8	23C-416	BOLT, Panel to Cockpit	2	25	15D-06	NUT, Wire to Foot Switch	1
9	1526152	COVER, Floorboard	1	26	4E-06	LKWSHR, Wire to Foot Switch	1
10	23C-816	BOLT, Cover to Cockpit	4	27	18D-04	NUT, Foot Switch to Cockpit	2
11	4E-06	LKWSHR, Cover to Cockpit	4	28	778570	FOOT SWITCH, Horn (Inc. 25, 26)	1
12	557057	COVER, Heater Hole	1	29	24C-416	BOLT, Foot Switch to Cockpit	2
13	24C-412	BOLT, Heater Hole Cover	4	30	3231076	COCKPIT	1
15	18D-04	NUT, Heater Hole Cover	4	31	3222535	† FUSE BOX	1
16	24C-824	BOLT, Cockpit Mounting — Rear	2	32	3233347	† JUMPER WIRE FUSE BOX	1
17	4E-08	LKWSHR, Cockpit Mounting	2	33	3134531	† JUMPER WIRE, Connection	1
18	24C-840	BOLT, Cockpit Mounting — Front	2	34	3221997	† GROMMET, Wiring Harness Cockpit	1
				35	562435	† GROMMET, Wiring Harness Cockpit	1
				36	3229225	† GROMMET, Wiring Harness Cockpit	1
				37	3233583	INSULATED MTG. FUSEBOX	1
				38	3220851	SCREW, Fusebox	2
				39	14E-10	LW	2

† Not illustrated PM5012



TS-8070-P

COCKPIT, HORN AND HORN SWITCH
S/N 4069/A 101 thru 127

Item No.	Part No.	Description	No. Req'd.	Item No.	Part No.	Description	No. Req'd.
2	3229521	PANEL, R.H.	1	16	24C-824	BOLT, Cockpit Mounting — Rear	2
3	564421	WASHER, Panel to Cockpit	1	17	4E-08	LKWSHR, Cockpit Mounting	2
4	4E-04	LKWSHR, Panel to Cockpit	1	18	24C-840	BOLT, Cockpit Mounting — Front	2
5	23C-416	BOLT, Panel to Cockpit	1	19	619029	WASHER, Cockpit Mounting — Front ..	2
6	664421	LOCKWASHER	2	20	8D-08	NUT, Cockpit Mounting — Front	2
7	4E-06	LKWSHR, Panel to Cockpit	2	21	24C-416	BOLT, Horn to Cockpit	1
8	23C-416	BOLT, Panel to Cockpit	2	22	18D-04	NUT, Horn to Cockpit	1
9	1526152	COVER, Floorboard	1	23	3215046	HORN	1
10	23C-816	BOLT, Cover to Cockpit	4	24	572373	WIRE, Horn to Foot Switch	1
11	4E-06	LKWSHR, Cover to Cockpit	4	25	15D-06	NUT, Wire to Foot Switch	1
12	557057	COVER, Heater Hole	1	26	4E-06	LKWSHR, Wire to Foot Switch	1
13	24C-412	BOLT, Heater Hole Cover	4	27	18D-04	NUT, Foot Switch to Cockpit	2
15	18D-04	NUT, Heater Hole Cover	4	28	778570	FOOT SWITCH, Horn (Inc. 25, 26)	1
				29	24C-416	BOLT, Foot Switch to Cockpit	2
				30	3231076	COCKPIT	1
				31	3222535	†FUSE BOX	1
				32	3233347	†JUMPER WIRE FUSE BOX	1
				33	3134531	†JUMPER WIRE, Connection	1
				34	3221997	†GROMMET, Wiring Harness Cockpit ...	1
				35	562435	†GROMMET, Wiring Harness Cockpit ...	1
				36	3229225	†GROMMET, Wiring Harness Cockpit ...	1

†Not Illustrated

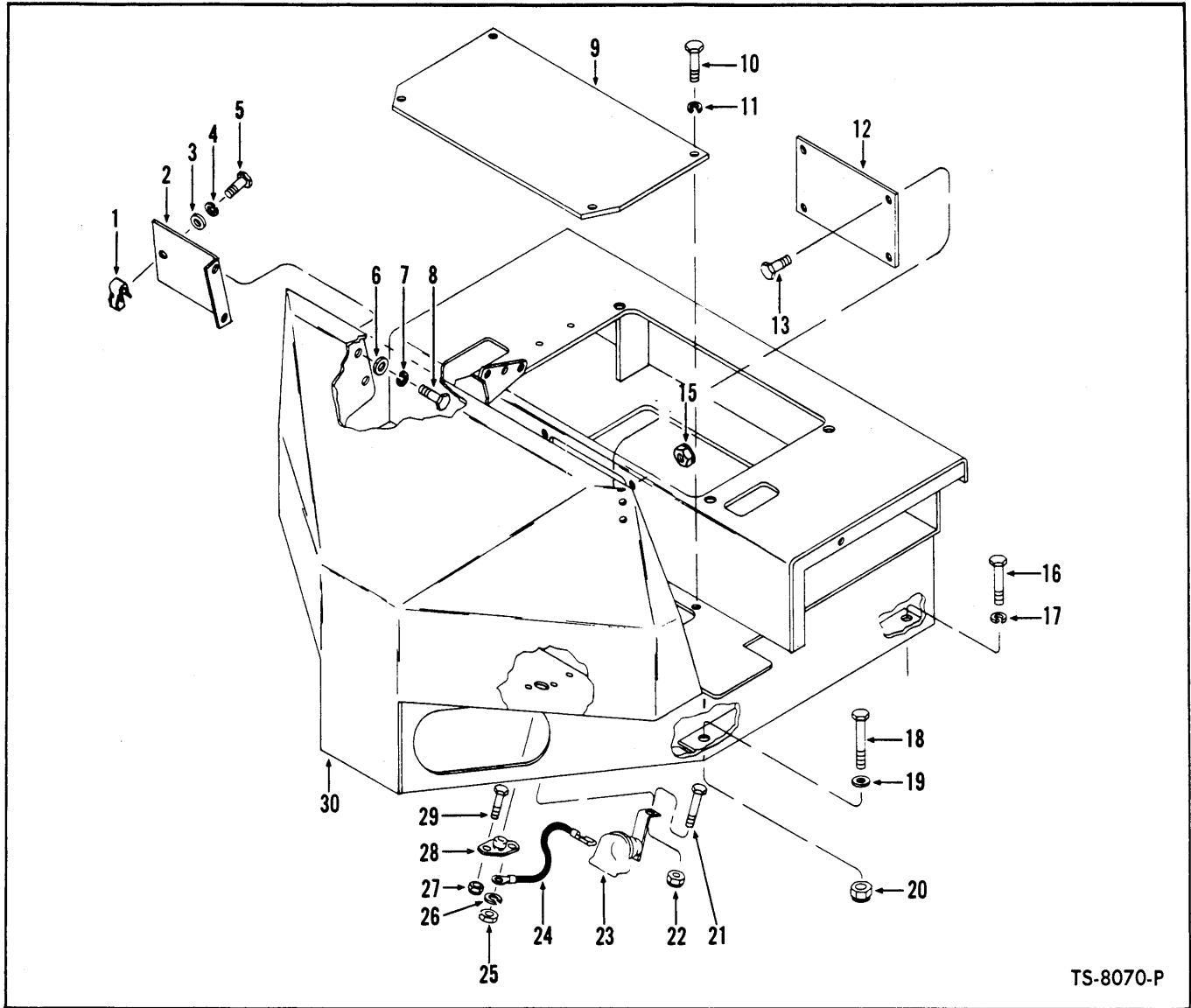
(

.

(

.

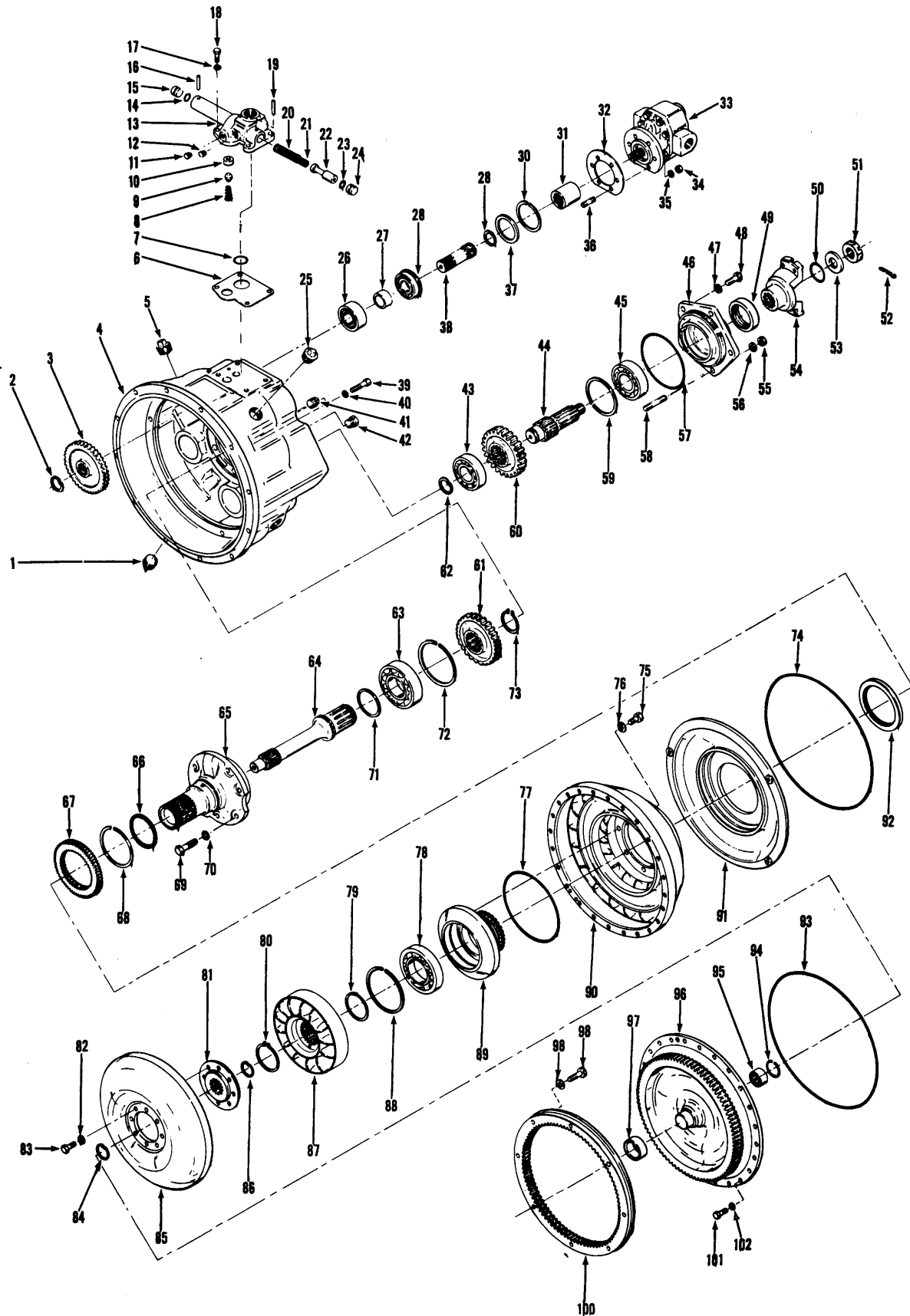
(



COCKPIT, HORN AND HORN SWITCH
S/N 4069/A 121 thru 130

Item No.	Part No.	Description	No. Req'd.	Item No.	Part No.	Description	No. Req'd.
2	3229521	PANEL, R.H.	1	16	24C-824	BOLT, Cockpit Mounting - Rear	2
3	656672	WASHER, Panel to Cockpit	1	17	4E-08	LKWSHR, Cockpit Mounting	2
4	4E-04	LKWSHR, Panel to Cockpit	2	18	24C-840	BOLT, Cockpit Mounting - Front	2
5	23C-416	BOLT, Panel to Cockpit	2	19	619029	WASHER, Cockpit Mounting - Front ..	2
6	664421	LOCKWASHER	2	20	18D-08	NUT, Cockpit Mounting - Front	2
7	4E-06	LKWSHR, Panel to Cockpit	2	21	24C-416	BOLT, Horn to Cockpit	1
8	23C616	BOLT, Panel to Cockpit	2	22	18D-04	NUT, Horn to Cockpit	1
9	1526152	COVER, Floorboard	1	23	3215046	HORN	1
10	23C-816	BOLT, Cover to Cockpit	4	24	572373	WIRE, Horn to Foot Switch	1
11	4E-06	LKWSHR, Cover to Cockpit	4	25	15D-06	NUT, Wire to Foot Switch	1
12	557057	COVER, Heater Hole	1	26	4E-06	LKWSHR, Wire to Foot Switch	1
13	24C-412	BOLT, Heater Hole Cover	4	27	18D-04	NUT, Foot Switch to Cockpit	2
15	18D-04	NUT, Heater Hole Cover	4	28	778570	FOOT SWITCH, Horn (Inc. 25, 26) ...	1
				29	24C-416	BOLT, Foot Switch to Cockpit	2
				30	3231076	COCKPIT	1
				31	3222535	†FUSE BOX	1
				32	3233347	†JUMPER WIRE FUSE BOX	1
				33	3134531	†JUMPER WIRE, Connection	1
				34	3221997	†GROMMET, Wiring Harness Cockpit ...	1
				35	562435	†GROMMET, Wiring Harness Cockpit ...	1
				(1E-14) 36	3229225	†GROMMET, Wiring Harness Cockpit ...	1

†Not Illustrated



TORQUE CONVERTER ASSEMBLY

TS-8081-P

TORQUE CONVERTER ASSEMBLY
S/N 4069/A 101 thru 130

Item No.	Part No.	Description	No. Req'd.	Item No.	Part No.	Description	No. Req'd.
A	283111	CONVERTER ASSY, Torque (C273T-50) (Inc. 1 thru 97, 100, 101, 102)	1	36	207647	STUD, Pump Mounting	6
1	13F-16	PLUG, Pipe	1	37	214929	WASHER, Pump Drive Shaft	3
2	711298	RING, Gear Retaining	3	38	214928	SHAFT, Pump Drive	3
3	214931	GEAR, Pump Drive (38T)	3	39	1C-628	BOLT, Baffle to Housing	3
4	214950	HOUSING, Converter	1	40	4E-06	LKWSHR, Baffle to Housing	3
5	13F-16	PLUG, Pipe	2	41	16F-08	PLUG, Pipe	1
6	214949	GASKET, Regulating Valve to Converter	1	42	40K-02	PLUG, Pipe	1
7	25K-40104	"O" RING, Regulating Valve to Converter	1	43	742056	BEARING, Output Shaft — Front	1
8	222312	SPRING, Safety Valve	1	44	214937	SHAFT, Output	1
9	222318	PLUNGER, Safety Valve	1	45	743439	BEARING, Output Shaft — Rear	1
10	214946	SEAT, Safety Valve	1	46	214945	RETAINER & SEAL, Bearing — (Inc. 49)	1
11	40K-02	PLUG, Valve Housing	1	47	4E-07	LKWSHR, Bearing Retainer	3
12	40K-02	PLUG, Valve Housing	1	48	1C-720	BOLT, Bearing Retainer	3
13	214943	VALVE ASSY, Pressure Regulating (Inc. 10, 14, 15, 16, 19, 20 thru 24)	1	49	206864	SEAL, Oil	1
14	25K-30018	"O" RING, Piston Stop	1	50	25K-40112	"O" RING, Companion Flange	1
15	220983	STOP, Piston	1	51	201951	NUT, Output Shaft	1
16	660178	PIN, Piston Stop	1	52	1F-424	PIN, Cotter	1
17	4E-06	LKWSHR Valve to Converter	4	53	102745	WASHER, Output Shaft	1
18	5C-616	BOLT, Valve to Converter	4	54	214987	FLANGE, Companion	1
19	660178	PIN, Piston Stop	1	55	8D-07	NUT, Bearing Retainer	2
20	224369	SPRING, Valve — Outer	1	56	4E-07	LKWSHR, Bearing Retainer	2
21	224368	SPRING, Valve — Inner	1	57	25K-40512	"O" RING, Bearing Retainer	1
22	-----	§PISTON, Valve — See Item 13	—	58	214730	STUD, Bearing Retainer	2
23	25K-30018	"O" RING, Piston Stop	1	59	223901	RING, Bearing Retaining	1
24	220983	STOP, Piston	1	60	214935	GEAR, Output Shaft (26T)	1
25	13F-16	PLUG, Pipe	1	61	214938	GEAR, Turbine Shaft (29T)	1
26	214936	BEARING, Pump Drive Shaft	3	62	214955	RING, Bearing Retaining	1
27	214930	SPACER, Pump Drive Shaft	3	63	742002	BEARING, Turbine Shaft	1
28	214956	BEARING, Pump Drive Shaft	3	64	214933	SHAFT, Turbine	1
28A	214954	†RING, Bearing Retaining	3	65	214932	STATOR SUPPORT ASSY	1
29	224039	RING, Bearing Retaining	3	66	221653	RING, Sealing	1
30	713186	RING, Washer Retaining	3	67	214951	GEAR, Impeller Hub	1
31	214961	SLEEVE, Pump Drive Adapter	1	68	224009	RING, Gear Retaining	1
32	551906	GASKET, Pump to Converter	1	69	1C-820	BOLT, Support to Housing	6
33	450230	*PUMP, Converter Charging	1	70	7E-08	LKWSHR, Support to Housing	6
34	8D-06	NUT, Pump Mounting	6	71	222079	RING, Turbine Shaft Sealing	1
35	4E-06	LKWSHR, Pump Mounting	6	72	214953	RING, Bearing Retaining	1
				73	224026	RING, Gear Retaining	1
				74	214939	"O" RING, Oil Baffle	1
				75	4C-714	BOLT, Hub to Impeller	8
				75A	-----	†‡LOCKWIRE, Impeller Hub Bolt (18 ga.)	—
				76	619025	WASHER, Hub to Impeller	8

§Not Sold Separately

†Not Illustrated

‡As Required

*NOTE: When Converter Charging Pump replacement is required, only a new factory built and tested pump should be used. Proper operation of converter and transmission is dependent on an efficient charging pump. Damage possible by use of a field rebuilt pump can result in repair cost exceeding cost of a new pump alone.

WHEN ORDERING PARTS, ALWAYS STATE MODEL AND SERIAL NO. OF MACHINE

TORQUE CONVERTER ASSEMBLY

Item No.	Part No.	Description	No. Req'd.	Item No.	Part No.	Description	No. Req'd.
A	283024	CONVERTER ASSY, Torque (C273T-50) (Inc. 1 thru 97, 100, 101, 102)	1	36	207647	STUD, Pump Mounting	6
1	13F-16	PLUG, Pipe	1	37	214929	WASHER, Pump Drive Shaft	3
2	711298	RING, Gear Retaining	3	38	214928	SHAFT, Pump Drive	3
3	214931	GEAR, Pump Drive (38T)	3	39	1C-628	BOLT, Baffle to Housing	3
4	214950	HOUSING, Converter	1	40	4E-06	LKWSHR, Baffle to Housing	3
5	13F-16	PLUG, Pipe	2	41	16F-08	PLUG, Pipe	1
6	214949	GASKET, Regulating Valve to Converter	1	42	40K-02	PLUG, Pipe	1
7	25K-40104	"O" RING, Regulating Valve to Converter	1	43	742056	BEARING, Output Shaft — Front	1
8	222312	SPRING, Safety Valve	1	44	214937	SHAFT, Output	1
9	222318	PLUNGER, Safety Valve	1	45	743439	BEARING, Output Shaft — Rear	1
10	214946	SEAT, Safety Valve	1	46	214945	RETAINER & SEAL, Bearing — (Inc. 49)	1
11	40K-02	PLUG, Valve Housing	1	47	4E-07	LKWSHR, Bearing Retainer	3
12	40K-02	PLUG, Valve Housing	1	48	1C-720	BOLT, Bearing Retainer	3
13	214943	VALVE ASSY, Pressure Regulating (Inc. 10, 14, 15, 16, 19, 20 thru 24)	1	49	206864	SEAL, Oil	1
14	25K-30018	"O" RING, Piston Stop	1	50	25K-40112	"O" RING, Companion Flange	1
15	220983	STOP, Piston	1	51	201951	NUT, Output Shaft	1
16	660178	PIN, Piston Stop	1	52	1F-424	PIN, Cotter	1
17	4E-06	LKWSHR Valve to Converter	4	53	102745	WASHER, Output Shaft	1
18	5C-616	BOLT, Valve to Converter	4	54	214940	FLANGE, Companion	1
19	660178	PIN, Piston Stop	1	55	8D-07	NUT, Bearing Retainer	2
20	224369	SPRING, Valve — Outer	1	56	4E-07	LKWSHR, Bearing Retainer	2
21	224368	SPRING, Valve — Inner	1	57	25K-40512	"O" RING, Bearing Retainer	1
22	§	PISTON, Valve — See Item 13	—	58	214730	STUD, Bearing Retainer	2
23	25K-30018	"O" RING, Piston Stop	1	59	223901	RING, Bearing Retaining	1
24	220983	STOP, Piston	1	60	214935	GEAR, Output Shaft (26T)	1
25	13F-16	PLUG, Pipe	1	61	214938	GEAR, Turbine Shaft (29T)	1
26	214936	BEARING, Pump Drive Shaft	3	62	214955	RING, Bearing Retaining	1
27	214930	SPACER, Pump Drive Shaft	3	63	742002	BEARING, Turbine Shaft	1
28	214956	BEARING, Pump Drive Shaft	3	64	214933	SHAFT, Turbine	1
28A	214954	†RING, Bearing Retaining	3	65	214932	STATOR SUPPORT ASSY	1
29	224039	RING, Bearing Retaining	3	66	221653	RING, Sealing	1
30	713186	RING, Washer Retaining	3	67	214951	GEAR, Impeller Hub	1
31	214961	SLEEVE, Pump Drive Adapter	1	68	224009	RING, Gear Retaining	1
32	551906	GASKET, Pump to Converter	1	69	1C-820	BOLT, Support to Housing	6
33	450230	*PUMP, Converter Charging	1	70	7E-08	LKWSHR, Support to Housing	6
34	8D-06	NUT, Pump Mounting	6	71	222079	RING, Turbine Shaft Sealing	1
35	4E-06	LKWSHR, Pump Mounting	6	72	214953	RING, Bearing Retaining	1
				73	224026	RING, Gear Retaining	1
				74	214939	"O" RING, Oil Baffle	1
				75	4C-714	BOLT, Hub to Impeller	8
				75A	—	†‡LOCKWIRE, Impeller Hub Bolt (18 ga.)	—
				76	619025	WASHER, Hub to Impeller	8

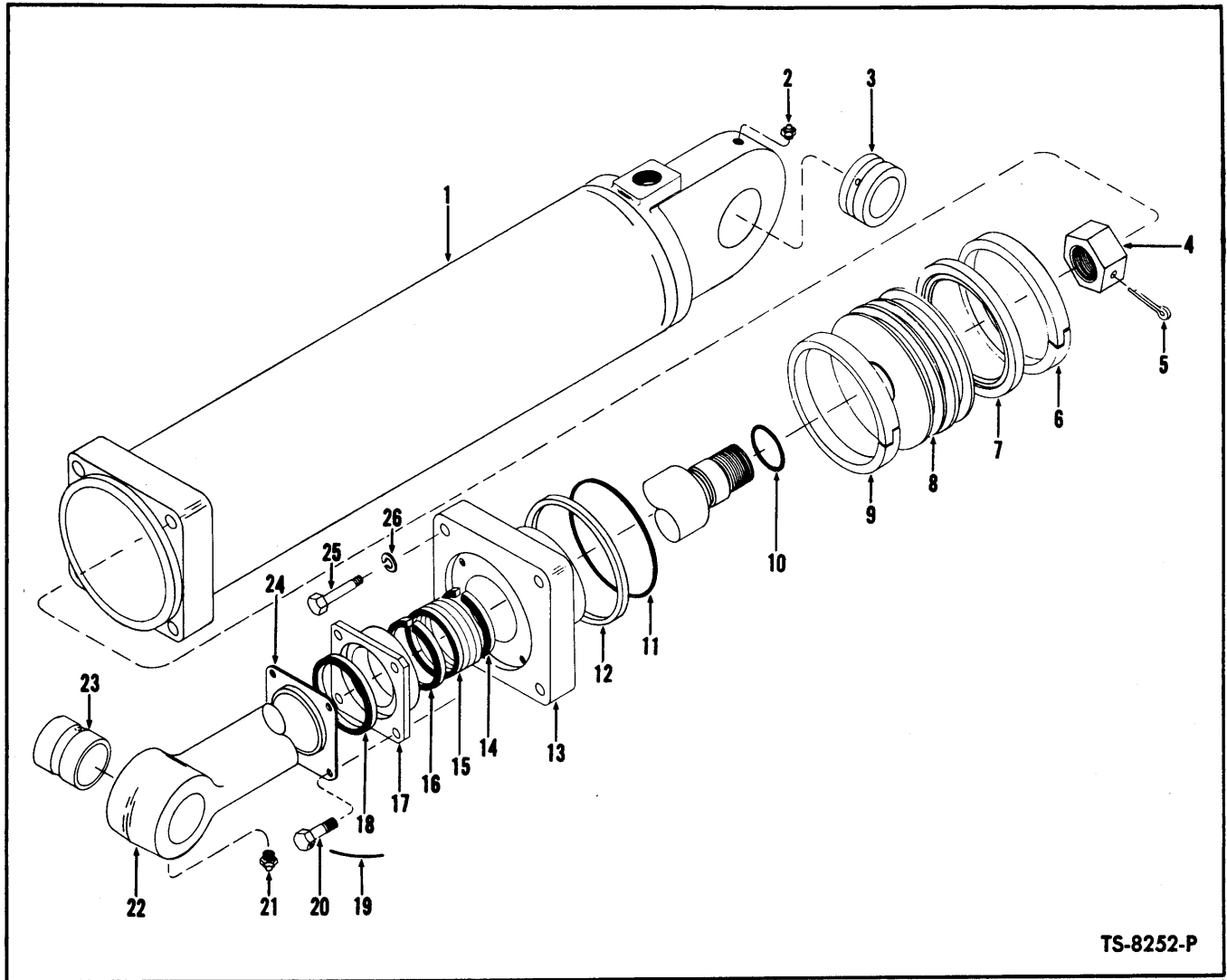
§Not Sold Separately

†Not Illustrated

‡As Required

*NOTE: When Converter Charging Pump replacement is required, only a new factory built and tested pump should be used. Proper operation of converter and transmission is dependent on an efficient charging pump. Damage possible by use of a field rebuilt pump can result in repair cost exceeding cost of a new pump alone.

WHEN ORDERING PARTS, ALWAYS STATE MODEL AND SERIAL NO. OF MACHINE

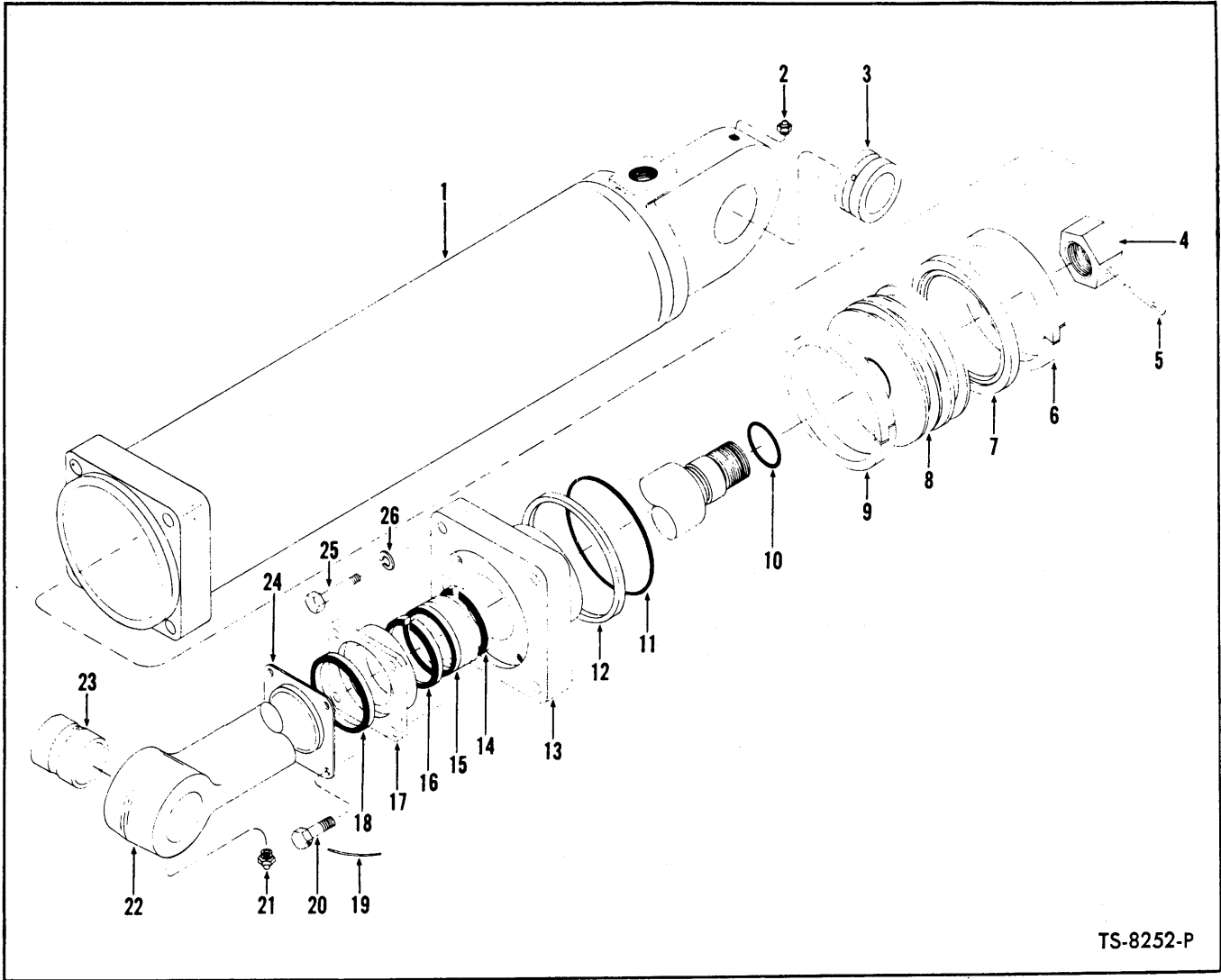


TS-8252-P

BOOM CYLINDER ASSEMBLY

Item No.	Part No.	Description	No. Req'd.	Item No.	Part No.	Description	No. Req'd.
A	1535946	CYLINDER ASSY, Boom (Inc. 1, 3 thru 20, 22 thru 26)	2	12	533791	RING, Back-Up	1
NOTE: Two (2) Cylinders used per machine — Quantities listed below are for one (1) Cylinder				13	1535961	CAP, Cylinder	1
1	1535947	CYLINDER (Inc. 3)	1	14	591517	ADAPTER, Male Chevron Packing	2
2	10H-25	FITTING, Cylinder Grease	1	15	531613	PACKING ASSY	1
3	1522765	BUSHING, Cylinder	1	16	591516	ADAPTER, Female Chevron Packing	2
4	1535960	NUT, Piston Rod	1	17	562700	GLAND, Packing	1
5	1F-844	COTTER, Piston Rod Nut	1	18	591525	SEAL, Piston Rod	1
6	1536234	RING, Piston Wear	1	19	28H-16150	LOCKWIRE (16 ga. x 15" lg.)	2
7	1536235	RING, Piston Seal	1	20	4C-620	BOLT, Packing Gland	4
8	1535957	PISTON	1	21	10H-25	FITTING, Piston Rod Grease	1
9	1536234	RING, Piston Wear	1	22	1521231	ROD ASSY, Piston (Inc. 23)	1
10	25K-40112	"O" RING, Piston Rod	1	23	1521218	BUSHING, Piston Rod	1
11	25K-40424	"O" RING, Cylinder Cap	1	24	562701	RETAINER, Seal	1
				25	24C-836	BOLT, Cylinder	4
				26	4E-08	LKWSHR, Cylinder Cap Bolt	4

WHEN ORDERING PARTS, ALWAYS STATE MODEL AND SERIAL NO. OF MACHINE



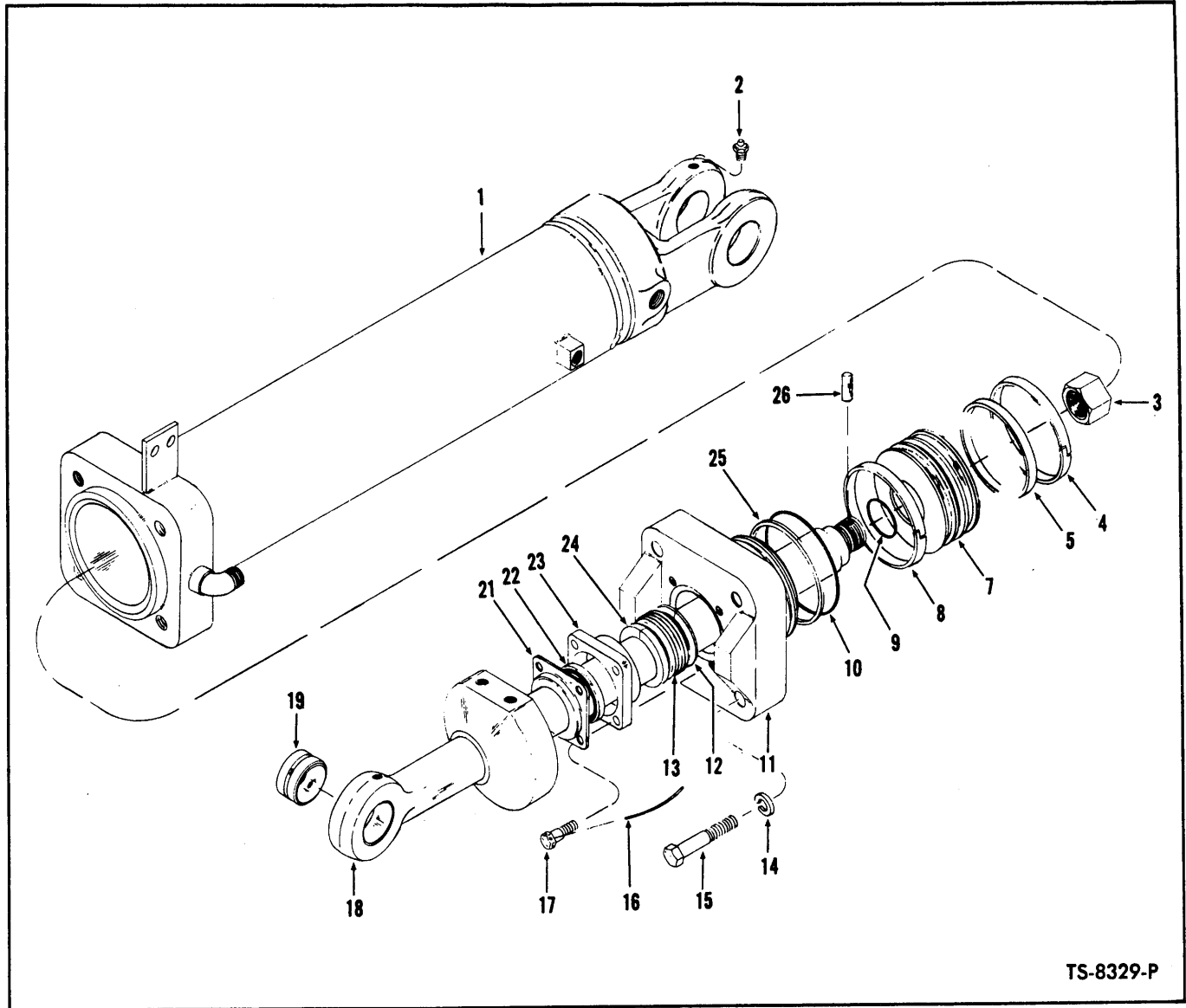
TS-8252-P

BOOM CYLINDER ASSEMBLY

S/N 4069/A 101 thru 120

Item No.	Part No.	Description	No. Req'd.	Item No.	Part No.	Description	No. Req'd.
A	1535946	CYLINDER ASSY, Boom (Inc. 1, 3 thru 20, 22 thru 26)	2	12	533791	RING, Back-Up	1
NOTE: Two (2) Cylinders used per machine — Quantities listed below are for one (1) Cylinder				13	1535961	CAP, Cylinder	1
1	1535947	CYLINDER (Inc. 3)	1	14	591517	ADAPTER, Male Chevron Packing	2
2	10H-25	FITTING, Cylinder Grease	1	15	531613	PACKING ASSY	1
3	1522765	BUSHING, Cylinder	1	16	591516	ADAPTER, Female Chevron Packing	2
4	1535960	NUT, Piston Rod	1	17	562700	GLAND, Packing	1
5	1F-844	COTTER, Piston Rod Nut	1	18	591525	SEAL, Piston Rod	1
6	1536234	RING, Piston Wear	1	19	28H-16150	LOCKWIRE (16 ga. x 15" lg.)	2
7	1536235	OUTER SEAL RING	1	20	4C-620	BOLT, Packing Gland	4
7A	1503465	INNER SEAL RING	1	21	10H-25	FITTING, Piston Rod Grease	1
8	1535957	PISTON	1	22	1521231	ROD ASSY, Piston (Inc. 23)	1
9	1536234	RING, Piston Wear	1	23	1521218	BUSHING, Piston Rod	1
10	25K-40112	"O" RING, Piston Rod	1	24	562701	RETAINER, Seal	1
11	25K-40424	"O" RING, Cylinder Cap	1	25	24C-836	BOLT, Cylinder	4
				26	4E-08	LKWSHR, Cylinder Cap Bolt	4

WHEN ORDERING PARTS, ALWAYS STATE MODEL AND SERIAL NO. OF MACHINE

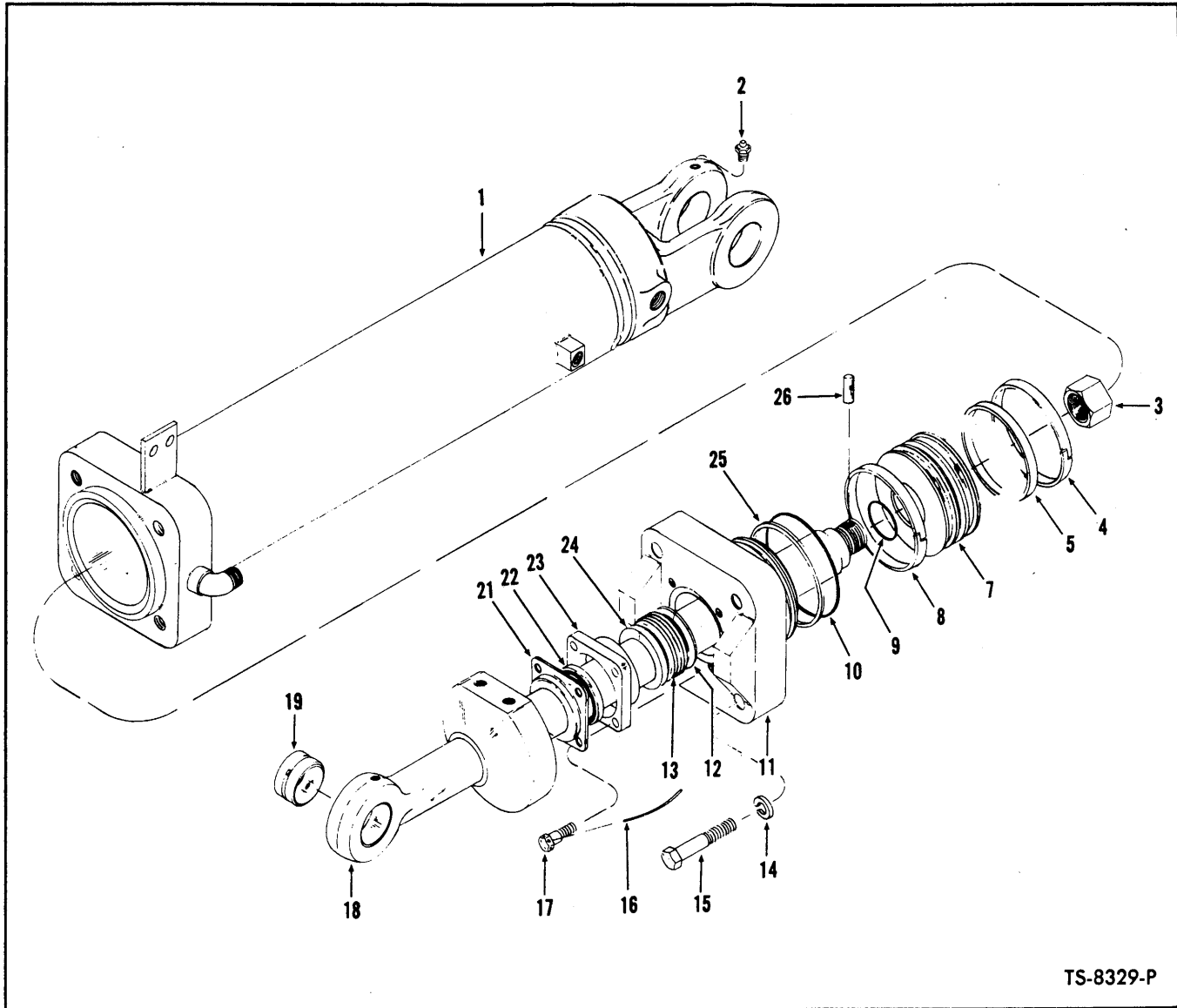


TS-8329-P

BUCKET CYLINDER ASSEMBLY

Item No.	Part No.	Description	No. Req'd.	Item No.	Part No.	Description	No. Req'd.
A	1509802	CYLINDER ASSY, Bucket (Inc. 1, 3 thru 19, 21 thru 26)	2	12	591517	ADAPTER, Male Chevron Packing	2
NOTE: Two (2) Cylinders used per machine — Quantities listed below are for one (1) Cylinder				13	531613	PACKING ASSY	1
1	1509797	CYLINDER	1	14	573929	WASHER, Cylinder Cap Bolt	4
2	10H-25	FITTING, Cylinder Grease	1	15	1509548	BOLT, Cylinder Cap	4
3	1535960	NUT, Piston Rod	1	16	28H-16150	LOCKWIRE (16 ga. x 15" lg)	4
4	1523263	RING, Piston Wear	1	16A	18D-10	LOCKNUT	4
5	1536073	OUTER SEAL RING	1	17	4C-616	BOLT, Seal Retainer	4
5A	1503464	INNER SEAL RING	1	18	1504080	ROD ASSY, Piston (Inc. 19)	1
7	1503026	PISTON	1	19	1521241	BUSHING, Piston Rod	1
8	1523263	RING, Piston Wear	1	21	562701	RETAINER, Seal	1
9	25K-40112	"O" RING, Piston Rod	1	22	591525	SEAL, Piston Rod	1
10	25K-40408	"O" RING, Cylinder Cap	1	23	562700	GLAND, Packing	1
11	567996	CAP, Cylinder	1	24	591516	ADAPTER, Female Chevron Packing	2
				25	548577	RING, Back-up	1
				26	1F-840	INSERT, Piston Rod Nut Locking	1

WHEN ORDERING PARTS, ALWAYS STATE MODEL AND SERIAL NO. OF MACHINE

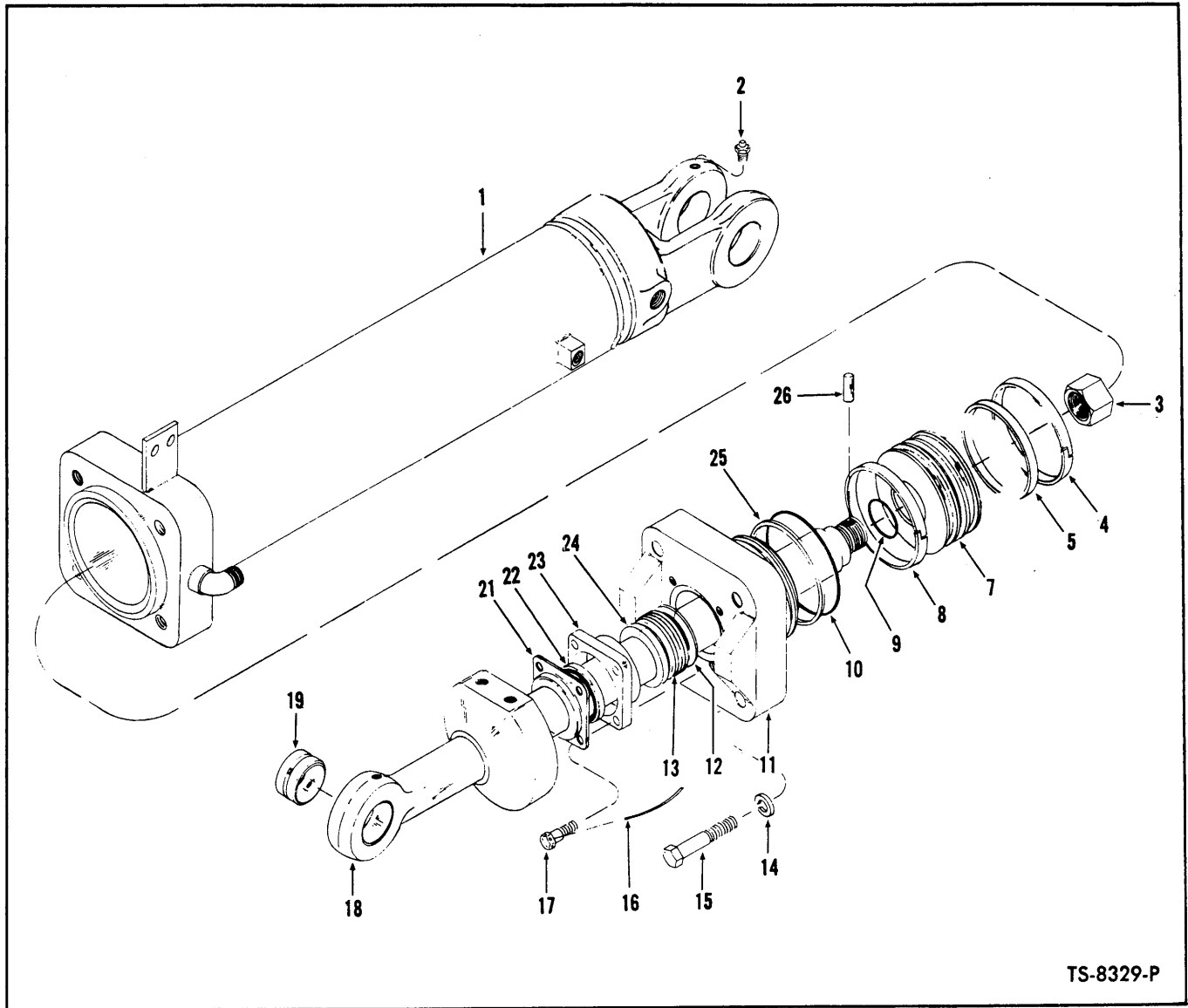


TS-8329-P

BUCKET CYLINDER ASSEMBLY
S/N 4069/A 101 thru 127

Item No.	Part No.	Description	No. Req'd.	Item No.	Part No.	Description	No. Req'd.
A	1504075	CYLINDER ASSY, Bucket (Inc. 1, 3 thru 19, 21 thru 26)	2	12	591517	ADAPTER, Male Chevron Packing	2
NOTE: Two (2) Cylinders used per machine — Quantities listed below are for one (1) Cylinder				13	531613	PACKING ASSY	1
1	1504079	CYLINDER	1	14	573929	WASHER, Cylinder Cap Bolt	4
2	10H-25	FITTING, Cylinder Grease	1	15	1533801	BOLT, Cylinder Cap	4
3	1535960	NUT, Piston Rod	1	16	28H-16150	LOCKWIRE (16 ga. x 15" lg)	4
4	1523263	RING, Piston Wear	1	16A	18D-10	LOCKNUT	4
5	1536073	OUTER SEAL RING	1	17	4C-616	BOLT, Seal Retainer	4
5A	1503464	INNER SEAL RING	1	18	1504080	ROD ASSY, Piston (Inc. 19)	1
7	1503026	PISTON	1	19	1521241	BUSHING, Piston Rod	1
8	1523263	RING, Piston Wear	1	21	562701	RETAINER, Seal	1
9	25K-40112	"O" RING, Piston Rod	1	22	591525	SEAL, Piston Rod	1
10	25K-40408	"O" RING, Cylinder Cap	1	23	562700	GLAND, Packing	1
11	567996	CAP, Cylinder	1	24	591516	ADAPTER, Female Chevron Packing	2
				25	548577	RING, Back-up	1
				26	1F-840	INSERT, Piston Rod Nut Locking	1

WHEN ORDERING PARTS, ALWAYS STATE MODEL AND SERIAL NO. OF MACHINE



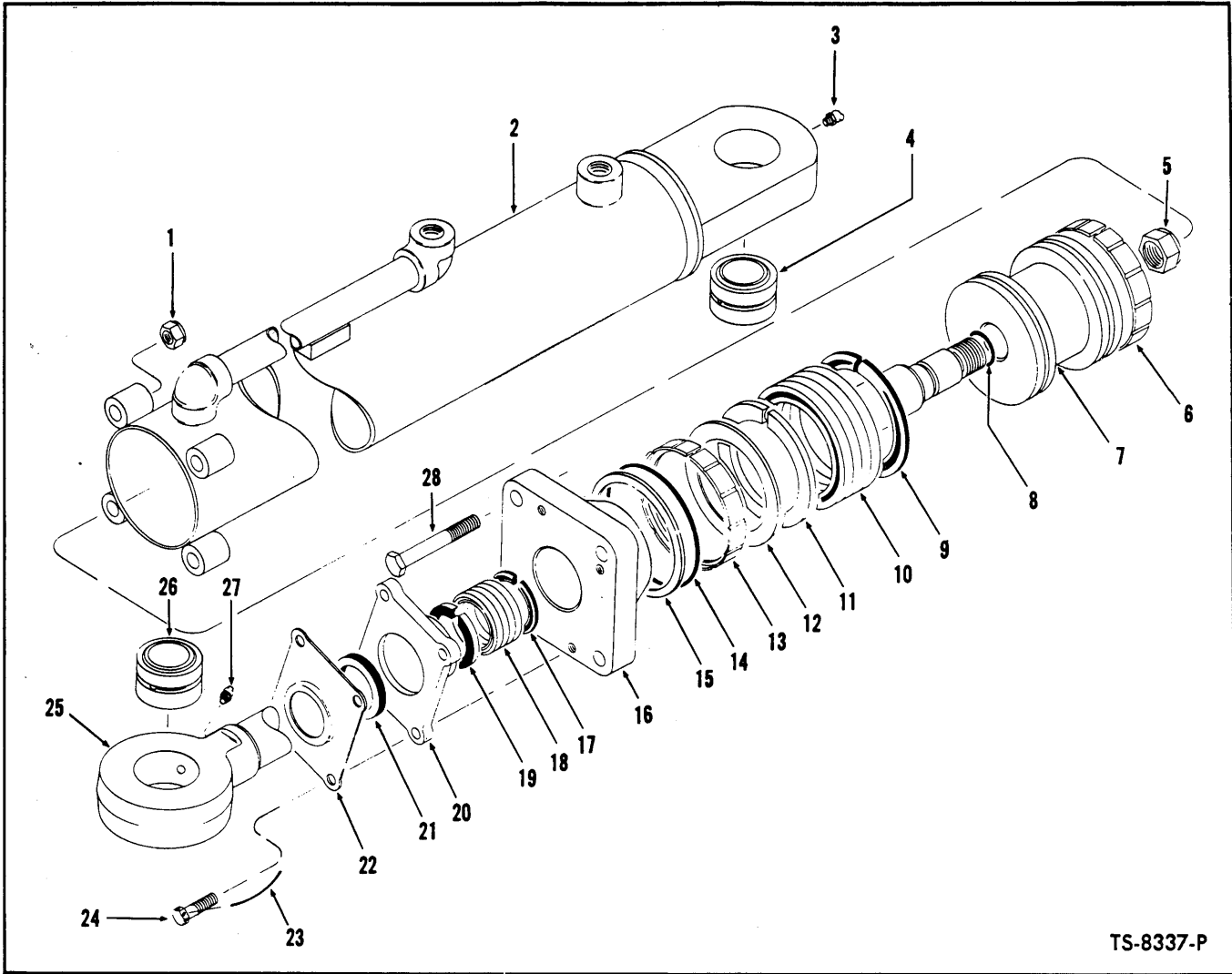
TS-8329-P

BUCKET CYLINDER ASSEMBLY

S/N 4069/A 101 thru 130

Item No.	Part No.	Description	No. Req'd.	Item No.	Part No.	Description	No. Req'd.
A	1536064	CYLINDER ASSY, Bucket (Inc. 1, 3 thru 19, 21 thru 26)	2	12	591517	ADAPTER, Male Chevron Packing	2
NOTE: Two (2) Cylinders used per machine — Quantities listed below are for one (1) Cylinder				13	531613	PACKING ASSY	1
1	1536065	CYLINDER	1	14	4E-10	LKWSHR, Cylinder Cap Bolt	4
2	10H-25	FITTING, Cylinder Grease	1	15	24C-1040	BOLT, Cylinder Cap	4
3	1536074	NUT, Piston Rod	1	16	28H-16150	LOCKWIRE (16 ga. x 15" lg.)	4
4	1523263	RING, Piston Wear	1	17	4C-616	BOLT, Seal Retainer	4
5	1536073	OUTER SEAL RING	1	18	1536076	ROD ASSY, Piston (Inc. 19)	1
5A	1503464	INNER SEAL RING	1	19	1521241	BUSHING, Piston Rod	1
7	1536071	PISTON	1	21	562701	RETAINER, Seal	1
8	1523263	RING, Piston Wear	1	22	591525	SEAL, Piston Rod	1
9	899173	"O" RING, Piston Rod	1	23	562700	GLAND, Packing	1
10	25K-40408	"O" RING, Cylinder Cap	1	24	591516	ADAPTER, Female Chevron Packing	2
11	567996	CAP, Cylinder	1	25	548577	RING, Back-up	1
				26	1536075	INSERT, Piston Rod Nut Locking	1

WHEN ORDERING PARTS, ALWAYS STATE MODEL AND SERIAL NO. OF MACHINE



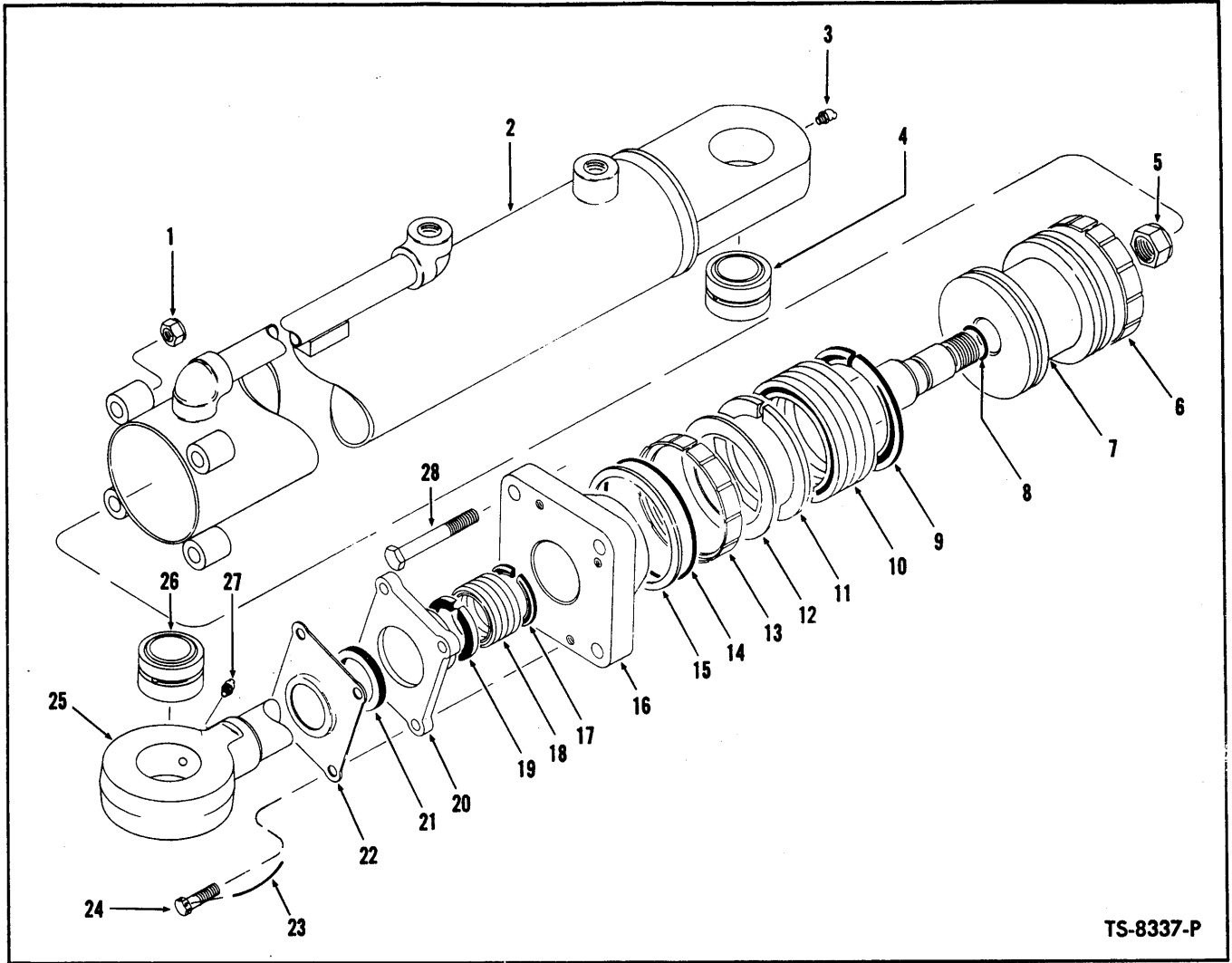
TS-8337-P

STEERING CYLINDER ASSEMBLY

Item No.	Part No.	Description	No. Req'd.	Item No.	Part No.	Description	No. Req'd.
A	1504836	CYLINDER ASSY (Inc. 1, 2, 4 thru 26, 28)	2	13	1530264	RING, Piston	1
NOTE: Two (2) Cylinders used per machine — Quantities listed below are for one (1) Cylinder only				14	25K-40308	"O" RING, Cylinder Cap	1
1	18D-07	NUT, Cylinder Cap	4	15	532917	RING, "O" Ring Back Up	1
2	1521836	CYLINDER, Steering	1	16	532916	CAP, Cylinder	1
3	11H-15	FITTING, Cylinder Grease	1	17	520400	ADAPTER, Male Chevron Packing	2
4	713418	BUSHING, Cylinder	1	18	538068	PACKING ASSY, Chevron (Cylinder Cap)	1
5	537015	NUT, Piston Rod	1	19	520399	ADAPTER, Female Chevron Packing	2
6	1530264	RING, Piston	1	20	526451	GLAND, Packing	1
7	1503639	PISTON	1	21	941568	SEAL, Piston Rod	1
8	25K-40104	"O" RING, Piston to Rod	1	22	512797	RETAINER, Seal	1
10	1503629	INNER SEAL RING	1	23	28H-16200	LOCKWIRE (16 ga. x 20" lg.)	2
11	1503631	OUTER SEAL RING	1	24	4C-620	BOLT, Packing Gland	4
				25	1521832	ROD, Piston	1
				26	713418	BUSHING, Piston Rod	1
				27	10H-25	FITTING, Piston Rod Grease	1
				28	24C-748	BOLT, Cylinder Cap	4

‡As Required

WHEN ORDERING PARTS, ALWAYS STATE MODEL AND SERIAL NO. OF MACHINE



TS-8337-P

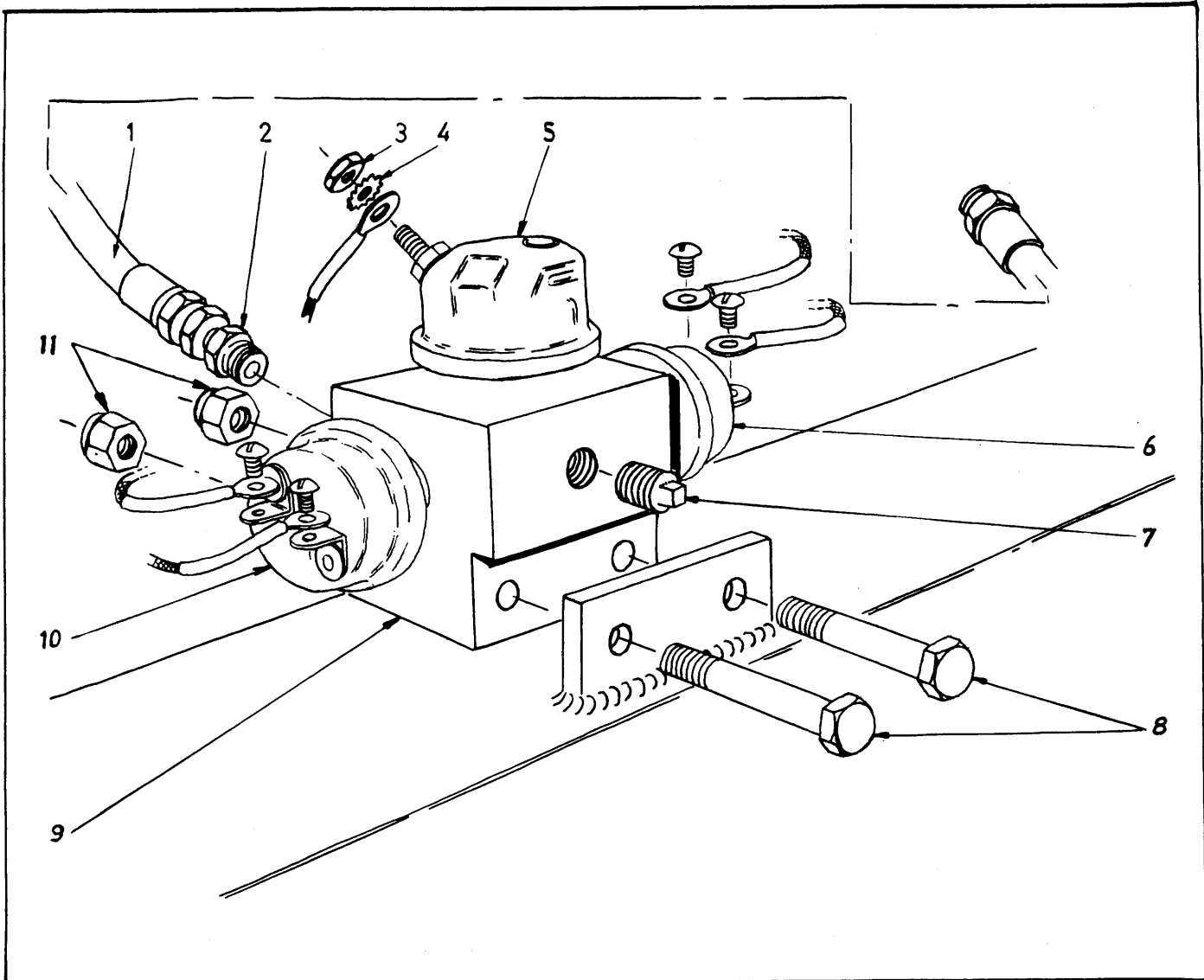
STEERING CYLINDER ASSEMBLY

S/N 4069/A 101 thru 130

Item No.	Part No.	Description	No. Req'd.	Item No.	Part No.	Description	No. Req'd.
A	1521837	CYLINDER ASSY (Inc. 1, 2, 4 thru 26, 28)	2	13	552767	RING, Piston	1
NOTE: Two (2) Cylinders used per machine — Quantities listed below are for one (1) Cylinder only				14	25K-40308	"O" RING, Cylinder Cap	1
1	18D-07	NUT, Cylinder Cap	4	15	532917	RING, "O" Ring Back Up	1
2	1521836	CYLINDER, Steering	1	16	532916	CAP, Cylinder	1
3	11H-15	FITTING, Cylinder Grease	1	17	520400	ADAPTER, Male Chevron Packing	2
4	713418	BUSHING, Cylinder	1	18	538068	PACKING ASSY, Chevron (Cylinder Cap)	1
5	537015	NUT, Piston Rod	1	19	520399	ADAPTER, Female Chevron Packing ..	2
6	552767	RING, Piston	1	20	526451	GLAND, Packing	1
7	512789	PISTON	1	21	941568	SEAL, Piston Rod	1
8	25K-40104	"O" RING, Piston to Rod	1	22	512797	RETAINER, Seal	1
9	527496	ADAPTER, Male Chevron Packing	2	23	28H-16200	LOCKWIRE (16 ga. x 20" lg.)	2
10	531606	PACKING ASSY, Chevron	1	24	4C-620	BOLT, Packing Gland	4
11	527497	ADAPTER, Female Chevron Packing ..	2	25	1521832	ROD, Piston	1
12	520405	‡SHIM	—	26	713418	BUSHING, Piston Rod	1
				27	10H-25	FITTING, Piston Rod Grease	1
				28	24C-748	BOLT, Cylinder Cap	4

‡As Required

WHEN ORDERING PARTS, ALWAYS STATE MODEL AND SERIAL NO. OF MACHINE

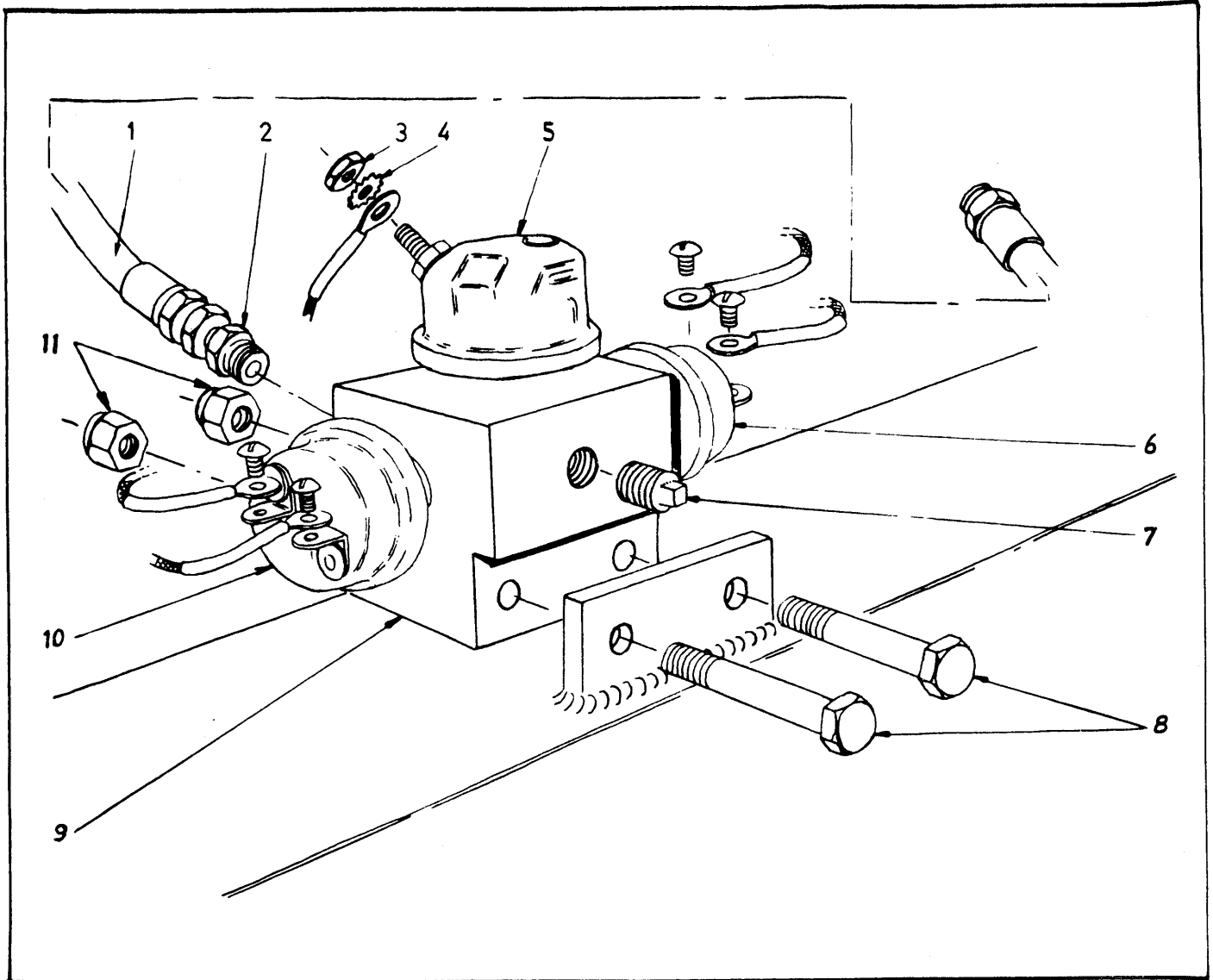


ENGINE OIL PRESSURE LINE
S/N 4069/A 101 thru 127

Item	Part No	Description	No Req'd
1	3236633	TUBE, Compressor to Block	1
2	51F-2	ADAPTOR, Tube to Block	1
3	14D-10	NUT	5
4	12E-10	LKWSHR	5
5	1618574	OIL PRESSURE SENDER UNIT	1
6	—	NOT USED	—
7	40K-02	PIPE PLUG	2
8	18C-436	BOLT, Block to Frame	2
9	3225794	MOUNTING BLOCK	1
10	572421	OIL PRESSURE SWITCH	1
11	18D-04	LOCKNUT, Block to Frame	2

† Not illustrated

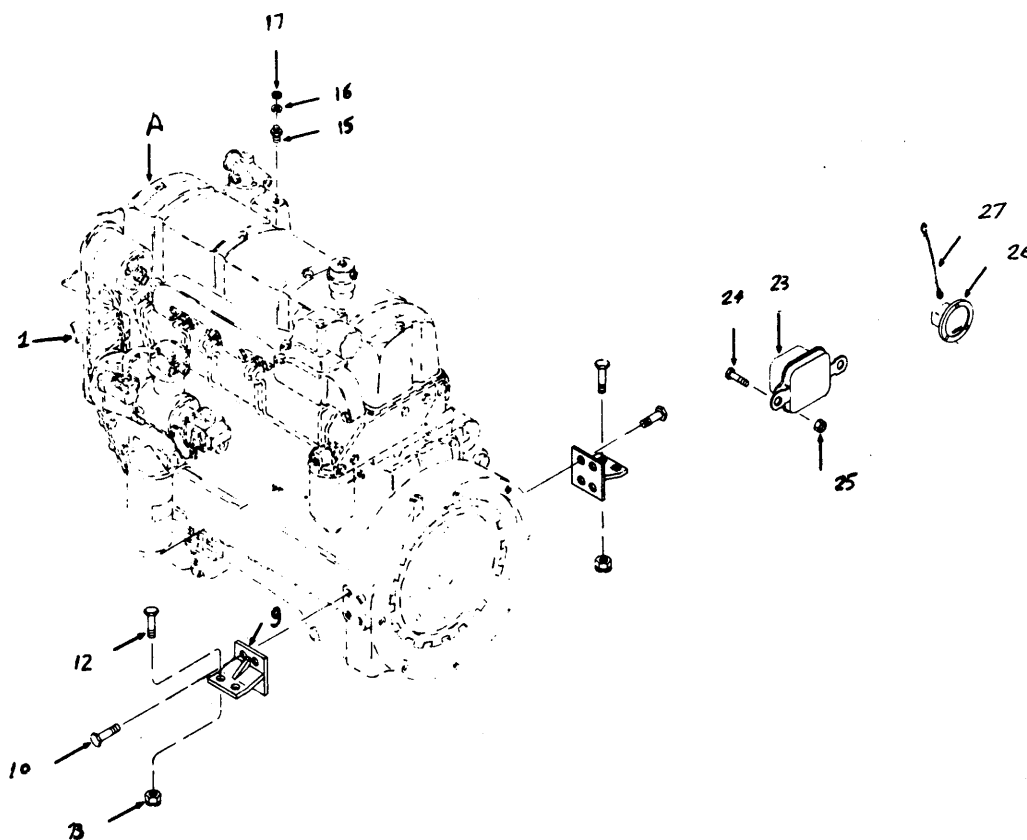
WHEN ORDERING PARTS, ALWAYS STATE MODEL AND SERIAL NO. OF MACHINE



ENGINE OIL PRESSURE LINE

Item No.	Part No.	Description	No. Req'd.	Item No.	Part No.	Description	No. Req'd.
1	3225859	HOSE, Compressor to Block (For Perkins)	1	5	1618574	OIL PRESSURE, Sender Unit	1
1A	3225860	HOSE, Engine to Block (For Daf)	1	6	—	Not Used	—
2	31F-1	ADAPTOR, Tube to Block	1	7	40K-02	PIPE PLUG	2
3	14D-10	NUT	3	8	24C-432	BOLT, Block to Frame	2
4	12E-10	LKWSHR	3	9	3225794	MOUNTING BLOCK	1
				10	572421	OIL PRESSURE SWITCH	1
				11	18D-04	LOCKNUT, Block to Frame	2

WHEN ORDERING PARTS, ALWAYS STATE MODEL AND SERIAL NO. OF MACHINE



TS-8111-P

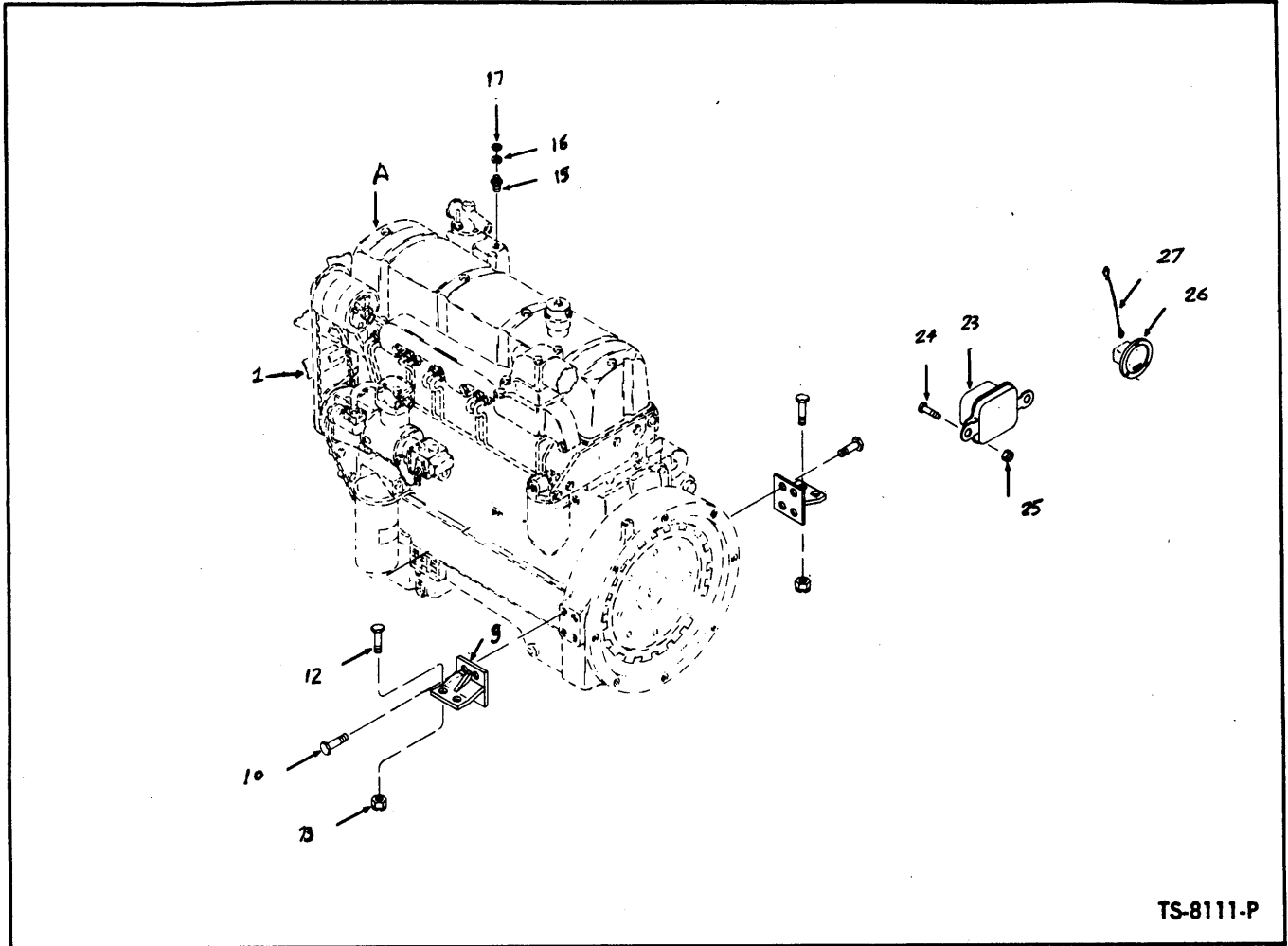
ENGINE SUPPORT AND AUXILIARY PARTS — PERK.

S/N 4069/A 101 thru 120

Item No.	Part No.	Description	No. Req'd.	Item No.	Part No.	Description	No. Req'd.
A	3235211	ENGINE - See Perkins V8-510 Engine Parts Manual	1	14	635682	†WASHER, Mount to Frame	4
1	3236764	FAN - Pusher 24"	1	15	3200221	SENDER UNIT, Engine temp.	1
2	3233145	†ENGINE, Mount Assy - front	1	16	12E-10	LKWSHR, Sender Unit	1
3	18D-07	†NUT, Engine Mount to Engine	6	17	14D-10	NUT, Sender Unit	1
4	664424	†WASHER	6	17A	3454560	FIBER WASHER	1
5	4E-07	†LKWSHR	6	18	3135618	†BRKT, Air line compressor to reservoir	1
6	24C-832	†BOLT, Front mounting to Frame	2	19	24C-616	†BOLT	1
7	68D-08	†NUT, Front mounting to Frame	2	20	2D-06	†NUT	1
8	584092	†WASHER, Front mounting to Frame	2	21	4E-06	†L.W.	1
9	3233120	ENGINE MOUNT ASSY, Rear	2	23	—	VOLTAGE REGULATOR - Supplied with Engine	1
10	17C-836	BOLT, Mount to Engine	8	24	18C-412	BOLT, Voltage Regulator to Hood	2
11	536746	†PAD	2	25	18D-04	NUT, Voltage regulator to Hood	2
12	24C-832	BOLT, Mount to Frame	4	26	3132737	HOURMETER	1
13	18D-08	NUT, Mount to Frame	4	27	3222614	WIRE, Hourmeter to ground	1

† Not illustrated

WHEN ORDERING PARTS, ALWAYS STATE MODEL AND SERIAL NO. OF MACHINE



TS-8111-P

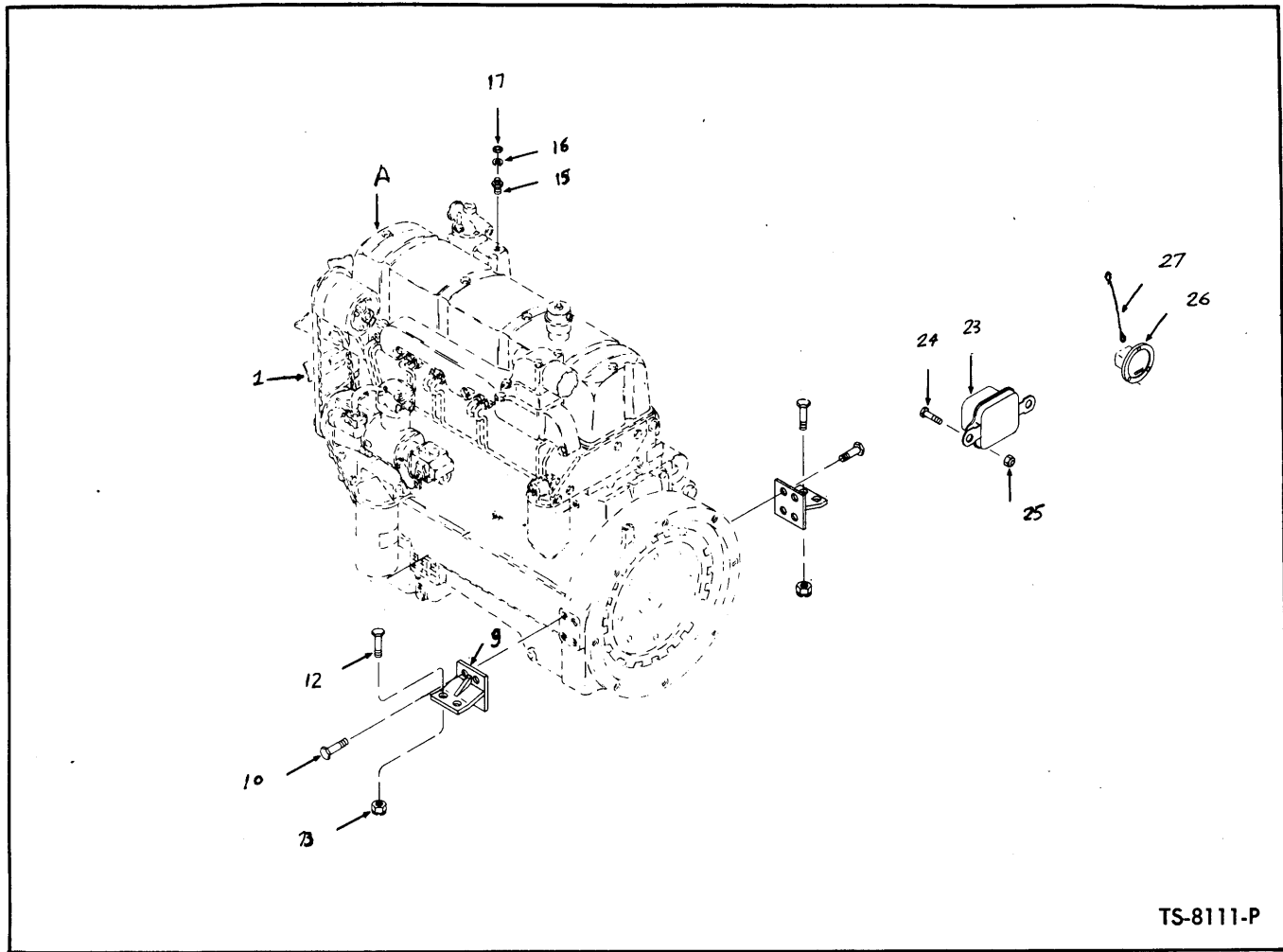
ENGINE SUPPORT AND AUXILIARY PARTS

S/N 4069/A 101 thru 127

Item No.	Part No.	Description	No. Req'd.	Item No.	Part No.	Description	No. Req'd.
A	3231102	ENGINE - See Perkins V8-510 Engine Parts Manual	1	14	635682	†WASHER, Mount to Frame	4
1	3235208	FAN - Pusher 24"	1	15	3200221	SENDER UNIT, Engine temp.	1
2	3233145	†ENGINE, Mount Assy - front	1	16	12E-10	LKWSHR, Sender Unit	1
3	18D-07	†NUT, Engine Mount to Engine	6	17	14D-10	NUT, Sender Unit	1
4	664424	†WASHER	6				
5	4E-07	†LKWSHR	6	23	—	VOLTAGE REGULATOR - Supplied with Engine	1
6	24C-832	†BOLT, Front mounting to Frame	2	24	18C-412	BOLT, Voltage Regulator to Hood	2
7	68D-08	†NUT, Front mounting to Frame	2	25	18D-04	NUT, Voltage regulator to Hood	2
8	584092	†WASHER, Front mounting to Frame ...	2	26	3132737	HOURMETER	1
9	3233120	ENGINE MOUNT ASSY, Rear	2	27	3222614	WIRE, Hourmeter to ground	1
10	2C-836	BOLT, Mount to Engine	8				
11	4E-08	†LKWSHR, Mount to Engine	8				
12	24C-832	BOLT, Mount to Frame	4				
13	18D-08	NUT, Mount to Frame	4				

† Not illustrated

WHEN ORDERING PARTS, ALWAYS STATE MODEL AND SERIAL NO. OF MACHINE



TS-8111-P

ENGINE SUPPORT AND AUXILIARY PARTS

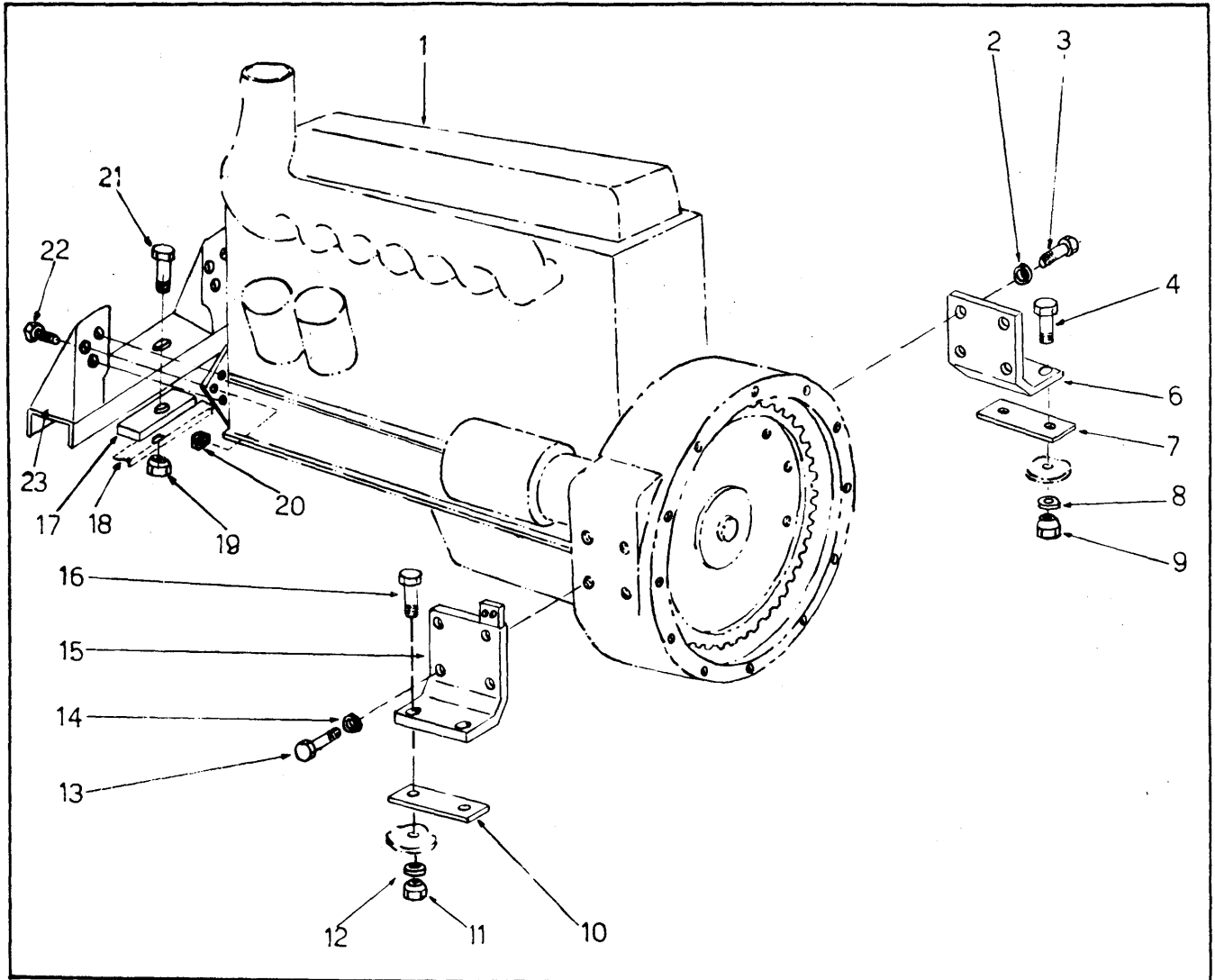
S/N 4069/A 121 thru 130

Item No.	Part No.	Description	No. Req'd.	Item No.	Part No.	Description	No. Req'd.
A	3231102	ENGINE - See Perkins V8-510 Engine Parts Manual	1	14	635682	†WASHER, Mount to Frame	4
1	3235208	FAN - Pusher 24"	1	15	3200221	SENDER UNIT, Engine temp.	1
2	3233145	†ENGINE, Mount Assy - front	1	16	12E-10	LKWSHR, Sender Unit	1
3	18D-07	†NUT, Engine Mount to Engine	6	17	14D-10	NUT, Sender Unit	1
4	664424	†WASHER	6	18	3214203	†ADAPTOR, Oilpress Sender	1
5	4E-07	†LKWSHR	6	19	572421	†PRESSURE SWITCH, Hourmeter	1
6	24C-832	†BOLT, Front mounting to Frame	2	20	1618574	†SENDER UNIT, Engine oil pressure	1
7	68D-08	†NUT, Front mounting to Frame	2	21	12E-10	†LKWSHR, Sender Unit	1
8	584092	†WASHER, Front mounting to Frame	2	22	14D-10	†NUT, Sender Unit	1
9	3233120	ENGINE MOUNT ASSY, Rear	2	23	—	VOLTAGE REGULATOR - Supplied with Engine	1
10	2C-836	BOLT, Mount to Engine	8	24	18C-412	BOLT, Voltage Regulator to Hood	2
11	4E-08	†LKWSHR, Mount to Engine	8	25	18D-04	NUT, Voltage regulator to Hood	2
12	24C-832	BOLT, Mount to Frame	4	26	3132737	HOURMETER	1
13	18D-08	NUT, Mount to Frame	4	27	3222614	WIRE, Hourmeter to ground	1

NOTE: For machines s/n 4069A - 124 - 128 - 130 use
It. A: 3235211
It. 1: 3235302

† Not illustrated

WHEN ORDERING PARTS, ALWAYS STATE MODEL AND SERIAL NO. OF MACHINE

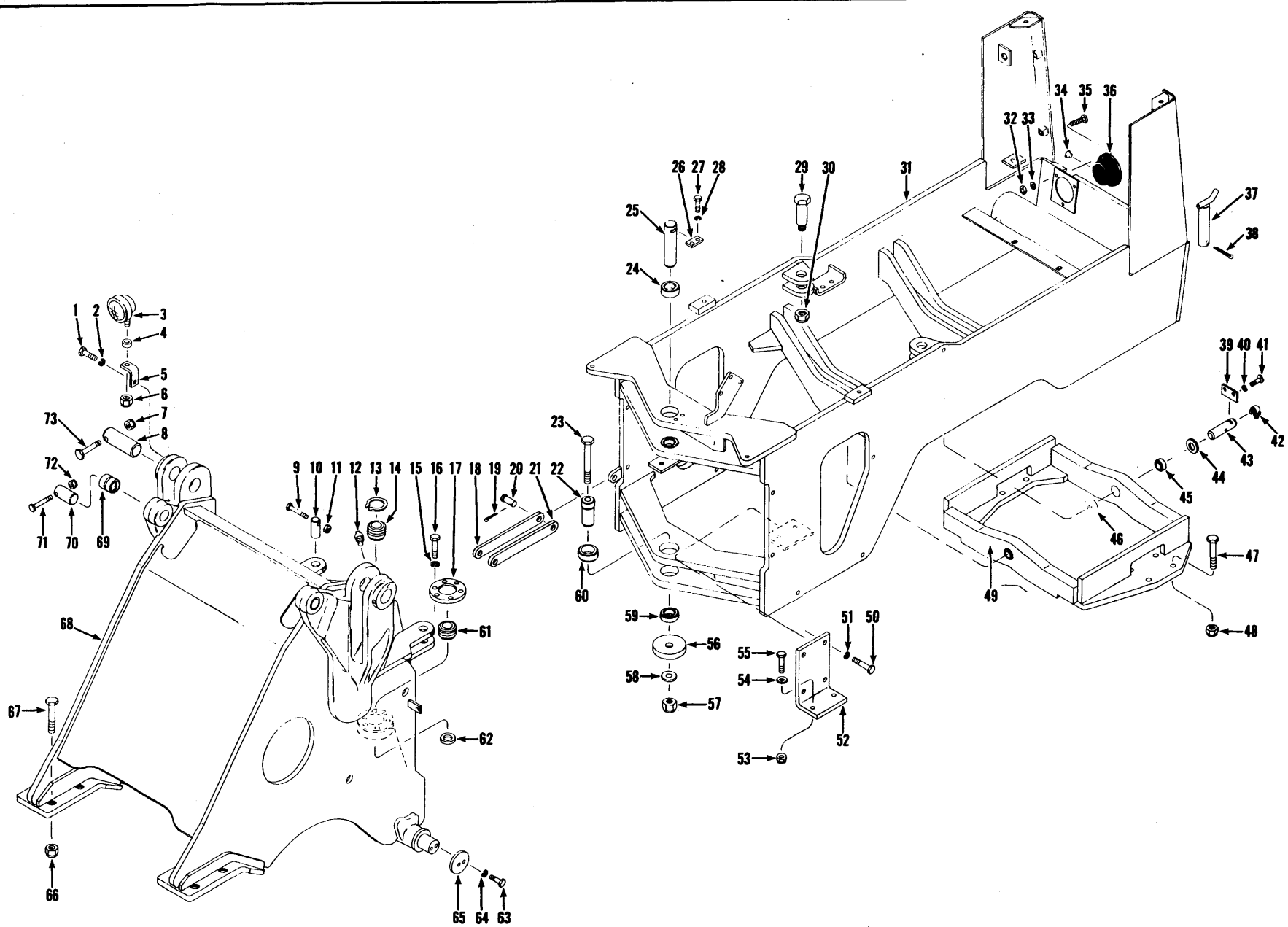


ENGINE SUPPORT AND AUXILIARY PARTS — DAF

Item No.	Part No.	Description	No. Req'd	Item No.	Part No.	Description	No. Req'd
1	3521558	ENGINE DAF DT-615A (See Engine Parts Manual)	1	19A	619031	†WASHER, Support Rear to Frame	1
2	4E-03	LKWSHR, Support to Engine	4	20	18D-06	NUT, Support Rear to Engine	6
3	24C-824	BOLT, Support to Engine	4	21	18C-1040	BOLT, Support Rear to Frame	1
4	24C-840	BOLT, Support to Frame	2	22	18C-620	BOLT, Support Rear to Engine	6
6	3520399	ENGINE SUPPORT — LH	1	23	3520387	ENGINE SUPPORT, Rear	1
7	3520400	PAD, Engine Support	1	24	3523169	†FAN, Spacer	1
8	—	Not used	—	25	3523177	†BOLT, Spacer to Engine	6
9	68D-08	NUT, Support to Frame	2	26	4E-05	†LKWSHR, Spacer to Engine	6
10	3520400	PAD, Engine Support	1	27	3522521	†FAN, Pusher - 22"	1
11	68D-08	NUT, Support to Frame	2	28	18C-518	†BOLT, Fan to Spacer	4
12	—	Not used	—	29	4E-05	†LKWSHR, Fan to Spacer	4
13	24C-824	BOLT, Support to Engine	4	30	3520144	†TEMP. SENDER UNIT, Engine	1
14	4E-08	LKWSHR, Support to Engine	4	31	14D-10	†NUT, Sender Unit	1
15	3522292	SUPPORT ASSY — RH	1	32	14E-10	†LKWSHR, Sender Unit	1
16	24C-840	BOLT, Support to Frame	2	33	3133369	†HOURMETER	1
17	3520394	PAD, Engine Support — Rear	1	34	3133757	†SUPPORT, Hourmeter	1
18	—	FRAME ANGLE	—	35	18C-516	†BOLT, Support Mtg	2
19	18D-10	NUT, Support Rear to Frame	1	36	18D-05	†NUT, Support Mtg	2
				37	3522358	†WIRE, Hourmeter to Ground	1

† Not illustrated

WHEN ORDERING PARTS, ALWAYS STATE MODEL AND SERIAL NO. OF MACHINE



FRONT AND REAR FRAME AND CRADLE

TS-8077-P

FRONT AND REAR FRAME AND CRADLE

S/N 4069/A 101 thru 130

Item No.	Part No.	Description	No. Req'd.	Item No.	Part No.	Description	No. Req'd.
1	24C-616	BOLT, Bracket to Frame	2	36B	942746	†BULB, Stop & Tail Lamp	2
2	4E-06	LKWSHR, Bracket to Frame	2	37	549988	PIN, Drawbar	1
3	547529	LAMP, Flood (Inc. 3A)	2	38	1F-1252	COTTER, Drawbar Pin	1
3A	944907	†SEALED UNIT	2	39	568259	LOCK PLATE, Cradle Pin Retaining ..	2
4	509320	SPACER, Lamp to Bracket	2	40	4E-08	LKWSHR, Lock Plate to Cradle	4
5	556678	BRACKET, Flood Lamp Mounting	2	41	24C-820	BOLT, Lock Plate to Cradle	4
6	17D-6	NUT, Flood Lamp Mounting	2	42	12H-15	FITTING, Cradle Pin Grease	2
7	18D-10	NUT, Pin Retaining	2	43	1521805	PIN, Cradle to Frame	2
8	1522538	PIN, Boom to Frame	2	44	552146	‡SPACER, Cradle Pin — 1/8"	—
9	24C-668	BOLT, Pin Retaining	2	45	1521804	BUSHING, Cradle	2
10	1521896	PIN, Steer Cylinder Anchor	2	46	552147	‡SPACER, Cradle Pin — 1/8"	—
11	18D-06	NUT, Pin Retaining	2	47	24C-16160	BOLT, Axle to Cradle	8
12	12H-15	FITTING, Hinge Pin Grease	2	48	68D-16	NUT, Axle to Cradle	8
13	710943	RING, Bushing Retaining	1	49	1521810	CRADLE ASSY (Inc. 46)	1
14	669896	BUSHING, Upper Hinge Pin	1	50	23C-1228	BOLT, Transmission to Bracket	8
15	4E-08	LKWSHR, Cap to Frame	6	51	4E-12	LKWSHR, Transmission to Bracket ...	8
16	24C-820	BOLT, Cap to Frame	6	52	589573	BRACKET, Transmission Mounting	2
17	1522024	CAP, Lower Hinge Pin	1	53	18D-08	NUT, Bracket to Frame	4
18	1533777	BAR, Safety Link	1	54	619029	WASHER, Bracket to Frame	4
19	1F-540	COTTER, Clevis Pin	2	55	24C-836	BOLT, Bracket to Frame	4
20	358640	PIN, Safety Link Clevis	2	56	1506853	PLATE, Bushing Retaining	1
21	1533777	BAR, Safety Link	1	57	68D-16	NUT, Lower Hinge Pin Retaining	1
22	1522025	PIN, Lower Hinge	1	58	589596	WASHER, Lower Hinge Pin Retaining ..	1
23	24C-16144	BOLT, Lower Hinge Pin Retaining	1	59	1522029	BUSHING, Lower Pivot — Lower	1
24	1522035	BUSHING, Upper Pivot	2	60	1522030	BUSHING, Lower Pivot — Upper	1
25	1522023	PIN, Upper Hinge	1	61	669896	BUSHING, Lower Hinge Pin	1
26	568950	LOCK PLATE, Pin Retaining	1	62	1522027	SPACER, Lower Hinge Pin	1
27	24C-820	BOLT, Lock Plate to Frame	2	63	23C-620	BOLT, Retainer to Frame	4
28	4E-08	LKWSHR, Lock Plate to Frame	2	64	4E-06	LKWSHR, Retainer to Frame	4
29	517355	BOLT, Steering Cylinder Anchor	2	65	1522797	RETAINER, Boom Cylinder	2
30	66D-22	NUT, Steering Cylinder Anchor	2	66	68D-16	NUT, Axle to Frame	8
31	3233517	FRAME ASSY, Rear (Inc. 24)	1	67	24C-16160	BOLT, Axle to Frame	8
32	14D-10	NUT, Tail Lamp Mounting	6	68	3231159	FRAME ASSY, Front (Inc. 69)	1
33	17E-10	LKWSHR, Tail Lamp Mounting	6	69	585007	BUSHING, Bucket Cylinder to Frame ..	2
34	1010736	PLUG, Tail Lamp — R.H. Only	1	70	556960	PIN, Bucket Cylinder to Frame	2
35	2G-1012	SCREW, Tail Lamp Mounting	6	71	24C-876	BOLT, Pin Retaining	2
36	562641	LAMP, Stop & Tail (Inc. 36A)	2	72	18D-08	NUT, Pin Retaining	2
36A	1103680	†LENS, Stop & Tail Lamp	2	73	24C-1096	BOLT, Pin Retaining	2

†Not Illustrated
‡As Required

WHEN ORDERING PARTS, ALWAYS STATE MODEL AND SERIAL NO. OF MACHINE

C

C

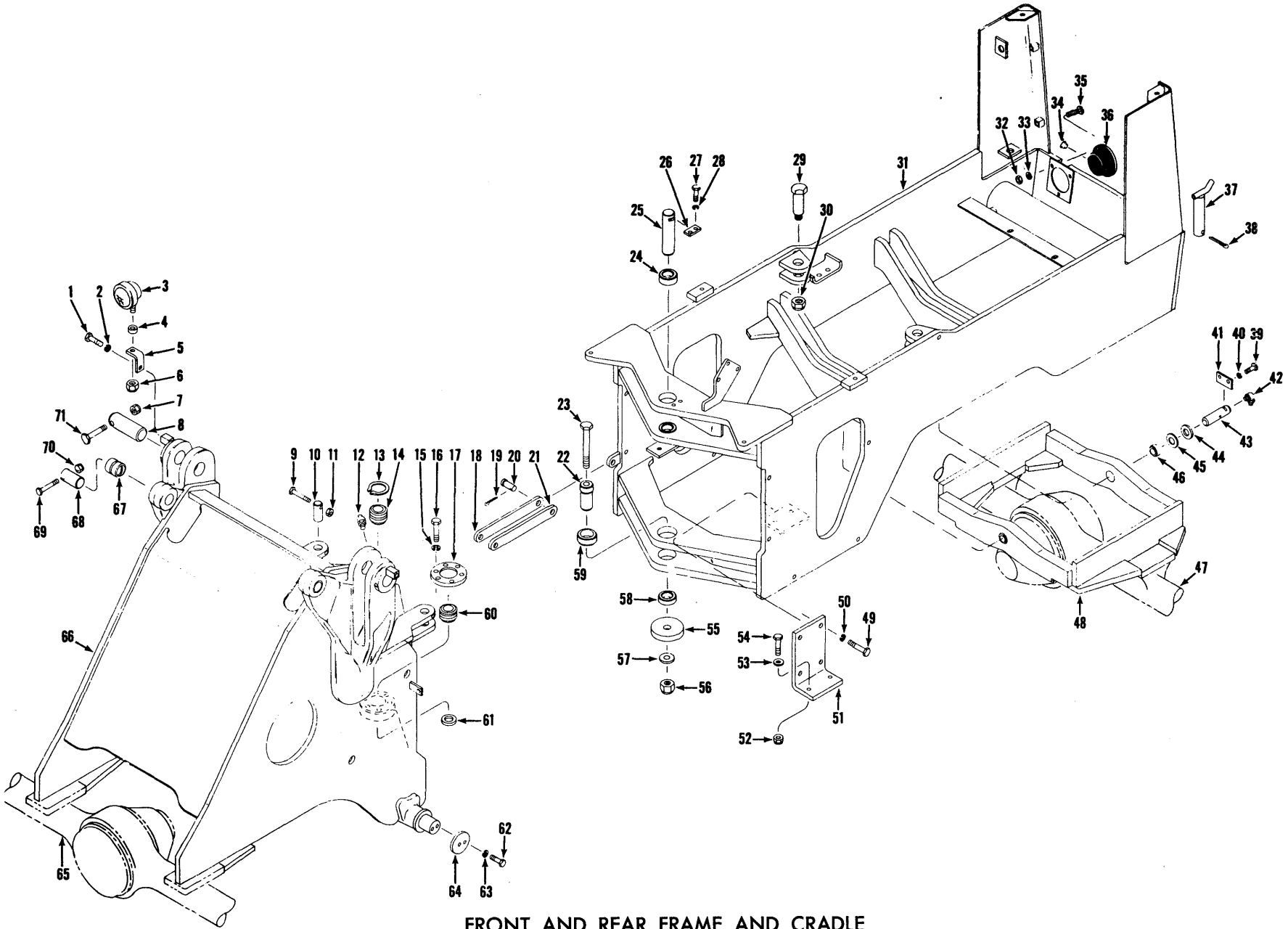
C

FRONT AND REAR FRAME AND CRADLE

Item No.	Part No.	Description	No. Req'd.	Item No.	Part No.	Description	No. Req'd.
1	24C-616	BOLT, Bracket to Frame	2	36B	3222901	†BULB, Stop & Tail Lamp	2
2	4E-06	LKWSHR, Bracket to Frame	2	37	1506818	PIN, Drawbar	1
3	3224357	LAMP, Flood (Inc. 3A, 3B)	2	38	1F-1252	COTTER, Drawbar Pin	1
3A	3290414	RETAINER	2	39	568259	LOCK PLATE, Cradle Pin Retaining	1
3B	3290413	LIGHT UNIT	2			Front	1
3C	3224544	BULB	2	39A	5235468	LOCK PLATE, Pin to Cradle Support rear	1
4	509320	SPACER, Lamp to Bracket	2	40	4E-08	LKWSHR, Lock Plate to Cradle	4
5	556678	BRACKET, Flood Lamp Mounting	2	41	24C-820	BOLT, Lock Plate to Cradle	4
6	17D-6	NUT, Flood Lamp Mounting	2	42	12H-15	FITTING, Cradle Pin Grease	2
7	18D-10	NUT, Pin Retaining	2	43	1521805	PIN, Cradle to Frame	2
8	1522538	PIN, Boom to Frame	2	44	552146	‡SPACER, Cradle Pin — 1/16"	—
9	24C-668	BOLT, Pin Retaining	2	45	1521804	BUSHING, Cradle	2
10	1521896	PIN, Steer Cylinder Anchor	2	46	552147	‡SPACER, Cradle Pin — 1/8"	—
11	18D-06	NUT, Pin Retaining	2	47	24C-16160	BOLT, Axle to Cradle	8
12	12H-15	FITTING, Hinge Pin Grease	2	48	68D-16	NUT, Axle to Cradle	8
13	710943	RING, Bushing Retaining	1	49	1521810	CRADLE ASSY (Inc. 46)	1
14	669896	BUSHING, Upper Hinge Pin	1	50	23C-1228	BOLT, Transmission to Bracket	8
15	4E-08	LKWSHR, Cap to Frame	6	51	4E-12	LKWSHR, Transmission to Bracket	8
16	24C-820	BOLT, Cap to Frame	6	52	589573	BRACKET, Transmission Mounting	2
17	1522024	CAP, Lower Hinge Pin	1	53	18D-08	NUT, Bracket to Frame	4
18	1533777	BAR, Safety Link	1	54	619029	WASHER, Bracket to Frame	4
19	1F-540	COTTER, Clevis Pin	2	55	24C-836	BOLT, Bracket to Frame	4
20	358640	PIN, Safety Link Clevis	2	56	1506853	PLATE, Bushing Retaining	1
21	1533777	BAR, Safety Link	1	57	68D-16	NUT, Lower Hinge Pin Retaining	1
22	1522025	PIN, Lower Hinge	1	58	589596	WASHER, Lower Hinge Pin Retaining	1
23	24C-16144	BOLT, Lower Hinge Pin Retaining	1	59	1522029	BUSHING, Lower Pivot — Lower	1
24	1522029	BUSHING, Upper Pivot	2	60	1522030	BUSHING, Lower Pivot — Upper	1
25	1522023	PIN, Upper Hinge	1	61	669896	BUSHING, Lower Hinge Pin	1
26	568950	LOCK PLATE, Pin Retaining	1	62	1522027	SPACER, Lower Hinge Pin	1
27	24C-820	BOLT, Lock Plate to Frame	2	63	23C-620	BOLT, Retainer to Frame	4
28	4E-08	LKWSHR, Lock Plate to Frame	2	64	4E-06	LKWSHR, Retainer to Frame	4
29	517355	BOLT, Steering Cylinder Anchor	2	65	1522797	RETAINER, Boom Cylinder	2
30	66D-22	NUT, Steering Cylinder Anchor	2	66	68D-16	NUT, Axle to Frame	8
31	3233517	FRAME ASSY, Rear (Inc. 24)	1	67	24C-16160	BOLT, Axle to Frame	8
32	14D-10	NUT, Tail Lamp Mounting	6	68	3231159	FRAME ASSY, Front (Inc. 69)	1
33	17E-10	LKWSHR, Tail Lamp Mounting	6	69	585007	BUSHING, Bucket Cylinder to Frame	2
34	1010736	PLUG, Tail Lamp — R.H. Only	1	70	556960	PIN, Bucket Cylinder to Frame	2
35	2G-1012	SCREW, Tail Lamp Mounting	6	71	24C-876	BOLT, Pin Retaining	2
36	562641	LAMP, Stop & Tail (Inc. 36A)	2	72	18D-08	NUT, Pin Retaining	2
36A	1103680	†LENS, Stop & Tail Lamp	2	73	24C-1096	BOLT, Pin Retaining	2

†Not Illustrated
‡As Required

WHEN ORDERING PARTS, ALWAYS STATE MODEL AND SERIAL NO. OF MACHINE



FRONT AND REAR FRAME AND CRADLE
For Serial: Cummins, 408B101 and After; G.M., 409B101 and After

TS-9682

PM5012

2A

(1G-6)



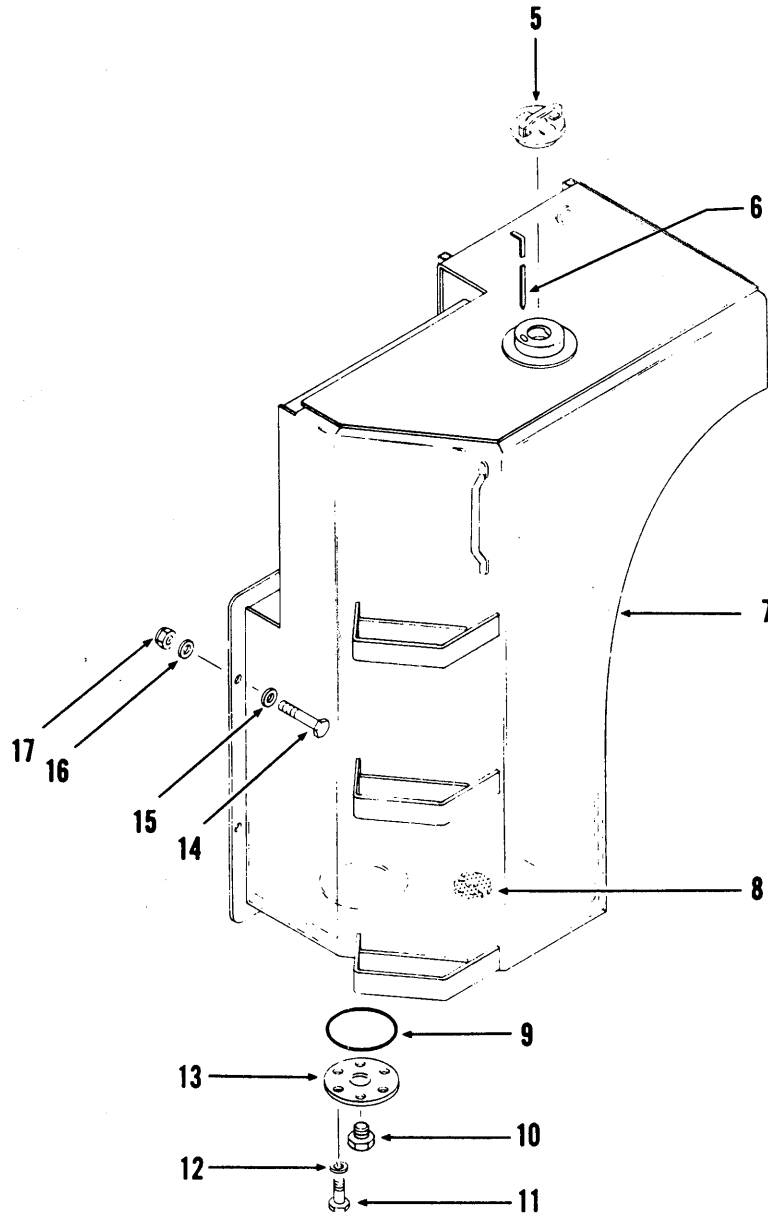
FRONT AND REAR FRAME AND CRADLE

For Serial: Cummins, 408B101 and After; G.M., 409B101 and After

Item No.	Part No.	Description	No. Req'd.	Item No.	Part No.	Description	No. Req'd.
1	24C-616	BOLT, Bracket to Frame	2	35	562641	LAMP, Stop & Tail (Inc. 36A)	2
2	4E-06	LKWSHR, Bracket to Frame	2	36B	3222901	†BULB, Stop & Tail Lamp 12 V	2
3	3224357	LAMP, Flood (Inc. 3A, 3B)	2	36C	3220984	†BULB, Stop & Tail Lamp 24 V	2
3A	3290413	LIGHT UNIT	2	37	1506818	PIN, Drawbar	1
3B	3290414	RETAINER	2	38	1F-1252	COTTER, Drawbar Pin	1
3C	3224544	BULB (12 V Perkins)	2	39	24C-820	BOLT, Plate to Cradle	4
3D	3224545	BULB (24 DAF)	2	40	4E-08	LKWSHR, Plate to Cradle	4
4	675467	SPACER, Lamp to Bracket	2	41	568259	LOCK PLATE, Pin Retaining - Front	1
5	556678	BRACKET, Lamp Mtg.	2	41A	3235468	LOCK PLATE, Pin Retaining - Rear	1
6	17D-6	NUT, Flood Lamp Mtg.	2	42	12H-15	FITTING, Cradle Grease	2
7	18D-10	NUT, Pin Retaining	2	43	1521805	PIN, Cradle to Frame	2
8	1522538	PIN, Boom to Frame	2	44	552146	‡SPACER, Cradle Pin — 1/16	—
9	24C-668	BOLT, Pin Retaining	2	45	552147	‡SPACER, Cradle Pin — 1/8	—
10	1521896	PIN, Steer Cyl. Anchor	2	46	1521804	BUSHING, Cradle	2
11	18D-06	NUT, Pin Retaining	2	47	-----	AXLE ASSY, Rear Drive — See Index	—
12	11H-25	FITTING, Hinge Grease	2	48	1537525	CRADLE ASSY (Inc. 46)	1
13	710943	RING, Bushing Retaining	1	49	23C-1228	BOLT, Trans. to Bracket	8
14	669896	BUSHING, Upper Hinge	1	50	4E-12	LKWSHR, Trans. to Bracket	8
15	4E-08	LKWSHR, Cap to Frame	6	51	589573	BRACKET, Trans. Mounting	2
16	24C-820	BOLT, Cap to Frame	6	52	18D-08	NUT, Bracket to Frame	4
17	1522024	CAP, Lower Hinge Pin	1	53	619029	WASHER, Bracket to Frame	4
18	1533777	BAR, Safety Link	1	54	24C-836	BOLT, Bracket to Frame	4
19	1F-540	COTTER, Clevis Pin	2	55	1506853	PLATE, Bushing Retaining	1
20	358640	PIN, Safety Link Clevis	2	56	68D-16	NUT, Pin Retaining	1
21	1533777	BAR, Safety Link	1	57	589596	WASHER, Pin Retaining	1
22	1522025	PIN, Lower Hinge	1	58	1522029	BUSHING, Lower Pivot — Lower	1
23	24C-16144	BOLT, Pin Retaining	1	59	1522030	BUSHING, Lower Pivot — Upper	1
24	1522029	BUSHING, Upper Pivot	2	60	669896	BUSHING, Lower Hinge Pin	1
25	1522023	PIN, Upper Hinge	1	61	1522027	SPACER, Lower Hinge Pin	1
26	1532917	LOCK PLATE, Pin	2	62	23C-620	BOLT, Retainer to Frame	4
27	24C-820	BOLT, Plate to Frame	2	63	4E-06	LKWSHR, Retainer to Frame	4
28	4E-08	LKWSHR, Plate to Frame	2	64	1522797	RETAINER, Boom Cyl.	2
29	517355	BOLT, Steering Cyl. Anchor	2	65	-----	AXLE ASSY, Front Drive — See Index	—
30	66D-22	NUT, Steering Cyl. Anchor	2	66	3235947	FRAME ASSY, Front (Inc. 67)	1
31		FRAME ASSY, Rear (Inc. 24, 58, 59)		67	585007	BUSHING, Bucket Cylinder	2
31A	3236034	For Perkins Powered	1	68	556960	PIN, Bucket Cylinder	2
31B	3523715	For DAF Powered	1	69	24C-876	BOLT, Pin Retaining	2
32	14D-10	NUT, Tail Lamp Mounting	6	70	18D-08	NUT, Pin Retaining	2
33	17E-10	LKWSHR, Tail Lamp Mounting	6	71	24C-1096	BOLT, Pin Retaining	2
34	1010736	PLUG, Lamp — R.H. Only	1	72	1547891	‡SPACER, Boom Anchor	AR
35	86G-1012	SCREW, Tail Lamp Mtg.	6				

†Not Illustrated
‡As Required

WHEN ORDERING PARTS, ALWAYS STATE MODEL AND SERIAL NO. OF MACHINE



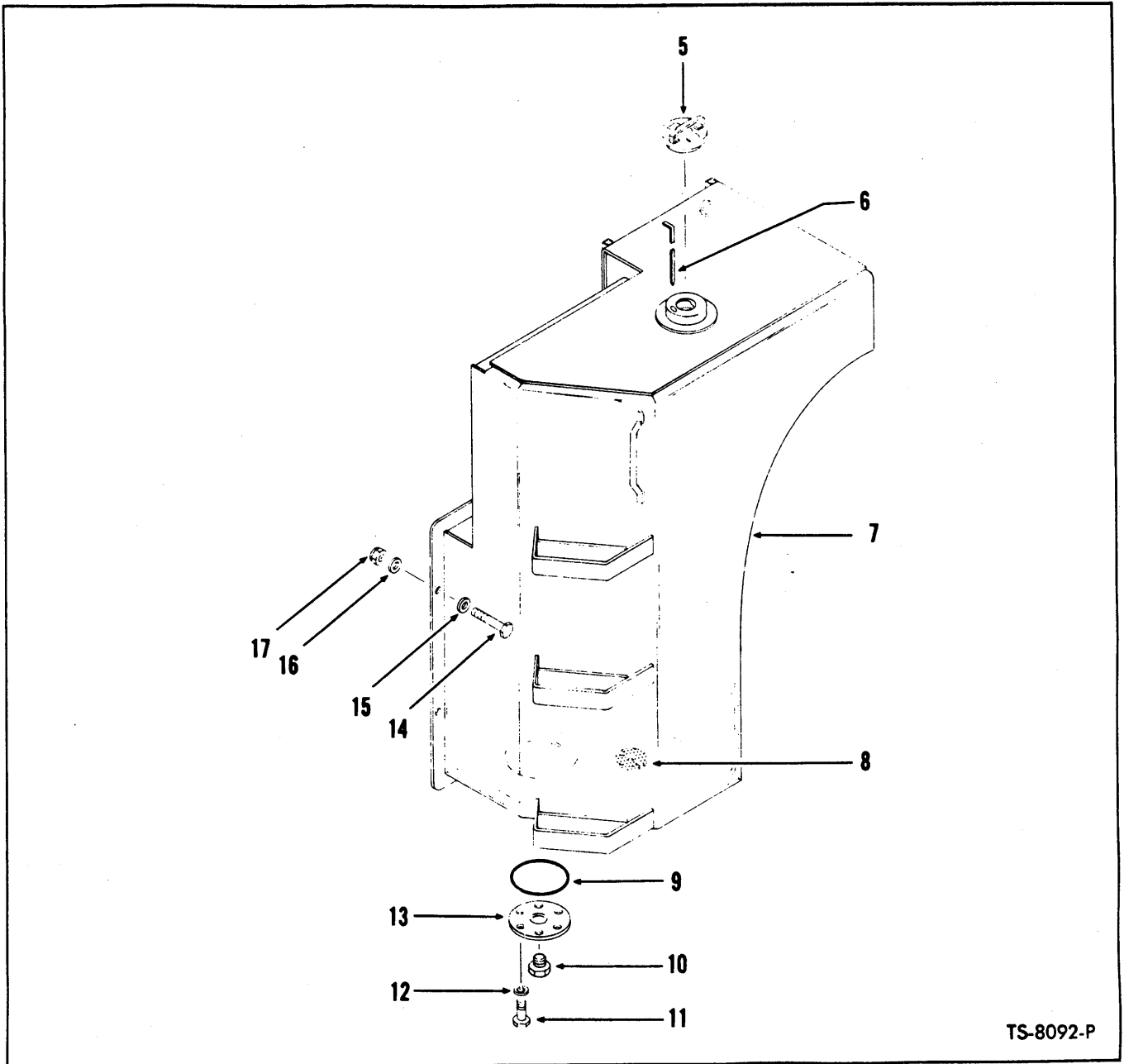
TS-8092-P

FUEL TANK

Item No.	Part No.	Description	No. Req'd.	Item No.	Part No.	Description	No. Req'd.
5	556655	CAP, Fuel Filter	1	11	24C-612	BOLT, Inspection Cover to Fuel Tank ...	6
6	1522239	DIPSTICK, Fuel Tank	1	12	4E-06	LKWSHR, Inspection Cover to Fuel Tank	6
6A	943957	†SCREEN ASSY	1	13	587613	INSPECTION COVER, Fuel Tank	1
7	1506848	TANK ASSY, Fuel	1	14	24C-836	BOLT, Fuel Tank Mounting	5
8	525293	MAGNET, Fuel Tank	1	15	1522284	WASHER, Fuel Tank Mounting	5
9	25K-40428	"O" RING, Inspection Cover	1	16	1522284	WASHER, Fuel Tank Mounting	5
10	40K-16	PLUG, Inspection Cover	1	17	18D-08	NUT, Fuel Tank Mounting	5
				18	19F-1	†BUSHING, Elbow to Tank	1
				19	42F-3	†ELBOW, Tube to Tank	1
				20	1507501	†TUBE, Breather	1

† Not illustrated

WHEN ORDERING PARTS, ALWAYS STATE MODEL AND SERIAL NO. OF MACHINE

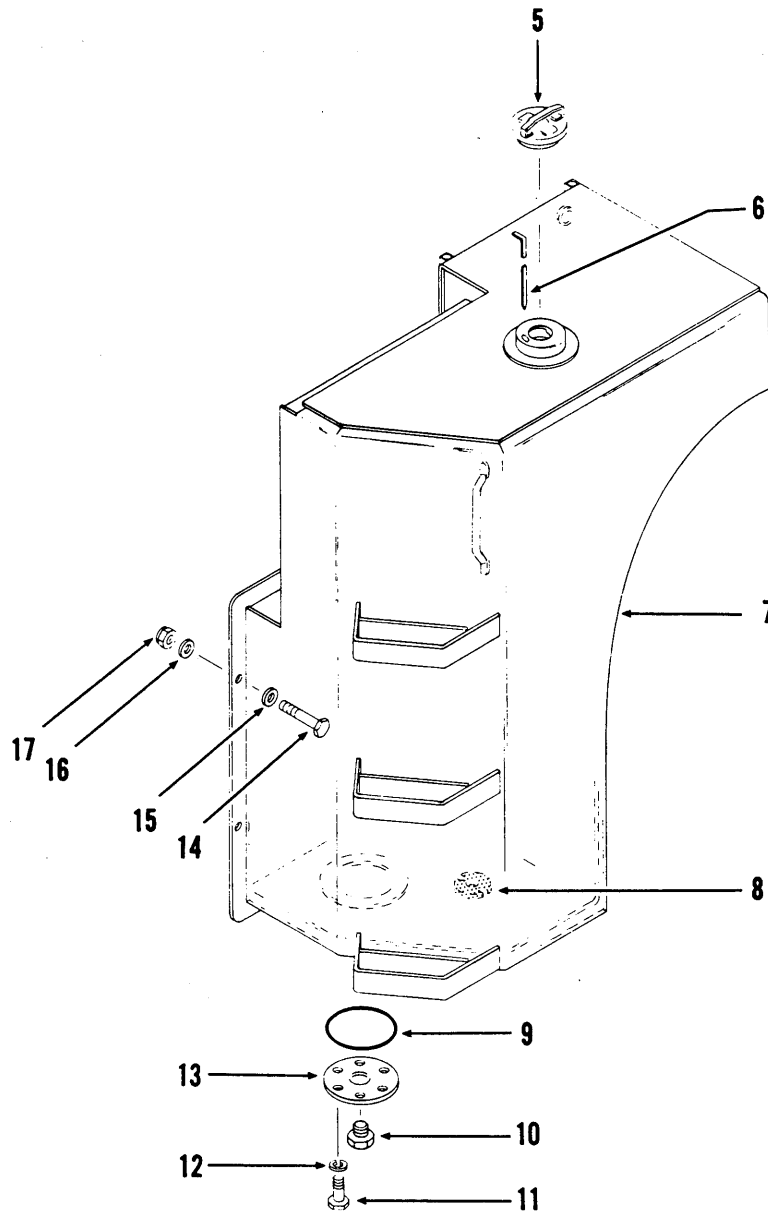


TS-8092-P

FUEL TANK
S/N 4069/A 101 thru 120

Item No.	Part No.	Description	No. Req'd.	Item No.	Part No.	Description	No. Req'd.
5	1521881	CAP, Fuel Filler	1	11	24C-612	BOLT, Inspection Cover to Fuel Tank ...	6
6	1522239	DIPSTICK, Fuel Tank	1	12	4E-06	LKWSHR, Inspection Cover to Fuel Tank	6
7	1522266	TANK ASSY, Fuel	1	13	587613	INSPECTION COVER, Fuel Tank	1
8	525293	MAGNET, Fuel Tank	1	14	24C-836	BOLT, Fuel Tank Mounting	5
9	25K-40428	"O" RING, Inspection Cover	1	15	1522284	WASHER, Fuel Tank Mounting	5
10	40K-16	PLUG, Inspection Cover	1	16	1522284	WASHER, Fuel Tank Mounting	5
				17	18D-08	NUT, Fuel Tank Mounting	5

WHEN ORDERING PARTS, ALWAYS STATE MODEL AND SERIAL NO. OF MACHINE



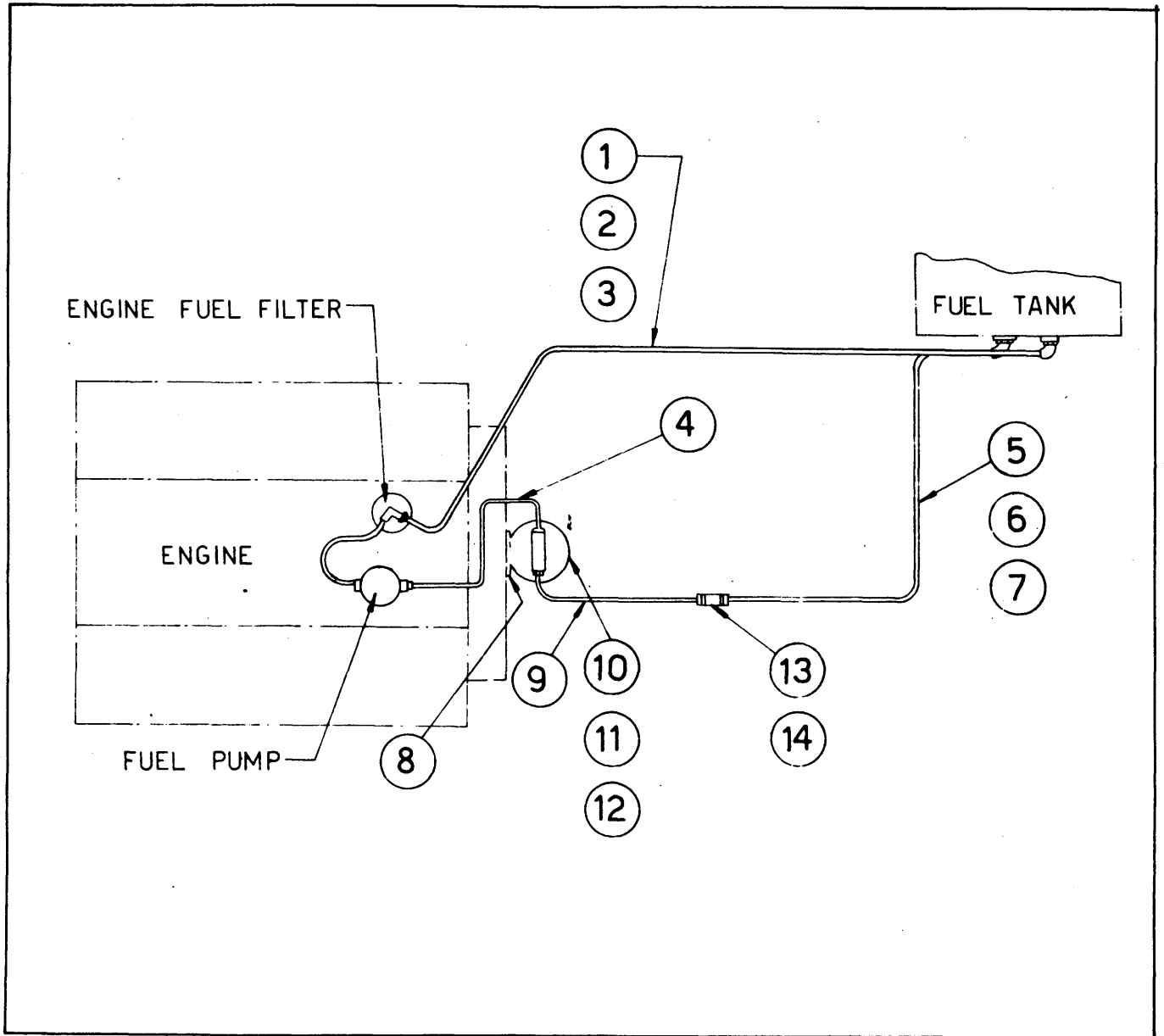
TS-8092-P

FUEL TANK
S/N 4069/A 121 thru 130

Item No.	Part No.	Description	No. Req'd.	Item No.	Part No.	Description	No. Req'd.
5	1521881	CAP, Fuel Filler	1	11	24C-612	BOLT, Inspection Cover to Fuel Tank ..	6
6	1522239	DIPSTICK, Fuel Tank	1	12	4E-06	LKWSHR, Inspection Cover to Fuel Tank	6
7	1522266	TANK ASSY, Fuel	1	13	587613	INSPECTION COVER, Fuel Tank	1
8	525293	MAGNET, Fuel Tank	1	14	24C-836	BOLT, Fuel Tank Mounting	5
9	25K-40428	"O" RING, Inspection Cover	1	15	1522284	WASHER, Fuel Tank Mounting	5
10	40K-16	PLUG, Inspection Cover	1	16	1522284	WASHER, Fuel Tank Mounting	5
				17	18D-08	NUT, Fuel Tank Mounting	5
				18	19F-1	†BUSHING, Elbow to Tank	1
				19	42F-3	†ELBOW, Tube to Tank	1
				20	1507501	†TUBE, Breather	1

† Not illustrated

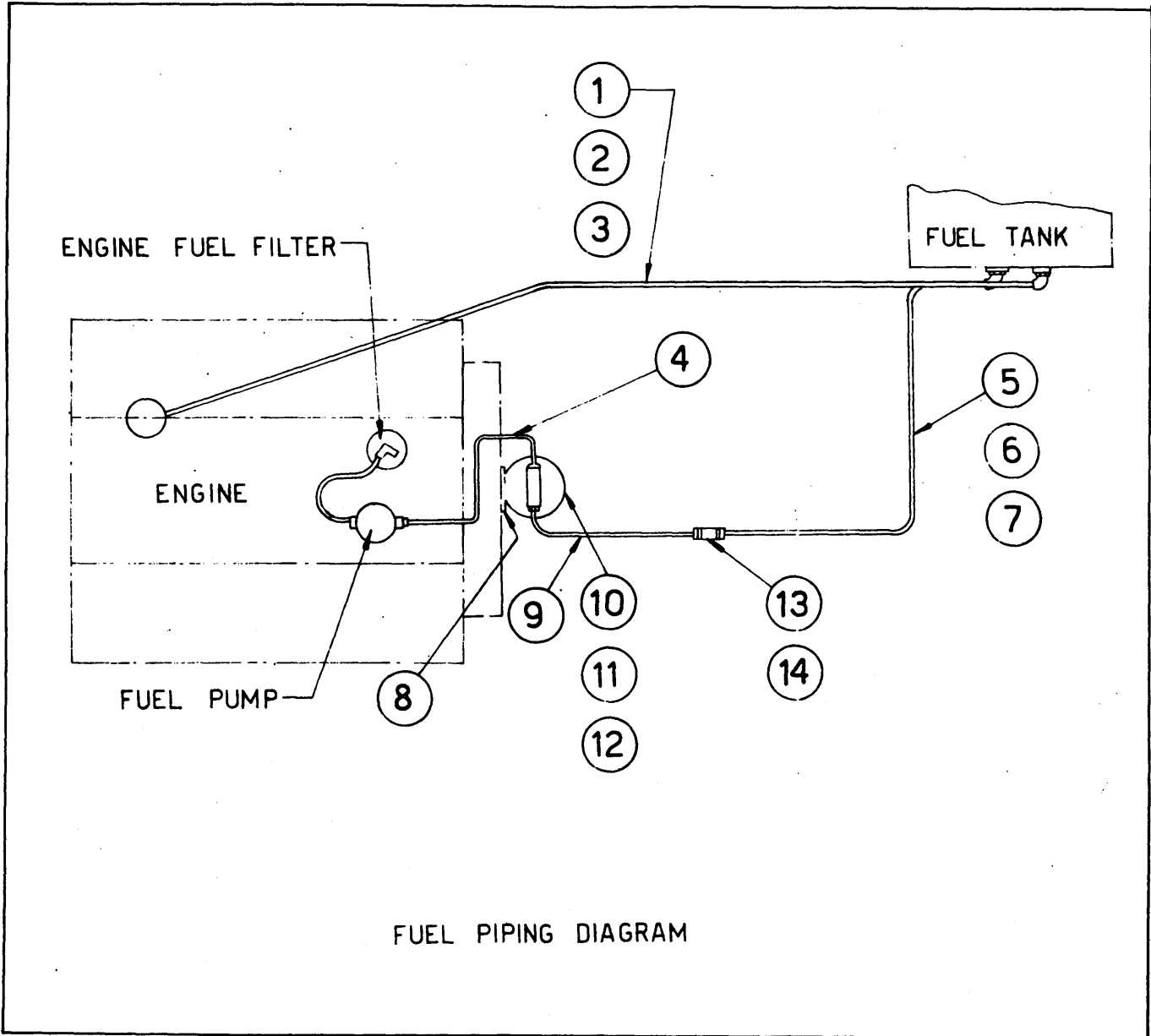
WHEN ORDERING PARTS, ALWAYS STATE MODEL AND SERIAL NO. OF MACHINE



FUEL PIPING DIAGRAM
S/N 4069/A 121 thru 130

Item No.	Part No.	Description	No. Req'd.	Item No.	Part No.	Description	No. Req'd.
1	3234643	PIPE, Leak Off — Only for Serial number 4069A - 121 - 127 BEC	1	8	3234715	MTG. BRKT., Unloader Valve	1
1A	3521883	PIPE, Leak off (Only for Serial numbers 4069A-122-123-124-125-126-128-129-130) BEC	1	9	3234641	FEED PIPE, Filter to Hose	1
2	49F-3	ELBOW (Only for serial numbers 4069A-121-127) BEC	1	10	3223365	PRE-FILTER	1
2A	42F-4	ELBOW - Only for serial numbers	1	11	24C-616	BOLT	2
3	79F-1	REDUCER	1	12	18D-06	NUT	2
4	3234640	FEED PIPE, Filter to Engine	1	13	3224062	HOSE CONNECTION	2
5	3234642	FEED PIPE, Hose to Tank	1	14	3123383	HOSE CLIP	2
6	42F-5	ELBOW	1				
7	19F-5	REDUCER	1				

WHEN ORDERING PARTS, ALWAYS STATE MODEL AND SERIAL NO. OF MACHINE



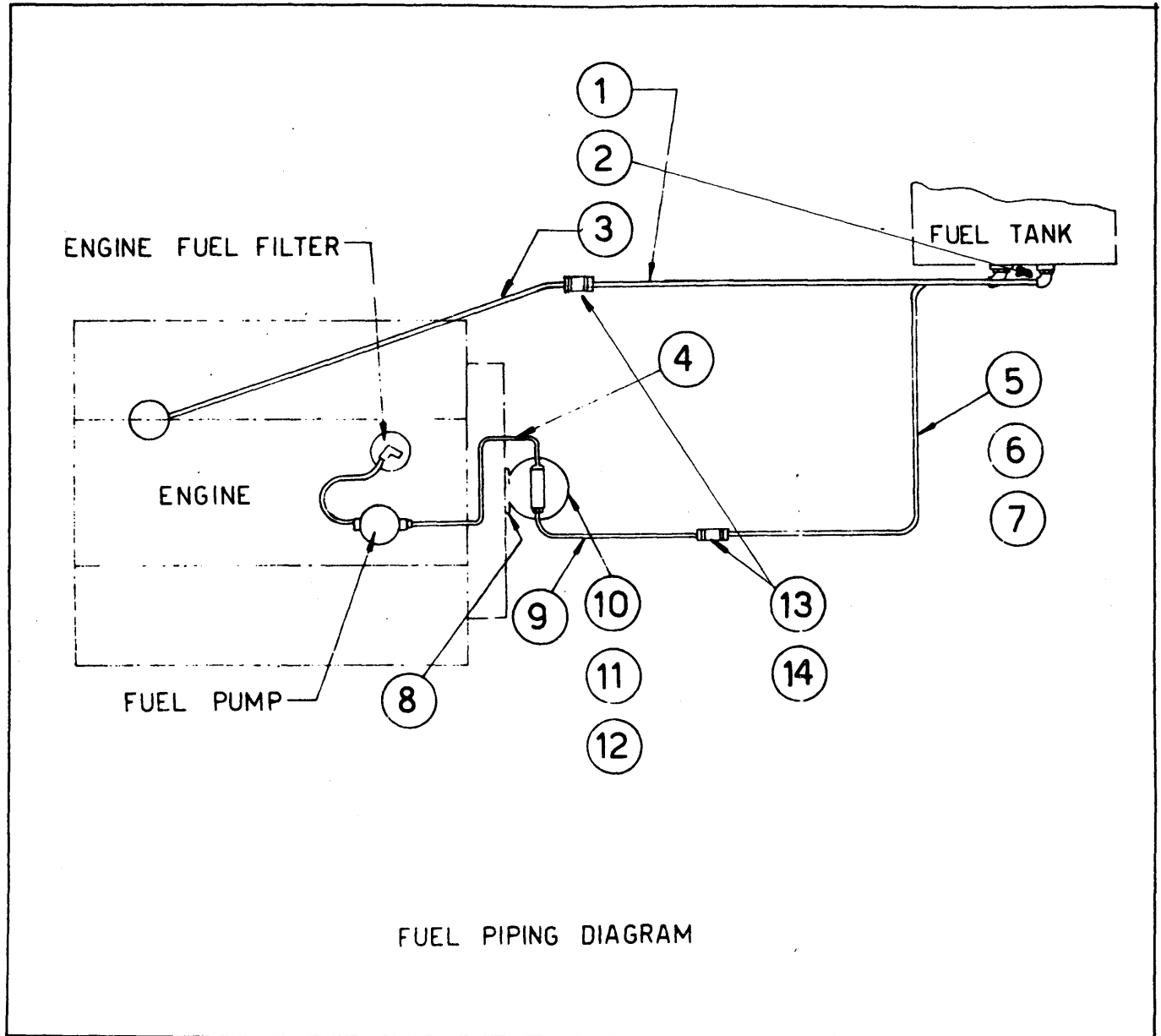
FUEL PIPING DIAGRAM

FUEL PIPING DIAGRAM

S/N 4069/A 101 thru 127

Item No.	Part No.	Description	No. Req'd.	Item No.	Part No.	Description	No. Req'd.
1A	3521883	PIPE, Leak off	1	8	3234715	MTG. BRKT., Unloader Valve	1
2A	42F-4	ELBOW - Only for serial numbers		9	3234641	FEED PIPE, Filter to Hose	1
3	19F-1	REDUCER	1	10	3223365	PRE-FILTER	1
4	3234640	FEED PIPE, Filter to Engine	1	11	24C-616	BOLT	2
5	3234642	FEED PIPE, Hose to Tank	1	12	18D-06	NUT	2
6	42F-5	ELBOW	1	13	3224062	HOSE CONNECTION	2
7	19F-5	REDUCER	1	14	3123388	HOSE CLIP	2
				15	619023	WASHER	2

WHEN ORDERING PARTS, ALWAYS STATE MODEL AND SERIAL NO. OF MACHINE

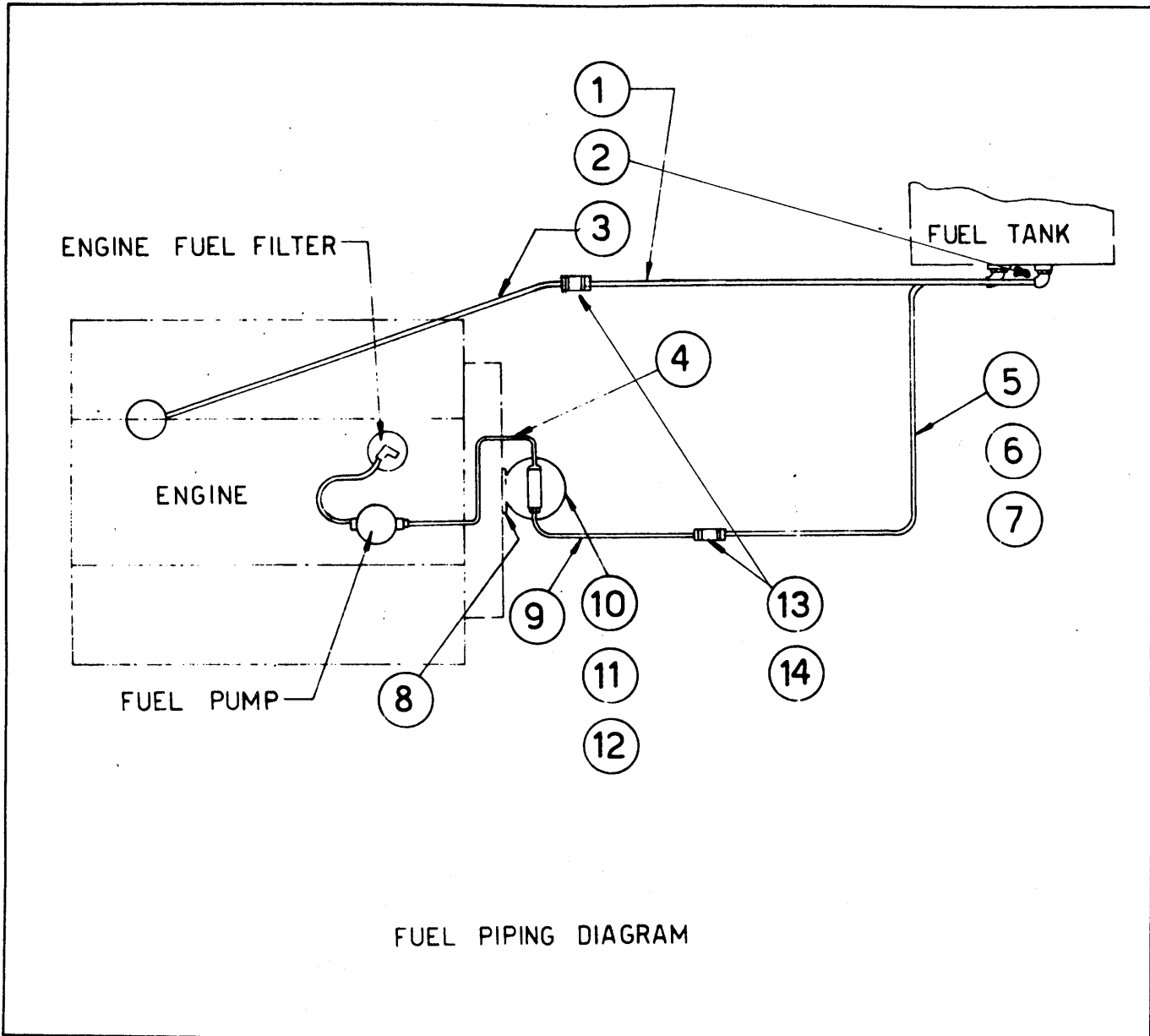


FUEL PIPING DIAGRAM

FUEL PIPING DIAGRAM — PERK.

Item No.	Part No.	Description	No. Req'd.	Item No.	Part No.	Description	No. Req'd.
1	3236892	PIPE ASSY	1	8	3234715	MTG. BRKT., Unloader Valve	1
2	38F-5	ADAPTER	1	9	3234641	FEED PIPE, Filter to Hose	1
3	3236891	PIPE ASSY	1	10	3223365	PRE-FILTER	1
4	3239043	FEED PIPE, Filter to Engine.....	1	11	24C-616	BOLT	2
5	3234642	FEED PIPE, Hose to Tank	1	12	18D-06	NUT	2
6	42F-5	ELBOW	1	13	3224062	HOSE CONNECTION	2
7	19F-5	REDUCER	1	14	3123388	HOSE CLIP	4
				15	619023	+WASHER	2

WHEN ORDERING PARTS, ALWAYS STATE MODEL AND SERIAL NO. OF MACHINE

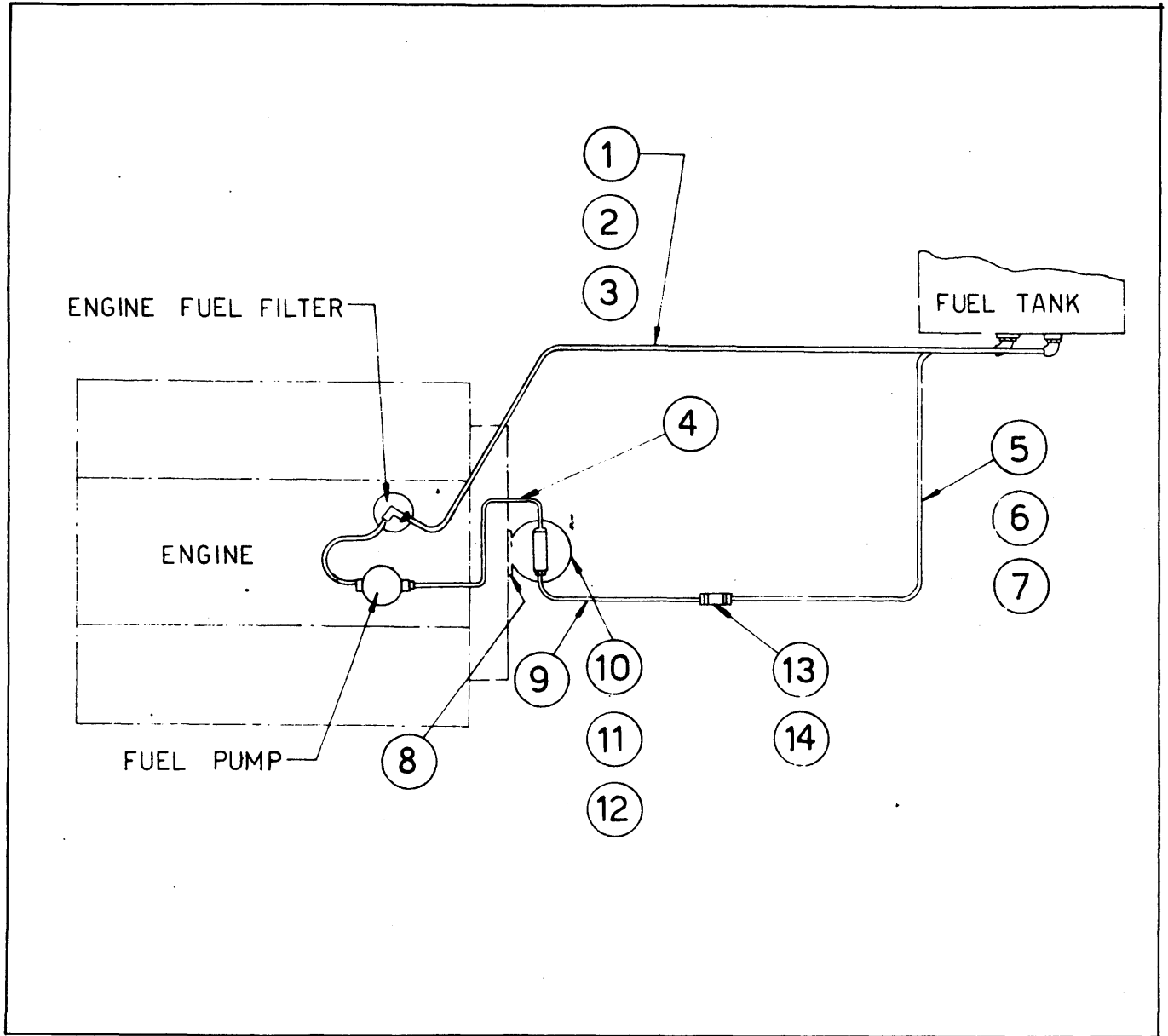


FUEL PIPING DIAGRAM

FUEL PIPING DIAGRAM — PERK.
S/N 4069/A 102 thru 119

Item No.	Part No.	Description	No. Req'd.	Item No.	Part No.	Description	No. Req'd.
1	3236892	PIPE ASSY	1	8	3234715	MTG. BRKT., Unloader Valve	1
2	38F-5	ADAPTER	1	9	3234641	FEED PIPE, Filter to Hose	1
3	3236891	PIPE ASSY	1	10	3223365	PRE-FILTER	1
4	3234640	FEED PIPE, Filter to Engine	1	11	24C-616	BOLT	2
5	3234642	FEED PIPE, Hose to Tank	1	12	18D-06	NUT	2
6	42F-5	ELBOW	1	13	3224062	HOSE CONNECTION	2
7	19F-5	REDUCER	1	14	3123388	HOSE CLIP	4
				15	619023	†WASHER	2

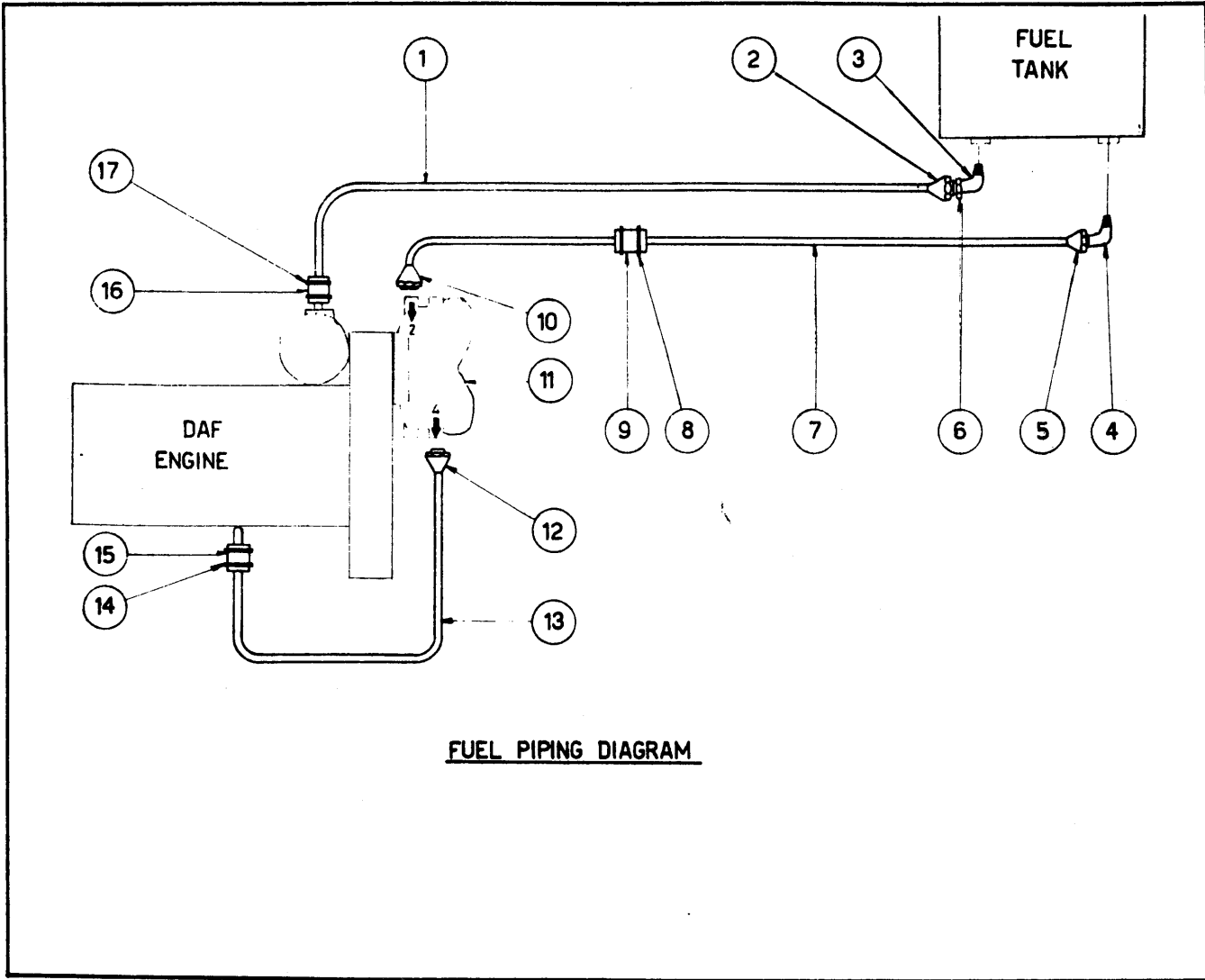
WHEN ORDERING PARTS, ALWAYS STATE MODEL AND SERIAL NO. OF MACHINE



FUEL PIPING DIAGRAM
S/N 4069/A 101 thru 120

Item No.	Part No.	Description	No. Req'd.	Item No.	Part No.	Description	No. Req'd.
1	3234643	PIPE, Leak Off	1	8	3234715	MTG. BRKT., Unloader Valve	1
2	49F-3	ELBOW	1	9	3234641	FEED PIPE, Filter to Hose	1
3	79F-1	REDUCER	1	10	3223365	PRE-FILTER	1
4	3234640	FEED PIPE, Filter to Engine	1	11	24C-616	BOLT	2
5	3234642	FEED PIPE, Hose to Tank	1	12	18D-06	NUT	2
6	42F-5	ELBOW	1	13	3224062	HOSE CONNECTION	2
7	19F-5	REDUCER	1	14	3123383	HOSE CLIP	2

WHEN ORDERING PARTS, ALWAYS STATE MODEL AND SERIAL NO. OF MACHINE



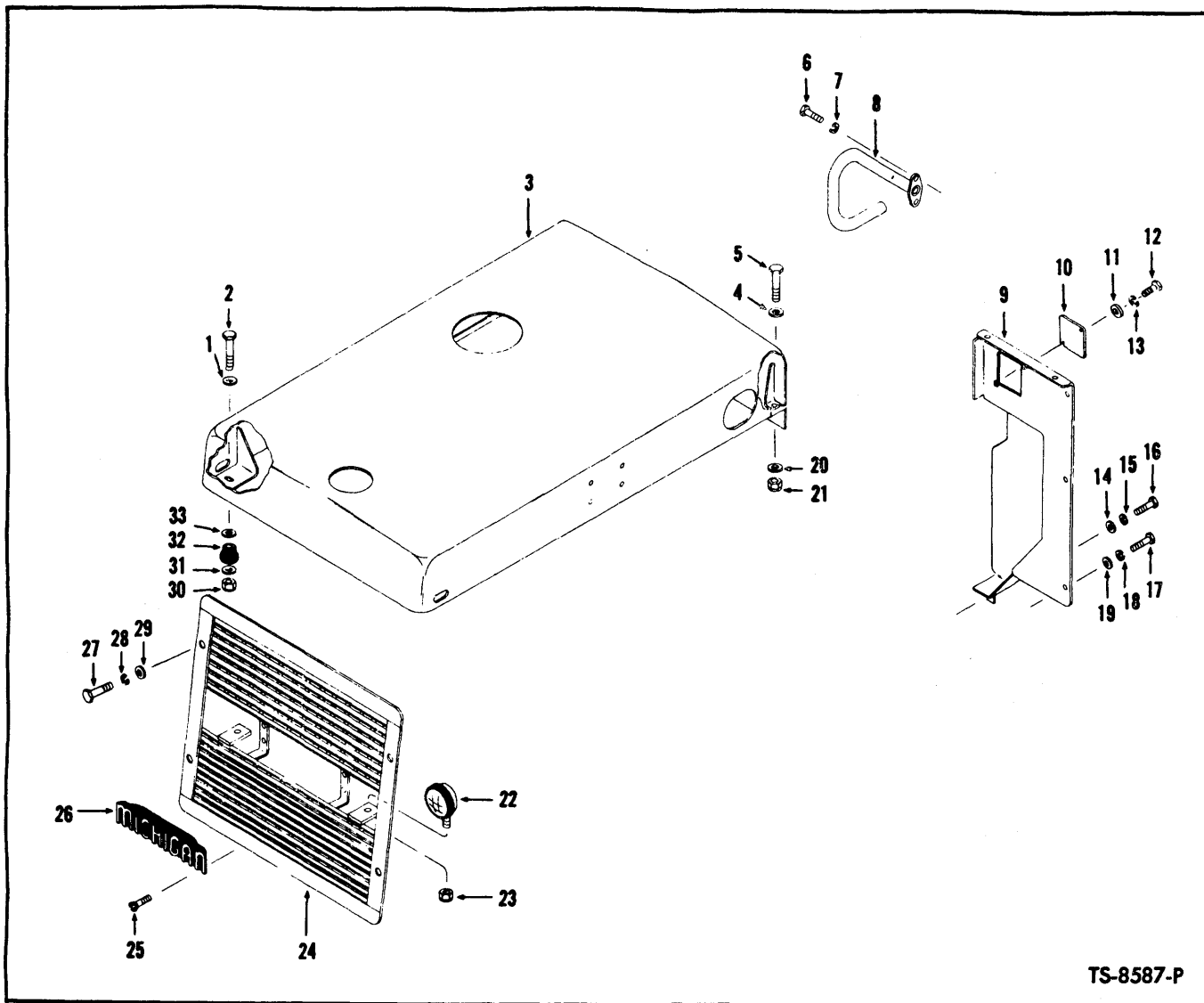
FUEL PIPING DIAGRAM

FUEL PIPING DAIGRAM - DAF

Item No.	Part No.	Description	No. Req'd.
1	3522285	FUEL, Return Line	1
2	48F-5	CONNECTOR	1
3	42F-6	ELBOW	1
4	42F-6	ELBOW	1
5	48F-5	CONNECTOR	1
5	48F-5	CONNECTOR	1
6	19F-5	REDUCING	1
7	3522286	SUPPLY LINE	1
8	3128043	CLAMP	2
9	3224062	HOSE	1
10	48F-5	CONNECTOR	1

Item No.	Part No.	Description	No. Req'd.
11	—	SEDIMENTER (furn. with engine)	1
11A	24C-620	BOLT, Sedimenter Brkt	2
11B	619023	WASHER	2
11C	18D-06	NUT	2
12	48F-5	CONNECTOR	1
13	3523353	SUPPLY LINE	1
14	3128043	CLAMP	2
15	3224062	HOSE	1
15	3224062	HOSE	1
17	3128043	CLAMP	2

WHEN ORDERING PARTS, ALWAYS STATE MODEL AND SERIAL NO. OF MACHINE



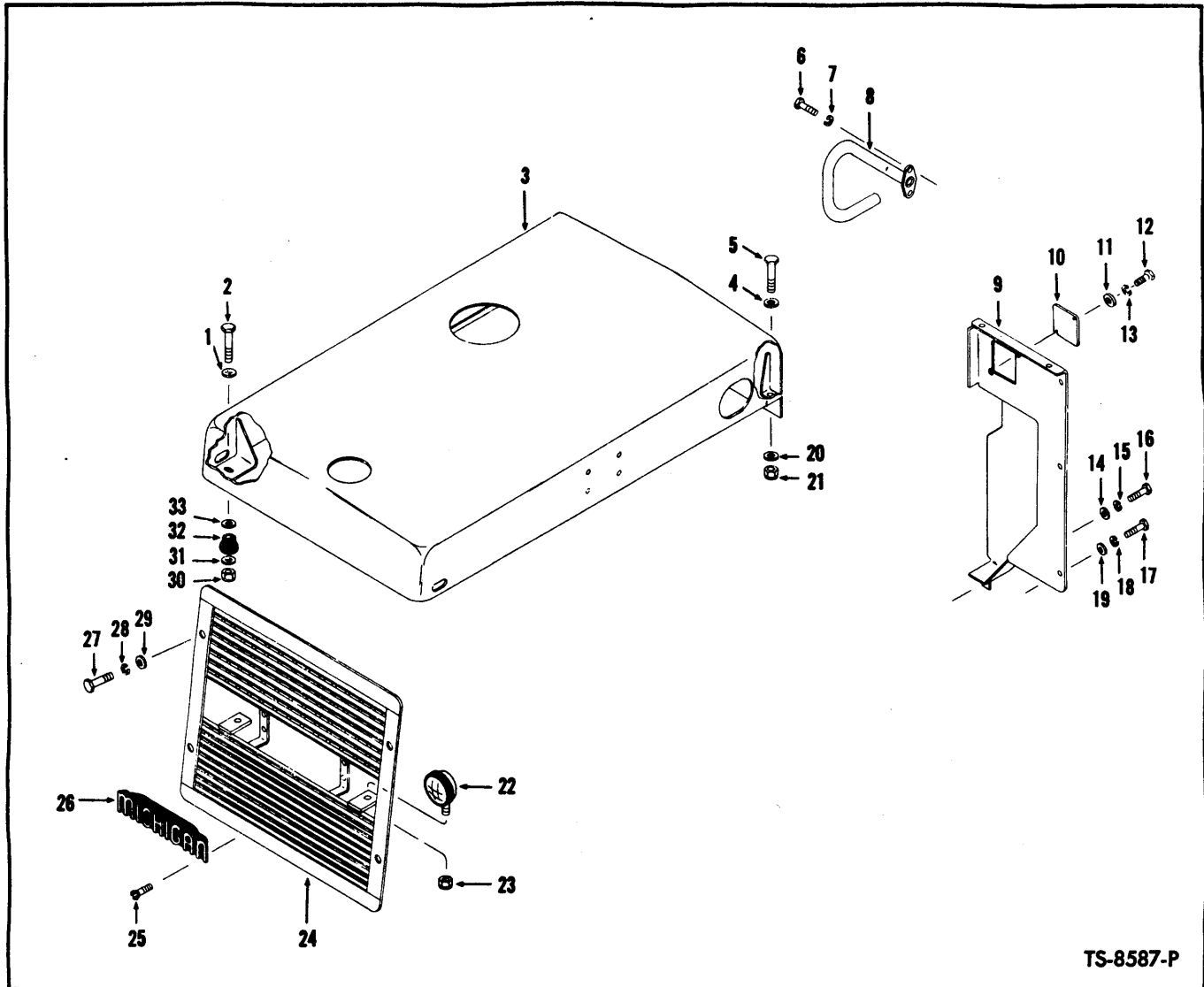
HOOD, HAND RAILS, VALVE COVER AND GRILLE

S/N 4069/A thru 160

Item No.	Part No.	Description	No. Req'd.	Item No.	Part No.	Description	No. Req'd.
1	619021	WASHER, Hood to Frame	2	19	206699	WASHER, Valve Cover Mounting	1
2	24C-632	BOLT, Hood to Frame	2	20	619021	WASHER, Hood to Frame	2
3	3235200	HOOD — Perkins	1	21	18D-06	NUT, Hood to Frame	2
3A	3520409	HOOD — DAF	1	22	3224357	LAMP, Back-Up (Inc. 22A - 22B)	2
4	619021	WASHER, Hood to Tanks	2	22A	3290414	RETAINER	2
5	24C-624	BOLT, Hood to Tanks	2	22B	3290413	LIGHT UNIT	2
6	23C-616	BOLT, Hand Rail to Cockpit	4	22C	3224544	BULB (Perk.) — 12 V.	2
7	4E-06	LKWSHR, Hand Rail to Cockpit	4	22D	3224545	BULB (DAF) — 24 Volt	2
8	1521678	HAND RAIL — L.H.	1	23	17D-6	NUT, Back-Up Lamp	2
8A	1521677	†HAND RAIL — R.H.	1	23A	509320	SPACER	2
9	1536670	*COVER, Valve	1	24	3230966	GRILLE	1
10	1503511	PLATE, Valve Cover	1	25	44G-418	SCREW, Name Plate Mounting	4
11	206699	WASHER, Plate to Valve Cover	2	26	564011	NAME PLATE — „Michigan“	1
12	23C-616	BOLT, Plate to Valve Cover	2	27	24C-824	BOLT, Grille to Frame	4
13	4E-06	LKWSHR, Plate to Valve Cover	2	28	4E-08	LKWSHR, Grille to Frame	4
14	206699	WASHER, Valve Cover Mounting	4	29	635682	WASHER, Grille to Frame	4
15	4E-06	LKWSHR, Valve Cover Mounting	4	30	18D-06	NUT, Hood to Frame	2
16	23C-616	BOLT, Valve Cover Mounting	4	31	619021	WASHER, Hood to Frame	2
17	24C-616	BOLT, Valve Cover Mounting	1	32	568276	DAMPENER, Hood to Frame Vibration	2
18	4E-06	LKWSHR, Valve Cover Mounting	1	33	619021	WASHER, Hood to Frame	2
				34	3220853	SCREW, Relay to Hood	4
				35	3220859	LOCKNUT	4
				36	743596	WASHER	4

†Not Illustrated

WHEN ORDERING PARTS, ALWAYS STATE MODEL AND SERIAL NO. OF MACHINE



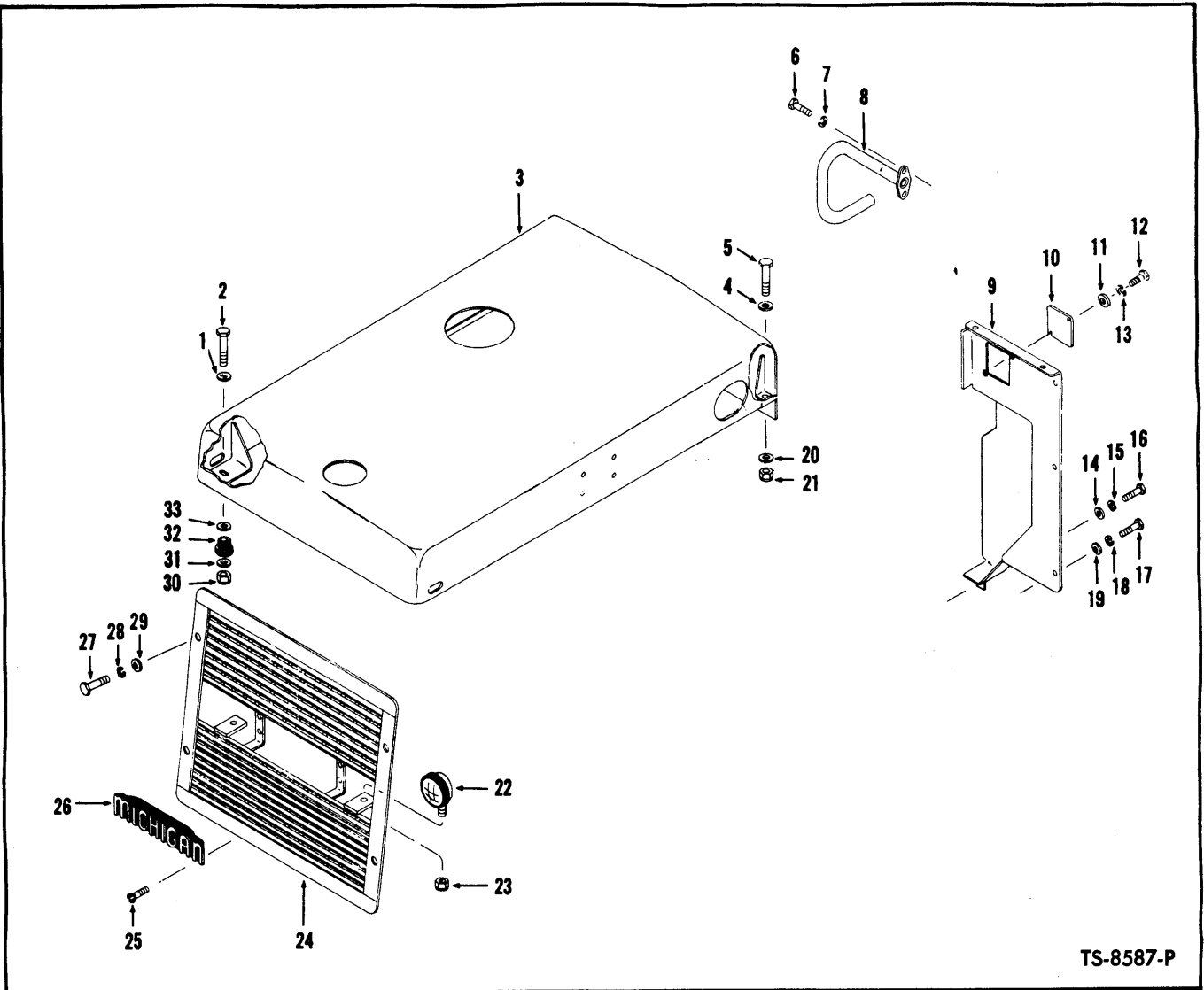
HOOD, HAND RAILS, VALVE COVER AND GRILLE

S/N 4069/A 127 thru 149

Item No.	Part No.	Description	No. Req'd.	Item No.	Part No.	Description	No. Req'd.
1	619021	WASHER, Hood to Frame	2	19	206699	WASHER, Valve Cover Mounting	1
2	24C-632	BOLT, Hood to Frame	2	20	619021	WASHER, Hood to Frame	2
3	3235200	HOOD — Perkins	1	21	18D-06	NUT, Hood to Frame	2
3A	3520409	HOOD — DAF	1	22	3224357	LAMP, Back-Up (Inc. 22A - 22B)	2
4	619021	WASHER, Hood to Tanks	2	22A	3290414	RETAINER	2
5	24C-624	BOLT, Hood to Tanks	2	22B	3290413	LIGHT UNIT	2
6	23C-616	BOLT, Hand Rail to Cockpit	4	22C	3224544	BULB (Perk.) — 12 V.	2
7	4E-06	LKWSHR, Hand Rail to Cockpit	4	22D	3224545	BULB (DAF) — 24 Volt	2
8	1521678	HAND RAIL — L.H.	1	23	17D-6	NUT, Back-Up Lamp	2
8A	1521677	HAND RAIL — R.H.	1	23A	509320	SPACER	2
9	1536670	*COVER, Valve	1	24	3230966	GRILLE	1
10	1503511	PLATE, Valve Cover	1	25	44G-418	SCREW, Name Plate Mounting	4
11	206699	WASHER, Plate to Valve Cover	2	26	564011	NAME PLATE — "Michigan"	1
12	23C-616	BOLT, Plate to Valve Cover	2	27	24C-824	BOLT, Grille to Frame	4
13	4E-06	LKWSHR, Plate to Valve Cover	2	28	4E-08	LKWSHR, Grille to Frame	4
14	206699	WASHER, Valve Cover Mounting	4	29	635682	WASHER, Grille to Frame	4
15	4E-06	LKWSHR, Valve Cover Mounting	4	30	18D-06	NUT, Hood to Frame	2
16	23C-616	BOLT, Valve Cover Mounting	4	31	619021	WASHER, Hood to Frame	2
17	24C-616	BOLT, Valve Cover Mounting	1	32	568276	DAMPENER, Hood to Frame Vibration	2
18	4E-06	LKWSHR, Valve Cover Mounting	1	33	619021	WASHER, Hood to Frame	2

†Not Illustrated

WHEN ORDERING PARTS, ALWAYS STATE MODEL AND SERIAL NO. OF MACHINE



TS-8587-P

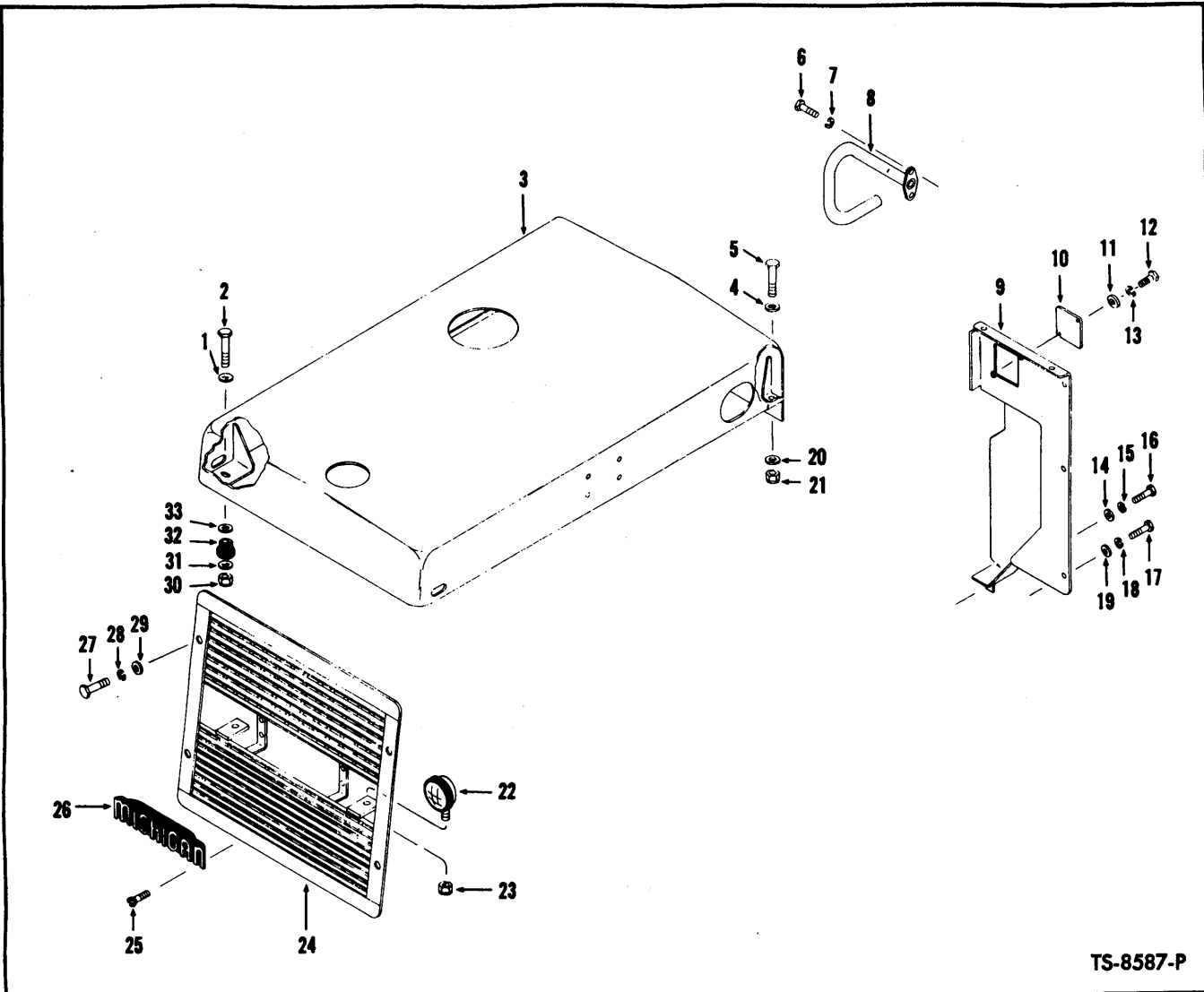
HOOD, HAND RAILS, VALVE COVER AND GRILLE

S/N 4069/A 101 thru 120

Item No.	Part No.	Description	No. Req'd.	Item No.	Part No.	Description	No. Req'd.
1	619021	WASHER, Hood to Frame	2	18	4E-06	LKWSHR, Valve Cover Mounting	1
2	24C-632	BOLT, Hood to Frame	2	19	206699	WASHER, Valve Cover Mounting	1
3	3235200	HOOD	1	20	619021	WASHER, Hood to Frame	2
4	619021	WASHER, Hood to Tanks	2	21	18D-06	NUT, Hood to Frame	2
5	24C-624	BOLT, Hood to Tanks	2	22	3224357	LAMP, Back-Up (Inc. 22A, 22B)	2
6	23C-616	BOLT, Hand Rail to Cockpit	4	22A	3290414	RETAINER	2
7	4E-06	LKWSHR, Hand Rail to Cockpit	4	22B	3290413	LIGHT UNIT	2
8	1521678	HAND RAIL - L.H.	1	22C	3224544	BULB	2
8A	1521677	†HAND RAIL - R.H.	1	23	17D-6	NUT, Back-Up Lamp	2
9	1536670	*COVER, Valve	1	23A	509320	SPACER	2
10	1503511	PLATE, Valve Cover	1	24	3230966	GRILLE	1
11	206699	WASHER, Plate to Valve Cover	2	25	44G-418	SCREW, Name Plate Mounting	4
12	23C-616	BOLT, Plate to Valve Cover	2	26	564011	NAME PLATE - «Michigan»	1
13	4E-06	LKWSHR, Plate to Valve Cover	2	27	24C-824	BOLT, Grille to Frame	4
14	206699	WASHER, Valve Cover Mounting	4	28	4E-08	LKWSHR, Grille to Frame	4
15	4E-06	LKWSHR, Valve Cover Mounting	4	29	635682	WASHER, Grille to Frame	4
16	23C-616	BOLT, Valve Cover Mounting	4	30	18D-06	NUT, Hood to Frame	2
17	24C-616	BOLT, Valve Cover Mounting	1	31	619021	WASHER, Hood to Frame	2
				32	568276	DAMPENER, Hood to Frame Vibration	2
				33	619021	WASHER, Hood to Frame	2

†Not Illustrated

WHEN ORDERING PARTS, ALWAYS STATE MODEL AND SERIAL NO. OF MACHINE



TS-8587-P

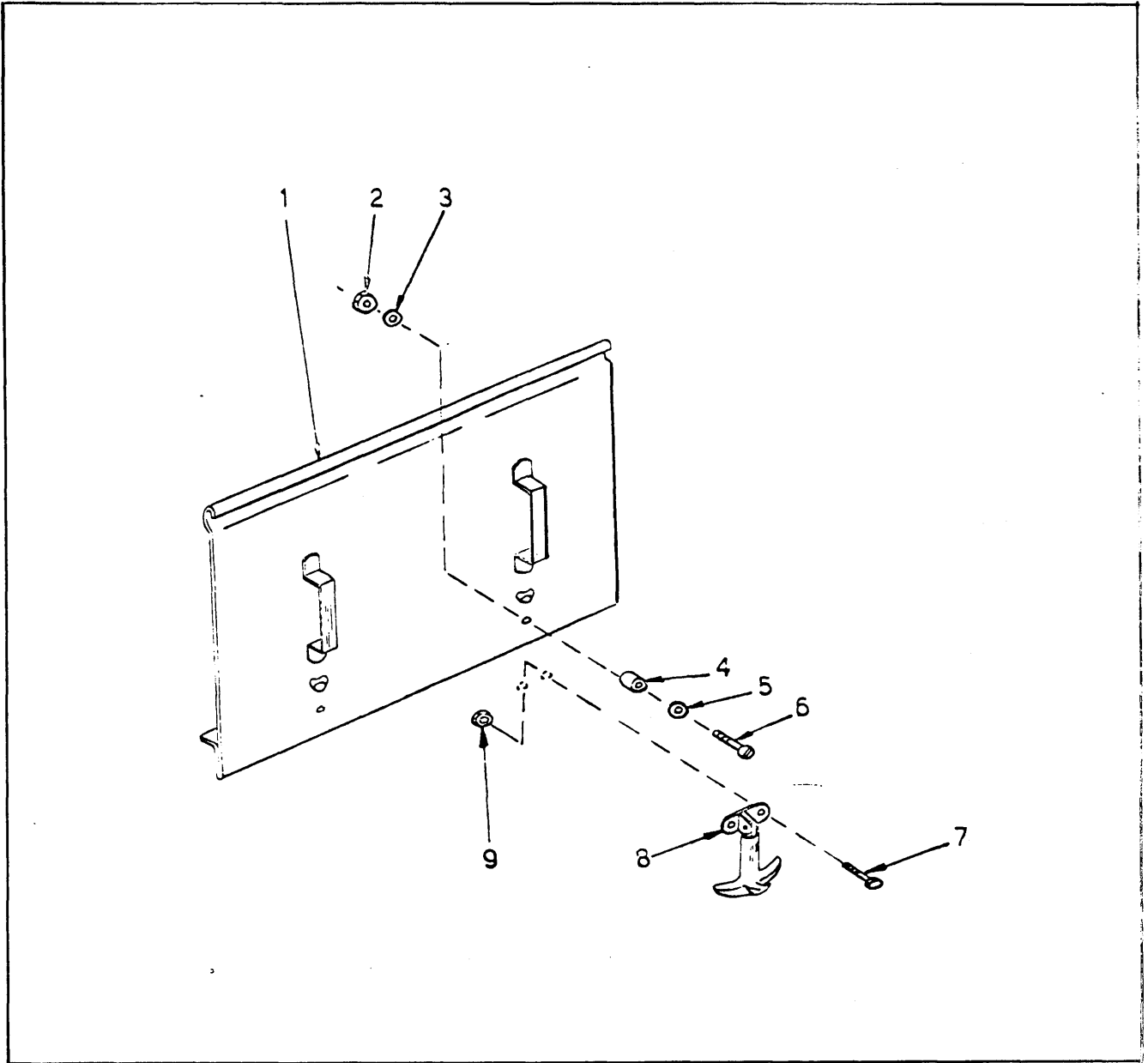
HOOD, HAND RAILS, VALVE COVER AND GRILLE

S/N 4069/A 101 thru 130

Item No.	Part No.	Description	No. Req'd.	Item No.	Part No.	Description	No. Req'd.
1	619021	WASHER, Hood to Frame	2	18	4E-06	LKWSHR, Valve Cover Mounting	1
2	24C-632	BOLT, Hood to Frame	2	19	206699	WASHER, Valve Cover Mounting	1
3	3233509	HOOD	1	20	619021	WASHER, Hood to Frame	2
4	619021	WASHER, Hood to Tanks	2	21	18D-06	NUT, Hood to Frame	2
5	24C-624	BOLT, Hood to Tanks	2	22	547529	LAMP, Back-Up (Inc. 22A)	2
6	23C-616	BOLT, Hand Rail to Cockpit	4	22A	944907	†SEALED UNIT, Back-Up Lamp	2
7	4E-06	LKWSHR, Hand Rail to Cockpit	4	22B	675467	†SPACER, Back-Up Lamp	2
8	1521678	HAND RAIL - L.H.	1	23	17D-6	NUT, Back-Up Lamp	2
8A	1521677	†HAND RAIL - R.H.	1	23A	509320	SPACER	2
9	1536670	*COVER, Valve	1	24	1521554	GRILLE	1
10	1503511	PLATE, Valve Cover	1	25	44G-418	SCREW, Name Plate Mounting	4
11	206699	WASHER, Plate to Valve Cover	2	26	564011	NAME PLATE - Michigan	1
12	23C-616	BOLT, Plate to Valve Cover	2	27	24C-824	BOLT, Grille to Frame	4
13	4E-06	LKWSHR, Plate to Valve Cover	2	28	4E-08	LKWSHR, Grille to Frame	4
14	206699	WASHER, Valve Cover Mounting	4	29	635682	WASHER, Grille to Frame	4
15	4E-06	LKWSHR, Valve Cover Mounting	4	30	18D-06	NUT, Hood to Frame	2
16	23C-616	BOLT, Valve Cover Mounting	4	31	619021	WASHER, Hood to Frame	2
17	24C-616	BOLT, Valve Cover Mounting	1	32	568276	DAMPENER, Hood to Frame Vibration	2
				33	619021	WASHER, Hood to Frame	2

†Not Illustrated

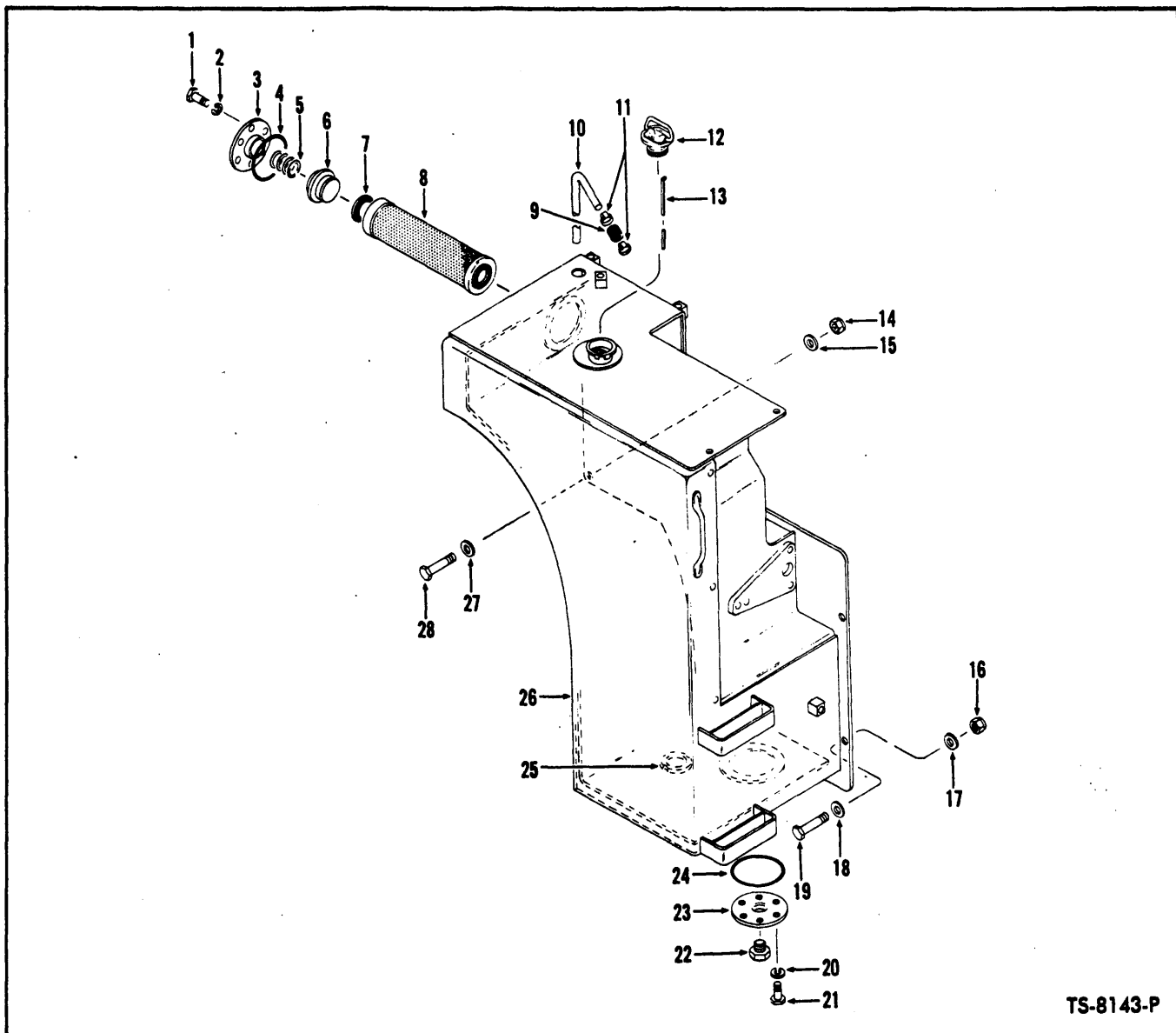
WHEN ORDERING PARTS, ALWAYS STATE MODEL AND SERIAL NO. OF MACHINE



SIDE PANELS

Item No	Part No.	Description	No. Req'd.
1	3233512	SIDE PANEL	2
2	3220859	NUT	4
3	616776	WASHER	4
4	3215486	RUBBER BUMPER	4
5	616776	WASHER	4
6	3220858	SCREW	4
8	3137459	CATCH	4

WHEN ORDERING PARTS, ALWAYS STATE MODEL AND SERIAL NO. OF MACHINE



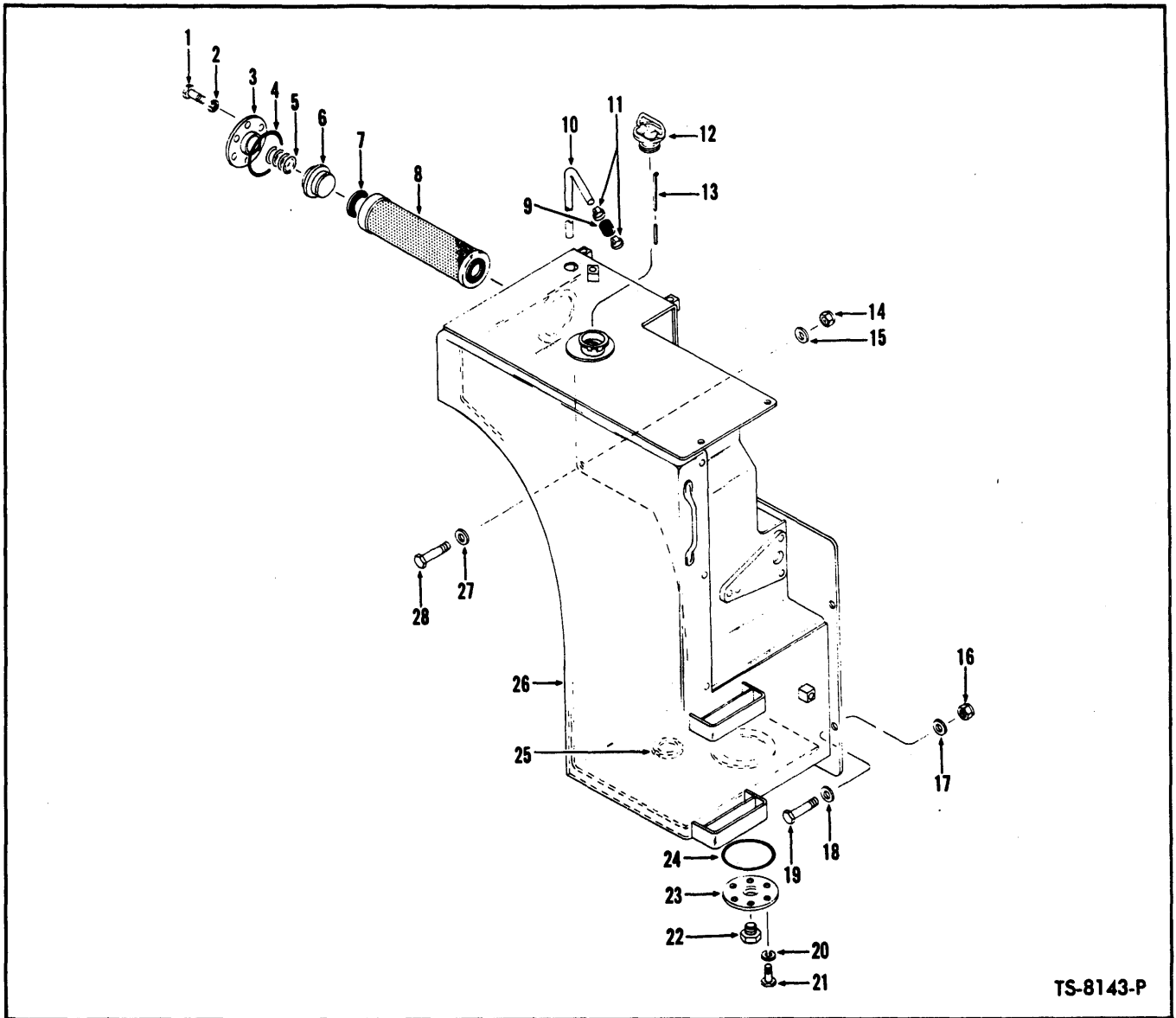
TS-8143-P

HYDRAULIC OIL RESERVOIR AND FILTER

Item No.	Part No.	Description	No. Req'd.	Item No.	Part No.	Description	No. Req'd.
1	24C-612	BOLT, Cover Plate to Reservoir	6	15	1522284	WASHER, Reservoir to Frame	2
2	4E-06	LKWSHR, Cover Plate to Reservoir	6	16	18D-08	NUT, Reservoir to Frame	3
3	1510721	PLATE, Cover	1	17	1522284	WASHER, Reservoir to Frame	3
4	25K-40624	"O" RING, Cover Plate	1	18	1522284	WASHER, Reservoir to Frame	3
5	732923	SPRING	1	19	24C-836	BOLT, Reservoir to Frame	3
6	1535139	RETAINER, Spring	1	20	4E-06	LKWSHR, Cover to Reservoir	6
7	1535778	GASKET, Filter	1	21	24C-612	BOLT, Cover to Reservoir	6
8	1530600	FILTER, Return	1	22	40K-16	PLUG, Drain	1
9	743563	HOSE, Relief Tube to Filler Neck	1	23	587613	COVER, Reservoir Inspection	1
10	1534004	TUBE, Reservoir Relief	1	24	25K-40428	"O" RING, Inspection Cover	1
11	3123383	CLAMP, Hose	2	25	525293	MAGNET	1
12	554843	CAP, Filler	1	26	3238422	RESERVOIR, Hydraulic Oil	1
13	1522243	DIPSTICK, Hydraulic Oil Reservoir	1	27	1522284	WASHER, Reservoir to Frame	2
14	18D-08	NUT, Reservoir to Frame	2	28	24C-840	BOLT, Reservoir to Frame	2
				29	40K-12	†PIPE, Plug	1

† Not illustrated

WHEN ORDERING PARTS, ALWAYS STATE MODEL AND SERIAL NO. OF MACHINE



TS-8143-P

HYDRAULIC OIL RESERVOIR AND FILTER

S/N 4069/A 101 thru 149

Item No.	Part No.	Description	No. Req'd.	Item No.	Part No.	Description	No. Req'd.
1	24C-612	BOLT, Cover Plate to Reservoir	6	15	1522284	WASHER, Reservoir to Frame	2
2	4E-06	LKWSHR, Cover Plate to Reservoir	6	16	18D-08	NUT, Reservoir to Frame	3
3	1535143	PLATE, Cover	1	17	1522284	WASHER, Reservoir to Frame	3
4	25K-40624	"O" RING, Cover Plate	1	18	1522284	WASHER, Reservoir to Frame	3
5	732923	SPRING	1	19	24C-836	BOLT, Reservoir to Frame	3
6	1535139	RETAINER, Spring	1	20	4E-06	LKWSHR, Cover to Reservoir	6
7	1535778	GASKET, Filter	1	21	24C-612	BOLT, Cover to Reservoir	6
8	1530600	FILTER, Return	1	22	40K-16	PLUG, Drain	1
9	743563	HOSE, Relief Tube to Filler Neck	1	23	587613	COVER, Reservoir Inspection	1
10	1534004	TUBE, Reservoir Relief	1	24	25K-40428	"O" RING, Inspection Cover	1
11	521874	CLAMP, Hose	2	25	525293	MAGNET	1
12	554843	CAP, Filler	1	26	1522271	RESERVOIR, Hydraulic Oil	1
13	1522243	DIPSTICK, Hydraulic Oil Reservoir	1	27	1522284	WASHER, Reservoir to Frame	2
14	18D-08	NUT, Reservoir to Frame	2	28	24C-840	BOLT, Reservoir to Frame	2

WHEN ORDERING PARTS, ALWAYS STATE MODEL AND SERIAL NO. OF MACHINE

C

-

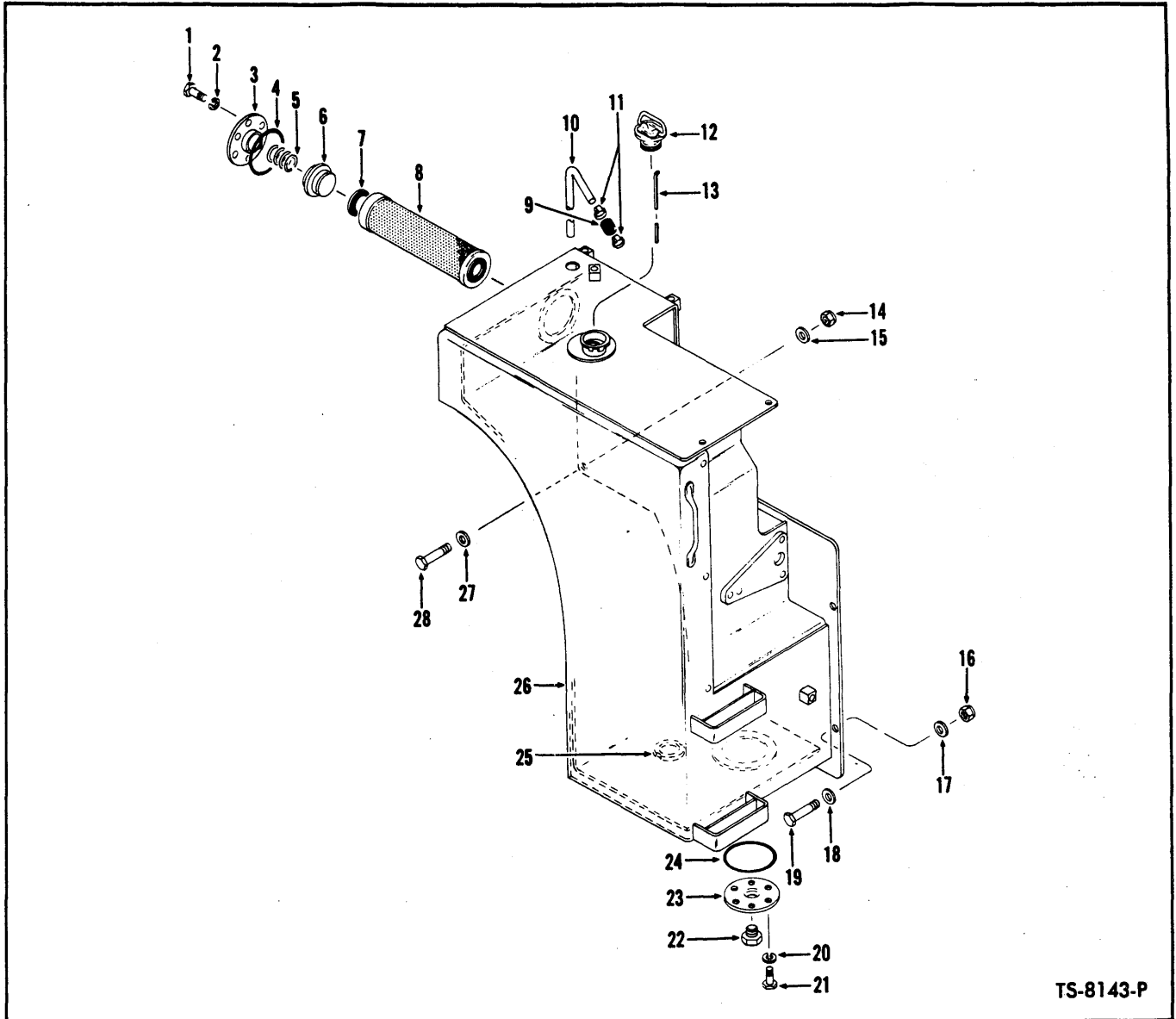
-

C

-

-

C



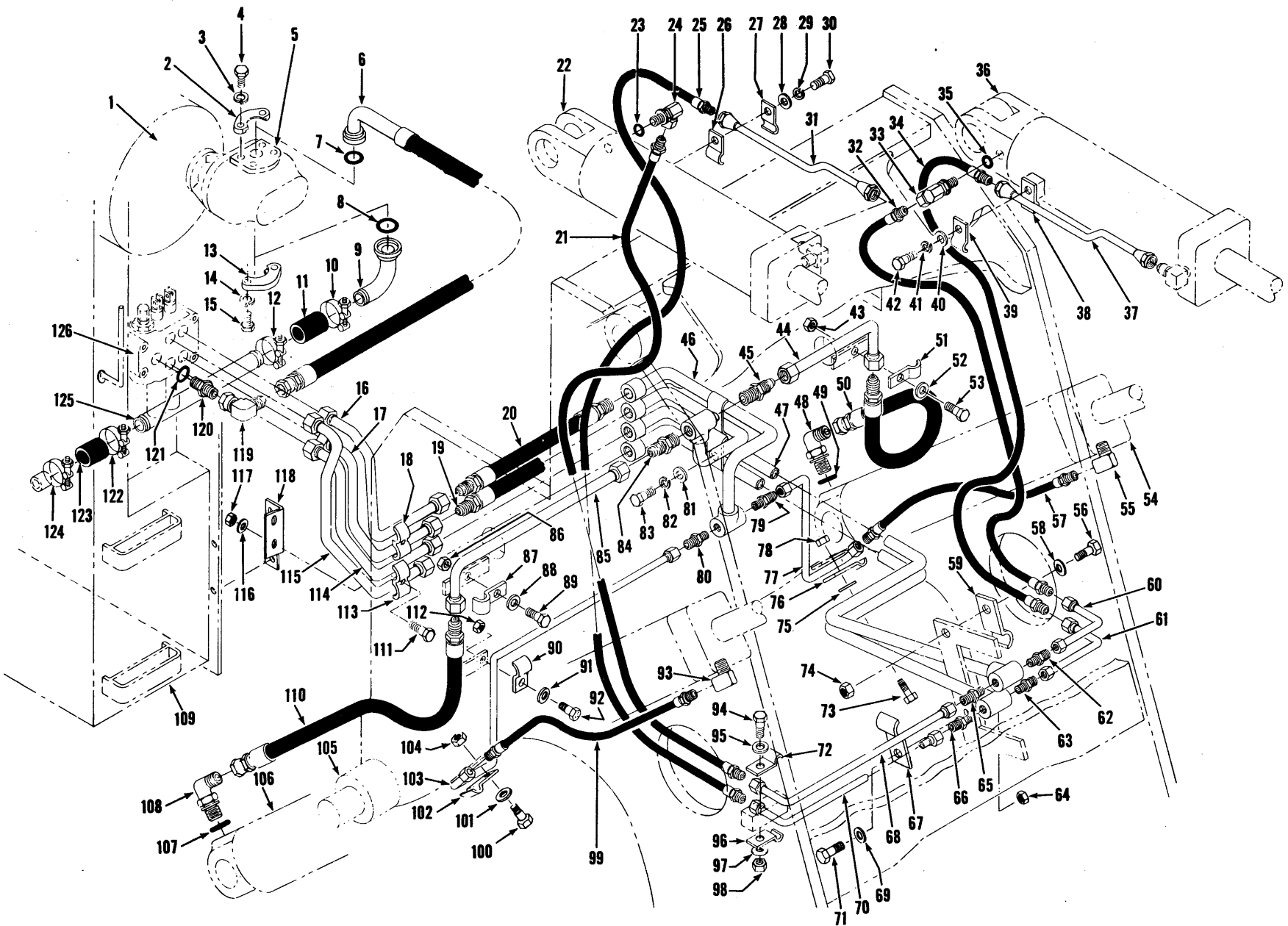
TS-8143-P

HYDRAULIC OIL RESERVOIR AND FILTER

S/N 4069/A 101 thru 130

Item No.	Part No.	Description	No. Req'd.	Item No.	Part No.	Description	No. Req'd.
1	24C-612	BOLT, Cover Plate to Reservoir	6	15	1522284	WASHER, Reservoir to Frame	2
2	4E-06	LKWSHR, Cover Plate to Reservoir	6	16	18D-08	NUT, Reservoir to Frame	3
3	1535143	PLATE, Cover	1	17	1522284	WASHER, Reservoir to Frame	3
4	25K-40624	"O" RING, Cover Plate	1	18	1522284	WASHER, Reservoir to Frame	3
5	732923	SPRING	1	19	24C-836	BOLT, Reservoir to Frame	3
6	1535139	RETAINER, Spring	1	20	4E-06	LKWSHR, Cover to Reservoir	6
7	1535778	GASKET, Filter	1	21	24C-612	BOLT, Cover to Reservoir	6
8	1530600	FILTER, Return	1	22	40K-16	PLUG, Drain	1
9	743563	HOSE, Relief Tube to Filler Neck	1	23	587613	COVER, Reservoir Inspection	1
10	1534004	TUBE, Reservoir Relief	1	24	25K-40428	"O" RING, Inspection Cover	1
11	521874	CLAMP, Hose	2	25	525293	MAGNET	1
12	554843	CAP, Filler	1	26	1506566	RESERVOIR, Hydraulic Oil	1
13	1522243	DIPSTICK, Hydraulic Oil Reservoir	1	27	1522284	WASHER, Reservoir to Frame	2
14	18D-08	NUT, Reservoir to Frame	2	28	24C-840	BOLT, Reservoir to Frame	2

WHEN ORDERING PARTS, ALWAYS STATE MODEL AND SERIAL NO. OF MACHINE



HYDRAULIC SYSTEM — BUCKET AND BOOM

TS-8295-P



HYDRAULIC LINES — MAIN
S/N 4069/A 121 thru 130

Item No.	Part No.	Description	No. Req'd.	Item No.	Part No.	Description	No. Req'd.
1	663094	HALF COUPLING	2	20	29F-4	ADAPTOR	2
1A	1306623	•O• RING	1	21	1536264	HOSE	1
1B	23C-724	BOLT	4	22	1522591	TUBE, Bucket Cylinder	1
1C	4E-07	LOCKWASHER	4	23	1522597	TUBE, Bucket Cylinder	1
3	1536254	STEM ASSEMBLY	1	24	89F-8	CONNECTOR	4
4	663095	HALF COUPLING	2	25	1522593	TUBE, Bucket Cylinder	1
4A	1306624	•O• RING	1	26	1522595	TUBE, Bucket Cylinder	1
4B	23C-824	BOLT	4	27	1536084	CROSSPIPE	1
4C	4E-08	LOCKWASHER	4	28	89F-8	CONNECTOR	2
5	1526015	TUBE, Valve to Boom	1	29	24C-616	BOLT	2
6	1526012	TUBE, Valve to Boom	1	29A	4E-06	LOCKWASHER	2
7	3233669	HOSE, Valve to Cyl. Bucket	1	29B	656672	WASHER	2
8	3233669	HOSE, Valve to Cyl. Boom	1	30	1536257	CROSSPIPE	1
9	3233669	HOSE, Valve to Cyl. Boom	1	31	1536260	TUBE ASSEMBLY	1
10	1533765	HOSE	1	32	1536256	CROSSPIPE	1
11	526676	ADAPTOR UNION	2	33	1536264	HOSE, Boom Cyl.	1
11A	91F-8	•O• RING	2	34	1536085	CROSSPIPE	1
12	1533766	HOSE BUCKET CYL.	1	35	1536263	HOSE, Boom Cyl.	1
13	563805	TUBE ASSY	2	36	3233669	HOSE, Valve to Bucket Cyl.	1
14	1533765	HOSE	1	37	1526013	TUBE, Valve to Bucket Cyl.	1
15	89F-10	CONNECTOR TUBES	2	38	1526014	TUBE, Valve to Bucket Cyl.	1
16	1533766	HOSE	1	39	11K-10	ADAPTOR	1
17	1522613	TUBE ASSY	1	40	536710	HOSE, Suction Line	2
18	17K-10	ADAPTOR	2	41	3221844	CLAMP, Hose Suction Line	4
18A	91F-10	•O• RING	2	42	3233674	TUBE, Suction - Model 4101	1
19	1536263	HOSE	1	43	15K-10	CONNECTOR	4
				43A	91F-10	•O• RING	4

WHEN ORDERING PARTS, ALWAYS STATE MODEL AND SERIAL NO. OF MACHINE



HYDRAULIC LINES — MAIN
S/N 4069/A 101 thru 149

Item No.	Part No.	Description	No. Req'd.
1	663094	HALF COUPLING	2
1A	1306623	.O. RING	1
1B	23C-724	BOLT	4
1C	4E-07	LOCKWASHER	4
2	3233591	HOSE	1
3	1536254	STEM ASSEMBLY	1
4	663095	HALF COUPLING	2
4A	1306624	.O. RING	1
4B	23C-824	BOLT	4
4C	4E-08	LOCKWASHER	4
5	1526015	TUBE, Valve to Boom	1
6	1526012	TUBE, Valve to Boom	1
7	3233669	HOSE, Valve to Cyl. Bucket	1
8	3233669	HOSE, Valve to Cyl. Boom	1
9	3233669	HOSE, Valve to Cyl. Boom	1
10	1533765	HOSE	1
11	526676	ADAPTOR UNION	2
11A	91F-8	.O. RING	2
12	1533766	HOSE BUCKET CYL.	1
13	563805	TUBE ASSY	2
14	1533765	HOSE	1
15	89F-10	CONNECTOR TUBES	2
16	1533766	HOSE	1
17	1522613	TUBE ASSY	1
18	17K-10	ADAPTOR	2
18A	91F-10	.O. RING	2
19	1536263	HOSE	1

Item No.	Part No.	Description	No. Req'd.
20	29F-4	ADAPTOR	2
21	1536264	HOSE	1
22	1522591	TUBE, Bucket Cylinder	1
23	1522597	TUBE, Bucket Cylinder	1
24	89F-8	CONNECTOR	4
25	1522593	TUBE, Bucket Cylinder	1
26	1522595	TUBE, Bucket Cylinder	1
27	1536084	CROSSPIPE	1
28	89F-8	CONNECTOR	2
29	24C-616	BOLT	2
29A	4E-06	LOCKWASHER	2
29B	656672	WASHER	2
30	1536257	CROSSPIPE	1
31	1536260	TUBE ASSEMBLY	1
32	1536256	CROSSPIPE	1
33	1536264	HOSE, Boom Cyl.	1
34	1536085	CROSSPIPE	1
35	1536263	HOSE, Boom Cyl.	1
36	3233669	HOSE, Valve to Bucket Cyl.	1
37	1526013	TUBE, Valve to Bucket Cyl.	1
38	1526014	TUBE, Valve to Bucket Cyl.	1
39	11K-10	ADAPTOR	1
40	536710	HOSE, Suction Line	2
41	3221844	CLAMP, Hose Suction Line	4
42	3233674	TUBE, Suction - Model 4101	1
43	15K-10	CONNECTOR	5
43A	91F-10	.O. RING	5
44	17K-8	ELBOW	2

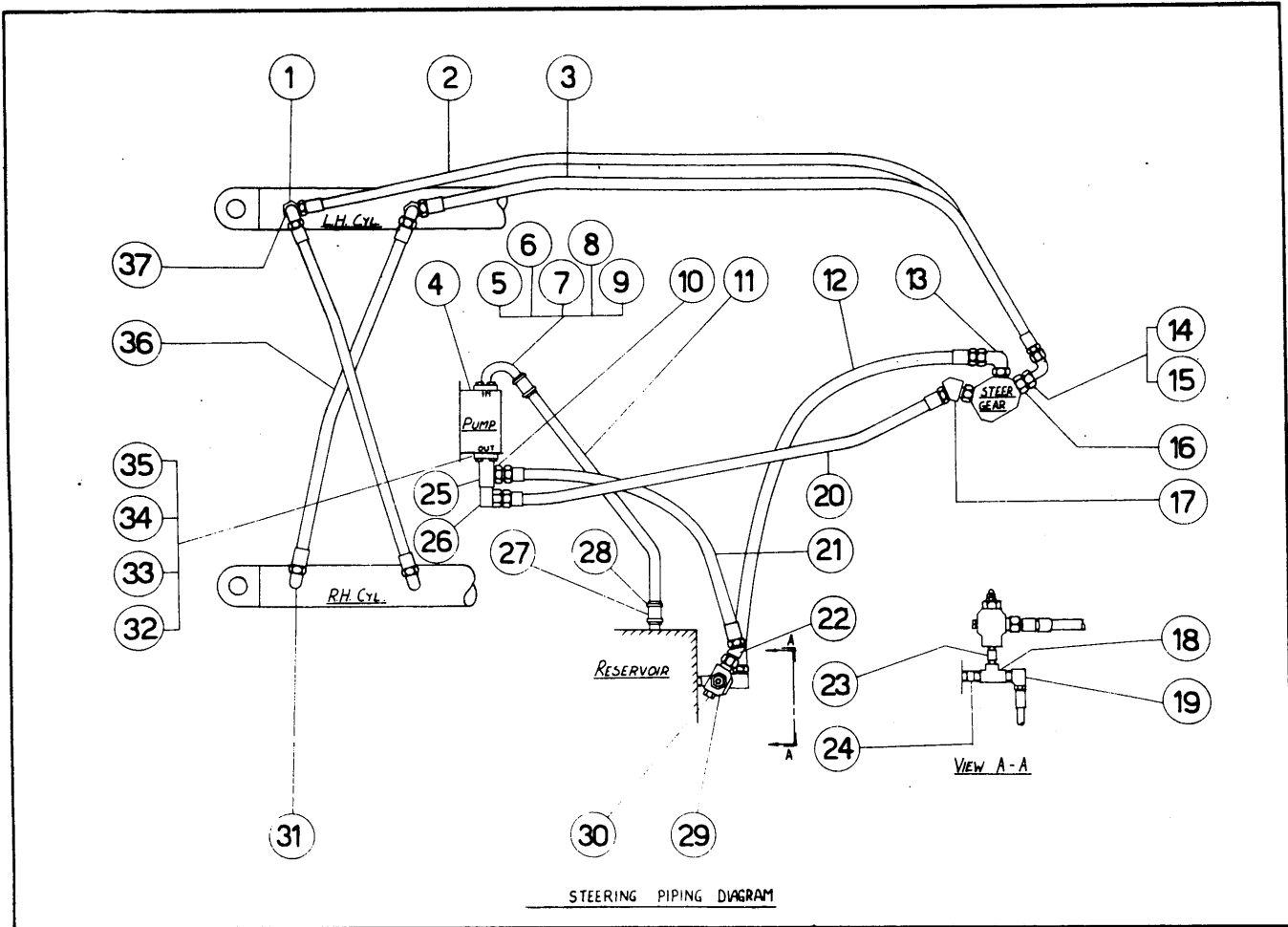
WHEN ORDERING PARTS, ALWAYS STATE MODEL AND SERIAL NO. OF MACHINE

HYDRAULIC SYSTEM — BUCKET AND BOOM

S/N 4069/A 101 thru 120

Item No.	Part No.	Description	No. Req'd.	Item No.	Part No.	Description	No. Req'd.
1	-----	TORQUE CONVERTER — See Index	—	37	563805	TUBE, Bucket Cylinder	1
2	663094	FLANGE HALF, Hose to Pump	2	38	1533865	CLIP, Tube to Cylinder	1
3	4E-07	LKWSHR, Flange Half	4	39	1533865	CLIP, Tube to Cylinder	1
4	23C-724	BOLT, Flange Half	4	40	656672	WASHER, Clip Retaining	1
5	-----	PUMP, Main Hydraulic — See Index	—	42	24C-620	BOLT, Clip Retaining	1
6	3233591	HOSE, Pump to Valve	1	43	18D-06	NUT, Clip Retaining	1
7	1306623	"O" RING, Hose to Pump	1	44	1536257	TUBE, Boom Cylinder Base End — L.H.	1
8	1306624	"O" RING, Stem to Pump	1	45	89F-10	CONNECTOR, Tube	1
9	1536254	STEM, Suction	1	46	1536260	TUBE ASSY, Boom	1
10	540130	CLAMP, Hose to Stem	1	47	1522613	TUBE ASSY, Bucket	1
11	536710	HOSE, Stem to Tube	1	48	17K-10	ELBOW, Hose to Cylinder (Inc. 49)	1
12	540130	CLAMP, Hose to Tube	1	49	91F-10	"O" RING, Elbow	1
13	663095	FLANGE HALF, Stem to Pump	2	50	1536263	HOSE, Boom Cylinder Base End	1
14	4E-08	LKWSHR, Flange Half	4	51	1536262	CLIP, Tube to Frame Bracket	1
15	23C-824	BOLT, Flange Half	4	52	656672	WASHER, Clip Retaining	1
16	1526015	TUBE, Valve to Hose — Boom Cylinder Rod End	1	53	24C-624	BOLT, Clip Retaining	1
17	1526012	TUBE, Valve to Hose — Boom Cylinder Base End	1	54	-----	BOOM CYLINDER — See Index	—
18	561804	CLIP, Tubes to Bracket	1	55	29F-4	ELBOW, Hose to Cylinder	1
19	-----	HOSE, Center Pivot — See Item 20	—	56	24C-620	BOLT, Clip Retaining	1
20	3233669	HOSE, Center Pivot	4	57	1536264	HOSE, Boom Cylinder Rod End	1
21	1533765	HOSE, Bucket Cylinder Base End	1	58	656672	WASHER, Clip Retaining	1
22	-----	BUCKET CYLINDER — See Index	—	59	1533672	CLIP, Tubes to Frame Bracket	1
23	91F-8	"O" RING, Adapter Union	1	60	1522591	TUBE, Bucket Cylinder Base End — L.H.	1
24	526676	ADAPTER UNION (Inc. 23)	1	61	1522597	TUBE, Bucket Cylinder Rod End — L.H.	1
25	1533766	HOSE, Bucket Cylinder Rod End	1	62	89F-8	CONNECTOR, Tube	1
26	1533865	CLIP, Tube to Cylinder	1	63	89F-8	CONNECTOR, Tube	1
27	1533865	CLIP, Tube to Cylinder	1	64	18D-06	NUT, Clip Retaining	1
28	656672	WASHER, Clip Retaining	1	65	89F-8	CONNECTOR, Tube	1
30	24C-620	BOLT, Clip Retaining	1	66	89F-8	CONNECTOR, Tube	1
31	563805	TUBE, Bucket Cylinder	1	67	1533672	CLIP, Tubes to Frame Bracket	1
32	1533765	HOSE, Bucket Cylinder Base End	1	68	1522593	TUBE, Bucket Cylinder Base End — R.H.	1
33	526676	ADAPTER UNION (Inc. 35)	1	69	656672	WASHER, Clip Retaining	1
34	1533766	HOSE, Bucket Cylinder Rod End	1	70	1522595	TUBE, Bucket Cylinder Rod End — R.H.	1
35	91F-8	"O" RING, Adapter Union	1				
36	-----	BUCKET CYLINDER — See Index	—				

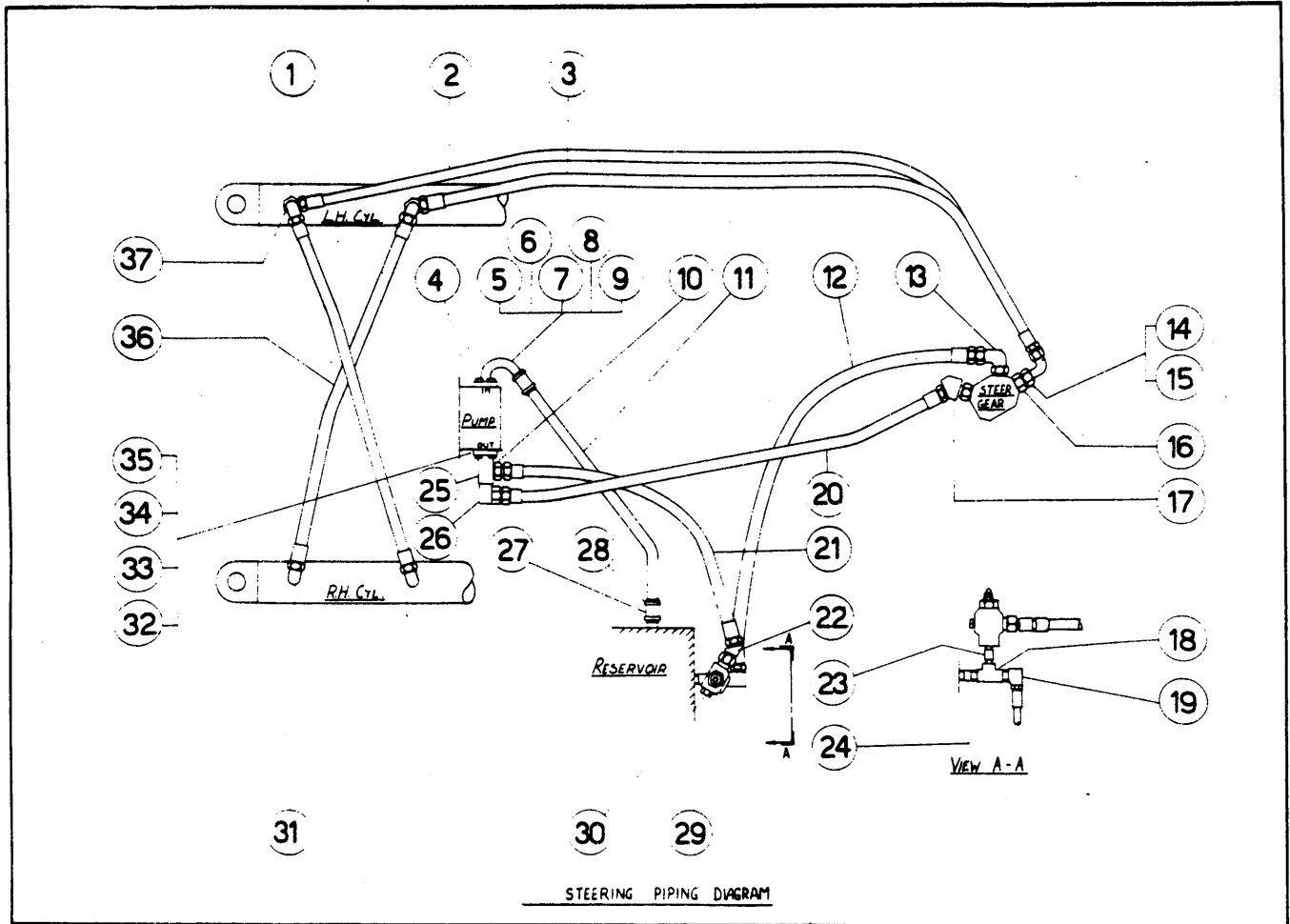
WHEN ORDERING PARTS, ALWAYS STATE MODEL AND SERIAL NO. OF MACHINE



STEERING PIPING DIAGRAM

Item No.	Part No.	Description	No. Req'd.	Item No.	Part No.	Description	No. Req'd.
1	42F-7	TEE	2	19	32F-5	ADAPTER UNION	1
2	1533601	HOSE, Steering Gear to Cylinder	1	20	3235201	HOSE, Pump to Steer Gear	1
3	1533602	HOSE, Steering Gear to Cylinder	1	21	1520093	HOSE, Pump to Relief Valve	1
4	3231123	PUMP	1	22	528591	ADAPTER UNION	1
5	3235203	STEM ASSY	1	23	5K-611	NIPPLE	1
6	1306624	•O• RING	1	24	5K-620	NIPPLE	1
7	663095	HALF FLANGE	2	25	30F-4	TEE	1
8	1C-824	BOLT	4	26	31F-5	ADAPTER UNION	1
9	4E-03	LOCKWASHER	4	27	536710	HOSE, Suction Tube	2
10	514788	ADAPTER UNION	1	28	3123386	CLAMP, Hose	4
11	1505569	SUCTION TUBE	1	29	536539	RELIEF VALVE	1
12	1503832	HOSE, Steer Gear to Relief Valve	1	30	24K-7	PLUG	1
13	531684	ADAPTER UNION	1	31	81F-3	ELBOW CONNECTOR	2
14	11K-6	ELBOW	1	32	4E-07	LOCKWASHER	4
15	15K-6	CONNECTOR	1	33	1C-724	BOLT	4
16	17K-6	ELBOW	1	34	1306623	•O• RING	1
17	534894	ADAPTER UNION — Includes 17A	1	35	544168	FLANGE ADAPTOR	1
17A	91F-7	•O• RING	1	36	1522361	HOSE, Cyl. Cross Over	2
18	30F-4	TEE	1	37	12K-7	ELBOW CONNECTOR	2

WHEN ORDERING PARTS, ALWAYS STATE MODEL AND SERIAL NO. OF MACHINE

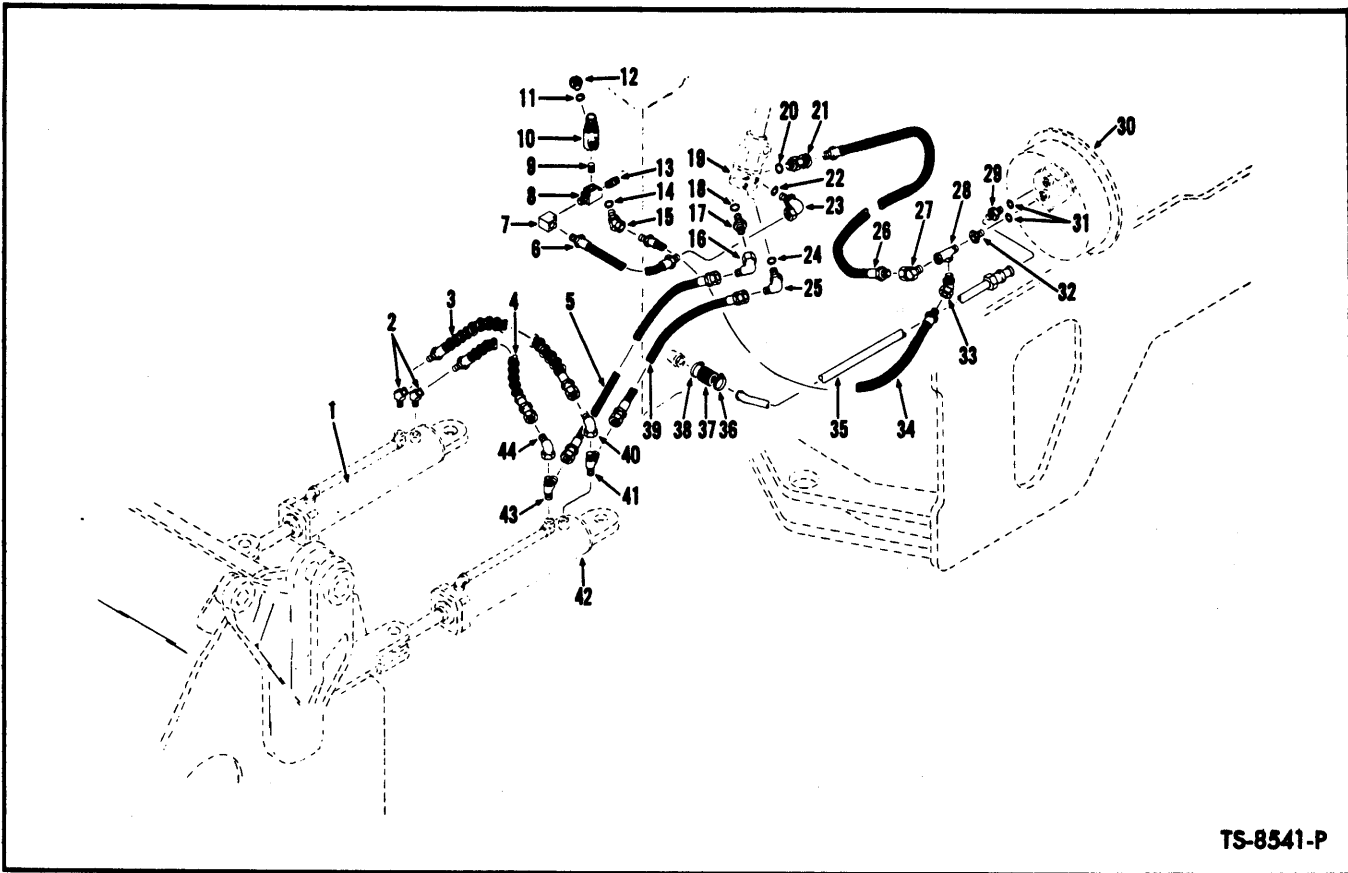


STEERING PIPING DIAGRAM

S/N 4069/A 101 thru 127

Item No.	Part No.	Description	No. Req'd.	Item No.	Part No.	Description	No. Req'd.
1	42K-7	TEE	2	19	32F-5	ADAPTER UNION	1
2	1533601	HOSE, Steering Gear to Cylinder	1	20	3235201	HOSE, Pump to Steer Gear	1
3	1533602	HOSE, Steering Gear to Cylinder	1	21	1520093	HOSE, Pump to Relief Valve	1
4	3235760	PUMP — Perkins	1	22	528591	ADAPTER UNION	1
4A	569354	PUMP (DAF)	1	23	5K-611	NIPPLE	1
5	3235203	STEM ASSY	1	24	5K-620	NIPPLE	1
6	1306624	O. RING	1	25	30F-4	TEE	1
7	663095	HALF FLANGE	2	26	31F-5	ADAPTER UNION	1
8	1C-824	BOLT	4	27	536710	HOSE, Suction Tube	2
9	4E-03	LOCKWASHER	4	28	3123386	CLAMP, Hose	4
10	514788	ADAPTER UNION	1	29	535539	RELIEF VALVE	1
11	1505559	SUCTION TUBE	1	30	24K-7	PLUG	1
12	1503832	HOSE, Steer Gear to Relief Valve	1	31	81F-3	ELBOW CONNECTOR	2
13	531684	ADAPTER UNION	1	32	4E-07	LOCKWASHER	4
14	11K-6	ELBOW	1	33	1C-724	BOLT	4
15	15K-6	CONNECTOR	1	34	1306623	O. RING	1
16	17K-6	ELBOW	1	35	544168	FLANGE ADAPTOR	1
17	534894	ADAPTER UNION — Includes 17A	1	36	1522361	HOSE, Cyl. Cross Over	2
17A	91F-7	O. RING	1	37	12K-7	ELBOW CONNECTOR	2
18	30F-4	TEE	1				

WHEN ORDERING PARTS, ALWAYS STATE MODEL AND SERIAL NO. OF MACHINE

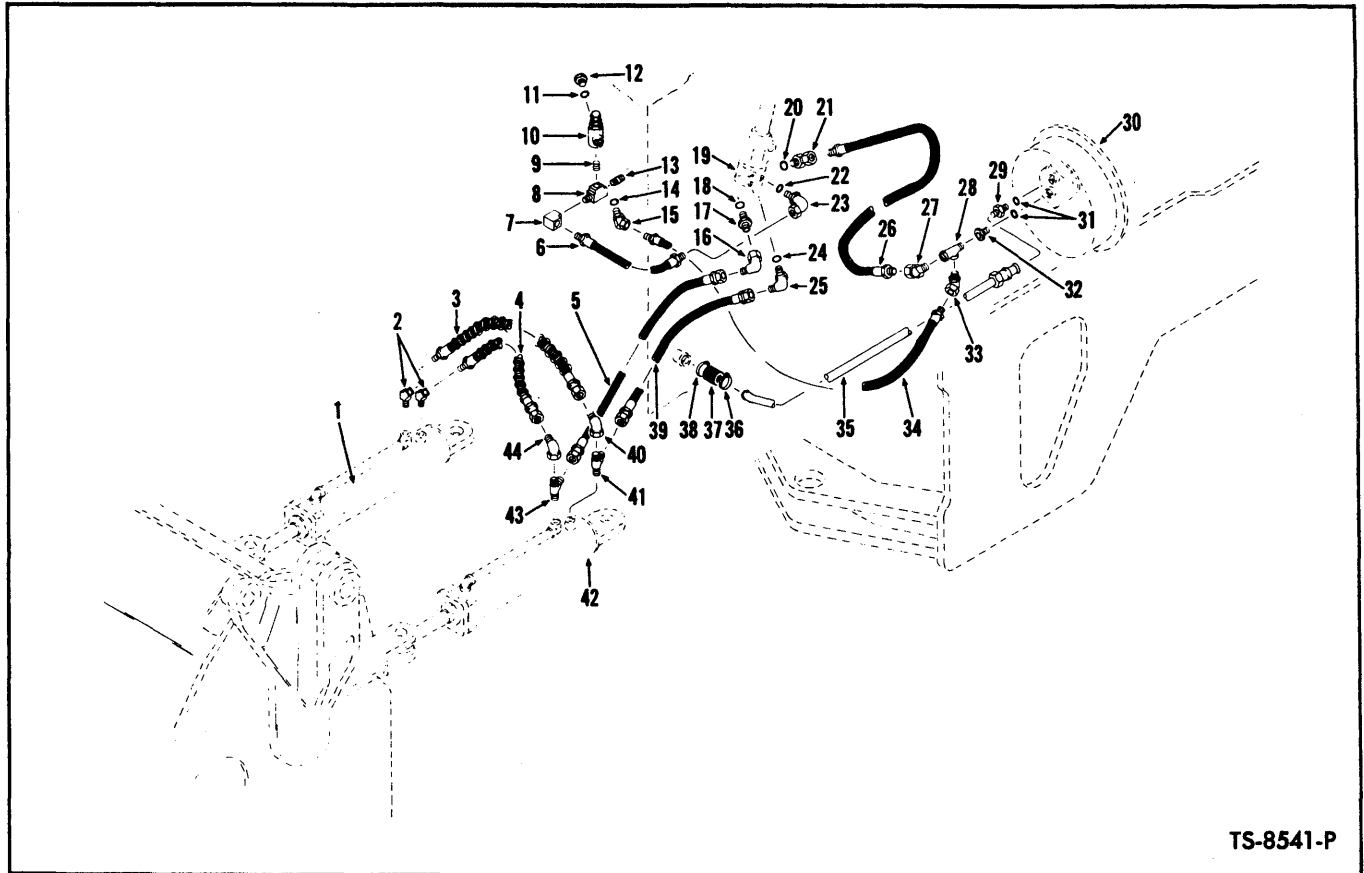


TS-8541-P

HYDRAULIC SYSTEM — STEERING
S/N 4069/A 101 thru 120

Item No.	Part No.	Description	No. Req'd.	Item No.	Part No.	Description	No. Req'd.
1	—	STEERING CYLINDER — See P.M. 2252	1	23	531684	ADAPTER UNION, Hose to Steering Gear (Inc. 22)	1
2	81F-3	ELBOW, Hose to Cylinder — R.H.	2	24	91F-6	"O" RING, Elbow	1
3	1522361	HOSE, Cylinder Cross-over	1	25	17K-6	ELBOW, Hose to Steering Gear (Inc. 24)	1
4	1522361	HOSE, Cylinder Cross-over	1	26	658914	HOSE, Steering Gear to Pump	1
5	1533602	HOSE, Gear to Cylinder	1	27	33F-5	ADAPTER UNION, Hose to Tee	1
6	1503832	HOSE, Gear to Relief Valve	1	28	30F-4	TEE, Hoses to Pump	1
7	32F-5	ELBOW, Hose to Tee	1	29	15K-11	CONNECTOR, Tube to Pump(Inc. 31).	1
8	30F-4	TEE, Relief Valve to Reservoir	1	30	—	TORQUE CONVERTER — See P.M. 2252	1
9	5K-611	NIPPLE, Relief Valve to Tee	1	31	91F-11	"O" RING	2
10	—	VALVE, Steering Pressure Relief — See P.M. 2252	1	32	522969	CONNECTOR, Tee to Pump	1
11	91F-7	"O" RING, Plug	1	33	514788	ADAPTER UNION, Hose to Tee	1
12	24K-7	PLUG, Relief Valve (Inc. 11)	1	34	1520093	HOSE, Relief Valve to Pump	1
13	5K-620	NIPPLE, Relief Valve to Reservoir	1	35	1503364	TUBE, Pump to Reservoir	1
14	91F-7	"O" RING, Adapter Union	1	36	540127	CLAMP, Hose to Tube	1
15	594542	ADAPTER UNION, Hose to Gear (Inc. 14)	1	37	536749	HOSE, Tube to Reservoir	1
16	11K-6	ELBOW, Hose to Steering Gear	1	38	540127	CLAMP, Hose to Reservoir	1
17	15K-6	CONNECTOR, Steering Gear to Elbow (Inc. 18)	1	39	1533601	HOSE, Gear to Cylinder	1
18	91F-6	"O" RING, Connector	1	40	12K-7	ELBOW, Hose to Tee	1
19	—	STEERING GEAR — See P.M. 2252	1	41	42K-7	TEE, Hose to Cylinder	1
20	91F-7	"O" RING, Adapter Union	1	42	—	STEERING CYLINDER — See P.M. 2252	1
21	534894	ADAPTER UNION, Hose to Steering Gear (Inc. 20)	1	43	42K-7	TEE, Hose to Cylinder	1
22	91F-7	"O" RING, Adapter Union	1	44	12K-7	ELBOW, Hose to Tee	1

WHEN ORDERING PARTS, ALWAYS STATE MODEL AND SERIAL NO. OF MACHINE



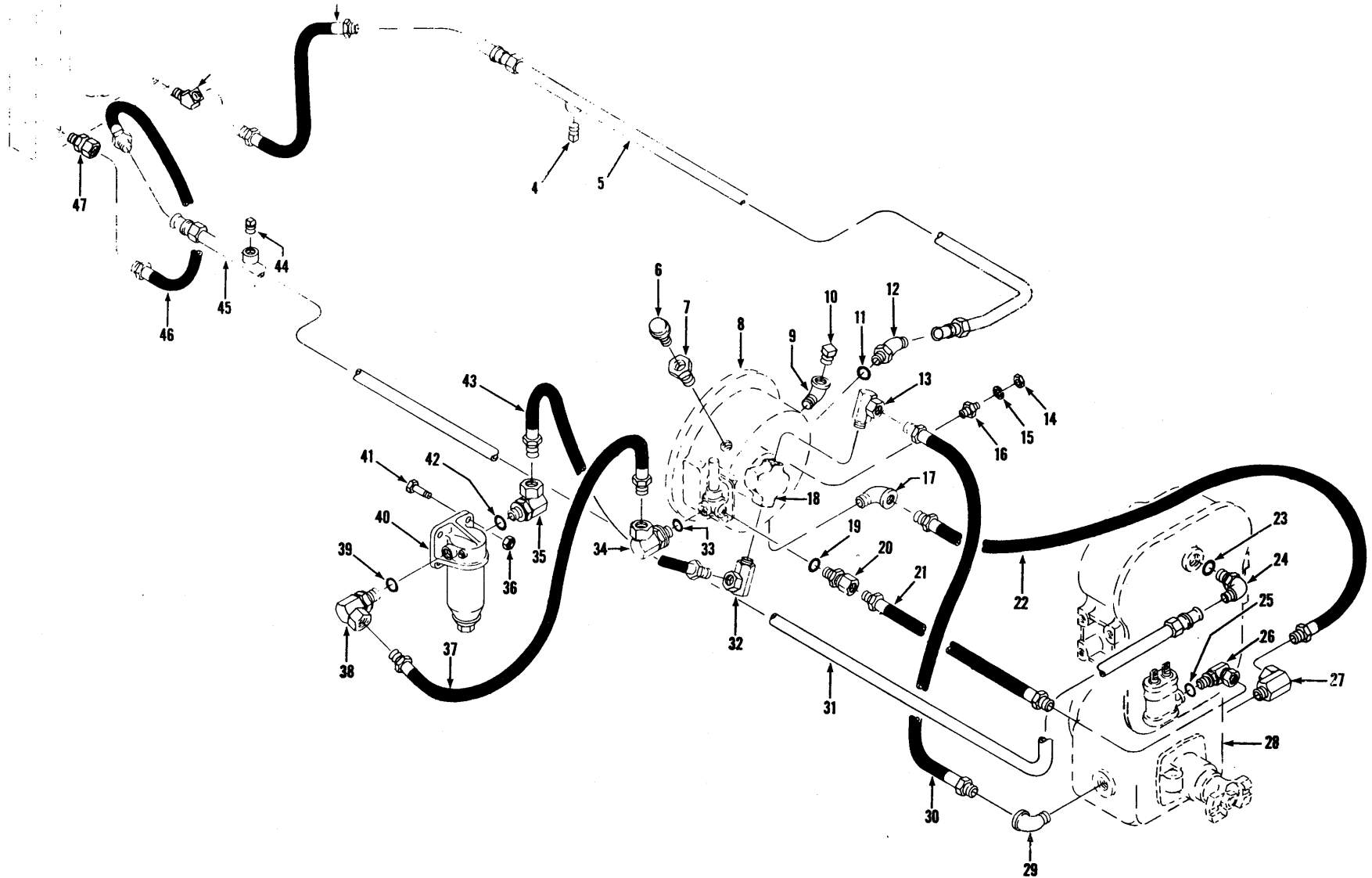
TS-8541-P

HYDRAULIC SYSTEM — STEERING

S/N 4069/A 127 thru 149

Item No.	Part No.	Description	No. Req'd.	Item No.	Part No.	Description	No. Req'd.
1	-----	STEERING CYLINDER — See P.M. 2252	1	23	531684	ADAPTER UNION, Hose to Steering Gear (Inc. 22)	1
2	81F-3	ELBOW, Hose to Cylinder — R.H.	2	24	91F-6	"O" RING, Elbow	1
3	1522361	HOSE, Cylinder Cross-over	1	25	17K-6	ELBOW, Hose to Steering Gear (Inc. 24)	1
4	1522361	HOSE, Cylinder Cross-over	1	26	550877	HOSE, Steering Gear to Pump	1
5	1533602	HOSE, Gear to Cylinder	1	27	32F-5	ADAPTER UNION, Hose to Tee	1
6	1503832	HOSE, Gear to Relief Valve	1	28	30F-4	TEE, Hoses to Pump	1
7	32F-5	ELBOW, Hose to Tee	1	29	755057	CONNECTOR, Tube to Pump	1
8	30F-4	TEE, Relief Valve to Reservoir	1	30	-----	TORQUE CONVERTER — See P.M. 2252	1
9	5K-611	NIPPLE, Relief Valve to Tee	1	31	91F-11	"O" RING	2
10	-----	VALVE, Steering Pressure Relief — See P.M. 2252	1	32	522969	CONNECTOR, Tee to Pump	1
11	91F-7	"O" RING, Plug	1	33	514788	ADAPTER UNION, Hose to Tee	1
12	24K-7	PLUG, Relief Valve (Inc. 11)	1	34	1520093	HOSE, Relief Valve to Pump	1
13	5K-620	NIPPLE, Relief Valve to Reservoir	1	35	3233645	TUBE, Pump to Reservoir	1
14	91F-7	"O" RING, Adapter Union	1	36	3123386	CLAMP, Hose to Tube	1
15	594542	ADAPTER UNION, Hose to Gear (Inc. 14)	1	37	536749	HOSE, Tube to Reservoir	1
16	11K-6	ELBOW, Hose to Steering Gear	1	38	540127	CLAMP, Hose to Reservoir	1
17	15K-6	CONNECTOR, Steering Gear to Elbow (Inc. 18)	1	39	1533601	HOSE, Gear to Cylinder	1
18	91F-6	"O" RING, Connector	1	40	12K-7	ELBOW, Hose to Tee	1
19	-----	STEERING GEAR — See P.M. 2252	1	41	42K-7	TEE, Hose to Cylinder	1
20	91F-7	"O" RING, Adapter Union	1	42	-----	STEERING CYLINDER — See P.M. 2252	1
21	534894	ADAPTER UNION, Hose to Steering Gear (Inc. 20)	1	43	42K-7	TEE, Hose to Cylinder	1
22	91F-7	"O" RING, Adapter Union	1	44	12K-7	ELBOW, Hose to Tee	1

WHEN ORDERING PARTS, ALWAYS STATE MODEL AND SERIAL NO. OF MACHINE



HYDRAULIC SYSTEM — TRANSMISSION AND TORQUE CONVERTER

TS-8357-P

HYDRAULIC SYSTEM — TRANSMISSION AND TORQUE CONVERTER

S/N 4069/A 101 thru 127

Item No.	Part No.	Description	No. Req'd.
1	-----	RADIATOR — See Index	—
3	563465	HOSE, Cooler Line to Radiator	1
4	40K-04	PLUG, Cooler Line	1
5	3233604	LINE, Cooler to Converter (Inc. 4)	1
6	211433	BREATHER, Converter Air	1
7	227265	VALVE, Air Breather Check	1
8	-----	CONVERTER — See Index	—
9	25F-6	ELBOW, Converter Fill	1
10	13F-16	PLUG, Filler (Furnished with Converter)	1
11	91F-8	"O" RING, Elbow to Converter	1
12	17K-8	ELBOW, Cooler Line to Converter (Inc. 11)	1
13	31F-6	ADAPTER, Suction Hose to Converter	1
14	14D-10	NUT, Temperature Sender	1
15	12E-10	LKWSHR, Temperature Sender	1
16	551323	SENDER UNIT, Converter Temperature	1
17	25F-6	ELBOW, Drain Hose to Converter	1
18	-----	PUMP, Converter Charging — See Index	—
21A	690279	†ADAPTOR	1
20	574290	ADAPTER, Hose to Converter Valve (Inc. 19)	1
21	3233595	HOSE, Converter to Transmission	1
22	3233596	HOSE, Converter Drain	1
23	91F-8	"O" RING, Elbow	1
24	17K-8	ELBOW, Cooler Line to Transmission (Inc. 23)	1
25	91F-6	"O" RING, Adapter to Transmission	1
26	1301856	ADAPTER, Hose to Transmission (Inc. 25)	1
27	31F-6	ADAPTER, Drain Hose to Transmission	1
28	-----	TRANSMISSION — See Index	—
29	26F-6	ELBOW, Suction Hose to Transmission	1
30	3233597	HOSE, Pump Suction	1
31	3233605	LINE, Radiator to Transmission (Inc. 44)	1
32	33F-5	ADAPTER, Hose to Pump	1
33	91F-8	"O" RING, Adapter to Converter Valve	1
34	526676	ADAPTER, Filter Hose to Converter Valve (Inc. 33)	1
35	526676	ADAPTER, Hose to Filter (Inc. 42)	1
36	18D-06	NUT, Filter Mounting	4
37	546829	HOSE, Filter to Converter Valve	1
38	526676	ADAPTER, Hose to Filter (Inc. 39)	1
39	91F-8	"O" RING, Adapter to Filter	1
40	1533614	FILTER, Converter and Transmission (Inc. 40A)	1
40A	215502	†CARTRIDGE KIT, Filter	1
41	24C-624	BOLT, Filter Mounting	4
42	91F-8	"O" RING, Adapter to Filter	1
43	542813	HOSE, Pump to Filter	1
44	40K-04	PLUG, Cooler Line	1
45	-----	LINE, Radiator to Transmission — See 31	—
46	563465	HOSE, Cooler Line to Radiator	1
47	1505709	DIPSTICK TUBE ASSY	1
48	1505710	DIPSTICK	1
49	560640	GROMMET	1
50	89F-6	ADAPTOR BUSHING	1
51	356618	REDUCING BUSHING	1

†Not Illustrated

WHEN ORDERING PARTS, ALWAYS STATE MODEL AND SERIAL NO. OF MACHINE

HYDRAULIC SYSTEM — TRANSMISSION AND TORQUE CONVERTER

S/N 4069/A 101 thru 120

Item No.	Part No.	Description	No. Req'd.
1	-----	RADIATOR — See Index	—
3	1534213	HOSE, Cooler Line to Radiator	1
4	40K-04	PLUG, Cooler Line	1
5	3233604	LINE, Cooler to Converter (Inc. 4)	1
6	211433	BREATHER, Converter Air	1
7	227265	VALVE, Air Breather Check	1
8	-----	CONVERTER — See Index	—
9	25F-6	ELBOW, Converter Fill	1
10	13F-16	PLUG, Filler (Furnished with Converter)	1
11	91F-8	"O" RING, Elbow to Converter	1
12	17K-8	ELBOW, Cooler Line to Converter (Inc. 11)	1
13	31F-6	ADAPTER, Suction Hose to Converter	1
14	14D-10	NUT, Temperature Sender	1
15	12E-10	LKWSHR, Temperature Sender	1
16	551323	SENDER UNIT, Converter Temperature	1
17	25F-6	ELBOW, Drain Hose to Converter	1
18	-----	PUMP, Converter Charging — See Index	—
20	574290	ADAPTER, Hose to Converter Valve (Inc. 19)	1
21	3233595	HOSE, Converter to Transmission	1
22	3233596	HOSE, Converter Drain	1
23	91F-8	"O" RING, Elbow	1
24	17K-8	ELBOW, Cooler Line to Transmission (Inc. 23)	1
25	91F-6	"O" RING, Adapter to Transmission	1
26	1301856	ADAPTER, Hose to Transmission (Inc. 25)	1
27	31F-6	ADAPTER, Drain Hose to Transmission	1
28	-----	TRANSMISSION — See Index	—
29	26F-6	ELBOW, Suction Hose to Transmission	1
30	3233597	HOSE, Pump Suction	1
31	3233605	LINE, Radiator to Transmission (Inc. 44)	1
32	31F-5	ADAPTER, Hose to Pump	1
33	91F-8	"O" RING, Adapter to Converter Valve	1
34	526676	ADAPTER, Filter Hose to Converter Valve (Inc. 33)	1
35	526676	ADAPTER, Hose to Filter (Inc. 42)	1
36	18D-06	NUT, Filter Mounting	4
37	546829	HOSE, Filter to Converter Valve	1
38	526676	ADAPTER, Hose to Filter (Inc. 39)	1
39	91F-8	"O" RING, Adapter to Filter	1
40	1533614	FILTER, Converter and Transmission (Inc. 40A)	1
40A	215502	†CARTRIDGE KIT, Filter	1
41	24C-62A	BOLT, Filter Mounting	4
42	91F-8	"O" RING, Adapter to Filter	1
43	546803	HOSE, Pump to Filter	1
44	40K-04	PLUG, Cooler Line	1
45	-----	LINE, Radiator to Transmission — See 31	—
46	1534212	HOSE, Cooler Line to Radiator	1

†Not Illustrated

WHEN ORDERING PARTS, ALWAYS STATE MODEL AND SERIAL NO. OF MACHINE

HYDRAULIC SYSTEM — TRANSMISSION AND TORQUE CONVERTER

S/N 4069/A 127 thru 149

Item No.	Part No.	Description	No. Req'd.
1	-----	RADIATOR — See Index	—
3	563465	HOSE, Cooler Line to Radiator	1
4	40K-04	PLUG, Cooler Line	1
5	3233604	LINE, Cooler to Converter (Inc. 4)	1
6	211433	BREATHER, Converter Air	1
7	227265	VALVE, Air Breather Check	1
8	-----	CONVERTER — See Index	—
9	25F-6	ELBOW, Converter Fill	1
10	13F-16	PLUG, Filler (Furnished with Converter)	1
11	91F-8	"O" RING, Elbow to Converter	1
12	17K-8	ELBOW, Cooler Line to Converter (Inc. 11)	1
13	31F-6	ADAPTER, Suction Hose to Converter	1
14	14D-10	NUT, Temperature Sender	1
15	12E-10	LKWSHR, Temperature Sender	1
16	551323	SENDER UNIT, Converter Temperature	1
17	25F-6	ELBOW, Drain Hose to Converter	1
18	-----	PUMP, Converter Charging — See Index	—
21A	690279	†ADAPTOR	1
20	574290	ADAPTER, Hose to Converter Valve (Inc. 19)	1
21	3233595	HOSE, Converter to Transmission	1
22	3233596	HOSE, Converter Drain	1
23	91F-8	"O" RING, Elbow	1
24	17K-8	ELBOW, Cooler Line to Transmission (Inc. 23)	1
25	91F-6	"O" RING, Adapter to Transmission	1
26	1301856	ADAPTER, Hose to Transmission (Inc. 25)	1
27	31F-6	ADAPTER, Drain Hose to Transmission	1
28	-----	TRANSMISSION — See Index	—
29	26F-6	ELBOW, Suction Hose to Transmission	1
30	3233597	HOSE, Pump Suction	1
31	3233605	LINE, Radiator to Transmission (Inc. 44)	1
32	33F-5	ADAPTER, Hose to Pump	1
33	91F-8	"O" RING, Adapter to Converter Valve	1
34	526676	ADAPTER, Filter Hose to Converter Valve (Inc. 33)	1
35	526676	ADAPTER, Hose to Filter (Inc. 42)	1
36	18D-06	NUT, Filter Mounting	4
37	546829	HOSE, Filter to Converter Valve	1
38	526676	ADAPTER, Hose to Filter (Inc. 39)	1
39	91F-8	"O" RING, Adapter to Filter	1
40	1533614	FILTER, Converter and Transmission (Inc. 40A)	1
40A	215502	†CARTRIDGE KIT, Filter	1
41	24C-624	BOLT, Filter Mounting	4
42	91F-8	"O" RING, Adapter to Filter	1
43	542813	HOSE, Pump to Filter	1
44	40K-04	PLUG, Cooler Line	1
45	-----	LINE, Radiator to Transmission — See 31	—
46	563465	HOSE, Cooler Line to Radiator	1
47	1505709	DIPSTICK TUBE ASSY	1
48	1505710	DIPSTICK	1
49	560640	GROMMET	1
50	89F-6	ADAPTOR BUSHING	1
51	356618	REDUCING BUSHING	1

†Not Illustrated

WHEN ORDERING PARTS, ALWAYS STATE MODEL AND SERIAL NO. OF MACHINE

HYDRAULIC SYSTEM — TRANSMISSION AND TORQUE CONVERTER
S/N 4069/A 121 thru 130

Item No.	Part No.	Description	No. Req'd.
1	-----	RADIATOR — See Index	—
3	1534213	HOSE, Cooler Line to Radiator	1
4	40K-04	PLUG, Cooler Line	1
5	3233604	LINE, Cooler to Converter (Inc. 4)	1
6	211433	BREATHER, Converter Air	1
7	227265	VALVE, Air Breather Check	1
8	-----	CONVERTER — See Index	—
9	25F-6	ELBOW, Converter Fill	1
10	13F-16	PLUG, Filler (Furnished with Converter)	1
11	91F-8	"O" RING, Elbow to Converter	1
12	17K-8	ELBOW, Cooler Line to Converter (Inc. 11)	1
13	31F-6	ADAPTER, Suction Hose to Converter	1
14	14D-10	NUT, Temperature Sender	1
15	12E-10	LKWSHR, Temperature Sender	1
16	551323	SENDER UNIT, Converter Temperature	1
17	25F-6	ELBOW, Drain Hose to Converter	1
18	-----	PUMP, Converter Charging — See Index	—
20	574290	ADAPTER, Hose to Converter Valve (Inc. 19)	1
21	3233595	HOSE, Converter to Transmission	1
22	3233596	HOSE, Converter Drain	1
23	91F-8	"O" RING, Elbow	1
24	17K-8	ELBOW, Cooler Line to Transmission (Inc. 23)	1
25	91F-6	"O" RING, Adapter to Transmission	1
26	1301856	ADAPTER, Hose to Transmission (Inc. 25)	1
27	31F-6	ADAPTER, Drain Hose to Transmission	1
28	-----	TRANSMISSION — See Index	—
29	26F-6	ELBOW, Suction Hose to Transmission	1
30	3233597	HOSE, Pump Suction	1
31	3233605	LINE, Radiator to Transmission (Inc. 44)	1
32	31F-5	ADAPTER, Hose to Pump	1
33	91F-8	"O" RING, Adapter to Converter Valve	1
34	526676	ADAPTER, Filter Hose to Converter Valve (Inc. 33)	1
35	526676	ADAPTER, Hose to Filter (Inc. 42)	1
36	18D-06	NUT, Filter Mounting	4
37	546829	HOSE, Filter to Converter Valve	1
38	526676	ADAPTER, Hose to Filter (Inc. 39)	1
39	91F-8	"O" RING, Adapter to Filter	1
40	1533614	FILTER, Converter and Transmission (Inc. 40A)	1
40A	215502	† CARTRIDGE KIT, Filter	1
41	24C-624	BOLT, Filter Mounting	4
42	91F-8	"O" RING, Adapter to Filter	1
43	546803	HOSE, Pump to Filter	1
44	40K-04	PLUG, Cooler Line	1
45	-----	LINE, Radiator to Transmission — See 31	—
46	1534212	HOSE, Cooler Line to Radiator	1
48	1505710	† DIPSTICK	1
49	560640	† GROMMET	1
50	89F-6	† ADAPTOR BUSHING	1
51	356618	† REDUCING BUSHING	1

† Not Illustrated

WHEN ORDERING PARTS, ALWAYS STATE MODEL AND SERIAL NO. OF MACHINE

HYDRAULIC SYSTEM — TRANSMISSION AND TORQUE CONVERTER

Item No.	Part No.	Description	No. Req'd.
1	-----	RADIATOR — See Index	—
3	563465	HOSE, Cooler Line to Radiator	1
4	40K-04	PLUG, Cooler Line	1
5	3233604	LINE, Cooler to Converter (Inc. 4)	1
6	211433	BREATHER, Converter Air	1
7	227265	VALVE, Air Breather Check	1
8	-----	CONVERTER — See Index	—
9	25F-6	ELBOW, Converter Fill	1
9A	574115	†TUBE, Converter Filter	1
10	22F16	CAP	1
11	91F-8	"O" RING, Elbow to Converter	1
12	17K-8	ELBOW, Cooler Line to Converter (Inc. 11)	1
13	31F-6	ADAPTER, Suction Hose to Converter	1
14	14D-10	NUT, Temperature Sender	1
15	12E-10	LKWSHR, Temperature Sender	1
16	551323	SENDER UNIT, Converter Temperature	1
17	25F-6	ELBOW, Drain Hose to Converter	1
18	-----	PUMP, Converter Charging — See Index	—
20	574290	ADAPTER, Hose to Converter Valve (Inc. 19)	1
21	3233595	HOSE, Converter to Transmission	1
22	3233596	HOSE, Converter Drain	1
23	91F-8	"O" RING, Elbow	1
24	17K-8	ELBOW, Cooler Line to Transmission (Inc. 23)	1
25	91F-6	"O" RING, Adapter to Transmission	1
26	1301856	ADAPTER, Hose to Transmission (Inc. 25)	1
27	31F-6	ADAPTER, Drain Hose to Transmission	1
28	-----	TRANSMISSION — See Index	—
29	26F-6	ELBOW, Suction Hose to Transmission	1
30	3233597	HOSE, Pump Suction	1
31	3233605	LINE, Radiator to Transmission (Inc. 44)	1
32	33F-5	ADAPTER, Hose to Pump	1
33	91F-8	"O" RING, Adapter to Converter Valve	1
34	526676	ADAPTER, Filter Hose to Converter Valve (Inc. 33)	1
35	526676	ADAPTER, Hose to Filter (Inc. 42)	1
36	18D-06	NUT, Filter Mounting	4
37	546829	HOSE, Filter to Converter Valve	1
38	526676	ADAPTER, Hose to Filter (Inc. 39)	1
39	91F-8	"O" RING, Adapter to Filter	1
40	1533614	FILTER, Converter and Transmission (Inc. 40A)	1
40A	215502	†CARTRIDGE KIT, Filter	1
41	24C-624	BOLT, Filter Mounting	4
42	91F-8	"O" RING, Adapter to Filter	1
43	542813	HOSE, Pump to Filter	1
44	40K-04	PLUG, Cooler Line	1
45	-----	LINE, Radiator to Transmission — See 31	—
46	563465	HOSE, Cooler Line to Radiator	1
47	1505709	DIPSTICK TUBE ASSY	1
48	1505710	DIPSTICK	1
49	560640	GROMMET	1
50	89F-6	ADAPTOR BUSHING	1
51	356618	REDUCING BUSHING	1

†Not Illustrated

WHEN ORDERING PARTS, ALWAYS STATE MODEL AND SERIAL NO. OF MACHINE

C

C

C

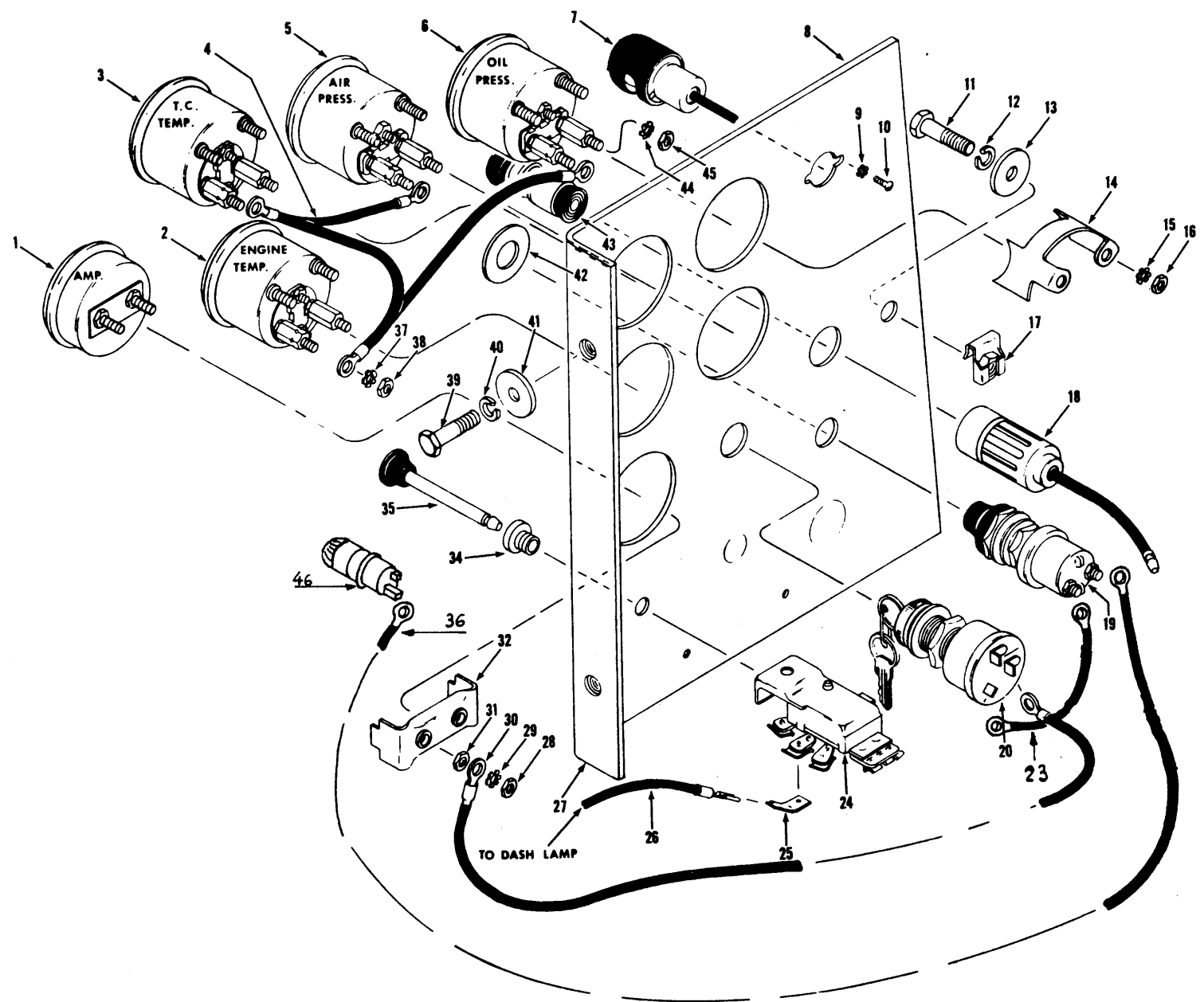
HYDRAULIC SYSTEM — TRANSMISSION AND TORQUE CONVERTER

S/N 4069/A 127 thru 149

Item No.	Part No.	Description	No. Req'd.
1	-----	RADIATOR — See Index	—
3	563465	HOSE, Cooler Line to Radiator	1
4	40K-04	PLUG, Cooler Line	1
5	3233604	LINE, Cooler to Converter (Inc. 4)	1
6	211433	BREATHER, Converter Air	1
7	227265	VALVE, Air Breather Check	1
8	-----	CONVERTER — See Index	—
9	25F-6	ELBOW, Converter Fill	1
10	13F-16	PLUG, Filler (Furnished with Converter)	1
11	91F-8	"O" RING, Elbow to Converter	1
12	17K-8	ELBOW, Cooler Line to Converter (Inc. 11)	1
13	31F-6	ADAPTER, Suction Hose to Converter	1
14	14D-10	NUT, Temperature Sender	1
15	12E-10	LKWSHR, Temperature Sender	1
16	551323	SENDER UNIT, Converter Temperature	1
17	25F-6	ELBOW, Drain Hose to Converter	1
18	-----	PUMP, Converter Charging — See Index	—
21A	690279	†ADAPTOR	1
20	574290	ADAPTER, Hose to Converter Valve (Inc. 19)	1
21	3233595	HOSE, Converter to Transmission	1
22	3233596	HOSE, Converter Drain	1
23	91F-8	"O" RING, Elbow	1
24	17K-8	ELBOW, Cooler Line to Transmission (Inc. 23)	1
25	91F-6	"O" RING, Adapter to Transmission	1
26	1301856	ADAPTER, Hose to Transmission (Inc. 25)	1
27	31F-6	ADAPTER, Drain Hose to Transmission	1
28	-----	TRANSMISSION — See Index	—
29	26F-6	ELBOW, Suction Hose to Transmission	1
30	3233597	HOSE, Pump Suction	1
31	3233605	LINE, Radiator to Transmission (Inc. 44)	1
32	33F-5	ADAPTER, Hose to Pump	1
33	91F-8	"O" RING, Adapter to Converter Valve	1
34	526676	ADAPTER, Filter Hose to Converter Valve (Inc. 33)	1
35	526676	ADAPTER, Hose to Filter (Inc. 42)	1
36	18D-06	NUT, Filter Mounting	4
37	546829	HOSE, Filter to Converter Valve	1
38	526676	ADAPTER, Hose to Filter (Inc. 39)	1
39	91F-8	"O" RING, Adapter to Filter	1
40	1533614	FILTER, Converter and Transmission (Inc. 40A)	1
40A	215502	†CARTRIDGE KIT, Filter	1
41	24C-624	BOLT, Filter Mounting	4
42	91F-8	"O" RING, Adapter to Filter	1
43	542813	HOSE, Pump to Filter	1
44	40K-04	PLUG, Cooler Line	1
45	-----	LINE, Radiator to Transmission — See 31	—
46	563465	HOSE, Cooler Line to Radiator	1
47	1505709	DIPSTICK TUBE ASSY	1
48	1505710	DIPSTICK	1
49	560640	GROMMET	1
50	89F-6	ADAPTOR BUSHING	1
51	356618	REDUCING BUSHING	1

†Not Illustrated

WHEN ORDERING PARTS, ALWAYS STATE MODEL AND SERIAL NO. OF MACHINE



INSTRUMENT PANEL

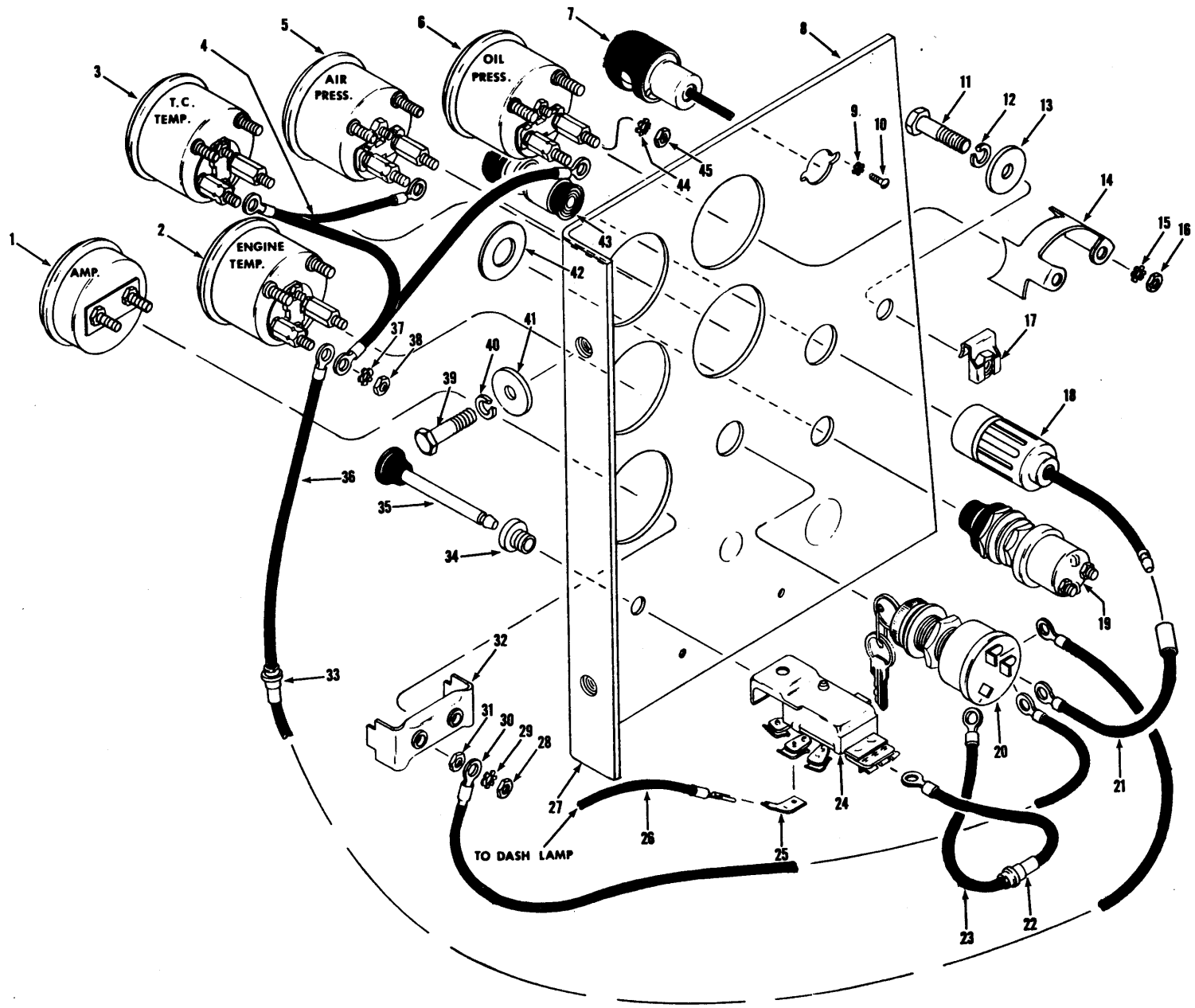
TS-8366-P

INSTRUMENT PANEL ASSEMBLY
S/N 4069/A 127 thru 149

Item No.	Part No.	Description	No. Req'd.	Item No.	Part No.	Description	No. Req'd.
1	1534137	AMMETER	1	22	611074	FUSE — 20 Amp	1
2	3200107	GAUGE, Engine Temperature (Perk.) ...	1	23	3222614	WIRE ASSY, Starter to Ignition Switch 1	
2A	3133335	GAUGE, Engine Temperature (DAF)	1	24	3227780	SWITCH, Light	2
3	1534144	GAUGE, Torque Converter Temperature	1	26	—	§WIRE, Dash Lamp (See 7)	—
4	558673	HARNESS, Instrument Wiring	1	27	—	PANEL, Instrument (See 8)	—
5	1534140	GAUGE, Air Pressure	1	28	14D-10	NUT, Ammeter Terminal	2
6	1534139	GAUGE, Engine Oil Pressure	1	29	12E-10	LKWSHR, Ammeter Terminal	2
7	3214208	LAMP, Dash	1	30	553405	WIRE ASSY, Ammeter to Ignition Switch	1
7A	3222012	†BULB, Dash Lamp — 12 Volt (Perk.) ...	1	31	14D-10	NUT, Ammeter Mounting	2
7B	3220954	†BULB, Dash Lamp — 24 Volt (DAF) ...	1	32	601212	CLAMP, Ammeter Mounting	1
8	3232919	PANEL, Instrument (Perkins)	1	33	571021	FUSE — .75 Amp.	1
8A	3522129	PANEL, Instrument (DAF)	1	36	3222614	WIRE ASSY — Starter to Warning Lamp	1
9	3220859	LOCKNUT	2	37	12E-8	LKWSHR, Gauge Terminal	3
10	3220881	SCREW, Dash Lamp Mounting	2	38	12D-8	NUT, Gauge Terminal	3
11	23C-416	BOLT, Instrument Panel Mounting	1	39	23C-416	BOLT, Instrument Panel Mounting ...	2
12	4E-04	LKWSHR, Instrument Panel Mounting	1	40	4E-04	LKWSHR, Instrument Panel Mounting	4
13	664421	WASHER, Instrument Panel Mounting	1	41	664421	WASHER, Instrument Panel Mounting	4
14	1534136	CLAMP, Gauge Mounting	3	44	12E-10	LKWSHR, Gauge Terminal	1
15	12E-10	LKWSHR, Gauge Mounting	8	45	14D-10	NUT, Gauge Terminal	1
16	14D-10	NUT, Gauge Mounting	8	46	3224875	LAMP, Warning	1
18	3209569	RECEPTACLE, Lighter	1	47	556489	†RESISTOR	1
19	3232829	BUTTON, Starter	1	48	3G-608	†SCREW	2
20	3222520	SWITCH, Ignition	1	49	12D-06	†NUT	2
21	3232829	†COLD START SWITCH (DAF only)	1	50	17E-06	†LKWSHR	2
21A	3232794	†NAME PLATE, Cold Start Switch (DAF only)	1				

† Not illustrated

WHEN ORDERING PARTS, ALWAYS STATE MODEL AND SERIAL NO. OF MACHINE



INSTRUMENT PANEL

TS-8366-P

PM5012

70A

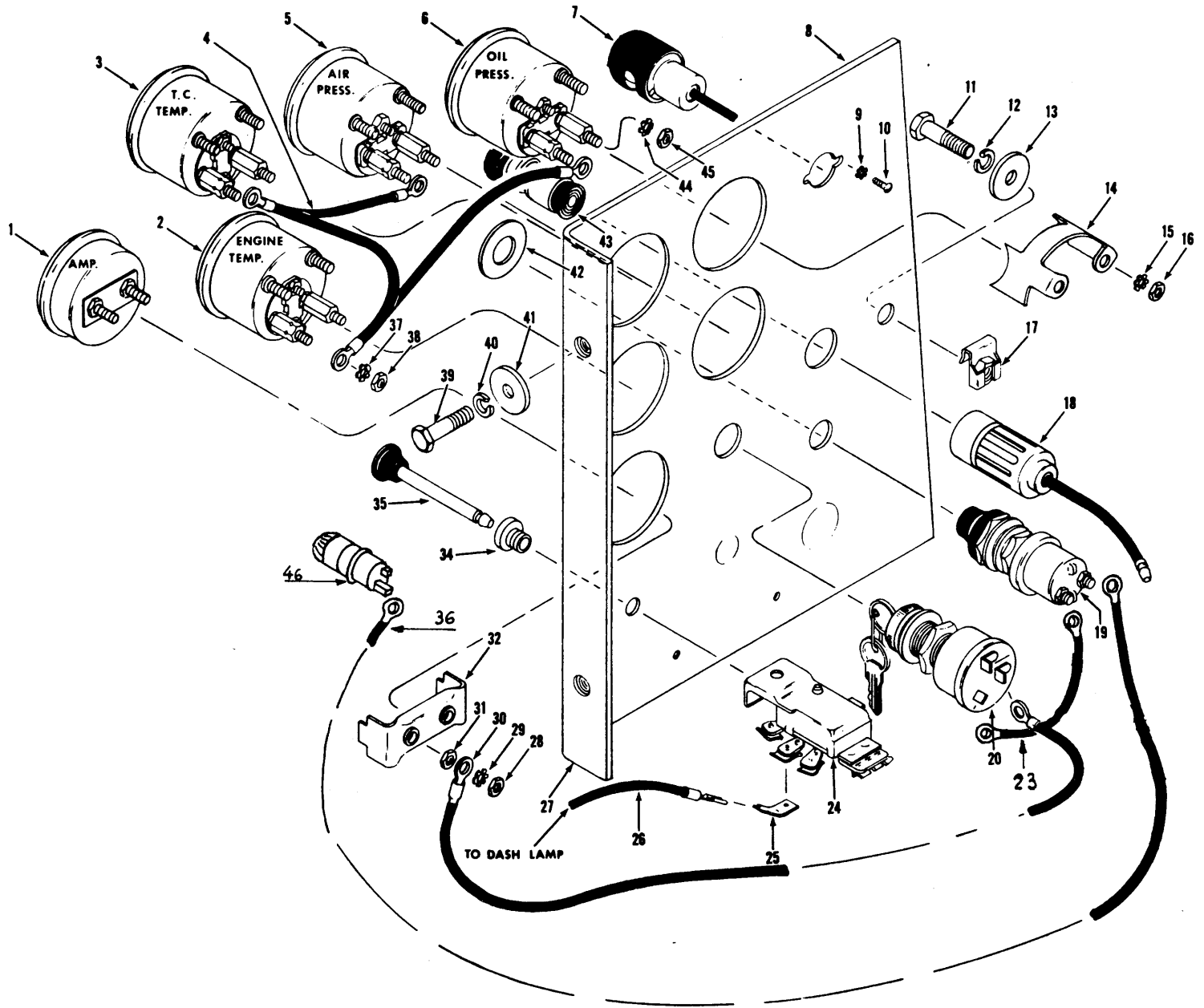
(2C-10)

INSTRUMENT PANEL ASSEMBLY

Item No.	Part No.	Description	No. Req'd.	Item No.	Part No.	Description	No. Req'd.
1	3224162	AMMETER	1	22	611074	FUSE — 20 Amp	1
2	3200107	GAUGE, Engine Temperature (Perk.) ...	1	23	3222614	WIRE ASSY, Starter to Ignition Switch 1	
2A	3133335	GAUGE, Engine Temperature (DAF)	1	24	3227780	SWITCH, Light	2
3	3200105	GAUGE, Torque Converter Temperature	1	26	—	§WIRE, Dash Lamp (See 7)	—
4	558673	HARNESS, Instrument Wiring	1	27	—	PANEL, Instrument (See 8)	—
5	1534140	GAUGE, Air Pressure	1	28	—	Not used	—
6	1534139	GAUGE, Engine Oil Pressure	1	29	—	Not used	—
7	3214208	LAMP, Dash	1	30	553405	WIRE ASSY, Ammeter to Ignition Switch	1
7A	3222012	†BULB, Dash Lamp — 12 Volt (Perk.) ...	1	31	—	Not used	—
7B	3220954	†BULB, Dash Lamp — 24 Volt (DAF) ...	1				
8	3233493	PANEL, Instrument (Perkins)	1				
9	3220859	LOCKNUT	2	33	571021	FUSE — .75 Amp.	1
10	3220881	SCREW, Dash Lamp Mounting	2	36	3222614	WIRE ASSY — Starter to Warning Lamp 1	
11	23C-416	BOLT, Instrument Panel Mounting	1	37	12E-8	LKWSHR, Gauge Terminal	2
12	4E-04	LKWSHR, Instrument Panel Mounting	1	38	12D-8	NUT, Gauge Terminal	2
13	664421	WASHER, Instrument Panel Mounting	1	39	23C-416	BOLT, Instrument Panel Mounting ...	2
14	1534136	CLAMP, Gauge Mounting	2	40	4E-04	LKWSHR, Instrument Panel Mounting	4
15	12E-10	LKWSHR, Gauge Mounting	6	41	664421	WASHER, Instrument Panel Mounting	4
16	14D-10	NUT, Gauge Mounting	8	43	3209565	HEATING UNIT	1
18	3209569	RECEPTACLE, Lighter	1	44	—	Not used	—
19	3232829	BUTTON, Starter	1	45	—	Not used	—
20	3222520	SWITCH, Ignition	1	46	3220452	LAMP, Warning - Perkins	1
21	3232829	†COLD START SWITCH	1	46A	3224875	LAMP, Warning - DAF	1
21A	3232794	†NAME PLATE, Cold Start Swich	1	47	556489	RESISTOR - DAF only	1
				48	3G-608	SCREW - DAF only	2
				49	12D-06	NUT - DAF only	2
				50	17E-06	LKWSHR - DAF only	2

† Not illustrated

WHEN ORDERING PARTS, ALWAYS STATE MODEL AND SERIAL NO. OF MACHINE



INSTRUMENT PANEL

TS-8366-P

INSTRUMENT PANEL ASSEMBLY

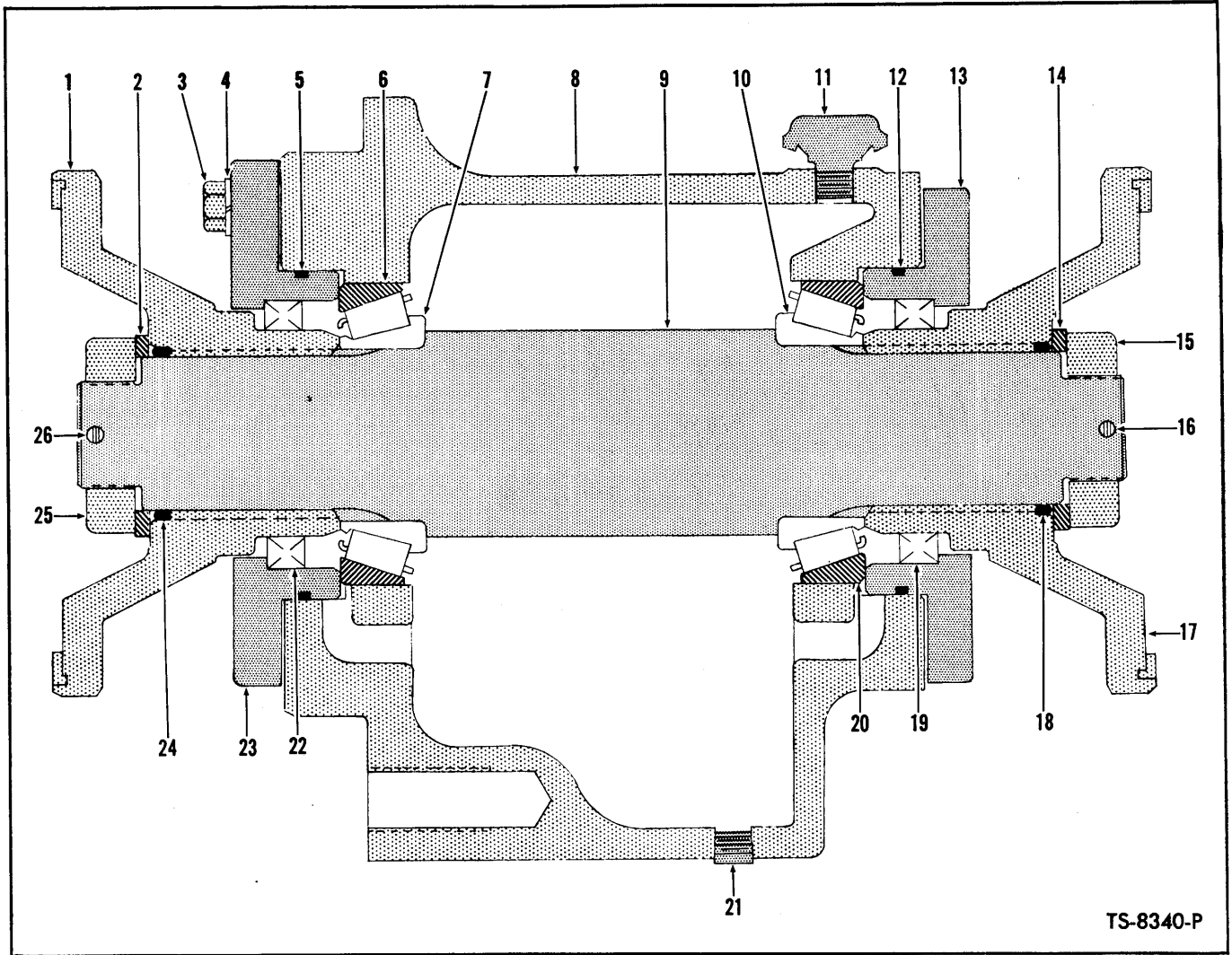
S/N 4069/A 121 thru 130

Item No.	Part No.	Description	No. Req'd.
1	1534137	AMMETER	1
2	3200107	GAUGE, Engine Temperature	1
3	1534144	GAUGE, Torque Converter Temperature	1
4	558673	HARNES, Instrument Wiring	1
5	1534140	GAUGE, Air Pressure	1
6	1534139	GAUGE, Engine Oil Pressure	1
7	3214208	LAMP, Dash	1
7A	3222012	† BULB, Dash Lamp — 12 Volt	1
8	3232919	PANEL, Instrument	1
9	3220859	LOCKNUT	2
10	3220881	SCREW, Dash Lamp Mounting	2
11	23C-616	BOLT, Instrument Panel Mounting	1
12	4E-06	LKWSHR, Instrument Panel Mounting	1
13	656672	WASHER, Instrument Panel Mounting	1
14	1534136	CLAMP, Gauge Mounting	3
15	12E-10	LKWSHR, Gauge Mounting	8
16	14D-10	NUT, Gauge Mounting	8
17	572729	NUT, Instrument Panel Mounting	1
18	3209569	RECEPTACLE, Lighter	1
19	3232829	BUTTON, Starter	1
20	3222520	SWITCH, Ignition	1
21	565430	WIRE ASSY, Lighter to Ignition Switch	1
22	611074	FUSE — 20 Amp	1
23	3222614	WIRE ASS'Y - Starter to Ignition Switch	1
24	3227780	SWITCH, Light	1
26	—	§ WIRE, Dash Lamp (See 7)	—
27	—	PANEL, Instrument (See 8)	—
28	14D-10	NUT, Ammeter Terminal	2
29	12E-10	LKWSHR, Ammeter Terminal	2
30	553405	WIRE ASSY, Ammeter to Ignition Switch	1
31	14D-10	NUT, Ammeter Mounting	2
32	601212	CLAMP, Ammeter Mounting	1
33	571021	FUSE — .75 Amp	1
36	3222614	WIRE ASSY - Starter to Warning Lamp	1
37	12E-8	LKWSHR, Gauge Terminal	4
38	12D-8	NUT, Gauge Terminal	4
39	23C-616	BOLT, Instrument Panel Mounting	2
40	4E-06	LKWSHR, Instrument Panel Mounting	2
41	656672	WASHER, Instrument Panel Mounting	2
44	12E-10	LKWSHR, Gauge Terminal	4
45	14D-10	NUT, Gauge Terminal	4
46	3224875	LAMP, Warning	1
47	556489	† RESISTOR	1
48	3G-608	† SCREW	2
49	12D-06	† NUT	2
50	17E-06	† LKWSHR	2

†Not Illustrated PM5012

INSTRUMENT PANEL ASSEMBLY
S/N 4069/A 101 thru 120

Item No.	Part No.	Description	No. Req'd.
1	1534137	AMMETER	1
2	3200107	GAUGE, Engine Temperature	1
3	1534144	GAUGE, Torque Converter Temperature	1
4	558673	HARNESS, Instrument Wiring	1
5	1534140	GAUGE, Air Pressure	1
6	1534139	GAUGE, Engine Oil Pressure	1
7	3214208	LAMP, Dash	1
7A	3222012	†BULB, Dash Lamp — 12 Volt	1
8	3232919	PANEL, Instrument	1
9	3220859	LOCKNUT	2
10	3220881	SCREW, Dash Lamp Mounting	2
11	23C-416	BOLT, Instrument Panel Mounting	1
12	4E-04	LKWSHR, Instrument Panel Mounting	1
13	664421	WASHER, Instrument Panel Mounting	1
14	1534136	CLAMP, Gauge Mounting	3
15	12E-10	LKWSHR, Gauge Mounting	8
16	14D-10	NUT, Gauge Mounting	8
18	3209569	RECEPTACLE, Lighter	1
19	3232829	BUTTON, Starter	1
20	3222520	SWITCH, Ignition	1
22	611074	FUSE — 20 Amp	1
23	3222614	WIRE ASS'Y - Starter to Ignition Switch	1
24	3227780	SWITCH, Light	2
26	-----	§WIRE, Dash Lamp (See 7)	—
27	-----	PANEL, Instrument (See 8)	—
28	14D-10	NUT, Ammeter Terminal	2
29	12E-10	LKWSHR, Ammeter Terminal	2
30	553405	WIRE ASSY, Ammeter to Ignition Switch	1
31	14D-10	NUT, Ammeter Mounting	2
32	601212	CLAMP, Ammeter Mounting	1
33	571021	FUSE — .75 Amp	1
36	3222614	WIRE ASS'Y - Starter to Warning Lamp	1
37	12E-8	LKWSHR, Gauge Terminal	3
38	12D-8	NUT, Gauge Terminal	3
39	23C-416	BOLT, Instrument Panel Mounting	2
40	4E-04	LKWSHR, Instrument Panel Mounting	4
41	664421	WASHER, Instrument Panel Mounting	4
44	12E-10	LKWSHR, Gauge Terminal	1
45	14D-10	NUT, Gauge Terminal	1
46	3224875	LAMP, Warning	1
47	556489	†RESISTOR	1
48	3G-608	†SCREW	2
49	12D-06	†NUT	2
50	17E-06	†LKWSHR	2

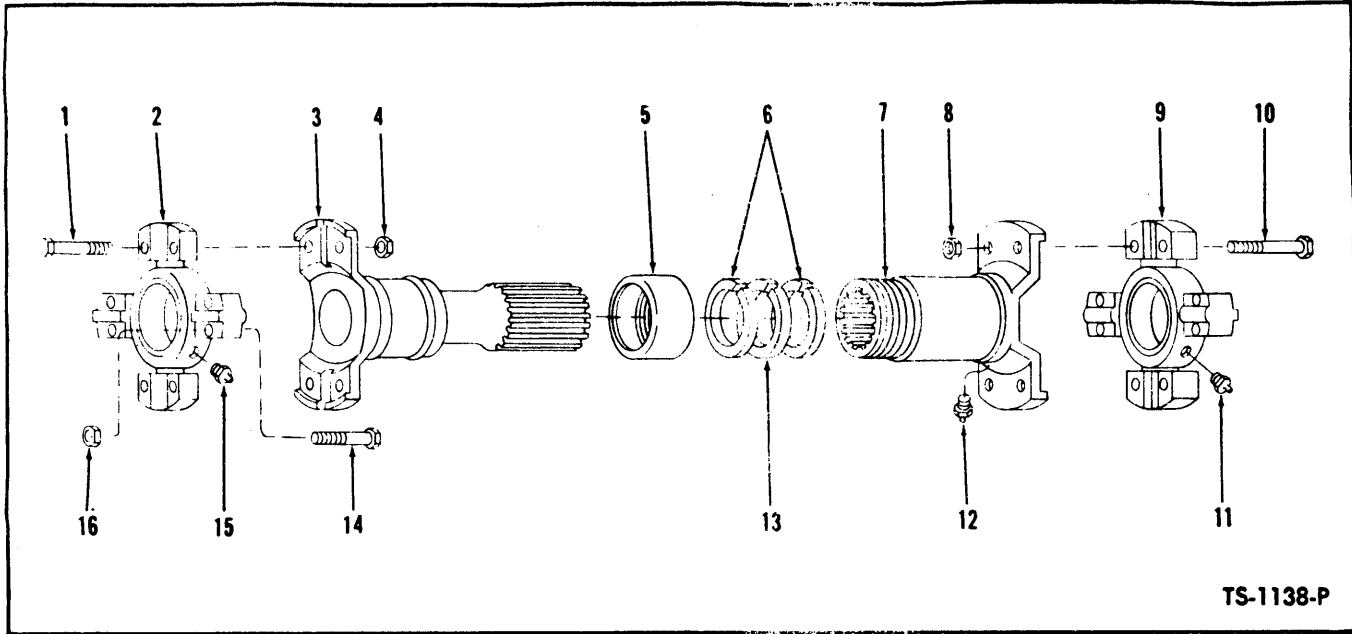


MID-MOUNT BEARING ASSEMBLY

Item No.	Part No.	Description	No. Req'd.	Item No.	Part No.	Description	No. Req'd.
A	230527	BEARING ASSY, Mid-Mount (Inc. 1 thru 26)	1	14	222179	WASHER, Flange	1
1	222233	FLANGE, Input	1	15	205928	NUT, Flange	1
2	222179	WASHER, Flange	1	16	1F-436	COTTER, Flange Nut	1
3	1C-722	BOLT, Bearing Cap to Housing	8	17	222029	FLANGE, Output	1
4	4E-07	LKWSHR, Bearing Cap to Housing	8	18	25K-60116	"O" RING, Flange	1
5	25K-40308	"O" RING, Bearing Cap	1	19	225823	SEAL, Bearing Cap	1
6	856250	CUP, Bearing	1	20	856250	CUP, Bearing	1
7	654141	CONE, Bearing	1	21	215757	PLUG, Drain	1
8	230529	HOUSING, Mid-Mount Bearing	1	22	225823	SEAL, Bearing Cap	1
8A	13F-12	†PLUG, Filler	1	23	230690	CAP, Bearing	1
9	218504	SHAFT, Mid-Mount Bearing	1	23A	217566	‡‡SHIM, Bearing Cap (.004)	—
10	654141	CONE, Bearing	1	23B	217567	‡‡SHIM, Bearing Cap (.007)	—
11	211433	BREATHER, Housing	1	23C	217568	‡‡SHIM, Bearing Cap (.010)	—
12	25K-40308	"O" RING, Bearing Cap	1	24	25K-60116	"O" RING, Flange	1
13	217565	CAP, Bearing	1	25	205928	NUT, Flange	1
13A	217566	‡‡SHIM, Bearing Cap (.004)	—	26	1F-436	COTTER, Flange Nut	1
13B	217567	‡‡SHIM, Bearing Cap (.007)	—	27	17C-1028	†BOLT, Bearing to Frame	4
13C	217568	‡‡SHIM, Bearing Cap (.010)	—	28	4E-10	†LKWSHR, Bearing to Frame	4

†Not Illustrated
‡As Required

WHEN ORDERING PARTS, ALWAYS STATE MODEL AND SERIAL NO. OF MACHINE



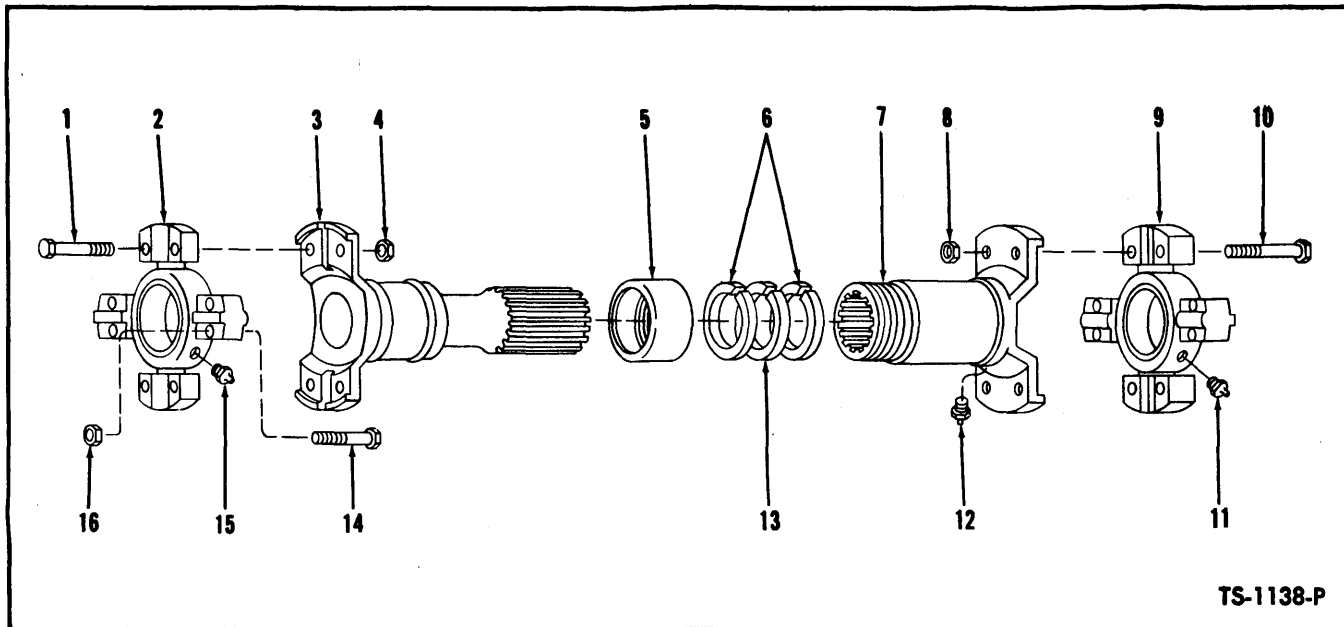
TS-1138-P

PROPELLER SHAFT ASSEMBLIES

Item No.	Description	Transmission to Rear Axle	Mid Mount Bearing to Front Axle	Transmission to Mid Mount Bearing (Rear)	No. Req'd.
A	PROPELLER SHAFT ASSY (Inc. 1 thru 16)	1504774	528998	569816	1
1	BOLT, Spider & Bearing to Tube	940089	940089	940229	4
2	SPIDER & BEARING ASSY (Inc. 2A)	944861	944862	942735	1
3	TUBE	948279	944690	946017	1
4	NUT, Spider & Bearing to Tube	8D-06	8D-08	8D-08	4
5	RETAINER, Felt	940090	940090	940250	1
6	WASHER, Felt Retainer	940091	940091	940251	2
7	SLIP YOKE (Inc. 12)	940093	940093	942734	1
8	NUT, Spider & Bearing to Slip Yoke	8D-06	8D-08	8D-08	4
9	SPIDER & BEARING ASSY (Inc. 9A)	944861	944862	942735	1
10	BOLT, Spider & Bearing to Slip Yoke	940089	940089	940229	4
11	FITTING, Spider & Bearing Grease	10H-25	10H-35	944688	1
12	FITTING, Slip Yoke Grease	10H-25	10H-25	10H-25	1
13	FELT WASHER	940092	940092	942749	1
14	BOLT, Spider & Bearing Attaching	940089	940089	940229	8
15	FITTING, Spider & Bearing Grease	10H-35	10H-35	944688	1
16	NUT, Spider & Bearing Attaching	8D-06	8D-08	8D-08	8

†Not Illustrated

WHEN ORDERING PARTS, ALWAYS STATE MODEL AND SERIAL NO. OF MACHINE



TS-1138-P

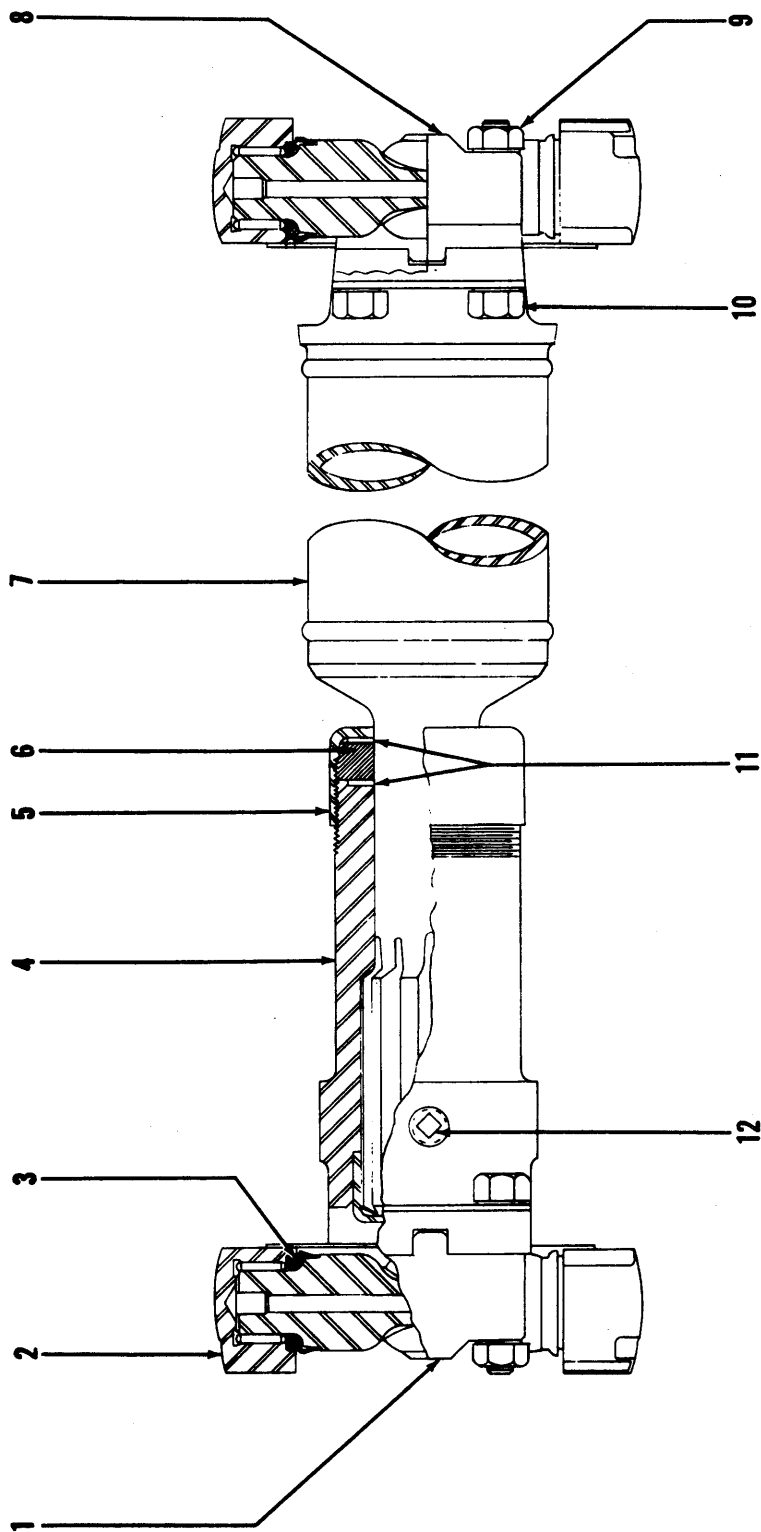
PROPELLER SHAFT ASSEMBLIES

S/N 4069/A 101 thru 149

Item No.	Description	Transmission to Rear Axle	Mid Mount Bearing to Front Axle	Transmission to Mid Mount Bearing (Rear)	No. Req'd.
A	PROPELLER SHAFT ASSY (Inc. 1 thru 16)	550778	528998	569816	1
1	BOLT, Spider & Bearing to Tube	940089	940089	940229	4
2	SPIDER & BEARING ASSY (Inc. 2A)	944862	944862	942735	1
2A	†SEAL, Spider Grease	944861	944861	941509	4
3	TUBE	940230	944690	946017	1
4	NUT, Spider & Bearing to Tube	8D-06	8D-08	8D-08	4
5	RETAINER, Felt	940090	940090	940250	1
6	WASHER, Felt Retainer	940091	940091	940251	2
7	SLIP YOKE (Inc. 12)	940093	940093	942734	1
8	NUT, Spider & Bearing to Slip Yoke	8D-06	8D-08	8D-08	4
9	SPIDER & BEARING ASSY (Inc. 9A)	944862	944862	942735	1
9A	†SEAL, Spider & Bearing Grease	944861	944861	941509	4
10	BOLT, Spider & Bearing to Slip Yoke	940089	940089	940229	4
11	FITTING, Spider & Bearing Grease	10H-35	10H-35	944688	1
12	FITTING, Slip Yoke Grease	10H-25	10H-25	10H-25	1
13	FELT WASHER	940092	940092	942749	1
14	BOLT, Spider & Bearing Attaching	940089	940089	940229	8
15	FITTING, Spider & Bearing Grease	10H-35	10H-35	944688	1
16	NUT, Spider & Bearing Attaching	8D-06	8D-08	8D-08	8

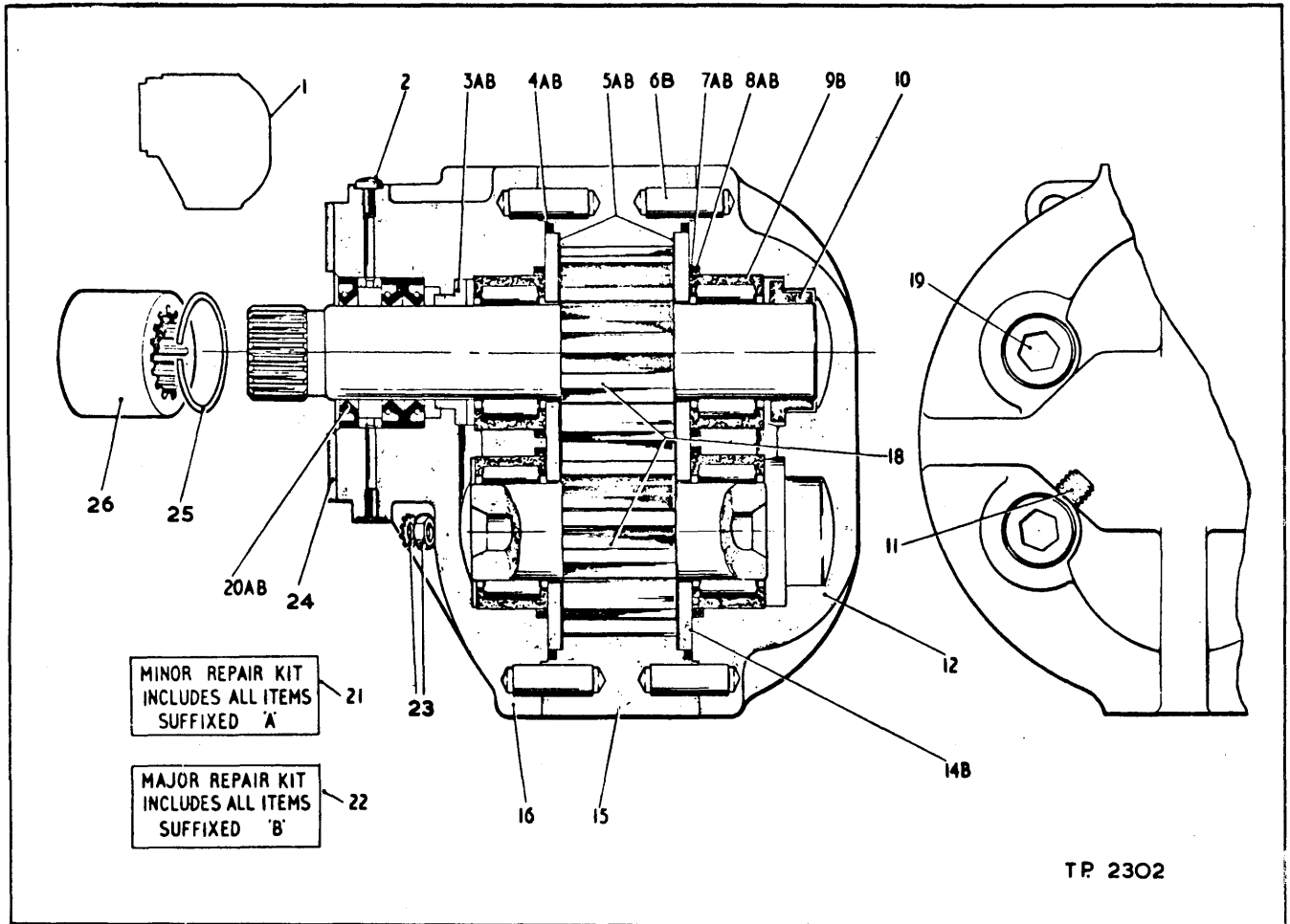
†Not Illustrated

WHEN ORDERING PARTS, ALWAYS STATE MODEL AND SERIAL NO. OF MACHINE



TS-184

PROPELLER SHAFT ASSEMBLY

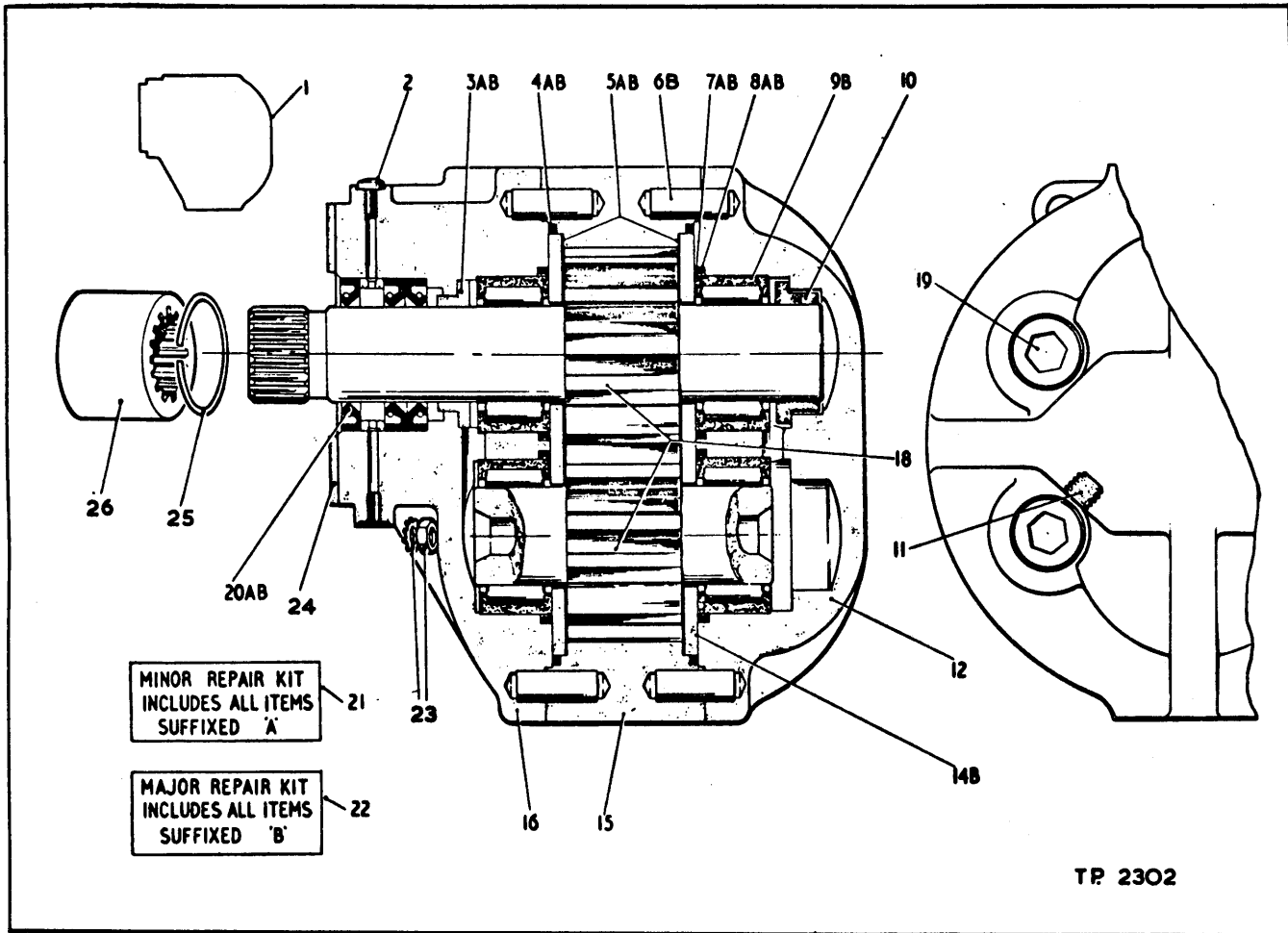


TP 2302

PUMP HYDRAULIC — FRONT END
S/N 4069/A 101 thru 127

Item No.	Part No.	Description	No. Req'd.	Item No.	Part No.	Description	No. Req'd.
1	3231123	PUMP — Inc. 2-20	1	16	3290334	ADAPTOR	1
2	3212072	SCREW	1	17	—	OMIT	—
3	—	BUSH SEAL — See 21 & 22	1	18	3212087	GEAR SET	1
4	—	.O. RING — See 21 & 22	2	19	3290674	CAPSCREW	4
5	—	SHIM — See 21 & 22	2	20	—	SEAL — See 21 & 22	2
6	3212076	DOWEL	4	21	3212064	REPAIR KIT MINOR — Inc. 3-5, 7, 8, 10, 17, 20	AR
7	—	RING, Back-Up — See 21 & 22	4	22	3212063	REPAIR KIT MAJOR — Inc. 3-5, 7-10, 14, 17, 20	AR
8	—	.O. RING — See 21 & 22	4	23	8D-06	JAM NUT, Pump to Converter	6
9	—	BEARING — See 22	4	23A	4E-06	LOCKWASHER	6
10	—	BUSH SEAL — See 21 & 22	1	23B	1502715	+STUD	6
11	16F-02	PLUG	2	24	551906	GASKET	1
12	3290335	COVER	1	25	223890	RING SNAP	1
13	—	OMIT	—	26	3210068	SLEEVE PUMP TO CONVERTER	1
14	—	PLATE WEAR — See 22	2				
15	3290333	HOUSING	1				

WHEN ORDERING PARTS, ALWAYS STATE MODEL AND SERIAL NO. OF MACHINE



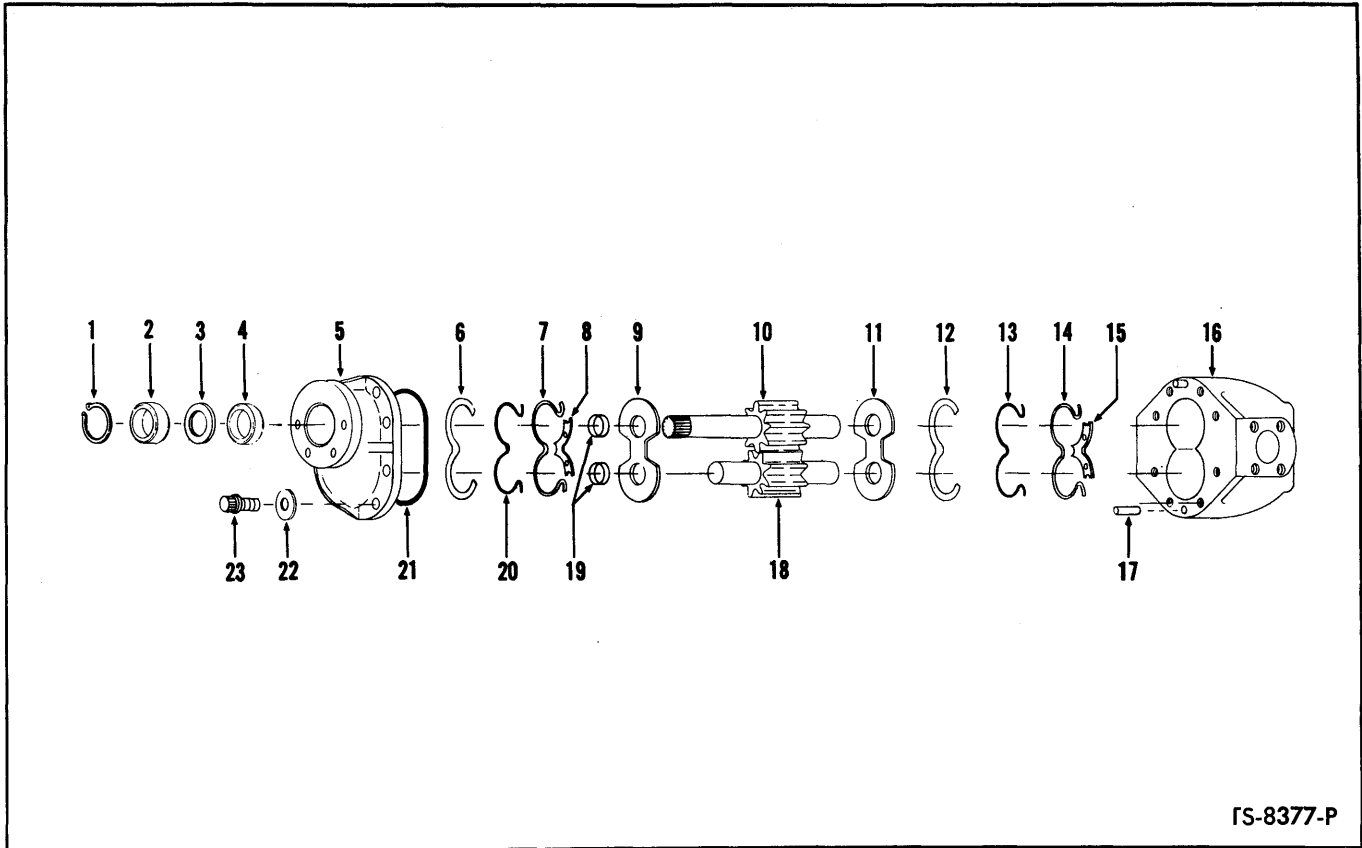
TP 2302

PUMP HYDRAULIC — FRONT END

S/N 4069/A 127 thru 149

Item No.	Part No.	Description	No. Req'd.	Item No.	Part No.	Description	No. Req'd.
1	3235760	PUMP — Inc. 2-20	1	16	3292309	ADAPTOR	1
2	4120090	SCREW	1	17	—	OMIT	—
3	—	BUSH SEAL — See 21 & 22	1	18	3212087	GEAR SET	1
4	—	•O• RING — See 21 & 22	2	19	3290674	CAPSCREW	4
5	—	SHIM — See 21 & 22	2	20	—	SEAL — See 21 & 22	2
6	214165	DOWEL	4	21	3292318	REPAIR KIT MINOR — Inc. 3-5, 7, 8, 10, 17, 20	AR
7	—	RING, Back-Up — See 21 & 22	4	22	3292320	REPAIR KIT MAJOR — Inc. 3-5, 7-10, 14, 17, 20	AR
8	—	•O• RING — See 21 & 22	4	23	8D-06	JAM NUT, Pump to Converter	6
9	—	BEARING — See 22	4	23A	4E-06	LOCKWASHER	6
10	—	BUSH SEAL — See 21 & 22	1	23B	1502715	†STUD	6
12	3292308	COVER	1	24	551906	GASKET	1
13	—	OMIT	—	25	223890	RING SNAP	1
14	—	PLATE WEAR — See 22	2	26	3210068	SLEEVE PUMP TO CONVERTER	1
15	3290665	HOUSING	1				

WHEN ORDERING PARTS, ALWAYS STATE MODEL AND SERIAL NO. OF MACHINE



IS-8377-P

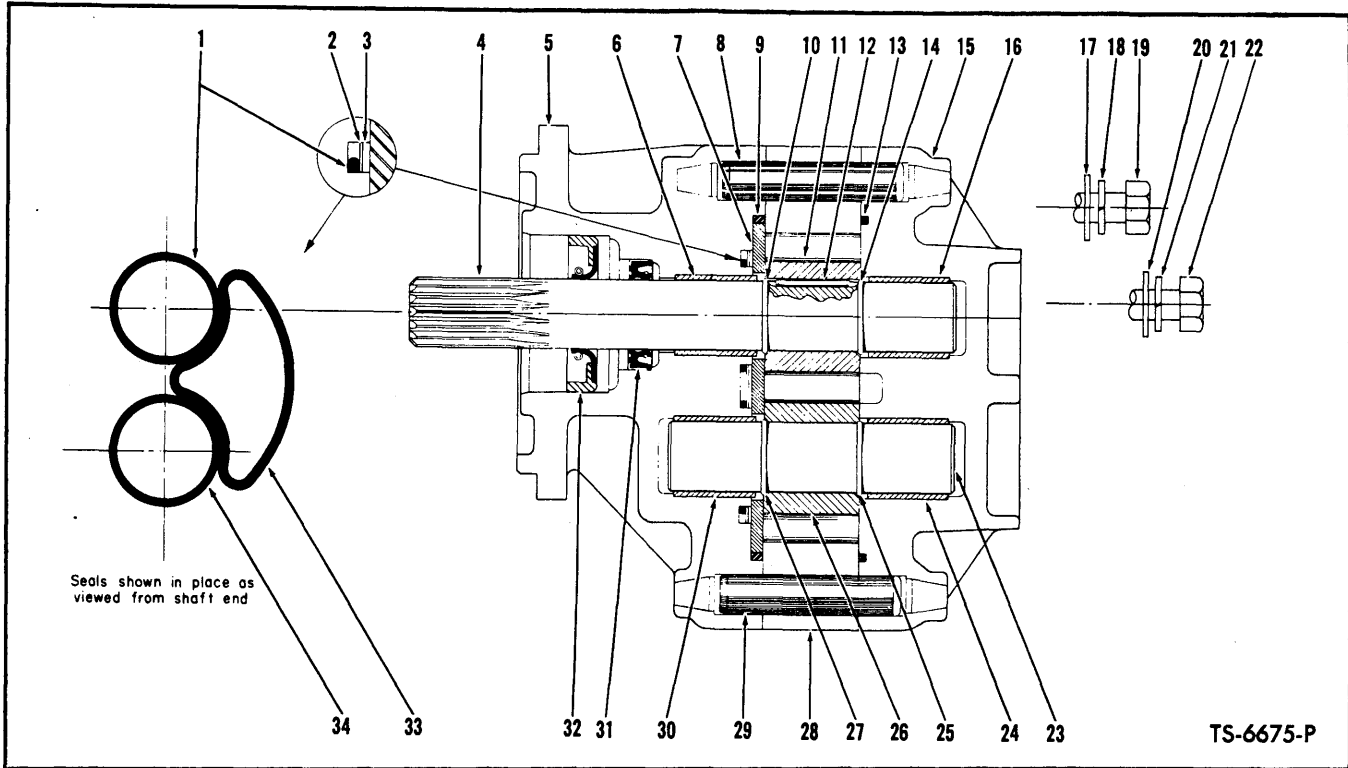
HYDRAULIC PUMP — BUCKET AND BOOM
S/N 4069/A 101 thru 120

Item No.	Part No.	Description	No. Req'd.	Item No.	Part No.	Description	No. Req'd.
A	1535739	PUMP ASSY (Inc. 1 thru 23)	1	13	947276	"O" RING	1
B	947272	REPAIR KIT, Major (Inc. 1 thru 4, 6 thru 15, 17 thru 21)	1	14	947277	RING, Back-Up	1
C	947273	REPAIR KIT, Minor (Inc. 1 thru 4, 6 thru 9, 11 thru 15, 19, 20, 21)	1	15	-----	§PLATE, Isolation — See "B" & "C"	—
1	661416	SNAP RING	1	16	947271	BODY	1
2	947274	SEAL, Oil	1	17	946100	PIN, Body	2
3	946205	SPACER, Oil Seal	1	18	-----	§GEAR, Driven — See "B"	—
4	947274	SEAL, Oil	1	19	-----	§RING, Spacer — See "B" & "C"	—
5	947270	FLANGE, Cover	1	20	947276	"O" RING	1
6	947275	RETAINER, Ring	1	21	947278	"O" RING, Flange	1
7	947277	RING, Back-Up	1	22	946271	WASHER	8
8	-----	§PLATE, Isolation — See "B" & "C"	—	23	17C-820	BOLT, Flange	8
9	-----	§PLATE, Pressure — See "B" & "C"	—	24	1502715	†STUD, Pump to Converter	4
10	-----	§GEAR, Drive — See "B"	—	25	8D-06	†NUT, Pump to Converter	4
11	-----	§PLATE, Pressure — See "B" & "C"	—	26	4E-06	†LKWSHR, Pump to Converter	4
12	947275	RETAINER, Ring	1	27	551906	†GASKET, Pump to Converter	1
				28	214962	†SLEEVE, Pump Drive	1

§Not Sold Separately
†Not Illustrated

NOTE: Pump is equipped with bushing type bearings. Bearings are machine finished after pressing in place and therefore are not replaceable service items.

WHEN ORDERING PARTS, ALWAYS STATE MODEL AND SERIAL NO. OF MACHINE



HYDRAULIC PUMP — STEERING
S/N 4069/A 101 thru 120

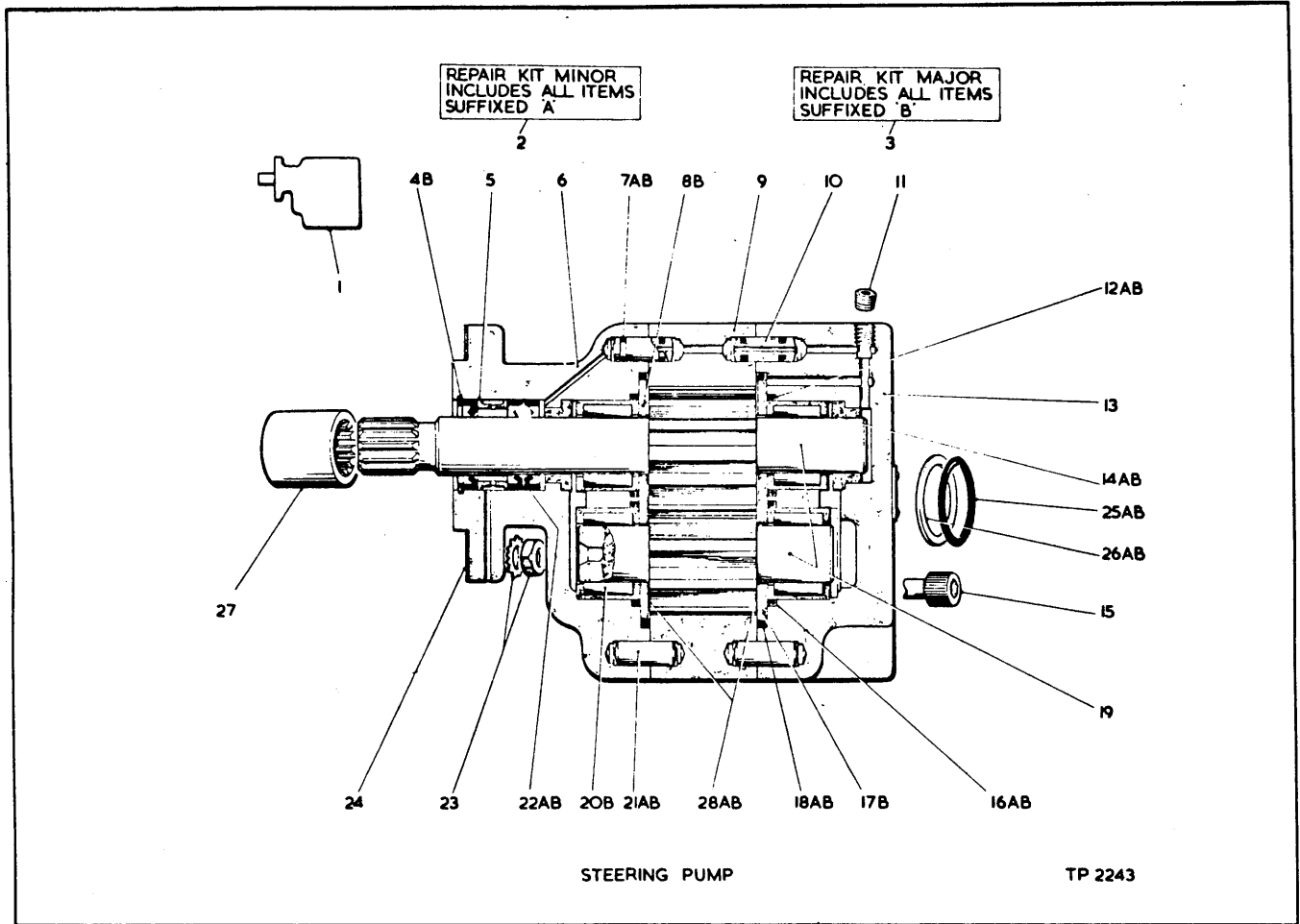
Item No.	Part No.	Description	No. Req'd.	Item No.	Part No.	Description	No. Req'd.
A	571497	*PUMP ASSY (Inc. 1 thru 34)	1	20	---	§WASHER, Cover Mounting — See Item "A"	4
B	946372	SEAL KIT (Inc. 1, 2, 3, 9, 13, 31 thru 34)	1	21	---	§LKWSHR, Cover Mounting — See Item "A"	4
1	---	§"O" RING — See Item "B"	1	22	---	§BOLT, Cover Mounting — See Item "A"	4
2	---	§RING, Back-up — See Item "B"	1	23	---	§SHAFT, Driven — See Item "A"	1
3	---	§RING, Back-up — See Item "B"	1	24	---	§BUSHING, Shaft — See Item "A"	1
4	---	§SHAFT, Drive — See Item "A"	1	25	---	§RING, Retaining — See Item "A"	1
5	---	§ADAPTER, Pump — See Item "A"	1	26	---	§GEAR, Driven — See Item "A"	1
6	---	§BUSHING, Shaft — See Item "A"	1	27	---	§RING, Retaining — See Item "A"	1
7	---	§PLATE, Wear — See Item "A"	1	28	---	§HOUSING, Pump — See Item "A"	1
8	---	§DOWEL, Adapter & Cover — See Item "A"	1	29	---	§DOWEL, Adapter & Cover — See Item "A"	1
9	---	§"O" RING — See Item "B"	1	30	---	§BUSHING, Shaft — See Item "A"	1
10	---	§RING, Retaining — See Item "A"	1	31	---	§SEAL, Shaft — See Item "B"	1
11	---	§GEAR, Drive — See Item "A"	1	32	---	§SEAL, Shaft — See Item "B"	1
12	---	§DOWEL — See Item "A"	1	33	---	§SEAL — See Item "B"	1
13	---	§"O" RING, See Item "B"	1	34	---	§"O" RING — See Item "B"	1
14	---	§RING, Retaining — See Item "A"	1	35	214962	†SLEEVE, Pump Drive	1
15	---	§COVER, Pump — See Item "A"	1	36	551906	†GASKET, Pump to Converter	1
16	---	§BUSHING, Shaft — See Item "A"	1	37	619023	†WASHER, Pump Mounting	3
17	---	§WASHER, Cover Mounting — See Item "A"	4	38	4E-06	†LKWSHR, Pump Mounting	3
18	---	§LKWSHR, Cover Mounting — See Item "A"	4	39	8D-06	†NUT, Pump Mounting	3
19	---	§BOLT, Cover Mounting — See Item "A"	4	40	203253	†STUD, Pump Mounting	3

§Not Sold Separately

†Not Illustrated

*NOTE: The above listed pump, with the exception of Seal Kit listed is not considered rebuildable in the field. Due to extremely close tolerances involved and extensive break-in test required, the cost of equipment needed and parts plus labor would exceed cost of replacement pump. Order replacement pump by part number listed above.

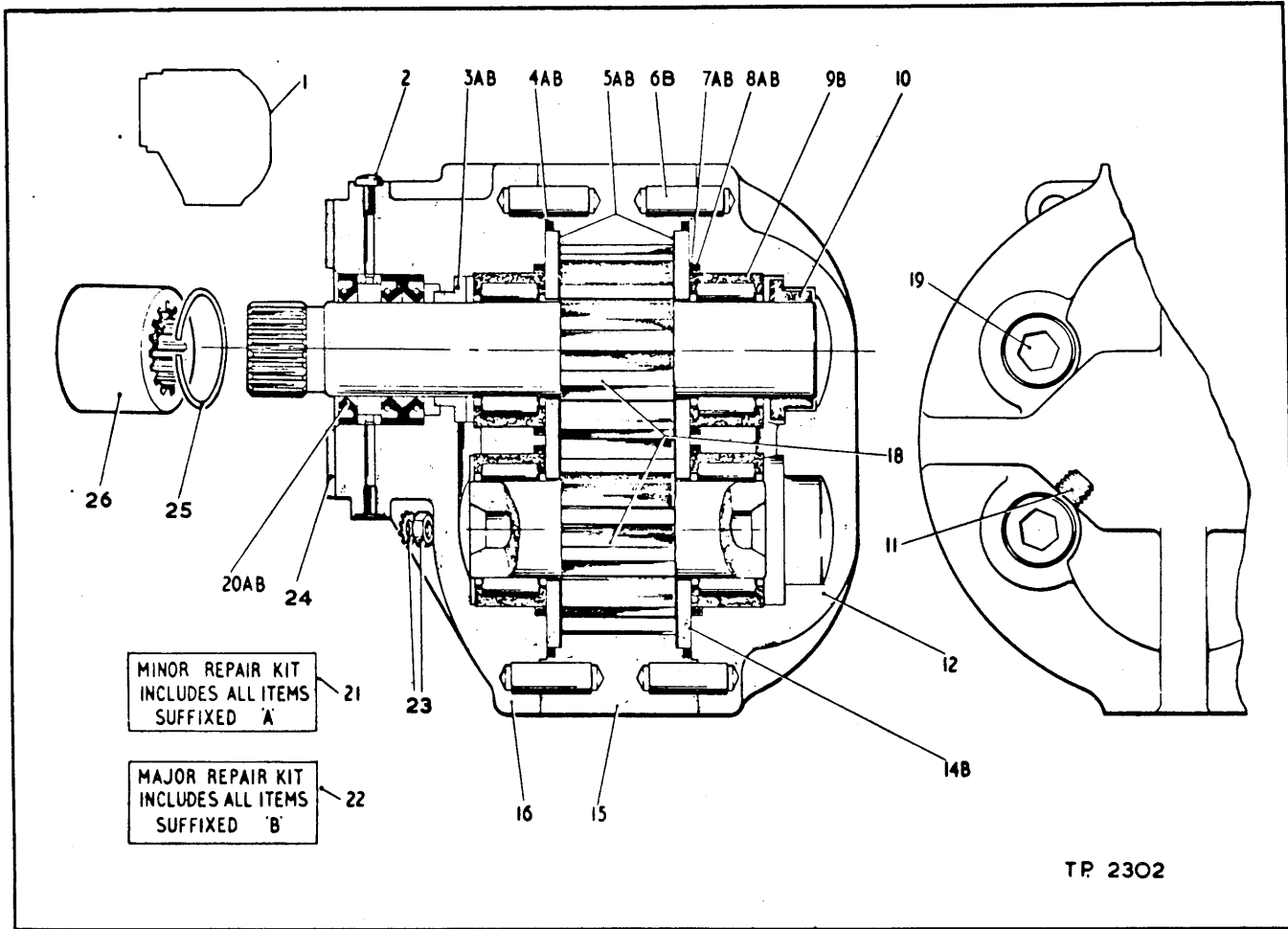
WHEN ORDERING PARTS, ALWAYS STATE MODEL AND SERIAL NO. OF MACHINE



S/N 4069/A 121 thru 130

Item No.	Part No.	Description	No. Req'd.	Item No.	Part No.	Description	No. Req'd.
1	3233161	PUMP - Inc. 4-22, 25, 26, 28	1	14	—	BUSH SEAL — See 2 & 3	2
2	3290487	REPAIR KIT MINOR - Inc. 7, 12, 14, 16, 18, 22, 25, 26, 28	AR	15	3291646	CAPSCREW	4
3	3290488	REPAIR KIT MAJOR - Inc. 4, 7, 8, 12, 14, 16-18, 20, 22, 25, 26, 28	AR	16	—	RING BACK-UP — See 2 & 3	4
4	—	CIRCLIP — See 3	1	17	—	PLATE WEAR — See 3	1
5	3290352	SPACER SEAL	1	18	—	.O. RING — See 2 & 3	2
6	3290345	ADAPTOR	1	19	3291647	GEAR SET	1
7	—	.O. RING — See 2 & 3	4	20	—	BEARING — See 3	4
8	—	PLATE WEAR — See 3	1	21	3290342	DOWEL	2
9	3291645	HOUSING	1	22	—	SEAL	3
10	3290344	DOWEL	2	23	66D-06	JAM NUT, Pump to Converter	6
11	16F-02	PLUG	1	23A	207647	STUD	6
12	—	RING SEAL — See 2 & 3	4	24	551906	GASKET	1
13	3290593	COVER	1	25	—	.O. RING — SEE 2 & 3	1
				26	—	RING, Back-Up — See 2 & 3	1
				27	214962	SLEEVE, Pump to Converter	1
				28	—	SHIM — See 2 & 3	2

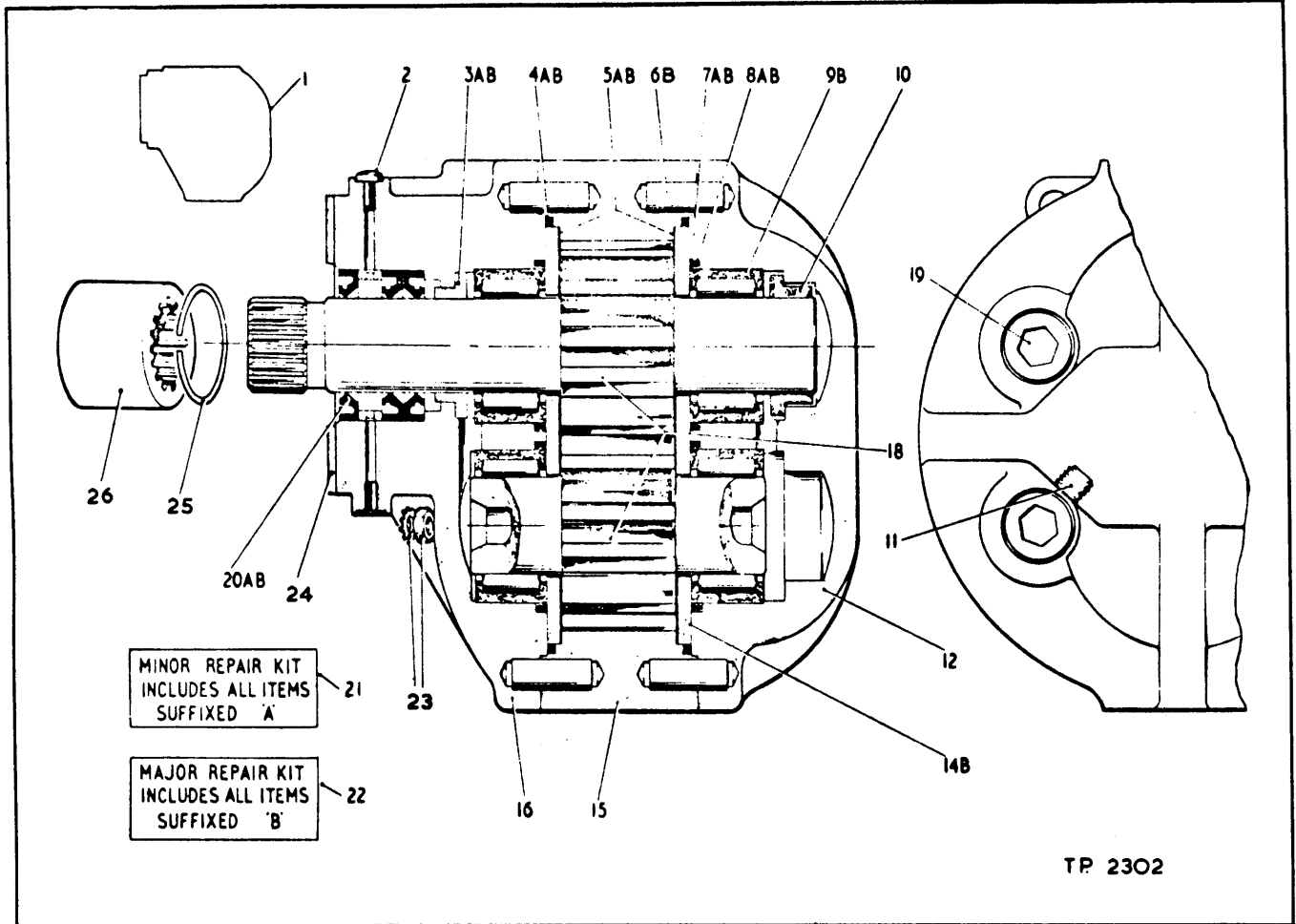
WHEN ORDERING PARTS, ALWAYS STATE MODEL AND SERIAL NO. OF MACHINE



PUMP HYDRAULIC — STEERING
S/N 4069/A 101 thru 127

Item No.	Part No.	Description	No. Req'd.	Item No.	Part No.	Description	No. Req'd.
1	3231123	PUMP — Inc. 2-20	1	16	3290334	ADAPTOR	1
2	3212072	SCREW	1	17	—	OMIT	—
3	—	BUSH SEAL — See 21 & 22	1	18	3212087	GEAR SET	1
4	—	·O· RING — See 21 & 22	2	19	3290674	CAPSCREW	4
5	—	SHIM — See 21 & 22	2	20	—	SEAL — See 21 & 22	2
6	3212076	DOWEL	4	21	3212064	REPAIR KIT MINOR — Inc. 3-5, 7, 8, 10, 17, 20	AR
7	—	RING, Back-Up — See 21 & 22	4	22	3212063	REPAIR KIT MAJOR — Inc. 3-5, 7-10, 14, 17, 20	AR
8	—	·O· RING — See 21 & 22	4	23	66D-06	JAM NUT, Pump to Converter	6
9	—	BEARING — See 22	4	23A	4E-06	LOCKWASHER	6
10	—	BUSH SEAL — See 21 & 22	1	23B	207647	†STUD	6
11	16F-02	PLUG	2	24	551906	GASKET	1
12	3290335	COVER	1	25	223890	RING SNAP	1
13	—	OMIT	—	26	3210068	SLEEVE PUMP TO CONVERTER	1
14	—	PLATE WEAR — See 22	2				
15	3290333	HOUSING	1				

WHEN ORDERING PARTS, ALWAYS STATE MODEL AND SERIAL NO. OF MACHINE

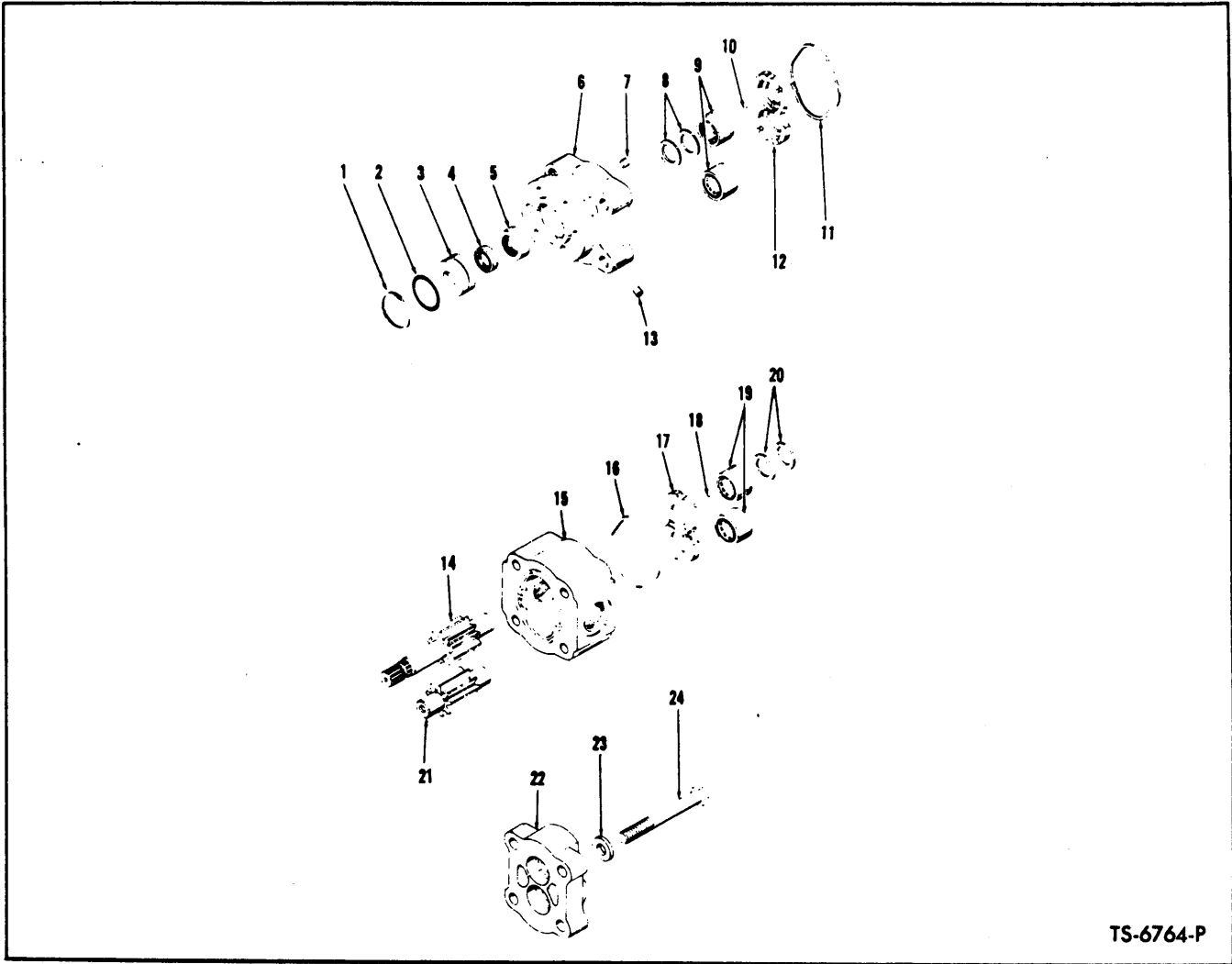


TP 2302

PUMP HYDRAULIC STEERING — PERKINS
S/N 4069/A 127 thru 149

Item No.	Part No.	Description	No. Req'd.	Item No.	Part No.	Description	No. Req'd.
1	3235760	PUMP — Inc. 2-20	1	16	3292309	ADAPTOR	1
2	4120090	SCREW	1	17	—	OMIT	—
3	—	BUSH SEAL — See 21 & 22	1	18	3212087	GEAR SET	1
4	—	•O• RING — See 21 & 22	2	19	3290674	CAPSCREW	4
5	—	SHIM — See 21 & 22	2	20	—	SEAL — See 21 & 22	2
6	214165	DOWEL	4	21	3292318	REPAIR KIT MINOR — Inc. 3-5, 7, 8, 10, 17, 20	AR
7	—	RING, Back-Up — See 21 & 22	4	22	3292320	REPAIR KIT MAJOR — Inc. 3-5, 7-10, 14, 17, 20	AR
8	—	•O• RING — See 21 & 22	4	23	66D-06	JAM NUT, Pump to Converter	6
9	—	BEARING — See 22	4	23A	4E-06	LOCKWASHER	6
10	—	BUSH SEAL — See 21 & 22	1	23B	207647	†STUD	6
12	3292308	COVER	1	24	551906	GASKET	1
13	—	OMIT	—	25	223890	RING SNAP	1
14	—	PLATE WEAR — See 22	2	26	3210068	SLEEVE PUMP TO CONVERTER	1
15	3290665	HOUSING	1				

WHEN ORDERING PARTS, ALWAYS STATE MODEL AND SERIAL NO. OF MACHINE



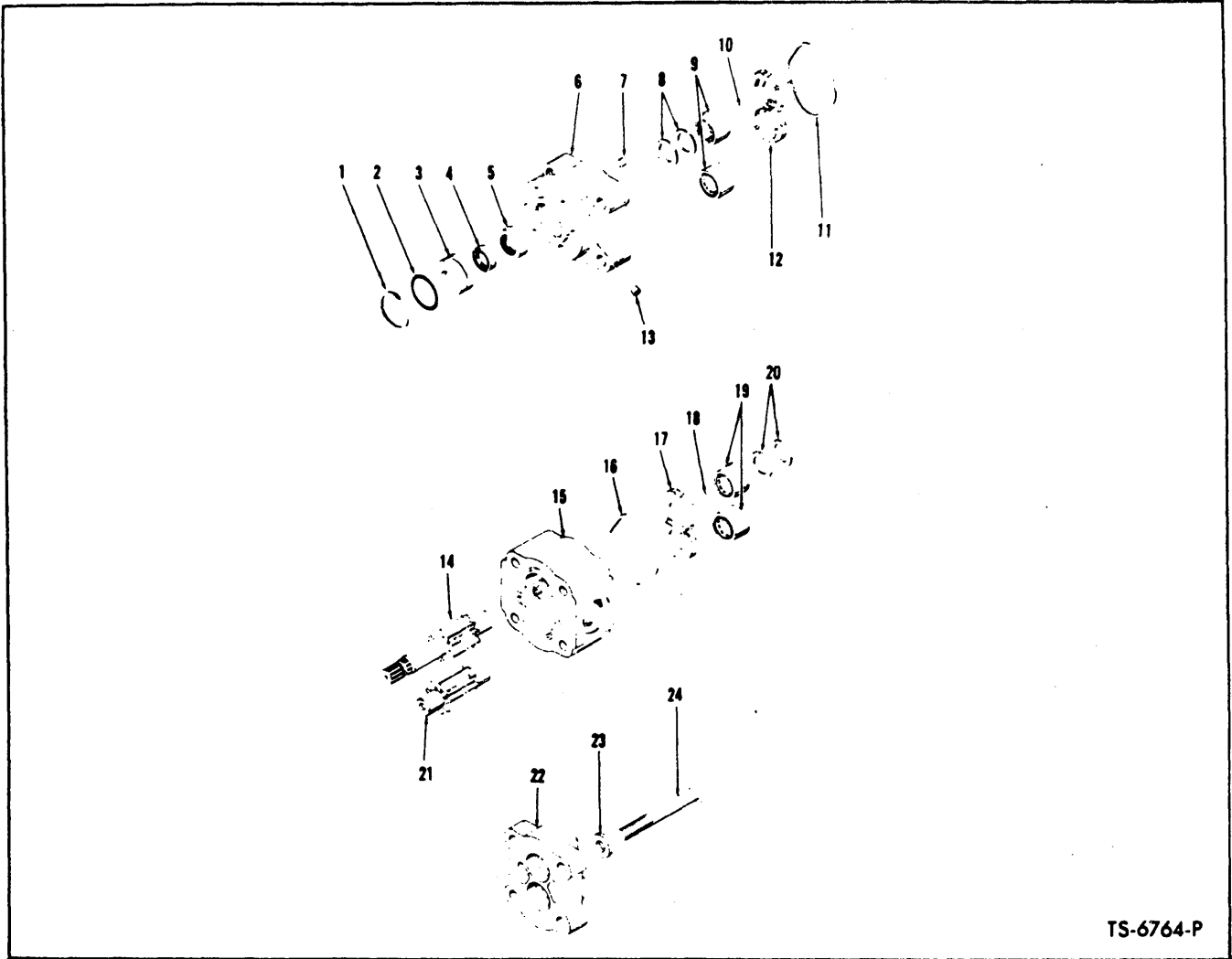
TS-6764-P

HYDRAULIC PUMP – STEERING

Item No.	Part No.	Description	No. Req'd.	Item No.	Part No.	Description	No. Req'd.
A	569354	PUMP ASSY (Inc. 1 thru 24)	1	12	-----	§PLATE, Thrust – See Item "D"	1
B	946392	SHAFT SEAL KIT (Inc. 1 thru 5)	1	13	-----	§PLUG – Shipping only	1
C	946393	GEAR (Inc. 14, 21)	1	14	-----	§GEAR, Drive – See Item "C"	1
D	946394	THRUST PLATE KIT (Inc. 1 thru 5, 10, 11, 12, 16, 17, 18)	1	15	946399	HOUSING, Gear	1
E	946395	BEARING KIT (Inc. 1 thru 5, 8 thru 12, 16 thru 20)	1	16	-----	§SEAL, Housing – See Item "D"	1
1	876354	RING, Seal Retainer	1	17	-----	§PLATE, Thrust – See Item "D"	1
2	25K-30;28	"O" RING, Seal Retainer	1	18	-----	§SEAL, Pocket – See Item "D" (Cut from Strip in Kit)	6
3	-----	§RETAINER, Seal – See Item "B"	1	19	-----	§BEARING, Roller – See Item "E"	2
4	946396	SEAL, Outer Drive Shaft	1	20	-----	§SEAL, Ring – See Item "E"	2
5	946397	SEAL, Inner Drive Shaft	1	21	-----	§GEAR, Driven – See Item "C"	1
6	946398	COVER, Shaft End	1	22	946400	COVER, Port End	1
7	33G-706	SCREW, Set	1	23	946401	WASHER, Cover Mounting	4
8	-----	§SEAL, Ring – See Item "E"	2	24	1C-1084	BOLT, Cover Mounting	4
9	-----	§BEARING, Roller – See Item "E"	2	25	214962	†SLEEVE, Pump Drive	1
10	-----	§SEAL, Pocket – See Item "D" (Cut from Strip in Kit)	6	26	551906	†GASKET, Pump to Converter	1
11	-----	§SEAL, Housing – See Item "D"	1	27	2D-06	†NUT, Pump Mounting	6
				28	4E-06	†LKWSHR, Pump Mounting	6
				29	207647	†STUD, Pump Mounting	6

§Not Sold Separately
†Not Illustrated

WHEN ORDERING PARTS, ALWAYS STATE MODEL AND SERIAL NO. OF MACHINE



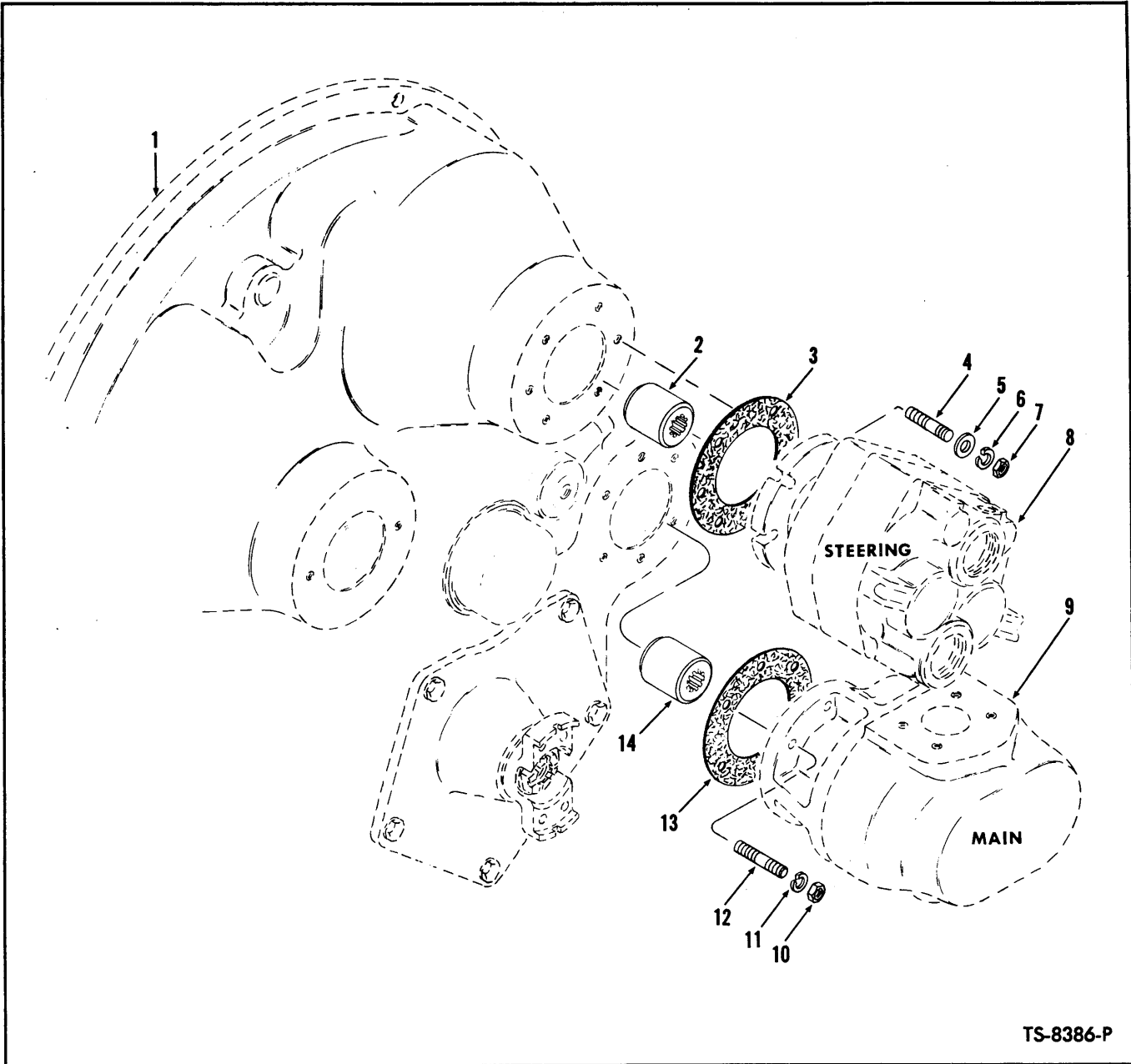
TS-6764-P

HYDRAULIC PUMP — STEERING — DAF

Item No.	Part No.	Description	No. Req'd.	Item No.	Part No.	Description	No. Req'd.
A	569354	PUMP ASSY (Inc. 1 thru 24)	1	12	-----	§PLATE, Thrust — See Item "D"	1
B	946392	SHAFT SEAL KIT (Inc. 1 thru 5)	1	13	-----	§PLUG — Shipping only	1
C	946393	GEAR (Inc. 14, 21)	1	14	-----	§GEAR, Drive — See Item "C"	1
D	946394	THRUST PLATE KIT (Inc. 1 thru 5, 10, 11, 12, 16, 17, 18)	1	15	946399	HOUSING, Gear	1
E	946395	BEARING KIT (Inc. 1 thru 5, 8 thru 12, 16 thru 20)	1	16	-----	§SEAL, Housing — See Item "D"	1
1	876354	RING, Seal Retainer	1	17	-----	§PLATE, Thrust — See Item "D"	1
2	25K-30128	"O" RING, Seal Retainer	1	18	-----	§SEAL, Pocket — See Item "D" (Cut from Strip in Kit)	6
3	-----	§RETAINER, Seal — See Item "B"	1	19	-----	§BEARING, Roller — See Item "E"	2
4	946396	SEAL, Outer Drive Shaft	1	20	-----	§SEAL, Ring — See Item "E"	2
5	946397	SEAL, Inner Drive Shaft	1	21	-----	§GEAR, Driven — See Item "C"	1
6	946398	COVER, Shaft End	1	22	946400	COVER, Port End	1
7	33G-726	SCREW, Set	1	23	946401	WASHER, Cover Mounting	4
8	-----	§SEAL, Ring — See Item "E"	2	24	1C-1084	BOLT, Cover Mounting	4
9	-----	§BEARING, Roller — See Item "E"	2	25	214962	†SLEEVE, Pump Drive	1
10	-----	§SEAL, Pocket — See Item "D" (Cut from Strip in Kit)	6	26	551906	†GASKET, Pump to Converter	1
11	-----	§SEAL, Housing — See Item "D"	1	27	66D-06	†NUT, Pump Mounting	6
				28	4E-06	†LKWSHR, Pump Mounting	6

§Not Sold Separately
†Not Illustrated

WHEN ORDERING PARTS, ALWAYS STATE MODEL AND SERIAL NO. OF MACHINE

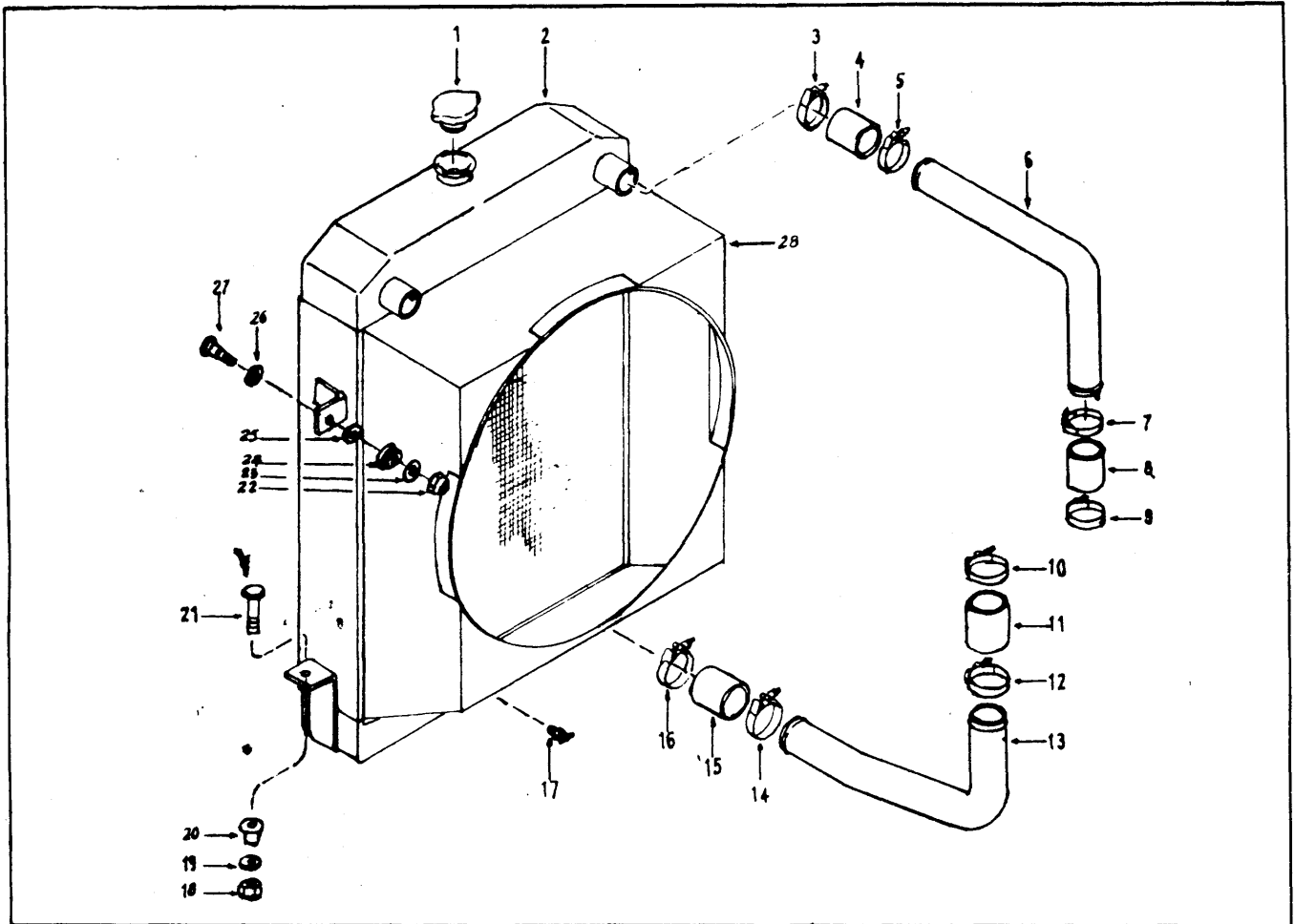


HYDRAULIC PUMP INSTALLATION

S/N 4069/A 101 thru 120

Item No.	Part No.	Description	No. Req'd.	Item No.	Part No.	Description	No. Req'd.
1	-----	TORQUE CONVERTER ASSY — See Index	—	8	-----	PUMP ASSY, Hydraulic Steering — See Index	—
2	214962	SLEEVE, Steering Pump Drive	1	9	-----	PUMP ASSY, Main Hydraulic — See Index	—
3	551906	GASKET, Pump to Converter	1	10	8D-06	NUT, Pump Mounting	4
4	203253	STUD, Pump Mounting	3	11	4E-06	LKWSHR, Pump Mounting	4
5	619023	WASHER, Pump Mounting	3	12	1502715	STUD, Pump Mounting	4
6	4E-06	LKWSHR, Pump Mounting	3	13	551906	GASKET, Pump to Converter	1
7	203253	NUT, Pump Mounting	3	14	214962	SLEEVE, Main Pump Drive	1

WHEN ORDERING PARTS, ALWAYS STATE MODEL AND SERIAL NO. OF MACHINE

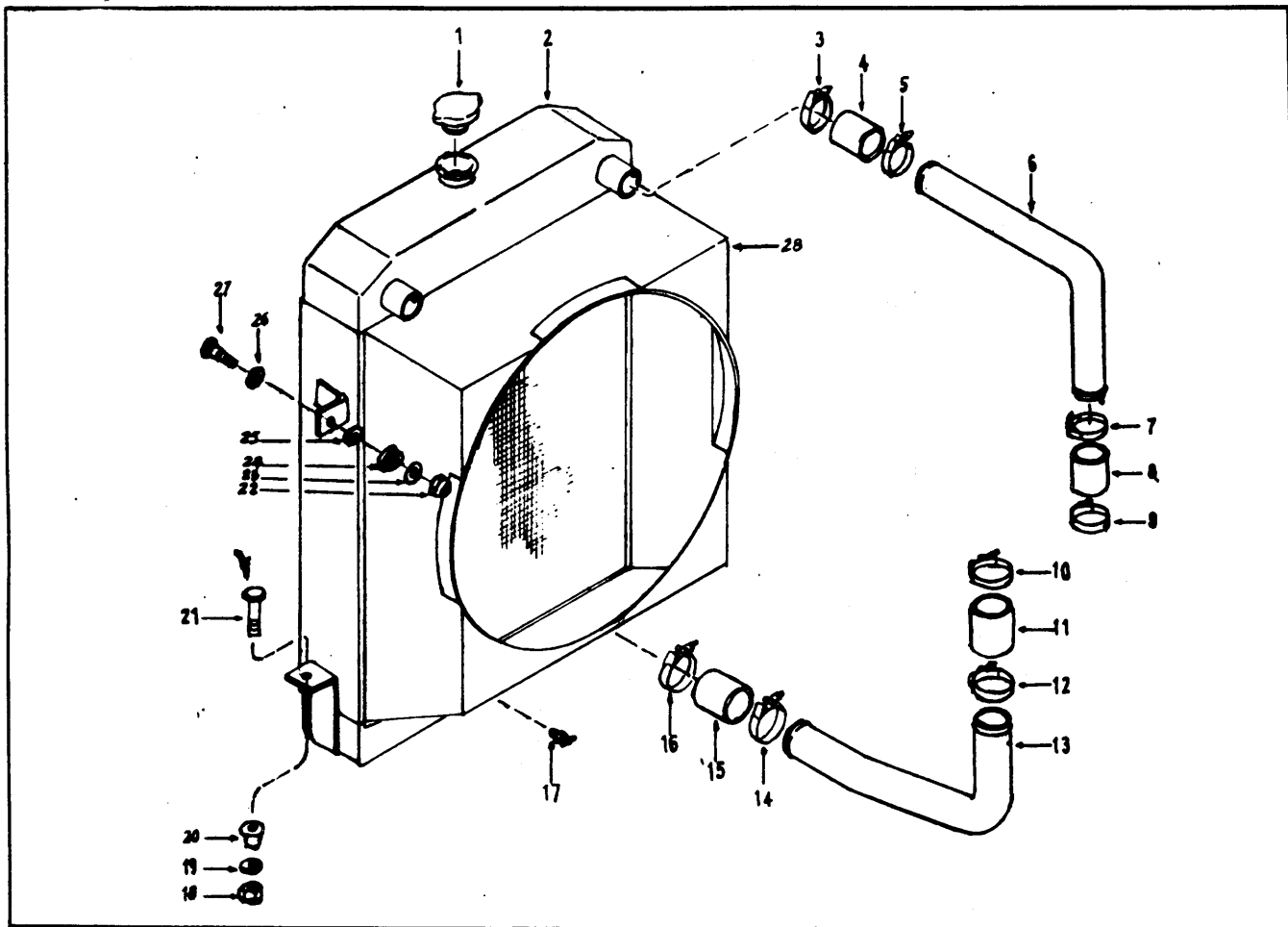


RADIATOR AND CONNECTIONS — PERKINS

Item No.	Part No.	Description	No. Req'd.	Item No.	Part No.	Description	No. Req'd.
1	3213420	CAP RADIATOR	1	20	584501	VIBRATION DAMPENER	2
2	3235205	RADIATOR	1	21	24C-836	BOLT	2
3	3123387	SERFLEX	2	22	18D-08	NUT	2
4	1M-16030	HOSE	2	23	584502	WASHER	2
5	3123387	SERFLEX	2	24	584501	VIBRATION DAMPENER	2
6	3233143	TUBE, Upper	2	25	584502	WASHER	2
7	3123387	SERFLEX	2	26	619029	WASHER	2
8	1M-16030	HOSE	2	27	24C-836	BOLT	2
9	3123387	SERFLEX	2	28	3235206	COWL, RADIATOR	1
10	3123388	SERFLEX	1	29	24C-510	†BOLT, Cowl to Radiator	10
11	1M-18032	HOSE	1	30	619019	†WASHER	10
12	3123388	SERFLEX	1	31	4E-05	†SPRING WASHER	10
13	3233238	TUBE, Lower	1				
14	3123388	SERFLEX	1				
15	1M-18032	HOSE	1				
16	3123388	SERFLEX	1				
17	72F-2	DRAIN COCK	1				
18	18D-08	NUT	2				
19	584502	WASHER	2				

† Not illustrated

WHEN ORDERING PARTS, ALWAYS STATE MODEL AND SERIAL NO. OF MACHINE



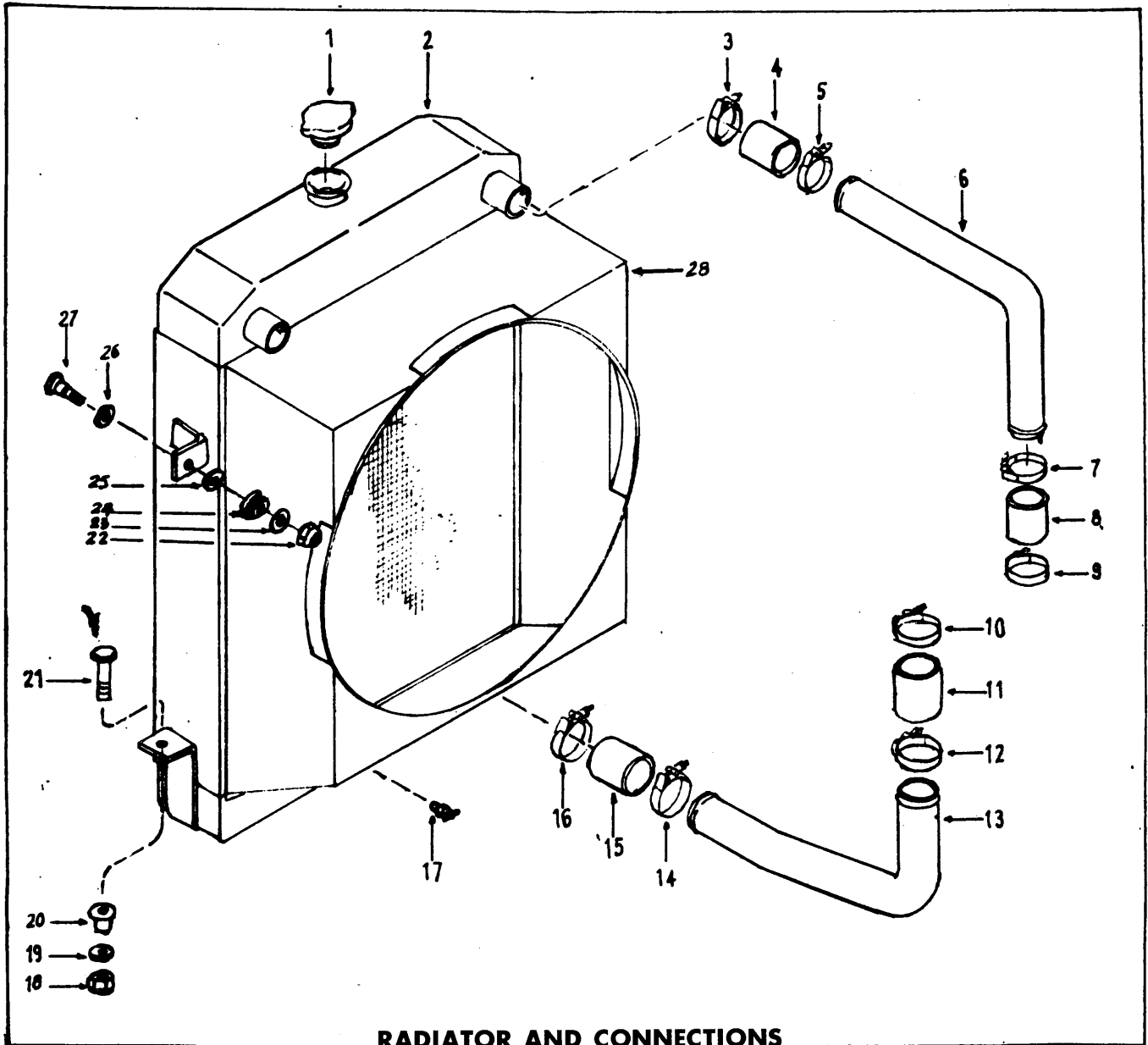
RADIATOR AND CONNECTIONS

S/N 4069/A 121 thru 130

Item No.	Part No.	Description	No. Req'd.	Item No.	Part No.	Description	No. Req'd.
1	3124138	CAP RADIATOR	1	20	584501	VIBRATION DAMPENERS	2
2	3139311	RADIATOR	1	21	24C-836	BOLT	2
3	3123387	SERFLEX	2	22	18D-08	NUT	2
4	1M-16030	HOSE	2	23	584502	WASHER	2
5	3123387	SERFLEX	2	24	584501	VIBRATION DAMPENERS	2
6	3233143	TUBE, Upper	2	25	584502	WASHER	2
7	3123387	SERFLEX	2	26	619029	WASHER	2
8	1M-16030	HOSE	2	27	24C-836	BOLT	2
9	3123387	SERFLEX	2	28	3235209	COWL, RADIATOR	1
10	3123388	SERFLEX	1	29	24C-510	†BOLT, Cowl to Radiator	10
11	1M-18032	HOSE	1	30	619019	†WASHER	10
12	3123388	SERFLEX	1	31	4E-05	†SPRING WASHER	10
13	3233238	TUBE, Lower	1	32	3520343	†SIDE, Baffle Radiator	2
14	3123388	SERFLEX	1	33	3520346	†STRIP, Backing	2
15	1M-18032	HOSE	1	34	18G-408	†SCREW, Baffle to Strip	10
16	3123388	SERFLEX	1	35	3521858	†UPPER BAFFLE, Radiator	1
17	72F-2	DRAIN COCK	1	36	24C-412	†BOLT, Baffle to Hood	1
18	18D-08	NUT	2	37	626687	†WASHER, Baffle to Hood	1
19	584502	WASHER	2	38	18D-04	†NUT, Baffle to Hood	1
				39	3521857	LOWER BAFFLE, Radiator	1
				40	24C-412	†BOLT, Baffle Radiator	5
				41	626687	†WASHER, Baffle Radiator	5
				42	18D-04	†NUT, Baffle Radiator	5

† Not illustrated

WHEN ORDERING PARTS, ALWAYS STATE MODEL AND SERIAL NO. OF MACHINE



RADIATOR AND CONNECTIONS

S/N 4069/A 101 thru 120

Item No.	Part No.	Description	No. Req'd.	Item No.	Part No.	Description	No. Req'd.
1	3124138	CAP RADIATOR	1	17	72F-2	DRAIN COCK	1
2	3139311	RADIATOR	1	18	18D-08	NUT	2
3	3123387	SERFLEX	2	19	584502	WASHER	2
4	1M-16030	HOSE	2	20	584501	VIBRATION DAMPENER	2
5	3123387	SERFLEX	2	21	24C-836	BOLT	2
6	3233143	TUBE, Upper	2	22	18D-08	NUT	2
7	3123387	SERFLEX	2	23	584502	WASHER	2
8	1M-16030	HOSE	2	24	584501	VIBRATION DAMPENER	2
9	3123387	SERFLEX	2	25	584502	WASHER	2
10	3123388	SERFLEX	1	26	619029	WASHER	2
11	1M-18032	HOSE	1	27	24C-836	BOLT	2
12	3123388	SERFLEX	1	28	3235209	COWL, RADIATOR	1
13	3233238	TUBE, Lower	1	29	24C-510	†BOLT, Cowl to Radiator	10
14	3123388	SERFLEX	1	30	619019	†WASHER	10
15	1M-18032	HOSE	1	31	4E-05	†SPRING WASHER	10
16	3123388	SERFLEX	1				

† Not illustrated

WHEN ORDERING PARTS, ALWAYS STATE MODEL AND SERIAL NO. OF MACHINE



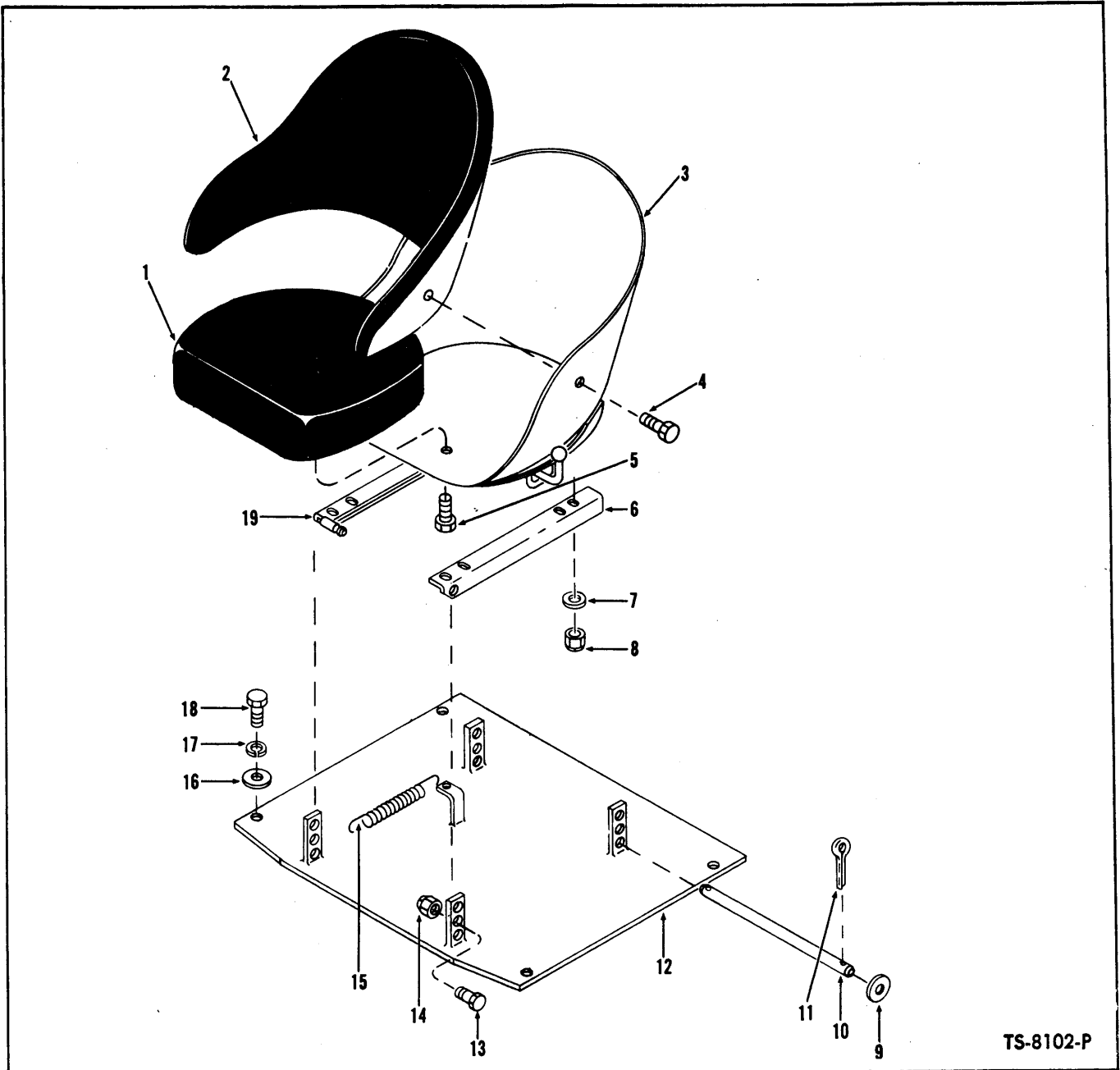
RADIATOR AND CONNECTIONS — DAF

Item No.	Part No.	Description	No. Req'd.
1	3213420	CAP, Radiator	1
2	3520384	RADIATOR	1
3	3123387	CLAMP, Hose	1
4	3520128	HOSE, Tube Upper	1
5	3123387	CLAMP, Hose	1
6	3520386	TUBE, Upper	1
7	3123387	CLAMP, Hose	1
8	3520128	HOSE, Tube Upper	1
9	3123387	CLAMP, Hose	1
10	3123387	CLAMP, Hose	1
11	3520413	HOSE, Tube Lower	1
12	3123387	CLAMP, Hose	1
13	3522284	TUBE, Lower	1
14	3123387	CLAMP, Hose	1
15	3207950	HOSE, Tube Lower	1
16	3123387	CLAMP, Hose	1
17	72F-2	DRAIN COCK	1
18	18D-08	NUT	2

Item No.	Part No.	Description	No. Req'd.
19	584502	WASHER	2
20	584501	VIBRATION DAMPENER	2
21	24C-836	BOLT	2
22	18D-08	NUT	2
23	584502	WASHER	2
24	584501	VIBRATION DAMPENER	2
25	584502	WASHER	2
26	619029	WASHER	2
27	24C-836	BOLT	2
28	3523170	COWL, Radiator	1
29	24C-510	†BOLT, Cowl to Radiator	10
30	619019	†WASHER, Cowl to Radiator	10
31	4E-05	†LKWSHR, Cowl to Radiator	10
32	29H-39	†CLIP, Lower Tube to Mtg Block (Frame)	1
33	18C-616	†BOLT, Clip to Frame	1
34	619023	†WASHER, Clip to Frame	1
35	4E-06	†LKWSHR, Clip to Frame	1

† Not illustrated

WHEN ORDERING PARTS, ALWAYS STATE MODEL AND SERIAL NO. OF MACHINE



TS-8102-P

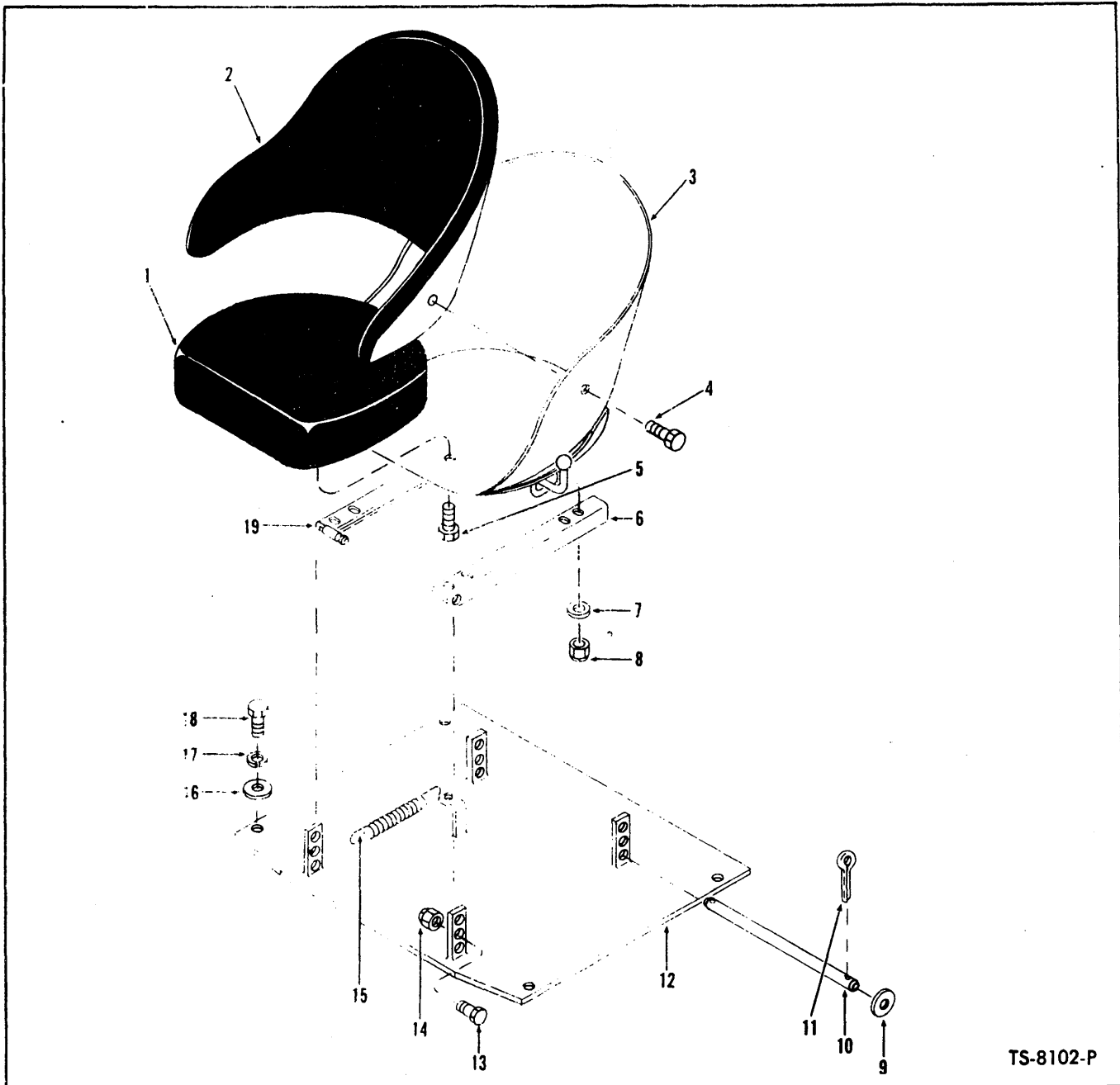
SEAT AND SUPPORT GROUP

S/N 4069/A 121 thru 130

Item No.	Part No.	Description	No. Req'd.	Item No.	Part No.	Description	No. Req'd.
A	526159	SEAT ASSY, Bucket (Inc. 1 thru 5)	1	9	664406	WASHER, Seat Mounting Bar	2
1	3132019	CUSHION, Seat	1	10	557458	BAR, Seat Mounting	1
2	3132018	CUSHION, Back Rest	1	11	1F-420	COTTER, Seat Mounting Bar	2
3	3132022	BUCKET	1	12	1533590	SUPPORT, Seat	1
4	17C-620	BOLT, Cushion Mounting	3	13	24C-824	BOLT, Seat Pivot	2
4A	103293	†WASHER, Cushion Mounting	5	14	18D-08	NUT, Seat Pivot	2
5	17C-620	BOLT, Cushion Mounting	2	15	550301	SPRING	1
5A	103293	†WASHER, Cushion Mounting	2	16	619029	WASHER, Seat Support to Frame	4
6	558779	ANGLE, Left Hand	1	17	4E-08	LKWSHR, Seat Support to Frame	4
7	619019	WASHER, Seat Mounting	4	18	23C-820	BOLT, Seat Support to Frame	4
8	18D-05	NUT, Seat Mounting	4	19	558777	ANGLE, Right Hand	1
				19A	584092	†FLATWASHER	2

†Not Illustrated

WHEN ORDERING PARTS, ALWAYS STATE MODEL AND SERIAL NO. OF MACHINE



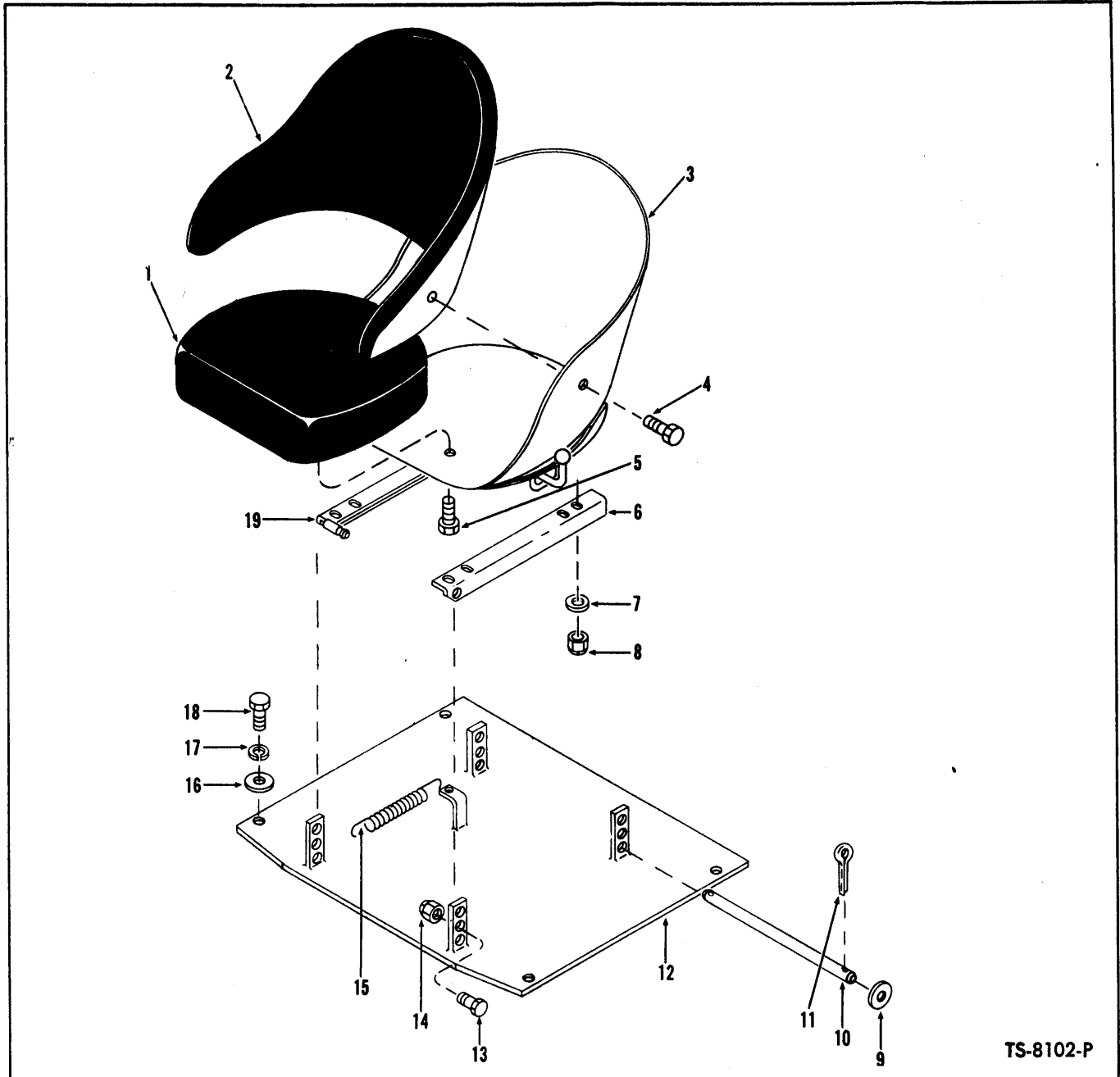
TS-8102-P

SEAT AND SUPPORT GROUP

Item No.	Part No.	Description	No. Req'd.	Item No.	Part No.	Description	No. Req'd.
A	526159	SEAT ASSY, Bucket (Inc. 1 thru 5)	1	9	664406	WASHER, Seat Mounting Bar	2
1	3132019	CUSHION, Seat	1	10	557458	BAR, Seat Mounting	1
2	3132018	CUSHION, Back Rest	1	11	1F-420	COTTER, Seat Mounting Bar	2
3	3132022	BUCKET	1	12	1533590	SUPPORT, Seat	1
4	17C-620	BOLT, Cushion Mounting	3	13	24C-824	BOLT, Seat Pivot	2
5	17C-620	BOLT, Cushion Mounting	2	14	18D-08	NUT, Seat Pivot	2
6	558779	ANGLE, Left Hand	1	15	550301	SPRING	1
7	619019	WASHER, Seat Mounting	4	16	619029	WASHER, Seat Support to Frame	4
8	67D-05	NUT, Seat Mounting	4	17	4E-08	LKWSHR, Seat Support to Frame	4
8A	8G-518	†SCREW	4	18	23C-820	BOLT, Seat Support to Frame	4
				19	558777	ANGLE, Right Hand	1
				19A	584092	†FLATWASHER	2

†Not Illustrated

WHEN ORDERING PARTS, ALWAYS STATE MODEL AND SERIAL NO. OF MACHINE



TS-8102-P

SEAT AND SUPPORT GROUP

S/N 4069/A 101 thru 127

Item No.	Part No.	Description	No. Req'd.	Item No.	Part No.	Description	No. Req'd.
A	526159	SEAT ASSY, Bucket (Inc. 1 thru 5)	1	9	664406	WASHER, Seat Mounting Bar	2
1	3132019	CUSHION, Seat	1	10	557458	BAR, Seat Mounting	1
2	3132018	CUSHION, Back Rest	1	11	1F-420	COTTER, Seat Mounting Bar	2
3	3132022	BUCKET	1	12	1533590	SUPPORT, Seat	1
4	17C-620	BOLT, Cushion Mounting	3	13	24C-824	BOLT, Seat Pivot	2
5	17C-620	BOLT, Cushion Mounting	2	14	18D-08	NUT, Seat Pivot	2
6	558779	ANGLE, Left Hand	1	15	550301	SPRING	1
7	619019	WASHER, Seat Mounting	4	16	619029	WASHER, Seat Support to Frame	4
8	67D-05	NUT, Seat Mounting	4	17	4E-08	LKWSHR, Seat Support to Frame	4
				18	23C-820	BOLT, Seat Support to Frame	4
				19	558777	ANGLE, Rjght Hand	1
				19A	584092	†FLATWASHER	2

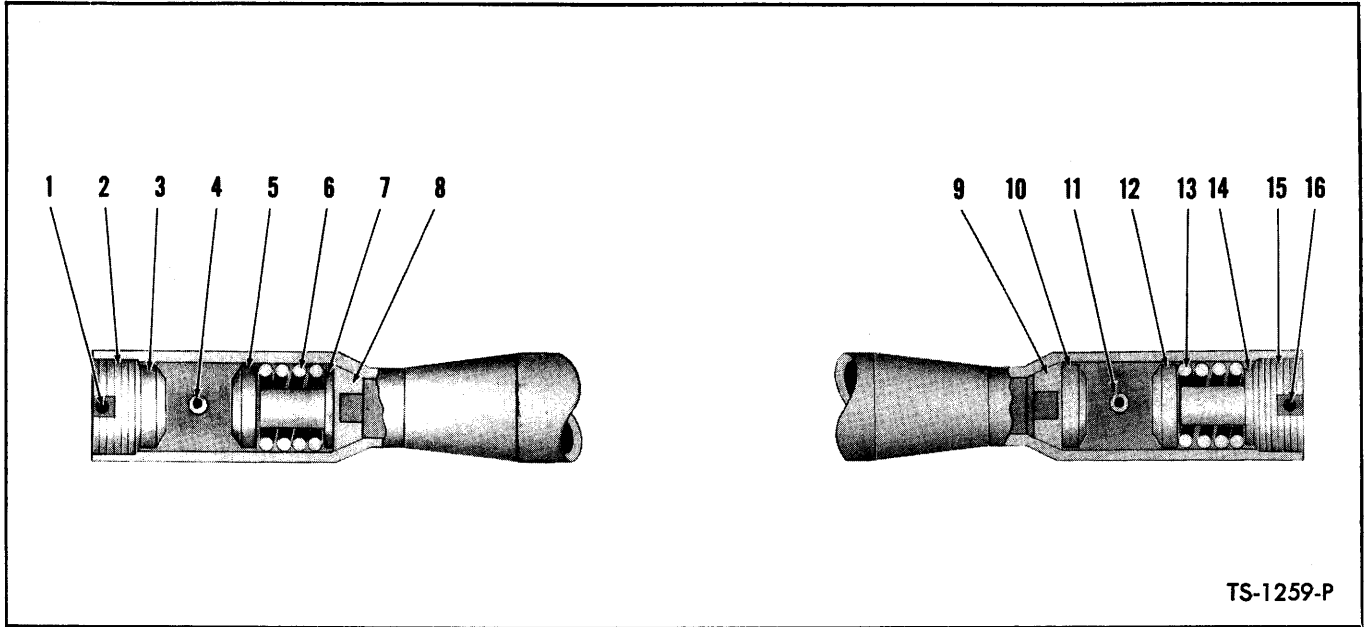
†Not illustrated

WHEN ORDERING PARTS, ALWAYS STATE MODEL AND SERIAL NO. OF MACHINE

(

(

(



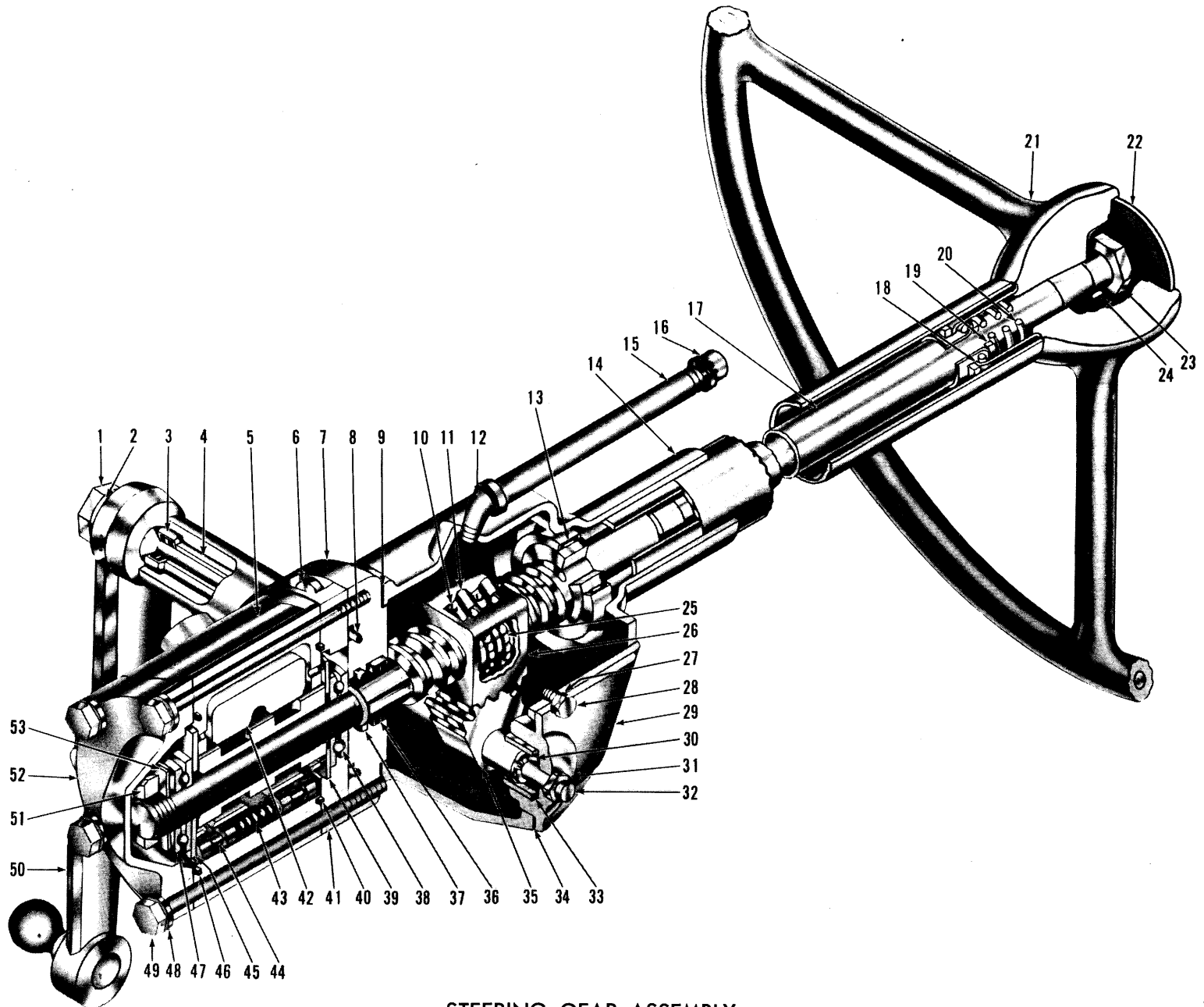
TS-1259-P

STEERING DRAG LINK

S/N 4069/A 101 thru 149

Item No.	Part No.	Description	No. Req'd.
A	1533311	DRAG LINK ASSY (Inc. 2, 3, 5 thru 10, 12 thru 15)	1
1	1F-432	COTTER	1
2	876575	PLUG, Adjusting	1
3	865965	SEAT, Ball Stud	1
4	12H-15	FITTING, Grease	1
5	865965	SEAT, Ball Stud	1
6	865961	SPRING	1
7	662691	SEAT, Spring	1
8	865963	SEAT	1
9	865963	SEAT	1
10	865965	SEAT, Ball Stud	1
11	12H-15	FITTING, Grease	1
12	865965	SEAT, Ball Stud	1
13	865961	SPRING	1
14	662691	SEAT, Spring	1
15	876575	NUT, Adjusting	1
16	1F-432	COTTER	1

WHEN ORDERING PARTS, ALWAYS STATE MODEL AND SERIAL NO. OF MACHINE



STEERING GEAR ASSEMBLY

TS-4787-P

STEERING GEAR ASSEMBLY
S/N 4069/A 101 thru 149

Item No.	Part No.	Description	No. Req'd.	Item No.	Part No.	Description	No. Req'd.
A	1502890	GEAR ASSY (Inc. 1 thru 20, 24 thru 49, 51, 52, 53)	1	25A	853526	†GUIDE, Ball Return	4
1	850756	NUT, Pitman Arm	1	26	853525	NUT, Ball	1
2	4E-18	LKWSHR, Pitman Arm	1	27	2E-06	LKWSHR, Side Cover	3
3	853391	SEAL, Pitman Shaft Grease	1	28	1C-612	BOLT, Side Cover	3
4	853357	BUSHING, Pitman Shaft	1	29	853182	COVER, Housing Side (Inc. 33)	1
5	945334	*VALVE ASSY (Inc. 42, 43, 44)	1	30	853187	SHIM KIT, Lash Adjuster	1
6	73G-732	BOLT, Adapter to Housing	4	31	8D-07	NUT, Lash Adjuster	1
6A	4E-07	†LKWSHR, Adapter to Housing	4	32	851770	ADJUSTER, Lash	1
7	943426	ADAPTER, Valve to Hsg. (Inc. 36, 37)	1	33	-----	§BUSHING, Side Cover — See 29	—
8	886851	“O” RING, Spacer to Adapter	1	34	851756	GASKET, Side Cover	1
9	853380	GASKET, Adapter to Housing	1	35	940111	GEAR, Pitman Shaft	1
10	851762	BOLT & WASHER ASSY, Clamp	3	36	861741	BEARING, Adapter	1
11	853527	CLAMP, Ball Return Guide	1	37	25K-40108	“O” RING, Adapter	1
12	25F-4	ELBOW, Filler	1	38	860997	BEARING, Worm Thrust	1
13	730143	BEARING, Needle	1	39	943438	WASHER, Worm Thrust	1
14	946138	HOUSING ASSY (Inc. 4, 13)	1	40	25K-40312	“O” RING, Valve to Spacer	1
15	5K-432	NIPPLE, Filler	1	41	943440	SPACER, Valve	1
16	22F-4	CAP, Filler	1	42	-----	§SPOOL, Valve — See Item 5	—
17	946139	SHAFT ASSY (Inc. 10, 11, 25, 25A, 26)	1	43	943437	SPRING, Valve	4
18	857729	BEARING ASSY, Upper	1	44	943436	PLUNGER, Valve	8
19	861768	WASHER, Upper Bearing	1	45	943438	WASHER, Bearing Thrust	1
20	853395	SPRING, Upper Bearing	1	46	1306626	“O” RING, Valve to Spacer	1
21	518331	WHEEL, Steering	1	47	860997	BEARING, Worm Thrust	1
22	548074	PLATE, Operating Precaution	1	48	3E-08	LKWSHR, End Cover	6
22A	65G-406	†SCREW, Plate Attaching	4	49	1C-888	BOLT, End Cover	6
23	648304	NUT, Steering Wheel	1	50	566433	ARM, Pitman	1
24	853384	KEY, Steering Wheel	1	51	873250	NUT, Worm Bearing Lock	1
25	10J-09	BALL	106	52	943439	COVER, Valve End	1
				53	943429	SPRING, Valve Spool Preload	1

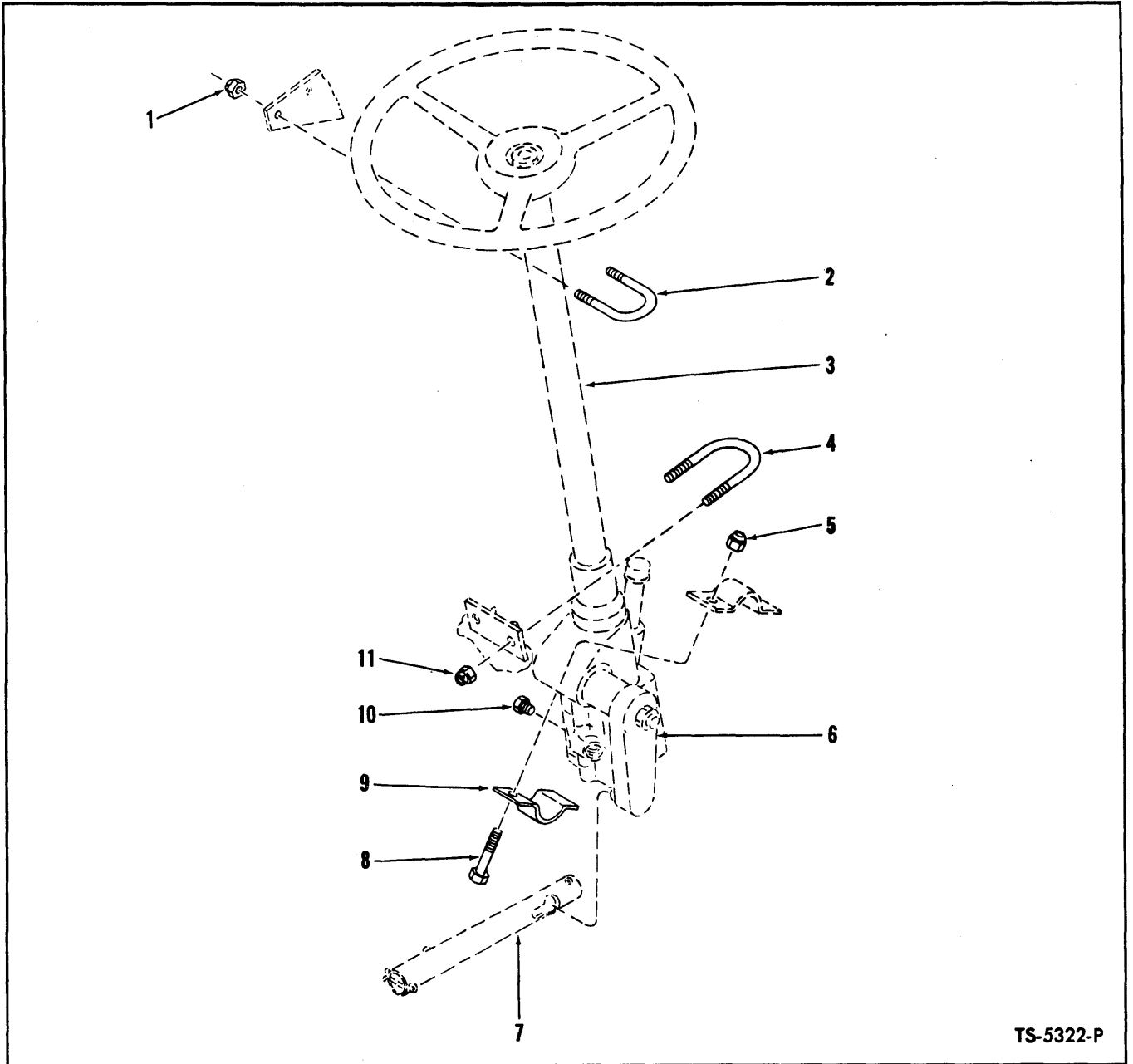
†Not Illustrated
§Not Sold Separately
*Shown out of position.

WHEN ORDERING PARTS, ALWAYS STATE MODEL AND SERIAL NO. OF MACHINE

C

C

C

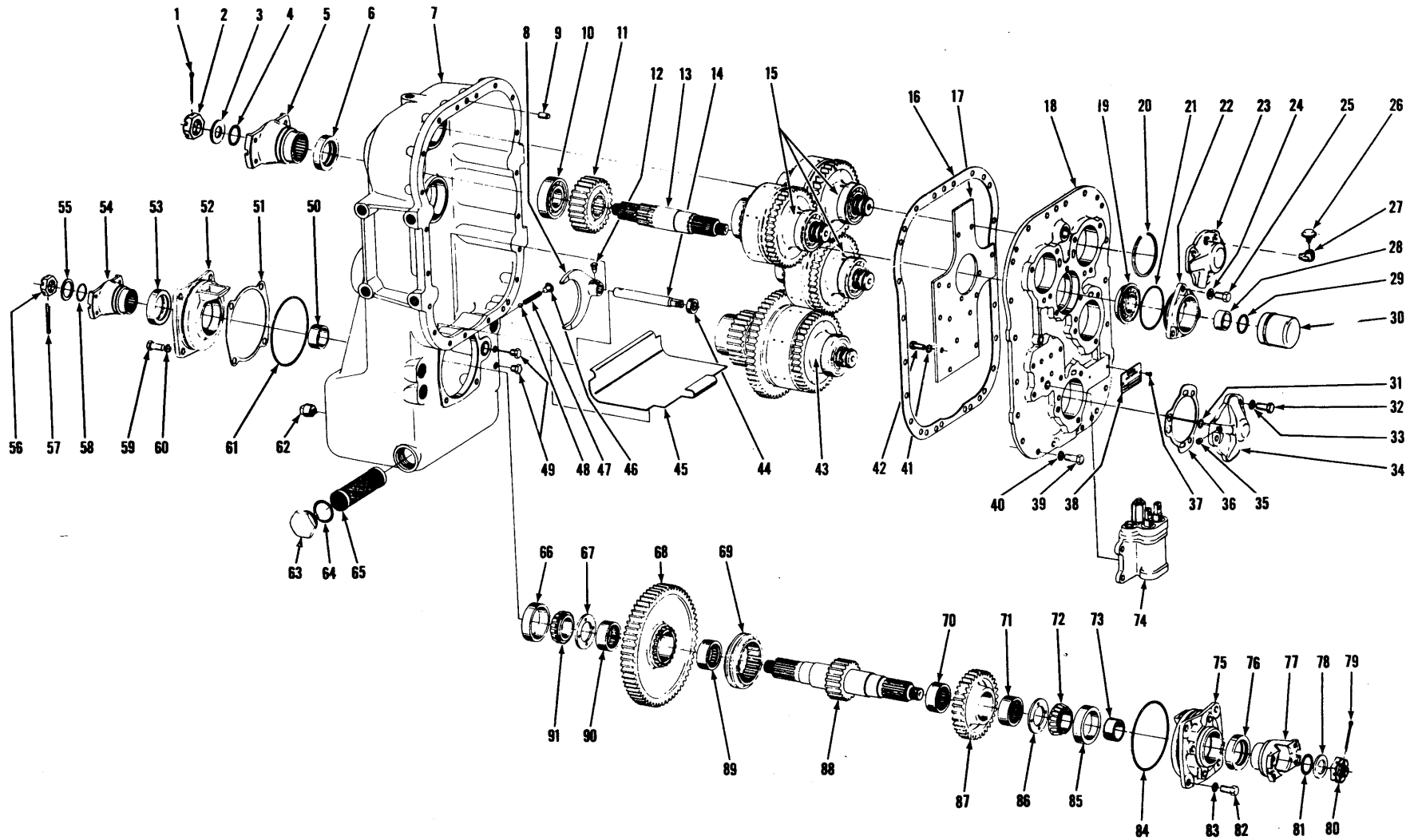


TS-5322-P

STEERING GEAR MOUNTING GROUP

Item No.	Part No.	Description	No. Req'd.
1	18D-06	NUT, "U" Bolt	2
2	571441	"U" BOLT, Steering Gear to Cockpit	1
3	-----	STEERING GEAR ASSY - See Index	—
4	545941	"U" BOLT, Steering Gear to Cockpit	1
5	18D-08	NUT, Steering Gear Clamp	2
6	-----	PITMAN ARM - See Index - Steering Gear	—
7	-----	DRAG LINK - See Index	—
8	24C-836	BOLT, Steering Gear Clamp	2
9	550044	CLAMP, Steering Gear	1
10	40K-02	PLUG, Steering Valve	1
11	18D-08	NUT, "U" Bolt	2
12	12H-15	†GREASE FITTING	2
13	1F-432	†COTTER PIN	2

† Not illustrated PM5012



TRANSMISSION ASSEMBLY

TS-6775-P

TRANSMISSION ASSEMBLY AND MOUNTING BRACKETS

Item No.	Part No.	Description	No. Req'd.	Item No.	Part No.	Description	No. Req'd.
A	282791	TRANSMISSION ASSEMBLY (2420H-15) (Inc. 1 thru 91 and all Items listed on pages 18 thru 20)	1	44	225075	SEAL, Range Shift Oil	1
1	1F-428	COTTER, Flange Nut	1	45	228943	PLATE, Baffle	1
2	201951	NUT, Input Flange	1	46	40K-04	PLUG, Range Shift Rail Detent	1
3	102745	WASHER, Input Flange	1	47	215191	SPRING, Range Shift Rail Detent	1
4	25K-40112	"O" RING, Input Flange	1	48	10J-12	BALL, Range Shift Rail Detent	1
5	214940	FLANGE, Input Shaft	1	49	40K-04	PLUG, Oil Level	2
6	206864	SEAL, Input Shaft Oil	1	50	227945	SPACER, Brake Flange	1
7	801363	CASE ASSY, Transmission (Inc. 6)	1	51	215156	‡SHIM, Bearing Cap — .004"	—
8	215146	FORK, Range Shift	1	51A	215157	‡SHIM, Bearing Cap — .007"	—
9	214295	PIN, Cover to Case Dowel	2	51B	215158	‡SHIM, Bearing Cap — .010"	—
10	225603	BEARING, Input Shaft	1	52	227960	CAP, Output Shaft Bearing	1
11	215166	GEAR, Input Shaft (26T)	1	53	225823	SEAL, Bearing Cap Oil	1
12	201566	SCREW, Shift Fork Lock	1	54	222029	FLANGE, Output	1
13	217952	SHAFT, Input	1	55	222179	WASHER, Flange Nut	1
14	215145	RAIL, Range Shift	1	56	205928	NUT, Flange	1
15	-----	CLUTCH GROUP — Forward, Reverse & Low — See Index (Inc. 20)	—	57	1F-436	COTTER, Flange Nut	1
16	215144	GASKET, Cover to Case	1	58	25K-60116	"O" RING, Flange	1
17	215143	PLATE, Oil Circuit	1	59	1C-820	BOLT, Bearing Cap	4
18	215141	COVER ASSY, Trans. (Inc. 17, 41, 42)	1	60	5E-08	LKWSHR, Bearing Cap	4
19	225824	BEARING, Input Shaft Locating	1	61	25K-40524	"O" RING, Bearing Cap	1
20	945374	RING, Bearing Retaining	4	62	215757	PLUG, Drain — Magnetic	1
21	25K-40316	"O" RING, Input Shaft Bearing Cap	1	63	219370	PLUG, Suction Screen	1
22	215198	CAP ASSY, Input Shaft Bearing (Inc. 22A)	1	64	219373	GASKET, Suction Screen Plug	1
22A	206864	†SEAL, Input Shaft Oil	1	65	215205	SCREEN, Suction	1
23	-----	CAP, Distributor Bearing—See Item 34	—	66	661721	CUP, Output Shaft Bearing	1
24	4E-07	LKWSHR, Bearing Cap	3	67	227947	WASHER, Output Shaft Thrust	1
25	1C-718	BOLT, Bearing Cap	3	68	228068	GEAR, Low (61T)	1
26	-----	OMIT, Not Used on this Application	—	69	215149	HUB, Output Shaft Shift	1
27	-----	OMIT, Not Used on this Application	—	70	227944	BEARING, High Gear	1
28	215162	SPACER, Input Flange	1	71	227944	BEARING, High Gear	1
29	659065	RING, Bearing Retaining	1	72	227946	CONE, Output Shaft Bearing	1
30	209412	CAP, Input Shaft	1	73	227945	SPACER, Brake Flange	1
31	25K-30016	"O" RING, Bearing Cap	4	74	-----	CONTROL VALVE — See Index	—
32	1C-718	BOLT, Bearing Cap	9	75	227960	CAP, Output Shaft Bearing	1
33	4E-07	LKWSHR, Bearing Cap	9	76	225823	SEAL, Bearing Cap Oil	1
34	215163	CAP, Distributor Bearing	4	77	222233	FLANGE, Output	1
35	16F-02	PLUG, Bearing Cap Pipe	4	78	222179	WASHER, Flange Nut	1
36	215164	GASKET, Bearing Cap	4	79	1F-436	COTTER, Flange Nut	1
37	207873	SCREW, Name Plate	2	80	205928	NUT, Flange	1
38	-----	§PLATE, Name	1	81	25K-60116	"O" RING, Flange	1
39	1C-718	BOLT, Cover to Case	20	82	1C-820	BOLT, Bearing Cap	4
40	4E-07	LKWSHR, Cover to Case	20	83	5E-08	LKWSHR, Bearing Cap	4
41	5E-06	LKWSHR, Plate to Cover	15	84	25K-40524	"O" RING, Bearing Cap	1
42	1C-614	BOLT, Plate to Cover	15	85	661721	CUP, Output Shaft Bearing	1
43	-----	CLUTCH GROUP — High — See Index (Inc. 20)	—	86	227947	WASHER, Output Shaft Thrust	1
				87	228069	GEAR, High (34T)	1
				88	228887	SHAFT, Output	1
				89	227944	BEARING, Low Gear	1
				90	227944	BEARING, Low Gear	1
				91	227946	CONE, Output Shaft Bearing	1

†Not Illustrated
‡As Required
§Not Sold Separately

WHEN ORDERING PARTS, ALWAYS STATE MODEL AND SERIAL NO. OF MACHINE

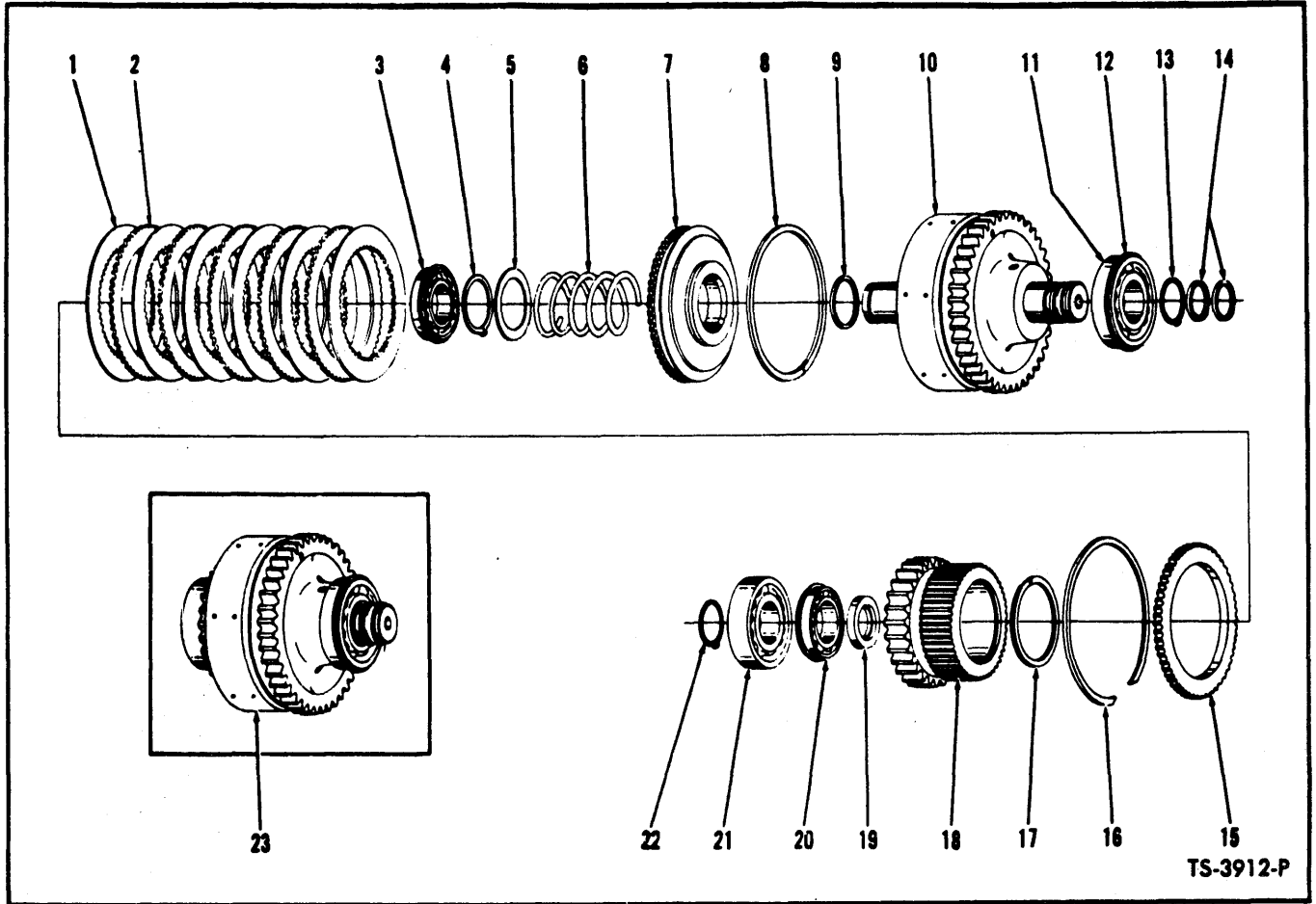
TRANSMISSION ASSEMBLY AND MOUNTING BRACKETS

S/N 4069/A 101 thru 130

Item No.	Part No.	Description	No. Req'd.	Item No.	Part No.	Description	No. Req'd.
A	282791	TRANSMISSION ASSEMBLY (2420H-15) (Inc. 1 thru 91 and all Items listed on pages 18 thru 20)	1	44	225075	SEAL, Range Shift Oil	1
1	1F-428	COTTER, Flange Nut	1	45	228943	PLATE, Baffle	1
2	201951	NUT, Input Flange	1	46	40K-04	PLUG, Range Shift Rail Detent	1
3	102745	WASHER, Input Flange	1	47	215191	SPRING, Range Shift Rail Detent	1
4	25K-40112	"O" RING, Input Flange	1	48	10J-12	BALL, Range Shift Rail Detent	1
5	214940	FLANGE, Input Shaft	1	49	40K-04	PLUG, Oil Level	2
6	206864	SEAL, Input Shaft Oil	1	50	227945	SPACER, Brake Flange	1
7	801363	CASE ASSY, Transmission (Inc. 6)	1	51	215156	‡SHIM, Bearing Cap — .004"	—
8	215146	FORK, Range Shift	1	51A	215157	‡SHIM, Bearing Cap — .007"	—
9	214295	PIN, Cover to Case Dowel	2	51B	215158	‡SHIM, Bearing Cap — .010"	—
10	225603	BEARING, Input Shaft	1	52	227960	CAP, Output Shaft Bearing	1
11	215166	GEAR, Input Shaft (26T)	1	53	225823	SEAL, Bearing Cap Oil	1
12	201566	SCREW, Shift Fork Lock	1	54	222029	FLANGE, Output	1
13	217952	SHAFT, Input	1	55	222179	WASHER, Flange Nut	1
14	215145	RAIL, Range Shift	1	56	205928	NUT, Flange	1
15	-----	CLUTCH GROUP — Forward, Reverse & Low — See Index (Inc. 20)	—	57	1F-436	COTTER, Flange Nut	1
16	215144	GASKET, Cover to Case	1	58	25K-60116	"O" RING, Flange	1
17	215143	PLATE, Oil Circuit	1	59	1C-820	BOLT, Bearing Cap	4
18	215141	COVER ASSY, Trans. (Inc. 17, 41, 42)	1	60	5E-08	LKWSHR, Bearing Cap	4
19	225824	BEARING, Input Shaft Locating	1	61	25K-40524	"O" RING, Bearing Cap	1
20	945374	RING, Bearing Retaining	4	62	215757	PLUG, Drain — Magnetic	1
21	25K-40316	"O" RING, Input Shaft Bearing Cap	1	63	219370	PLUG, Suction Screen	1
22	215198	CAP ASSY, Input Shaft Bearing (Inc. 22A)	1	64	219373	GASKET, Suction Screen Plug	1
22A	206864	†SEAL, Input Shaft Oil	1	65	215205	SCREEN, Suction	1
23	-----	CAP, Distributor Bearing—See Item 34	—	66	661721	CUP, Output Shaft Bearing	1
24	4E-07	LKWSHR, Bearing Cap	3	67	227947	WASHER, Output Shaft Thrust	1
25	1C-718	BOLT, Bearing Cap	3	68	228068	GEAR, Low (61T)	1
26	-----	OMIT, Not Used on this Application	—	69	215149	HUB, Output Shaft Shift	1
27	-----	OMIT, Not Used on this Application	—	70	227944	BEARING, High Gear	1
28	215162	SPACER, Input Flange	1	71	227944	BEARING, High Gear	1
29	659065	RING, Bearing Retaining	1	72	227946	CONE, Output Shaft Bearing	1
30	209412	CAP, Input Shaft	1	73	227945	SPACER, Brake Flange	1
31	25K-30016	"O" RING, Bearing Cap	4	74	-----	CONTROL VALVE — See Index	—
32	1C-718	BOLT, Bearing Cap	9	75	227960	CAP, Output Shaft Bearing	1
33	4E-07	LKWSHR, Bearing Cap	9	76	225823	SEAL, Bearing Cap Oil	1
34	215163	CAP, Distributor Bearing	4	77	222233	FLANGE, Output	1
35	16F-02	PLUG, Bearing Cap Pipe	4	78	222179	WASHER, Flange Nut	1
36	215164	GASKET, Bearing Cap	4	79	1F-436	COTTER, Flange Nut	1
37	207873	SCREW, Name Plate	2	80	205928	NUT, Flange	1
38	-----	§PLATE, Name	1	81	25K-60116	"O" RING, Flange	1
39	1C-718	BOLT, Cover to Case	20	82	1C-820	BOLT, Bearing Cap	4
40	4E-07	LKWSHR, Cover to Case	20	83	5E-08	LKWSHR, Bearing Cap	4
41	5E-06	LKWSHR, Plate to Cover	15	84	25K-40524	"O" RING, Bearing Cap	1
42	1C-614	BOLT, Plate to Cover	15	85	661721	CUP, Output Shaft Bearing	1
43	-----	CLUTCH GROUP — High — See Index (Inc. 20)	—	86	227947	WASHER, Output Shaft Thrust	1
				87	228069	GEAR, High (34T)	1
				88	228887	SHAFT, Output	1
				89	227944	BEARING, Low Gear	1
				90	227944	BEARING, Low Gear	1
				91	227946	CONE, Output Shaft Bearing	1

†Not Illustrated
‡As Required
§Not Sold Separately

WHEN ORDERING PARTS, ALWAYS STATE MODEL AND SERIAL NO. OF MACHINE



CLUTCH GROUP – FORWARD, REVERSE AND LOW

(This Group used 3 times in Transmission – Quantities listed below are for 1 Clutch Group)

Item No.	Part No.	Description	No. Req'd.	Item No.	Part No.	Description	No. Req'd.
1	228114	DISC, Clutch Inner	6	11	228245	BEARING, Clutch Shaft (Inc. 12)	1
2	224772	DISC, Clutch Outer	5	12	945374	RING, Bearing Retaining	1
3	225076	BEARING, Clutch Disc Hub	1	13	659065	RING, Clutch Shaft Bearing Retaining	1
4	654613	RING, Return Spring Retaining	1	14	215183	RING, Clutch Shaft Sealing	2
5	616848	WASHER, Return Spring Retaining	1	15	224774	PLATE, Clutch Disc End	1
6	215179	SPRING, Clutch Piston Return	1	16	215190	RING, End Plate Retaining	1
7	215177	PISTON, Clutch	1	17	225077	RING, Clutch Disc Hub Oil Baffle	1
8	224771	RING, Piston Outer Sealing	1	18	215180	GEAR & HUB ASSY (28T)	1
9	223085	RING, Piston Inner Sealing	1	19	215182	SPACER, Clutch Disc Hub Bearing	1
10	227955	DRUM ASSY, Clutch (Inc. 10A, 10B) (40T)	1	20	225076	BEARING, Clutch Disc Hub	1
10A	215176	†SEAT, Bleed Valve Ball	1	21	225078	BEARING, Clutch Shaft	1
10B	10J-06	†BALL, Bleed Valve	1	22	659065	RING, Clutch Shaft Bearing Retaining	1
				23	—	§CLUTCH ASSY	1

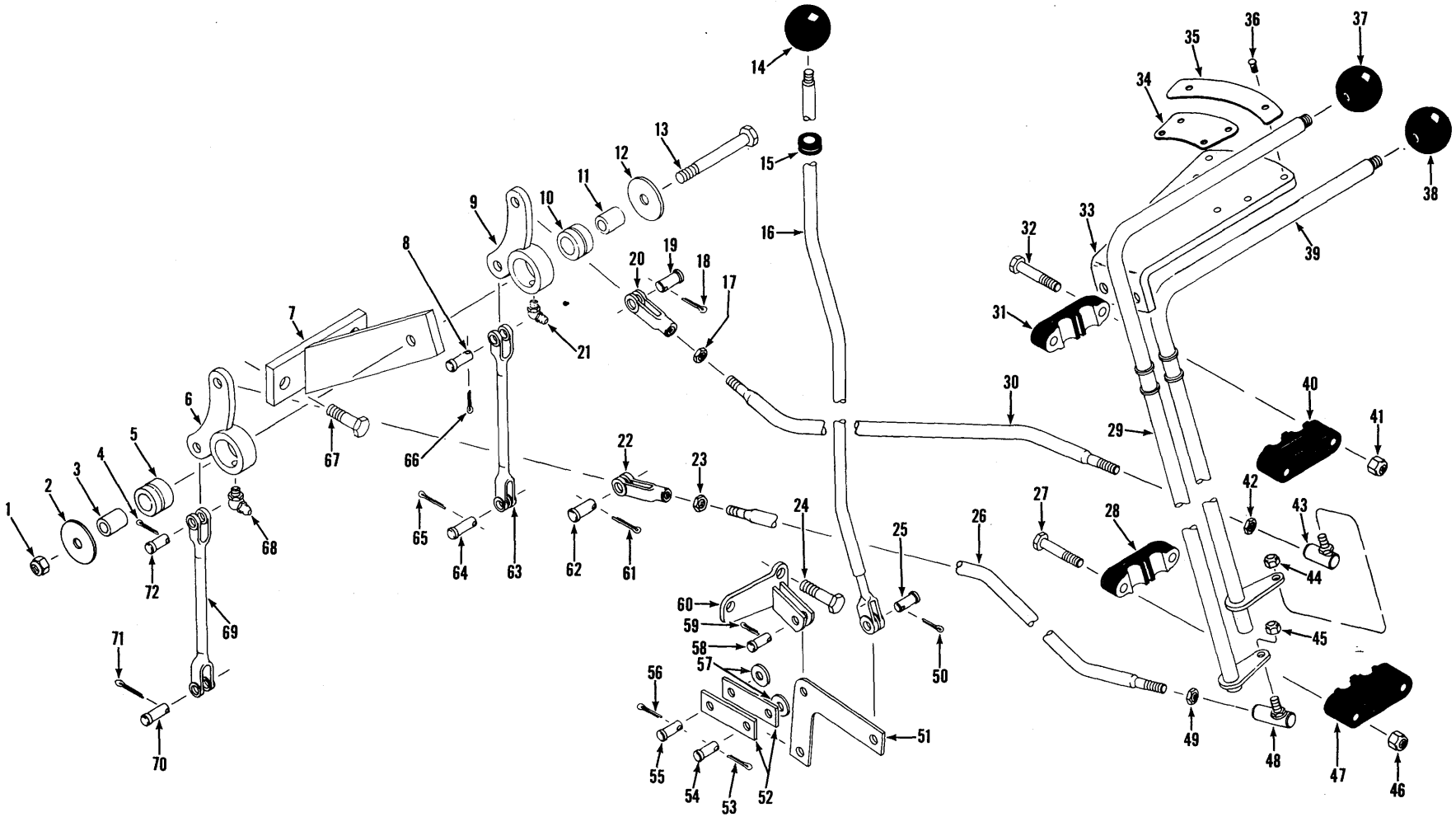
†Not Illustrated
§Not sold as an Assembly – Order individual parts.

WHEN ORDERING PARTS, ALWAYS STATE MODEL AND SERIAL NO. OF MACHINE

C

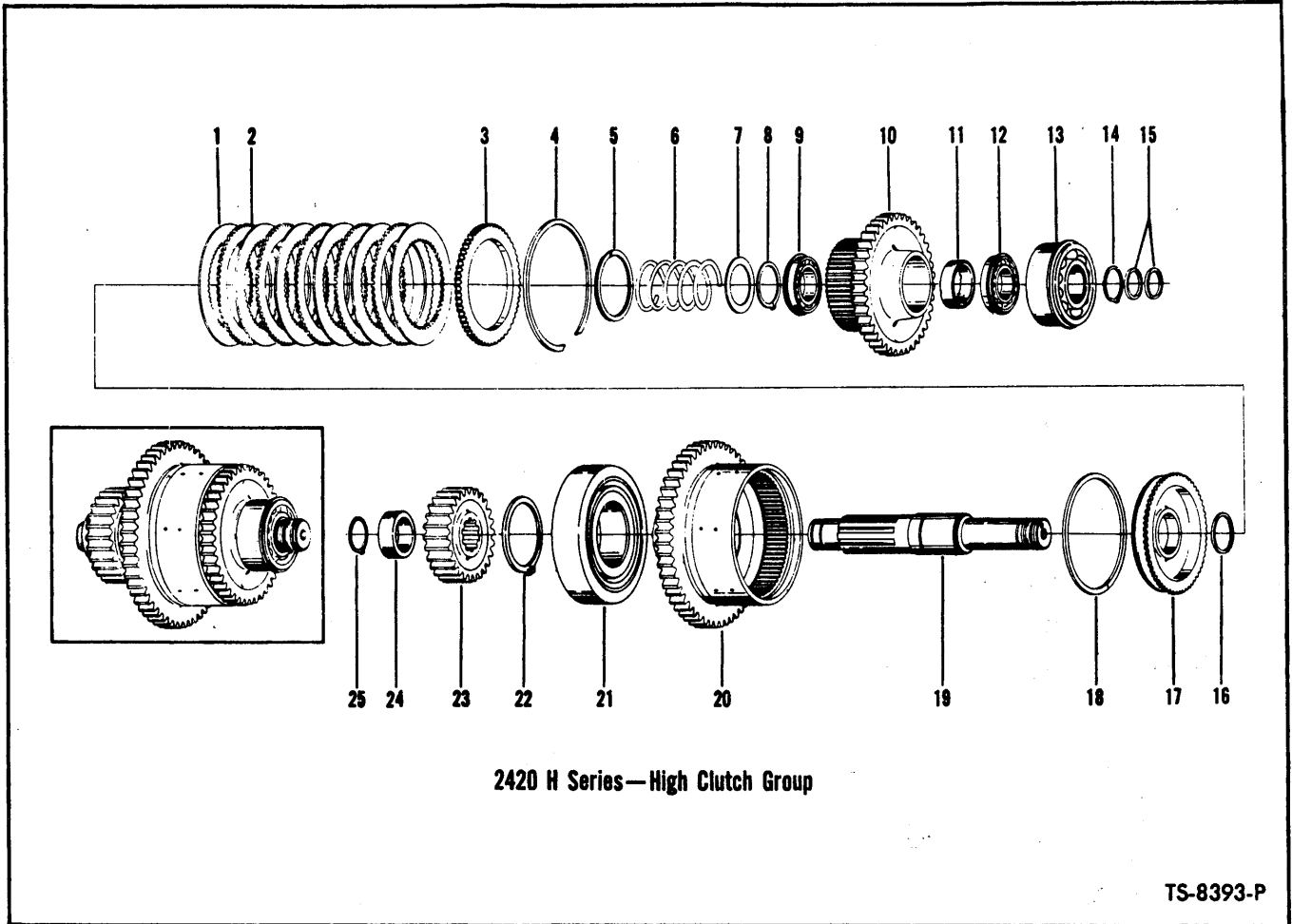
C

C



TRANSMISSION CONTROL LEVERS AND LINKAGE

TS-8347-P



TS-8393-P

CLUTCH GROUP — HIGH

Item No.	Part No.	Description	No. Req'd.	Item No.	Part No.	Description	No. Req'd.
1	228114	DISC, Clutch Inner	6	15	215183	RING, Clutch Shaft Sealing	2
2	224772	DISC, Clutch Outer	5	16	223085	RING, Piston Inner Sealing	1
3	224774	PLATE, Clutch Disc End	1	17	215177	PISTON, Clutch	1
4	215190	RING, End Plate Retaining	1	18	224771	RING, Piston Outer Sealing	1
5	225077	RING, Disc Hub Oil Baffle	1	19	215184	SHAFT, Clutch	1
6	215179	SPRING, Piston Return	1	20	227952	DRUM & GEAR ASSY, Clutch (Inc. 20A, 20B) (53T)	1
7	616848	WASHER, Return Spring Retaining	1	20A	215176	†SEAT, Bleed Valve Ball	1
8	654613	RING, Return Spring Retaining	1	20B	10J-06	†BALL, Bleed Valve	1
9	225076	BEARING, Clutch Disc Hub	1	21	228246	BEARING, Clutch Shaft High Gear	1
10	227950	HUB & GEAR, Clutch Disc (40T)	1	22	507688	RING, Bearing Retaining	1
11	227959	SPACER, Clutch Disc Hub Bearing	1	23	215166	GEAR, High Clutch Shaft (26T)	1
12	225076	BEARING, Clutch Disc Hub	1	24	227949	SPACER, Gear	1
13	228245	BEARING, Clutch Shaft	1	25	659065	RING, Retaining	1
14	659065	RING, Bearing Retaining	1				

†Not Illustrated

WHEN ORDERING PARTS, ALWAYS STATE MODEL AND SERIAL NO. OF MACHINE



LA BRUGEOISE ET NIVELLES S.A. - BELGIUM



TRANSMISSION CONTROL LEVERS AND LINKAGE

S/N 4069/A 101 thru 130

Item No.	Part No.	Description	No. Req'd.	Item No.	Part No.	Description	No. Req'd.
1	18D-08	NUT, Bellcrank to Bracket	1	35	567977	PLATE, Forward & Reverse	1
2	616795	WASHER, Bellcrank to Bracket	1	36	6C-605	SCREW, Plate to Quadrant	6
3	585596	SLEEVE, Bellcrank	1	37	509772	KNOB, Shift Lever	1
4	1F-310	COTTER, Clevis Pin	1	38	509772	KNOB, Shift Lever	1
5	585597	BUSHING, Bellcrank	1	39	1522226	LEVER, High & Low	1
6	585500	BELLCRANK, Forward & Reverse	1	40	568478	SUPPORT, Shift Lever	1
8	4F-06106	PIN, Clevis	1	41	18D-05	NUT, Lever Support Mounting	2
9	585500	BELLCRANK, High & Low	1	42	8D-06	NUT, Ball Joint Jam	1
10	585597	BUSHING, Bellcrank	1	43	1301362	BALL JOINT, Control Rod	1
11	585596	SLEEVE, Bellcrank	1	44	66D-06	NUT, Ball Joint	1
12	616795	WASHER, Bellcrank to Bracket	1	45	66D-06	NUT, Ball Joint	1
13	24C-852	BOLT, Bellcrank to Bracket	1	46	18D-05	NUT, Lever Support Mounting	2
14	509772	KNOB, High & Low Control	1	47	568478	SUPPORT, Shift Lever	1
15	565073	GROMMET, Control Rod	1	48	1301362	BALL JOINT, Control Rod	1
16	1522196	ROD, High & Low Control	1	49	8D-06	NUT, Ball Joint Jam	1
17	8D-06	NUT, Clevis Jam	1	50	1F-310	COTTER, Clevis Pin	1
18	1F-310	COTTER, Clevis Pin	1	51	1522219	BELLCRANK, High & Low	1
19	4F-06106	PIN, Clevis	1	52	743878	LINK, Connecting	2
20	2J-6208	CLEVIS, Control Rod	1	53	1F-310	COTTER, Clevis Pin	1
21	12H-15	FITTING, Bellcrank Grease	1	54	4F-06106	PIN, Clevis	1
22	2J-6208	CLEVIS, Control Rod	1	55	4F-06106	PIN, Clevis	1
23	8D-06	NUT, Clevis Jam	1	56	1F-310	COTTER, Clevis Pin	1
24	23C-724	BOLT, Bracket to Transmission	2	57	980055	WASHER, Clevis Pin	2
25	4F-06106	PIN, Clevis	1	58	4F-06106	PIN, Clevis	1
26	1505229	ROD, Forward & Reverse Control (Inc. 22, 23, 48, 49)	1	59	1F-310	COTTER, Clevis Pin	1
27	24C-536	BOLT, Lever Support Mounting	2	60	1522216	BRACKET, High & Low Bellcrank	1
28	568479	SUPPORT, Shift Lever	1	61	1F-310	COTTER, Clevis Pin	1
29	1522225	LEVER, Forward & Reverse	1	62	4F-06106	PIN, Clevis	1
30	1505228	ROD, High & Low Control (Inc. 17, 20, 42, 43)	1	63	1505272	ROD, High & Low Control	1
31	568479	SUPPORT, Shift Lever	1	64	4F-06106	PIN, Clevis	1
32	24C-536	BOLT, Lever Support Mounting	2	65	1F-310	COTTER, Clevis Pin	1
33	1536275	QUADRANT, Shift	1	66	1F-310	COTTER, Clevis Pin	1
33A	24C-620	BOLT, Shift Quadrant	1	68	12H-15	FITTING, Bellcrank Grease	1
33B	18D-06	NUT, Shift Quadrant	1	69	1505272	ROD, Forward & Reverse Control	1
34	567947	PLATE, Hi-Lo	1	70	4F-06106	PIN, Clevis	1
				71	1F-310	COTTER, Clevis Pin	1
				72	4F-06106	PIN, Clevis	1

WHEN ORDERING PARTS, ALWAYS STATE MODEL AND SERIAL NO. OF MACHINE

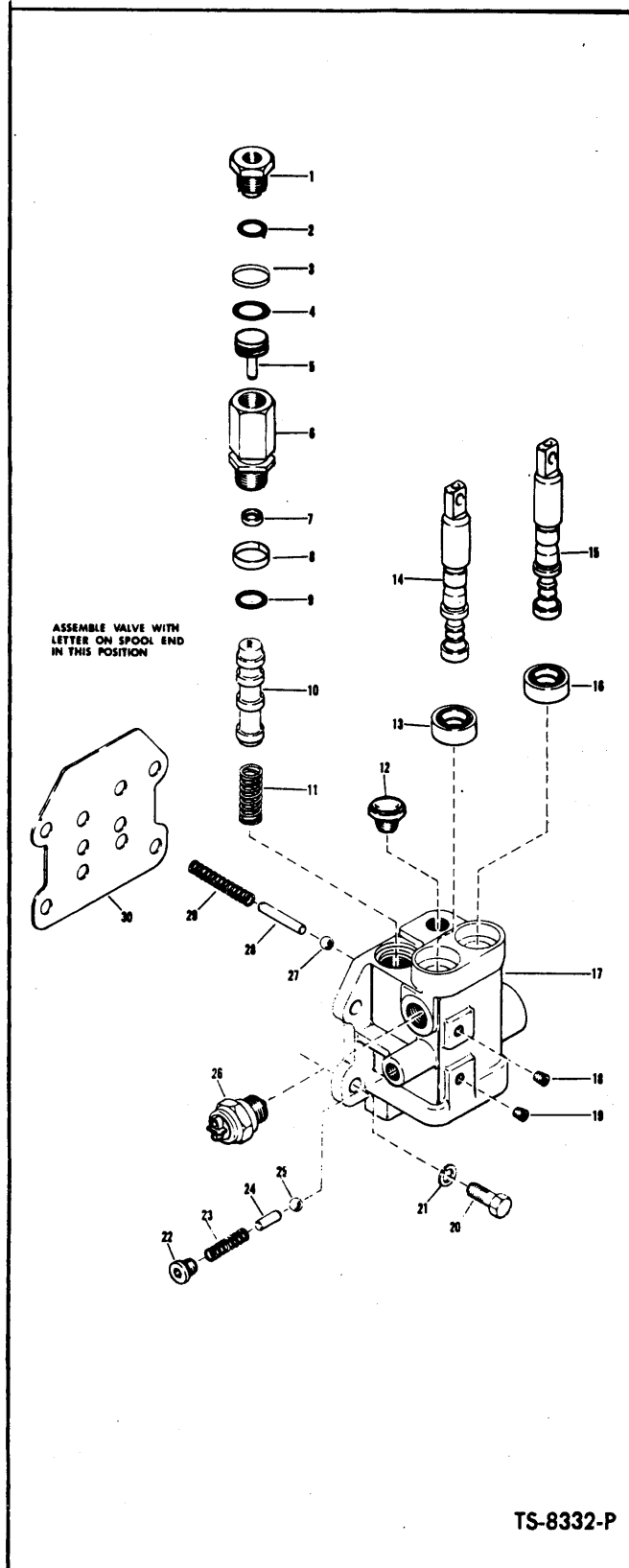


TRANSMISSION CONTROL LEVERS AND LINKAGE

Item No.	Part No.	Description	No. Req'd.	Item No.	Part No.	Description	No. Req'd.
1	18D-08	NUT, Bellcrank to Bracket	1	37	509772	KNOB, Shift Lever	1
2	616795	WASHER, Bellcrank to Bracket	1	38	509772	KNOB, Shift Lever	1
3	585596	SLEEVE, Bellcrank	1	39	1522226	LEVER, High & Low	1
4	1F-310	COTTER, Clevis Pin	1	40	568478	SUPPORT, Shift Lever	1
5	585597	BUSHING, Bellcrank	1	41	18D-05	NUT, Lever Support Mounting	2
6	585500	BELLCRANK, Forward & Reverse	1	42	8D-06	NUT, Ball Joint Jam	1
8	4F-06106	PIN, Clevis	1	43	1301362	BALL JOINT, Control Rod	1
9	585500	BELLCRANK, High & Low	1	44	66D-06	NUT, Ball Joint	1
10	585597	BUSHING, Bellcrank	1	45	66D-06	NUT, Ball Joint	1
11	585596	SLEEVE, Bellcrank	1	46	18D-05	NUT, Lever Support Mounting	2
12	616795	WASHER, Bellcrank to Bracket	1	47	568478	SUPPORT, Shift Lever	1
13	24C-852	BOLT, Bellcrank to Bracket	1	48	1301362	BALL JOINT, Control Rod	1
14	509772	KNOB, High & Low Control	1	49	8D-06	NUT, Ball Joint Jam	1
15	565073	GROMMET, Control Rod	1	50	1F-310	COTTER, Clevis Pin	1
16	1522196	ROD, High & Low Control	1	51	1522219	BELLCRANK, High & Low	1
17	8D-06	NUT, Clevis Jam	1	52	743878	LINK, Connecting	2
18	1F-310	COTTER, Clevis Pin	1	53	1F-310	COTTER, Clevis Pin	1
19	4F-06106	PIN, Clevis	1	54	4F-06106	PIN, Clevis	1
20	2J-6208	CLEVIS, Control Rod	1	55	4F-06106	PIN, Clevis	1
21	12H-15	FITTING, Bellcrank Grease	1	56	1F-310	COTTER, Clevis Pin	1
22	2J-6208	CLEVIS, Control Rod	1	57	980055	WASHER, Clevis Pin	2
23	8D-06	NUT, Clevis Jam	1	58	4F-06106	PIN, Clevis	1
24	23C-724	BOLT, Bracket to Transmission	2	59	1F-310	COTTER, Clevis Pin	1
25	4F-06106	PIN, Clevis	1	60	1522216	BRACKET, High & Low Bellcrank	1
26	1505229	ROD, Forward & Reverse Control (Inc. 22, 23, 48, 49)	1	61	1F-310	COTTER, Clevis Pin	1
27	24C-536	BOLT, Lever Support Mounting	2	62	4F-06106	PIN, Clevis	1
28	568479	SUPPORT, Shift Lever	1	63	1505272	ROD, High & Low Control	1
29	1522225	LEVER, Forward & Reverse	1	64	4F-06106	PIN, Clevis	1
30	1505228	ROD, High & Low Control (Inc. 17, 20, 42, 43)	1	65	1F-310	COTTER, Clevis Pin	1
31	568479	SUPPORT, Shift Lever	1	66	1F-310	COTTER, Clevis Pin	1
32	24C-536	BOLT, Lever Support Mounting	2	68	12H-15	FITTING, Bellcrank Grease	1
				69	1505272	ROD, Forward & Reverse Control	1
				70	4F-06106	PIN, Clevis	1
				71	1F-310	COTTER, Clevis Pin	1
				72	4F-06106	PIN, Clevis	1

WHEN ORDERING PARTS, ALWAYS STATE MODEL AND SERIAL NO. OF MACHINE

CONTROL VALVE — TRANSMISSION



Item No.	Part No.	Description	No. Req'd.
A	230505	CONTROL VALVE ASSY (Inc. 1 thru 30)	1
1	217928	PLUG, Stop	1
2	91F-8	"O" RING, Stop Plug	1
3	227672	SEAL, Piston — Outer	1
4	25K-30020	"O" RING, Piston	1
5	227674	PISTON	1
6	219342	VALVE, De-Clutch (Inc. 1 thru 5, 7, 8, 9)	1
7	224315	SEAL, Oil	1
8	228931	SEAL, Band	1
9	25K-30022	"O" RING	1
10	—	*§VALVE, De-Clutch Control—See "A"	—
11	219344	SPRING, Control Valve	1
12	211433	BREATHER	1
13	225075	SEAL, Manual Control Valve Oil	1
14	—	§VALVE, Manual Control—See "A"	—
15	—	§VALVE, Manual Control—See "A"	—
16	225075	SEAL, Manual Control Valve Oil	1
17	—	§HOUSING, Control Valve—See "A"	—
18	16F-01	PLUG	1
19	16F-01	PLUG	1
20	1C-718	BOLT, Housing to Transmission	4
21	4E-07	LKWSHR, Housing to Transmission	4
22	47K-3	PLUG, Detent	1
23	202200	SPRING, Detent	1
24	229010	PIN, Detent	1
25	10J-12	BALL, Detent	1
26	224620	SWITCH, Neutral Start	1
27	10J-12	BALL, Detent	1
28	215194	PIN, Detent Stop	1
29	215147	SPRING, Detent	1
30	229009	GASKET, Housing to Transmission	1

§Not Sold Separately

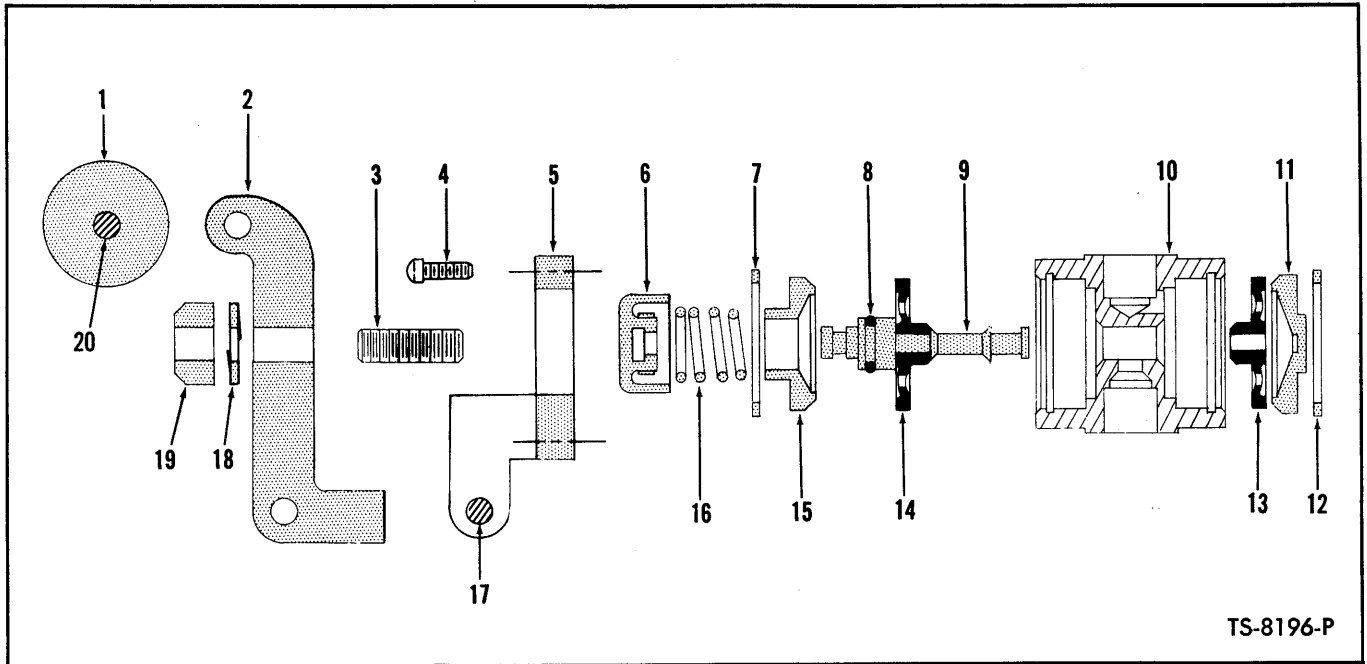
*NOTE: For correct operation of the de-clutch feature for this application Item 10 must be installed with the letter "R" in the upright position.

WHEN ORDERING PARTS, ALWAYS STATE MODEL AND SERIAL NO. OF MACHINE

C

C

C



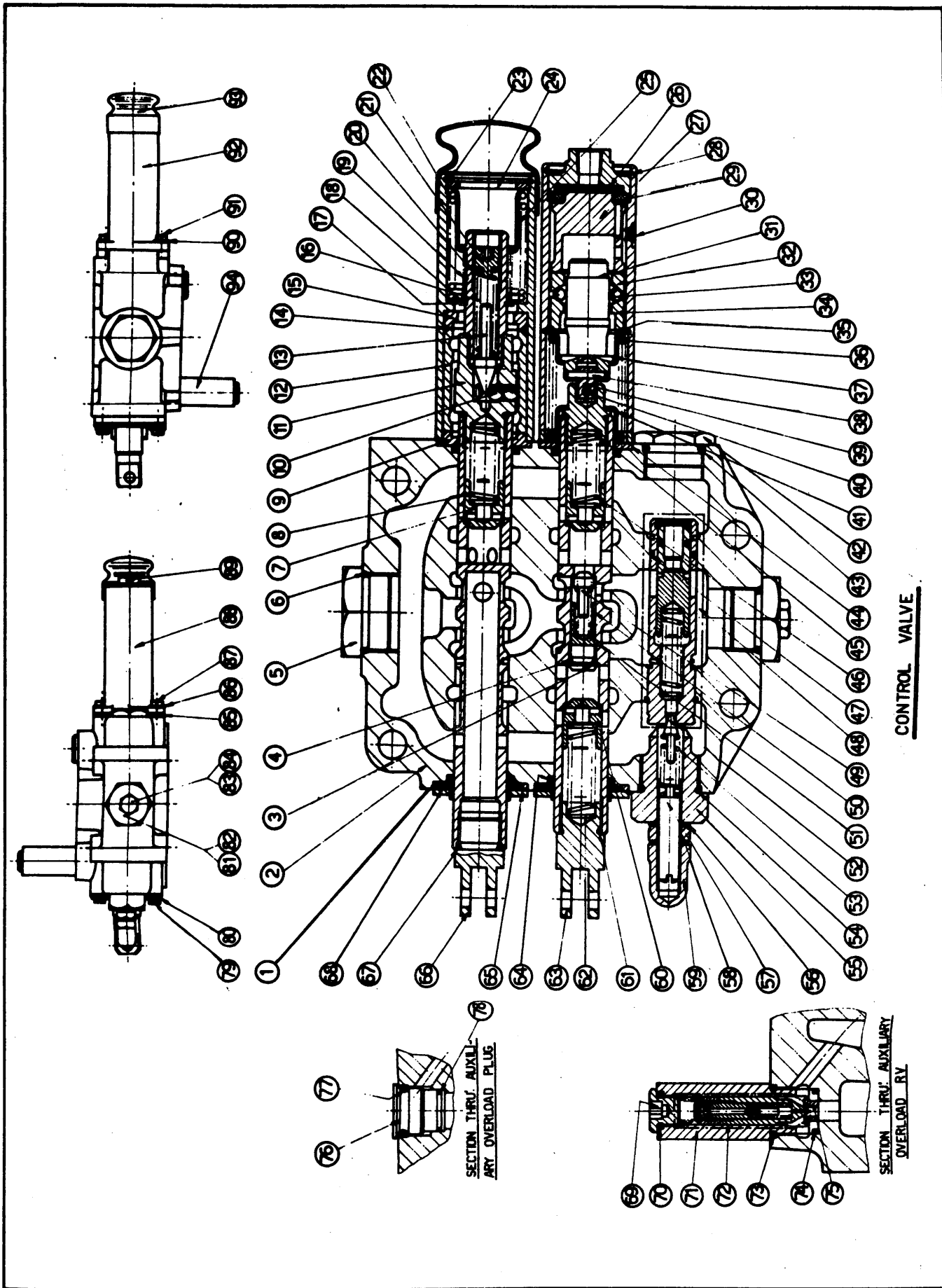
TS-8196-P

AIR VALVE ASSEMBLY

Item No.	Part No.	Description	No. Req'd.
A	559784	AIR VALVE ASSY (Inc. 1 thru 20)	1
B	895683	SEAL REPAIR KIT (Inc. 6, 8, 9, 13, 14, 16)	1
1	947178	ROLLER, Air Valve Lever	1
2	947175	LEVER, Air Valve	1
3	15G-416	SCREW, Adjusting	1
4	42G-1008	SCREW, Cover Bracket Attaching	4
5	947176	BRACKET, Top Cover	1
6	947177	BUTTON ASSY (Inc. 16)	1
7	1303319	RING, Retaining	1
8	25K-20012	"O" RING, Stem	1
9	947165	BUTTON & STEM ASSY (Inc. 6 & 16)	1
10	-----	§BODY — See "A"	—
11	947226	CLOSED END CAP	1
12	1303319	RING, Retaining	1
13	889239	DIAPHRAGM	1
14	889239	DIAPHRAGM	1
15	947225	OPEN END CAP	1
16	889242	SPRING	1
17	947179	PIVOT PIN	1
18	4E-04	LKWSHR, Adjusting Screw	1
19	1D-04	NUT, Adjusting Screw Lock	1
20	947179	PIVOT PIN	1

§Not Sold Separately

WHEN ORDERING PARTS, ALWAYS STATE MODEL AND SERIAL NO. OF MACHINE



CONTROL VALVE ASSY

Item No.	Part No.	Description	No. Req'd.	Item No.	Part No.	Description	No. Req'd.
A	3237043	CONTROL VALVE	1	40	3213987	ROLL PIN	1
1	3214029	SEAL RETAINER	2	41	3291744	SPRING, Retainer	1
2	3135556	HOUSING with 1 «V» spool & 1 «F» spool	1	42	3214026	PLUG, Cap	1
3	3290735	CAP	1	43	25K-40100	CAP, Seal	1
4	25K-30012	CAP «O» RING SEAL	1	44	3214030	SEAL, Retainer	1
5	24K-11	PLUG	1	45	3214033	PLUNGER, Cap	1
6	91F-11	«O» RING	1	46	3290378	MAIN, Check Spring	1
7	944885	MAIN, Check Valve	1	47	3291108	SLEEVE, Seal	1
8	3214044	MAIN, Check Spring	1	48	3214031	MAIN, R.V. Assy	1
9	3291735	SEAL, Retainer	1	49	3291748	MAKE UP, Check Valve	1
10	10J-10	BALL, Detent	6	50	3291749	PRESSURE, Slug	1
11	3291734	DETENT, Cap	1	51	3292378	MAKE UP, Check Spring	1
12	3291236	DETENT, Sleeve	1	32	886739	PILOT, Poppet	1
13	3291732	POPPET	1	53	3213775	PILOT, Spring	1
14	945089	DETENT SLEEVE, «O» Ring	1	54	25K-30102	CAP, Seal	1
15	3290873	SPACING, Sleeve	1	55	3292353	R.V. Cap	1
16	3291731	POPPET, Spring	1	56	3213840	SEAL, WASHER	2
17	763782	SPRING, Ret. Circlip	1	57	944890	ADJUSTING, Screw	1
18	3135557	SPRING, Retainer	1	58	8D-08R	JAM NUT	1
19	3135559	RETURN SPRING, Secondary	1	59	944853	ACORN NUT	1
20	3135558	SPRING, Cap	1	60	944885	MAIN, Check Valve	2
21	3291730	ADJUSTING, Screw	1	61	25K-30022	SPOOL «O» RING, Seal	2
22	3290379	RETURN, Spring	1	62	3214044	MAIN, Check Spring	1
23	1301194	COVER, Plate Circlip	1	63	3290382	EYE	1
24	3291728	COVER, Plate	1	64	25K-40104	PLUNGER, Seal	4
25	3290386	SPRING, Retainer	1	65	3290878	WIPER, Retainer	2
26	946919	DIAPHRAGM	1	66	3290377	EYE	1
27	3291740	DIAPHRAGM SPACER	1	67	25K-30022	SPOOL «O» RING, Seal	2
28	1301194	CIRCLIP	1	68	944887	WIPER	2
29	3291741	SPACER	1	69	3215244	CAP	1
30	3213907	RUBBER PLUG	1	70	25K-30016	CAP «O» RING	1
31	945087	DETENT, Cap	1	71	3290195	CARTRIDGE HOUSING	1
32	3291742	BALL, Retainer	1	72	3291724	CARTRIDGE Aux. RN	1
33	10J-08	BALL	13	73	25K-30026	«O» RING	1
34	3291743	BALL, Retainer	1	74	25K-20024	«O» RING	1
35	1301194	CIRCLIP	1	75	3135560	SEAT	1
36	3214042	RETURN, Spring	1	76	3290224	PLUG	1
37	3214039	SPRING, Retainer	1	77	25K-30026	«O» RING	1
38	3214035	ROLL PIN	1	78	25K-30024	«O» RING	1
39	3214034	PIN	1	79	1C-512	CAP, Screw	4
				80	3292344	WASHER	4

WHEN ORDERING PARTS, ALWAYS STATE MODEL AND SERIAL NO. OF MACHINE

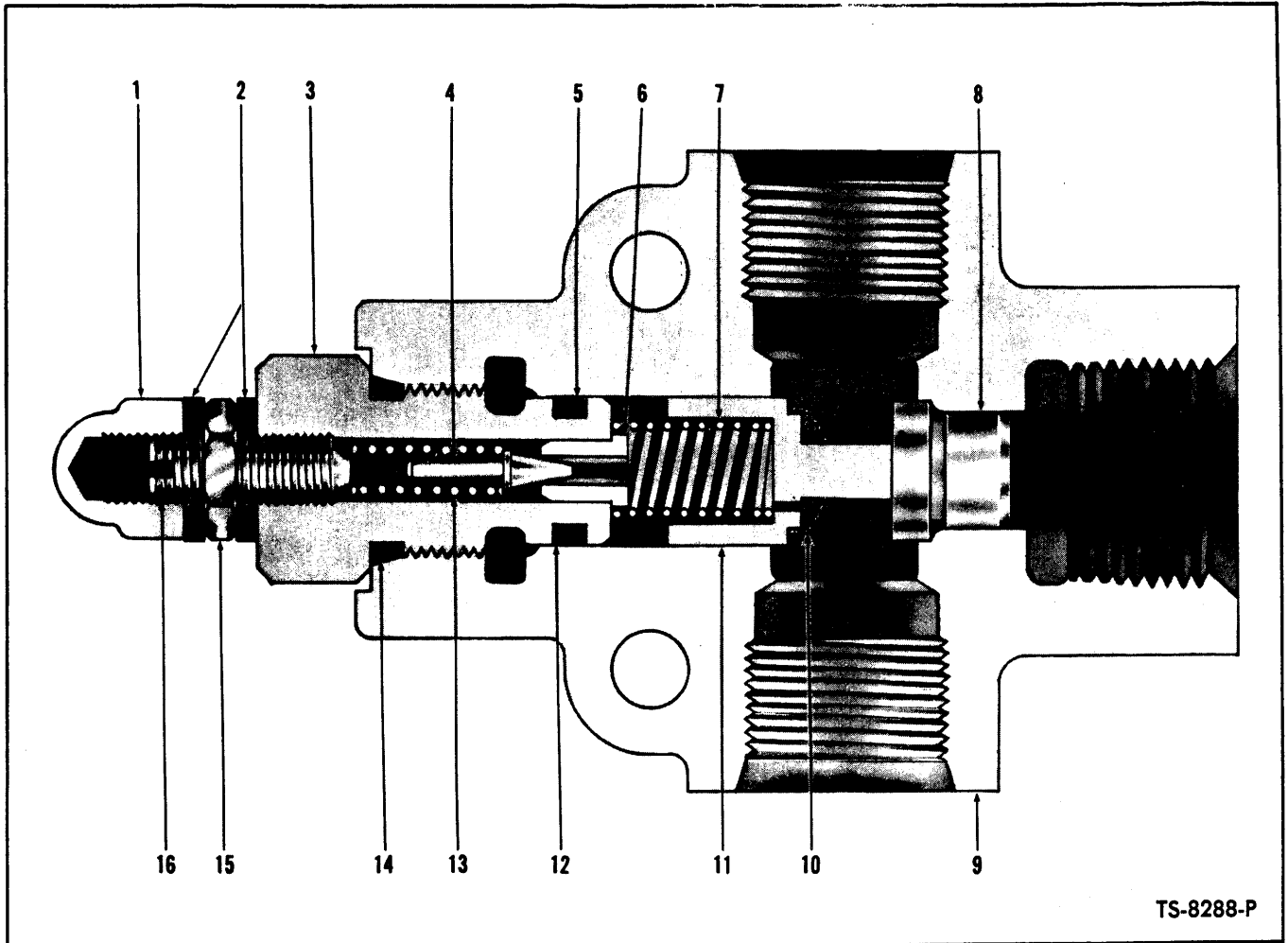


CONTROL VALVE ASSY

Item No.	Part No.	Description	No. Req'd.
81	3292185	ADAPTOR	1
82	91F-10	.O. RING	1
83	24K-3	PLUG	1
84	91F-3	.O. RING	1
85	3291747	FLANGE, Spacer	2
86	3292344	WASHER	2
87	1C-520	CAP, Screw	2

Item No.	Part No.	Description	No. Req'd.
88	3291745	DETENT, Cover	1
89	946915	ADAPTOR, Plug	1
90	3292344	WASHER	2
91	1C-516	CAP, Screw	2
92	3290387	COVER	1
93	3291729	RUBBER, Cover	1
94	3292301	AUX. R.V. ASSY (Incl. Items 69-75)	1

WHEN ORDERING PARTS, ALWAYS STATE MODEL AND SERIAL NO. OF MACHINE

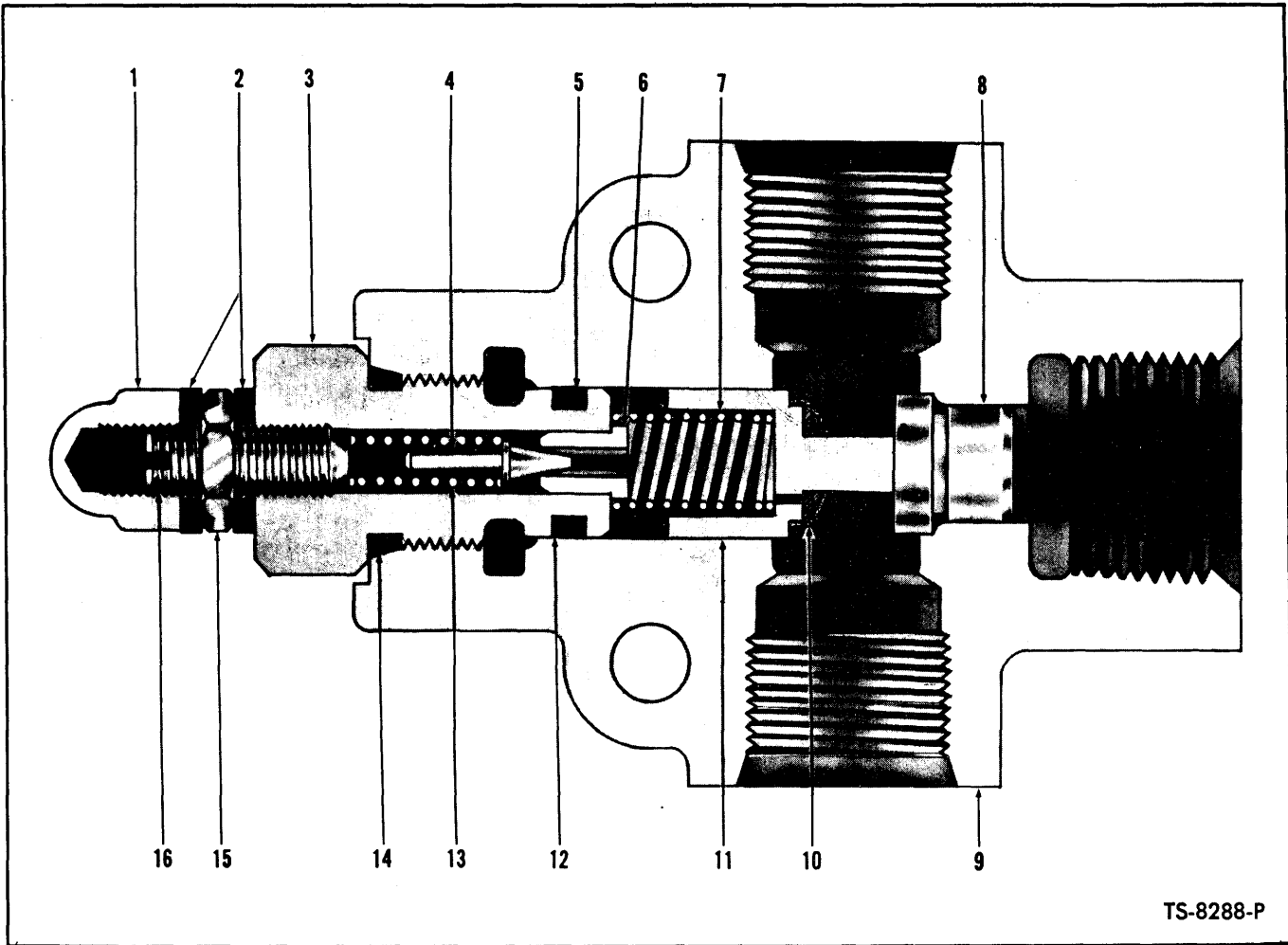


PRESSURE RELIEF VALVE — STEERING SYSTEM
S/N 4069/A 101 thru 120

Item No.	Part No.	Description	No. Req'd.
A	536539	VALVE ASSY (Inc. 1 thru 17)	1
1	47D-05	NUT, Acorn	1
2	730396	WASHER, Stat-O-Seal	2
3	944467	CAP, Valve	1
4	883734	PLUNGER, Pilot	1
5	899039	"O" RING	1
6	944469	SEAT, Pilot	1
7	944646	SPRING	1
8	944645	SEAT, Poppet	1
9	-----	§BODY, Valve — Order Item "A"	—
10	-----	§SCREEN, Poppet — Order Item 11	—
11	944643	POPPET ASSY (Inc. 10)	1
12	899038	RING, Back-Up	1
13	944471	SPRING, Pilot	1
14	91F-6	"O" RING, Valve Cap	1
15	8D-05	NUT, Jam	1
16	33G-514	SCREW, Adjusting Set	1
17	40K-02	†PLUG	2

§Not Sold Separately
†Not Illustrated

WHEN ORDERING PARTS, ALWAYS STATE MODEL AND SERIAL NO. OF MACHINE

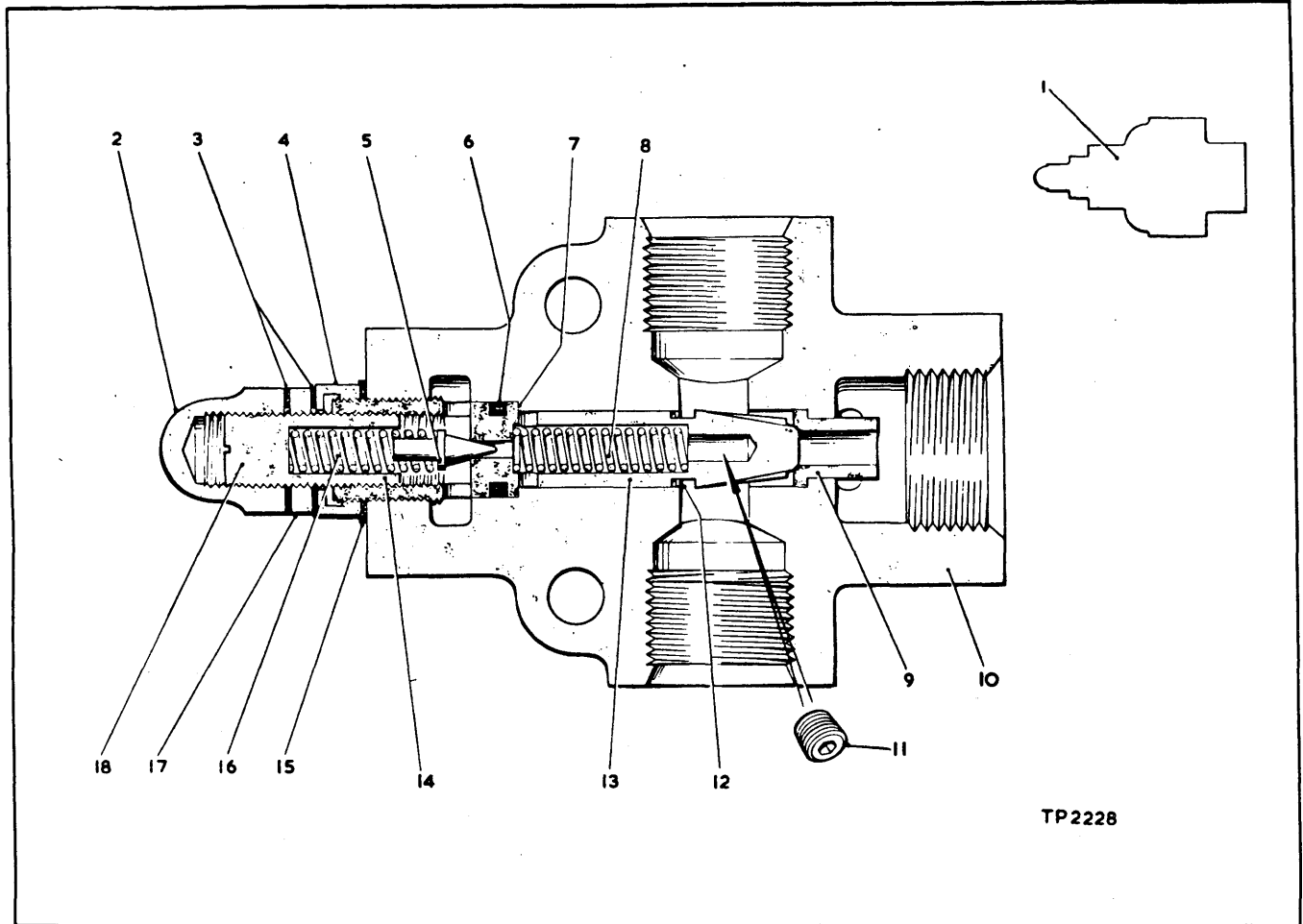


PRESSURE RELIEF VALVE — STEERING SYSTEM

Item No.	Part No.	Description	No. Req'd.
A	536539	VALVE ASSY (Inc. 1 thru 17)	1
1	47D-05	NUT, Acorn	1
2	663792	WASHER, Stat-O-Seal	2
3	944467	CAP, Valve	1
4	883734	PLUNGER, Pilot	1
5	899039	"O" RING	1
6	944469	SEAT, Pilot	1
7	944646	SPRING	1
8	944645	SEAT, Poppet	1
9	-----	§BODY, Valve — Order Item "A"	—
10	-----	§SCREEN, Poppet — Order Item 11	—
11	944643	POPPET ASSY (Inc. 10)	1
12	899038	RING, Back-Up	1
13	944471	SPRING, Pilot	1
14	91F-6	"O" RING, Valve Cap	1
15	8D-05	NUT, Jam	1
16	33G-514	SCREW, Adjusting Set	1
17	40K-02	†PLUG	2

§Not Sold Separately
†Not Illustrated

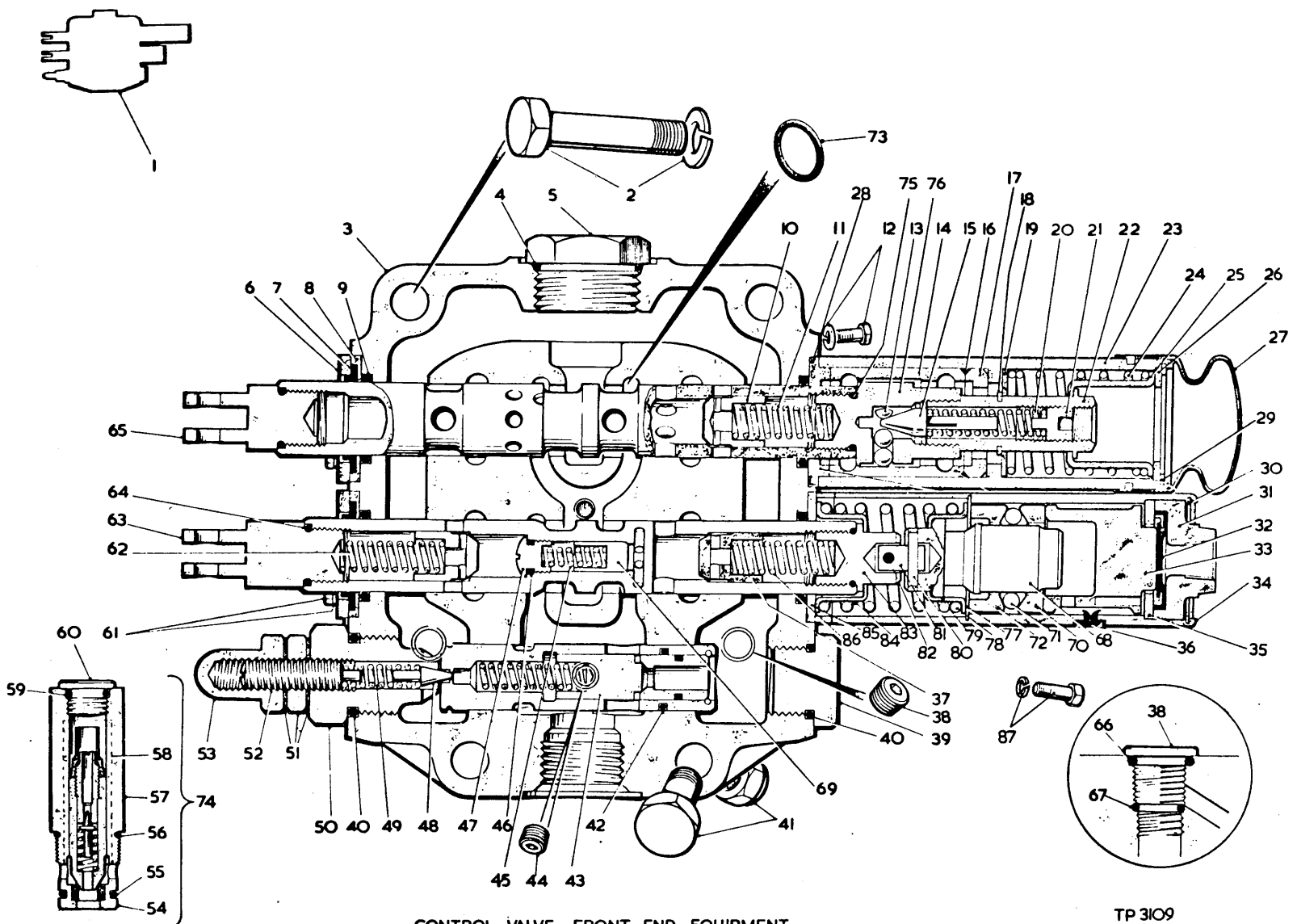
WHEN ORDERING PARTS, ALWAYS STATE MODEL AND SERIAL NO. OF MACHINE



PRESSURE RELIEF VALVE STEERING
S/N 4069/A 121 thru 130

Item No.	Part No.	Description	No. Req'd.	Item No.	Part No.	Description	No. Req'd.
1	3223044	VALVE RELIEF INC. 2-18	1	10A	3290249	†PLUG	1
2	3290247	NUT, ACORN	1	11	16F-02	PLUG	1
3	3290252	SEAL	2	12	3290254	SCREEN	1
4	3290255	LOCKNUT	1	13	3290245	PLUNGER	1
5	3290243	POPPET	1	14	3290256	SCREWCAP	1
6	3215249	•O• RING	1	15	3290253	SEAL	1
7	3291161	SEAT PILOT	1	16	3290251	SPRING	1
7A	3291162	†WASHER SEAL	1	17	3290248	NUT	1
8	3290250	SPRING	1	18	3290246	SCREW ADJUSTING	1
9	3290244	SEAT	1	19	2C-556	†BOLT, Valve to Frame	2
10	—	HOUSING - See 1	1	19A	18D-05	†LOCKNUT	2
				19B	619019	†WASHER	2

WHEN ORDERING PARTS, ALWAYS STATE MODEL AND SERIAL NO. OF MACHINE



CONTROL VALVE FRONT END EQUIPMENT

TP 3109



CONTROL VALVE — MAIN HYDRAULIC

S/N 4069/A 101 thru 130

Item No.	Part No.	Description	No. Req'd.	Item No.	Part No.	Description	No. Req'd.
1	3230852	CONTROL VALVE ASSEMBLY	1	40	791553	SEAL CAP	1
2	2C-860	BOLT	3	41	2C-860	BOLT	3
2A	4E-08	LOCKWASHER	3	41A	4E-08	LOCKWASHER	3
3	—	HOUSING — See Item 1	—	42	3291108	SEAL SLEEVE	1
4	91F-11	·O· RING	1	43	3214031	RETURN VALVE ASSEMBLY	1
5	24K-11	PLUG	1	44	16F-04	PLUG	1
6	3290878	RETAINER WIPER	2	45	3290324	SPRING	1
7	944887	WIPER	2	46	3290219	·O· RING SEAL	1
8	3291029	SEAL RETAINER	2	47	3290735	CAP	1
9	25K-40104	SEAL PLUNGER	4	48	886739	POPPET PILOT	1
10	944885	VALVE CHECK	—	49	3213775	SPRING	1
11	3214044	CHECK SPRING	1	50	3214025	CAP RETURN VALVE	1
12	17C-516	CAP SCREW	2	51	8D-08	NUT JAM	1
12A	619019	WASHER	2	51A	3213840	WASHER	2
13	3291733	BALL DETENT	6	52	944890	SCREW ADJUSTING	1
14	3291236	DETENT SLEEVE	1	53	944853	NUT ACORN	1
15	3291732	POPPET	1	54	3290194	SEAT	1
16	3290275	·O· RING DETENT SLEEVE	1	55	25K-20024	·O· RING	1
17	3290873	SPACING SLEEVE	1	56	3290192	·O· RING	1
18	3290385	SPRING RET CIRCLIP	1	57	3290195	CARTRIDGE HOUSING	1
19	3290872	SPRING RETAINER	1	58	3291724	CARTRIDGE AUX R V	1
20	3291731	SPRING POPPET	1	59	3215249	·O· RING CAP	1
21	3291730	SCREW ADJUSTING	1	60	3215244	CAP	1
22	888294	SPRING CAP	1	61	17C-512	CAP SCREW	4
23	3290387	COVER	1	61A	619019	WASHER	4
24	3290379	RETURN SPRING	1	62	3214044	SPRING	1
25	3290386	SPRING RETAINER	1	63	3290382	EYE	1
26	3291728	COVER PLATE	1	64	3214353	·O· RING	2
27	3291729	RUBBER COVER	1	65	3290382	EYE	1
28	3291735	SEAL RETAINER	1	66	3290192	·O· RING	1
29	3214041	CIRCLIP	1	67	25K-20024	·O· RING	1
30	3214041	RETAINER	1	68	945087	CAP DETENT	1
31	946915	PLUG ADAPTOR	1	69	3291748	CHECK VALVE	1
32	946919	DIAPHRAGM	1	70	3291742	RETAINER BALL	1
33	3291740	SPACER	1	71	10J-08	BALL	13
34	3291745	COVER DETENT	1	72	3291743	RETAINER BALL	1
35	3291741	SPACER	1	73	25K-40112	·O· RING	1
36	3213907	PLUG RUBBER	1	74	3291725	R V ASSEMBLY	1
37	944885	VALVE CHECK	2	75	3214353	·O· RING	2
38	3290224	PLUG	1	76	3291734	CAP DETENT	1
39	3214026	CAP PLUG	1	77	3214041	RETAINER	1

WHEN ORDERING PARTS, ALWAYS STATE MODEL AND SERIAL NO. OF MACHINE

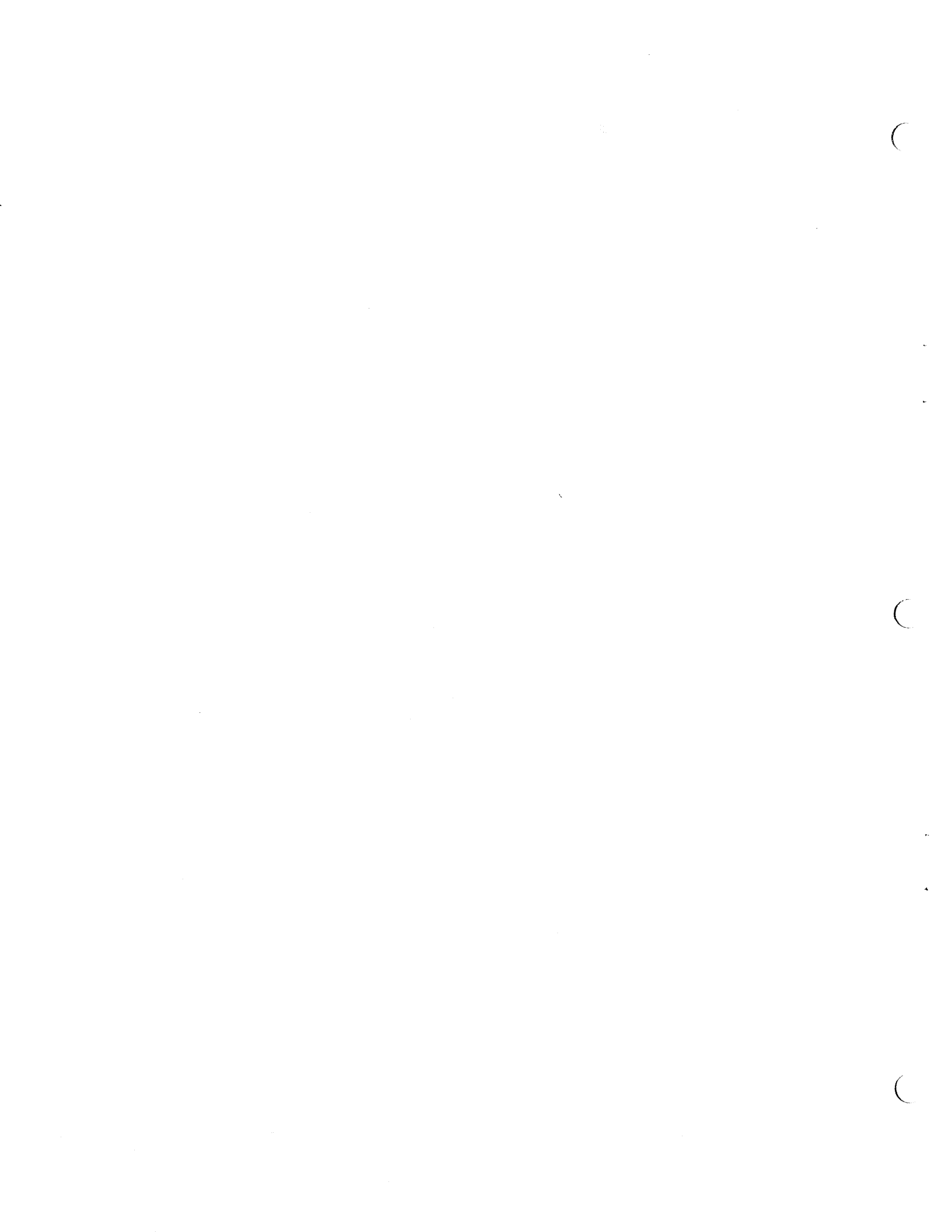


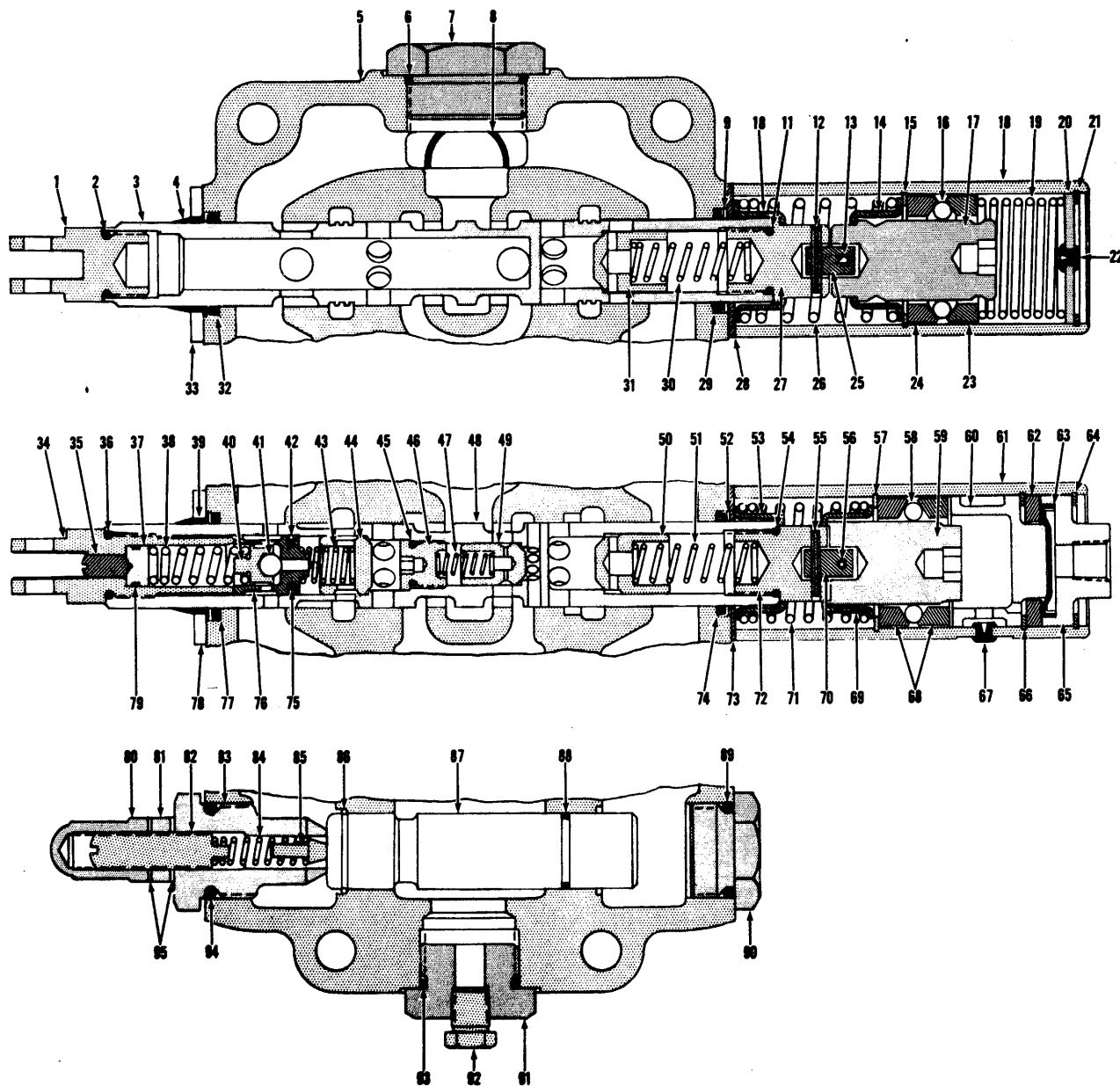
CONTROL VALVE — MAIN HYDRAULIC (Continued)

Item No.	Part No.	Description	No. Req'd.
78	3290379	SPRING RETURN	1
79	3214039	RETAINER SPRING	1
80	3214035	ROLL PIN	1
81	3214034	PIN	1
82	3213987	ROLL PIN	1
83	3214033	CAP PLUNGER	1

Item No.	Part No.	Description	No. Req'd.
84	3291744	RETAINER	1
85	3214030	RETAINER SEAL	1
86	3290378	SPRING	1
87	3291746	CAPSCREW	2
87A	619019	WASHER	2

WHEN ORDERING PARTS, ALWAYS STATE MODEL AND SERIAL NO. OF MACHINE





CONTROL VALVE ASSEMBLY - MAIN

TS-8105-P



CONTROL VALVE ASSEMBLY

S/N 4069/A 101 thru 120

Item No.	Part No.	Description	No. Req'd.	Item No.	Part No.	Description	No. Req'd.
A	1522148	CONTROL VALVE ASSY (Inc. 1 thru 95)	1	33	946914	PLATE, Wiper & Seal Retainer	1
1	946360	EYE, Plunger	1	33A	1C-410	†BOLT, Retainer Plate to Housing	2
2	944881	"O" RING, Plunger Eye	1	33B	4E-04	†LKWSHR, Retainer Plate to Housing	2
3	-----	§PLUNGER, Operating - See Item "A"	—	34	946361	EYE, Plunger	1
4	946918	WIPER, Plunger	2	35	946541	SCREW, Adjusting	1
5	-----	§HOUSING, Valve - See Item "A"	—	36	944881	"O" RING, Plunger Eye	1
6	91F-11	"O" RING, Cap	1	37	946363	GUIDE, Spring	1
7	24K-11	CAP, Valve	1	38	946364	SPRING, Poppet	1
8	1306623	"O" RING, Valve Mounting	1	39	946918	WIPER, Plunger	1
9	944883	RING, Back-up	1	40	946884	POPPET (Inc. Item 41)	1
10	944878	GUIDE, Spring	1	41	-----	BALL, Poppet - See Item 40	—
11	944881	"O" RING, Cap	1	42	946556	SEAL, Seat	1
12	108301	ROLL PIN	1	43	946545	SPRING, Check	1
13	108301	ROLL PIN	1	44	946543	CHECK	1
14	944878	GUIDE, Spring	1	45	945221	"O" RING, Cap	1
15	1301194	RING, Retaining	1	46	946555	CAP	1
16	10J-08	BALL	15	47	946536	SPRING	1
17	946030	CAP, Detent	1	48	-----	§PLUNGER - See Item "A"	—
18	945805	COVER, Detent	1	49	945590	SPRING, Check	1
18A	1C-416	†BOLT, Cover to Housing	4	50	944885	CHECK	1
18B	4E-04	†LKWSHR, Cover to Housing	4	51	946544	SPRING, Check	1
19	946029	SPRING	1	52	944883	RING, Back-up	1
20	944900	PLUG, Detent Cover	1	53	944878	GUIDE, Spring	1
21	507695	RING, Plug Retaining	1	54	944881	"O" RING, Cap	1
22	886763	PLUG, Bleeder	1	55	108301	ROLL PIN	1
23	944897	RETAINER, Ball	1	56	305307	ROLL PIN	1
24	944897	RETAINER, Ball	1	57	1301194	RING, Retaining	1
25	888449	PIN, Connecting	1	58	10J-08	BALL	15
26	945090	SPRING	1	59	946912	CAP	1
27	945095	CAP, Plunger	1	60	946917	PLUG	1
28	944882	PLATE, Seal Retaining	1	61	946913	COVER, Detent	1
29	946583	SEAL, Plunger Oil	1	61A	1C-416	†BOLT, Cover to Housing	4
30	893293	SPRING, Check	1	61B	4E-04	†LKWSHR, Cover to Housing	4
31	944885	CHECK	1	62	946916	SPACER	1
32	946583	SEAL, Plunger Oil	1	63	946919	DIAPHRAGM	1
				64	507695	RING, Plug Retaining	1

§Not Sold Separately

†Not Illustrated

WHEN ORDERING PARTS, ALWAYS STATE MODEL AND SERIAL NO. OF MACHINE

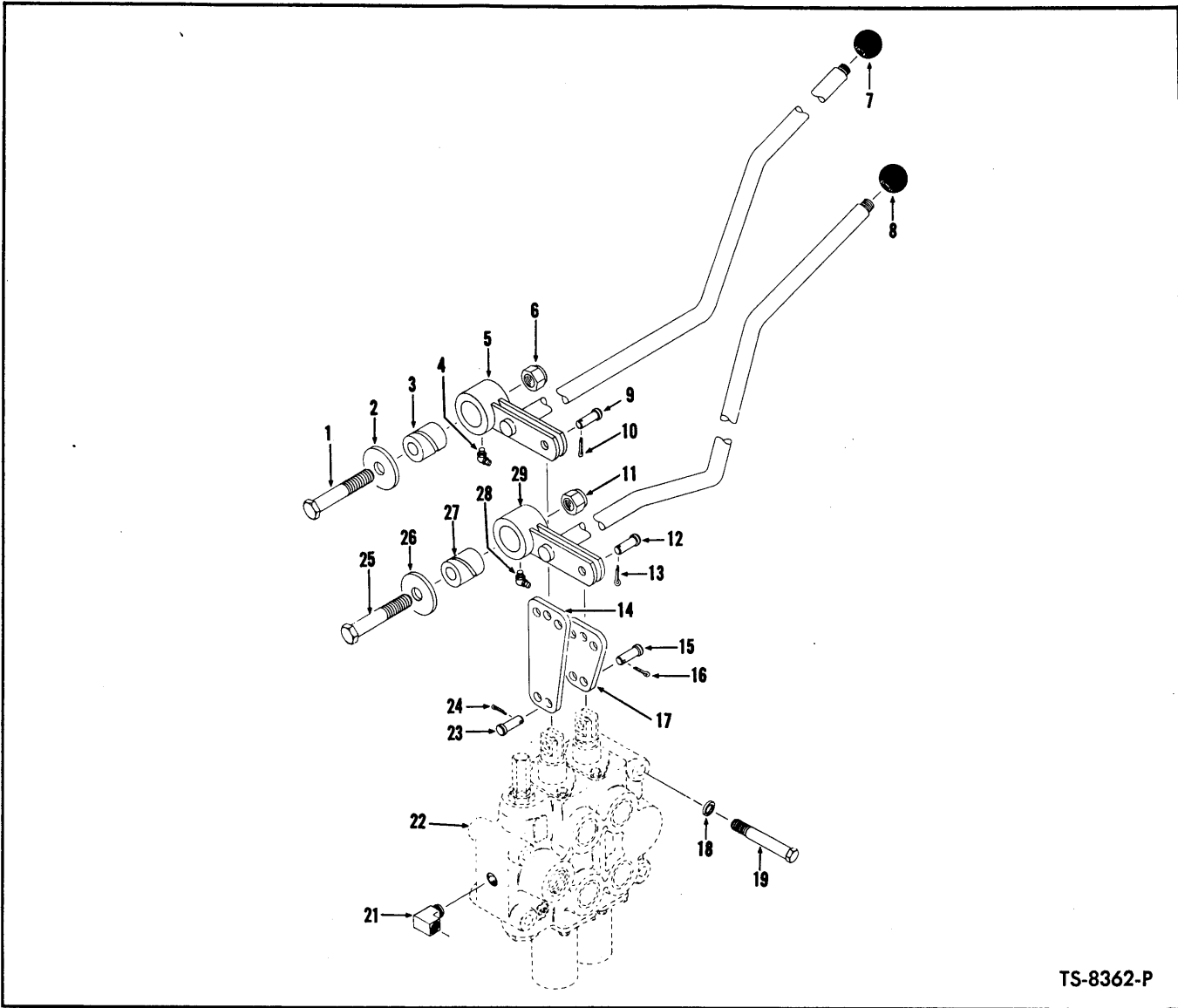


TS-9674

VALVE CONTROL LEVERS AND LINKAGE

Item No.	Part No.	Description	No. Req'd.	Item No.	Part No.	Description	No. Req'd.
1	24C-852	BOLT, Lever Mtg.	1	18	1F-414	COTTER, Pin Retaining	1
2	569909	WASHER, Lever Mtg.	1	19	24C-864	BOLT, Valve Mtg.	3
3	1522535	SEAL, Grease	1	20	4E-08	LKWSHR, Valve Mtg.	3
4	675227	BEARING, Lever	1	21	-----	CONTROL VALVE —	
5	1509019	LEVER ASSY, Bucket	1			See Index	—
6	1503251	SLEEVE, Lever	1	22	40K-04	PLUG, Elbow	1
7	1522535	SEAL, Grease	1	23	29F-1	ELBOW, Control Valve	1
8	18D-08	NUT, Lever Mtg.	1	24	4F-06106	PIN, Link to Valve	1
9	565389	KNOB, Bucket Lever	1	25	1F-414	COTTER, Pin Retaining	1
10	565389	KNOB, Boom Lever	1	26	1526016	LINK, Valve Control — Bucket	1
11	4F-06106	PIN, Lever to Link	1	27	1509020	LEVER ASSY, Boom	1
12	1F-414	COTTER, Pin Retaining	1	28	675227	BEARING, Lever	1
13	18D-08	NUT, Lever Mtg.	1	29	569909	WASHER, Lever Mtg.	1
14	4F-06106	PIN, Lever to Link	1	30	24C-852	BOLT, Lever Mtg.	1
15	1F-414	COTTER, Pin Retaining	1	31	1522535	SEAL, Grease	1
16	1526017	LINK, Valve Control — Boom	1	32	1503251	SLEEVE, Lever	1
17	4F-06106	PIN, Link to Valve	1	33	1522535	SEAL, Grease	1
		† Not illustrated		34	3236146	†PACKING WASHER	1
				35	3236147	†PACKING WASHER	3

WHEN ORDERING PARTS, ALWAYS STATE MODEL AND SERIAL NO. OF MACHINE

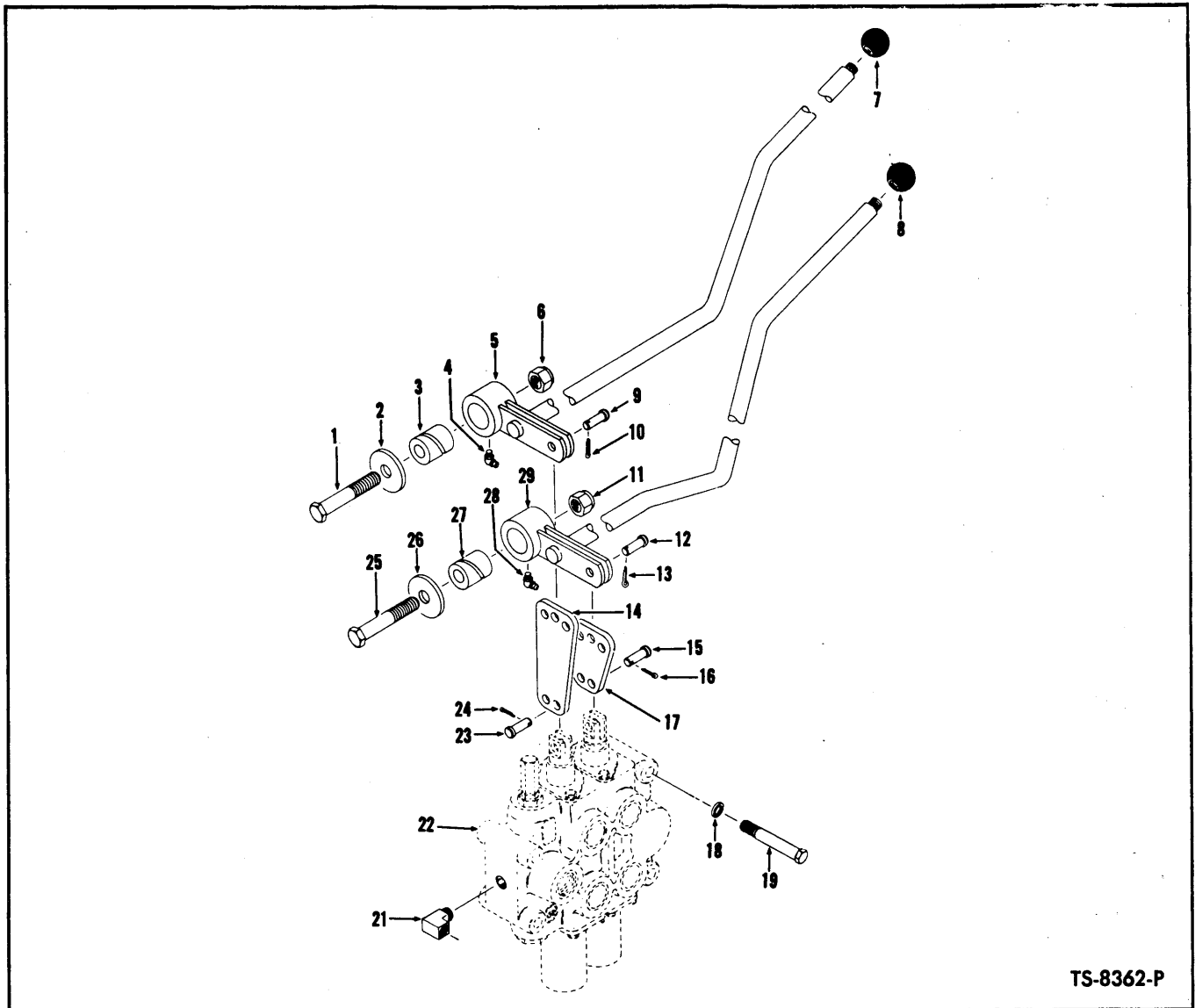


TS-8362-P

VALVE CONTROL LEVERS AND LINKAGE

Item No.	Part No.	Description	No. Req'd.	Item No.	Part No.	Description	No. Req'd.
1	24C-1252	BOLT, Valve Lever Mounting	1	16	1F-414	COTTER, Pin Retaining	1
2	585972	WASHER, Valve Lever Mounting	1	17	1526017	LINK, Valve Control — Boom	1
3	570676	SLEEVE, Valve Lever Mounting	1	18	4E-08	LKWSHR, Valve to Reservoir	3
4	12H-15	FITTING, Lever Grease	1	19	24C-860	BOLT, Valve to Reservoir	3
5	1526022	LEVER ASSY, Bucket	1	21	29F-1	ELBOW, Control Valve	1
6	18D-12	NUT, Valve Lever Mounting	1	22	—	CONTROL VALVE — See Index	—
7	565389	KNOB, Bucket Lever	1	23	4F-06106	PIN, Link to Valve	1
8	565389	KNOB, Boom Lever	1	24	1F-414	COTTER, Pin Retaining	1
9	4F-06106	PIN, Lever to Link	1	25	24C-1252	BOLT, Valve Lever Mounting	1
10	1F-414	COTTER, Pin Retaining	1	26	585972	WASHER, Valve Lever Mounting	1
11	18D-12	NUT, Valve Lever Mounting	1	27	570676	SLEEVE, Valve Lever Mounting	1
12	4F-06106	PIN, Lever to Link	1	28	12H-15	FITTING, Lever Grease	1
13	1F-414	COTTER, Pin Retaining	1	29	1526020	LEVER ASSY, Boom	1
14	1526016	LINK, Valve Control — Bucket	1	30	551090	†SPRING, Valve Return	1
15	4F-06106	PIN, Link to Valve	1	31	3235300	†ANCHOR, Spring	1
				32	2C-412	†BOLT	1
				33	18D-04	†NUT	1
				34	3236146	†PACKING WASHER	1
				35	3236147	†SPACING WASHER	3

† Not illustrated



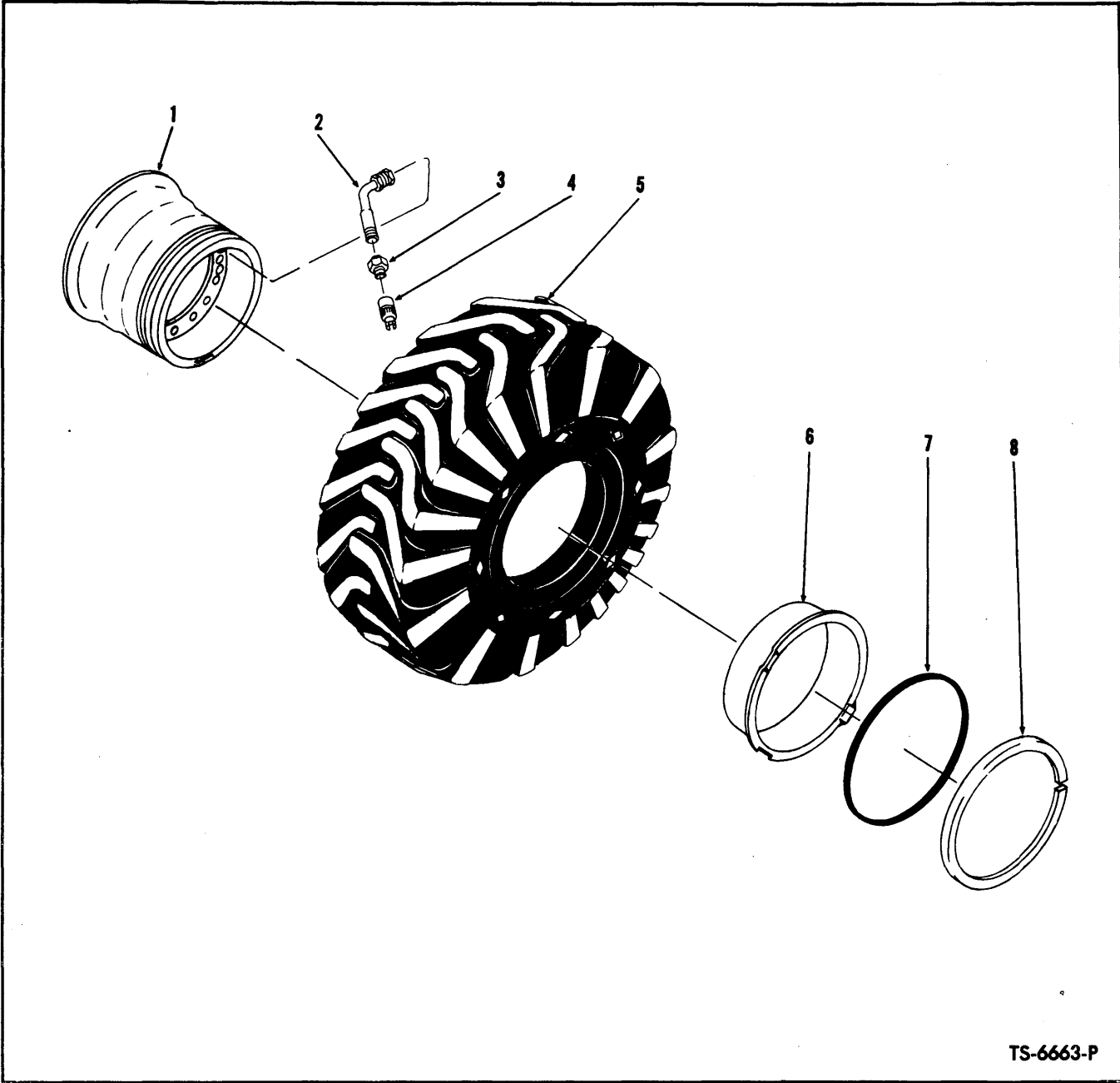
TS-8362-P

VALVE CONTROL LEVERS AND LINKAGE

S/N 4069/A 101 thru 130

Item No.	Part No.	Description	No. Req'd.	Item No.	Part No.	Description	No. Req'd.
1	24C-1252	BOLT, Valve Lever Mounting	1	16	1F-414	COTTER, Pin Retaining	1
2	585972	WASHER, Valve Lever Mounting	1	17	1526017	LINK, Valve Control — Boom	1
3	570676	SLEEVE, Valve Lever Mounting	1	18	4E-08	LKWSHR, Valve to Reservoir	3
4	12H-15	FITTING, Lever Grease	1	19	24C-860	BOLT, Valve to Reservoir	3
5	1526022	LEVER ASSY, Bucket	1				
6	18D-12	NUT, Valve Lever Mounting	1	21	29F-1	ELBOW, Control Valve	1
7	565389	KNOB, Bucket Lever	1	22	—	CONTROL VALVE — See Index	—
8	565389	KNOB, Boom Lever	1	23	4F-06106	PIN, Link to Valve	1
9	4F-06106	PIN, Lever to Link	1	24	1F-414	COTTER, Pin Retaining	1
10	1F-414	COTTER, Pin Retaining	1	25	24C-1252	BOLT, Valve Lever Mounting	1
11	18D-12	NUT, Valve Lever Mounting	1	26	585972	WASHER, Valve Lever Mounting	1
12	4F-06106	PIN, Lever to Link	1	27	570676	SLEEVE, Valve Lever Mounting	1
13	1F-414	COTTER, Pin Retaining	1	28	12H-15	FITTING, Lever Grease	1
14	1526016	LINK, Valve Control — Bucket	1	29	1526020	LEVER ASSY, Boom	1
15	4F-06106	PIN, Link to Valve	1	30	551090	†SPRING, Valve Return	1
				31	3235300	†ANCHOR, Spring	1
				32	2C-412	†BOLT	1
				33	18D-04	†NUT	1

† Not illustrated



TS-6663-P

WHEEL AND TIRE DATA

Items No.	14.0 x 24	16.0 x 24	17.5 x 25	20.5 x 25	Firestone 20.5 x 25	Description	No. Req'd.
1	532253	532253	545957	1520271	3520006	WHEEL	4
2	517963	517963	509445	509445	3127288	STEM, Valve (Inc. 3, 4)	4
3	551684	551684	551684	551684	3127290	ADAPTER, Valve Stem	4
4	551685	551685	551685	551685	3127291	CAP, Valve	4
5	-----	-----	-----	-----	-----	TIRE	4
6	941326	941326	112461	424964	3127285	FLANGE (See Note "A")	4
7	941329	941329	112462	580278	112462	"O" RING	4
8	941325	941325	112460	580274	3127287	LOCK RING	4
9	-----	-----	573366	553956	-----	†BAND, Bead Seat (See Note "B")	4
					3127286	SIDE RING	4

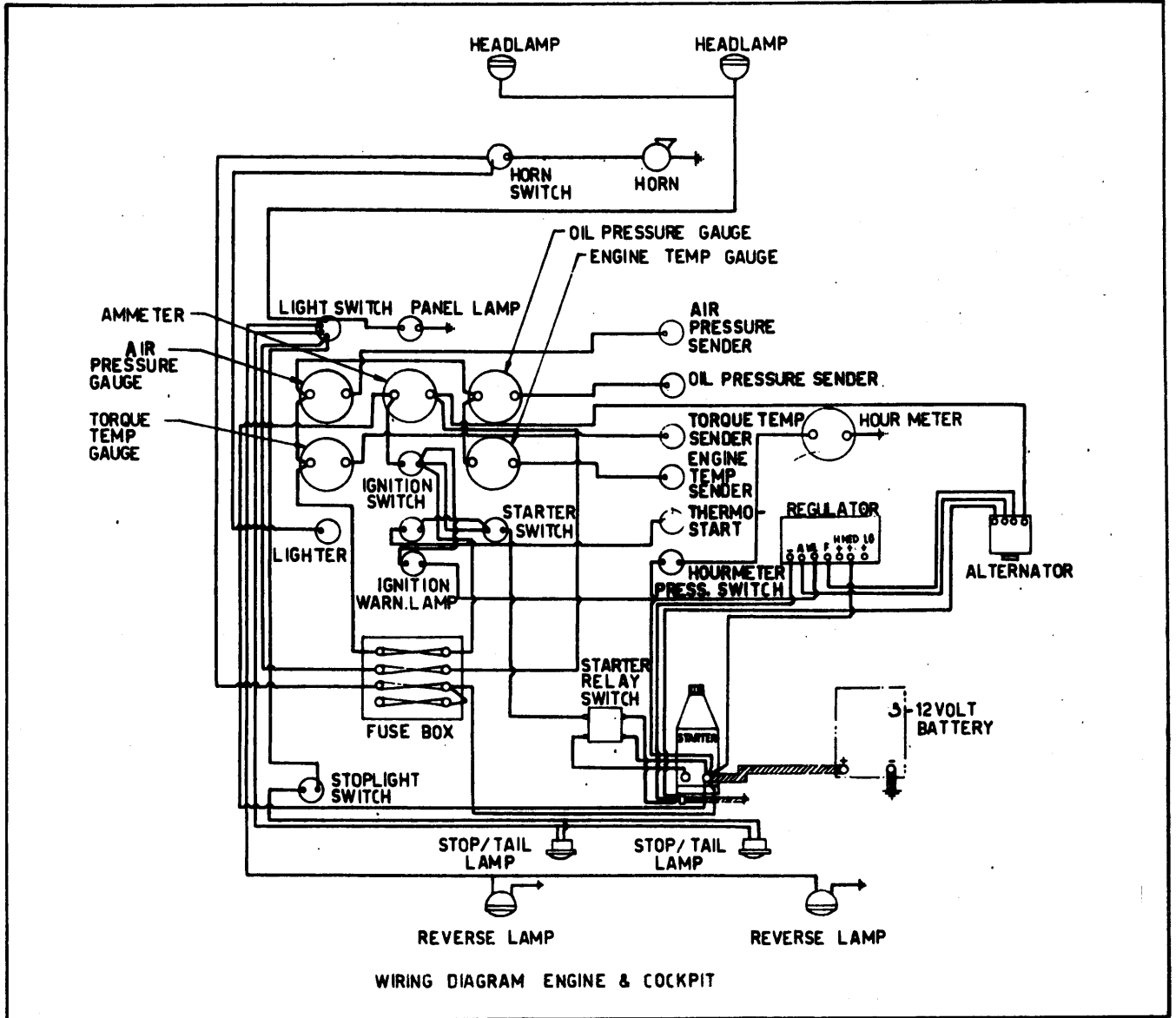
§Not Sold Separately

†Not Illustrated

NOTE "A": Two (2) 424964 Flanges used per wheel on 20.5 x 25 Tire

NOTE "B": Two (2) 573366 Bead Seat Bands used per wheel with 17.5 x 25 Michelin tire only.

WHEN ORDERING PARTS, ALWAYS STATE MODEL AND SERIAL NO. OF MACHINE



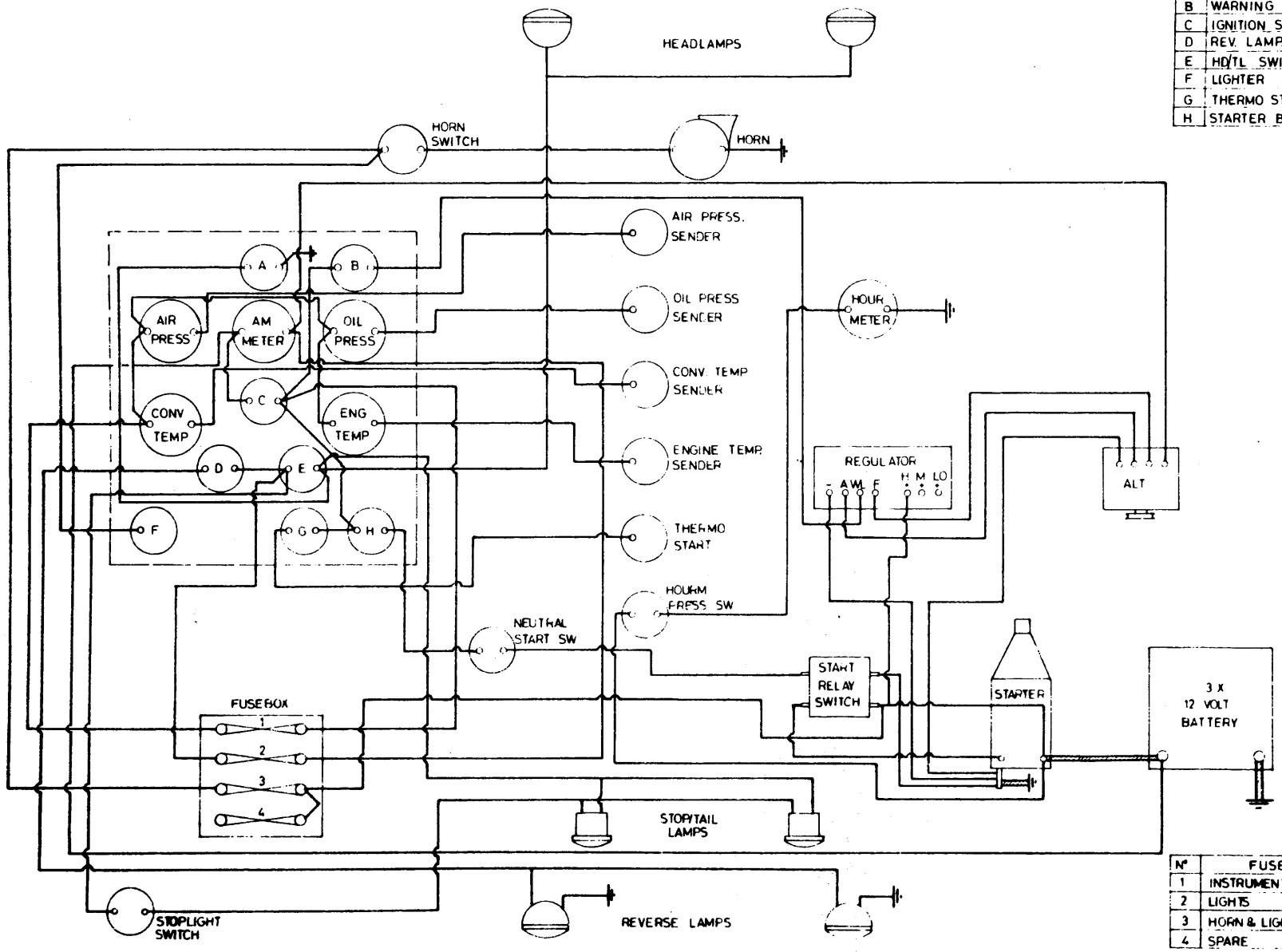
S/N 4069/A 101 thru 130

MICHIGAN

LA BRUGEOISE ET NIVELLES S.A. - BELGIUM

**CLARK
EQUIPMENT**

LET	SWITCH ETC
A	PANEL LAMP
B	WARNING LAMP
C	IGNITION SWITCH
D	REV. LAMP SW
E	HD/TL SWITCH
F	LIGHTER
G	THERMO START SW
H	STARTER BUTTON



N°	FUSE
1	INSTRUMENTS
2	LIGHTS
3	HORN & LIGHTER
4	SPARE

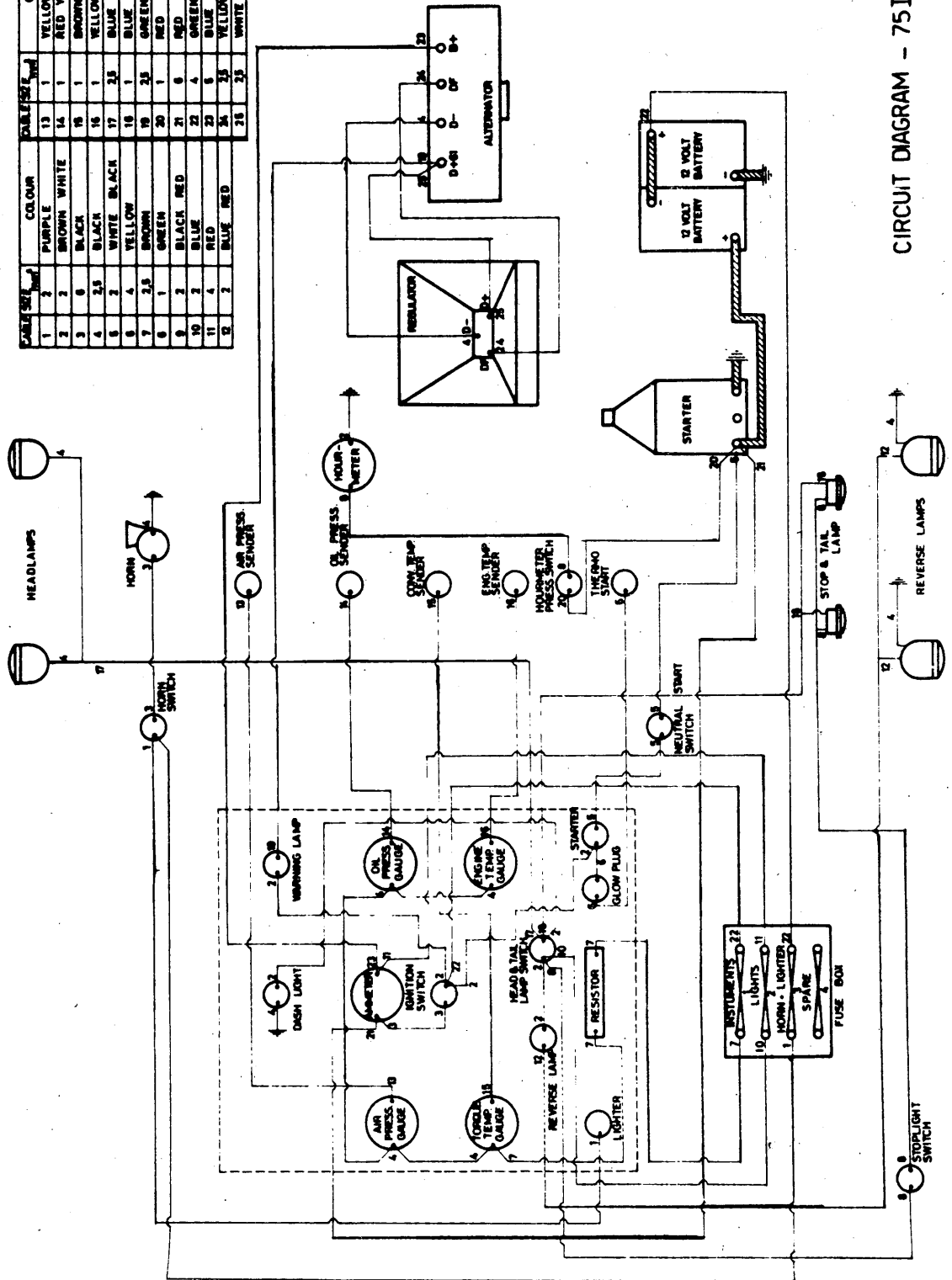
WIRING DIAGRAM 75A PERKINS

(2G-14)

80A

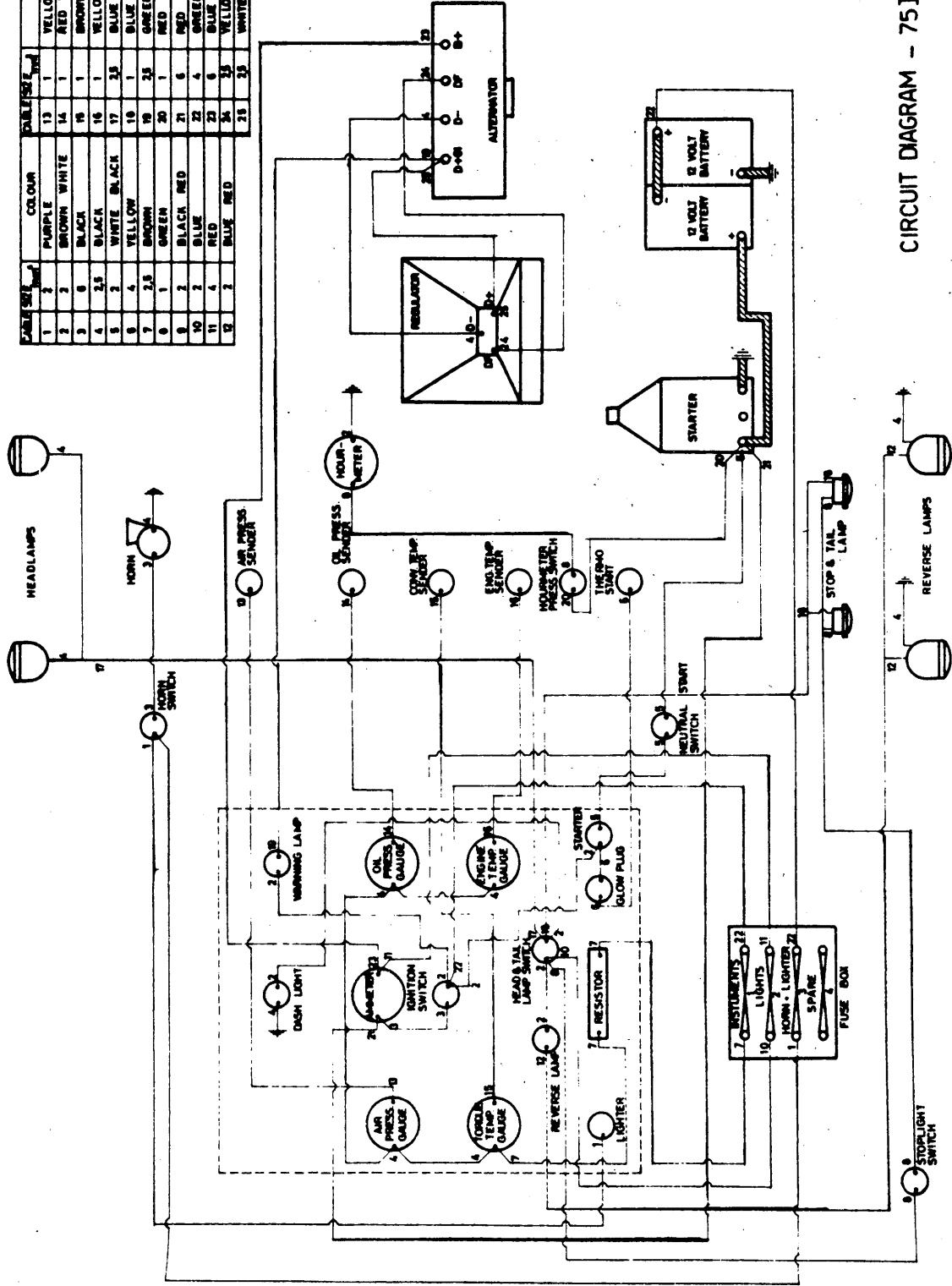
PM5012

CABLE SIZE	COLOUR	CABLE SIZE	COLOUR
1	PURPLE	13	YELLOW
2	BROWN	14	RED
3	BLACK	15	BROWN
4	WHITE	16	YELLOW
5	BLACK	17	BLUE
6	WHITE	18	BLUE
7	BROWN	19	GREEN
8	GREEN	20	RED
9	BLACK	21	GREEN
10	BLACK	22	BLUE
11	RED	23	YELLOW
12	BLUE	24	WHITE
		25	BLACK



CIRCUIT DIAGRAM - 75 III A - DAF

CABLE SET	COLOUR	PULSE	COLOUR
1	PURPLE	13	YELLOW
2	BROWN	14	RED YELLOW
3	BLACK	15	BROWN WHITE
4	2.5	16	YELLOW RED
5	2	17	3.5
6	4	18	1
7	2.5	19	3.5
8	1	20	1
9	2	21	6
10	2	22	4
11	4	23	6
12	2	24	3.5
		25	3.5



CIRCUIT DIAGRAM - 75 III A - DAF



WIRING
S/N 4069/A 121 thru 130

Item No.	Part No.	Description	No. Req'd.
1	3235295	HARNESS, Engine Wiring	1
3	3235395	HARNESS, Cockpit	1
3A	3235394	WIRING HARNESS, Sub Loom Cockpit	1
5	3139944	HARNESS, Flood Lights — Rear	1
6	1535404	HARNESS, Flood Lights Front	1
7	558673	HARNESS, Instrument	1
8	3222614	WIRE, Hourmeter Ground	1
10	553405	WIRE ASSY, Ammeter to Ignition Switch	1
11	572373	WIRE ASSY, Horn to Horn Button	1

BATTERY CABLES

Item No.	Part No.	Description	No. Req'd.
1	3520042	CABLE, Battery to Ground	1
2	3521912	CABLE, Starter to Ground	1
3	3520041	CABLE, Battery to Starter	1

NOTES

WHEN ORDERING PARTS, ALWAYS STATE MODEL AND SERIAL NO. OF MACHINE



WIRING

Item No.	Part No.	Description	No. Req'd.
1	3235295	HARNESS, Engine Wiring	1
3	3235396	HARNESS, Cockpit	1
3A	3235394	WIRING HARNESS, Sub Loom Cockpit	1
5	3139944	HARNESS, Flood Lights - Rear	1
7	558673	HARNESS, Instrument	1
8	3222614	WIRE, Hourmeter Ground	1
10	553405	WIRE ASSY, Ammeter to Ignition Switch	1
11	572373	WIRE ASSY, Horn to Horn Button	1

BATTERY CABLES

Item No.	Part No.	Description	No. Req'd.
1	3520042	CABLE, Battery to Ground	1
2	3221169	CABLE, Starter to Ground	1
3	3521912	CABLE, Battery to Starter	1

NOTES

WHEN ORDERING PARTS, ALWAYS STATE MODEL AND SERIAL NO. OF MACHINE



WIRING

Item No.	Part No.	Description	No. Req'd.
1	3235295	HARNESS, Engine Wiring (Perkins) ...	1
2	3522364	HARNESS, Engine Wiring (DAF)	1
3	3235395	HARNESS, Cockpit	1
3A	3235394	WIRING HARNESS, Sub Loom Cockpit (Perkins)	1
3B	3522366	WIRING HARNESS, Sub Loom Cockpit (DAF)	1
4	3522365	WIRE, Heater Switch to Starter Switch (DAF only)	1

Item No.	Part No.	Description	No. Req'd.
5	3139944	HARNESS, Flood Lights — Rear	1
6	1535404	HARNESS, Flood Lights Front	1
7	558673	HARNESS, Instrument	1
8	3222614	WIRE, Hourmeter Ground	1
10	553405	WIRE ASSY, Ammeter to Ignition Switch	1
11	572373	WIRE ASSY, Horn to Horn Button	1
12	3220819	CABLE TIE, Wiring (DAF only)	1
13	3220821	CABLE TIE, Wiring (DAF only)	2

BATTERY CABLES

Item No.	Part No.	Description	No. Req'd.
1	3520042	CABLE, Battery to Ground (Perkins) ...	1
1A	3522356	CABLE, Battery to Ground (DAF)	1
2	3521912	CABLE, Starter to Ground (Perk. only)	1

Item No.	Part No.	Description	No. Req'd.
3	3520041	CABLE, Battery to Starter (Perk.)	1
3A	3522357	CABLE, Battery to Starter (DAF)	1
4	3522355	CABLE, Battery to Battery (DAF only)	1

WHEN ORDERING PARTS, ALWAYS STATE MODEL AND SERIAL NO. OF MACHINE



WIRING
S/N 4069/A 101 thru 120

Table with 4 columns: Item No., Part No., Description, No. Req'd. Rows include: 1 3236295 HARNESS, Engine Wiring; 3 3235395 HARNESS, Cockpit; 3A 3235394 WIRING HARNESS, Sub Loom Cockpit; 4 1535404 HARNESS, Flood Lights - Front; 5 3139944 HARNESS, Flood Lights - Rear; 7 558673 HARNESS, Instrument; 8 3222614 WIRE, Hourmeter Ground; 10 553405 WIRE ASSY, Ammeter to Ignition Switch; 11 572373 WIRE ASSY, Horn to Horn Button.

BATTERY CABLES

Table with 4 columns: Item No., Part No., Description, No. Req'd. Rows include: 1 3520042 CABLE, Battery to Ground; 2 3221169 CABLE, Starter to Ground; 3 3520041 CABLE, Battery to Starter.

NOTES

Multiple horizontal lines for handwritten notes.

WHEN ORDERING PARTS, ALWAYS STATE MODEL AND SERIAL NO. OF MACHINE

DECALS AND NAME PLATES

Item No.	Part No.	Description	No. Req'd.
1	547852	*DECAL, Michigan	3
2	547851	*DECAL, Clark Equipment	2
4	1522325	*DECAL, Model	2
5	1503064	*DECAL, Hi-Lo Range	1
6	3230516	*DECAL, Engine Warm-up Warning	1
7	572740	*DECAL, Warning	2
8	1505537	*DECAL, Bucket Safety Warning.....	1
9	1505581	*DECAL, Safety Wiring	1
10	538256	*DECAL, Drain	1
11	3119584	LICENSEE PLATE	1
12	6C-605	SCREW, Patent Plate	4
13	562302	PLATE, Lubrication	1

Item No.	Part No.	Description	No. Req'd.
14	6C-605	SCREW, Lubrication Plate	4
15	3139821	SERIAL NUMBER PLATE	1
16	6C-605	DRIVE SCREW	4
17	1503894	NON SKID ABRASIVE STRIP	4
18	1531606	NON SKID ABRASIVE STRIP	3
19	3230524	SHIFT DECAL	1
20	3220877	NAME PLATE, Reverse Lamps	1
21	3220876	NAME PLATE, Head & Tail Lamps	1
22	3208202	NAME PLATE, Engine Temp.	1
23	3208204	NAME PLATE, Conv. Temp.	1
24	3232792	NAME PLATE, Starter	1

*NOTE: Contact your local Michigan Distributor for the above listed decals.

WHEN ORDERING PARTS, ALWAYS STATE MODEL AND SERIAL NO. OF MACHINE



DECALS AND NAME PLATES
S/N 4069/A 101 thru 120

Item No.	Part No.	Description	No. Req'd.
1	547852	*DECAL, Michigan	3
2	547851	*DECAL, Clark Equipment	2
4	1522325	*DECAL, Model	2
5	1503064	*DECAL, Hi-Lo Range	1
6	1534439	*DECAL, Engine Warm-up Warning	1
7	572740	*DECAL, Warning	2
8	547794	*DECAL, Bucket Safety Warning	1
9	557461	*DECAL, Safety Wiring	1
10	538256	*DECAL, Drain	1
11	3119584	LICENSEE PLATE	1
12	6C-605	SCREW, Patent Plate	4
13	562302	PLATE, Lubrication	1
14	6C-605	SCREW, Lubrication Plate	4

*NOTE: Contact your local Michigan Distributor for the above listed decals.

15	551805	SERIAL NUMBER PLATE	1
16	6C-605	DRIVE SCREW	4
17	1503894	NON SKID ABRASIVE STRIP... ..	4
18	1531606	NON SKID ABRASIVE STRIP... ..	3

WHEN ORDERING PARTS, ALWAYS STATE MODEL AND SERIAL NO. OF MACHINE