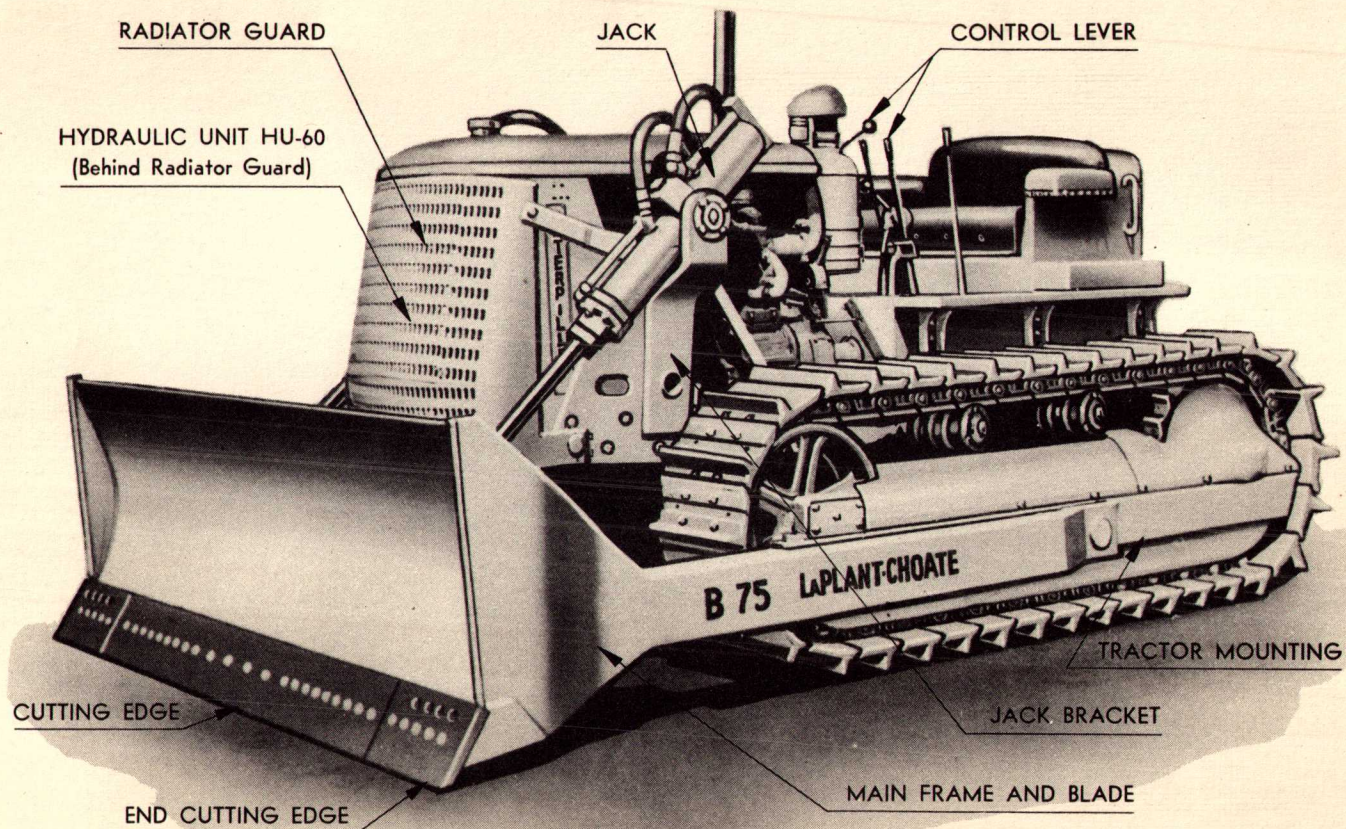


B75 BULLDOZER

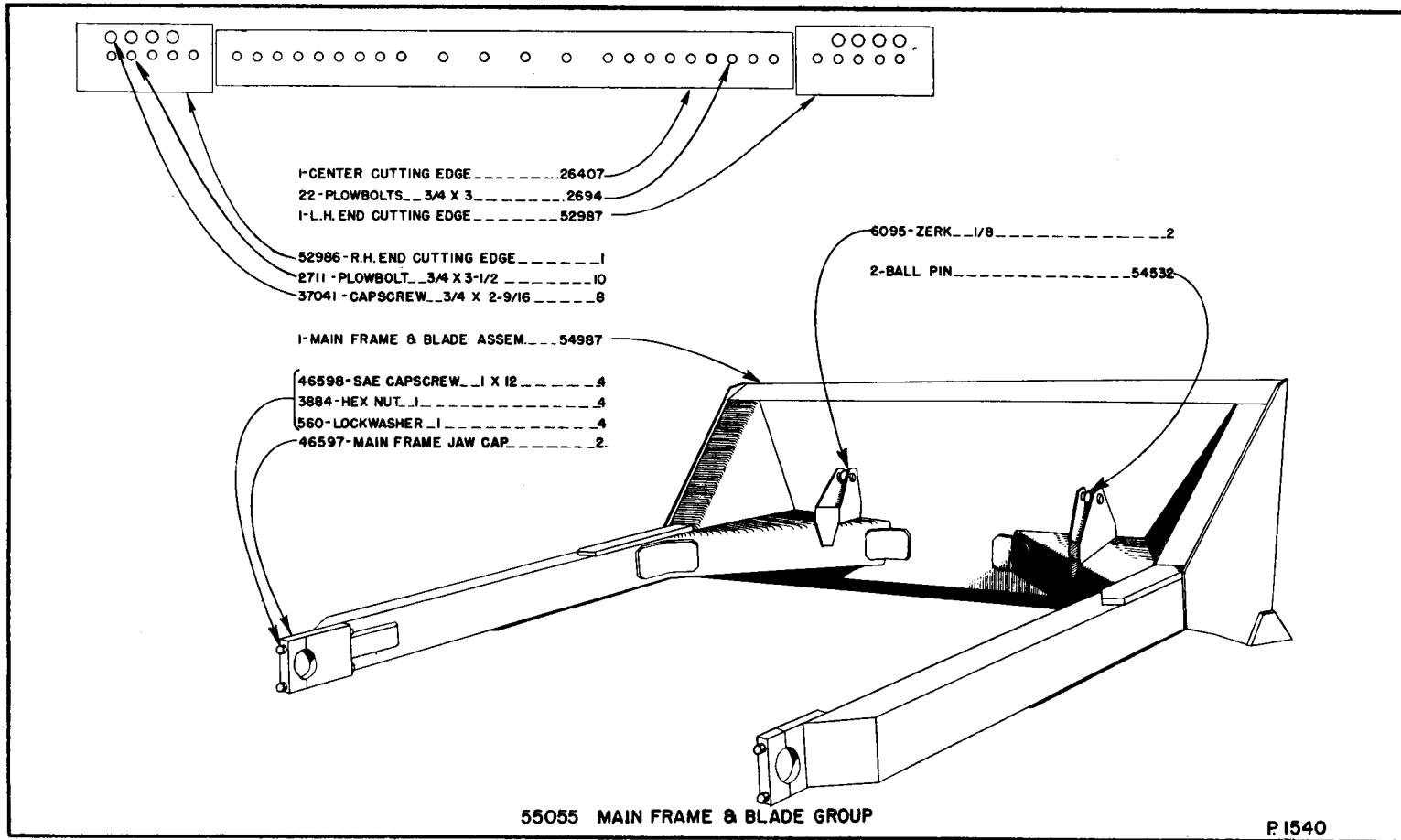
MASTER PARTS CATALOG

	Starting on Page
General Arrangement	1
Numerical Parts List	21
Parts Plates:	
Baffle	10
Brackets, Jack	7
Bracket, Pump Mounting	9
Control Lever	18
Crank	20
Drive Shaft	17
Hose	12
Hydraulic Controls	11
Hydraulic Unit, HU-60	13
Jack	8
Main Frame and Blade	5
Piping	12
Pump	16
Radiator Guard	19
Reservoir	14
Screen	10
Tractor Mountings	6
Valve	15

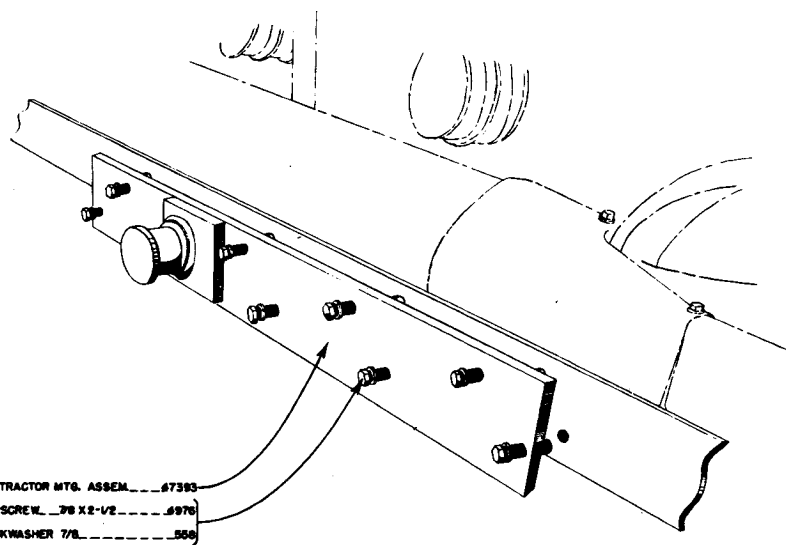
LaPLANT  CHOATE



GENERAL ARRANGEMENT — MODEL B-75 BULLDOZER

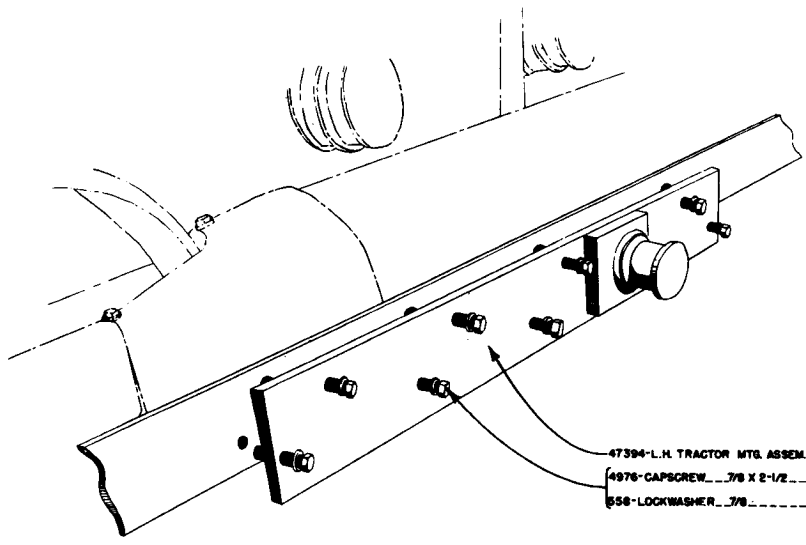


MAIN FRAME AND BLADE



- 1-R.H. TRACTOR MTO. ASSEM. 47393
- 6-CAPSCREW .78 X 2-1/2 4976
- 6-LOCKWASHER 7/8 556

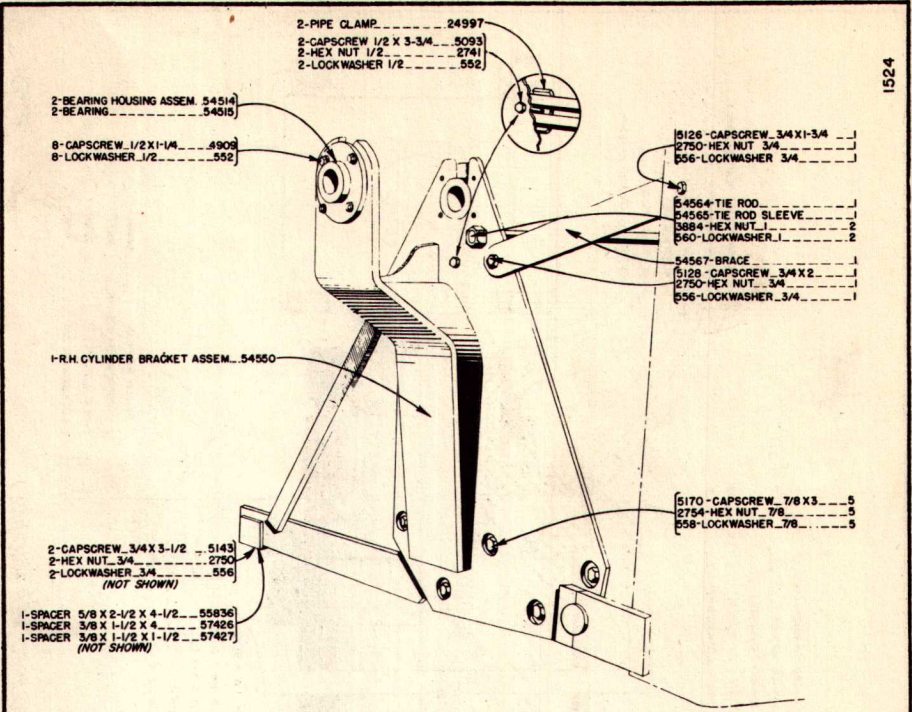
R.H. TRACTOR MOUNTING



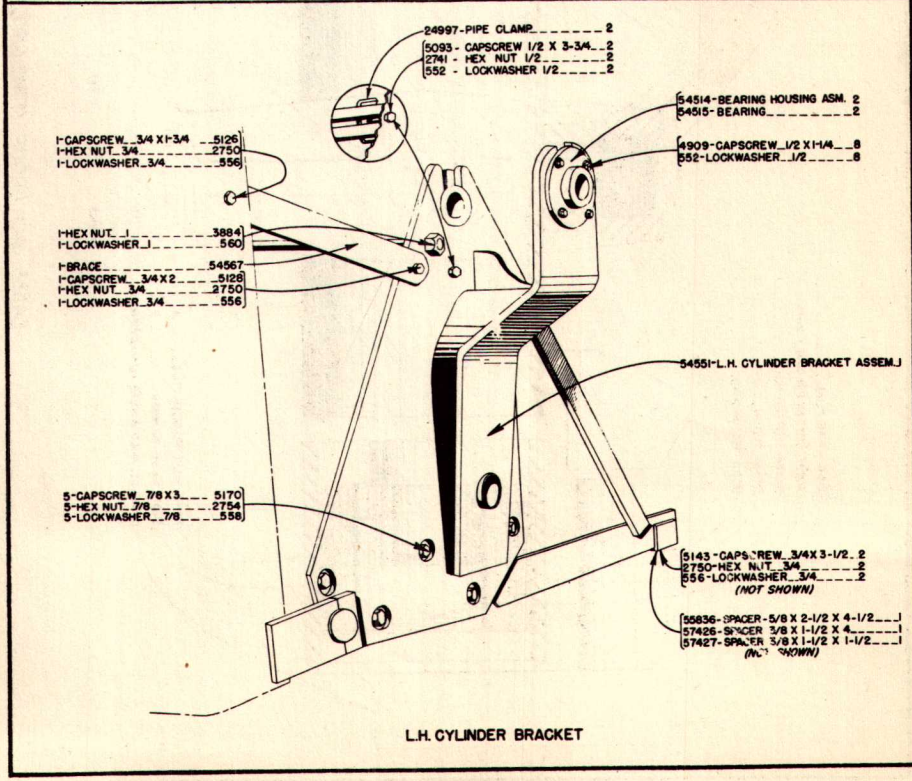
- 1-L.H. TRACTOR MTO. ASSEM. 47394
- 6-CAPSCREW .78 X 2-1/2 4976
- 6-LOCKWASHER .78 556

L.H. TRACTOR MOUNTING

TRACTOR MOUNTINGS



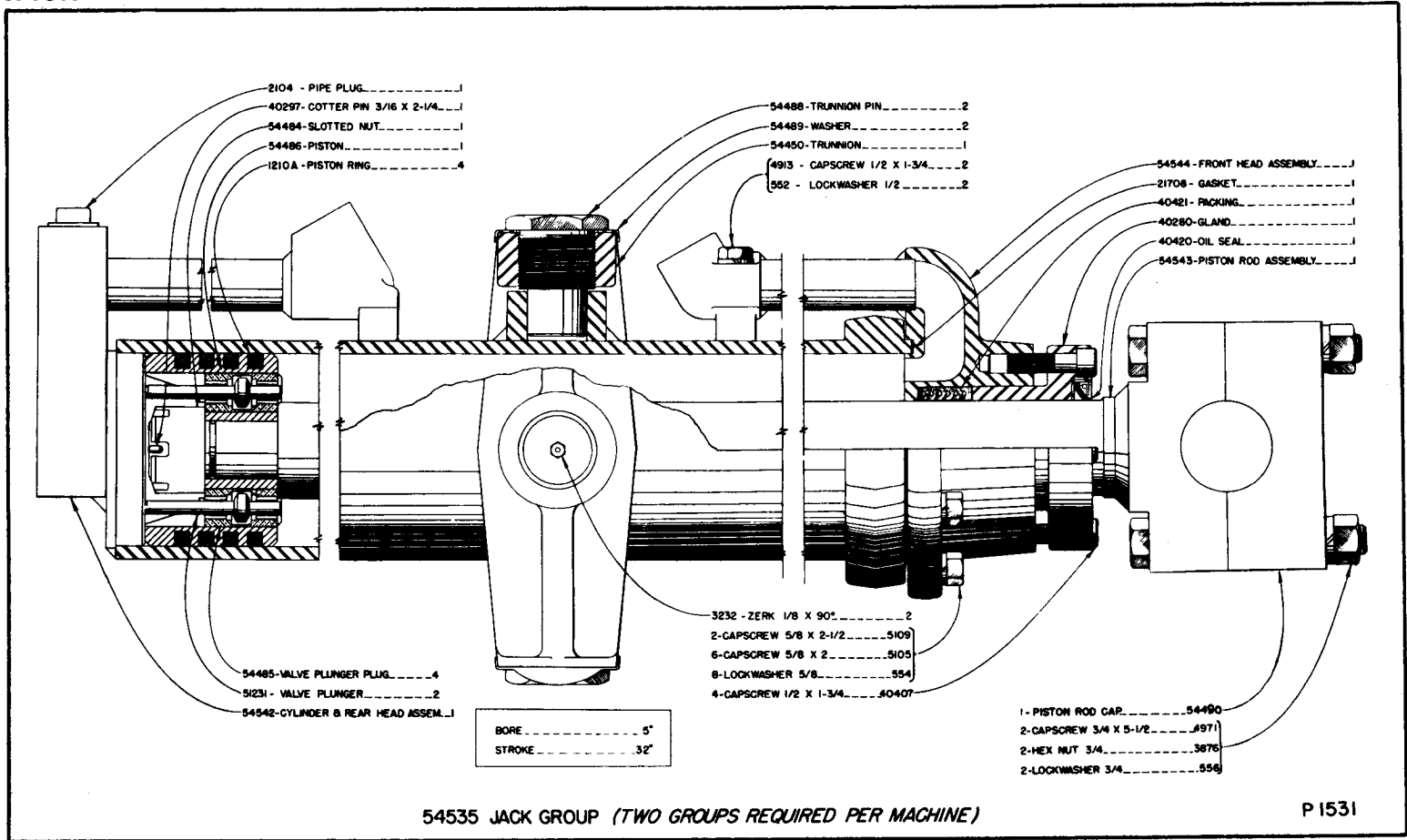
R.H. CYLINDER BRACKET



L.H. CYLINDER BRACKET

JACK

8



1 - MOUNTING BRACKET & STUD ASSEM. 54468

INCLUDES THE FOLLOWING:

6 - STUD 5/8 X 2-1/4 ----- 53727

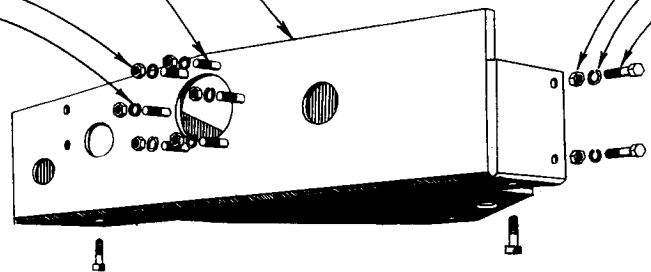
6 - HEX NUT 5/8 ----- 2746

6 - LOCKWASHER 5/8 ----- 554

2751 - HEX NUT 1/2 ----- 6

552 - LOCKWASHER 1/2 ----- 6

5074 - CAPSCREW 1/2 X 1-1/2 ----- 6



PUMP MOUNTING BRACKET FOR D-7 TRACTOR

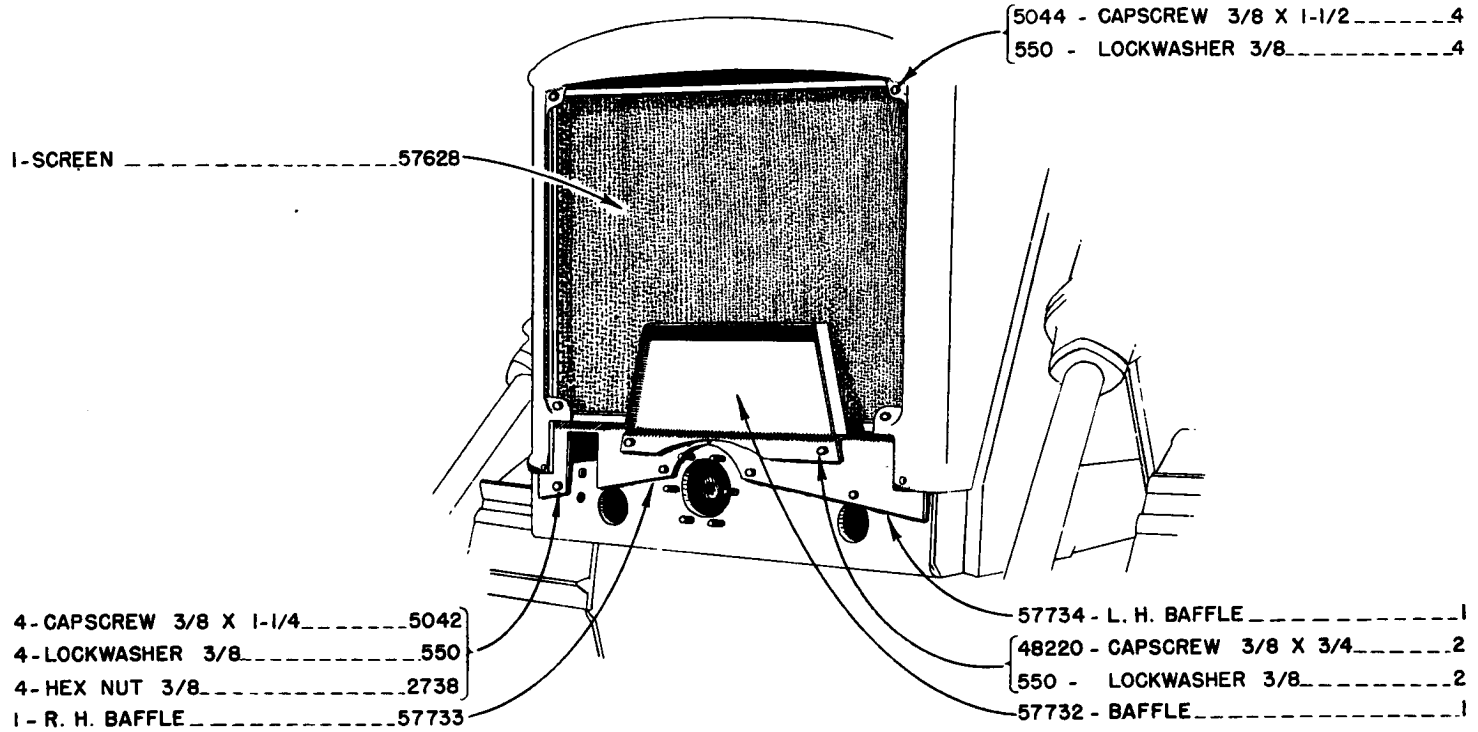
P. 1538

PUMP MOUNTING BRACKET

6

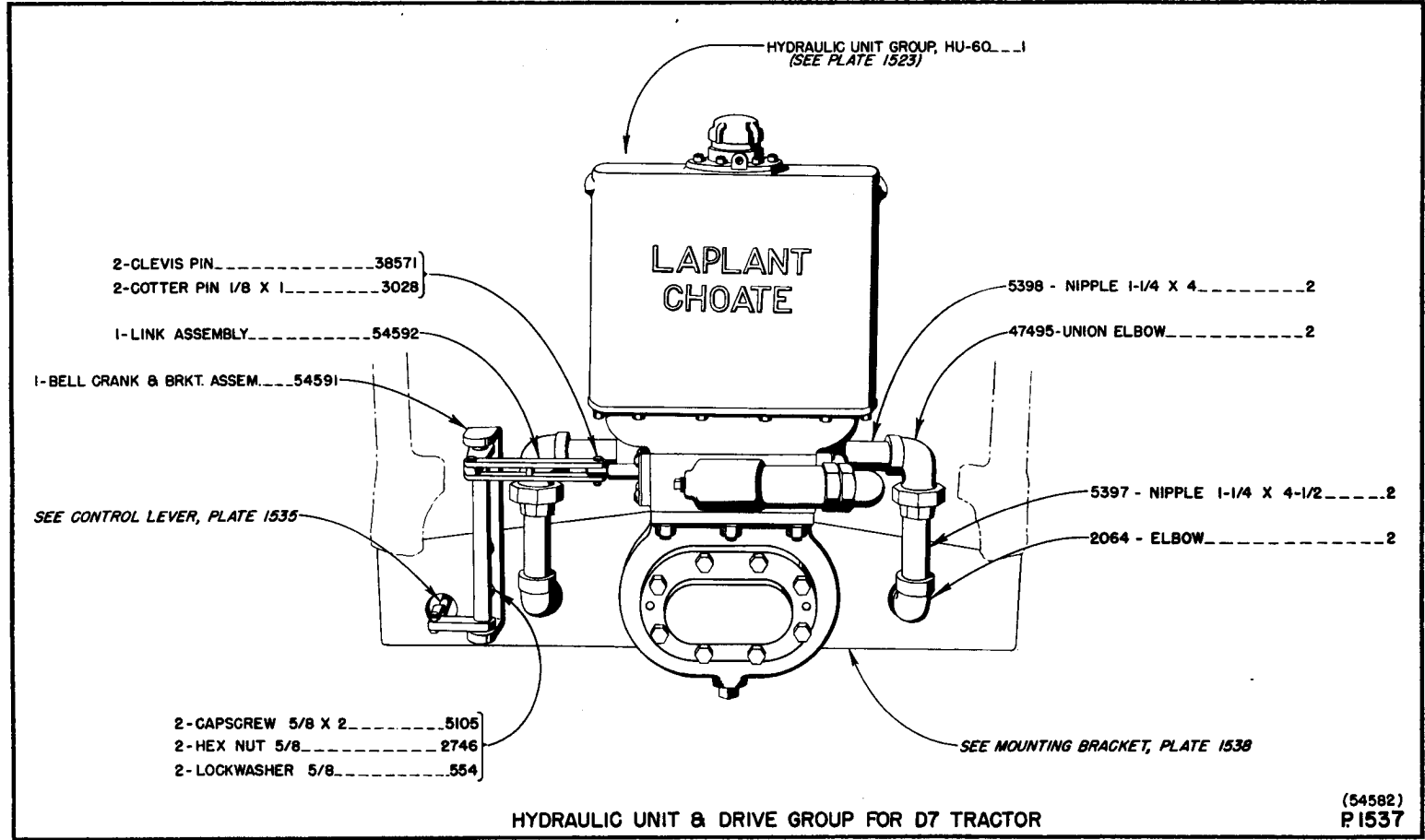
SCREEN AND BAFFLE

10



SCREEN AND BAFFLE

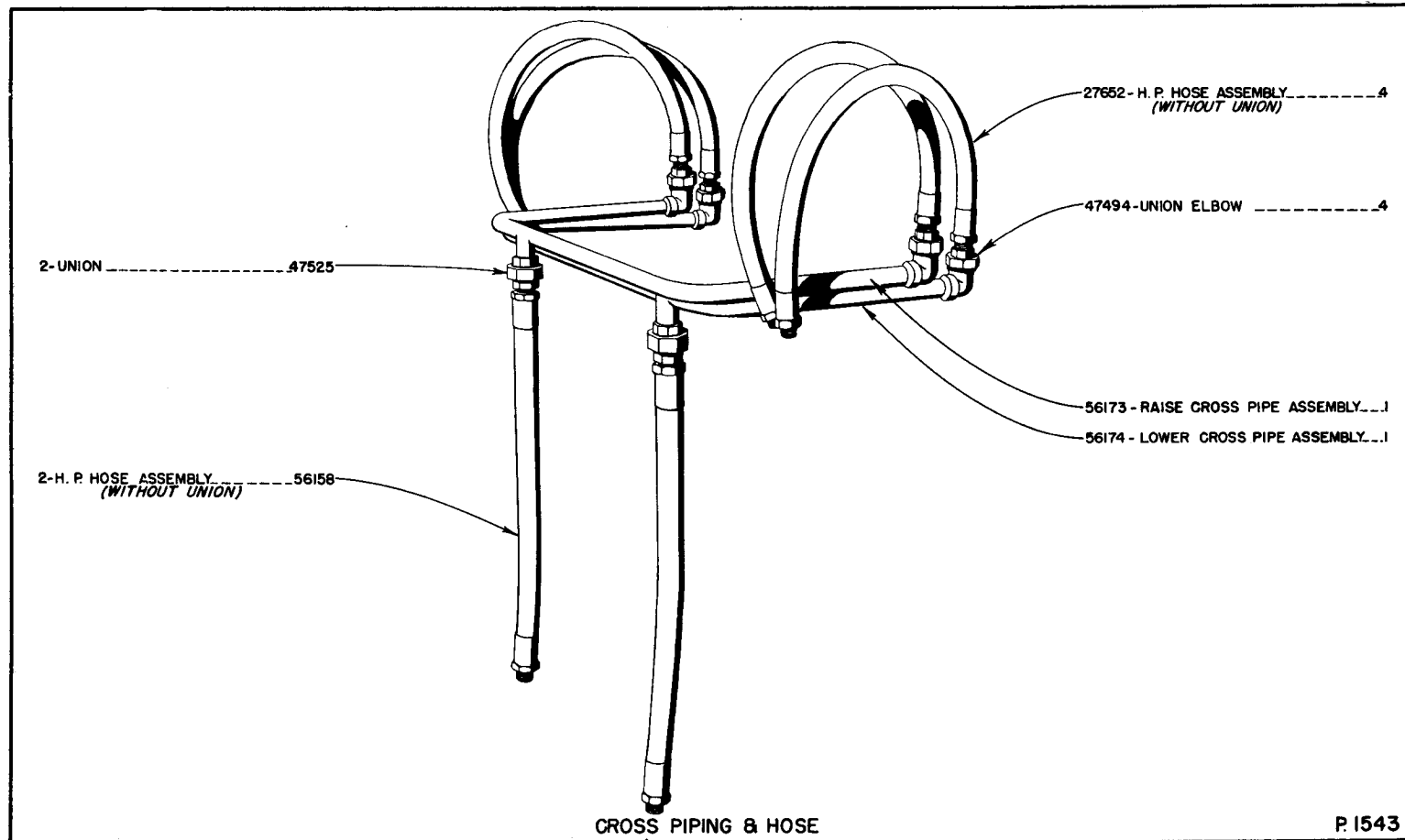
P 1565

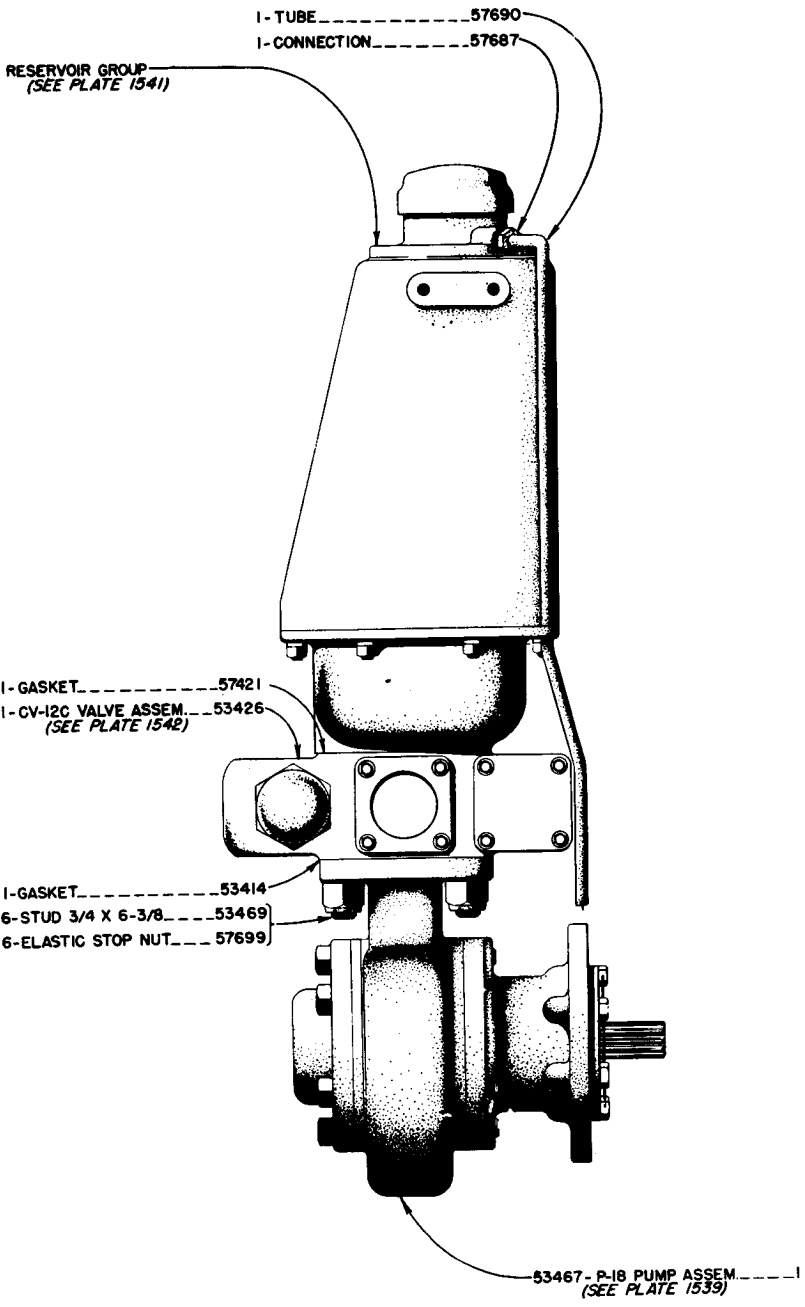


HYDRAULICS

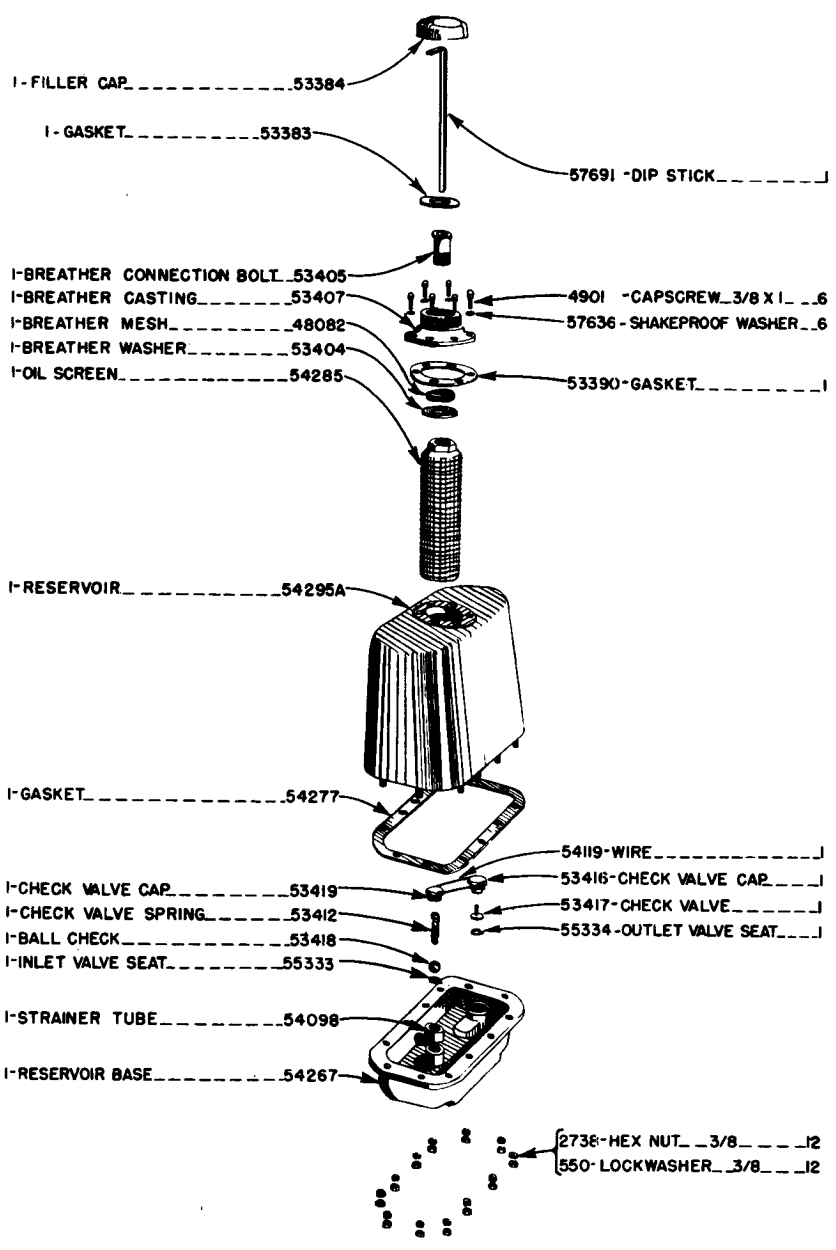
PIPING

12



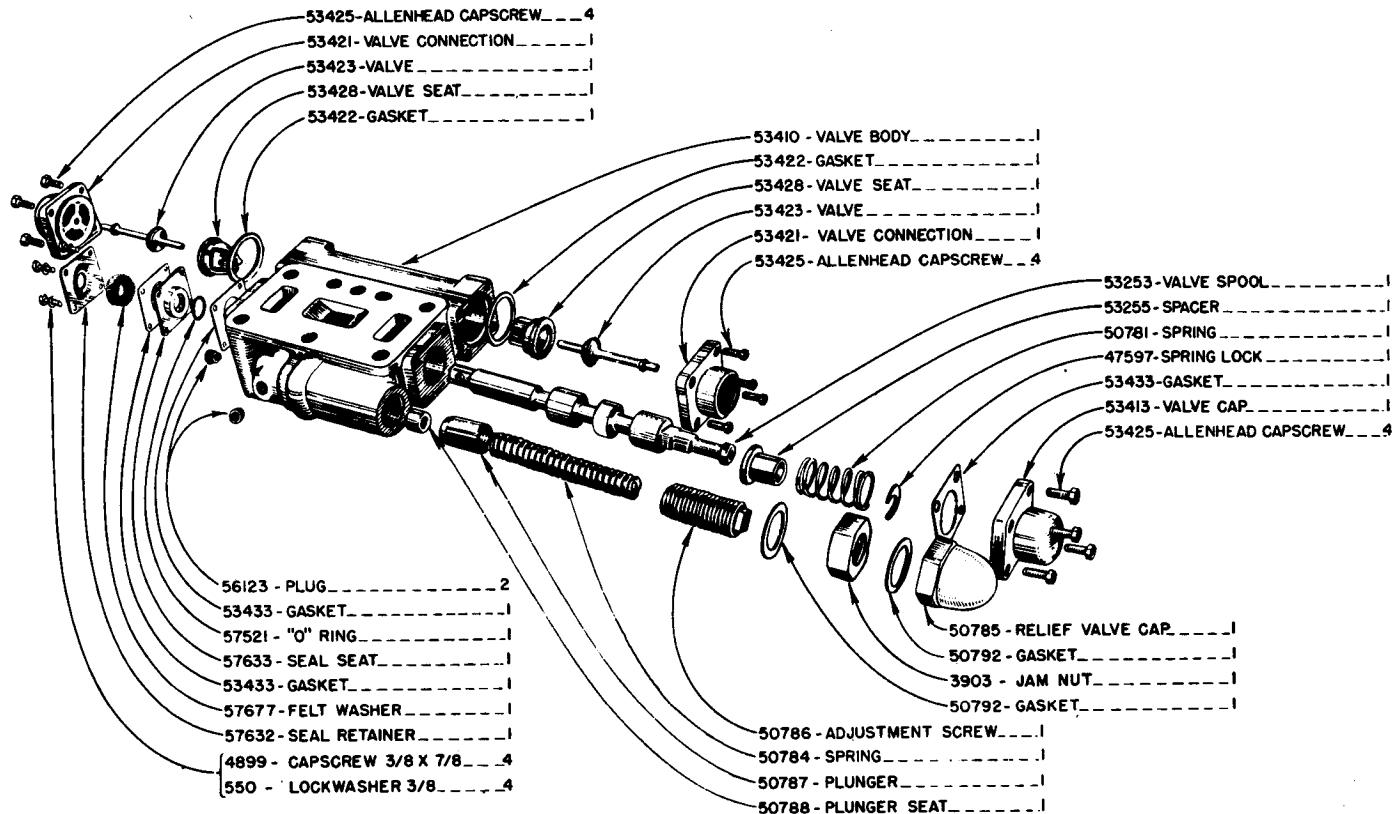


53470-HYDRAULIC UNIT GROUP HU-60



54296 RESERVOIR GROUP

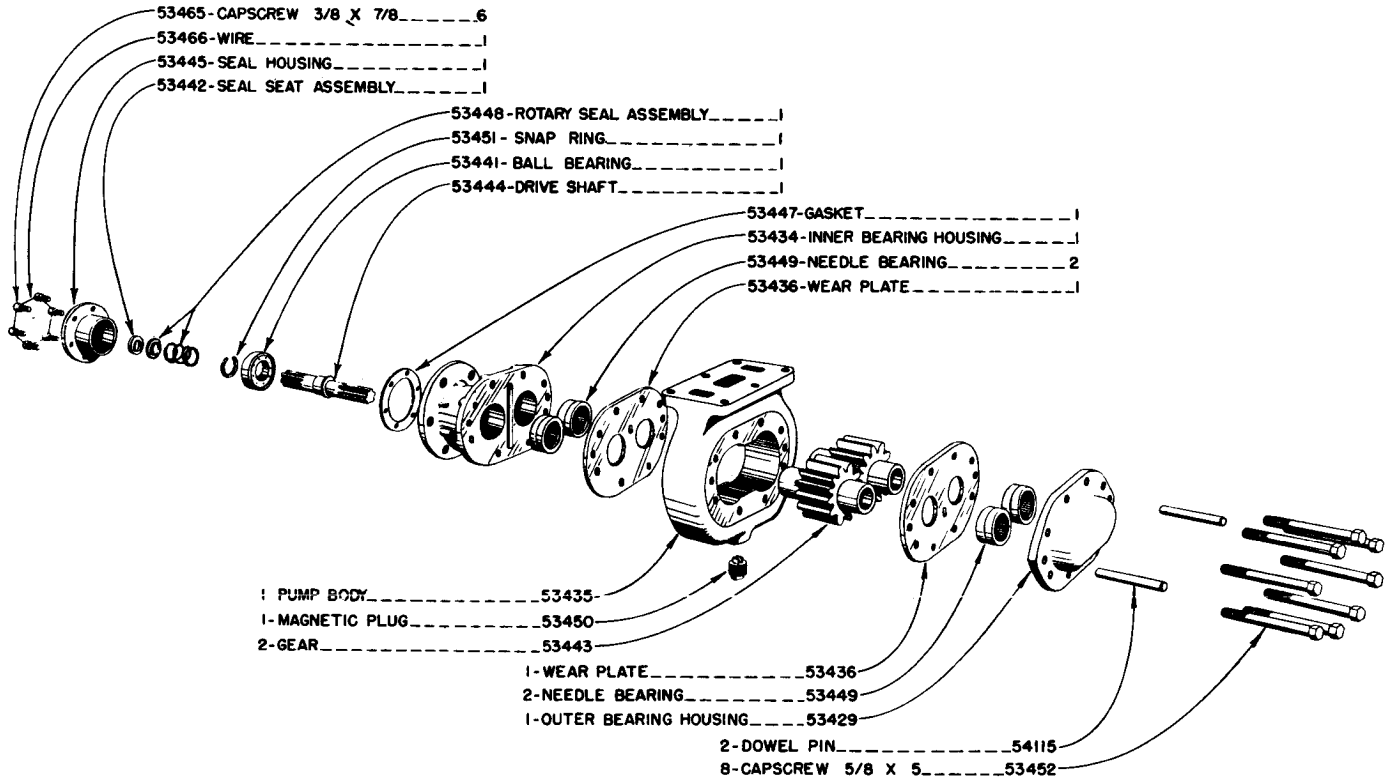
PI54I



53426-CV-12C VALVE ASSEMBLY

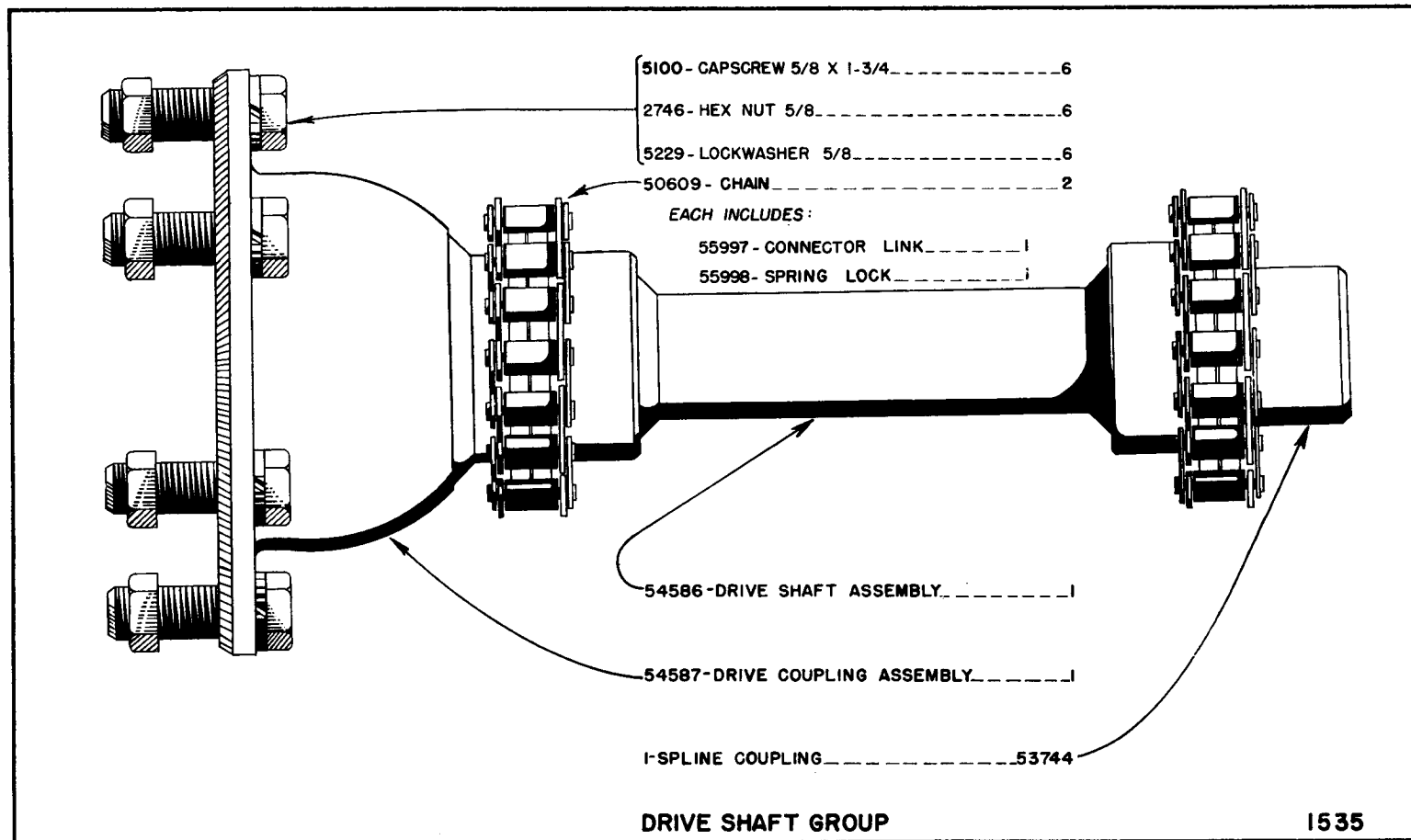
PUMP

16



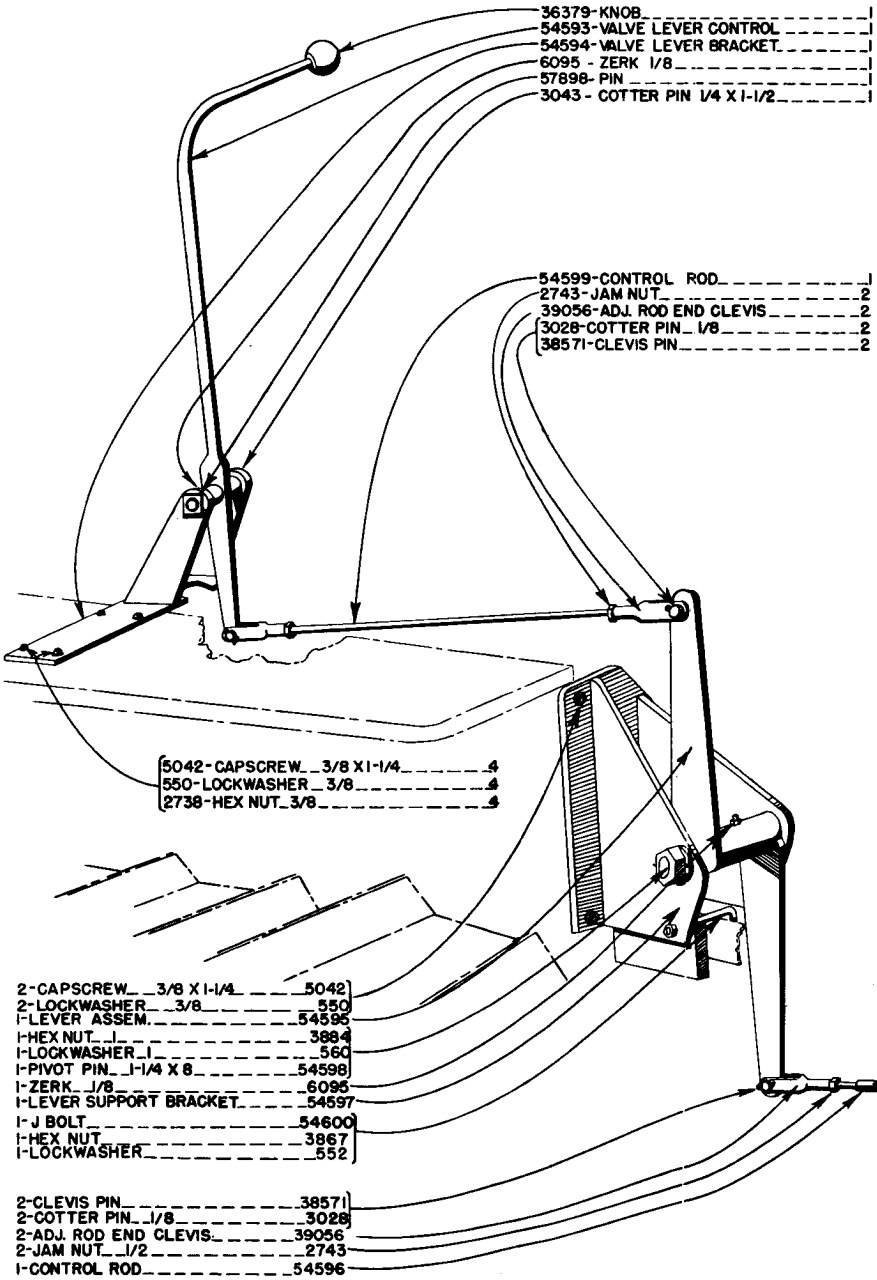
53467 HYDRAULIC PUMP ASSEMBLY (P-18)

P. 1539



DRIVE SHAFT

CONTROL LEVER



- 36379-KNOB-----|
- 54593-VALVE LEVER CONTROL-----|
- 54594-VALVE LEVER BRACKET-----|
- 6095 - ZERK 1/8-----|
- 57898- PIN-----|
- 3043 - COTTER PIN 1/4 X 1-1/2-----|

- 54599-CONTROL ROD-----|
- 2743-JAM NUT-----2
- 39056-ADJ. ROD END CLEVIS-----2
- 3028-COTTER PIN 1/8-----2
- 38571-CLEVIS PIN-----2

- 5042-CAPSCREW 3/8 X 1-1/4-----4
- 550-LOCKWASHER 3/8-----4
- 2738-HEX NUT 3/8-----4

- 2-CAPSCREW 3/8 X 1-1/4-----5042
- 2-LOCKWASHER 3/8-----550
- 1-LEVER ASSEM-----54595
- 1-HEX NUT 1-----3884
- 1-LOCKWASHER 1-----560
- 1-PIVOT PIN 1-1/4 X 8-----54598
- 1-ZERK 1/8-----6095
- 1-LEVER SUPPORT BRACKET-----54597
- 1-J BOLT-----54600
- 1-HEX NUT-----3867
- 1-LOCKWASHER-----552

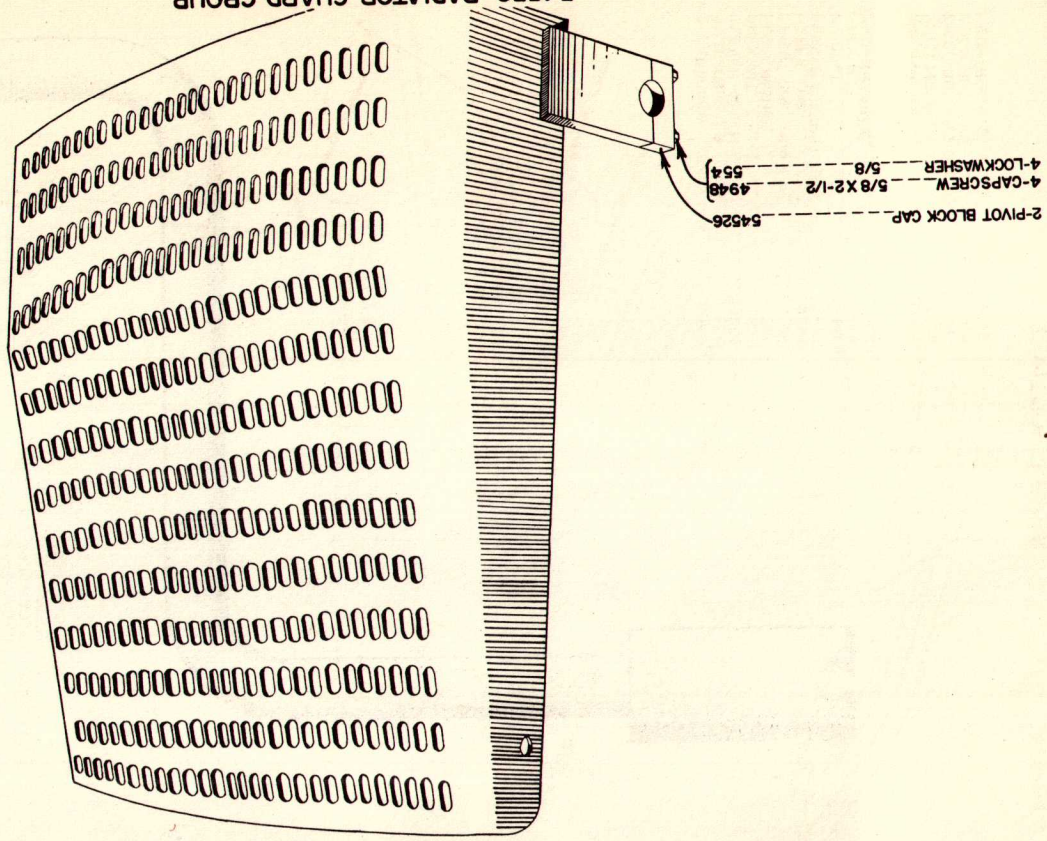
- 2-CLEVIS PIN-----38571
- 2-COTTER PIN 1/8-----3028
- 2-ADJ. ROD END CLEVIS-----39056
- 2-JAM NUT 1/2-----2743
- 1-CONTROL ROD-----54596

CONTROL LEVER

P.1544

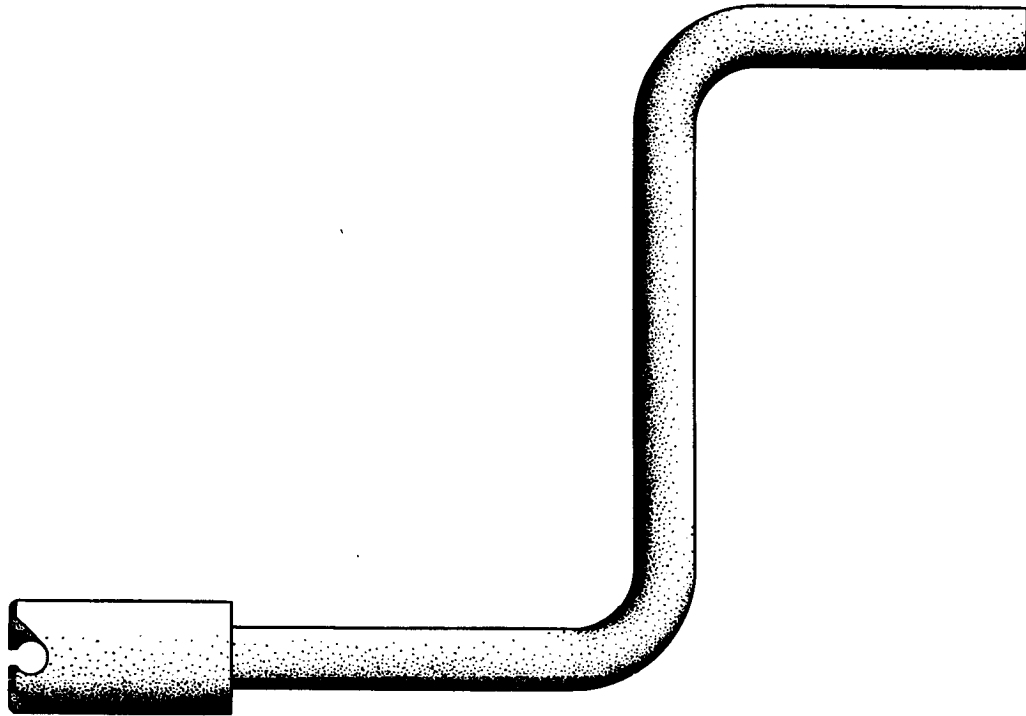
54539-RADIATOR GUARD GROUP

1534



CRANK

20



58244 CRANK JAW ARM ASSEMBLY

P.1582

NUMERICAL PARTS LIST MODEL B75 BULLDOZER

Page	No.	Description	Qty.	Part No.
10	1565	Lockwasher 3/8"	10	550
15	1542	Lockwasher 3/8"	4	550
14	1541	Lockwasher 3/8"	12	550
18	1544	Lockwasher 3/8"	6	550
18	1544	Lockwasher	1	552
9	1538	Lockwasher 1/2"	6	552
8	1531	Lockwasher 1/2"	4	552
7	1524	Lockwasher 1/2"	20	552
11	1537	Lockwasher 5/8"	2	554
9	1538	Lockwasher 5/8"	6	554
8	1531	Lockwasher 5/8"	16	554
19	1534	Lockwasher 5/8"	4	554
8	1531	Lockwasher 3/4"	4	556
7	1524	Lockwasher 3/4"	8	556
7	1524	Lockwasher 7/8"	10	558
6	1525	Lockwasher 7/8"	16	558
5	1540	Lockwasher 1"	4	560
18	1544	Lockwasher 1"	1	560
8	1531	Piston Ring	8	1210
11	1537	Elbow	2	2064
8	1531	Pipe Plug	2	2104
5	1540	Plowbolt 3/4" x 3"	22	2694
5	1540	Plowbolt 3/4" x 3 1/2"	10	2711
10	1565	Hex Nut 3/8"	4	2738
14	1541	Hex Nut 3/8"	12	2738
18	1544	Hex Nut 3/8"	4	2738
7	1527	Hex Nut 1/2"	4	2741
18	1544	Jam Nut	4	2743
9	1538	Hex Nut 5/8"	6	2746
17	1535	Hex Nut 5/8"	6	2746
11	1537	Hex Nut 5/8"	2	2746
7	1524	Hex Nut 3/4"	8	2750
9	1538	Hex Nut 1/2"	6	2751
7	1524	Hex Nut 7/8"	10	2754
11	1537	Cotter Pin 1/8" x 1"	2	3028

NUMERICAL PARTS LIST, MODEL B-75 BULLDOZER—Cont'd

Part No.	Qty.	Description	Plate No.	Page No.
3028	4	Cotter Pin 1/8"	1544	18
3043	1	Cotter Pin 1/4" x 1 1/2"	1544	18
3232	4	Zerk 1/8" x 90°	1531	8
3867	1	Hex Nut	1544	18
3876	4	Hex Nut 3/4"	1531	8
3884	4	Hex Nut 1"	1540	5
3884	1	Hex Nut 1"	1544	18
3903	1	Jam Nut	1542	15
4899	4	Capscrew 3/8" x 7/8"	1542	15
4901	6	Capscrew 3/8" x 1"	1541	14
4909	16	Capscrew 1/2" x 1 1/4"	1524	7
4913	4	Capscrew 1/2" x 1 3/4"	1531	8
4948	4	Capscrew 5/8" x 2 1/2"	1534	19
4971	4	Capscrew 3/4" x 5 1/2"	1531	8
4976	16	Capscrew 7/8" x 2 1/2"	1525	6
5042	4	Capscrew 3/8" x 1 1/4"	1565	10
5042	6	Capscrew 3/8" x 1 1/4"	1544	18
5044	4	Capscrew 3/8" x 1 1/2"	1565	10
5074	6	Capscrew 1/2" x 1 1/2"	1538	9
5093	4	Capscrew 1/2" x 3 3/4"	1524	7
5100	6	Capscrew 5/8" x 1 3/4"	1535	17
5105	12	Capscrew 5/8" x 2"	1531	8
5105	2	Capscrew 5/8" x 2"	1537	11
5109	4	Capscrew 5/8" x 2 1/2"	1531	8
5126	2	Capscrew 3/4" x 1 3/4"	1524	7
5128	2	Capscrew 3/4" x 2"	1524	7
5143	4	Capscrew 3/4" x 3 1/2"	1524	7
5170	10	Capscrew 7/8" x 3"	1524	7
5229	6	Lockwasher 5/8"	1535	17
5397	2	Nipple 1 1/4" x 4 1/2"	1537	11
5398	2	Nipple 1 1/4" x 4"	1537	11
6095	2	Zerk 1/8"	1540	5
6095	2	Zerk 1/8"	1544	18
21708	2	Gasket	1531	8
24997	4	Pipe Clamp	1524	7
26407	1	Center Cutting Edge	1540	5
27652	4	H. P. Hose Assembly	1543	12

NUMERICAL PARTS LIST, MODEL B-75 BULLDOZER—Cont'd

Part No.	Qty.	Description	Plate No.	Page
36379	1	Knob	1544	18
37041	8	Capscrew $\frac{3}{8}$ " x 2-9/16"	1540	5
38571	4	Clevis Pin	1544	18
38571	2	Clevis Pin	1537	11
39056	4	Adjustable Rod End Clevis	1544	18
40280	2	Gland	1531	8
40297	2	Cotter Pin 3/16" x 2-1/4"	1531	8
40407	8	Capscrew $\frac{1}{2}$ " x 1-3/4"	1531	8
40420	2	Oil Seal	1531	8
40421	2	Packing	1531	8
46597	2	Main Frame Jaw Cap	1540	5
46598	4	Capscrew 1" x 12"	1540	5
47393	1	R. H. Tractor Mounting Assembly	1525	6
47394	1	L. H. Tractor Mounting Assembly	1525	6
47494	4	Union Elbow	1543	12
47495	2	Union Elbow	1537	11
47525	2	Union	1543	12
47597	1	Spring Lock	1542	15
48082	1	Breather Mesh	1541	14
48220	2	Capscrew $\frac{3}{8}$ " x $\frac{3}{4}$ "	1565	10
50609	2	Chain	1535	17
50781	1	Spring	1542	18
50784	1	Spring	1542	15
50785	1	Relief Valve Cap	1542	15
50786	1	Adjustment Screw	1542	15
50787	1	Plunger	1542	15
50788	1	Plunger Sect	1542	15
50792	2	Gasket	1542	15
51231	4	Valve Plunger	1531	8
52986	1	R. H. End Cutting Edge	1540	5
52987	1	L. H. End Cutting Edge	1540	5
53253	1	Valve Spool	1542	15
53255	1	Spacer	1542	15
53383	1	Gasket	1541	14
53384	1	Filler Cap	1541	14
53390	1	Gasket	1541	14
53404	1	Breather Washer	1541	14

NUMERICAL PARTS LIST, MODEL B-75 BUILDZOZER—Cont'd

Part	No.	Qty.	Description	Plate	No.	Page
53405	1	1	Breather Connection Bolt	1541	14	14
53407	1	1	Breather Casting	1541	14	14
53410	1	1	Valve Body	1542	15	15
53412	1	1	Check Valve Spring	1541	14	14
53413	1	1	Valve Cap	1542	15	15
53414	1	1	Gasket	1523	13	13
53416	1	1	Check Valve Cap	1541	14	14
53417	1	1	Check Valve	1541	14	14
53418	1	1	Ball Check	1541	14	14
53419	1	1	Check Valve Cap	1541	14	14
53421	2	2	Valve Connection	1542	15	15
53422	2	2	Gasket	1542	15	15
53423	2	2	Valve	1542	15	15
53425	12	12	Allenhead Capscrew	1542	15	15
53426	1	1	CV-12C Valve Assembly	1542	15	15
53426	1	1	CV-12C Valve Assembly	1523	13	13
53428	2	2	Valve Seat	1542	15	15
53429	1	1	Outer Bearing Housing	1539	16	16
53433	3	3	Gasket	1542	15	15
53434	1	1	Inner Bearing Housing	1539	16	16
53435	1	1	Pump Body	1539	16	16
53436	2	2	Wear Plate	1539	16	16
53441	1	1	Ball Bearing	1539	16	16
53442	1	1	Seal Seat Assembly	1539	16	16
53443	2	2	Gear	1539	16	16
53444	1	1	Drive Shaft	1539	16	16
53445	1	1	Seal Housing	1539	16	16
53447	1	1	Gasket	1539	16	16
53448	1	1	Rotary Seal Assembly	1539	16	16
53449	4	4	Needle Bearing	1539	16	16
53450	1	1	Magnetic Plug	1539	16	16
53451	1	1	Snap Ring	1539	16	16
53452	8	8	Capscrew 3/8" x 5"	1539	16	16
53465	6	6	Capscrew 3/8" x 7/8"	1539	16	16
53466	1	1	Wire	1539	16	16
53467	1	1	Hydraulic Pump Assembly (P-18)	1539	16	16
53467	1	1	P-18 Pump Assembly	1523	13	13

NUMERICAL PARTS LIST, MODEL B-75 BULLDOZER—Cont'd

Part	No.	Qty.	Description	No.	Page
53469	53469	6	Stud 3/4" x 6 3/8"	1523	13
53727	53727	6	Stud 5/8" x 2 1/4"	1538	9
53740	53740	1	Hydraulic Unit Group HU-60	1523	13
53744	53744	1	Spline Coupling	1535	17
54098	54098	1	Strainer Tube	1541	14
54115	54115	2	Dowel Pin	1539	16
54119	54119	1	Wire	1541	14
54267	54267	1	Reservoir Base	1541	14
54277	54277	1	Gasket	1541	14
54285	54285	1	Oil Screen	1541	14
54295	54295	1	Reservoir	1541	14
54450	54450	2	Trunnion	1531	8
54468	54468	1	Mounting Bracket and Stud Assembly	1538	9
54484	54484	2	Slotted Nut	1531	8
54485	54485	8	Valve Plunger Plug	1531	8
54486	54486	2	Piston	1531	8
54488	54488	4	Trunnion Pin	1531	8
54489	54489	4	Washer	1531	8
54490	54490	2	Piston Rod Cap	1531	8
54514	54514	4	Bearing Housing Assembly	1524	7
54515	54515	4	Bearing	1524	7
54526	54526	2	Pivot Block Cap	1534	19
54532	54532	2	Ball Pin	1540	5
54535	54535	2	Jack Group	1531	8
54539	54539	1	Radiator Guard Group	1534	19
54542	54542	2	Cylinder and Rear Head Assembly	1531	8
54543	54543	2	Piston Rod Assembly	1531	8
54544	54544	2	Front Head Assembly	1531	8
54550	54550	1	R. H. Cylinder Bracket Assembly	1524	7
54551	54551	1	L. H. Cylinder Bracket Assembly	1524	7
54564	54564	1	The Rod	1524	7
54565	54565	1	The Rod Sleeve	1524	7
54567	54567	2	Brace	1524	7
54586	54586	1	Drive Shaft Assembly	1535	17
54587	54587	1	Drive Coupling Assembly	1535	17
54591	54591	1	Bell Crank and Bracket Assembly	1537	11
54592	54592	1	Link Assembly	1537	11

NUMERICAL PARTS LIST, MODEL B-75 BULLDOZER—Cont'd

Part No.	Qty.	Description	Plate No.	Page
54593	1	Valve Lever Control	1544	18
54594	1	Valve Lever Bracket	1544	21
54595	1	Lever Assembly	1544	18
54596	1	Control Rod	1544	18
54597	1	Lever Support Bracket	1544	18
54598	1	Pivot Pin	1544	18
54599	1	Control Rod	1544	18
54600	1	"Y" Bolt	1544	18
54987	1	Main Frame and Blade Assembly	1540	5
55055	1	Main Frame and Blade Group	1540	5
55333	1	Inlet Valve Seat	1541	14
55334	1	Outlet Valve Seat	1541	14
55836	2	Spacer	1524	7
55997	1	Connector Link	1535	17
55998	1	Spring Lock	1535	17
56123	2	Plug	1542	15
56158	2	H. P. Hose Assembly	1543	12
56173	1	Raise Cross Pipe Assembly	1543	12
56174	1	Lower Cross Pipe Assembly	1543	12
57421	1	Gasket	1523	13
57426	2	Spacer	1524	7
57427	2	Spacer	1524	7
57521	1	"O" Ring	1542	15
57628	1	Screen	1565	10
57632	1	Seal Retainer	1542	15
57633	1	Seal Seat	1542	15
57636	6	Shakeproof Washer	1541	14
57677	1	Felt Washer	1542	15
57691	1	Dip Stick	1541	14
57687	1	Connection	1523	13
57690	1	Tube	1523	13
57699	6	Elastic Stop Nut	1523	13
57732	1	Baffle	1565	10
57733	1	R. H. Baffle	1565	10
57734	1	L. H. Baffle	1565	10
57898	1	Pin	1544	18
58244	1	Crank Jaw Arm Assembly	1582	20