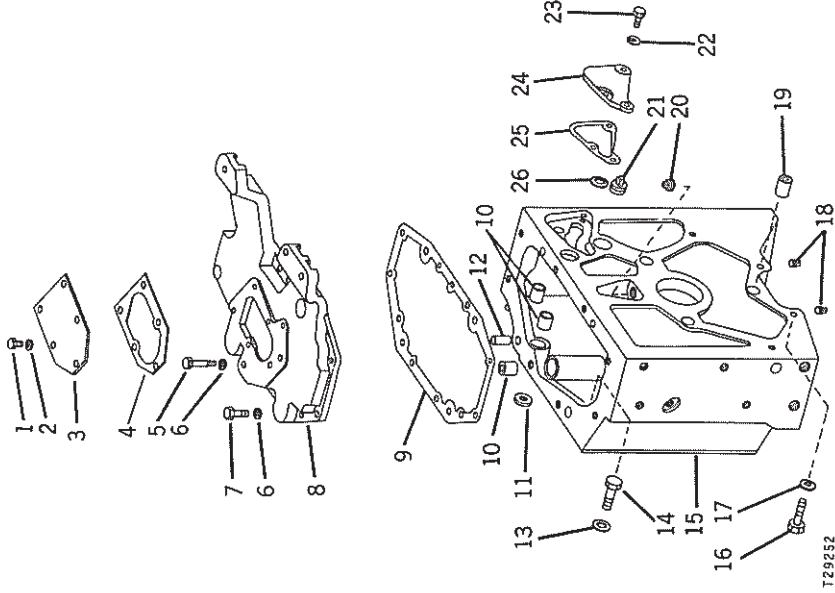


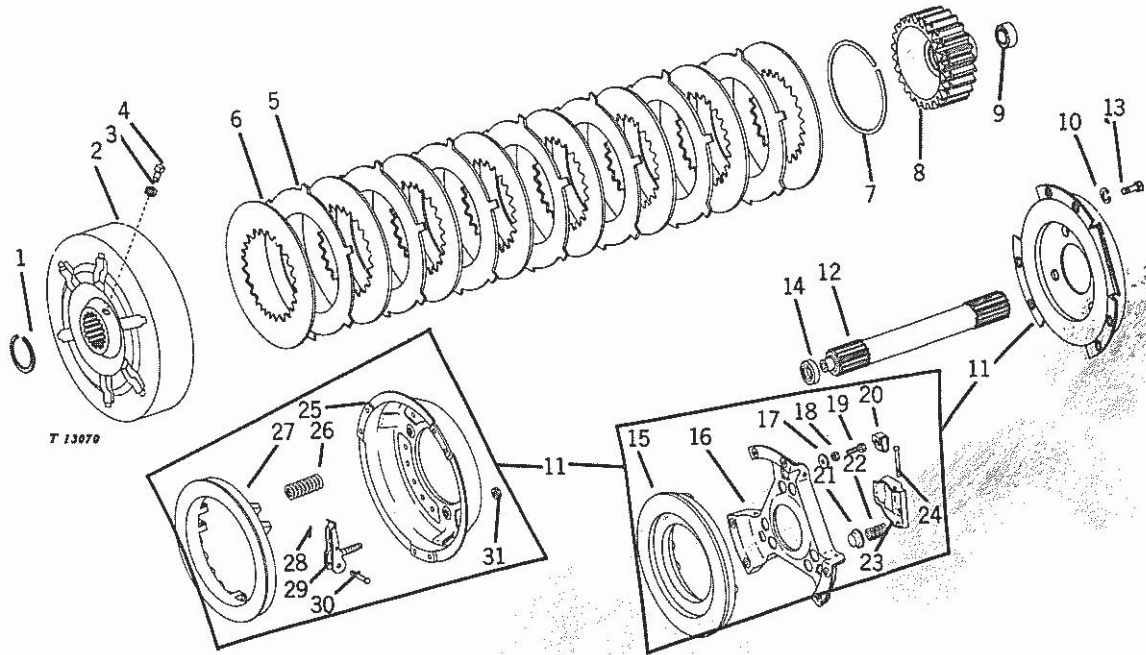
STERING CLUTCH HOUSING ASSEMBLY



KEY	PART NO.	SERIAL NO.	DESCRIPTION
1	19H 1936	-	SCREW, CAP, 3/8" X 3/4" (5 USED)
2	12H 304	-	WASHER, LOCK, 3/8" (5 USED)
3	T 20739	-	COVER, TOP
4	T 20738	-	GASKET
5	19H 1930	-	SCREW, CAP, 1/2" X 2-1/2"
6	12H 301	-	WASHER, LOCK, 1/2" (7 USED)
7	19H 1721	-	SCREW, CAP, 1/2" X 1-1/2" (6 USED)
8	T 20736	-	COVER, RIGHT
9	T 20737	-	COVER, LEFT
10	T 20735	-	GASKET (SUB. AT26340)
11	AA 5607 R	-	BUSHING (6 USED)
12	T 18621	-	SEAL, OIL (2 USED)
13	T 10510	-	DOWEL (4 USED)
14	19H 1782	-	WASHER, SPECIAL (4 USED RIGHT SIDE, 5 USED LEFT SIDE)
15	AT 18412	-	SCREW, CAP, 3/4" X 2-1/4" (4 USED RIGHT SIDE, 5 USED LEFT SIDE)
16	AT 18423	-	HOUSING (T20706) RIGHT CLUTCH, WITH BUSHING AND DOWELS
17	19H 1387	-	HOUSING (T20707) LEFT CLUTCH, WITH BUSHING AND DOWELS
18	T 497 T	-	SCREW, CAP, 5/8" X 2-1/4" (2 USED)
19	15H 624	-	WASHER, SPECIAL (2 USED)
20	T 14385	-	PLUG, PIPE, HEX. CTSK., 1/2" (2 USED)
21	15H 280	-	DOWEL, HOLLOW (3 USED)
22	12H 304	-	PLUG, PIPE, SQ. CTSK., 1"
23	19H 1731	-	PLUG, PIPE, SQ. CTSK., 1-1/4"
24	T 21349	-	WASHER, LOCK, 3/8" (3 USED)
25	T 21350	-	SCREW, CAP, 3/8" X 1" (3 USED)
26	30H 21	-	COVER, BRAKE ADJUSTING SCREW, RIGHT
..	AT 26340	-	COVER, BRAKE ADJUSTING SCREW, LEFT
		-	GASKET
		-	PLUG, EXPANSION, 1-1/2"
		-	GASKET, PLASTIC (2 OZ. BOTTLE)

STEERING CLUTCH ASSEMBLY

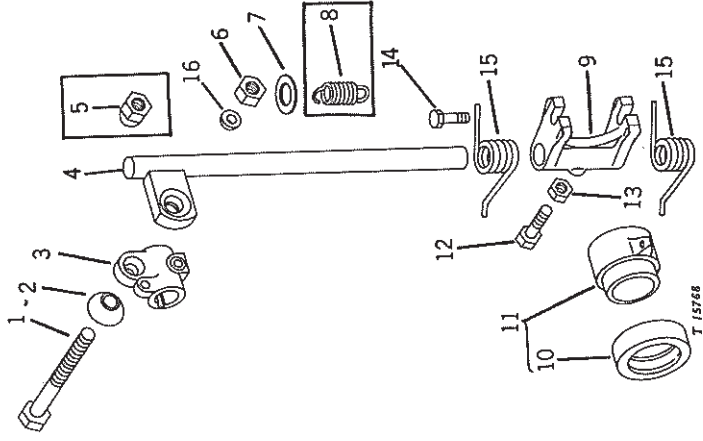
T13070



KEY	PART NO.	SERIAL NO.	DESCRIPTION
1	T 20714	-	RING, SNAP
2	T 20713	-	DRUM, BRAKE
3	14H 732	-	NUT, JAM, 3/8"
4	22H 1036	-	SCREW, SET, 3/8" X 1-1/8"
5	T 20717	-	PLATE, DRIVING (7 USED)
6	T 20716	-	FACING (8 USED)
7	T 44129	-	FACING (HEAVY-DUTY) (8 USED)
8	T 20718	-	RING, SNAP
9	T 20715	-	HUB
9	JD 9326	-	BEARING, BALL, PILOT
10	12H 303	-	WASHER, LOCK, 5/16" (6 USED)
11	AT 18416	-	PLATE, PRESSURE
12	T 37091	-	SHAFT, DRIVE (SUB. FOR T20710)
13	19H 2127	-	SCREW, CAP, 5/16" X 7/8" (6 USED)
14	T 23900	-	SPACER (NOT REQUIRED WHEN T37091 HAS BEEN INSTALLED AS A REPLACEMENT PART)
15	T 24692	-	PLATE, PRESSURE (DANA)
16	T 19428	-	BRACKET (DANA)
17	T 15940	-	WASHER, SPECIAL (3 USED) (DANA)
18	14H 882	-	NUT, 5/16" (3 USED) (DANA)
19	T 18750	-	SCREW, SPECIAL (3 USED) (DANA)
20	T 13267	-	CLIP, RETURN (3 USED) (DANA)
21	T 15943	-	CUP, SPRING (6 USED) (DANA)
22	T 44168	-	SPRING (6 USED) (DANA)
23	T 16054	-	LEVER, CLUTCH (3 USED) (DANA)
24	T 19956	-	PIN, PIVOT (3 USED) (DANA) (SUB. FOR T15942)
25	T 17130	-	PLATE, BACK (ROCKFORD)
26	T 25049	-	SPRING, PRESSURE (9 USED) (ROCKFORD)
27	T 25048	-	PLATE, PRESSURE (ROCKFORD)
28	11H 206	-	PIN, COTTER, 3/32" X 3/4" (3 USED) (ROCKFORD)
29	AT 22844	-	LEVER ASSEMBLY (3 USED) (ROCKFORD)
30	T 17127	-	PIN, LEVER (3 USED) (ROCKFORD)
31	T 17128	-	NUT, HEX., SPECIAL (3 USED) (ROCKFORD)

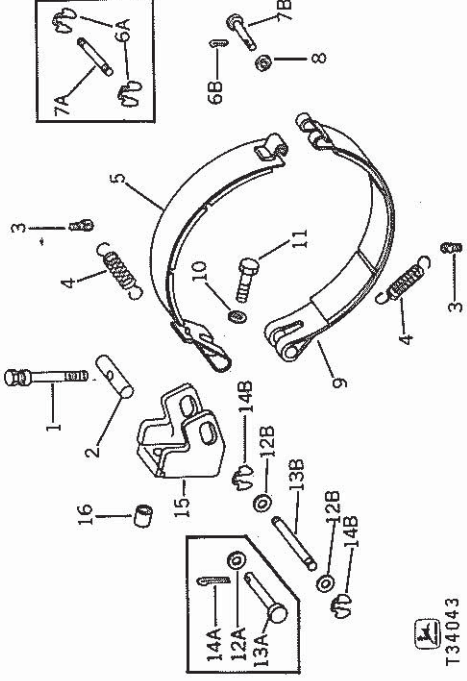
STEERING CLUTCH THROW-OUT

T15768



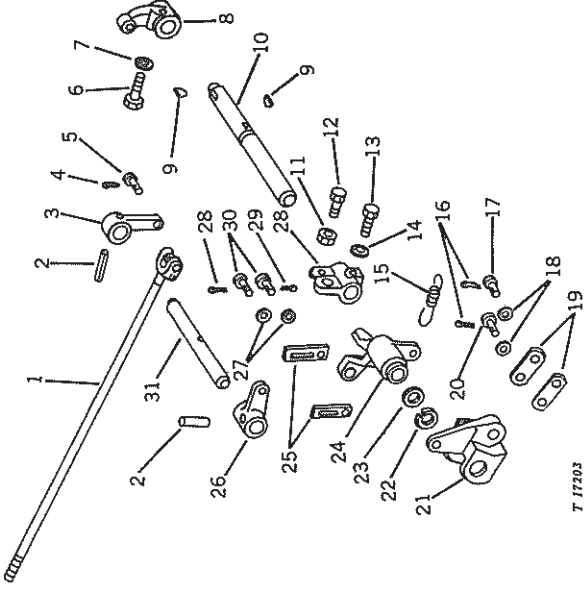
KEY	PART NO.	SERIAL NO.	DESCRIPTION
1	19H 2803	-	SCREW, CAP 3/8" X 4-1/4"
2	T 20740	-	WASHER, SPHERICAL
3	T 14370	- 69036	ARM, R.H. (SUB. AT26513)
	AT 26513	-	ARM, L.H.
	T 14371	- 69036	ARM, L.H. (SUB. AT26511)
	AT 26511	-	ARM, R.H.
4	AT 18413	- 69036	SUB. ONE AT26510, ONE T20740 AND ONE T17446
	AT 26510	69037	SHAFT, THROW-OUT, R.H.
	AT 18424	- 69036	SUB. ONE AT26512, ONE T20740 AND ONE T17446
	AT 26512	69037	SHAFT, THROW-OUT, L.H.
	T 14388	- 69036	NUT, SPECIAL
	T 15634	- 69036	NUT, LOCK
	F 3220 R	69037	NUT, LOCK (SUB. FOR T17446)
	T 20708	-	WASHER, SPECIAL (2 USED)
	T 134 T	- 11770	SUB. TWO T24433
9	T 20711	-	FORK, CLUTCH
10	AT 17464	-	BEARING, THROW-OUT (SUB. FOR AT13012)
11	AT 19315	-	CARRIER (T24450), THROW-OUT, WITH BEARING AND SPRINGS (SUB. FOR AT18414)
12	T 21321	-	SCREW, SET, SPECIAL
13	14H 849	-	NUT, 7/16"
14	T 14002	-	SCREW, CAP, SPECIAL (2 USED)
15	T 24433	11771	SPRING (2 USED)
16	T 20740	69037	WASHER, SPECIAL

BRAKE LINKAGE



KEY	PART NO.	SERIAL NO.	DESCRIPTION
1	AT 18422	-	SCREW, CAP, SPECIAL
2	T 20725	-	PIN
3	T 21147	-	SCREW, SHOULDER EYE (2 USED)
4	T 23861	-	SPRING (2 USED)
5	AT 18420	-	BAND, BRAKE, UPPER, WITH LINING
6A	T 40187	-	RING, RETAINING (2 USED) (USE WITH T40186)
6B	34H 247	-	PIN, SPRING, 1/8" X 3/4" (USE WITH T20724)
7A	T 40186	-	PIN, BRAKE ANCHOR (SUB. ONE T20724, ONE T23891, AND ONE 34H247)
7B	T 20724	-	PIN, HEADED
8	T 23891	-	WASHER, SPECIAL (USE WITH T20724)
9	AT 18418	-	BAND, BRAKE, LOWER, WITH LININGS, PIN AND BUSHING
10	12H 301	-	WASHER, LOCK, 1/2" (3 USED)
11	19H 1805	-	SCREW, CAP, 1/2" X 2-1/4" (3 USED)
12A	24H 1265	-	WASHER, 13/16" X 1-1/4" X .060" (USE WITH T20727)
12B	24H 1274	-	WASHER, 49/64" X 1-1/4" X .048" (2 USED) (USE WITH T40188)
13A	T 20727	-	PIN (SUB. ONE T40188, TWO T40189, AND TWO 24H1274)
13B	T 40188	-	PIN, BRAKE ANCHOR
14A	11H 237	-	PIN, COTTER, 1/8" X 2" (USE WITH T20727)
14B	T 40189	-	RING, RETAINING (2 USED) (USE WITH T40188)
15	T 20719	-	ANCHOR, BRAKE
16	T 14386	-	DOWEL, HOLLOW (3 USED)

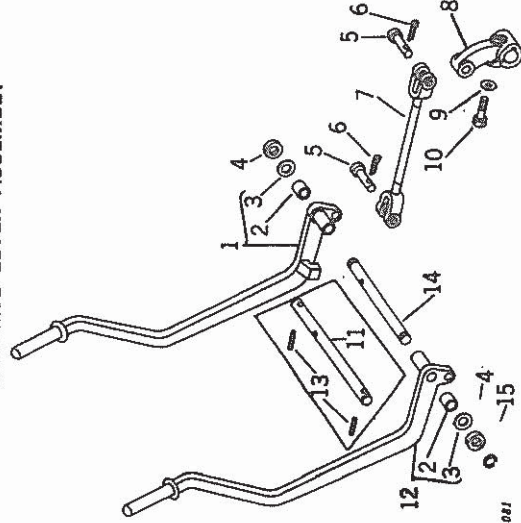
STEERING LINKAGE



KEY	PART NO.	SERIAL NO.	DESCRIPTION
1	AT 18428	()	ROD, BRAKE
2	25H 125	()	PIN, GROOVE, 5/16" X 1-3/4" (2 USED)
3	T 20747	()	LEVER, BRAKE
4	11H 233	()	PIN, COTTER, 3/32" X 1/2"
5	P 46404	()	PIN (SUB. FOR L307T)
6	19H 1765	()	SCREW, CAP, 3/8" X 1-3/4"
7	12H 304	()	WASHER, LOCK, 3/8"
8	T 20730	()	ARM, STEERING CONTROL
9	26H 83	()	KEY, WOODRUFF, 3/16" X 1" (2 USED)
10	T 20728	()	SHAFT, STEERING CONTROL
11	14H 732	()	NUT, JAM, 3/8"
12	19H 256	()	SCREW, CAP, 3/8" X 2"
13	19H 2569	()	SCREW, CAP, 5/16" X 1-5/8"
14	12H 303	()	WASHER, LOCK, 5/16"
15	T 23881	()	SPRING
16	11H 206	()	PIN, COTTER, 3/32" X 3/4" (2 USED)
17	L 364	()	PIN
18	L 853	()	WASHER, SPECIAL (2 USED)
19	T 14326	()	LINK (2 USED)
20	T 23882	()	PIN, SPRING ANCHOR
21	T 20726	()	YOKE, BRAKE BAND
22	M 2679	()	RING, SNAP
23	T 14374	()	WASHER, SPECIAL
24	T 20729	()	CRANK, BELL, RIGHT BRAKE
25	T 20734	()	CRANK, BELL, LEFT BRAKE
26	T 20733	()	LINK, SLOTTED
27	T 24H 1302	()	LEVER, BRAKE
28	AT 26511	()	WASHER, 13/32" X 11/16" X .036" (4 USED)
28	AT 26513	()	ARM, STEERING LEVER SHAFT, R.H. (SUB. FOR T14371)
29	11H 206	()	ARM, STEERING LEVER SHAFT, L.H. (SUB. FOR T14370)
30	P 48769	()	PIN, COTTER, 3/32" X 3/4" (2 USED)
31	T 20732	()	PIN (2 USED) (SUB. FOR L4668T) SHAFT, BRAKE LEVER

STEERING, BRAKES, HYDRAULICS AND FINAL DRIVE

STEERING LEVER ASSEMBLY



T 16081

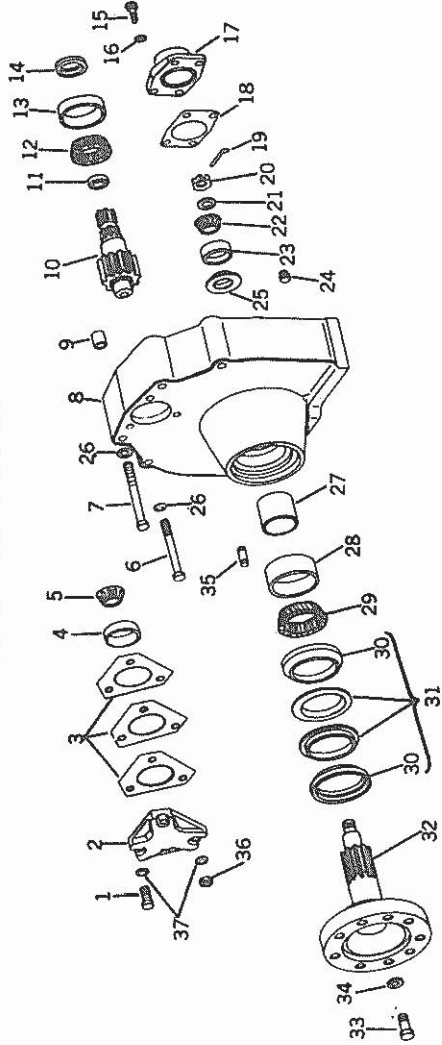
T16081

KEY PART NO.	SERIAL NO.	DESCRIPTION
1 AT 18426	-	LEVER (T20748), STEERING, RIGHT, WITH BEARINGS AND OIL SEALS
2 M 1638 T	-	BEARING (4 USED)
3 T 22101	-	SEAL, OIL (4 USED) (SUB. FOR L1584C)
4 L 268 T	-	WASHER, SPECIAL (2 USED)
5 T 10187	-	PIN (4 USED)
6 11H 211	-	PIN, COTTER, 1/8" X 3/4" (4 USED)
7 AT 18426	-	ROD, STEERING LEVER (2 USED)
8 T 20730	-	ARM, STEERING CONTROL (2 USED)
9 12H 304	-	WASHER, LOCK, 3/8"
10 19H 1966	-	SCREW, CAP, 3/8" X 1-3/4"
11 T 20742	- 72608	SUB. ONE T30052 AND TWO B169R
12 AT 18427	-	LEVER (T20744), STEERING, LEFT, WITH BEARINGS AND OIL SEALS
13 34H 284	- 72608	PIN, SPRING, 3/16" X 1-1/4" (2 USED)
14 T 30052	72609 -	SHAFT
15 B 169 R	72609 -	RING, SNAP (2 USED) (SUB. FOR P49827)

STEERING, BRAKES, HYDRAULICS AND FINAL DRIVE

FINAL DRIVE ASSEMBLY

T36003

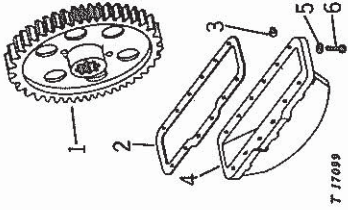


T36003

KEY	PART NO.	SERIAL NO.	DESCRIPTION
1	19H 1721	-	SCREW, CAP. 1/2" X 1-1/2" (2 USED)
2	T 20669	-	QUILL
3	T 20671	-	SHIM, .005" (AS REQUIRED)
	T 20670	-	SHIM, .007" (AS REQUIRED)
	T 20672	-	SHIM, .010" (AS REQUIRED)
4	JD 7418	-	CUP, BEARING, OUTER
5	JD 7395	-	CONE, BEARING, OUTER
6	19H 2630	-	SCREW, CAP. 5/8" X 5-3/4", LOWER HOLE (2 USED)
7	19H 2332	-	SCREW, CAP. 5/8" X 6-1/4", UPPER HOLE (2 USED)
8	T 20656	-	HOUSING, FINAL DRIVE
9	T 14386	-	DOWEL, HOLLOW (3 USED)
10	T 20668	-	SHAFT, PINION (12 TEETH)
11	JD 9326	-	BEARING, BALL
12	JD 8992	276369	CONE, BEARING, INNER (SUB. JD8151)
	JD 8151	-	CONE, BEARING, INNER
13	JD 8206	-	CUP, BEARING, INNER
14	AT 18387	-	SEAL, OIL
15	19H 2545	-	SCREW, CAP. 3/8" X 1-3/8" (4 USED)
16	12H 304	-	WASHER, LOCK. 3/8" (4 USED)
17	T 20667	-	COVER
18	T 20666	-	GASKET
19	11H 249	-	PIN, COTTER, 1/4" X 2"
20	14H 848	-	NUT, SLOTTED, 1-1/8"
21	T 18283	-	WASHER, SPECIAL
22	JD 7395	-	CONE, BEARING, INNER
23	JD 7418	-	CUP, BEARING, INNER
24	15H 665	-	FITTING, PIPE, 3/4" (SUB. FOR T25004) (4 USED)
25	T 24471	-	SPACER, INNER BEARING (SUB. FOR T20665)
26	T 497 T	-	SPACER, OUTER BEARING
27	T 20664	-	CUP, BEARING, OUTER
28	JD 8213	-	CONE, BEARING, OUTER
29	JD 8177	-	KIT, OIL SEAL
30	AT 18941	-	KIT, FLANGE AXLE SEAL SERVICE (SUB. FOR AT18876)
31	AT 36096	-	SHAFT, FLANGED AXLE (ALSO ORDER ONE T24471 SPACER) (SUB. FOR T20661)
32	T 24470	-	SCREW, CAP. 3/4" X 1-3/4" (9 USED)
33	19H 1798	-	WASHER, SPECIAL (9 USED)
34	T 10510	-	STUD
35	R 32101	-	NUT, 1/2"
36	14H 809	-	WASHER, LOCK. 1/2" (3 USED)
37	12H 301	-	

STEERING, BRAKES, HYDRAULICS AND FINAL DRIVE
FINAL DRIVE OIL PAN AND DRIVE GEAR

T17099



KEY	PART NO.	SERIAL NO.	DESCRIPTION
1	20660	-	GEAR (68 TEETH)
2	20657	-	GASKET
3	20659	-	PLUG
4	32007	-	PAN, OIL (ALSO ORDER TWELVE 19H2665 AND TWELVE 12H304) (SUB. FOR T20658)
5	12H 304	-	WASHER, LOCK, 3/8" (12 USED)
6	19H 1732	-	SCREW, CAP, 3/8" X 1-1/4" (12 USED) (USE WITH T20658)
	19H 2665	-	SCREW, CAP, 3/8" X 1-5/8" (USED WHEN T32007 HAS BEEN INSTALLED AS A REPLACEMENT PART)