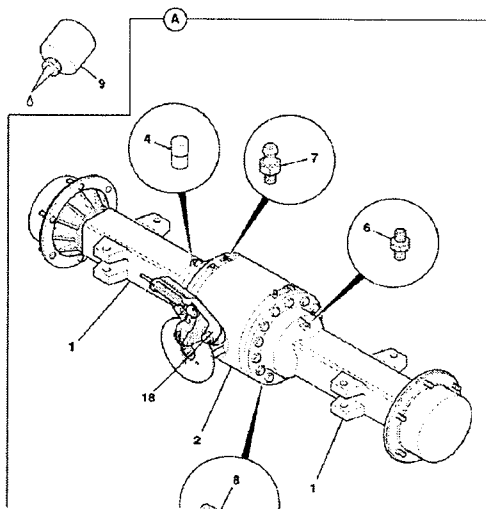


3CX

450/44800 PD70 PAD MOUNT AXLE 15.78:1 REVERSE LSD, HAYES





742981


Ref:	Description:	Part No:	Qty:	Price:
A	Axle assy, PD70 pad mount 15.78:1	450/44800	- <input type="text" value="1"/> +	Contact Dealer


Ref:	Description:	Part No:	Qty:	Price:
I	Axle arm & hub assembly	458/M4515	- <input type="text" value="1"/> +	Contact Dealer


Ref:	Description:	Part No:	Qty:	Price:
2	Drivehead assembly, pad mount 2.923:1 <i>see index F2 for breakdown</i>	458/I1213	- <input type="text" value="1"/> +	Contact Dealer


Ref:	Description:	Part No:	Qty:	Price:
			- <input type="text" value="1"/> +	


2 **Drivehead assembly, pad mount 2.923:1** 458/11213 + **Contact Dealer**
 see index F2 for breakdown

Ref:	Description:	Part No:	Qty:	Price:
			— 	
4	Plug Breather	450/13302	+	Contact Dealer

Ref:	Description:	Part No:	Qty:	Price:
			— 	
6	Adaptor hose	458/20611	+	Contact Dealer

Ref:	Description:	Part No:	Qty:	Price:
			— 	
7	Nipple Screw	816/60040	+	Contact Dealer

Ref:	Description:	Part No:	Qty:	Price:
			— 	
8	Bolt M16x70L	1321/3716	+	Contact Dealer

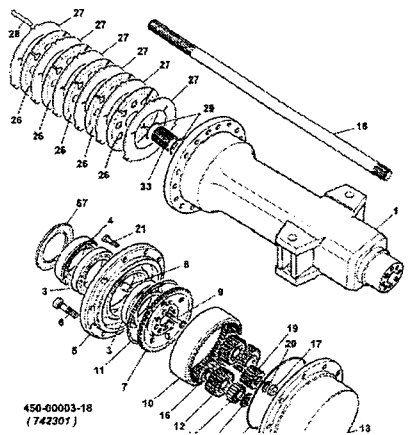
Ref:	Description:	Part No:	Qty:	Price:
			— 	
9	Gasket Multigasket	4102/1212	+	Contact Dealer

Ref:	Description:	Price:
18	'See Remark' <i>See index section G1 & F2</i>	Contact Dealer

SIDESHIFT. ADVANCED EASYCONTROL.

2WS

458/M4515 AXLE ARM AND HUB ASSEMBLY 458/M4515/4





Ref:	Description:	Part No:	Qty:	Price:
A	Axle arm & hub assembly	458/M4515	- <input type="text" value="1"/> +	Contact Dealer

Ref:	Description:	Part No:	Qty:	Price:
I	Casing Axle Arm Pad Thickness 139mm	458/20618	- <input type="text" value="1"/> +	Contact Dealer

Ref:	Description:	Part No:	Qty:	Price:
3	Bearing	907/M7473	- <input type="text" value="1"/> +	Contact Dealer

Ref:	Description:	Part No:	Qty:	Price:
4	Seal	904/M6779	- <input type="text" value="1"/> +	Contact Dealer

Ref:	Description:	Part No:	Qty:	Price:
5	Carrier Wheel Bearing 5 Stud	458/20446	- <input type="text" value="1"/> +	Contact Dealer

Ref:	Description:	Part No:	Qty:	Price:
6	Stud Wheel	826/00923	- <input type="text" value="1"/> +	Contact Dealer

Ref:	Description:	Part No:	Qty:	Price:
7	Carrier Annulus	450/12702	- <input type="text" value="1"/> +	Contact Dealer

Ref:	Description:	Part No:	Qty:	Price:
8	Dowel Hollow	450/12703	- <input type="text" value="1"/> +	Contact Dealer

Ref:	Description:	Part No:	Qty:	Price:
9	Bolt M14 x 70mm long	826/01060	- <input type="text" value="1"/> +	Contact Dealer

Ref:	Description:	Part No:	Qty:	Price:
10	Gear Annulus Ring	450/10205	- <input type="text" value="1"/> +	Contact Dealer

Ref:	Description:	Part No:	Qty:	Price:
11	Circlip Internal Square Section	821/00210	- <input type="text" value="1"/> +	Contact Dealer

Ref:	Description:	Part No:	Qty:	Price:
12	Gear Planet	450/10206	- <input type="text" value="1"/> +	Contact Dealer

Ref:	Description:	Part No:	Qty:	Price:
13	Hub planetary carrier	458/M4230	- <input type="text" value="1"/> +	Contact Dealer
14	Bearing Roller, Double Row	907/50200	- <input type="text" value="1"/> +	Contact Dealer
15	Circlip	821/00209	- <input type="text" value="1"/> +	Contact Dealer
16	Circlip	2203/0054	- <input type="text" value="1"/> +	Contact Dealer
17	Pad Thrust	450/10208	- <input type="text" value="1"/> +	Contact Dealer
18	Driveshaft	914/M7404	- <input type="text" value="1"/> +	Contact Dealer
19	Gear sun 45mm long	454/07401	- <input type="text" value="1"/> +	Contact Dealer
20	Circlip External	821/00494	- <input type="text" value="1"/> +	Contact Dealer

Ref:	Description:	Part No:	Qty:	Price:
21	Bolt Coated M10 x 25	1321/0407Z	- <input type="text" value="1"/> +	Contact Dealer
22	O Ring	828/00196	- <input type="text" value="1"/> +	Contact Dealer
23	Plug Tapered 3/4"BSP 14mm Drive	816/M3849	- <input type="text" value="1"/> +	Contact Dealer
26	Plate brake friction	458/20353	- <input type="text" value="1"/> +	Contact Dealer
27	Plate brake counter	458/20285	- <input type="text" value="1"/> +	Contact Dealer
28	Pin reaction	450/10213	- <input type="text" value="1"/> +	Contact Dealer
29	Circlip External	2203/0071	- <input type="text" value="1"/> +	Contact Dealer
33	Carrier Brake Plate	450/10215	- <input type="text" value="1"/> +	Contact Dealer

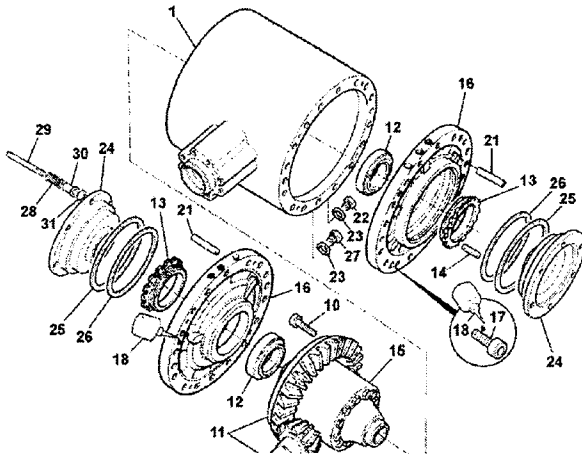
Ref:	Description:	Part No:	Qty:	Price:
57	Cover Plate Hub Seal	458/20403	- <input type="text" value="1"/> +	Contact Dealer

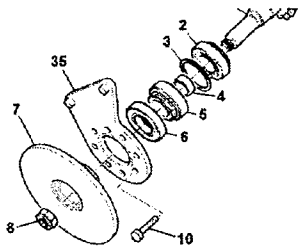
Genuine JCB parts available to purchase online and delivered direct.

"Jamais Content - that's very, very much me. I am never content; I'm always looking for improvement." Mr. JCB

3CX

458/11213 DRIVEHEAD ASSEMBLY





743000

Ref:	Description:	Part No:	Qty:
A	Drivehead assembly, pad mount 2.923:1	458/11213	- <input type="text" value="1"/> +

Price:

Contact Dealer

Ref:	Description:	Part No:	Qty:
I	Casing drivehead rigid axle	458/20418	- <input type="text" value="1"/> +

Price:

Contact Dealer

Ref:	Description:	Part No:	Qty:	Price:
2	Bearing Roller	907/09000	- <input type="text" value="1"/> +	Contact Dealer

Ref:	Description:	Part No:	Qty:	Price:
3	Kit-shim	921/01900	- <input type="text" value="1"/> +	Contact Dealer

Ref:	Description:	Part No:	Qty:
4	Kit Set Of Spacers From 12.625 To 14.200 Thick	921/53400	- <input type="text" value="1"/> +

Price:

Contact Dealer

Ref:	Description:	Part No:	Qty:	Price:
5	Bearing Taper Roller	907/08300	- <input type="text" value="1"/> +	Contact Dealer

Ref:	Description:	Part No:	Qty:	Price:
			- <input type="text" value="1"/>	

6	Seal Triple Lip,	904/20172	+	Contact Dealer
----------	-------------------------	------------------	----------	-----------------------

Ref:	Description:	Part No:	Qty:	Price:
------	--------------	----------	------	--------

-

7	Disc Park Brake	458/20693	+	Contact Dealer
----------	------------------------	------------------	----------	-----------------------

Ref:	Description:	Part No:	Qty:	Price:
------	--------------	----------	------	--------

-

8	Nut Stake M30 x 2	826/M7635	+	Contact Dealer
----------	--------------------------	------------------	----------	-----------------------

Ref:	Description:	Part No:	Qty:	Price:
------	--------------	----------	------	--------

-

10	Bolt M12 x 60mm	826/01080	+	Contact Dealer
-----------	------------------------	------------------	----------	-----------------------

Ref:	Description:	Part No:	Qty:
------	--------------	----------	------

-

11	Gear Crownwheel/Pinion RH Spiral, 13T/38T, M30	458/70249	+
-----------	---	------------------	----------

Price:

Contact Dealer

Ref:	Description:	Part No:	Qty:	Price:
------	--------------	----------	------	--------

-

12	Bearing Taper Roller	907/50100	+	Contact Dealer
-----------	-----------------------------	------------------	----------	-----------------------

Ref:	Description:	Part No:	Qty:	Price:
13	Nut Side Differential	450/10403	- <input type="text" value="1"/> +	Contact Dealer

Ref:	Description:	Part No:	Qty:	Price:
14	Pin Tension	826/00818	- <input type="text" value="1"/> +	Contact Dealer

Ref:	Description:	Part No:	Qty:	Price:
15	Differential LSD assembly 3 working faces	450/26310	- <input type="text" value="1"/> +	Contact Dealer

Ref:	Description:	Part No:	Qty:	Price:
16	Housing Brake Piston	458/M5480	- <input type="text" value="1"/> +	Contact Dealer

Ref:	Description:	Part No:	Qty:	Price:
17	Capscrew M10 x 25mm	1392/3407	- <input type="text" value="1"/> +	Contact Dealer

Ref:	Description:	Part No:	Qty:	Price:
18	Gasket Multigasket	4102/1212	- <input type="text" value="1"/> +	Contact Dealer

Ref:	Description:	Part No:	Qty:	Price:
21	Dowel	826/00919	- <input type="text" value="1"/> +	Contact Dealer

Ref:	Description:	Part No:	Qty:	Price:
22	Plug Magnetic 3/4"BSP <i>see TI GEN245</i>	816/80012	- <input type="text" value="1"/> +	Contact Dealer

Ref:	Description:	Part No:	Qty:
22	Plug Tapered, Magnetic 3/4"BSP 14mm Drive <i>see TI GEN245</i>	816/M3848	- <input type="text" value="1"/> +

Price:

Contact Dealer

Ref:	Description:	Part No:	Qty:
23	Washer Bonded <i>not required with 816/M3848 or 816/M3849</i>	1406/0021	- <input type="text" value="1"/> +

Price:

Contact Dealer

Ref:	Description:	Part No:	Qty:
24	Piston Brake 139.4 bore (was 130mm)	458/20371	<div style="text-align: center;"> - <input style="width: 40px; height: 20px; border: 1px solid black;" type="text" value="1"/> + </div>

Price:

Contact Dealer

Ref:	Description:	Part No:	Qty:	Price:
25	Seal Brake Piston	813/50012	<div style="text-align: center;"> - <input style="width: 40px; height: 20px; border: 1px solid black;" type="text" value="1"/> + </div>	Contact Dealer

Ref:	Description:	Part No:	Qty:
26	Seal Brake Piston (square section)	813/50026	<div style="text-align: center;"> - <input style="width: 40px; height: 20px; border: 1px solid black;" type="text" value="1"/> + </div>

Price:

Contact Dealer

Ref:	Description:	Part No:	Qty:
27	Plug Filler 33mm Head, see TI GEN245 <i>see TI GEN245</i>	816/80037	<div style="text-align: center;"> - <input style="width: 40px; height: 20px; border: 1px solid black;" type="text" value="1"/> + </div>

Price:

Contact Dealer

Ref:	Description:	Part No:	Qty:
27	Plug Tapered 3/4"BSP 14mm Drive see TI GEN245	816/M3849	- <input type="text" value="1"/> +

Price:

Contact Dealer

Ref:	Description:	Part No:	Qty:	Price:
28	Spring Compression	814/00365	- <input type="text" value="1"/> +	Contact Dealer

Ref:	Description:	Part No:	Qty:	Price:
29	Pin Brake Back-Off	450/18204	- <input type="text" value="1"/> +	Contact Dealer

Ref:	Description:	Part No:	Qty:
30	Bush tension Flanged - External	448/16905	- <input type="text" value="1"/> +

Price:

Contact Dealer

Ref:	Description:	Part No:	Qty:	Price:
			- <input type="text" value="1"/>	
			+	Contact Dealer
31	Circlip	2203/1020		

Ref:	Description:	Part No:	Qty:
			- <input type="text" value="1"/>
			+
35	Bracket caliper mount axle	458/20511	

Price:

Contact Dealer

Genuine JCB parts available to purchase online and delivered direct.

"Jamais Content - that's very, very much me. I am never content; I'm always looking for improvement." Mr. JCB