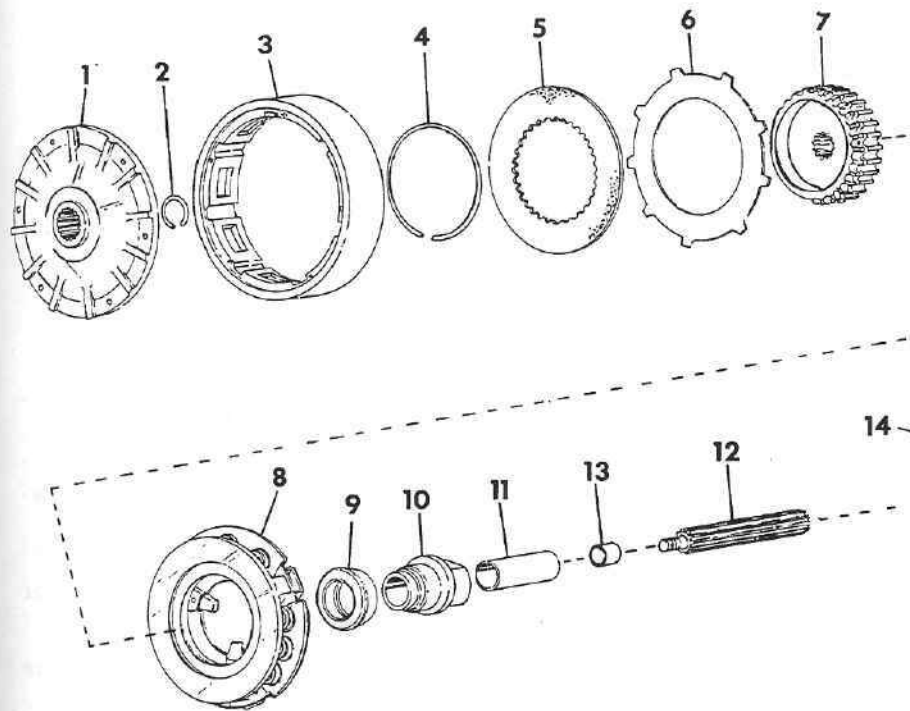


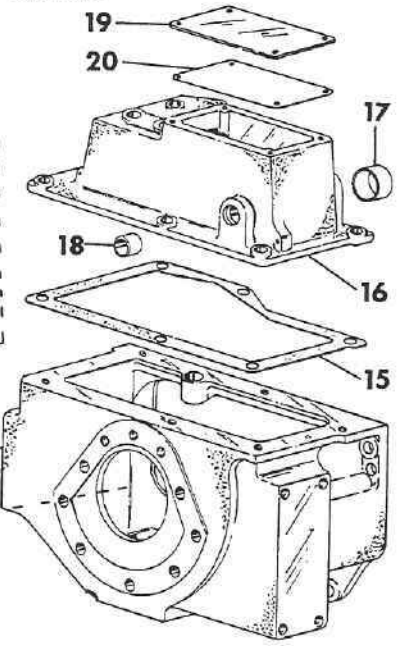
REF. NO.	PART NUMBER	DESCRIPTION	TC-210
----------	-------------	-------------	--------

STEERING DRIVE



REF. NO.	PART NUMBER	DESCRIPTION	TC-210
----------	-------------	-------------	--------

STEERING DRIVE -CONTINUED



HB-1948

- 1 850 676 C1 BASE, STEERING DRUM -2-
- 2 676 832 R1 RING, BASE RETAINING -2-
- 3 676 828 R2 DRUM, STEERING DRIVE -2-
- 4 676 830 R1 RING, DRIVE HUB -2-
- 5 676 834 R1 DISK, STEERING DRIVE -14-
- 6 676 833 R1 PLATE, STEERING DRIVE -12-
- 7 676 829 R1 HUB, STEERING DRIVE -2-
- 8 676 827 R91 CLUTCH ASSY, STEERING DRIVE -2-
FOR COMPONENTS SEE LISTING
-STEERING CLUTCH- THIS SECTION
- 851 700 C1 SHIM, STEERING DRIVE CLUTCH -6-
- 635 401 R1 WASHER, STEERING CLUTCH SHIM -12-
- 187 147 BOLT, 5/16-18 X 3-1/2 HEX-HD -12-
- 9 412 083 NUT, 5/16-18 LOCK -12-
- 9 365 865 R91 BEARING, STEERING CLUTCH RELEASE -2-
- 10 676 826 R1 SLEEVE, CLUTCH RELEASE BEARING -2-
- 11 676 851 R1 BUSHING, STEERING CLUTCH RELEASE -2-
- 12 850 685 C1 SHAFT, BEVEL GEAR SIDE DRIVE -2-
- 13 676 862 R1 BUSHING, SIDE DRIVE SHAFT PILOT -2-
IN FINAL DRIVE PINION SHAFT
- 14 852 385 C91 HOUSING ASSY, STEERING CLUTCH LH
- 14 852 386 C91 HOUSING ASSY, STEERING CLUTCH RH-SHOWN-
INCLUDES 1-444 697- PLUG AND
2-141 287-DOWEL PIN
- 444 697 PLUG, 3/8-14 NPT HEX-SKT PIPE C-Z-2-
- 141 287 PIN, 1/2 X 1-1/2 DOWEL -4-
- 271 548 BOLT, 5/8-11 X 1-3/4 HEX-HD -4-
- 271 725 BOLT, 5/8-11 X 2-1/2 HEX-HD -4-
- 340 729 R1 BOLT, 5/8-11 X 1-3/4 12 POINT -4-
- 178 627 WASHER, 5/8 - INT-T LOCK -2-
- 676 108 R1 STUD, FINAL DRIVE MOUNTING -6-
- 225 861 NUT, 5/8-18 HEX-TYPE 8 -6-

- 15 GASKET, COVER -2- FOR SERVICE ORDER
610 557 C91 GASKET LIQUID
 - 16 676 950 R31 COVER ASSY, CLUTCH HOUSING LH
 - 16 676 951 R31 COVER ASSY, CLUTCH HOUSING RH -SHOWN-
INCLUDES 1- 850 354 C1 PLUG, AND
1-676 953 R1 & 1-676 815 R1
BUSHINGS
 - 126 152 FITTING, 1/8-27 NPT 45 DEG LUB -2-
 - 444 688 PLUG, 1/8-27 NPT HEX SKT HD PIPE-2-
 - 172 558 PLUG, 1-1/4 EXPANSION -2-
 - 180 173 BOLT, 1/2-13 X 1 HEX-HD -12-
 - 17 676 953 R1 BUSHING, STEERING ACTUATING LEVER -2-
 - 18 676 815 R1 BUSHING, BRAKE ACTUATING SHAFT -2-
 - 19 852 003 C1 COVER, INSPECTION HOLE -2-
 - 180 016 BOLT, 1/4-20 X 1/2 HEX-HD -2-
 - 120 380 WASHER, 1/4 LOCK -2-
 - 21 801 R1 WASHER, .281 X .750 X .056 FLAT -2-
 - 180 120 BOLT, 3/8-16 X 3/4 HEX-HD -10-
 - 120 382 WASHER, 3/8 LOCK -10-
 - 20 676 955 R2 GASKET, COVER -2-
- FOR COVER GASKET USE 610 557 C91 GASKET LIQUID