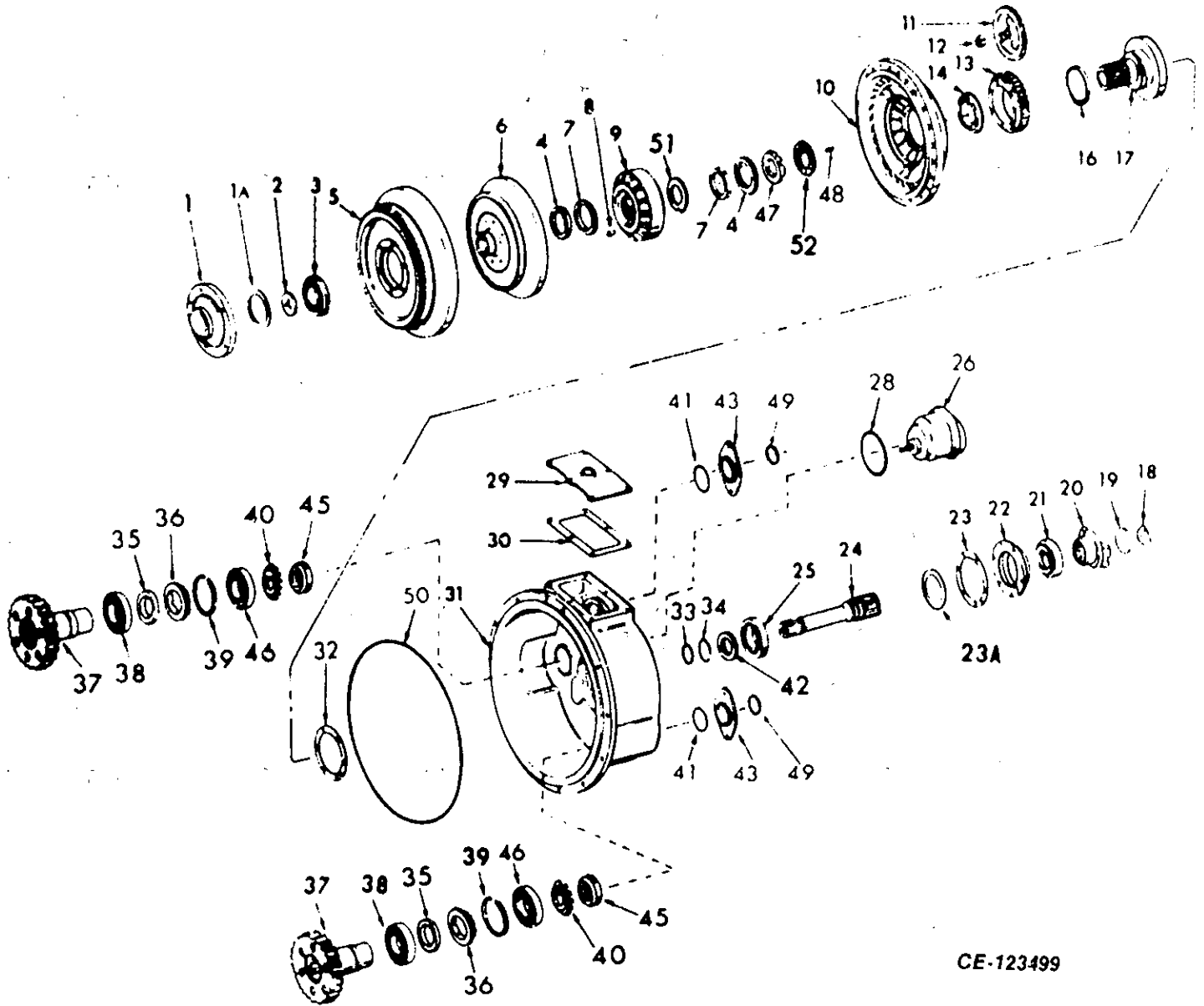


# DRIVE TRAIN

*HOGAN 560B*

REF. NO.	PART NUMBER	DESCRIPTION	REF. NO.	PART NUMBER	DESCRIPTION
----------	-------------	-------------	----------	-------------	-------------

**TORQUE CONVERTER**



CE-123499

<p>1 130 609 C91 CONVERTER ASSY., torque            70 427 R1 BOLT, 7/16" dia. (12)            24 861 R1 BOLT, 1/2" dia. (12)            25 536 R1 WASHER (12)            1 107 495 C2 RING, drive</p>	<p>2 637 677 C1 WASHER, retainer            26 314 R1 BOLT (3)</p>
<p>1 637 669 C1 COVER, housing            26 310 R1 BOLT (6)            631 944 C1 WASHER, flat (6)</p>	<p>3 637 667 C91 BEARING, ball</p>
<p>1A 637 670 C1 SHIM, annular (.005) (X)</p>	<p>4 932 286 C91 BEARING, roller thrust (2)</p>
<p>1A 637 671 C1 SHIM, annular (.010) (X)</p>	<p>5 637 666 C1 HOUSING, drive converter</p>
<p>1A 637 672 C1 SHIM, annular (.020) (X)</p>	<p>6 1 112 732 C1 TURBINE, converter</p>
	<p>7 921 829 C1 RACE, thrust (2)</p>
	<p>8 18 400 R1 PIN, spring (2)</p>

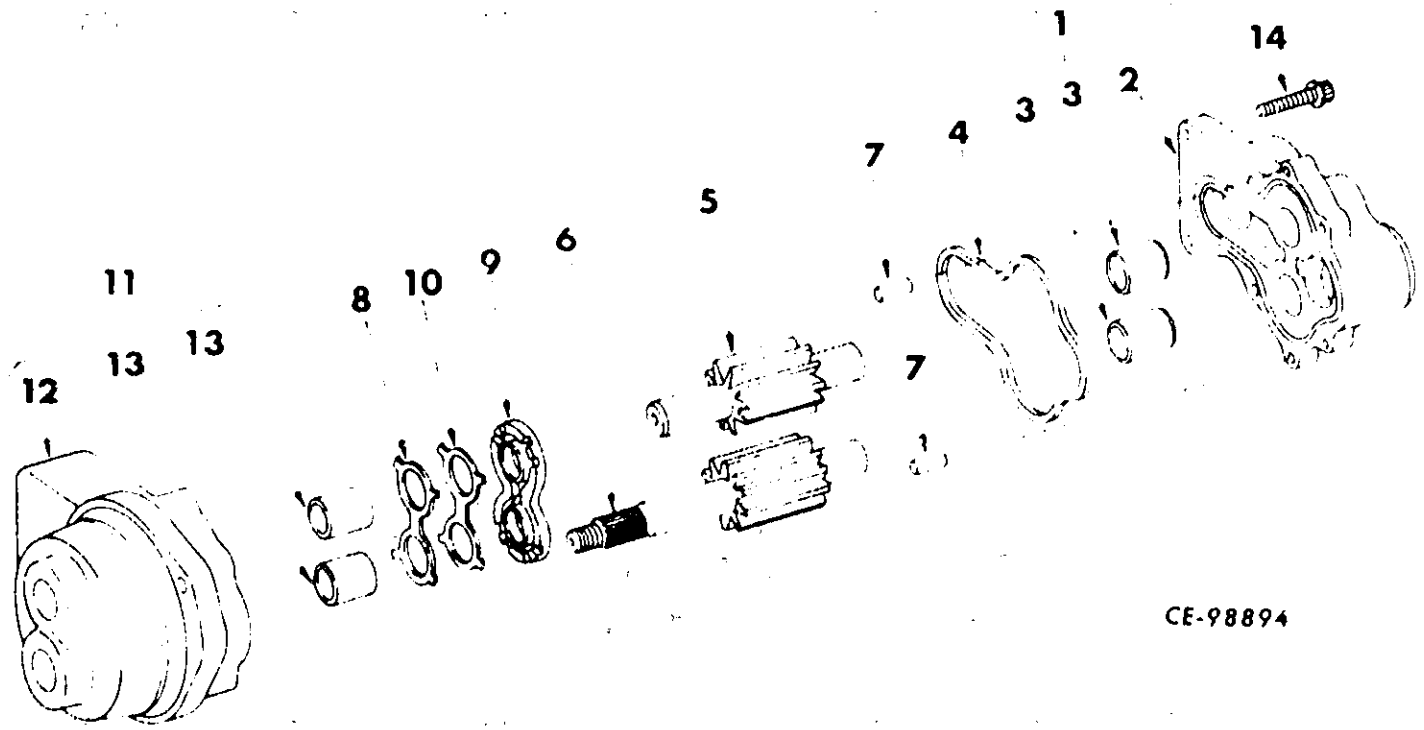
## DRIVE TRAIN

REF. NO.	PART NUMBER	DESCRIPTION	REF. NO.	PART NUMBER	DESCRIPTION
TORQUE CONVERTER - Continued			34	327 058 R1	RING, external snap
9	1 113 105 C91	STATOR w/two PIN, 18 400 R1	35	1 133 861 C1	WASHER, bearing cone spacer (2)
10	1 113 129 C1	IMPELLER	36	1 133 860 C1	WASHER, bearing cup spacer (2)
	1 111 810 C1	BOLT (28)	37	1 133 857 C1	GEAR, spur (45T) (2)
	631 944 C1	WASHER (28)	38	625 741 C91	BEARING, roller (2)
11	921 811 C1	GEAR, spur (36T)	39	1 133 858 C1	RING, internal snap (2)
12	19 263 R1	NUT	40	1 133 859 C1	WASHER, lock (2)
13	1 113 107 C1	GEAR, spur (46T)	41	343 927 R1	"O" RING (2)
	25 800 R1	BOLT (14)	42	637 675 C1	WASHER, support
14	3 137 506 R91	BEARING, ball	43	943 691 C1	ADAPTER, accessory drive (2)
16	324 062 R2	RING, piston hook type seal	45	127 714	NUT, bearing lock (2)
17	921 812 C4	HUB, seal ground	46	625 741 C91	BEARING, roller (2)
18	324 071 R2	PLATE, locking	47	1 113 196 C1	SPACER, converter
	454 869	BOLT (3)	48	357 557 R1	PIN, spring
19	324 072 R2	WASHER, bearing retainer	49	343 927 R1	"O" RING (2)
20	921 839 C2	YOKE, output	50	321 988 R1	"O" RING (Not furnished as part of torque converter)
21	333 996 R92	SEAL, oil	51	1 112 283 C1	SHIM (.005) (X)
22	631 884 C1	RETAINER, bearing	51	1 112 284 C1	SHIM (0.020) (X)
	24 621 R1	BOLT (6)	52	1 113 106 C1	PLATE, retainer
23	324 069 R1	GASKET, bearing retainer		444 600	PLUG, pipe (Not furnished as part of torque converter, located in housing cover)
23A	921 825 C1	SHIM (.005) (X)		145 374	SCREW, nameplate drive (4)
23A	921 826 C1	SHIM (.010) (X)			
23A	921 827 C1	SHIM (.020) (X)			
23A	1 108 155 C1	SHIM (.050) (X)			
24	1 12 167 C1	SHAFT, output			
25	77 492 H	BEARING, ball			
26		PUMP ASSY., charging (Refer to "CHARGING PUMP")			
28	336 970 R1	RING, seal			
29	878 296 C1	COVER, housing			
	140 483 H	BOLT (6)			
	120 382	WASHER, lock (6)			
30	1 101 592 C1	GASKET, cover			
31	1 133 856 C1	HOUSING, converter			
32	324 069 R1	GASKET, ground hub			
33	933 126 C1	RING, piston hook type seal			

## DRIVE TRAIN

REF. NO.	PART NUMBER	DESCRIPTION	REF. NO.	PART NUMBER	DESCRIPTION
----------	-------------	-------------	----------	-------------	-------------

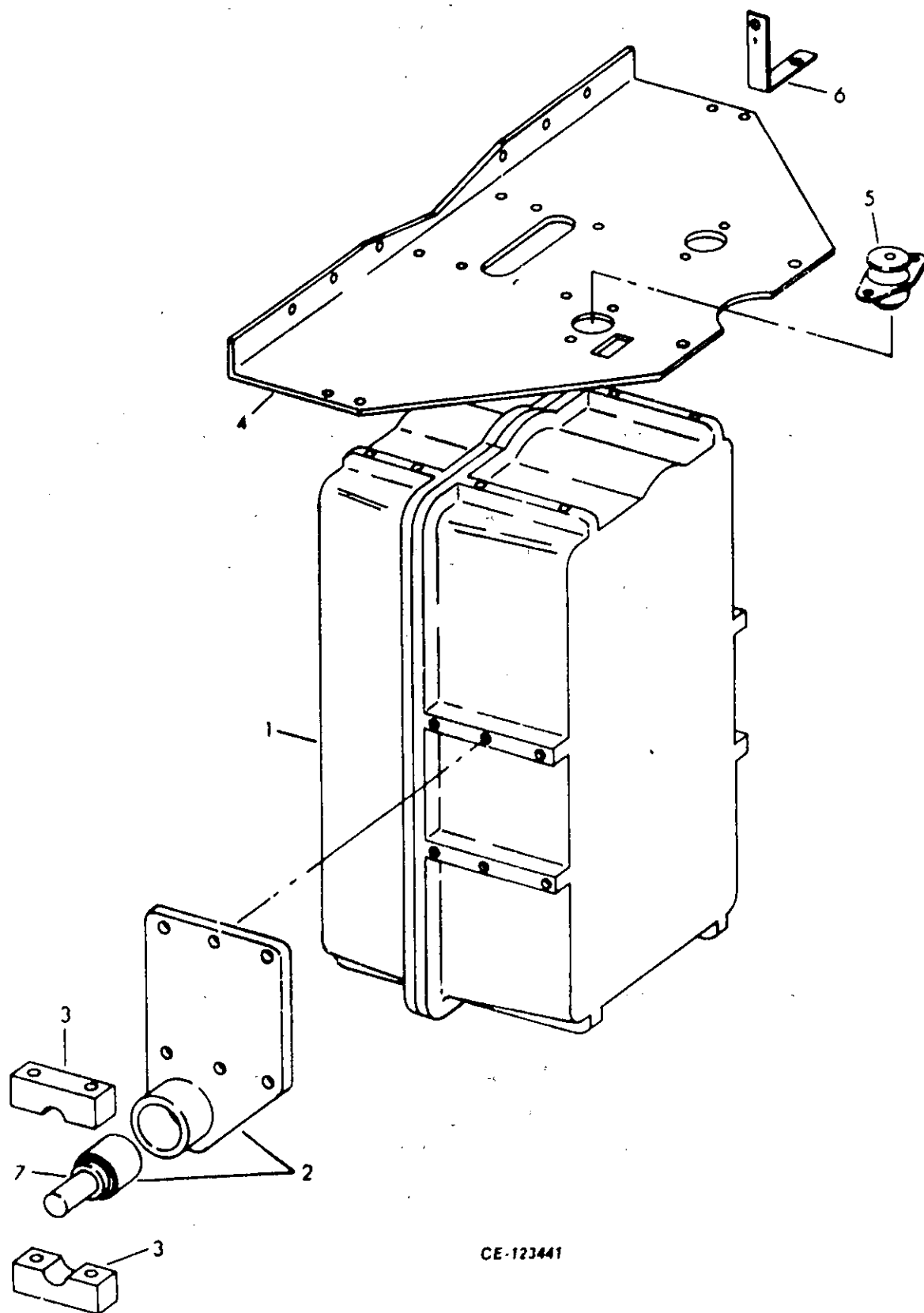
### CHARGING PUMP



CE-98894

	921 815 C91	PUMP ASSY., charging		8	922 319 C1	SEAL, nulon
	25 497 R1	BOLT (2)		9	922 316 C1	PLATE, wear
	120 382	WASHER, lock (2)		10	922 317 C1	SEAL, pressure loading
		(Consists of the following parts)		11	922 311 C91	BODY ASSY.
1	922 313 C91	COVER ASSY.		12	\$	BODY
2	\$	COVER		13	\$	BUSHING (2)
3	\$	BUSHING (2)		14	347 755 R1	SCREW, ferris head cap (6)
4	922 320 C1	GASKET, seal			615 029 R1	WASHER (6)
5	922 315 C1	GEAR, driven			17 008 R1	BALL, steel
6	922 314 C1	GEAR, drive				
7	141 242	PIN, dowel (2)				

TRANSMISSION AND MOUNTING



CE-123441

**DRIVE TRAIN**

REF. NO.	PART NUMBER	DESCRIPTION	REF. NO.	PART NUMBER	DESCRIPTION
<b>TRANSMISSION AND MOUNTING - Continued</b>					
1	1 113 154 C91	TRANSMISSION ASSY. (P 3000; for machines without ground driven steering) (SEE NOTE)			
1	1 113 153 C91	TRANSMISSION ASSY. (P 3000; for machines with ground driven steering) (SEE NOTE)			
2	1 131 595 C92	SUPPORT w/SHAFT, 289 370 R93, L.H.			
	24 888 R1	BOLT (6)			
	25 548 R1	WASHER (6)			
2	1 131 596 C92	SUPPORT w/SHAFT, 289 370 R93, R.H.			
	24 888 R1	BOLT (6)			
	25 548 R1	WASHER (6)			
3	1 131 049 C1	BAR (4)			
	27 802 R1	BOLT (4)			
	25 550 R1	WASHER (8)			
4	1 133 395 C2	PLATE			
	1 172 482 C1	BAR (2)			
	1 130 498 C1	TUBE, spacer (5)			
	320 993 R1	SPACER, tube (2)			
	24 881 R1	BOLT (5)			
	25 547 R1	WASHER (5)			
5	1 131 602 C1	MOUNT, isolation (2)			
	24 860 R1	BOLT, 1/2" dia. (4)			
	25 546 R1	WASHER, 1/2" ID (4)			
	24 894 R1	BOLT, 3/4" dia. (2)			
	1 131 605 C1	WASHER, 3/4" ID (2)			
6	1 172 484 C1	ANGLE			
	25 511 R1	BOLT			
	25 547 R1	WASHER			
	1 130 498 C1	TUBE, spacer			
7	289 370 R93	SHAFT, mounting support (2)			

**NOTE:** The transmission consists of parts listed on the following pages under "TRANSMISSION".

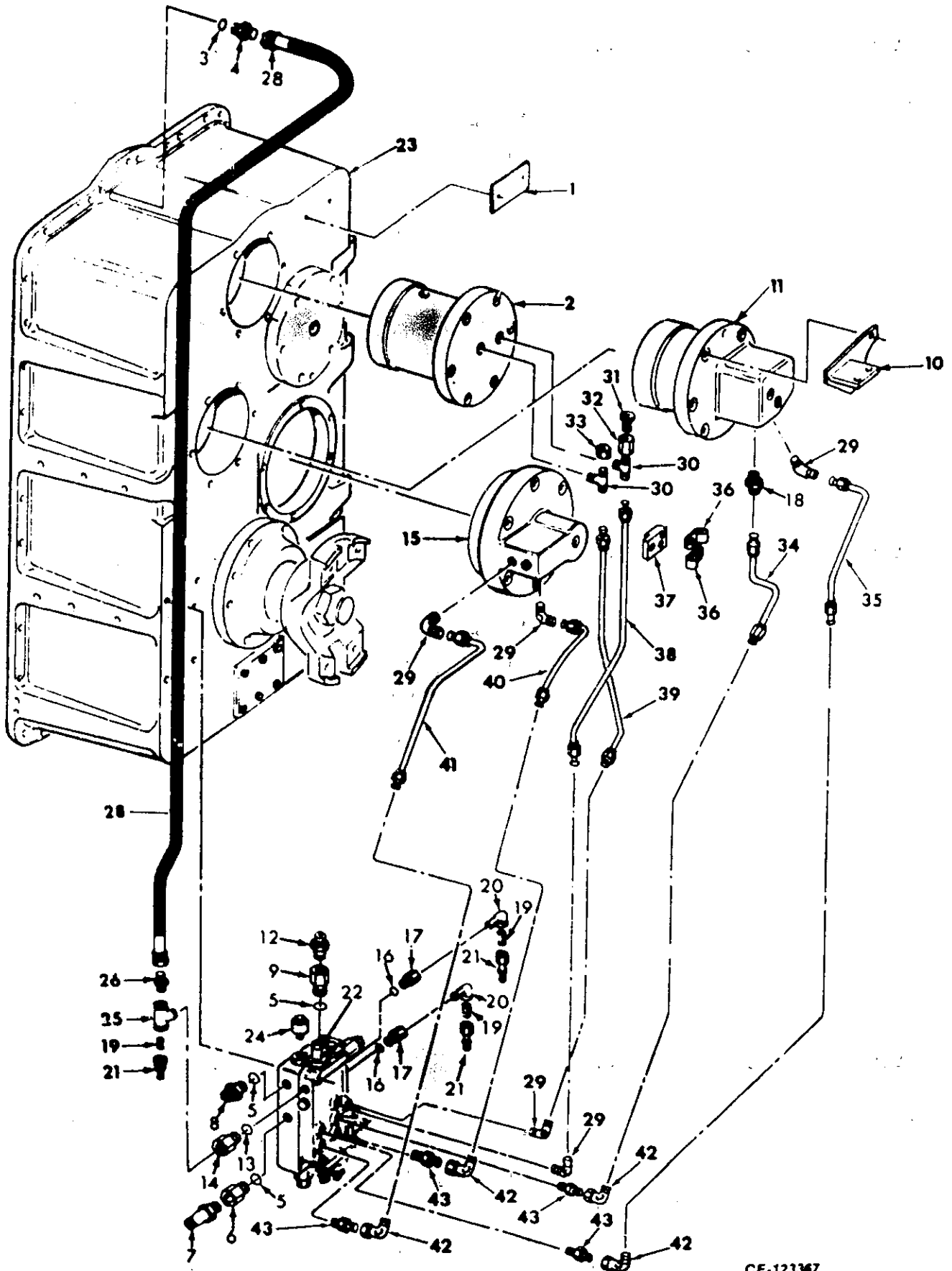
DRIVE TRAIN

REF. NO.	PART NUMBER	DESCRIPTION	REF. NO.	PART NUMBER	DESCRIPTION
<b>TRANSMISSION</b>			24	883 330 C2	SHIM, 0.007 (X)
<b>Front and Rear Housings</b>			24	883 331 C2	SHIM, 0.020 (X)
FOR ILLUSTRATION, REFER TO FOLDOUT NO. 3 IN REAR OF CATALOG.			25		SHAFT ASSY., reverse idler (Refer to "TRANSMISSION - Reverse Idler Shaft and Gears")
1	19 256 R1	NUT	26	887 188 C3	GASKET
2	883 351 C1	SPACER	27	1 110 655 C2	RETAINER, bearing
3	461 173 R1	"O" RING		24 851 R1	BOLT (6)
4	883 403 C2	YOKE		25 535 R1	WASHER, flat (6)
5	194 292 H1	SEAL, oil	28		CLUTCH ASSY., 1st gear (Refer to "TRANSMISSION - 1st Gear Clutch")
6	883 335 C3	CAP	29	888 411 C3	GEAR, 52T
	24 851 R1	BOLT (6)	30	883 369 C2	SPACER
	25 535 R1	WASHER, flat (6)	32	19 270 H	CUP, bearing
7	883 329 C2	SHIM, 0.005 (X)	33	971 528 R91	CONE, bearing
7	883 330 C2	SHIM, 0.007 (X)	34	883 359 C91	CONE, bearing
7	883 331 C2	SHIM, 0.020 (X)	35	1 110 659 C91	CAP, oil supply
8	252 556 R1	"O" RING (3)		24 851 R1	BOLT, 1-3/4" long (3)
9	13 363 D	CUP, bearing (5)		203 762 R1	BOLT, 2" long (3)
10	1 110 753 C2	HOUSING, rear		25 535 R1	WASHER, flat (6)
11	148 880 H1	PIN, dowel (2)	36	895 544 C1	GASKET
12		CLUTCH ASSY., forward and reverse (Refer to "TRANSMISSION - Forward and Reverse Clutch")	37	9 410 356	PLUG, port (6)
13	971 528 R91	CONE, bearing (2)	38	9 410 358	PLUG, port (3)
14	883 391 C3	GASKET, housing	39	894 747 C1	PLUG, orifice (3)
17	883 345 C5	HOUSING, front	40	1 110 658 C1	CAP
	870 643 R1	BOLT (38)		24 851 R1	BOLT (6)
	25 535 R1	WASHER, flat (38)		25 535 R1	WASHER, flat (6)
18	129 509 H1	RING, seal (9)	41	883 334 C2	SHIM, 0.005 (X)
19	159 845 H1	PIN, dowel (3)	41	883 332 C2	SHIM, 0.007 (X)
20	887 188 C3	GASKET	41	883 333 C2	SHIM, 0.020 (X)
21	1 110 656 C1	CAP, oil supply	42	3 046 994 R1	"O" RING
	24 851 R1	BOLT (6)	43	19 270 H	CUP, bearing
	25 535 R1	WASHER, flat (6)	44		CLUTCH ASSY., 2nd and 3rd gear (Refer to "TRANSMISSION - 2nd and 3rd Gear Clutch")
22	1 110 657 C1	CAP (2)	52	18 241 H	CUP, bearing
	24 851 R1	BOLT (12)	53	895 711 C1	GASKET
	25 535 R1	WASHER, flat (12)			
23	9 410 359	PLUG, port (5)			
24	883 329 C2	SHIM, 0.005 (X)			

**DRIVE TRAIN**

REF NO.	PART NUMBER	DESCRIPTION	REF. NO.	PART NUMBER	DESCRIPTION
<b>TRANSMISSION - Continued</b>			70	893 252 C1	FILTER, transmission strainer
<b>Front and Rear Housings</b>			71	1 110 887 C1	BAR, support
				25 480 R1	BOLT (4)
				25 532 R1	WASHER, flat (4)
54	1 110 654 C1	CAP, oil supply	72	220 150 H1	PLUG, magnetic
	203 762 R1	BOLT (6)		368 269 R1	"O" RING
	25 535 R1	WASHER, flat (6)	73	885 839 C1	BAFFLE
55	1 110 969 C91	YOKE ASSY. w/one YOKE, 1 110 974 C1 and one DE- FLECTOR, 1 110 971 C1 (2)	74	27 077 R1	SCREW, ferry cap (3)
	1 110 974 C1	YOKE, output (2)	77	930 331 C1	GASKET
56	18 583 R1	NUT, lock (2)	78	1 110 971 C1	DEFLECTOR (2)
57	883 364 C1	SP/ CER (2)	79	570 828 R1	"O" RING (5)
58	252 734 R1	"O" RING (2)	80	369 751 R1	"O" RING (6)
59	1 110 968 C91	RETAINER ASSY. w/one RETAINER, 1 130 184 C1, one OIL SEAL, 169 154 H1, one CUP, 188 443 H1 or one CUP, 895 877 C1 and one PLUG, 444 689	81	364 839 R1	"O" RING (3)
	70 427 R1	BOLT (6)			
	25 535 R1	WASHER (6)			
	1 130 184 C1	RETAINER			
	444 689	PLUG, pipe			
60	169 154 H1	SEAL, oil (2)			
61	883 326 C2	SHIM, 0.005 (X)			
61	883 328 C2	SHIM, 0.007 (X)			
61	883 327 C2	SHIM, 0.020 (X)			
62	264 681 R1	"O" RING			
63	188 443 H1	CUP, bearing (2)			
	OR				
63	895 877 C1	CUP, bearing (2)			
64		SHAFT ASSY., output (Refer to "TRANSMISSION - Output Shaft and Gears")			
65	887 187 C2	GASKET			
66	1 110 970 C91	RETAINER ASSY. w/one FLANGE, 883 341 C3, one OIL SEAL, 169 154 H1 and one CUP, 188 443 H1 or one CUP, 895 877 C1			
	24 851 R1	BOLT (6)			
	25 535 R1	WASHER, flat (6)			
	883 341 C3	FLANGE			
67	1 112 772 C1	ADAPTER, strainer			
	24 865 R1	BOLT (4)			
	25 536 R1	WASHER, flat (4)			
68	169 206 H1	GASKET			
69	896 556 C2	VALVE, strainer check			

TRANSMISSION  
Front Housing Tubes



CE-123367



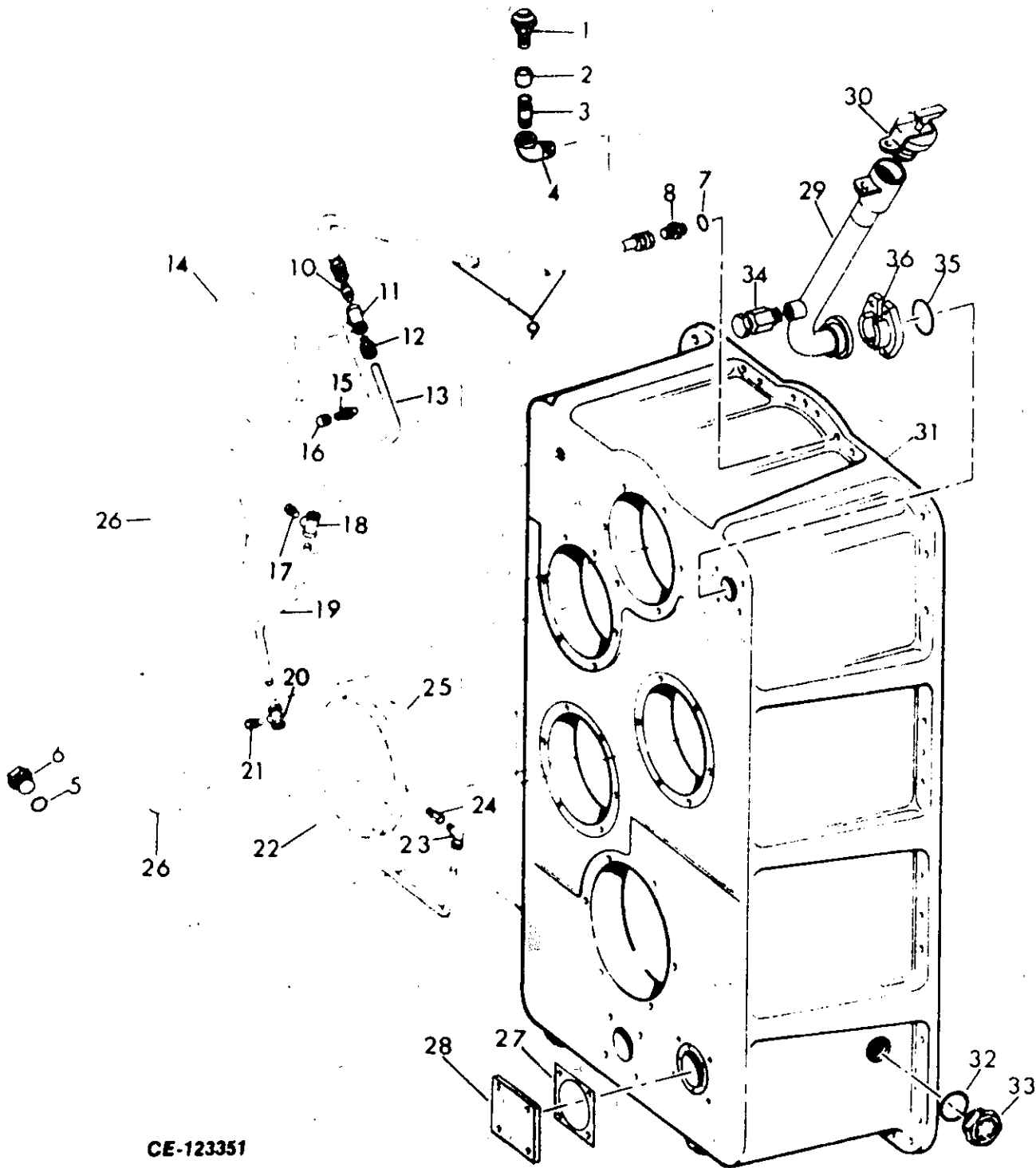
## DRIVE TRAIN

REF. NO.	PART NUMBER	DESCRIPTION	REF. NO.	PART NUMBER	DESCRIPTION
TRANSMISSION - Continued			24	932 548 C1	CYLINDER, micro
Front Housing Tubes				313 239 R1	WASHER, dynaseal
1	887 529 C1 123 250 H1	PLATE, identification SCREW (2)	25	9 409 939	TEE
2		CAP, oil supply (Refer to "TRANS- MISSION - Front and Rear Housings")	26	9 402 706	CONNECTOR
3	369 751 R1	"O" RING	28	1 130 670 C2	HOSE
4	9 410 200	CONNECTOR	29	9 410 977 570 828 R1	ELBOW, 90° (5) "O" RING (5)
5	307 915 R1	"O" RING (3)	30	9 411 118 570 828 R1	TEE (2) "O" RING (2)
6	347 765 R1	CONNECTOR	31	127 875	ADAPTER, reducer
7	9 410 285	ELBOW, 90°	32	663 194 C1	CONNECTOR
8	9 410 208	CONNECTOR	33	9 403 372	CAP, end
9	9 409 292	CONNECTOR	34	1 110 373 C1	TUBE, 1st lube
10	1 112 294 C1 203 762 R1 25 535 R1	BRACKET BOLT (2) WASHER, flat (2)	35	1 110 376 C1	TUBE, 1st clutch
11		CAP, oil supply (Refer to "TRANS- MISSION - Front and Rear Housings")	36	263 548 R1 24 840 R1 25 534 R1	CLAMP (2) BOLT (2) WASHER (2)
12	547 354 R1	CONNECTOR	37	1 110 387 C1 203 762 R1 25 535 R1	SUPPORT BOLT WASHER
13	369 751 R1	"O" RING	38	1 110 377 C1	TUBE, reverse
14	9 410 386	CONNECTOR	39	1 110 378 C1	TUBE, forward
15		CAP, oil supply (Refer to "TRANS- MISSION - Front and Rear Housings")	40	1 110 374 C1	TUBE, 3rd clutch
16	369 751 R1	"O" RING (2)	41	1 110 375 C1	TUBE, 2nd clutch
17	9 410 386	CONNECTOR (2)	42	1 112 204 C1	ELBOW, 90° (4)
18	9 410 203 570 828 R1	CONNECTOR "O" RING	43	9 410 203 570 828 R1	CONNECTOR (4) "O" RING (4)
19	443 976	NIPPLE (3)			
20	9 409 931	ELBOW, 90° (2)			
21	715 370 C1	PLUG, quick disconnect (3)			
22		VALVE ASSY., transmission control (Refer to "TRANS- MISSION - Control Valve")			
23		HOUSING, front (Refer to "TRANSMISSION - Front and Rear Housings")			

DRIVE TRAIN

REF. NO.	PART NUMBER	DESCRIPTION	REF. NO.	PART NUMBER	DESCRIPTION
----------	-------------	-------------	----------	-------------	-------------

TRANSMISSION  
Rear Housing Tubes



CE-123351

1	923 745 C91	BREATHER	5	296 247 R1	"O" RING
2	925 953 C1	COUPLING	6	9 410 363	PLUG
3	190 724	NIPPLE	7	369 751 R1	"O" RING
4	141 621	ELBOW, 90°	8	9 410 200	CONNECTOR

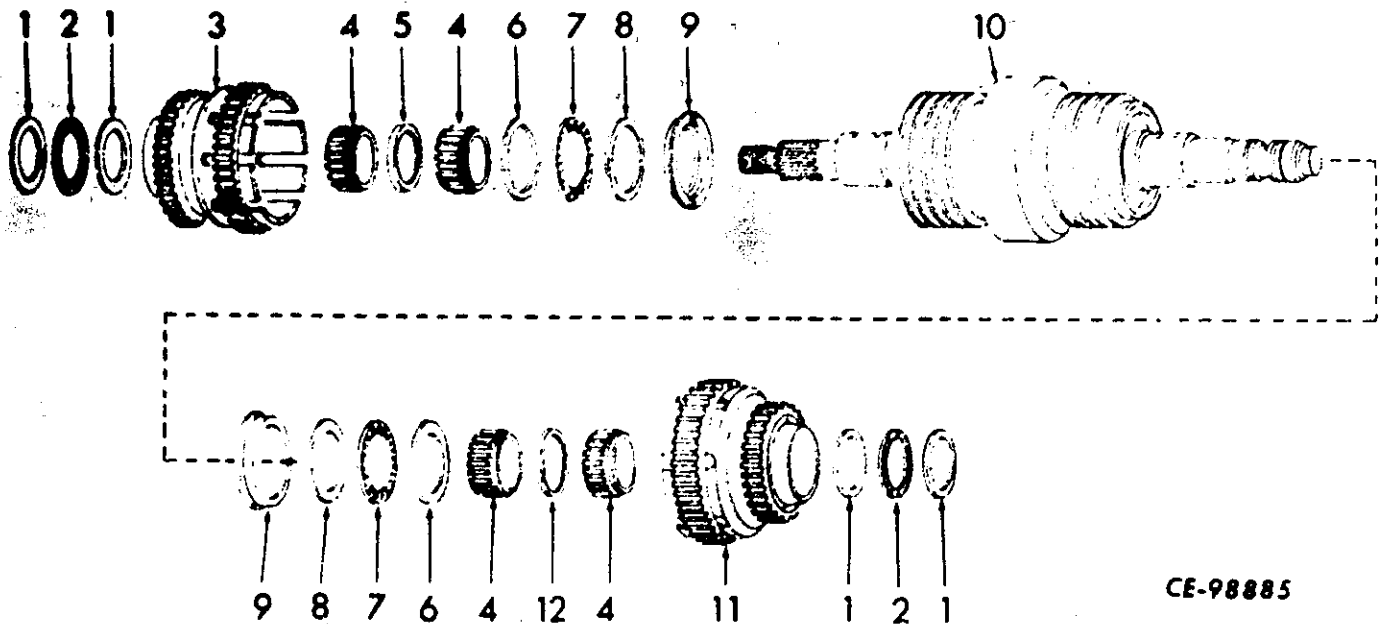
**DRIVE TRAIN**

REF NO.	PART NUMBER	DESCRIPTION	REF. NO.	PART NUMBER	DESCRIPTION
<b>TRANSMISSION - Continued</b>			28	1 110 737 C1	PLATE, cover (For machines without ground driven steering)
<b>Rear Housing Tubes</b>				1 110 742 C1	STUD (4)
				25 536 R1	WASHER (4)
				25 526 R1	NUT (4)
9	1 130 661 C2	HOSE	29	1 110 748 C2	TUBE, oil filler
10	9 402 706	CONNECTOR	30	1 111 162 C1	CAP, oil filler
11	105 416	TEE	31		HOUSING, rear (Refer to "TRANSMISSION - Front and Rear Housings")
12	29 901 D 414 504 C1 29 898 D	CONNECTOR w/o NUT EYELET NUT, tube	32	364 145 R1	"O" RING
13	925 995 C1	TUBE	33	933 022 C1	GAUGE, sight
14		CAP (Refer to "TRANSMISSION - Front and Rear Housings")	34	175 772 H1 42 409 D 414 505 C1 37 165 D	CONNECTOR BODY, connector EYELET NUT, tube
15	105 404	NIPPLE, pipe	35	343 906 R1	"O" RING
16	925 932 C1	PLUG, orifice	36	877 949 C2 140 483 H 25 896 R1	SPLIT FLANGE (2) BOLT (4) WASHER (4)
17	925 931 C1	ADAPTER			
18	95 791 H 414 504 C1 29 898 D	TEE EYELET (2) NUT, tube (2)			
19	925 993 C1	TUBE			
20	95 791 H 414 504 C1 29 898 D	TEE EYELET (2) NUT, tube (2)			
21	925 931 C1	ADAPTER			
22	925 994 C1	TUBE			
23	30 402 D 414 504 C1 29 898 D	ELBOW w/o NUT EYELET NUT, tube			
24	925 931 C1	ADAPTER			
25		CAP (Refer to "TRANSMISSION - Front and Rear Housings")			
26		CAP (Refer to "TRANSMISSION - Front and Rear Housings")			
27	1 110 738 C1	GASKET, cover plate (For machines without ground driven steering)			
27		GASKET, pump mounting (For machines with ground driven steering) (Refer to "GROUND DRIVEN STEERING PUMP")			

## DRIVE TRAIN

REF. NO.	PART NUMBER	DESCRIPTION	REF. NO.	PART NUMBER	DESCRIPTION
----------	-------------	-------------	----------	-------------	-------------

**TRANSMISSION**  
Forward and Reverse Clutch



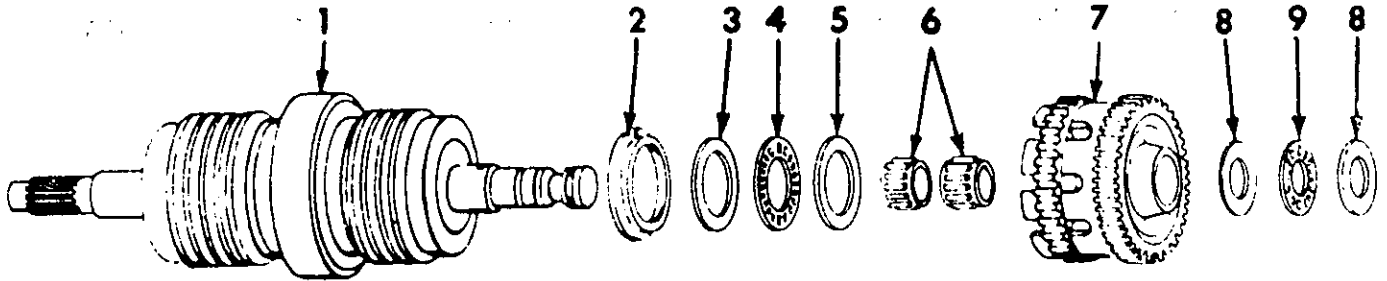
CE-98885

1	336 302 R2	WASHER, thrust (4)	8	890 139 C1	WASHER, thrust steel (2)
2	672 182 R91	BEARING, thrust steel (2)	9	324 444 R1	SPACER, clutch (2)
3	890 144 C1	GEAR	10		CLUTCH PACK ASSY., basic (Refer to "TRANSMISSION - Forward and Reverse - 2nd and 3rd Basic Clutch Pack")
4	324 490 R91	BEARING, roller straight (4)	11	890 141 C1	GEAR
5	890 145 C2	SPACER, plain	12	890 142 C2	SPACER, plain
6	924 681 C2	WASHER, thrust steel (2)			
7	233 031 R91	BEARING, needle thrust (2)			

## DRIVE TRAIN

REF. NO.	PART NUMBER	DESCRIPTION	REF. NO.	PART NUMBER	DESCRIPTION
----------	-------------	-------------	----------	-------------	-------------

**TRANSMISSION**  
1st Gear Clutch



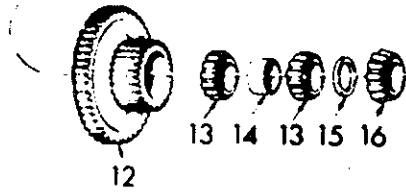
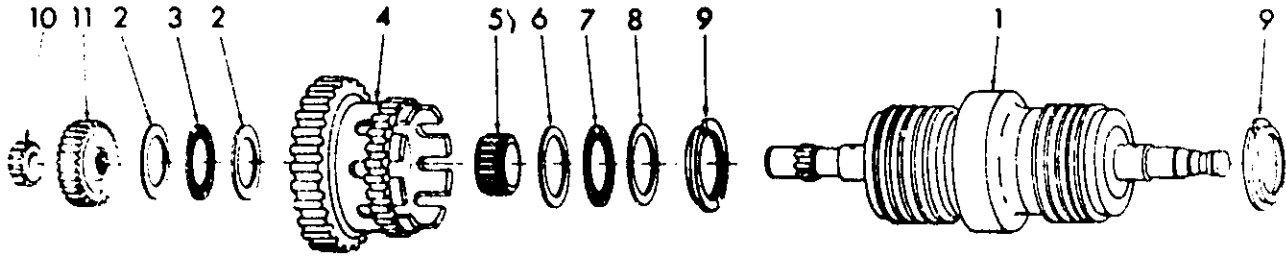
CE-98879

1		CLUTCH PACK ASSY., basic (Refer to "TRANSMISSION - 1st Gear Basic Clutch Pack")	5	924 681 C2	WASHER, thrust
2	324 444 R1	SPACER, clutch	6	324 490 R91	BEARING, roller (2)
3	890 139 C1	WASHER, thrust	7	890 686 C1	GEAR and DRUM
4	233 031 R91	BEARING, needle thrust	8	336 302 R2	WASHER, thrust steel (2)
			9	572 182 R91	BEARING, needle thrust

## DRIVE TRAIN

REF. NO.	PART NUMBER	DESCRIPTION	REF. NO.	PART NUMBER	DESCRIPTION
----------	-------------	-------------	----------	-------------	-------------

**TRANSMISSION**  
2nd and 3rd Gear Clutch:



CE-98880A

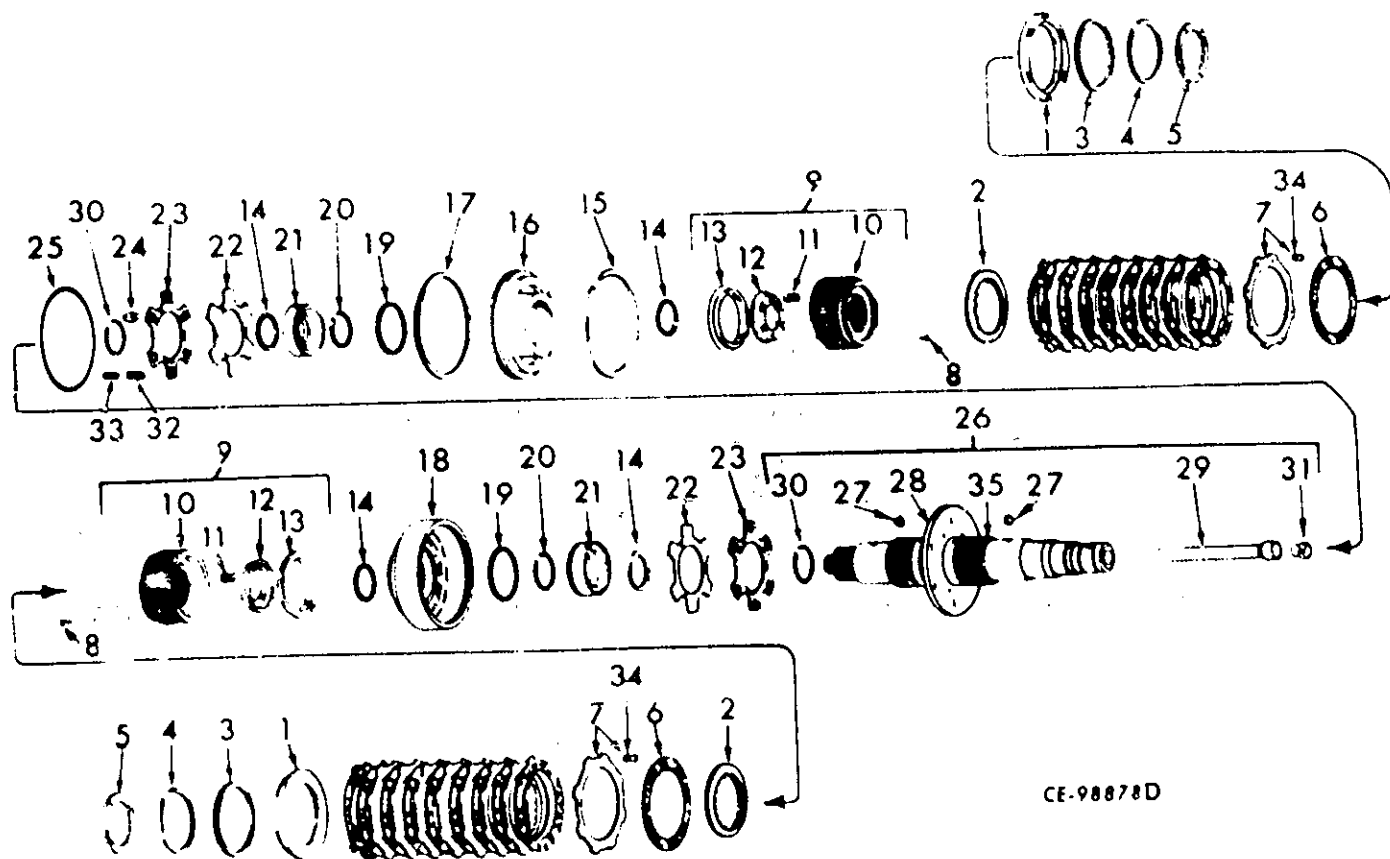
1		CLUTCH PACK ASSY., basic (Refer to "TRANSMISSION - Forward and Reverse - 2nd and 3rd Gear Basic Clutch Pack")	8	890 139 C1	WASHER, thrust
			9	324 444 R1	SPACER, clutch (2)
2	336 302 R2	WASHER, thrust steel (2)	10	883 359 C91	CONE, bearing
3	572 182 R91	BEARING, needle thrust	11	888 410 C4	GEAR, 38T
4	890 436 C1	GEAR and DRUM	12	895 713 C1	GEAR and DRUM
5	336 903 R91	BEARING, roller	13	895 704 C91	BEARING, roller (2)
6	924 681 C2	WASHER, thrust	14	895 710 C1	SPACER
7	233 031 R91	BEARING, needle thrust	15	895 709 C1	RING
			16	895 702 C91	CONE, bearing

DRIVE TRAIN

REF. NO.	PART NUMBER	DESCRIPTION	REF. NO.	PART NUMBER	DESCRIPTION
----------	-------------	-------------	----------	-------------	-------------

TRANSMISSION

Forward and Reverse - 2nd and 3rd Basic Clutch Pack



CE-98878D

A	1 112 656 C92	CLUTCH PACK ASSY., forward and reverse basic	7	1 112 670 C91	PLATE w/four PLUGS, 1 112 672 C1 clutch (External spline and 0.395" long plugs) (A) (20)
B	921 892 C93	CLUTCH PACK ASSY., 2nd and 3rd basic (Consists of the following parts -	8	189 339 H1	BOLT, special (4)
1	627 578 C1	PLATE, backing (2)	9	1 112 665 C92	HUB ASSY., clutch (A) (2)
2	1 112 669 C91	PLATE, faced clutch (A) (2)	9	921 807 C2	HUB ASSY., clutch (B) (2)
3	25 010 R1	RING, snap (Internal) (2)	10	1 112 666 C1	HUB (A) (2)
4	627 579 C1	RING, snap (External) (2)	10	\$	HUB (B) (2)
5	1 112 821 C1	RING, retainer split (A) (4)	11	1 112 493 C1	SPRING (12)
5	610 498 C1	RING, retainer split (B) (4)	12	1 112 500 C1	RETAINER, spring (2)
6	1 112 667 C92	PLATE, faced clutch (A) (10 for forward, 10 for reverse)	13	1 113 018 C1	RING, retainer (A) (2)
6	619 200 C1	PLATE, faced clutch (B) (11 for 2nd gear; 11 for 3rd gear)	13	1 112 499 C1	RING, retainer (B) (2)
7	924 109 C1	PLATE w/four PLUGS, 930 282 C1 clutch (External spline and 0.385" long plugs) (20)	14	734 108 C1	RING, seal (4)
			15	324 387 R1	RING, snap (Internal)
			16	929 341 C1	PISTON, clutch

## DRIVE TRAIN

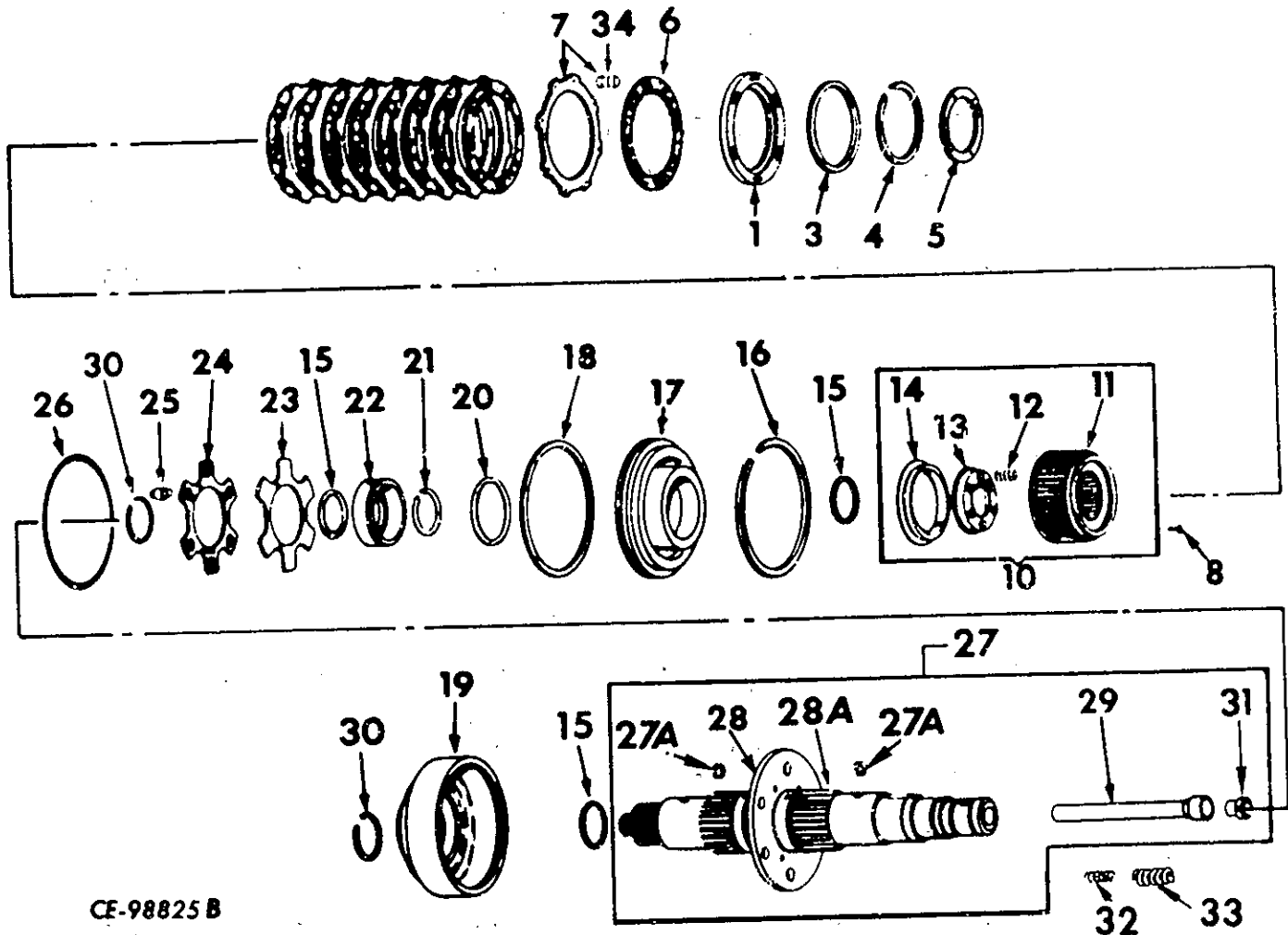
REF. NO.	PART NUMBER	DESCRIPTION	REF. NO.	PART NUMBER	DESCRIPTION
<b>TRANSMISSION - Continued</b>			1 112 928 C92 KIT, clutch hub (A)		
Forward and Reverse - 2nd and 3rd Basic Clutch Pack			(Consists of -		
17	148 817 H1	RING, seal		2 BOLT	189 339 H1
18	929 342 C1	HOUSING, piston		1 RING	25 010 R1
19	734 106 C1	RING, seal (2)		1 PLATE	627 578 C1
20	324 386 R1	RING, external snap (2)		1 RING	627 579 C1
21	929 340 C1	PISTON, accelerator (%) (2)		1 HUB	ASSY. 1 112 665 C92
22	610 494 C1	DISC, valve (%) (2)		10 PLATE	1 112 667 C92
23	625 605 C1	DISC, reinforcement (%) (2)		1 PLATE	1 112 669 C91
24	610 495 C1	PIN, dowel (%) (3)		10 PLATE	924 109 C1
25	324 397 R1	"O" RING		10 PLATE	1 112 670 C91
26	890 131 C92	SHAFT ASSY. (A)		2 RING	1 112 821 C1
26	890 435 C92	SHAFT ASSY. (B)			
27	17 164 R1	PIN (A) (4)			
27	17 164 R1	PIN (B) (2)			
28	1 112 658 C91	PLATE, separator (A) (%)			
28	625 664 C2	PLATE, separator (B)			
29	1 112 494 C1	TUBE (A)			
29	1 112 495 C1	TUBE (B)			
30	324 386 R1	RING, snap (%) (?)			
31	163 418 H1	CAP, oil inlet			
32	625 663 C1	SPRING, inner (%) (6)			
33	625 662 C1	SPRING, outer (%) (6)			
34	930 282 C1	PLUG, rubber (0.385" long) (80)			
34	1 112 672 C1	PLUG, rubber (0.395" long) (A) (80)			(%) - Also part of KIT, 938 572 C1.
35	\$	SHAFT			
	938 572 C1	KIT, separator plate (A)			
		(Consists of -			
		2 PISTON	929 340 C1		
		1 PLATE	1 112 658 C91		
		2 DISC	610 494 C1		
		2 DISC	625 605 C1		
		4 RING	324 386 R1		
		6 SPRING	625 662 C1		
		6 SPRING	625 663 C1		
		3 PIN	610 495 C1 )		



# DRIVE TRAIN

REF. NO.	PART NUMBER	DESCRIPTION	REF. NO.	PART NUMBER	DESCRIPTION
----------	-------------	-------------	----------	-------------	-------------

## TRANSMISSION 1st Gear Basic Clutch Pack



CE-98825 B

	922 035 C93	CLUTCH PACK ASSY., 1st gear basic (Consists of the following parts -	12	\$	SPRING (12)
			13	\$	RETAINER, spring
1	627 578 C1	PLATE, backing	14	\$	RING, retainer
3	25 010 R1	RING, snap (Internal)	15	734 108 C1	RING, seal (3)
4	627 579 C1	RING, snap	16	324 387 R1	RING, snap
5	610 498 C1	RING, retainer split (2)	17	890 681 C2	PISTON, clutch
6	619 200 C1	PLATE, faced clutch (11)	18	148 817 H1	RING, seal
7	924 109 C1	PLATE w/four PLUG, 930 282 C1, clutch (External splined) (10)	19	890 682 C2	HOUSING, piston
8	189 339 H1	BOLT, special (2)	20	734 106 C1	RING, seal
10	922 038 C2	HUB ASSY., clutch	21	324 386 R1	RING, snap (External)
11	\$	HUB, clutch			

**DRIVETRAIN**

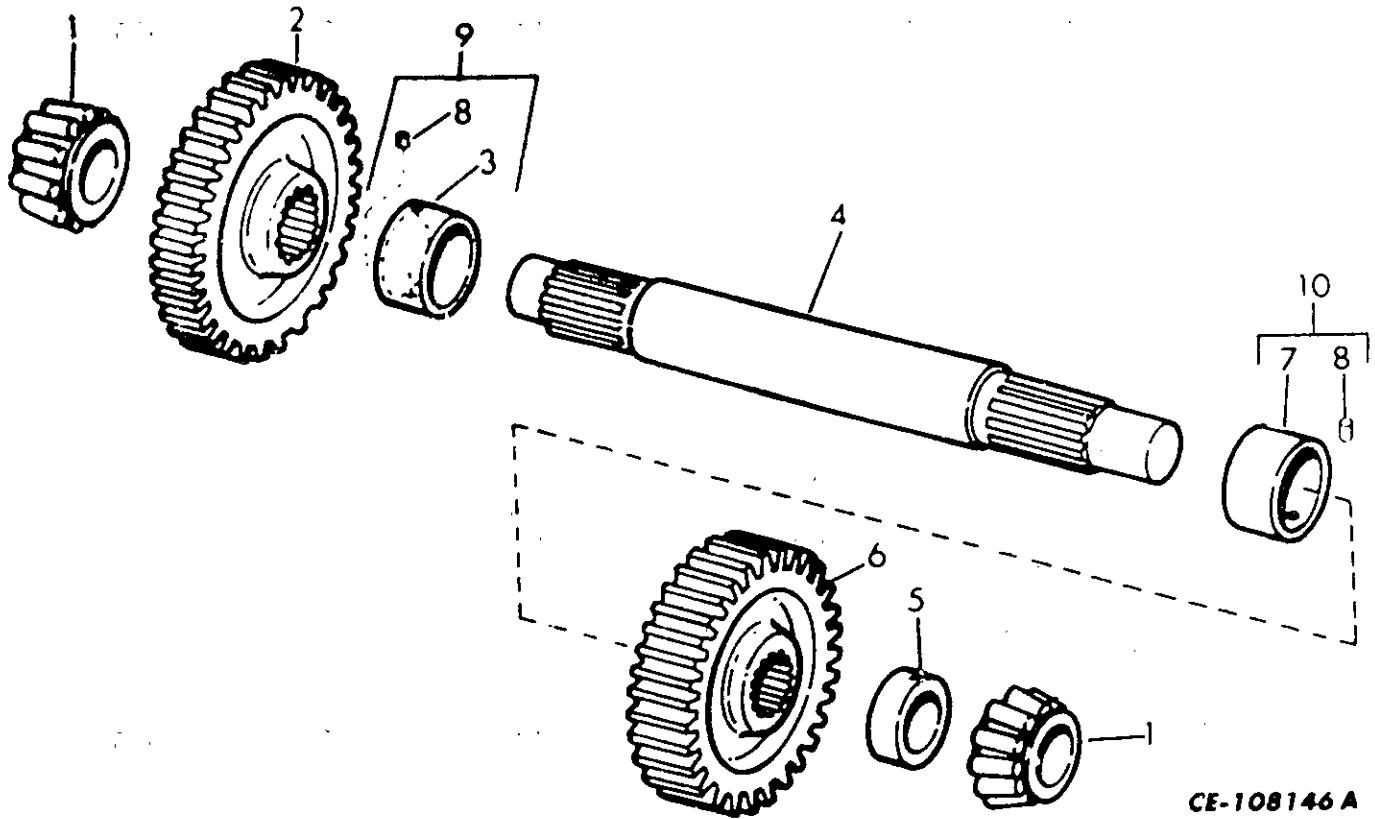
REF. NO.	PART NUMBER	DESCRIPTION	REF. NO.	PART NUMBER	DESCRIPTION
<b>TRANSMISSION - Continued</b>					
<b>1st Gear Basic Clutch Pack</b>					
22	929 340 C1	PISTON, accelerator (%)			
23	610 494 C1	DISC, valve (%)			
24	625 605 C1	DISC, reinforcing (%)			
25	922 036 C1	PIN, dowel (3)			
26	324 397 R1	"O" RING			
27	890 680 C91	SHAFT ASSY.			
27A	17 164 R1	PIN, spring (3)			
28	\$	PLATE, separator (%)			
28A	\$	SHAFT			
28	1 112 496 C1	TUBE			
30	324 386 R1	RING, snap (%) (2)			
31	163 418 H1	CAP, oil inlet			
32	625 663 C1	SPRING, inner (%) (3)			
33	625 662 C1	SPRING, outer (%) (3)			
34	930 282 C1	PLUG, rubber (40)			
	938 573 C1	KIT, separator plate (Consists of -			
		1 DISC		610 494 C1	
		1 DISC		625 605 C1	
		1 PISTON		929 340 C1	
		1 PLATE		\$	
		3 RING		324 386 R1	
		3 SPRING		625 662 C1	
		3 SPRING		625 663 C1)	

(%) - Also part of KIT, 938 573 C1.

# DRIVE TRAIN

REF. NO.	PART NUMBER	DESCRIPTION	REF. NO.	PART NUMBER	DESCRIPTION
----------	-------------	-------------	----------	-------------	-------------

**TRANSMISSION**  
Reverse Idler Shaft and Gears



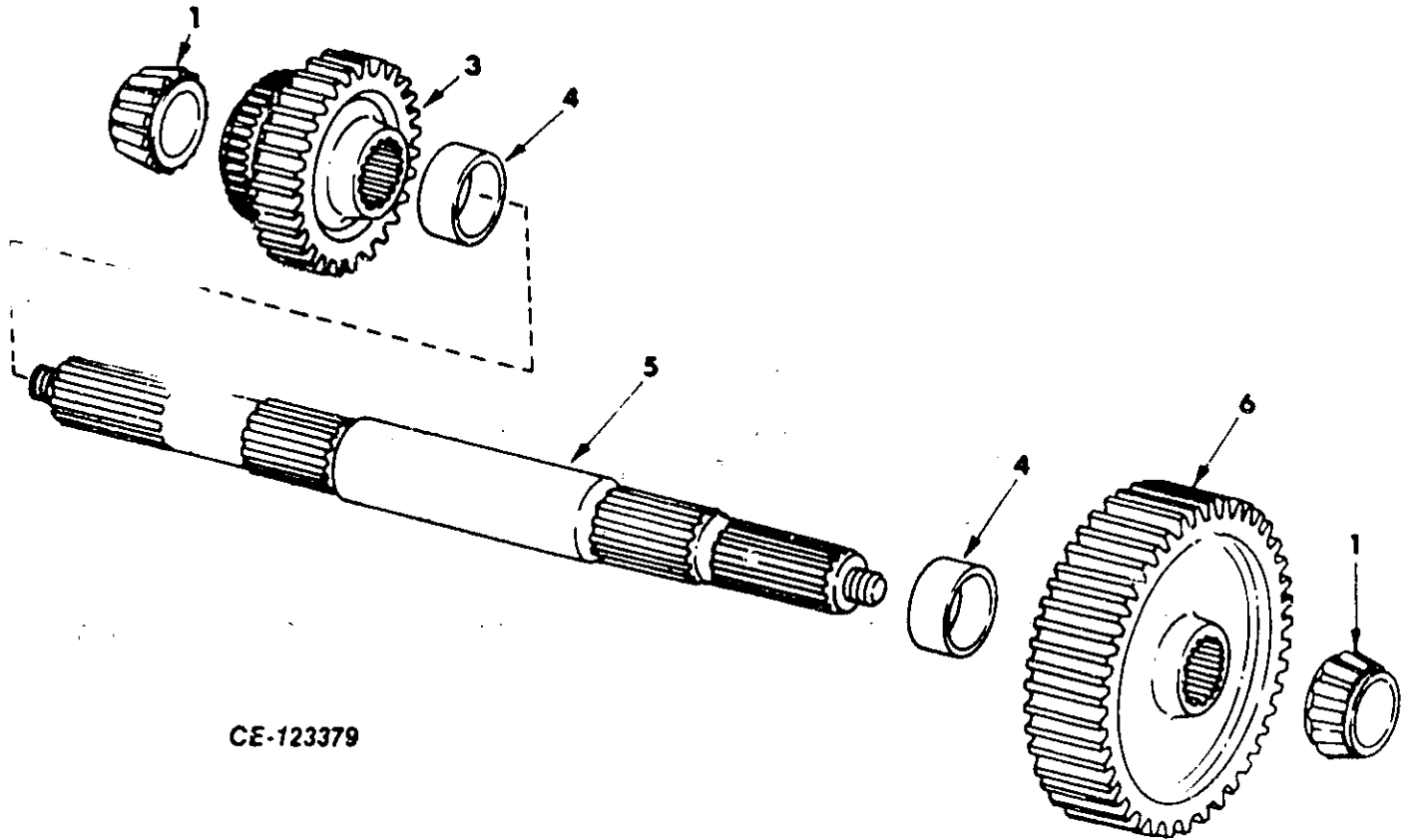
CE-108146 A

	883 383 C93	SHAFT ASSY., reverse idler (Consists of the following parts -		6	883 402 C4	GEAR, 29T
	1	971 528 R91		7	938 554 C1	SPACER
				8	17 135 R1	PIN, roll (2)
	2	888 407 C4		9	938 550 C91	SPACER ASSY.
	3	938 548 C1		10	938 549 C91	SPACER ASSY.
	4	883 375 C3				
	5	883 372 C2				

## DRIVE TRAIN

REF. NO.	PART NUMBER	DESCRIPTION	REF. NO.	PART NUMBER	DESCRIPTION
----------	-------------	-------------	----------	-------------	-------------

**TRANSMISSION**  
Output Shaft and Gears



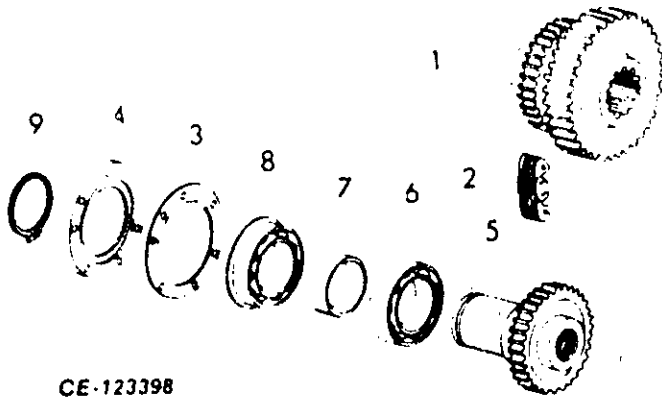
CE-123379

1	188 444 H1	CONE, bearing (2)	4	921 569 C1	SPACER (2)
3	1 110 747 C1	GEAR and SPROCKET (Gear, 31 teeth - sprocket, 40 teeth)	5	921 477 C1	SHAFT
			6	921 479 C2	GEAR, 49T

## DRIVE TRAIN

REF. NO.	PART NUMBER	DESCRIPTION	REF. NO.	PART NUMBER	DESCRIPTION
----------	-------------	-------------	----------	-------------	-------------

**TRANSMISSION**  
Ground Driven Steering Pump Drive



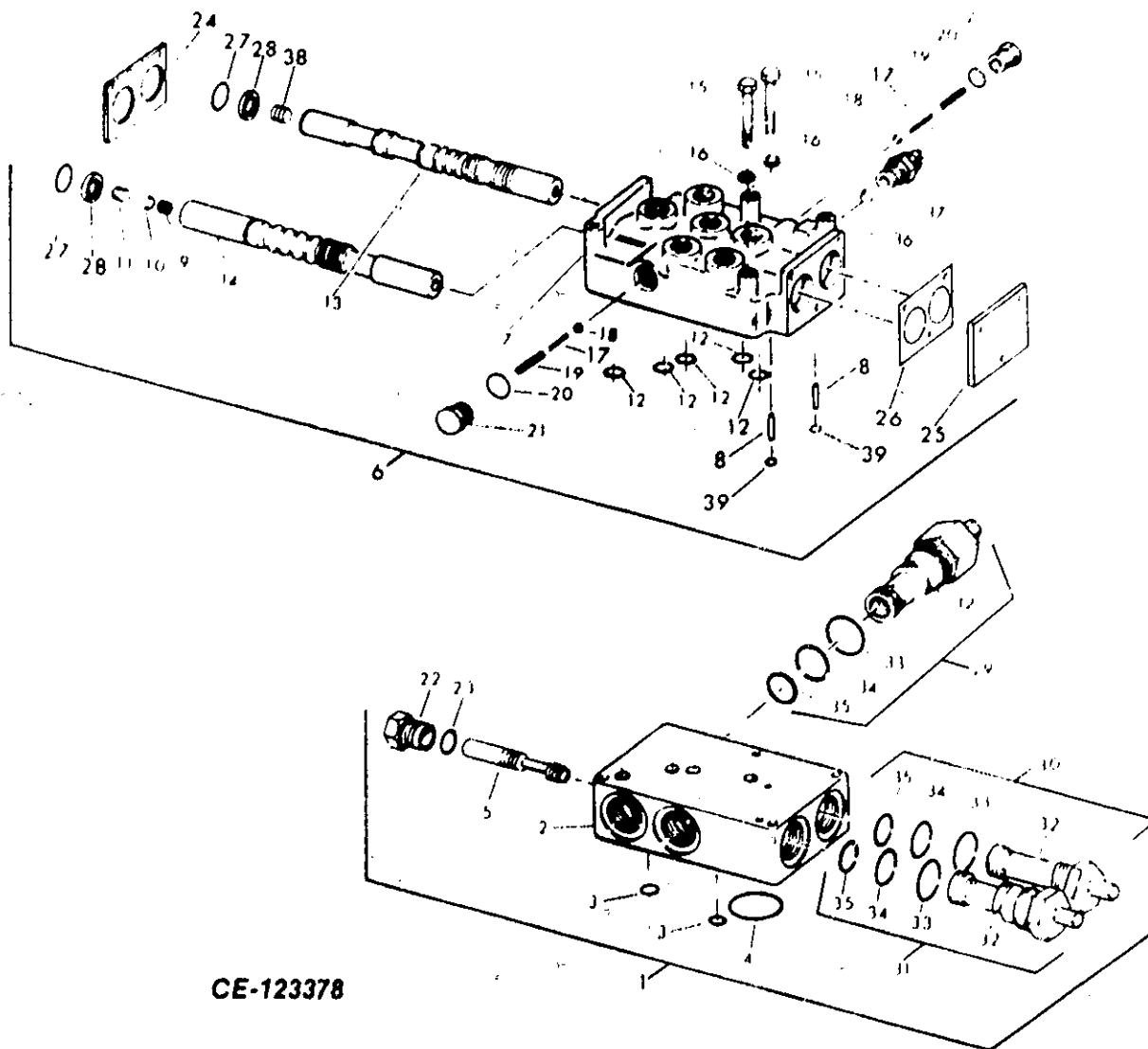
CE-123398

1		GEAR and SPROCKET, output (Refer to "TRANSMISSION - Output Shaft and Gears")
2	1 110 144 C1	CHAIN, drive
3	1 110 743 C1	SHIM (0.020) (X)
3	1 110 744 C1	SHIM (0.005) (X)
3	1 110 745 C1	SHIM (0.008) (X)
4	1 110 740 C1 197 292 H1	RETAINER, bearing SCREW, 12 pt (6)
5	1 110 886 C1	SHAFT and SPROCKET (33 teeth)
6	302 175 R91	BEARING, ball
7	1 108 407 C1	SPACER, bearing
8	ST 414	BEARING, ball
9	287 049 R1	RING, retaining

REF. NO.	PART NUMBER	DESCRIPTION	REF. NO.	PART NUMBER	DESCRIPTION
----------	-------------	-------------	----------	-------------	-------------

**TRANSMISSION**

**Control Valve**



**CE-123378**

1	1 110 653 C91	VALVE ASSY., transmission control	8	576 517 R1	PIN, slotted roll (2)
	25 684 R1	BOLT, 5-1/2" long (2)	9	923 368 C1	LOCKSCREW
	25 500 R1	BOLT, 3-1/4" long (2)	10	923 376 C1	SEAL
	120 382	WASHER, lock (4)	11	930 338 C1	SETSCREW
		(Consists of the following parts -	12	927 378 C1	"O" RING (5)
1	1 113 022 C91	VALVE ASSY., lower	13	1 112 616 C1	SPOOL, directional
2	1 112 618 C1	BODY, valve	14	1 112 614 C1	SPOOL, gear range
3	927 377 C1	"O" RING (2)	15	275 804 R1	BOLT, hex-hd (2)
4	26 479 R1	"O" RING	16	120 382	WASHER, lock (2)
5	932 682 C2	SPOOL, air operated	17	1 112 595 C1	PIN, detent (2)
6	1 113 021 C91	VALVE ASSY., upper			
7	1 112 617 C1	BODY, valve			

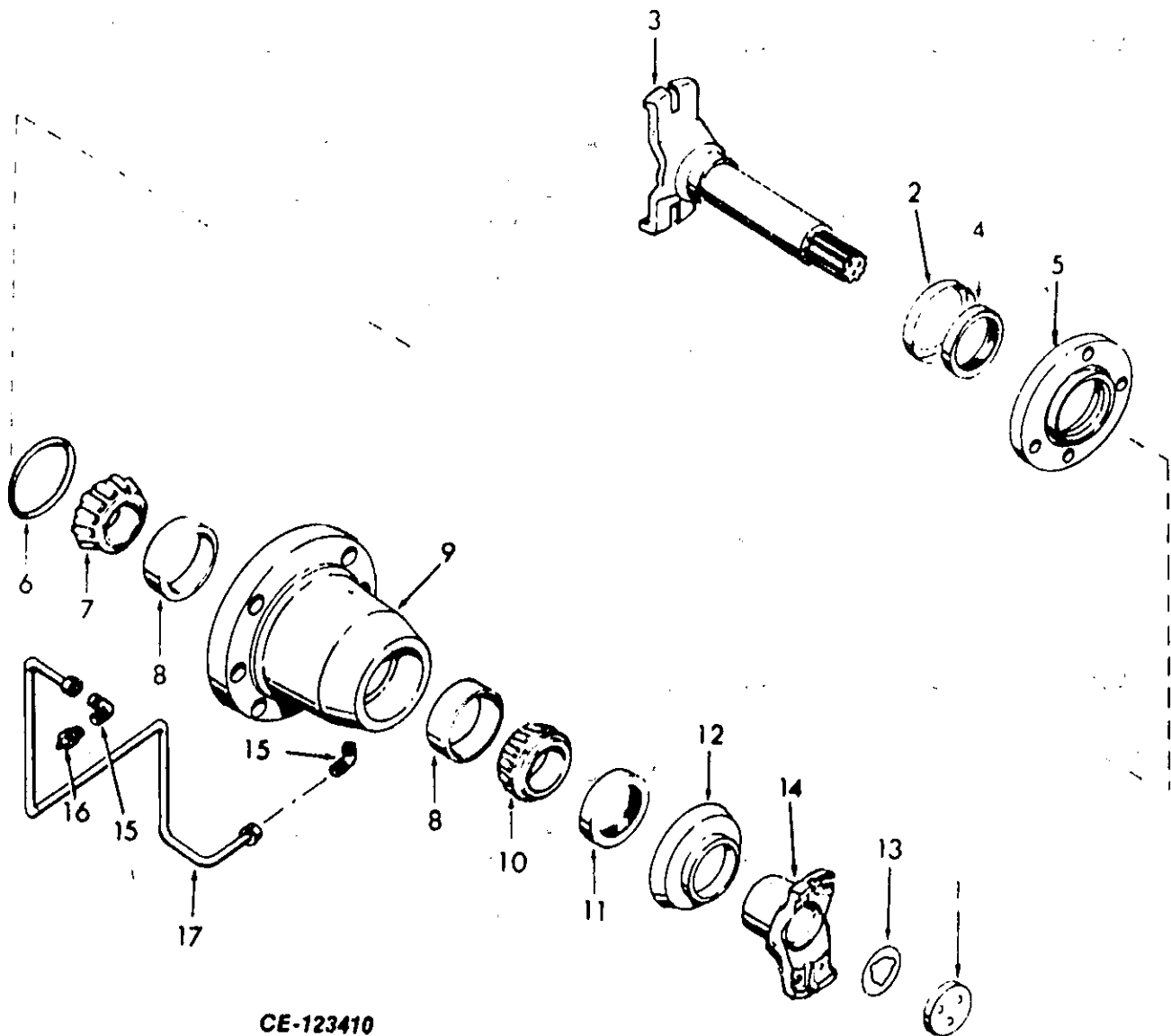
## DRIVE TRAIN

REF. NO.	PART NUMBER	DESCRIPTION	REF. NO.	PART NUMBER	DESCRIPTION
<b>TRANSMISSION - Continued</b>					
<b>Control Valve</b>					
18	17 012 R1	BALL, steel (2)			
19	1 112 596 C1	SPRING (2)			
20	927 364 C1	"O" RING (2)			
21	1 112 594 C1	PLUG (2)			
22	932 681 C1	PLUG			
23	876 066 C1	"O" RING			
24	1 112 597 C1 28 243 R1 106 497	PLATE, end SCREW, hex-socket (3) WASHER, lock (3)			
25	1 112 598 C1 28 243 R1 106 497	PLATE, end SCREW, hex-socket (3) WASHER, lock (3)			
26	1 112 599 C1	GASKET, plate			
27	1 112 613 C1	"O" RING (2)			
28	1 112 612 C1	SEAL (2)			
29	896 950 C92	VALVE ASSY., cartridge (200 psi)			
30	896 949 C91	VALVE ASSY., cartridge (80 psi)			
31	896 951 C91	VALVE ASSY., cartridge (10 psi)			
32	\$	VALVE (3)			
33	896 355 C1	"O" RING (3)			
34	896 357 C1	"O" RING (3)			
35	896 356 C1	"O" RING (3)			
36	16 022 R1	BALL			
37	209 053 H2	SWITCH, neutral safety			
38	1 112 615 C1	PLUG			
39	1 113 023 C1	"O" RING (2)			
	1 110 451 C91	VALVE ASSY., control (Consists of Ref. Nos. 1 and 6)			

## DRIVE TRAIN

REF. NO.	PART NUMBER	DESCRIPTION	REF. NO.	PART NUMBER	DESCRIPTION
----------	-------------	-------------	----------	-------------	-------------

### TRANSFER DRIVE



CE-123410

1	1 130 964 C91	DRIVE ASSY., transfer	5	1 130 619 C1	FLANGE, retainer
	24 892 R1	BOLT (6)		140 483 H	BOLT (4)
	25 548 R1	WASHER (12)		25 544 R1	WASHER (4)
	25 529 R1	NUT (6)			
		(Consists of Ref. Nos. 1 thru 14)			
1	1 120 749 C1	RETAINER, yoke	6	23 445 R1	"O" RING
	24 881 R1	BOLT (3)	7	64 373 H	CONE, bearing
	25 546 R1	WASHER (3)	8	389 637 R1	CUP, bearing (2)
2	1 120 748 C1	DEFLECTOR, dirt	9	1 130 617 C1	HOUSING
3	194 237 H1	YOKE and SHAFT	10	89 361 H	CONE, bearing
4	317 570 R91	SEAL	11	179 164 H1	SEAL
			12	1 136 349 C1	DEFLECTOR, dirt



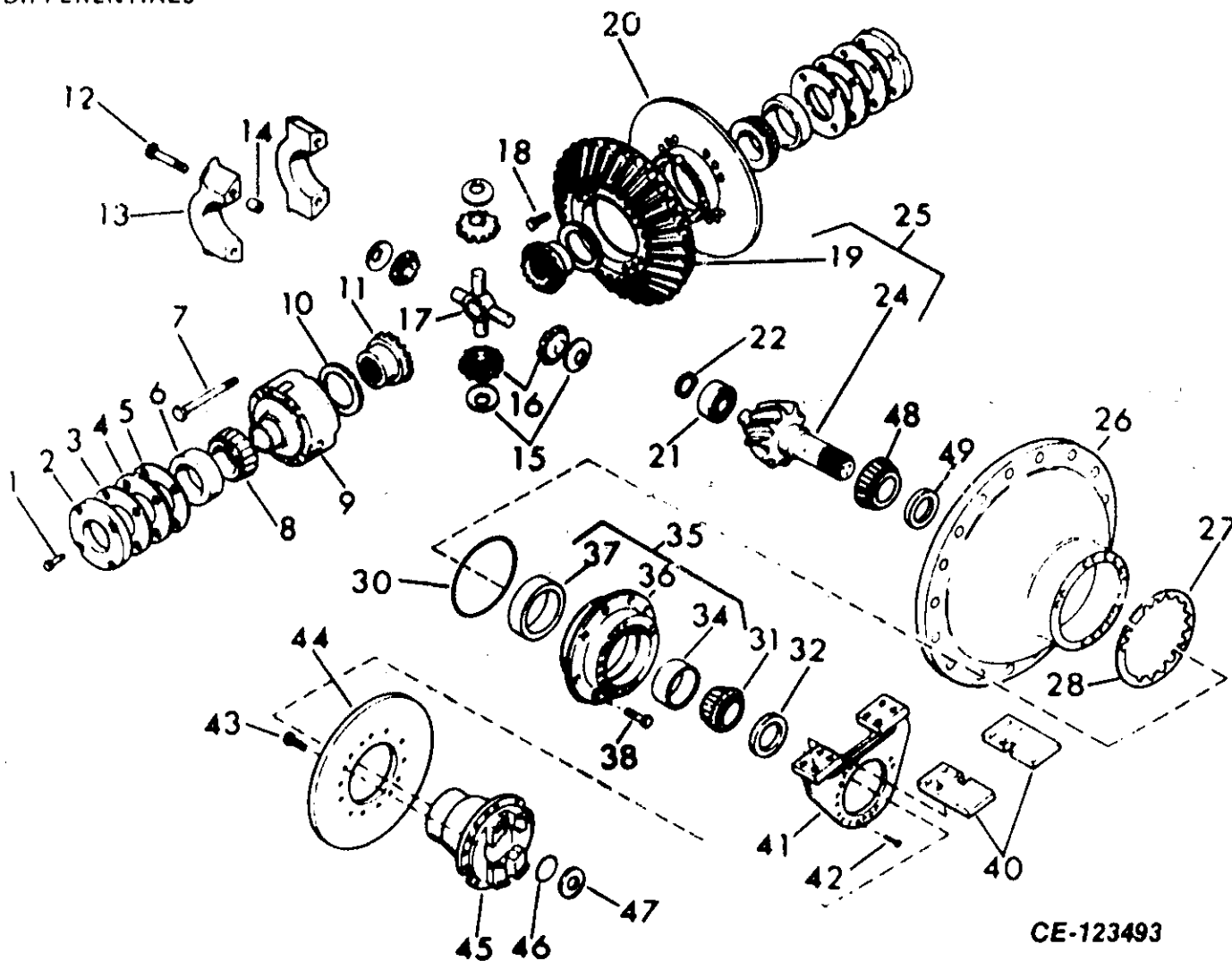
**DRIVE TRAIN**

REF. NO.	PART NUMBER	DESCRIPTION	REF. NO.	PART NUMBER	DESCRIPTION
<b>TRANSFER DRIVE - Continued</b>					
13	179 167 H1	SHIM, 0.005 (X)			
13	179 166 H1	SHIM, 0.007 (X)			
13	179 165 H1	SHIM, 0.020 (X)			
14	942 548 C1	YOKE			
15	9 402 862	ELBOW, 90° (Not part of transfer drive assy.) (2)			
16	109 461	FITTING, lubrication (Not part of transfer drive assy.)			
17	1 134 004 C2	TUBE, lubrication (Not part of transfer drive assy.)			
	140 776	CLAMP, tube			
	25 533 R1	WASHER, flat			
	25 520 R1	NUT, hex			

## DRIVE TRAIN

REF NO	PART NUMBER	DESCRIPTION	REF. NO.	PART NUMBER	DESCRIPTION
--------	-------------	-------------	----------	-------------	-------------

### DIFFERENTIALS



**CE-123493**

A	1 112 098 C91	DIFFERENTIAL ASSY., front	8	31 630 H	CONE, roller bearing (2)
B	1 112 097 C91	DIFFERENTIAL ASSY., rear	9	S	CASE HALF, plain (Order DIFFERENTIAL ASSY., 1 112 096 C91)
	24 894 R1	BOLT, 4" long (16)			
	25 515 R1	BOLT, 3 1/4" long (4)			
	25 538 R1	WASHER, flat (20)			
		(Consists of the following parts except Ref. No. 40)			
	10			929 587 C1	WASHER, side gear thrust (2)
				929 586 C1	SCREW, mach fit hd (4)
1	24 865 R1	BOLT, bearing retainer (8)	11	1 112 090 C1	GEAR, differential side (2)
2	1 109 557 C1	RETAINER, bearing (2)	12	26 720 R1	BOLT, carrier cap (4)
				25 540 R1	WASHER, flat (4)
3	1 109 559 C1	SHIM, bearing adj. (0.005) (X)	13	S	CAP, carrier (Order CARRIER and CAP ASSY., 1 111 927 C91) (2)
4	1 109 560 C1	SHIM, bearing adj. (0.007) (X)	14	1 109 647 C1	SLEEVE, carrier (4)
5	1 109 560 C1	SHIM, bearing adj. (0.020) (X)	15	196 310 H2	WASHER pinion gear thrust (4)
6	18 247 H	CUP, roller bearing (2)	16	883 224 C1	GEAR, bevel pinion (4)
7	25 904 R1	BOLT (24)	17	196 311 H3	ARM, pinion pivot
	281 878 C1	WASHER, hardened (24)			

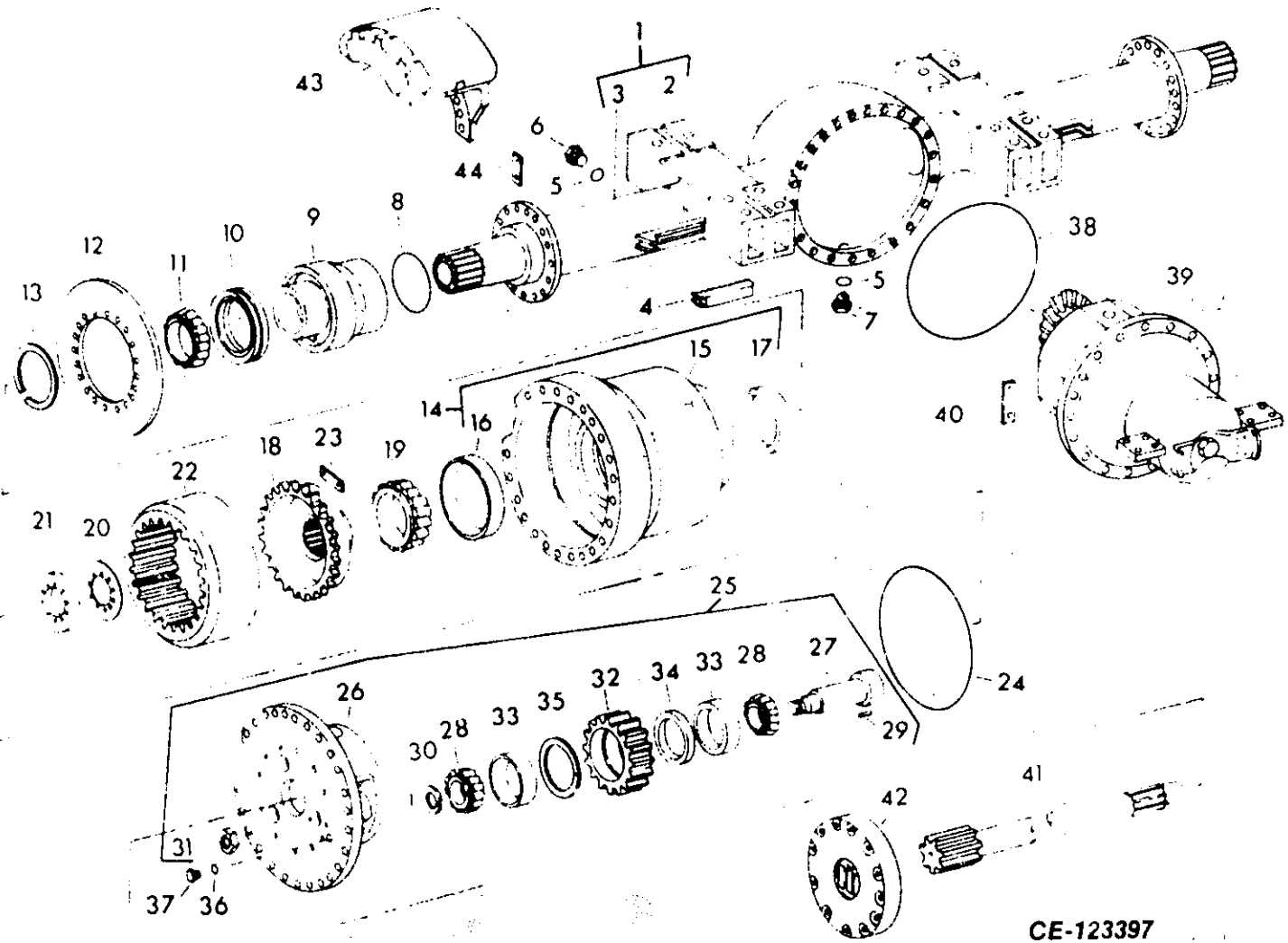
**DRIVE TRAIN**

REF. NO.	PART NUMBER	DESCRIPTION	REF. NO.	PART NUMBER	DESCRIPTION
<b>DIFFERENTIALS - Continued</b>			45	1 110 365 C1	YOKE (A)
			45	1 110 366 C1	YOKE (B)
18	1 111 957 C1	BOLT, dowel (12)	46	3 044 436 R1	"O" RING
	25 529 R1	NUT (12)			
	25 538 R1	WASHER (12)	47	1 109 555 C1	RETAINER, yoke
19	\$	GEAR, ring		25 998 R1	BOLT
20	\$	CASE, half flanged (Order DIFFERENTIAL ASSY., 1 112 096 C91)	48	1 109 564 C91	CONE, bearing
21	1 109 629 C91	BEARING, roller	49	1 109 556 C1	SPACER, bearing cone
22	307 960 R1	RING, external retaining		1 111 927 C91	CARRIER and CAP ASSY. (Consists of Ref. Nos. 12 thru 14 and 26)
24	\$	SHAFT, pinion		1 112 096 C91	DIFFERENTIAL ASSY. (Consists of Ref. Nos. 7, 9 thru 11, 15 thru 17, 20 and mounting hardware)
25	1 111 975 C1	SET, matched gear			
26	\$	CARRIER (Order CARRIER and CAP ASSY., 1 111 927 C91)			
27	1 110 850 C1	SHIM (0.005) (X)			
27	1 110 852 C1	SHIM (0.007) (X)			
27	1 110 854 C1	SHIM (0.020) (X)			
28	1 110 851 C1	SHIM (0.005) (X)			
28	1 110 853 C1	SHIM (0.007) (X)			
28	1 110 855 C1	SHIM (0.020) (X)			
30	343 931 R1	"O" RING			
31	921 684 C91	CONE, bearing			
32	1 109 558 C1	SEAL, oil			
34	921 683 C1	CUP, bearing			
35	1 109 765 C91	RETAINER ASSY., pinion bearing			
36	\$	RETAINER, pinion bearing			
37	1 109 563 C1	CUP, bearing			
38	27 578 R1	BOLT (B) (17)			
40	1 107 918 C2	BAR, brake mounting (Not part of the assy.) (A) (2)			
	27 799 R1	BOLT (8)			
41	1 108 087 C4	PLATE (A)			
42	26 146 R1	BOLT (A) (17)			
43	26 106 R1	BOLT (A) (16)			
44	1 107 921 C2	DISC, brake (A)			

DRIVE TRAIN

REF. NO.	PART NUMBER	DESCRIPTION	REF. NO.	PART NUMBER	DESCRIPTION
----------	-------------	-------------	----------	-------------	-------------

DRIVE AXLES



CE-123397

NOTE: Quantities are shown for one axle assy.

A	1 111 928 C91	AXLE ASSY., front drive	5	368 269 R1	"O" RING (3)
	27 272 R1	BOLT, hex (12)	6	9 410 361	PLUG, fill and level (2)
	26 609 R1	WASHER, flat (24)	7	220 150 H1	PLUG, drain
	25 985 R1	NUT, hex (12)	8	27 658 R1	"O" RING (2)
B	1 111 929 C91	AXLE ASSY., rear drive	9	1 112 786 C1	BUSHING (2)
	27 272 R1	BOLT, hex (8)	10	1 112 545 C2	OIL SEAL (2)
	206 468 H2	SPACER (16)	11	614 921 C91	CONE, inner bearing (2)
	25 985 R1	NUT, hex (8)	12	1 105 462 C1	DISC, service brake (2)
		(Consists of the following parts -		25 741 R1	BOLT, hex (36)
1	1 111 924 C1	HOUSING, axle		25 540 R1	WASHER, flat (36)
2	\$	BOWL, axle housing	13	1 111 023 C1	RING, retaining (2)
3	1 105 470 C2	SPINDLE, axle housing (2)			
4	1 110 878 C1	MAGNET (4)			

**DRIVE TRAIN**

REF. NO.	PART NUMBER	DESCRIPTION	REF. NO.	PART NUMBER	DESCRIPTION
<b>DRIVE AXLES - Continued</b>			41	1 112 089 C3	SHAFT, axle (2)
14	1 111 923 C91	HUB ASSY., wheel (2)	42	929 476 C1 21 318 R1	COVER, planetary carrier (2) BOLT, hex (24)
15	\$	HUB, wheel (2)	43		CALIPER ASSY., service brake (Refer to "SERVICE BRAKE CALIPERS") (4)
16	930 611 C1	CUP, outer bearing (2)	44	1 110 885 C1	BAR, brake line clip mounting (2)
17	614 922 C1	CUP, inner bearing (2)			
18	1 109 572 C1	HUB, ring gear (2)			
19	930 610 C91	CONE, outer bearing (2)			
20	1 105 459 C1	SHIM (0.005) (X)			
20	1 105 460 C1	SHIM (0.007) (X)			
20	1 105 461 C1	SHIM (0.020) (X)			
21	1 105 458 C1 27 846 R1	RETAINER (2) SCREW, 12 point (20)			
22	220 772 H1	GEAR, ring (2)			
23	182 283 H1 24 839 R1	LOCKPLATE (8) BOLT, hex (16)			
24	211 844 H1	RING, seal (2)			
25	885 387 C92 138 243	CARRIER ASSY., planetary (2) SCREW, hex-socket (8)			
26	885 407 C2	CARRIER, planetary (2)			
27	\$	SHAFT, planetary gear (6)			
28	ST 2188	CONE, bearing (12)			
29	19 947 R1	PIN, dowel (6)			
30	220 810 H1	WASHER, flat (6)			
31	220 754 H1	NUT, hex (6)			
32	220 768 H1	GEAR, planetary (6)			
33	ST 811	CUP, bearing (12)			
34	182 272 H1	SPACER, bearing cup (6)			
35	333 862 R1	RING, spiral retaining (6)			
36	368 269 R1	"O" RING (2)			
37	220 150 H1	PLUG, planetary (2)			
38	1 109 746 C1	"O" RING			
39		DIFFERENTIAL ASSY. (Refer to "DIFFERENTIALS")			
40	172 848 H2	BAR, brake line tee mounting			