

Fig. 11  
**TORQUE CONVERTER & ACCESSORY DRIVE**

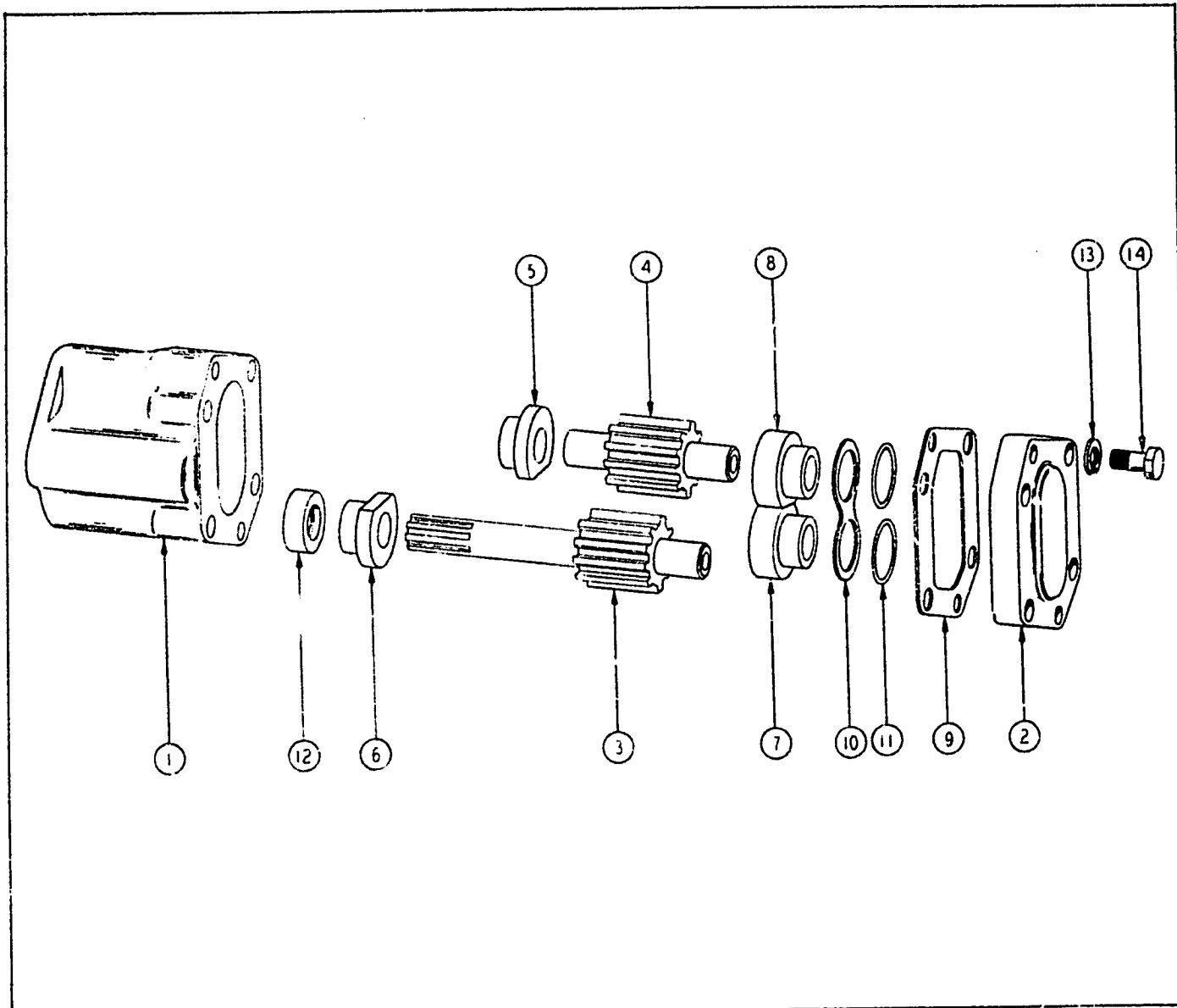
**TORQUE CONVERTER & ACCESSORY DRIVE GROUP**

ITEM NO.	PART NO.	PART NAME	Qty.	First Used On Serial Numbers	
				FROM	THRU
1	131991	Torque Converter & Hub Assembly . . . . .	1		
2	129710	Housing - Converter . . . . .	1		
3	130005	Oil Seal . . . . .	1		
4	130006	Ball Bearing . . . . .	1		
6	116641	Pin - Dowel . . . . .	2		
7	133512	Gear - 76T (Includes Item 8) . . . . .	1		
8	131196	Plug - Expansion . . . . .	1		
9	118524	Ball Bearing . . . . .	1		
10	136986	Ball Bearing . . . . .	1		
11	117613	Ring - Retaining . . . . .	2		
12	130009	Ring - Retaining . . . . .	1		
13	130010	Gear - 54T . . . . .	1		
14	118515	Ball Bearing . . . . .	2		
15	130011	Ring - Retaining . . . . .	2		
	133514	75T & 82T Gear Assembly (Incl. Items 17 thru 20) . . . . .			
17	130013	Gear - 75T . . . . .	1		
18	130014	Gear - 82T . . . . .	1		
19	130015	Capscrew - (special) . . . . .	6		
20		Lockwire (as required) . . . . .			
21	130016	Ball Bearing . . . . .	1		
22	129557	Ring - Retaining . . . . .	1		
23	130018	Ring - Sealing . . . . .	1		
24	129302	Housing - Front . . . . .	1		
25	130021	Gasket . . . . .	1		
26	141095	Capscrew - 3/8" N.C. x 1" Counter Bore . . . . .	12		
27	WL-16	Lockwasher - 3/8" Std. . . . .	12		
28	116716	Drain Plug . . . . .	1		
29	121508	Drain Plug (Magnetic) . . . . .	1		
30	114851	Washer - Copper . . . . .	1		
31	130022	Shaft & Cap Assembly . . . . .	1		
32	130027	"O" Ring . . . . .	1		
33	S-268	Capscrew - 3/8" N.C. x 1" . . . . .	6		
34	WL-16	Lockwasher - 3/8" Std. . . . .	6		
35	130028	Shaft - Output - Converter . . . . .	1		
36	130029	Ball Bearing . . . . .	1		
37	135310	Ring - Retaining . . . . .	1		
38	130030	Ring - Retaining . . . . .	1		
39	130031	Sealing Ring . . . . .	1		
40	131193	Retainer - Seal . . . . .	1		
41	129370	Oil Seal . . . . .	1		
42		Yoke - (See Drive Shaft Group) . . . . .	1		
43	130033	Washer . . . . .	1		
44	123298	Nut . . . . .	1		
45		Oil Pump (See Oil Pump Group) . . . . .	1		
46	132259	Gasket . . . . .	1		
47	124922	"O" Ring . . . . .	1		
48	S-2428	Capscrew - 1/4" N.C. x 3-1/2" . . . . .	2		
49	WL-14	Lockwasher - 1/4" Std. . . . .	2		
	130037	Filter Assembly (Includes Items 50 thru 59) . . . . .	1		
50		Washer - 1-1/4" Std . . . . .	1		

(Continued on next page)

**TORQUE CONVERTER & ACCESSORY DRIVE GROUP - Continued**

ITEM NO.	PART NO.	PART NAME	Qty.	First Used On Serial Numbers	
				FROM	THRU
51	130038	Shell - Oil Filter . . . . .	1		
52		Shaft - Oil Filter . . . . .	1		
53		Ball - 1/2" Dia. . . . .	1		
54		Spring . . . . .	1		
55		Ring - Retaining. . . . .	1		
56	130042	"O" Ring. . . . .	1		
57	130043	Spring . . . . .	1		
58	130044	Washer - Rubber . . . . .	2		
59	130045	Element - Filter . . . . .	1		
60	130046	"O" Ring. . . . .	1		
	130047	Valve Pressure Relief (Includes Items 61 thru 66) . . . . .	1		
61	130049	Body . . . . .	1		
62	130050	Cartridge . . . . .	1		
63	130051	Gasket . . . . .	1		
64	130052	Cover. . . . .	1		
65	S-267	Capscrew - 3/8" N.C. x 7/8". . . . .	1		
66	WL-16	Lockwasher - 3/8" Std. . . . .	1		
67	S-2628	Capscrew - 3/8" N.C. x 3-1/2". . . . .	2		
68	WL-16	Lockwasher - 3/8" Std. . . . .	3		
69	106799	"O" Ring. . . . .	3		
70	124922	"O" Ring. . . . .	3		
71	S-2622	Capscrew - 3/8" N.C. x 2-3/4". . . . .	1		
	S-2610	Capscrew - Conv. to Bell Hdg. - 3/8" N.C. x 1-1/4". . . . .	12		
	WL-16	Lockwasher - 3/8" Std. . . . .	12		
72	123246	Name Plate. . . . .	1		
73	123250	Drive Screw - Name Plate. . . . .	2		
74	142562	Gasket . . . . .	1		
	142896	Gasket Kit - Includes Items 25, 46, 63 & 74. . . . .	1		
	142898	"O" Ring Kit - Includes Items 32, 47, 60, 60 & 70. . . . .	1		
	142901	Oil Seal Kit - Includes Items 3 and 41 . . . . .	1		



**Fig. 12  
PUMP - ACCESSORY DRIVE**

Items without part numbers are not serviced separately.

ITEM NO.	PART NO.	PART NAME	Qty.	First Used On Serial Numbers	
				FROM	THRU
1	132256	Pump Complete (053135-010-01) .....	1		
2	134830	Body .....	1		
3	134831	Cover .....	1		
4		Drive Gear .....	1		
5		Driven Gear .....	1		
6		Bearing - Body .....	1		
7		Bearing - Body .....	1		
8		Bearing - Cover .....	1		
9		Bearing - Cover .....	1		
10		Gasket .....	1		
11	134829	Spring .....	1		
12	OR4-14	Seal Ring .....	2		
13	134839	Shaft Seal .....	1		
14	134839	Washer .....	4		
	134842	Capscrew - Hex. Hd .....	4		
	151834	Minor Kit - Incl. Items 9, 11 & 12 .....			
	151835	Major Kit - Incl. Items 5, 6, 7, 8, 10, 13 (2), 14 (2), and 151834 minor kit .....			
	151836	Gear Kit - Incl. Items 3 & 4 .....			