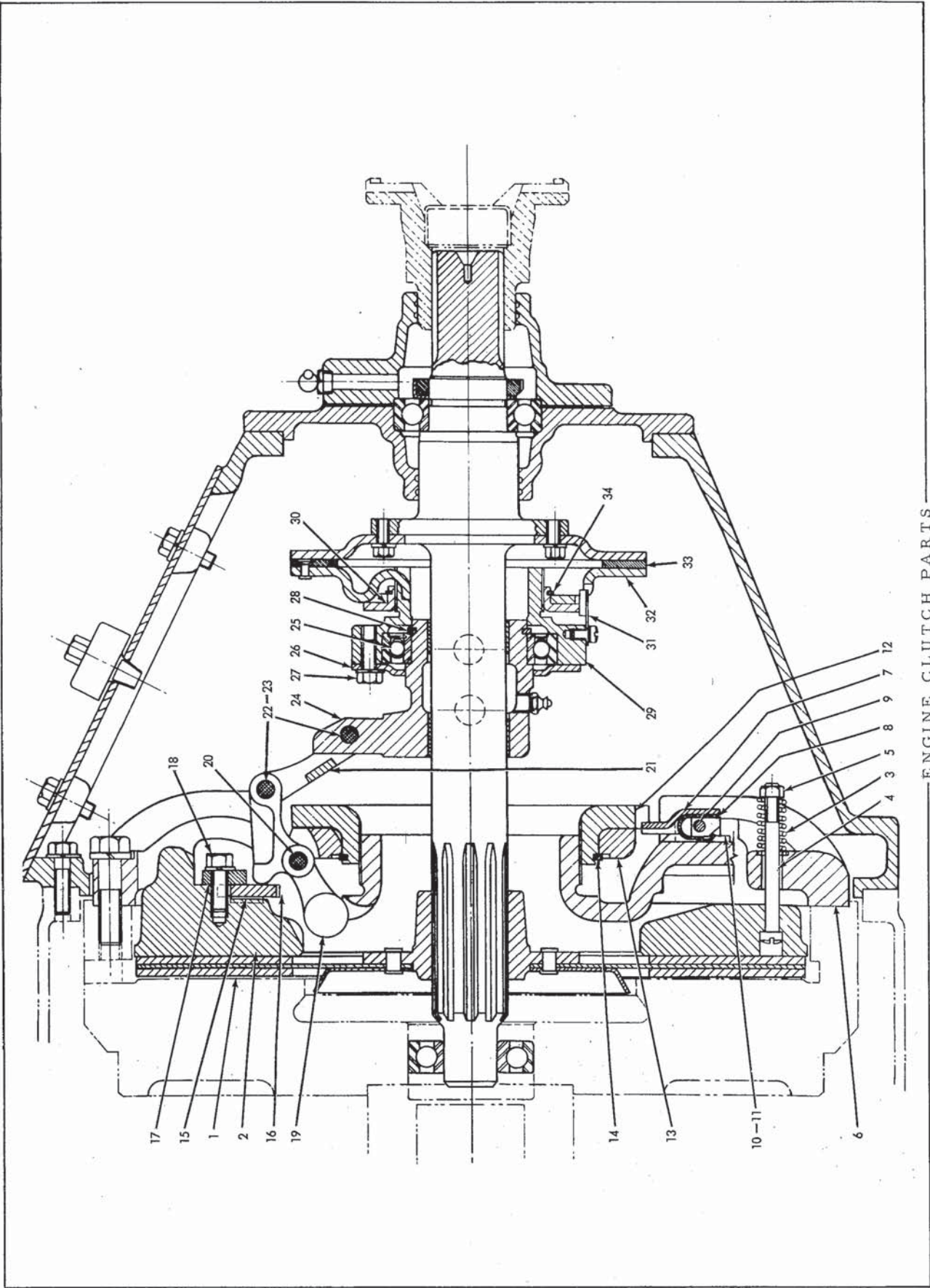


ENGINE CLUTCH AND HOUSING

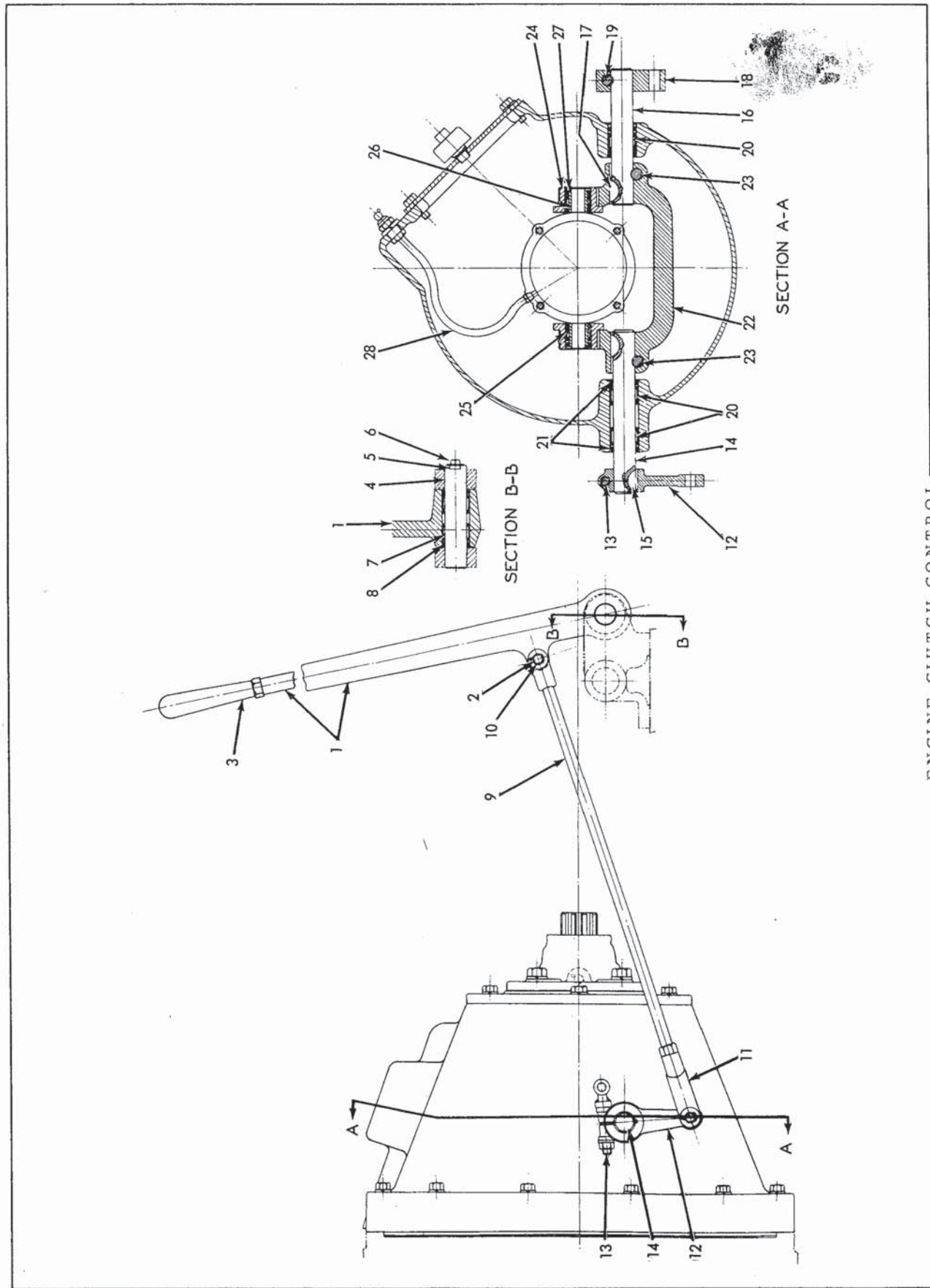
| <u>ITEM</u> | <u>PART NUMBER</u> | <u>QTY.</u> | <u>DESCRIPTION</u> | <u>KIT NUMBER</u> |
|-------------|--------------------|-------------|--|-------------------|
| 1 | 073900 | 1 | CLUTCH ASSEMBLY (See page 81 for repair parts) | |
| 2 | AM-8801 | 9 | CAPSCREW, 1/2"NC x 2" | |
| | 904208 | 9 | LOCKWASHER, 1/2" | |
| 3 | 056876 | 1 | HOUSING | |
| 4 | 013058 | 1 | CAPSCREW, 3/8"NC x 1-1/4" | |
| 5 | 056721 | 11 | CAPSCREW, 3/8"NC x 2-1/2" | |
| | 904206 | 12 | LOCKWASHER, 3/8" | |
| 6 | 050579 | 1 | DISC, brake | |
| 7 | 057927 | 6 | CAPSCREW, 5/16"NF x 3/4" | |
| | 904205 | 6 | LOCKWASHER, 5/16" | |
| 8 | 062057 | 1 | SHAFT, clutch | |
| 9 | 211013 | 1 | BEARING, ball, clutch shaft - front | |
| 10 | 051598 | 1 | RETAINER, clutch shaft rear bearing | |
| 11 | 013058 | 6 | CAPSCREW, 3/8"NC x 1-1/4" | |
| | 904206 | 6 | LOCKWASHER, 3/8" | |
| 12 | 042847 | 1 | BEARING, ball, clutch shaft - rear | |
| 13 | 030107 | 1 | NUT, clutch shaft rear bearing | |
| 14 | 030123 | 1 | WASHER, locking, rear bearing nut | |
| 15 | 051597 | 1 | CAP, rear bearing | |
| | 915276 | 1 | FITTING, lubricating, 90°, 1/8"NPT | |
| 16 | 035733 | 4 | CAPSCREW, 1/2"NC x 1-3/8" | |
| | 904208 | 4 | LOCKWASHER, 1/2" | |
| 17 | 050647 | 1 | GASKET, rear bearing cup | |
| 18 | 053899 | 1 | TUBE, lubricating, clutch shifting sleeve bearing (flexible, 10-1/2" long) | |
| | 911049 | 1 | NUT, jam, 5/8"NF | |
| | 904209 | 1 | LOCKWASHER, 5/8" | |
| | 915274 | 1 | FITTING, lubricating, 45°, 1/8"NPT | |
| 19 | 056867 | 1 | PLATE, engine clutch inspection | |
| 20 | 035439 | 4 | CAPSCREW, 3/8"NC x 1" | |
| | 904206 | 2 | LOCKWASHER, 3/8" | |
| 21 | 050748 | 1 | BREATHER, housing | |



ENGINE CLUTCH PARTS

ENGINE CLUTCH PARTS

| ITEM | PART NUMBER | QTY. | DESCRIPTION | KIT NUMBER |
|------|-------------|------|--|------------|
| 1 | 033782 | 1 | DISC ASSEMBLY, driving (Facings are cemented and are not serviced separately) | |
| 2 | 073919 | 1 | PLATE, pressure | |
| 3 | 040223 | 4 | SPRING, pressure plate retracting | |
| 4 | 073926 | 4 | SCREW, retracting spring (fil-hd; 5/16"NF x 3-3/8") | |
| 5 | 073927 | 4 | NUT, self-locking, 5/16"NF | |
| 6 | 073899 | 1 | PLATE, back | |
| 7 | 073901 | 1 | LOCK, adjustment | |
| 8 | 048375 | 1 | SPRING, adjustment lock | |
| 9 | 073902 | 1 | PIN, adjustment lock | |
| 10 | 073903 | 1 | BRACKET, adjustment lock | |
| 11 | 035979 | 2 | CAPSCREW, 3/8"NF x 5/8" | |
| | 911115 | 2 | WASHER, plain, SAE Std; 3/8" | |
| 12 | 073914 | 1 | RING, adjusting | |
| 13 | 073915 | 1 | PLATE, adjusting ring | |
| 14 | 073916 | 1 | RING, plate retaining | |
| 15 | 073921 | 1 | BEAM, actuating lever | |
| 16 | 073920 | 1 | PAD, wear | |
| 17 | 073922 | 4 | PLATE, beam retaining | |
| 18 | 036034 | 4 | CAPSCREW, 3/8"NF x 1" | |
| | 904206 | 4 | LOCKWASHER, 3/8" | |
| | 073917 | 4 | LEVER, actuating | |
| 20 | 073918 | 4 | PIN, actuating lever | |
| 21 | 073923 | 4 | LINK, actuating lever | |
| 22 | 073924 | 8 | PIN, actuating lever link | |
| 23 | 073925 | 8 | RING, snap, pin retaining | |
| 24 | 073904 | 1 | SLEEVE ASSEMBLY, shifting (Includes 2 BUSHINGS which are not serviced separately and 4 FITTING indented below) | |
| | 914465 | 4 | FITTING, lubricating, straight, 1/8"NPT | |
| 25 | 061490 | 1 | BEARING, ball, clutch shifting | |
| 26 | 073907 | 1 | PLATE, bearing retaining | |
| 27 | 045312 | 4 | CAPSCREW, 5/16"NC x 3/4" | |
| | 904205 | 4 | LOCKWASHER, 5/16" | |
| 28 | 073908 | 1 | RING, snap, bearing retaining | |
| 29 | 073905 | 1 | CARRIER, shifter bearing | |
| 30 | 073911 | 1 | RING, adjusting, brake disc | |
| 31 | 073913 | 1 | LOCK, brake disc adjustment | |
| | 903745 | 1 | SCREW, fil-hd; 1/4"NC x 3/8" | |
| | 914533 | 1 | LOCKWASHER, internal teeth, 1/4" | |
| 32 | 073909 | 1 | PLATE ASSEMBLY, clutch brake (Includes item 33) | |
| | 073910 | 2 | FACING, brake | |
| | 911097 | 12 | RIVET, tubular, brass, ctsk-hd; 3/16" x 3/8" | |
| 34 | 073912 | 1 | RING, snap brake disc retaining | |



ENGINE CLUTCH CONTROL

ENGINE CLUTCH CONTROL

| <u>ITEM</u> | <u>PART NUMBER</u> | <u>QTY.</u> | <u>DESCRIPTION</u> | <u>KIT NUMBER</u> |
|-------------|--------------------|-------------|--|-------------------|
| 1 | 056878 | 1 | LEVER ASSEMBLY, clutch operating (Includes item 2) | |
| | 049988 | 1 | BUSHING, clutch operating lever | |
| 3 | 052591 | 1 | GRIP, operating lever | |
| 4 | 056945 | 1 | SHAFT, pivot, operating lever | |
| 5 | 050221 | 1 | BLOCK, shaft locking | |
| 6 | { 047478 | 1 | CAPSCREW, 1/4"NC x 5/8" | |
| | { 904204 | 1 | LOCKWASHER, 1/4" | |
| 7 | 051513 | 2 | BEARING, needle, operating lever shaft | |
| 8 | 053926 | 2 | SEAL, dust, needle bearing | |
| 9 | { 056869 | 1 | ROD, operating lever | |
| | { 911043 | 1 | NUT, 1/2"NF | |
| 10 | { 049993 | 2 | PIN, yoke | |
| | { 900805 | 2 | PIN, cotter, 1/8" x 3/4" | |
| 11 | 068389 | 1 | YOKE, operating rod | |
| 12 | 068511 | 1 | LEVER, operating rod | |
| 13 | { 069707 | 1 | BOLT, eye | |
| | { 911041 | 1 | NUT, 3/8"NF | |
| | { 904206 | 1 | LOCKWASHER, 3/8" | |
| 14 | 056872 | 1 | SHAFT, clutch operating yoke - left | |
| 15 | 036997 | 2 | KEY, #13 woodruff, 3/16" x 1", hardened | |
| 16 | 056871 | 1 | SHAFT, clutch operating yoke - right | |
| 17 | 036997 | 1 | KEY, #13 woodruff, 3/16" x 1", hardened | |
| 19 | { 050566 | 1 | LEVER, shift lock | |
| | { 035068 | 1 | CAPSCREW, 1/2"NF x 2" | |
| | { 911043 | 1 | NUT, 1/2"NF | |
| | { 904208 | 1 | LOCKWASHER, 1/2" | |
| 20 | 051513 | 3 | BEARING, needle, operating yoke shaft | |
| 21 | 053926 | 2 | SEAL, dust, needle bearing | |
| 22 | 056873 | 1 | YOKE, clutch operating | |
| 23 | { 035068 | 2 | CAPSCREW, 1/2"NF x 2" | |
| | { 911043 | 2 | NUT, 1/2"NF | |
| | { 904208 | 2 | LOCKWASHER, 1/2" | |
| 24 | 056865 | 2 | BLOCK, sliding, operating yoke | |
| 25 | 050442 | 2 | BEARING, needle, operating yoke | |
| 26 | 056864 | 2 | RACE, inner, needle bearing | |
| 27 | 053927 | 4 | SEAL, dust, needle bearing | |
| 28 | ----- | - | TUBE, lubricating (See ENGINE CLUTCH AND HOUSING) | |