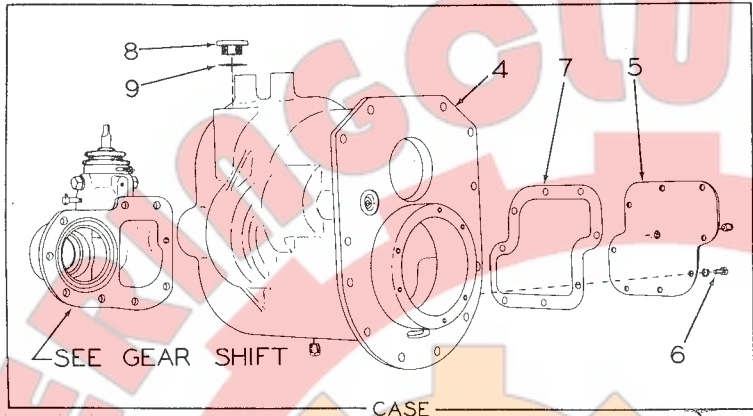
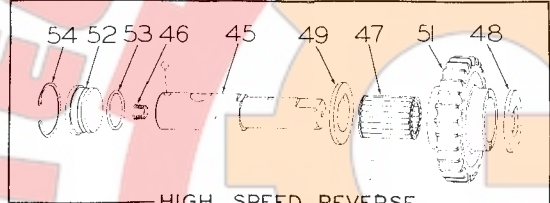


TOP SHAFT

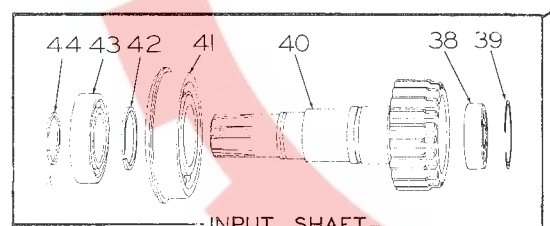
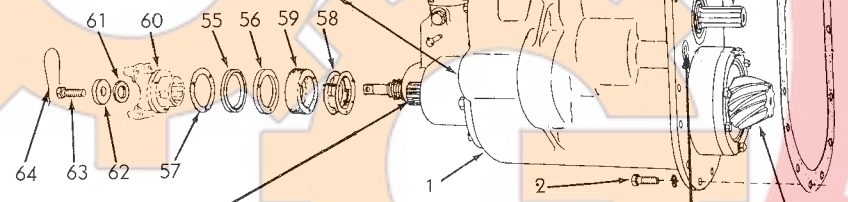


SEE GEAR SHIFT

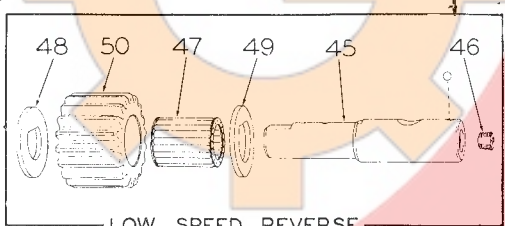
CASE



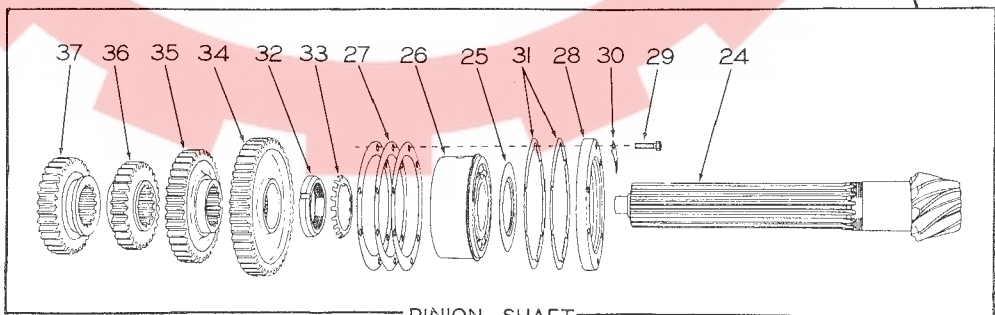
HIGH SPEED REVERSE



INPUT SHAFT



LOW SPEED REVERSE



PINION SHAFT

TRANSMISSION

TRANSMISSION

* Standard equipment. Provides 5 forward speeds and 1 reverse speed.
 ** Optional equipment. Provides 4 forward speeds and 2 reverse speeds.

ITEM	PART NUMBER	QTY. * **	DESCRIPTION	PACKAGE NUMBER
1	086740	1 -	TRANSMISSION ASSEMBLY (Consists of items 4 thru 50. Also includes gear shift mechanism)	
	086774	- 1	TRANSMISSION ASSEMBLY (Consists of items 4 thru 54. Also includes gear shift mechanism)	
2	035733	12 12	CAPSCREW, 1/2"NC x 1-3/8"	
	904208	12 12	LOCKWASHER, 1/2"	
3	050298	1 1	GASKET, transmission case to steering clutch housing . . . 069628	
4	-----	1 -	CASE only (Not serviced. Order CASE ASSEMBLY 075711)	
	075711	- 1	CASE ASSEMBLY (Includes one each of items 45, 46, 52, 53 and 54)	
	901653	1 1	PLUG, pipe, 3/8"NPT	
5	080808	1 1	COVER, side	
6	901652	1 1	PLUG, pipe, 1/4"NPT	
	035244	8 8	CAPSCREW, 3/8"NC x 3/4"	
	904206	8 8	LOCKWASHER, 3/8"	
7	050304	1 1	GASKET, side cover 069628	
8	035250	1 1	PLUG, oil filler	
9	035249	1 1	GASKET, oil filler plug 069628	
10	050297	1 1	COVER, top shaft front bearing	
11	013058	5 5	CAPSCREW, 3/8"NC x 1-1/4"	
	904206	5 5	LOCKWASHER, 3/8"	
12	050296	1 1	GASKET, top shaft front bearing cover 069628	
13	049938	1 1	SHAFT, top	
14	051344	2 2	RING, snap, top shaft	
15	090645	1 1	BEARING, ball, top shaft, front	
16	051345	1 1	BEARING, roller, top shaft, rear	
17	053237	2 2	RING, snap, top shaft rear bearing	
18	050295	2 2	WASHER, top shaft	
19	049915	1 1	GEAR, constant mesh, top shaft (43 teeth)	
20	049924	1 1	GEAR, 3rd speed, top shaft (35 teeth)	
21	049916	1 -	GEAR, 4th speed, top shaft (38 teeth)	
	068797	- 1	GEAR, high speed reverse, top shaft (36 teeth)	

(Continued)

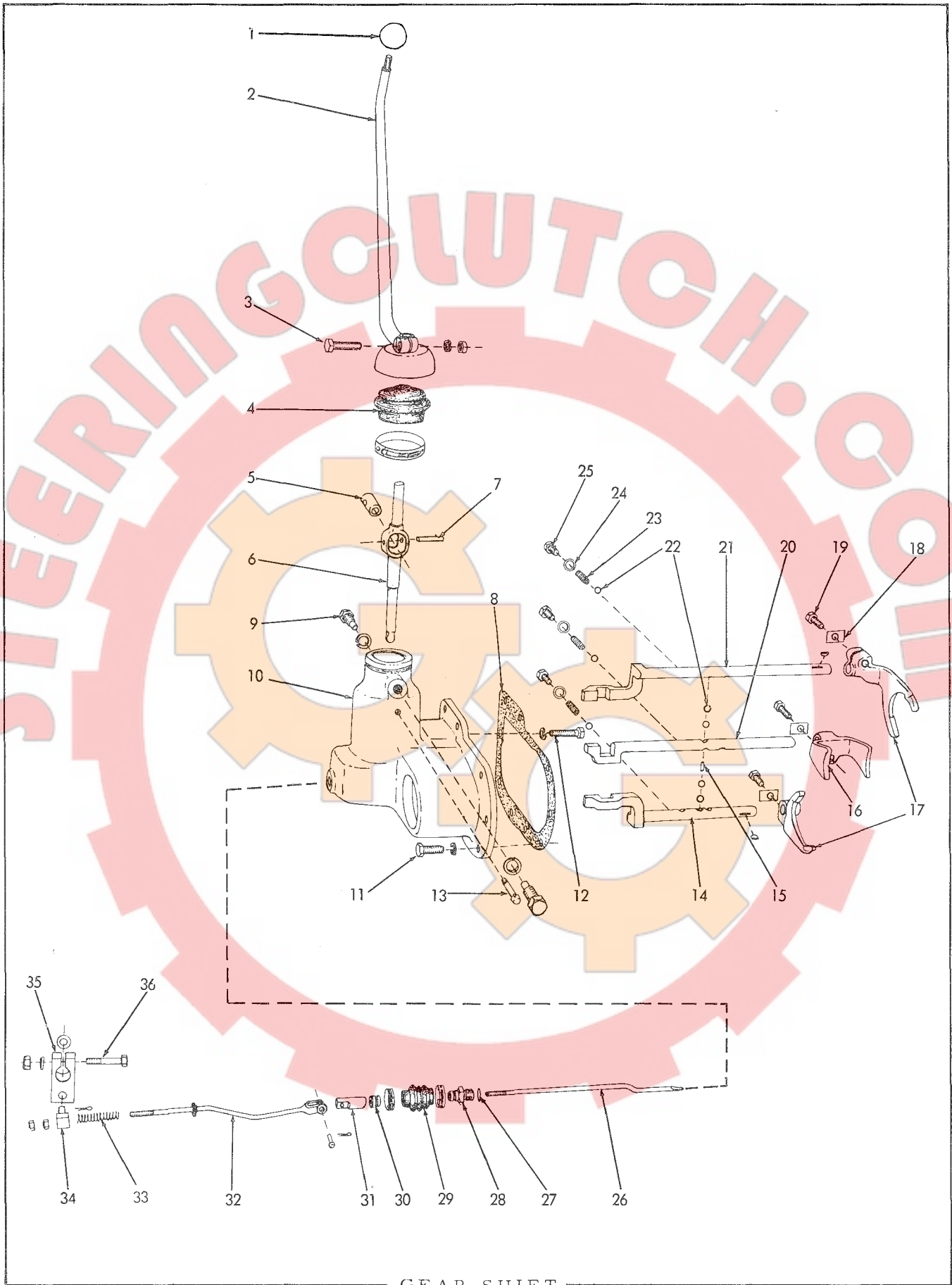
TRANSMISSION (Continued)

ITEM	PART NUMBER	QUANTITY	* **	DESCRIPTION	PACKAGE NUMBER
22	049934	1	1	GEAR, second speed, top shaft (30 teeth)	
23	049944	1	1	GEAR; low speed, top shaft (22 teeth)	
24	057415	1	1	PINION AND SHAFT (9 teeth)	
25	052231	1	1	SHIELD, pinion shaft rear bearing	
26	081670	1	1	BEARING, ball, pinion shaft, rear (Includes snap RING)	
27	052272	2	2	SHIM, pinion shaft rear bearing (.005" thick. Use as req'd)	
	052273	2	2	SHIM, pinion shaft rear bearing (.007" thick. Use as req'd)	
	052274	3	3	SHIM, pinion shaft rear bearing (.010" thick. Use as req'd)	
28	052247	1	1	RETAINER, pinion shaft rear bearing	
29	013058	6	6	CAPSCREW, 3/8"NC x 1-1/4"	
30	052281	3	3	STRIP, capscrew locking	
31	053209	3	3	SHIM, bearing retainer (.005" thick. Use as req'd)	
	053206	3	3	SHIM, bearing retainer (.007" thick. Use as req'd)	
32	048693	1	1	NUT, retaining, pinion shaft rear bearing	
33	048694	1	1	LOCKWASHER, bearing retaining nut	
34	049921	1	1	GEAR, low speed and reverse, pinion shaft (44 teeth)	
35	049922	1	1	GEAR, 2nd speed, pinion shaft (36 teeth)	
36	049920	1	-	GEAR, 4th speed, pinion shaft (28 teeth)	
	068807	-	1	GEAR, high speed reverse, pinion shaft (26 teeth)	
37	049919	1	1	GEAR, 3rd and 5th speeds, pinion shaft (31 teeth)	
38	050272	1	1	BEARING, roller, pinion shaft, front	
39	050291	1	1	RING, snap, pinion shaft front bearing	
40	049943	1	1	SHAFT, input (23-tooth gear)	
41	050270	1	1	BEARING, ball, input shaft, rear (Includes snap RING)	
42	050292	1	1	RING, snap, input shaft, rear	
43	042847	1	1	BEARING, ball, input shaft, front	
44	050293	1	1	RING, snap, input shaft, front	
45	073000	1	2	SHAFT, reverse gear	
	905359	1	2	BALL, steel, 5/16" diam.	
46	051496	1	2	PLUG, reverse gear shaft	
47	050271	1	2	ROLLER ASSEMBLY, reverse gear bearing	
48	051300	1	2	WASHER, thrust, reverse gear, inner	
49	051301	1	2	WASHER, thrust, reverse gear, outer	

(Continued)

TRANSMISSION (Continued)

ITEM	PART QUANTITY		DESCRIPTION	PACKAGE NUMBER
	NUMBER	* **		
50	049933	1 1	GEAR, low speed reverse (18 teeth)	
51	073001	- 1	GEAR, high speed reverse (28 teeth)	
52	069999	- 1	PLUG, high speed reverse shaft hole	
53	067768	- 1	RING, sealing, reverse shaft hole plug	
54	056362	- 1	RING, snap, reverse shaft hole plug	
55	049110	1 1	RING, seal, input shaft (steel)	082876
56	056589	1 1	RING, seal, input shaft (bronze)	082876
57	049836	1 1	GASKET, input shaft seal ring	069628 082876
58	056588	1 1	SPRING ASSEMBLY, seal (Serviced only as a unit)	082876
59	082795	1 1	BOOT, input shaft seal	082876
60	-----	1 1	YOKE (See UNIVERSAL JOINT)	
61	050548	1 1	SEAL, universal joint yoke	082876
62	050547	1 1	WASHER, retaining, universal joint yoke	
63	070162	1 1	CAPSCREW, retaining, universal joint yoke	
64	023633	1 1	WIRE, locking (1/16" x 12")	



GEAR SHIFT

GEAR SHIFT

ITEM	PART NUMBER	QTY.	DESCRIPTION	PACKAGE NUMBER
1	70091862	1	KNOB, gear shift lever	
2	70086728	1	LEVER, gear shift	
3	70035073	1	CAPSCREW, lever clamping (1/2"NF x 1-3/4")	
	70904208	1	LOCKWASHER, 1/2"	
	70911043	1	NUT, 1/2"NF	
4	70076130	1	BOOT, shift lever	
	70916995	1	CLAMP, hose, 3" I.D.	
5	70049964	1	SHAFT, lever pivot	
6	70086705	1	LEVER, shift	
7	70049963	1	PIN, lever pivot shaft	
8	70050294	1	GASKET, shift lever housing	70069628
9	70049962	2	SCREW, lever pivot	
	70904209	2	LOCKWASHER, 5/8"	
10	70086696	1	HOUSING, shift lever	
11	70035733	8	CAPSCREW, 1/2"NC x 1-3/8"	
12	70921556	1	CAPSCREW, 1/2"NC x 2"	
	70904208	9	LOCKWASHER, 1/2"	
13	70051447	1	BREATHER ASSEMBLY (Serviced only as a unit)	
14	70097713	1	SHAFT, shifting, lower	
15	70050266	1	PIN, shifting shaft interlock	
16	70050211	1	FORK, shifting, intermediate shaft	
17	70097742	2	FORK, shifting, upper and lower shafts	
	70905122	2	KEY, #7 woodruff, 1/8" x 3/4" (Effective with tractor #10145)	
18	-----	3	LOCK (Discontinued since is unnecessary)	
19	70035018	3	CAPSCREW, clamping, shifting fork (1/2"NF x 1-1/2")	
20	70050207	1	SHAFT, shifting, intermediate	
21	70097734	1	SHAFT, shifting, upper	
22	70905362	7	BALL, steel, 1/2" diam.	
23	70037195	3	SPRING, shifting shaft ball	
24	70049918	3	WASHER, shifting shaft ball spring cap screw (copper)	
25	70035159	3	CAPSCREW, shifting shaft ball spring (5/8"NC x 1")	
26	70076850	1	PLUNGER, locking	
27	70050267	1	WASHER, locking plunger sleeve (copper)	70069628
28	70076846	1	SLEEVE, locking plunger	

(Continued)

GEAR SHIFT (Continued)

ITEM	PART NUMBER	QTY.	DESCRIPTION	PACKAGE NUMBER
29	080166	1	BOOT, locking plunger	069628
	916897	2	CLAMP, hose, 1" I.D.	
30	076847	1	NUT, locking plunger	
31	050253	1	END, locking plunger	
32	085859	1	ROD, locking plunger	
	911041	2	NUT, 3/8" NF	
	917646	1	PIN, yoke, 3/8" diam.	
	900942	1	PIN, cotter, 3/32" x 5/8"	
33	035910	1	SPRING, locking plunger rod	
34	050265	1	SWIVEL, locking plunger rod	
	910244	1	WASHER, plain, SAE std., 1/2"	
	910967	1	PIN, cotter, 1/8" x 7/8"	
35	050566	1	LEVER, shift lock	
36	035068	1	CAPSCREW, 1/2" NF x 2"	
	904208	1	LOCKWASHER, 1/2"	
	911043	1	NUT, 1/2" NF	

