

ENGINE CLUTCH AND HOUSING

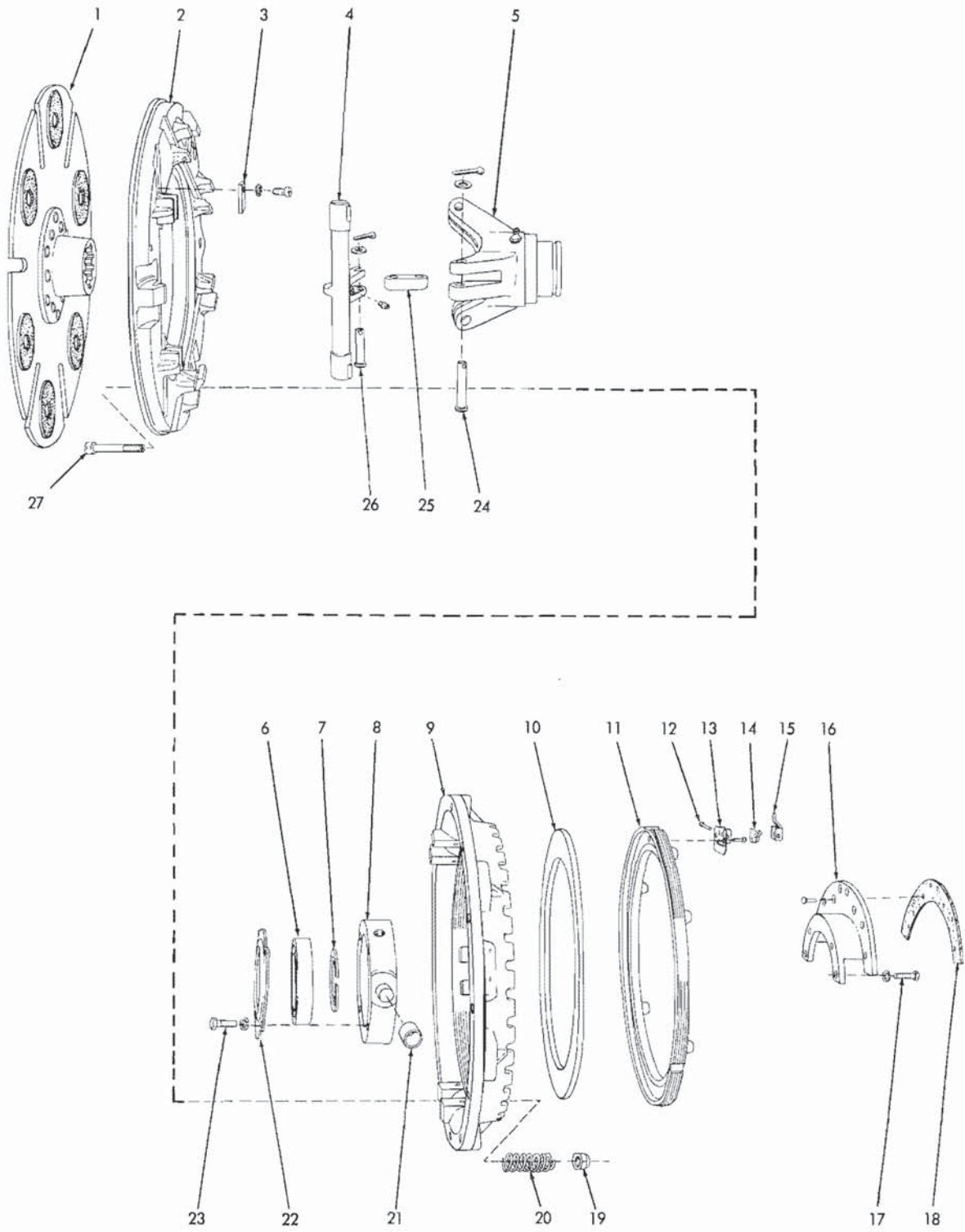
ITEM	PART NUMBER	QTY.	DESCRIPTION	PACKAGE NUMBER
1	099133	1	BEARING, ball, clutch shaft, front	
2	088813	1	CLUTCH ASSEMBLY, engine (AUBURN type. See page 109 for service parts. Also see page 107 for service parts for ROCKFORD clutch used on early units)	
3	013058	12	CAPSCREW, 3/8"NC x 1-1/4" (Use with ROCKFORD clutch)	
	035439	12	CAPSCREW, 3/8"NC x 1" (Use with AUBURN clutch)	
	904206	12	LOCKWASHER, 3/8"	
4	053899	1	HOSE, lubricating, clutch shifter bearing (10-1/2" long) (Used prior to tractor #11602)	082877
	099410	1	HOSE, lubricating, clutch shifter bearing, lower (8-1/2" long)(Effective with tractor #11602)	
	911049	1	NUT, jam, 5/8"NF	
	915274	1	FITTING, lubricating, 45°, 1/8"NPT	
5	050579	1	DISC, clutch brake	
6	083270	6	CAPSCREW, 5/16"NF x 5/8"	
	904205	6	LOCKWASHER, 5/16"	
7	086231	1	HOUSING, engine clutch (Used prior to tractor #11602)	
	099411	1	HOUSING, engine clutch (Effective with tractor #11602)	
8	044249	10	CAPSCREW, 3/8"NC x 1-1/8" (Used prior to tractor #11602)	
	013058	9	CAPSCREW, 3/8"NC x 1-1/4" (Effective with tractor #11602)	
	904206	10	LOCKWASHER, 3/8" (1 less used on tractors #11602 and up)	

(Continued)

ENGINE CLUTCH AND HOUSING (Continued)

ITEM	PART NUMBER	QTY.	DESCRIPTION	PACKAGE NUMBER
9	086241	1	COVER, clutch access (Used prior to tractor #11602)	
	099407	1	COVER, clutch access (Effective with tractor #11602)	
10	035439	4	CAPSCREW, 3/8"NC x 1" (2 less used effective with tractor #11602)	
	044249	2	CAPSCREW, 3/8"NC x 1-1/8" (Effective with tractor #11602)	
	904206	4	LOCKWASHER, 3/8"	
	044973	2	WASHER, plain (Effective with tractor #11602)	
11	050748	1	BREATHER, clutch housing	
12	085774	1	SHAFT, clutch	
13	085810	1	RETAINER, clutch shaft rear bearing	
14	013058	6	CAPSCREW, 3/8"NC x 1-1/4"	
	904206	6	LOCKWASHER, 3/8"	
15	042847	1	BEARING, ball, clutch shaft, rear	
16	030123	1	WASHER, locking, rear bearing nut	
17	030107	1	NUT, clutch shaft rear bearing	
18	050647	1	GASKET, rear bearing cap	
19	051597	1	CAP, rear bearing	
20	915273	1	FITTING, lubricating, 30°, 1/8"NPT	
	035733	4	CAPSCREW, 1/2"NC x 1-3/8"	
	904208	4	LOCKWASHER, 1/2"	

2116 00



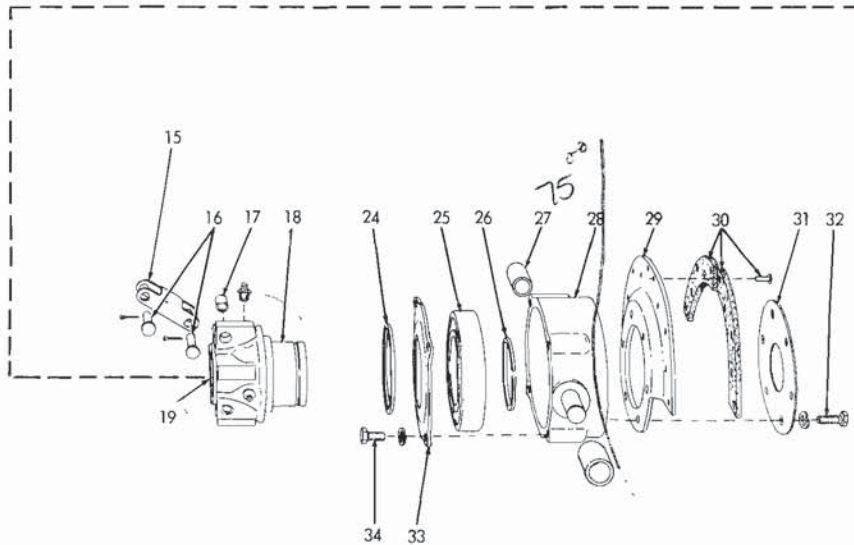
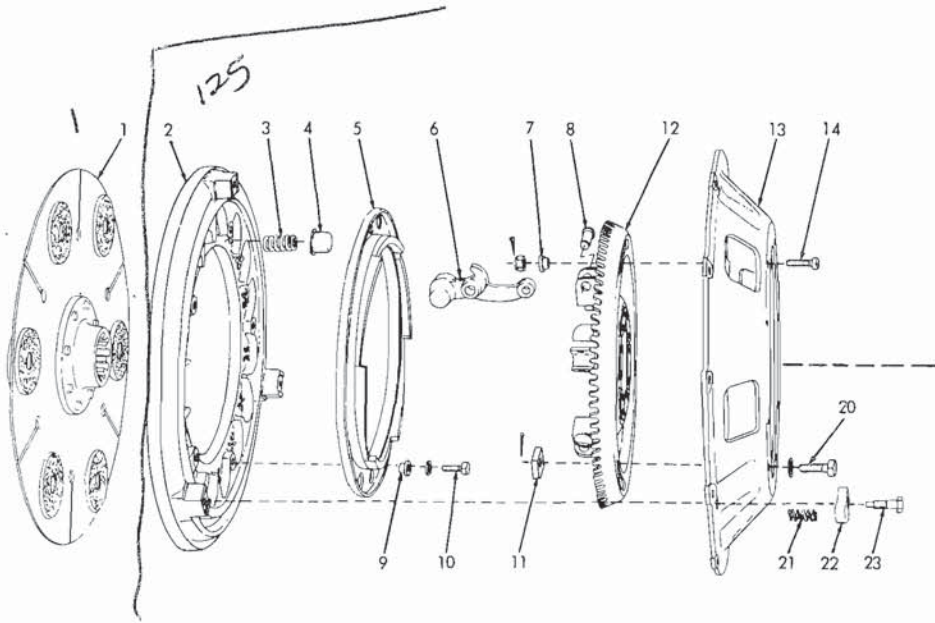
ROCKFORD CLUTCH PARTS

ROCKFORD CLUTCH PARTS

USAGE: Tractors prior to serial No. 3006. See page 109 for AUBURN CLUTCH parts used on later units.

ITEM	PART NUMBER	QTY.	DESCRIPTION	PACKAGE NUMBER
1	088816	1	PLATE ASSEMBLY, drive (Has ceramic friction discs)	
2	078669	1	PLATE ASSEMBLY, pressure (Includes item 3)	
3	223585	6	BLOCK, cam (Recommend replacement in sets)043397
	901226	6	SCREW, machine, fl-hd., 1/4"NC x 1/2"043397
	914593	6	LOCKWASHER, external teeth, 1/4"043397
4	073906	3	CAMSHAFT ASSEMBLY (Includes FITTING 914465) (Recommend replacement in sets)	
	914465	3	FITTING, lubricating, straight, 1/8"NPT	
5	077697	1	SLEEVE ASSEMBLY, shifting (Includes 2 bushings which are not serviced separately. Also includes FITTING indented below)	
	914465	1	FITTING, lubricating, straight, 1/8"NPT	
6	073647	1	BEARING, ball, shifting sleeve	
7	030801	1	RING, retaining, shifting sleeve bearing	
8	078052	1	CARRIER ASSEMBLY, sleeve bearing (Includes item 21)	
9	078670	1	PLATE, back	
10	030795	1	PLATE, adjusting ring	
11	056297	1	RING ASSEMBLY, adjusting (Includes items 12 thru 15)	
12	040784	1	PIN, hinge, adjustment lock	
13	040781	1	BRACKET, mounting adjustment lock	
	900764	2	RIVET, fl-hd., 3/16" x 1/2"	
14	040783	1	SPRING, adjustment lock	
15	040782	1	LOCK, adjustment	
16	074752	1	PLATE ASSEMBLY, clutch brake (Includes item 18)	
17	045312	4	CAPSCREW, 5/16"NC x 3/4"	
	904205	4	LOCKWASHER, 5/16"	
18	074751	1	FACING, brake plate	
	911005	8	RIVET, tubular, brass, fl-ctsk-hd., 3/16" x 5/16"	
19	073927	3	NUT, retracting spring screw	
20	078667	3	SPRING, retracting	
21	056864	2	RACE, shifting yoke needle bearing	082877
22	073739	1	PLATE, retaining, shifting sleeve bearing	
23	045312	4	CAPSCREW, 5/16"NC x 3/4"	
	904205	4	LOCKWASHER, 5/16"	

(Continued)



AUBURN CIUTCH PARTS

ROCKFORD CLUTCH PARTS (Continued)

ITEM	PART NUMBER	QTY.	DESCRIPTION	PACKAGE NUMBER
24	040220	3	PIN, connecting link (long)	
	901165	3	WASHER, plain, U.S. std., 5/16"	
	913984	3	PIN, cotter, 1/8" x 5/8"	
25	073626	3	LINK, connecting	
26	040221	3	PIN, connecting link (short)	
	901165	3	WASHER, plain, U.S. std., 5/16"	
	913984	3	PIN, cotter, 1/8" x 5/8"	
27	078668	3	SCREW, retracting spring	

AUBURN CLUTCH PARTS

USAGE: Effective with tractor serial No. 3006. See page 107 for ROCKFORD clutch parts used on prior units.

1	088816	1	PLATE ASSEMBLY, driven (Has ceramic friction discs)
2	088814	1	PLATE, pressure
3	078278	10	SPRING, pressure
4	044753	10	CUP, pressure spring
5	055754	1	RING, pressure
6	088815	6	LEVER, actuating
7	055757	2	SPACER, adjusting ring retaining screw
8	052354	6	PIN, actuating lever (3/8" diam., 1-1/8" long)
9	042128	5	SPACER, pressure ring guiding
10	903626	5	CAPSCREW, 5/16"NC x 3/4"
	904205	5	LOCKWASHER, 5/16"
11	055761	1	PLATE, locking, adjusting ring
12	088817	1	RING ASSEMBLY, adjusting (Includes riveted brackets and wear plates. Serviced only as a unit)
13	088821	1	PLATE, back
14	055756	2	CAPSCREW, retaining, adjusting ring (fil.-hd., 5/16"NF x 1", drilled end)
	913238	2	NUT, castle, 5/16"NF
	904001	2	PIN, cotter, 3/32" x 1/2"
15	055759	6	LINK, actuating lever
16	048173	12	PIN, actuating lever link (5/16" diam., 1" long)
	904001	12	PIN, cotter, 3/32" x 1/2"
17	048195	6	BUSHING, shifting sleeve (steel)
18	078116	1	SLEEVE ASSEMBLY, shifting (Includes items 17 and 19; also FITTING indented below)
	914465	1	FITTING, lubricating, straight, 1/8"NPT

(Continued)

AUBURN CLUTCH PARTS (Continued)

ITEM	PART NUMBER	QTY.	DESCRIPTION	PACKAGE NUMBER
19	-----	2	BUSHING, shifting sleeve (bronze)(Furnished only as part of item 18)	
20	055760	1	SCREW (Hex-hd., drilled-end, 3/8"NF x 1")	
	906960	1	LOCKWASHER, internal teeth, 3/8"	
	900801	1	PIN, cotter, 3/32" x 3/4"	
21	042130	3	SPRING, pressure plate retracting	
22	042129	3	RETAINER, pressure plate retracting spring	
23	074614	3	CAPSCREW, spring retainer (dog-pt., 5/16"NC x 1-1/16")	
24	042141	1	RING, sealing, shifting sleeve (felt)	
25	621440	1	BEARING, ball, shifting sleeve	
26	042144	1	RING, locking, shifting sleeve bearing	
27	056864	2	RACE, shifting yoke needle bearing	
28	078134	1	YOKE ASSEMBLY, shifting sleeve (Includes item 27)	
29	050578	1	DISC ASSEMBLY, clutch brake, front (Includes item 30)	
30	081756	1	FACING KIT, brake disc (Includes RIVETS indented below)	
	911131	10	RIVET, tubular, brass, flat-hd., 3/16" x 7/16"	
31	050575	1	SHIELD, grease	} Also attach brake disc.
32	057927	6	CAPSCREW, 5/16"NF x 3/4"	
	904205	6	LOCKWASHER, 5/16"	
33	042142	1	RETAINER, shifting sleeve bearing	
34	035979	4	CAPSCREW, 3/8"NF x 5/8"	
	904206	4	LOCKWASHER, 3/8"	