

SUMMARY OF MAJOR SECTIONS - INDICE DELLE SEZIONI PRINCIPALI - INDEX DES SECTIONS PRINCIPALES - INHALT DER HAUPTABSCHNITTE - INDICE DE LOS CAPITULOS PRINCIPALES

A	ENGINE • MOTORE • MOTEUR • MOTOR • MOTOR
B	MECHANICAL TRANSMISSION • CLUTCH • TRANSMISSION • TRANSMISSION SHAFT • AXLES TRASMISSIONE MECCANICA • FRIZIONE • CAMBIO • ALBERO DI TRASMISSIONE • PONTI TRANSMISSION MECANIQUE • EMBRAYAGE • BOITE DE VITESSES • ARBRE DE TRANSMISSION • PONTS MECHANISCHE KRAFTÜBERTRAGUNG • KUPPLUNG • GETRIEBE • GELENKWELLE • ACHSEN TRANSMISSION MECANICA • EMBRAGUE • CAMBIO • ARBOL DE TRANSMISSION • PUENTES
C	BRAKES (MECHANICAL OR HYDRAULIC) • FRENI (MECCANICI O IDRAULICI) • FREINS (MECANIQUES OU HYDRAULIQUES) • BREMSEN (MECHANISCHE ODER HYDRAULISCHE) • FRENOS (MECANICOS O HIDRAULICOS)
D	FRAME • STEERING • SUSPENSIONS • WHEELS • UNDERCARRIAGE • HYDRAULIC TRANSMISSION TELAIO • STERZO • SOSPENSIONI • RUOTE • CINGOLATURA • TRASMISSIONE IDRAULICA CADRE • DIRECTION • SUSPENSIONS • ROUES • TRAIN DE ROULEMENT • TRANSMISSION HYDRAULIQUE RAHMEN • LENKUNG • AUFHÄNGUNGEN • RÄDER • KETTENLAUFWERK • HYDRAULISCHER ANTRIEB BASTIDOR • DIRECCION • SUSPENSION • RUEDAS • TREN DE RODAJE • TRANSMISSION HIDRAULICA
E	AUXILIARY ATTACHMENTS (AND EQUIPMENT) • ORGANI SUSSIDIARI (E ATTREZZI) • ORGANES AUXILIAIRES (ET EQUIPMENT) • NEBENAGGREGATE (UND GERÄTE) • GRUPOS AUXILIARES (Y EQUIPO)
F	ELECTRICAL SYSTEM • IMPIANTO ELETTRICO • SYSTEME ELECTRIQUE • ELEKTRISCHE ANLAGE • SISTEMA ELECTRICO
G	AIR SYSTEM • IMPIANTO PNEUMATICO • SYSTEME PNEUMATIQUE • DRUCKLUFTANLAGE • SISTEMA NEUMATICO
L	BODY • CARROZZERIA • CARROSSERIE • AUFBAU • CARROCERIA
M	DRIVER'S SEAT • SEDILE CONDUTTORE • SIEGE DE CONDUCTEUR • FAHRERSITZ • BUTACA DE CONDUCTOR
Z	TOOLS • ATTREZZI • OUTILLAGES • WERKZEUGE • UTILES
T	TABLES • TABELLE • TABLEAUX • TABELLEN • TABLAS
X	LIST OF CANCELLED PARTS IN THIS UPDATING • ELENCO DEI PARTICOLARI SOPPRESSI NEL PRESENTE AGGIORNAMENTO • LISTE DE PIECES ANNULEES DANS CETTE MISE A JOUR • LISTE DER ANNULIERTEN TEILE AUF DER GEGENWAERTIGEN ABÄNDERUNG • LISTA DE LAS PIEZAS CANCELADAS EN LA PRESENTE REVISION
Y	LIST OF NEW PARTS ADDED IN THIS UPDATING • ELENCO DEI PARTICOLARI NUOVI AGGIUNTI NEL PRESENTE AGGIORNAMENTO • LISTE DE NOUVELLES PIECES ADJOUTEES DANS CETTE MISE A JOUR • LISTE DER NEUEN HINZUGEFUGTEN TEILE AUF DER GEGENWAERTIGEN ABÄNDERUNG • LISTA DE LAS PIEZAS NUEVAS ANADIDAS EN LA PRESENTE REVISION

FL 108

CONTENTS	INDICE GENERALE	INDEX	VERZEICHNIS	INDICE GENERAL
Subgroups research index on the fiches 1-A3	Indice di ricerca dei sottogruppi sulle fiches 1-A6	Index de recherche des sous-groupes sur les fiches 1-A9	Suchindex der Untergruppen auf Karte 1-A12	Indice de localizacion de los subgrupos en las fichas 1-A15
Alphabetical index 1-A4	Indice alfabetico 1-A7	Liste alphabetique 1-A10	Alphabetisches Verzeichnis 1-A13	Indice alfabético 1-A16
Instructions for ordering parts 1-A19	Istruzioni per ordinare ricambi 1-A20	Instructions pour la commande des pièces de rechange 1-B20	Anweisung zur Bestellung von Ersatzteilen 1-B19	Como se encargan los recambios 1-B18
Use of the catalog 1-B17	Avvertenze per la consultazione del catalogo 1-B16	Règles pour la consultation du catalogue 1-B15	Hinweise zum Gebrauch des Katalogs 1-B14	Como se maneja el catálogo 1-B13
Model list 1-B12	Elenco dei modelli 1-B12	Liste des modèles 1-B12	Liste der Modelle 1-B12	Lista de modelos 1-B12
Variations list -	Elenco delle varianti -	Liste des variantes -	Liste der Varianten -	Lista de variantes -
Numerical index 1-B10	Indice numerico 1-B10	Liste numerique 1-B10	Numerisches Ersatzteilverzeichnis 1-B10	Indice numérico 1-B10
List of cancelled parts in this updating -	Elenco dei particolari soppressi nel presente aggiornamento -	Liste des pièces annulées dans cette mise à jour -	Liste der annullierten Teile auf der gegenwertigen Abänderung -	Lista de las piezas canceladas en la presente revision -
List of new added parts in this updating -	Elenco dei particolari nuovi aggiunti nel presente aggiornamento -	Liste des nouvelles pièces adjoutées dans cette mise à jour -	Liste der neuen hinzugefügten Teile auf der Gegenwertigen Abänderung -	Lista de las piezas nuevas añadidas en la presente revision -
Modifications 2-03	Modifiche 2-03	Modifications 2-03	Änderungen 2-03	Modificaciones 2-03
Bearings 2-P20	Cuscinetti 2-P20	Roulements 2-P20	Wälzlager 2-P20	Rodamientos 2-P20
Electrical cables 2-P19	Cavi elettrici 2-P19	Cables électriques 2-P19	Elektrische Leitungen 2-P19	Cables eléctricos 2-P19
Electrical cable terminals and boots 2-P17	Capicorda e cappucci isolanti per cavi elettrici 2-P17	Cosses et capuchons isolants pour câbles électriques 2-P17	Kabelschuhe und Schutzkappen 2-P17	Términales y capuchones aislantes de cables eléctricos 2-P17
Electrical cable insulation tubes 2-P15	Tubi isolanti protezione cavi elettrici 2-P15	Tubes isolants de câbles électriques 2-P15	Schutzhüllen für elektrische Leitungen 2-P15	Fundos aislantes de cables eléctricos 2-P15
Decals -	Targa -	Decalcomanies -	Abziehbilder -	Calcomanías -

SUBGROUP RESEARCH INDEX ON THE FICHES - INDICE DI RICERCA DEI SOTTOGRUPPI SULLE FICHES - INDEX DE RECHERCHE DES SOUSGROUPES SUR LES FICHES
 SUCHINDEX DER UNTERGRUPPEN AUF KARTE - INDICE DE LOCALIZACION DE LOS SUBGRUPOS EN LA FICHAS.

SGR.	TAV.	GRID		SGR.	TAV.	GRID		SGR.	TAV.	GRID		SGR.	TAV.	GRID	
		TAV	PAG.			TAV	PAG.			TAV	PAG.			TAV	PAG.
A0.00	—	1 - F2	1 - E2	B2.06	—	1 - P9	1 - Q9	E3.27	—	2 - H14	2 - G14				
A0.02	—	1 - F3	1 - E3	B2.07	—	1 - P11	1 - Q11	E3.28	—	2 - H12, H11	2 - G12, G11				
A1.01	—	1 - F4, F5	1 - E4	B2.10	—	1 - P12, P13	1 - Q12, Q13	E3.29	—	2 - H10	2 - G10				
A1.02	—	1 - F6, F7	1 - E6	B2.17	—	1 - P14	1 - Q14	E3.31	—	2 - H9, H8	2 - G9, G8				
A1.03	—	1 - F8, F9	1 - E8	B2.18	—	1 - P15	1 - Q15	E3.31/1	—	2 - H7	2 - G7				
A1.04	—	1 - F10	1 - E10	B2.21	—	1 - P16	1 - Q16	E3.32	—	2 - H6	2 - G6				
A1.05	—	1 - F12	1 - E12	B2.30	—	1 - P17, P18, P19	1 - Q17, Q18	E3.32/1	—	2 - H5	2 - G5				
A1.06	—	1 - F13	1 - E13	B2.33	—	1 - P20, R20	1 - Q20, Q20	E3.32/1A	—	2 - H4	2 - G4				
A1.07	—	1 - F14, F15	1 - E14, E15	B2.33/1	—	1 - R19, R18	1 - Q19, Q18	F2.01	—	2 - H3, H2	2 - G3				
A1.08	—	1 - F16, F17	1 - E16	B2.34	—	1 - R18	1 - Q18	F3.01	—	2 - L2, L3	2 - I2, I3				
A1.16	—	1 - F18	1 - E18	B2.35	—	1 - R15	1 - Q15	F4.01	—	2 - L5, L6, L7	2 - I5, I6, I7				
A1.19	—	1 - F19	1 - E19	B2.38	—	1 - R14	1 - Q14	F5.01	—	2 - L8	2 - I8				
A2.01	—	1 - F20	1 - E20	B3.01	—	1 - R13	1 - Q13	F6.03	—	2 - L9	2 - I9				
A2.21	—	1 - H20	1 - G20	B3.10	—	1 - R12	1 - Q12	F6.03/A	—	2 - L10	2 - I10				
A2.22	—	1 - H19	1 - G19	B3.16/1	—	1 - R11	1 - Q11	F6.08	—	2 - L11, L12	2 - I11, I12				
A2.23	—	1 - H17	1 - G17	B4.00	—	1 - R10	1 - Q10	F8.00/1	—	2 - L13, L14	2 - I13, I14				
A2.24	—	1 - H16, H16, H14	1 - G16, G15	B4.09	—	1 - R9	1 - Q9	F8.29	—	2 - L16	2 - I16				
		1 - H13		B4.11	—	1 - R8	1 - Q8	F8.29/1	—	2 - L17	2 - I17				
A2.25	—	1 - H12	1 - G12	B4.12	—	1 - R7	1 - Q7	F8.29/2	—	2 - L18	2 - I18				
A2.25/1	—	1 - H11	1 - G11	C1.01	—	1 - R5, R4	1 - Q5, Q4	F8.29/3	—	2 - L19	2 - I19				
A2.28	—	1 - H10	1 - G10	C1.02	—	1 - R3	1 - Q3	F8.29/4	—	2 - L20	2 - I20				
A2.27	—	1 - H6, H7	1 - G6, G7	C1.08	—	1 - R2	1 - Q2	F8.29/5	—	2 - M20	2 - I20				
A2.27/1	—	1 - H6, H5	1 - G6, G5	C1.35	—	1 - T2	1 - S2	L1.01	—	2 - M15, N16, N17	2 - M19, M10				
A2.27/1A	—	1 - H4, H3	1 - G4, G3	G1.01	—	1 - T3, T4	1 - S3		—	2 - N18, N15					
A2.28	—	1 - H2, L2	1 - G2, I2	D1.02	—	1 - T5	1 - S5	L1.30	—	2 - N14	2 - M14				
A2.28/1	—	1 - L3, L4	1 - I3, I4, I5	D2.20	—	1 - T6	1 - S6	L3.05	—	2 - N13	2 - M13				
A2.28/1A	—	1 - L6, L7	1 - I6, I7, I8	D2.22	—	1 - T7	1 - S7	L3.10	—	2 - N12	2 - M12				
A2.25	—	1 - L10	1 - I10	D2.23	—	1 - T8, T9, T10	1 - S8, S9	L3.11	—	2 - N11	2 - M11				
A2.25/1	—	1 - L11	1 - I11		—	1 - T11		L3.12	—	2 - N10	2 - M10				
A2.37	—	1 - L12	1 - I12	D2.24	—	1 - T12	1 - S12	L3.12/1	—	2 - N9	2 - M9				
A2.54	—	1 - L13	1 - I13	D7.7	—	1 - T13	1 - S13	M1.01	—	2 - N7	2 - M7				
A2.56	—	1 - L14	1 - I14	D2.29	—	1 - T15, T16	1 - S15, S16	M1.01/A	—	2 - N6, N5	2 - M6				
A3.01	—	1 - L15, L16, L17	1 - I15, I16	D3.01	—	1 - T17	1 - S17	Z1.01	—	2 - N4	2 - M4				
A3.02	—	1 - L19	1 - I19	D3.35	—	1 - T18	1 - S18	Z1.04	—	2 - N3	2 - M3				
A3.03	—	1 - L20	1 - I20	D3.33	—	1 - T20	1 - S20	Z1.04/1	—	2 - N2	2 - M2				
A4.01	—	1 - M20, N19	1 - M20, M19	D3.34	—	2 - F2, F3, F4	2 - E2, E3								
A4.02	—	1 - N18, N17, N16	1 - M18	D3.37	—	2 - F5, F6	2 - E5								
A4.03	—	1 - N16	1 - M15	D3.38	—	2 - F7	2 - E7								
A4.05	—	1 - N14	1 - M14	D3.40	—	2 - F8	2 - E8								
B1.05	—	1 - N13	1 - M13	D3.40/A	—	2 - F9	2 - E9								
B1.03	—	1 - N12	1 - M12	E3.02	—	2 - F11, F12, F13	2 - E11, E12, E13								
B1.08	—	1 - N10, N9	1 - M10, M9		—	2 - F14, F15	2 - E14								
B1.10	—	1 - N9, N7, N6	1 - M8, M7, M6	E3.10	—	2 - F16	2 - E17								
B1.11	—	1 - N5	1 - M5	E3.14	—	2 - F17, F18	2 - E17								
B1.12	—	1 - N14	1 - M14	E3.14/1	—	2 - F19	2 - E19								
B1.15	—	1 - N3	1 - M3	E3.14/2	—	2 - F23, H20	2 - E20								
B2.01	—	1 - M2, P2	1 - M2, O2	E3.14/3	—	2 - H19	2 - G19								
B2.04	—	1 - P3, P4	1 - O3, O4	E3.25	—	2 - H18	2 - G18								
B2.04/1	—	1 - P5, P6, P7	1 - O5, O6, O7	E3.25/1	—	2 - H17, H16	2 - G17								
B2.05	—	1 - P8	1 - O8	E3.28	—	2 - H15	2 - G15								

DESCRIPTION	SGR.	TAV.
ACCESSORIES	Z1.04/ 1	
ACCESSORIES	Z1.04	
ALTERNATOR	F3.01	
ALTERNATOR DRIVE	A1.19	
AUXILIARY ARRANGEMENTS	L1.30	
BATTERIES	F3.01	
BOTTOM GUARDS	L3.12/ 1	
BOTTOM GUARDS	L3.12	
BRAKE BAND	C1.01	
BRAKE BOOSTER	C1.02	
BRAKE CROSS MEMBER	C1.01	
BRAKE LINES	C1.02	
BRAKE PEDALS	C1.01	
BUCKET AUTOMATIC POSITIONING DEVICE	E3.27	
BUCKET CYLINDER	E3.02	
CAMSHAFT	A1.07	
CAMSHAFT DRIVE	A1.06	
CONNECTING RODS	A1.05	
CONVERTER OIL FILTER	B2.10	
CONVERTER PUMPS	D1.10	
CONVERTER SUCTION LINES	B1.10	
CONVERTER VALVES	B1.09	
CONVERTER-TO-TRANSMISSION PROPELLER SHAFT	B3.01	
CONVERTER, HOUSINGS AND COVERS	B2.08	
COOLING LINES	A4.02	
CRANKSHAFT	A1.03	
CRANKSHAFT BEARINGS	A1.03	
CYLINDER BLOCK	A1.01	
CYLINDER BLOCK FRONT COVER	A1.02	
CYLINDER BLOCK REAR COVER	A1.02	
CYLINDER HEAD	A1.01	
CYLINDER HEAD COVERS	A1.01	
CYLINDER SLEEVE	A1.01	
DAMPER	A1.04	
DASH LAMP	F4.01	
DRIVE SPROCKET	D3.33	
DRIVER'S SEAT	H1.01	
DRIVER'S SEAT	H1.01/ A	
ENGINE	A0.00	
ENGINE AIR CLEANER	A2.22	
ENGINE AIR CLEANER CLOGGING INDICATOR	A2.22	
ENGINE LUBE LINES	A3.01	
ENGINE LUBRICATION	A3.01	
ENGINE OIL DIPSTICK	A3.01	
ENGINE OIL FILTER	A3.01	
ENGINE OIL PRESSURE GAUGE	A3.01	
ENGINE OILPUMP	A3.01	
ENGINE STARTING EQUIPMENT	F2.01	
ENGINE SUSPENSIONS	A0.02	
ENGINE WATER RADIATOR	A4.01	
EXHAUST MANIFOLD	A2.54	
EXHAUST PIPE	A2.56	
FAN	A4.09	
FAN BELTS	A4.09	

DESCRIPTION	SGR.	TAV.
FAN DRIVE	A4.09	
FLYWHEEL	A1.03	
FOOTBOARDS	L3.05	
FRAME	D1.01	
FRONT SUSPENSION	D3.01	
FUEL FILTERS	A2.24	
FUEL LINES	A2.24	
FUEL PUMP	A2.24	
FUEL TANK	A2.01	
FUEL TANK LINES	A2.01	
GEARSHIFT INNER CONTROLS	B2.10	
GEARSHIFT OUTER CONTROLS	B2.07	
HAND BRAKE CONTROL	C1.35	
HEADLAMP	F4.01	
HOOD ASSY	L1.01	
HOURMETER AND TACHOMETER	A1.08	
HYDRAULIC SYSTEM	E3.02	
HYDRAULIC SYSTEM OIL TANK	E3.28	
HYDRAULIC SYSTEM OIL TANK FILTER	E3.28	
HYDRAULIC SYSTEM PUMP	E3.02	
IDLER WHEEL	D3.34	
IDLER WHEEL	D3.34	
IDLER WHEEL ADJUSTMENT VALVE	D3.34	
IDLER WHEEL CYLINDER	D3.34	
IDLER WHEEL SUPPORTS	D3.34	
IMPLEMENT CONTROL SYSTEM	E3.25	
IMPLEMENT CONTROL SYSTEM	E3.25/ 1	
INJECTION PUMP	A2.24	
INJECTION PUMP DRIVE	A1.16	
INTAKE MANIFOLD	A2.54	
INTAKE TUBES	A2.22	
LIFT CYLINDER	E3.02	
LIFTING ARMS POSITIONER	E3.26	
LIGHTING SYSTEM	F4.01	
LOADER BUCKET	E3.14/ 2	
LOADER BUCKET	E3.14/ 3	
LOADER BUCKET	E3.14/ 1	
LOADER BUCKET	E3.14	
LOADER LIFT ARMS	E3.10	
MAIN CONTROL VALVE	A3.02	
MULTIMETER DRIVE	A1.08	
NOZZLE	A2.24	
NOZZLE HOLDER	A2.24	
OIL PAN	A1.02	
PISTONS	A1.05	
RADIATOR SHROUD	A4.01	
REAR FINAL DRIVE AND DIFFERENTIAL GEARS	B4.06	
REAR FLOOD LAMP	F4.01	
REAR SIDE FINAL DRIVE CASES	B4.11	
REAR SIDE FINAL DRIVE GEARS	B4.12	
REAR TOW HOOK	D1.02	
REAR TRANSMISSION CASING	B4.08	
REAR TRANSMISSION COVERS	B4.08	
REDUCTION GEARS	B2.05	

DESCRIPTION	SGR.	TAV.
RELAY SWITCH	F3.01	
ROCKER ARMS	A1.07	
SEAT PANELS	L3.10	
SIGNALLING DEVICES	F5.01	
SPEED GOVERNOR	A2.24	
SPROCKET SHAFT	D3.33	
STARTER	F2.01	
STEERING CLUTCH CONTROL VALVE	D2.23	
STEERING CLUTCH FILTER	D2.23	
STEERING CLUTCH LINES	D2.23	
STEERING CLUTCH PUMP	D2.23	
STEERING CLUTCHES	D2.20	
STEERING CLUTCHES LINKAGE	D2.22	
STEERING CLUTCHES LUBRICATION SYSTEM	D2.24	
STEERING CLUTCHES PEDALS	D2.22	
THERMOSTAT	A4.02	
THROTTLE CONTROL LINKAGE	A2.21	
TOOLS	Z1.01	
TORQUE CONVERTER	B1.09	
TRACK	D3.40/ A	
TRACK	D3.40	
TRACK CARRIER ROLLER	D3.38	
TRACK FRAME BODY	D3.30	
TRACK GUARDS	L3.11	
TRACK LINKS	D3.40	
TRACK LINKS	D3.40/ A	
TRACK ROLLER	D3.37	
TRACK SHOES	D3.40	
TRACK SHOES	D3.40/ A	
TRANSMISSION AND TORQUE CONVERTER VENT LINES	B1.15	
TRANSMISSION CONTROL VALVE	B2.30	
TRANSMISSION COVERS	B2.01	
TRANSMISSION GEARS	B2.04/ 1	
TRANSMISSION GEARS	B2.04	
TRANSMISSION HEAT EXCHANGER	B2.10	
TRANSMISSION HOUSINGS	B2.01	
TRANSMISSION LINES	B2.30	
TRANSMISSION LOCK-UP DEVICE	B2.33	
TRANSMISSION LUBRICATION SYSTEM	B2.06	
TRANSMISSION OIL DIPSTICK	B2.06	
TRANSMISSION OIL TEMPERATURE GAUGE	B2.06	
TRIMMER VALVE	B2.30	
VOLTAGE REGULATOR	F3.01	
WATER PUMP	A4.02	
WATER TEMPERATURE GAUGE	A4.02	

SUBGROUP RESEARCH INDEX ON THE FICHES - INDICE DI RICERCA DEI SOTTOGRUPPI SULLE FICHES - INDEX DE RECHERCHE DES SOUSGROUPES SUR LES FICHES
 SUCHINDEX DER UNTERGRUPPEN AUF KARTE - INDICE DE LOCALIZACION DE LOS SUBGRUPOS EN LA FICHAS.

SGR.	TAV.	GRID	SGR.	TAV.	GRID	SGR.	TAV.	GRID	SGR.	TAV.	GRID	SGR.	TAV.	GRID
	TAV.	PAG.		TAV.	PAG.		TAV.	PAG.		TAV.	PAG.		TAV.	PAG.
A0.00	—	1 - F2	1 - E2	B2.06	—	1 - F9	1 - O9	E3.27	—	2 - H14	2 - G14			
A0.02	—	1 - F3	1 - E3	B2.07	—	1 - P11	1 - O11	E3.28	—	2 - H12, H11	2 - G12, G11			
A1.01	—	1 - F4, F5	1 - E4	B2.10	—	1 - P12, P13	1 - O12, O13	E3.29	—	2 - H10	2 - G10			
A1.02	—	1 - F6, F7	1 - E5	B2.17	—	1 - P14	1 - O14	E3.31	—	2 - H9, H6	2 - G9, G8			
A1.03	—	1 - F8, F9	1 - E8	B2.16	—	1 - P15	1 - O15	E3.31/1	—	2 - H7	2 - G7			
A1.04	—	1 - F10	1 - E10	B2.21	—	1 - P16	1 - O16	E3.32	—	2 - H6	2 - G6			
A1.05	—	1 - F12	1 - E12	B2.30	—	1 - P17, P18, P19	1 - O17, O18	E3.32/1	—	2 - H5	2 - G5			
A1.06	—	1 - F13	1 - E13	B2.33	—	1 - P20, P20	1 - O20, O20	E3.32/1A	—	2 - H4	2 - G4			
A1.07	—	1 - F14, F15	1 - E14, E15	B2.33/1	—	1 - P19, P18	1 - O19, O18	F2.01	—	2 - H3, H2	2 - G3			
A1.08	—	1 - F18, F17	1 - E18	B2.24	—	1 - R13	1 - Q16	F3.01	—	2 - L2, L3	2 - I2, I3			
A1.16	—	1 - F18	1 - E18	B2.05	—	1 - R15	1 - Q15	F4.01	—	2 - L5, L6, L7	2 - I5, I6, I7			
A1.19	—	1 - F19	1 - E19	B2.36	—	1 - R14	1 - Q14	F5.01	—	2 - L3	2 - I3			
A2.01	—	1 - F20	1 - E20	B3.01	—	1 - R13	1 - Q13	F6.03	—	2 - L9	2 - I9			
A2.21	—	1 - H20	1 - G20	B3.78	—	1 - R12	1 - Q12	F6.03/A	—	2 - L10	2 - I10			
A2.22	—	1 - H19	1 - G19	B3.16/1	—	1 - R11	1 - Q11	F6.04	—	2 - L11, L12	2 - I11, I12			
A2.23	—	1 - H17	1 - G17	B4.06	—	1 - R10	1 - Q10	F6.02/1	—	2 - L13, L14	2 - I13, I14			
A2.24	—	1 - H16, H15, H14	1 - G16, G15	B4.08	—	1 - R9	1 - Q9	F6.23	—	2 - L16	2 - I15			
A2.25	—	1 - H13	1 - G12	B4.11	—	1 - R8	1 - Q8	F6.20/1	—	2 - L17	2 - I17			
A2.25/1	—	1 - H12	1 - G11	B4.12	—	1 - R7	1 - Q7	F6.20/2	—	2 - L18	2 - I18			
A2.25/1	—	1 - H11	1 - G10	C1.01	—	1 - R5, R4	1 - Q5, Q4	F6.20/3	—	2 - L19	2 - I19			
A2.26	—	1 - H10	1 - G10	C1.02	—	1 - R3	1 - Q3	F6.20/4	—	2 - L20	2 - I20			
A2.27	—	1 - H8, H7	1 - G8, G7	C1.05	—	1 - R2	1 - Q2	F6.20/5	—	2 - N20	2 - I20			
A2.27/1	—	1 - H6, H5	1 - G6, G5	C1.25	—	1 - R1	1 - S2	L1.01	—	2 - N19, N18, N17	2 - M19, M18			
A2.27/1A	—	1 - H4, H3	1 - G4, G3	D1.01	—	1 - T3, T4	1 - S3		—	2 - N15, N15				
A2.28	—	1 - H2, L2	1 - G2, I2	D1.02	—	1 - T5	1 - S5	L1.20	—	2 - N14	2 - M14			
A2.28/1	—	1 - L3, L4	1 - I3, I4, I5	D2.20	—	1 - T6	1 - S6	L3.05	—	2 - N13	2 - M13			
A2.28/1A	—	1 - L6, L7	1 - I6, I7, I8	D2.22	—	1 - T7	1 - S7	L3.10	—	2 - N12	2 - M12			
A2.35	—	1 - L10	1 - I10	D2.23	—	1 - T8, T8, T10	1 - S8, S9	L3.11	—	2 - N11	2 - M11			
A2.35/1	—	1 - L11	1 - I11		—	1 - T11		L3.12	—	2 - N10	2 - M10			
A2.37	—	1 - L12	1 - I12	D2.24	—	1 - T12	1 - S12	L3.12/1	—	2 - N9	2 - M9			
A2.54	—	1 - L13	1 - I13	G2.27	—	1 - T13	1 - S13	M1.01	—	2 - N7	2 - M7			
A2.58	—	1 - L14	1 - I14	D2.29	—	1 - T15, T16	1 - S15, S16	M1.01/A	—	2 - N6, N5	2 - M6			
A3.01	—	1 - L15, L16, L17	1 - I15, I16	D3.01	—	1 - T17	1 - S17	Z1.01	—	2 - N4	2 - M4			
A3.02	—	1 - L19	1 - I19	D3.30	—	1 - T18	1 - S18	Z1.04	—	2 - N3	2 - M3			
AS.03	—	1 - L20	1 - I20	D3.33	—	1 - T20	1 - S20	Z1.04/1	—	2 - N2	2 - M2			
A4.01	—	1 - M20, M19	1 - M20, M19	D3.34	—	2 - F2, F3, F4	2 - E2, E3		—					
A4.02	—	1 - M18, M17, M16	1 - M18	D3.37	—	2 - F5, F6	2 - E5		—					
A4.03	—	1 - M15	1 - M15	D3.39	—	2 - F7	2 - E7		—					
A4.04	—	1 - M14	1 - M14	D3.60	—	2 - F8	2 - E8		—					
B1.05	—	1 - M13	1 - M13	D3.80/A	—	2 - F9	2 - E9		—					
B1.08	—	1 - M12	1 - M12	E3.02	—	2 - F11, F12, F13	2 - E11, E12, E13		—					
B1.09	—	1 - M10, M9	1 - M10, M9		—	2 - F14, F15	2 - E14		—					
B1.10	—	1 - M8, M7, M6	1 - M8, M7, M6	E3.10	—	2 - F16	2 - E17		—					
B1.11	—	1 - M5	1 - M5	E3.14	—	2 - F17, F18	2 - E17		—					
B1.12	—	1 - M4	1 - M4	E3.14/1	—	2 - F19	2 - E19		—					
B1.15	—	1 - M3	1 - M3	E3.14/2	—	2 - F20, H10	2 - E20		—					
B2.01	—	1 - H2, P2	1 - M2, O2	E3.14/3	—	2 - H19	2 - G19		—					
B2.04	—	1 - P3, P4	1 - O3, O4	E3.25	—	2 - H18	2 - G18		—					
B2.04/1	—	1 - P5, P6, P7	1 - O5, O6, O7	E3.25/1	—	2 - H17, H16	2 - G17		—					
B2.05	—	1 - P8	1 - O8	E3.26	—	2 - H15	2 - G15		—					

FIATALLIS FL 10B	INDICE ALFABETICO	1.02.82	
DENOMINAZIONE		SGR.	TAV.
ACCESSORI		Z1.04	
ACCESSORI		Z1.04/ 1	
ALBERO A CAME		A1.07	
ALBERO MOTORE		A1.03	
ALBERO RUOTA MOTRICE		D3.33	
ALTERNATORE		F3.01	
ASTA LIVELLO OLIO CAMBIO		B2.06	
ASTA LIVELLO OLIO MOTORE		A3.01	
ATTREZZI		Z1.01	
AVVIAMENTO MOTORE		F2.01	
BASAMENTO MOTORE		A1.01	
BATTERIE		F3.01	
BENNA CARICATORE		E3.14/ 3	
BENNA CARICATORE		E3.14/ 2	
BENNA CARICATORE		E3.14	
BENNA CARICATORE		E3.14/ 1	
BIELLE		A1.05	
BILANCIERI VALVOLE		A1.07	
BRACCI SOLLEVAMENTO CARICATORE		E3.10	
CAMMA CILINDRI		A1.01	
CILINDRO BENNA		E3.02	
CILINDRO SOLLEVAMENTO		E3.02	
CILINDRO TENDICINGOLO		D3.34	
CINGHIE VENTILATORE		A4.09	
CINGOLO		D3.40	
CINGOLO		D3.40/ A	
COFANATURA		L1.01	
COLLETTORE ASPIRAZIONE		A2.54	
COLLETTORE SCARICO		A2.54	
COMANDI ACCELERATORE		A2.21	
COMANDI ESTERNI CAMBIO DI VELOCITA'		B2.07	
COMANDI INTERNI CAMBIO DI VELOCITA'		B2.10	
COMANDO A MANO FRENI		C1.35	
COMANDO ALTERNATORE		A1.19	
COMANDO ATTREZZO		E3.25	
COMANDO ATTREZZO		E3.25/ 1	
COMANDO CROGOMETRO		A1.02	
COMANDO DISTRIBUZIONE		A1.06	
COMANDO POMPA INIEZIONE		A1.16	
COMANDO VENTILATORE		A4.09	
CONVERTITORE		B1.09	
CONVERTITORE, SCATOLE E COPERCHI		B2.08	
CONVOLGATORE RADIATORE		A4.01	
COPERCHI CAMBIO		B2.01	
COPERCHI TESTA CILINDRI		A1.01	
COPERCHI TRASMISSIONE POSTERIORE		B4.08	
COPERCHIO ANTERIORE BASAMENTO		A1.02	
COPERCHIO POSTERIORE BASAMENTO		A1.02	
COPPA MOTORE		A1.02	
CORPO CARRELLO CINGOLO		D3.30	
CROGOMETRO		A2.08	
CUSCINI ALBERO MOTORE		A1.03	
DISPOSITIVO BLOCCAGGIO CAMBIO		B2.38	
DISTRIBUTORE CAMBIO		B2.30	

FIATALLIS FL 10B	INDICE ALFABETICO	1.02.82	
DENOMINAZIONE		SGR.	TAV.
DISTRIBUTORE FRIZIONI DI STERZO		D2.23	
DISTRIBUTORE PRINCIPALE		E3.02	
FANALE CRUSCOTTO		F4.01	
FILTRI COMBUSTIBILE		A2.24	
FILTRO ARIA MOTORE		A2.22	
FILTRO FRIZIONI DI STERZO		D2.23	
FILTRO OLIO CONVERTITORE		D2.10	
FILTRO OLIO LUBRIFICAZIONE MOTORE		A3.01	
FILTRO SERBATOIO OLIO IMPIANTO IDRAULICO		E3.28	
FRIZIONI DI STERZO		D2.20	
GANCIO DI TRAINO RINGORCHIO		D1.02	
ILLUMINAZIONE		F4.01	
IMPIANTO IDRAULICO		E3.02	
INTELLIATURE PER SISTEMAZIONI VARIE		L1.30	
LUBRIFICAZIONE CAMBIO		B2.05	
LUBRIFICAZIONE FRIZIONI DI STERZO		D2.24	
LUBRIFICAZIONE MOTORE		A3.01	
MAGLIE CINGOLO		D3.40/ A	
MAGLIE CINGOLO		D3.40	
MANOMETRO OLIO LUBRIFICAZIONE MOTORE		A3.01	
MOTORE		A0.00	
MOTORINO DI AVVIAMENTO		F2.01	
MASTRO DEL FRENO		C1.01	
PEDALI FRENI		C1.01	
PEDALI FRIZIONI DI STERZO		D2.22	
PEDANE		L3.05	
POLVERIZZATORE		A2.24	
POMPA ACQUA		A4.02	
POMPA ALIMENTAZIONE		A2.24	
POMPA FRIZIONI DI STERZO		D2.23	
POMPA IMPIANTO IDRAULICO		E3.02	
POMPA INIEZIONE		A2.24	
POMPA OLIO LUBRIFICAZIONE MOTORE		A3.01	
POMPE CONVERTITORE		B1.10	
PORTAPOLVERIZZATORI		A2.24	
POSIZIONATORE AUTOMATICO BENNA		E3.27	
POSIZIONATORE BRACCI SOLLEVAMENTO		E3.26	
PROIETTORE ANTERIORE		F4.01	
PROIETTORE POSTERIORE		F4.01	
RADIATORE ACQUA MOTORE		A4.01	
REGOLATORE DI TENSIONE		F3.01	
REGOLATORE DI VELOCITA'		A2.24	
RIPARI CINGOLI		L3.11	
RIPARI INFERIORI		L3.12	
RIPARI INFERIORI		L3.12/ 1	
RIPARI SEDILE		L3.10	
RULLO CARRELLO CINGOLO		D3.37	
RULLO SOSTEGNO CINGOLO		D3.38	
RUOTA MOTRICE		D3.33	
RUOTA TENDICINGOLO		D3.34	
RUOTISMI CAMBIO DI VELOCITA'		B2.04/ 1	
RUOTISMI CAMBIO DI VELOCITA'		B2.04	
RUOTISMI RIDUTTORE MOTORE		B2.05	
RUOTISMI RIDUTTORI LATERALI POSTERIORI		B4.12	

DENOMINAZIONE	SGR.	T.V.
RUOTISMI RIDUZIONE E DIFFERENZIALE POSTERIORI	B4.06	
SCAMBIATORE DI CALORE CAMBIO	B2.18	
SCATOLA TRASMISSIONE POSTERIORE	B4.08	
SCATOLE CAMBIO	B2.61	
SCATOLE RIDUTTORI LATERALI POSTERIORI	B4.11	
SEDILE CONDUTTORE	M1.01/ A	
SEDILE CONDUTTORE	M1.01	
SEGNALATORE INTASAMENTO FILTRO ARIA MOTORE	A2.22	
SEGNALAZIONI DI AVVISO	F5.01	
SERBATOIO COMBUSTIBILE	A2.01	
SERBATOIO OLIO IMPIANTO IDRAULICO	E3.28	
SERVOFRENO	C1.62	
SMOKZATORE PER ALBERO MOTORE	A1.04	
SOSPENSIONE ANTERIORE	D3.01	
SOSPENSIONI MOTORE	A0.02	
STANTUFFI	A1.05	
SUOLE	D3.40/ A	
SUGLE	D3.40	
SUPPORTI RUOTA TENDICINGOLO	D3.34	
TELAZO	D1.01	
TELERUTTORE	F3.01	
TENDICINGOLO	D3.34	
TERMOMETRO ACQUA	A4.02	
TERMOMETRO OLIO CAMBIO	B2.06	
TERMOSTATO	A4.62	
TESTA CILINDRI	A1.01	
TRANTERIA FRIZIONI DI STERZO	D2.22	
TRASMISSIONE TRA CONVERTITORE E CAMBIO	B3.01	
TRAVERSA FRENI	C1.01	
TUBAZIONE DI SCARICO	A2.55	
TUBAZIONI ASPIRAZIONE	A2.22	
TUBAZIONI ASPIRAZIONE CONVERTITORE	B1.10	
TUBAZIONI CAMBIO	B2.30	
TUBAZIONI COMBUSTIBILE	A2.24	
TUBAZIONI DAL SERBATOIO COMBUSTIBILE	A2.01	
TUBAZIONI FRENI	C1.02	
TUBAZIONI FRIZIONI DI STERZO	D2.23	
TUBAZIONI LUBRIFICAZIONE MOTORE	A3.01	
TUBAZIONI RAFFREDDAMENTO	A4.02	
TUBAZIONI SFIATO CONVERTITORE E CAMBIO	B1.15	
VALVOLA MODERATRICE	B2.30	
VALVOLA REGISTRAZIONE TENDICINGOLO	D3.34	
VALVOLE CONVERTITORE	B1.09	
VENTILATORE	A4.09	
VOLANO MOTORE	A1.03	

SUBGROUP RESEARCH INDEX ON THE FICHES - INDICE DI RICERCA DEI SOTTOGRUPPI SULLE FICHES - INDEX DE RECHERCHE DES SOUSGROUPES SUR LES FICHES
 SUCHINDEX DER UNTERGRUPPEN AUF KARTE - INDICE DE LOCALIZACION DE LOS SUBGRUPOS EN LA FICHAS.

SDR	TAV	GRID		SGR	TAV	GRID		SGR	TAV	GRID		SGR	TAV	GRID	
		TAV	PAG			TAV	PAG			TAV	PAG			TAV	PAG
A0.00	--	1 - F2	1 - E2	B2.06	--	1 - P9	1 - O9	E3.27	--	2 - H14	2 - G14				
A0.02	--	1 - F3	1 - E3	B2.07	--	1 - P11	1 - O11	E3.28	--	2 - H12, H11	2 - G12, G11				
A1.01	--	1 - F4, F5	1 - E4	B2.10	--	1 - P12, P13	1 - O12, O13	E3.29	--	2 - H10	2 - G10				
A1.02	--	1 - F6, F7	1 - E6	B2.17	--	1 - P14	1 - O14	E3.31	--	2 - H9, H8	2 - G9, G8				
A1.03	--	1 - F8, F9	1 - E8	B2.18	--	1 - P15	1 - O15	E3.31/1	--	2 - H7	2 - G7				
A1.04	--	1 - F10	1 - E10	B2.21	--	1 - P16	1 - O16	E3.32	--	2 - H6	2 - G6				
A1.05	--	1 - F12	1 - E12	B2.30	--	1 - P17, P18, P19	1 - O17, O18	E3.32/1	--	2 - H5	2 - G5				
A1.06	--	1 - F13	1 - E13	B2.33	--	1 - P20, P20	1 - O20, O20	E3.32/1A	--	2 - H4	2 - G4				
A1.07	--	1 - F14, F15	1 - E14, E15	B2.33/1	--	1 - R19, R18	1 - O19, O18	F2.01	--	2 - H3, H2	2 - G3				
A1.08	--	1 - F16, F17	1 - E16	B2.34	--	1 - R16	1 - O16	F3.01	--	2 - L2, L3	2 - I2, I3				
A1.16	--	1 - F18	1 - E18	B2.35	--	1 - R15	1 - O15	F4.01	--	2 - L5, L6, L7	2 - I5, I6, I7				
A1.19	--	1 - F19	1 - E19	B2.38	--	1 - R14	1 - O14	F5.01	--	2 - L8	2 - I8				
A2.01	--	1 - F20	1 - E20	B3.01	--	1 - R13	1 - O13	F6.03	--	2 - L9	2 - I9				
A2.21	--	1 - H20	1 - G20	B3.16	--	1 - R12	1 - O12	F6.03/A	--	2 - L10	2 - I10				
A2.22	--	1 - H19	1 - G19	B3.16/1	--	1 - R11	1 - O11	F6.08	--	2 - L11, L12	2 - I11, I12				
A2.23	--	1 - H17	1 - G17	B4.06	--	1 - R10	1 - O10	F6.08/1	--	2 - L13, L14	2 - I13, I14				
A2.24	--	1 - H16, H15, H14	1 - G16, G15	B4.09	--	1 - R9	1 - O9	F6.29	--	2 - L16	2 - I16				
		1 - H13		B4.11	--	1 - R8	1 - O8	F6.29/1	--	2 - L17	2 - I17				
A2.25	--	1 - H12	1 - G12	B4.12	--	1 - R7	1 - O7	F6.29/2	--	2 - L18	2 - I18				
A2.25/1	--	1 - H11	1 - G11	C1.01	--	1 - R5, R4	1 - O5, O4	F6.29/3	--	2 - L19	2 - I19				
A2.26	--	1 - H10	1 - G10	C1.02	--	1 - R3	1 - O3	F6.29/4	--	2 - L20	2 - I20				
A2.27	--	1 - H8, H7	1 - G8, G7	C1.06	--	1 - R2	1 - O2	F6.29/5	--	2 - N20	2 - M20				
A2.27/1	--	1 - H6, H5	1 - G6, G5	C1.35	--	1 - T2	1 - S2	L1.01	--	2 - M18, M16, M17	2 - M18, M18				
A2.27/1A	--	1 - H4, H3	1 - G4, G3	D1.01	--	1 - T3, T4	1 - S3		--	2 - M16, M15					
A2.28	--	1 - H2, L2	1 - G2, I2	D1.02	--	1 - T5	1 - S5	L1.30	--	2 - M14	2 - M14				
A2.28/1	--	1 - L3, L4	1 - I3, I4, I5	D2.20	--	1 - T6	1 - S6	L3.05	--	2 - M13	2 - M13				
A2.28/1A	--	1 - L6, L7	1 - I6, I7, I8	D2.22	--	1 - T7	1 - S7	L3.10	--	2 - M12	2 - M12				
A2.35	--	1 - L10	1 - I10	D2.23	--	1 - T8, T9, T10	1 - S8, S9	L3.11	--	2 - M17	2 - M17				
A2.35/1	--	1 - L11	1 - I11		--	1 - T11		L3.12	--	2 - M10	2 - M10				
A2.37	--	1 - L12	1 - I12	D2.24	--	1 - T12	1 - S12	L3.12/1	--	2 - M9	2 - M9				
A2.54	--	1 - L13	1 - I13	D2.27	--	1 - T13	1 - S13	M1.01	--	2 - M7	2 - M7				
A2.56	--	1 - L14	1 - I14	D2.28	--	1 - T15, T16	1 - S15, S16	M1.01/A	--	2 - M6, M5	2 - M6				
A3.01	--	1 - L15, L16, L17	1 - I15, I16	D3.01	--	1 - T17	1 - S17	Z1.01	--	2 - M4	2 - M4				
A3.02	--	1 - L19	1 - I19	D3.30	--	1 - T18	1 - S18	Z1.04	--	2 - M3	2 - M3				
A3.03	--	1 - L20	1 - I20	D3.33	--	1 - T20	1 - S20	Z1.04/1	--	2 - M2	2 - M2				
A4.01	--	1 - N20, N19	1 - M20, M19	D3.36	--	2 - F2, F3, F4	2 - E2, E3								
A4.02	--	1 - N18, N17, N16	1 - M18	D3.37	--	2 - F5, F6	2 - E5								
A4.03	--	1 - N15	1 - M15	D3.39	--	2 - F7	2 - E7								
A4.04	--	1 - N14	1 - M14	D3.40	--	2 - F8	2 - E8								
B1.05	--	1 - N13	1 - M13	D3.40/A	--	2 - F9	2 - E9								
B1.06	--	1 - N12	1 - M12	E3.02	--	2 - F11, F12, F13	2 - E11, E12, E13								
B1.09	--	1 - N10, N9	1 - M10, M9		--	2 - F14, F15	2 - E14								
B1.10	--	1 - N8, N7, N6	1 - M8, M7, M6	E3.10	--	2 - F16	2 - E17								
B1.11	--	1 - N5	1 - M5	E3.14	--	2 - F17, F18	2 - E17								
B1.12	--	1 - N14	1 - M14	E3.14/1	--	2 - F19	2 - E19								
B1.15	--	1 - N3	1 - M3	E3.14/2	--	2 - F20, H20	2 - E20								
B2.01	--	1 - H2, P2	1 - M2, O2	E3.14/3	--	2 - H19	2 - G19								
B2.04	--	1 - P3, P4	1 - O3, O4	E5.25	--	2 - H16	2 - G16								
B2.04/1	--	1 - P5, P6, P7	1 - O5, O6, O7	E3.25/1	--	2 - H17, H16	2 - G17								
B2.06	--	1 - P8	1 - O8	E3.26	--	2 - H15	2 - G15								

DESIGNATION	SGR.	TAV.
ACCESSOIRES	Z1.04/ 1	
ACCESSOIRES	Z1.04	
ALTERNATEUR	F3.01	
AMENAGEMENTS DIVERS	L1.30	
ARBRE A CHAIES	A1.07	
ARBRE DE RIUE MOTRICE	D3.33	
AVERTISSEURS	F5.01	
BATTERIES	F3.01	
BIELLES	A1.05	
BLOC-CYLINDRES	A1.01	
BORBOTIN MOTEUR	D3.33	
BRAS DE LEVAGE DE GODET	E3.10	
BUSE D'AIR DE RADIATEUR	A9.01	
CANALISATION D'ECHAPPEMENT	A2.56	
CAPOTAGE	L1.01	
CARTER D'HUILE	A1.02	
CARTER DE TRANSMISSION ARRIERE	B4.08	
CARTERS DE BOITE DE VITESSES	B2.01	
CARTERS DE REDUCTEURS LATERAUX AR	B4.11	
CHASSIS	D1.01	
CHASSIS DE CHAIIOT DE CHENILLE	D3.30	
CHEMISE DE CYLINDRE	A1.01	
CHENILLE	D3.40	
CHENILLE	D3.40/ A	
COLLECTEUR D'ADMISSION	A2.54	
COLLECTEUR D'ECHAPPEMENT	A2.54	
COMMANDE D'ALTERNATEUR	A1.19	
COMMANDE D'HORO-TACHYMETRE	A1.08	
COMMANDE DE DISTRIBUTION	A1.06	
COMMANDE DE FREINS A MAIN	C1.35	
COMMANDE DE L'OUTIL	E3.25	
COMMANDE DE L'OUTIL	E3.25/ 1	
COMMANDE DE POMPE D'INJECTION	A1.16	
COMMANDE DE VENTILATEUR	A4.09	
COMMANDES D'ACCELERATEUR	A2.21	
COMMANDES EXTERIEURES DE BOITE DE VITESSES	B2.07	
COMMANDES INTERIENS DE BOITE DE VITESSES	B2.10	
CONVERTISSEUR	B1.03	
CONVERTISSEUR., CARTERS ET COUVERCLES	B1.03	
COURROIES DE VENTILATEUR	A4.09	
COUSSINETS DE VILEBREQUIN	A1.03	
COUVERCLE ARRIERE DE BLOC-CYLINDRE	A1.02	
COUVERCLE AVANT DE BLOC-CYLINDRES	A1.02	
COUVERCLE DE CULBUTEURS	A1.01	
COUVERCLES DE BOITE DE VITESSES	B2.01	
COUVERCLES DE TRANSMISSION ARRIERE	B4.08	
CROCHET D'ATTELAGE	D1.02	
CULASSE	A1.01	
CULBUTEURS DE SOUPAPES	A1.07	
DAMPER DE VILEBREQUIN	A1.04	
DEMARREUR	F2.01	
DISPOSITIF DE BLOCAGE DE BOITE DE VITESSES	B2.38	
DISTRIBUTEUR D'EMBRAYAGES DE DIRECTION	D2.23	
DISTRIBUTEUR DE BOITE DE VITESSES	B2.30	

DESIGNATION	SGR.	TAV.
DISTRIBUTEUR PRINCIPAL	E3.02	
ECHANGEUR DE TEMPERATURE DE B.V.	B2.10	
ECLAIRAGE	F4.01	
EMBRAYAGES DE DIRECTION	D2.20	
ENGRENAGES DE BOITE DE VITESSES	B2.04/ 1	
ENGRENAGES DE BOITE DE VITESSES	B2.04	
ENGRENAGES DE REDUCTEUR DE B.V.	B2.05	
ENGRENAGES DE REDUCTEURS LATERAUX AR	B4.12	
ENGRENAGES DE REDUCTION ET DIFFERENTIEL AR	B4.06	
FILTRE A AIR DE MOTEUR	A2.22	
FILTRE A HUILE DE CONVERTISSEUR	B1.10	
FILTRE A HUILE DE GRAISSAGE DU MOTEUR	A3.01	
FILTRE D'EMBRAYAGES DE DIRECTION	D2.23	
FILTRE DE RESERVOIR D'HUILE DE SYSTEME HYDRAULIQUE	E3.28	
FILTRES A COMBUSTIBLE	A2.24	
GALET DE RETOUR DE CHENILLE	D3.38	
GALET PORTEUR DE CHENILLE	D3.37	
GODET CHARGEUR	E3.14/ 3	
GODET CHARGEUR	E3.14	
GODET CHARGEUR	E3.14/ 2	
GODET CHARGEUR	E3.14/ 1	
GRAISSAGE DE B.V.	B2.06	
GRAISSAGE DES EMBRAYAGES DE DIRECTION	D2.24	
GRAISSAGE DU MOTEUR	A3.01	
HOROTACHYMETRE	A1.08	
INJECTEUR	A2.24	
JAUGE D'HUILE DE BOITE DE VITESSES	B2.06	
JAUGE D'HUILE MOTEUR	A3.01	
LAMPE DE TABLEAU DE BORD	F4.01	
LANCEMENT DU MOTEUR	F2.01	
MAILLONS	D3.40	
MAILLONS	D3.40/ A	
MANOMETRE D'HUILE DE GRAISSAGE DU MOTEUR	A3.01	
MARCHEPIEDS	L3.05	
MOTEUR	A0.00	
OUTILS	Z1.01	
PEDALES D'EMBRAYAGES DE DIRECTION	D2.22	
PEDALES DE FREINS	C1.01	
PISTONS	A1.05	
POMPE A EAU	A4.02	
POMPE A HUILE DE GRAISSAGE MOTEUR	A3.01	
POMPE D'ALIMENTATION	A2.24	
POMPE D'EMBRAYES DE DIRECTION	D2.23	
POMPE D'INJECTION	A2.26	
POMPE D'INSTALLATION HYDRAULIQUE	E3.02	
POMPES DE CONVERTISSEUR	B1.10	
PORTE-INJECTEURS	A2.24	
POSITIONNEUR AUTOMATIQUE DU GODET	E3.27	
POSITIONNEUR DE BRAS DE LEVAGE	E3.26	
PROJECTEUR ARRIERE	F4.01	
PROJECTEUR AVANT	F4.01	
PROTECTIONS DE CHENILLES	L3.11	
PROTECTIONS DE SIEGE	L3.10	
PROTECTIONS INFERIEURES	L3.12/ 1	

DESIGNATION	SGR.	TAV.
PROTECTIONS INFERIEURES	L3.12	
RADIATEUR A EAU DE MOTEUR	A4.01	
REGULATEUR DE TENSION	F3.01	
REGULATEUR DE VITESSE	A2.24	
RESERVOIR A COMBUSTIBLE	A2.01	
RESERVOIR D'HUILE DE SYSTEME HYDRAULIQUE	E3.20	
ROUE TENDEUSE	D3.34	
ROUE TENDEUSE	D3.36	
SANGLE DE FREIN	C1.01	
SERVOFREIN	C1.02	
SIEGE DE CONDUCTEUR	M1.01	
SIEGE DE CONDUCTEUR	M1.01/ A	
SOUPEE MODERATRICE	B2.30	
SUPPORT DE ROUE TENDEUSE	D3.34	
SUSPENSION AV	D3.01	
SUSPENSIONS DU MOTEUR	A0.02	
SYSTEME HYDRAULIQUE	E3.02	
TELERUPTEUR	F3.01	
TEMOIN D'ENGORGEMENT DE FILTRE A AIR DE MOTEUR	A2.22	
THERMOMETRE D'EAU	A4.02	
THERMOMETRE D'HUILE DE BOITE DE VITESSES	B2.06	
THERMOSTAT	A4.02	
TRANSMISSION ENTRE CONVERTISSEUR ET B.V.	B3.01	
TRAVERSE DE FREIN	C1.01	
TRINGLERIE DE COMMANDE EMBRAYAGES DE DIRECTION	D2.22	
TUBES D'EVENL DE CONVERTISSEUR ET BOITE DE VITESSES	B1.15	
TUILES	D3.40/ A	
TUILES	D3.40	
TUYAUTERIES A COMBUSTIBLE	A2.24	
TUYAUTERIES D'ASPIRATION	A2.22	
TUYAUTERIES D'ASPIRATION DE CONVERTISSEUR	B1.10	
TUYAUTERIES D'EMBRAYAGES DE DIRECTION	D2.23	
TUYAUTERIES DE BOITE DE VITESSES	B2.30	
TUYAUTERIES DE FREINS	C1.02	
TUYAUTERIES DE GRAISSAGE DU MOTEUR	A2.01	
TUYAUTERIES DE REFRIGERISSEMENT	A4.02	
TUYAUTERIES SUR RESERVOIRS A COMBUSTIBLE	A2.01	
VALVE DE REGLAGE DE ROUE TENDEUSE	D3.34	
VALVES DE CONVERTISSEUR	B1.09	
VENTILATEUR	A4.09	
VERIN DE GODET	E3.02	
VERIN DE RELEVAGE	E3.02	
VERIN DE TENDEUR DE CHENILLE	D3.34	
VILEBREQUIN	A1.03	
VOLANT MOTEUR	A1.03	

SUBGROUP RESEARCH INDEX ON THE FICHES - INDICE DI RICERCA DEI SOTTOGRUPPI SULLE FICHES - INDEX DE RECHERCHE DES SOUSGROUPES SUR LES FICHES
 SUCHINDEX DER UNTERGRUPPEN AUF KARTE - INDICE DE LOCALIZACION DE LOS SUBGRUPOS EN LA FICHAS.

SGR	TAV.	GRID		SGR	TAV.	GRID		SGR	TAV.	GRID		SGR	TAV.	GRID	
		TAV.	PAG.			TAV.	PAG.			TAV.	PAG.			TAV.	PAG.
A0.00	—	1 - F2	1 - E2	B2.06	—	1 - F9	1 - O9	E3.27	—	2 - H14	2 - G14				
A0.02	—	1 - F3	1 - E3	B2.07	—	1 - P11	1 - O11	E3.28	—	2 - H12, H11	2 - G12, G11				
A1.01	—	1 - F4, F5	1 - E4	B2.10	—	1 - P12, P13	1 - O12, O13	E3.29	—	2 - H10	2 - G10				
A1.02	—	1 - F6, F7	1 - E5	B2.17	—	1 - P14	1 - O14	E3.31	—	2 - H9, H8	2 - G9, G8				
A1.03	—	1 - F8, F9	1 - E8	B2.19	—	1 - P15	1 - O15	E3.31/1	—	2 - H7	2 - G7				
A1.04	—	1 - F10	1 - E10	B2.21	—	1 - P16	1 - O16	E3.32	—	2 - H6	2 - G6				
A1.05	—	1 - F12	1 - E12	B2.30	—	1 - P17, P18, P19	1 - O17, O18	E3.32/1	—	2 - H5	2 - G5				
A1.06	—	1 - F13	1 - E13	B2.23	—	1 - P20, P20	1 - O20, O20	E3.32/1A	—	2 - H4	2 - G4				
A1.07	—	1 - F14, F15	1 - E14, E15	B2.33/1	—	1 - R15, R18	1 - O15, O18	F2.01	—	2 - H3, H2	2 - G3				
A1.08	—	1 - F16, F17	1 - E16	B2.34	—	1 - R16	1 - O16	F3.01	—	2 - L2, L3	2 - I2, I3				
A1.10	—	1 - F18	1 - E18	B2.35	—	1 - R15	1 - O15	F4.01	—	2 - L5, L6, L7	2 - I5, I6, I7				
A1.19	—	1 - F19	1 - E19	B2.38	—	1 - R14	1 - O14	F5.01	—	2 - L8	2 - I8				
A2.01	—	1 - F20	1 - E20	B3.01	—	1 - R13	1 - O13	F6.03	—	2 - L9	2 - I9				
A2.21	—	1 - H20	1 - G20	B3.16	—	1 - R12	1 - O12	F6.03/A	—	2 - L10	2 - I10				
A2.27	—	1 - H19	1 - G19	B3.16/1	—	1 - R11	1 - O11	F6.08	—	2 - L11, L12	2 - I11, I12				
A2.23	—	1 - H17	1 - G17	B4.06	—	1 - R10	1 - O10	F6.03/1	—	2 - L13, L14	2 - I13, I14				
A2.24	—	1 - H16, H15, H14	1 - G16, G15	B4.08	—	1 - R9	1 - O9	F6.29	—	2 - L16	2 - I16				
		1 - H13		B4.11	—	1 - R8	1 - O8	F6.29/1	—	2 - L17	2 - I17				
A2.25	—	1 - H12	1 - G12	B4.12	—	1 - R7	1 - O7	F6.29/2	—	2 - L18	2 - I18				
A2.25/1	—	1 - H11	1 - G11	C1.01	—	1 - R5, R4	1 - O5, O4	F6.29/3	—	2 - L19	2 - I19				
A2.26	—	1 - H10	1 - G10	C1.02	—	1 - R3	1 - O3	F6.29/4	—	2 - L20	2 - I20				
A2.27	—	1 - H8, H7	1 - G8, G7	C1.06	—	1 - R2	1 - O2	F6.29/5	—	2 - M20	2 - I20				
A2.27/1	—	1 - H6, H5	1 - G6, G5	C1.09	—	1 - T2	1 - S2	L3.01	—	2 - N19, N18, N17	2 - M19, M18				
A2.27/1A	—	1 - H4, H3	1 - G4, G3	D1.01	—	1 - T3, T4	1 - S3		—	2 - N16, N15					
A2.28	—	1 - H2, L2	1 - G2, I2	D1.02	—	1 - T5	1 - S5	L1.30	—	2 - N14	2 - M14				
A2.28/1	—	1 - L3, L4	1 - I3, I4, I5	D2.20	—	1 - T8	1 - S8	L3.05	—	2 - N13	2 - M13				
A2.28/1A	—	1 - L5, L7	1 - I5, I7, I8	D2.22	—	1 - T7	1 - S7	L3.10	—	2 - N12	2 - M12				
A2.35	—	1 - L10	1 - I10	D2.23	—	1 - T6, T9, T10	1 - S6, S9	L3.11	—	2 - N11	2 - M11				
A2.35/1	—	1 - L11	1 - I11		—	1 - T11		L3.12	—	2 - N10	2 - M10				
A2.37	—	1 - L12	1 - I12	D2.24	—	1 - T12	1 - S12	L3.12/1	—	2 - N9	2 - M9				
A2.54	—	1 - L13	1 - I13	D2.27	—	1 - T13	1 - S13	M1.01	—	2 - N7	2 - M7				
A2.56	—	1 - L14	1 - I14	D2.23	—	1 - T15, T10	1 - S15, S16	S1.01/A	—	2 - N6, N5	2 - M6				
A3.01	—	1 - L15, L16, L17	1 - I15, I16	D3.01	—	1 - T17	1 - S17	Z1.01	—	2 - N4	2 - M4				
A3.02	—	1 - L19	1 - I19	D3.30	—	1 - T18	1 - S18	Z1.04	—	2 - N3	2 - M3				
A3.03	—	1 - L20	1 - I20	D3.23	—	1 - T20	1 - S20	Z1.04/1	—	2 - N2	2 - M2				
A4.01	—	1 - N20, N19	1 - M20, M19	D3.31	—	2 - F2, F3, F4	2 - E2, E3								
A4.02	—	1 - N16, N17, N18	1 - M16	D3.37	—	2 - F5, F6	2 - E5								
A4.03	—	1 - N15	1 - M15	D3.38	—	2 - F7	2 - E7								
A4.03	—	1 - N14	1 - M14	D3.40	—	2 - F8	2 - E8								
B1.05	—	1 - N13	1 - M13	D3.40/A	—	2 - F9	2 - E9								
B1.08	—	1 - N12	1 - M12	E3.02	—	2 - F11, F12, F13	2 - E11, E12, E13								
B1.09	—	1 - N10, N9	1 - M10, M9		—	2 - F14, F15	2 - E14								
B1.10	—	1 - N8, N7, N6	1 - M8, M7, M6	E3.10	—	2 - F16	2 - E17								
B1.11	—	1 - N5	1 - M5	E3.14	—	2 - F17, F18	2 - E17								
B1.12	—	1 - N14	1 - M14	E3.14/1	—	2 - F18	2 - E18								
B1.13	—	1 - N3	1 - M3	E3.14/2	—	2 - F20, M20	2 - E20								
B2.01	—	1 - N2, P2	1 - M2, O2	E3.14/3	—	2 - N15	2 - G15								
B2.04	—	1 - P3, P4	1 - O3, O4	E3.25	—	2 - N16	2 - G16								
B2.04/1	—	1 - P5, P3, P7	1 - O5, O6, O7	E3.25/1	—	2 - N17, N13	2 - G17								
B2.05	—	1 - P8	1 - O8	E3.26	—	2 - N15	2 - G15								

A 12

BEZEICHNUNG	SGR.	TAV.
AUSSERE GETRIEBESCHALTUNG	B2.07	
ANLASSEN DES MOTORS	F2.01	
ANLASSEN	F2.01	
ANTRIEB F. STUNDENZAHLER UND DREHZAHLMESSE	A1.08	
AUSPUFFGRUEHMER	A2.54	
AUSPUFFROHR	A2.56	
AUTOMATISCHE STELLVORRICHTUNG F. LADESCHAUFEL	E3.27	
BATTERIEN	F3.01	
BELEUCHTUNG	F4.01	
BODENPLATTEN	D3.40	A
BODENPLATTEN	D3.40/ A	
BREMSBAND	C1.01	
BREMSENQUERTRAEGER	C1.01	
BREMSENLEITUNGEN	C1.02	
BREMSPEDALE	C1.01	
BREMSEVERSTAERKER	C1.02	
DECKEL DES HINTEREN FAHRWERKS	B4.08	
DREHMOMENTWANDLER, GEHAEUSE UND DECKEL	B1.08	
DREHSTROMLICHTMASCHINE	F3.01	
DREHSTROMLICHTMASCHINENANTRIEB	A1.19	
DREHZAHLMESSE-BETRIEBSSTUNDENZAHLER	A1.08	
DREHZAHLAGLER	A2.24	
DUESE	A2.24	
DUESENHALTER	A2.24	
EINSPRITZPUMPE	A2.24	
EINSPRITZPUMPENANTRIEB	A1.16	
ENTLUEFTUNGSLEITUNGEN FUER WANDLER UND GETRIEBE	B1.15	
FAHRERSITZ	M1.01	
FAHRERSITZ	M1.01/ A	
FERNSCHALTER	F3.01	
FILTER DER LENKKUPPLUNGEN	D2.23	
FILTER IM OELBEHAELTER FUER HYDRAULIKANLAGE	E3.28	
GASREGULIERUNG	A2.21	
GEHAEUSE DER HINTEREN ENDANTRIEBE	B4.11	
GERAETEDETAETIGUNG	E3.25	
GERAETEDETAETIGUNG	E3.25/ 1	
GESTAENGE DER LENKKUPPLUNGEN	D2.22	
GETRIEBEDECKEL	B2.01	
GETRIEBEGEHAEUSE	B2.01	
GETRIEBEROHRELEITUNGEN	B2.30	
GETRIEBESCHMIERUNG	B2.06	
GETRIEBESPERRE	B2.38	
GETRIEBESTEUERVENTIL	B2.30	
HANDBREMSBETAETIGUNG	C1.35	
HAUBE	L1.01	
HAUPTSTEUERVENTIL	E3.02	
HINT. SCHEINWERFER	F4.01	
HINTERES FAHRWERKGEHAEUSE	B4.08	
HINTKURBELGEHAEUSEDECKEL	A1.02	
HAUBAHE FUER LADESCHAUFEL	E3.10	
HAUPTZYLINDER	E3.02	
HYDRAULIKANLAGE	E3.02	
HYDRAULIKPUMPE	E3.02	
INNERE GETRIEBESCHALTUNG	B2.10	

BEZEICHNUNG	SGR.	TAV.
KETTENGLIEDER	D3.40	
KETTENGLIEDER	D3.40/ A	
KETTENSCHNURZYLINDER	D3.34	
KIPPHEBEL	A1.07	
KOLBEN	A1.05	
KRAFTSTOFFFILTER	A2.24	
KRAFTSTOFFLEITUNGEN	A2.24	
KRAFTSTOFFLEITUNGEN VOM TANK	A2.01	
KRAFTSTOFFPUMPE	A2.24	
KRAFTSTOFFTANK	A2.01	
KUEHLERLUFTBLECH	A4.01	
KUEHLROHRE	A4.02	
KURBELGEHAEUSE	A1.01	
KURBELWELLE	A1.03	
KURBELWELLENLAGER	A1.03	
LADESCHAUFEL	E3.14/ 2	
LADESCHAUFEL	E3.14/ 3	
LADESCHAUFEL	E3.14	
LADESCHAUFEL	E3.14/ 1	
LAUFROLLE DER RAUPENKETTE	D3.37	
LEITRAD	D3.34	
LEITRADLAGER	D3.34	
LENKREIBKUPPLUNGEN	D2.20	
LOEFFELKIPPZYLINDER	E3.02	
LUEFFER	A4.05	
LUEFTERANTRIEB	A4.09	
LUEFFERRIEMEN	A4.03	
MODULIENVENTIL	B2.30	
MOTOR	A0.00	
MOTOR-WASSERKUEHLER	A4.01	
MOTORAUFHAENGUNG	A0.02	
MOTORLUFTFILTER	B2.22	
MOTOROELFILTER	A3.01	
MOTOROELWANNE	A1.02	
MOTORSCHMIERUNG	A3.01	
MOTORSCHNURGRAD	A1.03	
NOCKENWELLE	A1.07	
OELBEHAELTER FUER HYDRAULIKANLAGE	E3.28	
OELDRUCKMESSER, MOTOR	A3.01	
OELMESSTAB, MOTOR	A3.01	
OELMESSTAB, GETRIEBE	B2.06	
OELTHERMOMETER, GETRIEBE	B2.06	
PEDALE DER LENKKUPPLUNGEN	D2.22	
PLEUELSTANGEN	A1.05	
PUMPE DER LENKKUPPLUNGEN	D2.23	
RAHMEN	D1.01	
RAUPENFAHRWERKRAHMEN	D3.30	
RAUPENKETTE	D3.40/ A	
RAUPENKETTE	D3.40	
RAUPENKETTENSCHUETZER	L3.11	
RAUPENKETTENSCHNUR	D3.34	
RAUPENKETTENSCHNUR	D2.23	
RAUPENKETTENSCHNUR	A2.54	
RAUPENKETTENSCHNUR	A2.22	

BENENNUNG	SGR.	TAV.
SCHALTBRETTLEUCHE	F4.01	
SCHMIEROELLEITUNGEN, MOTOR	A3.01	
SCHMIEROELPUMPE, MOTOR	A3.01	
SCHMIERUNG DER LENKREIBKUPPLUNGEN	D2.24	
SCHWINGUNGSDAEMPFER	A1.04	
SIGNALISIERVORRICHTUNGEN	F5.01	
SITZSCHUETZER	L3.10	
SPANNUNGSREGLER	F3.01	
STELLVORRICHTUNG F. HUMBARNE	E3.26	
STEUERUNGSANTRIEB	A1.06	
STEUERVENTIL DER LENKKUPPLUNGEN	D2.23	
STUETZROLLE DER RAUPENKETTE	D3.38	
THERMOSTAT	F4.02	
TRIESRAD	D3.33	
TRIEBRADWELLE	D3.33	
TRITTBRETT	L3.05	
UEBERTRAGUNG ZWISCHEN DREHMOMENTWANDLER U. GETRIEBE	B3.01	
UNTERE SCHUTZBLECHE	L3.12	
UNTERE SCHUTZBLECHE	L3.12/ 1	
VENTIL F. RAUPENKETTENSANNER	D3.34	
VERSCHIEDENE GESTELLRAHMEN	L1.30	
VORD. KURBELGEHAEUSEDECKEL	A1.02	
VORD. SCHEINWERFER	F4.01	
VORDERRADAUFHAENGUNG	D3.01	
WAERMETAUSCHER FUER GETRIEBE	B2.18	
WANDLER	B1.09	
WANDLERDELFILTER	B1.10	
WANDLERPUMPEN	B1.10	
WANDLERSAUGROHRE	B1.10	
WANDLERVENTILE	B1.09	
WARMLEUCHE FUER VERSTOPFUNG DES MOTOR-LUFTFILTERS	A2.22	
WASSERPUMPE	A4.02	
WASSERTHERMOMETER	A4.02	
WERKZEUGE	Z1.01	
ZAHNRAEDER DER HINTEREN ENDANTRIEBE	B4.12	
ZAHNRAEDER F. HINTERACHSUNTERSETZUNG UND AUSGLEICHGETRIEBE	B4.06	
ZAHNRAEDER F. WECHSELGETRIEBE	B2.04/ 1	
ZAHNRAEDER F. WECHSELGETRIEBE	B2.04	
ZAHNRAEDER FUER UNTERSETZUNGSGETRIEBE	B2.05	
ZUBEHOER	Z1.04/ 1	
ZUBEHOER	Z1.04	
ZUEHAKEN F. ANHAENGER	D1.02	
ZYLINDERKOPF	A1.01	
ZYLINDERKOPFDECKEL	A1.01	
ZYLINDERLAUFBUECHSE	A1.01	

SUBGROUP RESEARCH INDEX ON THE FICHES - INDICE DI RICERCA DEI SOTTOGRUPPI SULLE FICHES - INDEX DE RECHERCHE DES SOUSGROUPES SUR LES FICHES
 SUCHINDEX DER UNTERGRUPPEN AUF KARTE - INDICE DE LOCALIZACION DE LOS SUBGRUPOS EN LA FICHAS.


SGR	TAV	GRID		SGR	TAV	GRID		SGR	TAV	GRID		SGR	TAV	GRID	
		TAV	PAG			TAV	PAG			TAV	PAG			TAV	PAG
A0.00	--	1 - F2	1 - E2	B2.06	--	1 - P8	1 - O8	E3.27	--	2 - H14	2 - G14				
A0.02	--	1 - F3	1 - E3	B2.07	--	1 - P11	1 - O11	E3.28	--	2 - H12, H11	2 - G12, G11				
A1.01	--	1 - F4, F5	1 - E4	B2.10	--	1 - P12, P13	1 - O12, O13	E3.29	--	2 - H10	2 - G10				
A1.02	--	1 - F5, F7	1 - E4	B2.17	--	1 - P14	1 - O14	E3.31	--	2 - H8, H8	2 - G9, G9				
A1.03	--	1 - F6, F8	1 - E8	B2.18	--	1 - P15	1 - O15	E3.31/1	--	2 - H7	2 - G7				
A1.04	--	1 - F10	1 - E10	B2.21	--	1 - P15	1 - O16	E3.32	--	2 - H6	2 - G6				
A1.05	--	1 - F12	1 - E12	B2.27	--	1 - P17, P18, P19	1 - O17, O18	E3.32/1	--	2 - H5	2 - G5				
A1.06	--	1 - F13	1 - E13	B2.35	--	1 - P20, P20	1 - O20, O20	E3.32/1A	--	2 - H4	2 - G4				
A1.07	--	1 - F14, F15	1 - E14, E15	E2.33/1	--	1 - R19, R18	1 - Q19, Q18	F2.01	--	2 - H3, H2	2 - G3				
A1.08	--	1 - F16, F17	1 - E16	E2.34	--	1 - R16	1 - Q16	F3.01	--	2 - L2, L3	2 - I2, I3				
A1.13	--	1 - F18	1 - E18	E2.35	--	1 - R15	1 - Q15	F4.01	--	2 - L5, L6, L7	2 - I5, I6, I7				
A1.19	--	1 - F19	1 - E19	E2.38	--	1 - R14	1 - Q14	F5.01	--	2 - L8	2 - I8				
A2.01	--	1 - F20	1 - E20	E3.01	--	1 - R13	1 - Q13	F6.03	--	2 - L9	2 - I9				
A2.21	--	1 - H20	1 - G20	E3.16	--	1 - R12	1 - Q12	F9.03/A	--	2 - L10	2 - I10				
A2.22	--	1 - H19	1 - G19	E3.19/1	--	1 - R11	1 - Q11	F6.08	--	2 - L11, L12	2 - I11, I12				
A2.23	--	1 - H17	1 - G17	E4.05	--	1 - R10	1 - Q10	F6.08/1	--	2 - L13, L14	2 - I13, I14				
A2.24	--	1 - H18, H15, H14	1 - G18, G15	E4.09	--	1 - R9	1 - Q9	F6.29	--	2 - L16	2 - I16				
A2.25	--	1 - H13	1 - G13	E4.11	--	1 - R8	1 - Q8	F6.29/1	--	2 - L17	2 - I17				
A2.25/1	--	1 - H12	1 - G12	E4.12	--	1 - R7	1 - Q7	F6.29/2	--	2 - L18	2 - I18				
A2.26/1	--	1 - H11	1 - G11	C1.01	--	1 - R5, R4	1 - Q5, Q4	F6.29/3	--	2 - L19	2 - I19				
A2.26	--	1 - H10	1 - G10	C1.02	--	1 - R3	1 - Q3	F6.29/4	--	2 - L20	2 - I20				
A2.27	--	1 - H9, H7	1 - G8, G7	C1.08	--	1 - R2	1 - Q2	F6.29/5	--	2 - N20	2 - M20				
A2.27/1	--	1 - H8, H5	1 - G8, G5	C1.35	--	1 - T2	1 - S2	L1.01	--	2 - N19, N18, N17	2 - M19, M18				
A2.27/1A	--	1 - H4, H3	1 - G4, G3	D1.01	--	1 - T3, T4	1 - S3		--	2 - N18, N15					
A2.28	--	1 - H2, L2	1 - G2, I2	D1.02	--	1 - T5	1 - S5	L1.30	--	2 - N14	2 - M14				
A2.28/1	--	1 - L3, L4	1 - I3, I4, I5	D2.20	--	1 - T6	1 - S6	L3.05	--	2 - N13	2 - M13				
A2.28/1A	--	1 - L6, L7	1 - I6, I7, I8	D2.22	--	1 - T7	1 - S7	L3.10	--	2 - N12	2 - M12				
A2.35	--	1 - L10	1 - I10	D2.23	--	1 - T8, T9, T10	1 - S8, S9	L3.11	--	2 - N11	2 - M11				
A2.35/1	--	1 - L11	1 - I11		--	1 - T11		L3.12	--	2 - N10	2 - M10				
A2.37	--	1 - L12	1 - I12	D2.24	--	1 - T12	1 - S12	L3.12/1	--	2 - N9	2 - M9				
A2.54	--	1 - L13	1 - I13	D2.27	--	1 - T13	1 - S13	M1.01	--	2 - N7	2 - M7				
A2.56	--	1 - L14	1 - I14	D2.29	--	1 - T15, T15	1 - S15, S15	M1.01/A	--	2 - N6, N5	2 - M6				
A3.01	--	1 - L15, L16, L17	1 - I15, L18	D3.01	--	1 - T17	1 - S17	Z1.01	--	2 - N3	2 - M4				
A3.02	--	1 - L19	1 - I19	D3.39	--	1 - T18	1 - S18	Z1.04	--	2 - N3	2 - M3				
A3.03	--	1 - L20	1 - I20	D3.33	--	1 - T20	1 - S20	Z1.04/1	--	2 - N2	2 - M2				
A4.01	--	1 - N20, N19	1 - M20, M19	D3.34	--	2 - F2, F3, F4	2 - E2, E3								
A4.02	--	1 - N18, N17, N16	1 - M18	D3.37	--	2 - F5, F5	2 - E5								
A4.03	--	1 - N15	1 - M15	D3.38	--	2 - F7	2 - E7								
A4.09	--	1 - N14	1 - M14	D3.40	--	2 - F8	2 - E8								
B1.05	--	1 - N13	1 - M13	D3.40/A	--	2 - F9	2 - E9								
B1.08	--	1 - N12	1 - M12	E3.02	--	2 - F11, F12, F13	2 - E11, E12, E13								
B1.09	--	1 - N10, N9	1 - M10, M9		--	2 - F16, F15	2 - E16								
B1.10	--	1 - N8, N7, N6	1 - M8, M7, M6	E3.10	--	2 - F18	2 - E17								
B1.11	--	1 - N5	1 - M5	E3.14	--	2 - F17, F18	2 - E17								
B1.12	--	1 - N14	1 - M14	E3.14/1	--	2 - F19	2 - E19								
B1.15	--	1 - N3	1 - M3	E3.14/2	--	2 - F20, H20	2 - E20								
B2.01	--	1 - N2, P2	1 - M2, O2	E3.14/3	--	2 - N15	2 - O15								
B2.04	--	1 - P3, P4	1 - O3, O4	E3.25	--	2 - N19	2 - O19								
B2.04/1	--	1 - P6, P6, P7	1 - O5, O6, O7	E3.25/1	--	2 - N17, N18	2 - O17								
B2.25	--	1 - P1	1 - O2	E3.26	--	2 - N15	2 - O15								

DENOMINACIONES	SGR.	TAV.
ACCESORIOS	Z1.04/	1
ACCESORIOS	Z1.04	
ACCIONAMIENTO DEL UTIL	E3.25/	1
ACCIONAMIENTO DEL UTIL	E3.25	
ALTERNADOR	F3.01	
ANCLAJES MOTOR	A0.02	
ANTIVIBRADOR DEL CIGUENAL	A1.04	
ARBOL DE LEVAS	A1.07	
ARBOL DE TRANSMISION DEL CONVERTIDOR AL CAMBIO	B3.01	
ARMAZON DE CADENA	D3.30	
ARRANQUE DEL MOTOR	F2.01	
ARRASTRE DE LA BOMBA DE INYECCION	A1.16	
ARRASTRE DEL ALTERNADOR	A1.19	
ARRASTRE DEL HOROTACOMETRO	A1.09	
ASIENTO DEL CONDUCTOR	M1.01/	A
ASIENTO DEL CONDUCTOR	M1.01	
BALANCINES	A1.07	
BARRAS DEL CAMBIO DE VELOCIDADES	B2.10	
BASTIDOR	D1.01	
BATERIAS	F5.01	
BIELAS	A1.05	
BLINDAJE DE CADENAS	L3.11	
BLINDAJE INFERIOR	L3.12	
BLINDAJE INFERIOR	L3.12/	1
BLOQUE DE CILINDROS	A1.01	
BOMBA DE ACEITE DEL MOTOR	A3.01	
BOMBA DE AGUA	A4.02	
BOMBA DE ALIMENTACION	A2.24	
BOMBA DE EMBRAGUE DE LA DIRECCION	D2.23	
BOMBA DE INYECCION	A2.24	
BOMBA DEL SISTEMA HIDRAULICO	E3.02	
BOMBAS DEL CONVERTIDOR	B1.10	
BRAZOS DE ELEVACION DE LA PALA	E3.10	
CAJA DE TRANSMISION POSTERIOR	B4.08	
CAJAS DE REDUCTORES LATERALES POSTERIORES	B4.11	
CAJAS DEL CAMBIO	B2.01	
CAMBIADOR DE CALOR DEL CAMBIO	B2.18	
CANISA DE CILINDRO	A1.01	
CAPOT	L1.01	
CARTER DE ACEITE	A1.02	
CIGUENAL	A1.03	
CILINDRO DE RUEDA GUIADORA	D3.24	
CINTA DE FRENO	C1.01	
COJINETES DEL CIGUENAL	A1.03	
COLECTOR DE ADMISION	A2.54	
COLECTOR DE ESCAPE	A2.54	
CONVERTIDOR DE PAR	B1.09	
CONVERTIDOR DE PAR, CAJAS Y TAPAS	B1.08	
CORREAS DEL VENTILADOR	A4.09	
CULATA	A1.01	
DEFLECTOR DEL RADIADOR	A4.01	
DEPOSITO DE ACEITE DE SISTEMA HIDRAULICO	E3.28	
DEPOSITO DE COMBUSTIBLE	A2.01	
DISTRIBUIDOR DE EMBRAGUE DE LA DIRECCION	D2.23	


DENOMINACIONES	SGR.	TAV.
DISTRIBUIDOR DEL CAMBIO	B2.30	
DISTRIBUIDOR PRINCIPAL	E3.02	
EJE DE RUEDA MOTRIZ	D3.33	
EMBOLOS	A1.05	
EMBRAGUES DE DIRECCION	D2.20	
ENCLAVAMIENTO DEL CAMBIO	B2.38	
ENGANCHE DE REMOLQUE	D1.02	
ENGRANAJES DE REDUCCION Y DIFERENCIAL POSTERIORES	B4.06	
ENGRANAJES DE REDUCTORES LATERALES POSTERIORES	B4.12	
ENGRANAJES DEL CAMBIO	B2.04	
ENGRANAJES DEL CAMBIO	B2.04/	1
ENGRANAJES DEL REDUCTOR DEL CAMBIO	B2.05	
ENGRASE DE EMBRAGUES DE DIRECCION	D2.24	
ENGRASE DEL CAMBIO	B2.06	
ENGRASE DEL MOTOR	A3.01	
ESLABONES	D3.40/	A
ESLABONES	D3.40	
FILTRO DE ACEITE DEL CONVERTIDOR	D1.20	
FILTRO DE AIRE DE MOTOR	A2.22	
FILTRO DE EMBRAGUES DE DIRECCION	D2.23	
FILTRO DEL ACEITE DEL MOTOR	A3.01	
FILTRO DEL DEPOSITO DE ACEITE DE SISTEMA HIDRAULICO	E3.23	
FILTROS DE COMBUSTIBLE	A2.24	
FRENO DE MANO	C1.35	
GATO DE CUCHARA	E3.02	
GATO DE ELEVACION	E3.02	
HERRAMIENTAS	Z1.01	
HOROTACOMETRO	A1.08	
INYECTOR	A2.24	
LUZ DEL V. LERO	A4.01	
MANDO DEL VENTILADOR	A4.09	
MANDOS DEL ACELERADOR	A2.21	
MANGUERO DEL ACEITE DEL MOTOR	A3.01	
MOTOR	A0.00	
MOTOR DE ARRANQUE	F2.01	
ORUGA	D3.40	
ORUGA	D3.40/	A
PALETA ABRETROCHAS	E3.14	
PALETA ABRETROCHAS	E3.14/	3
PALETA ABRETROCHAS	E3.14/	1
PALETA ABRETROCHAS	E3.14/	2
PEDALES DE EMBRAGUE DE LA DIRECCION	D2.23	
PEDALES DE FRENO	C1.01	
PIÑONES DE LA DISTRIBUCION	B1.05	
PISO	L3.09	
POSICIONADOR AUTOMATICO DE PALA	E3.27	
POSICIONADOR DE BRAZOS DE ELEVACION	E3.25	
PROTECCIONES DEL ASIENTO	L3.10	
PROYECTOR ANTERIOR	F4.01	
PROYECTOR POSTERIOR	F4.01	
PULVERIZADOR	A2.24	
RADIADOR DE AGUA DEL MOTOR	A4.01	
REGULADOR DE TENSION	F3.01	
REGULADOR DE VELOCIDAD	A2.24	

DENOMINACIONES	SGR.	TAV.
RODILLO DE APOYO DE LA BRUGA	D3.37	
RODILLO DE SOPORTE DE LA BRUGA	D3.38	
RUEDA GUIADORA	D3.34	
RUEDA GUIADORA	D3.34	
RUEDA MOTRIZ	D3.33	
SEÑALIZACION DE AVISO	F5.01	
SERVOFRENO	C1.02	
SISTEMA DE ALUMBRADO	F4.01	
SISTEMA HIDRAULICO	E3.02	
SOPORTES DE RUEDA GUIADORA	D3.34	
SOPORTES VARIOS	L1.30	
SUSPENSION ANTERIOR	D3.01	
TAPA ANTERIOR DEL BLOQUE	A1.02	
TAPA DE CULATA	A1.01	
TAPA POSTERIOR DEL BLOQUE	A1.02	
TAPAS DE TRANSMISION POSTERIOR	B4.08	
TAPAS DEL CAMBIO	B2.01	
TELERRUPTOR	F3.01	
TERMOMETRO DEL ACEITE DEL CAMBIO	B2.06	
TERMOMETRO DEL AGUA	A4.02	
TERMOSTATO	A4.02	
TESTIGO DE OBSTRUCCION DEL FILTRO DE AIRE DEL MOTOR	A2.22	
TIMONERIA DE EMBRAGUE DE LA DIRECCION	D2.22	
TRAVIESA PORTAFRENOS	C1.01	
TUBERIA DE ESCAPE	A2.56	
TUBERIAS DE ADMISION	A2.22	
TUBERIAS DE ASPIRACION DEL CONVERTIDOR	B1.10	
TUBERIAS DE COMBUSTIBLE	A2.24	
TUBERIAS DE EMBRAGUES DE DIRECCION	D2.23	
TUBERIAS DE ENGRASE DEL MOTOR	A3.01	
TUBERIAS DE FRENO	C1.02	
TUBERIAS DE REFRIGERACION	A4.02	
TUBERIAS DE VENTILACION DEL CONVERTIDOR Y CAMBIO	B1.15	
TUBERIAS DEL CAMBIO	B2.30	
TUBERIAS DEL DEPOSITO DE COMBUSTIBLE	A2.01	
VALVULA DE REGLAJE DE LA RUEDA GUIADORA	D3.34	
VALVULA MODERADORA	B2.30	
VALVULAS DEL CONVERTIDOR	B1.09	
VARILLA DE NIVEL DEL ACEITE	A3.01	
VARILLA DE NIVEL DEL ACEITE DEL CAMBIO	B2.06	
VARILLAJE DEL CAMBIO DE VELOCIDADES	B2.07	
VENTILADOR	A4.09	
VOLANTE DEL CIGUENAL	A1.03	
ZAFATAS	D3.40/ A	
ZAFATAS	D3.40	


IMPORTANT

 Replacement of these parts **SHOULD BE** performed by using a suitable equipment for calibration.


IMPORTANTE

 Per il ricambio di queste parti è **INDISPENSABILE** un'apposita attrezzatura di taratura.


IMPORTANT

 Le remplacement de ces pièces **COMPLIÈTE** un équipement de tarage expressément prévu.

ZUR BEACHTUNG

 Für den Ersatz dieser Teile ist **UM BEDINGT** eine spezielle Ausrüstung zur Eichung notwendig.

IMPORTANTE

 Para reponer estas piezas es **PRECISO** un equipo de calibración especial.

NOTICE

The right is reserved to change the construction or material of any parts where it seems desirable to do so without incurring the obligation of installing such changes on units already delivered.
Additional publications pertaining to this model and to all other Fiat-Allis products are available through Fiat-Allis dealers. Publications are generally available in several languages.
Refer to Service Publications Index form 604.07.02B for all such publications; the index is available from Fiat-Allis.

INSTRUCTIONS FOR ORDERING PARTS

At the time this parts catalog was published the listed part numbers were current. It is our policy to constantly improve our machines and therefore, part numbers and design may change.
When ordering parts, verify part numbers through your dealer's microfiche and Master numerical index which are up to date with all the latest part numbers.

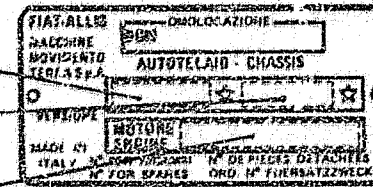
ORDER PARTS FROM THE DEALER COVERING THE LOCAL TERRITORY

Orders for spare parts must include the following data :

- Model (1)

- Serial Number (2)

- Engine model (3)



These data are shown on plate located near the instrument panel

- Engine serial number, marked on engine block.
- Specify the part number (shown on Spare Parts Catalog list), possibly completed by its description
- If parts refer to an assembly which has a model or serial number, also include this information.
- Give post office address, town, county and state where parts are to be shipped.
- Also specify whether material is to be shipped by freight, express or parcel post.
- Confirm all telephone or telegraph orders in writing.

Parts can only be returned to through the dealer from whom the parts were purchased and must have prior written authorization. Each return will be treated individually.

Unless claims for shortages or errors are made immediately upon receipt of goods, they will not be considered.

When broken goods are received, a full description of the damage should be made by the carrier agent on the freight bill

Fiat-Allis responsibility is limited, and ceases upon completion of sale conditions provided for each delivery.

A V V E F T E N Z A

La Fiat Allis si riserva di modificare la costruzione o il materiale di qualsiasi parte, qualora ciò risulti desiderabile, senza obbligo di apporre tali modifiche sulle unità già consegnate.

Altre pubblicazioni relative a questo modello e a tutti gli altri modelli Fiat Allis sono disponibili presso i Concessionari. Le pubblicazioni sono generalmente disponibili in diverse lingue.

Per individuare queste pubblicazioni, fare riferimento all'indice delle pubblicazioni tecniche 604.07.026. Copie dell'indice sono disponibili presso i Concessionari Fiat Allis.

I S T R U Z I O N I P E R O R D I N A R E I R I C A M B I

I numeri di ordinazione riportati su questo catalogo sono aggiornati alla data di uscita della pubblicazione. È nostra politica migliorare costantemente le macchine e quindi i numeri di ordinazione e le illustrazioni possono non essere più attuali.

Al momento di ordinare i ricambi, verificare i numeri di ordinazione presso il Vostro Concessionario, che dispone delle microfiches e dell'elenco generale dei ricambi aggiornati.

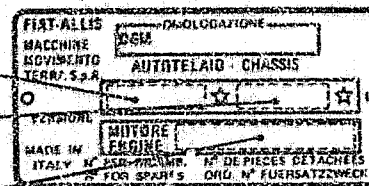
ORDINARE I RICAMBI PRESSO IL CONCESSIONARIO DELLA VOSTRA ZONA

Le ordinazioni di parti di ricambio devono essere corredate delle seguenti indicazioni:

— Modello della macchina (1)

— Numero del telaio (2)

— Tipo del motore (3)



Riportati sulla targa posta in prossimità della plancia di comando.

- Numero del motore, stampigliato sul basamento del motore.
- Indicare il numero di ordinazione della parte che si richiede (riportato sugli elenchi del catalogo) possibilmente completato dalla relativa denominazione.
- Se i ricambi si riferiscono a un complessivo che ha un proprio numero di modello o di serie, precisare anche questi dati.
- Precisare nell'indirizzo l'ufficio postale, la città, la regione e lo stato dove i ricambi devono essere spediti.
- Precisare inoltre le modalità di spedizione del materiale (via mare, via terra, espresso o pacco postale).
- Confermare per iscritto tutti gli ordini anticipati per telefono o telegrafo.

Eventuali restituzioni di parti potranno essere effettuate solamente a/o tramite il Concessionario dal quale le parti furono acquistate e dovranno essere autorizzate in precedenza per iscritto. Ogni restituzione verrà presa in considerazione singolarmente.

I reclami per mancanze e difetti, se non effettuati immediatamente al ricevimento della merce, non verranno presi in considerazione.

In caso di ricevimento di merce danneggiata, una completa descrizione del danno dovrà venire effettuata dall'agente del Corriere trasportatore sul documento di spedizione.

La responsabilità della Fiat Allis è limitata e cessa al compimento delle condizioni di vendita previste per ogni singola fornitura.

N.ORDIN.	SGR.	N.ORDIN.	SGR.	N.ORDIN.	SGR.	N.ORDIN.	SGR.	N.ORDIN.	SGR.
8265710	E314	8274662	E331	8281826	E332	8286837	E331	8291750	E302
8265710	E314/ 1	8274679	E331	8281828	E314/ 3	8286837	E331/ 1	8291751	E302
8265710	E314/ 2	8274680	E331	8281844	E302	8286970	E302	8292219	E314
8265710	E314/ 3	8274694	E331	8281849	E332/ 1	8286974	E302	8292219	E314/ 1
8268534	D102	8280053	E327	8281850	E332/ 1	8287209	E329	8292219	E314/ 2
8270124	E310	8280076	E331	8281853	E332/ 1	8287212	E302	8292240	E310
8270124	E332/ 1	8280077	E331	8281855	E332/ 1	8287268	E332/ 1	8292241	E310
8270259	E332	8280078	E331	8281862	E310	8287238	E327	8292257	E310
8271169	E314/ 2	8280120	E331	8281890	E310	8287354	E332/ 1	82922645	A106
8271164	E314	8280120	E331/ 1	8281892	E310	8287355	E302	8295175	A101
8271764	E314/ 2	8280121	E331	8281894	E310	8287357	E331/ 1	8292239	A301
8271764	E314/ 3	8280168	D227	8281901	E310	8287524	E331	8293493	A101
8272169	E314	8280169	D227	8282151	E332/ 1	8287706	E314	8290494	A101
8272169	E314/ 3	8280294	E331	8282394	E327	8287721	E302	8298495	A101
8272198	E329	8280295	E331	8282602	E327	8287724	E331	8213314	A224
8272200	E329	8280368	E302	8282604	E302	8287823	E314	8214697	A105
8272207	E329	8280439	E331	8282994	E331	8287823	E329	8214698	A105
8272209	E329	8280441	E331	8283366	E329	8288175	E310	8214699	A105
8272966	E329	8280509	E310	8283369	E329	8288176	E310	8214706	A107
8272969	E329	8280510	E310	8283424	E302	8288178	E310	8214707	A107
8273096	E331	8280513	E310	8283437	E327	8288179	E310	8214708	A107
8273101	E331	8280521	E310	8283438	E327	8288180	E310	8214770	A302
8273107	E329	8280892	E314	8283440	E327	8288181	E310	8214914	A107
8273361	E329	8280892	E314/ 2	8283446	E332	8288203	E302	8214921	A107
8273438	E331	8280892	E314/ 3	8283478	D227	8288204	E302	8215030	A402
8273439	E331	8280894	E314	8283719	E332	8288205	E302	8215069	A303
8273724	E331	8280894	E314/ 2	8283944	E329	8288206	E302	8215220	A301
8273725	E331	8280894	E314/ 3	8284118	E314/ 1	8288209	E302	8215228	A303
8273726	E331	8281044	E331	8284119	E314/ 2	8288213	E302	8215242	A106
8273908	D227	8281061	E332	8284567	E332/ 1	8288216	E302	8215039	A101
8273909	D227	8281062	E332	8284722	E302	8288311	E314	8215941	A105
8273910	D227	8281077	E331	8284723	E302	8288311	E314/ 3	8216260	A402
8273911	D227	8281084	E331	8284726	E302	8288341	E314	8216453	A105
8273912	D227	8281085	E331	8284729	E302	8288342	E314	8217468	A301
8273915	D227	8281066	E331	8284804	E302	8288430	E314	8217559	A106
8273916	D227	8281111	E332/ 1	8284990	E302	8288522	E314	8217760	A102
8273917	D227	8281190	E327	8285065	E327	8288540	E314	8217764	A106
8273918	D227	8281149	E329	8285066	E327	8288540	E314/ 3	8217848	A101
8273919	D227	8281200	E329	8285067	E327	8288541	E314	8217850	A101
8273920	D227	8281201	D227	8285068	E327	8288541	E314/ 3	8217854	A101
8273936	E332	8281576	D227	8285215	E314	8288542	E314	8217902	A105
8273940	D227	8281744	E327	8286256	E331	8288542	E314/ 3	8217903	A105
8273968	D227	8281746	E327	8286256	E331/ 1	8288990	E314/ 3	8217912	A107
8273969	D227	8281747	E327	8286368	E329	8289192	E314/ 3	8217913	A106
8274193	E331/ 1	8281751	E327	8286420	E302	8289195	E314/ 3	8217915	A104
8274234	D227	8281759	E327	8286421	E302	8290374	E302	8217916	A104
8274304	E331	8281822	E332	8286500	E331	8290376	E302	8217917	A104
8274306	E331	8281823	E332	8286501	E331	8290393	E302	8217924	A301
8274333	E331	8281824	E332	8286530	E332	8290396	E310	8217987	A106
8274447	E310	8281824	E332/ 1	8286617	E302	8290416	E302	8217989	A106

SUBGROUP RESEARCH INDEX ON THE FICHES - INDICE DI RICERCA DEI SOTTOGRUPPI SULLE FICHES - INDEX DE RECHERCHE DES SOUSGROUPES SUR LES FICHES
 SUCHINDEX DER UNTERGRUPPEN AUF KARTE - INDICE DE LOCALIZACION DE LOS SUBGRUPOS EN LA FICHAS.

SGR	TAV	GRID		SGR	TAV	GRID		SGR	TAV	GRID		SGR	TAV	GRID	
		TAV	PAG			TAV	PAG			TAV	PAG			TAV	PAG
A0.00	—	1 - F2	1 - E2	B2.09	—	1 - P9	1 - G9	E3.27	—	2 - H14	2 - G14				
A0.02	—	1 - F3	1 - E3	B2.07	—	1 - P11	1 - G11	E3.28	—	2 - H12, H11	2 - G12, G11				
A1.01	—	1 - F4, F5	1 - E4	B2.10	—	1 - P12, P13	1 - G12, G13	E3.29	—	2 - H10	2 - G10				
A1.02	—	1 - F6, F7	1 - E6	B2.17	—	1 - P14	1 - G14	E3.31	—	2 - H9, H8	2 - G9, G8				
A1.03	—	1 - F8, F9	1 - E8	B2.18	—	1 - P15	1 - G15	F3.31/1	—	2 - H7	2 - G7				
A1.04	—	1 - F10	1 - E10	B2.21	—	1 - P16	1 - G16	.32	—	2 - H5	2 - G6				
A1.05	—	1 - F12	1 - E12	B2.30	—	1 - P17, P18, P19	1 - G17, G18	E3.32/1	—	2 - H5	2 - G5				
A1.06	—	1 - F13	1 - E13	92.33	—	1 - P20, P20	1 - G20, G20	E3.32/1A	—	2 - H4	2 - G4				
A1.07	—	1 - F14, F15	1 - E14, E15	B2.33/1	—	1 - R19, R18	1 - Q19, Q18	F2.01	—	2 - H3, H2	2 - G3				
A1.08	—	1 - F16, F17	1 - E16	B2.34	—	1 - R19	1 - Q19	F3.01	—	2 - L3	2 - J2, J3				
A1.16	—	1 - F18	1 - E18	B2.35	—	1 - R15	1 - Q15	F4.01	—	2 - L5, L6, L7	2 - I5, I6, I7				
A1.19	—	1 - F19	1 - E19	B2.38	—	1 - R14	1 - Q14	F5.01	—	2 - L8	2 - I8				
A2.01	—	1 - F20	1 - E20	B3.01	—	1 - R13	1 - Q13	F6.03	—	2 - L9	2 - I9				
A2.21	—	1 - H20	1 - G20	B3.16	—	1 - R12	1 - Q12	F6.03/A	—	2 - L10	2 - I10				
A2.22	—	1 - H19	1 - G19	B3.18/1	—	1 - R11	1 - Q11	F6.08	—	2 - L11, L12	2 - I11, I12				
A2.23	—	1 - H17	1 - G17	B4.06	—	1 - R10	1 - Q10	F6.08/1	—	2 - L13, L14	2 - I13, I14				
A2.24	—	1 - H16, H15, H14	1 - G16, G15	B4.09	—	1 - R9	1 - Q9	F6.29	—	2 - L16	2 - I16				
		1 - H13		B4.11	—	1 - R8	1 - Q8	F6.29/1	—	2 - L17	2 - I17				
A2.25	—	1 - H12	1 - G12	B4.12	—	1 - R7	1 - Q7	F6.29/2	—	2 - L18	2 - I18				
A2.25/1	—	1 - H11	1 - G11	C1.01	—	1 - R5, R4	1 - Q5, Q4	F6.29/3	—	2 - L19	2 - I19				
A2.26	—	1 - H10	1 - G10	C1.02	—	1 - R3	1 - Q3	F6.29/4	—	2 - L20	2 - I20				
A2.27	—	1 - H8, H7	1 - G8, G7	C1.08	—	1 - R2	1 - Q2	F6.29/5	—	2 - N20	2 - M20				
A2.27/1	—	1 - H8, H5	1 - G8, G5	C1.25	—	1 - R2	1 - S2	L1.01	—	2 - N19, N18, N17	2 - M19, M18				
A2.27/1A	—	1 - H4, H3	1 - G4, G3	D1.01	—	1 - T3, T4	1 - S3		—	2 - N16, N15					
A2.28	—	1 - H2, L2	1 - G2, J2	D1.02	—	1 - T5	1 - S5	L1.30	—	2 - N14	2 - M14				
A2.28/1	—	1 - L3, L4	1 - J3, J4, J5	D2.20	—	1 - T6	1 - S6	L3.05	—	2 - N13	2 - M13				
A2.28/1A	—	1 - L6, L7	1 - J6, J7, J8	D2.22	—	1 - T7	1 - S7	L3.10	—	2 - N12	2 - M12				
A2.35	—	1 - L10	1 - J10	D2.23	—	1 - T8, T9, T10	1 - S8, S9	L3.11	—	2 - N11	2 - M11				
A2.35/1	—	1 - L11	1 - J11		—	1 - T11		L3.12	—	2 - N10	2 - M10				
A2.37	—	1 - L12	1 - J12	D2.24	—	1 - T12	1 - S12	L3.12/1	—	2 - N9	2 - M9				
A2.54	—	1 - L13	1 - J13	D2.27	—	1 - T13	1 - S13	M1.01	—	2 - N7	2 - M7				
A2.56	—	1 - L14	1 - J14	D2.29	—	1 - T15, T16	1 - S15, S16	M1.01/A	—	2 - N6, N5	2 - M6				
A3.01	—	1 - L15, L16, L17	1 - J15, L16	D3.01	—	1 - T17	1 - S17	Z1.01	—	2 - N4	2 - M4				
A3.02	—	1 - L19	1 - J19	D3.30	—	1 - T18	1 - S18	Z1.04	—	2 - N3	2 - M3				
A3.03	—	1 - L20	1 - J20	D3.33	—	1 - T20	1 - S20	Z1.04/1	—	2 - N2	2 - M2				
A4.01	—	1 - N20, N19	1 - M20, M19	D3.34	—	2 - F2, F3, F4.	2 - E2, E3								
A4.02	—	1 - N18, N17, N16	1 - M18	D3.37	—	2 - F5, F6	2 - E5								
A4.03	—	1 - N15	1 - M15	D3.38	—	2 - F7	2 - E7								
A4.09	—	1 - N14	1 - M14	D3.40	—	2 - F8	2 - E8								
B1.05	—	1 - N13	1 - M13	D3.40/A	—	2 - F9	2 - E9								
B1.09	—	1 - N12	1 - M12	E3.02	—	2 - F11, F12, F13	2 - E11, E12, E13								
B1.09	—	1 - N10, N9	1 - M10, M9		—	2 - F14, F15	2 - E14								
B1.10	—	1 - N8, N7, N6	1 - M8, M7, M6	E3.10	—	2 - F16	2 - E17								
B1.11	—	1 - N5	1 - M5	E3.14	—	2 - F17, F18	2 - E17								
B1.12	—	1 - N14	1 - M14	E3.14/1	—	2 - F19	2 - E19								
B1.15	—	1 - N3	1 - M3	E3.14/2	—	2 - F20, H20	2 - E20								
B2.01	—	1 - N2, P2	1 - M2, O2	E3.16/3	—	2 - H19	2 - G19								
B2.04	—	1 - P3, P4	1 - O3, O4	E3.25	—	2 - H18	2 - G18								
B2.04/1	—	1 - P5, P6, P7	1 - O5, O6, O7	E3.25/1	—	2 - H17, H16	2 - G17								
B2.05	—	1 - P8	1 - O8	E3.26	—	2 - H15	2 - G15								

N.ORDIN.	SGR.	N.ORDIN.	SGR.	N.ORDIN.	SGR.	N.ORDIN.	SGR.	N.ORDIN.	SGR.
4973597	D334	4978227	L101	4982069	D337	4987517	M101/ A	4991051	D337
4973450	D223	4978228	A221	4982082	D334	4987518	M101/ A	4991052	D337
4973945	E302	4978287	L101	4982082	D337	4987602	E302	4991053	D334
4973946	E302	4978590	L310	4982082	D338	4987603	E302	4991053	D337
4974664	L130	4978765	E328	4982109	B204	4987604	E302	4991054	D337
4974665	L130	4978952	B110	4982110	B204	4987605	E302	4991060	D334
4974771	L130	4978971	L305	4982111	B204	4987658	E302	4991068	D334
4974776	L130	4978982	L101	4982113	B204/ 1	4987659	E302	4991069	D334
4974972	F301	4978989	L101	4982114	B205	4987660	E302	4991076	D334
4975067	B109	4978992	L101	4982115	B204	4987661	E302	4991077	D334
4975188	C101	4979075	L101	4982166	D340	4987729	B204	4991078	D334
4975591	F301	4979074	L101	4982167	D340	4988130	L130	4991079	D337
4975732	B204	4979137	B230	4982168	D340	4988284	C101	4991080	D337
4976146	D229	4979157	B230	4982169	D340	4988437	D223	4991089	L311
4976294	A401	4979159	B230	4982170	D340	4988439	D223	4991488	L101
4976294	A402	4979701	L130	4982171	D340	4988441	D223	4991766	B207
4976411	E328	4979707	L130	4982172	D340	4988442	D223	4991786	B210
4976516	E328	4979709	B110	4982173	D340	4989255	B233/ 1	4992079	E328
4976722	A108	4979709	D223	4982522	D337	4989256	B233/ 1	4992081	E328
4976735	A108	4979711	B217	4982523	D337	4989257	B233/ 1	4992082	E328
4976736	A108	4979712	B217	4982543	D334	4989258	B233/ 1	4992083	E328
4977072	B238	4979713	B217	4982544	A201	4989259	B233/ 1	4992084	E328
4977085	B238	4979714	B217	4982944	B701	4989260	B233/ 1	4992085	E328
4977118	A201	4979718	M101	4982967	B206	4989261	B233/ 1	4992086	E328
4977122	A201	4979790	M101	4982969	B206	4989262	B233/ 1	4992087	E328
4977132	B238	4979818	L130	4983183	D334	4989264	B233/ 1	4992088	E328
4977279	B238	4979854	B204/ 1	4983183	D337	4989818	B411	4992089	E328
4977280	B210	4979890	M101	4983183	D338	4989820	B411	4992094	E328
4977305	L311	4980006	B204/ 1	4983219	B201	4989904	B235	4992150	A201
4977306	L310	4980109	D101	4983395	B204	4989905	B109	4992213	E328
4977309	L310	4980156	B210	4983427	B340	4989906	B109	4992243	L310
4977311	L310	4980321	F401	4983905	B204/ 1	4989968	B109	4992243	B210
4977320	L101	4980322	F401	4983917	B204/ 1	4990006	B230	4992276	B230
4977335	L310	4980679	D330	4984152	B233/ 1	4990275	C101	4992289	B233/ 1
4977363	F401	4980681	D330	4984153	B233/ 1	4990403	B109	4992750	B230
4977365	F401	4980583	L311	4984154	B233/ 1	4990404	B109	4992752	B233
4977442	B204	4980686	L311	4984156	B233/ 1	4990407	B109	4992805	L101
4977454	L310	4980688	L311	4984157	B233/ 1	4990518	D334	4993722	L310
4977458	L130	4980691	L311	4984180	B233/ 1	4990518	D337	4993964	B110
4977481	B101	4981056	B201	4984217	B233/ 1	4990518	D338	4993964	D223
4977484	A222	4981134	A256	4984218	B233/ 1	4990757	M101/ A	4993965	B110
4977636	B204	4981135	A256	4984823	B210	4990882	M101/ A	4995478	C135
4977686	A221	4981159	F401	4984826	B210	4990886	M101/ A	4995497	L101
4977688	A221	4981179	F401	4985508	B204	4990887	M101/ A	4995499	L101
4977732	E325	4981654	C101	4985509	B204/ 1	4990940	L311	4995884	D101
4977879	B207	4981655	B109	4986147	D337	4990948	L311	4995905	L311
4978124	L101	4981743	D334	4987201	E302	4991025	D334	4996300	B110
4978190	L101	4981743	D337	4987202	E302	4991042	D330	4996300	D223
4978198	L101	4981846	D334	4987403	M101/ A	4991044	D330	4996300	D223
4978202	L101	4981846	D337	4987451	B230	4991048	D337	8253660	E328
				4987511	M101/ A				

N.ORDIN.	SGR.	N.ORDIN.	SGR.	N.ORDIN.	SGR.	N.ORDIN.	SGR.	N.ORDIN.	SGR.
4957281	D330	4958293	C101	4960490	D338	4963114	A401	4966653	B230
4957294	D330	4958299	C101	4960759	B204	4963137	A401	4966734	B206
4957296	D330	4958300	C101	4961971	B201	4963218	B210	4966736	B210
4957299	A402	4958303	C101	4962028	B233	4963363	B233	4966798	C101
4957300	A401	4958305	C101	4962029	B233	4963366	B233	4966799	C101
4957367	B230	4958306	C101	4962039	B201	4963394	C102	4966864	B205
4957375	D301	4959308	C101	4962041	B201	4963395	C102	4966999	D101
4957391	D334	4958511	D222	4962043	B201	4963396	E302	4967127	E302
4957392	D334	4958319	L305	4962045	B201	4963781	B204/ 1	4967230	B408
4957393	D334	4958321	L305	4962046	B201	4963795	B109	4967635	D222
4957394	D334	4958322	L305	4962047	B201	4963796	B109	4967673	D222
4957395	D334	4958383	B406	4962048	B201	4963797	E302	4967697	D222
4957400	D334	4958405	E326	4962164	B204/ 1	4963841	B204	4967724	E302
4957401	D334	4958420	A401	4962166	B204/ 1	4964023	D337	4968624	D334
4957402	D334	4958422	A401	4962168	B204/ 1	4964025	D338	4968625	D334
4957403	D301	4958423	A401	4962171	B204/ 1	4964027	D338	4968626	D334
4957426	L101	4958473	E302	4962174	B204/ 1	4964144	B206	4968815	A221
4957481	B206	4958506	D334	4962176	B204/ 1	4964148	B230	4969101	B204
4957531	B206	4958507	C101	4962186	B204	4964217	B210	4969273	E205
4957582	L311	4958507	D222	4962190	B204	4964220	B233	4969274	B205
4957726	L101	4958508	C101	4962191	B204	4964220	B233/ 1	4969377	E302
4957789	A221	4958509	L101	4962194	B204	4964318	A226	4969397	D301
4957792	A221	4958510	L310	4962196	B204	4964319	A226	4969398	D301
4957793	A221	4958513	E302	4962197	B204	4964320	A226	4969865	A401
4957852	B408	4958518	L310	4962198	B204	4964321	A226	4969975	L130
4957854	D223	4958521	L310	4962201	B204/ 1	4964322	A226	4970188	B204/ 1
4957857	D223	4958533	B210	4962252	B207	4964323	A226	4970200	B205
4957859	D223	4958537	B210	4962396	B207	4964384	D222	4970232	B201
4957861	C108	4958538	B210	4962412	B230	4964386	D222	4970397	A401
4957862	C108	4958631	E302	4962419	B230	4964396	B217	4970641	E325
4957863	C108	4958686	E302	4962484	D333	4964396	E328	4970648	E325
4957864	C108	4958697	E302	4962493	B233	4964486	A226	4970722	C101
4957945	L312	4958799	L310	4962494	B233	4964487	A226	4971253	D333
4957953	L312	4958823	F401	4962494	B233/ 1	4964501	A224	4971843	A201
4957959	L312	4958867	L310	4962496	B233	4964630	C135	4972238	B408
4958032	D101	4958960	B206	4962496	B233/ 1	4965120	A226	4972293	D229
4958046	D101	4958976	F301	4962497	B233	4965149	B206	4972295	B411
4958047	D101	4958985	A222	4962497	B233/ 1	4965150	B207	4972296	B411
4958050	L305	4959324	A401	4962498	B233	4965224	B204/ 1	4972378	Z106/ 1
4958109	L311	4959519	C108	4962498	B233/ 1	4965273	B224	4972380	Z104/ 1
4958195	L311	4959637	F401	4962499	B233/ 1	4965899	B206	4972430	D229
4958201	C101	4959733	C102	4962499	B233/ 1	4965900	C101	4972431	D229
4958206	C108	4959742	L312/ 1	4962501	L311	4965902	B201	4972432	D229
4958207	C108	4959746	L312/ 1	4962502	L311	4965965	B110	4972433	D229
4958214	A222	4959779	L312/ 1	4962548	B408	4965969	D223	4972664	B115
4958215	A222	4960068	B109	4962668	B408	4965971	D223	4972667	B115
4958287	A221	4960193	B204	4962727	B230	4965976	B233	4972919	A401
4958290	D222	4960201	D338	4962849	B109	4965976	B233/ 1	4973333	B109
4958291	D222	4960450	B206	4962975	D340	4966376	B204/ 1	4973376	B110
4958292	C101	4960456	B206	4963112	A401	4966394	D101	4973395	D334

SUBGROUP RESEARCH INDEX ON THE FICHES - INDICE DI RICERCA DEI SOTTOGRUPPI SULLE FICHES - INDEX DE RECHERCHE DES SOUSGROUPES SUR LES FICHES
 SUCHINDEX DER UNTERGRUPPEN AUF KARTE - INDICE DE LOCALIZACION DE LOS SUBGRUPOS EN LA FICHAS.

SGR	TAV	GRID		SGR	TAV	GRID		SGR	TAV	GRID		SGR	TAV	GRID	
		TAV	PAG.			TAV	PAG.			TAV	PAG.			TAV	PAG.
A0.00	—	1 - F2	1 - E2	B2.06	—	1 - P9	1 - O9	E3.27	—	2 - H14	2 - G14				
A0.02	—	1 - F3	1 - E3	B2.07	—	1 - P11	1 - O11	E3.28	—	2 - H12, H11	2 - G12, G11				
A1.01	—	1 - F4, F5	1 - E4	B2.10	—	1 - P12, P13	1 - O12, O13	E3.29	—	2 - H10	2 - G10				
A1.02	—	1 - F6, F7	1 - E6	B2.17	—	1 - P14	1 - O14	E3.31	—	2 - H9, H8	2 - G9, G8				
A1.03	—	1 - F8, F9	1 - E8	B2.18	—	1 - P15	1 - O15	E3.31/1	—	2 - H7	2 - G7				
A1.04	—	1 - F10	1 - E10	B2.21	—	1 - P16	1 - O16	E3.32	—	2 - H6	2 - G6				
A1.05	—	1 - F12	1 - E12	B2.20	—	1 - P17, P18, P19	1 - O17, O18	E3.32/1	—	2 - H5	2 - G5				
A1.06	—	1 - F13	1 - E13	B2.33	—	1 - P20, P20	1 - O20, O20	E3.32/1A	—	2 - H4	2 - G4				
A1.07	—	1 - F14, F15	1 - E14, E15	B2.33/1	—	1 - R19, R18	1 - O19, O18	F2.01	—	2 - H3, H2	2 - G3				
A1.08	—	1 - F16, F17	1 - E16	B2.34	—	1 - R16	1 - O16	F3.01	—	2 - L2, L3	2 - I2, I3				
A1.16	—	1 - F18	1 - E18	B2.35	—	1 - R15	1 - O15	F4.01	—	2 - L5, L6, L7	2 - I5, I6, I7				
A1.19	—	1 - F19	1 - E19	B2.58	—	1 - R14	1 - O14	F5.01	—	2 - L8	2 - I8				
A2.01	—	1 - F20	1 - E20	B3.01	—	1 - R13	1 - O13	F6.03	—	2 - L9	2 - I9				
A2.21	—	1 - H20	1 - G20	B3.16	—	1 - R12	1 - O12	F6.03/A	—	2 - L10	2 - I10				
A2.22	—	1 - H19	1 - G19	B3.16/1	—	1 - R11	1 - O11	F6.08	—	2 - L11, L12	2 - I11, I12				
A2.23	—	1 - H17	1 - G17	B4.06	—	1 - R10	1 - O10	F6.08/1	—	2 - L13, L14	2 - I13, I14				
A2.24	—	1 - H16, H15, H14	1 - G16, G15	B4.06	—	1 - R9	1 - O9	F6.29	—	2 - L16	2 - I16				
		1 - H13		B4.11	—	1 - R8	1 - O8	F6.29/1	—	2 - L17	2 - I17				
A2.25	—	1 - H12	1 - G12	B4.12	—	1 - R7	1 - O7	F6.29/2	—	2 - L18	2 - I18				
A2.25/1	—	1 - H11	1 - G11	C1.01	—	1 - R5, R4	1 - O5, O4	F6.29/3	—	2 - L19	2 - I19				
A2.26	—	1 - H10	1 - G10	C1.02	—	1 - R3	1 - O3	F6.29/4	—	2 - L20	2 - I20				
A2.27	—	1 - H8, H7	1 - G8, G7	C1.08	—	1 - R2	1 - O2	F6.29/5	—	2 - H20	2 - M20				
A2.27/1	—	1 - H6, H5	1 - G6, G5	C1.35	—	1 - T2	1 - S2	L1.01	—	2 - N19, N18, N17	2 - M19, M18				
A2.27/1A	—	1 - H4, H3	1 - G4, G3	D1.01	—	1 - T3, T4	1 - S3		—	2 - N15, N15					
A2.28	—	1 - H2, L2	1 - G2, I2	D1.02	—	1 - T5	1 - S5	L1.30	—	2 - N14	2 - M14				
A2.28/1	—	1 - L3, L4	1 - I3, I4, I5	D2.20	—	1 - T6	1 - S6	L3.05	—	2 - N13	2 - M13				
A2.28/1A	—	1 - L6, L7	1 - I6, I7, I8	D2.22	—	1 - T7	1 - S7	L3.10	—	2 - N12	2 - M12				
A2.35	—	1 - L10	1 - I10	D2.23	—	1 - T8, T9, T10	1 - S8, S9	L3.11	—	2 - N11	2 - M11				
A2.35/1	—	1 - L11	1 - I11		—	1 - T11		L3.12	—	2 - N10	2 - M10				
A2.37	—	1 - L12	1 - I12	D2.24	—	1 - T12	1 - S12	L3.12/1	—	2 - N9	2 - M9				
A2.54	—	1 - L13	1 - I13	D2.27	—	1 - T13	1 - S13	M1.01	—	2 - N7	2 - M7				
A2.55	—	1 - L14	1 - I14	D2.29	—	1 - T15, T16	1 - S15, S16	M1.01/A	—	2 - N6, N5	2 - M6				
A3.01	—	1 - L15, L16, L17	1 - I15, L16	D3.01	—	1 - T17	1 - S17	Z1.01	—	2 - N4	2 - M4				
A3.02	—	1 - L19	1 - I19	D3.20	—	1 - T18	1 - S18	Z1.04	—	2 - N3	2 - M3				
A3.03	—	1 - L20	1 - I20	D3.33	—	1 - T20	1 - S20	Z1.04/1	—	2 - N2	2 - M2				
A4.01	—	1 - N20, N19	1 - M20, M19	D3.34	—	2 - F2, F3, F4	2 - E2, E3								
A4.02	—	1 - N18, N17, N16	1 - M18	D3.37	—	2 - F5, F6	2 - E5								
A4.03	—	1 - N15	1 - M15	D3.39	—	2 - F7	2 - E7								
A4.09	—	1 - N14	1 - M14	D3.40	—	2 - F8	2 - E6								
S1.05	—	1 - N13	1 - M13	D3.40/A	—	2 - F9	2 - E8								
B1.08	—	1 - N12	1 - M12	E3.02	—	2 - F11, F12, F13	2 - E11, E12, E13								
B1.09	—	1 - N10, N9	1 - M10, M9		—	2 - F14, F15	2 - E14								
B1.10	—	1 - N8, N7, N6	1 - M8, M7, M6	E3.10	—	2 - F16	2 - E17								
B1.11	—	1 - N5	1 - M5	E3.14	—	2 - F17, F18	2 - E17								
B1.12	—	1 - N14	1 - M14	E3.14/1	—	2 - F19	2 - E19								
B1.15	—	1 - N3	1 - M3	E3.14/2	—	2 - F20, H20	2 - E20								
B2.01	—	1 - P2, P2	1 - O2, O2	E3.14/3	—	2 - H19	2 - G19								
B2.04	—	1 - P3, P4	1 - O3, O4	E3.25	—	2 - H18	2 - G18								
B2.04/1	—	1 - P5, P6, P7	1 - O5, O6, O7	E3.25/1	—	2 - H17, H16	2 - G17								
B2.05	—	1 - P8	1 - O8	E3.28	—	2 - H15	2 - G15								

N.ORDIN.	SGR.	N.ORDIN.	SGR.	N.ORDIN.	SGR.	N.ORDIN.	SGR.	N.ORDIN.	SGR.
767970	A228	4177981	B233	4305449	F501	4694803	A301	4954530	L101
767977	A228	4177981	B233/ 1	4312905	A402	4697609	A030	4954531	L101
767980	A228	4177981	E325	4502935	B201	4698696	A224	4955094	A002
767981	A228	4180725	F401	4514429	B301	4699481	B316/ 1	4955458	A102
767982	A228	4182461	F401	4514424	B316	4699486	B301	4956122	F301
768043	A227	4182462	F401	4514429	B316/ 1	4699614	A409	4956208	B110
768043	A228	4184236	F401	4526899	B111	4699616	A409	4956549	D340
768069	A237	4184239	F401	4526899	D223	4699618	A409	4956551	D340
768161	A228	4184242	F401	4526900	B111	4699620	A409	4956552	D340
768378	A235	4184246	F401	4526900	D223	4699622	A119	4956553	D340
768482	A227	4184391	F301	4576729	A103	4700416	A105	4956679	D330
768972	A224	4184391	F401	4585395	B316	4700419	A105	4956738	B412
769075	A227	4184498	F301	4585395	B316/ 1	4914139	B233/ 1	4956739	D333
769357	A228	4184499	F301	4585396	B316	4950505	B109	4956740	D333
769542	A228	4199576	F201	4585396	B316/ 1	4950683	C102	4956741	D333
771041	A224	4205243	F301	4587711	D224	4950684	C102	4956742	D333
873885	B316	4206950	F603	4596891	E328	4950685	C102	4956743	D333
875885	B316/ 1	4216226	B206	4606789	A409	4950686	C102	4956744	D333
882723	A403	4216867	F401	4606791	A409	4950698	D223	4956745	D333
992467	F629/ 1	4217120	F301	4607107	A409	4950700	D223	4956746	D333
992467	F629/ 4	4217121	F301	4610728	A119	4950727	E302	4956751	D333
992474	F401	4217718	B230	4613684	A119	4950895	A301	4956752	D333
1900635	A102	4217728	B206	4622957	A119	4950896	B230	4956754	D333
1900645	A105	4220847	F301	4625547	A303	4951136	F301	4956757	D333
1900646	A105	4222265	F301	4638223	B316	4951301	B204	4956758	D330
1901021	A103	4222265	F501	4638223	B316/ 1	4951733	C101	4956759	D333
1901022	A103	4223787	F301	4643590	B316	4951734	C101	4956760	D333
1901023	A103	4232606	A301	4643590	B316/ 1	4951754	D223	4956761	D333
1901024	A103	4238805	F501	4645048	M101/ A	4951756	D229	4956762	D333
1901025	A103	4238806	F501	4645049	M101/ A	4951758	D229	4956786	D333
4002000	B316	424000	A301	4645966	A119	4951759	D229	4956880	D334
4002000	B316/ 1	4240363	F401	4648371	A303	4951818	C101	4956885	D330
4002024	B316	4240365	F401	4655191	B316	4951841	D229	4956886	D330
4002024	B316/ 1	4242731	F603	4655191	B316/ 1	4951845	A222	4957061	B411
4053247	F201	4247146	F603	4656653	B316	4951968	F401	4957062	B411
4057844	Z101	4254213	F603	4656914	B316	4952541	B230	4957116	L101
4065615	F603	4262115	F603	4656914	B316/ 1	4952543	B230	4957126	L101
4071817	M101/ A	4262118	F603	4657465	A222	4952553	F401	4957127	L101
4073976	F201	4262117	F603	4670688	B301	4952554	F401	4957128	L101
4073977	F201	4262904	F603	4670689	B316	4952555	F401	4957129	L101
4085212	F301	4263315	F603	4670689	B316/ 1	4952685	B111	4957133	D337
4085213	F301	4263530	F603	4670689	A225	4953056	F401	4957135	D337
4091420	F301	4268098	F301	4671001	A225	4953100	F301	4957139	D338
4091438	M101/ A	4268886	F603	4674943	M101/ A	4953822	A402	4957140	D334
4150782	F603	4268887	F603	4674947	M101/ A	4953884	D229	4957147	D334
4158641	F401	4275866	F603	4681738	M101/ A	4953895	B110	4957148	D334
4161222	A301	4276967	F401	4681739	M101/ A	4953895	D223	4957149	D334
4165032	F301	4278882	F603	4684447	A409	4953896	E302	4957150	D334
4176846	F401	4278944	F603	4689833	A105	4954100	L101	4977191	L101
4177981	B210	4303173	A108	4694801	A301	4954498	D223	4957196	L101

N.ORDIN.	SGR.	N.ORDIN.	SGR.	N.ORDIN.	SGR.	N.ORDIN.	SGR.	N.ORDIN.	SGR.
599153	B204/ 1	706197	A228	747568	A227	760472	A227	765290	A237
599275	B108	706210	A237	748670	A227	760489	A227	765291	A237
599296	C101	710890	A237	751032	A225	760489	A227/ 1	765303	A227
599299	C101	712764	A235	751032	A225/ 1	760495	A227/ 1	765304	A227
599300	C101	722023	A228	751627	A227	760508	A227	765306	A227
599301	C101	722123	A235	752221	A227	760666	A228	765342	A228
599302	C101	722027	A235	752408	A235	760862	A227	765503	A228
599303	C101	722282	A228	752758	A237	760925	A228	765504	A228
599304	C101	722283	A228	753177	A227	760926	A228	765505	A228
599305	C101	722287	A228	753177	A227/ 1	763150	A224	765615	A228
599306	C101	722353	A237	753177	A228	763152	A225	765618	A228
599307	C101	722962	A235	753195	A228	763153	A225	765619	A228
599308	C101	723838	A228	753762	A225	763178	A225	765972	A227
599309	C101	723857	A237	753762	A225/ 1	763178	A225/ 1	766061	A227
599310	C101	724361	A224	754491	A227	763187	A228	766075	A228
599311	C101	724443	A235	754799	A227	763228	A237	766093	A237
599358	A201	726360	A227	755708	A227	763229	A237	766094	A237
599366	D334	726381	A227	755860	A227	763432	A228	766095	A237
599366	D337	726381	A227/ 1	756190	A227	763440	A228	766096	A237
599370	A201	726381	A228	756191	A227	763752	A228	766193	A235
599371	A201	726381	A235	756200	A227	763753	A228	766250	A227
599472	B206	733494	A228	756203	A227	763757	A228	766268	A237
599479	B406	738461	Z101	756618	A224	764120	A225	766269	A237
599482	A221	741569	A401	757357	A228	764156	A227	766298	A237
599484	A222	741570	A401	758116	A224	764956	A225	766299	A237
656829	A235	741571	A401	758707	A227	764956	A225/ 1	766300	A237
702537	A303	746152	A225	758707	A227/ 1	764957	A225	766313	A227
705597	A225/ 1	746152	A227	758709	A224	764957	A225/ 1	766314	A227
705599	A225/ 1	746153	A225	758880	A237	764958	A225	766315	A227
705603	A225	746189	A225	758881	A237	764958	A225/ 1	766419	A227
705603	A225/ 1	746214	A225	758882	A237	764975	A228	766432	A228
705605	A225/ 1	746214	A227/ 1	758883	A237	764995	A227	766433	A228
705631	A225	746363	A227	758884	A237	765057	A227	766442	A237
705631	A225/ 1	746366	A227	758885	A237	765057	A227/ 1	766445	A237
705633	A225	746368	A227	758886	A237	765063	A227	766664	A228
705633	A225/ 1	746370	A227	758887	A237	765063	A227/ 1	766837	A235
705636	A225	746371	A227	758888	A237	765065	A227	766838	A235
705636	A225/ 1	746371	A227/ 1	759016	A228	765065	A227/ 1	766839	A235
705637	A225	746373	A227	759041	A228	765066	A227	766875	A225
705637	A225/ 1	746373	A227/ 1	759046	A228	765066	A227/ 1	766903	A225
705639	A225	746374	A227	759146	A228	765067	A227	766966	A228
705639	A225/ 1	746374	A227/ 1	759242	A227	765067	A227/ 1	766970	A228
705726	A237	746379	A227	760078	A227/ 1	765068	A227	766975	A228
705736	A227	746380	A227	760157	A237	765068	A227/ 1	766976	A228
705736	A227/ 1	746389	A227	760203	A228	765069	A227	767023	A227
705737	A225	746399	A227	760237	A225	765069	A227/ 1	767314	A228
705737	A227	746399	A227/ 1	760241	A225	765070	A227/ 1	767315	A228
705785	A227	746993	A227	760241	A225/ 1	765070	A227/ 1	767404	A224
705785	A227/ 1	746993	A227/ 1	760356	A227	765071	A227/ 1	767406	A224
705816	A227	747210	A228	760463	A227	765256	A228	767451	A235

SUBGROUP RESEARCH INDEX ON THE FICHES - INDICE DI RICERCA DEI SOTTOGRUPPI SULLE FICHES - INDEX DE RECHERCHE DES SOUSGROUPEES SUR LES FICHES
 SUCHINDEX DER UNTERGRUPPEN AUF KARTE - INDICE DE LOCALIZACION DE LOS SUBGRUPOS EN LA FICHAS.

SGR	TAV	GRID		SGR	TAV	GRID		SGR	TAV	GRID		SGR	TAV	GRID	
		TAV	PAG.			TAV	PAG.			TAV	PAG.			TAV	PAG.
A0.00	—	1 - F2	1 - E2	B2.06	—	1 - P9	1 - O9	E3.27	—	2 - H14	2 - G14				
A0.02	—	1 - F3	1 - E3	B2.07	—	1 - P11	1 - O11	E3.28	—	2 - H12, H11	2 - G12, G11				
A1.01	—	1 - F4, F5	1 - E4	B2.10	—	1 - P12, P13	1 - O12, O13	E3.29	—	2 - H10	2 - G10				
A1.02	—	1 - F6, F7	1 - E6	B2.17	—	1 - P14	1 - O14	E3.31	—	2 - H9, H8	2 - G9, G8				
A1.03	—	1 - F8, F9	1 - E8	B2.18	—	1 - P15	1 - O15	E3.31/1	—	2 - H7	2 - G7				
A1.04	—	1 - F10	1 - E10	B2.21	—	1 - P16	1 - O1	E3.32	—	2 - H6	2 - G6				
A1.05	—	1 - F12	1 - E12	B2.30	—	1 - P17, P18, P19	1 - O17, O18	E3.32/1	—	2 - H5	2 - G5				
A1.06	—	1 - F13	1 - E13	B2.33	—	1 - P20, P20	1 - O20, O20	E3.32/1A	—	2 - H4	2 - G4				
A1.07	—	1 - F14, F15	1 - E14, E15	B2.33/1	—	1 - R19, R18	1 - Q19, Q18	F2.01	—	2 - H3, H2	2 - G3				
A1.08	—	1 - F16, F17	1 - E16	B2.34	—	1 - R16	1 - Q16	F3.01	—	2 - L2, L3	2 - I2, I3				
A1.16	—	1 - F18	1 - E18	B2.35	—	1 - R15	1 - Q15	F4.01	—	2 - L5, L6, L7	2 - I5, I6, I7				
A1.19	—	1 - F19	1 - E19	B2.38	—	1 - R14	1 - Q14	F5.01	—	2 - L8	2 - I8				
A2.01	—	1 - F20	1 - E20	B3.01	—	1 - R13	1 - Q13	F6.03	—	2 - L9	2 - I9				
A2.21	—	1 - H20	1 - G20	B3.16	—	1 - R12	1 - Q12	F6.03/A	—	2 - L10	2 - I10				
A2.22	—	1 - H19	1 - G19	B3.16/1	—	1 - R11	1 - Q11	F6.08	—	2 - L11, L12	2 - I11, I12				
A2.23	—	1 - H17	1 - G17	B4.06	—	1 - R10	1 - Q10	F6.08/1	—	2 - L13, L14	2 - I13, I14				
A2.24	—	1 - H16, H15, H14	1 - G16, G15	B4.08	—	1 - R9	1 - Q9	F6.29	—	2 - L16	2 - I16				
		1 - H13		B4.11	—	1 - R8	1 - Q8	F6.29/1	—	2 - L17	2 - I17				
A2.25	—	1 - H12	1 - G12	B4.12	—	1 - R7	1 - Q7	F6.29/2	—	2 - L18	2 - I18				
A2.25/1	—	1 - H11	1 - G11	C1.01	—	1 - R5, R4	1 - Q5, Q4	F6.29/3	—	2 - L19	2 - I19				
A2.26	—	1 - H10	1 - G10	C1.02	—	1 - R3	1 - Q3	F6.29/4	—	2 - L20	2 - I20				
A2.27	—	1 - H8, H7	1 - G8, G7	C1.08	—	1 - R2	1 - Q2	F6.29/5	—	2 - N20	2 - M20				
A2.27/1	—	1 - H6, H5	1 - G6, G5	C1.35	—	1 - T2	1 - S2	L1.01	—	2 - N19, N18, N17	2 - M19, M18				
A2.27/1A	—	1 - H4, H3	1 - G4, G3	D1.01	—	1 - T3, T4	1 - S3		—	2 - N16, N15					
A2.28	—	1 - H2, L2	1 - G2, I2	D1.02	—	1 - T5	1 - S5	L1.30	—	2 - N14	2 - M14				
A2.28/1	—	1 - L3, L4	1 - I3, I4, I5	D2.20	—	1 - T6	1 - S6	L3.05	—	2 - N13	2 - M13				
A2.28/1A	—	1 - L6, L7	1 - I6, I7, I8	D2.22	—	1 - T7	1 - S7	L3.10	—	2 - N12	2 - M12				
A2.35	—	1 - L10	1 - I10	D2.23	—	1 - T8, T9, T10	1 - S8, S9	L3.11	—	2 - N11	2 - M11				
A2.35/1	—	1 - L11	1 - I11		—	1 - T11		L3.12	—	2 - N10	2 - M10				
A2.37	—	1 - L12	1 - I12	D2.24	—	1 - T12	1 - S12	L2.12/1	—	2 - N9	2 - M9				
A2.54	—	1 - L13	1 - I13	D2.27	—	1 - T13	1 - S13	M1.01	—	2 - N7	2 - M7				
A2.56	—	1 - L14	1 - I14	D2.29	—	1 - T15, T16	1 - S15, S16	M1.01/A	—	2 - N6, N5	2 - M6				
A3.01	—	1 - L15, L16, L17	1 - I15, I16	D3.01	—	1 - T17	1 - S17	Z1.01	—	2 - N4	2 - M4				
A3.02	—	1 - L19	1 - I19	D3.30	—	1 - T18	1 - S18	Z1.04	—	2 - N3	2 - M3				
A3.03	—	1 - L20	1 - I20	D3.33	—	1 - T20	1 - S20	Z1.04/1	—	2 - N2	2 - M2				
A4.01	—	1 - N20, N19	1 - M20, M19	D3.34	—	2 - F2, F3, F4	2 - E2, E3								
A4.02	—	1 - N18, N17, N16	1 - M18	D3.37	—	2 - F5, F6	2 - E5								
A4.03	—	1 - N15	1 - M15	D3.38	—	2 - F7	2 - E7								
A4.09	—	1 - N14	1 - M14	D3.40	—	2 - F8	2 - E8								
B1.05	—	1 - N13	1 - M13	D3.40/A	—	2 - F9	2 - E9								
B1.08	—	1 - N12	1 - M12	E3.02	—	2 - F11, F12, F13	2 - E11, E12, E13								
B1.09	—	1 - N10, N9	1 - M10, M9		—	2 - F14, F15	2 - E14								
B1.10	—	1 - N9, N7, N6	1 - M8, M7, M6	E3.10	—	2 - F16	2 - E17								
B1.11	—	1 - N5	1 - M5	E3.14	—	2 - F17, F18	2 - E17								
B1.12	—	1 - N14	1 - M14	E3.14/1	—	2 - F19	2 - E19								
B1.15	—	1 - N3	1 - M3	E3.14/2	—	2 - F20, H20	2 - E20								
B2.01	—	1 - N2, P2	1 - M2, O2	E3.14/3	—	2 - H19	2 - G19								
B2.04	—	1 - P3, P4	1 - O3, O4	E3.25	—	2 - H18	2 - G18								
B2.04/1	—	1 - P5, P6, P7	1 - O5, O6, O7	E3.25/1	—	2 - H17, H16	2 - G17								
B2.25	—	1 - P8	1 - O8	E3.25	—	2 - H15	2 - G15								

N.ORDIN.	SGR.	N.ORDIN.	SGR.	N.ORDIN.	SGR.	N.ORDIN.	SGR.	N.ORDIN.	SGR.
587455	M101	590537	B204	591427	D224	593628	D229	596934	E302
587456	M101	590732	B233	591431	D224	593629	B210	597091	B235
587458	M101	590789	B110	591432	D224	593956	E302	597092	B235
587463	M101	590790	B110	591433	D224	594633	D334	597097	B109
587468	A221	590851	B408	591434	D224	594634	D334	597258	D220
587505	B230	590872	C108	591528	B301	594637	D334	597415	B112
587507	A222	591055	B111	591559	M101	594638	D334	597415	B235
587779	B109	591109	B235	591560	M101	594640	D334	597768	C101
587779	B230	591112	D229	591576	M101	594687	A201	597874	B301
588043	B109	591115	D224	591577	M101	594687	F301	598121	B408
588884	B111	591126	D229	591587	L305	594745	B108	598190	B408
588892	B111	591167	B207	591595	M101	594746	B108	598211	B408
588893	B110	591168	B207	591609	E302	595012	L130	598228	B408
588900	B111	591171	B210	591706	B111	595073	L101	598418	B406
588902	B111	591173	B207	591707	B111	595208	A201	598419	B406
588904	B111	591173	E326	591794	B111	595209	E302	598423	B406
588905	B111	591178	B210	591794	D223	595209	L101	598426	D220
588908	B111	591181	B207	592046	B115	595209	L130	598428	D220
588909	B111	591181	B210	592065	L130	595209	L310	598429	D220
588912	B111	591182	B207	592075	B108	595319	F301	598430	D220
588913	B111	591182	B210	592151	B110	595357	E328	598431	D220
588914	B111	591183	B207	592152	B110	595358	E328	598432	D220
588915	B111	591183	B210	592153	B110	595360	B108	598433	D220
588916	B111	591209	B112	592154	B110	595591	A222	598434	D220
589009	B204/ 1	591213	A116	592155	C135	595594	A222	598439	D224
589268	B201	591247	D229	592195	B235	595595	A222	598442	B411
589320	C101	591250	B112	592196	B235	595596	A222	598443	B412
589425	B115	591276	B233	592374	L310	595597	A223	598450	B412
589432	B201	591276	B233/ 1	592437	Z101	595598	A223	598461	B411
589559	D334	591300	E328	592566	D338	595599	A223	598463	B411
589923	E327	591308	D102	592604	Z101	595600	A223	598467	F401
590287	F301	591334	A301	592659	D334	595601	A223	598628	M101
590371	D220	591338	A301	592667	E328	595602	A223	598629	E302
590389	D220	591348	L101	592724	A221	595603	A223	598702	D337
590390	D220	591366	A221	592915	B105	595604	A223	598733	D334
590390	D224	591367	A221	593121	E328	595605	A223	598733	D334
590394	B412	591371	A221	593198	B235	595606	A222	598737	D334
590398	C101	591388	B201	593199	M101	595609	D224	598824	L311
590439	B234	591389	B201	593200	M101	595623	D229	598830	L311
590446	B230	591390	B201	593330	B204	595736	D229	598836	E326
590448	B108	591391	B201	593356	E328	595850	A102	598879	C101
590456	B109	591392	B201	593357	E328	595878	D229	598887	C101
590496	B109	591393	B201	593361	E328	596082	E325	598888	C101
590518	C101	591397	B230	593364	E328	596084	E325	598890	C135
590519	C101	591415	A221	593365	B201	596086	E325	598906	L305
590520	C101	591416	A221	593369	B230	596087	E325	598907	L305
590521	C101	591421	D223	5933521	B201	596889	E325	599092	D101
590523	C101	591424	D224	593606	D223	596892	E302	599149	B204/ 1
590532	B204	591425	D224	593607	D223	596900	E302	599151	B204/ 1
590533	B204	591426	D224	593614	A221	596929	E325	599152	B204/ 1

INDICE DELLE PARTI DI RICAMBIO
 INDEX DES PIECES DETACHEES - ERSATZTEIL-VERZEICHNIS - SPARE PART INDEX - INDICE DE PIEZAS DE REPUESTO

N.ORDIN.	SGR.	N.ORDIN.	SGR.	N.ORDIN.	SGR.	N.ORDIN.	SGR.	N.ORDIN.	SGR.
1	A224	549537	Z104	581074	B217	583018	F301	586750	D220
1	F201	551596	Z104	581081	Z101	583058	B112	586751	D220
1	F301	552088	A201	581235	B233	583058	B235	586753	E302
1	F401	555436	Z101	581235	B233/ 1	584627	E302	586768	C101
2	A224	555874	C101	581241	B233	584638	E302	586793	B406
2	F401	557056	A201	581241	B233/ 1	584639	E302	586794	B406
3	A224	557103	A301	581243	B233	584747	E302	586795	B406
3	F401	559983	D229	581243	B233/ 1	585387	B233	586799	C101
4	A224	560664	A301	581245	B230	585387	B233/ 1	586816	B206
4	F401	561353	A224	581245	B233	585813	A254	586817	B206
5	F401	564855	A116	581254	B233	585834	A201	586818	B206
6	F401	564859	A116	581254	B233/ 1	585977	B207	586832	B230
7	F401	564860	A116	581255	B233	585977	E325	586838	B230
8	F401	564878	A108	581256	B233	586152	B234	586839	B230
9	F401	564879	A108	581257	B233	586165	B234	586852	B233
10	F401	565153	D223	581258	B233	586166	B233	586855	B233
14687	D220	565154	B111	581258	B233/ 1	586166	D229	586855	B233/ 1
15439	Z104	565154	D223	581260	B233	586171	B233/ 1	586971	B110
15440	Z104	565333	A116	581260	B233/ 1	586171	B234	586971	D223
15441	Z104	565968	B230	581261	B233	586172	B234	586977	B108
15442	Z104	566006	D334	581371	B204	586173	B234	586979	E302
15443	Z104	567406	D101	581394	B206	586174	B234	586981	B110
15444	Z104	567410	L130	581492	B217	586175	B234	586981	D223
15456	Z104	568081	E327	581492	E328	586176	B234	586986	B406
15457	Z104	568292	D223	581593	B112	586441	B201	586987	B406
17744	A222	568776	A221	581593	B235	586442	B201	586988	B406
17745	A222	571966	A222	581593	B109	586446	B201	587004	D336
22763	Z104	572749	A102	581594	B109	586447	B201	587012	D330
22765	Z104	573277	A201	581600	B109	586451	B201	587012	D337
22767	Z104	574280	Z104	581601	B109	586485	L130	587034	E302
22768	Z104	575874	D229	581604	B109	586521	D120	587088	B201
22775	Z104	575884	B233	581605	B109	586528	B406	587089	D334
22953	Z104	575885	B233	581610	D223	586538	D220	587093	B206
340772	A201	575885	B233/ 1	581612	B110	586575	B406	587138	D229
538485	A221	575887	B233	581612	D223	586596	B204/	587141	D229
539120	A256	575887	B233/ 1	581658	B108	586604	D220	587142	D229
542717	C108	575887	D229	581658	B109	586607	D333	587153	D229
543592	A221	575888	B233	581658	B233	586614	D220	587158	D229
543593	A221	575888	B233/ 1	581658	D229	586675	B204	587221	C135
546500	B408	575888	D229	581658	E302	586681	B204	587222	C135
546500	B411	575893	B233	581658	E328	586691	B110	587271	D334
546575	B210	576023	A201	581967	B230	586691	D223	587272	D334
546858	B235	578075	E325	581967	B233	586695	B201	587273	D334
546858	E328	578655	B233	581967	D229	586720	B408	587274	D334
547021	B230	579387	A221	582301	B204/ 1	586726	B412	587424	A221
547547	M101	579387	B207	582302	B204/ 1	586728	B201	587450	M101
548245	A302	581003	B204/ 1	582676	A103	586740	B201	587451	M101
549433	Z104	581010	B204	582677	A103	586743	D333	587452	M101
549436	Z104	581066	A103	582678	A103	586745	B204/ 1	587453	M101
549537	Z101	581073	B109	582679	A103	586748	D220	587454	M101

SUBGROUP RESEARCH INDEX ON THE FICHES - INDICE DI RICERCA DEI SOTTOGRUPPI SULLE FICHES - INDEX DE RECHERCHE DES SOUSGROUPES SUR LES FICHES
 SUCHINDEX DER UNTERGRUPPEN AUF KARTE - INDICE DE LOCALIZACION DE LOS SUBGRUPOS EN LA FICHAS.

SGR	TAV	GRID		SGR	TAV	GRID		SGR	TAV	GRID		SGR	TAV	GRID	
		TAV	PAG.			TAV	PAG.			TAV	PAG.			TAV	PAG.
A0.00	—	1 - F2	1 - E2	B2.05	—	1 - P9	1 - O9	E3.27	—	2 - H14	2 - G14				
A0.02	—	1 - F3	1 - E3	B2.07	—	1 - P11	1 - O11	E3.28	—	2 - H12, H11	2 - G12, G11				
A1.01	—	1 - F4, F5	1 - E4	B2.10	—	1 - P12, P13	1 - O12, O13	E3.29	—	2 - H10	2 - G10				
A1.02	—	1 - F6, F7	1 - E6	B2.17	—	1 - P14	1 - O14	E3.31	—	2 - H9, H8	2 - G9, G8				
A1.03	—	1 - F8, F9	1 - E8	B2.18	—	1 - P15	1 - O15	E3.31/1	—	2 - H7	2 - G7				
A1.04	—	1 - F10	1 - E10	B2.21	—	1 - P16	1 - O16	E3.32	—	2 - H5	2 - G6				
A1.05	—	1 - F12	1 - E12	B2.30	—	1 - P17, P18, P19	1 - O17, O18	E3.32/1	—	2 - H5	2 - G5				
A1.06	—	1 - F13	1 - E13	B2.33	—	1 - P20, P20	1 - O20, O20	E3.32/1A	—	2 - H4	2 - G4				
A1.07	—	1 - F14, F15	1 - E14, E15	B2.33/1	—	1 - P19, P18	1 - O16, O18	F2.01	—	2 - H3, H2	2 - G3				
A1.08	—	1 - F16, F17	1 - E16	B7.34	—	1 - R16	1 - Q16	F3.01	—	2 - L2, L3	2 - I2, I3				
A1.18	—	1 - F18	1 - E18	B2.35	—	1 - R15	1 - Q15	F4.01	—	2 - L5, L6, L7	2 - I5, I6, I7				
A1.19	—	1 - F19	1 - E19	B2.38	—	1 - R14	1 - Q14	F5.01	—	2 - L8	2 - I8				
A2.01	—	1 - F20	1 - E20	B3.01	—	1 - R13	1 - Q13	F6.03	—	2 - L9	2 - I9				
A2.21	—	1 - H20	1 - G20	B3.18	—	1 - R12	1 - Q12	F6.03/A	—	2 - L10	2 - I10				
A2.22	—	1 - H19	1 - G19	B3.16/1	—	1 - R11	1 - Q11	F6.06	—	2 - L11, L12	2 - I11, I12				
A2.23	—	1 - H17	1 - G17	B4.06	—	1 - R10	1 - Q10	F6.06/1	—	2 - L13, L14	2 - I13, I14				
A2.24	—	1 - H16, H15, H14	1 - G16, G15	B4.08	—	1 - R9	1 - Q9	F6.29	—	2 - L15	2 - I16				
		1 - H13		B4.11	—	1 - R8	1 - Q8	F6.23/1	—	2 - L17	2 - I17				
A2.25	—	1 - H12	1 - G12	B4.12	—	1 - R7	1 - Q7	F6.29/2	—	2 - L18	2 - I18				
A2.25/1	—	1 - H11	1 - G11	C1.01	—	1 - R5, R4	1 - Q5, Q4	F6.29/3	—	2 - L19	2 - I19				
A2.26	—	1 - H10	1 - G10	C1.02	—	1 - R3	1 - Q3	F6.29/4	—	2 - L20	2 - I20				
A2.27	—	1 - H8, H7	1 - G8, G7	C1.08	—	1 - R2	1 - Q2	F6.29/5	—	2 - N20	2 - M20				
A2.27/1	—	1 - H3, H5	1 - G6, G5	C1.35	—	1 - T2	1 - S2	L1.01	—	2 - N19, N18, N17	2 - M19, M18				
A2.27/1A	—	1 - H4, H3	1 - G4, G3	D1.01	—	1 - T3, T4	1 - S3		—	2 - N16, N15					
A2.28	—	1 - H2, L2	1 - G2, I2	D1.02	—	1 - T5	1 - S5	L1.30	—	2 - N14	2 - M14				
A2.28/1	—	1 - L3, L4	1 - I3, I4, I5	D2.20	—	1 - T6	1 - S6	L3.05	—	2 - N13	2 - M13				
A2.28/1A	—	1 - L6, L7	1 - I6, I7, I8	D2.22	—	1 - T7	1 - S7	L3.10	—	2 - N12	2 - M12				
A2.35	—	1 - L10	1 - I10	D2.23	—	1 - T8, T9, T10	1 - S8, S9	L3.11	—	2 - N11	2 - M11				
A2.35/1	—	1 - L11	1 - I11		—	1 - T11		L3.12	—	2 - N10	2 - M10				
A2.37	—	1 - L12	1 - I12	D2.24	—	1 - T12	1 - S12	L3.12/1	—	2 - N9	2 - M9				
A2.54	—	1 - L13	1 - I13	D2.27	—	1 - T13	1 - S13	M1.01	—	2 - N7	2 - M7				
A2.56	—	1 - L14	1 - I14	D2.29	—	1 - T15, T16	1 - S15, S16	M1.01/A	—	2 - N6, N5	2 - M6				
A3.01	—	1 - L15, L16, L17	1 - I15, I16	D3.01	—	1 - T17	1 - S17	Z1.01	—	2 - N4	2 - M4				
A3.02	—	1 - L19	1 - I19	D3.30	—	1 - T18	1 - S18	Z1.04	—	2 - N3	2 - M3				
A3.03	—	1 - L20	1 - I20	D3.33	—	1 - T20	1 - S20	Z1.04/1	—	2 - N2	2 - M2				
A4.01	—	1 - N20, N19	1 - M20, M19	D3.34	—	2 - F2, F3, F4.	2 - E2, E3								
A4.02	—	1 - N18, N17, N16	1 - M18	D3.37	—	2 - F5, F6	2 - E5								
A4.03	—	1 - N15	1 - M15	D3.38	—	2 - F7	2 - E7								
A4.09	—	1 - N14	1 - M14	D3.40	—	2 - "	2 - E8								
B1.05	—	1 - N13	1 - M13	D3.40/A	—	2 - F8	2 - E9								
B1.08	—	1 - N12	1 - M12	E3.02	—	2 - F11, F12, F13	2 - E11, E12, E13								
B1.09	—	1 - N10, N9	1 - M10, M9		—	2 - F14, F15	2 - E14								
B1.10	—	1 - N8, N7, N6	1 - M8, M7, M6	E3.10	—	2 - F16	2 - E17								
B1.11	—	1 - N5	1 - M5	E3.14	—	2 - F17, F18	2 - E17								
B1.12	—	1 - N14	1 - M14	E3.14/1	—	2 - F19	2 - E18								
B1.15	—	1 - N3	1 - M3	E3.14/2	—	2 - F20, H20	2 - E20								
B2.01	—	1 - N2, P2	1 - M2, O2	E3.14/3	—	2 - H19	2 - G19								
B2.04	—	1 - P3, P4	1 - O3, O4	E3.25	—	2 - H18	2 - G18								
B2.04/1	—	1 - P5, P6, P7	1 - O5, O6, O7	E3.25/1	—	2 - H17, H16	2 - G17								
B2.05	—	1 - P8	1 - O8	E3.26	—	2 - H15	2 - G15								

ELENCO DEI MODELLI FL10 B

Liste des modèles
Liste der Modelle

Model list
Lista de modelos

Modelli		Telaio		Motore		Attrezzo		Codici numerici	
Modèles	Modelos	Châssis	Chassis	Moteur	Engine	Outil de travail	Implement	N° des codes	Code No.
Modello	Modelos	Fahrgestell	Chassis	Motor	Motor	Arbeitsgerät	Ullage	Kennnummern	Códigos
FL 10 B		628.100		CP3/100		1866.030			01
FL 10 B U.S.A.		628.102.07		CP3/100-350		1866.039			02

1 - Cómo se buscan las piezas de repuesto

Para buscar las piezas de repuesto reseñadas en el catálogo, hay que:

- conocer el número de código del modelo que interesa, el que figura en la «Lista de modelos» (papel naranja, pág. 11);
- consultar la lista de piezas de repuesto y las láminas, atendiendo a cuanto se explica en los puntos 2 y 3.

2 - Lista de piezas de repuesto

Comprende las piezas de repuesto de cada subgrupo ilustradas en las láminas y las piezas incluidas en «Juegos», las piezas «SOST ... CON ...», «ELIM ...», «ERA ... VED ...», «ERA ...», etc., y reseñadas según el orden progresivo del núm. de partido.

Para comprender mejor las denominaciones de las piezas de repuesto es oportuno mirar las ilustraciones de las láminas.


Notaciones y abreviaturas usadas en la lista en lengua italiana:

SGR. = subgrupo	SUP. = superior
N. = número	INF. = inferior
COMPL. = conjunto	EST. = exterior
SP. = espesor, grueso	INT. = interior
S = parte izquierda (*)	LAT. = lateral
D = parte derecha (*)	CENTR. = central
ANT. = anterior (*)	R.M. = marcha atrás
POST. = posterior (*)	RAPP. = reducción

1A, 2A, ... = 1a., 2a., ... velocidades

SOST ... CON ... = pieza ... reemplazada por ...

ELIM ... = pieza ... anulada

(para los tipos que abarca el catálogo y con  en la lámina)

ERA ... VED ... = pieza ... anulada, véase ...

ERA ... = pieza ... anulada

(para todos los tipos y con  en la lámina)

ERR ... CORR ... = pieza ... errónea, nueva ...

(con  en la lámina)

CM = se suministra por centímetros

M = se suministra por metros

T = véase «Tablas»

S = existencia de «Juegos», etc.

en la columna
«quant.»
(= cantidad)

3 - Láminas

Representan las piezas de recambio de cada subgrupo. Al pie de cada hoja, tenemos: en la parte derecha, el número del subgrupo y el número de la hoja (eventual);


en el centro, la denominación del subgrupo, y a la izquierda las indicaciones de validez de la lámina y los códigos de los modelos a que se alude en el punto 1a.

Cada pieza de recambio representada lleva el número de pedido acompañado de todas las indicaciones (modificaciones, códigos, etc.) que generalmente son suficientes para reconocer las mismas piezas en la lámina.

Notaciones y abreviaturas usadas en las láminas:

569948	=	pieza de suministro normal
532689-552403	=	piezas de suministro alternativo
587205 (01)	=	pieza propia del modelo 01
565045 0,5	=	pieza de 0,5 mm de grueso
578333 + 0,4	=	pieza de 0,4 mm sobremedida
893295	=	conjunto
554648 A3.02	=	conjunto cuyo desplazo se ilustra en el Sgr. A3.02
C 951 587399	=	pieza anterior a la modificación 951
D 951 587494	=	pieza posterior a la modificación 951
568715	=	pieza reemplazada (para los tipos del catálogo)
320421	=	pieza anulada (para todos los tipos)
434942	=	errónea
A3.01	=	pieza ilustrada en el Sgr. A3.01
1, 2, etc.,	=	véase la tabla especial, o bien la
A, B, etc.	=	lista de piezas de repuesto

s = parte izquierda (*)
d = parte derecha (*)
Ø ... = diámetro en mm

 = de algunas piezas se suministran «Juegos», etc.

Validez de la lámina

con las notaciones de los códigos citados en el punto 1a.

C 935 → aut. n. 078234

significa que la lámina es válida «hasta» el tractor con chasis núm. 078204, por efecto de la modificación 935

D 935 aut. n. 078205 →

significa que la lámina es válida «a partir del» tractor con chasis núm. 078205, por efecto de la modificación 935

(*) respecto de la dirección de la marcha del tractor

4 - Tablas «MODIFICACIONES»

Comprende todas las modificaciones hechas en los tractores durante su fabricación, cómo se incorporaron (y cuando se estime bien, la ilustración general de la modificación) y las normas para los recambios.

Notaciones y abreviaturas usadas en las tablas de modificaciones:

columna «Modifica» (= modificaciones):

C ... = modificación núm. ... (para las piezas antiguas)

D ... = modificación núm. ... (para las piezas nuevas)

Incorporación:

→ aut. n. ... = «hasta» el tractor con chasis núm. ...

→ mot. n. ... = «hasta» el motor con núm. ...

aut. n. ... + = «a partir» del tractor con chasis núm. ...

mot. n. ... → = «a partir» del motor con núm. ...

IX 1970 = en el mes de septiembre de 1970

columna «Sgr. interesado e Norme di ricambio»

(= subgrupos afectados por la modificación y normas para los recambios):

C1.39 - C1.32 = subgrupos afectados por la modificación

(M.T.R. ...) = núm. del Noticiario Técnico de Recambios en el que se da parte de la modificación habida

Notaciones usadas en las normas para los recambios:

~~406418~~ = D 2072 (para los tipos del catálogo)

~~406418~~ = D 2072 (para todos los tipos)

= colóquense todas las piezas D 2072

~~407838~~ = 4088486 + 4092472 (para los tipos del catálogo)

~~407838~~ = 4088486 + 4092472 (para todos los tipos)

= colóquense 4088486 y 4092472

~~408292~~ = 4082505 - 4074547 (para los tipos del catálogo)

~~408292~~ = 4082585 - 4074547 (para todos los tipos)

= colóquense 4082585 anadiendo 4074547

nún. número = siguen suministrándose recambios de las piezas antiguas

5 - «TABLAS»

Se reseñan los datos referentes a piezas de recambio de «Rodamientos», etc.

1 - Auffinden der Ersatzteile

Zum Auffinden der in vorliegendem Katalog aufgeführten und abgebildeten Ersatzteile ist notwendig:

- a) die « Liste der Modelle » (auf orangefarbigem Papier, S. 17) nachzuschlagen, um die Kennnummer des in Frage kommenden Modells festzustellen;
- b) die Bildtafeln und entsprechenden Ersatzteillisten nachzuschlagen, wie in den folgenden Punkten 2 u. 3 angegeben.

2 - Ersatzteilliste

Die Listen führen die in den Bildtafeln abgebildeten Ersatzteile, die als « Satz », « SOST ... CON ... », « ELIM ... », « ERA ... », « VED ... », « ERA ... », usw., geliefert werden in laufender Bestellnummernfolge an.

Zur besseren Verständigung der Benennung der einzelnen Ersatzteile, siehe Bildtafeln.

Erläuterungen und Abkürzungen auf der Ersatzteilliste

SGR. = Untergruppe	SUP. = oben
N. = Nummer	INF. = unten
CONPL. = Zusammenbau	EST. = aussen
SP. = Stärke	INT. = innen
S = links (°)	LAT. = seitlich
D = rechts (°)	CENTR. = Mitte
ANT. = vorn (°)	R.M. = Rückwärtsgang
POST. = hinten (°)	RAPP. = Untersetzung

1A, 2A ... = 1., 2., ... Gang

SOST ... CON ... = Teil ... ersetzt durch ...

ELIM ... = Teil ... entfernt ...

(für die im Katalog aufgeführten Typen und mit ... auf der Bildtafel)

ERA ... VED ... = Teil weggefallen, siehe ...

ERA ... = Teil weggefallen

(für alle Typen und mit ... auf der Bildtafel)

ERA ... CORR ... = Teil ... Fehlerberichtigung ...

(mit ... auf der Bildtafel)

CM = vom laufenden Zentimeter erhältlich

M = vom laufenden Meter erhältlich

T = siehe « Verschiedenes »

S = Vorhandensein von « Skizzen » usw.

In der Spalte « quant. » (Anzahl)

3 - Bildtafeln

Die Tafeln veranschaulichen die Ersatzteile jeder einzelnen Untergruppe.

Auf jeder Bildtafel ist folgendes angegeben: die Untergruppennummer (rechts) mit der eventuellen Seitennummer des Katalogblatts, die Untergruppenbenennung

(in der Mitte), sowie die Gängigkeit der Bildtafel (links, mit den Kennnummern der Modelle wie in Punkt 1a). Die abgebildeten Ersatzteile sind mit den Bestellnummern und sämtlichen Angaben versehen (Änderungen, Kennnummern usw.), die im allgemeinen ausreichen, die gewünschten Teile direkt auf den Bildtafeln zu ermitteln.

Erläuterungen und Abkürzungen auf den Bildtafeln:

- 587443 = normaler, weiche gelieferter Teil
- 587443-582483 = abwechselnd gelieferter Teil
- 587255 (01) = Eigentell des Modells 01
- 587245 0,6 = Teil von 0,5 mm Stärke
- 576333 + 0,4 = Teil mit 0,4 mm Übermaß
- 583253 = Zusammenbau
- 587443 A3.02 = Zusammenbau, dessen Einzelteile in Ugr. A3.02 abgebildet sind
- C 551 587380 = früherer Teil 951
- D 951 587494 = gegenwärtiger Teil 951
- 587457 = Ersatzteil (für die im Katalog aufgeführten Typen)
- 587457 = Weggefallener Teil (für alle Typen)
- 587457 = Fehlerberichtigung

A3.01 = in Ugr. A3.01 abgebildeter Teil
 1, 2, usw., = siehe spezielle Tabelle oder Ersatzteilliste
 A, B, usw., =

- s = links (°)
- d = rechts (°)
- Ø ... = mm Durchmesser



= Lieferbarkeit von Teilen als « Satz », « Serie », « Ausrüstung » usw.

Gängigkeit der Bildtafeln:

durch die im Punkt 1a angegebenen Kennnummern angeführt

C 235 → aut. n. 072284 bedeutet: die Tafel gilt « bis » Schlepper mit Fahrgestell Nr. 072204, infolge der Änderung 935

D 935 aut. n. 072283 → bedeutet: die Tafel gilt « ab » Schlepper mit Fahrgestell Nr. 072205 infolge der Änderung 935

(°) in bezug auf die Fahrtrichtung des Schleppers

4 - Tabellen « ÄNDERUNGEN »

In diesem Abschnitt sind sämtliche im Laufe der Produktion an den Schleppern vorgenommene Änderungen sowie ihre Einführung (mit einer eventuellen, falls für notwendig gefundenen Gegenabbildung der Änderung) und die Ersatzanweisungen aufgeführt.

Hinweise und Abkürzungen in der Tabelle Änderungen:

- Spalte « Modifica » (Änderung)
- C ... = Änderungsnummer ... (frühere Teile)
- D ... = Änderungsnummer ... (gegenwärtige Teile)

Einführung:

- aut. n. ... = « bis » Schlepper mit Fahrgestell-Nr. ...
- mot. n. ... = « bis » Motor-Nr. ...
- aut. n. ... → = « ab » Schlepper mit Fahrgestell-Nr. ...
- mot. n. ... → = « ab » Motor-Nr. ...
- IX 1976 = September 1976

Spalte « Sgr. Interessati e Norme di ricambio » (betreffende Untergruppen und Ersatzanweisung):

- C1.30 - C1.32 = die Änderung betreffende Untergruppen
- (N.T.R. ...) = Mitteilungsblatt der Ersatzteilabteilung in welchem die Änderung beschrieben ist

Erläuterungen auf den Ersatzanweisungen:

- 408511E = D 2072 (für die im Katalog aufgeführten Typen)
- 587443 = D 2072 (für alle Typen)
- = sämtliche neuen Teile D 2072 einbauen
- 408488 = 408488 + 4082472 (für die im Katalog aufgeführten Typen)
- 408488 = 408488 + 4082472 (für alle Typen)
- = 408488 und 4082472 einbauen
- 4082585 = 4082585 - 4074547 (für die im Katalog aufgeführten Typen)
- 4082583 = 4082583 - 4074547 (für alle Typen)
- = 4082583 einbauen u. 4074547 zu entfernen ist

Keine Nummer = die früheren Teile sind weiterhin als Ersatzteile lieferbar

5 - « VERSCHIEDENES »

Dieser Abschnitt enthält die Tabellen, in denen die Daten der « Wälzlager » usw. angegeben sind.

1 - Recherche des pièces détachées

Pour la recherche correcte des pièces de rechange illustrées et numérotées dans le catalogue, il faut:

- consulter la « Liste des modèles » (à la page 11 sur papier orange) afin d'individualiser le code numérique du modèle qui intéresse;
- consulter les planches et les listes des pièces détachées correspondantes du catalogue, comme indiqué aux points 2 et 3 suivants.

2 - Liste des pièces détachées

Elle comprennent les pièces de rechange de chaque sous-groupe figurant sur les planches et les pièces livrées comme « Jeux », les pièces « SOST .. CON ... », « ELIM ... », « ERA ... VED ... », « ERA ... », etc., en ordre progressif de n. de commande.

Pour une interprétation plus correcte des désignations des pièces détachées, il est opportun de se reporter aux illustrations des planches.

Symboles et abréviations utilisés dans la liste (dans la partie en Italien seulement):

SGR. = sous-groupe	SUP. = supérieur
N. = numéro	INF. = inférieur
COMPL. = ensemble	EST. = extérieur
SP. = épaisseur	INT. = intérieur
S = pièce gauche (°)	LAT. = latéral
D = pièce droite (°)	CENTR. = central
ANT. = avant (°)	R.M. = marche AR
POST. = arrière (°)	RAPP. = rapport
1A, 2A ... = 1re, 2me ... vitesses	

SOST ... CON ... = pièce ... remplacé par ...

ELIM ... = pièce ... éliminée

(pour les types dans le catalogue et rappelée par le symbole — sur la planche)

ERA ... VED ... = pièce ... supprimée, voir ...

ERA ... = pièce ... supprimée

(pour tous les types et rappelée par le symbole < sur la planche)

ERR ... CORR ... = pièce ... erratum, lire ...

(rappelée par le symbole = sur la planche)

CM = livré par centimètres

M = livré par mètres

T = voir « Tableaux divers »

S = existence de « Jeux », etc.

dans la
colonne
« quant. »

3 - Planches

Elles représentent les pièces détachées de chaque sous-groupe.

Chaque planche reporte (à droite), le numéro du sous-groupe et le numéro de feuille éventuel, la désignation du sous-groupe (au centre) et les indications de validité de la planche (à gauche, avec les codes des modèles dont au point 1a précédent).

Les pièces représentées sont repérées par le n. de commande accompagné de toutes les indications (modifications, codes, etc.) suffisant en général à repérer les pièces elles-mêmes directement sur les planches.


Symboles et abréviations utilisés sur les planches:

569348	=	pièce de fourniture standard
562889-552493	=	pièces livrées en alternative
567205 (01)	=	pièce propre au modèle 01
565065 0,5	=	pièce de 0,5 mm d'épaisseur
578333 + 0,4	=	pièce majorée de 0,4 mm
893295	=	ensemble
564548 A3.02	=	ensemble dont les pièces figurent dans le Sgr. A3.02
C 951 567390	=	pièce antérieure à la modification 951
D 951 587494	=	pièce postérieure à la modification 951
566715	=	pièce remplacée (pour les types dans le catalogue)
569348	=	pièce supprimée (pour tous les types)
444802	=	erratum
A3.01	=	pièce illustrée au Sgr. A3.01
1, 2, etc.,	=	voir le tableau exprès ou bien la liste des pièces détachées.
A, B, etc.	=	

S = pièce gauche (°)

D = pièce droite (°)

Ø ... = diamètre ... mm

 = existence de « Jeux », « Dotations », etc.

Validité de la planche

avec les indications des codes dont au point 1a

C 935 → aut. n. 078204

veut dire que cette planche est valable « jusqu'au » tracteur avec châssis 078204, par suite de la modification 935

D 935 aut. n. 078205 →

veut dire que cette planche est valable « à partir du » tracteur avec châssis 078205, par suite de la modification 935

(°) par rapport au sens de roulement du tracteur

4 - Tableaux « MODIFICATIONS »

Dans ces tableaux sont reportés toutes les modifications apportées aux tracteurs en cours de leur production, leurs applications (avec une illustration générale de la modification, quand cela est nécessaire) ainsi que les règles d'interchangeabilité.

Symboles et abréviations utilisés dans les tableaux des modifications:

colonne « Modifica » (modification):

C ... = modification n. ... (pour les pièces anciennes)

D ... = modification n. ... (pour les pièces actuelles)

effectuations:

→ aut. n. ... = « jusqu'au » tracteur avec châssis n. ...

→ mot. n. ... = « jusqu'au » moteur n. ...

aut. n. ... → = « à partir » du tracteur avec châssis n. ...

mot. n. ... → = « à partir » du moteur n. ...

IX 1970 = au mois de septembre 1970

colonne « Sgr. interessato » Norme di ricambio » (Sgr. concernés et règles pour les remplacements):

G1.30 - G1.32 = sous-groupes concernés par la modification

(N.T.R. ...) = numéro du Bulletin de Pièces Détachées reportant la modification

symboles utilisés dans les règles pour les remplacements:

405544S = D 2072 (pour les types dans le catalogue)

405544S = D 2072 (pour tous les types)

= appliquer toutes les pièces actuelles D 2072

407630S = 4082496 + 4092472 (pour les types dans le catalogue)

407630S = 4086486 + 4092472 (pour tous les types)

= appliquer 4086486 et 4092472

406628Z = 4062585 - 4074547 (pour les types dans le catalogue)

406628Z = 4062585 - 4074547 (pour tous les types)

= appliquer 4062585 en éliminant 4074547

aucun chiffre = les pièces pré-modification sont encore livrées détachées

5 - « TABLEAUX DIVERS »

Ils comprennent les tableaux à consulter pour connaître les données se rapportant aux « Roulements », etc.

1 - Ricerca delle parti di ricambio

Per una corretta ricerca delle parti di ricambio illustrate ed elencate nel catalogo, è necessario:

a) consultare l'«Elenco dei modelli» (a pag. 11 su carta arancione) per individuare il codice numerico del modello che interessa;

b) consultare le tavole e i relativi elenchi delle parti di ricambio del catalogo, come indicato ai successivi punti 2 e 3.

2 - Elenchi delle parti di ricambio

Elencano le parti di ricambio di ciascun sottogruppo, illustrate nelle tavole e le parti fornite come «Serie», le parti «SOST ... CON ...», «ELIM ...», «ERA ... VED ...», «ERA ...», ecc. in ordine progressivo di n. di ordinazione.

Per una più completa interpretazione delle denominazioni delle parti di ricambio è opportuno riferirsi alle illustrazioni delle tavole.

Indicazioni e abbreviazioni usate negli elenchi:

SGR. = sottogruppo	SUP. = superiore
N. = numero	INF. = inferiore
CCMPL. = complessivo	EST. = esterno
SP = spessore	INT. = interno
S = parte sinistra (*)	LAT. = laterale
D = parte destra (*)	CENTR. = centrale
ANT. = anteriore (*)	R.M. = retromarcia
POST. = posteriore (*)	RAPP. = rapporto
1A, 2A ... = 1a, 2a, ... velocità	

SOST. ... CON ... = parte ... sostituita con ...

ELIM. ... = parte ... eliminata
(per i tipi a catalogo e con segno \times sulla tavola)

ERA ... VED. ... = parte ... soppressa, ved. ...

ERA ... = parte ... soppressa
(per tutti i tipi e con segno \times sulla tavola)

ERA ... CORR. ... = parte ... errata, corregge ...
(con segno \equiv sulla tavola)

CM = fornito in centimetri

M = fornito a metri

T = ved. «Tabelle varie»

S = spessori di «Serie», ecc.

nella colonna
«quant.»

3 - Tavole

Illustrano le parti di ricambio di ciascun sottogruppo.

Ogni tavola riporta (a destra) il numero del sottogruppo e l'eventuale numero di foglio, la denominazione del sottogruppo (al centro) e le indicazioni di validità

della tavola (a sinistra, con i codici dei modelli di cui al precedente punto 1a).

Le parti di ricambio illustrate sono contraddistinte dal numero di ordinazione con a fianco tutte le indicazioni (modifiche, codici, ecc.) sufficienti in generale per poter individuare le parti stesse direttamente sulle tavole.

Indicazioni e abbreviazioni usate nelle tavole:

562448	= parte di normale fornitura
52452-552493	= parti fornite in alternativa
597205 (01)	= parte propria del modello 01
585335 0,5	= parte avente spessore 0,5 mm
578333 + 0,4	= parte maggiorata di 0,4 mm
893295	= complessivo
564648 A3.02	= complessivo le cui parti sono illustrate nel Sgr. A3.02
C 951 597390	= parte antemodifica 951
D 451 587494	= parte postmodifica 951
597115	= parte sostituita (per i tipi a catalogo)
524643	= parte soppressa (per tutti i tipi)
424642	= errata-corrige
A3.01	= parte illustrata nel Sgr. A3.01
1, 2, ecc.	= vedere apposita tabella oppure elenco delle parti di ricambio
A, B, ecc.	

s = parte sinistra (°)

d = parte destra (°)

∅ ... = diametro... mm



=esistenza di
«Serie», «Do-
tazioni», «Cor-
redi», ecc.

Validità della tavola

con le indicazioni dei codici di cui al punto 1a

C 935 - aut. n. 976204

significa che la tavola vale «fino» al trattore con autotelaio n. 076204, in conseguenza della modifica 935

D 935 aut. n. 076205 →

significa che la tavola vale «dal» trattore con autotelaio n. 076205, in conseguenza della modifica 935

(°) rispetto alla direzione di marcia del trattore

4 - Tabelle «MODIFICHE»

Elencano tutte le modifiche apportate ai trattori durante il corso della produzione, le loro applicazioni (con una eventuale illustrazione complessiva della modifica, quando si ritiene necessario) e le norme di ricambio.

Indicazioni e abbreviazioni usate nelle tabelle modifiche:

colonna «Modifica»:

C ... = modifica n. ... (per le parti antemodifica)

D ... = modifica n. ... (per le parti postmodifica)

attuazioni:

→ aut. n. ... = «fino» al trattore con autotelaio n. ...

→ mot. n. ... = «fino» al motore n. ...

aut. n. ... → = «del» trattore con autotelaio n. ...

mot. n. ... → = «dal» motore n. ...

IX 1979 = nel mese di settembre 1979

colonna «Sgr. interessati a Norme di ricambio»:

C1.30 - C1.32 = sottogruppi interessati alla modifica

(N.T.R. ...) = n. del Notiziario Tecnico Ricambi con il quale viene segnalata la modifica

Indicazioni usate per le norme di ricambio:

4055412 = D 2072 (per i tipi a catalogo)

4055412 = D 2072 (per tutti i tipi)

= applicare tutte le parti postmodifica D 2072

4066308 = 4066486 + 4092472 (per i tipi a catalogo)

4066308 = 4066486 + 4092472 (per tutti i tipi)

= applicare 4066486 più 4092472

4066308 = 4082585 - 4074547 (per tutti i tipi a catalogo)

4066308 = 4082585 - 4074547 (per tutti i tipi)

= applicare 4082585 eliminando 4074547

nessun numero = le parti antemodifica vengono ancora fornite di ricambio

5 - «TABELLE VARIE»

Comprendono le tabelle da consultare per conoscere i dati relativi ai «Cuscinetti», ecc.

USE OF THE CATALOG

1 - How to locate spares

To find the spares shown and listed in the catalog, proceed as follows:

- a) consult the « Model list » (on page 11 on orange paper) to find the code number of the model involved;
- b) consult the spare parts list and the plates of the catalog, as directed below in 2 and 3.

2 - Spare parts list

Liste the spare parts, illustrated in the plates and the parts supplied as « Set », « Kit », the parts « SOST ... CON... », « ELIM... », « ERA... VED... », « ERA... », etc. of each subgroup, according to the progressive part number. Refer to plate illustrations for a complete interpretation of spare description.


Indications and abbreviations used in the list (only in the Italian section):

SGR. = subgroup	SUP. = upper
N. = number	INF. = lower
COMPL. = assembly	EST. = outer
SP. = thickness	INT. = inner
S = left (°)	LAT. = side
D = right (°)	CENTR. = center
ANT. = front (°)	R.M. = reverse
POST. = rear (°)	RAPP. = ratio

1A, 1, ... = 1st, 2nd ... gear



SOST ... CON... = part ... replaced by ...

ELIM ... = part ... discarded


(for types listed on the catalog and identified by  on the plate)

ERA ... VED ... = part ... suppressed, see ...

ERA ... = part ... suppressed

(for all types  identified by  on the plate)

ERR ... CORR ... = part ... errata, corrige ...

(identified by  on the plate)

CM = supplied to the centimeter.

M = supplied to the meter

T = see « Miscellanea »

S = some parts are supplied as « Set », « Kit », etc.

column
* quant. »

3 - Plates

Illustrations show the spare parts of each subgroup. Below each plate there is the Sgr. No. (right) and sheet number, if any, the Sgr. title (center), and plate applicability (left, by codes - see para. 1a).

The spare parts illustrated are identified by respective part numbers together with other indications (modifications, codes etc.) generally sufficient for direct location of parts on plate.

Indications and abbreviations used in the plates:

- 582248 = standard supply part
- 582249-582433 = parts supplied as an alternative
- 587202 (01) = part specific for model 01
- 585605 0,5 = 0,5 mm thick part
- 578333 + 04 = 0,4 mm o/s part
- 293235 = assembly
- 584641 A3.02 = assembly whose separate components are shown in Sgr. A3.02
- C 951 267310 = ante-modification 951 part
- D 951 587494 = post-modification 951 part
- 582115 = part replaced (for typ-s listed on the catalog)
- ~~582115~~ = part suppressed (for all types)
- ~~582115~~ = errata corrige
- A3.01 = part shown in Sgr A3.01
- 1, 2, etc., = see the proper table or spare parts list
- A, B, etc.

s = left (°)

d = right (°)

Ø ... = ... mm dia.



= some parts are supplied as « Sets », « Kits », etc.

Plate applicability

by the specific indications of code as referred in para. 1a

C 935 → aut. n. 076204

means: consequently to modification 935 the plate is valid up to tractor with chassis No. 076204

D 935 aut. n. 076205 →

means: consequently to modification 935 the plate is valid from tractor with chassis No. 076205

(°) determined by facing in the same direction as the driver

4 - « MODIFICATIONS » tables

List all the modifications introduced on tractors during production, their applicability (when necessary, how also a complete illustration of the modification as a whole) and the directions for replacement.

Indications and abbreviations used in modification tables:

column « Modifica » (modification):

C ... = modification No. ... (for the A.M. parts)

D ... = modification No. ... (for the P.M. parts)

effectiveness:

→ aut. n. ... = up to tractor with chassis No. ...

→ mot. n. ... = up to engine No. ...

aut. n. ... → = from tractor with chassis No. ...

mot. n. ... → = from engine No. ...

IK 1979 = introduced in september 1979

column « Sgr. interessati e norme di ricambio » (Sgr. involved and directions for replacement):

C1.30 - C1.32 = subgroups involved in the modification

(N.T.P. ...) = Spar: Parts Bulletin in which the modification is described

Indications used in the directions for replacement:

4673118 = D 2072 (for types listed on the catalog)

3036442 = D 2072 (for all types)

4175200 = 4086486 + 4082472 (for types listed on the catalog)

2070905 = 4086486 + 4082472 (for all types)

= mount 4083473 and 4082472

4080252 = 4082505 - 4074547 (for types listed on the catalog)

2031570 = 4082505 - 4074547 (for all types)

= mount 4082505 discarding 4074547

no number reported = supply of ante-modification parts is continued

5 - « MISCELLANEA »

This section includes the lists showing data relevant to « Bearings », etc.

A D V E R T E N C I A

Fiat Allis se reserva el derecho de modificar la construcción o el material de cualquier pieza, si ello resultase procedente, pero sin obligarse a aplicar tales modificaciones a las unidades ya en servicio. Otras publicaciones referentes a este modelo, lo mismo que a todos los restantes modelos Fiat Allis, son disponibles en los Concesionarios. Tales publicaciones, por lo general, son disponibles en diversas lenguas. Para conocer tales publicaciones consúltese el catálogo de las publicaciones técnicas 604.07.026. Ejemplares de este catálogo obran en los Concesionarios Fiat Allis.

COMO SE ENCARGAN LOS RECAMBIOS

Los números de catálogo de las piezas reseñadas en esta publicación están al día hasta la fecha de salida a luz de la misma. Nuestra política estriba en el afán de mejorar constantemente las máquinas, y por lo tanto, los números de catálogo y los grabados a veces puede no sean más efectivos. Con motivo, pues, de ir a encargar piezas de repuesto, verifique los números de catálogo con su Concesionario, el cual dispone de las microfichas y de la lista general de los recambios puesta al día.

ENCARGUENSE LOS RECAMBIOS AL CONCESIONARIO DE SU ZONA

Los encargos de piezas de repuesto tienen que incluir los datos siguientes :

- Modelo de la máquina

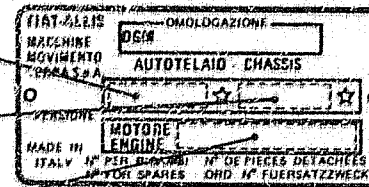
(1)

- Número de fabricación del chasis

(2)

- Modelo del motor

(3)



- Número de fabricación del motor, razonado en el bloque de cilindros.

- Indicar el número de catálogo de cada pieza encargada - tal cual figura en las listas del catálogo - posible-mente acompañado de la denominación que corresponde.

- Si los recambios pertenecen a un conjunto que posee su propio número de modelo o de serie, indiquense incluso tales datos.

- En la dirección indiquense la oficina de correos, la ciudad, provincia y nación a donde han de remitirse los recambios.

- Además, indiquense las modalidades de expedición del material : transporte marítimo, terrestre, expreso, o paquete postal.

- Confirmar por escrito todos los encargos anunciados por teléfono y por cable.

Eventuales devoluciones de piezas podrán hacerse tan sólo a/o por conducto del Concesionario al cual se han comprado las piezas, y deberán ser previamente autorizadas por escrito. Cada devolución se tomará en cuenta según se merezca.

Las reclamaciones por faltas o defectos no se tomarán en cuenta, a no ser que vengan efectuadas inmediatamente después de recibir la mercancía.

En caso de que se reciba mercancía que ha sufrido daños, una completa descripción del daño deberá ser efectuada por el agente del transportista en el mismo documento de expedición.

La responsabilidad de Fiat Allis es limitada y cesa al compararse las condiciones de venta provistas para cada aprovisionamiento.

H I N W E I S

Fiat Allis behält sich vor, die Fertigung oder das Material jedes beliebigen Teils abzuändern, falls sie es für wünschenswert hält, ohne dazu verpflichtet zu sein, bereits gelieferte Einheiten entsprechend abzuändern.

Weitere Unterlagen über dieses und sämtliche anderen Fiat Allis-Modelle stehen bei den Händlern zur Verfügung. Die Unterlagen sind in der Regel auf verschiedenen Sprachen gedruckt.

Zur Suche der erforderlichen Unterlagen ist im Verzeichnis der technischen Veröffentlichungen 604.67.026 nachzuschlagen. Exemplare des Verzeichnisses stehen bei den Händlern zur Verfügung.

ANWEISUNG ZUR BESTELLUNG VON ERSATZTEILEN

Die Bestellnummern des Katalogs werden bei jeder Herausgabe auf den letzten Stand gebracht. Unsere Politik ist eine ständige Verbesserung der Maschinen, so dass Bestellnummern und Abbildungen nicht mehr aktuell sein können.

Bei der Bestellung von Ersatzteilen prüfen Sie daher bitte die Bestellnummern bei Ihrem Händler, der über die Mikrokarten und über die allgemeine Liste der Ersatzteile samt Änderungen verfügt.

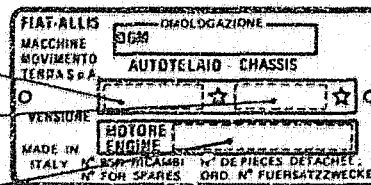
BESTELLEN SIE DIE ERSATZTEILE BEIM HANDLER IHRES GEBIETES

Bei der Bestellung von Ersatzteilen geben sie bitte folgendes an :

- Modell der Maschine (1)

- Fahrgestellnummer (2)

- Motorbauart (3)



Diese Angaben befinden sich im Schild in der Nähe des Instrumentenbrettes.

- Motornummer, am Kurbelgehäuse eingeschlagen.

- Bestellnummer des gewünschten Teils (nach den Kataloglisten), angeben möglichst mit der entsprechenden Bezeichnung.

- Beziehen sich die Ersatzteile auf eine Gruppe mit eigener Modell- oder Baureihennummer, so sind auch diese Daten anzugeben.

. In der Adresse sind Postamt, Stadt, Region und Land, nach dem die Ersatzteile zu schicken sind.

. Ausserdem ist die Versandart des Materials anzugeben (See, Land, Express, Postpaket).

. Sämtliche fernmündlich oder telegraphisch erteilten Bestellungen sind schriftlich zu bestätigen.

Eventuelle Rückgaben von Teilen können ausschliesslich an oder durch den Händler erfolgen, bei dem die betreffenden Teile gekauft wurden, und müssen vorher schriftlich genehmigt werden. Jede Rückgabe wird einzeln in Betracht gezogen.

Beanstandungen wegen Mängel oder Fehler werden nur berücksichtigt, wenn sie sofort bei Erhalt der Ware gemacht werden.

Bei Erhalt von beschädigter Ware sollte der Mann des Spediteurs eine vollständige Beschreibung des Schadens in die Versandpapiere eintragen.

Die Haftung von Fiat-Allis ist beschränkt und hört nach Erfüllung der für jede einzelne Lieferung vorgesehenen Verkaufsbedingungen auf.

ATTENTION

Fiat-Allis se réserve le droit de modifier la construction ou le matériau de toute pièce, si cela se révèle nécessaire, sans devoir apporter ces modifications sur les pièces déjà livrées.
D'autres publications concernant ce modèle et tous les autres modèles Fiat Allis sont disponibles près au des Concessionnaires. En général, ces publications sont disponibles en plusieurs langues.
Pour trouver ces publications, se référer au catalogue des publications techniques 604 G/ 026. Des exemplaires du catalogue sont disponibles près au des Concessionnaires Fiat Allis.

INSTRUCTIONS POUR LA COMMANDE DES PIÈCES DE RECHANGE

Les numéros de commande indiqués sur ce catalogue sont mis à jour à la date de sortie de la publication. Nous nous efforçons constamment d'améliorer les machines et, par conséquent, les numéros de commande et les illustrations peuvent ne pas être à jour.
Au moment de passer commande des pièces de rechange, contrôlez les numéros de commande près au de Votre Concessionnaire, qui dispose des microfiches et de la liste générale des pièces de rechange.

PASSER COMMANDE DE PIÈCES DE RECHANGE CHEZ LE CONCESSIONNAIRE DE VOTRE ZONE

Les commandes de pièces de rechange doivent comporter les indications suivantes :

- Modèle de la machine

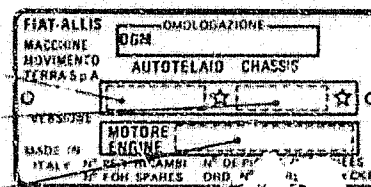
(1)

- Numéro du châssis

(2)

- Type du moteur

(3)



Indiqués sur la plaque des de Jourd

- Numéro du moteur estampillé sur le bâti moteur.

- Indiquer le numéro de commande de la pièce désirée (il indique sur les listes du catalogue), accompagné si possible de sa désignation.

- Si les pièces se rapportent à un groupe possédant son propre numéro de modèle ou de série, indiquer aussi ce dernier.

- Indiquer dans l'adresse, le bureau de poste, la ville, la région et le pays où les pièces de rechange doivent être envoyées.

- Indiquer de plus les modalités d'expédition du matériel (par mer, par terre, exprès ou colis postal).

- Confirmer par écrit toutes les commandes anticipées par téléphone ou télégraphe.

En cas de renvois de pièces, ils pourront être effectués seulement à/ou par l'intermédiaire du Concessionnaire chez lequel les pièces ont été achetées et elles devront être autorisées au préalable par écrit. Tout retour sera examiné à la fois.

Les réclamations pour manques et défauts, qui ne seront pas présentées immédiatement à la réception de la marchandise, seront rejetées.

En cas de réception de marchandise endommagée, une description écrite doit être présentée par l'agent transporteur sur le bordereau d'expédition.

La responsabilité de Fiat Allis se limite et cesse au moment de l'exécution des conditions de vente prévues pour chaque fourniture.

N.ORDIN.	SGR.	N.ORDIN.	SGR.	N.ORDIN.	SGR.	N.ORDIN.	SGR.	N.ORDIN.	SGR.
8818045	A116	8821490	A108	8824639	A116	8830908	A224	9009584	A227/ 1
8818052	A116	8821491	A108	8824708	A403	8830909	A224	9009730	A235/ 1
8818067	A102	8821492	A108	8824711	A301	8830910	A224	9009731	A235/ 1
8818068	A102	8821749	A254	8824715	A301	8830' 11	A224	9011087	F608
8818111	A105	8822170	A103	8824950	A301	8830912	A224	9011431	F608
8818131	A224	8822171	A103	8825108	A224	8831295	A101	9018714	F608
8818132	A224	8822172	A105	8825406	A101	8831454	A224	9501947	E314
8818132	A301	8822195	A103	8825534	A254	8831456	A224	9501948	E314
8818133	A224	8822196	A103	8825548	A409	8831457	A224	9900906	F629/ 1
8818239	A402	8822197	A103	8825550	A409	8831458	A224	9900906	F629/ 4
8818504	A102	8822198	A103	8825552	A409	8831459	A224	9901071	F629/ 1
8818575	A102	8822200	A103	8826525	A116	8831461	A224	9901071	F629/ 4
8818605	A101	8822201	A103	8826944	A301	9001854	A227/ 1	9901077	F629/ 1
8818645	A101	8822202	A103	8826986	B218	9001855	A227/ 1	9901077	F629/ 4
8818651	A104	8822203	A103	8826995	A402	9001856	A227/ 1	9901079	F629/ 1
8818691	A107	8822205	A105	8827472	A303	9001868	A227/ 1	9901079	F629/ 4
8818941	A107	8822206	A105	8827714	A409	9001872	A227/ 1	9901103	F629/ 1
8818954	A107	8822207	A105	8827809	A102	9001875	A227/ 1	9901103	F629/ 4
8819078	A402	8822208	A105	8827953	A101	9001880	A227/ 1	9902481	F608
8819160	A102	8822380	A303	8828280	A107	9003227	A227/ 1	9902587	F608
8819262	A402	8822383	A107	8828284	A107	9007852	A227/ 1	9903848	F629
8819506	A102	8822385	A107	8828487	A224	9009926	B221	9903848	F629/ 2
8819507	A102	8822530	A302	8828488	A224	9009092	A227/ 1	9903848	F629/ 3
8819512	A002	8822563	F201	8828520	A105	9009093	A227/ 1	9906714	F629/ 1
8819515	A103	8822963	A107	8828567	A224	9009097	A227/ 1	9906714	F629/ 4
8819521	A103	8823263	A107	8828568	A224	9009099	A227/ 1	9907823	F629
8819522	A103	8823544	A107	8828589	A106	9009100	A227/ 1	9907823	F629/ 2
8819528	A302	8823548	A107	8828658	A107	9009101	A227/ 1	9907823	F629/ 3
8819529	A302	8823921	A119	8828659	A107	9009102	A227/ 1	9907824	F629
8819560	A102	8823930	A107	8828809	A105	9009103	A227/ 1	9907824	F629/ 2
8819564	A102	8823931	A107	8829085	A105	9009104	A227/ 1	9907824	F629/ 3
8819565	A301	8823963	A119	8829086	A105	9009105	A227/ 1	9907833	F401
8819547	A103	8823993	A107	8829126	A403	9009106	A227/ 1	9909068	F629
8819789	A103	8824003	A403	8829148	A403	9009107	A227/ 1	9909068	F629/ 2
8820060	A301	8824005	A403	8829187	A403	9009399	A235/ 1	9909068	F629/ 3
8820061	A224	8824087	A402	8829321	A101	9009400	A235/ 1	9909116	F629
8820063	A224	8824012	A402	8829407	A301	9009401	A235/ 1	9909116	F629/ 2
8820064	A224	8824013	A402	8829550	B218	9009403	A235/ 1	9909116	F629/ 3
8820065	A224	8824017	A402	8829551	B221	9009405	A235/ 1	9909121	F629
8820072	A224	8824022	A402	8829564	A402	9009406	A235/ 1	9909121	F629/ 2
8820074	A224	8824045	A104	8829615	A101	9009409	A235/ 1	9909121	F629/ 3
8820278	A101	8824049	A409	8829618	A101	9009524	F608	9909122	F629
8820450	A301	8824050	A409	8829750	A402	9009574	A227/ 1	9909122	F629/ 2
8820457	A402	8824051	A409	8829905	A409	9009575	A227/ 1	9909122	F629/ 3
8821017	A105	8824052	A409	8829975	A000	9009576	A227/ 1	9909123	F629
8821018	A105	8824053	A119	8829983	A402	9009577	A227/ 1	9909123	F629/ 2
8821327	A301	8824054	A119	8830067	A254	9009578	A227/ 1	9909123	F629/ 3
8821329	A301	8824094	A002	8830555	A224	9009579	A227/ 1	9909918	F629/ 1
8821388	A102	8824097	A002	8830609	A224	9009582	A227/ 1	9909918	F629/ 4
8821389	A103	8824161	A301	8830907	A224	9009583	A227/ 1	9909919	F629/ 1

N.ORDIN.	SGR.	N.ORDIN.	SGR.	N.ORDIN.	SGR.	N.ORDIN.	SGR.	N.ORDIN.	SGR.
9909919	F629/ 4	9918651	F629/ 3	9928971	A224	10248271	A221	10284460	B217
9909980	F629/ 1	9918657	F608	9929091	A227/ 1	10248471	B210	10284585	A402
9909980	F629/ 4	9918658	F608	9929093	A227/ 1	10248471	D222	10284585	A603
9910908	F629	9918660	F608	9929094	A227/ 1	10248971	C101	10287380	Z101
9910908	F629/ 2	9918662	F608	9929130	A227/ 1	10256885	A226	10297380	Z104
9910908	F629/ 3	9918797	F608	9929135	A225/ 1	10257050	A226	10297690	A402
9911411	F608	9918798	F608	9929170	A225/ 1	10257060	B109	10291790	B115
9911412	F608	9918799	F608	10004510	A221	10257060	B230	10296150	B233
9911413	F608	9918800	F608	10005010	D222	10257060	B233/ 1	10296260	B234
9911414	F608	9918801	F608	10005011	B210	10257060	C102	10296260	B235
9911416	F608	9918899	F629/ 2	10005110	C101	10257060	E331	10296580	B408
9911417	F608	9918900	F629/ 2	10006301	F401	10257460	B109	10296585	A201
9911418	F608	9918901	F629	10006709	F401	10257460	B206	10296585	B110
9911428	F608	9918901	F629/ 3	10007101	F301	10257460	B2 J	10296585	B201
9911429	F608	9918902	F629	10007101	F401	10257460	B203	10296585	E328
9911439	F608	9918902	F629/ 3	10008240	A221	10257460	B234	10296690	Z106
9911442	F608	9918903	F629/ 1	10008350	A302	10257460	D229	10296685	B115
9911523	F629/ 1	9918909	F629/ 4	10011101	Z104	10257460	E302	10297080	B408
9911523	F629/ 4	9920142	B105	10112700	B230	10259960	B115	10297080	B411
9912044	F608	9920412	F608	10112805	C101	10259960	E331	10297085	B108
9912045	F608	9920414	F608	10113301	A224	10260050	A224	10297085	E328
9912507	B105	9920416	F608	10158400	A107	10260050	A402	10298360	A224
9915508	B105	9920417	F608	10158700	A101	10260160	B233/ 1	10299380	A301
9915509	B105	9920418	F608	10160300	B204	10260160	E331	10298460	A102
9915510	B105	9920421	F608	10160501	A101	10262660	D229	10300190	A222
9915511	B105	9920422	F608	10165240	A301	10265160	B230	10300671	E326
9915514	B105	9920696	F608	10165240	B230	10264560	B235	10306340	B408
9915517	B105	9921466	B105	10165340	A301	10264660	A303	10306340	B411
9915518	B105	9921465	B105	10165940	A301	10264660	E331	10306371	B108
9915519	B105	9921466	B105	10166040	A301	10265160	B108	10336210	D220
9915520	B105	9921467	B105	10167411	A301	10268450	A303	10376611	A228
9915522	B105	9921468	B105	10168790	A222	10269650	A303	10376711	A227
9915523	B105	9921469	B105	10181811	A226	10270150	A254	10376711	A228
9915524	B105	9921750	B105	10182611	B109	10273001	E328	10376811	A228
9915527	B105	9921751	B105	10182611	E302	10273040	B411	10377611	A227
9915528	B105	9922330	A235/ 1	10184311	A201	10273101	A227	10378811	A228
9915530	B105	9922394	A225/ 1	10184311	A224	10276101	E331	10389501	D334
9915531	B105	9922999	A225/ 1	10184311	D223	10276740	B108	10390811	A227
9915532	B105	9922406	A225/ 1	10184311	E302	10278301	A201	10405585	F401
9915533	B105	9922409	A225/ 1	10184311	E327	10278301	E328	10418801	A108
9915534	B105	9923151	F608	10184411	B109	10278340	B201	10418901	F401
9915537	B105	9924744	F608	10184411	B230	10278340	B408	10421390	F401
9915540	B105	9925580	F608	10184411	C102	10279985	A201	10445221	F603
9915627	F629/ 2	9925689	F608	10205820	B110	10279985	E328	10485510	C135
9916021	F608	9926115	B221	10205820	D223	10280050	A226	10486110	B201
9916668	F608	9926116	B221	10205890	F603	10280060	B109	10516470	A102
9918630	A227/ 1	9926117	B221	10205910	A302	10280060	D223	10516470	A224
9918640	A227/ 1	9926118	B221	10205920	A403	10280060	E302	10516470	A227
9918641	A227/ 1	9926238	B105	10206220	A227	10280060	E327	10516470	A228
9918651	F629	9928677	F608	10206610	D333	10281585	A102	10516470	A301

SUBGROUP RESEARCH INDEX ON THE FICHES -- INDICE DI RICERCA DEI SOTTOGRUPPI SULLE FICHES -- INDEX DE RECHERCHE DES SOUSGROUPES SUR LES FICHES
 SUCHINDEX DER UNTERGRUPPEN AUF KARTE -- INDICE DE LOCALIZACION DE LOS SUBGRUPOS EN LA FICHAS.

SGR	TAV	TAV	GRID	PAG	SGR	TAV	TAV	GRID	PAG	SGR	TAV	TAV	GRID	PAG	SGR	TAV	TAV	GRID	PAG
A0.00	--	1 - F2	1 - E2		B2.06	--	1 - F9	1 - O9		E3.27	--	2 - H14	2 - G14						
A0.02	--	1 - F3	1 - E3		B2.07	--	1 - P11	1 - O11		E3.28	--	2 - H12, H11	2 - G12, G11						
A1.0*	--	1 - F4, F5	1 - E4		B2.10	--	1 - P12, P13	1 - O12, O13		E3.29	--	2 - H10	2 - G10						
A1.02	--	1 - F6, F7	1 - E6		B2.17	--	1 - P14	1 - O14		E3.31	--	2 - H9, H8	2 - G9, G8						
A1.03	--	1 - F8, F9	1 - E8		B2.18	--	1 - P15	1 - O15		E3.31/1	--	2 - H7	2 - G7						
A1.04	--	1 - F10	1 - E10		B2.21	--	1 - P16	1 - O16		E3.32	--	2 - H6	2 - G6						
A1.05	--	1 - F12	1 - E12		B2.30	--	1 - P17, P18, P19	1 - O17, O18		E3.32/1	--	2 - H5	2 - G5						
A1.06	--	1 - F13	1 - E13		B2.33	--	1 - P20, P20	1 - O20, O20		E3.32/1A	--	2 - H4	2 - G4						
A1.07	--	1 - F14, F15	1 - E14, E15		B2.33/1	--	1 - R19, R19	1 - O19, O19		F2.01	--	2 - H3, H2	2 - G3						
A1.08	--	1 - F16, F17	1 - E16		B2.34	--	1 - R16	1 - O16		F3.01	--	2 - L2, L1	2 - I2, I3						
A1.16	--	1 - F18	1 - E18		B2.35	--	1 - R15	1 - O15		F4.01	--	2 - L5, L4, L7	2 - I5, I6, I7						
A1.19	--	1 - F19	1 - E19		B2.36	--	1 - R14	1 - O14		F5.01	--	2 - L8	2 - I8						
A1.01	--	1 - F20	1 - E20		B3.01	--	1 - R13	1 - O13		F5.02	--	2 - L9	2 - I9						
A2.21	--	1 - H20	1 - G20		B3.16	--	1 - R12	1 - O12		F5.02/A	--	2 - L10	2 - I10						
A2.22	--	1 - H19	1 - G19		B3.15/1	--	1 - R11	1 - O11		F5.06	--	2 - L11, L12	2 - I11, I12						
A2.24	--	1 - H17	1 - G17		B4.06	--	1 - R10	1 - O10		F5.08/1	--	2 - L13, L14	2 - I13, I14						
A2.24	--	1 - H16, H15, H14	1 - G16, G15		B4.08	--	1 - R9	1 - O9		F5.29	--	2 - L16	2 - I16						
		1 - H13			B4.11	--	1 - R8	1 - O8		F5.25/1	--	2 - L17	2 - I17						
A2.25	--	1 - H12	1 - G12		B4.12	--	1 - R7	1 - O7		F5.29/2	--	2 - L18	2 - I18						
A2.25/1	--	1 - H11	1 - G11		C1.01	--	1 - R5, R4	1 - O5, O4		F5.29/3	--	2 - L19	2 - I19						
A2.28	--	1 - H10	1 - G10		C1.02	--	1 - R3	1 - O3		F5.29/4	--	2 - L20	2 - I20						
A2.27	--	1 - H8, H7	1 - G8, G7		C1.08	--	1 - R2	1 - O2		F5.29/5	--	2 - N20	2 - M20						
A2.27/1	--	1 - H6, H5	1 - G6, G5		C1.35	--	1 - Q2	1 - S2		L1.01	--	2 - M18, M16, M17	2 - M18, M16						
A2.27/1A	--	1 - H4, H3	1 - G4, G3		D1.01	--	1 - T3, T4	1 - S3			--	2 - M16, M15							
A2.28	--	1 - H2, L2	1 - G2, I2		D1.02	--	1 - T5	1 - S5		L1.30	--	2 - M14	2 - M14						
A2.28/1	--	1 - L3, L4	1 - I3, I4, I5		D2.20	--	1 - T6	1 - S6		L3.05	--	2 - M13	2 - M13						
A2.28/1A	--	1 - L6, L7	1 - I6, I7, I8		D2.22	--	1 - T7	1 - S7		L3.10	--	2 - M12	2 - M12						
A2.35	--	1 - L10	1 - I10		D2.23	--	1 - T8, T9, T10	1 - S8, S9		L3.11	--	2 - M11	2 - M11						
A2.35/1	--	1 - L11	1 - I11			--	1 - T11	1 - S11		L3.12	--	2 - M10	2 - M10						
A2.37	--	1 - L12	1 - I12		D2.24	--	1 - T12	1 - S12		L3.12/1	--	2 - M9	2 - M9						
A2.54	--	1 - L13	1 - I13		D2.27	--	1 - T13	1 - S13		M1.01	--	2 - M7	2 - M7						
A2.56	--	1 - L14	1 - I14		D2.29	--	1 - T15, T16	1 - S15, S16		M1.01/A	--	2 - M6, M5	2 - M6						
A3.01	--	1 - L15, L16, L17	1 - I15, L16		D3.01	--	1 - T17	1 - S17		Z1.01	--	2 - M4	2 - M4						
A3.02	--	1 - L19	1 - I19		D3.30	--	1 - T18	1 - S18		Z1.04	--	2 - M3	2 - M3						
A3.03	--	1 - L20	1 - I20		D3.33	--	1 - T20	1 - S20		Z1.04/1	--	2 - M2	2 - M2						
A4.01	--	1 - N20, N19	1 - M20, M19		D3.34	--	2 - F2, F3, F4	2 - E2, E3											
A4.02	--	1 - N18, N17, N16	1 - M18		D3.37	--	2 - F5, F6	2 - E5											
A4.03	--	1 - N15	1 - M15		D3.38	--	2 - F7	2 - E7											
A4.09	--	1 - N14	1 - M14		D3.40	--	2 - F8	2 - E8											
B1.05	--	1 - N13	1 - M13		D3.40/A	--	2 - F9	2 - E9											
B1.08	--	1 - N12	1 - M12		E3.02	--	2 - F11, F12, F13	2 - E11, E12, E13											
B1.09	--	1 - N10, N9	1 - M10, M9			--	2 - F14, F15	2 - E14											
B1.10	--	1 - N8, N7, N6	1 - M8, M7, M6		E3.10	--	2 - F16	2 - E17											
B1.11	--	1 - N5	1 - M5		E3.14	--	2 - F17, F18	2 - E17											
B1.12	--	1 - N14	1 - M14		E3.14/1	--	2 - F19	2 - E19											
B1.15	--	1 - N3	1 - M3		E3.14/2	--	2 - F20, H20	2 - E20											
B2.01	--	1 - N2, P2	1 - M2, O2		E3.14/3	--	2 - H19	2 - G19											
B2.04	--	1 - P3, P4	1 - O3, O4		E3.25	--	2 - H18	2 - G18											
B2.04/1	--	1 - P5, P6, P7	1 - O5, O6, O7		E3.25/1	--	2 - H17, H16	2 - G17											
B2.05	--	1 - P8	1 - O8		E3.26	--	2 - H15	2 - G15											

N.ORDIN.	SGR.	N.ORDIN.	SGR.	N.ORDIN.	SGR.	N.ORDIN.	SGR.	N.ORDIN.	SGR.
10516670	A601	10516870	B233	10517070	M101/ A	10520301	C101	10797001	C101
10516670	A409	10516870	B233/ 1	10517170	A221	10725911	A221	10797401	A201
10516670	B206	10516870	B238	10517170	B411	10725918	F603	10800501	D101
10516670	B230	10516870	B408	10517170	C101	10733601	Q210	10837710	Q333
10516670	C101	10516870	D101	10517170	D338	10733601	C101	10839510	A302
10516670	Q223	10516870	Q223	10517170	E302	10733601	C125	10839510	Q220
10516670	F301	10516870	Q224	10517170	E310	10733601	Q222	10839710	B201
10516670	F401	10516870	Q330	10517170	E332/ 1	10733601	F608	10839810	A101
10516670	F608	10516870	Q334	10517170	L311	10733601	M101	10839810	B201
10516670	L101	10516870	Q338	10517170	L312	10733801	E328	10858790	F629
10516670	L310	10516870	F302	10517170	L312/ 1	10734101	A228	10858790	F629/ 1
10516670	M101	10516870	E325	10517270	A201	10734201	A221	10858795	F629/ 3
10516677	F301	10516870	E328	10517270	B108	10734201	C101	10858795	F629/ 4
10516670	A102	10516870	E331	10517270	B201	10734201	L101	10902021	A224
10516670	A108	10516870	F201	10517270	C101	10734201	L130	10902021	A301
10516670	A224	10516870	F301	10517270	D101	10734201	L305	10902021	A401
10516670	A256	10516870	F401	10517270	Q222	10734201	L310	10902121	A102
10516670	A301	10516870	L101	10517270	Q334	10734301	A227	10902121	A401
10516670	A401	10516870	L305	10517270	Q337	10734401	A228	10902121	A409
10516670	A402	10516870	L310	10517270	Q338	10734401	B206	10902121	L310
10516670	B109	10516870	L311	10517270	E302	10734401	M101	10902221	A401
10516670	B110	10516870	M101/ A	10517270	E310	10734601	A221	10902221	C101
10516670	B111	10517070	A201	10517270	E314/ 3	10788811	A224	10902311	A228
10516670	B201	10517070	A221	10517270	L310	10788811	A228	10902421	M101
10516670	B230	10517070	A222	10517270	L311	10790140	A256	10902621	B206
10516670	B411	10517070	A227	10517370	Q330	10791011	A107	10902621	B230
10516670	Q223	10517070	A254	10517370	Q334	10791011	A221	10903021	Q223
10516670	Q229	10517070	A401	10517370	E332/ 1	10791011	B210	10903221	B230
10516670	F401	10517070	A409	10517470	D101	10791211	B210	10977521	B109
10516670	F608	10517070	B110	10517470	E332	10791211	Q222	10978021	A224
10516670	L101	10517070	B201	10517470	L311	10791311	A221	10979421	B210
10516670	M101	10517070	B207	10517570	D101	10791311	C101	10979421	B230
10516671	A224	10517070	B210	10517570	Q301	10791411	E331	10979421	C101
10516677	F501	10517070	B218	10517670	D102	10791411	F401	10979421	F401
10516870	A104	10517070	B406	10519301	F608	10791421	C101	11014000	Q334
10516870	A119	10517070	B408	10519401	F301	10791911	B210	11014200	Q330
10516870	A201	10517070	C101	10519601	A401	10793111	B206	11052090	F301
10516870	A221	10517070	C102	10519601	B230	10794011	F603	11052090	F401
10516870	A224	10517070	Q223	10519601	C101	10794601	B230	11052090	F501
10516870	A256	10517070	Q330	10519601	M101/ A	10795901	L130	11057175	Q229
10516870	A402	10517070	Q333	10520001	A254	10796401	B210	11057475	A303
10516870	A409	10517070	E302	10520001	Q222	10796401	Q222	11057875	B109
10516870	B108	10517070	E325	10520001	F401	10796401	E325	11058675	B233/ 1
10516870	B109	10517070	E327	10520001	M101	10796401	E328	11059975	E331
10516870	B110	10517070	E328	10520101	C101	10796401	L101	11059975	A105
10516870	B201	10517070	F401	10520101	C135	10796401	L104	11060575	E329
10516870	B204	10517070	L101	10520101	L312	10796901	E314	11060576	A409
10516870	B206	10517070	L130	10520101	L312/ 1	10796901	E314/ 1	11066375	C101
10516870	B221	10517070	L311	10520201	A201	10796901	E314/ 2	11066975	A107
10516870	B230	10517070	M101	10520201	L310	10796901	E314/ 3	11067675	C101

N.ORDIN.	SGR.	N.ORDIN.	SGR.	N.ORDIN.	SGR.	N.ORDIN.	SGR.	N.ORDIN.	SGR.
11067875	B110	11306921	L305	12164111	B201	12605370	L101	13276001	B115
11067875	D223	11306921	L310	12164111	C101	12605570	L101	13276001	F301
11067876	A106	11307021	B110	12164111	D101	12605670	B110	13276111	L101
11069075	E302	11307021	B210	12164111	D222	12605970	D334	13276201	F401
11069375	B205	11307021	D223	12164111	E314/ 3	12638101	D334	13276801	A227
11069375	E302	11307021	D224	12164111	F401	12638601	A221	13276801	F401
11069875	B205	11307021	E302	12164111	L310	12638601	B205	13280217	L101
11069876	B204	11307021	E331	12164111	L311	12638601	B217	13316111	M101/ A
11071375	B204	11343721	A107	12164121	A002	12638601	E325	13400776	A223
11071376	B204	11343721	B233/ 1	12164221	E314	12638601	E328	13401875	D224
11071875	B204	11343821	A256	12164221	E314/ 2	12638601	F301	13404475	B217
11077475	B204/ 1	11343821	A402	12164221	E314/ 3	12638601	M101	13404475	E328
11087975	M101/ A	11343821	B109	12164311	L311	12638620	A224	13407211	B207
11195470	A224	11343821	B210	12164321	E314	12638620	A254	13407211	C101
11195470	A228	11376221	L311	12164421	D101	12638620	A402	13407211	D330
11195470	B109	11390521	E310	12164521	A002	12638620	B210	13407211	D334
11195470	D334	11390521	E314/ 3	12164711	A107	12638660	A101	13407211	E310
11195470	F608	11390521	L311	12164711	A119	12639770	A228	13407211	E314
11195470	F629/ 1	11390531	A002	12164711	A221	12640601	A401	13407211	E314/ 1
11195470	F629/ 4	11391521	A201	12164711	A224	12642701	A221	13407211	E314/ 2
11197771	A224	11391521	D101	12164711	B110	12643701	A401	13407211	E314/ 3
11197771	F401	11391521	D338	12164711	B111	12643902	M101/ A	13449721	B201
11197773	F603	11391521	E302	12164711	B201	12644301	E302	13449810	A224
11198071	A102	11391521	L311	12164711	B210	12644301	M101/ A	13449810	B201
11198071	A224	11394321	L311	12164711	B238	12644401	A401	13529321	B218
11198071	M101/ A	11394321	L312	12164711	B406	12644401	L310	13530321	B218
11198671	A301	11394331	B411	12164711	D223	12644901	A403	13550201	F608
11198671	A409	11408321	E310	12164711	E302	12644901	E302	13550501	B210
11198671	F301	11408321	E332/ 1	12164711	L305	12646801	B406	13550701	L311
11200173	F603	11408321	L312	12164711	L310	12646801	E302	13598211	A403
11200271	A002	11408321	L312/ 1	12173890	B110	12646801	L101	13598521	B412
11234721	A224	11422321	E310	12173990	A301	12646801	L130	13598521	D333
11234721	B110	11500211	A301	12173990	B110	12646801	L305	13746210	A107
11234721	B201	11701711	F608	12173990	D223	12646801	L310	13824611	A228
11234721	B210	11800521	B201	12174190	E302	12646901	A201	13868350	A401
11234721	D223	11902440	B230	12174890	E302	12646901	A221	13879660	C101
11234721	E331	11903171	B233/ 1	12179490	A201	12646901	A401	14043971	A409
11244631	D334	11903171	E331	12179590	E302	12646901	A409	14048211	B230
11255921	L312	11903711	B206	12541870	L310	12646901	E302	14054911	B217
11255921	L312/ 1	11903711	B230	12574111	F603	12646901	L101	14142690	F629/ 2
11255930	C101	11903811	A301	12574511	A101	12646901	L311	14149690	F301
11255931	B411	11904211	A301	12574511	B210	12647001	A401	14149690	F401
11306921	A104	11947908	F301	12575821	B301	12647001	D229	14159670	A237
11306921	A402	12058880	F603	12575821	B316	12682980	A301	14161470	L101
11306921	B201	12164011	D338	12575821	B316/ 1	12683080	A301	14161770	L310
11306921	B230	12164011	F603	12598371	M101/ A	12947910	A301	14161970	A108
11306921	B233	12164011	L311	12601278	F603	12949310	B406	14161970	A228
11306921	B233/ 1	12164011	L312	12601371	M101/ A	12953110	B406	14161970	M101
11306921	D338	12164011	L312/ 1	12605370	B115	13288918	F603	14163470	M101/ A
11306921	F201	12164111	A201	12605370	B210	13275901	L101	14163670	B204

SUBGROUP RESEARCH INDEX ON THE FICHES - INDICE DI RICERCA DEI SOTTOGRUPPI SULLE FICHES - INDEX DE RECHERCHE DES SOUSGROUPES SUR LES FICHES
 SUCHINDEX DER UNTERGRUPPEN AUF KARTE - INDICE DE LOCALIZACION DE LOS SUBGRUPOS EN LA FICHAS.

SGR	TAV	GRID		SGR	TAV	GRID		SGR	TAV	GRID		SGR	TAV	GRID	
		TAV	PAG			TAV	PAG			TAV	PAG			TAV	PAG
A0.00	--	1 - F2	1 - E2	B2.00	--	1 - F9	1 - G9	E3.27	--	2 - H14	2 - G14				
A0.02	--	1 - F3	1 - E3	B2.07	--	1 - P11	1 - O11	E3.28	--	2 - H12, H11	2 - G12, G11				
A1.01	--	1 - F4, F5	1 - E4	B2.10	--	1 - P12, P13	1 - O12, O13	E3.29	--	2 - H10	2 - G10				
A1.02	--	1 - F6, F7	1 - E6	B2.17	--	1 - P14	1 - O14	E3.31	--	2 - H9, H8	2 - G9, G8				
A1.03	--	1 - F8, F9	1 - E8	B2.18	--	1 - P15	1 - O15	E3.31/1	--	2 - H7	2 - G7				
A1.04	--	1 - F10	1 - E10	B2.21	--	1 - P16	1 - O16	E3.32	--	2 - H6	2 - G6				
A1.05	--	1 - F12	1 - E12	B2.30	--	1 - P17, P18, P19	1 - O17, O18	E3.32/1	--	2 - H5	2 - G5				
A1.06	--	1 - F13	1 - E13	B2.33	--	1 - P20; R20	1 - O20, O20	E3.32/1A	--	2 - H4	2 - G4				
A1.07	--	1 - F14, F15	1 - E14, E15	B2.33/1	--	1 - R19, R18	1 - Q19, Q18	F2.01	--	2 - H3, H2	2 - G3				
A1.08	--	1 - F16, F17	1 - E16	B2.34	--	1 - R16	1 - Q16	F3.01	--	2 - L2, L3	2 - J2, J3				
A1.18	--	1 - F18	1 - E18	B2.35	--	1 - R15	1 - J5	F4.01	--	2 - L5, L6, L7	2 - I5, I6, I7				
A1.19	--	1 - F19	1 - E19	B2.38	--	1 - R14	1 - Q14	F5.01	--	2 - L8	2 - I8				
A2.01	--	1 - F20	1 - E20	B3.01	--	1 - R13	1 - Q13	F6.03	--	2 - L9	2 - I9				
A2.21	--	1 - H20	1 - G20	B3.16	--	1 - R12	1 - Q12	F6.03/A	--	2 - L10	2 - I10				
A2.22	--	1 - H19	1 - G19	B3.16/1	--	1 - R11	1 - Q11	F6.06	--	2 - L11, L12	2 - I11, I12				
A2.23	--	1 - H17	1 - G17	B4.05	--	1 - R10	1 - Q10	F6.08/1	--	2 - L13, L14	2 - I13, I14				
A2.24	--	1 - H16, H15, H14	1 - G16, G15	B4.08	--	1 - R9	1 - Q9	F6.29	--	2 - L16	2 - I16				
		1 - H13		B4.11	--	1 - R8	1 - Q8	F6.29/1	--	2 - L17	2 - I17				
A2.25	--	1 - H12	1 - G12	B4.12	--	1 - R7	1 - Q7	F6.29/2	--	2 - L18	2 - I18				
A2.25/1	--	1 - H11	1 - G11	C1.01	--	1 - R5, R4	1 - Q5, Q4	F6.29/3	--	2 - L19	2 - I19				
A2.26	--	1 - H10	1 - G10	C1.02	--	1 - R3	1 - Q3	F6.29/4	--	2 - L20	2 - I20				
A2.27	--	1 - H8, H7	1 - G8, G7	C1.08	--	1 - R2	1 - Q2	F6.29/5	--	2 - N20	2 - M20				
A2.27/1	--	1 - H6, H5	1 - G6, G5	C1.25	--	1 - T2	1 - S2	L1.01	--	2 - N19, N18, N17	2 - M19, M18				
A2.27/1A	--	1 - H4, H3	1 - G4, G3	D1.01	--	1 - T3, T4	1 - S3			2 - N16, N15					
A2.28	--	1 - H2, L2	1 - G2, J2	D1.02	--	1 - T5	1 - S5	L1.30	--	2 - N14	2 - M14				
A2.28/1	--	1 - L3, L4	1 - J3, J4, J5	D2.20	--	1 - T6	1 - S6	L3.05	--	2 - N13	2 - M13				
A2.28/1A	--	1 - L6, L7	1 - J6, J7, J8	D2.22	--	1 - T7	1 - S7	L3.10	--	2 - N12	2 - M12				
A2.35	--	1 - L10	1 - J10	D2.23	--	1 - T8, T9, T10	1 - S8, S9	L3.11	--	2 - N11	2 - M11				
A2.35/1	--	1 - L11	1 - J11			1 - T11		L3.12	--	2 - N10	2 - M10				
A2.37	--	1 - L12	1 - J12	D2.24	--	1 - T12	1 - S12	L3.12/1	--	2 - N9	2 - M9				
A2.54	--	1 - L13	1 - J13	D2.27	--	1 - T13	1 - S13	M1.01	--	2 - N7	2 - M7				
A2.56	--	1 - L14	1 - J14	D2.29	--	1 - T15, T16	1 - S15, S16	M1.01/A	--	2 - N6, N5	2 - M6				
A3.01	--	1 - L15, L16, L17	1 - J15, J16	D3.01	--	1 - T17	1 - S17	Z1.01	--	2 - N4	2 - M4				
A3.02	--	1 - L19	1 - J19	D3.30	--	1 - T18	1 - S18	Z1.04	--	2 - N3	2 - M3				
A3.03	--	1 - L20	1 - J20	D3.33	--	1 - T20	1 - S20	Z1.04/1	--	2 - N2	2 - M2				
A4.01	--	1 - N20, N19	1 - M20, M19	D3.34	--	2 - F2, F3, F4	2 - E2, E3								
A4.02	--	1 - N18, N17, N16	1 - M18	D3.37	--	2 - F5, F6	2 - E5								
A4.03	--	1 - N15	1 - M15	D3.38	--	2 - F7	2 - E7								
A4.09	--	1 - N14	1 - M14	D3.40	--	2 - F8	2 - E8								
E1.05	--	1 - N13	1 - M13	D3.40/A	--	2 - F9	2 - E9								
B1.08	--	1 - N12	1 - M12	E3.02	--	2 - F11, F12, F13	2 - E11, E12, E13								
B1.09	--	1 - N10, N9	1 - M10, M9			2 - F14, F15	2 - E14								
B1.10	--	1 - N8, N7, N6	1 - M8, M7, M6	E3.10	--	2 - F16	2 - E17								
B1.11	--	1 - N5	2 - M5	E3.14	--	2 - F17, F18	2 - E17								
B1.12	--	1 - N14	1 - M14	E3.14/1	--	2 - F19	2 - E19								
B1.15	--	1 - N3	1 - M3	E3.14/2	--	2 - F20, H20	2 - E20								
B2.01	--	1 - N2, P2	1 - M2, O2	E3.14/3	--	2 - H19	2 - G19								
B2.04	--	1 - P3, P4	1 - O3, O4	E3.25	--	2 - H18	2 - G18								
B2.04/1	--	1 - P5, P6, P7	1 - O5, O6, O7	E3.25/1	--	2 - H17, H16	2 - G17								
B2.05	--	1 - P8	1 - O8	E3.28	--	2 - H15	2 - G15								

N.ORDIN.	SGR.	N.ORDIN.	SGR.	N.ORDIN.	SGR.	N.ORDIN.	SGR.	N.ORDIN.	SGR.
14164070	E328	14330260	B108	14457680	0223	14467881	B204/ 1	15540521	L101
14164170	A228	14330260	B109	14457881	B109	14467980	B 70	15540621	C102
14164270	E327	14330260	B206	14458380	D223	14468281	D333	15540621	E302
14164470	B207	14330260	B230	14458381	B206	14468281	B204/ 1	15540721	A102
14164470	E326	14330260	B233	14458480	E331	14471080	E332	15540721	A409
14164970	A108	14330260	D229	14458580	E331	14471080	E332/ 1	15540721	E302
14167570	A101	14330260	E302	14458580	E331/ 1	14472180	D338	15540721	L101
14167570	D337	14330260	E328	14458780	D338	14473180	D224	15540821	E302
14167770	B408	14452581	B230	14459781	B204/ 1	14473180	E332/ 1	15540921	A409
14169770	L130	14452980	E302	14460680	B108	14473280	D330	15540921	B207
14170470	C101	14452980	E327	14462881	B111	14473780	E332	15540921	D333
14171170	D340	14453080	B109	14462980	D334	14529431	7101	15540921	E302
14196670	A107	14453180	B233/ 1	14463080	B233	14534721	Z101	15541021	E327
14198810	B108	14453180	C101	14463080	B233/ 1	14548970	B207	15541121	A401
14198810	B210	14453680	B233/ 1	14463280	C108	14567080	B238	15541121	E302
14198810	B406	14453780	B233/ 1	14463281	B109	14571380	F301	15541221	A301
14198810	C101	14454380	F403	14463480	E331	14580571	Z101	15541321	D223
14199510	A002	14456880	B230	14463680	B110	14580971	Z101	15541321	E302
14233221	A107	14456881	B201	14463680	B233	14583571	Z101	15541321	E327
14233221	B205	14456881	B206	14463680	B233/ 1	14583771	Z101	15541421	A254
14233421	D334	14456881	B233	14463680	D223	14584971	Z101	15541421	F401
14233421	D337	14456881	B233/ 1	14463680	E302	14587071	Z101	15541521	E302
14233421	D338	14456980	B230	14463681	B109	15540221	A222	15541521	F401
14233430	E302	14456980	D222	14463880	E302	15540221	F401	15541621	A254
14233621	D334	14456980	D224	14463881	B204	15540221	M101/ A	15542221	A401
14233830	B204	14456980	D229	14464080	E302	15540221	M101/ A	15543021	E302
14234321	B206	14456981	B110	14464080	E328	15540321	A221	15543421	A401
14237921	A106	14456981	B206	14464380	E302	15540321	D101	15836421	E302
14238721	A116	14457080	B234	14464381	B204	15540321	D223	15840521	B201
14243210	D334	14457080	C108	14464480	E302	15540321	E327	15840521	L311
14254530	A002	14457080	E327	14464480	E328	15540321	E328	15860121	L311
14254630	B411	14457080	E331	14464481	C108	15540321	F401	15860121	L312/ 1
14257830	B406	14457180	B109	14464580	D334	15540321	L101	15860131	B411
14257830	D220	14457180	B206	14464580	D337	15540321	L130	15888721	B109
14257831	D334	14457180	D223	14464981	B204	15540321	L311	15888721	D224
14257930	A002	14457180	D224	14465181	B204	15540421	A201	15888721	E302
14258130	B406	14457180	E331	14465280	E302	15540421	B201	15888721	E331
14274521	E332	14457280	B109	14465481	B111	15540421	B210	15888821	F331
14274530	B204/ 1	14457280	B230	14465481	B204	15540421	C101	15896211	A224
14274630	A102	14457281	B204	14465481	B406	15540421	D330	15896211	A227
14306421	A102	14457380	B110	14465481	D220	15540421	E302	15896211	A228
14307620	B110	14457380	B233	14465680	D334	15540421	E327	15896211	A237
14323611	B408	14457380	D223	14465680	D337	15540421	L101	15896211	A301
14323911	D229	14457380	D229	14465980	B201	15540521	A301	15896211	C101
14324011	A254	14457480	B234	14465981	B204	15540521	B110	15896211	F301
14324801	D229	14457580	B206	14466281	B109	15540521	B406	15896211	F401
14324901	D229	14457580	D224	14466880	E328	15540521	B408	15896211	F608
14325301	B235	14457580	E302	14467681	B406	15540521	C102	15896211	L101
14325501	B408	14457580	E331	14467780	B406	15540521	D223	15970121	B238
14326340	A102	14457680	B110	14467781	D220	15540521	F401	15970321	B230

N.ORDIN.	SGR.	N.ORDIN.	SGR.	N.ORDIN.	SGR.	N.ORDIN.	SGR.	N.ORDIN.	SGR.
15970321	F301	15981431	D337	16044121	B110	20063520	Z104	38818561	A402
15970321	F401	15984331	D330	16044221	A102	20063570	E331	38818655	A224
15970421	A201	15984521	E332/ 1	16044321	B230	20063580	B233	38817093	A107
15970421	B238	15984631	D334	16044421	A402	20065730	B105	38819123	A102
15970421	D223	15984830	E314	16044821	A402	20141040	B204	38819557	A119
15970421	L311	15984830	E314/ 2	16045021	A102	20229990	B205	38820298	A108
15970521	B108	15984830	E314/ 3	16045821	A102	20719310	A227	38821480	A108
15970521	B110	15988231	D101	16100811	A224	20685450	B110	38821665	A109
15970521	B206	15988431	D333	16100811	A256	20685450	D223	38821666	A402
15970521	C101	15988521	E332	16100811	B230	20943310	B204	38822096	A102
15970521	D334	15988631	E314	16100811	F401	24940320	B412	38823504	A107
15970521	E302	15992231	D301	16100811	F501	24940330	B412	38823992	A403
15970521	E325	15992631	D301	16100811	M101	24940740	B412	38824001	A402
15970521	E328	15992831	D101	16100811	M101/ A	24940750	B412	38824166	A403
15970521	F301	15997121	D102	16100818	F301	26794630	B105	38824914	F301
15970521	L101	15997230	A202	16100821	A224	26798330	E302	38825122	A224
15970521	L305	16005521	B206	16101511	A401	26799910	A227	38826777	A402
15970521	L310	16043021	F401	16101511	B210	26800070	D333	38826792	A402
15970711	M101/ A	16043121	A224	16101511	B218	26800110	D333	38826793	A402
15970721	A221	16043121	A301	16101511	C101	26800210	B406	38829409	A402
15970721	A402	16043121	D229	16101511	D223	28041710	B406	38829614	A107
15970721	A409	16043221	A224	16101511	E302	28042490	A116	38830418	A224
15970721	B108	16043221	A301	16101511	E325	28042490	E302	38830612	A301
15970721	B201	16043221	B201	16101511	F401	28042500	A116	40000930	B204
15970721	B204	16043321	A401	16101511	L101	28042500	B204	40000110	B204
15970721	B206	16043321	Z104	16101521	F301	28042600	B204/ 1	40000130	B205
15970721	B408	16043421	A102	16102311	A221	28995890	B105		
15970721	D224	16043421	A108	16102311	B112	28995920	B204	60009053	B230
15970721	D330	16043421	A301	16102311	L101	28995930	B205	60024509	A201
15970721	E302	16043421	A302	16102311	Z104	28996360	B204	70182763	F629/ 5
15970721	L305	16043421	B201	16103611	A221	28996660	A409	70621428	F629/ 5
15970721	L310	16043421	B230	16103611	E326	30001037	A402	70621429	F401
15970730	A119	16043421	B411	17671002	B207	30001037	A403	70621724	F629/ 5
15970921	A119	16043421	D229	19053082	A224	30002797	A403	70685147	D101
15970921	A402	16043421	F401	19053182	A201	30002804	A106	70911045	F401
15970921	B108	16043421	M101	19053380	B115	30187486	A254	70912731	F629/ 5
15970921	B201	16043621	A102	19053382	A201	38802840	A301	70912845	D101
15970921	B233/ 1	16043621	A256	20063000	D229	38805184	A301	70921241	D101
15970921	D334	16043621	A301	20063010	E328	38806019	A102	79000163	D101
15971321	E331	16043621	B109	20063110	E331	38807988	A301	79000258	D101
15971330	A254	16043621	B230	20063110	E331/ 1	38809730	A402	79000259	D101
15971521	B230	16043621	F501	20063390	D229	38809756	A301	79000339	L101
15971621	A402	16043821	A102	20063390	E327	38812528	A301	79000610	A201
15971930	A254	16043821	A301	20063450	B204/ 1	38812780	A107	79000615	E302
15977821	D338	16043821	B230	20063450	Z104	38814907	A107	79000616	E302
15980321	B108	16043921	D229	20063460	D334	38816064	A224	79000618	E302
15981021	C101	16044021	A102	20063470	D334	38816065	A224	79000620	E302
15981021	D222	16044021	A302	20063490	Z104	38817231	A116	79001122	A301
15981021	D334	16044121	A102	20063520	B230	38817708	A301	79001507	L101
15981331	D337	16044121	A302	20063520	B235	38817740	A101	79001576	A402

SUBGROUP RESEARCH INDEX ON THE FICHES - INDICE DI RICERCA DEI SOTTOGRUPPI SULLE FICHES - INDEX DE RECHERCHE DES SOUSGROUPES SUR LES FICHES
 SUCHINDEX DER UNTERGRUPPEN AUF KARTE - INDICE DE LOCALIZACION DE LOS SUBGRUPOS EN LA FICHAS.

SGR.	TAV.	GRID		SGR.	TAV.	GRID		SGR.	TAV.	GRID		SGR.	TAV.	GRID	
		TAV.	PAG.			TAV.	PAG.			TAV.	PAG.			TAV.	PAG.
A0.00	—	1 - F2	1 - E2	B2.06	—	1 - P9	1 - O9	E3.27	—	2 - H14	2 - G14				
A0.02	—	1 - F3	1 - E3	B2.07	—	1 - P11	1 - O11	E3.28	—	2 - H12, H11	2 - G12, G11				
A1.01	—	1 - F4, F5	1 - E4	B2.10	—	1 - P12, P13	1 - O12, O13	E3.29	—	2 - H10	2 - G10				
A1.02	—	1 - F6, F7	1 - E6	B2.17	—	1 - P14	1 - O14	E3.31	—	2 - H9, H8	2 - G9, G8				
A1.03	—	1 - F8, F9	1 - E8	B2.18	—	1 - P15	1 - O15	E3.31/1	—	2 - H7	2 - G7				
A1.04	—	1 - F10	1 - E10	B2.21	—	1 - P16	1 - O16	E3.32	—	2 - H6	2 - G6				
A1.05	—	1 - F12	1 - E12	B2.30	—	1 - P17, P18, P19	1 - O17, O18	E3.32/1	—	2 - H5	2 - G5				
A1.06	—	1 - F13	1 - E13	B2.33	—	1 - P20, P20	1 - O20, O20	E3.32/1A	—	2 - H4	2 - G4				
A1.07	—	1 - F14, F15	1 - E14, E15	B2.33/1	—	1 - R19, R18	1 - O19, O18	F2.01	—	2 - H3, H2	2 - G3				
A1.08	—	1 - F16, F17	1 - E16	B2.34	—	1 - R16	1 - O16	F3.11	—	2 - L2, L3	2 - I2, I3				
A1.18	—	1 - F18	1 - E18	B2.35	—	1 - R15	1 - O15	F4.01	—	2 - L5, L6, L7	2 - I5, I6, I7				
A1.19	—	1 - F19	1 - E19	B2.38	—	1 - R14	1 - O14	F5.01	—	2 - L8	2 - I8				
A2.01	—	1 - F20	1 - E20	B3.01	—	1 - R13	1 - O13	F6.03	—	2 - L9	2 - I9				
A2.21	—	1 - H20	1 - G20	B3.16	—	1 - R12	1 - O12	F6.03/A	—	2 - L10	2 - I10				
A2.22	—	1 - H19	1 - G19	B3.16/1	—	1 - R11	1 - O11	F6.08	—	2 - L11, L12	2 - I11, I12				
A2.23	—	1 - H17	1 - G17	B4.06	—	1 - R10	1 - O10	F6.08/1	—	2 - L13, L14	2 - I13, I14				
A2.24	—	1 - H16, H15, H14	1 - G16, G15	B4.03	—	1 - R9	1 - O9	F6.29	—	2 - L16	2 - I16				
		1 - H13		B4.11	—	1 - R8	1 - O8	F6.29/1	—	2 - L17	2 - I17				
A2.25	—	1 - H12	1 - G12	B4.12	—	1 - R7	1 - O7	F6.29/2	—	2 - L18	2 - I18				
A2.25/1	—	1 - H11	1 - G11	C1.01	—	1 - R5, R4	1 - O5, O4	F6.29/3	—	2 - L19	2 - I19				
A2.26	—	1 - H10	1 - G10	C1.02	—	1 - R3	1 - O3	F6.29/4	—	2 - L20	2 - I20				
A2.27	—	1 - H8, H7	1 - G8, G7	C1.08	—	1 - R2	1 - O2	F6.29/5	—	2 - N20	2 - M20				
A2.27/1	—	1 - H6, H5	1 - G6, G5	C1.35	—	1 - T2	1 - S2	L1.01	—	2 - N19, N18, N17	2 - M19, M18				
A2.27/1A	—	1 - H4, H3	1 - G4, G3	D1.01	—	1 - T3, T4	1 - S3		—	2 - N16, N15					
A2.28	—	1 - H2, L2	1 - G2, I2	D1.02	—	1 - T5	1 - S5	L1.30	—	2 - N14	2 - M14				
A2.28/1	—	1 - L3, L4	1 - I3, I4, I5	D2.20	—	1 - T6	1 - S6	L3.05	—	2 - N13	2 - M13				
A2.28/1A	—	1 - L6, L7	1 - I6, I7, I8	D2.22	—	1 - T7	1 - S7	L3.10	—	2 - N12	2 - M12				
A2.35	—	1 - L10	1 - I10	D2.23	—	1 - T8, T9, T10	1 - S8, S9	L3.11	—	2 - N11	2 - M11				
A2.35/1	—	1 - L11	1 - I11			1 - T11		L3.12	—	2 - N10	2 - M10				
A2.37	—	1 - L12	1 - I12	D2.24	—	1 - T12	1 - S12	L3.12/1	—	2 - N9	2 - M9				
A2.54	—	1 - L13	1 - I13	D2.27	—	1 - T13	1 - S13	M1.01	—	2 - N7	2 - M7				
A2.56	—	1 - L14	1 - I14	D2.29	—	1 - T15, T16	1 - S15, S16	M1.01/A	—	2 - N6, N5	2 - M6				
A3.01	—	1 - L15, L16, L17	1 - I15, I16	D3.01	—	1 - T17	1 - S17	Z1.01	—	2 - N4	2 - M4				
A3.02	—	1 - L19	1 - I19	D3.30	—	1 - T18	1 - S18	Z1.04	—	2 - N3	2 - M3				
A3.03	—	1 - L20	1 - I20	D3.33	—	1 - T20	1 - S20	Z1.04/1	—	2 - N2	2 - M2				
A4.01	—	1 - N20, N19	1 - M20, M19	D3.34	—	2 - F2, F3, F4	2 - E2, E3								
A4.02	—	1 - N18, N17, N16	1 - M18	D3.37	—	2 - F5, F6	2 - E5								
A4.03	—	1 - N15	1 - M15	D3.38	—	2 - F7	2 - E7								
A4.09	—	1 - N14	1 - M14	D3.40	—	2 - F8	2 - E8								
B1.05	—	1 - N13	1 - M13	D3.40/A	—	2 - F9	2 - E9								
B1.08	—	1 - N12	1 - M12	E3.02	—	2 - F11, F12, F13	2 - E11, E12, E13								
B1.09	—	1 - N10, N9	1 - M10, M9			2 - F14, F15	2 - E14								
B1.10	—	1 - N8, N7, N5	1 - M8, M7, M6	E3.10	—	2 - F16	2 - E17								
B1.11	—	1 - N5	1 - M5	E3.14	—	2 - F17, F18	2 - E17								
B1.12	—	1 - N14	1 - M14	E3.14/1	—	2 - F19	2 - E19								
B1.15	—	1 - N3	1 - M3	E3.14/2	—	2 - F20, H20	2 - E20								
B2.01	—	1 - N2, P2	1 - M2, O2	E3.14/3	—	2 - H19	2 - G19								
B2.04	—	1 - P3, P4	1 - O3, O4	E3.25	—	2 - H18	2 - G18								
B2.04/1	—	1 - P5, P6, P7	1 - O5, O6, O7	E3.25/1	—	2 - H17, H16	2 - G17								
B2.05	—	1 - P8	1 - O9	E3.26	—	2 - H15	2 - G15								

N.ORDIN.	SGR.	N.ORDIN.	SGR.	N.ORDIN.	SGR.	N.ORDIN.	SGR.	N.ORDIN.	SGR.
79001581	D101	79001788	A401	79002151	A401	79002646	B238	79002904	D229
79001589	A401	79002058	H101/ A	79002608	F401	79002651	F201	79002961	A401
79001590	A401	79002121	D334	79002628	B210	79002685	B210	79002987	A401
79001598	L101	79002124	A401	79002629	B210	79002688	A221	79003182	D223
79001603	A401	79002134	G101	79002642	B210	79002701	B210	79003573	F401
79001605	L101	79002142	D334	79002643	B238	79002703	B210	79003874	F401
79001641	A401	79002150	A401						

ERA	VED	SGR.	ERA	VED	SGR.	ERA	VED	SGR.	ERA	VED	SGR.
586170		B234	4304905	4303173	A108	8286965	8290376	E302	8829916	79001122	A301
586670	4970200	B205	4951418	15543021	E302	8286967	8291751	E302	9911403	9916021	F608
589527		B205	4968813	4988284	C101	8286968	8280368	E302	9913503	9928677	F608
589923		B234	7274818	8283424	E302	8286972	8290374	E302	10166011	11904211	A301
594639	79002121	D334	8281828	8292219	E314	8286976	8290393	E302	10516670	1198071	A102
595939	79002142	D334	8281828	8292219	E314/ 1	8287545	8292257	E310	14243100		B205
768493	760356	A227	8281828	8292219	E314/ 2	8287833	8290418	E314	14259630	8831295	A101
882174	8830609	A224	8281828	8292219	E314/ 3	8288430	3290419	E314	15540321	15540521	F401
4179111	4305449	F501	8283074	8292240	E310	8818712	4689833	A105	15170721	14233221	B205
4216809	4304905	A108	8283075	8290396	E310	8818714	4689834	A105	20662470		B234
4241944	4312905	A402	8286963	8291750	E302						

ERRATA	CORRIGE	SGR.	ERRATA	CORRIGE	SGR.	ERRATA	CORRIGE	SGR.	ERRATA	CORRIGE	SGR.
595977	585977	B207	598559	589559	D334						

SUBGROUP RESEARCH INDEX ON THE FICHES - INDICE DI RICERCA DEI SOTTOGRUPPI SULLE FICHES - INDEX DE RECHERCHE DES SOUSGROUPES SUR LES FICHES
 SUCHINDEX DER UNTERGRUPPEN AUF KARTE - INDICE DE LOCALIZACION DE LOS SUBGRUPOS EN LA FICHAS.

SGR	TAV	GRID		SGR	TAV	GRID		SGR	TAV	GRID		SGR	TAV	GRID	
		TAV	PAG			TAV	PAG			TAV	PAG			TAV	PAG
A0.00	--	1 - F2	1 - E2	B2.06	--	1 - P9	1 - O9	E3.27	--	2 - H14	2 - G14				
A0.02	--	1 - F3	1 - E3	B2.07	--	1 - P11	1 - O11	E3.28	--	2 - H12, H13	2 - G12, G11				
A1.01	--	1 - F4, F5	1 - E4	B2.10	--	1 - P12, P13	1 - O12, O13	E3.29	--	2 - H10	2 - G10				
A1.02	--	1 - F6, F7	1 - E6	B2.17	--	1 - P14	1 - O14	E3.31	--	2 - H9, H9	2 - G9, G8				
A1.03	--	1 - F8, F9	1 - E8	B2.18	--	1 - P15	1 - O15	E3.31/1	--	2 - H7	2 - G7				
A1.04	--	1 - F10	1 - E10	B2.21	--	1 - P16	1 - O16	E3.32	--	2 - H6	2 - G6				
A1.05	--	1 - F12	1 - E12	B2.30	--	1 - P17, F18, P19	1 - O17, O18	E3.32/1	--	2 - H5	2 - G5				
A1.06	--	1 - F13	1 - E13	B2.33	--	1 - P20, R20	1 - O20, O20	E3.32/1A	--	2 - H4	2 - G4				
A1.07	--	1 - F14, F15	1 - E14, E15	B2.33/1	--	1 - R19, R19	1 - O19, O19	F2.01	--	2 - H3, H2	2 - G3				
A1.08	--	1 - F16, F17	1 - E16	B2.34	--	1 - R16	1 - O16	F3.01	--	2 - L2, L3	2 - I2, I3				
A1.15	--	1 - F18	1 - E18	B2.35	--	1 - R15	1 - O15	F4.01	--	2 - L5, L6, L7	2 - I5, I6, I7				
A1.19	--	1 - F19	1 - E19	B2.38	--	1 - R14	1 - O14	F5.01	--	2 - L8	2 - I8				
A2.01	--	1 - F20	1 - E20	B3.01	--	1 - R13	1 - O13	F6.03	--	2 - L9	2 - I9				
A2.21	--	1 - H20	1 - G20	B3.15	--	1 - R12	1 - O12	F6.03/A	--	2 - L10	2 - I10				
A2.22	--	1 - H19	1 - G19	B3.16/1	--	1 - R11	1 - O11	F6.08	--	2 - L11, L12	2 - I11, I12				
A2.23	--	1 - H17	1 - G17	B4.06	--	1 - R10	1 - O10	F6.08/1	--	2 - L13, L14	2 - I13, I14				
A2.24	--	1 - H16, H15, H14	1 - G16, G15	B4.08	--	1 - R9	1 - O9	F6.29	--	2 - L16	2 - I16				
		1 - H13		B4.11	--	1 - R8	1 - O8	F6.29/1	--	2 - L17	2 - I17				
A2.25	--	1 - H12	1 - G12	B4.12	--	1 - R7	1 - O7	F6.29/2	--	2 - L18	2 - I18				
A2.25/1	--	1 - H11	1 - G11	C1.01	--	1 - R5, R4	1 - O5, O4	F6.29/3	--	2 - L19	2 - I19				
A2.26	--	1 - H10	1 - G10	C1.02	--	1 - R3	1 - O3	F6.29/4	--	2 - L20	2 - I20				
A2.27	--	1 - H9, H7	1 - G8, G7	C1.08	--	1 - R2	1 - O2	F6.29/5	--	2 - N20	2 - M20				
A2.27/1	--	1 - H6, H5	1 - G6, G5	C1.25	--	1 - T2	1 - S2	L1.01	--	2 - N19, N18, N17	2 - M19, M18				
A2.27/1A	--	1 - H4, H3	1 - G4, G3	D1.01	--	1 - T3, T4	1 - S3		--	2 - N16, N15					
A2.28	--	1 - H2, L2	1 - G2, I2	D1.02	--	1 - T5	1 - S5	L1.30	--	2 - N14	2 - M14				
A2.28/1	--	1 - L3, L4	1 - I3, I4, I5	D2.20	--	1 - T6	1 - S6	L3.05	--	2 - N13	2 - M13				
A2.28/1A	--	1 - L6, L7	1 - I6, I7, I8	D2.22	--	1 - T7	1 - S7	L3.10	--	2 - N12	2 - M12				
A2.35	--	1 - L10	1 - I10	D2.23	--	1 - T8, T9, T10	1 - S8, S9	L3.11	--	2 - N11	2 - M11				
A2.35/1	--	1 - L11	1 - I11		--	1 - T11		L3.12	--	2 - N10	2 - M10				
A2.37	--	1 - L12	1 - I12	D2.24	--	1 - T12	1 - S12	L3.12/1	--	2 - N9	2 - M9				
A2.54	--	1 - L13	1 - I13	D2.27	--	1 - T13	1 - S13	M1.01	--	2 - N7	2 - M7				
A2.55	--	1 - L14	1 - I14	D2.29	--	1 - T15, T16	1 - S15, S16	M1.01/A	--	2 - N6, N5	2 - M6				
A3.01	--	1 - L15, L16, L17	1 - I15, I16	D3.01	--	1 - T17	1 - S17	Z1.01	--	2 - N4	2 - M4				
A3.02	--	1 - L19	1 - I19	D3.20	--	1 - T18	1 - S18	Z1.04	--	2 - N3	2 - M3				
A3.03	--	1 - L20	1 - I20	D3.33	--	1 - T20	1 - S20	Z1.04/1	--	2 - N2	2 - M2				
A4.01	--	1 - N20, N19	1 - M20, M19	D3.34	--	2 - F2, F3, F4.	2 - E2, E3								
A4.02	--	1 - N18, N17, N16	1 - M18	D3.37	--	2 - F5, F6	2 - E5								
A4.03	--	1 - N15	1 - M15	D3.38	--	2 - F7	2 - E7								
A4.09	--	1 - N14	1 - M14	D3.40	--	2 - F8	2 - E8								
B1.05	--	1 - N13	1 - M13	D3.40/A	--	2 - F9	2 - E9								
B1.08	--	1 - N12	1 - M12	E3.02	--	2 - F11, F12, F13	2 - E11, E12, E13								
B1.09	--	1 - N10, N9	1 - M10, M9		--	2 - F14, F15	2 - E14								
B1.10	--	1 - N8, N7, N6	1 - M8, M7, M6	E3.10	--	2 - F16	2 - E17								
B1.11	--	1 - N5	1 - M5	E3.14	--	2 - F17, F18	2 - E17								
B1.12	--	1 - N14	1 - M14	E3.14/1	--	2 - F19	2 - E18								
B1.15	--	1 - N3	1 - M3	E3.14/2	--	2 - F20, H20	2 - E20								
B2.01	--	1 - H2, P2	1 - M2, Q2	E3.14/3	--	2 - H19	2 - G19								
B2.04	--	1 - P3, P4	1 - O3, O4	E3.25	--	2 - H18	2 - G18								
B2.04/1	--	1 - P5, P6, P7	1 - O5, O6, O7	E3.25/1	--	2 - H17, H16	2 - G17								
B2.05	--	1 - P8	1 - O8	E3.29	--	2 - H15	2 - G15								

A ENGINE • MOTORE • MOTEUR • MOTOR • MOTOR

FIAT ALLIS FL10B (2ED)

A000

(03-1975)

MODIF	N.ORDINAZ. Q.	DENOMINAZIONE	DESIGNATION	BENENNUNG	DESCRIPTION	DENOMINACIONES
0.000	4697609 1	MOTORE COMPL.(02)	MOTEUR	MOTOR	ENGINE	MOTOR
	6829975 1	MOTORE COMPL.(01)	MOTEUR	MOTOR	ENGINE	MOTOR
01.000	4712600 1	MOTORE COMPL.(02)	MOTEUR	MOTOR	ENGINE	MOTOR

V I

E-2

FIAT ALLIS FL10B (2ED)

A002

(03-1975)

MODIF	N.ORDINAZ. Q.	DENOMINAZIONE	DESIGNATION	BENENNUNG	DESCRIPTION	DENOMINACIONES	
	4955094	4	TASSELLO ELASTICO	TAMPON	GUMMISTUECK	PAD	ALMOHADILLA
	8819512	2	SUPPORTO POST.	SUPPORT	LAGER	SUPPORT	SOPORTE
	8824096	1	SUPPORTO ANT.S	SUPPORT	LAGER	SUPPORT	SOPORTE
	8824097	1	SUPPORTO ANT.D	SUPPORT	LAGER	SUPPORT	SOPORTE
	11200271	8	ROSETTA DI SICUREZZA	RONDELLE FREIN	SICHERUNGSRING	LOCKWASHER	ARANDELA DE FRENO
	11390531	8	VITE	VIS	SCHRAUBE	SCREW	TORNILLO
	12164121	8	DAOD	ECROU	MUTTER	NUT	TUERCA
	12164521	4	DAOD	ECROU	MUTTER	NUT	TUERCA
	14190510	4	PIASTRINA DI SICUREZZA	PLAQUETTE FREIN	SICHERUNGSBLECH	LOCKPLATE	PLACA DE FRENO
	14254530	6	VITE	VIS	SCHRAUBE	SCREW	TORNILLO
	14257930	8	VITE	VIS	SCHRAUBE	SCREW	TORNILLO
	15997230	4	VITE	VIS	SCHRAUBE	SCREW	TORNILLO

FIAT ALLIS FL10B (2ED)

A102

(03-1975)

MODIF	N.ORDINAZ. Q.	DENOMINAZIONE	DESIGNATION	BENENNUNG	DESCRIPTION	DENOMINACIONES	
	572749	1	GUARNIZIONE	JOINT	DICHTUNG	GASKET	JUNTA
	595850	1	COPERCHIO	COUVERCLE	DECKEL	COVER	TAPA
	1900635	5	GUARNIZIONE MOTORE	JOINTS	DICHTUNGEN	GASKETS	JUNTAS
	8817760	1	GUARNIZIONE	JOINT	DICHTUNG	GASKET	JUNTA
	8818067	2	GUARNIZIONE	JOINT	DICHTUNG	GASKET	JUNTA
	8818068	2	COPERCHIO	COUVERCLE	DECKEL	COVER	TAPA
	8818504	1	COPERCHIO	COUVERCLE	DECKEL	COVER	TAPA
	8818505	1	GUARNIZIONE	JOINT	DICHTUNG	GASKET	JUNTA
	8819160	1	COPERCHIO ANT.COMPL.	COUVERCLE	DECKEL	COVER	TAPA
	8819506	1	COPPA OLIO	CARTER A HUILE	ÖELWANNE	OIL SUMP	CARTER DE ACEITE
	8819507	1	SUPPORTO POST. OMPL.	SUPPORT	LAGER	SUPPORT	SOPORTE
	8819560	1	GUARNIZIONE COMPL.	JOINT	DICHTUNG	GASKET	JUNTA
	8819564	1	ANELLO DI TENUTA	JOINT D'ETANCHEITE	DICHTRING	SEAL	JUNTA HERMETICA
	8821388	1	ANELLO DI TENUTA	JOINT D'ETANCHEITE	DICHTRING	SEAL	JUNTA HERMETICA
	8827809	1	ANELLO DI TENUTA	JOINT D'ETANCHEITE	DICHTRING	SEAL	JUNTA HERMETICA
10263460	10281585	1	ROSETTA DI TENUTA	JOINT D'ETANCHEITE	DICHTRING	GASKET	JUNTA HERMETICA
	10298460	3	ROSETTA DI TENUTA	JOINT D'ETANCHEITE	DICHTRING	GASKET	JUNTA HERMETICA
	10516470	2	ROSETTA DI SICUREZZA	RONDELLE FREIN	SICHERUNGSRING	LOCKWASHER	ARANDELA DE FRENO
	10516670	29	ROSETTA DI SICUREZZA	RONDELLE FREIN	SICHERUNGSRING	LOCKWASHER	ARANDELA DE FRENO
	10992171	2	VITE	VIS	SCHRAUBE	SCREW	TORNILLO
	11198071	28	ROSETTA DI SICUREZZA	RONDELLE FREIN	SICHERUNGSRING	LOCKWASHER	ARANDELA DE FRENO
	14274630	8	VITE	VIS	SCHRAUBE	SCREW	TORNILLO
	14306421	5	VITE	VIS	SCHRAUBE	SCREW	TORNILLO
	14326340	1	TAPPO MAGNETICO	BOUCHON MAGNETIQUE	MAGNET-VERSCHLUS-	MAGNETIC PLUG	TAPON IMANADO
					SCHRAUBE	SCREW	
	15540721	3	VITE	VIS	SCHRAUBE	SCREW	TORNILLO
	16043421	8	VITE	VIS	SCHRAUBE	SCREW	TORNILLO
	16043621	2	VITE	VIS	SCHRAUBE	SCREW	TORNILLO
	16043821	31	VITE	VIS	SCHRAUBE	SCREW	TORNILLO
	16044021	3	VITE	VIS	SCHRAUBE	SCREW	TORNILLO
	16044121	1	VITE	VIS	SCHRAUBE	SCREW	TORNILLO
	16044221	1	VITE	VIS	SCHRAUBE	SCREW	TORNILLO
	16045021	4	VITE	VIS	SCHRAUBE	SCREW	TORNILLO
	16045821	2	VITE	VIS	SCHRAUBE	SCREW	TORNILLO
	38806019	1	TAPPO	BOUCHON	STOPFEN	PLUG	TAPON
8831405	38819123	1	ANELLO DI TENUTA	JOINT D'ETANCHEITE	DICHTRING	SEAL	JUNTA HERMETICA
10305171	38822996	1	TAPPO DI SCARICO	BOUCHON DE VIDANGE	VERSCHLUS-SCHRAUBE	DRAIN PLUG	TAPON DE VACIADO
					FUER ABLASS		
	8819561	1	GUARNIZIONE	JOINT	DICHTUNG	GASKET	JUNTA
	8819562	1	GUARNIZIONE D	JOINT	DICHTUNG	GASKET	JUNTA
	8819563	1	GUARNIZIONE S	JOINT	DICHTUNG	GASKET	JUNTA

MODIF	N.ORDINAZ. O.	DENOMINAZIONE	DESIGNATION	BENENNUNG	DESCRIPTION	DENOMINAZIONES
	581066	1 ANELLO DI SICUREZZA	ARRETOIR	SICHERUNGSRING	LOCKRING	ANILLO DE FRENO
	582676	5 SEMIANELLI	DEMI-BAGUES	RINGHAELFTE	HALF RINGS	SEMIANILLOS
	582677	5 SEMIANELLI +0,101	DEMI-BAGUES	RINGHAELFTE	HALF RINGS	SEMIANILLOS
	582678	5 SEMIANELLI +0,254	DEMI-BAGUES	RINGHAELFTE	HALF RINGS	SEMIANILLOS
	582679	5 SEMIANELLI +0,508	DEMI-BAGUES	RINGHAELFTE	HALF RINGS	SEMIANILLOS
	1901021	5 SEMICUSCINETTI	DEMI-COUSSINETS	SCHALENHAEFTE	HALF-BEARINGS	SEMICOJINETES
	1901022	5 SEMICUSCINETTI -0,254	DEMI-COUSSINETS	SCHALENHAEFTE	HALF-BEARINGS	SEMICOJINETES
	1901023	5 SEMICUSCINETTI -0,508	DEMI-COUSSINETS	SCHALENHAEFTE	HALF-BEARINGS	SEMICOJINETES
	1901024	5 SEMICUSCINETTI -0,762	DEMI-COUSSINETS	SCHALENHAEFTE	HALF-BEARINGS	SEMICOJINETES
	1901025	5 SEMICUSCINETTI -1,016	DEMI-COUSSINETS	SCHALENHAEFTE	HALF-BEARINGS	SEMICOJINETES
4727780	4576729	7 VITE	VIS	SCHRAUBE	SCREW	TORNILLO
	8819515	1 ALBERO MOTORE COMPL.	VILEBREQUIN	KURBELWELLE	CRANKSHAFT	CIGUENAL
	8819521	1 ANELLO DI APPOGGIO	RONDELLE DE BUTEE	DRUCKSCHEIBE	THRUST RING	ANILLO DE APOYO
	8819522	1 BOCOLA	DOUILLE	BUECHSE	BUSH	CASQUILLO
	8819647	1 VOLANO DEL MOTORE COMPL.	VOLANT DU MOTEUR	SCHWUNGRAD	FLYWHEEL	VOLANTE DEL MOTOR
	8819789	1 CORONA DENTATA	COURONNE DENTEE	ZAHNKRANZ	RING GEAR	CORONA DENTADA
	8821389	1 ANELLO DI TENUTA	JOINT D'ETANCHEITE	DICHTRING	SEAL	JUNTA HERMETICA
4696381	8822170	8 SEMICUSCINETTO	DEMI-COUSSINET	SCHALENHAEFTE	HALF-BEARING	SEMICOJINETE
4696383	8822171	6 SEMICUSCINETTO	DEMI-COUSSINET	SCHALENHAEFTE	HALF-BEARING	SEMICOJINETE
4696384	8822199	8 SEMICUSCINETTO -0,254	DEMI-COUSSINET	SCHALENHAEFTE	HALF-BEARING	SEMICOJINETE
4696384	8822196	8 SEMICUSCINETTO -0,508	DEMI-COUSSINET	SCHALENHAEFTE	HALF-BEARING	SEMICOJINETE
4696385	8822197	8 SEMICUSCINETTO -0,762	DEMI-COUSSINET	SCHALENHAEFTE	HALF-BEARING	SEMICOJINETE
4696386	8822198	8 SEMICUSCINETTO -1,016	DEMI-COUSSINET	SCHALENHAEFTE	HALF-BEARING	SEMICOJINETE
4696395	8822200	6 SEMICUSCINETTO -0,254	DEMI-COUSSINET	SCHALENHAEFTE	HALF-BEARING	SEMICOJINETE
4696396	8822201	6 SEMICUSCINETTO -0,508	DEMI-COUSSINET	SCHALENHAEFTE	HALF-BEARING	SEMICOJINETE
4696397	8822202	6 SEMICUSCINETTO -0,762	DEMI-COUSSINET	SCHALENHAEFTE	HALF-BEARING	SEMICOJINETE
4696398	8822203	6 SEMICUSCINETTO -1,016	DEMI-COUSSINET	SCHALENHAEFTE	HALF-BEARING	SEMICOJINETE

FIAT ALLIS FL10B (2ED)

A104

(03-1975)

MODIF	N.ORDINAZ. Q.	DENOMINAZIONE	DESIGNATION	BENENNUNG	DESCRIPTION	DENOMINACIONES	
	8817915	1	VITE	VIS	SCHRAUBE	SCREW	TORNILLO
	8817916	1	ROSETTA	RONDELLE	SCHEIBE	WASHER	ARANDELA
	8817917	1	ANELLO	BAGUE	RING	RING	ANILLO
	8817989	1	DISTANZIALE	ENTRETOISE	ABSTANDSTUECK	SPACER	SEPARADOR
	8818651	1	SMORZATORE	AHORTISSEUR	SCHWINGUNGS- DAEMPFER	DAMPER	ANTIVIBRADOR
	8924045	1	MOZZO	HOYEU	NABE	HUB	BUJE
	10516870	6	ROSETTA DI SICUREZZA	RONDELLE FREIN	SICHERUNGSRING	LOCKWASHER	ARANDELA DE FRENO
	11306921	6	VITE	VIS	SCHRAUBE	SCREW	TORNILLO

V/1

FIAT ALLIS FL10B (2ED)

A105

(03-1975)

MODIF	N.ORDINAZ. Q.	DENOMINAZIONE	DESIGNATION	BENENNUNG	DESCRIPTION	DENOMINACIONES
	1900645	5 ANELLI STANTUFFO +0,6	SEGMENTS	KOLBENRINGE	PISTON RINGS	AROS DE EMBOLO
	1900646	5 ANELLI STANTUFFO +0,0	SEGMENTS	KOLBENRINGE	PISTON RINGS	AROS DE EMBOLO
	4689833	6 ANELLO RASCHIAOLIO	SEGMENT RACLEUR	OELABSTREIFRING	OILSCRAPER RING	ARO DE ENGRASE
	4689834	6 ANELLO RASCHIAOLIO +0,6	SEGMENT RACLEUR	OELABSTREIFRING	OILSCRAPER RING	ARO DE ENGRASE
D 100 C 483 D 103	4700410 4700419	6 BIELLA COMPL. 12 VITE	BIELLE VIS	PLEUEL SCHRAUBE	CONNECTING ROD SCREW	BIELA TORNILLO
	8814697	6 PERNO DELLO STANTUFFO	AXE DE PISTON	KOLBENBOLZEN	PISTON PIN	BULON DEL EMBOLO
	8814698	5 PERNO DELLO STANTUFFO +0,2	AXE DE PISTON	KOLBENBOLZEN	PISTON PIN	BULON DEL EMBOLO
	8814699	6 PERNO DELLO STANTUFFO +0,5	AXE DE PISTON	KOLBENBOLZEN	PISTON PIN	BULON DEL EMBOLO
C 109 C 109	8815941 8816453	6 BIELLA COMPL. (01) 12 BOCCOLA	BIELLE DOUILLE	PLEUEL BUECHSE	CONNECTING ROD BUSH	BIELA CASQUILLO
	8817902	6 ANELLO STANTUFFO	SEGMENT	KOLBENRING	PISTON RING	ARO DE EMBOLO
	8817903	6 ANELLO RASCHIAOLIO	SEGMENT RACLEUR	OELABSTREIFRING	OILSCRAPER RING	ARO DE ENGRASE
C 109	8818111	12 VITE (01)	VIS	SCHRAUBE	SCREW	TORNILLO
	8821017	6 ANELLO STANTUFFO +0,6	SEGMENT	KOLBENRING	PISTON RING	ARO DE EMBOLO
	8821018	6 ANELLO RASCHIAOLIO +0,6	SEGMENT RACLEUR	OELABSTREIFRING	OILSCRAPER RING	ARO DE ENGRASE
	8822172	12 SEMICUSCINETTO	DEMI-COUSSINET	SCHALENHAELFTE	HALF-BEARING	SEMICOJINETE
	8822205	12 SEMICUSCINETTO -0,254	DEMI-COUSSINET	SCHALENHAELFTE	HALF-BEARING	SEMICOJINETE
	8822206	12 SEMICUSCINETTO -0,508	DEMI-COUSSINET	SCHALENHAELFTE	HALF-BEARING	SEMICOJINETE
	8822207	12 SEMICUSCINETTO -0,762	DEMI-COUSSINET	SCHALENHAELFTE	HALF-BEARING	SEMICOJINETE
	8822208	12 SEMICUSCINETTO -1,016	DEMI-COUSSINET	SCHALENHAELFTE	HALF-BEARING	SEMICOJINETE
	8828520	6 ANELLO STANTUFFO CROMATO	SEGMENT CHROME	KOLBERING, VERCHROHT	CR/PLTD/RING	ARO DE EMBOLO CROMADO
	8828809	6 ANELLO STANTUFFO CROMATO +0,6	SEGMENT CHROME	KOLBERING, VERCHROHT	CR/PLTD/RING	ARO DE EMBOLO CROMADO
8831309 8831409	8829085 8829086	6 STANTUFFO (0,01) 6 STANTUFFO +0,6	PISTON PISTON	KOLBEN KOLBEN	PISTON PISTON	EMBOLO EMBOLO
	11059976	12 ANELLO DI SICUREZZA	ARRETOIR	SICHERUNGSRING	LOCKRING	ANILLO DE FRENO
D 483 C 489	4722161 4722161 4722161 4722161 4722161	12 VITE 6 BOCCOLA 6 STANTUFFO (0,01) 6 STANTUFFO (0,6)	VIS DOUILLE PISTON PISTON	SCHRAUBE BUECHSE KOLBEN KOLBEN	SCREW BUSH PISTON PISTON	TORNILLO CASQUILLO EMBOLO EMBOLO
		IN ALTERNATIVA	EN ALTERNATIVE	ABWECHSELND	OPTIONAL	OPATIVO

FIAT ALLIS FL10B (ZED)

A106

(03-1975)

MODIF	N.ORDINAZ. Q.	DENOMINAZIONE	DESIGNATION	BENENNUNG	DESCRIPTION	DENOMINACIONES
	8502645	2	BOCCOLA	DOVILLE	BUSH	CASGUILLO
	8815242	1	ROSETTA	RONDELLE	WASHER	ARANDELA
C 352	8817559	1	INGRANAGGIO CONDOTTO	PIGNON CONDUIT	ANGETRIEBENES ZAHNRAD	PINON CONDUCTIDO
	8817764	1	PERNO	AXE	BOLZEN	EJE
	8817913	1	LINGUETTA	LINGUET	SCHLEIBENFEDER	CHAVETA
	8817987	1	INGRANAGGIO CONDUTTORE	PIGNON CONDUCTEUR	TREIBENDES ZAHNRAD	PINON CONDUCTOR
	8828589	1	INGRANAGGIO COMPL.	PIGNON	ZAHNRAD	PINON
	11067876	1	ANELLO DI SICUREZZA	ARRETOIR	SICHERUNGSRING	ANILLO DE FRENO
	14237921	3	VITE	VIS	SCHRAUBE	TORNILLO
C 352	30002804	1	LINGUETTA	LINGUET	SCHLEIBENFEDER	CHAVETA
D 352	8830784	1	INGRANAGGIO CONDOTTO	PIGNON CONDUIT	ANGETRIEBENES ZAHNRAD	PINON CONDUCTIDO
D 352	10206010	1	LINGUETTA	LINGUET	SCHLEIBENFEDER	CHAVETA

1/ 1

MODIF	N.ORDINAZ. Q.	DENOMINAZIONE	DESIGNATION	BENENNUNG	DESCRIPTION	DENOMINACIONES
	8814706	1	CUSCINETTO ANT.	COUSSINET	LAGERSCHALE	COJINETE
	8814707	5	CUSCINETTO INTERMEDIO	COUSSINET	LAGERSCHALE	COJINETE
	8814708	1	CUSCINETTO POST.	COUSSINET	LAGERSCHALE	COJINETE
C 352	8814914	1	FLANGIA	BRIDE	FLANSCH	BRIDA
C 861	8814921	2	ALBERO COMPL.	ARBRE	MELLE	ARBOL
C 352	8817912	1	ALBERO AD ECCENTRICI COMPL.	ARBRE A CAMES	EXZENTERWELLE	ARBOL DE LEVAS
	8818691	12	SCODELLINO SUP.	CUVETTE	TELLERSCHLEIBE	PLATILLO
	8818941	12	VITE	VIS	SCHRAUBE	TORNILLO
	8818954	12	MOLLA VALVOLE	RESSORT	FEDER	RESORTE
	8822383	6	GUIDA DELLA VALVOLE DI ASPIRAZIONE	GUIDE DE SOUPEPE D'ADMISSION	EINLASSVENTIL- FUEHRUNG	GUIA DE LA VALVOLE DE ADMISION
	8822385	6	SCODELLINO INF.	CUVETTE	TELLERSCHLEIBE	PLATILLO
	8822963	6	SCODELLINO INF.	CUVETTE	TELLERSCHLEIBE	PLATILLO
	8823263	6	GUIDA DELLA VALVOLE DI SCARICO	GUIDE DE SOUPEPE D'ECHAPPEMENT	AUSLASSVENTIL- FUEHRUNG	GUIA DE LA VALVOLE DE ESCAPE
	8823544	6	VALVOLE DI SCARICO	SOUPEPE D'ECHAPPE- MENT	AUSLASSVENTIL	VALVOLE DE ESCAPE
	8823548	6	VALVOLE DI ASPIRAZIONE	SOUPEPE D'ADMIS- SION	EINLASSVENTIL	VALVOLE DE ADMIS- SION
C 488	8823930	6	SUPPORTO ANT. E POST.	SUPPORT	LAGER	SOPORTE
ELIM.	8823931	4	SUPPORTO INTERMEDIO	SUPPORT	LAGER	SOPORTE
	8823993	12	BILANCIERE	CULBUTEUR	KIPPHEBEL	BALANCIN
4731530	8828280	12	PUNTERIA +0,0 (*)	POUSSOIR	STOESSEL	EMPUJADOR
	8828284	12	ASTA	TIGE	STANGE	VARILLA
C 779	4731531	12	PUNTERIA +0,2	POUSSOIR	STOESSEL	EMPUJADOR
4731532	8828658	12	PUNTERIA +0,4 (*)	POUSSOIR	STOESSEL	EMPUJADOR
	10158400	4	TAPPO	BOUCHON	STOPFEN	PLUG
	10791011	12	DADO	ECROU	MUTTER	TUERCA
	11066975	4	ANELLO DI SICUREZZA	ARRETOIR	SICHERUNGSRING	ANILLO DE FRENO
	11343721	2	VITE	VIS	SCHRAUBE	TORNILLO
	12164711	4	DADO	ECROU	MUTTER	TUERCA
C 861	13746410	2	GRAND	ERGOT	PASSTIFT	ODWEL
	14196670	24	SEMICONO SUP.	DEMI-CONE	KEGELSTUECK	CHAVETA CONICA
C 352	14233221	2	VITE	VIS	SCHRAUBE	TORNILLO
	38812780	4	MOLLA	RESSORT	FEDER	RESORTE
	38814907	4	ROSETTA	RONDELLE	SCHLEIBE	WASHER
	38819032	6	GRAND	ERGOT	PASSTIFT	ODWEL
C 861	38823504	6	PIASTRINA DI SICUREZZA	PLAQUETTE FREIN	SICHERUNGSBLECH	LOCKPLATE
	38829614	4	PRIGIONIERO	GOUJON	STIFTSCHRAUBE	STUD
D 352	8828576	1	FLANGIA	BRIDE	FLANSCH	BRIDA
D 352	8830782	1	ALBERO AD ECCENTRICI COMPL.	ARBRE A CAMES	EXZENTERWELLE	ARBOL DE LEVAS
D 352	14233021	2	VITE	VIS	SCHRAUBE	TORNILLO
C 861	4704107	6	SUPPORTO (*)	SUPPORT	LAGER	SOPORTE
C 861	4704108	6	SUPPORTO (*)	SUPPORT	LAGER	SOPORTE
C 779	4747632	12	PUNTERIA +0,1	POUSSOIR	STOESSEL	EMPUJADOR
D 779	4753580	12	PUNTERIA +0,0 (*)	POUSSOIR	STOESSEL	EMPUJADOR
D 779	4754088	12	PUNTERIA +0,4 (*)	POUSSOIR	STOESSEL	EMPUJADOR
D 779	4756500	12	PUNTERIA +0,3 (*)	POUSSOIR	STOESSEL	EMPUJADOR
D 779	4756501	12	PUNTERIA +0,5 (*)	POUSSOIR	STOESSEL	EMPUJADOR
D 779	4756502	12	PUNTERIA +0,3 (*)	POUSSOIR	STOESSEL	EMPUJADOR
D 779	4756503	12	PUNTERIA +0,5 (*)	POUSSOIR	STOESSEL	EMPUJADOR

MODIF	N. ORDIN.	Q.	DENOMINAZIONE	DESIGNATION	BENENNUNG	DESCRIPTION	DENOMINACIONES
D 861	4751048	12	DADO	ECHOU	MUTTER	NUT	TUERCA
D 861	4752172	6	SUPPORTO (*)	SUPPORT	LAGER	SUPPORT	SOPORTE
D 861	4752173	6	SUPPORTO (*)	SUPPORT	LAGER	SUPPORT	SOPORTE
D 861	4752174	12	VITE	VIS	SCHRAUBE	SCREW	TORNILLO
D 861	4752190	6	ALBERINO COMPL.	ARBRE	WELLE	SHAFT	ARBOL
D 861	12546801	8	ROSETTA DI SICUREZZA	RONDELLE FREIN	SICHERUNGSRING	LOCKWASHER	ARANDELA DE FRENO
			(*) IN ALTERNATIVA	EN ALTERNATIVE	ABWECHSELND	OPTIONAL	OPTATIVO

MODIF	N.ORDINAZ. Q.	DENOMINAZIONE	DESIGNATION	BENENNUNG	DESCRIPTION	DENOMINACIONES	
	564878	1	INGRANAGGIO CONDUTTORE	PIGNON CONDUCTEUR	TREIBENDES ZAHNRAD	DRIVING GEAR	PINON CONDUCTOR
	564879	1	INGRANAGGIO CONDOTTO	PIGNON CONDUIT	ANGETRIEBENES ZAHNRAD	DRIVEN GEAR	PINON CONDUCTIDO
	4303173	1	CRONOGIROMETRO	HORO-TACHYMETRE	CHRONOGYROMETER	MULTIMETER	CRONOTACOMETRO
4998870	4976722	1	ROSETTA DI TENUTA	JOINT D'ETANCHEITE	DICHTRING	GASKET	JUNTA HERMETICA
	4976735	1	TRASMISSIONE FLESSI- BILE COMPL.	TRANSMISSION FLEXIBLE	BIEGSAME WELLE	FLEXIBLE SHAFT	ARBOL FLEXIBLE
	4976736	1	TRASMISSIONE FLESSI- BILE INT.	TRANSMISSION FLEXIBLE	BIEGSAME WELLE	FLEXIBLE SHAFT	ARBOL FLEXIBLE
	8821490	1	ALBERINO	ARBRE	WELLE	SHAFT	ARBOL
	8821491	1	SUPPORTO	SUPPORT	LAGER	SUPPORT	SOPORTE
	8821492	1	RACCORDO	RACCORD	STUTZEN	CONNECTION	RACON
	10418801	1	STAFFETTA	COLLIER	HALTER	RETAINER	ABRAZADERA
	10516670	2	ROSETTA DI SICUREZZA	RONDELLE FREIN	SICHERUNGSRING	LOCKWASHER	ARANDELA DE FRENO
	14161970	1	SPINA	GOUPILLE	STIFT	PIN	PASADOR
	14164970	1	SPINA	GOUPILLE	STIFT	PIN	PASADOR
	16043421	2	VITE	VIS	SCHRAUBE	SCREW	TORNILLO
	38820298	1	GUARNIZIONE	JOINT	DICHTUNG	GASKET	JUNTA
	38821480	1	ANELLO DI TENUTA	JOINT D'ETANCHEITE	DICHTRING	SEAL	JUNTA HERMETICA

MODIF	N.ORDINAZ. Q.	DENOMINAZIONE	DESIGNATION	BENENNUNG	DESCRIPTION	DENOMINACIONES	
	564856	1	MANICOTTO	MANCHON	MITNEHMER	SLEEVE	MANGUITO
	564859	1	DISTANZIALE	ENTRETOISE	ABSTANDSTUECK	SPACER	SEPARADOR
	564860	1	VITE	VIS	SCHRAUBE	SCREW	TORNILLO
ENTR	565333	1	GIUNTO	ACCOUPLMENT	KUPPLUNG	COUPLING	ARRASTRE
	591213	4	VITE	VIS	SCHRAUBE	SCREW	TORNILLO
	8810045	1	INGRANAGGIO	PIGNON	ZAHNRAD	GEAR	PINON
	8818052	5	VITE	VIS	SCHRAUBE	SCREW	TORNILLO
	8824639	1	INGRANAGGIO COMPL.	PIGNON	ZAHNRAD	GEAR	PINON
	8826525	1	SUPPORTO	SUPPORT	LAGER	SUPPORT	SOPORTE
	14238721	6	VITE	VIS	SCHRAUBE	SCREW	TORNILLO
	28042490	1	CUSCINETTO POST.	ROULEMENT	LAGER	BEARING	RODAMIENTO
	28042500	1	CUSCINETTO ANT.	ROULEMENT	LAGER	BEARING	RODAMIENTO
	38817231	1	ANELLO DI TENUTA	JOINT D'ETANCHEITE	DICHTRING	SEAL	JUNTA HERMETICA
CORR	565238	1	MANICOTTO EST	MANCHON	MITNEHMER	SLEEVE	MANGUITO
CORR	565239	1	MANICOTTO INT	MANCHON	MITNEHMER	SLEEVE	MANGUITO

FIAT ALLIS FL10B (2ED)

A119

(03-1975)

MODIF	N.ORDINAZ. Q.	DENOMINAZIONE	DESIGNATION	BENENNUNG	DESCRIPTION	DENOMINACIONES
D 088	4610728 1	VENTOLA	SOUFFLERIE	GEBLAESE	BLOWER	VENTILADOR
D 088	4613684 1	PULEGGIA ()	POULIE	RIEMENSCHLEIBE	PULLEY	POLEA
	4622957 1	DISTANZIALE ()	ENTRETOISE	ABSTANDSTUECK	SPACER	SEPARADOR
D 088	4645966 1	PULEGGIA ()	POULIE	RIEMENSCHLEIBE	PULLEY	POLEA
D 088	4699622 1	CINGHIA	COURROIE	RIEMEN	BELT	CORREA
C 088	8823921 1	VENTOLA (01)	SOUFFLERIE	GEBLAESE	BLOWER	VENTILADOR
C 088	8823963 1	PULEGGIA (01)	POULIE	RIEMENSCHLEIBE	PULLEY	POLEA
	8824053 1	TENDICINGHIA	TENDEUR DE COUR- ROIE	RIEMENSPANNER	BELT STRETCHER	TENSOR DE CORREA
C 088	8824054 1	CINGHIA (01)	COURROIE	RIEMEN	BELT	CORREA
	10516870 2	ROSETTA DI SICUREZZA	RONDELLE FREIN	SICHERUNGSRING	LOCKWASHER	ARANDELA DE FRENO
	12164711 1	DADO	ECROU	MUTTER	NUT	TUERCA
	15970730 1	VITE	VIS	SCHRAUBE	SCREW	TORNILLO
	15970921 1	VITE	VIS	SCHRAUBE	SCREW	TORNILLO
	38819557 1	ROSETTA	RONDELLE	SCHLEIBE	WASHER	ARANDELA
	4474878 1	DISTANZIALE ()	ENTRETOISE	ABSTANDSTUECK	SPACER	SEPARADOR

() IN ALTERNATIVA

EN ALTERNATIVE

ABWECHSELND

OPTIONAL

OPTATIVO

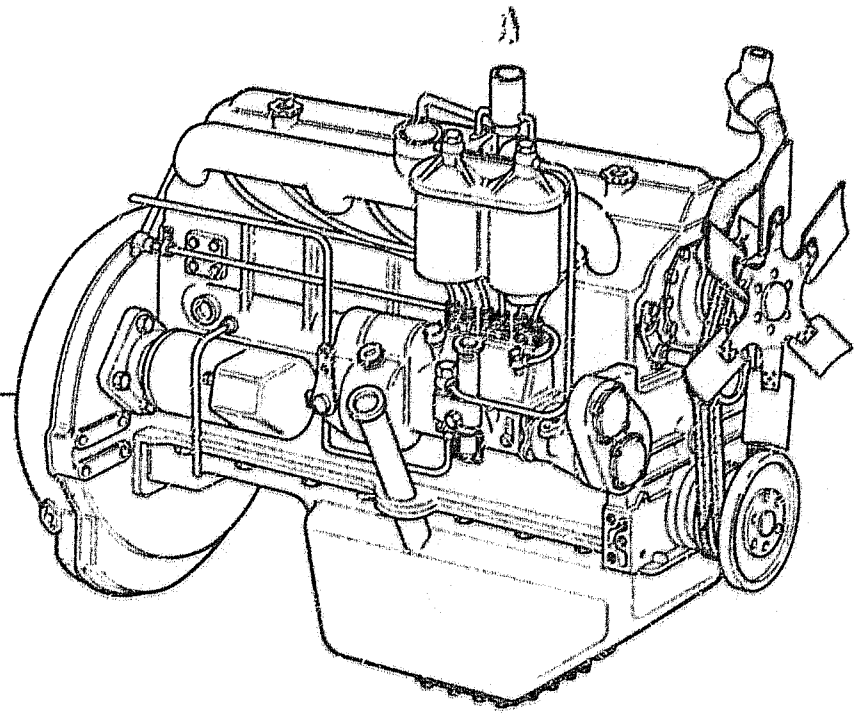
MODIF	N.ORDINAZ. Q.	DENOMINAZIONE	DESIGNATION	BENENNUNG	DESCRIPTION	DENOMINACIONES	
	340772	1	TAPPO (01)	BOUCHON	SCHRAUBDECKEL	CAP	TAPON
	552088	2	TASSELLO ELASTICO	TAMPON	GUMMISTUECK	PAD	ALMOHADILLA
	557056	2	PERNO	AXE	BOLZEN	PIN	EJE
C 413	573277	1	RUBINETTO	ROBINET	HAHN	COCK	GRIFO
	576023	1	RACCORDO	RACCORD	STUTZEN	CONNECTION	RACOR
	585834	1	RUBINETTO	ROBINET	HAHN	COCK	GRIFO
	594687	1	STAFFETTA	COLLIER	HALTER	RETAINER	ABRAZADERA
	595208	2	ROSETTA	RONDELLE	SCHEIBE	WASHER	ARANDELA
C 100	599358	1	SERBATOIO COMPL.(01)	RESERVOIR	BEHAELTER	TANK	DEPOSITO
	599370	1	ASTA DI LIVELLO	JAUGE DE NIVEAU	MESSTAB	LEVEL ROD	VARILLA DE NIVEL
	599371	2	SUPPORTO	SUPPORT	LAGER	SUPPORT	SOPORTE
	4971843	1	ANELLO DI SICUREZZA	ARRETOIR	SICHERUNGSRING	LOCKRING	ANILLO DE FRENO
	4977118	1	TAPPO COMPL.(02)	BOUCHON	SCHRAUBDECKEL	CAP	TAPON
	4977122	1	ANELLO DI SICUREZZA (02)	ARRETOIR	SICHERUNGSRING	LOCKRING	ANILLO DE FRENO
	4982644	1	FILTRO	FILTRE	FILTER	FILTER	FILTRO
D 100	4992150	1	SERBATOIO COMPL.	RESERVOIR	BEHAELTER	TANK	DEPOSITO
C 102	4992150	1	SERBATOIO COMPL.(01)	RESERVOIR	BEHAELTER	TANK	DEPOSITO
	10184311	1	BOCCHETTONE	VIS-RACCORD	HOHLSCHRAUBE	UNION	BOQUILLA
	10278301	1	TAPPO	BOUCHON	STOPFEN	PLUG	TAPON
	10279985	2	ROSETTA DI TENUTA	JOINT D'ETANCHEITE	DICHTRING	GASKET	JUNTA HERMETICA
	10296585	1	ROSETTA DI TENUTA	JOINT D'ETANCHEITE	DICHTRING	GASKET	JUNTA HERMETICA
	10516870	1	ROSETTA DI SICUREZZA	RONDELLE FREIN	SICHERUNGSRING	LOCKWASHER	ARANDELA DE FRENO
	10517070	8	ROSETTA DI SICUREZZA	RONDELLE FREIN	SICHERUNGSRING	LOCKWASHER	ARANDELA DE FRENO
	10517270	2	ROSETTA DI SICUREZZA	RONDELLE FREIN	SICHERUNGSRING	LOCKWASHER	ARANDELA DE FRENO
	10520201	4	ROSETTA	RONDELLE	SCHEIBE	WASHER	ARANDELA
	10797401	2	COPIGLIA	GOUPILLE FENDUE	SPLINT	SPLIT PIN	PASADOR ABIERTO
	11391521	2	VITE	VIS	SCHRAUBE	SCREW	TORNILLO
	12164111	2	DADO	ECROU	MUTTER	NUT	TUERCA
	12179490	4	COLLARE	COLLIER	SCHELLE	COLLAR	ABRAZADERA
	12646901	8	ROSETTA	RONDELLE	SCHEIBE	WASHER	ARANDELA
	15540421	8	VITE	VIS	SCHRAUBE	SCREW	TORNILLO
	15970421	1	VITE	VIS	SCHRAUBE	SCREW	TORNILLO
	19053182	M	TUBO FLESSIBILE 7X12X2200	TUYAU FLEXIBLE	SCHLAUCH	HOSE	MANGA FLEXIBLE
	19053302	M	TUBO FLESSIBILE 10X15X2200	TUYAU FLEXIBLE	SCHLAUCH	HOSE	MANGA FLEXIBLE
	60024509	1	GUARNIZIONE	JOINT	DICHTUNG	GASKET	JUNTA
D 102	79000610	1	SERBATOIO COMPL.	RESERVOIR	BEHAELTER	TANK	DEPOSITO
D 413	10257060	1	GUARNIZIONE	JOINT	DICHTUNG	GASKET	JUNTA
D 413	79007135	1	TAPPO	BOUCHON	SCHRAUBDECKEL	CAP	TAPON

A ENGINE • MOTORE • MOTEUR • MOTOR • MOTOR

DAT 100 00 .

A0.00

8829975 (01)
C656 4697609 (02)
D656 4712606 (02)



30118 A

FL10 B

01 02

Moteur
Motor

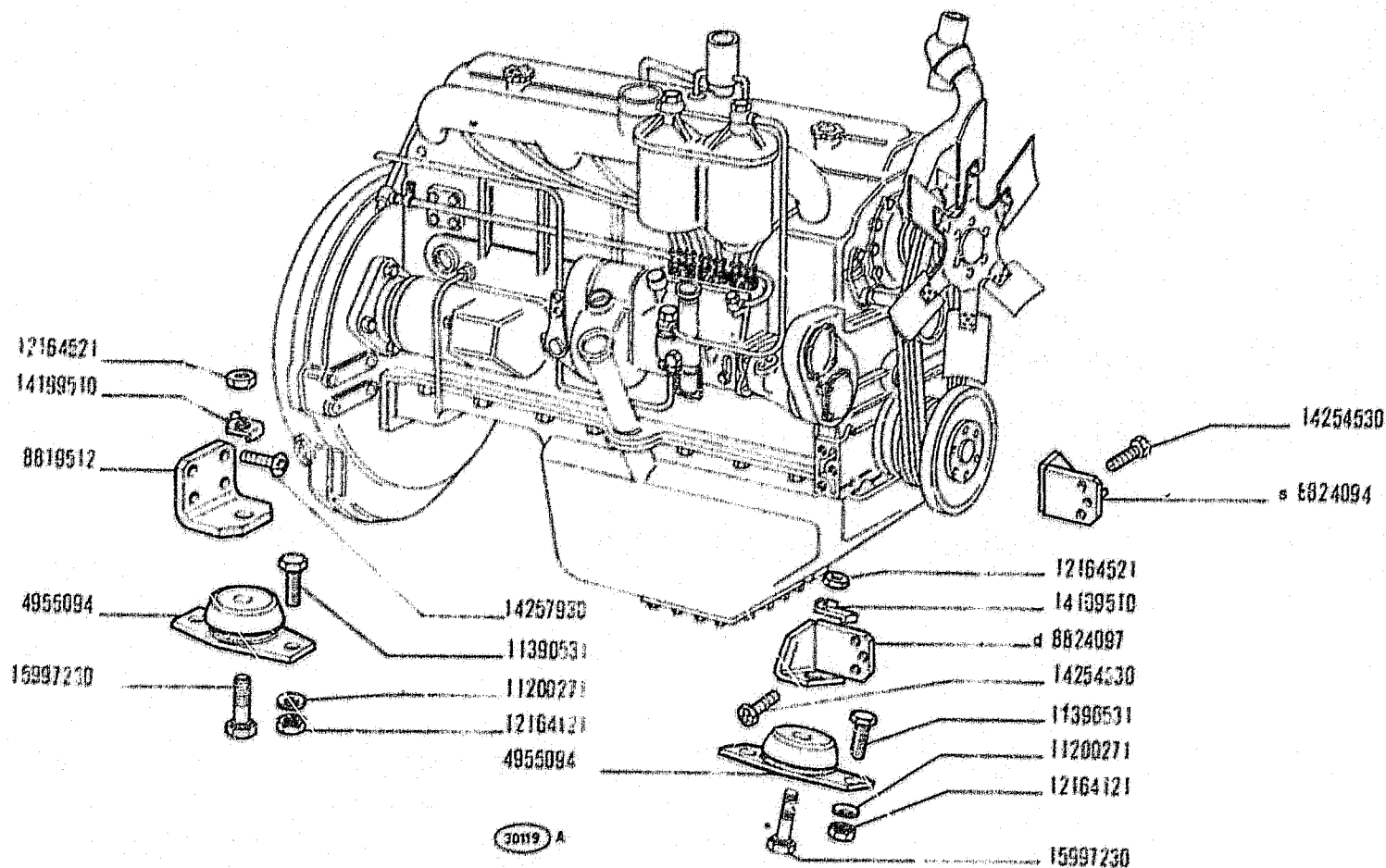
MOTORE

F-2

Engine
Motor

A0.00

N.T.R. 65
1-3-1960
604.01.012.05



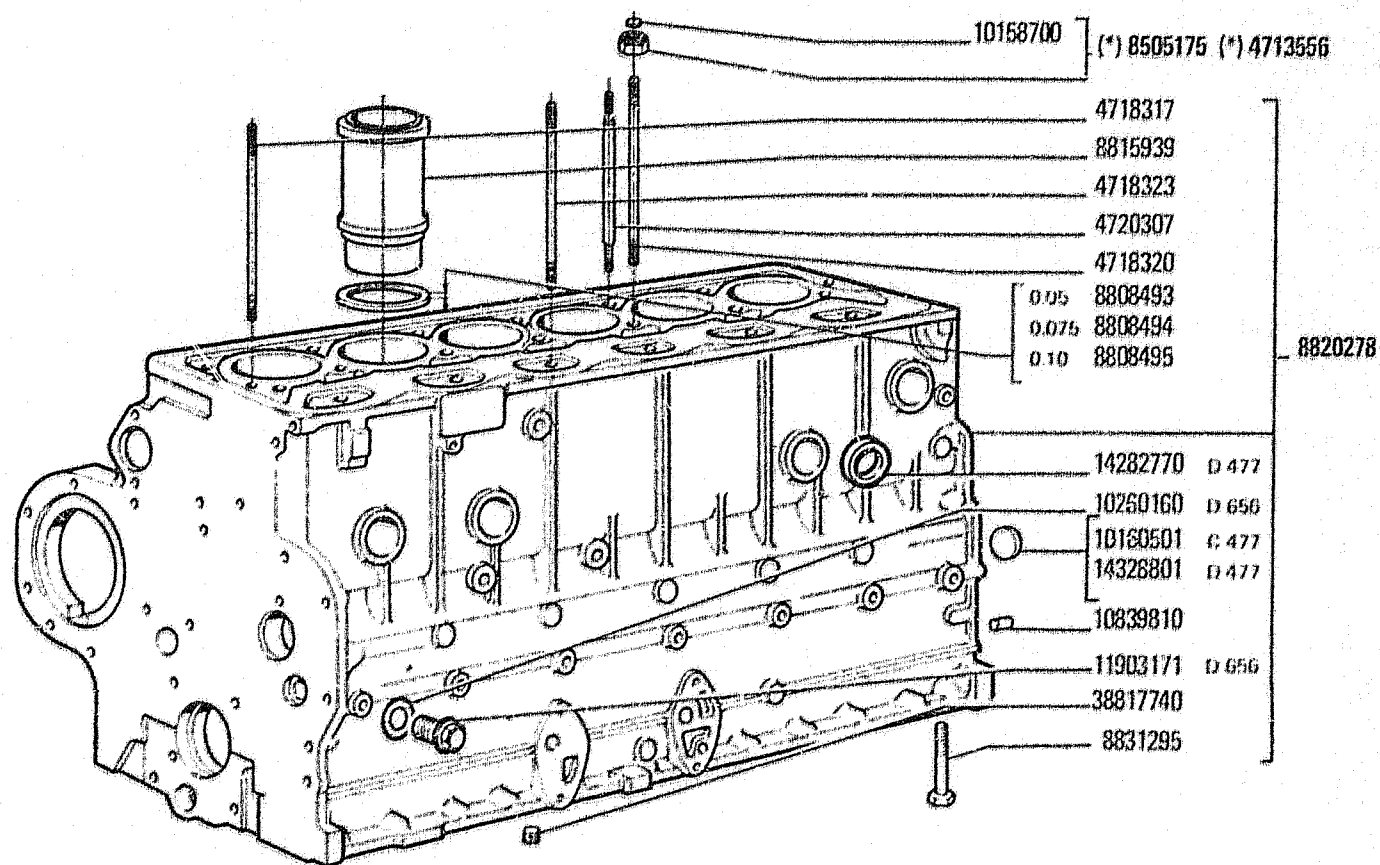
FL 10 B
01 02

SOSPENSIONI DEL MOTORE

Suspensions du moteur
Motoraufhaengung

Engine suspensions
Suspensiones del motor

F-3



(*) Vedere elenco - Voir la liste - Siehe Tabelle - See list - Véase la lista

30058 A

FL 10 B

01 02

BASAMENTO E TESTA CILINDRI

Bâti et culasse

Kurbelgehäuse und Zylinderkopf

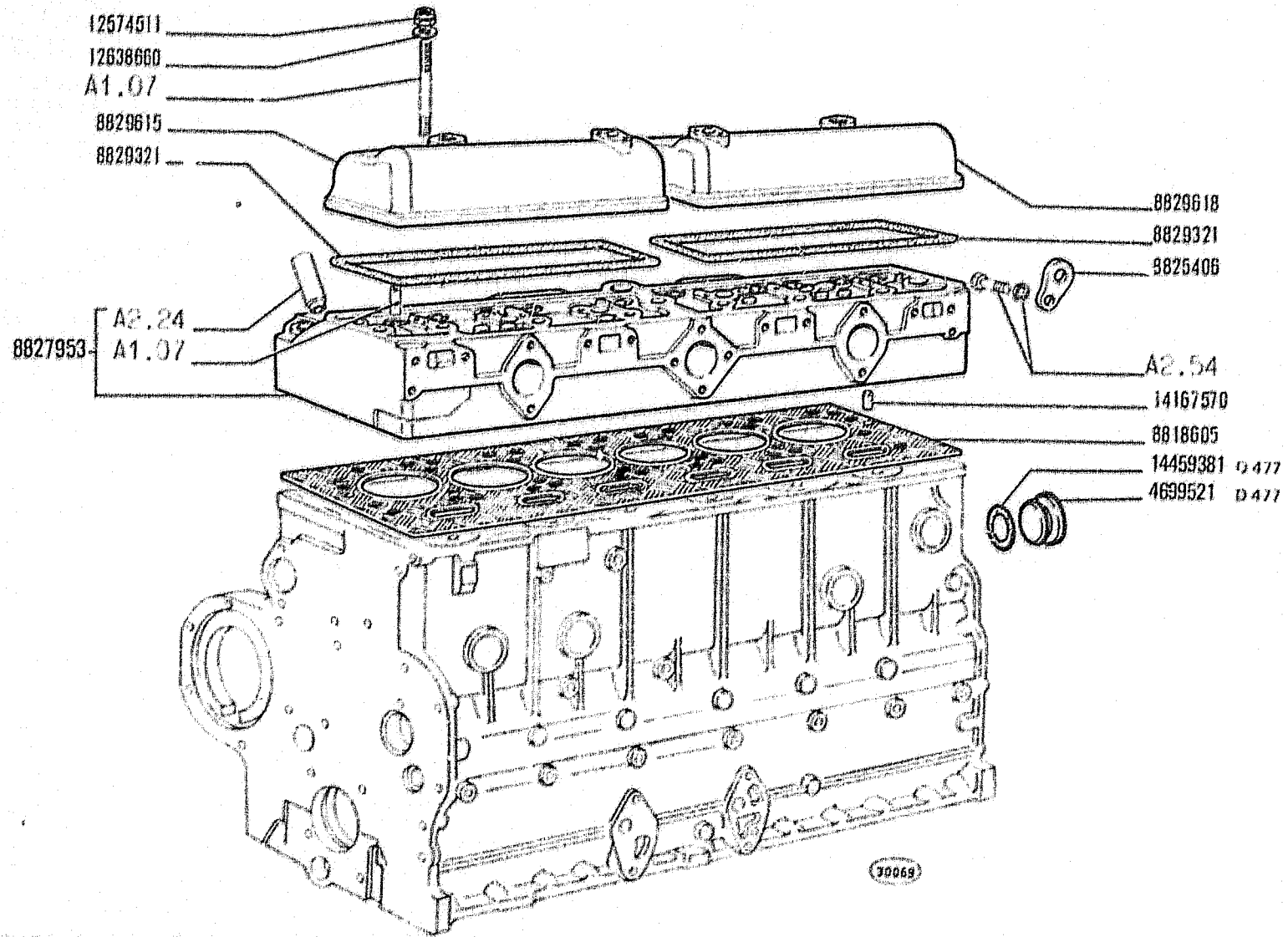
Crankcase and Cylinder Head

F-4 *Bloque de cilindros y culata*

A1.01

1

N.T.R. 65
1-3-1980
604.01.012.05



FL 10 B

01 02

BASAMENTO E TESTA CILINDRI

*Bâti et culasse
Kurbelgehäuse und Zylinderkopf*

*Crankcase and Cylinder Head
F-5 Bloque de cilindros y culata*

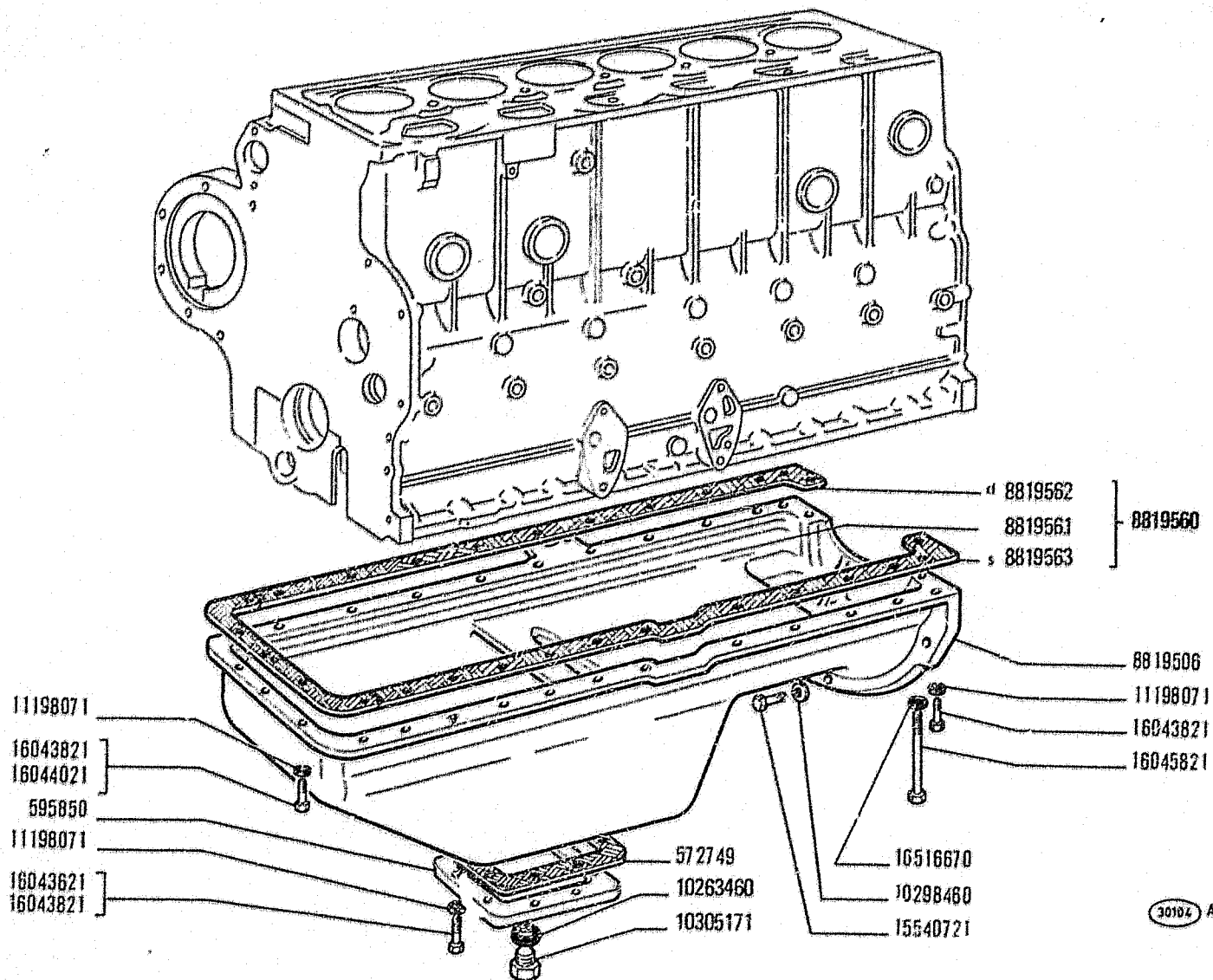
A1.01

2

N.T.R. 49
15-5-1979
604.01.012.04

DAT 101 02

A1.02



FL 10B

01 02

COPPA E COPERCHI BASAMENTO

Carter d'huile et couvercles de bâti

Ölwanne und Deckel des Kurbelgehäuses

F-6

Oil Sump and Crankcase Covers

Cárter de aceite y tapas del bloque

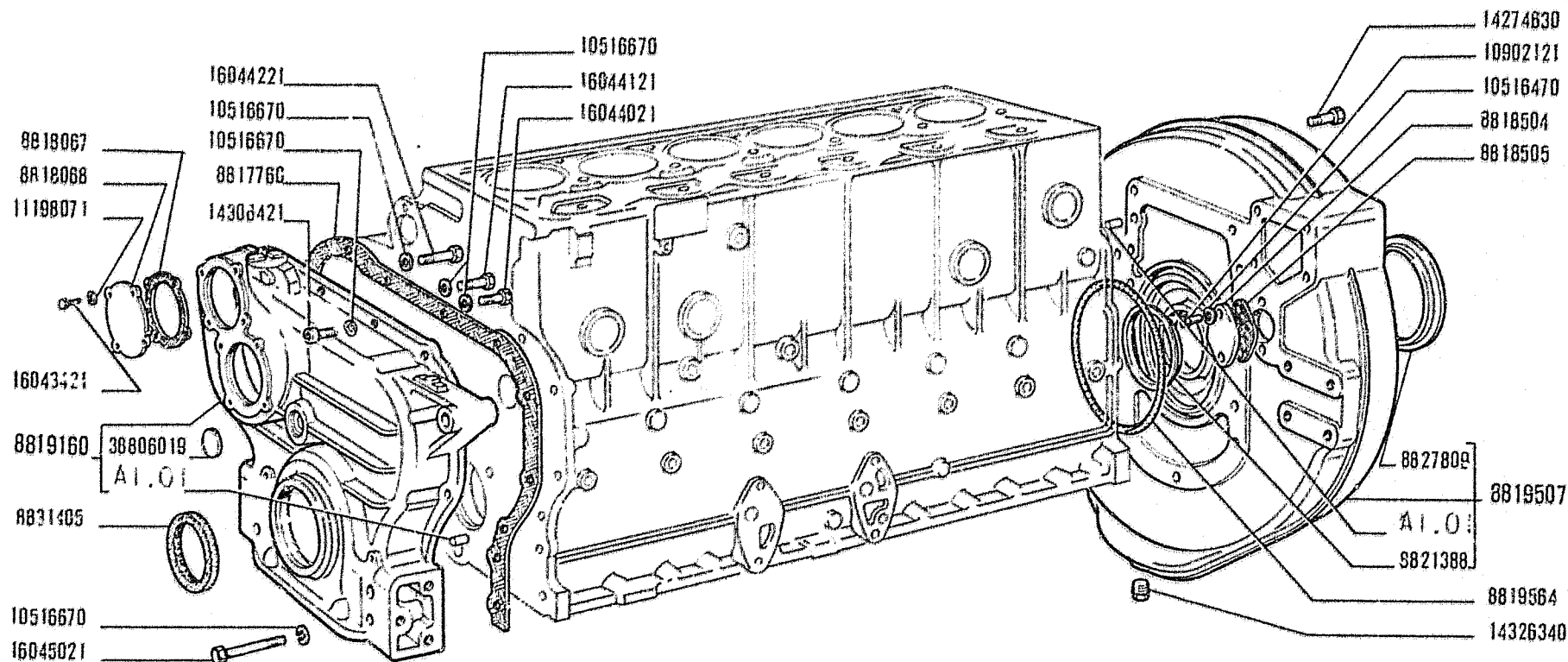
A1.02

1

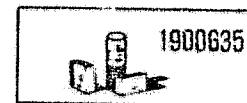
N.T.R. 49
15-5-1979
604.01.012.04

DAT 101 02

A1.02



30103 A



FL 10B

01 02

COPPA E COPERCHI BASAMENTO

Carter d'huile et couvercles de bâti

Ölwanne und Deckel des Kurbelgehäuses

F-7

Oil Sump and Crankcase Covers

Cárter de aceite y tapas del bloque

A1.02

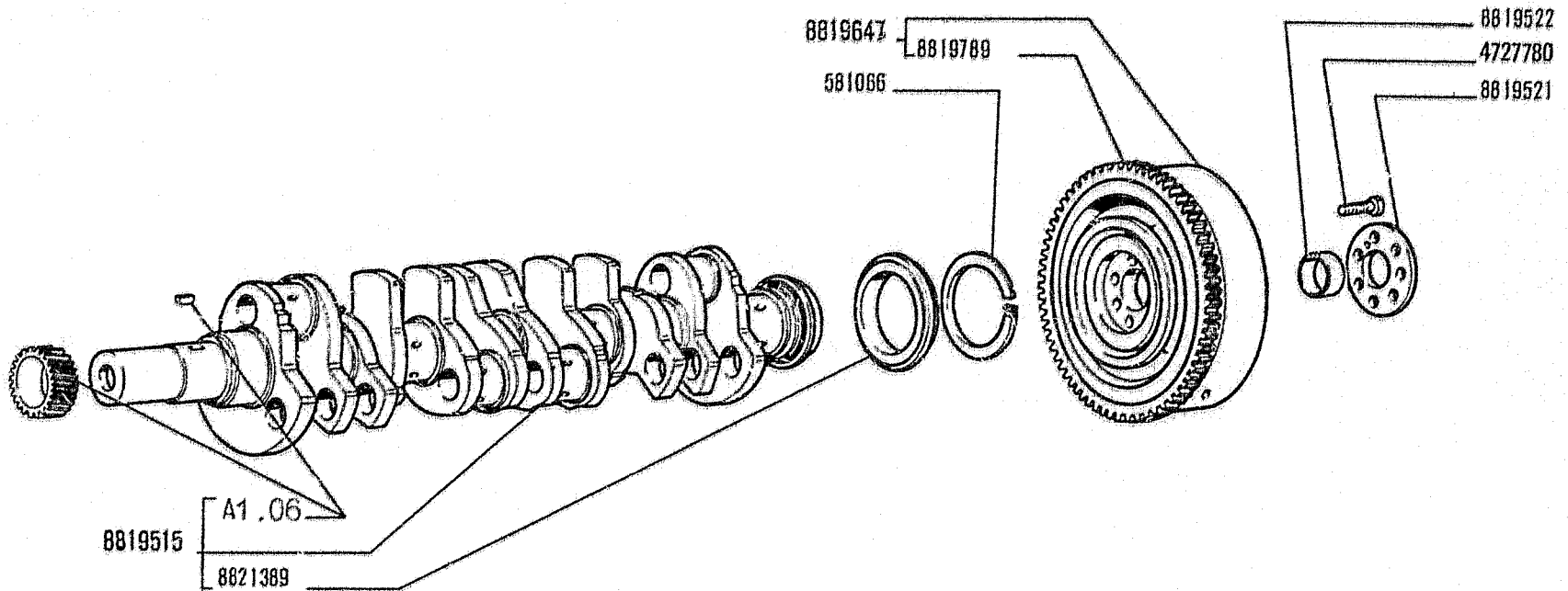
2

N.T.R.
25

30-12-1976

DAT 101 03

A1.03



30052 A

FL 108

01 02

ALBERO E VOLANO MOTORE

Vilebrequin et volant moteur
Kurbelwelle und Schwungrad

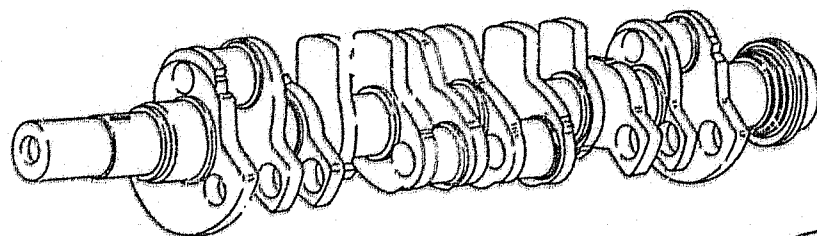
F-8

Crankshaft and Flywheel
Cigüeñal y volante

A1.03

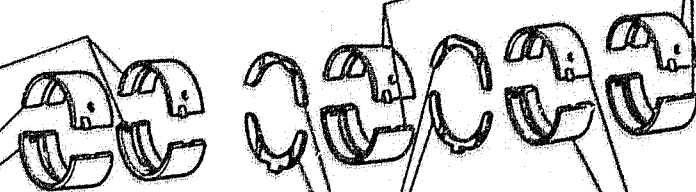
1

N.T.R. 49
15-5-1979
604.01.012.04



- | | | |
|---|--------|---------|
| 5 | -0,000 | 4696393 |
| 6 | -0,254 | 4696395 |
| 7 | -0,508 | 4696396 |
| 8 | -0,762 | 4696397 |
| 9 | -1,016 | 4696398 |


- | | | |
|---------|--------|---|
| 4696381 | -0,000 | 5 |
| 4696383 | -0,254 | 6 |
| 4696384 | -0,508 | 7 |
| 4696385 | -0,762 | 8 |
| 4696386 | -1,016 | 9 |
| 4696393 | -0,000 | 5 |
| 4696395 | -0,254 | 6 |
| 4696396 | -0,508 | 7 |
| 4696397 | -0,762 | 8 |
| 4696398 | -1,016 | 9 |



- | | |
|--------|---|
| +0,000 | 1 |
| +0,101 | 2 |
| +0,254 | 3 |
| +0,508 | 4 |

- | | | |
|---|--------|---------|
| 5 | -0,000 | 4696381 |
| 6 | -0,254 | 4696383 |
| 7 | -0,508 | 4696384 |
| 8 | -0,762 | 4696385 |
| 9 | -1,016 | 4696386 |

30049

	582676 = 1
	582677 = 2
	582678 = 3
	582679 = 4
	1901021 = 5
	1901022 = 6
	1901023 = 7
	1901024 = 8
	1901025 = 9

FL 10B

01 02

ALBERO E VOLANO MOTORE

Vilebrequin et volant moteur
Kurbelwelle und Schwungrad

F.9

Crankshaft and Flywheel
Cigüñal y volante

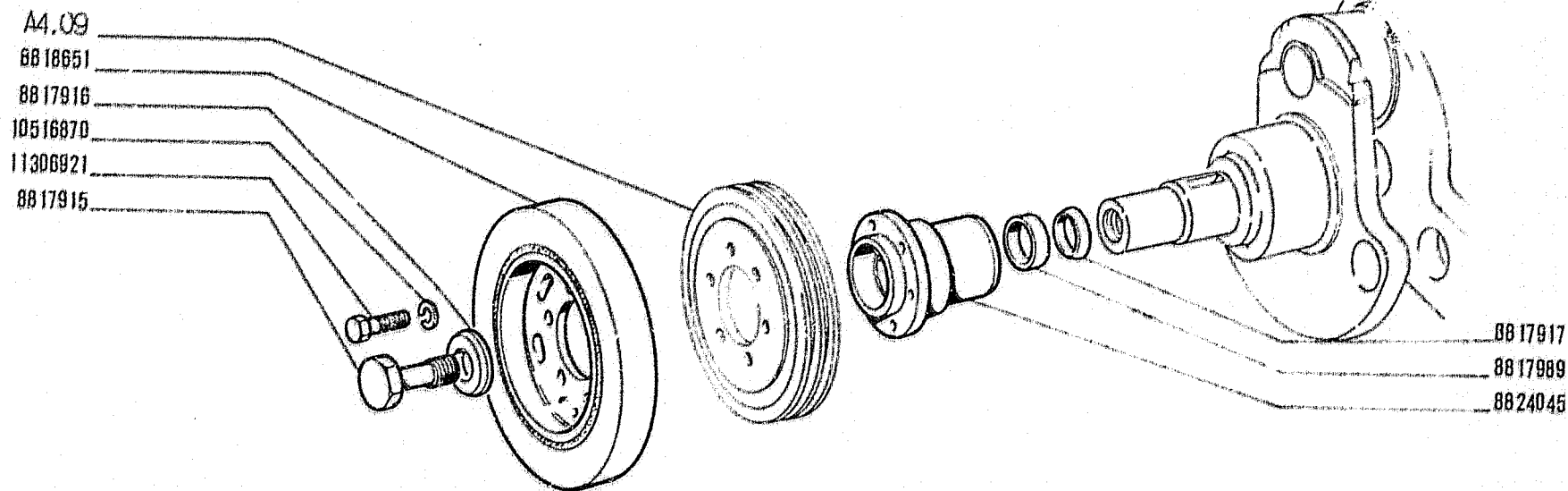
A1.03

2

N.T.R. 30
1-9-1977
604.01.012.01

DAT 101 04

A1.04



24582 A

FL10 B

01 02

SMORZATORE PER ALBERO MOTORE

Amortisseur de vilebrequin
Schwingungsdämpfer

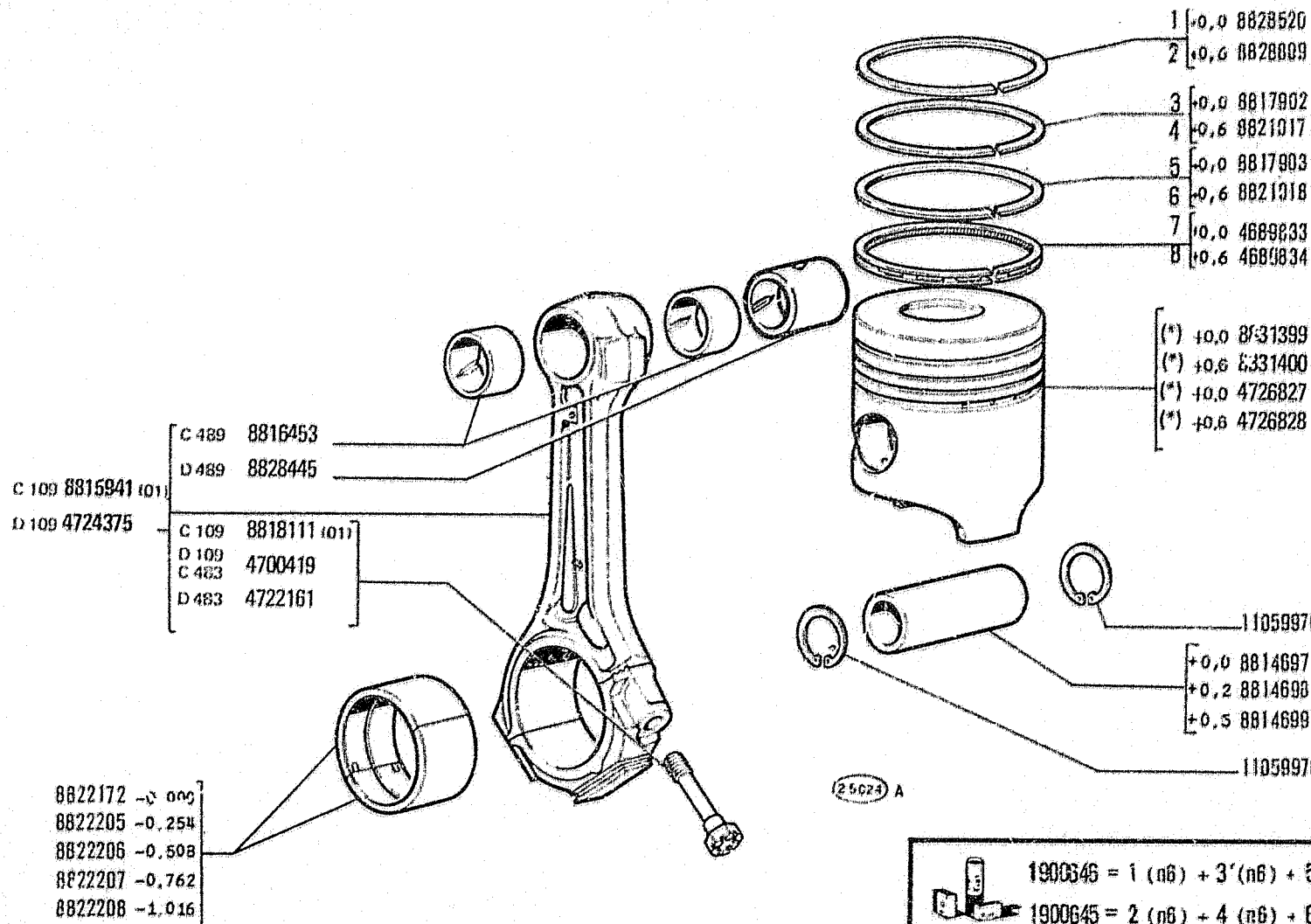
Damper
Antivibrador de cigüeñal

F-10

A1.04

DAT 101 05

A1.05



1900346 = 1 (n6) + 3' (n6) + 5 (n6) + 7 (n6)
 1900645 = 2 (n6) + 4 (n6) + 6 (n6) + 8 (n6)

(*) Vedere elenco - Voir la liste - Siehe Tabelle - See list - Véase la lista

FL 10 B

01 02

BIELLE E STANTUFFI

Bielles et pistons
Pleuelstangen und Kolben

F-12

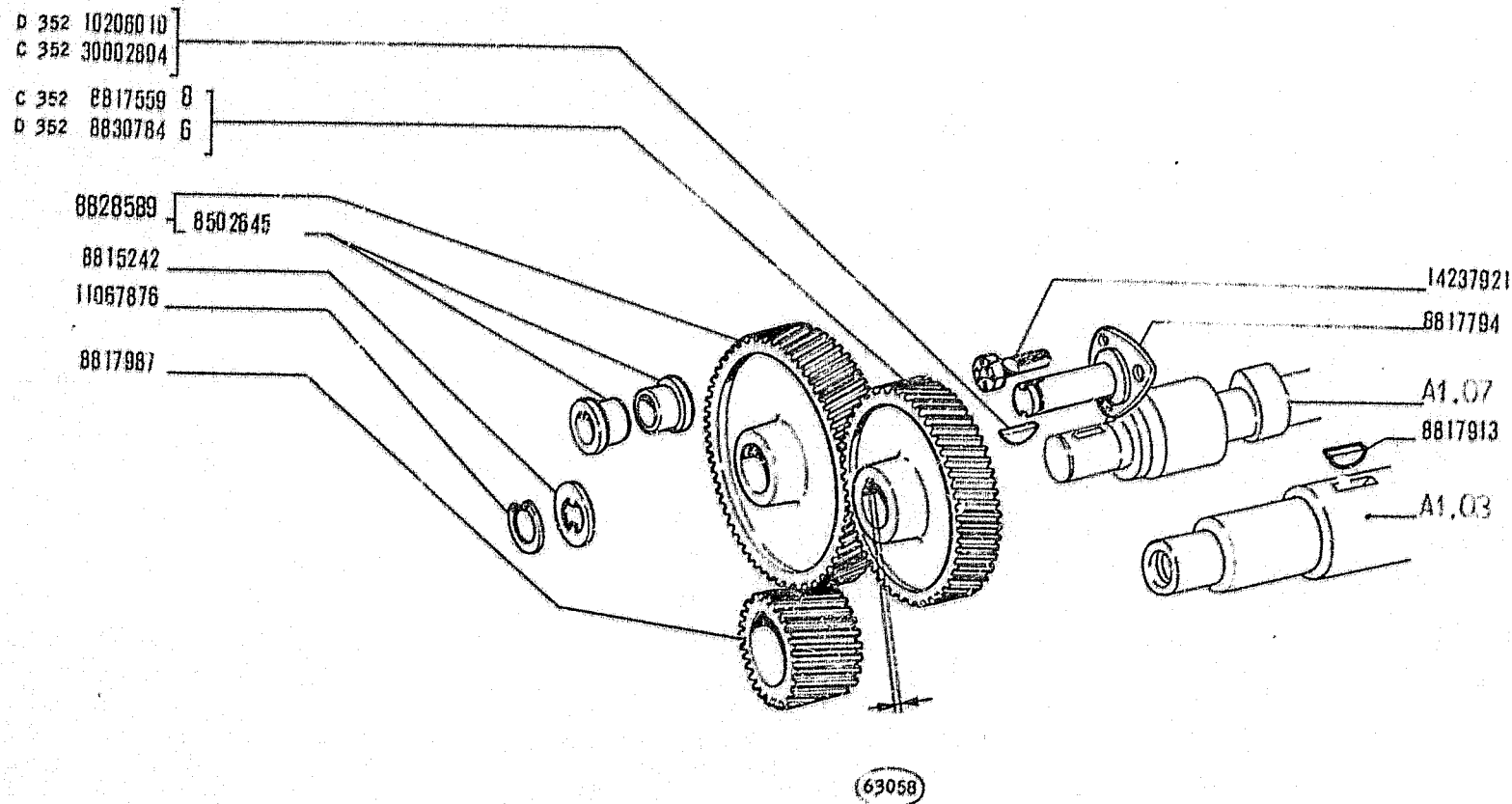
Connecting Rods and Pistons
Bielas y émbolos

A1.05

N.T.R. 85
1-3-1980
604.01.012.05

DAT 101 06

A1.06



FL 10B

01 02

COMANDO DISTRIBUZIONE

*Commande de distribution
Steuerungsantrieb*

F-13

*Camshaft Drive
Piñones de la distribución*

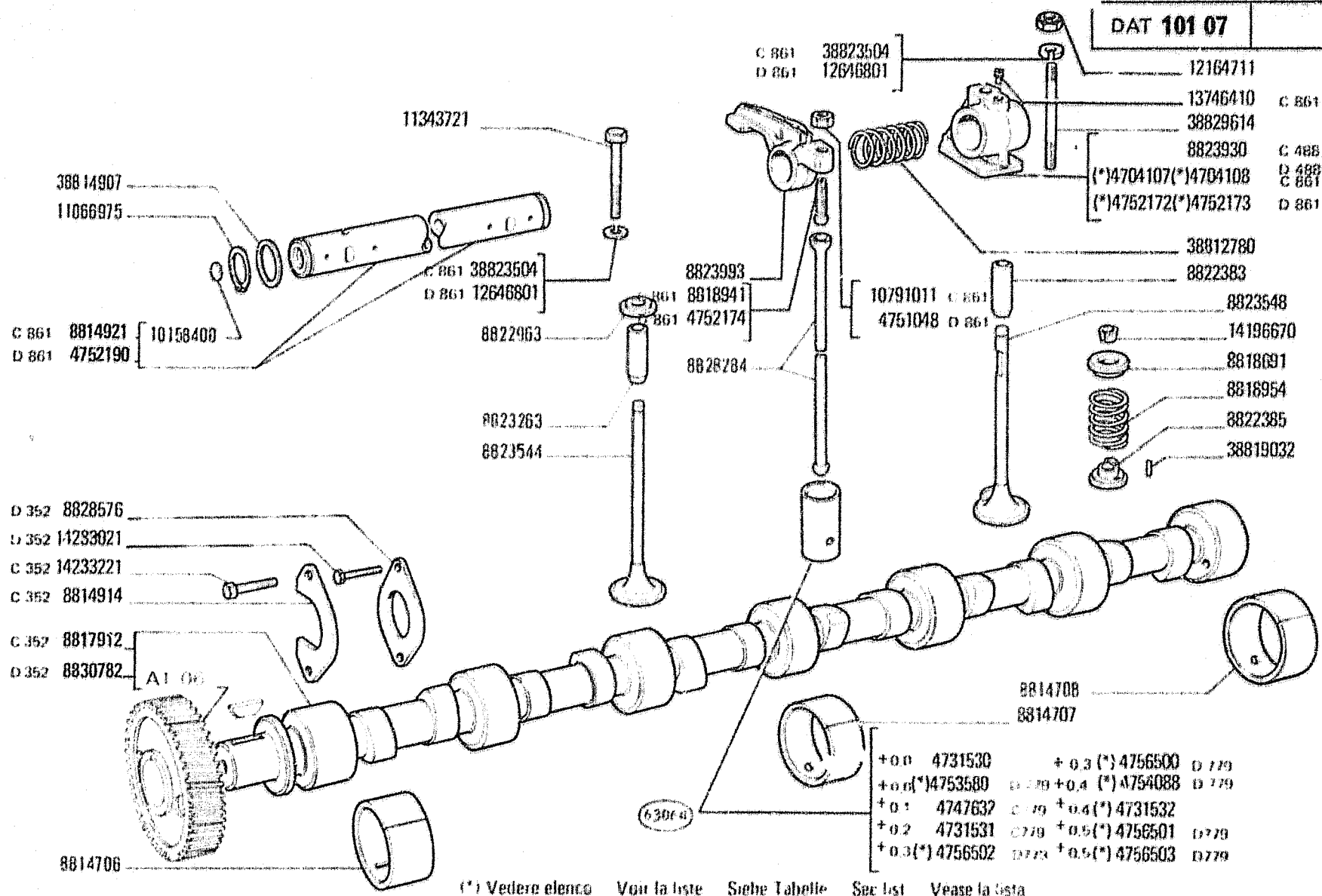
A1.06

N.T.R.
26

10-2-1977

DAT 101 07

A1.07



FL 10B

01 02

Distribution
Steuerung

DISTRIBUZIONE

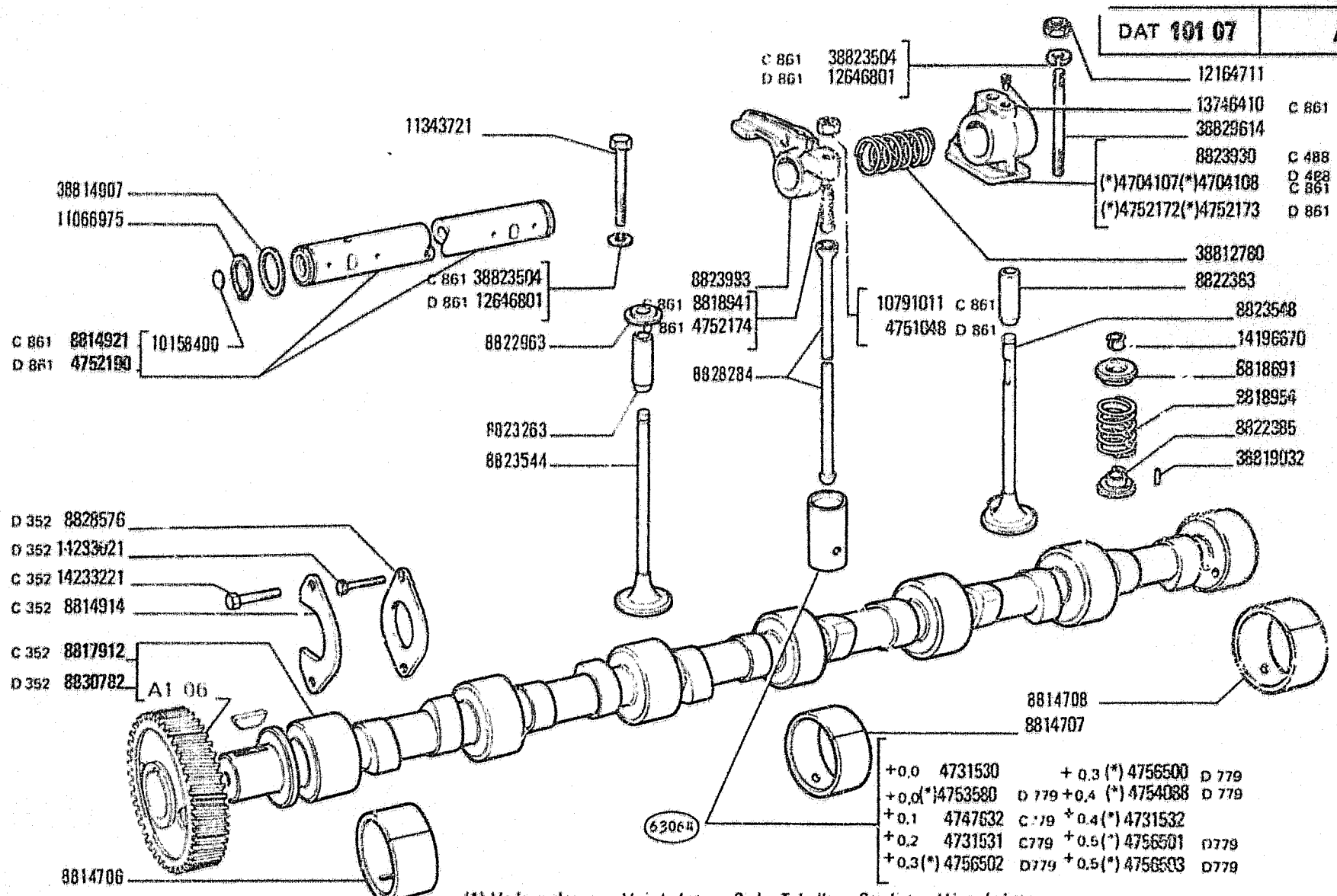
Valve Gear
F-14 Distribución

A1.07

N.T.R. 93
20-11-1981
604.01.012.97

DAT 101 07

A1.07



- 388 14907
- 11066975
- 11343721
- C 861 38823504
- D 861 12646801
- 10158400
- C 861 8814921
- D 861 4752190
- 8823993
- C 861 8818941
- D 861 4752174
- 8822963
- 8828284
- 8023263
- 8823544
- 53064
- C 861 38823504
- D 861 12646801
- 12164711
- 13746410 C 861
- 38829614
- 8823930 C 488
- (*4704107)(*4704108 D 488
- (*4752172)(*4752173 D 861
- 38812780
- 8822363
- 10791011 C 861
- 4751048 D 861
- 8823548
- 14196670
- 8818691
- 8818954
- 8822385
- 38819032
- D 352 8828576
- D 352 14233621
- C 352 14233221
- C 352 8814914
- C 352 8817912
- D 352 8830782
- A1 06
- 8814706
- 8814708
- 8814707
- +0.0 4731530 +0.3 (*) 4756500 D 779
- +0.0 (*) 4753580 D 779 +0.4 (*) 4754088 D 779
- +0.1 4747632 C 779 +0.4 (*) 4731532
- +0.2 4731531 C 779 +0.5 (*) 4756501 D 779
- +0.3 (*) 4756502 D 779 +0.5 (*) 4756503 D 779

(*) Vedere elenco · Voir la liste · Siehe Tabelle · See list · Véase la lista

FL 10B

01 02

Distribution
Steuerung

DISTRIBUZIONE

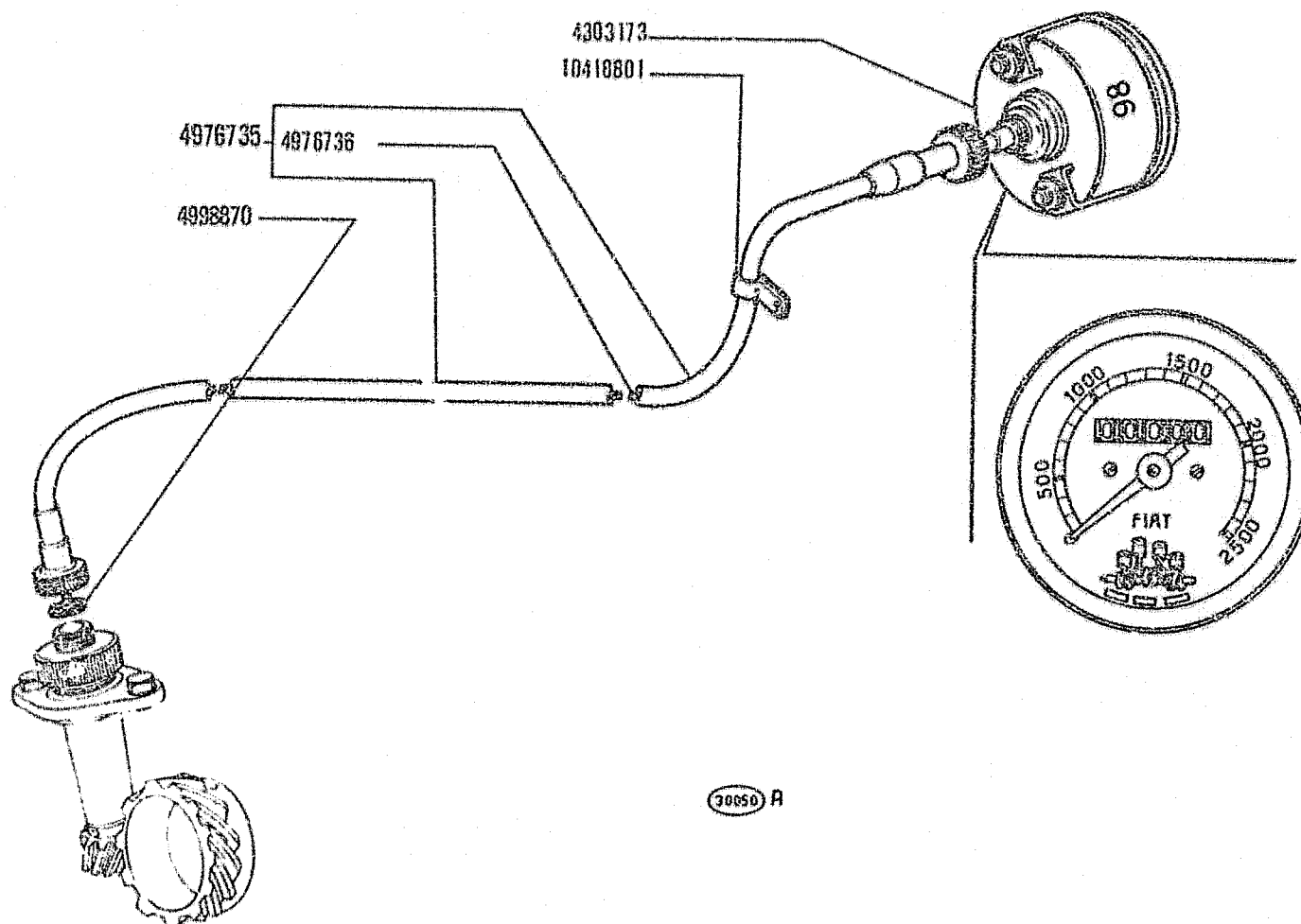
Valve Gear
F-15 Distribución

A1.07

N.T.R. 93
20-11-1991
604.01.012.07

DAT 101 08

A1.08



FL 105

01 02

COMANDO CRONOGIROMETRO

Commande d'horlo-tachymètre

F-16 Multimeter Drive

Antrieb für Stundenzähler und Drehzahlmesser

Arrastre del cronolacómetro

A1.08

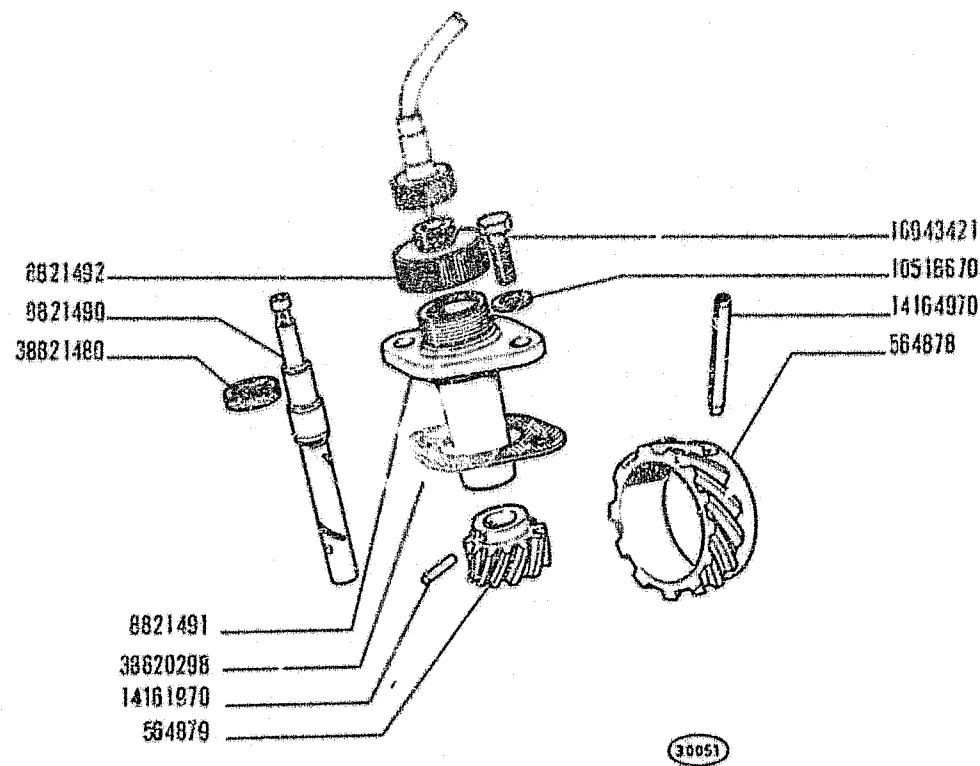
1

N.T.R. 30
1-9-1977

604.01.612.01

DAT 101 03

A1.08



FL10 B

01 02

COMANDO CRONOGIROMETRO

Commande d'horlo-tachymètre
Antrieb für Stundenzähler und Drehzahlmesser

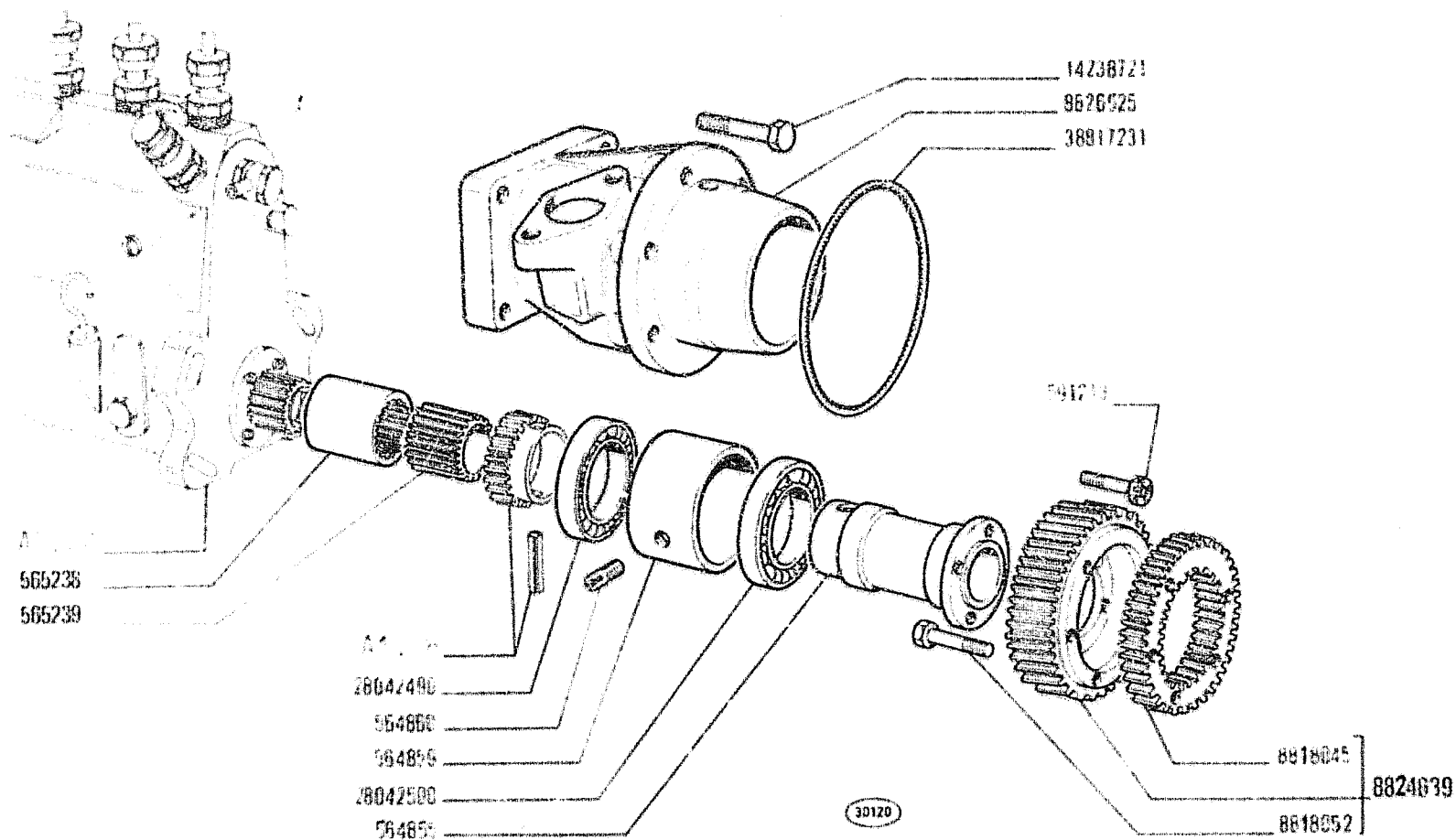
F-17

Multimeter Drive
Arrastre del cronotacómetro

A1.08

DAT 101 16

A1.16



FL10 B

01 02

COMANDO POMPA INIEZIONE

*Commande de pompe d'injection
Einspritzpumpenantrieb*

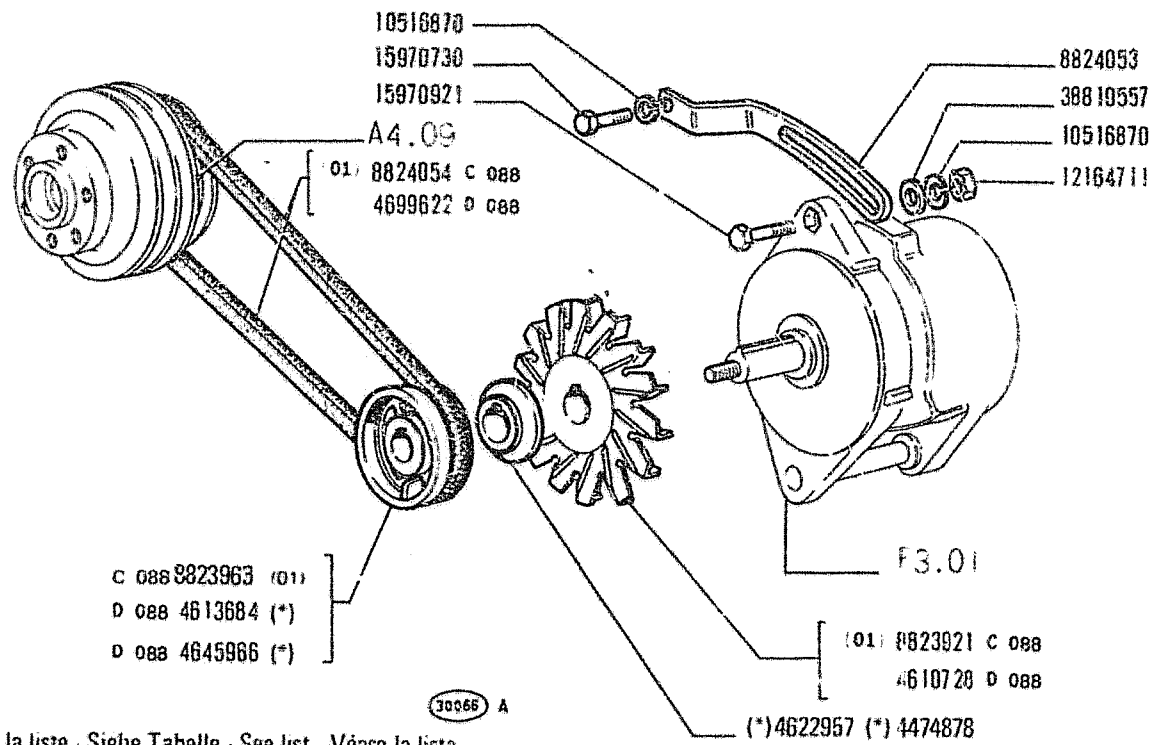
F-18

Injection Pump Drive

Arrastre de la bomba de inyección

A1.16

N.T.R. 44
27 11 1978
G04.01.012.03



(*) Vedere elenco - Voir la liste - Siehe Tabelle - See list - Véase la lista

FL10 B

01 02

COMANDO ALTERNATORE

Commande d'alternateur
Drehstromlichtmaschinenantrieb

F-19 Arrastre del alternador

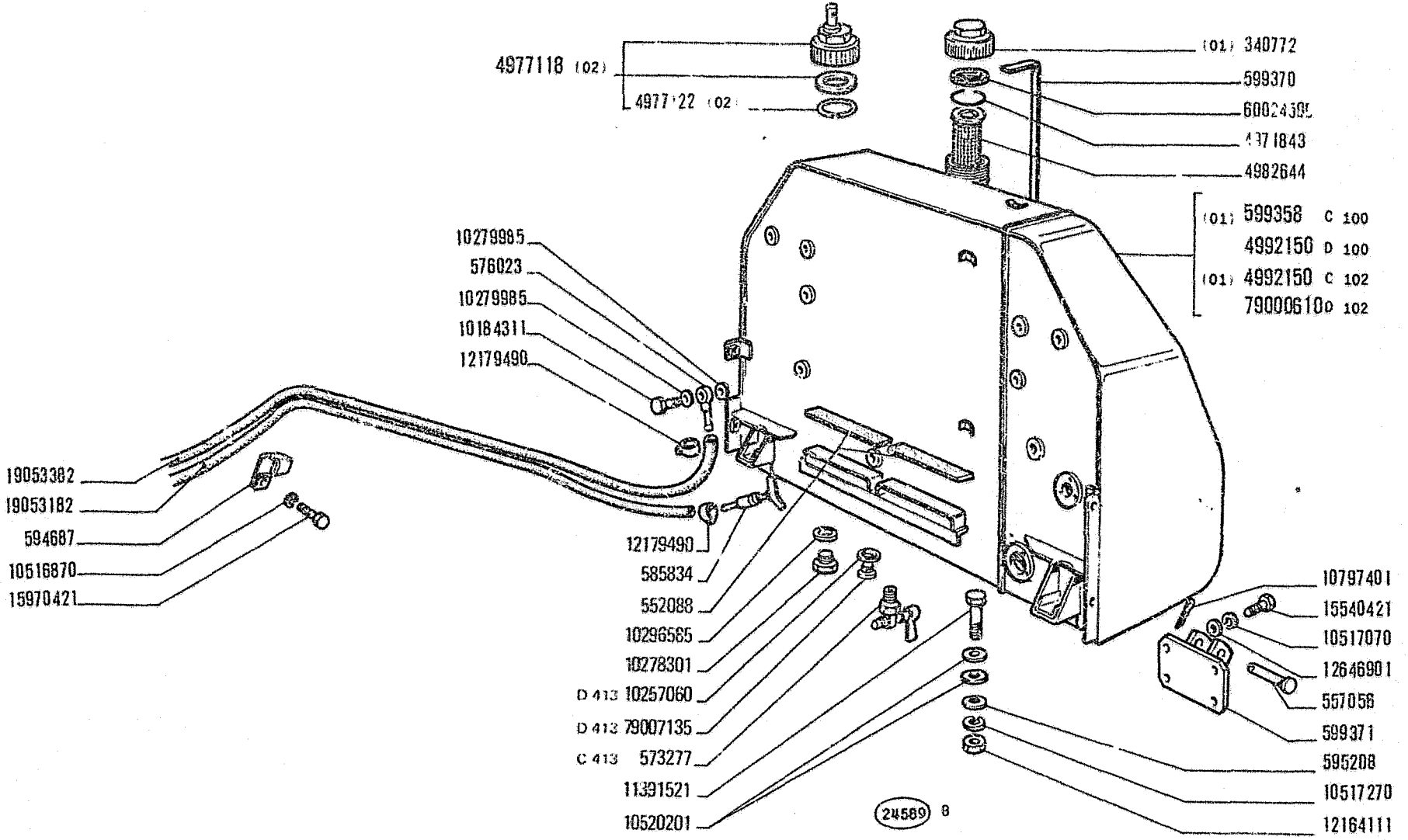
Alternator Drive

A1.19

N.T.R. 65
1-3-1960
604.01.012.05

DAT 102 01

A2.01



FL10B
01 02

SERBATOIO COMBUSTIBILE E TUBAZIONI
Réservoir et canalisations combustible
Kraftstofftank und Leitungen
F-20
Fuel Tank and Lines
Depósito de combustible y tuberías

A2.01
N.T.R. 49
15-5-1979
604.01.012.04

A ENGINE • MOTORE • MOTEUR • MOTOR • MOTÖR

MODIF	N.ORDINAZ. Q.	DENOMINAZIONE	DESIGNATION	BENENNUNG	DESCRIPTION	DENOMINACIONES	
	706197	1	BOCCOLA DI GUIDA	BOUILLE DE GUIDAGE	FUEHRUNGSBUECHSE	BUSHING	CASQUILLO GUIDA
	722023	2	ROSETTA DI TENUTA	JOINT D'ETANCHEITE	DICHTRING	GASKET	JUNTA HERMETICA
	722282	1	PATTINO	PATIN	GLEITSTEIN	PAD	PATIN
	722283	1	ANELLO DI SICUREZZA	ARREFOIR	SICHERUNGSRING	LOCKRING	ANILLO DE FRENO
	722287	1	COPERCHIO	COUVERCLE	DECKEL	COVER	TAPA
	723638	1	PERNO	AXE	BOLZEN	PIN	EJE
	726381	1	ROSETTA DI TENUTA	JOINT D'ETANCHEITE	DICHTRING	GASKET	JUNTA HERMETICA
	733484	1	LEVA	LEVIER	HEBEL	LEVER	PALANCA
	747210	1	BOCCOLA FILETTATA	BASNE FILETTEE	GEWINDEBUECHSE	THREADED BUSH	TUERCA
	753177	11	ROSETTA DI TENUTA	JOINT D'ETANCHEITE	DICHTRING	GASKET	JUNTA HERMETICA
	753195	1	ROSETTA	RONDELLE	SCHLEIBE	WASHER	ARANDELA
	757357	1	TAPPO	BOUCHON	STOPFEN	PLUG	TAPON
	759016	1	SNODO	ARTICULATION	GELENK	ARTICULATION	ARTICULACION
	759041	1	ARRESTO	ROUTE	ANSCHLAG	STOP	TOPE
	759046	1	PERNO	AXE	BOLZEN	PIN	EJE
	759146	1	ANELLO DI TENUTA	JOINT D'ETANCHEITE	DICHTRING	SEAL	JUNTA HERMETICA
	760203	1	GUARNIZIONE	JOINT	DICHTUNG	GASKET	JUNTA
	760666	1	TAPPO	BOUCHON	STOPFEN	PLUG	TAPON
	760925	2	TAPPO	BOUCHON	STOPFEN	PLUG	TAPON
	760926	1	PERNO	AXE	BOLZEN	PIN	EJE
	763187	1	PERNO ELASTICO	AXE ELASTIQUE	BOLZEN	PIN	EJE ELASTICO
	763432	1	PERNO DI FISSAGGIO	CHEVILLE	BOLZEN	PIN	PASADOR
	763440	1	TIRANTE	TIRANT	STANGE	ROD	VARILLA
	763752	1	FORCELLA	FURCONE	GABEL	FORK	HORQUILLA
	763753	1	LEVA	LEVIER	HEBEL	LEVER	PALANCA
	763757	1	ARRESTO ELASTICO	ROUTE DE TIGE	FEDERNDER ANSCHLAG	ELASTIC STOP	TOPE ELASTICO
	764975	1	ASTA DI LIVELLO	SAUCE DE NIVEAU	MESSTAB	LEVEL ROD	VARILLA DE NIVEL
	765256	1	CONVOGLIATORE	CONVOYEUR	LEITBLECH	CONVEYOR	CANALIZADOR
	765342	1	GHIERA	ETOU	GEWINDERING	THREADED RING	TUERCA
	765503	1	ALBERO AD ECCENTRICI	ARBRE A CAMES	EXZENTERWELLE	CAMSHAFT	ARBOL DE LEVAS
	765504	1	BOCCOLA	BOUILLE	BUECHSE	BUSH	CASQUILLO
	765505	1	GRANO	FRIST	PASSTIFT	DOWEL	PITON
	765615	1	ASTUCCIO	ETUI	HUELSE	CASING	TUBO
	765618	1	DADO	ETOU	MUTTER	NUT	TUERCA
	765619	1	ANELLO DI TENUTA	JOINT D'ETANCHEITE	DICHTRING	SEAL	JUNTA HERMETICA
	766075	1	GUAINA	SAINTE	MANTELROHR	LINER	CAMISA
	766432	2	GUARNIZIONE	JOINT	DICHTUNG	GASKET	JUNTA
	766633	1	INGRASSATORE	GRASSEUR	SCHMIERNIPPEL	FITTING	ENGRASADOR
	766664	1	DISPOSITIVO DI REGOLAZIONE COMPL.	DISPOSITIF DE REGLAGE	REGELGRUPPE	GOVERNOR REGULATING ASSY	DISPOSITIVO DE REGULACION
	766966	1	SCATOLA	CARTER	GEHAUSE	CASE	CAJA
	766970	1	ALBERINO	ARBRE	WELLE	SHAFT	ARBOL
	766975	1	ANELLO DI TENUTA	JOINT D'ETANCHEITE	DICHTRING	SEAL	JUNTA HERMETICA
	766976	1	ROSETTA	RONDELLE	SCHLEIBE	WASHER	ARANDELA
	767314	2	ROSETTA DI TENUTA	JOINT D'ETANCHEITE	DICHTRING	GASKET	JUNTA HERMETICA
	767315	2	TAPPO	BOUCHON	STOPFEN	PLUG	TAPON

MODIF.	N. ORDIN.	Q.	DENOMINAZIONE	DESIGNATION	BENENNUNG	DESCRIPTION	DENOMINACIONES
	9929632	2	ANELLO DI SICUREZZA	ARRETOIR	SICHERUNGSRING	LOCKRING	ANILLO DE FRENO
	9929636	6	BUSSOLA	DOVILLE	GEWINDEBUCHSE	BUSHING	CASQUILLO
	9929653	3	PRIGIONIERO	GOUJON	STIFTSCHRAUBE	STUD	ESPARRAGO
	9929661		SETTORE DENTATO Ø22.85	SECTEUR DENTE	ZAHNBOGEN	SECTOR	RUEDA DENTADA
	9929662		SETTORE DENTATO Ø22.70	SECTEUR DENTE	ZAHNBOGEN	SECTOR	RUEDA DENTADA
	9929664	6	PUNTERIA	POUSSOIR	STOESSEL	TAPPET	EMPUJADOR
	9929742	2	ROSETTA DI TENUTA	JOINT D'ETANCHEITE	DICHTRING	GASKET	JUNTA HERMETICA
	9929743	1	ROSETTA DI TENUTA	JOINT D'ETANCHEITE	DICHTRING	GASKET	JUNTA HERMETICA
	9929745	1	ROSETTA DI TENUTA	JOINT D'ETANCHEITE	DICHTRING	GASKET	JUNTA HERMETICA
	10516471	3	ROSETTA DI SICUREZZA	RONDELLE FREIN	SICHERUNGSRING	LOCKWASHER	ARANDELA DE FRENO
	10517071	1	ROSETTA DI SICUREZZA	RONDELLE FREIN	SICHERUNGSRING	LOCKWASHER	ARANDELA DE FRENO
9009582	10569270	4	ROSETTA	RONDELLE	SCHLEIBE	WASHER	ARANDELA
	15896211	3	DADO	ECROU	MUTTER	NUT	TUERCA
	79024186	1	CORPO COMPL	CORPS	GEHAUSE	BODY	CUERPO
	79024187	1	TAPPO	BOUCHON	STOPFEN	PLUG	TAPON
	79024188	1	TAPPO	BOUCHON	STOPFEN	PLUG	TAPON
	79024205	1	VALVOLA COMPL	SOUPAPE	VENTIL	VALVE	VALVULA
	79024206	1	COPERCHIO	CONVERGECLE	DECKEL	COVER	TAPA

MODIF.	N.ORDIN.	Q.	DENOMINAZIONE	DESIGNATION	BENENNUNG	DESCRIPTION	DENOMINAZIONES
	746399	1	DADO	ECROU	MUTTER	NUT	TUERCA
	758707	2	ROSETTA	RONDELLE	SCHEIBE	WASHER	ARANDELA
	9001864	1	BUSSOLA	OQUILLE	GEWINDEBUCHSE	BUSHING	CASQUILLO
	9001855	2	BUSSOLA	DOUILLE	GEWINDEBUCHSE	BUSHING	CASQUILLO
	9001856	1	GHIERA FILETTATA	ECROU	GEWINDERING	THREADED RING	TUERCA
	9001858	6	TAPPO	BOUCHON	STOPFEN	PLUG	TAPON
	9001868		ROSETTA sp. 1,00	RONDELLE	SCHEIBE	WASHER	ARANDELA
	9001872	?	GUARNIZIONI DI TENUTA	JOINTS	DICHTUNGEN	GASKETS	JUNTAS
	9001873	1	GUARNIZIONE DI TENUTA	JOINT	DICHTUNG	GASKET	JUNTA
	9001880	1	RACCORDO	RACCORD	STUTZEN	CONNECTION	RACOR
	9003227	6	CILINDRO DELLA POMPA	CYLINDRE DE POMPE	PUMPENZYLINDER	PUMP BARREL	CILINDRO DE LA ROMBA
	9007852	4	VITE	VIS	SCHRAUBE	SCREW	TORNILLO
	9009092	3	MORSETTO	COLLIER	KLEMME	CLAMP	COLLAR
	9009093	3	MORSETTO	COLLIER	KLEMME	CLAMP	COLLAR
	9009099	6	MOLLA	RESSORT	FEDER	SPRING	RESORTE
	9009100	1	ASTA	TIGE	STANGE	ROD	VARILLA
	9009101	1	VITE	VIS	SCHRAUBE	SCREW	TORNILLO
	9009102	1	ALBERO AD ECCENTRICI	ARBRE A CAMES	EXZENTERWELLE	CAMSHAFT	ARBOL DE LEVAS
90032380	9009104	1	GUARNIZIONE DI TENUTA	JOINT	DICHTUNG	GASKET	JUNTA
	9009106	1	CUSCINETTO	ROULEMENT	LAGER	BEARING	RODAMIENTO
	9009107	2	VITE	VIS	SCHRAUBE	SCREW	TORNILLO
	9009574	6	VALVOLA	SOUPAPE	VENTIL	VALVE	VALVULA
	9009575	6	GUARNIZIONE DI TENUTA	JOINT	DICHTUNG	GASKET	JUNTA
	9009576	6	MOLLA	RESSORT	FEDER	SPRING	RESORTE
	9009577	6	RACCORDO	RACCORD	STUTZEN	CONNECTION	RACOR
	9009578	6	ANELLO DI TENUTA	JOINT D'ETANCHEITE	DICHTRING	SEAL	JUNTA HERMETICA
	9009579	3	VITE	VIS	SCHRAUBE	SCREW	TORNILLO
	9918640	1	LINGUETTA	LINGUET	SCHEIBENFEDER	KEY	CHAVETA
	9929091		ROSETTA sp. 0,30	RONDELLE	SCHEIBE	WASHER	ARANDELA
	9929092	1	GUARNIZIONE	GARNITURE	BELAG	LINING	FORRO
	9929093	1	GUARNIZIONE DI TENUTA	JOINT	DICHTUNG	GASKET	JUNTA
	9929094	6	VITE	VIS	SCHRAUBE	SCREW	TORNILLO
	9929130	2	CUSCINETTO	ROULEMENT	LAGER	BEARING	RODAMIENTO
	9929211	1	COPERCHIO	COUVERCLE	DECKEL	COVER	TAPA
	9929518		ROSETTA sp. 0,10	RONDELLE	SCHEIBE	WASHER	ARANDELA
	9929519		ROSETTA sp. 0,12	RONDELLE	SCHEIBE	WASHER	ARANDELA
	9929520		ROSETTA sp. 0,14	RONDELLE	SCHEIBE	WASHER	ARANDELA
	9929521		ROSETTA sp. 0,16	RONDELLE	SCHEIBE	WASHER	ARANDELA
	9929522		ROSETTA sp. 0,18	RONDELLE	SCHEIBE	WASHER	ARANDELA
	9929523		ROSETTA sp. 0,50	RONDELLE	SCHEIBE	WASHER	ARANDELA
	9929529	6	PIATTELLO DELLA PUNTERIA	PASTILLE DE POUSSOIR	DISTANZSCHEIBE	TAPPET PLATE	PLATILLO DE EMPUJADOR
	9929530	6	PIATTELLO DELLA PUNTERIA	PASTILLE DE POUSSOIR	FUER STOESSEL	TAPPET PLATE	PLATILLO DE EMPUJADOR

MODIF	N.ORDINA7, Q.	DENOMINAZIONE	DESIGNATION	BENENNUNG	DESCRIPTION	DENOMINACIONES
	9009574	6 VALVOLA	SOUPAPE	VENTIL	VALVE	VALVOLA
	9009575	6 GUARNIZIONE DI TENUTA	JOINT	DICHTUNG	GASKET	JUNTA
	9009576	6 MOLLA	RESSORT	FEDER	SPRING	RESORTE
	9009577	6 RACCORDO	RACCORD	STUTZEN	CONNECTION	RACOR
	9009578	6 ANELLO DI TENUTA	JOINT D'ETANCHEITE	DICHTRING	SEAL	JUNTA HERMETICA
	9009579	3 VITE	VIS	SCHRAUBE	SCREW	TORNILLO
10510771	9009582	4 ROSETTA	RONDELLE	SCHEIBE	WASHER	ARANDELA
11107	9009583	3 ROSETTA	RONDELLE	SCHEIBE	WASHER	ARANDELA
	9009584	1 CORPO COMPL.	CORPS	GEHAUSE	BODY	CUERPO
10510771	9918630	3 DADO	ECROU	MUTTER	NUT	TUERCA
	9918640	1 LINGUETTA	LINGUET	SCHEIBENFEDER	KEY	CHAVETA
10510771	9918691	1 ROSETTA DI SICUREZZA	RONDELLE FREIN	SICHERUNGSRING	LOCKWASHER	ARANDELA DE FRENO
	9929091	ROSETTA SP.0,3	RONDELLE	SCHEIBE	WASHER	ARANDELA
	9929093	1 GUARNIZIONE DI TENUTA	JOINT.	DICHTUNG	GASKET	JUNTA
	9929094	6 VITE	VIS	SCHRAUBE	SCREW	TORNILLO
	9929130	2 CUSCINETTO	ROULEMENT	LAGER	BEARING	RODAMIENTO
11110	9929144	1 VITE FORATA	VIS TROQUEE	SCHRAUBSTUTZEN	ADAPTOR	TORNILLO HUECO
	9929618	ROSETTA SP.0,10	RONDELLE	SCHEIBE	WASHER	ARANDELA
	9929619	ROSETTA SP.0,12	RONDELLE	SCHEIBE	WASHER	ARANDELA
	9929620	ROSETTA SP.0,14	RONDELLE	SCHEIBE	WASHER	ARANDELA
	9929621	ROSETTA SP.0,16	RONDELLE	SCHEIBE	WASHER	ARANDELA
	9929622	ROSETTA SP.0,18	RONDELLE	SCHEIBE	WASHER	ARANDELA
	9929623	ROSETTA SP.0,50	RONDELLE	SCHEIBE	WASHER	ARANDELA
	9929629	6 PIATTELLO DELLA PUNTE- RIA	PASTILLE DE POUSSOIR	DISTANZSCHEIBE FUER STOESSEL	TAPPET PLATE	PLATILLO DE EMPU- JADOR
	9929630	6 PIATTELLO DELLA PUNTE- RIA	PASTILLE DE POUSSOIR	DISTANZSCHEIBE FUER STOESSEL	TAPPET PLATE	PLATILLO DE EMPU- JADOR
	9929632	2 ANELLO DI SICUREZZA	ARRETOIR	SICHERUNGSRING	LOCKRING	ANILLO DE FRENO
	9929636	6 BUSSOLA	BOUILLE	GEWINDEBUCHSE	BUSHING	CASQUILLO
	9929653	3 PRIGIONIERO	GOIJON	STIFTSCHRAUBE	STUD	ESPARRAGO
	9929657	1 COPERCHIO	COUVERCLE	DECKEL	COVER	TAPA
	9929661	SETTORE DENTATO Ø 22,85	SECTEUR DENTE	ZAHNBOGEN	SECTOR	RUEDA DENTADA
	9929662	SETTORE DENTATO Ø 22,70	SECTEUR DENTE	ZAHNBOGEN	SECTOR	RUEDA DENTADA
	9929664	6 PUNTERIA	POUSSOIR	STOESSEL	TAPPET	EMPUJADOR
	9929737	1 BOCCHETTONE	VIS-RACCORD	HOHLSCHRAUBE	UNION	BOQUILLA
10516471	9929741	3 ROSETTA DI SICUREZZA	RONDELLE FREIN	SICHERUNGSRING	LOCKWASHER	ARANDELA DE FRENO
	9929742	2 ROSETTA DI TENUTA	JOINT D'ETANCHEITE	DICHTRING	GASKET	JUNTA HERMETICA
	9929743	3 ROSETTA DI TENUTA	JOINT D'ETANCHEITE	DICHTRING	GASKET	JUNTA HERMETICA
	9929745	1 ROSETTA DI TENUTA	JOINT D'ETANCHEITE	DICHTRING	GASKET	JUNTA HERMETICA
	9929092	1				

MODIF	N.ORDINAZ. Q.	DENOMINAZIONE	DESIGNATION	BENENNUNG	DESCRIPTION	DENOMINACIONES
ELIM	746152	2	ROSETTA DI TENUTA	JOINT D'ETANCHEITE	GASKET	JUNTA HERMETICA
	746399	1	DADO	ECROU	NUT	TUERCA
	746993	2	ROSETTA	RONDELLE	WASHER	ARANDELA
	758707	2	ROSETTA	RONDELLE	WASHER	ARANDELA
	9001854	1	BUSSOLA	BOUILLE	BUSHING	CASQUILLO
	9001855	2	BUSSOLA	BOUILLE	BUSHING	CASQUILLO
	9001856	1	GHIERA FILETTATA	ECROU	THREADD RING	TUERCA
	9001868		ROSETTA SP.1,00	RONDELLE	WASHER	ARANDELA
	9001872	2	GUARNIZIONI DI TENUTA	JOINTS	GASKETS	JUNTAS
	9001873	1	GUARNIZIONE DI TENUTA	JOINT	GASKET	JUNTA
	9001875	1	VALVOLA COMPL.	SOUPAPE	VALVE	VALVULA
	9001880	1	RACCORDO	RACCORD	CONNECTION	RACOR
	9003227	6	CILINDRO DELLA POMPA	CYLINDRE DE POMPE	PUMP BARREL	CILINDRO DE LA BOMBA
ELIM	9007821	6	RACCORDO	RACCORD	CONNECTION	RACOR
ELIM	9007822	6	ROSETTA	RONDELLE	WASHER	ARANDELA
	9007852	4	VITE	VIS	SCREW	TORNILLO
	9009092	3	MORSETTO	COLLIER	CLAMP	COLLAR
	9009093	3	MORSETTO	COLLIER	CLAMP	COLLAR
	9009097	6	TAPPO	BOUCHON	PLUG	TAPON
	9009099	6	MOLLA	RESSORT	SPRING	RESORTE
	9009100	1	ASTA	TIGE	ROD	VARILLA
	9009101	1	VITE	VIS	SCREW	TORNILLO
	9009102	1	ALBERO AD ECCENTRICI	ARBRE A CAMES	EXZENTERWELLE	ARROL DE LEVAS
	9009103	1	COOPERCHIO	COUVERCLE	COVER	TAPA
	9009104	1	GUARNIZIONE DI TENUTA	JOINT	GASKET	JUNTA
	9009105	1	FILTRO	FILTRE	FILTER	FILTRO
	9009106	1	CUSCINETTO	ROULEMENT	BEARING	RODAMIENTO
	9009107	2	VITE	VIS	SCREW	TORNILLO

MODIF.	N.ORDINAZ. Q.	DENOMINAZIONE	DESIGNATION	BENENNUNG	DESCRIPTION	DENOMINACIONES
	765057	6 PUNTERIA COMPL.	POUSSOIR	STOESSEL	TAPPET	EMPUJADOR
	765063	1 COPERCHIO	COUVERCLE	DECKEL	COVER	TAPA
	765065	2 ANELLO	RAGUE	RING	RING	ANILLO
	765066	ROSETTA SP.0,10	RONDELLE	SCHEIBE	WASHER	ARANDELA
	765067	ROSETTA SP.0,12	RONDELLE	SCHEIBE	WASHER	ARANDELA
	765068	ROSETTA SP.0,14	RONDELLE	SCHEIBE	WASHER	ARANDELA
	765069	ROSETTA SP.0,16	RONDELLE	SCHEIBE	WASHER	ARANDELA
	765070	ROSETTA SP.0,18	RONDELLE	SCHEIBE	WASHER	ARANDELA
	765303	1 CORPO COMPL.	CORPS	GEHAUSE	BODY	CUERPO
	765304	1 ALBERO AD ECCENTRICI	ARBRE A CAMES	EXZENTERWELLE	CAMSHAFT	ARBOL DE LEVAS
	765306	1 SEMICUSCINETTO	DEMI-COUSSINET	SCHALENHAELFTE	HALF-BEARING	SEMICOJINETE
	765972	1 MOLLA	RESSORT	FEDER	SPRING	RESORTE
	766061	6 CILINDRO DELLA POMPA	CYLINDRE DE POMPE	PUMPENZYLINDER	PUMP BARREL	CILINDRO DE LA BOMBA
	766250	6 TAPPO	BOUCHON	STOPFEN	PLUG	TAPON
	766313	1 BOCCOLA FILETTATA	RAGUE FILETEE	GEWINDEBUCHSE	THREADED BUSH	TUERCA
	766314	2 BOCCOLA DI GUIDA	DOUPLE DE GUIDAGE	FUEHRUNGSBUCHSE	BUSHING	CASQUILLO GUIA
	766315	1 GHIERA	VIROLE	GEWINDERING	PLUG	VIROLA
	766419	6 MOLLA	RESSORT	FEDER	SPRING	RESORTE
	767023	1 ASTA DI REGOLAZIONE	TIGE DE REGLAGE	EINSTELLSTANGE	ADJUSTING ROD	VARILLA DE REGLAJE
	768043	1 ROSETTA DI TENUTA	JOINT D'ETANCHEITE	DICHRING	GASKET	JUNTA HERMETICA
	768482	4 ROSETTA DI SICUREZZA	RONDELLE FREIN	SICHERUNGSRING	LOCKWASHER	ARANDELA DE FRENO
	769075	1 VALVOLA COMPL.	SOUPAPE	VENTIL	VALVE	VALVULA
	10206220	1 LINGUETTA	LINGUET	SCHEIBENFEDER	KEY	CHAVETA
	10273101	1 TAPPO	BOUCHON	STOPFEN	PLUG	TAPON
	10376711	4 VITE	VIS	SCHRAUBE	SCREW	TORNILLO
	10377611	2 VITE	VIS	SCHRAUBE	SCREW	TORNILLO
	10390811	2 VITE	VIS	SCHRAUBE	SCREW	TORNILLO
	10516470	3 ROSETTA DI SICUREZZA	RONDELLE FREIN	SICHERUNGSRING	LOCKWASHER	ARANDELA DE FRENO
	10517070	1 ROSETTA DI SICUREZZA	RONDELLE FREIN	SICHERUNGSRING	LOCKWASHER	ARANDELA DE FRENO
	10734301	1 COPIGLIA	GOUPILLE FENDLE	SPLINT	SPLIT PIN	PASADOR ABIERTO
	13276801	3 VITE	VIS	SCHRAUBE	SCREW	TORNILLO
	15896211	3 DADO	ECROU	MUTTER	NUT	TUERCA
	20419310	1 SFERA	BILLE	KUGEL	BALL	BOLA
	26799910	2 CUSCINETTO	ROULEMENT	LAGER	BEARING	RODAMIENTO

MODIF	N.ORDINAZ. Q.	DENOMINAZIONE	DESIGNATION	BENENNUNG	DESCRIPTION	DENOMINACIONES	
	705736	1	BOCCHETTONE	VIS-RACCORD	HOHLSCHRAUBE	UNION	BOQUILLA
	705737	1	BOCCHETTONE	VIS-RACCORD	HOHLSCHRAUBE	UNION	BOQUILLA
	705785	3	PRIGIONIERO	BOUJON	STIFTSCHRAUBE	STUD	ESPARRAGO
	705816	6	VITE	VIS	SCHRAUBE	SREW	TORNILLO
	726380	1	TAPPO	BOUCHON	STOPFEN	PLUG	TAPON
	726381	3	ROSETTA DI TENUTA	JOINT D'ETANCHEITE	DICHTRING	GASKET	JUNTA HERMETICA
	746152	5	ROSETTA DI TENUTA	JOINT D'ETANCHEITE	DICHTRING	GASKET	JUNTA HERMETICA
	746363	1	BOCCOLA FILETTATA	BAGUE FILETEE	GEWINDEBUECHSE	THREADED BUSH	TUERCA
	746366	6	SPINA	GOUPILLE	STIFT	PIN	PASADOR
	746368	6	RACCORDO	RACCORD	STUTZEN	CONNECTION	RACOR
	746370	1	VITE	VIS	SCHRAUBE	SCREW	TORNILLO
	746371	6	SETTORE DENTATO	SECTEUR DENTE	ZAHNBOGEN	SECTOR	RUEDA DENTADA
	746373	6	MANICOTTO	MANCHON	SPANNSCHLOSS	SLEEVE	TUERCA
	746374	6	PIATTELLO SUP.	COUPELLE	TELLERSCHEIBE	PLATE	PLATILLO
	746379	6	DADO	ECROU	MUTTER	NUT	TUERCA
	746380	6	VITE DI REGOLAZIONE	VIS DE REGLAGE	EINSTELLSCHRAUBE	ADJ/SCREW	TORNILLO DE REGLAJE
	746389	1	ANELLO DI TENUTA	JOINT D'ETANCHEITE	DICHTRING	SEAL	JUNTA HERMETICA
	746399	1	DADO	ECROU	MUTTER	NUT	TUERCA
	746993	3	ROSETTA DI TENUTA	JOINT D'ETANCHEITE	DICHTRING	GASKET	JUNTA HERMETICA
	747568	1	BOCCOLA FILETTATA	BAGUE FILETEE	GEWINDEBUECHSE	THREADED BUSH	TUERCA
	748670	6	TAPPO DI RIDUZIONE	BOUCHON DE REDUCTION	REDUZIERSTOPFEN	ADAPTER	TAPON DE REDUCCION
	751627	1	MOLLA	RESSORT	FEDER	SPRING	RESORTE
	752221	1	FILTRO ARIA	FILTRE A AIR	LUFTFILTER	AIR CLEANER	FILTRO DE AIRE
	753177	2	ROSETTA DI TENUTA	JOINT D'ETANCHEITE	DICHTRING	GASKET	JUNTA HERMETICA
	754451	1	ANELLO DI TENUTA	JOINT D'ETANCHEITE	DICHTRING	SEAL	JUNTA HERMETICA
	754799	6	MOLLA	RESSORT	FEDER	SPRING	RESORTE
	755708	6	VALVOLA	SOUPAPE	VENTIL	VALVE	VALVULA
	755860	1	SCODELLINO	CUVETTE	TELLERSCHEIBE	CUP	PLATILLO
	756190	3	BLOCCHETTO DI FISSAGGIO	TAQUET DE FIXATION	SPANNSTUECK	PAD	MULETILLA DE FIJACION
	756191	3	BLOCCHETTO DI FISSAGGIO	TAQUET DE FIXATION	SPANNSTUECK	PAD	MULETILLA DE FIJACION
	756200	1	PIATTELLO	COUPELLE	TELLERSCHEIBE	PLATE	PLATILLO
	756203	2	BOCCOLA FILETTATA	BAGUE FILETEE	GEWINDEBUECHSE	THREADED BUSH	TUERCA
	758707	2	ROSETTA DI TENUTA	JOINT D'ETANCHEITE	DICHTRING	GASKET	JUNTA HERMETICA
	759242	1	SUARIZZIONE	JOINT	DICHTUNG	GASKET	JUNTA
	760356	6	PATTINO	PATIN	GLEITSTEIN	PAD	PATIN
	760463	1	ROSETTA DI TENUTA	JOINT D'ETANCHEITE	DICHTRING	GASKET	JUNTA HERMETICA
	760472	1	ASTA DI LIVELLO	JAUGE DE NIVEAU	MESSTAB	LEVEL ROD	VARILLA DE NIVEL
	760489	6	PIATTELLO INF.	COUPELLE	TELLERSCHEIBE	PLATE	PLATILLO
	760508	1	COPERCHIO	COUVERCLE	DECKEL	COVER	TAPA
	760862	6	ROSETTA DI TENUTA	JOINT D'ETANCHEITE	DICHTRING	GASKET	JUNTA HERMETICA
	764155	6	VITE	VIS	SCHRAUBE	SCREW	TORNILLO
	764995	6	ROSETTA DI TENUTA	JOINT D'ETANCHEITE	DICHTRING	GASKET	JUNTA HERMETICA

FIAT ALLIS FL10B (2ED)

A226

(03-1975)

MODIF	N.ORDINAZ. Q.	DENOMINAZIONE	DESIGNATION	BENENNUNG	DESCRIPTION	DENOMINACIONES	
4742848	4671001	1	ELEMENTO FILTRANTE ()	ELEMENT FILTRANT	FILTEREINSATZ	FILTERING ELEMENT	FILTRO
	4964318	1	TAPPO	BOUCHON	STOPFEN	PLUG	TAPON
	4964319	1	TAPPO	BOUCHON	STOPFEN	PLUG	TAPON
	4964320	1	VITE	VIS	SCHRAUBE	SCREW	TORNILLO
	4964321	1	ROCCHETTO	VIS-RACCORD	HOHLSCHRAUBE	UNION	BOQUILLA
	4964322	1	ELEMENTO FILTRANTE ()	ELEMENT FILTRANT	FILTEREINSATZ	FILTERING ELEMENT	FILTRO
	4964323	1	ELEMENTO FILTRANTE	ELEMENT FILTRANT	FILTEREINSATZ	FILTERING ELEMENT	FILTRO
	4964486	1	ROSETTA DI TENUTA	JOINT D'ETANCHEITE	DICHTRING	GASKET	JUNTA HERMETICA
	4964487	1	CONTENITORE	BOITIER	BEHALTER	SHELL	CUERPO
	4965120	1	MOLLA	RESSORT	FEDER	SPRING	RESORTE
	10181811	1	BOCCHETTO	VIS-RACCORD	HOHLSCHRAUBE	UNION	BOQUILLA
	10256885	1	ROSETTA DI TENUTA	JOINT D'ETANCHEITE	DICHTRING	GASKET	JUNTA HERMETICA
	10257050	4	ROSETTA	RONDELLE	SCHETBE	WASHER	ARANDELA
	10260050	1	ROSETTA	RONDELLE	SCHETBE	WASHER	ARANDELA
	10280050	1	ROSETTA	RONDELLE	SCHETBE	WASHER	ARANDELA

() IN ALTERNATIVA

IN ALTERNATIVE

ABWECHSELND

OPTIONAL

OPATIVO

FIAT-ALLIS PL108 (2ED.)

A224/ 1

MODIF	N.ORDINAZ. Q.	DENOMINAZIONE	DESIGNATION	BENENNUNG	DESCRIPTION	DENOMINACIONES	
		9922394	1 ANELLO DI TENUTA	JOINT D'ETANCHEITE	DICHTRING	SEAL	JUNTA HERMETICA
	ELIM	9922399	1 MOLLA	RESSORT	FEDER	SPRING	RESORTE
79032352	79020013	9922406	2 ROSETTA DI TENUTA	JOINT D'ETANCHEITE	DICHTRING	GASKET	JUNTA HERMETICA
		9922407	1 POMPA	POMPE	PUMPE	PUMP	BOMBA
		9929135	1 RACCORDO	RACCORD	STUTZEN	CONNECTION	RACOR
		9929170	1 DADO	ECROU	MUTTER	NUT	TUERCA
		9930047	1 STAFFA AD U	ETRIER PROFILE	U-BOLZEN	U-BOLT	BRIDA DE SECCION
		9930048	1 FILTRO	FILTRE	FILTR	FILTER	EN U
		9930049	1 VITE	VIS	SCHRAUBE	SCREW	FILTRO
		9930050	1 ANELLO DI TENUTA	JOINT D'ETANCHEITE	DICHTRING	SEAL	TORNILLO
	ELIM	9930051	1 RULLO	GALET	ROLLE	ROLLER	JUNTA HERMETICA
		9930052	1 MOLLA	RESSORT	FEDER	SPRING	TUERCA
79020149	79024303	9930053	2 MOLLA	RESSORT	FEDER	SPRING	RESORTE
		9930054	1 MOLLA	RESSORT	FEDER	SPRING	RESORTE
		9930055	1 ANELLO DI SICUREZZA	ARRETOIR	SICHERUNGSRING	LOCKRING	RESORTE
		9930056	1 TAPPO	BOUCHON	STOPFEN	PLUG	ANILLO DE FRENO
9930057	79024304	9930057	1 ROSETTA DI TENUTA	JOINT D'ETANCHEITE	DICHTRING	GASKET	TAPON
	79022351	9930058	2 VALVOLA	SOUPAPE	VENTIL	VALVE	JUNTA HERMETICA
	ELIM	9930059	1 PATTINO	PATIN	GLEITSTEIN	PAD	VALVOLA
	ELIM	9930060	1 PUNTERIA	POUSSOIR	STOESSEL	TAPPET	PATIN
	ELIM	9930444	1 PERNO DI FISSAGGIO	CHEVILLE	BOLZEN	PIN	EMPUJADOR
		9930446	1 VASCHETTA FILTRO	CUVE	GLOCKE	ROWL	PASADOR
	79024305	1 PUNTERIA	POUSSOIR	STOESSEL	TAPPET	TAZA	EMPUJADOR

MODIF	N.ORDINAZ. Q.	DENOMINAZIONE	DESIGNATION	BENENNUNG	DESCRIPTION	DENOMINACIONES
	705603	1	FILTRO	FILTRE	FILTER	FILTRO
	705631	1	ROSETTA DI TENUTA	JOINT D'ETANCHEITE	DICHTRING	JUNTA HERMETICA
	705633	1	RULLO	GALET	ROLLE	TUERCA
	705636	1	MOLLA	RESSORT	FEDER	RESORTE
	705637	2	MOLLA	RESSORT	FEDER	RESORTE
	705639	1	MOLLA	RESSORT	FEDER	RESORTE
	705737	2	BOCCHETTONE	VIS-RACCOR	HOHLSCHRAUBE	BOQUILLA
	746152	5	ROSETTA DI TENUTA	JOINT D'ETANCHEITE	DICHTRING	JUNTA HERMETICA
	746153	1	GUARNIZIONE	JOINT	DICHTUNG	JUNTA
	746189	1	POMPA A MANO	POMPE A MAIN	HANDPUMPE	BOMBA DE MANO
	746214	2	ROSETTA DI TENUTA	JOINT D'ETANCHEITE	DICHTRING	JUNTA HERMETICA
	751032	1	ANELLO DI SICUREZZA	ARRETOIR	SICHERUNGSRING	ANILLO DE FRENO
	753762	1	TAPPO	BOUCHON	STOPFEN	TAPON
	760239	1	RACCORDO	RACCORD	STUTZEN	RACOR
	760241	1	ROSETTA DI TENUTA	JOINT D'ETANCHEITE	DICHTRING	JUNTA HERMETICA
	763152	1	COPERCHIO	COUVERCLE	DECKEL	TAPA
	763153	1	BOCCHETTONE	VIS-RACCORD	HOHLSCHRAUBE	BOQUILLA
	763178	2	VALVOLA	SOUPAPE	VENTIL	VALVULA
	764120	1	ANELLO DI TENUTA	JOINT D'ETANCHEITE	DICHTRING	JUNTA HERMETICA
	764956	2	PATTINO	PATIN	GLEITSTEIN	PATIN
	764957	1	PUNTERIA A RULLO	POUSSOIR A GALET	ROLLENSTOESSEL	EMPUJADOR DE RODILLO
	764958	1	PERNO	AXE	BOLZEN	EJE
	766875	1	VASCHETTA	CUVE	GLOCKE	TAZA
	766903	1	STAFFA AD U COMPL.	ETRIER PROFILE EN U	U-BOLZEN	BRIDA DE SECCION EN U

MODIF	N.ORDINAZ. Q.	DENOMINAZIONE	DESIGNATION	BENENNING	DESCRIPTION	DENOMINAZIONES	
	8020568	1	TUBO	TUYAU	ROHR	PIPE	TUBO
C 1918	8830555	1	TUBO (01)	TUYAU	ROHR	PIPE	TUBO
	8830609	1	TUBO	TUYAU	ROHR	PIPE	TUBO
D 1918	8830907	1	TUBO (01)	TUYAU	ROHR	PIPE	TUBO
D 1918	8830908	1	TUBO (01)	TUYAU	ROHR	PIPE	TUBO
D 1918	8830909	1	TUBO (01)	TUYAU	ROHR	PIPE	TUBO
D 1918	8830910	1	TUBO (01)	TUYAU	ROHR	PIPE	TUBO
D 1918	8830911	1	TUBO (01)	TUYAU	ROHR	PIPE	TUBO
D 1918	8830912	1	TUBO (01)	TUYAU	ROHR	PIPE	TUBO
	8831454	1	TUBO (02)	TUYAU	ROHR	PIPE	TUBO
	8831456	1	TUBO (02)	TUYAU	ROHR	PIPE	TUBO
	8831457	1	TUBO (02)	TUYAU	ROHR	PIPE	TUBO
	8831458	1	TUBO (02)	TUYAU	ROHR	PIPE	TUBO
	8831459	1	TUBO (02)	TUYAU	ROHR	PIPE	TUBO
	8831461	1	TUBO (02)	TUYAU	ROHR	PIPE	TUBO
3000808	9020921	1	POMPA DI ALIMENTAZIONE FP/KS22AD23/2 (02)	POMPE D'ALIMENTA- TION	KRAFTSTOFFPUMPE	FUEL PUMP	BOMBA DE ALIMENTA- CION
	10113301	1	STAFFA	COLLIER	SCHELLE	CLAMP	COLLAR
	10184311	1	BOCCHETTONE	VIS-RACCORD	HOHLSCHRAUBE	UNION	BOQUILLA
	10298360	2	ROSETTA DI TENUTA	JOINT D'ETANCHEITE	DICHRING	GASKET	JUNTA HERMETICA
	10516670	1	ROSETTA DI SICUREZZA	RONDELLE FREIN	SICHERUNGSRING	LOCKWASHER	ARANDELA DE FRENO
	10516670	2	ROSETTA DI SICUREZZA	RONDELLE FREIN	SICHERUNGSRING	LOCKWASHER	ARANDELA DE FRENO
	10516671	12	ROSETTA (02)	RONDELLE	SCHIEBE	WASHER	ARANDELA
	10516870	7	ROSETTA DI SICUREZZA	RONDELLE FREIN	SICHERUNGSRING	LOCKWASHER	ARANDELA DE FRENO
	10788811	6	DADO	ECROU	MUTTER	NUT	TUERCA
	10902021	1	VITE	VIS	SCHRAUBE	SCREW	TORNILLO
	10978021	6	VITE	VIS	SCHRAUBE	SCREW	TORNILLO
	11195470	6	ROSETTA DI SICUREZZA	RONDELLE FREIN	SICHERUNGSRING	LOCKWASHER	ARANDELA DE FRENO
	11197771	1	ROSETTA (02)	RONDELLE	SCHIEBE	WASHER	ARANDELA
	11198071	1	ROSETTA (02)	RONDELLE	SCHIEBE	WASHER	ARANDELA
	11234721	3	VITE	VIS	SCHRAUBE	SCREW	TORNILLO
	12164711	4	DADO	ECROU	MUTTER	NUT	TUERCA
	12638620	7	ROSETTA	RONDELLE	SCHIEBE	WASHER	ARANDELA
	13449810	4	PRIGIONIERO	GOUJON	STIFTSCHRAUBE	STUD	ESPARRAGO
	15896211	1	DADO	ECROU	MUTTER	NUT	TUERCA
	16043121	1	VITE	VIS	SCHRAUBE	SCREW	TORNILLO
	16043221	1	VITE	VIS	SCHRAUBE	SCREW	TORNILLO
	16100811	12	DADO	ECROU	MUTTER	NUT	TUERCA
	16100821	12	DADO (02)	ECROU	MUTTER	NUT	TUERCA
	19053082	M	TUBO FLESSIBILE	TUYAU FLEXIBLE	SCHLAUCH	HOSE	MANGA FLEXIBLE
	38816064	1	RACCORDO ORIENTABILE	RACCORD REGLABLE	RINGSTUTZEN	CONNECTION	RACOR ORIENTABLE
	38816065	5	RACCORDO ORIENTABILE	RACCORD REGLABLE	RINGSTUTZEN	CONNECTION	RACOR ORIENTABLE
	38818656	1	STAFFETTA	COLLIER	HALTER	RETAINER	ABRAZADERA
	38825122	1	STAFFA	ETRIER	HALTER	BRACKET	ESPORTE
	38830418	12	PRIGIONIERO	GOUJON	STIFTSCHRAUBE	STUD	ESPARRAGO
	722962	12	ANELLO DI TENUTA	JOINT D'ETANCHEITE	DICHRING	SEAL	JUNTA HERMETICA
D 408	771326	12	ROSETTA (01)	RONDELLE	SCHIEBE	WASHER	ARANDELA
C 408	10516670	12	ROSETTA (01)	RONDELLE	SCHIEBE	WASHER	ARANDELA
D 656	6	1	POMPA DI INIEZIONE 411 H2240 (02) (1)	POMPE D'INJECTION	INSPRITZPUMPE	INJECTION PUMP	BOMBA DE INYECCION
D 656	6	1	REGOLATORE DI VELOCITA' COMPL NOV325 1050 AB DI (02) (1)	REGULATION DE VI- TESSE	DREHZAHLEGLER	SPEED GOVERNOR	REGULACION DE VELOCI- DAD
D 656	771331	1	GRUPPO INIEZIONE PI 56A 90D (02)	GRUPE D'INJECTION	INSPRITZANIS RINGSSTUENGE	INJECTION EQUIP MENT	GRUPO DE INYECCION
		(1)	SI FORNISCONO SOLO LE PARTI	ON LIVRE SEULEMENT SES PIECES	NUR FÜRZUSETZ GEBBAR	PARTS ARE SEPARATE EQUIPMENT	SOLO SE SUMINISTRAN LAS PIEZAS SEPARADAS

FIAT ALLIS FL108 (2ED)

A224

(03-1975)

MODIF	N.ORDINAZ. Q.	DENOMINAZIONE	DESIGNATION	BENENNUNG	DESCRIPTION	DENOMINAZIONES
	1 1	POMPA D'INIEZIONE COMPL.PES6A...B...P112 (01) (*)	POMPE D'INJECTION	EINSPRITZPUMPS	INJECTION PUMP	BOMBA DE INYECCION
	2 1	REGOLATORE DI VELOCITA COMPL.RPVA325-1050F114 (01) (*)	REGULATEUR DE VI- TESSE	DREHZAHLREGLER	SPEED GOVERNOR	REGULADOR DE VELO- CIDAD
C 666	3 1	POMPA D'INIEZIONE COMPL.410RS.2340 (02) (*) VED.SGR.A227/ 1	POMPE D'INJECTION	EINSPRITZPUMPE	INJECTION PUMP	BOMBA DE INYECCION
C 156	4 1	REGOLATORE DI VELOCITA COMPL.(02) (*) RQV325...1050AB923DL	REGULATEUR DE VI- TESSE	DREHZAHLREGLER	SPEED GOVERNOR	REGULADOR DE VELO- CIDAD
	561353 1	GUARNIZIONE	JOINT	DICHTUNG	GASKET	JUNTA
	724361 6	STAFFA (01)	ETRIER	HALTER	BRACKET	SOPORTE
C 408	756618 12	ROSETTA	RONDELLE	SCHIBE	WASHER	ARANDELA
	758116 1	BDCOLA DENTATA	BAGUE DENTEE	ZAHNBUECHSE	SPLINED BUSH	MANGUITO DE ARRAS- TRE
	758709 1	ANELLO DI SICUREZZA	ARRETOIR	SICHERUNGSRING	LOCKRING	ANILLO DE FRENO
	763150 1	POMPA DI ALIMENTAZIONE COMPL.	POMPE D'ALIMENTA- TION	KRAFTSTOFFPUMPE	FUEL PUMP	BOMBA DE ALIMENTA- CION
	767404 6	POLVERIZZATORE (01)	INJECTEUR	DUESE	NOZZLE	PULVERIZZADOR
	767406 6	PORTAPOLVERIZZATORE COMPL.	PORTE-INJECTEUR	DUESENHALTER	NOZZLE HOLDER	PORTAINJECTOR
	768972 1	GRUPPO INIEZIONE COMPL.(01) PES6A90B410P.6/131	GRUPE D'INJECTION	EINSPRITZAUSS- RUESTUNG	INJECTION EQUIP- MENT	GRUPO DE INYECCION
C 656	771041 1	GRUPPO INIEZIONE COMPL.PES6A90D (02)	GRUPE D'INJECTION	EINSPRITZAUSS- RUESTUNG	INJECTION EQUIP- MENT	GRUPO DE INYECCION
	4698696 1	TUBAZIONE (02)	TUYAU	LEITUNG	PIPE	TUBO
	4964501 1	FILTRO COMBUSTIBILE COMPL.	FILTRE A COMBUSTI- BLE	KRAFTSTOFFFILTER	FUEL FILTER	FILTRO DE COMBUS- TIBLE
	8813314 6	ASTUCCIO	ETUI	HUELSE	CASING	TUBO
	8818131 2	STAFFETTA	COLLIER	HALTER	RETAINER	ABRAZADERA
	8818132 11	TUBETTO	TUYAU	SCHLAUCH	HOSE	MANGA
	8818133 8	STAFFETTA	COLLIER	HALTER	RETAINER	ABRAZADERA
C 1918	8820061 1	TUBO (01)	TUYAU	ROHR	PIPE	TUBO
C 1918	8820063 1	TUBO (01)	TUYAU	ROHR	PIPE	TUBO
C 1918	8820064 1	TUBO (01)	TUYAU	ROHR	PIPE	TUBO
C 1918	8820065 1	TUBO (01)	TUYAU	ROHR	PIPE	TUBO
	8820072 1	TUBO	TUYAU	ROHR	PIPE	TUBO
	8820074 1	TUBO	TUYAU	ROHR	PIPE	TUBO
	8825108 1	TUBO (01)	TUYAU	ROHR	PIPE	TUBO
	8828487 6	PORTAPOLVERIZZATORE COMPL.(02)	PORTE-INJECTEUR	DUESENHALTER	NOZZLE HOLDER	PORTAINJECTOR
	8828488 6	POLVERIZZATORE (02)	INJECTEUR	DUESE	NOZZLE	PULVERIZZADOR
C 1918	8828567 1	TUBO (01)	TUYAU	ROHR	PIPE	TUBO

FIAT ALLIS FL10B (2ED)

A223

(03-1975)

MODIF	N.ORDINAZ. Q.	DENOMINAZIONE	DESIGNATION	BENENNUNG	DESCRIPTION	DENOMINACIONES
	595597	1	VASCHETTA	CUVE	BOWL	TAZA
	595598	1	DADO	ECROU	NUT	TUERCA
	595599	2	ROSETTA DI TENUTA	JOINT D'ETANCHEITE	DICHRING	JUNTA HERMETICA
	595600	1	FONDELLO	CULOT	SOEENTELLER	TAPON
C 379	595601	2	ELEMENTO FILTRANTE (01)	ELEMENT FILTRANT	FILTEREINSATZ	FILTRRO
C 379	595602	2	ELEMENTO FILTRANTE (01)	ELEMENT FILTRANT	FILTEREINSATZ	FILTRO
C 379	595603	2	ELEMENTO FILTRANTE (01)	ELEMENT FILTRANT	FILTEREINSATZ	FILTRO
C 379	595604	2	ELEMENTO FILTRANTE (01)	ELEMENT FILTRANT	FILTEREINSATZ	FILTRO
	595605	1	DADO	ECROU	MUTTER	TUERCA
8322120-8322121	8322121	2	ELEMENTO FILTRANTE(02)	ELEMENT FILTRANT	FILTEREINSATZ	FILTRO
8322120-8322122	8322122	2	ELEMENTO FILTRANTE(02)	ELEMENT FILTRANT	FILTEREINSATZ	FILTRO
	13400776	1	ANELLO DI TENUTA	JOINT D'ETANCHEITE	DICHRING	JUNTA HERMETICA
0379 8322121-8322129	8322129	2	ELEMENTO FILTRANTE (01)	ELEMENT FILTRANT	FILTEREINSATZ	FILTRO
0379 8322122-8322128	8322128	2	ELEMENTO FILTRANTE (01)	ELEMENT FILTRANT	FILTEREINSATZ	FILTRO

FIAT ALLIS FL10B (2ED)

A222

(03-19/5)

MODIF	N. ORDINAZ. Q.	DENOMINAZIONE	DESIGNAZ. CO	BENENNUNG	DESCRIPTION	DENOMINACIONES	
	17744	2	BLOCCETTO DI FISSAG- GIO	TAQUET DE FIXATION	SPANNSTUECK	PAD	MULETILLA DE FIJACION
	17745	2	BLOCCETTO DI FISSAG- GIO	TAQUET DE FIXATION	SPANNSTUECK	PAD	MULETILLA DE FIJACION
	571966	2	VITE	VIS	SCHRAUBE	SCREW	TORNILLO
	587507	4	STAFFA	COLLIER	SHELLE	CLAMP	COLLAR
C 370	595591	1	FILTRO ARIA COMPL.(01)	FILTRE A AIR	LUFTFILTER	AIR CLEANER	FILTRO DE AIRE
	595594	1	CORPO	CORPS	GEHAUSE	BODY	CUERPO
	595595	1	COPERCHIO	COUVERCLE	DECKEL	COVER	TAPA
	595596	1	POMELLO	BOUTON	KNEBELGRIF	KNOB	BOTON
	595606	1	GUARNIZIONE	GARNITURE	UNTERLAGE	LINING	FORRO
	599484	1	TUBO	TUYAU	ROHR	PIPE	TUBO
	465745	1	SEGNALATORE	TEMOIN	ANZEIGER	INDICATOR	TESTIGO
	4751845	1	TUBO	TUYAU	ROHR	PIPE	TUBO
	4958214	1	MANICOTTO	MANCHON	MUFFE	SLEEVE	MANGA
	4958215	1	MANICOTTO	MANCHON	MUFFE	SLEEVE	MANGA
	4958985	1	TUBO FLESSIBILE	TUYAU FLEXIBLE	SCHLAUCH	HOSE	MANGA FLEXIBLE
C 338	4977484	1	SUPPORTO	SUPPORT	LAGER	SUPPORT	SOPORTE
	8322120	1	FILTRO ARIA COMPL.(02)	FILTRE A AIR	LUFTFILTER	AIR CLEANER	FILTRO DE AIRE
	10168790	2	COLLARE	COLLIER	SHELLE	COLLAR	ABRAZADERA
	10300190	8	COLLARE	COLLIER	SHELLE	COLLAR	COLLAR
	10517070	2	ROSETTA DI SICUREZZA	RONDELLE FREIN	SICHERUNGSRING	LOCKWASHER	ARANDELA DE FRENO
	15540221	2	VITE	VIS	SCHRAUBE	SCREW	TORNILLO
C 338	10517070	4	ROSETTA DI SICUREZZA	RONDELLE FREIN	SICHERUNGSRING	LOCKWASHER	ARANDELA DE FRENO
C 338	15540221	4	VITE	VIS	SCHRAUBE	SCREW	TORNILLO
D 338	15540321	4	VITI	VIS	SCHRAUBE	SCREW	TORNILLO
D 338	79005242	4	ROSETTA DI SICUREZZA	RONDELLE FREIN	SICHERUNGSRING	LOCKWASHER	ARANDELA DE FRENO
D 338	79008100	1	SUPPORTO	SUPPORT	LAGER	SUPPORT	SOPORTE
D 370	8322120	1	FILTRO ARIA COMPL. (01)	FILTRE A AIR	LUFTFILTER	AIR CLEANER	FILTRO DE AIRE

MODIF	N.ORDINAZ. Q.	DENOMINAZIONE	DESIGNATION	BENENNUNG	DESCRIPTION	DENOMINACIONES	
	538485	1	MOLLA	RESSORT	FEDER	SPRING	RESORTE
	543592	1	PERNO DI FISSAGGIO	CHEVILLE	BOLZEN	PIN	PASADOR
	543593	1	MOLLA	RESSORT	FEDER	SPRING	RESORTE
	568776	1	VITE	VIS	SCHRAUBE	SCREW	TORNILLO
	579387	1	IMPUGNATURA	POIGNEE	GRIFF	KNOB	BOTON
	587424	1	LEVA	LEVIER	HEBEL	LEVER	PALANCA
	587468	1	DISCO	DISQUE	SCHEIBE	PLATE	DISCO
	591366	1	ALBERO	ARBRE	WELLE	SHAFT	ARBOL
	591367	1	MOLLA	RESSORT	FEDER	SPRING	RESORTE
	591371	1	MOLLA	RESSORT	FEDER	SPRING	RESORTE
	591415	1	SUPPORTO D	SUPPORT	LAGER	SUPPORT	SOPORTE
	591416	1	SUPPORTO S	SUPPORT	LAGER	SUPPORT	SOPORTE
	592724	1	FORCELLINO	FOURCHE	GABEL	FORK	HORQUILLA
	593614	1	ALBERO	ARBRE	WELLE	SHAFT	ARBOL
	599482	1	LEVA	LEVIER	HEBEL	LEVER	PALANCA
	4957789	1	PEDALE	PEDALE	FUSSHEBEL	PEDAL	PEDAL
	4957792	1	TIRANTE (01)	TIRANT	SPANNBOLZEN	TIEROD	PERNO
	4957793	1	LEVA	LEVIER	HEBEL	LEVER	PALANCA
	4958287	1	TIRANTE SUP.	TIRANT	SPANNBOLZEN	TIEROD	PERNO
	4968815	1	VITE	VIS	SCHRAUBE	SCREW	TORNILLO
	4977686	1	LEVA	LEVIER	HEBEL	LEVER	PALANCA
	4977688	1	ALBERO	ARBRE	WELLE	SHAFT	ARBOL
	4978228	1	TRAVERSA	TRAVERSE	TRAVERSE	CROSSRAIL	TRAVESANO
	10004510	1	PERNO DI FISSAGGIO	CHEVILLE	BOLZEN	PIN	PASADOR
	10032410	1	PERNO DI FISSAGGIO	CHEVILLE	BOLZEN	PIN	PASADOR
	10248271	1	FORCELLINO	FOURCHE	GABEL	FORK	HORQUILLA
	10516870	2	ROSETTA DI SICUREZZA	RONDELLE FREIN	SICHERUNGSRING	LOCKWASHER	ARANDELA DE FRENO
	10517070	4	ROSETTA DI SICUREZZA	RONDELLE FREIN	SICHERUNGSRING	LOCKWASHER	ARANDELA DE FRENO
	10517170	1	ROSETTA DI SICUREZZA	RONDELLE FREIN	SICHERUNGSRING	LOCKWASHER	ARANDELA DE FRENO
	10725911	1	DADO	ECROU	MUTTER	NUT	TUERCA
	10734201	7	COPIGLIA	GOUPILLE FENDUE	SPLIT	SPLIT PIN	PASADOR ABIERTO
	10734601	2	COPIGLIA	GOUPILLE FENDUE	SPLIT	SPLIT PIN	PASADOR ABIERTO
	10791011	2	DADO	ECROU	MUTTER	NUT	TUERCA
	10791311	1	DADO	ECROU	MUTTER	NUT	TUERCA
	12164711	2	DADO	ECROU	MUTTER	NUT	TUERCA
	12638601	1	ROSETTA	RONDELLE	SCHEIBE	WASHER	ARANDELA
	12642701	4	ROSETTA	RONDELLE	SCHEIBE	WASHER	ARANDELA
	12646901	1	ROSETTA	RONDELLE	SCHEIBE	WASHER	ARANDELA
	15540321	4	VITE	VIS	SCHRAUBE	SCREW	TORNILLO
	15970721	2	VITE	VIS	SCHRAUBE	SCREW	TORNILLO
	16102311	1	DADO	ECROU	MUTTER	NUT	TUERCA
	16103611	2	DADO	ECROU	MUTTER	NUT	TUERCA
	79002688	1	TIRANTE INF. (02)	TIRANT	SPANNBOLZEN	TIEROD	PERNO

A ENGINE • MOTORE • MOTEUR • MOTOR • MOTOR

DAT 102 28

A2.28

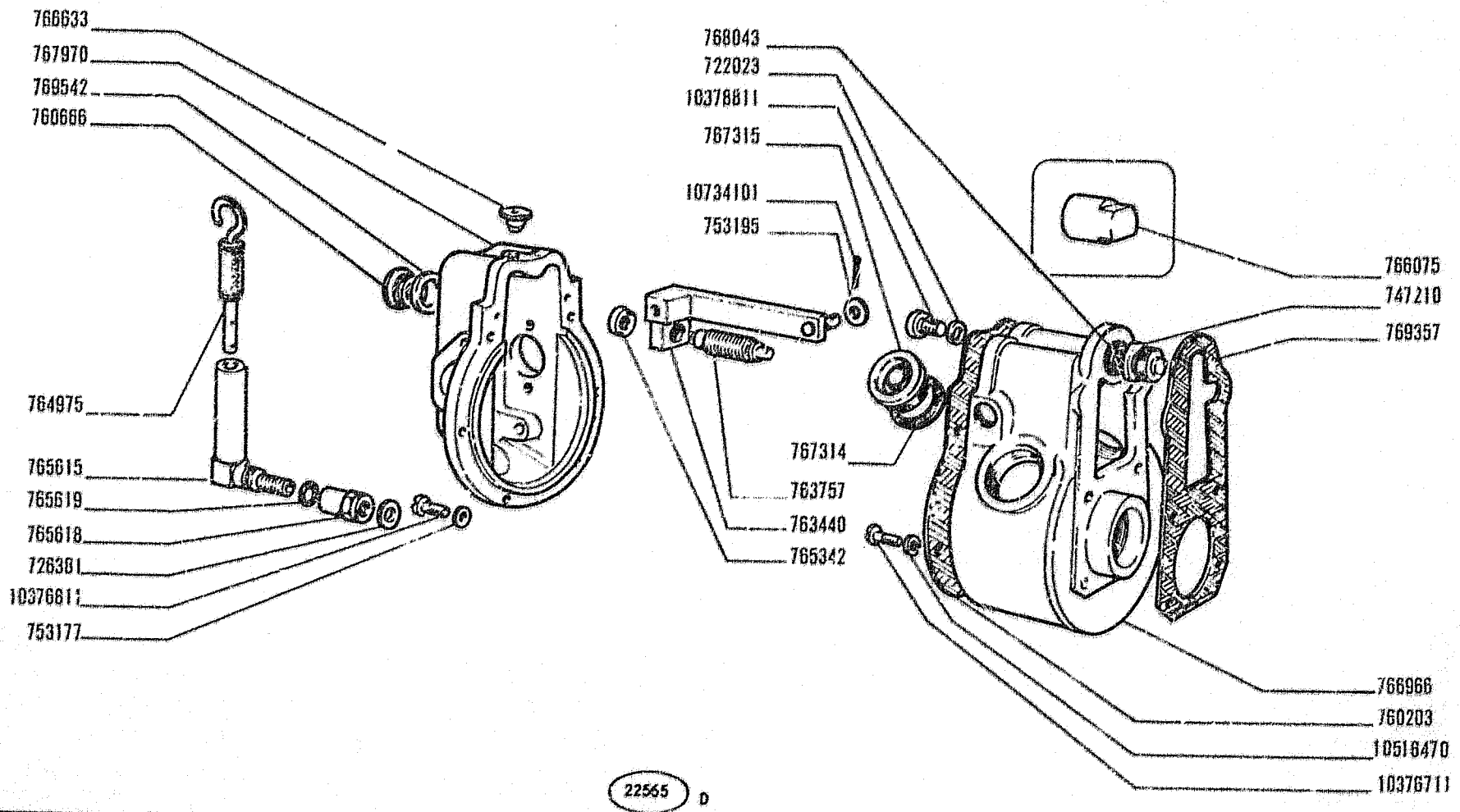
191 -SI FORNISCONO SOLO LE PARTI

-ON LIVRE SEULEMENT SES PIECES

-NUR EINZELTEILE LIEFERBAR

-ONLY SEPARATE PARTS ARE SERVICED

-SOLO SE SUMINISTRAN LAS PIEZAS SUeltas



FL10 B

01

REGOLATORE DI VELOCITÀ RPV 325 - 1050 F114

Régulateur de vitesse
Drehzahlregler

Speed Governor
Regulador de velocidad

H-2

A2.28

1

-SE PARTES QUE SON
DE PARTI

-ON LEVRE DE MONTAGE
DES PIPIES

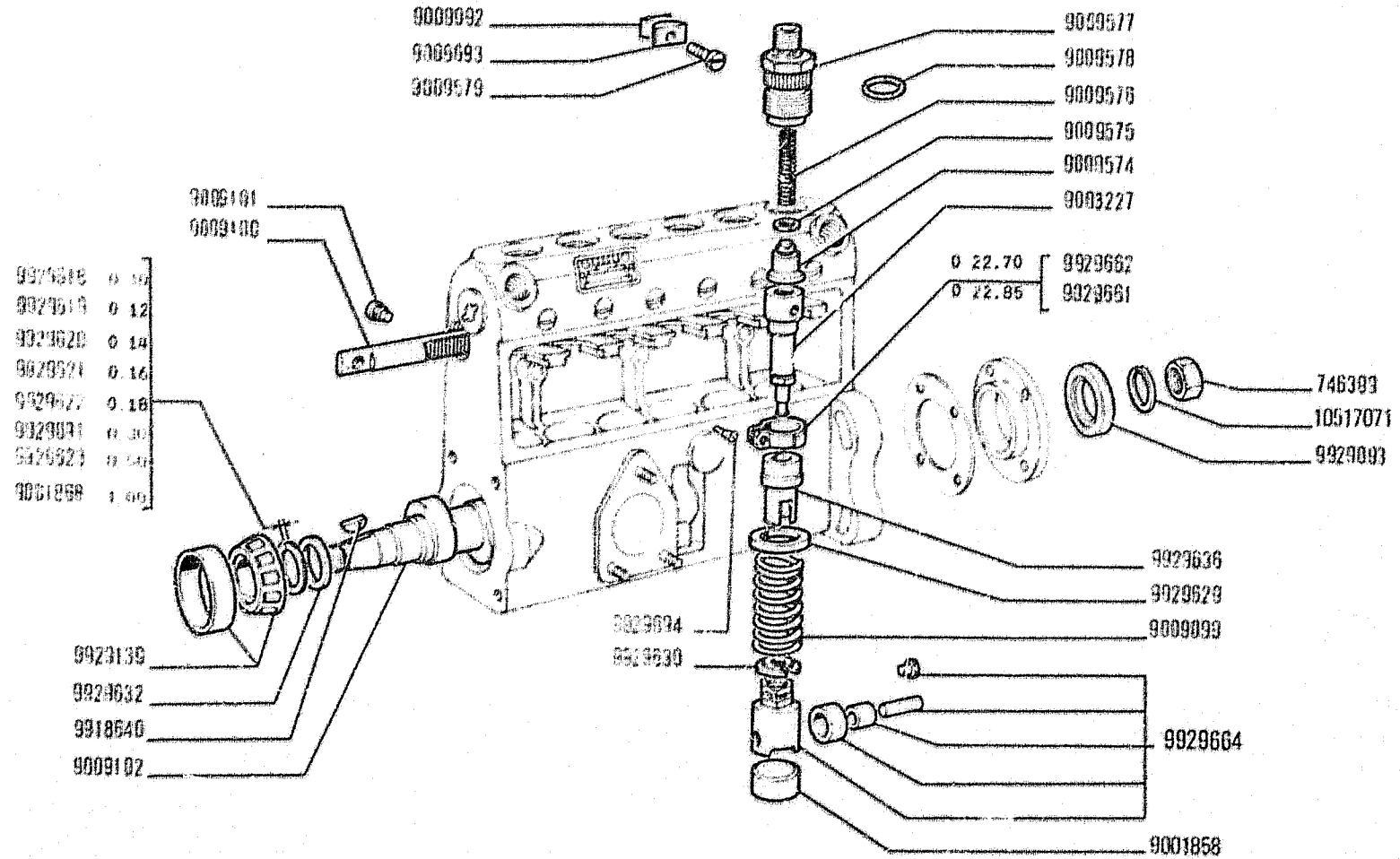
-NUR EINZELTEILE
LIEFERBAR

-ONLY SEPARATE
PARTS ARE SERVICED

-SOLAMENTE SUMINISTRAN
LAS PARTES
SEPARADAS

DAT 102 27

A2.27 / 1A



0 656 R

02495

FL10B
02

POMPA INIEZIONE PES6A90D*410RS2458
Pompe d'injection
Injection Pump
Einspritzpumpe
H-3
Bomba de inyección

A2.27/1A

2

N.T.R. 93
20-11-1981
60-01.012.07

141 -S) FORNISCONO SOLO
LE PARTI

ON LIVRE SEULEMENT
SES PIÉCES

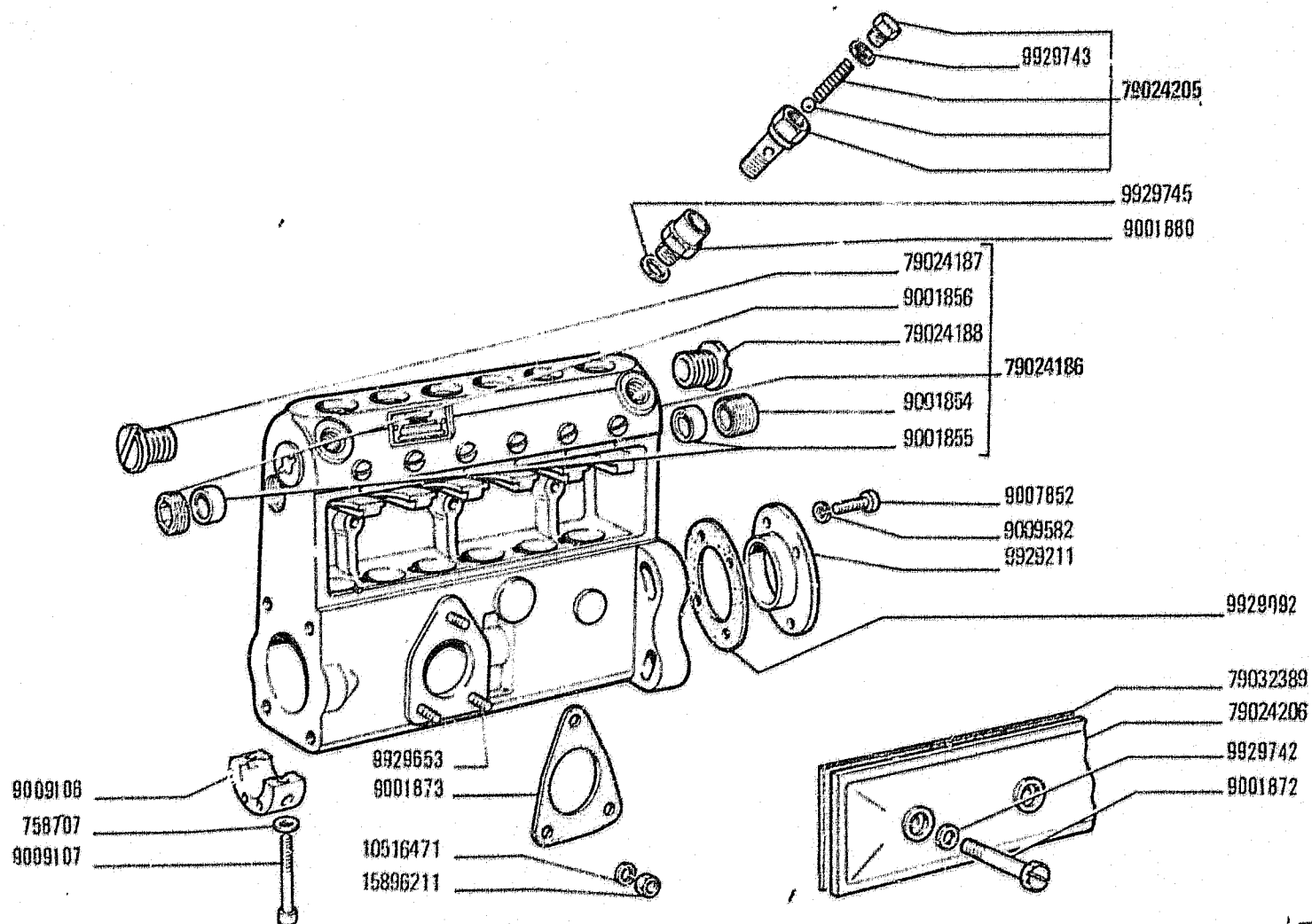
-NUR EINZELTEILE
LIEFERBAR

-ONLY SEPARATE
PARTS ARE SERVICED

-SÓLO SE SUMINISTRAN
LAS PIEZAS
SUeltas

DAT 102 27

A2.27/1A



D656 R

7454

FL10B
02

Pompe d'injection
Einspritzpumpe

POMPA INIEZIONE PES6A90D410RS2458

H-4

Injection Pump
Bomba de inyección

A2.27/1A

1

N.T.R. 93
20.11.1981
604.01.012.07

DAT 102 27 A2.27/1

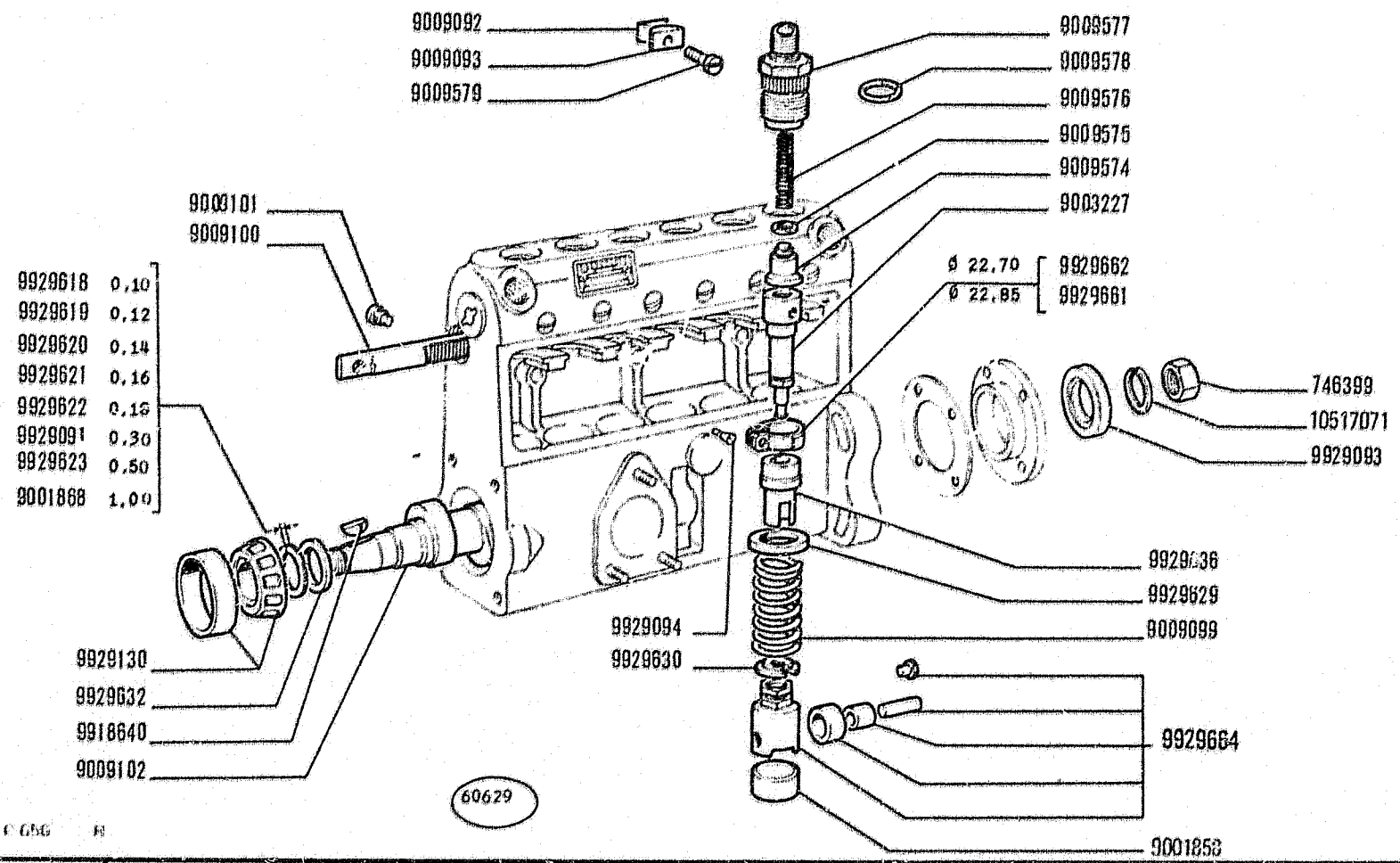
-SE SOMINISCA SOLO LE PARTI

-ON LIVRE SEULEMENT SES PIÉCES

-NUR EINZELTEILE LIEFERBAR

-ONLY SEPARATE PARTS ARE SERVICED

-SOLO SE SOMINIS- TRAN LAS PIEZAS SUELTAS



C 656 E

FL 10B
02

POMPA INIEZIONE PES6A90D410RS2340

Pompe d'injection
Einspritzpumpe

H-5 Injection Pump
Bomba de inyección

A2.27/1

2 N.T.R. 65
1-3-1980
604.01.012.05

(*) -SI FORNISCONO SOLO
LE PARTI

-UN LIVRE SEULEMENT
SES PIÉCES

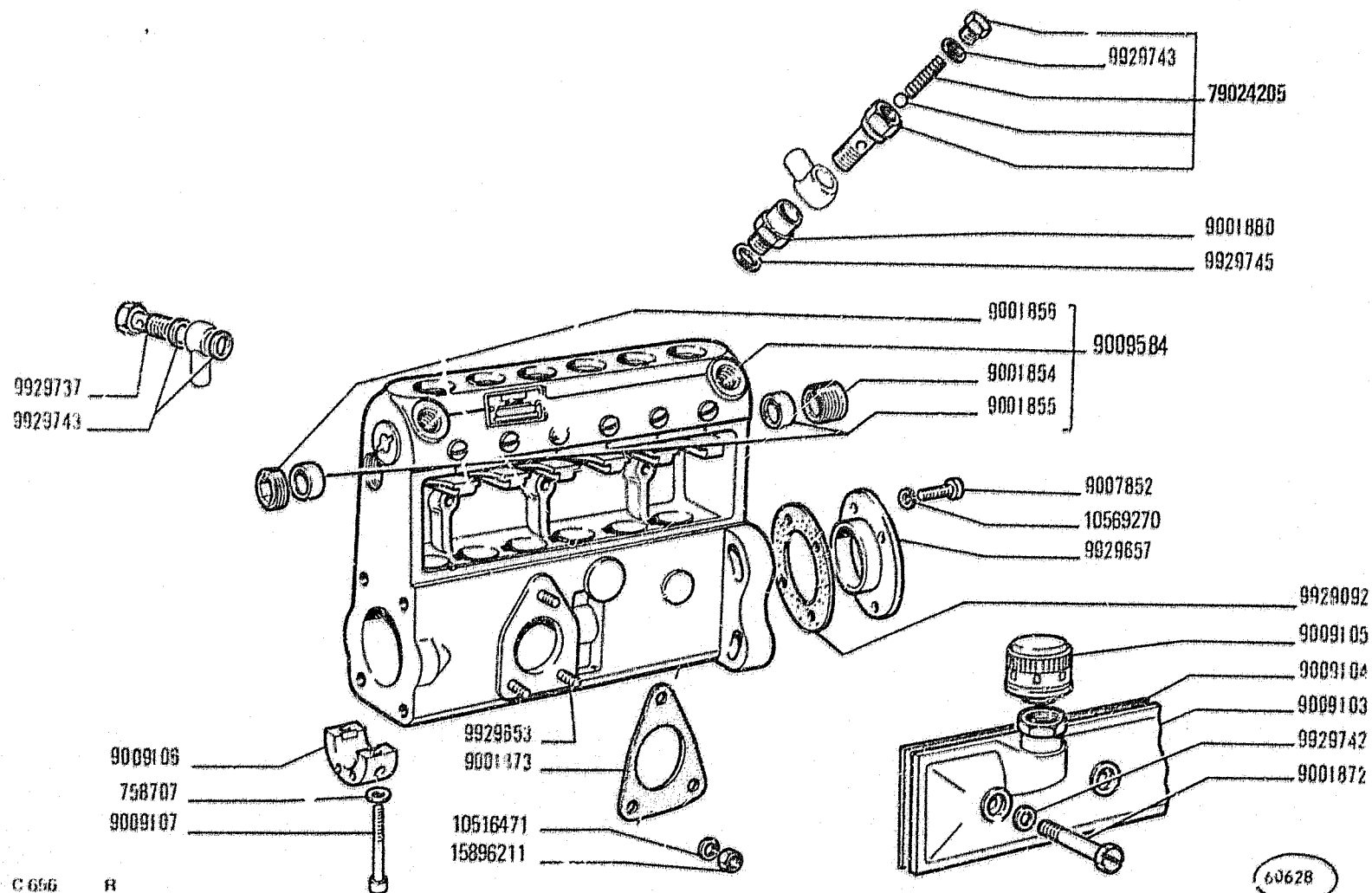
-NUR EINZELTEILE
LIEFERBAR

-ONLY SEPARATE
PARTS ARE SERVICED

-SOLO SE SUMINIS-
TRAN LAS PIEZAS
SUeltas

DAT 102 27

A2.27/1



C 656 R

60628

FL 10B

02

POMPA INIEZIONE PES6A90D410RS2340

Pompe d'injection
Einspritzpumpe

Injection Pump
H-6 Bomba de inyección

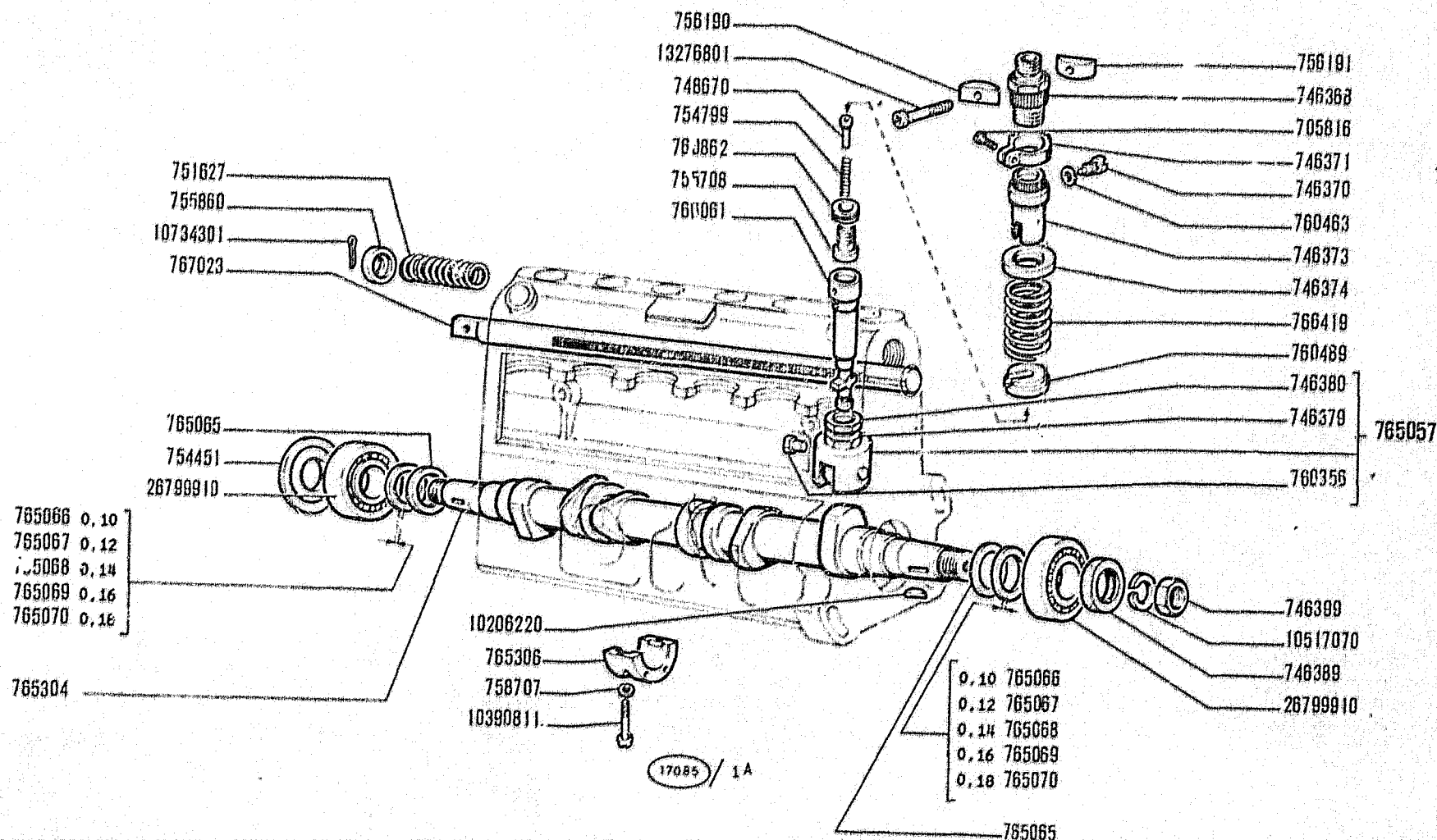
A2.27/1

1

N.T.R. 65
1-3-1980
604.01.012.05

DAT 102 27

A2.27

(*) -SI FORNISCONO SOLO
LE PARTI-ON LIVRE SEULEMENT
SES PIÈCES-NUR EINZELTEILE
LIEFERBAR-ONLY SEPARATE
PARTS ARE SERVICEO-SOLO SE SUMINIS-
TRAN LAS PIEZAS
SUELTAS

FL10 B

01

Pompe d'injection
Einspritzpumpe

POMPA INIEZIONE PES 6A... B... F112

H-7

Injection Pump
Bomba de Inyección

A2.27

2

DAT 102 27

A2.27

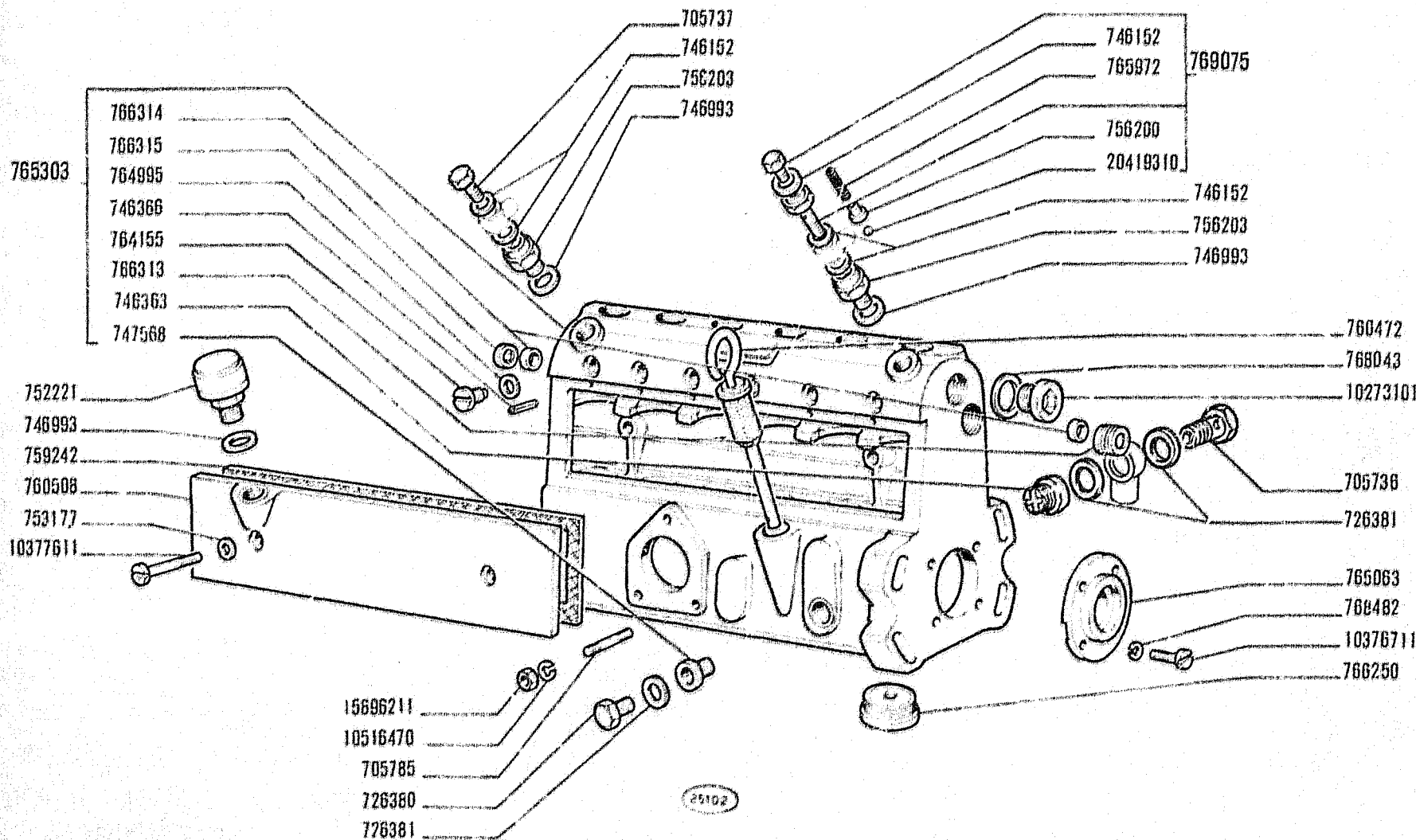
(*1) -SI FORNITOCOMO SOLO LE PARTI

-ON LIVRE SEULEMENT SES PIECES

-NUR EINZELTEILE LIEFERBAR

-ONLY SEPARATE PARTS ARE SERVICED

-SOLO SE SUMINISTRAN LAS PIEZAS SUeltas



FL 10 B

01

Pompe d'injection
Einspritzpumpe

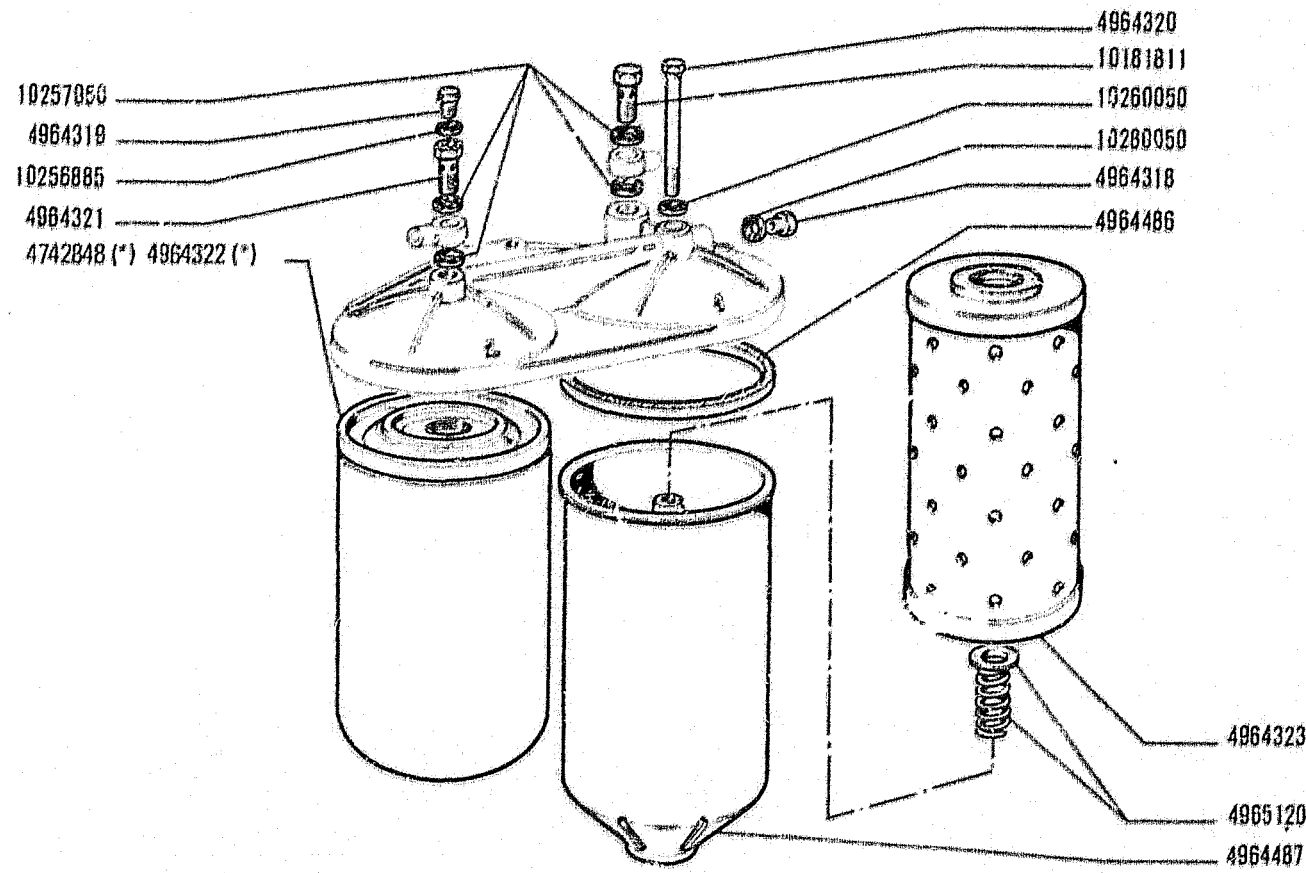
POMPA INIEZIONE PES6A...B... F112

H-8

Injection Pump
Bomba de inyección

A2.27

1



(*) Vedere elenco - Voir la liste - Siehe Tabelle - See list - Véase la lista

19408 A

FL10 B

01 02

FILTRO COMBUSTIBILE 4964501

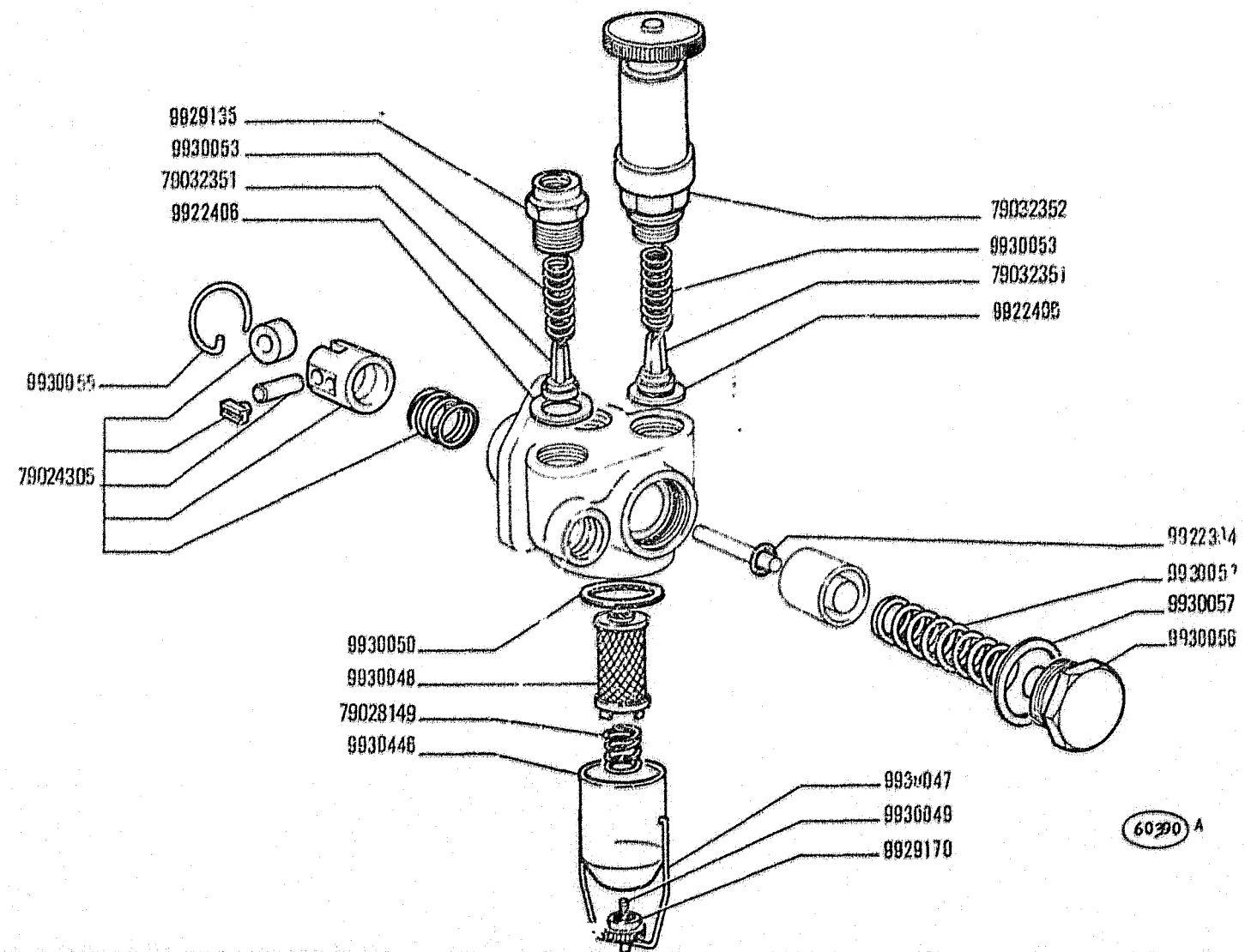
*Filtere à combustible
Kraftstofffilter*

Fuel Filter

H-10 *Filtero de combustible*

A2.26

N.T.R. 65
1-3-1980
604.01.012.05



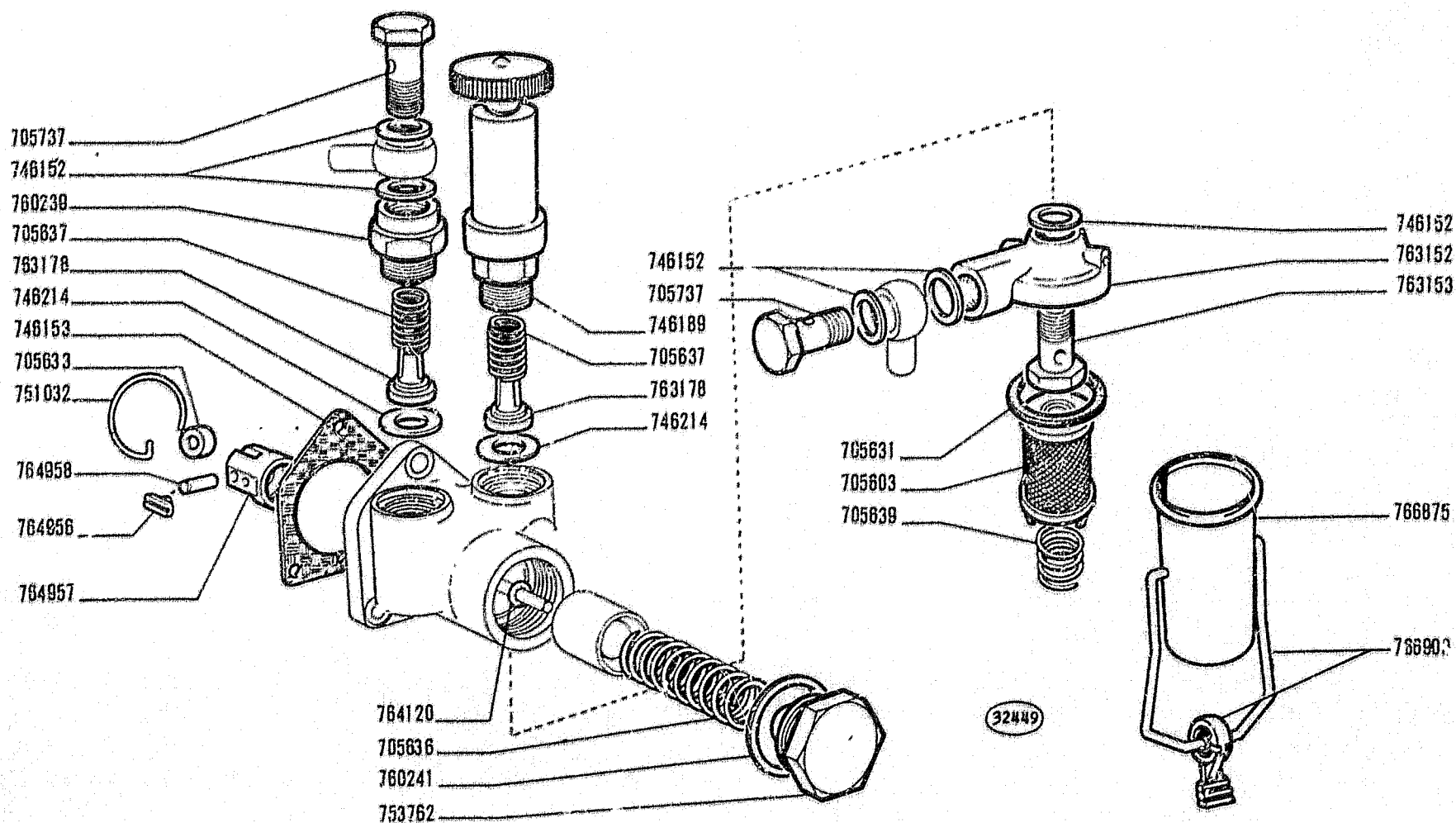
FL 10B
02

POMPA ALIMENTAZIONE 9000808 (Bosch)
Pompe d'alimentation
Kraftstoffpumpe
H-11 *Fuel Pump*
Bomba de alimentación

A2.25/1
 N.T.R. 93
 20.11.1991
 604.01.012.07

DAT 102 25

A2.25



FL10 B

01

POMPA ALIMENTAZIONE 763150

Pompe d'alimentation
Kraftstoffpumpe

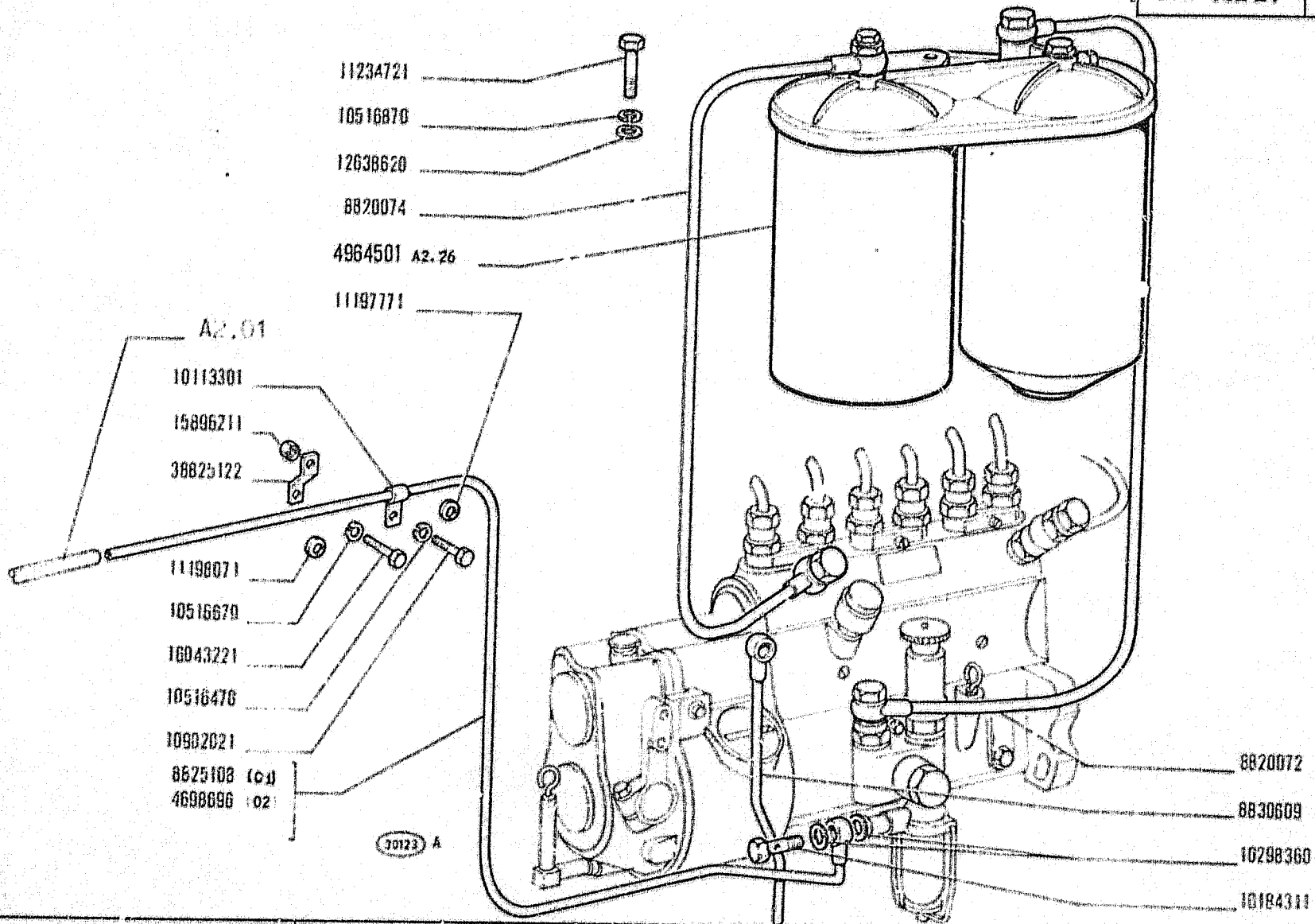
H-12

Fuel Pump
Bomba de alimentación

A2.25

DAT 102 24

A2.24



FL10 B

01 02

ALIMENTAZIONE AD INIEZIONE

Alimentation par injection
Einspritzausrüstung

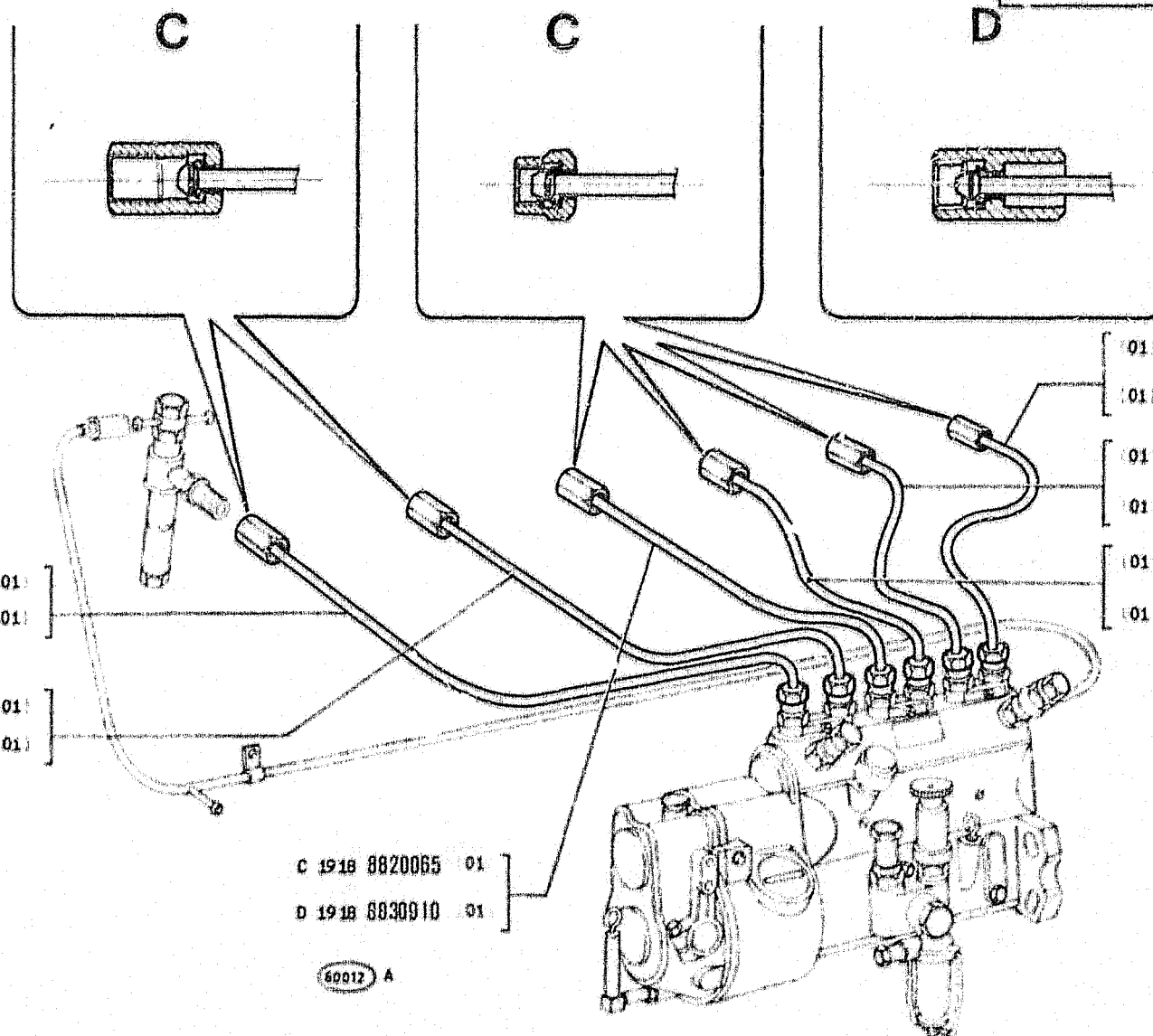
H-13

Fuel Injection System
Alimentación e inyección

A2.24

DAT 102 24

A2.24



FL10 B

01 02

ALIMENTAZIONE AD INIEZIONE

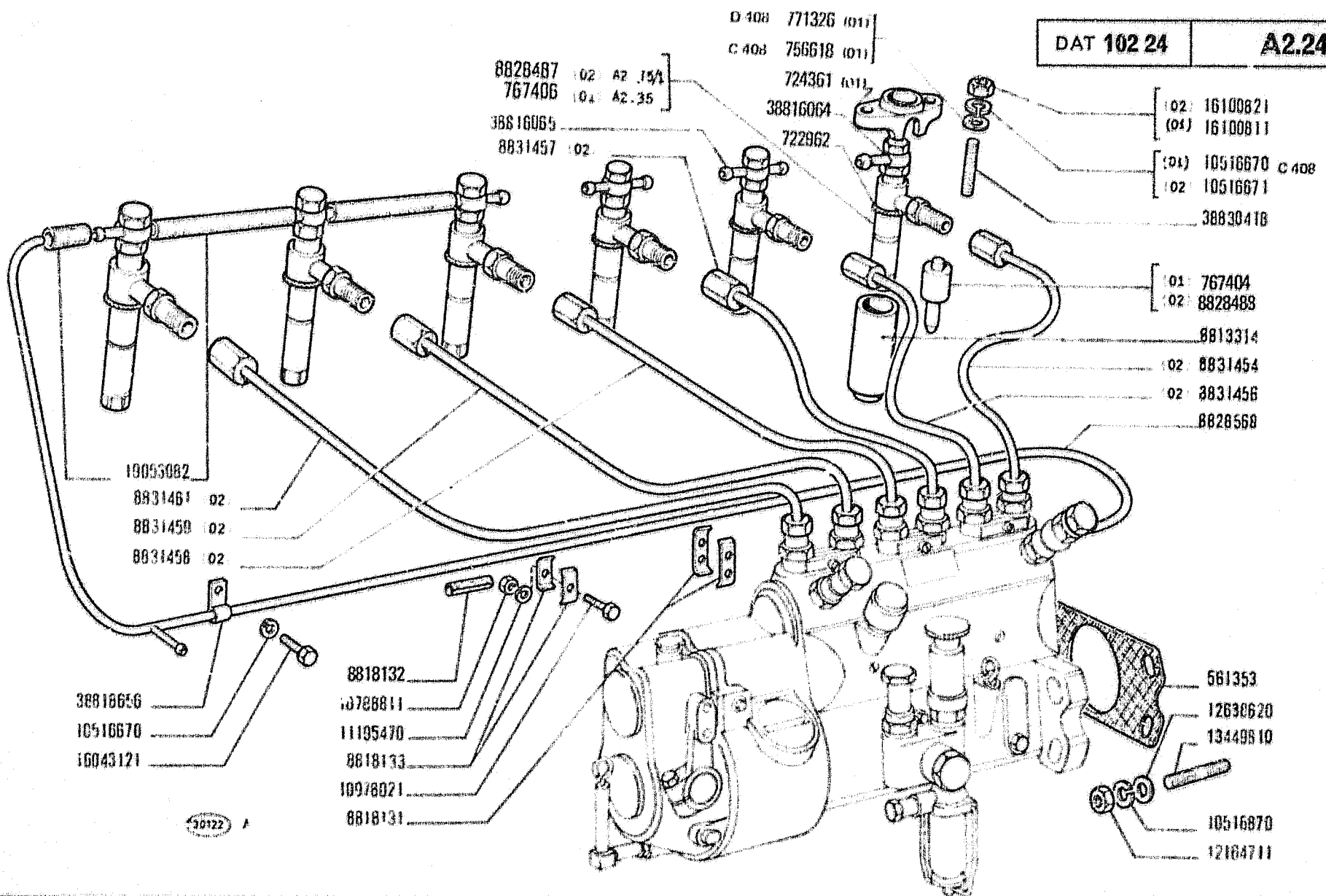
Alimentation par injection
Einspritzausrüstung

H-14

Fuel Injection System
Alimentación e inyección

A2.24

3



DAT 102 24	A2.24
------------	-------

FL 10B
 01 02

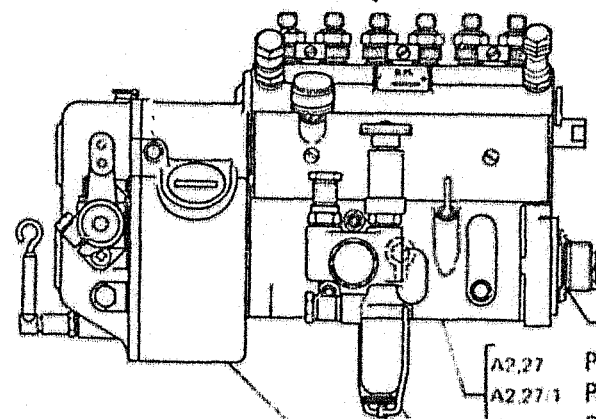
ALIMENTAZIONE AD INIEZIONE
Alimentation par injection
Einspritzausrüstung
H-15 *Fuel Injection System*
Alimentación e Inyección

A2.24

2
 N.T.R. 65
 1-3-1980
 604.01.012-05

DAT 102 24

A2.24



	PZR7F1X	758116			
	WMR11F1X	758709			
A2 27	PES6A....B... F112	(01) (*)	1	(01)	768972
A2 27/1	PES6A90D41GRS2340	(01) (*)	3	C656	
A2 27/1A	PES6A90D41GRS2458	(02) (*)	5	D656	
A2 25	FP/KS22A L4/4	(01)	763150	(02)	771041 C656
A2 25 1	FP/KS22AD23/2	(02)	9000808		
A2 23	RPVA325-1050F 114	(01) (*)	2	(02)	771231 D656
A2 23/1	ROV325 1050AB9230L	(02) (*)	4	C656	
A2 23/1A	ROV325...1050AB.....DL	(02) (*)	6	D656	

30121 A

(*) Vedere elenco - Voir la liste - Siehe Tabelle - See list - Versee la lista

FL 10B

01 02

ALIMENTAZIONE AD INIEZIONE

Alimentation par injection
Einspritzausrüstung

H-16

Fuel Injection System
Alimentación e inyección

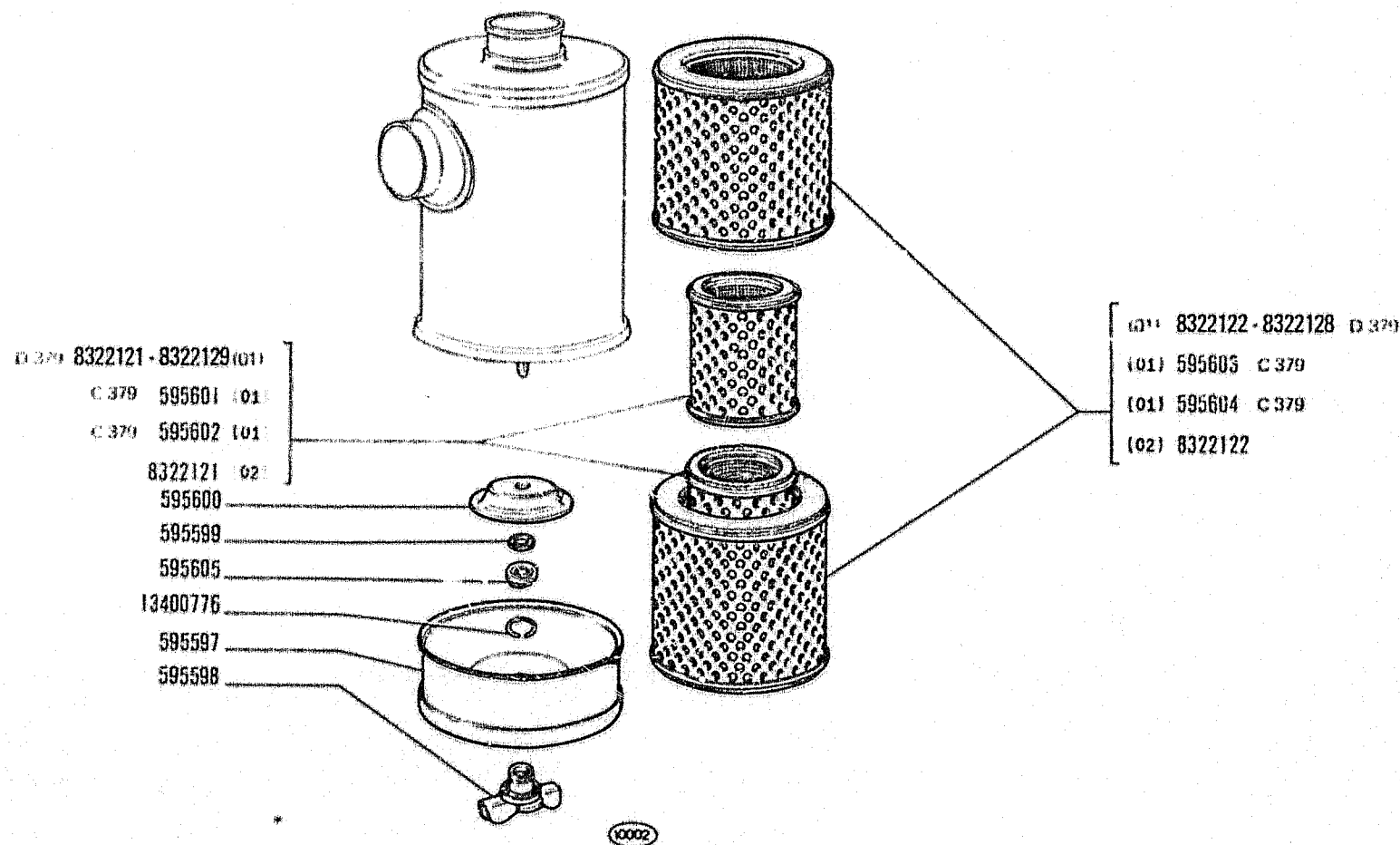
A2.24

1

N.T.R. 65
1-3-1980
804.01.012.05

DAT 102 23

A2.23



FL 10B

01 02

*Filtre à air
Luftfilter*

FILTRO ARIA 595591 - 8322120

H-17

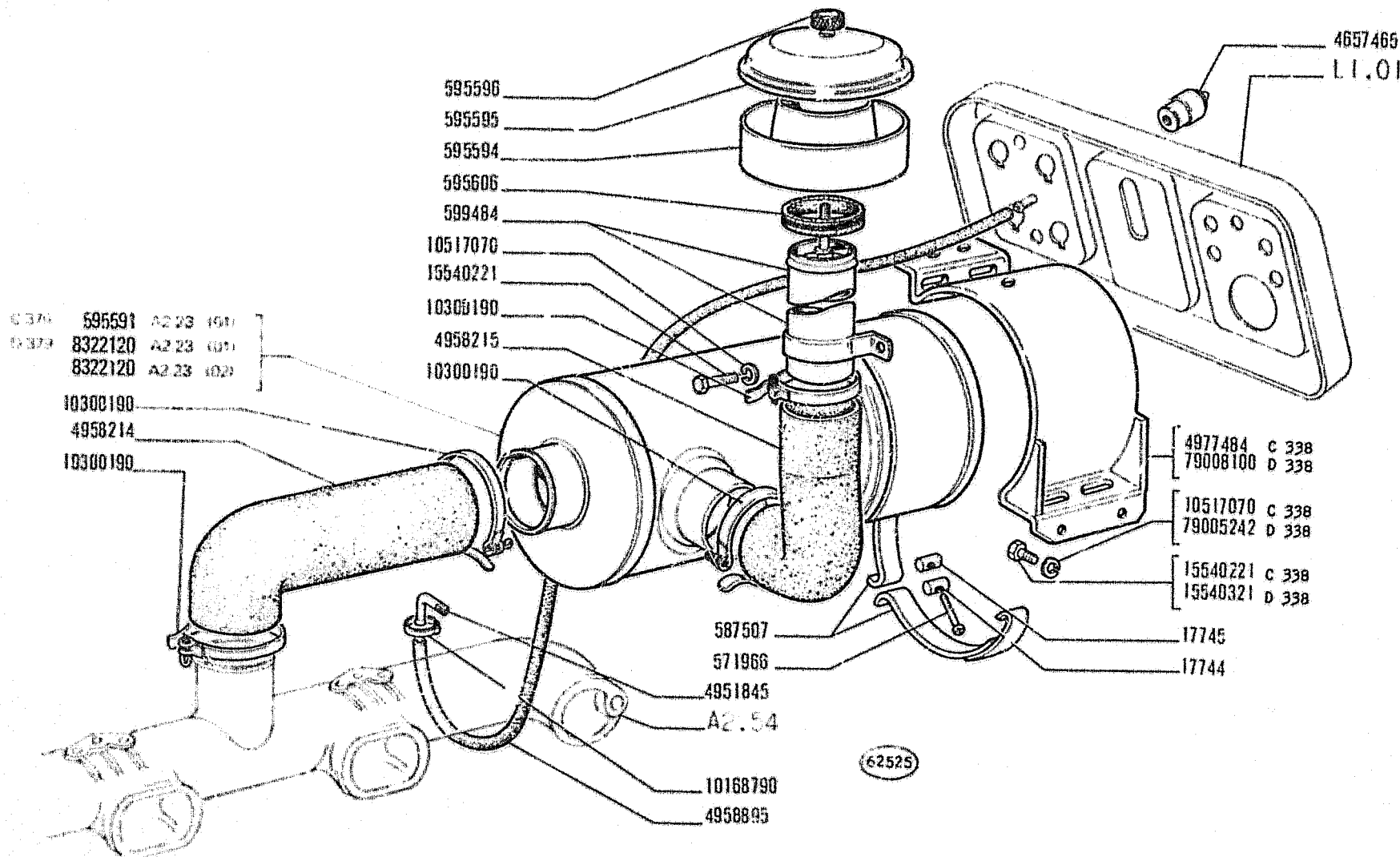
*Air Cleaner
Filtro de aire*

A2.23

N.T.R. 30
1-9-1977
604.01.012.01

DAT 102 22

A2.22



FL 10B

01 02

FILTRO ARIA E TUBAZIONI

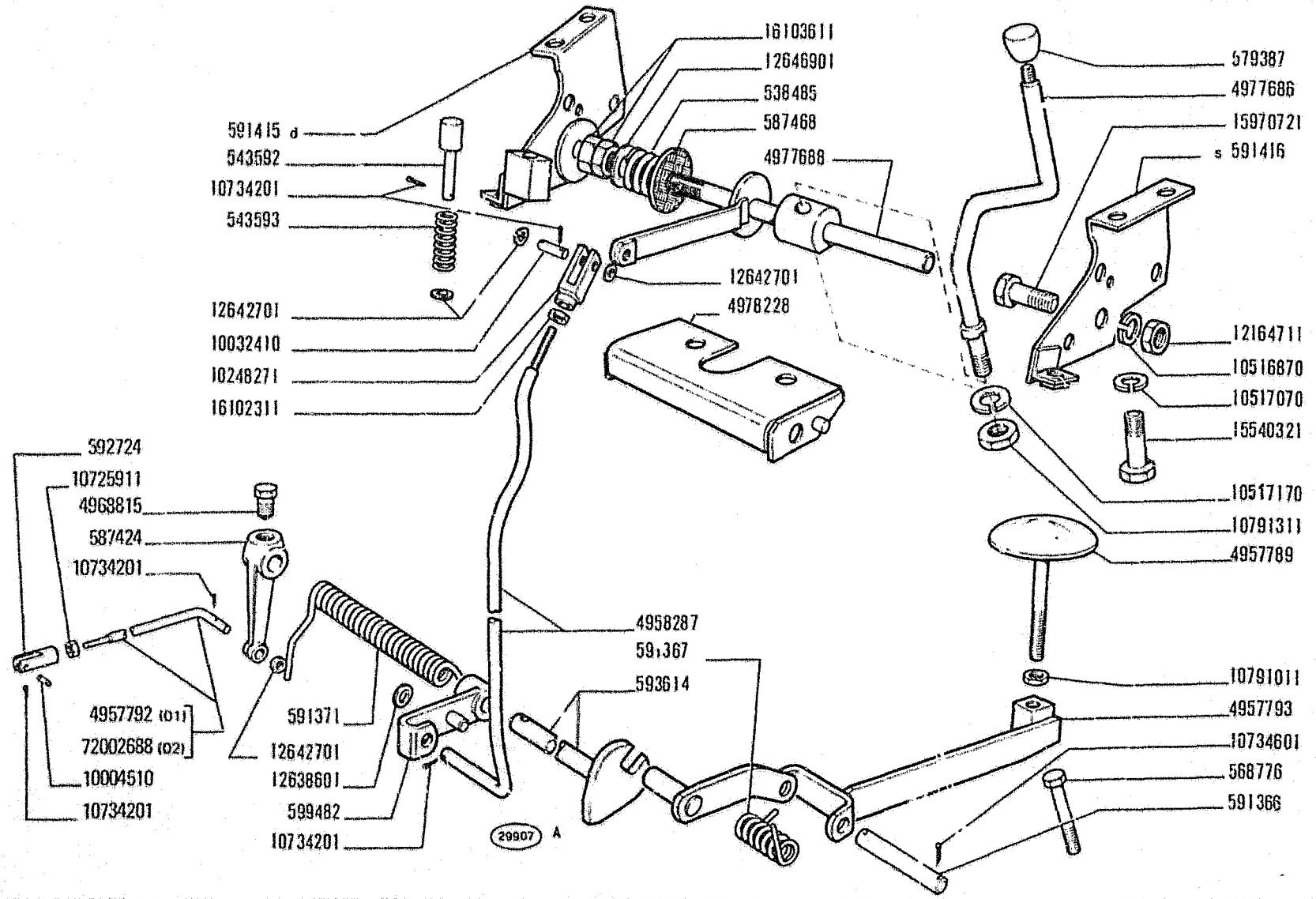
Filtre à air et canalisations
Luftfilter und Leitungen

H-19

Air Cleaner and Ducts
Filtro de aire y tuberías

A2.22

N.T.R. 30
1-9-1977
604.01.012.01



FL 10B
01 02

COMANDI ACCELERATORE
Commandes d'accélérateur
Gasregulierung

H-20

Accelerator Control Linkage
Mandos del acelerador

A

ENGINE • MOTORE • MOTEUR • MOTOR • MOTOR

MODIF	N.ORDINAZ. Q.	DENOMINAZIONE	DESIGNATION	BENENNUNG	DESCRIPTION	DENOMINACIONES	
	767970	1	COPERCHIO	COVERCLE	DECKEL	COVER	TAPA
	767977	1	DADO	ECROU	MUTTER	NUT	TUERCA
	767980	1	PERNO	AXE	BOLZEN	PII,	EJE
	767981	1	SUPPORTO	SUPPORT	LAGER	SUPPORT	SOPORTE
	767982	1	COMANDO COMP.	COMMANDE	BETAETIGUNGS- VORRICHT.	CONTROL	MANDO
	768043	1	ROSETTA DI TENUTA	JOINT D'ETANCHEITE	DICHTRING	GASKET	JUNTA HERMETICA
	768161	1	MOLLA	RESSORT	FEDER	SPRING	RESORTE
	769357	1	GUARNIZIONE	JOINT	DICHTUNG	GASKET	JUNTA
	769542	1	ROSETTA DI TENUTA	JOINT D'ETANCHEITE	DICHTRING	GASKET	JUNTA HERMETICA
	10376611	4	VITE	VIS	SCHRAUBE	SCREW	TORNILLO
	10376711	4	VITE	VIS	SCHRAUBE	SCREW	TORNILLO
	10376811	6	VITE	VIS	SCHRAUBE	SCREW	TORNILLO
	10378811	1	VITE	VIS	SCHRAUBE	SCREW	TORNILLO
	10516470	6	ROSETTA DI SICUREZZA	RONDELLE FREIN	SICHERUNGSRING	LOCKWASHER	ARANDELA DE FRENO
	10734101	2	COPIGLIA	GOUPILLE FENDUE	SPLINT	SPLIT PIN	PASADOR ABIERTO
	10734401	1	COPIGLIA	GOUPILLE FENDUE	SPLINT	SPLIT PIN	PASADOR ABIERTO
	10788811	1	DADO	ECROU	MUTTER	NUT	TUERCA
	10902311	2	VITE	VIS	SCHRAUBE	SCREW	TORNILLO
	11195470	1	ROSETTA DI SICUREZZA	RONDELLE FREIN	SICHERUNGSRING	LOCKWASHER	ARANDELA DE FRENO
	12639770	1	ROSETTA	RONDELLE	SCHNEIBE	WASHER	ARANDELA
	13824611	1	VITE CON ROSETTA	VIS AVEC RONDELLE	SCHRAUBE MIT SCHNEIBE	SCREW AND WASHER ASSY	TORNILLO CON ARAN- DELA
	14161970	1	SPINA	GOUPILLE	STIFT	PIN	PASADOR
	14164170	1	SPINA	GOUPILLE	STIFT	PIN	PASADOR
	15896211	1	DADO	ECROU	MUTTER	NUT	TUERCA

MODIF	N.ORDINAZ. O.	DEMINAZIONE	DESIGNATION	BEKENNUNG	DESCRIPTION	DEMINAZIONES	
	766395	6	VITE	VIS	SCHRAUBE	SCREW	TORNILLO
	767566	1	TAPPO	BOUCHON	STOPFEN	PLUG	TAPON
70027200	768777	1	SPINA	GOMPILE	STIFT	PIN	PASADOR
	769836	2	MOLLA	RESSORT	FEDER	SPRING	RESORTE
	770444	2	MOLLA	RESSORT	FEDER	SPRING	RESORTE
	9001882	2	PIATTELLO	COUPELLE	TELLERSCHLEIBE	PLATE	PLATILLO
700236 05	9001908		ROSETTA SP.2,05	RONDELLE	SCHLEIBE	WASHER	ARANDELA
7002360	9001907		ROSETTA SP.2,10	RONDELLE	SCHLEIBE	WASHER	ARANDELA
	9001906	1	DADO	ECROU	MUTTER	NUT	TUERCA
	9001909	1	VITE	VIS	SCHRAUBE	SCREW	TORNILLO
70023605	9001920	1	SUPPORTO	SUPPORT	LAGER	SUPPORT	SOPORTE
70023605	9001920	2	PIASTRINA-SPessore	CALE	DISTANZSCHLEIBE	SHIM	SUPLEMENTO
70024317	9001937	1	LEVA	LEVIER	HEBEL	LEVER	PALANCA
	9001935	1	MOLLA	RESSORT	FEDER	SPRING	RESORTE
	9001936	1	ANELLO	BOUGE	RING	RING	ANILLO
70023600	9001937	2	TAPPO	BOUCHON	STOPFEN	PLUG	TAPON
70023600	9001938	2	GUARNIZIONE DI TENUTA	JOINT	DICHTUNG	GASKET	JUNTA
70023603	9001942	2	BUSSOLA	GOMPILE	GEWINDBRUEHSE	BUSHING	CASQUILLO
	9001942	1	TAPPO	BOUCHON	STOPFEN	PLUG	TAPON
70023600	9001944	2	PIASTRINA-SPessore	CALE	DISTANZSCHLEIBE	SHIM	SUPLEMENTO
10002727	9001947	1	VITE	VIS	SCHRAUBE	SCREW	TORNILLO
	9001950	1	VITE	VIS	SCHRAUBE	SCREW	TORNILLO
	9001951	1	VITE	VIS	SCHRAUBE	SCREW	TORNILLO
	9001957	1	PIASTRINA-SPessore	CALE	DISTANZSCHLEIBE	SHIM	SUPLEMENTO
	9001959	1	GUARNIZIONE DI TENUTA	JOINT	DICHTUNG	GASKET	JUNTA
	9002156	1	CAPPUCCIO	CAPUCHON	SCHUTZKAPPE	HOOT	CAPUCHON
	9007827	1	MASSA CENTRIFUGA COMPL.	MASSELOTTE	FLIEHGEWICHT	WEIGHT	CONTRAPESO
	9007031	1	PERNO DI FISSAGGIO	CHEVILLE	BOLZEN	PIN	PASADOR
70027607	9007832	1	TRASMISSIONE FLESSI- BILE	TRANSMISSION FLEXIBLE	BIEGSAHE NELLE	FLEXIBLE SHAFT	ARBOL FLEXIBLE
70023700	9007833	1	SUPPORTO	SUPPORT	LAGER	SUPPORT	SOPORTE
	9007836	2	VITE	VIS	SCHRAUBE	SCREW	TORNILLO
15000411	9007837	2	DADO	ECROU	MUTTER	NUT	TUERCA
	9007838	1	GUARNIZIONE DI TENUTA	JOINT	DICHTUNG	GASKET	JUNTA
	9007840	2	GUARNIZIONE DI TENUTA	JOINT	DICHTUNG	GASKET	JUNTA
70023800	9008654	1	ANELLO DI SICUREZZA	ARRETOIR	SICHERUNGSRING	LOCKRING	ANILLO DE FRENO
	9009109	2	MOLLA	RESSORT	FEDER	SPRING	RESORTE
	9009112	2	PIATTELLO	COUPELLE	TELLERSCHLEIBE	PLATE	PLATILLO
	9009113	1	CILINDRETTO	CYLINDRE	ZYLINDER	CYLINDER	CILINDRO
	9009114	1	SNODO	ARTICULATION	GELENK	ARTICULATION	ARTICULACION
700236 70	9009115	1	LEVA	LEVIER	HEBEL	LEVER	PALANCA
	9009117	1	PIASTRINA	PLAQUETTE	PLAETTCHEN	PLATE	PLACA
70023605	9009119	1	LEVA	LEVIER	HEBEL	LEVER	PALANCA
	9009121	1	PIASTRINA SP.0,2	PLAQUETTE	PLAETTCHEN	PLATE	PLACA
	9009122	1	PIASTRINA SP.0,3	PLAQUETTE	PLAETTCHEN	PLATE	PLACA

MODIF	N. ORDINEZ. Q.	DENOMINAZIONE	DESIGNATION	BENENNUNG	DESCRIPTION	DENOMINACIONES
79023652	9009123	1 VITE	VIS	SCHRAUBE	SCREW	TORNILLO
79023653	9009124	2 DADO	ECROU	MUTTER	NUT	TUERCA
	9009127	1 GUARNIZIONE DI TENUTA	JOINT	DICHTUNG	GASKET	JUNTA
	9009128	1 GUARNIZIONE DI TENUTA	JOINT	DICHTUNG	GASKET	JUNTA
	9009620	1 VITE	VIS	SCHRAUBE	SCREW	TORNILLO
	9009625	PIASTRINA-SPESSORE SP,0,8	CALE	DISTANZSCHEIBE	SHIM	SUPLEMENTO
	9009626	PIASTRINA-SPESSORE SP,0,5	CALE	DISTANZSCHEIBE	SHIM	SUPLEMENTO
	9009628	2 PRIGIONIERO	GOIJON	STIFTSCHRAUBE	STUD	ESPARRAGO
	9009639	1 VITE DI REGOLAZIONE	VIS DE REGLAGE	EINSTELLSCHRAUBE	ADJ/SCREW	TORNILLO DE REGLAJE
	9009640	1 ROSETTA DI SICUREZZA	RONDELLE FREIN	SICHERUNGSRING	LOCKWASHER	ARANDELA DE FRENO
	9009641	1 MOLLA	RESSORT	FEDER	SPRING	RESORTE
	9009643	1 BOCOLA FILETTATA	BAGUE FILETEE	GEWINDEBUCHSE	THREADED BUSH	TUERCA
	9009644	BOCCOLA DI GUIDA SP,1,8 BLEU	DOUILLE DE GUIDAGE	FUEHRUNGSBUCHSE	BUSHING	CASQUILLO GUIDA
	9009645	BOCCOLA DI GUIDA SP,1,85 VERDE-BIANCO	DOUILLE DE GUIDAGE	FUEHRUNGSBUCHSE	BUSHING	CASQUILLO GUIDA
	9009646	BOCCOLA DI GUIDA SP,1,9 ROSSO	DOUILLE DE GUIDAGE	FUEHRUNGSBUCHSE	BUSHING	CASQUILLO GUIDA
	9009647	BOCCOLA DI GUIDA SP,1,95 BIANCO	DOUILLE DE GUIDAGE	FUEHRUNGSBUCHSE	BUSHING	CASQUILLO GUIDA
	9009648	BOCCOLA DI GUIDA SP,2 VERDE	DOUILLE DE GUIDAGE	FUEHRUNGSBUCHSE	BUSHING	CASQUILLO GUIDA
	9009649	BOCCOLA DI GUIDA SP,2,05 NERO	DOUILLE DE GUIDAGE	FUEHRUNGSBUCHSE	BUSHING	CASQUILLO GUIDA
	9009650	BOCCOLA DI GUIDA SP,2,10 GIALLO	DOUILLE DE GUIDAGE	FUEHRUNGSBUCHSE	BUSHING	CASQUILLO GUIDA
	9009651	BOCCOLA DI GUIDA SP,2,15 GRIGIO	DOUILLE DE GUIDAGE	FUEHRUNGSBUCHSE	BUSHING	CASQUILLO GUIDA
	9009652	1 ANELLO DI SICUREZZA	ARRETOIR	SICHERUNGSRING	LOCKRING	ANILLO DE FRENO
	9010960	1 COPIGLIA	GOUPILLE FENDUE	SPLINT	SPLIT PIN	PASADOR ABIERTO
79023655	9011295	4 SETTORE	TIRANT	SPREIZSTANGE	STRUT	BIELA
	9011280	1 ALBERINO	ARBRE	WELLE	SHAFT	ARBOL
	9016172	1 ROSETTA	RONDELLE	SCHIEBE	WASHER	ARANDELA
79023656	9017853	2 SPINA	GOUPILLE	STIFT	PIN	PASADOR
79023657	9017850	2 SPINA	GOUPILLE	STIFT	PIN	PASADOR
11199471	9016880	2 ROSETTA DI SICUREZZA	RONDELLE FREIN	SICHERUNGSRING	LOCKWASHER	ARANDELA DE FRENO
10546671	9016899	1 ROSETTA DI SICUREZZA	RONDELLE FREIN	SICHERUNGSRING	LOCKWASHER	ARANDELA DE FRENO
	9016383	1 ROSETTA DI SICUREZZA	RONDELLE FREIN	SICHERUNGSRING	LOCKWASHER	ARANDELA DE FRENO
14396211	9016630	1 DADO	ECROU	MUTTER	NUT	TUERCA
12704071	9020630	1 ROSETTA DI SICUREZZA	RONDELLE FREIN	SICHERUNGSRING	LOCKWASHER	ARANDELA DE FRENO
	9024972	2 VITE	VIS	SCHRAUBE	SCREW	TORNILLO
15076021	9026854	2 DADO	ECROU	MUTTER	NUT	TUERCA
	9029099	1 PERNO DI FISSAGGIO	CHEVILLE	BOLZEN	PIN	PASADOR

MODIF	N.ORDINAZ. Q.	DENOMINAZIONE	DESIGNATION	BEZEHNUNG	DESCRIPTION	DENOMINACIONES
19023657	9929127	1	LINGUETTA	LINGUET	SCHEIBENFEDER	CHAVETA
	9929142	1	VITE	SCHRAUBE	SCREW	TORNILLO
19023658	9929166	1	COPIGLIA	GOUPILE FENDUE	SPLINT	PASADOR ABIERTO
	9929609	2	ROSETTA	RONDELLE	SCHETBE	ARANDELA
19023657	9929671		ROSETTA SP.2,00	RONDELLE	SCHETBE	ARANDELA
19023656	9929672		ROSETTA SP.1,90	RONDELLE	SCHETBE	ARANDELA
19023653	9929673		ROSETTA SP.1,80	RONDELLE	SCHETBE	ARANDELA
19023651	9929674		ROSETTA SP.1,70	RONDELLE	SCHETBE	ARANDELA
19023652	9929675		ROSETTA SP.1,75	RONDELLE	SCHETBE	ARANDELA
19023654	9929676		ROSETTA SP.1,85	RONDELLE	SCHETBE	ARANDELA
19023656	9929677		ROSETTA SP.1,95	RONDELLE	SCHETBE	ARANDELA
19023659	9929678		ROSETTA SP.1,60	RONDELLE	SCHETBE	ARANDELA
19023650	9929679		ROSETTA SP.1,65	RONDELLE	SCHETBE	ARANDELA
	9929699	1	PERNO DI FISSAGGIO	CHEVILLE	BOLZEN	PASADOR
	9929701	1	TAPPO	BOUCHON	STOPFEN	TAPON
	9929702	2	DADO	ECROU	MUTTER	TUERCA
19030477	9929741	3	ROSETTA DI SICUREZZA	RONDELLE FREIN	SICHERUNGSRING	ARANDELA DE FRENO
	9930414	1	ROSETTA DI TENUTA	JOINT D'ETANCHEITE	DICHTRING	GASKET
	9930415		ROSETTA SP.0,5	RONDELLE	SCHETBE	ARANDELA
	9930415		ROSETTA SP.0,3	RONDELLE	SCHETBE	ARANDELA
	9930416	1	BUSSOLA	BOUILLE	GEWINDEBUECHSE	CASQUILLO
	9930417	1	COPPA	CARTER	WANNE	CARTER
	9930418	1	SQUADRETTA	EQUERRE	HALTER	APOYO
	9930419	1	LEVA	LEVIER	HEBEL	PALANCA
	9930420	1	FORCELLINO	FOURCHE	GABEL	HORQUILLA
	9930421	1	LEVA	LEVIER	HEBEL	PALANCA
	9930423	1	DADO	ECROU	MUTTER	TUERCA
	9930425	1	VITE DI REGOLAZIONE	VIS DE REGLAGE	EINSTELL SCHRAUBE	TORNILLO DE REGLA- JE
	9930428	1	PERNO	AXE	BOLZEN	EJE
	9930429	1	MOLLA	RESSORT	FEDER	RESORTE
	9930430	1	SCATOLA	CARTER	GEHAUSE	CAJA
	9930433	5	CORREDO, COMPOSTO DA 1	POCHETTE-COMTE- NANT ...	AUSRUESTUNG BE- STEHEND AUS ...	EQUIPO-COMPUSTO DE ...
	9930435	1	COPIGLIA	GOUPILE FENDUE	SPLINT	PASADOR ABIERTO
	9930436	1	ANELLO	RAGUE	RING	ANILLO
	9930437	1	VITE	VIS	SCHRAUBE	TORNILLO
	9930438	6	VITE	VIS	SCHRAUBE	TORNILLO
19030471	9930439	1	VITE	VIS	SCHRAUBE	TORNILLO
	9930455	1	COPERCHIO COMPL.	COUVERCLE	DECKEL	TAPA
	19030425	5	CORREDO COMPOSTO DA 2	POCHETTE CONTINANT	AUSRUESTUNG BE- STEHEND AUS	EQUIPO COMPUSTO DE

MODIF.	N.ORDIN.	Q.	DENOMINAZIONE	DESIGNATION	BENENNUNG	DESCRIPTION	DENOMINACIONES
	767584	2	TAPPO	BOUCHON	STOPFEN	PLUG	TAPON
	769836	2	MOLLA	RESSORT	FEDER	SPRING	RESORTE
	770444	2	MOLLA	RESSORT	FEDER	SPRING	RESORTE
	9001882	2	PIATTELLO	COUPELLE	TELLERSCHEIBE	PLATE	PLATILLO
	9001906	1	DADO	ECROU	MUTTER	NUT	TUERCA
79037382	9001909	1	VITE	VIS	SCHRAUBE	SCREW	TORNILLO
	9001936	1	MOLLA	RESSORT	FEDER	SPRING	RESORTE
	9001939	1	ANELLO	BAGUE	RING	RING	ANILLO
	9001950	1	VITE	VIS	SCHRAUBE	SCREW	TORNILLO
	9002166	1	CAPPUCCIO	CAPUCHON	SCHUTZKAPPE	BOOT	CAPUCHON
	9007831	1	PERNO DI FISSAGGIO	CHEVILLE	BOLZEN	PIN	PASADOR
	9007836	2	VITE	VIS	SCHRAUBE	SCREW	TORNILLO
	9007838	1	GUARNIZIONE DI TENUTA	JOINT	DICHTUNG	GASKET	JUNTA
	9007840	2	GUARNIZIONE DI TENUTA	JOINT	DICHTUNG	GASKET	JUNTA
	9009109	2	MOLLA	RESSORT	FEDER	SPRING	RESORTE
	9009112	2	PIATTELLO	COUPELLE	TELLERSCHEIBE	PLATE	PLATILLO
	9009113	1	CILINDRETTO	CYLINDRE	ZYLINDER	CYLINDER	CILINDRO
	9009114	1	SNODO	ARTICULATION	GELENK	ARTICULATION	ARTICULACION
	9009117	1	PIASTRINA	PLAQUETTE	PLAETTCHEN	PLATE	PLACA
	9009121		PIASTRINA sp. 0,2	PLAQUETTE	PLAETTCHEN	PLATE	PLACA
	9009122		PIASTRINA sp. 0,3	PLAQUETTE	PLAETTCHEN	PLATE	PLACA
	9009127	1	GUARNIZIONE DI TENUTA	JOINT	DICHTUNG	GASKET	JUNTA
	9009128	1	GUARNIZIONE DI TENUTA	JOINT	DICHTUNG	GASKET	JUNTA
	9009620	1	VITE	VIS	SCHRAUBE	SCREW	TORNILLO
	9009625		PIASTRINA-SPESSORE sp.0,8	CALE	DISTANZSCHEIBE	SHIM	SUPLEMENTO
	9009626		PIASTRINA-SPESSORE sp.0,6	CALE	DISTANZSCHEIBE	SHIM	SUPLEMENTO
	9010960	1	COPIGLIA	GOUPILE FENDUE	SPLINT	SPLIT PIN	PASADOR ABIERTO
	9011200	1	ALBERINO	ARBRE	WELLE	SHAFT	ARBOL
	9016172	1	ROSETTA	RONDELLE	SCHEIBE	WASHER	ARANDELA
	9923751	1	VITE	VIS	SCHRAUBE	SCREW	TORNILLO
	9929099	1	PERNO DI FISSAGGIO	CHEVILLE	BOLZEN	PIN	PASADOR
	9929609	4	ROSETTA	RONDELLE	SCHEIBE	WASHER	ARANDELA
	9929699	1	PERNO DI FISSAGGIO	CHEVILLE	BOLZEN	PIN	PASADOR
	9929701	1	TAPPO	BOUCHON	STOPFEN	PLUG	TAPON
	9929702	2	DADO	ECROU	MUTTER	NUT	TUERCA
	9930414		ROSETTA sp. 0,5	RONDELLE	SCHEIBE	WASHER	ARANDELA
	9930415		ROSETTA sp. 0,3	RONDELLE	SCHEIBE	WASHER	ARANDELA
	9930418	1	SQUADRETTA	EQUERRE	HALTER	BRACKET	APOYO
	9930419	1	LEVA	LEVIER	HEBEL	LEVER	PALANCA
	9930421	1	LEVA	LEVIER	HEBEL	LEVER	PALANCA
	9930422	1	PERNO	AXE	BOLZEN	PIN	EJE
	9930424	1	BOCCHETTONE	VIS RACCORD	HOHLSCHRAUBE	UNION	BOQUILLA
	9930426	1	VITE	VIS	SCHRAUBE	SCREW	TORNILLO
	9930427	1	VITE	VIS	SCHRAUBE	SCREW	TORNILLO

MODIF	N.ORDIN.	Q.	DENOMINAZIONE	DESIGNATION	BENENNUNG	DESCRIPTION	DENOMINAZIONES
	9930429	1	MOLLA	RESSORT	FEDER	SPRING	RESORTE
79032351	9930430	1	SCATOLA	CARTER	GENAUSF	CASE	CAJA
	9930435	1	COPIGLIA	GOUPILLE FENDUE	SPLINT	SPLIT PIN	PASADOR ABIERTO
	9930888	6	VITE	VIS	SCHRAUBE	SCREW	TORNILLO
	10516471	3	ROSETTA DI SICUREZZA	RONDELLE FREIN	SICHERUNGSRING	LOCKWASHER	ARANDELA DE FRENO
79035521	10516877	1	ROSETTA DI SICUREZZA	RONDELLE FREIN	SICHERUNGSRING	LOCKWASHER	ARANDELA DE FRENO
	10902421	1	VITE	VIS	SCHRAUBE	SCREW	TORNILLO
79032338	10902527	1	VITE	VIS	SCHRAUBE	SCREW	TORNILLO
79032335	11195471	2	ROSETTA DI SICUREZZA	RONDELLE FREIN	SICHERUNGSRING	LOCKWASHER	ARANDELA DE FRENO
	12604071	1	ROSETTA DI SICUREZZA	RONDELLE FREIN	SICHERUNGSRING	LOCKWASHER	ARANDELA DE FRENO
	15896211	2	DADO	ECROU	MUTTER	NUT	TUERCA
	15896411	2	DADO	ECROU	MUTTER	NUT	TUERCA
	79023645	1	SUPPORTO	SUPPORT	LAGER	SUPPORT	SOPORTE
	79023646	2	PIASTRINA-SPESSORE	CALE	DISTANZSCHEIBE	SHIM	SUPLEMENTO
	79023653	2	BUSSOLA	DOUILLE	GEWINDEBUCHSE	BUSHING	CASQUILLO
79032337	79023655	1	LEVA	LEVIER	HEBEL	LEVER	PALANCA
	79023656	2	SPINA	GOUPILLE	STIFT	PIN	PASADOR
	79023657	1	LINGUETTA	LINGUET	SCHIEBENFEDER	KEY	CHAVETA
	79023658	1	VITE	VIS	SCHRAUBE	SCREW	TORNILLO
	79023659	2	SPINA	GOUPILLE	STIFT	PIN	PASADOR
	79023660	2	PIASTRINA-SPESSORE	CALE	DISTANZSCHEIBE	SHIM	SUPLEMENTO
	79023662	1	GUARNIZIONE DI TENUTA	JOINT	DICHTUNG	GASKET	JUNTA
	79023664	1	VITE	VIS	SCHRAUBE	SCREW	TORNILLO
	79023666	2	TAPPO	BOUCHON	STOPFEN	PLUG	TAPON
	79023667	1	PIASTRINA-SPESSORE	CALE	DISTANZSCHEIBE	SHIM	SUPLEMENTO
	79023668	1	VITE	VIS	SCHRAUBE	SCREW	TORNILLO
	79023670	1	LEVA	LEVIER	HEBEL	LEVER	PALANCA
	79023684	1	GUARNIZIONE DI TENUTA	JOINT	DICHTUNG	GASKET	JUNTA
79035520	79023685	1	MASSA CENTRIFUGA	MASSELOTTE	FLIEHGEWICHT	WEIGHT	CONTRAPESO
	79023687	1	TRASMISSIONE FLESSIBILE	TRANSMISSION	BIEGSAME WELLE	FLEXIBLE SHAFT	ARBOL FLEXIBLE
	79023688	4	SETTORE	TIRANT	SPREIZSTANGE	STRUT	BIELA
	79023689		ROSETTA sp. 1,60	RONDELLE	SCHIEBE	WASHER	ARANDELA
	79023690		ROSETTA sp. 1,65	RONDELLE	SCHIEBE	WASHER	ARANDELA
	79023691		ROSETTA sp. 1,70	RONDELLE	SCHIEBE	WASHER	ARANDELA
	79023692		ROSETTA sp. 1,75	RONDELLE	SCHIEBE	WASHER	ARANDELA
	79023693		ROSETTA sp. 1,80	RONDELLE	SCHIEBE	WASHER	ARANDELA
	79023694		ROSETTA sp. 1,85	RONDELLE	SCHIEBE	WASHER	ARANDELA
	79023695		ROSETTA sp. 1,90	RONDELLE	SCHIEBE	WASHER	ARANDELA
	79023696		ROSETTA sp. 1,95	RONDELLE	SCHIEBE	WASHER	ARANDELA
	79023697		ROSETTA sp. 2,00	RONDELLE	SCHIEBE	WASHER	ARANDELA
	79023698		ROSETTA sp. 2,05	RONDELLE	SCHIEBE	WASHER	ARANDELA
	79023699		ROSETTA sp. 2,10	RONDELLE	SCHIEBE	WASHER	ARANDELA
	79023700	1	SCODELLINO	CUVETTE	TELLERSCHIEBE	CUP	PLATILLO
	79023852	1	COPIGLIA	GOUPILLE FENDUE	SPLINT	SPLIT PIN	PASADOR ABIERTO

MODIF.	N.ORDIN.	Q.	DENOMINAZIONE	DESIGNATION	BENENNUNG	DESCRIPTION	DENOMINACIONES
	79024313	1	CORREDO composto da 1	POCHETTE-CONTENANT 1	AUSRÜSTUNG BESTEHEND AUS 1	KIT-CONSISTING OF 1	EQUIPO-COMPUESTO DE 1
	79024316	1	CORREDO composto da 2	POCHETTE-CONTENANT 2	AUSRÜSTUNG BESTEHEND AUS 2	KIT-CONSISTING OF 2	EQUIPO-COMPUESTO DE 2
	79024316	1	COPERCHIO COMPL.	GOUVERCLE	DECKEL	COVER	TAPA
	79024317	1	LEVA	LEVIER	HEBEL	LEVER	PALANCA
	79024318	1	FORCELLINO	FOURCHE	GABEL	FORK	HORQUILLA
	79024319	1	SPINA	GOUVILLE	STIFT	PIN	PASADOR
	79024321	6	VITE	VIS	SCHRAUBE	SCREW	TORNILLO
	79024322	1	VITE	VIS	SCHRAUBE	SCREW	TORNILLO

FIAT ALLIS FL10B (2ED)

A235

(03-1975)

MODIF	N.ORDINAZ. Q.	DENOMINAZIONE	DESIGNATION	BENENNUNG	DESCRIPTION	DENOMINACIONES
	656829	1	MOLLA	RESSORT	FEDER	RESORTE
	712764	1	DADO	ECROU	MUTTER	TUERCA
	723023	2	ROSETTA DI TENUTA	JOINT D'ETANCHEITE	DICHTRING	GASKET
	722027	1	ROSETTA DI TENUTA	JOINT D'ETANCHEITE	DICHTRING	GASKET
ELM	722962	1	ANELLO DI TENUTA	JOINT D'ETANCHEITE	DICHTRING	SEAL
	724443	1	ASTA	TIGE	STANGE	ROD
	726381	1	ROSETTA DI TENUTA	JOINT D'ETANCHEITE	DICHTRING	GASKET
	752408	1	RACCORDO	RACCORD	STUTZEN	CONNECTION
	766193	1	FILTRO A BARRETTA	FILTRE A BARRETTE	STABFILTER	ROD FILTER
	766837	1	DADO	ECROU	MUTTER	NUT
	766838	1	TAPPO	BOUCHON	STOPFEN	PLUG
	766839	1	VITE DI REGOLAZIONE	VIS DE REGLAGE	EINSTELLSCHRAUBE	ADJ./SCREW
	767451	1	BOCCHETTONE	VIS-RACCORD	HOHLSCHRAUBE	UNION
	768378	2	GRAND	ERGOT	PASSTIFT	DOWEL
						JUNTA HERMETICA
						JUNTA HERMETICA
						JUNTA HERMETICA
						JUNTA HERMETICA
						VARILLA
						JUNTA HERMETICA
						RACOR
						FILTRO DE BARRETA
						TUERCA
						TAPON
						TORNILLO DE REGLAJE
						JE
						BOQUILLA
						PITON

FIAT ALLIS FL10B (2ED)

A235/ 1 (03-1975)

MODIF	N.ORDINAZ. Q.	DENOMINAZIONE	DESIGNATION	BENENNUNG	DESCRIPTION	DENOMINACIONES
	9009399	1	MOLLA	RESSIN	SPRING	RESORTE
	9009400	1	PIATTELLO	COUPE	PLATE	PLATILLO
	9009401	1	GHIERA	ECROU	THREADED RING	TUERCA
	9009403	1	BOCCHETTONE	VIS-RACCORD	UNION	BOQUILLA
	9009405	1	RACCORDO	RACCORDI	CONNECTION	RACOR
	9009406	1	GUARNIZIONE	JOINT	GASKET	JUNTA
	9009409	1	GHIERA	ECROU	THREADED RING	TUERCA
	9009730	1	PERNO DELLO STANTUFFO	AXE DE PISTON	PISTON PIN	AVLON DEL EMBOLO
	9009731	1	CAPPELLETTO	CHAPEAU	CAP	CAPUCHON
722023	9922390	2	ROSETTA DI TENUTA	JOINT D'ETANCHEITE	GASKET	JUNTA HERMETICA

MODIF	N.ORDINAZ. Q.	DENOMINAZIONE	DESIGNATION	BENENNUNG	DESCRIPTION	DENOMINACIONES	
	705726	1	ROSETTA	RONDELLE	SCHEIBE	WASHER	ARANDELA
	706210	2	GHIRA	ECROU	GEWINDERING	THREADED RING	TUERCA
	710890	2	BOCCOLA DI GUIDA	BOUILLE DE GUIDAGE	FUEHRUNGSBOECHE	BUSHING	CASQUILLO GUI/
	722353	2	PERNO	AXE	BOLZEN	PIN	EJE
	723857	4	TASSELLO ELASTICO	TAMPON	GUMMISTUECK	PAD	ALMOHADILLA
	752758	1	ROSETTA	RONDELLE	SCHEIBE	WASHER	ARANDELA
	758880		ROSETTA SP.2,00	RONDELLE	SCHEIBE	WASHER	ARANDELA
	758881		ROSETTA SP.1,90	RONDELLE	SCHEIBE	WASHER	ARANDELA
	758882		ROSETTA SP.1,80	RONDELLE	SCHEIBE	WASHER	ARANDELA
	758883		ROSETTA SP.1,70	RONDELLE	SCHEIBE	WASHER	ARANDELA
	758884		ROSETTA SP.1,75	RONDELLE	SCHEIBE	WASHER	ARANDELA
	758885		ROSETTA SP.1,85	RONDELLE	SCHEIBE	WASHER	ARANDELA
	758886		ROSETTA SP.1,95	RONDELLE	SCHEIBE	WASHER	ARANDELA
	758887		ROSETTA SP.1,60	RONDELLE	SCHEIBE	WASHER	ARANDELA
	758888		ROSETTA SP.1,65	RONDELLE	SCHEIBE	WASHER	ARANDELA
	760157	1	PERNO	AXE	BOLZEN	PIN	EJE
	763228		PIATTELLO SEGNO -	COUPELLE	TELLERSCHEIBE	PLATE	PLATILLO
	763229		PIATTELLO SEGNO +	COUPELLE	TELLERSCHEIBE	PLATE	PLATILLO
	765290	2	LEVA	LEVIER	HEBEL	LEVER	PALANCA
	765291	2	LEVA	LEVIER	HEBEL	LEVER	PALANCA
	766093		ROSETTA SP.1,40	RONDELLE	SCHEIBE	WASHER	ARANDELA
	766094		ROSETTA SP.1,45	RONDELLE	SCHEIBE	WASHER	ARANDELA
	766095		ROSETTA SP.1,50	RONDELLE	SCHEIBE	WASHER	ARANDELA
	766096		ROSETTA SP.1,55	RONDELLE	SCHEIBE	WASHER	ARANDELA
	766268	2	MOLLA	RESSORT	FEDER	SPRING	RESORTE
	766269	2	MOLLA	RESSORT	FEDER	SPRING	RESORTE
	766298	1	CRUCERA	CROISILLON	KREUZSTUECK	SPIDER	CRUCETA
	766299	1	SCODELLINO	CUVETTE	TELLERSCHEIBE	CUP	PLATILLO
	766300	1	GHIRA	ECROU	GEWINDERING	THREADED RING	TUERCA
	766642	1	GIUNTO	ACCOUPLMENT	KUPPLUNG	COUPLING	ARRASTRE
	766645	4	PERNO	AXE	BOLZEN	PIN	EJE
	768069	2	MASSA CENTRIFUGA COMPL.	MASSLOTTE	FLIEHGEWICHT	WEICHT	CONTRAPESO
	14159670	2	SPINA	GOUPILLE	STIFT	PIN	PASADOR
	15896211	2	DADO	ECROU	MUTTER	NUT	TUERCA

FIAT ALLIS FL10R (2ED)

A254

(03-1975)

MODIF	N.ORDINAZ. Q.	DEMINAZIONE	DESIGNATION	BENENNUNG	DESCRIPTION	DEMINAZIONES
C 486	585813	1 GUARNIZIONE	JOINT	DICHTUNG	GASKET	JUNTA
	8821749	1 VITE	VIS	SCHRAUBE	SCREW	TORNILLO
C 486	8825534	1 CONDOTTO DI SCARICO	CONDUIT D'ECHAPPE- MENT	AUSPUFFROHR	EXHAUST MANIFOLD	COLECTOR DE ESCAPE
	8830067	1 CONDOTTO D'ASPIRAZIONE COMPL.	CONDUIT D'ADMIS- SION	SAUGKRUEMMER	INTAKE MANIFOLD	COLECTOR DE ADMI- SION
	10270150	1 TAPPO	BOUCHON	STOPFEN	PLUG	TAPON
	10517070	1 ROSETTA DI SICUREZZA	RONDELLE FREIN	SICHERUNGSRING	LOCKWASHER	ARANDELA DE FRENO
	10520001	3 ROSETTA	RONDELLE	SCHEIBE	WASHER	ARANDELA
	12638620	6 ROSETTA	RONDELLE	SCHEIBE	WASHER	ARANDELA
	14924011	1 TAPPO	BOUCHON	STOPFEN	PLUG	TAPON
	15541421	1 VITE	VIS	SCHRAUBE	SCREW	TORNILLO
	15541621	2 VITE	VIS	SCHRAUBE	SCREW	TORNILLO
	15971330	4 VITE	VIS	SCHRAUBE	SCREW	TORNILLO
C 486	15971970	2 VITE	VIS	SCHRAUBE	SCREW	TORNILLO
C 486	30187486	2 GUARNIZIONE	JOINT	DICHTUNG	GASKET	JUNTA
D 486	4704811	2 GUARNIZIONE	JOINT	DICHTUNG	GASKET	JUNTA
D 486	4721316	1 GUARNIZIONE	JOINT	DICHTUNG	GASKET	JUNTA
D 486	4721350	1 CONDOTTO DI SCARICO	CONDUIT D'ECHAPPE- MENT	AUSPUFFROHR	EXHAUST MANIFOLD	COLECTOR DE ESCAPE
D 486	4723150	1 TAPPO	BOUCHON	STOPFEN	PLUG	TAPON
D 486	5972030	2 VITE	VIS	SCHRAUBE	SCREW	TORNILLO

MODIF	N.ORDINAZ. Q.	DENOMINAZIONE	DESIGNATION	BENENNUNG	DESCRIPTION	DENOMINACIONES
	539120	1	GUARNIZIONE	JOINT	GASKET	JUNTA
4981131	4981134	1	SILENZIATORE	SILENCEUX	SILENCER	SILENCIADOR
	4981135	2	COLLARE	COLLYER	COLLAR	COLLAR
	10516670	2	ROSETTA DI SICUREZZA	RONDELLE FREIN	LOCKWASHER	ARANDELA DE FRENO
	10516870	4	ROSETTA DI SICUREZZA	RONDELLE FREIN	LOCKWASHER	ARANDELA DE FRENO
	10790140	4	DADO	ECROU	NUT	TUERCA
	11343821	4	VITE	VIS	SCRAUBE	TORNILLO
	16043621	2	VITE	VIS	SCRAUBE	TORNILLO
	16100811	2	DADO	ECROU	MUTTER	TUERCA

FIAT ALLIS FL10B (2ED)

A301

(03-1975)

MODIF	N.ORDINAZ. O.	DENOMINAZIONE	DESIGNATION	BENENNUNG	DESCRIPTION	DENOMINACIONES
	557103	1 RACCORDO	RACCORD	STUTZEN	CONNECTION	RACOR
	560664	1 GUARNIZIONE	JOINT	DICHTUNG	GASKET	JUNTA
	591334	1 SFIATADIO	REINFLARD	ENTLUEFTER	VENT	RESPIRADERO
	591338	1 MANICOTTO	MANCHON	MUFFE	SLEEVE	MANGA
	4161222	3 GUARNIZIONE	JOINT	DICHTUNG	GASKET	JUNTA
	4232606	2 TAPPO DI INTRODUZIONE COMPL.	BOUCHON DE REM- PLISSAGE	SCHRAUBDECKEL	CAP	TAPON DE LLENADO
	4240005	1 MANOMETRO	HANDMETRE	MANOMETER	PRESSURE GAUGE	MANOMETRO
D 095	4694601	1 TUBAZIONE	TUYAU	LEITUNG	PIPE	TUBO
D 095	4694803	1 TUBAZIONE	TUYAU	LEITUNG	PIPE	TUBO
	4950895	1 TUBO COMPL.	TUYAU	ROHR	PIPE	TUBO
	8802839	1 GHIERA	VIROLE	GEWINDERING	PLUG	VIROLA
	8815220	1 INGRANAGGIO	PIGNON	ZAHNRAD	GEAR	PIGNON
	8817468	2 GUARNIZIONE	JOINT	DICHTUNG	GASKET	JUNTA
	8817924	1 TUBO	TUYAU	ROHR	PIPE	TUBO
	8818132	1 TUBETTO ISOLANTE	TUBE ISOLANT	ISOLIERHUELLE	LINER	TUBO AISLANTE
	8819565	1 POMPA OLIO COMPL.	POMPE A HUILE	ÖELPUMPE	OIL PUMP	BOMBA DE ACEITE
	8820060	1 STAFFA	COLLIER	SCHELLE	CLAMP	COLLAR
	8820450	1 RACCORDO	RACCORD	STUTZEN	CONNECTION	RACOR
	8821327	1 TUBO	TUYAU	ROHR	PIPE	TUBO
	8821329	1 -DI MANDATA TUBO	- DE REFOULEMENT TUYAU	- ZULAUF ROHR	- DELIVERY PIPE	- DE ENVIO TUBO
	8824161	1 -DI MANDATA TUBO DI SFIATO	- DE REFOULEMENT TUBE D'EVENT	- ZULAUF ENTLUEFTUNGSLEI- TUNG	- DELIVERY VENT PIPE	- DE ENVIO TUBO DE VENTILA- CION
	8824711	1 TUBO	TUYAU	ROHR	PIPE	TUBO
	8824715	1 -DI MANDATA TUBO (01)	- DE REFOULEMENT TUYAU	- ZULAUF ROHR	- DELIVERY PIPE	- DE ENVIO TUBO
C 095	8824950	1 TUBO (01)	TUYAU	ROHR	PIPE	TUBO
C 095	8826944	1 FILTRO OLIO COMPL.	FILTRE A HUILE	ÖELFILTER	OIL FILTER	FILTRO DE ACEITE
	8829407	1 TAPPO DI INTRODUZIONE OLIO CON ASTA LIVELLO COMPL.	BOUCHON AVEC JAUGS D'HUILE	SCHRAUBDECKEL MIT MESSTAB	CAP W/OIL LEVEL ROD	TAPON CON VARILLA DE NIVEL DE ACEITE
	10165240	1 ANELLO A DOPPIO CONO	BI-CONE	DICHTKEGEL	SLEEVE	ANILLO BICONICO
	10165340	2 ANELLO A DOPPIO CONO	BI-CONE	LICHTKEGEL	SLEEVE	ANILLO BICONICO
	10165340	1 ANELLO A DOPPIO CONO	BI-CONE	DICHTKEGEL	SLEEVE	ANILLO BICONICO
	10165940	1 DADO	ECROU	MUTTER	NUT	TUERCA
	10166040	1 DADO	ECROU	MUTTER	NUT	TUERCA
	10167411	1 RACCORDO	RACCORD	STUTZEN	CONNECTION	RACOR
	10298360	9 ROSETTA DI TENUTA	JOINT D'ETANCHEITE	DICHTRING	GASKET	JUNTA HERMETICA
	10516470	5 ROSETTA DI SICUREZZA	RONDELLE FREIN	SICHERUNGSRING	LOCKWASHER	ARANDELA DE FRENO
	10516670	14 ROSETTA DI SICUREZZA	RONDELLE FREIN	SICHERUNGSRING	LOCKWASHER	ARANDELA DE FRENO
	10902021	1 VITE	VIS	SCHRAUBE	SCREW	TORNILLO
	11198671	4 ROSETTA DI SICUREZZA	RONDELLE FREIN	SICHERUNGSRING	LOCKWASHER	ARANDELA DE FRENO
	11500211	4 PRIGIONIERO	GOUJON	STIFTSCHRAUBE	STUD	ESPARRAGO
	11903811	3 BOCCHETTONE	VIS-RACCORD	HOHLSCHRAUBE	UNION	BOQUILLA

FIAT ALLIS FL10B (2ED)

A301

(03-1975)

MODIF	N.ORDINAZ. Q.	DENOMINAZIONE	DESIGNATION	BENENNUNG	DESCRIPTION	DENOMINACIONES
	11904211	1 DADO	ECROU	MUTTER	NUT	TUERCA
	12173990	2 COLLARE	COLLIER	SCHELLE	COLLAR	ABRAZADERA
	12682980	2 GUARNIZIONE	JOINT	DICHTUNG	GASKET	JUNTA
	12683080	3 GUARNIZIONE	JOINT	DICHTUNG	GASKET	JUNTA
	12947910	1 ROSETTA DI SICUREZZA	RONDELLE FREIN	SICHERUNGSRING	LOCKWASHER	ARANDELA DE FRENO
	15540521	3 VITE	VIS	SCHRAUBE	SCREW	TORNILLO
	15541221	1 VITE	VIS	SCHRAUBE	SCREW	TORNILLO
	15896211	4 DADO	ECROU	MUTTER	NUT	TUERCA
	16043121	2 VITE	VIS	SCHRAUBE	SCREW	TORNILLO
	16043221	2 VITE	VIS	SCHRAUBE	SCREW	TORNILLO
	16043421	2 VITE	VIS	SCHRAUBE	SCREW	TORNILLO
	16043621	6 VITE	VIS	SCHRAUBE	SCREW	TORNILLO
	16043821	2 VITE	VIS	SCHRAUBE	SCREW	TORNILLO
	38802840	1 LINGUETTA	LINGUET	SCHLEIBENFEDER	KEY	CHAVETA
	38805184	1 ANELLO A DOPPIO CONO	BI-CONE	DICHTKEGEL	SLEEVE	ANILLO BICONICO
	38807989	1 STAFFETTA	COLLIER	HALTER	RETAINER	ABRAZADERA
	38809756	1 STAFFETTA	COLLIER	HALTER	RETAINER	ABRAZADERA
	38812528	2 PIASTRINA	PLAQUETTE	FLAETTCHEN	PLATE	PLACA
	38817708	1 BOCCHETTONE	VIS-RACCORD	HOHLSCHRAUBE	UNION	BOQUILLA
	38830612	1 STAFFETTA	COLLIER	HALTER	RETAINER	ABRAZADERA
	79001122	1 TUBO DI INTRODUZIONE	TUBULURE DE REM- PLISSAGE	EINFUELLSTUTZEN	FILLER TUBE	CUELLO DE CARGA
D 656	705736	1 BOCCHETTONE	VIS RACCORD	HOHLSCHRAUBE	UNION	BOQUILLA
D 656	8325807	1 TUBO	TUYAU	ROHR	PIPE	TUBO
D 656	10200360	4 GUARNIZIONE	JOINT	DICHTUNG	GASKET	JUNTA
D 656	11903817	1 BOCCHETTONE	VIS RACCORD	HOHLSCHRAUBE	UNION	BOQUILLA

FIAT ALLIS FLIO (2ED)

A302

(33-1975)

MODIF	N.ORDINAZ. O.	DENOMINAZIONE	DESIGNATION	BENENNUNG	DESCRIPTION	DENOMINACIONES
	548245	1	INGRANAGGIO CONDOTTO	PIGNON CONDUIT	ANGETRIEBENES ZAHNRAD	DRIVEN GEAR PINON CONDUCIDO
	8814770	1	INGRANAGGIO	PIGNON	ZAHNRAD	PINON
	8819528	1	INGRANAGGIO	PIGNON	ZAHNRAD	PINON
	8319529	1	INGRANAGGIO CONDUTTORE	PIGNON CONDUCTEUR	TREIBENDES ZAHNRAD	DRIVING GEAR PINON CONDUCTOR
	8822530	1	CORPO COMPL.	CORPS	GÉHAUSE	BODY CUERPO
	10053510	12	PIASTRINA DI SICUREZZA	PLAQUETTE FREIN	SICHERUNGSBLECH	LOCKPLATE PLACA DE FRENO
	10205910	1	LINGUETTA	LINGUET	SCHLEIBENFEDER	KEY CHAVETA
	10839510	4	GRAND	ERGOT	PASSTIFT	WHEEL PITON
	16043421	3	VITE	VIS	SCHRAUBE	SCREW TORNILLO
	16044021	4	VITE	VIS	SCHRAUBE	SCREW TORNILLO
	16044121	5	VITE	VIS	SCHRAUBE	SCREW TORNILLO

FIAT ALLIS FL10B (2ED)

A303

(03-1975)

MODIF	N.ORDINAZ. O.	DENOMINAZIONE	DESIGNATION	BENENNUNG	DESCRIPTION	DENOMINACIONES
	702537	1 VALVOLA	SOUPAPE	VENTIL	VALVE	VALVOLA
	4625547	2 ELEMENTO FILTRANTE	ELEMENT FILTRANT	FILTEREINSATZ	FILTERING ELEMENT	FILTRO
	4648371	2 ELEMENTO FILTRANTE	ELEMENT FILTRANT	FILTEREINSATZ	FILTERING ELEMENT	FILTRO
	8815069	1 MOLLA	RESSORT	FEDER	SPRING	RESORTE
	8815228	1 VALVOLA COMPL.	SOUPAPE	VENTIL	VALVE	VALVOLA
	8822380	2 BOCCOLA FILETTATA	BAGUE FILETEE	GEWINDEBUCHSE	THREADED BUSH	TUERCA
	8827472	1 SUPPORTO COMPL.	SUPPORT	LAGER	SUPPORT	SOPORTE
	10264660	1 ROSETTA DI TENUTA	JOINT D'ETANCHEITE	DICHTRING	GASKET	JUNTA HERMETICA
4731414	10268450	1 TAPPO	BOUCHON	STOPFEN	PLUG	TAPON
	10269650	4 TAPPO	BOUCHON	STOPFEN	PLUG	TAPON
	11057475	1 ANELLO DI SICUREZZA	ARRETOIR	SICHERUNGSRING	LOCKRING	ANILLO DE FRENO

A ENGINE • MOTORE • MOTEUR • MOTOR • MOTOR

DAT 102 28

A2.28

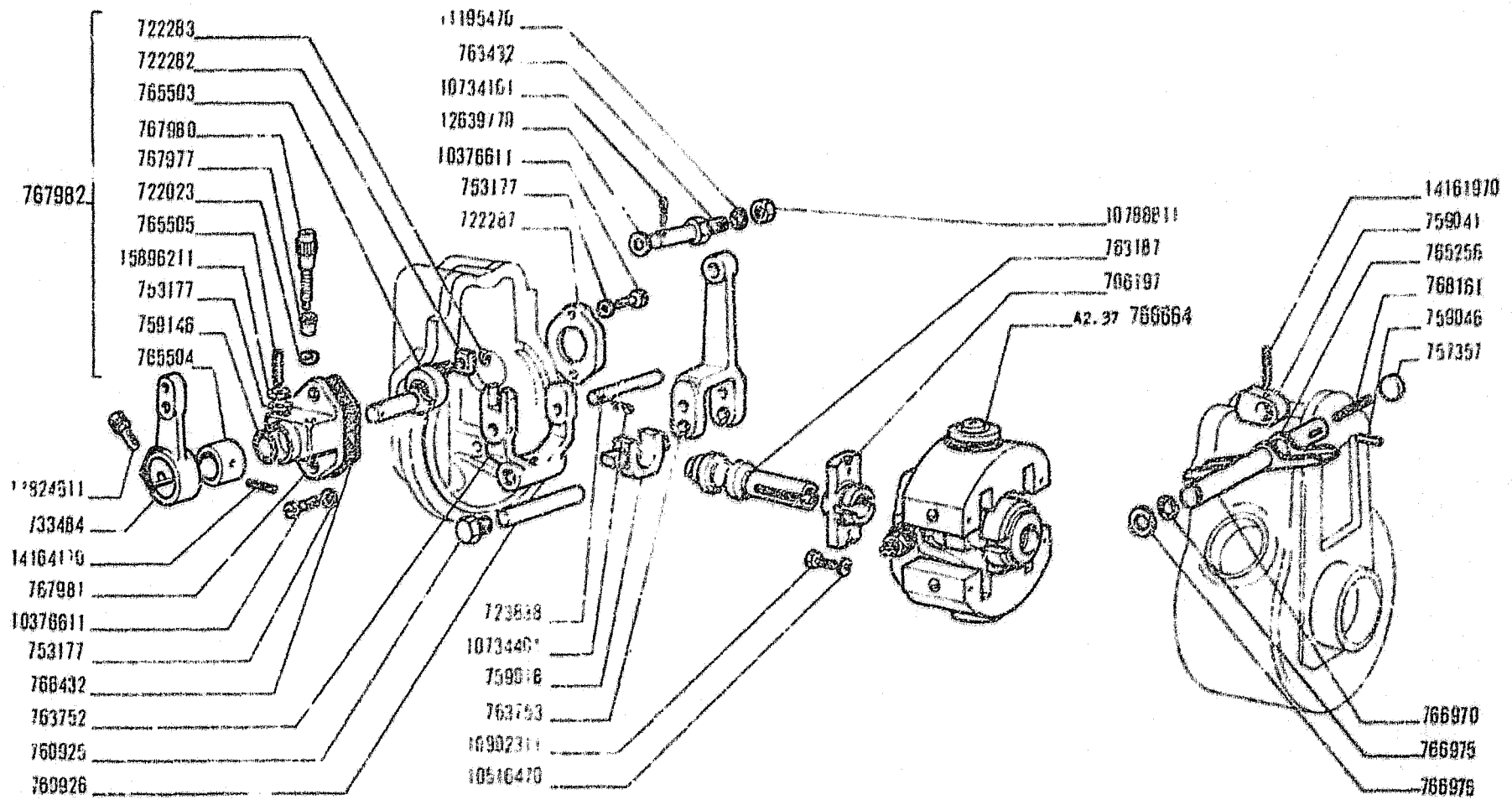
SI FORNISCONO SOLO LE PARTI

ON LIVRE SEULEMENT SES PIÉCES

NUR EINZELTEILE LIEFERBAR

ONLY SEPARATE PARTS ARE SERVICED

SOLO SE SUMINISTRAN LAS PIEZAS SUeltas



22566

FL10 B
01

REGOLATORE DI VELOCITÀ RPV 325 - 1050 F114
Régulateur de vitesse
Drehzahlregler
L-2
Speed Governor
Regulador de velocidad

A2.28
2

DAT 102 28

A2.28/1

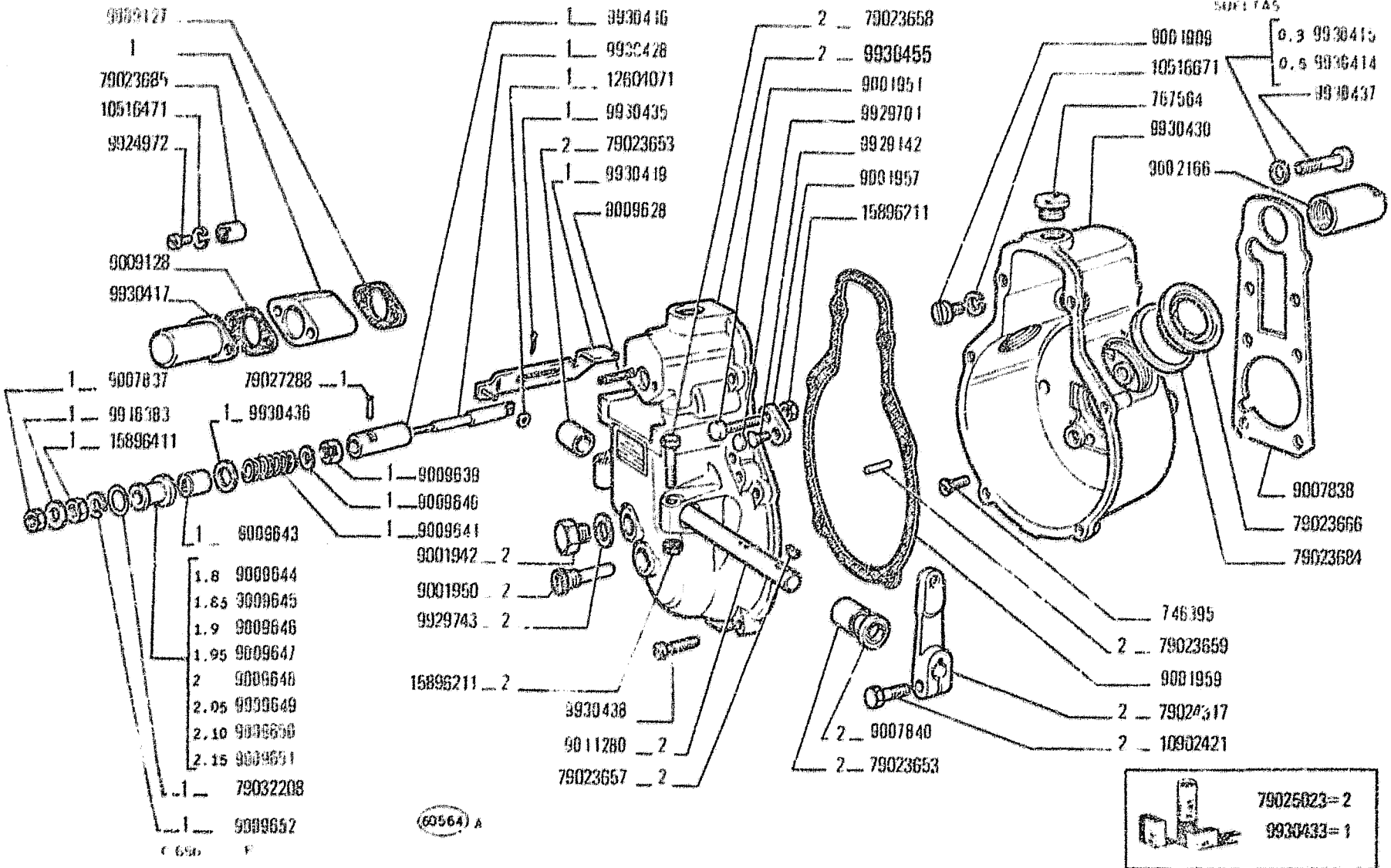
199 - SE FURNISCONO SOLO
LE PARTI

NON VIENE ASSEMBLATO
DES MONTÉ

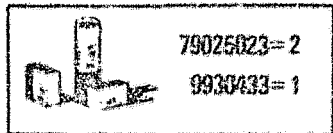
—NUR EINZELTEILE
LIEFERBAR

—ONLY SEPARATE
PARTS ARE SUPPLIED

—SOLO SE SUMINISTRAN
TRAN LAS PIEZAS
SUeltas



(60564) A



FL10B

02

REGOLATORE DI VELOCITÀ RGV325...1050AB923DL

Régulateur de vitesse
Drehzahlregler

L-3 Speed Governor
Regulador de velocidad

A2.28/1

1 N.T.R. 93
20-11-1987
604.01.012.07

DAT 102 28

A2.28/1

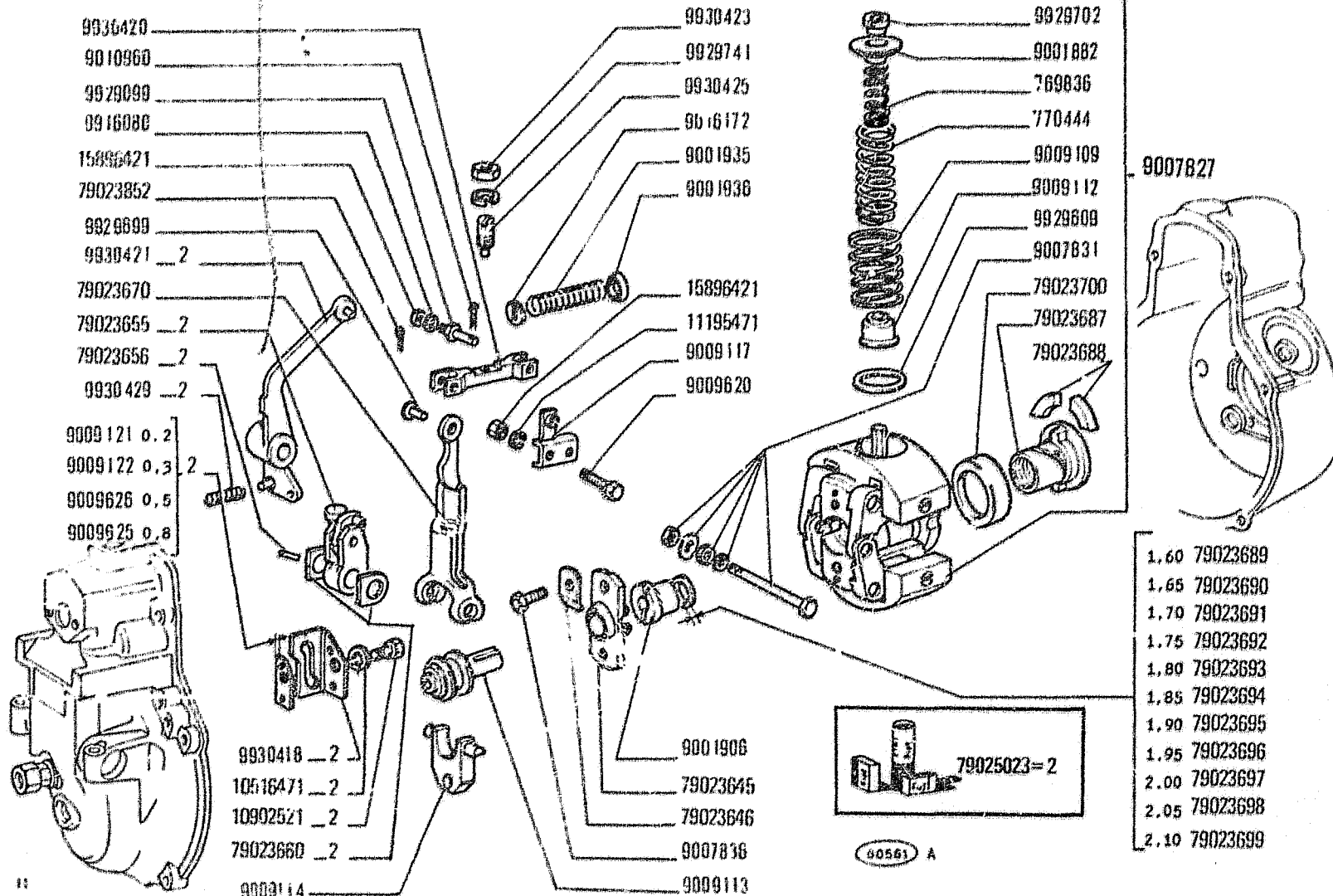
-SI FORNISCO SOLO
LE PARTI

-ON LIVRE SEULEMENT
SES PIÉCES

-NUR EINZELTEILE
LIEFERBAR

-ONLY SEPARATE
PARTS ARE SERVICED

-SOLO SE SUMINISTRO
TRAN LAS PIEZAS
SUeltas



C 156 11

FL 10B

02

REGOLATORE DI VELOCITÀ RQV325...1050AB923DL

Régulateur de vitesse
Drehzahlregler

L-4 Speed Governor
Regulador de velocidad

A2.28/1

2

N.T.R. 65
1-3-1980
604.01.012.05

(*) -SI FORNITOCOMO SOLO
LE PARTI

ON LIVRE SEULEMENT
SES PIÉCES

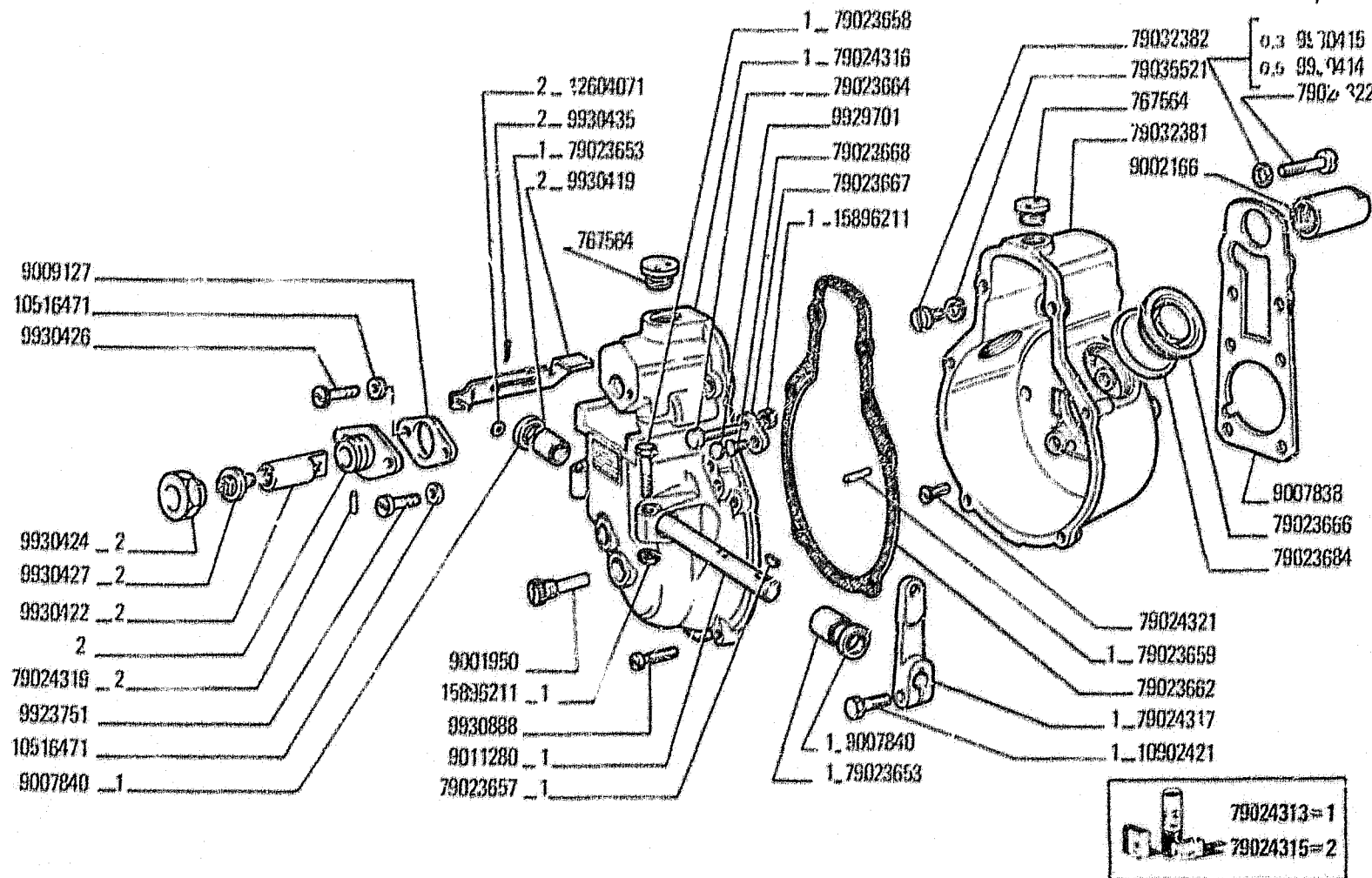
-NUR SEPARATELLER
LIEFERBAR

-ONLY SEPARATE
PARTS ARE SERVICEABLE

-O SE SUMINISTRAN
FRAN LAS PIEZAS
SUJETAS.

DAT 102 28

A2.28/1A



D 656 R

FL10B

02

REGOLATORE DI VELOCITÀ RGV325...1050AB...DL

Régulateur de vitesse
Drehzahlregler

L-6 Speed Governor
Regulador de velocidad

A2.28/1A

1

N.T.R. 93
20-11-1981
604 01 012 07

(*) -SI FORNISCONO SOLO LE PARTI

-ON LIVRE SEULEMENT SES PIÈCES

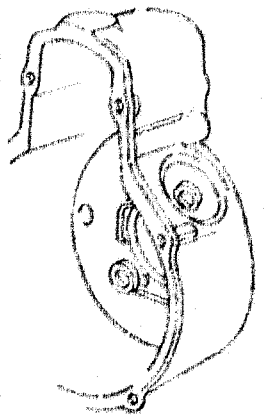
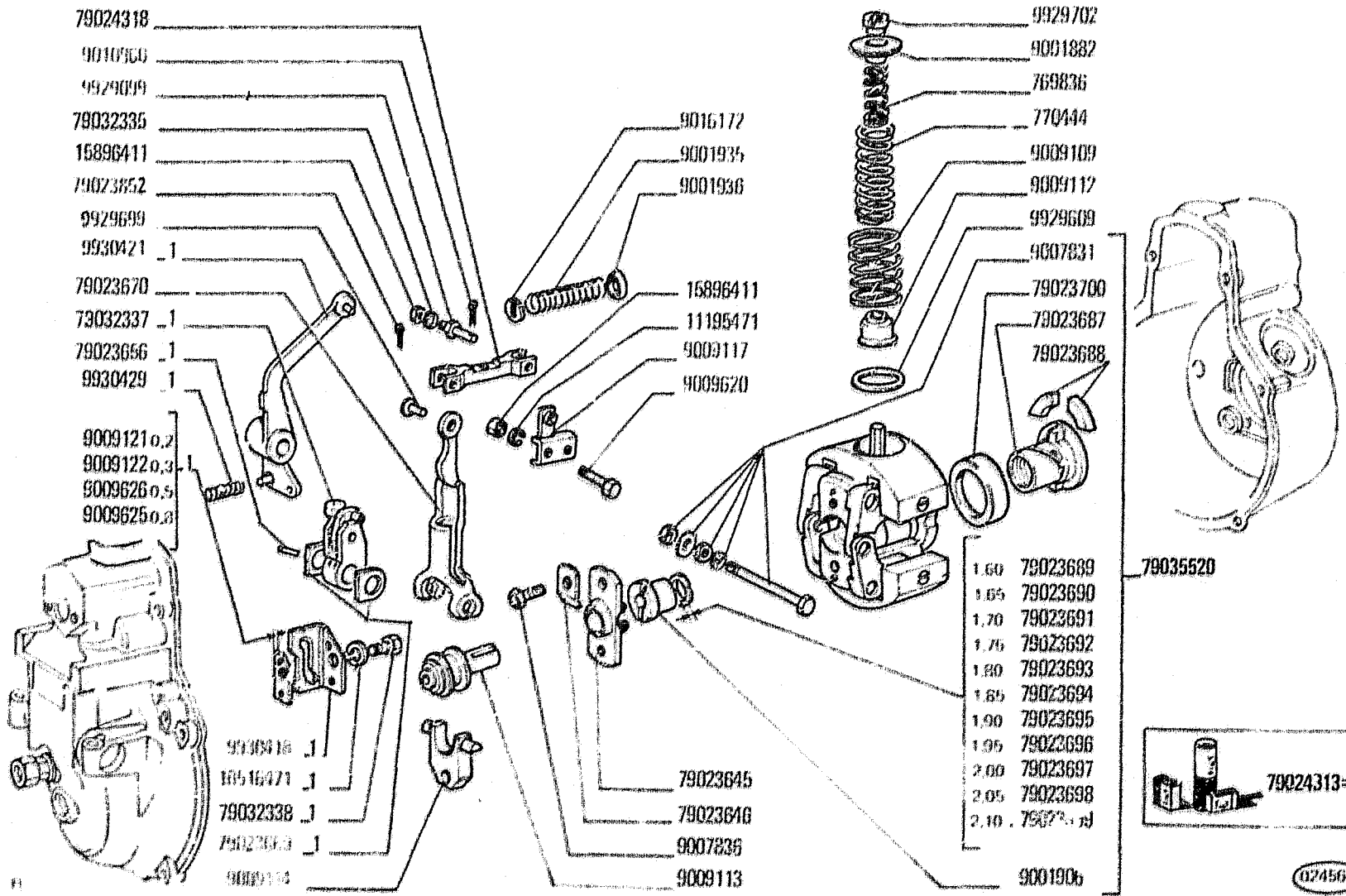
-NUR EINZELTEILE LIEFERBAR

-ONLY SEPARATE PARTS ARE SERVICED

-SOLO SE SUMINISTRAN LAS PIEZAS SUeltas

DAT 102 28

A2.28/1A



79035520



02456

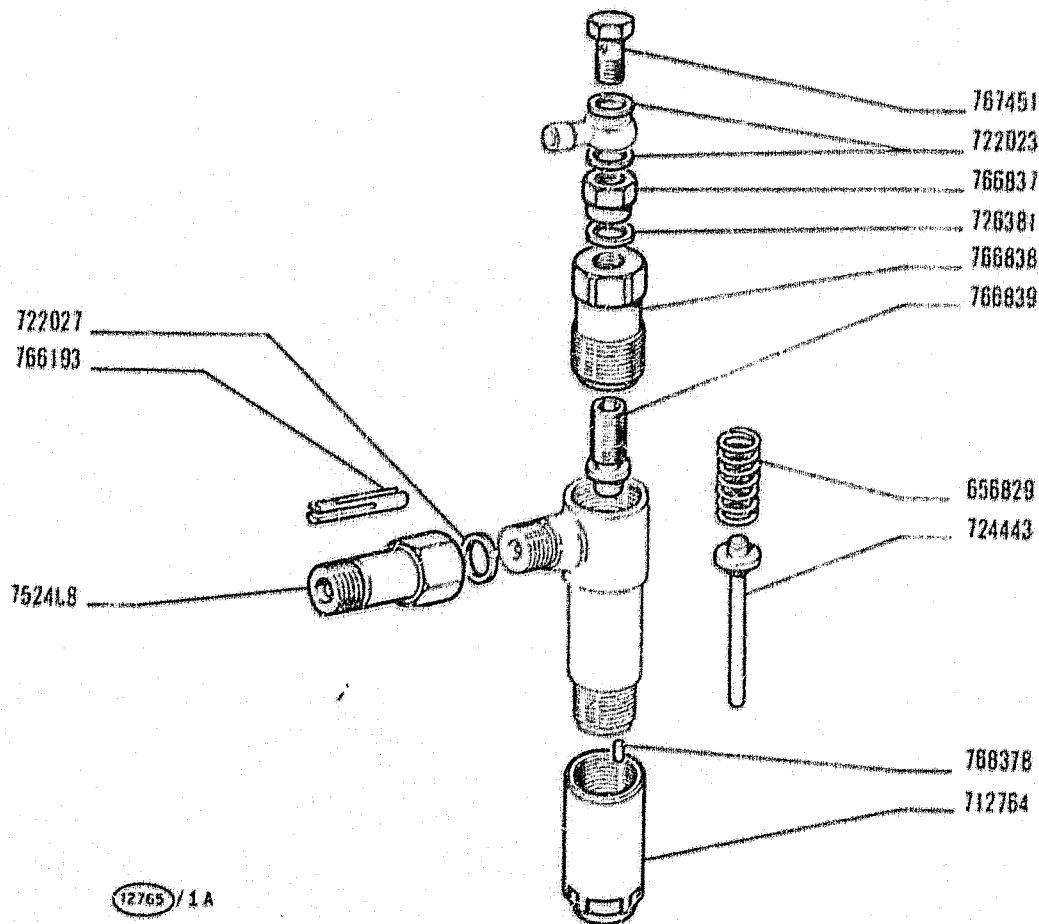
FL 10B
02

REGOLATORE DI VELOCITÀ RQV325...1050AB.....DL
 Régulateur de vitesse
 Speed Governor
 Drehzahlregler
 L-7 Regulador de velocidad

A2.28/1A
 2
 N.T.R. 93
 20-11-1981
 604.01.012.07

DAT 102 35

A2.35



12765 / 1 A

FL10 B

01

Porte-Injecteur
Düsenhalter

PORTAPOLVERIZZATORE 767406

L-10

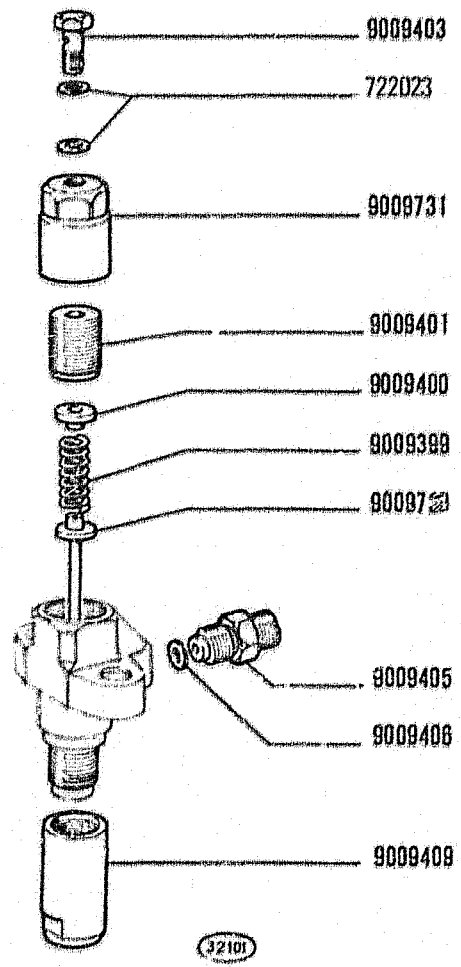
Nozzle Holder
Porta injector

A2.35

NTR 38
1-4 1978
604010**202

DAT 102 35

A2.35 / 1



FL10 B

02

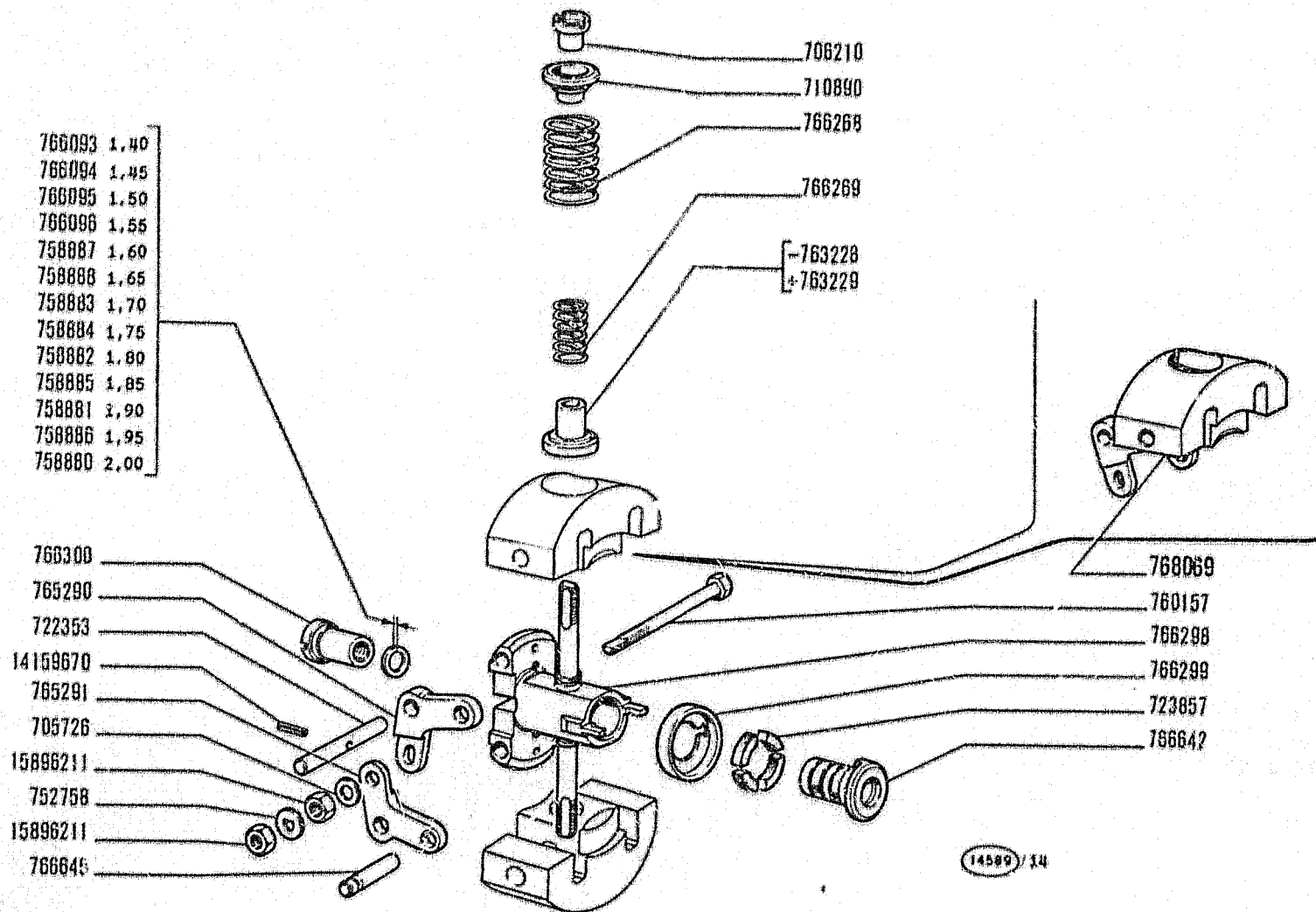
PORTA POLVERIZZATORE 8823487 (Bosch)

Porte-injecteur;
Düsenhalter

L-11 Nozzle Holder
Porta inyector

A2.35 / 1

N.T.R. 65
1-3-1960
604.01.012.05



FL 10 B

01 02

DISPOSITIVO DI REGOLAZIONE 766664

Régulateur centrifuge
Regler

Governor Weights

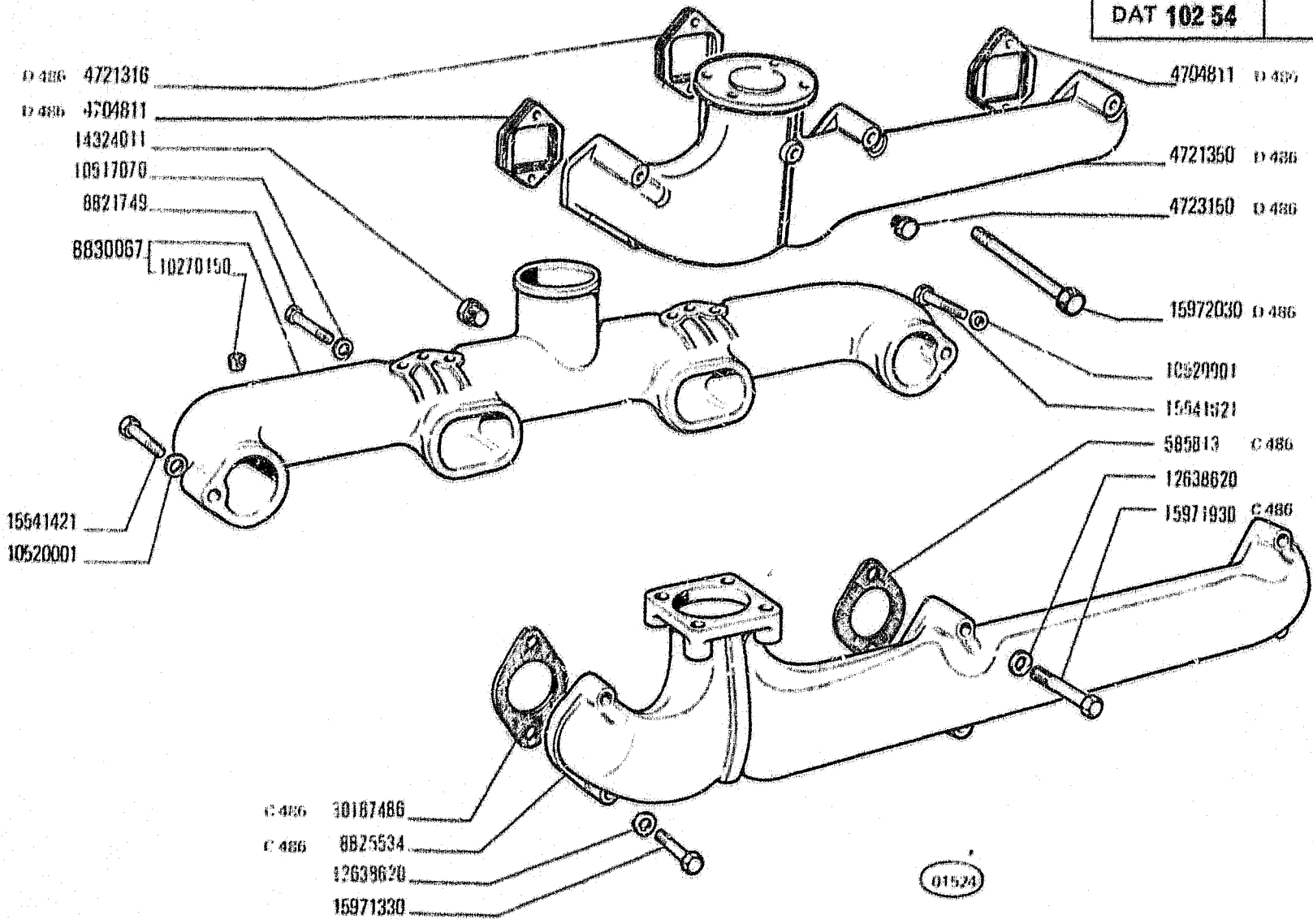
Cuerpos centrifugos de regulación

L-12

A2.37

DAT 102 54

A2.54



FL10 B

01 02

CONDOTTI ASPIRAZIONE E SCARICO

Tubuluras d'admission et d'echappement
Saug- und Auspuffkrümmer

L-13

Intake and Exhaust Manifolds
Colectores de admisión y escape

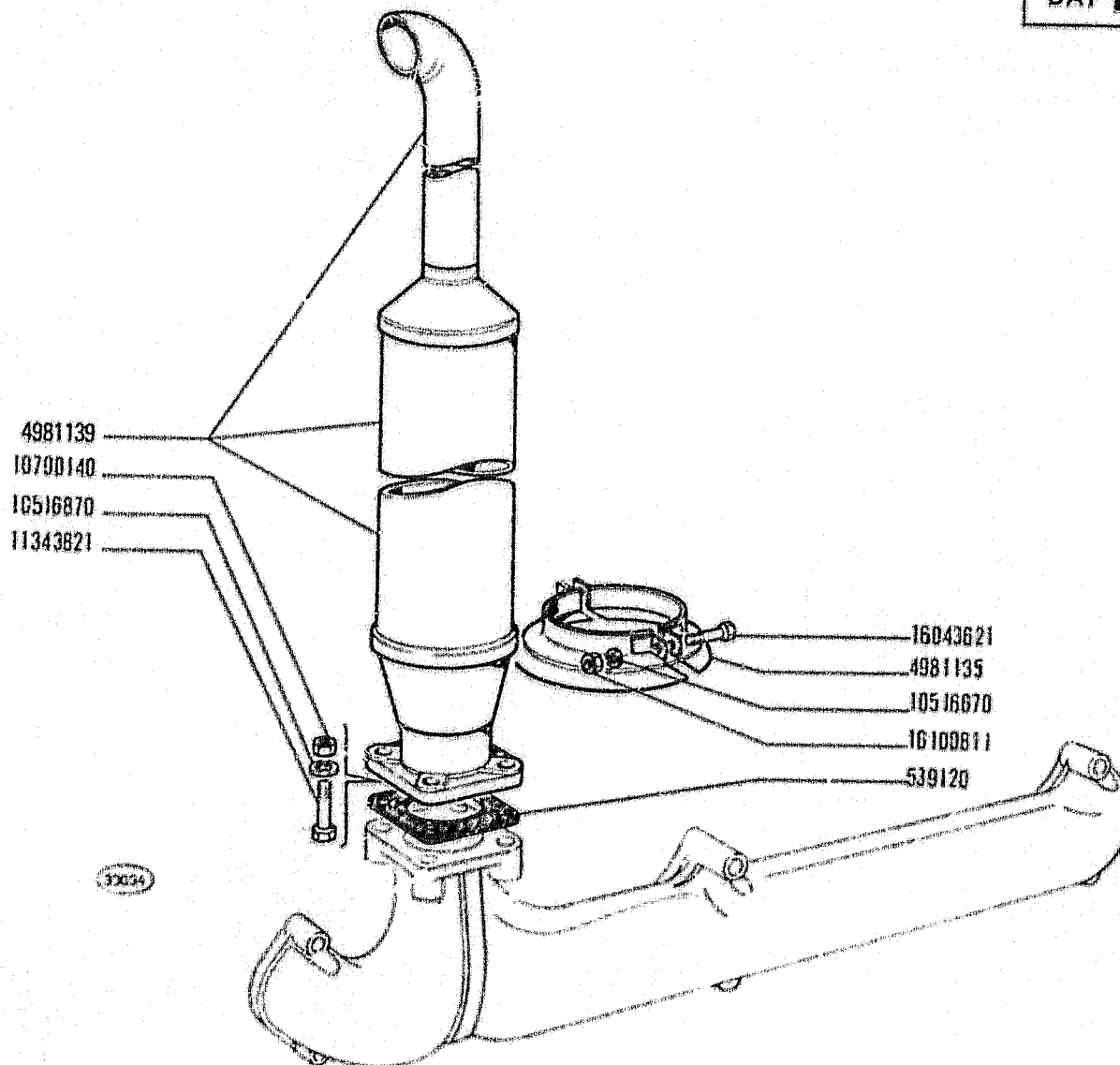
1

A2.54

N.T.R. 49
15-5-1979
604.01.012.04

DAT 102 56

A2.56



FL 10B

01 02

TUBAZIONE DI SCARICO

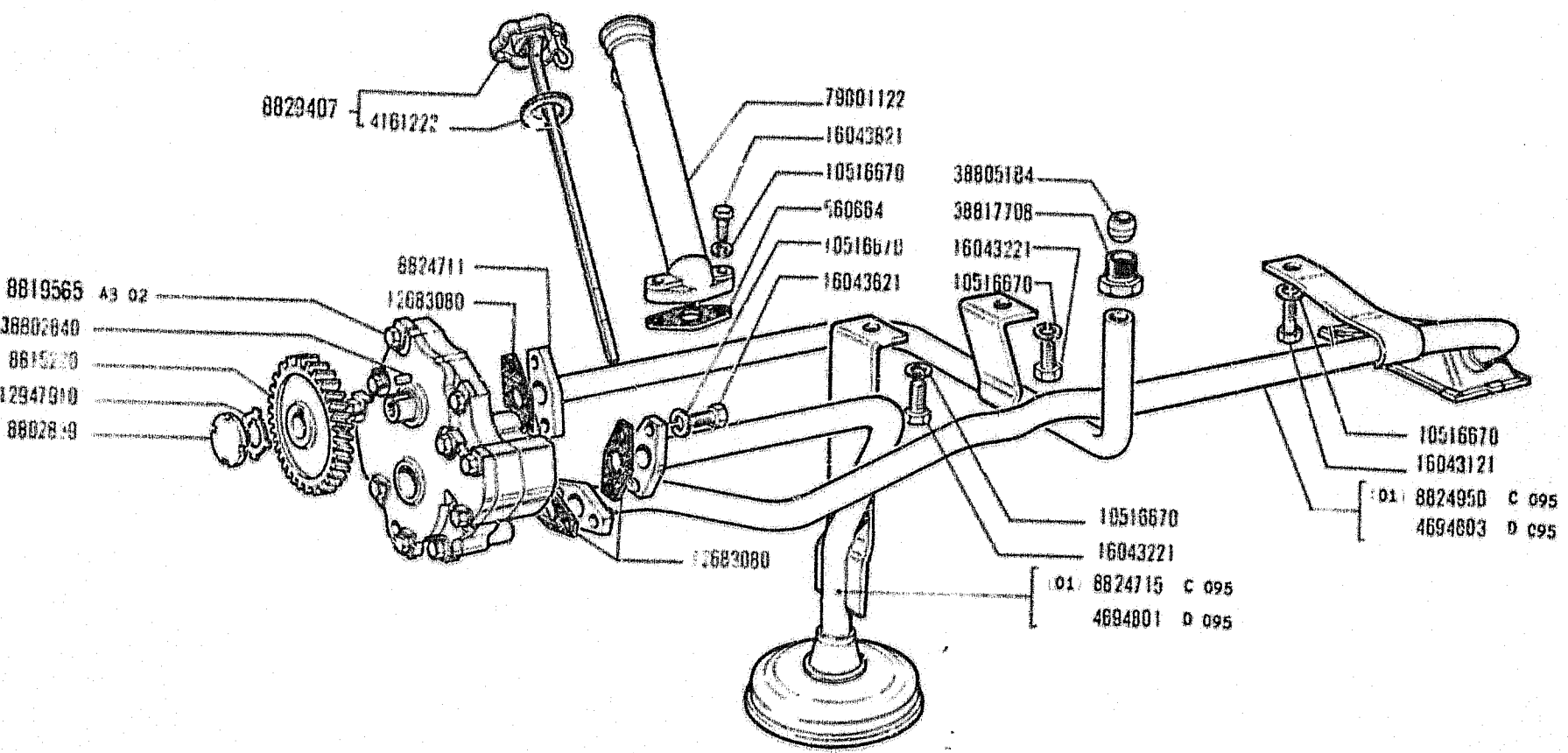
Canalisation d'échappement
Auspuffleitung

Exhaust Pipe
Tubería de escape

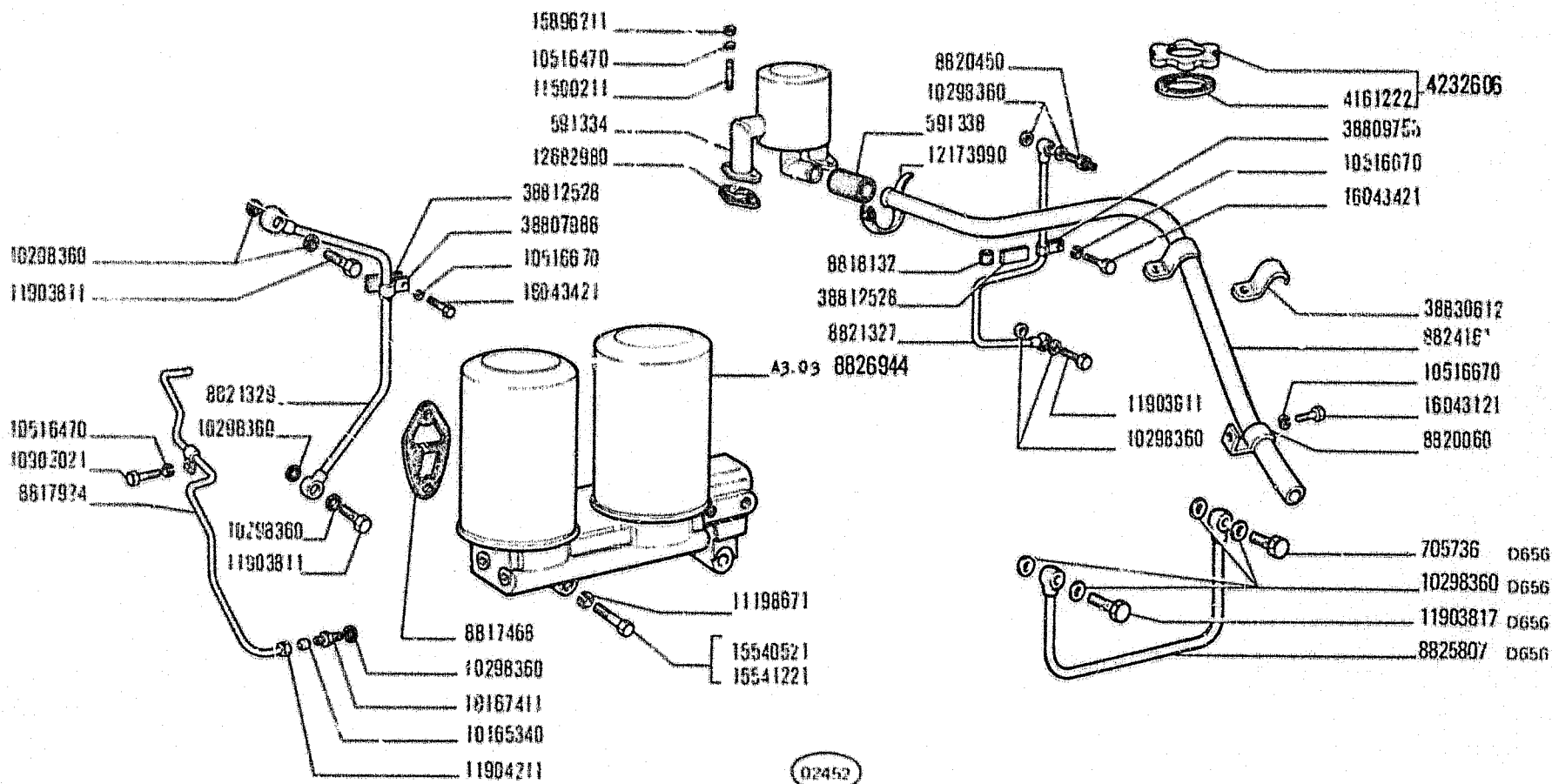
L-14

A2.56

N.T.R. 30
1-9-1977
604.01.012.01



30124 A



FL10 B

01 02

Graissage
 Schmierung

LUBRIFICAZIONE

L-16
 Lubrication System
 Sistema de engrase

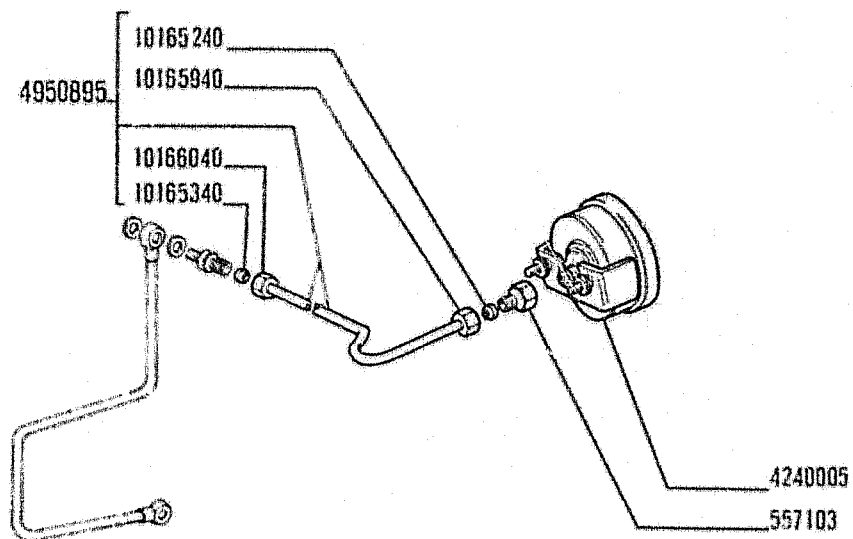
A3.01

2

N.T.R. 65
 1-3-1980
 604.01.012.05

DAT 103 01

A3.01



30126

FL10 B

01 02

LUBRIFICAZIONE

Graissage
Schmierung

L-17

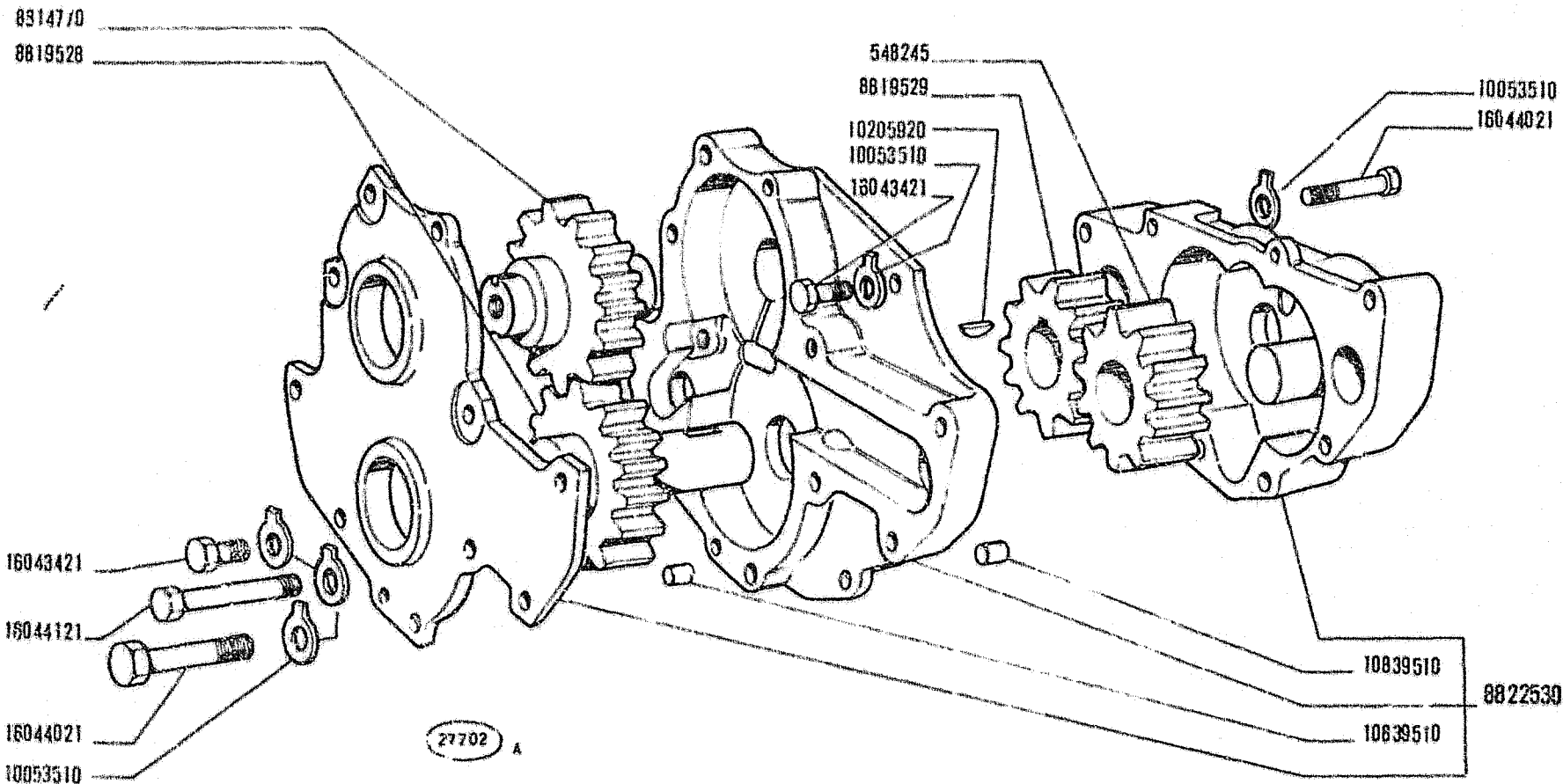
Lubrication System
Sistema de engrase

A3.01

3

DAT 103 02

A3.02



FL 10 B

01 02

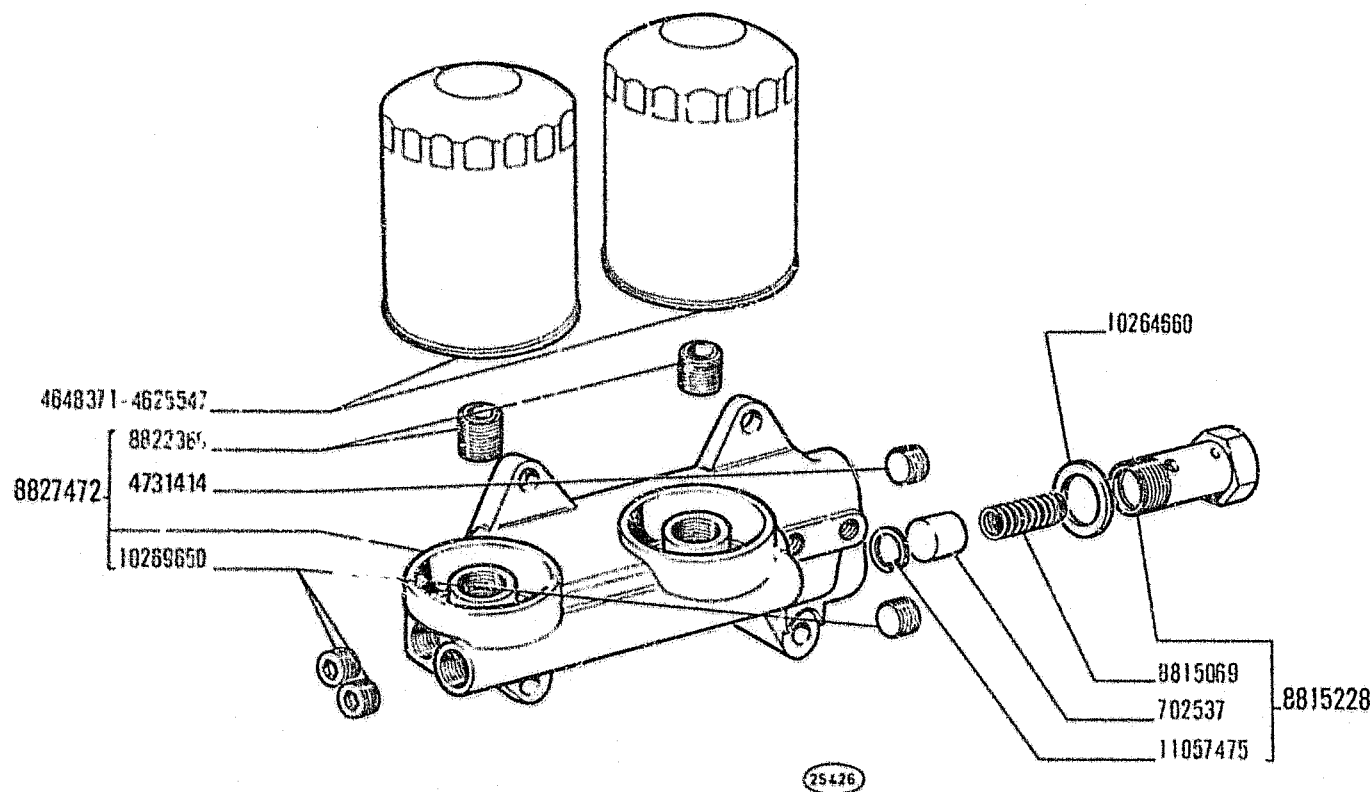
Pompe à huile
Ölpumpe

POMPA OLIO 8819565

Oil Pump

Bomba de aceite

A3.02



FL10 B

01 02

Filtre à huile
Ölfilter

FILTRO OLIO 8826944

L-20 Oil Filter
Filtro de aceite

A3.03

N.T.R. 65
1-3-1880
604.01.012.05

A

ENGINE • MOTORE • MOTEUR • MOTOR • MOTOR

B

MECHANICAL TRANSMISSION • CLUTCH • TRANSMISSION • TRANSMISSION SHAFT • AXLES
TRASMISSIONE MECCANICA • FRIZIONE • CAMBIO • ALBERO DI TRASMISSIONE • PONTI
TRANSMISSION MECANIQUE • EMBRAYAGE • BOITE DE VITESSES • ARBRE DE TRANSMISSION • PONTS
MECHANISCHE KRAFTÜBERTRAGUNG • KUPPLUNG • GETRIEBE • GELENKWELLE • ACHSEN
TRANSMISSION MECANICA • EMBRAGUE • CAMBIO • ARBOL DE TRANSMISSION • PUENTES

MODIF	N.ORDINAZ. Q.	DENOMINAZIONE	DESIGNATION	BENENNUNG	DESCRIPTION	DENOMINACIONES	
	586441	1	GUARNIZIONE	JOINT	DICHTUNG	GASKET	JUNTA
	586442	1	GUARNIZIONE	JOINT	DICHTUNG	GASKET	JUNTA
	586446	1	GUARNIZIONE	JOINT	DICHTUNG	GASKET	JUNTA
	586447	1	GUARNIZIONE	JOINT	DICHTUNG	GASKET	JUNTA
	586451	4	COPERCHIO COMPL.	COUVERCLE	DECKEL	COVER	TAPA
	586695	1	VASCHETTA	CUVE	GEFASS	PAN	CUBA
	586728	4	GUARNIZIONE	JOINT	DICHTUNG	GASKET	JUNTA
	586740	1	GUARNIZIONE	JOINT	DICHTUNG	GASKET	JUNTA
	587088	1	GRANO	ERGOT	PASSTIFT	GOWEL	PITON
	589268	1	PIASTRA	PLAQUE	PLATTE	PLATE	PLACA
	589432	1	COPERCHIO COMPL.	COUVERCLE	DECKEL	COVER	TAPA
	591388	1	PERNO	AXE	BOLZEN	PIN	EJE
	591389	1	MOLLA	RESSORT	FEDER	SPRING	RESORTE
	591390	1	PIATTELLO	COUPELLE	TELLERSCHNEIBE	PLATE	PLATILLO
	591391	1	PERNO DI FISSAGGIO	CHEVILLE	BOLZEN	PIN	PASADOR
	591392	1	DISTANZIALE	ENTRETOISE	ABSTANDSTUECK	SPACER	SEPARADOR
	591393	2	SCODELLINO	COUETTE	TELLERSCHNEIBE	CUP	PLATILLO
	593366	1	TAPPO	BOUCHON	STOPFEN	PLUG	TAPON
	593521	1	SUPPORTO	SUPPORT	LAGER	SUPPORT	SOPORTE
	4502935	2	GANCIO	CRONNET	HAKEN	HOOK	GANCHO
	4961971	1	COPERCHIO	COUVERCLE	DECKEL	COVER	TAPA
	4962039	1	COPERCHIO	COUVERCLE	DECKEL	COVER	TAPA
	4962041	1	COPERCHIO	COUVERCLE	DECKEL	COVER	TAPA
	4962043	1	SUPPORTO COMPL.	SUPPORT	LAGER	SUPPORT	SOPORTE
	4962045	1	COPERCHIO	COUVERCLE	DECKEL	COVER	TAPA
	4962046	1	GUARNIZIONE	JOINT	DICHTUNG	GASKET	JUNTA
	4962047	1	GUARNIZIONE	JOINT	DICHTUNG	GASKET	JUNTA
	4962048	1	GUARNIZIONE	JOINT	DICHTUNG	GASKET	JUNTA
	4965902	1	COPERCHIO	COUVERCLE	DECKEL	COVER	TAPA
	4970232	1	SCATOLA COMPL.	CARTER	GEHAUSE	CASE	CAJA
	4981056	1	COPERCHIO	COUVERCLE	DECKEL	COVER	TAPA
	4982964	1	COPERCHIO	COUVERCLE	DECKEL	COVER	TAPA
	4983219	1	COPERCHIO	COUVERCLE	DECKEL	COVER	TAPA
	10278340	1	TAPPO	BOUCHON	STOPFEN	PLUG	TAPON
	10296585	1	ROSETTA DI TENUTA	JOINT D'ETANCHEITE	DICHTRING	GASKET	JUNTA HERMETICA
	10486110	10	GRANO	ERGOT	PASSTIFT	GOWEL	PITON
	10516470	18	ROSETTA DI SICUREZZA	RONDELLE FREIN	SICHERUNGSRING	LOCKWASHER	ARANDELA DE FRENO
	10516870	89	ROSETTA DI SICUREZZA	RONDELLE FREIN	SICHERUNGSRING	LOCKWASHER	ARANDELA DE FRENO
	10517070	3	ROSETTA DI SICUREZZA	RONDELLE FREIN	SICHERUNGSRING	LOCKWASHER	ARANDELA DE FRENO
	10517270	7	ROSETTA DI SICUREZZA	RONDELLE FREIN	SICHERUNGSRING	LOCKWASHER	ARANDELA DE FRENO
	10839710	2	GRANO	ERGOT	PASSTIFT	GOWEL	PITON
	10839810	3	GRANO	ERGOT	PASSTIFT	GOWEL	PITON
	11236771	7	VITE	VIT	SCHRAUBE	SCREW	TORNILLO
	11306971	14	VITE	VIT	SCHRAUBE	SCREW	TORNILLO
	11800521	3	PRIGLIONIERO	GOUJON	STIFTSCHRAUBE	STUD	ESPARRAGO
	12164111	3	DADO	ECROU	MUTTER	NUT	TUERCA

FIAT ALLIS FL108 (2ED)

6119

(03-1975)

MODIF	N.ORDINAZ. Q.	DENOMINAZIONE	DESIGNATION	BENENNUNG	DESCRIPTION	DENOMINACIONES	
	589425	1	RACCORDO	RACCORD	STUTZEN	CONNECTION	RACOR
	592046	1	FILTRO	FILTZE	FILTER	FILTER	FILTRO
	4972664	1	RACCORDO ORIENTABILE	RACCORD REGLABLE	RINGSTUTZEN	CONNECTION	RACOR ORIENTABLE
	4972667	1	RACCORDO ORIENTABILE	RACCORD REGLABLE	RINGSTUTZEN	CONNECTION	RACOR ORIENTABLE
	10259960	2	ROSETTA DI TENUTA	JOINT D'ETANCHEITE	DICHRING	GASKET	JUNTA HERMETICA
	10291790	4	COLLARE	COLLIER	SCHELLE	COLLAR	ABRAZADERA
	10296689	1	ROSETTA DI TENUTA	JOINT D'ETANCHEITE	DICHRING	GASKET	JUNTA HERMETICA
	12605370	2	ROSETTA DI SICUREZZA	RONDILLE FREIN	SICHERUNGSRING	LOCKWASHER	ARANDELA DE FRENO
	13276001	2	VITE	VIS	SCHRAUBE	SCREW	TORNILLO
	19083380	M	TUBO FLESSIBILE	TUYAU FLEXIBLE	SCHLAUCH	HOSE	MANGA FLEXIBLE

MODIF	N.ORDINAZ. Q.	DEMINAZIONE	DESIGNATION	BENENNUNG	DESCRIPTION	DEMINAZIONES
	581593	1	CHIERA (*)	ECROU	GEWINDERING	TUERCA
	583058	1	ROSETTA (*)	ROSNELLE	SCHIEBE	ARANDELA
	591209	1	FLOTTANTE (*)	FLOTTEUR	VENTILTRAEGER	VALVULA FLOTANTE
	591250	1	MOLLA (*)	RESSORT	FEDER	RESORTE
	597415	1	TIRANTE (*)	TIRANT	SPANNBOLZEN	PERNO
	16102311	1	DADO (*)	ECROU	MUTTER	TUERCA
	(*)	-VED. PAG. 6	- VOIR ...	- SIEHE ...	- SEE ...	- VEASE ...

MODIF	N.ORDINAZ. Q.	DENOMINAZIONE	DESIGNATION	BENENHUNG	DESCRIPTION	DENOMINACIONES
	585154	1	ANELLO	BAGUE	RING	ANILLO
	588884	1	COPERCHIO	COUVERCLE	DECKEL	TAPA
	588892	5	VITE	VIS	SCHRAUBE	TORNILLO
	588900	1	COPERCHIO COMPL.	COUVERCLE	DECKEL	TAPA
	588902	1	STATORE	STATOR	STATOR	ESTATOR
	588904	1	DISTANZIALE COMPL.	ENTRETOISE	ABSTANDSTUECK	SEPARADOR
	588905	1	STATORE	STATOR	STATOR	ESTATOR
	588908	1	INGRANAGGIO CONDUTTORE	PIGNON CONDUCTEUR	TREIBENDES ZAHNRAD	PINON CONDUCTOR
	588909	1	INGRANAGGIO	PIGNON	ZAHNRAD	PINON
	588912	1	INGRANAGGIO CONDUTTORE	PIGNON CONDUCTEUR	TREIBENDES ZAHNRAD	PINON CONDUCTOR
	588913	1	INGRANAGGIO CONDUTTO	PIGNON CONDUIT	ANGETRIEBENES ZAHNRAD	PINON CONDUCTOR
	588914	2	LINGUETTA	LINGUET	SCHLEIBENFEDER	CHAVETA
	588915	1	ROSETTA DI SICUREZZA	RONDELLE FREIN	SICHERUNGSRING	ARANDELA DE FRENO
	588916	2	PERSO	AXE	BOLZEN	EJE
	591055	1	BOCCOLA	DOUILLE	BUECHSE	CASQUILLO
	591706	1	GUARNIZIONE	JOINT	DICHTUNG	JUNTA
	591707	3	BOCCOLA	DOUILLE	BUECHSE	CASQUILLO
	591794	1	MANICOTTO	MANCHON	MITNEHMER	MANGUITO
	4526899	1	ANELLO TRASCINAMENTO	CRABOTAGE	MITNEHMER	ANILLO DE ABRASTE
	4526900	1	ANELLO DI SICUREZZA	ARRETOIR	SICHERUNGSRING	ANILLO DE FRENO
	4952685	1	RACCORDO	RACCORD	STUTZEN	RACOR
	09546670	5	ROSETTA DI SICUREZZA	RONDELLE FREIN	SICHERUNGSRING	ARANDELA DE FRENO
	12164711	1	DADO	ECROU	MUTTER	TUERCA
	14462881	3	ANELLO DI TENUTA	JOINT D'ETANCHEITE	DICHTRING	JUNTA HERMETICA
	14465481	4	ANELLO DI TENUTA	JOINT D'ETANCHEITE	DICHTRING	JUNTA HERMETICA

FIAT ALLIS 210B (2ED)

6110

103-1975)

MODIF	N.ORDINAZ. Q.	DENOMINAZIONE	DESIGNATION	BENENNUNG	DESCRIPTION	DENOMINAZIONE
C 353	581612	1	DISTANZIALE	ENTRETOISE	ABSTANDSTUECK	SEPARADOR
C 075	586691	1	GUARNIZIONE	JOINT	DICHTUNG	JUNTA
C 075	586971	1	ALBERO (01)	ARBRE	WELLE	ARBOL
C 075	586981	1	ROSETTA (01)	RONDELLE	SCHLEIBE	WASHER
	588893	2	VITE	VIS	SCHRAUBE	SCHRAUBE
750 3/0917	589789	1	HANICOTTO	MANGHON	HUFFE	SLEEVE
750 3/0916	589790	1	HANICOTTO	MANGHON	HUFFE	SLEEVE
	592151	1	TUBO	TUYAU	ROHR	PIPE
	592152	1	TUBO	TUYAU	ROHR	PIPE
	592153	1	TUBO	TUYAU	ROHR	PIPE
	592156	1	POMPA COMPL.	POMPE	PUMPE	PUMP
C 075	4953895	1	INGRANAGGIO CONDOTTO	PIGNON CONDUIT	ANGETRIEBENES ZAHNRAD	DRIVEN GEAR
	4956208	1	TUBO	TUYAU	ROHR	PIPE
750 3/0917	4966969	1	TUBO	TUYAU	ROHR	PIPE
750 3/0916	4973376	1	TUBO	TUYAU	ROHR	PIPE
	4978953	1	FILTRO	FILTRE	FILTER	FILTER
C 108	4979709	1	FILTRO OLIO COMPL.(01)	FILTRE A HUILE	DELFILTER	OIL FILTER
C 353 D 075	4993964	1	ALBERO	ARBRE	WELLE	SHAFT
C 354 D 075	4993965	1	INGRANAGGIO CONDOTTO	PIGNON CONDUIT	ANGETRIEBENES ZAHNRAD	DRIVEN GEAR
D 108	4996300	1	FILTRO OLIO COMPL.	FILTRE A HUILE	DELFILTER	OIL FILTER
C 353	10205820	1	LINGUETTA	LINGUET	SCHLEIBENFEDER	KEY
	10296585	1	ROSETTA DI TENUTA	JOINT D'ETANCHEITE	DICHTRING	GASKET
	10516670	4	ROSETTA DI SICUREZZA	RONDELLE FREIN	SICHERUNGSRING	LOCKWASHER
	10516870	11	ROSETTA DI SICUREZZA	RONDELLE FREIN	SICHERUNGSRING	LOCKWASHER
	10511070	3	ROSETTA DI SICUREZZA	RONDELLE FREIN	SICHERUNGSRING	LOCKWASHER
C 354 D 075	11067875	1	ANELLO DI SICUREZZA	ARRETOIR	SICHERUNGSRING	LOCKRING
D 108	11234721	2	VITE	VIS	SCHRAUBE	TORNILLO
	11507021	6	VITE	VIS	SCHRAUBE	TORNILLO
C 108	11307021	2	VITE (01)	VIS	SCHRAUBE	TORNILLO
C 075	12164711	1	DADO (01)	ECROU	MUTTER	TORNILLO
	12173990	2	COLLARE	COLLIER	SCHELLE	COLLAR
	12173990	4	COLLARE	COLLIER	SCHELLE	COLLAR
	12605670	4	ROSETTA DI SICUREZZA	RONDELLE FREIN	SICHERUNGSRING	LOCKWASHER
	14307620	4	VITE	VIS	SCHRAUBE	TORNILLO
	14456981	2	ANELLO DI TENUTA	JOINT D'ETANCHEITE	DICHTRING	SEAL
	14457380	5	ANELLO DI TENUTA	JOINT D'ETANCHEITE	DICHTRING	SEAL
	14457680	1	ANELLO DI TENUTA	JOINT D'ETANCHEITE	DICHTRING	SEAL
	14463680	1	ANELLO DI TENUTA	JOINT D'ETANCHEITE	DICHTRING	SEAL
	15540521	3	VITE	VIS	SCHRAUBE	TORNILLO
	15970521	1	VITE	VIS	SCHRAUBE	TORNILLO
	16044121	4	VITE	VIS	SCHRAUBE	TORNILLO
	20685650	2	CUSCINETTO	ROULEMENT	LAGER	BEARING
C 354 D 353	14307530	1	VITE	VIS	SCHRAUBE	TORNILLO
D 353	70009557	1	DISTANZIALE	ENTRETOISE	ABSTANDSTUECK	SEPARADOR
C 354 D 353	79010057	1	ALBERO	ARBRE	WELLE	SHAFT
C 354 D 353	79010058	1	TASSELLO	TAMPON	BEILAGE	PAD
C 354 D 353	79010059	1	LINGUETTA	LINGUET	SCHLEIBENFEDER	KEY
D 354	11067475	1	ANELLO DI SICUREZZA	ARRETOIR	SICHERUNGSRING	LOCKRING
D 354	79010926	1	ALBERO	ARBRE	WELLE	SHAFT
D 354	79010927	1	INGRANAGGIO CONDOTTO	PIGNON CONDUIT	ANGETRIEBENES ZAHNRAD	DRIVEN GEAR

FIAT ALLIS FL108 (2ED)

8110

(03-1975)

MODIF	N.ORDINAZ. G.	DENOMINAZIONE	DESIGNATION	BEZEHNUNG	DESCRIPTION	DENOMINAZIONE
C 353	581612	1	DISTANZIALE	ENTRETOISE	SPACER	SEPARADOR
	586691	1	GUARNIZIONE	JOINT	GASKET	JUNTA
C 075	586971	1	ALBERO (01)	ARBRE	WELLE	ARBOL
C 075	586981	1	ROSETTA (01)	RONDELLE	SCHREIBE	ARANDELA
	588893	2	VITE	VIS	SCHRAUBE	SCHRAUBE
79032097	590789	1	HANICOTTO	HANCHON	MUFFE	SLLEEVE
79032096	590790	1	HANICOTTO	HANCHON	MUFFE	SLLEEVE
	592151	1	TUBO	ROHR	PIPE	TUBO
	592152	1	TUBO	TUYAU	ROHR	PIPE
	592153	1	TUBO	TUYAU	ROHR	PIPE
	592154	1	POMPA COMPL.	POMPE	PUMPE	PUMP
C 075	4953695	1	INGRANAGGIO CONDOTTO (01)	PIGNON CONDUIT	ANGETRIEBENES ZAHNRAD	DRIVEN GEAR
	4956208	1	TUBO	TUYAU	ROHR	PIPE
7901660/	4966969	1	TUBO	TUYAU	ROHR	PIPE
7901660/	4972376	1	TUBO	TUYAU	ROHR	PIPE
	4978953	1	FILTRO	FILTRE	FILTER	FILTER
C 108	4979709	1	FILTRO OLIO COMPL.(01)	FILTRE A HUILE	OELFILTER	OIL FILTER
C 353-D 075	4993464	1	ALBERO	ARBRE	WELLE	SHAFT
C 364-D 075	4993965	1	INGRANAGGIO CONDOTTO	PIGNON CONDUIT	ANGETRIEBENES ZAHNRAD	DRIVEN GEAR
D 108	4994300	1	FILTRO OLIO COMPL.	FILTRE A HUILE	OELFILTER	OIL FILTER
C 353	10205820	1	LINGUETTA	LINGUET	SCHLEIBENFEDER	KEY
	10296585	1	ROSETTA DI TENUTA	JOINT D'ETANCHEITE	DICHTRING	GASKET
	10516670	4	ROSETTA DI SICUREZZA	RONDELLE FREIN	SICHERUNGSRING	LOCKWASHER
	10516670	11	ROSETTA DI SICUREZZA	RONDELLE FREIN	SICHERUNGSRING	LOCKWASHER
	10517070	3	ROSETTA DI SICUREZZA	RONDELLE FREIN	SICHERUNGSRING	LOCKWASHER
C 364-D 075	11067875	1	ANELLO DI SICUREZZA	ARRETOIR	SICHERUNGSRING	LOCKRING
D 108	11234721	2	VITE	VIS	SCHRAUBE	SCREW
	11307021	6	VITE	VIS	SCHRAUBE	SCREW
C 108	11307021	2	VITE (01)	VIS	SCHRAUBE	SCREW
C 075	12164711	1	DADO (01)	ECROU	MUTTER	NUT
	12173890	2	COLLARE	COLLIER	SHELLE	COLLAR
	12173990	4	COLLARE	COLLIER	SHELLE	COLLAR
	12605670	4	ROSETTA DI SICUREZZA	RONDELLE FREIN	SICHERUNGSRING	LOCKWASHER
	14307620	4	VITE	VIS	SCHRAUBE	SCREW
	14456981	2	ANELLO DI TENUTA	JOINT D'ETANCHEITE	DICHTRING	SEAL
	14457380	5	ANELLO DI TENUTA	JOINT D'ETANCHEITE	DICHTRING	SEAL
	14457680	1	ANELLO DI TENUTA	JOINT D'ETANCHEITE	DICHTRING	SEAL
	14463680	1	ANELLO DI TENUTA	JOINT D'ETANCHEITE	DICHTRING	SEAL
	15546521	3	VITE	VIS	SCHRAUBE	SCREW
	15970521	1	VITE	VIS	SCHRAUBE	SCREW
	18044121	4	VITE	VIS	SCHRAUBE	SCREW
	20685450	2	CUSCINETTO	ROULEMENT	LAGER	BEARING
C 364-C 353	14307630	1	VITE	VIS	SCHRAUBE	SCREW
D 353	79009557	1	DISTANZIALE	ENTRETOISE	ABSTANDSTUECK	SPACER
C 364-D 353	79010057	1	ALBERO	ARBRE	WELLE	SHAFT
C 364-D 353	79010058	1	TASSELLO	TAMPON	BEILAGE	PAD
C 364-C 353	79010059	1	LINGUETTA	LINGLET	SCHLEIBENFEDER	KEY
D 364	11087475	1	ANELLO DI SICUREZZA	ARRETOIR	SICHERUNGSRING	LOCKRING
D 364	79010926	1	ALBERO	ARBRE	WELLE	SHAFT
D 364	79010927	1	INGRANAGGIO CONDOTTO	PIGNON CONDUIT	ANGETRIEBENES ZAHNRAD	DRIVEN GEAR

FIAT ALLIS FL10B (2ED)

B110

(03-1975)

MODIF	N. ORDINAZ. Q.	DENOMINAZIONE	DESIGNATION	BENENNUNG	DESCRIPTION	DENOMINACIONES
C 353	581612	1	DISTANZIALE	ENTRETOISE	ABSTANDSTUECK	SEPARADOR
	586691	1	GUARNIZIONE	JOINT	DICHTUNG	JUNTA
C 075	586971	1	ALBERO (01)	ARBRE	WELLE	ARBOL
C 075	586981	1	ROSETTA (01)	RONDELLE	SCHREIBE	WASHER
	588893	2	VITE	VIS	SCHRAUBE	SCREW
790.32097	589769	1	MANICOTTO	MANCHON	MUFF	SLEEVE
790.32096	590790	1	MANICOTTO	MANCHON	MUFFE	SLEEVE
	592151	1	TUBO	TUYAU	ROHR	PIPE
	592152	1	TUBO	TUYAU	ROHR	PIPE
	592153	1	TUBO	TUYAU	ROHR	PIPE
	592154	1	POMPA COMPL.	POMPE	PUMPE	PUMP
C 075	4953895	1	INGRANAGGIO CONDOTTO (01)	PIGNON CONDUIT	ANGETRIEBENES ZAHNRAD	DRIVEN GEAR
	4956208	1	TUBO	TUYAU	ROHR	PIPE
	4965965	1	TUBO	TUYAU	ROHR	PIPE
	4973376	1	TUBO	TUYAU	ROHR	PIPE
	4978953	1	FILTRO	FILTRE	FILTER	FILTER
C 108	4979709	1	FILTRO OLIO COMPL. (01)	FILTRE A HUILE	DELFILTER	OIL FILTER
C 353 D 075	4993964	1	ALBERO	ARBRE	WELLE	SHAFT
C 304 D 075	4993965	1	INGRANAGGIO CONDOTTO	PIGNON CONDUIT	ANGETRIEBENES ZAHNRAD	DRIVEN GEAR
D 108	4996300	1	FILTRO OLIO COMPL.	FILTRE A HUILE	DELFILTER	OIL FILTER
C 353	10205820	1	LINGUETTA	LINGUET	SCHIEBENFEDER	KEY
	10296585	1	ROSETTA DI TENUTA	JOINT D'ETANCHEITE	DICHTRING	GASKET
	10516670	4	ROSETTA DI SICUREZZA	RONDELLE FREIN	SICHERUNGSRING	LOCKWASHER
	10516870	11	ROSETTA DI SICUREZZA	RONDELLE FREIN	SICHERUNGSRING	LOCKWASHER
	10517070	3	ROSETTA DI SICUREZZA	RONDELLE FREIN	SICHERUNGSRING	LOCKWASHER
C 364 D 075	11067875	1	ANELLO DI SICUREZZA	ARRETOIR	SICHERUNGSRING	LOCKRING
D 108	11234721	2	VITE	VIS	SCHRAUBE	TORNILLO
	11307021	6	VITE	VIS	SCHRAUBE	SCREW
C 108	11307021	2	VITE (01)	VIS	SCHRAUBE	SCREW
C 075	12154711	1	DADO (01)	ECROU	MUTTER	NUT
	12173890	1	COLLARE	COLLIER	SCHELLE	COLLAR
	12173990	4	COLLARE	COLLIER	SCHELLE	COLLAR
	12605670	4	ROSETTA DI SICUREZZA	RONDELLE FREIN	SICHERUNGSRING	LOCKWASHER
	14307620	4	VITE	VIS	SCHRAUBE	SCREW
	14456981	2	ANELLO DI TENUTA	JOINT D'ETANCHEITE	DICHTRING	SEAL
	14457380	5	ANELLO DI TENUTA	JOINT D'ETANCHEITE	DICHTRING	SEAL
	14457680	1	ANELLO DI TENUTA	JOINT D'ETANCHEITE	DICHTRING	SEAL
	14463680	1	ANELLO DI TENUTA	JOINT D'ETANCHEITE	DICHTRING	SEAL
	15540521	3	VITE	VIS	SCHRAUBE	SCREW
	15970521	1	VITE	VIS	SCHRAUBE	SCREW
	16046121	4	VITE	VIS	SCHRAUBE	SCREW
	20685450	2	CUSCINETTO	ROULEMENT	LAGER	BEARING
C 364 D 353	15307530	1	VITE	VIS	SCHRAUBE	SCREW
D 353	79009567	1	DISTANZIALE	ENTRETOISE	ABSTANDSTUECK	SPACER
C 364 D 353	79010057	1	ALBERO	ARBRE	WELLE	SHAFT
C 364 D 353	79010058	1	TASSELLO	TAMPON	BFILAGE	PAD
C 364 D 353	79010059	1	LINGUETTA	LINGUET	SCHIEBENFEDER	KEY
D 364	11067475	1	ANELLO DI SICUREZZA	ARRETOIR	SICHERUNGSRING	LOCKRING
D 364	79010926	1	ALBERO	ARBRE	WELLE	SHAFT
D 364	79010927	1	INGRANAGGIO CONDOTTO	PIGNON CONDUIT	ANGETRIEBENES ZAHNRAD	DRIVEN GEAR

FIAT ALLIS FL10B (2ED)

B109

(03-1975)

MODIF	N.ORDINAZ. Q.	DENOMINAZIONE	DESIGNATION	BENENNUNG	DESCRIPTION	DENOMINACIONES	
	144656B1	2	ANELLO DI TENUTA	JOINT D'ETANCHEITE	DICHTRING	SEAL	JUNTA HERMETICA
	144662B1	1	ANELLO DI TENUTA	JOINT D'ETANCHEITE	DICHTRING	SEAL	JUNTA HERMETICA
	15888721	2	VITE	VIS	SCHRAUBE	SCREW	TORNILLO
	16043621	2	VITE	VIS	SCHRAUBE	SCREW	TORNILLO
CORR. D 070	79033098	1	TUBO FLESSIBILE	TUBO FLEXIBEL	SCHLAUCH	HOSE	MANGA FLEXIBILE
		1	SPECIALE PER RICAMBI	SPECIAL POUR RECHANGES	EXTRA FUER DEN ERSATZ	SPECIFIC FOR RE PLACEMENTS	ESPECIAL PARA RE CAMBIOS

FIAT ALLIS FL100 (200)

B109

(03-1975)

MODIF	N.ORDINAZ. Q.	DENOMINAZIONE	DESIGNATION	BENENNUNG	DESCRIPTION	DENOMINAZIONE	
0000233	581073	1	ELEMENTO FILTRANTE	ELEMENT FILTRANT	FILTREINSATZ	FILTERING ELEMENT	FILTRO
	581598	1	FLOTTANTE	FLOTTEUR	VENTILTRAEGER	CARRIER	VALVULA FLOTANTE
	581599	1	SCODELLINO	CUVETTE	TELLERSCHLEIBE	CUP	PLATILLO
	581600	1	MOLLA	RESSORT	FEDER	SPRING	RESORTE
	581601	1	VITE	VIS	SCHRAUBE	SCREW	TORNILLO
	581604	1	SCODELLINO	CUVETTE	TELLERSCHLEIBE	CUP	PLATILLO
	581605	1	MOLLA	RESSORT	FEDER	SPRING	RESORTE
C 070	581658	1	TAPPO (#1) (01)	BOUCHON	STOPFEN	PLUG	TAPON
	587779	1	RACCORDO	RACCORD	STUTZEN	CONNECTION	RACOR
C 070	588043	1	TUBO FLESSIBILE (01)	TUYAU FLEXIBLE	SCHLAUCH	HOSE	MANGA FLEXIBLE
	590456	1	COLONNETTA	COLONNETTE	BOLZEN	STUD	ESPARRAGO
	590496	1	VALVOLA COMPL.	SOUPAPE	VENTIL	VALVE	VALVULA
C 070	597097	1	VALVOLA COMPL. (01)	SOUPAPE	VENTIL	VALVE	VALVULA
	4960503	1	VALVOLA COMPL.	SOUPAPE	VENTIL	VALVE	VALVULA
	4960068	1	COPERTIVO	COUVERCLE	DECKEL	COVER	TAPA
C 070	4962849	1	TUBO (01)	TUYAU	ROHR	PIPE	TUBO
C 070	4963795	1	TUBO FLESSIBILE (01)	TUYAU FLEXIBLE	SCHLAUCH	HOSE	MANGA FLEXIBLE
C 070	4963796	1	TUBO FLESSIBILE (01)	TUYAU FLEXIBLE	SCHLAUCH	HOSE	MANGA FLEXIBLE
C 070	4973333	1	TUBO FLESSIBILE (01)	TUYAU FLEXIBLE	SCHLAUCH	HOSE	MANGA FLEXIBLE
	4975067	1	CONVERTITORE DI COPPIA COMPL.	CONVERTISSEUR DE COUPLE	DREHMMENTWANDLER	TORQUE CONVERTER	CONVERTIDOR DE PAR
C 070	4981655	1	STAFFETTA (01)	COLLIER	HALTER	RETAINER	ABRAZADERA
D 070	4989005	1	TUBO FLESSIBILE	TUYAU FLEXIBLE	SCHLAUCH	HOSE	MANGA FLEXIBLE
D 070	4989006	1	TUBO FLESSIBILE	TUYAU FLEXIBLE	SCHLAUCH	HOSE	MANGA FLEXIBLE
D 070	4989988	1	VALVOLA COMPL.	SOUPAPE	VENTIL	VALVE	VALVULA
D 070	4990403	1	FASCETTA	COLLIER	HALTEBAND	STRAP	ABRAZADERA
D 070	4990404	1	STAFFETTA	COLLIER	HALTER	RETAINER	ABRAZADERA
D 070	4990407	1	STAFFETTA	COLLIER	HALTER	RETAINER	ABRAZADERA
	10182611	1	BUCCHETTONE	VIS-RACCORD	HOHL-SCHRAUBE	UNION	BOQUILLA
C 070	10184611	1	BUCCHETTONE (01)	VIS-RACCORD	HOHL-SCHRAUBE	UNION	BOQUILLA
C 070	10257060	2	ROSETTA DI TENUTA (01)	JOINT D'ETANCHEITE	DICHTRING	GASKET	JUNTA HERMETICA
	10257460	2	ROSETTA DI TENUTA	JOINT D'ETANCHEITE	DICHTRING	GASKET	JUNTA HERMETICA
	10280060	1	ROSETTA DI TENUTA	JOINT D'ETANCHEITE	DICHTRING	GASKET	JUNTA HERMETICA
	10516670	2	ROSETTA DI SICUREZZA	RONDELLE FREIN	SICHERUNGSRING	LOCKWASHER	ARANDELA DE FRENO
	10516870	4	ROSETTA DI SICUREZZA	RONDELLE FREIN	SICHERUNGSRING	LOCKWASHER	ARANDELA DE FRENO
D 070	10977521	1	VITE	VIS	SCHRAUBE	SCREW	TORNILLO
	11057875	1	ANELLO DI SICUREZZA	ARRETOIR	SICHERUNGSRING	LOCKRING	ANILLO DE FRENO
D 070	11195470	1	ROSETTA DI SICUREZZA	RONDELLE FREIN	SICHERUNGSRING	LOCKWASHER	ARANDELA DE FRENO
	11363821	2	VITE	VIS	SCHRAUBE	SCREW	TORNILLO
C 070	14330260	1	ROSETTA DI TENUTA (*) (01)	JOINT D'ETANCHEITE	DICHTRING	GASKET	JUNTA HERMETICA
	14453980	1	ANELLO DI TENUTA	JOINT D'ETANCHEITE	DICHTRING	SEAL	JUNTA HERMETICA
	14457180	1	ANELLO DI TENUTA	JOINT D'ETANCHEITE	DICHTRING	SEAL	JUNTA HERMETICA
	14457280	2	ANELLO DI TENUTA	JOINT D'ETANCHEITE	DICHTRING	SEAL	JUNTA HERMETICA
	14457881	1	ANELLO DI TENUTA	JOINT D'ETANCHEITE	DICHTRING	SEAL	JUNTA HERMETICA
	14453281	2	ANELLO DI TENUTA	JOINT D'ETANCHEITE	DICHTRING	SEAL	JUNTA HERMETICA

MODIF	N.ORDINAZ. Q.	DENOMINAZIONE	DESIGNATION	BENENNUNG	DESCRIPTION	DENOMINACIONES
	581688	1 TAPPO	BOUCHON	STOPFEN	PLUG	TAPON
	586977	6 VITE	VIS	SCHRAUBE	SCREW	TORNILLO
	590448	1 ANELLO DI TENUTA	JOINT D'ETANCHEITE	DICHTRING	SEAL	JUNTA HERMETICA
	592075	6 ROSETTA	RONDELLE	SCHEIBE	WASHER	ARANDELA
	594745	1 COPERCHIO	COUVERCLE	DECKEL	COVER	TAPA
	594746	1 GUARNIZIONE	JOINT	DICHTUNG	GASKET	JUNTA
	595360	1 COPERCHIO (*)	COUVERCLE	DECKEL	COVER	TAPA
	599275	1 DEFLETTORE	DEFLECTEUR	LEITBLECH	DEFLECTOR	DEFLECTOR
	10265160	1 ROSETTA DI TENUTA	JOINT D'ETANCHEITE	DICHTRING	GASKET	JUNTA HERMETICA
	10276740	1 TAPPO	BOUCHON	STOPFEN	PLUG	TAPON
	10297085	1 ROSETTA DI TENUTA	JOINT D'ETANCHEITE	DICHTRING	GASKET	JUNTA HERMETICA
	10306371	1 TAPPO	BOUCHON	STOPFEN	PLUG	TAPON
	10516870	13 ROSETTA DI SICUREZZA	RONDELLE FREIN	SICHERUNGSRING	LOCKWASHER	ARANDELA DE FRENO
	10517270	4 ROSETTA DI SICUREZZA (*)	RONDELLE FREIN	SICHERUNGSRING	LOCKWASHER	ARANDELA DE FRENO
	14198810	3 PIASTRINA DI SICUREZZA	PLAQUETTE FREIN	SICHERUNGSBLECH	LOCKPLATE	PLACA DE FRENO
	14330260	1 ROSETTA DI TENUTA	JOINT D'ETANCHEITE	DICHTRING	GASKET	JUNTA HERMETICA
	14468680	1 ANELLO DI TENUTA (*)	JOINT D'ETANCHEITE	DICHTRING	SEAL	JUNTA HERMETICA
	14970521	3 VITE	VIS	SCHRAUBE	SCREW	TORNILLO
	15970721	1 VITE	VIS	SCHRAUBE	SCREW	TORNILLO
	15970921	12 VITE	VIS	SCHRAUBE	SCREW	TORNILLO
	15980321	4 VITE (*)	VIS	SCHRAUBE	SCREW	TORNILLO
	(*)	-TRATTORE SENZA IMPIANTO IDRAULICO	- SANS INSTALLATION HYDRAULIQUE	- OHNE HYDRAULISCHE ANLAGE	- W/O HYDRAULIC SYSTEM	- SIN INSTALACION HIDRAULICA

FIAT ALLIS FL108 (2ED)

8105

(03-1975)

MODIF	N.ORDINAZ. Q.	DENOMINAZIONE	DESIGNATION	BENENNUNG	DESCRIPTION	DENOMINACIONES	
	592915	1	PIASTRINA DI SICUREZZA	PLAQUETTE FREIN	SICHERUNGSBLECH	LOCKPLATE	PLACA DE FRENO
C568	9915507	1	ANELLO DI TENUTA	JOINT D'ETANCHEITE	DICHTRING	SEAL	JUNTA HERMETICA
	9915508	1	SCATOLA	CARTER	GEMAUSE	CASE	CAJA
C568	9915509	1	GIRANTE CONDOTTA	TURBINE	TURBINENRAD	TURBINE	ROTOR
70922996	9915510	6	VITE	VIS	SCHRAUBE	SCREW	TORNILLO
C568	9915511	2	ANELLO	BAGUE	RING	RING	ANILLO
73035003	9915514	1	DISCO	DISQUE	SCHEIBE	PLATE	DISCO
C568	9915517	1	MANICOTTO	MANCHON	MITNEHMER	SLEEVE	MANGUITO
73035018	9915518	1	ANELLO DI SICUREZZA	ARRETOIR	SICHERUNGSRING	LOCKRING	ANILLO DE FRENO
70921760	9915519	4	SPINA	GOUPILLE	STIFT	PIN	PASADOR
70921959	9915520	4	SPINA	GOUPILLE	STIFT	PIN	PASADOR
70917673	9915522	2	TAPPO	BOUCHON	STOPFEN	PLUG	TAPON
70927373	9915523	24	VITE	VIS	SCHRAUBE	SCREW	TORNILLO
73046938	9915524	24	ROSETTA DI SICUREZZA	RONDELLE FREIN	SICHERUNGSRING	LOCKWASHER	ARANDELA DE FRENO
73035014	9915527	2	PIASTRINA DI SICUREZZA	PLAQUETTE FREIN	SICHERUNGSBLECH	LOCKPLATE	PLACA DE FRENO
	9915528	1	ANELLO DI SICUREZZA	ARRETOIR	SICHERUNGSRING	LOCKRING	ANILLO DE FRENO
73037679	9915530	1	ANELLO DI TENUTA	JOINT D'ETANCHEITE	DICHTRING	SEAL	JUNTA HERMETICA
70628510	9915531	1	ANELLO DI RITEGNO	ARRETOIR	HALTERING	RETAINER	RETENEDOR
70628362	9915532	1	ANELLO DI TENUTA	JOINT D'ETANCHEITE	DICHTRING	SEAL	JUNTA HERMETICA
70923276	9915533	2	VITE	VIS	SCHRAUBE	SCREW	TORNILLO
	9915534	1	DISCO	DISQUE	SCHEIBE	PLATE	DISCO
	9915537	1	ALBERO	ARBRE	WELLE	SHAFT	ARBOL
73027734	9915540	2	PIASTRINA DI SICUREZZA	PLAQUETTE FREIN	SICHERUNGSBLECH	LOCKPLATE	PLACA DE FRENO
73039119	9920142	2	VITE	VIS	SCHRAUBE	SCREW	TORNILLO
	9921464	1	SCATOLA DEL CUSCINETTO	CUVETTE DE ROULEMENT	LAGERGEHAUSE	BEARING CASE	CAJA DE RODAMIENTO
	9921465	1	INGRANAGGIO	PIGNON	ZAHNRAD	GEAR	PINON
	9921466	1	ANELLO DI TENUTA	JOINT D'ETANCHEITE	DICHTRING	SEAL	JUNTA HERMETICA
	9921467	6	VITE	VIS	SCHRAUBE	SCREW	TORNILLO
	9921468	6	VITE	VIS	SCHRAUBE	SCREW	TORNILLO
	9921469	1	BOCCOLA	BOUVILLE	BUECHSE	BUSH	TORNILLO
73035008	9921750	1	STATORE	STATOR	STATOR	STATOR	ESTATOR
	9921751	1	MOZZO	MOYEU	NABE	HUB	BUJE
	9926238	1	GIRANTE CONDUTTRICE	POMPE	PUMPENRAD	PUMP	IMPULSOR
	20065730	1	CUSCINETTO	ROULEMENT	LAGER	BEARING	RODAMIENTO
	26794630	1	CUSCINETTO	ROULEMENT	LAGER	BEARING	RODAMIENTO
	28995890	1	CUSCINETTO	ROULEMENT	LAGER	BEARING	RODAMIENTO
D568	73027712	1	GIRANTE CONDOTTA	TURBINE	TURBINENRAD	TURBINE	ROTOR
D568	79806952	1	ANELLO DI TENUTA	JOINT D'ETANCHEITE	DICHTRING	SEAL	JUNTA HERMETICA

MODIF	N.ORDINAZ. Q.	DENOMINAZIONE	DESIGNATION	BENENNUNG	DESCRIPTION	DENOMINAZIONES	
	4606789	1	ROSETTA	RONDELLE	SCHLEIBE	WASHER	ARANDELA
C 088	4606791	1	DISTANZIALE (01)	ENTRETOISE	ABSTANDSTUECK	SPACER	SEPARADOR
C 088	4607107	5	CINGHIE (01)	COURROIES	RIEMEN	BELTS	CORREAS
D 088	4684467	1	DISTANZIALE	ENTRETOISE	ABSTANDSTUECK	SPACER	SEPARADOR
D 088	4699616	1	PULEGGIA	POULIE	RIEMENSCHLEIBE	PULLEY	POLEA
C 407 D 088	4699616	5	CINGHIE	COURROIES	RIEMEN	BELTS	CORREAS
D 088	4699618	1	PULEGGIA	POULIE	RIEMENSCHLEIBE	PULLEY	POLEA
D 088	4699620	1	SUPPORTO	SUPPORT	LAGER	SUPPORT	SOPORTE
C 088	8824049	1	PULEGGIA (01)	POULIE	RIEMENSCHLEIBE	PULLEY	POLEA
	8824050	1	PERNO	AXE	BOLZEN	PIN	EJE
	8824051	1	DISTANZIALE	ENTRETOISE	ABSTANDSTUECK	SPACER	SEPARADOR
	8824052	1	COPERCIO	COUVERCLE	DECKEL	COVER	TAPA
C 088	8825548	1	PULEGGIA (01)	POULIE	RIEMENSCHLEIBE	PULLEY	POLEA
C 088	8825550	1	PULEGGIA CONDOTTA (01)	POULIE ENTRAINEE	RIEMENSCHLEIBE, GETRIEBEN	DRIVEN PULLEY	POLEA CONDUCCIA
C 088	8825552	1	SUPPORTO (01)	SUPPORT	LAGER	SUPPORT	SOPORTE
D 088	8827714	1	PULEGGIA	POULIE	RIEMENSCHLEIBE	PULLEY	POLEA
	8829905	1	VENTILATORE	VENTILATEUR	LUEFTER	FAN	VENTILADOR
	10715470	4	ROSETTA DI SICUREZZA	RONDELLE FREIN	SICHERUNGSRING	LOCKWASHER	ARANDELA DE FRENO
	10516870	6	ROSETTA DI SICUREZZA	RONDELLE FREIN	SICHERUNGSRING	LOCKWASHER	ARANDELA DE FRENO
C 088	10517071	2	ROSETTA DI SICUREZZA (01)	RONDELLE FREIN	SICHERUNGSRING	LOCKWASHER	ARANDELA DE FRENO
	10902121	4	VITE	VIS	SCHRAUBE	SCREW	TORNILLO
	11060976	1	ANELLO DI SICUREZZA	ARRETOIR	SICHERUNGSRING	LOCKRING	ANILLO DE FRENO
D 088	11198671	2	ROSETTA DI SICUREZZA	RONDELLE FREIN	SICHERUNGSRING	LOCKWASHER	ARANDELA DE FRENO
	12646901	1	ROSETTA	RONDELLE	SCHLEIBE	WASHER	ARANDELA
	14043971	1	DADO	ECROU	NUTTER	NUT	TUERCA
D 088	15540721	1	VITE	VIS	SCHRAUBE	SCREW	TORNILLO
	15540921	1	VITE	VIS	SCHRAUBE	SCREW	TORNILLO
C 088	15540921	1	VITE (01)	VIS	SCHRAUBE	SCREW	TORNILLO
	15970721	6	VITE	VIS	SCHRAUBE	SCREW	TORNILLO
	20996660	2	CUSCINETTO	ROULEMENT	LAGER	BEARING	RODAMIENTO
D 407	4710468	5	CINGHIE	COURROIES	RIEMEN	BELTS	CORREAS

FIAT ALLI FL10B (2ED)

A403

(03-1975)

MODIF	N.ORDINAZ. Q.	DENOMINAZIONE	DESIGNATION	BENENNUNG	DESCRIPTION	DENOMINACIONES	
	882723	1	GUARNIZIONE	JOINT	DICHTUNG	GASKET	JUNTA
	8824003	1	CORPO	CORPS	GEHAUSE	BODY	CUERPO
	8824005	1	GUARNIZIONE	JOINT	DICHTUNG	GASKET	JUNTA
	8824708	1	COPERCHIO	COUVERCLE	DECKEL	COVER	TAPA
	8829126	1	BOCCOLA DI GUIDA	DOUILLE DE GUIDAGE	FUEHRUNGSBUCHSE	RUSHING	CASQUILLO GUIA
	8829148	1	GRANDE COMPL.	ROTOR	PUMPENRAD	IMPELLER	IMPULSOR
	8829187	1	CUSCINETTO	ROULEMENT	LAGER	BEARING	RODAMIENTO
	10205920	1	LINGUETTA	LINGUET	SCHWIBENFEDER	KEY	CHAVETA
10257460	1024457	1	ROSETTA DI TENUTA	JOINT D'ETANCHEITE	DICHTRING	GASKET	JUNTA HERMETICA
10520101	12644901	1	ROSETTA	RONDELLE	SCHIBE	WASHER	ARANDELA
	13598211	1	DADO	ECROU	MUTTER	NUT	TUERCA
	30001037	1	TAPPO	BOUCHON	STOPFEN	PLUG	TAPON
	30002797	6	VITE	VIS	SCHRAUBE	SCREW	TORNILLO
	38823992	1	GRAND	ERGOT	PASSTIFT	DRIVEL	PITON
4725903	38824106	1	TAPPO	BOUCHON	STOPFEN	PLUG	TAPON
	10264660	1	GUARNIZIONE	JOINT	DICHTUNG	GASKET	JUNTA

MODIF	N. ORDINAZ. Q.	DENOMINAZIONE	DESIGNATION	BENENHUNG	DESCRIPTION	DENOMINACIONES	
	4312905	1	TERMOMETRO	THERMOMETRE	THERMOMETER	HEAT INDICATOR	TERMOMETRO
	4953822	1	MANICOTTO	MANCHON	MUFFE	SLEEVE	MANGA
C 076	4957299	1	MANICOTTO (OL)	MANCHON	MUFFE	SLEEVE	MANGA
D 047	4976294	1	RIPARO	PROTECTION	ABDECKUNG	PROTECTION	DEFENSA
	8635030	3	MANICOTTO	MANCHON	MUFFE	SLEEVE	MANGA
	8816750	4	GUARNIZIONE	JOINT	DICHTUNG	GASKET	JUNTA
8814940	8818257	1	GUARNIZIONE	JOINT	DICHTUNG	GASKET	JUNTA
	8819078	1	TERMOSTATO	THERMOSTAT	THERMOSTAT	THERMOSTAT	TERMOSTATO
	8819262	1	TUBO FLESSIBILE	TUYAU FLEXIBLE	SCHLAUCH	HOSE	MANGA FLEXIBLE
	8820457	1	RUBINETTO	ROBINET	HAHN	COCK	GRIFO
	8824007	1	TUBO	TUYAU	ROHR	PIPE	TUBO
	8824012	1	CONDOTTO	CONDUIT	LEITUNG	DUCTING	CONDUCTO
	8824013	1	TUBO	TUYAU	ROHR	PIPE	TUBO
	8824017	1	MANICOTTO	MANCHON	MUFFE	SLEEVE	MANGA
	8824022	1	MANICOTTO	MANCHON	MUFFE	SLEEVE	MANGA
	8828995	1	MANICOTTO	MANCHON	MUFFE	SLEEVE	MANGA
	8829564	1	TERMOSTATO	THERMOSTAT	THERMOSTAT	THERMOSTAT	TERMOSTATO
	8829780	1	POMPA ACQUA COMPL.	POMPE A EAU	WASSERPUMPE	WATER PUMP	BOMBA DE AGUA
	8829983	1	TUBO	TUYAU	ROHR	PIPE	TUBO
11198071	10260360	1	ROSETTA DI TENUTA	JOINT D'ETANCHEITE	DICHTUNG	GASKET	JUNTA HERMETICA
	10284585	1	ROSETTA DI TENUTA	JOINT D'ETANCHEITE	DICHTUNG	GASKET	JUNTA HERMETICA
	10291690	4	COLLARE	COLLIER	SCHELLE	COLLAR	COLLAR
11198071	10518670	4	ROSETTA DI SICUREZZA	RONDELLE FREIN	SICHERUNGSRING	LOCKWASHER	ARANDELA DE FRENO
	10516870	12	ROSETTA DI SICUREZZA	RONDELLE FREIN	SICHERUNGSRING	LOCKWASHER	ARANDELA DE FRENO
	11304921	7	VITE	VIS	SCHRAUBE	SCREW	TORNILLO
	11343821	1	VITE	VIS	SCHRAUBE	SCREW	TORNILLO
	12638620	7	ROSETTA	RONDELLE	SCHRAUBE	WASHER	ARANDELA
	15970721	2	VITE	VIS	SCHRAUBE	SCREW	TORNILLO
	15970921	1	VITE	VIS	SCHRAUBE	SCREW	TORNILLO
	15971621	1	VITE	VIS	SCHRAUBE	SCREW	TORNILLO
16044430	16044421	4	VITE	VIS	SCHRAUBE	SCREW	TORNILLO
16044830	16044821	1	VITE	VIS	SCHRAUBE	SCREW	TORNILLO
	30001037	1	TAPPO	BOUCHON	STOPFEN	PLUG	TAPON
	38809730	2	COLLARE	COLLIER	SCHELLE	COLLAR	ABRAZADERA
	38818561	1	STAFFETTA	ETRIER	HALTER	BRACKET	SOPORTE
	38821865	6	COLLARE	COLLIER	SCHELLE	COLLAR	ABRAZADERA
	38821866	4	COLLARE	COLLIER	SCHELLE	COLLAR	ABRAZADERA
	38824001	2	GUARNIZIONE	JOINT	DICHTUNG	GASKET	JUNTA
	38826777	2	COLLARE	COLLIER	SCHELLE	COLLAR	ABRAZADERA
	38826792	6	COLLARE	COLLIER	SCHELLE	COLLAR	ABRAZADERA
	38826793	4	COLLARE	COLLIER	SCHELLE	COLLAR	ABRAZADERA
	38829409	1	TAPPO DI SCARICO	BOUCHON DE VIDANGE	VERSCHLUSSSCHRAUBE	DRAIN PLUG	TAPON DE VACIADO
O 076	79001576	1	MANICOTTO	MANCHON	MUFFE	SLEEVE	MANGA

FIAT ALLIS FL10B (2ED)

A401

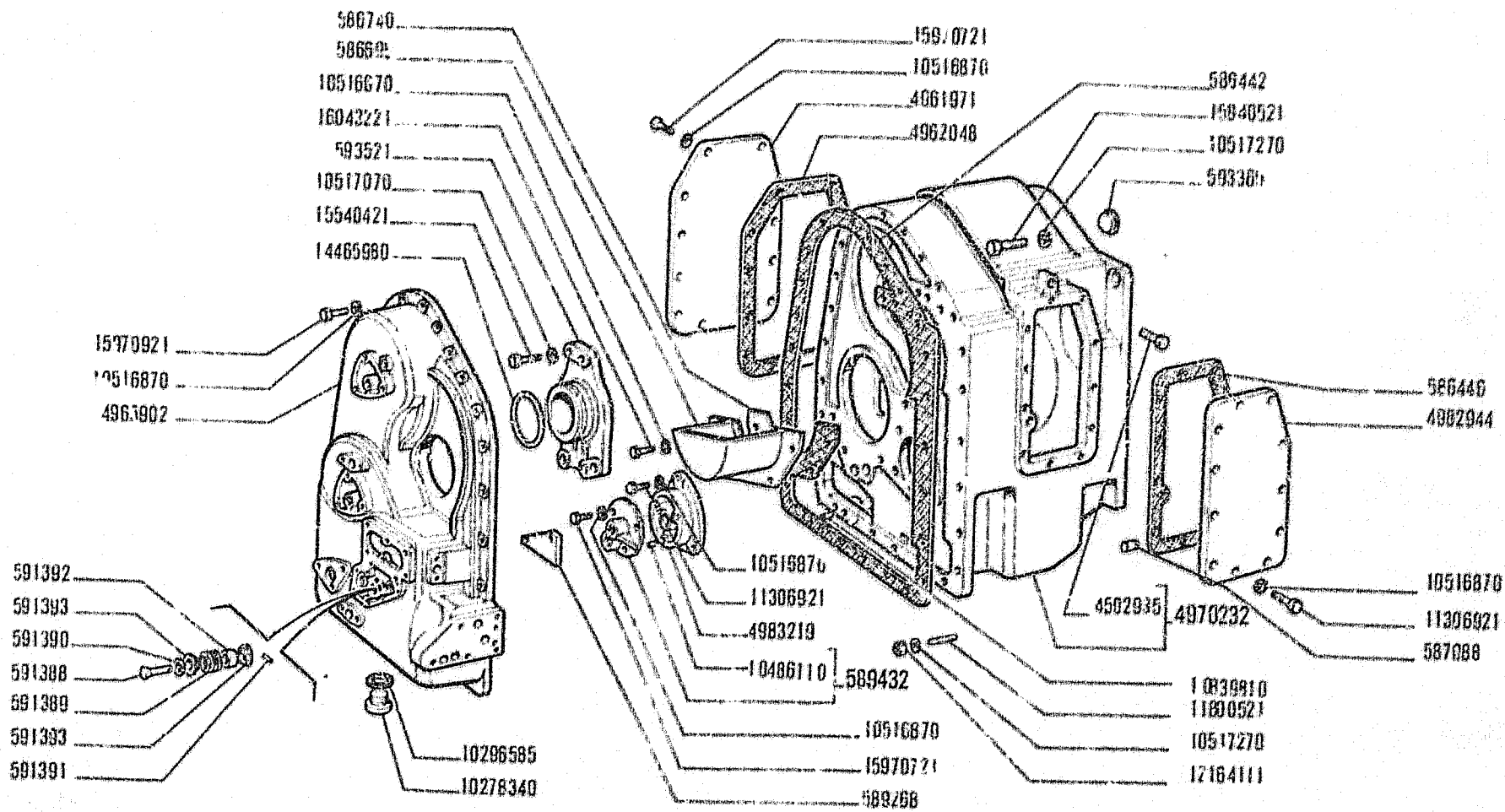
(03-1975)

MODIF	N.ORDINAZ. D.	DENOMINAZIONE	DESIGNATION	BENENNUNG	DESCRIPTION	DENOMINAZIONES
	D 079	16043321 1	VITE	VIS	SCHRAUBE	TORNILLO
		16101511	DADO	ECROU	MUTTER	TUERCA
79004651	D 076	79001509 1	GRIGLIA DEL RADIATORE	GRILLE DE RADIA- TEUR	KUEHLERGITTER	CORAZA DEL RADIA- DOR
79004651	D 076	79001590 1	GRIGLIA DEL RADIATORE	GRILLE DE RADIA- TEUR	KUEHLERGITTER	CORAZA DEL RADIA- DOR
	D 076	79001603 1	CONVOGLIATORE SUP.	CONVOYEUR	LEITBLECH	CANALIZZADOR
	C 079	79001603 1	CONVOGLIATORE SUP. (01)	CONVOYEUR	LEITBLECH	CANALIZZADOR
	D 076	79001641 1	CONVOGLIATORE INF.	CONVOYEUR	LEITBLECH	CANALIZZADOR
	C 079	79001641 1	CONVOGLIATORE INF. (01)	CONVOYEUR	LEITBLECH	CANALIZZADOR
	D 076	79001788 1	ELEMENTO DI TENUTA	ELEMENT DE TENUE	DICHTUNGSELEMENT	ELEMENTO DE CIERRE
	D 076	79002124 1	ELEMENTO DI TENUTA	ELEMENT DE TENUE	DICHTUNGSELEMENT	ELEMENTO DE CIERRE
	D 076	79002150 1	ELEMENTO DI TENUTA	ELEMENT DE TENUE	DICHTUNGSELEMENT	ELEMENTO DE CIERRE
	D 076	79002151 1	ELEMENTO DI TENUTA	ELEMENT DE TENUE	DICHTUNGSELEMENT	ELEMENTO DE CIERRE
	D 079	79002961 1	CONVOGLIATORE	CONVOYEUR	LEITBLECH	CANALIZZADOR
	D 079	79002987 1	CONVOGLIATORE	CONVOYEUR	LEITBLECH	CANALIZZADOR
	D 318	15541421 2	VITE 1021	VIS	SCHRAUBE	TORNILLO
C 318	D 076	15542221 2	VITE 1021	VIS	SCHRAUBE	TORNILLO
C 318	D 076	79001788 1	ELEMENTO DI TENUTA	ELEMENT DE TENUE	DICHTUNGSELEMENT	ELEMENTO DE CIERRE
	D 318	79005794 1	ELEMENTO DI TENUTA	ELEMENT DE TENUE	DICHTUNGSELEMENT	ELEMENTO DE CIERRE
		79006750	ELEMENTO DI TENUTA	ELEMENT DE TENUE	DICHTUNGSELEMENT	ELEMENTO DE CIERRE
		79006750	ELEMENTO DI TENUTA	ELEMENT DE TENUE	DICHTUNGSELEMENT	ELEMENTO DE CIERRE

MODIF	N.ORDINAZ. Q.	DEMINAZIONE	DESIGNATION	BENENNUNG	DESCRIPTION	DEMINAZIONES
	741569	8	TASSELLO ELASTICO	TAPPON	GUMMISTUECK	PAD
	741570	10	ROSETTA	RONDELLE	SCHIEBE	WASHER
	741571	4	DISTANZIALE	ENTFERNSTUECK	ABSTANDSTUECK	SPACER
C 047	4957300	1	PROTEZIONE (01)	PROTECTION	ABDECKUNG	SHIELD
C 076	4958420	1	ELEMENTO DI TENUTA SUP.COMPL.(01)	ELEMENT DE TENUE	DICHTUNGSELEMENT	SEALING ELEMENT
C 076	4958422	1	ELEMENTO DI TENUTA D.COMPL.(01)	ELEMENT DE TENUE	DICHTUNGSELEMENT	SEALING ELEMENT
C 076	4958423	1	ELEMENTO DI TENUTA S.COMPL.(01)	ELEMENT DE TENUE	DICHTUNGSELEMENT	SEALING ELEMENT
	4959324	1	TAPPO	BOUCHON	SCHRAUBDECKEL	CAP
C 076	4963112	1	CONVOGLIATORE SUP.(01)	CONVOYEUR	LEITBLECH	CONVEYOR
C 076	4963114	1	CONVOGLIATORE INF.(01)	CONVOYEUR	LEITBLECH	CONVEYOR
C 076	4963137	1	GRIGLIA DEL RADIATORE S (01)	GRILLE DE RADIA- TEUR	KUEHLERGITTER	RADIATOR GRILLE
C 076	4963365	1	RADIATORE COMPL.	RADIATEUR	KUEHLER	RADIATOR
C 076	4970397	1	GRIGLIA DEL RADIATORE D (01)	GRILLE DE RADIA- TEUR	KUEHLERGITTER	RADIATOR GRILLE
C 076	4972919	1	ELEMENTO DI TENUTA INF.COMPL.(01)	ELEMENT DE TENUE	DICHTUNGSELEMENT	SEALING ELEMENT
D 047	4976294	1	PROTEZIONE	PROTECTION	ABDECKUNG	SHIELD
C 076	10516470	14	ROSETTA DI SICUREZZA	RONDELLE FREIN	SICHERUNGSRING	LOCKWASHER
C 076	10516470	4	ROSETTA DI SICUREZZA (01)	RONDELLE FREIN	SICHERUNGSRING	LOCKWASHER
C 079	10516470	2	ROSETTA DI SICUREZZA (01)	RONDELLE FREIN	SICHERUNGSRING	LOCKWASHER
D 076	10516674	1	ROSETTA DI SICUREZZA	RONDELLE FREIN	SICHERUNGSRING	LOCKWASHER
D 079	10516670	1	ROSETTA DI SICUREZZA	RONDELLE FREIN	SICHERUNGSRING	LOCKWASHER
D 079	10517070	1	ROSETTA DI SICUREZZA	RONDELLE FREIN	SICHERUNGSRING	LOCKWASHER
D 076	10519601	3	ROSETTA	RONDELLE	SCHIEBE	WASHER
C 079	10902021	2	VITE (01)	VIS	SCHRAUBE	SCREW
C 076	10902111	1	VITE (01)	VIS	SCHRAUBE	SCREW
	10902221	4	VITE	VIS	SCHRAUBE	SCREW
	12643701	1	ROSETTA	RONDELLE	SCHIEBE	WASHER
	12643701	1	ROSETTA	RONDELLE	SCHIEBE	WASHER
C 076	12643701	3	ROSETTA (01)	RONDELLE	SCHIEBE	WASHER
C 079	12643701	2	ROSETTA (01)	RONDELLE	SCHIEBE	WASHER
	12644401	2	ROSETTA	RONDELLE	SCHIEBE	WASHER
	12646901	2	ROSETTA	RONDELLE	SCHIEBE	WASHER
D 076	12647001	1	ROSETTA	RONDELLE	SCHIEBE	WASHER
D 079	12647001	1	ROSETTA	RONDELLE	SCHIEBE	WASHER
	13868350	25	RIBATTINO	RIVET	NIET	RIVET
	15541121	2	VITE	VIS	SCHRAUBE	SCREW
D 076	15542221	2	VITE (01)	VIS	SCHRAUBE	SCREW
C 076	15543421	2	VITE (01)	VIS	SCHRAUBE	SCREW
D 076	16043321	4	VITE	VIS	SCHRAUBE	SCREW

A ENGINE • MOTORE • MOTEUR • MOTOR • MOTOR

B MECHANICAL TRANSMISSION • CLUTCH • TRANSMISSION • TRANSMISSION SHAFT • AXLES
TRASMISSIONE MECCANICA • FRIZIONE • CAMBIO • ALBERO DI TRASMISSIONE • PONTI
TRANSMISSION MECANIQUE • EMBRAYAGE • BOITE DE VITESSES • ARBRE DE TRANSMISSION • PONTS
MECHANISCHE KRAFTÜBERTRAGUNG • KUPPLUNG • GETRIEBE • GELENKWELLE • ACHSEN
TRANSMISSION MECANICA • EMBRAGUE • CAMBIO • ARBOL DE TRANSMISSION • PUENTES



29658

FL 10B
01 02

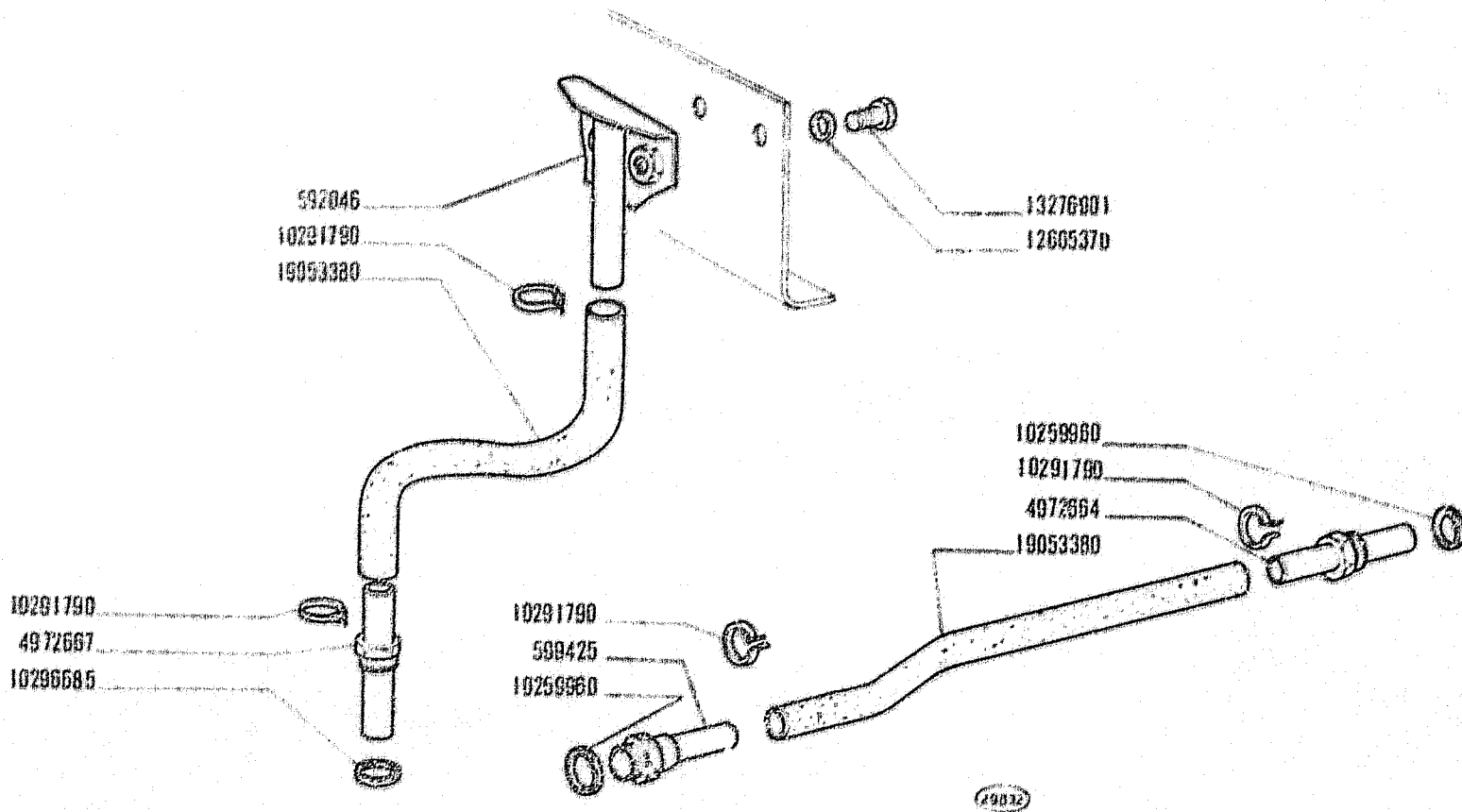
CAMBIO DI VELOCITÀ, SCATOLA E COPERCHI

Boîte de vitesses, carter et couvercles
Wechselgetriebe, Gehäuse und Deckel

N-2 *Transmission, Casing and Covers*
Cambio de velocidades, caja y tapas

B2.01

M.T.R. 30
1-9-1977
604.01.012.01



FL10 B

01 02

TUBAZIONI SFIATO CONVERTITORE E CAMBIO

Canalisations d'évent de convertisseur et boîte de vitesses

Transmission and Torque Converter Vent Lines

Entlüftungsleitungen des Drehmomentwandlers und Getriebes

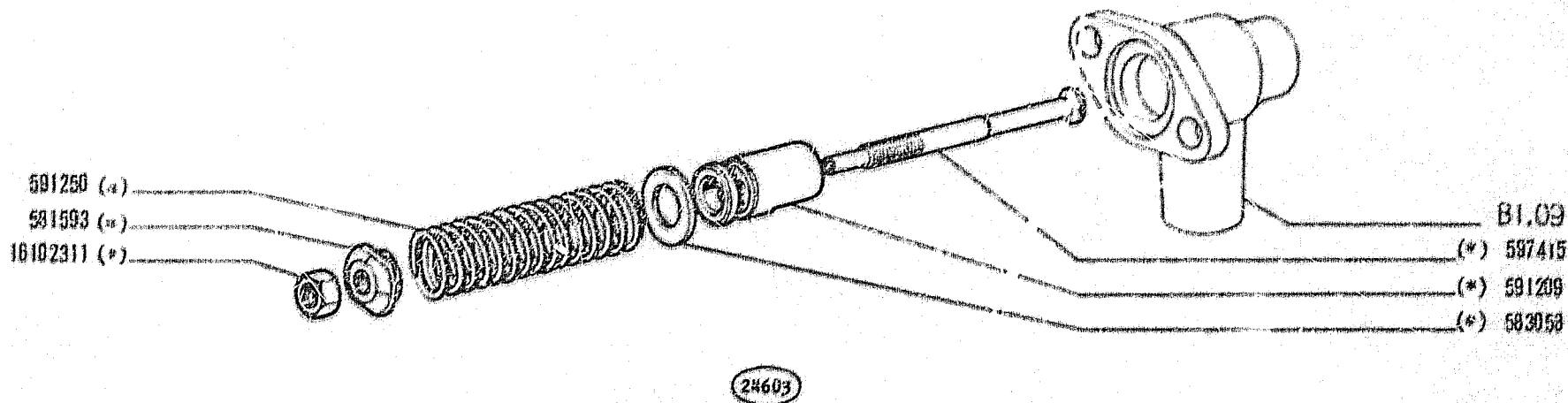
Tuberías de ventilación del convertidor y cambio

N-3

B1.15

DAT 181 82

B1.12



(*) Ved. Voir. See. Siehe. Véase. pag. 4

FL10 B
01 02

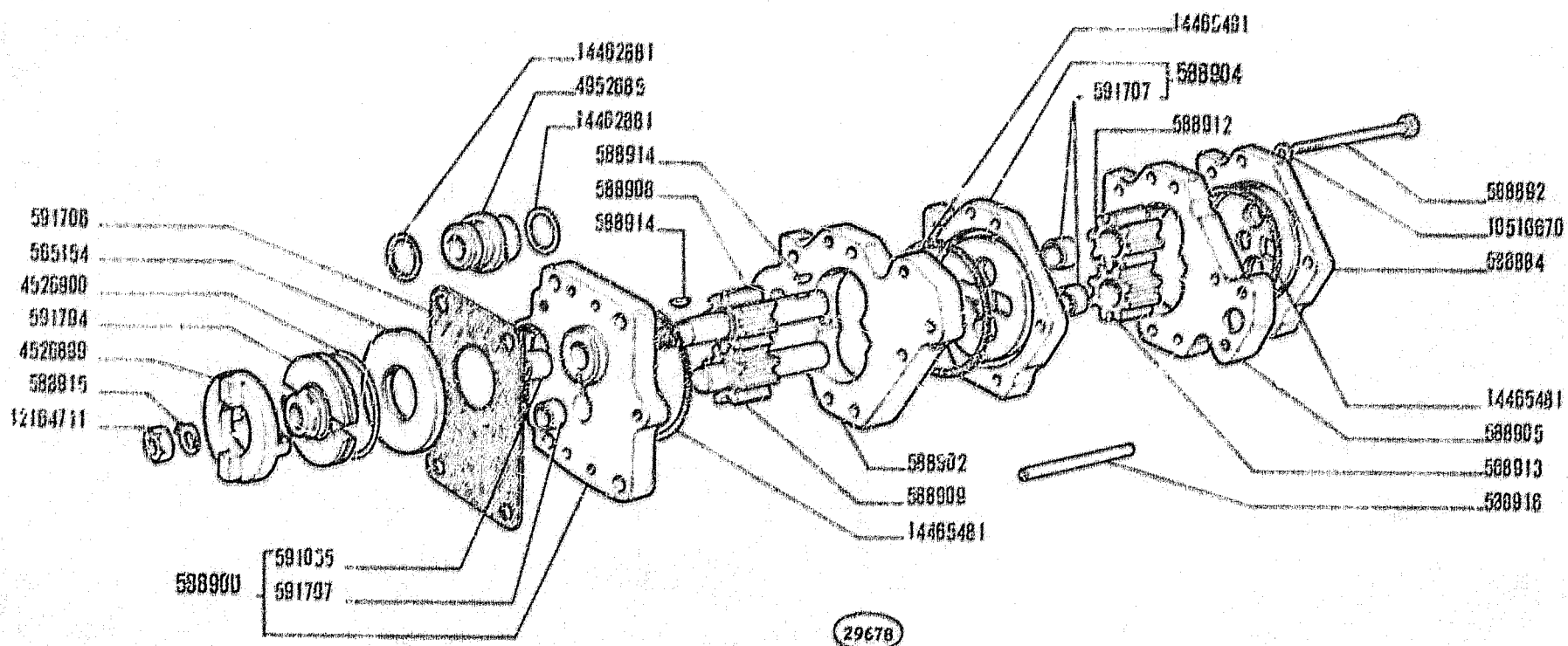
Souape
Ventil

VALVOLA 4950503
N-4
Valve
Válvula

B1.12

DAT 181 11

B1.11



FL10 B

01 02

Pompe à huile
Ölpumpe

POMPA OLIO 592154

N-5 Oil Pump
Romba de aceite

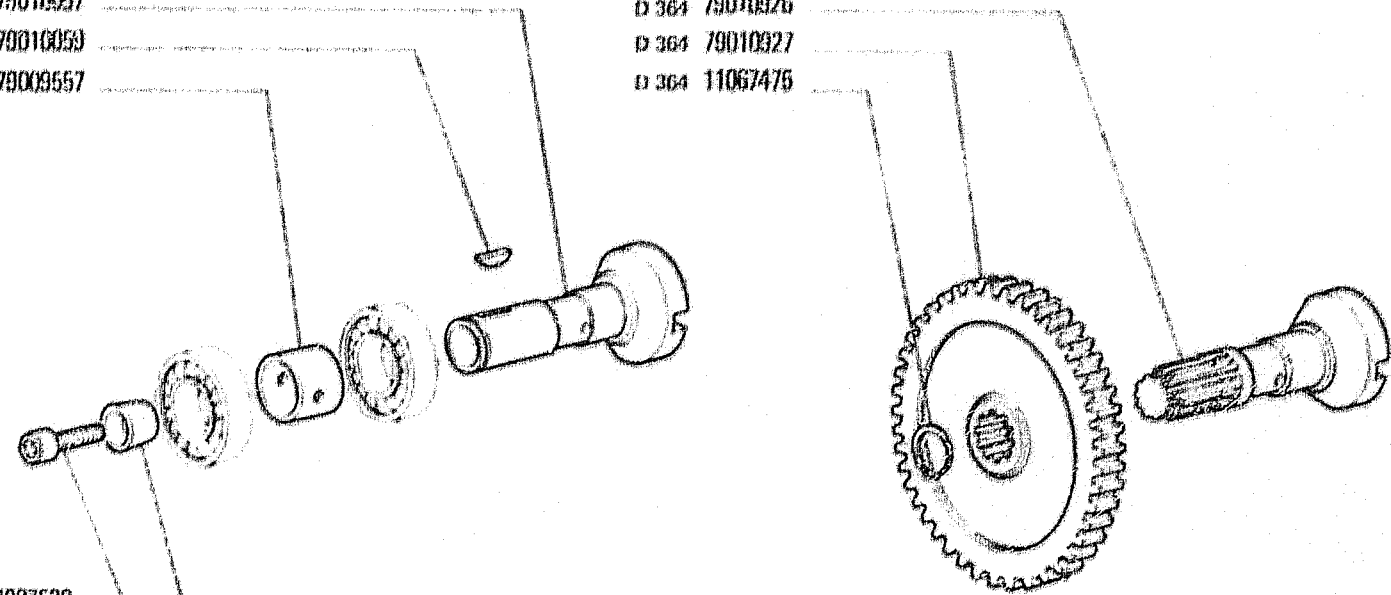
B1.11

DAT 181 10	B1.10
------------	-------

- D 353 79010957
- C 364
- D 354 79010059
- C 364
- D 353 79009557

- D 364 79010926
- D 364 79010927
- D 364 11067475

- D 353 14307530
- C 364
- D 353 79010058
- C 364



(00243)

FL10B

01 02

TUBAZIONI ASPIRAZIONE E POMPE

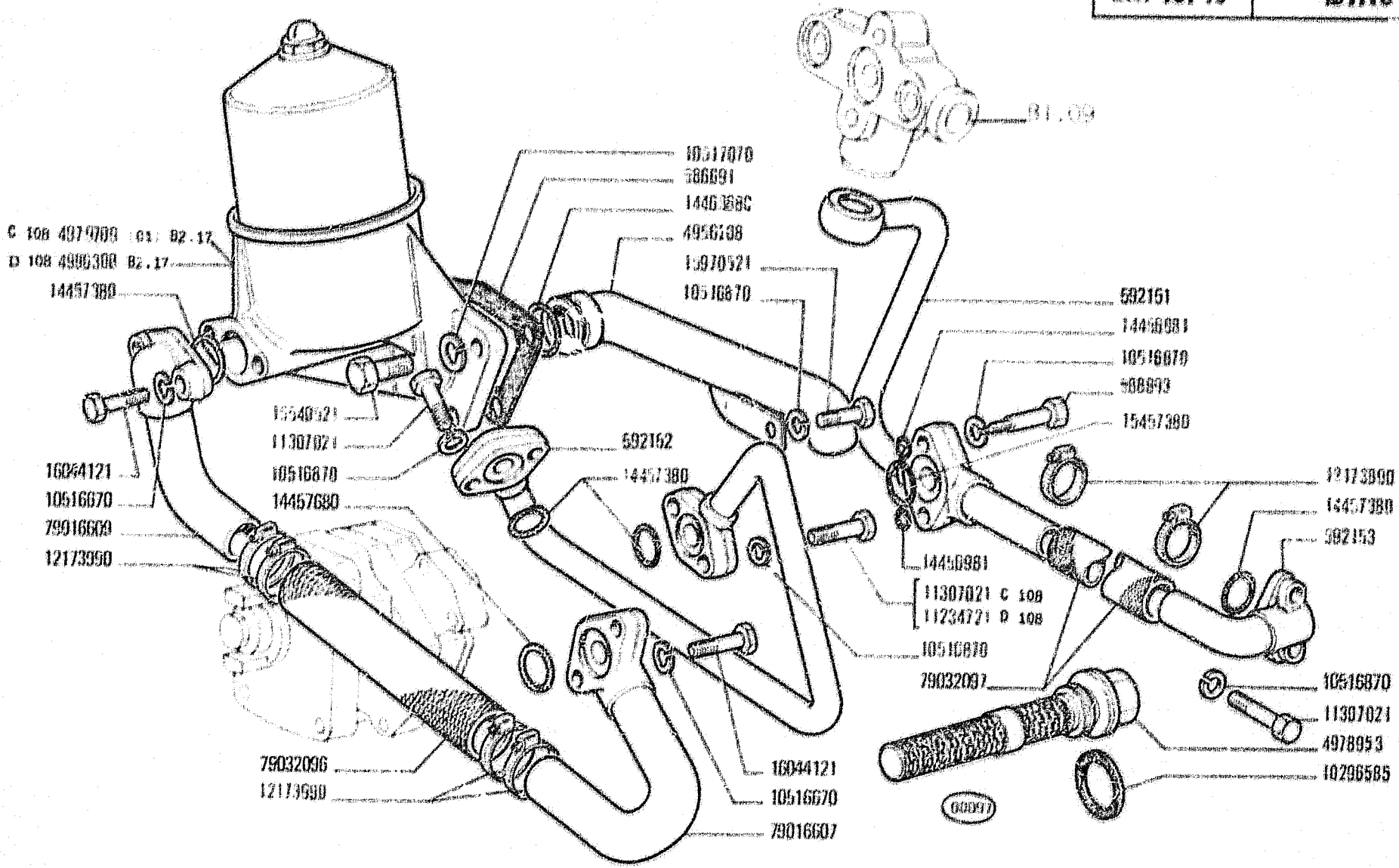
Canalisations d'aspiration et pompes
Saugleitung und Pumpe

N-6 *Suction lines and pumps*
Tuberías de aspiración y bombas

B1.10

3

N.T.R. 2B
 31-5-1977
 604.01.012.01



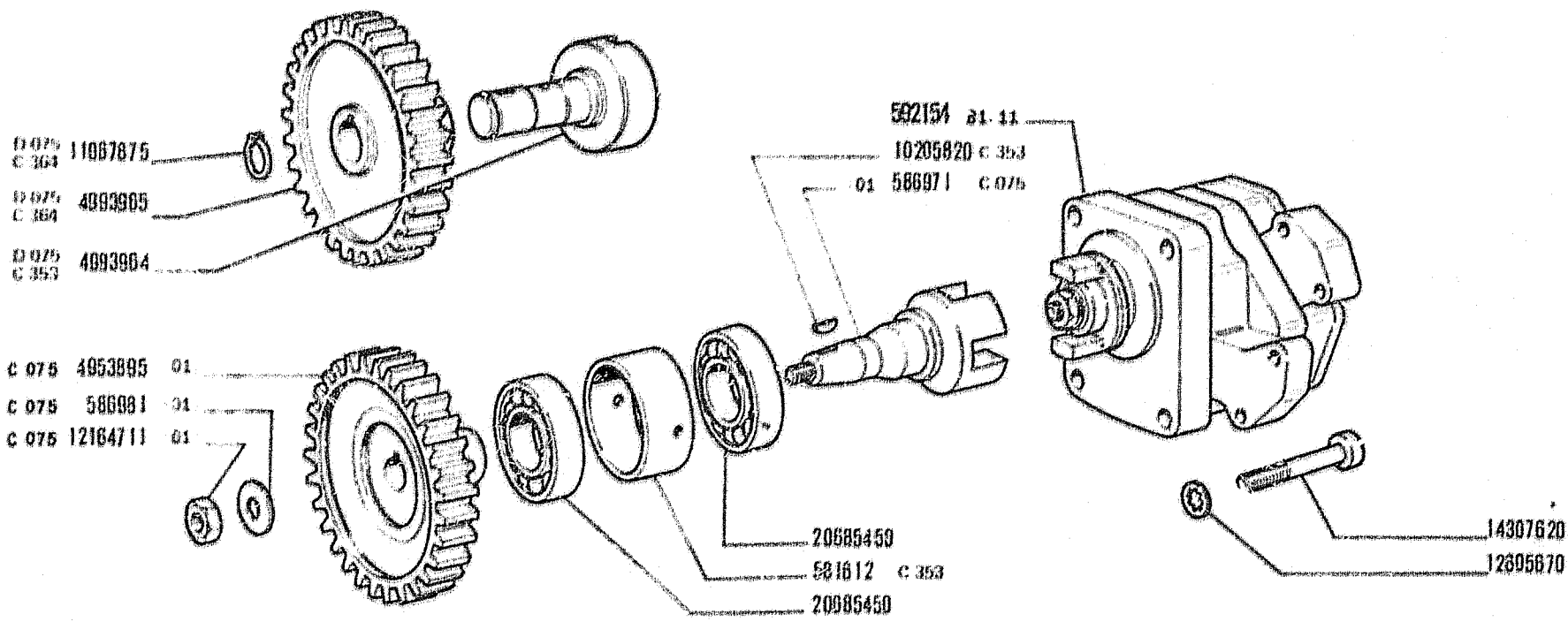
FL 10B
01 02

TUBAZIONI ASPIRAZIONE E POMPE
Canalisations d'aspiration et pompes
Suction Lines and Pumps
Saugleitung und Pumpe
N-7 *Tuberías de aspiración y bombas*

B1.10
2
N.T.R. 93
29.11.1981
604.01.012.07

DAT 181 10

B1.10



(10247)

FL10B

01 02

TUBAZIONI ASPIRAZIONE E POMPE

Canalisations d'aspiration et pompes
Saugleitung und Pumpe

N-8

Suction Lines and Pumps
Tuberías de aspiración y bombas

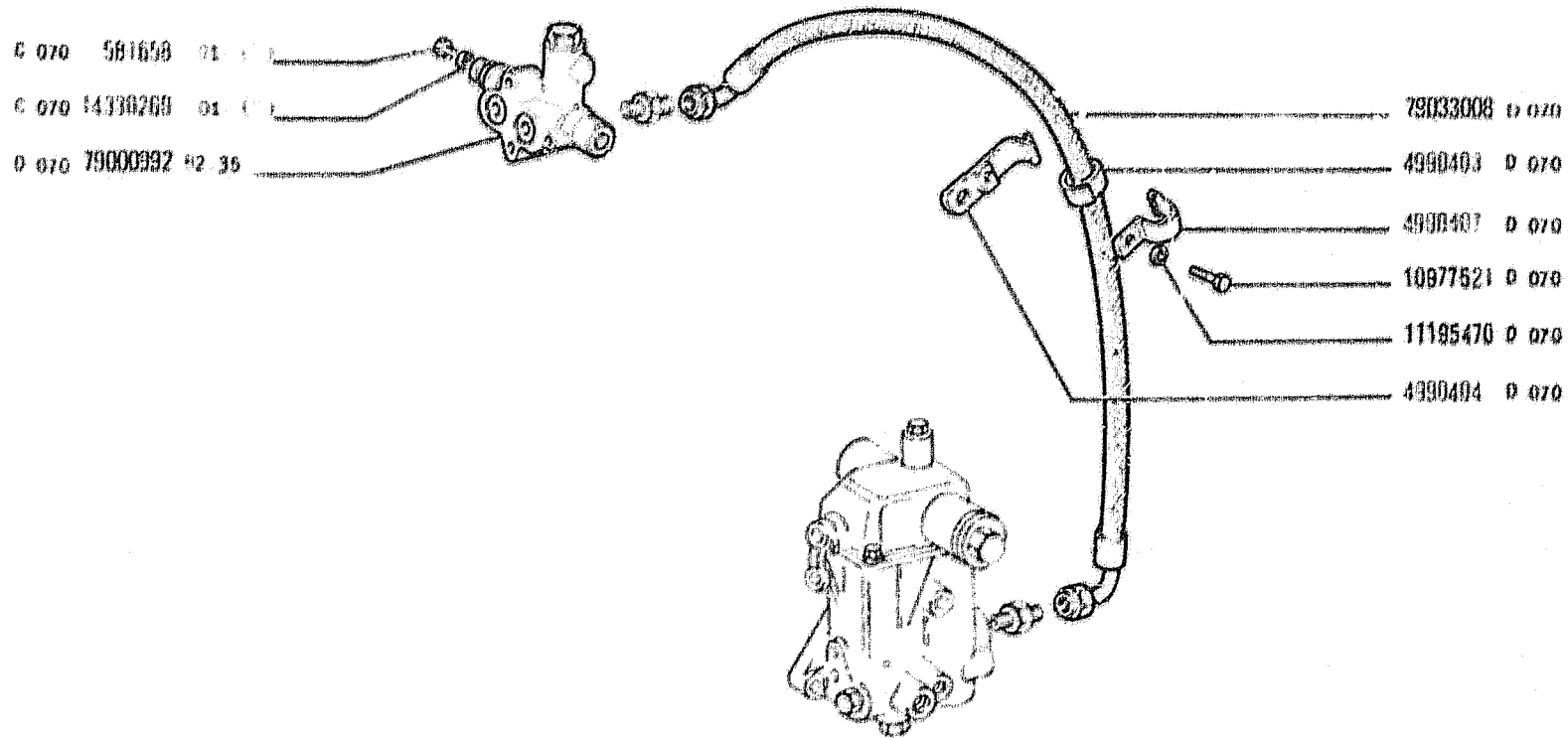
B1.10

1

N.T.R. 93
20.11.1981
604.01.012.07

DAT 1E1 09

B1.09



80377 A

(*) Vedere elenco - Voir la liste - Siehe Tabelle - See list - Véase la lista

FL 10B

01 02

CONVERTITORE, POMPE E VALVOLE

Convertisseur, pompes et soupapes
Drehmomentwandler, Pumpe und Ventile

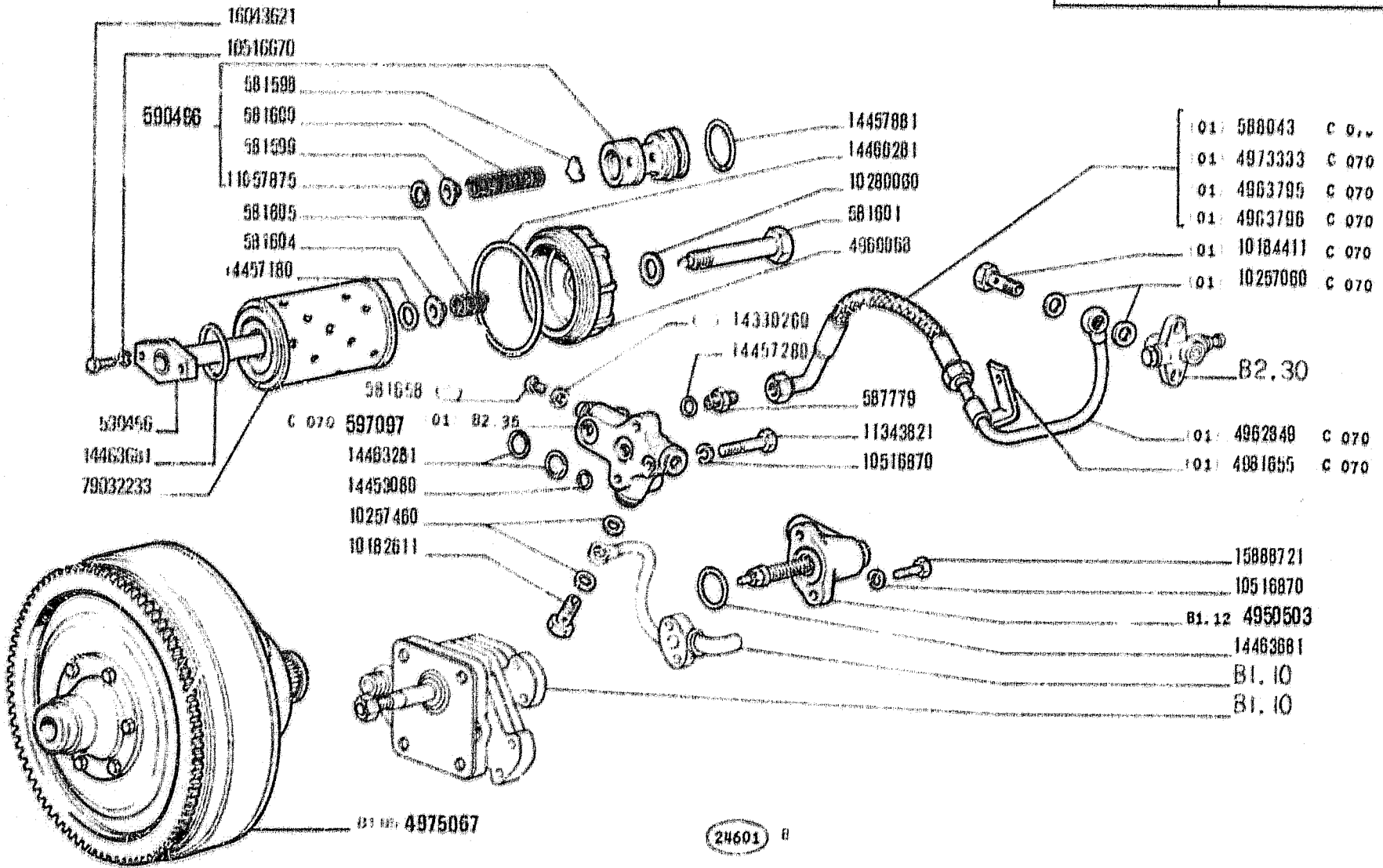
N-9

Converter, Pumps and Valves
Convertidor de par, bombas y válvulas

2

B1.09

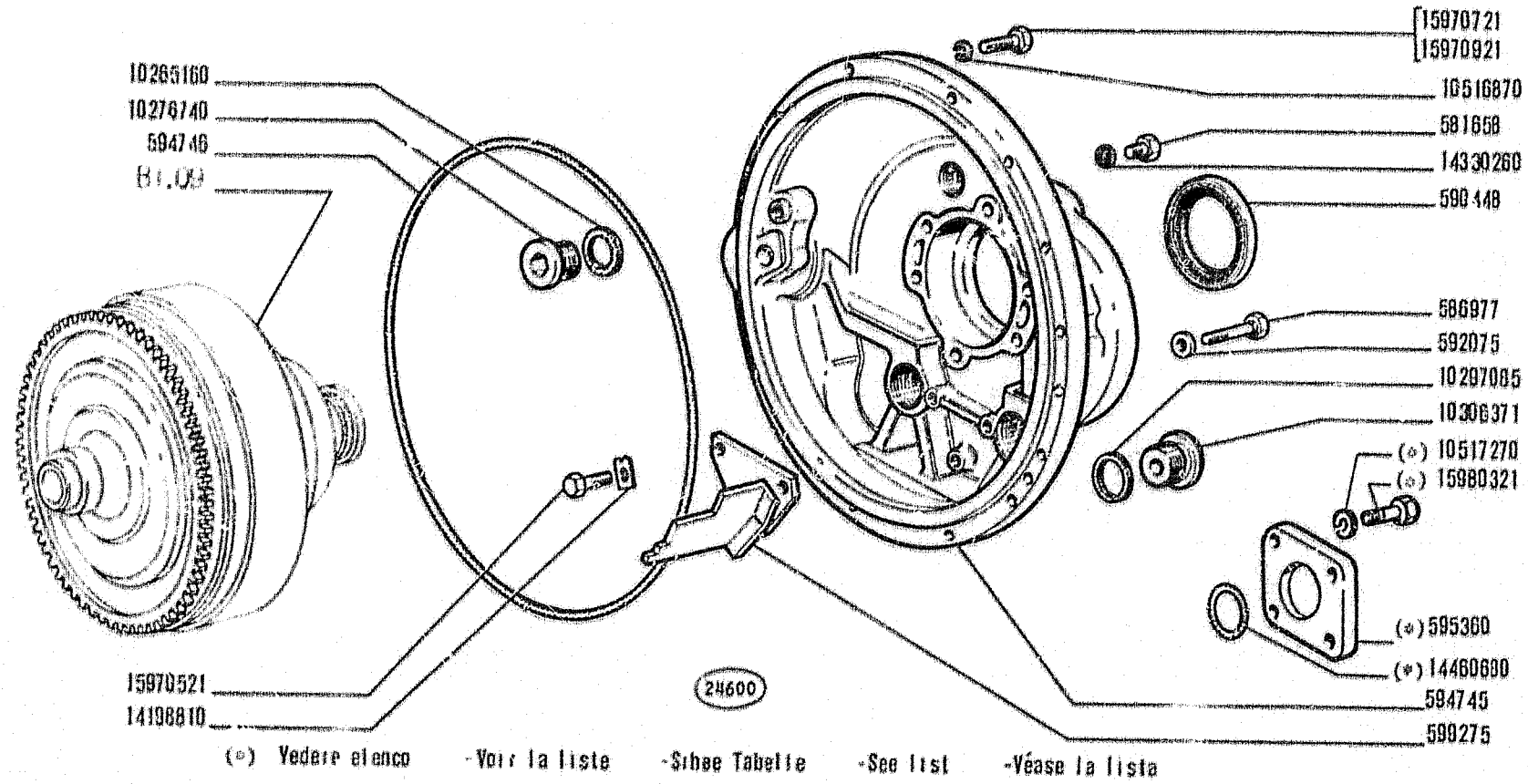
N.T.R. 93
20-11-1991
604.01.012.07



FL 10B
01 02

CONVERTITORE, POMPE E VALVOLE
 Convertisseur, pompes et soupapes
 Converter, Pumps and Valves
 Drehmomentwandler, Pumpe und Ventile **N-10** Convertidor de par, bombas y válvulas

B1.09
2
1
N.T.R. 93
20.11.1981
604.01.012.07



FL10 B

01 02

CONVERTITORE, SCATOLE E COPERCHI

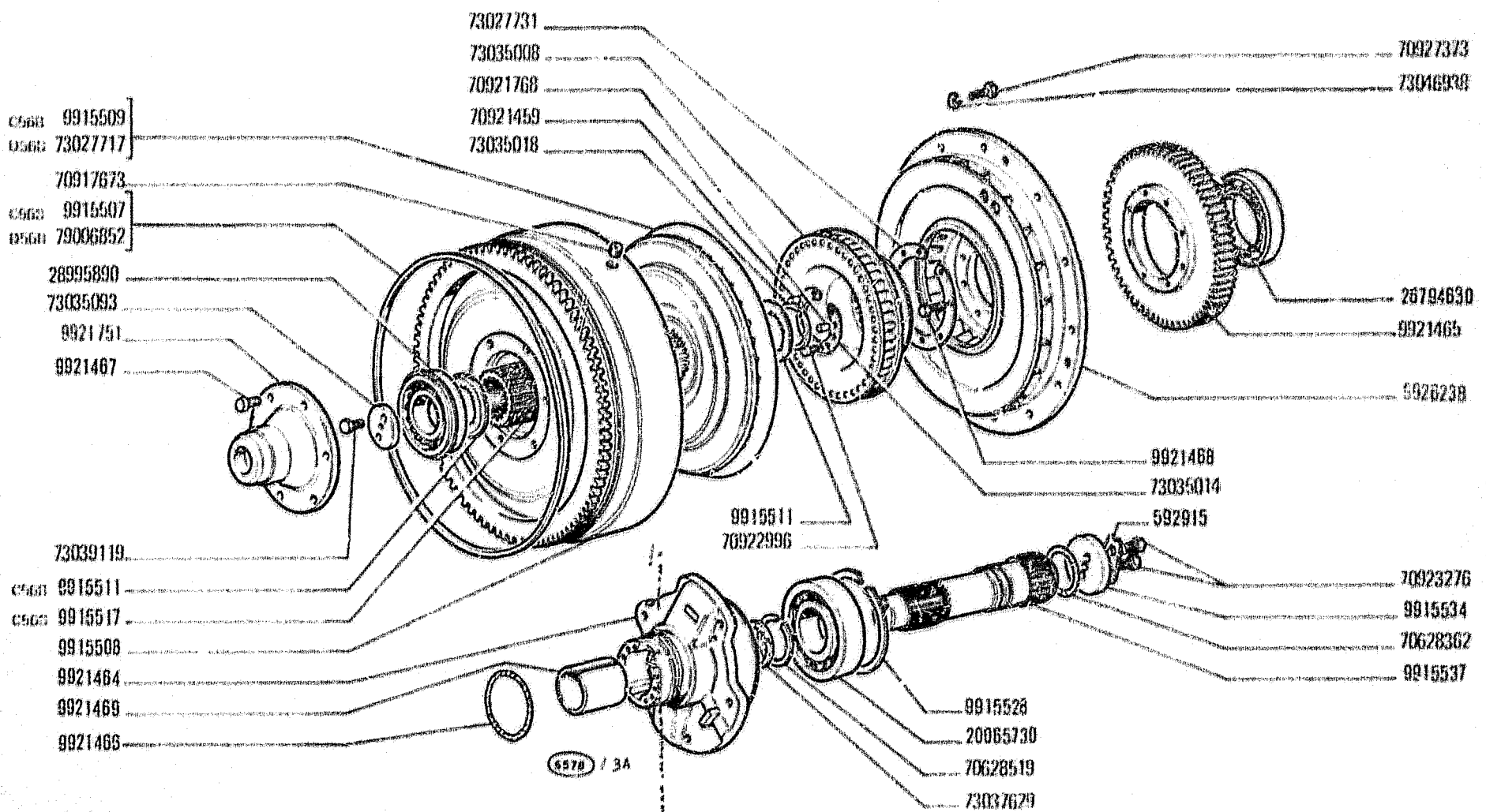
Convertisseur, carters et couvercles

Converter, Housings and Covers

Drehmomentwandler, Gehäuse und Deckel

N-12

Convertidor de par, cajas y tapas



FL 10B
01 02

Convertisseur
Drehmomentwandler

CONVERTITORE 4975067 (Twin - Disc)

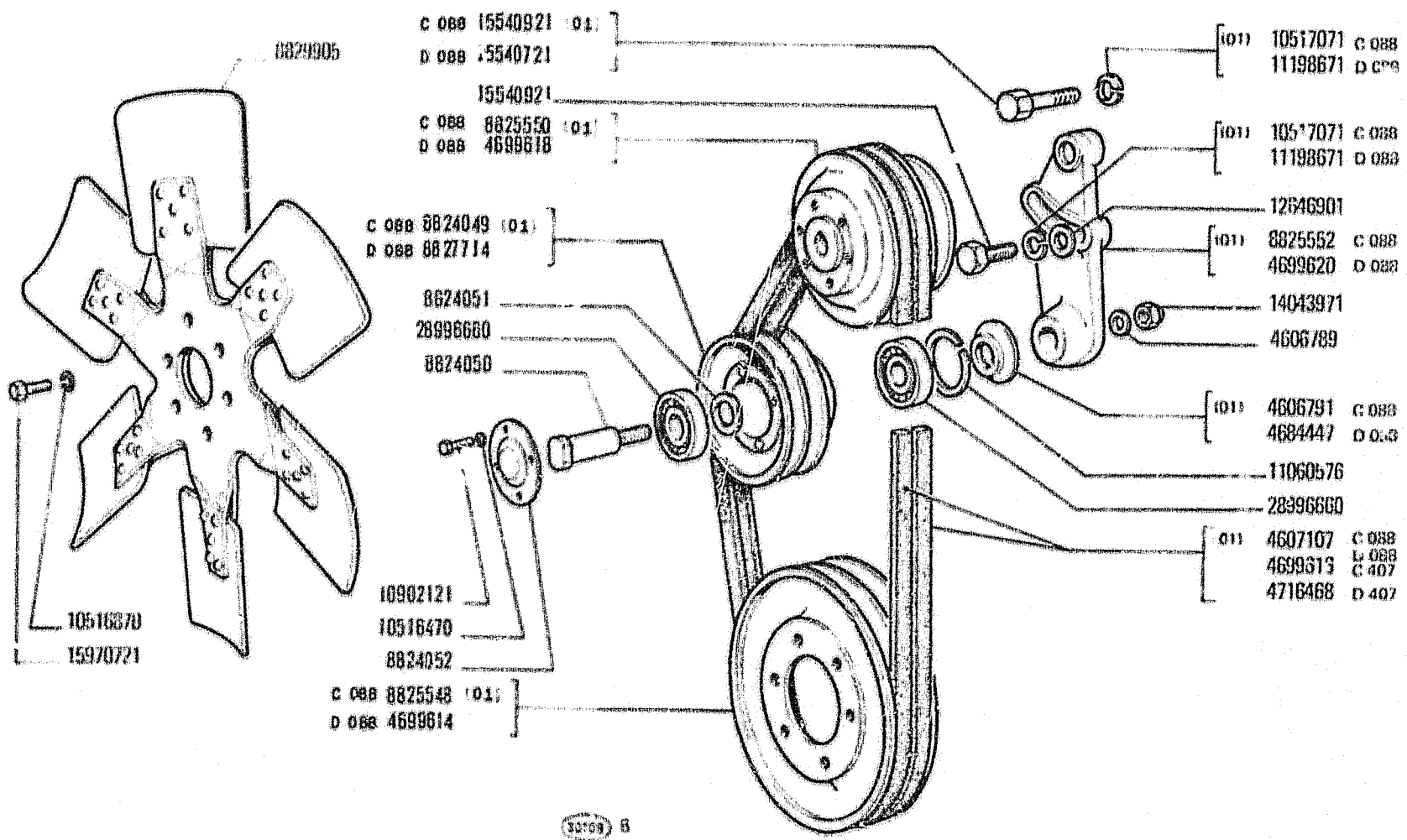
N-13
Torque Converter
Convertidor de par

B1.05

N.T.R. 65
1-3-1980
604.01.012.05

DAT 104 09

A4.09



53109 B

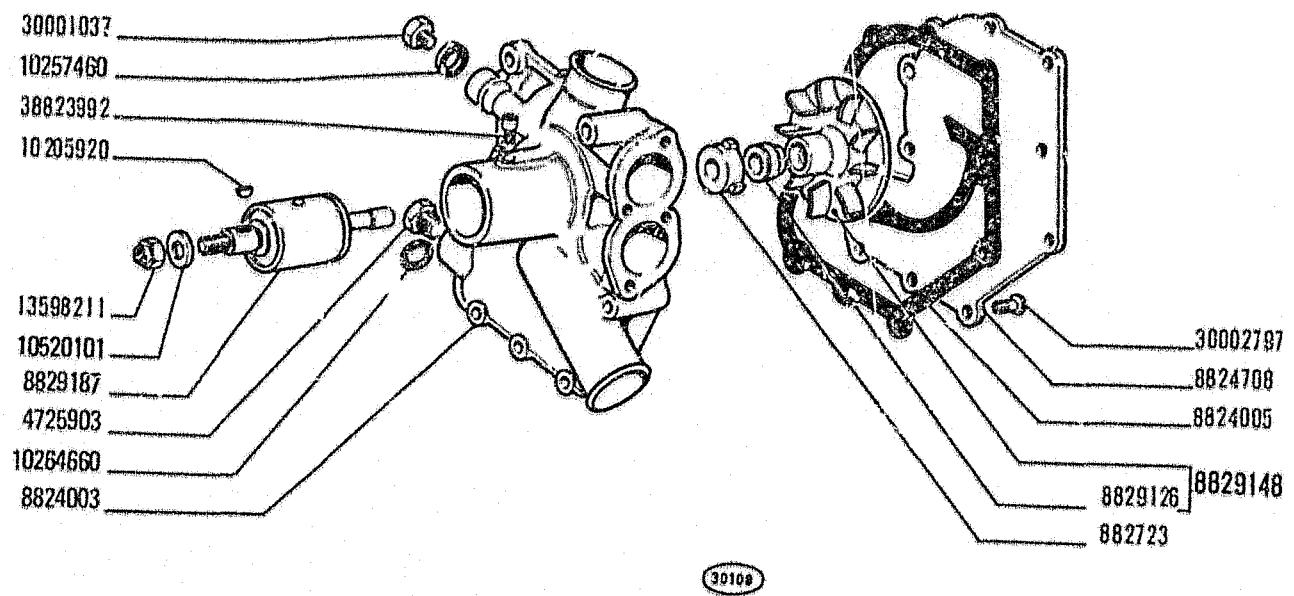
FL 10 S
01 02

Ventilateur
Lüfter

VENTILATORE
Fan
N-14 Ventilador

A4.09

NTR 38
1 4 1978
60401 01202



FL10 B
01 02

Pompe à eau
Wasserpumpe

POMPA ACQUA 8829780
Water Pump
N-15 *Bomba de agua*

A4.03

N.T.R. 49
15-5-1979
604.01.012.04

DAT 104 02

A4.02

A4.01

10291690

01 4957299 C 076
79001576 D 076

10291690

4312805

1029 1690

4953822

1029 1690

30107 A

FL10 B

01 02

POMPA ACQUA E TUBAZIONI

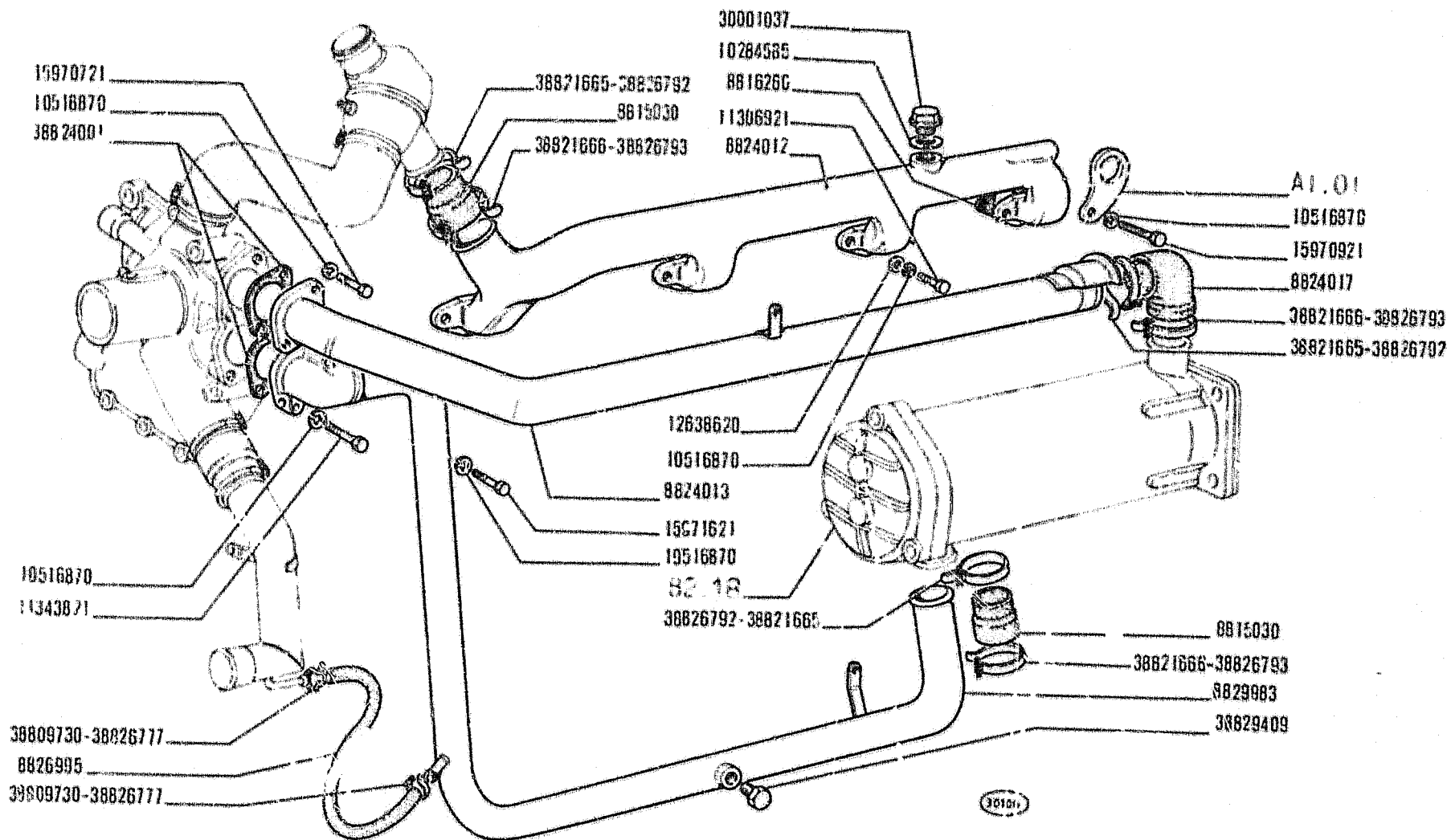
*Pompe et canalisations d'eau
Wasserpumpe und Leitungen*

N-16

*Water Pump and Lines
Bomba de agua y tuberías*

A4.02

3



FL10 B

01 02

POMPA ACQUA E TUBAZIONI

*Pompe et canalisations d'eau
Wasserpumpe und Leitungen*

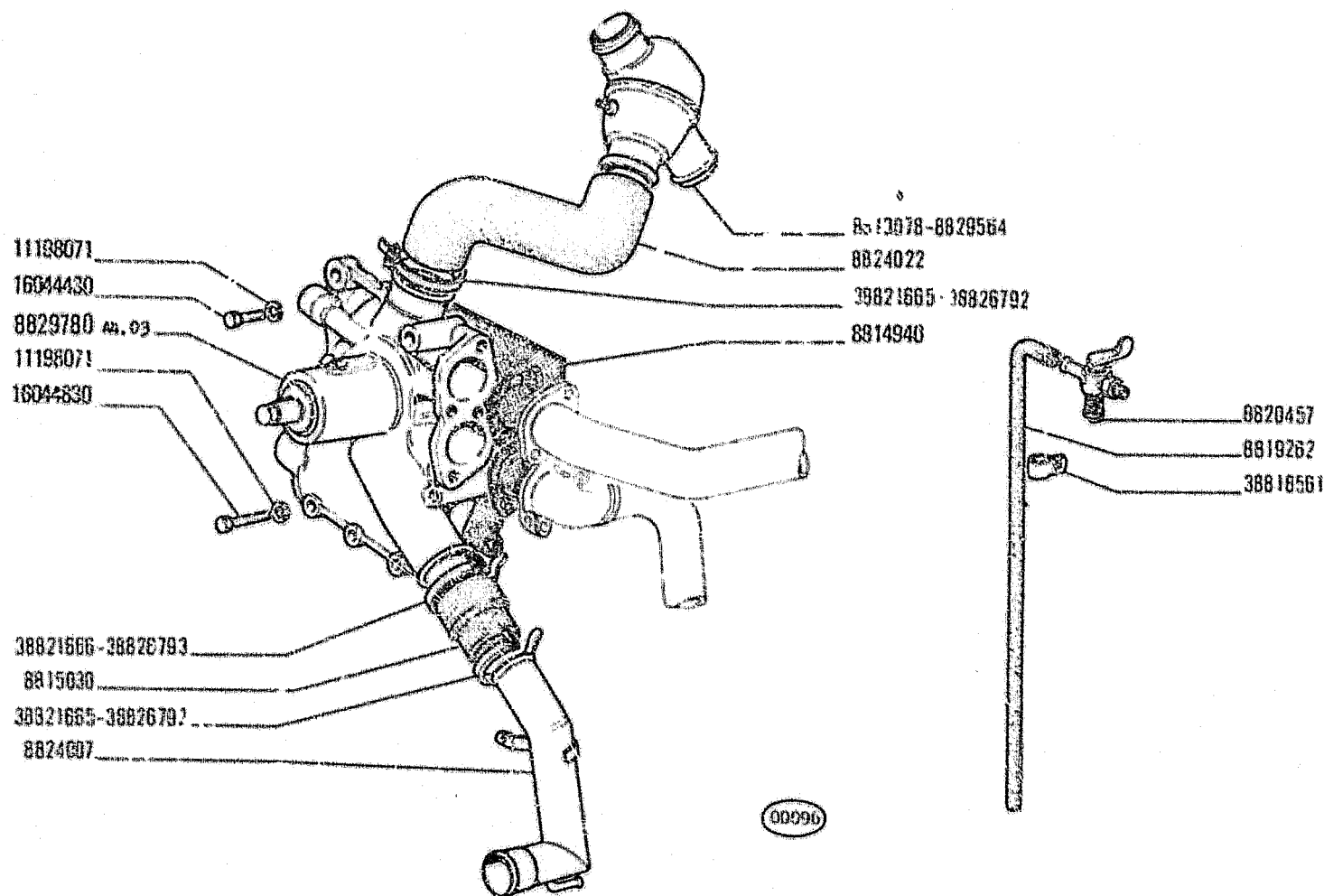
N-17

*Water Pump and Lines
Bomba de agua y tuberías*

A4.02

DAT 104 02

A4.02



FL 10B

01 02

POMPA ACQUA E TUBAZIONI

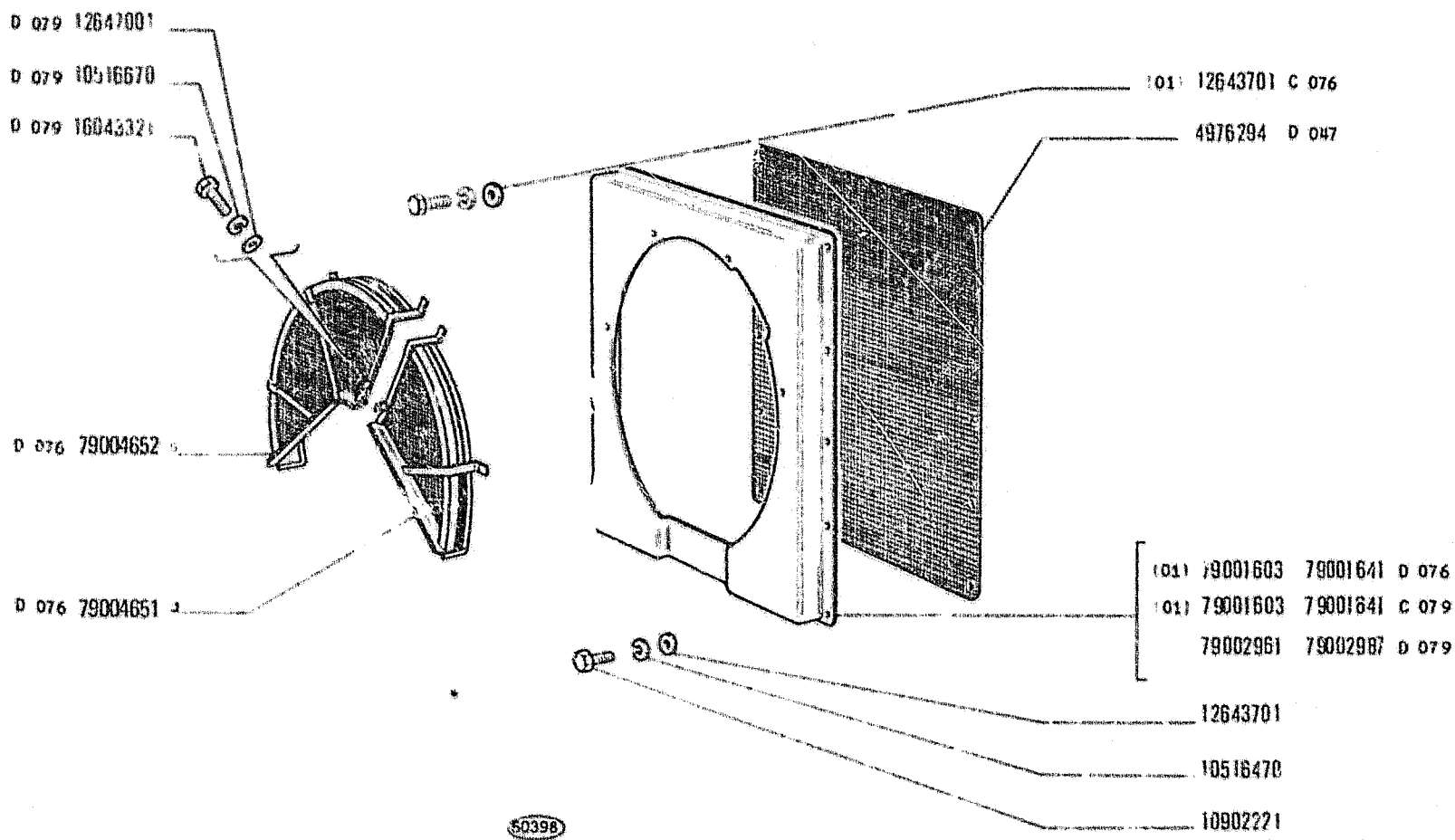
*Pompe et canalisations d'eau
Wasserpumpe und Leitungen*

N-18 *Water Pump and Lines
Bomba de agua y tuberías*

A4.02

1

N.T.R. 49
15-5-1979
604.01.012.14



50398

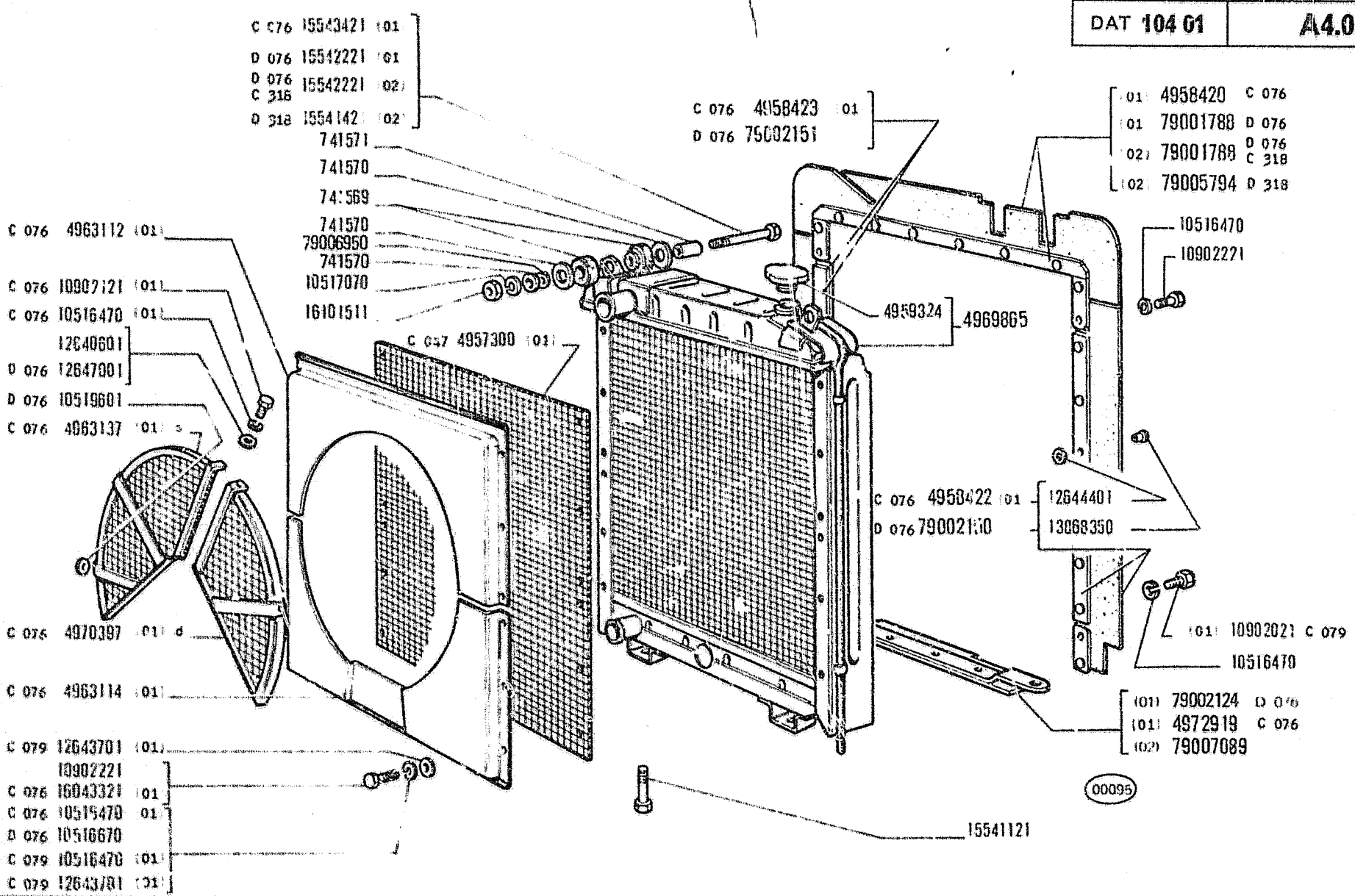
FL 10B
01 02

Radiateur
Kühler

RADIATORE
N-19
Radiator
Radiador

A4.01

2
N.T.R. 30
1-9-1977
604.01.012.01



FL 108
01 02

Radiateur
Kühler

RADIATORE
Radiator
N-20 Radiador

A4.01

1
N.T.R. 30
1-9-1977
604.01.012 01

B

MECHANICAL TRANSMISSION • CLUTCH • TRANSMISSION • TRANSMISSION SHAFT • AXLES
TRASMISSIONE MECCANICA • FRIZIONE • CAMBIO • ALBERO DI TRASMISSIONE • PONTI
TRANSMISSION MECANIQUE • EMBRAYAGE • BOITE DE VITESSES • ARBRE DE TRANSMISSION • PONTS
MECHANISCHE KRAFTÜBERTRAGUNG • KUPPLUNG • GETRIEBE • GELENKWELLE • ACHSEN
TRANSMISSION MECANICA • EMBRAGUE • CAMBIO • ARBOL DE TRANSMISSION • PUENTES

FIAT ALLIS FL10B (2ED)

B201

(03-1975)

MODIF	N.ORDINAZ. Q.	DENOMINAZIONE	DESIGNATION	BENENNUNG	DESCRIPTION	DENOMINACIONES
	12144711	15	DADI	MUTTER	NUT	TUERCA
	13449721	12	PRIGIONIERO	STIFTSCHRAUBE	STUD	ESPARRAGO
	13449921	3	PRIGIONIERO	STIFTSCHRAUBE	STUD	ESPARRAGO
	14456881	3	ANELLO DI TENUTA	DICHTRING	SEAL	JUNTA HERMETICA
	14465980	1	ANELLO DI TENUTA	DICHTRING	SEAL	JUNTA HERMETICA
	15540421	3	VITE	SCHRAUBE	SCREW	TORNILLO
	15840521	*	VITE	SCHRAUBE	SCREW	TORNILLO
	15970721	27	VITE	VIS	SCREW	TORNILLO
	15970921	26	VITE	VIS	SCREW	TORNILLO
	16043221	4	VITE	VIS	SCREW	TORNILLO
	16043421	14	VITE	VIS	SCREW	TORNILLO
D 0/4	4983957	1	COPERCHIO	DECKEL	COVER	TAPA

2

2/ 2

0-2

MODEL	N.ORDINAZ. Q.	DEDENNAZIONE	DESIGNATION	BENENNUNG	DESCRIPTION	DEDENNAZIONE	
	581010	10	ANELLO DI SICUREZZA	ARRETOIR	SICHERUNGSRING	LOCKRING	ANILLO DE FRENO
	581371	3	ANELLO DI APPOGGIO	RONDILLE DE BUTEE	DRUCKSCHEIBE	THRUST RING	ANILLO DE APOYO
	586675	1	ANELLO DI APPOGGIO	RONDILLE DE BUTEE	DRUCKSCHEIBE	THRUST RING	ANILLO DE APOYO
	586681	1	DISTANZIALE	ENTRETOISE	ABSTANDSTUECK	SPACER	SEPARADOR
	590532	1	INGRANAGGIO CONDUTTORE COMPL.	PIGNON CONDUCTEUR	TREIBENDES ZAHNRAD	DRIVING GEAR	PINON CONDUCTOR
	590533	1	INGRANAGGIO CONDOTTO	PIGNON CONDUIT	ANGETRIEBENES ZAHNRAD	DRIVEN GEAR	PINON CONDUCCIO
			-PER MARCIA INDIETRO	- POUR MARCHE AR	- FUER RUECKWAERTS- GANG	- FOR REVERSE DRIVE	- PARA MARCHA ATRAS
	590537	1	INGRANAGGIO CONDOTTO	PIGNON CONDUIT	ANGETRIEBENES ZAHNRAD	DRIVEN GEAR	PINON CONDUCCIO
			-PER MARCIA INDIETRO	- POUR MARCHE AR	- FUER RUECKWAERTS- GANG	- FOR REVERSE DRIVE	- PARA MARCHA ATRAS
	593330	5	PERNO	AXE	BOLEN	PIN	EJE
	4951301	4	CAPO	ECROU	MUTTER	NUT	TUERCA
	4960193	4	BUCOLA	BOULLE	BUEHSE	BUSH	CASQUILLO
	4960759	1	FLANGIA	BRIDE	FLANSCH	FLANGE	BRIDA
	4962186	1	INGRANAGGIO CONDUTTORE	PIGNON CONDUCTEUR	TREIBENDES ZAHNRAD	DRIVING GEAR	PINON CONDUCTOR
			-PER MARCIA VELOCE	- POUR MARCHE RAPIDE	- FUER SCHNELLGANG	- FOR HIGH RANGE	- PARA MARCHA RAPIDA
	4962190	1	INGRANAGGIO CONDOTTO	PIGNON CONDUIT	ANGETRIEBENES ZAHNRAD	DRIVEN GEAR	PINON CONDUCCIO
			-PER MARCIA MEDIA	- POUR MARCHE ME- DIAE	- FUER MITTELGANG	- FOR MEDIUM RANGE	- PARA MARCHA INTER- MEDIA
	4962191	1	INGRANAGGIO CONDOTTO	PIGNON CONDUIT	ANGETRIEBENES ZAHNRAD	DRIVEN GEAR	PINON CONDUCCIO
			-PER MARCIA VELOCE	- POUR MARCHE RAPIDE	- FUER SCHNELLGANG	- FOR HIGH RANGE	- PARA MARCHA RAPIDA
	4962194	2	DISTANZIALE	ENTRETOISE	ABSTANDSTUECK	SPACER	SEPARADOR
	4962196	1	DISTANZIALE	ENTRETOISE	ABSTANDSTUECK	SPACER	SEPARADOR
	4962197	1	CONVOIATORE	CONVOYEUR	LEITBLECH	CONVEYOR	CANALIZADOR
	4962198	2	DISTANZIALE	ENTRETOISE	ABSTANDSTUECK	SPACER	SEPARADOR
	4962199	2	CUSCINETTO	ROULEMENT	LAGER	BEARING	RODAMIENTO
	4969191	1	ALBERO COMPL.	ARBRE	WELLE	SHAFT	ARBOL
	4975132	1	ANELLO DI APPOGGIO	RONDILLE DE BUTEE	DRUCKSCHEIBE	THRUST RING	ANILLO DE APOYO
	4977442	2	SEMIANELLO	DEMI-BOGUE	RINGHAELFTE	HALF RING	SEMIANILLO
	4977636	1	ALBERO COMPL.	ARBRE	WELLE	SHAFT	ARBOL
C 638	4982109	1	INGRANAGGIO CONDUTTORE	PIGNON C. D'EUR	TREIBENDES ZAHNRAD	DRIVING GEAR	PINON CONDUCTOR
			-PER MARCIA INDIETRO	- POUR MARCH. AR	- FUER RUECKWAERTS- GANG	- FOR REVERSE DRIVE	- PARA MARCHA ATRAS
C 696	4982110	1	INGRANAGGIO CONDUTTORE (01)	PIGNON CONDUCTEUR	TREIBENDES ZAHNRAD	DRIVING GEAR	PINON CONDUCTOR
			-PER MARCIA LENTA	- POUR MARCHE LENTE	- FUER LANGSAMGANG	- FOR LOW RANGE	- PARA MARCHA LENTA
	4982111	1	INGRANAGGIO CONDUTTORE	PIGNON CONDUCTEUR	TREIBENDES ZAHNRAD	DRIVING GEAR	PINON CONDUCTOR
			-PER MARCIA LENTA, MEDIA E VELOCE	- POUR MARCHE LENTE, MEDIANE ET RAPIDE	- FUER LANGSAM-, MITTEL- UND SCHNELLGANG	- FOR LOW, MEDIUM AND HIGH RANGES	- PARA MARCHA LENTA, INTERMEDIA Y RAPIDA

MODIF	N.ORDINAZ. Q.	DENOMINAZIONE	DÉSIGNATION	BENENNUNG	DESCRIPTION	DENOMINAZIONE
	4982115	1 INGRANAGGIO DI RINVIO -PER MARCIA INDIETRO E MEDIA	PIGNON DE RENVOI - POUR MANCHE AR ET MÉDIANE	ZWISCHENZAHNRAD - FUER RUECKWAERTS - UND MITTELGANG WELLE	IDLÉ GEAR - FOR REVERSE DRIVE AND MEDIUM RANGE SHAFT	PIGNON DE RENVOIO - PARA MARCIA ATRAS Y INTERMEDIA ARBOL
	4983395	1 ALBERO S.M.COMPL.	ARBRE			
D 038	4983395	1 INGRANAGGIO CONDUTTORE	PIGNON CONDUCTEUR	TREIBENDES ZAHNRAD	DRIVING GEAR	PIGNON CONDUCTOR
D 096	477775	1 INGRANAGGIO CONDUTTORE	PIGNON CONDUCTEUR	TREIBENDES ZAHNRAD	DRIVING GEAR	PIGNON CONDUCTOR
	10160300	1 TAPPO	BOUCHON	STOPFEN	PLUG	TAPON
	10516870	4 ROSETTA DI SICUREZZA	RONDELLE FREIN	SICHERUNGSRING	LOCKWASHER	ARANDELA DE FRENO
	11069876	1 ANELLO DI SICUREZZA	ARRETOIR	SICHERUNGSRING	LOCKRING	ANILLO DE FRENO
D 038	11071375	1 ANELLO DI SICUREZZA	ARRÊT	SICHERUNGSRING	LOCKRING	ANILLO DE FRENO
	11071376	3 ANELLO DI SICUREZZA	ARRÊTOIR	SICHERUNGSRING	LOCKRING	ANILLO DE FRENO
D 038	11071875	1 ANELLO DI SICUREZZA	ARRÊT	SICHERUNGSRING	LOCKRING	ANILLO DE FRENO
D 096	14163670	2 SPINA	GROUPILLE	STIFT	PIN	PASADOR
C 038	14233830	6 VITE	VIS	SCHRAUBE	SCREW	TORNILLO
	14457281	10 ANELLO DI TENUTA	JOINT D'ÉTANCHÉITE	DICHTRING	SEAL	JUNTA HERMETICA
	14463881	8 ANELLO DI TENUTA	JOINT D'ÉTANCHÉITE	DICHTRING	SEAL	JUNTA HERMETICA
	14464381	2 ANELLO DI TENUTA	JOINT D'ÉTANCHÉITE	DICHTRING	SEAL	JUNTA HERMETICA
	14464981	1 ANELLO DI TENUTA	JOINT D'ÉTANCHÉITE	DICHTRING	SEAL	JUNTA HERMETICA
	14465181	1 ANELLO DI TENUTA	JOINT D'ÉTANCHÉITE	DICHTRING	SEAL	JUNTA HERMETICA
	14465481	1 ANELLO DI TENUTA	JOINT D'ÉTANCHÉITE	DICHTRING	SEAL	JUNTA HERMETICA
	14465981	2 ANELLO DI TENUTA	JOINT D'ÉTANCHÉITE	DICHTRING	SEAL	JUNTA HERMETICA
	15970721	2 VITE	VIS	SCHRAUBE	SCREW	TORNILLO
	20141040	2 CUSCINETTO	ROULEMENT	LAGER	BEARING	RODAMIENTO
	20943310	1 CUSCINETTO	ROULEMENT	LAGER	BEARING	RODAMIENTO
	28042500	8 CUSCINETTO	ROULEMENT	LAGER	BEARING	RODAMIENTO
	28475920	1 CUSCINETTO	ROULEMENT	LAGER	BEARING	RODAMIENTO
	28951460	1 CUSCINETTO	ROULEMENT	LAGER	BEARING	RODAMIENTO
	40005030	1 ANELLO DI TENUTA	JOINT D'ÉTANCHÉITE	DICHTRING	SEAL	JUNTA HERMETICA
	40009110	1 ANELLO DI TENUTA	JOINT D'ÉTANCHÉITE	DICHTRING	SEAL	JUNTA HERMETICA

MODIF	N.ORDINAZ. Q.	DENOMINAZIONE	DESIGNATION	BENENNUNG	DESCRIPTION	DENOMINACIONES
	581003 27	DISCO CONDUTTORE	DISQUE ENTRAINEUR	KUPPLUNGSSCHEIBE	DRIVING PLATE	DISCO DE APRIETE
	582391 32	DISCO CONDITTO	DISQUE ENTRAINE	KUPPLUNGSSCHEIBE	DRIVEN PLATE	DISCO DE EMBRAGUE
	582302 *2	MOLLA	RESSORT	FEDER	SPRING	RESORTE
	584596 1	TAMBURO EST. -PER MARCIA MEDIA	TAMBOUR - POUR MARCHE ME- DIANE	TROMMEL - FUER MITTELGANG	DRUM - FOR MEDIUM RANGE	TAMBOUR - PARA MARCHA INTER- MEDIA
	586745 2	ANELLO	RAGUE	RING	RING	ANELLO
	589009 4	SCODELLINO	CUVETTE	TELLERSCHEIBE	CUP	PLATILLO
	599149 4	TAMBURO INT.	TAMBOUR	TROMMEL	DRUM	TAMBOUR
	599151 4	DISCO CONDITTO COMPL.	DISQUE ENTRAINE	KUPPLUNGSSCHEIBE	DRIVEN PLATE	DISCO DE EMBRAGUE
	599152 4	STANTUFFO	PISTON	KOLBEN	PISTON	EMBOLO
	599153 12	PERNO DI FISSAGGIO	CHEVILLE	BOLZEN	PIN	PASADOR
	4962164 1	TAMBURO INT.	TAMBOUR	TROMMEL	DRUM	TAMBOUR
	4962166 1	TAMBURO EST.COMPL. -PER MARCIA AVANTI	TAMBOUR - POUR MARCHE AV	TROMMEL - FUER VORWAERTSGANG	DRUM - FOR FORWARD DRIVE	TAMBOUR - PARA MARCHA ADE- LANTE
	4962168 1	TAMBURO	TAMBOUR	TROMMEL	DRUM	TAMBOUR
	4962171 1	TAMBURO EST.COMPL. -PER MARCIA LENTA	TAMBOUR - POUR MARCHE LENTE	TROMMEL - FUER LANGSAMGANG	DRUM - FOR LOW RANGE	TAMBOUR - PARA MARCHA LENTA
	4962174 1	DISCO CONDITTO COMPL.	DISQUE ENTRAINE	KUPPLUNGSSCHEIBE	DRIVEN PLATE	DISCO DE EMBRAGUE
	4962176 3	PERNO DI FISSAGGIO	CHEVILLE	BOLZEN	PIN	PASADOR
	4962201 1	SCODELLINO	CUVETTE	TELLERSCHEIBE	CUP	PLATILLO
	4963781 9	MOLLA	RESSORT	FEDER	SPRING	RESORTE
	4965224 1	ANELLO DI SICUREZZA	ARRETOIR	SICHERUNGSRING	LOCKRING	ANELLO DE FRENO
	4966376 36	MOLLA	RESSORT	FEDER	SPRING	RESORTE
	4970180 1	STANTUFFO	PISTON	KOLBEN	PISTON	EMBOLO
	4979854 4	-PER MARCIA VELOCE	- POUR MARCHE RAPIDE	- FUER SCHWELLGANG	- FOR HIGH RANGE	- PARA MARCHA RAPIDA
C 038	4980096 1	DISCO TAMBURO EST. -PER MARCIA INDIETRO	DISQUE TAMBOUR - POUR MARCHE AR	SCHNEIBE TROMMEL - FUER RUECKWAERTS- GANG	PLATE DRUM - FOR REVERSE DRIVE	DISCO TAMBOUR - PARA MARCHA ATRAS
	4982113 1	INGRANAGGIO CONDITTO COMPL. -PER MARCIA LENTA	PIGNON CONDUIT - POUR MARCHE LENTE	ANGETRIEBENES ZAHNRAD - FUER LANGSAMGANG	DRIVEN GEAR - FOR LOW RANGE	PIGNON CONDUCCIO - PARA MARCHA LENTA
	4983905 3	STANTUFFO	PISTON	KOLBEN	PISTON	EMBOLO
	4983917 1	STANTUFFO -PER MARCIA MEDIA	PISTON - POUR MARCHE ME- DIANE	KOLBEN - FUER MITTELGANG	PISTON - FOR MEDIUM RANGE	EMBOLO - PARA MARCHA INTER- MEDIA
D 038	4985509 1	TAMBURO EST.	TAMBOUR	TROMMEL	DRUM	TAMBOUR
	11077475 1	ANELLO DI SICUREZZA	ARRETOIR	SICHERUNGSRING	LOCKRING	ANELLO DE FRENO
	14274530 14	VITE	VIS	SCHRAUBE	SCREW	TORNILLO
	14459781 4	ANELLO DI TENUTA	JOINT D'ETANCHEITE	DICHRING	SEAL	JUNTA HERMETICA
	14467881 4	ANELLO DI TENUTA	JOINT D'ETANCHEITE	DICHRING	SEAL	JUNTA HERMETICA
14468181	14468781 1	ANELLO DI TENUTA	JOINT D'ETANCHEITE	DICHRING	SEAL	JUNTA HERMETICA
	20063450 1	SPERA	BILLE	KUGEL	BALL	BOLA
	28042600 3	CUSCINETTO	ROULEMENT	LAGER	BEARING	RODAMIENTO
	4962198 1	DISTANZIALE	ENTRETOISE	ABSTANDSTUECK	SPACER	SEPARADOR

MODIF	N.ORDINAZ. Q.	DENOMINAZIONE	DESIGNATION	BENENNUNG	DESCRIPTION	DENOMINAZIONES
	581003 27	DISCO CONDUTTORE	DISQUE ENTRAINEUR	KUPPLUNGSSCHEIBE	DRIVING PLATE	DISCO DE APRIETE
	582301 32	DISCO CONDOTTO	DISQUE ENTRAINE	KUPPLUNGSSCHEIBE	DRIVEN PLATE	DISCO DE EMBRAGUE
	582302 32	MOLLA	RESSORT	FEDER	SPRING	RESORTE
	586596 1	TAMBURO EST. -PER MARCIA MEDIA	TAMBOUR - POUR MARCHE ME- DIANE	TROMMEL - FUER MITTELGANG	DRUM - FOR MEDIUM RANGE	TAMBOR - PARA MARCHA INTER- MEDIA
	586745 2	ANELLO	DIANE	RING	RING	ANILLO
	589009 4	SCODELLINO	CUVETTE	TELLERSCHEIBE	CUP	PLATILLO
	599149 4	TAMBURO INT.	TAMBOUR	TROMMEL	DRUM	TAMBOR
	599151 4	DISCO CONDOTTO COMPL.	DISQUE ENTRAINE	KUPPLUNGSSCHEIBE	DRIVEN PLATE	DISCO DE EMBRAGUE
	599152 4	STANTUFFO	PISTON	KOLBEN	PISTON	EMBOLO
	599153 12	PERNO DI FISSAGGIO	CHEVILLE	BOLZEN	PIN	PASADOR
	4962164 1	TAMBURO INT.	TAMBOUR	TROMMEL	DRUM	TAMBOR
	4962166 1	TAMBURO EST.COMPL. -PER MARCIA AVANTI	TAMBOUR - POUR MARCHE AV	TROMMEL - FUER VORWAERTSGANG	DRUM - FOR FORWARD DRIVE	TAMBOR - PARA MARCHA ADE- LANTE
	4962168 1	TAMBURO	TAMBOUR	TROMMEL	DRUM	TAMBOR
	4962171 1	TAMBURO EST.COMPL. -PER MARCIA LENTA	TAMBOUR - POUR MARCHE LENTE	TROMMEL - FUER LANGSAMGANG	DRUM - FOR LOW RANGE	TAMBOR - PARA MARCHA LENTA
	4962174 1	DISCO CONDOTTO COMPL.	DISQUE ENTRAINE	KUPPLUNGSSCHEIBE	DRIVEN PLATE	DISCO DE EMBRAGUE
	4962176 3	PERNO DI FISSAGGIO	CHEVILLE	BOLZEN	PIN	PASADOR
	4962201 1	SCODELLINO	CUVETTE	TELLERSCHEIBE	CUP	PLATILLO
	4963781 9	MOLLA	RESSORT	FEDER	SPRING	RESORTE
	4965224 1	ANELLO DI SICUREZZA	ARRETOIR	SICHERUNGSRING	LOCKRING	ANILLO DE FRENO
	4966376 36	MOLLA	RESSORT	FEDER	SPRING	RESORTE
	4970188 1	STANTUFFO -PER MARCIA VELOCE	PISTON - POUR MARCHE RAPIDE	KOLBEN - FUER SCHNELLGANG	PISTON - FOR HIGH RANGE	EMBOLO - PARA MARCHA RAPIDA
C 038	4979854 4	DISCO	DISQUE	SCHLEIBE	PLATE	DISCO
	4980006 1	TAMBURO EST. -PER MARCIA INDIETRO	TAMBOUR - POUR MARCHE AR	TROMMEL - FUER RUECKWAERTS- GANG	DRUM - FOR REVERSE DRIVE	TAMBOR - PARA MARCHA ATRAS
	4982113 1	INGRANAGGIO CONDOTTO COMPL. -PER MARCIA LENTA	PIGNON CONDUIT - POUR MARCHE LENTE	ANGETRIEBENES ZAHNRAD - FUER LANGSAMGANG	DRIVEN GEAR - FOR LOW RANGE	PIGNON CONDUCTIDO - PARA MARCHA LENTA
	4983905 3	STANTUFFO	PISTON	KOLBEN	PISTON	EMBOLO
	4983917 1	STANTUFFO -PER MARCIA MEDIA	PISTON - POUR MARCHE ME- DIANE	KOLBEN - FUER MITTELGANG	PISTON - FOR MEDIUM RANGE	EMBOLO - PARA MARCHA INTER- MEDIA
D 038	4985509 1	TAMBURO EST.	TAMBOUR	TROMMEL	DRUM	TAMBOR
	11077475 1	ANELLO DI SICUREZZA	ARRETOIR	SICHERUNGSRING	LOCKRING	ANILLO DE FRENO
	14274530 14	VITE	VIT	SCHRAUBE	SCREW	TORNILLO
	14459781 4	ANELLO DI TENUTA	JOINT D'ETANCHEITE	DICHTRING	SEAL	JUNTA HERMETICA
	14467881 4	ANELLO DI TENUTA	JOINT D'ETANCHEITE	DICHTRING	SEAL	JUNTA HERMETICA
14468181	14468201 1	ANELLO DI TENUTA	JOINT D'ETANCHEITE	DICHTRING	SEAL	JUNTA HERMETICA
	20063450 1	SFERA	BILLE	KUGEL	BALL	BOLA
	28042600 3	CUSCINETTO	ROULEMENT	LAGER	BEARING	RODAMIENTO
	4002198 1	DISTANZIALE	ENTRETOISE	ABSTANDSTUECK	SPACER	SEPARADOR

MODIF	N.ORDINAZ. Q.	DENOMINAZIONE	DESIGNATION	BENENNUNG	DESCRIPTION	DENOMINAZIONES
	581003 2/	DISCO CONDUTTORE	DISQUE ENTRAINEUR	KUPPLUNGSSCHEIBE	DRIVING PLATE	DISCO DE APRIETE
	582301 32	DISCO CONDOTTO	DISQUE ENTRAINE	KUPPLUNGSSCHEIBE	DRIVEN PLATE	DISCO DE EMBRAGUE
	582302 32	MOLLA	RESSORT	FEDER	SPRING	RESSORTE
	584596 1	TAMBURO EST. -PER MARCIA MEDIA	TAMBOUR - POUR MARCHE ME- DIANE	TROMMEL - FUER MITTELGANG	DRUM - FOR MEDIUM RANGE	TAMBOUR - PARA MARCHA INTER- MEDIA
	586745 2	ANELLO	BAGUE	RING	RING	ANILLO
	589009 4	SCODELLINO	CUVETTE	TELLERSCHEIBE	CUP	PLATILLO
	599149 4	TAMBURO INT.	TAMBOUR	TROMMEL	DRUM	TAMBOUR
	599151 4	DISCO CONDOTTO COMPL.	DISQUE ENTRAINE	KUPPLUNGSSCHEIBE	DRIVEN PLATE	DISCO DE EMBRAGUE
	599152 4	STANTUFFO	PISTON	KOLBEN	PISTON	EMBOLO
	599153 12	PERNO DI FISSAGGIO	CHEVILLE	BOLZEN	PIN	PASADOR
	4962164 1	TAMBURO INT.	TAMBOUR	TROMMEL	DRUM	TAMBOUR
	4962166 1	TAMBURO EST.COMPL. -PER MARCIA AVANTI	TAMBOUR - POUR MARCHE AV	TROMMEL - FUER VORWAERTSGANG	DRUM - FOR FORWARD DRIVE	TAMBOUR - PARA MARCHA ADE- LANTE
	4962168 1	TAMBURO	TAMBOUR	TROMMEL	DRUM	TAMBOUR
	4962171 1	TAMBURO EST.COMPL. -PER MARCIA LENTA	TAMBOUR - POUR MARCHE LENTE	TROMMEL - FUER LANGSANGANG	DRUM - FOR LOW RANGE	TAMBOUR - PARA MARCHA LENTA
	4962174 1	DISCO CONDOTTO COMPL.	DISQUE ENTRAINE	KUPPLUNGSSCHEIBE	DRIVEN PLATE	DISCO DE EMBRAGUE
	4962176 3	PERNO DI FISSAGGIO	CHEVILLE	BOLZEN	PIN	PASADOR
	4962201 1	SCODELLINO	CUVETTE	TELLERSCHEIBE	CUP	PLATILLO
	4963781 9	MOLLA	RESSORT	FEDER	SPRING	RESSORT
	4965224 1	ANELLO DI SICUREZZA	ARRETOIR	SICHERUNGSRING	LOCKRING	ANILLO DE FRENO
	4966376 36	MOLLA	RESSORT	FEDER	SPRING	RESSORTE
	4970188 1	STANTUFFO -PER MARCIA VELOCE	PISTON - POUR MARCHE RAPIDE	KOLBEN - FUER SCHNELLGANG	PISTON - FOR HIGH RANGE	EMBOLO - PARA MARCHA RAPIDA
C 038	4979854 4	DISCO	DISQUE	SCHLEIFE	PLATE	DISCO
	4980006 1	TAMBURO EST. -PER MARCIA INDIETRO	TAMBOUR - POUR MARCHE AR	TROMMEL - FUER RUECKWAERTS- GANG	DRUM - FOR REVERSE DRIVE	TAMBOUR - PARA MARCHA ATRAS
	4982113 1	INGRANAGGIO CONDOTTO COMPL.	PIGNON CONDUIT	ANGETRIEBENES ZAHNRAD	DRIVEN GEAR	PIGNON CONDUcido
	4983905 3	-PER MARCIA LENTA STANTUFFO	- POUR MARCHE LENTE PISTON	- FUER LANGSANGANG KOLBEN	- FOR LOW RANGE PISTON	- PARA MARCHA LENTA EMBOLO
	4983917 1	STANTUFFO -PER MARCIA MEDIA	PISTON - POUR MARCHE ME- DIANE	KOLBEN - FUER MITTELGANG	PISTON - FOR MEDIUM RANGE	EMBOLO - PARA MARCHA INTER- MEDIA
D 038	4985609 1	TAMBURO EST.	TAMBOUR	TROMMEL	DRUM	TAMBOUR
	11077475 1	ANELLO DI SICUREZZA	ARRETOIR	SICHERUNGSRING	LOCKRING	ANILLO DE FRENO
	14274530 14	VITE	VIS	SCHRAUBE	SCREW	TORNILLO
	14459781 4	ANELLO DI TENUTA	JOINT D'ETANCHEITE	DICHTRING	SEAL	JUNTA HERMETICA
	14467881 4	ANELLO DI TENUTA	JOINT D'ETANCHEITE	DICHTRING	SEAL	JUNTA HERMETICA
10468181	15449201 1	ANELLO DI TENUTA	JOINT D'ETANCHEITE	DICHTRING	SEAL	JUNTA HERMETICA
	20083450 1	SFERA	BILLE	KUGEL	BALL	BOLA
	20042600 3	CUSCINETTO	ROULEMENT	LAGER	BEARING	RODAMIENTO
	4982188 1	DISTANZIALE	ENTRETOISE	ABSTANDSTUECK	SPACER	SEPARADOR

FIAT ALFA FL108 (2ED)

9205

(03-1975)

MODIF	N.ORDINAZ. Q.	DENOMINAZIONE	DESIGNATION	BENENNUNG	DESCRIPTION	DENOMINACIONES
	4966864	1	GRAND	BRGOT	PASSTIFT	DOHEL
	4969273	1	ALBERO	ARBRE	WELLE	SHAFT
	4969274	1	DISTANZIALE	ENTRETOISE	ABSTANDSTUECK	SPACER
	4970200	1	SCUADRETTA	EQUERRE	FALTER	BRACKET
	4982114	1	INGRANAGGIO	PIGNON	ZAHNKAD	GEAR
	11069375	1	ANELLO DI SICUREZZA	ARRETOIR	SICHERUNGSRING	LOCKRING
	11069875	1	ANELLO DI SICUREZZA	ARRETOIR	SICHERUNGSRING	LOCKRING
	14233221	1	VITE	VIT	SCHRAUBE	SCREW
	20229990	1	CUSCINETTO	ROULEMENT	LAGER	BEARING
	28994930	1	CUSCINETTO	ROULEMENT	LAGER	BEARING
	40000130	1	ANELLO DI TENUTA	JOINT D'ETANCHEITE	DICHTRING	SEAL
						PITON
						ARBOL
						SEPARADOR
						APOYO
						PINON
						ANILLO DE FRENO
						ANILLO DE FRENO
						TORNILLO
						RODAMIENTO
						RODAMIENTO
						JUNTA HERMETICA

MODIF	N.ORDINAZ. Q.	DENOMINAZIONE	DESIGNATION	BENENNUNG	DESCRIPTION	DENOMINACIONES	
	11 MM 581394	1	GRAND	ERGOT	PASSTIFT	DOWEL	PITON
	586816	1	TUBO	TUYAU	ROHR	PIPE	TUBO
750000047	586817	1	TUBO	TUYAU	ROHR	PIPE	TUBO
	586518	1	TUBO	TUYAU	ROHR	PIPE	TUBO
	587093	2	GUARNIZIONE	JOINT	DICHTUNG	GASKET	JUNTA
	599472	1	TAPPO DI INTRODUZIONE OLIO CON ASTA LIVELLO	BOUCHON AVEC JAUGE D'HUILE	SCHRAUSDECKEL MIT MESSTAB	CAP W/OIL LEVEL ROD	TAPON CON VARILLA DE NIVEL DE ACEITE
	4214226	1	INTERRUTTORE	INTERRUPTEUR	SCHALTER	SWITCH	INTERRUPTOR
	4217728	1	TERMOMETRO	THERMOMETRE	THERMOMETER	HEAT INDICATOR	TERMOMETRO
	4757481	1	TUBO	TUYAU	ROHR	PIPE	TUBO
	4957431	1	SUPPORTO	SUPPORT	LAGER	SUPPORT	SOPORTE
	4959960	1	PIASTRA	PLAQUE	PLATTE	PLATE	PLACA
	4960450	1	RACCORDO	RACCORD	STUETZEN	CONNECTION	RACOR
	4960456	1	RACCORDO	RACCORD	STUETZEN	CONNECTION	RACOR
	4964144	1	TUBO	TUYAU	ROHR	PIPE	TUBO
	4965149	1	TUBO FLESSIBILE	TUYAU FLEXIBLE	SCHLAUCH	HOSE	MANGA FLEXIBLE
	4965898	1	STAFFETTA	COLLIER	HALTER	RETAINER	ABRAZADERA
	4966734	1	TUBO	TUYAU	ROHR	PIPE	TUBO
	4982967	1	TUBO	TUYAU	ROHR	PIPE	TUBO
	4982969	1	TUBO	TUYAU	ROHR	PIPE	TUBO
	10257460	1	ROSETTA DI TENUTA	JOINT D'ETANCHEITE	DICHTRING	GASKET	JUNTA HERMETICA
	10516470	4	ROSETTA DI SICUREZZA	RONDELLE FREIN	SICHERUNGSRING	LOCKWASHER	ARANDELA DE FRENO
	10516870	5	ROSETTA DI SICUREZZA	RONDELLE FREIN	SICHERUNGSRING	LOCKWASHER	ARANDELA DE FRENO
	10734401	1	COPIGLIA	BOUPILLE FENDUE	SPLIT	SPLIT PIN	PASADOR ABIERTO
	10793111	1	DADO	ECROU	MUTTER	NUT	TUERCA
	10902621	4	VITE	VIS	SCHRAUBE	SCREW	TORNILLO
	11903711	2	BOCCHETTONE	VIS-RACCORD	ROHR SCHRAUBE	UNION	BOQUILLA
	12638601	1	ROSETTA	RONDELLE	SCHIBE	WASHER	ARANDELA
	14234321	1	VITE	VIS	SCHRAUBE	SCREW	TORNILLO
	14330260	4	ROSETTA DI TENUTA	JOINT D'ETANCHEITE	DICHTRING	GASKET	JUNTA HERMETICA
	14456881	2	ANELLO DI TENUTA	JOINT D'ETANCHEITE	DICHTRING	SEAL	JUNTA HERMETICA
	14456981	4	ANELLO DI TENUTA	JOINT D'ETANCHEITE	DICHTRING	SEAL	JUNTA HERMETICA
	14457180	2	ANELLO DI TENUTA	JOINT D'ETANCHEITE	DICHTRING	SEAL	JUNTA HERMETICA
	14457580	2	ANELLO DI TENUTA	JOINT D'ETANCHEITE	DICHTRING	SEAL	JUNTA HERMETICA
	14458381	2	ANELLO DI TENUTA	JOINT D'ETANCHEITE	DICHTRING	SEAL	JUNTA HERMETICA
	14970521	1	VITE	VIS	SCHRAUBE	SCREW	TORNILLO
	14970721	4	VITE	VIS	SCHRAUBE	SCREW	TORNILLO
	16005921	1	VITE	VIS	SCHRAUBE	SCREW	TORNILLO

MODIF	N.ORDINAZ. Q.	DENOMINAZIONE	DESIGNATION	BENENNUNG	DESCRIPTION	DENOMINACIONES
	579387	1	INFIUGNATURA	BOIGNEE	GRIFF	BOYON
	585977	2	BUCOLA	BOUILLE	BUECHSE	CASQUILLO
	591167	1	MOZZO	BOYEU	NABE	BUJE
	591168	1	ANELLO DI SICUREZZA	ARRETOIR	SICHERUNGSRING	LOCKRING
	591173	1	ANELLO DI APOGGIO	RONDELLE DE BUTEE	DRUCKSCHEIBE	THRUST RING
	591181	1	SNODO	ARTICULATION	GELENK	ARTICULATION
	591182	1	DISTANZIALE	ENTRETOISE	ABSTANDSTUECK	SPACER
	591183	2	ANELLO DI APOGGIO	RONDELLE DE BUTEE	DRUCKSCHEIBE	THRUST RING
	4962252	1	LEVA COMPL.	LEVIER	HEBEL	LEVER
	4962396	1	SUPPORTO COMPL.	SUPPORT	LAGER	SUPPORT
C 015	4965150	1	PERNO (01)	AXE	BOLZEN	PIN
	4977879	1	PROTEZIONE	PROTECTION	ABDECKUNG	SHIELD
D 015	4991766	1	PERNO	AXE	BOLZEN	PIN
	10517070	1	ROSETTA DI SICUREZZA	RONDELLE FREIN	SICHERUNGSRING	LOCKWASHER
	13407211	2	INGRASSATORE	GRAISSEUR	SCHMIERNIPPEL	FITTING
	14164470	2	SPINA	SOUPILLE	STIFT	PIN
	14548970	2	BUCOLA	BOUILLE	BUECHSE	BUSH
	15560921	3	VITE	VIS	SCHRAUBE	SCREW
	17671002	4	VITE	VIS	SCHRAUBE	SCREW

FIAT ALLIS FL100 (250)

B210

(03-1970)

MODIF	N. ORDINAZ. Q.	DENOMINAZIONE	DESIGNATION	BENENNUNG	DESCRIPTION	DENOMINACIONES
	566575 2	BOCCOLA	DOUILLE	BUECHSE	BUSH	CASQUILLO
C 103	591171 1	LEVA COMPL. (01)	LEVIER	HEBEL	LEVER	PALANCA
	591178 1	PERNO	AXE	RODZEN	PIN	EJE
C 103	591181 1	SNODD (01)	ARTICULATION	GELENK	ARTICULATION	ARTICULACION
C 103	591182 1	DISTANZIALE (01)	ENTRETOISE	ABSTANDSTUECK	SPACER	SEPARADOR
C 103	591183 2	ANELLO DI APPOGGIO (01)	RONDELLE DE BUTEE	DRUCKSCHEIBE	THRUST RING	ANILLO DE APOYO
C 013	D 015	593629 1	MOLLA	FEDER	SPRING	RESORTE
	4177981 1	BOCCOLA	DOUILLE	BUECHSE	BUSH	CASQUILLO
	4952553 1	TIRANTE	TIRANT	SPANNBOLZEN	TIEROD	PERNO
	4958537 1	SUPPORTO COMPL.	SUPPORT	LAGER	SUPPORT	SOPORTE
C 103	4958538 1	TIRANTE (01)	TIRANT	SPANNBOLZEN	TIEROD	PERNO
C 015	4963218 1	TIRANTE (01)	TIRANT	SPANNBOLZEN	TIEROD	PERNO
C 304	4964217 1	LEVA COMPL.	LEVIER	HEBEL	LEVER	PALANCA
	4966736 1	TUBO	TUYAU	ROHR	PIPE	TUBO
C 103	4977280 1	FORCELLINO (01)	FOURCHE	GABEL	FORK	HORQUILLA
C 305	4980156 2	VITE	VIS	SCHRAUBE	SCREW	TORNILLO
D 103	4984823 1	BOCCOLA	DOUILLE	BUECHSE	BUSH	CASQUILLO
D 103	4984826 1	BOCCOLA	DOUILLE	BUECHSE	BUSH	CASQUILLO
C 043	D 015	4991786 1	SEDE	SIETZ	SEAT	ASIENTO
C 043	D 015	4992253 1	TIRANTE	TIRANT	SPANNBOLZEN	PERNO
	10005011 1	PERNO DI FISSAGGIO	CHEVILLE	BOLZEN	PIN	PASADOR
	10240471 1	FORCELLA	FOURCHE	GABEL	FORK	HORQUILLA
	10517070 4	ROSETTA DI SICUREZZA	RONDELLE FREIN	SICHERUNGSRING	LOCKWASHER	ARANDELA DE FRENO
	10733601 2	COPIGLIA	GOUPILE FENDUE	SPLIT	SPLIT PIN	PASADOR ABIERTO
	10791011 1	DADO	ECROU	MUTTER	NUT	TUERCA
C 345	D 103	10791211 1	DADO	ECROU	MUTTER	TUERCA
C 345	D 103	10791911 1	DADO	ECROU	MUTTER	TUERCA
	10796401 2	COPIGLIA	GOUPILE FENDUE	SPLIT	SPLIT PIN	PASADOR ABIERTO
	10979421 1	VITE	VIS	SCHRAUBE	SCREW	TORNILLO
D 103	11234721 1	VITE	VIS	SCHRAUBE	SCREW	TORNILLO
C 103	11307021 2	VITE (01)	VIS	SCHRAUBE	SCREW	TORNILLO
D 103	11343821 1	VITE	VIS	SCHRAUBE	SCREW	TORNILLO
C 103	12164711 2	DADO (01)	ECROU	MUTTER	NUT	TUERCA
D 103	12574511 2	DADO	ECROU	MUTTER	NUT	TUERCA
	12605970 1	ROSETTA DI SICUREZZA	RONDELLE FREIN	SICHERUNGSRING	LOCKWASHER	ARANDELA DE FRENO
	12638620 2	ROSETTA	RONDELLE	SCHIBE	WASHER	ARANDELA
	13550501 2	ROSETTA	RONDELLE	SCHIBE	WASHER	ARANDELA
C 103	14198810 2	PIASTRINA DI SICUREZZA (01)	PLAQUETTE FREIN	SICHERUNGSBLECH	LOCKPLATE	PLACA DE FRENO
	15540421 4	VITE	VIS	SCHRAUBE	SCREW	TORNILLO
C 103	16101511 1	DADO (01)	ECROU	MUTTER	NUT	TUERCA
C 304	D 103	79002628 1	LEVA COMPL.	HEBEL	LEVER	PALANCA
	79002629 1	DISTANZIALE	ENTRETOISE	ABSTANDSTUECK	SPACER	SEPARADOR
C 345	D 103	79002642 1	MANICOTTO	MANCHON	SLEEVE	MANGUITO
	16101511 1	DADO	ECROU	MUTTER	NUT	TUERCA

FIAT ALLIS FL10B (2 3)

MODIF	# ORDINAZ	Q	DENOMINAZIONE	DESIGNATION	BENENNUNG	DESCRIPTION	6210	103 10761
								DENOMINACIONES
	D 103	79002685	1	TIRANTE COMPL.	TIRANT	SPANNBOLZEN	TIEROD	PERNO
C 345	D 103	79002701	1	TIRANTE SUP.	TIRANT	SPANNBOLZEN	TIEROD	PERNO
C 345	D 103	79002703	1	TIRANTE INF.	TIRANT	SPANNBOLZEN	TIEROD	PERNO
C 103	D 043	4992285	1	TIRANTE (02)	TIRANT	SPANNBOLZEN	TIEROD	PERNO
	D 345	4977280	1	FORCELLINO	FOURCHE	GABEL	FORK	HORQUILLA
	D 345	16101511	1	DADO	ECROU	MUTTER	NUT	TUERCA
	D 345	79004603	1	TIRANTE	TIRANT	SPANNBOLZEN	TIEROD	PERNO

FIAT ALLIS FL10H (2ED)

8217

(03-1975)

MODIF	N.ORDINAZ. Q.	DENOMINAZIONE	DESIGNATION	BENENNUNG	DESCRIPTION	DENOMINACIONES
70032089	581074	1 ELEMENTO FILTRANTE	ELEMENT FILTRANT	FILTEREINSATZ	FILTERING ELEMENT	FILTRO
	581492	1 CALAMITA	AIMANT	MAGNET	MAGNET	IMAN
	4964396	1 ROSETTA DI TENUTA	JOINT D'ETANCHEITE	DICHTRING	GASKET	JUNTA HERMETICA
	4979711	1 COPERCHIO	COUVERCLE	DECKEL	COVER	TAPA
	4979712	1 PRIGIONIERO	GOUJON	STIFTSCHRAUBE	STUD	ESPARRAGO
	4979713	1 MOLLA	RESSORT	FEDER	SPRING	RESORTE
	4979714	1 ANELLO DI TENUTA	JOINT D'ETANCHEITE	DICHTRING	SEAL	JUNTA HERMETICA
	10284460	1 ROSETTA DI TENUTA	JOINT D'ETANCHEITE	DICHTRING	GASKET	JUNTA HERMETICA
	12638601	1 ROSETTA	RONDELLE	SCHLEIBE	WASHER	ARANDELA
	13404475	2 ANELLO DI SICUREZZA	ARRETOIR	SICHERUNGSRING	LOCKRING	ANILLO DE FRENO
	14054911	1 TAPPO	BOUCHON	STOPFEN	PLUG	TAPON

MOTIF	N.ORDINAZ. Q.	DENOMINAZIONE	DESIGNATION	BENENNUNG	DESCRIPTION	DENOMINACIONES
	0026986	1	SUPPORTO	SUPPORT	SUPPORT	SOLARTE
	0029590	1	SCAMBIAZIONE DI CALORE COMPL.	ECHANGEUR DE TEM- PERATURE	HEAT EXCHANGER	CAMBIADOR DE CALOR
	10517070	5	ROSETTA DI SICUREZZA	RONDELLE FREIN	LOCKWASHER	ARANDELA DE FRENO
	13920321	4	FRIGIONTERO	GOUJON	STUD	ESPARRAGO
	13530321	1	FRIGIONTERO	GOUJON	STUD	ESPARRAGO
	16101511	5	DADO	PEROU	NUT	TUERCA

FIAT ALLIS FL108 (2ED)

8221

(03-1975)

MODIF	N. ORDINAZ. Q.	DENOMINAZIONE	DESIGNATION	BENENNUNG	DESCRIPTION	DENOMINACIONES
	8829551	1 GRUPPO TUBI	FAISCEAU DE TUBES	ROHRBUENDEL FUER WAERMETAUSCHER	PIPE ASSY	GRUPPO DE TUBOS
	9009026	4 ANELLO DI TENUTA	JOINT D'ETANCHEITE	DICHTRING	SEAL	JUNTA HERMETICA
	9926115	1 ANELLO	BAGUE	RING	RING	ANILLO
	9926116	1 COPERTICIO	COUVERCLE	DECKEL	COVER	TAPA
	9926117	1 GRANO	ERGOT	PASSTIFT	DOWEL	PITON
	9926118	3 VITE	VIS	SCHRAUBE	SCREW	TORNILLO
	10516870	3 ROSETTA DI SICUREZZA	RONDELLE PREIN	SICHERUNGSRING	LOCKWASHER	ARANDELA DE FRENO

MODIF	N.ORDINAZ. Q.	DEGNOMAZIONE	DESIGNATION	BENENHUNG	DESCRIPTION	DEGNOMAZIONES
C 070	547021	1	STAFFETTA (01)	COLLIER	HALTER	ABRAZADERA
C 070	565968	1	STAFFETTA (01)	COLLIER	HALTER	ABRAZADERA
C 070	581245	1	MOLLA (01)	RESSORT	FEDER	RESORTE
C 070	581967	1	BCCCHETTONE (01)	VIS-RACCORD	HOHLSCHRAUBE	BCCQUILLA
	586032	5	ANELLO DI RITEGNO	ARRETOIR	HALTERING	RETENEDDRA
	586838	1	TUBO	TUYAU	ROHR	TUBO
	586839	1	TUBO	TUYAU	ROHR	TUBO
C 070	587505	1	VALVOLA COMPL. (01)	SOUPAPE	VENTIL	VALVOLA
D 070	587779	1	RACCORDO	RACCORD	STUTZEN	RACOR
	590446	1	GUARNIZIONE	JOINT	DICHTUNG	JUNTA
C 014	591397	1	TUBO (01)	TUYAU	ROHR	TUBO
C 070	593369	1	RACCORDO (01)	RACCORD	STUTZEN	RACOR
	6217718	1	MANOMETRO	MANOMETRE	MANOMETER	MANOMETRO
C 070	4950896	1	TUBO COMPL. (01)	TUYAU	ROHR	TUBO
C 070	4952541	1	PUNTALE (01)	TIGE	DRUCKSTANGE	VASTAGO
C 070	4952543	1	TAPPO (01)	BOUCHON	STOPFEN	TAPON
C 014	4957367	1	VALVOLA COMPL. (01)	SOUPAPE	VENTIL	VALVOLA
	4962412	1	TUBO	TUYAU	ROHR	TUBO
	4962419	1	TUBO	TUYAU	ROHR	TUBO
C 014	4962727	1	DISTRIBUTORE COMPL. (01)	DISTRIBUTEUR	STEUERGERAET	VALVOLA DISTRIBUI- DORA
	4964148	1	TUBO	TUYAU	ROHR	TUBO
C 070	4966453	1	TUBO (01)	TUYAU	ROHR	TUBO
	4979137	1	TUBO	TUYAU	ROHR	TUBO
	4979157	1	TUBO	TUYAU	ROHR	TUBO
	4979159	1	TUBAZIONE	TUYAU	LEITUNG	TUBO
D 014	4987451	1	DISTRIBUTORE COMPL. (01)	DISTRIBUTEUR	STEUERGERAET	VALVOLA DISTRIBUI- DORA
C 015	4987451	1	DISTRIBUTORE COMPL (01)	DISTRIBUTEUR	STEUERGERAET	VALVOLA DISTRIBUI-
D 070	4990006	1	TUBO COMPL.	TUYAU	ROHR	TUBO
C 014	4992750	1	DISTRIBUTORE COMPL (1) (01)	DISTRIBUTEUR	STEUERGERAET	VALVOLA DISTRIBUI- DORA
C 070	10112700	2	STAFFETTA (01)	COLLIER	HALTER	ABRAZADERA
	10165240	2	ANELLO A DOPPIO CONO	BI-CONE	DICHTKEGEL	ANILLO BICONICO
C 070	10184411	1	BCCCHETTONE (01)	VIS-RACCORD	HOHLSCHRAUBE	BCCQUILLA
C 014	10184411	1	BCCCHETTONE (01)	VIS-RACCORD	HOHLSCHRAUBE	BCCQUILLA
C 070	10257060	2	ROSETTA DI TENUTA (01)	JOINT D'ETANCHEITE	DICHTRING	JUNTA HERMETICA
C 014	10257060	2	ROSETTA DI TENUTA (01)	JOINT D'ETANCHEITE	DICHTRING	JUNTA HERMETICA
C 070	10257460	1	ROSETTA DI TENUTA (01)	JOINT D'ETANCHEITE	DICHTRING	JUNTA HERMETICA
C 070	10263160	1	ROSETTA DI TENUTA (01)	JOINT D'ETANCHEITE	DICHTRING	JUNTA HERMETICA
	10516470	8	ROSETTA DI SICUREZZA	RONDELLE FREIN	SICHERUNGSRING	ARANDELA DE FRENO
C 070	10516470	2	ROSETTA DI SICUREZZA (01)	RONDELLE FREIN	SICHERUNGSRING	ARANDELA DE FRENO

MODIF	N.ORDINAZ. Q.	DENOMINAZIONE	DESIGNATION	BENENNUNG	DESCRIPTION	DENOMINACIONES
C 014	10516670 4	ROSETTA DI SICUREZZA	RONDELLE FREIN	SICHERUNGSRING	LOCKWASHER	ARANDELA DE FRENO
	10516670 2	ROSETTA DI SICUREZZA (01)	RONDELLE FREIN	SICHERUNGSRING	LOCKWASHER	ARANDELA DE FRENO
C 070	10516670 2	ROSETTA DI SICUREZZA (01)	RONDELLE FREIN	SICHERUNGSRING	LOCKWASHER	ARANDELA DE FRENO
	10516870 9	ROSETTA DI SICUREZZA	RONDELLE FREIN	SICHERUNGSRING	LOCKWASHER	ARANDELA DE FRENO
C 070	10516870 2	ROSETTA DI SICUREZZA (01)	RONDELLE FREIN	SICHERUNGSRING	LOCKWASHER	ARANDELA DE FRENO
C 070	10519601 2	ROSETTA DI SICUREZZA (01)	RONDELLE FREIN	SICHERUNGSRING	LOCKWASHER	ARANDELA DE FRENO
C 070	10794601 1	COPIGLIA (01)	GOMPILE FENQUE	SPLINT	SPLIT PIN	PASADOR ABIERTO
	10902671 4	VITE	VIS	SCHRAUBE	SCREW	TORNILLO
	10903221 2	VITE	VIS	SCHRAUBE	SCREW	TORNILLO
C 070	10979421 2	VITE (01)	VIS	SCHRAUBE	SCREW	TORNILLO
	11306971 3	VITE	VIS	SCHRAUBE	SCREW	TORNILLO
	11902460 1	DADO	ECROU	MUTTER	NUT	TUERCA
	11903711 1	BOLCHETTONE	VIS-RACCORD	MUHL-SCHRAUBE	UNIT	BOQUILLA
	14048211 1	DADO	ECROU	MUTTER	NUT	TUERCA
	14310260 2	ROSETTA DI TENUTA	JOINT D'ETANCHEITE	DICHTRING	GASKET	JUNTA HERMETICA
C 070	14452581 1	ANELLO DI TENUTA (01)	JOINT D'ETANCHEITE	DICHTRING	SEAL	JUNTA HERMETICA
	14456880 7	ANELLO DI TENUTA	JOINT D'ETANCHEITE	DICHTRING	SEAL	JUNTA HERMETICA
	14456980 5	ANELLO DI TENUTA	JOINT D'ETANCHEITE	DICHTRING	SEAL	JUNTA HERMETICA
	14457280 2	ROSETTA DI TENUTA	JOINT D'ETANCHEITE	DICHTRING	GASKET	JUNTA HERMETICA
	15970321 1	VITE	VIS	SCHRAUBE	SCREW	TORNILLO
C 070	15970321 2	VITE (01)	VIS	SCHRAUBE	SCREW	TORNILLO
	15971521 2	VITE	VIS	SCHRAUBE	SCREW	TORNILLO
	16043421 1	VITE	VIS	SCHRAUBE	SCREW	TORNILLO
	16043621 1	VITE	VIS	SCHRAUBE	SCREW	TORNILLO
	16043821 2	VITE	VIS	SCHRAUBE	SCREW	TORNILLO
C 070	16043821 2	VITE (01)	VIS	SCHRAUBE	SCREW	TORNILLO
C 014	16044321 2	VITE (01)	VIS	SCHRAUBE	SCREW	TORNILLO
C 070	16100811 2	DADO (01)	ECROU	MUTTER	NUT	TUERCA
C 070	20063520 1	SFERA (01)	BILLE	KUGEL	BALL	BOLA
C 070	60009053 1	STAFFETTA (01)	COLLECTOR	HALTER	RETAINER	ABRAZADERA
C 314	D 075 4932757	DISTRIBUTORE COMPLETO	DISTRIBUTEUR	STEUERGERAET	DISTRIBUTOR VALVE	VALVULA DISTRIBUIDORA
D 316	4934630	DISTRIBUTORE COMPLETO	DISTRIBUTEUR	STEUERGERAET	DISTRIBUTOR VALVE	VALVULA DISTRIBUIDORA
	(*)	-SPECIALE PER RICAMBI	- SPECIAL POUR RECHANGES	- EXTRA FUER DEN ERSAETZ	- SPECIFIC FOR REPLACEMENTS	- ESPECIAL PARA RECAMBIOS

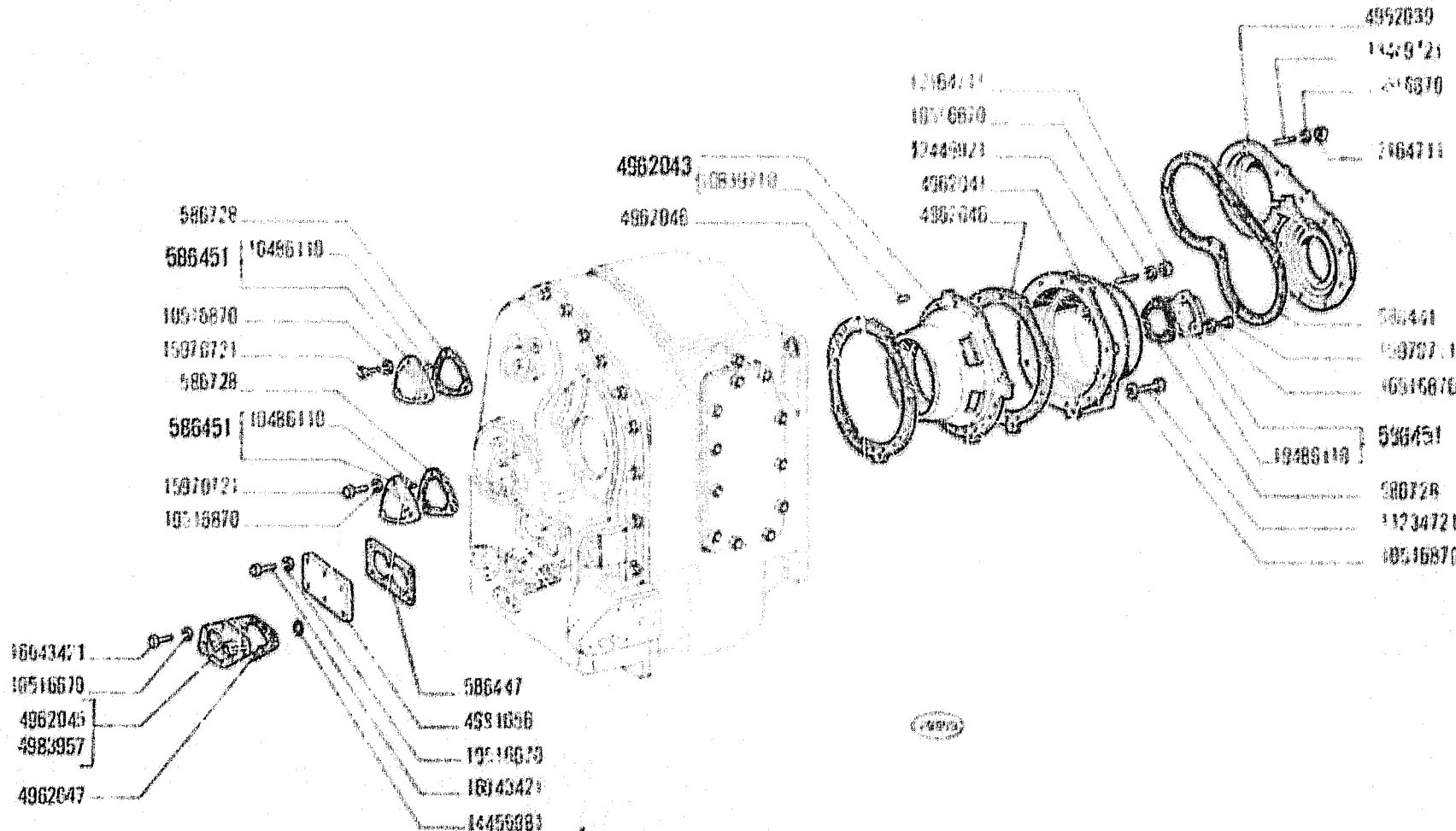
MODIF	N.ORDINAZ. Q.	DENOMINAZIONE	DESIGNATION	BENENNUNG	DESCRIPTION	DENOMINACIONES	
	575884	2	MOLLA	RESSORT	FEDER	SPRING	RESORTE
	575885	2	PUNTERIA	POUSSOIR	STOESSEL	TAPPET	EMPUJADOR
	575887	2	RULLO	GALET	ROLLE	ROLLER	TUERCA
	575888	3	PERNO	AXE	BOLZEN	PIN	EJE
	575893	1	ROSETTA DI TENUTA	JOINT D'ETANCHEITE	DICHTRING	GASKET	JUNTA HERMETICA
	578655	1	MOLLA	RESSORT	FEDER	SPRING	RESORTE
	581235	2	MOLLA	RESSORT	FEDER	SPRING	RESORTE
	581241	1	PERNO DI FISSAGGIO	CHEVILLE	BOLZEN	PIN	PASADOR
	581243	1	LINGUETTA	LINGUET	SCHEIBENFEDER	KEY	CHAVETA
	581245	1	MOLLA	RESSORT	FEDER	SPRING	RESORTE
	581254	1	ECCENTRICO	EXCENTRIQUE	EXZENTER	CAM	EXCENTRICA
	581255	1	STANTUFFO	PISTON	KOLBEN	PISTON	EMBOLO
	581256	1	STANTUFFO	PISTON	KOLBEN	PISTON	EMBOLO
	581257	1	RULLO	GALET	ROLLE	ROLLER	TUERCA
	581258	1	ASTUCCIO	ETUI	ETUI	CASE	ESTUCHE
	581260	1	FORCELLA	FOURCHE	GABEL	FORK	HORQUILLA
	581261	2	TAPPO	BOUCHON	STOPFEN	PLUG	TAPON
	581658	1	TAPPO	BOUCHON	STOPFEN	PLUG	TAPON
	581967	1	TAPPO	BOUCHON	STOPFEN	PLUG	TAPON
	585387	1	MOLLA	RESSORT	FEDER	SPRING	RESORTE
	586166	2	TAPPO	BOUCHON	STOPFEN	PLUG	TAPON
	586852	1	VALVOLA	SOUPAPE	VENTIL	VALVE	VALVULA
	586855	1	GUARNIZIONE	JOINT	DICHTUNG	GASKET	JUNTA
	590732	1	MOLLA	RESSORT	FEDER	SPRING	RESORTE
	591276	2	ECCENTRICO	EXCENTRIQUE	EXZENTER	CAM	EXCENTRICA
	4177 81	1	BACCOLA	DOUILLE	BUECHSE	BUCH	CASQUILLO
	4962028	1	CORPO (*)	CORPS	GEHAUSE	BODY	CUERPO
	4962079	1	COPERCHIO	COUVERCLE	DECKEL	COVER	TAPA
	4962493	1	ECCENTRICO	EXCENTRIQUE	EXZENTER	CAM	EXCENTRICA
	4962494	1	ECCENTRICO COMPL.	EXCENTRIQUE	EXZENTER	CAM	EXCENTRICA
	4962496	1	PERNO DI FISSAGGIO	CHEVILLE	BOLZEN	PIN	PASADOR
	4962497	2	BIELLA	BIELLE	LASCHE	LINK	BIELA
	4962498	1	DISTANZIALE	ENTRETOISE	ABSTANDSTUECK	SPACER	SEPARADOR
	4962499	1	DISTANZIALE	ENTRETOISE	ABSTANDSTUECK	SPACER	SEPARADOR
	4963363	1	TAPPO	BOUCHON	STOPFEN	PLUG	TAPON
	4963366	1	PUNTALE	TIGE	DRUCKSTANGE	ROD	VASTAGO
	4964220	1	LEVA COMPL.	LEVIER	HEBEL	LEVER	PALANCA
	4965976	1	LEVA	LEVIER	HEBEL	LEVER	PALANCA
	4992752	1	CORPO (I*)	CORPS	GEHAUSE	BODY	CUERPO
	10257460	3	ROSETTA DI TENUTA	JOINT D'ETANCHEITE	DICHTRING	GASKET	JUNTA HERMETICA
	10296250	1	ROSETTA DI TENUTA	JOINT D'ETANCHEITE	DICHTRING	GASKET	JUNTA HERMETICA
	10516870	4	ROSETTA DI SICUREZZA	RONDELLE FREIN	SICHERUNGSRING	LOCKWASHER	ARANDELA DE FRENO
	11306921	4	VITE	VIS	SCHRAUBE	SCREW	TORNILLO
	14330260	1	ROSETTA DI TENUTA	JOINT D'ETANCHEITE	DICHTRING	GASKET	JUNTA HERMETICA
	14456881	5	ANELLO DI TENUTA	JOINT D'ETANCHEITE	DICHTRING	SEAL	JUNTA HERMETICA
	14457380	1	ANELLO DI TENUTA	JOINT D'ETANCHEITE	DICHTRING	SEAL	JUNTA HERMETICA

B

MECHANICAL TRANSMISSION • CLUTCH • TRANSMISSION • TRANSMISSION SHAFT • AXLES
TRASMISSIONE MECCANICA • FRIZIONE • CAMBIO • ALBERO DI TRASMISSIONE • PONTI
TRANSMISSION MECANIQUE • EMBRAYAGE • BOITE DE VITESSES • ARBRE DE TRANSMISSION • PONTS
MECHANISCHE KRAFTÜBERTRAGUNG • KUPPLUNG • GETRIEBE • GELENKWELLE • ACHSEN
TRANSMISSION MECANICA • EMBRAGUE • CAMBIO • ARBOL DE TRANSMISSION • PUENTES

DAT 212 01

B2.01



FL10B

01 02

CAMBIO DI VELOCITÀ, SCATOLA E COPERCHI

Boîte de vitesses, carter et couvercles
Wechselgetriebe, Gehäuse und Deckel

Transmission, Casing and Cover
Cambio de velocidades, caja y tapas

P-2

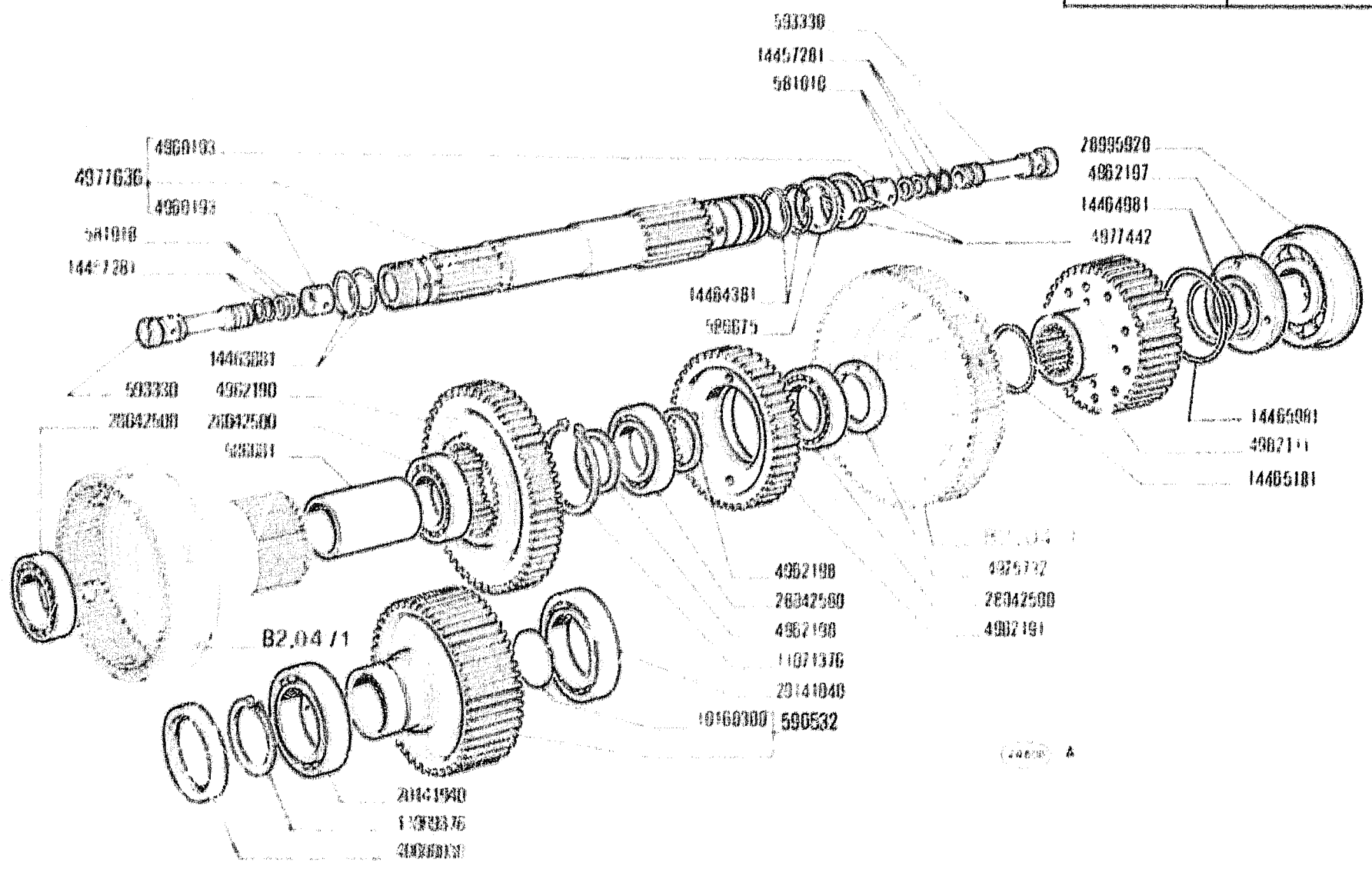
B2.01

2

H.T.R. 30
 1-9-1977
 604 01 012 01

DAT 212 04

B2.04



FL10 B
01 02

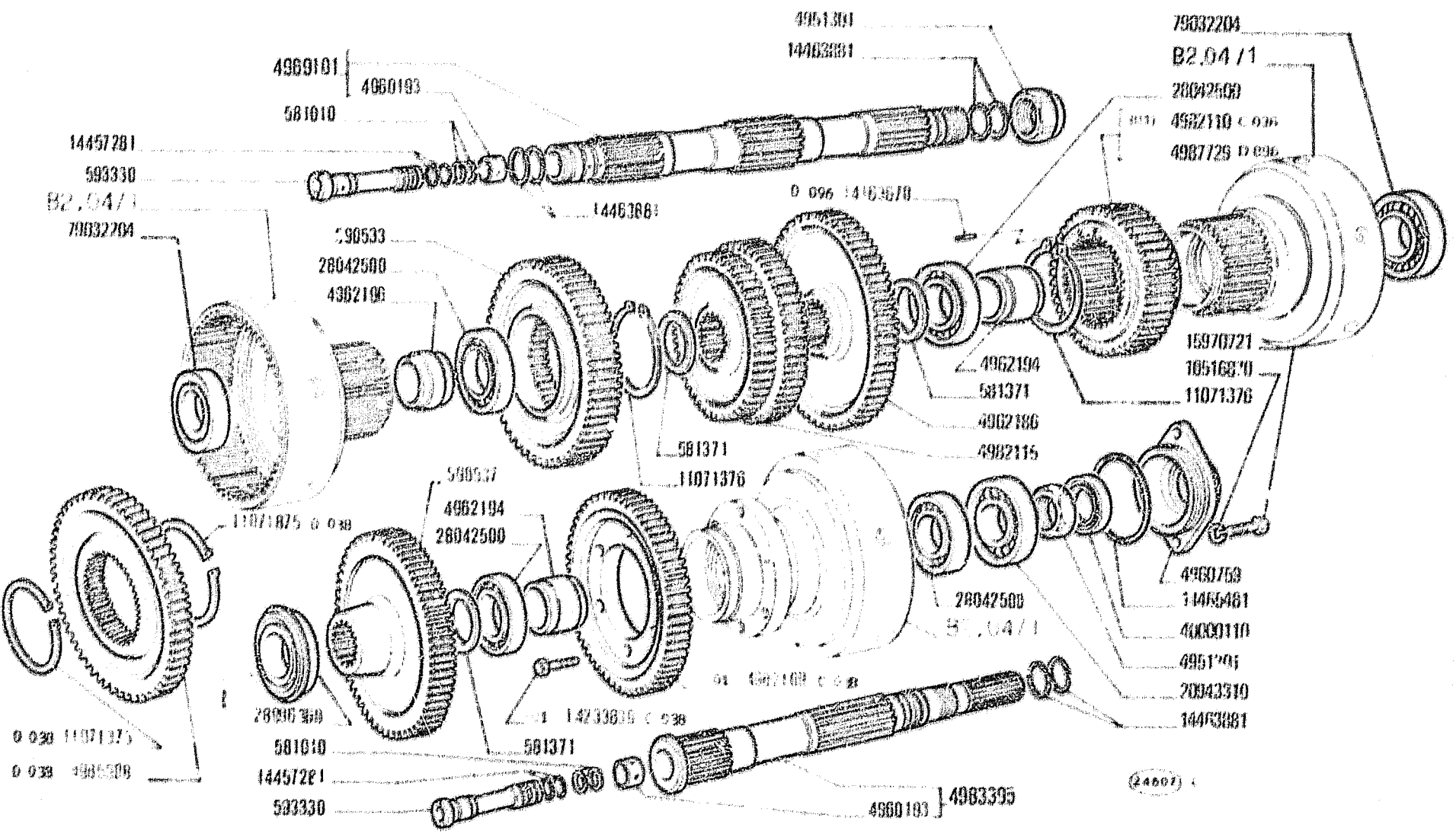
RUOTISMI CAMBIO DI VELOCITÀ

Engrenages de boîte de vitesses
Zahnrad und Wellen des Wechselgetriebes

P.3 Transmission Gears
Engrenages del cambio

B2.04

1
N.T.R. 93
20.11.1981
604.01.012.07



FL10 B
01 02

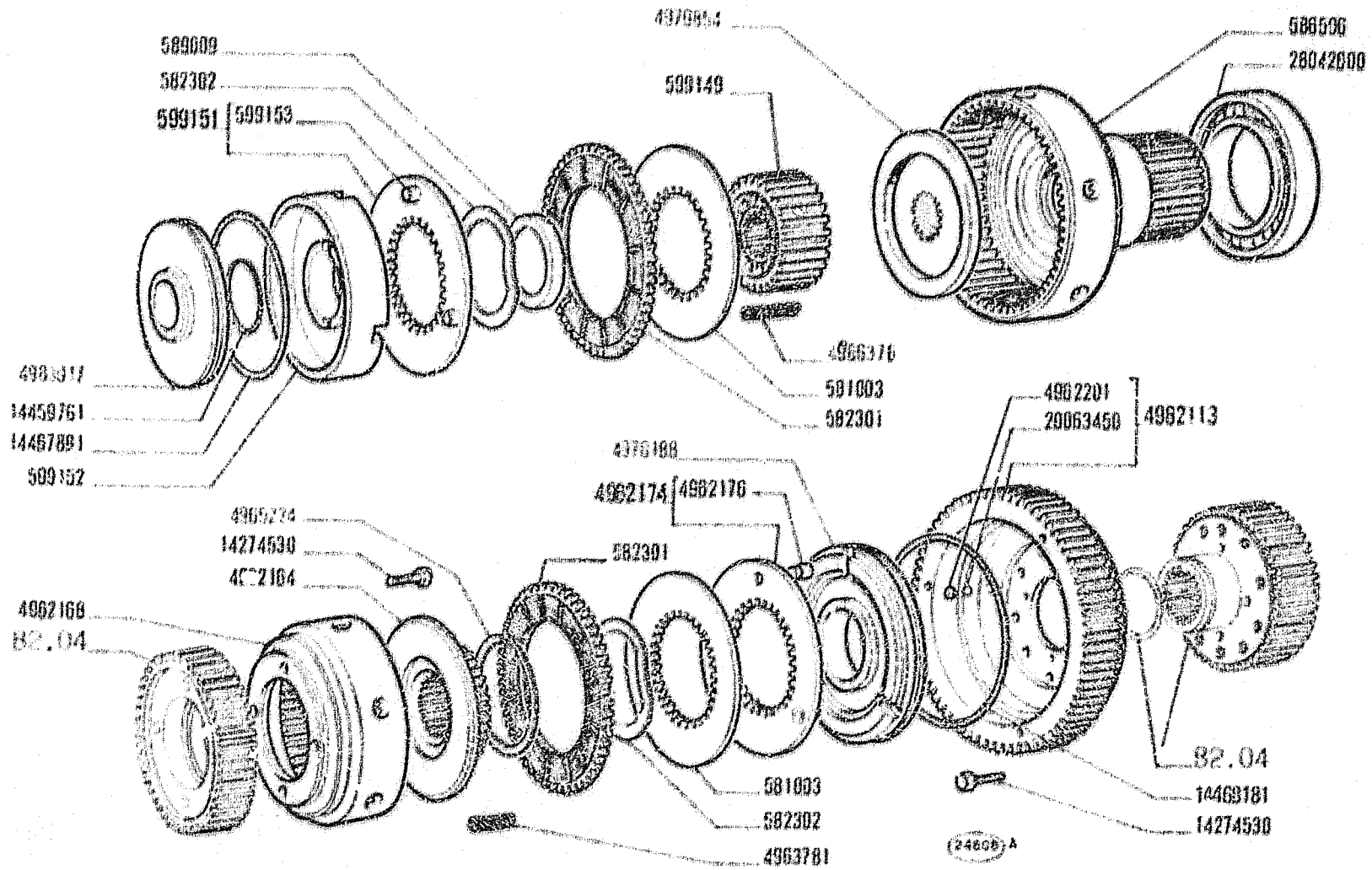
RUOTISMI CAMBIO DI VELOCITÀ

*Engrenages de boîte à vitesses
Zahnräder und Wellen des Wechsetgetriebes*

P-A *Transmission Gears
Engranajes del cambio*

B2.04

2
N.T.R. 93
20-11-1981
604.01.012.07



FL 10B
01 02

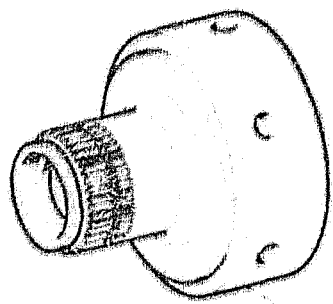
RUOTISMI CAMBIO DI VELOCITÀ

*Engrenages de boîte de vitesses
Zahnräder und Wellen des Wechselgetriebes*

P-5 *Transmission Gears
Engranajes del cambio*

B2.04/1

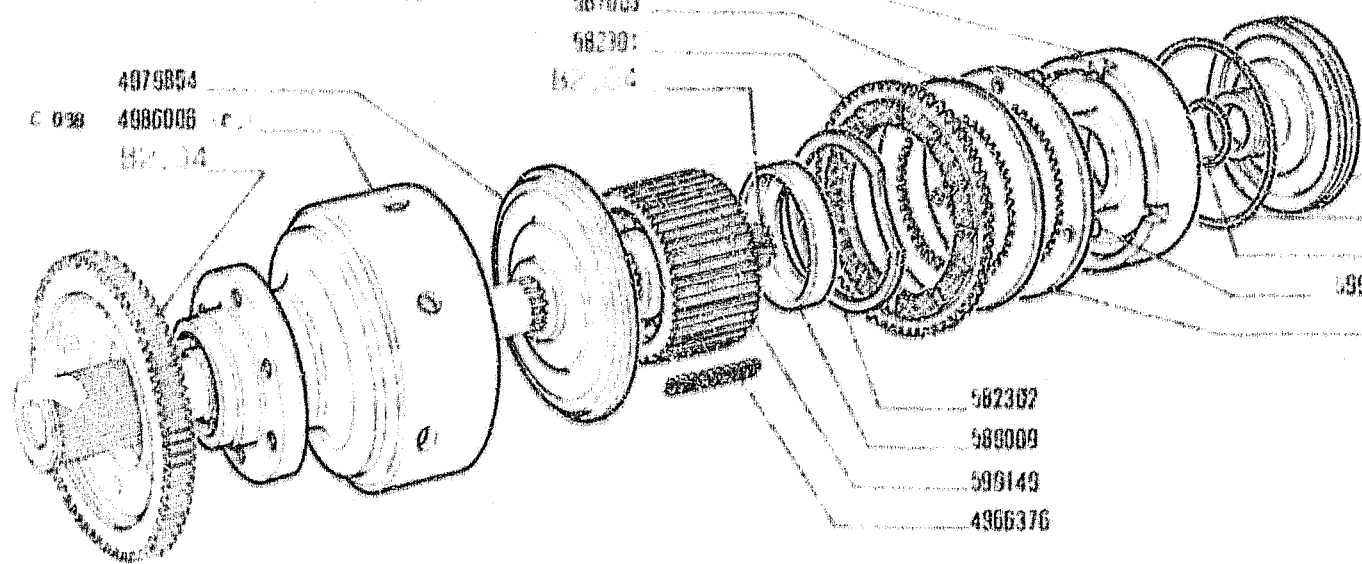
1	M.T.R. 30 1-9-1977 604.01.012.01
---	--



4985569 0 030

4979854
C 030 4986006
82 34

599152
581003
582301
152 34



5883805
14407891
14459781
599153
599151

582302
580009
599149
4966376

(2917) 5

FL10 B

01 02

RUOTISMI CAMBIO DI'VELOCITA'

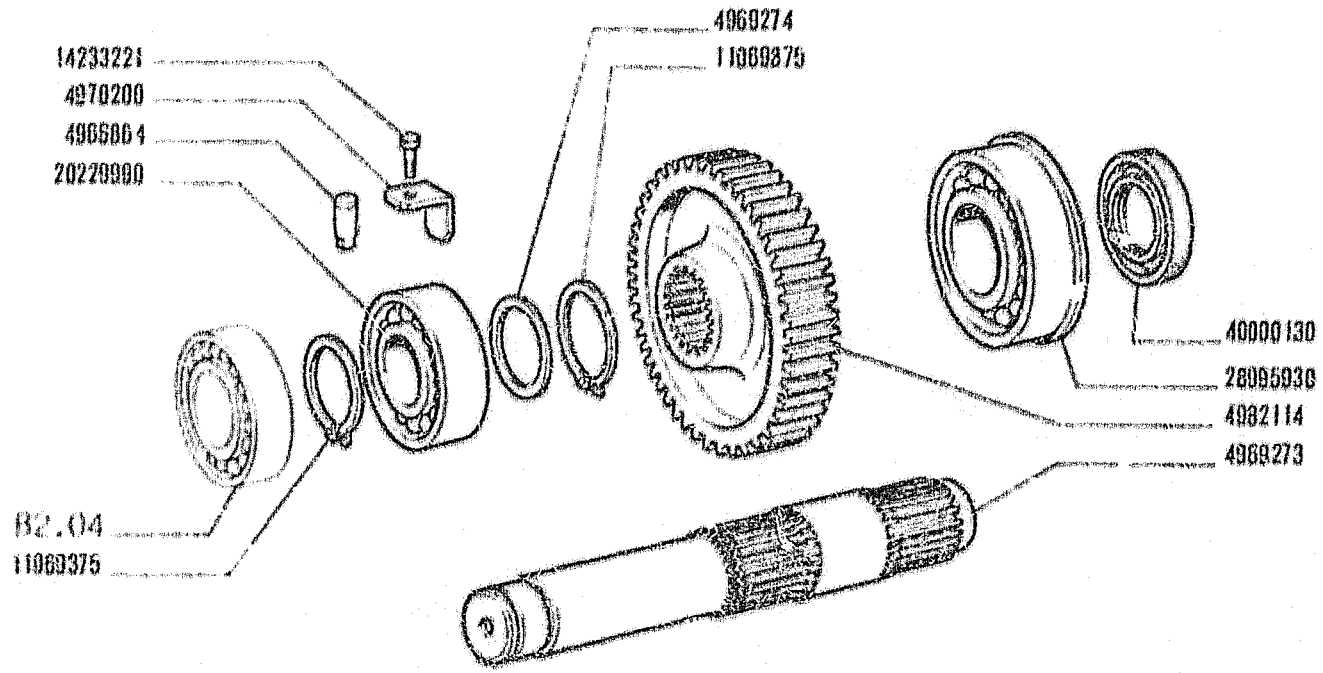
Engrenages de boîte de vitesses

Transmission Gears

Zahnräder und Wellen des Wechselgetriebes

P-7 *Engranajes del cambio*

B2.04/1



FL10 B

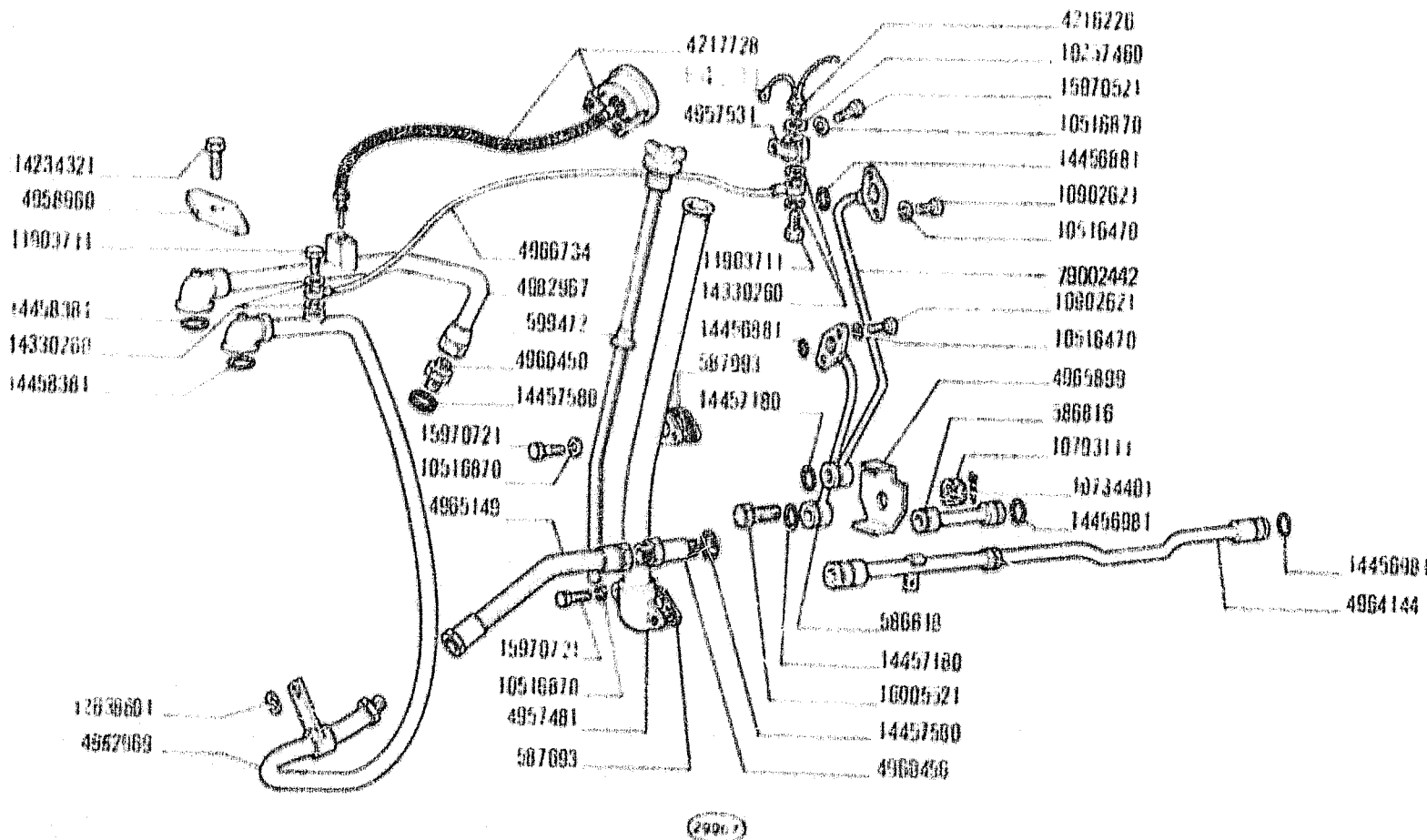
01 02

RUOTISMI RIDUTTORE CAMBIO

*Engrenages de réducteur de boîte de vitesses
Räder und Wellen des Zusatzgetriebes*

*Reduction Gears
P-8 Engranajes del reductor del cambio*

B2.05



FL 10B
01 02

LUBRIFICAZIONE CAMBIO

Grassage de boîte de vitesses
Getriebschmierung

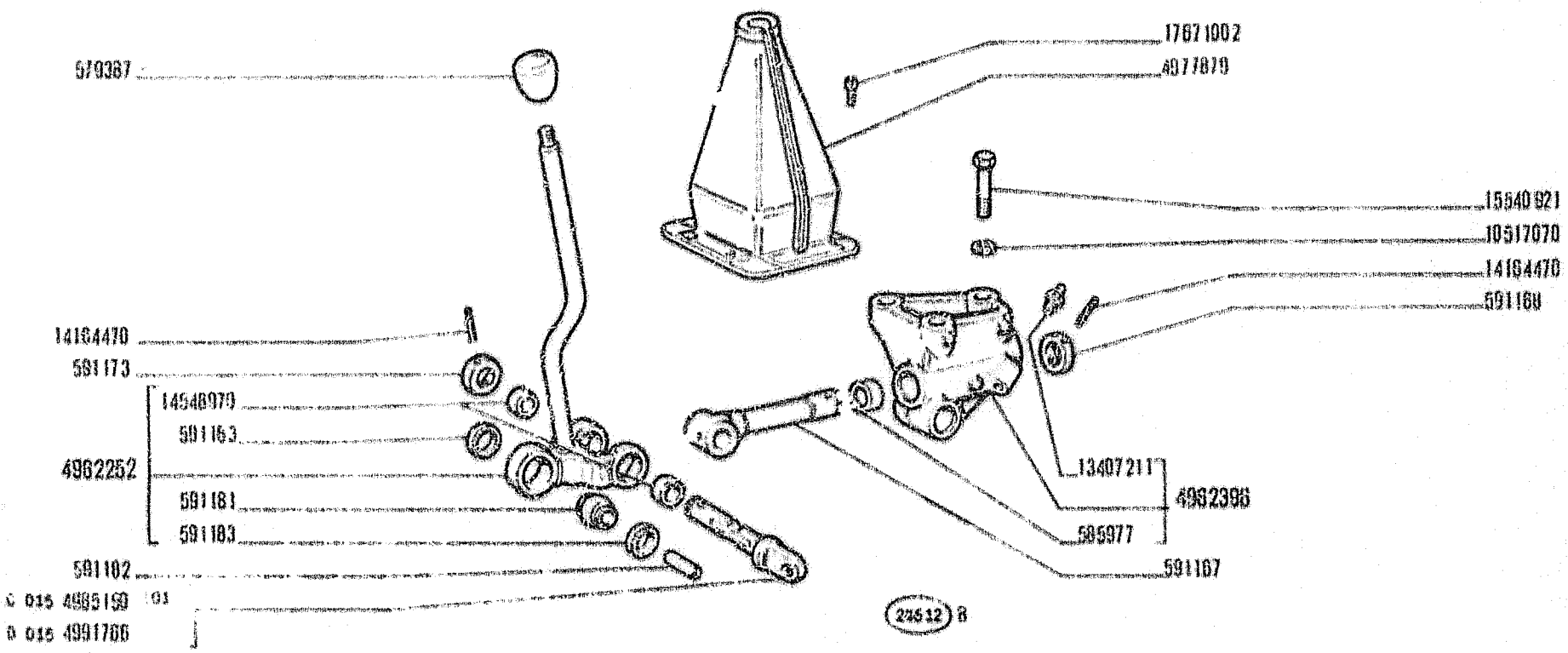
P-9

Transmission Lubrication System
Engrase del cambio

B2.06

DAT 212 07

B2.07



FL10 B

01 02

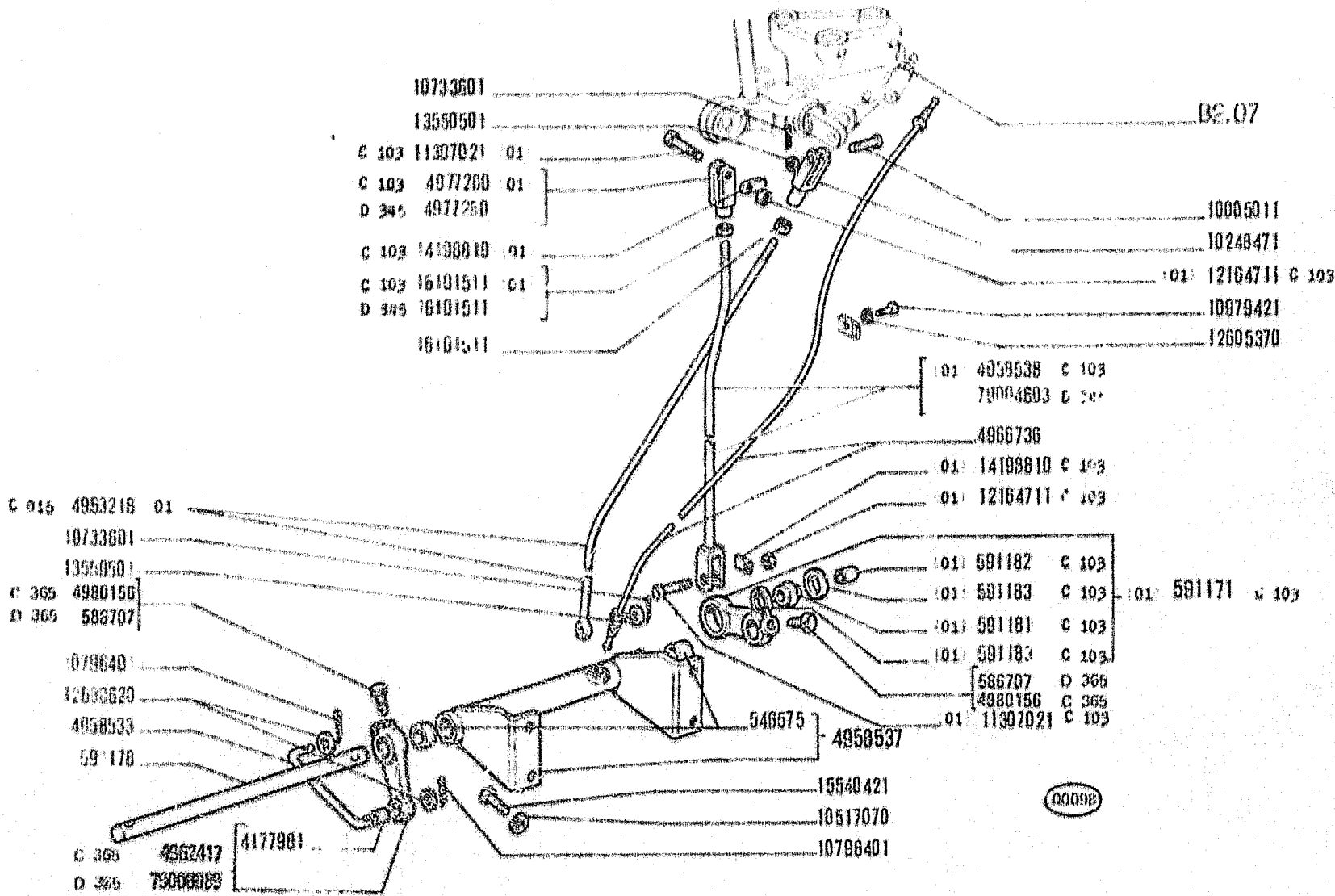
COMANDI ESTERNI CAMBIO DI VELOCITA

*Commandes extérieures de boîte de vitesses
Äussere Getriebeschaltung*

Gearshift Outer Controls

P-11 *Varillaje del cambio de velocidades*

B2.07



00098

FL 10B

01 02

COMANDI INTERNI CAMBIO DI VELOCITA

Commandes Intérieures de boîte de vitesses
Innere Getriebschaltung

Gearshift Inner Controls

P-12 Barras del cambio de velocidades

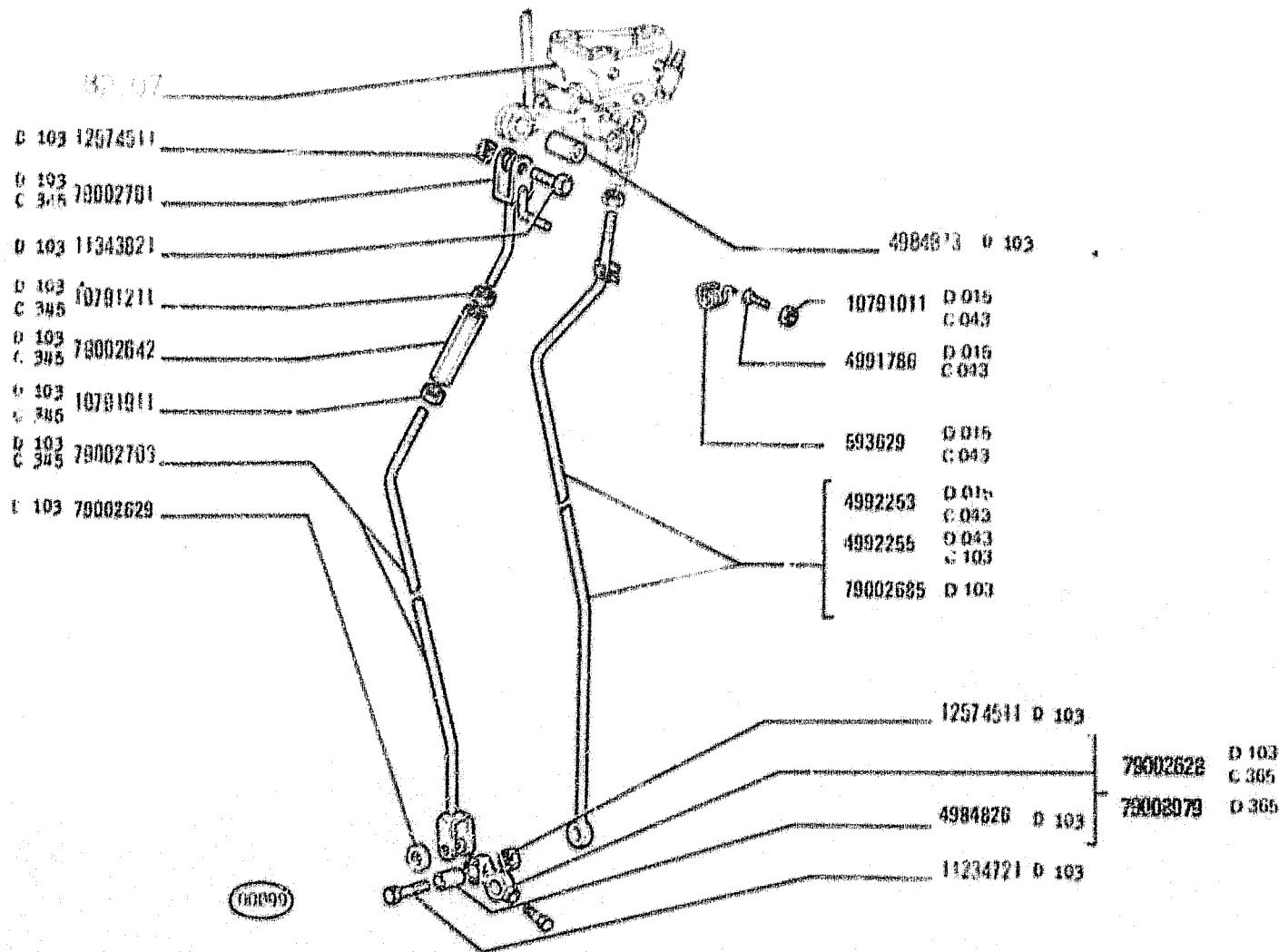
B2.10

1

N.T.R. 28
31-6-1977
604.01.012.01

DAT 212 10

B2.10



FL 10B

01 02

COMANDI INTERNI CAMBIO DI VELOCITÀ

Commandes Intérieures de boîte de vitesses
Innere Getriebebeschaltung

Gearshift Inner Controls

P-13 *Barras del cambio de velocidades*

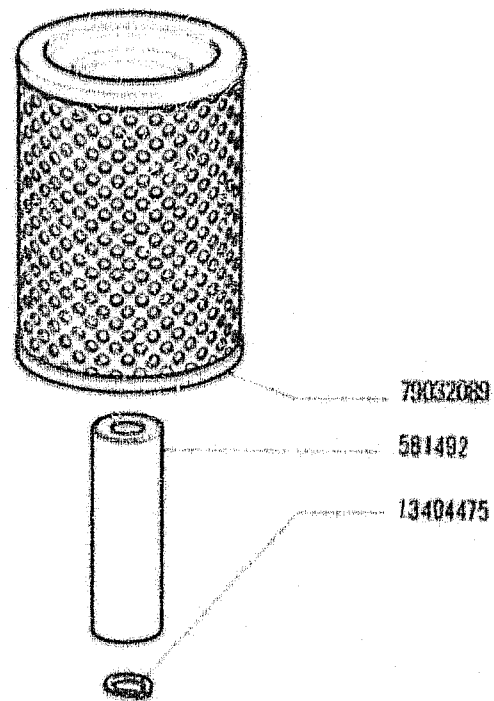
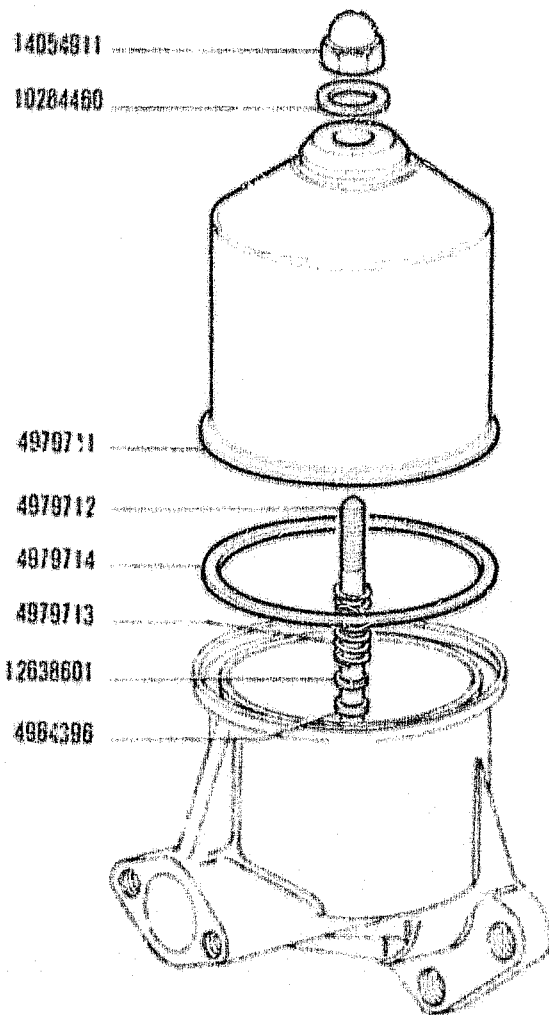
B2.10

2

N.T.R. 28
31-5-1977
604.G1.012.01

DAT 212 17

B2.17



FL 10 B

01 02

Filtre à huile
Ölfilter

FILTRO OLIO 4979709 - 4996300

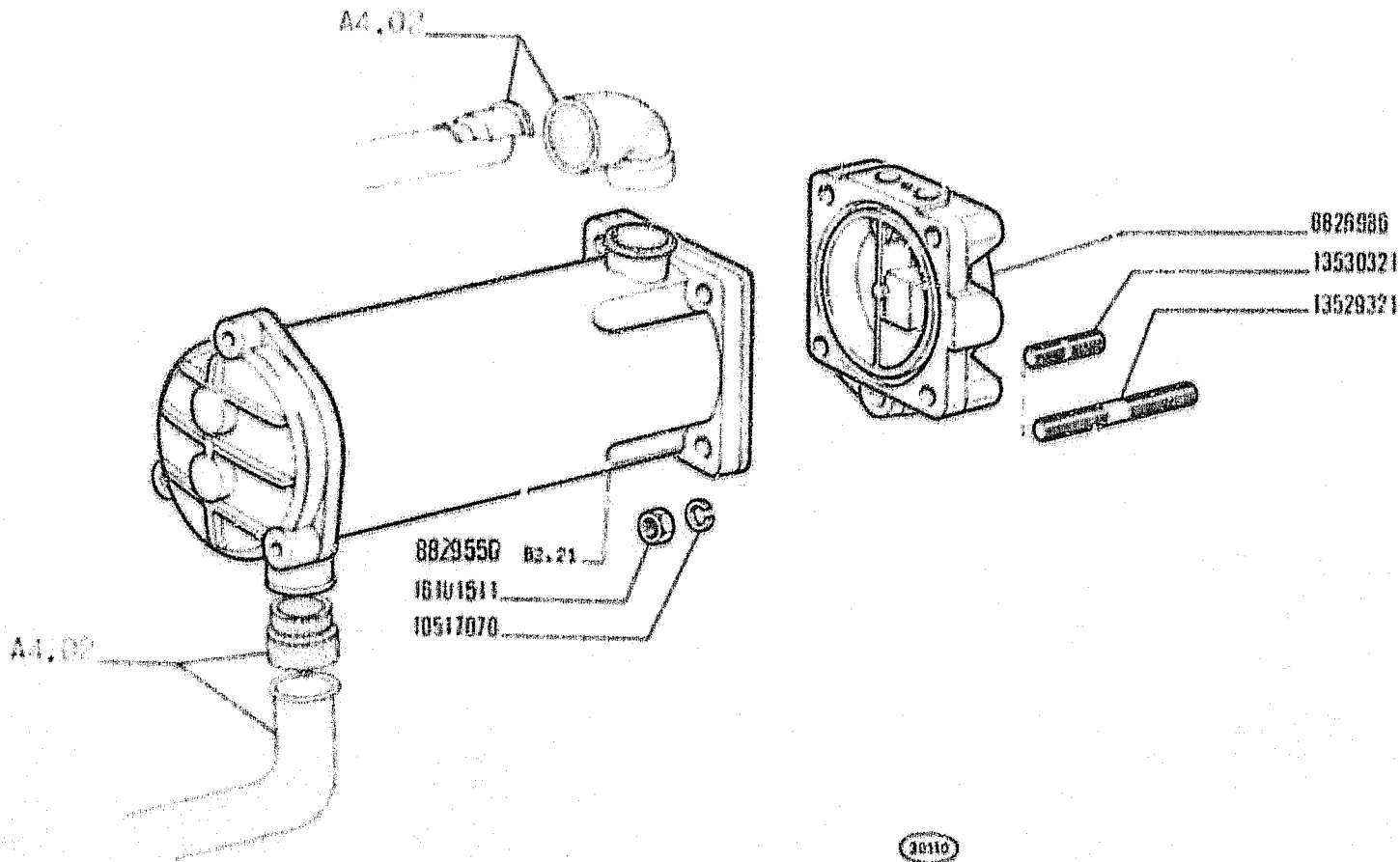
Oil Filter
P-14 Filtro de aceite

B2.17

N.T.R. 93
22-11-1981
604.01.012.07

DAT 212 18

B2.18



FL10 B

01 02

SCAMBIATORE DI CALORE CAMBIO

Echangeur de température boîte de vitesses
Wärmetauscher für Getriebe

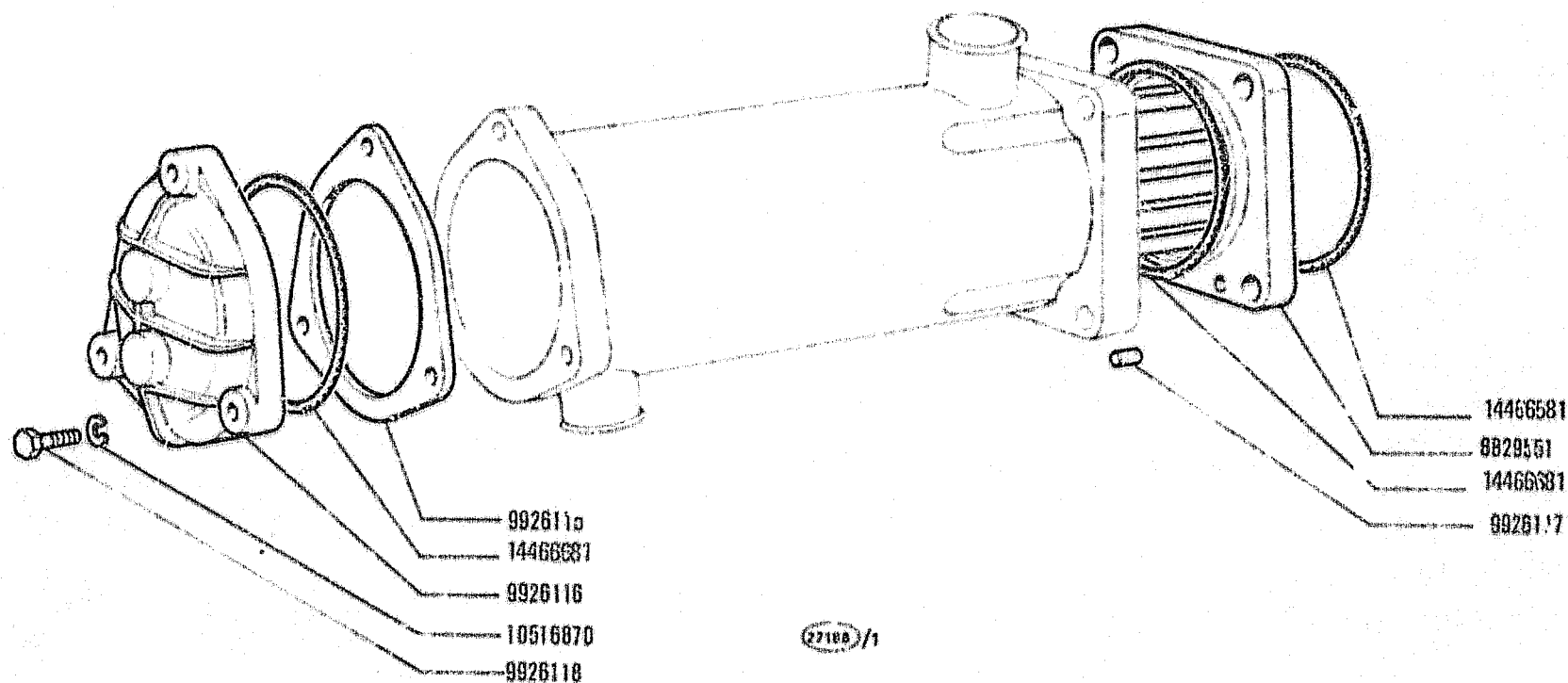
Transmission Heat Exchanger

P-15 *Cambiador de calor del cambio*

B2.18

DAT 212 21

B2.21



FL.10 B

01 02

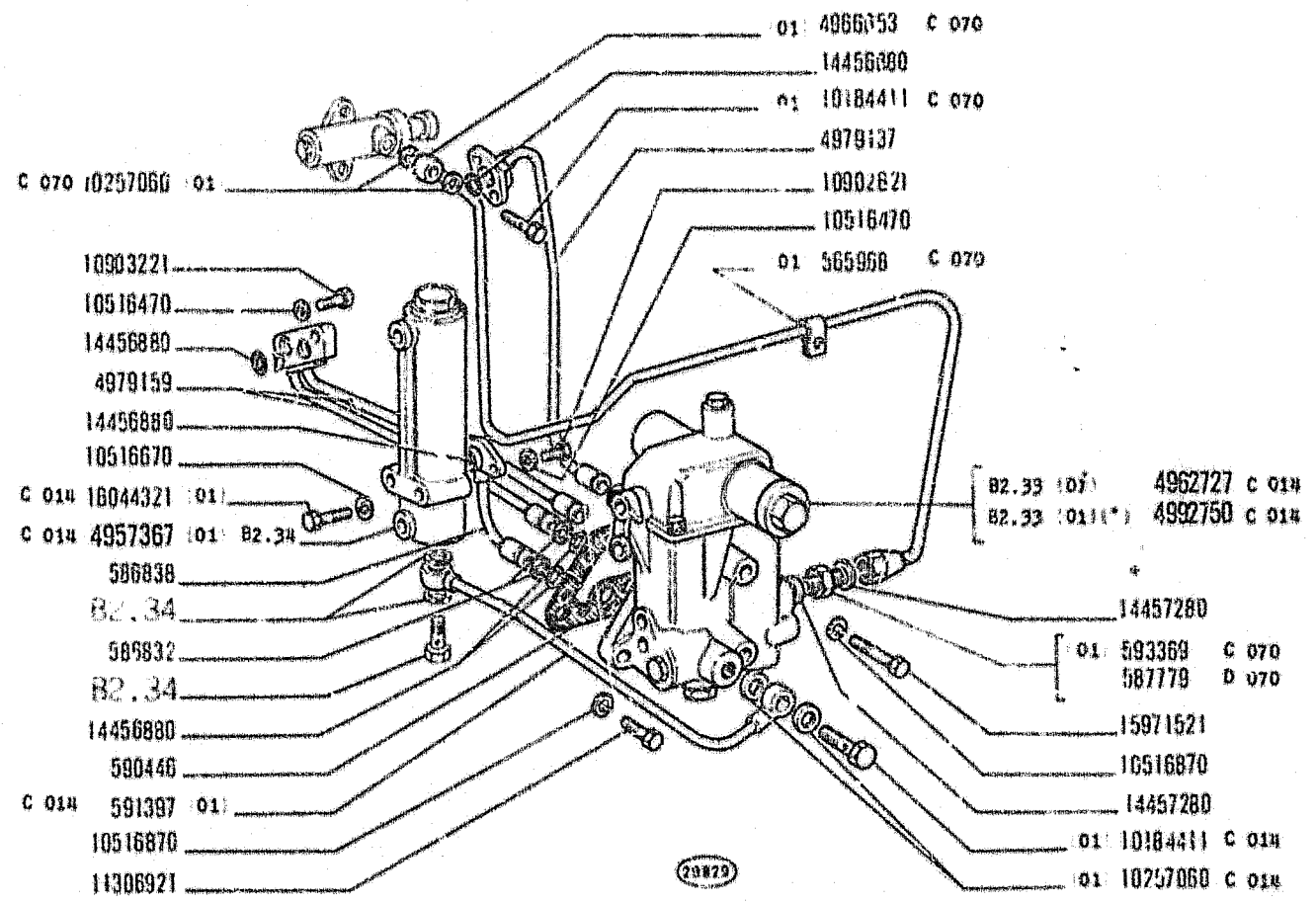
SCAMBIATORE DI CALORE 8829550 (F.I.M.)

Echangeur de température
Wärmetauscher

Heat Exchanger
P-16 Cambiador de calor

B2.21

N.T.R. 83
15.1.1981
604.01.012.06



FL 10B

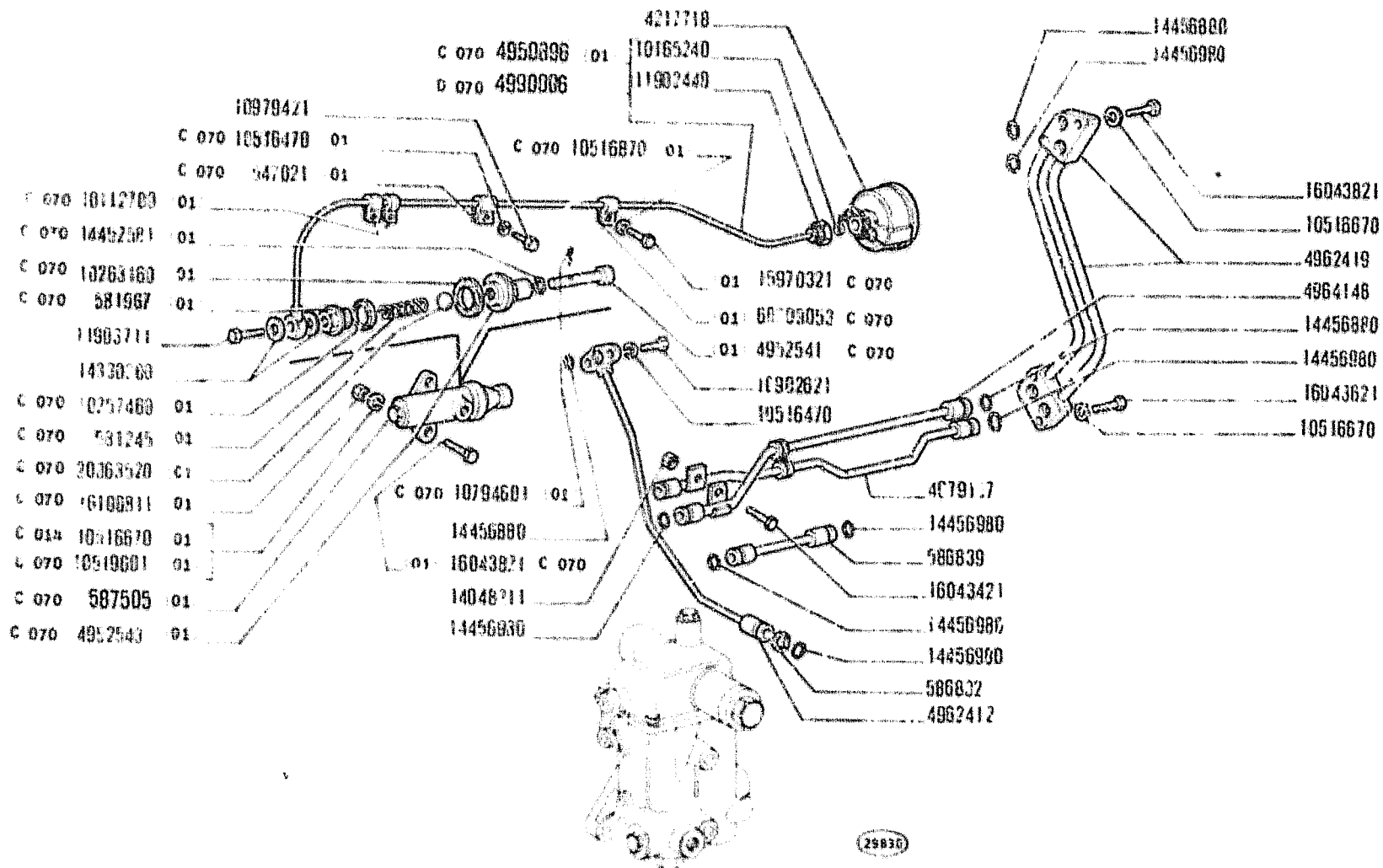
01 02

COMANDO IDRAULICO CAMBIO

Commande hydraulique de boîte de vitesses Transmission Hydraulic Control
 Hydraulische Getriebebeschaltung P-17 Sistema hidráulico del cambio

B2.30

1
 M.T.R. 30
 1-9-1977
 604.01.012.01



29830

FL 10B

01 02

COMANDO IDRAULICO CAMBIO

Commande hydraulique de boîte de vitesses
Hydraulische Getriebebeschaltung

Transmission Hydraulic Control

P-18 Sistema hidráulico del cambio

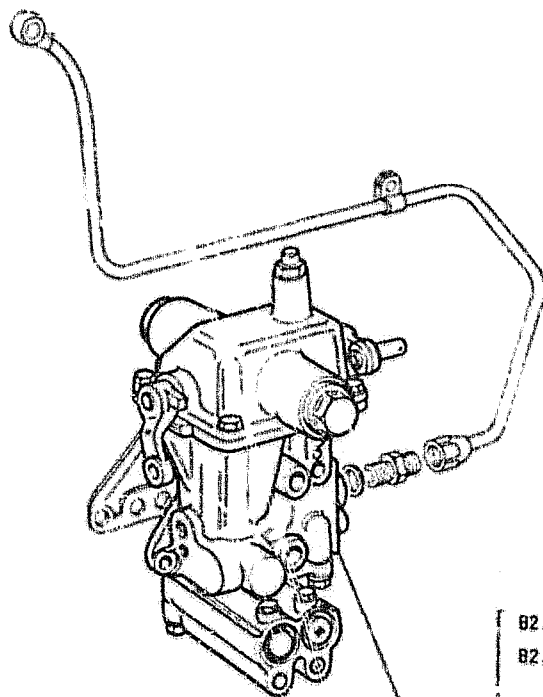
B2.30

2

N.T.R. 30
1-9-15.7
604.01.013.1

DAT 212 30

B2.30



- | | | | | |
|---------|----|---------|---|-----|
| 82.33/1 | 01 | 4987451 | D | 014 |
| 82.33/1 | 01 | 4987451 | C | 015 |
| 82.33/1 | | 4992747 | D | 015 |
| | | | C | 315 |
| 82.33/1 | | 4994666 | D | 315 |

61552

FL10B

01 02

COMANDO IDRAULICO CAMBIO

Commande hydraulique de boîte de vitesses
Hydraulische Getriebebeschaltung

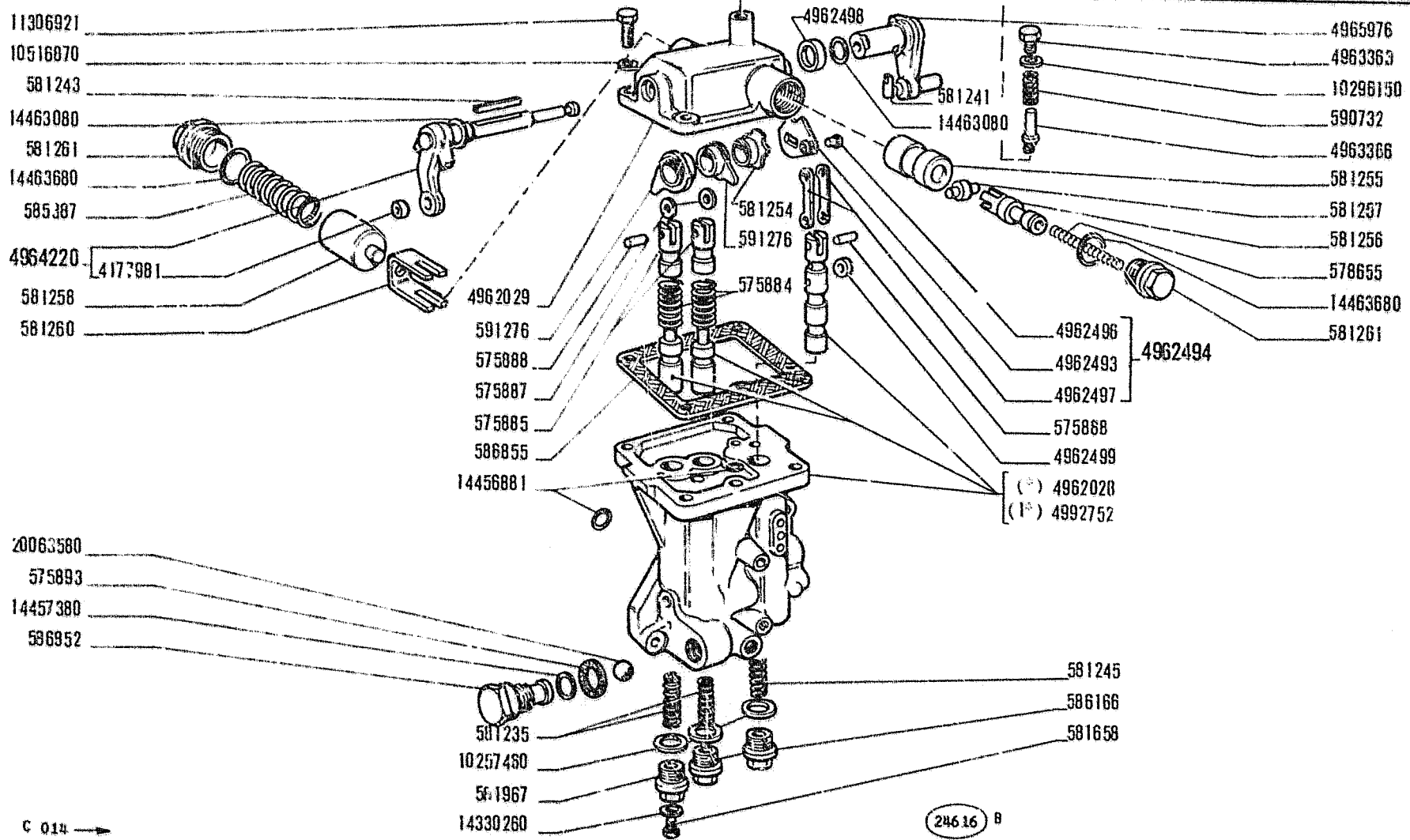
Transmission Hydraulic Control

P-19 *Sistema hidráulico del cambio*

B2.30

3

N.T.R. 30
9-1977
603.01.012.01



C 014 →

246.16 B

(*) (†) Vedere elenco - Voir la liste - Siehe Tabelle - See list - Véase la lista

FL 10 B

01

*Distributeur
Steuergerät*

DISTRIBUTORE 4962727 - 4992750

*Distributor Valve
P-20 Válvula distribuidora*

B2.33

B

MECHANICAL TRANSMISSION • CLUTCH • TRANSMISSION • TRANSMISSION SHAFT • AXLES
TRASMISSIONE MECCANICA • FRIZIONE • CAMBIO • ALBERO DI TRASMISSIONE • PONTI
TRANSMISSION MECANIQUE • EMBRAYAGE • BOITE DE VITESSES • ARBRE DE TRANSMISSION • PONTS
MECHANISCHE KRAFTÜBERTRAGUNG • KUPPLUNG • GETRIEBE • GELENKWELLE • ACHSEN
TRANSMISSION MECANICA • EMBRAGUE • CAMBIO • ARBOL DE TRANSMISSION • PUENTES

C

BRAKES (MECHANICAL OR HYDRAULIC) • FRENI (MECCANICI O IDRAULICI) • FREINS (MECANIQUES OU HYDRAULIQUES) • BREMSEN (MECHANISCHE ODER HYDRAULISCHE) • FRENOS (MECANICOS O HIDRAULICOS)

QTY	QTY	DENOMINAZIONE	DESIGNATION	BENENNUNG	DESCRIPTION	DENOMINACIONES
	2	CUFFIA	CAPUCHON	MANSCHETTE	SOOT	CAPUCHON
	2	RACCORDO	RACCORD	STITZEN	CONNECTION	RACOR
	2	STANTUFFO	PISTON	KOLBEN	PISTON	EMBLO
	2	SEDE SPERICA	SIEGE SPHERIQUE	KUGELPFANNE	BALL SOCKET	COJINIE ESFERICO
	2	LINGUETTA	LINGUET	SCHLIEBENFEDER	KEY	CHAVETA
	2	ANELLO DI SICUREZZA	ARRA TOIR	SICHERUNGSRING	LOCKRING	ANILLO DE FRENO
	2	DISTANZIALE	ENTRETOISE	ABSTANDSTUECK	SPACER	SEPARADOR
	2	PUNTALE	TIGE	DRUCKSTABBE	ROD	VASTAGO
	2	ASTA	TIRE	STANGE	ROD	VARILLA
	2	ANELLO DI TENUTA	JOINT D'ETANCHEITE	DICHTRING	SEAL	JUNTA HERMETICA
	2	ANELLO DI TENUTA	JOINT D'ETANCHEITE	DICHTRING	SEAL	JUNTA HERMETICA
	2	ANELLO DI TENUTA	JOINT D'ETANCHEITE	DICHTRING	SEAL	JUNTA HERMETICA

FIAT ALLIS FIJOB (2ED)

C107

109-19751

MODIF	N.ORDINAZ. G.	DENDINAZIONE	DESIGNATION	BENENNUNG	DESCRIPTION	DENDINAZIONES	
	4950683	1	TUBO FLESSIBILE	TUYAU FLEXIBLE	SCHLAUCH	HOSE	MANGA FLEXIBLE
	4950684	1	TUBO FLESSIBILE	TUYAU FLEXIBLE	SCHLAUCH	HOSE	MANGA FLEXIBLE
	4950685	1	TUBO	TUYAU	ROHR	PIPE	TUBO
	4950686	1	TUBO	TUYAU	ROHR	PIPE	TUBO
	4950733	2	SERVOFRENO COMPL.	SERVO-FREIN	SERVOBREMSE	BRAKE-SERVO	SERVOFRENO
	4953394	1	TUBO FLESSIBILE	TUYAU FLEXIBLE	SCHLAUCH	HOSE	MANGA FLEXIBLE
	4953395	1	TUBO FLESSIBILE	TUYAU FLEXIBLE	SCHLAUCH	HOSE	MANGA FLEXIBLE
	10184411	4	SOCCHEITONE	VITE-RACCORD	WOMLSCHRAUBE	UNION	BOQUILLA
	10257060	8	ROSETTA DI TENUTA	JOINT DISTANCHEITE	DICHTRING	GASKET	JUNTA HERMETICA
	10217070	8	ROSETTA DI GIUNTA	RODDELLE FREIN	SICHERSINGSPRING	LOCKWASHER	ARANDOLA DE FRENO
	15540821	4	VITE	VITE	SCHRAUBE	SCREW	TORNILLO
	15540621	4	VITE	VITE	SCHRAUBE	SCREW	TORNILLO

FIAT ALLIS PL108 (2ED)

C101

(03-1975)

MODIF	N.ORDINAZ. O.	DENOMINAZIONE	DESIGNATION	BENENHUNG	DESCRIPTION	DENOMINAZIONES
C 430	79004193	4946799	2	MASTRO DEL FRENO INF.COMPL.	BANDE DE FREIN BREMSBAND	BRAKE BAND CINTA DE FRENO
C 430	4970722	12	GUARNIZIONE	GARNITURE	BELAG	LINING
C 439	4975188	4	COPIGLIA	GOUPILLE FENDUE	SPLIT INT	PASADOR ABIERTO
C 070	4981886	1	TRAVERSA DI TRAINO COMPL.(01)	TRAVERSE D'ATTELA- GE	ACKERSCHIENE	DRAWBAR FRAME TAVIOLA PERFORATA
C 368 D	4988286	4	VITE	VIS	SCHRAUBE	SCRUM
	4990275	1	TRAVERSA COMPL.	TRAVERSE	TRAVERSE	CROSSRAIL
	10005110	2	PERNO	AXE	BOLZEN	PIN
	10112805	1	STAFFETTA	COLLIER	HALTER	RETAINER
	10248971	2	FORCELLINO	FOURCHE	GABEL	FORK
	10516470	5	ROSETTA DI SICUREZZA	RONDELLE FREIN	SICHERUNGSRING	LOCKWASHER
	10517070	6	ROSETTA DI SICUREZZA	RONDELLE FREIN	SICHERUNGSRING	LOCKWASHER
	10517179	6	ROSETTA DI SICUREZZA	RONDELLE FREIN	SICHERUNGSRING	LOCKWASHER
	10517270	2	ROSETTA DI SICUREZZA	RONDELLE FREIN	SICHERUNGSRING	LOCKWASHER
	10519601	2	ROSETTA	RONDELLE	SCHETBE	WASHER
	10520101	2	ROSETTA	RONDELLE	SCHETBE	WASHER
	10520301	4	ROSETTA	RONDELLE	SCHETBE	WASHER
	10753601	10	COPIGLIA	GOUPILLE FENDUE	SPLIT INT	SPLIT PIN
	10734201	2	COPIGLIA	GOUPILLE FENDUE	SPLIT INT	SPLIT PIN
	10791311	4	DADO	ECROU	MUTTER	NUT
	10791421	2	DADO	ECROU	MUTTER	NUT
	10797091	4	COPIGLIA	GOUPILLE FENDUE	SPLIT INT	SPLIT PIN
	10902221	1	VITE	VIS	SCHRAUBE	SCREW
	10979421	4	VITE	VIS	SCHRAUBE	SCREW
	11966375	2	ANELLO DI SICUREZZA	ARRETOIR	SICHERUNGSRING	LOCKRING
	11967675	2	ANELLO DI SICUREZZA	ARRETOIR	SICHERUNGSRING	LOCKRING
	11255930	8	VITE	VIS	SCHRAUBE	SCREW
	12164111	2	DADO	ECROU	MUTTER	NUT
	13407211	2	INGRASSATORE	GRAISSEUR	SCHMIERNIPPEL	FITTING
	13879640	2	RIBATTINO (QUANT. 100)	RIVET	NIFT	RIVET
	14170470	4	SPINA	GOUPILLE	STIFT	PIN
	14198810	2	PIASTRINA DI SICUREZZA	PLAQUETTE FREIN	SICHERUNGSBLECH	LOCKPLATE
	14453180	2	ANELLO DI TENUTA	JOINT D'ETANCHEITE	DICHTRING	SEAL
	15540421	6	VITE	VIS	SCHRAUBE	SCREW
	15896211	1	DADO	ECROU	MUTTER	NUT
	15970521	2	VITE	VIS	SCHRAUBE	SCREW
	15981021	2	VITE	VIS	SCHRAUBE	SCREW
	16101511	6	DADO	ECROU	MUTTER	NUT
D 360	79009425	1	TRAVERSA COMPL	TRAVERSE	TRAVERSE	CROSSRAIL
D 438	79011414	2	MASTRO DEL FRENO COMPL	BANDE DE FREIN	BREMSEBAND	BRAKE BAND
D 438	79011470	10	GUARNIZIONE	JOINT	DICHTRING	GASKET

MODIF	N.ORDINAZ. 9.	DENOMINAZIONE	DESIGNATION	BEZEICHNUNG	DESCRIPTION	DENOMINACIONES	
	595870	2	MOLLA	RESSORT	FEDER	SPRING	RESORTE
	596768	2	DADO	ECROU	MUTTER	NUT	TUERCA
040117	596789	2	PIASTRA	PLAQUE	PLATTE	PLATE	PLACA
	599320	2	ROSETTA	RONDELLE	SCHEIBE	WASHER	ARANDELA
040121	599398	2	PERNO	AXE	BOLZEN	PIN	EJE
040094	599876	2	ASTUCCIO	ETUI	ETUI	CASE	ESTUCHE
	599910	2	HANICOTTO	MANCHON	MANNHEMER	SLEEVE	MANGUITO
	599920	2	VITE	VIS	SCHRAUBE	SCREW	TORNILLO
	599921	2	GIUNTO COMPL.	ACCOUPLMENT	KOPPLUNG	COUPLING	ARNASTRE
	599923	2	ROSETTA DI SICUREZZA	RONDELLE FREIN	SICHERUNGSSRING	LOCKWASHER	ARANDELA DE FRENO
	597768	2	TESTA DI REGISTRO	EMBOUT DE REGLAGE	EINSTELLBUCHSE	ADJUSTING SLEEVE	TUERCA DE REGLAJE
	598879	2	PUNTONE	ETAI	STRASSE	STRAUT	TORNAPUNTA
	598887	1	TUBETTO Ø	TUBE	ROHR	PIPE	TUBO
	598888	1	TUBETTO 5	TUBE	ROHR	PIPE	TUBO
	599296	2	MOLLA	RESSORT	FEDER	SPRING	RESORTE
	599299	4	PERNO	AXE	BOLZEN	PIN	EJE
	599300	2	CAVALLOTTO SUP.	ARRESTOIR	KLEHMSTUECK	RETAINER	SUJETADOR
	599301	2	CAVALLOTTO INF.	ARRESTOIR	KLEHMSTUECK	RETAINER	SUJETADOR
	599302	2	LEVA	LEVIER	HEBEL	LEVER	PALANCA
	599303	2	SUPPORTO	SUPPORT	LAGER	SUPPORT	SOPORTE
	599304	2	TIRANTE	TIRANT	SPANNBOLZEN	TIERNO	PERNO
	599305	4	LEVA	LEVIER	HEBEL	LEVER	PALANCA
	599306	2	PERNO	AXE	BOLZEN	PIN	EJE
	599307	2	PERNO	AXE	BOLZEN	PIN	EJE
	599308	2	LEVA	LEVIER	HEBEL	LEVER	PALANCA
	599309	2	STAFFA AD U	ETRIER PROFILE EN U	U-BOLZEN	U-BOLT	BRIDA DE SECCION EN U
	599310	2	PERNO	AXE	BOLZEN	PIN	EJE
	599311	2	MOLLA	RESSORT	FEDER	SPRING	RESORTE
	4991733	1	PEDALE D	PEDALE	FUSSHEBEL	PEDAL	PEDAL
	4991734	1	PEDALE S	PEDALE	FUSSHEBEL	PEDAL	PEDAL
	4991818	2	ROSETTA	RONDELLE	SCHEIBE	WASHER	ARANDELA
	4958201	4	MOLLA	RESSORT	FEDER	SPRING	RESORTE
	4958292	1	BRACCIO Ø COMPL.	BRAS	ARM	ARM	BRAZO
	4958293	1	BRACCIO 5 COMPL.	BRAS	ARM	ARM	BRAZO
	4958299	1	ALBERO Ø	ARBRE	WELLE	SHAFT	ARBOL
	4958300	1	ALBERO 5	ARBRE	WELLE	SHAFT	ARBOL
	4958303	2	MOLLA	RESSORT	FEDER	SPRING	RESORTE
	4958305	1	LEVA U	LEVIER	HEBEL	LEVER	PALANCA
	4958306	1	LEVA S	LEVIER	HEBEL	LEVER	PALANCA
	4958308	2	GANCIO	CROCHET	HAKEN	HOOK	GANCHO
	4958507	2	BOLCOLA	BOUILLE	BUECHSE	BUSH	CASQUILLO
	4958508	4	BOLCOLA	BOUILLE	BUECHSE	BUSH	CASQUILLO
	4965900	2	LEVA	LEVIER	HEBEL	LEVER	PALANCA
040179009024566798	7	7	NASTRO DEL FRENO SUP.COMPL.	BANDE DE FREIN	BREMSSAND	BRAKE BAND	CINTA DE FRENO

FIAT ALLIS FL10B (2RD)

B412

(02-1975)

MODIF	N.ORDINAZ. Q.	DENOMINAZIONE	DESIGNATION	BENENNUNG	DESCRIPTION	DENOMINACIONES	
	586726	44	VITE	VIS	SCHRAUBE	SCREW	TORNILLO
	590394	2	DADO	ECROU	MUTTER	NUT	TUERCA
	598443	2	INGRANAGGIO	PIGNON	ZAHNRAD	GEAR	PINON
PH01/411	598450	2	INGRANAGGIO	PIGNON	ZAHNRAD	GEAR	PINON
	4956738	2	INGRANAGGIO	PIGNON	ZAHNRAD	GEAR	PINON
	13498521	44	DADO	ECROU	MUTTER	NUT	TUERCA
	24940320	2	CUSCINETTO	ROULEMENT	LAGER	BEARING	RODAMIENTO
	24940330	2	CUSCINETTO	ROULEMENT	LAGER	BEARING	RODAMIENTO
	24940740	2	CUSCINETTO	ROULEMENT	LAGER	BEARING	RODAMIENTO
	24940750	2	CUSCINETTO	ROULEMENT	LAGER	BEARING	RODAMIENTO

FIAT ALLIS FLIOR (ZED)

8411

(03-1975)

MODIF	N. ORDINAZ. Q.	DENOMINAZIONE	DESIGNATION	BENENNUNG	DESCRIPTION	DENOMINACIONES	
	566500	6	GRAND	ERGOT	PASSTIFT	DOWEL	PITON
	598442	2	TEGOLLO	DESSUS	UEBERGANGSSTUECK	PANEL	TEJA
C 114	598461	1	VASCHETTA S (01)	CUVE	GEFASS	PAN	CUBA
C 114	598463	1	VASCHETTA D (01)	CUVE	GEFASS	PAN	CUBA
0114 2000000	495706T	1	COPERCHIO S	COUVERCLE	DECKEL	COVER	TAPA
0114 2000000	495706Z	1	COPERCHIO D	COUVERCLE	DECKEL	COVER	TAPA
	4972295	1	SCATOLA COMPL. D (01)	CARTER	GEHAUSE	CASE	CAJA
	4972296	1	SCATOLA COMPL. S (01)	CARTER	GEHAUSE	CASE	CAJA
0114 2000000	498987B	1	SCATOLA S COMPL.	CARTER	GEHAUSE	CASE	CAJA
0114 2000000	498987D	1	SCATOLA D COMPL.	CARTER	GEHAUSE	CASE	CAJA
	10273040	2	TAPPO	BOUCHON	STOPFEN	PLUG	TAPON
D 114	10273040	2	TAPPO	BOUCHON	STOPFEN	PLUG	TAPON
	10297080	4	ROSETTA DI TENUTA	JOINT D'ETANCHEITE	DICHTRING	GASKET	JUNTA HERMETICA
C 114	10306340	2	TAPPO (01)	BOUCHON	STOPFEN	PLUG	TAPON
	10516670	4	ROSETTA DI SICUREZZA	RONDELLE FREIN	SICHERUNGSRING	LOCKWASHER	ARANDELA DE FRENO
	10517170	84	ROSETTA DI SICUREZZA	RONDELLE FREIN	SICHERUNGSRING	LOCKWASHER	ARANDELA DE FRENO
	11255931	46	VITE	VIS	SCHRAUBE	SCREW	TORNILLO
	11394331	24	VITE	VIS	SCHRAUBE	SCREW	TORNILLO
	14254630	6	VITE	VIS	SCHRAUBE	SCREW	TORNILLO
	15860131	14	VITE	VIS	SCHRAUBE	SCREW	TORNILLO
	16043421	4	VITE	VIS	SCHRAUBE	SCREW	TORNILLO
	10273001	4	TAPPO (01)	BOUCHON	STOPFEN	PLUG	TAPON
		01	IN ALTERNATIVA	EN ALTERNATIVA	ALTERNATIVE	OPTUNAL	OPTATIVO

FIAT ALLIS P100B (2ED)

B408

(03-1975)

MODIF	N.ORDINAZ. Q.	DENOMINAZIONE	DESIGNATION	BENENNUNG	DESCRIPTION	DENOMINACIONES	
	946500	2	GRAND	ERGOT	PASSTIFT	DOWEL	PITON
	586720	1	TAPPO	BOUCHON	STOPFEN	PLUG	TAPON
	590091	2	ANELLO DI TENUTA	JOINT D'ETANCHEITE	DICHTRING	SEAL	JUNTA HERMETICA
	598121	1	COPERCHIO CENTR.	COUVERCLE	DECKEL	COVER	TAPA
	598190	1	COPERCHIO D	COUVERCLE	DECKEL	COVER	TAPA
	598211	1	COPERCHIO S	COUVERCLE	DECKEL	COVER	TAPA
	598228	2	COPERCHIO	COUVERCLE	DECKEL	COVER	TAPA
	4957882	1	ASTA DI LIVELLO	JAUGE DE NIVEAU	MESSSTAB	LEVEL ROD	VARILLA DE NIVEL
	4962668	1	COPERCHIO ANT.	COUVERCLE	DECKEL	COVER	TAPA
	4962668	1	SCATOLA COMPL.	CARTER	GEHAUSE	CASE	CAJA
	4967330	4	TAPPO	BOUCHON	STOPFEN	PLUG	TAPON
	4972238	2	SCATOLA DEL CUSSINETTO	CUVETTE DE ROULE- MENT	LAGERGEHAUSE	BEARING CASE	CAJA DE RODAMIENTOS
	10270340	1	TAPPO	BOUCHON	STOPFEN	PLUG	TAPON
	10296588	1	ROSETTA DI TENUTA	JOINT D'ETANCHEITE	DICHTRING	GASKET	JUNTA HERMETICA
	10297080	1	ROSETTA DI TENUTA	JOINT D'ETANCHEITE	DICHTRING	GASKET	JUNTA HERMETICA
	10306340	1	TAPPO	BOUCHON	STOPFEN	PLUG	TAPON
	10516870	9	ROSETTA DI SICUREZZA	RONDELLE FREIN	SICHERUNGSRING	LOCKWASHER	ARANDELA DE FRENO
	10517070	36	ROSETTA DI SICUREZZA	RONDELLE FREIN	SICHERUNGSRING	LOCKWASHER	ARANDELA DE FRENO
	14167770	2	SPINA	DOUPILLE	STIFT	PIN	PASADOR
	14323611	3	TAPPO	BOUCHON	STOPFEN	PLUG	TAPON
	14325501	1	TAPPO	BOUCHON	STOPFEN	PLUG	TAPON
	15540521	36	VITE	VIS	SCHRAUBE	SCREW	TORNILLO
	15970721	9	VITE	VIS	SCHRAUBE	SCREW	TORNILLO

MODEL	N.ORDINEAZ. O.	DENOMINAZIONE	DESIGNATION	BENENNUNG	DESCRIPTION	DENOMINACIONES	
	588528	1	CUSCINETTO	ROULEMENT	LAGER	BEARING	RODAMIENTO
	588575	2	SUPPORTO	SUPPORT	LAGER	SUPPORT	SOPORTE
	588793		PIASTRINA SP.0,7	CALE	DISTANZSCHEIBE	SHIM	SUPLEMENTO
	588794		PIASTRINA SP.0,9	CALE	DISTANZSCHEIBE	SHIM	SUPLEMENTO
	588795		PIASTRINA SP.0,3	CALE	DISTANZSCHEIBE	SHIM	SUPLEMENTO
	588986		PIASTRINA SP.0,2	CALE	DISTANZSCHEIBE	SHIM	SUPLEMENTO
	588987		PIASTRINA SP.0,5	CALE	DISTANZSCHEIBE	SHIM	SUPLEMENTO
	588988		PIASTRINA SP.1,0	CALE	DISTANZSCHEIBE	SHIM	SUPLEMENTO
	598618	1	SUPPORTO	SUPPORT	LAGER	SUPPORT	SOPORTE
	598619	1	COPERCHIO	COVERELF	DECKEL	COVER	TAPA
	598623	1	ALBERO	ARBOR	WELLE	SHAFT	ARBOL
	599679	1	VITE	VIT	SCHRAUBE	SCREW	TORNILLO
	6258303	1	COPIA CONICA	COUPLE CONIQUE	KEGELRADANTRIEB	BEVEL GEAR/SPINION	PAR CONICO
	10517670	16	ROSETTA DI SICUREZZA	RONDELLE FREIN	SICHERUNGSRING	SET	ARANDELA DE FRENO
	12166711	1	NOCCI	ECRIN	MUTTER	LOCKWASHER	TUERCA
	12666881	1	ROSETTA	RONDELLE	SCHNEIBE	WASHER	ARANDELA
	12949340	1	ROSETTA DI SICUREZZA	RONDELLE FREIN	SICHERUNGSRING	LOCKWASHER	ARANDELA DE FRENO
	12958110	1	GRIFERA	ECRIN	GEWINDRING	THREADED RING	TUERCA
	14198810	1	PIASTRINA DI SICUREZZA	PLAQUETTE FREIN	SICHERUNGSSBLECH	LOCKPLATE	PLACA DE FRENO
	14257830	14	VITE	VIT	SCHRAUBE	SCREW	TORNILLO
	14258130	11	VITE	VIT	SCHRAUBE	SCREW	TORNILLO
	14465481	1	ANELLO DI TENUTA	JOINT D'ETANCHEITE	DICHRING	SEAL	JUNTA HERMETICA
	14467681	4	ANELLO DI TENUTA	JOINT D'ETANCHEITE	DICHRING	SEAL	JUNTA HERMETICA
	14467780	1	ANELLO DI TENUTA	JOINT D'ETANCHEITE	DICHRING	SEAL	JUNTA HERMETICA
	14467980	1	ANELLO DI TENUTA	JOINT D'ETANCHEITE	DICHRING	SEAL	JUNTA HERMETICA
	15560521	16	VITE	VIT	SCHRAUBE	SCREW	TORNILLO
	26800210	2	CUSCINETTO	ROULEMENT	LAGER	BEARING	RODAMIENTO
	28841710	1	CUSCINETTO	ROULEMENT	LAGER	BEARING	RODAMIENTO

FIAT ALLIS FL108 (2RD1)

B316/ 1 103-19751

MOULF	N.ORDINAZ. Q.	DENOMINAZIONE	DESIGNATION	BEHENNUNG	DESCRIPTION	DENOMINACIONES
	875885	8	COPERCHIO SP.5	COUVERCLE	COVER	TAPA
	6002000	8	PIASTRINA	PLAQUETTE	PLATE	PLACA
	6002024	16	VITE	VIS	SCREW	TORNILLO
	4814429	8	VITE	VIS	SCREW	TORNILLO
	4235395	8	COPERCHIO SP.6	COUVERCLE	COVER	TAPA
	4915396	8	COPERCHIO SP.7	COUVERCLE	COVER	TAPA
	4639228	1	ALBERO	ARBRE	SHAFT	ARBOL
	4643590	8	COPERCHIO SP.8	COUVERCLE	COVER	TAPA
	4655191	2	INGRANATORE	GRATISSEUR	FITTING	ENGRASADOR
	4656914	3	FORCELLA	FOURCHE	YOKE	HORQUILLA
	4670689	1	FORCELLA	FOURCHE	YOKE	HORQUILLA
	4699481	2	CROCIERA COMPL.	CROISILLON	SPIDER	CRUCETA
	12975021	8	DADO	ECROU	NUT	TUERCA

1/1

Q-11

FIAT ALLIS FL106 (2E01)

8316

(03-1975)

MODIF	N.ORDINAZ. Q.	DENOMINAZIONE	DESIGNATION	BENENNUNG	DESCRIPTION	DENOMINACIONES	
	875886	8	COPERCHIO SP.5	COUVERCLE	DECKEL	COVER	TAPA
	4002000	8	PIASTRINA	PLAQUETTE	PLAETTCHEN	PLATE	PLACA
	4002024	16	VITE	VIS	SCHRAUBE	SCREW	TORNILLO
	4514429	8	VITE	VIS	SCHRAUBE	SCREW	TORNILLO
	4585595	8	COPERCHIO SP.6	COUVERCLE	DECKEL	COVER	TAPA
	4585396	8	COPERCHIO SP.7	COUVERCLE	DECKEL	COVER	TAPA
	4638223	1	ALBERO	ARBRE	WELLE	SHAFT	ARBOL
	4643990	8	COPERCHIO SP.8	COUVERCLE	DECKEL	COVER	TAPA
	465191	2	INGRASSATORE	GRAISSEUR	SCHMIERNIPPEL	FITTING	ENGRASADOR
	4656653	2	CROCIERA COMPL.	CROISILLON	KREUZSTUECK	SPIDER	CROCIETA
	4656914	3	FORCELLA	FOURCHE	GABEL	YORK	HORQUILLA
	4670689	1	FORCELLA	FOURCHE	GABEL	YORK	HORQUILLA
	12575821	8	DAO	FOKOU	MUTTER	NUT	TUERCA

FIAT ALLI 9 FL100 (2ED)

8301

(09-1979)

MODI	N.ORDINAZ. Q.	DENOMINAZIONE	DESIGNATION	BENENNUNG	DESCRIPTION	DENOMINACIONES
	591528	1 MANICOTTO	MANCHON	MITNEHMER	SLEEVE	MANGUITO
	591874	1 ANELLO DI TENUTA	JOINT D'ETANCHEITE	DICHTRING	SEAL	JUNTA HERMETICA
	4414429	4 VITE	VIS	SCHRAUBE	SCREW	TORNILLO
C 355	4670689	1 ALBERO DI TRASMISSIONE COMPL. (021)	ARBRE DE TRANSMISSION	UEBERTRAGUNGSWELLE	PROPELLER SHAFT	ARBOL DE TRANSMISION
	4699486	1 ALBERO DI TRASMISSIONE COMPL. (021)	ARBRE DE TRANSMISSION	UEBERTRAGUNGSWELLE	PROPELLER SHAFT	ARBOL DE TRANSMISION
	4670689	4 VITE	VIS	MUTTER	NUT	TORNILLO
D 355	4099480	1 ALBERO DI TRASMISSIONE COMPL. (01)	ARBRE DE TRANSMISSION	UEBERTRAGUNGSWELLE	PROPELLER SHAFT	ARBOL DE TRANSMISION

FIAT ALLIS FL150 (2E01)

B238

109-19751

MODIF	N. ORDINE, Q.	DENOMINAZIONE	DESIGNATION	BENENNUNG	DESCRIPTION	DENOMINACIONES
	4977072	1	IMPUGNATURA	POIGNEE	KNOB	BOTON
C 107	4977085	1	SOPPORTO (01)	SUPPORT	SUPPORT	SOPORTE
C 107	4977132	1	LEVA (01)	HEBEL	LEVER	PALANCA
	4977279	1	ROSLA	RESSORT	SPRING	RESORTE
	10516870	3	ROSETTA DI SICUREZZA	RONDELLE PREIN	LOCKWASHER	ARANDELA DE FRENO
D 107	12166711	1	CAPO	ECKEN	NUT	TUERCA
	14567080	1	BOTTONI DI GOMMA	BUTTON GUMMIBOLZEN	RUBBER STUD	PITON DE CAUCHO
	15470121	2	VITE	VIS	SCREW	TORNILLO
C 107	15970121	1	VITE (01)	VIS	SCREW	TORNILLO
D 107	15970421	1	VITE	VIS	SCREW	TORNILLO
D 107	79002663	1	SOPPORTO	SUPPORT	SUPPORT	SOPORTE
D 107	79002668	1	LEVA	LEVIER	LEVER	PALANCA

REF. N.	N.ORDINEZ. Q.	DENOMINAZIONE	DESIGNATION	BEZEICHNUNG	DESCRIPTION	DENOMINACIONES
	54685C	1 MOLLA	RESSORT	FEDER	SPRING	RESORTE
	581593	1 GHIERA (*)	ECROU	GEWINDERING	THREADED RING	TUERCA
	483050	1 ROSETTA (*)	RONDELLE	SCHLEIB	WASHER	ARANDELA
	591107	1 FLOTTANTE (*)	FLUTTEUR	VENTILTRAEGER	CARRIER	VALVULA FLOTANTE
	592194	1 TAPPU	BOUCHON	STOPFEN	PLUG	TAPON
	592196	1 QISTANZIALE	ENTRETOISE	ABSTANDSTUECK	SPACER	SEPARADOR
	593198	1 MOLLA (*)	RESSORT	FEDER	SPRING	RESORTE
0 070	597091	1 TAPPO 101	BOUCHON	STOPFEN	PLUG	TAPON
	597092	1 STARTUFFO (*)	PISTON	KOLBEN	PISTON	EMBOLC
	597115	1 TIRANTE (*)	TIRANT	SPANNBOLZEN	TIEROD	PERNO
0 070	4980904	1 TAPPO	BOUCHON	STOPFEN	PLUG	TAPON
	10264560	1 ROSETTA DI TENUTA	JOINT D'ETANCHEITE	DICHRING	GASKET	JUNTA HERMETICA
	10266260	1 ROSETTA DI TENUTA	JOINT D'ETANCHEITE	DICHRING	GASKET	JUNTA HERMETICA
	14325301	1 TAPPO	BOUCHON	STOPFEN	PLUG	TAPON
	20043520	1 SFERA	BILLE	KUGEL	BALL	BOLA
	(*)	-VED. PAG.4	- VOIR ...	- SIGHE ...	- SEE ...	- VEASE ...

MOUV	N. ORDINAZ. Q.	DEMINIAZIONI	DESIGNATION	BENENNUNG	DESCRIPTION	DEMINIAZIONI	
	586162	1	FLOTTANTE (*)	FLOTTEUR	VENTILTRAEGER	CARRIER	VALVOLA FLOTTANTE
	586165	1	ROSETTA (*)	RONDELLE	SCHLEIBE	WASHER	ARANDELA
	586171	1	STANTAFFO (*)	PISTON	KOLBEN	PISTON	EMBOLU
	586172	1	PUNTALE (*)	TIGE	DRUCKSTANGE	ROD	VASTAGO
	586173	1	MOLLA (*)	RESSORT	FEDER	SPRING	RESORTE
	586174	1	MOLLA (*)	RESSORT	FEDER	SPRING	RESORTE
	586175		ROSETTA (*)	RONDELLE	SCHLEIBE	WASHER	ARANDELA
	586176		ROSETTA (*)	RONDELLE	SCHLEIBE	WASHER	ARANDELA
	586439	1	TAPPO TAMP.	BONCHON	STOPFEN	PLUG	TAPON
	4865273	1	BECCHETTONE	VIS-RACCORD	NONLSCHRANKE	UNION	BOQUILLA
	10297460	2	ANELLO DI TENUTA	JOINT D'ETANCHEITE	DICHTRING	SEAL	JUNTA HERMETICA
	10296260	1	ANELLO DI TENUTA	JOINT D'ETANCHEITE	DICHTRING	SEAL	JUNTA HERMETICA
	14457080	2	ANELLO DI TENUTA	JOINT D'ETANCHEITE	DICHTRING	SEAL	JUNTA HERMETICA
	14457400	1	ANELLO DI TENUTA	JOINT D'ETANCHEITE	DICHTRING	SEAL	JUNTA HERMETICA
	(*)		-VED. PAG. 6	- VOIR ...	- SIEMD ...	- SEE ...	- VEASE ...

*JAT ALLIS FL10B (2E0)

6233/ 1 (03-1975)

MODIF	N.ORDINAZ. Q.	DENOMINAZIONE	DESIGNATION	BENENNUNG	DESCRIPTION	DENOMINACIONES
	11903171	2	TAPPO	BOUCHON	PLUG	TAPON
	14453180	1	ANELLO DI TENUTA	JOINT D'ETANCHEITE	SEAL	JUNTA HERMETICA
	14453680	5	ANELLO DI TENUTA	JOINT D'ETANCHEITE	DICHRING	JUNTA HERMETICA
	14453780	2	ROSETTA DI TENUTA	JOINT D'ETANCHEITE	DICHRING	JUNTA HERMETICA
	14456881	5	ANELLO DI TENUTA	JOINT D'ETANCHEITE	DICHRING	JUNTA HERMETICA
	14463080	2	ANELLO DI TENUTA	JOINT D'ETANCHEITE	DICHRING	JUNTA HERMETICA
	14463680	2	ANELLO DI TENUTA	JOINT D'ETANCHEITE	DICHRING	JUNTA HERMETICA
	15970921	2	VITE	VIS	SEAL	JUNTA HERMETICA
				SCHRAUBE	SCREEN	TORNILLO
C 315	4864220	1	LEVA COMPL	LEVIER	LEVER	PALANCA
C 315	4865976	1	LEVA	LEVIER	LEVER	PALANCA
D 315	4992097	1	LEVA COMPL	LEVIER	LEVER	PALANCA
D 315	4992161	1	LEVA	LEVIER	LEVER	PALANCA
C 315	4992749	1	CORPO	CORPS	LEVER	PALANCA
D 315	4994885	1	CORPO	CORPS	GENAUSE	CUERPO
D 315	4994885	1	CORPO	CORPS	GENAUSE	CUERPO

FIAT ALLIS FL10B (2ED)

8293/ 1 (03-1975)

MODIF	N.ORDINAZ. Q.	DENOMINAZIONE	DESIGNATION	BENENNUNG	DESCRIPTION	DENOMINACIONES	
	575885	3	PUNTERIA	POUSSOIR	STÖßSEL	TAPPET	EMPUJADOR
	576007	3	RULLO	GALET	ROLLE	ROLLER	TUERCA
	575888	4	PERNO	AXE	BOLZEN	PIN	EJE
	581235	2	MOLLA	RESSORT	FEDER	SPRING	RESORTE
	581241	1	PERNO DI FISSAGGIO	CHEVILLE	BOLZEN	PIN	PASADOR
	581243	1	LINGUETTA	LINGUET	SCHNITTENFEDER	KEY	CHAVETA
	581254	1	ECCENTRICO	EXCENTRIQUE	EXZENTER	CAM	EXCENTRICA
	581258	1	ASTUCCIO	ETUI	CASE	CASE	ESTUCHE
	581260	1	FORCELLA	FOURCHE	GABELL	FORK	HORQUILLA
	585387	1	MOLLA	RESSORT	FEDER	SPRING	RESORTE
	586171	2	STANTUFFO	PISTON	KOLBEN	PISTON	EMBOLO
	586855	1	GUARNIZIONE	JOINT	DICHTU	GASKET	JUNTA
	591276	2	ECCENTRICO	ECCENTRIQUE	EXZENTER	CAM	ECCENTRICA
	4177981	1	BOCCELLA	DOUVILLE	BUECHSE	BUSH	CASCIJILLO
C 015	4914139	1	CORPO	COUPS	GEHAUSE	BODY	CUERPO
	4962494	1	ECCENTRICO COMPL.	EXCENTRIQUE	EXZENTER	CAM	ECCENTRICA
	4962496	1	PERNO	AXE	BOLZEN	PIN	EJE
	4962497	2	BIELLA	BIELLE	LASCHE	LINK	BIELA
	4962498	1	DISTANZIALE	ENTRETOISE	ABSTANDSTUECK	SPACER	SEPARADOR
	4962499	2	DISTANZIALE	ENTRETOISE	ABSTANDSTUECK	SPACER	SEPARADOR
	4984152	1	CORPO	CORPS	GEHAUSE	BODY	CUERPO
	4984153	2	MOLLA INT.	RESSORT	FEDER	SPRING	RESORTE
	4984154	2	MOLLA EST.	RESSORT	FEDER	SPRING	RESORTE
	4984155	1	TAPPO	BOUCHON	STOPFEN	PLUG	TAPON
	4984157	2	DISTANZIALE	ENTRETOISE	ABSTANDSTUECK	SPACER	SEPARADOR
	4984188	1	TAPPO	BOUCHON	STOPFEN	PLUG	TAPON
	4984217		ROSETTA	RONDELLE	SCHLEIBE	WASHER	ARANDELA
	4984218		ROSETTA	RONDELLE	SCHLEIBE	WASHER	ARANDELA
	4989245	1	COPERCHIO	COUVERCLE	DECKEL	COVER	TAPA
	4989246	1	MOLLA	RESSORT	FEDER	SPRING	RESORTE
	4989257	1	TAPPO	BOUCHON	STOPFEN	PLUG	TAPON
	4989258	1	RULLO	GALET	ROLLE	ROLLER	TUERCA
	4989259	1	PUNTERIA	POUSSOIR	STOßSEL	TAPPET	EMPUJADOR
	4989260	1	STANTUFFO	PISTON	KOLBEN	PISTON	EMBOLO
	4989261	1	PERNO	AXE	BOLZEN	PIN	EJE
	4989262	1	MOLLA	RESSORT	FEDER	SPRING	RESORTE
	4989264	2	TAPPO	BOUCHON	STOPFEN	PLUG	TAPON
	10257060	1	ROSETTA DI TENUTA	JOINT D'ETANCHEITE	DICHTRING	GASKET	JUNTA HERMETICA
	10260160	2	ROSETTA DI TENUTA	JOINT D'ETANCHEITE	DICHTRING	GASKET	JUNTA HERMETICA
	10516870	7	ROSETTA DI SICUREZZA	RONDELLE FREIN	SICHERUNGSRING	LOCKWASHER	ARANDELA DE FRENO
	11058675	2	ANELLO DI SICUREZZA	ARRIETTOR	SICHERUNGSRING	LOCKRING	ANILLO DE FRENO
	11306921	4	VITE	VIS	SCHRAUBE	SCREW	TORNILLO
	1143721	1	VITE	VIS	SCHRAUBE	SCREW	TORNILLO

FIAT ALLIS FL10B (2ED)

B233

(03-1975)

MODIF	N.ORDINAZ. Q.	DENOMINAZIONE	DESIGNATION	BENENNUNG	DESCRIPTION	DENOMINACIONES
	14463080 2	ANELLO DI TENUTA	JOINT D'ETANCHEITE	DICHTRING	SEAL	JUNTA HERMETICA
	14463680 2	ANELLO DI TENUTA	JOINT D'ETANCHEITE	DICHTRING	SEAL	JUNTA HERMETICA
	20063580 1	SFERA	BILLE	KUGEL	BALL	BOLA
	(*) -PER 4962727		- POUR ...	- FUER ...	- FOR ...	- PARA ...
	(1*) -PER 4992750		- POUR ...	- FUER ...	- FOR ...	- PARA ...

B

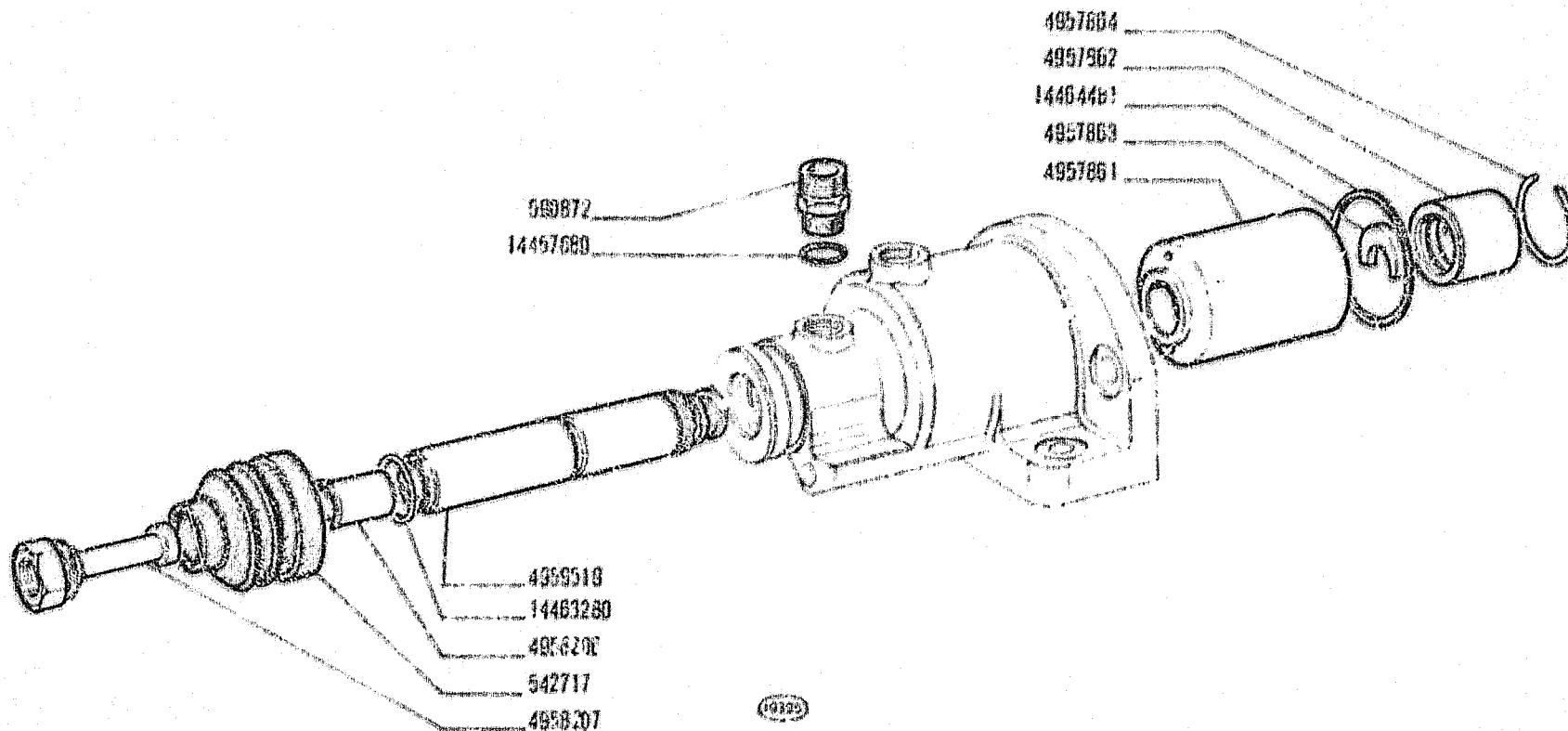
MECHANICAL TRANSMISSION • CLUTCH • TRANSMISSION • TRANSMISSION SHAFT • AXLES
TRASMISSIONE MECCANICA • FRIZIONE • CAMBIO • ALBERO DI TRASMISSIONE • PONTI
TRANSMISSION MECANIQUE • EMBRAYAGE • BOITE DE VITESSES • ARBRE DE TRANSMISSION • PONTS
MECHANISCHE KRAFTÜBERTRAGUNG • KUPPLUNG • GETRIEBE • GELENKWELLE • ACHSEN
TRANSMISSION MECANICA • EMBRAGUE • CAMBIO • ARBOL DE TRANSMISSION • PUENTES

C

BRAKES (MECHANICAL OR HYDRAULIC) • FRENI (MECCANICI O IDRAULICI) • FREINS (MECANIQUES OU HY-
DRAULIQUES) • BREMSEN (MECHANISCHE ODER HYDRAULISCHE) • FRENOS (MECANICOS O HIDRAULICOS)

DAT 331 08

C1.08



FL10 B

01 02

Servo-frein
Servobremse

SERVOFRENO 4959733

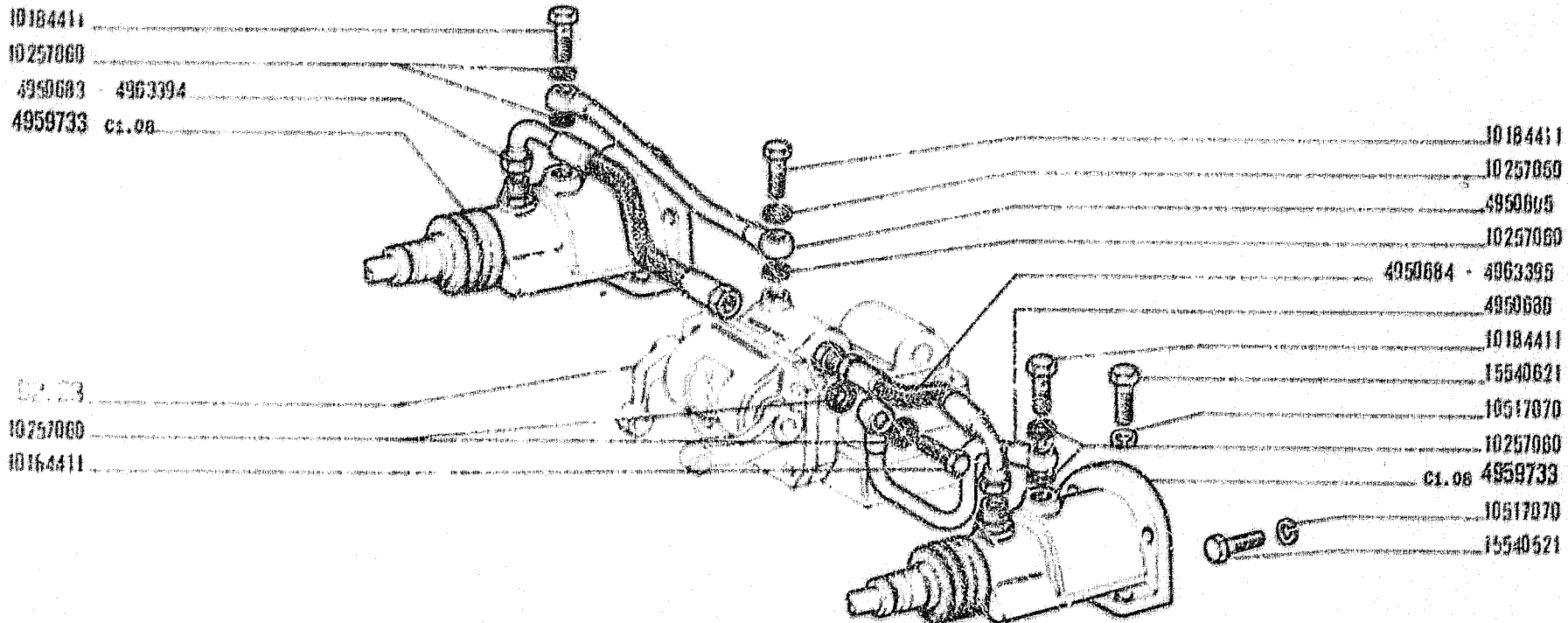
R-2

Brake Servo
Servofreno

C1.08

DAT 331 02

C1.02



24627

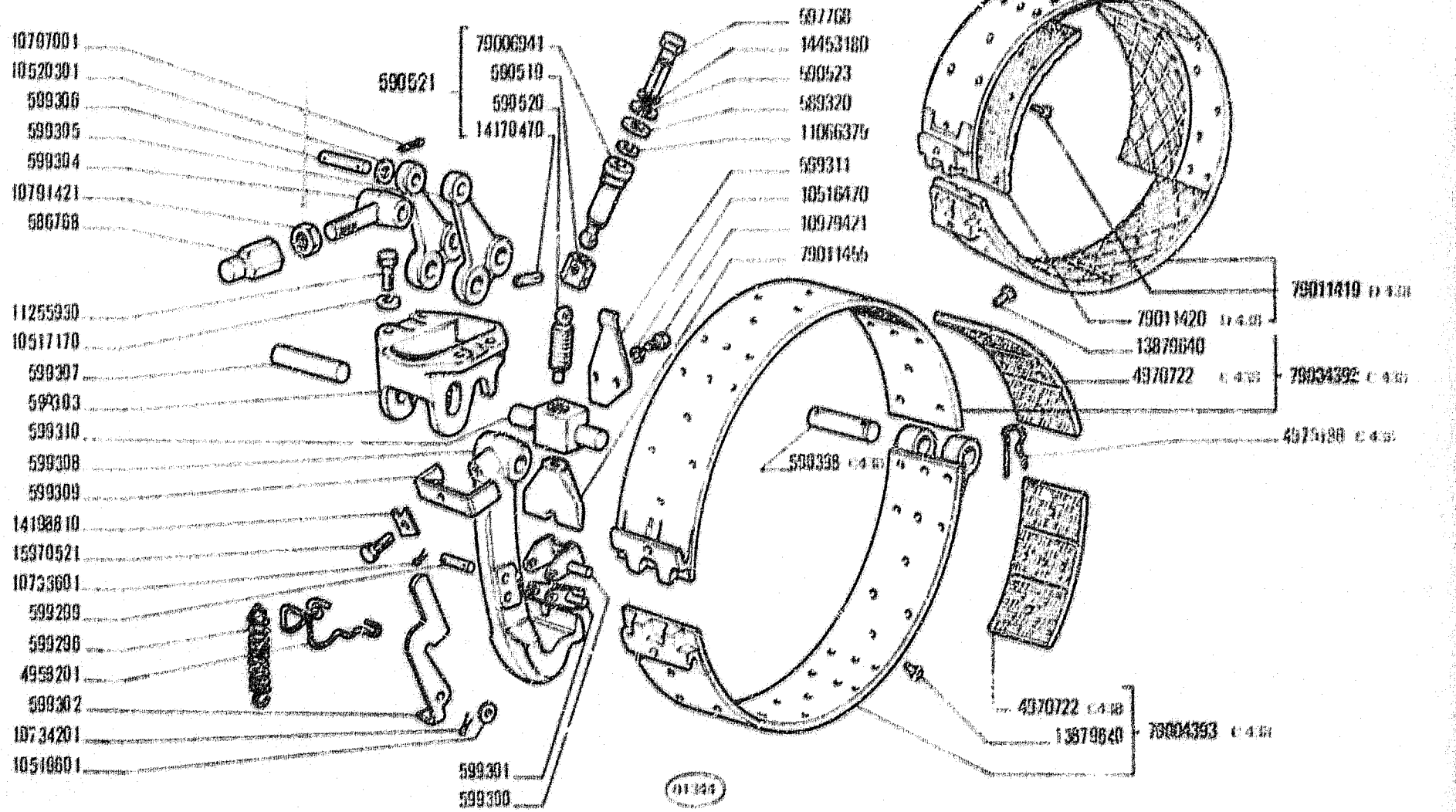
FL 10 B
01 02

COMANDO IDRAULICO FREMI
Commande hydraulique de freins
Hydraulische Bremsbetätigung **R-3**
Brake Hydraulic System
Sistema de freno hidráulico

C1.02

DAT 331 01

C1.01



FL 10B
01 02

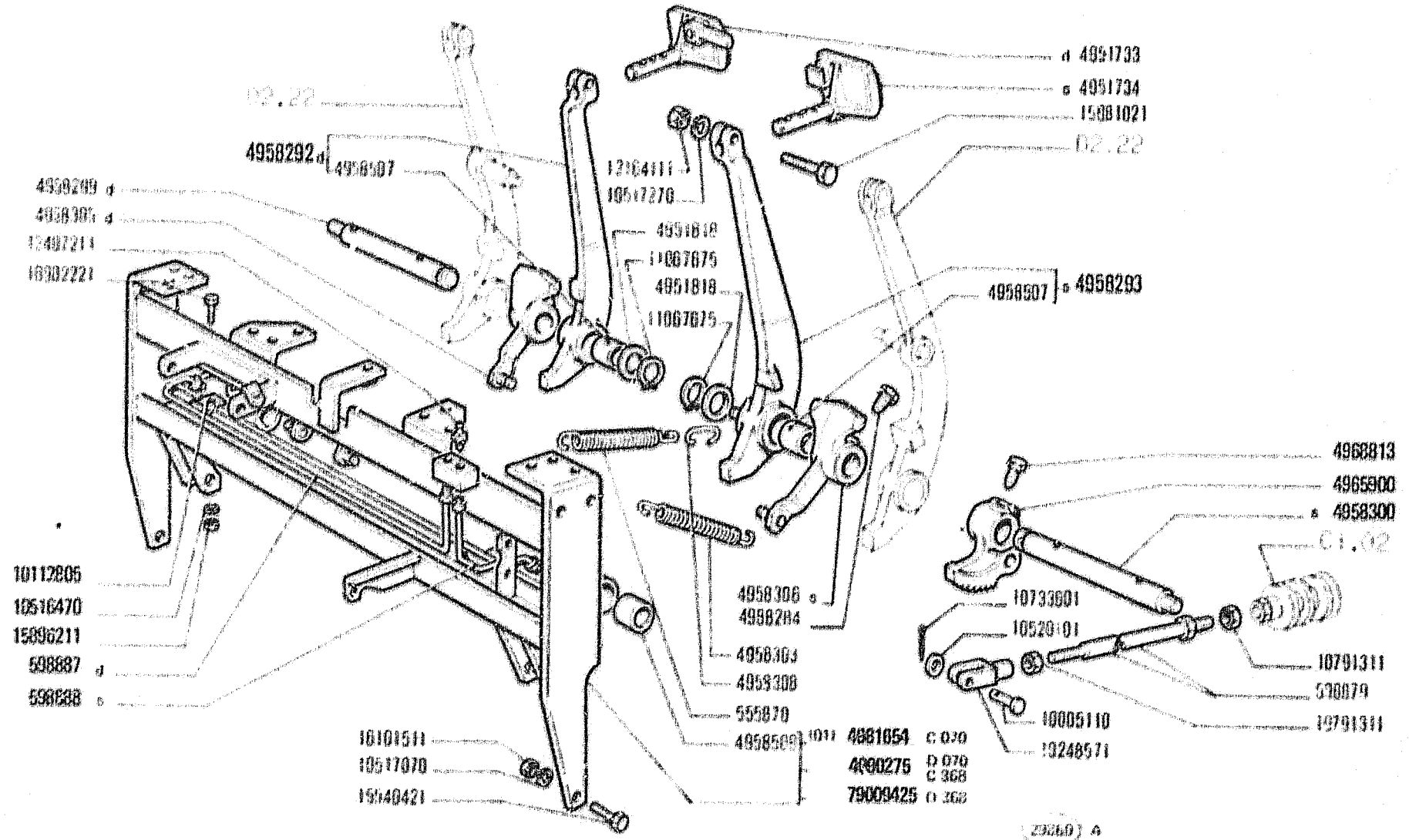
COMANDO A PEDALE FREMI

Commande au pied de freins
Bremsfußhebel

R-4
Brake Foot Control
Pedal de freno

C1.01

2
NTR 40
15-5-1070
1974.01.012.04

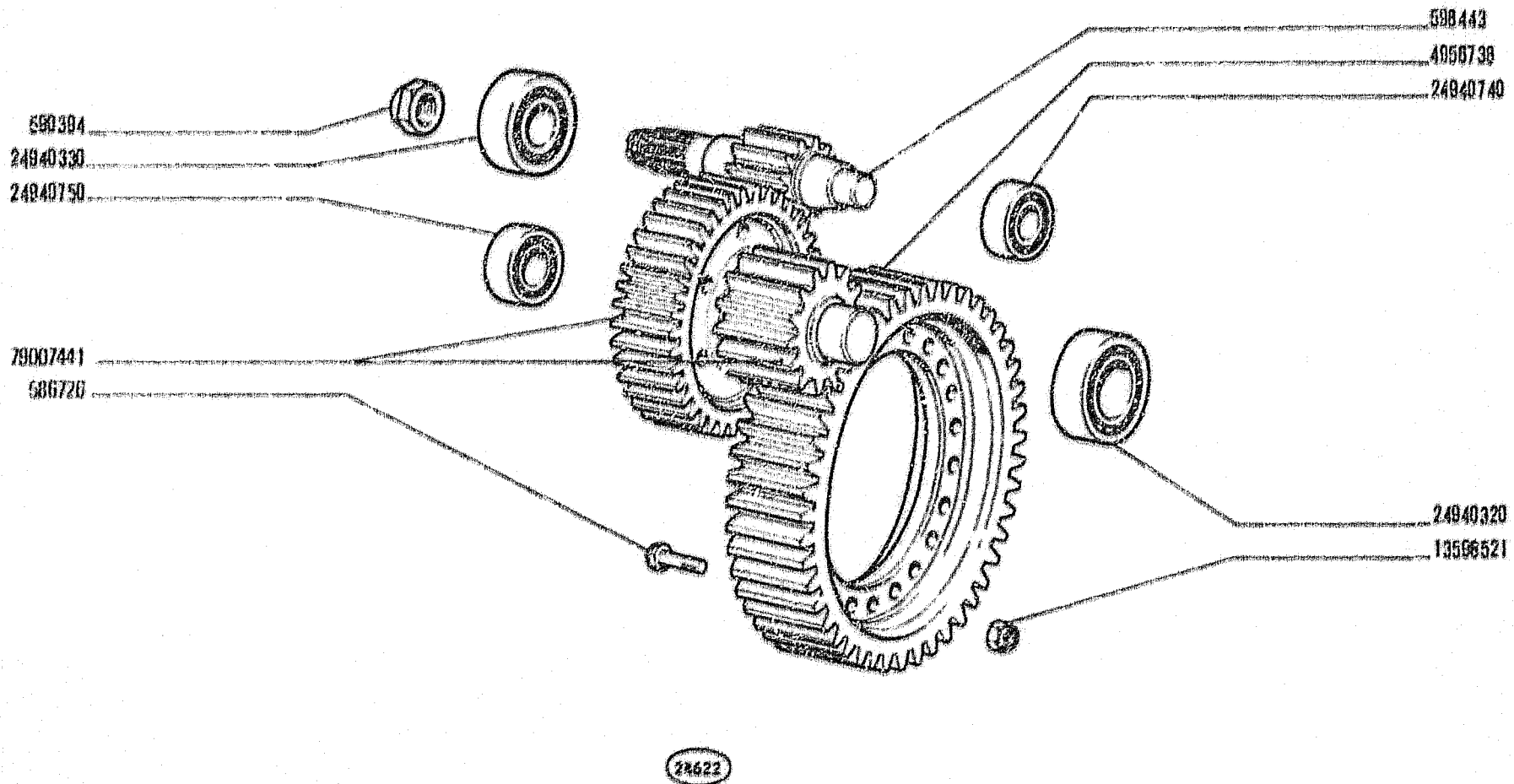


FL 10 B
01 02

COMANDO A PEDALE FRENI
Commande au pied de freins
Brake Foot Control
Bremsfusshebel
Pedal de freno

C1.01

1
NTR 49
15 9 1979
604.01.013.04



FL 10B

01 02

RUOTISMI RIDUTTORI LATERALI POSTERIORI

Engrenages de réducteurs latéraux AR

R-7

Rear Side Final Drive Gears

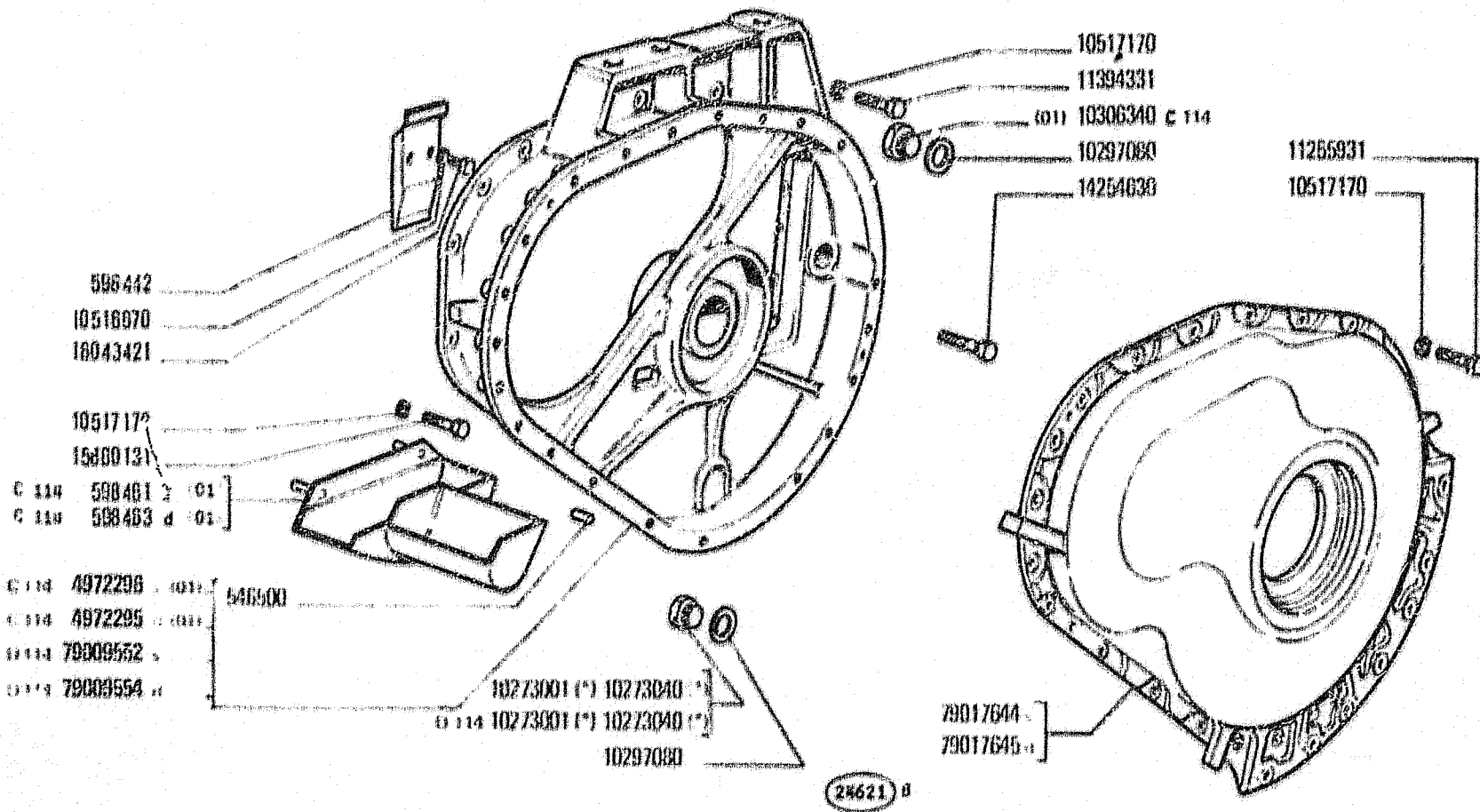
Zahnräder und Wellen der hinteren Endantriebe

Engranajes de reductores laterales posteriores

B4.12

NTR 49
15-1-1979

501.01.012.04



(*) Vedere elenco - Voir la liste - Siehe Tabelle - See list - Véase la lista

FL10 B
01 02

SCATOLE RIDUTTORI LATERALI POSTERIORI

Carters de réducteurs latéraux AR
Gehäuse der hinteren Endantriebe

R-8

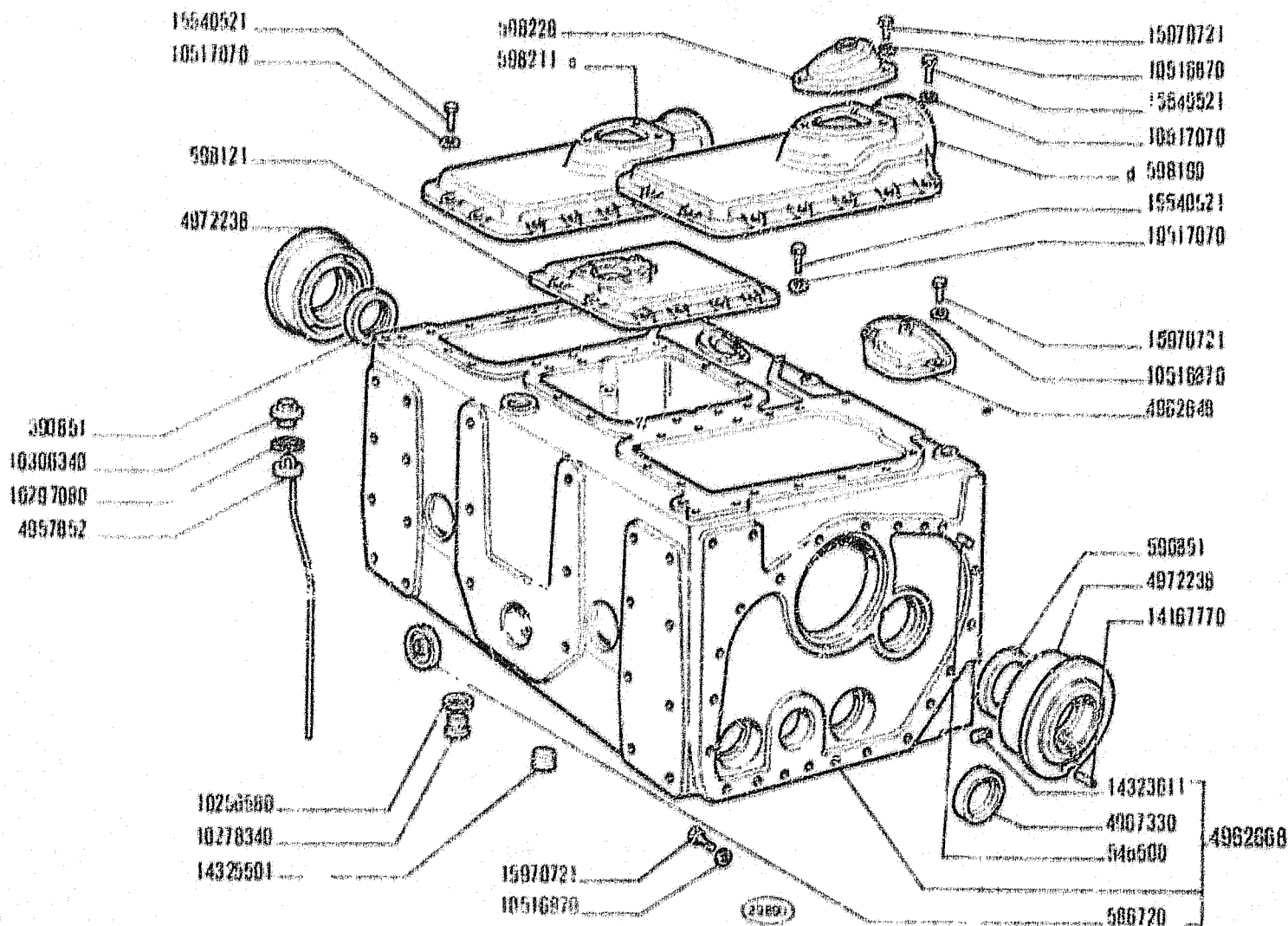
Rear Side Final Drive Cases
Cajas de reductores laterales posteriores

B4.11

NTR 49
15 5-1078

DAT 274 03

B4.08



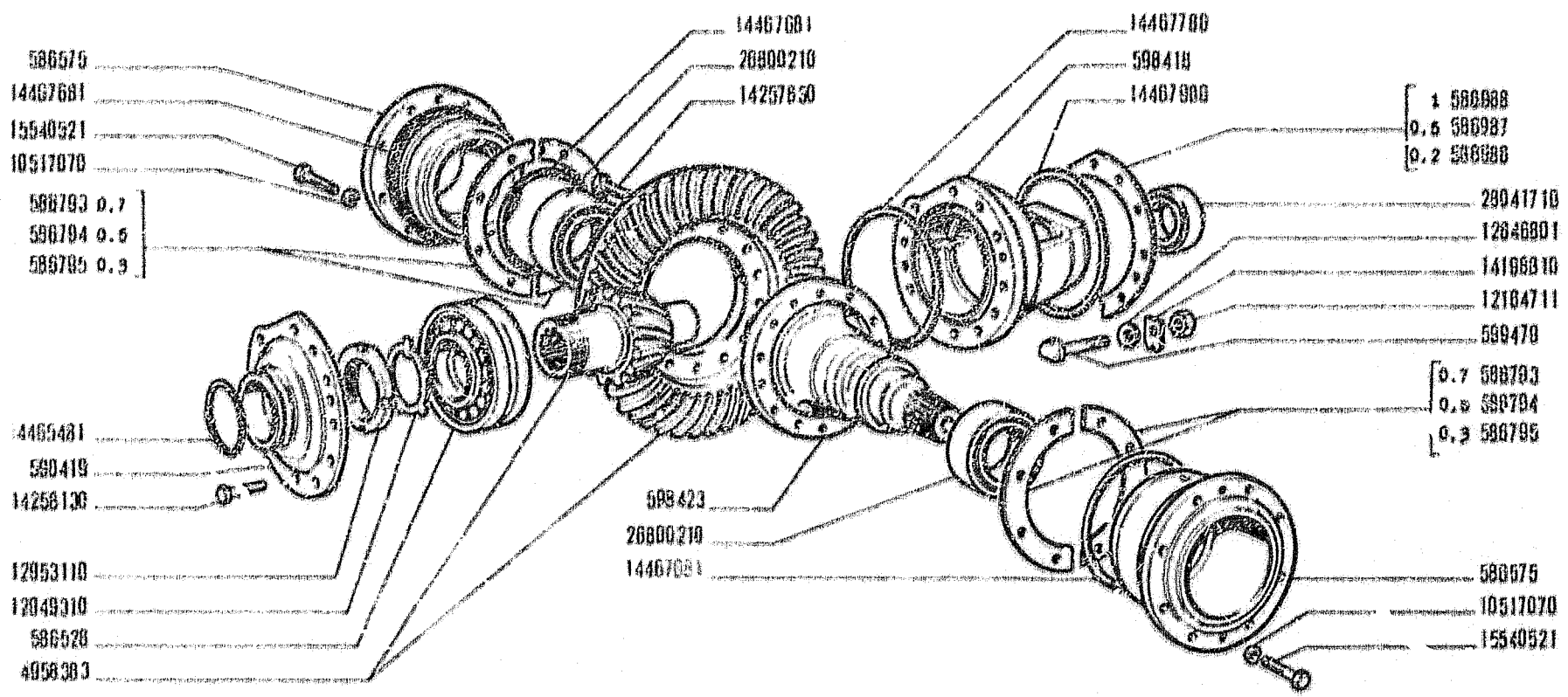
FL10 B

01 02

CORPO TRASMISSIONE POSTERIORE, SCATOLE E COPERCHI

Châssis-berceau AR, carters et couvercles **R-9** Rear Drive Body Casings and Covers
 Gehäuse der hinteren Kraftübertragung und Deckel Cuerpo de transmisión posterior, cajas y tapas

B4.08



24619 A

FL 10 B

01 02

RUOTISMI RIDUZIONE E DIFFERENZIALE POSTERIORI

Engrenages de réduction et différentiel AR

Hinterachs Antrieb und Ausgleichgetriebe

Rear Final Drive and Differential Gears

Reducción final y diferencial posteriores

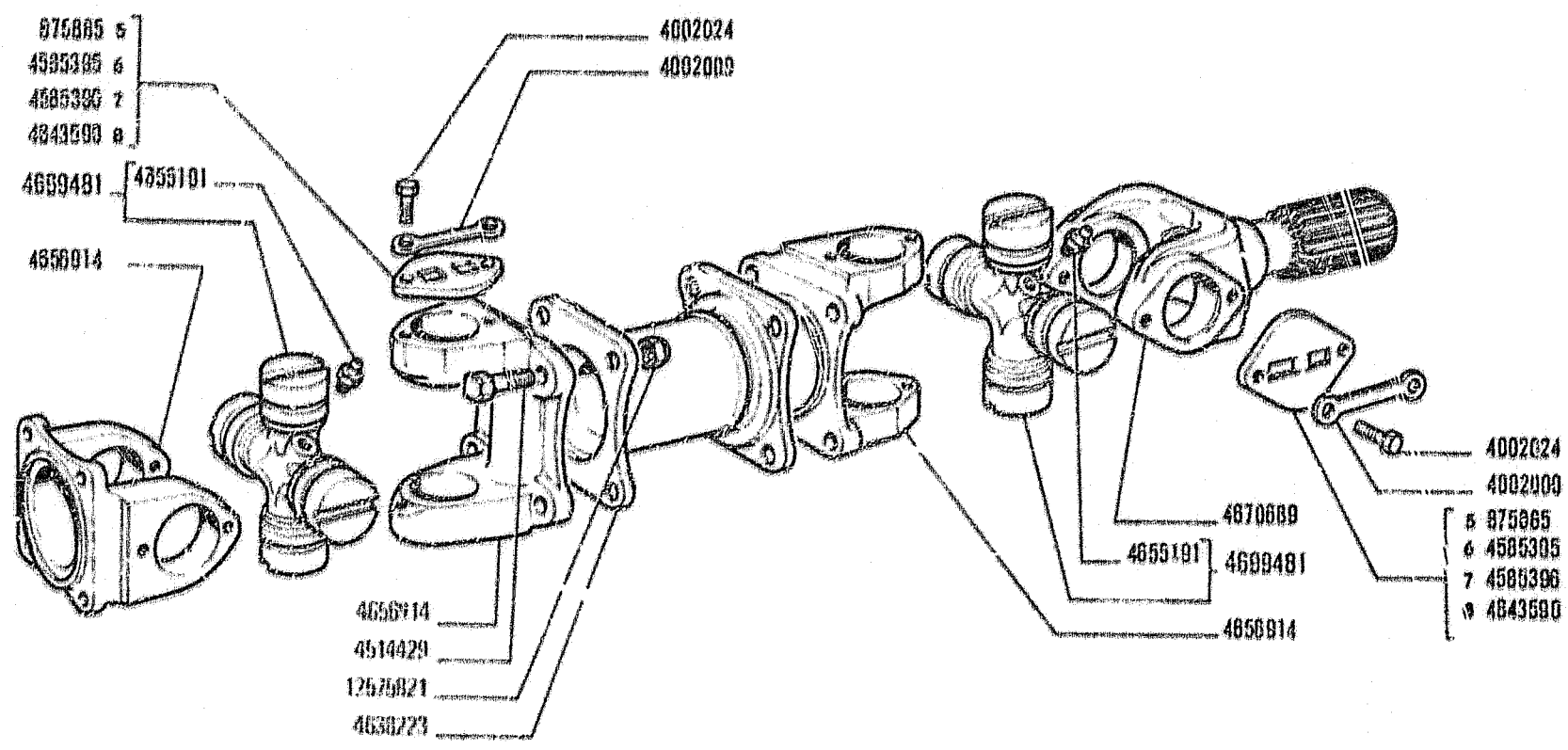
R-10

2

B4.06

DAT 243 16

B3.16/1



29172 A

1011 D 355 aut. n. 105096 →

FL10 B

01 02

ALBERO DI TRASMISSIONE 4699486

Arbre de transmission
Übertragungswelle

Propeller Shaft
Arbol de transmisión

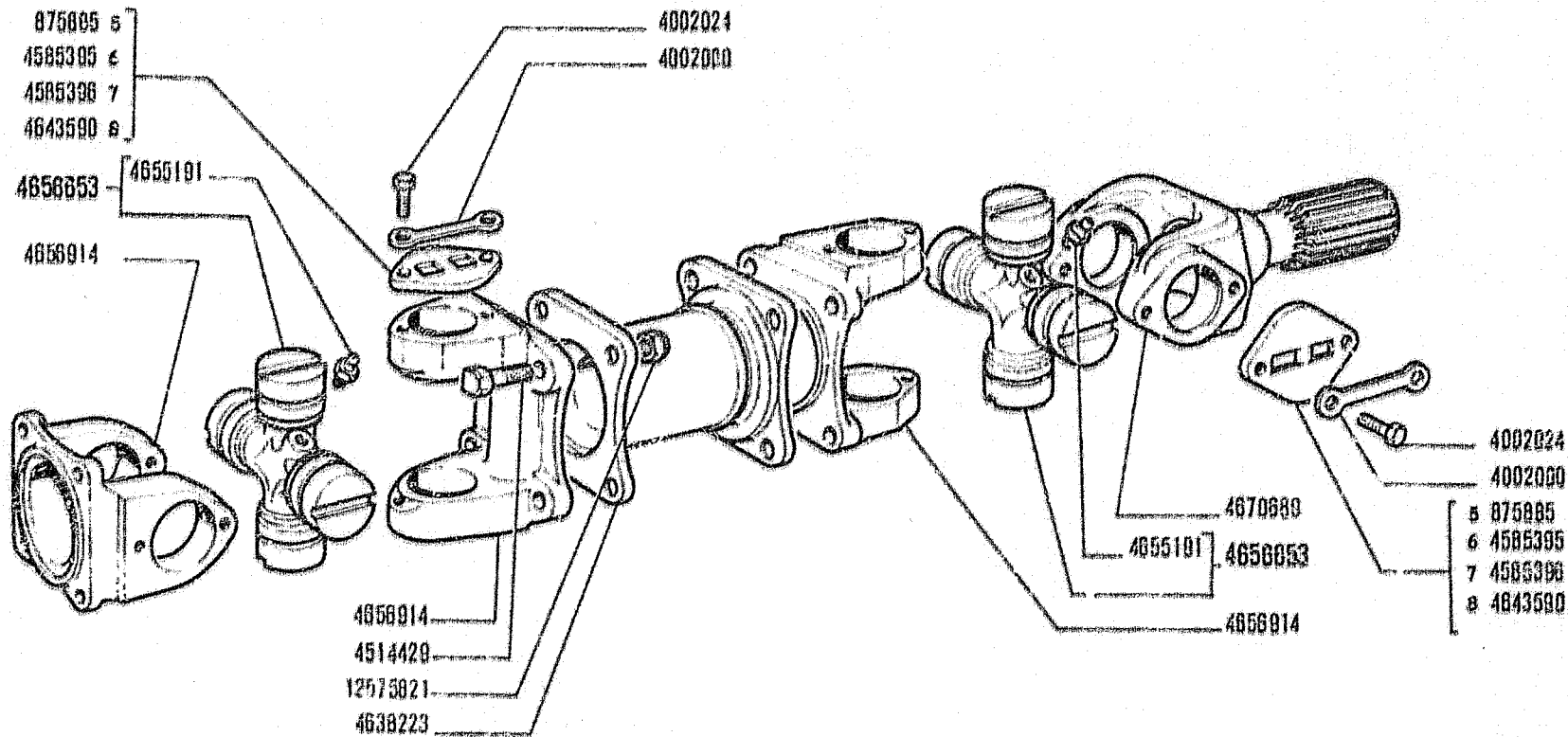
R-11

B3.16/1

N.T.R.
2c

DAT 243 16

B3.16



29172 A

C 355 → an. n. 108095

FL 10B

01

ALBERO DI TRASMISSIONE 4670688

Arbre de transmission
Übertragungswelle

Propeller Shaft
Arbol de transmisión

R-12

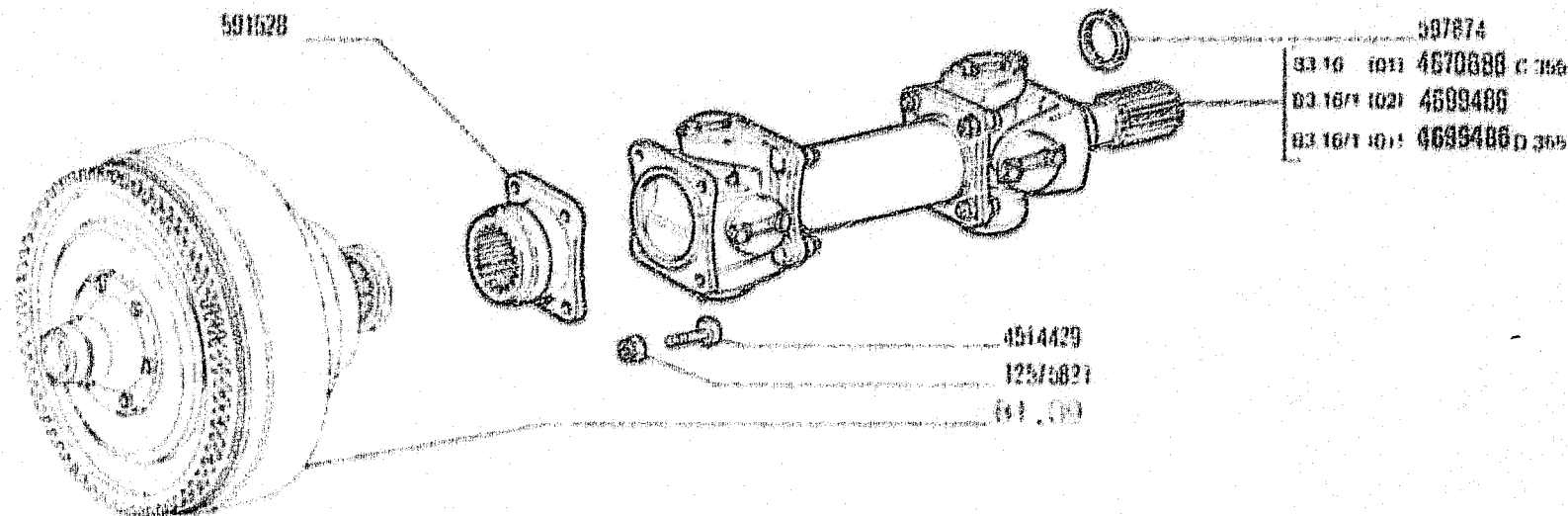
B3.16

N.T.R.
26

10.3.1977

DAT 243 01

B3.01



29176 D

FL 10B

01 02

TRASMISSIONE TRA CONVERTITORE E CAMBIO

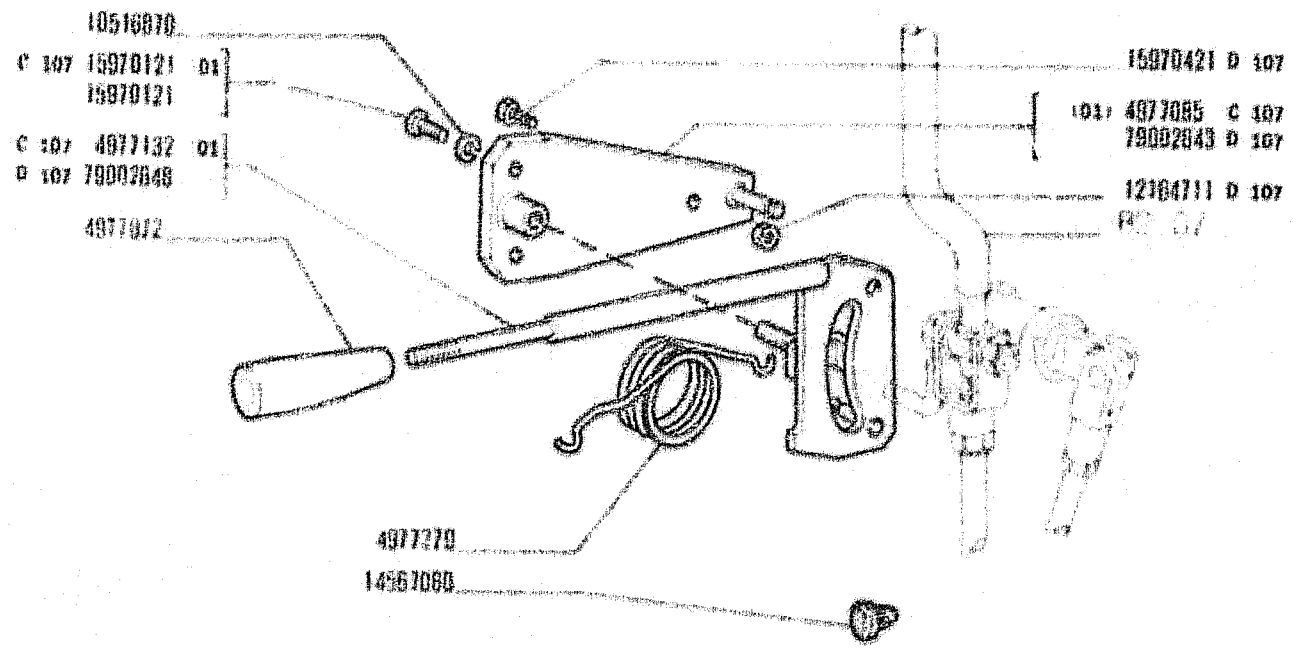
*Transmission entre convertisseur et boîte de vitesses
Übertragungswelle zwischen Drehmomentwandler
und Getriebe*

*Converter-to-Transmission Propeller Shaft
Árbol de transmisión entre convertidor y cambio*

R-13

B3.01

N.T.R.
26



(20158) A

FL10B
01 02

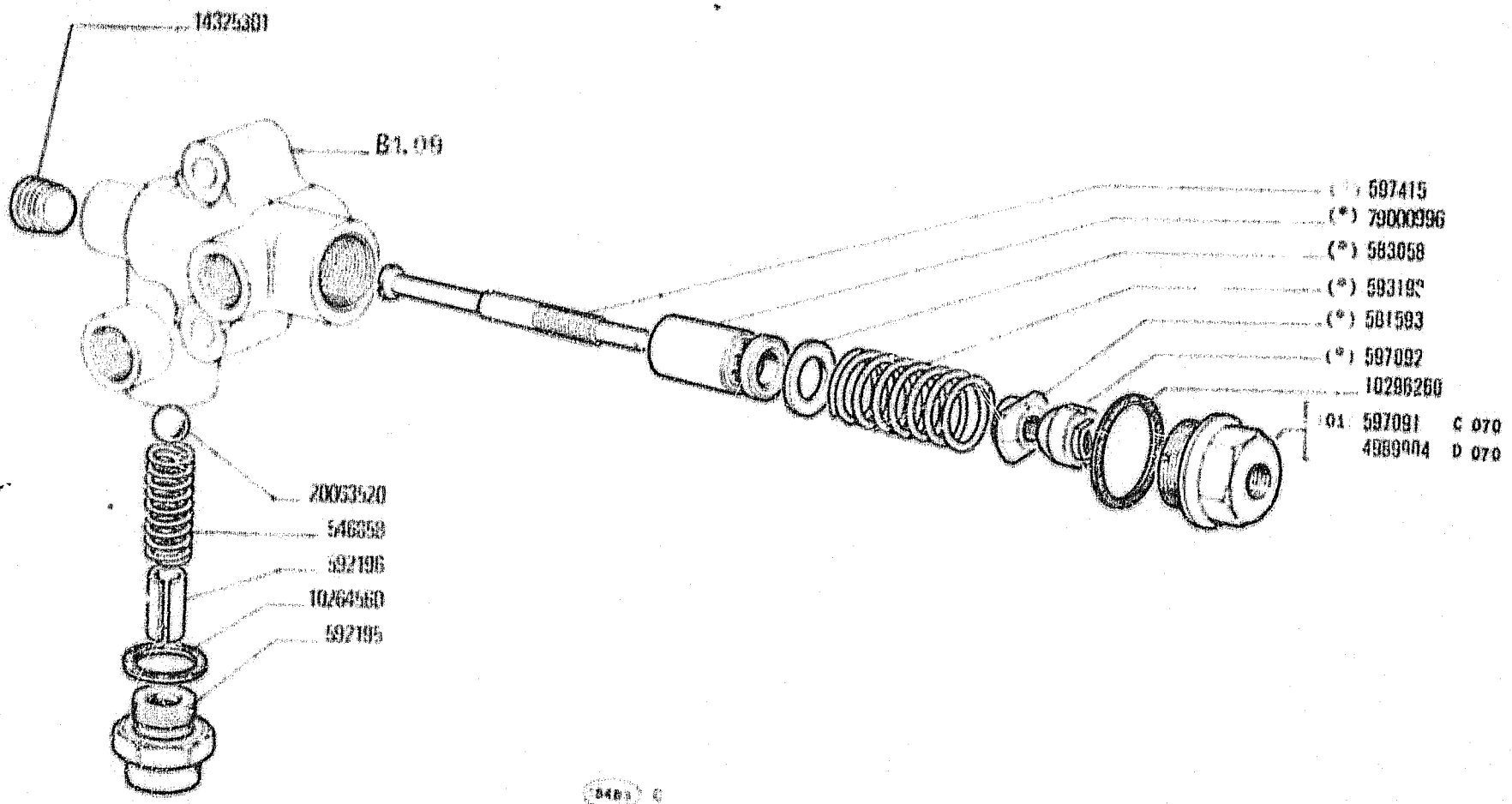
DISPOSITIVO BLOCCAGGIO CAMBIO

Dispositif de blocage de boîte de vitesses
Getriebesperre

Transmission Lock-up Device
Enclavamiento del cambio

R-14

B2.38



5483 C

Vešete - Vair - Samba - Seb - Yelise - 002 - 4

FL 10B
01 02

Soupape
Ventil

VALVOLA 597097 - 4989988 - 79000992

R-15

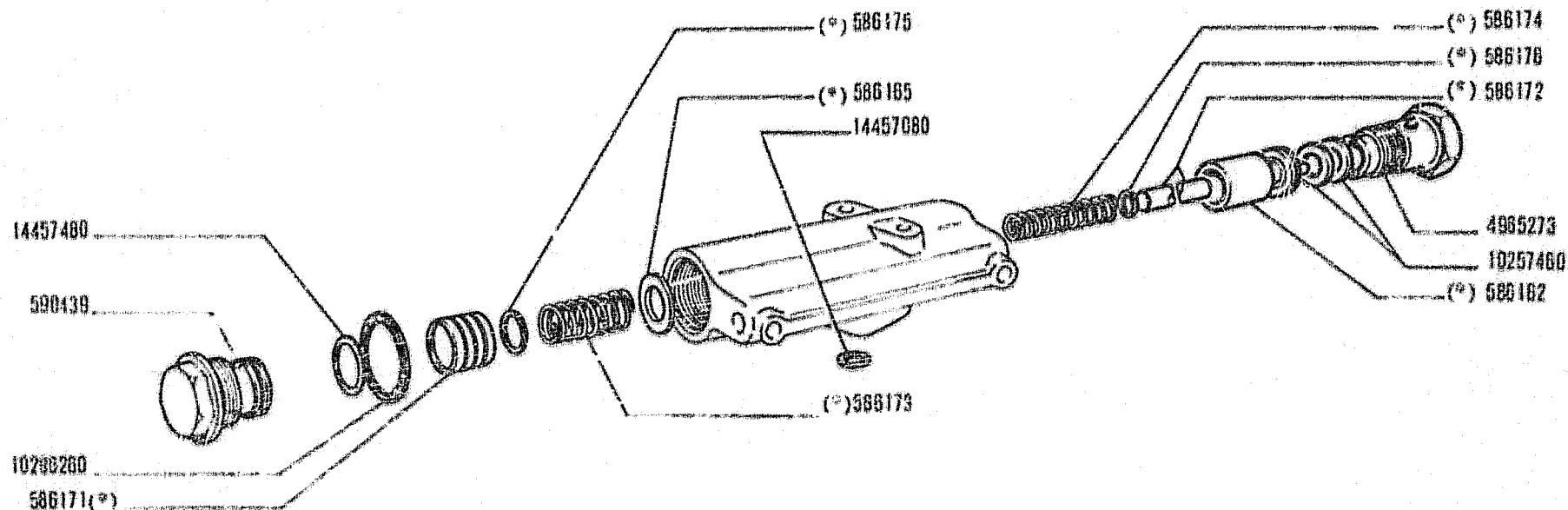
Valve
Válvula

B2.35

N.T.R. 30
1-9-1977
904 01 012 01

DAT 212 34

B2.34



7087 c

(*) Ved. Vorr. See. Stehe. Véase pag. 4

FL10 B

01

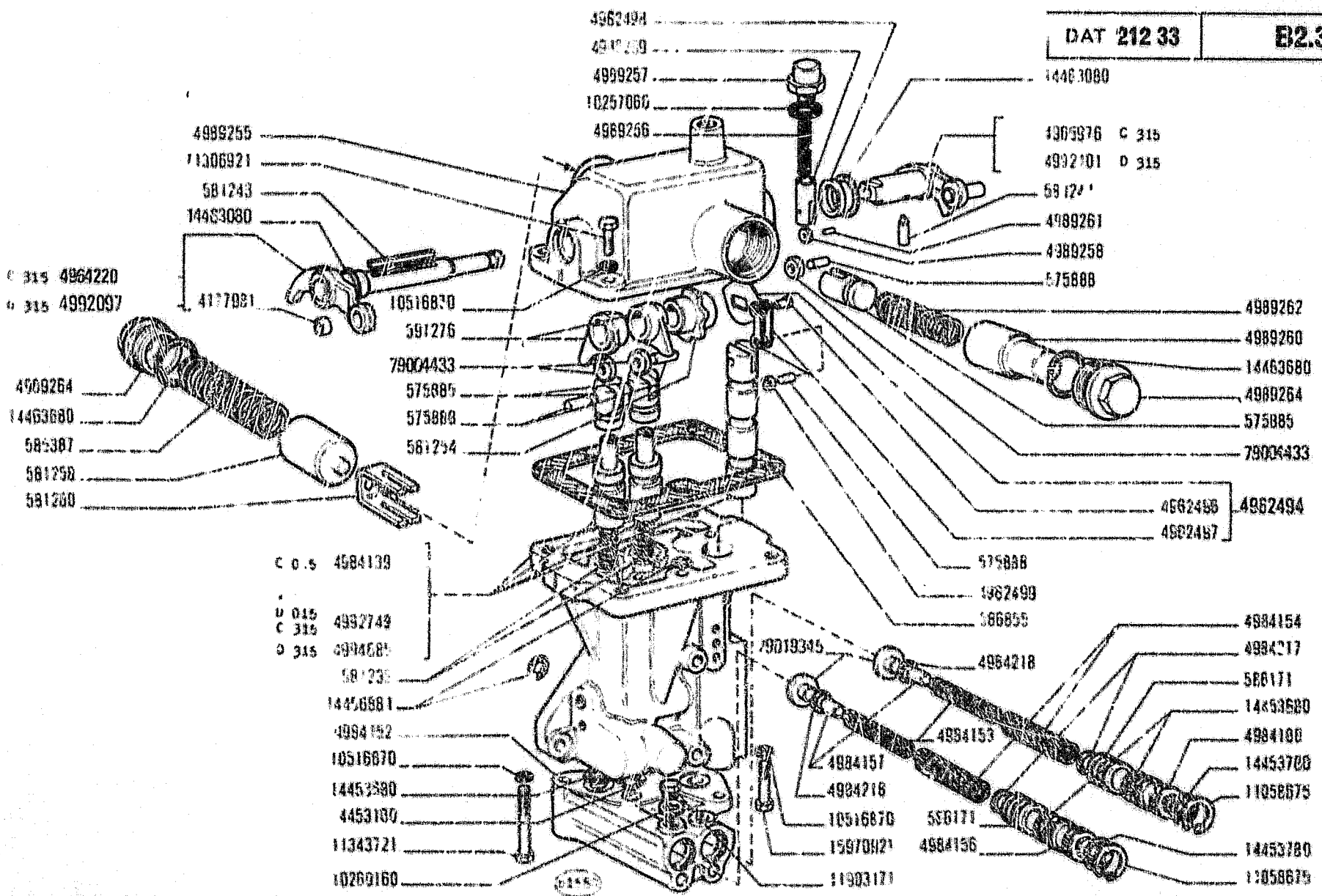
VALVOLA MODERATRICE 4957367

Scopape modératrice
Modullerventil

Trimmer Valve
Válvula moderadora

R-16

B2.34



FL 10B
02

Distributeur
Steuergerät

DISTRIBUTORE 4987451 - 4992747 - 4994681

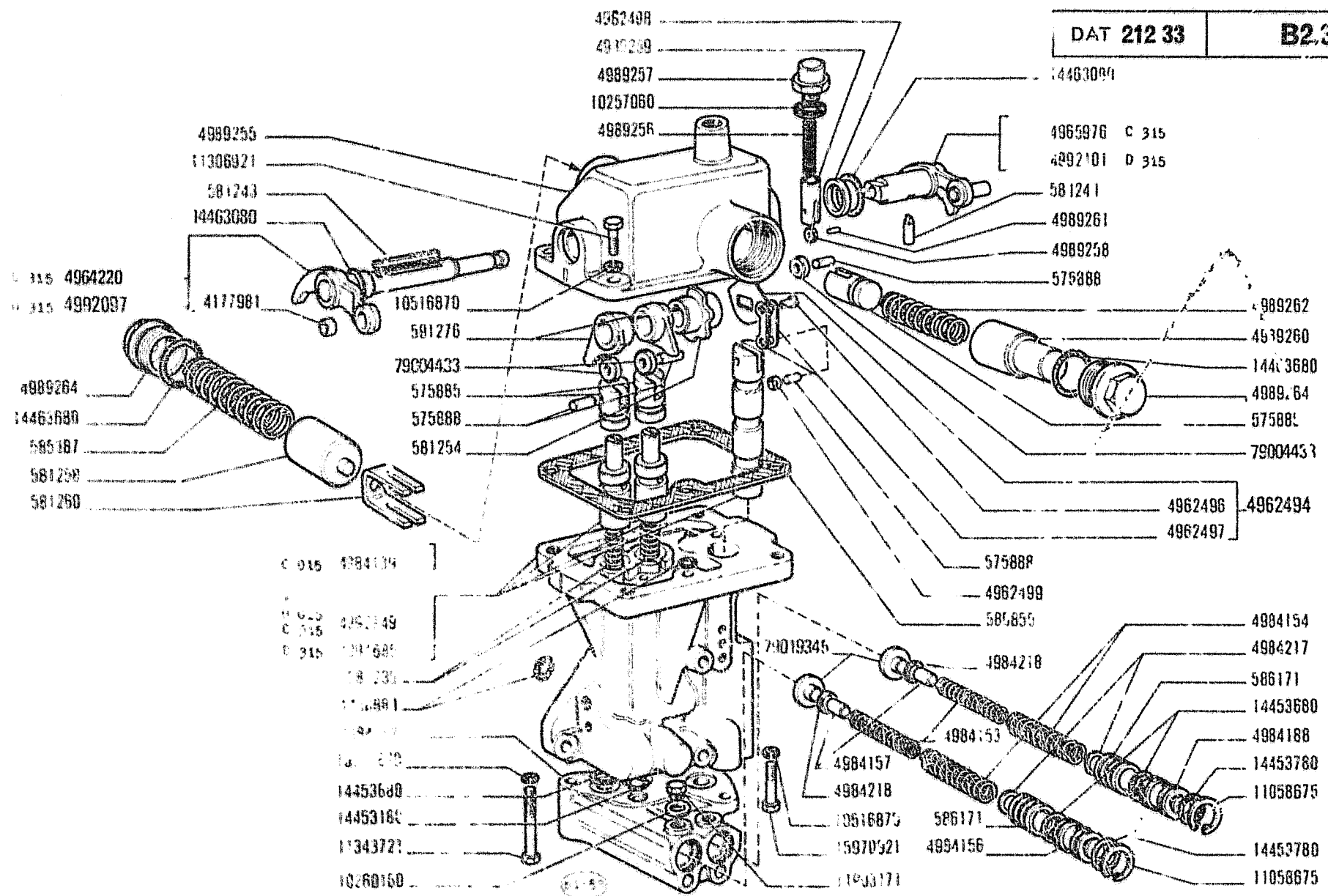
Distributor Valve
R-18 Válvula distribuidora

B2.33/1

N.T.F. 65
130980
004.01.032.05

DAT 212 33

B2.33/1



FL 10B

02

Distributeur
Steuergerät

DISTRIBUTORE 4987451 - 4992747 - 4994686

Distributor Valve

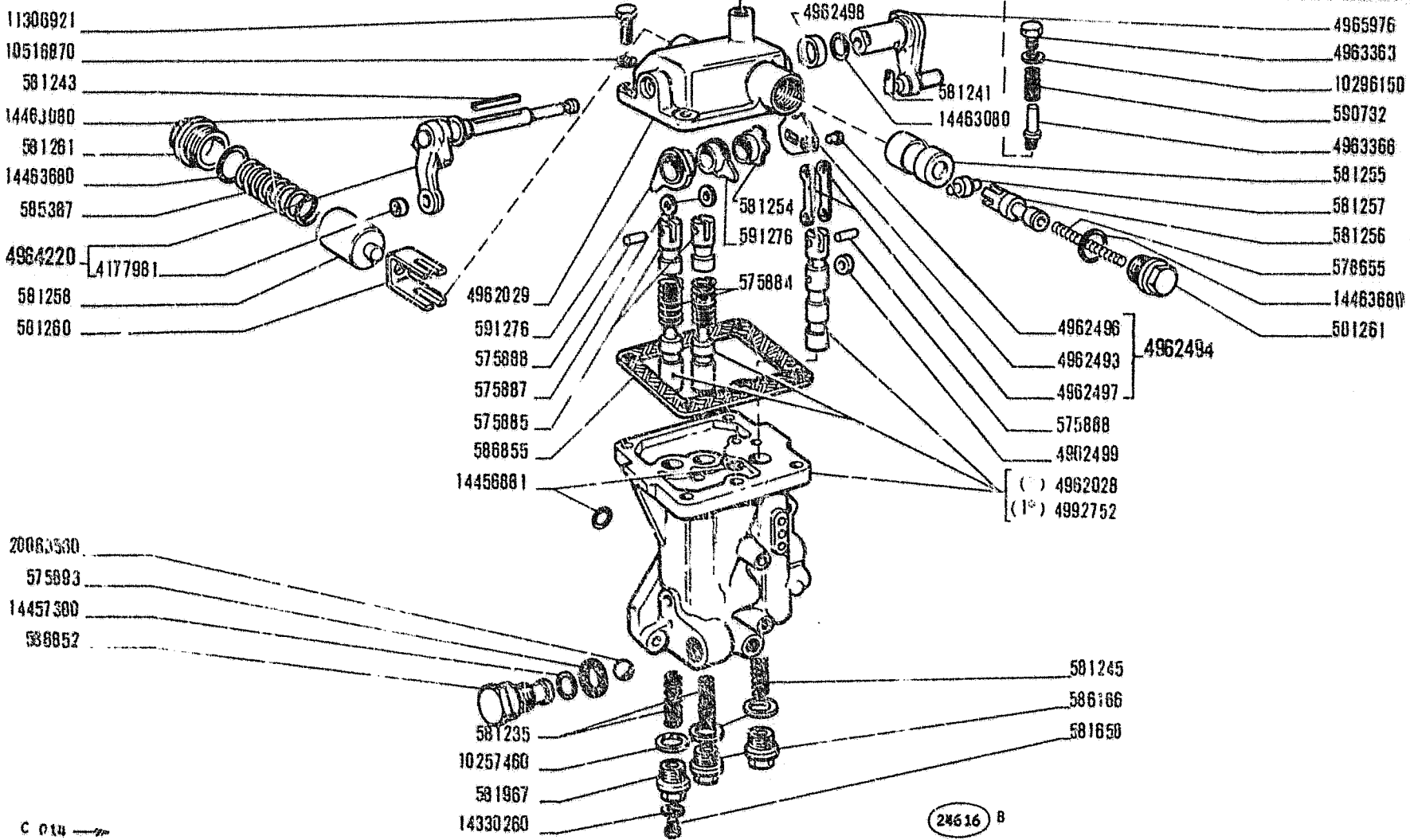
R-19 Válvula distribuidora

B2.33/1

N.T.R. 65
1-3-1960
604.01.012.05

DAT 212 33

B2.33



C 010

24616 B

() (1°) Vedere elenco - Voir la liste - Siehe Tabelle - See list - Véase la lista

FL 10 B
01

Distributeur
Steuergerät

DISTRIBUTORE 4962727 - 4992750

Distributor Valve
Válvula distribuidora

R-20

B2.33

C

BRAKES (MECHANICAL OR HYDRAULIC) • FRENI (MECCANICI O IDRAULICI) • FREINS (MECANIQUES OU HYDRAULIQUES) • BREMSEN (MECHANISCHE ODER HYDRAULISCHE) • FRENOS (MECANICOS O HIDRAULICOS)

D

FRAME • STEERING • SUSPENSIONS • WHEELS • UNDERCARRIAGE • HYDRAULIC TRANSMISSION
TELAIO • STERZO • SOSPENSIONI • RUOTE • CINGOLATURA • TRASMISSIONE IDRAULICA
CADRE • DIRECTION • SUSPENSIONS • ROUES • TRAIN DE ROULEMENT • TRANSMISSION HYDRAULIQUE
RAHMEN • LENKUNG • AUFHÄNGUNGEN • RÄDER • KETTENLAUFWERK • HYDRAULISCHER ANTRIEB
BASTIDOR • DIRECCION • SUSPENSION • RUEDAS • TREN DE RODAJE • TRANSMISSION HYDRAULICA

FIAT ALLIS F110B (280)

C195

(03-1975)

NUMERO	QUANTITÀ	DESCRIZIONE	DESIGNAZIONE	DESCRIZIONE	DESCRIPTION	DESIGNAZIONE
	507221	1	ARRIONE D. COMPL.	CLIQUET	RATONNE	GARFIO
	507222	2	PERNO	AKK	BILZEN	EJE
	522155	1	ARRIONE S. COMPL.	CLIQUET	RATONNE	GARFIO
	598890	2	MOLLA	RESORT	MEBEE	RESORTE
D 070	C 010 596680	1	LEVA (01)	LEVIER	MEBEE	PLACA
D 368	79004328	1	LEVA	LEVIER	MEBEE	PALANCA
	10680010	2	PERNO DI FISSAGGIO	CHEVILLE	BILZEN	PASADOR
	10520101	4	ROSETTA	ROSETTE	SCHLITZ	GRANDELA
	10733601	4	COPPIA	COPPIE	SCHLITZ	PASADOR ABIERTO
C 36H	4973856	1	MOLLA	RESSORT	FEDER	RESORTE
D 36H	79009166	1	LEVA	LEVIER	MEBEE	PALANCA

FIAT AL15 FL10B (ZED)

0101

193-1975

MODIF	N. ORDINAZ. Q.	DENOMINAZIONE	DESIGNATION	BENENNUNG	DESCRIPTION	DE%OMINAZIONE
	56.006	1	LORIGLIA	COUPLLE FENDUE	SPLIT INT	PASADOR AB.ERTO
	592092		PIASTRINA	CALE	DISTANZSCHEIBE	SUPLEMENTO
	4958032		PIASTRINA	CALE	DISTANZSCHEIBE	SUPLEMENTO
	4968044	6	VITE	VIS	SCHRAUBE	TORNILLO
	4998047	5	VITE	VIS	SCHRAUBE	TORNILLO
	4968394	1	GANCIO DI TRAINO	CROCHET D'ATTACHE	ZUGHAKEN	ENGANCHE DE REMOLQUE
	4968979	1	MANICOLA DI APPICLIO	POIGNEE	HALTEGRIF	ASA
C 070	4977481	1	MANICOLA DI APPICLIO	POIGNEE	HALTEGRIF	ASA
C 076	4980100	1	TELAIO 1011	CADRE	RAMMEN	BASTIDOR
C 070	4998884	1	PERNO	AXE	WELLEN	EJE
	10916870	4	ROSETTA DI SICUREZZA	RONDELLE FREIN	SICHERUNGSRING	ARANDELA DE FRENO
	10917270	4	ROSETTA DI SICUREZZA	RONDELLE FREIN	SICHERUNGSRING	ARANDELA DE FRENO
	10917470	6	ROSETTA DI SICUREZZA	RONDELLE FREIN	SICHERUNGSRING	ARANDELA DE FRENO
	10917670	10	ROSETTA DI SICUREZZA	RONDELLE FREIN	SICHERUNGSRING	ARANDELA DE FRENO
	10917770	22	ROSETTA DI SICUREZZA	RONDELLE FREIN	SICHERUNGSRING	ARANDELA DE FRENO
	10808101	1	COPILO	COUPLLE FENDUE	SPLIT INT	PASADOR ABIERTO
	11391471	4	VITE	VIS	SCHRAUBE	TORNILLO
	12164171	4	DADO	ECROU	MUTTER	TUERCA
	12164971	22	DADO	ECROU	MUTTER	TUERCA
	15545321	4	VITE	VIS	SCHRAUBE	TORNILLO
	15708231	10	VITE 1021	VIS	SCHRAUBE	TORNILLO
	15992831	16	VITE	VIS	SCHRAUBE	TORNILLO
	70685167	4	MUCOLA ELASTICA 1021	BAGUE PLASTIQUE	ELASTISCHE RINGE	CASQUILLO ELASTICO
	70712845	4	DADO 1021	ECROU	MUTTER	TUERCA
	70712841	4	VITE 1021	VIS	SCHRAUBE	TORNILLO
	70802169	1	INTELAIATURA 1021	CHASSIS	RAMMEN	BASTIDOR
	70802268	1	SUPPORTO POST. 1021	SUPPORT	LAGER	SOPORTE
	70802269	1	SUPPORTO POST. 1021	SUPPORT	LAGER	SOPORTE
	70802161	1	TELAIO 101	CADRE	RAMMEN	BASTIDOR
	70802164	1	TELAIO 101	CADRE	RAMMEN	BASTIDOR

FIAT ALLIS F4100 (2E0)

D102

103-19751

MODEL	N.ORDINAZ. Q.	DENOMINAZIONE	DESIGNATION	BENENNING	DESCRIPTION	DENOMINACIONES	
	501300	1	GANCIO DI TRAINO	CROCHET D'ATTACHE	ZUGHAKEN	TOW HOOK	ENGANCHE DE SEMOL- QUE
	4956458	1	PERNO	AXE	BOLZEN	PIN	PJE
	8268934	1	COPIGLIA	COUPLLE PENQUE	SPLIT	SPLIT PIN	PASADOR ABIERTO
	10917670	4	ROSETTA DI SICUREZZA	ROSETTE FREIN	SICHERUNGSRING	LOCKWASHER	ARANDELA DE FRENO
	15997121	4	VITE	VIS	SCHRAUBE	SCREW	TORNILLO

FIAT ALLIS FL10B (2ED)

D220

(03-1975)

MODIF	N. ORDINAZ. Q.	DENOMINAZIONE	DESIGNATION	BENENNUNG	DESCRIPTION	DENOMINAZIONE
	14667	24 DISCO CONDUTTORE	DISQUE ENTRAINEUR	KUPPLUNGSSCHEIBE	DRIVING PLATE	DISCO DE APRIETE
	586521	6 ANELLO DI SICUREZZA	ARRETOIR	SICHERUNGSRING	LOCKRING	ANILLO DE FRENO
76001000	586530	2 STANTOFFO	PISTON	KOLBEN	PISTON	EMBLO
	586606	2 ANELLO DI APPOGGIO	RONDELLE DE BUTEE	DRUCKSCHEIBE	THRUST RING	ANILLO DE APOYO
	586614	2 MOZZO COMPL.	MOYEU	NAGE	HUB	BUJE
	586748	12 ROSETTA	RONDELLE	SCHNEIBE	WASHER	ARANDELA
	586750	6 PIASTRINA DI SICUREZZA	PLAQUETTE FREIN	SICHERUNGSBLECH	LOCKPLATE	PLACA DE FRENO
	586751	2 VITE	VIS	SCHRAUBE	SCREW	TORNILLO
	590371	2 GUIDA COMPL.	GLISSIERE	SCHIENE	GUIDE	GUIA
	590389	2 PIASTRINA DI SICUREZZA	PLAQUETTE FREIN	SICHERUNGSBLECH	LOCKPLATE	PLACA DE FRENO
	590390	2 ANELLO DI SICUREZZA	ARRETOIR	SICHERUNGSRING	LOCKRING	ANILLO DE FRENO
	597250	24 DISCO CONDITTO	DISQUE ENTRAINE	KUPPLUNGSSCHEIBE	DRIVEN PLATE	DISCO DE EMBRAGUE
	598426	2 TAMBORO INT.	TAMBOR	FROMMEL	DRUM	TAMBOR
	598428	2 ANELLO SPRINGISCO	PLATEAU DE PRES- SION	DRUCKPLATTE	PRESSURE PLATE	PLATO DE EMPUJE
	598429	12 COLONNETTA	COLONNETTE	BOLZEN	STUD	ESPARRAGO
	598430	3 MOZZO	MOYEU	NAGE	HUB	BUJE
	598431	2 TAMBORO EST.	TAMBOR	TRUMMEL	DRUM	TAMBOR
	598432	12 MOLLA	RESSORT	FEDER	SPRING	RESORTE
	598433	12 MOLLA	RESSORT	FEDER	SPRING	RESORTE
	598434	12 DISTANZIALE	ENTRETOISE	ABSTANDSTUECK	SPACER	SEPARADOR
	10336210	2 GRAND	ERGOT	PASSTIFT	DOWEL	PITON
	10839510	2 GRAND	ERGOT	PASSTIFT	DOWEL	PITON
	14257930	32 VITE	VIS	SCHRAUBE	SCREW	TORNILLO
	14465481	2 ANELLO DI TENUTA	JOINT D'ETANCHEITE	DICHTRING	SEAL	JUNTA HERMETICA
	14467181	2 ANELLO DI TENUTA	JOINT D'ETANCHEITE	DICHTRING	SEAL	JUNTA HERMETICA

MOTIF	N.ORDINAZ. D.	DENDINAZIONE	DESIGNATION	BENENNUNG	DESCRIPTION	DENDINAZIONES
	4990290	1	LEVA 0 COMPL.	LEVIER	HEBEL	PALANCA
	4990291	1	LEVA 5 COMPL.	LEVIER	HEBEL	PALANCA
	4990311	1	TIRANTE 5	TIRANT	SPANNBOHLEN	PERNO
	4990507	2	BUCCHIA	BOUILLE	BUECHSE	BUSH
	4964384	1	APPOGGIAPIEDI 0	REPOSE-PIEDS	FUSSHAESTE	FOOTREST
	4964386	1	APPOGGIAPIEDI 5	REPOSE-PIEDS	FUSSHAESTE	FOOTREST
	4967635	2	MOLLA	RESSORT	FEDER	SPRING
	4967673	2	GANCIO	CROCHET	HAKEN	HOOK
	4967697	1	TIRANTE D	TIRANT	SPANNBOHLEN	TIEROD
	10005010	2	PERNO	AXE	ACHSEN	PIN
	10260671	2	FORCELLA	FOURCHE	GABEL	FORK
	10517270	2	ROSETTA DI SICUREZZA	BONDELLE FREIN	SICHERUNGSRING	LOCKWASHER
	10630001	4	ROSETTA	BONDELLE	SCHLEIBE	WASHER
	10733601	2	COPIGLIA	COUPLILE PENQUE	SPLINT	SPLIT PIN
	10791211	2	BADO	ECROU	MUTTER	NUT
	10796601	2	COPIGLIA	COUPLILE PENQUE	SPLINT	SPLIT PIN
	12164111	2	BADO	ECROU	MUTTER	NUT
	15981321	2	VITE	VIS	SCHRAUBE	SCREW
						TORNILLO

FIAT ALLIS FL10B (2SD)

0223

(03-1975)

MODIF	N.ORDINAZ. Q.	DEGNOMINAZIONE	DESIGNATION	BENENNUNG	DESCRIPTION	DEGNOMINAZIONES
	565153	1	GUARNIZIONE	JOINT	DICHTUNG	GASKET
	565154	1	ANELLO	RING	RING	ANILLO
	568292	2	VITE	VIS	SCHRAUBE	TORNILLO
	581610	1	POMPA COMPL.	POMPE	PUMPE	BOMBA
C 353	581612	1	DISTANZIALE	ENTBETDISE	ABSTANDSTUECK	SPACER
	586691	1	GUARNIZIONE	JOINT	DICHTUNG	GASKET
C 075	586971	1	ALBERO (01)	ARBRE	WELLE	SHAFT
C 075	586981	1	ROSETTA (01)	RONDELLE	SCHLEIBE	WASHER
	591421	2	VITE	VIS	SCHRAUBE	SCREW
	591794	1	MANICOTTO	HANCOH	MITNEHNER	SLEEVE
190324.11	592608	1	TUBO FLESSIBILE	TUYAU	SCHLAUCH	HOSE
	593007	1	RACCORDO	RACCORD	STUEZEN	CONNECTION
	593099	1	ANELLO TRASCINAMENTO	GRABDTASE	MITNEHNER	COUPLING
	593690	1	ANELLO DI SICUREZZA	ARRETOIR	SICHERUNGSRING	LOCKRING
C 014	4930698	1	TUBO (01)	TUYAU	ROHR	PIPE
C 014	4930700	1	TUBO FLESSIBILE (01)	TUYAU	SCHLAUCH	HOSE
C 127	4931754	1	DISTRIBUTORE	DISTRIBUTEUR	STUEPGERAET	DISTRIBUTOR VALVE
C 075	4953895	1	INGRANAGGIO CONDOTTO (01)	PIGNON CONDUIT	ANGETRIEBENES ZAHNRAD	DRIVEN GEAR
	4953698	2	PERNO DI FISSAGGIO	CHEVILLE	BOLZEN	PIN
	4957854	1	TUBO	TUYAU	ROHR	PIPE
	4957857	1	TUBO	TUYAU	ROHR	PIPE
	4957859	1	TUBO	TUYAU	ROHR	PIPE
	4965969	1	TUBO (*)	TUYAU	ROHR	PIPE
	4965971	1	TUBO	TUYAU	ROHR	PIPE
C 014	4973650	1	TUBO (01)	TUYAU	ROHR	PIPE
C 108	4979709	1	FILTRO OLIO COMPL. (01)	FILTRE A HUILE	DELFILTER	OIL FILTER
D 015	4980437	1	TUBO	TUYAU	ROHR	PIPE
D 014	4980439	1	TUBO	TUYAU	ROHR	PIPE
ERR	4980441	1	TUBO FLESSIBILE	TUYAU FLEXIBLE	SCHLAUCH	HOSE
ERR	4980442	1	TUBO FLESSIBILE	TUYAU FLEXIBLE	SCHLAUCH	HOSE
C 353	4993964	1	ALBERO	ARBRE	WELLE	SHAFT
C 364	4993965	1	INGRANAGGIO CONDOTTO	PIGNON CONDUIT	ANGETRIEBENES ZAHNRAD	DRIVEN GEAR
D 108	4996300	1	FILTRO OLIO COMPL.	FILTRE A HUILE	DELFILTER	OIL FILTER
	10184311	2	ROSCONETTO	VIS-RACCORD	ROHRSCHRAUBE	UNION
C 353	10205820	1	LINGUETTA	LINGUET	SCHWELGENPFEIL	KEY
	10200060	4	ROSETTA DI TENUTA	JOINT DISTANCHEITE	DICHTRING	GASKET
	10516470	4	ROSETTA DI SICUREZZA	RONDELLE FREIN	SICHERUNGSRING	LOCKWASHER
	10516670	4	ROSETTA DI SICUREZZA	RONDELLE FREIN	SICHERUNGSRING	LOCKWASHER
	10516870	3	ROSETTA DI SICUREZZA	RONDELLE FREIN	SICHERUNGSRING	LOCKWASHER
	10517070	6	ROSETTA DI SICUREZZA	RONDELLE FREIN	SICHERUNGSRING	LOCKWASHER
	10517079	1	ROSETTA DI SICUREZZA (*)	RONDELLE FREIN	SICHERUNGSRING	LOCKWASHER
	10903021	4	VITE	VIS	SCHRAUBE	TORNILLO

(AT ALLIS FLIOW (280)

0225

(03-1975)

MODIF	N.ORDINAZ. Q.	DENOMINAZIONE	DESIGNATION	BENENNUNG	DESCRIPTION	DENOMINACIONES
C 304 D 075	11047875	1 ANELLO DI SICUREZZA	ARRETOIR	SICHERUNGSRING	LOCKRING	ANILLO DE FRENO
D 102	11234721	2 VITE	VIS	SCHRAUBE	SCREW	TORNILLO
C 108	11307021	2 VITE (01)	VIS	SCHRAUBE	SCREW	TORNILLO
C 075	12164711	1 DADO (01)	ECROU	MUTTER	NUT	TUERCA
	12173990	4 COLLARE	COLLIER	SCHELLE	COLLAR	AGRAZADERA
	14654980	2 ANELLO DI TENUTA	JOINT D'ETANCHEITE	DICHTRING	SEAL	JUNTA HERMETICA
	14657180	1 ANELLO DI TENUTA	JOINT D'ETANCHEITE	DICHTRING	SEAL	JUNTA HERMETICA
	14657380	1 ANELLO DI TENUTA	JOINT D'ETANCHEITE	DICHTRING	SEAL	JUNTA HERMETICA
	14657680	1 ANELLO DI TENUTA	JOINT D'ETANCHEITE	DICHTRING	SEAL	JUNTA HERMETICA
	14658380	1 ANELLO DI TENUTA	JOINT D'ETANCHEITE	DICHTRING	SEAL	JUNTA HERMETICA
	14663680	1 ANELLO DI TENUTA	JOINT D'ETANCHEITE	DICHTRING	SEAL	JUNTA HERMETICA
	15540321	1 VITE (*)	VIS	SCHRAUBE	SCREW	TORNILLO
	15540321	3 VITE	VIS	SCHRAUBE	SCREW	TORNILLO
	15541321	3 VITE	VIS	SCHRAUBE	SCREW	TORNILLO
	15970421	1 VITE	VIS	SCHRAUBE	SCREW	TORNILLO
	16101511	1 DADO (*)	ECROU	MUTTER	NUT	TUERCA
D 122	20585450	2 CUSCINETTO	ROULEMENT	LAGER	BEARING	RODAMIENTO
	79003182	1 DISTRIBUTORE COMPL.	DISTRIBUTEUR	STEUERGERAET	DISTRIBUTOR VALVE	VALVULA DISTRIBUI- DORA
D 372 70000901	25000000	1 DISTRIBUTORE COMPL.	DISTRIBUTEUR	STEUERGERAET	DISTRIBUTOR VALVE	VALVULA DISTRIBUI- DORA
C 304 D 353	14307530	1 VITE	VIS	SCHRAUBE	SCREW	TORNILLO
D 353	79009857	1 DISTANZIALE	ENTRETOISE	ABSTANDSTUECK	SPACER	SEPARADOR
C 304 D 353	79010057	1 ALBERO	ARBRE	WELLE	SHAFT	ARBOL
C 304 D 353	79010058	1 TASSELLO	TAMPON	BEILAGE	PAD	ALMOHADILLA
C 304 D 353	79010059	1 LINGUETTA	LINGUET	SCHIEBENFLEH	KEY	CHAVEYA
D 304	11067475	1 ANELLO DI SICUREZZA	ARRETOIR	SICHERUNGSRING	LOCKRING	ANILLO DE FRENO
D 304	79010026	1 ALBERO	ARBRE	WELLE	SHAFT	ARBOL
D 304	79010027	1 INGRANAGGIO CONDOTTO	PIGNON CONDUIT	ANGETRIEBERES	DRIVEN GEAR	PINON CONDUCTIDO
C 304 D 014	79010027	1 TUBO FLESSIBILE	TUYAU FLEXIBLE	SCHLAUCH	HOSE	MANGA FLEXIBLE
		1 TRATTORE SENZA	SANS INSTALLATION	OHNE HYDRAULISCHE	W/O HYDRAULIC	SIN INSTALACION
		1 IMPIANTO IDRAULICO	HYDRAULIQUE	ANLAGE	SYSTEM	HYDRAULICA

PIAT ALLIS FL10B (260)

0224

(03-1975)

MODIF	N.ORDINAZ. Q.	DENOMINAZIONE	DESIGNATION	BENENNUNG	DESCRIPTION	DENOMINACIONES
	590390	1 ANELLO DI SICUREZZA	ARRETOIR	SICHERUNGSRING	LOCKRING	ANILLO DE FRENO
	591424	1 SCODELLINO DI RITEGNO	ARRETOIR	HALTERING	RETAINER	RETENEDOR
	591425	1 COPERCHIO COMPL.	COUVERCLE	DECKEL	COVER	TAPA
	591426	1 MOLLA	RESSORT	FEDER	SPRING	RESORTE
	591427	1 MOLLA	RESSORT	FEDER	SPRING	RESORTE
	591431	1 FONDELLO	CULOT	BOGENTELLER	END PLATE	TAPON
	591432	1 FLOTTANTE	FLOTTEUR	VENTILTRAEGER	CARRIER	VALVOLA FLOTANTE
	591433	1 ANELLO DI APPOGGIO	RONDELLE DE BUTEE	DRUCKSCHEIBE	THRUST RING	ANILLO DE APOYO
	591434	1 GUARNIZIONE	JOINT	DICHTUNG	GASKET	JUNTA
	595609	1 CONTENITORE	BOITIER	BEHAELTER	SHELL	CUERPO
	598439	1 TUBAZIONE	TUYAU	LEITUNG	PIPE	TUBO
79032913	458771	1 FILTRO OLIO	FILTRE A HUILE	ÖELFILTER	OIL FILTER	FILTRO DE ACEITE
	10516870	8 ROSETTA DI SICUREZZA	RONDELLE FREIN	SICHERUNGSRING	LOCKWASHER	ARANDELA DE FRENO
	11307021	2 VITE	VIS	SCHRAUBE	SCREW	TORNILLO
	13401875	1 ANELLO DI SICUREZZA	ARRETOIR	SICHERUNGSRING	LOCKRING	ANILLO DE FRENO
	14456980	2 ANELLO DI TENUTA	JOINT D'ETANCHEITE	DICHTRING	SEAL	JUNTA HERMETICA
	14457180	1 ANELLO DI TENUTA	JOINT D'ETANCHEITE	DICHTRING	SEAL	JUNTA HERMETICA
	14457580	1 ANELLO DI TENUTA	JOINT D'ETANCHEITE	DICHTRING	SEAL	JUNTA HERMETICA
	14473180	1 ANELLO DI TENUTA	JOINT D'ETANCHEITE	DICHTRING	SEAL	JUNTA HERMETICA
	15088721	2 VITE	VIS	SCHRAUBE	SCREW	TORNILLO
	15970721	4 VITE	VIS	SCHRAUBE	SCREW	TORNILLO

MODIF	N.ORDINAZ. Q.	DENOMINAZIONE	DESIGNATION	BENENNUNG	DESCRIPTION	DENOMINACIONES	
	0273908	2	ANELLO DI TENUTA	JOINT D'ETANCHEITE	DICHTRING	SEAL	JUNTA HERMETICA
	0273909	2	ANELLO DI TENUTA	JOINT D'ETANCHEITE	DICHTRING	SEAL	JUNTA HERMETICA
	0273910	2	GUARNIZIONE	JOINT	DICHTUNG	GASKET	JUNTA
	0273911	1	ANELLO DI SICUREZZA	ARRETOIR	SICHERUNGSRING	LOCKRING	ANILLO DE FRENO
	0273912	4	BOCCOLA	BOUILLE	BUECHSE	BUSH	CASQUILLO
	0273915	4	DAOD	ECROU	MUTTER	NUT	TUERCA
	0273916	4	ROSETTA DI SICUREZZA	RONDELLE FREIN	SICHERUNGSRING	LOCKWASHER	ARANDELA DE FRENO
	0273917	4	ROSETTA DI TENUTA	JOINT D'ETANCHEITE	DICHTRING	GASKET	JUNTA HERMETICA
	0273918	1	LINGUETTA	LINGUET	SCHLEIBENFEDER	KEY	CHAVETA
	0273919	1	DAOD	ECROU	MUTTER	NUT	TUERCA
	0273920	1	ROSETTA DI SICUREZZA	PONDELLE FREIN	SICHERUNGSRING	LOCKWASHER	ARANDELA DE FRENO
	0273960	2	SUPPORTO	SUPPORT	LAGER	SUPPORT	SOPORTE
	0273968	3	VITE	VIS	SCHRAUBE	SCREW	TORNILLO
	0273969	1	VITE	VIS	SCHRAUBE	SCREW	TORNILLO
	0274234	1	COPPIA DI INGRANAGGI	COUPLE D'ENGRENAGES	ZAHNRADPAAR	GEAR SET	PAR DE ENCRANAJES
	0280168	1	DISTANZIALE	ENTRETOISE	ABSTANDSTUECK	SPACER	SEPARADOR
	0280169	1	FLANGIA	BRIDE	FLANSCH	FLANGE	BRIDA
	0281201	2	ANELLO DI TENUTA	JOINT D'ETANCHEITE	DICHTRING	SEAL	JUNTA HERMETICA
	0281476	5	CORREDO, COMPOSTO DA 1	POCHETTE-CONTE- NANT ...	AUSRUESTUNG BE- STEHEND AUS ...	KIT-CONSISTING OF ...	EQUIPO-COMPUJESTO DE ...
	0283478	1	COPERCHIO	COUVERCLE	DECKEL	COVER	TAPA

MODIF	N.ORDINAZ. Q.	DENOMINAZIONE	DESIGNATION	BENENNUNG	DESCRIPTION	DENOMINACIONES
	589983	2 ANELLO DI TENUTA	JOINT D'ETANCHEITE	DICHTRING	SEAL	JUNTA HERMETICA
	575875	2 MOLLA	RESSORT	FEDER	SPRING	RESORTE
19004433	575877	2 MOLLA	GALET	ROLLE	ROLLER	TUERCA
	575988	2 PERNO DI FISSAGGIO	CHEVILLE	BOLZEN	PIN	PASADOR
	581658	1 TAPPO	BOUCHON	STOPFEN	PLUG	TAPON
	581967	3 BOCCHETTONE	VIS-BOUCHON	WDLN.SCHRAUBE	UNION	BOQUILLA
	585166	1 TAPPO	BOUCHON	STOPFEN	PLUG	TAPON
	587138	2 BOCCOLA	DOUILLE	BUSH	BUSH	CASQUILLO
	587141	1 DISTANZIALE	ENTRETOISE	ABSTANDSTUECK	SPACER	SEPARADOR
	587142	2 PERNO DI FISSAGGIO	CHEVILLE	BOLZEN	PIN	PASADOR
19007117	587168	1 GUARNIZIONE	JOINT	DICHTUNG	GASKET	JUNTA
	587150	3 TAPPO	BOUCHON	STOPFEN	PLUG	TAPON
	591112	1 MOLLA	RESSORT	FEDER	SPRING	RESORTE
	591115	1 GUARNIZIONE	JOINT	DICHTUNG	GASKET	JUNTA
	591126	2 RACCORDO	RACCORD	STUTZEN	CONNECTION	RACOR
	591247	1 TAPPO	BOUCHON	STOPFEN	PLUG	TAPON
C 322	593628	1 CORPO	CORPS	GEHAUSE	BODY	CUERPO
	595623	2 VALVOLA	SOUPAPE	VENTIL	VALVE	VALVULA
	595736	2 PUNTERIA	POUSSOIR	STOSSSEL	TAPPET	EMPUJADOR
	595870	1 TAPPO	BOUCHON	STOPFEN	PLUG	TAPON
	4951756	1 LEVA D	LEVIER	HEBEL	LEVER	PALANCA
	4951758	1 LEVA S	LEVIER	HEBEL	LEVER	PALANCA
	4951759	2 ECCENTRICO	ECCENTRIQUE	EXCENTER	CAM	ECCENTRICA
	4951841	1 COPERCHIO COMPL.	COUVERCLE	DECKEL	COVER	TAPA
	4953884	2 DISTANZIALE	ENTRETOISE	ABSTANDSTUECK	SPACER	SEPARADOR
	4972293	1 ROSETTA (*)	RONDELLE	SCHLEIBE	WASHER	ARANDOLA
	4972430	1 FLOTTANTE (*)	FLOTTEUR	VENTILTRAEGER	CARRIER	VALVULA FLOTANTE
	4972431	1 SCODELLINO (*)	CUVETTE	TELLERSCHNEIBE	CUP	PLATILLO
	4972432	1 ROSETTA (*)	RONDELLE	SCHLEIBE	WASHER	ARANDOLA
	4972433	1 VALVOLA COMPL.	SOUPAPE	VENTIL	VALVE	VALVULA
	4975146	1 MOLLA (*)	RESSORT	FEDER	SPRING	RESORTE
	10257460	7 ROSETTA DI TENUTA	JOINT D'ETANCHEITE	DICHTRING	GASKET	JUNTA HERMETICA
	10262660	1 ROSETTA DI TENUTA (*)	JOINT D'ETANCHEITE	DICHTRING	GASKET	JUNTA HERMETICA
	10518670	6 ROSETTA DI SICUREZZA	RONDELLE FREIN	SICHERUNGSRING	LOCKWASHER	ARANDOLA DE FRENO
	11057175	1 ANELLO DI TENUTA (*)	JOINT D'ETANCHEITE	DICHTRING	SEAL	JUNTA HERMETICA
	12667001	1 ROSETTA	RONDELLE	SCHLEIBE	WASHER	ARANDOLA
D 122	14323911	2 TAPPO	BOUCHON	STOPFEN	PLUG	TAPON
D 122	14324801	2 TAPPO	BOUCHON	STOPFEN	PLUG	TAPON
D 122	14324901	2 TAPPO	BOUCHON	STOPFEN	PLUG	TAPON
	14330260	3 ROSETTA DI TENUTA	JOINT D'ETANCHEITE	DICHTRING	GASKET	JUNTA HERMETICA
	14456980	6 ANELLO DI TENUTA	JOINT D'ETANCHEITE	DICHTRING	SEAL	JUNTA HERMETICA
	14457380	2 ANELLO DI TENUTA	JOINT D'ETANCHEITE	DICHTRING	SEAL	JUNTA HERMETICA
	16043121	1 VITE	VIS	SCHRAUBE	SCREW	TORNILLO
	16043421	3 VITE	VIS	SCHRAUBE	SCREW	TORNILLO
	16043921	2 VITE	VIS	SCHRAUBE	SCREW	TORNILLO
	20063009	5 SFERA	STILE	KUGEL	BALL	BOLA

FIAT ALLIS FLI0B (2ED)

0229

(03-1979)

MODIF	N.ORDINAZ. Q.	DENOMINAZIONE	DESIGNATION	BENENNUNG	DESCRIPTION	DENOMINACIONES
	20063390 2	SFERA	BILLE	KUGEL	BALL	BOLA
D 122	79002904 1	CORPO COMPL.	CORPS	GEHAUSE	BODY	CUERPO
D 322	14167470 2	SPINA	COUPILLE	STIFT	PIJ	PASADOR
D 322 79003686	79003878 2	VA.VOLA COMPL.	SOUPAPE	VENTIL	VALVE	VALVULA
	(*)	-VED. PAG.4	- VOIR ...	- SIEHE ...	- SEE ...	- VEASE ...

FIAT ALFA ROMEO (280)

0301

(03-1975)

MODIF	N.ORDINAZ. Q.	DENOMINAZIONE	DESIGNATION	BENENNUNG	DESCRIPTION	DENOMINACIONES
70007106	4957375	1	TRAVERSA	TRVERSE	CROSSRAIL	TRAVESANO
	4957403		PIASTRINA SP.1	CALE	SHIM	SUPLEMENTO
	4969397		PIASTRINA SP.2	CALE	SHIM	SUPLEMENTO
	4969398		PIASTRINA SP.3	CALE	SHIM	SUPLEMENTO
	1051757D	24	RFSETTA DI SICUREZZA	RONDELLE FREIN	LOCKWASHER	ARANDELA DE FRENO
	15992231	8	VITE	VIS	SCREW	TORNILLO
	15992681	16	VITE	VIS	SCREW	TORNILLO

171

MODIF	N.ORDINAZ. Q.	DENOMINAZIONE	DESIGNATION	BENENNUNG	DESCRIPTION	DENOMINACIONES
	587012	4	GRAND	ERGOT	PASSTIFT	PITON
	4956679	2	GARNIZIONE	JOINT	DICHTUNG	JUNTA
	4956758	2	BUCOLA	BOUILLE	BUECHSE	CASQUILLO
	4956885	2	SUPPORTO	SUPPORT	LAGER	SOPORTE
	4956886	2	COPERCHIO COMPL.	COUVERCLE	DECKEL	COVER
	4957281	4	PASTINA	PATIN	GLEITSTEIN	PAD
	4957294	4	PIASTRINA	PLAQUETTE	PLAETTCHEN	PLATE
	4957296	4	LONGHRINA	LONGRINE	LAENGSSCHIENE	SIDE RAIL
097	4980679	1	CORPO D. COMPL. (01)	CORPS	GEHAUSE	BODY
097	4980681	1	CORPO S. COMPL. (01)	CORPS	GEHAUSE	BODY
097	4991062	1	CORPO S. COMPL.	CORPS	GEHAUSE	BODY
097	4991044	1	CORPO D. COMPL.	CORPS	GEHAUSE	BODY
	10916870	4	ROSETTA DI SICUREZZA	RONDELLE FREIN	SICHERUNGSRING	LOCKWASHER
	10917070	1	ROSETTA DI SICUREZZA	RONDELLE FREIN	SICHERUNGSRING	LOCKWASHER
	10917370	4	ROSETTA DI SICUREZZA	RONDELLE FREIN	SICHERUNGSRING	LOCKWASHER
	11014200	2	RIBATTINO	RIVET	NIET	RIVET
	13407211	2	INGRASSATORE	GRAISSEUR	SCHMIERNIPPEL	FITTING
	14473280	2	ANELLO DI TENUTA	JOINT D'ETANCHEITE	DICHTRING	SEAL
	15540421	12	VITE	VIS	SCHRAUBE	SCREW
	15977721	12	VITE	VIS	SCHRAUBE	SCREW
	15984331	8	VITE	VIS	SCHRAUBE	SCREW

MODIF	N.ORDINAZ. Q.	DENOMINAZIONE	DESIGN	BENENNUNG	DESCRIPTION	DENOMINACIONES	
	586607	4	ANELLO DI TENUTA	JOINT D'ETANCHEITE	DICHRING	SEAL	JUNTA HERMETICA
	586743	4	PERNO DI FISSAGGIO	CHEVILLE	BOLZEN	PIN	PASADOR
	4956739	2	MOZZO	MOYEU	NABE	HUB	BUJE
	4956740	2	SCATOLA DEL CUSCINETTO	CUVETTE DE ROULE- MENT	LAGERGEHAUSE	BEARING CASE	CAJA DE RODAMIENTO
	4956741		PIASTRINA SP.0,3	CALE	DISTANZSCHEIBE	SHIM	SUPLEMENTO
	4956742		PIASTRINA SP.0,8	CALE	DISTANZSCHEIBE	SHIM	SUPLEMENTO
	4956743		PIASTRINA SP.1,0	CALE	DISTANZSCHEIBE	SHIM	SUPLEMENTO
	4956744		PIASTRINA SP.1,2	CALE	DISTANZSCHEIBE	SHIM	SUPLEMENTO
	4956745		PIASTRINA SP.1,4	CALE	DISTANZSCHEIBE	SHIM	SUPLEMENTO
	4956746		PIASTRINA SP.1,6	CALE	DISTANZSCHEIBE	SHIM	SUPLEMENTO
	4956751	2	GHIERA	VIROLE	GEWINDERING	PLUG	VIROLA
	4956752	2	ANELLO DI SICUREZZA	ARRETOIR	SICHERUNGSRING	LOCKRING	ANILLO DE FRENO
	4956754	2	BARRA STABILIZZATRICE	BARRE STABILISA- TRICE	STABILISATOR	STABILIZER BAR	BARRA ESTABILIZADORA
	4956757	2	ROSETTA	RONDELLE	SCHLEIBE	WASHER	ARANDELA
	4956759	2	ROSETTA DI SICUREZZA	RONDELLE FREIN	SICHERUNGSRING	LOCKWASHER	ARANDELA DE FRENO
	4956760	2	DADO	ECROU	MUTTER	NUT	TUERCA
	4956761	2	ROSETTA DI SICUREZZA	RONDELLE FREIN	SICHERUNGSRING	LOCKWASHER	ARANDELA DE FRENO
	4956762	2	DADO	ECROU	MUTTER	NUT	TUERCA
	4956786	2	SUPPORTO COMPL.	SUPPORT	LAGER	SUPPORT	SOPORTE
	4962484	2	MOZZO	MOYEU	NABE	HUB	BUJE
	4971253	2	CORONA DENTATA	COURONNE DENTEE	ZAHNKRANZ	RING GEAR	CORONA DENTADA
	10206510	2	LINGUETTA	LINGUET	SCHSIBENFEDER	KEY	CHAVETA
	10517070	18	ROSETTA DI SICUREZZA	RONDELLE FREIN	SICHERUNGSRING	LOCKWASHER	ARANDELA DE FRENO
	10837710	4	GRANO	ERGOT	PASSTIFT	DOVEL	PITON
	13598521	32	DADO	ECROU	MUTTER	NUT	TUERCA
	14468280	2	ANELLO DI TENUTA	JOINT D'ETANCHEITE	DICHRING	SEAL	JUNTA HERMETICA
	15540921	18	VITE	VIS	SCHRAUBE	SCREW	TORNILLO
	15988431	32	VITE	VIS	SCHRAUBE	SCREW	TORNILLO
	26800070	2	CUSCINETTO	ROULEMENT	LAGER	BEARING	RODAMIENTO
	26900110	2	CUSCINETTO	ROULEMENT	LAGER	BEARING	RODAMIENTO

C

BRAKES (MECHANICAL OR HYDRAULIC) • FRENI (MECCANICI O IDRAULICI) • FREINS (MECANIQUES OU HYDRAULIQUES) • BREMSEN (MECHANISCHE ODER HYDRAULISCHE) • FRENOS (MECANICOS O HIDRAULICOS)

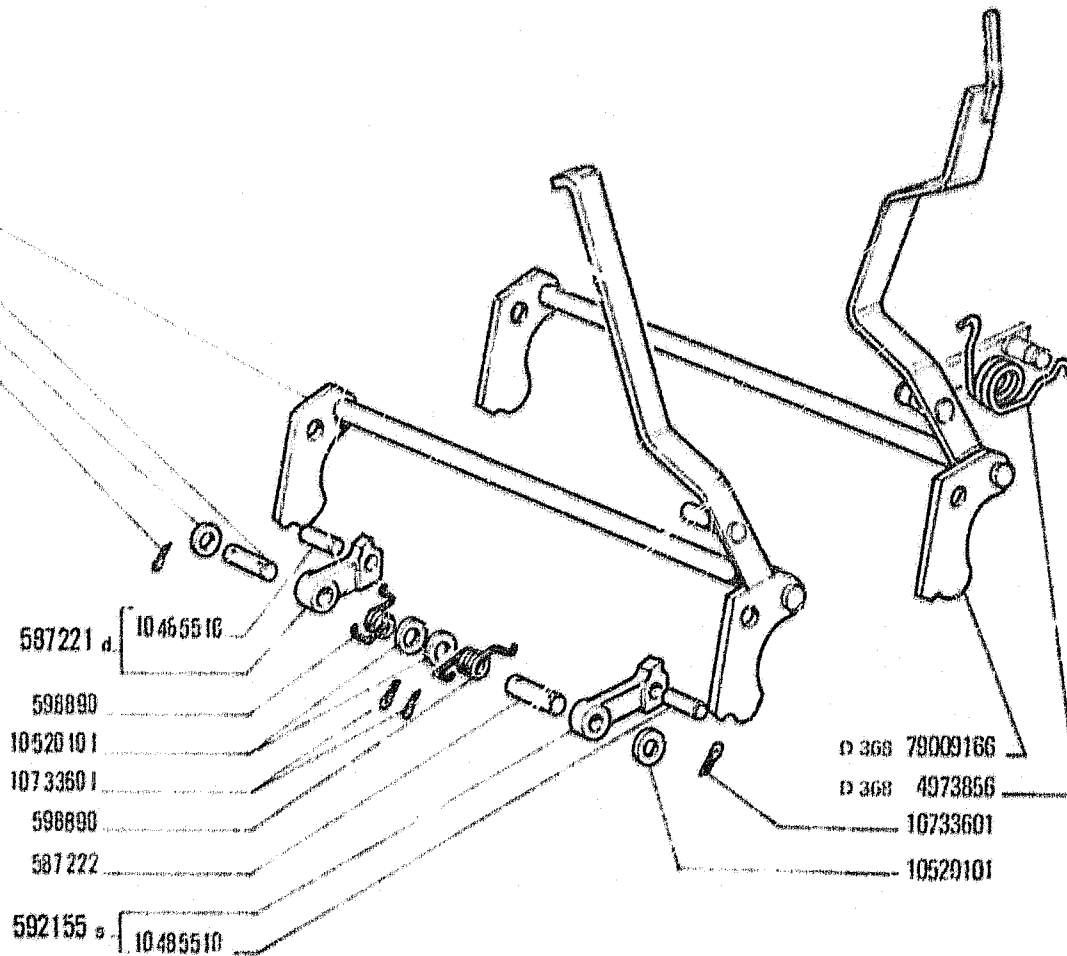
D

FRAME • STEERING • SUSPENSIONS • WHEELS • UNDERCARRIAGE • HYDRAULIC TRANSMISSION
TELAIO • STERZO • SOSPENSIONI • RUOTE • CINGOLATURA • TRASMISSIONE IDRAULICA
CADRE • DIRECTION • SUSPENSIONS • ROUES • TRAIN DE ROULEMENT • TRANSMISSION HYDRAULIQUE
RAHMEN • LENKUNG • AUFHÄNGUNGEN • RÄDER • KETTENLAUFWERK • HYDRAULISCHER ANTRIEB
BASTIDOR • DIRECCION • SUSPENSION • RUEDAS • TREN DE RODAJE • TRANSMISSION HIDRÁULICA

DAT 331 35

C1.35

G 070 79004123
 C 368
 C 070 4964630 (01)
 587222
 10520101
 10733601



24628 A

FL 10B

01 02

COMANDO A MANO FRENI

Commande de freins à main
 Handbremsbetätigung

T-2

Brake Hand Control
 Freno de mano

C1.35

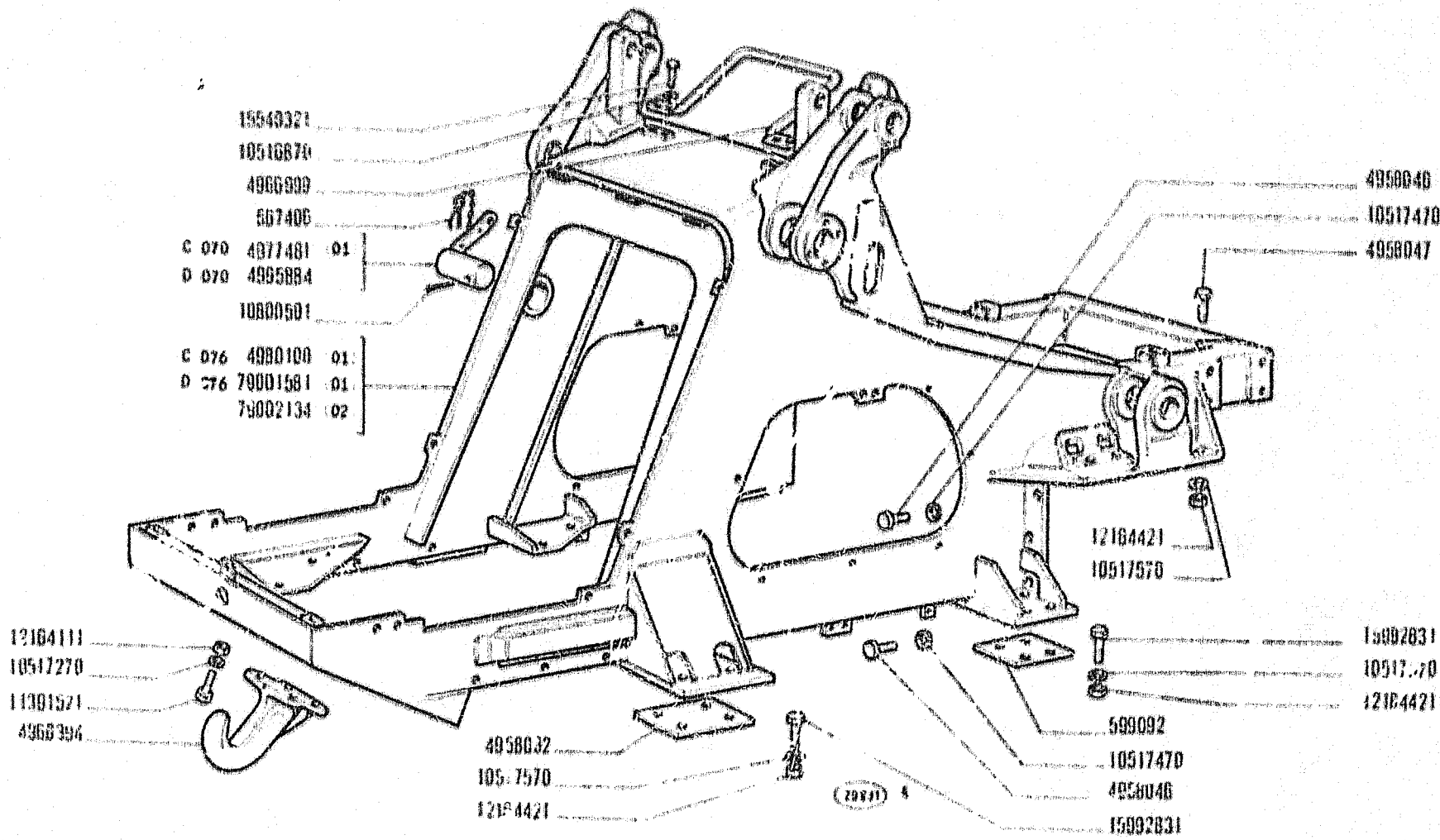
NTR 38

1 - 1979

8040101202

DAT 381 01

D1.01



FL 10 B

01 02

Chassis
Rahmen

TELAIO

Framo
Bastidor

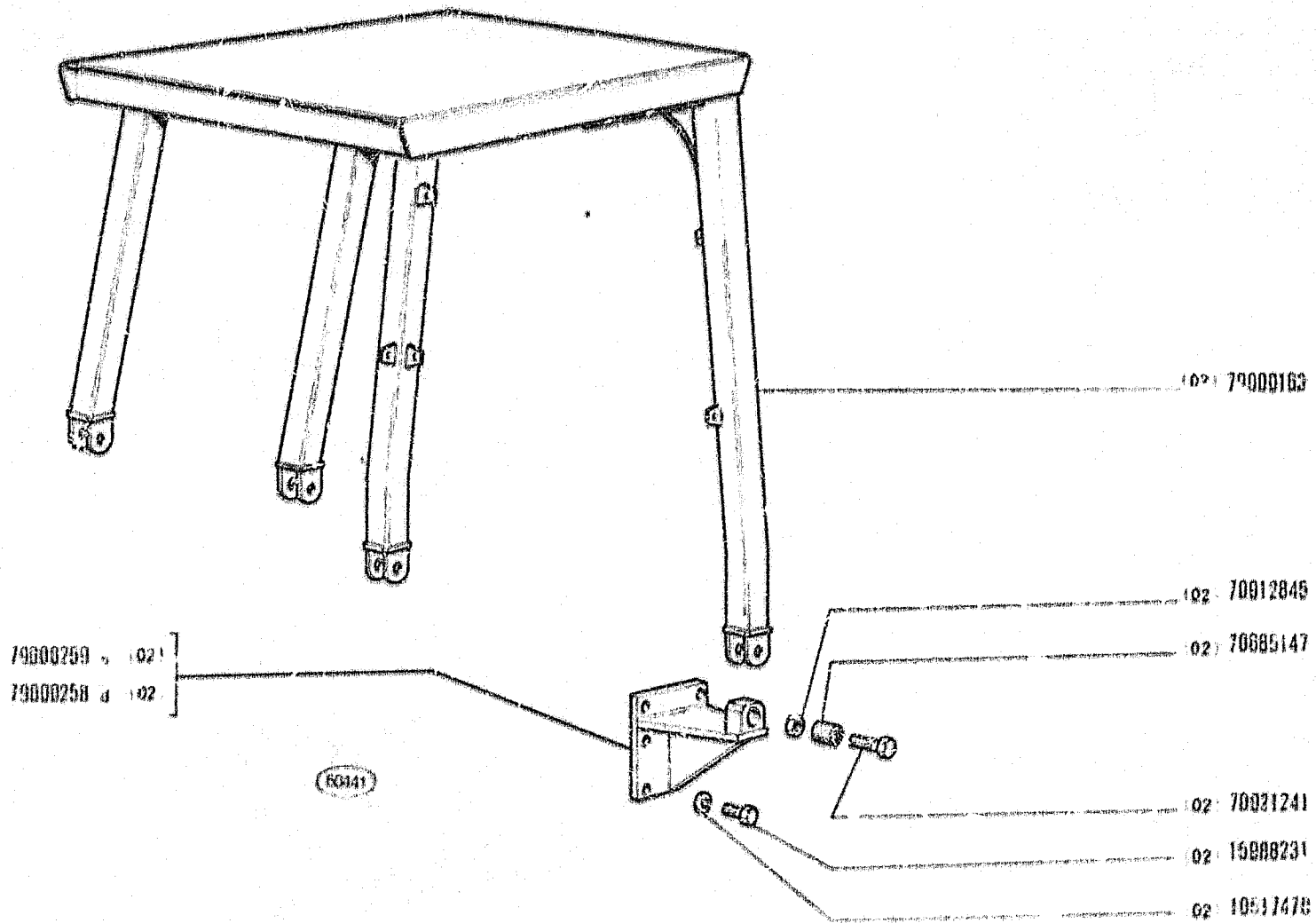
T-3

D1.01

1

DAT 381 01

D1.01



FL 103

01 02

Chassis
Rahmen

TELAIO

Frame
Bastidor

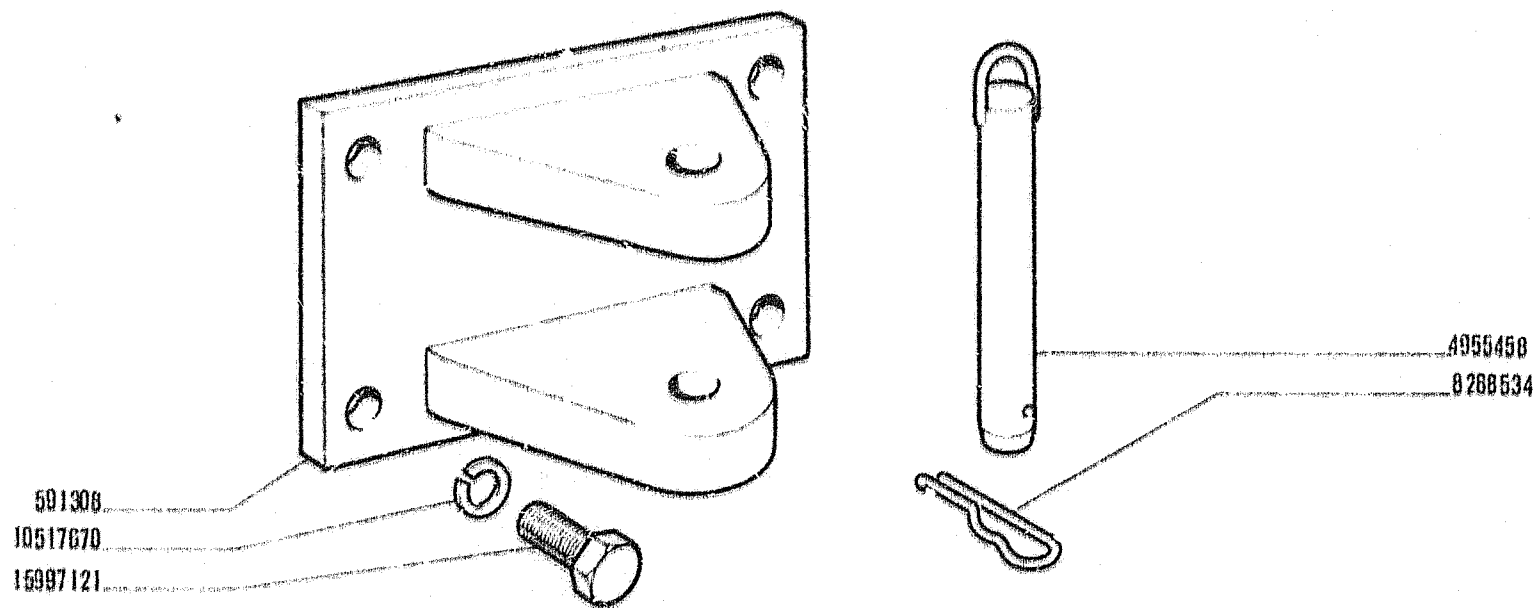
T-4

D1.01

2

DAT 381 02

D1.02



24630 A

FL10 B

01 02

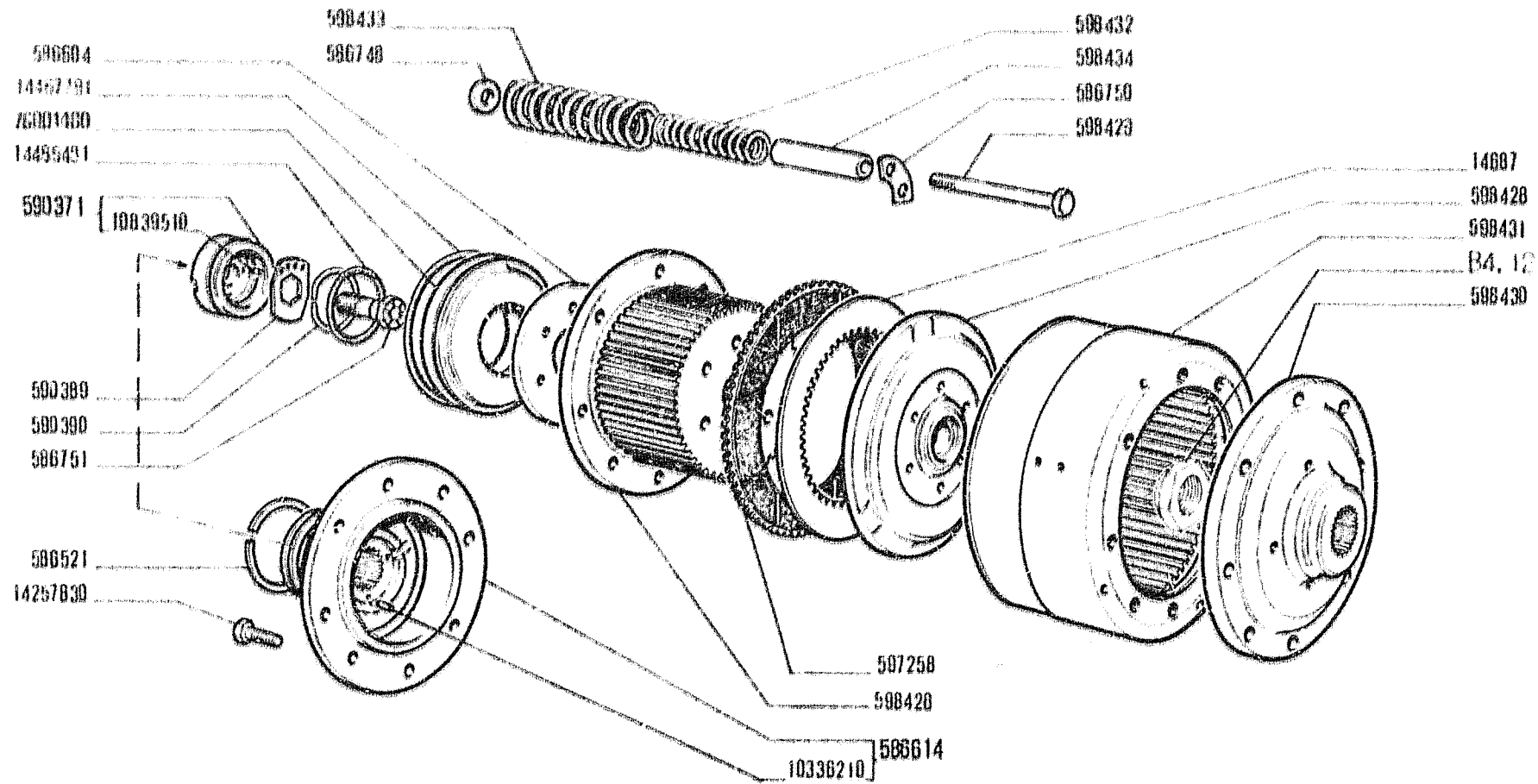
GANCIO DI TRAINO RIMORCHIO

Crochet arrière
Hinterer Zughaken

Rear Tow Hook
Eganche de remorque

T-5

D1.02

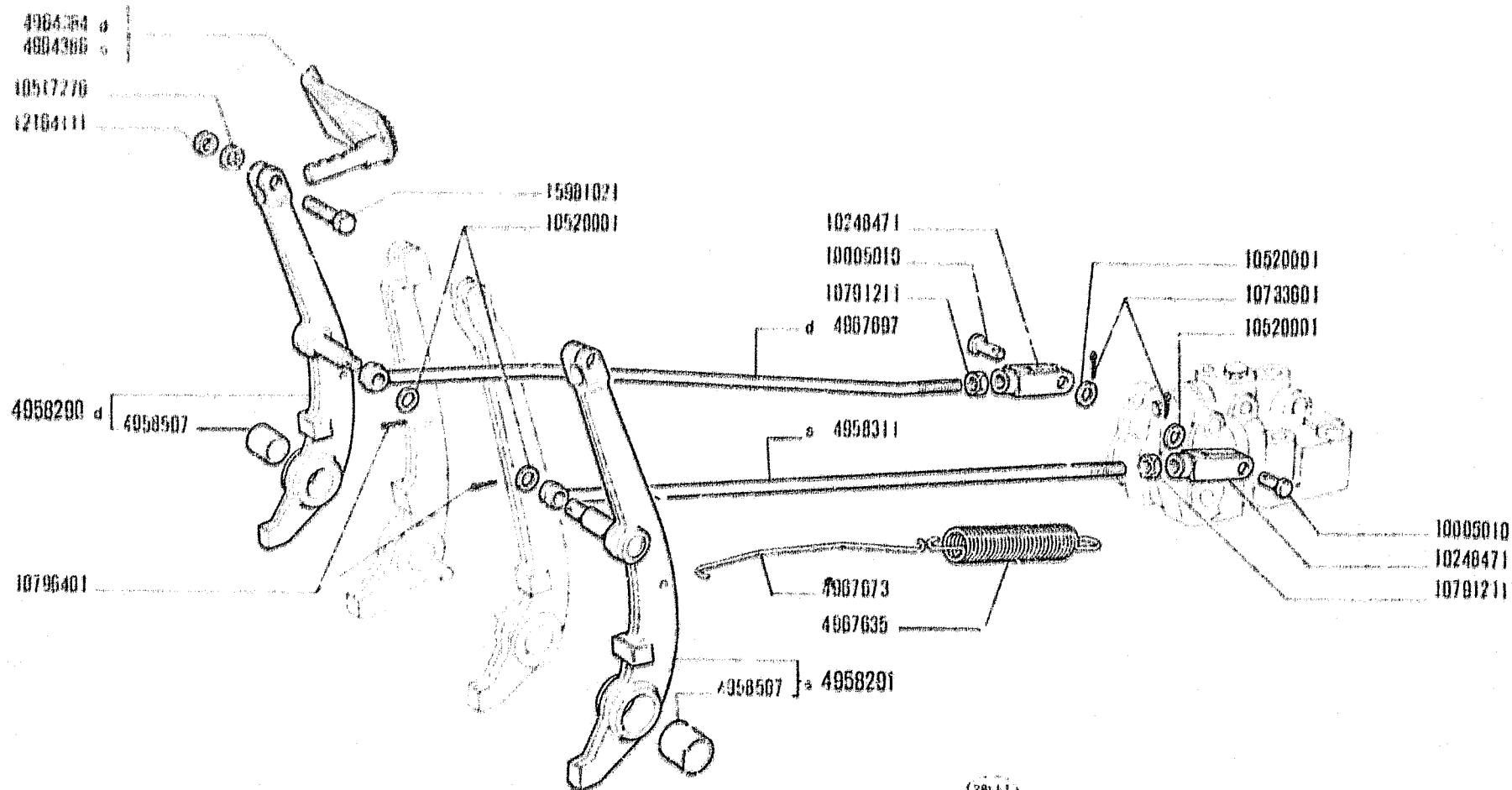


(24631) A

FL10 B
01 02

FRIZIONI DI STERZO
Embrayages de direction
Steering Clutches
Lenkkupplung
T-6
Embragues de dirección

D2.20
 N.T.R. 65
 1-3-1900
 604.01.012.05



FL10 B
01 02

COMANDO DISINNESTO FRIZIONI DI STERZO
Commande des embrayages de direction
Ausrückvorrichtung der Lenkkupplung

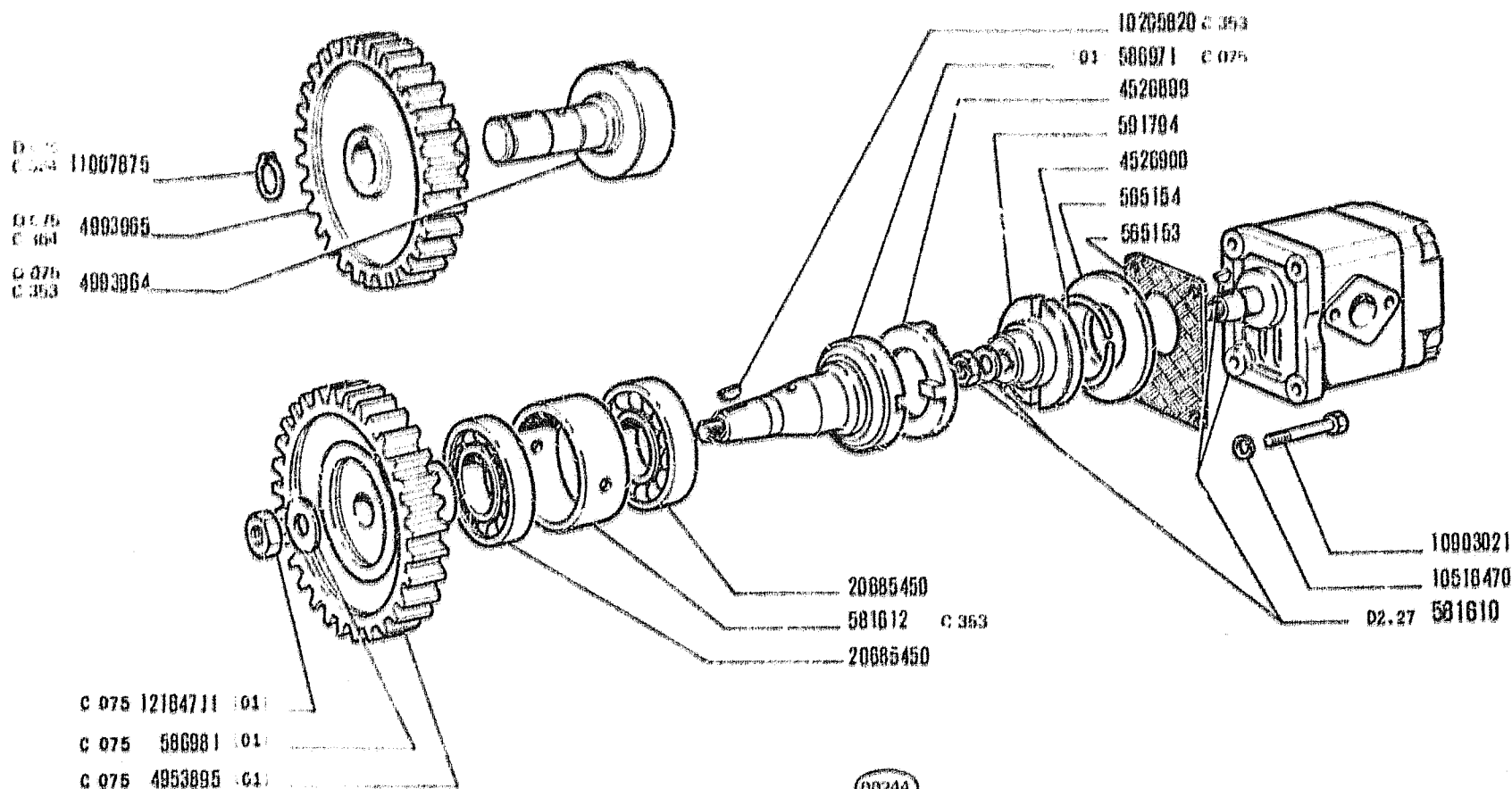
T-7

Steering Clutches Release Control
Mando de embragues de dirección

D2.22

DAT 412 23

D2.23



00244

FL 10B

01 02

COMANDO IDRAULICO FRIZIONI DI STERZO

Commande hydraulique des embrayages de direction *Steering Clutches Hydraulic Control*
Hydraulikanlage der Lenkkupplungen

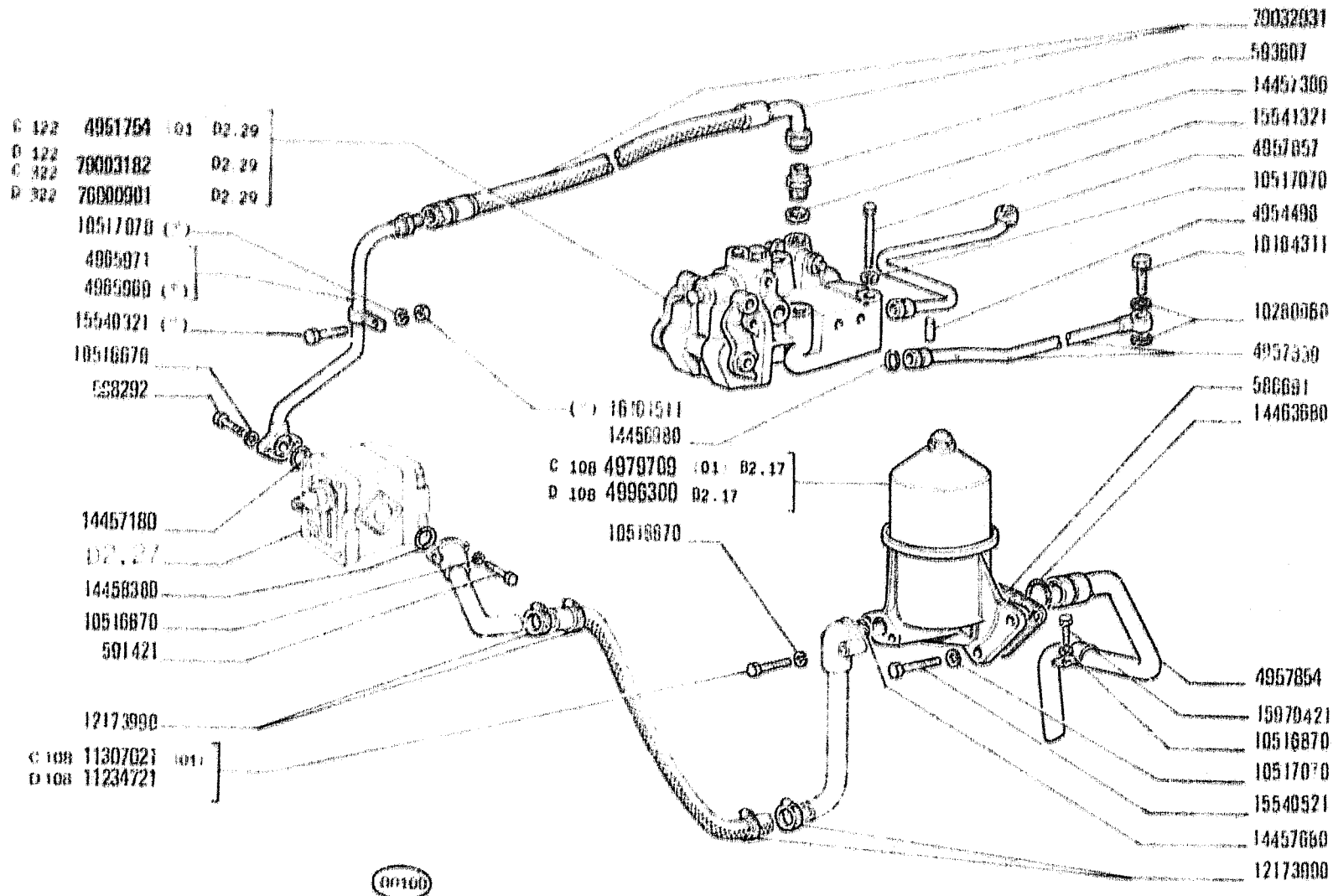
T-8

Sistema hidráulico de embragues de dirección

D2.23

1

N.T.R. 93
 20-11-1981
 604.01.012.07



C 122 4951754 01 02.29
 D 122 70003182 02.29
 C 322 70000901 02.29
 D 322 70000901 02.29

10517070 (*)
 4985971
 4985980 (*)
 15540321 (*)
 10516670
 588292

(*) 16101511
 14456980
 C 108 4979709 01 02.17
 D 108 4996300 02.17
 10519870

14457180
 D2.27
 14458300
 10516670
 591421
 12173990
 C 108 11307021 001
 D 108 11234721

79032031
 589607
 14457300
 15541321
 4957857
 10517070
 4954498
 10104311
 10280060
 4957330
 586691
 14463660
 4957854
 15970421
 10519870
 10517070
 15540521
 14457660
 12173990

00100

Vedere elenco - Voir la liste - Siehe Tabelle - See List - Verzeichnis

FL 10B
 01 02

COMANDO IDRAULICO FRIZIONI DI STERZO
Commande hydraulique embrayages de direction *Steering Clutches Hydraulic Control*
Hydraulikanlage der Lenkkupplungen **T-9** *Sistema hidráulico de embragues de dirección*

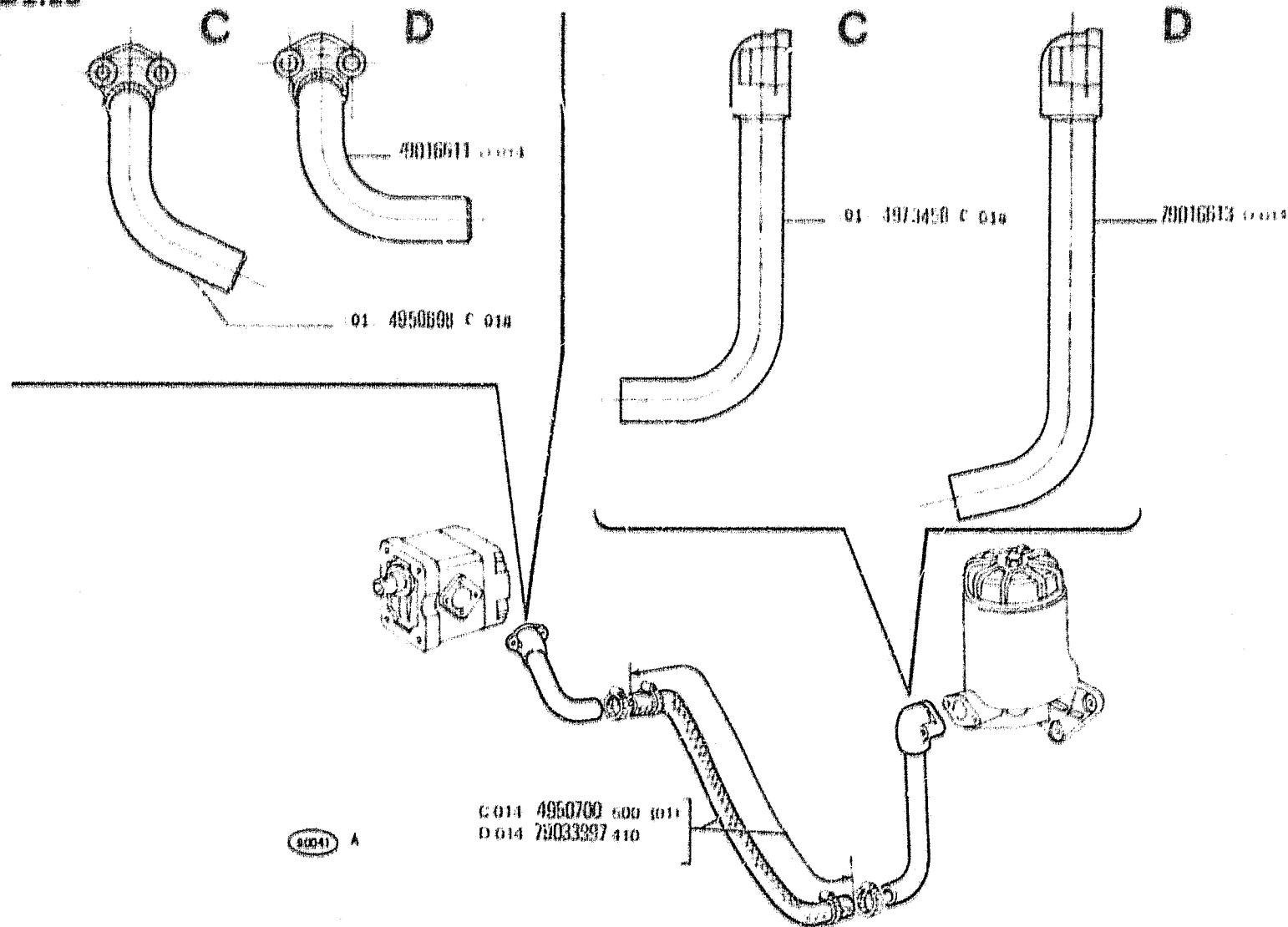
D2.23

2	N.T.R. 93 20.11.1981 604.01.012.07
---	--

DAT 412 23

D2.23

D2.23



FL 10B

01 02

COMANDO IDRAULICO FRIZIONI DI STERZO

Commande hydraulique des embrayages de direction
Hydraulikanlage der Lenkkupplungen

Steering Clutches Hydraulic Control

Sistema hidráulico de embragues de dirección

T-10

D2.23

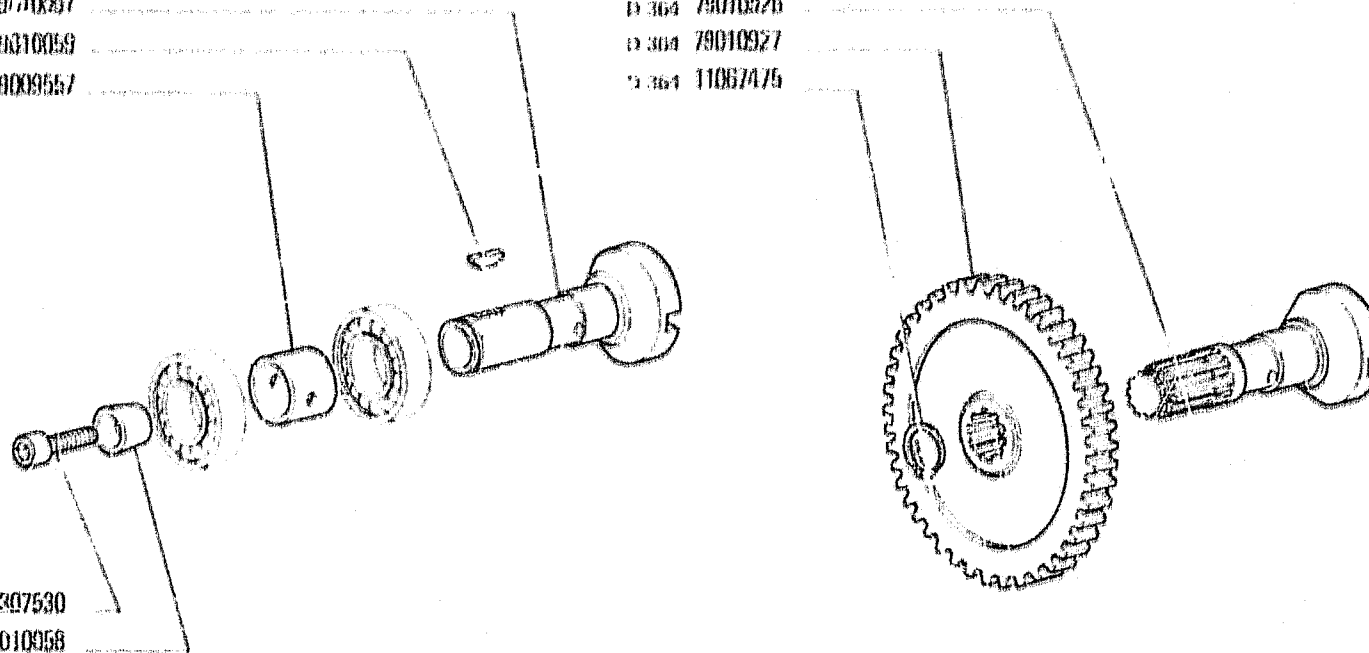
3

N.T.R. 93
29-11-1993
604.01.012.07

D 353
C 354 79710857
D 353
C 354 79010959
D 353
C 354 79009557

D 364 79010926
D 364 79010927
D 364 11067475

D 353
C 364 14307530
D 353
C 364 79001067



00245

FL 10B

01 02

COMANDO IDRAULICO FRIZIONI DI STERZO

Commande hydraulique embrayages de direction
Hydraulikanlage der Lenkkupplungen

T-11

Steering Clutches Hydraulic Control
Sistema hidráulico de embragues de dirección

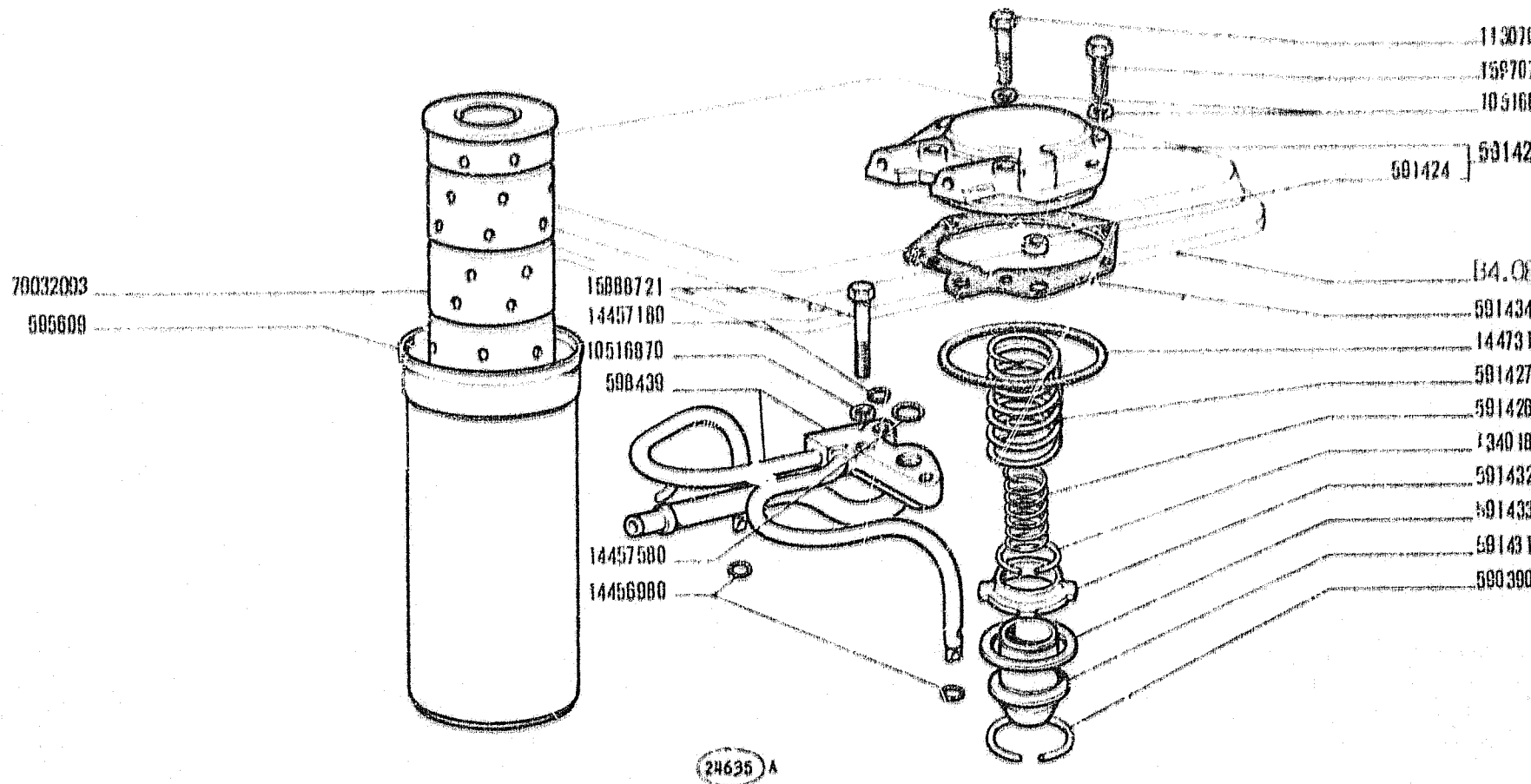
D2.23

4

N.T.B. 28
31-6-1977
004.01.012.01

DAT 412 24

D2.24



FL10 B

01 02

LUBRIFICAZIONE FRIZIONI DI STERZO

*Graissage des embrayages de direction
Schmierung der Lenkkupplungen*

T-12

Steering Clutches Lubrication System

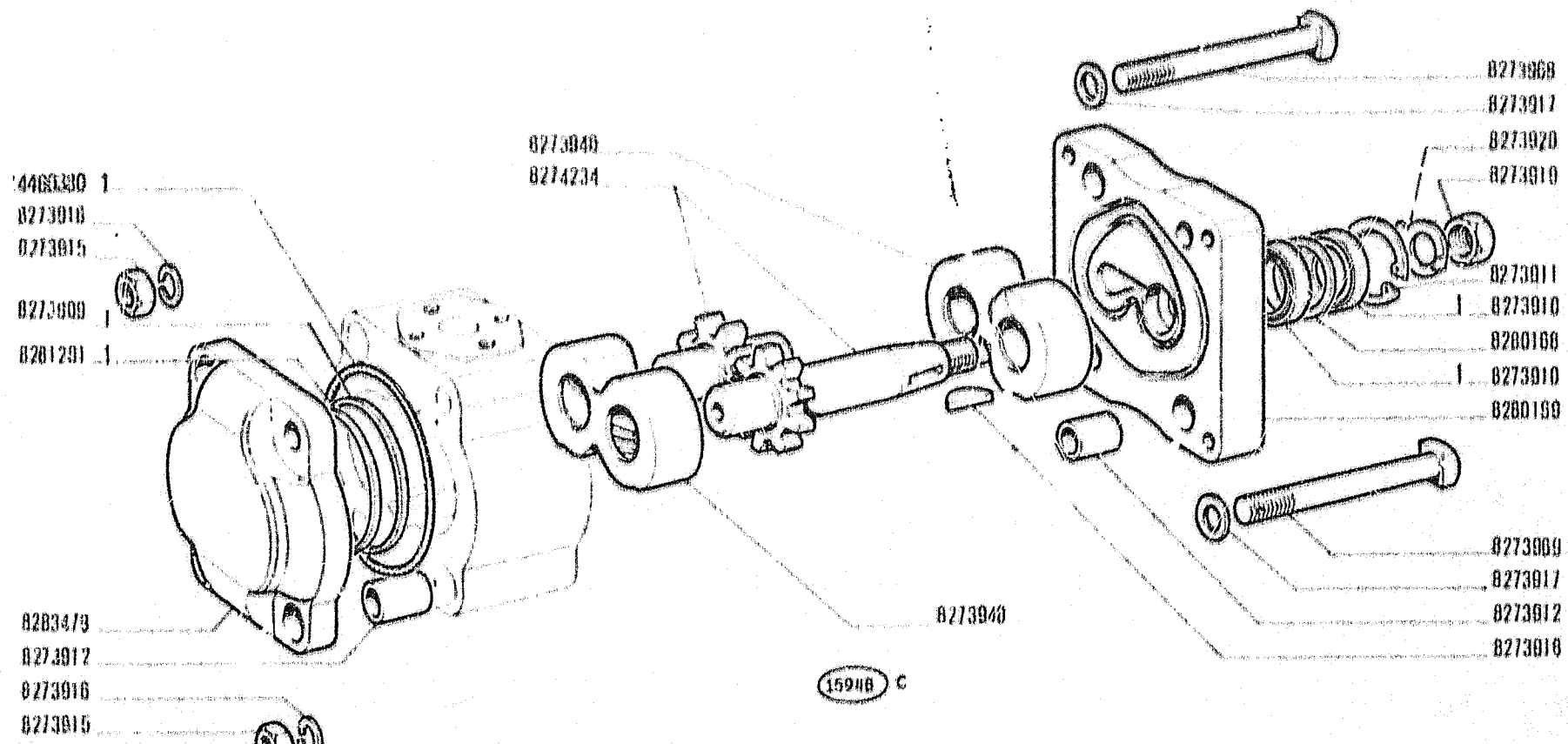
Sistema de engrase de embragues de dirección

D2.24

N.T.R. 93
20-11-1981
604.01.012.07

DAT 412 27

D2/27



FL 10 B
01 02

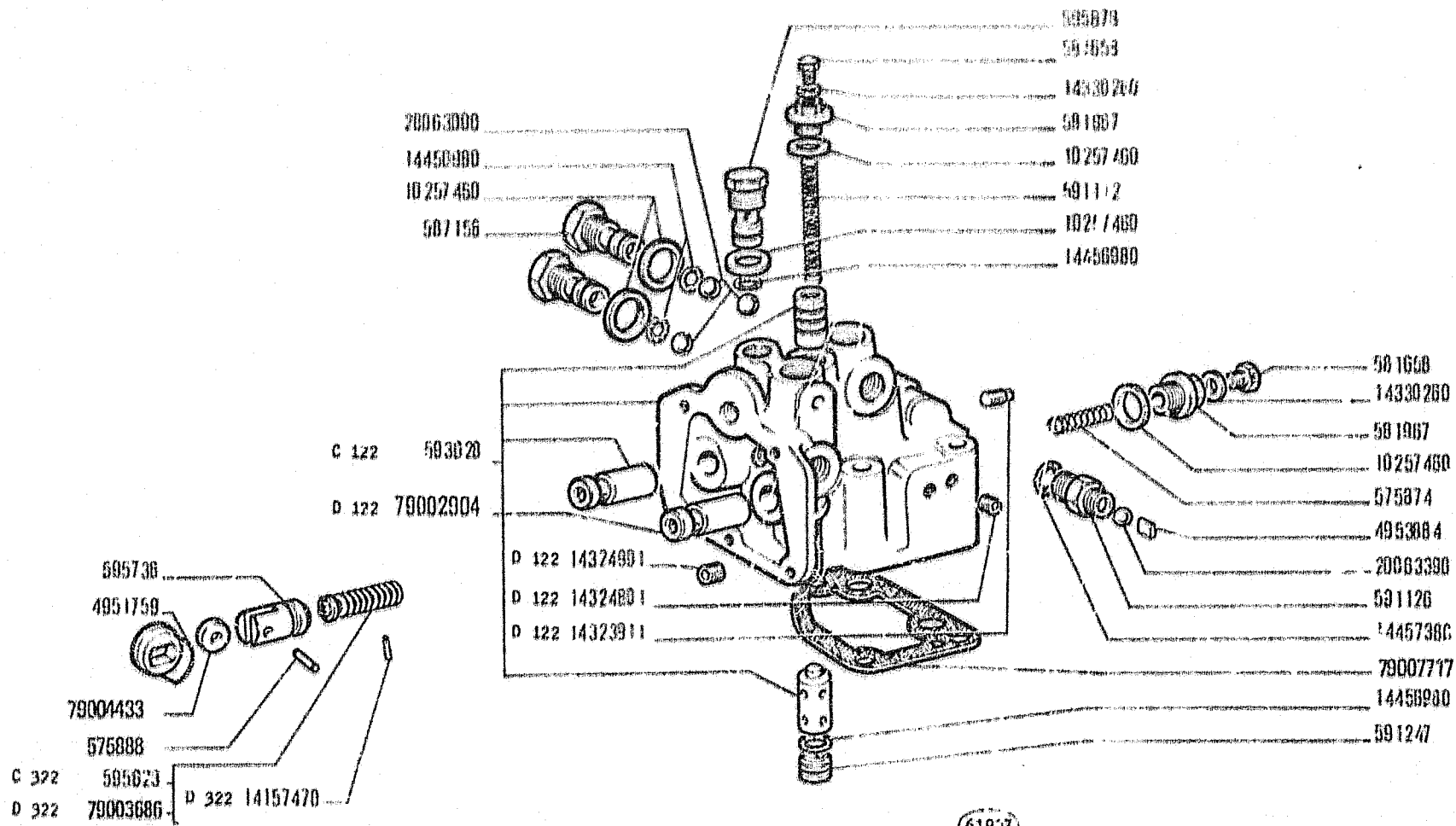
Pompe
Pumpa

POMPA 381610
T-13
Pump
Bomba

D2.27
N.T.R. 83
10-1-1981
604.01.012.06

DAT 41229

D2.29



(6197)

FL 10/B

01 02

Distributeur
Steervervat

DISTRIBUTORE 4951754 - 79003182 - 79003680 - 76000901

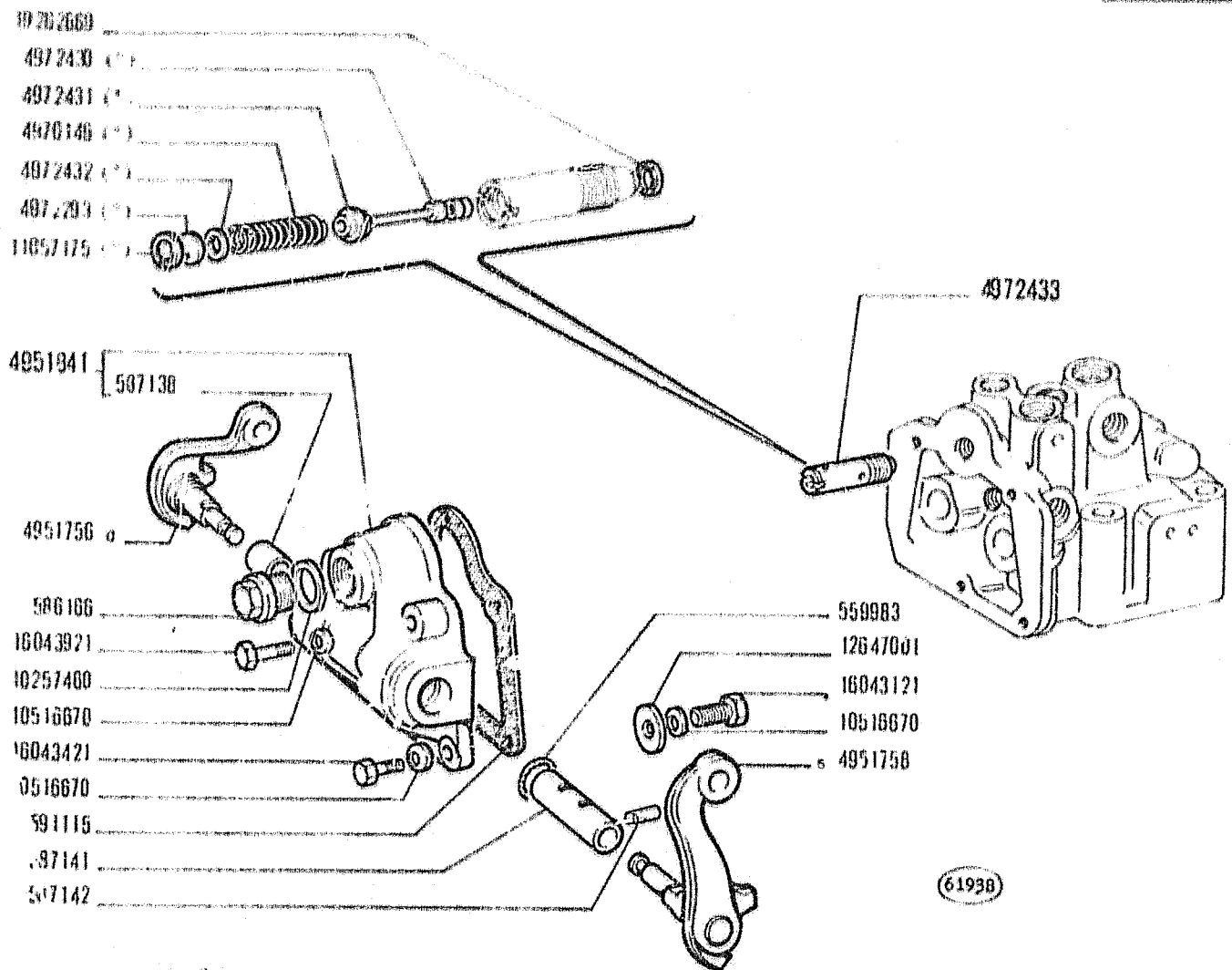
T-15

Distributor valve
Válvula distribuidora

D2.29

1

N.T.R. 65
13-1800
604.01.012.05



(*) Vedere elenco - Voir la liste - Siehe tabeľky - See list - Věase la lista

FL 10B
01 02

DISTRIBUTORE 4951754 - 79003182 - 79003680 - 76000901

Distributeur
Stevergevat

T-16

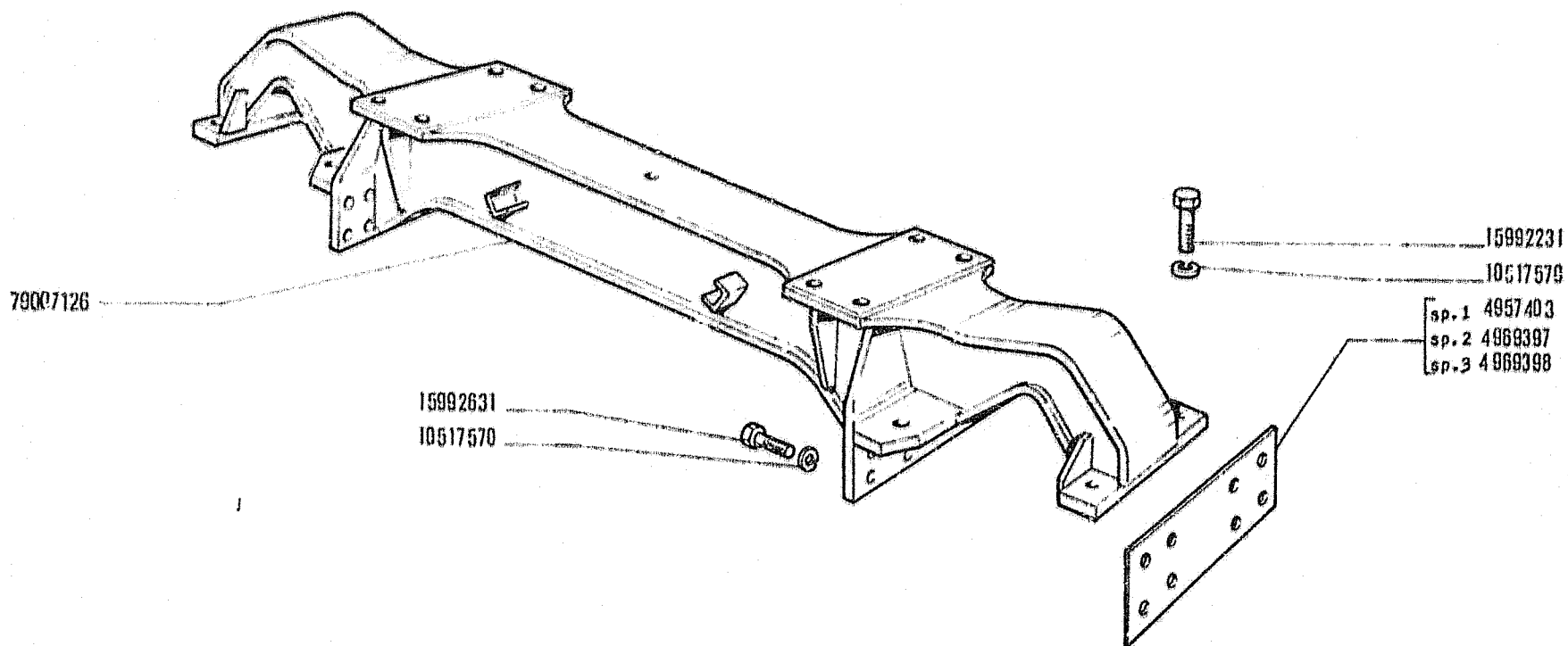
Distributor valve
Válvula distribuidora

D2.29

2	N.T.R. 65
	1-3-1980 604.01.012.05

DAF 443 01

D3.01



FL 10 B

01 02

Suspension AV
Vorderradaufhängung

SOSPENSIONE ANTERIORE

Front suspension
Suspensión anterior

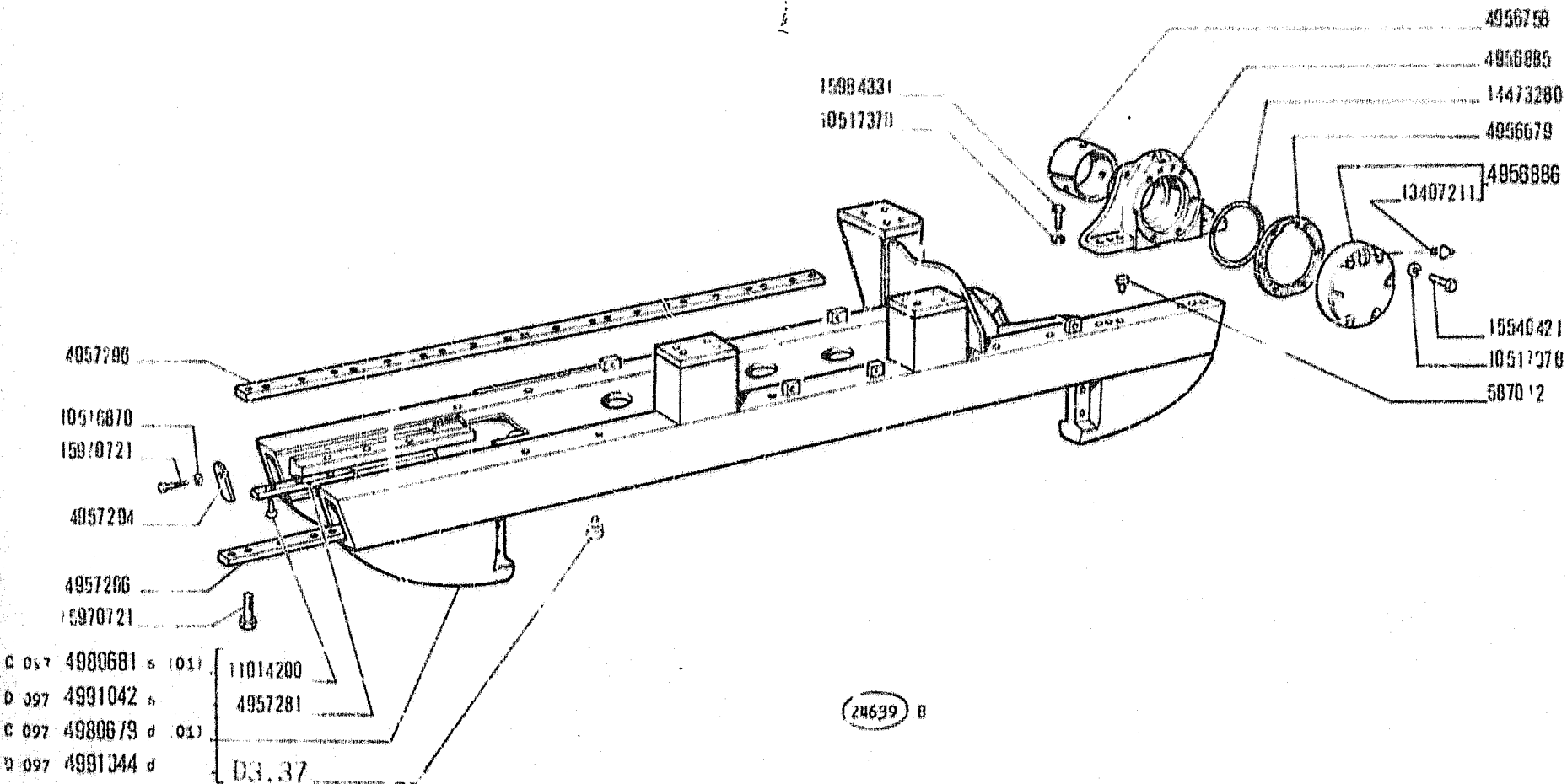
T-17

D3.01

N.T.R. 30
1-9-1977
604.01.012.01

DAT 443 30

D3.30



FL 10 B

01 02

CORPO CARRELLO CINGOLO

Châssis de chariot de chenille
Laufwerkrahmen

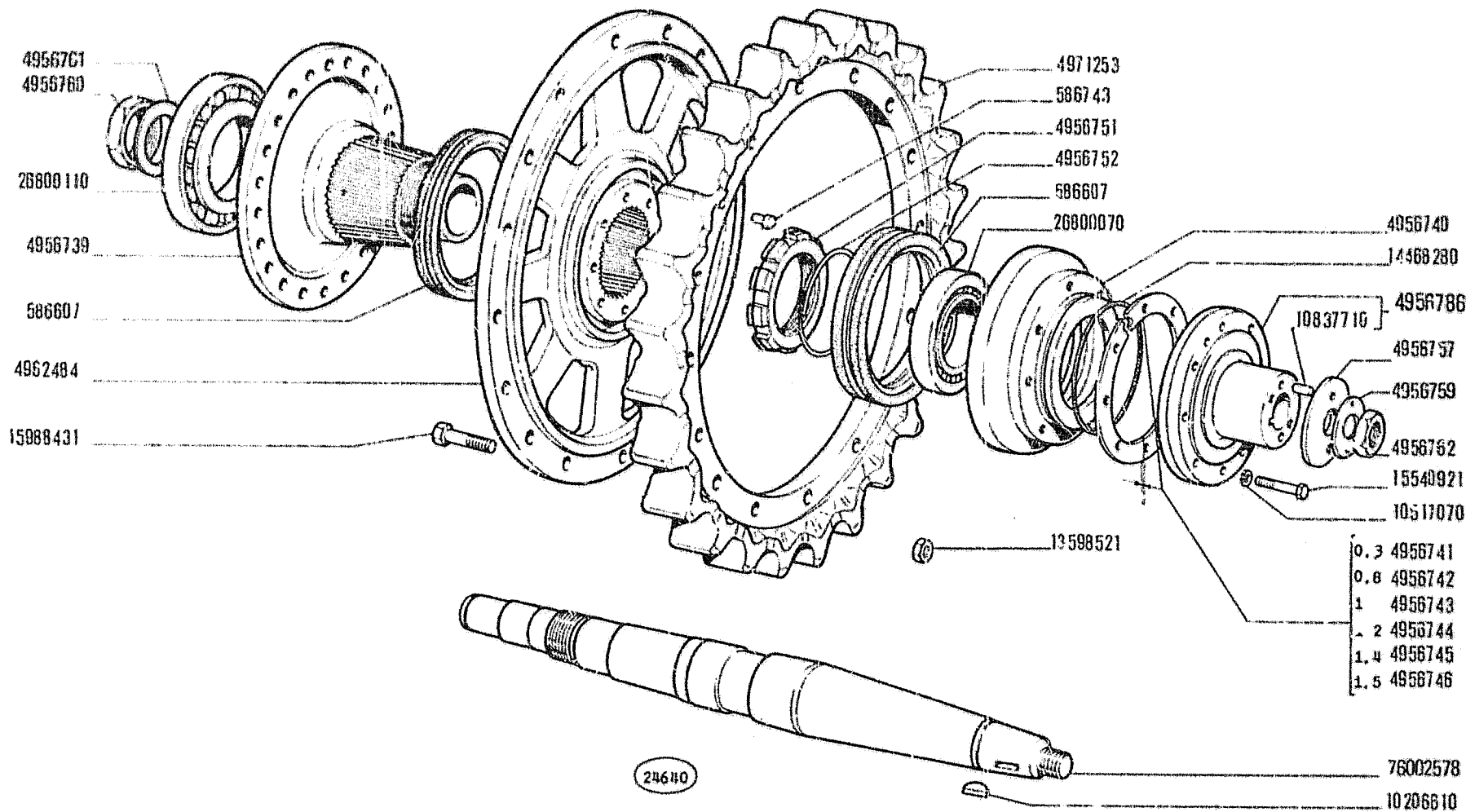
Track Frame Body
Armazón de cadena

T-18

D3.30

DAT 443 33

D3.33



FL 10B

01 02

Bc-botin moteur
Triebrad

RUOTA MOTRICE

T-20

Drive Sprocket
Rueda motriz

D3.33

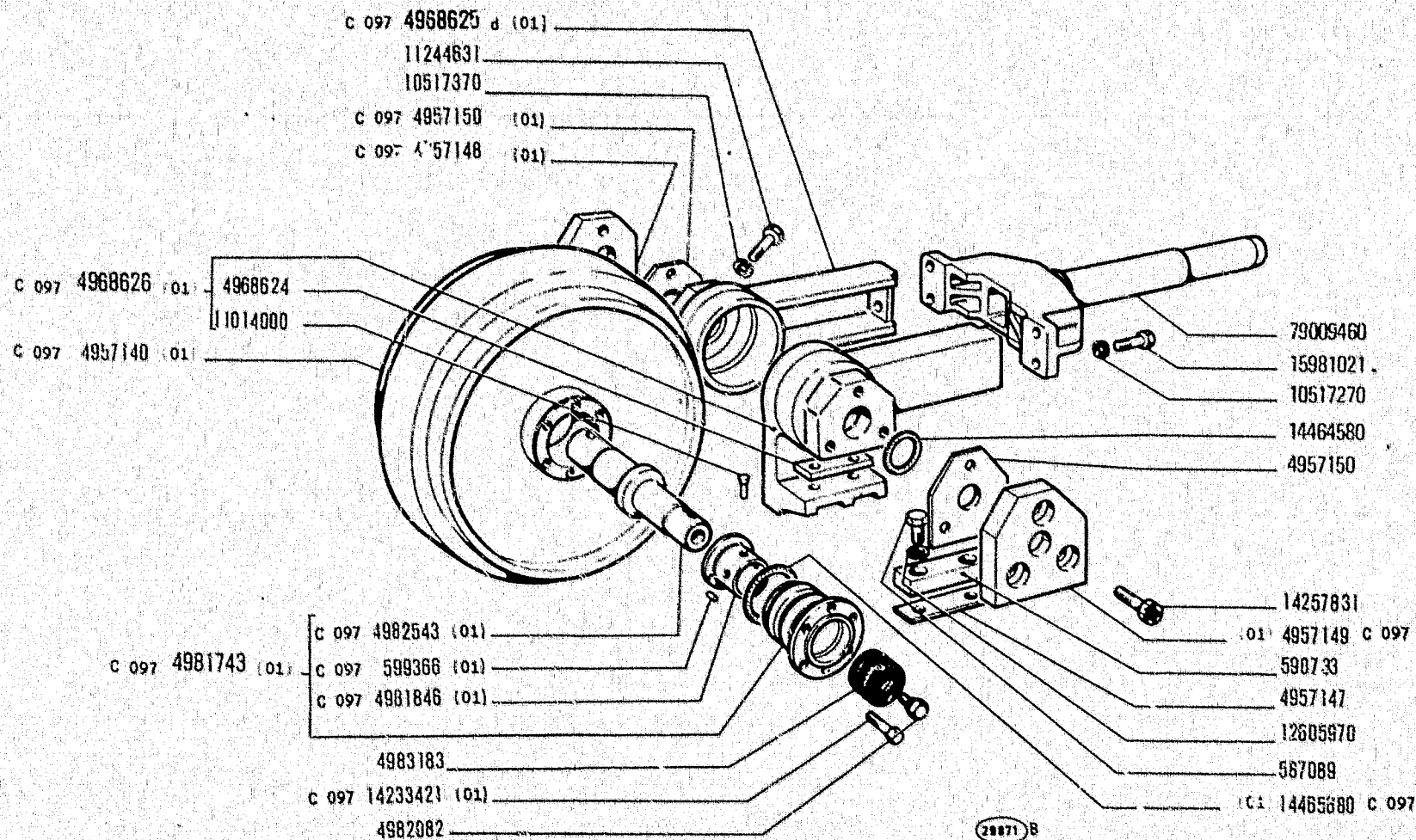
N.T.R. 83
15-13981
604.01.012.06

D

FRAME • STEERING • SUSPENSIONS • WHEELS • UNDERCARRIAGE • HYDRAULIC TRANSMISSION
TELAIO • STERZO • SOSPENSIONI • RUOTE • CINGOLATURA • TRASMISSIONE IDRAULICA
CADRE • DIRECTION • SUSPENSIONS • ROUES • TRAIN DE ROULEMENT • TRANSMISSION HYDRAULIQUE
RAHMEN • LENKUNG • AUFHÄNGUNGEN • RÄDER • KETTENLAUFWERK • HYDRAULISCHER ANTRIEB
BASTIDOR • DIRECCION • SUSPENSION • RUEDAS • TRAIN DE RODAJE • TRANSMISSION HYDRAULICA

E

AUXILIARY ATTACHMENTS (AND EQUIPMENT) • ORGANI SUSSIDIARI (E ATTREZZI) • ORGANES AUXILIAIRES
(ET EQUIPMENT) • NEBENAGGREGATE (UND GERÄTE) • GRUPOS AUXILIARES (Y EQUIPO)



FL 10 B

01 02

Roue tendeuse
Leitrad

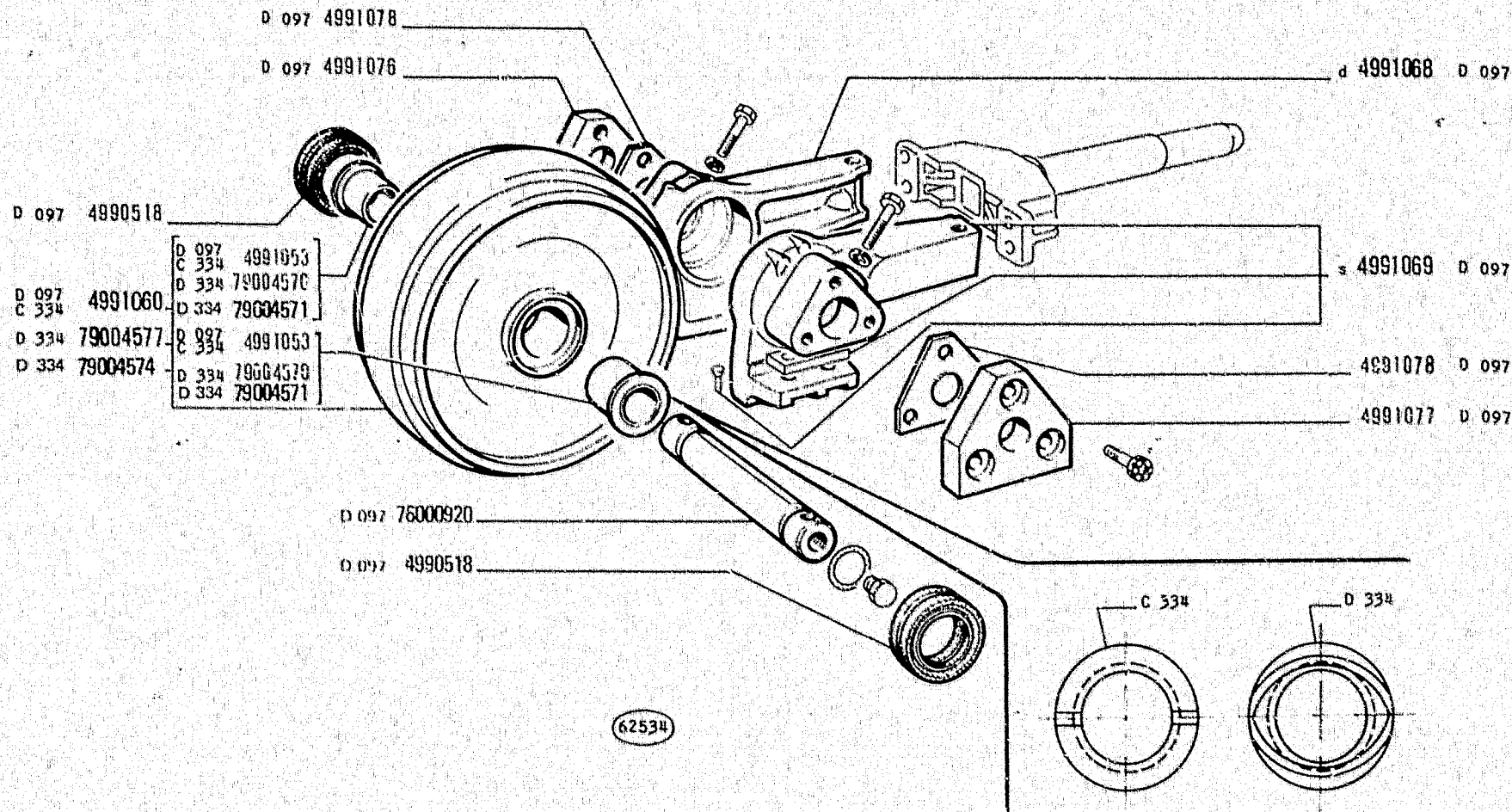
TENDICINGOLO

Idler Wheel
F-2 Rueda guía

D3.34

1

N.T.R. 49
15-9 1979
601.01.012.04



FL10 B
01 02

Roue tendeuse
Leitrad

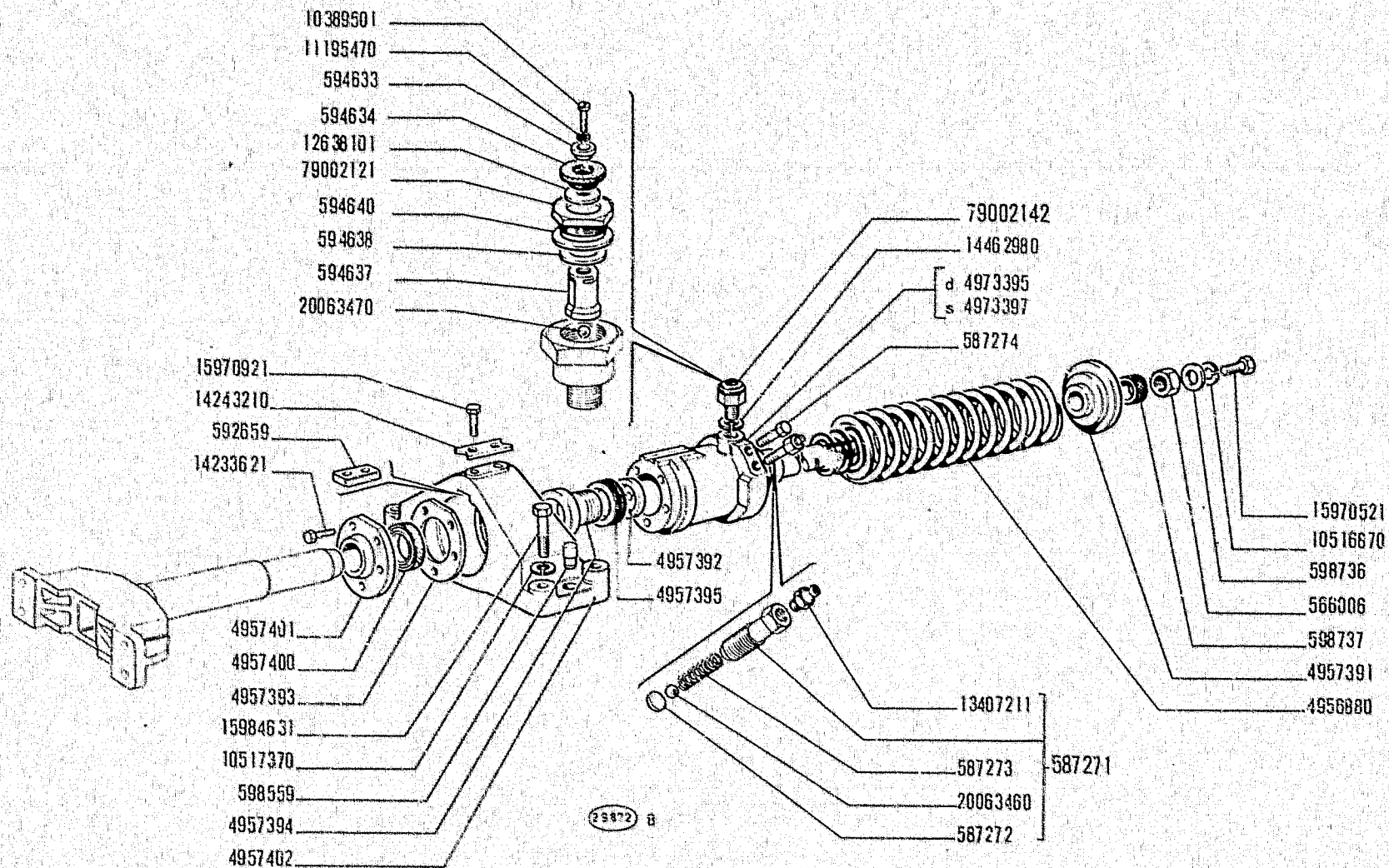
TENDICINGOLO

Idler Wheel
F-3 Rueda guía

D3.34

2

NTR. 49
15-5 1979
604.01.012.04



FL10 B

01 02

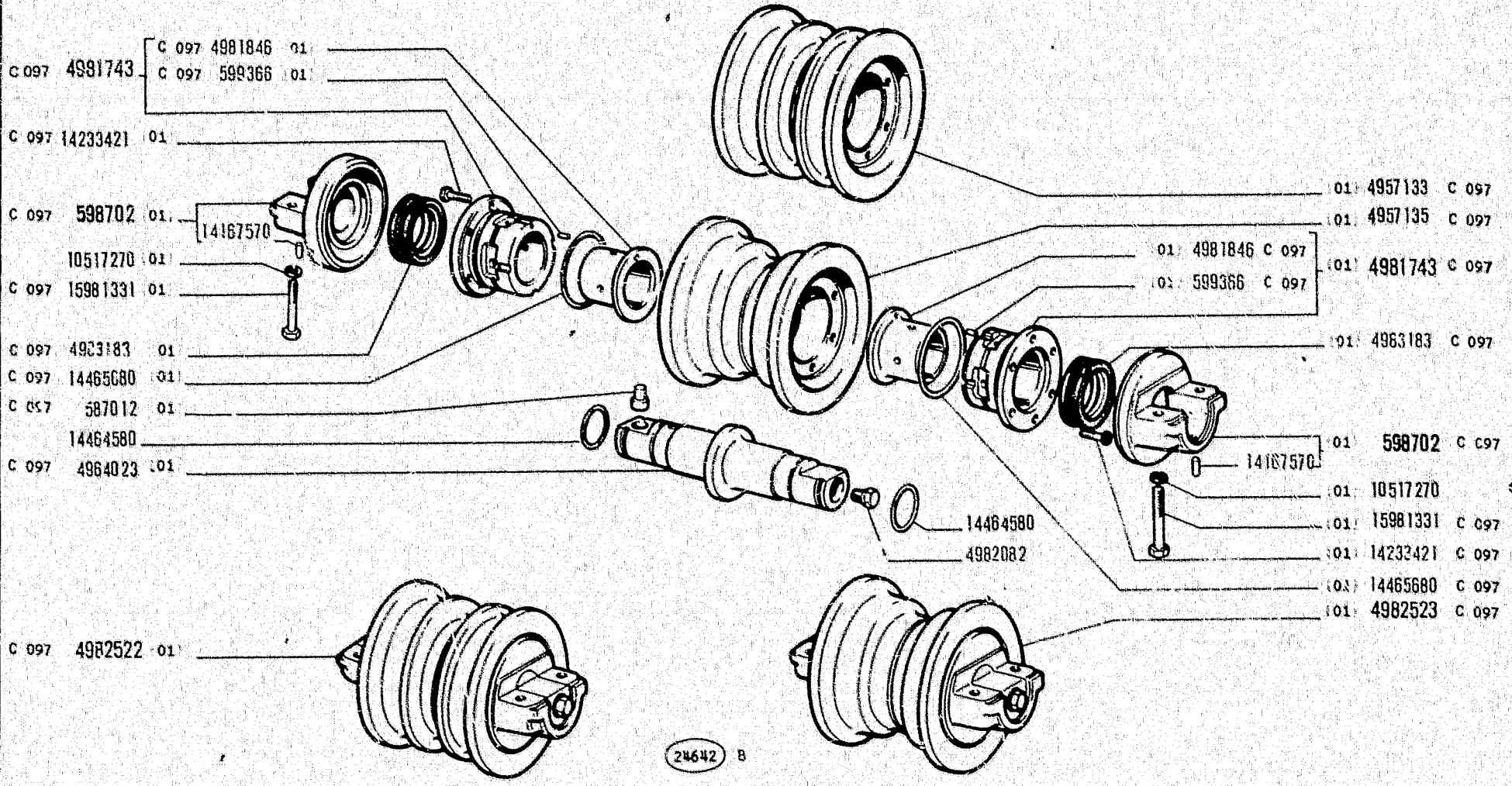
Roue tendeuse
Leitrad

TENDICINGOLO

Idler Wheel
Rueda guía

F-4

D3.34

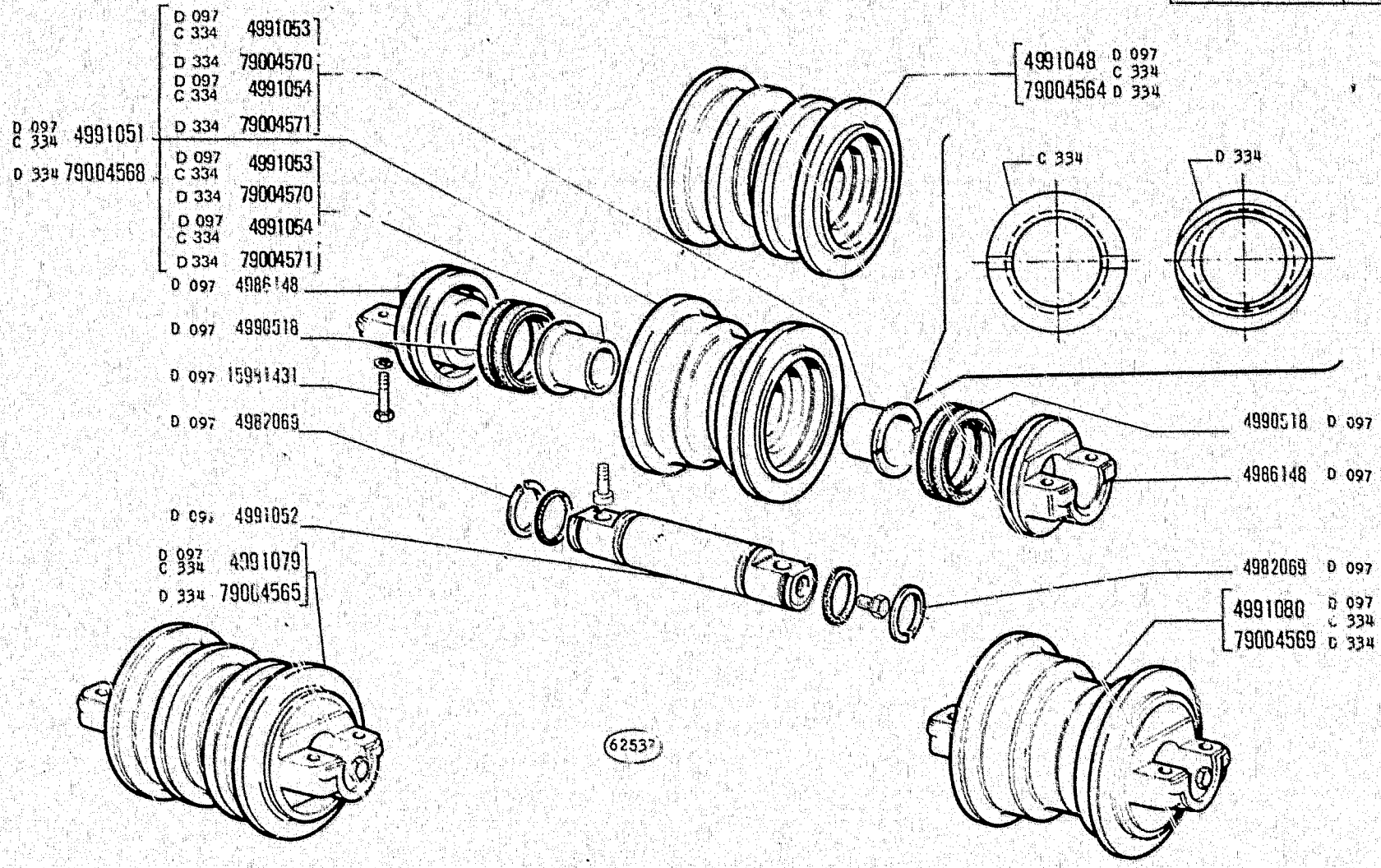


24642 B

FL 10B
01 02

RULLO CARRELLO CINGOLO
Galet porteur de chenille
Laufrolle der Raupenkette
F-5
Track Roller
Rodillo de apoyo de la cadena

D3.37
 1
 N.T.R. 30
 1-9-1977
 604.01.012.01



FL 10B
01 02

RULLO CARRELLO CINGOLO

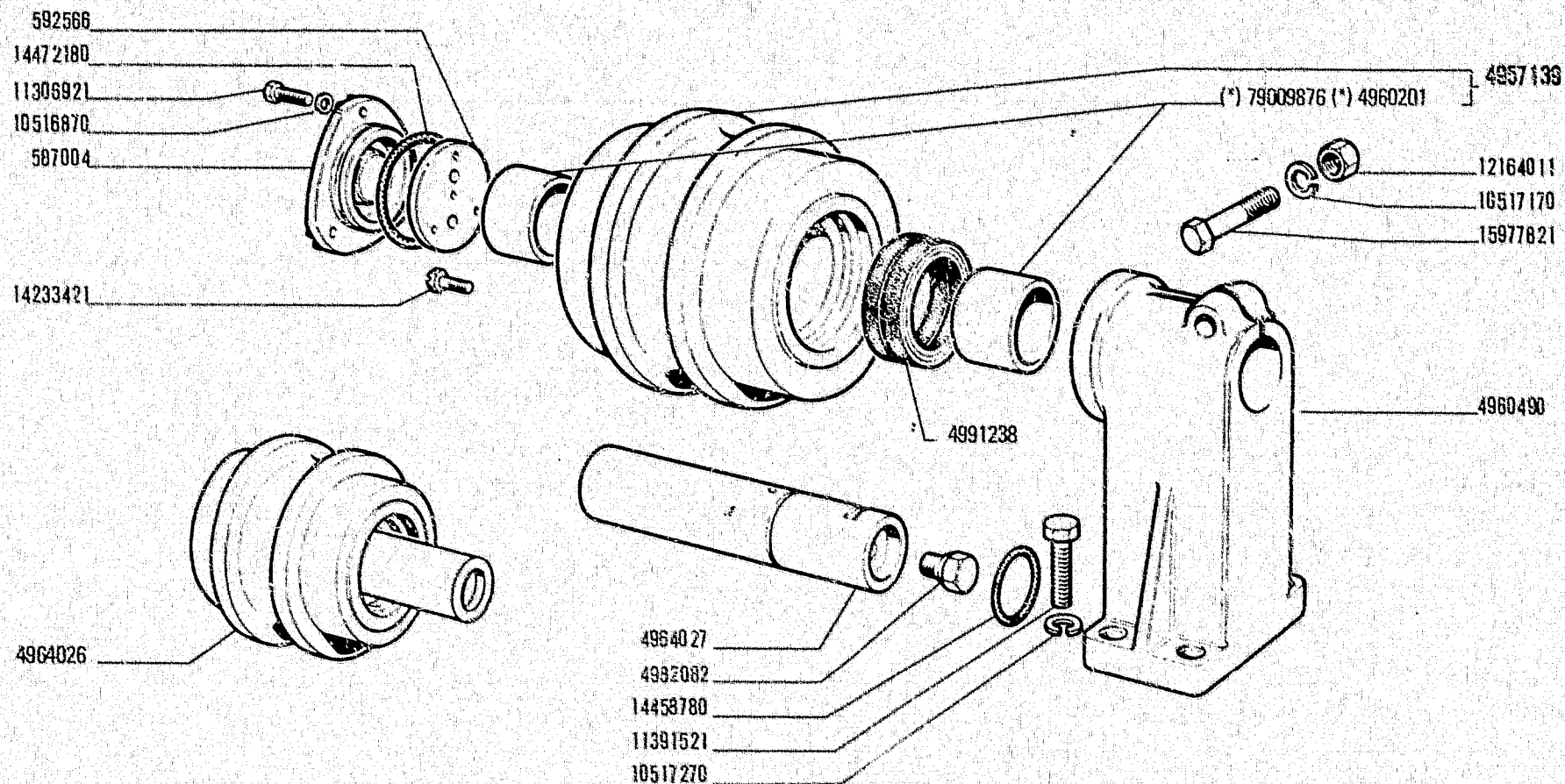
Galet porteur de chenille
Laufrolle der Raupenkette

Track Roller
Rodillo de apoyo de la cadena

F-6

D3.37

2
N.T.R. 30
1-9-1977
604.01.012.01



(*) Vedere elenco - Voir la liste - Siehe Tabelle - See list - Véase la lista

24643 B

FL 10B
01 02

RULLO SOSTEGNO CINGOLO

Galet de retour de chenille
Stützrolle der Raupenkette

Track Carrier Roller

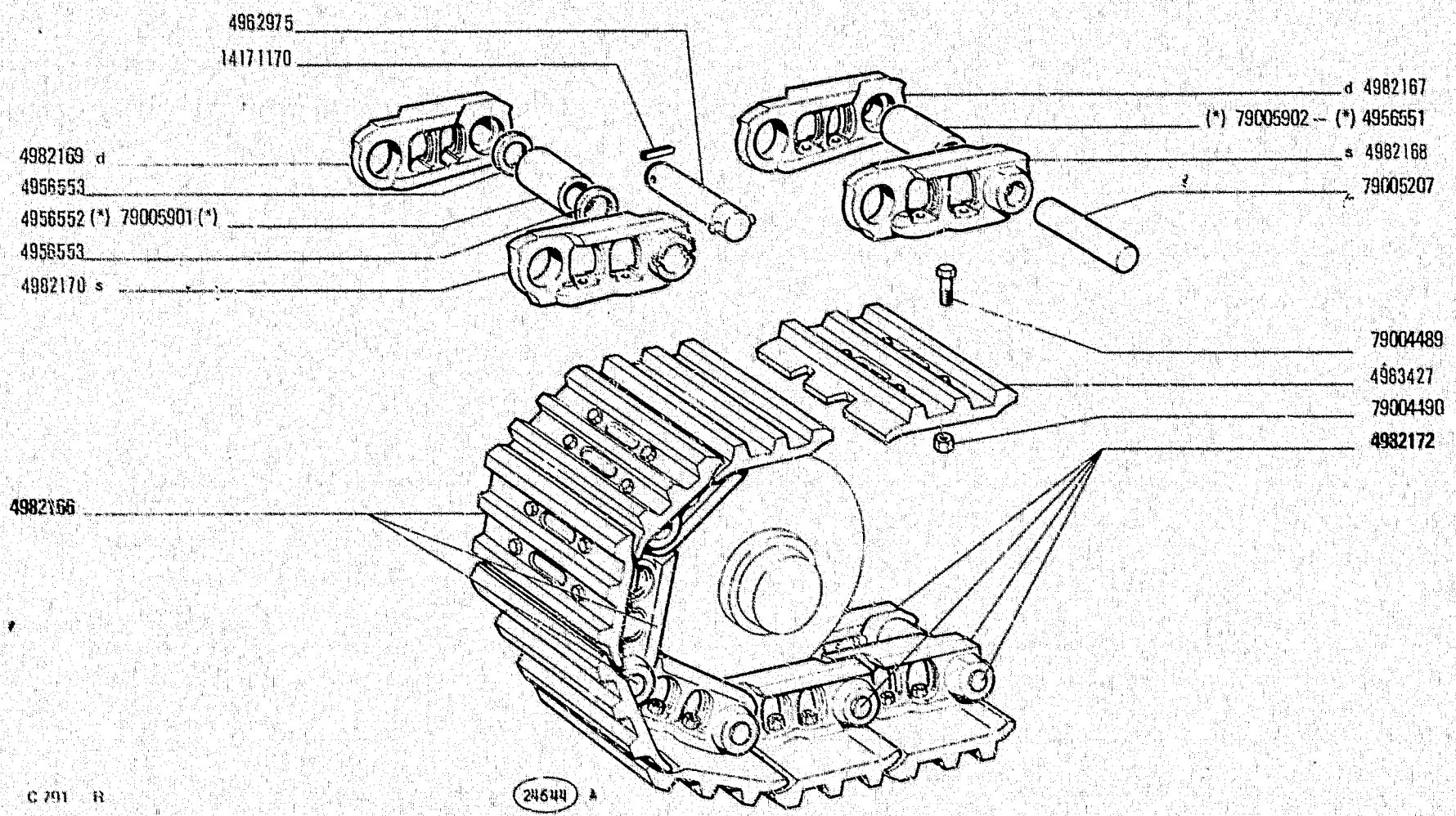
F-7 Rodillo de soporte de la cadena

D3.38

N.T.R. 49
15-5-1979
604.01.012.04

DAT 443 40

D3.40



C 791 R

(*) Vedere elenco - Voir la liste - Siehe Tabelle - See list - Véase la lista

FL 10B

01 02

*Chenille
Raupenkette*

CINGOLO

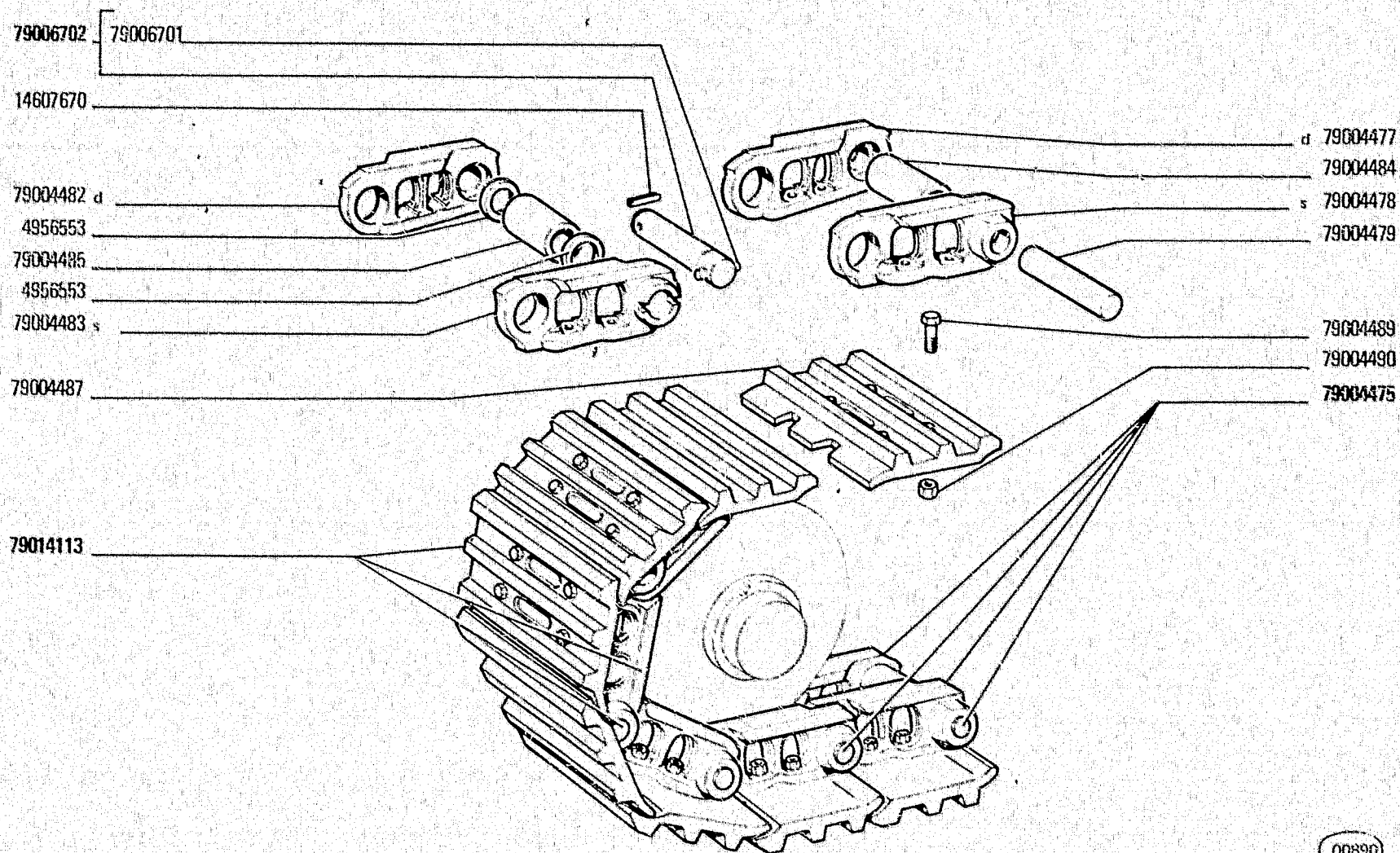
F-8
*Track
Cadena*

D3.40

N.T.R. 83
15 1-1981
604.01.012.06

DAT 443 40

D3.40/A



D 791 R

00890

FL 10B

01 02

Chenille
Raupenkette

CINGOLO

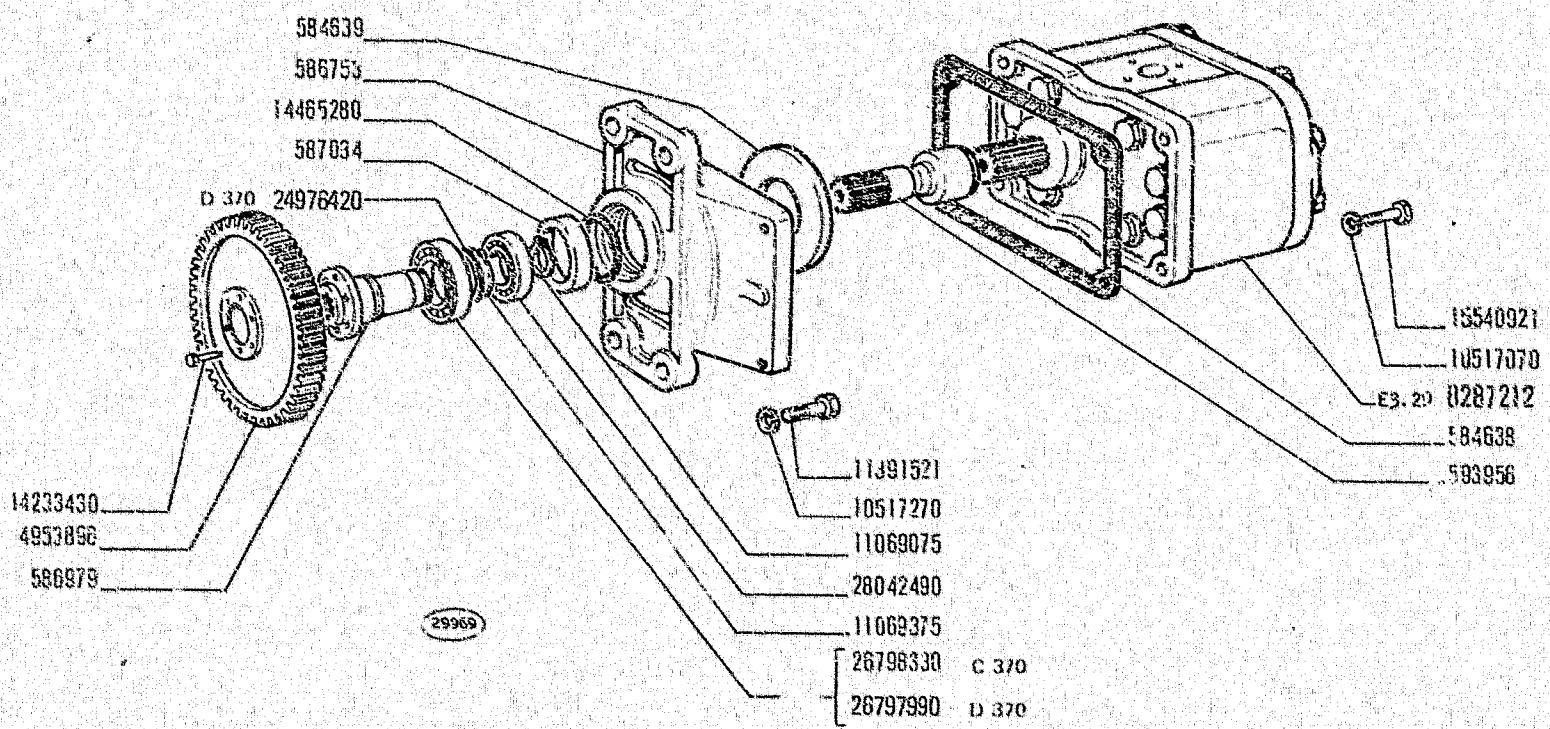
Track

F-9

Cadena

D3.40/A

N.T.R. 83
15-1-1981
604.01.012.06

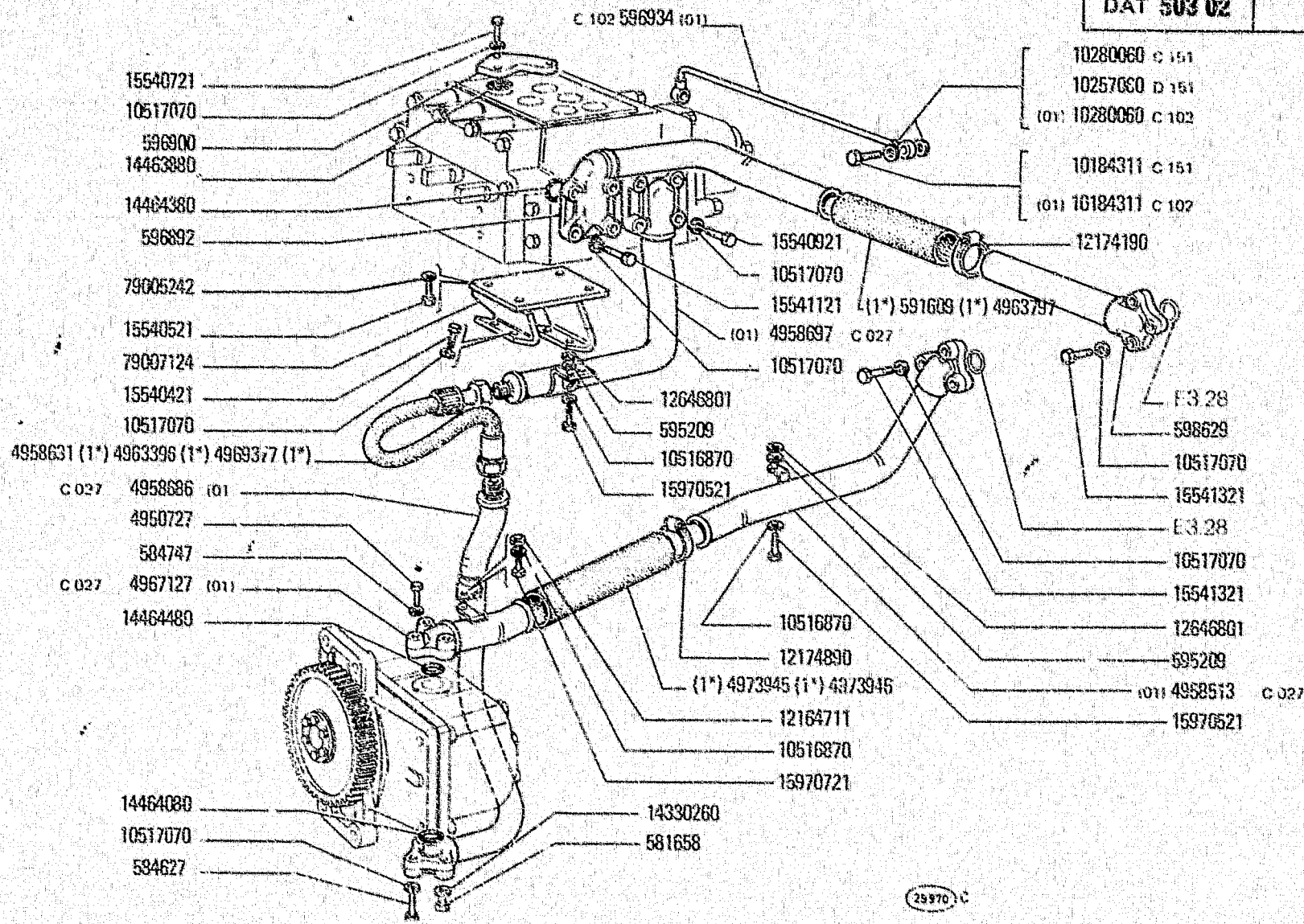


FL 10B
01 02

IMPIANTO IDRAULICO
Système hydraulique
Hydraulische Anlage
F-11
Hydraulic System
Sistema hidráulico

E3.02

1	N.T.R. 44 27 11-19/8 604.01.012.03
---	--



(1*) Vedere elenco Voci in lista S. ha tabella Ser list. Vedere la lista

FL 10B
01 02

IMPIANTO IDRAULICO

Système hydraulique
Hydraulische Anlage

Hydraulic System
Sistema hidráulico

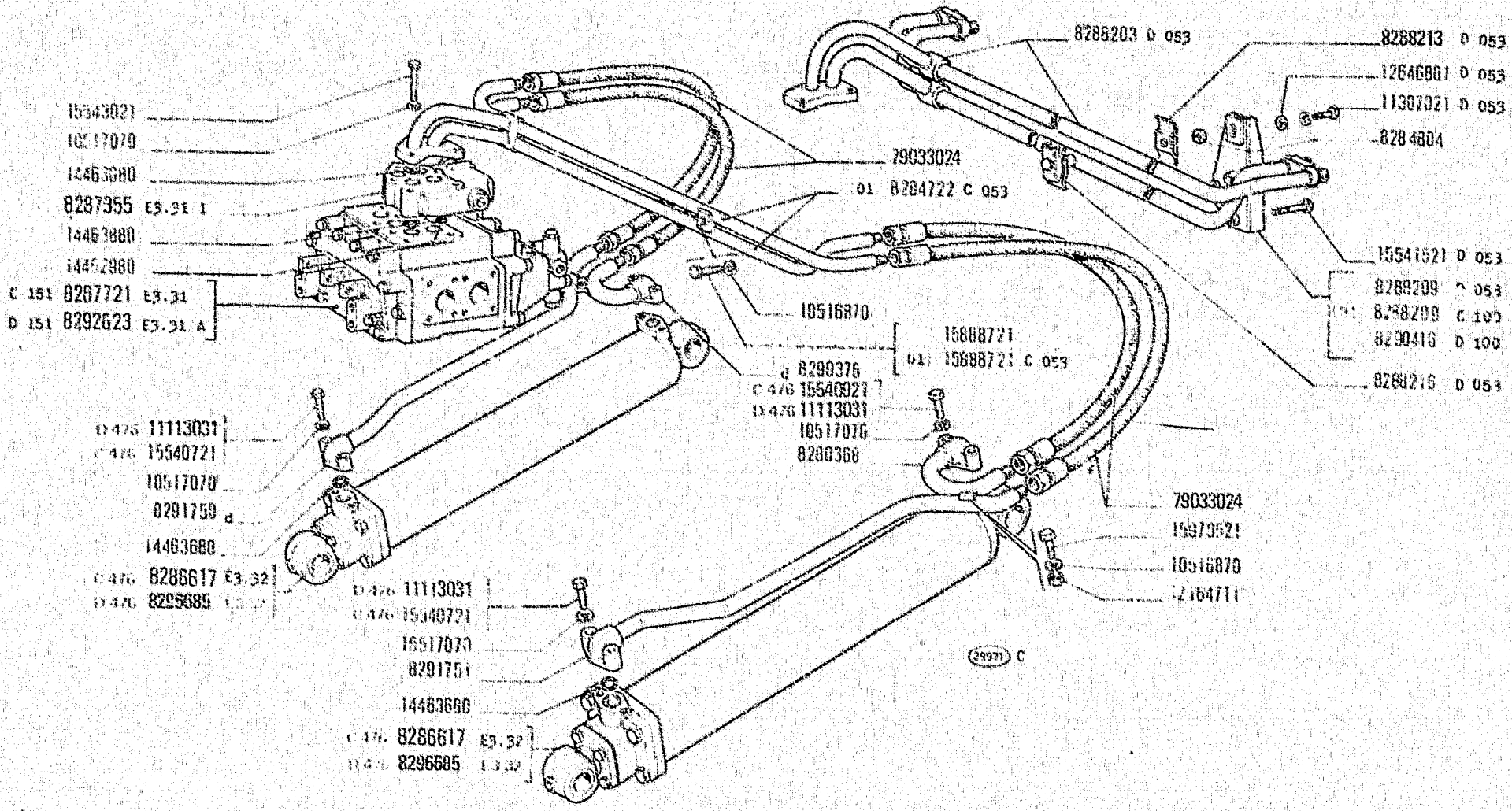
F-12

E3.02

2

N.T.R. 93
20.11.1981
604.01.012.07

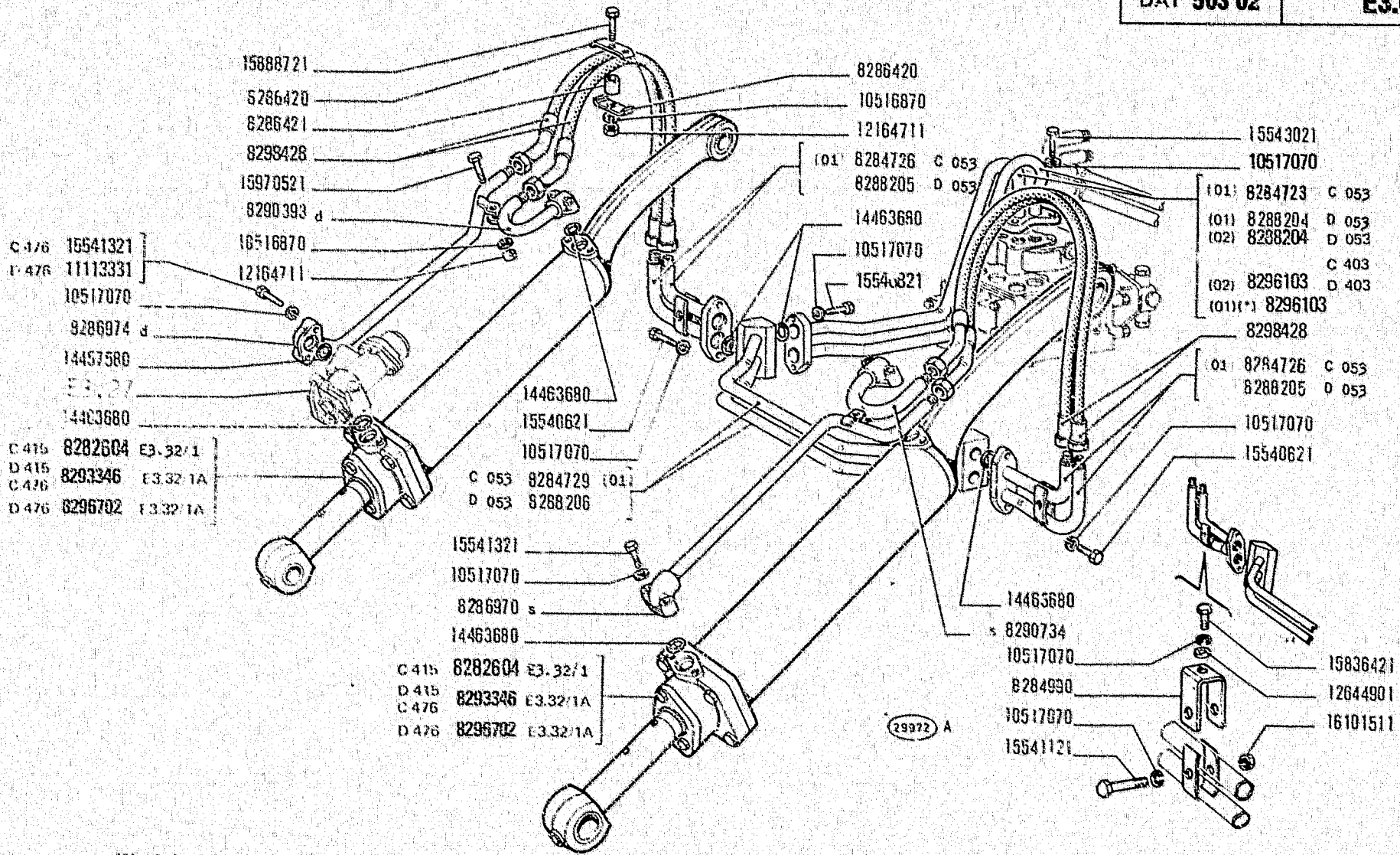
29970 C



FL 10B
01 02

IMPIANTO IDRAULICO
Système hydraulique
Hydraulic System
Hydraulische Anlage
F-13
Sistema hidráulico

E3.02
 3
 N.T.R. 93
 29.11.1991
 004 01.012.07



(*) Vedere elenco - See list - Voir la liste - Siehe tabelle - Véase la lista

FL 10B
01 02

Système hydraulique
Hydraulische Anlage

IMPIANTO IDRAULICO

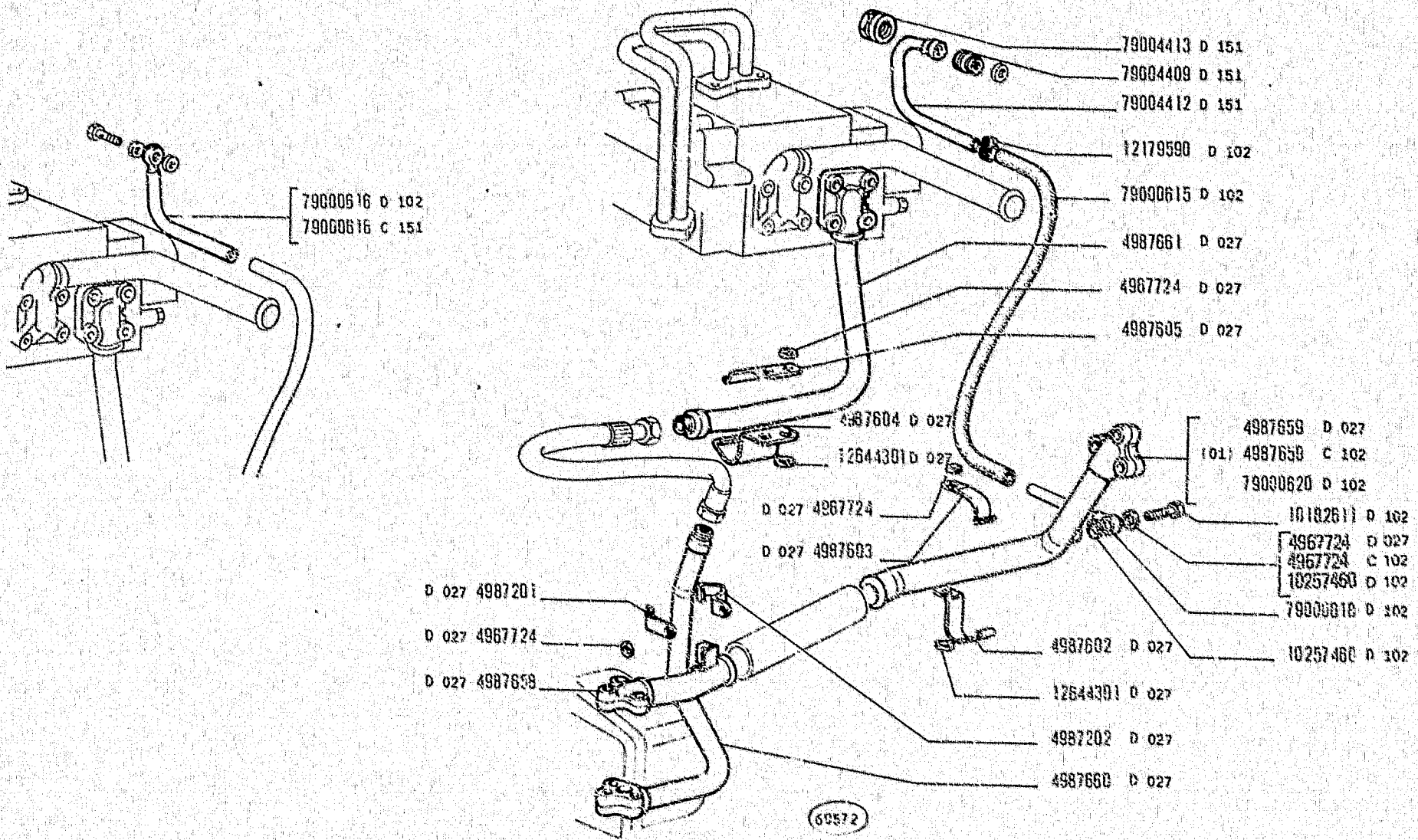
Hydraulic System
Sistema hidráulico

F-14

E3.02

4

N.T.R. 65
1-3-1960
604.0.012.05



FL 10B
01 02

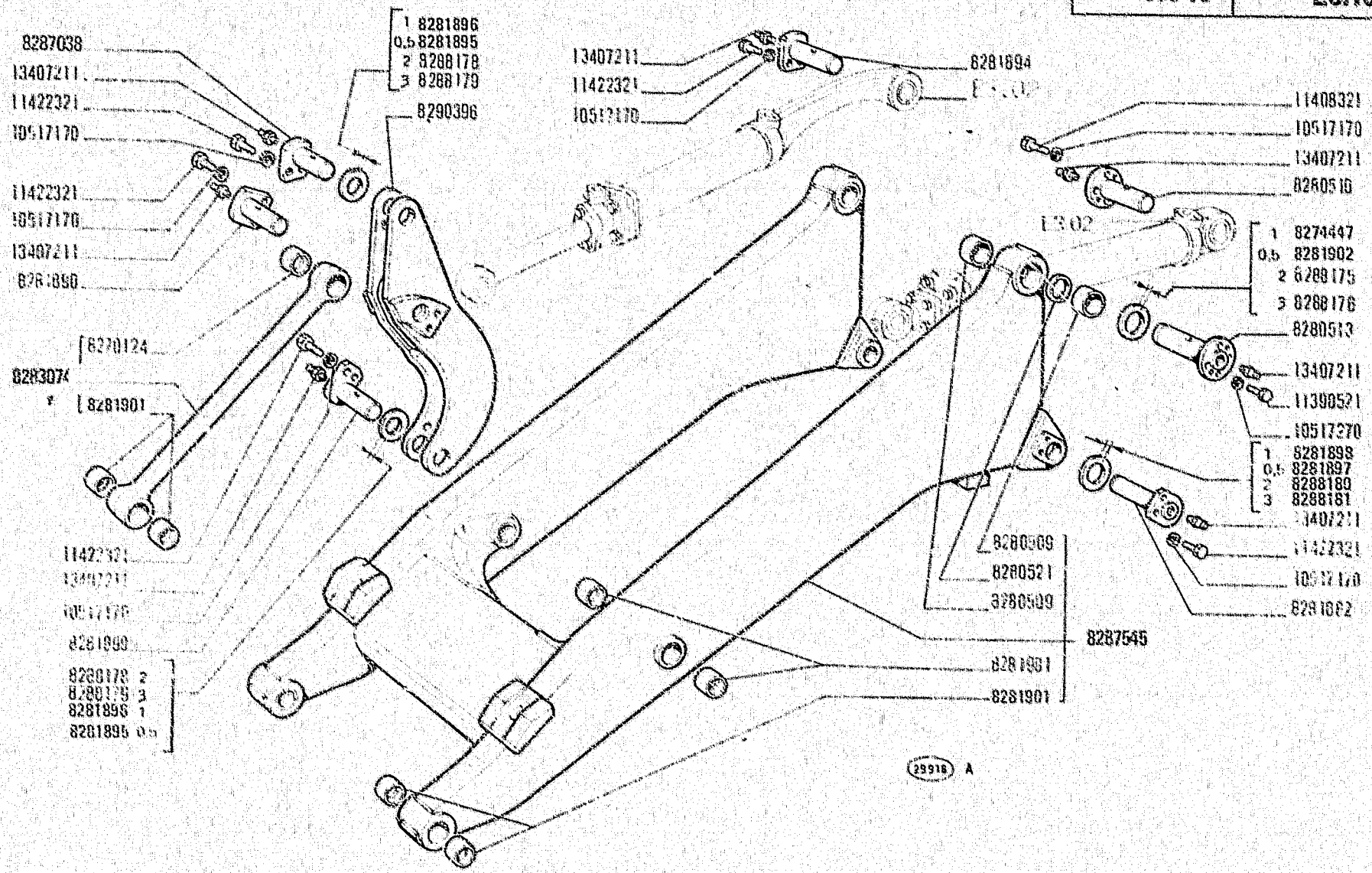
Système hydraulique
Hydraulische Anlage

IMPIANTO IDRAULICO
Hydraulic System
Sistema hidráulico

F-15

E3.02

N.T.R. 30
1-8-1977
604.01.012.01



FL10B

01 02

BRACCI SOLLEVAMENTO CARICATORE

Bras de levage de godet
Hubarme für Ladeschaufel

Loader Bucket Lifting Arms
Brazos de elevación de la pala

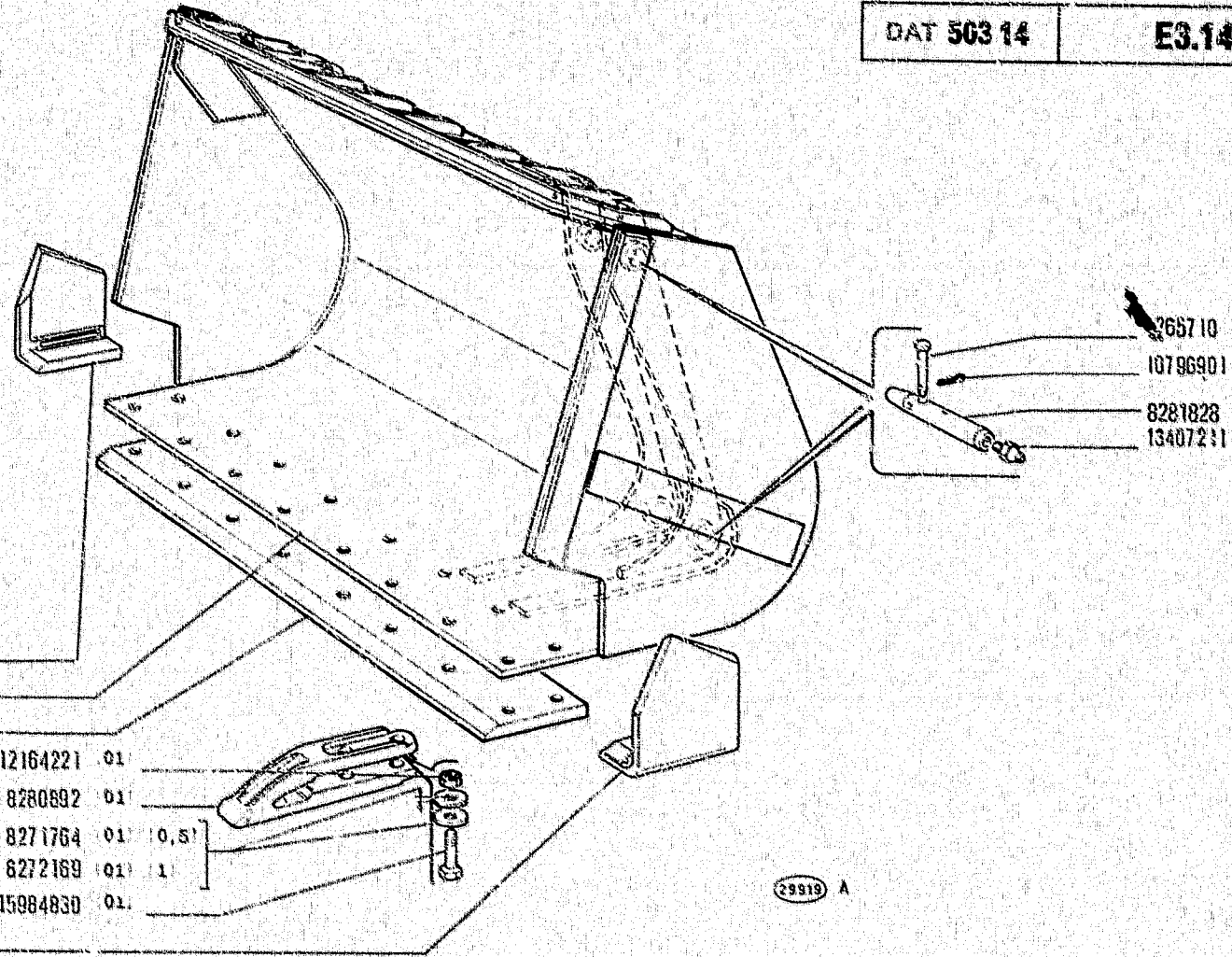
F-16

E3.10

N.Y.R. 30
1-9-1977
604.01.012.01

DAT 503 14

E3.14



C 029 8287706 01

- C 029 9501948 (*) s 01
- C 029 8285215 (*) 01
- C 029 12164221 01
- C 029 8280892 01
- C 029 8271764 01 (0,5)
- C 029 6272169 01 1
- C 029 15984830 01
- C 029 9501947 (*) s 01

(*) Vedere elenca - Voir la liste - Siehe tabelle - See list - Vease la lista

FL 103
01 02

Godet chargeur
Laderschaufel

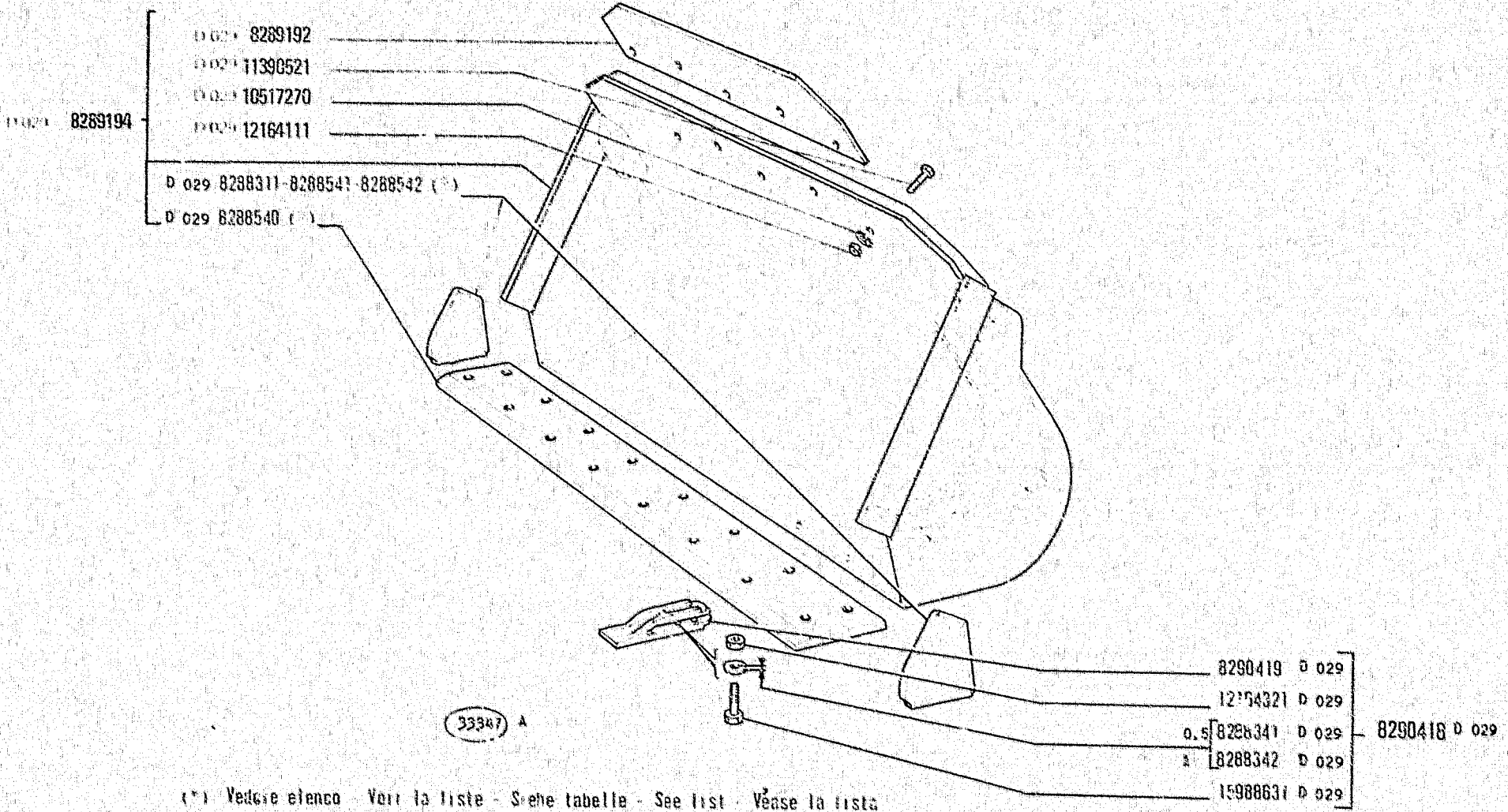
BENNA CARICATORE

Loader Bucket
Pala

F-17

E3.14

N.T.R. 30
1-9-1977
604.01.01293



(*) Vedere elenco - Voir la liste - Siehe tabelle - See list - Vease la lista

FL 10B
01 02

Godet chargeur
Laderschaufel

BENNA CARICATORE

Loader Bucket
Pala

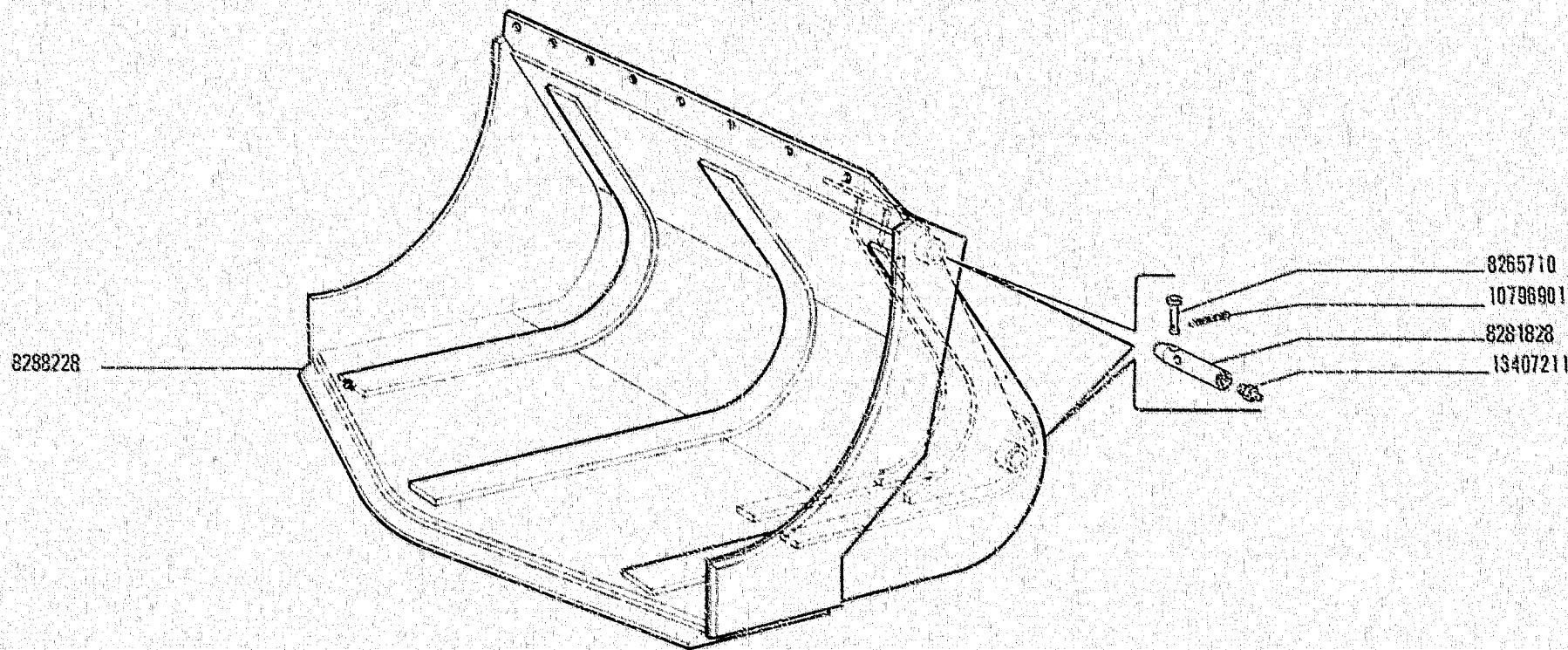
F-18

E3.14

2
N.T.R. 30
1-9-1977
604.01.012.01

DAT 503 14

E3.14/i



FL 10B

01 02

Godet chargeur
Laderschaufel

BENNA CARICATORE

Loader Bucket
Pala

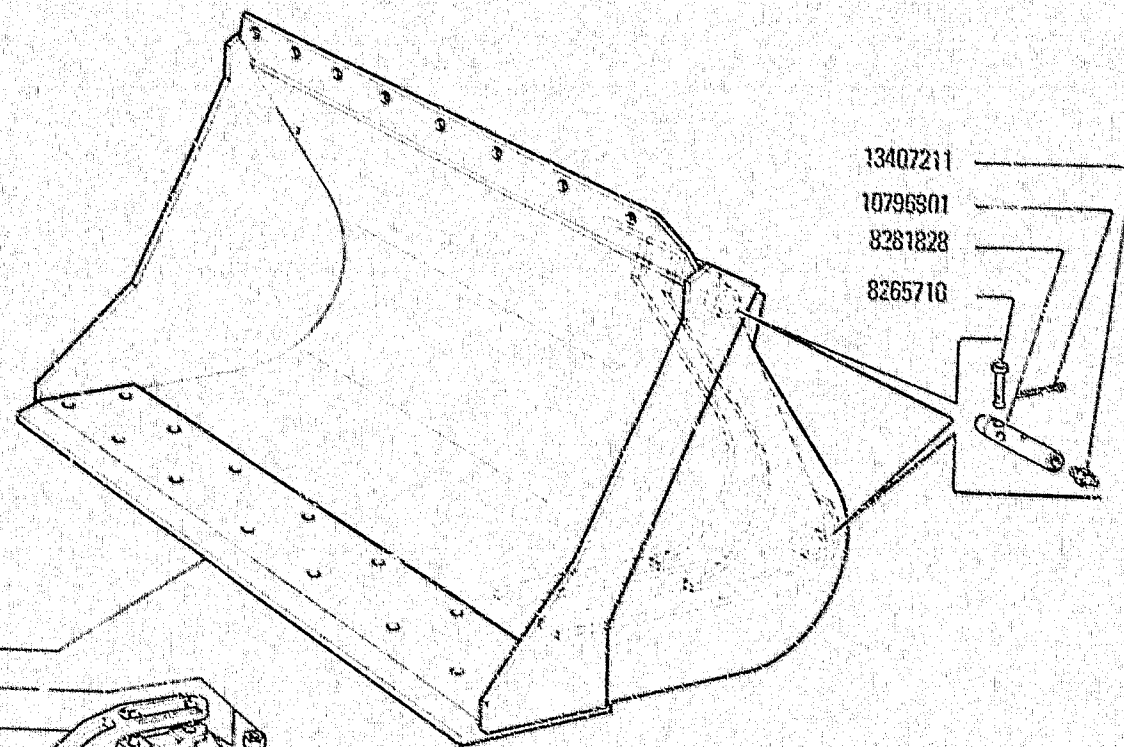
F-19

E3.14 / i

N.T.R. 30
1-9-1977
604.01.012.01

DAT 503 14

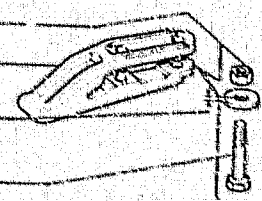
E3.14/2



8284119

8280894

- C371 12184221
- C371 8280892
- C371 8271764 0,5
- C371 8271169 1
- C371 15984630



(2455) A

FL 10B

01 02

BENNA CARICATORE

Gode's chargeur
Laderschaufel

Loader Bucket
Paia

F-20

E3.14/2

N.T.R. 30
1-9-1977
604.01.012.01

E

AUXILIARY ATTACHMENTS (AND EQUIPMENT) • ORGANI SUSSIDIARI (E ATTREZZI) • ORGANES AUXILIAIRES (ET EQUIPMENT) • NEBENAGGREGATE (UND GERÄTE) • GRUPOS AUXILIARES (Y EQUIPO)

F

ELECTRICAL SYSTEM • IMPIANTO ELETTRICO • SYSTEME ELECTRIQUE • ELEKTRISCHE ANLAGE • SISTEMA ELECTRICO

FIAT ALLIS FL10B (2ED)

F201

(03-1975)

MODIF	N.ORDINAZ. Q.	DENOMINAZIONE	DESIGNATION	BENENNUNG	DESCRIPTION	DENOMINACIONES	
	1	T	CAVO DI MASSA 596021	FIL DE MASSE	MASSEKABEL	GROUND CABLE	CABLE DE MASA
79027131	4052247	1	PULSANTE	BOUTON	DRUCKKNOPF	BUTTON	PULSADOR
	4073976	1	INTERRUTTORE (02)	INTERRUPTEUR	SCHALTER	SWITCH	INTERRUPTOR
	4073977	1	CAPPUCCIO (02)	CAPUCHON	SCHUTZKAPPE	BOOT	CAPUCHON
	4199576	1	MOTORINO DI AVVIAMENTO COMPL.	DEMARREUR	ANLASSER	STARTER MOTOR	MOTOR DE ARRANQUE
	8822563	1	GUARNIZIONE	JOINT	DICHTUNG	GASKET	JUNTA
11198371	10516876	3	ROSETTA DI SICUREZZA	RONDELLE FREIN	SICHERUNGSRING	LOCKWASHER	ARANDELA DE FRENO
	11306921	3	VITE	VIS	SCHRAUBE	SCREW	TORNILLO
	79002651	1	SUPPORTO (02)	SUPPORT	LAGER	SUPPORT	SOPORTE
	79016155	1	MOTORINO DI AVVIAMENTO COMPL. (1*)	DEMARREUR	ANLASSER	STARTER MOTOR	MOTOR DE ARRANQUE
	(1*)		PER VAR. 30.8751.02.0	POUR...	FUER	FOR ...	PARA ...

FIAT ALLIS FLIO B

E332/ 1A

MODIF	N.ORDIN.	Q.	DENOMINAZIONE	DESIGNATION	BENENNUNG	DESCRIPTION	DENOMINACIONES
	8270124	2	BOCCOLA	DOUILLE	BUECHSE	BUSH	CASQUILLO
	8284301	1	ANELLO DI TENUTA	JOINT D'ETANCHEITE	DICHRING	SEAL	JUNTA HERMETICA
	8288340	1	ANELLO	BAGUE	RING	RING	ANILLO
	8288724	1	DISTANZIALE	ENTRETOISE	ABSTANDSTUECK	SPACER	SEPARADOR
	8288748	1	ANELLO	BAGUE	RING	RING	ANILLO
	8288749	2	BOCCOLA DI GUIDA	DOUILLE DE GUIDAGE	FUEHRUNGSBUECHSE	BUSHING	CASQUILLO GUIDA
	8291504	1	ANELLO DI TENUTA	JOINT D'ETANCHEITE	DICHRING	SEAL	JUNTA HERMETICA
C 476	8293350	1	CORPO DEL CILINDRO COMPL.	CORPS DE CYLINDRE	ZYLINDER	BARREL	CUERPO DE CILINDRO
	8293351	1	STANTUFFO	PISTON	KOLBEN	PISTON	EMBOLO
C 476	8293353	1	STELO COMPL.	TIGE	STANGE	ROD	VARILLA
C 476	8293354	1	FONDELLO ANT.	CULOT	BODENTELLER	END PLATE	TAPON
	8293355	1	DADO	ECROU	MUTTER	NUT	TUERCA
	11061675	1	ANELLO DI SICUREZZA	ARRETOIR	SICHERUNGSRING	LOCKRING	ANILLO DE FRENO
	14272030	4	VITE	VIS	SCHRAUBE	SCREW	TORNILLO
	14461580	1	ANELLO DI TENUTA	JOINT D'ETANCHEITE	DICHRING	SEAL	JUNTA HERMETICA
D 476	8296704	1	CORPO DEL CILINDRO COMPL.	CORPS DE CYLINDRE	ZYLINDER	BARREL	CUERPO DE CILINDRO
D 476	8296706	1	FONDELLO ANT.	CULOT	BODENTELLER	END PLATE	TAPON
D 476	8296709	1	STELO COMPL.	TIGE	STANGE	ROD	VARILLA

MODIF	N.ORDINAZ. Q.	DENOMINAZIONE	DESIGNATION	BENENNUNG	DESCRIPTION	DENOMINACIONES	
	8270124	2	BOCCOLA	DOUILLE	BUECHSE	BUSH	CASQUILLO
	8281111	1	ANELLO DI TENUTA	JOINT D'ETANCHEITE	DICHTRING	SEAL	JUNTA HERMETICA
	8281824	2	DADO	ECROU	MUTTER	NUT	TUERCA
	8281849	1	CORPO DEL CILINDRO COMPL.	CORPS DE CYLINDRE	ZYLINDER	BARREL	CUERPO DE CILINDRO
	8281850	1	ANELLO DI TENUTA	JOINT D'ETANCHEITE	DICHTRING	SEAL	JUNTA HERMETICA
	8281853	1	ANELLO RASCHIAFANGO	GARNITURE PARE- BOUE	SCHLAMMKRAETZRING	MUDSCRAPER RING	RETENDOR DE BARRO
	8281855	1	BOCCOLA	DOUILLE	BUECHSE	BUSH	CASQUILLO
	8282151	1	FLANGIA	BRIDE	FLANSCH	FLANGE	BRIDA
	8284557	1	FONDELLO COMPL.	CULOT	BODENTELLER	END PLATE	TAPON
	8287268	2	SEMISTANTUFFO	DEMI-PISTON	KOLBENHAELFTE	HALF-PISTON	SEMIEMBOLO
	8287354	1	STELO COMPL.	TIGE	STANGE	ROD	VANILLA
	10517170	2	ROSETTA DI SICUREZZA	RONDELLE FREIN	SICHERUNGSRING	LOCKWASHER	ARANDELA DE FRENO
	10517370	4	ROSETTA DI SICUREZZA	RONDELLE FREIN	SICHERUNGSRING	LOCKWASHER	ARANDELA DE FRENO
	11408321	2	VITE	VIS	SCHRAUBE	SCREW	TORNILLO
	14471080	1	ANELLO DI TENUTA	JOINT D'ETANCHEITE	DICHTRING	SEAL	JUNTA HERMETICA
	14473180	1	ANELLO DI TENUTA	JOINT D'ETANCHEITE	DICHTRING	SEAL	JUNTA HERMETICA
	15984521	4	VITE	VIS	SCHRAUBE	SCREW	TORNILLO

MODIF	N.ORDINAZ. Q.	DENOMINAZIONE	DESIGNATION	BENENNUNG	DESCRIPTION	DENOMINACIONES
	8270259 2	BOCCOLA	DOUILLE	BUECHSE	BUSH	CASQUILLO
	8273936 2	SEMISTANTUFFO	DEMI-PISTON	KOLBENHAELFTE	HALF-PISTON	SEMIEMBOLLO
	8281061 1	ANELLO DI TENUTA	JOINT D'ETANCHEITE	DICHTRING	SEAL	JUNTA HERMETICA
	8281062 1	ANELLO RASCHIAFANGO	GARNITURE PARE-BOUE	SCHLAMMKRATZRING	MUDSCRAPER RING	RETENDOR DE BARRO
0476	8281822 1	CORPO DEL CILINDRO COMPL.	CORPS DE CYLINDRE	ZYLINDER	BARREL	CUERPO DE CILINDRO
	8281823 1	ANELLO DI TENUTA	JOINT D'ETANCHEITE	DICHTRING	SEAL	JUNTA HERMETICA
	8281824 1	DADO	ECROU	MUTTER	NUT	TUERCA
	8281826 1	STELO COMPL.	TIGE	STANGE	ROD	VARILLA
	8283467 1	FLANGIA	BRIDE	FLANSCH	FLANGE	BRIDA
	8283719 1	BOCCOLA	DOUILLE	BUECHSE	BUSH	CASQUILLO
0476	8286530 1	FONDELLO COMPL.	CULOT	BODENTELLER	END PLATE	TAPON
	10517470 4	ROSETTA DI SICUREZZA	RONDELLE FREIN	SICHERUNGSRING	LOCKWASHER	ARANDELA DE FRENO
0476	14274521 4	VITE	VIS	SCHRAUBE	SCREW	TORNILLO
	14471080 1	ANELLO DI TENUTA	JOINT D'ETANCHEITE	DICHTRING	SEAL	JUNTA HERMETICA
	14473780 1	ANELLO DI TENUTA	JOINT D'ETANCHEITE	DICHTRING	SEAL	JUNTA HERMETICA
	15988521 4	VITE	VIS	SCHRAUBE	SCREW	TORNILLO
0476	3296687 1	CORPO DEL CILINDRO COMPL.	CORPS DE CILINDRE	ZYLINDER	BARREL	CUERPO DE CILINDRO
0476	3296689 1	FONDELLO COMPL.	CULOT	BODENTELLER	END PLATE	TAPON
0476	3296698 4	VITE	VIS	SCHRAUBE	SCREW	TORNILLO

FIAT ALLIS FLIOB (2ED)

E331/ L (03-1975)

MODIF	N.ORDINAZ. Q.	DENOMINAZIONE	DESIGNATION	BENENNUNG	DESCRIPTION	DENOMINACIONES
	8274193 1	MOLLA	RESSORT	FEDER	SPRING	RESORTE
	8280120 2	TAPPO	BOUCHON	STOPFEN	PLUG	TAPON
	8286256 1	MOLLA	RESSORT	FEDER	SPRING	RESORTE
	8286837 1	VALVOLA	SOUPAPE	VENTIL	VALVE	VALVULA
	8287357 1	CORPO	CORPS	GEHAUSE	BODY	CUERPO
	14458580 2	ANELLO DI TENUTA	JOINT D'ETANCHEITE	DICHTRING	SEAL	JUNTA HERMETICA
	20063110 1	SFERA	BILLE	KUGEL	BALL	BOLA

FIAT ALLIS FL10B (2ED)

731

(03-1975)

MODIF	N.ORDINA7.	Q.	DENOMINAZIONE	DESIGNATION	BENENNUNG	DESCRIPTION	DENOMINACIONES	
C 151	11307021	12	VITE	VIS	SCHRAUBE	SCREW	TORNILLO	
	11903171	2	TAPPO	BOUCHON	STOPFEN	PLUG	TAPON	
	14457080	2	ANELLO DI TENUTA	JOINT D'ETANCHEITE	DICHTRING	SEAL	JUNTA HERMETICA	
	14457180	1	ANELLO DI TENUTA	JOINT D'ETANCHEITE	DICHTRING	SEAL	JUNTA HERMETICA	
	14457580	2	ANELLO DI TENUTA	JOINT D'ETANCHEITE	DICHTRING	SEAL	JUNTA HERMETICA	
	14458480	2	ANELLO DI TENUTA	JOINT D'ETANCHEITE	DICHTRING	SEAL	JUNTA HERMETICA	
	14458580	9	ANELLO DI TENUTA	JOINT D'ETANCHEITE	DICHTRING	SEAL	JUNTA HERMETICA	
	14463480	3	ANELLO DI TENUTA	JOINT D'ETANCHEITE	DICHTRING	SEAL	JUNTA HERMETICA	
	15888721	1	VITE	VIS	SCHRAUBE	SCREW	TORNILLO	
	15888821	11	VITE	VIS	SCHRAUBE	SCREW	TORNILLO	
	15971321	3	VITE	VIS	SCHRAUBE	SCREW	TORNILLO	
	20063110	3	SFERA	BILLE	KUGEL	BALL	BOLA	
	20063570	2	SFERA	BILLE	KUGEL	BALL	BOLA	
	C725-D151 8292626	8292626	1	CORPO COMPL.	CORPS	GEHAUSE	BODY	TORNILLO
	D 151	11343821	12	VITE	VIS	SCHRAUBE	SCREW	TORNILLO
	D 725	8295502	1	CORPO COMPL.	CORPS	GEHAUSE	BODY	TORNILLO

MODIF	N.ORDINAZ. Q.	DENOMINAZIONE	DESIGNATION	BENENIUNG	DESCRIPTION	DENOMINACIONES	
	8273096	2	MOLLA	RESSORT	FEDER	SPRING	RESORTE
	8273191	1	MOLLA	RESSORT	FEDER	SPRING	RESORTE
	8273438	1	VITE	VIS	SCHRAUBE	SCREW	TORNILLO
	8273439	1	TAPPO	BOUCHON	STOPFEN	PLUG	TAPON
	8273724	3	MOLLA	RESSORT	FEDER	SPRING	RESORTE
	8273725	3	SCODELLINO	CUVETTE	TELLERSCHEIBE	CUP	PLATILLO
	8273726	3	ROSETTA	RONDELLE	SCHLEIBE	WASHER	ARANDELA
	8274304	2	ROTTOLINO	CLIQUET	KLINKE	PAWL	SEGUR0
	8274306	2	MOLLA	RESSORT	FEDER	SPRING	RESORTE
	8274333	2	TAPPO	BOUCHON	STOPFEN	PLUG	TAPON
	8274662	1	VALVOLA	SOUPAPE	VENTIL	VALVE	VALVULA
	8274679	1	COPERCHIO POST.	COUVERCLE	DECKEL	COVER	TAPA
	8274680	2	GUARNIZIONE	JOINT	DICHTUNG	GASKET	JUNTA
	8274694	4	GRAND	ERGOT	PASSTIFT	ODWEL	PITON
C 151	8280076	1	CORPO COMPL.	CORPS	GEHAUSE	BODY	CUERPO
	8280077	2	STANTUFFO	PISTON	KOLBEN	PISTON	EMBOLO
	8280078	2	TAPPO	BOUCHON	STOPFEN	PLUG	TAPON
	8280120	3	TAPPO	BOUCHON	STOPFEN	PLUG	TAPON
	8280121	1	VITE	VIS	SCHRAUBE	SCREW	TORNILLO
	8280294	1	VALVOLA	SOUPAPE	VENTIL	VALVE	VALVULA
8284407	8280275	3	VALVOLA	SOUPAPE	VENTIL	VALVE	VALVULA
	8280439	1	DISTANZIALE	ENTRETOISE	ABSTANDSTUECK	SPACER	SEPARADOR
	8280441	1	DISTANZIALE	ENTRETOISE	ABSTANDSTUECK	SPACER	SEPARADOR
	8281044	1	VALVOLA	SOUPAPE	VENTIL	VALVE	VALVULA
	8281077	1	DISTANZIALE	ENTRETOISE	ABSTANDSTUECK	SPACER	SEPARADOR
	8281084	3	ANELLO DI TENUTA	JOINT D'ETANCHEITE	DICHTRING	SEAL	JUNTA HERMETICA
	8281085	3	ANELLO RASCHIAFANGO	GARNITURE PARE-HOUE	SCHLÄMMEKRATZER	MUDSCRAPER RING	RETENDOR DE BARRO
	8281086	3	ROSETTA	RONDELLE	SCHLEIBE	WASHER	ARANDELA
	8282994	1	COPERCHIO ANT.	COUVERCLE	DECKEL	COVER	TAPA
	8286256	3	MOLLA	RESSORT	FEDER	SPRING	RESORTE
	8286500	2	TAPPO	BOUCHON	STOPFEN	PLUG	TAPON
	8286901	2	MOLLA	RESSORT	FEDER	SPRING	RESORTE
	8286937	3	VALVOLA	SOUPAPE	VENTIL	VALVE	VALVULA
	8287524	1	VALVOLA	SOUPAPE	VENTIL	VALVE	VALVULA
	8287724	1	CORPO COMPL.	CORPS	GEHAUSE	BODY	CUERPO
	10257060	4	ROSETTA DI TENUTA	JOINT D'ETANCHEITE	DICHTRING	GASKET	JUNTA HERMETICA
	10259960	2	ROSETTA DI TENUTA	JOINT D'ETANCHEITE	DICHTRING	GASKET	JUNTA HERMETICA
	10260160	2	ROSETTA DI TENUTA	JOINT D'ETANCHEITE	DICHTRING	GASKET	JUNTA HERMETICA
	10264660	2	ROSETTA DI TENUTA	JOINT D'ETANCHEITE	DICHTRING	GASKET	JUNTA HERMETICA
	10276101	1	TAPPO	BOUCHON	STOPFEN	PLUG	TAPON
	10514370	28	ROSETTA DI SICUREZZA	RONDELLE FREIN	SICHERUNGSRING	LOCKWASHER	ARANDELA DE FRENO
	10791411	1	DADO	ECROU	MUTTER	NUT	TUERCA
	11059975	3	ANELLO DI GOMMA	BAGUE CAOUTCHOUC	DURKRING	RUBBER RING	GUARNICION DE CAUCHO
	11234731	1	VITE	VIS	SCHRAUBE	SCREW	TORNILLO

FIAT ALLIS FL10B (2ED)

E329

(03-1975)

MODIF	N.ORDINAZ. Q.	DENOMINAZIONE	DESIGNATION	BENENNUNG	DESCRIPTION	DENOMINACIONES	
	8272198	1	COPERCHIO	COUVERCLE	DECKEL	COVER	TAPA
	8272206	2	ANELLO DI TENUTA	JOINT D'ETANCHEITE	DICHTRING	SEAL	JUNTA HERMETICA
	8272207	2	ANELLO DI TENUTA	JOINT D'ETANCHEITE	DICHTRING	SEAL	JUNTA HERMETICA
	8272209	4	GRANO	ERGOT	PASSTIFT	DOWEL	PITON
	8272966	1	DISTANZIALE	ENTRETOISE	ABSTANDSTUECK	SPACER	SEPARADOR
	8272959	16	ROSETTA	RONDELLE	SCHETBE	WASHER	ARANDELA
	8273107	16	VITE	VIS	SCHRAUBE	SCREW	TORNILLO
	8273361	4	BOCCOLA	DOUILLE	BUECHSE	BUSH	CASQUILLO
	8281199	2	ANELLO DI TENUTA	JOINT D'ETANCHEITE	DICHTRING	SEAL	JUNTA HERMETICA
	8281200	5	CORREDOG.COMPOSTO DA 1	POCHETTE-CONTE- NANT ...	AUSKLESTUNG BE- STEHEND AUS ...	KIT-CONSISTING OF ...	EQUIPO-COMPUSTO DE ...
	8283366	1	CORPO COMPL.	CORPS	GEHAUSE	BODY	CUERPO
	8283369	1	COPIA DI INGRANAGGI	COUPLE D'ENGRENA- GES	ZAHNRADPAAR	GEAR SET	PAR DE ENGRANAJES
	8283944	1	COPERCHIO	COUVERCLE	DECKEL	COVER	TAPA
	8286366	2	FERMASLID	AGRAFE	KLEHMSTUECK	CLIP	SUJETADOR
	8287209	2	SUPPORTO COMPL.	SUPPORT	LAGER	SUPPORT	SOPORTE
	8287883	2	ANELLO DI TENUTA	JOINT D'ETANCHEITE	DICHTRING	SEAL	JUNTA HERMETICA
	11060575	1	ANELLO DI SICUREZZA	ARRETOIR	SICHERUNGSRING	LOCKRING	ANILLO DE FRENO

FIAT ALLIS FL10B (2ED)

E328

(03-1975)

MODIF	N. GRDINAZ. Q.	DENOMINAZIONE	DESIGNATION	BENENNUNG	DESCRIPTION	DENOMINACIONES
C 100	10796401	2	COPIGLIA (01)	GOUPILLE FENDUE	SPLINT	PASADOR ABIERTO
C 100	12638601	2	ROSETTA (01)	RONDELLE	SCHEIBE	ARANDELA
C 100	13404475	1	ANELLO DI SICUREZZA (01)	ARRETOIR	SICHERUNGSRING	ANILLO DE FRENO
C 100	14164070	1	SPINA (01)	GOUPILLE	STIFT	PASADOR
C 100	14330260	1	ROSETTA DI TENUTA	JOINT D'ETANCHEITE	DICHTRING	JUNTA HERMETICA
	14464080	1	ROSETTA DI TENUTA (01)	JOINT D'ETANCHEITE	DICHTRING	JUNTA HERMETICA
	14464480	1	ANELLO DI TENUTA	JOINT D'ETANCHEITE	DICHTRING	JUNTA HERMETICA
	14466480	1	ANELLO DI TENUTA	JOINT D'ETANCHEITE	DICHTRING	JUNTA HERMETICA
	14466880	1	ANELLO DI TENUTA	JOINT D'ETANCHEITE	DICHTRING	JUNTA HERMETICA
C 100	14466880	2	ANELLO DI TENUTA (01)	JOINT D'ETANCHEITE	DICHTRING	JUNTA HERMETICA
	15540321	6	VITE (*)	VIS	SCHRAUBE	TORNILLO
	15970521	8	VITE	VIS	SCHRAUBE	TORNILLO
C 100	15970521	4	VITE (01)	VIS	SCHRAUBE	TORNILLO
	20063010	1	SFERA	BILLE	KUGEL	BOLA
D 100	10332810	1	SPINA	GOUPILLE	STIFT	PASADOR
D 100	14467980	1	ANELLO DI TENUTA	JOINT D'ETANCHEITE	DICHTRING	JUNTA HERMETICA
	(*)		TRATTORE SENZA IMPIANTO IDRAULICO	SANS INSTALLATION HYDRAULIQUE	OHNE HIDRAULISCHE ANLAGE	- W/O HYDRAULIC SYSTEM - SIN INSTALACION HIDRAULICA

FIAT ALLIS FL10B (2ED)

E328

(03-1975)

MODIF	N.ORDINAZ. Q.	DENOMINAZIONE	DESIGNATION	BENENNUNG	DESCRIPTION	DENOMINACIONES	
C 100	546858	2	MOLLA (01)	RESSORT	FEDER	SPRING	RESORTE
	581492	1	CANDELA MAGNETICA	TIGE MAGNETIQUE	MAGNETEINSATZ	MAGNETIC ROD	BARRA IMANADA
	581658	1	TAPPO	BOUCHON	STOPFEN	FILTER	TAPON
C 100	581658	1	TAPPO	BOUCHON	STOPFEN	PLUG	TAPON
C 100	591300	1	FONDELLO (01)	CULOT	RODENTELLER	END PLATE	TAPON
	592667	1	TAPPO	BOUCHON	SCHRAUBDECKEL	CAP	TAPON
	593121	1	COPERCHIO (*)	COUVERCLE	DECKEL	COVER	TAPA
	593121	1	COPERCHIO	COUVERCLE	DECKEL	COVER	TAPA
C 100	593121	1	COPERCHIO (01)	COUVERCLE	DECKEL	COVER	TAPA
C 100	593356	1	COPERCHIO COMPL. (01)	COUVERCLE	DECKEL	COVER	TAPA
C 100	593357	1	COPERCHIO (01)	COUVERCLE	DECKEL	COVER	TAPA
C 100	593361	1	FONDELLO (01)	CULOT	RODENTELLER	END PLATE	TAPON
C 100	593364	1	ASTA (01)	TIGE	STANGE	ROD	VARILLA
C 100	595357	1	COPERCHIO (*)	COUVERCLE	DECKEL	COVER	TAPA
	595358	1	COPERCHIO (*)	COUVERCLE	DECKEL	COVER	TAPA
C 100	4596991	1	FILTRO OLIO (01)	FILTRE A HUILE	DELFILTER	OIL FILTER	FILTRO DE ACEITE
C 100	4964396	2	ROSETTA DI TENUTA (01)	JOINT D'ETANCHEITE	DICHTRING	GASKET	JUNTA HERMETICA
D 100	79006376	1	TRASMETTITORE	CONTACTEUR	KONTAKTGENER	SENDING UNIT	CONTACTOR
D 100	4978111	1	RACCORDO	RACCORD	STUTZEN	CONNECTION	RACOR
D 100	4978765	1	FILTRO OLIO	FILTRE A HUILE	DELFILTER	OIL FILTER	FILTRO DE ACEITE
D 100	79010564	1	FILTRO OLIO	FILTRE A HUILE	DELFILTER	OIL FILTER	FILTRO DE ACEITE
D 100	4992081	1	SCODELLINO	CUVETTE	TEI LENSCHBEIGE	CUP	PLATILLO
D 100	4992082	1	FONDELLO	CULOT	RODENTELLER	END PLATE	TAPON
D 100	4992083	1	MOLLA	RESSORT	FEDER	SPRING	RESORTE
D 100	4992084	1	PERNO	AXE	BOLZEN	PIN	EJE
D 100	4992085	1	MOLLA	RESSORT	FEDER	SPRING	RESORTE
D 100	4992086	1	MOLLA	RESSORT	FEDER	SPRING	RESORTE
D 100	4992087	1	ROSETTA	RONDELLE	SCHEIBE	WASHER	ARANDELA
D 100	4992088	1	MOLLA	RESSORT	FEDER	SPRING	RESORTE
D 100	4992089	1	COPERCHIO COMPL.	COUVERCLE	DECKEL	COVER	TAPA
D 100	4992094	1	COPERCHIO COMPL.	COUVERCLE	DECKEL	COVER	TAPA
D 100	4992213	1	COPERCHIO (*)	COUVERCLE	DECKEL	COVER	TAPA
C 100	8253660	1	FILTRO OLIO (01)	FILTRE A HUILE	DELFILTER	OIL FILTER	FILTRO DE ACEITE
	10273001	1	TAPPO (*)	BOUCHON	STOPFEN	PLUG	TAPON
	10278391	1	TAPPO	BOUCHON	STOPFEN	PLUG	TAPON
	10279985	1	ROSETTA DI TENUTA (*)	JOINT D'ETANCHEITE	DICHTRING	GASKET	JUNTA HERMETICA
	10296585	1	ROSETTA DI TENUTA	JOINT D'ETANCHEITE	DICHTRING	GASKET	JUNTA HERMETICA
	10297085	1	ROSETTA DI TENUTA	JOINT D'ETANCHEITE	DICHTRING	GASKET	JUNTA HERMETICA
	10300671	1	TAPPO (*)	BOUCHON	STOPFEN	PLUG	TAPON
	10516870	4	ROSETTA DI SICUREZZA	RONDELLE FREIN	SICHERUNGSRING	LOCKWASHER	ARANDELA DE FRENO
C 100	10516870	8	ROSETTA DI SICUREZZA (01)	RONDELLE FREIN	SICHERUNGSRING	LOCKWASHER	ARANDELA DE FRENO
	10517070	6	ROSETTA DI SICUREZZA (*)	RONDELLE FREIN	SICHERUNGSRING	LOCKWASHER	ARANDELA DE FRENO
	10733801	1	COPIGLIA	GROUPILLE FENDUE	SPLINT	SPLIT PIN	PASADOR ABIERTO

MODIF	N.ORDINAZ. Q.	DENOMINAZIONE	DESIGNATION	BENENNUNG	DESCRIPTION	DENOMINAZIONES	
C 476	568081	3	BOCOLA	BOUILLE	BUFHSE	BUSH	CASQUILLO
	589923	1	MOLLA	RESSORT	FEDER	SPRING	RESORTE
	8280053	1	MOLLA	RESSORT	FEDER	SPRING	RESORTE
8281562	8281190	3	COLLARE	COLLIER	SCHELLE	COLLAR	COLLAR
	8281744	1	TAPPO	BOUCHON	STOPFEN	PLUG	TAPON
	8281746	2	ANELLO DI TENUTA	JOINT D'ETANCHEITE	DICHTRING	SEAL	JUNTA HERMETICA
	8281747	1	ANELLO RASCHIAFANGO	GARNITURE PARE-BOUE	SCHLAMMKRATZRING	MUDSCRAPER RING	RETENDOR DE BARRO
C 415	8281751	1	FLANGIA	BRIDE	FLANSCH	FLANGE	BRIDA
	8281759	1	BLOCCHETTO REGISTRA-BILE	TAQUET REGLABLE	EINSTELLBARES STUECK	ADJUSTING PAD	MULETILLA REGULABLE
C 476	8282394	1	CORPO	CORPS	GEHAUSE	BODY	CUERPO
C 415	8282602	1	ASTA DEL POSIZIONATORE	TIGE DE POSITION-NEUR	STANGE DER RUECK-STELLVORRICHTUNG	POSITIONING ROD	VARILLA DE POSI-CIONADOR
C 415	8283437	1	SUPPORTO	SUPPORT	LAGER	SUPPORT	SOPORTE
	8283438	1	PERNO	AXE	BOLZEN	PIN	EJE
C 415	8283440	1	LEVA COMPL.	LEVIER	HEBEL	LEVER	PALANCA
	8285065	1	POSIZIONATORE COMPL.	POSITIONNEUR	RUECKSTELLVOR-RICTUNG	POSITIONING DEVICE	POSICIONADOR
C 476	8285066	1	TAPPO	BOUCHON	STOPFEN	PLUG	TAPON
	8285067	1	MOLLA	RESSORT	FEDER	SPRING	RESORTE
ERR	8285068	1	COPERCHIO POST.	COUVERCLE	DECKEL	COVER	TAPA
	10184311	2	TUBO FLESSIBILE	TUYAU FLEXIBLE	SCHLAUCH	HOSE	MANGA FLEXIBLE
	10280060	4	BOCCHETTONE	VIS-RACCORD	HOHLSCHRAUBE	UNION	BOQUILLA
	10517070	9	ROSETTA DI TENUTA	JOINT D'ETANCHEITE	DICHTRING	GASKET	JUNTA HERMETICA
	14164270	1	ROSETTA DI SICUREZZA	RONDELLE FREIN	SICHERUNGSRING	LOCKWASHER	ARANDELA DE FRENO
	14452980	2	SPINA	SOPILLE	STIFT	PIN	PASADOR
	14452980	2	ANELLO DI TENUTA	JOINT D'ETANCHEITE	DICHTRING	SEAL	JUNTA HERMETICA
	14457080	2	ANELLO DI TENUTA	JOINT D'ETANCHEITE	DICHTRING	SEAL	JUNTA HERMETICA
	C 476	15540321	2	VITE	VIS	SCHRAUBE	TORNILLO
	C 476	15540421	4	VITE	VIS	SCHRAUBE	TORNILLO
	C 476	15541021	1	VITE	VIS	SCHRAUBE	TORNILLO
C 476	15541321	2	VITE	VIS	SCHRAUBE	TORNILLO	
	20063390	2	SFERA	BILLE	KUGEL	BALL	TORNILLO
C 476 D 415	8285597	1	POSIZIONATORE COMPL.	POSITIONNEUR	RUECKSTELLVOR-RICTUNG	POSITIONING DEVICE	BOLA POSICIONADOR
D 415	8295589	1	LEVA COMPL.	LEVIER	HEBEL	LEVER	PALANCA
C 476 D 415	8295610	1	ASTA DEL POSIZIONATORE COMPL.	TIGE DE POSITION-NEUR	STANGE DER RUECK-STELLVORRICHTUNG	POSITIONING ROD	VARILLA DE POSI-CIONADOR
D 415	8295671	1	BLOCCHETTO REGISTRABILE	TAQUET REGLABLE	EINSTELLBARES STUECK	ADJUSTING PAD	MULETILLA REGULABLE
D 476	8296456	1	CORPO COMPL.	CORPS	GEHAUSE	BODY	GEHAUSE
D 476	8296464	1	POSIZIONATORE COMPL.	POSITIONNEUR	RUECKSTELLVOR-RICTUNG	POSITIONING DEVICE	POSICIONADOR
D 476	8297038	1	ASTA DEL POSIZIONATORE COMPL.	TIGE DE POSITION-NEUR	STANGE DER RUECK-STELLVORRICHTUNG	POSITIONING ROD	VARILLA DE POSI-CIONADOR
D 476	8298350	1	MOLLA	RESSORT	FEDER	SPRING	RESORTE
D 476	8298381	1	MOLLA	RESSORT	FEDER	SPRING	RESORTE
D 476	11112231	2	VITE	VIS	SCHRAUBE	SCREW	TORNILLO
D 476	11112431	4	VITE	VIS	SCHRAUBE	SCREW	TORNILLO
D 476	11113431	1	VITE	VIS	SCHRAUBE	SCREW	TORNILLO
D 476	11113731	2	VITE	VIS	SCHRAUBE	SCREW	TORNILLO
TORN	8294117	1	TUBO FLESSIBILE (*)	TUYAU FLEXIBLE	SCHLAUCH	HOSE	MANGA FLEXIBLE
CONF	8291174	1	TUBO FLESSIBILE (*)	TUYAU FLEXIBLE	SCHLAUCH	HOSE	MANGA FLEXIBLE

(*) IN ALTERNATIVA

EN ALTERNATIVE

ABWECHSELND

OPTIONAL

OPTATIVO

1 / 1

FIAT ALLIS FL10B (2E0)

E326

(03-1975)

MODIF	N.ORDINAZ. Q.	DENOMINAZIONE	DESIGNATION	BENENNUNG	DESCRIPTION	DENOMINACIONES	
	591173	1	ANELLO DI APPOGGIO	RONDELLE DE BUTEE	DRUCKSCHEIBE	THRUST RING	ANILLO DE APOYO
76000925	598056	1	VITE	VIS	SCHRAUBE	SCREW	TORNILLO
	4958405	1	LEVA	LEVIER	HEBEL	LEVER	PALANCA
	14164470	1	SPINA	GOUPILLE	STIFT	PIN	PASADOR
	16103611	1	DADO	ECROU	MUTTER	NUT	TUERCA

1/1

G-15

MODIF	N. ORDINAZ.	Q.	DENONIMAZIONE	DESIGNATION	BENENNUNG	DESCRIPTION	DENOMINACIONES
	578075	1	IMPUGNATURA	POIGNEE	GRIFF	KNOB	BOTON
	578075	1	IMPUGNATURA (*)	POIGNEE	GRIFF	KNOB	BOTON
	585977	1	BOCCOLA	DOUILLE	BUECHSE	BUSH	CASQUILLO
	596929	4	PERNO	AXE	BOLZEN	PIN	EJE
	4177981	2	BOCCOLA	DOUILLE	BUECHSE	BUSH	CASQUILLO
	8295813	1	BIELLA	BIELLE	LASCHE	LIN*	BIELA
	8295814	1	PERNO	AXE	BOLZEN	PIN	EJE
	8295816	1	LEVA	LEVIER	HEBEL	LEVER	PALANCA
	8295817	1	SUPPORTO	SUPPORT	LAGER	SUPPORT	SUPORTE
	8295822	2	PERNO	AXE	BOLZEN	PIN	EJE
	8295824	2	BISCOTTINO	JUMELLE	LASCHE	SHACKLE	BIELA
	8295825	1	LEVA	LEVIER	HEBEL	LEVER	PALANCA
	8295826	5	BOCCOLA	DOUILLE	BUECHSE	BUSH	CASQUILLO
	8295826	2	BOCCOLA (*)	DOUILLE	BUECHSE	BUSH	CASQUILLO
	8295827	1	VITE	VIS	SCHRAUBE	SCREW	TORNILLO
	8295828	2	BISCOTTINO	JUMELLE	LASCHE	SHACKLE	BIELA
	8295829	1	PERNO	AXE	BOLZEN	PIN	EJE
	8295951	1	LEVA COMPL. (*)	LEVIER	HEBEL	LEVER	PALANCA
	8295952	1	LEVA COMPL.	LEVIER	HEBEL	LEVER	PALANCA
	8295953	1	LEVA COMPL.	LEVIER	HEBEL	LEVER	PALANCA
	10205810	1	LINGUETTA	LINGUET	SCHIBENFEDER	KEY	CHAVETA
	10816870	5	ROSETTA ELASTICA				
	10796401	4	COPIGLIA	GOUPILLE FENDUE	SPLINT	SPLIT PIN	PASADOR ABIERTO
	11306921	1	VITE	VIS	SCHRAUBE	SCREW	TORNILLO
	12638601	4	ROSETTA ELASTICA				
	14162070	2	SPINA	GOUPILLE	STIFT	PIN	PASADOR
	14166470	2	SPINA	GOUPILLE	STIFT	PIN	PASADOR
	15970721	4	VITE	VIS	SCHRAUBE	SCREW	TORNILLO
	76003215	1	COMANDO COMPL.	COMMANDE	BETAETIGUNGS- VORRICHT.	CONTROL	MANDO
	4177981	1	BOCCOLA (*)	DOUILLE	BUECHSE	BUSH	CASQUILLO
		(*)	PER RIPPERS	POUR	FUER	FOR	PARA

MODIF	N.ORDINAZ. Q.	DENOMINAZIONE	DESIGNATION	BENENNUNG	DESCRIPTION	DENOMINACIONES	
	578075	2	IMPUGNATURA	POIGNEE	GRIFF	KNOB	BOTON
	585977	4	BOCCO V	DOUILLE	BUECHSE	BUSH	CASQUILLO
	596882	1	DISTANZIALE	ENTRETOISE	ABSTANDSTUECK	SPACER	SEPARADOR
	596884	1	PERNO	AXE	BOLZEN	PIN	EJE
	596886	4	BISCOTTINO	IUMELLE	LASCHE	SHACKLE	BIELA
	596887	1	SUPPORTO	SUPPORT	LAGER	SUPPORT	SOPORTE
	596889	4	ROSETTA	RONDELLE	SCHEIBE	WASHER	ARANDELA
	596929	4	PERNO	AXE	BOLZEN	PIN	EJE
	4177981	2	BOCCOLA	DOUILLE	BUECHSE	BUSH	CASQUILLO
	4970641	1	LEVA COMPL.	LEVIER	HEBEL	LEVER	PALANCA
	4970648	1	LEVA COMPL.	LEVIER	HEBEL	LEVER	PALANCA
	4977732	2	DISTANZIALE	ENTRETOISE	ABSTANDSTUECK	SPACER	SEPARADOR
	10516870	4	ROSETTA DI SICUREZZA	RONDELLE FREIN	SICHERUNGSRING	LOCKWASHER	ARANDELA DE FRENO
	10517070	1	ROSETTA DI SICUREZZA	RONDELLE FREIN	SICHERUNGSRING	LOCKWASHER	ARANDELA DE FRENO
	10796401	4	COPIGLIA	GOUVILLE FENDUE	SPLINT	SPLIT PIN	PASADOR ABIES. J
	12638601	4	ROSETTA	RONDELLE	SCHLEIBE	WASHER	ARANDELA
	15970521	4	VITE	VIS	SCHRAUBE	SCREW	TORNILLO
	16101511	1	DADO	ECROU	MUTTER	NUT	TUERGA

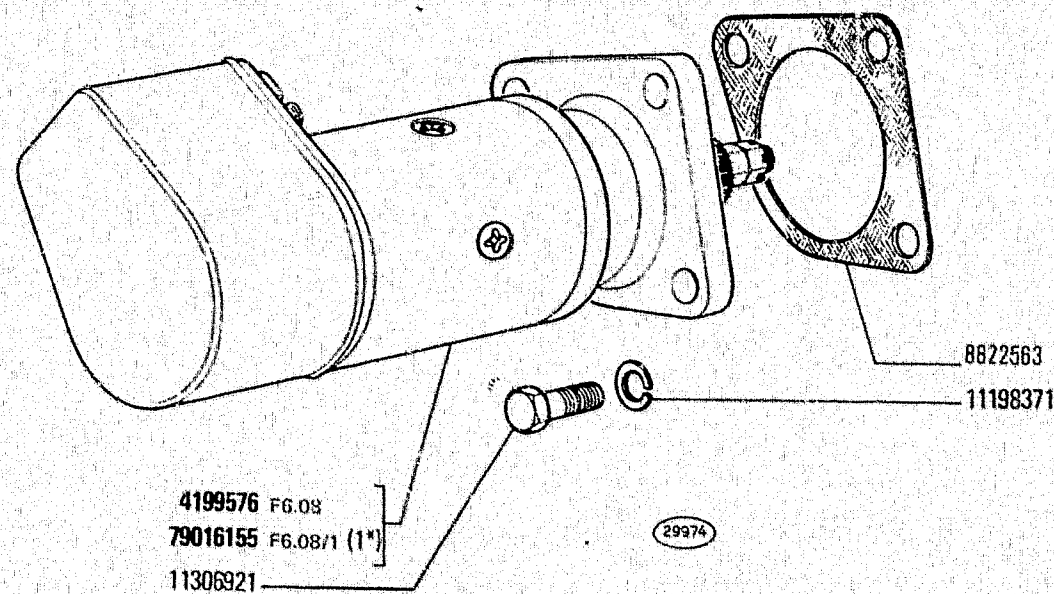
MODIF	N.ORDINAZ. Q.	DENOMINAZIONE	DESIGNATION	BENENNUNG	DESCRIPTION	DENOMINACIONES	
	8265710	4	SPINA	GOUPILLE	STIFT	PIN	PASADOR
ERR.	8271764		ROSETTA SP.0,5	RONDELLE	SCHEIBE	WASHER	ARANDELA
ERR.	8272169		ROSETTA SP.1	RONDELLE	SCHEIBE	WASHER	ARANDELA
ERR.	8280892	8	DENTE	DENT	KLAE	LUG	DIENTE
ERR.	8280894	8	DENTE COMPL.	DENT	KLAE	LUG	DIENTE
	8281828	4	PERNO	AXE	BOLZEN	PIN	EJE
	8288311	2	TAGLIENTE LAT. (*)	LAME COUPANTE	SCHNEIDE	KNIFE	CUCHILLA
	8288540	1	TAGLIENTE CENTR. (*)	LAME COUPANTE	SCHNEIDE	KNIFE	CUCHILLA
	8288541	2	TAGLIENTE LAT. (*)	LAME COUPANTE	SCHNEIDE	KNIFE	CUCHILLA
	8288542	2	TAGLIENTE LAT. (*)	LAME COUPANTE	SCHNEIDE	KNIFE	CUCHILLA
LLIM.	8288990	1	BENNA COMPL.	GODET	KUEBEL	BUCKET	PALA
	8289192	1	RIPARO CENTR.	PROTECTION	ABDECKUNG	PROTECTION	DEFENSA
	8289195	1	BENNA COMPL.	GODET	KUEBEL	BUCKET	PALA
	10517270	5	ROSETTA DI SICUREZZA	RONDELLE FREIN	SICHERUNGSRING	LOCKWASHER	ARANDELA DE FRENO
	10796901	4	COPIGLIA	GOUPILLE FENDUE	SPLINT	SPLIT PIN	PASADOR ABIERTO
	11390521	5	VITE	VIS	SCHRAUBE	SCREW	TORNILLO
	12164111	5	DADO	ECROU	MUTTER	NUT	TUERCA
ERR.	12164221	16	DADO	ECROU	MUTTER	NUT	TUERCA
	13407211	4	INGRASSATORE	GRAISSEUR	SCHMIERNIPPEL	FITTING	ENGRASADOR
ERR.	15984830	16	VITE	VIS	SCHRAUBE	SCREW	TORNILLO
	8288341		ROSETTA SP.0,5	RONDELLE	SCHEIBE	WASHER	ARANDELA
	8288342		ROSETTA SP.1	RONDELLE	SCHEIBE	WASHER	ARANDELA
	8290418	8	DENTE COMPL.	DENT	KLAE	LUG	DIENTE
	8290419	8	DENTE	DENT	KLAE	LUG	DIENTE
	12164321	16	DADO	ECROU	MUTTER	NUT	TUERCA
	15985631	16	VITE	VIS	SCHRAUBE	SCREW	TORNILLO
	(*)		DA SALDARE	A SOUDER	ANZULGETEN	TO BE WELDED	DE SOLDAR

E

AUXILIARY ATTACHMENTS (AND EQUIPMENT) • ORGANI SUSSIDIARI (E ATTREZZI) • ORGANES AUXILIAIRES (ET EQUIPMENT) • NEBENAGGREGATE (UND GERÄTE) • GRUPOS AUXILIARES (Y EQUIPO)

F

ELECTRICAL SYSTEM • IMPIANTO ELETTRICO • SYSTEME ELECTRIQUE • ELEKTRISCHE ANLAGE • SISTEMA ELECTRICO



(1*) Vedere elenco - Voir la liste - Siehe Tabelle - See list - Véase la lista

FL10 B

01 02

AVVIAMENTO MOTORE

Lancement du moteur
Anlassen des Motors

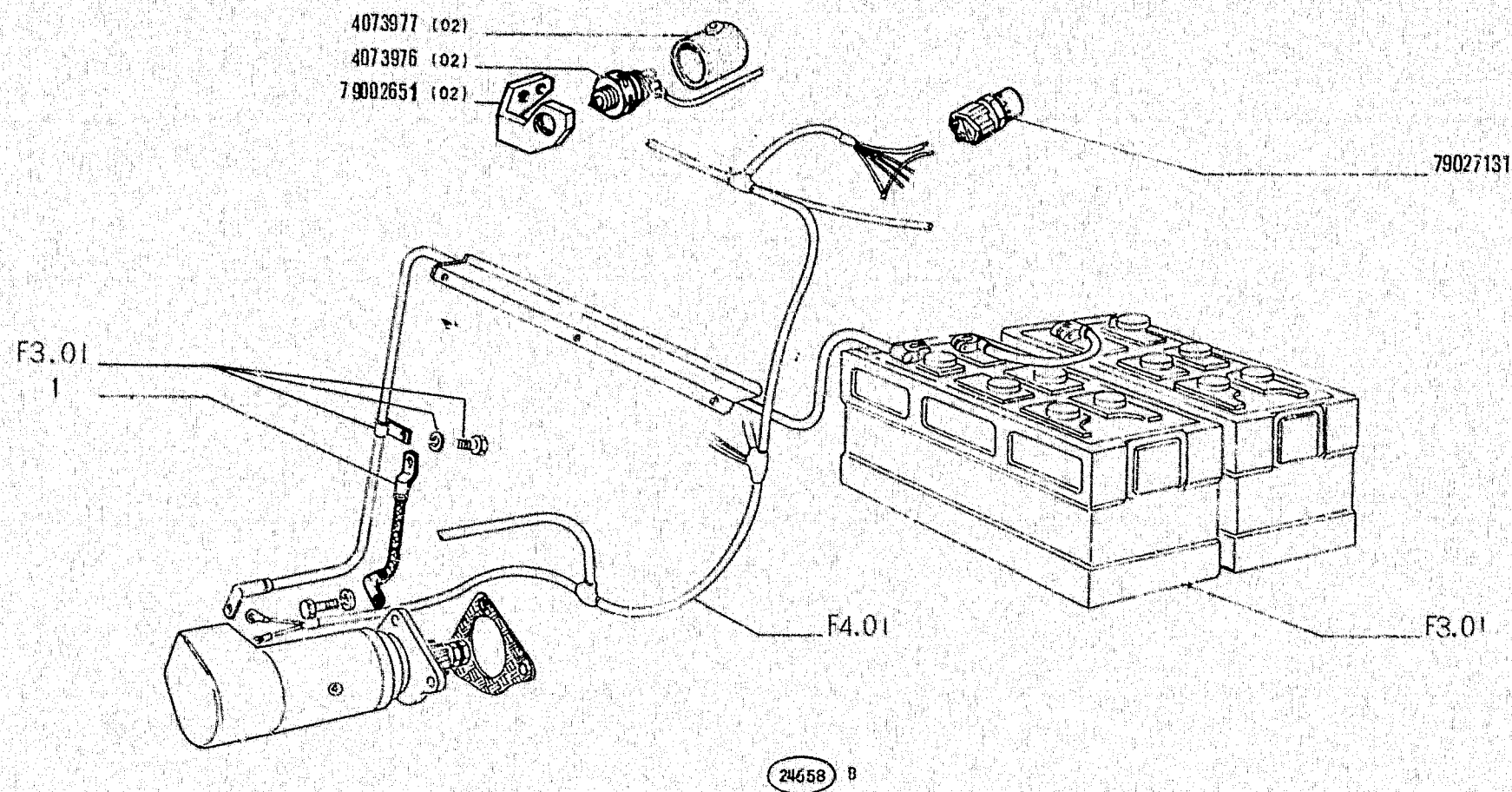
Engine Starting Equipment

H-2 Arranque del motor

F2.01

2

N.T.R. 49
15-5-1979
604.01.012.04



FL10 B

01 02

Lancement du moteur
Anlassen des Motors

AVVIAMENTO MOTORE

Engine Starting Equipment

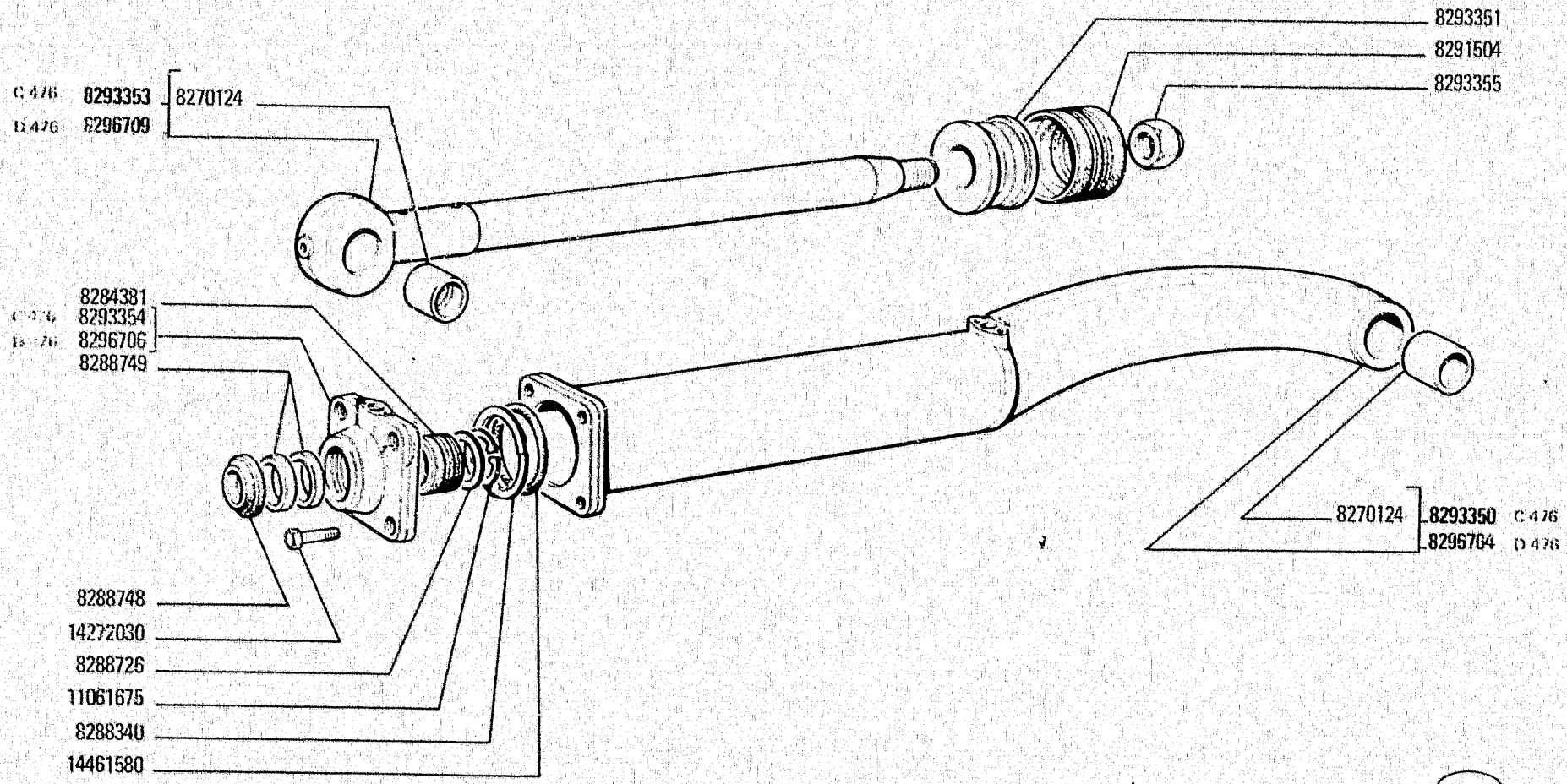
H-3

Arranque del motor

F2.01

1

N.T.R. 83
15-11981
604.01.012.06



D.415 aut, n. 107017 →

00394

FL 10 B
01 02

Cylindre
Zylinder

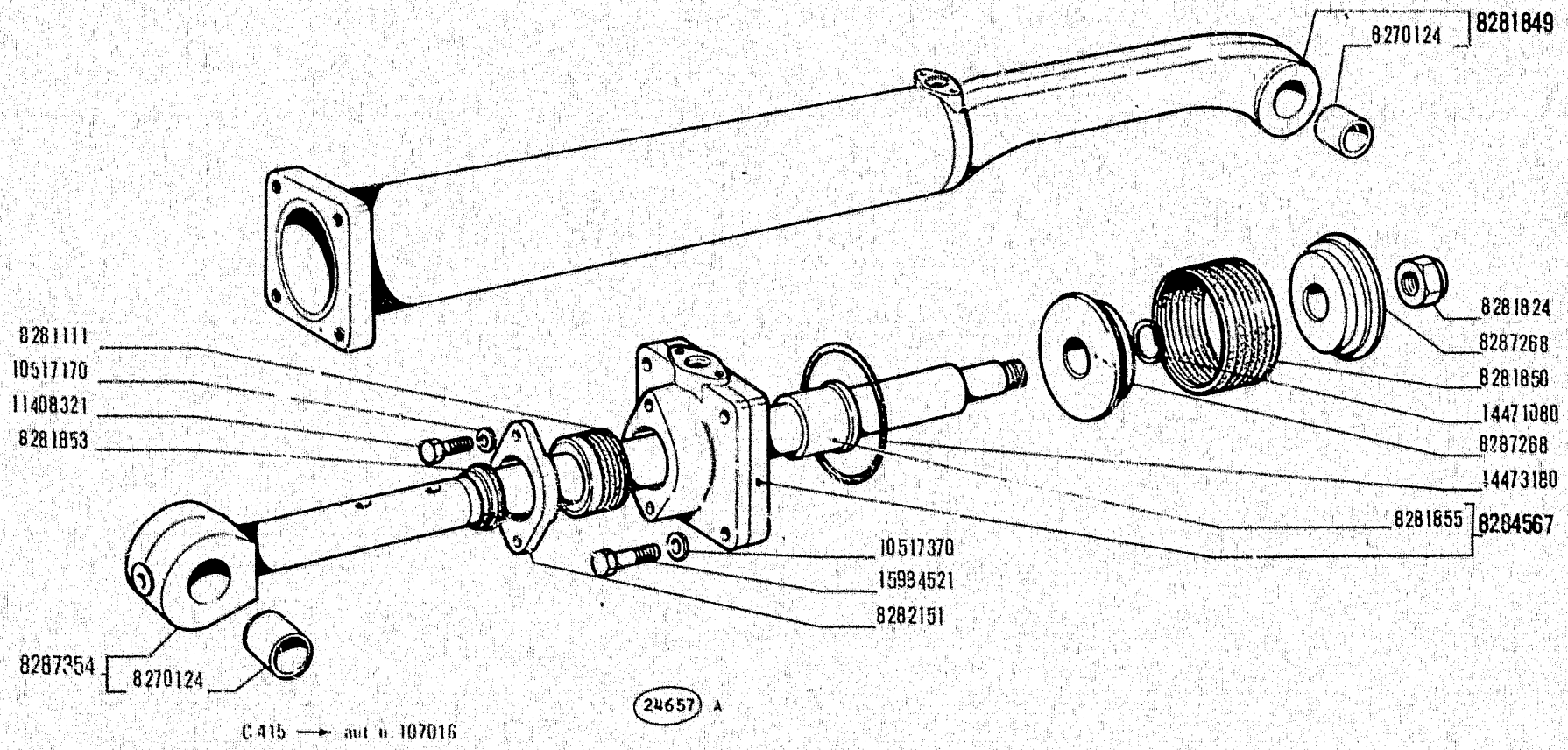
CILINDRO 8293346 - 8296702

H-4

Cylinder
Cilindro

E3.32/1A

N. F. R. 14
27.11.1978
604.01.012.03



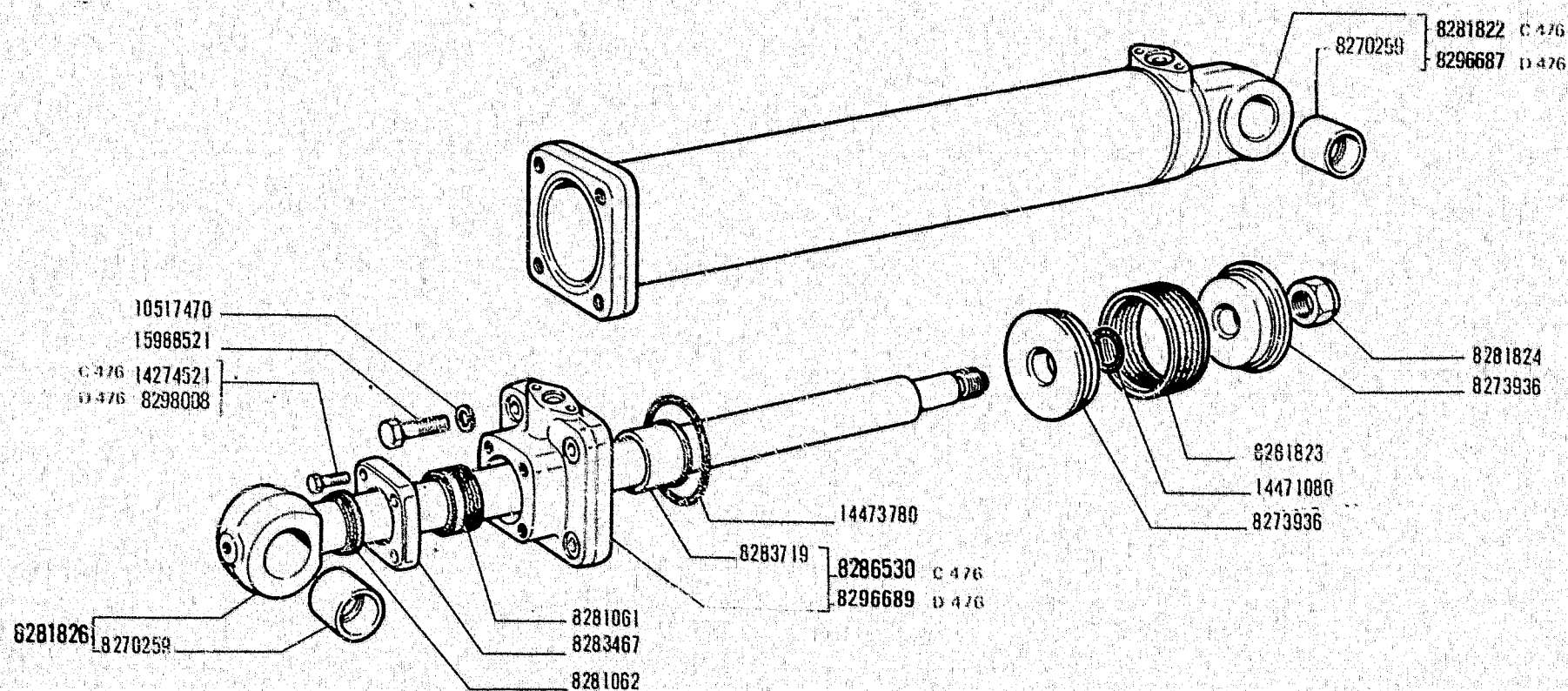
FL 10 B
01 02

Cylindre
Zylinder

CILINDRO 8282604
Cylinder
Cilindro
H-5

E3.32/1

NTR 44
27-11-1978
604 01 012 03



29945

FL 10 B

01 02

Cylindre
Zylinder

CILINDRO 8286617 - 8296685

Cylinder
Cilindro

H-6

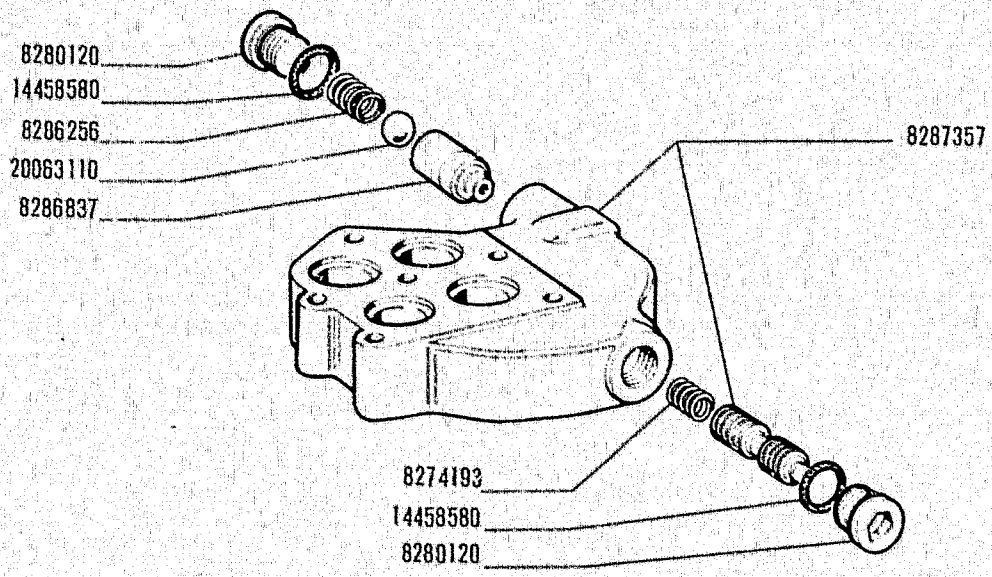
E3.32

NTR 44
27 11 1978
604 01 012 03

331

DAT 503 31

E3.31/1



29282

FL10 B
01 02

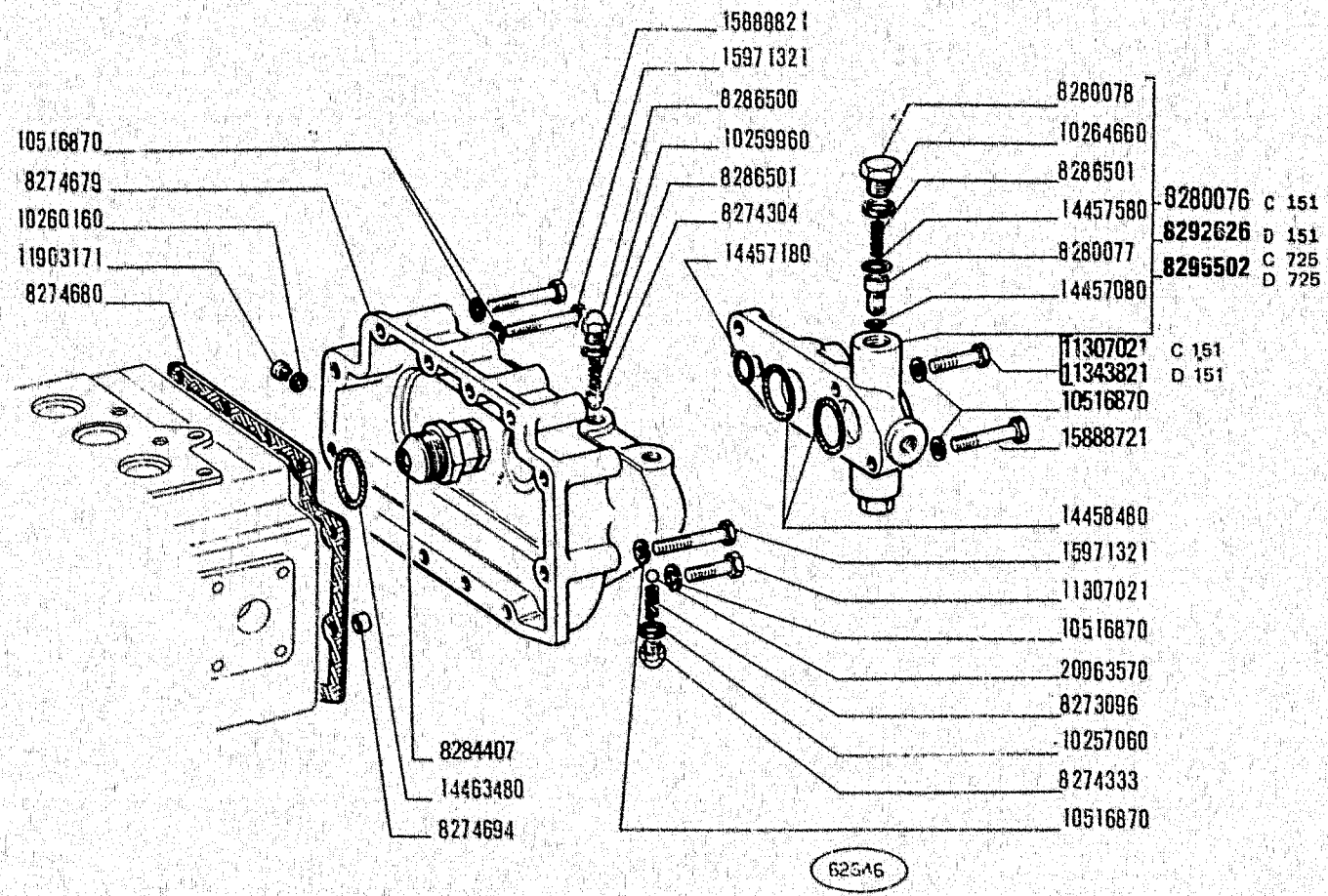
Devrateur
Umgerhungsventil

DEVIATORE 8287355

H-7

By-pass valve
Valvula de desvrcion

E3.31/1



FL 10B
01 02

*Distributeur
Steuergerät*

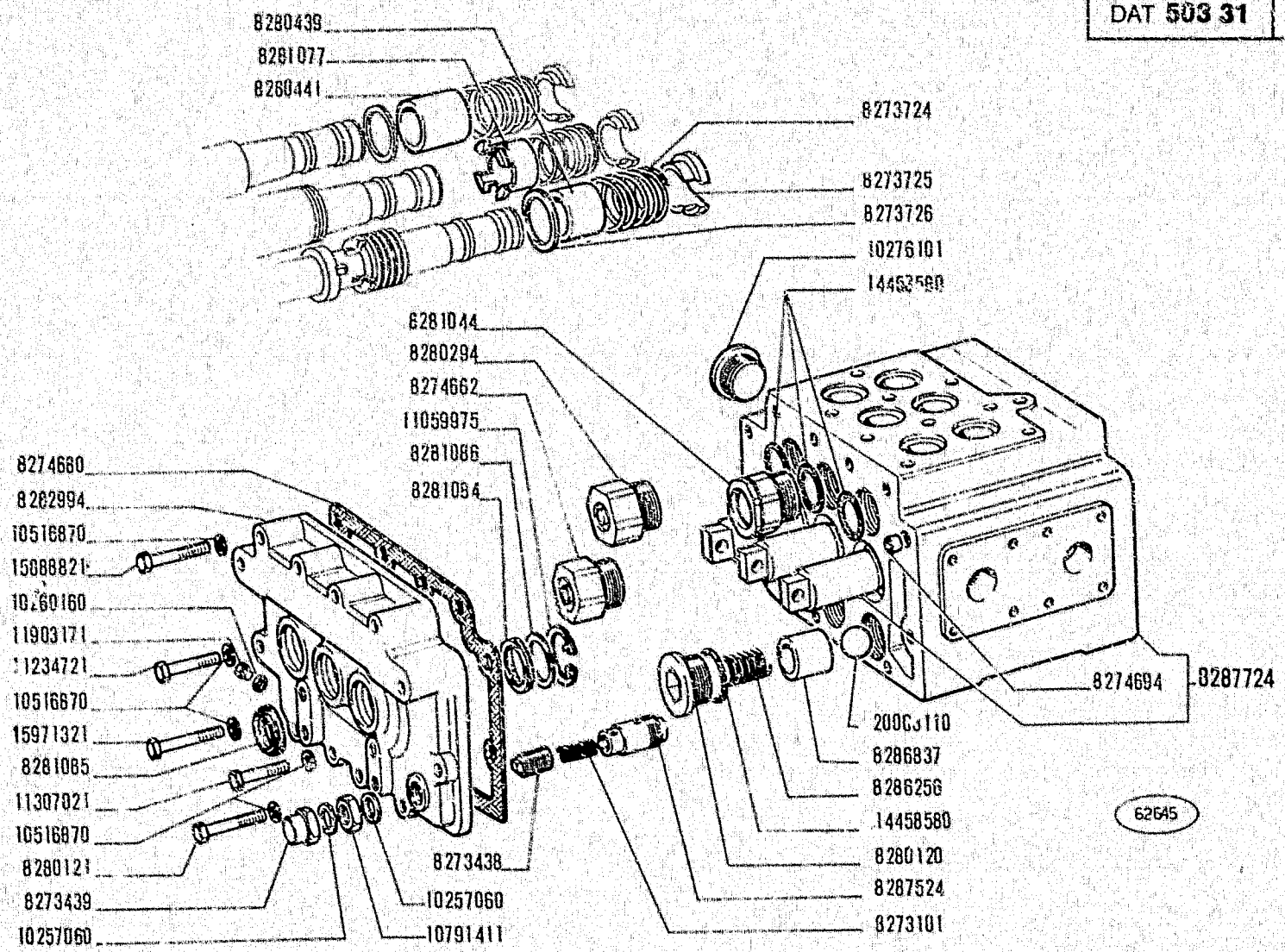
DISTRIBUTORE 8287721 - 8292623

*Distributor valve
Válvula distribuidora*

H-8

E3.31

2
N.T.R. 83
15-1-1981
604.01.012.06



FL 10B
01 02

*Distributeur
Steuergerät*

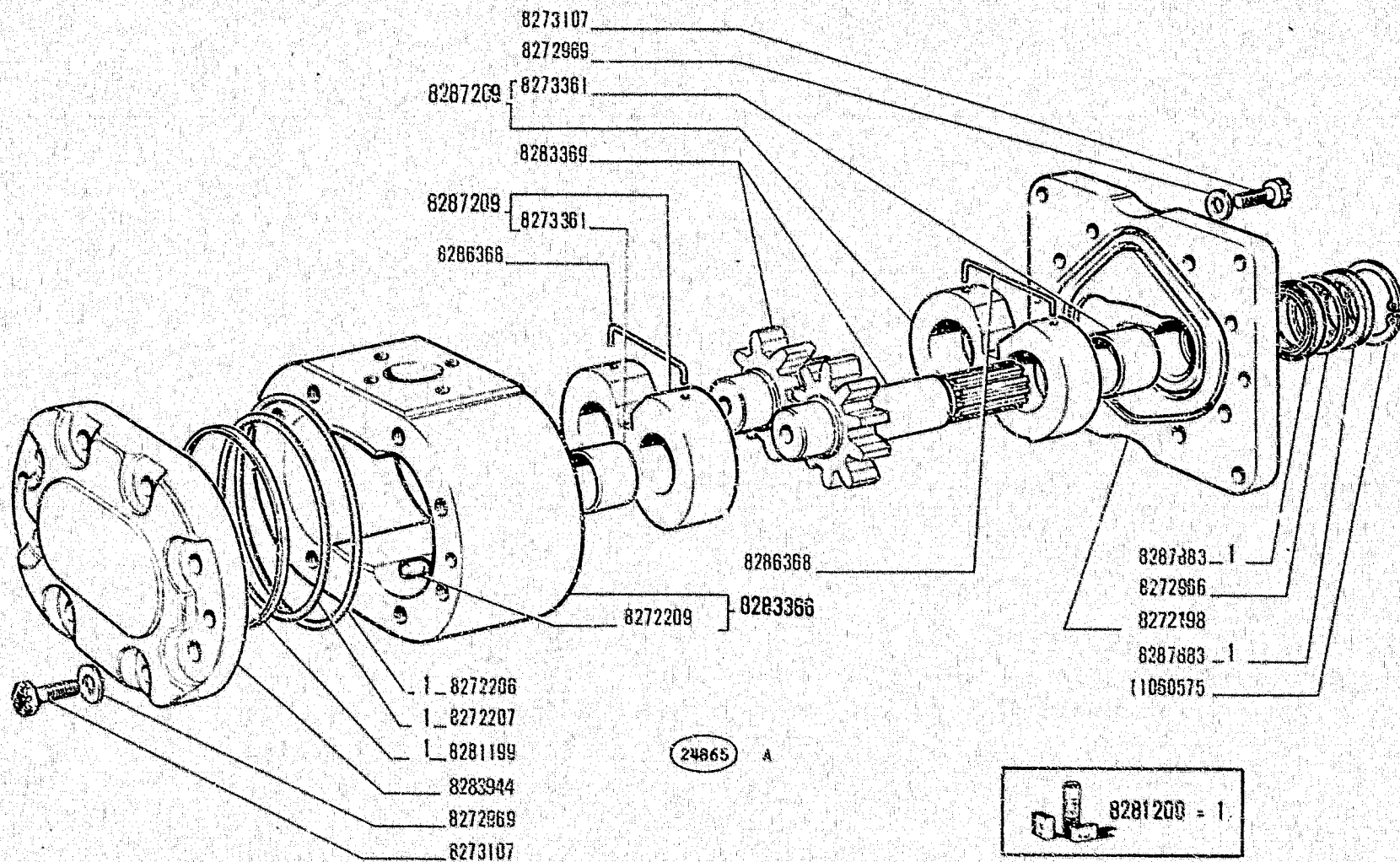
DISTRIBUTORE 8287721 - 8292623

H-9

*Distributor valve
Válvula distribuidora*

E3.31

N.T.R. 83
15-1-1981
604.01.012.06



FL 10 B

01 02

Pompe
 Pumpe

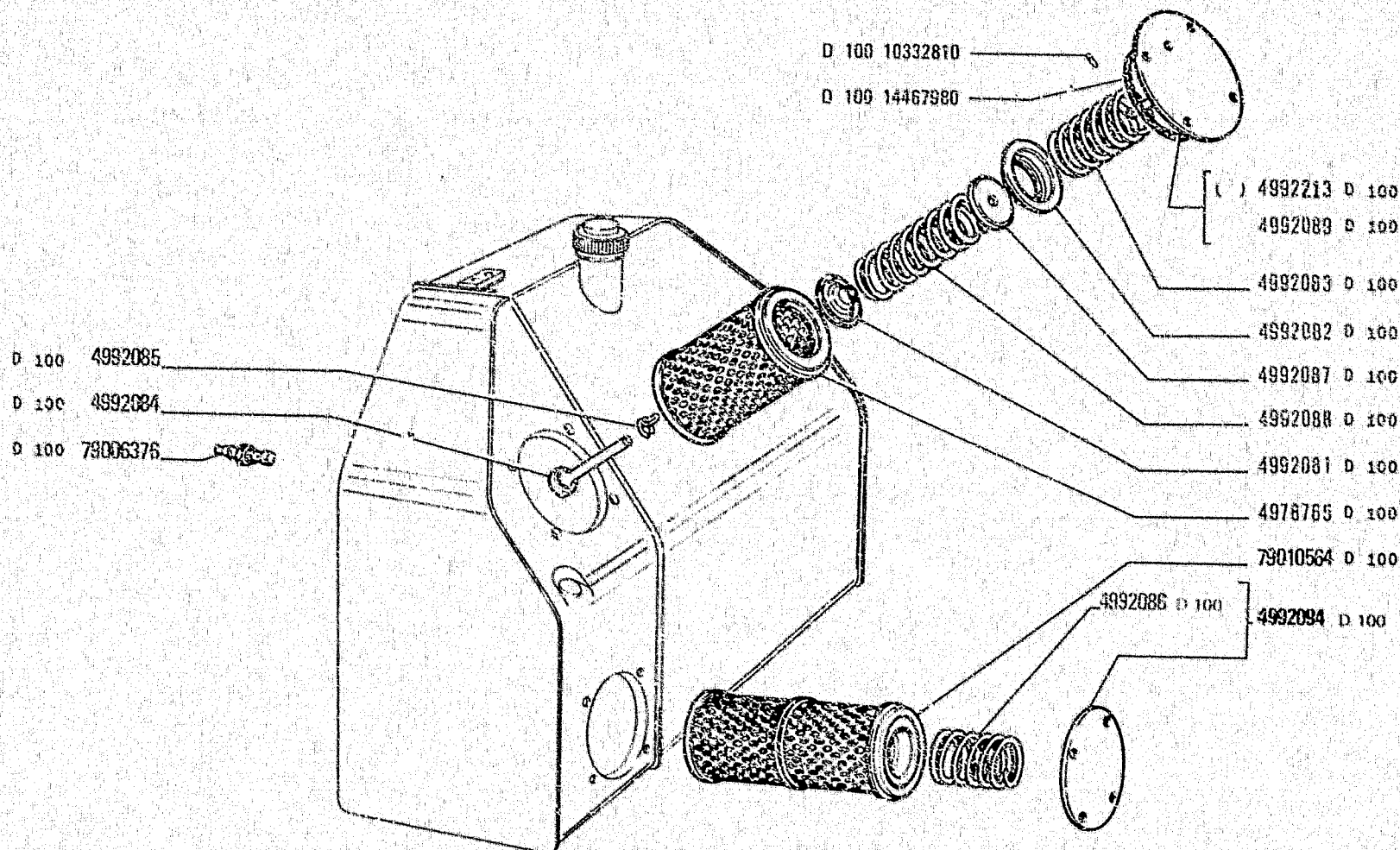
POMPA 8287212

Pump
 Bomba

H-10

E3.29

N.T.R. 93
 20-11-1991
 604.01.012.07



(*) Vedere elenco - Voir la liste - Siehe tabelle - See list - Véase la lista

00102

FL 10B

01 02

Réservoir
Behälter

SERBATOIO

H-11

Tank
Depósito

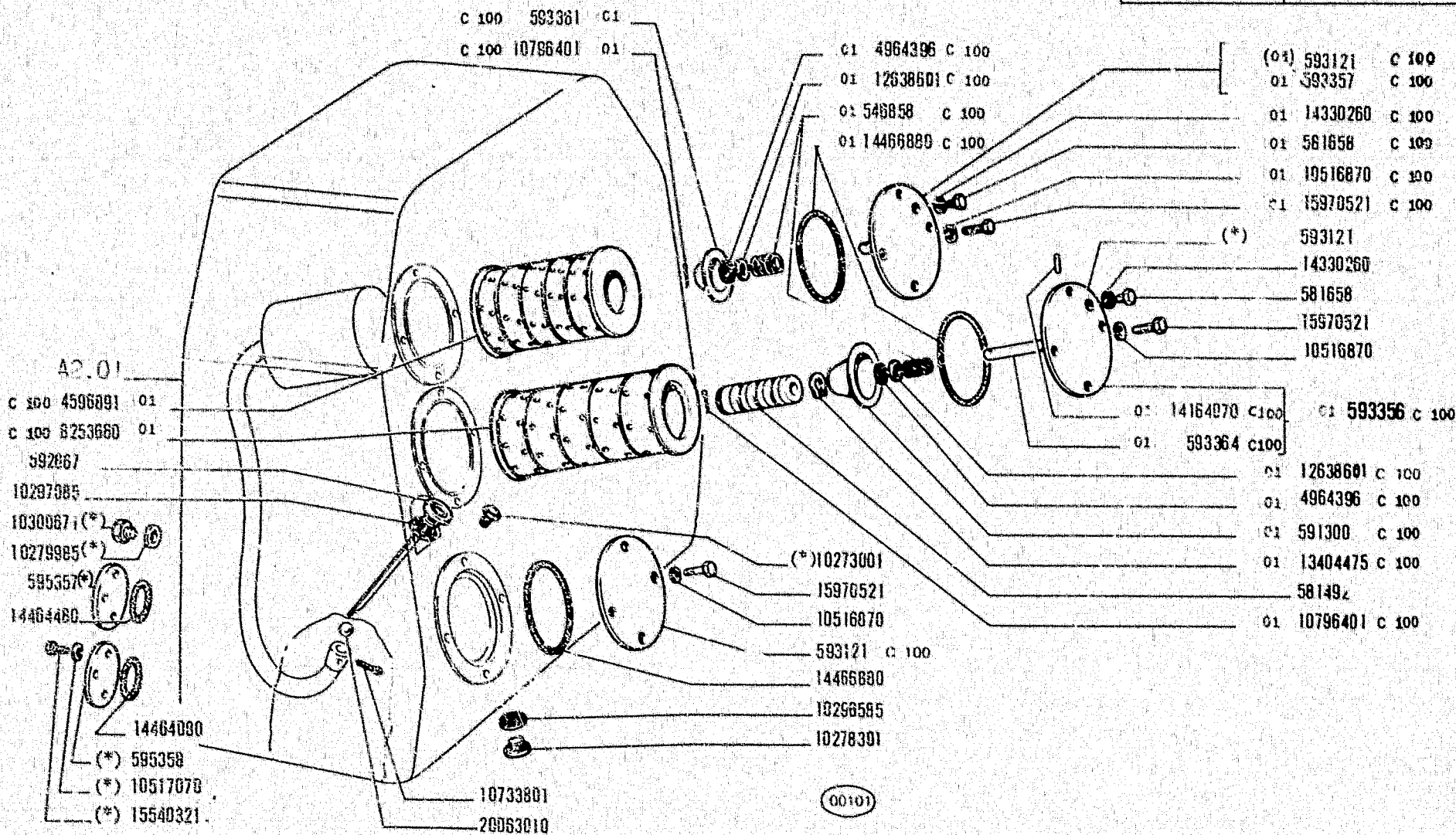
E3.28

2

N.T.R. 93
20-11-1981
604.01.012.07

DAT 503 28

E3.28



(*) Vedere elenco - Voir la liste - Siehe Tabelle - See list - Véase la lista

FL 10B

01 02

Réservoir
Behälter

SERBATOIO

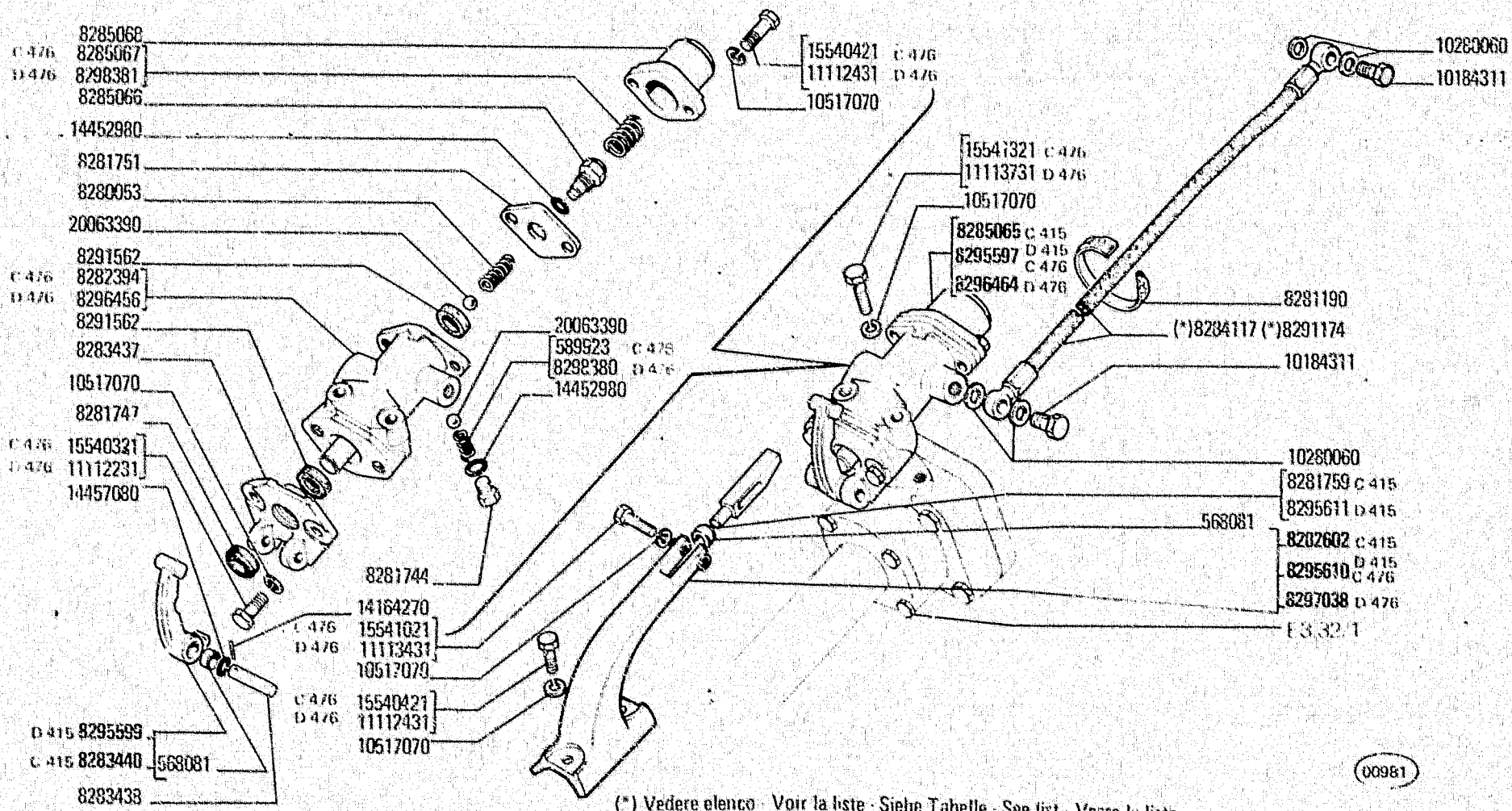
H-12

Tank
Depósito

E3.28

1

N.T.R. 93
20-11-1981
604.01.012.07



(*) Vedere elenco - Voir la liste - Siehe Tabelle - See list - Vease la lista

00981

FL 10 B
01 02

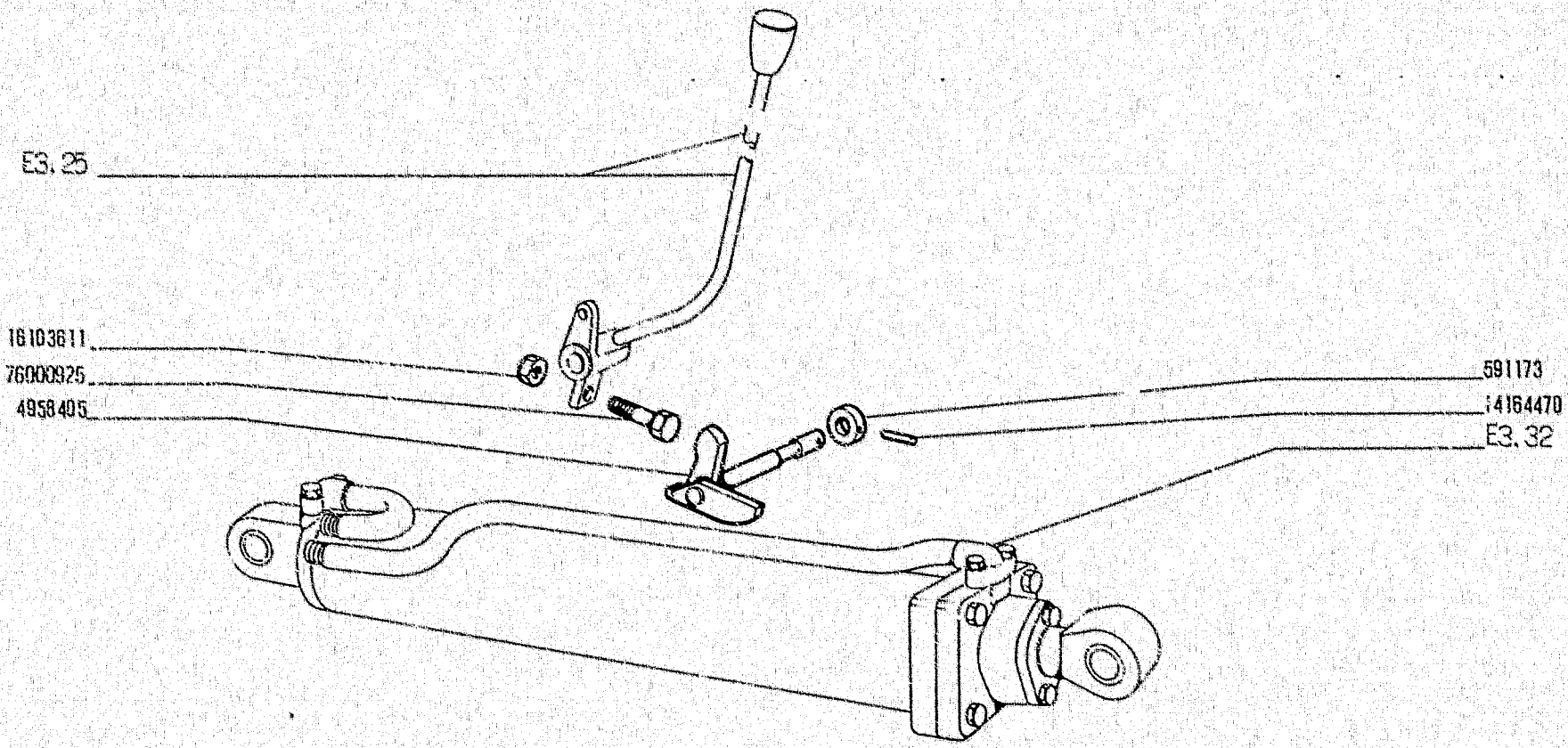
POSIZIONATORE AUTOMATICO BENNA
Positionneur automatique du godet **H-14** *Bucket automatic positioning device*
Automatische Ruckstellvorrichtung der Ladeschaufel *Posicionador automatico de pala*

E3.27

N.T.R. 65
1-3-1980
604.01.012.05

315

DAT 503 26	E3.26
------------	-------



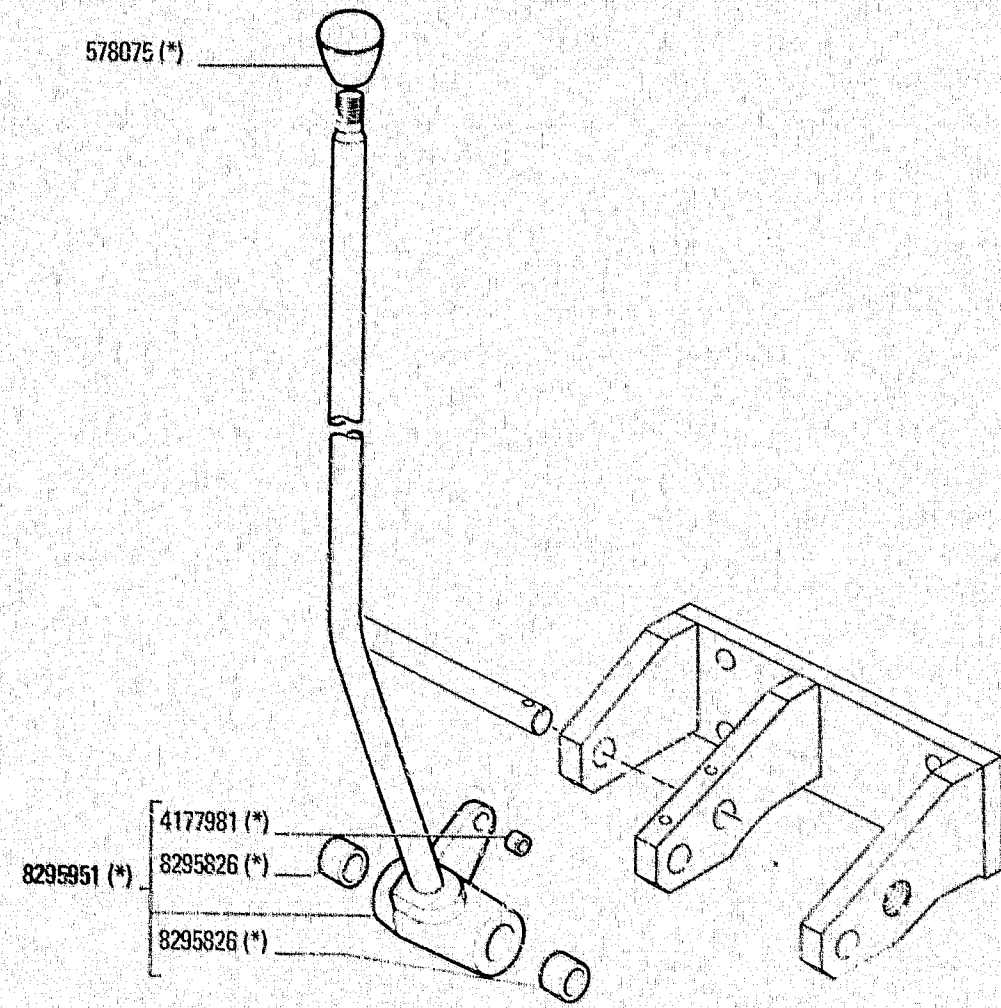
24653

FL 10 B
01 02

POSIZIONATORE BRACCI SOLLEVAMENTO
Positionneur de bras de levage
Arretiervorrichtung der Hubarme
H-15 *Lifting Arms Positioner*
Posicionador de brazos de elevación

E3.26

N.T.R. 65
1-3-1980
604.01.012.05



□ 403 → (02)

(*) Vedere elenco - Voir la liste - Siehe tabelle - See list - Véase la lista

(00454)

FL10B
01 02

Commande de l'outil
Gerätebetätigung

COMANDO ATTREZZO

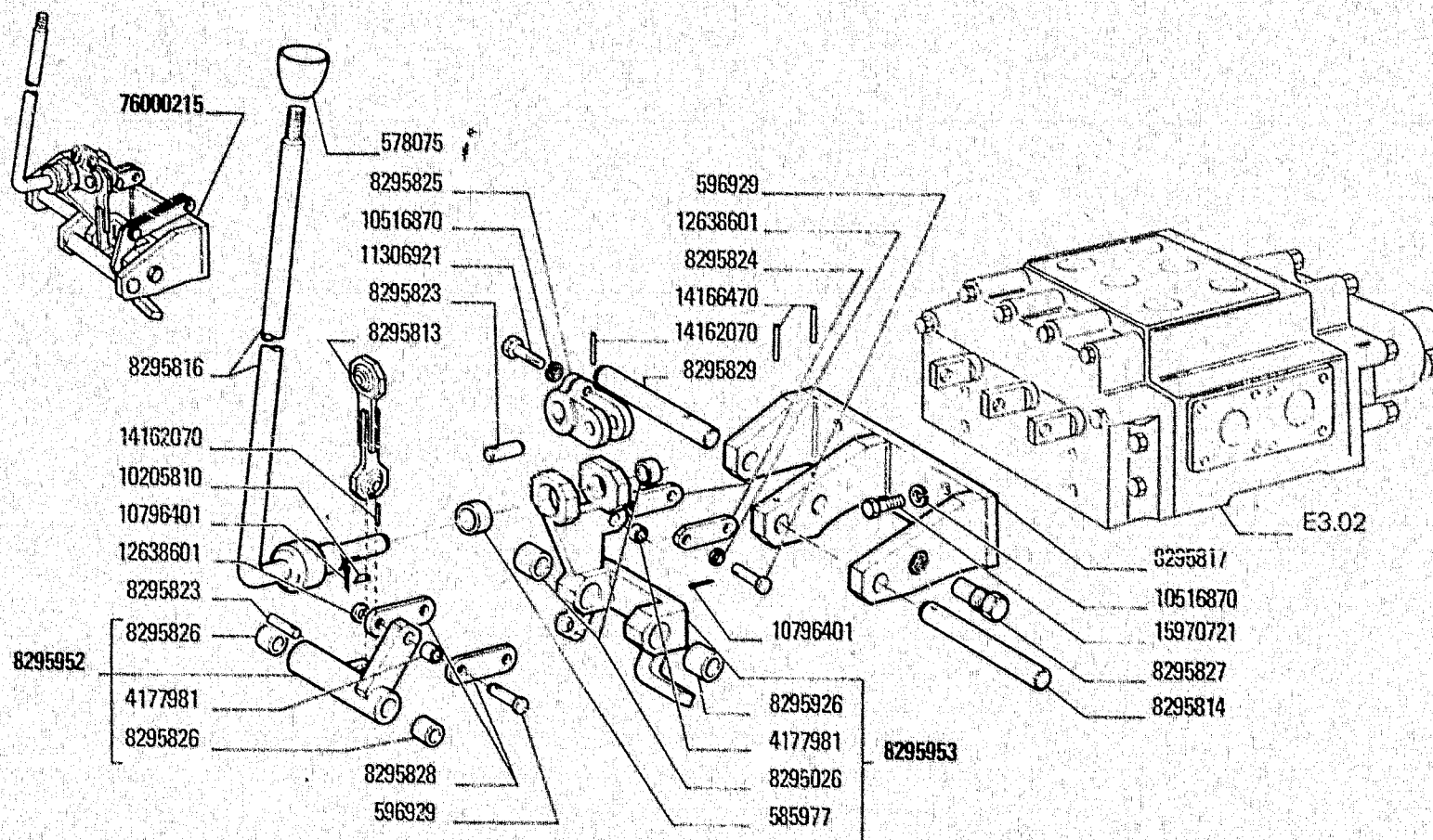
Implement Control System
Accionamiento del útil

H-16

E3.25/1

N.T.R. 38
1-4-1978
60401.012.02

2



D 403 → (02)

FL10B
01 02

Commande de l'outil
Gerätebetätigung

COMANDO ATTREZZO

Implement Control System
Accionamiento del útil

H-17

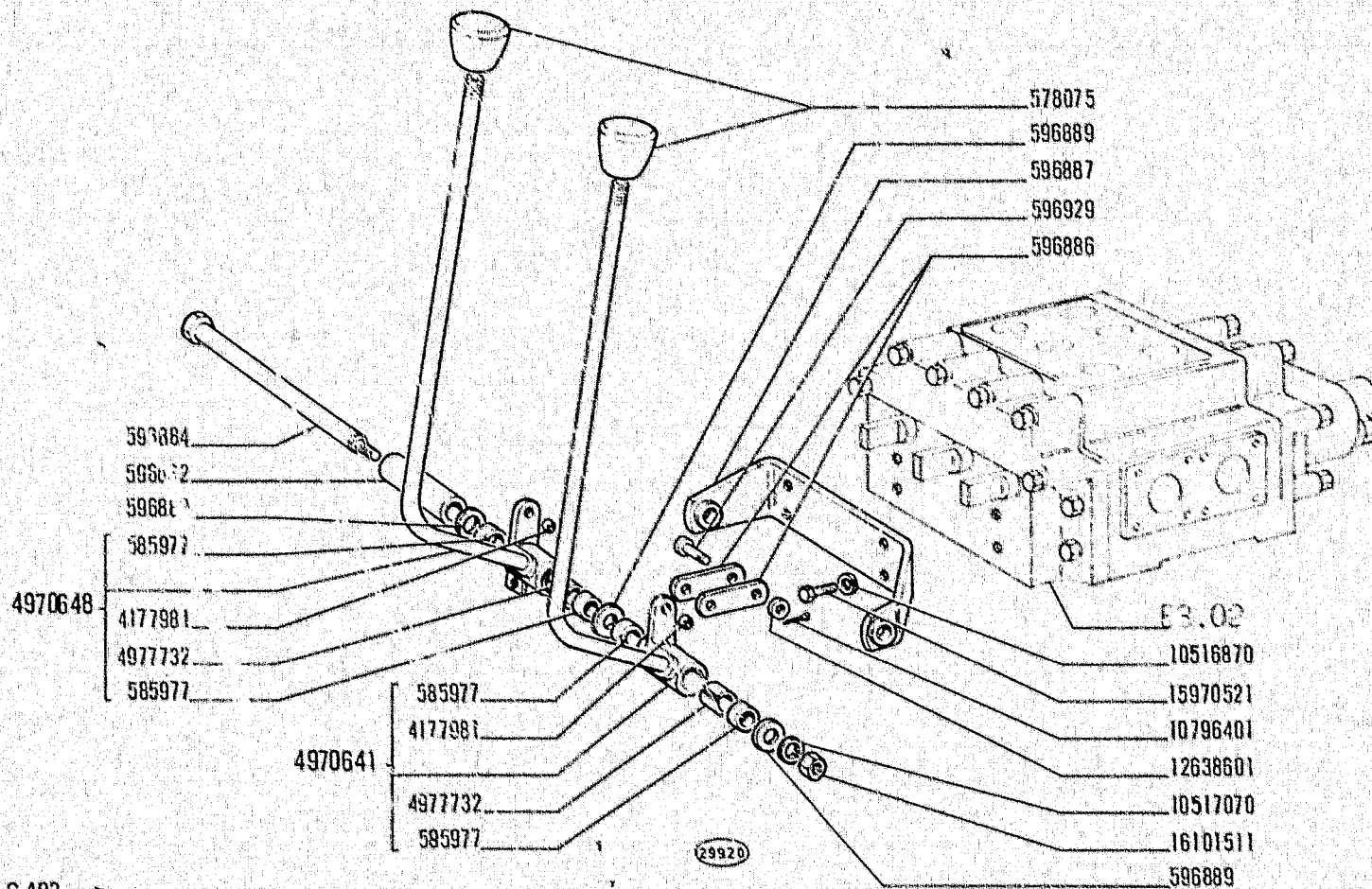
E3.25/1

1

NTR. 38
1-4-1978
604.01.012.02

DAT 503 25

E3.25



102. C 403 →

FL 10 B

01 02

Commande de l'outil
Gerätebetätigung

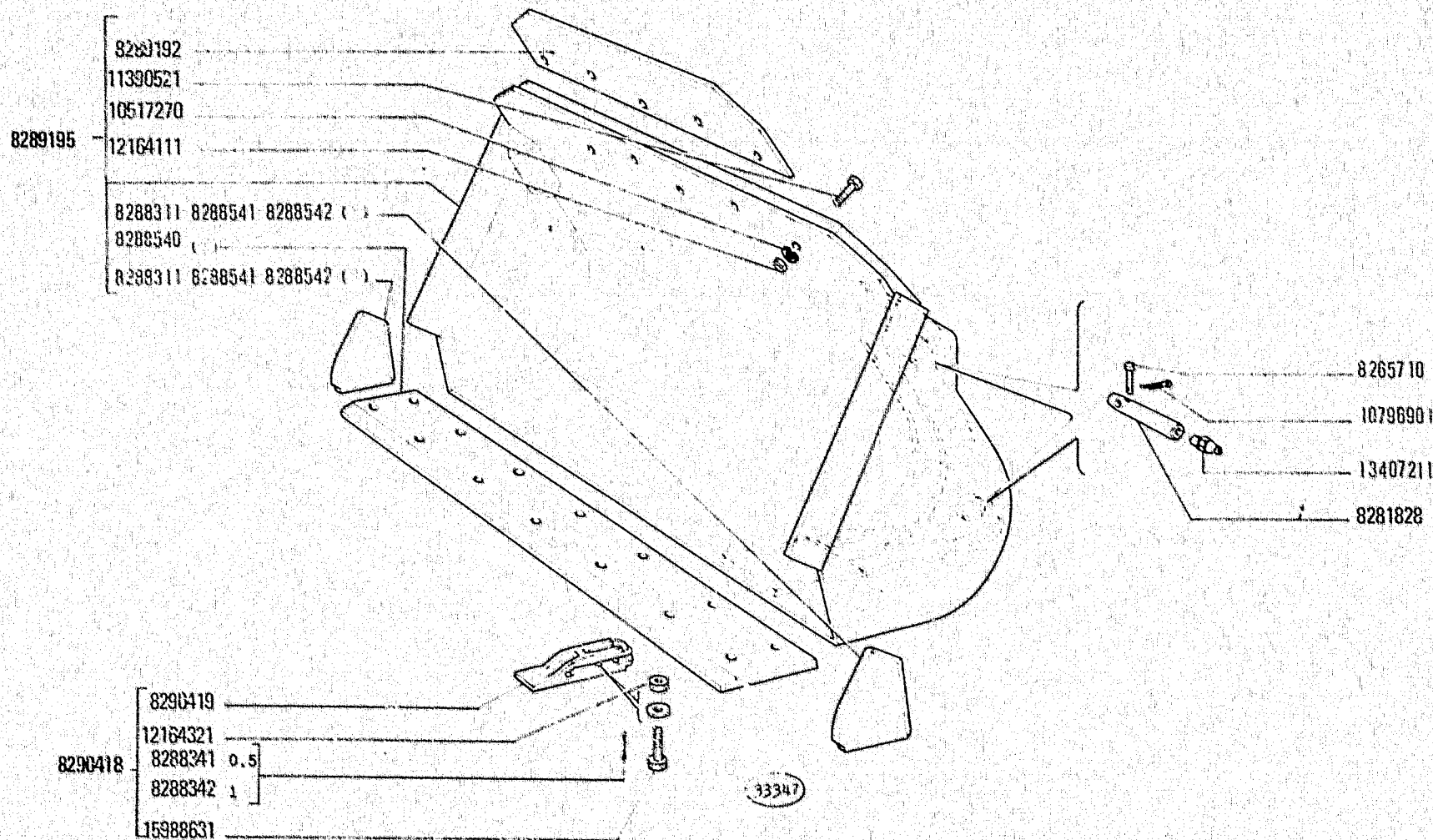
COMANDO ATTREZZO

H-18

Implement Control System
Accionamiento del útil

E3.25

N.T.R. 38
1-4-1978
604.01.012.02



() Vedere elenco - Voir la liste - Siehe tabelle - See list - Véase la lista

FL 10B
01 02

Godet chargeur
Laderschaufel

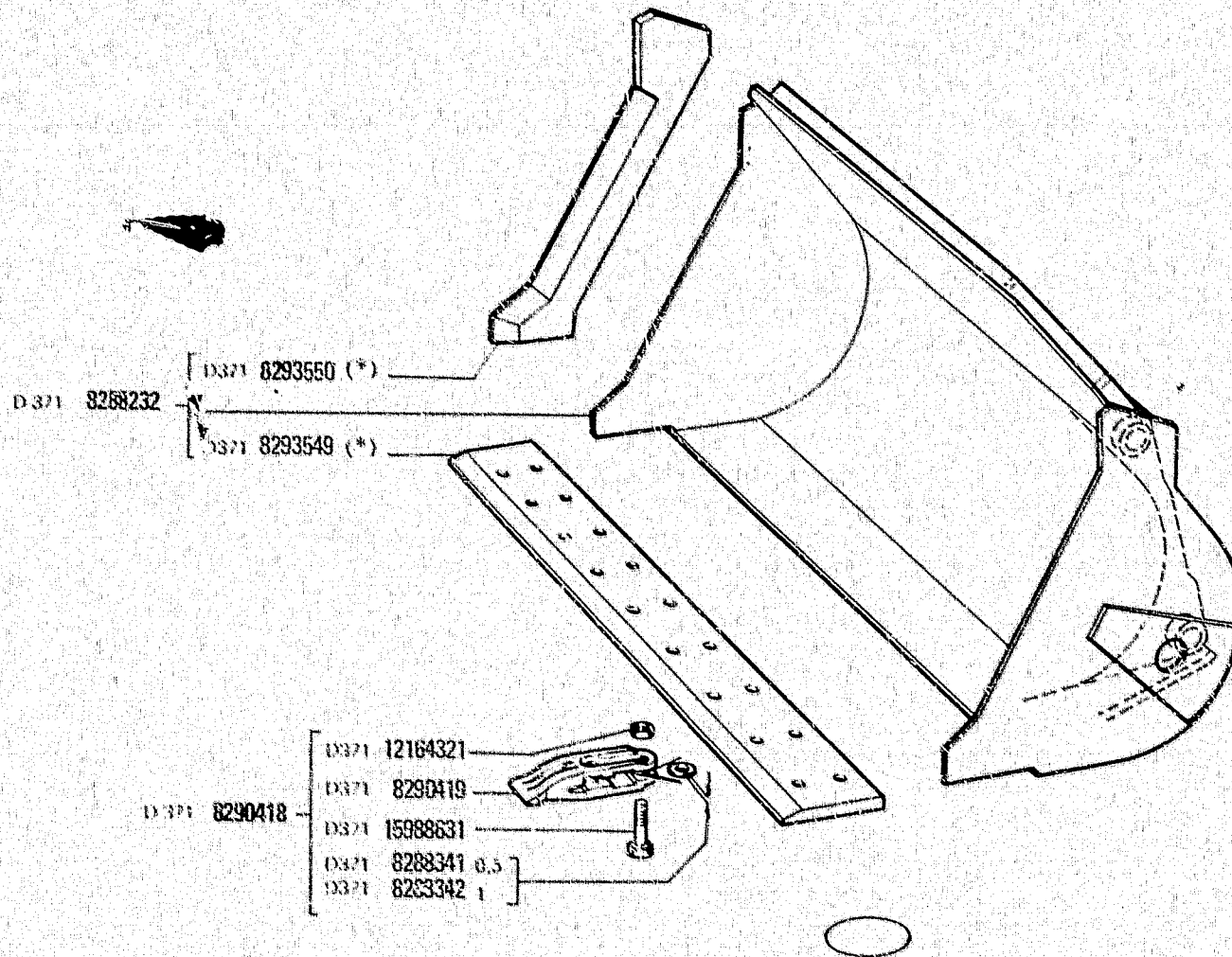
BENNA CARICATORE

H-19

Loader Bucket
Pala

E3.14/3

N.T.R. 30
1-9-1977
604.01.012.01



FL 10B
01 02

Godet chargeur
Laderschaufel

BENNA CARICATORE

Loader Bucket
Pala

H-20

E3.14/2

2

N.T.R. 30
1-9-1977
604.01.012.01

F

ELECTRICAL SYSTEM • IMPIANTO ELETTRICO • SYSTEME ELECTRIQUE • ELEKTRISCHE ANLAGE • SISTEMA ELECTRICO

FIAT ALLIS FL10B (2ED)

F301

(03-1975)

MOGIF	N.ORDINAZ. Q.	DENOMINAZIONE	DESIGNATION	BENENNUNG	DESCRIPTION	DENOMINACIONES
	1	T CAVO DI MASSA 4981371	FIL DE MASSE	MASSEKABEL	GROUND CABLE	CABLE DE MASA
	583018	1 CAVO COMPL.	CABLE	LEITUNG	CABLE	CABLE
	590287	2 STAFFETTA	COLLIER	HALTER	RETAINER	ABRAZADERA
	594687	1 STAFFETTA	COLLIER	HALTER	RETAINER	ABRAZADERA
	595319	1 STAFFETTA	COLLIER	HALTER	RETAINER	ABRAZADERA
	4085212	1 BOCOLA DI GOMMA	BAGUE CAOUTCHOUC	GUMMIBUECHSE	RUBBER BUSH	COJINETE DE CAUCHO
	4085213	1 MOZZO	MOYEU	NABE	MUB	BUJE
C 115	4091420	1 STAFFETTA (01)	COLLIER	HALTER	RETAINER	ABRAZADERA
	4155037	1 TELERUTTORE '2	TELERUPTEUR	FERNSCHALTER	RELAY	TELERRUPTOR
79013520	4184498	1 INDICATORE OTTICO COMPL.	LAMPE-TEMPOIN	ANZEIGELEUCHTE	INDICATOR LAMP	LAMPARA TESTIGO
ELIM	4184498	2 BATTERIA	BATTERIE	BATTERIE	BATTERY	BATERIA
ELIM	4184498	2 BATTERIA (*)	BATTERIE	BATTERIE	BATTERY	BATERIA
7901376 79022370 405749	405749	1 REGOLATORE DI TENSIONE	REGULATEUR DE TENSION	SPANNUNGSREGLER	VOLTAGE REGULATOR	REGULADOR DE TENSION
C 759	4217120	2 BATTERIA	BATTERIE	BATTERIE	BATTERY	BATERIA
C 759	4217121	2 BATTERIA (*)	BATTERIE	BATTERIE	BATTERY	BATERIA
	4220847	ROSETTA	RONDELLE	SCHLEIBE	WASHER	ARANDELA
C 115	4222265	1 PORTAFUSIBILE (01)	PORTE-FUSIBILE	SICHERUNGSHALTER	FUSE HOLDER	PORTAFUSIBILE
C 369	4223787	1 ALTERNATORE COMPL.	ALTERNATEUR	DREHSTROMLICHT- MACHINE	ALTERNATOR	ALTERNADOR
	4268098	1 TELERUTTORE	TELERUPTEUR	FERNSCHALTER	RELAY	TELERRUPTOR
	4951136	1 STAFFETTA	COLLIER	HALTER	RETAINER	ABRAZADERA
	4953100	1 STAFFETTA	COLLIER	HALTER	RETAINER	ABRAZADERA
	4956122	1 CAPPUCCIO	CAPUCHON	SCHUTZKAPPE	BOOT	CAPUCHON
	4958976	1 TEGOLO	DESSUS	UEBERGANGSSTUECK	PANEL	TEJA
	4974972	1 CAVO COMPL.	CABLE	LEITUNG	CABLE	CABLE
79020292	4975597	1 CAVO DI MASSA COMPL.	FIL DE MASSE	MASSEKABEL	GROUND CABLE	CABLE DE MASA
C 115	10007101	2 FASCETTA	COLLIER	HALTBAND	STRAP	ABRAZADERA
	10516470	1 ROSETTA DI SICUREZZA (01)	RONDELLE FREIN	SICHERUNGSRING	LOCKWASHER	ARANDELA DE FRENO
	10516477	5 ROSETTA DI SICUREZZA	RONDELLE FREIN	SICHERUNGSRING	LOCKWASHER	ARANDELA DE FRENO
	10516870	7 ROSETTA DI SICUREZZA	RONDELLE FREIN	SICHERUNGSRING	LOCKWASHER	ARANDELA DE FRENO
	10519401	3 ROSETTA	RONDELLE	SCHLEIBE	WASHER	ARANDELA
C 115	11052090	1 FUSIBILE (01)	FUSIBLE	SICHERUNG	FUSE	FUSIBILE
	11198671	1 ROSETTA DI SICUREZZA	RONDELLE FREIN	SICHERUNGSRING	LOCKWASHER	ARANDELA DE FRENO
	11947908	4 VITE	VIS	SCHRAUBE	SCREW	TORNILLO
	12638601	1 ROSETTA	RONDELLE	SCHLEIBE	WASHER	ARANDELA
	13276001	5 VITE	VIS	SCHRAUBE	SCREW	TORNILLO
C 115	13276001	1 VITE (01)	VIS	SCHRAUBE	SCREW	TORNILLO
	14149690	1 LAMPADA	LAMPE	LAMPE	BULB	BOMBILLA
	14571380	1 STAFFETTA	COLLIER	HALTER	RETAINER	ABRAZADERA
C 115	15896211	1 DADD (01)	ECROU	MUTTER	NUT	TUERCA
	15970321	6 VITE	VIS	SCHRAUBE	SCREW	TORNILLO
	15970521	1 VITE	VIS	SCHRAUBE	SCREW	TORNILLO
	16100818	4 DADD	ECROU	MUTTER	NUT	TUERCA

FIAT ALLIS FL108 (2ED)

F301 (03-1975)

MODIF	N.ORDINAZ. Q.	DENOMINAZIONE	DESIGNATION	BENENNUNG	DESCRIPTION	DENOMINACIONES
	16101521	1	DADO	ECSOU	NUT	TUERCA
	38824914	1	VITE	VIS	SCHRAUBE	TORNILLO
D 369	4474902	1	ALTERNATOR COMPL.	ALTERNATEUR	DREHSTROMLICHTMASCHINE	ALTERNADOR
	552699	1	CAPPUCCIO (1*)	CAPUCHON	SCHUTZKAPPE	CAPUCHON
D 759	4751060	2	BATTERIA	BATTERIE	BATTERIE	BATERIA
	4754010	1	REGOLATORE DI TENSIONE (2*)	REGULATEUR DE TENSION	SPANNUNGSREGLER	REGULADOR DE TENSION
			(1*) CLIMATROPICALI	CLIMATROPICAL	TROPENKLIMA	CLIMAS TROPICALES
			(1*) PER VAB 368751 02.0	FOUR.	FUER	PARA ...
			(2*) IN ALTERNATIVA	ON ALTERNATIVE	ABWECHSELND	OPTATIVO

MODIF	N.ORDINAZ.	O.	DENOMINAZIONE	DESIGNATION	BENENNUNG	DESCRIPTION	DENOMINACIONES
C	115	1	T	CAVO 4950760 (01)	CABLE	LEITUNG	CABLE
C	115	2	T	CAVO 4958778 (01)	CABLE	LEITUNG	CABLE
C	115	3	T	CAVO 4981650 (01)	CABLE	LEITUNG	CABLE
		4	T	CAVO 4981089 (01)	CABLE	LEITUNG	CABLE
		5	T	CAVO 79002678 (02)	CABLE	LEITUNG	CABLE
D	115	6	T	CAVO 79001974 (1*)	CABLE	LEITUNG	CABLE
D	115	7	T	CAVO 4996358 (1*)	CABLE	LEITUNG	CABLE
D	115	8	T	CAVO 79001967 (01) (2*)	CABLE	LEITUNG	CABLE
D	115	9	T	CAVO 79002660	CABLE	LEITUNG	CABLE
D	100	10	T	CAVO 4992398	CABLE	LEITUNG	CABLE
		598627	1	SUPPORTO	SUPPORT	LAGER	SOPORTE
		992474	3	ROSETTA DI SICUREZZA	RONDELLE FREIN	SICHERUNGSRING	ARANDELA DE FRENO
		4158641	1	COMMUTATORE COMPL.	COMMUTEUR	SCHALTER	CONMUTADOR
		4176846	1	PORTAFUSIBILE	PORTE-FUSIBILE	SICHERUNGSHALTER	PORTAFUSIBLE
D	115	4180725	1	INTERRUPTORE	INTERRUPTEUR	SCHALTER	INTERRUPTOR
		4182461	1	SPINA	GDUFILLE	STIFT	PASADOR
		4182462	1	PRESA DI CORRENTE	PRISE DE COURANT	STECKDOSE	ENCHUFE DE CORRIENTE
C	115	4184236	2	PROIETTORE ANT.COMPL.(01)	PROJECTEUR	SCHEINWERFER	HEADLAMP PROJECTOR
C	115	4184239	2	PROIETTORE ANT.COMPL.(01)	PROJECTEUR	SCHEINWERFER	HEADLAMP PROYECTOR
C	115	4184242	1	PROIETTORE POSTERIORE COMPL.(01)	PHARE ARRIERE	HINTERER SCHEINWERFER	REAR SPOT LAMP FARO POSTERIOR
		4184246	2	FANALE DEL CRUSCOTTO COMPL.	LAMPE DE TABLIER	SCHALTBRETTLEUCHTE	INSTRUMENT LAMP LAMPARA DEL TABLIERO
		4184391	1	INDICATORE OTTICO COMPL.	LAMPE-TEMOIN	ANZEIGELEUCHTE	INDICATOR LAMP LAMPARA TESTIGO
		4184391	1	INDICATORE OTTICO (02)	LAMPE-TEMOIN	ANZEIGELEUCHTE	INDICATOR LAMP LAMPARA TESTIGO
D	100	4184391	1	INDICATORE OTTICO	LAMPE-TEMOIN	ANZEIGELEUCHTE	INDICATOR LAMP LAMPARA TESTIGO
		4216867	1	PORTAFUSIBILE (01)	PORTE-FUSIBILE	SICHERUNGSHALTER	FUSE HOLDER PORTAFUSIBLE
		4240363	2	PROIETTORE ANT.COMPL.(*)	PROJECTEUR	SCHEINWERFER	HEADLAMP PROJECTOR
		4240365	2	PROIETTORE ANT.COMPL.(*)	PROJECTEUR	SCHEINWERFER	HEADLAMP PROJECTOR
D	115	4276967	1	INTERRUPTORE	INTERRUPTEUR	SCHALTER	INTERRUPTOR
		4951968	1	STAFFETTA	COLLIER	HALTER	RETAINER
		4952553	1	COPERCHIO	COUVERCLE	DECKEL	COVER
		4952554	1	COPERCHIO	COUVERCLE	DECKEL	COVER
		4953056	1	STAFFETTA	COLLIER	HALTER	RETAINER
		4958823	1	STAFFETTA	COLLIER	HALTER	RETAINER
		4959637	1	STAFFETTA	COLLIER	HALTER	RETAINER
		4977363	1	SUPPORTO ANT.D	SUPPORT	LAGER	SUPPORT
		4977365	1	SUPPORTO ANT.S	SUPPORT	LAGER	SUPPORT
		4980321	1	RIPARO D ANT.(01)(1*)	PROTECTION	ABDECKUNG	SOPORTE DEFENSA

MODIF	N.ORDINAZ. Q.	DENOMINAZIONE	DESIGNATION	BENENNUNG	DESCRIPTION	DENOMINAZIONES	
	4980321	1	RIPARO D ANT.(02)	PROTECTION	ABDECKUNG	PROTECTION	DEFENSA
	4980322	1	RIPARO S ANT.(01)(1*)	PROTECTION	ABDECKUNG	PROTECTION	DEFENSA
	4980322	1	RIPARO S ANT.(02)	PROTECTION	ABDECKUNG	PROTECTION	DEFENSA
	4981159	1	SUPPORTO POST.(01)(1*)	SUPPORT	LAGER	SUPPORT	SOPORTE
	4981159	1	SUPPORTO POST.(02)	SUPPORT	LAGER	SUPPORT	SOPORTE
	4981179	1	RIPARO POST.(01)(1*)	PROTECTION	ABDECKUNG	PROTECTION	DEFENSA
	4981179	1	RIPARO POST.(02)	PROTECTION	ABDECKUNG	PROTECTION	DEFENSA
	9907833	1	CHIAVE	CLE	SCHLUESSEL	KEY	LLAVE
	10006301	1	FASCETTA	COLLIER	HALTEBAND	STRAP	ABRAZADERA
D 100	10006709	6	FASCETTA	COLLIER	HALTEBAND	STRAP	ABRAZADERA
	10007101	2	FASCETTA	COLLIER	HALTEBAND	STRAP	ABRAZADERA
	10405585	1	CAPPUCCIO	CAPUCHON	SCHUTZKAPPE	BOOT	CAPUCHON
	10418901	2	STAFFETTA	COLLIER	HALTER	RETAINER	ABRAZADERA
	10421390	1	STAFFETTA	COLLIER	HALTER	RETAINER	ABRAZADERA
	10516470	2	ROSETTA DI SICUREZZA	RONDELLE FREIN	SICHERUNGSRING	LOCKWASHER	ARANDELA DE FRENO
	10516670	8	ROSETTA DI SICUREZZA (01)(1*)	RONDELLE FREIN	SICHERUNGSRING	LOCKWASHER	ARANDELA DE FRENO
	10516670	8	ROSETTA DI SICUREZZA (02)	RONDELLE FREIN	SICHERUNGSRING	LOCKWASHER	ARANDELA DE FRENO
	10516870	3	ROSETTA DI SICUREZZA	RONDELLE FREIN	SICHERUNGSRING	LOCKWASHER	ARANDELA DE FRENO
	10517070	10	ROSETTA DI SICUREZZA	RONDELLE FREIN	SICHERUNGSRING	LOCKWASHER	ARANDELA DE FRENO
	10517070	2	ROSETTA DI SICUREZZA (02)	RONDELLE FREIN	SICHERUNGSRING	LOCKWASHER	ARANDELA DE FRENO
	10517070	2	ROSETTA DI SICUREZZA (01)(1*)	RONDELLE FREIN	SICHERUNGSRING	LOCKWASHER	ARANDELA DE FRENO
	10520001	2	ROSETTA (01)(1*)	RONDELLE	SCHETBE	WASHER	ARANDELA
	10520001	2	ROSETTA (02)	RONDELLE	SCHETBE	WASHER	ARANDELA
C 115	10791411	3	DADO (01)	ECROU	MUTTER	NUT	TUERCA
	10979421	2	VITE	VIS	SCHRAUBE	SCREW	TORNILLO
	11052099	6	FUSIBILE	FUSIBLE	SICHERUNG	FUSE	FUSIBLE
	11197771	2	ROSETTA DI SICUREZZA	RONDELLE FREIN	SICHERUNGSRING	LOCKWASHER	ARANDELA DE FRENO
C 115	12164111	3	DADO (01)	ECROU	MUTTER	NUT	TUERCA
	13276201	1	VITE	VIS	SCHRAUBE	SCREW	TORNILLO
	13276801	1	VITE	VIS	SCHRAUBE	SCREW	TORNILLO
	14149690	2	LAMPADA	LAMPE	LAMPE	BULB	BOMBILLA
	14149690	1	LAMPADA (02)	LAMPE	LAMPE	BULB	BOMBILLA
D 100	14149690	1	LAMPADA	LAMPE	LAMPE	BULB	BOMBILLA
	15540221	2	VITE	VIS	SCHRAUBE	SCREW	TORNILLO
	15540321	4	VITE	VIS	SCHRAUBE	SCREW	TORNILLO
	15540521	4	VITE	VIS	SCHRAUBE	SCREW	TORNILLO
	15541421	1	VITE (01)(1*)	VIS	SCHRAUBE	SCREW	TORNILLO
	15541421	1	VITE (02)	VIS	SCHRAUBE	SCREW	TORNILLO
	15541521	1	VITE (01)(1*)	VIS	SCHRAUBE	SCREW	TORNILLO
	15541521	1	VITE (02)	VIS	SCHRAUBE	SCREW	TORNILLO
	15896211	2	DADO	ECROU	MUTTER	NUT	TUERCA
	15970321	3	VITE	VIS	SCHRAUBE	SCREW	TORNILLO

FIAT ALLIS FL10B (2ED)

F401

(03-1975)

MODIF	N.ORDINAZ. Q.	DENOMINAZIONE	DESIGNATION	BENENNUNG	DESCRIPTION	DENOMINACIONES
	16043021	4 VITE (01)(1*)	VIS	SCHRAUBE	SCREW	TORNILLO
	16043021	4 VITE (02)	VIS	SCHRAUBE	SCREW	TORNILLO
	16043421	4 VITE (01)(1*)	VIS	SCHRAUBE	SCREW	TORNILLO
	16043421	4 VITE (02)	VIS	SCHRAUBE	SCREW	TORNILLO
	16100811	4 DADO (01)(1*)	ECROU	MUTTER	NUT	TUERCA
	16100811	4 DADO (02)	ECROU	MUTTER	NUT	TUERCA
	16101511	2 ROSETTA DI SICUREZZA (01)(1*)	RONDELLE FREIN	SICHERUNGSRING	LOCKWASHER	ARANDELA DE FRENO
	16101511	2 ROSETTA DI SICUREZZA (02)	RONDELLE FREIN	SICHERUNGSRING	LOCKWASHER	ARANDELA DE FRENO
D 115	70621429	3 PROIETTORE COMPL.	PROJECTEUR	SCHEINWERFER	HEADLAMP	PROYECTOR
O 115	70911045	6 DADO	ECROU	MUTTER	NUT	TUERCA
Q 115	79002608	3 TASSELLO ELASTICO	TAKSON	GUMMISTUECK	PAD	ALMOHADILLA
	79003573	1 PORTAFUSIBILE (02)	PORTE-FUSIBILE	SICHERUNGSHALTER	FUSE HOLDER	PORTAFUSIBLE
	79003874	5 FUSIBILE (02)	FUSIBLE	SICHERUNG	FUSE	FUSIBLE
	(*)	-CON LAMPADA GIALLA	- AVEC LAMPE JAUNE	- MIT GELBER LAMPE	- W/YELLOW BULB	- CON LAMPARA AMARILLA
	(1*)	-A RICHIESTA	- SUR DEMANDE	- AUF WUNSCH	- OPTIONAL EXTRA	- SOBRE PEDIDO
	(2*)	-TRATTURE SENZA IMPIANTO IDRAULICO	- SANS INSTALLATION HYDRAULIQUE	- OHNE HYDRAULISCHE ANLAGE	- W/O HYDRAULIC SYSTEM	- SIN INSTALACION HIDRAULICA

FIAT ALLIS FL10B (2ED)

F501

(03-1975)

MODIF	N.ORDINAZ.	Q.	DENOMINAZIONE	DESIGNATION	BENENNUNG	DESCRIPTION	DENOMINACIONES
C 115	4222265	1	PORTAFUSIBILE	PORTE-FUSIBILE	SICHERUNGSHALTER	FUSE HOLDER	PORTAFUSIBILE
	4238805	1	AVVISATORE	AVERTISSEUR	HORN	HORN	BOCINA
	4238806	1	AVVISATORE	AVERTISSEUR	HORN	HORN	BOCINA
	4305449	1	INTERRUTTORE A PUL- SANTE	INTERRUPTEUR A POUSSOIR	KNOPFSCHALTER	PUSH BUTTON SWITCH	INTERRUPTOR A PUL- SADOR
C 115	10516677	2	ROSETTA DI SICUREZZA	RONDELLE FREIN	SICHERUNGSRING	LOCKWASHER	ARANDELA DE FRENO
	11052090	1	FUSIBILE (01)	FUSIBLE	SICHERUNG	FUSE	FUSIBLE
	16043621	2	VITE	VIS	SCHRAUBE	SCREW	TORNILLO
	16100811	2	DADO	ECROU	MUTTER	NUT	TUERCA

MODIF	N.ORDINAZ. Q.	DENOMINAZIONE	DESIGNATION	BENENNUNG	DESCRIPTION	DENOMINACIONES
	4065615	1	ROSETTA	RONDELLE	WASHER	ARANDELA
	4157782	1	STATORE	STATOR	STATOR	ESTATOR
	4306950	1	DISTANZIALE	ENTRETOISE	ABSTANDSTUECK	SPACER
	4242732	1	ISOLANTE (TOSHIBA)	ISOLANT	ISOLIERUNG	INSULATOR
	4247166	4	VITE	VIS	SCHRAUBE	TORNILLO
	4254213	1	SUPPORTO	SUPPORT	LAGER	SUPPORT
	4262115	1	ISOLANTE	ISOLANT	ISOLIERUNG	INSULATOR
	4262118	1	ISOLANTE (TOSHIBA)	ISOLANT	ISOLIERUNG	INSULATOR
	4262119	1	VITE	VIS	SCHRAUBE	SCREW
	4262908	1	PIASTRA (TOSHIBA)	PLAQUE	PLATTE	PLATE
	4263315	3	ISOLANTE	ISOLANT	ISOLIERUNG	INSULATOR
	4263530	3	ROSETTA DI SICUREZZA	RONDELLE FREIN	SICHERUNGSRING	LOCKWASHER
	4268886	3	ROSETTA (TOSHIBA)	RONDELLE	SCHLEIBE	WASHER
	4268887	2	ISOLANTE (TOSHIBA)	ISOLANT	ISOLIERUNG	INSULATOR
	4275866	1	SUPPORTO	SUPPORT	LAGER	SUPPORT
	4278882	1	COMPL. (TOSHIBA)			
	4278944	1	ROTORE COMPL.	POTOR	LAUFER	ROTOR
	10205890	1	PORTASPAZZOLA	PORTE-BALAI	BUERSTENTRAEGER	BRUSH HOLDER
	10446221	3	LINGUETTA	LINGUET	SCHFIBENFEDER	KEY
	10725918	2	VITE	VIS	SCHRAUBE	SCREW
	10794011	3	DADO	ECROU	MUTTER	NUT
	11197773	1	DADO	ECROU	MUTTER	NUT
	11290173	1	ROSETTA DI SICUREZZA	RONDELLE FREIN	SICHERUNGSRING	LOCKWASHER
	12058880	1	ROSETTA DI SICUREZZA	RONDELLE FREIN	SICHERUNGSRING	LOCKWASHER
	12164011	1	GIUNTO	ACCOUPLMENT	KUPPLUNG	COUPLING
	12574111	4	DADO	ECROU	MUTTER	NUT
	12601278	1	DADO	ECROU	MUTTER	NUT
	13268018	1	ROSETTA DI SICUREZZA	RONDELLE FREIN	SICHERUNGSRING	LOCKWASHER
	14454360	1	VITE	VIS	SCHRAUBE	SCREW
	24940470	1	ANELLO DI TENUTA	JOINT D'ETANCHEITE	DICHTRING	SEAL
			CUSCINETTO	ROULEMENT	LAGER	BEARING

FIAT ALLIS FL10B (2 ED.)

FA03/A (03-1975)

NDOP	N.ORDINAZ. O.	DENOMINAZIONE	DESIGNATION	BENENNUNG	DESCRIPTION	DENOMINACIONES	
	4055615	1	ROSETTA	RONDELLE	SCHEIBE	WASHER	ARANDELA
ERR	4150742	3	RAADDRIZZATORE NEGATIVO	DIODE NEGATIVE	GLEICHRICHTER NEG.	NEGATIVE DIODE	DIODO NEGATIVO
	4150742	1	STATORE	STATOR	STATOR	STATOR	ESTATOR
	4206950	1	DISTANZIALE	ENTRETOISE	ABSTANDSTUECK	SPACER	SEPARADOR
	4262115	1	ISOLANTE	ISOLANT	ISOLIERUNG	INSULATOR	AISLADOR
ERR	4282117	1	ISOLANTE	ISOLANT	ISOLIERUNG	INSULATOR	AISLADOR
LRR	4282119	1	VITE	VIS	SCHRAUBE	SCREW	TORNILLO
	4263539	3	ROSETTA DI SICUREZZA	RONDELLE FREIN	SICHERUNGSRING	LOCKWASHER	ARANDELA DE FRENO
ERR	4263546	3	ROSETTA (TOSHIBA)	RONDELLE	SCHEIBE	WASHER	ARANDELA
	4278590	1	ROTORE COMPL.	ROTOR	LAUFER	ROTOR	ROTOR
	4278944	1	PORTASPAZZOLA	PORTE-BALAI	QUERSTENTRAEGER	BRUSH HOLDER	PORTAESCOBILLA
74010474	4264377	3	ISOLANTE	ISOLANT	ISOLIERUNG	INSULATOR	AI SLADOR
	4474683	1	SUPPORTO	SUPPORT	LAGER	SUPPORT	SOPORTE
	4474847	1	PIASTRA	PLAQUE	PLATTE	PLATE	PLACA
	4474905	4	VITE	VIS	SCHRAUBE	SCREW	TORNILLO
	6475045	1	SUPPORTO COMPL. (TOSHIBA)	SUPPORT	LAGER	SUPPORT	SOPORTE
	10205890	1	LINGUETTA	LINGUET	SCHREIBENFUEHR	KEY	CHAVETA
	10445221	3	VITE	VIS	SCHRAUBE	SCREW	TORNILLO
	10510221	3	ROSETTA	RONDELLE	SCHEIBE	WASHER	ARANDELA
	10725918	2	DADO	ECROU	MUTTER	NUT	TUERCA
	10794011	3	DADO	ECROU	MUTTER	NUT	TUERCA
10516421	1119777	1	ROSETTA DI SICUREZZA	RONDELLE FREIN	SICHERUNGSRING	LOCKWASHER	ARANDELA DE FRENO
	11200173	1	ROSETTA DI SICUREZZA	RONDELLE FREIN	SICHERUNGSRING	LOCKWASHER	ARANDELA DE FRENO
	12058880	1	GIUNTO	ACCOPLEMENT	KUPPLUNG	COUPLING	ARRASTRE
	12164911	1	DADO	ECROU	MUTTER	NUT	TUERCA
	12601278	1	ROSETTA DI SICUREZZA	RONDELLE FREIN	SICHERUNGSRING	LOCKWASHER	ARANDELA DE FRENO
ERR	12843728	1	ROSETTA	RONDELLE	SCHEIBE	WASHER	ARANDELA
	13264018	1	VITE CON ROSETTA	VIS AVEC RONDELLE	SCHRAUBE MIT SCHEIBE	SCREW AND WASHER ASSY	TORNILLO CON ARAN- DELA
	14084111	4	DADO	ECROU	MUTTER	NUT	TUERCA
	14454380	1	ANELLO DI TENUTA	JOINT D'ETANCHEITE	DICHTRING	SEAL	JUNTA HERMETICA
	34946220	1	CUSCINETTO	ROULEMENT	LAGER	BEARING	RODAMIENTO

FIAT ALLIS FL10B (2ED)

F608

(03-1975)

MODIF	N.ORDINAZ. Q.	DENOMINAZIONE	DESIGNATION	BENENNUNG	DESCRIPTION	DENOMINACIONES	
	9009524	1	ELETTROMAGNETE	ELECTRO	MAGNETSCHALTER	SOLENIOID	MAGNETO
	9011087	1	FRIZIONE	EMBRAYAGE	KUPPLUNG	CLUTCH	EMBAGUE
	9011431	1	ANELLO DI SICUREZZA	ARRETOIR	SICHERUNGSRING	LOCKRING	ANILLO DE FRENO
	9018714	1	PIGNONE	PIGNON	RITZEL	PINION	PINON
	9022401	1	ROSETTA DI SICUREZZA	RONDELLE FREIN	SICHERUNGSRING	LOCKWASHER	ARANDELA DE FRENO
	9022567	4	VITE	VIS	SCHRAUBE	SCREW	TORNILLO
	9911411	1	DADO	ECROU	MUTTER	NUY	TUERCA
	9911412	1	DADO	ECROU	MUTTER	NUY	TUERCA
	9911413	1	ROSETTA	RONDELLE	SCHLEIBE	WASHER	ARANDELA
	9911414	1	ROSETTA	RONDELLE	SCHLEIBE	WASHER	ARANDELA
	9911416	1	ROSETTA DI TENUTA	JOINT D'ETANCHEITE	DICHTRING	GASKET	JUNTA HERMETICA
	9911417	1	ROSETTA	RONDELLE	SCHLEIBE	WASHER	ARANDELA
	9911410	1	MOLLA	RESSORT	FEDER	SPRING	RESORTE
	9911428	4	VITE	VIS	SCHRAUBE	SCREW	TORNILLO
	9911429	1	TAPPO	BOUCHON	STOPFEN	PLUG	TAPON
	9911439	3	VITE	VIS	SCHRAUBE	SCREW	TORNILLO
	9911442	3	VITE	VIS	SCHRAUBE	SCREW	TORNILLO
	9912044	1	GUARNIZIONE	JOINT	DICHTUNG	GASKET	JUNTA
	9912045	1	ANELLO DI TENUTA	JOINT D'ETANCHEITE	DICHTRING	SEAL	JUNTA HERMETICA
	9916671	3	VITE	VIS	SCHRAUBE	SCREW	TORNILLO
	9916668	2	VITE	VIS	SCHRAUBE	SCREW	TORNILLO
	9918657	2	ROSETTA DI TENUTA	JOINT D'ETANCHEITE	DICHTRING	GASKET	JUNTA HERMETICA
	9918658	1	CALOTTA	CALOTTE	KAPPE	CAP	TAPA
	9918660	1	SCODELLINO	CUVETTE	TELLERSCHLEIBE	CUP	PLATILLO
	9918662	4	TIRANTE	TIRANT	SPANNBOLZEN	TIEROD	PERNO
	9918797	1	ROSETTA DI TENUTA	JOINT D'ETANCHEITE	DICHTRING	GASKET	JUNTA HERMETICA
	9918798	1	CONNESSIONE	CONNEXION	LEITUNG	CONNECTION	CABLE
	9918799	4	VITE	VIS	SCHRAUBE	SCREW	TORNILLO
	9918900	1	BUSSOLA	DOUILLE	GEWINDERUECHSE	BUSHING	CASQUILLO
	9918801	1	CAPPUCCIO	CAPUCHON	SCHUTZKAPPE	BOOT	CAPUCHON
	9920412	1	GUARNIZIONE	JOINT	DICHTUNG	GASKET	JUNTA
	9920414	4	SPAZZOLA	BALAI	KOHLENBUERSTE	BRUSH	ESCOBILLA
	9920416	1	AVVOLGIMENTO	ENROULEMENT	WICKLUNG	WINDING	BOBINA
	9920417	1	AVVOLGIMENTO	ENROULEMENT	WICKLUNG	WINDING	BOBINA
	9920418	4	MOLLA	RESSORT	FEDER	SPRING	RESORTE
	9920421	1	AVVOLGIMENTO	ENROULEMENT	WICKLUNG	WINDING	BOBINA
	9920422	1	INDUTTORE	INDUIT	ANKER	ARMATURE	INDUCIDO
	9920696	2	VITE	VIS	SCHRAUBE	SCREW	TORNILLO
	9923151	1	SUPPORTO COMPL.	SUPPORT	LAGEK	SUPPORT	SOPORTE
	9924764	1	ANELLO	BAGUE	RING	RING	ANILLO
	9925580	1	PORTASPAZZOLA COMPL.	PORTE-BALAI	BUERSTENTRAEGER	BRUSH HOLDER	PORTAESCOBILLA
	9925689	1	SUPPORTO COMPL.	SUPPORT	LAGER	SUPPORT	SOPORTE
	9928677	2	ANELLO DI TENUTA	JOINT D'ETANCHEITE	DICHTRING	SEAL	JUNTA HERMETICA
	10516470	10	ROSETTA DI SICUREZZA	RONDELLE FREIN	SICHERUNGSRING	LOCKWASHER	ARANDELA DE FRENO
	10516670	2	ROSETTA DI SICUREZZA	RONDELLE FREIN	SICHERUNGSRING	LOCKWASHER	ARANDELA DE FRENO
	10519301	2	ROSETTA	RONDELLE	SCHLEIBE	WASHER	ARANDELA

FIAT ALLIS FL108 (2ED)

F608

(03-1975)

MODIF	N.ORDINAZ. Q.	DENOMINAZIONE	DÉSIGNATION	BENENNUNG	DESCRIPTION	DENOMINACIONES
9911410	10233661	1	COPIGLIA	GOUPILLE FENDUE	SPLINT	SPLIT PIN
	11195470	9	ROSETTA DI SICUREZZA	RONDELLE FREIN	SICHERUNGSRING	LOCKWASHER
	11701711	1	DADO	ECROU	MUTTER	NUT
144184301	13556201	5	ROSETTA	RONDELLE	SCHEIBE	WASHER
	15896211	5	DADO	ECROU	MUTTER	NUT
	79020425	1	BOCCOLA	DOUILLE	BULCHSI	BUSH
						PASADOR ABIERTO
						ARANDELA DE FRENO
						TUERCA
						ARANDELA
						TUERCA
						CASQUILLE

MODIF.	N. ORDIN.	D.	DENOMINAZIONE	DESIGNATION	BENENNUNG	DESCRIPTION	DENOMINACIONES
	4068462	3	ROSETTA	RONDELLE	SCHEIBE	WASHER	ARANDELA
10516671	9902487	2	ROSETTA	RONDELLE	SCHEIBE	WASHER	ARANDELA
	9902700	-	ROSETTA (*)	RONDELLE	SCHEIBE	WASHER	ARANDELA
	9809170	-	ROSETTA (*)	RONDELLE	SCHEIBE	WASHER	ARANDELA
	9909440	1	ROSETTA	RONDELLE	SCHEIBE	WASHER	ARANDELA
	9909452	4	VITE	VIS	SCHRAUBE	SCREW	TORNILLO
14452680	9927075	4	GUARNIZIONE	GARNITURE	BELAG	PAD	FORRO
	9927787	1	BOCCOLA	DOUILLE	BUECHSE	BUSH	CASQUILLO
	9927788	1	SUPPORTO	SUPPORT	LAGER	SUPPORT	SOPORTE
	9927789	1	BOCCOLA	DOUILLE	BUECHSE	BUSH	CASQUILLO
	9927790	4	MOLLA	RESSORT	FEDER	SPRING	RESORTE
	9927791	2	SPAZZOLA (+)	BALAI	KOHLENUERSTE	BRUSH	ESCOBILLA
	9927792	2	SPAZZOLA (-)	BALAI	KOHLENUERSTE	BRUSH	ESCOBILLA
	9927794	1	CALOTTA	CALOTTE	KAPPE	CAP	TAPA
	9927795	1	SUPPORTO	SUPPORT	LAGER	SUPPORT	SOPORTE
	9927796	1	BOCCOLA	DOUILLE	BUECHSE	BUSH	CASQUILLO
	9927797	1	ANELLO	BAGUE	RING	RING	ANILLO
	9927798	1	ANELLO	BAGUE	RING	RING	ANILLO
	9927800	1	MOLLA	RESSORT	FEDER	SPRING	RESORTE
	9927801	1	SCODELLINO	CUVETTE	TELLERSCHEIBE	CUP	PLATILLO
	9927802	1	ROSETTA	RONDELLE	SCHEIBE	WASHER	ARANDELA
15201011	9927813	3	VITE	VIS	SCHRAUBE	SCREW	TORNILLO
	9927815	1	GUARNIZIONE	GARNITURE	BELAG	PAD	FORRO
79036809	9927857	4	VITE	VIS	SCHRAUBE	SCREW	TORNILLO
	9933229	1	ROSETTA	RONDELLE	SCHEIBE	WASHER	ARANDELA
	9933234	1	ROSETTA	RONDELLE	SCHEIBE	WASHER	ARANDELA
79013700	9933236	1	PIASTRINA	PLAQUETTE	PLAETTCHEN	PLATE	PLACA
10705711	9934283	2	DADO	ECROU	MUTTER	NUT	TUERCA
	9982342	1	ELETTROMAGNETE	ELECTRO	MAGNETSCHALTER	SOLENOID	MAGNETO
	9982345	1	PERNO	AXE	BOLZEN	PIN	EJE
79013711	9982348	2	TIRANTE	TIRANT	STANGE	ROD	VARILLA
79013703	9982349	1	BOBINE	BOBINE	ZUENDSPULE	COIL	BOBINA
	9982348	1	VITE	VIS	SCHRAUBE	SCREW	TORNILLO
	9982349	1	PIASTRINA	PLAQUETTE	PLAETTCHEN	PLATE	PLACA
	9982350	1	BLOCCHETTO	TAQUET	ANSATZ	PAD	HERRAJE
	9982351	1	STAFFA	ETRIER	HALTER	BRACKET	SOPORTE
	9982352	1	INDOTTO	INDUIT	ANKER	ARMATURE	INDUCIDO
79013701	9982353	1	TASSELLO	TAMPON	BEILAGE	PAD	TACO
	9982356	1	GUARNIZIONE	GARNITURE	BELAG	PAD	FORRO
ELIM	9982357	2	SCODELLINO	CUVETTE	TELLERSCHEIBE	CUP	PLATILLO
	9982358	1	VITE	VIS	SCHRAUBE	SCREW	TORNILLO
	9982359	1	GUARNIZIONE	GARNITURE	BELAG	PAD	FORRO
ELIM	10516671	1	ROSETTA	RONDELLE	SCHEIBE	WASHER	ARANDELA
	11195471	1	ROSETTA	RONDELLE	SCHEIBE	WASHER	ARANDELA

FIAT ALLIS (L10B (21D)

F50811

MODIF.	N. ORDIN.	Q.	DENOMINAZIONE	DESIGNATION	BENENNUNG	DESCRIPTION	DENOMINACIONES
ELIM	12601271	2	ROSETTA	RONDELLE	SCHEIBE	WASHER	ARANDELA
79021527	16102311	1	DADO	ECROU	MUTTER	NUT	TUERCA
	79018704	1	ANELLO	BAGUE	RING	RING	ANILLO
79019706	79018712	1	ANELLO	BAGUE	RING	RING	ANILLO
	79018720	2	GUARNIZIONE	GARNITURE	BELAG	PAD	FORRO
	79019096	1	INNESTO				
	79019098	1	SUPPORTO COMPLETO	SUPPORT	LAGER	SUPPORT	SOPORTE
ELIM	11195471	4	ROSETTA	RONDELLE	SCHEIBE	WASHER	ARANDELA
		(*)	IN ALTERNATIVA	IN ALTERNATIVE	ABWECHSELND	OPTIONAL	OPTATIVO

MODIF	N.ORDINAZ. Q.	DENOMINAZIONE	DESIGNATION	BENENNUNG	DESCRIPTION	DENOMINACIONES
	9903848 1	CORNICE	MONTURE	RAHMEN	FRAME	MARCO
	9907823 6	VITE	VIS	SCHRAUBE	SCREW	TORNILLO
	9907824 4	ROSETTA DI SICUREZZA	RONDELLE FREIN	SICHERUNGSRING	LOCKWASHER	ARANDELA DE FRENO
	9909068 2	FERMAGLIO	AGRAFE	KLEMMSTUECK	CLIP	SUJETADOR
	9909116 1	GUARNIZIONE	JOINT	DICHTUNG	GASKET	JUNTA
	9909121 4	ROSETTA DI SICUREZZA	RONDELLE FREIN	SICHERUNGSRING	LOCKWASHER	ARANDELA DE FRENO
	9909122 4	VITE	VIS	SCHRAUBE	SCREW	TORNILLO
	9909123 2	DADO	ECROU	MUTTER	NUT	TUERCA
	9910908 2	PIASTRINA	PLAQUETTE	PLAETTCHEN	PLATE	PLACA
	9918651 1	PORTALAMPADA	PORTE-LAMPE	LAMPENFASSUNG	BULB HOLDER	PORTALAMPARA
	9918901 1	GRUPPO OTTICO	GROUPE OPTIQUE	EINSATZ	LENS/REFLECTOR	GRUPO OPTICO
	9918902 1	BLOCCHETTO SERRAFILO	SERRE-FILS	NIPPEL	UNIT	SUJETADOR
	10858790 1	LAMPADA	LAMPE	LAMPE	BULB	BOMBILLA

MODIF	N.ORDINAZ. Q.	DENOMINAZIONE	DESIGNATION	BENENNUNG	DESCRIPTION	DENOMINACIONES	
	992467	1	COLONNETTA	COLONNETTE	BOLZEN	STUD	ESPARRAGO
	9900906	1	GUARNIZIONE	JOINT	DICHTUNG	GASKET	JUNTA
	9901071	4	VITE	VIS	SCHRAUBE	SCREW	TORNILLO
	9901077	1	GUARNIZIONE	JOINT	DICHTUNG	GASKET	JUNTA
	9901079	1	CORNICE	MONTURE	RAHMEN	FRAME	MARCO
	9901103	1	FERMAGLIO	AGRAFE	KLEHMSTUECK	CLIP	SUJETADOR
	9906714	4	PIASTRINA	PLAQUETTE	PLAETTCHEN	PLATE	PLACA
	9909918	1	TRASPARENTE	TRANSPARENT	LICHTSCHEIBE	LENS	TAPA TRANSLUCIDA
	9909919	1	PARABOLA	REFLECTEUR	PARABOLSPIEGEL	REFLECTOR	REFLECTOR
	9909980	4	VITE	VIS	SCHRAUBE	SCREW	TORNILLO
	9911523	1	RIPARO	PROTECTION	ABDECKUNG	PROTECTION	DEFENSA
	9918909	1	PORTA LAMPADA	PORTE-LAMPE	LAMPENFASSUNG	BULB HOLDER	PORTALAMPARA
	10858790	1	LAMPADA	LAMPE	LAMPE	BULB	BOMBILLA
	11195470	4	ROSETTA DI SICUREZZA	RONDELLE FREIN	SICHERUNGSRING	LOCKWASHER	ARANDELA JE FRENO

MODIF	N.ORDINAZ. O.	DENOMINAZIONE	DESIGNATION	BENENNUNG	DESCRIPTION	DENOMINACIONES	
	9903848	1	CORNICE	MONTURE	RAHMEN	FRAME	MARCO
	9907823	6	VITE	VIS	SCHRAUBE	SCREW	TORNILLO
	9907824	4	ROSETTA DI SICUREZZA	RONDELLE FREIN	SICHERUNGSRING	LOCKWASHER	ARANDELA DE FRENO
	9909068	2	FERMAGLIO	AGRAFE	KLEHMSTUECK	CLIP	SUJETADOR
	9909116	1	GUARNIZIONE	JOINT	DICHTUNG	GASKET	JUNTA
	9909121	4	ROSETTA DI SICUREZZA	RONDELLE FREIN	SICHERUNGSRING	LOCKWASHER	ARANDELA DE FRENO
	9909122	4	VITE	VIS	SCHRAUBE	SCREW	TORNILLO
	9909123	2	DADO	ECROU	MUTTER	NUT	TUERCA
	9910908	4	PIASTRINA	PLAQUETTE	PLAETTCHEN	PLATE	PLACA
	9915627	1	GRUPPO OTTICO	GROUPE OPTIQUE	EINSATZ	LENS/REFLECTOR UNIT	GRUPO OPTICO
	9918899	1	BLOCCHETTO CONNESSIONE	PLAQUE DE JONCTION	ANSCHLUSSDOSE	CONNECTION BLOCK	PLACA DE EMPALME
	9918900	1	PORTALAMPADA	PORTE-LAMPE	LAMPENFASSUNG	BULB HOLDER	PORTALAMPARA
	141-2690	1	LAMPADA	LAMPE	LAMPE	BULB	BOMBILLA

MODIF	N.ORDINAZ. Q.	DENOMINAZIONE	DESIGNATION	BENENNUNG	DESCRIPTION	DENOMINACIONES
	9903848 1	CORNICE	MONTURE	RAHMEN	FRAME	MARCO
	9907823 4	VITE	VIS	SCHRAUBE	SCREW	TORNILLO
	9907824 4	ROSETTA DI SICUREZZA	RONDELLE FREIN	SICHERUNGSRING	LOCKWASHER	ARANDELA DE FRENO
	9909068 2	FERNAGLIO	AGRAFE	KLEMMSTUECK	CLIP	SUJETADOR
	9909116 1	GUARNIZIONE	JOINT	DICHTUNG	GASKET	JUNTA
	9909121 4	ROSETTA DI SICUREZZA	RONDELLE FREIN	SICHERUNGSRING	LOCKWASHER	ARANDELA DE FRENO
	9909122 4	VITE	VIS	SCHRAUBE	SCREW	TORNILLO
	9909123 2	DADO	ECROU	MUTTER	NUT	TUERCA
	9910908 2	PIASTRINA	PLAQUETTE	PLAETTCHEN	PLATE	PLACA
	9918651 1	PORTALAMPADA	PORTE-LAMPE	LAMPENFASSUNG	BULB HOLDER	PORTALAMPARA
	9918901 1	GRUPPO OTTICO	GROUPE OPTIQUE	EINSATZ	LENS/REFLECTOR	GRUPO OPTICO
	9918902 1	BLOCCHETTO SERRAFILO	SERRE-FILS	NIPPEL	UNIT	SUJETADOR
	10058795 1	LAMPADA GIALLA	LAMPE	LANPE	RETAINER	BOMBILLA
					BULB	

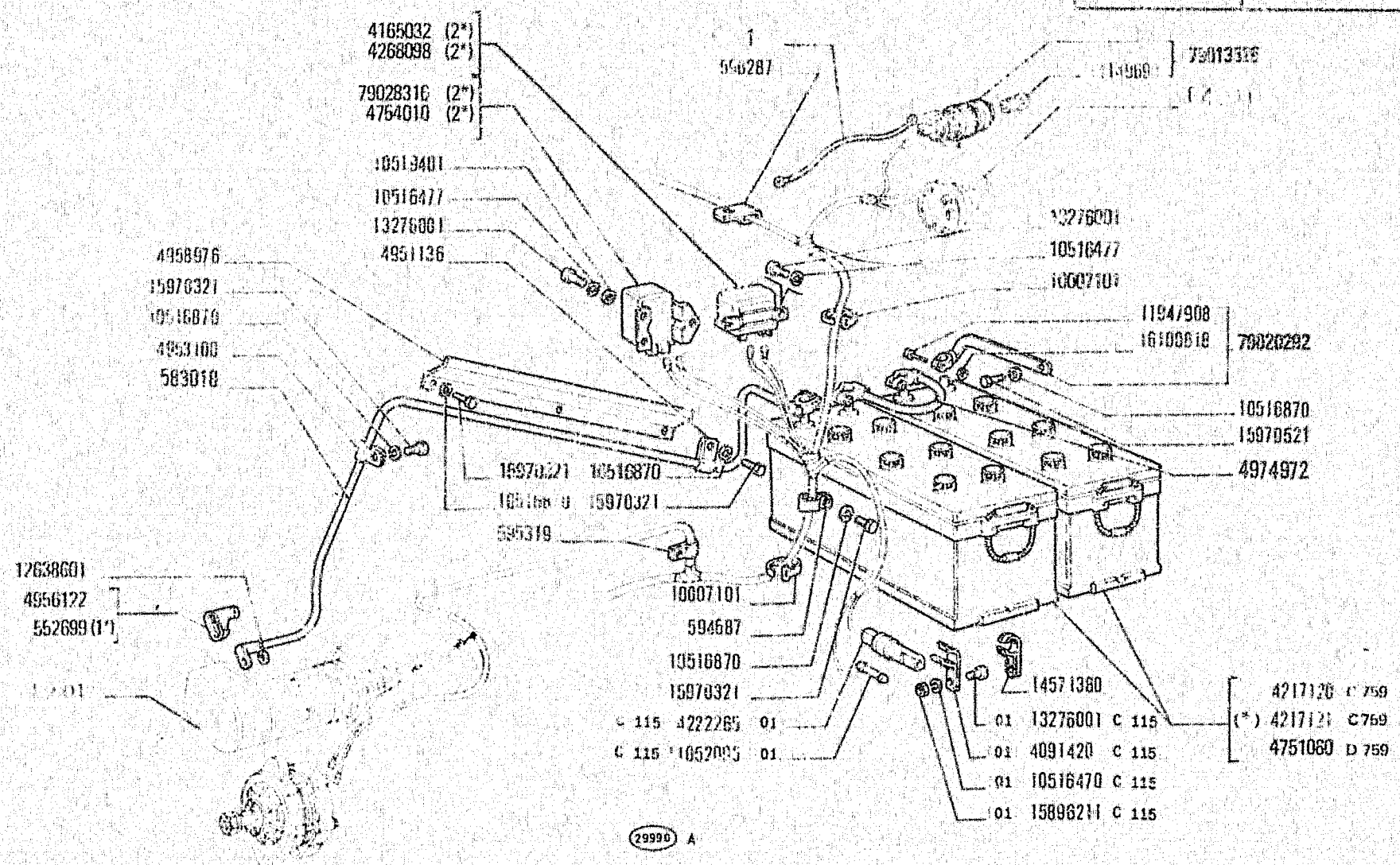
MODIF	N.ORDINAZ. Q.	DENOMINAZIONE	DESIGNATION	BENENNUNG	DESCRIPTION	DENOMINACIONES	
	992467	1	COLONNETTA	COLONNETTE	BOLZEN	STUD	ESPARRAGO
	9900906	1	GUARNIZIONE	JOINT	DICHTUNG	GASKET	JUNTA
	9901071	4	VITE	VIS	SCHRAUBE	SCREW	TORNILLO
	9901077	1	GUARNIZIONE	JOINT	DICHTUNG	GASKET	JUNTA
	9901079	1	CORNICE	MONTURE	RAHMEN	FRAME	MARCO
	9901103	1	FERMAGLIO	AGRAFE	KLEMMSTUECK	CLIP	SUJETADOR
	9906714	4	PIASTRINA	PLAQUETTE	PLAETTCHEN	PLATE	PLACA
	9909918	1	TRASPARENTE	TRANSPARENT	LICHTSCHEIBE	LENS	TAPA TRANSLUCIDA
	9909919	1	PARABOLA	REFLECTEUR	PARABOLSPIEGEL	REFLECTOR	REFLECTOR
	9909980	4	VITE	VIS	SCHRAUBE	SCREW	TORNILLO
	9911523	1	RIPARO	PROTECTION	ABDECKUNG	PROTECTION	DEFENSA
	9918909	1	PORTALAMPADA	PORTE-LAMPE	LAMPENFASSUNG	BULB HOLDER	PORTALAMPARA
	10858795	1	LAMPADA	LAMPE	LAMPE	BULB	BOMBILLA
	11195470	4	ROSETTA DI SICUREZZA	RONDELLE FREIN	SICHERUNGSRING	LOCKWASHER	ARANDELA DE FRENO

F

ELECTRICAL SYSTEM • IMPIANTO ELETTRICO • SYSTEME ELECTRIQUE • ELEKTRISCHE ANLAGE • SISTEMA ELECTRICO

DAT 553 01

F3.01



(*) (1*) (2*) Vedere elenco - Voir la liste - Siehe Tabelle - See List - Véase la lista

FL 10B
01 02

GENERAZIONE DI CORRENTE

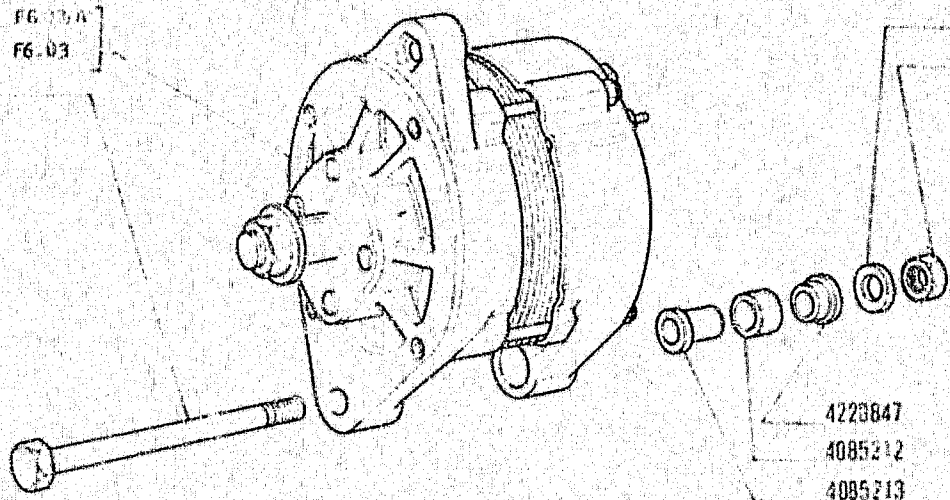
Généralrice
Stromerzeugung

Current Generating System
L-2 Generator de corriente

F3.01

N.T.R. 93
20-11-1981
004.01.012.07

369 4474902 F6-03
 4223787 F6-03
 38824114



FL10 B

01 02

GENERAZIONE DI CORRENTE

Génératrice
Stromerzeugung

Current Generating System

L-3

Generator de corriente

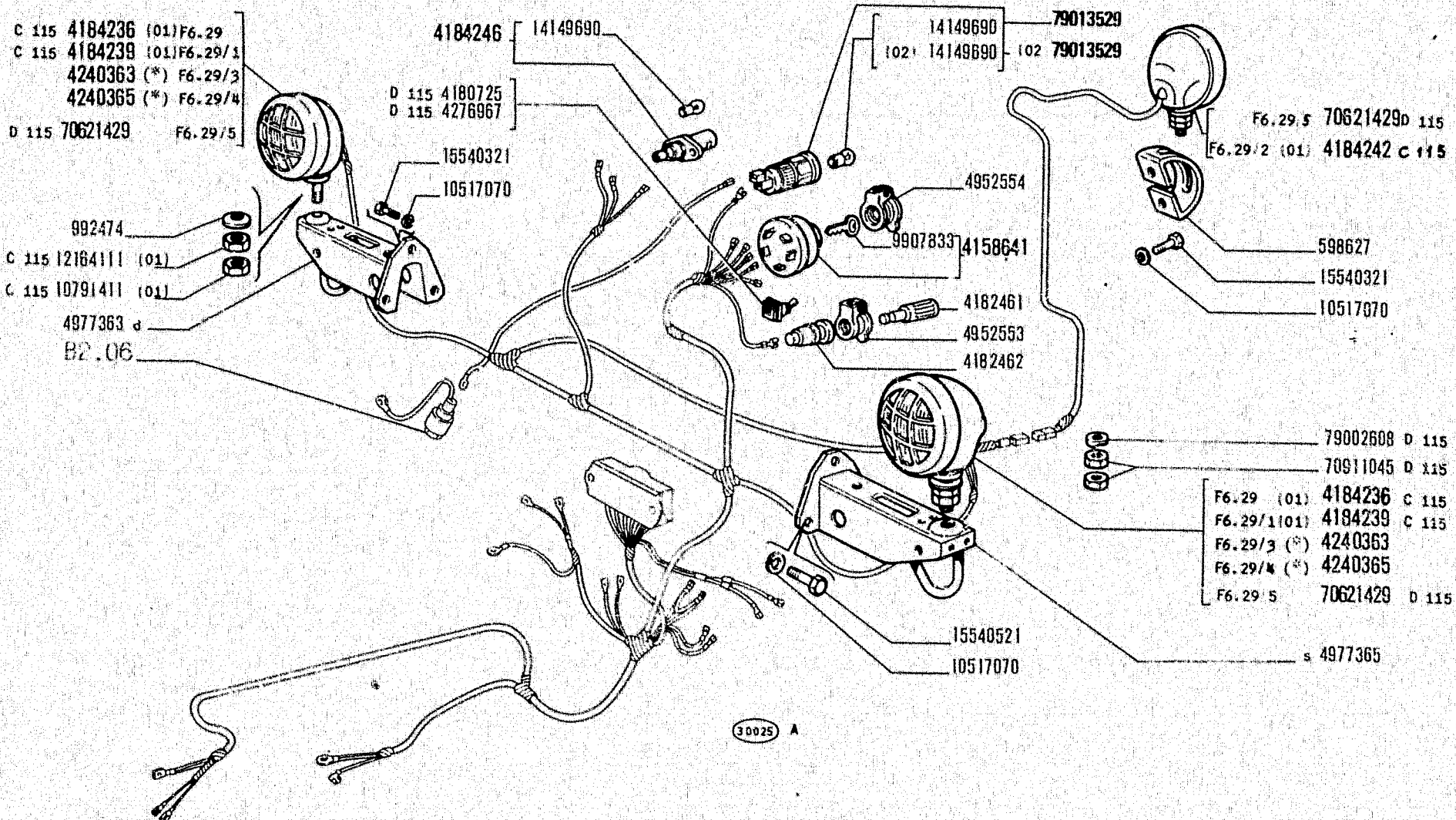
F3.01

2

N.T.R. 93
 20-11-1981
 604.01.012.07

DAT 554 01

F4.01



(*) Vedere elenco - Voir la liste - Siehe Tabelle - See list - Vease la lista

FL 10B

01 02

*Eclairage
Beleuchtung*

ILLUMINAZIONE

*Lighting System
L-5 Sistema de alumbrado*

2

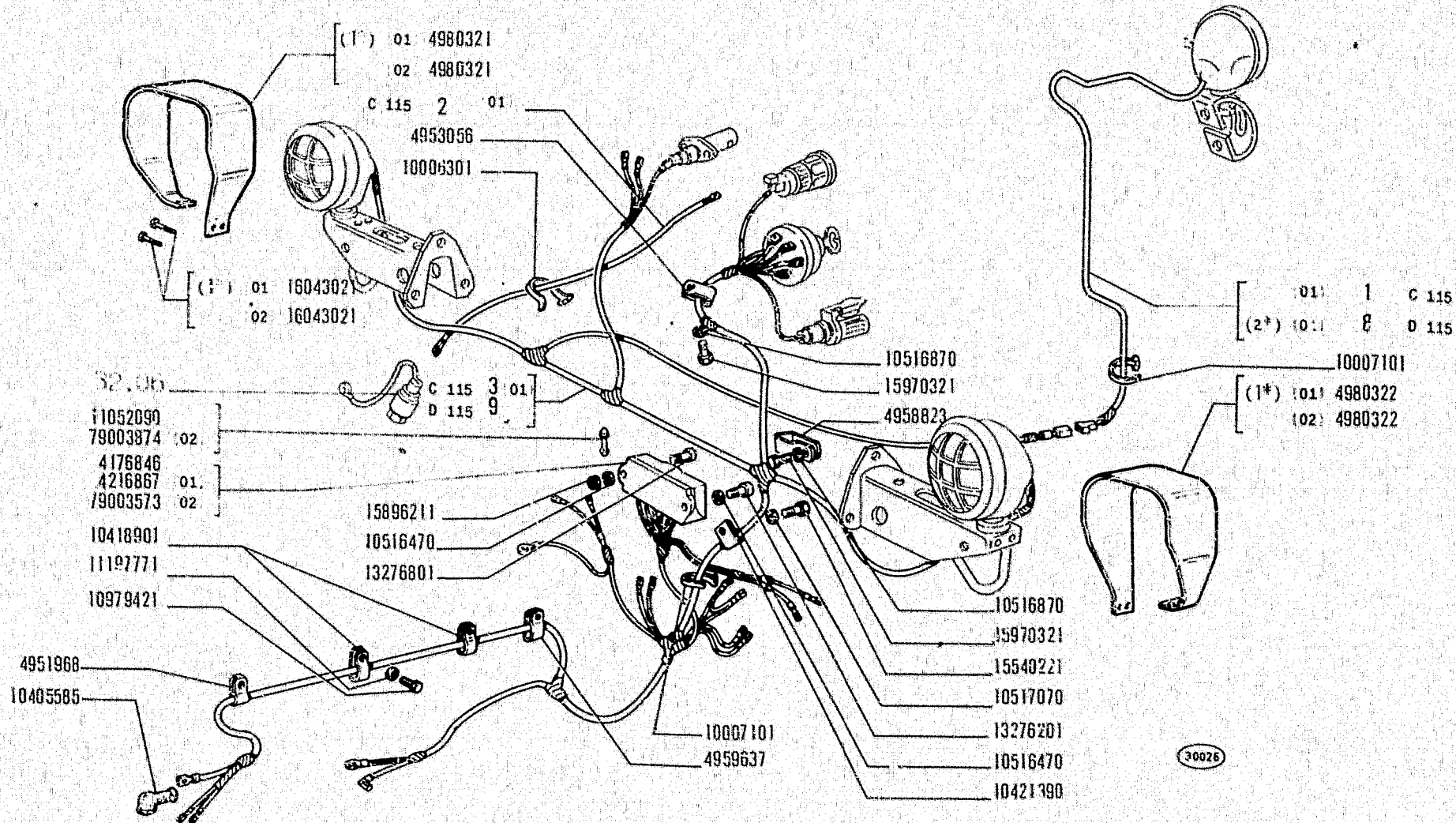
F4.01

1

N.T.R. 49
15-5-1979
604.01.012.04

DAT 554 01

F4.01



(2*) (1) Vedere elenco Voir la liste Siehe Tabelle See list Véase la lista

FL10 B

01 02

ILLUMINAZIONE

Eclairage
Beleuchtung

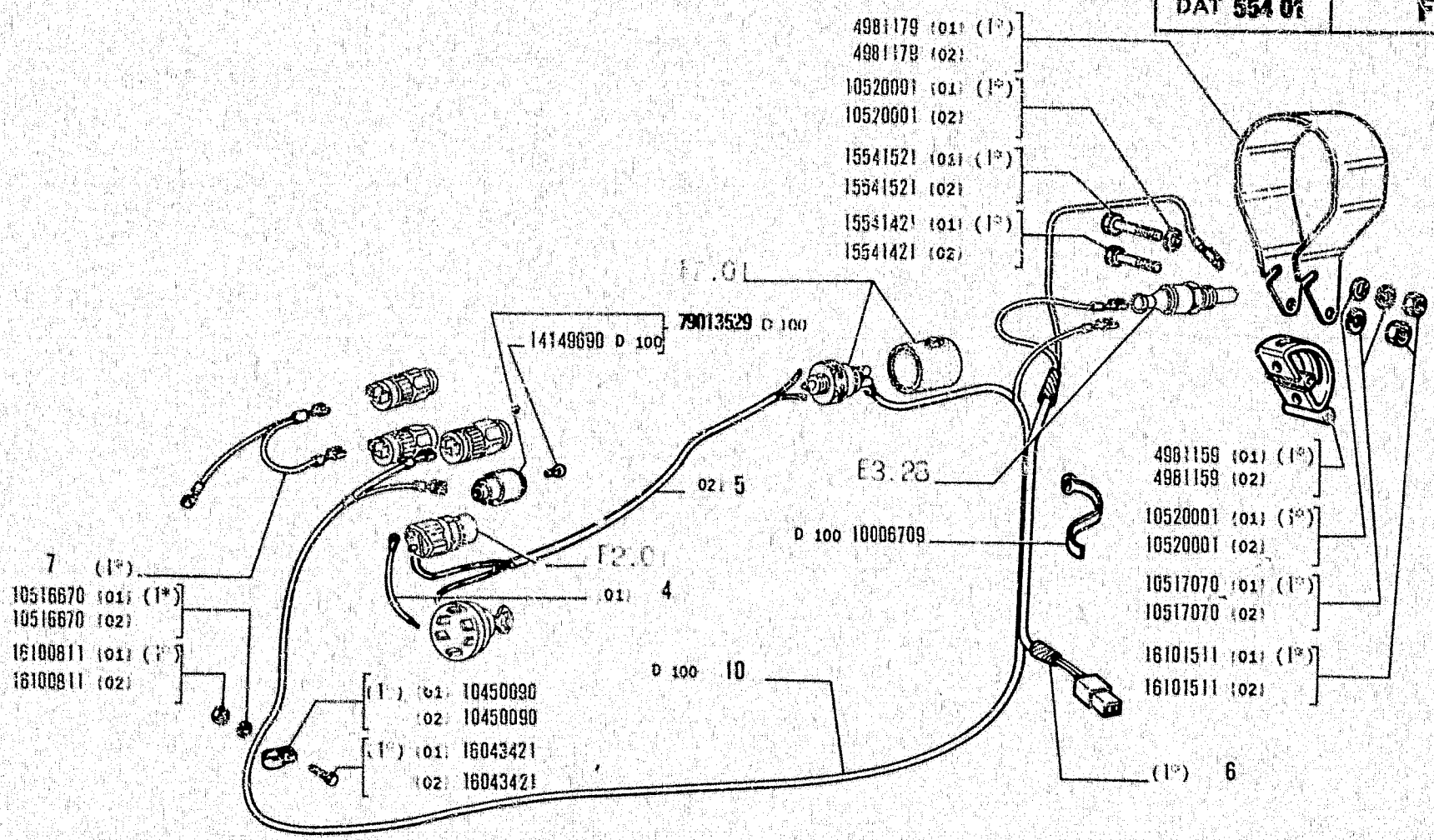
L-6

Lighting System
Sistema de alumbrado

F4.01

2

DAT 554 01	F4.01
------------	-------



40353 A

(1) Vedere elenco Voir la liste Siehe Tabelle See list Véase la lista

FL 10B

01 02

Eclairage
Beleuchtung

ILLUMINAZIONE

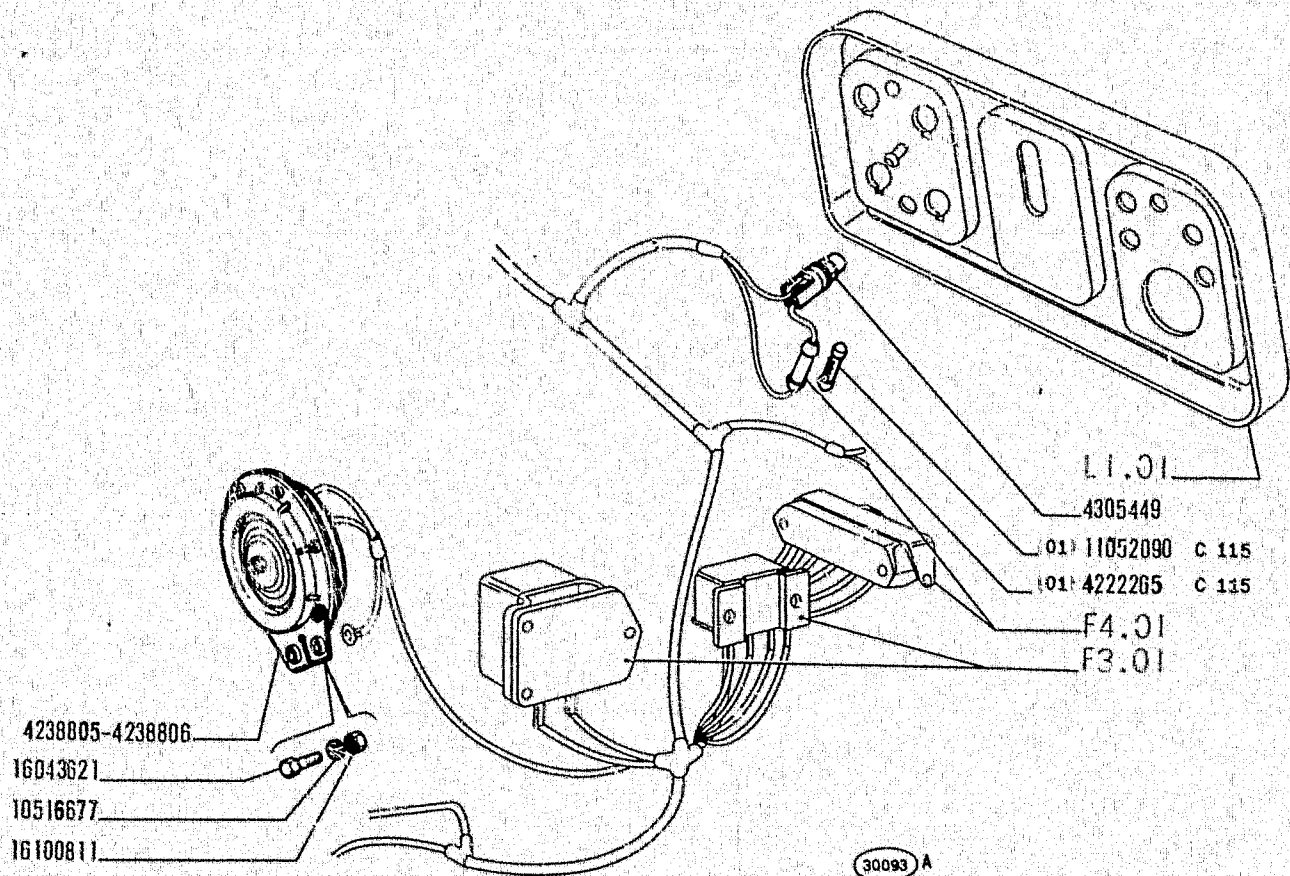
Lighting System
L-7 *Sistema de alumbrado*

2

F4.01

3

N.T.R. 49
15 5 1979
604 01 012.04



FL10 B
01 02

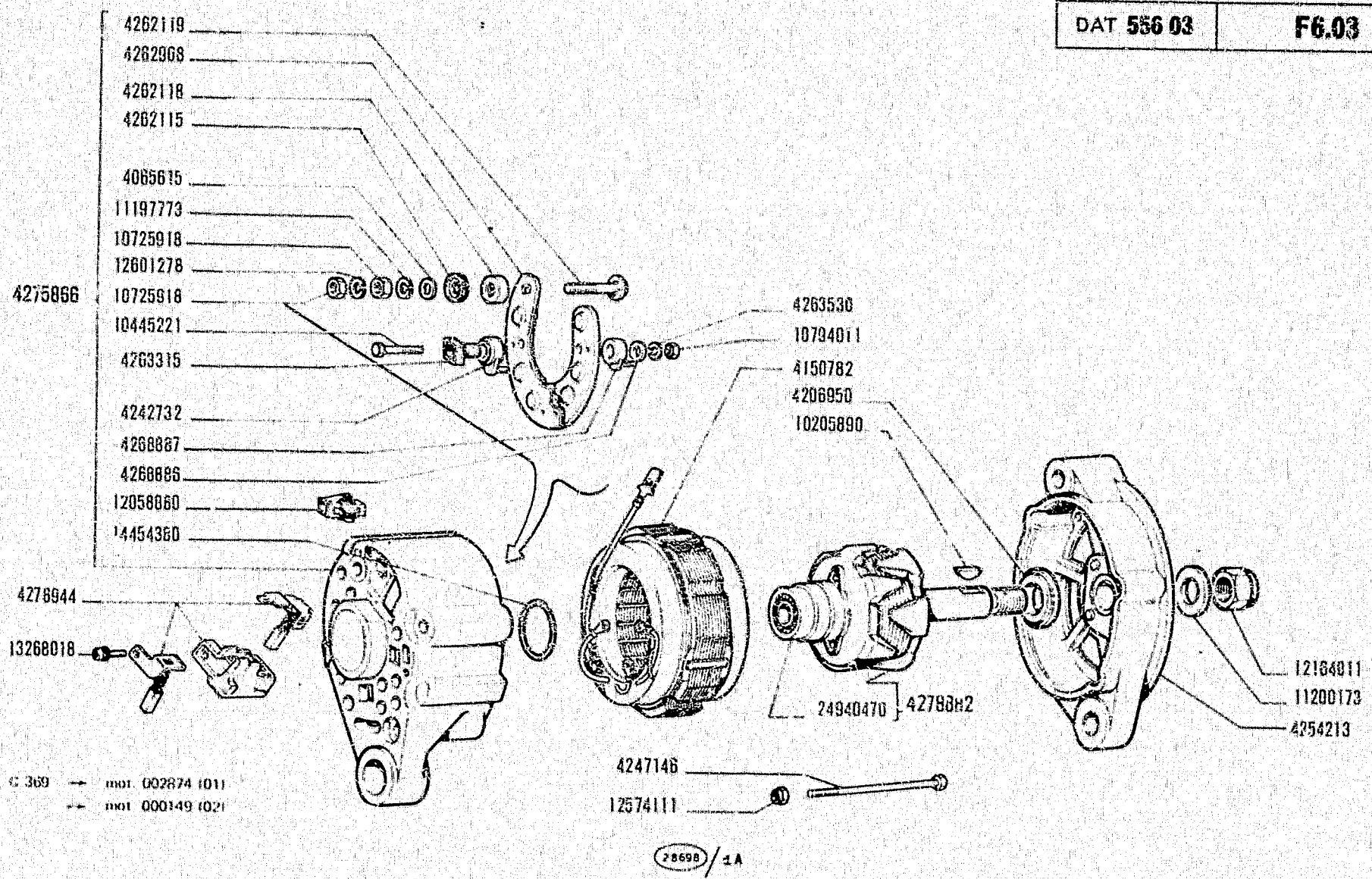
SEGNALAZIONI DI AVVISO

Avertisseurs
Signalisierovrichtungen

Signalling Devices
Aparatos de señalización

L-8

F5.01



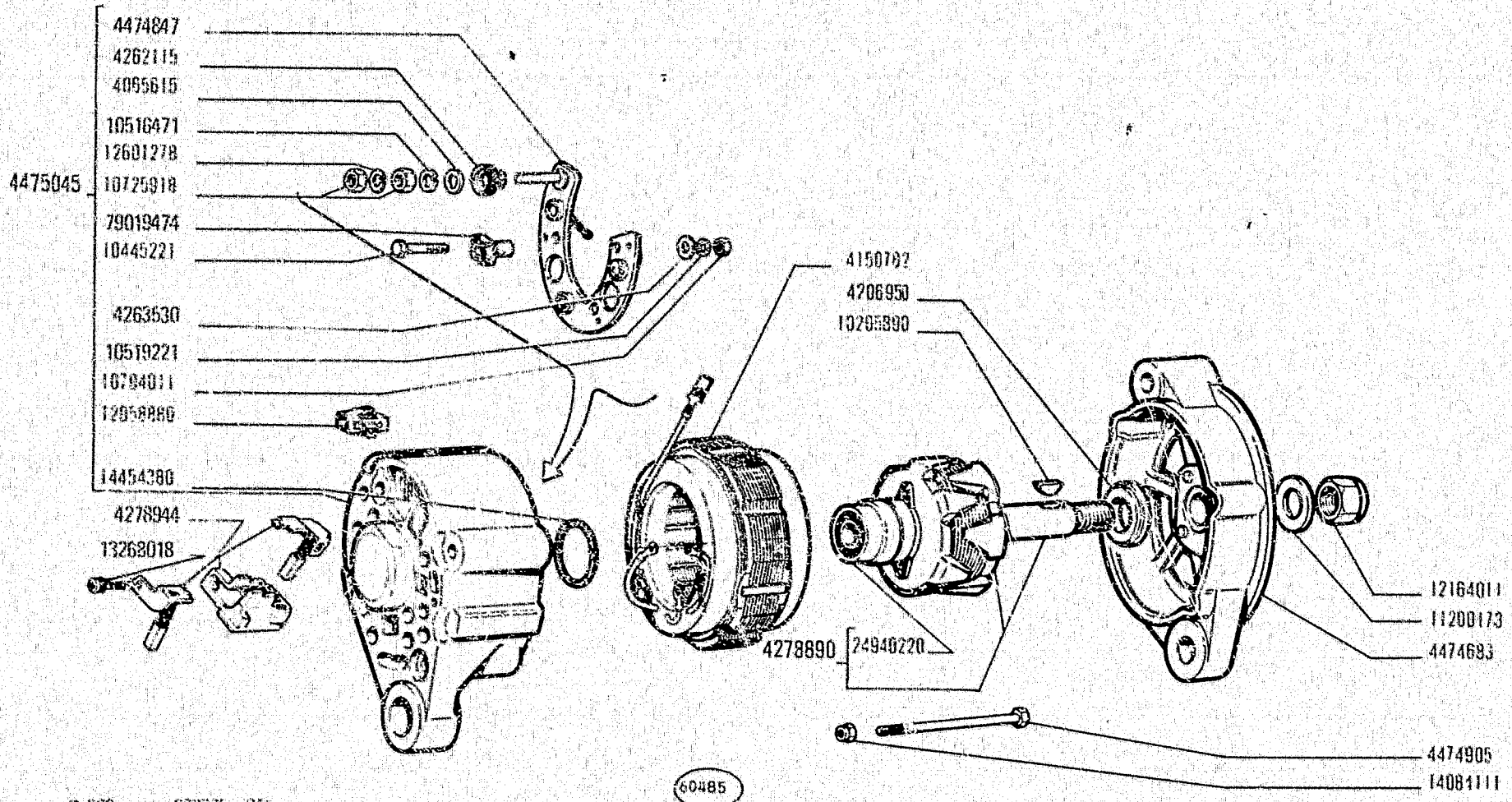
FL 10B
01 02

Alternateur
Drehstrom-Lichtmaschine

ALTERNATORE 4223787
Alternator
Alternador
L-9

F6.03

N.T.R. 30
1-9-1977
604.01.012.01



D 369 mod. 002575 011 --
 rev. 000150 021 --

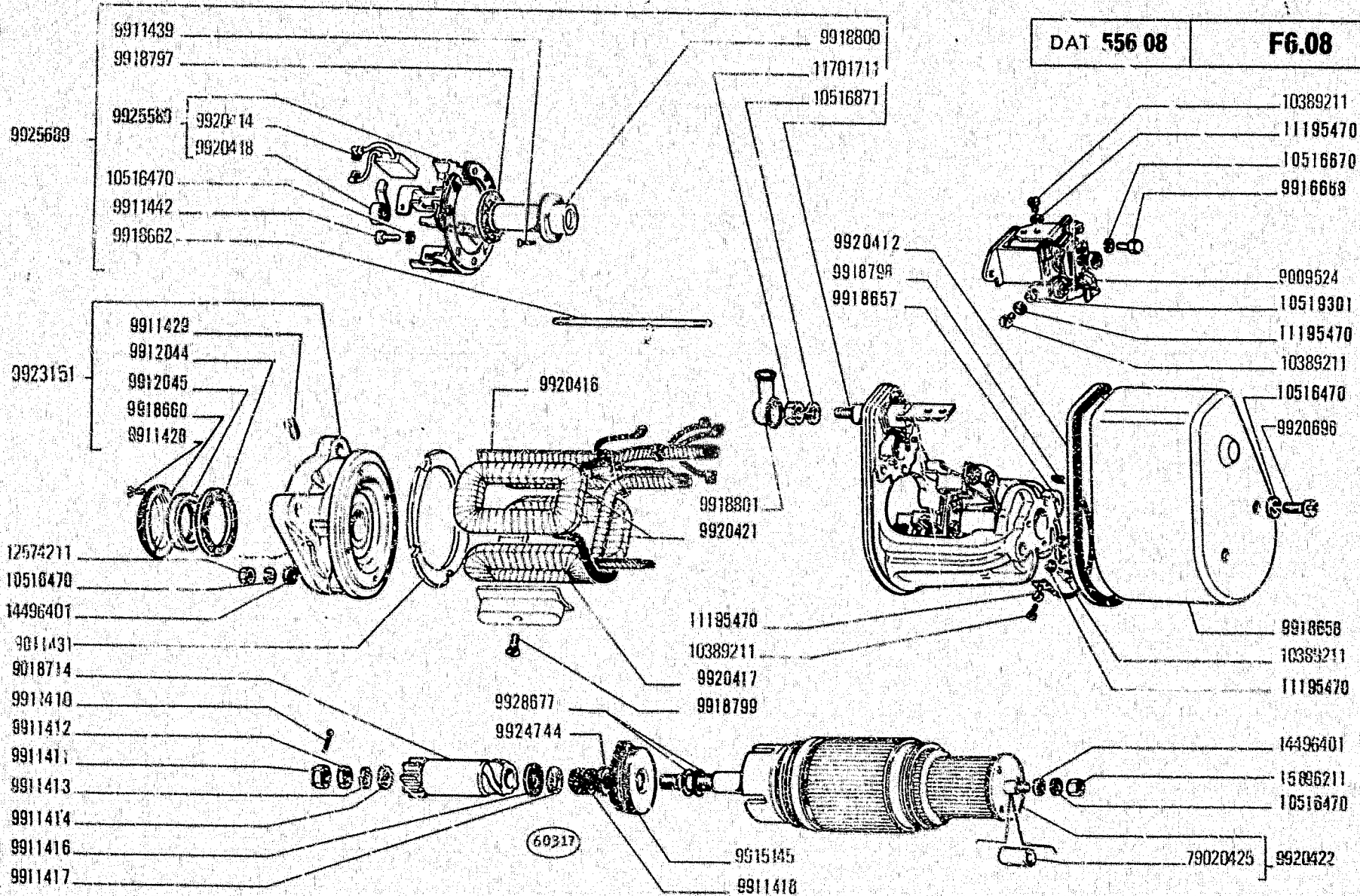
FL 10B
 01 02

Alternateur
 Drehstrom-Lichtmaschine

ALTERNATORE 4474902
 Alternator
 Alternador
L-10

F6.03 / A

N.T.R. 65
 1.3.1980
 604.01.012.05



DAT 556 08	F6.08
------------	-------

FL10 B

01 02

Démarrreur
Anlasser

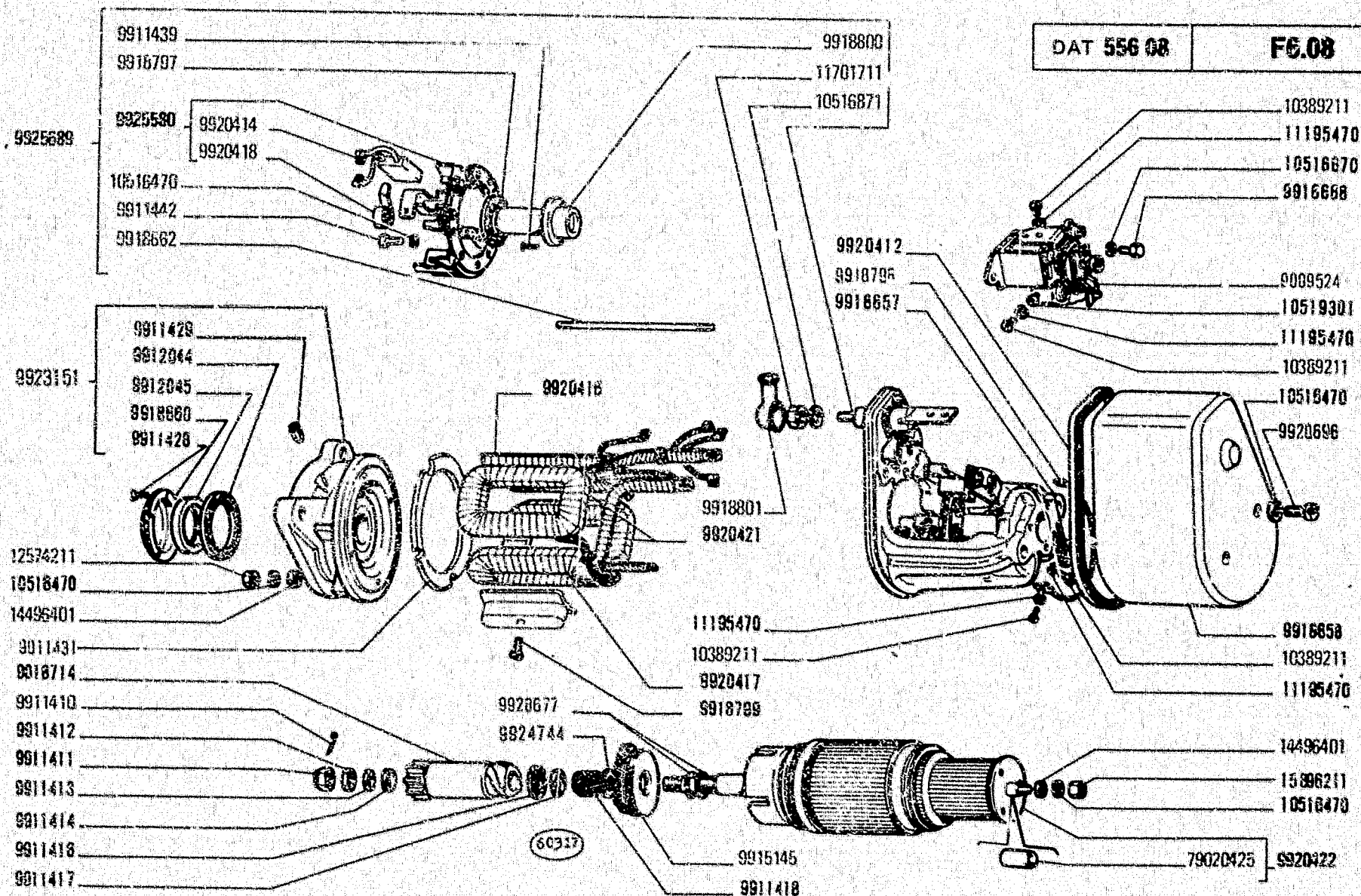
MOTORINO DI AVVIAMENTO 4199576 (Marelli)

Starter Motor

L-11 Motor de arranque

F6.08

N.T.R. 65
1-3-1890
604.01.012.05



FL10 B

01 02

*Démarrreur
Anlasser*

MOTORINO DI AVVIAMENTO 4130578 (Marelli)

*Starter Motor
Motor de arranque*

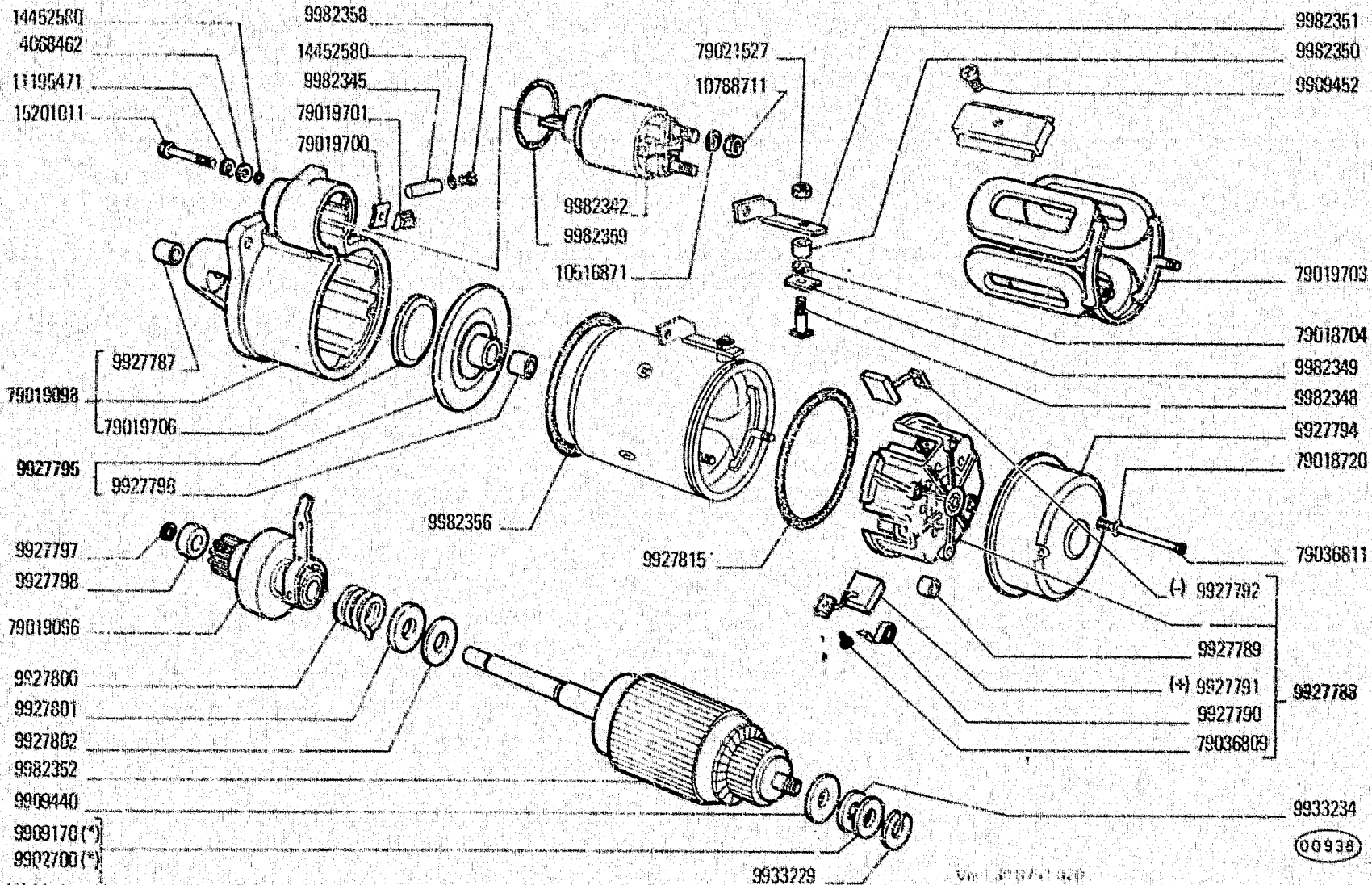
L-12

F6.08

N.T.R. 65
1-3-1980
304.01.012.05

DAT 556 08

F6.08/1



(*) Vedere elenco - Voir la liste - Siehe Tabelle - See list - Véase la lista

FL 10 B
01 02

Démarrreur
Anlasser

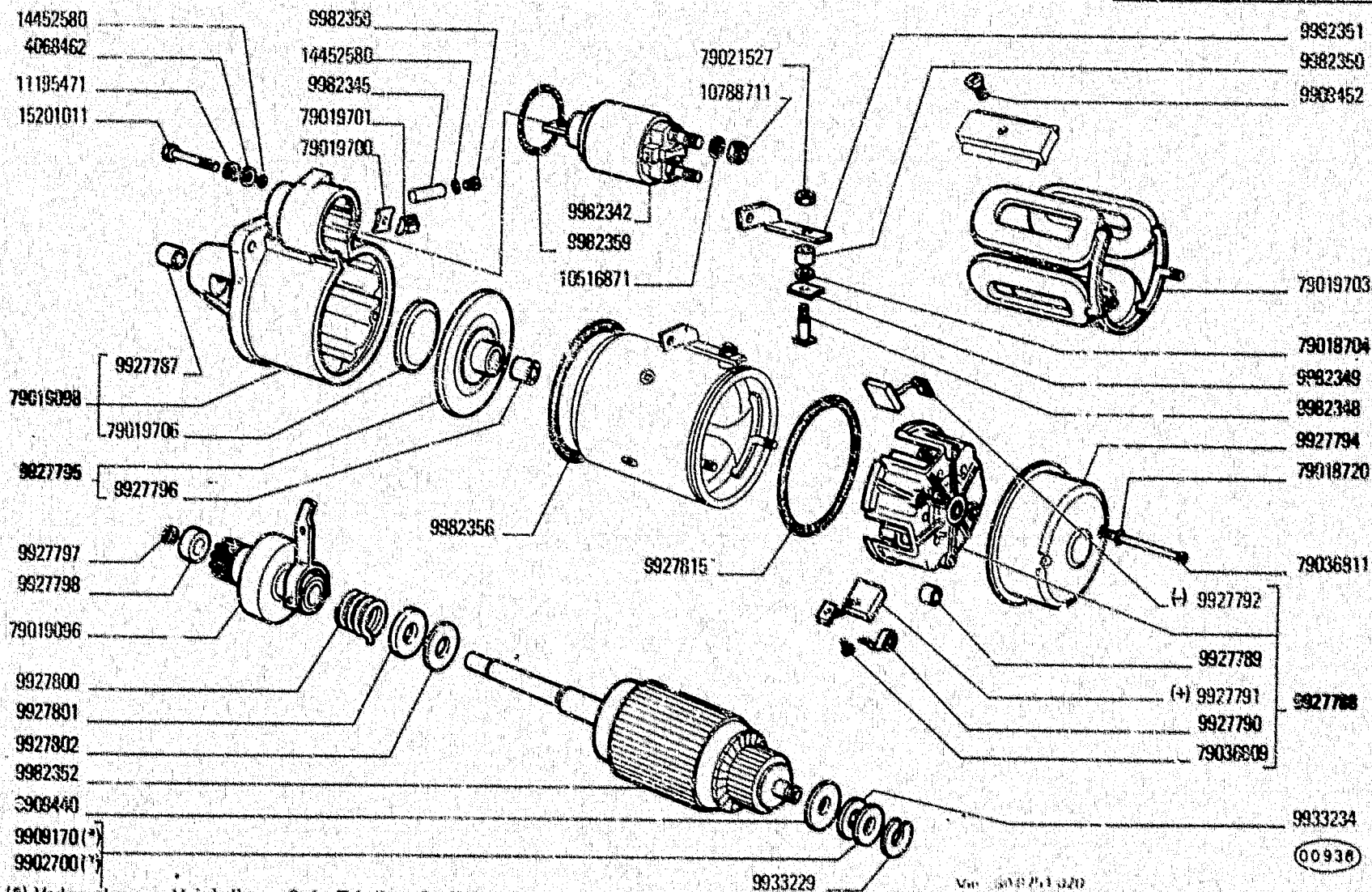
MOTORINO DI AVVIAMENTO 79016155 (Marelli)

Starter Motor
L-13 Motor de arranque

F6.08/1

N.T.R. 93
20-11-1981
604.01.012.07

DAT 556 00 F6.08/1



(*) Vedere elenca - Voir la liste - Siehe Tabelle - See list - Véase la lista

FL 10 B

01 02

Démarréur
Anlasser

MOTORINO DI AVVIAMENTO 79016155 (Marelli)

L-14

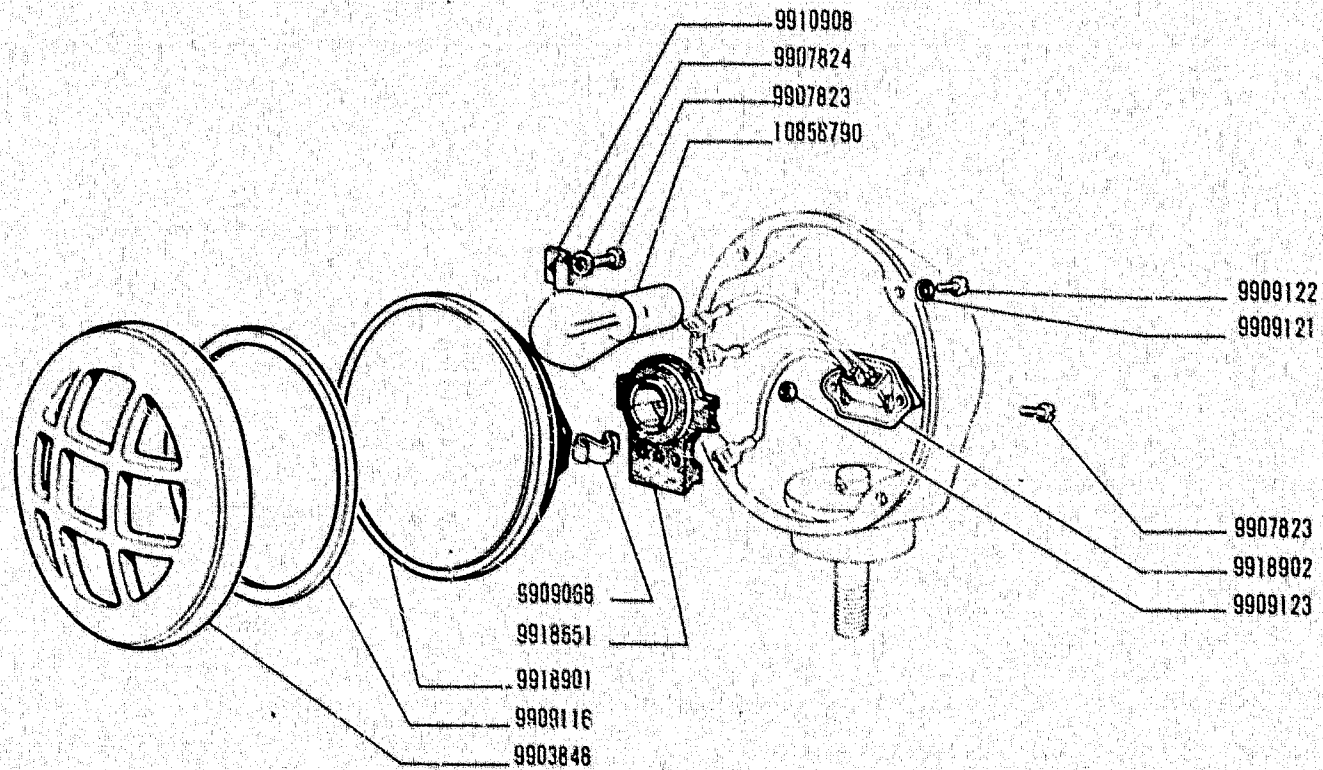
Starter Motor
Motor de arranque

F6.08/1

N.T.R. 93
20-11-1981
604.01.012.07

DAT 556 29

F6.29



19246 1

FL 10 B

01

Projecteur
Scheinwerfer

PROIETTORE 4184236 (Siem)

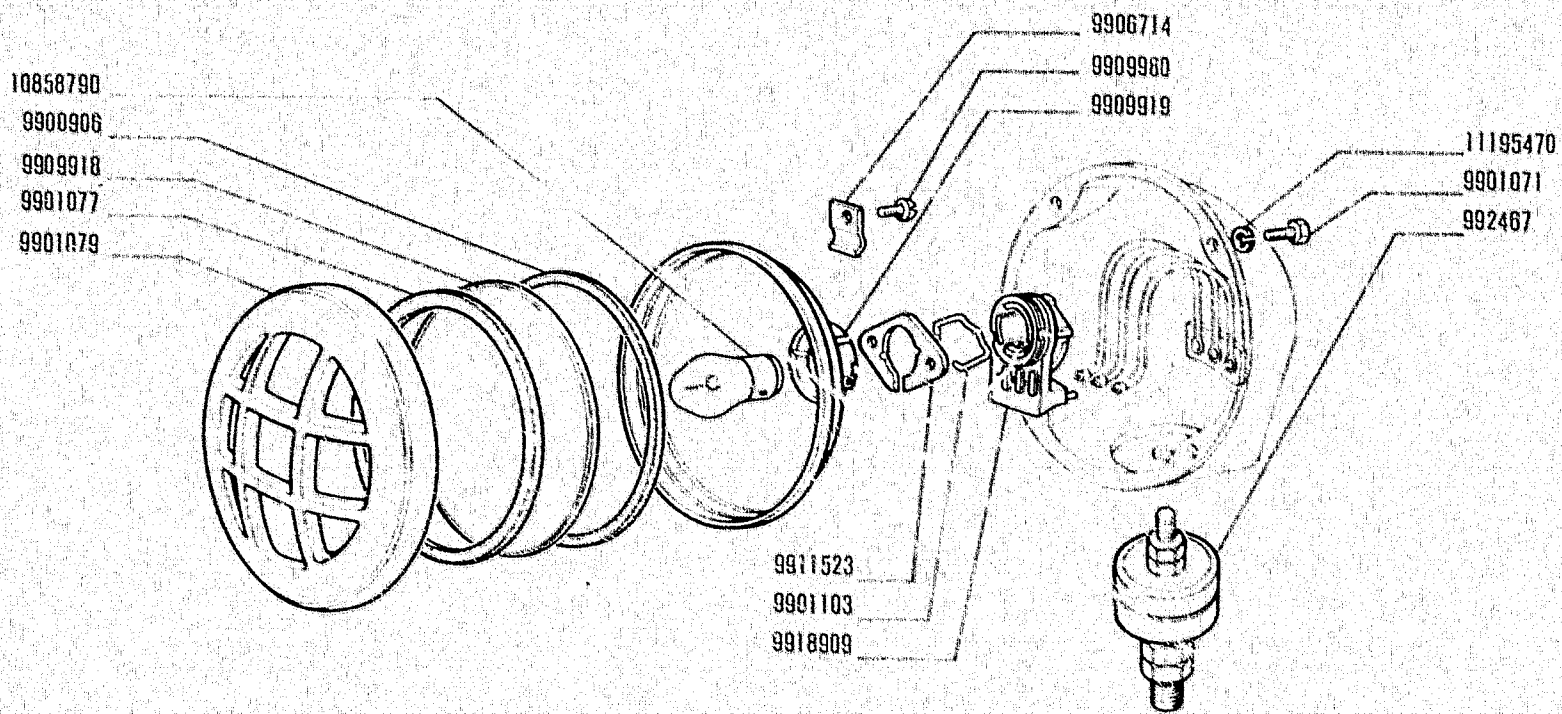
L-16

Heizlamp
Projector

F6.29

DAT 556 29

F6.29/1



(19247) 2

FL10 B

01

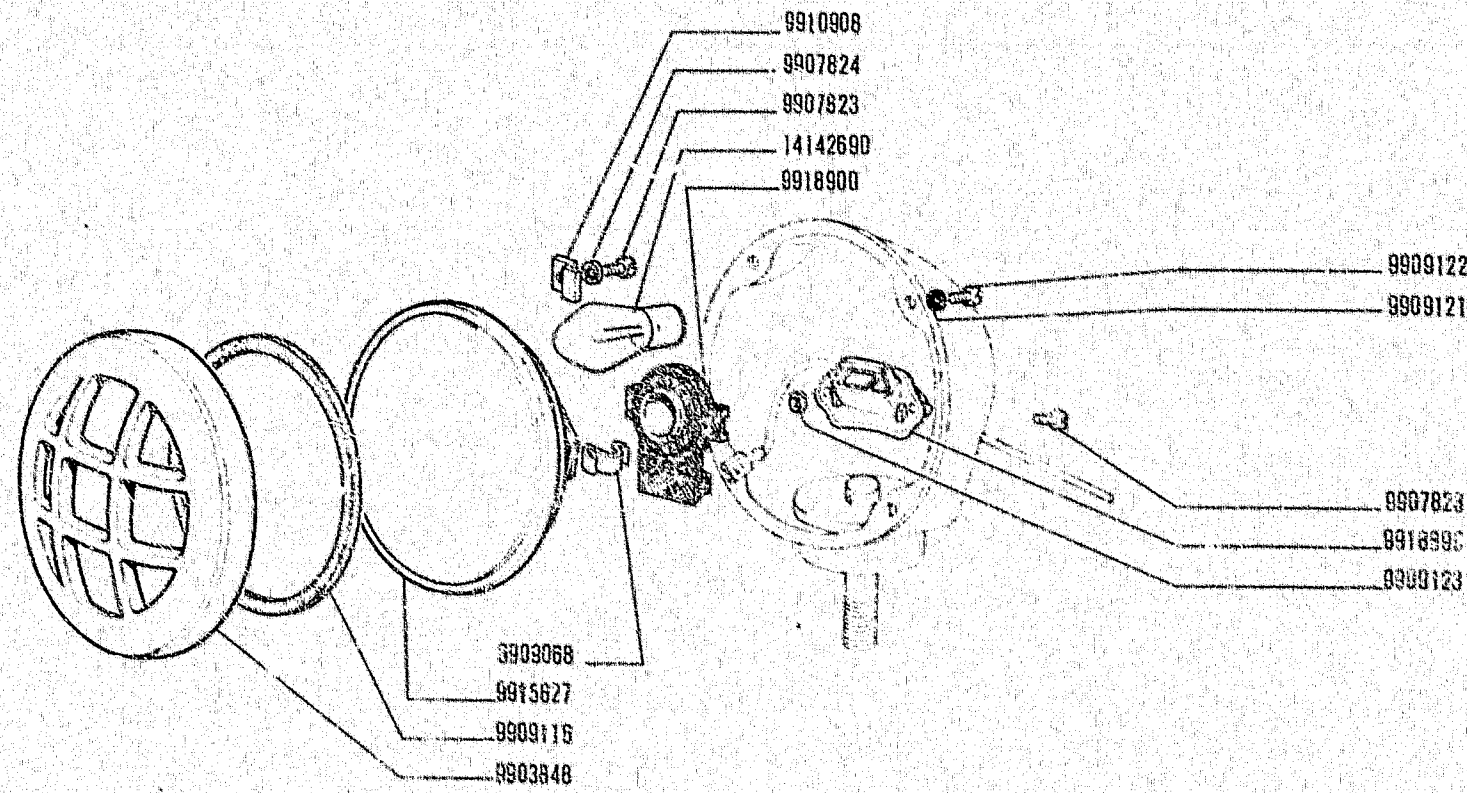
PROIETTORE POSTERIORE 4184239 (Carello) ³

Phare arrière
Hinterer Scheinwerfer

Rear Spot Lamp
Faro posterior

L-17

F6.29/1



19248 1

FL 10 B

01

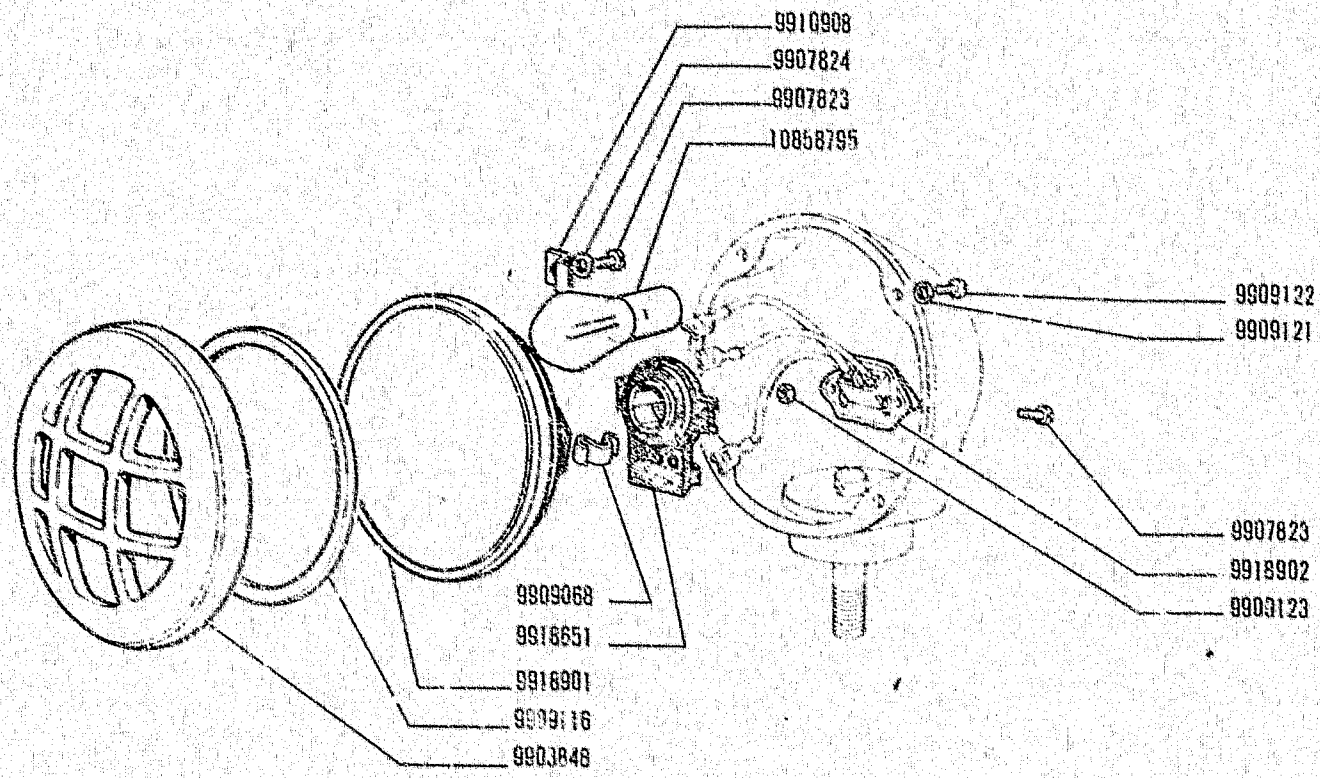
Projecteur
Scheinwerfer

PROIETTORE 4184242 (Siem)

Headlamp
Projector

L-18

F6.29/2



19246 / 2

FL 10 B
01

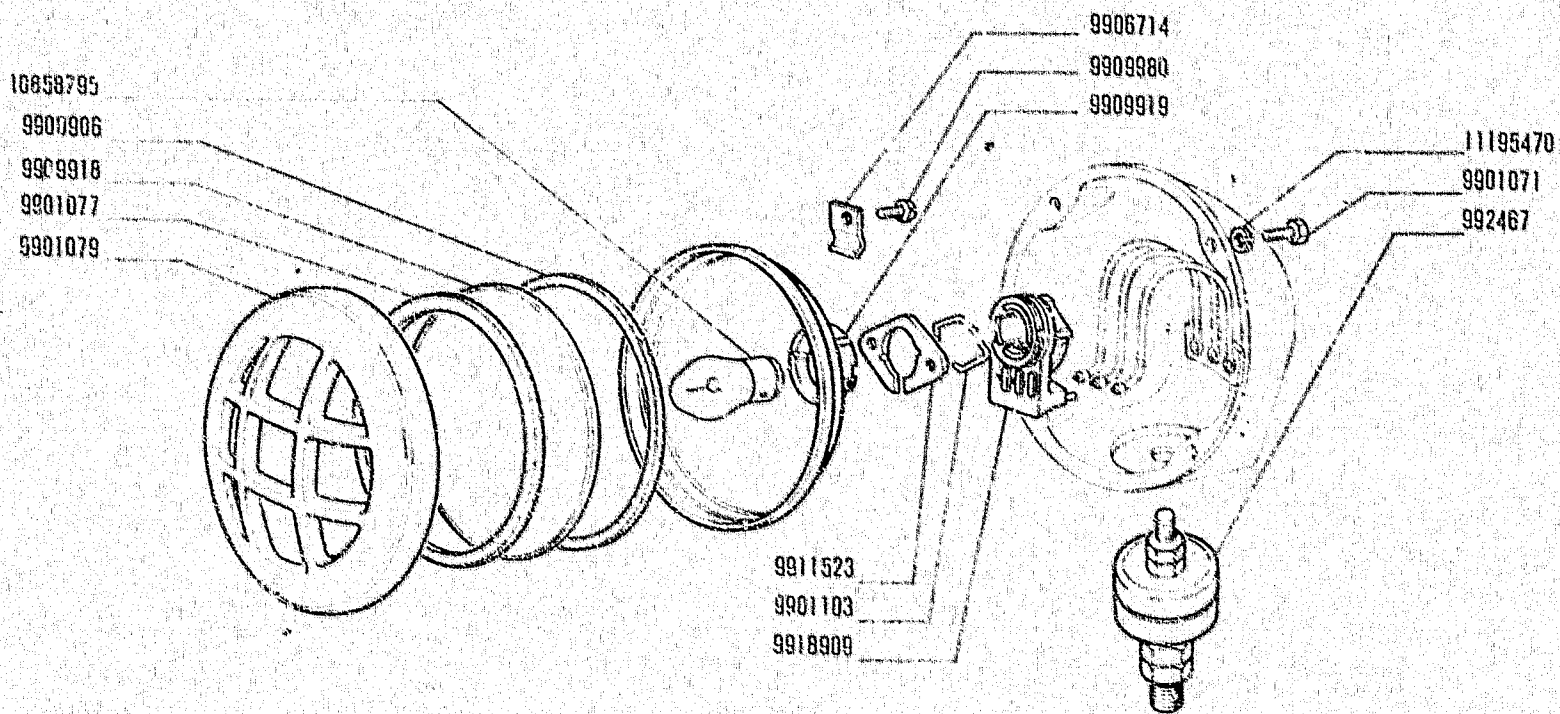
Projecteur
Scheinwerfer

PROIETTORE 4240363 (Siem)

L-19

Headlamp
Projector

F6.29 / 3



(1924) / 3

FL 10 B

01

Projecteur
Scheinwerfer

PROIETTORE 4249365 (Carello)

Headlamp
Projector

L-20

F6.29 / 4

F	ELECTRICAL SYSTEM • IMPIANTO ELETTRICO • SYSTEME ELECTRIQUE • ELEKTRISCHE ANLAGE • SISTEMA ELECTRICO
----------	---

L	BODY • CARROZZERIA • CARROSSERIE • AUFBAU • CARROCERIA
----------	---

M	DRIVER'S SEAT • SEDILE CONDUTTORE • SIEGE DE CONDUCTEUR • FAHRERSITZ • BUTACA DE CONDUCTOR
----------	---

Z	TOOLS • ATTREZZI • OUTILLAGES • WERKZEUGE • UTILES
----------	---

FIAT ALLIS FL10B (2ED)

Z104/ 1 (03-1975)

MODIF	N.ORDINAZ. Q.	DENOMINAZIONE	DESIGNATION	BENENHUNG	DESCRIPTION	DENOMINACIONES
	4972378 1	POMPA COMPLETA	POMPE	PUMPE	PUMP	BOMBA
	4972380 1	FILTRO	FILTRE	FILTER	FILTER	FILTRO
	7001352 1	POMPA COMPLETA	POMPE	PUMPE	PUMP	BOMBA
	7001354 1	FILTRO	FILTRE	FILTER	FILTER	FILTRO
		IN ALTERNATIVA	IN ALTERNATIVE	ABWECHSELN	OPTIONAL	OPATIVO

MOUF	N.ORDINAZ. Q.	DENOMINAZIONE	DESIGNATION	BENENNUNG	DESCRIPTION	DENOMINACIONES	
	15439	1	CILINDRO DELLA POMPA	CYLINDRE DE POMPE	PUMPENZYLINDER	PUMP BARREL	CILINDRO DE LA BOMBA
	15440	1	SEDE DELLA VALVOLA	SIÈGE DE SOUPAPE	VENTILSITZ	VALVE SEAT	ASIENITO DE VALVOLA
	15441	1	ROSETTA	RONDELLE	SCHEIBE	WASHER	ARANDELA
	15442	1	STANTUFFO	PISTON	KOLBEN	PISTON	EMBOLLO
	15443	1	ROSETTA DI TENUTA	JOINT D'ETANCHEITE	DICHTRING	GASKET	JUNTA HERMETICA
	15444	1	ASTA	TIGE	STANGE	ROD	VARILLA
	15456	1	COPERCHIO	COUVERCLE	DECKEL	COVER	TAPA
	15457	1	PERNO	AXE	BOLZEN	PIN	EJE
	22763	1	COPERCHIO	COUVERCLE	DECKEL	COVER	TAPA
	22765	1	LEVA	LEVIER	HEBEL	LEVER	PALANCA
	22767	2	BISCOTTINO	JUVELLE	LASCHE	SHACKLE	BIELA
	22768	3	PERNO	AXE	BOLZEN	PIN	EJE
	22775	1	POMPA COMPL.	POMPE	PUMPE	PUMP	BOMBA
	22953	1	SERBATOIO COMPL.	RESERVOIR	BEHAELTER	TANK	DEPOSITO
	549433	1	MOLLA	RESSORT	FEDER	SPRING	RESORTE
	549436	1	TAPPO	BOUCHON	STOPFEN	PLUG	TAPON
	549537	1	RACCORDO	RACCORD	STUTZEN	CONNECTION	RACOR
	551596	1	TESTA	JOINT A ROTULE	STANGENKOPF	HEAD	ARTICULACION
	574280	1	TUBO FLESSIBILE	TUYAU FLEXIBLE	SCHLAUCH	HOSE	MANGA FLEXIBLE
	10101101	1	DADO	ECROU	MUTTER	NUT	TUERCA
	10287380	2	ROSETTA DI TENUTA	JOINT D'ETANCHEITE	DICHTRING	GASKET	JUNTA HERMETICA
	10295680	1	ROSETTA DI TENUTA	JOINT D'ETANCHEITE	DICHTRING	GASKET	JUNTA HERMETICA
	10296401	6	COPERCHIA	COUPELLE FENDE	SPLINT	SPLIT PIN	PASADOR ABIERTO
	10943321	3	VITE	VIS	SCHRAUBE	SCREW	TORNILLO
	16102311	3	DADO	ECROU	MUTTER	NUT	TUERCA
	20063450	1	SFERA	BILLE	KUGEL	BALL	BOLA
	20063470	1	SFERA	BILLE	KUGEL	BALL	BOLA
	20063520	1	SFERA	BILLE	KUGEL	BALL	BOLA

FIAT ALLIS FL10B (2ED)

Z101

(03-1975)

MODIF	N.ORDINAZ. Q.	DENOMINAZIONE	DESIGNATION	BENENNUNG	DESCRIPTION	DENOMINACIONES
	549537	1 RACCORDO	RACCORD	STÜTZEN	CONNECTION	RACOR
	555486	1 TUBO	TUYAU	ROHR	PIPE	TUBO
	581081	1 POMPA	POMPE	PUMPE	PIUMP	BOMBA
	592437	1 TUBO	TUYAU	ROHR	PIPE	TUBO
	592604	1 POMPA COMPL.	POMPE	PUMPE	PUMP	BOMBA
	738461	1 CHIAVE	CLE	SCHLUESSEL	WRENCH	LLAVE
	4057844	1 IMBUTO	ENTONNOIR	TRICHTER	FUNNEL	EMBUDO
	4952556	1 TUBO FLESSIBILE	TUYAU FLEXIBLE	SCHLAUCH	HOSE	MANGA FLEXIBLE
	10287380	2 ROSETTA DI TENUTA	JOINT D'ETANCHETTE	DICHTRING	GASKET	JUNTA HERMETICA
79002924	14529437	1 CHIAVE A TUBO 19X22	CLE A TUBE	STECKSCHLUESSEL	PIPE WRENCH	LLAVE DE TUBO
	14534721	1 CHIAVE 17	CLE	SCHLUESSEL	WRENCH	LLAVE
	14580571	1 CHIAVE 10X12	CLE	SCHLUESSEL	WRENCH	LLAVE
	14580971	1 CHIAVE 24X27	CLE	SCHLUESSEL	WRENCH	LLAVE
	14583571	1 CHIAVE 13X17	CLE	SCHLUESSEL	WRENCH	LLAVE
	14583771	1 CHIAVE 19X22	CLE	SCHLUESSEL	WRENCH	LLAVE
	14584971	1 CHIAVE 19	CLE	SCHLUESSEL	WRENCH	LLAVE
	14587071	1 SPINA	GOUPILLE	STIFT	PIN	PASADOR

MODIF	N.ORDINAZ. Q.	DENOMINAZIONE	DESIGNATION	BENENNUNG	DESCRIPTION	DENOMINACIONES
	4071817	4 VITE	VIS	SCHRAUBE	SCREW	TORNILLO
	4091438	1 MOLLA	RESSORT	FEDER	SPRING	RESORTE
	4645048	1 GUIDA DI SCORRIMENTO D	COULISSE	LAUFSCHEIBE	SLIDE GUIDE	GUIA DESLIZANTE
	4645049	1 GUIDA DI SCORRIMENTO S	COULISSE	LAUFSCHEIBE	SLIDE GUIDE	GUIA DESLIZANTE
	4674943	1 SETTORE DENTATO	SECTEUR DENTE	ZAHNBOGEN	SECTOR	RUEDA DENTADA
	4674947	2 DISTANZIALE	ENTRETOISE	ABSTANDSTUECK	SPACER	SEPARADOR
	4681738	2 CAPPuccio	CAPUCHON	SCHUTZKAPPE	HOOT	CAPUCHON
	4681739	2 MOLLA	RESSORT	FEDER	SPRING	RESORTE
	4987403	1 TELAIO	CADRE	RAHMEN	FRAME	BASTIDOR
C 313	4987511	1 INTELAIATURA COMPL.	CHASSIS	RAHMEN	FRAMING	BASTIDOR
	4987517	1 PIASTRA S	PLAQUE	PLATTE	PLATE	PLACA
	4987518	1 PIASTRA D	PLAQUE	PLATTE	PLATE	PLACA
79006254	4990757	1 STAFFA POST.	ETRIER	HALTER	BRACKET	SOPORTE
	4990882	1 POMELLO DI FISSAGGIO	POMMEAU DE FIXATION	KLEMMKNOPF	KNOB	POMO DE FIJACION
	4990886	1 LEVA ANT.	LEVIER	HEBEL	LEVER	PALANCA
C 313	4990887	1 PERNO POST.	AXE	BOLZEN	PIN	EJE
	10516870	1 ROSETTA DI SICUREZZA	RONDELLE FREIN	SICHERUNGSRING	LOCKWASHER	ARANDELA DE FRENO
	10517070	4 ROSETTA DI SICUREZZA	RONDELLE FREIN	SICHERUNGSRING	LOCKWASHER	ARANDELA DE FRENO
	10519601	2 ROSETTA	RONDELLE	SCHIEBE	WASHER	ARANDELA
	11087975	2 ANELLO DI SICUREZZA	ARRETOIR	SICHERUNGSRING	LOCKRING	ANILLO DE FRENO
	11198071	4 ROSETTA DI SICUREZZA	RONDELLE FREIN	SICHERUNGSRING	LOCKWASHER	ARANDELA DE FRENO
	12598371	4 ROSETTA DI SICUREZZA	RONDELLE FREIN	SICHERUNGSRING	LOCKWASHER	ARANDELA DE FRENO
	12601371	2 ROSETTA DI SICUREZZA	RONDELLE FREIN	SICHERUNGSRING	LOCKWASHER	ARANDELA DE FRENO
	12643902	2 ROSETTA	RONDELLE	SCHIEBE	WASHER	ARANDELA
	12644301	1 ROSETTA	RONDELLE	SCHIEBE	WASHER	ARANDELA
	13316111	2 VITE	VIS	SCHRAUBE	SCREW	TORNILLO
	14163470	2 SPINA	GOUPILLE	STIFT	PIN	PASADOR
	15540221	4 VITE	VIS	SCHRAUBE	SCREW	TORNILLO
	15970711	1 VITE	VIS	SCHRAUBE	SCREW	TORNILLO
	16100811	8 DADO	ECROU	MUTTER	NUT	TUERCA
	79002058	1 SEDILE COMPL.	SIEGE	SITZ	SEAT	BUTACA
D 313	10519301	1 ROSETTA	RONDELLE	SCHIEBE	WASHER	ARANDELA
D 313	10977721	1 VITE	VIS	SCHRAUBE	SCREW	TORNILLO
C 313	11087975	2 ANELLO DI SICUREZZA	ARRETOIR	SICHERUNGSRING	LOCKRING	ANILLO DE FRENO
D 313	11195470	1 ROSETTA DI SICUREZZA	RONDELLE FREIN	SICHERUNGSRING	LOCKWASHER	ARANDELA DE FRENO
C 313	11198071	2 ROSETTA DI SICUREZZA	RONDELLE FREIN	SICHERUNGSRING	LOCKWASHER	ARANDELA DE FRENO
D 313	15896411	1 DADO	ECROU	MUTTER	NUT	TUERCA
C 313	16100811	2 DADO	ECROU	MUTTER	NUT	TUERCA
D 313	16104111	2 DADO	ECROU	MUTTER	NUT	TUERCA
D 313	79003749	1 BRACCIO	BRAS	STUTZARM	ARM	BRAZO
D 313	79004016	1 SEDILE COMPL	SIEGE	SITZ	SEAT	BUTACA
D 313	79004035	1 PERNO POST	AXE	BOLZEN	PIN	EJE
D 313	79004036	1 MOLLA	RESSORT	FEDER	SPRING	RESORTE
D 313	79004037	1 INTELAIATURA COMPL.	CHASSIS	RAHMEN	FRAMING	BASTIDOR
D 313	79004044	2 PIASTRINA DI SICUREZZA	PLAQUETTE FREIN	SICHERUNGSBLECH	LOCKPLATE	PLACA DE FRENO
D 313	79004045	1 MOLLA	RESSORT	FEDER	SPRING	RESORTE

MODIF	N.ORDINAZ. D.	DENOMINAZIONE	DESIGNATION	BENENNUNG	DESCRIPTION	DENOMINACIONES	
	547547	1	MOLLA	RESSORT	FEDER	SPRING	RESORTE
	587450	4	STAFFETTA	ETRIER	HALTER	BRACKET	SOPORTE
	587451	2	STAFFETTA	ETRIER	HALTE	BRACKET	SOPORTE
	587452	1	ALBERO	ARBRE	WELLE	SHAFT	ARBOL
	587453	2	STAFFETTA	ETRIER	HALTER	BRACKET	SOPORTE
	587454	1	LEVA	LEVIER	HEBEL	LEVER	PALANCA
	587455	1	ECCENTRICO	EXCENTRIQUE	EXZENTER	CAM	EXCENTRICA
	587456	1	SQUADRETTA	EQUERRE	HALTER	BRACKET	APOYO
	587458	1	SQUADRETTA	EQUERRE	HALTER	BRACKET	APOYO
	587463	4	PIASTRINA	CALE	DISTANZSCHEIBE	SHIM	SUPLEMENTO
	591559	1	INTELAIATURA SUP.	CHASSIS	RAHMEN	FRAMING	BASTIDOR
	591560	1	INTELAIATURA INF.	CHASSIS	RAHMEN	FRAMING	BASTIDOR
	591576	1	MOLLA	RESSORT	FEDER	SPRING	RESORTE
	591577	1	MOLLA	RESSORT	FEDER	SPRING	RESORTE
	591595	1	INTELAIATURA	CHASSIS	RAHMEN	FRAMING	BASTIDOR
	593199	1	MOLLA D	RESSORT	FEDER	SPRING	RESORTE
	593200	1	MOLLA S	RESSORT	FEDER	SPRING	RESORTE
	598628	1	ASTA	TIGE	STANGE	ROD	VARILLA
	4979718	1	CUSCINO	COUSSIN	SITZPOLSTER	CUSHION	ASIENTO
	4979790	1	SCHIENALE	DOSSIER	RUECKENLEHNE	BACK	RESPALDO
	4979890	1	PIASTRINA	CALE	DISTANZSCHEIBE	SHIM	SUPLEMENTO
	10516470	18	ROSETTA DI SICUREZZA	RONDELLE FREIN	SICHERUNGSRING	LOCKWASHER	ARANDELA DE FRENO
	10516670	4	ROSETTA DI SICUREZZA	RONDELLE FREIN	SICHERUNGSRING	LOCKWASHER	ARANDELA DE FRENO
	10517070	8	ROSETTA DI SICUREZZA	RONDELLE FREIN	SICHERUNGSRING	LOCKWASHER	ARANDELA DE FRENO
	10520001	1	ROSETTA	RONDELLE	SCHEIBE	WASHER	ARANDELA
	10733601	1	COPIGLIA	GOUPILLE FENQUE	SPLINT	SPLIT PIN	PASADOR ABIERTO
	10734401	2	COPIGLIA	GOUPILLE FENQUE	SPLINT	SPLIT PIN	PASADOR ABIERTO
	10902421	18	VITE	VIS	SCHRAUBE	SCREW	TORNILLO
	12638601	2	ROSETTA	RONDELLE	SCHEIBE	WASHER	ARANDELA
	14161970	1	SPINA	GOUPILLE	STIFT	PIN	PASADOR
	15540221	8	VITE	VIS	SCHRAUBE	SCREW	TORNILLO
	16043421	4	VITE	VIS	SCHRAUBE	SCREW	TORNILLO
	16100811	4	DADO	ECROU	KUTTER	NUT	TUERCA

MODIF	N.ORDINAZ. Q.	DENOMINAZIONE	DESIGNATION	BENENNUNG	DESCRIPTION	DENOMINACIONES
	4959742 1	RIPARO CENTR.	PROTECTION	ABDECKUNG	PROTECTION	DEFENSA
	4959746 1	RIPARO POST.	PROTECTION	ABDECKUNG	PROTECTION	DEFENSA
	4959779 1	RIPARO ANT.	PROTECTION	ABDECKUNG	PROTECTION	DEFENSA
	10517170 1	ROSETTA DI SICUREZZA	RONDELLE FREIN	SICHERUNGSRING	LOCKWASHER	ARANDELA DE FRENO
	10520101 16	ROSETTA	RONDELLE	SCHEI BE	WASHER	ARANDELA
	11255921 6	VITE	VIS	SCHRAUBE	SCREW	TORNILLO
	11408321 10	VITE	VIS	SCHRAUBE	SCREW	TORNILLO
	12164011 2	DADO	ECPGU	MUTTER	NUT	FUERCA
	15860121 2	VITE	VIS	SCHRAUBE	SCREW	TORNILLO
	79005238 2	ROSETTA	RONDELLE	SCHEI BE	WASHER	ARANDELA

FIAT ALLYS FLIOB (2ED)

L312

(03-1973)

MODIF	N.ORDINAZ. Q.	DENOMINAZIONE	DESIGNATION	BENENNUNG	DESCRIPTION	DENOMINACIONES
	4957945	1	RIPARO ANT.	PROTECTION	PROTECTION	DEFENSA
	4957953	1	RIPARO CENTR.	PROTECTION	PROTECTION	DEFENSA
	4957959	1	RIPARO POST.	PROTECTION	PROTECTION	DEFENSA
	10517170	10	ROSETTA DI SICUREZZA	RONDELLE FREIN	LOCKWASHER	ARANDELA DE FRENO
	10520101	16	ROSETTA	RONDELLE	WASHER	ARANDELA
	11255921	6	VITE	VIS	SCREW	TORNILLO
	11394321	2	VITE	VIS	SCREW	TORNILLO
	11408321	10	VITE	VIS	SCREW	TORNILLO
	12144011	2	DADO	ECROU	NUT	TUERCA
	79005238	2	ROSETTA	RONDELLE	WASHER	ARANDELA

1/1

M-10

MODIF	N. GRADINAZ. Q.	DENOMINAZIONE	DESIGNATION	BENENNUNG	DESCRIPTION	DENOMINACIONES
	598824	2	COPERCHIO	COUVERCLE	COVER	TAPA
	598835	10	DISTANZIALE	ENTRETOISE	SPACER	SEPARADOR
C 070	4957582	1	RIPARO CENTR.S (01)	PROTECTION	PROTECTION	DEFENSA
C 097	4958109	2	RIPARO EST.(01)	PROTECTION	PROTECTION	DEFENSA
	4958196	7	COLONNETTA	COLONNETTE	BOLZEN	ESPARRAGO
	4962501	1	RIPARO POST.D	PROTECTION	PROTECTION	DEFENSA
	4962582	1	RIPARO POST.S	PROTECTION	PROTECTION	DEFENSA
	4977305	1	RIPARO CENTR.D	PROTECTION	PROTECTION	DEFENSA
C 097	4980683	1	RIPARO INT.D (01)	PROTECTION	PROTECTION	DEFENSA
C 097	4980686	1	RIPARO INT.S (01)	PROTECTION	PROTECTION	DEFENSA
	4980688	1	RIPARO POST.INT.S	PROTECTION	PROTECTION	DEFENSA
	4980691	1	RIPARO POST.INT.D	PROTECTION	PROTECTION	DEFENSA
D 097	4990946	2	RIPARO EST.	PROTECTION	PROTECTION	DEFENSA
P 097	4990948	1	RIPARO INT.D	PROTECTION	PROTECTION	DEFENSA
D 097	4991089	1	RIPARO INT.S	PROTECTION	PROTECTION	DEFENSA
D 070	4995905	1	RIPARO CENTR.S	PROTECTION	PROTECTION	DEFENSA
	10516870	4	ROSETTA DI SICUREZZA	RONDELLE FREIN	SICHERUNGSRING	LOCKWASHER
	10517070	24	ROSETTA DI SICUREZZA	RONDELLE FREIN	SICHERUNGSRING	LOCKWASHER
	10517170	14	ROSETTA DI SICUREZZA	RONDELLE FREIN	SICHERUNGSRING	LOCKWASHER
	10517270	42	ROSETTA DI SICUREZZA	RONDELLE FREIN	SICHERUNGSRING	LOCKWASHER
	10517470	10	ROSETTA DI SICUREZZA	RONDELLE FREIN	SICHERUNGSRING	LOCKWASHER
	11376221	12	VITE	VIS	SCHRAUBE	TORNILLO
C 097	11390521	2	VITE (01)	VIS	SCHRAUBE	TORNILLO
D 097	11391521	2	VITE	VIS	SCHRAUBE	TORNILLO
	11394321	5	VITE	VIS	SCHRAUBE	TORNILLO
	12164011	14	DADO	ECROU	MUTTER	TUERCA
	12164111	2	DADO	ECROU	MUTTER	TUERCA
	12164311	10	DADO	ECROU	MUTTER	TUERCA
	12646901	24	ROSETTA	RONDELLE	SCHLEIBE	WASHER
D 097	13550701	2	ROSETTA	RONDELLE	SCHLEIBE	WASHER
	15540321	24	VITE	VIS	SCHRAUBE	TORNILLO
	15840521	28	VITE	VIS	SCHRAUBE	TORNILLO
	15860121	8	VITE	VIS	SCHRAUBE	TORNILLO
	15970421	4	VITE	VIS	SCHRAUBE	TORNILLO

FIAT ALLIS FL108 (2F9)

L310

(03-1975)

MODIF	N.ORD/NAZ. Q.	DENOMINAZIONE	DESIGNATION	BENENNUNG	DESCRIPTION	DENOMINACIONES
	592374	2 PERNO	AXE	BOLEN	PIN	EJE
	595209	ROSETTA	RONDELLE	SCHEIBE	WASHER	ARANDELA
	4958510	1 PERNO CON LEVA	AXE ET LEVIER	KURSEL	LEVEL AND PIN ASSY	EJE CON PALANCA
	4958518	1 PIASTRINA	PLAQUETTE	PLAETTCHEN	PLATE	PLACA
	4958521	1 COPERCHIO	COUVERCLE	DECKEL	COVER	TAPA
C 104	4958799	2 APPOGGIABRACCIA (01)	ACCOUDOIR	ARMLEHNE	ARMREST	APOYABRAZOS
	4958867	1 FIANCHETTO S	TABLIER	SEITENBLECH	SIDE PANEL	COSTADO
	4977306	1 MONTANTE D	MONTANT	SAULE	PILLAR	MONTANTE
	4977309	1 FIANCHETTO D	TABLIER	SEITENBLECH	SIDE PANEL	COSTADO
	4977311	1 MANIGLIA LAT.D (*)	POIGNEE	GRIF	HANDLE	MANECILLA
C 015	4977335	1 MONTANTE S (01)	MONTANT	SAULE	PILLAR	MONTANTE
	4977454	1 PLANCIA ANT.	PLANCHE	HAND	PANEL	TABLERO
	4978590	1 MANIGLIA LAT.S (*)	POIGNEE	GRIF	HANDLE	MANECILLA
D 015	4992243	1 MONTANTE (01)	MONTANT	SAULE	PILLAR	MONTANTE
C 366 D 104	4993722	2 APPOGGIABRACCIA	ACCOUDOIR	ARMLEHNE	ARMREST	APOYABRAZOS
C 366 D 104	10516470	8 ROSETTA DI SICUREZZA	RONDELLE FREIN	SICHERUNGSRING	LOCKWASHER	ARANDELA DE FRENO
	10516870	29 ROSETTA DI SICUREZZA	RONDELLE FREIN	SICHERUNGSRING	LOCKWASHER	ARANDELA DE FRENO
	10516870	1 ROSETTA DI SICUREZZA (*)	RONDELLE FREIN	SICHERUNGSRING	LOCKWASHER	ARANDELA DE FRENO
	1051720	4 ROSETTA DI SICUREZZA (*)	RONDELLE FREIN	SICHERUNGSRING	LOCKWASHER	ARANDELA DE FRENO
	10520201	4 ROSETTA (*)	RONDELLE	SCHEIBE	WASHER	ARANDELA
	10734201	4 COPIGLIA	GOUPILLE FENDUE	SPLIT	SPLIT PIN	PASADOR ABERTO
C 366 D 104	10902121	8 VITE	VIS	SCHRAUBE	SCREW	TORNILLO
	11364921	6 VITE	VIS	SCHRAUBE	SCREW	TORNILLO
	12164111	4 DADO (*)	ECROU	MUTTER	NUT	TUERCA
	12164711	4 DADO	ECROU	MUTTER	NUT	TUERCA
	12541870	1 ROSETTA DI SICUREZZA	RONDELLE FREIN	SICHERUNGSRING	LOCKWASHER	ARANDELA DE FRENO
C 366 D 104	12644401	8 ROSETTA	RONDELLE	SCHEIBE	WASHER	ARANDELA
	12646801	26 ROSETTA	RONDELLE	SCHEIBE	WASHER	ARANDELA
	12646801	1 ROSETTA (*)	RONDELLE	SCHEIBE	WASHER	ARANDELA
	14161770	1 SPINA	GOUPILLE	STIFT	PIN	PASADOR
	15970521	23 VITE	VIS	SCHRAUBE	SCREW	TORNILLO
	15970721	1 VITE (*)	VIS	SCHRAUBE	SCREW	TORNILLO
D 643	4977335	1 MONTANTE	MONTANT	SAULE	PILLAR	MONTANTE
C 043	4992243	1 MONTANTE	MONTANT	SAULE	PILLAR	MONTANTE
C 366 D 367	4958799	2 APPOGGIABRACCIA	ACCOUDOIR	ARMLEHNE	ARMREST	APOYABRAZOS
	4958722	2 APPOGGIABRACCIA	ACCOUDOIR	ARMLEHNE	ARMREST	APOYABRAZOS
D 367	10516470	8 ROSETTA DI SICUREZZA	RONDELLE FREIN	SICHERUNGSRING	LOCKWASHER	ARANDELA DE FRENO
D 367	10902121	8 VITE	VIS	SCHRAUBE	SCREW	TORNILLO
D 367	12044401	8 ROSETTA	RONDELLE	SCHEIBE	WASHER	ARANDELA
	(1)	TRATTORE SENZA CABINA	SANS CABINE	OHNE FÄHRERHAUS	W/O CAB	SIN CABINA

FIAT ALLIS FL10B (2ED)

L305

(03-1975)

MODIF	N.ORDINAZ. Q.	DENOMINAZIONE	DESIGNATION	BENENNUNG	DESCRIPTION	DENOMINACIONES
	591587	1 PERNO	AXE	BOLZEN	PIN	EJE
	598906	1 PEDANA LAT.D	PLANCHER	TRITTBLECH	FOOTBOARD	ESTRIBO
C 498	596907	1 PEDANA LAT.S	PLANCHER	TRITTBLECH	FOOTBOARD	ESTRIBO
C 498	4958050	1 PEDANA CENTR.	PLANCHER	TRITTBLECH	FOOTBOARD	ESTRIBO
C 498	4958319	1 PEDANA ANT.D	PLANCHER	TRITTBLECH	FOOTBOARD	ESTRIBO
	4958321	1 PEDANA ANT.S	PLANCHER	TRITTBLECH	FOOTBOARD	ESTRIBO
C 498	4958322	1 RIPARO CENTR.	PROTECTION	ABDECKUNG	PROTECTION	DEFENSA
	4978971	1 SPORTELLO	VOLET	DECKEL	LID	TAPA
	10516870	23 ROSETTA DI SICUREZZA	RONDELLE FREIN	SICHERUNGSRING	LOCKWASHER	ARANDELA DE FRENO
	10734201	2 COPIGLIA	GOUPILLE FENDUE	SPLINT	SPLIT PIN	PASADOR ABIERTO
	11306921	1 VITE	VIS	SCHRAUBE	SCREW	TORNILLO
	12164711	1 DADO	ECROU	MUTTER	NUT	TUERCA
	12646801	22 ROSETTA	RONDELLE	SCHIEBE	WASHER	ARANDELA
	15970521	21 VITE	VIS	SCHRAUBE	SCREW	TORNILLO
	15970721	1 VITE	VIS	SCHRAUBE	SCREW	TORNILLO
C 498	10516870	3 ROSETTA DI SICUREZZA	RONDELLE FREIN	SICHERUNGSRING	LOCKWASHER	ARANDELA DE FRENO
D 498	11306921	2 VITE	VIS	SCHRAUBE	SCREW	TORNILLO
C 498	12646801	3 ROSETTA	RONDELLE	SCHIEBE	WASHER	ARANDELA
C 498	15970721	3 VITE	VIS	SCHRAUBE	SCREW	TORNILLO
D 498	79005244	ROSETTA	RONDELLE	SCHIEBE	WASHER	ARANDELA
D 498	79007010	1 PEDANA LAT S	PLANCHER	TRITTBLECH	FOOTBOARD	ESTRIBO
D 498	79007068	1 PEDANA CENTR	PLANCHER	TRITTBLECH	FOOTBOARD	ESTRIBO
D 498	79007290	1 RIPARO CENTR	PROTECTION	ABDECKUNG	PROTECTION	DEFENSA
D 498	79007292	1 PEDANA ANT D	PLANCHER	TRITTBLECH	FOOTBOARD	ESTRIBO

FIAT ALLIS FL108 (2ED)

L130

(03-1975)

MODIF	N.ORDINAZ. Q.	DENOMINAZIONE	DESIGNATION	BENENNUNG	DESCRIPTION	DENOMINACIONES	
	567410	1	PERNO	AXE	BOLZEN	PIN	EJE
	586485	1	TIRANTE	TIRANT	SPANNBOLZEN	TIEROD	PERNO
	592065	1	DADO	ECROU	MUTTER	NUT	TUERCA
	595012	4	ROSETTA	RONDELLE	SCHEIBE	WASHER	ARANDELA
	595209		ROSETTA	RONDELLE	SCHEIBE	WASHER	ARANDELA
C 104	4969975	1	COPERCHIO (01)	COUVERCLE	DECKEL	COVER	TAPA
	4974664	2	TRAVERSA	TRAVERSE	TRAVERSE	CROSSRAIL	TRAVESANO
	4974665	2	TIRANTE	TIRANT	SPANNBOLZEN	TIEROD	PERNO
	4974771	2	PIASTRA	PLAQUE	PLATTE	PLATE	PLACA
	4974776	1	SUPPORTO COMPL.	SUPPORT	LAGER	SUPPORT	SOPORTE
	4977458	2	PERNO	AXE	BOLZEN	PIN	EJE
	4979701	1	TASSELLO ELASTICO	TAMPON	GUMMISTUECK	PAD	ALMOHADILLA
	4979707	1	CORNICE COMPL.	MONTURE	RAHMEN	FRAME	MARCO
	4979818	1	POMELLO	BOUTON	KNEBELGRIFF	KNOB	BOTON
C 366 D 104	4988130	1	COPERCHIO	COUVERCLE	DECKEL	COVER	TAPA
	10517070	4	ROSETTA DI SICUREZZA	RONDELLE FREIN	SICHERUNGSRING	LOCKWASHER	ARANDELA DE FRENO
	10734201	3	COPIGLIA	GOUPILLE FENDUE	SPLINT	SPLIT PIN	PASADOR ABIERTO
	10795901	2	COPIGLIA	GOUPILLE FENDUE	SPLINT	SPLIT PIN	PASADOR ABIERTO
C 102	12646801	1	ROSETTA (01)	RONDELLE	SCHEIBE	WASHER	ARANDELA
	14169770	2	SPINA	GOUPILLE	STIFT	PIN	PASADOR
	15540321	4	VITE	VIS	SCHRAUBE	SCREW	TORNILLO
C 367 D 366	4969975	1	COPERCHIO	COUVERCLE	DECKEL	COVER	TAPA
D 367	4988130	1	COPERCHIO	COUVERCLE	DECKEL	COVER	TAPA

FIAT ALLIS FLION (ZED)

L101

(03-1975)

MODIF	N. ORDINAZ. Q.	DENOMINAZIONE	DESIGNATION	BENENNUNG	DESCRIPTION	DENOMINACIONES
	10516670	4 ROSETTA (02)	RONDILLE	SCHEIBE	WASHER	ARANDELA
	10516670	4 ROSETTA DI SICUREZZA (01) (*)	RONDILLE FREIN	SICHERUNGSRING	LOCKWASHER	ARANDELA DE FRENO
	10516870	14 ROSETTA DI SICUREZZA	RONDILLE FREIN	SICHERUNGSRING	LOCKWASHER	ARANDELA DE FRENO
	10517070	30 ROSETTA DI SICUREZZA	RONDILLE FREIN	SICHERUNGSRING	LOCKWASHER	ARANDELA DE FRENO
	10734201	2 COPIGLIA	GOUPILLE FENDUE	SPLINT	SPLIT PIN	PASADOR ABIERTO
	10796401	8 COPIGLIA	GOUPILLE FENDUE	SPLINT	SPLIT PIN	PASADOR ABIERTO
	12605370	4 ROSETTA DI SICUREZZA	RONDILLE FREIN	SICHERUNGSRING	LOCKWASHER	ARANDELA DE FRENO
	12605570	12 ROSETTA DI SICUREZZA	RONDILLE FREIN	SICHERUNGSRING	LOCKWASHER	ARANDELA DE FRENO
	12605570	4 ROSETTA (02)	RONDILLE	SCHEIBE	WASHER	ARANDELA
	12646801	14 ROSETTA	RONDILLE	SCHEIBE	WASHER	ARANDELA
	12646901	12 ROSETTA	RONDILLE	SCHEIBE	WASHER	ARANDELA
	13275901	4 VITE	VIS	SCHRAUBE	SCREW	TORNILLO
	13276111	5 VITE (02)	VIS	SCHRAUBE	SCREW	TORNILLO
	13276111	5 VITE (01) (*)	VIS	SCHRAUBE	SCREW	TORNILLO
	13280217	12 VITE	VIS	SCHRAUBE	SCREW	TORNILLO
	13280217	4 VITE (02)	VIS	SCHRAUBE	SCREW	TORNILLO
	14161470	2 SPINA (02)	GOUPILLE	STIFT	PIN	PASADOR
	14161470	2 SPINA (01) (*)	GOUPILLE	STIFT	PIN	PASADOR
	15540321	10 VITE	VIS	SCHRAUBE	SCREW	TORNILLO
	15540421	2 VITE (01)	VIS	SCHRAUBE	SCREW	TORNILLO
	15540521	4 VITE (01)	VIS	SCHRAUBE	SCREW	TORNILLO
	15540721	2 VITE	VIS	SCHRAUBE	SCREW	TORNILLO
	15896211	5 DADO (02)	ECROU	MUTTER	NUT	TUERCA
	15896211	5 DADO (01) (*)	ECROU	MUTTER	NUT	TUERCA
	15970521	14 VITE	VIS	SCHRAUBE	SCREW	TORNILLO
	16101511	2 DADO	ECROU	MUTTER	NUT	TUERCA
	16102311	4 DADO (02)	ECROU	MUTTER	NUT	TUERCA
	16102311	4 DADO (01) (*)	ECROU	MUTTER	NUT	TUERCA
D 04	79001307	1 SIGLA ANT.	HOFF	FIRMENKENNZETICHEN	MAKE MEDALLION	EMBLEMA
D 076	79001507	1 CALANDRA DEL RADIA- TORE (01)	CALANDRE DE RA- DIATEUR	KUEHLERHAUSE	RADIATOR PANEL	CALANDRA DE RADIA- DOR
	79001598	1 PLANCA PORTASTRUMENTI COMPL (02)	PLAQUE DE BORD	INSTRUMENTENBRETT	INSTRUMENT PANEL	TABLERO DE INSTRU- MENT'S
	79001505	1 TAPPO (02)	BOUCHON	STOPFEN	PLUG	TAPON
C 318	4977320	1 SPORTELLO (02)	VOLET	DECKEL	LID	TAPA
C 318	15540421	2 VITE (02)	VIS	SCHRAUBE	WASHER	TORNILLO
C 318	15540521	4 VITE (02)	VIS	SCHRAUBE	WASHER	TORNILLO
D 318	15540521	4 VITE (02)	VIS	SCHRAUBE	WASHER	TORNILLO
D 318	15541321	2 VITE (02)	VIS	SCHRAUBE	WASHER	TORNILLO
C 318	D 076	79001507	1 CALANDRA DEL RADIA- TORE (02)	CALANDRE DE RA- DIATEUR	KUEHLERHAUBE	RADIATOR PANEL
	D 318	79000580	1 ROSETTA (02)	RONDILLE	SCHEIBE	WASHER
	D 318	79005492	1 SPORTELLO (02)	VOLET	DECKEL	LID
	D 318	79005493	1 FERNO (02)	AXE	BOUZEN	PIN
	D 318	79005561	1 CALANDRA DEL RADIA- TORE (02)	CALANDRE DE RA- DIATEUR	KUEHLERHAUBE	RADIATOR PANEL
	(*)	- A RICHIESTA	- SUR DEMANDE	- AUF WUNSCH	- OPTIONAL EXTRA	- SOBRE PEDIDO

FIAT ALLIS FL108 (2ED)

L101

(03-1975)

MODIF	N.ORDINAZ. Q.	DENOMINAZIONE	DESIGNATION	BENENNUNG	DESCRIPTION	DENOMINAZIONES
	591348	1 PERNO	AXE	BOLZEN	PIN	EJE
C 047	595073	1 SIGLA ANT.(01)	MOTIF	FIRNENKENNZEICHEN	MAKE MEDALLION	EMBLEMA
	595209	ROSETTA	RONDELLE	SCHEIBE	WASHER	ARANDELA
	4954100	4 CAVALLOTTO	ARRETOIR	KLEHMSTUECK	RETAINER	SUJETADOR
	4954530	0 VITE	VIS	SCHRAUBE	SCREW	TORNILLO
	4954531	4 CAVALLOTTO	ARRETOIR	KLEHMSTUECK	RETAINER	SUJETADOR
	4957116	1 COFANO FISSO	AUVENT	FESTE HAUBE	COWL	CAPOT FIJO
	4957126	1 FIANCHETTO S	TABLIER	SEITENBLECH	SIDE PANEL	COSTADO
	4957127	1 FIANCHETTO D	TABLIER	SEITENBLECH	SIDE PANEL	COSTADO
C 070	4957123	1 FIANCHETTO S (01)	TABLIER	SEITENBLECH	SIDE PANEL	COSTADO
C 070	4957129	1 FIANCHETTO D (01)	TABLIER	SEITENBLECH	SIDE PANEL	COSTADO
C 047	4957191	1 RIPARO ANT.(01)	PROTECTION	ABDECKUNG	PROTECTION	DEFENSA
C 07A	4957196	1 CALANDRA DEL RADIA- TORE (01)	CALANDRE DE RA- DIATEUR	KUEHLERHAUBE	RADIATOR PANEL	CALANDRA DE RADIA- DO
7900713C	4957426	1 RIPARO	PROTECTION	ABDECKUNG	PROTECTION	DEFENSA
	4957726	2 FIANCHETTO POST.	TABLIER	SEITENBLECH	SIDE PANEL	COSTADO
	4958509	PIASTRINA	CALE	DISTANZSCHEIBE	SHIM	SUPLENIENTO
	4977320	1 SPORTELLO (01)	VOLET	DECKEL	LID	TAPA
	4978124	4 PERNO (02)	AXE	BOLZEN	PIN	EJE
	4978124	4 PERNO (01) (*)	AXE	BOLZEN	PIN	EJE
	4978190	1 PLANCIA PORTASTRUMENTI	PLANCHE DE BORD	INSTRUMENTENBRETT	INSTRUMENT PANEL	TABLERO DE INSTRU- MENTOS
	4978198	2 CERNIERA MOBILE (02)	CHARNIERE MOBILE	SCHNITT. R. BEWEGL.	SWIVEL HINGE	BISAGRA, MOVIL
	4978198	2 CERNIERA MOBILE (01) (*)	CHARNIERE MOBILE	SCHNITT. R. BEWEGL.	SWIVEL HINGE	BISAGRA, MOVIL
	4978202	1 STAFFA (02)	ETRIER	HALTER	BRACKET	SOPORTE
	4978202	1 STAFFA (01) (*)	ETRIER	HALTER	BRACKET	SOPORTE
	4976227	2 SPORTELLO COMPL.(02)	VOLET	DECKEL	LID	TAPA
	4978287	2 SPORTELLO COMPL.(01) (*)	VOLET	DECKEL	LID	TAPA
	4978982	1 ARPIONE S (01) (*)	CLIQUET	RATSCHE	RATCHET	GARFIO
	4978989	1 ARPIONE S (02)	CLIQUET	RATSCHE	RATCHET	GARFIO
	4978992	1 ARPIONE D (02)	CLIQUET	RATSCHE	RATCHET	GARFIO
	4978992	1 ARPIONE D (01) (*)	CLIQUET	RATSCHE	RATCHET	GARFIO
	4979073	2 STAFFA (02)	ETRIER	HALTER	BRACKET	SOPORTE
	4979073	2 STAFFA (01) (*)	ETRIER	HALTER	BRACKET	SOPORTE
	4979074	2 MOLLA (02)	RESSORT	FEDER	SPRING	RESORTE
	4979074	2 MOLLA (01) (*)	RESSORT	FEDER	SPRING	RESORTE
D 047	4991488	1 RIPARO ANT.	PROTECTION	ABDECKUNG	PROTECTION	DEFENSA
	4992805	1 PLANCIA PORTASTRUMENTI (01) (*)	PLANCHE DE BORD	INSTRUMENTENBRETT	INSTRUMENT PANEL	TABLERO DE INSTRU- MENTOS
D 070	4995497	1 FIANCHETTO D	TABLIER	SEITENBLECH	SIDE PANEL	COSTADO
D 070	4995499	1 FIANCHETTO S	TABLIER	SEITENBLECH	SIDE PANEL	COSTADO
	10513470	5 ROSETTA DI SICUREZZA (02)	RONDELLE FREIN	SICHERUNGSRING	LOCKWASHER	ARANDELA DE FRENO
	10516470	5 ROSETTA DI SICUREZZA (01) (*)	RONDELLE FREIN	SICHERUNGSRING	LOCKWASHER	ARANDELA DE FRENO

FIAT ALLIS FL10B (2ED)

F629/ 5 (03-1975)

MODIF	N.ORDINAZ. Q.	DENOMINAZIONE	DESIGNATION	BENENNUNG	DESCRIPTION	DENOMINACIONES
	70182763 1	GRUPPO OTTICO SEALED-BEAM HEADLAMP UNIT	SEALED-BEAM HEADLAMP UNIT	SEALED-BEAM HEADLAMP UNIT	SEALED-BEAM HEADLAMP UNIT	SEALED-BEAM HEADLAMP UNIT
	70621428 1	ANELLO DI RITEGNO	ARRETOIR	HALTERING	RETAINER	RETENEDOR
	70521724 2	CAVO	CABLE	LEITUNG	CABLE	CABLE
	70912731 2	VITE	VIS	SCHRAUBE	SCREW	TORNILLO

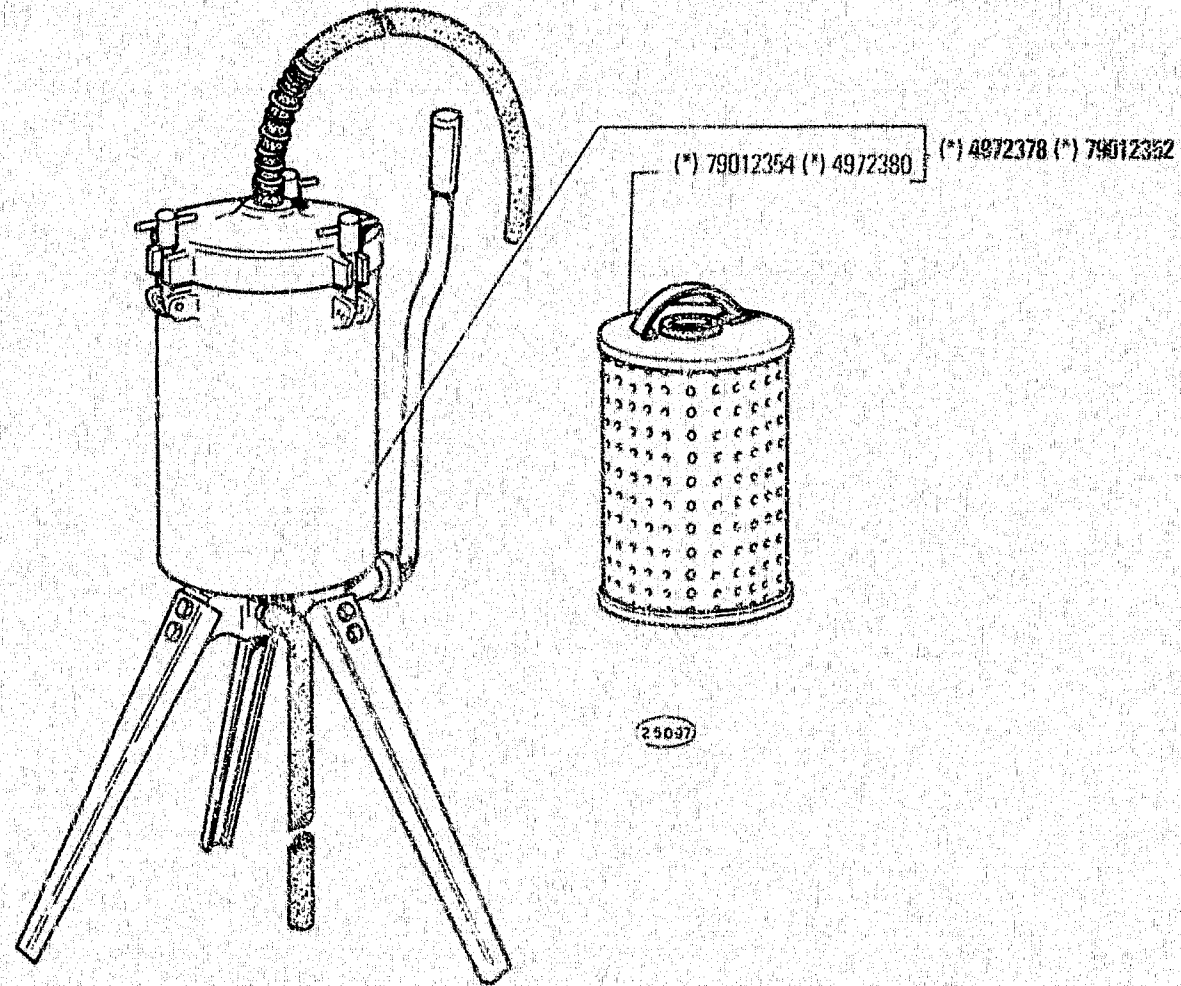
17 1

M-20

F**ELECTRICAL SYSTEM • IMPIANTO ELETTRICO • SYSTEME ELECTRIQUE • ELEKTRISCHE ANLAGE • SISTEMA ELECTRICO****L****BODY • CARROZZERIA • CARROSSERIE • AUFBAU • CARROCERIA****M****DRIVER'S SEAT • SEDELE CONDUTTORE • SIEGE DE CONDUCTEUR • FAHRENSITZ • BUTACA DE CONDUCTOR****Z****TOOLS • ATTREZZI • OUTILLAGES • WERKZEUGE • UTILES**

Z11

DAT. 901 04 Z1.04/1



(*) Vedere elenco · Voir la liste · Siehe Tabelle · See list · Véase la lista

FL 10B
01 02

Accessoires
Zubehör

ACCESSORI

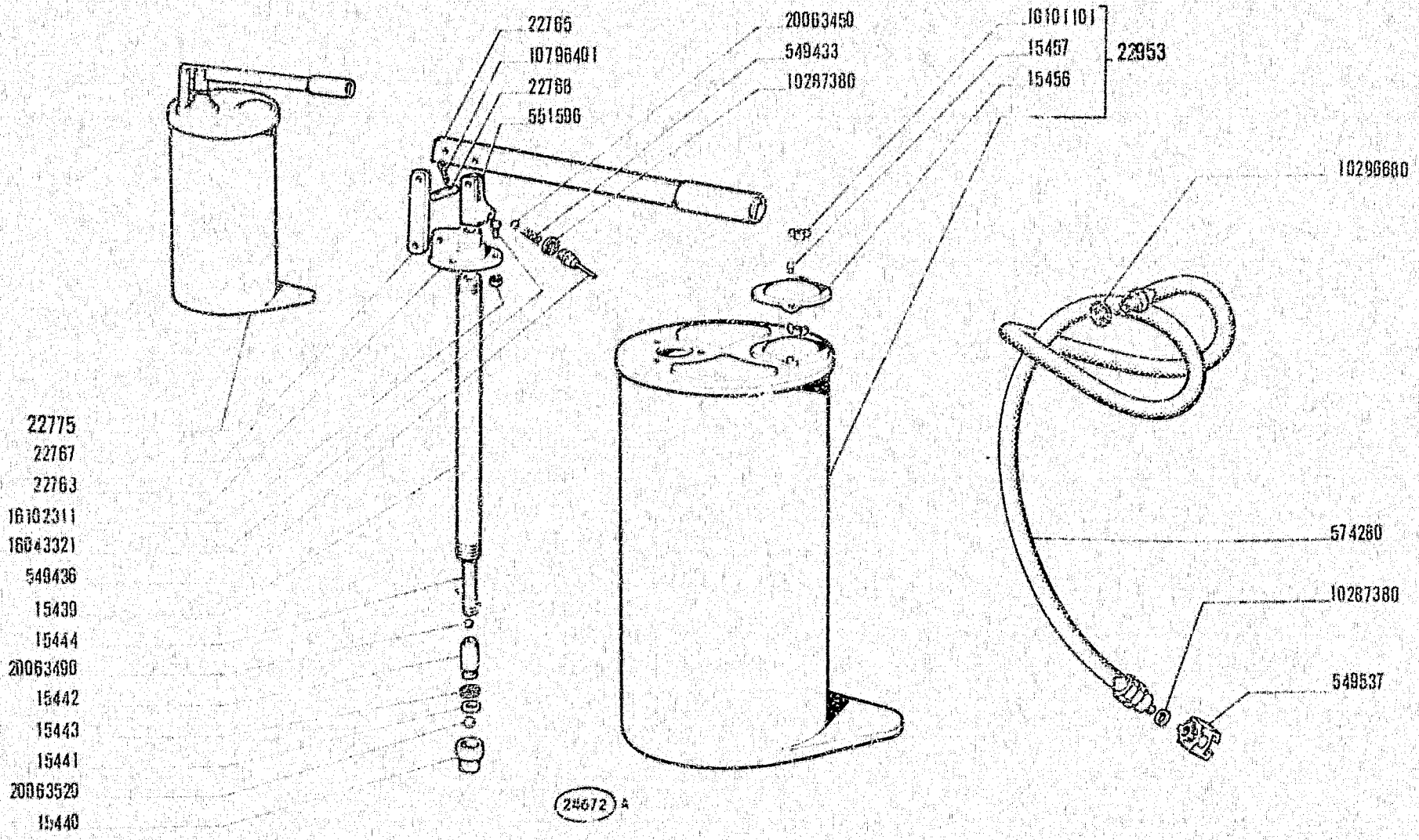
Accessories
N-2 Accesorios

Z1.04/1

N.T.R. 49
15-5-1973
604.01.012.04

DAT 901 04

Z1.04



FL 10 B

01 02

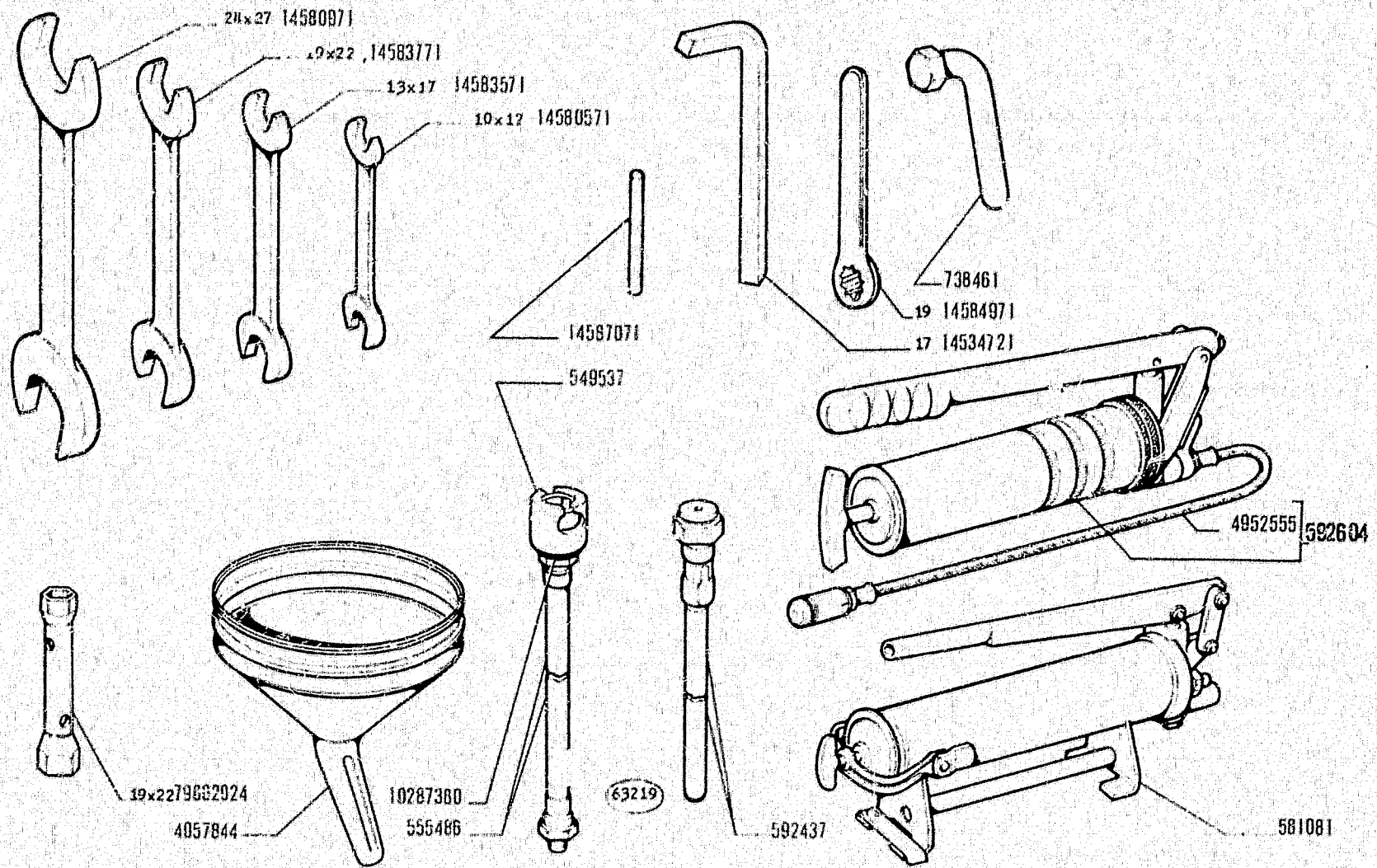
Accessoires
Zubehör

ACCESSORI

Accessories
Accesórios

N-3

Z1.04



FL 10B
 01 02

Outils
Werkzeuge

ATTREZZI

Tools
Herramientas

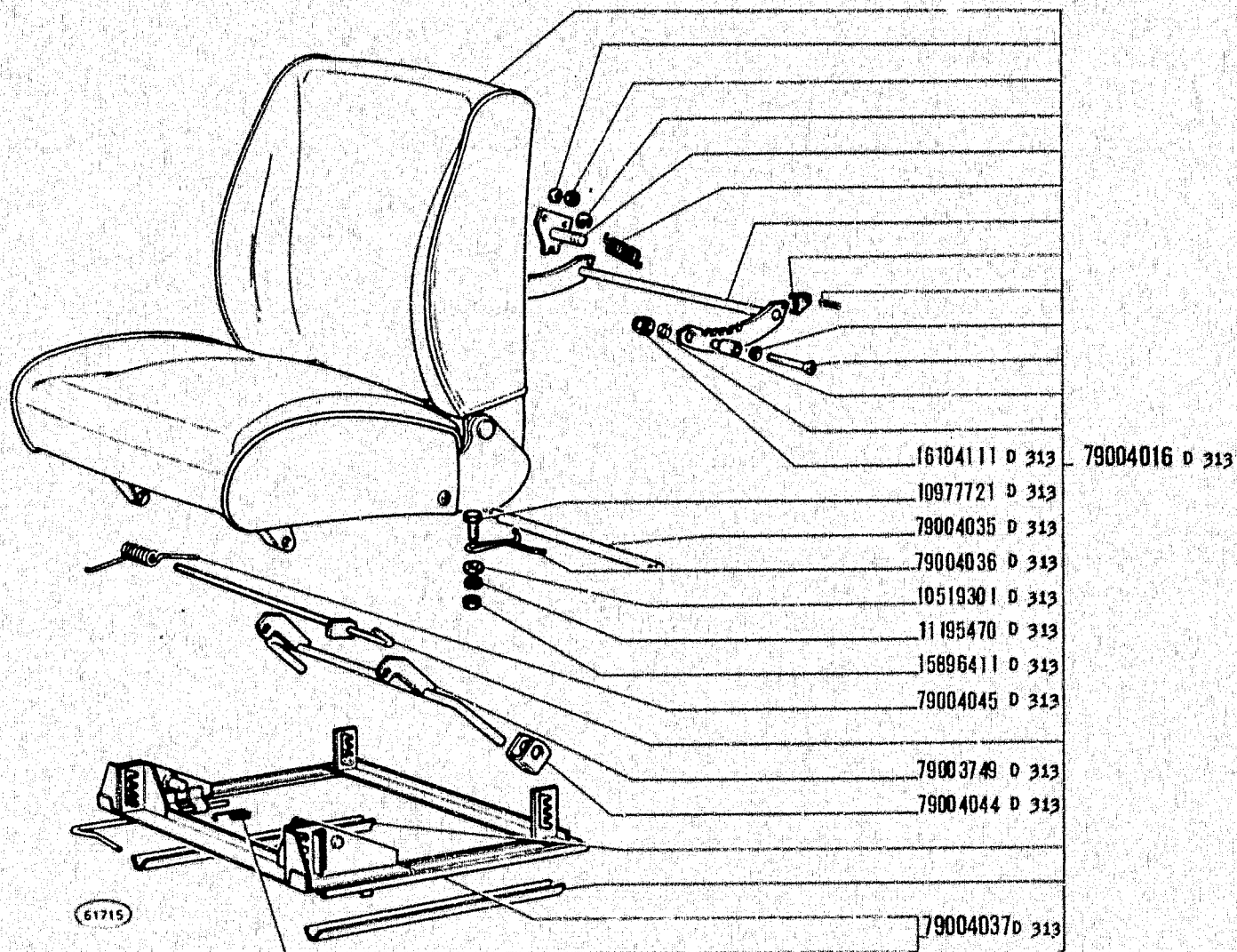
N-4

Z1.01

N.T.R.
 25
 30 12-1976

DAT. 711.01

M1.01/A



F.10B
01 02

Siège de conducteur
Fahrersitz

SEDILE CONDUTTORE

Driver's Seat
Butaca de conductor

N-5

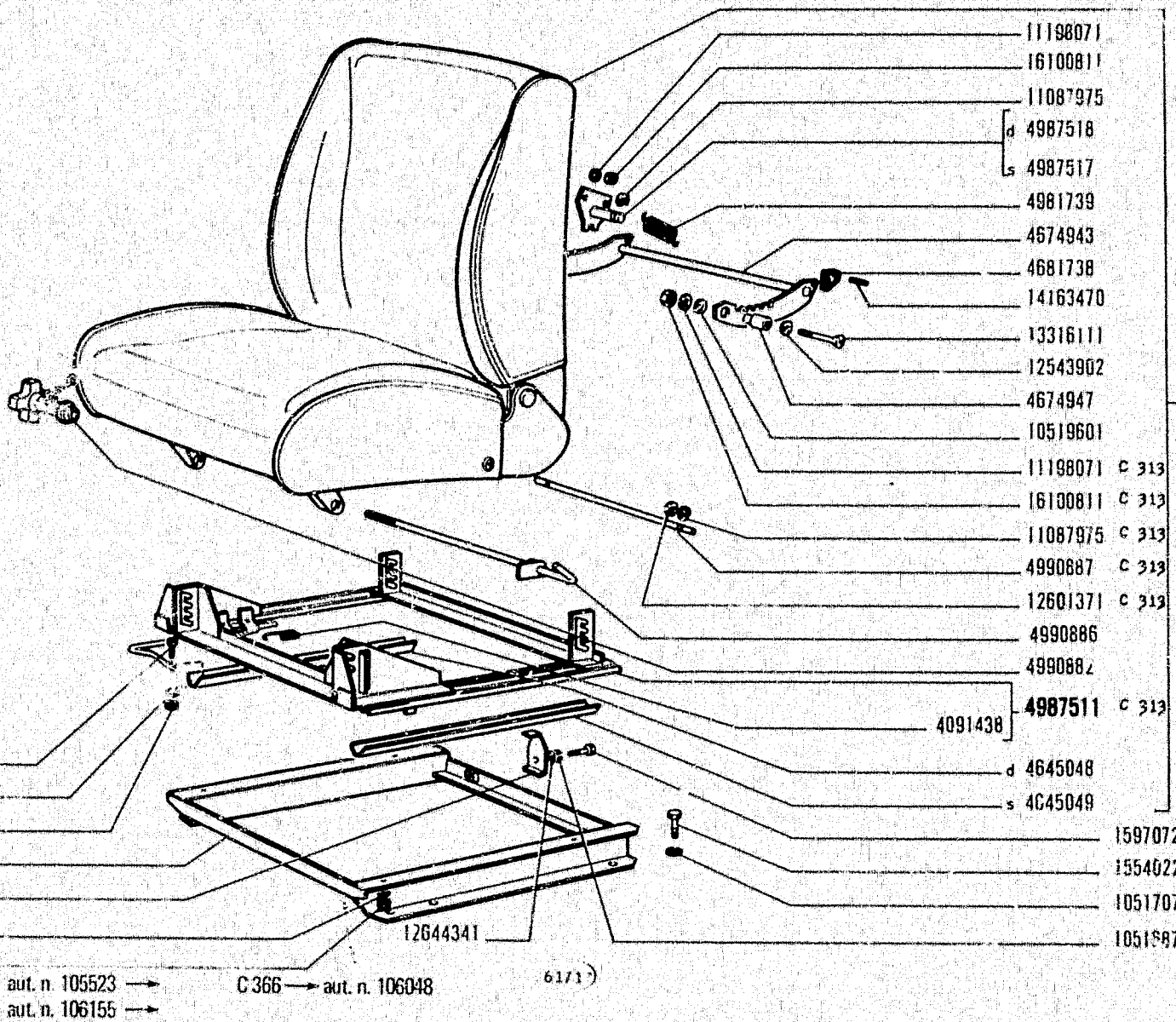
M1.01/A

N.T.R. 38
1-4-1978
604.01.012.02

403

DAT 711 01

M1.01/A



79002058 C 313

FL10B
01 02

Siège de conducteur
Fahrsitz

SEDILE CONDUTTORE

Driver's Seat

N-6

Butaca de conductor

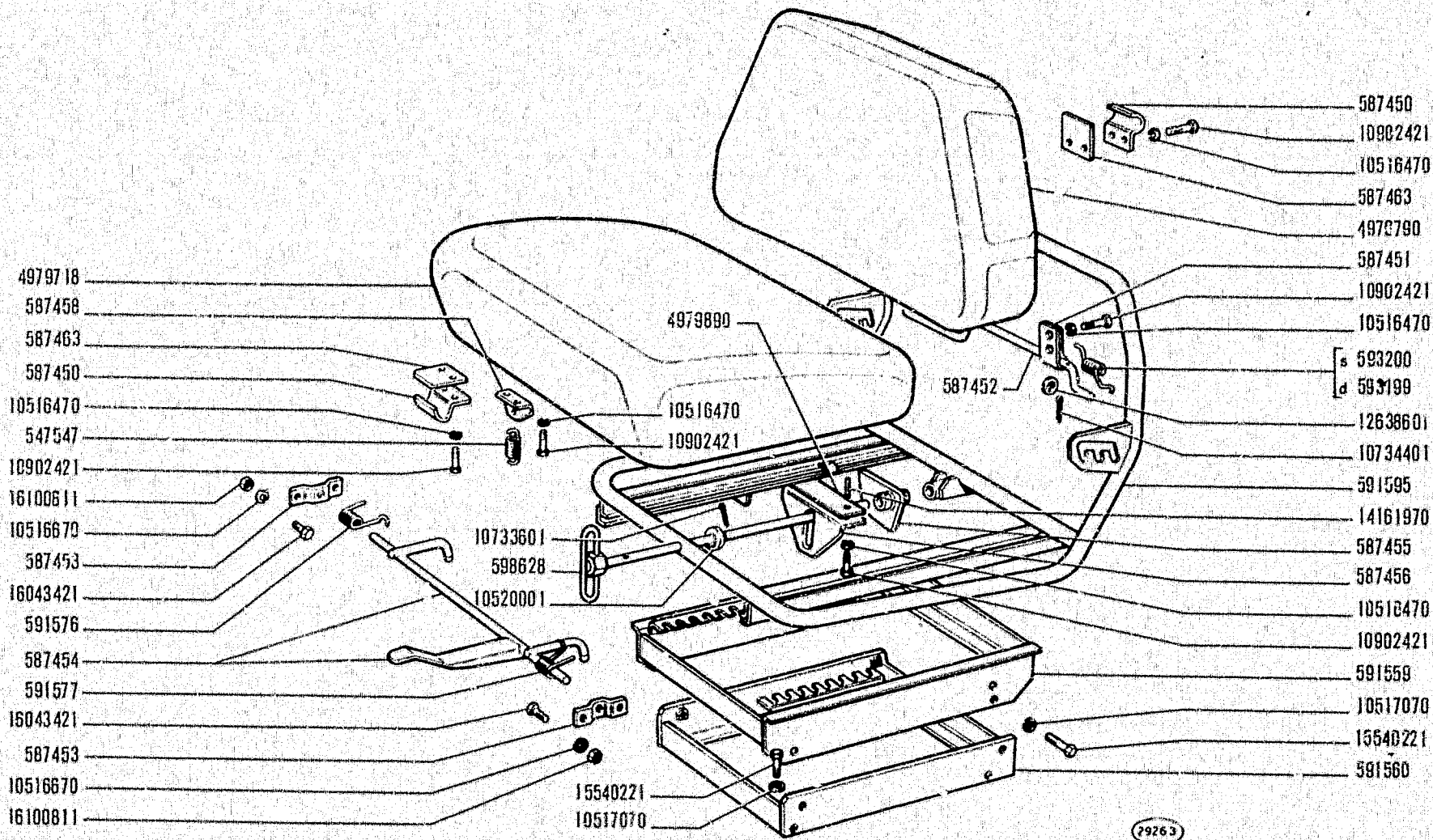
M1.01/A

1

N.T.R. 93
20-11-1981
604.01.012.07

DAT 711 01

M1.01



C 104 → aut. n. 105528
 D 366 aut. n. 106048 →
 C 367 → aut. n. 103154

FL 10 B
 01 02

Siège de conducteur
Fahrersitz

SEDILE CONDUTTORE

Driver's Seat
Butaca de conductor

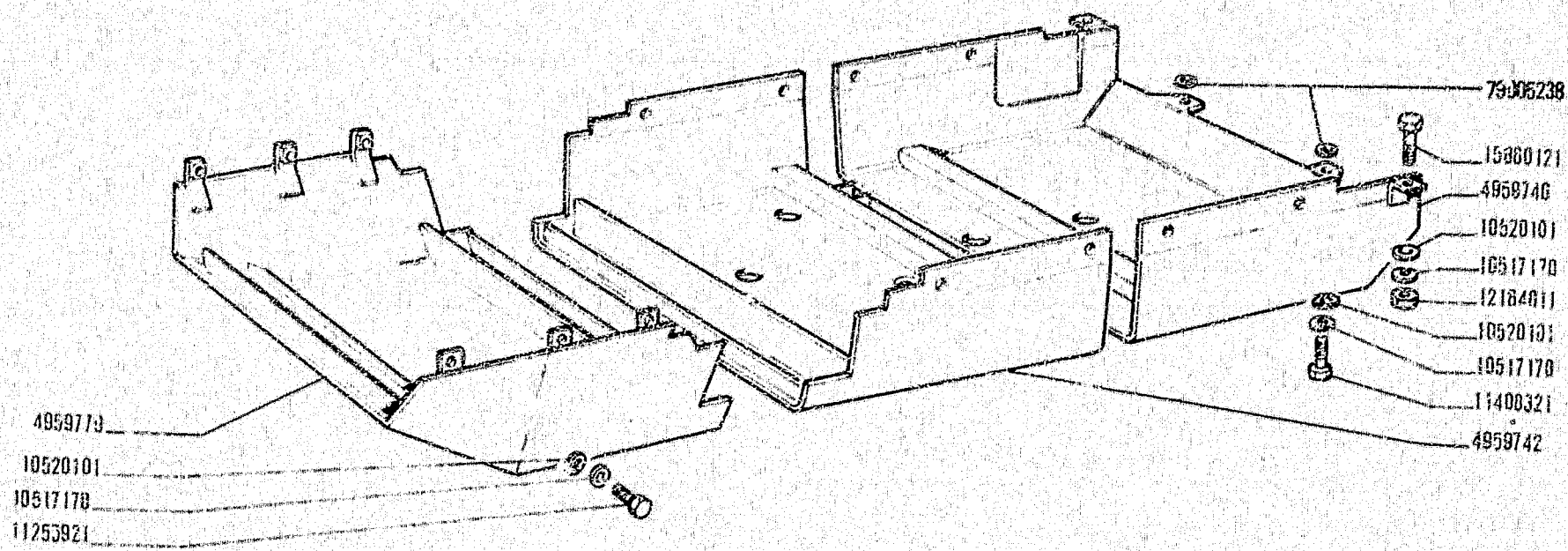
N-7

M1.01

NTR. 38
 1 4 1973
 604.01.012.02

L06

DAT 703 12 L3.12 / 1



24669 8

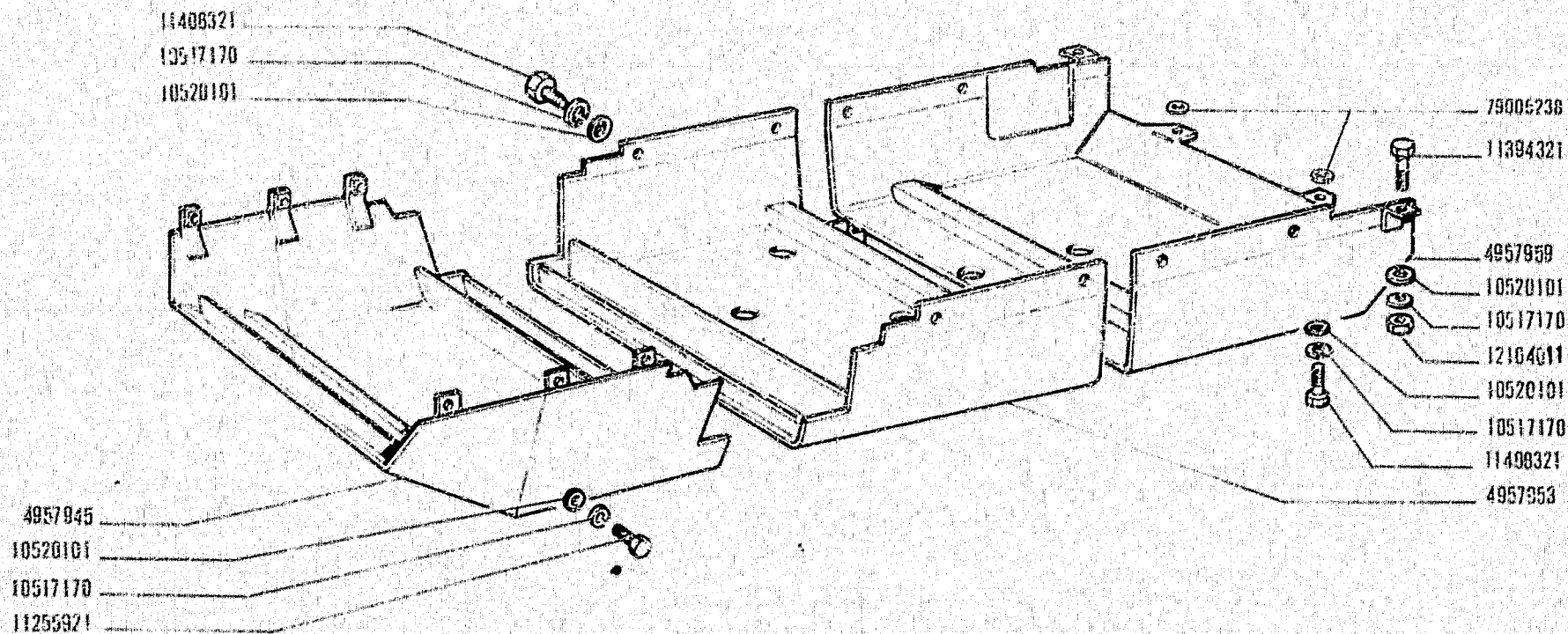
FL 10 B
01 02

RIPARI INFERIORI
Protections inférieures
Untere Schutzbleche
N-9

L3.12 / 1
 N.T.R. 30
 1-9-1977
 604.01.012.01

DAT 703 12

L3.12



24669 A

FL10 B

01 02

RIPARI INFERIORI

Protections inférieures
Untere Schutzbleche

N-10

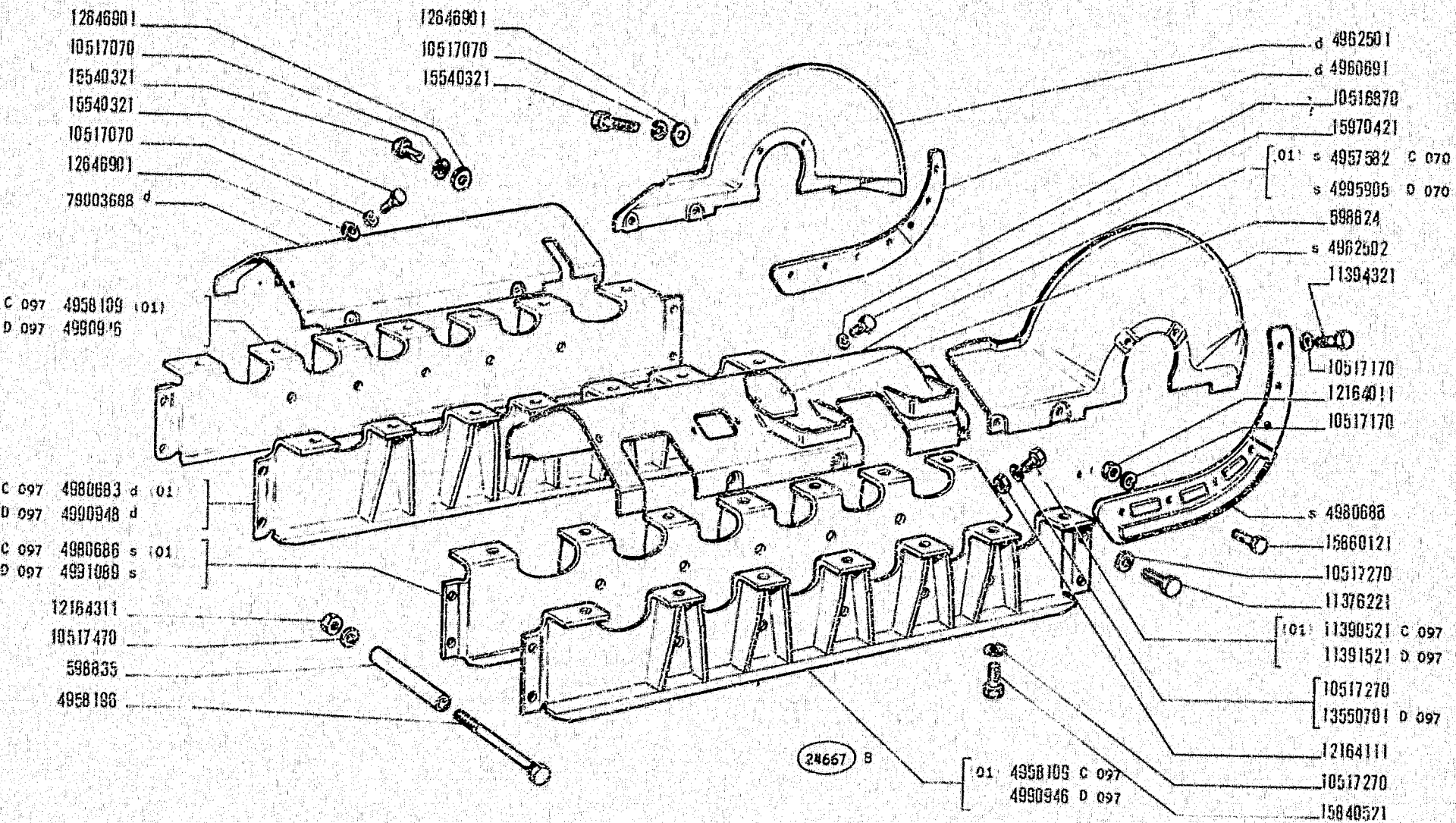
Aprons
Blindaje inferior

L3.12

N.T.R. 30
1-9-1977
604.01.012.01

DAT 703 11

L3.11



FL 10B

01 02

RIPARI CINGOLI

Protections de chenilles
Schutzbleche der Raupenkette

Track Covers
Blindaje de cadenas

N-11

L3.11

N.T.R. 30
1-9-1977
604.01.012.01

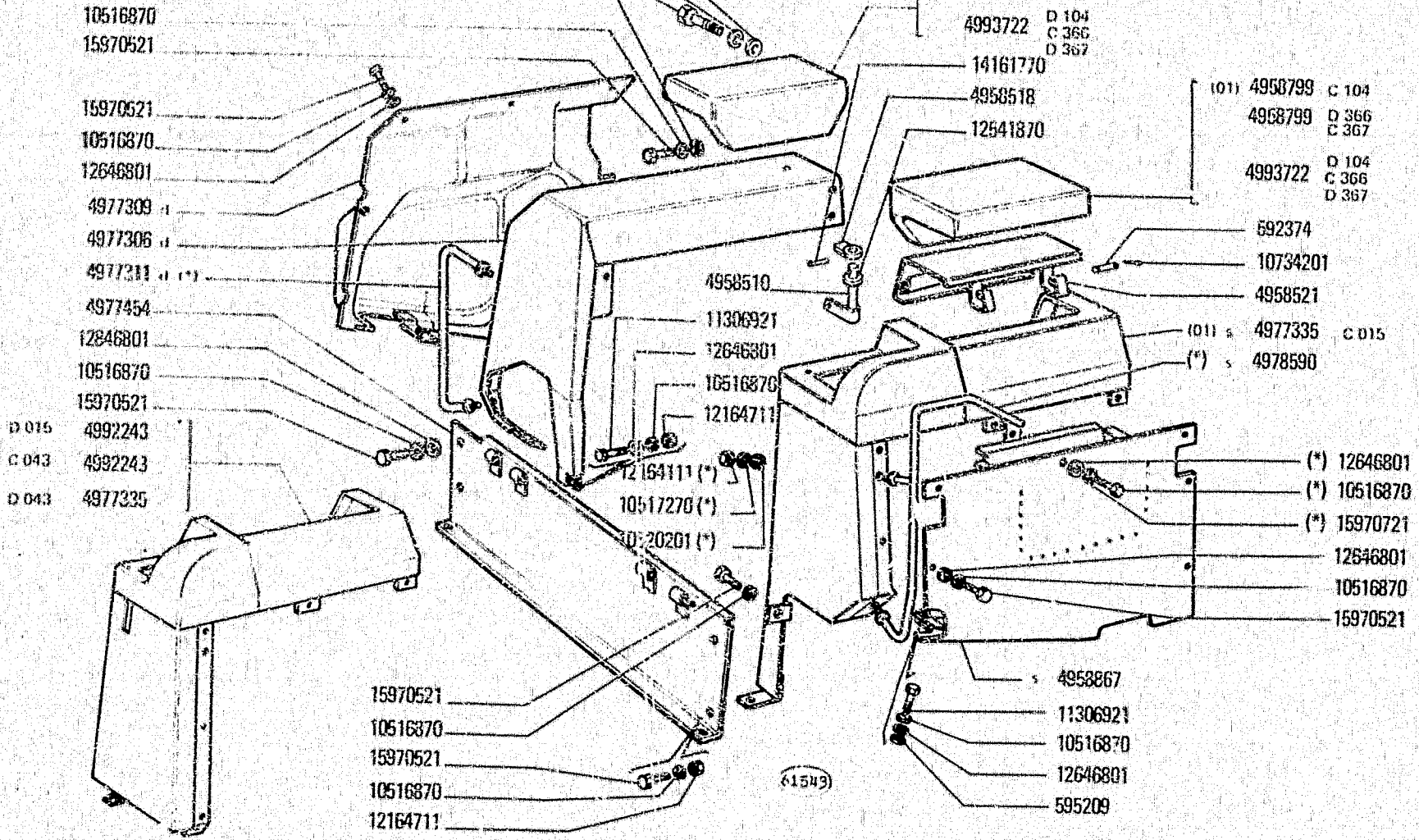
397

D 104
C 366
D 367

D 104
C 366
D 367

(101) 4958799 C 104
4958799 D 366
C 367
4993722 D 104
C 366
D 367

DAT 703 10	L3.10
------------	-------



FL 10B
01 02

Protections de siège
Sitzschutzbleche

RIPARI SEDILE

Seat Panels
Defensa de asiento

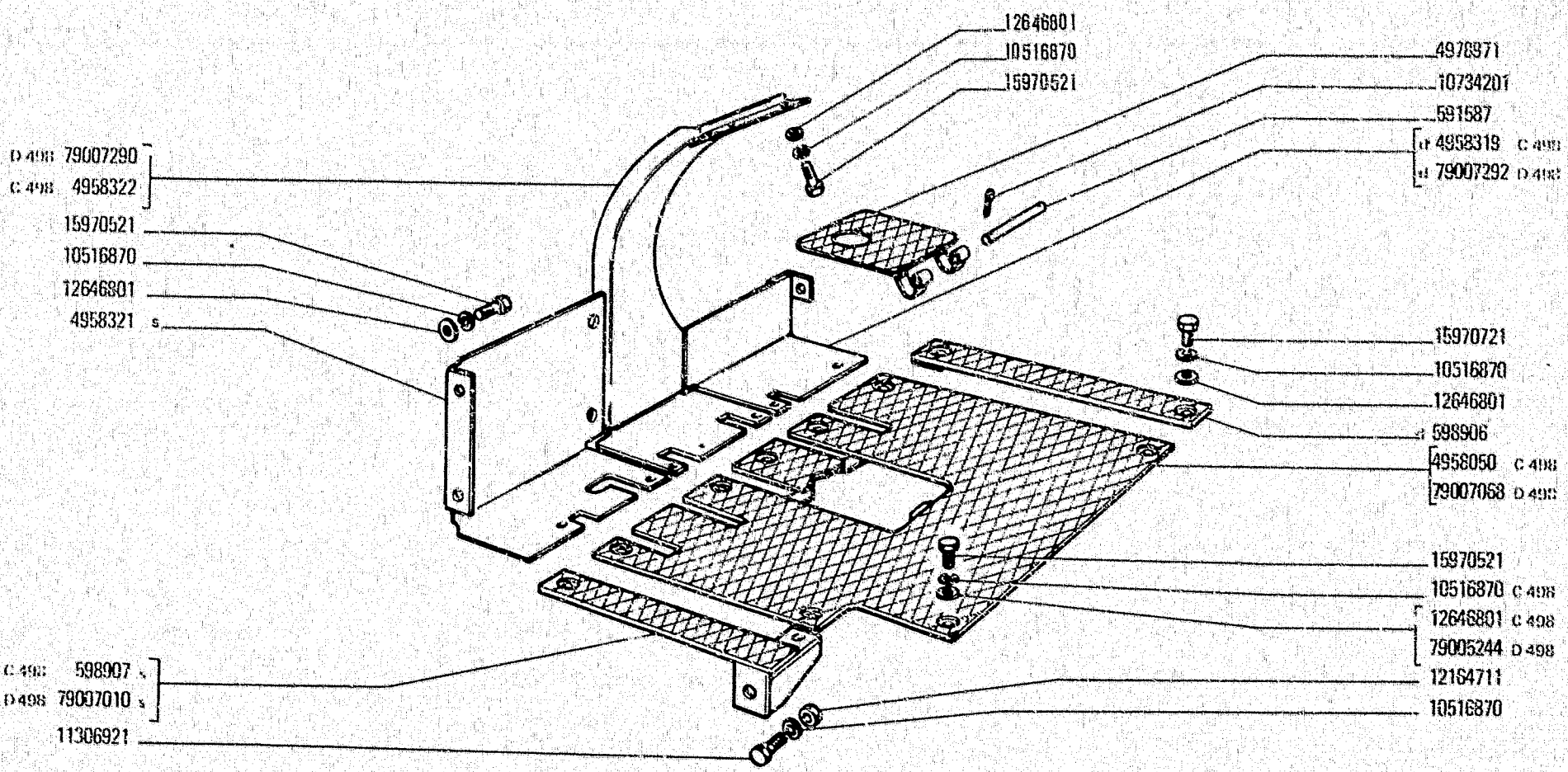
N-12

L3.10

NTR 38
1-4-1978
604.01.012.02

DAT 703 05

L3.05



2N654 A

FL10 B

01 02

Marche-pieds
Fussbreiter

PEDANE

Footboards

N-13

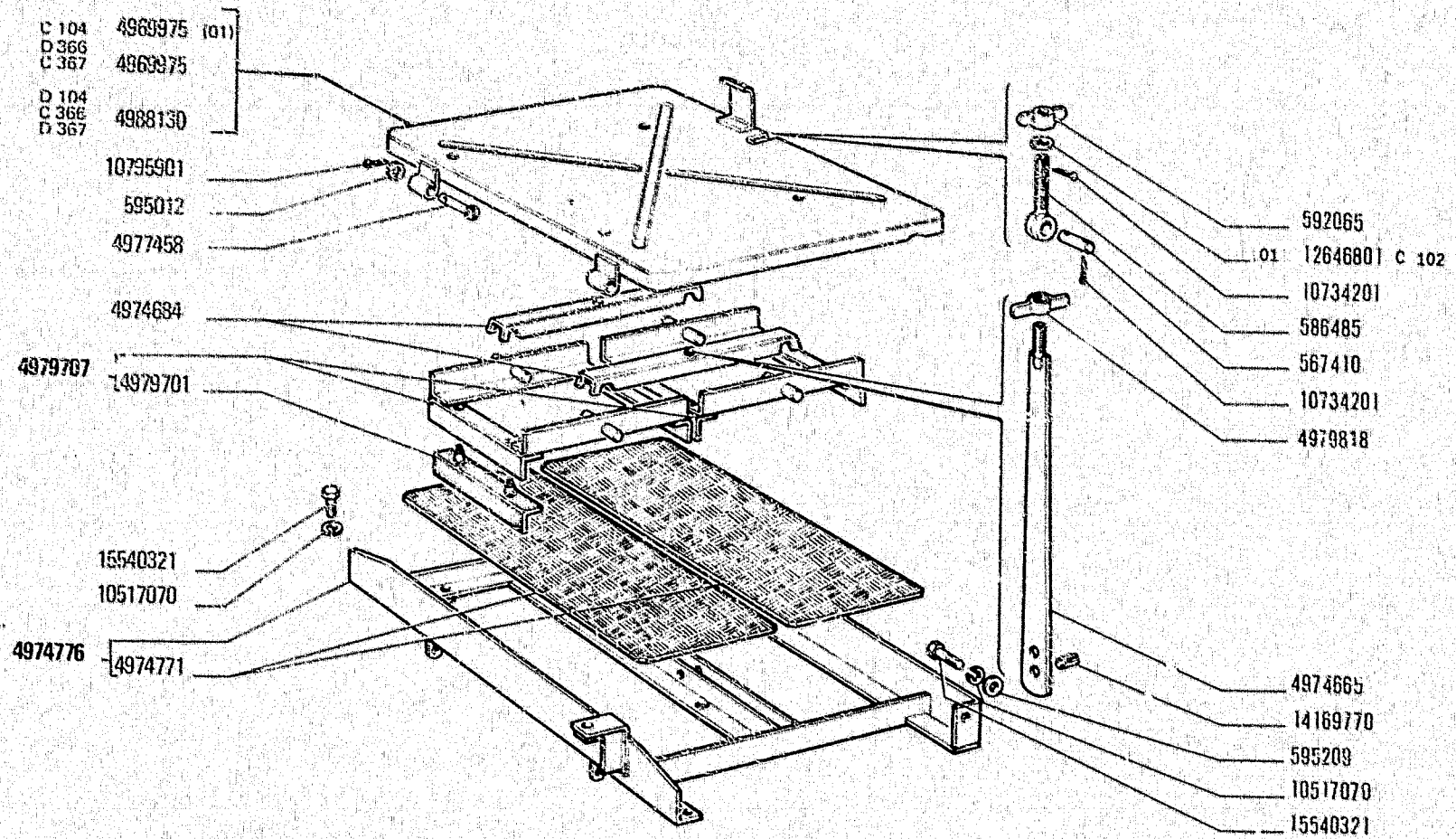
Estribes

L3.05

N.T.R 49
15-5-1979
604.01.012.04

DAT 701 30

L1.30



30012 A

FL10 B
01 02

INTELAIATURE PER SISTEMAZIONI VARIE
Aménagements divers
Verschiedene Gestelle

Auxiliary Arrangements
Soportes varios

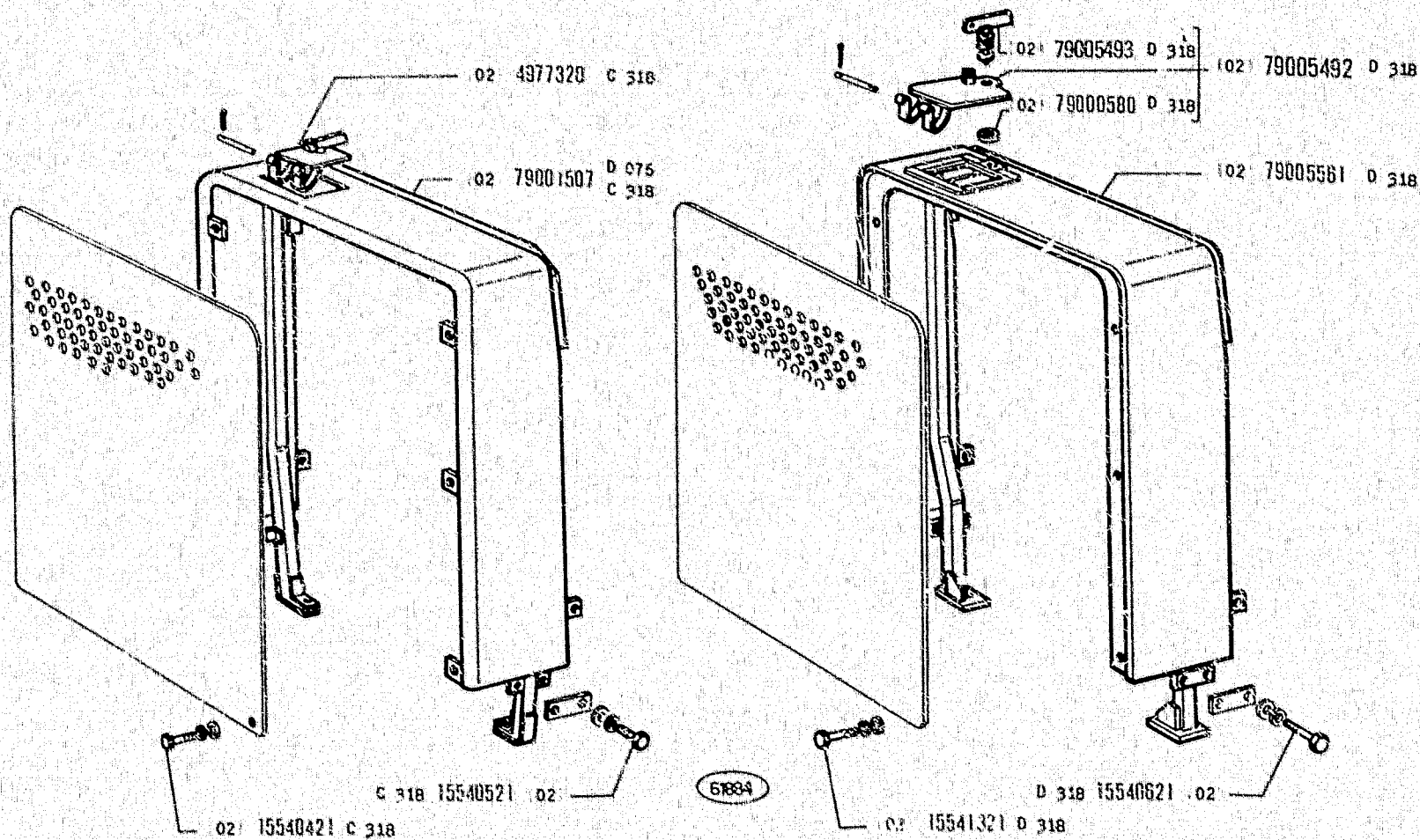
N-14

L1.30

NTR. 38
 1-4-1978
 604.01.012.02

DAT 701 01

L1.01



FL 10 B

01 02

Capot
Haube

COFANATURA

Hood
N-15 Capot

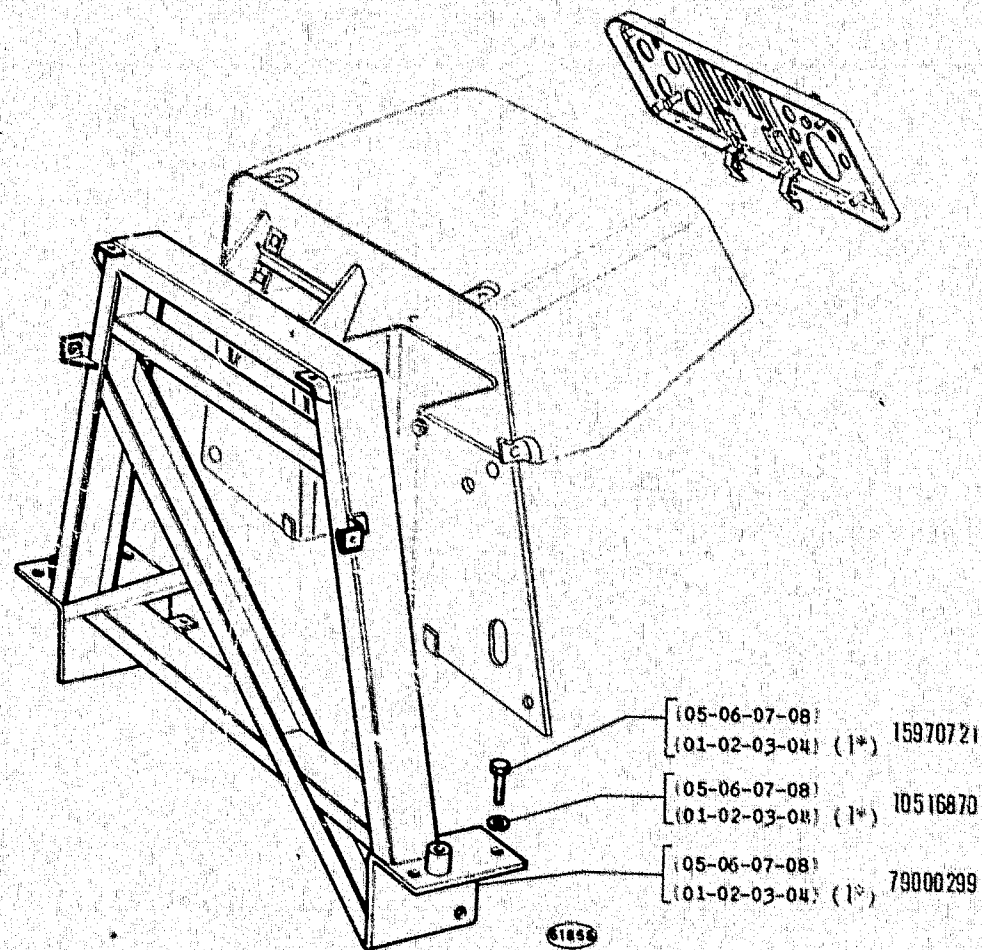
L1.01

5

N.T.R. 93
20-11-1981
604.01.012.07

DAT 701 01

L1.01



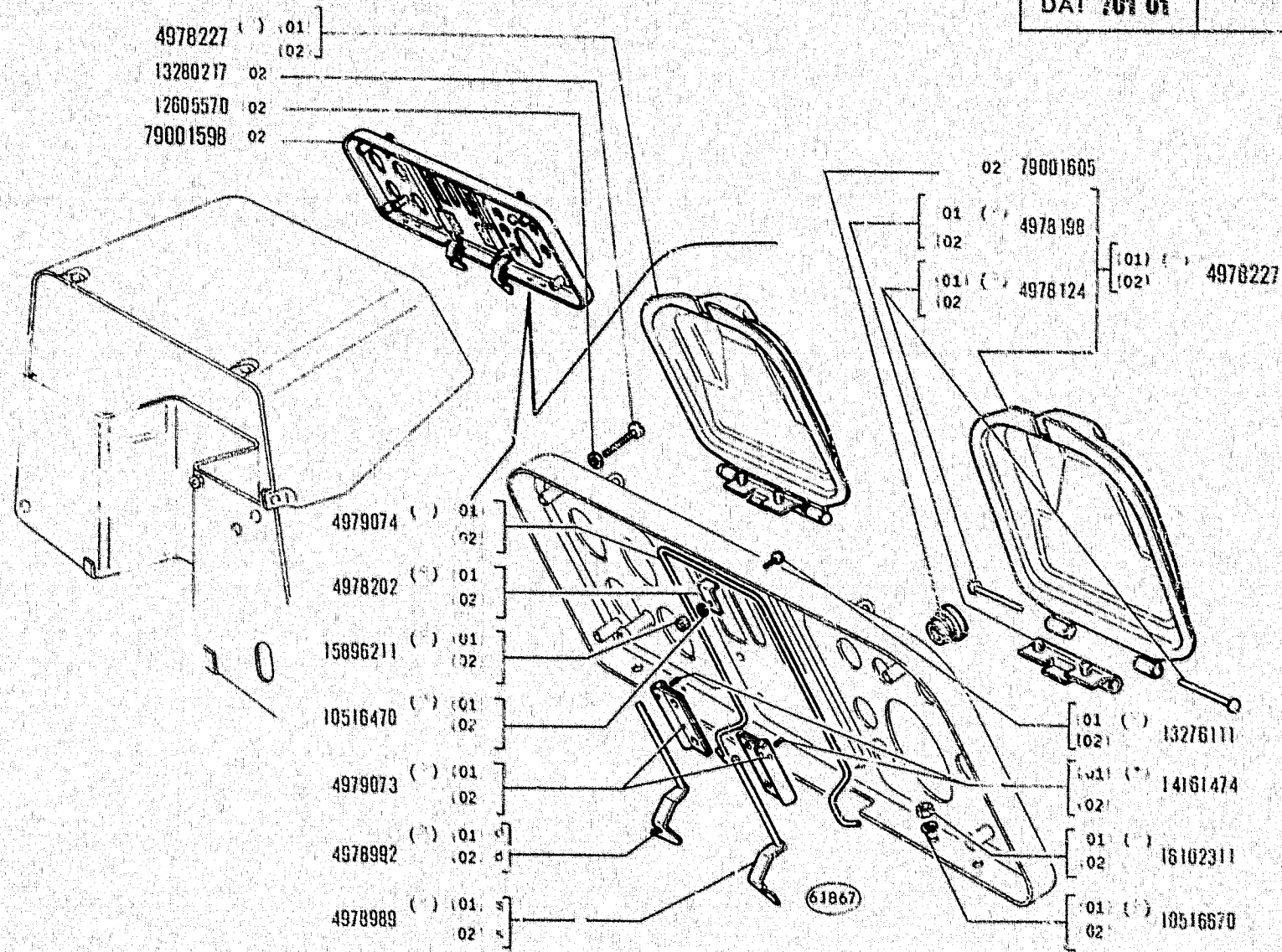
FL 10B
01 02

Capot
Haube

COFANATURA
Hood
Capot
N-16

L1.01

N.T.R.
20
10-7-1976



() Vedere elenco parti la lista - Siehe Tabelle - See list - Véase la lista

FL 10B
01 02

Capot
Haube

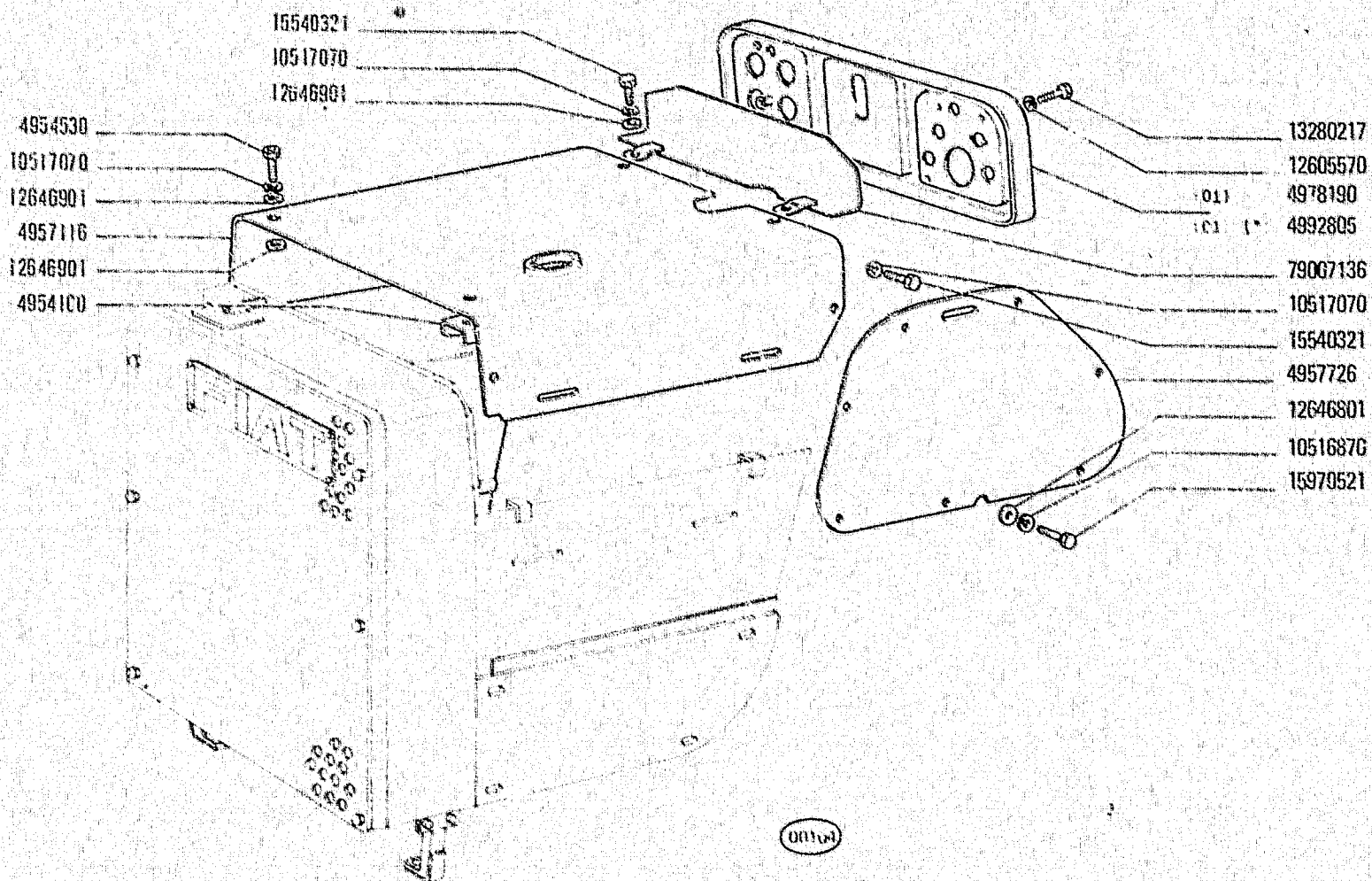
COFANATURA
N-17
Hood
Capot

L1.01

3
N.T.R.
21
10-7-1978

DAT 701 01

L1.01



FL 10 B

01 02

Capot
Haube

COFANATURA

N-18

Hood
Capot

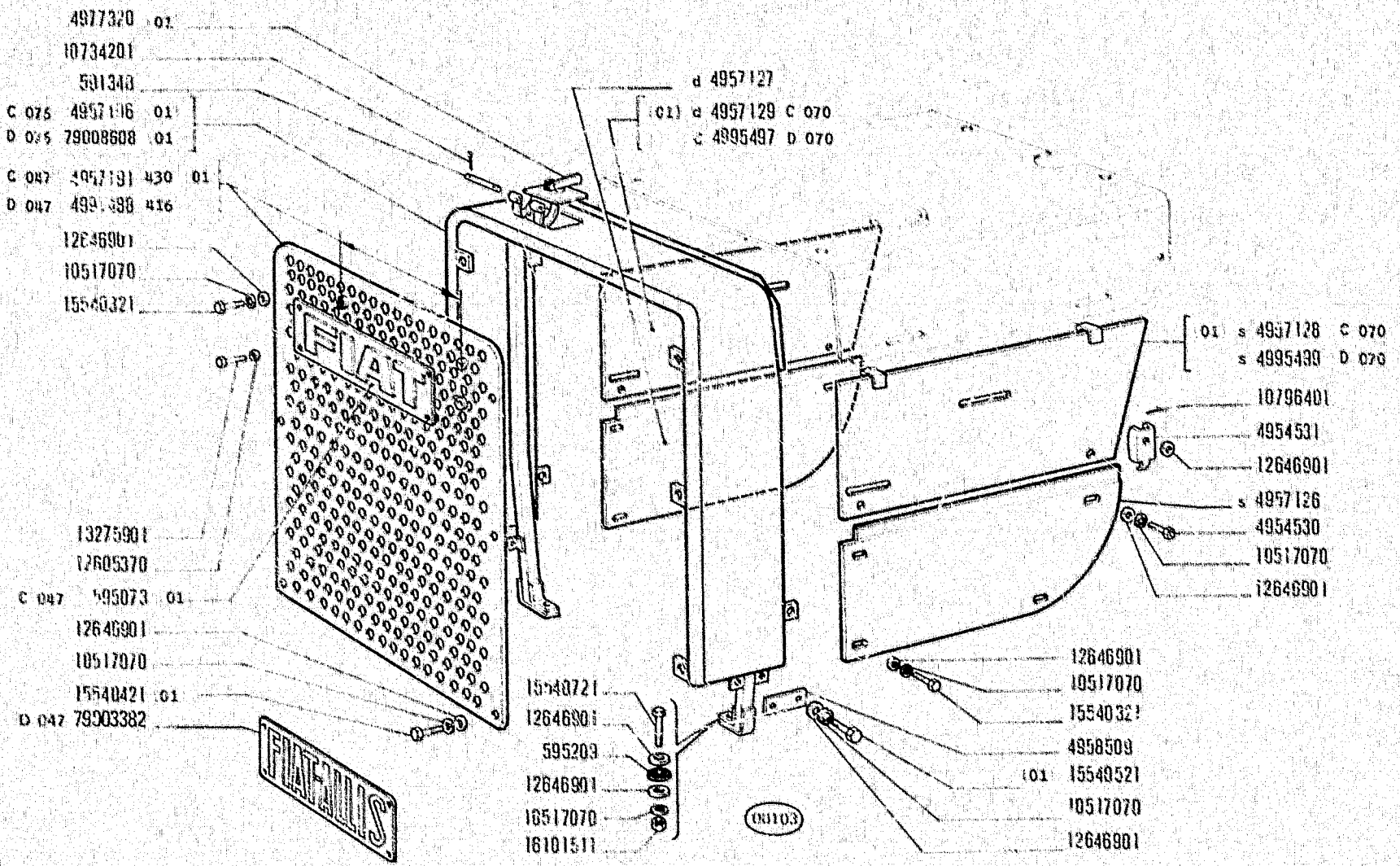
L1.01

N.T.R. 28
31.5.1977
604.01.012.01

2

DAT 701 01

L1.01



FL 10 B
01 02

Capot
Haube

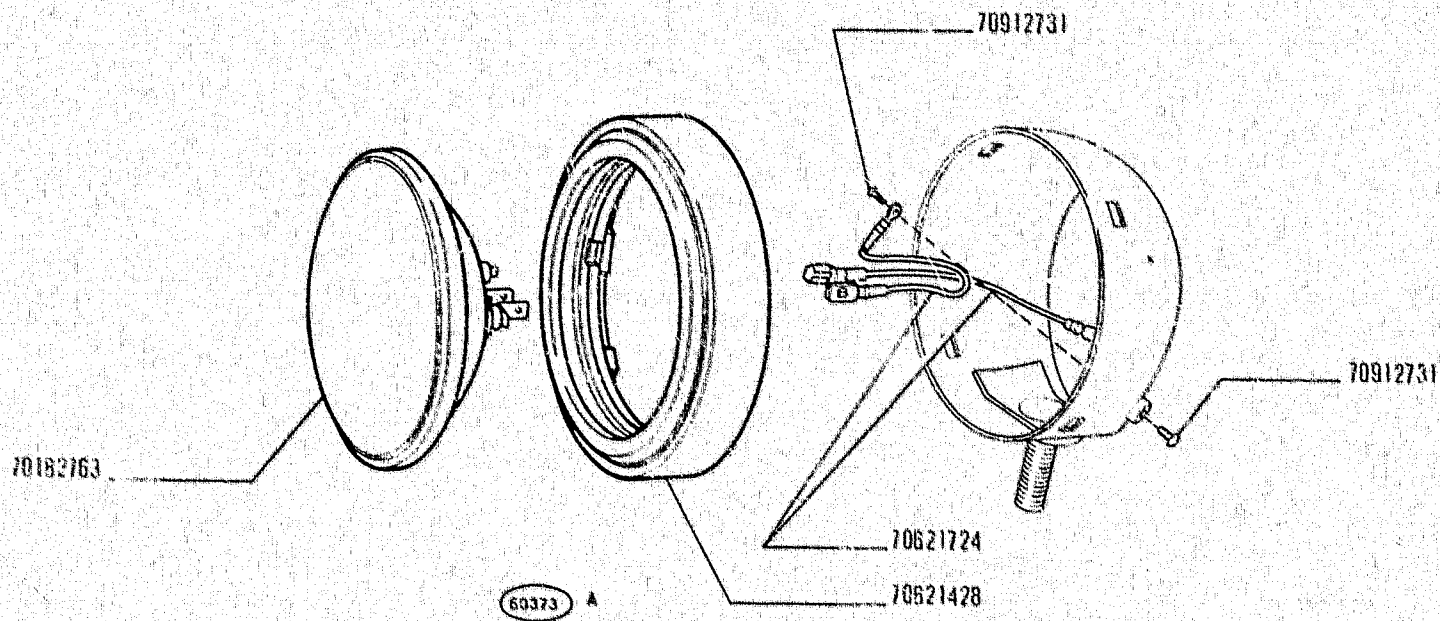
COFANATURA
Hood
Capot
N-19

L1.01

N.T.R 28
31-5-1977
604.01.012.01

DAT 556 29

F6.29



FL 10B

01 02

Projecteur
Scheinwerfer

PROIETTORE 70621429

Headlamp
Projector

N-20

F6.29/5

T TABLES • TABELLE • TABLEAUX • TABELLEN • TABLAS

SUBGROUP RESEARCH INDEX ON THE FICHES - INDICE DI RICERCA DEI SOTTOGRUPPI SULL FICHES - INDEX DE RECHERCHE DES SOUSGROUPES SUR LES FICHES
 SUCHINDEX DER UNTERGRUPPEN AUF KARTE - INDICE DE LOCALIZACION DE LOS SUBGRUPOS EN LA FICHAS.

SGR	TAV	TAV	GRID	PAG	SGR	TAV	TAV	GRID	PAG	SGR	TAV	TAV	GRID	PAG	SGR	TAV	TAV	GRID	PAG
A0.00	—	1 - F2	1 - E2	B2.05	—	1 - P9	1 - G9	E3.27	—	2 - H74	2 - G14								
A0.02	—	1 - F3	1 - E3	B2.07	—	1 - P11	1 - O11	E3.28	—	2 - H12, H11	2 - G12, G11								
A1.01	—	1 - F4, F6	1 - E4	B2.10	—	1 - P12, P13	1 - O12, O13	E3.29	—	2 - H10	2 - G10								
A1.02	—	1 - F6, F7	1 - E5	B2.17	—	1 - P14	1 - O14	E3.31	—	2 - H9, H8	2 - G9, G8								
A1.03	—	1 - F8, F9	1 - E8	B2.18	—	1 - P15	1 - O15	E3.31/1	—	2 - H7	2 - G7								
A1.04	—	1 - F10	1 - E10	B2.21	—	1 - P16	1 - O16	E3.32	—	2 - H6	2 - G6								
A1.05	—	1 - F12	1 - E12	B2.30	—	1 - P17, P18, P19	1 - O17, O18	E3.32/1	—	2 - H5	2 - G5								
A1.06	—	1 - F13	1 - E13	B2.33	—	1 - P20, P20	1 - O20, O20	E3.32/5A	—	2 - H4	2 - G4								
A1.07	—	1 - F14, F15	1 - E14, E15	B2.33/1	—	1 - R18, R18	1 - O19, O19	F2.01	—	2 - H3, H2	2 - G3								
A1.08	—	1 - F16, F17	1 - E16	B2.34	—	1 - R16	1 - O16	F3.01	—	2 - L2, L3	2 - I2, I3								
A1.16	—	1 - F18	1 - E18	B2.35	—	1 - R15	1 - O15	F4.01	—	2 - L5, L6, L7	2 - I5, I6, I7								
A1.15	—	1 - F19	1 - E19	B2.38	—	1 - R14	1 - O14	F5.01	—	2 - L8	2 - I8								
A2.01	—	1 - F20	1 - E20	B3.01	—	1 - R13	1 - O13	F6.03	—	2 - L9	2 - I9								
A2.21	—	1 - H20	1 - G20	B3.16	—	1 - R12	1 - O12	F6.03/A	—	2 - L10	2 - I10								
A2.22	—	1 - H19	1 - G19	B3.16/1	—	1 - R11	1 - O11	F6.06	—	2 - L11, L12	2 - I11, I12								
A2.23	—	1 - H17	1 - G17	B4.05	—	1 - R10	1 - O10	F6.06/1	—	2 - L13, L14	2 - I13, I14								
A2.24	—	1 - H16, H15, H14	1 - G16, G15	B4.09	—	1 - R9	1 - O9	F6.29	—	2 - L16	2 - I16								
		1 - H13		B4.11	—	1 - R8	1 - O8	F6.29/1	—	2 - L17	2 - I17								
A2.25	—	1 - H12	1 - G12	B4.12	—	1 - R7	1 - O7	F6.29/2	—	2 - L18	2 - I18								
A2.25/1	—	1 - H11	1 - G11	C1.01	—	1 - R5, R4	1 - O5, O4	F6.29/3	—	3 - L19	2 - I19								
A2.28	—	1 - H10	1 - G10	C1.02	—	1 - R3	1 - O3	F6.29/4	—	2 - L20	2 - I20								
A2.27	—	1 - H8, H7	1 - G8, G7	C1.08	—	1 - R2	1 - O2	F6.29/5	—	2 - N20	2 - M20								
A2.27/1	—	1 - H6, H5	1 - G6, G5	C1.35	—	1 - T2	1 - S2	L1.01	—	2 - N19, N18, N17	2 - M19, M18								
A2.27/1A	—	1 - H4, H3	1 - G4, G3	D1.01	—	1 - T3, T4	1 - S3		—	2 - N16, N15									
A2.28	—	1 - H2, L2	1 - G2, I2	D1.02	—	1 - T5	1 - S5	L1.30	—	2 - N14	2 - M14								
A2.28/1	—	1 - L3, L4	1 - I3, I4, I5	D2.20	—	1 - T6	1 - S6	L3.05	—	2 - N13	2 - M13								
A2.28/1A	—	1 - L6, L7	1 - I6, I7, I8	D2.22	—	1 - T7	1 - S7	L3.10	—	2 - N12	2 - M12								
A2.35	—	1 - L10	1 - I10	D2.23	—	1 - T8, T8, T10	1 - S8, S9	L3.11	—	2 - N11	2 - M11								
A2.35/1	—	1 - L11	1 - I11		—	1 - T11		L3.12	—	2 - N10	2 - M10								
A2.37	—	1 - L12	1 - I12	D2.24	—	1 - T12	1 - S12	L3.12/1	—	2 - N9	2 - M9								
A2.54	—	1 - L13	1 - I13	D2.27	—	1 - T13	1 - S13	M1.01	—	2 - N7	2 - M7								
A2.56	—	1 - L14	1 - I14	D2.29	—	1 - T15, T16	1 - S15, S16	M1.01/A	—	2 - N6, N5	2 - M6								
A3.01	—	1 - L15, L16, L17	1 - I15, I16	D3.01	—	1 - T17	1 - S17	Z1.01	—	2 - N4	2 - M4								
A3.02	—	1 - L19	1 - I19	D3.50	—	1 - T18	1 - S18	Z1.04	—	2 - N3	2 - M3								
A3.03	—	1 - L20	1 - I20	D3.33	—	1 - T20	1 - S20	Z1.04/1	—	2 - N2	2 - M2								
A4.01	—	1 - N20, N19	1 - M20, M19	D3.34	—	2 - F2, F3, F4	2 - E2, E3												
A4.02	—	1 - N18, N17, N16	1 - M18	D3.37	—	2 - F5, F6	2 - E5												
A4.03	—	1 - N15	1 - M15	D3.38	—	2 - F7	2 - E7												
A4.09	—	1 - N14	1 - M14	D3.40	—	2 - F8	2 - E8												
B1.05	—	1 - N13	1 - M13	D3.40/A	—	2 - F9	2 - E9												
B1.08	—	1 - N12	1 - M12	E3.02	—	2 - F11, F12, F13	2 - E11, E12, E13												
B1.09	—	1 - N10, N9	1 - M10, M9		—	2 - F14, F15	2 - E14												
B1.10	—	1 - N8, N7, N6	1 - M8, M7, M6	E3.10	—	2 - F16	2 - E17												
B1.11	—	1 - N5	1 - M5	E3.14	—	2 - F17, F18	2 - E19												
B1.12	—	1 - N14	1 - M14	E3.14/1	—	2 - F19	2 - E19												
B1.15	—	1 - N3	1 - M3	E3.14/2	—	2 - F20, H20	2 - E20												
B2.01	—	1 - N2, P2	1 - M2, O2	E3.14/3	—	2 - H19	2 - G19												
B2.04	—	1 - P3, P4	1 - O3, O4	E3.25	—	2 - H18	2 - G18												
B2.04/1	—	1 - P5, P6, P7	1 - O5, O6, O7	E3.25/1	—	2 - H17, H16	2 - G17												
B2.05	—	1 - P8	1 - O8	E3.26	—	2 - H15	2 - G15												

M o d i f i c a		Sgr. Interessati e Norme di Ricambio
C 014 → aut. n. 105347 (02) → aut. n. 105797 (01)	D 014 aut. n. 105348 → (02) aut. n. 105798 → (01)	B2.01 - B2.30 - B2.33 - B2.34 - D2.23 B2.33: $\frac{4962975}{524255} = 4989755$ $\frac{4989263}{4989263}$ B2.30: $\frac{4962727}{4982750} (*)$ (*): Speciale per ricambi. Spéciale pour rechanges. Extra für den Ersatz. Specific for replacement. Especial para recambios.
C 015 → aut. n. 105347 (02) → aut. n. 105797 (01)	D 015 aut. n. 105348 → (02) aut. n. 105798 → (01)	B2.07 - B2.10 - B2.30 - B2.33 - L3.10 B2.07: $\frac{4965150}{4991766} = 4991766 + B2.10 (4992253)$ B2.10: $\frac{4963218}{4992253} = 4992253 + B2.07 (4991766)$ B2.30: $\frac{4987451}{4992747} = 4992747 - B2.10 (4993628)$ $\frac{4992727}{4992750} = 4992750 - B2.10 (4993629)$
C 027 → aut. n. 104506	D 027 aut. n. 104507 →	E3.02: $\frac{4959697}{4967724} = 4987661 - 4987604 + 4987605 + 4967724 + 12644301$ $\frac{4959513}{4967724} = 4987659 + 4987602 + 4987603 + 4967724 + 12644301$ $\frac{4958665}{4967727} = 4987660 + 4987658 + 4987201 + 4987202 + 4967724$
C 029 → aut. n. 104392	D 029 aut. n. 104393 →	E3.14: $\frac{6247706}{6289154} = 6289154 + n.8 \frac{6250418}{6289154}$
C 038 →	D 038 →	B2.04 - B2.04/ 1
C 043 → aut. n. 105347 (02) → aut. n. 105797 (01)	D 043 aut. n. 105348 → (02) aut. n. 105798 → (01)	B2.10 - L3.10 (NTR 16) L3.10: $\frac{4992236}{4977433}$

M o d i f i c a		Sgr. Interessati e Norme di Ricambio
C 047 → aut. n. 104459 (02) → aut. n. 106238 (01)	D 047 aut. n. 104460 → (02) aut. n. 106239 → (01)	A4.01 - L1.01 L1.01: 4957491 = 4991488 + 79000339 4977438 = 4991498 + 79000339 595073 = 79000339
C 053 → aut. n. 105997 (01) → aut. n. 105347 (02)	D 053 aut. n. 105998 → (01) aut. n. 105348 → (02)	E3.02: 8204722 = 8288203 + 8288209 + 8288213 + + 8288216 + n. 3 15541521 + + 11307021
C 070 → aut. n. 105347 (02) → aut. n. 105390 (01)	D 070 aut. n. 105343 → (02) aut. n. 105391 → (01)	B1.09 - B2.30 - B2.35 - C1.01 - D1.01 - L1.01 - L3.11 B2.35: 597991 = 4989904 + B1.09 (581658 + + 14330260) C1.01: 4986926, 4981654 = 4990015, 4996275
C 075 → aut. n. 105720	D 075 aut. n. 105721 →	B1.10 - D2.23 535971, 4953895 = D 075
C 076 → aut. n. 105347 (02) → aut. n. 106238 (01)	D 076 aut. n. 105348 → (02) aut. n. 106239 → (01)	A4.01 - A4.02 - D1.01 - L1.01 D1.01: 4989100 = 79001581 L1.01: 4957498 = 79001507
C 079 → aut. n. 105347 (02) → aut. n. 106238 (01)	D 079 aut. n. 105348 → (02) aut. n. 106239 → (01)	A4.01: 79001685, 79001641 = 79002991, 79002987

SUBGROUP RESEARCH INDEX ON THE FICHES - INDICE DI RICERCA DEI SOTTOGRUPPI SULLE FICHES - INDEX DE RECHERCHE DES SOUSGROUPES SUR LES FICHES
 SUCHINDEX DER UNTERGRUPPEN AUF KARTE - INDICE DE LOCALIZACION DE LOS SUBGRUPOS EN LA FICHAS.

SGR	TAV	GRID		SGR	TAV	GRID		SGR	TAV	GRID		SGR	TAV	GRID	
		TAV	PAG			TAV	PAG			TAV	PAG			TAV	PAG
A9.00	--	1 - F2	1 - E2	B2.06	--	1 - P9	1 - O9	E3.27	--	2 - H14	2 - G14				
A0.02	--	1 - F3	1 - E3	B2.07	--	1 - P11	1 - O11	E3.28	--	2 - H12, H11	2 - G12, G11				
A1.01	--	1 - F4, F5	1 - E4	B2.10	--	1 - P12, P13	1 - O12, O13	E3.29	--	2 - H10	2 - G10				
A1.02	--	1 - F6, F7	1 - E6	B2.17	--	1 - P14	1 - O14	E3.31	--	2 - H9, H8	2 - G9, G8				
A1.03	--	1 - F8, F9	1 - E8	B2.18	--	1 - P15	1 - O15	E3.31/1	--	2 - H7	2 - G7				
A1.04	--	1 - F10	1 - E10	B2.21	--	1 - P16	1 - O16	E3.32	--	2 - H6	2 - G6				
A1.05	--	1 - F12	1 - E12	B2.30	--	1 - P17, P18, P19	1 - O17, O18	E3.32/1	--	2 - H5	2 - G5				
A1.06	--	1 - F13	1 - E13	B2.33	--	1 - P20, R20	1 - O20, O20	E3.32/1A	--	2 - H4	2 - G4				
A1.07	--	1 - F14, F15	1 - E14, E15	B2.33/1	--	1 - R18, R18	1 - O18, O18	F2.01	--	2 - H3, H2	2 - G3				
A1.08	--	1 - F16, F17	1 - E16	B2.34	--	1 - R19	1 - O19	F3.01	--	2 - L2, L3	2 - I2, I3				
A1.16	--	1 - F16	1 - E18	B2.35	--	1 - R15	1 - O15	F4.01	--	2 - L5, L6, L7	2 - I5, I6, I7				
A1.19	--	1 - F19	1 - E19	B2.38	--	1 - R14	1 - O14	F5.01	--	2 - L8	2 - I8				
A2.01	--	1 - F20	1 - E20	B3.01	--	1 - R13	1 - O13	F6.03	--	2 - L9	2 - I9				
A2.21	--	1 - H2?	1 - G20	B3.16	--	1 - R12	1 - O12	F6.03/A	--	2 - L10	2 - I10				
A2.22	--	1 - H19	1 - G19	B3.16/1	--	1 - R11	1 - O11	F6.08	--	2 - L11, L12	2 - I11, I12				
A2.23	--	1 - H17	1 - G17	B4.06	--	1 - R10	1 - O10	F6.08/1	--	2 - L13, L14	2 - I13, I14				
A2.24	--	1 - H16, H15, H14	1 - G16, G15	B4.08	--	1 - R9	1 - O9	F6.29	--	2 - L16	2 - I16				
		1 - H15		B4.11	--	1 - R8	1 - O8	F6.29/1	--	2 - L17	2 - I17				
A2.25	--	1 - H12	1 - G12	B4.12	--	1 - R7	1 - O7	F6.29/2	--	2 - L18	2 - I18				
A2.25/1	--	1 - H11	1 - G11	C1.01	--	1 - R5, R4	1 - O5, O4	F6.29/3	--	2 - L19	2 - I19				
A2.26	--	1 - H10	1 - G10	C1.02	--	1 - R3	1 - O3	F6.29/4	--	2 - L20	2 - I20				
A2.27	--	1 - H8, H7	1 - G8, G7	C1.06	--	1 - R2	1 - O2	F6.29/5	--	2 - N20	2 - M20				
A2.27/1	--	1 - H6, H5	1 - G6, G5	C1.35	--	1 - T2	1 - S2	L1.01	--	2 - N19, N18, N17	2 - M19, M18				
A2.27/1A	--	1 - H4, H3	1 - G4, G3	D1.01	--	1 - T3, T4	1 - S3		--	2 - N16, N15					
A2.28	--	1 - H2, L2	1 - G2, I2	D1.02	--	1 - T5	1 - S5	L1.30	--	2 - N14	2 - M14				
A2.28/1	--	1 - L3, L4	1 - I3, I4, I5	D2.20	--	1 - T6	1 - S6	L3.05	--	2 - N13	2 - M13				
A2.28/1A	--	1 - L6, L7	1 - I6, I7, I8	D2.22	--	1 - T7	1 - S7	L3.10	--	2 - N12	2 - M12				
A2.35	--	1 - L10	1 - I10	D2.23	--	1 - T8, T9, T10	1 - S8, S9	L3.11	--	2 - N11	2 - M11				
A2.35/1	--	1 - L11	1 - I11		--	1 - T11		L3.12	--	2 - N10	2 - M10				
A2.37	--	1 - L12	1 - I12	D2.24	--	1 - T12	1 - S12	L3.12/1	--	2 - N9	2 - M9				
A2.54	--	1 - L13	1 - I13	D2.27	--	1 - T13	1 - S13	M1.01	--	2 - N7	2 - M7				
A2.56	--	1 - L14	1 - I14	D2.29	--	1 - T15, T16	1 - S15, S16	M1.01/A	--	2 - N6, N5	2 - M6				
A3.01	--	1 - L15, L16, L17	1 - I15, I13	D3.01	--	1 - T17	1 - S17	Z1.01	--	2 - N4	2 - M4				
A3.02	--	1 - L19	1 - I19	D3.30	--	1 - T18	1 - S18	Z1.04	--	2 - N3	2 - M3				
A3.03	--	1 - L20	1 - I20	D3.33	--	1 - T20	1 - S20	Z1.04/1	--	2 - N2	2 - M2				
A4.01	--	1 - N20, N19	1 - M20, M19	D3.34	--	2 - F2, F3, F4	2 - E2, E3								
A4.02	--	1 - N18, N17, N16	1 - M18	D3.37	--	2 - F5, F6	2 - E5								
A4.03	--	1 - N15	1 - M15	D3.38	--	2 - F7	2 - E7								
A4.09	--	1 - N14	1 - M14	D3.40	--	2 - F8	2 - E8								
B1.05	--	1 - N13	1 - M13	D3.40/A	--	2 - F9	2 - E9								
B1.06	--	1 - N12	1 - M12	E3.02	--	2 - F11, F12, F13	2 - E11, E12, E13								
B1.09	--	1 - N10, N9	1 - M10, M9		--	2 - F14, F15	2 - E14								
B1.10	--	1 - N8, N7, N6	1 - M8, M7, M6	E3.10	--	2 - F16	2 - E17								
B1.11	--	1 - N5	M5	E3.14	--	2 - F17, F18	2 - E17								
B1.12	--	1 - N14	1 - M14	E3.14/1	--	2 - F19	2 - E19								
B1.15	--	1 - N3	1 - M3	E3.14/2	--	2 - F20, H20	2 - E20								
B2.01	--	1 - N2, P2	1 - M2, O2	E3.14/3	--	2 - H19	2 - G19								
B2.04	--	1 - P3, P4	1 - O3, O4	E3.25	--	2 - H18	2 - G18								
B2.04/1	--	1 - P5, P6, P7	1 - O5, O6, O7	E3.25/1	--	2 - H17, H16	2 - G17								
B2.05	--	1 - P8	1 - O8	E3.26	--	2 - H15	2 - G15								

M o d i f i c a		Sgr. Interessati e Norme di Ricambio
C 088 → mot. n. 000008 (02) → mot. n. 002913 (01)	D 088 mot. n. 000010 → (02) mot. n. 002914 → (01)	A1.19 - A4.09 A4.09: 8826552 = 4699620 + 15540921
C 095 → mot. n. 002512	D 095 mot. n. 002513 →	A3.01: 8824715, 8824958 = D 095
C 096 → aut. n. 102735	D 096 aut. n. 102735 →	B2.04: 4982110 = D 096
C 097 → aut. n. 104927	D 097 aut. n. 104928 →	D3.30 - D3.34 - D3.37 - L3.11 D3.37: 4982522, 4982523 = 4991079, 4991080
C 100 → aut. n. 105347 (02) → aut. n. 105997 (01)	D 100 aut. n. 105348 → (02) aut. n. 105998 → (01)	A2.01 - E3.28 - F4.01 - E3.02 A2.01: 599358 = D 100
C 102 → aut. n. 105347 (02) aut. n. 105997 (01)	D 102 aut. n. 105348 → (02) aut. n. 105998 → (01)	A2.01 - E3.02 - L1.30 A2.01: 4992450 = D 102
C 103 → aut. n. 105347 (02) → aut. n. 105797 (01)	D 103 aut. n. 105348 → (02) aut. n. 105798 → (01)	B2.10: 591171, 4958538, 4977280 = 79002628 + + 79002701 + 79002703 + + 79002642 + 79002629 + + 10791214 + 10791911

M o d i f i c a		Sgr. Interessati e Norme di Ricambio
C 104 → aut. n. 105528	D 104 aut. n. 105529 →	L1.30 - L3.10 - M1.01 - M1.01/A L1.30: 4968975 = 4988130 L3.10: 4958799 = 4993722
C 107 → aut. n. 105347 (02) aut. n. 105531 (01)	D 107 aut. n. 105348 → (02) aut. n. 105532 → (01)	B2.38: 4977885 = 79002643 + 15970421 + + 12164711
C 108 → aut. n. 105182	D 108 aut. n. 105183 →	B1.10 - D2.23 B1.10 - D2.23: 4979709 = 4996300 + n. 2 11234721
C 109 →	D 109 →	A1.05: 8815941 = n. 6 4700416
C 114 → aut. n. 105714	D 114 aut. n. 105715 →	B4.11: 1972295, 4972295 = 4989818, 4989820
C 115 → aut. n. 105347 (02)	D 115 aut. n. 105348 → (02)	F3.01 - F4.01 - F5.01 F4.01: 4184239, 4184235 = n. 2 70621429 + n. 4 70911045 + n. 2 79002608 4184242 = 70621429 + n. 2 70911045 + + 79002608

SUBGROUP RESEARCH INDEX ON THE FICHES - INDICE DI RICERCA DEI SOTTOGRUPPI SULLE FICHES - INDEX DE RECHERCHE DES SOUSGROUPES SUR LES FICHES
 SUCHINDEX DER UNTERGRUPPEN AUF KARTE - INDICE DE LOCALIZACION DE LOS SUBGRUPOS EN LA FICHAS.

SGR	TAV	TAV	GRID	PAG	SGR	TAV	TAV	GRID	PAG	SGR	TAV	TAV	GRID	PAG	SGR	TAV	TAV	GRID	PAG
A0.00	--	1 - F2	1 - E2		B2.06	--	1 - P9	1 - O9		E3.27	--	2 - H14	2 - G14						
A0.02	--	1 - F3	1 - E3		B2.07	--	1 - P11	1 - O11		E3.28	--	2 - H12, H11	2 - G12, G11						
A1.01	--	1 - F4, F5	1 - E4		B2.10	--	1 - P12, P13	1 - O12, O13		E3.29	--	2 - H10	2 - G10						
A1.02	--	1 - F6, F7	1 - E6		B2.17	--	1 - P14	1 - O14		E3.31	--	2 - H9, H8	2 - G9, G8						
A1.03	--	1 - F8, F9	1 - E8		B2.18	--	1 - P15	1 - O15		E3.31/1	--	2 - H7	2 - G7						
A1.04	--	1 - F10	1 - E10		B2.21	--	1 - P16	1 - O16		E3.32	--	2 - H6	2 - G6						
A1.05	--	1 - F12	1 - E12		B2.30	--	1 - P17, P18, P19	1 - O17, O18		E3.32/1	--	2 - H5	2 - G5						
A1.06	--	1 - F13	1 - E13		B2.33	--	1 - P20, P20	1 - O20, O20		E3.32/1A	--	2 - H4	2 - G4						
A1.07	--	1 - F14, F15	1 - E14, E15		B2.33/1	--	1 - P19, P12	1 - O19, O18		F2.01	--	2 - H3, H2	2 - G3						
A1.08	--	1 - F16, F17	1 - E16		B2.34	--	1 - P16	1 - O16		F3.01	--	2 - L2, L3	2 - I2, I3						
A1.16	--	1 - F18	1 - E18		B2.35	--	1 - P15	1 - O15		F6.01	--	2 - L5, L6, L7	2 - I5, I6, I7						
A1.19	--	1 - F19	1 - E19		B2.38	--	1 - P14	1 - O14		F6.01	--	2 - L8	2 - I8						
A2.01	--	1 - F20	1 - E20		B3.01	--	1 - P13	1 - O13		F6.02	--	2 - L9	2 - I9						
A2.21	--	1 - H20	1 - G20		B3.13	--	1 - P12	1 - O12		F6.03/A	--	2 - L10	2 - I10						
A2.22	--	1 - H19	1 - G19		B3.16/1	--	1 - P11	1 - O11		F6.04	--	2 - L11, L12	2 - I11, I12						
A2.23	--	1 - H17	1 - G17		B4.06	--	1 - P10	1 - O10		F6.06/1	--	2 - L13, L14	2 - I13, I14						
A2.24	--	1 - H16, H15, H14	1 - G16, G15		B4.08	--	1 - P9	1 - O9		F6.28	--	2 - L16	2 - I16						
		1 - H13			B4.11	--	1 - P8	1 - O8		F6.29/1	--	2 - L17	2 - I17						
A2.25	--	1 - H12	1 - G12		B4.12	--	1 - P7	1 - O7		F6.29/2	--	2 - L16	2 - I16						
A2.25/1	--	1 - H11	1 - G11		C1.01	--	1 - P5, P4	1 - O5, O4		F6.29/3	--	2 - L19	2 - I19						
A2.26	--	1 - H10	1 - G10		C1.02	--	1 - P3	1 - O3		F6.29/4	--	2 - L20	2 - I20						
A2.27	--	1 - H8, H7	1 - G8, G7		C1.08	--	1 - P2	1 - O2		F6.29/5	--	2 - M20	2 - M20						
A2.27/1	--	1 - H6, H5	1 - G6, G5		C1.35	--	1 - T2	1 - S2		L1.01	--	2 - N19, N18, N17	2 - M19, M18						
A2.27/1A	--	1 - H4, H3	1 - G4, G3		D1.01	--	1 - T3, T4	1 - S3			--	2 - N16, N15							
A2.28	--	1 - H2, L2	1 - G2, I2		D1.02	--	1 - T5	1 - S5		L1.30	--	2 - N16	2 - M16						
A2.28/1	--	1 - L3, L4	1 - I3, I4, I5		D2.20	--	1 - T6	1 - S6		L2.05	--	2 - N13	2 - M13						
A2.28/1A	--	1 - L6, L7	1 - I6, I7, I8		D2.22	--	1 - T7	1 - S7		L3.10	--	2 - N12	2 - M12						
A2.35	--	1 - L10	1 - I10		D2.73	--	1 - T8, T9, T10	1 - S8, S9		L3.11	--	2 - N11	2 - M11						
A2.35/1	--	1 - L11	1 - I11			--	1 - T11			L3.12	--	2 - N10	2 - M10						
A2.37	--	1 - L12	1 - I12		D2.24	--	1 - T12	1 - S12		L3.12/1	--	2 - N9	2 - M9						
A2.54	--	1 - L13	1 - I13		D2.27	--	1 - T13	1 - S13		M1.01	--	2 - N7	2 - M7						
A2.56	--	1 - L14	1 - I14		D2.29	--	1 - T15, T16	1 - S15, S16		M1.01/A	--	2 - N8, N5	2 - M6						
A3.01	--	1 - L15, L16, L17	1 - I15, L16		D3.01	--	1 - T17	1 - S17		Z1.01	--	2 - N4	2 - M4						
A3.02	--	1 - L19	1 - I19		D3.30	--	1 - T18	1 - S18		Z1.04	--	2 - N3	2 - M3						
A3.03	--	1 - L20	1 - I20		D3.33	--	1 - T20	1 - S20		Z1.04/1	--	2 - N2	2 - M2						
A4.01	--	1 - N20, N19	1 - M20, M19		D3.34	--	2 - F2, F3, F4	2 - E2, E3											
A4.02	--	1 - N18, N17, N16	1 - M18		D3.37	--	2 - F5, F6	2 - E5											
A4.03	--	1 - N15	1 - M15		D3.38	--	2 - F7	2 - E7											
A4.09	--	1 - N14	1 - M14		D3.40	--	2 - F8	2 - E8											
B1.05	--	1 - N13	1 - M13		D3.40/A	--	2 - F9	2 - E9											
B1.06	--	1 - N12	1 - M12		E3.02	--	2 - F11, F12, F13	2 - E11, E12, E13											
B1.09	--	1 - N10, N9	1 - M10, M9			--	2 - F14, F15	2 - E14											
B1.10	--	1 - N8, N7, N6	1 - M8, M7, M6		E3.10	--	2 - F16	2 - E17											
B1.11	--	1 - N5	1 - M5		E3.14	--	2 - F17, F18	2 - E17											
B1.12	--	1 - N14	1 - M14		E3.14/1	--	2 - F19	2 - E19											
B1.15	--	1 - N3	1 - M3		E3.14/2	--	2 - F20, H20	2 - E20											
B2.01	--	1 - N2, P2	1 - M2, O2		E3.14/3	--	2 - H19	2 - G19											
B2.01	--	1 - P3, P4	1 - O3, O4		E3.25	--	2 - H18	2 - G18											
B2.04/1	--	1 - P5, P6, P7	1 - O5, O6, O7		E3.25/1	--	2 - H17, H16	2 - G17											
B2.05	--	1 - P8	1 - O8		E3.26	--	2 - H15	2 - G15											

M o d i f i c a		Sgr. Interessati o Norme di Ricambio
C 122 → aut. n. 105492	D 122 aut. n. 105493 →	D2.23 - D2.29 D2.23: 594494 = 79003227 4851754 = 79003182 D2.29: 592628 = 79002904
C 1918 → mot. n. 002000	D 1918 mot. n. 002001 →	A2.24: 8826507 = 8820912 8820555 = 8820911 8820605 = 8820910 8820184 = 8820908 8820805 = 8820908 8820981 = 8820907
C 151 → aut. n. 105347 (02) → aut. n. 105997 (01)	D 151 aut. n. 105348 → (02) aut. n. 105998 → (01)	E3.02 - E3.31 (NTR 11)
C 315 → aut. n. 105347 (02) → aut. n. 105797 (01)	D 315 aut. n. 105348 → (02) aut. n. 105798 → (01)	B2.30 - B2.33/1 (NTR 16) B2.30: 4992747 = 4994686 B2.33/1: 4992749 = 4994685 + 4992097 + + 4992101
C 318 → aut. n. 105726 (02)	D 318 aut. n. 105757 → (02)	A4.01 - L1.01 (NTR 20) L1.01: 79004507 = 79005561 + 79005492 + + 79005493 + 79000580 + n. 2 15541321 + n. 4 15540621 + + A4.01 (79005794 + n. 2 15541421)
C 322 → aut. n. 105735 (02) → aut. n. 105729 (01)	D 322 aut. n. 105736 → (02) aut. n. 105730 → (01)	D2.23 - D2.29 (NTR 20) D2.23: 79003182 = 79003680

M o d i f i c a		Sgr. interessati e Norme di ricambio
C 338 → aut. n. 105979	D 336 aut. n. 105980 →	A2.22 (NTR 24) 4977484 79008100 + n. 4 79005242 + n. 4 15540321
C 345 → aut. n. 106064	D 345 aut. n. 106065 →	B2.10 (NTR 24) 79002701, 79002703 79004603 + + 4977280 + 16101511
C 352 → mot. n. 002381	D 352 mot. n. 002382 →	A1.06 - A1.07 (NTR 26) A1.07: 8617912 - 8830782
C 355 → aut. n. 106095	D 355 aut. n. 106096 →	B3.01 - B3.16 - B3.16/1 (NTR 26) B3.01: 4670688 - 4699486
C 353 → aut. n. 106061	D 353 aut. n. 106062 →	B1.10 - D2.23 (NTR 28) 7900264 79010926 + 79010927 + 11067475 + 79009557
C 364 → aut. n. 106450	D 364 aut. n. 106451 →	B1.10 - D2.23 (NTR 28) 79010057, 4993985, 79010059 79010058 - D 364
C 365 → aut. n. 106508	D 365 aut. n. 106509 →	B2.10 (NTR 28) 4964217 79008089 + 586707 79002628 79008079 + 586707

SUBGROUP RESEARCH INDEX ON THE FICHES - INDICE DI RICERCA DEI SOTTOGRUPPI SULLE FICHES - INDEX DE RECHERCHE DES SOUSGROUPES SUR LES FICHES
 SUCHINDEX DER UNTERGRUPPEN AUF KARTE - INDICE DE LOCALIZACION DE LOS SUBGRUPOS EN LA FICHAS.

SGR	TAV	TAV	GRID	PAG	SGR	TAV	TAV	GRID	PAG	SGR	TAV	TAV	GRID	PAG	SGR	TAV	TAV	GRID	PAG
A0.00	1 - F2		1 - E2		B2.06	1 - F9		1 - O9		E3.27	2 - H14		2 - G14						
A0.02	1 - F3		1 - E3		B2.07	1 - F11		1 - O11		E3.28	2 - H12, H11		2 - G12, G11						
A1.01	1 - F6, F5		1 - E4		B2.10	1 - P12, P13		1 - O12, O12		E3.29	2 - H10		2 - G10						
A1.02	1 - F6, F7		1 - E8		B2.17	1 - P14		1 - O14		E3.31	2 - H9, H8		2 - G9, G8						
A1.03	1 - F8, F8		1 - E9		B2.18	1 - P15		1 - O15		E3.31/1	2 - H7		2 - G7						
A1.04	1 - F10		1 - E10		B2.21	1 - P16		1 - O16		E3.32	2 - H6		2 - G6						
A1.05	1 - F12		1 - E12		B2.25	1 - P17, P18, P19		1 - O17, O18		E3.32/1	2 - H5		2 - G5						
A1.06	1 - F13		1 - E13		B2.33	1 - P20, P20		1 - O20, O20		E3.32/1A	2 - H4		2 - G4						
A1.07	1 - F14, F15		1 - E14, E15		B2.33/1	1 - R18, R18		1 - O18, O18		F2.01	2 - H3, H2		2 - G3						
A1.08	1 - F15, F17		1 - E16		B2.34	1 - R16		1 - O16		F3.01	2 - L2, L3		2 - J2, J3						
A1.16	1 - F18		1 - E18		B2.35	1 - R15		1 - O15		F4.01	2 - L5, L5, L7		2 - J5, J6, J7						
A1.19	1 - F19		1 - E19		B2.36	1 - R14		1 - O14		F5.01	2 - L8		2 - J8						
A2.01	1 - F20		1 - E20		B3.01	1 - R13		1 - O13		F6.03	2 - L9		2 - J9						
A2.21	1 - H20		1 - G20		B3.16	1 - R12		1 - O12		F6.03/A	2 - L10		2 - J10						
A2.22	1 - H19		1 - G19		B3.16/1	1 - H11		1 - O11		F6.06	2 - L11, L12		2 - J11, J12						
A2.23	1 - H17		1 - G17		B4.06	1 - R10		1 - O10		F6.06/1	2 - L13, L14		2 - J13, J14						
A2.24	1 - H16, H15, H14		1 - G16, G15		B4.05	1 - R9		1 - O9		F6.29	2 - L16		2 - J16						
A2.25	1 - H12		1 - G12		B4.11	1 - R8		1 - O8		F6.29/1	2 - L17		2 - J17						
A2.25/1	1 - H11		1 - G11		B4.12	1 - R7		1 - O7		F6.29/2	2 - L18		2 - J18						
A2.26	1 - H10		1 - G10		C1.01	1 - R5, R4		1 - O5, O4		F6.29/3	2 - L19		2 - J19						
A2.27	1 - H8, H7		1 - G8, G7		C1.02	1 - R3		1 - O3		F6.29/4	2 - L20		2 - J20						
A2.27/1	1 - H6, H5		1 - G6, G5		C1.35	1 - R2		1 - O2		F6.29/5	2 - N20		2 - M20						
A2.27/1A	1 - H4, H3		1 - G4, G3		D1.01	1 - T3, T4		1 - S3		L1.01	2 - N19, N18, N17		2 - M19, M18						
A2.28	1 - H2, L2		1 - G2, J2		D1.02	1 - T5		1 - S5		L1.30	2 - N14		2 - M14						
A2.29/1	1 - L3, L4		1 - J3, J4, J5		D2.20	1 - T8		1 - S8		L3.05	2 - N13		2 - M13						
A2.29/1A	1 - L6, L7		1 - J6, J7, J8		D2.32	1 - T7		1 - S7		L3.10	2 - N12		2 - M12						
A2.35	1 - L10		1 - J10		D2.23	1 - T8, T9, T10		1 - S8, S9		L3.11	2 - N11		2 - M11						
A2.35/1	1 - L11		1 - J11			1 - T11		1 - S11		L3.12	2 - N10		2 - M10						
A2.37	1 - L12		1 - J12		D2.24	1 - T12		1 - S12		L3.12/1	2 - N9		2 - M9						
A2.54	1 - L13		1 - J13		D2.27	1 - T13		1 - S13		M1.01	2 - N7		2 - M7						
A2.56	1 - L14		1 - J14		D2.29	1 - T15, T16		1 - S15, S16		M1.01/A	2 - N6, N5		2 - M6						
A3.01	1 - L15, L16, L17		1 - J15, L18		D3.01	1 - T17		1 - S17		Z1.01	2 - N4		2 - M4						
A3.02	1 - L19		1 - J19		D3.30	1 - T18		1 - S18		Z1.04	2 - N3		2 - M3						
A3.03	1 - L20		1 - J20		D3.33	1 - T20		1 - S20		Z1.04/1	2 - N2		2 - M2						
A4.01	1 - N20, N19		1 - M20, M19		D3.34	2 - F2, F3, F4		2 - E2, E3											
A4.02	1 - N18, N17, N16		1 - M18		D3.37	2 - F5, F6		2 - E5											
A4.03	1 - N15		1 - M15		D3.39	2 - F7		2 - E7											
A4.05	1 - N14		1 - M14		D3.40	2 - F8		2 - E8											
E1.05	1 - N13		1 - M13		D3.40/A	2 - F9		2 - E9											
E1.06	1 - N12		1 - M12		E3.02	2 - F11, F12, F13		2 - E11, E12, E13											
E1.08	1 - N10, N9		1 - M10, M9			2 - F14, F15		2 - E14											
E1.10	1 - N8, N7, N6		1 - M8, M7, M6		E3.10	2 - F16		2 - E17											
E1.11	1 - N5		1 - M5		E3.14	2 - F17, F18		2 - E17											
E1.12	1 - N14		1 - M14		E3.14/1	2 - F19		2 - E18											
E1.15	1 - N3		1 - M3		E3.14/2	2 - F20, H20		2 - E20											
P2.01	1 - N2, P2		1 - M2, O2		E3.14/3	2 - H19		2 - G19											
P2.04	1 - P3, P4		1 - O3, O4		F3.25	2 - H10		2 - G18											
P2.04/1	1 - P5, P6, P7		1 - O5, O6, O7		E3.25/1	2 - H17, H16		2 - G17											
P2.55	1 - P8		1 - O8		E3.28	2 - H15		2 - G15											

M o d i f i c a		Sgr. Interessati e Norme di Ricambio
C 334 - aut. n. 105867	D 334 aut. n. 105868 -	D3.34: 4991080 =79004577 4991053 =79004570 (INTR. 23)
C 334 - aut. n. 106237	D 334 aut. n. 106238 -	D3.37: 4991048 =79004564 (N.T.R. 23) 4991051 =79004568 4991079 =79004565 4991080 =79004569 4991053, 4991051 =79004570
C 369 - aut. n. 002874 (01) aut. n. 000149 (02)	D 369 aut. n. 002875 - (01) aut. n. 000150 - (02)	F3.01 - F6.03 - F6.03/A (N.T.R. 30) 4222787 =4474902
C 370 - aut. n. 105520	D 370 aut. n. 105521 -	E3.02: (N.T.R. 30) 26788350 =26797990 + 24976420
C 371 - aut. n. 104477	D 371 aut. n. 104478 -	E3.14/2: (N.T.R. 30) 8284119 =8288232 + n. 8 8290418
C 379 R	D 379 R	A2.22 - A2.23 (N.T.R. 30) A2.22: 595595 =8322120 A2.23: 595601, 595602 =8322121, 8322129 595603, 595604 =8322172, 8322128

M o d i f i c a		Sgr. Interessati a Norme di Ricambio
C 313 → aut. n. 105899 (01) → aut. n. 105646 (02)	D 313 aut.n. 105899 → (01) aut. n.105647 → (02)	M1.01/A (N.T.R.38) 79002058 = 79004016 4987511 = 79004037
C 368 → aut. n. 106494	D 368 aut. n. 106495 →	C1.01 - C1.35 (N.T.R.38) C1.01 : 4900015 = 79009427 C1.35 : 4964030 = 79009268 + 4973856
C 407 → mot. n. 003714 (01) → mot. n. 000250 (02)	D 407 mot. n. 003715 → (01) mot. n. 000251 → (02)	A4.09 (N.T.R.38) 4690016 = 4716468
C 408 → mot. n. 003322 (01)	D 408 mot. n. 003323 → (01)	A2.24 (N.T.R.38) 756618 = 771326
C 403 →	D 403 →	E3.02 - E3.25 - E3.25/1 (N.T.R.38)
C 415 → aut. n. 107016	D 415 aut. n. 107017 →	E3.02 - E3.27 - E3.32/1 - E3.32/1A (N.T.R. 44) E3.02 : 8282604 = 8293346 E3.27 : 8286065 = 8295597 + 8295610 + 8295611 8283440 , 8281759 , 8282602 = 8295599 + + 8295611 + 8295610
C 438 R	D 438 R	C1.01 (N.T.R. 44) 79004392 , 79004393 = 79011419

SUBGROUP RESEARCH INDEX ON THE FICHES - INDICE DI RICERCA DEI SOTTOGRUPPI SULLE FICHES - INDEX DE RECHERCHE DES SOUSGROUPES SUR LES FICHES
 SUCHINDEX DER UNTERGRUPPEN AUF KARTE - INDICE DE LOCALIZACION DE LOS SUBGRUPOS EN LA FICHAS.

SGR	TAV	TAV	GRID	PAG	SGR	TAV	TAV	GRID	PAG	SGR	TAV	TAV	GRID	PAG	SGR	TAV	TAV	GRID	PAG
A0.00	—	1 - F2	1 - E2	B2.06	—	1 - P9	1 - O9	E3.27	—	2 - H14	2 - G14								
A0.02	—	1 - F3	1 - E3	B2.07	—	1 - P11	1 - O11	E3.28	—	2 - H12, H11	2 - G12, G11								
A1.01	—	1 - F4, F5	1 - E4	B2.10	—	1 - P12, P13	1 - O12, O13	E3.29	—	2 - H10	2 - G10								
A1.02	—	1 - F6, F7	1 - E6	B2.17	—	1 - P14	1 - O14	E3.31	—	2 - H9, H8	2 - G9, G8								
A1.03	—	1 - F8, F9	1 - E8	B2.10	—	1 - P15	1 - O15	E3.31/1	—	2 - H7	2 - G7								
A1.04	—	1 - F10	1 - E10	B2.21	—	1 - P16	1 - O16	E3.32	—	2 - H6	2 - G6								
A1.05	—	1 - F12	1 - E12	B2.30	—	1 - P17, P18, P19	1 - O17, O18	E3.32/1	—	2 - H5	2 - G5								
A1.06	—	1 - F13	1 - E13	B2.33	—	1 - P20, P20	1 - O20, O20	E3.32/1A	—	2 - H4	2 - G4								
A1.07	—	1 - F14, F15	1 - E14, E15	B2.33/1	—	1 - R19, R18	1 - Q19, Q18	F2.01	—	2 - H3, H2	2 - G3								
A1.08	—	1 - F16, F17	1 - E16	B2.34	—	1 - R16	1 - Q16	F3.01	—	2 - L2, L3	2 - I2, I3								
A1.16	—	1 - F18	1 - E18	B2.35	—	1 - R15	1 - Q15	F4.01	—	2 - L5, L6, L7	2 - I5, I6, I7								
A1.19	—	1 - F19	1 - E19	B2.38	—	1 - R14	1 - Q14	F5.01	—	2 - L8	2 - I8								
A2.01	—	1 - F20	1 - E20	B3.01	—	1 - R13	1 - Q13	F6.03	—	2 - L9	2 - I9								
A2.21	—	1 - H20	1 - G20	B3.16	—	1 - R12	1 - Q12	F6.03/A	—	2 - L10	2 - I10								
A2.22	—	1 - H19	1 - G19	B3.16/1	—	1 - R11	1 - Q11	F6.06	—	2 - L11, L12	2 - I11, I12								
A2.23	—	1 - H17	1 - G17	B4.06	—	1 - R10	1 - Q10	F6.08/1	—	2 - L13, L14	2 - I13, I14								
A2.24	—	1 - H16, H15, H14	1 - G16, G15	B4.00	—	1 - R9	1 - Q9	F6.29	—	2 - L16	2 - I16								
		1 - H13		B4.11	—	1 - R8	1 - Q8	F6.29/1	—	2 - L17	2 - I17								
A2.25	—	1 - H12	1 - G12	B4.12	—	1 - R7	1 - Q7	F6.29/2	—	2 - L18	2 - I18								
A2.25/1	—	1 - H11	1 - G11	C1.01	—	1 - R5, R4	1 - Q5, Q4	F6.29/3	—	2 - L19	2 - I19								
A2.26	—	1 - H10	1 - G10	C1.02	—	1 - R3	1 - Q3	F6.29/4	—	2 - L20	2 - I20								
A2.27	—	1 - H8, H7	1 - G8, G7	C1.08	—	1 - R2	1 - Q2	F6.29/5	—	2 - N20	2 - M20								
A2.27/1	—	1 - H6, H5	1 - G6, G5	C1.35	—	1 - T2	1 - S2	L1.01	—	2 - N19, N18, N17	2 - M19, M18								
A2.27/1A	—	1 - H4, H3	1 - G4, G3	D1.01	—	1 - T3, T4	1 - S3		—	2 - N16, N15									
A2.28	—	1 - H2, L2	1 - G2, I2	D1.02	—	1 - T5	1 - S5	L1.30	—	2 - N14	2 - M14								
A2.28/1	—	1 - L3, L4	1 - I3, I4, I5	D2.30	—	1 - T6	1 - S6	L3.05	—	2 - N13	2 - M13								
A2.28/1A	—	1 - L6, L7	1 - I6, I7, I8	D2.22	—	1 - T7	1 - S7	L3.10	—	2 - N12	2 - M12								
A2.35	—	1 - L10	1 - I10	D2.23	—	1 - T8, T8, T10	1 - S8, S9	L3.11	—	2 - N11	2 - M11								
A2.35/1	—	1 - L11	1 - I11		—	1 - T11		L3.12	—	2 - N10	2 - M10								
A2.37	—	1 - L12	1 - I12	D2.24	—	1 - T12	1 - S12	L3.12/1	—	2 - N9	2 - M9								
A2.54	—	1 - L13	1 - I13	D2.27	—	1 - T13	1 - S13	M1.01	—	2 - N7	2 - M7								
A2.56	—	1 - L14	1 - I14	D2.29	—	1 - T15, T16	1 - S15, S16	M1.01/A	—	2 - N6, N5	2 - M6								
A3.01	—	1 - L15, L16, L17	1 - I15, I16	D3.01	—	1 - T17	1 - S17	Z1.01	—	2 - N4	2 - M4								
A3.02	—	1 - L19	1 - I19	D3.30	—	1 - T18	1 - S18	Z1.04	—	2 - N3	2 - M3								
A3.03	—	1 - L20	1 - I20	D3.33	—	1 - T20	1 - S20	Z1.04/1	—	2 - N2	2 - M2								
A4.01	—	1 - N20, N19	1 - M20, M19	D3.34	—	2 - F2, F3, F4	2 - E2, E3												
A4.02	—	1 - N18, N17, N16	1 - M18	D3.37	—	2 - F5, F6	2 - E5												
A4.03	—	1 - N15	1 - M15	D3.38	—	2 - F7	2 - E7												
A4.09	—	1 - N14	1 - M14	D3.40	—	2 - F8	2 - E8												
B1.05	—	1 - N13	1 - M13	D3.40A	—	2 - F9	2 - E9												
B1.06	—	1 - N12	1 - M12	E3.02	—	2 - F17, F12, F13	2 - E11, E12, E13												
B1.09	—	1 - N10, N9	1 - M10, M9		—	2 - F14, F15	2 - E14												
B1.10	—	1 - N8, N7, N6	1 - M8, M7, M6	E3.10	—	2 - F16	2 - E17												
B1.11	—	1 - N5	1 - M5	E3.14	—	2 - F17, F18	2 - E17												
B1.12	—	1 - N14	1 - M14	E3.14/1	—	2 - F19	2 - E19												
B1.15	—	1 - N3	1 - M3	E3.14/2	—	2 - F20, H20	2 - E20												
B2.01	—	1 - N2, P2	1 - M2, O2	E3.14/3	—	2 - N19	2 - G19												
B2.04	—	1 - P3, P4	1 - O3, O4	E3.25	—	2 - H18	2 - G18												
B2.03/1	—	1 - P5, P6, P7	1 - O5, O6, O7	E3.25/1	—	2 - H17, H16	2 - G17												
B2.05	—	1 - P8	1 - O8	E3.26	—	2 - H15	2 - G15												

Modifica

Spt. Intere^{te} ali e Norme di Ricambio

C 476 R

D 476 R

E3.02 - E3.32 - E3.32/1A - E3.27 (NTR 44)

E3.02 : ~~8296617~~ = 8296685 +4 11113031~~8296746~~ = 8296702 +4 11113031E3.32 : ~~8296627~~ = 8296687 +2 11113031~~8296550~~ = 8296689 +2 11113031 +4 8298008E3.32/1A : ~~8293353~~ = 8296709 +2 11112431~~8293350~~ = 8296704 +2 11113031~~8293354~~ = 8296706 +2 11113031,

2 11113731

E3.27 : ~~8295597~~ = 8296464 +2 11113331~~8295610~~ = 8297038 +1 11113431~~8293364~~ = 8296466 +2 11113331 +

+2 11112431 +2 11112231

C 413 → aut. n. 107186

D 413 aut. n. 107187 →

A2.01

(NTR 49)

~~573277~~ = 79007135 + 10257060

C 477 → mot. n. 003814 (01)

→ mot. n. 000292 (02)

D 477 mot. n. 003815 → (01)

mot. n. 000292 → (02)

A1.01

(NTR 49)

C 483 → mot. n. 003420

D 483 mot. n. 003421 →

A1.05

(NTR 49)

~~4706419~~ = 8818111

C 486 → mot. n. 003814

D 486 mot. n. 003815 →

A2.54

(NTR 49)

~~8925534~~ = 4721350 + 4723150 +

+ 4721316 +2 4704811 +2 15972030

M o d i f i c a		Sgr. Interessati e Norme di Ricambio
C 488 → mot. n. 003814	D 488 mot. n. 003815 →	A1.07 (NTR 49) 8823930 = 4704107, 4704108
C 489 R	D 489 R	A1.05 (NTR 49)
C 498 → aut. n. 106621	D 498 aut. n. 106622 →	L3.05 (NTR 49) 4958322 = 79007290 4958319, 598907, 4958850 = 79007292, 79007010, 79007068
C 568 R	D 568 R	B1.05 (NTR 65) 9915509, 9915517, 9915511 = 9927499 9915507 = 79006852
C 656 R	D 656 R	A0.00 - A1.01 - A2.24 - A2.27/1 (NTR 65) A2.27/1A - A2.28/1 - A2.28/1A - A3.01
C 725 R	D 725 R	E3.31 (NTR 83) 8292626 = 8295502

SUBGROUP RESEARCH INDEX ON THE FICHES - INDICE DI RICERCA DEI SOTTOGRUPPI SULLE FICHES - INDEX DE RECHERCHE DES SOUSGROUPES SUR LES FICHES
 SUCHINDEX DER UNTERGRUPPEN AUF KARTE - INDICE DE LOCALIZACION DE LOS SUBGRUPOS EN LA FICHAS.

SGR	TAV	TAV	GRID	PAG	SGR	TAV	TAV	GRID	PAG	SGR	TAV	TAV	GRID	PAG	SGR	TAV	TAV	GRID	PAG
A0.00	—	1 - F2	1 - E2		B2.06	—	1 - P9	1 - O9		E3.27	—	2 - H14	2 - G14						
A0.02	—	1 - F3	1 - E3		B2.07	—	1 - P11	1 - O11		E3.28	—	2 - H12, P11	2 - G12, P11						
A1.01	—	1 - F4, F5	1 - E4		B2.10	—	1 - P12, P13	1 - O12, O13		E3.29	—	2 - H10	2 - G10						
A1.02	—	1 - F6, F7	1 - E5		B2.17	—	1 - P14	1 - O14		E3.31	—	2 - H9, H8	2 - G9, G8						
A1.03	—	1 - F8, F9	1 - E8		B2.18	—	1 - P15	1 - O15		E3.31/1	—	2 - H7	2 - G7						
A1.04	—	1 - F10	1 - E10		B2.21	—	1 - P16	1 - O16		E3.32	—	2 - H6	2 - G6						
A1.05	—	1 - F12	1 - E12		B2.30	—	1 - P17, P18, P19	1 - O17, O18		E3.32/1	—	2 - H5	2 - G5						
A1.06	—	1 - F13	1 - E13		B2.33	—	1 - P20, P20	1 - O20, O20		E3.32/1A	—	2 - H4	2 - G4						
A1.07	—	1 - F14, F15	1 - E14, E15		B2.32/1	—	1 - P19, P18	1 - O19, O18		F2.01	—	2 - H3, H2	2 - G3						
A1.08	—	1 - F16, F17	1 - E16		B2.34	—	1 - P16	1 - O16		F3.01	—	2 - L3	2 - G12, G13						
A1.16	—	1 - F18	1 - E18		B2.35	—	1 - P15	1 - O15		F4.01	—	2 - L5, L6, L7	2 - G15, G16, G17						
A1.19	—	1 - F19	1 - E19		B2.38	—	1 - P14	1 - O14		F5.01	—	2 - L8	2 - G18						
A2.01	—	1 - F20	1 - E20		B3.01	—	1 - P13	1 - O13		F6.03	—	2 - L9	2 - G19						
A2.21	—	1 - H20	1 - G20		B3.16	—	1 - P12	1 - O12		F6.03/A	—	2 - L10	2 - G110						
A2.22	—	1 - H19	1 - G19		B3.16/1	—	1 - P11	1 - O11		F6.06	—	2 - L11, L12	2 - G11, G12						
A2.23	—	1 - H17	1 - G17		B4.06	—	1 - P10	1 - O10		F6.06/1	—	2 - L13, L14	2 - G13, G14						
A2.24	—	1 - H16, H15, H14	1 - G16, G15		B4.08	—	1 - P9	1 - O9		F6.29	—	2 - L16	2 - G116						
A2.25	—	1 - H12	1 - G12		B4.11	—	1 - P8	1 - O8		F6.29/1	—	2 - L17	2 - G117						
A2.25/1	—	1 - H11	1 - G11		B4.12	—	1 - P7	1 - O7		F6.29/2	—	2 - L18	2 - G18						
A2.26	—	1 - H10	1 - G10		C1.01	—	1 - P5, P4	1 - O5, O4		F6.29/3	—	2 - L19	2 - G119						
A2.27	—	1 - H8, H7	1 - G8, G7		C1.02	—	1 - P3	1 - O3		F6.29/4	—	2 - L20	2 - G120						
A2.27/1	—	1 - H6, H5	1 - G6, G5		C1.06	—	1 - P2	1 - O2		F6.29/5	—	2 - N20	2 - G120						
A2.27/1A	—	1 - H4, H3	1 - G4, G3		C1.35	—	1 - T2	1 - S2		L1.01	—	2 - N19, N18, N17	2 - M19, M18						
A2.28	—	1 - H2, L2	1 - G2, G2		D1.01	—	1 - T3, T4	1 - S3			—	2 - N16, N15							
A2.28/1	—	1 - L3, L4	1 - G3, G4		D1.02	—	1 - T5	1 - S5		L1.30	—	2 - N14	2 - M14						
A2.28/1A	—	1 - L6, L7	1 - G6, G7		D2.20	—	1 - T6	1 - S6		L3.05	—	2 - N13	2 - M13						
A2.35	—	1 - L10	1 - G10		D2.22	—	1 - T7	1 - S7		L3.10	—	2 - N12	2 - M12						
A2.35/1	—	1 - L11	1 - G11		D2.23	—	1 - T6, T9, T10	1 - S6, S9		L3.15	—	2 - N11	2 - M11						
A2.37	—	1 - L12	1 - G12		D2.24	—	1 - T11	1 - S11		L5.12	—	2 - N10	2 - M10						
A2.54	—	1 - L13	1 - G13		D2.27	—	1 - T12	1 - S12		L3.12/1	—	2 - N9	2 - M9						
A2.56	—	1 - L14	1 - G14		D2.29	—	1 - T15, T16	1 - S15, S16		M1.31	—	2 - N7	2 - M7						
A3.01	—	1 - L15, L16, L17	1 - G15, G16		D3.01	—	1 - T17	1 - S17		M1.31/A	—	2 - N6, N5	2 - M6						
A3.02	—	1 - L19	1 - G19		D3.30	—	1 - T18	1 - S18		Z1.01	—	2 - N4	2 - M4						
A3.03	—	1 - L20	1 - G20		D3.33	—	1 - T20	1 - S20		Z1.04	—	2 - N3	2 - M3						
A4.01	—	1 - M20, M19	1 - G20, M19		D3.34	—	2 - F2, F3, F4	2 - E2, E3		Z1.04/2	—	2 - N2	2 - M2						
A4.02	—	1 - M12, M17, M16	1 - M18		D3.37	—	2 - F5, F6	2 - E5											
A4.03	—	1 - M15	1 - M15		D3.38	—	2 - F7	2 - E7											
A4.09	—	1 - M14	1 - M14		D3.40	—	2 - F8	2 - E8											
B1.05	—	1 - M13	1 - M13		D3.40/A	—	2 - F9	2 - E9											
B1.09	—	1 - M12	1 - M12		E3.02	—	2 - F11, F12, F13	2 - E11, E12, E13											
B1.09	—	1 - M10, M9	1 - M10, M9			—	2 - F14, F15	2 - E14											
B1.10	—	1 - M8, M7, M6	1 - M8, M7, M6		E3.10	—	2 - F16	2 - E17											
B1.11	—	1 - M5	1 - M5		E3.14	—	2 - F17, F18	2 - E17											
B1.12	—	1 - M14	1 - M14		E3.14/1	—	2 - F19	2 - E19											
B1.13	—	1 - M3	1 - M3		E3.14/2	—	2 - F20, H20	2 - E20											
B2.01	—	1 - M2, P2	1 - M2, O2		E3.14/3	—	2 - H19	2 - G19											
B2.04	—	1 - P3, P4	1 - O3, O4		E3.25	—	2 - H16	2 - G18											
B2.04.1	—	1 - P5, P6, P7	1 - O5, O6, O7		E3.25/1	—	2 - H17, H16	2 - G17											
B2.05	—	1 - P8	1 - O8		E3.26	—	2 - H15	2 - O15											

M o d i f i c a		Sgr. Interessati e Norme di Ricambio
C 759 R	D 759 R	F3.01 (NTR 83) 4217120, 4217121 = 4751060
C 779 R	D 779 R	A1.07 (NTR 83)
C 791 R	D 791 R	D3.40 - D3.40/A (NTR 83)
C 861 R	D 861 R	A1.07 (NTR 93) 4704107, 4704108 = 4752172, 4752173 + 12646801 + 4752190 8814921 = 4752190

T

TABLES • TABELLE • TABLEAUX • TABELLEN • TABLAS

TUBI ISOLANTI PROTEZIONE CAVI ELETTRICI

Tubes isolants de câbles électriques
Schutzhüllen für elektrische Leitungen

Electrical Cable Insulation Tubes
Fundas aislantes de cables eléctricos

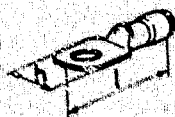
Caratteristiche										n. ordinaz.	Diametro mm				
Caractéristiques		Beschaffenheit		Characteristics		Características					Diamètre Durchmesser		Diameter Diámetro		
Colore	Couleur	Farbe	Color	Colores	Materiale	Matériau	Werkstoff	Material	Material			Interno Intérieur Innen	Interno Intérieur Interior	esterno extérieur ausßen	esterno extérieur exterior
Arancione	Orange	Orangerfarben	Orange	Naranja	Plastico Vinilico flessibile	Plastique Vinyle flexible	VC-Kunst- stoff Niersam	Flexibile Vinyl resin	Plástico vinilico flexible	5 69305	6,2			6,6	
Verde	Vert	Grün	Green	Verde	Idem			Idem	Idem	1 91106 80	6			7	
Nero	Noir	Schwarz	Black	Negro	Idem			Idem	Idem	1 91203 80	3,5			4,5	
Idem	Idem	Idem	Idem	Idem	Idem			Idem	Idem	1 91205 80	6,2			7,2	
Idem	Idem	Idem	Idem	Idem	Idem	Idem	Idem	Idem	Idem	1 91208 80	8			9,2	
Idem	Idem	Idem	Idem	Idem	Idem	Idem	Idem	Idem	Idem	1 91212 80	12			13,5	
Idem	Idem	Idem	Idem	Idem	Idem	Idem	Idem	Idem	Idem	1 91215 80	15			16,6	
Idem	Idem	Idem	Idem	Idem	Idem	Idem	Idem	Idem	Idem	1 91304 80	4,5			6,0	
Idem	Idem	Idem	Idem	Idem	Idem	Idem	Idem	Idem	Idem	1 91306 80	6,2			6,6	
Idem	Idem	Idem	Idem	Idem	Idem	Idem	Idem	Idem	Idem	1 91308 80	8			11	
Idem	Idem	Idem	Idem	Idem	Idem	Idem	Idem	Idem	Idem	1 91310 80	10			11,2	
Idem	Idem	Idem	Idem	Idem	Idem	Idem	Idem	Idem	Idem	1 91312 80	12			16	
—	—	—	—	—	Metallico flessibile	Métallique flexible	Metalli- schlauch	Flexibile metal	Metálico flexible	1 91000 01	6			8	
—	—	—	—	—	Idem	Idem	Idem	Idem	Idem	1 91009 01	9			11	
—	—	—	—	—	Idem	Idem	Idem	Idem	Idem	1 91010 01	10			12,5	

n. ordinaz.



12055340

n. ordinaz.



l	h
16	44
19	48

10439664
10439764

n. ordinaz.



D	d
14	4,5
14	6,5

10405166
10405280

n. ordinaz.



h
46
34,5

12056285
12056985

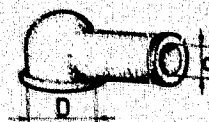
12058440



12060874



10439964



D	d
10	7
15	7
15	10
20	12,5

10405380
10405485
10405580
10405680




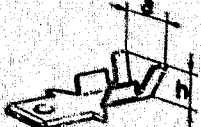


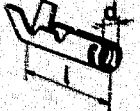
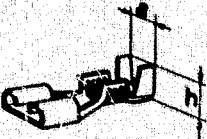


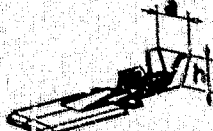
12056885



CAPICORDA E CAPPUCCI ISOLANTI PER CAVI ELETTRICI

Coses et capuchons isolants pour câbles électriques
Kabelschuhe und Schutzklappen

Electrical cable terminals and boots
Terminales y capuchones aislantes de cables eléctricos

n. ordina.		n. ordina.		n. ordina.		n. ordina.
						
10401590		10411140		l h 14 5,5 15 7,5	10401744 10401944	a h 6 5,1 7,1 7,1
						
12056040				d l 3,85 17,2 4,35 20,4	10502074 10502274	a h 5,7 5,1 6,1 7
		d f				
d l		6,2 3,8	10404640			a h
3,2 22	10410640	6,2 5,2	10404740			5,7 5,1
4,3 24	10410740	5,2 3,8	10404840			6,9 6,9
6,4 29	10410940	6,2 4,5	10404940			
5,3 27	10411040	8,2 5,2	10405740			
8,4 33	10412840	8,2 7,2	10405940			
		6,2 7,2	10408640			
		8,2 3,8	12065040			
				h l		
				19 5,1	10249744	
				19 6,9	10249844	
				27,2 6,7	12057744	

COLORE ISOLAMENTO	ISOLANT	ISOLIERUNG	COLOR AND INSULATION	COLORES DEL FORRO	Sezione in mm ²		Section en mm ²		Querschnitt in mm ²		Cross-section in mm ²		Secciones en mm ²	
					0,5	0,8	1	1,5	2,5	4	6	10	16	35
N. ordinaz.														
Blu con rigatura rossa	Bleu à rayures rouges	Blau rotgestreift	Blue, red tracer	Azul turquí con raya roja		1 91341 90								
Blu con rigatura nera	Bleu à rayures noires	Blau schwarzgestreift	Blue, black tracer	Azul turquí con raya negra			1 91460 90							
Giallo con rigatura nera	Jaune à rayures noires	Gelb schwarzgestreift	Yellow, black tracer	Amarillo con raya negra	1 91398 90	1 91342 90	1 91429 90							
Giallo con rigatura rossa	Jaune à rayures rouges	Gelb rotgestreift	Yellow, red tracer	Amarillo con raya roja		1 91343 90								
Grigio con rigatura gialla	Gris à rayures jaunes	Grau gelbgestreift	Grey, yellow tracer	Gris con raya amarilla		1 91344 90								
Grigio con rigatura nera	Gris à rayures noires	Grau schwarzgestreift	Grey, black tracer	Gris con raya negra		1 91345 90	1 91439 90		1 91449 90					
Grigio con rigatura rossa	Gris à rayures rouges	Grau rotgestreift	Grey, red tracer	Gris con raya roja		1 91346 90	1 91430 90		1 91445 90	1 91378 90				
Marrone con rigatura bianca	Brun à rayures blanches	Braun weissgestreift	Brown, white tracer	Pardo con raya blanca		1 91347 90								
Nero con rigatura viola	Noir à rayures violettes	Schwarz violettgestreift	Black, mauve tracer	Negro con raya morada		1 91348 90								
Rosa con rigatura gialla	Rose à rayures jaunes	Rosa beige gestreift	Pink, yellow tracer	Rosa con raya amarilla		1 91349 90								
Rosa con rigatura nera	Rose à rayures noires	Rosa schwarzgestreift	Pink, black tracer	Rosa con raya negra		1 91350 90	1 91375 90							
Rosso con rigatura verde	Rouge à rayures vertes	Rot grungestreift	Red, green tracer	Rojo con raya verde		1 91351 90								
Rosso con rigatura nera	Rouge à rayures noires	Rot schwarzgestreift	Red, black tracer	Rojo con raya negra		1 91352 90	1 91380 90							
Verde con rigatura bianca	Vert à rayures blanches	Grün weissgestreift	Green, white tracer	Verde con raya blanca		1 91353 90								
Verde con rigatura nera	Vert à rayures noires	Grün schwarzgestreift	Green, black tracer	Verde con raya negra	1 91399 90	1 91354 90	1 91418 90		1 91447 90	1 91411 90				
Viola con rigatura bianca	Violet à rayures blanches	Violett weissgestreift	Mauve, white tracer	Morado con raya blanca		1 91355 90								
Viola con rigatura nera	Violet à rayures noires	Violett schwarzgestreift	Mauve, black tracer	Morado con raya negra		1 91356 90								
In resina sintetica per cavo accensione	En résine synthétique pour fils de bougies	Aus Kunstharz zur Zündkabel	Synthetic resin, for engine ignition cable	De resina sintetica: cable de encendido del motor			1 91102 94 1 91552 90							

CAVI PER IMPIANTO ELETTRICO (forniti a metri)

Cables eléctricos (forniti per metri)
Elektrische Leitungen (vom laufende Meter erhältlich)

Electrical cables (supplied to the meter)
Cables eléctricos que se suministran por metros

COLORE ISOLAMENTO	ISOLANT	ISOLIERUNG	COLOR AND INSULATION	COLORS DEL FOR. O	Sezione in mm ²		Section en mm ²		Querschnitt in mm ²		Cross-section in mm ²		Secciones en mm ²	
					0,5	0,8	1	1,5	2,5	4	6	10	16	35
N. ordnaz.														
Arancio	Orange	Orange	Orange	Maranja				1 91381 90		1 91364 90	1 91404 50			
Azzurro chiaro	Bleu Clair	Hellblau	Light blue	Azul claro	1 91394 90			1 91421 90		1 91403 90				
Bianco	Bianc	Weiss	White	Bianco	1 91400 90			1 91420 90	1 91368 90	1 91432 90				
Blu	Bleu	Blau	Dark blue	Azul turquí	1 91456 90			1 91382 90		1 91383 90	1 91384 90			
Giallo	Jaune	Gelb	Yellow	Amarillo	1 91457 90			1 91422 90		1 91373 90				
Grigio	Gris	Grau	Grey	Gris				1 91425 90	1 91389 90	1 91438 90				
Grigioverde	Gris-vert	Graugrün	Green-grey	Verde-gris				1 91363 90	1 91403 90	1 91365 90				
Marrone	Brun	Braun	Brown	Pardo	1 91395 90			1 91419 90		1 91436 90	1 91377 90	1 91442 90	1 91406 90	1 91407 90
Nero	Noir	Schwarz	Black	Negro	1 91417 90			1 91401 90	1 91388 90	1 91431 90	1 91391 90	1 91405 90		
Nocciola	Noisette	Haselnussbraun	Walnut	Avellana				1 91374 90		1 91366 90				
Rosa	Rose	Rosa	Pink	Rosa	1 91392 90			1 91426 90		1 91355 90	1 91444 90			
Rosso	Rouge	Rot	Red	Rojo	1 91458 90			1 91421 90	1 91369 90	1 91433 90	1 91437 90	1 91443 90		
Verde	Vert	Grün	Green	Verde	1 91393 90			1 91424 90	1 91390 90	1 91434 90	1 91440 90			
Viola	Violet	Violett	Mauve	Morado				1 91385 90		1 91386 90	1 91387 90			
Arancio con rigatura bianca	Orange à rayures blanches	Orange weissgestreift	Orange, white tracer	Naranja con raya blanca		1 91333 90								
Arancio con rigatura nera	Orange à rayures noires	Orange-schwarzgestreift	Orange black tracer	Naranja con raya negra		1 91334 90	1 91376 90							
Azzurro con rigatura bianca	Bleu clair à rayures blanches	Hellblau weissgestreift	Light blue, white tracer	Azul con raya blanca		1 91335 90	1 91415 90							
Azzurro con rigatura gialla	Bleu clair à rayures jaunes	Hellblau gelbgestreift	Light blue, yellow tracer	Azul con raya amarilla		1 91336 90								
Azzurro con rigatura rossa	Bleu clair à rayures rouges	Hellblau rotgestreift	Light blue, red tracer	Azul con raya roja		1 91337 90	1 91414 90							
Azzurro con rigatura nera	Bleu clair à rayures noires	Hellblau schwarzgestreift	Light blue, black tracer	Azul con raya negra	1 91378 90	1 91338 90	1 91421 90		1 91446 90	1 91440 90				
Bianco con rigatura nera	Bianc à rayures noires	Weiss schwarzgestreift	White, black tracer	Bianco con raya negra	1 91339 90	1 91339 90	1 91427 90	1 91372 90						
Bianco con rigatura rossa	Bianc à rayures rouges	Weiss rotgestreift	White, red tracer	Bianco con raya roja		1 91340 90								

CUSCINETTI

Roulements

Wälzlager

Bearings

Rodamientos

Dimensioni mm		Dimensiones		n. ordinaz. FIAT	n. ordinaz. RIV	Sgr.
Dimensioni	Abmessungen	Dimensiones	Spessore			
Diametro interno	Diametro esterno	Spessore	Width			
Diameter int. Innen diameter	Outside diameter Aussendurchmesser	Thickness Größe	Width Ancho			
85	150	82		586528	614115 T210 C3	B4.06
55	120	29		20065730	6311	B1.05
60	130	31		20141040	6312	B2.04
50	110	27		21229990	6310	B2.05
30	62	16		21685450	6206	B1.10-B2.23
40	90	23		20923310	6308	B2.04
60	150	35		24940320	NJ412J7 C3	B4.12
60	130	31		24940330	NJ312 C3	B4.12
40	90	23		24940740	NJ308 C3	B4.12
50	110	40		24940750	NJ2310J7 C3	B4.12
35	145	16		26794630	16019MB C3	B1.05
50	90	20		26798330	NJ210 HJ210	E3.02
17	58	13.25		27799910	30203J2	A2.27
95	170	34.5		26200070	30219XX	D3.33
120	215	43.5		26800110	30224XX	D3.33
75	130	33.25		26802210	32215XX	B4.06
30	62	30		28041710	NAP30	B4.06
45	75	16		28042490	6009	A1.16-E3.02
50	80	16		28242500	6010	A1.16-B2.04
100	150	24		28042600	6020MB	B2.04/1
40	90	23		28995890	6308NR	B1.05
55	120	29		28995920	6311NR	B2.04
60	130	31		28995930	6312NR	B2.05
60	110	22		28996360	6212NR	B2.04
20	52	15		28996600	6304-2RS1	A4.09