



745-B

wheel loader

parts catalog

Form 73064655 English

AVOID ACCIDENTS

Most accidents, whether they occur in industry, on the farm, at home or on the highway, are caused by the failure of some individual to follow simple and fundamental safety rules or precautions. For this reason **MOST ACCIDENTS CAN BE PREVENTED** by recognizing the real cause and doing something about it before the accident occurs.

Regardless of the care used in the design and construction of any type of equipment there are many conditions that cannot be completely safeguarded against without interfering with reasonable accessibility and efficient operation.

A careful operator is the best insurance against an accident. The complete observance of one simple rule would prevent many thousand serious injuries each year. That rule is:

Never attempt to clean, oil or adjust a machine while it is in motion.

NATIONAL SAFETY COUNCIL

WARNING

On machines having hydraulically, mechanically, and/or cable controlled equipment (such as shovels, loaders, dozers, scrapers, etc.) be certain the equipment is lowered to the ground before servicing, adjusting and/or repairing. If it is necessary to have the hydraulically, mechanically, and/or cable controlled equipment partially or fully raised to gain access to certain items, be sure the equipment is suitably supported by means other than the hydraulic lift cylinders, cable and/or mechanical devices used for controlling the equipment.

SECOND PRINTING (9-79)

Includes all information as published in First Printing (4-75), also includes updated and/or revisional information which has not been previously published.

745-B

wheel loader

parts catalog

S/N 45S02901-UP

S/N 63C02901-UP

Form 73064655 English



WARNING

STUDY THE OPERATION AND MAINTENANCE
INSTRUCTION MANUAL THROUGH BEFORE STARTING,
OPERATING, MAINTAINING, FUELING OR SERVICING THIS
MACHINE.

ADDITIONAL PUBLICATIONS AVAILABLE

FOR

MODEL 745-B WHEEL LOADER (S/N 45S02901 and 63C02901)

Consult your Fiat-Allis Construction Machinery dealer for other publications. See Technical Publications Index (Form 70658800) for all available Publications. Technical Publications Index (Form 70658800) is available FREE from your dealer.

(Revised June 1977)

IMPORTANT

All parts listed herein, which have no specific usage indicated, are applicable to all models. Those parts which are used only on specific models are so indicated.

Attaching parts such as bolts, nuts, rivets, screws, washers, etc., are indented immediately following the parts which they attach.

Parts indicated with a square (□) are also available in packaged sets. Refer to section titled "PACKAGED PARTS".

The terms "right" and "left" used throughout this parts catalog are determined by facing the direction of forward travel.

The engine is mounted unconventionally with the flywheel toward the front of the machine, but all engine parts are designated in respect to the engine as it would be installed in a conventional machine with the flywheel to the rear.

INSTRUCTIONS FOR ORDERING PARTS

Order parts from the dealer covering the local territory.

ALWAYS GIVE THE MODEL AND SERIAL NUMBER OF MACHINE. IF PARTS ARE FOR AN ASSEMBLY WHICH HAS A MODEL AND/OR SERIAL NUMBER (SUCH AS ENGINE ASSEMBLY, PUMP ASSEMBLY), ALSO INCLUDE THIS INFORMATION.

To obtain parts promptly, give part name and part number.

Give post office address, town, county and state where parts are to be shipped. Also specify whether material is to be shipped by freight, express or parcel post.

Confirm all telephone or telegraph orders in writing.

Parts for standard motor accessories such as generators and starting motors should be ordered from authorized Service Stations maintained by manufacturers of these units throughout the country.

No credit will be allowed on parts unless they are returned to the dealer from whom they were purchased; from there they will be returned, at the customer's expense, to the factory for inspection.

Unless claims for shortages or errors are made immediately upon receipt of goods, they will not be considered.

When broken goods are received, a full description of the damage should be made by the carrier agent on the freight bill. If this description is insisted upon, full damage can always be collected from the transportation company.

No responsibility is assumed for delay or damage to merchandise while in transit. Our responsibility ceases upon delivery of shipment to the transportation company from whom a receipt is received showing that shipment was in good condition when delivered to them; therefore, claims (if any) should be filed with the transportation company.

The right is reserved to change the construction or material of any parts where it seems desirable to do so without incurring the obligation of installing such changes on units already delivered.

The information contained herein is general in nature and is not intended for specific application purposes. FIAT-ALLIS reserves the right to make changes in specifications shown herein, or add improvements, at any time without notice or obligation.

MODEL IDENTIFICATION

The symbol listed below is stamped in front of the model serial number on each unit.

| MODEL SYMBOL | ENGINE MODEL | DESCRIPTION |
|--------------|--------------|--|
| 745-B | 11000 | Turbocharged Diesel powered engine, four wheel drive loader equipped with: power shift transmission, torque converter, planetary axles, power steering and power brakes. |

RECORD YOUR SERIAL NUMBERS BELOW

NOTE: Refer to page 7 for pictorial view.

WHEEL LOADER SERIAL NO. _____

ENGINE SERIAL NO. _____

TRANSMISSION SERIAL NO. _____

AXLE SERIAL NO. _____

SERIAL NUMBER LOCATION

LOADER SERIAL NO: Stamped on left side of rear frame, under ladder.

ENGINE SERIAL NO: On plate attached to the left hand side of the engine block.

TRANSMISSION SERIAL NO: On plate attached to the left side of the transmission housing.

AXLE SERIAL NO: On plate attached to the axle housing.

MODEL SERIAL NUMBER

***SERIAL NUMBER** consisting of all 8 characters must always be submitted for positive identification of your machine. This Point Cannot Be Overemphasized.

| LOADER MODEL | *SERIAL NO. | |
|--------------|--------------|-----------|
| | PRODUCT CODE | UNIT NO. |
| 745-B | 4 5 S | 0 2 9 0 1 |
| | 6 3 C | 0 2 9 0 1 |

ALPHABETICAL INDEX

A

Accessory Drive102
 Air Application Valve Assy148
 Air Cleaner72
 Air Cleaner Connection70
 Air Compressor160
 Air Horn145
 Air Horn & Lines144
 Air Tank Drain Valve151
 Air Tank & Lines152
 Alcohol Injector155
 Alcohol Injector Assy156
 Alternator264
 Alternator & Mounting265
 Axle Housing & Pins(Front)121
 Axle Housing & Mounting (Rear)124

B

Back-up Alarm252
 Batteries & Cables250
 Battery Covers251
 Boom Kick Out (Hydraulic)196
 Boom Kick Out (Single Lever Control)200
 Brake Air Lines146
 Brake Assy. (Front)128
 Brake Assy. (Rear)130
 Brake Hydraulic Lines (Front)136
 Brake Hydraulic Lines (Rear)138
 Breather, Engine19
 Bucket241
 Bucket Cylinder Assy248
 Bucket Hydraulics (Multi-Purpose Bucket)246
 Bucket Leveler204
 Bucket Leveler (Single Lever Control)208
 Bucket Level & Position Indicator203

C

Cab & Wiper Assy (ROPS)270
 Canopy Assy. (ROPS)275
 Charging Oil Pump103
 Clutch Cut-Off Valve139
 Compressor, Air160
 Compressor Crankcase164
 Compressor Cylinder Block162
 Compressor Cylinder Head165
 Controls
 Bucket & Boom222, 224
 Engine52, 53
 Parking Brake134
 Rear Axle Disconnect106
 Transmission108
 Control Valve Assy. (Parts)(Hydraulic)216
 Control Valve Assy. (Transmission)104
 Coolant Filter73, 75
 Cowl & Platform230
 Counterweight231
 Crankshaft16
 Crankshaft Pulley15
 Cylinders
 Bucket (Multi-Purpose)244
 Dump190
 Master140, 142
 Lift194
 Power Steering168
 Wheel128, 130

Cylinder Block12
 Cylinder Head20

D

Dash Light Assy262
 Demand Valve Assy173
 Differential Assy.(Front & Rear)118
 Differential (No-Spin)117
 Door Assy. (ROPS CAB)272
 Drain Valve151
 Drive Shaft Group (Front)114
 Drive Shaft Group (Rear)116
 Dump Cylinder Assy190
 Dump Cylinder Piping188

E

Electrical System252
 Elements
 Air Cleaner72
 Fuel Filter41, 42, 44
 Hydraulic Tank215
 Oil Filter36
 Transmission Oil Filter111
 Emergency Brake Control Group157
 Emergency Brake Control Valve Assy158
 Emergency Steering Group283C
 Emergency Steering Motor and Pump283E
 Engine Breather19
 Engine Coolant Heater23
 Engine & Front Mounting10
 Engine Shut-Off Controls52, 53
 Exhaust Manifold40

F

Fan80
 Fenders229, 236
 Filters
 Engine Oil36
 Engine Coolant73, 75
 Fuel41, 42, 44
 Hydraulic Tank215
 Transmission Oil111
 Flex Disc & Converter Drive85
 Flywheel & Housing22
 Forward Clutch & Planetary96
 Frame232
 Front Piping212
 Fuel Filters and Lines41, 42, 44
 Fuel Injection Pump48, 50
 Fuel Injection Return Lines58, 60
 Fuel Tank & Lines46
 Fuel Injection Pump Conversion50a

G

Gauge Assy. (Sight)220
 Governor (Air Compressor)166

H

Heat Exchangers38
 Heater Cab278
 High Range Clutch and Transfer Drive Gear98
 Hood236
 Hose Parts6
 Hour Meter11

(Revised June 1979)

ALPHABETICAL INDEX

H

Hydraulic Controls 222
 2-Spool 224
 3-Spool 226
 Single Lever 214
 Hydraulic Tank 212
 Hydraulic Piping (Front). 186
 Hydraulic Pump Assy 182
 Hydraulic Pump & Valve Piping 98
 High Range Clutch & Transfer Drive

I

Injection Nozzles and Lines 54, 56, 57a
 Injection Nozzle Parts 62
 Injection Pump 48, 50
 Instrument Panel Cover 257
 Instrument Panel & Gauges 258
 Instrument Panel Electrical Components 260
 Instruments & Wiring (ROPS CAB) 266
 Intake Manifold 40

L

Ladder, Handrails & Fenders 229
 Lift Cylinder Ass. Parts 194
 Lift Cylinder Piping 192
 Light Assy. 255
 Linkage Group 242
 Lube Oil Filter 36
 Lubrication Hose 124, 192

M

Manifolds
 Exhaust 40
 Intake 40
 Water Outlet 78
 Muffler 64
 Multi-Purpose Bucket 244
 Multi-Purpose Bucket Hydraulics 246

N

No-Spin Differential 117
 Nozzle and Holder Assy. 62

O

Oil Pump Lines 32
 Oil Pan. 34, 35
 Oil Pump 28, 31
 Output Shaft & Axle Disconnect. 100

P

Packaged Parts 8
 Painting & Marking 282
 Parking Brake Assy 132
 Parking Brake Control 134
 Piston & Connecting Rod 18
 Power Cluster (Front) 140
 Power Cluster (Rear) 142
 Power Steering Pump 172
 Pumps
 Engine Oil 28, 31

Hydraulic 186
 Injection 48, 50
 Power Steering 172
 Transmission Charging Oil. 103
 Water. 76

R

Radiator Assy 83
 Radiator & Fan Guard 82
 Radiator Support, Hood & Fenders 236
 Rear Axle Disconnect Control 106
 Rear Panel Assy. (ROPS CAB) 274
 Reverse Clutch & Planetary 94

S

Shaft & Hub (Front Axle). 122
 Shaft & Hub (Rear Axle) 126
 Seat & Mounting 240
 Seat Belts 239
 Serial Numbers 7
 Side Panels 238
 Sight Gauge 220
 Sound Suppression Group 201
 Starter 263
 Starting Primer System 63
 Steering Cylinder 168
 Steering Gear Assy 180
 Steering Gear Linkage. 174
 Steering Hydraulics (Pump and Valve). 170
 Steering Hydraulics (Cylinder Section). 167
 Steering Valve Assy. 176

T

Tail Light Assy. 256
 Throttle Pedal 51
 Timing Gear Housing 26
 Transmission Assy 84
 Transmission Charging Oil Pump. 103
 Transmission Control 108
 Transmission Control Valve 104
 Transmission Cooling Lines and Dipstick 113
 Transmission Filter 111
 Transmission Filter and Mounting 112
 Transmission Housing & Cover. 92
 Tool 280
 Torque Converter 86
 Torque Converter Housing. 88
 Turbine Drive Gears & Freewheel Unit 90
 Turbocharger Assy 68
 Turbocharger Connections. 66

U

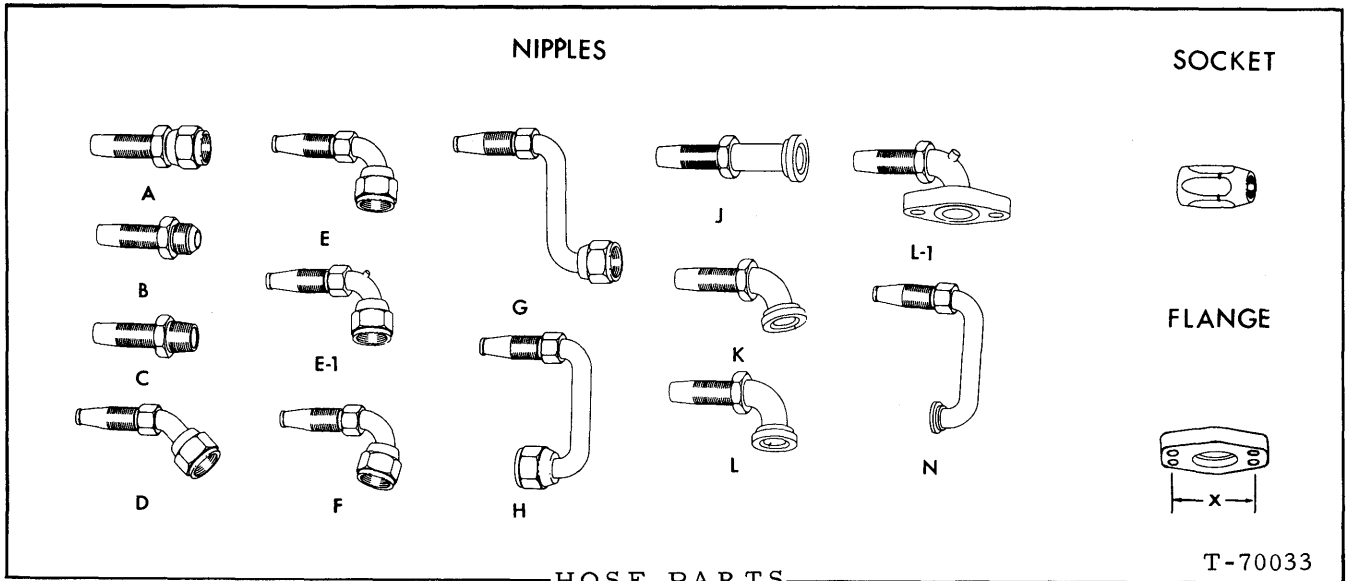
Undercarriage Guard 234

V

Valves
 Air Application 148
 Air Tank Drain 151
 Clutch Cut-Off 139
 Control 216
 Demand 173
 Transmission Control 104
 Valve Operating Mechanism 24

W

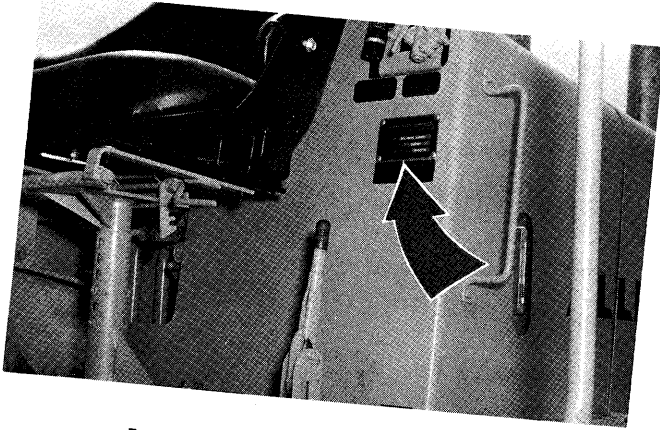
Water Outlet Manifold 78
 Water Pump 76
 Wheel 249
 Wiper Groups (ROPS CAB). 276



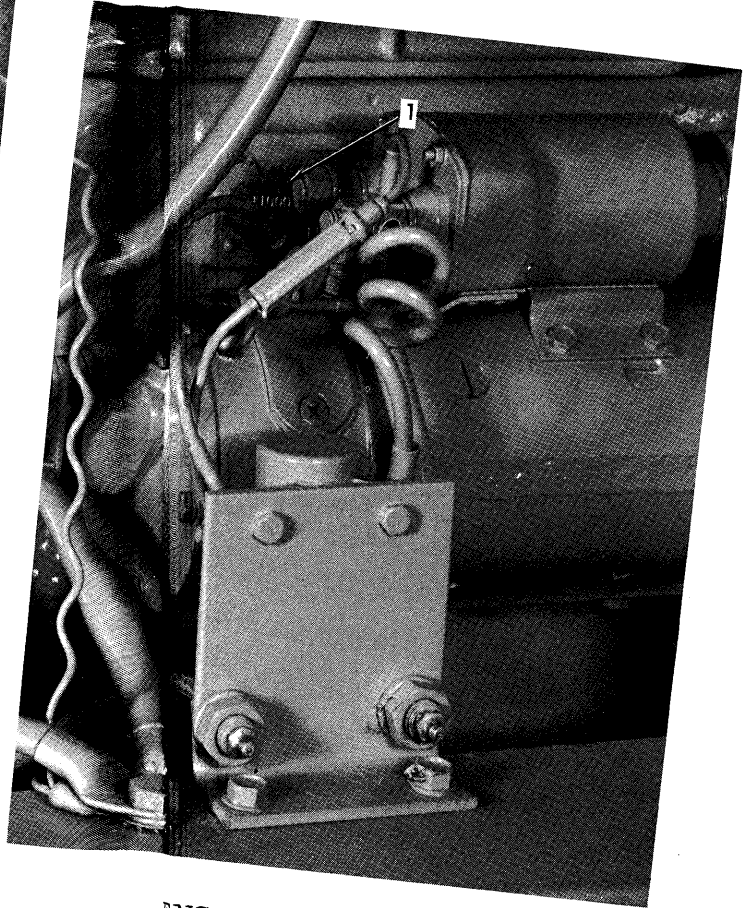
NOTE: Refer to left hand column for identity of original hose. Hose is crimped-type (fitting not re-usable) unless otherwise noted. Equivalent hose assembly may be constructed from data indicated.

| ORIGINAL HOSE ASSY NUMBER | BULK HOSE (25' Roll) | HOSE LENGTH (inches) | NIPPLE (#1 end) | | NIPPLE (#2 end) | | SOCKET (both ends) | | |
|---------------------------|----------------------|----------------------|----------------------|-------------|----------------------|-------------|--------------------|---|----------|
| | | | ASSY. NO. (w/socket) | NIPPLE only | ASSY. NO. (w/socket) | NIPPLE only | | | |
| *73045520 | 70920795 | 44-1/4 | 70921855 | 70923263 | L | 70921885 | 70923263 | L | 70920973 |
| *73045542 | 70920795 | 41-3/4 | 70921855 | 70923263 | L | 70921885 | 70923263 | L | 70920973 |
| *73045543 | 70920795 | 41-3/4 | 70921855 | 70923263 | L | 70921885 | 70923263 | L | 70920973 |
| 73058700 | 70922357 | 32-3/8 | 70920946 | 70922832 | A | 70920946 | 70922832 | A | 70920986 |
| *73046772 | 70922355 | 34-3/4 | 70920952 | 70923186 | E | 70920944 | 70920978 | A | 70920972 |
| *73046776 | 70922355 | 46 | 70920944 | 70920978 | A | 70920944 | 70920978 | A | 70920972 |
| *73048016 | 70920795 | 44-1/4 | 70921855 | 70923263 | L | | | | 70920973 |
| *73048117 | 70920795 | 38-3/4 | 70920953 | 70923251 | E-1 | 70920945 | 70922831 | A | 70920973 |
| 73050092 | 70920795 | 36-3/4 | 70920946 | 70922832 | A | 70920946 | 70922832 | A | 70920986 |
| 73051704 | 70920795 | 47-1/4 | 70920945 | 70922831 | A | 70920945 | 70922831 | A | 70920973 |
| 73104321 | 70920221 | 20-3/4 | 70920852 | 70920344 | A | 70920867 | 70919277 | E | 70919281 |
| 73104763 | 70920221 | 24-3/4 | 70920852 | 70920344 | A | 70920867 | 70919277 | E | 70919281 |
| 73104969 | 70920728 | 61-1/2 | 70921033 | 70921034 | A | 70920868 | 70920144 | E | 70919282 |
| 74320656 | 70928116 | 9-1/2 | 70920850 | 70920303 | A | 70920865 | 70919081 | E | 70919076 |
| 74359704 | 70928123 | 14 | 70920850 | 70920303 | A | 70920865 | 70919081 | E | 70919076 |
| 74359714 | 70928123 | 5-7/8 | 70920850 | 70920303 | A | 70920865 | 70919081 | E | 70919076 |
| 74359751 | 70928121 | 8-5/8 | 70920848 | 70920530 | A | 70920863 | 70920155 | E | 70919768 |
| | | | | | | | | | |
| | | | | | | | | | |
| | | | | | | | | | |
| | | | | | | | | | |
| | | | | | | | | | |
| | | | | | | | | | |
| | | | | | | | | | |
| | | | | | | | | | |

* Hose Assy. includes Hose Guard

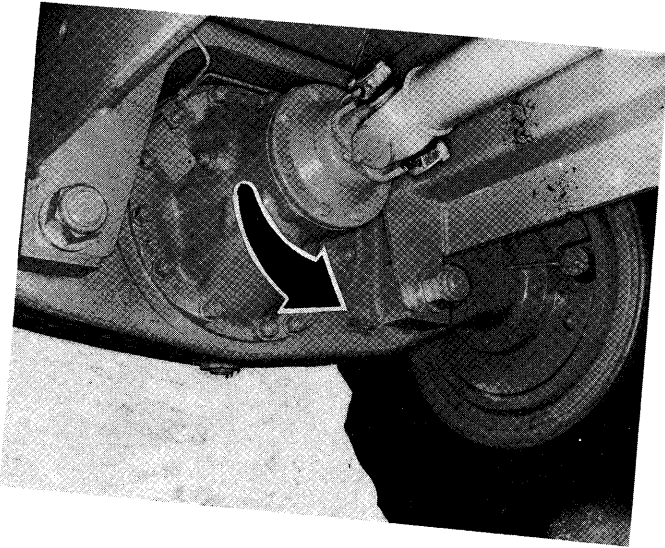


LOADER SERIAL NUMBER T-74529

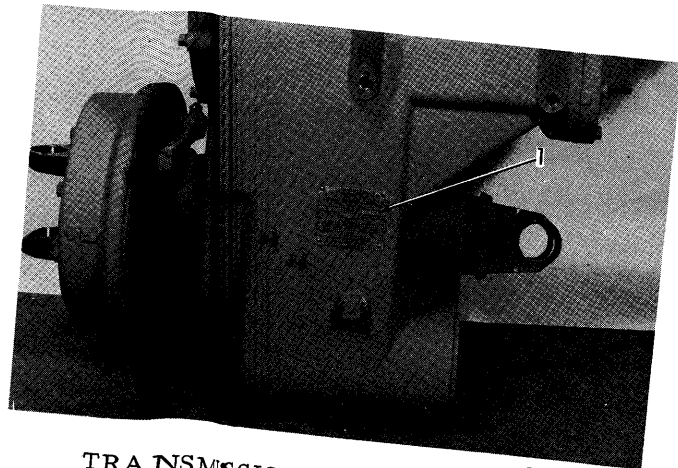


ENGINE SERIAL NUMBER T-73447

1. Serial Number Plate



AXLE SERIAL NUMBER T-74605



TRANSMISSION SERIAL NUMBER T-73448

1. Serial Number Plate

PACKAGED PARTS

| PACKAGE NO. | DESCRIPTION |
|-------------|---|
| ----- | REPAIR KIT, alcohol injector (See ALCOHOL INJECTOR ASSY.) |
| ----- | REPAIR KIT, cylinder (See DUMP CYLINDER) |
| ----- | REPAIR KIT, cylinder (See LIFT CYLINDER) |
| ----- | REPAIR KIT, cylinder (See POWER STEERING CYLINDER) |
| ----- | REPAIR KIT, master cylinder (See POWER CLUSTER ASSY.) |
| ----- | REPAIR KIT, power cluster (See POWER CLUSTER ASSY.) |
| ----- | REPAIR KIT, wheel cylinder (See WHEEL CYLINDER ASSY.) |
| 73063683 | REPAIR KIT, valve (See AIR APPLICATION VALVE) |
| ----- | LINING KIT (See BRAKE ASSY.) |
| ----- | DECAL KIT (See PAINTING AND MARKING) |
| ----- | RING SET, piston (See PISTON AND CONNECTING ROD) |
| ----- | REPAIR KIT, pump (See WATER PUMP) |
| 73062091 | SEAL AND GASKET KIT, model TT Trans. (2-speed forward, 1-reverse) |
| | 1 70194585 RING |
| | 2 70194679 SEAL |
| | 2 70924944 NUT |
| | 24 73021041 NUT |
| | 1 73021053 SEAL |
| | 1 73067517 GASKET |
| | 1 73021058 RING |
| | 1 73026156 SEAL |
| | 1 73031847 CUP |
| | 1 73035714 RING |
| | 1 73035745 RING |
| | 1 73063376 SEAL |
| | 1 73042151 SEAL KIT (Includes expander) |
| | 2 73044474 GASKET |
| | 1 73044485 GASKET |
| | 2 73044489 GASKET |
| | 6 73046029 STRIP |
| | 2 73070598 RING |
| | 1 73047698 GASKET |
| | 1 73047724 RING |
| | 1 73047741 GASKET |
| | 1 73048425 GASKET |
| | 1 73048782 GASKET |
| | 1 73058793 RING, seal |
| | 1 73062025 RING, seal |
| | 1 73062026 RING, seal |
| | 2 73062027 RING, seal |
| | 1 73062031 GASKET |
| | 1 73062032 GASKET |
| | 2 73062043 O-RING |
| | 1 73062051 RING, seal |
| | 1 73062067 RING, seal |
| | 1 73069421 GASKET, sump cover |

PACKAGED PARTS

| PACKAGE NO. | DESCRIPTION |
|-------------|--|
| 74321189 | ENGINE OIL PUMP KIT (Adapts integral scavenging and oil pressure pump to engines prior to serial No. 11-24134) |
| 1 | 70035250 PLUG |
| 1 | 70667252 GASKET |
| 2 | 70904206 LOCKWASHER, 3/8" |
| 2 | 70907863 LOCKWASHER, 7/16" |
| 4 | 70910287 LOCKWASHER, 3/8" |
| 5 | 70912369 WASHER |
| 29 | 70913544 WASHER |
| 22 | 70914847 CAPSCREW, 3/8"NC x 1-1/2" |
| 4 | 70916271 CAPSCREW, 3/8"NC x 1" |
| 4 | 70916279 CAPSCREW, 5/16"NC x 1-1/2" |
| 8 | 70916543 LOCKWASHER, internal tooth, 3/8" |
| 2 | 70916871 NUT, elastic stop, 5/8"NC |
| 1 | 70919784 CAPSCREW, 5/16"NC x 4" |
| 4 | 70921076 CAPSCREW, 3/8"NC x 1-1/4" |
| 1 | 70921204 PLUG, 1-1/16" straight-thd. (Includes O-RING) |
| 2 | 70921565 CAPSCREW, 3/8"NC x 1-1/2" |
| 8 | 70923193 CAPSCREW, 3/8"NF x 1-1/4" |
| 2 | 70928212 NUT, 7/16"NC |
| 1 | 70930924 O-RING |
| 5 | 74255916 CAPSCREW, Nylok strip, 3/8"NC x 1" |
| 1 | 74320597 VALVE ASSY., pressure relief |
| 1 | 74320838 ELBOW |
| 1 | 74320839 TUBE |
| 1 | 74320885 TUBE |
| 1 | 74320887 TUBE |
| 1 | 74320916 GASKET |
| 1 | 74321052 ELBOW |
| 1 | 74321053 U-BOLT |
| 1 | 74321671 BRACKET |
| 1 | 74321954 PAN, oil |
| 1 | 74321399 OIL PUMP ASSY., with gear |
| 1 | 74337740 GASKET |
| 1 | 74337741 PLATE |
| 4 | 74393359 GASKET |
| 2 | 74395024 DOWEL |
| 1 | 74347573 GASKET |
| 1 | ----- INSTRUCTION SHEET |
| 74321984 | GASKET KIT, cylinder head |
| 4 | 70923574 O-RING, water by-pass tube |
| 4 | 70923813 O-RING, water manifold tube |
| 1 | 74321437 GASKET ASSY., front cylinder head |
| 1 | 74321438 GASKET ASSY., rear cylinder head |
| 1 | 74300145 GASKET, water outlet elbow |
| 2 | 74321981 GASKET, rocker cover |
| 4 | 74336182 GASKET, water manifold |
| 1 | 74336263 GASKET, thermostat housing |
| 1 | 74336266 GASKET, water elbow |
| 2 | 74337764 GASKET, valve lifter cover |
| 2 | 74348133 GASKET, breather tube |
| 12 | 74359741 GASKET, intake and exhaust manifold |
| 6 | 74376749 WASHER, sealing, rocker cover nut |
| 6 | 74378031 GASKET, injection nozzle |

(Continued)

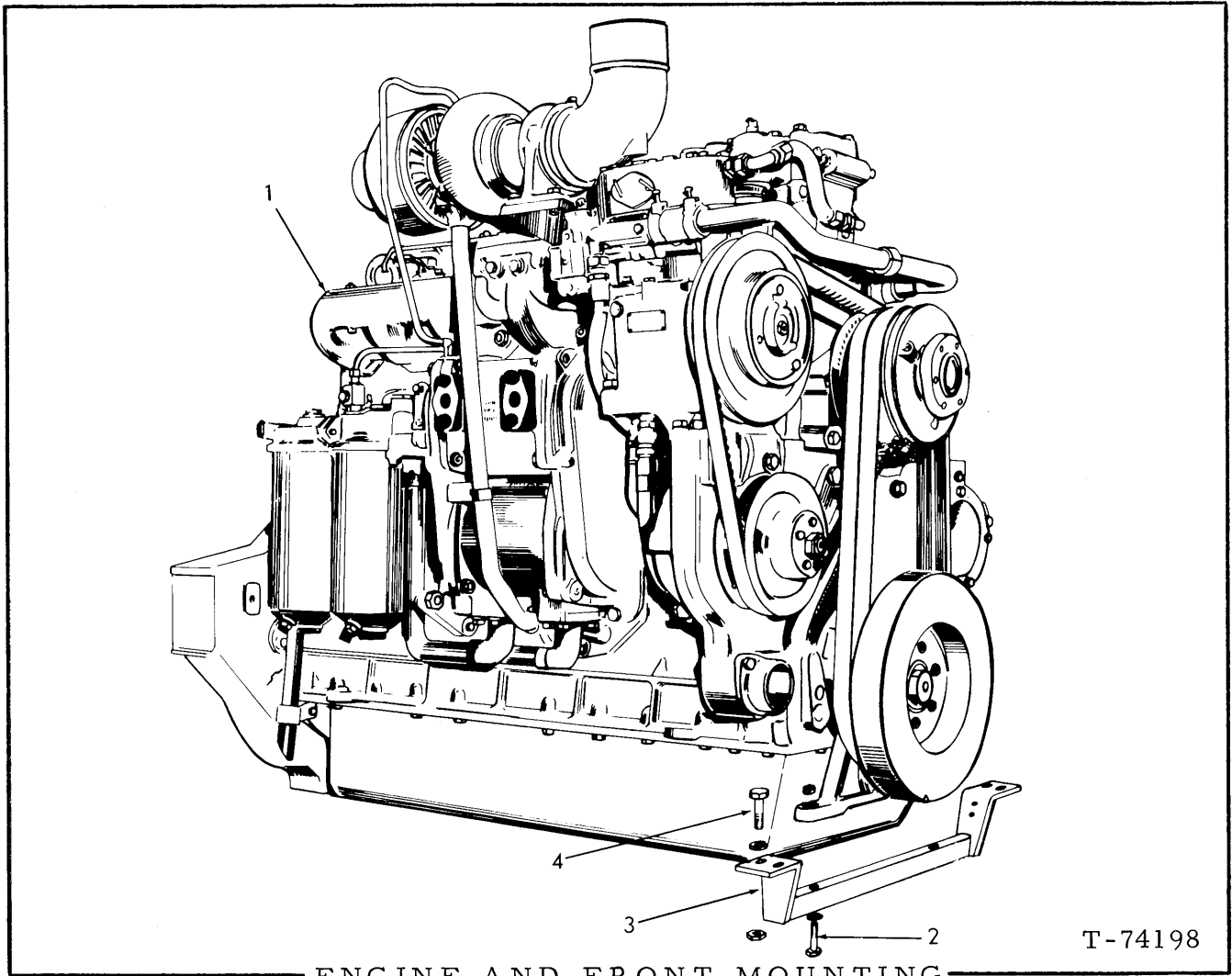
(Revised June 1979)

PACKAGED PARTS

| PACKAGE NO. | DESCRIPTION |
|-------------|--|
| 74321798 | GASKET KIT, intermediate, engine cylinder block (Model 11000 Mark II engine) |
| 2 | 70667252 GASKET, oil drain plug |
| 2 | 70923376 O-RING, flywheel housing dowel |
| 1 | 70923589 O-RING, fan drive |
| 1 | 70923718 O-RING, oil filter |
| 1 | 70923814 O-RING, hydraulic pump drive |
| 1 | 70923815 O-RING, camshaft hole plug |
| 1 | 70923816 O-RING, flywheel to crankshaft |
| 1 | 70923820 O-RING, fan drive |
| 1 | 70924139 O-RING, injection pump mounting cover |
| 2 | 74113897 GASKET |
| 1 | 74320916 GASKET |
| 1 | 74335056 GASKET, water pump volute |
| 3 | 74335577 GASKET, oil cooler |
| 1 | 74335578 GASKET, filter head |
| 1 | 74335668 GASKET, oil cooler |
| 1 | 74335712 GASKET, cover plate |
| 1 | 74336345 GASKET, hydraulic pump mounting hole |
| 1 | 74336436 GASKET, oil drain flange |
| 1 | 74336676 GASKET, timing hole cover |
| 1 | 74336897 RING, sealing, flywheel housing to crankcase |
| 1 | 74339150 GASKET, filter head to block |
| 1 | 74339151 GASKET, oil cooler to block |
| 1 | 74346169 GASKET, oil pipe |
| 2 | 74346441 GASKET, oil pipe |
| 1 | 74346456 GASKET, water inlet pipe |
| 1 | 74346744 GASKET, water pump |
| 1 | 74347031 GASKET, water by-pass flange |
| 1 | 74347120 GASKET, timing hole cover |
| 1 | 74348126 GASKET, timing gear cover |
| 1 | 74348136 GASKET, timing gear housing |
| 1 | 74348184 GASKET, filter head to block |
| 1 | 74348185 GASKET, oil cooler water inlet |
| 2 | 74348215 GASKET, oil pipe |
| 1 | 74348218 GASKET, oil pipe |
| 1 | 74349011 GASKET |
| 1 | 74354163 GASKET, timing gear cover |
| 1 | 74354304 GASKET, fan hose bracket |
| 1 | 74354415 GASKET |
| 1 | 74362458 GASKET, oil pump cover |
| 1 | 74371289 GASKET, clean-out cover |
| 2 | 74373069 GASKET, oil pan cover |
| 1 | 74393349 GASKET |
| 2 | 74393359 GASKET |

(Added June 1979)

MEMO



T-74198

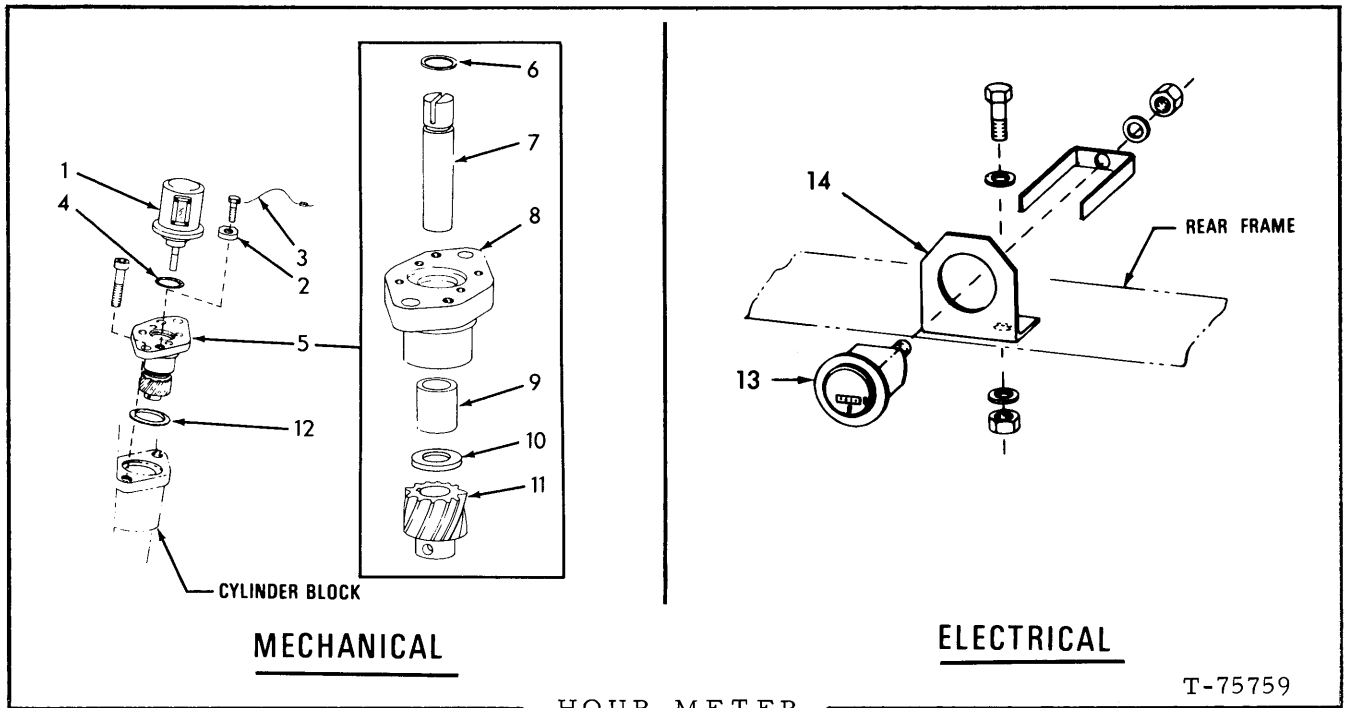
ENGINE AND FRONT MOUNTING

| ITEM | PART NO. | QTY. | DESCRIPTION |
|------|----------|------|---|
| 1 | 74359737 | 1 | ENGINE ASSY. (Applies up thru engine s/n 11-24133) |
| | 74321182 | 1 | ENGINE ASSY. (Used engine s/n's 11-24134 thru 11-25688) |
| | 74321427 | 1 | ENGINE ASSY., MARK II (Effective engine s/n 11-25689) |
| 2 | 70916414 | 2 | CAPSCREW, 5/8" NF x 5-3/4" |
| | 70916589 | 2 | NUT, elastic stop, 5/8" NF |
| 3 | 73047510 | 1 | BRACKET |
| 4 | 70921178 | 4 | CAPSCREW, 5/8" NF x 2-3/4" |
| | 73026289 | 4 | WASHER |
| | 70916589 | 4 | NUT, elastic stop, 5/8" NF |

NOTE: For rear engine mount, see page 84.

NOTE: Each ENGINE ASSY. includes oil filter, oil cooler and fuel filter, but is less air cleaner, fan, starter and muffler.

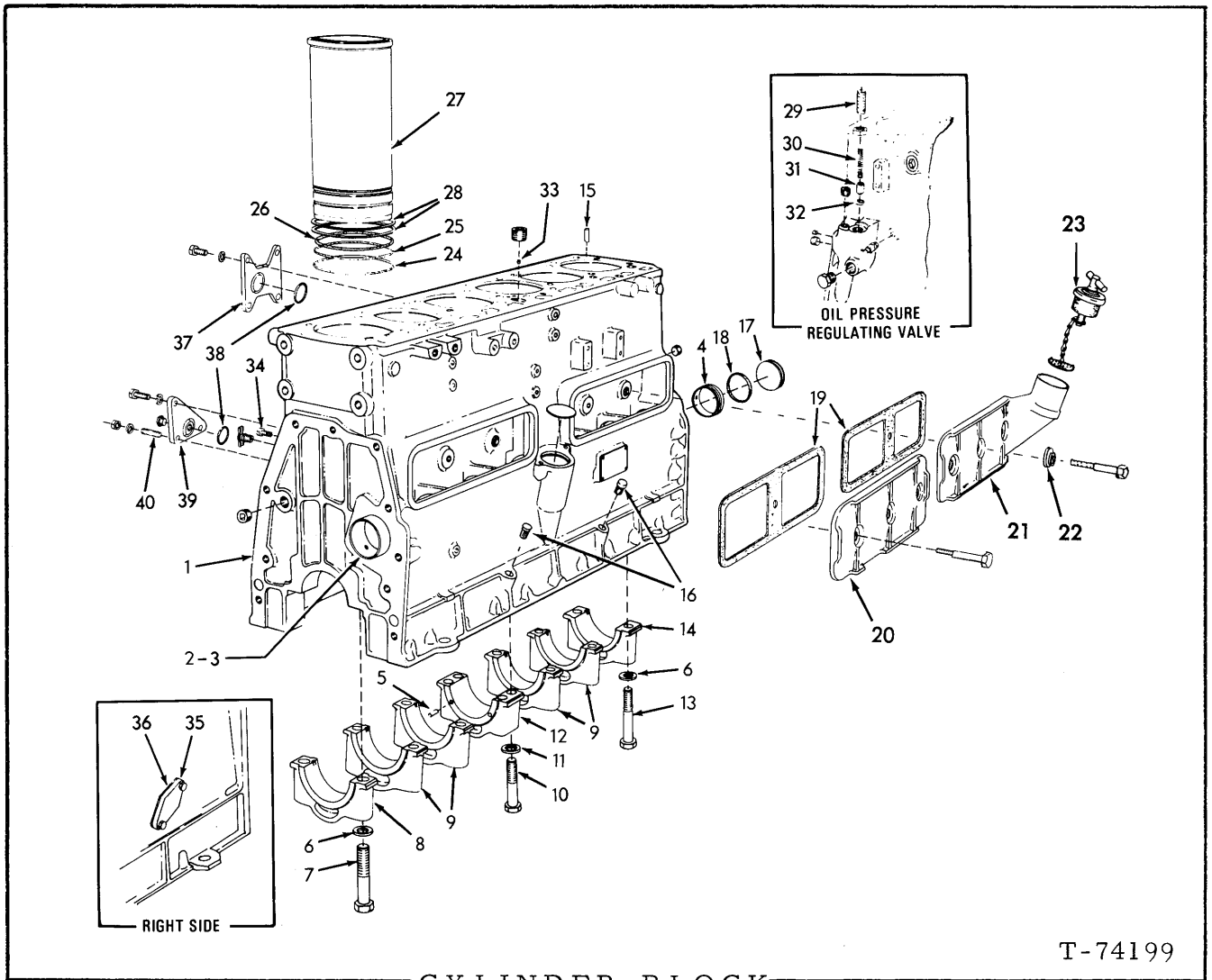
(Revised April 1976)



HOUR METER

USAGE: * Prior to engine serial no. 11-24213 LOADER serial no. 45S03186 (Mechanical)
 ** Effective with engine serial no. 11-24213 LOADER serial no. 45S03186 (Electrical)

| ITEM | PART NO. | QTY. | | DESCRIPTION |
|------|------------|------|----|---|
| | | * | ** | |
| 1 | 74359290 | 1 | - | METER (Serviced only as a unit) |
| 2 | 74359293 | 2 | - | CLAMP |
| | 74027687 | 2 | - | SCREW, 1/4" x 7/8" |
| | 70904204 | 2 | - | LOCKWASHER, 1/4" |
| 3 | 74355843 | 1 | - | SEAL |
| 4 | 70923934 | 1 | - | O-RING |
| 5 | 74321117 | 1 | - | ADAPTER ASSY. (Consists of items 6 thru 11) |
| | 74359231 | 2 | - | SCREW, 3/8" x 2-1/4" |
| 6 | { 74255961 | 1 | - | RING (Used prior to engine serial no. 11-23907) |
| | { 70927782 | 1 | - | RING (Effective with engine serial no. 11-23907) |
| 7 | { 74359271 | 1 | - | SHAFT (Used prior to engine serial no. 11-23907) |
| | { 74321116 | 1 | - | SHAFT (Effective with engine serial no. 11-23907) |
| 8 | ----- | 1 | - | HOUSING (Order item 5) |
| 9 | 74255962 | 1 | - | BUSHING |
| 10 | 74359308 | 1 | - | BEARING |
| 11 | 74660408 | 1 | - | GEAR |
| 12 | 74253773 | 1 | - | GASKET |
| 13 | 70699126 | - | 1 | METER (Serviced only as a unit) |
| 14 | 73063772 | - | 1 | BRACKET (use with existing hardware 1-70915790 CAPSCREW, 2-73026289 WASHER, 1-70916589 NUT) |



CYLINDER BLOCK

T-74199

| ITEM | PART NO. | QTY. | DESCRIPTION |
|------|----------|------|---|
| 1 | 74321963 | 1 | BLOCK ASSY. (Engines prior to s/n 11-24134) |
| | 74320943 | 1 | BLOCK ASSY. (Engines s/n 11-24134 thru 11-25688) |
| | 74321959 | 1 | BLOCK ASSY. (Engines s/n 11-25689 and up)(Requires piston cooling type main bearings) |
| | 70904223 | 2 | PLUG, pipe, ctsk. -hd., 1/2" NPT |
| | 70910017 | 1 | PLUG, expansion, 2-3/8" diam. |
| | 70917673 | 1 | PLUG, pipe, hex-socket, 1/8" NPT |
| | 70918850 | 1 | PLUG, pipe, hex-socket, 1/4" NPTF |
| | 70918851 | 4 | PLUG, pipe, hex-socket, 3/4" NPT |
| | 70918888 | 1 | PLUG, pipe, ctsk. -hd., 1" NPT |
| | 70919134 | 2 | PLUG, pipe, hex-hd., 1/8" NPT |
| | 70920333 | 2 | PLUG, pipe, hex-hd., 3/8" NPT |
| | ----- | 2 | PIN, dowel (See item 18 page 26) |
| | ----- | 4 | PIN (See item 8 page 17) |
| | ----- | 2 | PIN (See item 6 page 22) |

(Continued)

(Revised June 1979)

CYLINDER BLOCK (Continued)

| ITEM | PART NO. | QTY. | DESCRIPTION |
|------|------------|------|---|
| | 70920416 | 1 | PLUG, pipe, hex-hd., 1/2" NPT |
| | 70912415 | 2 | COCK, drain, 1/4" NPT |
| 2 | { 74346100 | 1 | BEARING, camshaft, front (Standard size) |
| | { 74347416 | 1 | BEARING, camshaft, front (.010" oversize) |
| 3 | { 74320591 | 2 | BEARING, camshaft, intermediate (Standard size) |
| | { 74347419 | 2 | BEARING, camshaft, intermediate (.010" oversize) |
| 4 | { 74320592 | 1 | BEARING, camshaft, rear (Standard size) |
| | { 74347413 | 1 | BEARING, camshaft, rear (.010" oversize) |
| 5 | ----- | 4 | PIN, dowel, thrust flange (See CRANKSHAFT) |
| 6 | 74354175 | 12 | WASHER |
| 7 | 74339037 | 2 | CAPSCREW, front main bearing cap |
| 8 | { 74349630 | 1 | CAP, front main bearing (Used prior to engine s/n 11-25689)(See NOTE B) |
| | { 74348056 | 1 | CAP, front main bearing (Effective with engine s/n 11-25689)(See NOTE B) |
| 9 | 74348244 | 4 | CAP, intermediate main bearing (See NOTE B) |
| 10 | { 74339038 | 4 | CAPSCREW, center main bearing cap (Used prior to engine serial no. 11-25689) |
| | { 74035387 | 4 | CAPSCREW, center main bearing cap (Effective with engine serial no. 11-25689) |
| 11 | 74391160 | 4 | WASHER, center main bearing capscrew |
| 12 | { 74349629 | 1 | CAP, center main bearing (Used prior to engine s/n 11-25689)(See NOTE B) |
| | { 74359964 | 1 | CAP, center main bearing (Effective with engine s/n 11-25689)(See NOTE B) |
| 13 | 74339036 | 10 | CAPSCREW, rear and intermediate main bearing cap |
| 14 | { 74349631 | 1 | CAP, rear main bearing (Used prior to engine s/n 11-25689)(See NOTE B) |
| | { 74348246 | 1 | CAP, rear main bearing (Effective with engine s/n 11-25689)(See NOTE B) |
| 15 | 74336432 | 4 | PIN, dowel, cylinder head |
| 16 | 74362338 | 2 | PLUG, crankcase |
| 17 | 74335534 | 1 | PLUG, camshaft hole |
| 18 | 70923815 | 1 | <input type="checkbox"/> O-RING, camshaft hole plug |
| 19 | 74337764 | 2 | <input type="checkbox"/> GASKET |
| 20 | 74320985 | 1 | COVER, front |
| | 70913730 | 3 | CAPSCREW, 5/16" NC x 2-1/4" |
| 21 | 74320994 | 1 | COVER, rear |
| | 70913599 | 3 | CAPSCREW, 5/16" NC x 2-1/2" |
| 22 | 74256008 | 6 | WASHER |
| 23 | { 74354449 | 1 | CLOSURE ASSY., oil filler (Serviced only as a unit)(First Type) |
| | { 74354492 | 1 | CLOSURE ASSY., oil filler (Serviced only as a unit)(Second Type) |
| 24 | 74337972 | 6 | <input type="checkbox"/> O-RING, cylinder sleeve (bottom)(red) |
| 25 | 74359870 | 6 | <input type="checkbox"/> O-RING, cylinder sleeve (center)(black with blue markings) |
| 26 | 74359869 | 6 | <input type="checkbox"/> O-RING, cylinder sleeve (top)(black with white markings) |

(Continued)

(Revised April 1976)

CYLINDER BLOCK (Continued)

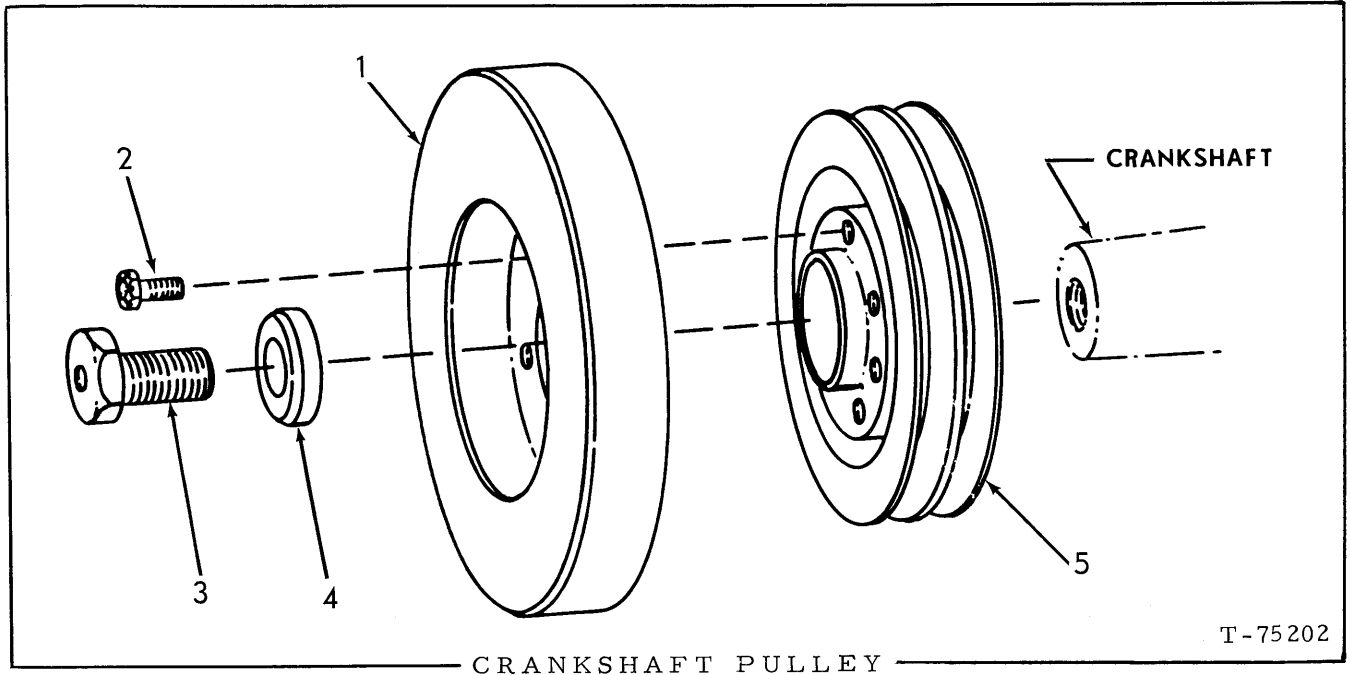
| ITEM | PART NO. | QTY. | DESCRIPTION |
|---|----------|----------|--|
| 27 | 74061746 | 6 | SLEEVE KIT, cylinder (Includes 1 SLEEVE and 1 each of items 24, 25 and 26) |
| 28 | { | 74348857 | - SHIM (.005" thick) |
| | | 74348856 | - SHIM (.008" thick) |
| | | 74348859 | - SHIM (.010" thick) |
| | | 74348858 | - SHIM (.015" thick) |
| | | 74348900 | - SHIM (.020" thick) |
| Use as required when block is remachined to correct sinking of sleeve | | | |
| 29 | { | 74389058 | 1 SCREW (Used prior to engine s/n 11-25689) |
| | | 74022129 | 1 SCREW (Effective with engine s/n 11-25689) |
| | | 70910847 | 1 NUT, jam, 3/4" NF |
| 30 | { | 74660358 | 1 SPRING (Used prior to engine s/n 11-25689) |
| | | 74500231 | 1 SPRING (Effective with engine s/n 11-25689) |
| 31 | { | 74500230 | 1 PISTON (Used prior to engine s/n 11-25689) |
| | | 74507374 | 1 PISTON (Effective with engine s/n 11-25689) |
| 32 | { | 74347465 | 1 INSERT (Used prior to engine s/n 11-24251) |
| | | 74507673 | 1 INSERT (Effective with engine s/n 11-24251) |
| 33 | | 1 | RESTRICTOR (Used prior to engine s/n 11-25689) |
| 34 | 70920473 | 2 | CAPSCREW, nylok, 3/8" NC x 3/4" |

NOTE A: Items listed below are furnished only only with service replacement cylinder block and are not original equipment.

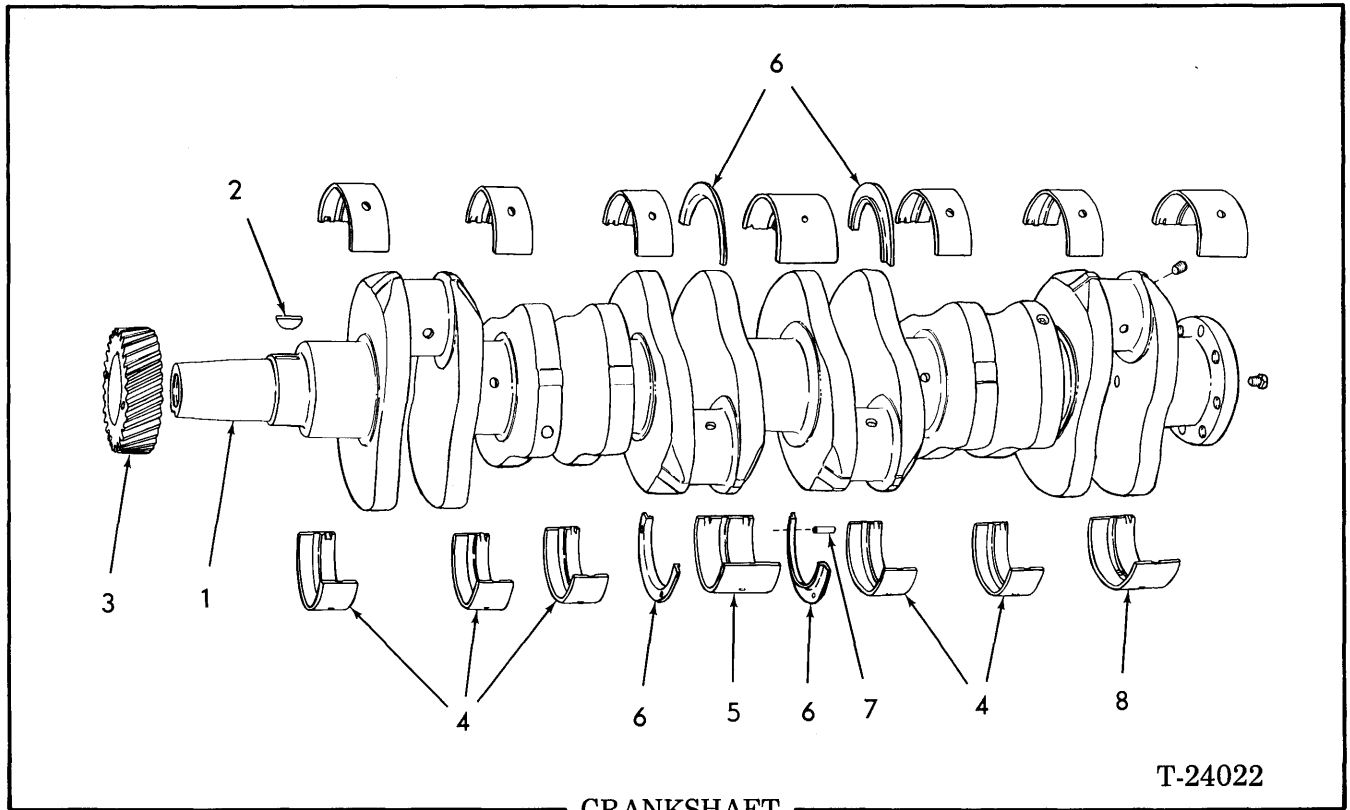
| | | | |
|----|----------|---|---|
| 35 | 74339604 | 1 | PLATE, cover, turbocharger oil drain hole |
| | 70918683 | 2 | CAPSCREW, 1/2" NC x 1-1/8" |
| | 70912441 | 2 | LOCKWASHER, 1/2" |
| 36 | 74336436 | 1 | □ GASKET, cover plate |
| 37 | 74335369 | 1 | PLATE, cover, oil gallery hole, upper |
| | 70916311 | 4 | CAPSCREW, 1/2" NC x 1-1/4" |
| | 70912441 | 4 | LOCKWASHER, 1/2" |
| 38 | 70923718 | 2 | O-RING, oil gallery hole cover plates |
| 39 | 74359104 | 1 | PLATE, cover, oil gallery hole, lower |
| | 70920333 | 1 | PLUG, pipe, hex-hd., 3/8" NPT |
| | 70919230 | 1 | CAPSCREW, 1/2" NC x 1-3/8" |
| | 74305073 | 2 | STUD |
| 40 | 70912441 | 3 | LOCKWASHER, 1/2" |
| | 70910195 | 2 | NUT, 1/2" NF |

NOTE B: Replacement bearing caps are semi-finished and must be line-bored after installing.

(Revised July 1978)



| ITEM | PART NO. | QTY. | DESCRIPTION |
|------|----------|------|---|
| 1 | 74354261 | 1 | DAMPER, vibration |
| 2 | 74255585 | 6 | BOLT, place, 7/16" NC x 1" |
| 3 | 74393587 | 1 | CAPSCREW, crankshaft pulley retainer (1-1/4" NF x 2") |
| 4 | 74371503 | 1 | WASHER, pulley retainer |
| 5 | 74359312 | 1 | PULLEY, crankshaft |



| ITEM | PART NO. | QTY. | DESCRIPTION |
|------|----------|------|--|
| 1 | 74321965 | 1 | CRANKSHAFT ASSY. (Includes PLUG indented below) |
| | 70919840 | 1 | PLUG, pipe, 1/4" NPT |
| 2 | 74003490 | 1 | KEY, crankshaft pulley (Engines prior to No. 11-19386) |
| 3 | 74321381 | 1 | GEAR |
| | 70905127 | 1 | KEY, "B" woodruff, 5/16" x 1" |
| 4 | 74321348 | 10 | BEARING (standard size) |
| | 74321388 | 10 | BEARING (.010" undersize) |
| | 74321389 | 10 | BEARING (.020" undersize) |
| | 74321390 | 10 | BEARING (.030" undersize) |
| | 74321391 | 10 | BEARING (.040" undersize) |
| 5 | 74321349 | 2 | BEARING (standard size) |
| | 74321392 | 2 | BEARING (.010" undersize) |
| | 74321393 | 2 | BEARING (.020" undersize) |
| | 74321394 | 2 | BEARING (.030" undersize) |
| | 74321395 | 2 | BEARING (.040" undersize) |

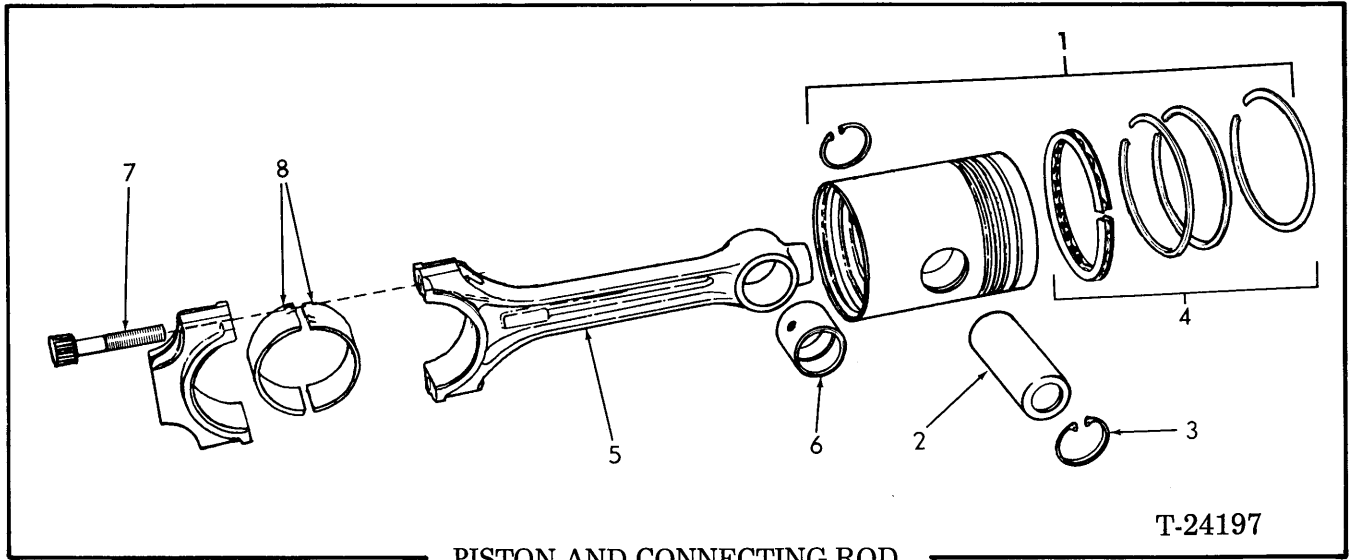
(Continued)

(Revised June 1979)

CRANKSHAFT (Continued)

| ITEM | PART NO. | QTY. | DESCRIPTION |
|------|----------|------|---|
| 6 | 74337687 | 4 | FLANGE, thrust, center main, upper or lower (standard size) |
| | 74337688 | 4 | FLANGE, thrust, center main, upper or lower (.005" oversize) |
| | 74337689 | 4 | FLANGE, thrust, center main, upper or lower (.010" oversize) |
| | 74337690 | 4 | FLANGE, thrust, center main, upper or lower (.015" oversize) |
| 7 | 70919347 | 4 | PIN, spring, 1/4" x 5/8" |
| 8 | 74337698 | 2 | BEARING, (standard size) |
| | 74337699 | 2 | BEARING (.010" undersize) |
| | 74337700 | 2 | BEARING (.020" undersize) |
| | 74337715 | 2 | BEARING (.030" undersize) |
| | 74337716 | 2 | BEARING (.040" undersize) |
| 9 | 74061755 | 1 | KIT, bearing (standard) |
| | 74061756 | 1 | KIT, bearing (.010" undersize) |
| | 74061757 | 1 | KIT, bearing (.020" undersize) |
| | 74061758 | 1 | KIT, bearing (.030" undersize) |
| | 74061759 | 1 | KIT, bearing (.040" undersize) |
| | | | NOTE: Each KIT listed above consists of MAIN BEARINGS for complete crankshaft overhaul. |
| 10 | 74061821 | 1 | KIT, flange (standard size) |
| | 74061822 | 1 | KIT, flange (.005" undersize) |
| | 74061823 | 1 | KIT, flange (.010" undersize) |
| | 74061824 | 1 | KIT, flange (.015" undersize) |
| | | | NOTE: Each Flange Kit listed above consists of 4 flanges and 4 pins, item 11. |

(Revised June 1979)

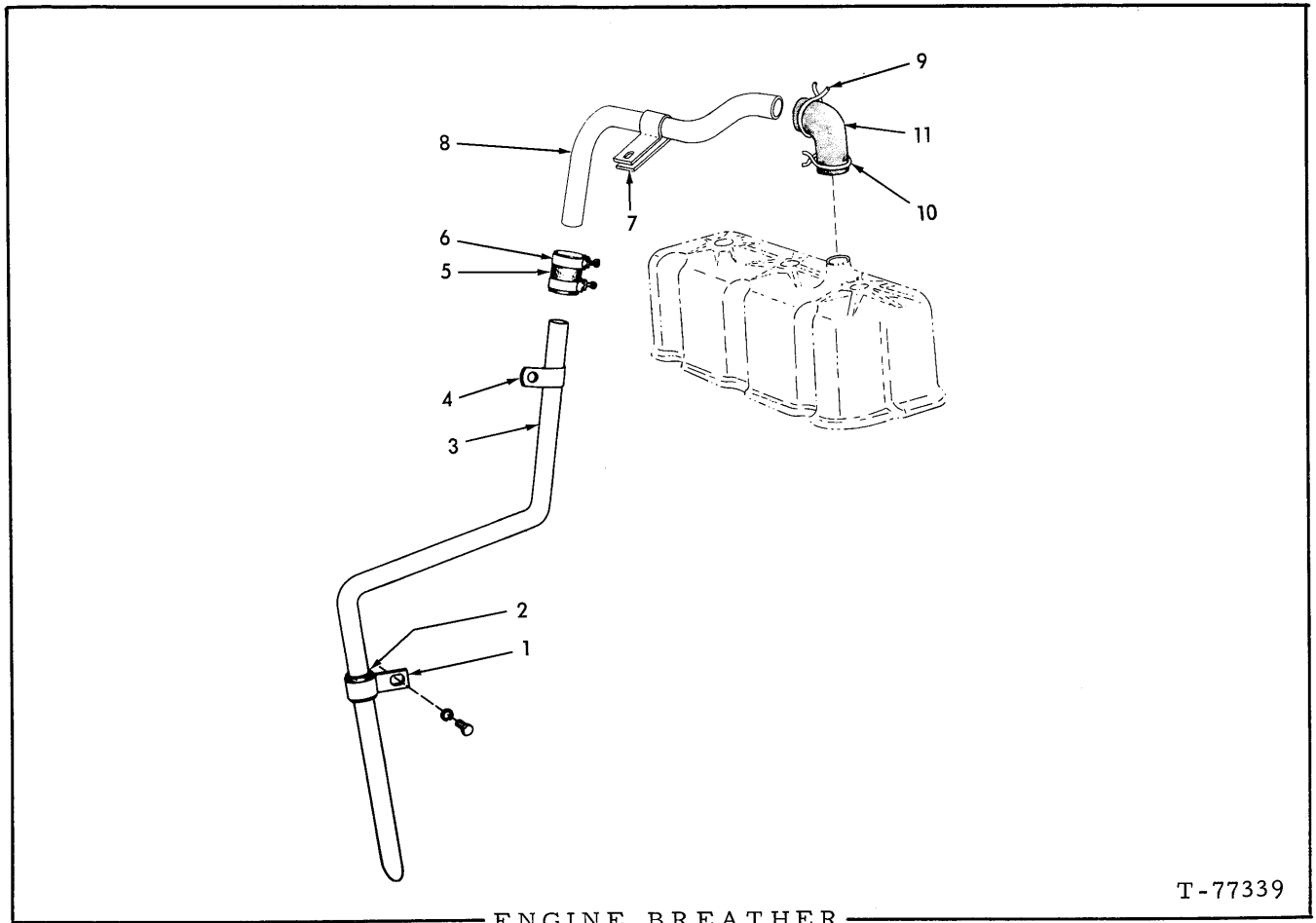


PISTON AND CONNECTING ROD

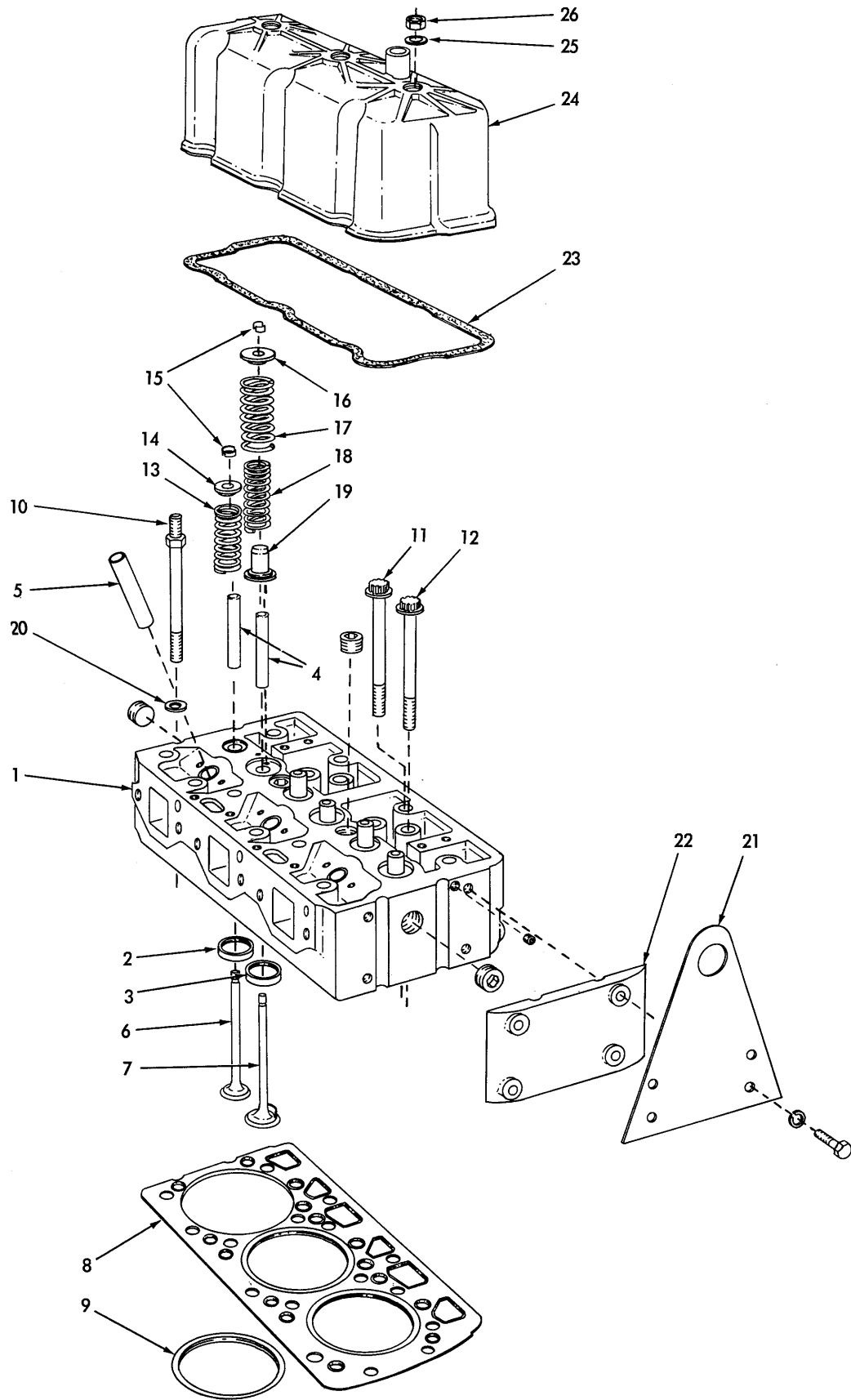
T-24197

| ITEM | PART NO. | QTY. | DESCRIPTION |
|------|----------|------|--|
| 1 | 74062313 | 6 | PISTON ASSY. (Includes piston and items 2, 3, and 4) |
| 2 | 74354778 | 6 | PIN, piston |
| 3 | 74255465 | 12 | RETAINER, piston pin |
| 4 | 74062311 | 6 | RING SET |
| 5 | 74320801 | 6 | ROD ASSY., connecting (Includes items 6 and 7) |
| 6 | 74339017 | 6 | BUSHING, connecting rod |
| 7 | 74359222 | 12 | CAPSCREW, connecting rod |
| 8 | 74321007 | 12 | BEARING, connecting rod (standard size) |
| | 74321033 | 12 | BEARING, connecting rod (.010" undersize) |
| | 74321034 | 12 | BEARING, connecting rod (.020" undersize) |
| | 74321035 | 12 | BEARING, connecting rod (.030" undersize) |
| | 74321036 | 12 | BEARING, connecting rod (.040" undersize) |
| | | | NOTE: Item 9, each kit contains 12 bearings. |
| 9 | 74061766 | 1 | BEARING KIT, connecting rod, (standard) |
| | 74061767 | 1 | BEARING KIT, connecting rod (.010" undersize) |
| | 74061768 | 1 | BEARING KIT, connecting rod (.020" undersize) |
| | 74061769 | 1 | BEARING KIT, connecting rod (.030" undersize) |
| | 74061770 | 1 | BEARING KIT, connecting rod (.040" undersize) |

(Revised June 1979)



| ITEM | PART NO. | QTY. | DESCRIPTION |
|------|----------|------|-------------------------------|
| 1 | 74371323 | 1 | CLIP |
| | 70916271 | 1 | CAPSCREW, 3/8" NC x 1" |
| | 70904206 | 1 | LOCKWASHER, 3/8" |
| 2 | 74371324 | 1 | INSULATOR (rubber) |
| 3 | 74338310 | 1 | TUBE, lower section |
| 4 | 74254173 | 1 | CLIP (Use existing capscrews) |
| 5 | 74347924 | 1 | HOSE |
| 6 | 74253453 | 2 | CLAMP |
| 7 | 74359203 | 1 | CLIP |
| 8 | 74359294 | 1 | TUBE, upper section |
| | 70912069 | 1 | CAPSCREW, 3/8" NC x 2-1/2" |
| | 70904206 | 1 | LOCKWASHER, 3/8" |
| 9 | 74253977 | 1 | CLAMP |
| 10 | 74253978 | 1 | CLAMP |
| 11 | 74359298 | 1 | ELBOW |



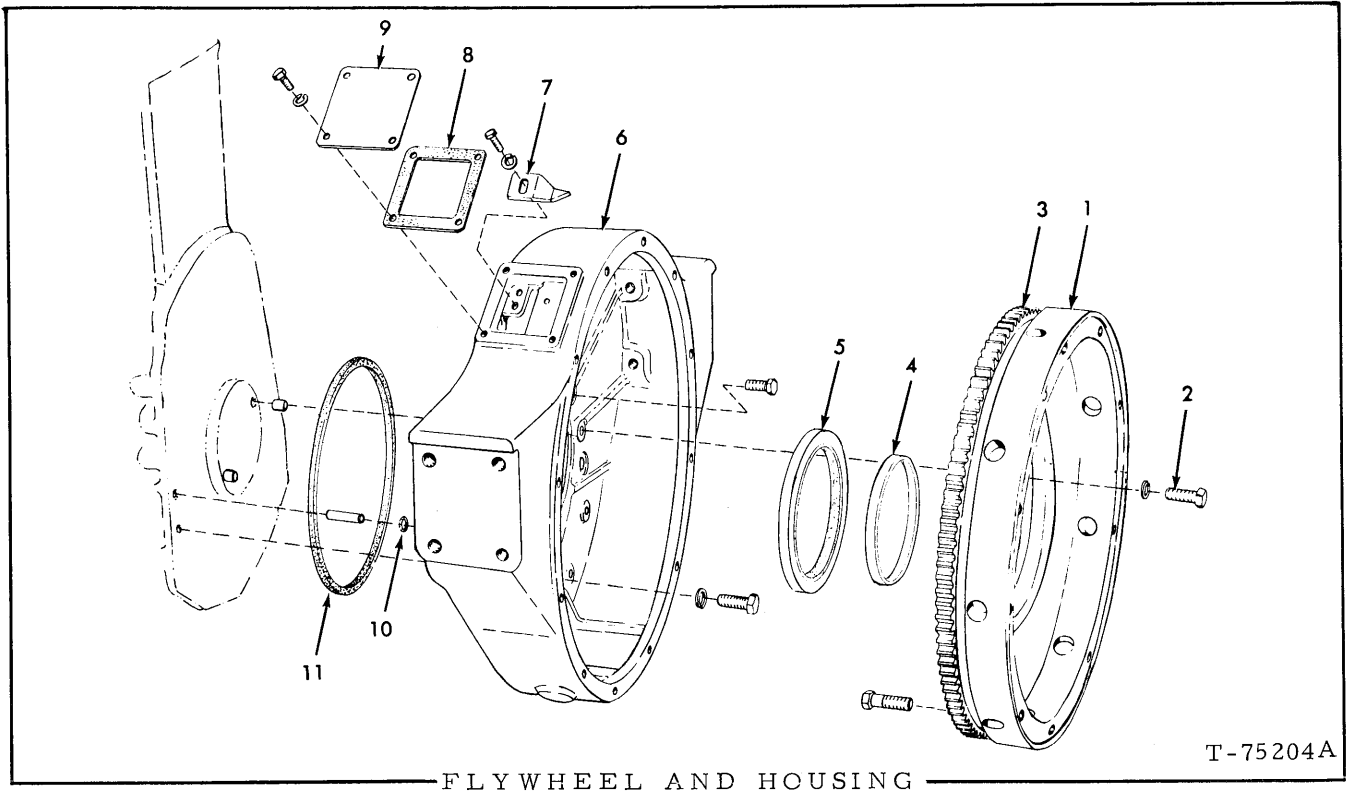
CYLINDER HEAD

T-77627

CYLINDER HEAD

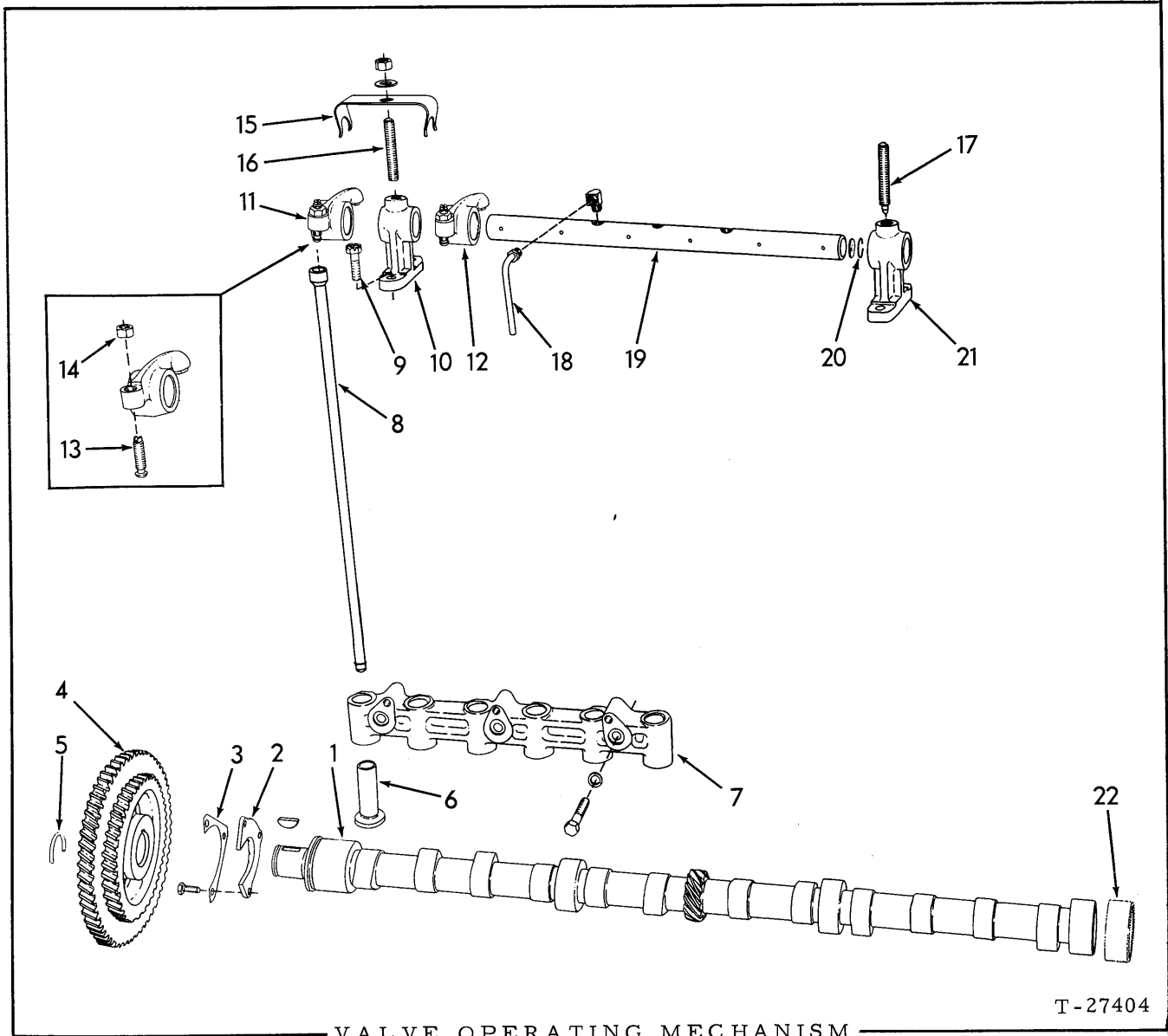
| ITEM | PART NO. | QTY. | DESCRIPTION |
|------|----------|------|---|
| 1 | 74320689 | 2 | HEAD ASSY. (Includes items 2 thru 5 and hardware indented below) (For engines prior to serial No. 11-14193 also order 3 VALVES 74359645, 3 VALVES 74359373, 3 ROTATORS 74320655, 3 SEAT 74320654, 3 CAPSCREWS 70915987, 3 CAPSCREWS 74255914, and 6 WASHER 74371107 (Above quantities are for one (1) head only. |
| | 70917673 | 4 | PLUG, pipe, hex-socket, 1/8" NPT |
| 2 | 74359646 | 6 | INSERT, exhaust valve seat (30° standard size) |
| | 74359115 | 6 | INSERT, exhaust valve seat (30° .005" oversize) |
| 3 | 74359112 | 6 | INSERT, intake valve seat (30° standard size) |
| | 74359113 | 6 | INSERT, intake valve seat (30° .005" oversize) |
| 4 | 74359192 | 12 | GUIDE, valve stem |
| 5 | 74335157 | 6 | SLEEVE, injection nozzle |
| 6 | 74359645 | 6 | VALVE, exhaust (30°) |
| 7 | 74359373 | 6 | VALVE, intake (30°) |
| 8 | 74321437 | 1 | <input type="checkbox"/> GASKET ASSY., front |
| | 74321438 | 1 | <input type="checkbox"/> GASKET ASSY., rear |
| 9 | ----- | 6 | GASKET, fire ring (Integral with item 8) |
| 10 | 74514400 | 1 | CAPSCREW, cylinder head (1/2" x 5-3/8") |
| 11 | 74320613 | 24 | CAPSCREW, cylinder head (5/8" x 5-9/16") |
| 12 | 74320614 | 9 | CAPSCREW, cylinder head (1/2" x 5-5/16") |
| 13 | 74336131 | 6 | SPRING, exhaust valve |
| 14 | 74020408 | 6 | RETAINER, exhaust valve spring |
| 15 | 74376497 | 24 | LOCK, valve spring retainer (half only) |
| 16 | 74320655 | 6 | ROTATOR, intake valve spring |
| 17 | 74336129 | 6 | SPRING, intake valve, outer |
| 18 | 74336130 | 6 | SPRING, intake valve inner |
| 19 | 74320654 | 6 | SEAT, spring |
| 20 | 74372864 | 1 | WASHER, cylinder head nut |
| 21 | 74320616 | 2 | EYE, engine lifting |
| 22 | 74336178 | 2 | PLATE, end |
| | 70916191 | 8 | CAPSCREW, 7/16" NC x 1-1/2" |
| | 70914678 | 8 | LOCKWASHER, 7/16" |
| 23 | 74321981 | 2 | <input type="checkbox"/> GASKET, rocker cover |
| 24 | 74321718 | 1 | COVER, rocker, rear |
| | 74359264 | 1 | COVER, rocker, front |
| 25 | 74376749 | 6 | WASHER, rocker cover nut |
| 26 | 74375937 | 6 | NUT, rocker cover |

(Revised June 1979)



| ITEM | PART NO. | QTY. | DESCRIPTION |
|------|----------|------|--|
| 1 | 74357386 | 1 | FLYWHEEL ASSY. (Includes item 3) |
| 2 | 74035530 | 6 | CAPSCREW, 12-pt. |
| 3 | 74341292 | 1 | GEAR, ring |
| 4 | 74029556 | 1 | SLEEVE KIT, wear (Consists of Sleeve and Instruction Print) |
| 5 | 74029500 | 2 | SEAL KIT, oil, rear crankshaft (5.375" I. D.) |
| 6 | 74359085 | 1 | HOUSING ASSY., flywheel |
| | 70901666 | 1 | PLUG, pipe, 1" NPT |
| | 70917021 | 2 | PIN, dowel, 1/2" x 1" |
| | 74752075 | 9 | BOLT, place, 1/2" NC x 1-1/4" |
| 7 | 74336609 | 1 | POINTER, timing |
| | 70916284 | 2 | CAPSCREW, 1/4" NF x 1/2" |
| | 70904204 | 2 | LOCKWASHER, 1/4" |
| 8 | 74336676 | 1 | <input type="checkbox"/> GASKET |
| 9 | 74358840 | 1 | COVER, timing hole |
| | 70916282 | 4 | CAPSCREW, 1/4" NC x 7/8" |
| | 70904204 | 4 | LOCKWASHER, 1/4" |
| 10 | 70923376 | 2 | <input type="checkbox"/> O-RING, dowel pin |
| 11 | 74336897 | 1 | <input type="checkbox"/> O-RING, flywheel housing to crankcase |

(Revised June 1979)



VALVE OPERATING MECHANISM

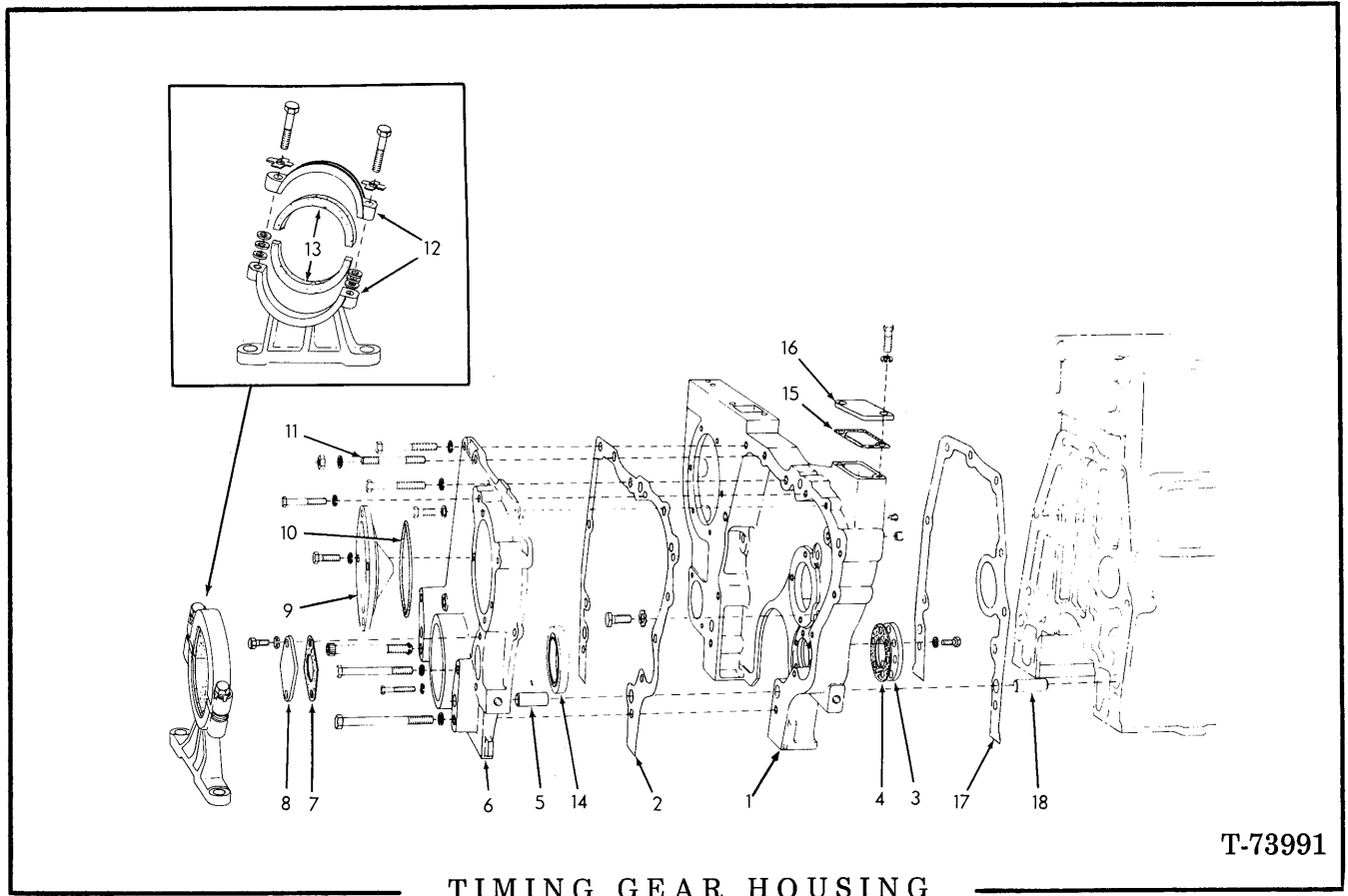
T-27404

| ITEM | PART NO. | QTY. | DESCRIPTION |
|------|----------|------|-----------------------------|
| 1 | 74337723 | 1 | CAMSHAFT |
| | 70905126 | 1 | KEY, #5 woodruff, 1/4" x 1" |
| 2 | 74349257 | 1 | COLLAR |
| | 70916277 | 3 | CAPSCREW, 5/16" NC x 5/8" |
| 3 | 74025391 | 1 | PLATE |
| 4 | 74339659 | 1 | GEAR |
| 5 | 74346307 | 1 | RING, snap |
| 6 | 74338299 | 12 | LIFTER, valve |

(Continued)

VALVE OPERATING MECHANISM (Continued)

| ITEM | PART NO. | QTY. | DESCRIPTION |
|------|----------|------|---|
| 7 | 74359701 | 2 | BRACKET, valve lifter |
| | 74255393 | 6 | BOLT, 3/8" NC x 1-3/4" |
| 8 | 74336234 | 12 | ROD, push |
| 9 | 74255723 | 12 | BOLT, rocker shaft bracket (self-locking) |
| 10 | 74359984 | 4 | BRACKET, rocker shaft, end |
| 11 | 74358989 | 6 | ARM ASSY., rocker, intake valve |
| 12 | 74358988 | 6 | ARM ASSY., rocker, exhaust valve |
| | | | (Each includes items 13 and 14) |
| 13 | 74336646 | 12 | SCREW, valve lash adjustment |
| 14 | 74516821 | 12 | NUT, valve lash adjustment screw |
| 15 | 74338143 | 6 | CLIP, spring, rocker arm retaining |
| | 70910919 | 6 | WASHER, plain, SAE std., 7/16" |
| | 70910986 | 6 | NUT, 7/16" NF |
| 16 | 74348129 | 4 | STUD, rocker cover (2-5/8" long) |
| 17 | 74348130 | 2 | SCREW, rocker shaft retaining (3" long, dog-pt.) |
| 18 | 74349157 | 2 | TUBE ASSY., rocker shaft overflow (Includes nut) |
| | 70913039 | 2 | ELBOW, inverted flare, 90°, 1/4" tube, 1/8" NPT male |
| 19 | 74359985 | 2 | SHAFT ASSY., rocker arm (Includes 70910002 PLUGS and item 20) |
| | 70910002 | 4 | PLUG, expansion, 3/4" diam. |
| 20 | 74254363 | 4 | RING, snap, rocker shaft |
| 21 | 74336142 | 2 | BRACKET, rocker shaft, center |
| 22 | ----- | - | BEARING, camshaft (See CYLINDER BLOCK) |



| ITEM | PART NO. | QTY. | DESCRIPTION |
|------|----------|------|-------------------------------|
| 1 | 74320742 | 1 | HOUSING, front |
| | 70919134 | 2 | PLUG, pipe, hex-hd., 1/8" NPT |
| | 70920416 | 1 | PLUG, pipe, hex-hd., 1/2" NPT |
| | 70917970 | 2 | PLUG, pipe, socket, 1/2" NPT |
| | 74004054 | 3 | CAPSCREW, 1/2" NC x 1-1/16" |
| | 74253490 | 3 | LOCKWASHER |
| 2 | 74354163 | 1 | □ GASKET |
| 3 | 74354414 | 1 | COVER |
| 4 | 74354415 | 1 | GASKET |
| 5 | 74348107 | 2 | PIN, dowel |
| 6 | 74321630 | 1 | COVER |
| | 70916271 | 2 | CAPSCREW, 3/8" NC x 1" |
| | 70919287 | 2 | CAPSCREW, 3/8" NC x 1-7/8" |
| | 70916274 | 2 | CAPSCREW, 3/8" NC x 2-1/4" |
| | 70910287 | 6 | LOCKWASHER, 3/8" |
| | 70915969 | 3 | CAPSCREW, 1/2" NC x 3" |
| | 70916319 | 1 | CAPSCREW, 1/2" NC x 3-1/2" |
| | 70921299 | 1 | CAPSCREW, 1/2" NC x 4" |
| | 70919232 | 1 | CAPSCREW, 1/2" NC x 4-3/4" |
| | 70912441 | 6 | LOCKWASHER, 1/2" |
| 7 | 74335712 | 1 | GASKET |

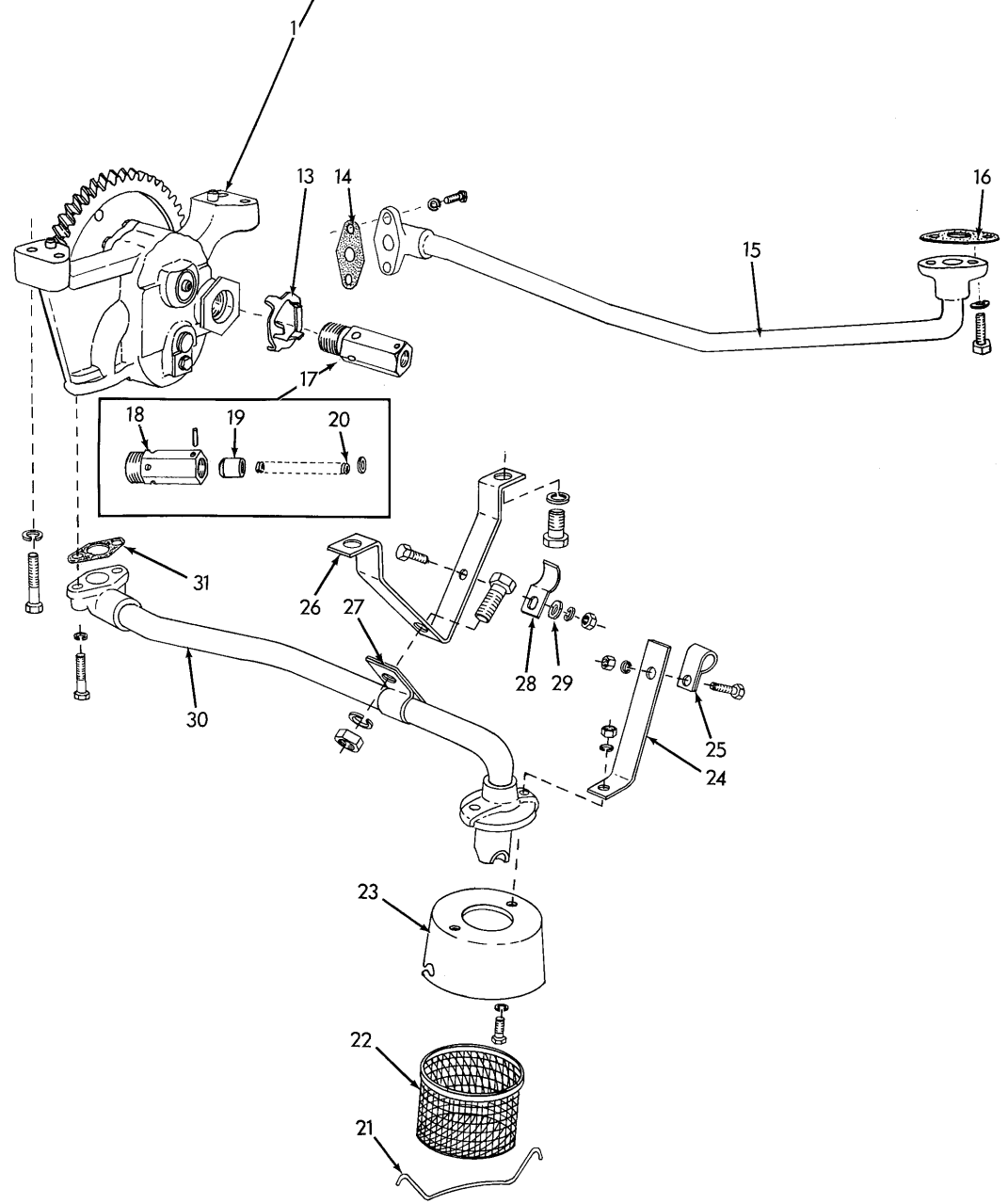
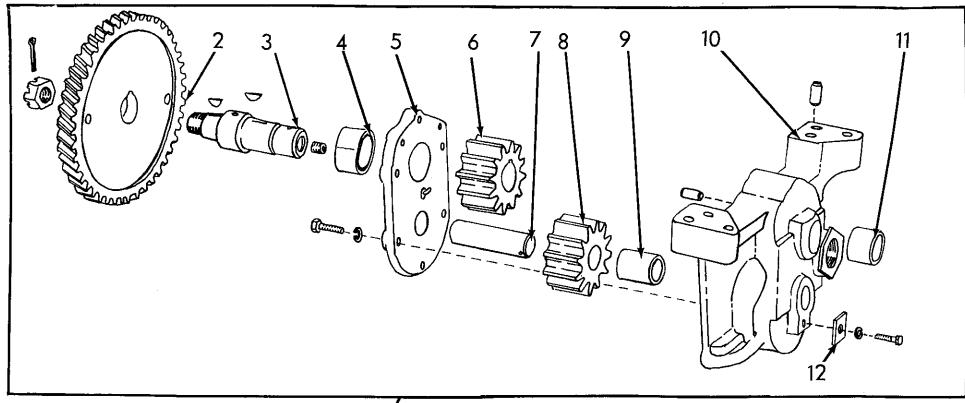
(Continued)

(Revised June 1979)

TIMING GEAR HOUSING (Continued)

| ITEM | PART NO. | QTY. | DESCRIPTION |
|------|----------|------|--|
| 8 | 74335711 | 1 | PLATE |
| | 70916277 | 6 | CAPSCREW, 5/16" NC x 5/8" |
| | 70917330 | 6 | WASHER, copper, 11/32" I.D. |
| 9 | 74354306 | 1 | COVER |
| | 70916271 | 4 | CAPSCREW, 3/8" NC x 1" |
| | 70910287 | 4 | LOCKWASHER, 3/8" |
| 10 | 70923820 | 1 | <input type="checkbox"/> O-RING |
| 11 | 74320776 | 1 | STUD |
| | 70912441 | 1 | LOCKWASHER, 1/2" } Used prior to |
| | 70919423 | 1 | NUT, 1/2" NF } engine serial no. |
| 12 | 74335067 | 1 | BRACKET (Includes cap) |
| | 74254891 | 2 | CAPSCREW, 1/2" NC x 2-1/2" |
| | 70916009 | 10 | WASHER (1/32" thick - use as required) |
| | 74335550 | 2 | LOCKWASHER |
| 13 | 74336491 | 2 | LINER |
| 14 | 74028922 | 1 | SEAL (crankshaft) |
| 15 | 74354304 | 1 | GASKET |
| 16 | 74354305 | 1 | COVER |
| | 70916269 | 2 | CAPSCREW, 3/8" NC x 7/8" |
| | 70910287 | 2 | LOCKWASHER, 3/8" |
| 17 | 74348136 | 1 | <input type="checkbox"/> GASKET |
| 18 | 74346246 | 2 | PIN, dowel |

(Revised June 1979)



OIL PUMP

T-73974

OIL PUMP

USAGE: Used prior to engine S/N 11-24134.

| ITEM | PART NO. | QTY. | DESCRIPTION |
|------|----------|------|---|
| 1 | ----- | 1 | PUMP ASSY. (Consists of items 2 thru 12)(Order 1 OIL PUMP KIT 74321189, 1 GAUGE 74320898 and 1 ADAPTER 74321269) (See PACKAGED PARTS) Once the OIL PUMP KIT has been installed, the design on this page becomes void and service thereafter is governed by the design shown on page 32. |
| | 70919226 | 4 | CAPSCREW, 3/8" NC x 1-5/8" |
| | 70904206 | 4 | LOCKWASHER, 3/8" |
| 2 | 74337047 | 1 | GEAR, driving |
| 3 | 74337576 | 1 | SHAFT, upper |
| | 70910224 | 2 | KEY, No. 6 woodruff, 5/32" x 5/8" |
| | 74254977 | 1 | NUT, lock, 5/8" NF |
| | 70917673 | 1 | PLUG, pipe, hex-socket, 1/8" NPT |
| 4 | 74337584 | 1 | BUSHING |
| 5 | 74337582 | 1 | COVER ASSY. (Includes item 4) |
| | 70916282 | 6 | CAPSCREW, 1/4" NC x 7/8" |
| | 70904204 | 6 | LOCKWASHER, 1/4" |
| 6 | 74337577 | 1 | GEAR, upper |
| 7 | 74337581 | 1 | SHAFT, lower |
| 8 | 74337578 | 1 | GEAR ASSY., lower (Includes item 9) |
| 9 | 74337580 | 1 | BUSHING, lower gear |
| 10 | 74337573 | 1 | HOUSING ASSY., oil pump (Includes item 11 and PINS indented below) |
| | 70917554 | 1 | PIN, dowel, 1/4" x 1/2" |
| | 70917546 | 1 | PIN, dowel, 3/8" x 5/8" |
| 11 | 74337575 | 1 | BUSHING, pump housing |
| 12 | 74348020 | 1 | RETAINER, lower shaft |
| | 74349378 | 1 | CAPSCREW, drilled-hd., 1/4" NC x 1/2" |
| | 70904204 | 1 | LOCKWASHER, 1/4" |
| 13 | 74347938 | 1 | LOCK, pressure relief valve |
| 14 | 74348215 | 1 | GASKET, pump end |
| 15 | 74335382 | 1 | PIPE, discharge |
| | 70915813 | 2 | CAPSCREW, 5/16" NC x 7/8" |
| | 70904205 | 2 | LOCKWASHER, 5/16" |
| | 70916272 | 2 | CAPSCREW, 3/8" NC x 1-1/4" |
| | 70904206 | 2 | LOCKWASHER, 3/8" |
| 16 | 74346169 | 1 | GASKET, discharge pipe to crankcase |
| 17 | 74320597 | 1 | VALVE ASSY., oil pressure relief (Includes items 18 thru 20) |
| 18 | ----- | 1 | BODY, pressure relief (order item 17) |
| 19 | ----- | 1 | PISTON, pressure valve (order item 17) |
| 20 | 74354568 | 1 | SPRING, pressure relief valve |
| | 74359310 | 1 | WASHER, plain, U.S. std., 9/32" |
| | 70916001 | 1 | PIN, roll, 3/16" x 1" |

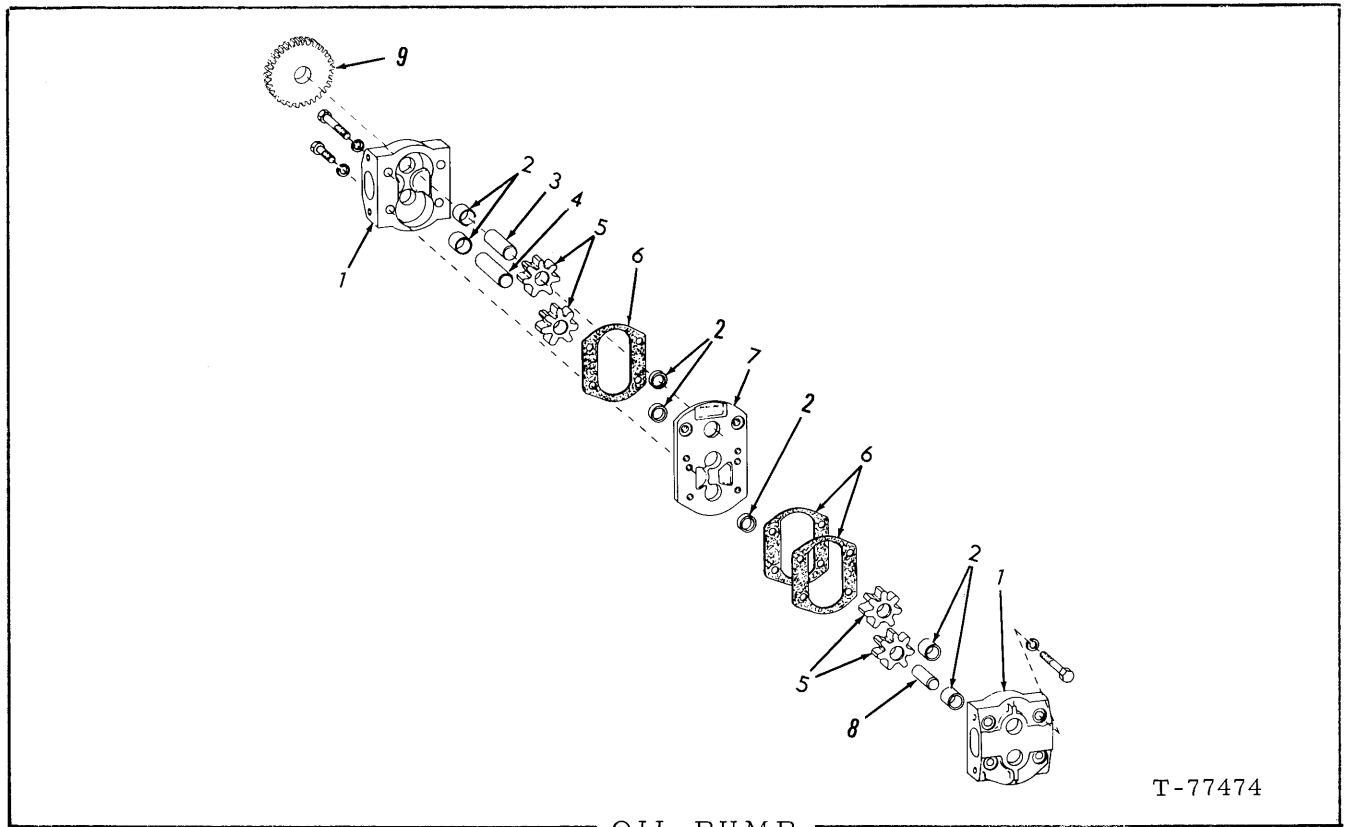
(Continued)

(Revised June 1979)

OIL PUMP (Continued)

| ITEM | PART NO. | QTY. | DESCRIPTION |
|------|----------|------|-----------------------------|
| 21 | 74376294 | 1 | RETAINER, screen |
| 22 | 74374127 | 1 | SCREEN, oil |
| 23 | 74393581 | 1 | COVER, oil screen |
| | 70915807 | 1 | CAPSCREW, 5/16" NC x 1-1/4" |
| | 70915809 | 1 | CAPSCREW, 5/16" NC x 3/4" |
| | 70904205 | 1 | LOCKWASHER, 5/16" |
| 24 | 74359219 | 1 | BRACKET, tube supporting |
| | 70904205 | 1 | LOCKWASHER, 5/16" |
| | 70910323 | 1 | NUT, 5/16" NC |
| 25 | 74306010 | 1 | CLIP, discharge tube |
| | 70915809 | 1 | CAPSCREW, 5/16" NC x 3/4" |
| | 70904205 | 1 | LOCKWASHER, 5/16" |
| | 70910323 | 1 | NUT, 5/16" NC |
| 26 | 74359323 | 1 | BRACKET, tube supporting |
| | 70916310 | 2 | CAPSCREW, 1/2" NC x 1" |
| | 70904208 | 2 | LOCKWASHER, 1/2" |
| 27 | 74354750 | 1 | CLIP, suction tube |
| | 70913827 | 1 | CAPSCREW, 5/8" NC x 1-1/4" |
| | 70904209 | 1 | LOCKWASHER, 5/8" |
| | 70903574 | 1 | NUT, 5/8" NC |
| 28 | 74347572 | 1 | CLAMP, discharge tube |
| | 70915809 | 1 | CAPSCREW, 5/16" NC x 3/4" |
| 29 | 70911422 | 1 | WASHER, plain, 5/16" |
| | 70904205 | 1 | LOCKWASHER, 5/16" |
| | 70910323 | 1 | NUT, 5/16" NC |
| 30 | 74357360 | 1 | TUBE ASSY., suction |
| | 70919290 | 2 | CAPSCREW, 5/16" NC x 1-5/8" |
| | 70904205 | 2 | LOCKWASHER, 5/16" |
| 31 | 74348218 | 1 | GASKET, suction tube |

□ (Also see PACKAGED PARTS)

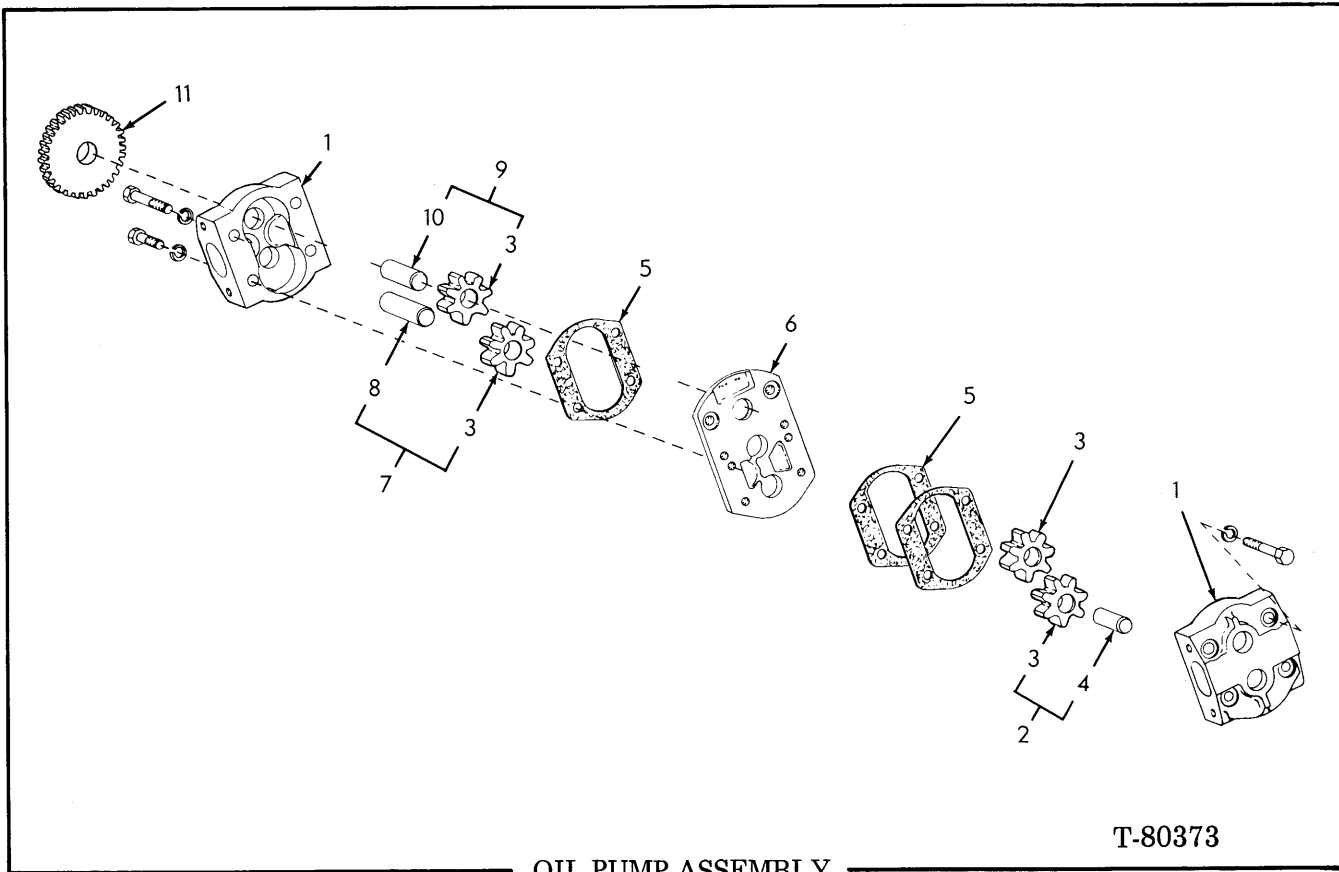


OIL PUMP

T-77474

USAGE: Effective with engine serial no. 11-24134

| ITEM | PART NO. | QTY. | DESCRIPTION |
|------|----------|------|---------------------------------------|
| - | 74320883 | 1 | PUMP ASSY. (Includes items 1 thru 10) |
| 1 | 74393344 | 2 | BODY ASSY. (Includes item 2) |
| | 70920594 | 6 | CAPSCREW, 7/16" NF x 2" |
| | 70930705 | 2 | CAPSCREW, 7/16" NF x 3" |
| | 70907863 | 8 | LOCKWASHER, 7/16" |
| 2 | 74393346 | 7 | BUSHING |
| 3 | 74393351 | 1 | SHAFT |
| 4 | 74026614 | 1 | SHAFT |
| 5 | 74028077 | 4 | GEAR |
| 6 | 74393349 | 3 | GASKET |
| 7 | 74393347 | 1 | PLATE ASSY. (Includes 3 of item 2) |
| 8 | 74393354 | 1 | SHAFT |
| 9 | 74320884 | 1 | GEAR |



OIL PUMP ASSEMBLY

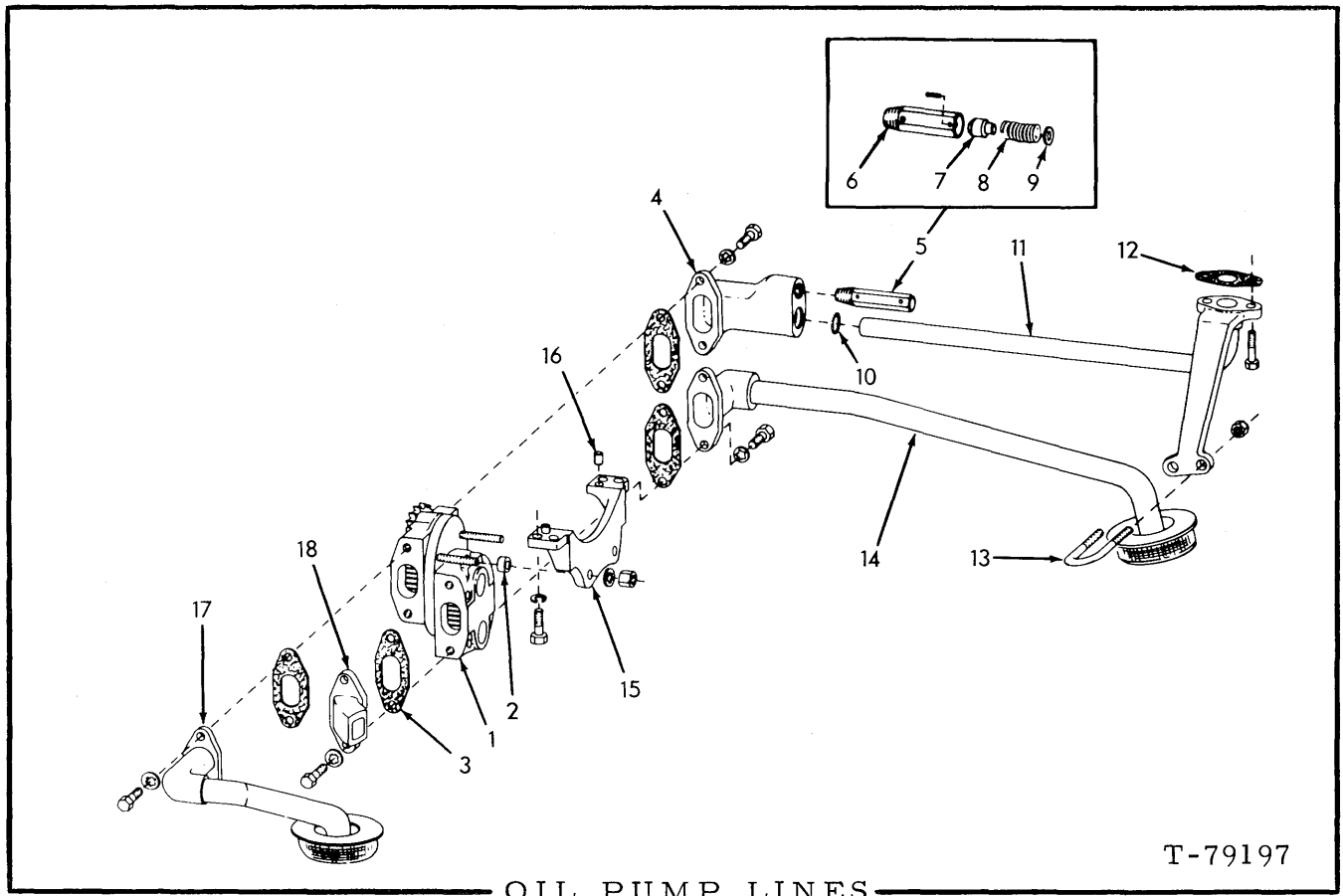
T-80373

USAGE: Service replacement.

| ITEM | PART NO. | QTY. | DESCRIPTION |
|------|----------|------|--|
| - | 74321399 | 1 | PUMP ASSY. (Includes items 1 thru 11) |
| 1 | 74395087 | 2 | BODY ASSY. |
| | 70920594 | 6 | CAPSCREW, 7/16" NF x 2" |
| | 70930705 | 2 | CAPSCREW, 7/16" NF x 3" |
| | 70907863 | 8 | LOCKWASHER, 7/16" |
| 2 | 74393353 | 1 | SHAFT ASSY. (Includes items 3 and 4) |
| 3 | 74028077 | 4 | GEAR |
| 4 | 74393354 | 1 | SHAFT |
| 5 | 74393349 | 3 | GASKET |
| 6 | 74395089 | 1 | PLATE ASSY. |
| 7 | 74393352 | 1 | SHAFT ASSY. (Includes items 3 and 8) |
| 8 | 74026614 | 1 | SHAFT |
| 9 | 74393350 | 1 | SHAFT ASSY., (Includes items 3 and 10) |
| 10 | 74393351 | 1 | SHAFT |
| 11 | 74320884 | 1 | GEAR |

(Added June 1979)

MEMO



T-79197

OIL PUMP LINES

USAGE: Effective with engine serial no. 11-24134

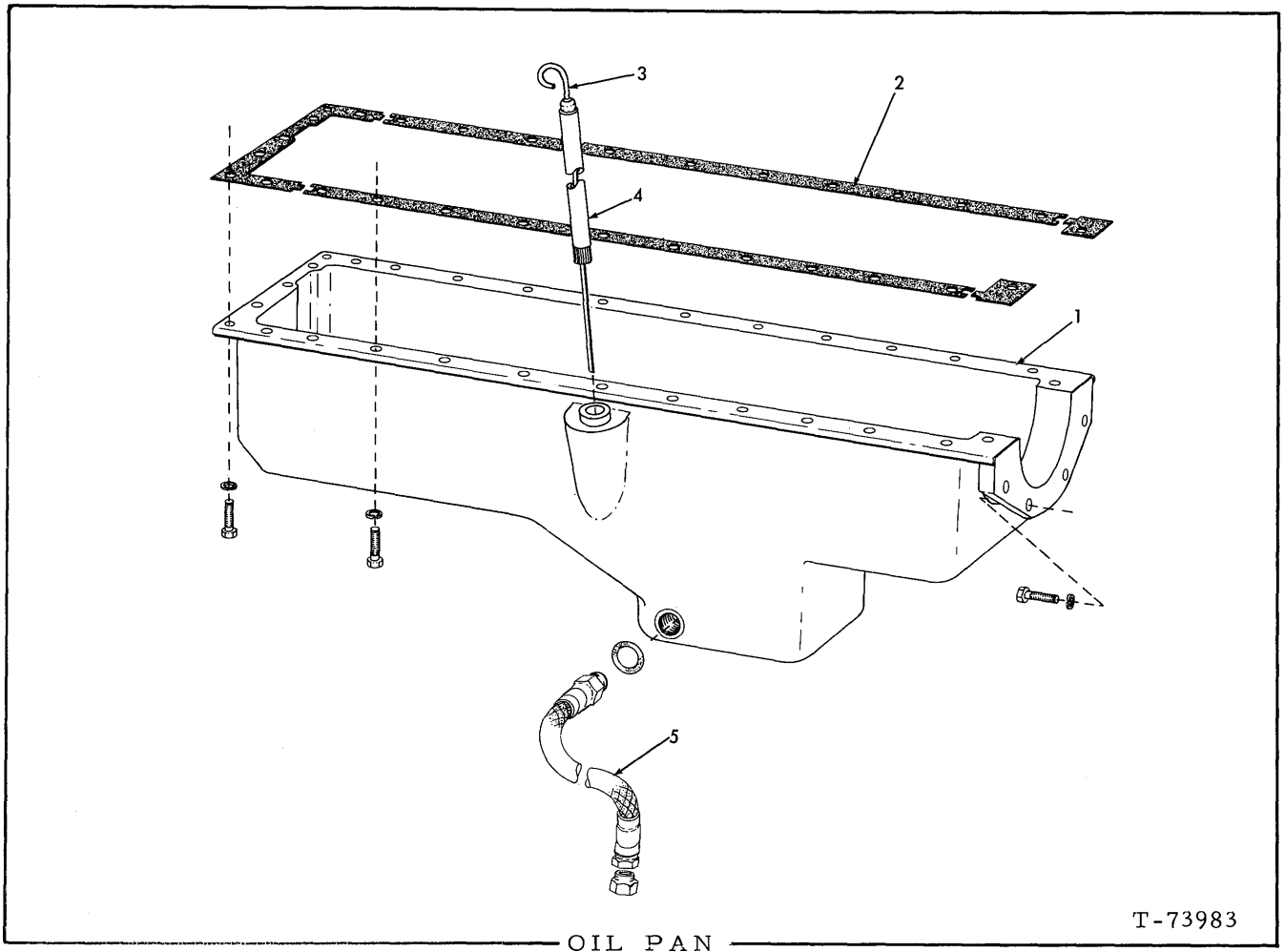
| ITEM | PART NO. | QTY. | DESCRIPTION |
|------|----------|------|---------------------------------------|
| 1 | ----- | 1 | PUMP ASSY. (See page 31) |
| | 70907863 | 2 | LOCKWASHER, 7/16" |
| | 70928212 | 2 | NUT, 7/16" |
| 2 | 74395024 | 2 | DOWEL |
| 3 | 74393359 | 4 | GASKET |
| 4 | 74321052 | 1 | ELBOW |
| | 70923193 | 2 | CAPSCREW, 3/8" x 1-1/4" |
| | 70916543 | 2 | LOCKWASHER, 3/8" |
| 5 | 74320597 | 1 | VALVE ASSY. (Includes items 6 thru 9) |
| 6 | ----- | 1 | BODY (Not serviced separately) |
| | 70916001 | 1 | PIN, 3/16" x 1" |
| 7 | ----- | 1 | PISTON (Not serviced separately) |
| 8 | 74354568 | 1 | SPRING |
| 9 | 74359310 | 1 | WASHER |
| 10 | 70930924 | 1 | O-RING |
| 11 | 74320885 | 1 | TUBE |
| | 70921565 | 2 | CAPSCREW, 3/8" x 1-1/2" |
| 12 | 74320916 | 1 | GASKET |
| 13 | 74321053 | 1 | U-BOLT |
| | 70916871 | 2 | NUT, 5/16" |

(Continued)

(Revised June 1979)

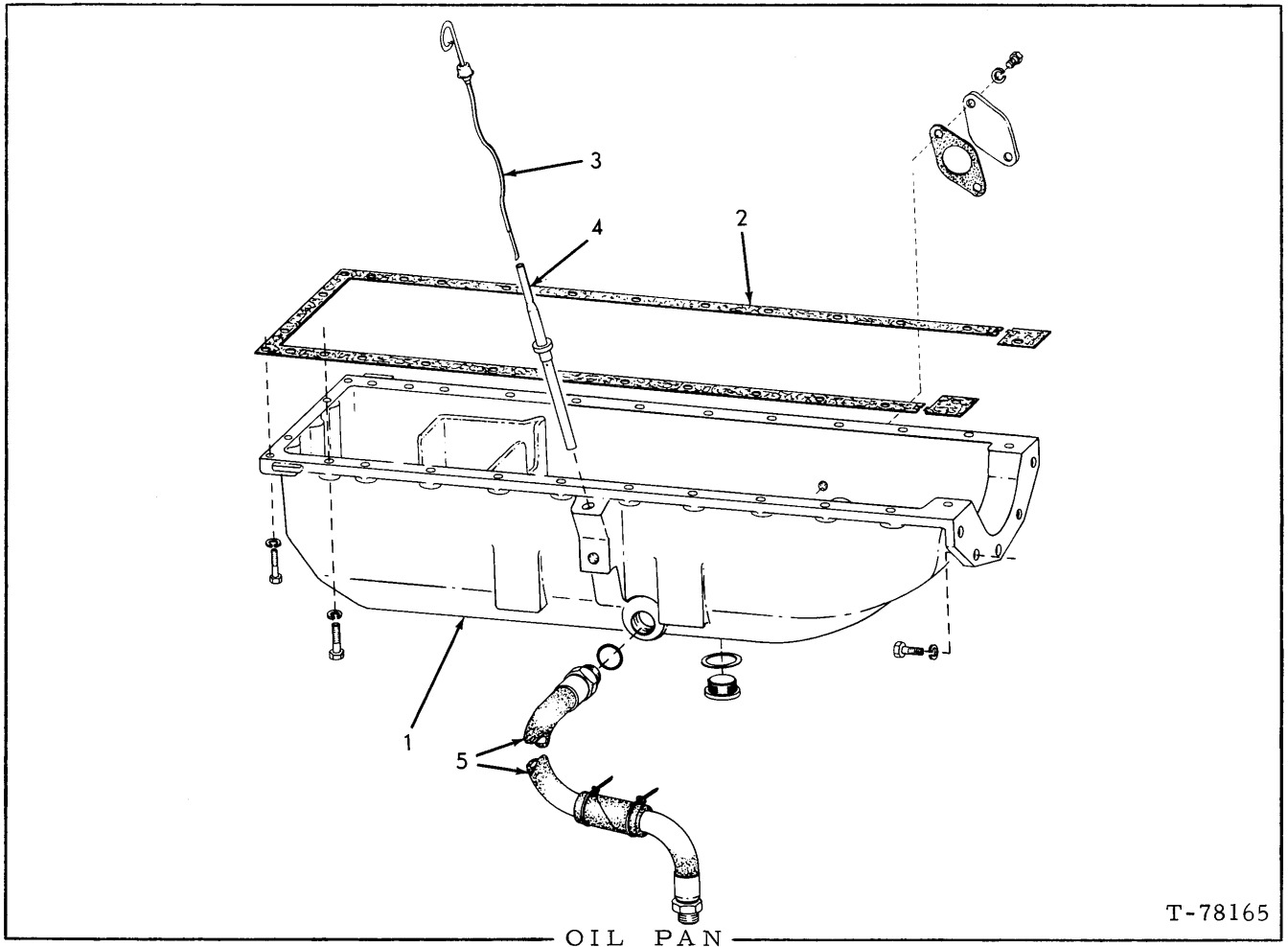
OIL PUMP LINES (Continued)

| ITEM | PART NO. | QTY. | DESCRIPTION |
|------|----------|------|---|
| 14 | 74320887 | 1 | TUBE |
| | 70923193 | 2 | CAPSCREW, 3/8" x 1-1/4" |
| | 70916543 | 2 | LOCKWASHER, 3/8" |
| 15 | 74321671 | 1 | BRACKET |
| | 70921076 | 2 | CAPSCREW, 3/8" x 1-1/4" |
| | 70910287 | 2 | LOCKWASHER, 3/8" |
| 16 | 70917546 | 2 | DOWEL (Used prior to engine s/n 11-27594) |
| 17 | 74320839 | 1 | TUBE |
| | 70923193 | 2 | CAPSCREW, 3/8" x 1-1/4" |
| | 70916543 | 2 | LOCKWASHER, 3/8" |
| 18 | 74320838 | 1 | ELBOW |
| | 70923193 | 2 | CAPSCREW, 3/8" x 1-1/4" |
| | 70916543 | 2 | LOCKWASHER, 3/8" |



USAGE: Used prior to engine serial no. 11-24134

| ITEM | PART NO. | QTY. | DESCRIPTION |
|------|----------|------|--|
| 1 | 74357794 | 1 | PAN |
| | 70916269 | 4 | CAPSCREW, 3/8" NC x 7/8" |
| | 70916271 | 25 | CAPSCREW, 3/8" NC x 1-1/8" |
| | 70904206 | 29 | LOCKWASHER, 3/8" |
| | 70914392 | 4 | CAPSCREW, 5/16" NC x 1" |
| | 70904205 | 4 | LOCKWASHER, 5/16" |
| | 70922238 | 1 | CAPSCREW, 12 pt., 5/16" NC x 1" |
| 2 | 74347543 | 1 | GASKET SET, oil pan (5 pieces) |
| 3 | 74357356 | 1 | GAUGE, oil level |
| 4 | 74357357 | 1 | ADAPTER ASSY., oil level gauge |
| 5 | 74357853 | 1 | HOSE ASSY., oil drain (Includes O-ring 70921206) |
| | 70921206 | 1 | O-RING |
| | 70920416 | 1 | PLUG, pipe, 1/2" NPT |
| | 70924673 | 1 | NUT, locking |



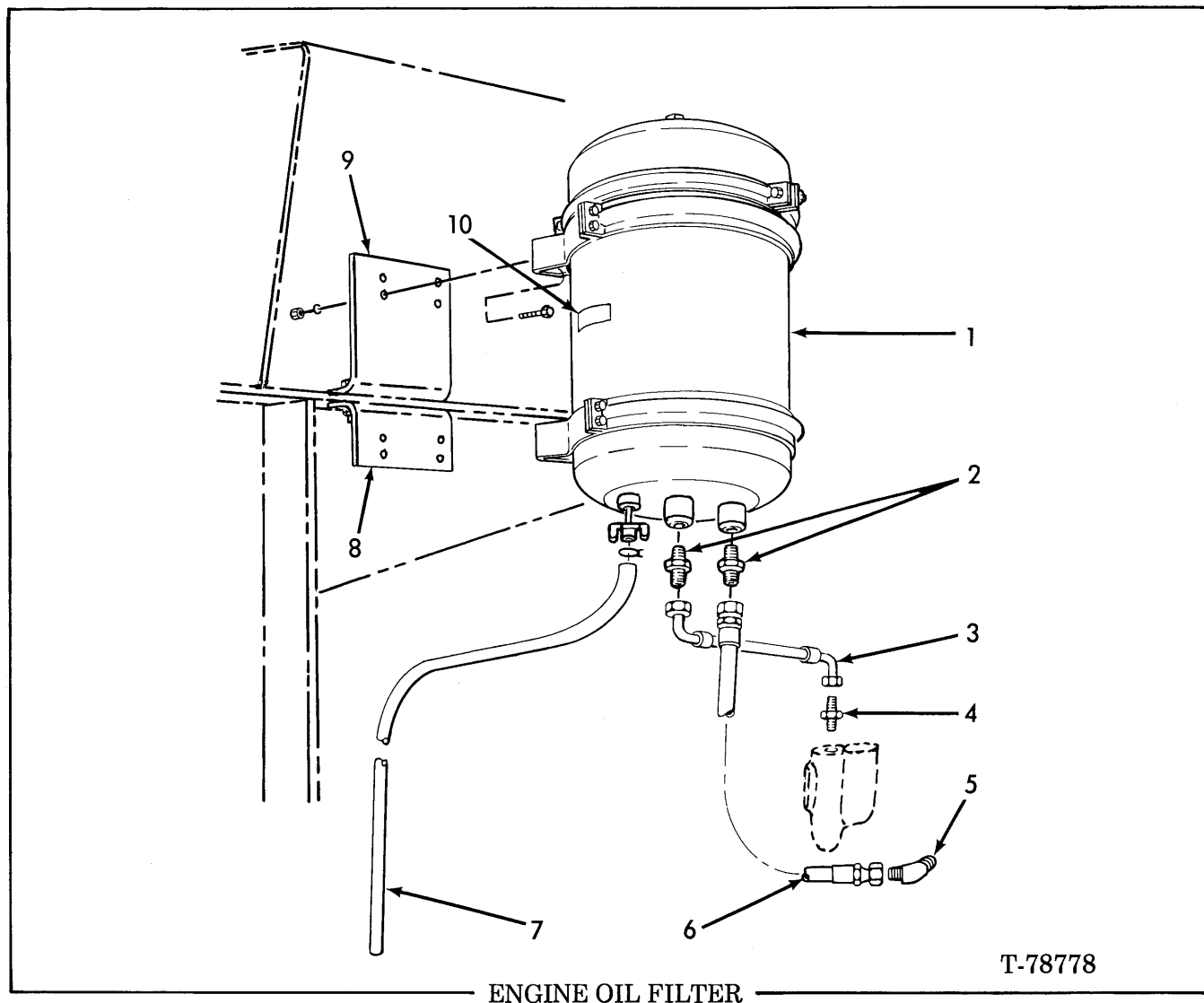
USAGE: Effective with engine serial no. 11-24134.

| ITEM | PART NO. | QTY. | DESCRIPTION |
|------|----------|------|---|
| 1 | 74321186 | 1 | PAN |
| | 70916279 | 4 | CAPSCREW, 5/16" x 1-1/2" |
| | 70919784 | 1 | CAPSCREW, 5/16" x 4" |
| | 70914847 | 22 | CAPSCREW, 3/8" x 1-1/2" |
| | 74255916 | 5 | CAPSCREW |
| | 70912369 | 5 | LOCKWASHER, 21/64" |
| | 70913544 | 29 | LOCKWASHER, 13/32" |
| | 70035250 | 1 | PLUG |
| | 70667252 | 1 | GASKET |
| | 74337741 | 1 | PLATE |
| | 74337740 | 1 | GASKET |
| | 70916271 | 2 | CAPSCREW |
| | 70904206 | 2 | LOCKWASHER |
| | | | |
| 2 | 74347543 | 1 | GASKET SET |
| 3 | 74320898 | 1 | GAUGE |
| 4 | 74354656 | 1 | ADAPTER ASSY. |
| 5 | 74321230 | 1 | HOSE ASSY. (Includes 1 O-RING 70921206) |
| | 70921206 | 1 | O-RING |
| | 70920416 | 1 | PLUG, 1/2" (Not illustrated) |
| | 70924673 | 1 | NUT, 1-3/16" (Not illustrated) |

MEMO

(Added June 1979)

35A

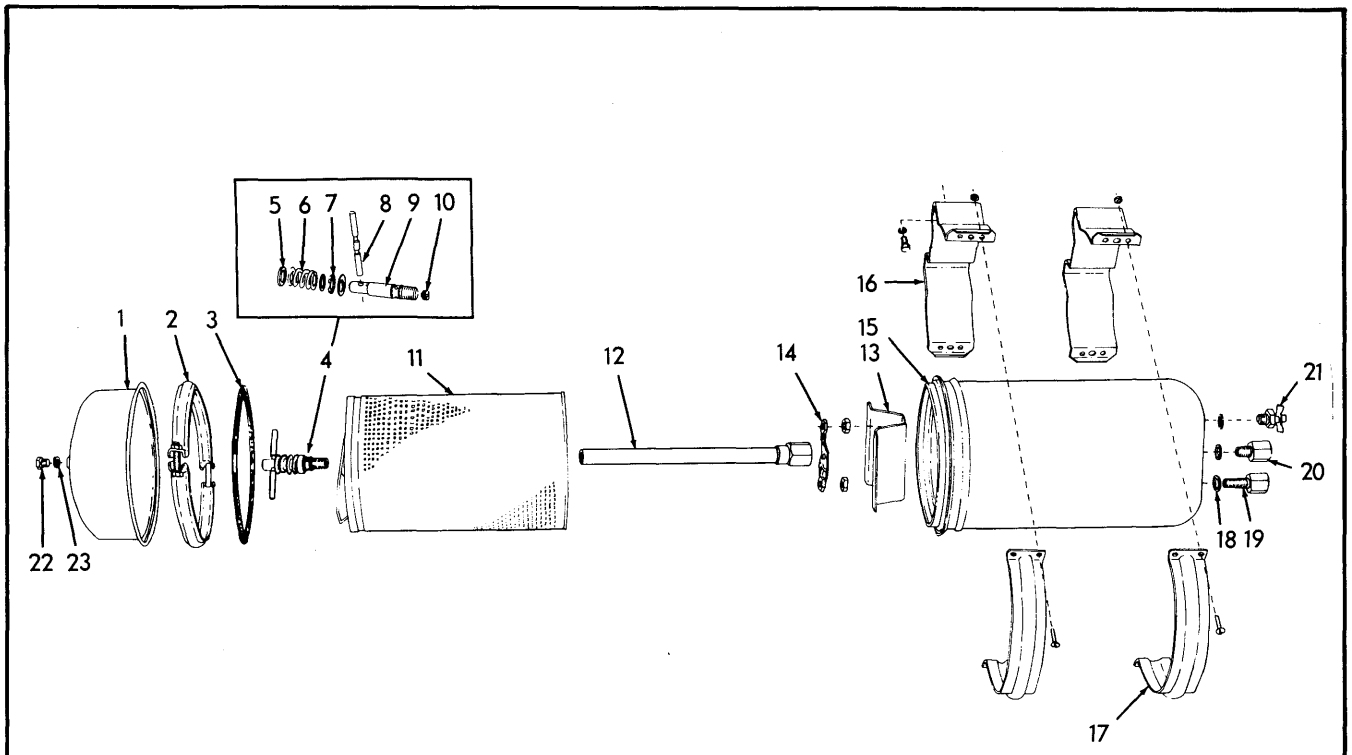


ENGINE OIL FILTER

T-78778

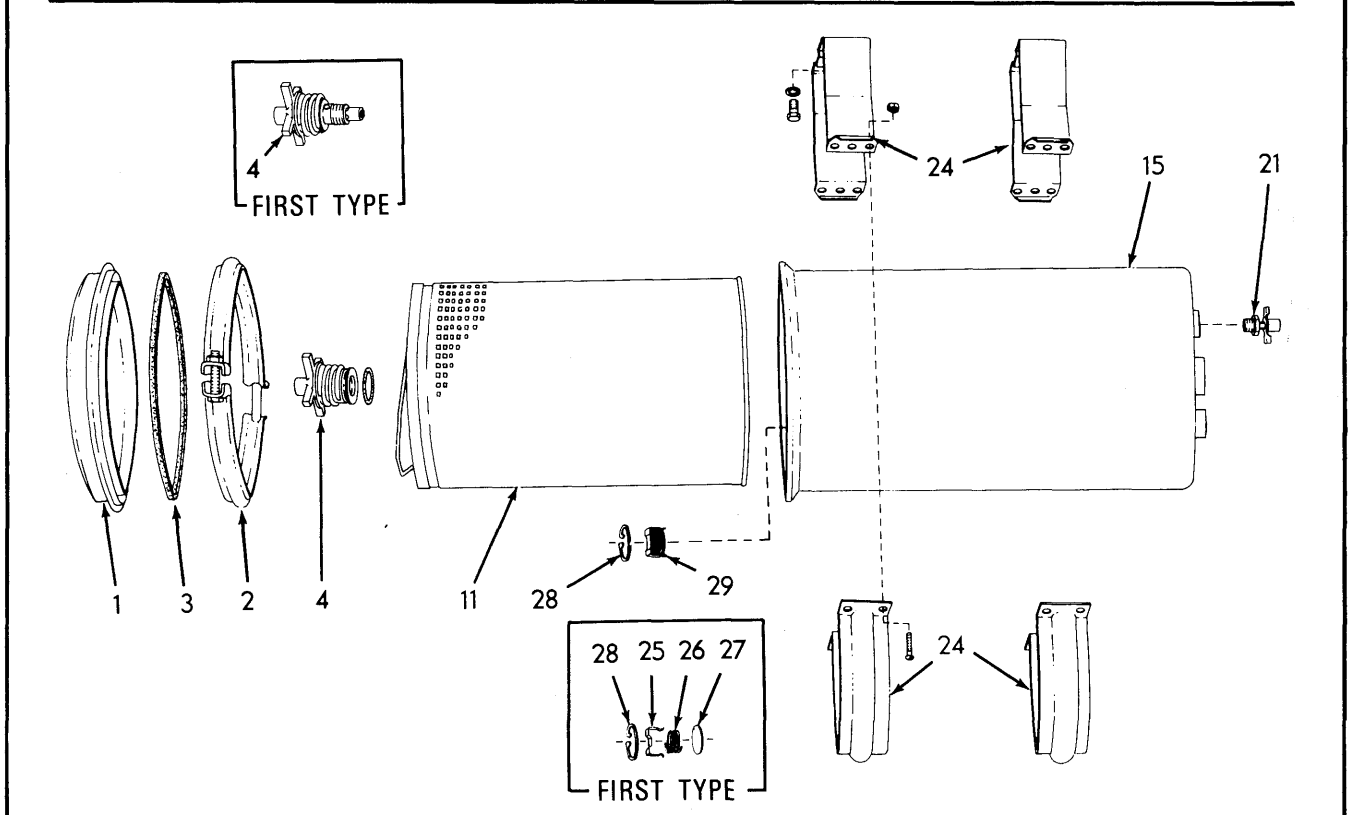
USAGE: Special Equipment (Heavy duty type)
 NOTE: If machine is equipped with platform mounted alcohol injector see page 155 for mounting bracket.

| ITEM | PART NO. | QTY. | DESCRIPTION |
|------|----------|------|--|
| 1 | ----- | 1 | FILTER ASSY. (See page 35C) |
| | 70916271 | 8 | CAPSCREW, 3/8" NC x 1" |
| | 70910287 | 8 | LOCKWASHER, 3/8" |
| | 70910324 | 8 | NUT, 3/8" NC |
| 2 | 70919127 | 2 | CONNECTOR, 3/8" tube, 1/2" taper thd. |
| 3 | 73059762 | 1 | HOSE ASSY.(Serviced only as a unit) |
| 4 | 70919172 | 1 | CONNECTOR, 3/8" tube, 3/8" taper thd. |
| 5 | 70925837 | 1 | ELBOW, 45°, 3/8" tube, 9/16" str. thd. |
| 6 | 73059761 | 1 | HOSE ASSY. (Serviced only as a unit) |
| 7 | 70667676 | 1 | HOSE, 30" long |
| 8 | 73059760 | 1 | BRACKET |
| 9 | 73059759 | 1 | BRACKET |
| | 70916314 | 2 | CAPSCREW, 1/2" NC x 2" |
| | 70904208 | 2 | LOCKWASHER, 1/2" |
| | 70910325 | 2 | NUT, 1/2" NC |
| 10 | 73107880 | 1 | DECAL |



T-74660

LUBER-FINER DESIGN



T-76480

FLEETGUARD DESIGN

OIL FILTER (By-pass type)

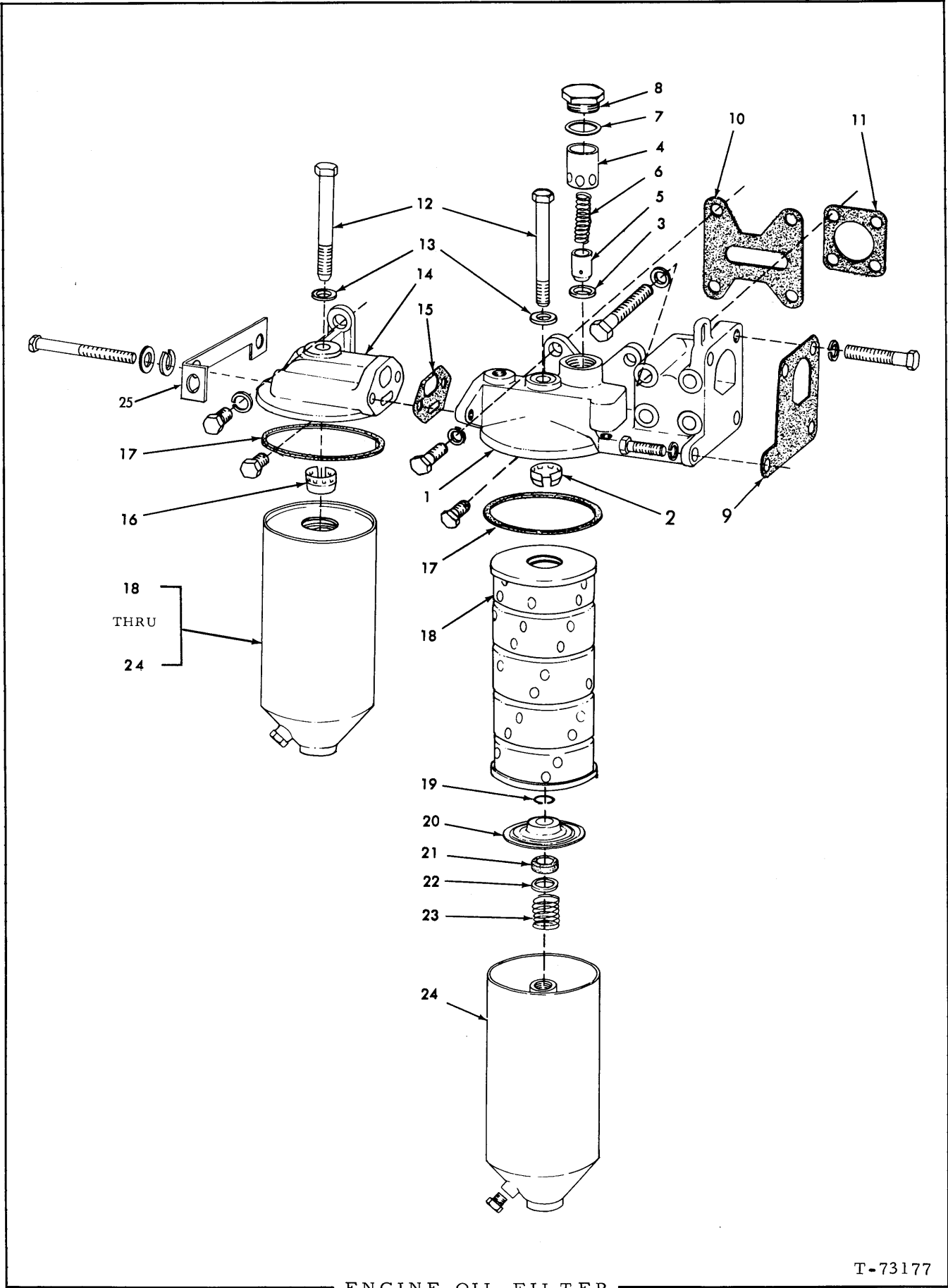
(Added June 1979)

OIL FILTER (By-pass type)

USAGE: * Luber-Finer Design }
 ** Fleetguard Design } See page 35B

NOTE: This FILTER ASSEMBLY is available in two designs, "Fleetguard" and "Luber-Finer". Check which is applicable to your unit and order service parts accordingly.

| ITEM | PART NO. | QTY. | DESCRIPTION |
|------|----------|------|---|
| | | * ** | |
| - | 74390593 | 1 - | FILTER ASSY. (Includes items 1 thru 23) |
| - | 74390593 | - 1 | FILTER ASSY.(Includes items 1 thru 4,11,15,21,24 thru 29) |
| 1 | 74059262 | 1 - | COVER |
| | 74059813 | - 1 | COVER |
| 2 | 70630540 | 1 - | RING ASSY. (Includes nut and bolt) |
| | 74059814 | - 1 | COUPLING ASSY'(Includes hardware. Serviced only as a unit) |
| 3 | 70082449 | 1 - | GASKET |
| | 74061787 | - 1 | GASKET |
| 4 | 74059266 | 1 - | HOLD-DOWN ASSY. (Includes items 5 thru 10) |
| | 74060691 | - 1 | SUPPORT ASSY.(Male thread post) |
| | | | (First type) |
| | 74061788 | - 1 | SUPPORT ASSY.(Female thread post) |
| | | | (Second type) |
| | | | } Each includes O-RING Service only as a unit. |
| 5 | 70082489 | 3 - | WASHER |
| 6 | 70082490 | 1 - | SPRING |
| 7 | 70082487 | 1 - | SEAL |
| 8 | 70082488 | 1 - | HANDLE |
| 9 | ----- | 1 - | STUD(Order item 4) |
| 10 | 74059265 | 1 - | PLUG |
| 11 | 74059343 | 1 1 | ELEMENT |
| 12 | 74059264 | 1 - | TUBE ASSY. (Includes nut) |
| 13 | 70096816 | 1 - | SUPPORT |
| | 70911049 | 2 - | NUT, jam, 5/8" NF |
| 14 | 70096815 | 1 - | RETAINER |
| 15 | ----- | 1 - | HOUSING (Not serviced separately) |
| | ----- | - 1 | SHELL(Female thread post)(First type)(For initial replacement order second type SHELL and second type item 4) |
| | 74061785 | - 1 | SHELL (Male thread post)(Second type) |
| 16 | 70082444 | 2 - | BRACKET |
| 17 | 70082443 | 2 - | BAND |
| | 70915406 | 8 - | CAPSCREW, 1/4" NC x 3/4" |
| | 70911024 | 8 - | NUT, 1/4" NC |
| 18 | 70063891 | 3 - | GASKET |
| 19 | 70063890 | 1 - | VALVE ASSY. } (Includes 1 spring, 1 ring, 1 cup. Serviced only as a unit.) |
| 20 | 70080758 | 1 - | VALVE ASSY. } |
| 21 | 74060755 | 1 - | COCK, drain |
| | 70229210 | 1 - | COCK, drain |
| 22 | 70084897 | 1 - | PLUG |
| 23 | 70084899 | 1 - | WASHER |
| 24 | 74061786 | - 1 | BRACKET ASSY.(2-piece, includes hardware, Serviced only as unit) |
| 25 | 74059810 | - 1 | CAGE |
| 26 | 74059811 | - 1 | SPRING } First type - order item 29 |
| 27 | 74059812 | - 1 | DISC } |
| 28 | 74253555 | - 1 | RING |
| 29 | 74061789 | - 1 | VALVE, check |



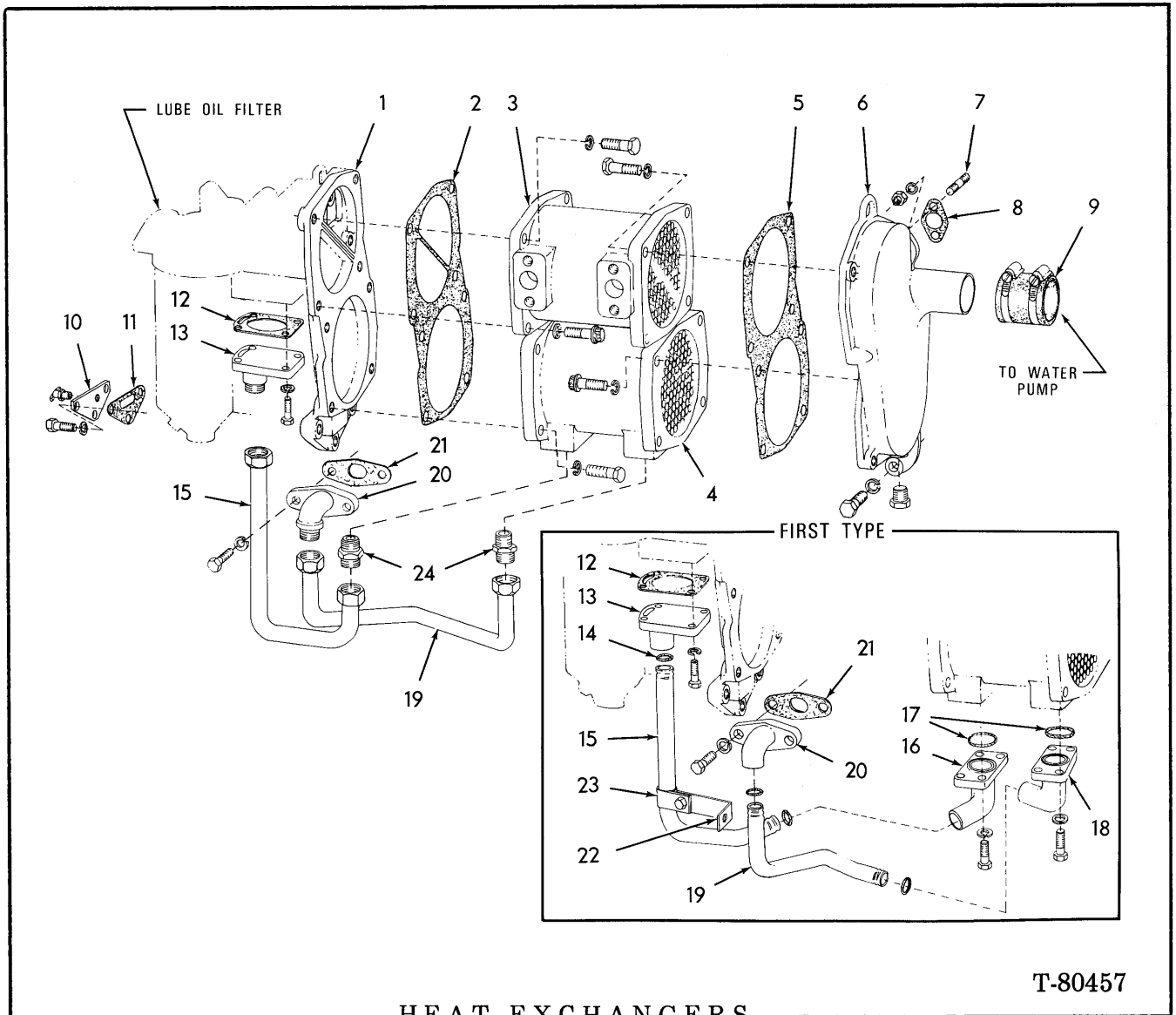
ENGINE OIL FILTER

T-73177

ENGINE OIL FILTER

| ITEM | PART NO. | QTY. | DESCRIPTION |
|------|-----------|------|--|
| 1 | 7 4339198 | 1 | HEAD ASSEMBLY (Includes items 2 thru 8) |
| | 7 0920541 | 3 | CAPSCREW, Nylok, 1/2" NC x 1-1/2" |
| | 7 0920540 | 1 | CAPSCREW, Nylok, 1/2" NC x 1-1/4" |
| | 7 0920574 | 3 | CAPSCREW, 1/2" NC x 1-3/8" |
| | 7 0915969 | 1 | CAPSCREW, 1/2" NC x 3" |
| | 7 0904208 | 6 | LOCKWASHER, 1/2" |
| | 7 0919293 | 4 | CAPSCREW, 3/8" NC x 5" |
| | 7 0904206 | 4 | LOCKWASHER, 3/8" |
| 2 | 7 4379263 | 1 | ADAPTER, cartridge centering, upper |
| 3 | 7 4373614 | 1 | SEAT, by-pass valve |
| 4 | 7 4373612 | 1 | SLEEVE, by-pass valve piston |
| 5 | 7 4373613 | 1 | PISTON, by-pass valve |
| 6 | 7 4359656 | 1 | SPRING, by-pass valve |
| 7 | 7 4253751 | 1 | GASKET, by-pass valve cap |
| 8 | 7 4373610 | 1 | CAP, by-pass valve |
| 9 | 7 4339128 | 1 | <input type="checkbox"/> GASKET, filter head |
| 10 | 7 4339150 | 1 | <input type="checkbox"/> GASKET, filter head to block, rear |
| 11 | 7 4348184 | 1 | <input type="checkbox"/> GASKET, filter head to block, front |
| 12 | 7 4339022 | 2 | CAPSCREW, oil filter body |
| 13 | 7 4376749 | 2 | WASHER, sealing, filter body capscrew |
| 14 | 7 4339454 | 1 | HEAD ASSEMBLY, rear filter (Includes item 16) |
| | 7 0920682 | 2 | CAPSCREW, 3/8" NC x 5-1/2" |
| | 7 0904206 | 2 | LOCKWASHER, 3/8" |
| | 7 0922465 | 2 | WASHER, plain |
| | 7 0916311 | 1 | CAPSCREW, 1/2" NC x 1-1/4" |
| | 7 0904208 | 1 | LOCKWASHER, 1/2" |
| | 7 0921865 | 1 | CAPSCREW, Nylok, 1/2" NC x 1" |
| 15 | 7 4339123 | 1 | <input type="checkbox"/> GASKET, filter interconnection |
| 16 | 7 4379263 | 1 | ADAPTER, cartridge centering, upper |
| 17 | 7 4372325 | 2 | GASKET, oil filter body |
| 18 | 74395889 | 2 | CARTRIDGE ASSEMBLY, oil filter (Includes item 17) |
| 19 | 7 4379269 | 2 | RING, snap, adapter retaining |
| 20 | 7 4055971 | 2 | ADAPTER, cartridge centering, lower |
| 21 | 7 4053409 | 2 | SEAL, cartridge adapter |
| 22 | 7 4053410 | 2 | WASHER, cartridge adapter seal |
| 23 | 7 4379268 | 2 | SPRING, cartridge retaining |
| 24 | 7 4339021 | 2 | BODY, oil filter |
| | 7 0918951 | 2 | PLUG, pipe, hex-hd., 3/8" NPT |
| 25 | 7 4339595 | 1 | BRACKET, hose support |

(Revised June 1979)



HEAT EXCHANGERS

T-80457

| ITEM | PART NO. | QTY. | DESCRIPTION |
|------|------------|------|--|
| 1 | 74339116 | 1 | COVER |
| 2 | 74339697 | 1 | GASKET |
| 3 | 74339120 | 1 | EXCHANGER |
| | 70916313 | 4 | CAPSCREW, 1/2" NC x 1-3/4" |
| | 70912441 | 4 | LOCKWASHER, 1/2" |
| | 70916255 | 1 | CAPSCREW, 7/16" NC x 1-3/4" |
| | 70914678 | 1 | LOCKWASHER, 7/16" |
| | 70922066 | 2 | SCREW, 12-pt., 1/2" NC x 1-3/4" |
| 4 | { 74339119 | 1 | EXCHANGER (Used prior to engine s/n 11-21925) |
| | { 74320905 | 1 | EXCHANGER (Effective with engine s/n 11-21925) |
| | 70916313 | 6 | CAPSCREW, 1/2" NC x 1-3/4" |
| | 70912441 | 6 | LOCKWASHER, 1/2" |
| | 70922066 | 2 | SCREW, 12-pt., 1/2" NC x 1-3/4" |
| 5 | 74339698 | 1 | GASKET |

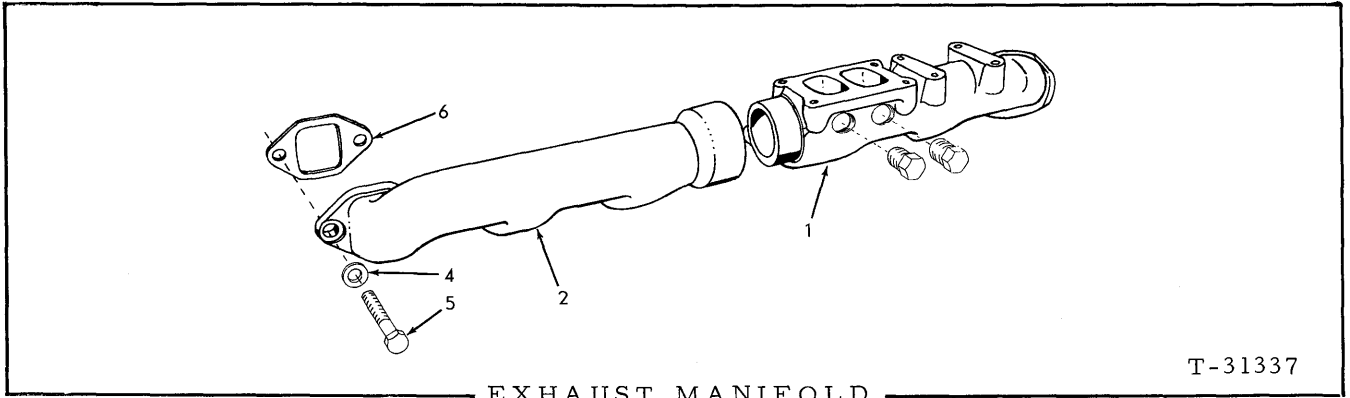
(Continued)

(Revised June 1979)

H E A T E X C H A N G E R S (Continued)

| ITEM | PART NO. | QTY. | DESCRIPTION |
|------|----------|------|---|
| 6 | 74321146 | 1 | COVER |
| | 70920333 | 1 | PLUG, pipe, hex-hd., 3/8" NPT |
| | 70921556 | 1 | CAPSCREW, 1/2" NC x 2" |
| | 70912441 | 1 | LOCKWASHER, 1/2" |
| 7 | 74514091 | 2 | STUD |
| | 70917705 | 2 | NUT |
| | 70910287 | 2 | LOCKWASHER, 3/8" |
| 8 | 74348185 | 1 | <input type="checkbox"/> GASKET |
| 9 | 74506737 | 1 | HOSE |
| | 70925758 | 2 | CLAMP |
| 10 | 74357701 | 1 | COVER |
| | 70912415 | 1 | COCK, drain, 1/4" NPT |
| | 70916311 | 3 | CAPSCREW, 1/2" NC x 1-1/4" |
| | 70912441 | 3 | LOCKWASHER, 1/2" |
| 11 | 74339127 | 1 | GASKET |
| 12 | 74339118 | 1 | <input type="checkbox"/> GASKET |
| 13 | 74357689 | 1 | FLANGE (Used prior to engine s/n 11-21925) |
| | 74320903 | 1 | FLANGE(Effective with engine s/n 11-21925) |
| | 70916272 | 4 | CAPSCREW, 3/8" NC x 1-1/4" |
| | 70910287 | 6 | LOCKWASHER, 3/8" |
| 14 | 70923574 | 4 | <input type="checkbox"/> O-RING (Effective with engine s/n 11-13698 thru 11-21924) (Qty. 8 used prior to engine serial no. 11-13698) |
| | 74357706 | 1 | TUBE (Used prior to engine s/n 11-21925) |
| 15 | 74320907 | 1 | TUBE ASSY. (Effective with engine s/n 11-21925) (includes SLEEVE indented below) |
| | 70929849 | 2 | SLEEVE, 1" tube |
| 16 | 74357691 | 1 | ELBOW (Used prior to engine s/n 11-21925) |
| | 70916197 | 4 | CAPSCREW, 7/16" NC x 1-1/4" |
| | 70914678 | 4 | LOCKWASHER, 7/16" |
| 17 | 70923813 | 2 | <input type="checkbox"/> O-RING (Used prior to engine s/n 11-21925) |
| 18 | 74357692 | 1 | ELBOW (Used prior to engine s/n 11-21925) |
| | 70916197 | 4 | CAPSCREW, 7/16" NC x 1-1/4" |
| | 70914678 | 4 | LOCKWASHER, 7/16" |
| 19 | 74357705 | 1 | TUBE (Used prior to engine s/n 11-21925) |
| | 74320909 | 1 | TUBE ASSY. (Effective with engine s/n 11-21925) (Includes SLEEVE indented below) |
| 20 | 70929849 | 2 | SLEEVE, 1" tube |
| | 74357690 | 1 | ELBOW (Used prior to engine s/n 11-21925) |
| | 74320904 | 1 | ELBOW (Effective with engine s/n 11-21925) |
| | 70921076 | 2 | CAPSCREW, 3/8" NC x 1-1/4" |
| 21 | 70910287 | 2 | LOCKWASHER, 3/8" |
| | 74339151 | 1 | <input type="checkbox"/> GASKET |
| 22 | 74358763 | 1 | BRACKET (Used prior to engine s/n 11-21925) |
| 23 | 74253771 | 1 | CLAMP (Used prior to engine s/n 11-21925) |
| | 70916268 | 1 | CAPSCREW, 3/8" NC x 5/8" |
| | 70910287 | 1 | LOCKWASHER, 3/8" |
| | 70910324 | 1 | NUT, 3/8" NC |
| 24 | 70929847 | 2 | CONNECTOR, 1" pipe thd. (effective with eng. s/n 11-21925) |

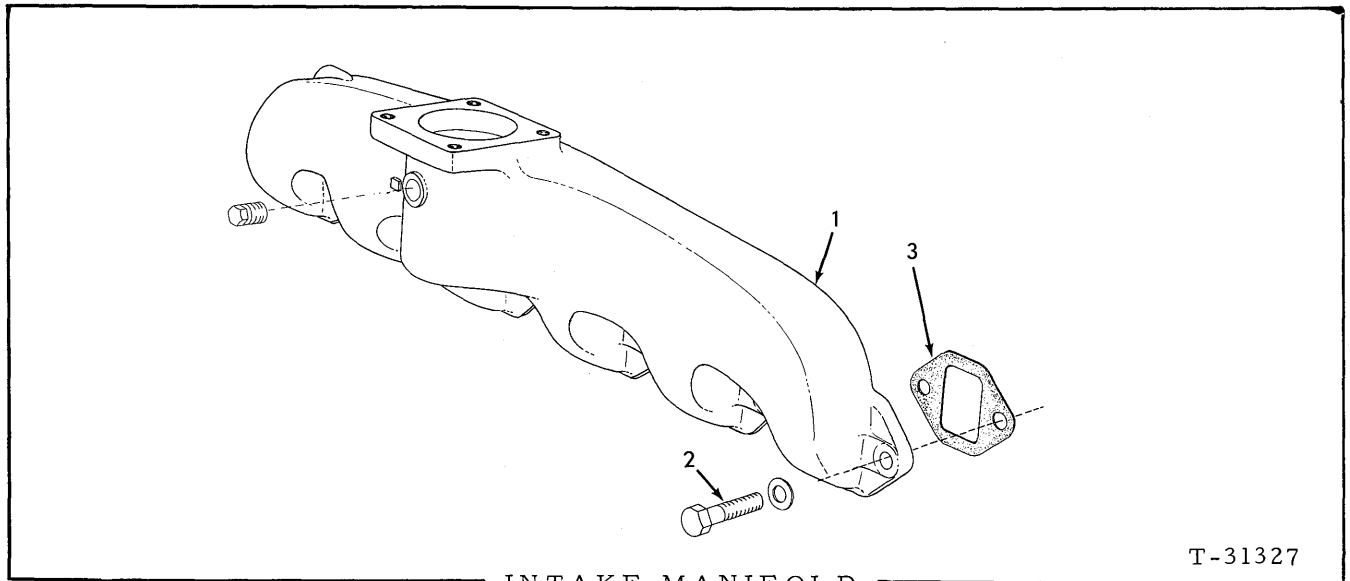
(Revised March 1978)



EXHAUST MANIFOLD

T-31337

| ITEM | PART NO. | QTY. | DESCRIPTION |
|------|----------|------|---------------------------------|
| 1 | 74339511 | 1 | MANIFOLD (front) |
| | 70919840 | 2 | PLUG, 1/4" NPT |
| | 74339535 | 4 | STUD |
| 2 | 74335623 | 1 | MANIFOLD (rear) |
| 3 | ----- | - | Not used in this application |
| 4 | 74371107 | 12 | WASHER, plain, 1/2" (hardened) |
| 5 | 70915987 | 12 | CAPSCREW, 1/2" NC x 1-1/2 |
| 6 | 74359741 | 6 | <input type="checkbox"/> GASKET |

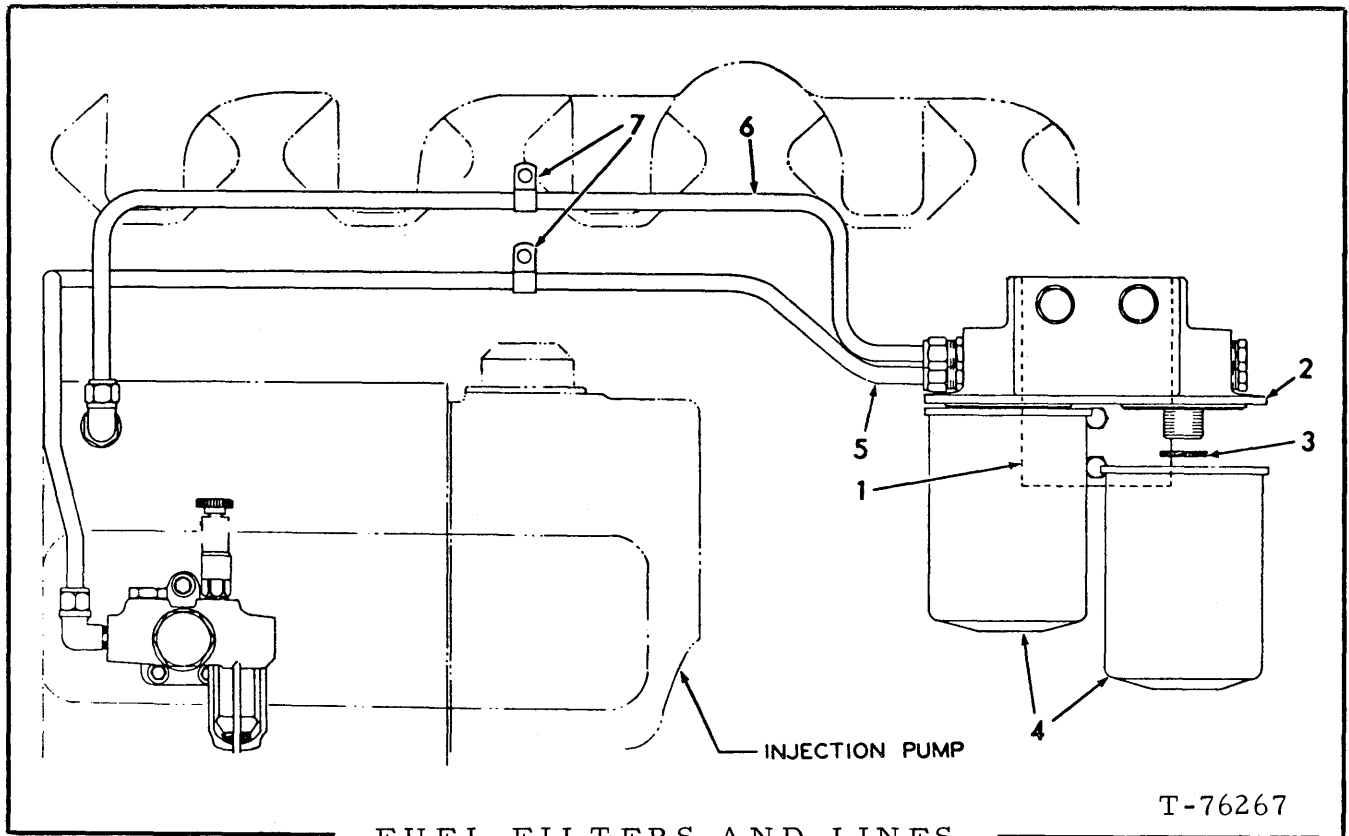


INTAKE MANIFOLD

T-31327

| ITEM | PART NO. | QTY. | DESCRIPTION |
|------|----------|------|---|
| 1 | 74359725 | 1 | MANIFOLD |
| | 70901652 | 1 | PLUG, 1/4" NPT |
| 2 | 74255914 | 12 | CAPSCREW, 1/2" NC x 1-1/2" Nylon Insert |
| | 74371107 | 12 | WASHER, plain, 1/2" (hardened) |
| 3 | 74359741 | 6 | <input type="checkbox"/> GASKET |

(Also see PACKAGED PARTS)

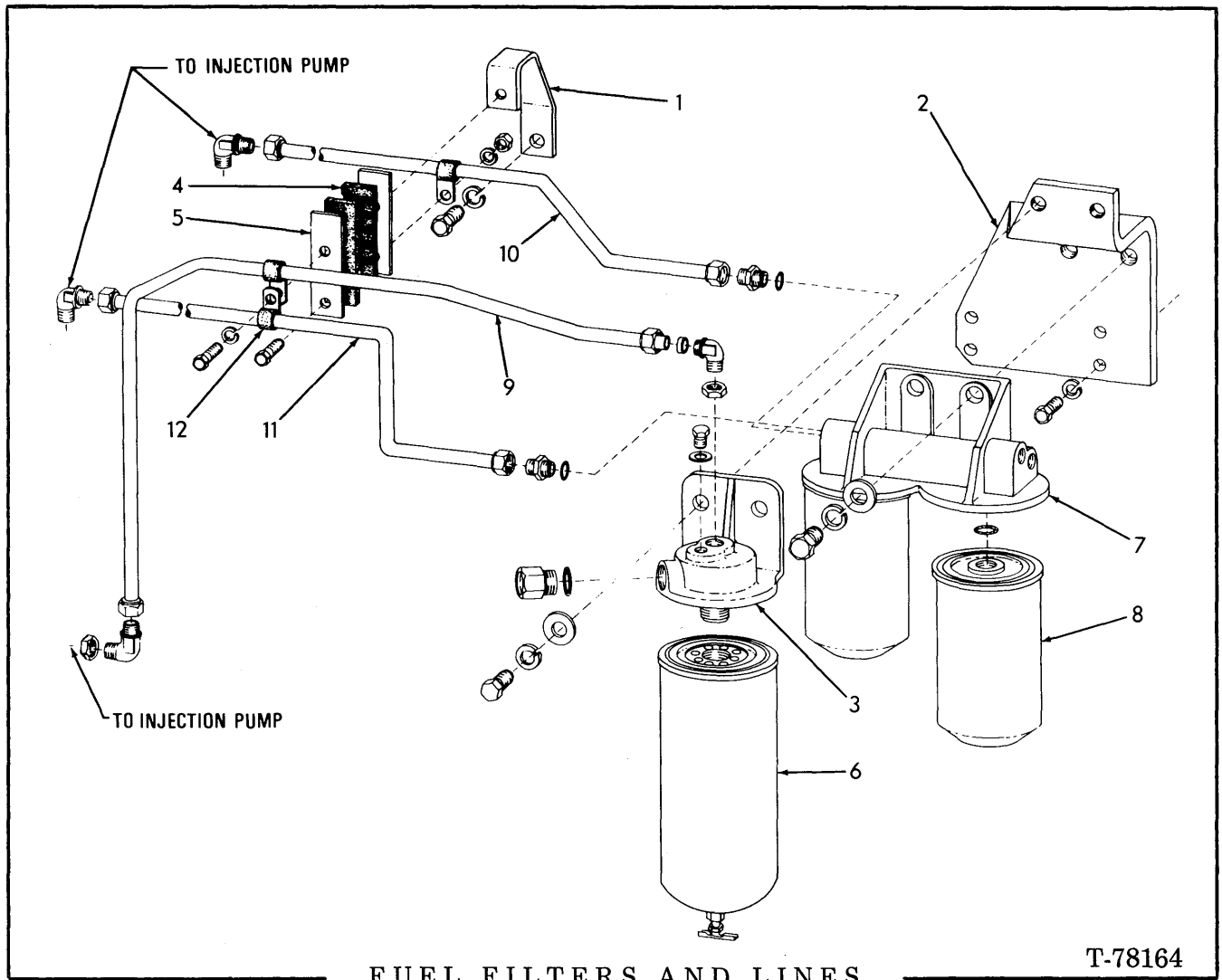


FUEL FILTERS AND LINES

T-76267

USAGE: Used prior to engine serial no. 11-24134

| ITEM | PART NO. | QTY. | DESCRIPTION |
|----------|----------|----------|-------------------------------|
| 1 | 74359666 | 1 | BRACKET |
| | 70914670 | 2 | CAPSCREW, 5/16" x 1-1/4" |
| | 70904205 | 2 | LOCKWASHER, 5/16" |
| 2 | 74393077 | 1 | HEAD ASSY. (Includes insert) |
| | 70922577 | 2 | PLUG, 9/16" (Includes o-ring) |
| | 70921885 | 2 | O-RING |
| | 70918683 | 2 | CAPSCREW, 1/2" x 1-1/4" |
| | 70904208 | 2 | LOCKWASHER, 1/2" |
| | 70912333 | 2 | WASHER |
| | 3 | ----- | 2 |
| 4 | 74028945 | 2 | ELEMENT (Includes item 3) |
| 5 | 74359689 | 1 | TUBE |
| | 70917810 | 2 | NUT, 3/8" |
| | 70917807 | 2 | SLEEVE, 3/8" |
| | 70920280 | 1 | ELBOW, 3/8" |
| | 74359776 | 1 | CONNECTOR (Includes o-ring) |
| | 70921885 | 1 | O-RING |
| | 6 | 74359688 | 1 |
| 70917810 | | 2 | NUT, 3/8" |
| 70917807 | | 2 | SLEEVE, 3/8" |
| 70920280 | | 1 | ELBOW, 3/8" |
| 74359776 | | 1 | CONNECTOR (Includes o-ring) |
| 70921885 | | 1 | O-RING |
| 7 | | 74255740 | 2 |



FUEL FILTERS AND LINES

T-78164

USAGE: Effective with engine serial no. 11-24134 thru 11-24212.

| ITEM | PART NO. | QTY. | DESCRIPTION |
|------|----------|------|---|
| 1 | 74320862 | 1 | BRACKET |
| 2 | 74321104 | 1 | BRACKET |
| | 70915807 | 4 | CAPSCREW, 5/16" NC x 1-1/4" |
| | 70910286 | 4 | LOCKWASHER, 5/16" |
| 3 | ----- | 1 | BASE ASSY. (order second type) |
| | 70920612 | 1 | CAPSCREW, 3/8" NF x 1/2" |
| | 74251367 | 1 | WASHER |
| | 74395419 | 1 | BASE ASSY. (includes insert)(second type) |
| | 74006998 | 1 | SCREW, thumb |
| | 74254873 | 1 | WASHER |
| | 70916197 | 2 | CAPSCREW, 7/16" NC x 1-1/4" |
| | 70914498 | 2 | WASHER, plain, 15/32" |
| | 70914678 | 2 | LOCKWASHER, 7/16" |
| | 70928207 | 1 | ADAPTER (includes O-RING below) |
| | 70921885 | 1 | O-RING, 15/32 |

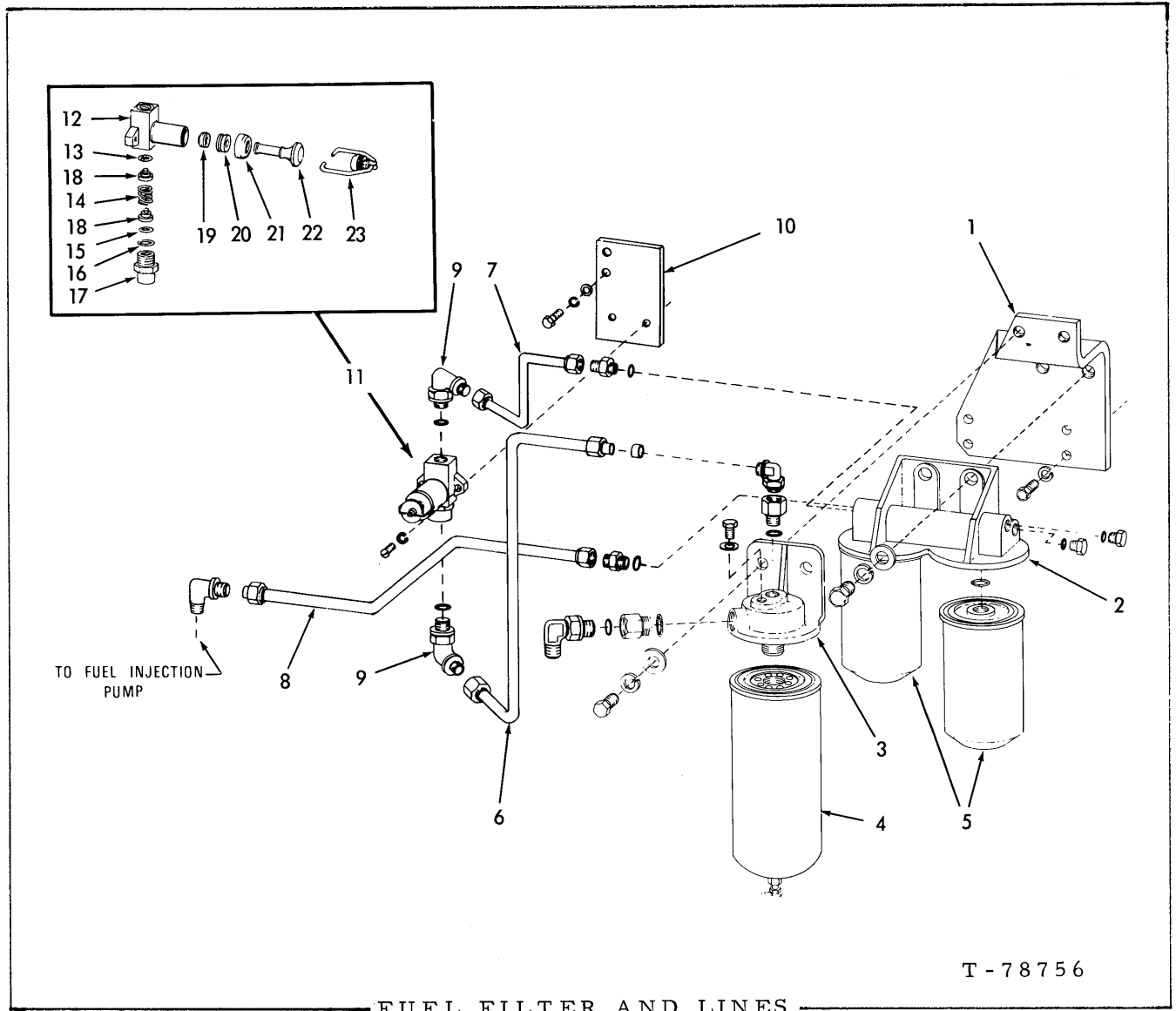
} used prior to engine s/n 11-27939
 } effective with engine s/n 11-27939

(Continued)

(Revised March 1978)

FUEL FILTERS AND LINES (Continued)

| ITEM | PART NO. | QTY. | DESCRIPTION |
|------|----------|------|--|
| 4 | 74336532 | 2 | SPACER |
| 5 | 74320880 | 2 | PLATE |
| 6 | 74394407 | 1 | ELEMENT |
| 7 | 74393077 | 1 | HEAD ASSY. (Includes insert) |
| | 70922577 | 2 | PLUG, 9/16" (Includes O-RING indented below) |
| | 70921885 | 2 | O-RING |
| | 70916310 | 2 | CAPSCREW, 1/2" x 1" |
| | 70912441 | 2 | LOCKWASHER |
| | 70912333 | 2 | WASHER, 17/32" |
| 8 | 74028945 | 2 | ELEMENT |
| 9 | 74321102 | 1 | TUBE |
| | 74023721 | 1 | ELBOW |
| | 70920280 | 1 | ELBOW, 3/8" |
| | 70917810 | 2 | NUT, 3/8" |
| | 70917807 | 2 | SLEEVE, 3/8" |
| | 70930349 | 2 | NUT, 1/4" |
| 10 | 74321100 | 1 | TUBE |
| | 74359776 | 1 | CONNECTOR (Includes O-RING indented below) |
| | 70921885 | 1 | O-RING |
| | 70920280 | 1 | ELBOW, 3/8" |
| | 70917807 | 2 | SLEEVE, 3/8" |
| | 70917810 | 2 | NUT, 3/8" |
| 11 | 74321101 | 1 | TUBE |
| | 74359776 | 1 | CONNECTOR (Includes 1 O-RING below) |
| | 70921885 | 1 | O-RING, 15/32" |
| | 70920280 | 1 | ELBOW, 3/8", tube, 1/4" NPT , male |
| | 70917807 | 2 | SLEEVE, 3/8" tube |
| | 70917810 | 2 | NUT, 3/8" tube |
| 12 | 74255740 | 3 | CLAMP |
| | 70916279 | 2 | CAPSCREW, 5/16" NC x 1-1/2" |
| | 70910287 | 2 | LOCKWASHER, 3/8" |
| | 70910323 | 1 | NUT, 5/16" NC |



FUEL FILTER AND LINES

USAGE: Effective with engine serial no. 11-24213

| ITEM | PART NO. | QTY. | DESCRIPTION |
|------|----------|------|--|
| 1 | 74321104 | 1 | BRACKET |
| | 70915807 | 4 | CAPSCREW, 5/16" NC x 1-1/4" |
| | 70910286 | 4 | LOCKWASHER, 5/16" |
| 2 | 74393077 | 1 | HEAD (Includes threaded insert) |
| | 70922577 | 2 | PLUG, 3/8" tube, 9/16" NC (Includes O-RING 70921885) |
| | 70916310 | 2 | CAPSCREW, 1/2" NC x 1" |
| | 70921441 | 2 | LOCKWASHER, heavy, 1/2" |
| | 70912333 | 2 | WASHER, plain, 17/32" |
| 3 | 74395419 | 1 | BASE ASSY. (Includes threaded insert) |
| | 70920612 | 1 | CAPSCREW, 3/8" NF x 1/2" |
| | 74251367 | 1 | WASHER |
| | 70916197 | 2 | CAPSCREW, 7/16" NC x 1-1/4" |
| | 70914678 | 2 | LOCKWASHER, 7/16" |

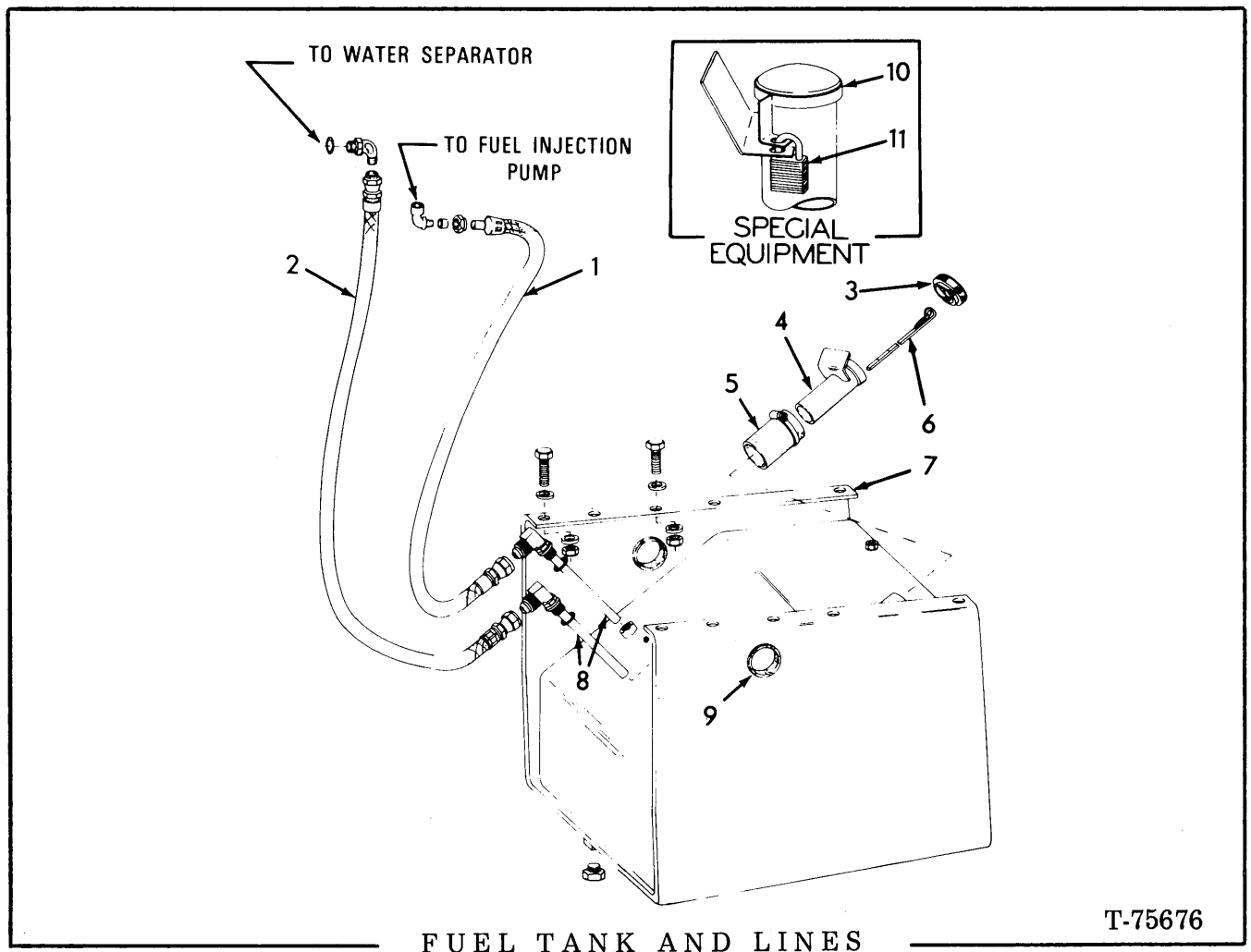
(Continued)

(Revised June 1979)

FUEL FILTERS AND LINES (Continued)

| ITEM | PART NO. | QTY. | DESCRIPTION |
|------|----------|------|---|
| 3 | 70914498 | 2 | WASHER, plain, 15/32" |
| | 70928207 | 2 | ADAPTOR, 9/16" str. thd. (Includes O-RING 70921885) |
| | 70922523 | 1 | ELBOW, 9/16" str. thd. (Includes O-RING 70921885) |
| | 74023721 | 1 | ELBOW, 9/16" NF, 3/8" tube (Includes O-RING 70921885) (On outlet side) |
| 4 | 74394407 | 1 | ELEMENT |
| 5 | 74025230 | 2 | ELEMENT |
| 6 | 74321194 | 1 | TUBE |
| | 70917810 | 2 | NUT, 3/8" |
| | 70917807 | 2 | SLEEVE, 3/8" |
| 7 | 74321195 | 1 | TUBE |
| | 70917810 | 2 | NUT, 3/8" |
| | 70917807 | 2 | SLEEVE, 3/8" |
| 8 | 74321192 | 1 | TUBE ASSY. |
| | 70920280 | 1 | ELBOW, 3/8" |
| 9 | 74023720 | 2 | ELBOW, 1/2" NF, 3/8" tube (Includes O-RING 70921884) |
| 10 | 74321190 | 1 | BRACKET |
| | 70914392 | 2 | CAPSCREW, 5/16" NC x 1" |
| | 70904205 | 2 | LOCKWASHER, 5/16" |
| | 70929100 | 1 | WASHER, plain, 7/8" |
| 11 | 74024229 | 1 | PUMP ASSY., hand primer (Includes items 12 through 23) |
| | 70902174 | 2 | SCREW, #10 x 7/8" |
| | 70904203 | 2 | LOCKWASHER, #10 |
| 12 | ----- | 1 | BODY (Order item 11) |
| 13 | 74060695 | 1 | O-RING |
| 14 | 74050638 | 1 | SPRING |
| 15 | 74048649 | 1 | SEAL |
| 16 | 74050645 | 1 | RING |
| 17 | 74060956 | 1 | NUT |
| 18 | 74050637 | 2 | VALVE |
| 19 | 74053035 | 1 | SEAL |
| 20 | 74053037 | 2 | GUIDE |
| 21 | 74053036 | 1 | CAP |
| 22 | 74059620 | 1 | PLUNGER |
| 23 | 74050646 | 1 | CLAMP ASSY. (Includes SCREW AND WIRE) |

(Revised June 1979)



FUEL TANK AND LINES

T-75676

USAGE: * Used prior to engine serial no. 11-24213
 ** Effective with engine serial no. 11-24213

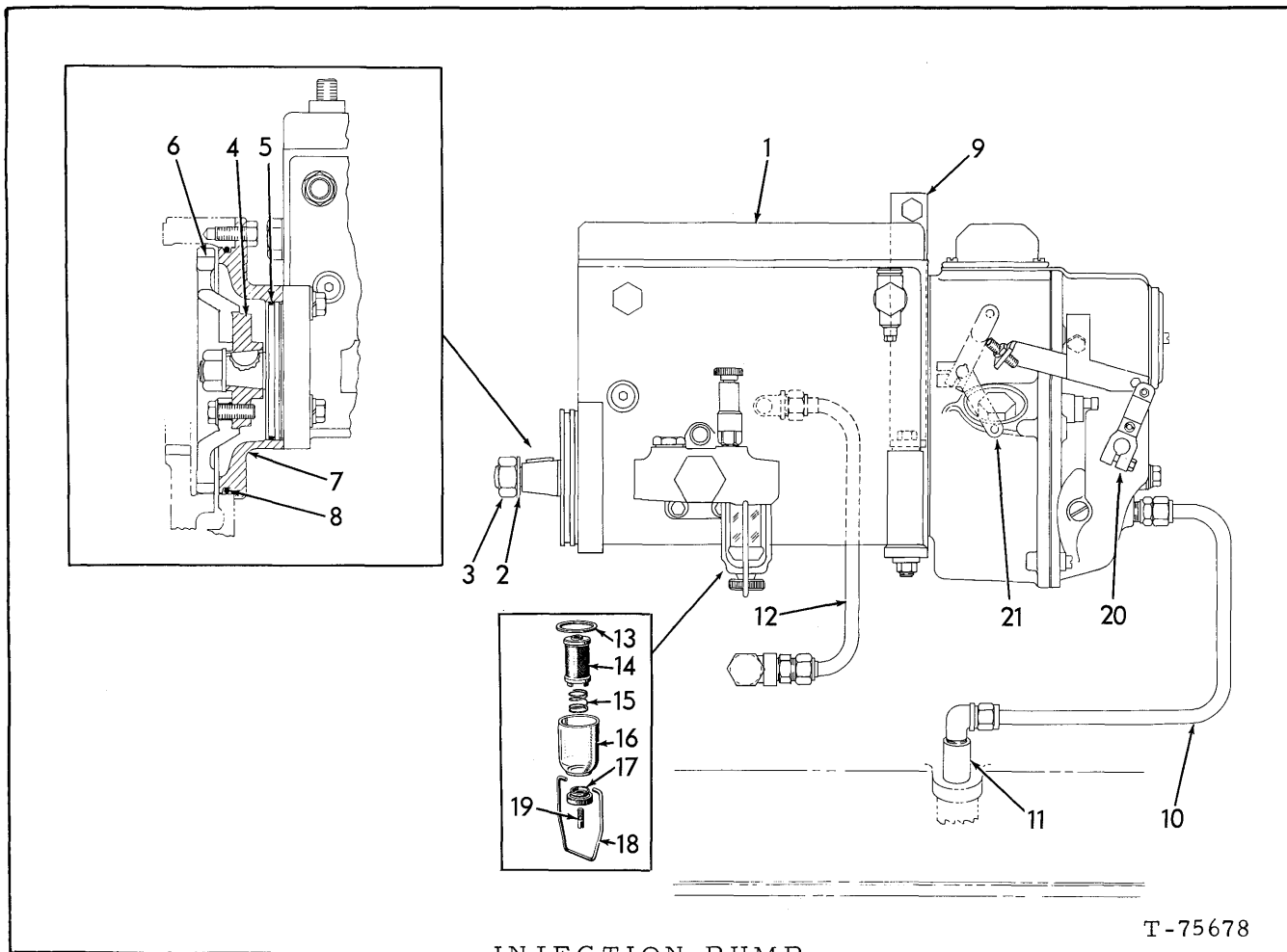
| ITEM | PART NO. | QTY. | | DESCRIPTION |
|------|----------|------|----|---|
| | | * | ** | |
| 1 | 73057368 | 1 | - | HOSE ASSY. (Serviced only as an Assy.) |
| | 73050282 | - | 1 | HOSE ASSY. (Serviced only as an Assy.) |
| | 70920450 | 1 | - | CONNECTOR, 5/16" tube, 1/4" NPT (includes SLEEVE and NUT below) |
| | 70923539 | - | 1 | ELBOW, 5/16" tube, 1/8" NPT (includes SLEEVE and NUT below) |
| | 70918802 | 1 | 1 | SLEEVE, compression, 5/16" tube |
| | 70918804 | 1 | 1 | NUT, compression, 5/16" tube |
| 2 | 73057367 | 1 | - | HOSE ASSY. (Serviced only as an ASSY.) |
| | 73058834 | - | 1 | HOSE ASSY. (Serviced only as an ASSY.) |
| | 70925015 | 1 | - | ELBOW, 3/8" tube |
| | 70922523 | - | 1 | ELBOW ASSY., 3/8" tube, 9/16" NPT (Includes nut and O-RING below) |
| | 70921885 | - | 1 | O-RING |
| 3 | 73035950 | 1 | 1 | CAP |
| 4 | 73053540 | 1 | 1 | TUBE |

(Continued)

(Revised November 1977)

FUEL TANK AND LINES (Continued)

| ITEM | PART NO. | QTY. | | DESCRIPTION |
|------|----------|------|----|--|
| | | * | ** | |
| 5 | 73028393 | 1 | 1 | HOSE |
| | 70921915 | 4 | 4 | CLAMP |
| 6 | 73055289 | 1 | 1 | DIPSTICK |
| 7 | 73055292 | 1 | 1 | TANK |
| | 70921216 | 1 | 1 | PLUG, 1-5/16" st. thd. (Includes 1 O-RING below) |
| | 70921214 | 1 | 1 | O-RING |
| | 70921178 | 4 | 4 | CAPSCREW, 5/8" NF x 3" |
| | 70915788 | 1 | 1 | CAPSCREW, 5/8" NF x 2-1/4" |
| | 73026289 | 10 | 10 | WASHER |
| | 70916589 | 10 | 10 | NUT, 5/8" NF |
| | 70915790 | 1 | 1 | CAPSCREW, 5/8" NF x 3" |
| 8 | 73047515 | 2 | 2 | TUBE ASSY. (Includes 1 O-RING below) |
| | 70921349 | 2 | 2 | O-RING |
| 9 | ----- | 2 | 2 | CHANNEL, 16" per tank (refer to item 12) |
| 10 | 73055488 | 1 | 1 | CAP ASSY. (Special Equipment) |
| 11 | 70930998 | 1 | 1 | PADLOCK (Special Equipment) (Includes 2 KEY indented below) |
| | 70931742 | 2 | 2 | KEY |
| 12 | 73047354 | - | - | CHANNEL (25' length - use as required) |



INJECTION PUMP

USAGE: Bosch Pump, used prior to engine serial no. 11-24213

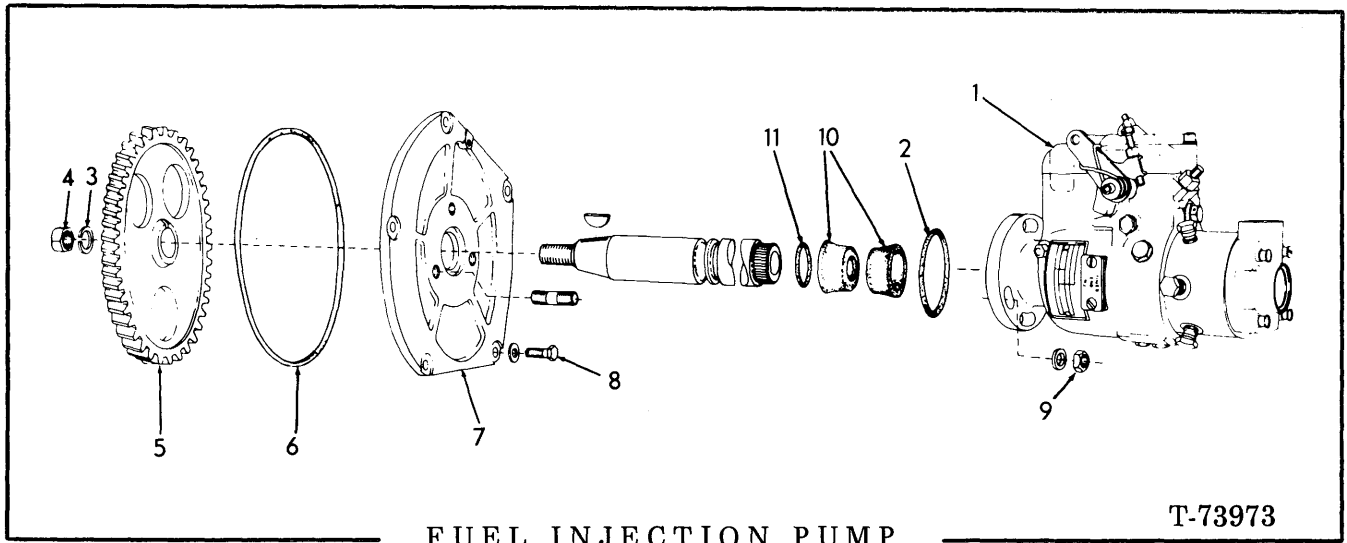
| ITEM | PART NO. | QTY. | DESCRIPTION |
|------|----------|------|---|
| 1 | 74061075 | 1 | PUMP ASSY., injection (Includes items 2 thru 5) |
| | 74060141 | 1 | KEY |
| | 70914847 | 4 | CAPSCREW, 3/8" NC x 1-1/2" |
| | 70916275 | 1 | CAPSCREW, 3/8" NC x 3-3/4" |
| | 70911993 | 2 | WASHER, plain |
| | 70910287 | 4 | LOCKWASHER, 3/8" |
| | 70914900 | 4 | WASHER, plain, 3/8" |
| | 70910324 | 1 | NUT, 3/8" NC |
| | 70919840 | 1 | PLUG, pipe, 1/4" |
| 2 | 74060140 | 1 | LOCKWASHER |
| 3 | 74060139 | 1 | NUT |
| 4 | 74359663 | 1 | ADAPTER |
| 5 | 74060799 | 1 | O-RING |
| 6 | 74359345 | 1 | GEAR |
| | 74255060 | 3 | CAPSCREW, 3/8" NC x 1" |

(Continued)

INJECTION PUMP (Continued)

| ITEM | PART NO. | QTY. | DESCRIPTION |
|------|----------|------|---|
| 7 | 74359911 | 1 | COVER |
| | 70918887 | 2 | PLUG |
| | 70920473 | 4 | CAPSCREW, 3/8" x 3/4" |
| | 70922747 | 1 | SETSCREW, 3/8" x 1/2" |
| 8 | 70924139 | 1 | □ O-RING |
| 9 | 74359348 | 1 | BRACKET |
| | 70915408 | 1 | CAPSCREW, 3/8" NC x 3/4" |
| | 70910287 | 1 | LOCKWASHER, 3/8" |
| 10 | 74359677 | 1 | TUBE ASSY. (Order nuts and sleeves below) |
| | 70917810 | 2 | NUT, 3/8" |
| | 70917807 | 2 | SLEEVE, 3/8" |
| | 70920279 | 1 | CONNECTOR, 3/8" |
| | 70920280 | 1 | ELBOW, 3/8" |
| 11 | 74359667 | 1 | PIPE |
| 12 | 74359344 | 1 | TUBE ASSY., (Includes nut and sleeves) |
| | 70917810 | 2 | NUT, 3/8" |
| | 70917807 | 2 | SLEEVE, 3/8" |
| | 70920790 | 1 | ELBOW, 3/8" |
| | 70918960 | 1 | TEE, 1/8" NPT |
| | 70919134 | 1 | PLUG, 1/8" NPT |
| | 70921372 | 1 | CONNECTOR, 3/8" |
| 13 | 74060177 | 1 | GASKET |
| 14 | 74060175 | 1 | FILTER |
| 15 | 74060178 | 1 | SPRING |
| 16 | 74060176 | 1 | HOUSING |
| 17 | 74060180 | 1 | NUT |
| 18 | 74060179 | 1 | CLIP |
| 19 | 74060181 | 1 | BOLT |
| 20 | 74393286 | 1 | LEVER |
| 21 | 74393260 | 1 | LEVER |
| | 70916277 | 1 | CAPSCREW, 5/16" NC x 5/8" |
| | 70904205 | 1 | LOCKWASHER, 5/16" |

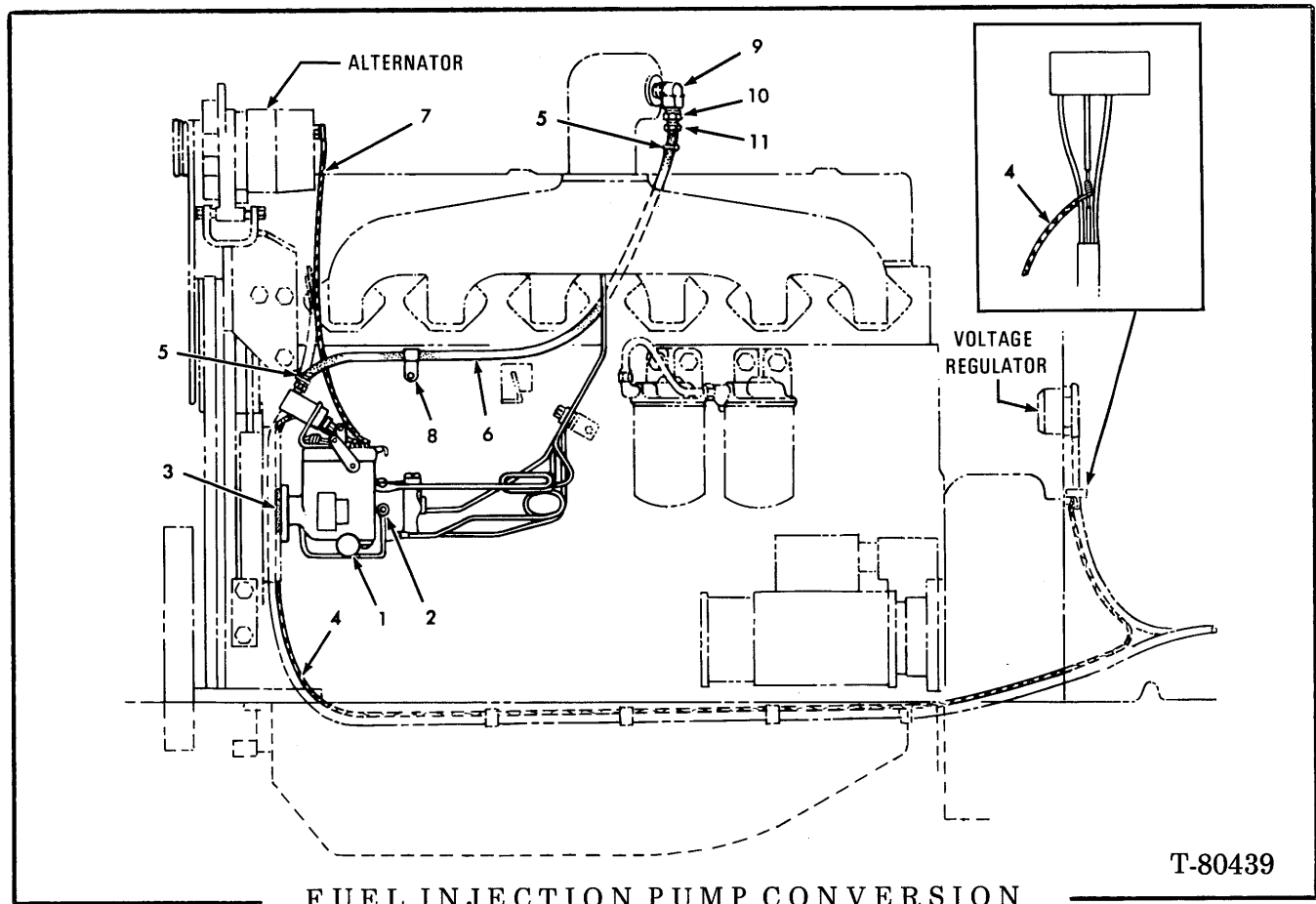
(Revised November 1977)



NOTE: Item 1 includes item 2 thru 4, 10 and 11. See s/n plate pump for identification.

| ITEM | PART NO. | QTY. | DESCRIPTION |
|------|----------|------|--|
| | 74321204 | 1 | PUMP ASSY. (used with engine s/n 11-24213 thru 11-24806) |
| 1 | 74321338 | 1 | PUMP ASSY. (used with engine s/n 11-24807 thru 11-25948) |
| | 74321474 | 1 | PUMP ASSY. (effective with engine s/n 11-25949) |
| | 70910224 | 1 | KEY, 5/32" x 5/8" NOTE 74321204 and 74321338 listed for identification only - service with 74321474 |
| 2 | 74048596 | 1 | SEAL |
| 3 | 74048598 | 1 | WASHER, serrated |
| 4 | 74048597 | 1 | NUT |
| 5 | 74339851 | 1 | GEAR |
| 6 | 70924139 | 1 | O-RING |
| 7 | 74320703 | 1 | COVER ASSY. (Includes 3 STUD identified below) |
| | 74344938 | 3 | STUD |
| 8 | 70921520 | 5 | CAPSCREW, 3/8" NC x 7/8" |
| | 70910287 | 5 | LOCKWASHER, 3/8" |
| 9 | 70910123 | 3 | NUT, 3/8" NF |
| | 74271718 | 3 | WASHER |
| 10 | 74052540 | 2 | SEAL |
| 11 | 74369599 | 1 | SEAL |

NOTE: See page 50a for Conversion Kit.



T-80439

FUEL INJECTION PUMP CONVERSION

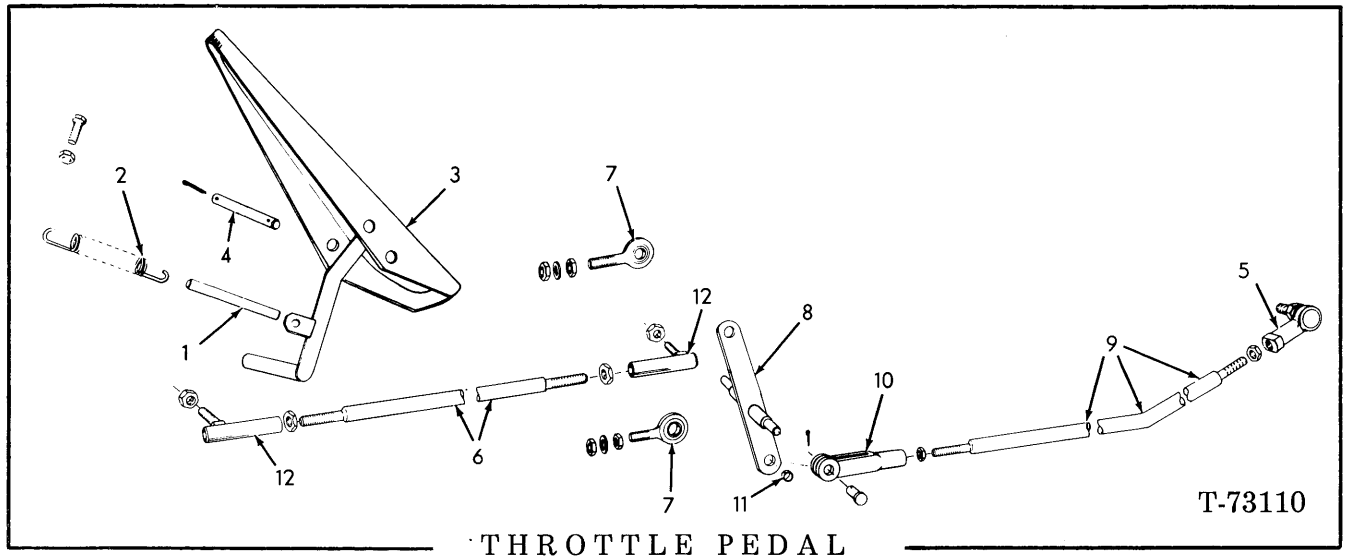
USAGE: * Used with engine serial no. 11-24807 thru 11-25948 for fuel injection pump part no. 74321338.
 * * Effective with engine serial no. 11-25949 for fuel injection pump part no. 74321474
 † Effective with engine serial no. 11-24213 and up.

| ITEM | PART NO. | QTY. | DESCRIPTION |
|------|----------|------|--|
| | 73069663 | 1 | *KIT (includes F.I.P. conversion kit and items 2 thru 12). |
| - | 73069664 | 1 | **KIT (includes F.I.P. conversion kit and items 2 thru 11 and 13). |
| | 73069665 | 1 | †KIT (includes items 1 thru 11 and 14). |
| 1 | 74321696 | 1 | FUEL INJECTION PUMP with ANEROID, complete (includes item 3) |
| 2 | 74027748 | 12 | WASHER |
| 3 | 74048596 | 1 | SEAL |
| 4 | 73069685 | 1 | WIRE ASSY. |
| 5 | 70921910 | 2 | CLAMP |
| 6 | 74359861 | 1 | HOSE |
| 7 | 73050254 | 1 | WIRE ASSY. |
| 8 | 70925963 | 1 | CLAMP |
| | 70916309 | 1 | CAPSCREW, 1/2" NC x 3/4" |
| | 70912441 | 1 | LOCKWASHER, 1/2" |
| 9 | 70918374 | 1 | ELBOW, 90°, street, 1/4" pipe |
| 10 | 70901834 | 1 | BUSHING, 1/4" to 1/8" |

(Continued)

FUEL INJECTION PUMP CONVERSION (Continued)

| ITEM | PART NO. | QTY. | DESCRIPTION |
|------|----------|------|--------------------------------------|
| 11 | 70928454 | 1 | FITTING, barb, 3/16" hose, 1/8" pipe |
| 12 | 73069666 | 1 | INSTRUCTION PRINT |
| 13 | 73069667 | 1 | INSTRUCTION PRINT |
| 14 | 73069668 | 1 | INSTRUCTION PRINT |

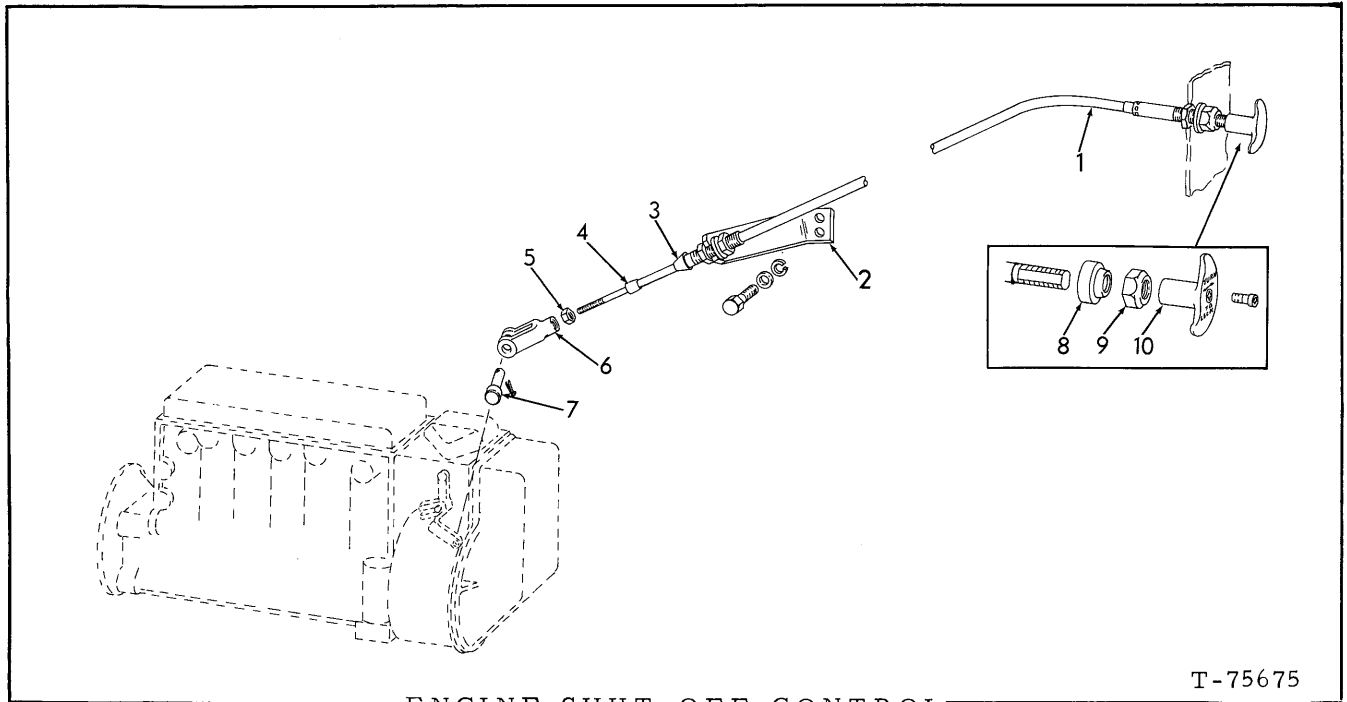


T-73110

THROTTLE PEDAL

| ITEM | PART NO. | QTY. | DESCRIPTION |
|------|----------|------|---|
| 1 | 73021657 | 1 | ROD |
| 2 | 73014226 | 1 | SPRING |
| | 70911993 | 2 | WASHER |
| 3 | 73055738 | 1 | PEDAL |
| | 70916273 | 1 | CAPSCREW, 3/8" NF x 2-1/2" |
| | 70910324 | 1 | NUT, 3/8" NF |
| 4 | 73021696 | 1 | PIN |
| | 70904001 | 1 | PIN, cotter |
| 5 | 73105096 | 1 | JOINT, ball |
| | 70904204 | 1 | LOCKWASHER, 1/4" |
| | 70911040 | 1 | NUT, jam, 1/4" NF |
| | 70910267 | 1 | NUT, jam, 1/4" NF |
| 6 | 73055245 | 1 | ROD |
| | 70910267 | 4 | NUT, 3/8" NF |
| 7 | 73014549 | 2 | BEARING |
| | 70904207 | 2 | LOCKWASHER, 7/16" |
| | 70910876 | 4 | NUT, jam, 7/16" NF |
| 8 | 73056981 | 1 | SHAFT (Used prior to engine serial no. 11-24213) |
| | 73048630 | 1 | SHAFT (Used with engine serial no. 11-24213 thru 11-26505) |
| | 73066100 | 1 | SHAFT (Effective with engine serial no. 11-26506 unit no. 03443) (Includes item 11) |
| 9 | 73056979 | 1 | ROD (Used prior to engine serial no. 11-24213) |
| | 73063638 | 1 | ROD (Used with engine serial no. 11-24213 thru 11-26505) |
| | 73066102 | 1 | ROD (Effective with engine serial no. 11-26506 unit no. 03443) |
| 10 | 70628736 | 1 | YOKE |
| | 70078810 | 1 | PIN |
| | 70918448 | 1 | PIN, cotter, 3/32" x 1" |
| | 70910329 | 1 | NUT, jam, 3/8" NF |
| 11 | 70624584 | 1 | BUSHING |
| | 70925040 | 2 | JOINT, ball |
| 12 | 70904204 | 2 | LOCKWASHER, 1/4" |
| | 70911040 | 2 | NUT, jam, 1/4" NF |
| | 70910267 | 2 | NUT, jam, 1/4" NF |

Effective with unit no. 03443

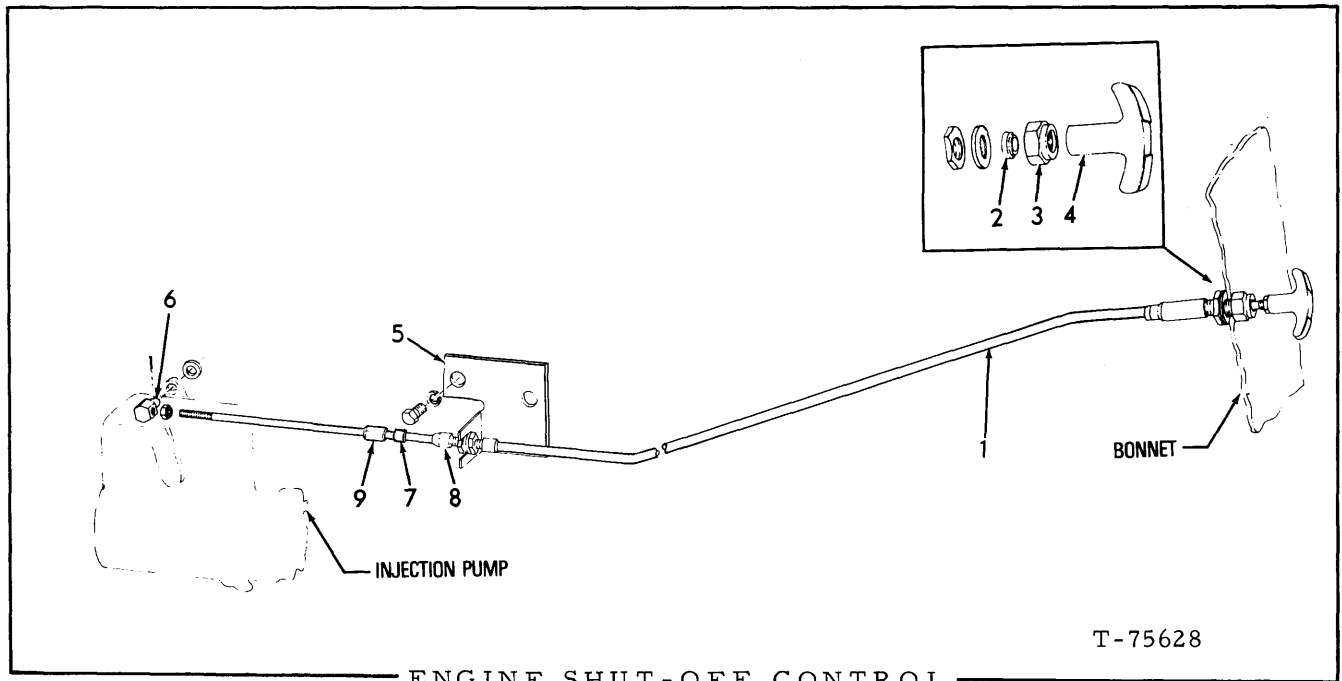


ENGINE SHUT-OFF CONTROL

T-75675

USAGE: Used with Bosch Pump. Prior to engine serial no. 11-24213

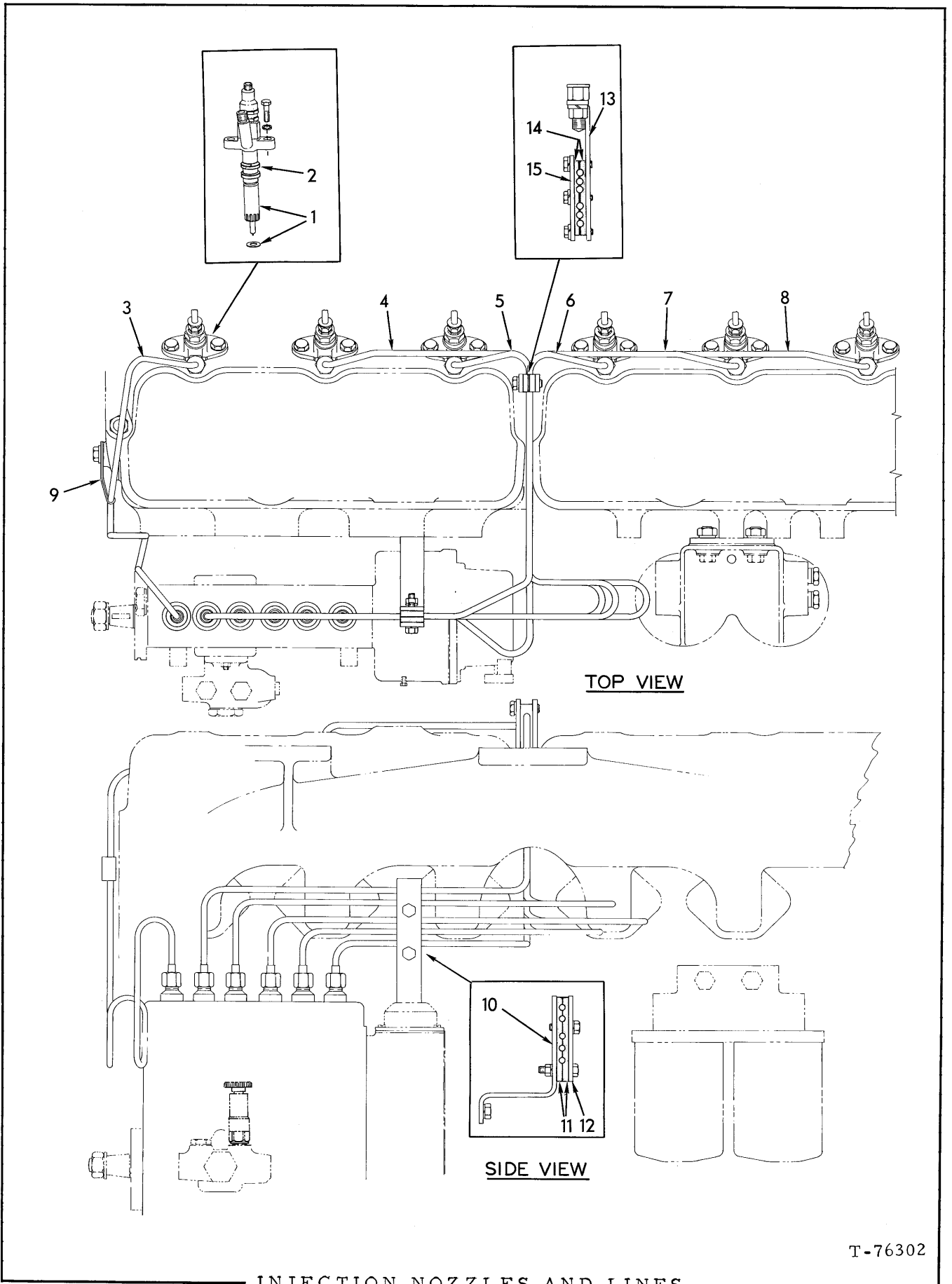
| ITEM | PART NO. | QTY. | DESCRIPTION |
|------|----------|------|--|
| 1 | 73057138 | 1 | CABLE ASSY. (Includes items 3, 4, 5, 8, 9, 10 & hardware indented below) |
| | 70918906 | 1 | LOCKWASHER, 5/8" |
| | 70922014 | 1 | NUT, 5/8" NF |
| | 70928495 | 2 | WASHER, 7/16" |
| | 70922471 | 2 | NUT, 7/16" NF |
| 2 | 73057137 | 1 | BRACKET |
| | 70914670 | 2 | CAPSCREW, 5/16" NC x 1-1/8" |
| | 70910335 | 2 | WASHER, plain, 5/16" |
| | 70904205 | 2 | LOCKWASHER, 5/16" |
| 3 | 73057780 | 1 | SEAL, sleeve |
| 4 | 73057779 | 1 | SEAL, rod |
| 5 | 73057781 | 1 | NUT, #10 NF |
| 6 | 70196606 | 1 | CLEVIS ASSY. (Includes item 7) |
| | 70628738 | 1 | PIN |
| | 70900970 | 1 | PIN, cotter, 1/16" x 1/2" |
| 8 | 73057778 | 1 | SEAL |
| 9 | 73057777 | 1 | NUT |
| 10 | 70197211 | 1 | HANDLE, T |
| | 70901781 | 1 | SCREW, machine, #10 NC x 1/2" |



USAGE: Effective with engine serial no. 11-24213

| ITEM | PART NO. | QTY. | DESCRIPTION |
|------|----------|------|--|
| 1 | 73064977 | 1 | CABLE ASSY. (Includes items 2 thru 4 and hardware indented below)(Replaces 70659123) |
| | 70922471 | 2 | NUT, 7/16" NF |
| | 70926190 | 2 | WASHER, 15/32" |
| | 70922844 | 1 | LOCKWASHER, 7/16" |
| | 70917415 | 1 | NUT, #10 |
| | 70922014 | 1 | NUT, 5/8" NF |
| 2 | 70657709 | 1 | SEAL |
| 3 | 70657707 | 1 | NUT |
| 4 | 70666359 | 1 | HANDLE |
| 5 | 73063627 | 1 | BRACKET |
| | 70915408 | 2 | CAPSCREW, 3/8" NC x 3/4" |
| | 70904206 | 2 | LOCKWASHER, 3/8" |
| 6 | 70242038 | 1 | PIN |
| | 70914686 | 1 | WASHER, plain, 9/16" |
| | 70900970 | 1 | PIN, cotter, 1/16" x 1/2" |
| 7 | 70680580 | 1 | SEAL |
| 8 | 70680581 | 1 | SEAL |
| 9 | 70922135 | 1 | PIN, roll, 5/16" x 1"(Unit #03455 and up) |

(Revised June 1979)



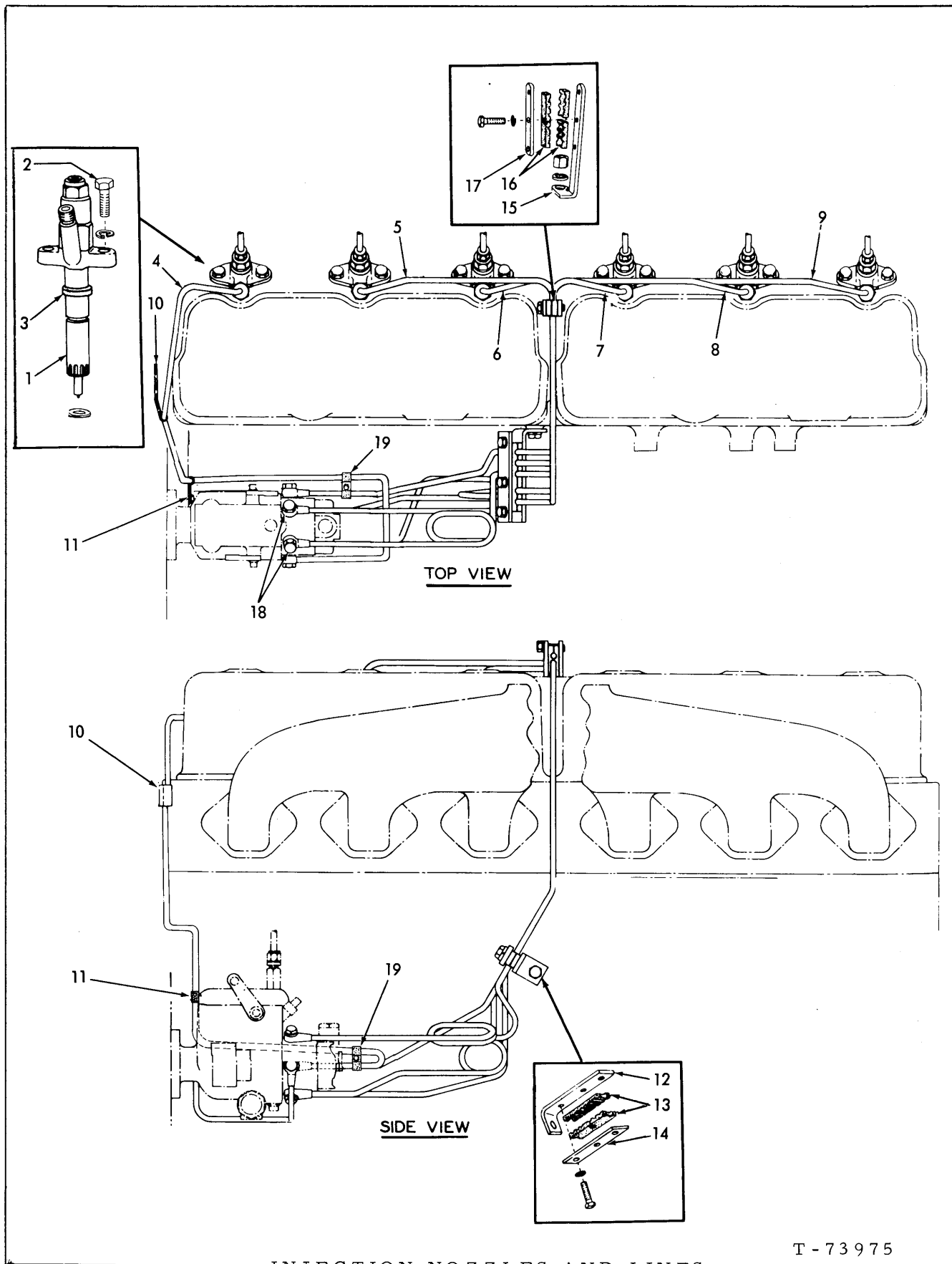
T-76302

INJECTION NOZZLES AND LINES

INJECTION NOZZLES AND LINES

USAGE: Used prior to engine serial number 11-24213

| ITEM | PART NO. | QTY. | DESCRIPTION |
|------|----------|------|---|
| 1 | ----- | 6 | HOLDER ASSY., injection nozzles (See page 62) |
| | 70914847 | 12 | CAPSCREW, 3/8" NC x 1-1/2" |
| | 70904206 | 12 | LOCKWASHER, 3/8" |
| 2 | 74025385 | 12 | SHIELD, dirt |
| 3 | 74359326 | 1 | TUBE ASSY., fuel injection (#1 cylinder) |
| 4 | 74359327 | 1 | TUBE ASSY., fuel injection (#2 cylinder) |
| 5 | 74359328 | 1 | TUBE ASSY., fuel injection (#3 cylinder) |
| 6 | 74359329 | 1 | TUBE ASSY., fuel injection (#4 cylinder) |
| 7 | 74359330 | 1 | TUBE ASSY., fuel injection (#5 cylinder) |
| 8 | 74359331 | 1 | TUBE ASSY., fuel injection (#6 cylinder) |
| 9 | 74256009 | 1 | CLIP, injection tube (#1 cylinder) |
| | 70916284 | 1 | CAPSCREW, 1/4" NC x 1/2" |
| | 70904204 | 1 | LOCKWASHER, 1/4" |
| | 70910880 | 1 | NUT, 1/4" NC |
| 10 | 74359333 | 1 | BRACKET, tube supporting, lower |
| | 70915408 | 1 | CAPSCREW, 3/8" NC x 3/4" |
| | 70904206 | 1 | LOCKWASHER, 3/8" |
| 11 | 74336532 | 2 | SPACER, injection tubes, lower |
| 12 | 74359334 | 1 | PLATE, clamping, injection tubes, lower |
| | 70914670 | 1 | CAPSCREW, 5/16" NC x 1-1/8" |
| | 70916279 | 1 | CAPSCREW, 5/16" NC x 1-1/2" |
| | 70904205 | 2 | LOCKWASHER, 5/16" |
| | 70910323 | 1 | NUT, 5/16" NC |
| 13 | 74336249 | 1 | BRACKET, tube supporting, upper |
| | 70919423 | 1 | NUT, 1/2" NF |
| | 70904208 | 1 | LOCKWASHER, 1/2" |
| | 70911414 | 3 | WASHER (USE AS REQ'D. to maintain correct height) |
| 14 | 74507359 | 4 | SPACER, injection tubes, upper |
| 15 | 74336250 | 1 | CLAMP, injection tubes, upper |
| | 70914670 | 3 | CAPSCREW, 5/16" NC x 1-1/8" |
| | 70904205 | 3 | LOCKWASHER, 5/16" |
| 16 | 70929910 | 1 | CLAMP, #1 fuel line (Not Illustrated) |
| | 70929911 | 1 | CAPSCREW, 1/4" |
| | 70904204 | 1 | LOCKWASHER, 1/4" |



INJECTION NOZZLES AND LINES

T-73975

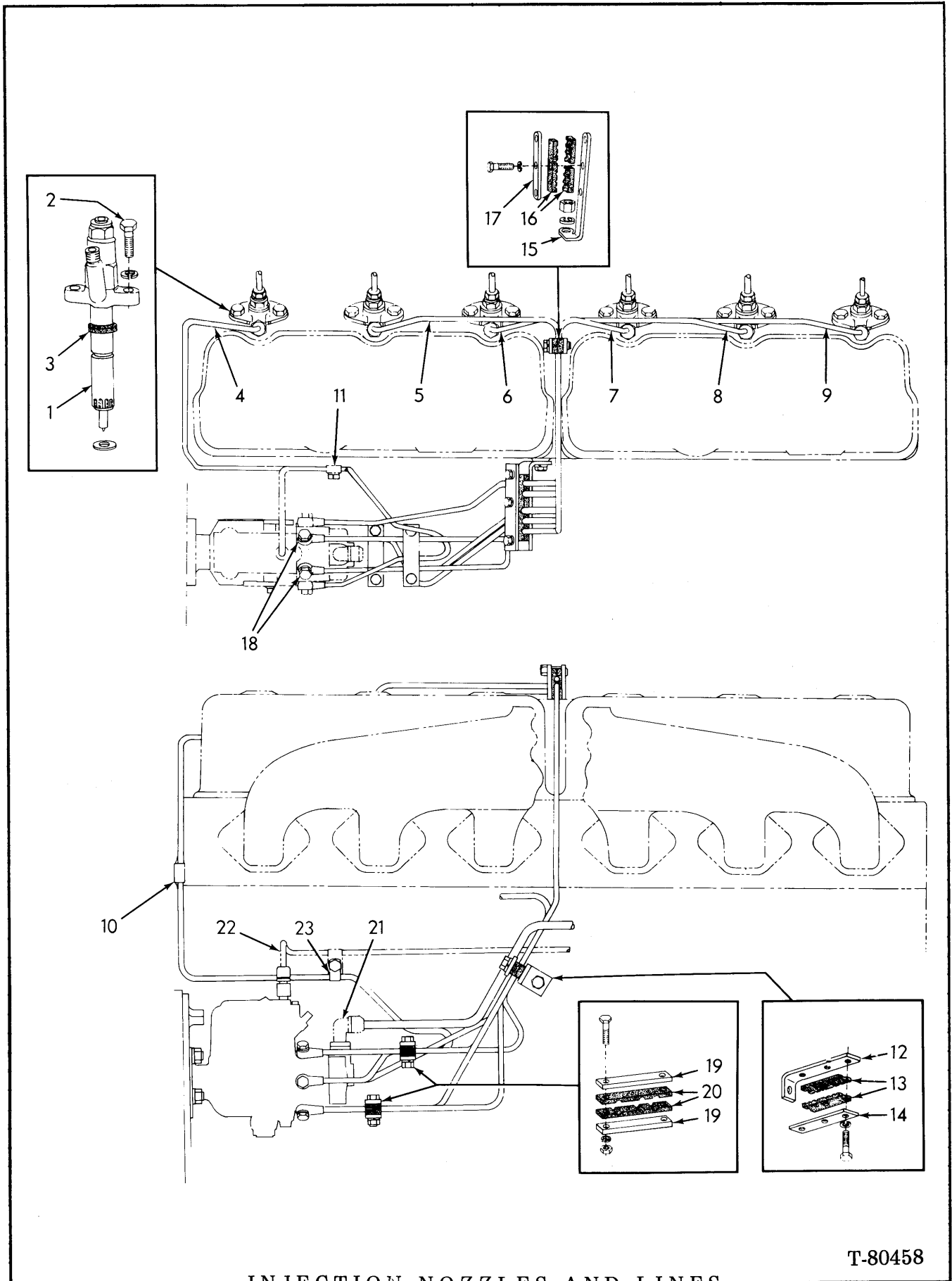
INJECTION NOZZLES AND LINES

USAGE: Effective with engine serial no. 11-24213 thru 11-26801.

| ITEM | PART NO. | QTY. | DESCRIPTION |
|------|----------|------|---|
| 1 | ----- | 6 | NOZZLE AND HOLDER ASSY. (See page 62) |
| 2 | 70914847 | 12 | CAPSCREW, 3/8" NC x 1-1/2" |
| | 70910287 | 12 | LOCKWASHER, 3/8" |
| 3 | 74025385 | 1 | SHIELD |
| 4 | ----- | 1 | TUBE (No. 1 cylinder) |
| 5 | ----- | 1 | TUBE (No. 2 cylinder) |
| 6 | ----- | 1 | TUBE (No. 3 cylinder) |
| 7 | ----- | 1 | TUBE (No. 4 cylinder) |
| 8 | ----- | 1 | TUBE (No. 5 cylinder) |
| 9 | ----- | 1 | TUBE (No. 6 cylinder) |
| 10 | 74256009 | 1 | CLIP |
| | 70916284 | 1 | CAPSCREW, 1/4" NC x 1/2" |
| | 70904204 | 1 | LOCKWASHER, 1/4" |
| | 70910880 | 1 | NUT, 1/4" NC |
| 11 | 74354831 | 1 | CLIP |
| | 70916284 | 1 | CAPSCREW, 1/4" NC x 1/2" |
| | 70904204 | 1 | LOCKWASHER, 1/4" |
| 12 | 74339712 | 1 | BRACKET |
| | 70914392 | 1 | CAPSCREW, 5/16" NC x 3/4" |
| | 70904205 | 1 | LOCKWASHER, 5/16" |
| 13 | 74336532 | 2 | SPACER |
| 14 | 74336531 | 1 | PLATE |
| | 70914670 | 3 | CAPSCREW, 5/16" NC x 1-1/8" |
| | 70904205 | 3 | LOCKWASHER, 5/16" |
| 15 | ----- | 1 | BRACKET (first type) |
| | 74321702 | 1 | BRACKET (second type) |
| | 70910195 | 1 | NUT, 1/2"NF |
| | 70912441 | 1 | LOCKWASHER, 1/2" |
| | 70911414 | 3 | WASHER, plain, 1/2" (Use as required with first type BRACKET) |
| 16 | 74507359 | 4 | SPACER |
| 17 | 74336250 | 1 | CLAMP |
| | 70914670 | 3 | CAPSCREW, 5/16" NC x 1-1/8" |
| | 70904205 | 3 | LOCKWASHER, 5/16" |
| 18 | 74027748 | 12 | WASHER, fuel line |
| 19 | 74513552 | 1 | CLAMP |
| | 74359106 | 1 | SPACER |
| | 70916278 | 1 | CAPSCREW, 5/16" NC x 1/2" |
| | 70904205 | 1 | LOCKWASHER, 5/16" |
| | 70910323 | 1 | NUT, 5/16" NC |

See page 57a for
service replacement

NOTE: See page 50a for Conversion Kit.



INJECTION NOZZLES AND LINES

57a

(Added March 1978)

T-80458

INJECTION NOZZLES AND LINES

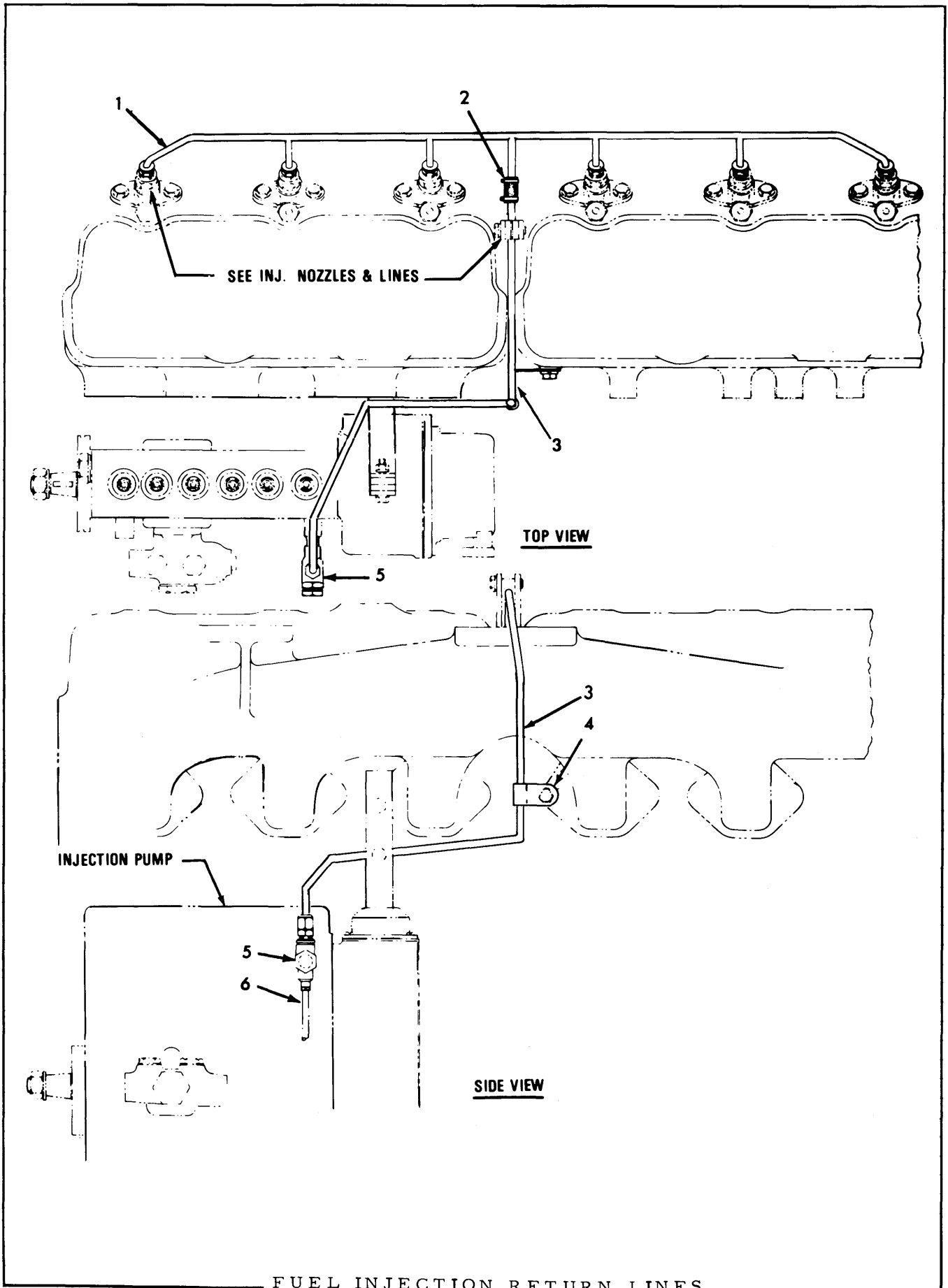
USAGE: Effective with engine s/n 11-26802.

NOTE: Items marked with * to be used simultaneously as service replacements with engine s/n 11-24213 thru 11-26801.

| ITEM | PART NO. | QTY. | DESCRIPTION |
|------|----------|------|---|
| 1 | ----- | 6 | NOZZLE AND HOLDER ASSY. (See page 62) |
| 2 | 70914847 | 12 | CAPSCREW, 3/8" NC x 1-1/2" |
| | 70910287 | 12 | LOCKWASHER, 3/8" |
| 3 | 74025385 | 6 | SHIELD (dust) |
| 4 | 74321795 | 1 | * TUBE ASSY. (No. 1 cylinder) |
| 5 | 74321706 | 1 | * TUBE ASSY. (No. 2 cylinder) |
| 6 | 74321707 | 1 | * TUBE ASSY. (No. 3 cylinder) |
| 7 | 74321708 | 1 | * TUBE ASSY. (No. 4 cylinder) |
| 8 | 74321709 | 1 | * TUBE ASSY. (No. 5 cylinder) |
| 9 | 74321710 | 1 | * TUBE ASSY. (No. 6 cylinder) |
| 10 | 74256009 | 1 | CLIP |
| | 70916284 | 1 | CAPSCREW, 1/4" NC x 1/2" |
| | 70904204 | 1 | LOCKWASHER, 1/4" |
| | 70910880 | 1 | NUT, 1/4" NC |
| 11 | ----- | 1 | CLIP (see page 60) |
| 12 | 74339712 | 1 | BRACKET |
| | 70914392 | 1 | CAPSCREW, 5/16" NC x 3/4" |
| | 70904205 | 1 | LOCKWASHER, 5/16" |
| 13 | 74336532 | 2 | SPACER |
| 14 | 74336531 | 1 | PLATE |
| | 70914670 | 3 | CAPSCREW, 5/16" NC x 1-1/8" |
| | 70904205 | 3 | LOCKWASHER, 5/16" |
| 15 | ----- | 1 | BRACKET (first type) |
| | 74321702 | 1 | BRACKET (second type) |
| | 70910195 | 1 | NUT, 1/2" NF |
| | 70912441 | 1 | LOCKWASHER, 1/2" |
| | 70911414 | 3 | WASHER, plain, 1/2" (use as required with first type BRACKET) |
| 16 | 74507359 | 4 | SPACER |
| 17 | 74336250 | 1 | CLAMP |
| | 70914670 | 3 | CAPSCREW, 5/16" NC x 1-1/8" |
| | 70904205 | 3 | LOCKWASHER, 5/16" |
| 18 | 74027748 | 12 | WASHER, fuel line |
| 19 | 74029255 | 4 | * PLATE |
| | 70915807 | 4 | * CAPSCREW, 5/16" NC x 1-1/4" |
| | 70904205 | 4 | * LOCKWASHER, 5/16" |
| | 70910323 | 4 | * NUT, 5/16" NC |
| 20 | 74029254 | 4 | * SPACER |
| 21 | ----- | 1 | ELBOW (see page 44) |
| 22 | ----- | 1 | TUBE (see page 60) |
| 23 | 70926918 | 1 | * CLIP |
| | 70916277 | 1 | CAPSCREW, 5/16" NC x 5/8" |
| | 70904205 | 1 | LOCKWASHER, 5/16" |

* See NOTE above

(Revised March 1978)

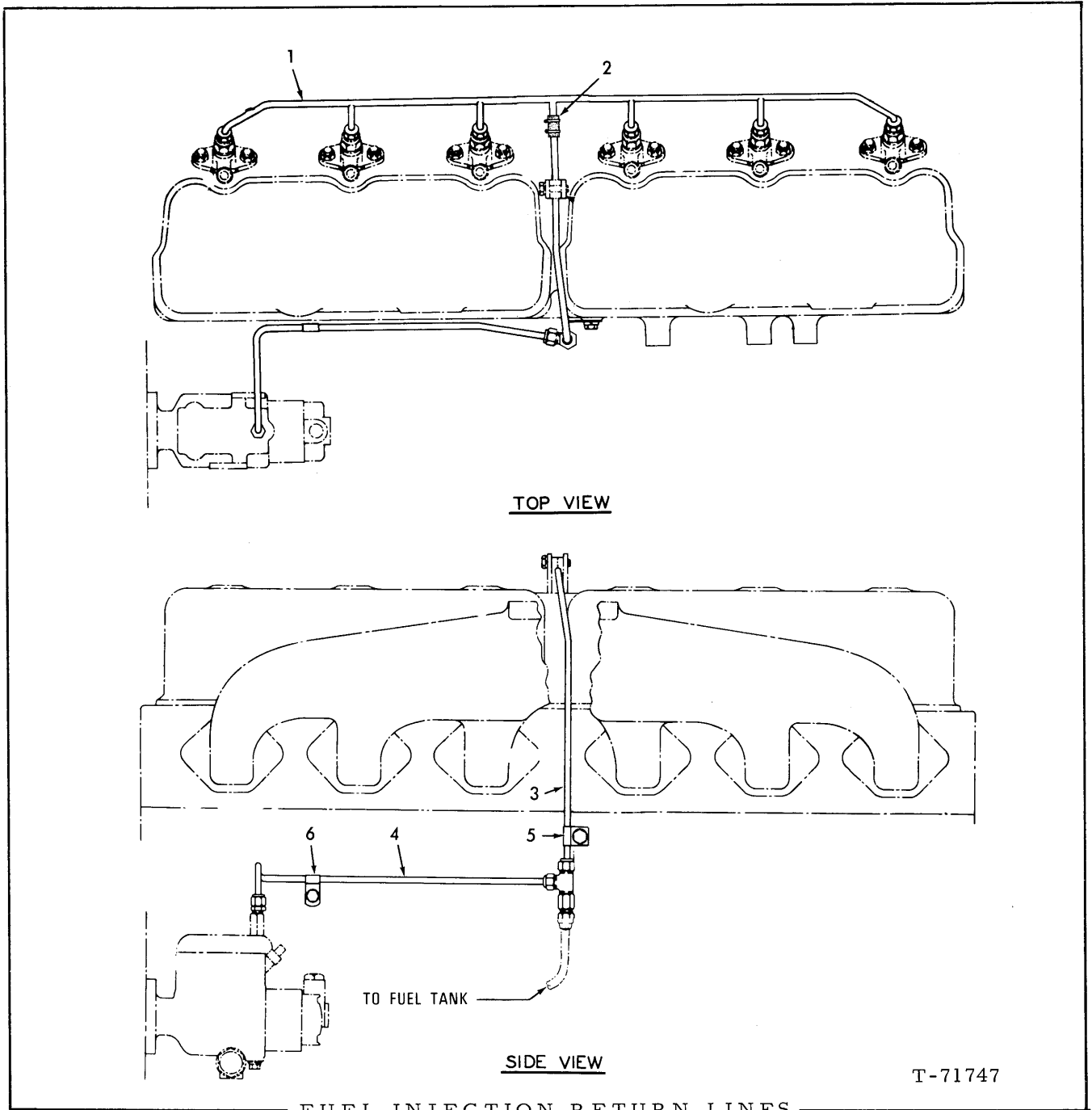


FUEL INJECTION RETURN LINES

USAGE: Used prior to engine serial no. 11-24213

| ITEM | PART NO. | QTY. | DESCRIPTION |
|------|----------|------|---|
| 1 | 74320638 | 1 | MANIFOLD, front |
| | 70917809 | 6 | NUT, Imperial, 1/4" tube |
| | 70917806 | 6 | SLEEVE, Imperial, 1/4" tube |
| 2 | 74514780 | 1 | HOSE, tube to manifold |
| | 70927450 | 2 | CLAMP, hose |
| 3 | 74320637 | 1 | TUBE, manifold return |
| | 70917809 | 1 | NUT, Imperial, 1/4" tube |
| | 70917806 | 1 | SLEEVE, Imperial, 1/4" tube |
| | 70919800 | 1 | CONNECTOR, Imperial, 1/4" tube, 1/8" NPT male |
| 4 | 74716090 | 1 | CLAMP, manifold return tube |
| 5 | ----- | - | VALVE, overflow (See FUEL INJECTION PUMP Parts Catalog) |
| 6 | ----- | - | HOSE ASSEMBLY (See FUEL TANK AND LINES, page 46) |

(Revised June 1979)



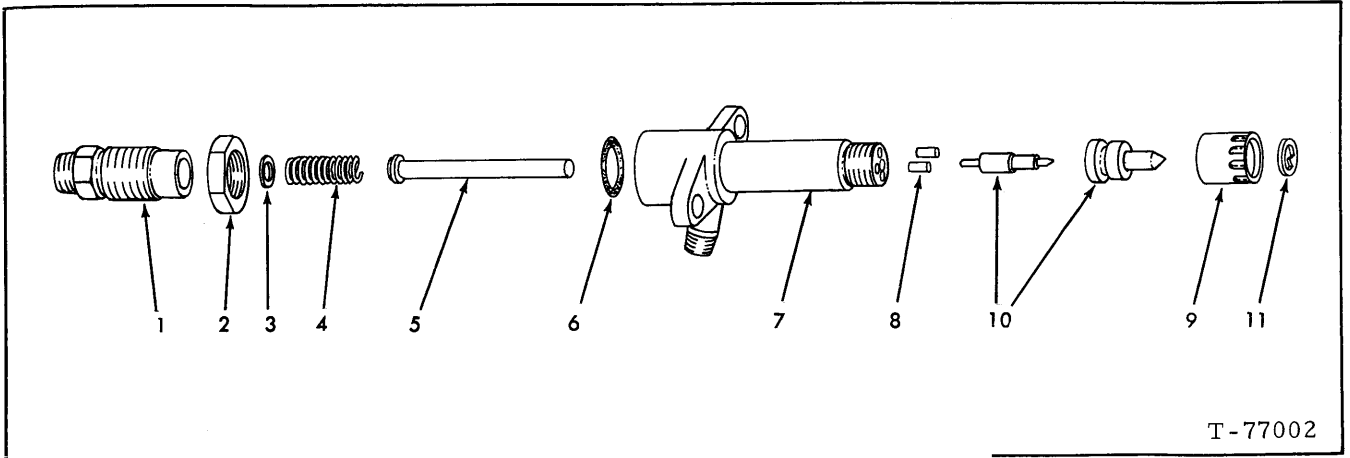
USAGE: Effective with engine serial no. 11-24213

| ITEM | PART NO. | QTY. | DESCRIPTION |
|------|----------|------|--|
| 1 | 74320638 | 1 | MANIFOLD, front (Prior to engine serial no. 11-16490 also order NUTS and SLEEVES indented below) |
| | 70917809 | 6 | NUT, Imperial, 1/4" tube |
| | 70917806 | 6 | SLEEVE, Imperial, 1/4" tube |
| 2 | 74514780 | 1 | HOSE |
| | 70927450 | 2 | CLAMP, 7/16" to 1/2" |

(Continued)

FUEL INJECTION RETURN LINES (Continued)

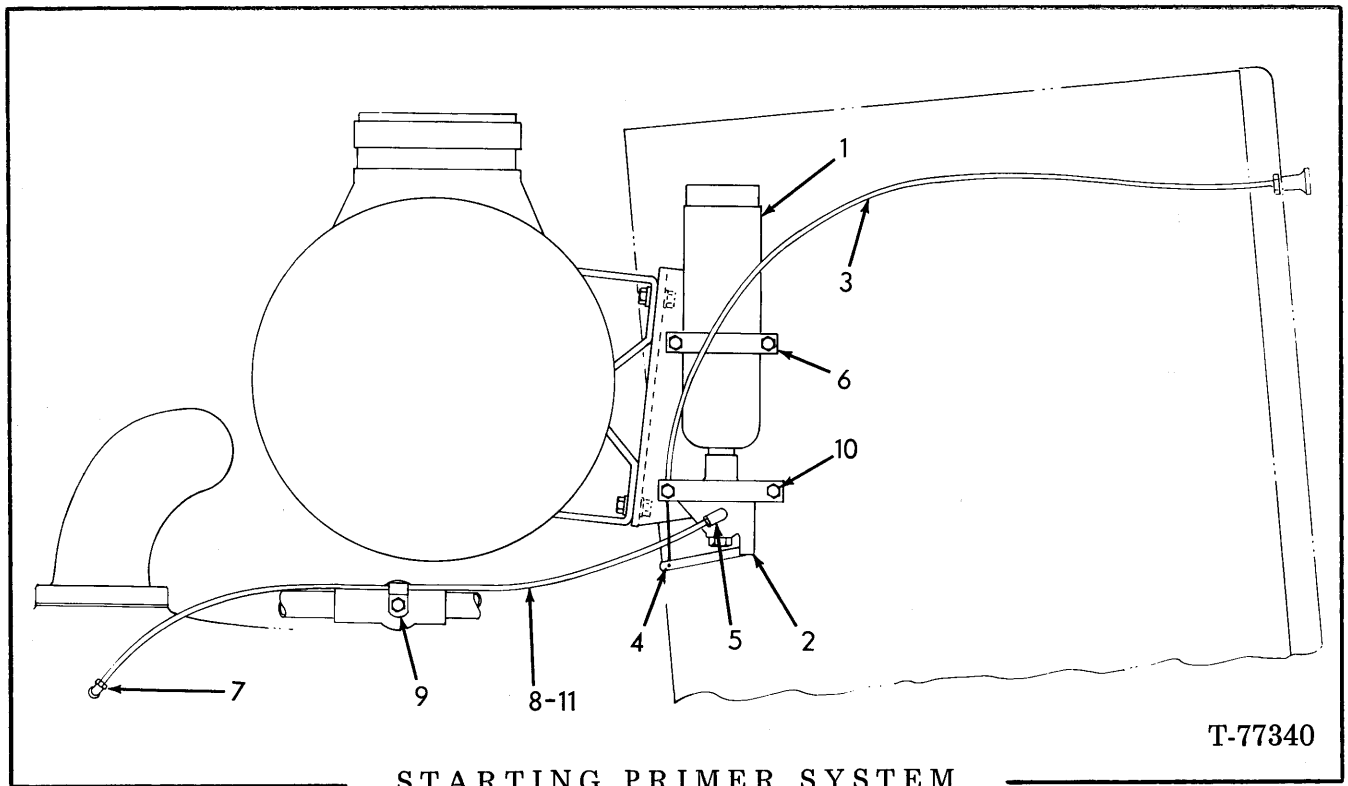
| ITEM | PART NO. | QTY. | DESCRIPTION |
|------|----------|------|--|
| 3 | 74320636 | 1 | TUBE, manifold return (also order NUT and SLEEVE indented below) |
| | 70917809 | 1 | NUT, Imperial, 1/4" tube |
| | 70917806 | 1 | SLEEVE, Imperial, 1/4" tube |
| | 70920411 | 1 | TEE, service, Imperial, 1/4" tube, 1/8" NPT male |
| 4 | 74339690 | 1 | TUBE, pump return (also order NUT and SLEEVE indented below) |
| | 70917809 | 2 | NUT, Imperial, 1/4" tube |
| | 70917806 | 2 | SLEEVE, Imperial, 1/4" tube |
| | 70919800 | 1 | CONNECTOR, Imperial, 1/4" tube, 1/8" NPT male |
| 5 | 74339949 | 1 | CLAMP |
| | 70916277 | 1 | CAPSCREW, 5/16" NC x 5/8" |
| | 70904205 | 1 | LOCKWASHER, 5/16" |
| 6 | 74253435 | 1 | CLAMP |
| | 70916277 | 1 | CAPSCREW, 5/16" NC x 5/8" |
| | 70904205 | 1 | LOCKWASHER, 5/16" |



T-77002

NOZZLE AND HOLDER ASSEMBLY

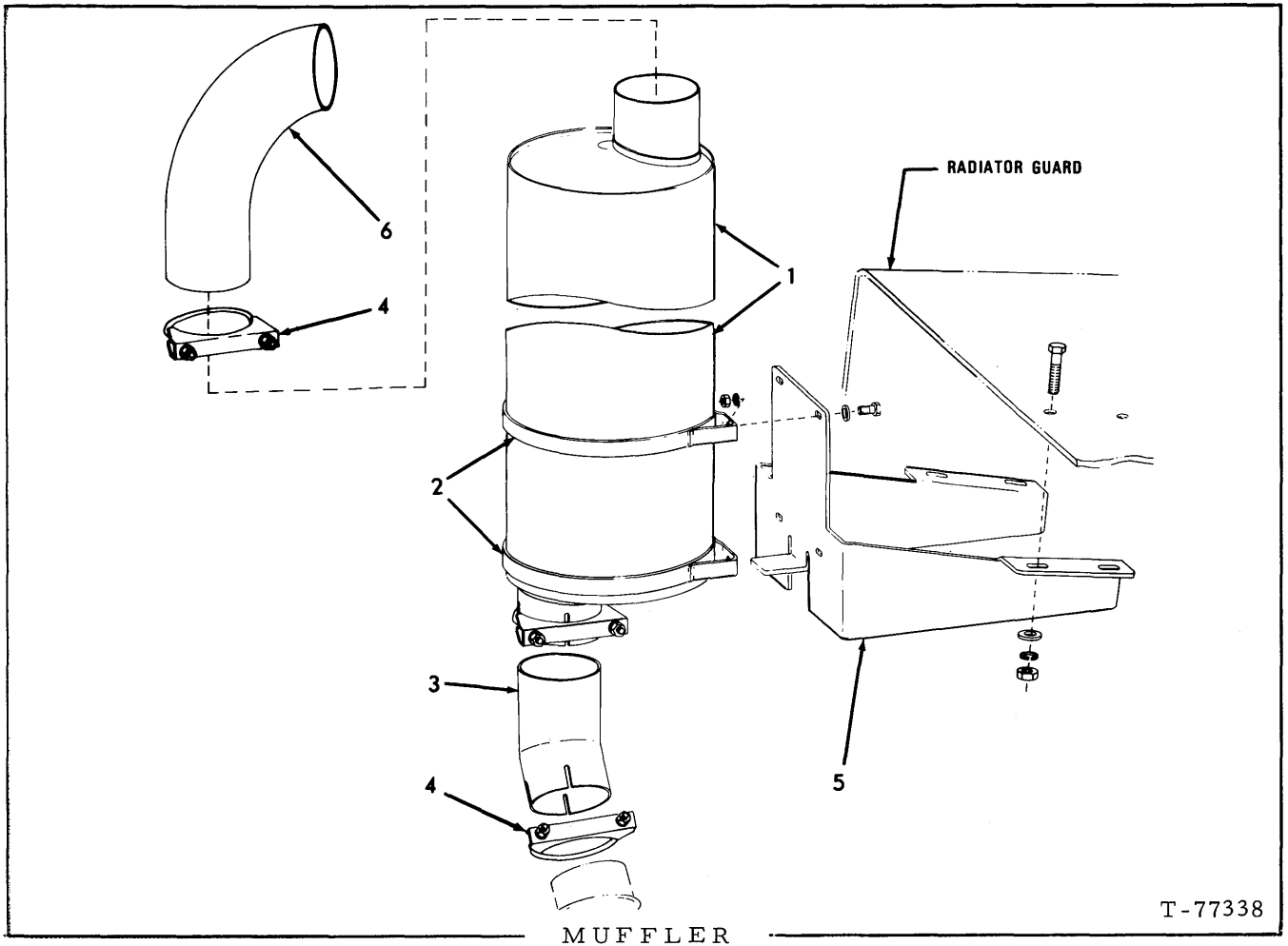
| ITEM | PART NO. | QTY. | DESCRIPTION |
|------|----------|------|--|
| | | | NOTE: Quantities indicated are for one (1) Holder Assy. only. |
| - | 74060908 | 1 | HOLDER ASSY. (Includes items 1 thru 9) |
| 1 | 74023570 | 1 | SCREW |
| 2 | 74511213 | 1 | NUT |
| 3 | 74023571 | 1 | WASHER |
| 4 | 74380652 | 1 | SPRING |
| 5 | 74380656 | 1 | SPINDLE |
| 6 | 70928049 | 1 | O-RING (Used prior to engine serial no. 11-22865) |
| | 70930506 | 1 | O-RING (Effective with engine serial no. 11-22865) |
| 7 | ----- | 1 | BODY (Order Holder Assy.) |
| 8 | 74025149 | 2 | PIN |
| 9 | 74380662 | 1 | NUT |
| 10 | 74359395 | 1 | NOZZLE ASSY. (Includes item 11) (Not a component of Holder Assy.) |
| 11 | 74378031 | 1 | <input type="checkbox"/> GASKET |
| | | | <input type="checkbox"/> (Also see PACKAGED PARTS) |



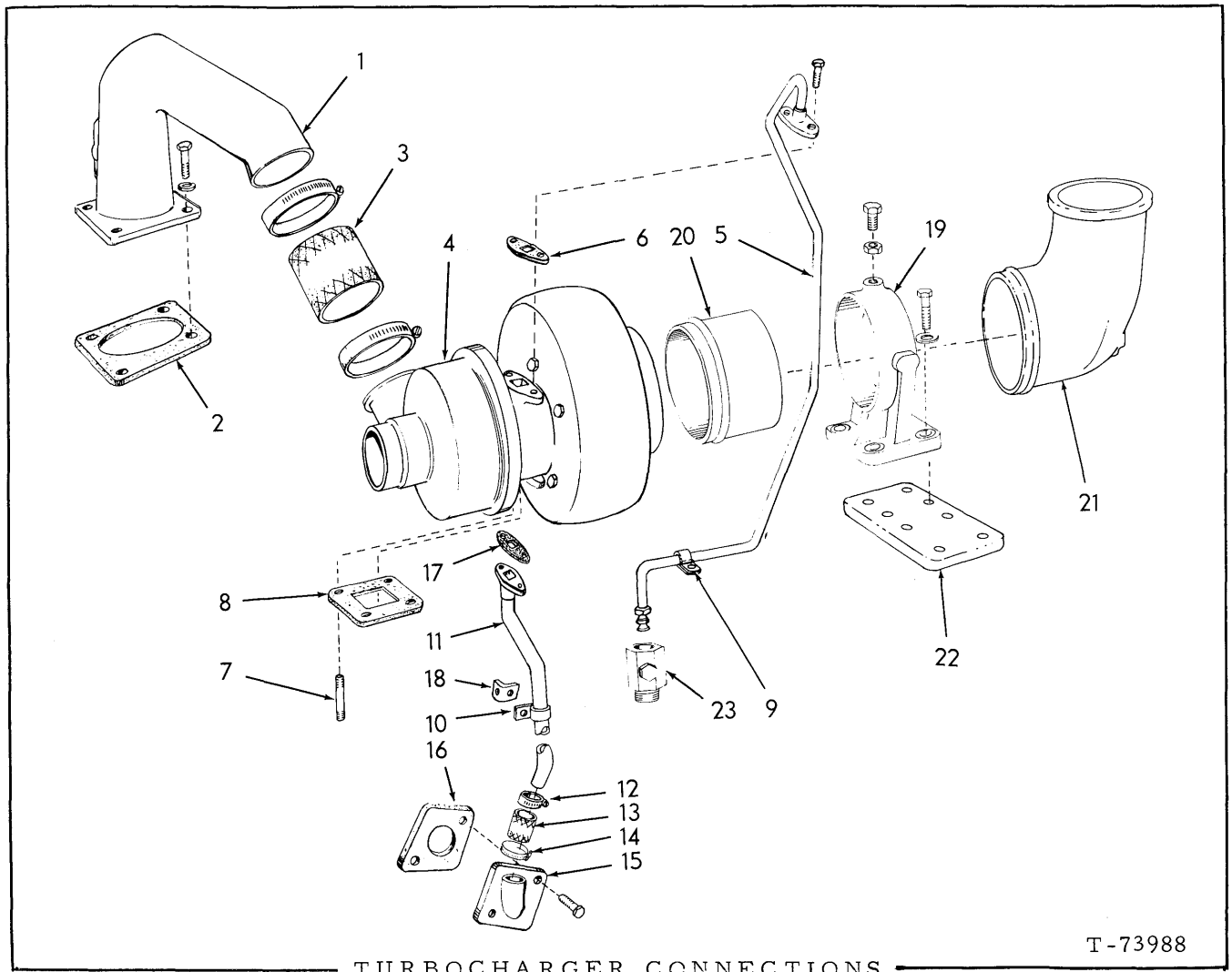
USAGE: Special Equipment

| ITEM | PART NO. | QTY. | DESCRIPTION |
|------|------------|------|---|
| - | 73067511 | 1 | QUICK START (Includes items 1 thru 7) |
| 1 | 74024792 | 1 | CYLINDER, fuel |
| 2 | { 70669526 | 1 | VALVE ASSY. (Includes bracket)(First type) |
| | { 73067533 | 1 | VALVE ASSY. (Includes bracket)(Second type) |
| 3 | 70251888 | 1 | CABLE, control |
| 4 | 73066657 | 1 | STOP AND SCREW ASSY. (Serviced only as a unit) |
| 5 | 70910128 | 1 | ELBOW ASSY. (Includes NUT and SLEEVE indented below) |
| | 70911841 | 1 | SLEEVE, 1/8" tube |
| | 70912589 | 1 | NUT, 1/8" tube, 5/16" str. thd. |
| 6 | 73041822 | 1 | CLAMP |
| | { 74320811 | 1 | ATOMIZER (Includes NUT and SLEEVE indented below)(First Type) |
| 7 | { 70911841 | 1 | SLEEVE, 1/8" tube |
| | { 70912589 | 1 | NUT, 1/8" tube, 5/16" str. thd. |
| | { 73067536 | 1 | ATOMIZER (Includes nut and sleeve)(Second Type) |
| 8 | ----- | 1 | TUBE, 33" (Refer to item 11) |
| 9 | 70925615 | 1 | CLIP (Use existing fastener) |
| 10 | 70923341 | 4 | CAPSCREW, 1/4" NC x 3/4" |
| | 70916964 | 4 | LOCKWASHER, 1/4" |
| | 70916622 | 4 | NUT, 1/4" NC |
| 11 | 73052091 | - | TUBE, copper (48" length — use as required) |
| 12 | 73065888 | 1 | DECAL, starting instructions (applied to bonnet or cab post) |

(Revised June 1977)



| ITEM | PART NO. | QTY. | DESCRIPTION |
|------|----------|------|------------------------------------|
| 1 | 73061486 | 1 | MUFFLER |
| 2 | 73026368 | 2 | BAND |
| | 70916272 | 4 | CAPSCREW, 3/8" NC x 1-1/4" |
| | 70911115 | 4 | WASHER, plain, 3/8" |
| | 70904206 | 4 | LOCKWASHER, 3/8" |
| | 70910324 | 4 | NUT, 3/8" NC |
| 3 | 73061485 | 1 | ELBOW |
| 4 | 73019330 | 3 | CLAMP ASSY. (Serviced as an Assy.) |
| 5 | 73061484 | 1 | BRACKET |
| | 70921024 | 4 | CAPSCREW, 1/2" NC x 2" |
| | 70910244 | 4 | WASHER, plain, 1/2" |
| | 70904208 | 4 | LOCKWASHER, 1/2" |
| | 70910325 | 4 | NUT, 1/2" NC |
| 6 | 73061487 | 1 | TUBE |



T-73988

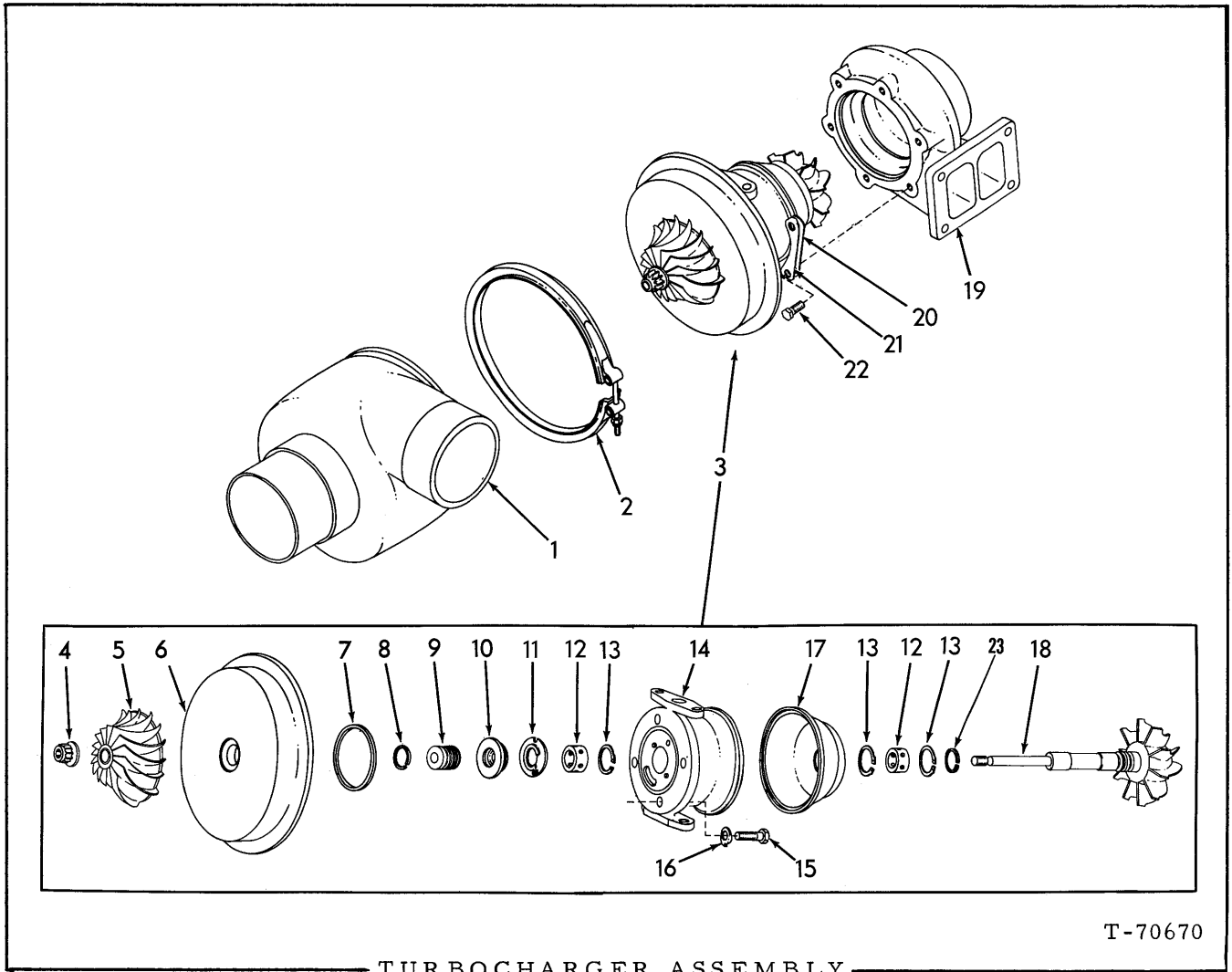
| ITEM | PART NO. | QTY. | DESCRIPTION |
|------|----------|------|--|
| 1 | 74321252 | 1 | ELBOW |
| | 70919230 | 3 | CAPSCREW, 1/2" NC x 1-3/8" |
| | 70904208 | 4 | LOCKWASHER, 1/2" |
| | 70919048 | 1 | CAPSCREW, 1/2" NC x 1-5/8" |
| | 70912333 | 1 | WASHER, plain, 17/32" I. D. |
| 2 | 74349193 | 1 | GASKET, air discharge elbow |
| 3 | 74388349 | 1 | HOSE |
| | 70929416 | 2 | CLAMP, hose |
| 4 | ----- | 1 | TURBOCHARGER ASSY. (See page 68) |
| 5 | 74354310 | 1 | TUBE ASSY., Oil feed (Includes sleeve and nut) |
| | 70917807 | 1 | SLEEVE, sealastic, 3/8" tube |
| | 70917810 | 1 | NUT, Imperial, 3/8" tube |
| | 70920700 | 1 | CONNECTOR, sealastic, 3/8" tube, 3/8" NPT male |
| | 70916269 | 2 | CAPSCREW, 3/8" NC x 7/8" |
| | 70904206 | 2 | LOCKWASHER, 3/8" |
| 6 | 74339533 | 1 | GASKET |

(Continued)

TURBOCHARGER CONNECTIONS (Continued)

| ITEM | PART NO. | QTY. | DESCRIPTION |
|------|----------|------|--|
| 7 | 74339535 | 4 | STUD |
| | 74255977 | 4 | NUT, stainless, 3/8" NC |
| | 70913544 | 4 | WASHER, plain, 3/8" |
| 8 | 74336558 | 1 | GASKET |
| 9 | 74375953 | 1 | CLAMP |
| 10 | 74255606 | 1 | CLAMP |
| | 70915809 | 1 | CAPSCREW, 5/16" NC x 3/4" |
| | 70904205 | 1 | LOCKWASHER, 5/16" |
| 11 | 74358726 | 1 | TUBE ASSY. , oil drain |
| | 70916269 | 2 | CAPSCREW, 3/8" NC x 7/8" |
| | 70904206 | 2 | LOCKWASHER, 3/8" |
| 12 | 74254991 | 1 | CLAMP, adjustable, 1-3/16" I. D. |
| 13 | 74358728 | 1 | HOSE |
| 14 | 74254991 | 1 | CLAMP, adjustable, 1-3/16" I. D. |
| 15 | 74321253 | 1 | FLANGE (Effective with engine serial no. 11-24026) |
| | 74339496 | 1 | FLANGE (Used prior to engine serial no. 11-24026) |
| | 70916311 | 2 | CAPSCREW, 1/2" NC x 1-1/4" |
| | 70904208 | 2 | LOCKWASHER, 1/2" |
| 16 | 74336436 | 1 | GASKET |
| 17 | 74339532 | 1 | GASKET |
| 18 | 74358911 | 1 | BRACKET |
| | 70910323 | 1 | NUT, 5/16" NC |
| 19 | 74357346 | 1 | RING, diffuser |
| | 70916197 | 4 | CAPSCREW, 7/16" NC x 1-1/4" |
| | 70911413 | 4 | WASHER, plain, 14 ga., 15/32" I. D. x 1" O. D. |
| | 70904207 | 4 | LOCKWASHER, 7/16" |
| | 70920469 | 1 | SCREW, set, knurled cup pt. , 3/8" NC x 3/4" |
| | 70912772 | 1 | NUT, jam, 3/8" NC |
| 20 | 74357337 | 1 | DIFFUSER |
| 21 | 74025925 | 1 | ELBOW |
| 22 | 74357336 | 1 | PLATE |
| | 74386037 | 4 | CAPSCREW, 3/8" |
| | 70904206 | 4 | LOCKWASHER, 3/8" |
| 23 | 74339606 | 1 | ADAPTER, oil line |
| | 70919840 | 2 | PLUG, pipe, hex-hd. |

(Revised June 1979)



TURBOCHARGER ASSEMBLY

USAGE: See page 66

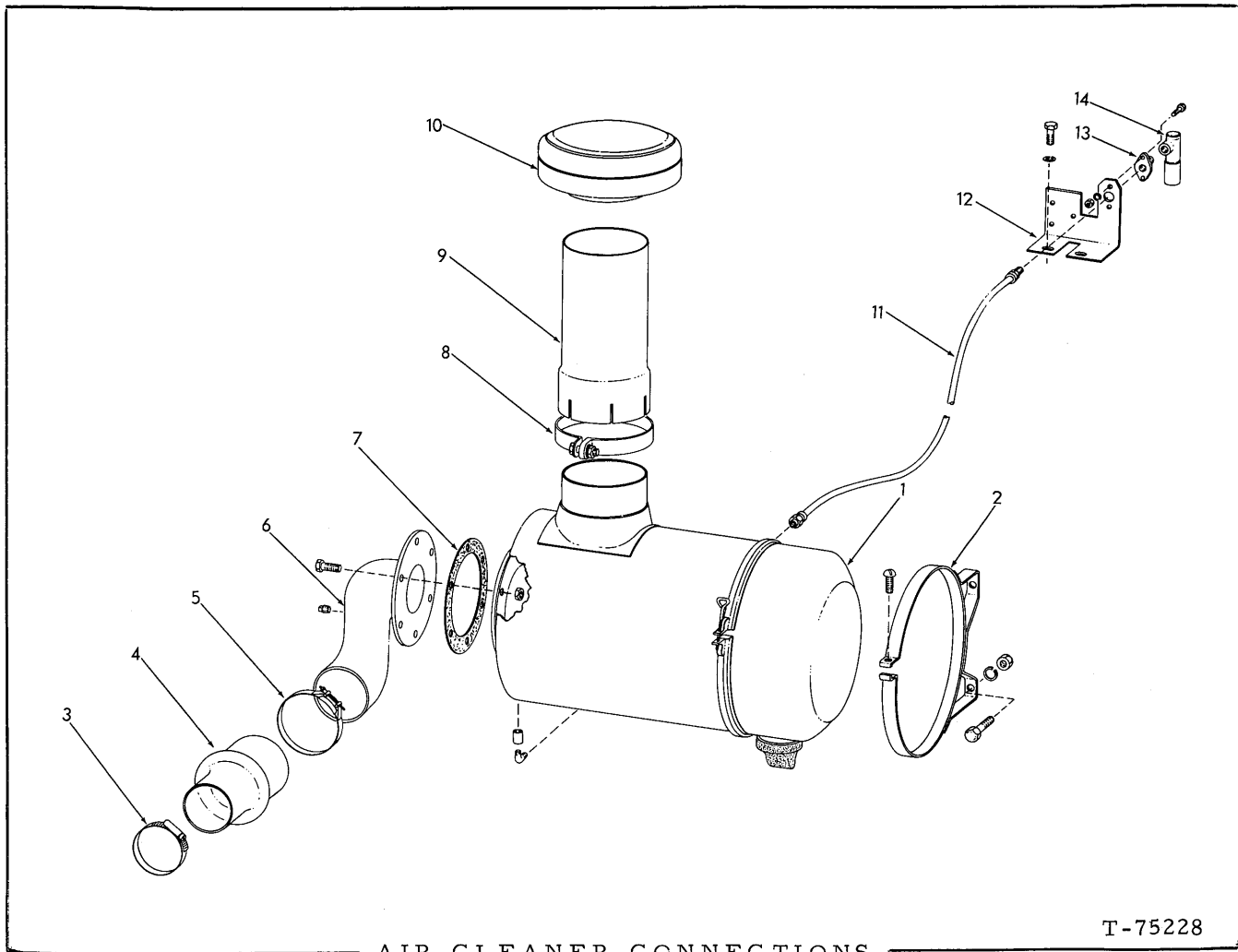
| ITEM | PART NO. | QTY. | DESCRIPTION |
|------|----------|------|---|
| - | 74320972 | 1 | TURBOCHARGER ASSY. (Includes items 1 thru 22) |
| 1 | 74056303 | 1 | HOUSING ASSY., compressor (Includes impeller shroud and locating pin) |
| 2 | 74056302 | 1 | COUPLING, compressor housing |
| 3 | 74061560 | 1 | HOUSING ASSY., center (Consists of items 4 thru 18) |
| 4 | 74056291 | 1 | LOCKNUT, impeller retaining |
| 5 | 74056290 | 1 | IMPELLER, compressor |
| 6 | 74059030 | 1 | BACKPLATE ASSY. (Includes thrust washer and orifice pin) |
| 7 | 74056300 | 1 | RING, end plate sealing |
| 8 | 74055195 | 1 | RING, sealing, turbine wheel shaft, compressor end |

(Continued)

TURBOCHARGER ASSEMBLY (Continued)

| ITEM | PART NO. | QTY. | DESCRIPTION |
|------|----------|------|---|
| 9 | 74056289 | 1 | SPACER |
| 10 | 74059029 | 1 | COLLAR |
| 11 | 74056294 | 1 | BEARING |
| 12 | 74056295 | 2 | BEARING (Engines prior to #11-24195) (Order 2 Bearing 74061213 and 2 Washer 74061214) |
| 13 | 74056296 | 3 | RING |
| 14 | 74059024 | 1 | HOUSING ASSY. (Includes dowels)(Used prior to engine serial no. 11-24195) |
| | 74056286 | 1 | HOUSING ASSY. (Effective with engine serial No. 11-24195) |
| 15 | 70928202 | 4 | BOLT, 1/4"NC x 5/8" |
| 16 | 74059992 | 4 | LOCKPLATE |
| 17 | 74060371 | 1 | SHROUD |
| 18 | 74059049 | 1 | WHEEL (Used prior to engine serial No. 11-24195) |
| | 74061093 | 1 | WHEEL (Effective with engine serial No. 11-24195) |
| 19 | 74059051 | 1 | HOUSING |
| 20 | 74056306 | 3 | PLATE |
| 21 | 74056305 | 3 | LOCKPLATE |
| 22 | 74056314 | 6 | BOLT (3/8" NC x 5/8") |
| 23 | 74060057 | 1 | RING (Effective with engine serial No. 11-24195) |

(Revised June 1979)



T-75228

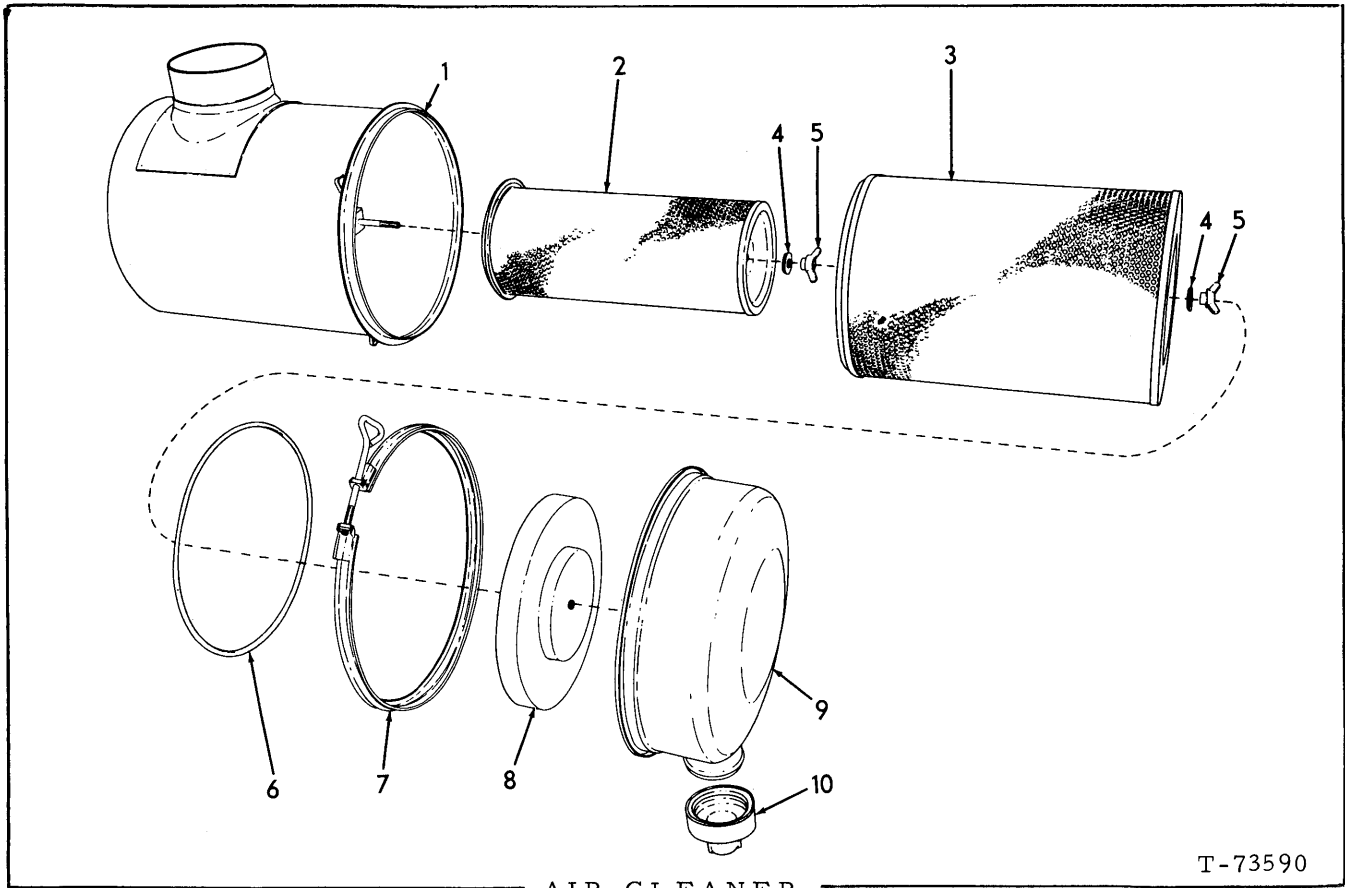
AIR CLEANER CONNECTIONS

| ITEM | PART NO. | QTY. | DESCRIPTION |
|------|----------|------|---|
| 1 | ----- | 1 | CLEANER ASSY. , air (see page 72) |
| 2 | 73103146 | 2 | BAND air cleaner mounting (Includes tightening screw) |
| | 70916271 | 4 | CAPSCREW, 3/8" NC x 1" |
| | 70904206 | 4 | LOCKWASHER, 3/8" |
| | 70910324 | 4 | NUT, 3/8" NC |
| 3 | 70658781 | 1 | CLAMP |
| 4 | 73047933 | 1 | HOSE |
| 5 | 70925342 | 1 | CLAMP |
| 6 | 73048639 | 1 | ELBOW |
| | 70916272 | 6 | CAPSCREW, 3/8" NC x 1-1/4" |
| | 70918308 | 6 | NUT, 3/8" NC |
| | 70901651 | 1 | PLUG, pipe, 1/8" PT |
| 7 | 70658759 | 1 | GASKET |

(Continued)

AIR CLEANER CONNECTIONS (Continued)

| ITEM | PART NO. | QTY. | DESCRIPTION | |
|------|----------|------|---------------------------------|---------------------|
| 8 | 73054594 | 1 | CLAMP | |
| | 70916389 | 1 | CAPSCREW, 3/8" NF x 3-1/4" | |
| | 70044973 | 2 | WASHER | |
| | 70904206 | 1 | LOCKWASHER, 3/8" | |
| | 70910123 | 1 | NUT, 3/8" NF | |
| 9 | 70645029 | 1 | TUBE | |
| 10 | 70645028 | 1 | CAP (Includes nut and bolt) | |
| 11 | 73045834 | 1 | HOSE, filter indicator | } At Air Cleaner |
| | 70919173 | 1 | ELBOW, male, 1/4" tube, 1/8" PT | |
| | 70901763 | 1 | COUPLING, female, 1/8" PT | |
| 12 | 73047450 | 1 | BRACKET | |
| | 70915408 | 2 | CAPSCREW, 3/8" NC x 3/4" | |
| | 70904206 | 2 | LOCKWASHER, 3/8" | |
| | 70911115 | 2 | WASHER, plain, 3/8" | |
| 13 | 73045531 | 1 | FLANGE | |
| | 70916400 | 2 | CAPSCREW, 1/4" NF x 3/4" | |
| | 70904204 | 2 | LOCKWASHER, 1/4" | |
| | 70911040 | 2 | NUT, 1/4" NF | |
| 14 | 74388648 | 1 | INDICATOR, filter | |

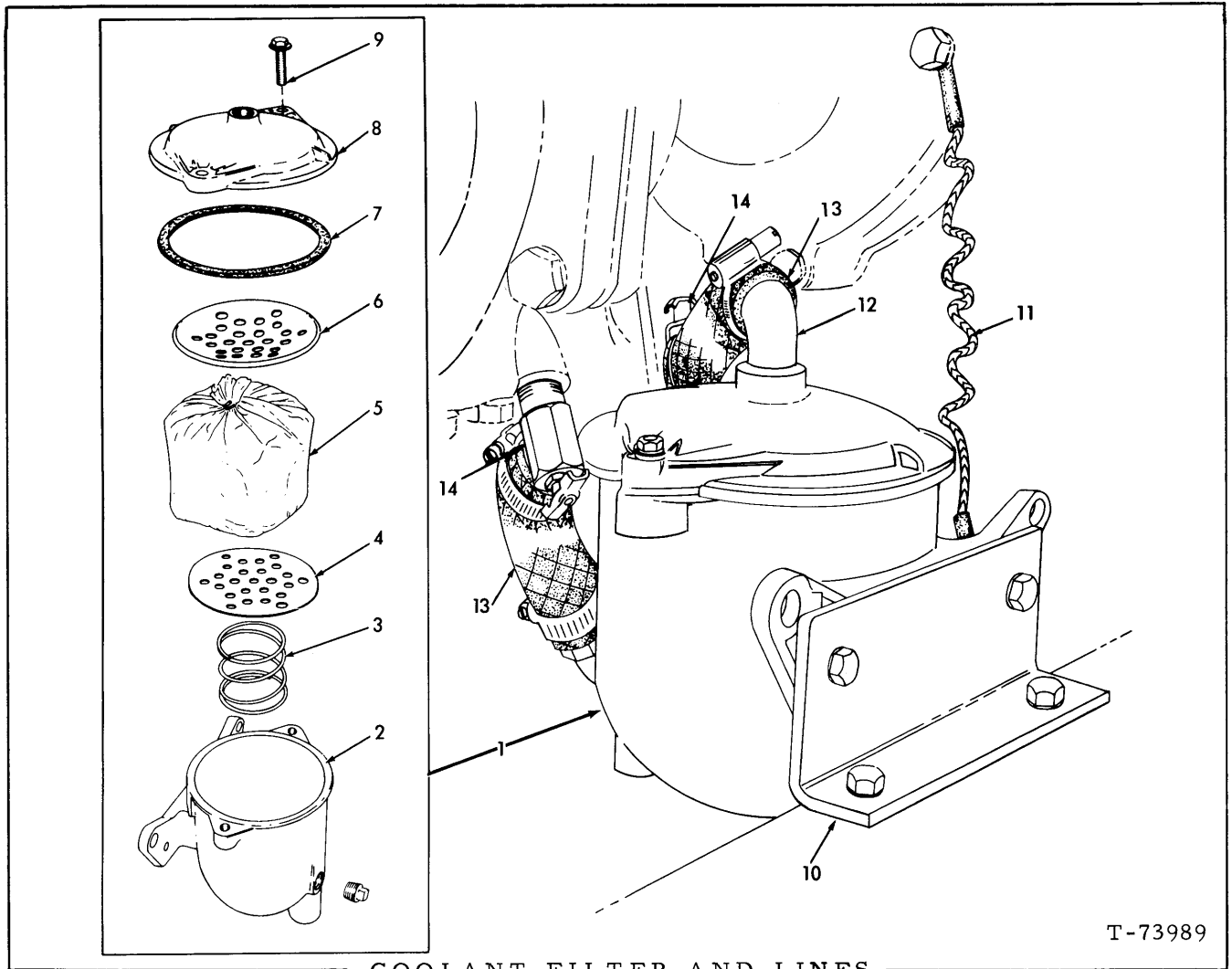


AIR CLEANER

T-73590

USAGE: See page 70

| ITEM | PART NO. | QTY. | DESCRIPTION |
|------|----------|------|---|
| - | 70662618 | 1 | CLEANER ASSY., air (Includes items 1 thru 10) |
| 1 | ----- | 1 | BODY (Order complete Cleaner Assy.) |
| 2 | 70662477 | 1 | ELEMENT ASSY., safety (inner) |
| 3 | 70684734 | 1 | ELEMENT ASSY., filtering (outer) |
| 4 | ----- | 2 | GASKET, element retaining nut (Order item 5) |
| 5 | 70664343 | 2 | NUT ASSY. element retaining (Includes item 4) |
| 6 | 70620721 | 1 | O-RING, cup sealing |
| 7 | 70621530 | 1 | CLAMP ASSY. (Includes tightening screw) |
| 8 | 70661162 | 1 | BAFFLE ASSY. (Includes wing nut) |
| 9 | 70661163 | 1 | CUP, sediment |
| 10 | 70197810 | 1 | VALVE, vacuator |



T-73989

COOLANT FILTER AND LINES

USAGE: Used prior to engine serial no. 11-22075

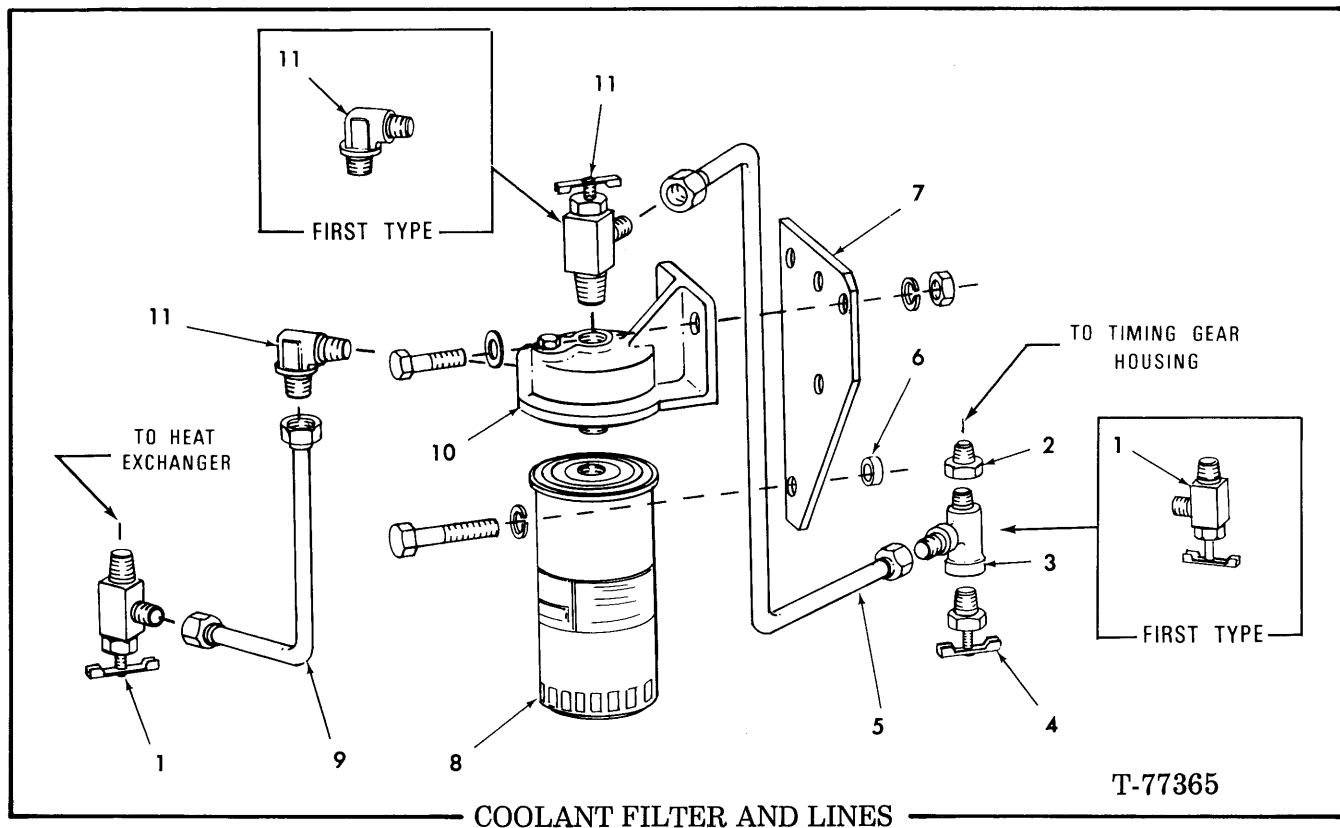
| ITEM | PART NO. | QTY. | DESCRIPTION |
|------|----------|------|--|
| 1 | 74359248 | 1 | FILTER ASSY. (Consists of items 2 thru 9) (Order Filter Kit 74393521. See page 75) |
| | 70914392 | 2 | CAPSCREW, 5/16" NC x 1" |
| | 70904205 | 2 | LOCKWASHER, 5/16" |
| | 70910323 | 2 | NUT, 5/16" NC |
| 2 | 74055031 | 1 | BODY |
| | 70920131 | 1 | PLUG, pipe, 3/8" NPT |
| 3 | 74054569 | 1 | SPRING |
| 4 | 74054568 | 1 | PLATE |
| 5 | 74059979 | 1 | ELEMENT KIT (Includes items 4, 6 and 7)(Original equipment, all purpose, recommended for use with plain water as well as most types of permanent and non-permanent anti-freeze except "Dowtherm 209") |
| | 74059380 | 1 | ELEMENT KIT (Includes items 4, 6 and 7)(Chromate type, for use with "Dowtherm 209" anti-freeze) |
| 6 | 74055034 | 1 | PLATE |

(Continued)

(Revised June 1979)

COOLANT FILTER AND LINES (Continued)

| ITEM | PART NO. | QTY. | DESCRIPTION |
|------|----------|------|------------------------------------|
| 7 | 74054566 | 1 | GASKET |
| 8 | 74055032 | 1 | COVER |
| 9 | 74055033 | 2 | BOLT ASSY. (Includes washer) |
| 10 | 73050249 | 1 | BRACKET |
| | 70923683 | 2 | CAPSCREW, 3/8" NC x 3/4" |
| | 70904206 | 2 | LOCKWASHER, 3/8" |
| | 70911041 | 2 | NUT, 3/8" NC |
| 11 | 73050279 | 1 | WIRE ASSY. |
| 12 | 74255286 | 2 | ELBOW |
| 13 | 73050250 | 2 | HOSE, coolant, 5/8" I. D. x 6" |
| | 70921911 | 4 | CLAMP, hose, 11/16" to 1-1/4" dia. |
| 14 | 74255287 | 2 | VALVE |
| | 70904271 | 1 | BUSHING, reducing, 1/2" to 3/8" |

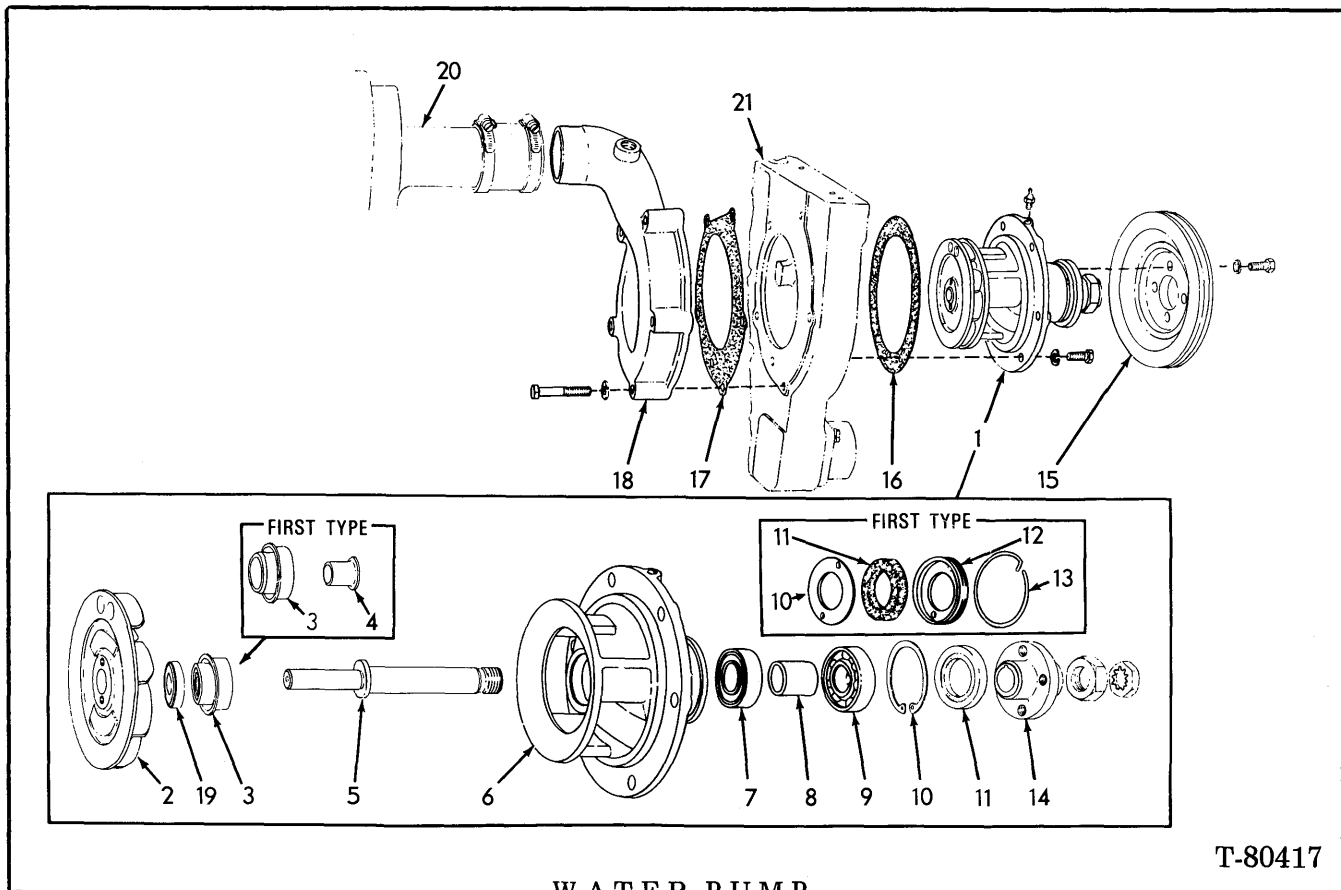


USAGE: Effective with engine serial No. 11-22075.

| ITEM | PART NO. | QTY. | DESCRIPTION |
|------|----------|------|---|
| 1 | 70928947 | 2 | VALVE (One used effective with engine s/n 11-24811) |
| 2 | 70901826 | 1 | BUSHING, 3/8" x 1/4" |
| 3 | 70925227 | 1 | TEE, 3/8" tube, 1/4" pipe thd. |
| 4 | 70918849 | 1 | COCK, drain, 1/4" pipe thd. |
| 5 | 74320930 | 1 | TUBE (Used prior to engine s/n 11-24811) |
| | 74321247 | 1 | TUBE (Effective with engine s/n 11-24811) |
| | 70917807 | 2 | SLEEVE, 3/8" tube |
| | 70917810 | 2 | NUT, 3/8" tube |
| 6 | 74016014 | 3 | SPACER |
| 7 | 74320927 | 1 | BRACKET |
| | 70920775 | 3 | CAPSCREW, 3/8" NC x 3" |
| | 70910287 | 3 | LOCKWASHER, 3/8" |
| 8 | 74393504 | 1 | <input type="checkbox"/> FILTER |
| 9 | 74320929 | 1 | TUBE |
| | 70917807 | 2 | SLEEVE, 3/8" tube |
| | 70917810 | 2 | NUT, 3/8" tube |
| 10 | 74393427 | 1 | <input type="checkbox"/> BASE ASSY. (Includes 1 PLUG indented below) |
| | 70916197 | 2 | CAPSCREW, 7/16" NC x 1-1/4" |
| | 70910919 | 2 | WASHER, 7/16" |
| | 70914678 | 2 | LOCKWASHER, 7/16" |
| | 70912201 | 2 | NUT, 7/16" NC |
| | 70919134 | 1 | PLUG, automotive, 1/8" NPT |
| 11 | 70919005 | 2 | ELBOW, 3/8" tube, 3/8" NPT (Qty. 1 used effective with engine s/n 11-24811) |
| | 70928947 | 1 | VALVE (Effective with engine s/n 11-24811) |

Component of Coolant Filter Conversion Kit 74393521

(Revised June 1979)



WATER PUMP

T-80417

USAGE: * Used prior to engine s/n 11-27556
 ** Effective with engine s/n 11-27556

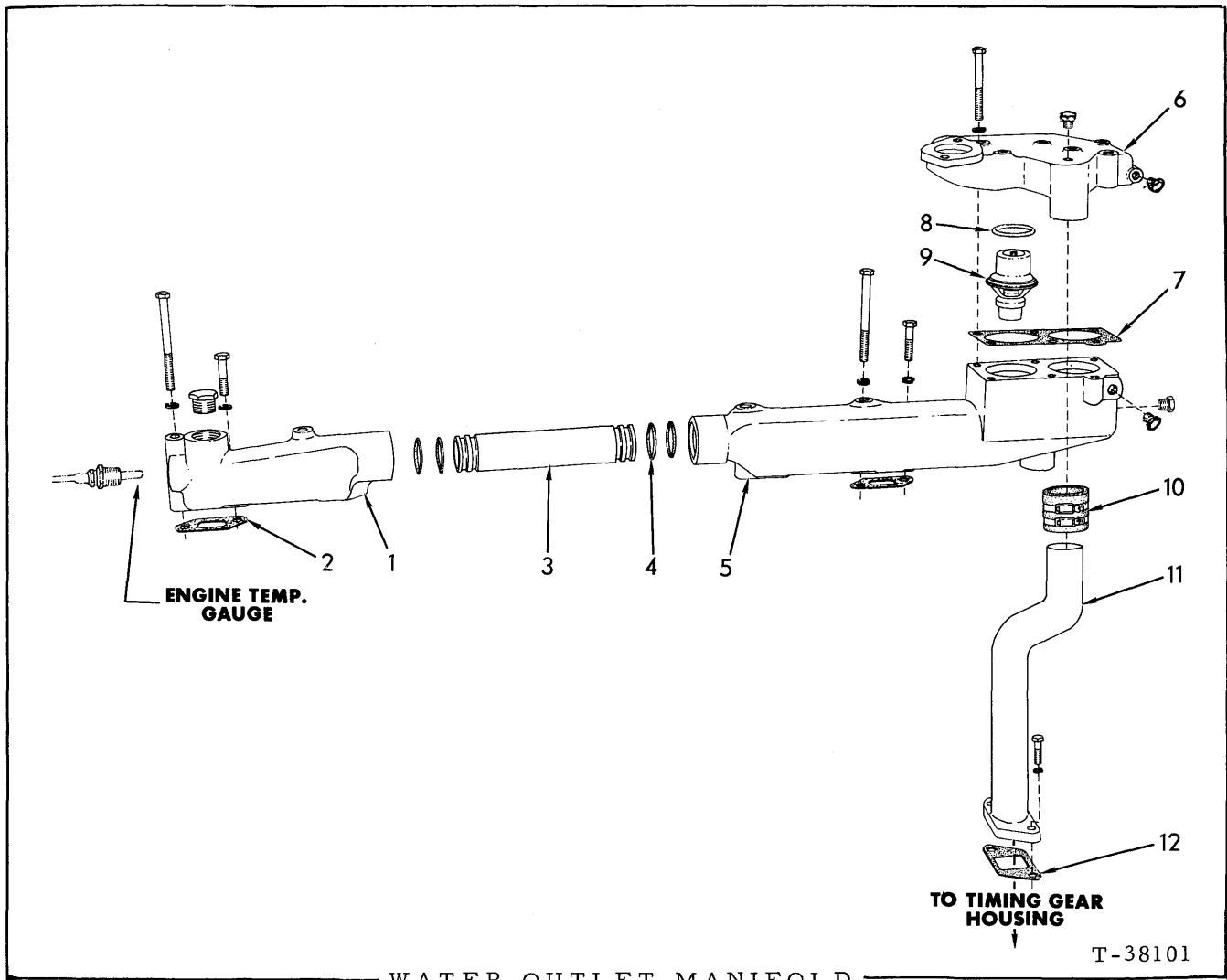
| ITEM | PART NO. | QTY. | | DESCRIPTION |
|------|----------|------|----|--|
| | | * | ** | |
| 1 | 74322027 | 1 | 1 | PUMP KIT (includes items 2 thru 14, 16 and 19) |
| | 70914465 | 1 | 1 | |
| | 70916271 | 6 | 6 | |
| | 70910287 | 6 | 6 | |
| 2 | ----- | 1 | 1 | † IMPELLER ASSY. |
| 3 | ----- | 1 | 1 | † SEAL ASSY. |
| 4 | 74507084 | 1 | - | FLINGER |
| 5 | 74358788 | 1 | 1 | SHAFT |
| 6 | ----- | 1 | 1 | BODY (order item 1) |
| 7 | 74044212 | 1 | 1 | BEARING |
| 8 | 74044211 | 1 | 1 | SPACER |
| 9 | 74044210 | 1 | 1 | BEARING |
| 10 | 74044209 | 1 | - | WASHER |
| | 70927801 | - | 1 | RING |
| 11 | 74348825 | 1 | - | WASHER |
| | 74321697 | - | 1 | SEAL |
| 12 | 74335320 | 1 | - | RETAINER |
| 13 | 74053968 | 1 | - | LOCKWIRE |

(Continued)

(Revised March 1978)

| ITEM | PART NO. | QTY. | | DESCRIPTION |
|------|----------|------|----|--|
| | | * | ** | |
| 14 | 74359280 | 1 | 1 | FLANGE |
| | 70910847 | 1 | 1 | NUT, 3/4" NF |
| | 70917680 | 1 | 1 | NUT, pal, 3/4" NF |
| 15 | 74335809 | 1 | 1 | PULLEY |
| | 70916206 | 4 | 4 | CAPSCREW, 5/16" NF x 7/8" |
| | 70904205 | 4 | 4 | LOCKWASHER, 5/16" |
| 16 | 74346744 | 1 | 1 | <input type="checkbox"/> GASKET |
| 17 | 74335056 | 1 | 1 | <input type="checkbox"/> GASKET |
| 18 | ----- | 1 | - | VOLUTE (prior to s/n 11-28447) |
| | 74321713 | - | 1 | VOLUTE (s/n 11-28447 and up) |
| | 70901653 | 1 | 1 | PLUG, 3/8" NPT |
| | 70916274 | 5 | 5 | CAPSCREW, 3/8" NC x 2-1/4" (prior to s/n 11-28447) |
| | 70915990 | - | 5 | CAPSCREW, 3/8" NC x 2-3/4" (s/n 11-28447 and up) |
| | 70910287 | 5 | 5 | LOCKWASHER, 3/8" |
| 19 | ----- | - | 1 | † SEAL, ceramic |
| 20 | ----- | 1 | 1 | COVER (see page 38) |
| 21 | ----- | 1 | 1 | HOUSING (see page 26) |
| 22 | 74062270 | 1 | 1 | KIT (includes item 2, 3 and 19) |
| 23 | 74062272 | - | 1 | KIT (includes item 2 and 19) |

† refer to item 22 or 23



WATER OUTLET MANIFOLD

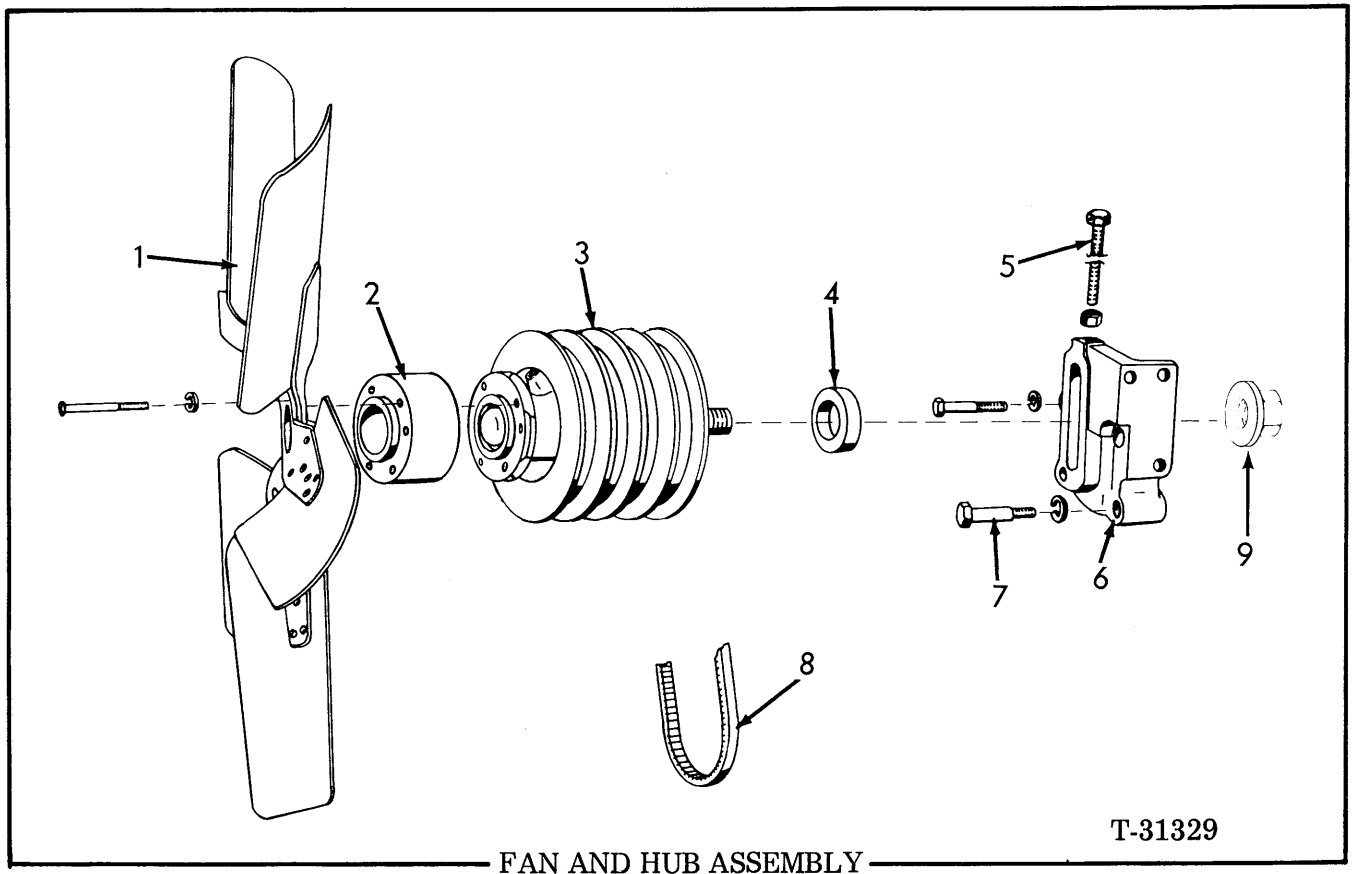
T-38101

| ITEM | PART NO. | QTY. | DESCRIPTION |
|------|----------|------|--|
| 1 | 74336506 | 1 | MANIFOLD |
| | 70920525 | 1 | PLUG, pipe, hex-hd., 3/4" NPT (Not original equipment) |
| | 70914847 | 2 | CAPSCREW, 3/8" NC x 1-1/2" |
| | 70916275 | 2 | CAPSCREW, 3/8" NC x 3-3/4" |
| | 70904206 | 4 | LOCKWASHER, 3/8" |
| 2 | 74336182 | 4 | □ GASKET |
| | 74336156 | 1 | TUBE |
| | 70923813 | 4 | □ O-RING |
| | 74359948 | 1 | MANIFOLD |
| 5 | 70920333 | 1 | PLUG, hex-hd., 3/8" NPT |
| | 70914847 | 2 | CAPSCREW, 3/8" NC x 1-1/2" |
| | 70916275 | 2 | CAPSCREW, 3/8" NC x 3-3/4" |
| | 70904206 | 4 | LOCKWASHER, 3/8" |
| | 70919840 | 1 | PLUG, pipe, 1/4" |

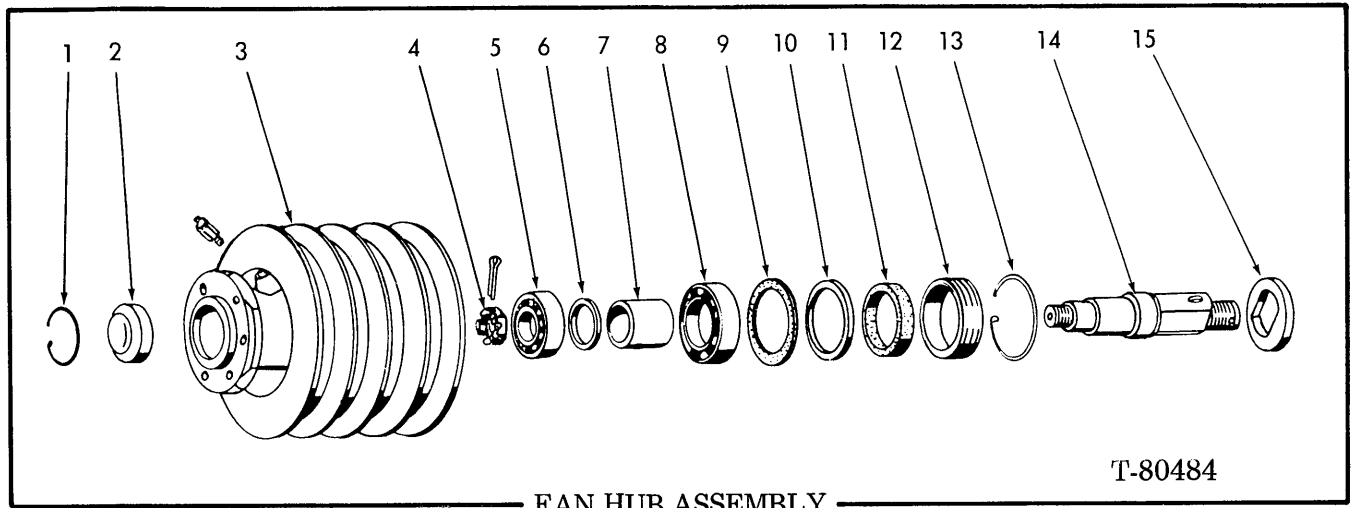
(Continued)

WATER OUTLET MANIFOLD (Continued)

| ITEM | PART NO. | QTY. | DESCRIPTION |
|------|----------|------|--|
| 6 | 74358754 | 1 | HOUSING ASSY., thermostat (Includes item 8) |
| | 70919840 | 2 | PLUG, pipe, 1/4" (AUTOMOTIVE TYPE) |
| | 70919227 | 6 | CAPSCREW, 3/8" NC x 3-1/4" |
| | 70904206 | 6 | LOCKWASHER, 3/8" |
| 7 | 74336263 | 1 | <input type="checkbox"/> GASKET |
| 8 | 74317554 | 2 | SEAL |
| 9 | 74354537 | 2 | THERMOSTAT |
| 10 | 74337602 | 1 | HOSE |
| | 70922198 | 2 | CLAMP |
| 11 | 74359947 | 1 | PIPE |
| | 70919224 | 2 | CAPSCREW, 3/8" NC x 1-1/8" |
| | 70904206 | 2 | LOCKWASHER, 3/8" |
| 12 | 74347031 | 1 | <input type="checkbox"/> GASKET |
| | | | <input type="checkbox"/> (Also see PACKAGED PARTS) |



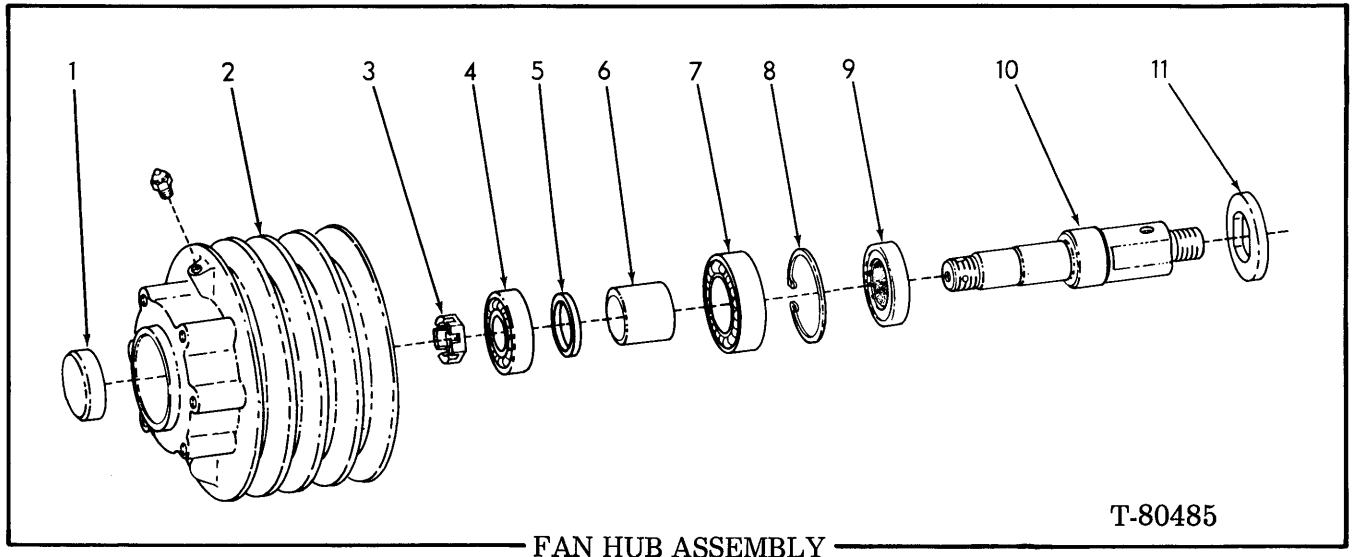
| ITEM | PART NO. | QTY. | DESCRIPTION |
|------|----------|------|-----------------------------------|
| 1 | 73050211 | 1 | FAN, suction |
| | 73048858 | 1 | FAN, pusher |
| | 70928661 | 6 | CAPSCREW, 3/8" NC x 5-1/2" |
| 2 | 74357981 | 1 | SPACER |
| 3 | ----- | 1 | HUB ASSY. (See pages 80A and 80B) |
| 4 | 74347781 | 1 | SPACER |
| 5 | 74252241 | 1 | SCREW |
| 6 | 74336777 | 1 | BRACKET |
| | 70916317 | 3 | CAPSCREW, 1/2" NC x 2-3/4" |
| | 70912441 | 3 | LOCKWASHER, 1/2" |
| 7 | 70915969 | 1 | CAPSCREW, 1/2" NC x 3" |
| | 70913432 | 1 | WASHER, heavy, 17/32" |
| 8 | 74335864 | 2 | BELT |
| 9 | 74339459 | 1 | NUT ASSY. |



USAGE: First type - see page 80.

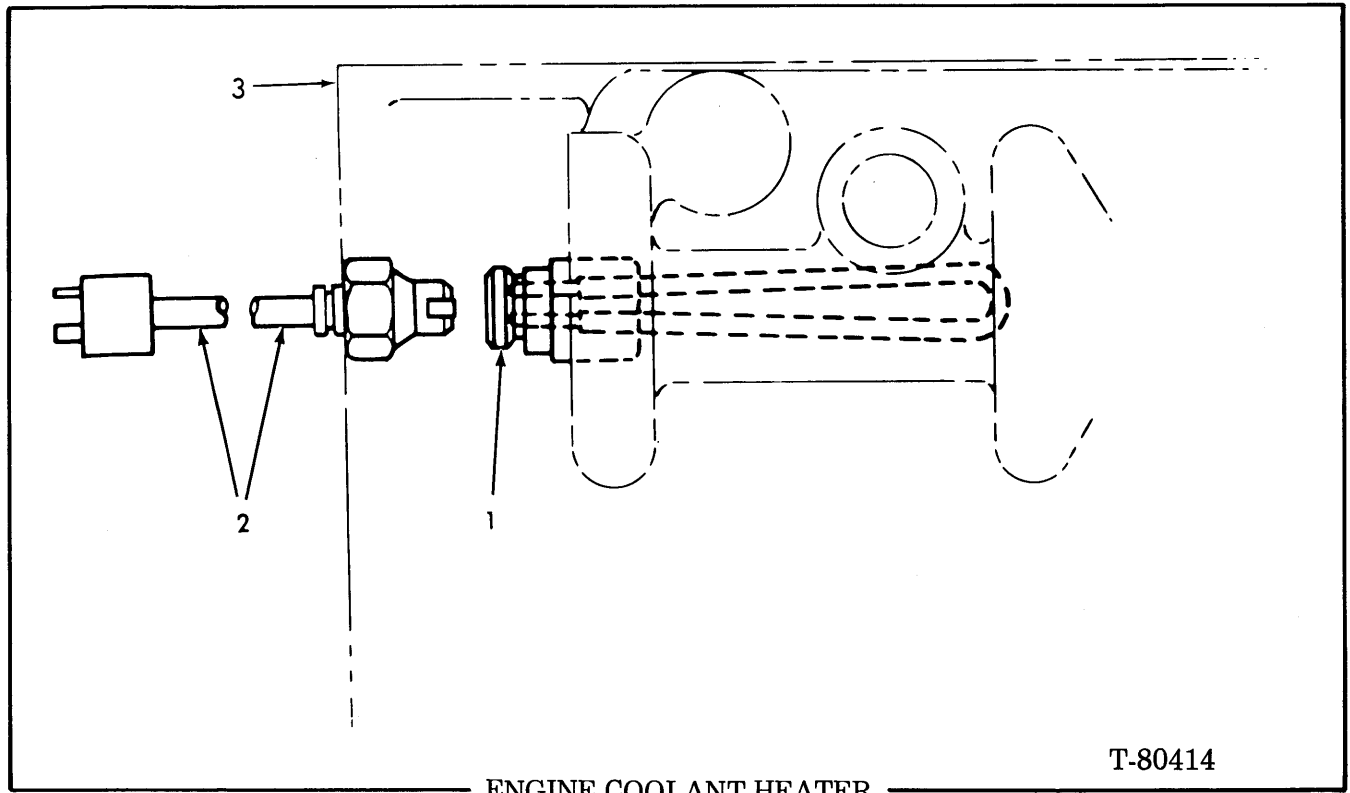
| ITEM | PART NO. | QTY. | DESCRIPTION |
|------|----------|------|---|
| - | ----- | 1 | HUB ASSY.(See page 80B for service replacement) |
| 1 | 74042081 | 1 | RING |
| 2 | 70088561 | 1 | CAP |
| 3 | 74337046 | 1 | HUB |
| | 70914465 | 1 | FITTING, lube, 1/8" NPT |
| 4 | 74348502 | 1 | NUT |
| | 70918454 | 1 | PIN, cotter, 1/8" x 1-1/2" |
| 5 | 74253862 | 1 | BEARING |
| 6 | 74640978 | 1 | WASHER |
| 7 | 74040383 | 1 | BEARING |
| 8 | 74253863 | 1 | BEARING |
| 9 | 74640976 | 1 | GASKET |
| 10 | 74040384 | 1 | WASHER |
| 11 | 74040385 | 1 | WASHER |
| 12 | 74040386 | 1 | RETAINER |
| 13 | 74371707 | 1 | RING |
| 14 | 74056068 | 1 | SPINDLE |
| 15 | 74056232 | 1 | WASHER |

(Added June 1979)



USAGE: Second type - service replacement for original equipment on page 80.

| ITEM | PART NO. | QTY. | DESCRIPTION |
|------|----------|------|--------------------------------------|
| - | 74321976 | 1 | HUB ASSY. (Includes items 1 thru 11) |
| 1 | ----- | 1 | CAP |
| 2 | ----- | 1 | HUB |
| | 70914465 | 1 | FITTING, lube, 1/8" NPT |
| 3 | 74348502 | 1 | NUT |
| 4 | 74253862 | 1 | BEARING |
| 5 | 74640978 | 1 | WASHER |
| 6 | 74040383 | 1 | SPACER |
| 7 | 74253863 | 1 | BEARING |
| 8 | 70927802 | 1 | RING |
| 9 | 74061919 | 1 | SEAL |
| 10 | 74321992 | 1 | SPINDLE |
| 11 | 74056232 | 1 | WASHER |



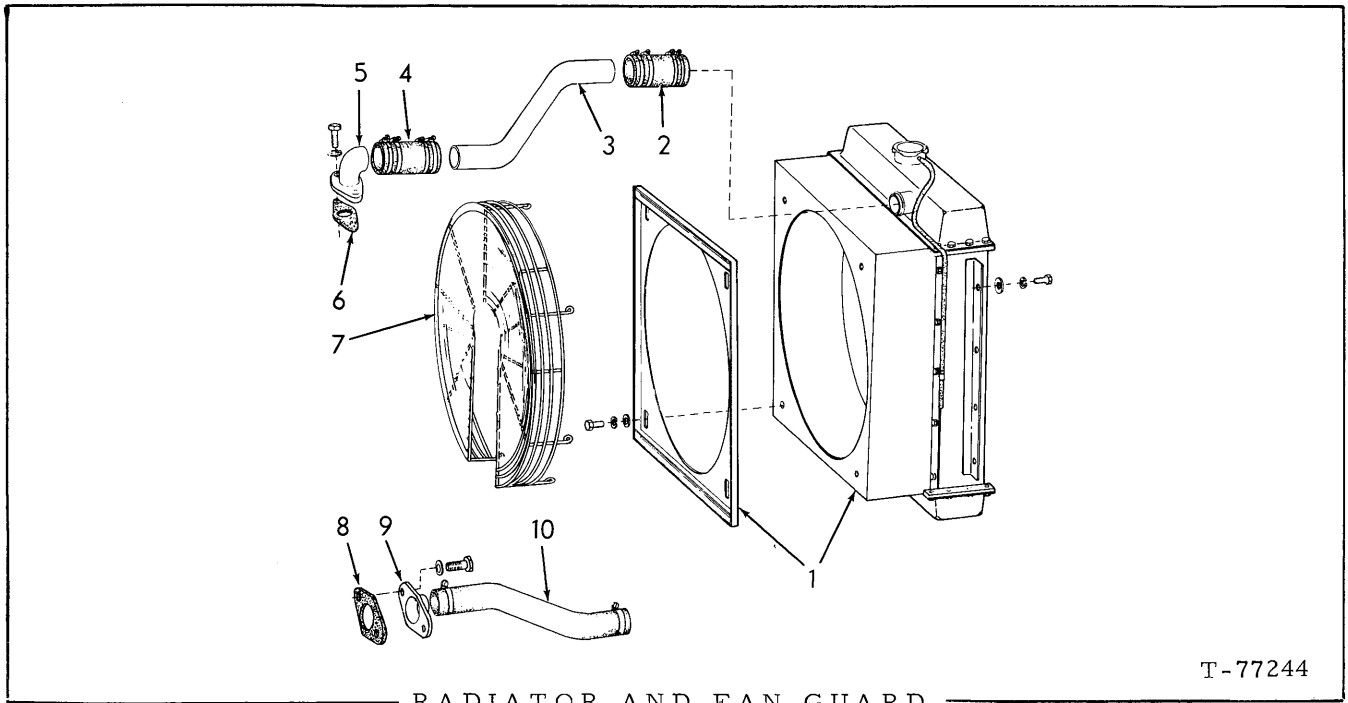
ENGINE COOLANT HEATER

T-80414

USAGE: Special Equipment
 * 120 volts
 ** 240 volts

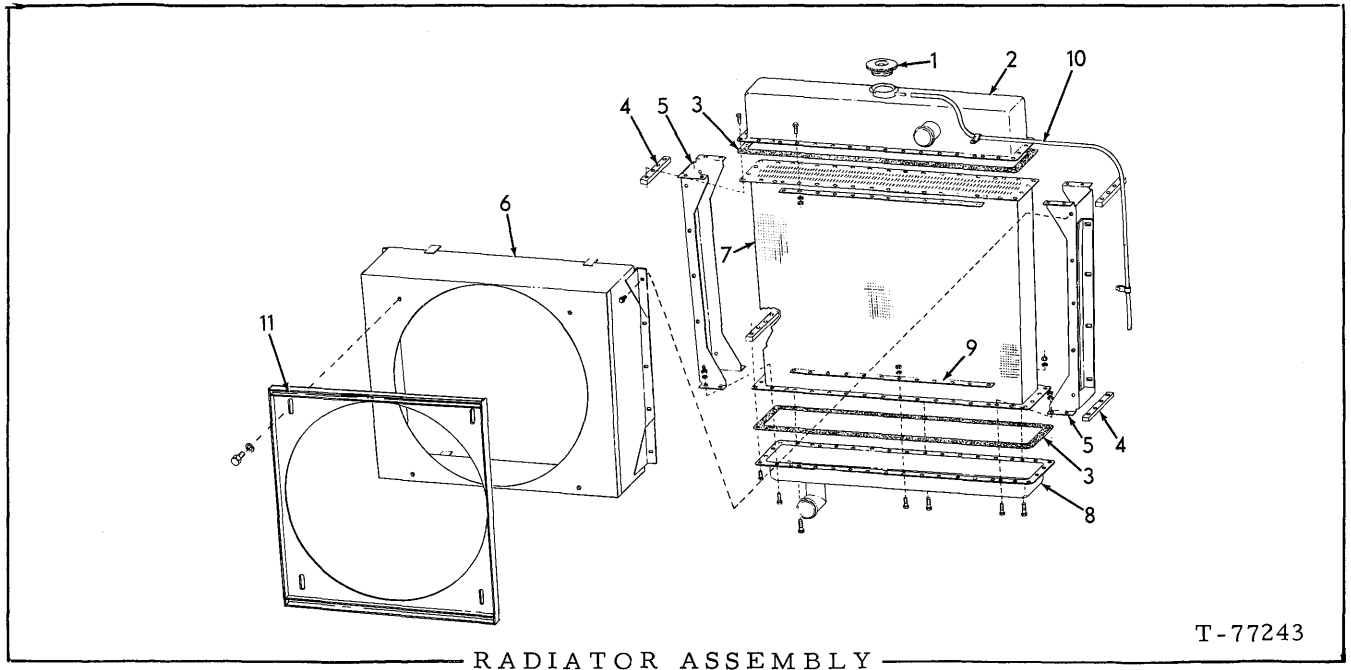
| ITEM | PART NO. | QTY. | | DESCRIPTION |
|------|----------|------|----|-------------------------------------|
| | | * | ** | |
| - | 74395740 | 1 | - | KIT } includes 1, 2, and 4 |
| - | 74395741 | - | 1 | |
| 1 | 74394509 | 1 | - | ELEMENT |
| | 74394510 | - | 1 | ELEMENT |
| 2 | 74028937 | 1 | - | CORD |
| | 74028940 | - | 1 | CORD |
| 3 | | 1 | 1 | BLOCK ASSY., cylinder (See page 12) |
| 4 | | 1 | 1 | INSTALLATION INSTRUCTION |

(Revised June 1979)



| ITEM | PART NO. | QTY. | DESCRIPTION |
|----------|----------|----------|--|
| 1 | ----- | - | RADIATOR ASSY., engine coolant (See page 83) |
| | 70916271 | 8 | CAPSCREW, 3/8" NC x 1" |
| | 70904206 | 8 | LOCKWASHER, 3/8" |
| | 70911115 | 8 | WASHER, plain, SAE std., 3/8" |
| | 70912415 | 1 | COCK, drain, 1/4" NPT |
| 2 | 73026352 | 1 | HOSE, 2-1/8" I. D. x 6" |
| | 70921913 | 4 | CLAMP, adjustable (1-13/16" to 2-1/4") |
| 3 | 73048945 | 1 | TUBE |
| 4 | 73026172 | 1 | HOSE |
| | 70921914 | 4 | CLAMP, adjustable (1-13/16" to 2-1/4") |
| 5 | 74335451 | 1 | ELBOW |
| | 70919228 | 1 | CAPSCREW, 7/16" NC x 1-1/8" |
| | 70916867 | 1 | CAPSCREW, 7/16" NC x 3" |
| | 70904207 | 2 | LOCKWASHER, 7/16" |
| 6 | 74300145 | 1 | GASKET |
| 7 | 73057485 | 1 | GUARD, fan (Used with pusher fan-standard equipment) |
| | 70916271 | 7 | CAPSCREW, 3/8" NC x 1" |
| | 70911993 | 7 | WASHER, plain 7/16" |
| | 70904206 | 7 | LOCKWASHER, 3/8" |
| 8 | 74346456 | 1 | GASKET |
| | 9 | 74347003 | 1 |
| 74321254 | | 1 | PIPE (Effective with engine serial no. 11-24110) |
| 10 | 73057480 | 1 | HOSE |
| | 70921914 | 2 | CLAMP |

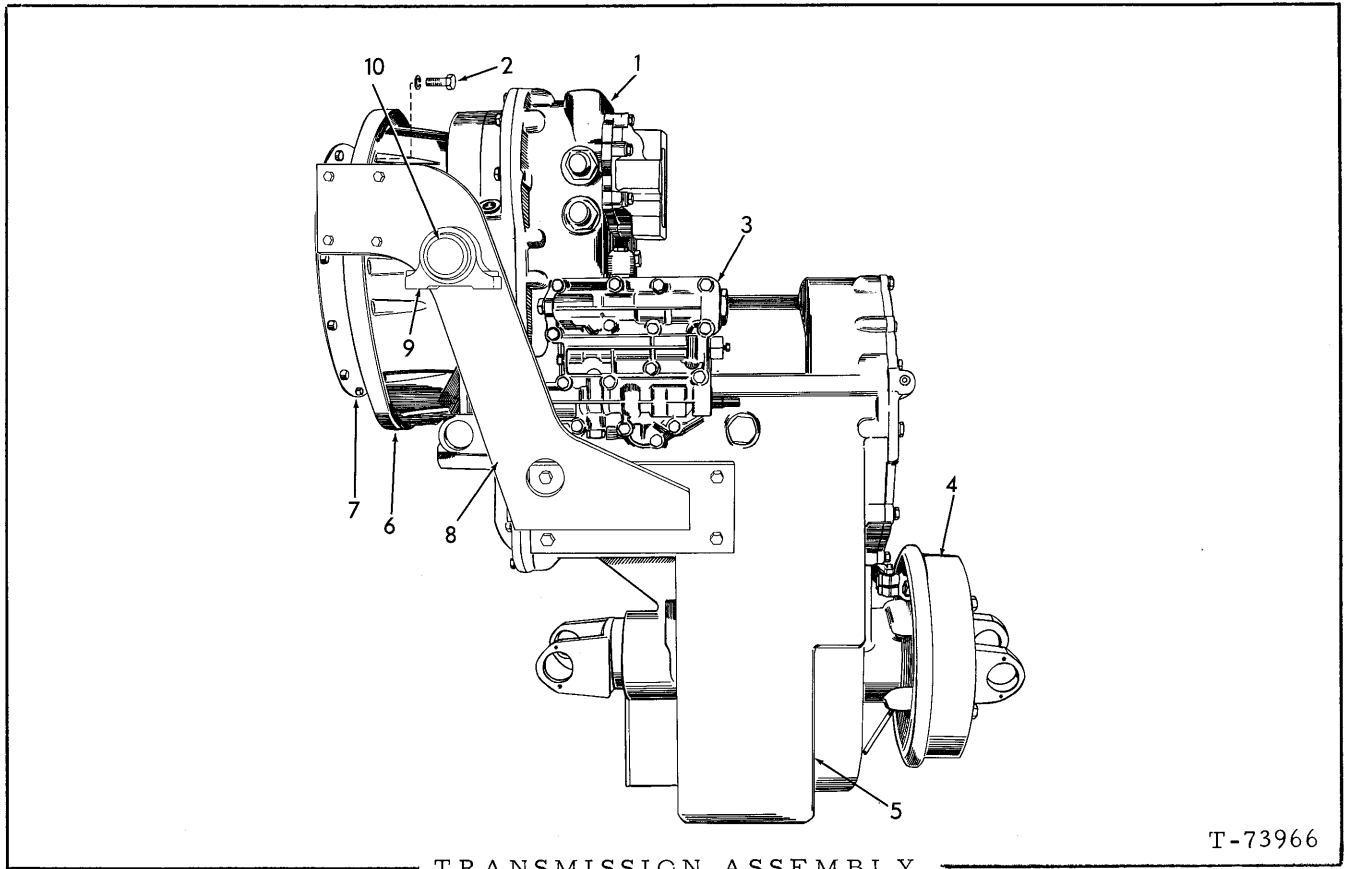
(Revised June 1975)



RADIATOR ASSEMBLY

T-77243

| ITEM | PART NO. | QTY. | DESCRIPTION |
|------|----------|------|---|
| - | 73056857 | 1 | RADIATOR ASSY. (Includes items 1 thru 11) |
| 1 | 70087528 | 1 | CAP (7 psi) |
| 2 | 73056758 | 1 | TANK |
| | 70915809 | 40 | CAPSCREW, 5/16" NC x 3/4" |
| | 70904205 | 32 | LOCKWASHER, 5/16" |
| | 70910323 | 32 | NUT, 5/16" NC |
| 3 | 73055850 | 2 | GASKET |
| 4 | 73056531 | 4 | BAR, back-up |
| 5 | 73056863 | 2 | BRACKET, left and right |
| 6 | 73056865 | 1 | SHROUD |
| | 70922902 | 8 | CAPSCREW, self tapping #14 x 3/8" |
| 7 | 73056866 | 1 | CORE |
| 8 | 73056759 | 1 | TANK |
| | 70915809 | 37 | CAPSCREW, 5/16" NC x 3/4" |
| | 70915807 | 3 | CAPSCREW, 5/16" NC x 1-1/4" |
| | 70904205 | 32 | LOCKWASHER, 5/16" |
| | 70910323 | 32 | NUT, 5/16" NC |
| 9 | 73056530 | 4 | STRIP, back-up |
| 10 | 73056852 | 1 | TUBE, overflow (rubber) |
| | 70927978 | 2 | CLAMP |
| 11 | 73056864 | 1 | SHROUD |
| | 70915809 | 4 | CAPSCREW, 5/16" NC x 3/4" |
| | 70904205 | 4 | LOCKWASHER |

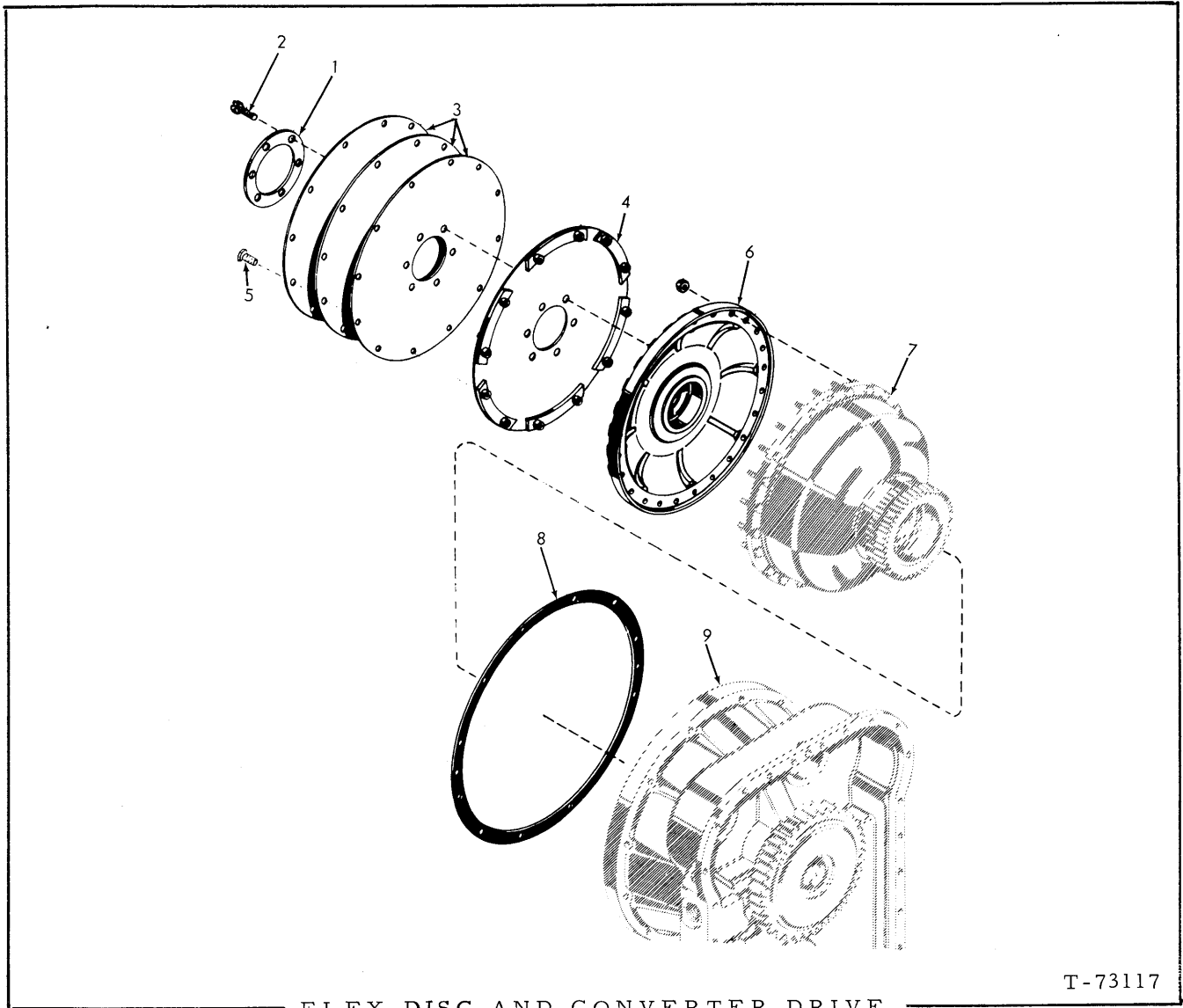


TRANSMISSION ASSEMBLY

T-73966

| ITEM | PART NO. | QTY. | DESCRIPTION |
|------|----------|------|--|
| 1 | 73061360 | 1 | TRANSMISSION ASSY., complete, Std. Model TT4720-1 (2 speeds forward, 1 speed reverse) |
| | 73061361 | 1 | TRANSMISSION ASSY., optional, with rear axle disconnect, Model TT4720-1 (2 speeds forward, 1 speed reverse) |
| 2 | 70919226 | 12 | CAPSCREW, 3/8" NC x 5/8" |
| | 70916965 | 12 | LOCKWASHER, pltd., 3/8" |
| 3 | ----- | 1 | VALVE ASSY., control (See page 104) |
| 4 | ----- | 1 | BRAKE ASSY., parking (See page 132) |
| 5 | ----- | 1 | HOUSING ASSY., transmission (See page 92) |
| 6 | ----- | 1 | HOUSING ASSY., converter (See page 88) |
| 7 | ----- | 1 | DISC ASSY., flex (See page 85) |
| 8 | 73048729 | 1 | BRACKET ASSY., left |
| | 73048730 | 1 | BRACKET ASSY., right |
| | 70916314 | 8 | CAPSCREW, 1/2" NC x 2" |
| | 70904208 | 8 | LOCKWASHER, 1/2" |
| | 70922644 | 8 | CAPSCREW, 5/8" NC x 3/4" |
| 9 | 70904209 | 8 | LOCKWASHER, 5/8" |
| | 73057841 | 2 | PAD ASSY. (Includes item 10) |
| | 70915790 | 4 | CAPSCREW, 5/8" NF x 3" |
| 10 | 70916589 | 4 | NUT, safety, 5/8" NF |
| | 70930407 | 2 | BEARING, self-aligning |

(Revised June 1979)

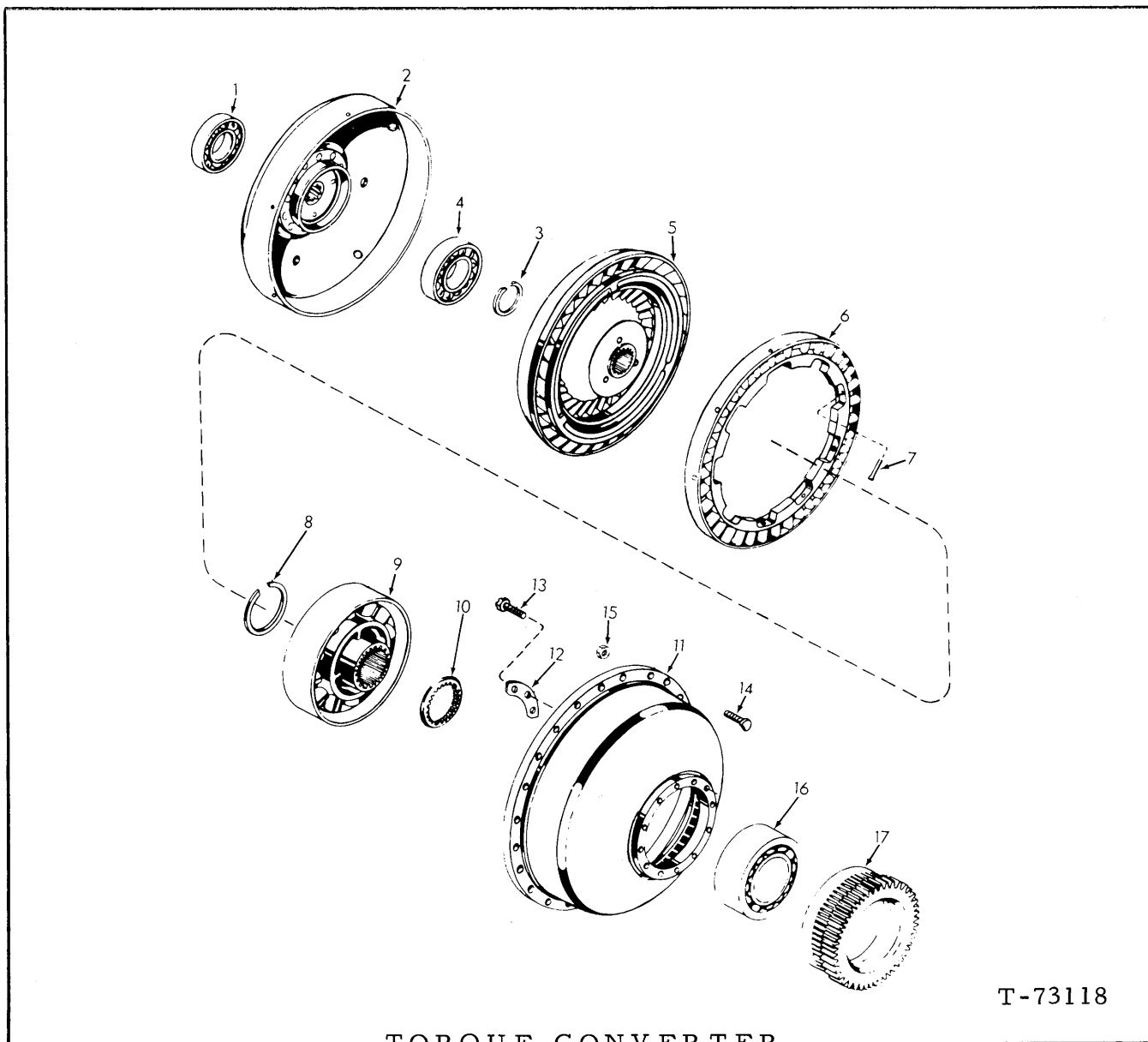


T-73117

FLEX DISC AND CONVERTER DRIVE

| ITEM | PART NO. | QTY. | DESCRIPTION |
|------|----------|------|--|
| 1 | 73047028 | 1 | PLATE, flex disc |
| 2 | 73041456 | 6 | CAPSCREW, 1/2" NC x 1" |
| 3 | 73066079 | 3 | DISC, flex (Replaces 73047029) |
| 4 | 73066078 | 1 | DISC ASSY. (Includes washer) (Replaces 73047030) |
| 5 | 73050464 | 12 | BOLT, place (flex disc to flywheel) |
| 6 | 73047031 | 1 | COVER, torque converter |
| | ----- | 24 | NUT (See page 87) |
| 7 | ----- | 1 | CONVERTER ASSY., torque (See page 86) |
| 8 | 73048425 | 1 | □ GASKET, converter housing to flywheel housing |
| 9 | ----- | 1 | HOUSING, torque converter (See page 88) |

(Revised June 1979)



T-73118

TORQUE CONVERTER

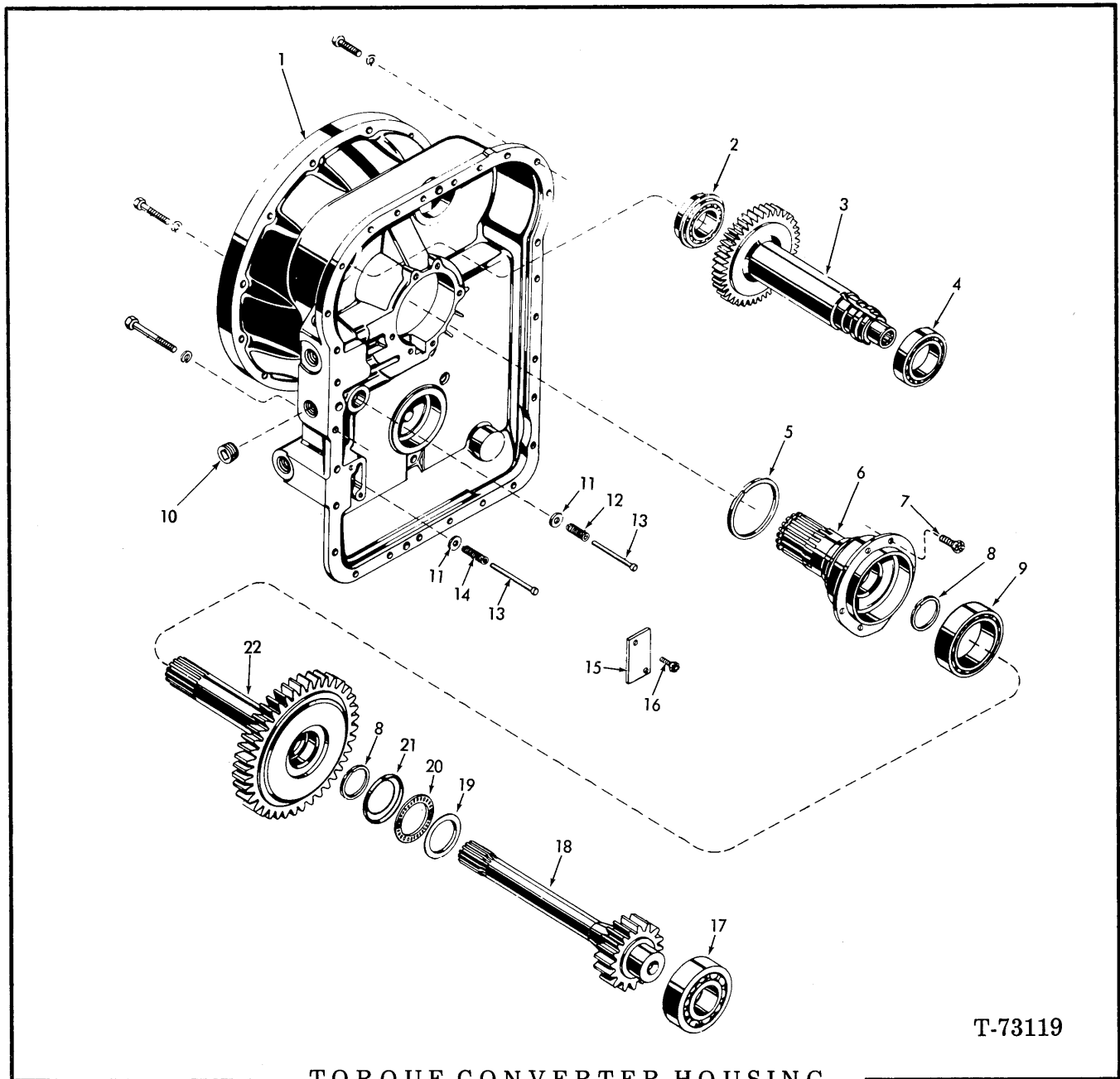
| ITEM | PART NO. | QTY. | DESCRIPTION |
|------|----------|------|---|
| 1 | 73065780 | 1 | BEARING, turbine assy. (single row ball) (Replaces 73047688) |
| 2 | 73047033 | 1 | TURBINE ASSY., first (Includes HOUSING and items 6 and 7) |
| 3 | 73047036 | 1 | RING, snap |
| 4 | 73065778 | 1 | BEARING |
| 5 | 73047034 | 1 | TURBINE, torque converter, second (Used prior to transmission s/n 5451) |
| | 73063388 | 1 | TURBINE, torque converter, second (Effective with transmission s/n 5451) |
| 6 | ----- | 1 | TURBINE, torque converter, first (Order item 2) |
| 7 | 73044432 | 9 | PIN, turbine assy. |
| 8 | 70914541 | 1 | RING, snap |

(Continued)

(Revised June 1978)

TORQUE CONVERTER (Continued)

| ITEM | PART NO. | QTY. | DESCRIPTION |
|------|----------|------|--|
| 9 | 73047038 | 1 | STATOR, torque converter |
| 10 | 73100710 | 1 | SPACER, stator |
| 11 | 73047042 | 1 | PUMP ASSY., torque converter (Includes item 14) |
| 12 | 73047041 | 4 | STRIP, locking |
| 13 | 73047040 | 12 | BOLT, 5/16" NF x 1-1/8" (self-locking) |
| 14 | 73033044 | 24 | BOLT, 5/16" NF x 1-5/16" |
| 15 | 73021041 | 24 | □ NUT, 5/16" NF (locking) |
| 16 | 73047043 | 1 | BEARING, converter pump (double row ball) |
| 17 | 73065001 | 1 | GEAR (For first replacement prior to trans. s/n 9525 also order 1 GEAR 73065000, and 1 GEAR 73065002) |



T-73119

TORQUE CONVERTER HOUSING

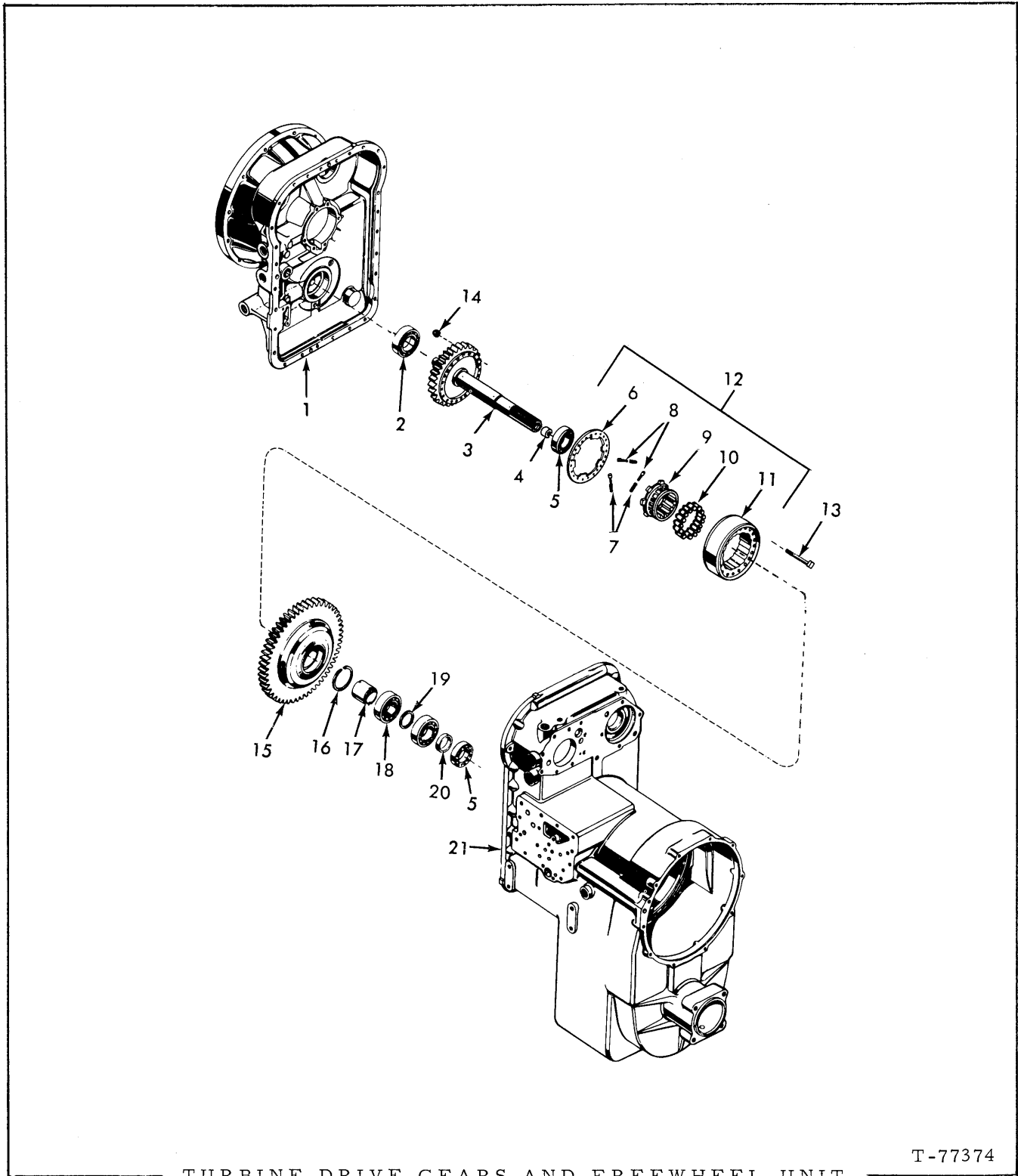
| ITEM | PART NO. | QTY. | DESCRIPTION |
|------|----------|------|---|
| 1 | 73069439 | 1 | HOUSING ASSY. (includes items 10 thru 14)(for first replacement prior to tran. s/n 9659 also order second type item 12) |
| | 70916867 | 3 | CAPSCREW, 7/16" NC x 3" |
| | 70912188 | 4 | CAPSCREW, 7/16" NC x 1-3/4" |
| | 70916197 | 21 | CAPSCREW, 7/16" NC x 1-1/4" |
| | 70914678 | 28 | LOCKWASHER, 7/16" |
| 2 | 73068363 | 1 | BEARING |
| 3 | 73065002 | 1 | GEAR (For first replacement prior to trans. s/n 9525 also order 1 GEAR 73065000, 1 GEAR 73065001 on pages 87 and 102) |

(Continued)

(Revised July 1978)

TORQUE CONVERTER HOUSING (Continued)

| ITEM | PART NO. | QTY. | DESCRIPTION |
|------|------------|------|---|
| 4 | 73055228 | 1 | BEARING |
| 5 | 70194585 | 1 | RING, seal |
| 6 | 73100708 | 1 | SLEEVE |
| 7 | 73100709 | 6 | BOLT |
| 8 | 73070598 | 2 | RING, seal |
| 9 | 73065779 | 1 | BEARING |
| 10 | 70904224 | 1 | PLUG, sq. skt., 3/4" NPTF |
| 11 | 73044430 | 2 | VALVE |
| 12 | { 73044431 | 1 | SPRING (used prior to tran. s/n 9659) |
| | { 73069440 | 1 | SPRING (effective with tran. s/n 9659) |
| 13 | 73044449 | 2 | PIN |
| 14 | 73047049 | 1 | SPRING |
| 15 | 73047664 | 1 | COVER |
| 16 | 73047665 | 2 | BOLT |
| 17 | 73069168 | 1 | BEARING |
| 18 | 73051800 | 1 | GEAR |
| 19 | 73047673 | 1 | RACE |
| 20 | 73047672 | 1 | BEARING |
| 21 | 73047671 | 1 | RACE |
| 22 | { 73047669 | 1 | GEAR (Used prior to transmission s/n 5451) |
| | { 73063386 | 1 | GEAR (Effective with transmission s/n 5451) |



TURBINE DRIVE GEARS AND FREEWHEEL UNIT

T-77374

| ITEM | PART NO. | QTY. | DESCRIPTION |
|------|----------|------|---|
| 1 | ----- | 1 | HOUSING, torque converter (See page 88) |
| 2 | 73071081 | 1 | BEARING (single row ball) |

(Continued)

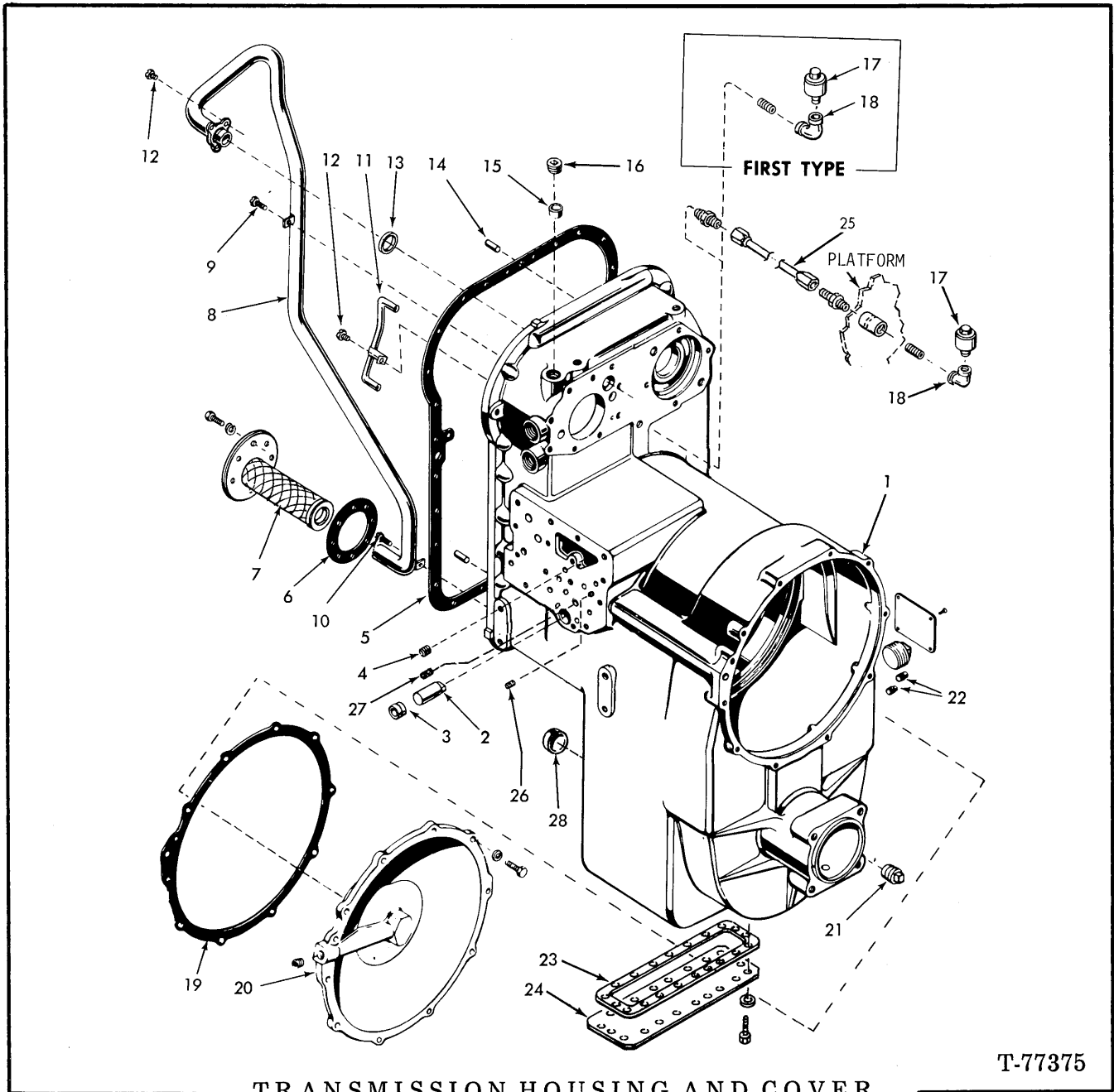
(Revised July 1978)

TURBINE DRIVE GEARS AND FREEWHEEL UNIT (Continued)

| ITEM | PART NO. | QTY. | DESCRIPTION |
|------|----------|------|--|
| 3 | 73062071 | 1 | GEAR, driven, second turbine (Includes item 4) |
| 4 | 73062083 | 1 | PLUG, orifice |
| 5 | 73047678 | 2 | BEARING (single row ball) |
| 6 | ----- | 1 | PLATE, spring |
| 7 | ----- | 3 | SPRING |
| 8 | ----- | 3 | SPIRAL |
| 9 | ----- | 1 | CAGE, freewheel roller |
| 10 | ----- | 21 | ROLLER |
| 11 | ----- | 1 | CAM, freewheel |
| 12 | 73061968 | - | KIT, overrunning clutch (Includes items 6 thru 11) |
| 13 | 73047684 | 21 | CAPSCREW, sq. hd., 3/8" NF x 3-1/2" |
| 14 | 73044438 | 21 | NUT, self-locking, 3/8" NF |
| 15 | 73047685 | 1 | GEAR, first turbine |
| 16 | 73047686 | 1 | RING, snap |
| 17 | 73047687 | 1 | SPACER, bearing |
| 18 | 73065780 | 1 | BEARING (single row ball)(Replaces 73047688) |
| 19 | 73047689 | 1 | SPACER, bearing |
| 20 | 73047690 | 1 | SPACER, bearing |
| 21 | ----- | 1 | HOUSING, tranmission (See page 92) |
| 22 | 73044466 | 1 | BEARING |

} Order item 12

(Revised June 1977)



TRANSMISSION HOUSING AND COVER

T-77375

| ITEM | PART NO. | QTY. | DESCRIPTION |
|------|------------|------|--|
| 1 | 73069097 | 1 | HOUSING ASSY. (Tran. with and without rear axle disconnect) (includes items 4, 14, 15, 16, 23, 24, 26, 27 and 28)(For first replacement prior to tran. s/n 9724 also order second type item 2) |
| 2 | { 73047697 | 1 | PIN (used prior to tran. s/n 9724) |
| | { 73068572 | 1 | PIN (effective with tran. s/n 9724) |
| 3 | 73047696 | 1 | SPACER |
| 4 | { 73062050 | 1 | PLUG, orifice (Used prior to transmission s/n 7383) |
| | { 73065413 | 1 | PLUG, orifice (Effective with transmission s/n 7383) |

(Continued)

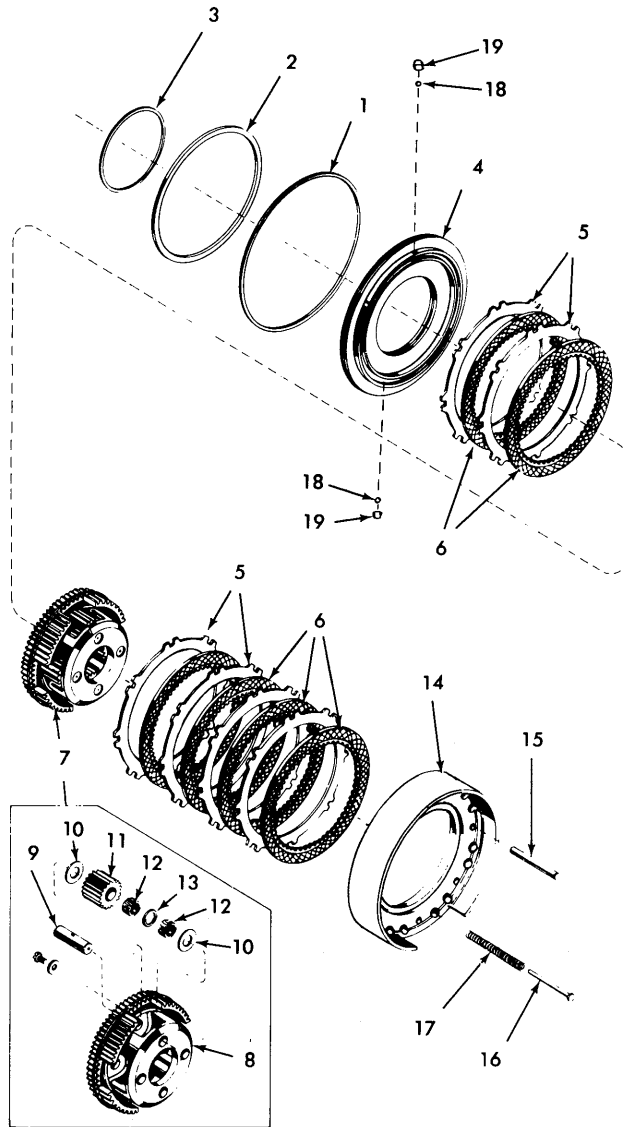
(Revised July 1978)

TRANSMISSION HOUSING AND COVER (Continued)

| ITEM | PART NO. | QTY. | DESCRIPTION |
|------|----------|------|---|
| 5 | 73047698 | 1 | <input type="checkbox"/> GASKET |
| 6 | 73067517 | 1 | <input type="checkbox"/> GASKET |
| 7 | 73062052 | 1 | STRAINER ASSY. |
| | 70916269 | 6 | CAPSCREW, 3/8" NC x 7/8" |
| | 70910287 | 6 | LOCKWASHER, 3/8" |
| 8 | 73062048 | 1 | TUBE |
| 9 | 73047665 | 1 | BOLT, 3/8" NC x 3/4" |
| 10 | 73047665 | 1 | BOLT, 3/8" NC x 3/4" |
| 11 | 73062049 | 1 | TUBE ASSY. |
| 12 | 73047665 | 4 | BOLT, 3/8" NC x 3/4" |
| 13 | 73062051 | 1 | <input type="checkbox"/> RING |
| 14 | 73044436 | 2 | PIN |
| 15 | 73044391 | 1 | PLUG |
| 16 | 73055076 | 1 | PLUG |
| 17 | 70194551 | 1 | BREATHER |
| 18 | 70901677 | 1 | ELBOW, 1/4" pipe |
| | 70901479 | 1 | NIPPLE, 1/4" pipe x 1-1/2" |
| 19 | 73047741 | 1 | <input type="checkbox"/> GASKET |
| 20 | 73047743 | 1 | COVER |
| | 70916197 | 11 | CAPSCREW, 7/16" NC x 1-1/4" |
| | 70914678 | 11 | LOCKWASHER, 7/16" |
| | 70918850 | 1 | PLUG, pipe, ctsk., 1/4" NPT |
| 21 | 73021038 | 1 | PLUG (drain) |
| 22 | 70919840 | 2 | PLUG, 1/4" NPT |
| 23 | 73069421 | 1 | GASKET |
| 24 | 73065523 | 1 | COVER |
| | 70916271 | 18 | CAPSCREW, 3/8" NC x 1" |
| | 70910287 | 18 | LOCKWASHER, 3/8" |
| 25 | 73064744 | 1 | TUBE ASSY. (Serviced only as a unit)(Effective with unit no. 03400) |
| | 70924816 | 1 | CONNECTOR, 1/2" tube, 1/4" NPT (transmission end) |
| | 70901764 | 1 | COUPLING, straight, 1/4" NPT (requires welding) |
| 26 | 70910231 | 1 | PLUG, hex skt., 1/8" NPT |
| 27 | 70933487 | 1 | PLUG, cup pt., 7/16" NC x 3/8" |
| 28 | 73021091 | 1 | PLUG, cup (not used with axle disconnect) |

(First type used prior to unit no. 03400 without item 25)

Use with HOUSING having sump opening



REVERSE CLUTCH AND PLANETARY

T-77376

| ITEM | PART NO. | QTY. | DESCRIPTION |
|------|----------|------|--|
| 1 | 73062027 | 1 | □ RING |
| 2 | 73062026 | 1 | □ RING |
| 3 | 73058793 | 1 | □ RING |
| 4 | 73062055 | 1 | PISTON ASSY. (includes item 18 and 19) |
| 5 | 73062078 | 6 | PLATE, external splined |
| 6 | 73047703 | 6 | PLATE, internal tanged |
| 7 | 73062034 | 1 | CARRIER ASSY., reverse clutch (Includes items 8 thru 13) |
| 8 | ----- | 1 | CARRIER (Order item 6) |
| 9 | 73047708 | 4 | SPINDLE |
| | 73047707 | 4 | CAPSCREW |
| | 73047706 | 4 | WASHER |
| 10 | 73047709 | 8 | WASHER |
| 11 | 73047710 | 1 | PINION SET (Consists of 4 pinions) |
| 12 | 73047711 | 8 | BEARING |

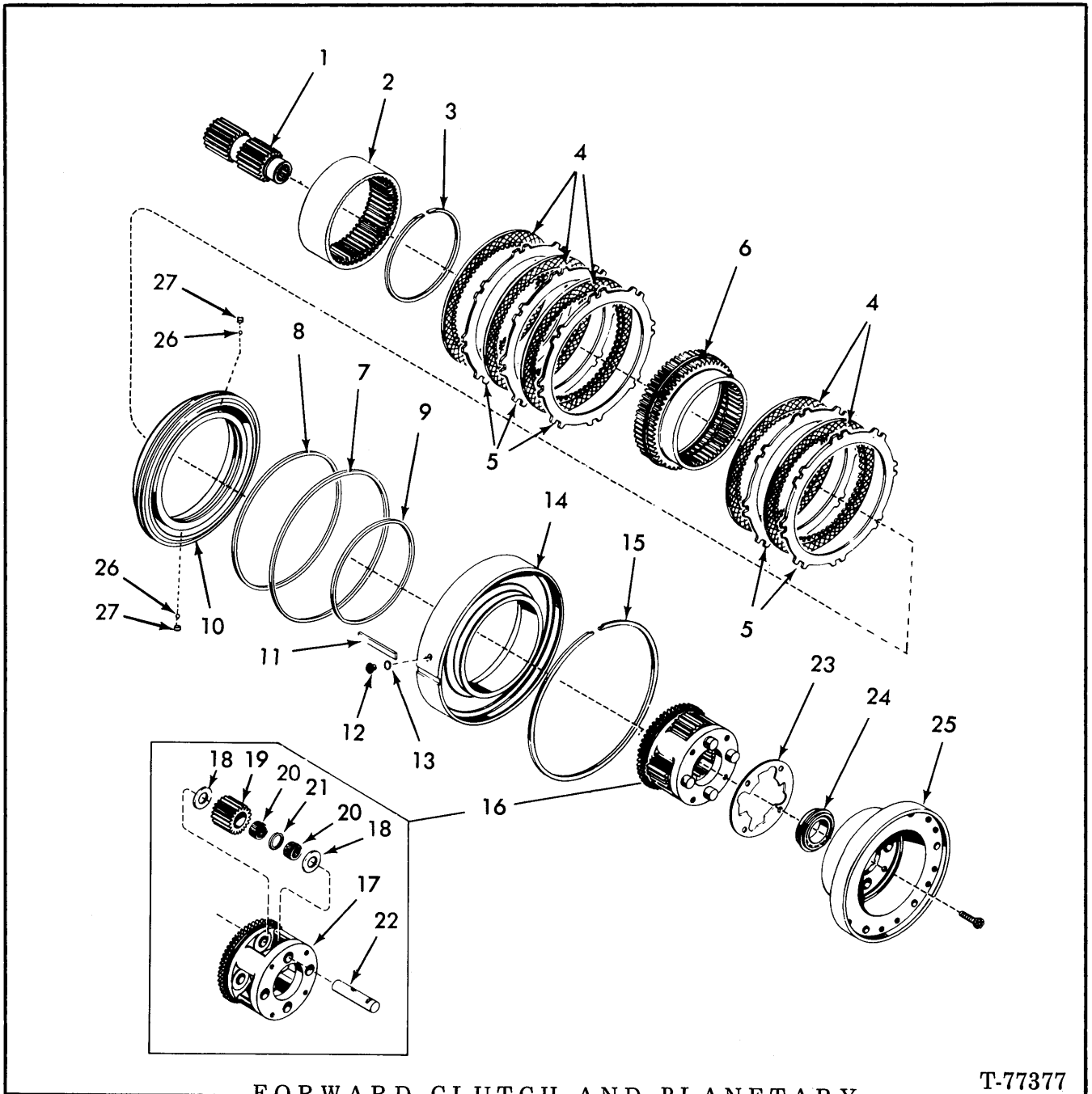
(Continued)

(Revised November 1977)

REVERSE CLUTCH AND PLANETARY (Continued)

| ITEM | PART NO. | QTY. | DESCRIPTION |
|------|----------|------|--|
| 13 | 73047712 | 4 | SPACER |
| 14 | 73062036 | 1 | ANCHOR ASSY. (Includes item 15) |
| 15 | 73062038 | 8 | PIN |
| 16 | 73062039 | 15 | PIN |
| 17 | 73062040 | 15 | SPRING |
| 18 | ----- | 2 | BALL |
| 19 | ----- | 2 | RETAINER |
| 20 | 73069336 | 1 | KIT (includes item 18, 19 and instruction sheet) |

} order item 4 or 20



FORWARD CLUTCH AND PLANETARY

T-77377

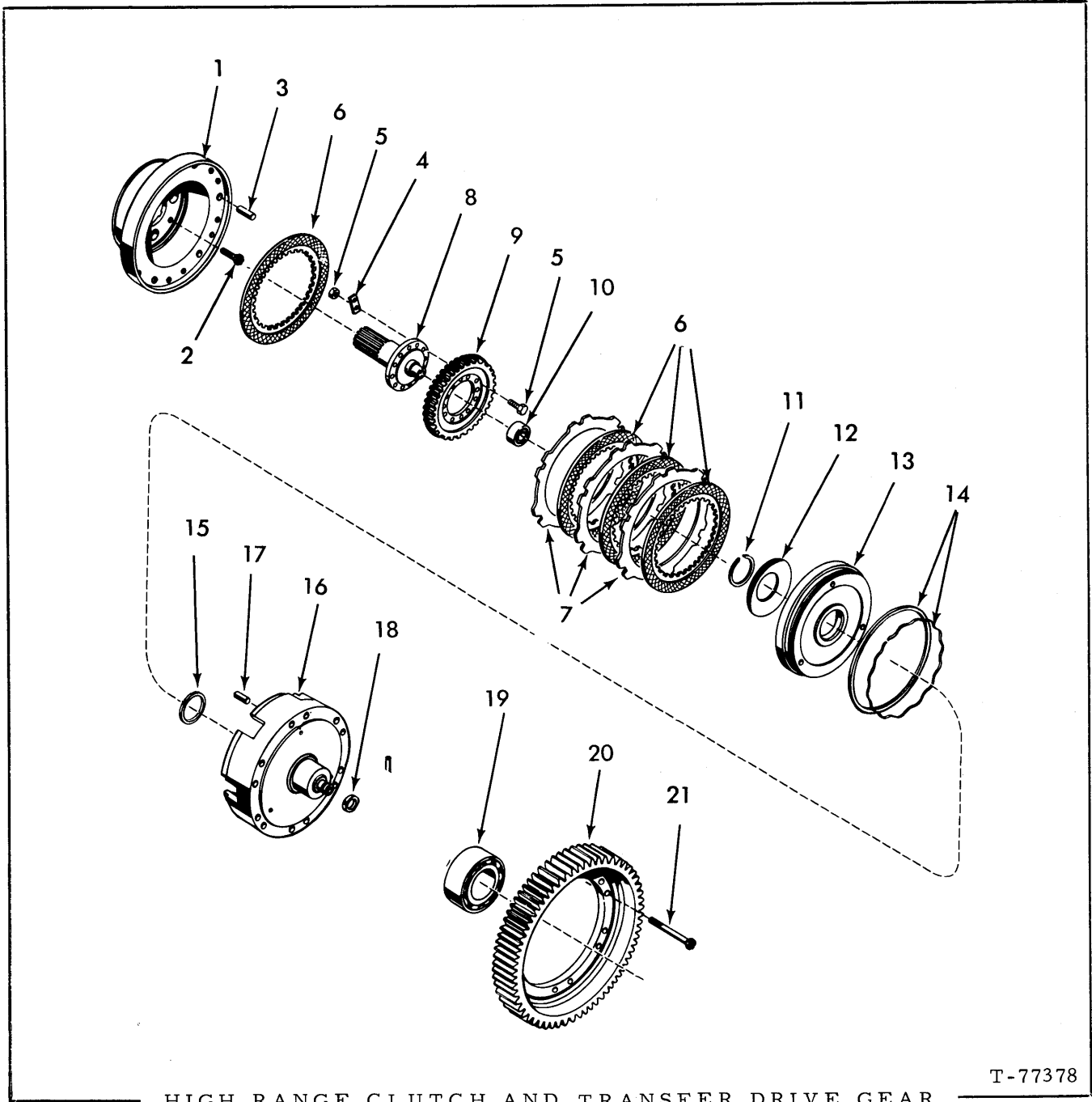
| ITEM | PART NO. | QTY. | DESCRIPTION |
|------|----------|------|-------------------------|
| 1 | 73062060 | 1 | GEAR |
| 2 | 73062041 | 1 | GEAR |
| 3 | 73048414 | 1 | RING |
| 4 | 73047703 | 5 | PLATE, internal splined |
| 5 | 73062078 | 5 | PLATE, external tanged |
| 6 | 73062058 | 1 | GEAR |
| 7 | 73062027 | 1 | □ RING , large |
| 8 | 73062067 | 1 | □ RING , center |
| 9 | 73062025 | 1 | □ RING , small |

(Continued)

(Revised November 1977)

FORWARD CLUTCH AND PLANETARY (Continued)

| ITEM | PART NO. | QTY. | DESCRIPTION |
|------|----------|------|--|
| 10 | 73062057 | 1 | PISTON ASSY. (includes item 26 and 27) |
| 11 | 73062053 | 1 | KEY |
| 12 | 73047723 | 1 | INSERT |
| 13 | 73047724 | 1 | <input type="checkbox"/> RING |
| 14 | 73062062 | 1 | HOUSING |
| 15 | 73100707 | 1 | RING |
| 16 | 73062061 | 1 | CARRIER ASSY. (Includes items 17 thru 22) |
| 17 | ----- | 1 | CARRIER (order item 16) |
| 18 | 73047709 | 8 | WASHER |
| 19 | 73047710 | 1 | PINION SET (Consists of 4 pinions) |
| 20 | 73047711 | 8 | BEARING |
| 21 | 73047712 | 4 | SPACER |
| 22 | 73047729 | 4 | SPINDLE |
| 23 | 73047730 | 1 | LOCK |
| 24 | 73047731 | 1 | BEARING |
| 25 | ----- | 1 | MEMBER ASSY. (See page 98) |
| 26 | ----- | 2 | BALL |
| 27 | ----- | 2 | RETAINER } order item 10 or 28 |
| 28 | 73069336 | 1 | KIT (includes item 26, 27 and instruction sheet) |



T-77378

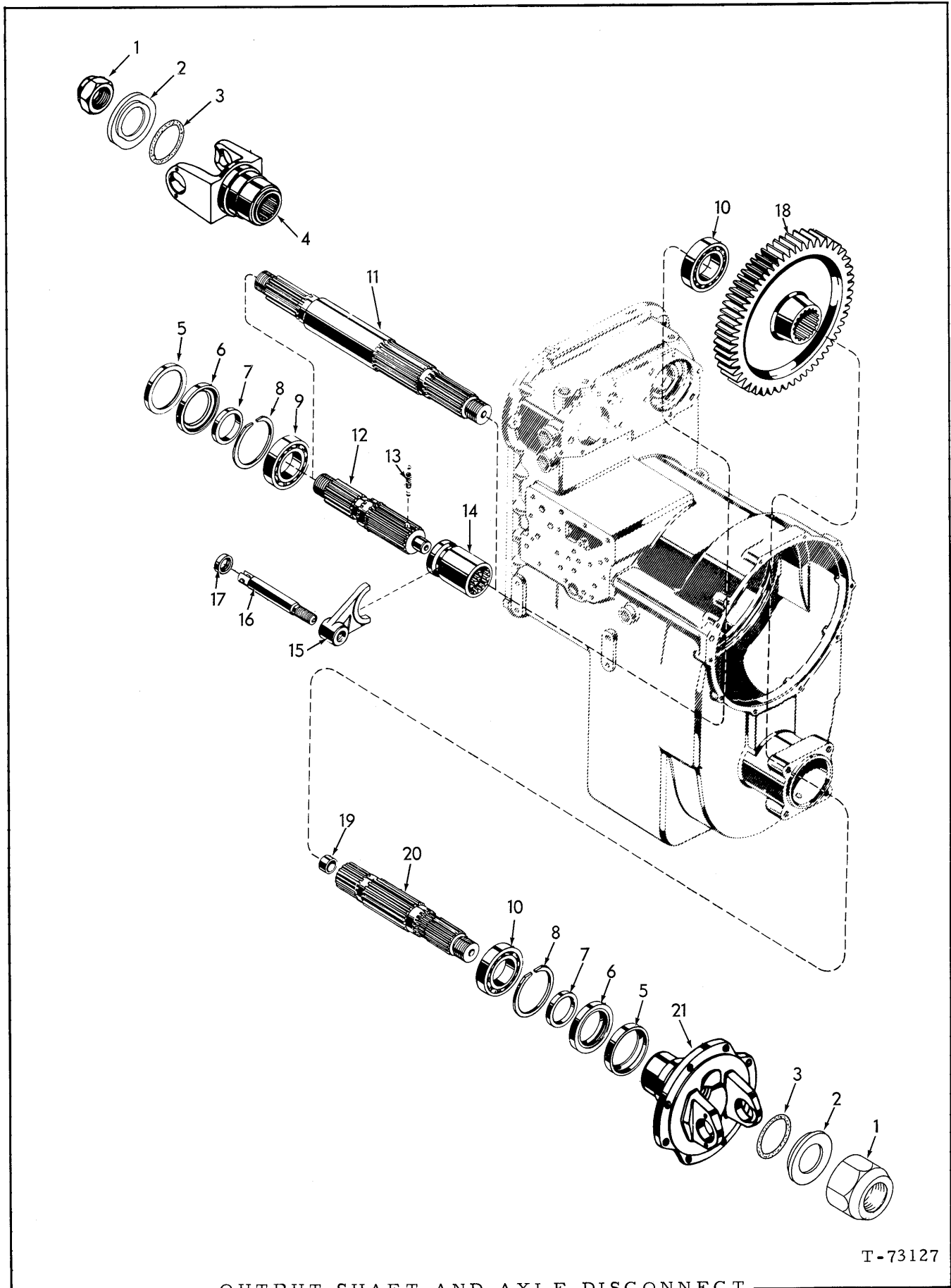
HIGH RANGE CLUTCH AND TRANSFER DRIVE GEAR

| ITEM | PART NO. | QTY. | DESCRIPTION |
|------|----------------------|----------|--|
| 1 | 73047733 | 1 | MEMBER ASSY., clutch drive, high range (Includes item 3) |
| 2 | 73047734 | 4 | CAPSCREW |
| 3 | 73044404 | 6 | PIN |
| 4 | 73046029 | 6 | □ STRIP |
| 5 | 73047737 70910233 | 12 12 | CAPSCREW, 5/16" NF x 7/8" NUT, 5/16" NF |

(Continued)

HIGH RANGE CLUTCH AND TRANSFER DRIVE GEAR (Continued)

| ITEM | PART NO. | QTY. | DESCRIPTION |
|------|----------|------|--|
| 6 | 73058783 | 4 | PLATE |
| 7 | 73058782 | 3 | PLATE |
| 8 | 73047736 | 1 | SHAFT |
| 9 | 73062024 | 1 | HUB |
| 10 | 73044457 | 1 | BEARING |
| 11 | 73035719 | 1 | RING |
| 12 | 73035739 | 1 | SPRING |
| 13 | 73062069 | 1 | PISTON |
| 14 | 73042151 | 1 | <input type="checkbox"/> KIT, seal and expander |
| 15 | 73035714 | 1 | <input type="checkbox"/> RING |
| 16 | 73062068 | 1 | HUB ASSY., clutch, high range (Includes item 17) |
| 17 | 73062016 | 3 | PIN |
| 18 | 73035745 | 1 | <input type="checkbox"/> RING |
| 19 | 73047739 | 1 | BEARING |
| 20 | 73048418 | 1 | GEAR |
| 21 | 73047740 | 12 | CAPSCREW, 7/16" NF x 4" |
| | | | <input type="checkbox"/> (Also see PACKAGED PARTS) |



OUTPUT SHAFT AND AXLE DISCONNECT

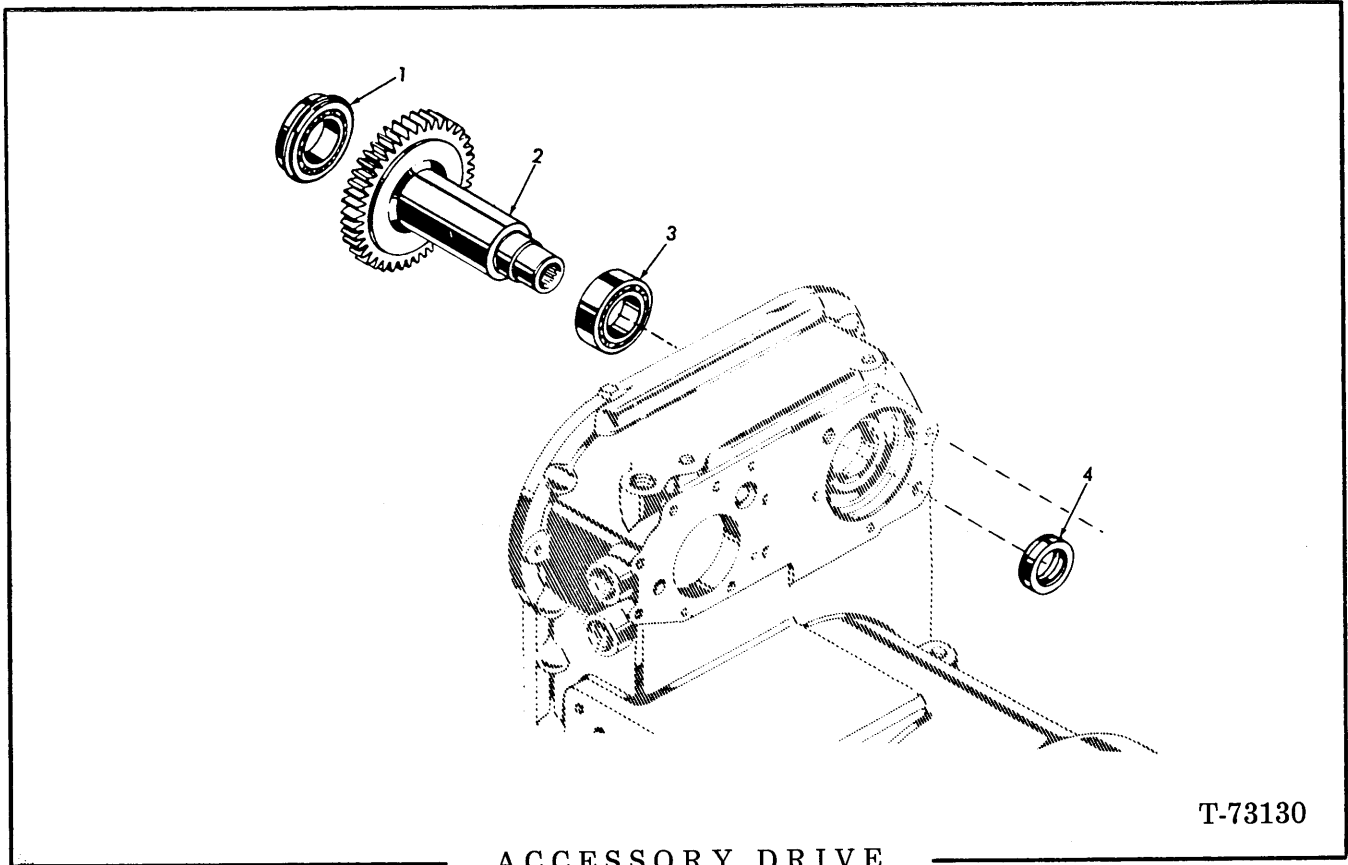
T-73127

OUTPUT SHAFT AND AXLE DISCONNECT

USAGE: *Transmission without Rear Axle Disconnect
 **Optional Transmission with Rear Axle Disconnect

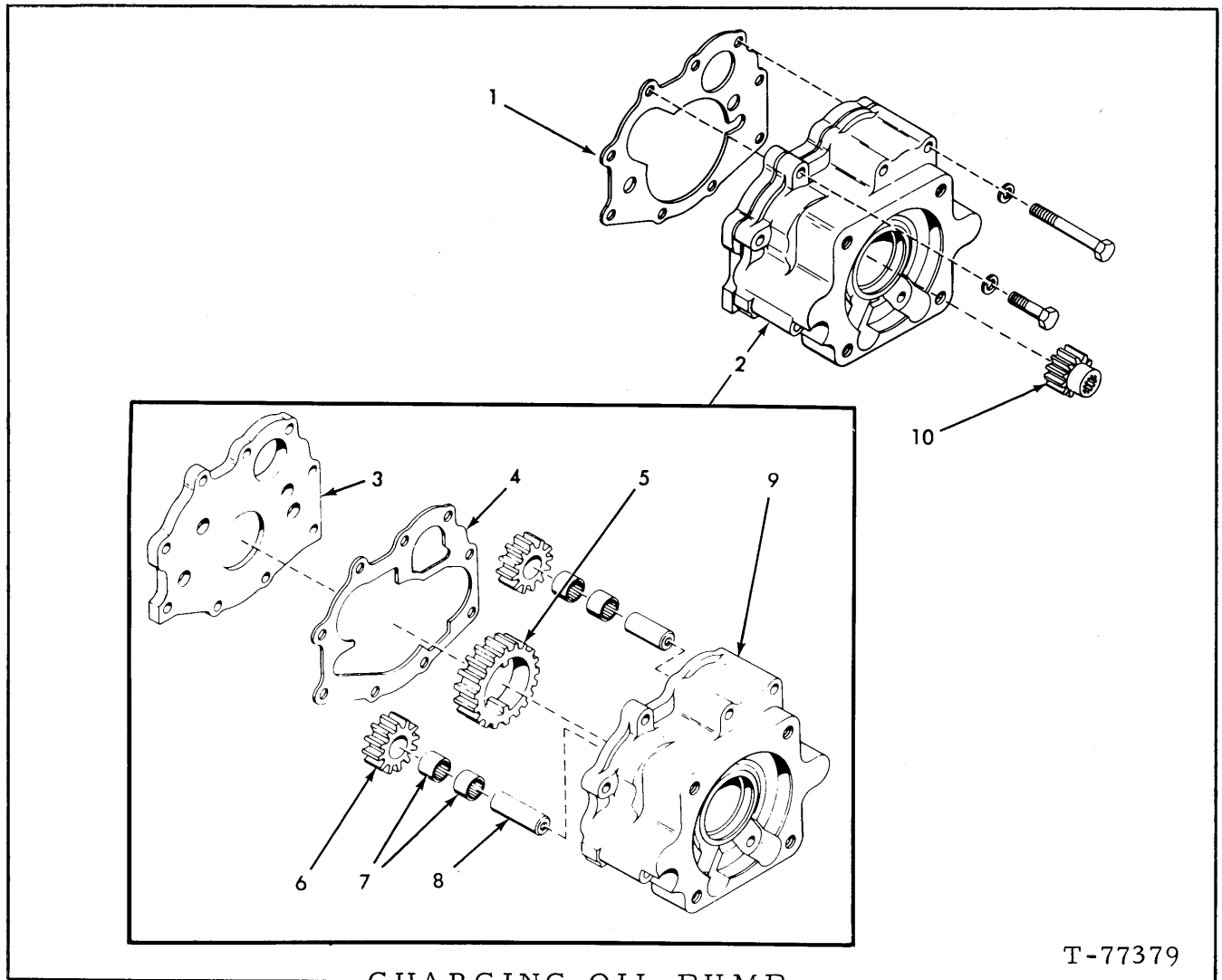
| ITEM | PART NO. | QTY. | DESCRIPTION |
|------|----------|------|--------------------------------|
| | | * ** | |
| 1 | 70924944 | 2 2 | □ NUT, safety |
| 2 | 73062042 | 2 2 | WASHER |
| 3 | 73062043 | 2 2 | □ O-RING |
| 4 | 73062065 | 1 1 | YOKE |
| 5 | 70194680 | 2 2 | SLINGER |
| 6 | 70194679 | 2 2 | □ SEAL |
| 7 | 73047746 | 2 2 | SPACER |
| 8 | 73021060 | 1 2 | RING |
| 9 | 70194533 | 1 1 | BEARING |
| 10 | 73047749 | 1 - | BEARING |
| | 70194533 | - 2 | BEARING |
| 11 | 73062044 | 1 - | SHAFT |
| 12 | 73062045 | - 1 | SHAFT |
| 13 | 73047770 | - 1 | SPRING |
| | 70915905 | - 2 | BALL, 3/8" |
| 14 | 73047771 | - 1 | COUPLING |
| 15 | 73047772 | - 1 | FORK |
| 16 | 73035864 | - 1 | SHAFT |
| 17 | 73021053 | - 1 | □ SEAL |
| 18 | 73062070 | 1 1 | GEAR |
| 19 | 73021094 | - 1 | BUSHING |
| 20 | 73062047 | - 1 | SHAFT ASSY. (Includes item 19) |
| 21 | 73062066 | 1 1 | YOKE |

(Revised June 1979)



ACCESSORY DRIVE

| ITEM | PART NO. | QTY. | DESCRIPTION |
|------|----------|------|--|
| 1 | 73068363 | 1 | BEARING |
| 2 | 73065000 | 1 | GEAR (For first replacement prior to trans. s/n 9525 also order 1 GEAR 73065001, 1 GEAR 73065002 on pages 87 and 88) |
| 3 | 73068364 | 1 | BEARING |
| 4 | 73026156 | 1 | □ SEAL |

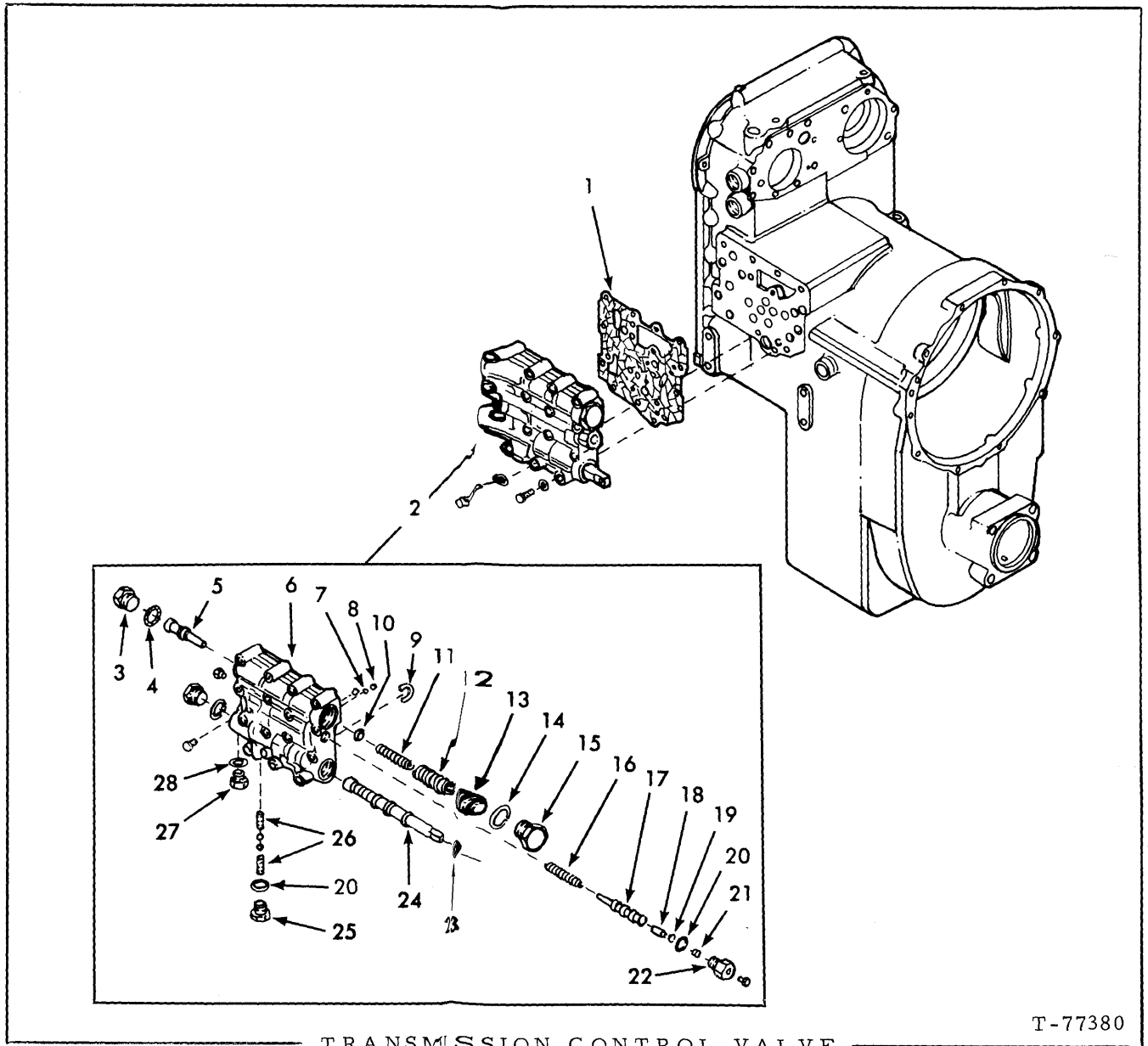


CHARGING OIL PUMP

T-77379

| ITEM | PART NO. | QTY. | DESCRIPTION |
|------|----------|------|---|
| 1 | 73062032 | 1 | □ GASKET |
| 2 | 73069098 | 1 | PUMP ASSY. (Includes items 3 thru 9)(Replaces 73062029) |
| | 73062017 | 6 | CAPSCREW, 3/8" NC x 2" |
| | 70910948 | 3 | CAPSCREW, 3/8" NC x 3" |
| | 70910287 | 9 | LOCKWASHER, 3/8" |
| 3 | 73062033 | 1 | COVER |
| 4 | 73062031 | 1 | □ GASKET |
| 5 | ----- | 1 | GEAR (Order item 2) |
| 6 | ----- | 2 | GEAR (Order item 2) |
| 7 | 73068571 | 4 | BEARING |
| 8 | ----- | 2 | SHAFT (Order item 2) |
| 9 | ----- | 1 | BODY (Order item 2) |
| 10 | 73044949 | 1 | COUPLING |

(Revised July 1978)



TRANSMISSION CONTROL VALVE

T-77380

| ITEM | PART NO. | QTY. | DESCRIPTION |
|------|----------|------|---|
| 1 | 73048782 | 1 | □ GASKET |
| 2 | 73069096 | 1 | VALVE ASSY., control (Includes items 3 thru 28) |
| | 70916271 | 1 | CAPSCREW, 3/8" NC x 1" |
| | 70912069 | 15 | CAPSCREW, 3/8" NC x 2-1/2" |
| | 70904206 | 16 | LOCKWASHER, 3/8" |
| 3 | 73044473 | 2 | PLUG |
| 4 | 73044474 | 2 | □ GASKET |
| 5 | 73048836 | 1 | VALVE |
| 6 | 73069442 | 1 | BODY |
| | 70919134 | 2 | PLUG, pipe, 1/8" NPT |

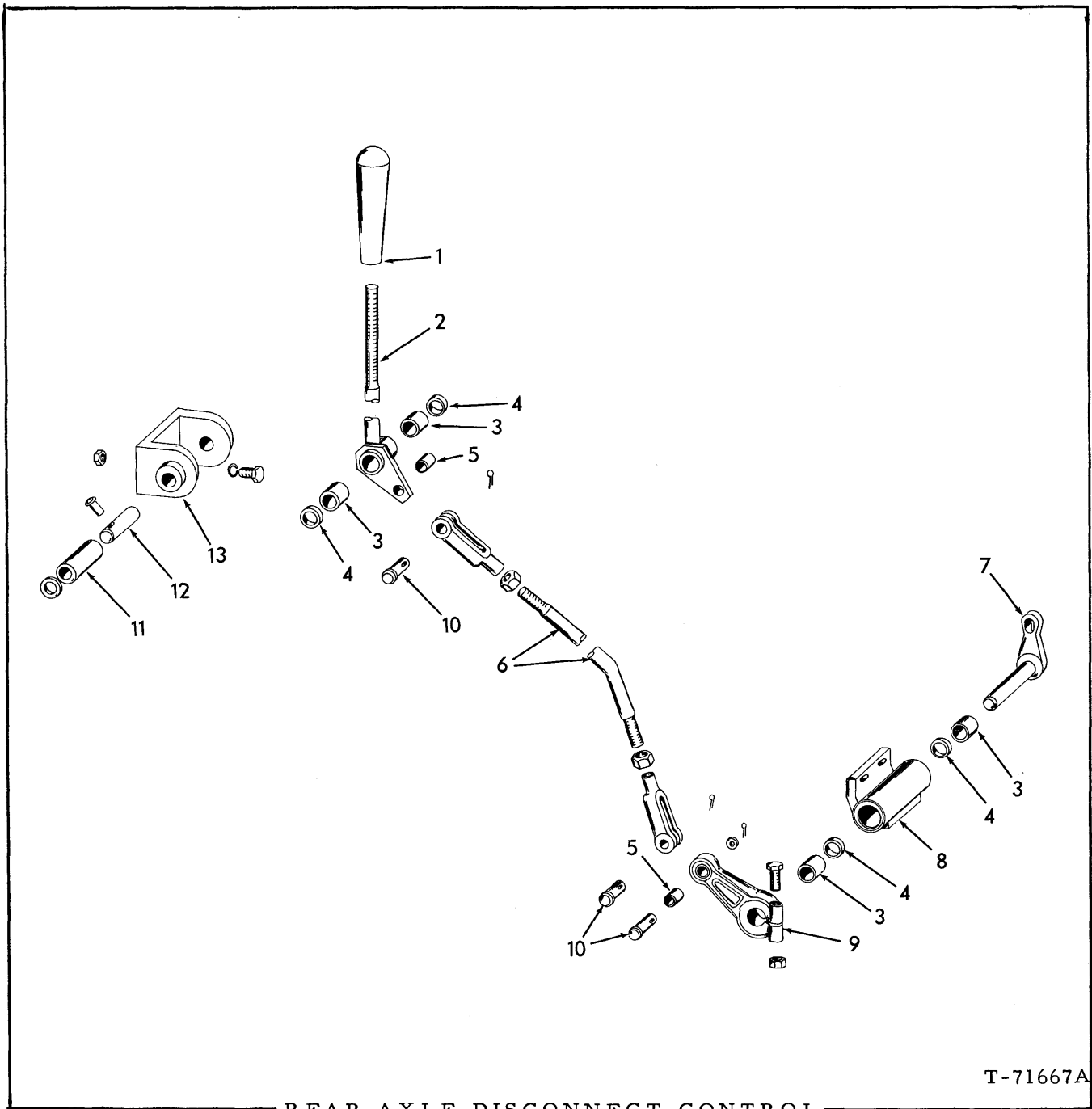
(Continued)

(Revised July 1978)

TRANSMISSION CONTROL VALVE (Continued)

| ITEM | PART NO. | QTY. | DESCRIPTION |
|------|----------|------|-------------------------------|
| 7 | 73044478 | 1 | BALL |
| 8 | 73044479 | 1 | PLUG |
| 9 | 73044480 | 1 | STOP |
| 10 | 73054808 | 1 | RETAINER |
| 11 | 73070693 | 1 | SPRING |
| 12 | 73048839 | 1 | SPRING |
| 13 | 73104559 | 1 | PLUG |
| 14 | 73044485 | 1 | □ GASKET |
| 15 | 73044486 | 1 | PLUG |
| 16 | 73044487 | 1 | SPRING |
| 17 | 73058800 | - | VALVE |
| 18 | 73031846 | 1 | PLUG |
| 19 | 73021058 | 1 | □ RING |
| 20 | 73044489 | 2 | □ GASKET |
| 21 | 73031847 | 1 | □ CUP |
| 22 | 73021170 | 1 | PLUG |
| | 70919134 | 1 | PLUG, pipe, hex-hd., 1/8" NPT |
| 23 | 73063376 | 1 | □ SEAL |
| 24 | 73062076 | 1 | VALVE |
| 25 | 73044493 | 1 | PLUG |
| 26 | 73062021 | 2 | SPRING |
| | 70917580 | 2 | BALL, detent, 1/2" dia. |
| 27 | 73063379 | 1 | PLUG |
| 28 | 73063378 | 1 | WASHER |

(Revised July 1978)



T-71667A

REAR AXLE DISCONNECT CONTROL

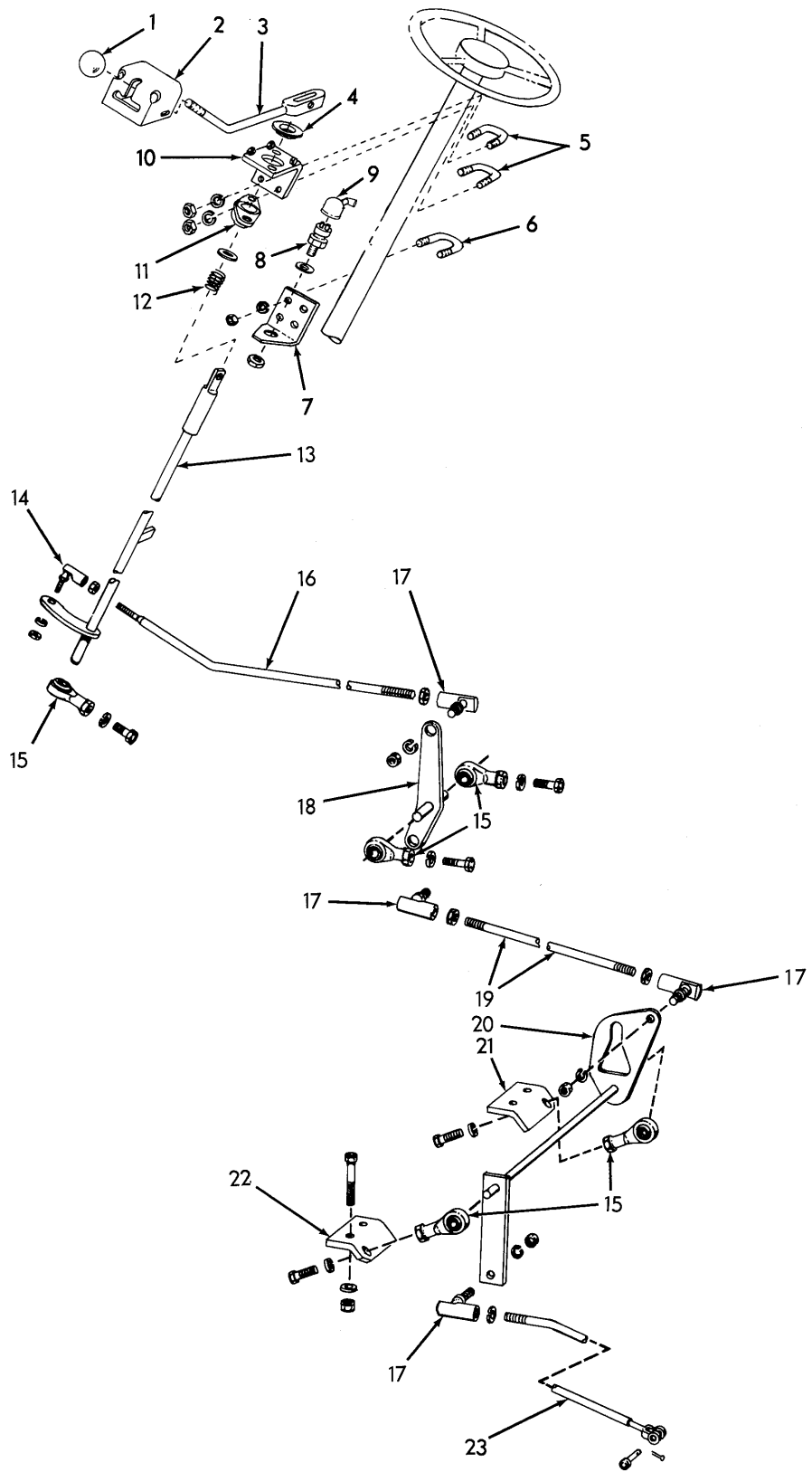
USAGE: Special Equipment

| ITEM | PART NO. | QTY. | DESCRIPTION |
|------|----------|------|--|
| 1 | 73041952 | 1 | GRIP |
| 2 | 73059146 | 1 | LEVER ASSY., control (Includes 2 BEARING 70208253, 2 SEAL 70052662 and 1 BUSHING 73013909) |
| 3 | 70208253 | 4 | BEARING |
| 4 | 70052662 | 4 | SEAL |

(Continued)

REAR AXLE DISCONNECT CONTROL (Continued)

| ITEM | PART NO. | QTY. | DESCRIPTION |
|------|----------|------|---|
| 5 | 73013909 | 2 | BUSHING |
| 6 | 73048521 | 1 | ROD |
| | 70917666 | 2 | YOKE, adjustable |
| | 70913177 | 2 | NUT, jam, 1/2" NF |
| 7 | 73050123 | 1 | LEVER |
| | 70905122 | 1 | KEY, #7 woodruff, 1/8" x 3/4" |
| 8 | 73047149 | 1 | BRACKET ASSY., mounting (Includes 2 BEARING 70208253, 2 SEAL 70052662) |
| | 70916271 | 2 | CAPSCREW, 3/8" NC x 1" |
| | 70904206 | 2 | LOCKWASHER, 3/8" |
| 9 | 73050124 | 1 | LEVER ASSY., cross-over shaft (Includes 1 BUSHING 73013909) |
| | 70916385 | 1 | CAPSCREW, 3/8" NF x 2" |
| | 70910123 | 1 | NUT, 3/8" NF |
| 10 | 73001565 | 3 | PIN |
| | 70900806 | 3 | PIN, cotter, 1/4" x 1" |
| | 70910244 | 1 | WASHER, plain, SAE std., 1/2" |
| 11 | 73020886 | 1 | SPACER |
| | 70910255 | 1 | WASHER, plain, SAE std., 3/4" |
| 12 | 73017119 | 1 | SHAFT |
| | 70916937 | 1 | PIN, roll, 1/4" x 1-1/4" |
| 13 | 73017118 | 1 | BRACKET |
| | 70915228 | 3 | CAPSCREW, 3/8" NF x 1-1/4" |
| | 70904206 | 3 | LOCKWASHER, 3/8" |
| | 70910123 | 3 | NUT, 3/8" NF |



T-73979

TRANSMISSION CONTROL

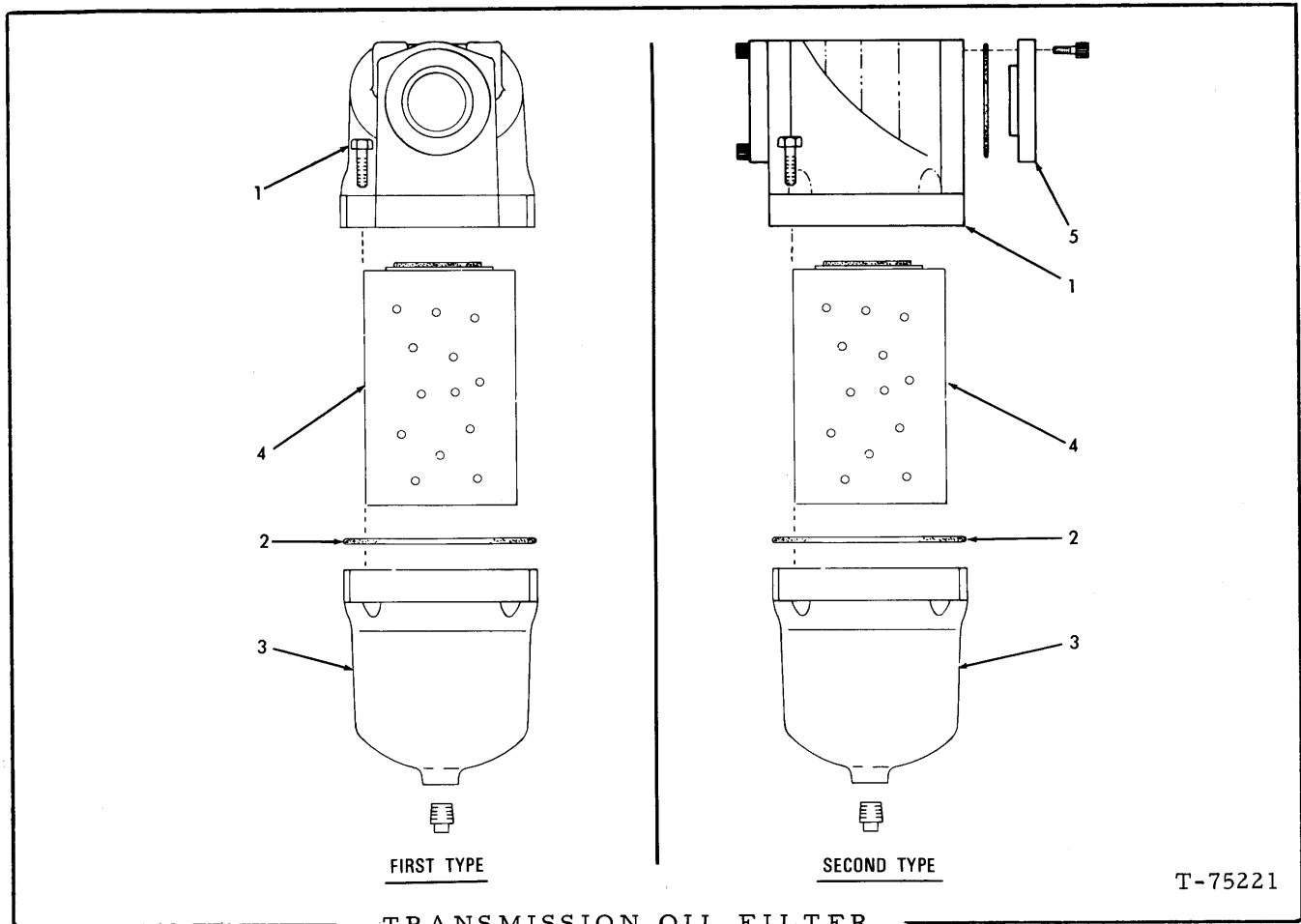
TRANSMISSION CONTROL

| ITEM | PART NO. | QTY. | DESCRIPTION |
|------|----------|------|---|
| 1 | 73001171 | 1 | KNOB |
| 2 | 73053306 | 1 | COVER (2-speed forward, 1-reverse) |
| | 73053524 | 1 | COVER (2-speed forward, 2-reverse) |
| | 70916284 | 3 | CAPSCREW, 1/4" NC x 1/2" |
| | 70911114 | 3 | WASHER, SAE Std., 1/4" |
| | 70904204 | 3 | LOCKWASHER, 1/4" |
| 3 | 73053224 | 1 | LEVER |
| | 70916385 | 1 | CAPSCREW, 3/8" NF x 2" |
| | 70904206 | 1 | LOCKWASHER, 3/8" |
| | 70910123 | 1 | NUT, 3/8" NF |
| 4 | 73048860 | 1 | WASHER |
| 5 | 73057358 | 2 | U-BOLT |
| | 70904208 | 4 | LOCKWASHER, 1/2" |
| | 70910244 | 4 | WASHER, plain, 1/2" |
| | 70910195 | 4 | NUT, 1/2" NF |
| 6 | 73048011 | 2 | U-BOLT |
| | 70904204 | 4 | LOCKWASHER, 1/4" |
| | 70911114 | 4 | WASHER, plain, 1/4" |
| | 70911040 | 4 | NUT, 1/4" NF |
| 7 | 73057402 | 1 | BRACKET |
| 8 | 73057506 | 1 | SWITCH (Safety)(Includes mounting nuts) |
| 9 | 73061193 | 1 | BOOT |
| 10 | 73053307 | 1 | BRACKET |
| 11 | 73053308 | 1 | BEARING ASSY. (Includes 1 FITTING 70914465) |
| | 70919224 | 2 | CAPSCREW, 3/8" NF x 1-1/8" |
| | 70904206 | 2 | LOCKWASHER, 3/8" |
| | 70910324 | 2 | NUT, 3/8" NF |
| | 70914465 | 1 | FITTING, lubricating, 1/8" NPT |
| 12 | 73057766 | 1 | SPRING |
| 13 | 73057357 | 1 | LEVER |
| 14 | 70925041 | 1 | JOINT, ball, adjustable, 3/8" NF |
| | 70904206 | 1 | LOCKWASHER, 3/8" |
| | 70910329 | 1 | NUT, jam, 3/8" |
| | 70910123 | 1 | NUT, 3/8" |
| 15 | 73018142 | 5 | BEARING |
| | 70916404 | 5 | CAPSCREW, 5/8" NF x 1-1/4" |
| | 70904209 | 5 | LOCKWASHER, 5/8" |
| 16 | 73048113 | 1 | ROD |
| 17 | 70925042 | 4 | JOINT, ball, adjustable, 1/2" NF |
| | 70904208 | 4 | LOCKWASHER, 1/2" |
| | 70913177 | 4 | NUT, jam, 1/2" |
| | 70910195 | 4 | NUT, 1/2" NF |

(Continued)

TRANSMISSION CONTROL (Continued)

| ITEM | PART NO. | QTY. | DESCRIPTION |
|------|----------|------|----------------------------|
| 18 | 73048128 | 1 | LEVER ASSY. (Welded) |
| 19 | 73020748 | 1 | ROD |
| 20 | 73048124 | 1 | LEVER |
| 21 | 73048708 | 1 | BRACKET |
| | 70927532 | 2 | CAPSCREW, 5/8" NF x 3-1/2" |
| | 70927328 | 2 | WASHER, 9/16" |
| | 70926712 | 2 | NUT, 5/8" NF |
| 22 | 73048707 | 1 | BRACKET |
| | 70927532 | 2 | CAPSCREW, 5/8" NF x 3-1/2" |
| | 70927328 | 2 | WASHER, 9/16" |
| | 70926712 | 2 | NUT, 5/8" NF |
| 23 | 73048109 | 1 | ROD |
| | 70917646 | 1 | PIN, 3/8" |
| | 70918448 | 1 | PIN, cotter, 3/32" x 1" |



TRANSMISSION OIL FILTER

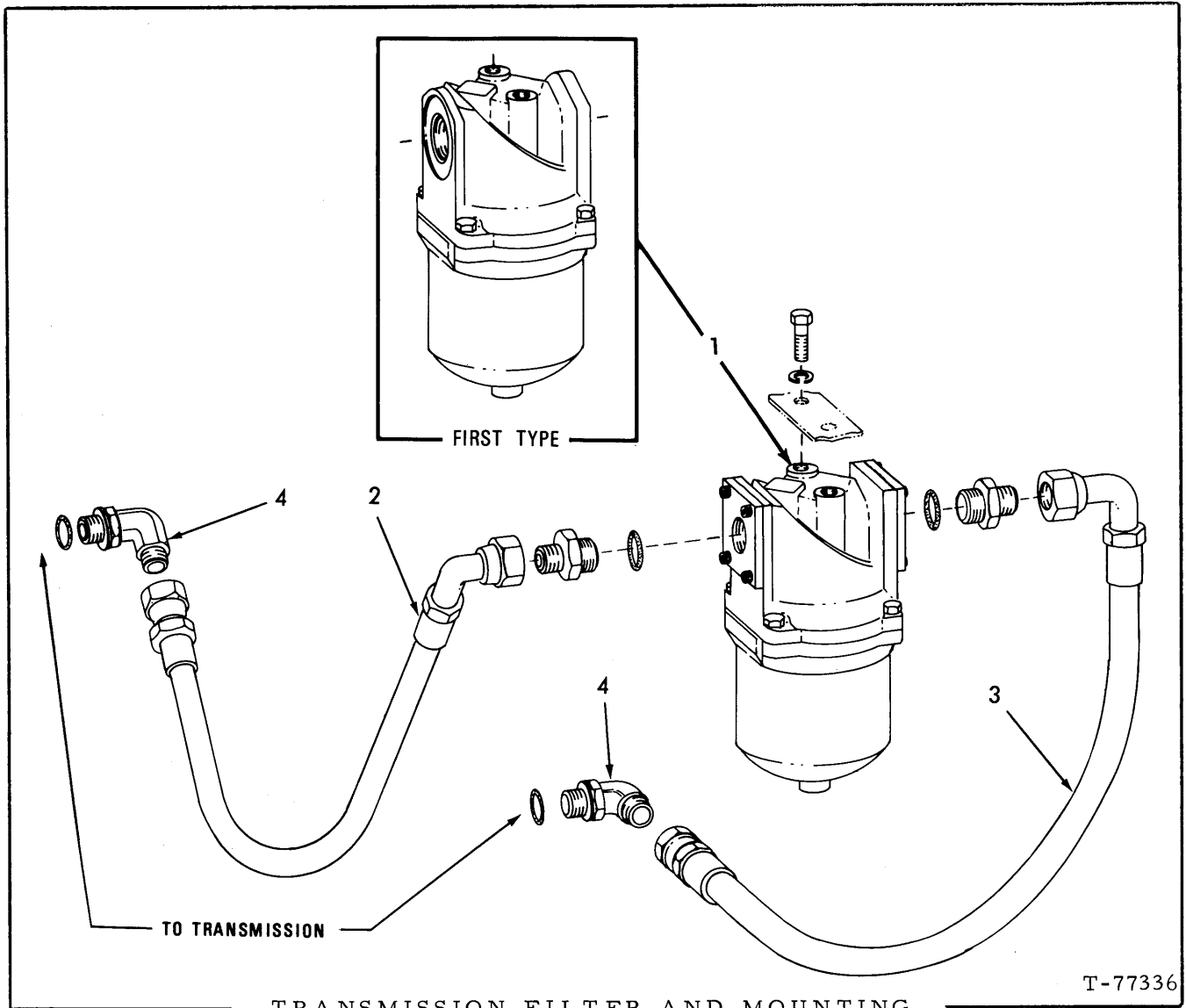
T-75221

USAGE: * Used prior to loader s/n 45S03300. } See page 112
 ** Effective with loader s/n 45S03300.

NOTE: FILTER ASSY.
 73065137 includes total quantity 2 O-RING 70923584.

| ITEM | PART NO. | QTY. | DESCRIPTION |
|------|----------|------|---|
| | | * ** | |
| - | ----- | 1 | FILTER ASSY. (First Type - order FILTER ASSY. 73065137) |
| | 73065137 | - 1 | FILTER ASSY. (Includes item 1 thru 5) |
| 1 | 70666243 | 1 | HEAD ASSY. |
| | 73065358 | - 1 | HEAD ASSY. (Includes O-RING indented below) |
| | 70923584 | - 2 | O-RING |
| | 70920648 | 4 4 | CAPSCREW, 7/16" NC x 2" |
| | 70929247 | - 4 | WASHER, 15/32" |
| 2 | 70666244 | 1 1 | SEAL |
| 3 | 70666245 | 1 - | HOUSING |
| | 73065357 | - 1 | HOUSING } (Includes PLUG indented below) |
| | 70901653 | 1 1 | PLUG, 3/8" NPT |
| 4 | 70679513 | 1 1 | ELEMENT KIT (Includes Element and item 2) |
| 5 | 73065359 | - 2 | ADAPTER ASSY. (Each includes half quantity of items indented below) |
| | 70922996 | - 8 | CAPSCREW, skt. hd., 5/16" NC x 1" |
| | 70923584 | - 2 | O-RING |

(Revised September 1975)



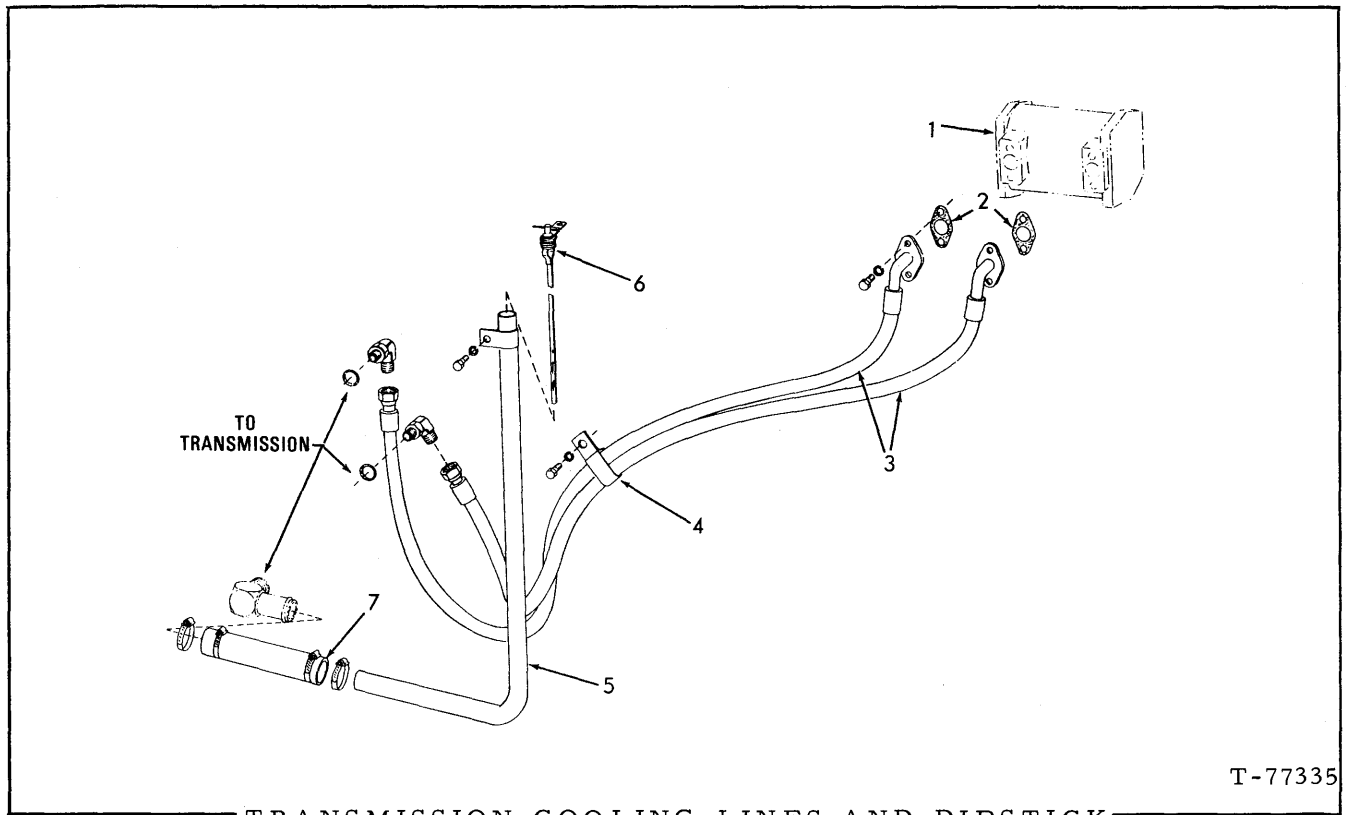
TRANSMISSION FILTER AND MOUNTING

T-77336

USAGE: * Used prior to loader s/n 45S03300
 ** Effective with loader s/n 45S03300

| ITEM | PART NO. | QTY. | | DESCRIPTION |
|------|----------|------|----|--|
| | | * | ** | |
| 1 | ----- | 1 | - | FILTER ASSY. (First Type) (For field replacement, order 1 FILTER ASSY. 73065137, 2 CONNECTOR 70921217)(See page 111) |
| | 73065137 | - | 1 | FILTER ASSY. (See page 111) |
| | 70916311 | 2 | 2 | CAPSCREW, 1/2" NC x 1-1/4" |
| | 70904208 | 2 | 2 | LOCKWASHER, 1/2" |
| 2 | 73104763 | 1 | 1 | HOSE ASSY. |
| | 70924182 | 1 | - | CONNECTOR, reducing, 3/4" tube, 1-5/8" st. thd. (Includes 1 O-RING 70921235) |
| | 70921217 | - | 1 | CONNECTOR, 3/4" tube, 1-1/16" st. thd. (Includes 1 O-RING 70921206) |
| 3 | 73103421 | 1 | 1 | HOSE ASSY. |
| | 70924182 | 1 | - | CONNECTOR, reducing, 3/4" tube, 1-5/8" st. thd. (Includes 1 O-RING 70921235) |
| | 70921217 | - | 1 | CONNECTOR, 3/4" tube, 1-1/16" st. thd. (Includes 1 O-RING 70921206) |
| 4 | 70922632 | 2 | 2 | ELBOW, 3/4" tube, 1-1/16" x 1-5/16" st. thd. (Each includes 1 O-RING 70921214) |

(Revised September 1975)

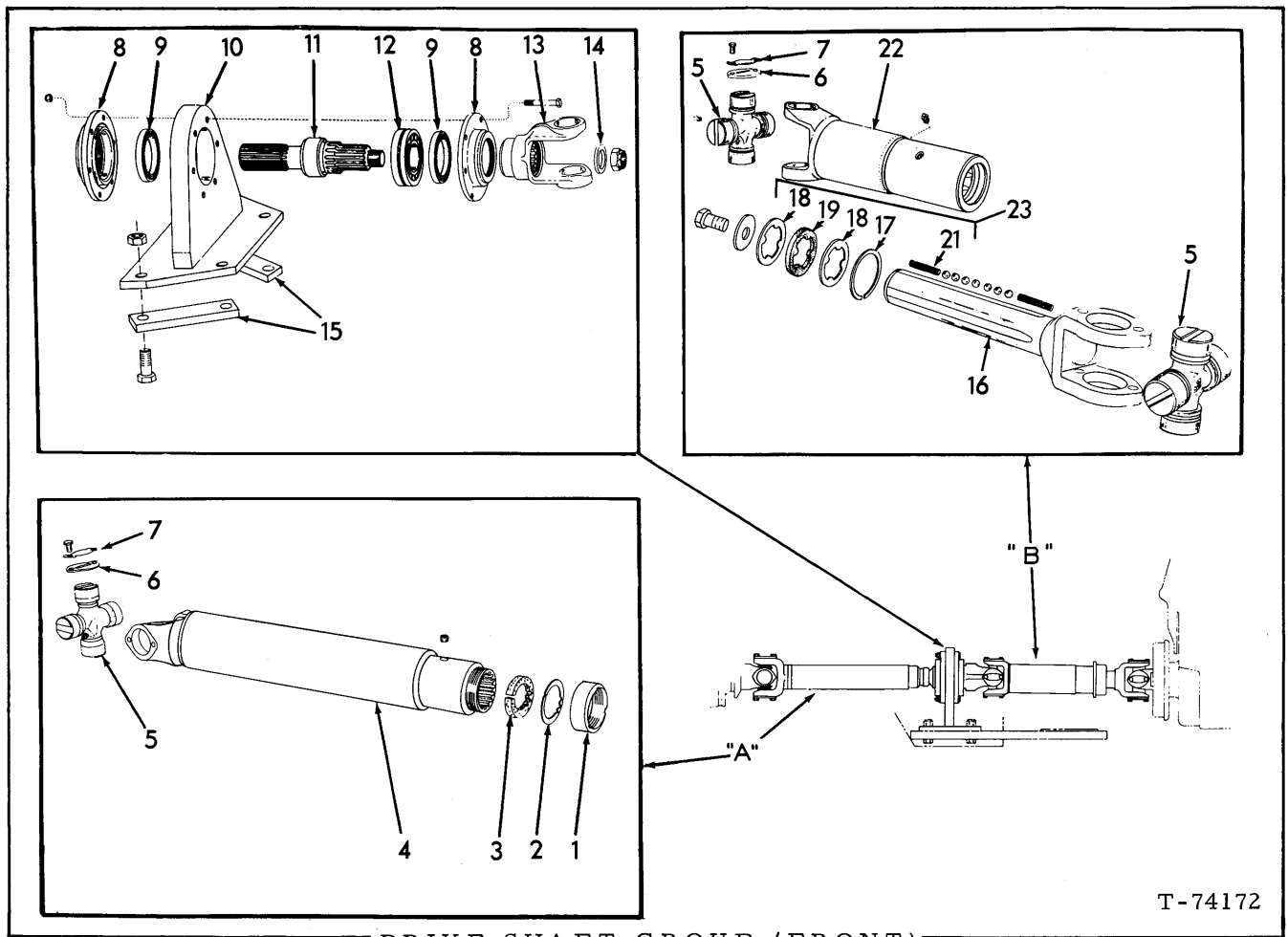


T-77335

TRANSMISSION COOLING LINES AND DIPSTICK

| ITEM | PART NO. | QTY. | DESCRIPTION |
|------|----------|------|--|
| 1 | ----- | 1 | HEAT EXCHANGER (See page 38) |
| 2 | 74335578 | 2 | GASKET |
| 3 | 73050034 | 2 | HOSE ASSY. (Serviced only as a unit) |
| | 70916254 | 4 | CAPSCREW, 7/16" NC x 1" |
| | 70914678 | 4 | LOCKWASHER, 7/16" |
| | 70922632 | 2 | ELBOW, flare type, 3/4" tube, 1-5/16" str. thds. (Includes O-RING) |
| | 70921214 | 2 | O-RING, 1" tube |
| 4 | 73055272 | 1 | CLAMP |
| | ----- | 1 | CAPSCREW, 1/2" NC x 2" |
| | ----- | 1 | LOCKWASHER, pltd., 1/2" |
| 5 | 73050475 | 1 | TUBE ASSY., oil filler (Includes CLAMP) |
| | 70916309 | 1 | CAPSCREW, 1/2" NC x 3/4" |
| | 70916966 | 1 | LOCKWASHER, pltd. 1/2" |
| 6 | 73104692 | 1 | DIPSTICK |
| 7 | 73048614 | 1 | HOSE |
| | 70921912 | 4 | CLAMP, 1-1/16" to 2" |

(Revised June 1979)



DRIVE SHAFT GROUP (FRONT)

T-74172

| ITEM | PART NO. | QTY. | DESCRIPTION |
|------|----------|------|---|
| A | 73046262 | 1 | SHAFT ASSY., drive (Includes items 1 thru 7) |
| 1 | 73021867 | 1 | CAP |
| 2 | 73032377 | 1 | WASHER |
| 3 | 73032378 | 1 | WASHER |
| 4 | 73047013 | 1 | YOKE |
| 5 | 73038633 | 3 | CROSS ASSY. (Includes Bearings, Fitting, and items 6 and 7) FITTING, lube, 90°, 1/8" NPT |
| | 70915276 | 3 | |
| 6 | 73038627 | 12 | PLATE |
| 7 | 73038626 | 12 | PLATE CAPSCREW, 5/16" NF x 5/8" |
| | 70911169 | 24 | |
| 8 | 73042796 | 2 | COVER CAPSCREW, 3/8" NF x 3" NUT, safety, 3/8" NF |
| | 70920613 | 6 | |
| | 70913528 | 6 | |

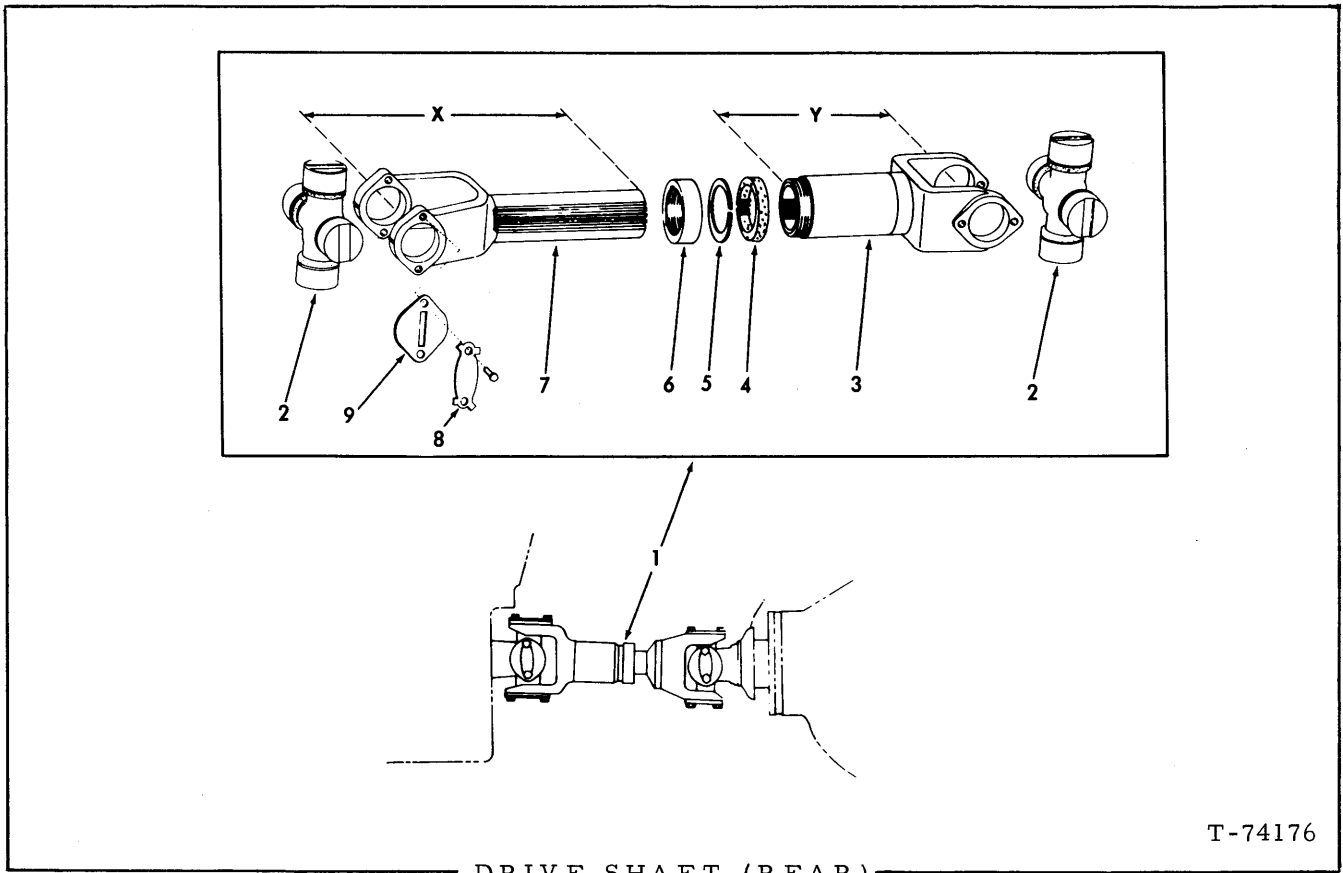
(Continued)

(Revised June 1979)

DRIVE SHAFT GROUP (FRONT) (Continued)

| ITEM | PART NO. | QTY. | DESCRIPTION |
|------|----------|------|---|
| 9 | 73008139 | 2 | SEAL |
| 10 | 73042808 | 1 | BRACKET |
| | 70916338 | 4 | CAPSCREW, 3/4" NF x 4-1/2" |
| | 70921343 | 4 | NUT, 3/4" NF |
| | 70914465 | 1 | FITTING, lube, 1/8" NPT |
| 11 | 73054596 | 1 | SHAFT |
| 12 | 73042807 | 1 | BEARING |
| 13 | 73046265 | 1 | YOKE |
| 14 | 73022056 | 1 | WASHER |
| | 70921140 | 1 | NUT, safety, 1-1/4" NF |
| 15 | 73054500 | 2 | BAR |
| B | 73056685 | 1 | SHAFT ASSY., (Includes items 5, 6, 7, 16 thru 22) |
| 16 | 73057395 | 1 | YOKE, spline |
| | 70928314 | 1 | CAPSCREW, 7/16" NF x 3/4" |
| | 70928313 | 1 | WASHER, shaft |
| 17 | 70928315 | 1 | RING, snap (internal) |
| 18 | 73057401 | 2 | WASHER, guide |
| 19 | 73057399 | 1 | SEAL,guide washer (rubber) |
| 20 | ----- | - | Not used in this application |
| 21 | 73043522 | 8 | SPRING |
| | 70924068 | 28 | BALL (7/16" dia) |
| 22 | 73057398 | 1 | YOKE, sleeve, drive shaft |
| | 70928347 | 1 | FITTING, lubrication 1/8" NPT |
| 23 | 73057400 | 1 | ROLL ASSY., slip (Includes items 17, 18, 19 and 21) |

(Revised June 1979)

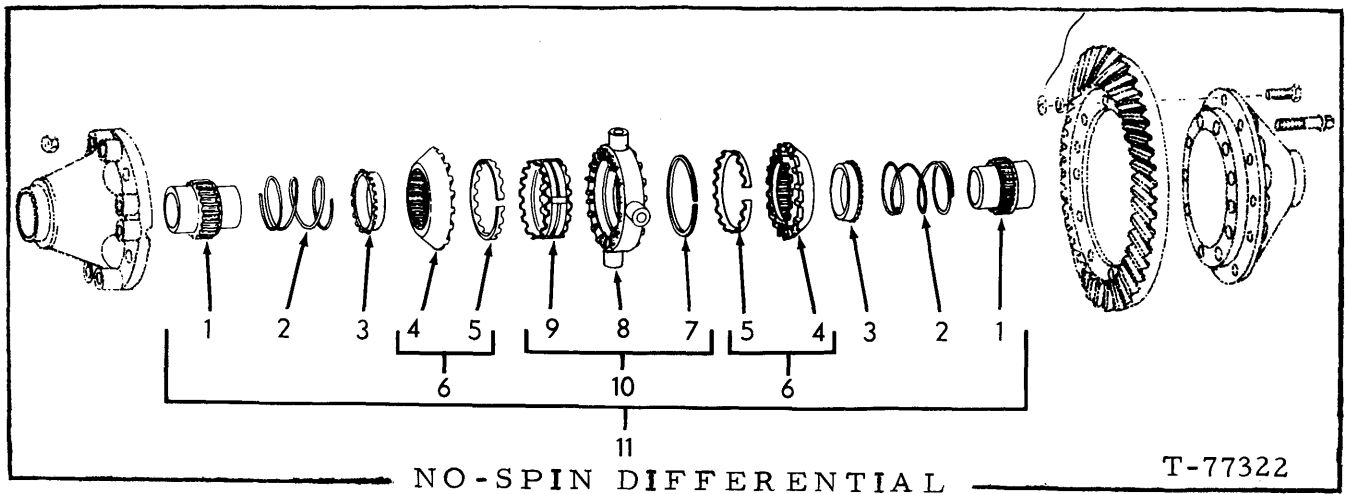


T-74176

DRIVE SHAFT (REAR)

| ITEM | PART NO. | QTY. | DESCRIPTION |
|------|----------|------|---|
| 1 | 70199247 | 1 | SHAFT ASSY., (Includes items 2 thru 9) |
| 2 | 73038633 | 2 | CROSS ASSY., (Includes Bearings, fitting and items 8 and 9) |
| 3 | 73057686 | 1 | YOKE, slip |
| 4 | 73047023 | 1 | WASHER, (felt) |
| 5 | 73038843 | 1 | WASHER |
| 6 | 73038844 | 1 | CAP |
| 7 | 73057687 | 1 | YOKE, end |
| 8 | 73038626 | 8 | PLATE, locking |
| | 70911169 | 16 | CAPSCREW, 5/16" NF x 5/8" |
| 9 | 73038627 | 8 | PLATE |

(Revised February 1976)

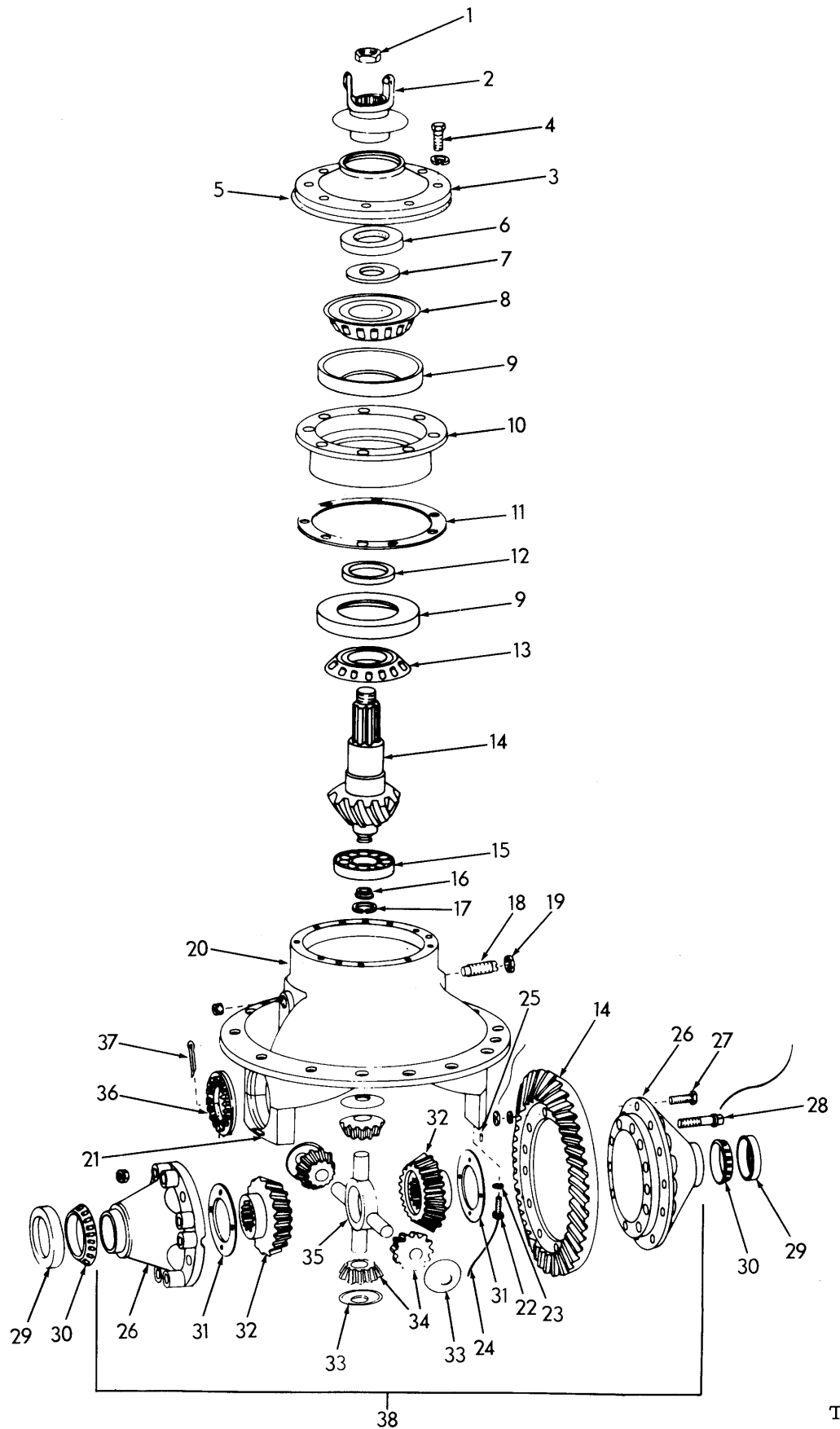


USAGE: SPECIAL EQUIPMENT

- | | | |
|----------------|---|-------------|
| * FRONT AXLE | } | FIRST TYPE |
| ** REAR AXLE | | |
| *** FRONT AXLE | } | SECOND TYPE |
| **** REAR AXLE | | |

NOTE: The following parts replace items 31 thru 35 on page 120; all other Differential Carrier parts are identical to those listed on pages 119 and 120.

| ITEM | PART NO. | QTY. | | | | DESCRIPTION |
|------|----------|------|----|-----|------|---|
| | | * | ** | *** | **** | |
| 1 | 73061089 | 2 | - | - | - | GEAR (47 external teeth) |
| | 73061091 | - | 2 | - | - | GEAR (47 external teeth) |
| | 73064715 | - | - | 2 | - | GEAR (56 external teeth) |
| | 73064725 | - | - | - | 2 | GEAR (56 external teeth) |
| 2 | 73046994 | 2 | 2 | - | - | SPRING (Straight coil) |
| | 73064717 | - | - | 2 | 2 | SPRING (Tapered coil) |
| 3 | 73046993 | 2 | 2 | - | - | RETAINER (47 teeth) |
| | 73064716 | - | - | 2 | 2 | RETAINER (56 teeth) |
| 4 | ----- | 2 | 2 | 2 | 2 | CLUTCH (Order item 6) |
| 5 | ----- | 2 | 2 | 2 | 2 | RING (Order item 6) |
| 6 | 73063596 | 2 | 2 | - | - | CLUTCH ASSY. (Includes items 4 and 5) (Item 4, 21 external teeth) |
| | 73064718 | - | - | 2 | 2 | CLUTCH ASSY. (Includes items 4 and 5) (Item 4, 20 external teeth) |
| 7 | ----- | 1 | 1 | 1 | 1 | SNAP RING (Order item 10) |
| 8 | ----- | 1 | 1 | 1 | 1 | SPIDER (Order item 10) |
| 9 | ----- | 1 | 1 | 1 | 1 | CAM (Order item 10) |
| 10 | 73046987 | 1 | 1 | - | - | SPIDER ASSY. (Includes items 7 thru 9) (Item 8, 21 teeth per side) |
| | 73064723 | - | - | 1 | 1 | SPIDER ASSY. (Includes items 7 thru 9) (Item 8, 20 teeth per side) |
| 11 | ----- | 1 | - | - | - | NO-SPIN ASSY. (Order 1 NO-SPIN ASSY. 73064663) |
| | ----- | - | 1 | - | - | NO-SPIN ASSY. (Order 1 NO-SPIN ASSY. 73064665) |
| | 73064663 | 1 | - | 1 | - | NO-SPIN ASSY. (Includes items 1 thru 10) (Replaces 73059854) |
| | 73064665 | - | 1 | - | 1 | NO-SPIN ASSY. (Includes items 1 thru 10) (Replaces 73061082) |



DIFFERENTIAL ASSEMBLY (FRONT AND REAR)

T-74171

DIFFERENTIAL ASSEMBLY (FRONT AND REAR)

USAGE: * Front differential
 ** Rear differential

| ITEM | PART NO. | QTY. | DESCRIPTION |
|------|----------|------|---|
| | | * ** | |
| - { | 73066007 | 1 - | AXLE ASSY. front complete (Includes parts listed on pages 121 thru 124, 128 and 129)(Replaces 73055858) |
| - { | 73055859 | - 1 | AXLE ASSY. rear complete (Includes parts listed on pages 125 thru 127, 130 and 131) |
| - { | 73056313 | 1 - | DIFFERENTIAL ASSY., front (Includes items 1 thru 38) |
| - { | 73103439 | - 1 | DIFFERENTIAL ASSY., rear (Includes items 1 thru 38) |
| 1 | 73059729 | 1 1 | NUT, yoke |
| 2 | 73038199 | 1 1 | YOKE ASSY. (Includes slinger - serviced only as a unit) |
| 3 | 73032789 | 1 1 | COVER ASSY., bearing cage (Includes item 6) |
| 4 | 70920584 | 8 8 | CAPSCREW, |
| 5 | 73032916 | 1 1 | GASKET, cover |
| 6 | 73022043 | 1 1 | SEAL, oil |
| 7 | 73032917 | 1 1 | WASHER |
| 8 | 73036712 | 1 1 | CONE, outer |
| 9 | 70182440 | 2 2 | CUP |
| 10 | 73036710 | 1 1 | CAGE ASSY., bearing (Includes two cups, item 9) |
| 11 { | 73032908 | - - | SHIM, bearing cage, .003" thick |
| 11 { | 73032794 | - - | SHIM, bearing cage, .005" thick |
| 11 { | 73032795 | - - | SHIM, bearing cage, .010" thick |
| | | | } Use as required |
| 12 { | 73032925 | - - | SPACER, .248" thick |
| 12 { | 73032926 | - - | SPACER, .249" thick |
| 12 { | 73032927 | - - | SPACER, .250" thick |
| 12 { | 73032928 | - - | SPACER, .251" thick |
| 12 { | 73032929 | - - | SPACER, .252" thick |
| 12 { | 73032930 | - - | SPACER, .253" thick |
| 12 { | 73032931 | - - | SPACER, .259" thick |
| 12 { | 73032932 | - - | SPACER, .265" thick |
| 12 { | 73032933 | - - | SPACER, .271" thick |
| 12 { | 73032934 | - - | SPACER, .277" thick |
| 12 { | 73032935 | - - | SPACER, .283" thick |
| | | | } Use as required |

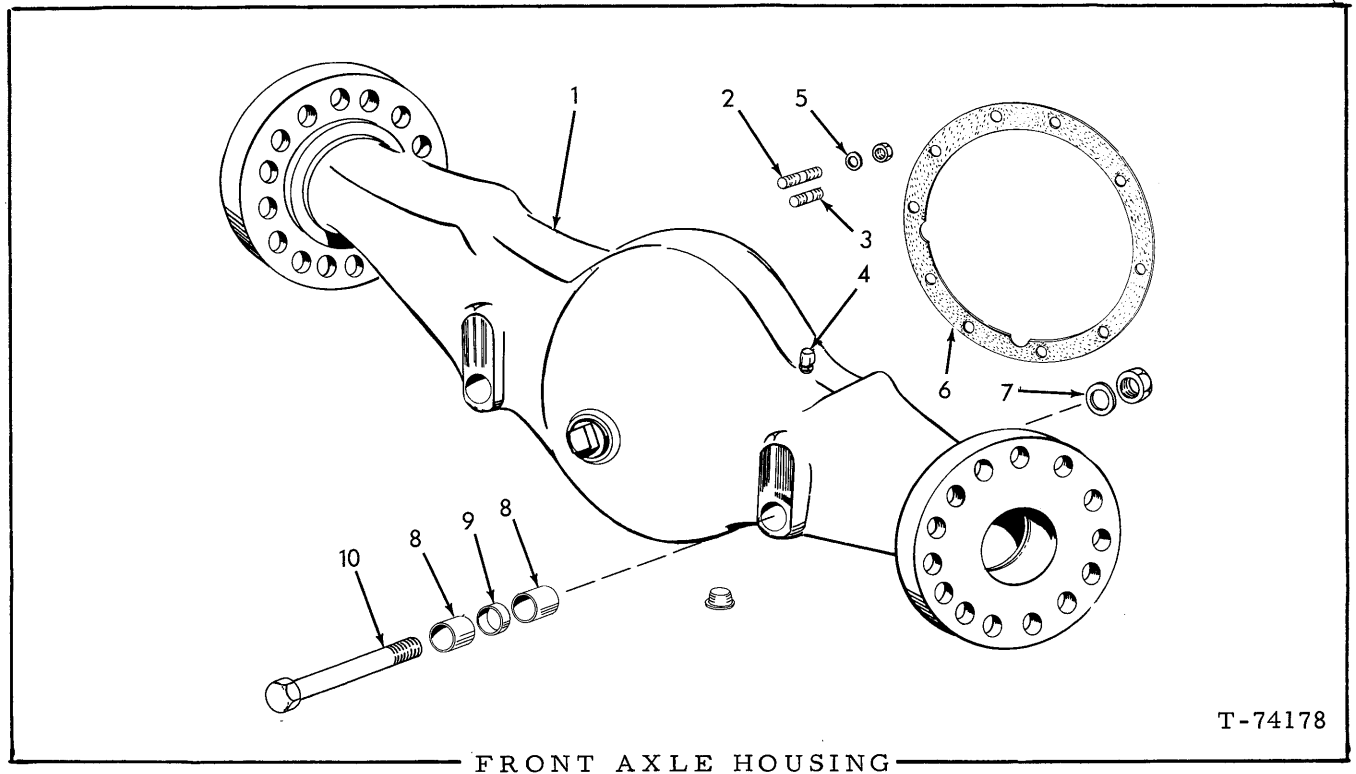
(Continued)

(Revised June 1979)

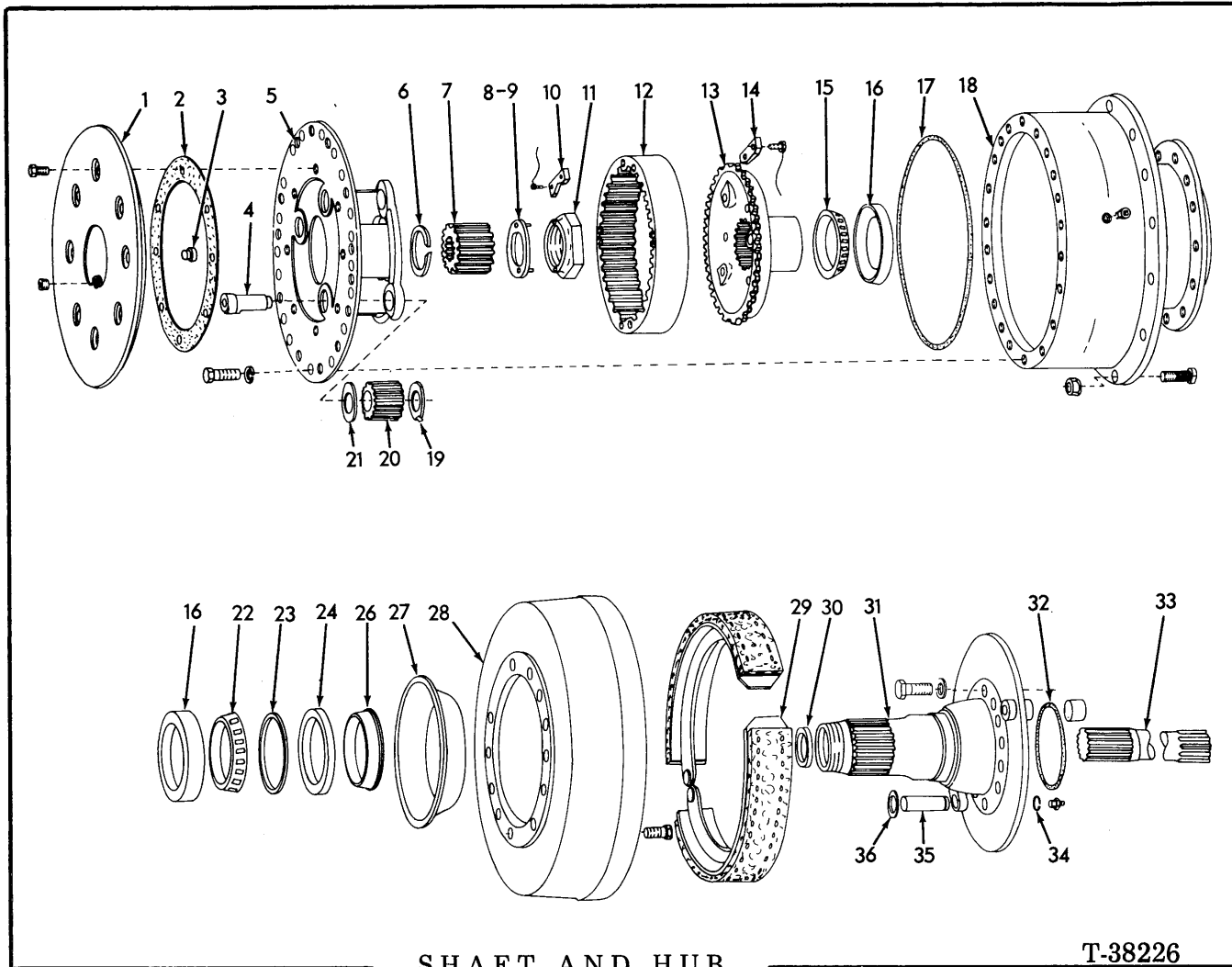
DIFFERENTIAL ASSEMBLY (FRONT AND REAR) (Continued)

| ITEM | PART NO. | QTY. | | DESCRIPTION |
|------|----------|------|----|--|
| | | * | ** | |
| 13 | 73036711 | 1 | 1 | CONE, inner |
| 14 | 73056178 | 1 | - | GEAR SET (Includes matched Ring Gear and Pinion) |
| | 73104353 | - | 1 | GEAR SET (Includes matched Ring Gear and Pinion) |
| 15 | 73032937 | 1 | 1 | BEARING, drive pinion |
| 16 | 73032938 | 1 | 1 | RETAINER, bearing |
| 17 | 73103435 | 1 | 1 | RING, locking |
| 18 | 73051889 | 1 | 1 | SCREW, adjusting |
| 19 | 73022112 | 1 | 1 | NUT, adjusting screw |
| 20 | 73043361 | 1 | 1 | CARRIER ASSY., differential (Includes items 21, 22, 23, 25 & 37) |
| | 70904224 | 1 | 1 | PLUG, pipe, ctsk., 3/4" NPT |
| 21 | ----- | 2 | 2 | CAP, carrier (Order item 20) |
| 22 | 70929125 | 4 | 4 | CAPSCREW, (Special), 7/8" x 5-1/2" |
| 23 | 73036709 | 4 | 4 | WASHER, (Special), 7/8" |
| 24 | ----- | 2 | 2 | WIRE, locking, (Order 17" of 73061917, see NOTE below) |
| 25 | 73022314 | 4 | 4 | PIN, dowel, differential cap |
| 26 | 73043363 | 1 | 1 | CASE ASSY., differential (Includes two halves - serviced only as a unit) |
| 27 | 73062166 | 12 | 12 | CAPSCREW |
| | 73038206 | 12 | 12 | WASHER |
| | 70929733 | 12 | 12 | NUT |
| | 70926164 | 6 | 6 | WIRE, locking |
| 28 | 70921173 | 4 | 4 | CAPSCREW, 5/8" NC x 2 3/4" |
| | 70924136 | 8 | 8 | CAPSCREW, 5/8" NC x 3-3/4" |
| | 73038206 | 12 | 12 | WASHER |
| | ----- | 4 | 4 | WIRE, locking (Order 12" of 73061917, See NOTE below) |
| 29 | 73032792 | 2 | 2 | CUP, bearing |
| 30 | 73032914 | 2 | 2 | CONE, bearing |
| 31 | 73024221 | 2 | 2 | WASHER, thrust |
| 32 | 73038203 | 2 | - | GEAR, bevel |
| | 73103442 | - | 2 | GEAR, bevel |
| 33 | 73043365 | 4 | 4 | WASHER, thrust |
| 34 | 73043364 | 4 | 4 | PINION, differential |
| 35 | 73043368 | 1 | 1 | SPIDER, pinion |
| 36 | 73032793 | 2 | 2 | RING, adjusting |
| 37 | 73043369 | 2 | 2 | PIN, cotter (Heavy duty) |
| 38 | 73043362 | 1 | - | DIFFERENTIAL ASSY. (Includes items 26, 28 and 31 thru 35) |

NOTE: The factory will supply 100 ft. rolls only.
 Dealer will cut to length or furnish 100 ft. rolls.



| ITEM | PART NO. | QTY. | DESCRIPTION |
|------|----------|------|--|
| 1 | 73058617 | 1 | HOUSING ASSY., front (Includes items 2, 3, 8, 9 and PLUG indented below) |
| | 70901667 | 2 | PLUG, pipe, 1-1/4" NPT |
| 2 | 73022115 | 6 | STUD, long |
| 3 | 73043919 | 8 | STUD, short |
| | | | } Differential mounting |
| 4 | 73021062 | 1 | BREATHER, oil |
| 5 | 73048412 | 14 | WASHER |
| | 70930986 | 14 | NUT, 5/8" NF |
| 6 | 73032687 | 1 | GASKET, carrier to housing |
| 7 | 73044963 | 2 | WASHER, plain |
| | 70924847 | 2 | NUT, safety, 1-3/4" NC |
| 8 | 73010347 | 4 | BUSHING, axle housing |
| 9 | 73032165 | 2 | SPACER, bushing |
| 10 | 73046338 | 2 | PIN, axle mounting |



SHAFT AND HUB
(Front Axle)

T-38226

NOTE: Quantity shown is sufficient for one end only

| ITEM | PART NO. | QTY. | DESCRIPTION |
|------|----------|------|--|
| 1 | 73038212 | 1 | COVER ASSY. (Includes item 3) |
| | 73048407 | 8 | CAPSCREW, planetary cover |
| | 70904224 | 1 | PLUG, pipe, square socket, 3/4" NPT |
| 2 | 73038233 | 1 | GASKET |
| 3 | 73022076 | 1 | BUTTON |
| 4 | 73056180 | 3 | SHAFT |
| 5 | 73038241 | 1 | SPIDER |
| | 73022110 | 39 | CAPSCREW, planetary cover |
| | 70912441 | 39 | LOCKWASHER, 1/2" |
| 6 | 73038231 | 1 | RING |
| 7 | 73038236 | 1 | GEAR |
| 8 | 73038279 | 1 | WASHER ASSY. (Includes item 9) |
| 9 | 73038278 | 2 | PIN |
| 10 | 73038225 | 1 | LOCK |
| | 70928533 | 2 | CAPSCREW, drilled head 7/16" NC x 7/8" |
| | | 1 | LOCKWIRE, 6" (refer to item 37) |

(Continued)

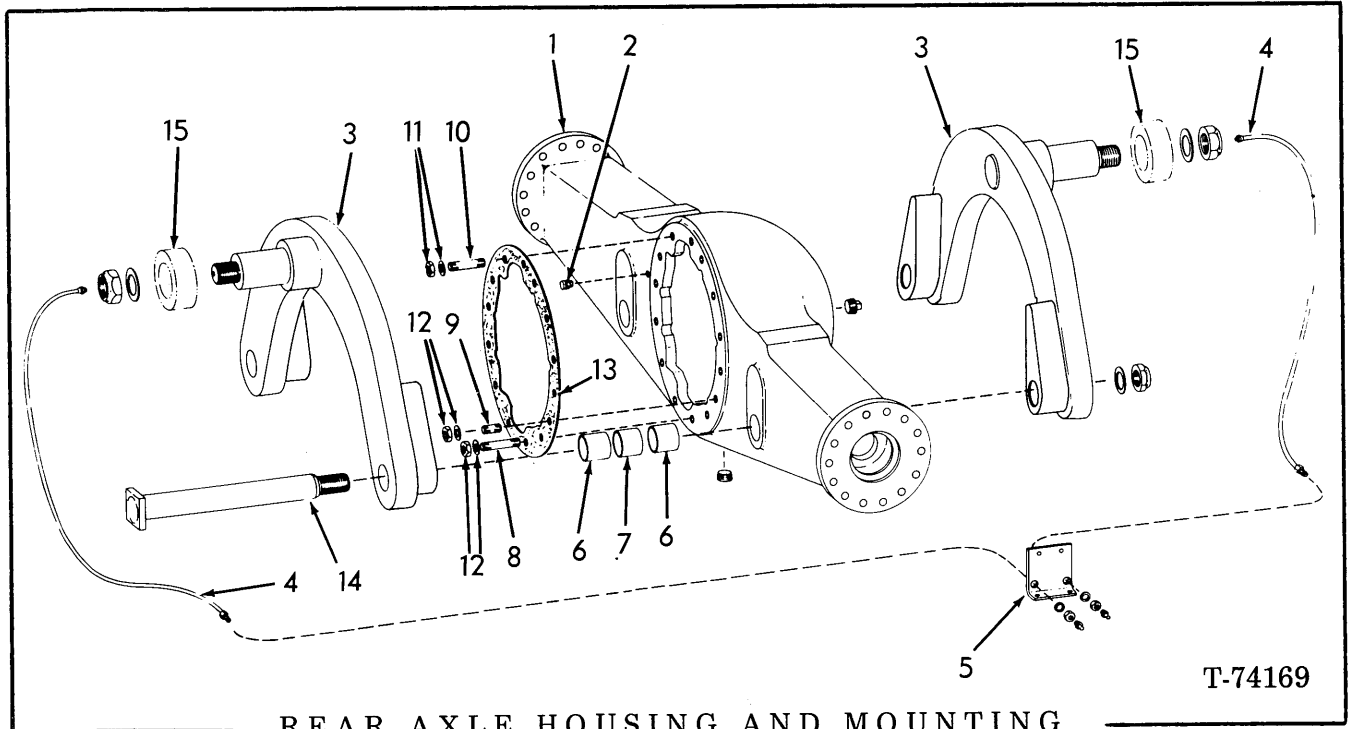
(Revised November 1977)

S H A F T A N D H U B
(Front Axle)

| ITEM | PART NO. | QTY. | DESCRIPTION |
|------|----------|------|--|
| 11 | 73038226 | 1 | NUT |
| 12 | 73038238 | 1 | GEAR |
| 13 | 73038239 | 1 | HUB |
| 14 | 73038224 | 4 | LOCK |
| | 70928532 | 8 | CAPSCREW, 3/8" NC x 3/4" (Drilled head) |
| | ----- | 4 | LOCKWIRE, 6" (Refer to item 37) |
| 15 | 73038216 | 1 | CONE |
| 16 | 70049487 | 2 | CUP |
| 17 | 70930984 | - | GASKET, 3 oz. tube (Use as required) |
| 18 | 73038221 | 1 | HUB ASSY. (Includes item 16) |
| | 73038220 | 23 | STUD |
| | 73007152 | 23 | NUT |
| | 73022116 | 1 | PLUG |
| 19 | 73038230 | 3 | WASHER |
| 20 | 73038237 | 3 | PINION |
| 21 | 73056181 | 3 | WASHER |
| 22 | 70051998 | 1 | CONE |
| 23 | 73038227 | 1 | WASHER |
| 24 | 73038222 | 1 | SEAL |
| 25 | ----- | - | Not used in this application |
| 26 | 73038246 | 1 | SLEEVE |
| 27 | 73038242 | 1 | SLINGER |
| 28 | 73038234 | 1 | DRUM |
| | 73038219 | 12 | CAPSCREW (Special) |
| | ----- | 1 | LOCKWIRE, 50" (Refer to item 37) |
| | 70917967 | 2 | PLUG (Brake Adjustment openings) |
| 29 | ----- | 1 | BRAKE ASSY. (See page 128) |
| 30 | ----- | - | Not used in this application |
| 31 | 73059216 | 1 | SPINDLE ASSY. (Includes items 26, 30, 34 and 35) |
| | 70928401 | 2 | CAPSCREW, 7/8" NF x 3-3/4" |
| | 70928555 | 8 | CAPSCREW, 7/8 NF x 3-1/8" |
| | 70927359 | 2 | CAPSCREW, 7/8 NF x 2-3/4" |
| | 73056104 | 2 | WASHER |
| 32 | 70923594 | 1 | O-RING |
| 33 | 73047871 | 1 | SHAFT |
| 34 | 73038244 | 2 | RING |
| 35 | 73038245 | 2 | PIN |
| | 70914465 | 2 | FITTING lub,straight, 1/8" NPT |
| 36 | 73059214 | 1 | WASHER |
| 37 | 73061917 | - | LOCKWIRE (100' roll - use as required) |

MEMO

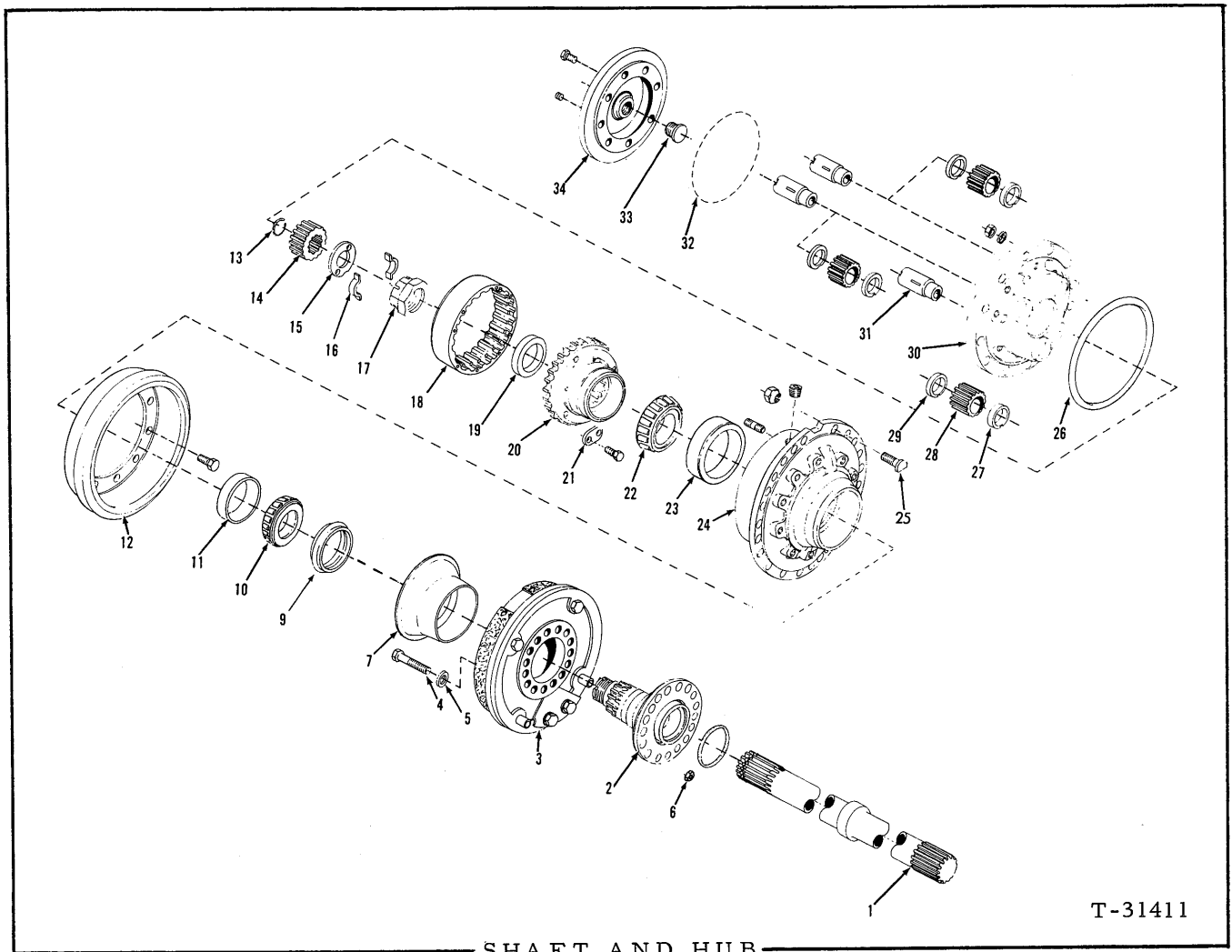
(Added June 1979)



REAR AXLE HOUSING AND MOUNTING

T-74169

| ITEM | PART NO. | QTY. | DESCRIPTION |
|------|----------|------|--|
| 1 | 73055363 | 1 | HOUSING ASSY. (Includes items 6 thru 10 and PLUG indented below) |
| | 70907072 | 1 | PLUG, pipe, 1-1/4" NPT (oil filler) |
| | 70901667 | 1 | PLUG, pipe, sq.ctsk., 1-1/4" NPT (oil drain) |
| 2 | 73007145 | 1 | BREATHER, oil |
| 3 | 73067296 | 2 | SUPPORT |
| | 73042698 | 2 | WASHER |
| | 73037507 | - | SHIM, .010" thick (Use as required) |
| | 70925761 | 2 | NUT, safety, 2" NC |
| | 73004999 | 2 | TUBE ASSY. (Used prior to unit no. 03504) |
| | 70904209 | 2 | LOCKWASHER, 5/8" |
| 4 | 70911049 | 2 | NUT, jam, 5/8" NF |
| | 70914465 | 2 | FITTING, lube, str., 1/8" NPT |
| | 73066605 | 2 | HOSE ASSY. (Effective with unit no. 03504) |
| | 70933010 | 2 | LOCKNUT, 1/8" NPSM |
| | 70912808 | 2 | FITTING, 1/4" taper thd. |
| 5 | 73059268 | 1 | BRACKET (See ELECTRICAL SYSTEM) |
| | 70923683 | 2 | CAPSCREW, 3/8" NC x 3/4" |
| 6 | 73021833 | 4 | BUSHING, axle support |
| 7 | 73021840 | 2 | SPACER, bushing |
| 8 | 73022115 | 2 | STUD, 5/8" NF x 5/8" NC x 3-1/2" long |
| 9 | 73043919 | 1 | STUD, short |
| 10 | 73104640 | 2 | STUD, 5/8" NF x 5/8" NC x 3-3/8" long |
| 11 | 73048412 | 2 | WASHER, 21/32" |
| | 70930986 | 2 | NUT, 5/8" NF |
| 12 | 73048412 | 12 | WASHER, 21/32" |
| | 70930986 | 12 | NUT, safety, 5/8" NF |
| 13 | 73032687 | 1 | GASKET, carrier housing |
| 14 | 73042335 | 2 | PIN, axle connecting |
| | 70928136 | 2 | WASHER, plain |
| | 70925284 | 2 | NUT, safety, 1-1/2" NF |
| 15 | ----- | 2 | BUSHING, axle support (See page 232) |



T-31411

SHAFT AND HUB
(Rear Axle)

| ITEM | PART NO. | QTY. | DESCRIPTION |
|------|----------|------|---|
| | | | NOTE: Quantities shown are sufficient for ONE END ONLY. |
| 1 | 73070022 | 1 | SHAFT |
| 2 | 73056188 | 1 | SPINDLE |
| | 70923590 | 1 | O-RING |
| 3 | ----- | 1 | BRAKE ASSY. (See page 131) |
| 4 | 70926164 | 14 | CAPSCREW, 5/8" NC x 2-3/4" |
| 5 | 73032781 | 14 | WASHER |
| 6 | ----- | - | Not used in this application |
| 7 | 73022088 | 1 | SLINGER |
| 8 | ----- | - | Not used in this application |
| 9 | 73056536 | 1 | SEAL ASSY. (With retainer) |
| 10 | 73014571 | 1 | CONE |

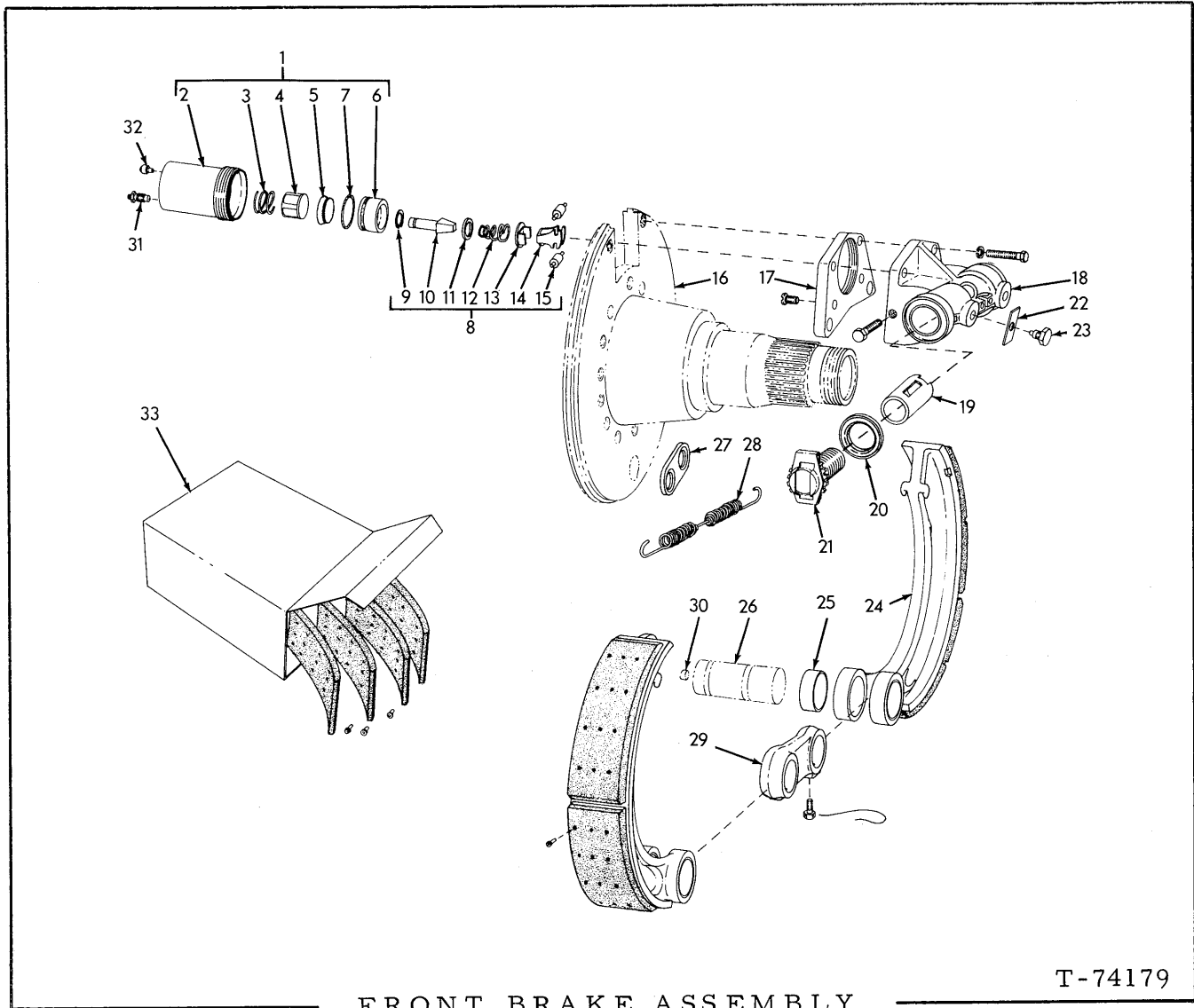
(Continued)

(Revised July 1978)

SHAFT AND HUB (Continued)
(Rear Axle)

| ITEM | PART NO. | QTY. | DESCRIPTION |
|------|----------|------|---|
| 11 | 70181742 | 1 | CUP |
| 12 | 73048433 | 1 | DRUM |
| | 70921411 | 10 | CAPSCREW, 5/8" NC x 1-1/2" |
| | 73038206 | 10 | WASHER, 21/32" |
| 13 | 73022074 | 1 | RING |
| 14 | 73022083 | 1 | GEAR |
| 15 | 73022070 | 1 | WASHER |
| 16 | 73022077 | 2 | RETAINER |
| 17 | 73022122 | 1 | NUT |
| 18 | 73022082 | 1 | GEAR |
| 19 | ----- | 1 | SLEEVE, hub, ring gear (Order item 20) |
| 20 | 73022086 | 1 | HUB ASSY., ring gear (Includes item 19) |
| 21 | 73022069 | 4 | LOCK |
| | 70922300 | 8 | CAPSCREW, 3/8" NC x 3/4" |
| 22 | 73022064 | 1 | CONE |
| 23 | 73022061 | 1 | CUP |
| 24 | 73059700 | 1 | HUB ASSY. |
| | 73022116 | 1 | PLUG, magnetic, 3/4" NPT (Oil filler) |
| 25 | 73022121 | 23 | STUD |
| | 73007152 | 23 | NUT, locking |
| 26 | 70930984 | - | SEALANT (3 oz. tube - use as required) |
| 27 | 73040365 | 3 | WASHER |
| 28 | 73022084 | 3 | GEAR |
| 29 | 73022071 | 3 | WASHER |
| 30 | 73059332 | 1 | SPIDER |
| | 70920584 | 30 | CAPSCREW, 1/2" NC x 1-5/8" |
| | 70904208 | 30 | LOCKWASHER, 1/2" |
| 31 | 73040493 | 3 | SHAFT |
| 32 | 70930984 | - | SEALANT (3 oz. tube - use as required) |
| 33 | 73022076 | 1 | BUTTON (Used prior to unit no. 03077) |
| | 73063189 | 1 | BUTTON (Effective with unit no. 03077) |
| 34 | 73063187 | 1 | COVER ASSY. |
| | 70930985 | 8 | CAPSCREW, 7/16" NC x 1" (Jay-lock) |
| | 70907070 | 1 | PLUG, 1/4" NPT (Oil level) |

(Revised July 1978)



FRONT BRAKE ASSEMBLY

T-74179

NOTE: Quantity shown is sufficient for one BRAKE ASSY. only.

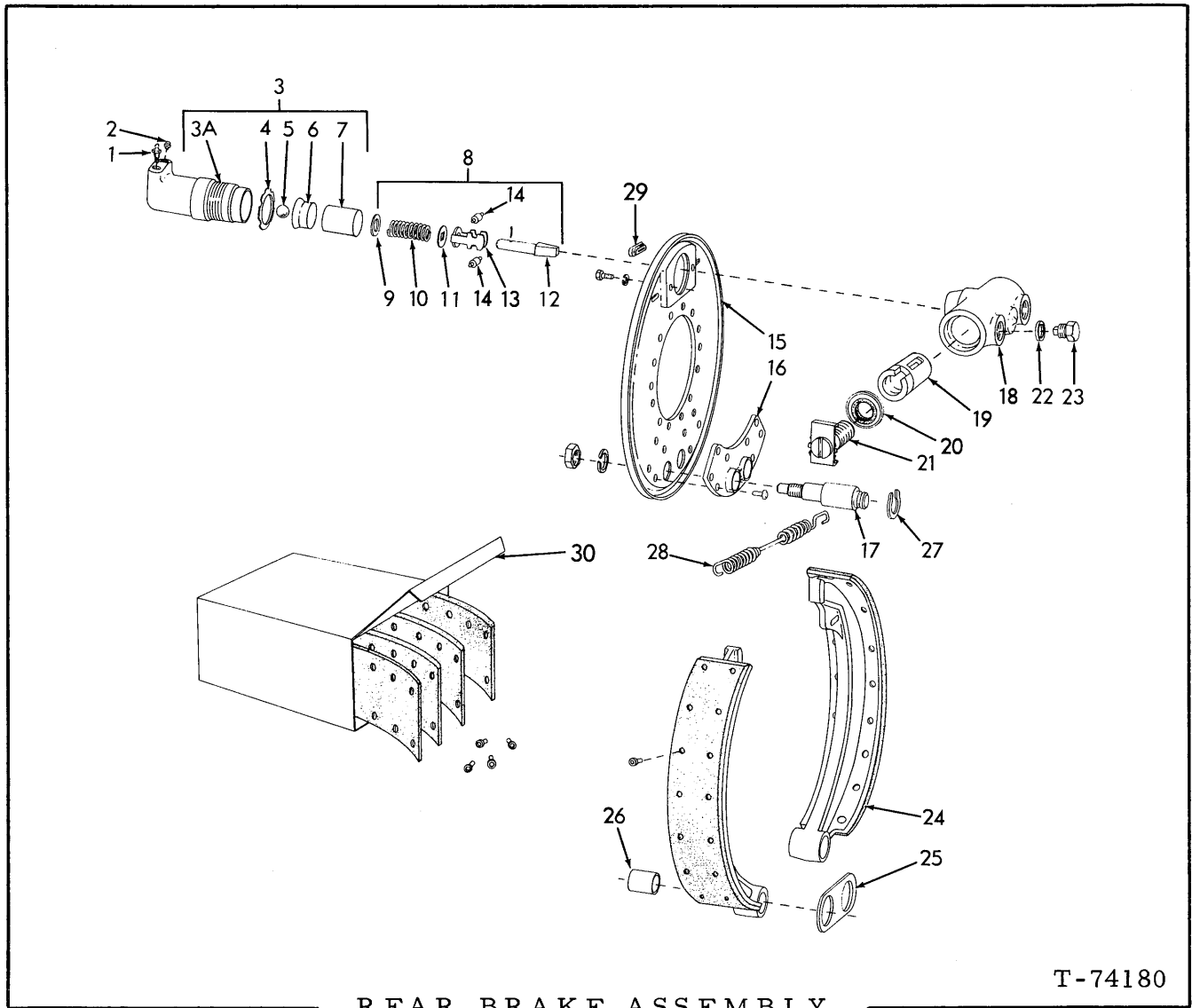
| ITEM | PART NO. | QTY. | DESCRIPTION |
|------|----------|------|---|
| 1 | 73047884 | 1 | CYLINDER ASSY., wheel (Includes items 2 thru 7) |
| 2 | ----- | 1 | HOUSING (Order item 1) |
| 3 | 73048029 | 1 | SPRING |
| 4 | 73048028 | 1 | PLUG |
| 5 | 73048027 | 1 | CUP |
| 6 | 73048026 | 1 | PISTON ASSY. (Includes item 7) |
| 7 | 70923664 | 1 | O-RING |
| 8 | 73047883 | 1 | WEDGE ASSY. (Includes items 9 thru 15) |
| 9 | 73048023 | 1 | WASHER |
| 10 | 73048018 | 1 | WEDGE |
| 11 | 73048022 | 1 | WASHER |
| 12 | 70185239 | 1 | SPRING |
| 13 | 73048024 | 1 | WASHER |
| 14 | 73048019 | 1 | CAGE |
| 15 | 73048020 | 2 | ROLLER |

(Continued)

FRONT BRAKE ASSEMBLY (Continued)

| ITEM | PART NO. | QTY. | DESCRIPTION |
|------|------------|------|---|
| 16 | ----- | 1 | SPINDLE ASSY. (See page 122) |
| 17 | 73047893 | 1 | PLATE |
| | 74613537 | 2 | SCREW |
| 18 | { 73066089 | 1 | HOUSING ASSY., actuator (Includes 1 HOUSING 73061569 and items 22, 23, 36, 37, & 48) |
| | 73061569 | 1 | HOUSING |
| | 70922526 | 2 | CAPSCREW, 1/2" NC x 2-1/2" |
| | 70912441 | 2 | LOCKWASHER, 1/2" |
| | 70910948 | 1 | CAPSCREW, 3/8" NC x 2" |
| 19 | ----- | 2 | PLUNGER (Prior to unit no. 03414 order item 35, thereafter use item 36) |
| 20 | ----- | 2 | SEAL ASSY. (Prior to unit no. 03414 order item 35, thereafter use item 37) |
| 21 | ----- | 2 | BOLT ASSY. (Prior to unit no. 03414 order item 35, thereafter use item 38) |
| 22 | 70189311 | 2 | WASHER |
| 23 | 70185243 | 2 | GUIDE |
| 24 | 73047881 | 2 | SHOE ASSY., brake (Includes Linings, 26 Rivets 70918627 and item 25) |
| 25 | 70166697 | 4 | BUSHING |
| 26 | ----- | 2 | PIN, anchor (See page 122) |
| 27 | 73047880 | 1 | SPACER |
| 28 | 70691758 | 1 | SPRING |
| 29 | 73038254 | 1 | LINK |
| | 73038251 | 2 | LOCKSCREW |
| | ----- | 1 | LOCKWIRE, 10" (refer to item 34) |
| 30 | 70185245 | 1 | PLUG |
| 31 | 70185242 | 1 | SCREW |
| 32 | 70185220 | 1 | SEAT |
| 33 | 73058532 | 1 | LINING KIT (Includes 8 Linings and RIVETS in- dented below for complete axle) |
| | 70918627 | 104 | RIVET |
| 34 | 73061918 | - | LOCKWIRE (100' length - use as required) |
| 35 | 73066364 | 1 | KIT (Includes items 36, 37 and 38) |
| 36 | 73066090 | 2 | PLUNGER (See item 19) |
| 37 | 73065994 | 2 | SEAL ASSY. (See item 20) |
| 38 | 73065995 | 2 | BOLT ASSY. (See item 21) |

} Effective with
unit no. 03414.



T-74180

REAR BRAKE ASSEMBLY

NOTE: Quantity indicated is for one BRAKE ASSY. only.

| ITEM | PART NO. | QTY. | DESCRIPTION |
|------|----------|------|---|
| 1 | 73048464 | 1 | SCREW |
| 2 | 73048465 | 1 | SEAT |
| 3 | 73048456 | 1 | CYLINDER ASSY., wheel (Includes items 3a, and 5 thru 7) |
| 3a | ----- | 1 | HOUSING (Order item 3) |
| 4 | 73048466 | 1 | NUT, spanner (Not included with item 3) |
| 5 | 73048459 | 1 | BALL |
| 6 | 73048460 | 1 | CUP |
| 7 | 73048458 | 1 | PISTON |
| 8 | 73048443 | 1 | WEDGE ASSY. (Includes items 9 thru 14) |
| 9 | 73048449 | 1 | WASHER |
| 10 | 73048448 | 1 | SPRING |
| 11 | 73048447 | 1 | WASHER |
| 12 | 73048444 | 1 | WEDGE |
| | 70918448 | 1 | PIN, cotter |

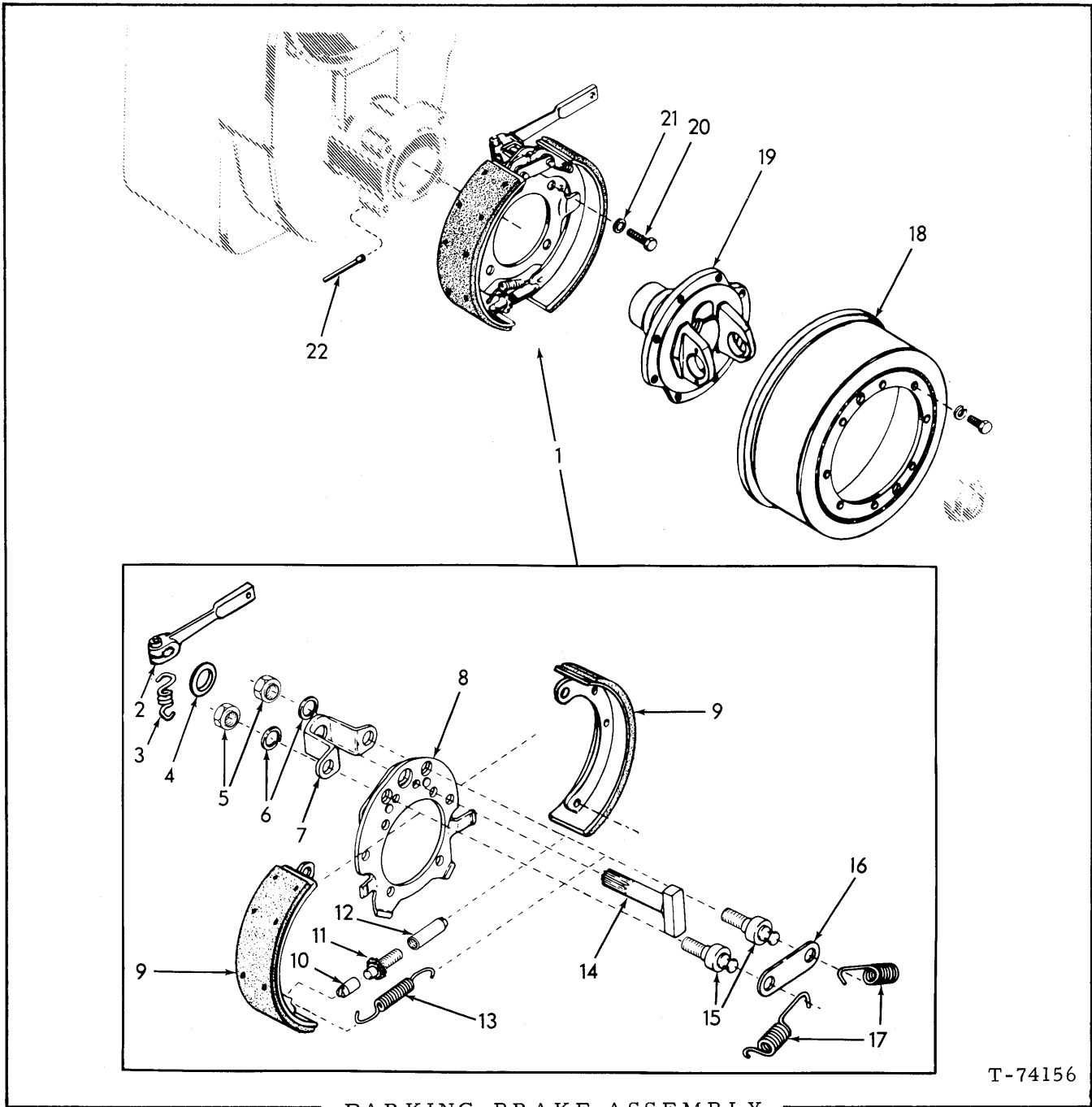
(Continued)

(Revised June 1979)

REAR BRAKE ASSEMBLY (Continued)

| ITEM | PART NO. | QTY. | DESCRIPTION |
|------|------------|------|---|
| 13 | 73048446 | 1 | CAGE |
| 14 | 73048445 | 2 | ROLLER |
| 15 | { 73056505 | 1 | PLATE ASSY., backing (Includes item 16 and PLATE listed below) |
| | { ----- | 1 | PLATE (Order PLATE ASSY.) |
| 16 | ----- | 1 | BRACKET, anchor (Order item 15) |
| | 70913569 | 8 | RIVET, 3/8" x 1-1/4" |
| 17 | 73048462 | 2 | PIN |
| | 70910365 | 2 | NUT, 7/8" NF |
| | 70905347 | 2 | LOCKWASHER, 7/8" |
| 18 | 73062317 | 1 | HOUSING ASSY., actuator (Includes HOUSING and item 19 thru 23) |
| | 70918981 | 2 | CAPSCREW, 1/2" NC x 7/8" |
| | 70912441 | 2 | LOCKWASHER, 1/2" |
| 19 | ----- | 2 | PLUNGER (Prior to unit no. 02920 order item 31, thereafter use item 32) |
| 20 | ----- | 2 | SEAL ASSY. (Prior to unit no. 02920 order item 31, thereafter use item 33) |
| 21 | ----- | 2 | BOLT ASSY. (Prior to unit no. 02920 order item 31, thereafter use item 34) |
| 22 | 73048736 | 2 | GASKET |
| 23 | 73103444 | 2 | GUIDE |
| 24 | 73048440 | 2 | SHOE ASSY., complete (Includes Linings and item 26) |
| 25 | 73027613 | 1 | LINK |
| 26 | 73027620 | 2 | BUSHING |
| 27 | 73024764 | 2 | WASHER |
| 28 | 73048461 | 1 | SPRING |
| 29 | 73055420 | 2 | PLUG |
| 30 | 73048788 | 1 | LINING KIT (Includes 4 Linings and RIVETS indented below for complete axle) |
| | 70927244 | 72 | RIVET, 1/4" dia. x 9/16" |
| 31 | 73066383 | 1 | KIT (Includes items 32, 33 and 34) |
| 32 | 73062320 | 2 | PLUNGER (See item 19) |
| 33 | 73062319 | 2 | SEAL ASSY. (See item 20) |
| 34 | 73066024 | 2 | BOLT ASSY. (See item 21) |

} Effective with unit no. 02921 except 02971, 03001 and 03015.



T-74156

PARKING BRAKE ASSEMBLY

NOTE: See page 84.

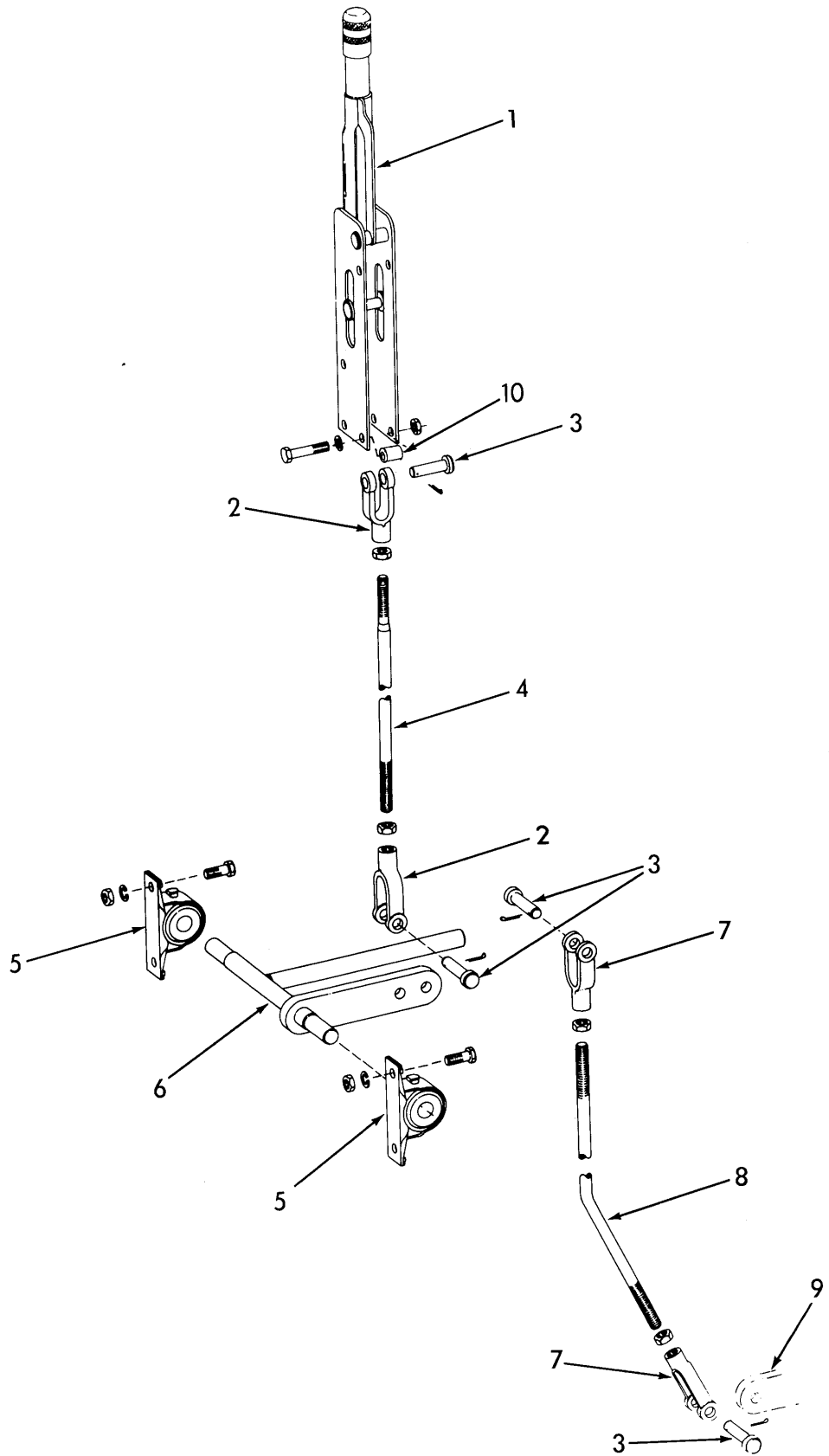
| ITEM | PART NO. | QTY. | DESCRIPTION |
|------|----------|------|--|
| 1 | 73066455 | 1 | BRAKE AND LEVER ASSY. (Includes items 2 thru 17 and instruction sheet)(Prior to trans. s/n 8052 also order 1 ROD 73065296 on page 135) |
| 2 | 73104653 | 1 | LEVER |
| 3 | 73104655 | 1 | SPRING |
| 4 | 73104656 | 1 | WASHER |
| 5 | 73104657 | 2 | NUT |

(Continued)

(Revised June 1979)

PARKING BRAKE ASSEMBLY (Continued)

| ITEM | PART NO. | QTY. | DESCRIPTION |
|------|----------|------|--|
| 6 | 70919332 | 2 | LOCKWASHER, 3/4" |
| 7 | 73104658 | 1 | BRACKET |
| 8 | 73104659 | 1 | PLATE |
| 9 | 73104664 | 2 | SHOE AND LINING |
| 10 | 73104660 | 1 | SOCKET |
| 11 | 73104661 | 1 | SCREW |
| 12 | 73104662 | 1 | NUT |
| 13 | 73104663 | 1 | SPRING |
| 14 | 73104665 | 1 | CAMSHAFT |
| 15 | 73104666 | 2 | PIN |
| 16 | 73104667 | 1 | BRACE |
| 17 | 73104668 | 2 | SPRING |
| 18 | 73047763 | 1 | DRUM |
| | 70914875 | 8 | CAPSCREW, 1/2" NF x 1" |
| | 70904208 | 8 | LOCKWASHER, 1/2" |
| 19 | ----- | 1 | YOKE (See OUTPUT SHAFT AND AXLE DISCONNECT) |
| 20 | 73047762 | 4 | CAPSCREW, 5/8" NC x 1-3/8" |
| 21 | 73047761 | 4 | LOCKWASHER, internal tooth, 5/8" |
| 22 | 73047765 | 1 | TUBE |
| - | 73055085 | 1 | LINING KIT, brake (Includes 2 Linings and 24 Rivets) |



PARKING BRAKE CONTROL

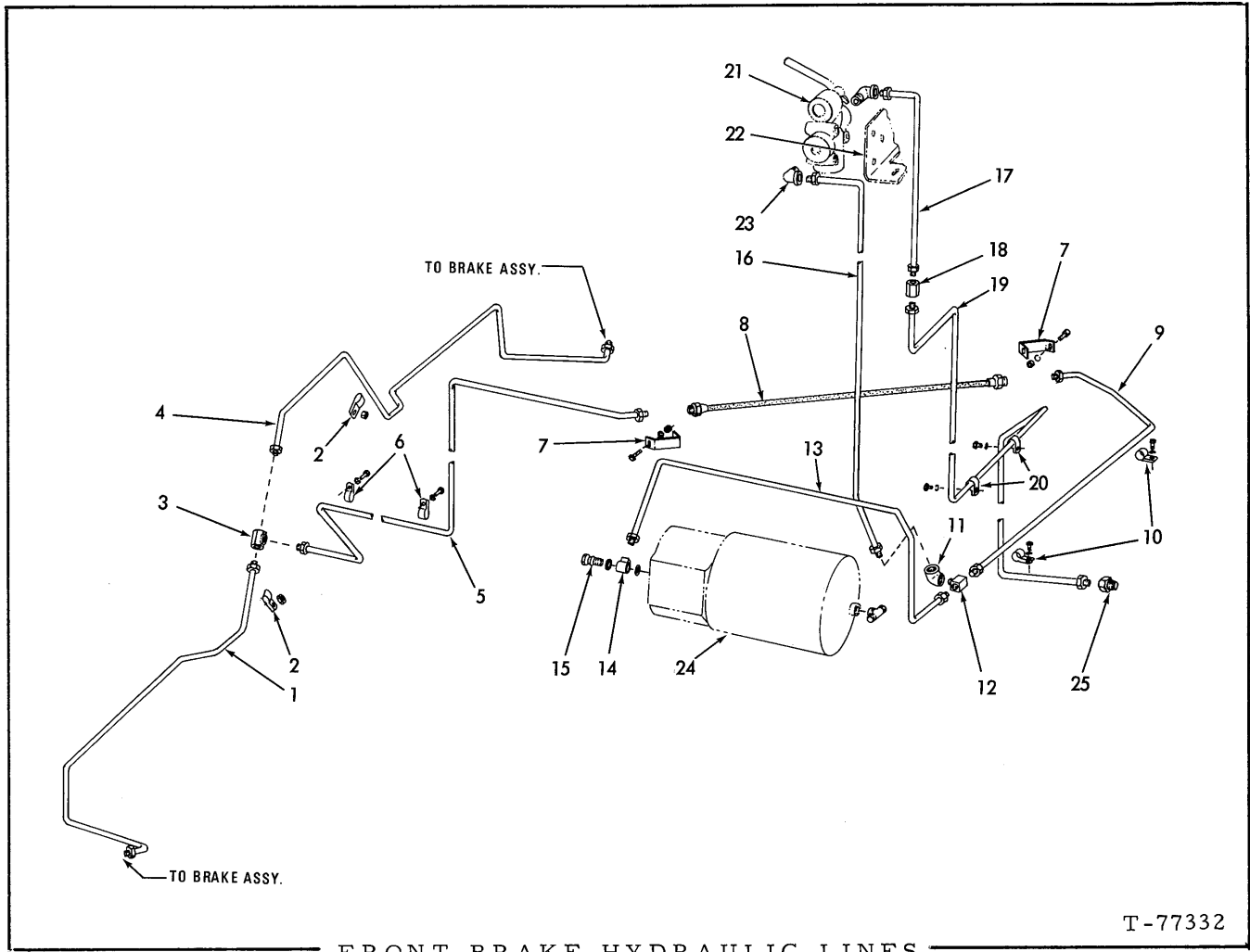
T-74193

(Revised June 1979)

PARKING BRAKE CONTROL

| ITEM | PART NO. | QTY. | DESCRIPTION |
|------|----------|------|--|
| 1 | 74722511 | 1 | LEVER ASSY., parking brake (Serviced only as a unit) |
| | 70919785 | 1 | CAPSCREW, 5/16" NC x 1-3/4" |
| | 70904205 | 1 | LOCKWASHER, 5/16" |
| | 70910323 | 1 | NUT, 5/16" NC |
| | 70916273 | 1 | CAPSCREW, 3/8" NC x 1-3/4" |
| | 70910287 | 1 | LOCKWASHER, 3/8" |
| | 70910324 | 1 | NUT, 3/8" NC |
| | 70917663 | 1 | YOKE, 5/16" thd. |
| 2 | 70910980 | 1 | NUT, 5/16" NF |
| | 70917666 | 1 | YOKE, 1/2" thd. |
| | 70913177 | 1 | NUT, jam, 1/2" NF |
| 3 | 70917648 | 4 | PIN, yoke, 1/2" |
| | 70900806 | 4 | PIN, cotter, 1/8" x 1" |
| 4 | 73048259 | 1 | ROD |
| 5 | 70199933 | 2 | BEARING |
| | 70921333 | 4 | CAPSCREW, 5/16" NC x 1" |
| | 70904205 | 4 | LOCKWASHER, 5/16" |
| | 70910335 | 4 | WASHER, 5/16" |
| | 70910323 | 4 | NUT, 5/16" NC |
| 6 | 73048264 | 1 | SHAFT |
| 7 | 70917666 | 2 | YOKE |
| | 70910195 | 2 | NUT, 1/2" NF |
| 8 | 73048260 | 1 | ROD (Used prior to unit no. 03335) |
| | 73065296 | 1 | ROD (Effective with unit no. 03335) |
| 9 | ----- | 1 | LEVER (See page 132) |
| 10 | 73071690 | 2 | SPACER |

(Revised June 1979)



FRONT BRAKE HYDRAULIC LINES

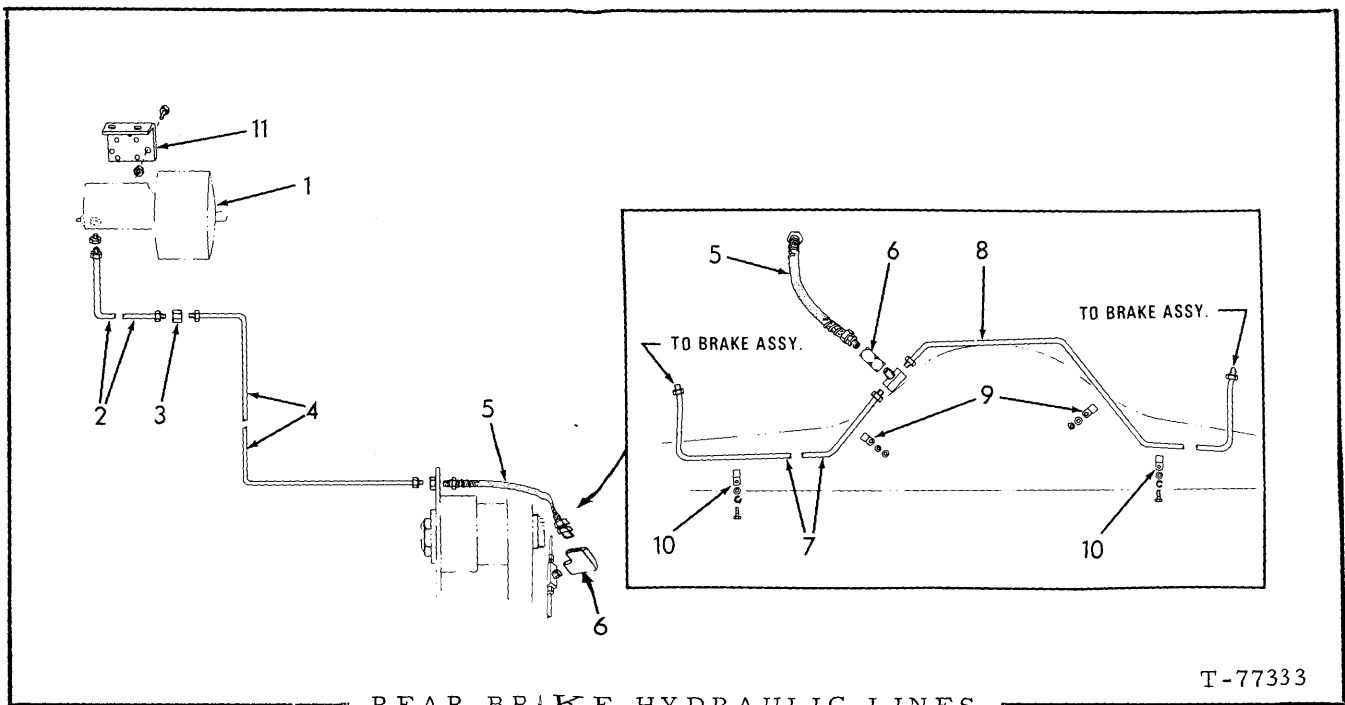
T-77332

| ITEM | PART NO. | QTY. | DESCRIPTION |
|------|----------|------|--------------------------------------|
| 1 | 73047227 | 1 | TUBE ASSY. |
| 2 | 73029843 | 2 | CLIP |
| | 70910345 | 2 | NUT, 5/8" NF |
| 3 | 70917585 | 1 | TEE, 5/16" tube |
| 4 | 73047228 | 1 | TUBE ASSY. |
| 5 | 73047229 | 1 | TUBE ASSY. |
| 6 | 70925616 | 2 | CLAMP |
| | 70923683 | 2 | CAPSCREW, 3/8" NC x 3/4" |
| 7 | 73046489 | 1 | BRACKET |
| 8 | 73046581 | 1 | HOSE ASSY. (Serviced only as a unit) |
| 9 | 73047231 | 1 | TUBE ASSY. |

(Continued)

FRONT BRAKE HYDRAULIC LINES (Continued)

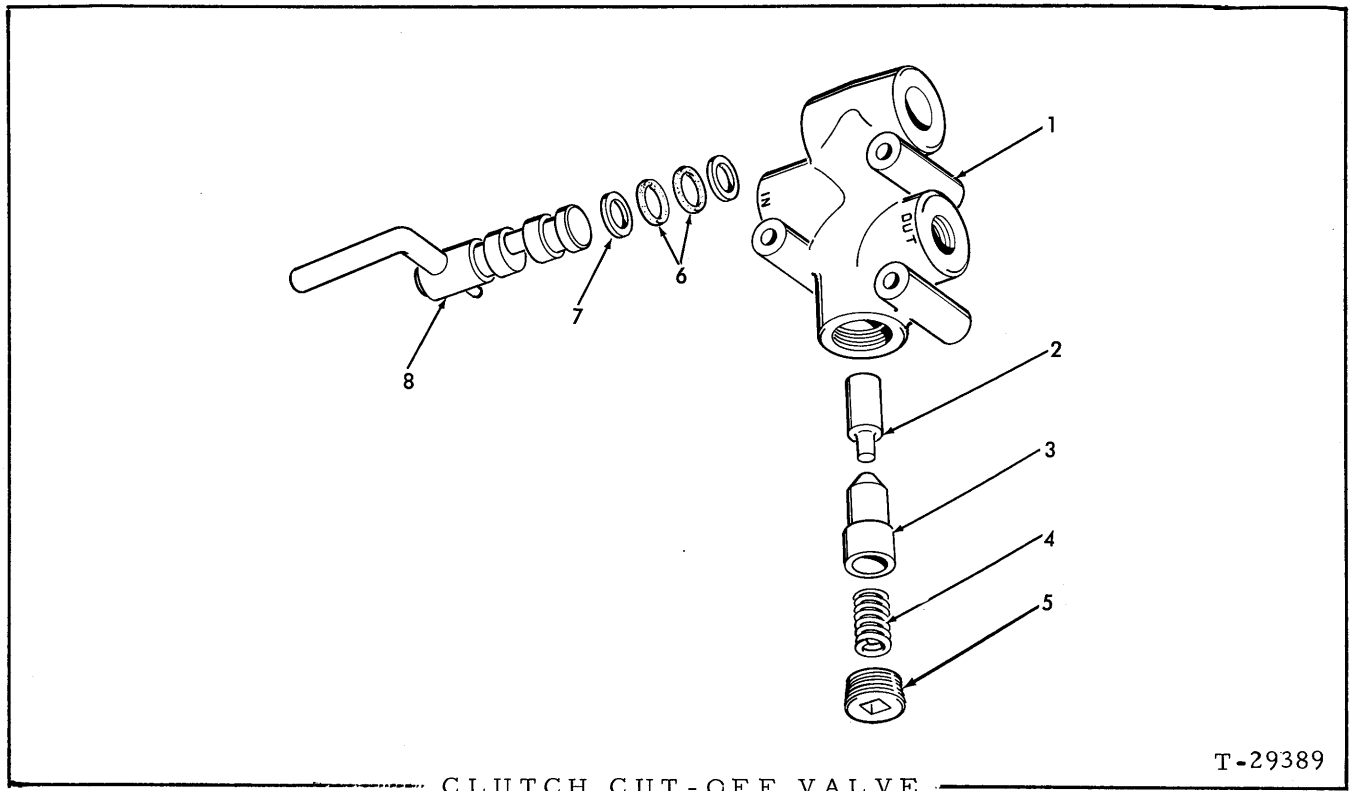
| ITEM | PART NO. | QTY. | DESCRIPTION |
|------|----------|------|---|
| 10 | 70925616 | 2 | CLAMP |
| | 70916270 | 2 | CAPSCREW, 3/8" NC x 3/4" |
| | 70904206 | 2 | LOCKWASHER, 3/8" |
| 11 | 70915842 | 1 | ELBOW |
| 12 | 70927656 | 1 | TEE |
| 13 | 73058318 | 1 | TUBE ASSY. |
| 14 | 73050191 | 1 | FITTING |
| 15 | 73007115 | 1 | FITTING |
| | 73006799 | 1 | WASHER |
| | 73006797 | 1 | WASHER |
| 16 | 73059046 | 1 | TUBE ASSY. |
| 17 | 73047234 | 1 | TUBE ASSY. |
| 18 | 70919982 | 1 | UNION |
| 19 | 73047235 | 1 | TUBE ASSY. |
| 20 | 70925616 | 2 | CLIP |
| | 70916270 | 2 | CAPSCREW, 3/8" NC x 1/2" |
| | 70904206 | 2 | LOCKWASHER, 3/8" |
| 21 | ----- | 1 | VALVE ASSY. (See page 139) |
| 22 | ----- | 1 | BRACKET (See AIR CLEANER CONNECTIONS) |
| 23 | 70913704 | 2 | ELBOW |
| 24 | 73059676 | - | POWER CLUSTER (See page 140) |
| | 70067508 | 2 | PLUG |
| | 73006797 | 2 | WASHER |
| 25 | 70913535 | 1 | CONNECTOR, 1/4" tube, 7/16" straight thd. |



REAR BRAKE HYDRAULIC LINES

| ITEM | PART NO. | QTY. | DESCRIPTION |
|------|----------|------|------------------------------|
| 1 | 73046821 | 1 | CLUSTER ASSY. (See page 142) |
| | 73014873 | 1 | CONNECTOR |
| | 73006797 | 2 | WASHER |
| | 70067508 | 1 | PLUG |
| 2 | 73059470 | 1 | TUBE ASSY. |
| 3 | 70919982 | 1 | UNION, female, 1/4" tube |
| 4 | 73057283 | 1 | TUBE ASSY. |
| | 70910345 | 1 | NUT, jam, 5/8" NF |
| 5 | 73047220 | 1 | HOSE ASSY. |
| 6 | 70915842 | 1 | ELBOW, 1/4" |
| | 70915841 | 1 | TEE, 1/4" |
| 7 | 73104788 | 1 | TUBE ASSY., left |
| 8 | 73104789 | 1 | TUBE ASSY., right |
| 9 | 73002737 | 2 | CLIP |
| | ----- | 2 | NUT (See Rear Axle Housing) |
| 10 | 70925613 | 2 | CLIP |
| | 70916381 | 2 | CAPSCREW, 3/8" NF x 3/4" |
| | 70911115 | 2 | WASHER, plain, 3/8" |
| 11 | 73059469 | 1 | BRACKET |
| | 70915987 | 2 | CAPSCREW, 1/2" NC x 1-1/2" |
| | 70915972 | 2 | NUT, 1/2" NC |

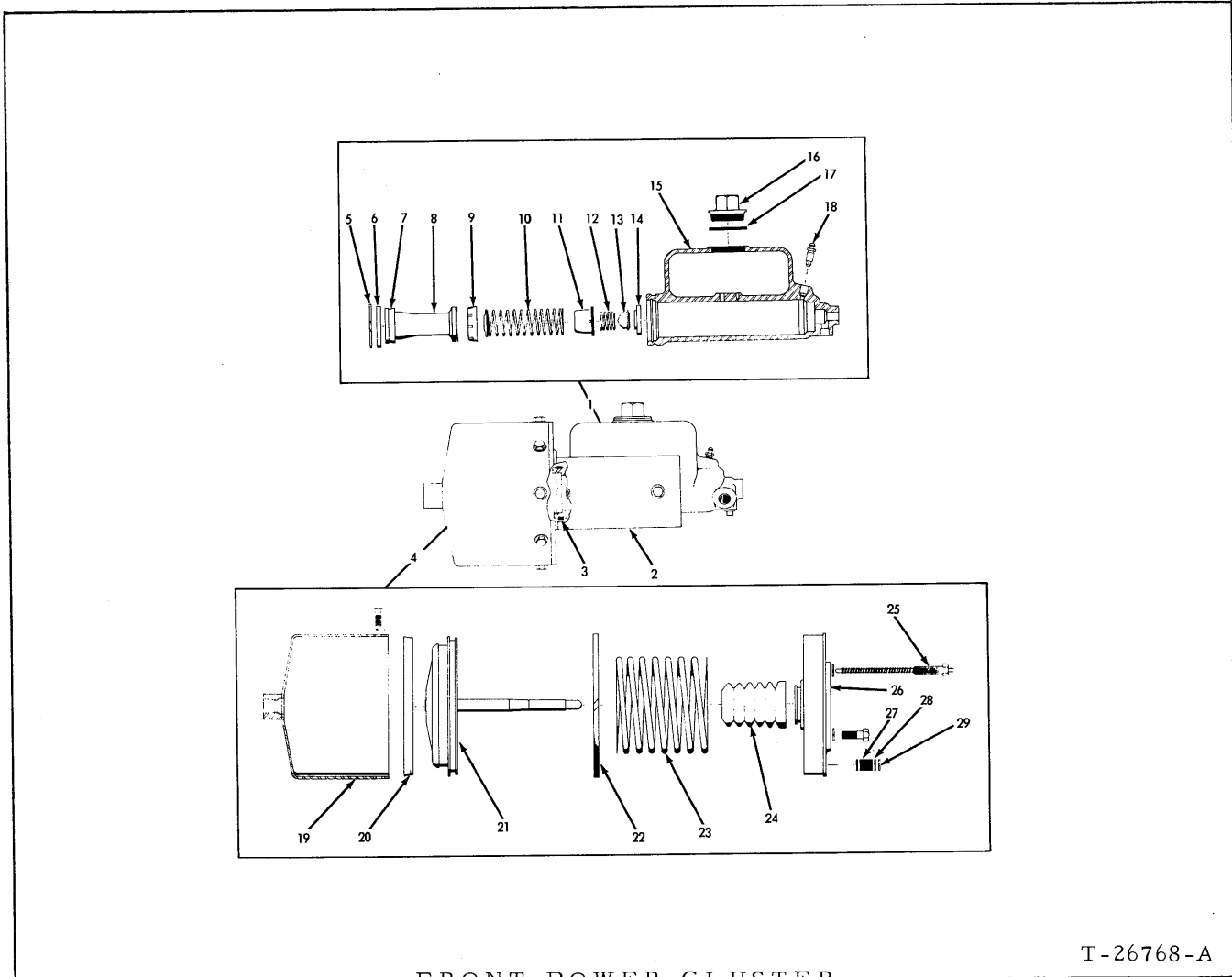
(Revised February 1977)



CLUTCH CUT-OFF VALVE

NOTE: See page 137

| ITEM | PART NO. | QTY. | DESCRIPTION |
|------|----------|------|---|
| - | 73012490 | 1 | VALVE ASSY., clutch cut-off (Includes items 1 thru 8) |
| | 73012488 | 3 | CAPSCREW, hex-ctsk., #10 NF x 2" |
| | 70904203 | 3 | LOCKWASHER, #10 |
| | 70917415 | 3 | NUT, #10 NF |
| 1 | ----- | 1 | HOUSING (Order complete Valve Assy.) |
| 2 | 73014044 | 1 | FOLLOWER |
| 3 | 73014043 | 1 | PLUNGER |
| 4 | 73014042 | 1 | SPRING |
| 5 | 70907856 | 1 | PLUG, pipe, ctsk., 3/8" NPT |
| 6 | 70923663 | 2 | O-RING |
| 7 | 73014045 | 2 | RING, back-up |
| 8 | 73014046 | 1 | CAM ASSY. (Includes lever) (Serviced only as a unit) |



FRONT POWER CLUSTER

T-26768-A

NOTE: See page 137

| ITEM | PART NO. | QTY. | DESCRIPTION |
|------|----------|------|---|
| - | 73059676 | 1 | CLUSTER ASSY. (Includes items 1 thru 29) |
| 1 | 73048291 | 1 | CYLINDER ASSY. (Includes items 5 thru 18) |
| | 70916395 | 3 | CAPSCREW, 7/16" NF x 1-1/4" |
| | 70904207 | 3 | LOCKWASHER, 7/16" |
| | 70926192 | 2 | WASHER, plain |
| | 70901651 | 1 | PLUG, 1/8" NPT |
| 2 | 73048286 | 1 | SUPPORT |
| | 70920601 | 2 | CAPSCREW, 7/16" NF x 7/8" |
| | 70904207 | 2 | LOCKWASHER, 7/16" |
| 3 | 73048290 | 1 | BAND |
| 4 | 70183812 | 1 | CYLINDER ASSY., air (Includes items 19 thru 29) |
| 5 | 73048302 | 1 | RING |
| 6 | 73048303 | 1 | STOP |
| 7 | 73021873 | 1 | CUP |
| 8 | 73048304 | 1 | <input type="checkbox"/> PISTON ASSY. (Includes Protector and item 7) |

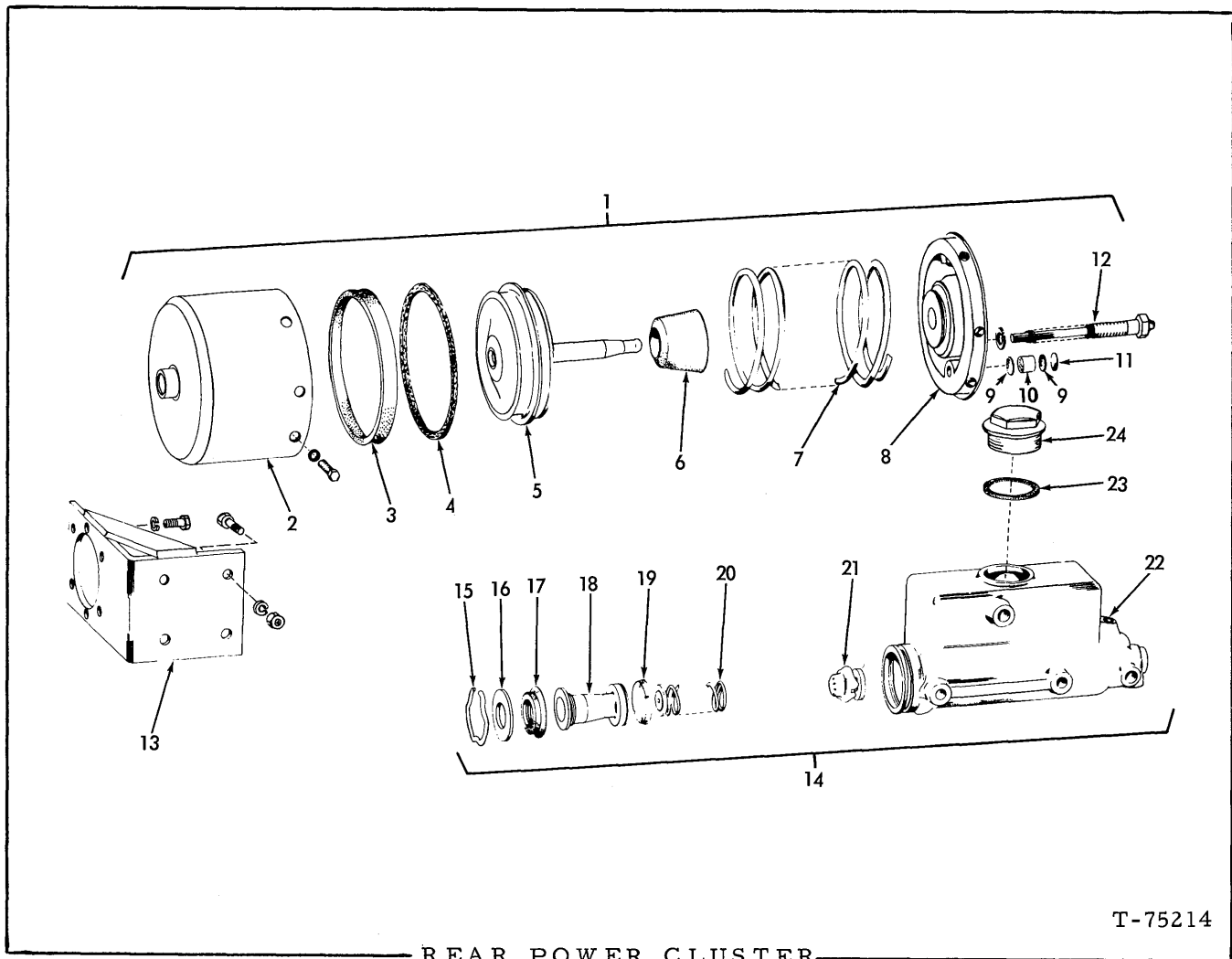
(Continued)

FRONT POWER CLUSTER (Continued)

| ITEM | PART NO. | QTY. | DESCRIPTION |
|------|----------|------|---|
| 9 | 73021871 | 1 | <input type="checkbox"/> CUP |
| 10 | 70183824 | 1 | SPRING ASSY., return (Includes Retainer - serviced only as a unit) |
| 11 | 73048309 | 1 | RETAINER |
| 12 | 73048310 | 1 | SPRING |
| 13 | 73048311 | 1 | <input type="checkbox"/> VALVE ASSY., check (Includes item 14) |
| 14 | ----- | 1 | SEAT, check valve (Order item 13) |
| 15 | ----- | 1 | BODY, master cylinder (Order item 1) |
| 16 | 73065319 | 1 | CAP ASSY. (Replaces 74984159 CAP ASSY.) |
| 17 | 73048314 | 1 | GASKET |
| 18 | 70638413 | 1 | SCREW |
| 19 | 73048292 | 1 | CYLINDER |
| | 70916277 | 8 | CAPSCREW, 5/16" NC x 5/8" |
| | 70906959 | 8 | LOCKWASHER, int. tooth, 5/16" |
| 20 | 73048293 | 1 | <input type="checkbox"/> CUP ASSY., piston (Includes Spring, serviced only as a unit) |
| 21 | 73048294 | 1 | PISTON ASSY. (Includes Rod, serviced only as a unit) |
| 22 | 73048295 | 1 | <input type="checkbox"/> FELT |
| 23 | 73048297 | 1 | SPRING |
| 24 | 73048296 | 1 | <input type="checkbox"/> BOOT |
| 25 | 73048289 | 1 | INDICATOR ASSY. (Includes Rod & Spring, serviced only as a unit) |
| | 70904206 | 1 | LOCKWASHER, 3/8" |
| 26 | 73048298 | 1 | HEAD ASSY., cylinder (Includes 27, 28 and 29) |
| | 70916271 | 3 | CAPSCREW, 3/8" NC x 1" |
| | 70904206 | 3 | LOCKWASHER, 3/8" |
| 27 | 73048300 | 1 | FILTER |
| 28 | 73048299 | 2 | SCREEN |
| 29 | 73048301 | 1 | WIRE |
| 30 | 73048401 | - | KIT, repair (Includes items 8, 9, 13, 20, 22 and 24) |

Included in Repair Kit, item 30

(Revised June 1979)



T-75214

REAR POWER CLUSTER

NOTE: See page 138

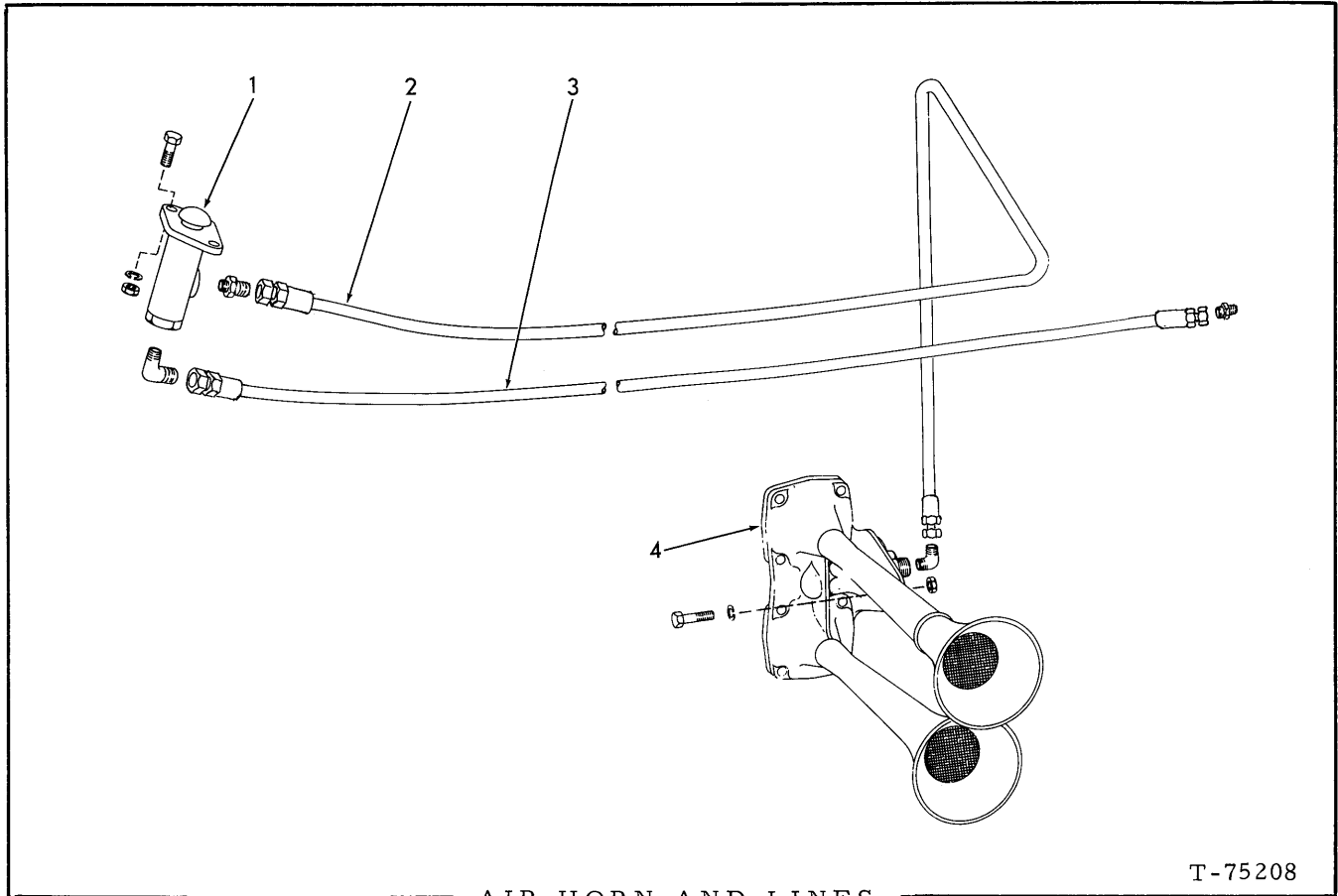
| ITEM | PART NO. | QTY. | DESCRIPTION |
|------|----------|------|--|
| - | 73046821 | 1 | CLUSTER ASSY., power, (6 inch)(Includes items 1 thru 24) |
| 1 | 73048282 | 1 | CYLINDER ASSY., brake, air actuated (Includes items 2 thru 12) |
| 2 | 73048392 | 1 | □ SHELL |
| 3 | 73048393 | 1 | □ CUP |
| 4 | 73048395 | 1 | □ WIPER |
| 5 | 73048394 | 1 | ROD |
| 6 | 73048396 | 1 | □ BOOT |
| 7 | 73048397 | 1 | SPRING |
| 8 | 73048398 | 1 | HEAD ASSY. (Includes items 9 thru 11) |
| | 70905661 | 8 | CAPSCREW, 5/16" NC x 5/8" |
| | 70904205 | 8 | LOCKWASHER, 5/16" |
| | 70901826 | 1 | BUSHING, reducing, 3/8" NPT to 1/4" NPT |

(Continued)

REAR POWER CLUSTER (Continued)

| ITEM | PART NO. | QTY. | DESCRIPTION |
|------|----------|------|--|
| 9 | 73048299 | 2 | SCREEN |
| 10 | 73048300 | 1 | FILTER |
| 11 | 73048301 | 1 | RETAINER |
| 12 | 73048399 | 1 | INDICATOR ASSY., stroke (Serviced only as a unit) |
| | 70904206 | 1 | LOCKWASHER, 3/8" |
| 13 | 73048284 | 1 | BRACKET |
| | 70914398 | 4 | CAPSCREW, 3/8" NF x 1" |
| | 70914847 | 2 | CAPSCREW, 3/8" NC x 1-1/2" |
| | 70904206 | 6 | LOCKWASHER, 3/8" |
| | 70910123 | 4 | NUT, 3/8" NF |
| 14 | 73048283 | 1 | CYLINDER ASSY., hydraulic (Includes items 15 thru 24) |
| 15 | 73014314 | 1 | WIRE |
| 16 | 73013937 | 1 | PLATE |
| 17 | 73014312 | 1 | CUP |
| 18 | 73014311 | 1 | ☐ PISTON ASSY. (Includes Piston and item 17) |
| 19 | 73014310 | 1 | ☐ CUP |
| 20 | 73013940 | 1 | SPRING |
| 21 | 70076489 | 1 | ☐ VALVE ASSY., check (Includes Seat - Serviced only as a unit) |
| 22 | ----- | 1 | HOUSING (Order item 14) |
| 23 | 73006899 | 1 | GASKET |
| 24 | 73022440 | 1 | PLUG |
| 25 | 73048400 | 1 | KIT, repair (Includes items 3, 4, 6, 18, 19 and 21) |

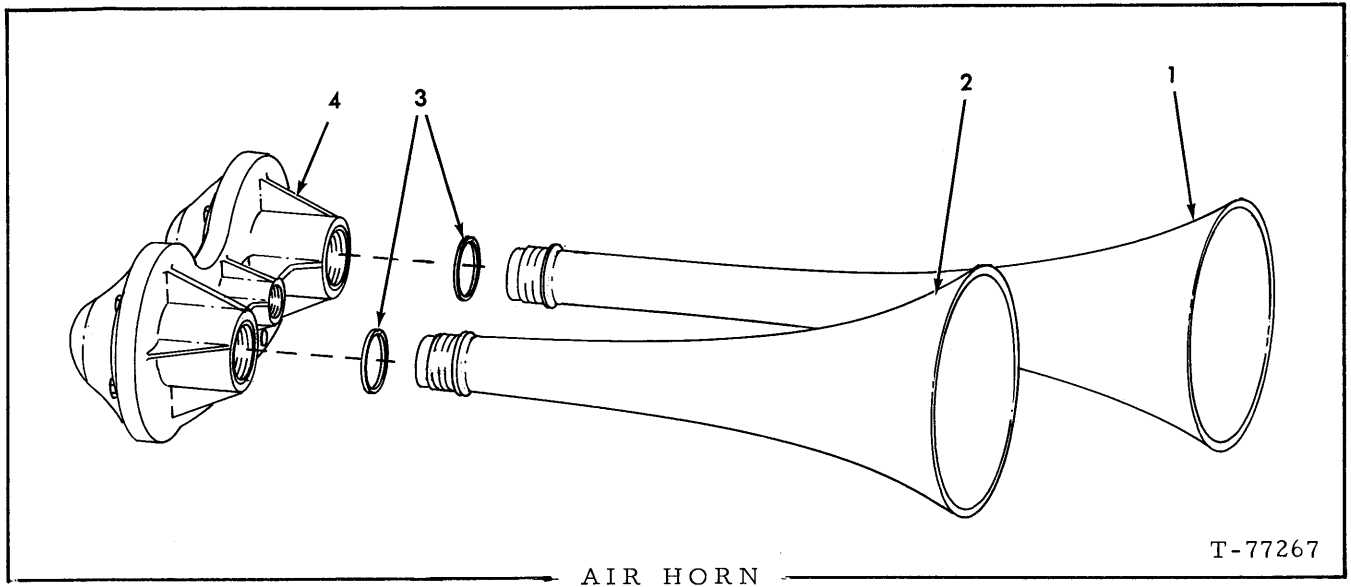
☐ Included in Repair Kit, item 25.



AIR HORN AND LINES

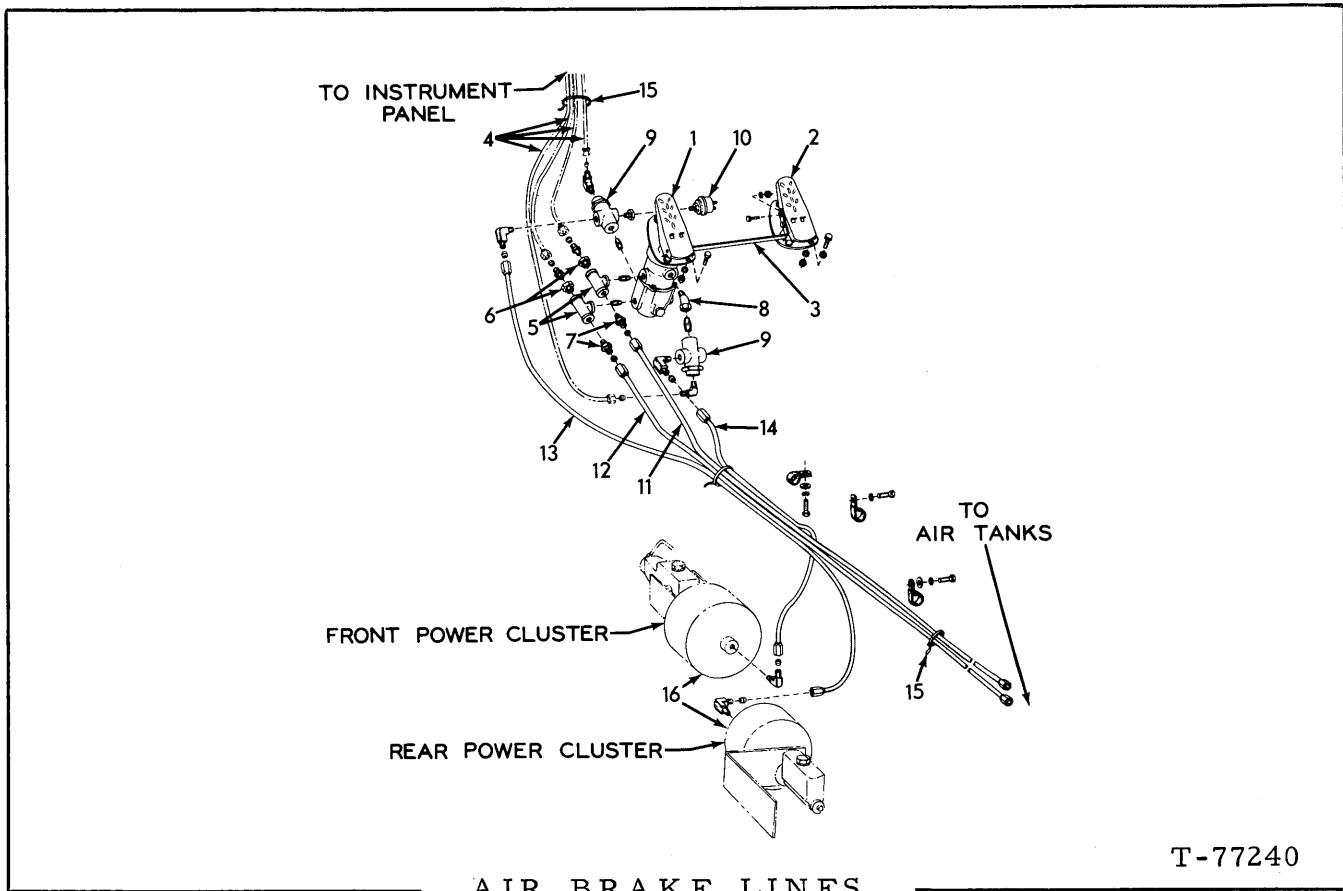
T-75208

| ITEM | PART NO. | QTY. | DESCRIPTION |
|------|----------|------|---|
| 1 | 70181478 | 1 | VALVE |
| | 70916285 | 2 | CAPSCREW, 1/4" NC x 1" |
| | 70904204 | 2 | LOCKWASHER, 1/4" |
| | 70916622 | 2 | NUT, 1/4" NC |
| 2 | 73058003 | 1 | TUBE ASSY. |
| | 70914626 | 1 | CONNECTOR, 1/4" tube, 1/8" tapered thread |
| | 70919546 | 1 | ELBOW, 1/4" tube, 7/16" st. thread |
| 3 | 73059068 | 1 | TUBE ASSY. |
| | 70921185 | 1 | ELBOW, 1/4" tube, 1/4" tapered thread |
| | 70919497 | 1 | CONNECTOR, 1/4" tube, 1/4" tapered thread |
| 4 | 73053921 | 1 | HORN ASSY. (See page 145) |
| | 70916285 | 2 | CAPSCREW, 1/4" NC x 1" |
| | 70904204 | 2 | LOCKWASHER, 1/4" |
| | 70916622 | 2 | NUT, 1/4" NC |



NOTE: See page 144

| ITEM | PART NO. | QTY. | DESCRIPTION |
|------|----------|------|-------------|
| - | 73053921 | - | HORN |
| 1 | 73056154 | 1 | PROJECTOR |
| 2 | 73056153 | 1 | PROJECTOR |
| 3 | 73061126 | 2 | GASKET |
| 4 | 73061127 | 1 | DIAPHRAGM |



AIR BRAKE LINES

T-77240

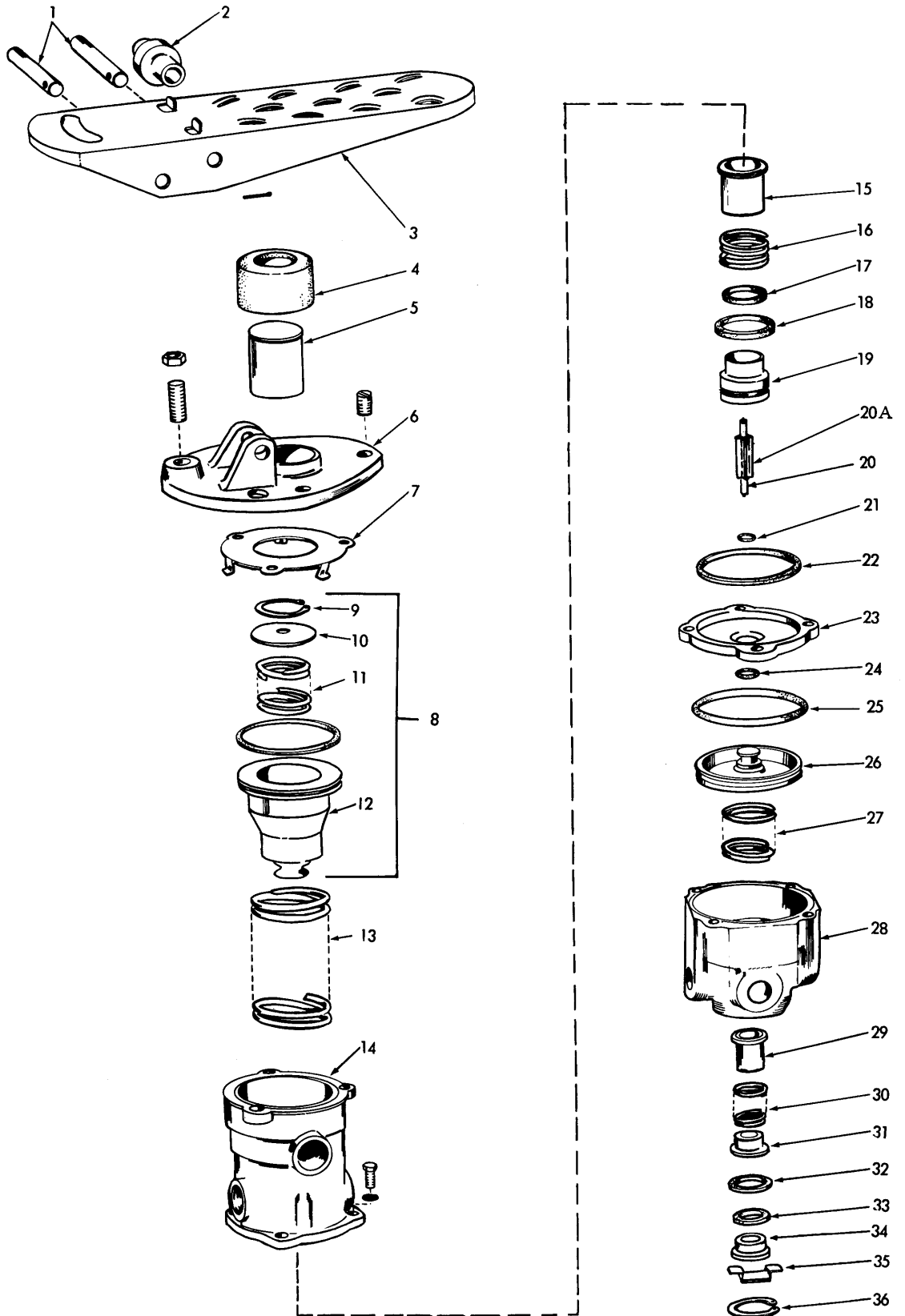
| ITEM | PART NO. | QTY. | DESCRIPTION |
|------|----------|------|--|
| 1 | ----- | 1 | VALVE ASSY. (See page 149) |
| | 70921333 | 3 | CAPSCREW, 5/16" NC x 1" |
| | 70910335 | 3 | WASHER, 5/16" |
| | 70910323 | 3 | NUT, 5/16" NC |
| | 70918951 | 4 | PLUG, 3/8" NPT |
| 2 | 73047506 | 1 | TREADLE ASSY. (Includes items 1, 3, and 6 on page 149) |
| | 70921333 | 3 | CAPSCREW, 5/16" NC x 1" |
| | 70910335 | 3 | WASHER, plain, 5/16" |
| | 70910323 | 3 | NUT, 5/16" NC |
| 3 | 73054055 | 1 | BAR |
| | 70916271 | 4 | CAPSCREW, 3/8" NC x 1" |
| | 70910287 | 4 | LOCKWASHER, 3/8" |
| | 70910324 | 4 | NUT, 3/8" NC |
| 4 | ----- | - | TUBE ASSY. (See page 157) |
| 5 | 70929233 | 2 | TEE, 3/8" NPT |
| | 70917368 | 2 | NIPPLE, 3/8" x 1" NPT |
| | 70901835 | 1 | BUSHING, 1/2" to 3/8" |
| 6 | 70917351 | 2 | BUSHING, 3/8" x 1/4" NPT |
| | 70919497 | 2 | CONNECTOR, 1/4" tube, 1/4" NPT |

(Continued)

(Revised June 1979)

AIR BRAKE LINES (Continued)

| ITEM | PART NO. | QTY. | DESCRIPTION |
|------|----------|------|---------------------------------------|
| 7 | 70917354 | 2 | CONNECTOR, 1/2" tube, 3/8" NPT |
| 8 | 70929234 | 1 | ELBOW, 3/8" pipe, male-female |
| | 70928861 | 1 | NIPPLE, 3/8" x 1-1/2" |
| 9 | 73058282 | 2 | VALVE, check |
| | 70921185 | 2 | ELBOW, 1/4" tube, 1/4" NPT |
| | 70917370 | 2 | ELBOW, 1/2" tube, 3/8" NPT |
| | 70917368 | 1 | NIPPLE, 3/8" x 1" NPT |
| 10 | 73031667 | 1 | SWITCH |
| | 70917351 | 1 | BUSHING, 3/8" x 1/4" NPT |
| 11 | 73059067 | 1 | TUBE ASSY., 87" long |
| | 70928927 | 1 | CLAMP |
| | 70904206 | 1 | LOCKWASHER, 3/8" |
| | 70916271 | 1 | CAPSCREW, 3/8" NC x 1" |
| 12 | 73059066 | 1 | TUBE ASSY. |
| 13 | 73057983 | 1 | TUBE ASSY. |
| | 70928623 | 2 | CLAMP |
| | 70916271 | 2 | CAPSCREW, 3/8" x 1" |
| | 70904206 | 2 | LOCKWASHER, 3/8" |
| | 70911115 | 2 | WASHER, plain, 3/8" |
| | 70917370 | 1 | ELBOW, 1/2" tube, 3/8" NPT |
| 14 | 73058289 | 1 | TUBE ASSY. |
| | 70917370 | 1 | ELBOW, 1/2" tube, 3/8" NPT |
| 15 | 70925094 | 7 | CLIP, plastic |
| 16 | ----- | 2 | POWER CLUSTER, (See page 140 and 142) |



AIR APPLICATION VALVE ASSEMBLY

T-73101

(Revised June 1979)

AIR APPLICATION VALVE ASSEMBLY

USAGE: * Used prior to loader s/n 45S03309
 ** Effective with loader s/n 45S03309

NOTE: See page 146

| ITEM | PART NO. | QTY. | DESCRIPTION |
|------|----------|------|---|
| | | * * | |
| - | ----- | 1 - | VALVE ASSY. (Order 1 VALVE ASSY. 73063694 and 1 BUSHING 70901825) |
| | 73063694 | - 1 | VALVE ASSY. (Includes items 1 thru 36) |
| 1 | 73048322 | 2 2 | PIN, pivot |
| 2 | 73048319 | 1 1 | ROLLER |
| 3 | 73048317 | 1 1 | TREADLE |
| | 70907801 | 2 2 | PIN, cotter, 3/32" x 1-1/8" |
| 4 | 73048318 | 1 1 | BOOT |
| 5 | 73048321 | 1 1 | PLUNGER |
| 6 | 73048320 | 1 1 | FLANGE |
| | 70922463 | 1 1 | SCREW, set, slotted, 1/4"NC x 1-1/4" |
| | 70911327 | 1 1 | NUT, 1/4" NC |
| | 70916523 | 3 - | SCREW, machine, flat hd., 5/16" |
| | 70929548 | - 3 | SCREW, machine, flat hd., 5/16" NC x 7/8" |
| 6A | ----- | 1 - | VALVE ASSY. (Order VALVE ASSY. 73063682) |
| | 73063682 | - 1 | VALVE ASSY. (Includes items 7 thru 36) |
| 7 | 73048338 | 1 1 | RETAINER |
| 8 | 73048340 | 1 1 | PISTON ASSY. (Includes items 9 thru 12) |
| 9 | 73048386 | 1 1 | RING, snap |
| 10 | 73048387 | 1 - | RETAINER |
| | 73048338 | - 1 | RETAINER |
| 11 | 73048388 | 1 1 | SPRING |
| 12 | 73048389 | 1 - | PISTON, primary metering |
| | ----- | - 1 | PISTON, primary metering (Order Maintenance Kit 73063684) |
| | 70923580 | 1 1 | O-RING |
| 13 | 73048342 | 1 1 | SPRING |
| 14 | ----- | 1 1 | BODY (Order Item 6A) |
| | 70919351 | 4 4 | CAPSCREW, 1/4" NC x 7/8" |
| | 70904204 | 4 4 | LOCKWASHER, 1/4" |
| 15 | 73048344 | 1 1 | VALVE |
| 16 | 73048345 | 1 1 | SPRING |

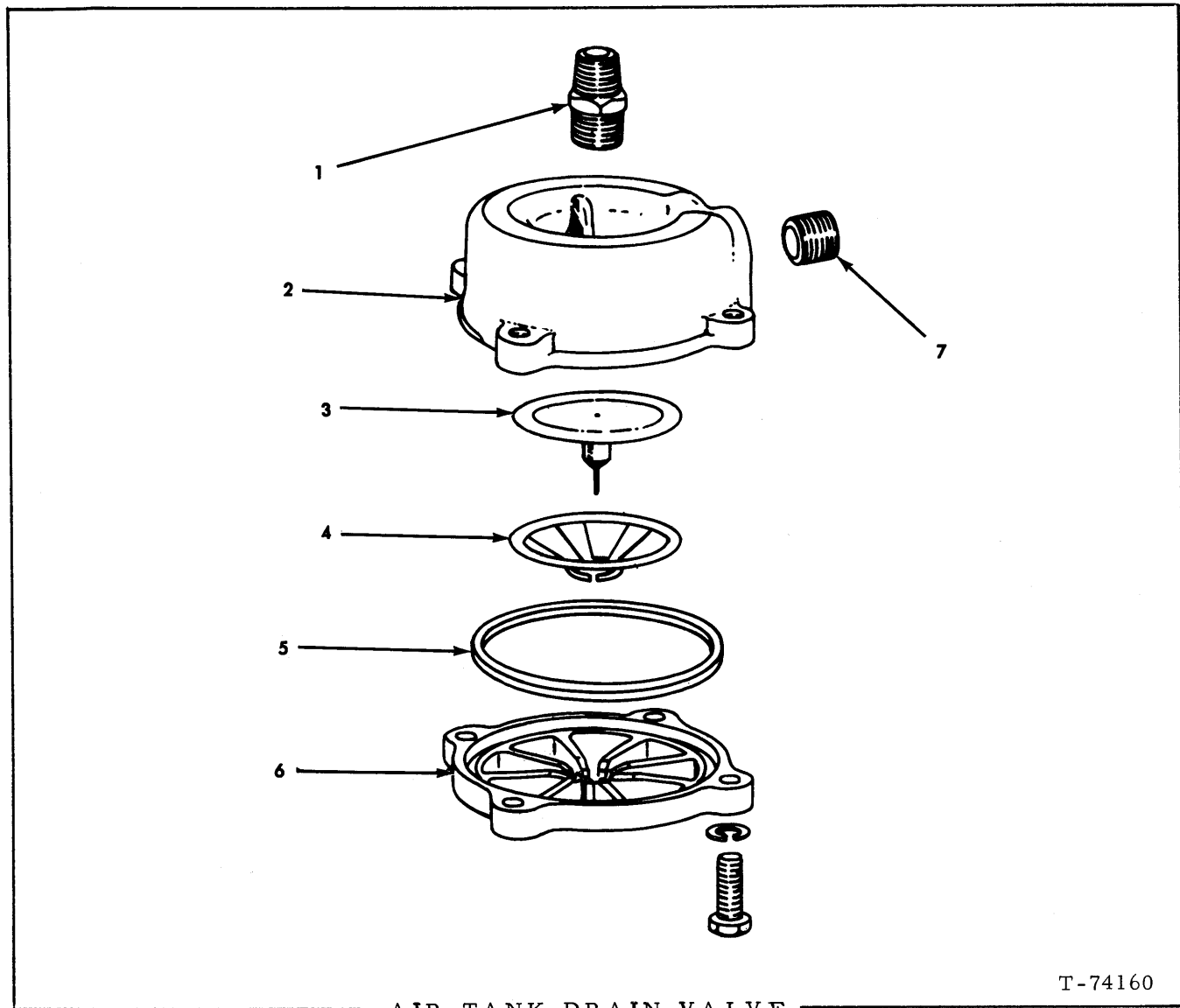
(Continued)

(Revised May 1979)

AIR APPLICATION VALVE ASSEMBLY (Continued)

| ITEM | PART NO. | QTY. | DESCRIPTION |
|------|------------|------|---|
| | | * ** | |
| 17 | { 73048347 | 1 - | PACKING |
| | { 70931135 | - 1 | PACKING |
| 18 | 70926804 | 1 1 | SEAL |
| 19 | 73048346 | 1 1 | GUIDE |
| 20 | 73053758 | 1 1 | ROD |
| 20A | 73053759 | 1 1 | GUIDE |
| 21 | 70923944 | 1 1 | O-RING |
| 22 | 70926805 | 1 1 | SEAL |
| 23 | { 73048349 | 1 - | COVER |
| | { ----- | - 1 | COVER (Order VALVE ASSY 73063682) |
| 24 | 70923558 | 1 1 | O-RING, secondary piston (small) |
| 25 | { 70923852 | 1 - | O-RING, secondary piston (large) |
| | { 70931189 | - 1 | O-RING, secondary piston (large) |
| 26 | { 73048373 | 1 - | PISTON, secondary metering |
| | { ----- | - 1 | PISTON, (Order Maintenance Kit 73063684) |
| 27 | 73048376 | 1 1 | SPRING |
| 28 | { 73048384 | 1 - | BODY |
| | { ----- | - 1 | BODY (Order VALVE ASSY 73063682) |
| 29 | { 73048383 | 1 - | VALVE, secondary inlet |
| | { ----- | - 1 | VALVE (Order Seal Kit 73063683) |
| 30 | { 73048382 | 1 - | SPRING |
| | { 73063690 | - 1 | SPRING |
| 31 | { 73048381 | 1 - | GUIDE |
| | { ----- | - 1 | GUIDE (Order Maintenance Kit 73063684) |
| 32 | { 70926803 | 1 - | SEAL |
| | { 70923376 | - 1 | SEAL |
| 33 | { 73048379 | 1 - | RETAINER |
| | { 70931134 | - 1 | SEAL, tetra |
| 34 | { 73048378 | 1 - | RETAINER |
| | { ----- | - 1 | RETAINER (Order Maintenance Kit 73063684) |
| 35 | { 73048377 | 1 - | SHIELD, exhaust |
| | { ----- | - 1 | SHIELD, exhaust (Order Maintenance Kit 73063684) |
| 36 | { 73048375 | 1 - | RING, snap |
| | { 70931133 | - 1 | RING, snap |
| - | { 73048402 | 1 - | REPAIR KIT, valve (Includes items 4, 15, 17, 18, 21, 22, 24, 25, 29, 32, 33, and 1 O-RING 70923580) |
| | { 73063683 | - 1 | SEAL KIT (Includes items 4, 15, 17, 18, 21, 22, 24, 25, 29, 32, 33, 36 and 1 O-RING 70923580) |
| | { 73063684 | - 1 | MAINTENANCE KIT (Includes items 12, 13, 16, 19, 20, 20A, 26, 27, 30, 31 34 and 35) |

(Revised June 1979)



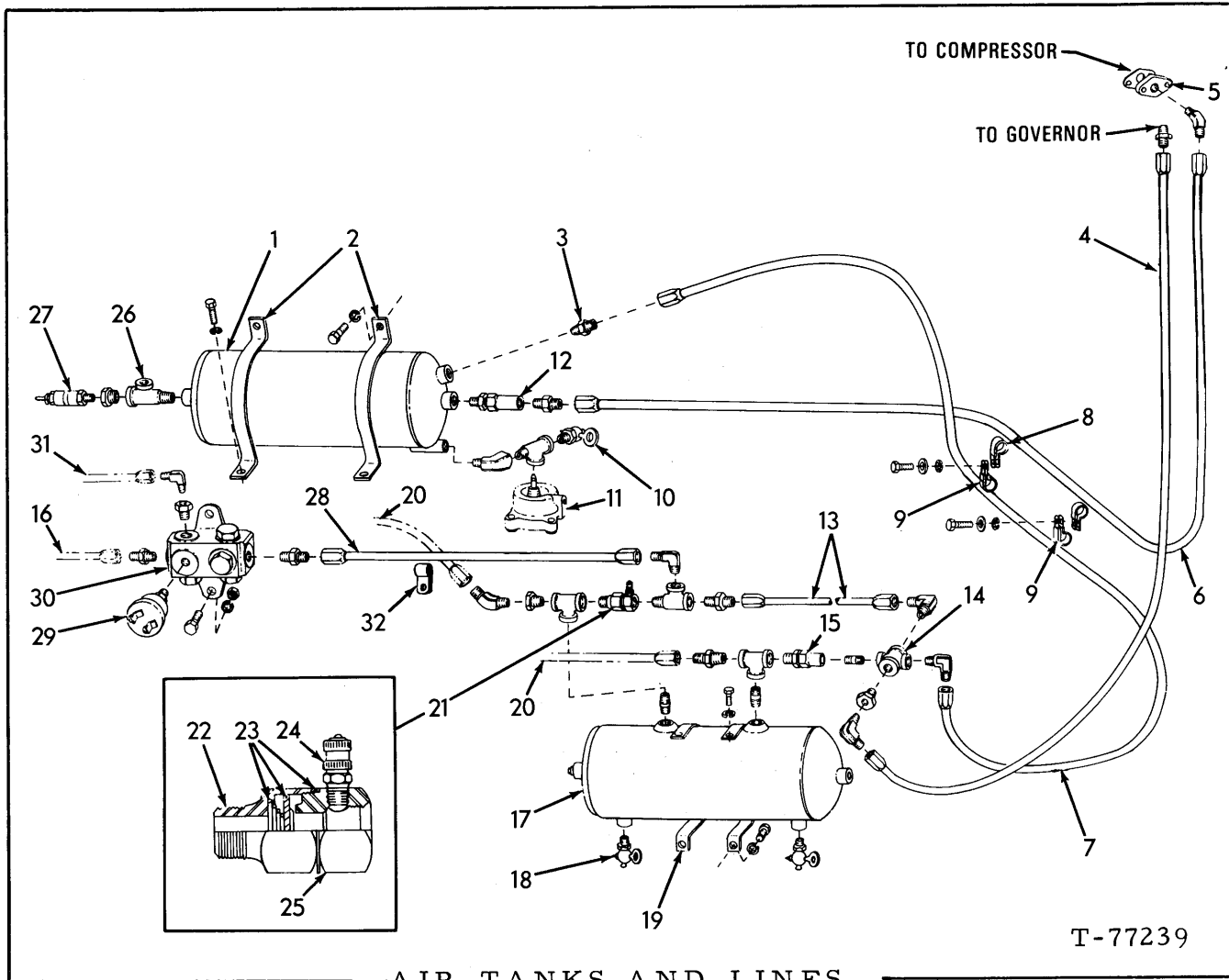
AIR TANK DRAIN VALVE

T-74160

NOTE: See page 152.

| ITEM | PART NO. | QTY. | DESCRIPTION |
|------|----------|------|--|
| - | 73103486 | 1 | VALVE ASSY., drain (Includes items 1 thru 6) |
| 1 | 73065080 | 1 | ADAPTER |
| 2 | ----- | 1 | BODY (Order complete VALVE ASSY.) |
| 3 | 73104683 | 1 | VALVE ASSY. |
| 4 | 73104684 | 1 | GUIDE, valve (nylon) |
| 5 | 73104685 | 1 | RING, seal |
| 6 | ----- | 1 | COVER (Order complete VALVE ASSY.) |
| | 70915813 | 4 | CAPSCREW, 5/16" NC x 7/8" |
| | 70917356 | 4 | LOCKWASHER, pltd., 5/16" |
| 7 | 70918887 | 1 | PLUG, 3/8" NPT |

(Revised June 1979)



AIR TANKS AND LINES

| ITEM | PART NO. | QTY. | DESCRIPTION |
|------|----------|------|---|
| 1 | 73046823 | 1 | TANK |
| 2 | 73047423 | 2 | STRAP |
| | 70916381 | 2 | CAPSCREW, 3/8" NF x 3/4" |
| | 70915408 | 2 | CAPSCREW, 3/8" NC x 3/4" |
| | 70910287 | 2 | LOCKWASHER, 3/8" |
| | 70911115 | 4 | WASHER, plain, 3/8" |
| 3 | 70921184 | 1 | CONNECTOR, 1/2" tube, 1/2" NPT |
| 4 | 73059069 | 1 | TUBE |
| | 70911017 | 1 | ELBOW, male, 1/4" tube, 1/8" NPT (Used prior to engine s/n 11-24477) |
| | 70914626 | 1 | CONNECTOR, 1/4" tube, 1/8" NPT (Effective with engine s/n 11-24477) |
| 5 | 73029930 | 1 | ADAPTER |
| | 74040302 | 1 | GASKET |
| | 70914392 | 2 | CAPSCREW, 5/16" NC x 7/8" |
| | 70904205 | 2 | LOCKWASHER, 5/16" |
| 6 | 73047218 | 1 | HOSE ASSY. (Serviced only as a unit) |
| | 70921186 | 1 | ELBOW, male, 1/2" tube, 1/2" NPT |

(Continued)

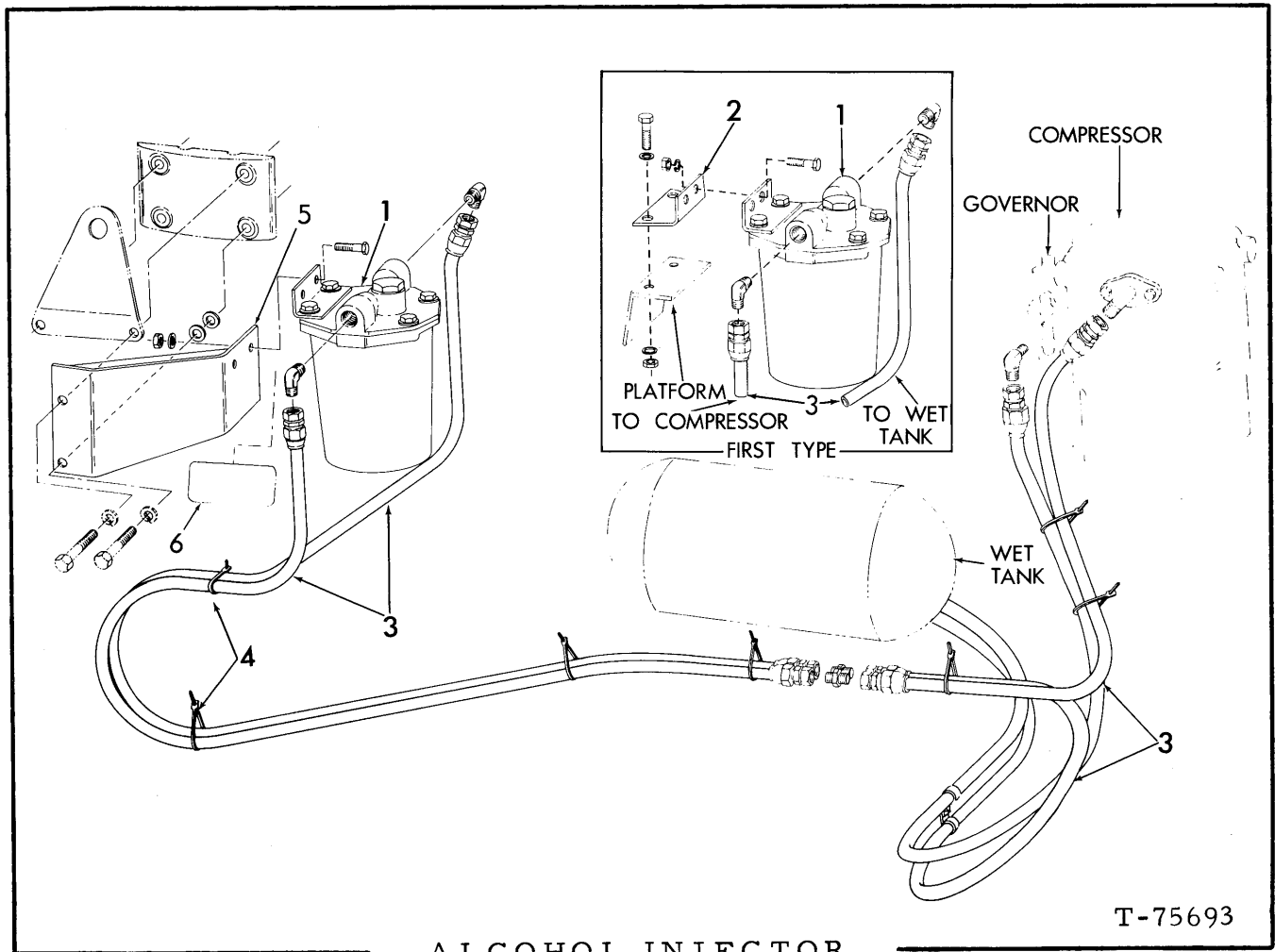
AIR TANKS AND LINES (Continued)

| ITEM | PART NO. | QTY. | DESCRIPTION |
|------|----------|------|---|
| 7 | 73059065 | 1 | TUBE ASSY. |
| | 70921186 | 1 | ELBOW, male, 1/2" tube, 1/2" NPT (At Pipe Cross) |
| 8 | 70928623 | 2 | CLAMP |
| 9 | 70925617 | 2 | CLAMP |
| | 70915408 | 4 | CAPSCREW, 3/8" NC x 3/4" |
| | 70904206 | 4 | LOCKWASHER, 3/8" |
| 10 | 73029259 | 1 | COCK, drain, 1/4" |
| | 70921104 | 1 | TEE, service, 1/4" NPT |
| | 70922967 | 1 | ELBOW, street, 45° |
| 11 | ----- | 1 | VALVE ASSY. (See page 151) |
| 12 | 73031609 | 1 | VALVE ASSY. |
| | 70921184 | 1 | CONNECTOR, 1/2" tube, 1/2" NPT |
| 13 | 73059064 | 1 | TUBE ASSY. |
| | 70921186 | 1 | ELBOW, male, 1/2" tube, 1/2" NPT (At Pipe Cross) |
| | 70921184 | 1 | CONNECTOR, 1/2" tube, 1/2" NPT |
| 14 | 70901716 | 1 | CROSS, pipe, 1/2" |
| | 70917503 | 1 | BUSHING, pipe, 1/2" x 1/4" |
| | 70921185 | 1 | ELBOW, male, 1/4" tube, 1/4" NPT |
| 15 | 73031609 | 1 | VALVE ASSY. |
| | 70916630 | 1 | NIPPLE, pipe, 1/2" x 1-1/8" |
| 16 | ----- | 1 | TUBE (See AIR HORN AND LINES)(See page 144) |
| 17 | 73046822 | 1 | TANK |
| | 70914086 | 2 | NIPPLE, pipe, 3/8" x 1" |
| | 70921903 | 2 | TEE, pipe, reducing, 1/2" x 1/2" x 3/8" |
| | 70921184 | 1 | CONNECTOR, 3/8" tube, 1/2" NPT |
| | 70901835 | 1 | BUSHING, 1/2" to 3/8" |
| | 70928624 | 1 | ELBOW, 1/2" tube, 3/8" NPT |
| 18 | 73029259 | 2 | COCK, drain, 1/4" |
| 19 | 73047421 | 2 | STRAP |
| | 70915408 | 2 | CAPSCREW, 3/8" NC x 3/4" |
| | 70923683 | 2 | CAPSCREW, 3/8" NC x 3/4" |
| | 70911115 | 2 | WASHER, plain, 3/8" |
| | 70904206 | 2 | LOCKWASHER, 3/8" |
| 20 | ----- | 2 | TUBE (See BRAKE AIR LINES)(See page 146) |
| 21 | 70196735 | 1 | VALVE ASSY. (Includes items 22 thru 25) |
| | 70914087 | 1 | TEE, 1/2" |
| | 70921186 | 1 | ELBOW, 1/2" tube, 1/2" NPT |
| 22 | ----- | 1 | BODY (Order item 21) |
| 23 | 70196759 | 1 | REPAIR KIT (Includes Spring, Seal Assy. and Washer) |
| 24 | 70166222 | 1 | VALVE ASSY. |
| 25 | ----- | 1 | CAP (Order item 21) |

(Continued)

AIR TANKS AND LINES (Continued)

| ITEM | PART NO. | QTY. | DESCRIPTION |
|------|----------|------|--|
| 26 | 70913257 | 1 | TEE, service, 3/8" NPT |
| | 70917351 | 1 | BUSHING, pipe, 3/8" to 1/4" NPT |
| | 70917352 | 1 | BUSHING, 3/8" to 1/8" |
| 27 | 70160425 | 1 | VALVE ASSY. (Serviced only as a unit) |
| 28 | 73057997 | 1 | TUBE |
| | 70917354 | 1 | CONNECTOR, 1/2" tube, 3/8" NPT |
| 29 | 73062007 | 1 | SWITCH |
| | 70901834 | 1 | BUSHING, 1/4" x 1/8" pipe. |
| 30 | 73057492 | 1 | JUNCTION, air, block |
| | 70916285 | 2 | CAPSCREW, 1/4" NC x 1" |
| | 70904204 | 2 | LOCKWASHER, 1/4" |
| | 70910880 | 2 | NUT, 1/4" NC |
| | 70917425 | 4 | PLUG, pipe, 1/4" NPT |
| 31 | ----- | - | TUBE (See Instrument Panel And Gauges) |
| 32 | 70927264 | 1 | CLAMP (Use existing capscrew) |



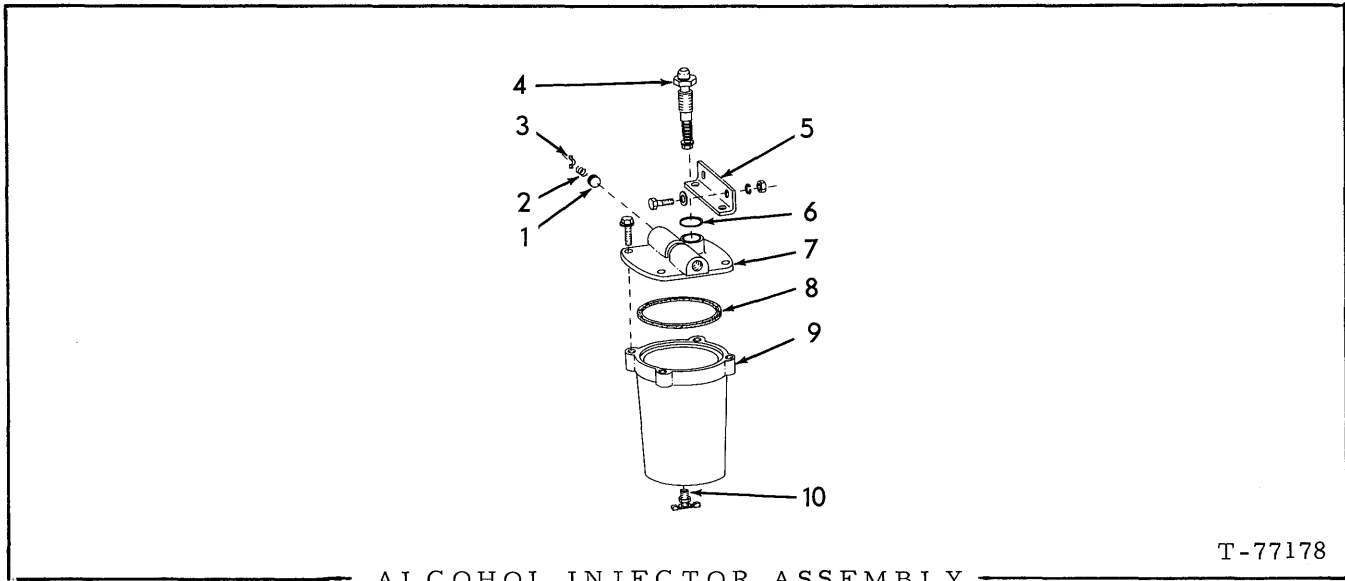
ALCOHOL INJECTOR

USAGE: Special Equipment

NOTE: If Heavy Duty Oil Filter is to be used simultaneously with Alcohol Injector item 5 must be used.

| ITEM | PART NO. | QTY. | DESCRIPTION |
|------|----------|------|--|
| 1 | ----- | 1 | INJECTOR ASSY. (See page 156) |
| | 70916271 | 2 | CAPSCREW, 3/8" NC x 1" |
| | 70904206 | 2 | LOCKWASHER, 3/8" |
| | 70910324 | 2 | NUT, 3/8" NC |
| | 73058063 | 1 | BRACKET (First Type) |
| 2 | 70916313 | 2 | CAPSCREW, 1/2" NC x 1-3/4" |
| | 70926192 | 2 | WASHER, 1/2" |
| | 70915972 | 2 | NUT, 1/2" NC |
| | 73050295 | 4 | HOSE ASSY., 55" long (Serviced only as a unit) |
| 3 | 70921186 | 2 | ELBOW, 1/2" tube, compression |
| | 70919503 | 2 | UNION, 1/2" tube, compression |
| | 70925094 | 10 | CLIP (Use as required) |
| 5 | 73059765 | 1 | BRACKET, weld assy. |
| | 70916191 | 2 | CAPSCREW, 7/16" NC x 1-1/2" } Existing hardware. |
| | 70904207 | 2 | LOCKWASHER, 7/16" } at cylinder head |
| | 70912298 | 2 | WASHER, shim, 7/16" |
| | 73108819 | 2 | DECAL, tire explosion (left/right platform covers) |

(Revised March 1978)

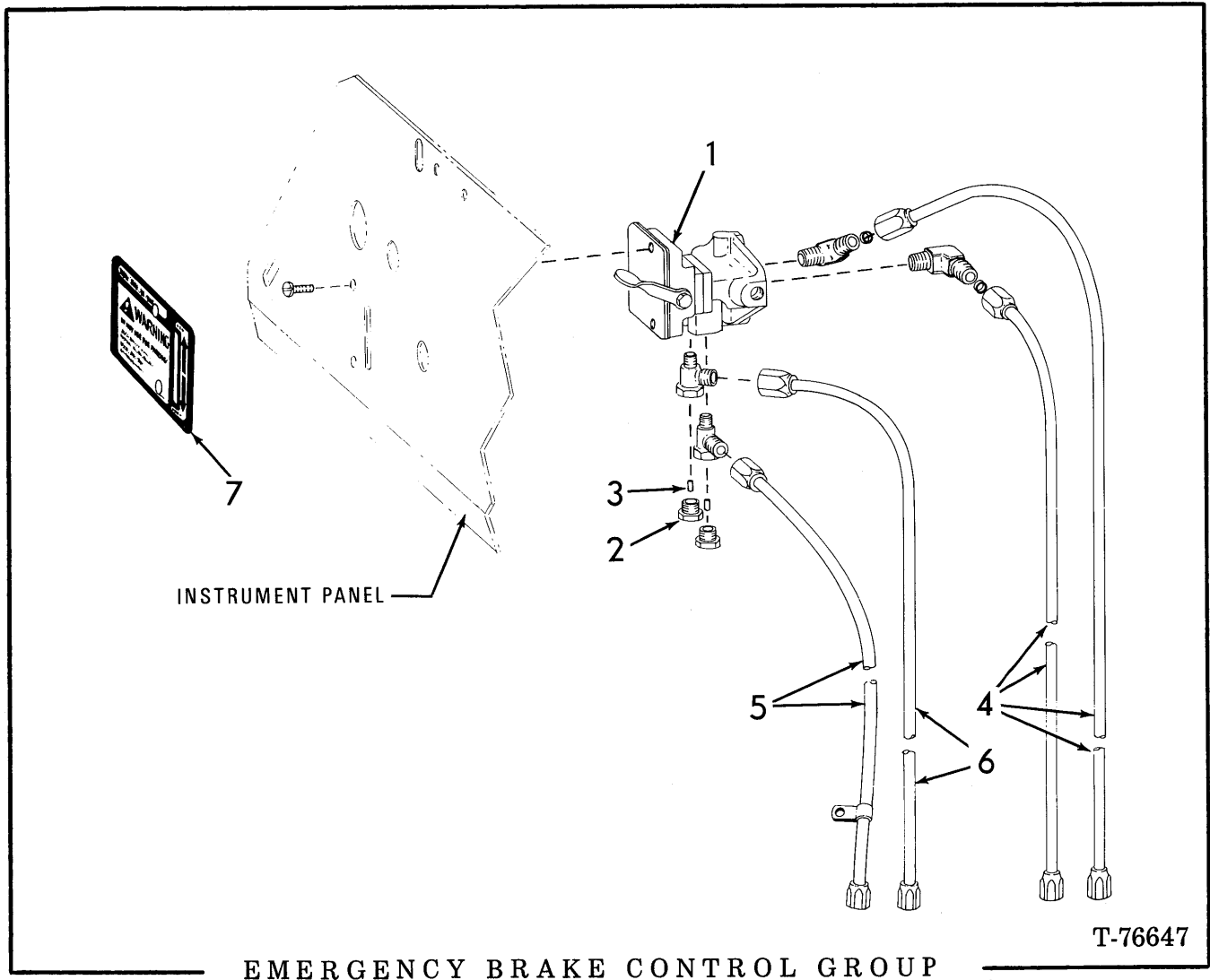


T-77178

ALCOHOL INJECTOR ASSEMBLY

USAGE: Special equipment. See page 155.

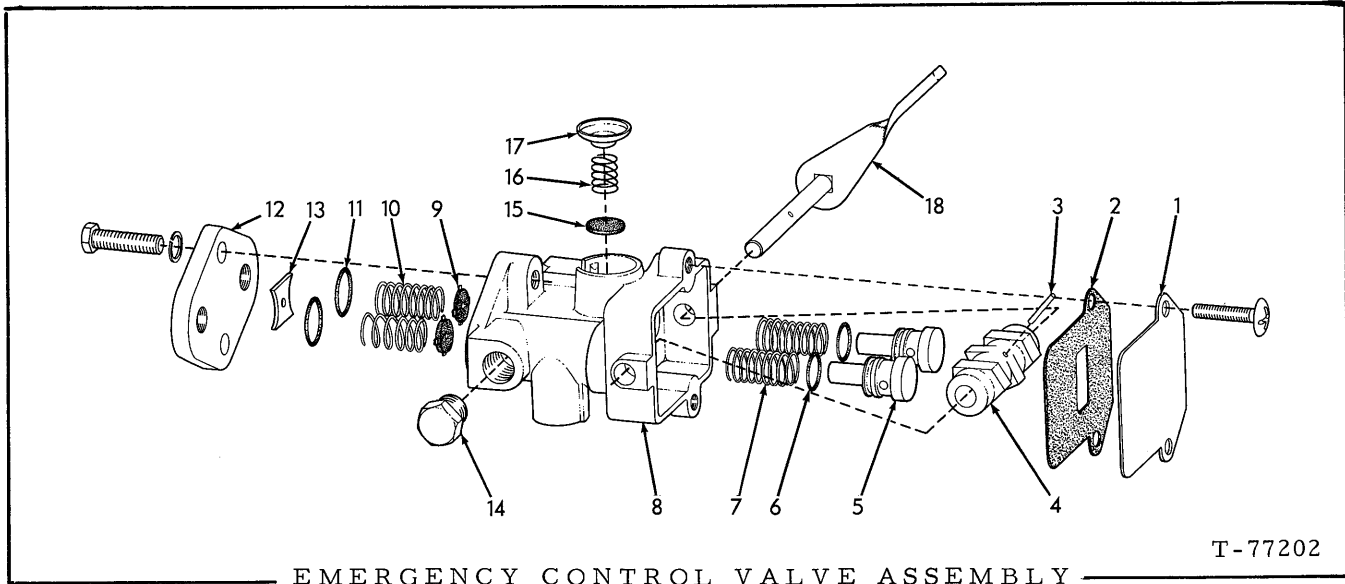
| ITEM | PART NO. | QTY. | DESCRIPTION |
|------|----------|------|---|
| - | 73059030 | 1 | INJECTOR ASSY. (Includes items 1 thru 10) |
| 1 | ----- | 1 | VALVE (Order repair kit) |
| 2 | ----- | 1 | SPRING (Order repair kit) |
| 3 | ----- | 1 | RETAINER (Order repair kit) |
| 4 | 73059055 | 1 | VALVE |
| 5 | 73048748 | 1 | BRACKET |
| | 70916271 | 2 | CAPSCREW, 3/8" NC x 1" |
| | 70904206 | 2 | LOCKWASHER, 3/8" |
| | 70910324 | 2 | NUT, 3/8" NC |
| 6 | ----- | 1 | SEAL (small) (Order repair kit) |
| 7 | 73059054 | 1 | COVER ASSY. |
| | 70927477 | 4 | SCREW, self-tapping, 5/16" |
| 8 | ----- | 1 | SEAL (large) (Order repair kit) |
| 9 | 73048741 | 1 | RESERVOIR |
| 10 | 70915514 | 1 | DRAIN COCK |
| - | 73048750 | - | KIT, repair (Includes items 1, 2, 3, 6 and 8) |



| ITEM | PART NO. | QTY. | DESCRIPTION |
|------|----------|------|--|
| 1 | ----- | 1 | VALVE ASSY. (see page 158) |
| | 73059409 | 2 | SCREW, No. 10 |
| | 70911017 | 2 | ELBOW, male, 1/4" tube, 1/8" NPT |
| | 70917027 | 2 | TEE, 1/2" tube, 1/8" taper thd. |
| 2 | 73058882 | 2 | PLUG ASSY. (Includes item 3) |
| 3 | ----- | 2 | FILTER (order item 2) |
| 4 | 73059071 | 2 | TUBE ASSY., 45" long |
| 5 | 73059074 | 1 | TUBE ASSY., 38" long |
| 6 | 73059076 | 1 | TUBE ASSY., 53" long |
| | 73057633 | 1 | PLATE |
| | 70917415 | 1 | NUT, No. 10 |
| | 70925369 | 1 | SCREW, No. 10 x 5/8" |
| | 70917365 | 1 | LOCKWASHER, No. 10 |
| | 73066553 | 1 | DECAL (Effective with unit no. 03484 except 03487) |

} Serviced only as an assembly

} Used prior to unit no. 03484 including 03487

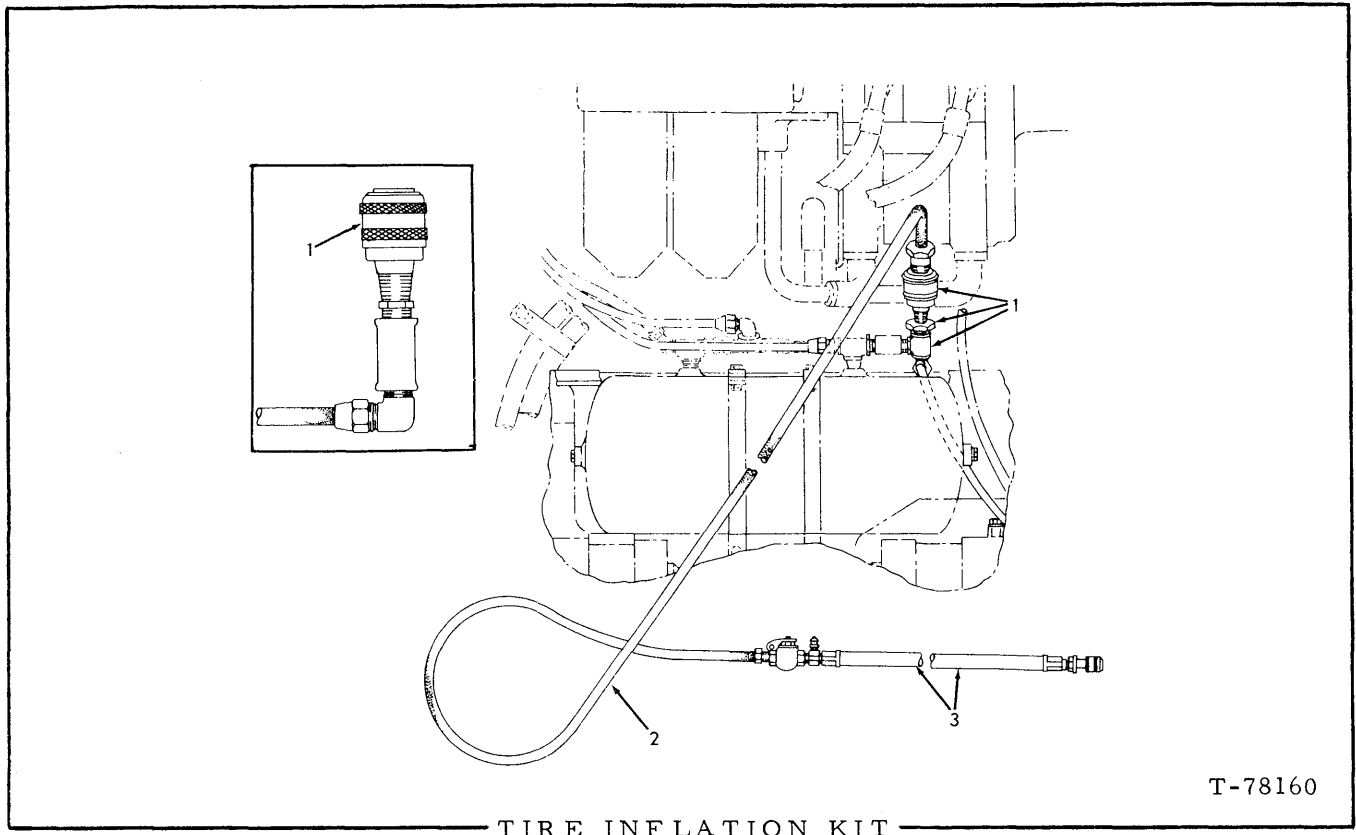


EMERGENCY CONTROL VALVE ASSEMBLY

T-77202

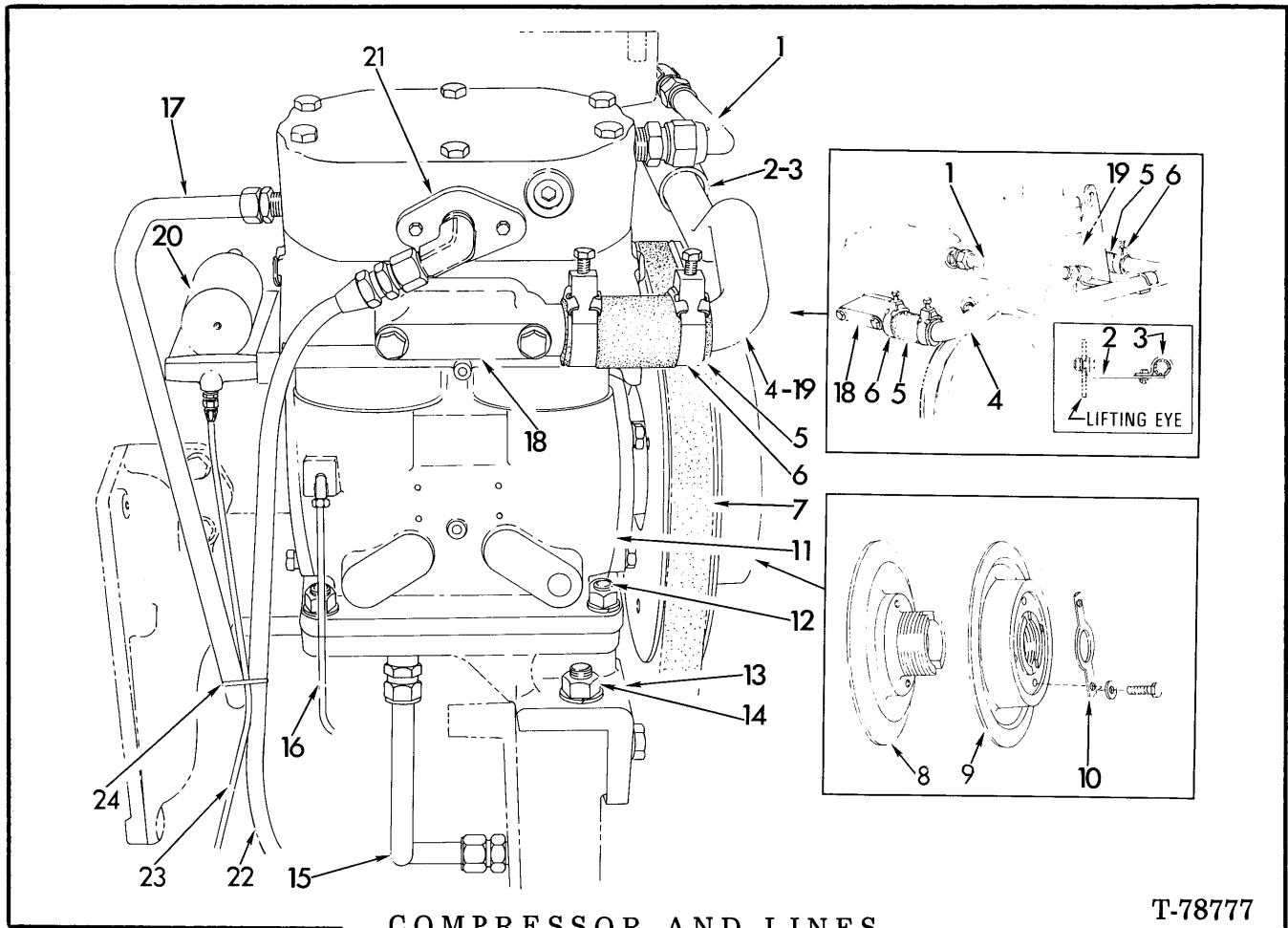
NOTE: See page 157.

| ITEM | PART NO. | QTY. | DESCRIPTION |
|------|----------|------|---|
| - | 73058327 | - | VALVE ASSY., emergency control, (Includes item 1 thru 18) |
| 1 | 73059408 | 1 | PLATE, cover |
| | 73059409 | 2 | SCREW, rd. head, #10 |
| 2 | 73059407 | 1 | GASKET |
| 3 | 73059403 | 1 | PIN, spiral |
| 4 | 73059401 | 1 | CAM |
| 5 | 73033340 | 2 | PLUNGER |
| 6 | 70923559 | 2 | O-RING |
| 7 | 73033342 | 2 | SPRING |
| 8 | ----- | 1 | BODY (Order complete assembly) |
| 9 | 73033337 | 2 | VALVE |
| 10 | 73033336 | 2 | SPRING |
| 11 | 70923376 | 2 | O-RING |
| 12 | 73059406 | 1 | PLATE |
| | 70916019 | 2 | CAPSCREW, 1/4" NC x 3/4" |
| | 70917209 | 2 | LOCKWASHER, 1/4" |
| 13 | ----- | 1 | SPACER (Order complete assembly) |
| 14 | 70919134 | 1 | PLUG, 1/8" NPT |
| 15 | 73059410 | 1 | DIAPHRAGM |
| 16 | 73059411 | 1 | SPRING |
| 17 | 73059412 | 1 | RETAINER |
| 18 | ----- | 1 | LEVER ASSY. (Order complete assembly) |



USAGE: Special Equipment

| ITEM | PART NO. | QTY. | DESCRIPTION |
|------|----------|------|-----------------------|
| 1 | 70185967 | 1 | AIR CHECK UNIT |
| | 70901705 | 1 | TEE, 1/2" |
| | 70917503 | 1 | REDUCER, 1/2" to 1/4" |
| | 70901500 | 1 | NIPPLE, 1/2" x 1-1/8" |
| 2 | 73062171 | 1 | HOSE ASSY. |
| 3 | 70185966 | 1 | AIR CHUCK ASSY. |



COMPRESSOR AND LINES

T-78777

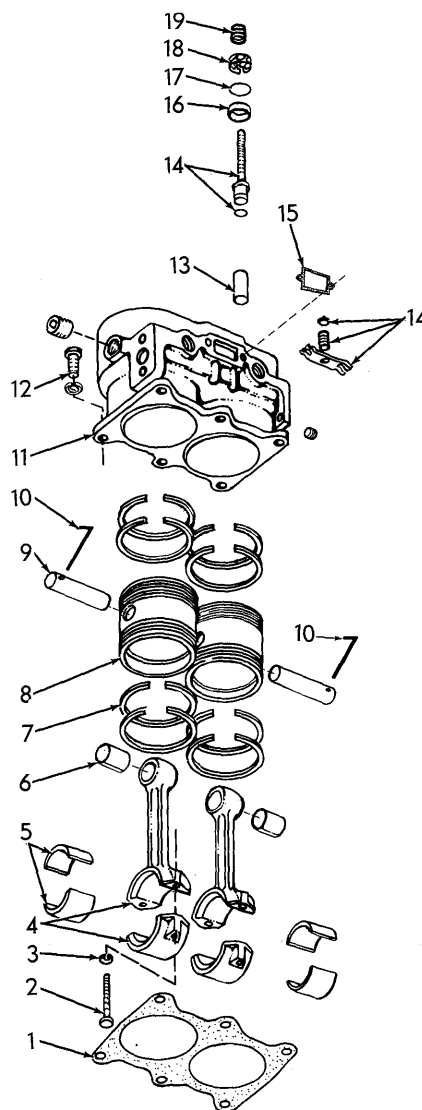
| ITEM | PART NO. | QTY. | DESCRIPTION |
|------|----------|------|--|
| 1 | 74320921 | 1 | TUBE (Used prior to engine s/n 11-24477) |
| | 74321137 | 1 | TUBE (Effective with engine s/n 11-24477) |
| | 70921339 | 1 | CONNECTOR, flex, 1/2" tube |
| | 70920399 | 1 | ELBOW, flex, 1/2" tube |
| | 70917808 | 2 | SLEEVE, flex, 1/2" tube |
| | 70917811 | 2 | NUT, flex, 1/2" tube |
| 2 | 74320617 | 1 | BRACKET |
| | 70915408 | 1 | CAPSCREW, 3/8" NC x 3/4" |
| | 70910287 | 1 | LOCKWASHER, 3/8" |
| | 70910324 | 1 | NUT, 3/8" NC |
| 3 | 70928740 | 1 | CLAMP |
| | 70915809 | 1 | CAPSCREW, 5/16" NC x 3/4" |
| | 70904205 | 1 | LOCKWASHER, 5/16" |
| | 70910323 | 1 | NUT, 5/16" NC |
| 4 | 74338284 | 1 | TUBE, air inlet (Used prior to engine s/n 11-24477) |
| | 74321135 | 1 | TUBE, air inlet (Effective with engine s/n 11-24477) |
| 5 | 74356232 | 2 | HOSE |
| 6 | 70922660 | 4 | CLAMP, 1-7/16" |
| 7 | 74339458 | 1 | BELT |
| 8 | 74394939 | 1 | PULLEY |
| 9 | 74347681 | 1 | PULLEY |
| | 70900808 | 1 | PIN, cotter, 1/8" x 1/4" |

(Continued)

(Revised November 1977)

COMPRESSOR AND LINES (Continued)

| ITEM | PART NO. | QTY. | DESCRIPTION |
|------|----------|------|--|
| 10 | 74346724 | 1 | PLATE |
| | 70910948 | 2 | CAPSCREW, 3/8" NC x 2" |
| | 70910287 | 2 | LOCKWASHER, 3/8" |
| 11 | ----- | 1 | COMPRESSOR ASSY. (Less Governor) (See pages 162 thru 165, 166A and 166B) |
| 12 | 74347855 | 4 | STUD (first type) |
| | 70914678 | 4 | LOCKWASHER, 7/16" |
| | 70910986 | 4 | NUT, 7/16" NF |
| | 70920649 | 4 | CAPSCREW, 7/16" NC x 1-3/8" (second type) |
| 13 | 74347714 | 1 | BRACKET |
| | 70919230 | 2 | CAPSCREW, 1/2" NC x 1-3/8" |
| | 70912441 | 2 | LOCKWASHER, 1/2" |
| 14 | 74347722 | 2 | STUD |
| | 70912441 | 2 | LOCKWASHER, 1/2" |
| | 70919423 | 2 | NUT, 1/2" NC |
| 15 | 74320924 | 1 | TUBE |
| | 70920390 | 1 | CONNECTOR, 1/2" tube, 3/8" tapered thread |
| | 70921339 | 1 | CONNECTOR, 1/2" tube, 1/2" tapered thread |
| | 70917811 | 2 | NUT, 1/2" tube |
| 16 | 74320922 | 1 | TUBE ASSY. (Used prior to engine s/n 11-24477) |
| | 74321138 | 1 | TUBE ASSY. (Effective with engine s/n 11-24477) |
| | 70921143 | 1 | CONNECTOR |
| | 70921339 | 1 | CONNECTOR |
| | 70919183 | 2 | ELBOW |
| | 70918802 | 2 | SLEEVE |
| | | | } Used prior to engine s/n 11-24477 |
| | | | } Effective with engine s/n 11-24477 |
| 17 | 74320925 | 1 | TUBE (Used prior to engine s/n 11-24477) |
| | 74321136 | 1 | TUBE (Effective with engine s/n 11-24477) |
| | 70920399 | 1 | ELBOW (Qty. 2 used prior to engine s/n 11-24477) |
| | 70921339 | 1 | CONNECTOR (Effective with engine s/n 11-24477) |
| | 70917808 | 2 | SLEEVE, 1/2" tube |
| | 70917811 | 2 | NUT, 1/2" tube |
| 18 | 74338174 | 1 | ADAPTER |
| | 70916280 | 2 | CAPSCREW, 5/16" NC x 2" |
| | 70917330 | 2 | WASHER, plain, 5/16" (Copper) |
| 19 | 74347921 | 1 | ADAPTER |
| 20 | ----- | 1 | GOVERNOR (See page 166) |
| 21 | ----- | 1 | ADAPTER |
| 22 | ----- | 1 | HOSE ASSY. |
| 23 | ----- | 1 | TUBE ASSY. |
| 24 | 70925094 | 2 | TIE |
| | | | } See page 158 |



COMPRESSOR CYLINDER BLOCK

T-37751

USAGE: Used prior to engine serial no. 11-24477

NOTE: See page 160.

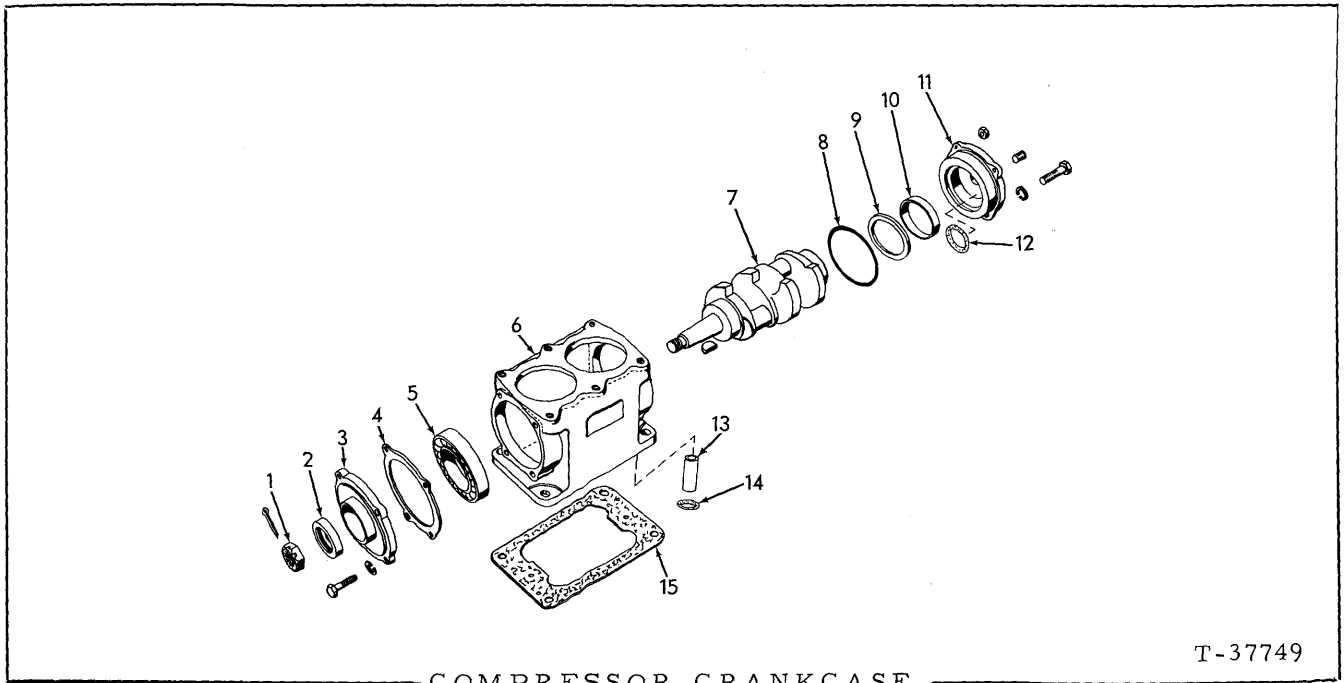
| ITEM | PART NO. | QTY. | DESCRIPTION |
|------|----------|------|--|
| 1 | 74040321 | 1 | GASKET |
| 2 | 74053356 | 4 | BOLT |
| 3 | 74053298 | 4 | LOCKWASHER |
| 4 | 74056425 | 2 | ROD ASSEMBLY (Includes cap and items 2, 3 and 6) |
| 5 | 74053595 | 4 | BEARING |
| 6 | 74056353 | 2 | BUSHING |

(Continued)

(Revised November 1975)

COMPRESSOR CYLINDER BLOCK (Continued)

| ITEM | PART NO. | QTY. | DESCRIPTION |
|------|----------|------|---|
| 7 | 74052940 | 1 | RING SET (Includes ten compression rings) |
| 8 | 74052939 | 2 | PISTON ASSEMBLY (Includes item 9) |
| 9 | 74040339 | 2 | PIN (std.) |
| | 74054437 | - | PIN (.005" oversize. Use as req'd.) |
| 10 | 74040340 | 2 | WIRE, locking |
| 11 | 74050453 | 1 | BLOCK ASSEMBLY (Includes items 12 and 16) |
| | 70918887 | 3 | PLUG, pipe, ctsk. , 3/8" NPT |
| | 70918850 | 2 | PLUG, pipe, ctsk. , 1/4" NPT |
| 12 | 70916271 | 6 | CAPSCREW, 3/8" NC x 1" |
| | 70904206 | 6 | LOCKWASHER, 3/8" |
| 13 | 74054439 | 2 | BUSHING, unloader bore (.006" oversize) |
| 14 | 74058899 | 1 | VALVE KIT, unloader (Includes one spring saddle, one unloader spring, one spring seat, two unloader plungers, two unloader piston assembly, two guides (Not serviced separately) and 1 GASKET 74040341) |
| 15 | 74040341 | 2 | GASKET |
| 16 | 74040330 | 2 | SEAT |
| 17 | 74040335 | 2 | VALVE |
| 18 | 74052124 | 2 | GUIDE |
| 19 | 74040336 | 2 | SPRING |



COMPRESSOR CRANKCASE

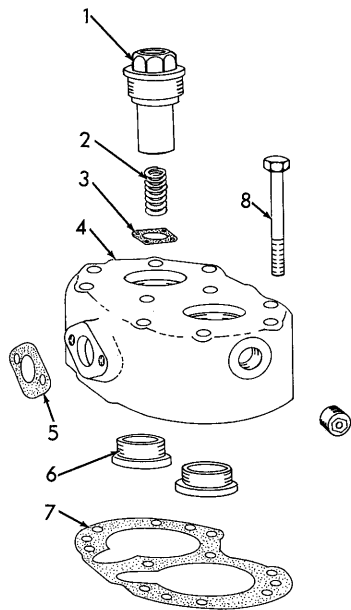
T-37749

USAGE: Used prior to engine serial no. 11-24477

NOTE: See page 160

| ITEM | PART NO. | QTY. | DESCRIPTION |
|------|----------|------|---------------------------------------|
| 1 | 70920403 | 1 | NUT, slotted, 3/4" NF |
| | 70904004 | 1 | PIN, cotter, 1/8" x 2-1/2" |
| | 70910545 | 1 | KEY, hi-pro., 1/4" x 1" |
| 2 | 74058886 | 1 | SEAL |
| 3 | 74040300 | 1 | COVER |
| | 70915813 | 4 | CAPSCREW, 5/16" NC x 7/8" |
| | 70904205 | 4 | LOCKWASHER, 5/16" |
| 4 | 74040323 | 1 | GASKET |
| 5 | 70510313 | 1 | BEARING |
| 6 | 74051038 | 1 | CRANKCASE ASSEMBLY (Includes item 13) |
| 7 | 74058845 | 1 | CRANKSHAFT |
| 8 | 74055527 | 1 | RING |
| 9 | 74055528 | 1 | WASHER |
| 10 | 74055558 | 1 | BEARING |
| 11 | 74055529 | 1 | COVER (Includes item 10) |
| | 70915809 | 4 | CAPSCREW, 5/16" NC x 3/4" |
| | 70904205 | 4 | LOCKWASHER, 5/16" |
| | 74040550 | 1 | PLUG, pipe, socket hd. |
| | 70917673 | 1 | PLUG, pipe, ctsk., 1/8" NPT |
| 12 | 74055556 | 1 | O-RING |
| 13 | 74047564 | 1 | TUBE |
| 14 | 74040539 | 1 | GASKET |
| 15 | 74040305 | 1 | GASKET |

(Revised November 1975)



T-37750

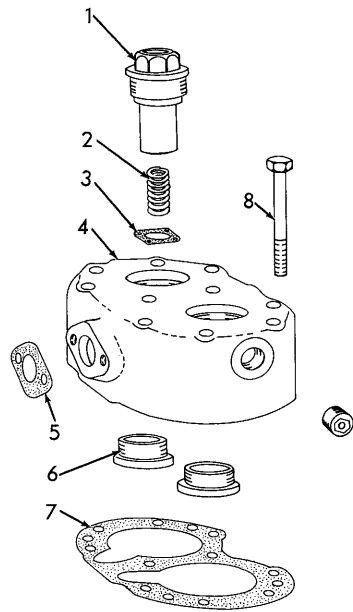
COMPRESSOR CYLINDER HEAD

USAGE: Used prior to engine serial no. 11-24477

NOTE: See page 160

| ITEM | PART NO. | QTY. | DESCRIPTION | |
|------|----------|------|---|--|
| 1 | 74040343 | 2 | CAPNUT | |
| 2 | 74040303 | 2 | SPRING | |
| 3 | 74040315 | 2 | VALVE | |
| 4 | 74040342 | 1 | HEAD ASSEMBLY (Includes 2 SEAT 74054434, 2 INSERT 74054435 and item 6) PLUG, pipe, ctsk., 3/8" NPT | |
| | 70918887 | 1 | | |
| | 74054434 | 2 | | SEAT, inlet valve spring (Not illustrated) |
| | 74054435 | 2 | | INSERT, inlet valve spring (Not illustrated) |
| 5 | 74040302 | 1 | GASKET | |
| 6 | 74050467 | 2 | SEAT | |
| 7 | 74050466 | 1 | GASKET | |
| 8 | 74050468 | 10 | CAPSCREW | |

(Revised November 1975)



T-37750

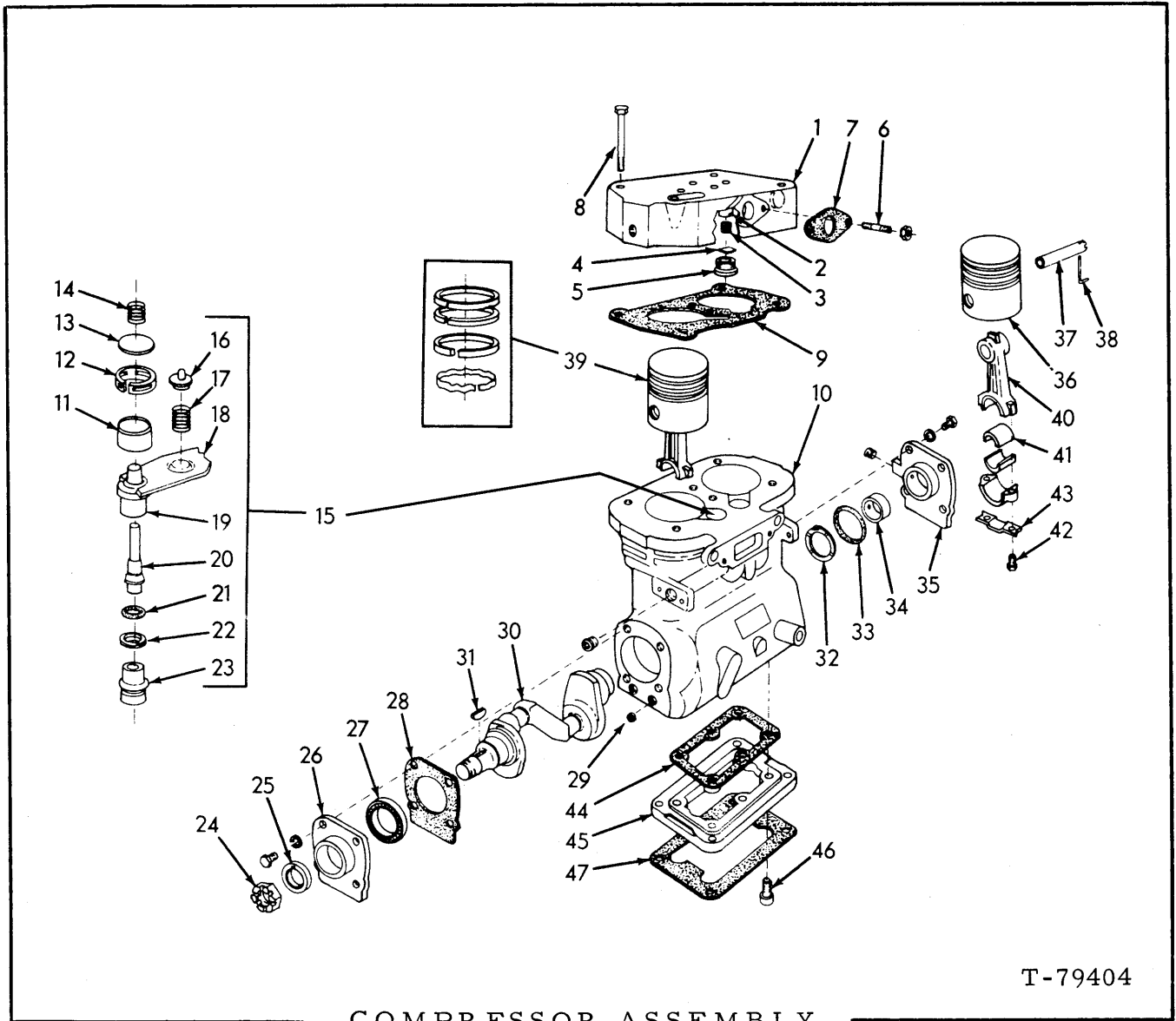
COMPRESSOR CYLINDER HEAD

USAGE: Used prior to engine serial no. 11-24477

NOTE: See page 160

| ITEM | PART NO. | QTY. | DESCRIPTION | |
|------|----------|------|---|--|
| 1 | 74040343 | 2 | CAPNUT | |
| 2 | 74040303 | 2 | SPRING | |
| 3 | 74040315 | 2 | VALVE | |
| 4 | 74040342 | 1 | HEAD ASSEMBLY (Includes 2 SEAT 74054434, 2 INSERT 74054435 and item 6) PLUG, pipe, ctsk., 3/8" NPT | |
| | 70918887 | 1 | | |
| | 74054434 | 2 | | SEAT, inlet valve spring (Not illustrated) |
| | 74054435 | 2 | | INSERT, inlet valve spring (Not illustrated) |
| 5 | 74040302 | 1 | GASKET | |
| 6 | 74050467 | 2 | SEAT | |
| 7 | 74050466 | 1 | GASKET | |
| 8 | 74050468 | 10 | CAPSCREW | |

(Revised November 1975)



T-79404

COMPRESSOR ASSEMBLY

USAGE: Effective with engine serial no. 11-24477

| ITEM | PART NO. | QTY. | DESCRIPTION |
|------|----------|------|--|
| - | 74394660 | 1 | COMPRESSOR ASSY. (Not serviced. Order 74321169) |
| - | 74321169 | 1 | COMPRESSOR ASSY. (Includes items 1 thru 5 and 8 thru 47. Does not include GOVERNOR) (Service replacement for first type air compressor 74394660) |
| 1 | 74061630 | 1 | HEAD ASSY. (Includes inlet valve spring SEAT INSERT and item 2) |
| | 70917970 | 2 | PLUG, pipe, 1/2" NPT |
| | 74054434 | 2 | SEAT, inlet valve spring (Not illustrated) |
| | 74054435 | 2 | INSERT, inlet valve spring (Not illustrated) |
| 2 | 74061631 | 2 | STOP |

(Continued)

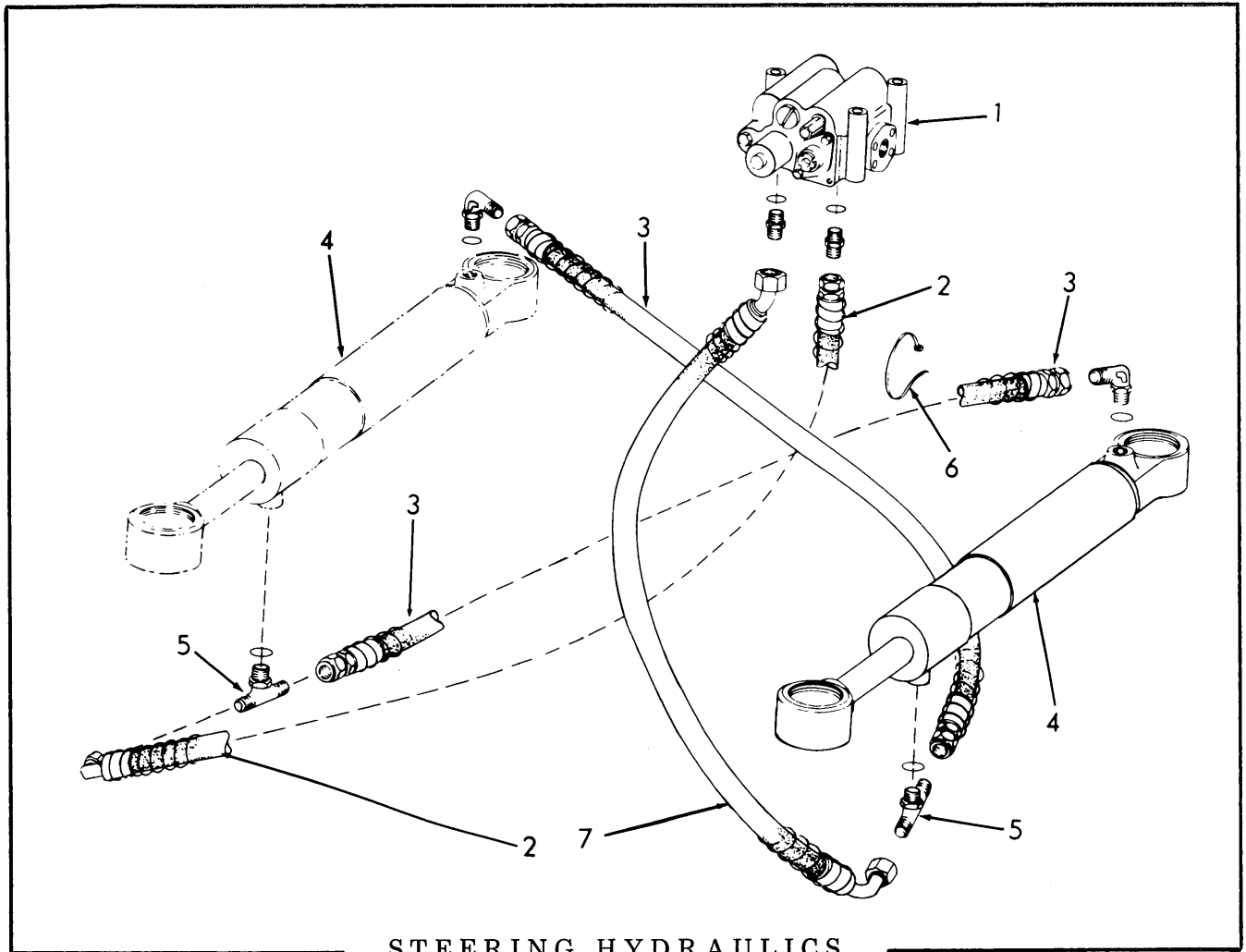
(Revised June 1979)

COMPRESSOR ASSEMBLY (Continued)

| ITEM | PART NO. | QTY. | DESCRIPTION |
|------|----------|------|--|
| 3 | 74040303 | 2 | SPRING |
| 4 | 74040315 | 2 | VALVE |
| 5 | 74050467 | 2 | SEAT |
| 6 | 74040325 | 2 | STUD |
| | 70920263 | 2 | NUT, 5/16" NF |
| 7 | 74040302 | 1 | GASKET |
| 8 | 74061617 | 6 | CAPSCREW |
| 9 | 74061616 | 1 | GASKET |
| 10 | 74061618 | 1 | CRANKCASE ASSY. (Includes item 11) |
| | 70917673 | 1 | PLUG, pipe, 1/8" NPT |
| 11 | 74040330 | 2 | SEAT |
| 12 | 74052124 | 2 | GUIDE |
| 13 | 74040335 | 2 | VALVE |
| 14 | 74040336 | 2 | SPRING |
| 15 | 74058899 | 1 | VALVE KIT (Includes items 16 thru 23) (Serviced only as a unit) |
| 16 | ----- | 1 | SEAT |
| 17 | ----- | 1 | SPRING |
| 18 | ----- | 1 | SADDLE |
| 19 | ----- | 2 | GUIDE |
| 20 | ----- | 2 | PLUNGER |
| 21 | ----- | 2 | O-RING |
| 22 | ----- | 2 | RING |
| 23 | ----- | 2 | PISTON |
| 24 | 70920403 | 1 | NUT, jam, 3/4" NF |
| 25 | 74058886 | 1 | SEAL |
| 26 | 74061624 | 1 | COVER |
| | 70916222 | 4 | CAPSCREW, 7/16" NC x 7/8" |
| | 70904207 | 4 | LOCKWASHER, 7/16" NC |
| 27 | 74253864 | 1 | BEARING |
| 28 | 74061623 | 1 | GASKET |
| 29 | 74061625 | 4 | RING |
| 30 | 74061619 | 1 | CRANKSHAFT |
| 31 | 70910545 | 1 | KEY |
| 32 | 74061620 | 1 | WASHER |
| 33 | 74061634 | 1 | O-RING |
| 34 | 74061622 | 1 | BUSHING |
| 35 | 74061621 | 1 | COVER ASSY. (Includes item 34) |
| | 70917673 | 1 | PLUG, pipe, 1/8" NPT |
| | 70916253 | 4 | CAPSCREW, 7/16" NC x 3/4" |
| | 70904207 | 4 | LOCKWASHER, 7/16" |
| 36 | 74061626 | 2 | PISTON ASSY. (Includes item 37) |
| 37 | ----- | 2 | PIN (Not serviced. Order item 36) |
| 38 | 74040340 | 2 | WIRE |
| 39 | 74061632 | 1 | RING SET (Includes rings for 2 pistons) |
| 40 | 74061628 | 2 | ROD ASSY. (Includes items 42 and 43 and wrist pin bushing) |
| 41 | 74061633 | 2 | BEARING (Each includes 2 halves) |
| 42 | 74053356 | 4 | BOLT |
| 43 | 74061629 | 2 | LOCK |
| 44 | 74061613 | 1 | GASKET |
| 45 | 74061614 | 1 | ADAPTER |
| 46 | 74061615 | 6 | CAPSCREW |
| 47 | 74040305 | 1 | GASKET |

Not serviced. Order item 15.

(Revised July 1977)

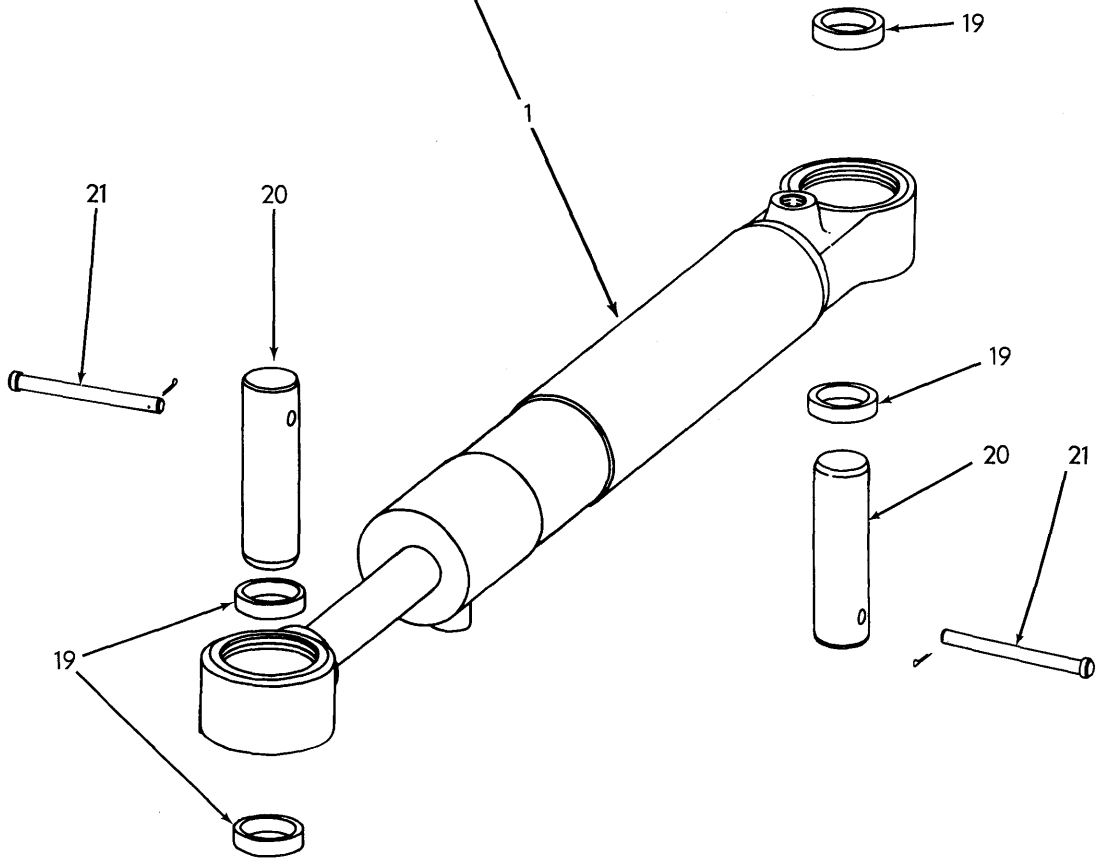
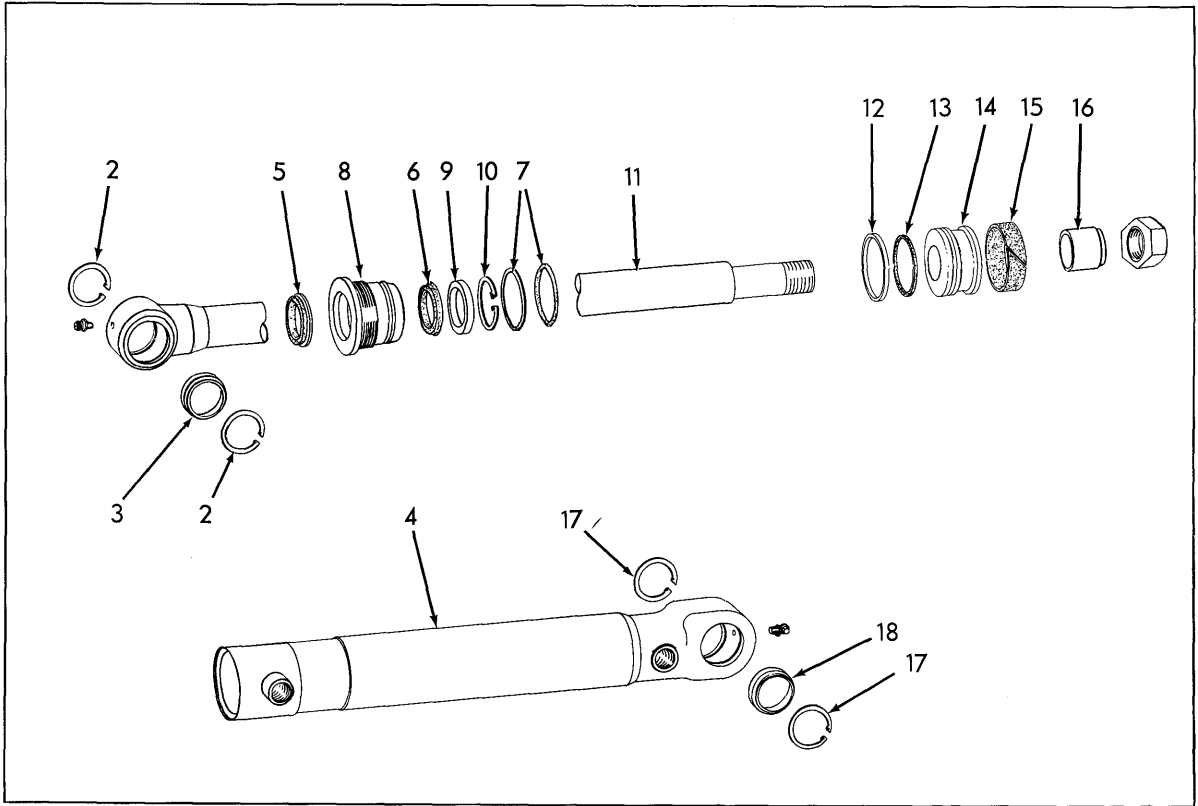


STEERING HYDRAULICS

(Cylinder Section)

| ITEM | PART NO. | QTY. | DESCRIPTION |
|------|----------|------|--|
| 1 | ----- | 1 | VALVE ASSY., steering (See page 176) |
| 2 | 73046772 | 1 | HOSE ASSY. (See page 6)(Qty. 2 used prior to unit no. 03504) |
| | 70921217 | 1 | CONNECTOR, 3/4" tube, 1-1/16" str. thd. (Includes O-RING below) |
| | 70921206 | 1 | O-RING, 3/4" tube |
| 3 | 73046776 | 2 | HOSE ASSY. (See page 6) |
| | 70921203 | 2 | ELBOW, 3/4" tube, 1-1/16" str. thd. (Includes O-RING below) |
| | 70921206 | 2 | O-RING, 3/4" tube |
| 4 | ----- | 2 | CYLINDER ASSY., steering (See page 169) |
| 5 | 70921318 | 2 | TEE, 3/4" tube, 1-1/16" str. thd. (Includes O-RING below) |
| | 70921206 | 2 | O-RING, 3/4" tube |
| 6 | 70198775 | 3 | STRAP |
| 7 | 73065150 | 1 | HOSE ASSY. (Serviced only as an assy.)(Effective with unit no. 03504) |
| | 70921217 | 1 | CONNECTOR, 3/4" tube, 1-1/16" str. thd. (Includes O-RING indented below) |
| | 70921206 | 1 | O-RING |

(Revised July 1977)



STEERING CYLINDER

T-75234

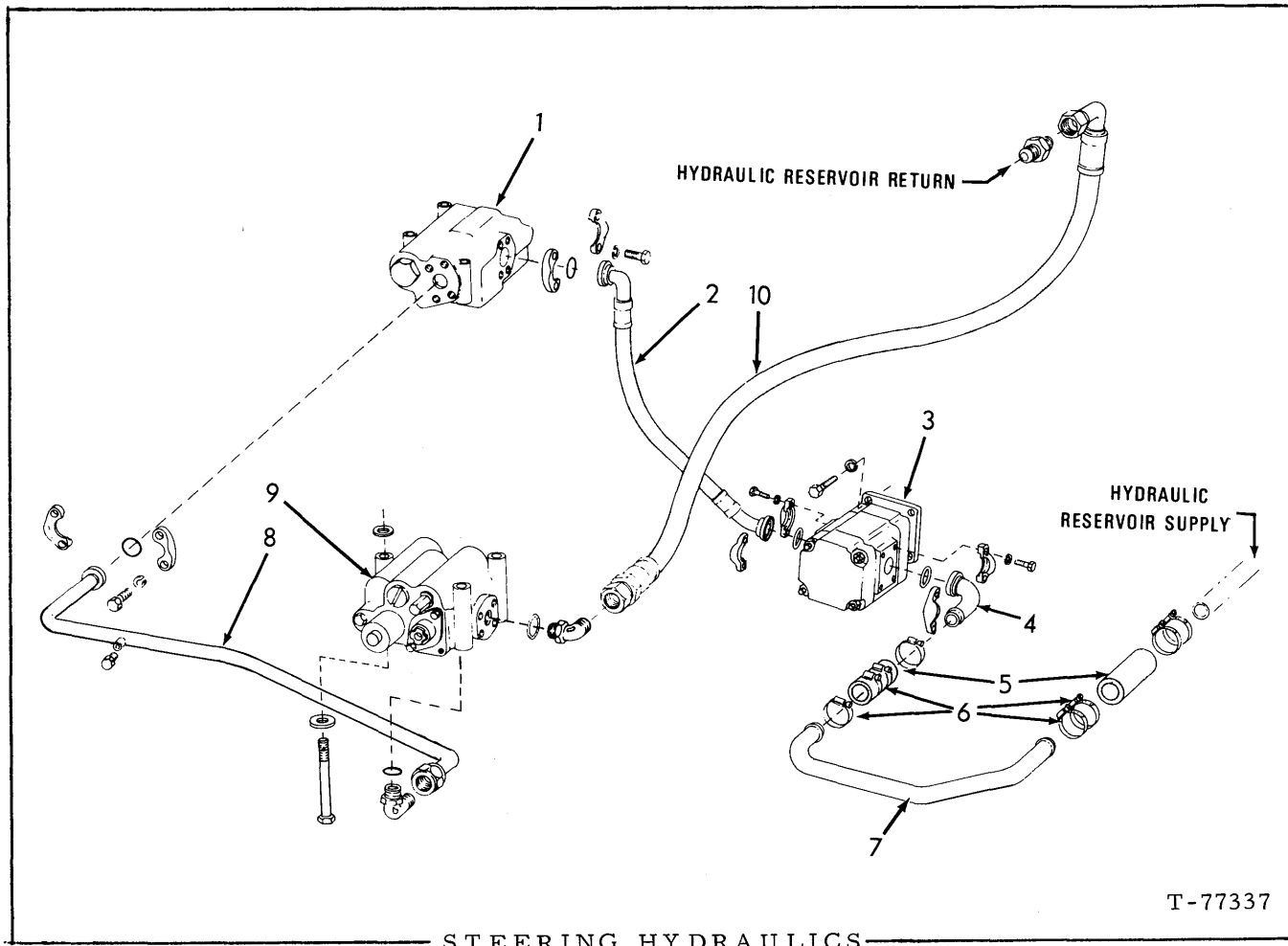
S T E E R I N G C Y L I N D E R

NOTE: See page 167.

| ITEM | PART NO. | QTY. | DESCRIPTION |
|---|----------|------|--|
| NOTE: Quantities listed are sufficient for one cylinder only. | | | |
| 1 | 73058326 | 1 | CYLINDER ASSY., steering (Includes items 2 thru 18) |
| 2 | 70925997 | 2 | RING, snap, bushing retainer |
| 3 | 70928893 | 1 | BUSHING, self-aligning |
| 4 | 73047988 | 1 | TUBE ASSY., cylinder (Includes items 17 and 18) |
| | 70914465 | 2 | FITTING, lube, str., 1/8" NPT |
| 5 | 73055106 | 1 | SEAL, piston rod |
| 6 | 73069365 | 1 | SEAL, wiper |
| 7 | 73063365 | 1 | RING, back-up |
| | 70924840 | 1 | O-RING, 3-1/4" I. D. |
| 8 | 73055321 | 1 | HEAD ASSY. (Includes HEAD indented below and items 5, 6, 9 and 10) |
| | 73055109 | 1 | HEAD |
| 9 | 73052493 | 1 | RING, piston rod wiper |
| 10 | 70925995 | 1 | RING, bearing retainer |
| 11 | 73055838 | 1 | ROD ASSY., piston (Includes items 2 and 3) |
| | 70927425 | 1 | NUT, safety, 1-1/8" NPT |
| | 70914465 | 1 | FITTING, lube, str., 1/8" NPT |
| 12 | 73054150 | 1 | RING, outer |
| 13 | 70926816 | 1 | RING, inner |
| 14 | 73058320 | 1 | PISTON |
| 15 | 73058322 | 1 | RING, wear |
| 16 | 73050055 | 2 | BOSS, piston |
| 17 | 70925997 | 2 | RING, snap, bushing retainer |
| 18 | 70928893 | 1 | BUSHING, self-aligning |
| 19 | 73045137 | 4 | BOSS |
| 20 | 73045211 | 2 | PIN, connecting |
| 21 | 73001622 | 2 | PIN, lock |
| | 70900806 | 2 | PIN, cotter, 1/8" x 1" |
| 22 | 73058324 | - | KIT, repair (Includes items 5 thru 7, 12, 13 and 15) |

Component of item 22

(Revised November 1977)



T-77337

STEERING HYDRAULICS
(Pump and Valve Section)

| ITEM | PART NO. | QTY. | DESCRIPTION |
|-------|----------|-------|--|
| 1 | ----- | 1 | VALVE ASSY., demand (See page 173) |
| 2 | 73061282 | 1 | HOSE ASSY., steering pump to demand valve (See HOSE PARTS) |
| | 70921116 | 2 | FLANGE, split, 1" |
| | 70923718 | 1 | O-RING, 1-19/64" |
| | 70916272 | 4 | CAPSCREW, 3/8" NC x 1-1/4" |
| | 70904206 | 4 | LOCKWASHER, 3/8" |
| | 70921117 | 2 | FLANGE, split, 1-1/4" |
| | 70924192 | 1 | O-RING, 1-31/64" |
| | 70921913 | 4 | CAPSCREW, 7/16" NC x 1-1/4" |
| | 70904207 | 4 | LOCKWASHER, 7/16" |
| | 3 | ----- | 1 |
| ----- | | 4 | CAPSCREW, 1/2" NC x 1-1/2" |
| ----- | | 4 | WASHER, 9/16" I. D. x 1-1/4" O. D. |
| 4 | 73061426 | 1 | TUBE ASSY. |
| | 70921118 | 2 | FLANGE, split, 1-1/2" |
| | 70924193 | 1 | O-RING, 1-55/64" |
| | 70916311 | 4 | CAPSCREW, 1/2" NC x 1-1/4" |
| | 70904208 | 4 | LOCKWASHER, 1/2" |

(Continued)

(Revised June 1979)

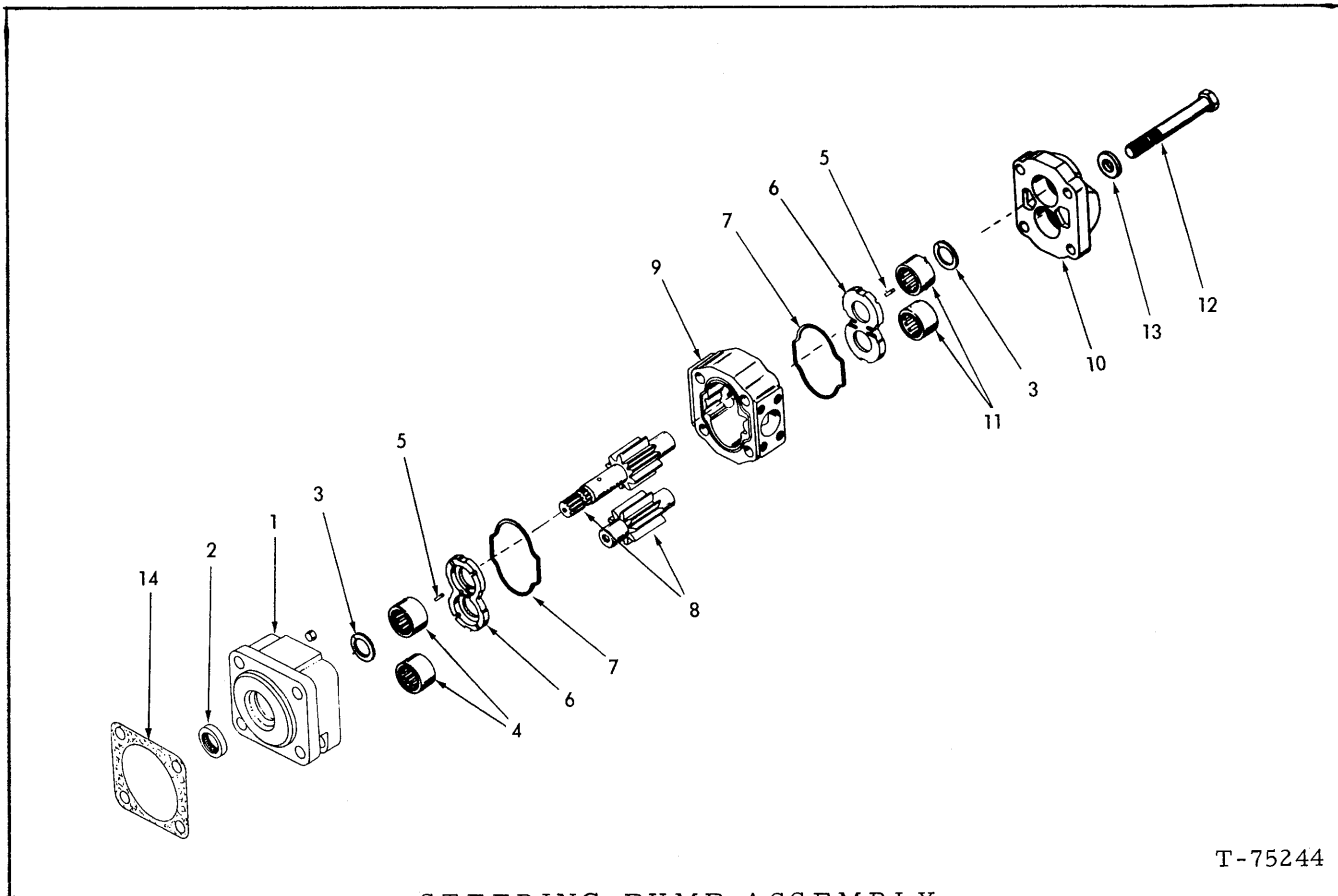
STEERING HYDRAULICS (Continued)
(Pump and Valve Section)

| ITEM | PART NO. | QTY. | DESCRIPTION |
|------|----------|------|--|
| 5 | 73006439 | 2 | HOSE, pump supply |
| 6 | 70921912 | 8 | CLAMP, hose, 1-1/16" to 2" |
| 7 | 73061427 | 1 | TUBE ASSY. |
| 8 | 73056138 | 1 | TUBE ASSY., demand valve to steering valve. |
| | 70921116 | 2 | FLANGE, split |
| | 70923718 | 1 | O-RING, 1-19/64" |
| | 70916272 | 4 | CAPSCREW, 3/8" NC x 1-1/4" |
| | 70904206 | 4 | LOCKWASHER, 3/8" |
| | 70921227 | 1 | ELBOW, flare type, 1" tube, 1-5/16" str. thd. (Includes 1 O-RING 70921214) |
| | 70921214 | 1 | O-RING, 1-11/16" |
| | 70919840 | 1 | PLUG, pipe, hex-hd., 1/4" |
| 9 | ----- | 1 | VALVE ASSY., steering (See page 176) |
| | 70925166 | 3 | CAPSCREW, Nylok, 1/2" NC x 5-1/2" |
| | 70910244 | 3 | WASHER, plain, 1/2", 3/32" thick |
| | 70926192 | 3 | WASHER, plain, 9/16", 1/8" thick (Used between valve and mounting plate) |
| 10 | 73104969 | 1 | HOSE ASSY., return (See HOSE PARTS) |
| | 70921227 | 1 | ELBOW, flare type, 1" tube, 1-5/16" str. thd. (Includes 1 O-RING 70921214) |
| | 70921214 | 1 | O-RING, 1-11/16" I.D. |
| | 70919064 | 1 | CONNECTOR, male, 1" tube, 1-5/16" str. thd. |
| | 70928623 | 1 | CLAMP |
| | 70915408 | 1 | CAPSCREW, 3/8" NC x 3/4" |
| | 70911115 | 1 | WASHER, plain, 3/8" |
| | 70904206 | 1 | LOCKWASHER, 3/8" |

} At Demand Valve

} At Steering Valve

(Revised June 1979)



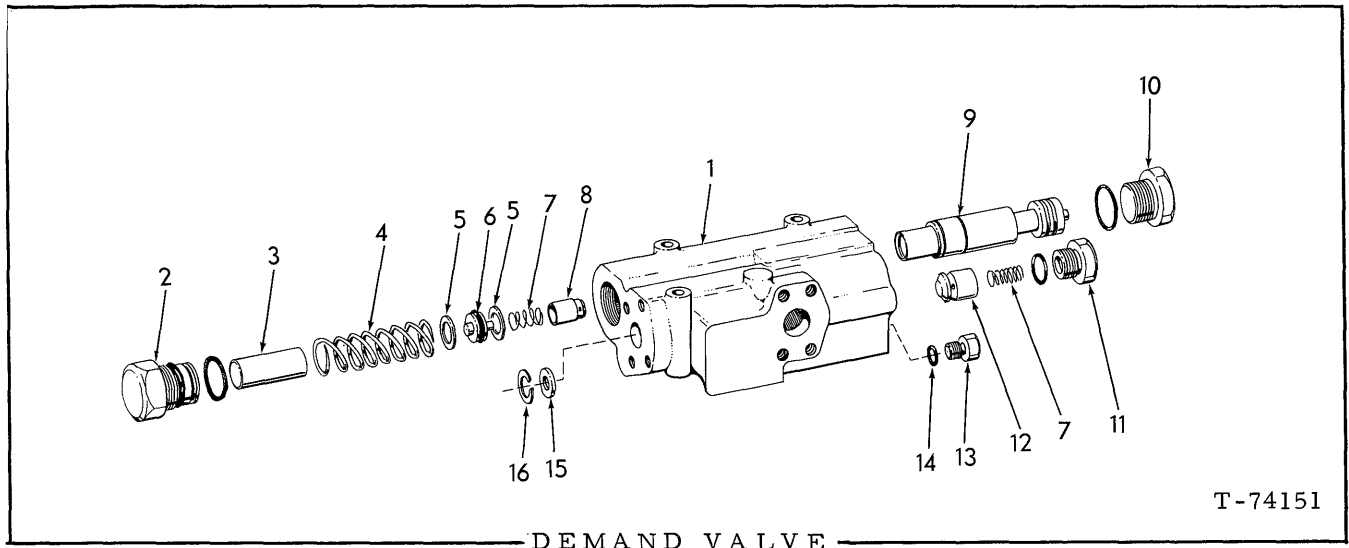
T-75244

STEERING PUMP ASSEMBLY

NOTE: See page 170.

| ITEM | PART NO. | QTY. | DESCRIPTION |
|------|----------|------|---|
| - | 73061281 | 1 | PUMP ASSY., steering hydraulics (Includes items 1 thru 14) |
| | 70919048 | 4 | CAPSCREW, 1/2" NC x 1-5/8" |
| | 70910244 | 4 | WASHER, plain, 1/2" |
| 1 | 73061915 | 1 | COVER ASSY., end, shaft (Includes 1 Plug 70669623 and items 2, 4 and 1 Seal) |
| | 70669623 | 1 | PLUG |
| 2 | 73045975 | 1 | SEAL, double lip |
| 3 | 73056793 | 1 | KIT, seal (Includes 2 seal) |
| 4 | 73045977 | 2 | BEARING, roller |
| 5 | 73046521 | 12 | SEAL, pocket |
| 6 | 73064956 | 2 | PLATE, thrust |
| 7 | 70926813 | 2 | SEAL, square |
| 8 | 73064959 | 1 | GEAR SET (Consists of Drive Gear and Driven Gear) (For first service replacement also order item 6) |
| 9 | 73061820 | 1 | HOUSING, gear |
| 10 | 73052785 | 1 | COVER, port end (Includes items 11 and 1 Seal) |
| 11 | 73045977 | 2 | BEARING, roller |
| 12 | 70927303 | 4 | CAPSCREW |
| 13 | 70659494 | 4 | WASHER |
| 14 | 73058299 | 1 | GASKET |

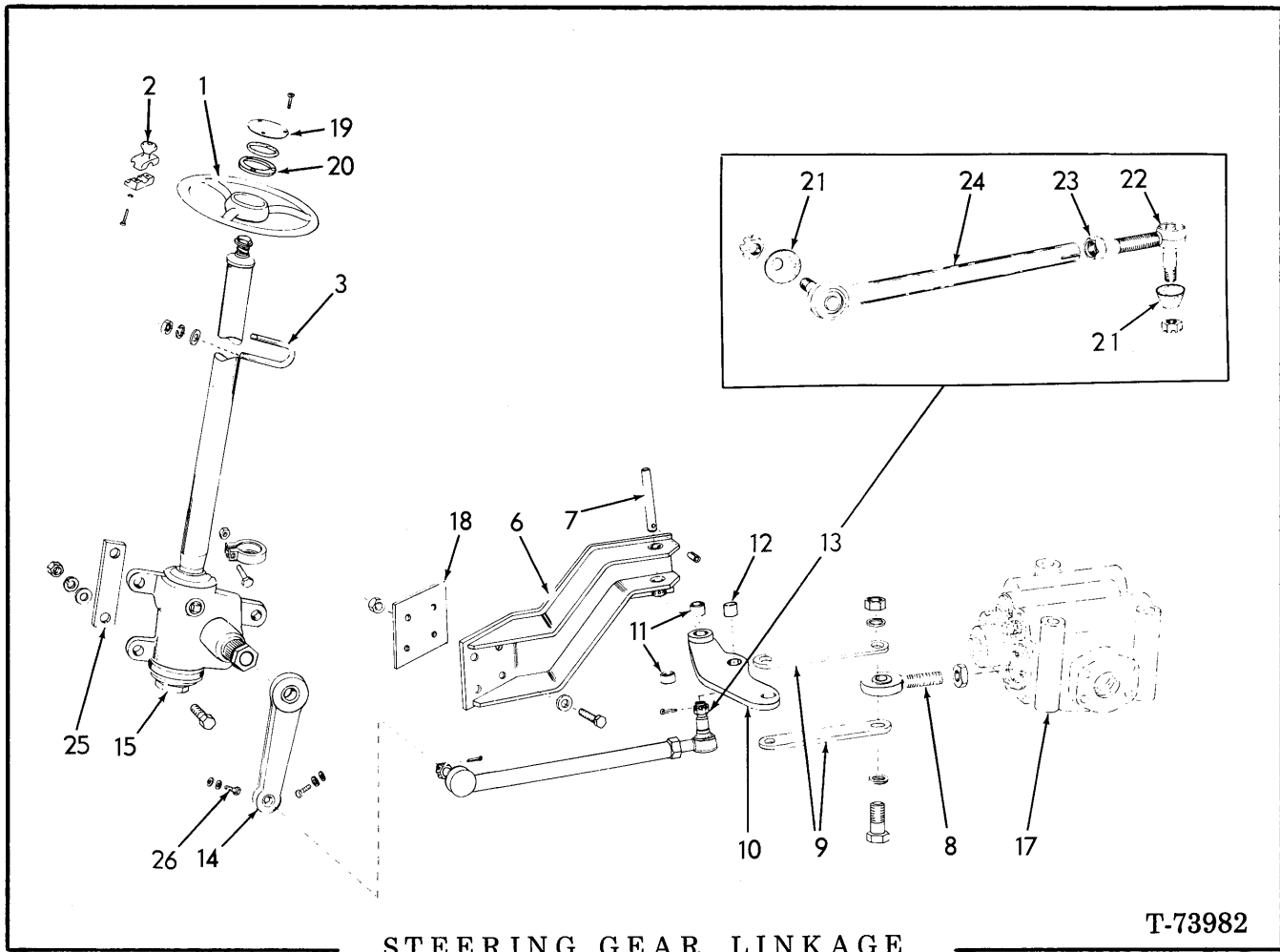
(Revised June 1979)



— DEMAND VALVE —

NOTE: See page 170.

| ITEM | PART NO. | QTY. | DESCRIPTION |
|------|----------|------|--|
| - | 70199871 | 1 | VALVE ASSY., demand (Includes items 1 thru 16) |
| 1 | ----- | 1 | HOUSING (Order VALVE ASSY.) |
| 2 | 73050567 | 1 | CAP |
| | 70925453 | 1 | O-RING, 1-1/2" I. D. |
| | 70926809 | 1 | O-RING |
| 3 | 73050682 | 1 | SPACER |
| 4 | 73050683 | 1 | SPRING |
| 5 | 70927278 | 2 | RING, retaining |
| 6 | 73050571 | 1 | PLUG |
| | 70923645 | 1 | O-RING, 5/8" I. D. |
| 7 | 70636102 | 2 | SPRING |
| 8 | 73018397 | 1 | CHECK |
| 9 | ----- | 1 | PLUNGER (Order VALVE ASSY.) |
| 10 | 73050570 | 1 | CAP |
| | 70926809 | 1 | O-RING |
| 11 | 73050568 | 1 | CAP |
| | 70926807 | 1 | O-RING |
| 12 | 73001717 | 1 | CHECK |
| 13 | 73050569 | 1 | CAP |
| 14 | 70926801 | 1 | O-RING |
| 15 | 73104546 | 1 | PLUG, orifice |
| 16 | 70927279 | 1 | RING, retaining |



STEERING GEAR LINKAGE

T-73982

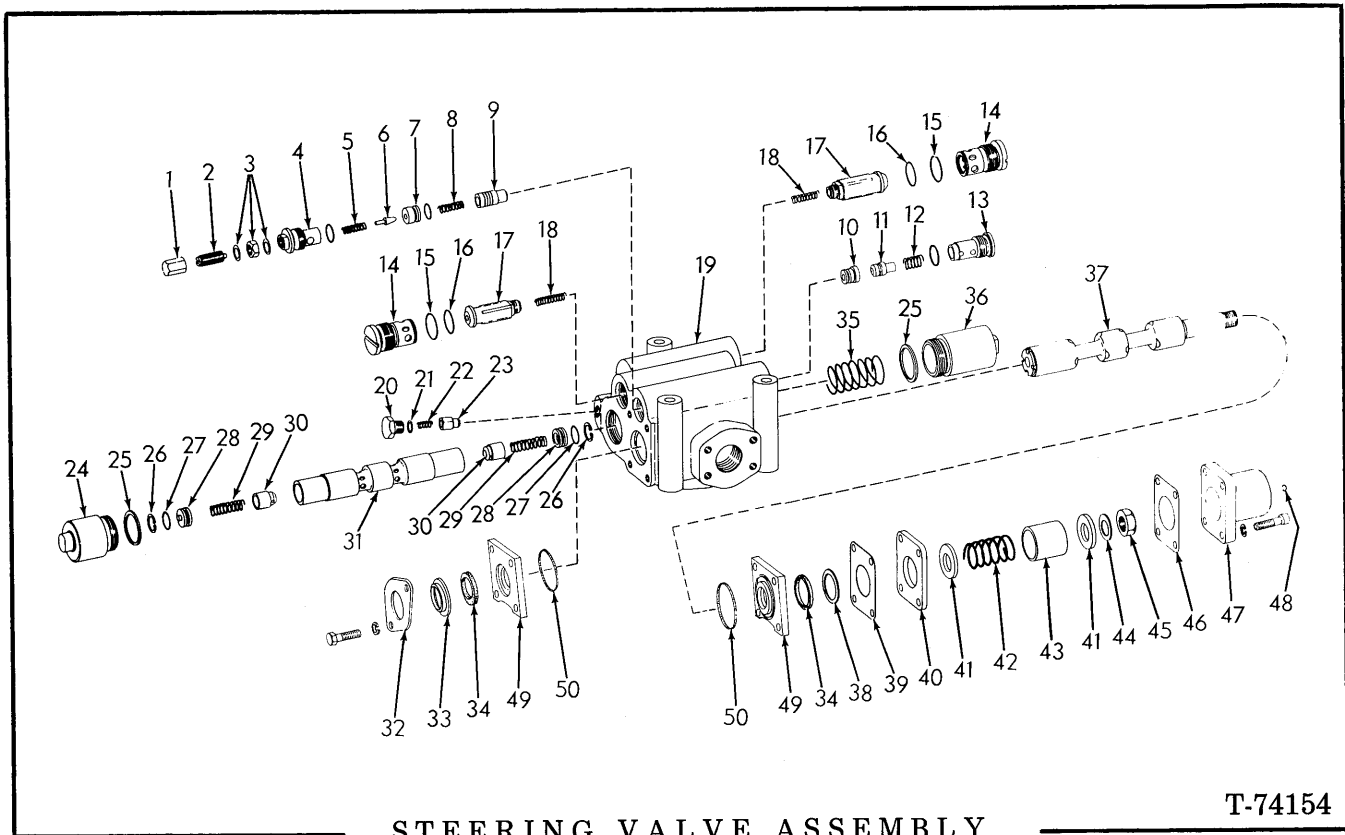
| ITEM | PART NO. | QTY. | DESCRIPTION |
|------|----------|------|--|
| 1 | 73043399 | 1 | WHEEL |
| 2 | 73055371 | 1 | KNOB |
| 3 | 73057358 | 1 | U-BOLT |
| | 70910244 | 2 | WASHER, plain, 17/32" |
| | 70912441 | 2 | LOCKWASHER, 1/2" |
| | 70910195 | 2 | NUT, 1/2" NF |
| 6 | 73054694 | 1 | BRACKET |
| | 70915789 | 4 | CAPSCREW, 5/8" NF x 2-1/2" |
| | 70916589 | 4 | LOCKNUT, 5/8" NF |
| | 70900703 | 4 | WASHER, plain, 21/32" |
| 7 | 73046614 | 1 | PIN, pivot |
| | 70917758 | 1 | PIN, roll, 1/4" x 1-3/4" |
| 8 | 73048990 | 1 | BEARING |
| | 70910847 | 1 | NUT, jam, 3/4" NF |
| | 70900806 | 1 | PIN, cotter |
| 9 | 73068584 | 2 | BAR (service replacement - also see item 27) |
| | 73048989 | 2 | BAR (original equipment) |
| | 70916333 | 2 | CAPSCREW, 3/4" NF x 2-3/4" |
| | 73050388 | 2 | WASHER, plain |
| | 70921343 | 2 | NUT, safety, 3/4 NF |
| | 70910255 | 2 | WASHER, plain 13/16" |

(Continued)

STEERING GEAR LINKAGE (Continued)

| ITEM | PART NO. | QTY. | DESCRIPTION |
|------|------------|------|---|
| 10 | 73105916 | 1 | LEVER (Includes items 11 and 12) |
| 11 | 73007065 | 2 | BUSHING |
| 12 | 73048988 | 1 | BUSHING |
| 13 | 73046394 | 1 | ROD ASSY. (Includes items 21 thru 24) |
| 14 | 73046279 | 1 | ARM |
| 15 | ----- | 1 | GEAR ASSY. (See page 180) |
| | 70916421 | 3 | CAPSCREW, 1/2" NF x 2-1/2" |
| | 70912441 | 3 | LOCKWASHER, 1/2" |
| | 70910244 | 2 | WASHER, 1/2" |
| | 70910195 | 3 | NUT, 1/2" NF |
| 17 | ----- | 1 | VALVE ASSY., steering (See page 176) |
| | ----- | 3 | CAPSCREW, nylok, 1/2" NC x 5-1/2" } See page 171 |
| | ----- | 3 | WASHER, plain, 9/16" } |
| | ----- | 3 | WASHER, plain, 1/2" } |
| 18 | { 73047415 | 4 | SHIM (.0625" thick) (Use as required) |
| | { 73050381 | 1 | SHIM (.250" thick) (Use as required) |
| 19 | 73062754 | 1 | MEDALLION |
| | 73048971 | 3 | SCREW, self-tapping, no. 8 x 1-1/4" |
| 20 | 73048968 | 1 | SPACER |
| | 70923582 | 1 | O-RING |
| 21 | 73048337 | 2 | SEAL |
| 22 | 73048336 | 1 | SOCKET ASSY. (Includes item 21 and NUT indented below) |
| | 70910867 | 1 | NUT, slotted, 1/2" NF |
| 23 | 73048335 | 1 | LOCKNUT |
| 24 | 73048334 | 1 | LINK ASSY. (Includes item 21 and NUT indented below) |
| | 70910867 | 1 | NUT, slotted, 1/2" NF |
| 25 | 73056372 | 1 | BAR |
| 26 | 70916271 | 2 | CAPSCREW, 3/8" NC x 1" |
| | 70911115 | 10 | WASHER, plain, 1/2" |
| 27 | 73068648 | 1 | KIT, steering valve (includes item 9, 17 and items indented below) |
| | 70926192 | 3 | WASHER, plain, 9/16, 1/8" thick (used between item 17 and mounting plate) |
| | 70921214 | 2 | O-RING, 1-11/64" I. D. |
| | 70921206 | 2 | O-RING, 59/64" I. D. |
| | 73068667 | 1 | INSTRUCTION PRINT |

(Revised March 1978)



STEERING VALVE ASSEMBLY

T-74154

USAGE: * First type - original equipment
 ** Second type - service replacement (shown) } See page 170 and 174

NOTE: See KIT item 27 on page 175

| ITEM | PART NO. | QTY. | | DESCRIPTION |
|------|------------|------|----|---|
| | | * | ** | |
| - | { ----- | 1 | - | VALVE ASSY. (order service replacement) |
| | { 73068585 | - | 1 | VALVE ASSY. (includes items 1 thru 50) |
| 1 | 73104135 | 1 | - | NUT, acorn, 1/2" NF |
| 2 | 73104134 | 1 | 1 | SCREW, adjusting, 1/2" NF |
| 3 | 70191995 | 2 | 2 | WASHER |
| | 70913830 | 1 | 1 | NUT, jam, 1/2" NF |
| 4 | 73104124 | 1 | 1 | CAP |
| | 70923574 | 1 | 1 | O-RING, 3/4" I. D. |
| 5 | 73027401 | 1 | 1 | SPRING |
| 6 | 73027397 | 1 | 1 | POPPET |
| 7 | 73104115 | 1 | 1 | SEAT |
| | 70923645 | 1 | 1 | O-RING, 5/8" I. D. |
| 8 | 73104138 | 1 | 1 | SPRING |
| | 73104119 | 1 | - | CHECK |
| 9 | { 73068642 | - | 1 | CHECK |
| 10 | 73104116 | 1 | 1 | SEAT |
| 11 | 73104118 | 1 | 1 | CHECK |
| 12 | 73104139 | 1 | 1 | SPRING |
| 13 | 73104123 | 1 | 1 | CAP |
| | 70923574 | 1 | 1 | O-RING, 3/4" I. D. |

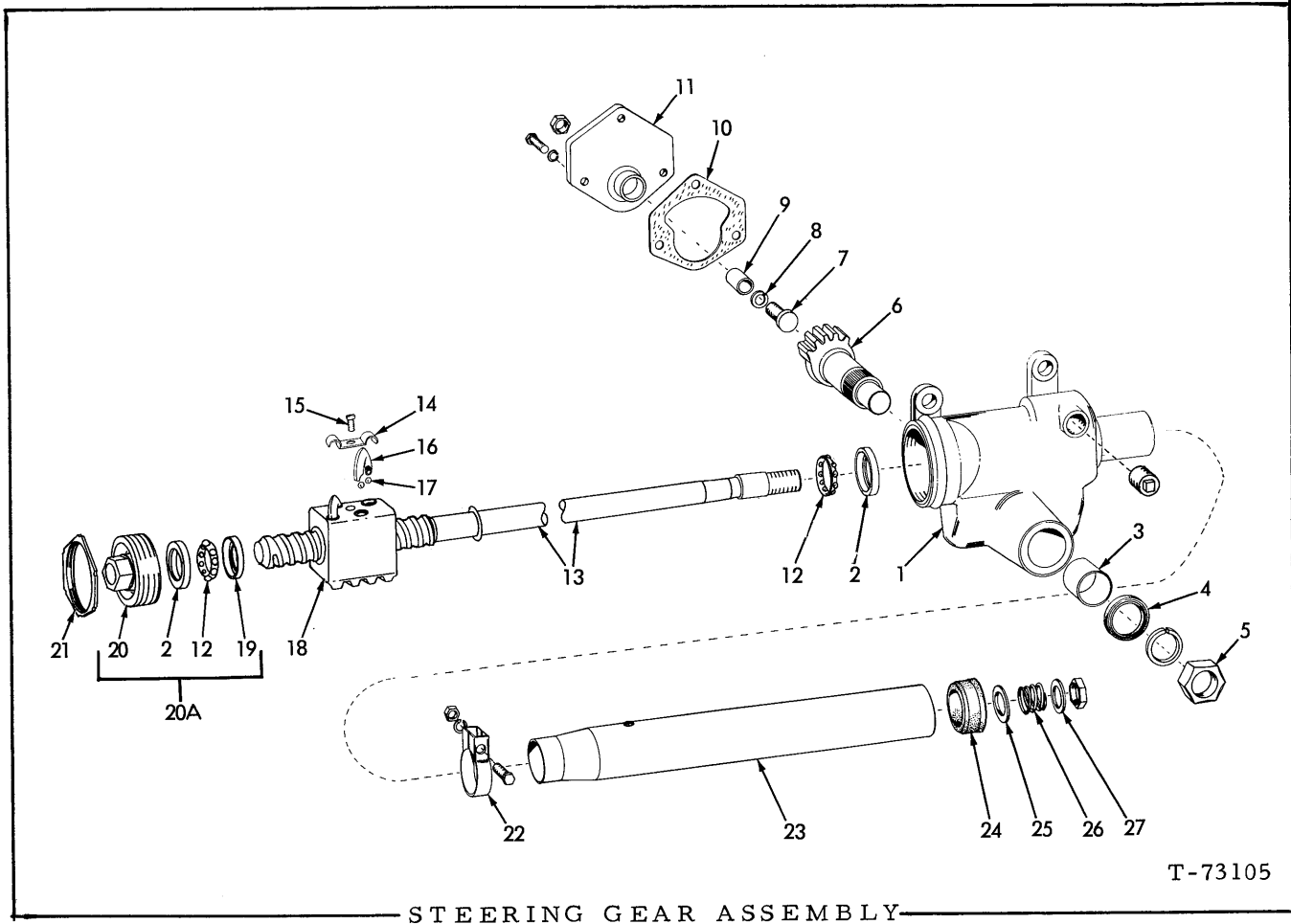
(Continued)

(Revised November 1977)

STEERING VALVE ASSEMBLY (Continued)

| ITEM | PART NO. | QTY. | | DESCRIPTION | |
|------|----------|------|----|---|-------------------|
| | | * | ** | | |
| 14 | 73104114 | 2 | 2 | SEAT | |
| 15 | 70926827 | 2 | 2 | RING, seal | |
| 16 | 70923562 | 2 | 2 | O-RING, 15/16" I. D. | |
| 17 | 73104109 | 2 | 2 | VALVE ASSY., relief (Serviced only as an assy.) | |
| 18 | 73104137 | 2 | - | SPRING | |
| | 73068645 | - | 2 | SPRING | |
| 19 | ----- | 1 | 1 | HOUSING (Order complete VALVE ASSY.) | |
| 20 | 73104122 | 1 | 1 | CAP | |
| 21 | 73100089 | 1 | 1 | RING, seal | |
| 22 | 73048073 | 1 | 1 | SPRING | |
| 23 | 73055234 | 1 | - | CHECK | |
| | 73067325 | - | 1 | CHECK | |
| 24 | 73070324 | 1 | 1 | CAP | |
| 25 | 70926810 | 2 | 2 | RING | |
| 26 | 70926800 | 2 | 2 | RING | |
| 27 | 70923379 | 2 | 2 | O-RING, 11/16" I. D. | |
| 28 | 73104145 | 2 | 2 | PLUG | |
| 29 | 73104146 | 2 | 2 | SPRING | |
| 30 | 73018397 | 2 | 2 | CHECK | |
| 31 | ----- | 1 | 1 | PLUNGER, lock (Order complete VALVE ASSY.) | |
| 32 | 73104125 | 1 | 1 | RETAINER | |
| | 70916269 | 2 | - | CAPSCREW, 3/8" NC x 7/8" | |
| | 70916272 | - | 2 | CAPSCREW, 3/8" NC x 1-1/4" | |
| | 70910287 | 2 | 2 | LOCKWASHER, 3/8" | |
| 33 | 73100727 | 1 | 1 | WIPER | |
| 34 | 73070385 | 2 | 2 | SEAL | |
| 35 | 73104144 | 1 | 1 | SPRING | |
| 36 | 73104120 | 1 | 1 | CAP | |
| 37 | ----- | 1 | 1 | SPOOL (Order complete VALVE ASSY.) | |
| 38 | 73048070 | 1 | 1 | RING, back-up | |
| | 73104128 | - | - | SHIM (.005" thick) | } Use as required |
| | 73054871 | - | - | SHIM (.010" thick) | |
| | 73054872 | - | - | SHIM (.020" thick) | |
| | 73054873 | - | - | SHIM (.025" thick) | |
| | 73054874 | - | - | SHIM (.002" thick) | |
| 40 | 73104126 | 1 | 1 | SPACER | |
| 41 | 73104127 | 2 | 2 | SPACER | |
| 42 | 73104143 | 1 | 1 | SPRING | |
| 43 | 73104130 | 1 | 1 | SPACER | |
| 44 | 73104131 | 1 | 1 | WASHER | |
| 45 | 73104136 | 1 | 1 | NUT, jam, 3/4" NF | |
| 46 | 73104129 | - | - | SHIM (.002" thick) | } Use as required |
| | 73054875 | - | - | SHIM (.010" thick) | |
| | 73054876 | - | - | SHIM (.005" thick) | |
| 47 | 73104132 | 1 | 1 | COVER | |
| | 73104140 | 4 | - | CAPSCREW, 3/8" NC x 1-1/2" | |
| | 70917467 | - | 4 | CAPSCREW, hex. hd. 3/8" NC x 1-3/4" | |
| | 70910287 | 4 | 4 | LOCKWASHER, 3/8" | |
| 48 | 70184550 | 1 | 1 | PLUG, bleeder | |
| 49 | 73068644 | - | 2 | SPACER | |
| 50 | 70923579 | - | 2 | O-RING, 1-63/64" I. D. | |

MEMO



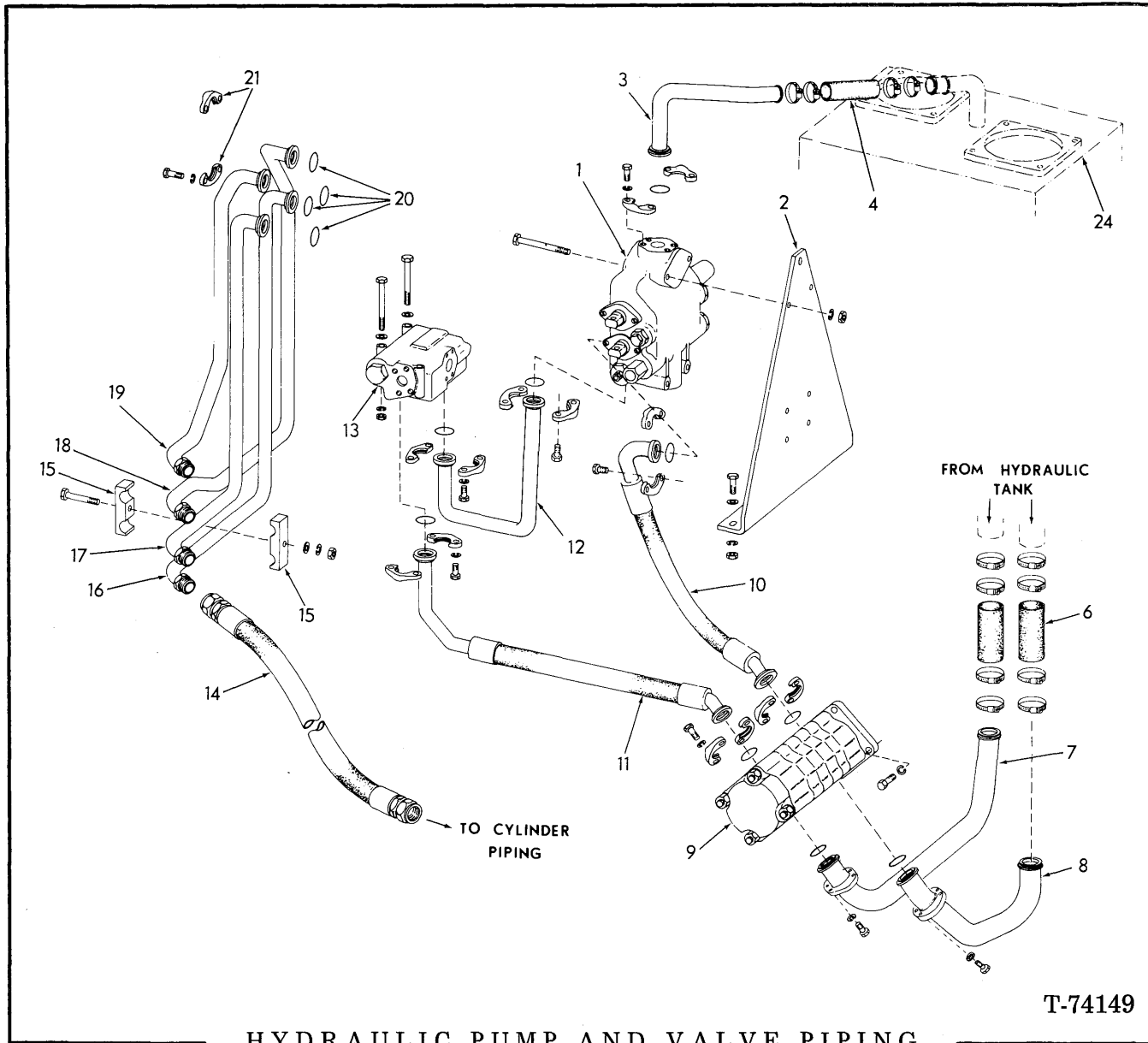
NOTE: See page 174.

| ITEM | PART NO. | QTY. | DESCRIPTION |
|------|----------|------|--|
| - | 73059193 | 1 | GEAR ASSY., stg. (Includes items 1 thru 27) |
| 1 | 73048099 | 1 | HOUSING ASSY. (Includes 1 Cup 73048096 and item 3) |
| | 70905261 | 1 | PLUG, pipe, 1/2" NPT |
| 2 | 73048096 | 2 | CUP |
| 3 | 73003893 | 1 | BUSHING |
| 4 | 73059179 | 1 | SEAL |
| 5 | 73044546 | 1 | NUT |
| | 70905347 | 1 | LOCKWASHER, 7/8" |
| 6 | 73057623 | 1 | GEAR |
| 7 | 73059196 | 1 | ADJUSTER |
| | 70910876 | 1 | NUT, jam, 7/16" NF |
| 8 | 73044365 | 1 | SHIM KIT (Consists of the following four shims) |
| | 73003883 | 1 | SHIM (.063" thick. Use as required) |
| | 73003884 | 1 | SHIM (.065" thick. Use as required) |
| | 73003885 | 1 | SHIM (.067" thick. Use as required) |
| | 73003886 | 1 | SHIM (.069" thick. Use as required) |

(Continued)

STEERING GEAR ASSEMBLY (Continued)

| ITEM | PART NO. | QTY. | DESCRIPTION |
|------|----------|------|--|
| 9 | 73059198 | 1 | BUSHING |
| 10 | 73048271 | 1 | GASKET |
| 11 | 73059197 | 1 | COVER ASSY. (Includes item 9) |
| | 73059200 | 3 | BOLT |
| 12 | 73048095 | 2 | BEARING |
| 13 | 73057624 | 1 | SHAFT ASSY. (Includes items 14 thru 18) |
| 14 | 73048278 | 1 | CLAMP |
| 15 | 73003933 | 1 | BOLT ASSY. (Includes washer) |
| 16 | 73048279 | 4 | GUIDE |
| 17 | 73006597 | 54 | BALL |
| 18 | ----- | 1 | NUT (Order item 13) |
| 19 | 73048097 | 1 | RETAINER |
| 20 | 73048094 | 1 | ADJUSTER |
| 20a | 73059204 | 1 | ADJUSTER ASSY. (Includes 1 cup 73048096, 1 Bearing 73048095 and items 19 and 20) |
| 21 | 73059202 | 1 | NUT |
| 22 | 73048270 | 1 | CLAMP |
| | 73048269 | 1 | BOLT |
| | 70910233 | 1 | NUT, 5/16" NF |
| | 70904205 | 1 | LOCKWASHER, 5/16" |
| 23 | 73048754 | 1 | JACKET ASSY. |
| 24 | 73048753 | 1 | BEARING ASSY. (Serviced only as a unit) |
| 25 | 73003888 | 1 | SEAT |
| 26 | 73003894 | 1 | SPRING |
| 27 | 73003891 | 1 | WASHER |
| | 70913177 | 1 | NUT, jam, 1/2" NF |



HYDRAULIC PUMP AND VALVE PIPING

T-74149

NOTE: For Special Equipment 3 spool valve FRONT PIPING see page 212.

| ITEM | PART NO. | QTY. | DESCRIPTION |
|------|----------|------|---|
| 1 | ----- | 1 | VALVE ASSY., 2-Spool (Standard Equipment) |
| | ----- | 1 | VALVE ASSY., 3-Spool (Special Equipment) |
| | 70923909 | 4 | CAPSCREW, 1/2" NC x 5-1/2" |
| | 70926191 | 4 | WASHER, plain, 9/16" |
| | 70922304 | 4 | NUT, 1/2" NC |
| 2 | 73045864 | 1 | BRACKET |
| | 70916285 | 1 | CAPSCREW, 3/8" NC x 1-1/2" |
| | 70900817 | 2 | WASHER, 7/16" |
| | 70911993 | 2 | WASHER, 7/16" |
| | 70918308 | 1 | NUT, 3/8" NC |
| | 70915987 | 2 | CAPSCREW, 1/2" NC x 1-1/2" |
| | 70926192 | 2 | WASHER, plain, 9/16" |
| | 70915972 | 2 | NUT, 1/2" NC |

} See page 217

(Continued)

(Revised November 1977)

HYDRAULIC PUMP AND VALVE PIPING (Continued)

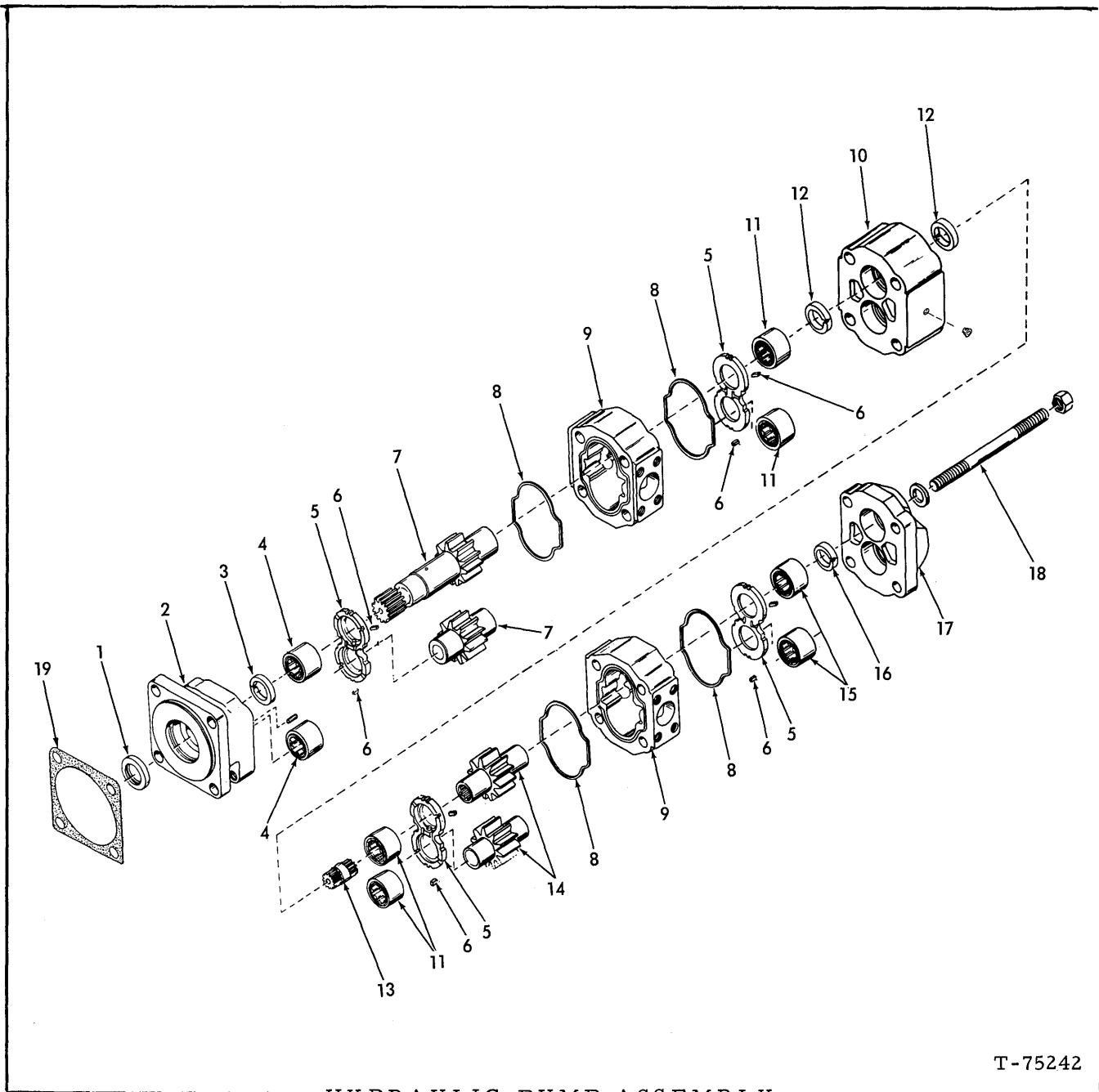
| ITEM | PART NO. | QTY. | DESCRIPTION |
|------|----------|------|---|
| 3 | 73045859 | 1 | TUBE ASSY. |
| | 70923578 | 1 | O-RING, 1-7/8" |
| | 70921118 | 2 | FLANGE |
| | 70915987 | 4 | CAPSCREW, 1/2" NC x 1-1/2" |
| | 70912441 | 4 | LOCKWASHER, 1/2" |
| 4 | 73006439 | 1 | HOSE |
| | 70925881 | 4 | CLAMP, adjustable, 1-5/16" to 2-1/4" |
| 6 | 73005005 | 2 | HOSE |
| | 70921913 | 8 | CLAMP, adjustable, 1-13/16" to 2-3/4" |
| 7 | 73050498 | 1 | TUBE ASSY. |
| | 70924193 | 1 | O-RING, 1-7/8" |
| | 73044104 | 1 | FLANGE |
| | 70916311 | 4 | CAPSCREW, 1/2" NC x 1-1/4" |
| | 70912441 | 4 | LOCKWASHER, 1/2" |
| 8 | 73050497 | 1 | TUBE ASSY. |
| | 70924193 | 1 | O-RING, 1-7/8" |
| | 73044104 | 1 | FLANGE |
| | 70916311 | 4 | CAPSCREW, 1/2" NC x 1-1/4" |
| | 70912441 | 4 | LOCKWASHER, 1/2" |
| 9 | ----- | 1 | PUMP ASSY., hydraulic (See page 186) |
| 10 | 73066442 | 1 | HOSE ASSY., pump to 2-Spool Valve (Standard Equipment) (For first replacement order item 23) |
| | 73066441 | 1 | HOSE ASSY., pump to 3-Spool Valve (Special Equipment) (For first replacement order item 24) |
| 11 | 70923664 | 1 | O-RING, 1-1/2" |
| | 70924192 | 1 | O-RING, 1-1/2" |
| | 70921117 | 4 | FLANGE |
| | 70916197 | 8 | CAPSCREW, 7/16" NC x 1-1/4" |
| | 70914678 | 8 | LOCKWASHER, 7/16" |
| | 73061283 | 1 | HOSE ASSY. (See HOSE PARTS) |
| | 70923664 | 2 | O-RING |
| | 70921117 | 4 | FLANGE |
| 12 | 70916197 | 8 | CAPSCREW, 7/16" NC x 1-1/4" |
| | 70914678 | 8 | LOCKWASHER, 7/16" |
| | 73066466 | 1 | TUBE ASSY., demand valve to 2-spool control valve (Standard Equipment)(For first replacement order item 23) |
| | 73066465 | 1 | TUBE ASSY., demand valve to 3-spool control valve (Special Equipment)(For first replacement order item 24) |
| | 70923664 | 2 | O-RING, 1-1/2" |
| | 70921117 | 4 | FLANGE |
| | 70916197 | 8 | CAPSCREW, 7/16" NC x 1-1/4" |
| | 70914678 | 8 | LOCKWASHER, 7/16" |
| 13 | ----- | 1 | VALVE ASSY., demand (See page 173) |
| | 70919293 | 2 | CAPSCREW, 3/8" NC x 5" |
| | 70919801 | 1 | CAPSCREW, 3/8" NC x 4" |
| | 70911115 | 3 | WASHER, plain, 3/8" |
| | 70904206 | 3 | LOCKWASHER, 3/8" |
| | 70918308 | 3 | NUT, 3/8" NC |
| | 73047343 | 3 | SPACER |
| | 73058700 | 4 | HOSE ASSY. (See HOSE PARTS) |

(Continued)

(Revised November 1977)

HYDRAULIC PUMP AND VALVE PIPING (Continued)

| ITEM | PART NO | QTY. | DESCRIPTION |
|------|----------|------|--|
| 15 | 73045733 | 4 | CLAMP |
| | 70919015 | 2 | CAPSCREW, 3/8" NC x 3-1/2" |
| | 70926180 | 4 | WASHER, plain, 3/8" |
| | 70918308 | 2 | LOCKNUT, 3/8" NC |
| | 73104804 | 1 | SPACER (use as required) |
| 16 | 73104597 | 1 | TUBE ASSY., bucket retract |
| 17 | 73104596 | 1 | TUBE ASSY., bucket dump |
| 18 | 73104585 | 1 | TUBE ASSY., boom raise |
| 19 | 73104595 | 1 | TUBE ASSY., boom lower |
| 20 | 70923664 | 4 | O-RING, 1-1/2" |
| 21 | 70921117 | 8 | FLANGE |
| | 70916197 | 16 | CAPSCREW, 7/16" NC x 1-1/4" |
| | 70914678 | 16 | LOCKWASHER, 7/16" |
| 22 | ----- | 1 | TANK, hydraulic (See page 215) |
| 23 | 73067749 | 1 | KIT, 2-spool valve (Includes items 10, 12 and 4 O-RING 70924192) |
| 24 | 73067751 | 1 | KIT, 3-spool valve (Includes items 10, 12; items 1 and 2 on page 212 and 6 O-RING 70924192) |



T-75242

HYDRAULIC PUMP ASSEMBLY

NOTE: See page 182.

| ITEM | PART NO. | QTY. | DESCRIPTION |
|------|----------|------|--|
| - | 73061750 | 1 | PUMP ASSY. (Includes items 1 thru 19) |
| | 70919048 | 4 | CAPSCREW, 1/2" NC x 1-5/8" |
| | 70910244 | 4 | WASHER, plain, 1/2" |
| 1 | 73044045 | 1 | SEAL, oil |
| 2 | 73044030 | 1 | COVER ASSY. (Includes items 1, 3, 4 and 1 Plug 70669623) |
| | 70669623 | 1 | PLUG |
| 3 | ----- | 1 | RING, seal (Order item 20) |

(Continued)

HYDRAULIC PUMP ASSEMBLY (Continued)

| TEM | PART NO. | QTY. | DESCRIPTION |
|-----|----------|------|---|
| 4 | 73044047 | 2 | BEARING |
| 5 | 73044031 | 4 | PLATE, wear |
| 6 | 73046521 | 1 | SEAL, 3-1/4" lg. (cut in 24 pieces) |
| 7 | 73048037 | 1 | GEAR SET (Includes drive gear and driven gear) |
| 8 | 70926814 | 4 | RING, seal |
| 9 | 73048036 | 2 | HOUSING |
| 10 | 73055668 | 1 | CARRIER |
| | 70910231 | 1 | PLUG, pipe, hex socket, 1/8" NPT |
| 11 | 73044047 | 4 | BEARING |
| 12 | ----- | 2 | RING, seal (Order item 20) |
| 13 | 73044036 | 1 | SHAFT |
| 14 | 73048039 | 1 | GEAR SET (Includes drive gear and driven gear) |
| 15 | 73044047 | 2 | BEARING |
| 16 | ----- | 1 | RING, seal (Order item 20) |
| 17 | 70666128 | 1 | COVER |
| 18 | 73048040 | 4 | STUD |
| | 70659494 | 4 | WASHER, plain |
| | 70923459 | 4 | NUT, 5/8" NC |
| 19 | 73058299 | 1 | GASKET |
| 20 | 73053765 | 1 | REPAIR KIT (Includes items 3, 12, 16 and instruction sheet) |

(Revised June 1979)

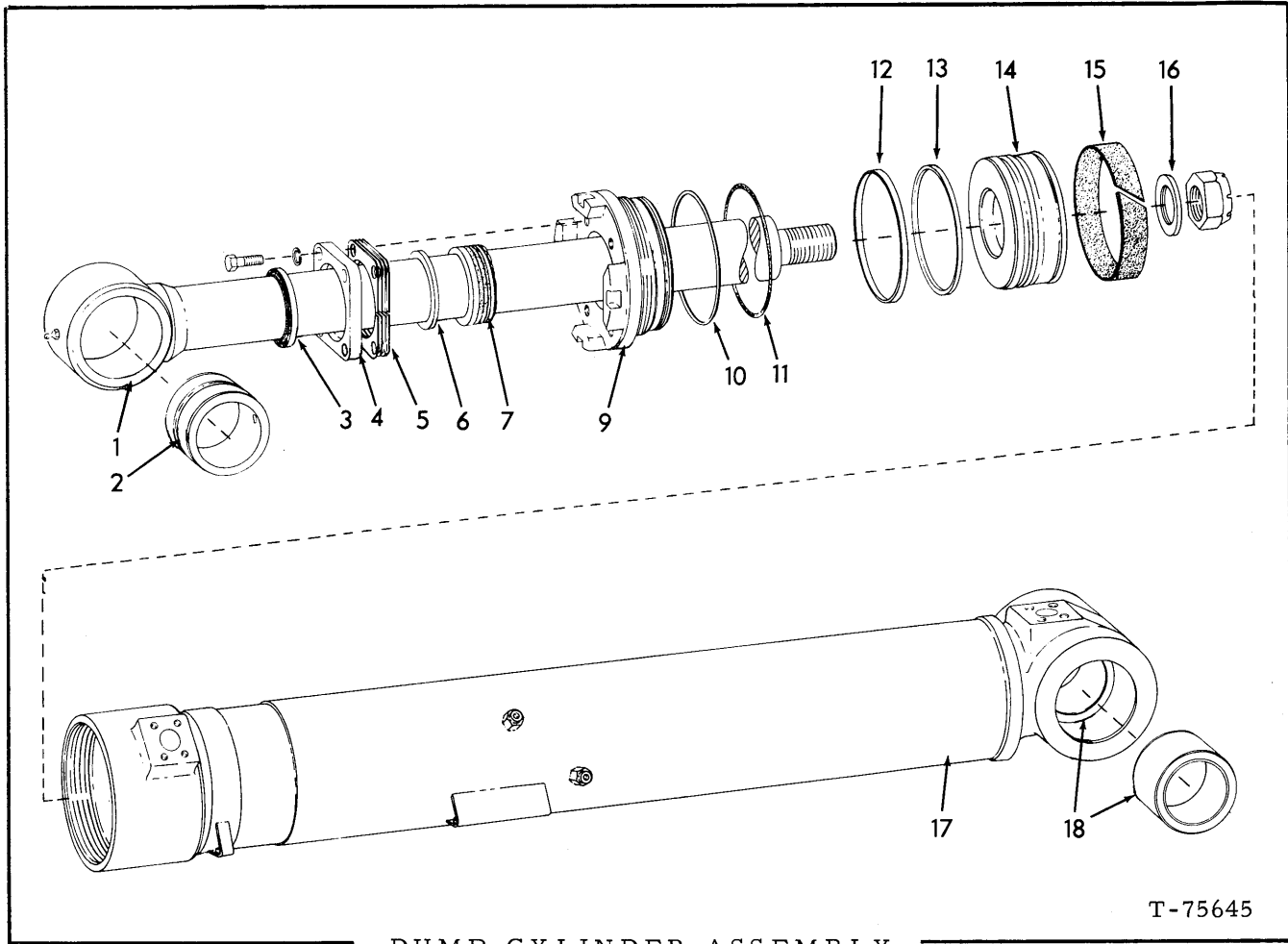
HYDRAULIC PUMP ASSEMBLY (Continued)

| ITEM | PART NO. | QTY. | DESCRIPTION |
|------|----------|------|---|
| 4 | 73044047 | 2 | BEARING |
| 5 | 73044031 | 4 | PLATE, wear |
| 6 | 73046521 | 1 | SEAL, 3-1/4" lg. (cut in 24 pieces) |
| 7 | 73048037 | 1 | GEAR SET (Includes drive gear and driven gear) |
| 8 | 70926814 | 4 | RING, seal |
| 9 | 73048036 | 2 | HOUSING |
| 10 | 73055668 | 1 | CARRIER |
| | 70910231 | 1 | PLUG, pipe, hex socket, 1/8" NPT |
| 11 | 73044047 | 4 | BEARING |
| 12 | ----- | 2 | RING, seal (Order item 20) |
| 13 | 73044036 | 1 | SHAFT |
| 14 | 73048039 | 1 | GEAR SET (Includes drive gear and driven gear) |
| 15 | 73044047 | 2 | BEARING |
| 16 | ----- | 1 | RING, seal (Order item 20) |
| 17 | 70666128 | 1 | COVER |
| 18 | 73048040 | 4 | STUD |
| | 70659494 | 4 | WASHER, plain |
| | 70923459 | 4 | NUT, 5/8" NC |
| 19 | 73058299 | 1 | GASKET |
| 20 | 73053765 | 1 | REPAIR KIT (Includes items 3, 12, 16 and instruction sheet) |

(Revised June 1979)

DUMP CYLINDER PIPING (Continued)

| ITEM | PART NO. | QTY. | DESCRIPTION |
|------|------------|------|--------------------------------------|
| 6 | 73045731 | 2 | CLAMP, half |
| | 70926577 | 1 | CAPSCREW, 3/8" NC x 3-1/4" |
| | 73104804 | - | SPACER (use as required) |
| | 70926180 | 1 | WASHER, plain, hardened, 7/16" I. D. |
| | 70918308 | 1 | NUT, elastic stop, 3/8" NC |
| 7 | 73104598 | 1 | TUBE ASSY., retract, left |
| 8 | 73045721 | 1 | TUBE ASSY., retract, right |
| | 70916272 | 4 | CAPSCREW, 3/8" NC x 1-1/4" |
| | 70904206 | 4 | LOCKWASHER, 3/8" |
| 9 | 73056873 | 1 | TUBE ASSY., dump, left |
| 10 | 73056874 | 1 | TUBE ASSY., dump, right |
| | 70916272 | 4 | CAPSCREW, 3/8" NC x 1-1/4" |
| | 70904206 | 4 | LOCKWASHER, 3/8" |
| 11 | 70923718 | 2 | O-RING, 1-5/16" I. D. |
| 12 | { 73048598 | 1 | TUBE ASSY., left |
| | | 1 | TUBE ASSY., right |
| | 70923718 | 2 | O-RING, 1-5/16" I. D. |
| | 70916274 | 8 | CAPSCREW, 3/8" NC x 2-1/4" |
| | 70904206 | 8 | LOCKWASHER, 3/8" |
| 13 | 73019133 | 4 | CLIP, tube support |
| | 70915408 | 2 | CAPSCREW, 3/8" NC x 3/4" |
| | 70916271 | 2 | CAPSCREW, 3/8" NC x 1" |
| | 70911115 | 4 | WASHER, plain, SAE std., 3/8" |
| | 70904206 | 4 | LOCKWASHER, 3/8" |
| 14 | 73046254 | 2 | PIN, head end |
| | 73044963 | 2 | WASHER, spacer |
| | 70924130 | 2 | NUT, safety, 1-3/4" NC |
| 15 | 73046260 | 2 | PIN, rod end |
| | 73044963 | 2 | WASHER, spacer |
| | 70924130 | 2 | NUT, safety, 1-3/4" NC |
| 16 | { 73054638 | 1 | TUBE ASSY., left |
| | | 1 | TUBE ASSY., right |
| | 70923718 | 2 | O-RING |
| | 70916272 | 8 | CAPSCREW, 3/8" NC x 1-1/4" |
| | 70904206 | 8 | LOCKWASHER, 3/8" |



T-75645

DUMP CYLINDER ASSEMBLY

USAGE: See DUMP CYLINDER PIPING page 188

| ITEM | PART NO. | QTY. | DESCRIPTION |
|------|----------|------|-------------|
|------|----------|------|-------------|

NOTE: Quantities indicated are for one (1) cylinder assy.

| | | | |
|---|------------|---|--|
| - | { 73058097 | 1 | CYLINDER ASSY., left (Includes items 1 thru 18) |
| | { 73058098 | 1 | CYLINDER ASSY., right (Includes items 1 thru 18) |
| 1 | 73058090 | 1 | ROD ASSY. (Includes item 2) |
| | 73073212 | 1 | NUT, safety, 1-3/4" NF |
| | 70914465 | 1 | FITTING, lube, 1/8" NPTF |
| 2 | 73045092 | 1 | BUSHING |
| 3 | 73052879 | 1 | WIPER |
| 4 | 73059335 | 1 | PLATE |
| | 70914847 | 4 | CAPSCREW, 3/8" NC x 1-1/2" |
| | 70904206 | 4 | LOCKWASHER, 3/8" |

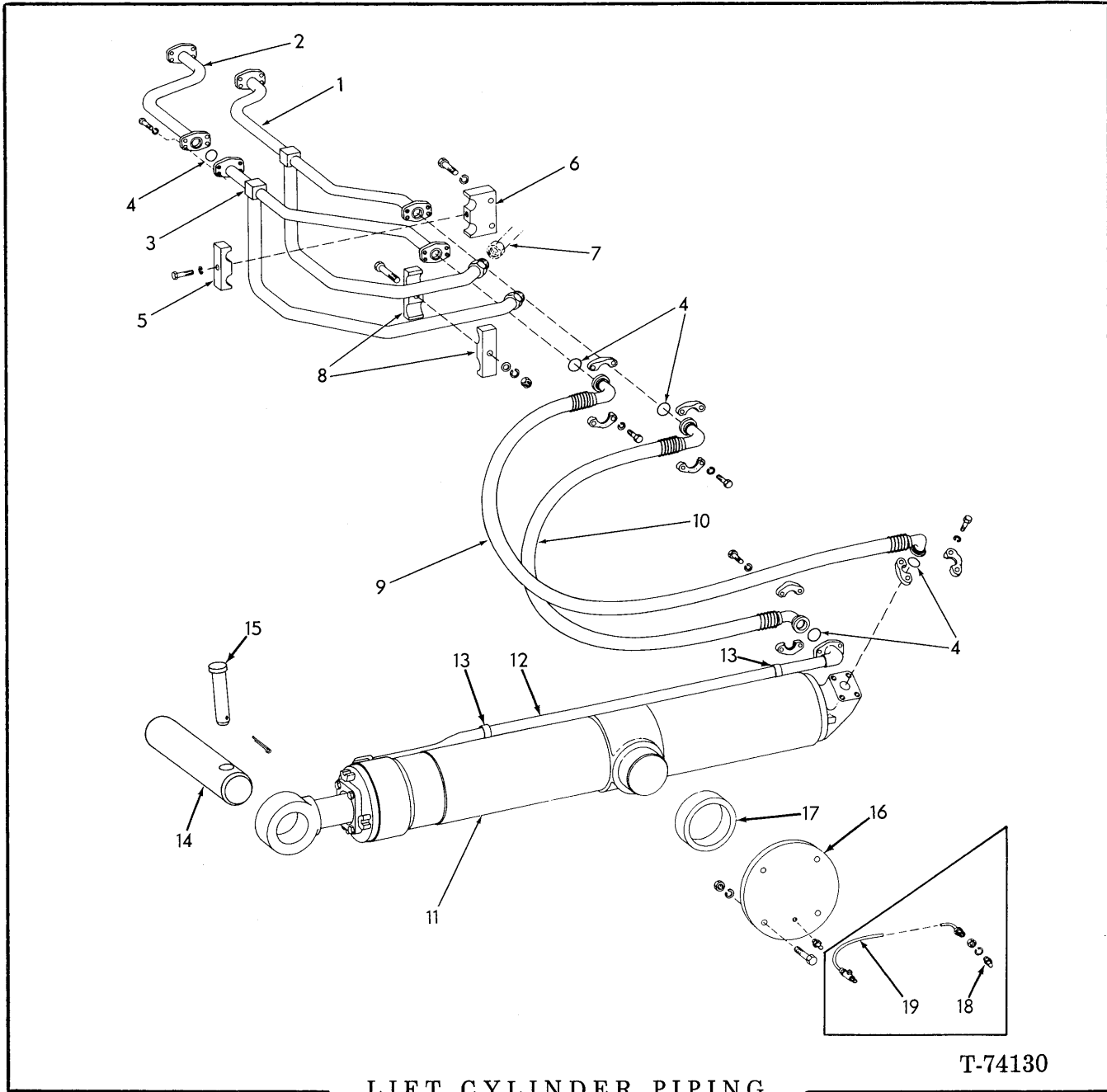
(Continued)

(Revised June 1979)

DUMP CYLINDER ASSEMBLY (Continued)

| ITEM | PART NO. | QTY. | DESCRIPTION |
|------|------------|------|--|
| 5 | 73054486 | 4 | SHIM (.0299" thick) |
| 6 | ----- | 1 | WASHER (Not required on late models)(Early models order END PLATE 73059335) |
| 7 | 73053886 | 1 | PACKING SET |
| 8 | 73053885 | 1 | BUSHING (Not Illustrated) (Use with early units) |
| 9 | 73062208 | 1 | HEAD |
| 10 | 73063369 | 1 | BACK-UP RING |
| 11 | 70931231 | 1 | O-RING |
| 12 | 73053357 | 1 | RING, outer |
| 13 | 70926865 | 1 | RING, inner |
| 14 | 73053356 | 1 | PISTON |
| 15 | 73053359 | 1 | RING, wear |
| 16 | 73053977 | 1 | SPACER, rod |
| 17 | { 73058095 | 1 | TUBE ASSY., left (Includes item 18) |
| | { 73058096 | 1 | TUBE ASSY., right (Includes item 18) |
| | { 70914465 | 1 | FITTING, lube, 1/8" NPTF |
| 18 | 73010347 | 2 | BUSHING, tube assy. |
| - | 73056493 | 1 | REPAIR KIT, cylinder (Includes items 3, 5, 7, 10, 11, 12, 13 and 15) |

(Revised March 1978)



LIFT CYLINDER PIPING

NOTE: For Dump Cylinder Piping, see page 188.

| ITEM | PART NO. | QTY. | DESCRIPTION |
|------|----------|------|----------------------------|
| 1 | 73104600 | 1 | TUBE ASSY. |
| 2 | 73104814 | 1 | TUBE ASSY. |
| | 70916272 | 4 | CAPSCREW, 3/8" NC x 1-1/4" |
| | 70910287 | 4 | LOCKWASHER, 3/8" |
| 3 | 73104584 | 1 | TUBE ASSY. |
| 4 | 70923718 | 9 | O-RING, 1-5/16" |

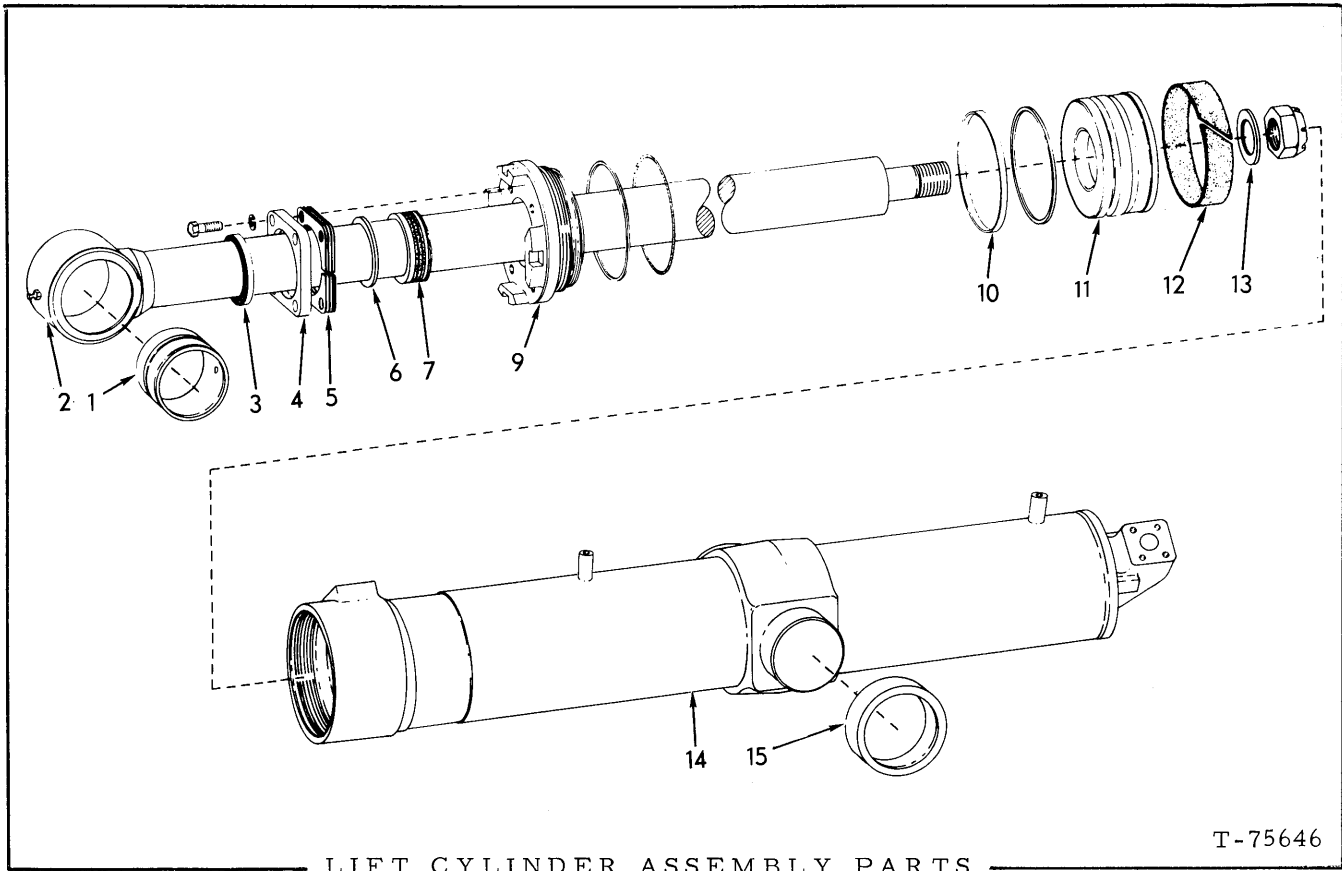
(Continued)

(Revised November 1977)

LIFT CYLINDER PIPING (Continued)

| ITEM | PART NO. | QTY. | DESCRIPTION |
|------|----------|------|--|
| 5 | 73052340 | 2 | CLAMP |
| | 70914847 | 2 | CAPSCREW, 3/8" NC x 1-1/2" |
| | 70910287 | 2 | LOCKWASHER, 3/8" |
| | 73104804 | - | SPACER (Use as required) |
| 6 | 73045736 | 2 | CLAMP |
| | 70916273 | 4 | CAPSCREW, 3/8" NF x 1-3/4" |
| | 70910287 | 4 | LOCKWASHER, 3/8" |
| 7 | ----- | 2 | HOSE, cross-over (See page 182) |
| 8 | 73045733 | 2 | CLAMP |
| | 70919015 | 1 | CAPSCREW, 3/8" NC x 3-1/2" |
| | 70926180 | 1 | WASHER, plain, hardened, 7/16" |
| | 73104804 | - | SPACER (Use as required) |
| | 70918308 | 1 | LOCKNUT, 3/8" NC |
| 9 | 73045542 | 1 | HOSE ASSY., lift, left (See HOSE PARTS) |
| | 73045543 | 1 | HOSE ASSY., lift, right (See HOSE PARTS) |
| | 70921116 | 8 | FLANGE, split, No. 16 |
| | 70916272 | 16 | CAPSCREW, 3/8" NC x 1-1/4" |
| | 70910287 | 16 | LOCKWASHER, 3/8" |
| 10 | 73045520 | 2 | HOSE ASSY., lower, left and right (See HOSE PARTS)(Standard Equipment - For Special Equipment multi-purpose bucket, usage, see page 228) |
| | 70921116 | 8 | FLANGE, split, No. 16 |
| | 70916272 | 16 | CAPSCREW, 3/8" NC x 1-1/4" |
| | 70910287 | 16 | LOCKWASHER, 3/8" |
| 11 | ----- | 2 | CYLINDER ASSY., lift (See page 194) |
| 12 | 73045515 | 1 | TUBE ASSY., left |
| | 73045516 | 1 | TUBE ASSY., right |
| | 70916272 | 8 | CAPSCREW, 3/8" NF x 1-1/4" |
| | 70910287 | 8 | LOCKWASHER, 3/8" |
| | 70923718 | 2 | O-RING, 1-5/16" I.D. |
| 13 | 73053881 | 4 | CLIP |
| | 70916225 | 4 | CAPSCREW, 3/8" NF x 1" |
| | 70911115 | 4 | WASHER, plain, 3/8" |
| | 70677006 | 2 | WASHER (Used between weldnut and clip) |
| | 70910287 | 4 | LOCKWASHER, 3/8" |
| 14 | 73046284 | 2 | PIN |
| 15 | 73013568 | 2 | PIN |
| | 70900811 | 2 | PIN, cotter, 3/16" x 1-1/2" |
| | 73056870 | 4 | CAGE ASSY., lift cylinder (Includes item 17) |
| 16 | 70916422 | 16 | CAPSCREW, 1/2" NF x 2-3/4" |
| | 70912441 | 16 | LOCKWASHER, 1/2" |
| | 70919423 | 16 | NUT, 1/2" NF |
| | 73100062 | 4 | BUSHING |
| 18 | 70914465 | 2 | FITTING, lube, str., 1/8" NPT (outer trunnion) |
| | 73032350 | 2 | TUBE ASSY., lube, inner trunnion (Used prior to unit no. 03504) |
| | 70910345 | 2 | NUT, jam, 5/8" NF |
| | 70912942 | 2 | LOCKWASHER, 5/8" |
| | 70914465 | 2 | FITTING, lube, str., 1/8" NPT |
| 19 | 73066603 | 2 | HOSE ASSY. (to hanger bearing and R. H. trunnion bearing cap) |
| | 73066604 | 1 | HOSE ASSY. (to L.H. trunnion bearing cage) |
| | 70933010 | 3 | LOCKNUT, 1/8" NPSM |
| | 70912808 | 3 | FITTING, lube, 1/4" taper thd. |
| | | | |

(Revised November 1977)



LIFT CYLINDER ASSEMBLY PARTS

T-75646

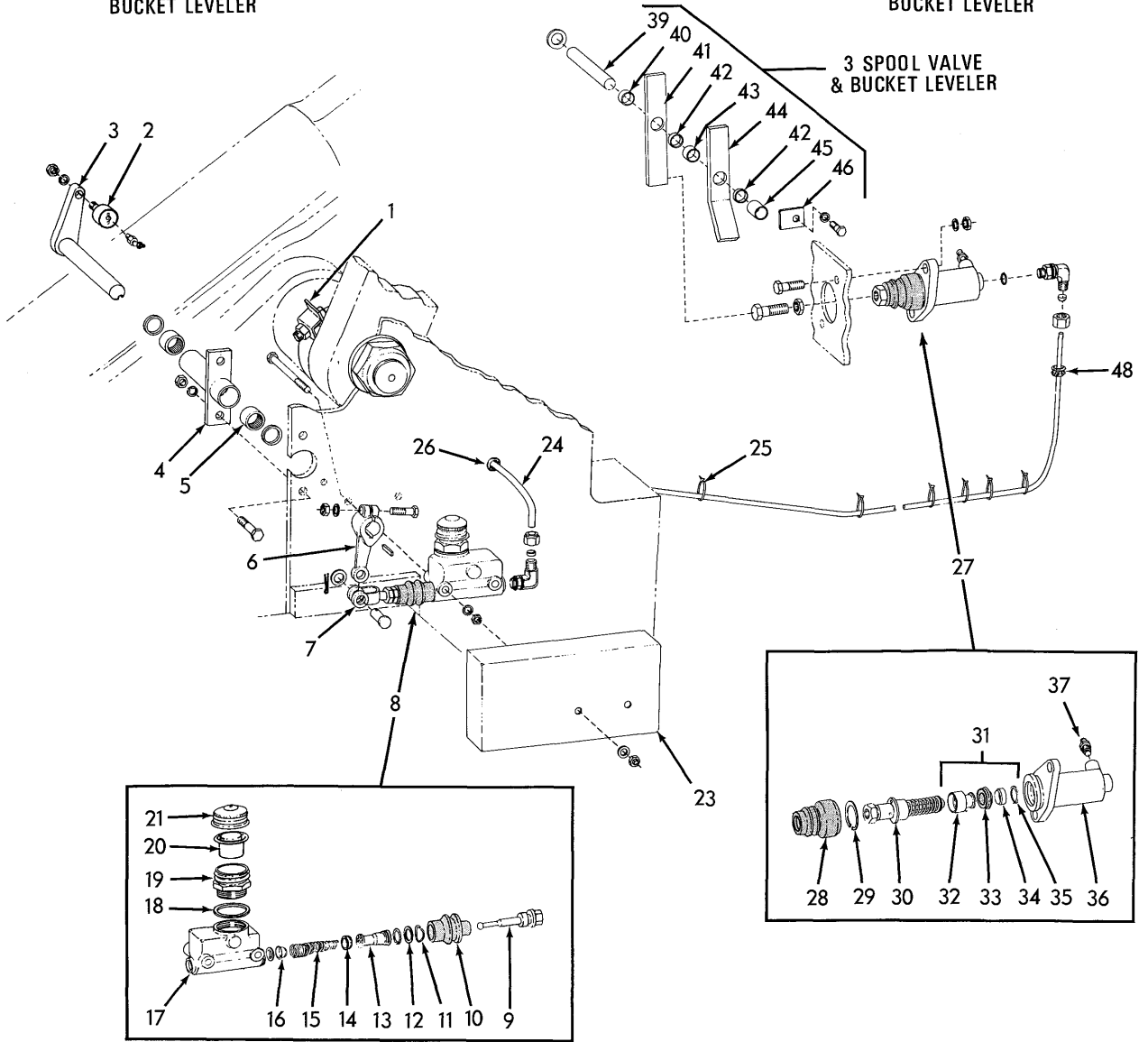
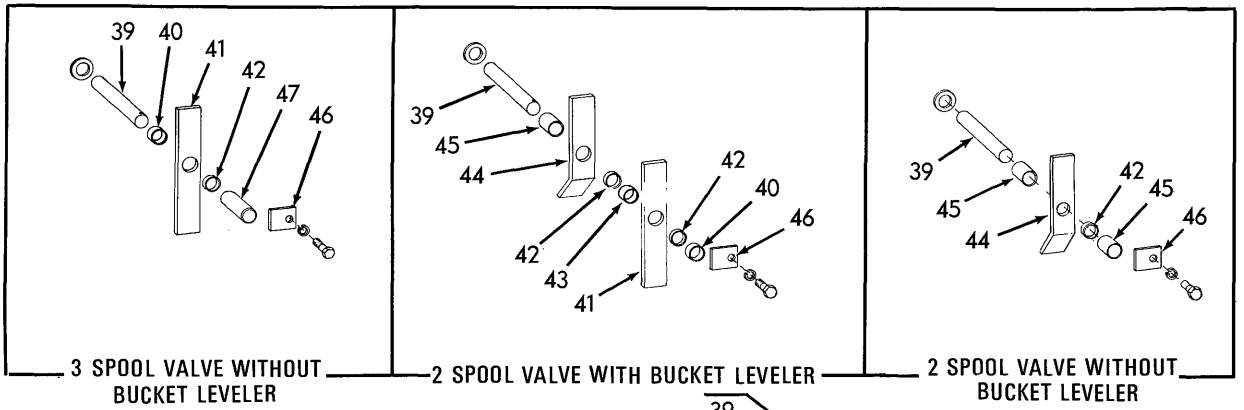
| ITEM | PART NO. | QTY. | DESCRIPTION |
|------|------------|------|--|
| | | | NOTE: Quantities indicated are for one (1) cylinder only. |
| - | { 73064301 | 1 | CYLINDER ASSY., left (Includes items 1 thru 15) |
| | { 73064302 | 1 | CYLINDER ASSY., right (Includes items 1 thru 15) |
| 1 | 73045495 | 1 | BUSHING |
| 2 | 73055789 | 1 | ROD ASSY. (Includes item 1)(Replaces 73064254) |
| | 70926392 | 1 | NUT, safety, 2" NF |
| | 70914465 | 2 | FITTING, lube, 1/8" NPTF |
| 3 | 73052942 | 1 | WIPER, rod |
| 4 | 73059354 | 1 | PLATE, end |
| | 70915987 | 4 | CAPSCREW, 1/2" NC x 1-1/2" |
| | 70904208 | 4 | LOCKWASHER, 1/2" |
| 5 | 73054488 | 4 | SHIM, adjusting (.0299" thick) |
| 6 | ----- | 1 | WASHER (Not required, order 1 73059354 PLATE) |
| 7 | 73054073 | 1 | PACKING SET |
| 8 | 73054072 | 1 | BUSHING, rod packing(Not illustrated) (Use with early units) |

(Continued)

(Revised June 1979)

LIFT CYLINDER ASSEMBLY PARTS (Continued)

| ITEM | PART NO. | QTY. | DESCRIPTION |
|------|----------|------|--|
| 9 | 73062202 | 1 | HEAD, cylinder |
| | 73063370 | 1 | RING, back-up |
| | 70925767 | 1 | O-RING, sealing |
| 10 | 73053433 | 1 | RING, outer |
| 11 | 73053418 | 1 | PISTON |
| | 70926840 | 1 | RING, inner, piston |
| 12 | 73053434 | 1 | RING, wear |
| 13 | 73054108 | 1 | SPACER, rod |
| 14 | 73064299 | 1 | TUBE ASSY., left (Includes item 15) |
| | 73064300 | 1 | TUBE ASSY., right (Includes item 15) |
| 15 | 73045463 | 2 | BUSHING, trunnion |
| - | 73056488 | 1 | REPAIR KIT, cylinder (Consists of 1 RING 70926840, 1 RING 73063370, 1 O-RING 70925767, items 3, 5, 7, 10 and 12) |



AUTOMATIC BOOM KICK-OUT

T-76658

AUTOMATIC BOOM KICK-OUT
(Hydraulic)

JSAGE: Special Equipment

| ITEM | PART NO. | QTY. | DESCRIPTION |
|------|----------|------|--|
| 1 | 73058894 | 1 | CLAMP ASSY., (Includes capscrew) |
| 2 | 70684010 | 1 | CAM |
| | 70914678 | 1 | LOCKWASHER, 7/16" |
| | 70910986 | 1 | NUT, 7/16" NF |
| | 70917889 | 1 | FITTING, lube, 65°, 3/16" drive type |
| 3 | 73058902 | 1 | LEVER |
| 4 | 73058935 | 1 | BRACKET ASSY. (Includes item 5) |
| | 70914847 | 2 | CAPSCREW, 3/8" NC x 1-1/2" |
| | 70910287 | 2 | LOCKWASHER, 3/8" |
| | 70910324 | 2 | NUT, 3/8" NC |
| 5 | 70929241 | 2 | BEARING |
| 6 | 73058897 | 1 | LEVER |
| | 70925225 | 1 | KEY, flat, 1/8" x 3/16" x 61/64" |
| | 70914847 | 1 | CAPSCREW, 3/8" NC x 1-1/2" |
| | 70910287 | 1 | LOCKWASHER, 3/8" |
| | 70910324 | 1 | NUT, 3/8" NC |
| 7 | 73058896 | 1 | YOKE |
| | 70910324 | 1 | NUT, 3/8" NC |
| | 70917648 | 1 | PIN, connecting, lever |
| | 70900806 | 1 | PIN, cotter, 1/8" x 1" |
| 8 | 73058934 | 1 | CYLINDER ASSY. (Includes items 9 thru 21) |
| | 70916275 | 2 | CAPSCREW, 3/8" NC x 3-3/4" |
| | 70910287 | 2 | LOCKWASHER, 3/8" |
| | 70910324 | 2 | NUT, 3/8" NC |
| 9 | 73059079 | 1 | ROD |
| 10 | 73058979 | 1 | BOOT |
| 11 | 73058978 | 1 | LOCKWIRE |
| 12 | ----- | 1 | PLATE (Order item 22) |
| 13 | ----- | 1 | PISTON ASSY. (Order item 22){Includes O-RING indented below} |
| | 70929194 | 1 | O-RING |
| 14 | 73058975 | 1 | CUP |
| 15 | 73058974 | 1 | SPRING ASSY. |
| 16 | ----- | 1 | VALVE ASSY. (Order item 22) |
| 17 | ----- | 1 | HOUSING (Order complete Assy.) |
| 18 | 73058981 | 1 | GASKET |
| 19 | 73058982 | 1 | ADAPTER |
| 20 | 73058983 | 1 | DIAPHRAGM |

(Continued)

(Revised June 1979)

AUTOMATIC BOOM KICK-OUT (Continued)
(Hydraulic)

| ITEM | PART NO. | QTY. | DESCRIPTION |
|------|----------|------|--|
| 21 | 73058984 | 1 | CAP |
| 22 | 73058985 | 1 | REPAIR KIT (Consists of items 10 thru 14 and 16) |
| 23 | 73058931 | 1 | COVER |
| | 70911115 | 2 | WASHER, plain, SAE std., 3/8" |
| | 70910324 | 2 | NUT, 3/8" NF |
| 24 | ----- | - | TUBE, hydraulic line (Order 108" of item 49) |
| | 70928625 | 2 | ELBOW ASSY., compression type (Includes nut, sleeve and o-ring indented below) |
| | 70930350 | 2 | SLEEVE, 1/4" |
| | 70930351 | 2 | NUT, 1/4" |
| | 70921883 | 2 | O-RING, 11/32" I.D. |
| 25 | 70925094 | 6 | CLIP |
| 26 | 70912765 | 1 | GROMMET |
| 27 | 73057432 | 1 | CYLINDER ASSY. (Includes items 28 thru 37) |
| | 70916272 | 2 | CAPSCREW, 3/8" NC x 1-1/4" |
| | 70910287 | 2 | LOCKWASHER, 3/8" |
| | 70910324 | 2 | NUT, 3/8" NC |
| | 70913105 | 1 | CAPSCREW, 1/2" NF x 1-1/2" |
| | 70913177 | 1 | NUT, 1/2" NF |
| | 70927218 | 2 | CAPSCREW, 3/8" NC x 2-3/4" |
| | 70911115 | 4 | WASHER |
| | 70619260 | 2 | SPRING |
| | 70918308 | 2 | NUT, lock, 3/8" NC |
| 28 | 70067487 | 1 | <input type="checkbox"/> BOOT |
| 29 | 70927694 | 1 | <input type="checkbox"/> RING |
| 30 | 73058960 | 1 | ROD ASSY. (Serviced only as a unit) |
| 31 | 73058959 | 1 | PISTON ASSY. (Includes items 32 thru 35) |
| 32 | ----- | 1 | PISTON (Order item 31) |
| 33 | 73058962 | 1 | <input type="checkbox"/> CUP, primary |
| 34 | 73058963 | 1 | <input type="checkbox"/> RETAINER |
| 35 | 70927783 | 1 | <input type="checkbox"/> RING |
| 36 | ----- | 1 | HOUSING (Order item 27) |
| 37 | 70638413 | 1 | SCREW, bleeder |
| 38 | 73058961 | 1 | REPAIR KIT (Consists of items 28, 29, 33, 34, 35 and lockwire) (Lockwire not required for this application) |
| 39 | 73057869 | 1 | SHAFT |
| | 70910255 | 1 | WASHER, plain, 3/4" |
| 40 | 73057188 | 1 | SPACER, 11/16" long |
| 41 | 73057875 | 1 | LEVER ASSY. (Includes one item 42) |
| 42 | 73057872 | 2 | BUSHING |
| 43 | 73057197 | 1 | SPACER, 3/4" long |
| 44 | 73057876 | 1 | LEVER ASSY. (Includes one item 42) |
| 45 | 73057198 | 1 | SPACER, 1-5/8" long |
| 46 | 73057868 | 1 | TAB |
| | 70916284 | 1 | CAPSCREW, 1/4" NC x 1/2" |
| | 70904204 | 1 | LOCKWASHER, 1/4" |
| 47 | 73058106 | 1 | SPACER, 2-15/16" long |
| 48 | ----- | - | CHANNEL, 7" long (Refer to item 50) |
| 49 | 73059021 | - | TUBE (100' length - use as required) |
| 50 | 73048123 | - | CHANNEL (25' length - use as required) |

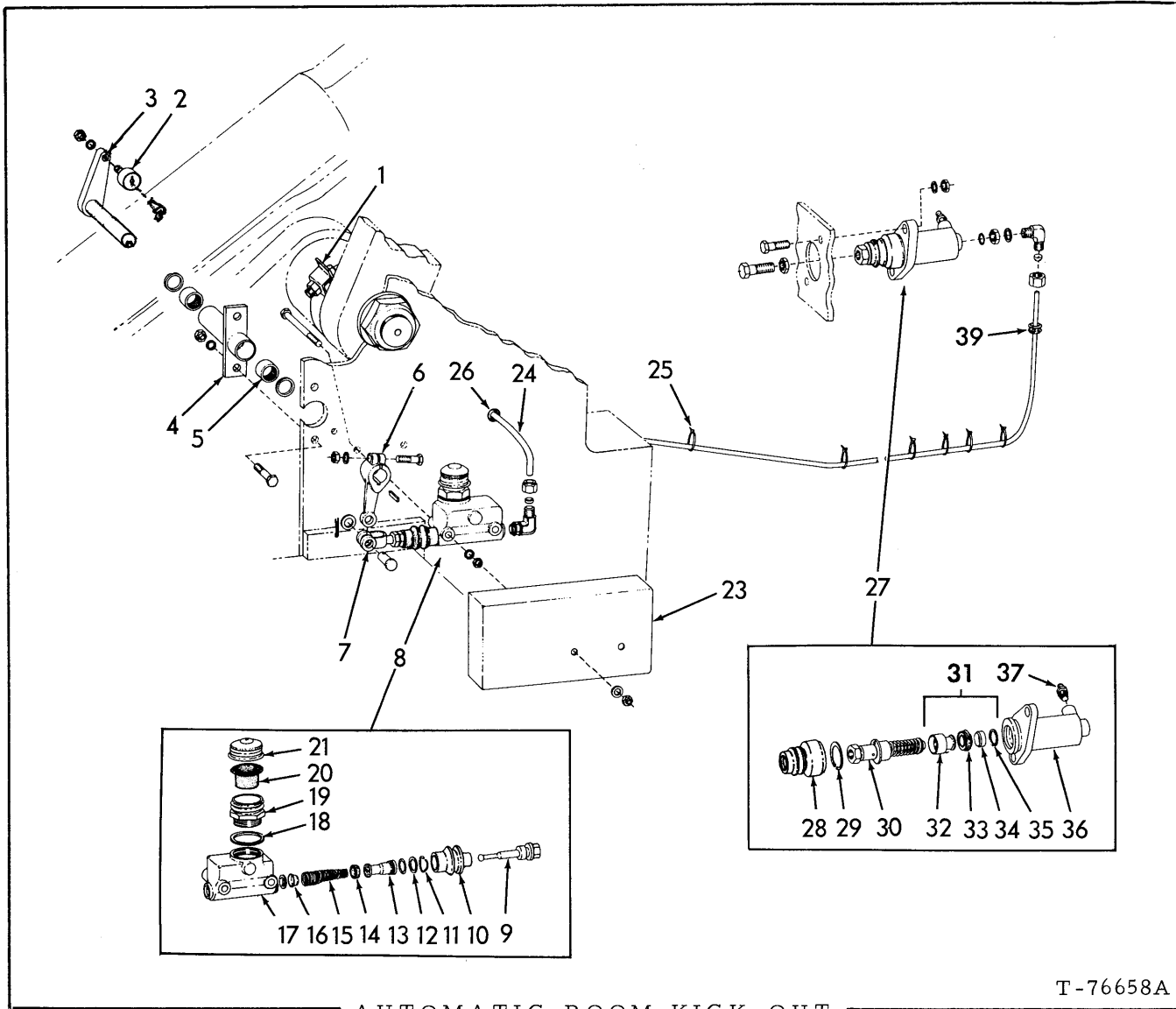
} Original equipment (Order service replacement)

} Service replacement for items above. (Not illustrated)

(Revised June 1979)

MEMO

(Revised June 1979)



T-76658A

AUTOMATIC BOOM KICK-OUT
(Single Lever Control)

USAGE: Special Equipment

| ITEM | PART NO. | QTY. | DESCRIPTION |
|------|----------|------|--------------------------------------|
| 1 | 73058894 | 1 | CLAMP ASSY. (Includes capscrew) |
| 2 | 70684010 | 1 | CAM |
| | 70904207 | 1 | LOCKWASHER, 7/16" |
| | 70911042 | 1 | NUT, 7/16" NF |
| | 70917889 | 1 | FITTING, lube, 65°, 3/16" drive type |
| 3 | 73058902 | 1 | LEVER |
| 4 | 73058935 | 1 | BRACKET ASSY. (Includes item 5) |
| | 70914847 | 2 | CAPSCREW, 3/8" NC x 1-1/2" |
| | 70904206 | 2 | LOCKWASHER, 3/8" |
| | 70910324 | 2 | NUT, 3/8" NC |

(Continued)

AUTOMATIC BOOM KICK - OUT (Continued)

(Single Lever Control)

| ITEM | PART NO. | QTY. | DESCRIPTION |
|------|----------|------|--|
| 5 | 70929241 | 2 | BEARING |
| 6 | 73058897 | 1 | LEVER |
| | 70925225 | 1 | KEY, flat, 1/8" x 3/16" x 61/64" |
| | 70914847 | 1 | CAPSCREW, 3/8" NC x 1-1/2" |
| | 70904206 | 1 | LOCKWASHER, 3/8" |
| | 70910324 | 1 | NUT, 3/8" NC |
| 7 | 73058896 | 1 | YOKE |
| | 70910324 | 1 | NUT, 3/8" NC |
| | 70917648 | 1 | PIN, connecting, lever |
| | 70900806 | 1 | PIN, cotter, 1/8" x 1" |
| 8 | 73058934 | 1 | CYLINDER ASSY., master (Includes items 9 thru 21) |
| | 70916275 | 2 | CAPSCREW, 3/8" NC x 3-3/4" |
| | 70904206 | 2 | LOCKWASHER, 3/8" |
| | 70910324 | 2 | NUT, 3/8" NC |
| 9 | 73059079 | 1 | ROD |
| 10 | 73058979 | 1 | <input type="checkbox"/> BOOT |
| 11 | 73058978 | 1 | <input type="checkbox"/> LOCKWIRE |
| 12 | ----- | 1 | <input type="checkbox"/> PLATE (Order item 22) |
| 13 | ----- | 1 | <input type="checkbox"/> PISTON ASSY. (Includes 1 O-RING 70929194) (Order item 22) |
| | 70929194 | 1 | O-RING |
| 14 | 73058975 | 1 | <input type="checkbox"/> CUP |
| 15 | 73058974 | 1 | SPRING ASSY. |
| 16 | ----- | 1 | <input type="checkbox"/> VALVE ASSY. (Order item 22) |
| 17 | ----- | 1 | HOUSING (Order item 8) |
| 18 | 73058981 | 1 | GASKET |
| 19 | 73058982 | 1 | ADAPTER |
| 20 | 73058983 | 1 | DIAPHRAGM |
| 21 | 73058984 | 1 | CAP |
| 22 | 73058985 | 1 | REPAIR KIT (Consists of items 10 thru 14 and 16) |
| 23 | 73058931 | 1 | COVER |
| | 70911115 | 2 | WASHER, plain, SAE std., 3/8" |
| | 70910324 | 2 | NUT, 3/8" NC |
| 24 | ----- | - | TUBE (Order 108" of part no. 73059021) |
| | 70928625 | 2 | ELBOW ASSY., compression type (Includes nut, sleeve and o-ring indented below) |
| | 70930350 | 2 | SLEEVE, 1/4" |
| | 70930351 | 2 | NUT, 1/4" NF |
| | 70921883 | 2 | O-RING, 11/32" I. D. |
| 25 | 70925094 | 6 | CLIP |

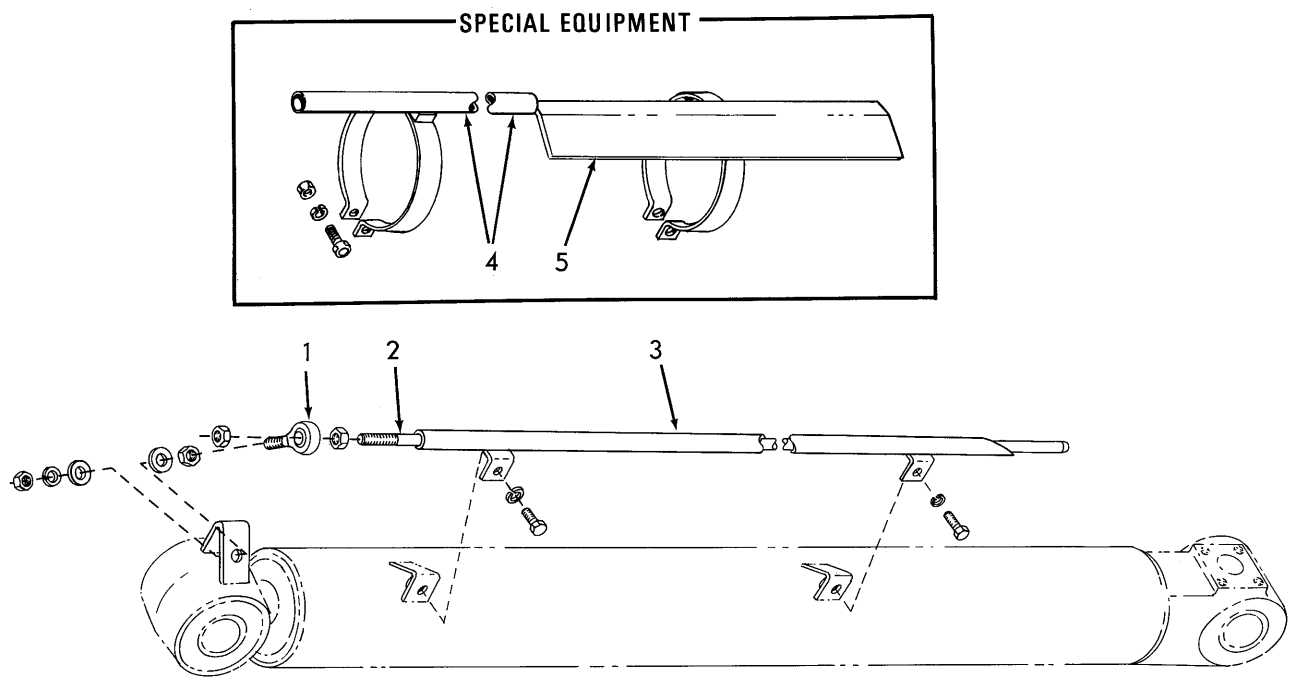
(Continued)

(Revised June 1979)

AUTOMATIC BOOM KICK-OUT (Continued)
(Single Lever Control)

| ITEM | PART NO. | QTY. | DESCRIPTION | |
|------|----------|------|--|--|
| 26 | 70912765 | 1 | GROMMET | |
| 27 | 73057432 | 1 | CYLINDER ASSY. (Includes items 28 thru 37) | |
| | 70916272 | 2 | CAPSCREW, 3/8" NC x 1-1/4" | } Original equipment (Order service replacement parts below) |
| | 70910287 | 2 | LOCKWASHER, 3/8" | |
| | 70910324 | 2 | NUT, 3/8" NC | |
| | 70913105 | 1 | CAPSCREW, 1/2" NF x 1-1/2" | |
| | 70913177 | 1 | NUT, 1/2" NF | |
| | 70927218 | 2 | CAPSCREW, 3/8" NC x 2-3/4" | } Service replacement for items above. (Not illustrated) |
| | 70911115 | 4 | WASHER | |
| | 70619260 | 2 | SPRING | |
| | 70918308 | 2 | NUT, lock, 3/8" NC | |
| 28 | 70067487 | 1 | <input type="checkbox"/> BOOT | |
| 29 | 70927694 | 1 | <input type="checkbox"/> RING | |
| 30 | 73058960 | 1 | ROD ASSY. (Serviced only as a unit) | |
| 31 | 73058959 | 1 | PISTON ASSY. (Includes items 32 thru 35) | |
| 32 | ----- | 1 | PISTON (Order item 31) | |
| 33 | 73058962 | 1 | <input type="checkbox"/> CUP, primary | |
| 34 | 73058963 | 1 | <input type="checkbox"/> RETAINER | |
| 35 | 70927783 | 1 | <input type="checkbox"/> RING | |
| 36 | ----- | 1 | HOUSING (Order item 27) | |
| 37 | 70638413 | 1 | SCREW, bleeder | |
| 38 | 73058961 | 1 | REPAIR KIT (Consists of items 28, 29, 33, 34, 35 and lockwire) (Lockwire not required for this application) | |
| 39 | ----- | - | CHANNEL, 7" long (Refer to item 41) | |
| 40 | 73059021 | - | TUBE (100' length - use as required) | |
| 41 | 73048123 | - | CHANNEL (25' length - use as required) | |

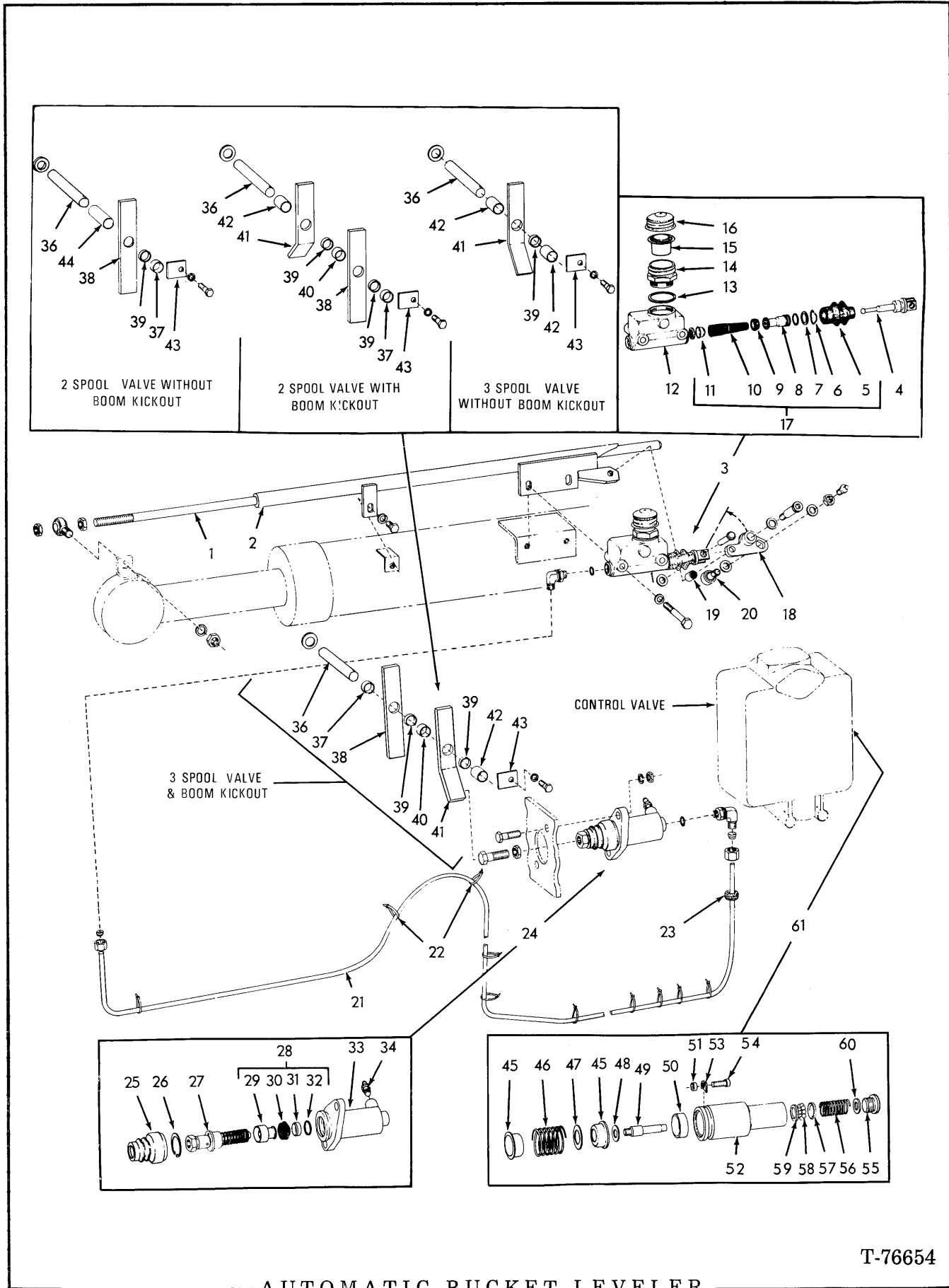
(Revised June 1979)



T-75694

BUCKET LEVEL INDICATOR

| ITEM | PART NO. | QTY. | DESCRIPTION |
|---|----------|------|---|
| 1 | 73045248 | 1 | BEARING |
| | 70904208 | 1 | LOCKWASHER, 1/2" |
| | 70910244 | 2 | WASHER, plain, 1/2" |
| | 70910195 | 2 | NUT, 1/2" NF |
| 2 | 73057583 | 1 | ROD, bucket, level indicator |
| | 70910325 | 2 | NUT, 1/2" NC |
| 3 | 73057966 | 1 | PIPE ASSY., bucket position |
| | 70916271 | 2 | CAPSCREW, 3/8" NC x 1" |
| | 70904206 | 2 | LOCKWASHER, 3/8" |
| NOTE: The following items Special Equipment for use with Multi-Purpose Bucket | | | |
| 4 | 70664550 | 1 | TUBE ASSY., position indicator (Includes hardware indented below) |
| | 70070960 | 2 | CAPSCREW, 3/8" NC x 1-1/2" |
| | 70904206 | 2 | LOCKWASHER, 3/8" |
| | 70911026 | 2 | NUT, 3/8" NC |
| 5 | ----- | 1 | TRANSFER, position indicator (See PAINTING AND MARKING) |



T-76654

AUTOMATIC BUCKET LEVELER

A U T O M A T I C B U C K E T L E V E L E R

USAGE: Special Equipment

| ITEM | PART NO. | QTY. | DESCRIPTION |
|------|----------|------|---|
| 1 | 73058457 | 1 | ROD |
| | 73045248 | 1 | BEARING |
| | 70912441 | 1 | LOCKWASHER, 1/2" |
| | 70910195 | 2 | NUT, 1/2" NF |
| | 70910325 | 2 | NUT, 1/2" NC |
| | 70910244 | 2 | WASHER, plain, 1/2" |
| 2 | 73057523 | 1 | TUBE ASSY. |
| | 70915408 | 1 | CAPSCREW, 3/8" NC x 3/4" |
| | 70910287 | 1 | LOCKWASHER, 3/8" |
| 3 | 73057431 | 1 | CYLINDER ASSY., master (Includes items 4 thru 16) |
| | 70920275 | 2 | CAPSCREW, 3/8" NC x 3" |
| | 70910287 | 2 | LOCKWASHER, 3/8" |
| 4 | 73058980 | 1 | ROD |
| 5 | 73058979 | 1 | * BOOT |
| 6 | 73058978 | 1 | * LOCKWIRE |
| 7 | ----- | 1 | * PLATE |
| 8 | ----- | 1 | * PISTON ASSY. |
| | 70929194 | 1 | * O-RING |
| 9 | 73058975 | 1 | * CUP |
| 10 | 73058974 | 1 | SPRING ASSY. |
| 11 | ----- | 1 | * VALVE ASSY. (Order item 17) |
| 12 | ----- | 1 | HOUSING, master cylinder (Order item 3) |
| 13 | 73058981 | 1 | GASKET |
| 14 | 73058982 | 1 | ADAPTER |
| 15 | 73058983 | 1 | DIAPHRAGM |
| 16 | 73058984 | 1 | CAP |
| 17 | 73058985 | 1 | REPAIR KIT, master cylinder |
| 18 | 73057547 | 1 | BELLCRANK ASSY. (Includes items 19 and 20) |
| | 73059213 | 1 | CAPSCREW, shoulder, 1/4" hex socket |
| | 70910244 | 1 | WASHER, plain, 1/2" |
| 19 | 70928434 | 1 | BEARING |
| 20 | 70684010 | 1 | FOLLOWER |
| | 70912298 | 3 | WASHER, plain, 7/16" |
| | 70911042 | 1 | NUT, 7/16" NF |
| | 70916584 | 1 | PIN, clevis, 5/16" x 1-1/4" |
| | 70900806 | 1 | PIN, cotter, 1/8" x 1" |
| | 70917200 | 1 | FITTING, lube 3/16" drive type |
| 21 | 73059021 | - | TUBE (100' length - use as required) |
| | 70928625 | 2 | ELBOW ASSY., (Includes NUT, SLEEVE and O-RING indented below) |
| | 70930350 | 2 | SLEEVE, 1/4" |
| | 70930351 | 2 | NUT, 1/4" NF |
| | 70921883 | 2 | O-RING, 11/32" I. D. |
| 22 | 70925094 | 10 | TIE |
| 23 | 73048123 | - | CHANNEL (25' length - use as required) |

* included with item 17

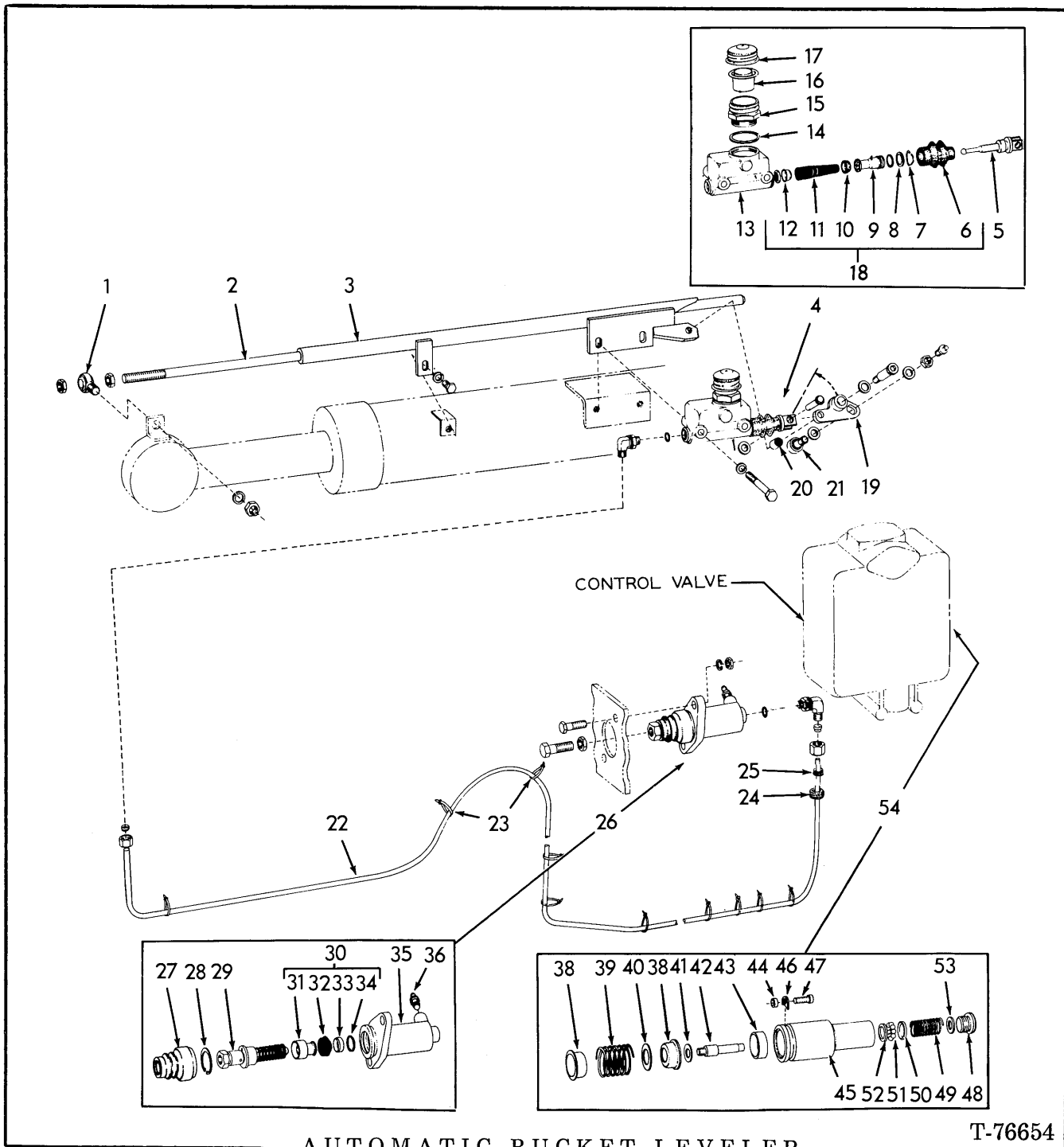
(Continued)

AUTOMATIC BUCKET LEVELER (Continued)

| ITEM | PART NO. | QTY. | DESCRIPTION | |
|------|----------|------|--|--|
| 24 | 73057432 | 1 | CYLINDER ASSY., slave (Includes items 25 thru 34) | |
| | 70916272 | 2 | CAPSCREW, 3/8" NC x 1-1/4" | } Original equipment (Order service replacement parts below) |
| | 70904206 | 2 | LOCKWASHER, 3/8" | |
| | 70910324 | 2 | NUT, 3/8" NC | |
| | 70913105 | 1 | CAPSCREW, 1/2" NF x 1-1/2" | |
| | 70913177 | 1 | NUT, 1/2" NF | |
| | 70927218 | 2 | CAPSCREW, 3/8" NC x 2-3/4" | } Service replacement for items above. (Not illustrated) |
| | 70911115 | 4 | WASHER | |
| | 70619260 | 2 | SPRING | |
| | 70918308 | 2 | NUT, lock, 3/8" NC | |
| 25 | 70067487 | 1 | †BOOT | |
| 26 | 70927694 | 1 | †RING | |
| 27 | 73058960 | 1 | ROD ASSY. | |
| 28 | 73058959 | 1 | PISTON ASSY., (Includes items 29 thru 32) | |
| 29 | ----- | 1 | PISTON (Order item 28) | |
| 30 | 73058962 | 1 | †CUP | |
| 31 | 73058963 | 1 | †RETAINER | |
| 32 | 70927783 | 1 | †RING | |
| 33 | ----- | 1 | HOUSING (Order item 24) | |
| 34 | 70638413 | 1 | SCREW | |
| 35 | 73058961 | 1 | REPAIR KIT, slave cylinder | |
| 36 | 73057869 | 1 | SHAFT | |
| | 70910255 | 1 | WASHER, plain, 3/4" | |
| 37 | 73057188 | 1 | SPACER, 11/16" long | |
| 38 | 73057875 | 1 | LEVER ASSY. (Includes one item 39) | |
| 39 | 73057872 | 2 | BUSHING | |
| 40 | 73057197 | 1 | SPACER, 3/4" long | |
| 41 | 73057876 | 1 | LEVER ASSY. (Includes qty. 1 item 39) | |
| 42 | 73057198 | 2 | SPACER, 1-5/8" long | |
| 43 | 73057868 | 1 | TAB | |
| | 70916284 | 1 | CAPSCREW, 1/4" NC x 1/2" | |
| | 70904204 | 1 | LOCKWASHER, 1/4" | |
| 44 | 73058106 | 1 | SPACER, 2-15/16" long | |
| 45 | ----- | 2 | RETAINER | } See page 216 |
| 46 | ----- | 1 | SPRING | |
| 47 | ----- | 1 | SPACER | |
| 48 | ----- | 1 | WASHER | |
| 49 | 73068882 | 1 | STUD | |
| 50 | 73059028 | 1 | SPACER | |
| 51 | 73058497 | 2 | SPACER | |
| 52 | 73058492 | 1 | CAP | |
| 53 | 73058498 | 2 | CLAMP | |
| 54 | 73058499 | 2 | CAPSCREW | |
| 55 | ----- | 1 | PLUG (First type) | |
| | 73069094 | 1 | PLUG (for initial replacement also order item 60) | |
| 56 | 73058495 | 1 | SPRING | |
| 57 | 73051812 | 1 | CAM | |
| 58 | 73051813 | 8 | BALL | |
| 59 | 73063558 | 1 | WASHER | |
| 60 | 73069093 | 1 | WASHER | |
| 61 | 73058307 | 1 | DETENT ASSY., bucket spool (Includes items 45 thru 60) | |

†Included with item 35

(Revised June 1979)



USAGE: Special Equipment

| ITEM | PART NO. | QTY. | DESCRIPTION |
|------|----------|------|---------------------|
| 1 | 73045248 | 1 | BEARING |
| | 70912441 | 1 | LOCKWASHER, 1/2" |
| | 70910244 | 2 | WASHER, plain, 1/2" |
| | 70910195 | 2 | NUT, 1/2" NF |

(Continued)

A U T O M A T I C B U C K E T L E V E L E R (Continued)

| ITEM | PART NO. | QTY. | DESCRIPTION |
|------|----------|------|--|
| 2 | 73058457 | 1 | ROD |
| | 70910325 | 2 | NUT, 1/2" NC |
| 3 | 73057523 | 1 | TUBE ASSY. |
| | 70915408 | 1 | CAPSCREW, 3/8" NC x 3/4" |
| | 70910287 | 1 | LOCKWASHER, 3/8" |
| 4 | 73057431 | 1 | CYLINDER ASSY., master (Includes items 5 thru 17) |
| | 70920275 | 2 | CAPSCREW, 3/8" NC x 3" |
| | 70910287 | 2 | LOCKWASHER, 3/8" |
| 5 | 73058980 | 1 | ROD |
| 6 | 73058979 | 1 | * BOOT |
| 7 | 73058978 | 1 | * LOCKWIRE |
| 8 | ----- | 1 | * PLATE |
| 9 | ----- | 1 | * PISTON ASSY. |
| | 70929194 | 1 | * O-RING |
| 10 | 73058975 | 1 | * CUP |
| 11 | 73058974 | 1 | SPRING ASSY. |
| 12 | ----- | 1 | * VALVE ASSY. (Order item 18) |
| 13 | ----- | 1 | HOUSING, master cylinder (Order item 4) |
| 14 | 73058981 | 1 | GASKET |
| 15 | 73058982 | 1 | ADAPTER |
| 16 | 73058983 | 1 | DIAPHRAGM |
| 17 | 73058984 | 1 | CAP |
| 18 | 73058985 | 1 | REPAIR KIT, master cylinder |
| 19 | 73057547 | 1 | BELLCRANK ASSY. (Includes item 20 and 21) |
| | 73059213 | 1 | CAPSCREW, shoulder, 1/4" hex socket |
| | 70910244 | 1 | WASHER, plain, 1/2" |
| 20 | 70928434 | 1 | BEARING |
| 21 | 70684010 | 1 | FOLLOWER |
| | 70912298 | 3 | WASHER, plain, 7/16" |
| | 70911042 | 1 | NUT, 7/16" NF |
| | 70916584 | 1 | PIN, clevis, 5/16" x 1-1/4" |
| | 70900806 | 1 | PIN, cotter, 1/8" x 1" |
| | 70917200 | 1 | FITTING, lube 3/16" drive type |
| 22 | 73059021 | - | TUBE (100' length - use as required) |
| | 70928625 | 2 | ELBOW ASSY. (Includes NUT, SLEEVE and O-RING indented below) |
| | 70930350 | 2 | SLEEVE, 1/4" |
| | 70930351 | 2 | NUT, 1/4" NF |
| | 70921883 | 2 | O-RING, 11/32" I. D. |
| 23 | 70925094 | 10 | TIE |
| 24 | 73048123 | - | CHANNEL (25' length - use as required) |
| 25 | 70921230 | 1 | GROMMET |
| 26 | 73057432 | 1 | CYLINDER ASSY., slave (includes items 27 thru 36) |
| | 70916272 | 2 | CAPSCREW, 3/8" NC x 1-1/4" |
| | 70910287 | 2 | LOCKWASHER, 3/8" |
| | 70910324 | 2 | NUT, 3/8" NC |
| | 70913105 | 1 | CAPSCREW, 1/2" NF x 1-1/2" |
| | 70913177 | 1 | NUT, 1/2" NF |

* included with item 18

(Continued)

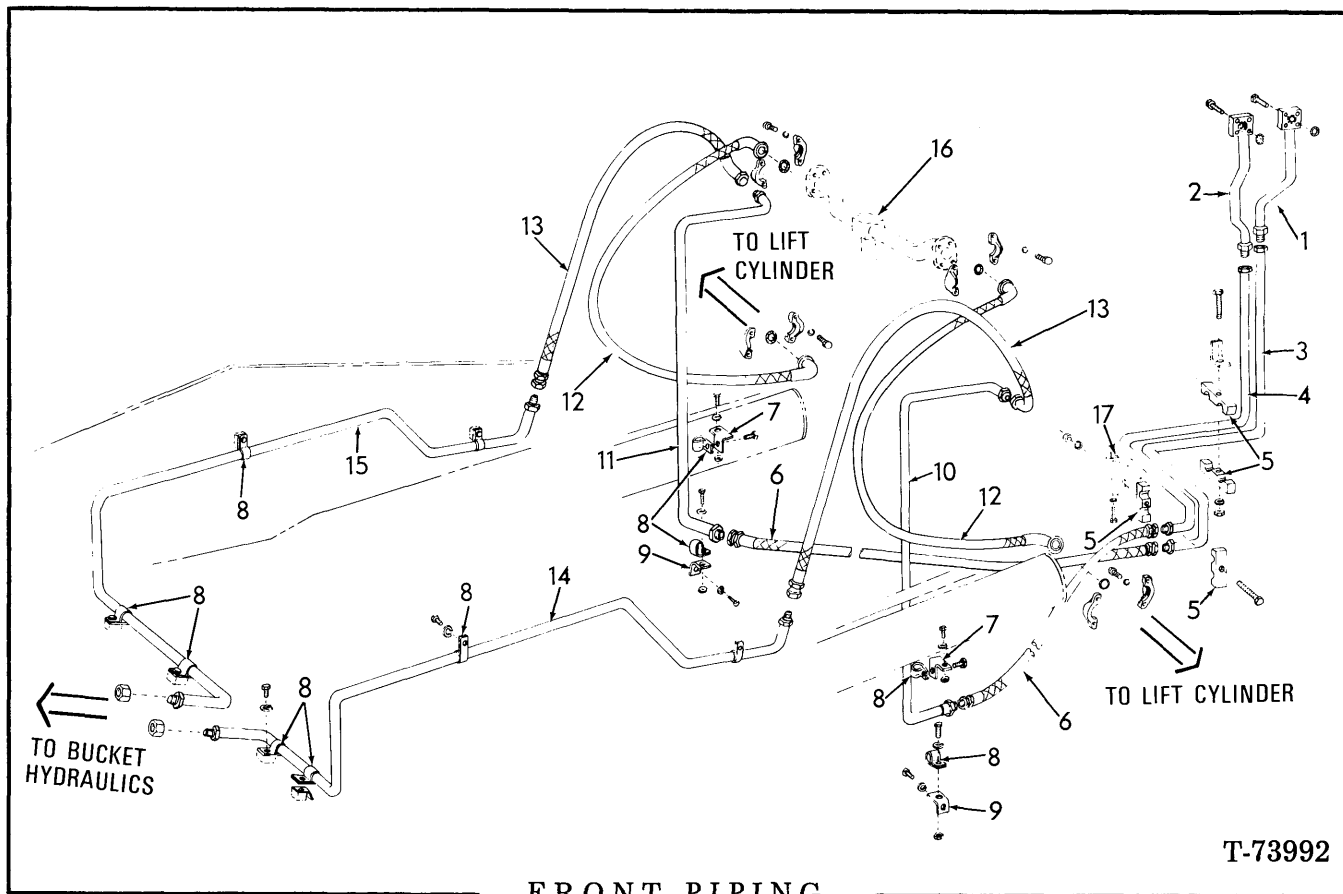
A U T O M A T I C B U C K E T L E V E L E R (Continued)

| ITEM | PART NO. | QTY. | DESCRIPTION |
|------|------------|------|--|
| 27 | 70067487 | 1 | † BOOT |
| 28 | 70927694 | 1 | † RING |
| 29 | 73058960 | 1 | ROD ASSY. (Serviced only as a unit) |
| 30 | 73058959 | 1 | PISTON ASSY., (Includes items 31 thru 34) |
| 31 | ----- | 1 | PISTON (Order item 30) |
| 32 | 73058962 | 1 | † CUP |
| 33 | 73058963 | 1 | † RETAINER |
| 34 | 70927783 | 1 | † RING |
| 35 | ----- | 1 | HOUSING (Order item 26) |
| 36 | 70638413 | 1 | SCREW |
| 37 | 73058961 | 1 | REPAIR KIT, slave cylinder |
| 38 | ----- | 2 | RETAINER |
| 39 | ----- | 1 | SPRING |
| 40 | ----- | 1 | SPACER |
| 41 | ----- | 1 | WASHER |
| 42 | 73068882 | 1 | STUD |
| 43 | 73059028 | 1 | SPACER |
| 44 | 73058497 | 2 | SPACER |
| 45 | 73058492 | 1 | CAP |
| 46 | 73058498 | 2 | CLAMP |
| 47 | 73058499 | 2 | CAPSCREW |
| 48 | { ----- | 1 | PLUG (First type) |
| | { 73069094 | 1 | PLUG (for initial replacement also order item 53) |
| 49 | 73058495 | 1 | SPRING |
| 50 | 73051812 | 1 | CAM |
| 51 | 73051813 | 8 | BALL |
| 52 | 73063558 | 1 | WASHER |
| 53 | 73069093 | 1 | WASHER |
| 54 | 73058307 | 1 | DETENT KIT, bucket spool (Includes items 38 thru 53) |

} See page 216

† included with item 37

MEMO



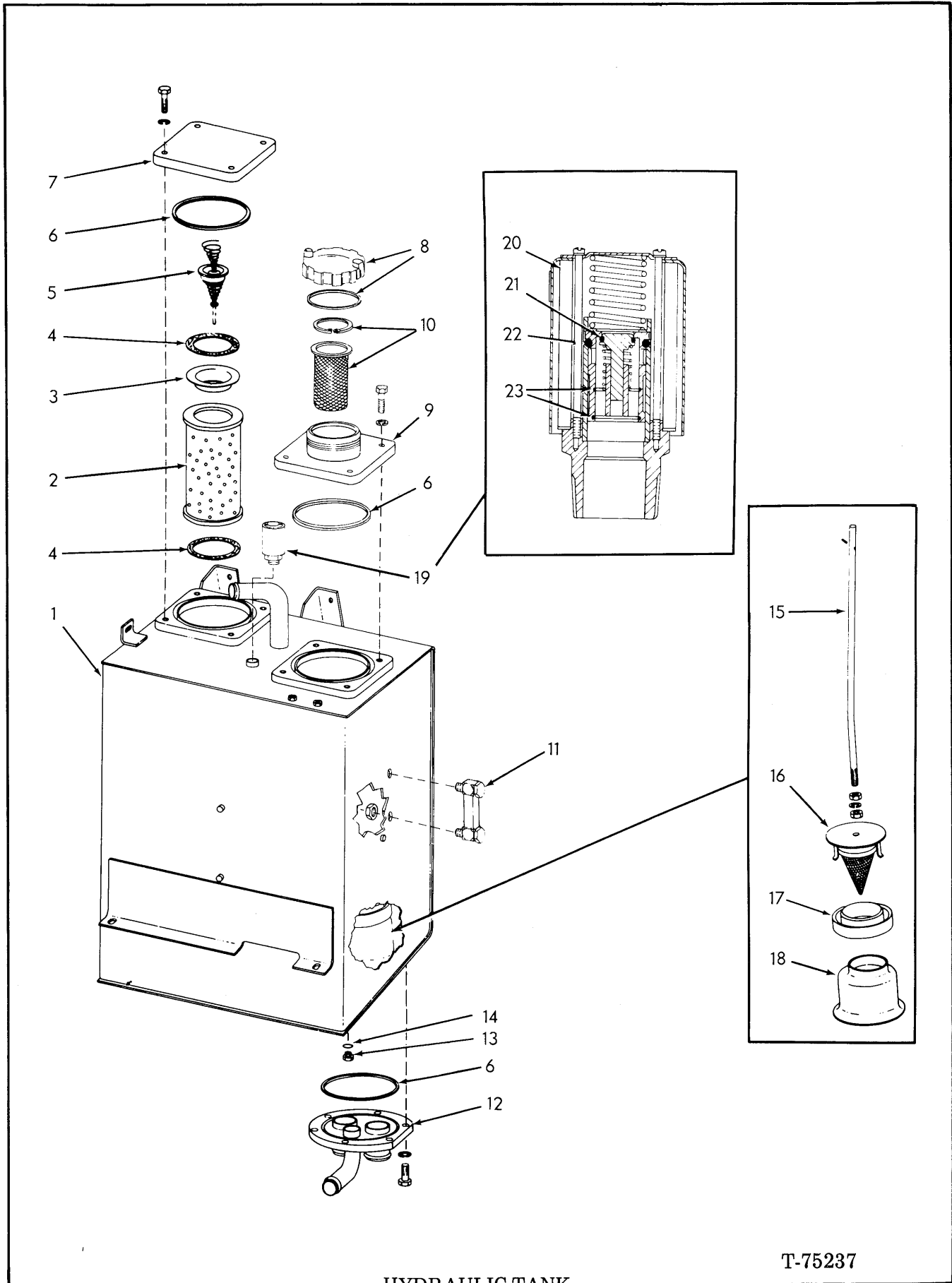
USAGE: Special Equipment — for use with Multipurpose Bucket. Also see page 182.

| ITEM | PART NO | QTY. | DESCRIPTION |
|------|----------|------|--|
| 1 | 73066471 | 1 | TUBE ASSY. (For first replacement order item 18) |
| | 70923664 | 1 | O-RING |
| | 70924180 | 4 | CAPSCREW, 7/16" NC x 2" |
| 2 | 73066470 | 1 | TUBE ASSY. (For first replacement order item 18) |
| | 70923664 | 1 | O-RING |
| | 70924180 | 4 | CAPSCREW, 7/16" NC x 2" |
| 3 | 73048125 | 1 | TUBE ASSY. |
| 4 | 73048121 | 1 | TUBE ASSY. |
| 5 | 73045733 | 4 | CLAMP |
| | 70919015 | 2 | CAPSCREW, 3/8" NC x 3-1/2" |
| | 70911115 | - | WASHER, plain, 3/8" (use as required) |
| | 70910287 | 2 | LOCKWASHER, 3/8" |
| | 70918308 | 2 | NUT, 3/8" NC |
| | 73050092 | 2 | HOSE ASSY. (Crimped type)(See page 6) |
| 6 | 73050101 | 1 | BRACKET, left |
| | 73050102 | 1 | BRACKET, right |
| 7 | 70916271 | 2 | CAPSCREW, 3/8" NC x 1" |
| | 70911115 | - | WASHER, plain, 3/8" (use as required) |
| | 70910287 | 2 | LOCKWASHER, 3/8" |

(Continued)

FRONT PIPING (Continued)

| ITEM | PART NO. | QTY. | DESCRIPTION |
|------|----------|------|--|
| 8 | 73019133 | 12 | CLIP |
| | 70916272 | 4 | CAPSCREW, 3/8" NC x 1-1/4" |
| | 70915408 | 8 | CAPSCREW, 3/8" NC x 3/4" |
| | 70911115 | - | WASHER, plain, 3/8" (use as required) |
| | 70910287 | 12 | LOCKWASHER, 3/8" |
| | 70918308 | 4 | NUT, 3/8" NC |
| 9 | 73050100 | 2 | BRACKET |
| | 70916271 | 2 | CAPSCREW, 3/8" NC x 1" |
| | 70911115 | 2 | WASHER, plain, 3/8" |
| | 70910287 | 2 | LOCKWASHER, 3/8" |
| 10 | 73050090 | 1 | TUBE ASSY., left |
| 11 | 73050091 | 1 | TUBE ASSY., right |
| 12 | 73048016 | 2 | HOSE ASSY. (See page 6) |
| | 70921116 | 8 | FLANGE |
| | 70916272 | 16 | CAPSCREW, 3/8" NC x 1-1/4" |
| | 70910287 | 16 | LOCKWASHER, 3/8" |
| | 70923718 | 4 | O-RING, 1-5/16" |
| 13 | 73048117 | 2 | HOSE ASSY. (See page 6) |
| | 70924851 | 2 | FITTING, bulkhead, 1" |
| | 70919621 | 2 | NUT, locking, 1-5/16" NF |
| 14 | 73048354 | 1 | TUBE ASSY., left |
| | 73058569 | 1 | TUBE ASSY., left (Use with Extended Boom only) |
| | 70922195 | 1 | CAP |
| 15 | 73048352 | 1 | TUBE ASSY., right |
| | 73058568 | 1 | TUBE ASSY., right (Use with Extended Boom only) |
| | 70922195 | 1 | CAP |
| 16 | ----- | 1 | TUBE ASSY. (See page 192) |
| 17 | 73054723 | 1 | BRACKET (Support item 5) |
| | 70916271 | 3 | CAPSCREW, 3/8" NC x 1" |
| | 70910287 | 3 | LOCKWASHER, 3/8" |
| 18 | 73067751 | 1 | KIT (Includes items 1, 2; items 10 and 12 on page 182 and 6 O-RING 70924192) |



HYDRAULIC TANK

T-75237

HYDRAULIC TANK

| ITEM | PART NO. | QTY. | DESCRIPTION |
|------|----------|------|--|
| 1 | 73053700 | 1 | TANK |
| | 70920583 | 4 | CAPSCREW, 1/2" NC x 1-1/2" |
| | 70677008 | 4 | WASHER |
| | 70915972 | 4 | NUT, 1/2" NC |
| 2 | 70666421 | 1 | ELEMENT |
| 3 | 73053604 | 1 | CUP |
| 4 | 70663977 | 2 | GASKET |
| 5 | 73045861 | 1 | VALVE ASSY. (Serviced only as a unit) |
| 6 | 70926821 | 3 | RING |
| 7 | 73045324 | 1 | COVER |
| | 70916272 | 4 | CAPSCREW, 3/8" NC x 1-1/4" |
| | 70910187 | 4 | LOCKWASHER, 3/8" |
| 8 | 70665726 | 1 | CAP |
| | 70923950 | 1 | O-RING |
| 9 | 73053697 | 1 | COVER |
| | 70916272 | 4 | CAPSCREW, 3/8" NC x 1-1/4" |
| | 70910287 | 4 | LOCKWASHER, 3/8" |
| 10 | 73044791 | 1 | STRAINER |
| | 70926274 | 1 | RING, snap |
| 11 | ----- | 1 | GAUGE ASSY. (First type - see page 220 for parts) |
| | 70919262 | 2 | NUT, 1/2" NF |
| | 70923565 | 2 | O-RING |
| | 70678984 | 1 | GAUGE ASSY. (Second type - serviced only as a unit) |
| | 70915956 | 2 | NUT, 1/2" NF |
| | 70906961 | 1 | LOCKWASHER, 1/2" |
| 12 | 73053695 | 1 | TUBE |
| | 70916272 | 6 | CAPSCREW, 3/8" NC x 1-1/4" |
| | 70910287 | 6 | LOCKWASHER, 3/8" |
| 13 | 73010159 | 1 | PLUG ASSY. (Includes item 14) |
| 14 | 73010158 | 1 | GASKET |
| 15 | 73053806 | 1 | ROD |
| | 70912772 | 2 | NUT, jam, 3/8" NC |
| | 70916004 | 1 | PIN, roll, 3/16" x 2" long |
| | 70910287 | 1 | LOCKWASHER, 3/8" |
| 16 | 70185203 | 1 | STRAINER |
| 17 | 70185202 | 1 | MAGNET |
| 18 | 73053459 | 1 | CANISTER |
| 19 | 73044225 | 1 | VALVE ASSY. (Includes items 20 thru 23) |
| 20 | 73046508 | 1 | FILTER |
| 21 | 70923559 | 1 | O-RING, 5/16" I.D. |
| 22 | 70923719 | 1 | O-RING, 3/4" I.D. |
| 23 | ----- | 2 | RING, lock (order item 24) |
| 24 | 73064043 | 1 | KIT, relief (includes items 20, 21, 22, and 1 of 23) |

(Revise June 1979)

HYDRAULIC TANK

| ITEM | PART NO. | QTY. | DESCRIPTION |
|------|----------|------|--|
| 1 | 73053700 | 1 | TANK |
| | 70920583 | 4 | CAPSCREW, 1/2" NC x 1-1/2" |
| | 70677008 | 4 | WASHER |
| | 70915972 | 4 | NUT, 1/2" NC |
| 2 | 70666421 | 1 | ELEMENT |
| 3 | 73053604 | 1 | CUP |
| 4 | 70663977 | 2 | GASKET |
| 5 | 73045861 | 1 | VALVE ASSY. (Serviced only as a unit) |
| 6 | 70926821 | 3 | RING |
| 7 | 73045324 | 1 | COVER |
| | 70916272 | 4 | CAPSCREW, 3/8" NC x 1-1/4" |
| | 70910187 | 4 | LOCKWASHER, 3/8" |
| 8 | 70665726 | 1 | CAP |
| | 70923950 | 1 | O-RING |
| 9 | 73053697 | 1 | COVER |
| | 70916272 | 4 | CAPSCREW, 3/8" NC x 1-1/4" |
| | 70910287 | 4 | LOCKWASHER, 3/8" |
| 10 | 73044791 | 1 | STRAINER |
| | 70926274 | 1 | RING, snap |
| 11 | ----- | 1 | GAUGE ASSY. (First type - see page 220 for parts) |
| | 70919262 | 2 | NUT, 1/2" NF |
| | 70923565 | 2 | O-RING |
| | 70678984 | 1 | GAUGE ASSY. (Second type - serviced only as a unit) |
| | 70915956 | 2 | NUT, 1/2" NF |
| | 70906961 | 1 | LOCKWASHER, 1/2" |
| 12 | 73053695 | 1 | TUBE |
| | 70916272 | 6 | CAPSCREW, 3/8" NC x 1-1/4" |
| | 70910287 | 6 | LOCKWASHER, 3/8" |
| 13 | 73010159 | 1 | PLUG ASSY. (Includes item 14) |
| 14 | 73010158 | 1 | GASKET |
| 15 | 73053806 | 1 | ROD |
| | 70912772 | 2 | NUT, jam, 3/8" NC |
| | 70916004 | 1 | PIN, roll, 3/16" x 2" long |
| | 70910287 | 1 | LOCKWASHER, 3/8" |
| 16 | 70185203 | 1 | STRAINER |
| 17 | 70185202 | 1 | MAGNET |
| 18 | 73053459 | 1 | CANISTER |
| 19 | 73044225 | 1 | VALVE ASSY. (Includes items 20 thru 23) |
| 20 | 73046508 | 1 | FILTER |
| 21 | 70923559 | 1 | O-RING, 5/16" I.D. |
| 22 | 70923719 | 1 | O-RING, 3/4" I.D. |
| 23 | ----- | 2 | RING, lock (order item 24) |
| 24 | 73064043 | 1 | KIT, relief (includes items 20, 21, 22, and 1 of 23) |

(Revise June 1979)

CONTROL VALVE PARTS

ISAGE: See page 182

* Standard equipment - 2 spool

** Special equipment - 3 spool

| ITEM | PART NO. | QTY. | DESCRIPTION |
|------|------------|------|---|
| - | { 73058209 | 1 - | VALVE ASSY. (Includes items 1 thru 83 except 70 and 78) |
| - | { 73058210 | - 1 | VALVE ASSY. (Includes items 1 thru 83 except 2 and 78) |
| 1 | ----- | 1 1 | BODY (Order VALVE ASSY.) |
| | 70928605 | 1 1 | PLUG ASSY. (Includes 1 O-RING 70921884) |
| | 70924621 | - 1 | PLUG ASSY. (Includes 1 O-RING 70921206) |
| 2 | 73044216 | 1 - | COVER |
| | 70923578 | 1 - | O-RING (1-1/2" I. D.) |
| | 70915987 | 4 - | CAPSCREW, 1/2 NC x 1-1/2" |
| | 70912441 | 4 - | LOCKWASHER, 1/2 |
| 3 | 73058504 | 1 1 | SLEEVE |
| | 70923571 | 1 1 | O-RING (1-3/4" I. D.) |
| 4 | 73044690 | 2 3 | RETAINER |
| | 70923813 | 2 3 | O-RING (1-3/8" I. D.) |
| 5 | 73052661 | 1 1 | RETAINER |
| 6 | 73058496 | 1 1 | SPRING |
| 7 | 73044692 | 3 5 | RETAINER |
| 8 | 73058494 | 1 1 | RETAINER |
| 9 | 73068881 | 1 1 | STUD |
| 10 | ----- | 2 2 | SPACER (Order item 11) |
| 11 | 73067342 | 2 2 | CLAMP |
| 12 | 73058492 | 1 1 | COVER |
| | 73058499 | 2 2 | SCREW, 3/16" NC x 1" |
| 13 | 73063558 | 1 1 | WASHER |
| 14 | 73051813 | 8 8 | BALL |
| 15 | 73051812 | 1 1 | CAM |
| 16 | 73058495 | 1 1 | SPRING |
| 17 | 73069094 | 1 1 | PLUG (Also order item 86) |
| 18 | { 73044733 | 4 4 | SEAT (Short) |
| | { 73048330 | - 2 | SEAT (Long) |
| 19 | 73044734 | 4 6 | POPPET |
| 20 | 73044735 | 4 6 | SPRING |
| 21 | { 70926611 | 8 12 | RING, back-up |
| | { 70923566 | 4 6 | O-RING (7/8" I. D.) |
| 22 | { 70926612 | 4 6 | RING, back-up |
| | { 70923988 | 4 6 | O-RING (15/16" I. D.) |
| 23 | 73046520 | 1 3 | CAP |
| | 70921214 | 1 3 | O-RING (15/16" I. D.) |
| 24 | 73058480 | 2 2 | POPPET |
| 25 | 73058482 | 1 1 | SPRING |
| 26 | 73058479 | 1 1 | END |
| | 70921206 | 1 1 | O-RING (59/64" I. D.) |
| 27 | 73058503 | 1 1 | SPACER |
| 28 | 73058500 | 1 2 | SPRING |
| 29 | 73058501 | 1 2 | WASHER |
| 30 | 73058502 | 1 2 | SCREW |

(Continued)

(Revised June 1979)

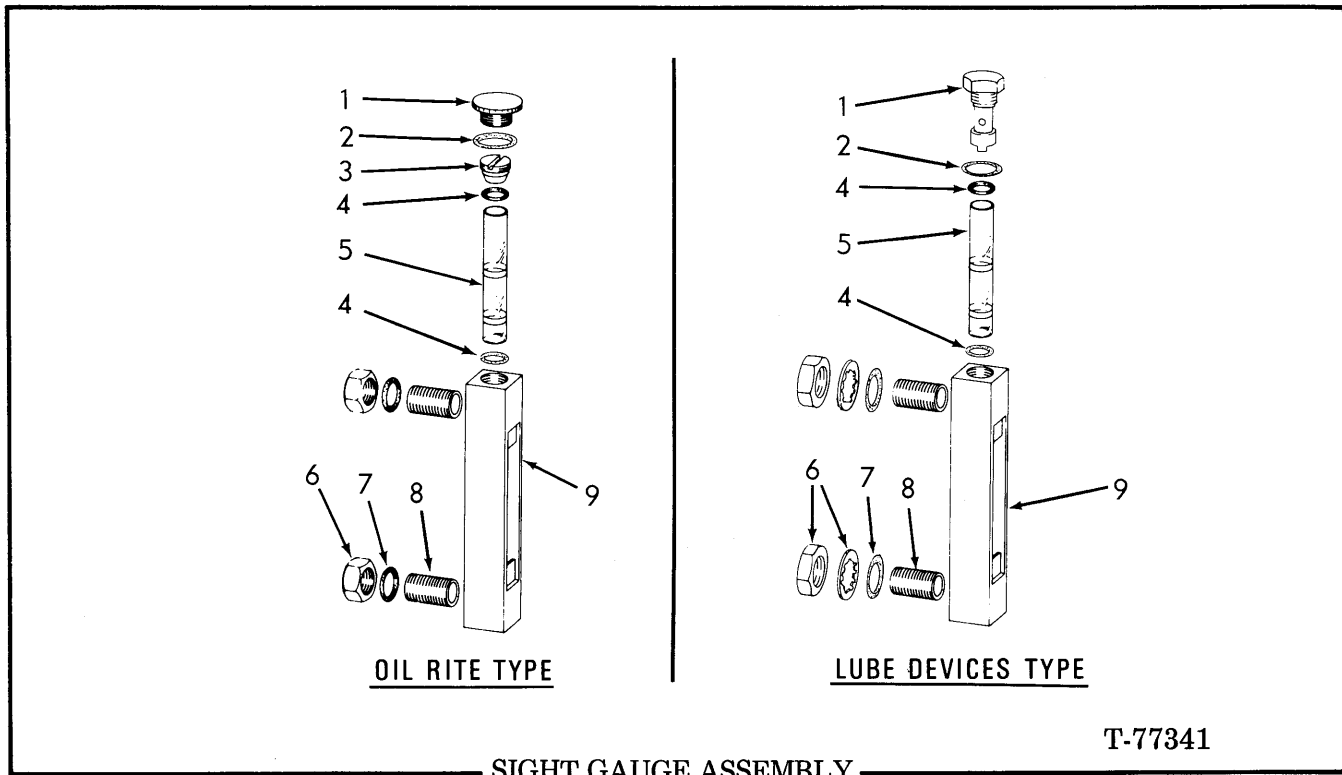
CONTROL VALVE PARTS (Continued)

| ITEM | PART NO. | QTY. | | DESCRIPTION |
|------|----------|------|----|--|
| | | * | ** | |
| 31 | 73044695 | 1 | 2 | COVER |
| | 73044696 | 2 | 4 | SCREW, 5/16" NC x 3/4" (Includes LOCKWASHER) |
| 32 | 73061981 | 1 | 1 | CAP |
| 33 | ----- | - | - | Not used in this application |
| 34 | 70929870 | 2 | 2 | RING, back-up |
| 35 | 70923379 | 2 | 2 | O-RING |
| 36 | 70929104 | 2 | 2 | RING, back-up |
| | 70923945 | 2 | 2 | O-RING (3/4" I. D.) |
| 37 | 73061197 | 2 | 2 | POPPET ASSY. (Includes screen, ring and items 34 and 35) |
| 38 | 73061198 | 2 | 2 | SPRING |
| 39 | 73058488 | 2 | 2 | TUBE |
| 40 | ----- | 2 | 2 | SEAT |
| 41 | ----- | 2 | 2 | PLUNGER } (Order item 42) |
| 42 | 73058294 | 2 | 2 | KIT ASSY. (Consists of 1 each of items 40, 41 and 81) |
| 43 | 73046117 | 2 | 2 | SPRING |
| 44 | 73061792 | 1 | 1 | CAP |
| | 70921214 | 1 | 1 | O-RING (1-3/16" I. D.) |
| 45 | 73054377 | 2 | 2 | SCREW |
| 46 | 73069409 | 4 | 4 | WASHER |
| | 70923559 | 4 | 4 | O-RING (.301" I. D.) |
| | 70924236 | 2 | 2 | NUT, acorn, 5/16" NF |
| | 70910980 | 2 | 2 | NUT, jam, 5/16" I. D.) |
| 47 | 73044744 | 1 | 1 | SEAT |
| 48 | 73044745 | 1 | 1 | HOLDER |
| 49 | 73044746 | 1 | 1 | SPACER |
| 50 | 70928604 | 1 | 1 | PLUG (Includes O-RING) |
| 51 | 73058478 | 1 | 1 | EYE |
| | 70921206 | 1 | 1 | O-RING (1-1/16" I. D.) |
| | 73044730 | 2 | 3 | RETAINER |
| 52 | 70919785 | 2 | 2 | CAPSCREW, 5/16" NC x 1-3/4" (Boom Spool) |
| | 70921332 | 2 | 4 | CAPSCREW, 5/16" NC x 3/4" |
| | 70904205 | 4 | 6 | LOCKWASHER, 5/16" |
| | 73044729 | 4 | 6 | WIPER |
| 54 | 73058484 | 1 | 1 | RETAINER |
| 55 | 70924038 | 2 | 2 | O-RING (15/16" I. D.) |
| 56 | 70923813 | 2 | 3 | O-RING (1-3/8" I. D.) |
| 57 | 73062354 | 1 | 1 | SLEEVE |
| 58 | ----- | 1 | 1 | SPOOL (Order VALVE ASSY.) |
| 59 | 70921204 | 1 | 1 | PLUG (Includes O-RING indented below) |
| | 70921206 | 1 | 1 | O-RING (1-1/16" I. D.) |
| 60 | 73058487 | 1 | 1 | SPACER |
| 61 | 73058687 | 1 | 1 | SPRING |
| 62 | 73058688 | 1 | 1 | SEAT |
| | 70923561 | 1 | 1 | O-RING (5/8" I. D.) |
| | 70928583 | 1 | 1 | RING, back-up |
| 63 | 73058689 | 1 | 1 | POPPET |
| | 70910244 | 1 | 1 | WASHER, plain, 1/2" |
| | 70917415 | 2 | 2 | NUT, no. 10 NC |
| 64 | 73058486 | 1 | 1 | CAP |
| | 70921214 | 1 | 1 | O-RING (1-5/16" I. D.) |

(Continued)

CONTROL VALVE PARTS (Continued)

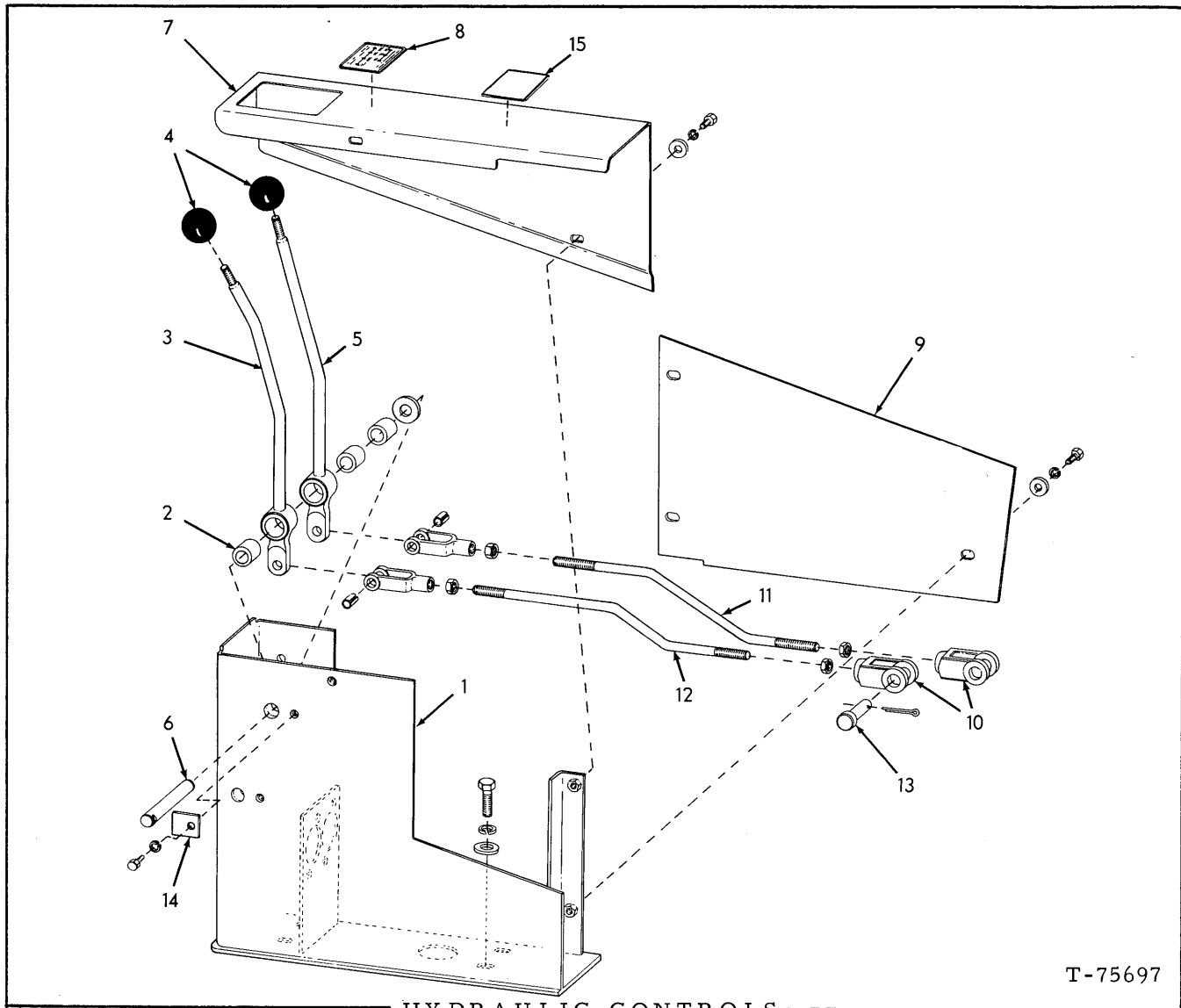
| ITEM | PART NO. | QTY. | | DESCRIPTION |
|----------|----------|------|----|--|
| | | * | ** | |
| 65 | 73058478 | 1 | 1 | EYE |
| | 70921206 | 1 | 1 | O-RING (1-1/16" I. D.) |
| 66 | 73058481 | 1 | 1 | SPRING |
| 67 | 73105283 | 1 | 2 | RETAINER |
| 68 | 70927026 | 1 | 2 | O-RING (1" I. D.) |
| 69 | ----- | 1 | 1 | SPOOL } (Order VALVE ASSY.) |
| 70 | ----- | - | 1 | |
| 71 | 73044758 | 2 | 2 | SEAL |
| | 70913463 | 1 | 1 | NUT, acorn, 1/2" NF |
| | 73044759 | 1 | 1 | NUT, adjusting screw |
| 72 | 70927295 | 1 | 1 | SCREW |
| 73 | ----- | 1 | 1 | CAP (Order item 78) |
| | 70921235 | 1 | 1 | O-RING (1-1/2" I. D.) |
| 74 | 70926617 | 1 | 1 | RING, back-up |
| | 70923811 | 1 | 1 | O-RING (1-1/8" I. D.) |
| 75 | 73044754 | 1 | 1 | SPRING |
| 76 | ----- | 1 | 1 | PLUNGER } (Order item 78) |
| 77 | ----- | 1 | 1 | |
| 78 | 73054770 | - | - | KIT ASSY. (Consists of 1 each: CAP from item 73 and 76, 77) |
| 79 | 73044749 | 1 | 1 | SPRING |
| 80 | 73044748 | 1 | 1 | PLUNGER |
| 81 | ----- | 2 | 2 | CAP (Order item 42) (Also order O-RING indented below) |
| | 70921886 | 2 | 2 | O-RING (13/64" I. D.) |
| 82 | 73062355 | 1 | 1 | EXTENSION |
| 83 | 73062356 | 2 | 2 | SPACER |
| | 73062176 | 1 | - | VALVE ASSY. (bucket dump - 1000 psi) (Includes item 18 thru 22, 34 thru 46 and 81) |
| 73062178 | | - | 1 | VALVE ASSY. (bucket dump - 950 psi) (Includes item 18 thru 22, 34 thru 46 and 81) |
| 84 | 73062177 | 1 | 1 | VALVE ASSY. (bucket retract - 2400 psi) (Includes 18 thru 22, 34 thru 46 and 81) |
| 85 | 73062177 | 1 | 1 | VALVE ASSY. (bucket retract - 2400 psi) (Includes 18 thru 22, 34 thru 46 and 81) |
| 86 | 73069093 | 1 | 1 | WASHER |



USAGE: * Oil Rite
 ** Lube Devices

| ITEM | PART NO. | QTY. | | DESCRIPTION |
|------|----------|------|----|--|
| | | * | ** | |
| - | ----- | 1 | 1 | GAUGE ASSY. (Order GAUGE ASSY. 70678984) |
| 1 | ----- | 1 | 1 | CAP (Order GAUGE ASSY.) |
| 2 | 70924003 | 1 | - | O-RING |
| | 70923560 | - | 2 | O-RING |
| 3 | ----- | 1 | 1 | CAP(Order GAUGE ASSY. 70678984) |
| 4 | 70926835 | 1 | - | O-RING |
| | 73061913 | - | 2 | O-RING |
| 5 | 73054571 | 1 | - | GAUGE |
| | 73061912 | - | 1 | GAUGE |
| 6 | 70919262 | 2 | 2 | NUT, 1/2" NF |
| | ----- | 2 | - | LOCKWASHER, 1/2" |
| | 70909589 | - | 2 | LOCKWASHER, 1/2" |
| 7 | 70923565 | 2 | - | O-RING |
| | 70923645 | - | 2 | O-RING |
| 8 | ----- | 2 | 2 | STUD |
| 9 | ----- | 1 | 1 | BODY |
| | | | | } Order GAUGE ASSY. 70678984 |

(Revised June 1979)



HYDRAULIC CONTROLS

(2 Spool Valve)

T-75697

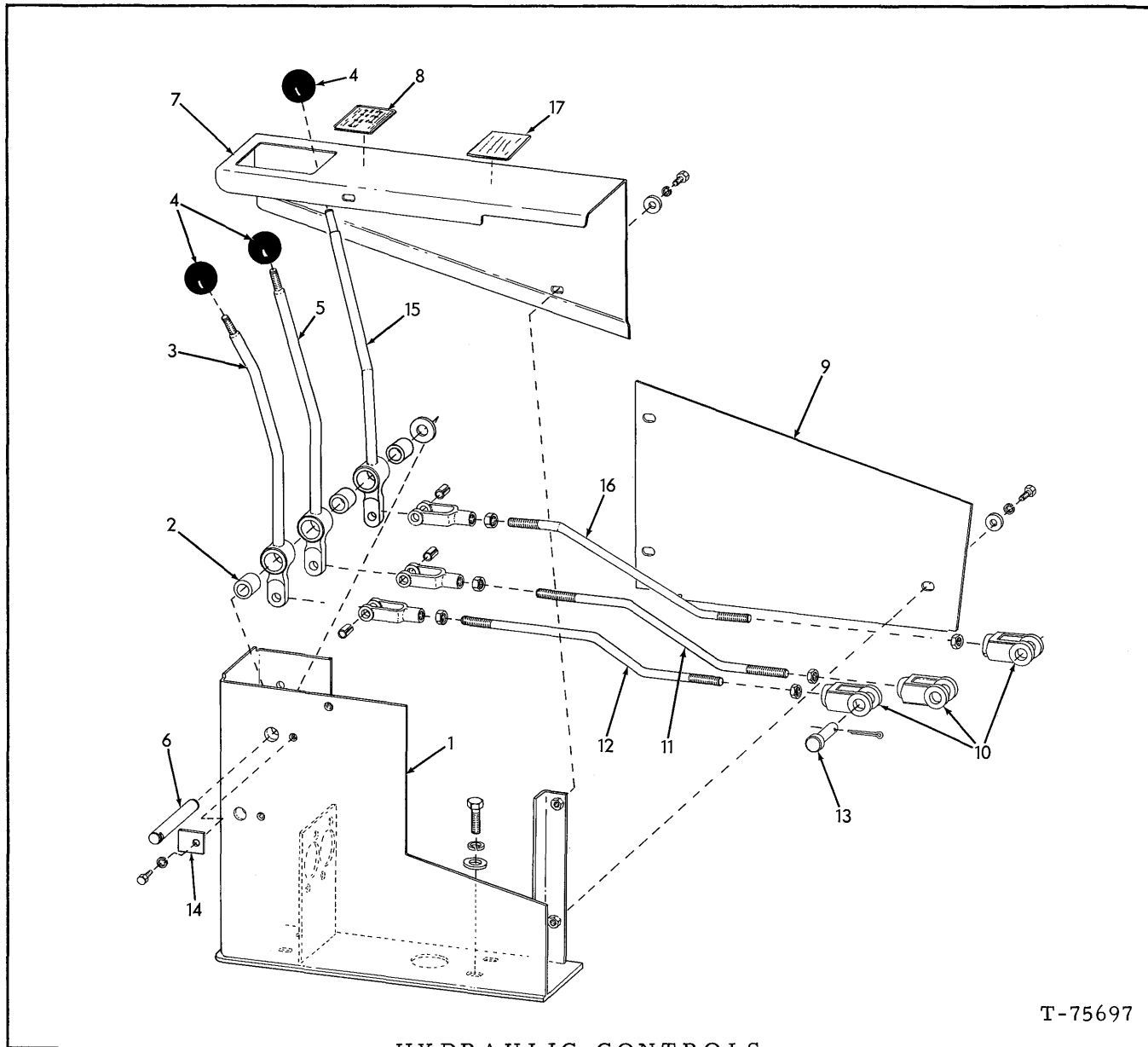
| ITEM | PART NO. | QTY. | DESCRIPTION |
|------|----------|------|--|
| 1 | 73057860 | 1 | SUPPORT |
| | 70915987 | 4 | CAPSCREW, 1/2" NC x 1-1/2" |
| | 70926192 | 4 | WASHER, plain, 1/2" |
| | 70904208 | 4 | LOCKWASHER, 1/2" |
| 2 | 73007065 | 3 | BUSHING |
| | 70910255 | 1 | WASHER, plain, SAE std., 3/4" |
| | 70915874 | 1 | WASHER, shim (.020" thick Use as required) |
| 3 | 73057312 | 1 | LEVER ASSY. (Includes 1 Bushing 73007065 and items indented below) |
| | 70917666 | 1 | YOKE, adjustable, 1/2" NF |
| | 70922419 | 1 | PIN, roll, 1/2" x 1-1/8" |
| 4 | 73001171 | 2 | KNOB |

(Continued)

HYDRAULIC CONTROLS (Continued)
(2 Spool Valve)

| ITEM | PART NO. | QTY. | DESCRIPTION |
|------|----------|------|--|
| 5 | 73057310 | 1 | LEVER ASSY. (Includes 1 Bushing item 2 and items indented below) |
| | 70917666 | 1 | YOKE, adjustable, 1/2" NF |
| | 70922419 | 1 | PIN, roll, 1/2" x 1-1/8" |
| 6 | 73057869 | 1 | SHAFT |
| 7 | 73057879 | 1 | COVER |
| | 70915343 | 3 | CAPSCREW, 1/4" NC x 1/2" |
| | 70911114 | 3 | WASHER, plain, SAE std., 1/4" |
| | 70904204 | 3 | LOCKWASHER, 1/4" |
| 8 | 73067620 | 1 | STICKER |
| 9 | 73057866 | 1 | COVER |
| | 70915406 | 3 | CAPSCREW, 1/4" NC x 3/4" |
| | 70911114 | 3 | WASHER, plain, SAE std., 1/4" |
| | 70904204 | 3 | LOCKWASHER, 1/4" |
| 10 | 73043676 | 2 | YOKE |
| 11 | 73057870 | 1 | ROD |
| | 70913177 | 2 | NUT, jam, 1/2" NF |
| 12 | 73057305 | 1 | ROD |
| | 70913177 | 2 | NUT, jam, 1/2" NF |
| 13 | 73025958 | 2 | PIN |
| | 70900806 | 2 | PIN, cotter, 1/8" x 1" |
| 14 | 73057868 | 1 | TAB |
| | 70915406 | 1 | CAPSCREW, 1/4" NC x 3/4" |
| | 70904204 | 1 | LOCKWASHER, 1/4" |
| 15 | 70688188 | 1 | DECAL (Starting Instruction) |
| 16 | 73054504 | 8 | NUT, 1/4" NC (Inside of Cover) (Not Illustrated) |

(Revised November 1977)



T-75697

HYDRAULIC CONTROLS

(3 Spool Valve)

USAGE: Special Equipment

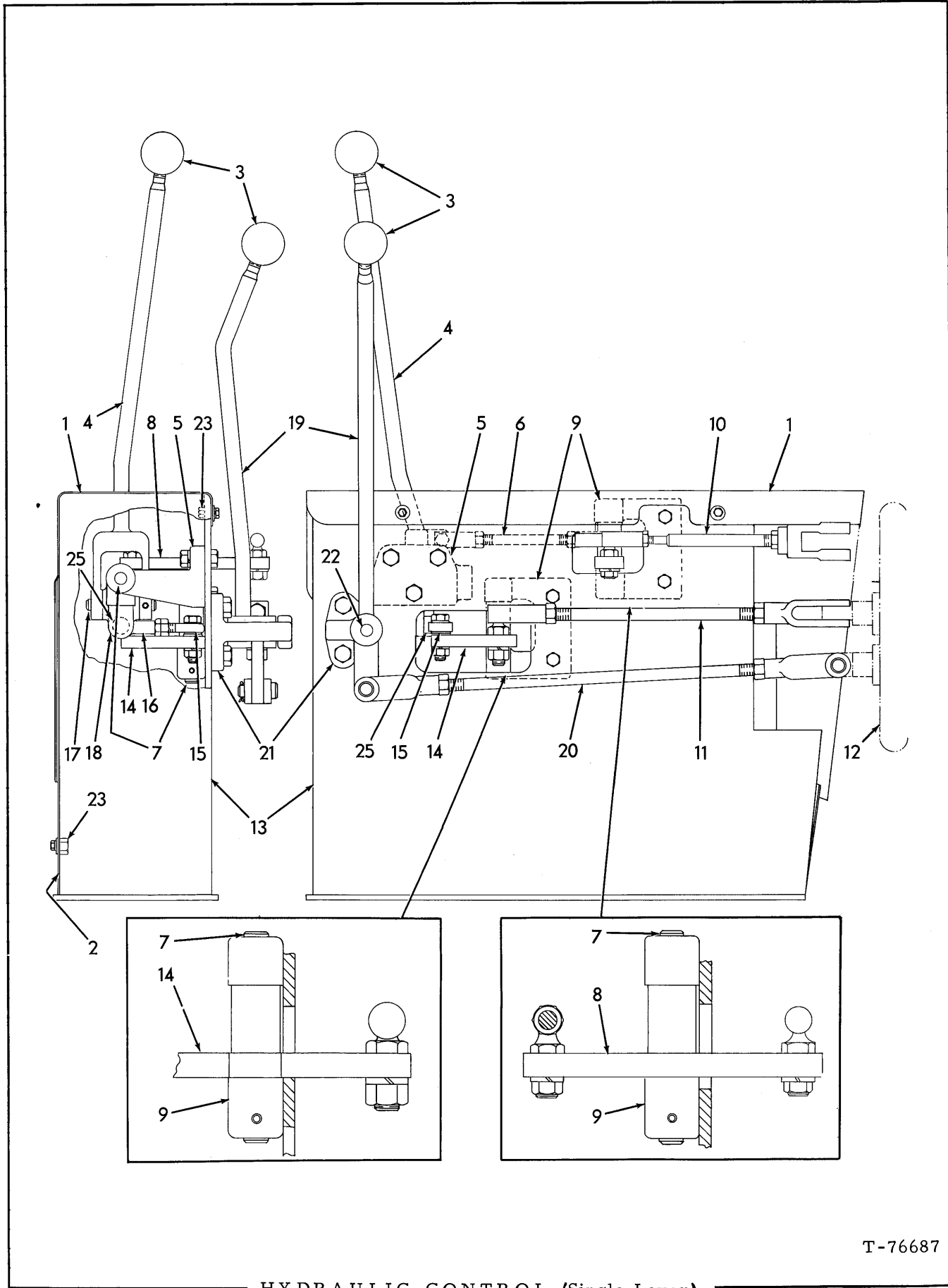
| ITEM | PART NO. | QTY. | DESCRIPTION |
|------|----------|------|---|
| 1 | 73057860 | 1 | SUPPORT |
| | 70915987 | 4 | CAPSCREW, 1/2" NC x 1-1/2" |
| | 70926192 | 4 | WASHER, plain, 1/2" |
| | 70904208 | 4 | LOCKWASHER, 1/2" |
| 2 | 73007065 | 3 | BUSHING |
| | 70910255 | 1 | WASHER, plain, SAE std., 3/4" |
| | 70915874 | 1 | WASHER, shim, (.020" thick - Use as required) |
| 3 | 73057312 | 1 | LEVER ASSY., (Includes 1 Bushing 73007065 and items indented below) |
| | 70917666 | 1 | YOKE, adjustable, 1/2" NF |
| | 70922419 | 1 | PIN, roll, 1/2" x 1-1/8" |

(Continued)

HYDRAULIC CONTROLS (Continued)
(3 Spool Valve)

| ITEM | PART NO. | QTY. | DESCRIPTION |
|------|----------|------|--|
| 4 | 73001171 | 3 | KNOB |
| 5 | 73057310 | 1 | LEVER ASSY. (Includes 1 Bushing item 2 and items indented below) |
| | 70917666 | 1 | YOKE, adjustable 1/2" NF |
| | 70922419 | 1 | PIN, roll, 1/2" x 1-1/8" |
| 6 | 73057869 | 1 | SHAFT |
| 7 | 73057879 | 1 | COVER |
| | 70915343 | 3 | CAPSCREW, 1/4" NC x 1/2" |
| | 70911114 | 3 | WASHER, plain, SAE std., 1/4" |
| | 70904204 | 3 | LOCKWASHER, 1/4" |
| 8 | 73067620 | 1 | STICKER |
| 9 | 73057866 | 1 | COVER |
| | 70915406 | 3 | CAPSCREW, 1/4" NC x 3/4" |
| | 70911114 | 3 | WASHER, plain, SAE, std., 1/4" |
| | 70904204 | 3 | LOCKWASHER, 1/4" |
| 10 | 73043676 | 3 | YOKE |
| 11 | 73057870 | 1 | ROD |
| | 70913177 | 2 | NUT, jam, 1/2" NF |
| 12 | 73057305 | 1 | ROD |
| | 70913177 | 2 | NUT, jam, 1/2" NF |
| 13 | 73025958 | 3 | PIN |
| | 70900806 | 3 | PIN, cotter, 1/8" x 1" |
| 14 | 73057868 | 1 | TAB |
| | 70915406 | 1 | CAPSCREW, 1/4" NC x 3/4" |
| | 70904204 | 1 | LOCKWASHER, 1/4" |
| 15 | 73057311 | 1 | LEVER ASSY. (Includes 1 Bushing item 2 and items indented below) |
| | 70917666 | 1 | YOKE, adjustable, 1/2" NF |
| | 70922419 | 1 | PIN, roll, 1/2" x 1-1/8" |
| 16 | 73057304 | 1 | ROD |
| | 70913177 | 2 | NUT, jam, 1/2" NF |
| 17 | 70688188 | 1 | DECAL (Starting Instructions) |
| 18 | 73054504 | 8 | NUT, 1/4" NC (Inside of cover) (Not Illustrated) |

(Revised November 1977)



T-76687

HYDRAULIC CONTROL (Single Lever)

HYDRAULIC CONTROL

(Single Lever)

USAGE: Special Equipment

* 2 Spool VALVE ASSY.

** 3 Spool VALVE ASSY.

| ITEM | PART NO. | QTY. | DESCRIPTION |
|------|----------|------|--|
| | | * ** | |
| 1 | 73058588 | 1 1 | COVER |
| | 70916284 | 4 4 | CAPSCREW, 1/4" NC x 1/2" |
| | 70904204 | 4 4 | LOCKWASHER, 1/4" |
| | 70911114 | 4 4 | WASHER, plain, SAE std., 1/4" |
| 2 | 73058567 | 1 1 | COVER |
| | 70916284 | 3 3 | CAPSCREW, 1/4" NC x 1/2" |
| | 70904204 | 3 3 | LOCKWASHER, 1/4" |
| | 70911114 | 3 3 | WASHER, plain, SAE std., 1/4" |
| 3 | 73001171 | 1 2 | KNOB |
| 4 | 73057085 | 1 1 | LEVER |
| 5 | 70661454 | 1 1 | BRACKET |
| | 70914847 | 3 3 | CAPSCREW, 3/8" NC x 1-1/2" |
| | 70904206 | 3 3 | LOCKWASHER, 3/8" |
| | 70910324 | 3 3 | NUT, 3/8" NC |
| 6 | 73057081 | 1 1 | ROD |
| | 70653570 | 2 2 | STUD ASSY. |
| | 70904206 | 2 2 | LOCKWASHER, 3/8" |
| | 70910329 | 4 4 | NUT, 3/8" |
| 7 | 70661455 | 3 3 | SHAFT |
| | 70915797 | 3 3 | PIN, roll, 3/16" x 1-1/4" |
| 8 | 73058599 | 1 1 | LEVER ASSY. (Includes 2 Bearings 70928434) |
| | 70928434 | 1 1 | BEARING |
| 9 | 73058439 | 2 2 | BRACKET |
| | 70916272 | 4 4 | CAPSCREW, 3/8" NC x 1-1/4" |
| | 70904206 | 4 4 | LOCKWASHER, 3/8" |
| | 70910324 | 4 4 | NUT, 3/8" NC |
| 10 | 73057338 | 1 1 | ROD |
| | 70653570 | 1 1 | STUD ASSY. |
| | 70910329 | 2 2 | NUT, 3/8" NF |
| | 70904206 | 1 1 | LOCKWASHER, 3/8" |
| | 70910195 | 1 1 | NUT, 1/2" NF |
| | 73043676 | 1 1 | YOKE |
| 11 | 73057340 | 1 1 | ROD |
| | 73043676 | 1 1 | YOKE, 1/2" NF |
| | 70910195 | 3 3 | NUT, 1/2" NF |
| | 70925042 | 1 1 | JOINT, ball, adjustable |
| | 70904208 | 1 1 | LOCKWASHER, 1/2" |
| 12 | ----- | 1 1 | VALVE, hydraulic control (See page 216) |
| 13 | 73058211 | 1 1 | CONSOLE |
| 14 | 73058593 | 1 1 | LEVER ASSY. (Includes 2 Bearings 70928434) |
| | 70928434 | 2 2 | BEARING |

(Continued)

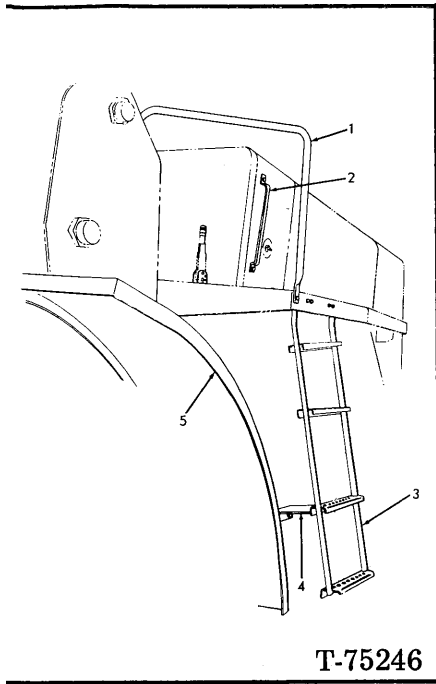
HYDRAULIC CONTROL (Continued)

(Single Lever)

| ITEM | PART NO. | QTY. | | DESCRIPTION |
|------|----------|------|----|---|
| | | * | ** | |
| 15 | 70639916 | 1 | 1 | BEARING |
| | 70914847 | 1 | 1 | CAPSCREW, 3/8" NC x 1-1/2" |
| | 70904206 | 1 | 1 | LOCKWASHER, 3/8" |
| | 70911115 | 1 | 1 | WASHER, plain, SAE, std., 3/8" |
| | 70910324 | 1 | 1 | NUT, 3/8" NC |
| | 70910329 | 1 | 1 | NUT, 3/8" NF |
| 16 | 70617932 | 1 | 1 | BEARING |
| | 70916272 | 1 | 1 | CAPSCREW, 3/8" NC x 1-1/4" |
| | 70904206 | 1 | 1 | LOCKWASHER, 3/8" |
| 17 | 70661456 | 1 | 1 | SHAFT |
| | 70915797 | 1 | 1 | PIN, roll, 3/16" x 1-1/4" |
| 18 | 73057108 | 1 | 1 | LEVER |
| 19 | 73057106 | - | 1 | LEVER |
| | 70917648 | - | 1 | PIN, 1/2" SAE std., x 1-3/8" |
| | 70900806 | - | 1 | PIN, cotter, 1/8" x 1" |
| 20 | 73057345 | - | 1 | ROD |
| | 70917666 | - | 1 | YOKE, 1/2" NF |
| | 70910195 | - | 2 | NUT, 1/2" NF |
| | 73043676 | - | 1 | YOKE, 1/2" NF |
| 21 | 70655718 | - | 1 | BRACKET |
| | 70915987 | - | 2 | CAPSCREW, 1/2" NC x 1-1/2" |
| | 70904208 | - | 2 | LOCKWASHER, 1/2" |
| | 70910325 | - | 2 | NUT, 1/2" NC |
| 22 | 70655712 | - | 1 | SHAFT |
| | 70915797 | - | 1 | PIN, roll, 3/16" x 1-1/4" |
| 23 | 73054504 | 7 | 7 | NUTSERT, 1/4" NC |
| 24 | 73067622 | 1 | 1 | STICKER, bucket control (not illustrated) |
| 25 | 73057339 | 1 | 1 | SPACER, 7/16" I. D. x 3/4" O. D. x 1/2" long. |

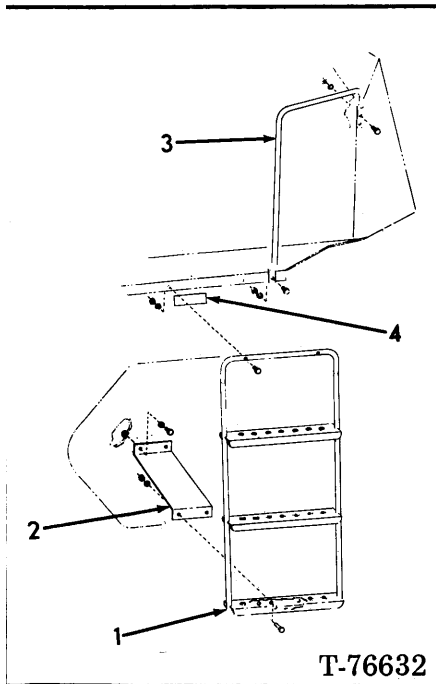
(Revised November 1977)

LADDER, HAND RAIL AND FENDERS



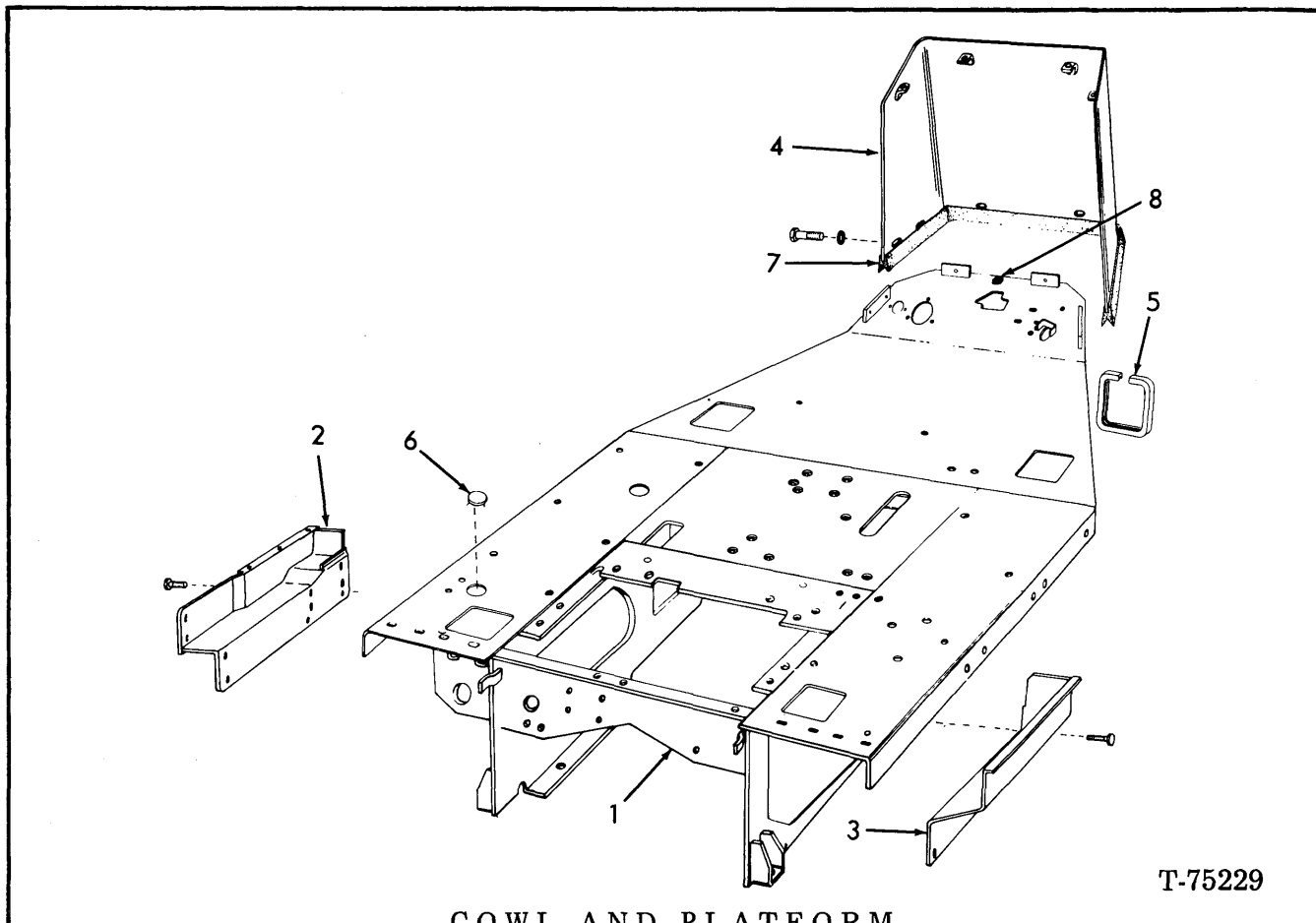
| ITEM | PART-NO. | QTY. | DESCRIPTION |
|------|----------|------|----------------------------|
| 1 | 73051703 | 1 | RAIL |
| | 70916271 | 3 | CAPSCREW, 3/8" NC x 1" |
| | 70910287 | 3 | LOCKWASHER, 3/8" |
| 2 | 70910324 | 3 | NUT, 3/8" NC |
| | 73052024 | 1 | HANDLE |
| | 70916271 | 2 | CAPSCREW, 3/8" NC x 1" |
| 3 | 70910287 | 2 | LOCKWASHER, 3/8" |
| | 70910324 | 2 | NUT, 3/8" NC |
| | 73061774 | 1 | LADDER |
| 4 | 70916385 | 1 | CAPSCREW, 3/8" NF x 2" |
| | 70910287 | 4 | LOCKWASHER, 3/8" |
| | 70910123 | 4 | NUT, 3/8" NF |
| | 73061897 | 1 | BRACKET |
| 5 | 70915408 | 2 | CAPSCREW, 3/8" NC x 3/4" |
| | 70916225 | 2 | CAPSCREW, 3/8" NF x 1" |
| | 70900817 | 2 | WASHER, plain, 3/8" |
| | 70910287 | 4 | LOCKWASHER, 3/8" |
| | 70910123 | 2 | NUT, 3/8" NF |
| | 73050232 | 1 | FENDER, left |
| | 73050233 | 1 | FENDER, right |
| | 70915987 | 10 | CAPSCREW, 1/2" NC x 1-1/2" |
| | 70904208 | 10 | LOCKWASHER, 1/2" |
| | 70910325 | 10 | NUT, 1/2"NC |

LADDER - RIGHT SIDE



USAGE: Special Equipment * Without Cab
 ** With Cab

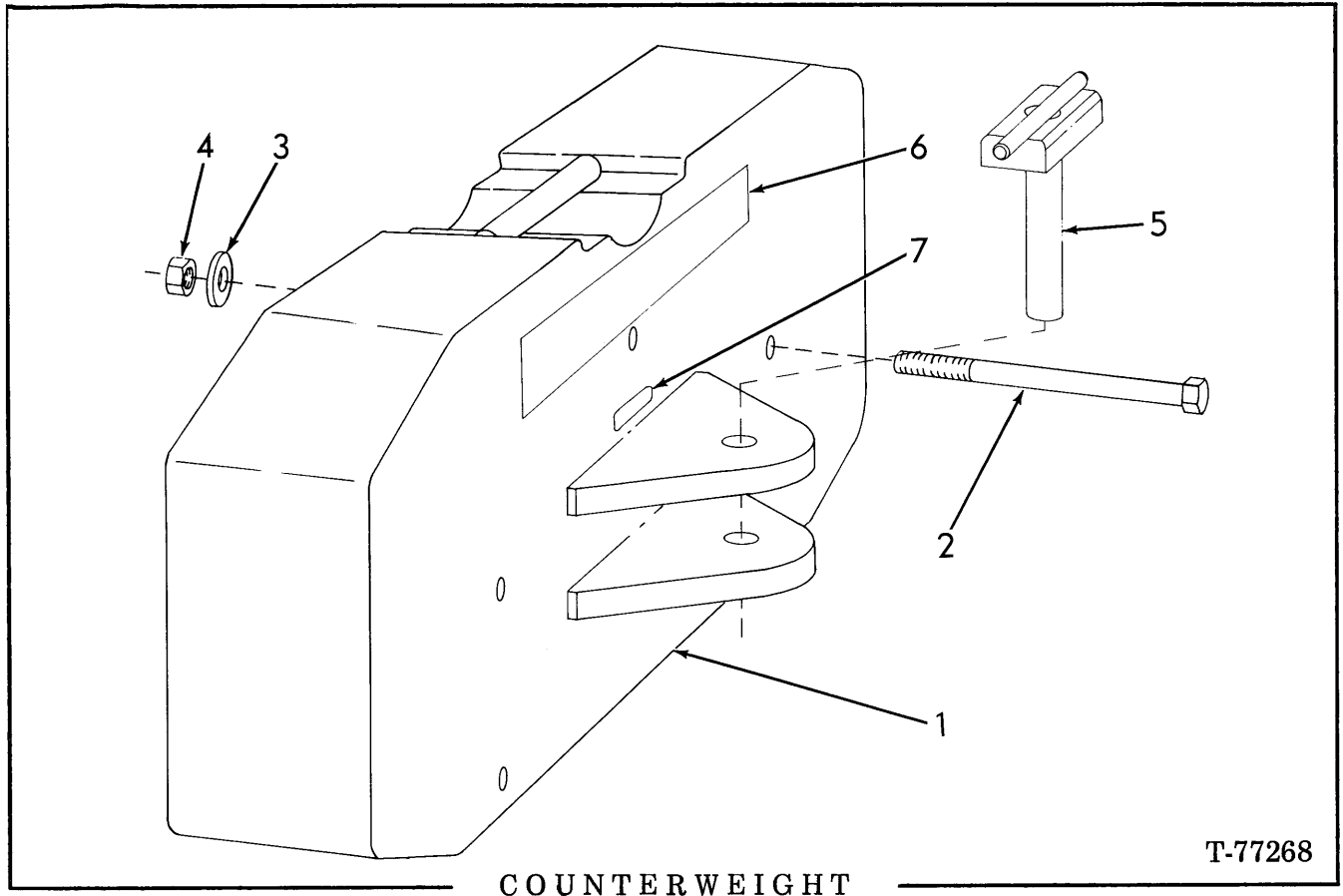
| ITEM | PART NO. | QTY. | DESCRIPTION |
|------|----------|------|--------------------------|
| 1 | 73061774 | 1 1 | LADDER |
| | 70916225 | 2 2 | CAPSCREW, 3/8" NF x 1" |
| | 70916385 | 2 2 | CAPSCREW, 3/8" NF x 2" |
| | 70910287 | 4 4 | LOCKWASHER, 3/8" |
| | 70910123 | 4 4 | NUT, 3/8" NF |
| 2 | 73061897 | 1 1 | BRACKET |
| | 70915408 | 2 2 | CAPSCREW, 3/8" NC x 3/4" |
| | 70900817 | 2 2 | WASHER, 3/8" |
| | 70910287 | 2 2 | LOCKWASHER, 3/8" |
| 3 | 73062921 | 1 - | RAIL |
| | 70916225 | 3 - | CAPSCREW, 3/8" NF x 1" |
| | 70910287 | 3 - | LOCKWASHER, 3/8" |
| | 70910123 | 3 - | NUT, 3/8" NF |
| 4 | 73066552 | 1 1 | DECAL, stay off ladder |



COWL AND PLATFORM

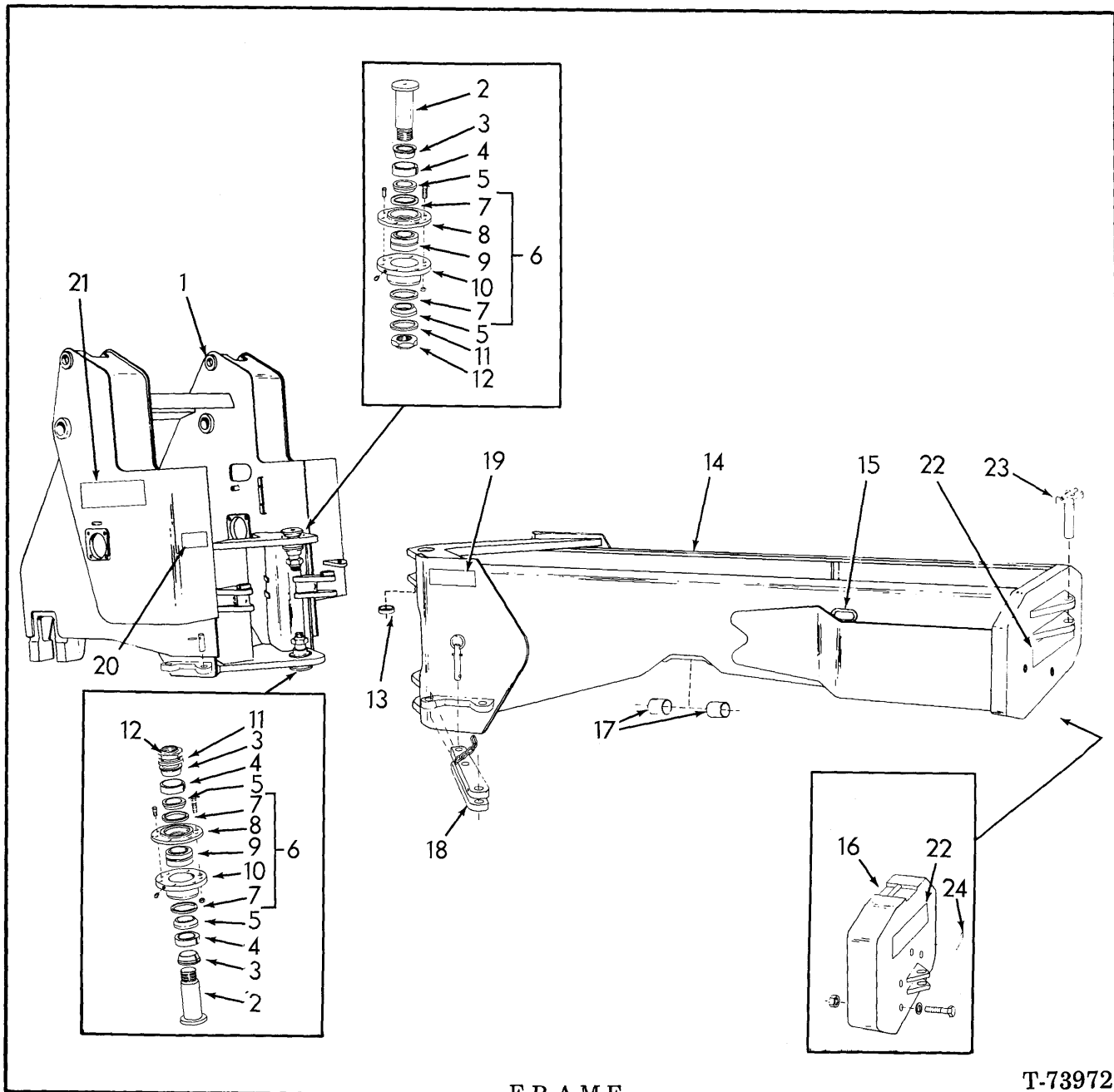
T-75229

| ITEM | PART NO. | QTY. | DESCRIPTION |
|------|----------|------|--|
| 1 | 73059461 | 1 | PLATFORM |
| | 70921178 | 4 | CAPSCREW, 5/8" NF x 2-3/4" |
| | 70927532 | 8 | CAPSCREW, 5/8" NF x 3-1/2" |
| | 70927328 | 12 | WASHER, 5/8" |
| | 70926712 | 12 | NUT, 5/8" NF |
| 2 | 73059481 | 1 | COVER, left |
| | 70923683 | 7 | CAPSCREW, self-tapping, 3/8" NC x 3/4" |
| | 70916271 | 3 | CAPSCREW, 3/8" NC x 1" |
| | 70904206 | 3 | LOCKWASHER, 3/8" |
| | 70910324 | 3 | NUT, 3/8" NC |
| 3 | 73059492 | 1 | COVER, right |
| | 70923683 | 5 | CAPSCREW, self-tapping, 3/8" NC x 3/4" |
| | 70916271 | 2 | CAPSCREW, 3/8" NC x 1" |
| | 70904206 | 2 | LOCKWASHER, 3/8" |
| | 70910324 | 2 | NUT, 3/8" NC |
| 4 | 73058162 | 1 | COWL |
| | 70923683 | 6 | CAPSCREW, self-tapping, 3/8" NC x 3/4" |
| | 70911115 | 6 | WASHER, 3/8" |
| 5 | ----- | 1 | CHANNEL, 33" (Refer to item 9) |
| 6 | 73024079 | 2 | BUTTON |
| 7 | ----- | - | SEAL, 55" (Refer to item 10) |
| 8 | 74255329 | 1 | GROMMET |
| 9 | 73047354 | - | CHANNEL (25' length - use as required) |
| 10 | 73064106 | - | SEAL (10' length - use as required) |



USAGE: Special Equipment - Logging

| ITEM | PART NO. | QTY. | DESCRIPTION |
|------|----------|------|-------------------------|
| 1 | 73058598 | 1 | COUNTERWEIGHT |
| 2 | 70928802 | 5 | CAPSCREW, 7/8" NF x 13" |
| 3 | 73044048 | 5 | WASHER |
| 4 | 70914488 | 5 | NUT, 7/8" |
| 5 | 70633730 | 1 | PIN |
| 6 | 70694438 | 1 | DECAL, Fiat-Allis |
| 7 | 73107885 | 1 | DECAL, towing |



F R A M E

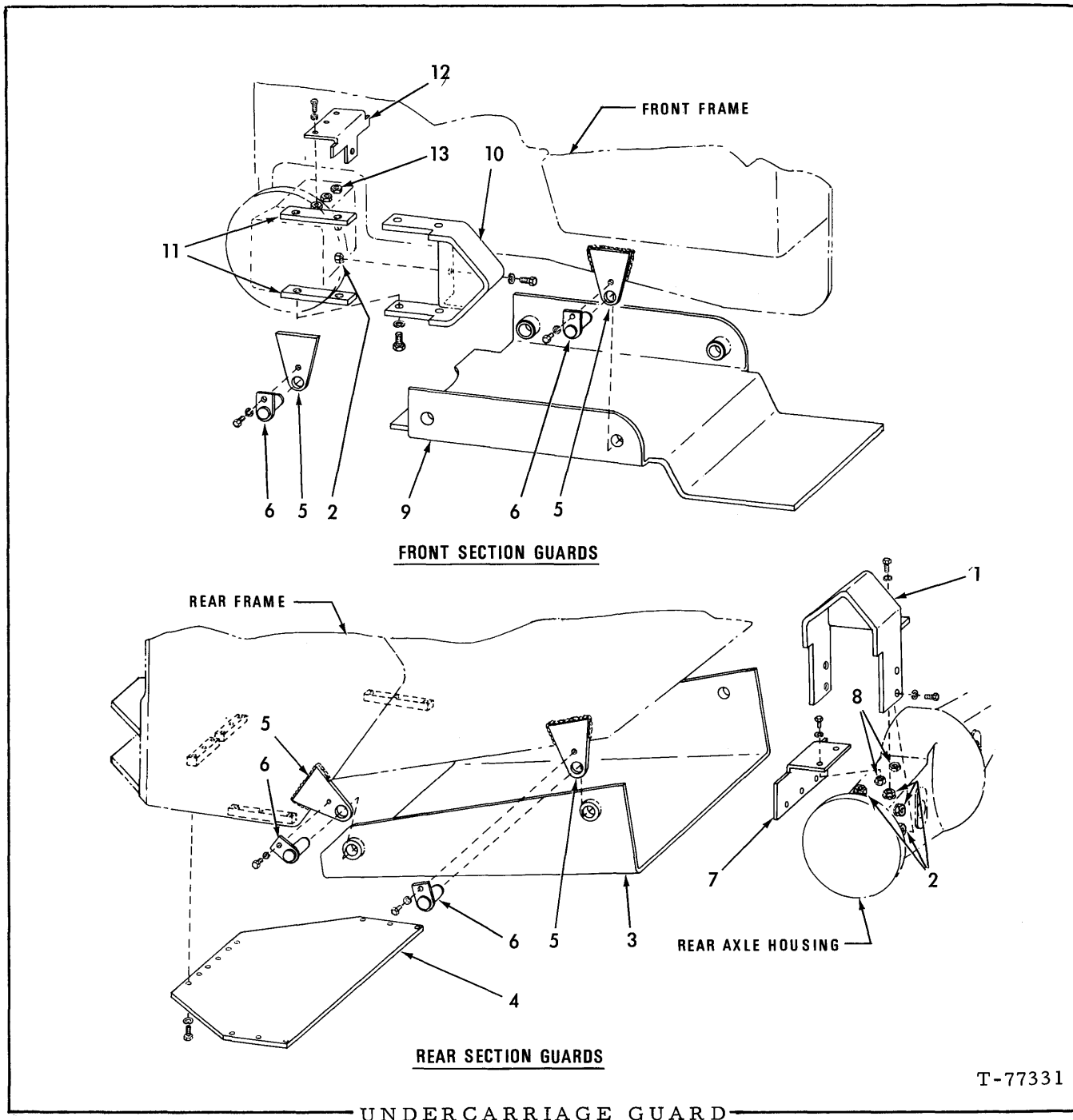
T-73972

| ITEM | PART NO. | QTY. | DESCRIPTION |
|------|----------|------|---|
| 1 | 73056880 | 1 | FRAME, weld assy. |
| 2 | 73046149 | 2 | PIN |
| 3 | 73045039 | 3 | COLLAR, inner |
| 4 | 73045038 | 3 | COLLAR, outer |
| 5 | 73045041 | 4 | BOSS |
| 6 | 73045111 | 2 | RETAINER ASSY. (Each includes 1/2 Qty. items 7 thru 10) |
| | 70933699 | 12 | CAPSCREW, 5/8" NF x 3-5/8" |
| | 70921342 | 12 | LOCKNUT, 5/8" |
| | 70915274 | 2 | FITTING, lube, 45°, 1/8" NPT |

(Continued)

| ITEM | PART NO. | QTY. | DESCRIPTION |
|------|----------|------|--|
| 7 | 73045043 | 4 | SEAL |
| 8 | 73045045 | 2 | RETAINER |
| | 70922211 | 4 | CAPSCREW, 3/8" NC x 1-1/4" |
| 9 | 73045054 | 2 | BUSHING |
| 10 | 73045085 | 2 | RETAINER |
| 11 | 73045027 | 2 | SPACER |
| 12 | 70925751 | 2 | NUT, 2-1/4" NC |
| 13 | 73045033 | 1 | BUSHING |
| 14 | 73046710 | 1 | FRAME, weld assy. (Includes items 13 and 17) |
| 15 | ----- | 2 | STRIP, rubber, 8"(refer to item 25) |
| 16 | 73062378 | 1 | COUNTERWEIGHT (Special equipment) |
| | 70916363 | 5 | CAPSCREW, 7/8" NF x 6" |
| | 70914488 | 5 | LOCKNUT, 7/8" NF |
| | 73044048 | 5 | WASHER |
| 17 | 73046252 | 4 | BUSHING |
| | 73056896 | 1 | BAR (Used prior to unit no. 03200) |
| | 70916375 | 2 | CAPSCREW, 1" NF x 3-1/4" |
| | 70910916 | 2 | LOCKWASHER, 1" |
| | 70911047 | 2 | NUT, 1" NF |
| 18 | 73061790 | 1 | BAR WELD ASSY. (Effective with unit no. 03200) |
| | 73061895 | 1 | PIN, detent |
| | 73061793 | 1 | PIN, pivot |
| | 70919116 | 1 | PIN, spring, 1/4" x 2-1/2" |
| 19 | ----- | 1 | DECAL, serial |
| 20 | ----- | 2 | DECAL, warning |
| 21 | ----- | 3 | EMBLEM, "745B" |
| 22 | 70694430 | 1 | DECAL (Fiat-Allis) |
| 23 | 70633730 | 1 | PIN |
| 24 | 73107885 | 1 | DECAL, towing |
| 25 | 73051332 | - | STRIP (25' length - use as required) |

} see page 282



T-77331

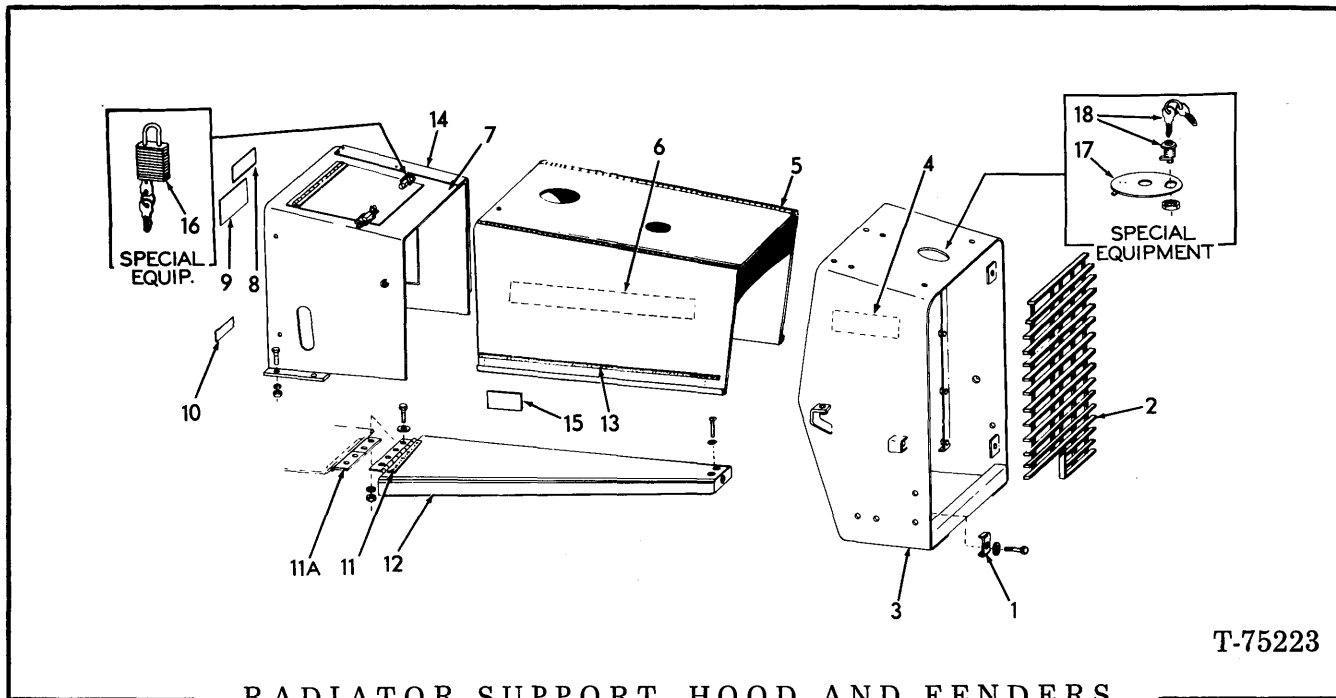
USAGE: Special Equipment

| ITEM | PART NO. | QTY. | DESCRIPTION |
|------|----------|------|---|
| 1 | 73059281 | 2 | GUARD |
| | 70916301 | 12 | CAPSCREW, 1/2" NC x 1" |
| | 70904208 | 12 | LOCKWASHER, 1/2" |
| 2 | 70648180 | 16 | NUT, 1/2" NC x 3/4" (Requires welding to install) |
| 3 | 73059350 | 1 | GUARD, rear |

(Continued)

UNDERCARRIAGE GUARD (Continued)

| ITEM | PART NO. | QTY. | DESCRIPTION |
|------|----------|------|--|
| 4 | 73059352 | 1 | PLATE |
| | 70916271 | 12 | CAPSCREW, 3/8" NC x 1" |
| | 70904206 | 12 | LOCKWASHER, 3/8" |
| 5 | 73058809 | 8 | LUG (Requires welding to install) |
| | 70916271 | 4 | CAPSCREW, 3/8" NC x 1" (Used in rear installation) |
| | 70915408 | 4 | CAPSCREW, 3/8" NC x 3/4" (Use in front installation) |
| | 70904206 | 8 | LOCKWASHER, 3/8" |
| 6 | 73058807 | 8 | PIN |
| 7 | 73059278 | 2 | PLATE |
| | 70915408 | 10 | CAPSCREW, 3/8" NC x 3/4" |
| | 70904206 | 10 | LOCKWASHER, 3/8" |
| 8 | 70646631 | 10 | NUT, 3/8" NC x 3/4" (Requires welding to install) |
| 9 | 73059153 | 1 | GUARD, front |
| 10 | 73059255 | 1 | GUARD, left |
| | 73059256 | 1 | GUARD, right |
| | 70916310 | 12 | CAPSCREW, 1/2" NC x 1" |
| | 70904208 | 12 | LOCKWASHER, 1/2" |
| 11 | 73059252 | 4 | BAR |
| 12 | 73059260 | 2 | PLATE |
| | 70915408 | 8 | CAPSCREW, 3/8" NC x 3/4" |
| | 70904206 | 8 | LOCKWASHER, 3/8" |
| 13 | 70647418 | 8 | NUT (Requires welding to install) |



RADIATOR SUPPORT, HOOD AND FENDERS

| ITEM | PART NO. | QTY. | DESCRIPTION |
|------|----------|------|--|
| 1 | 73042646 | 4 | CLIP |
| | 70915480 | 4 | CAPSCREW, 3/8" NC x 1-3/4" |
| | 70910287 | 4 | LOCKWASHER, 3/8" |
| 2 | 73048917 | 1 | GRILL (Used without back up alarm) |
| | 73066541 | 1 | GRILL (Use with back up alarm) |
| 3 | 73057671 | 1 | SUPPORT |
| | 70925809 | 2 | CAPSCREW, 1" NF x 2-3/4" |
| | 70911159 | 4 | WASHER |
| | 70922421 | 2 | NUT, 1" NF |
| 4 | ----- | - | STICKER (see page 282) |
| 5 | 73061794 | 1 | HOOD (Includes instruction sheet) |
| | 73056654 | 1 | HOOD (Special Equipment - use with Side Panel) |
| | 70916271 | 3 | CAPSCREW, 3/8" NC x 1" |
| | 70911993 | 3 | WASHER, plain, 7/16" |
| | 70910287 | 3 | LOCKWASHER, 3/8" |
| | 70910324 | 3 | NUT, 3/8" NC |
| 6 | 70924535 | 2 | DECAL, "A-C" |
| | 70924553 | 2 | DECAL, "ALLIS CHALMERS" |
| | 70694432 | 2 | DECAL, "F-A FIAT-ALLIS" |
| 7 | 73059113 | 1 | BONNET ASSY. (Includes item 14) |
| | 70916225 | 6 | CAPSCREW, 3/8" NF x 1" |
| | 70910287 | 6 | LOCKWASHER, 3/8" |
| | 70910123 | 2 | NUT, 3/8" NF |
| 8 | 73067606 | 1 | DECAL, clutch release |
| 9 | 73067621 | 1 | DECAL, restrictor indicator |
| 10 | 73067712 | 1 | PLATE |
| 11 | ----- | 2 | HINGE (order item 12) |
| 11a | 73056967 | 4 | BAR, hinge support |

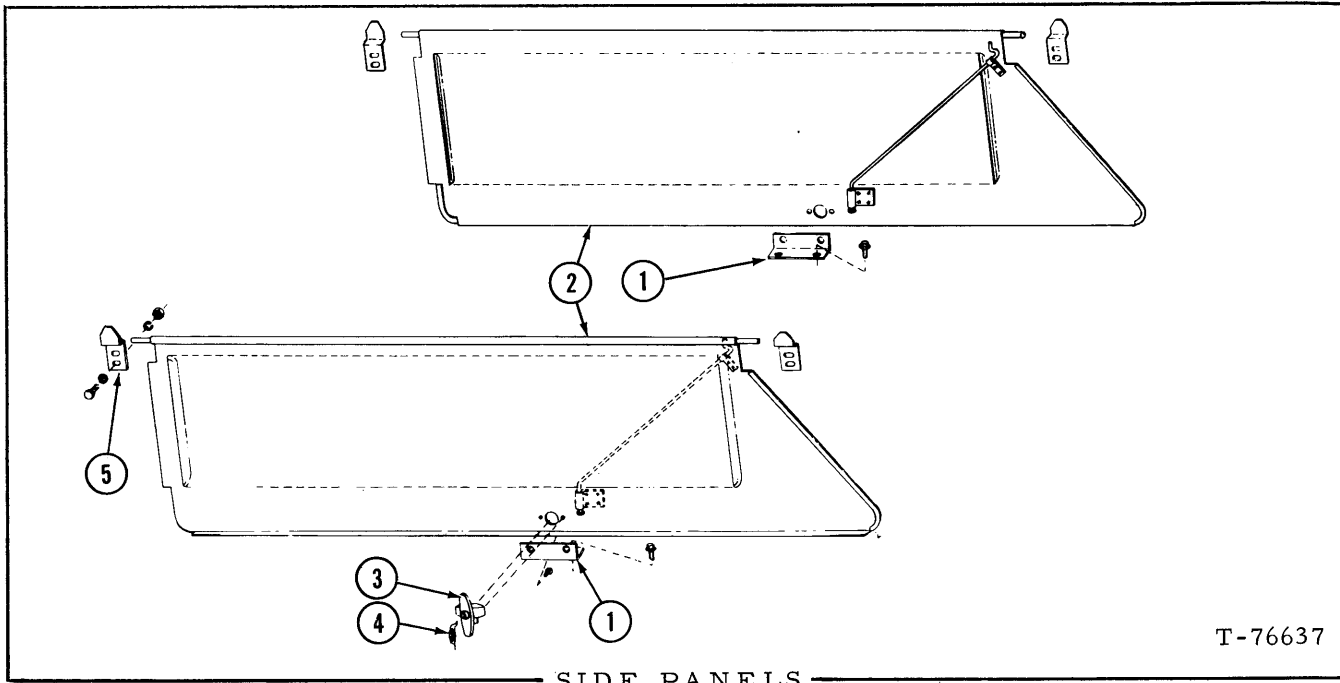
(Continued)

(Revised November 1977)

RADIATOR SUPPORT, HOOD AND FENDERS (Continued)

| ITEM | PART NO. | QTY. | DESCRIPTION |
|------|------------|------|---|
| 12 | { 73056965 | 1 | FENDER, left |
| | { 73056966 | 1 | FENDER, right |
| | 70915228 | 8 | CAPSCREW, 3/8" NF x 1-1/4" |
| | 70911115 | 8 | WASHER, plain, 3/8" |
| | 70910287 | 8 | LOCKWASHER, 3/8" |
| | 70910123 | 8 | NUT, 3/8" NF |
| | 70915987 | 2 | CAPSCREW, 1/2" NC x 1-1/2" |
| | 70900703 | 2 | WASHER, plain, 21/32" |
| 13 | ----- | 2 | STRIP, rubber (Order 48-1/2" of item 20) |
| 14 | 73061888 | 1 | COVER |
| | 70926339 | 9 | CAPSCREW, No. 10 NC x 5/16" (Includes Lockwasher) |
| 15 | 73104936 | 1 | DECAL, battery instruction (see page 283) |
| 16 | 70930998 | 1 | PADLOCK (Special Equipment)(Includes item 19) |
| 17 | 73057513 | 1 | COVER ASSY. (Special Equipment) |
| 18 | 73058015 | 1 | LOCKWASSY. (Special Equipment)(Includes item 19) |
| 19 | 70931742 | 2 | KEY |
| 20 | 73050298 | - | STRIP (Supplied in 25' roll) |

(Revised November 1977)

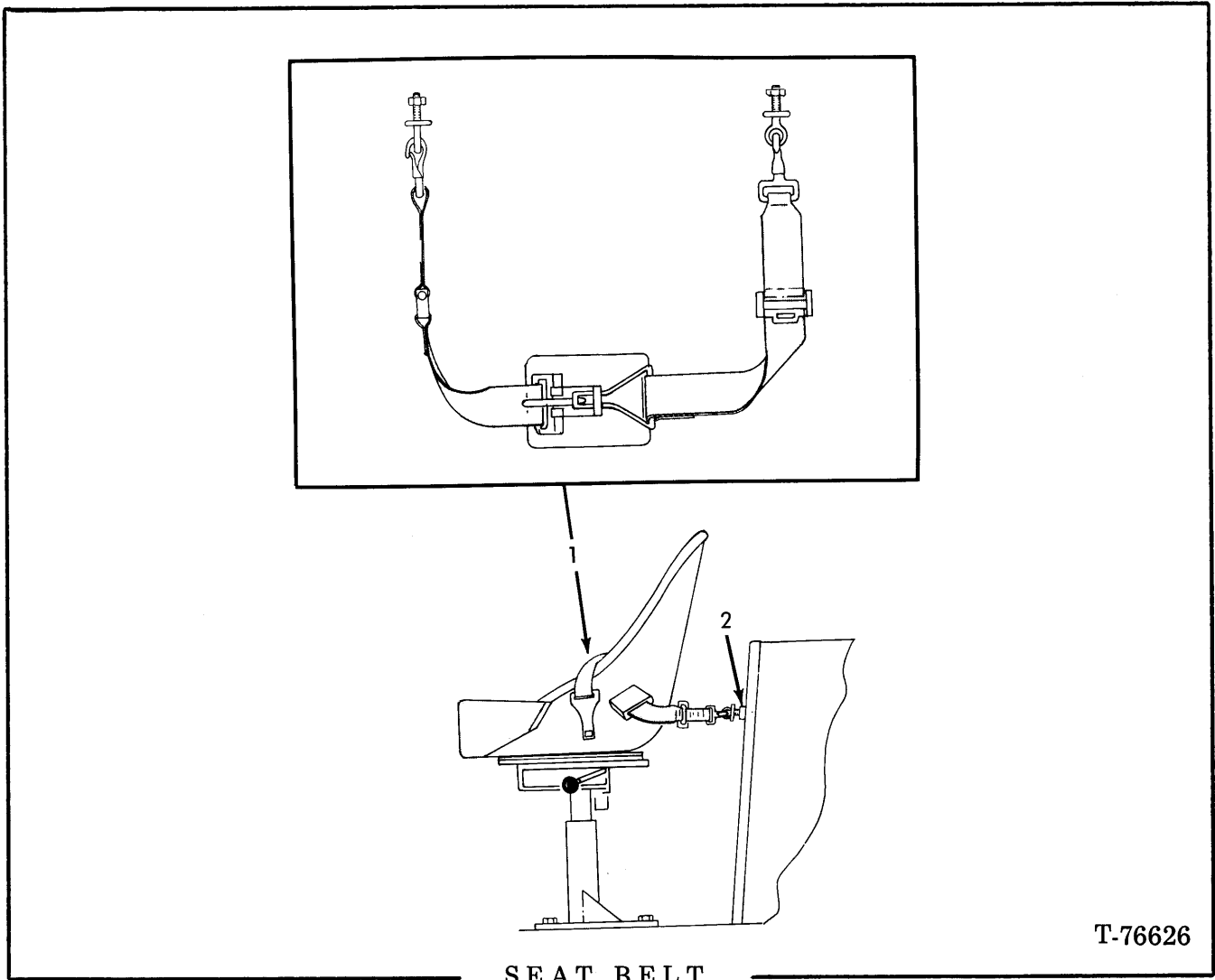


T-76637

SIDE PANELS

USAGE: Special Equipment

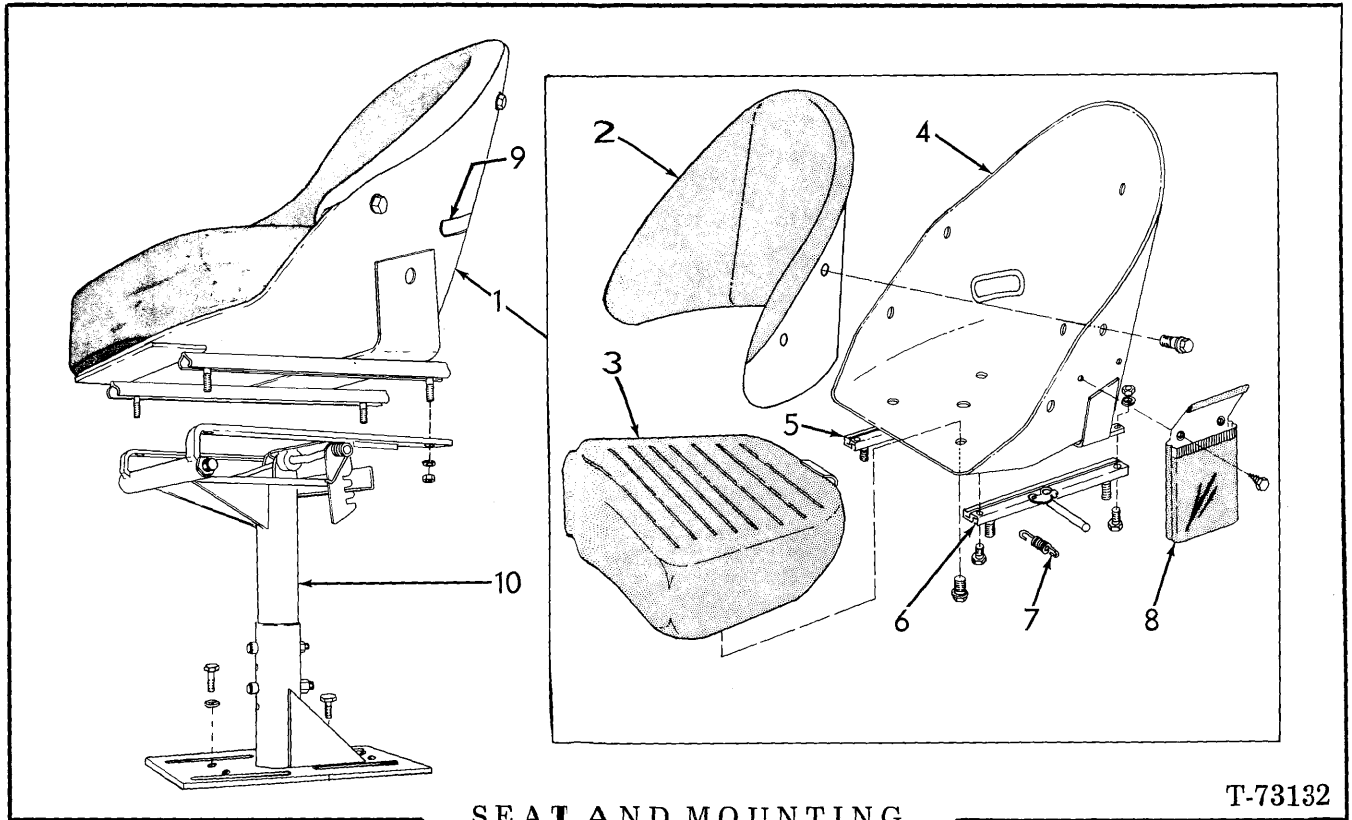
| ITEM | PART NO. | QTY. | DESCRIPTION |
|------|------------|------|-------------------------------------|
| 1 | 73057640 | 2 | BRACKET |
| | 70923683 | 4 | CAPSCREW, self-tapping, 3/8" x 3/4" |
| 2 | { 73057638 | 1 | PANEL, side (left) |
| | { 73057639 | 1 | PANEL, side (right) |
| 3 | 73058383 | 2 | HANDLE ASSY. (Includes item 4) |
| 4 | 73058910 | - | KEY |
| 5 | 73057635 | 4 | CLIP, side panel mounting |
| | 70916285 | 8 | CAPSCREW, 1/4" NC x 1" |
| | 70911114 | 8 | WASHER, plain, 1/4" |
| | 70904204 | 8 | LOCKWASHER, 1/4" |
| | 70916622 | 8 | NUT, 1/4" NC |



USAGE: Special Equipment

NOTE: Use of Seat Belts on roll over protection structure (ROPS) equipped vehicles is recommended. FASTEN SEAT BELTS SECURELY.

| ITEM | PART NO. | QTY. | DESCRIPTION |
|------|----------|------|--|
| 1 | 70680080 | 1 | BELT ASSY. (Includes 2 eyebolts, 2 nuts and 2 lockwashers) |
| 2 | 73057770 | 2 | SPACER |



SEAT AND MOUNTING

T-73132

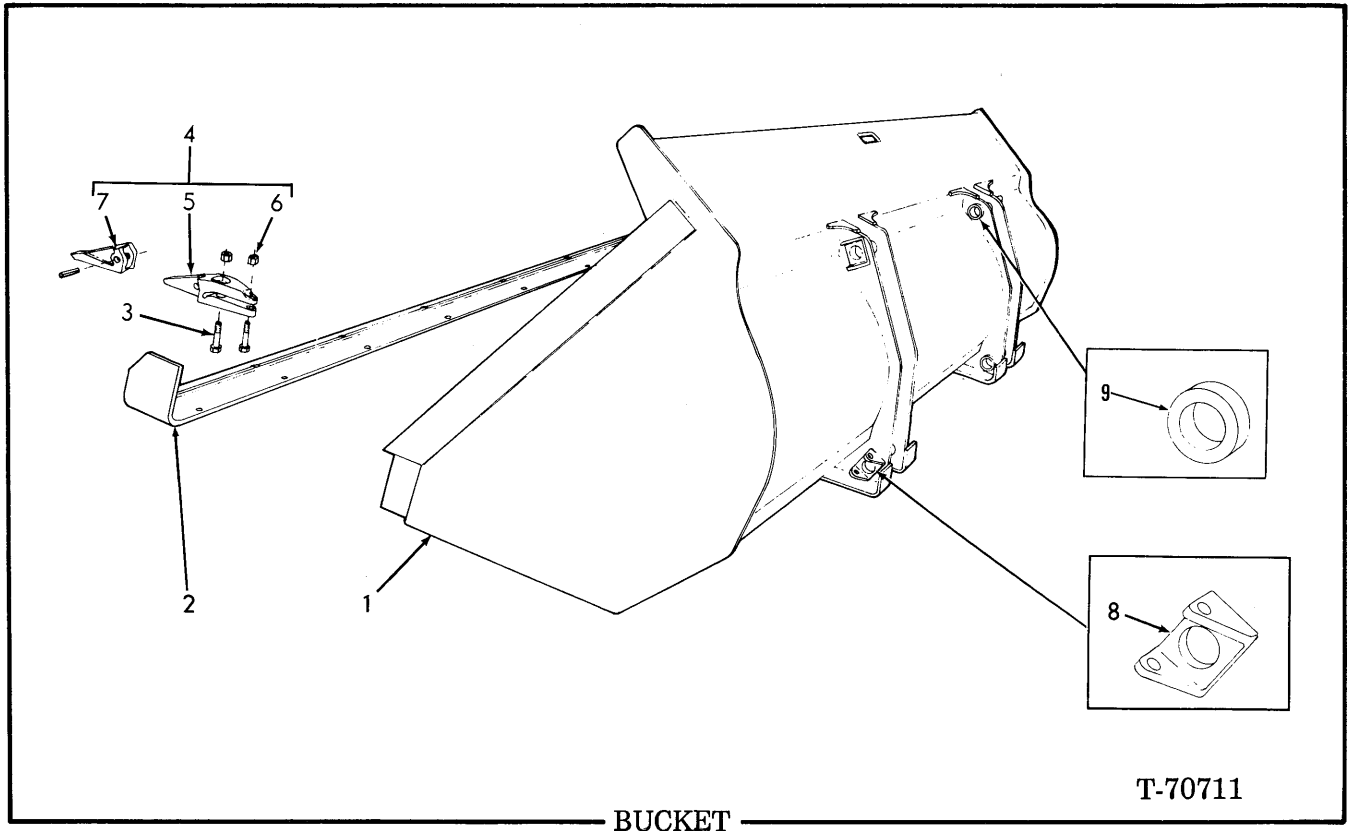
USAGE: * Used prior to loader s/n 45S03484.
 ** Effective with loader s/n 45S03484 except 03487

| ITEM | PART NO. | QTY. | | DESCRIPTION |
|------|----------|------|----|---|
| | | * | ** | |
| 1 | ----- | 1 | - | SEAT ASSY. |
| | 73068244 | - | 1 | SEAT ASSY. (includes items 2 thru 8) |
| 2 | 73100879 | 1 | 1 | BACKREST ASSY. |
| | 70922586 | 5 | - | CAPSCREW, 3/8" NC x 5/8" |
| | 70916956 | 5 | - | WASHER, plain, 13/32" |
| | 70921311 | - | 5 | CAPSCREW, 5/16" NC x 5/8" (includes washer) |
| 3 | 73100880 | 1 | 1 | CUSHION |
| | 70922586 | 2 | - | CAPSCREW, 3/8" NC x 5/8" |
| | 70916956 | 2 | - | WASHER, plain, 13/32" |
| | 70921311 | - | 2 | CAPSCREW, 5/16" NC x 5/8" (includes washer) |
| 4 | ----- | 1 | 1 | SHELL ASSY. (order item 1) |
| | 70921332 | 4 | - | CAPSCREW, 5/16" NC x 3/4" |
| | 70904205 | 6 | - | LOCKWASHER, 5/16" |
| | 70910323 | 4 | - | NUT, 5/16" NC |
| 5 | 73060174 | - | 1 | ADJUSTER |
| | 70921311 | - | 2 | CAPSCREW, 5/16" NC x 5/8" (includes washer) |
| | 70904205 | - | 3 | LOCKWASHER, 5/16" |
| | 70910323 | - | 3 | NUT, 5/16" NC |
| | 70921566 | - | 2 | CAPSCREW, 5/16" NC x 1" (use for replacement of stud) |
| 6 | 73060175 | - | 1 | ADJUSTER |
| | 70921311 | - | 2 | CAPSCREW, 5/16" NC x 5/8" (includes washer) |
| | 70904205 | - | 3 | LOCKWASHER, 5/16" |
| | 70910323 | - | 3 | NUT, 5/16" NC |
| | 70921566 | - | 2 | CAPSCREW, 5/16" NC x 1" (for replacement of stud) |

(Continued)

SEAT AND MOUNTING (Continued)

| ITEM | PART NO. | QTY. | | DESCRIPTION |
|------|----------|------|----|---|
| | | * | ** | |
| 7 | 73061060 | 1 | 1 | SPRING |
| | 73108441 | 1 | - | POUCH |
| | 70916081 | 2 | - | SCREW, rd. hd., 1/4" NC x 1/2" |
| 8 | 73068320 | - | 1 | POUCH (Velcro closure) |
| | 70912307 | - | 2 | SCREW, no. 8 x 1/2" |
| | 70923212 | - | 2 | WASHER, no. 10 |
| 9 | 73109131 | 1 | 1 | DECAL, operators manual |
| 10 | 73058049 | 1 | 1 | PEDESTAL ASSY. |
| | 70916311 | 3 | 3 | CAPSCREW, 1/2" NC x 1-1/4" |
| | 70915987 | 1 | 1 | CAPSCREW, 1/2" NC x 1-1/2" |
| | 70912441 | 4 | 4 | LOCKWASHER, 1/2" |
| | 70910325 | 1 | 1 | NUT, 1/2" NC |
| 11 | 73108840 | 1 | 1 | CHAIN ASSY. (secures O.M. to item 8)(not illustrated) |



USAGE: First type - also see page 241.

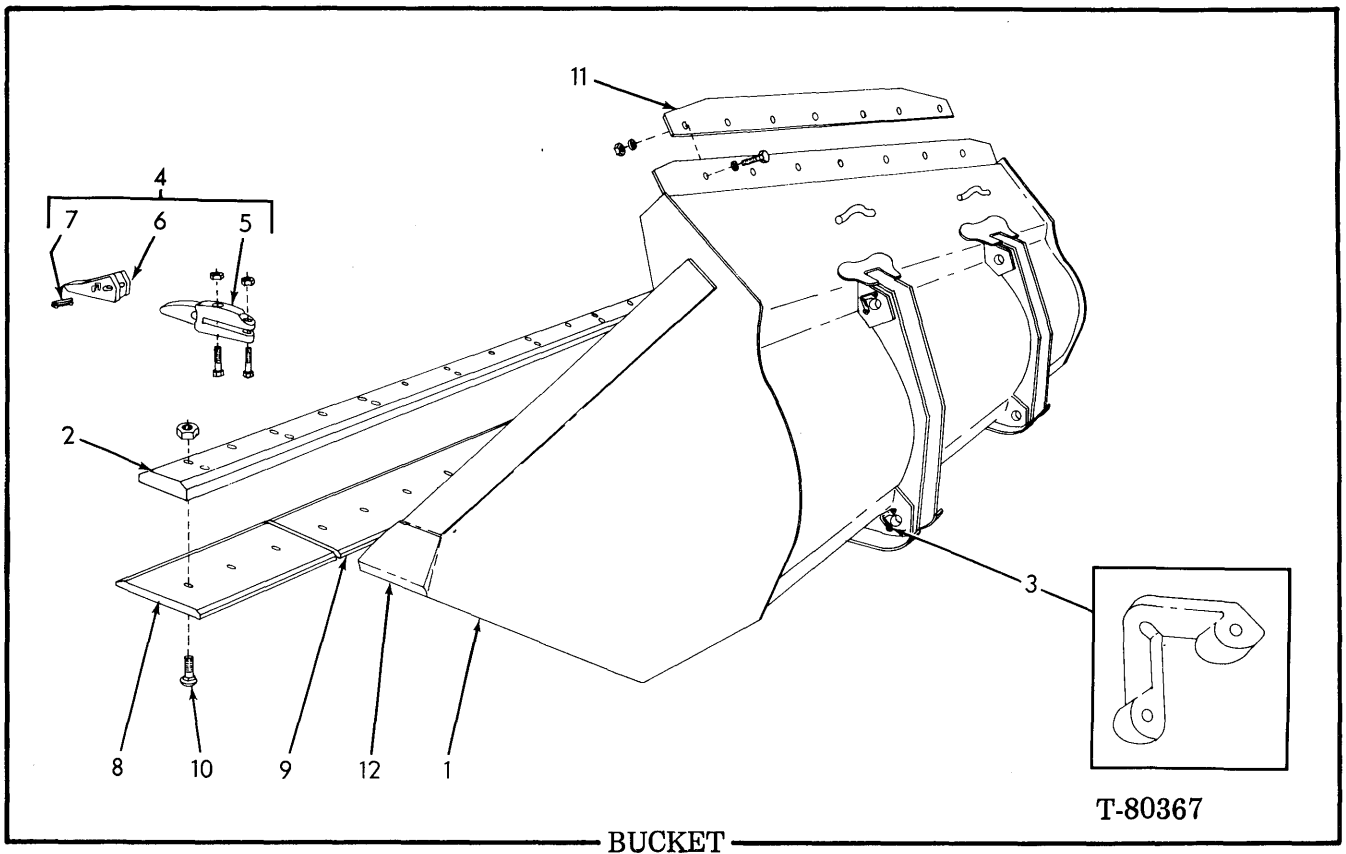
| ITEM | PART NO. | QTY. | DESCRIPTION |
|------|----------|------|---|
| 1 | ----- | 1 | BUCKET ASSY. (3-1/2 cu.yd.) |
| | ----- | 1 | BUCKET ASSY. (4 cu. yd.) |
| | ----- | 1 | BUCKET ASSY. (4-1/2 cu. yd.) |
| | ----- | 1 | BUCKET ASSY. (5 cu. yd.) |
| 2 | 73054657 | 1 | EDGE, heat treated, 3/4" thick x 115" (10 holes drilled for bucket teeth - requires welding to install) |
| 3 | 73033513 | 20 | CAPSCREW |
| 4 | 73032628 | 10 | TOOTH ASSY. (Includes items 5 thru 7) |
| 5 | 73032200 | 10 | SHANK |
| 6 | 73033441 | 20 | NUT |
| 7 | 73020853 | 10 | *POINT |
| | 73062624 | 10 | *POINT (Special equipment) |
| 8 | 73062294 | 4 | STOP |
| 9 | 73062295 | 4 | BOSS |

See page 241 for service replacement

} Requires welding to install

*Use as required

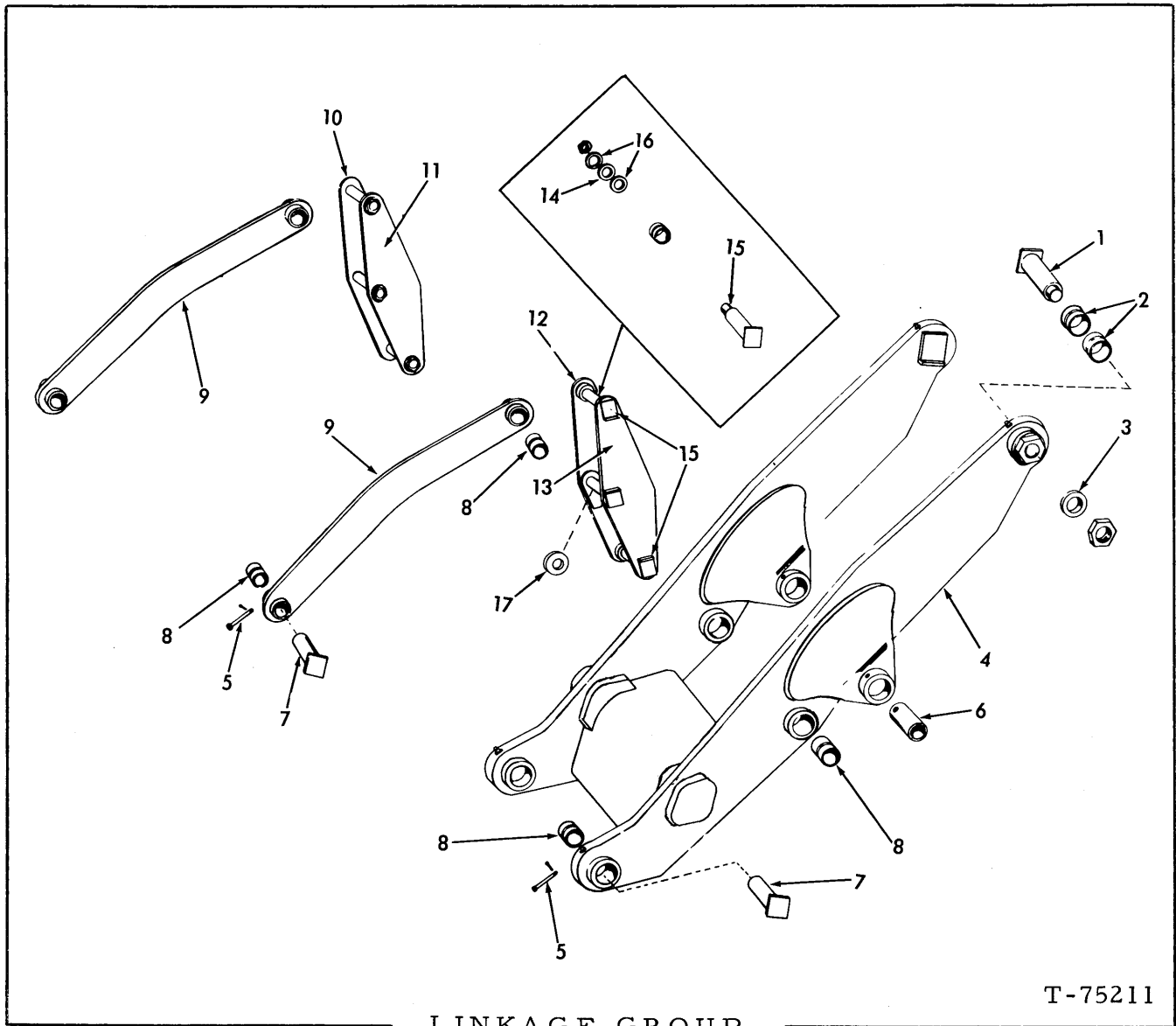
(Added June 1979)



USAGE: Second type - complete service replacement BUCKET ASSY. is a Machinery Item. See your Fiat-Allis dealer.

| ITEM | PART NO. | QTY. | DESCRIPTION |
|------|----------|------|---|
| 1 | 73066540 | 1 | BUCKET ASSY. (3-1/2 cu.yd.) |
| | 73066520 | 1 | BUCKET ASSY. (4 cu.yd.) |
| | 73066530 | 1 | BUCKET ASSY. (4-1/2 cu.yd.) |
| 2 | 73066524 | 1 | EDGE (Heat treated) 1-1/2" thick x 118" (Requires welding to install - 18 holes drilled for bucket teeth) |
| 3 | 70648977 | 4 | STOP |
| 4 | 73065078 | 9 | TOOTH ASSY. (Special Equipment - includes items 5 thru 7) |
| 5 | 73065026 | 9 | SHANK |
| | 70927470 | 18 | CAPSCREW, 7/8" NC x 3-3/4" |
| | 70932930 | 18 | NUT, high, 7/8" NC |
| 6 | 73065066 | 9 | POINT |
| | 70679206 | 9 | POINT, regular |
| | 73109898 | 9 | POINT, star |
| 7 | 73066600 | 9 | PIN ASSY. (Serviced only as an assy.) |
| | 70666983 | 9 | PIN ASSY. (Serviced only as an assy.)(Optional equipment) |
| 8 | 73064504 | 2 | EDGE } heat treated - Special Equipment |
| | 73068280 | 1 | EDGE } |
| 10 | 70933028 | 15 | BOLT, plow 1" NC x 3-1/2" |
| | 70929611 | 15 | NUT, 1" NC |
| 11 | 73064553 | 1 | PLATE, spill (Special Equipment) |
| | 70921174 | 7 | CAPSCREW, 5/8" NC x 2-1/2" |
| | 70677010 | 14 | WASHER |
| | 70911029 | 7 | NUT, 5/8" NC |
| 12 | 73064471 | 2 | BIT (requires welding) |

(Revised June 1979)



LINKAGE GROUP

T-75211

| ITEM | PART NO. | QTY. | DESCRIPTION |
|------|------------|------|--|
| 1 | 73046271 | 2 | PIN |
| | 70925751 | 2 | NUT (Special) |
| 2 | 73031012 | 4 | BUSHING |
| 3 | 73045027 | 2 | SPACER |
| 4 | { 73055173 | 1 | BOOM ASSY. (Includes items 2 and 8) |
| | 73057790 | 1 | BOOM ASSY. (Includes items 2 and 8)(Special Equipment) |
| | 70915274 | 2 | FITTING, lube, 45°, 1/8" NPT |
| | 70914465 | 4 | FITTING, lube, straight, 1/8" NPT |
| 5 | 73013568 | 4 | PIN |
| | 70900811 | 4 | PIN, cotter, 3/16" x 1-1/2" |
| 6 | ----- | 2 | PIN (See page 192) |
| 7 | 73046273 | 4 | PIN |
| 8 | 73046249 | 8 | BUSHING |

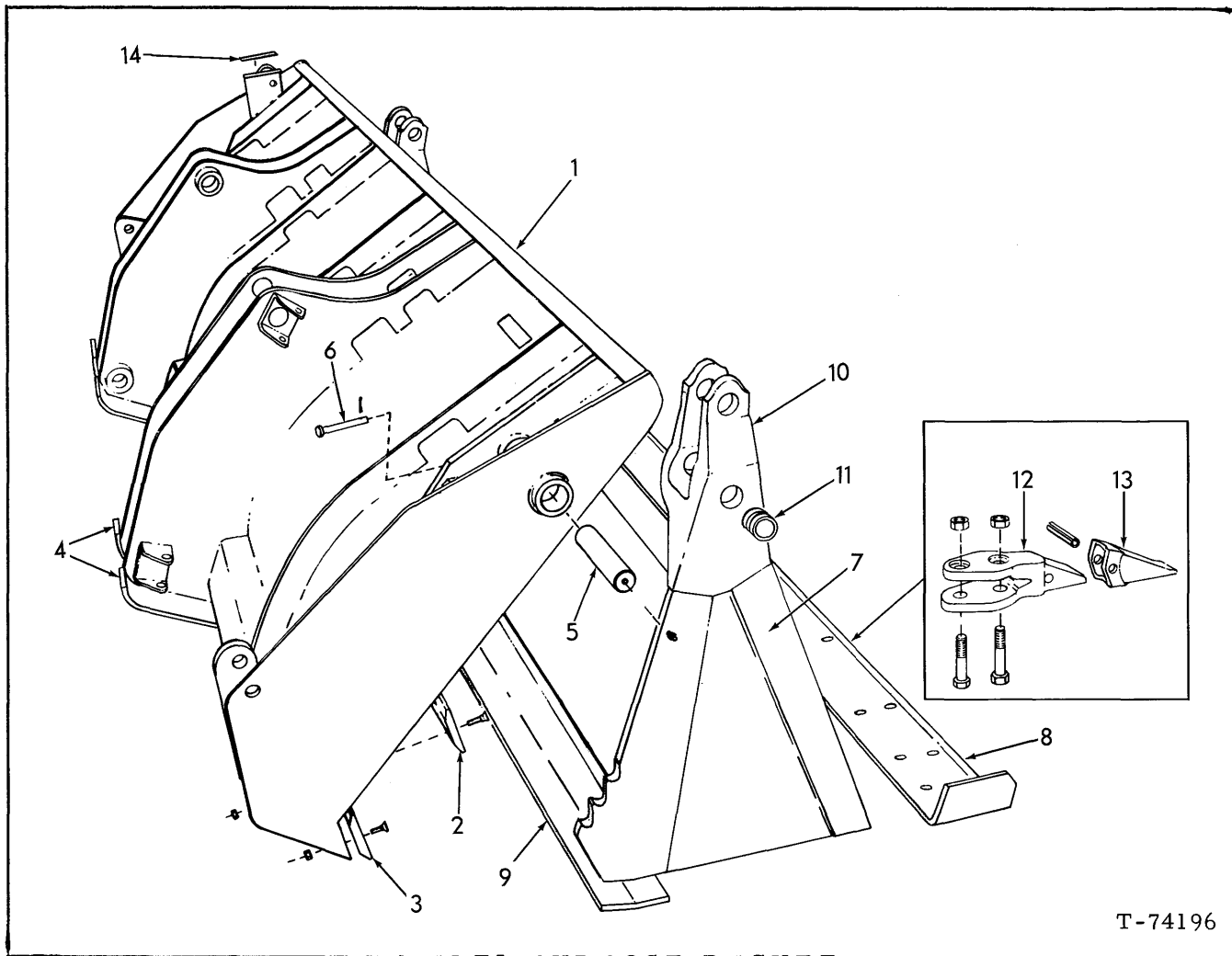
(Continued)

(Revised June 1979)

LINKAGE GROUP (Continued)

| ITEM | PART NO. | QTY. | DESCRIPTION |
|------|------------|------|--|
| 9 | { 73047646 | 2 | LINK ASSY., dump (Includes item 8) |
| | 70914465 | 4 | FITTING, lube, straight, 1/8" NPT |
| | 73057784 | 2 | LINK ASSY., long boom (Includes item 8)(Special Equipment) |
| 10 | 73047640 | 1 | LINK, right outer |
| 11 | 73047638 | 1 | LINK, right inner |
| 12 | 73047637 | 1 | LINK, left inner |
| 13 | 73047639 | 1 | LINK, left outer |
| 14 | { 73046315 | - | WASHER, spacing (.0359" thick. Use as required) |
| | 73046317 | - | WASHER, spacing (.059" thick. Use as required) |
| 15 | 73046260 | 4 | PIN |
| 16 | 73044963 | 4 | WASHER |
| | 70924130 | 4 | NUT, safety, 1-3/4" NC |
| 17 | 73012494 | 4 | WASHER (Use as required at dump cylinder rod end) |

(Revised June 1979)



T-74196

MULTI-PURPOSE BUCKET

USAGE: Special Equipment

| ITEM | PART NO. | QTY. | DESCRIPTION |
|------|----------|------|--|
| 1 | 70664536 | 1 | MOLDBOARD ASSY. (welded) (Includes item 2 thru 4) |
| | 70654127 | 2 | TRANSFER, "clean daily" (Applied to Moldboard) |
| 2 | 70664541 | 1 | EDGE, moldboard cutting |
| | 70924797 | 15 | BOLT, plow, 3/4" NC x 2" |
| | 70910923 | 15 | NUT, 3/4" NC |
| 3 | 70664540 | 2 | BIT, moldboard end |
| | 70924797 | 6 | BOLT, plow, 3/4" NC x 2" |
| | 70910923 | 6 | NUT, 3/4" |
| 4 | 70664551 | 4 | SHOE, moldboard skid (welded to Moldboard) |
| 5 | 70663356 | 2 | PIN ASSY. clam pivot (Includes Fitting indented below) |
| | 70914465 | 2 | FITTING, lube, straight, 1/8" NPT |
| 6 | 70663455 | 2 | PIN, retaining, clam pivot pin |
| | 70900806 | 2 | PIN, cotter, 1/8" x 1" |

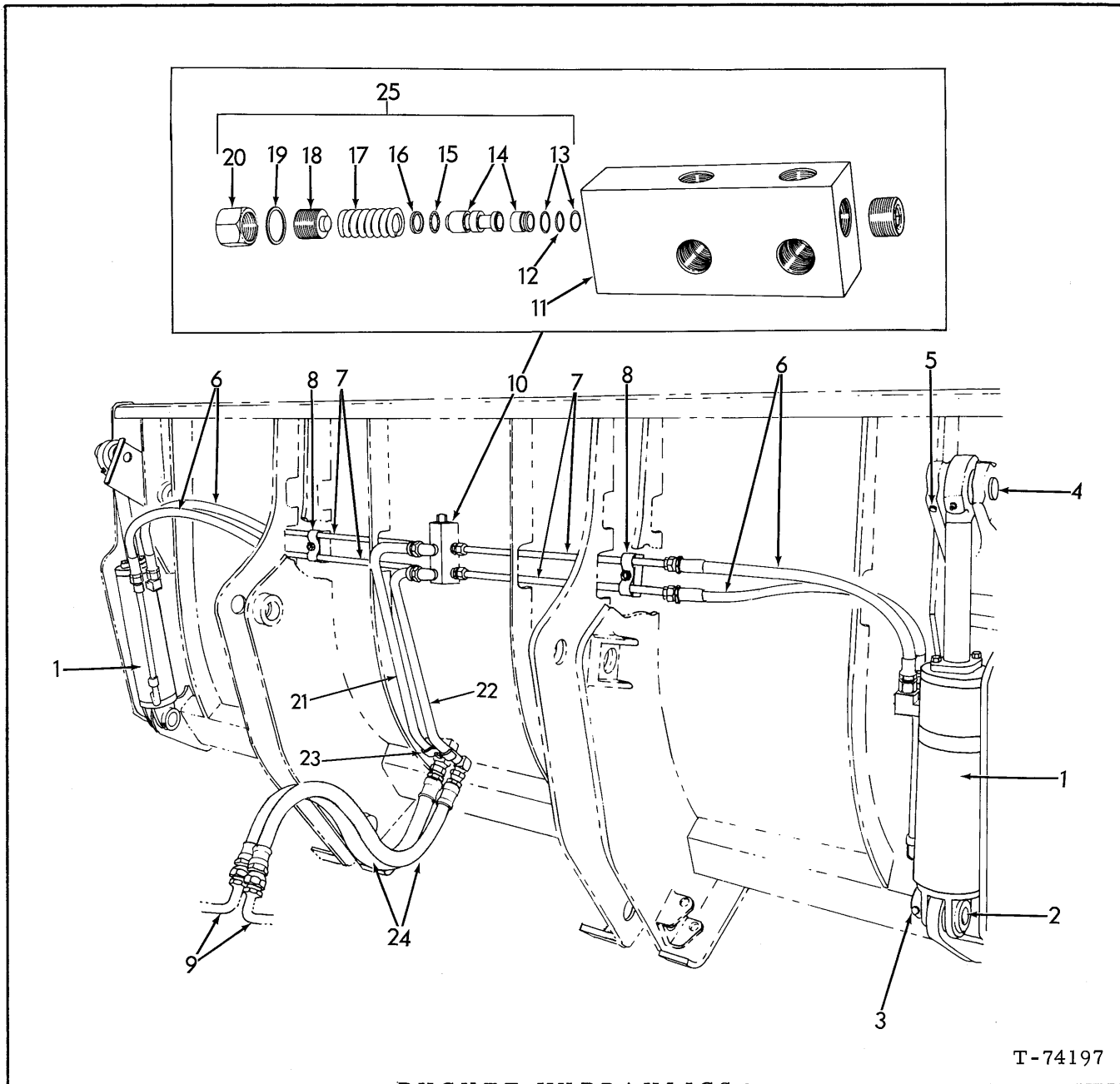
(Continued)

(Revised June 1979)

MULTI-PURPOSE BUCKET (Continued)

| ITEM | PART NO. | QTY. | DESCRIPTION | |
|------|----------|------|---|------------------------|
| 7 | 70664537 | 1 | CLAM ASSY. (welded) (Includes items 8 thru 11) | |
| 8 | 70664538 | 1 | EDGE, bucket cutting | } Welded to Clam Assy. |
| 9 | 70664539 | 1 | EDGE, clam cutting | |
| 10 | 70663279 | 1 | HINGE, clam, L. H. | |
| | 70663280 | 1 | HINGE, clam, R. H. | |
| 11 | 70663278 | 4 | BUSHING, clam hinge | |
| 12 | 70664549 | 10 | SHANK, bucket tooth | |
| | 70925631 | 10 | CAPSCREW, 7/8" NC x 4" | |
| | 70916262 | 10 | CAPSCREW, 7/8" NC x 4-1/4" | |
| | 70900372 | 20 | NUT, 7/8" NC | |
| 13 | 70664548 | 10 | TIP, bucket tooth | |
| | 70920145 | 10 | PIN, spring, 1/2" x 3" | |
| 14 | 70664546 | 1 | TRANSFER, clam opening indication (applied to rear of mold-board) | |

(Revised June 1979)



T-74197

BUCKET HYDRAULICS

USAGE: Special Equipment. For units with multi-purpose bucket.

| ITEM | PART NO. | QTY. | DESCRIPTION |
|------|----------|------|---|
| 1 | ----- | 2 | CYLINDER ASSY., clam operating (see page 248) |
| 2 | 70663354 | 2 | PIN, clam cylinder to moldboard |
| 3 | 70663455 | 2 | PIN, retaining, cylinder lower pin |
| | 70900806 | 2 | PIN, cotter, 1/8" x 1" |
| 4 | 70663355 | 2 | PIN, clam cylinder to clam |

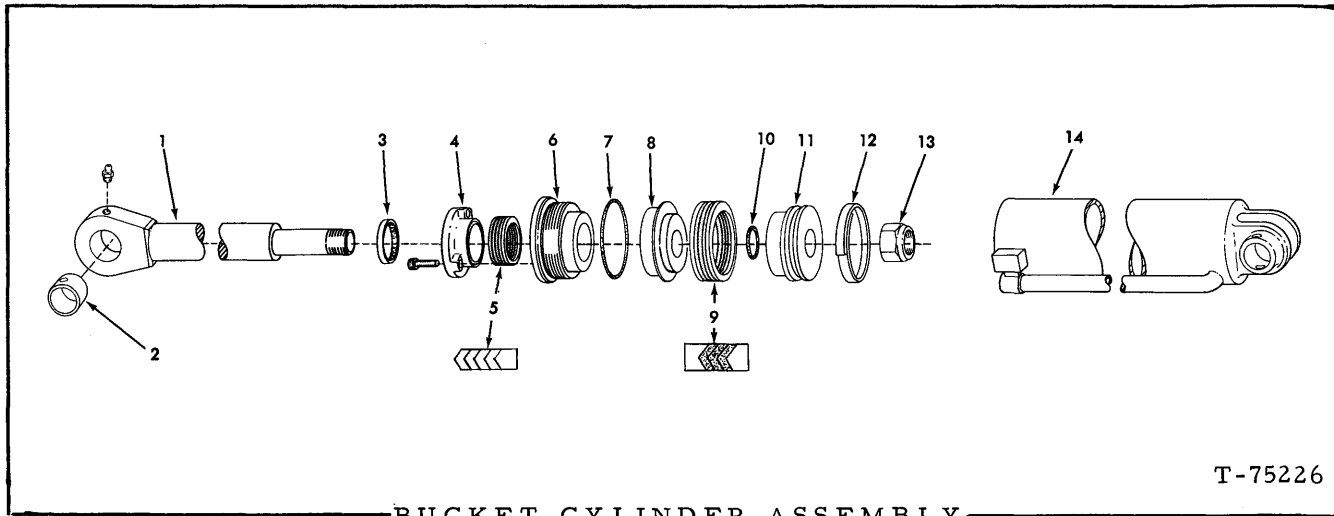
(Continued)

BUCKET HYDRAULICS (Continued)

| ITEM | PART NO. | QTY. | DESCRIPTION |
|------|----------|------|--|
| 5 | 70663456 | 2 | PIN, retaining, cylinder upper pin |
| | 70900806 | 2 | PIN, cotter, 1/8" x 1" |
| 6 | 70663459 | 4 | HOSE, clam cylinder |
| | 70919342 | 4 | CONNECTOR, male, flare type, 3/4" tube, 1-1/16" str. thd. (at Cylinder) |
| 7 | 70664545 | 4 | TUBE, horizontal |
| | 70919615 | 4 | CONNECTOR, male, flare type, 3/4" tube, 1/2" NPT male (at Valve) |
| 8 | 70654125 | 2 | CLAMP, supporting, horizontal tubes |
| | 70911026 | 2 | NUT, 3/8" NC |
| | 70910287 | 2 | LOCKWASHER, 3/8" |
| 9 | ----- | 2 | TUBE ASSY., front piping (See page 212) |
| 10 | 70654123 | 1 | VALVE ASSY., safety (Consists of items 11 thru 20) |
| 11 | ----- | 1 | BODY, relief valve (Order item 10) |
| | 70908944 | 1 | PLUG, hex-socket, 1/2" NPT |
| 12 | ----- | 1 | △ O-RING, relief valve seat |
| 13 | ----- | 2 | △ RING, back-up, valve seat o-ring |
| 14 | ----- | 1 | △ PLUNGER ASSY., relief valve (Includes seat) |
| 15 | ----- | 1 | △ O-RING, relief valve plunger |
| 16 | ----- | 1 | △ RING, back-up, plunger o-ring |
| 17 | ----- | 1 | △ SPRING, relief valve |
| 18 | ----- | 1 | △ SCREW, relief valve adjustment |
| 19 | ----- | 1 | △ GASKET, relief valve cap |
| 20 | 70656899 | 1 | CAP, relief valve screw |
| 21 | 70664543 | 1 | TUBE, vertical, left side |
| | 70920751 | 1 | ELBOW, flare type, 90°, 3/4" tube, 1/2" NPT male (at Valve) |
| 22 | 70664544 | 1 | TUBE, vertical, right side |
| | 70920751 | 1 | ELBOW, flare type, 90°, 3/4" tube, 1/2" NPT male (at Valve) |
| 23 | 70654121 | 1 | CLAMP, supporting, vertical tubes |
| | 70911026 | 1 | NUT, 3/8" NC |
| | 70910287 | 1 | LOCKWASHER, 3/8" |
| 24 | 70664542 | 2 | HOSE, bucket lines to boom lines |
| 25 | 70684391 | 1 | △ REPAIR KIT, valve (Consists of items 12 thru 19) |

} Order
item
25

(Revised June 1979)

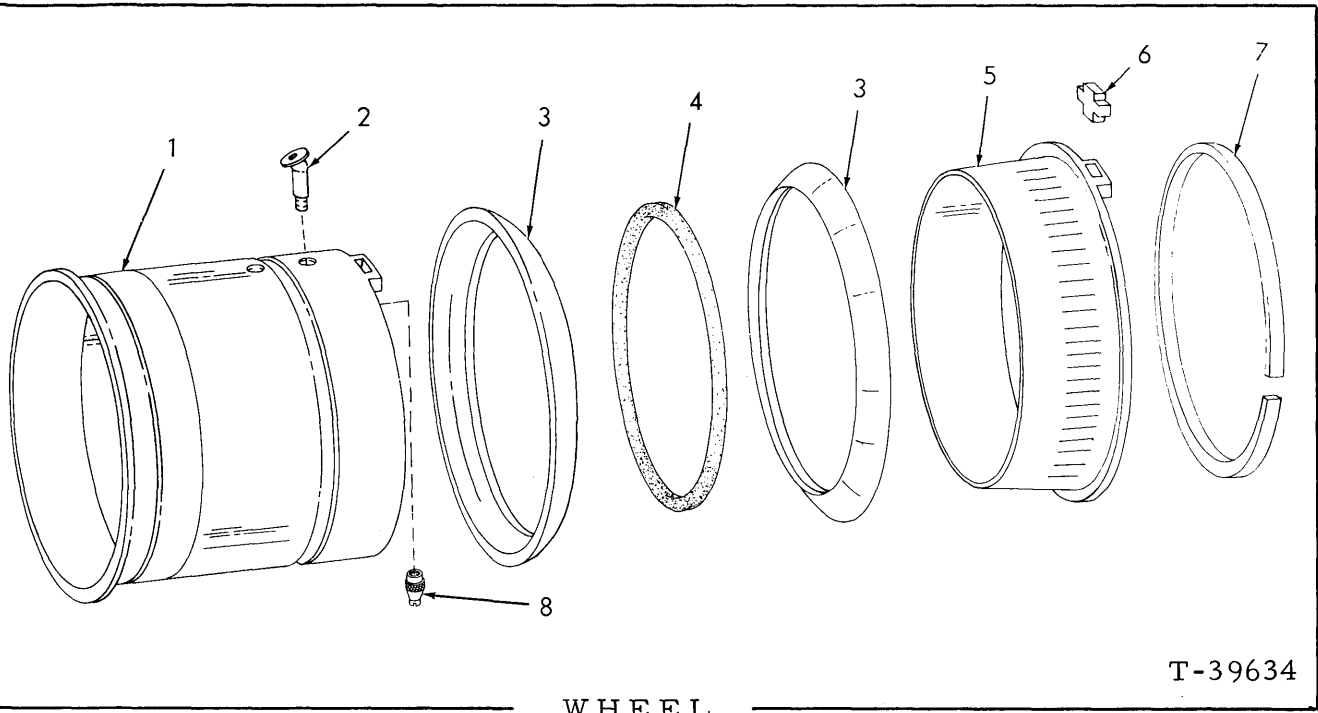


T-75226

BUCKET CYLINDER ASSEMBLY

USAGE: Special Equipment for Multi-Purpose Bucket

| ITEM | PART NO. | QTY. | DESCRIPTION |
|------|----------|------|--|
| - | 70663269 | 1 | CYLINDER ASSY., bucket (Includes items 1 thru 14) |
| 1 | 70663231 | 1 | ROD ASSY., piston (Includes item 2) |
| | 70914465 | 1 | FITTING, lube, straight, 1/8" PT |
| 2 | 70663283 | 1 | BUSHING, piston rod |
| 3 | 70652890 | 1 | SEAL, flange |
| 4 | 70654169 | 1 | FLANGE |
| | 70924796 | 3 | CAPSCREW, hex-socket with nylon plug, 3/8" NF x 1" |
| 5 | 70654168 | 1 | PACKING SET, cylinder head |
| 6 | 70663282 | 1 | HEAD, cylinder |
| 7 | 70923856 | 1 | O-RING, 5" I. D., cylinder head |
| 8 | 70663229 | 1 | PISTON |
| 9 | 70663228 | 1 | PACKING SET, piston |
| 10 | 70923664 | 1 | O-RING, 1-1/2" I. D., piston |
| 11 | 70663216 | 1 | PISTON |
| 12 | 70663227 | 1 | RING, piston |
| 13 | 70917778 | 1 | NUT, elastic stop, 1-1/2" NF, piston rod |
| 14 | 70663230 | 1 | TUBE ASSY., cylinder (welded) |



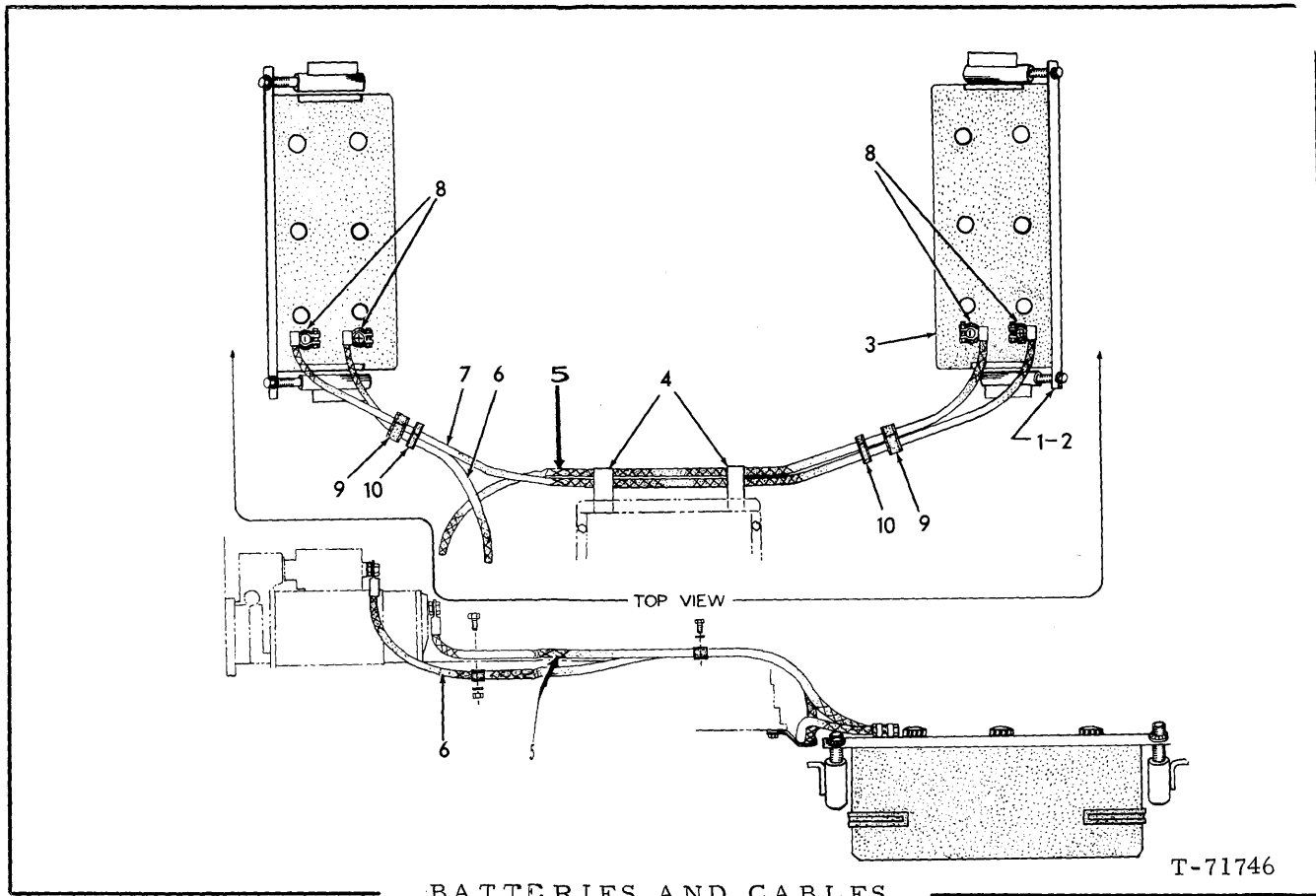
T-39634

WHEEL

USAGE: For use with 23.5 x 25 tire (Standard Equipment)

NOTE: Quantity indicated is for one wheel assembly only.

| ITEM | PART NO. | QTY. | DESCRIPTION |
|------|------------|------|---------------------------------------|
| - | ----- | - | TUBES (Obtain Locally) |
| - | ----- | - | TIRES (Obtain Locally) |
| 1 | { 73046881 | 1 | WHEEL |
| | { 73058453 | 1 | WHEEL (Use with tube type tire) |
| 2 | 73052021 | 1 | VALVE ASSY. (Serviced only as a unit) |
| 2a | 73047482 | 1 | EXTENSION VALVE (Not Illustrated) |
| 3 | 73029971 | 2 | FLANGE |
| 4 | 73027549 | 1 | O-RING |
| 5 | 73041531 | 1 | BAND |
| 6 | 70183297 | 1 | DRIVER |
| 7 | 73034382 | 1 | RING |
| 8 | 73069471 | 1 | CAP, valve |
| 9 | 73047477 | 1 | FLAP, (Not Illustrated) |



BATTERIES AND CABLES

T-71746

| ITEM | PART NO. | QTY. | DESCRIPTION |
|------|-----------|------|---|
| 1 | 73048106 | 2 | PLATE (Used prior to unit no. 03300) |
| | 73061395 | 2 | BAR (Effective with unit no. 03300) |
| 2 | 73048112 | 4 | NUT |
| | 70921706 | 4 | BOLT, 3/8" NC x 5" |
| | 73061398 | 4 | ROD (Effective with unit no. 03300) |
| | 70911115 | 4 | WASHER, plain, 3/8" |
| | 70918308 | 4 | NUT, 3/8" NC |
| | 70695471 | 2 | BATTERY (Requires 14.0 qts. Electrolyte) (20 hr. rating of 15 ampere hours) |
| 3a | *70243526 | 1 | ELICTROLYTE ("Z" Pack) 6.1 qts. |
| | *70243527 | 1 | ELICTROLYTE ("F" Pack) 5.0 gal. |
| 3b | *70243528 | 1 | HOSE (For use with 5 gal. pack) |
| 4 | 73024383 | 2 | CLAMP |
| | 70915408 | 2 | CAPSCREW, 3/8" NC x 5/8" |
| | 70911115 | 2 | WASHER, plain, 3/8" |
| | 70904206 | 2 | LOCKWASHER, 3/8" |
| 5 | 73059270 | 1 | CABLE (Starter to battery ground) |
| | 74254646 | 1 | CLAMP |
| | 70916270 | 1 | CAPSCREW, 3/8" NC x 1/2" |
| | 70904206 | 1 | LOCKWASHER, 3/8" |
| 6 | 73043418 | 1 | CABLE (Includes terminal cover) |
| | 74254646 | 1 | CLAMP |
| | 70916272 | 1 | CAPSCREW, 3/8" NC x 1-1/4" |
| | 70904206 | 1 | LOCKWASHER, 3/8" |
| | 70910324 | 1 | NUT, 3/8" NC |

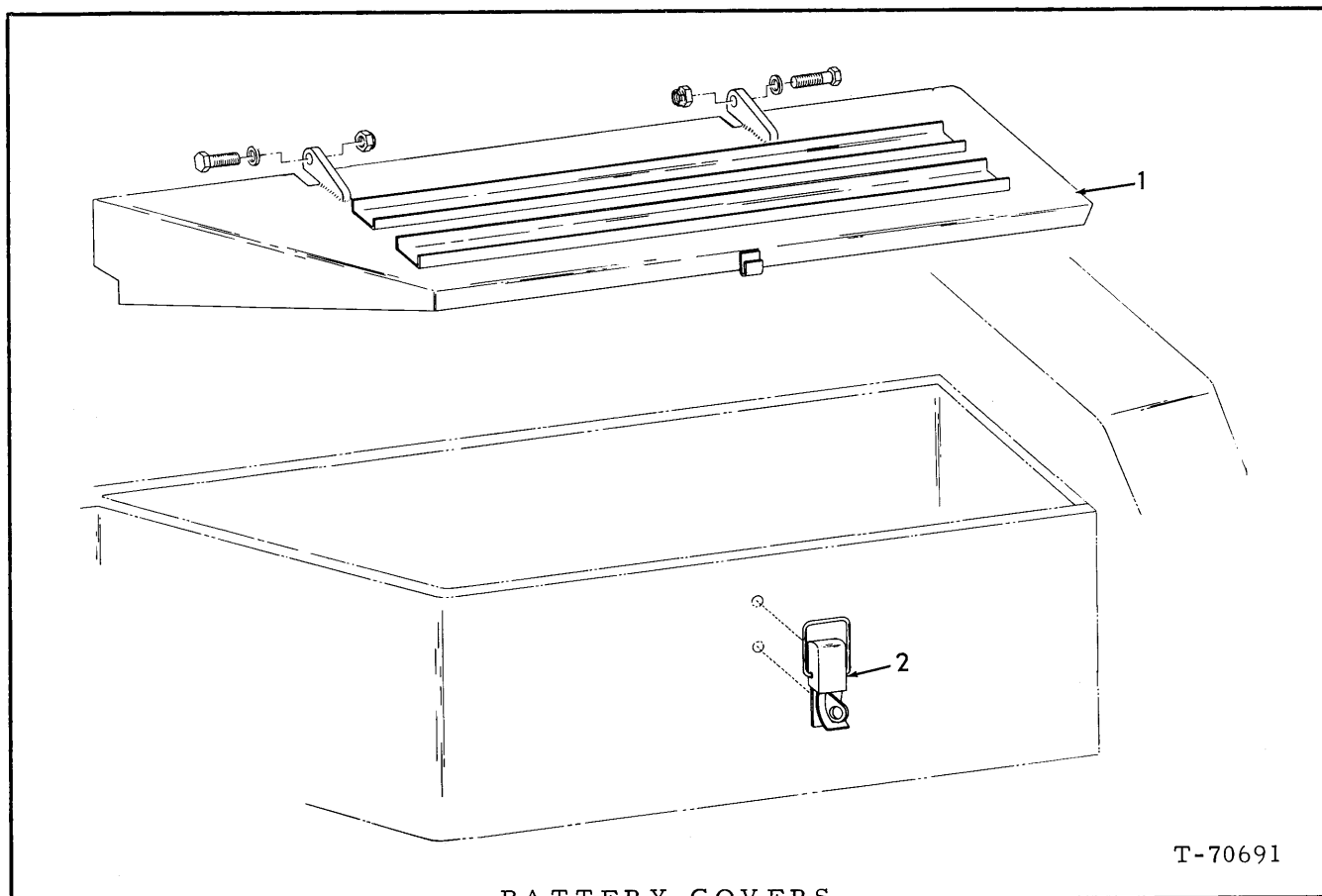
*Order from Construction Machinery Depot

(Continued)

(Revised June 1979)

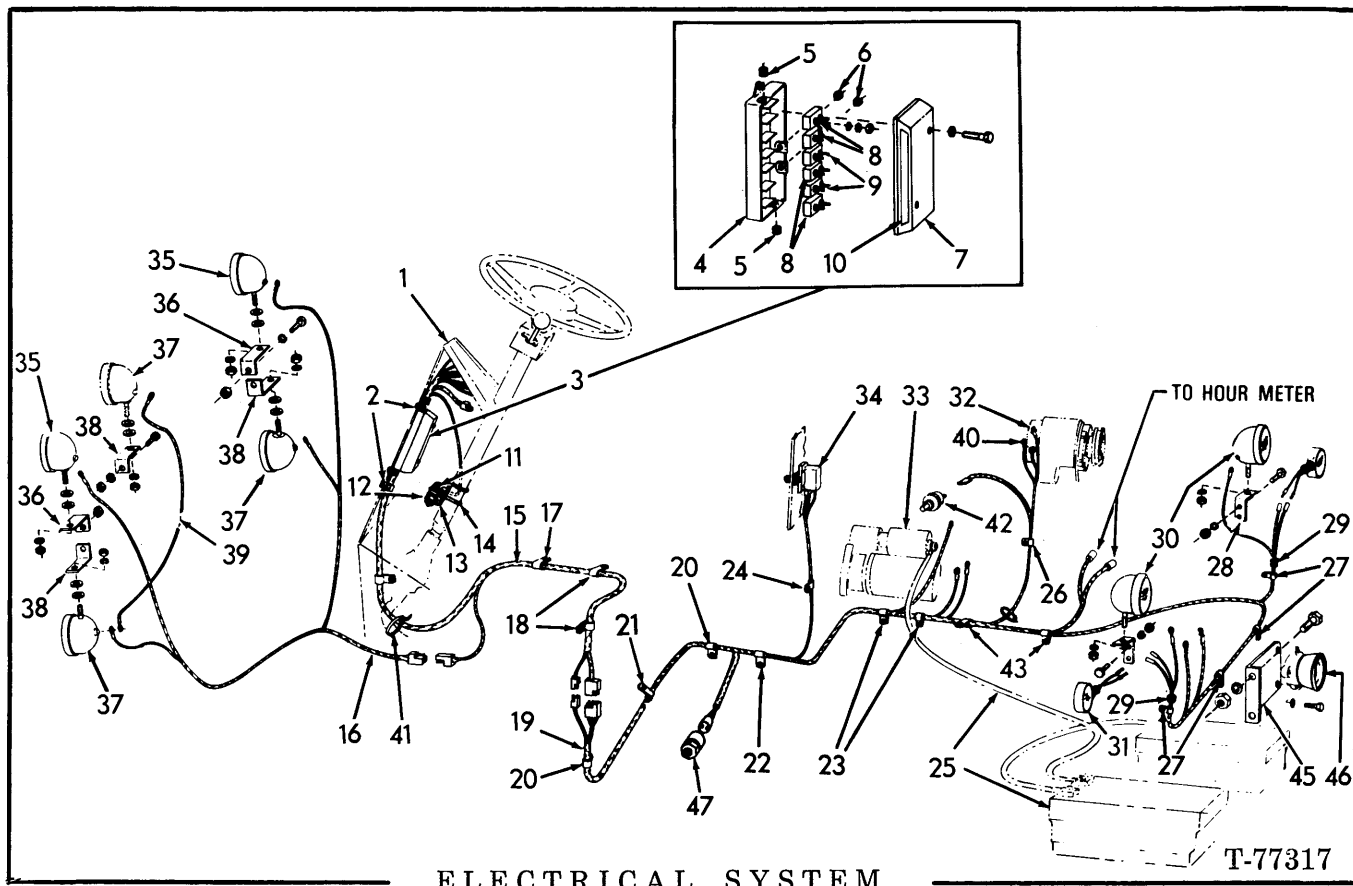
BATTERIES AND CABLES (Continued)

| ITEM | PART NO. | QTY. | DESCRIPTION |
|------|------------|------|---|
| 7 | { 73043416 | 1 | CABLE, 58" long (Used prior to unit no. 03300) |
| | { 73062325 | 1 | CABLE, 67" long (Effective with unit no. 03300) |
| 8 | 73008046 | 4 | WASHER |
| 9 | ----- | 2 | STRIP (See page 233) |
| 10 | ----- | 2 | CHANNEL (See page 47) |



| ITEM | PART NO. | QTY. | DESCRIPTION | |
|------|----------|----------|---|----------------------------|
| 1 | 73043427 | 1 | COVER, left } (Used prior to unit no. 03300) | |
| | 73043428 | 1 | | COVER, right } |
| | 70916225 | 6 | CAPSCREW, 3/8" NF x 1" | |
| | 70911115 | 12 | WASHER, 3/8" | |
| | 70910287 | 6 | LOCKWASHER, 3/8" | |
| | 70910123 | 6 | NUT, 3/8" NF | |
| | 73061404 | 1 | COVER, left } (Effective with unit no. 03300) | |
| | 73061405 | 1 | | COVER, right } |
| | | 70923470 | 4 | CAPSCREW, 3/8" NC x 1-1/2" |
| | | 70911115 | 4 | WASHER, 3/8" |
| | 70918308 | 4 | NUT, 3/8" NC | |
| 2 | 73043841 | 2 | LATCH | |
| | 70923703 | 4 | SCREW, tapping, #10 NC x 1/2" | |
| 3 | 73104936 | 2 | DECAL, battery instruction (underside of cover) | |

(Revised June 1979)



ELECTRICAL SYSTEM

T-77317

| ITEM | PART NO. | QTY | DESCRIPTION |
|------|----------|-----|---|
| 1 | | - | INSTRUMENT PANEL (See page 258) |
| 2 | 70928623 | 2 | CLIP |
| | 70916271 | 2 | CAPSCREW, 3/8" NC x 1" |
| | 70904206 | 2 | LOCKWASHER, 3/8" |
| | 70910324 | 2 | NUT, 3/8" |
| 3 | 73057977 | 1 | BOX ASSY., junction, 24 volt. (Includes items 4 thru 9) |
| | 70916285 | 2 | CAPSCREW, 1/4" NC x 1" |
| | 70904204 | 2 | LOCKWASHER, 1/4" |
| | 70916622 | 2 | NUT, 1/4" |
| 4 | | 1 | BODY (Order item 3) |
| 5 | 73058528 | 2 | GROMMET |
| 6 | 73058527 | 2 | GROMMET |
| 7 | 73058651 | 1 | COVER |
| | 70929117 | 2 | SCREW, No. 10 |
| | 70917365 | 2 | LOCKWASHER, No. 10 |
| 8 | 73058531 | 4 | BREAKER |
| | 70916880 | 8 | NUT, No. 10 |
| | 70922711 | 8 | LOCKWASHER, No. 10 |
| | 70924237 | 8 | WASHER, plain, No. 10 |
| 9 | 73058529 | 2 | BREAKER, circuit, 15 amp. |
| | 70916880 | 4 | NUT, No. 10 |
| | 70922711 | 4 | LOCKWASHER, No. 10 ext. tooth |
| | 70924237 | 4 | WASHER, plain, No. 10 |

(Continued)

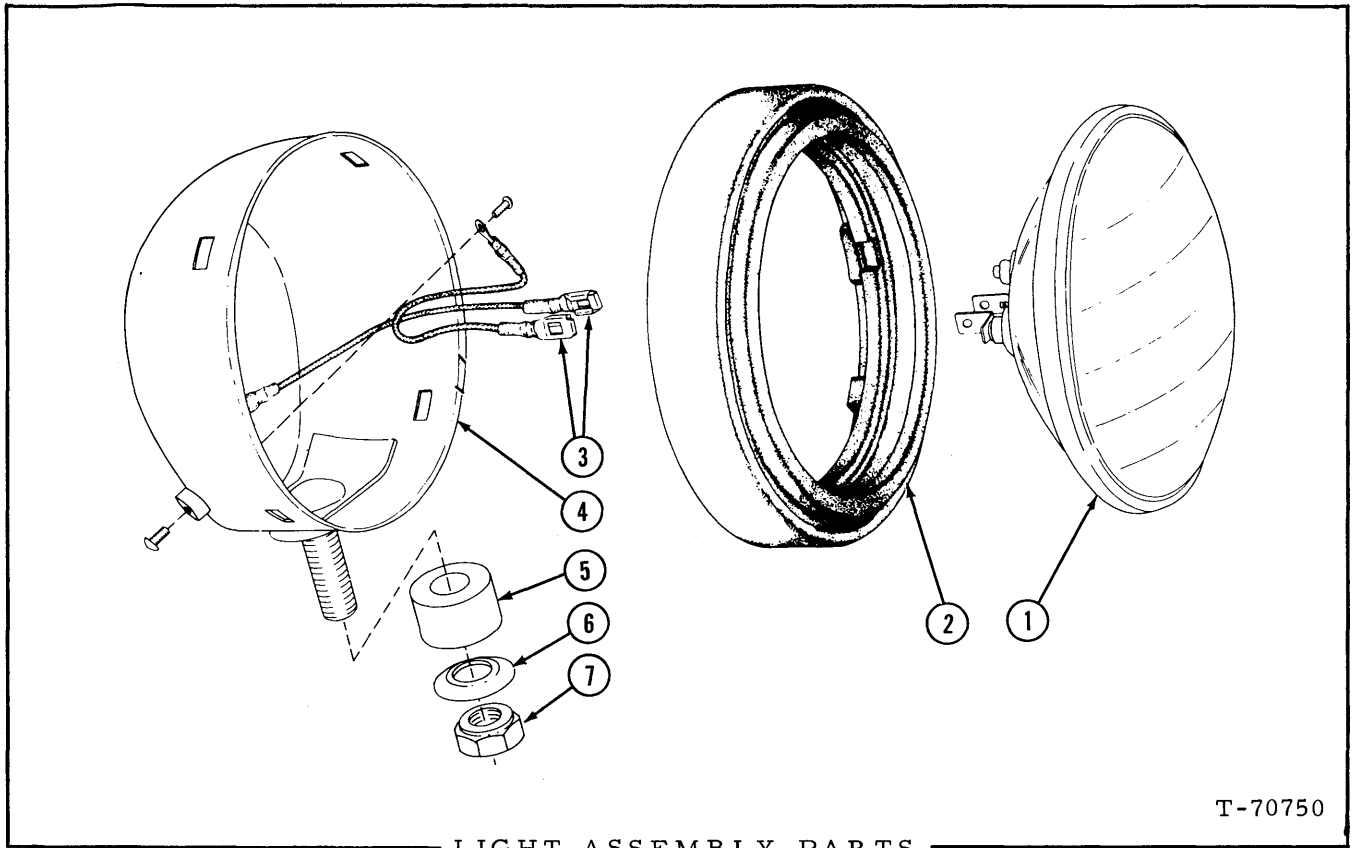
ELECTRICAL SYSTEM (Continued)

| ITEM | PART NO. | QTY. | DESCRIPTION | |
|------|----------|------|--|---|
| 10 | 73057767 | 1 | DECAL | |
| 11 | 73061193 | 1 | BOOT | |
| 12 | 73057506 | 1 | SWITCH, starting, safety (Includes mounting nuts and washer) | |
| 13 | 73057402 | 1 | BRACKET, switch, mounting | |
| 14 | 73048011 | 2 | U-BOLT | |
| | 70904204 | 4 | LOCKWASHER, 1/4" | |
| | 70911040 | 4 | NUT, 1/4" NF | |
| | 70911114 | 4 | WASHER, 1/4" | |
| 15 | 73061021 | 1 | HARNESS (Used without back up alarm) | } See page 265 for High output alternator HARNESS |
| | 73066480 | 1 | HARNESS (Used with back up alarm) | |
| 16 | 73057622 | 1 | HARNESS | |
| | 70912765 | 2 | GROMMET | |
| 17 | 70925620 | 2 | CLAMP | |
| | 70910287 | 2 | LOCKWASHER, 3/8" | |
| | 70915408 | 2 | CAPSCREW, 3/8" NC x 3/4" | |
| 18 | 70926049 | 2 | CLAMP | |
| | 70910287 | 2 | LOCKWASHER, 3/8" | |
| | 70915408 | 2 | CAPSCREW, 3/8" NC x 3/4" | |
| 19 | 73057620 | 1 | HARNESS (Used without back up alarm) | } |
| | 73066481 | 1 | HARNESS (Used with back up alarm) | |
| 20 | 70926049 | 2 | CLAMP | |
| | 70910287 | 2 | LOCKWASHER, 3/8" | |
| | 70916270 | 2 | CAPSCREW, 3/8" NC x 1/2" | |
| 21 | 70926049 | 1 | CLAMP | |
| | 70916271 | 1 | CAPSCREW, 3/8" NC x 1" | |
| | 70910287 | 1 | LOCKWASHER, 3/8" | |
| | 70910324 | 1 | NUT, 3/8" NC | |
| 22 | 70925620 | 1 | CLAMP | |
| | 70916270 | 1 | CAPSCREW, 3/8" NC x 1/2" | |
| | 70910287 | 1 | LOCKWASHER, 3/8" | |
| 23 | 70926049 | 2 | CLAMP (Use existing capscREW) | |
| 24 | 70926917 | 1 | CLAMP (Use existing capscREW) | |
| 25 | ----- | - | BATTERIES AND CABLES (See page 250) | |
| 26 | 70925613 | 1 | CLAMP (Use existing capscREW) | |
| | 70910335 | 1 | WASHER, 11/32" | |
| 27 | 70926917 | 4 | CLAMP | |
| | 70910287 | 4 | LOCKWASHER, 3/8" | |
| | 70916270 | 4 | CAPSCREW, 3/8" NC x 1/2" | |
| 28 | 73058587 | 2 | BRACKET | |
| | 70915987 | 2 | CAPSCREW, 1/2" NC x 1-1/2" | |
| | 70912441 | 2 | LOCKWASHER, 1/2" | |
| | 70910325 | 2 | NUT, 1/2 | |
| 29 | ----- | - | CHANNEL, rubber, 8" (refer to item 44) | |
| 30 | 70621429 | 2 | LIGHT ASSY., rear (see page 256) | |
| | 70900703 | 2 | WASHER, plain, 1/2" | |
| | 70912441 | 2 | LOCKWASHER, 1/2" | |
| | 70910195 | 2 | NUT, 1/2" | |
| 31 | 73044008 | 2 | LIGHT ASSY., tail-stop (see page 256) | |

(Continued)

ELECTRICAL SYSTEM (Continued)

| ITEM | PART NO. | QTY. | DESCRIPTION |
|------|----------|------|---|
| 32 | ----- | - | ALTERNATOR (See page 264 or 265) |
| 33 | ----- | - | STARTER (See page 263) |
| 34 | 70650944 | 1 | REGULATOR, voltage (DELCO REMY. 24V-N119518. Obtain parts from local service agency) |
| | 70916285 | 2 | SCREW, 1/4" NC x 1" |
| | 70904204 | 2 | LOCKWASHER, 1/4" |
| | 70916622 | 2 | NUT, 1/4" |
| 35 | 73044810 | 2 | LIGHT ASSY., head (See page 255) |
| | 70900703 | 2 | WASHER, plain, 1/2" |
| | 70912441 | 2 | LOCKWASHER, 1/2" |
| | 70910195 | 2 | NUT, 1/2" |
| 36 | 73052615 | 2 | BRACKET |
| | 70915987 | 2 | CAPSCREW, 1/2" NC x 1-1/2" |
| | 70912441 | 2 | LOCKWASHER, 1/2" |
| | 70910325 | 2 | NUT, 1/2" |
| 37 | 70621429 | 3 | LIGHT ASSY., flood (See page 255)(Special Equipment) |
| | 70900818 | 6 | WASHER, plain, 1/2" |
| | 70912441 | 3 | LOCKWASHER, 1/2" |
| | 70910195 | 3 | NUT, 1/2" |
| 38 | 73052615 | 3 | BRACKET (Special Equipment) |
| | 70915987 | 1 | CAPSCREW, 1/2" NC x 1-1/2" |
| | 70912441 | 1 | LOCKWASHER, 1/2" |
| | 70910325 | 1 | NUT, 1/2" |
| 39 | 73104283 | 1 | WIRE ASSY. (Special Equipment) |
| | 70912765 | 1 | GROMMET |
| 40 | 70917415 | 1 | NUT, No. 10 |
| | 70917365 | 1 | LOCKWASHER, No. 10 |
| | 70917376 | 1 | NUT, No. 12 |
| | 70921880 | 1 | LOCKWASHER, No. 12 |
| 41 | 73050495 | 3 | CLIP |
| 42 | 70246171 | 1 | SWITCH, pressure (Use with electric hour meter)(Effective with engine s/n 11-24213, loader s/n 45S03186) |
| 43 | 74254646 | 2 | CLIP |
| | 70916270 | 1 | CAPSCREW, 3/8" NC x 1/2" |
| | 70916272 | 1 | CAPSCREW, 3/8" NC x 1-1/4" |
| | 70910287 | 2 | LOCKWASHER, 3/8" |
| | 70910324 | 1 | NUT, 3/8" |
| 44 | 73048123 | - | CHANNEL (25' roll — use as required) |
| 45 | 73066233 | 1 | PLATE ASSY. (Includes item 48) |
| | 70915987 | 2 | CAPSCREW, 1/2" NC x 1-1/2" |
| | 70912441 | 2 | LOCKWASHER, 1/2" |
| | 70910325 | 2 | NUT, 1/2" NC |
| 46 | 70699053 | 1 | HORN |
| | 70918237 | 3 | CAPSCREW, 1/4" NC x 1-1/4" |
| | 70911114 | 3 | WASHER, 1/4" |
| 47 | 73066429 | 1 | SWITCH, back up alarm |
| 48 | 73054504 | 3 | NUTSERT (Not Illustrated) |

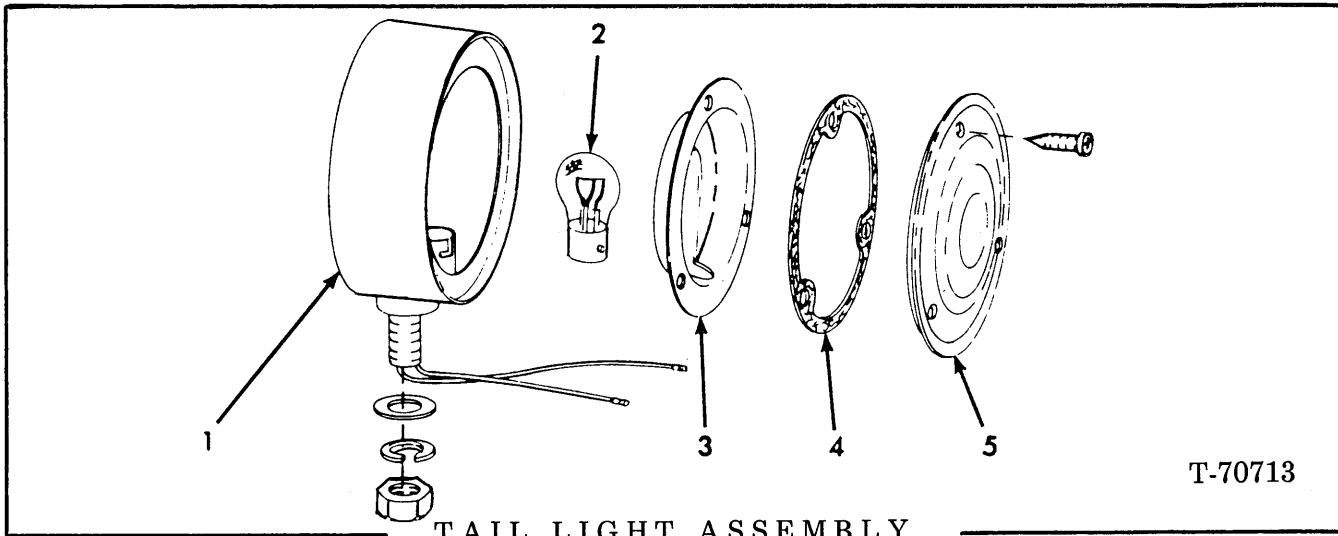


T-70750

LIGHT ASSEMBLY PARTS

USAGE: * FLOOD LIGHT ASSEMBLY 70621429
 ** HEAD LIGHT ASSEMBLY 73044810
 *** FLOOD LIGHT ASSEMBLY 73059873 (ROPS CAB & CANOPY)Special Equip.

| ITEM | PART NO. | QTY. | DESCRIPTION |
|------|------------|-------|---|
| | | * * * | |
| | | * * * | |
| | | * | |
| | | | NOTE: Quantity shown are for one light only. See page 252) |
| 1 | { 70182763 | 1 - - | SEALED BEAM (24 volt) |
| | { 73046497 | - 1 - | SEALED BEAM (24 volt) |
| | { 73061207 | - - 1 | SEALED BEAM (24 volt) |
| 2 | { 70621428 | 1 1 - | RETAINER (rubber) |
| | { 70621821 | - - 1 | RETAINER (rubber) |
| 3 | 70621724 | 2 2 - | CABLE, sealed beam (Includes terminals) |
| | 70912731 | 1 1 - | SCREW, machine, #8 NC x 5/16" |
| | 70912739 | 1 - - | LOCKWASHER, #8 |
| 4 | { 73061208 | - - 1 | SHELL ASSY. |
| | ----- | 1 1 - | BODY ASSY. (Not serviced separately) |
| | 70912731 | 1 1 - | SCREW, machine, #8 NC x 5/16" |
| | 70912739 | 1 - - | LOCKWASHER, #8 |
| 5 | 71006992 | - - 1 | BUSHING |
| 6 | 73061210 | - - 1 | WASHER |
| 7 | 70919440 | - - 1 | NUT, safety, 1/2" NF |

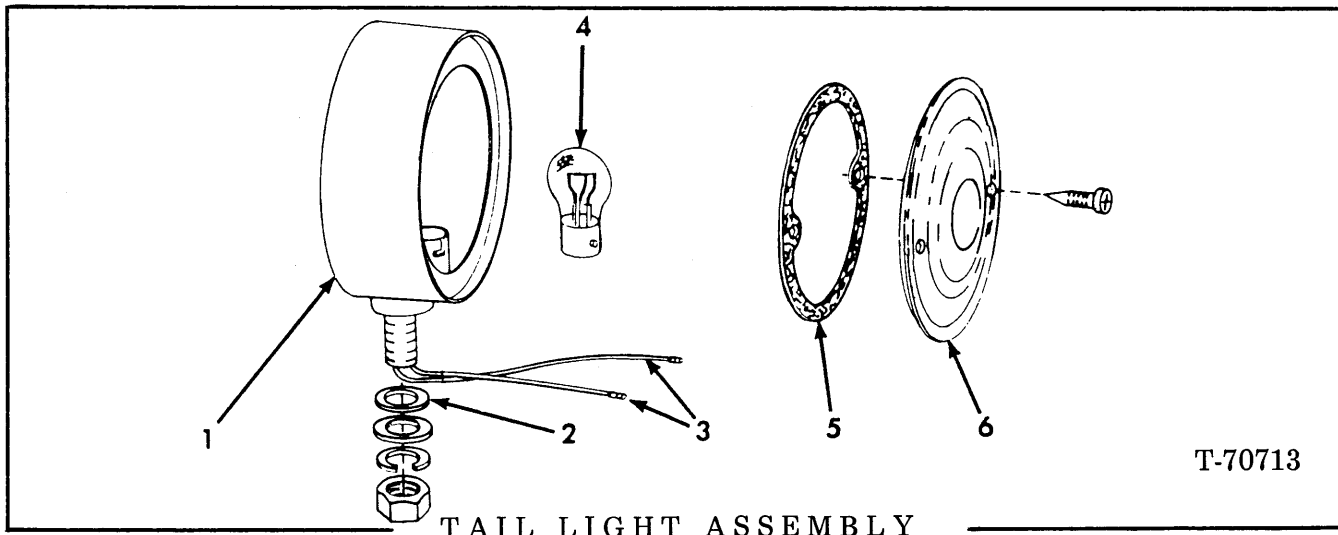


T-70713

TAIL LIGHT ASSEMBLY

USAGE: First Type — Uses 3 Lens Mounting Screws

| ITEM | PART NO. | QTY. | DESCRIPTION |
|------|----------|------|---|
| - | ----- | 1 | LIGHT ASSY. } (Order Second Type LIGHT ASSY.) |
| 1 | ----- | 1 | BODY ASSY. } |
| 2 | 73039643 | 1 | BULB, 24 volt |
| 3 | 73036242 | 1 | REFLECTOR |
| 4 | 73036241 | 1 | GASKET |
| 5 | 73036240 | 1 | LENS |



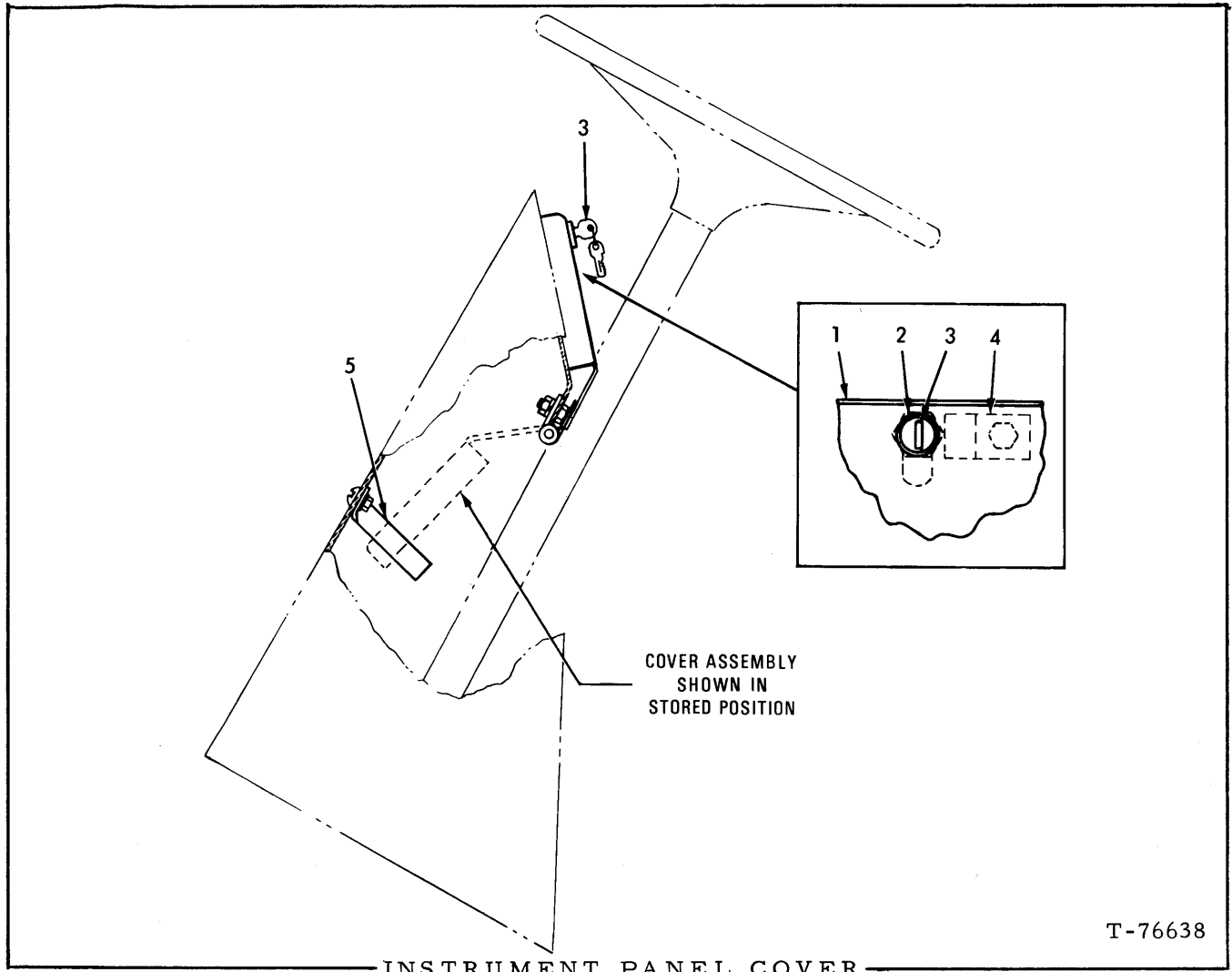
T-70713

TAIL LIGHT ASSEMBLY

USAGE: Second Type — Uses 2 Lens Mounting Screws.

| ITEM | PART NO. | QTY | DESCRIPTION |
|------|----------|-----|---------------------------------------|
| - | 73069238 | 1 | LIGHT ASSY. (Includes items 1 thru 6) |
| | 70906985 | 1 | WASHER, 7/16" |
| | 70914678 | 1 | LOCKWASHER, 7/16" |
| | 70912201 | 1 | NUT, 7/16" NC |
| 1 | ----- | 1 | BODY (Order LIGHT ASSY.) |
| 2 | 73069241 | 1 | PAD |
| 3 | 73069240 | 1 | WIRE ASSY. (Includes terminals) |
| 4 | 73039643 | 1 | BULB, 24 volt |
| 5 | 73069196 | 1 | GASKET |
| 6 | 73069239 | 1 | LENS |

(Revised July 1977)



T-76638

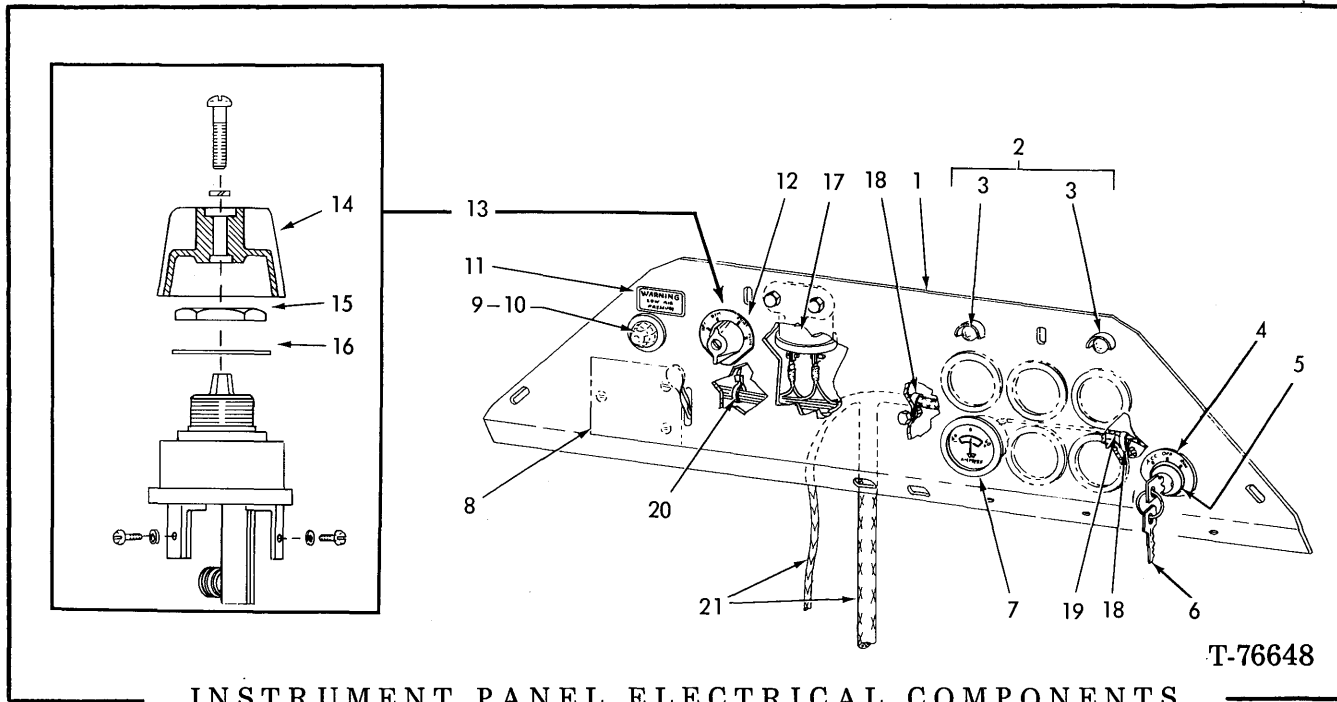
INSTRUMENT PANEL COVER
(Vandalism Protection)

USAGE: Special Equipment

| ITEM | PART NO. | QTY. | DESCRIPTION |
|------|----------|------|---------------------------------------|
| 1 | 73057512 | 1 | COVER ASSY. (Serviced only as a unit) |
| | 70916284 | 3 | CAPSCREW, 1/4" NC x 1/2" |
| | 70916622 | 3 | NUT, 1/4" NC |
| | 70904204 | 3 | LOCKWASHER, 1/4" |
| 2 | 73058015 | 1 | LOCK ASSY. (Includes item 3) |
| 3 | 73058910 | 2 | KEY, lock assy. |
| 4 | 73057642 | 1 | TAB |
| 5 | 73058056 | 1 | STRIP, cover support for storing |
| | 70916079 | 2 | SCREW, #10 NC x 3/8" |
| | 70901310 | 2 | NUT, #10 NC |
| | 70904203 | 2 | LOCKWASHER, #10 |

INSTRUMENT PANEL AND GAUGES (Continued)

| ITEM | PART NO. | QTY. | DESCRIPTION |
|------|------------|------|--|
| 8 | ----- | 1 | TRIM, 41" (refer to item 15) |
| 9 | 73064057 | 1 | GAUGE ASSY., water temperature |
| 10 | ----- | - | AMMETER (See page 260) |
| 11 | 73059078 | 1 | TUBE |
| | 70925093 | 1 | ELBOW, compression, 3/16" tube, 3/8" NPT female (gauge end)(Includes 1 Sleeve 70927257) |
| | 70919127 | 1 | CONNECTOR, compression, 3/16" tube, 1/2" NPT male (tank end) |
| 12 | 70926908 | 1 | PLUG |
| 13 | { 70901834 | 1 | BUSHING, 1/4" to 1/8" NPT |
| | { 70928474 | 1 | ELBOW, compression type, 3/16" tube, 1/8" NPT male |
| 14 | 70925161 | 1 | CONNECTOR, compression, 3/16" tube, 3/8" NPT male |
| 15 | 73050105 | - | TRIM, plastic (25' length - use as required) |
| 16 | 70920992 | 1 | TEE, 1/8" pipe |
| 17 | 73066487 | 1 | SWITCH, hour meter |



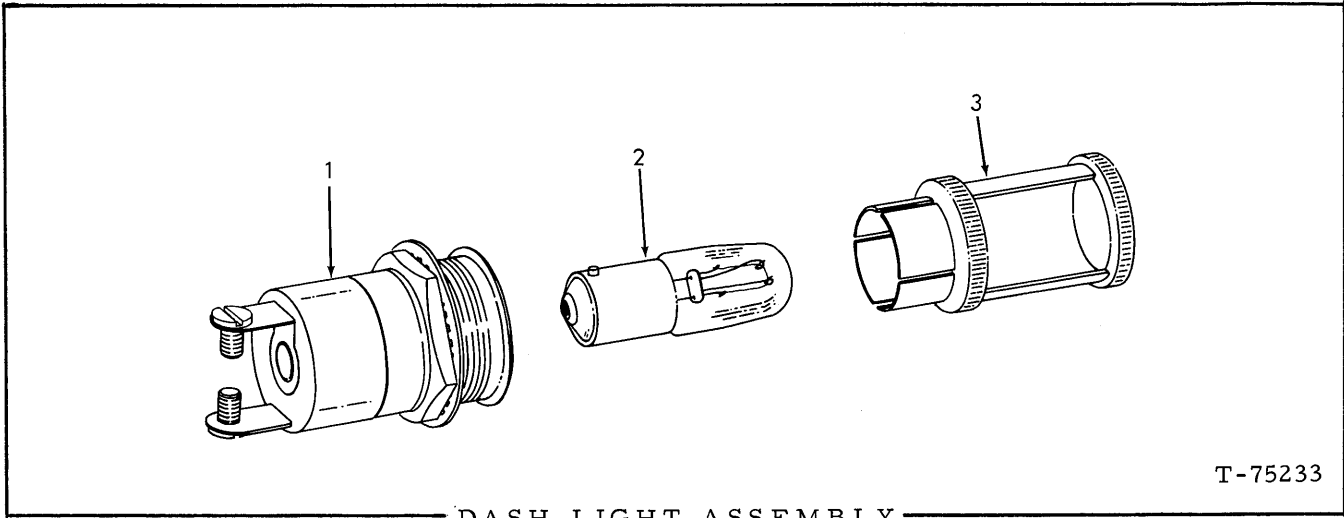
INSTRUMENT PANEL ELECTRICAL COMPONENTS

| ITEM | PART NO. | QTY. | DESCRIPTION |
|------|----------|------|---|
| 1 | ----- | 1 | PANEL (See page 258) |
| 2 | ----- | 2 | LIGHT ASSY., panel (Includes item 3)(See page 262) |
| 3 | ----- | 2 | BULB, 24 v. (See page 262) |
| 4 | 73067618 | 1 | PLATE |
| 5 | 73058073 | 1 | SWITCH, key (Includes item 6) |
| | 70917365 | 3 | LOCKWASHER, No. 10 |
| | 70917415 | 3 | NUT, No. 10 NF |
| 6 | 70231713 | 2 | KEY, switch |
| 7 | 73064081 | 1 | AMMETER ASSY. |
| 8 | ----- | 1 | VALVE ASSY. (See page 157) |
| 9 | 73034558 | 1 | LIGHT ASSY. (Does not include item 10) |
| 10 | 73034566 | 1 | BULB |
| 11 | 73050281 | 1 | DECAL |
| 12 | 73057505 | 1 | PLATE |
| 13 | 73057960 | 1 | SWITCH, light (Includes items 14, 15 and 16 and items indented below) |
| | 70917393 | 5 | SCREW, NO. 8 NC x 3/8" |
| | 70917395 | 5 | LOCKWASHER, No. 8 |
| 14 | 73058917 | 1 | KNOB |
| | 70928595 | 1 | SCREW, No. 8 NC x 5/8" |
| 15 | 73058919 | 1 | NUT, 11/16" NC |
| 16 | 70922088 | 1 | WASHER, plain, 11/16" |
| 17 | 73057952 | 1 | BUZZER |
| | 70923341 | 2 | CAPSCREW, 1/4" NC x 3/4" |
| | 70916964 | 2 | LOCKWASHER, 1/4" |
| | 70916622 | 2 | NUT, 1/4" NC |

(Continued)

INSTRUMENT PANEL ELECTRICAL COMPONENTS (Continued)

| ITEM | PART NO. | QTY. | DESCRIPTION |
|------|----------|------|----------------------------------|
| 18 | 73058052 | 3 | CLIP |
| | 70925369 | 1 | SCREW, rd. hd., No. 10 NF x 5/8" |
| | 70917415 | 1 | NUT, No. 10 NF |
| | 70917365 | 1 | LOCKWASHER, No. 10 |
| 19 | 73057436 | 1 | WIRE ASSY., switch to ammeter |
| 20 | 70925094 | 2 | CLIP, wire harness support |
| 21 | ----- | - | HARNESS (See page 252 item 15) |



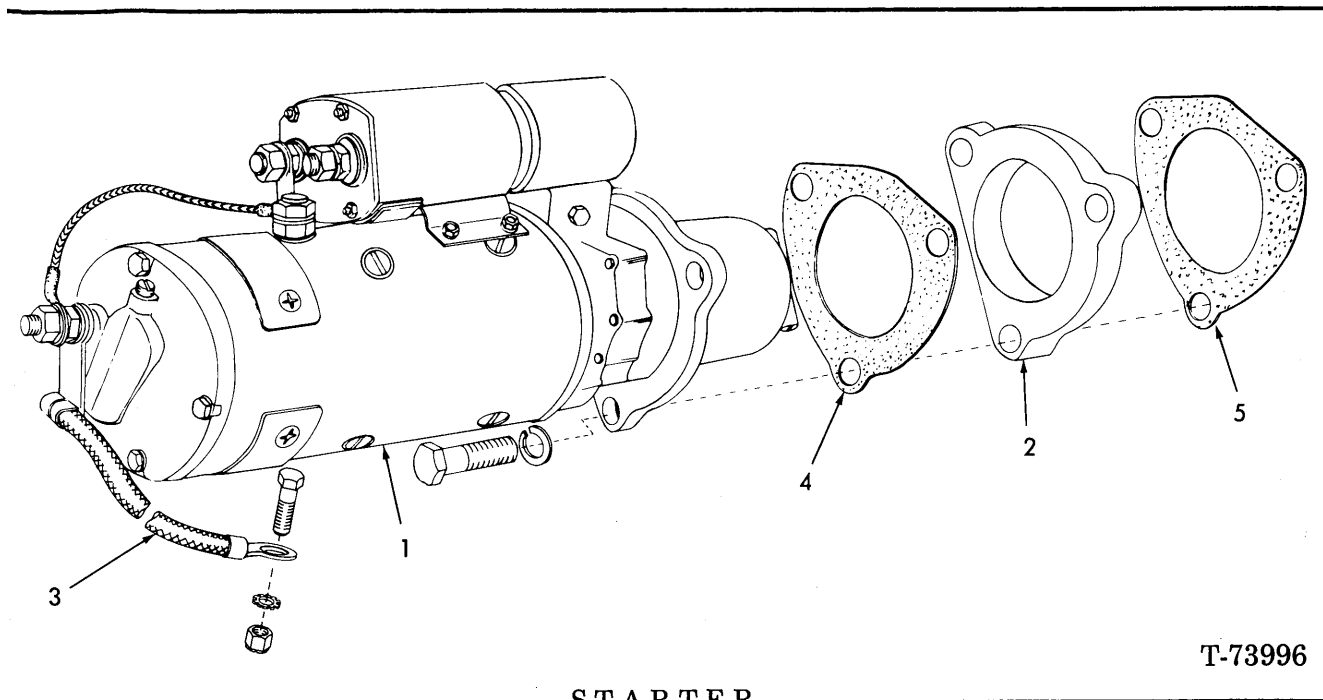
T-75233

DASH LIGHT ASSEMBLY

USAGE: See page 260

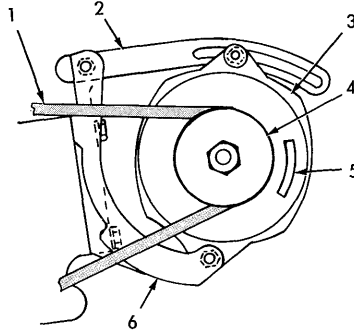
| ITEM | PART NO. | QTY. | DESCRIPTION |
|------|----------|------|---|
| - | 73021334 | 1 | LIGHT ASSY., instrument panel (Includes items 1 thru 3) |
| 1 | ----- | 1 | BASE ASSY. (Order complete assy.) |
| 2 | 73040937 | 1 | BULB, incandescent, single contact, 3.5 C. P., 24 V. |
| 3 | 73037183 | 1 | SHIELD, instrument panel light |

NOTE: Quantities are sufficient for one light only.



JSAGE: See page 252.

| TEM | PART NO. | QTY. | DESCRIPTION |
|-----|----------|------|---|
| 1 | 73117237 | 1 | MOTOR, starting (Delco-Remy No. 1113898)(See Electrical Components Parts Catalog for service breakdown) |
| | 70914876 | 3 | CAPSCREW, 5/8" NC x 2-1/2" |
| | 70912942 | 3 | LOCKWASHER, 5/8" |
| 2 | 70621278 | 1 | ADAPTER |
| 3 | 73035268 | 1 | CABLE |
| | 70922726 | 1 | CAPSCREW, 1/2" NF x 1-1/2" |
| | 70920428 | 1 | LOCKWASHER, 1/2" |
| | 70914487 | 1 | LOCKNUT, 1/2" NF |
| 4 | 73039072 | 1 | GASKET |
| 5 | 73039071 | 1 | GASKET |

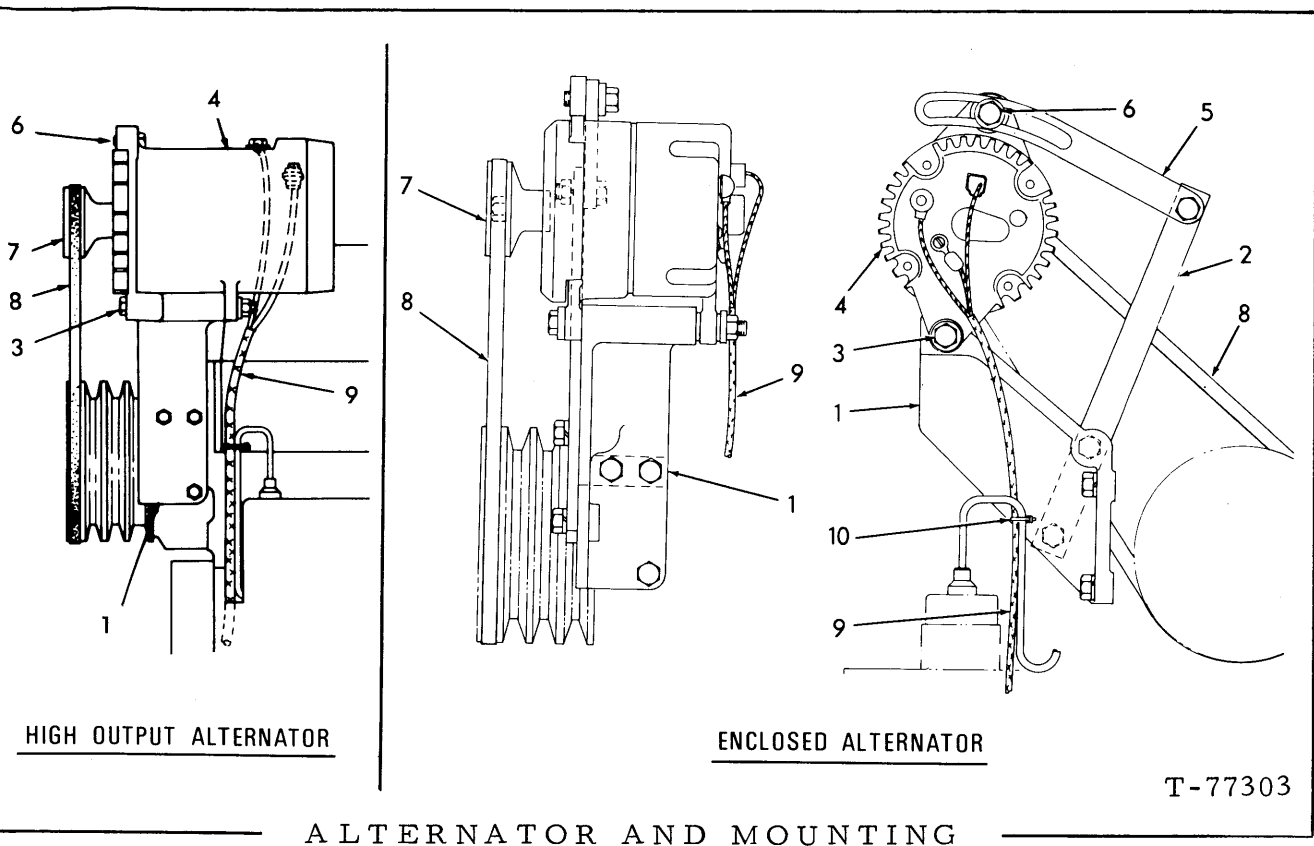


T-75235

ALTERNATOR

| ITEM | PART NO. | QTY. | DESCRIPTION |
|------|----------|------|--|
| 1 | 73059309 | 1 | BELT |
| 2 | 74023007 | 1 | BRACKET |
| | 70916272 | 1 | CAPSCREW, 3/8" NC x 1-1/4" |
| | 70904206 | 1 | LOCKWASHER, 3/8" |
| 3 | 73117662 | 1 | ALTERNATOR (24 volt, 30 amp.)(Delco-Remy No. 1100074)(See Electrical Components Parts Catalog for service breakdown) |
| | 70919015 | 1 | CAPSCREW, 3/8" NC x 3-1/2" |
| | 70904206 | 1 | LOCKWASHER, 3/8" |
| | 70914670 | 1 | CAPSCREW, 5/16" NC x 1-1/8" |
| | 70927454 | 2 | WASHER, 5/16" |
| 4 | 74388568 | 1 | PULLEY |
| 5 | 73105127 | 1 | DECAL |
| 6 | 73059195 | 1 | BRACKET |
| | 70915987 | 3 | CAPSCREW, 1/2" NC x 1-1/2" |
| | 70904208 | 3 | LOCKWASHER, 1/2" |
| 7 | 70925613 | 1 | CLAMP (Not illustrated) |
| | 70915809 | 1 | CAPSCREW, 5/16" NC x 3/4" |
| | 70904205 | 1 | LOCKWASHER, 5/16" |

(Revised June 1979)



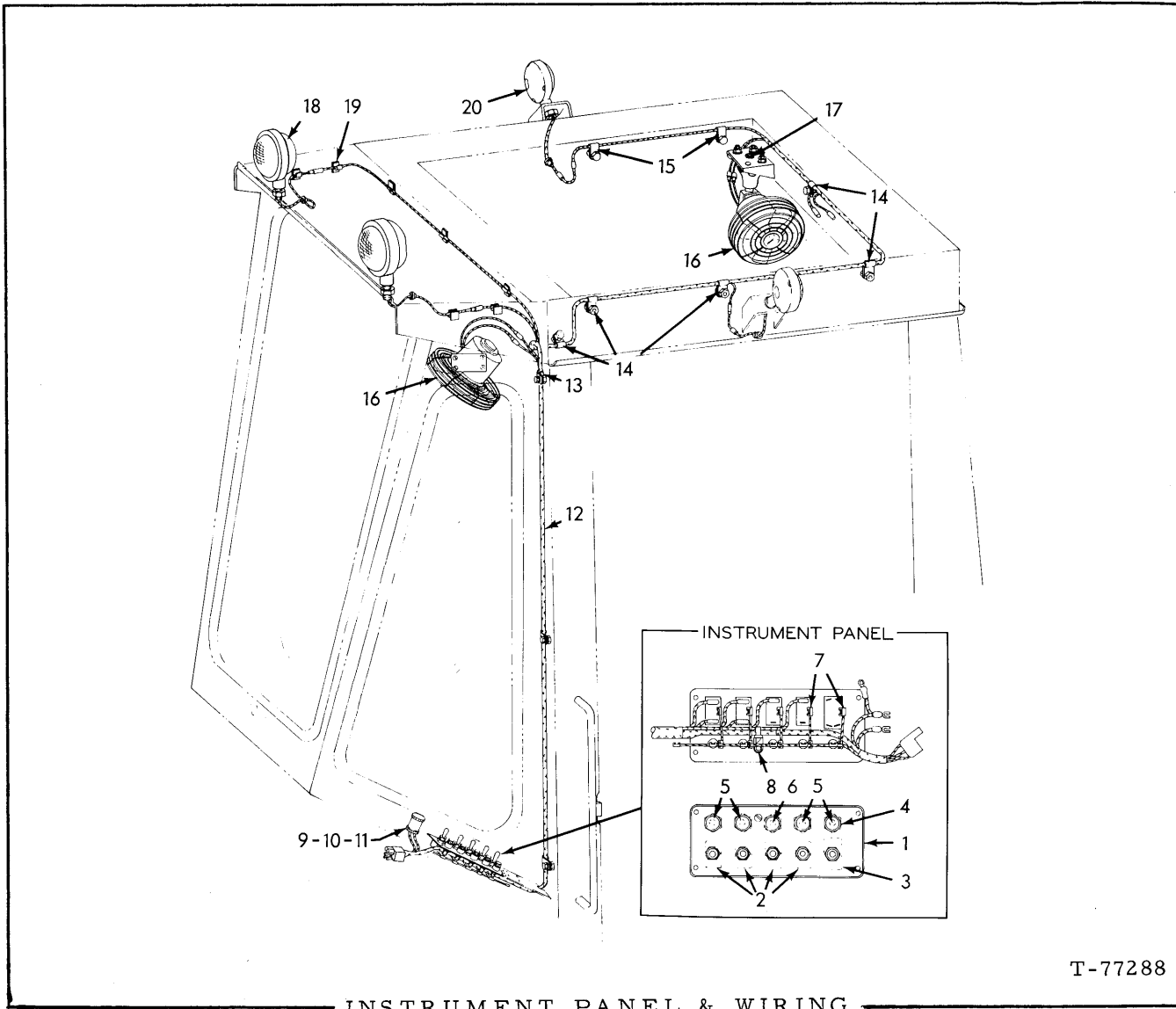
T-77303

ALTERNATOR AND MOUNTING

USAGE: Special Equipment
 * High output alternator
 ** Enclosed alternator

| ITEM | PART NO. | QTY. | | DESCRIPTION | |
|----------|----------|------|------------------------------------|--|---|
| | | * | ** | | |
| 1 | 74320779 | 1 | 1 | BRACKET | |
| 2 | 74320780 | 1 | 1 | BRACKET | |
| | 70916311 | 2 | 2 | CAPSCREW, 1/2" NC x 1-1/4" | |
| | 70912441 | 2 | 2 | LOCKWASHER, 1/2" | |
| 3 | 70915521 | 1 | 1 | CAPSCREW, 1/2" NC x 6-1/2" | |
| | 70910325 | 1 | 1 | NUT, 1/2" NC | |
| | 70677008 | 2 | 2 | WASHER, plain, 1/2" | |
| | 70699268 | 1 | - | ALTERNATOR(Delco-Remy No. 1117248) | } See Electrical Components Parts Catalog for service breakdown |
| 70660144 | - | 1 | ALTERNATOR(Delco-Remy No. 1100062) | | |
| 5 | 74320782 | 1 | 1 | BRACE | |
| | 70915987 | 1 | 1 | CAPSCREW, 1/2"NC x 1-1/4" | |
| | 70910325 | 1 | 1 | NUT, 1/2"NC | |
| | 70912441 | 1 | 1 | LOCKWASHER, 1/2" | |
| 6 | 70915987 | 1 | 1 | CAPSCREW, 1/2"NC x 1-1/4" | |
| | 70677008 | 1 | 1 | WASHER, 1/2" | |
| 7 | 74320781 | 1 | 1 | PULLEY | |
| 8 | 74516432 | 1 | 1 | BELT | |
| 9 | 73068679 | 1 | - | WIRE HARNESS | |
| | ----- | - | 1 | WIRE HARNESS (Existing wiring, refer to page 253, item 19) | |
| 10 | 70925094 | 1 | 1 | CLIP | |

(Revised June 1979)



T-77288

INSTRUMENT PANEL & WIRING
(ROPS CAB)

USAGE: Optional Equipment

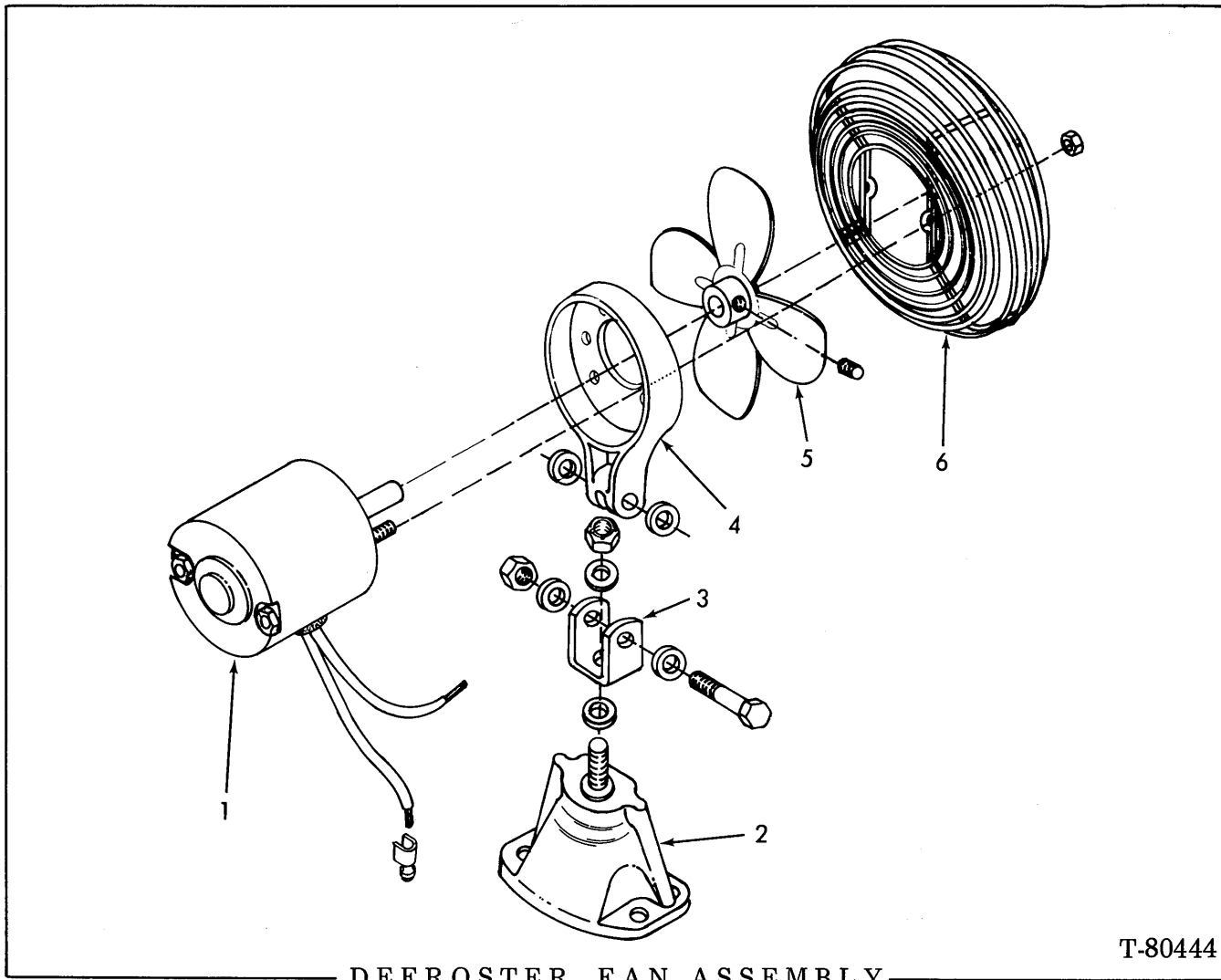
| ITEM | PART NO. | QTY. | DESCRIPTION |
|------|----------|------|---|
| 1 | 73059890 | 1 | PANEL, instrument |
| | 70925369 | 4 | SCREW, #10 NF x 5/8" |
| | 70909055 | 4 | LOCKWASHER, #10 |
| | 70917415 | 4 | NUT, #10 NF |
| 2 | 73059891 | 4 | SWITCH (Includes hex nut and round nut) |
| 3 | 73059893 | 1 | SWITCH (Includes hex nut and round nut) |
| 4 | 74791157 | 5 | HOLDER, fuse |
| 5 | 73040013 | 4 | FUSE, 3 Amp. |
| 6 | 73059920 | 1 | FUSE, 10 Amp. |
| 7 | 73059894 | 5 | WIRE |

(Continued)

INSTRUMENT PANEL & WIRING (Continued)

| ITEM | PART NO. | QTY. | DESCRIPTION |
|------|----------|------|--|
| 8 | 73058052 | 2 | CLIP |
| | 70925369 | 2 | SCREW, #10, NF x 5/8" |
| | 70909055 | 2 | LOCKWASHER, #10 (Internal Tooth) |
| | 70917415 | 2 | NUT, #10 NF |
| 9 | 73021334 | 1 | DASHLIGHT, (Includes items 10 and 11)(See page 262) |
| 10 | 73040937 | 1 | BULB, (24 volt) |
| 11 | 73037183 | 1 | SHIELD |
| 12 | 73059919 | 1 | HARNESS |
| 13 | 70925617 | 3 | CLIP |
| | 70916284 | 3 | CAPSCREW, 1/4" NC 1/2" |
| | 70900816 | 3 | WASHER, plain, 1/4" |
| | 70904204 | 3 | LOCKWASHER, 1/4" |
| 14 | 70928931 | 5 | CLIP (Harness, left side and rear) |
| | 70916284 | 5 | CAPSCREW, 1/4" NC x 1/2" |
| | 70900816 | 5 | WASHER, plain, 1/4" |
| | 70904204 | 5 | LOCKWASHER, 1/4" |
| 15 | 70928176 | 2 | CLIP, (Harness, right side) |
| | 70916284 | 2 | CAPSCREW, 1/4" NC x 1/2" |
| | 70900816 | 2 | WASHER, plain, 1/4" |
| | 70904204 | 2 | LOCKWASHER, 1/4" |
| - | 73059888 | - | DEFROSTER FAN GROUP (Includes items 16 and 17) (Special Equipment) |
| 16 | 73059875 | 2 | FAN ASSY. (24 volt) (See page 267a) |
| | 70926308 | 4 | CAPSCREW, #10 NF x 3/4" (Front Fan) |
| | 70925369 | 4 | CAPSCREW, #10 NF x 5/8" |
| | 70923212 | 8 | WASHER, plain, #10 |
| | 70917365 | 8 | LOCKWASHER, #10 |
| | 70917415 | 4 | NUT, #10 NF (Rear Fan) |
| 17 | 73045633 | 1 | GROMMET |
| - | 73059879 | - | FLOOD LIGHT GROUP (Includes items 18 and 19)(Special Equipment) |
| 18 | 73059873 | 2 | LIGHT ASSY., flood (24 volt) (See page 255) |
| 19 | 73059884 | 7 | CLIP |
| 20 | ----- | 2 | LIGHT ASSY., turn signal (See page 268)(Special Equipment) |

NOTE: See page 267a for Defroster Fan Assy.



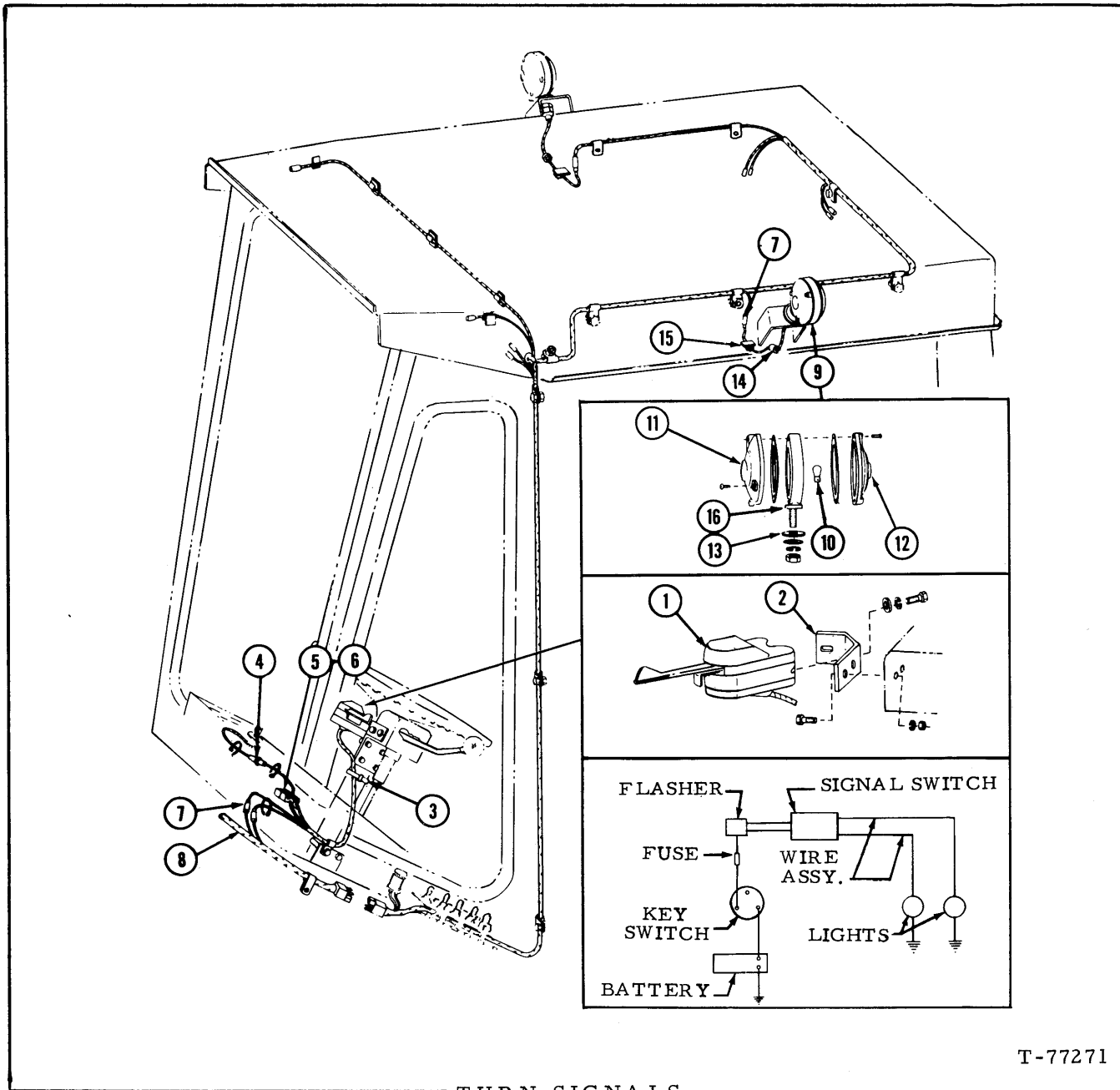
DEFROSTER FAN ASSEMBLY

T-80444

USAGE: Effective with ROPS CAB. See page 266

| ITEM | PART NO. | QTY. | DESCRIPTION |
|------|----------|------|------------------------------------|
| - | 73059875 | 1 | FAN ASSY. (Includes item 1 thru 6) |
| 1 | 73069010 | 1 | MOTOR, 24V |
| | 73052008 | 2 | TERMINAL |
| 2 | 73069015 | 1 | BASE |
| 3 | 73069004 | 1 | U-BRACKET |
| | 70932844 | 1 | WASHER, nylon, 13/32" |
| | 70900816 | 1 | WASHER, plain, 1/4" |
| | 70922932 | 1 | LOCKNUT, 5/16" NF |
| 4 | 73069020 | 1 | BRACKET, motor mtg. |
| | 70929008 | 1 | CAPSCREW, 1/4" NF x 1-3/4" |
| | 70929932 | 1 | WASHER, 13/64" |
| | 70921702 | 1 | LOCKNUT, 1/4" NF |
| 5 | 73069007 | 1 | FAN |
| | 70917570 | 1 | SETSCREW, no. 10 NF x 1/4" |
| 6 | 73069011 | 1 | GUARD |
| | 70928919 | 2 | NUT, no. 10 (Includes washer) |

(Added December 1977)



T-77271

TURN SIGNALS

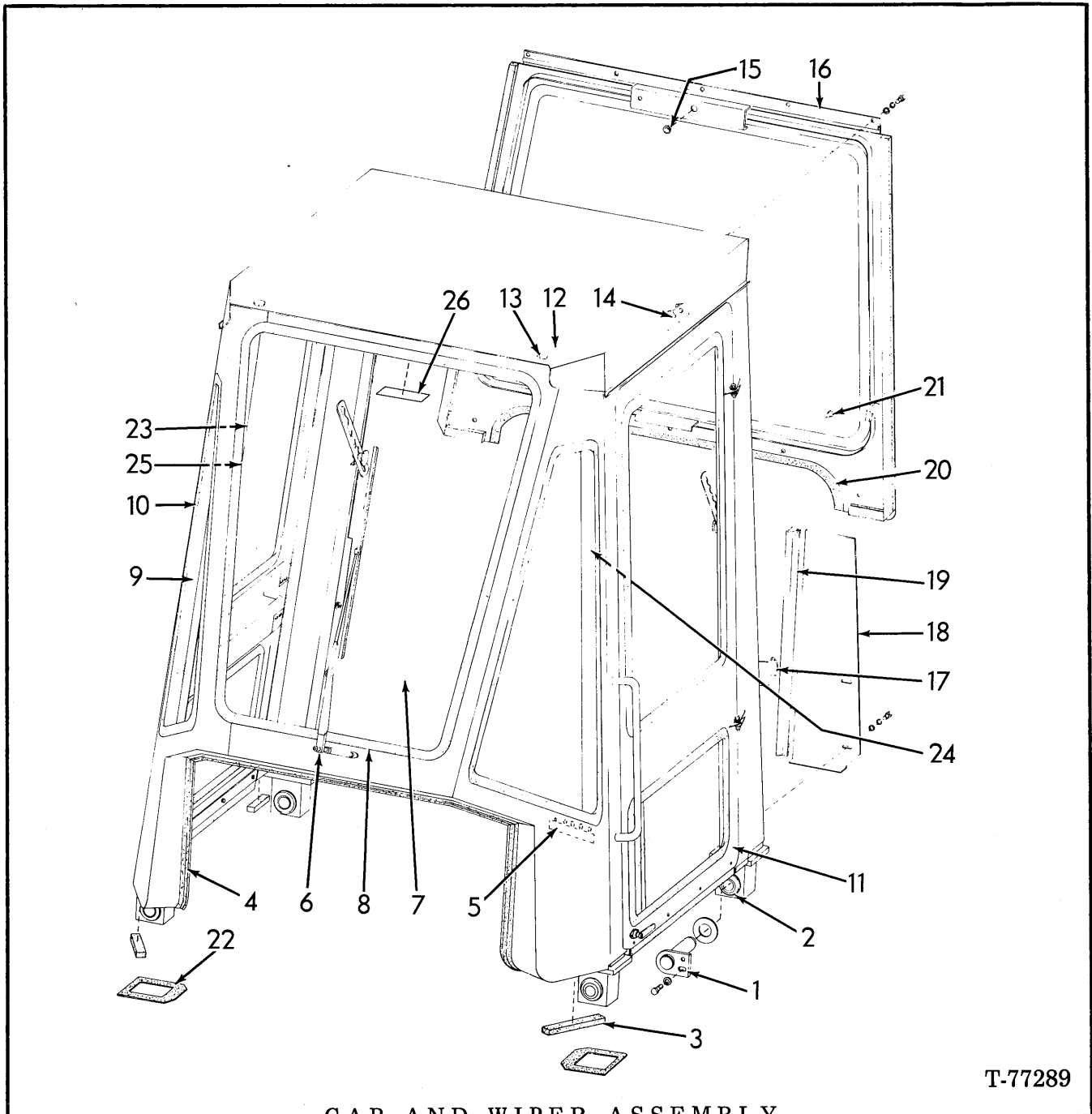
USAGE: Special Equipment

| ITEM | PART NO. | QTY. | DESCRIPTION |
|------|----------|------|---|
| 1 | 73058712 | 1 | SWITCH ASSY. (Includes Bulb, items 4 and 5 and Strap) |
| | 73057142 | 1 | HARDWARE PARTS REPLACEMENT |
| | 70917443 | 2 | SCREW, #8 NC x 3/4" |
| | 70917395 | 2 | LOCKWASHER, #8 |
| | 70923906 | 2 | WASHER, plain |
| | 70929158 | 1 | BULB, indicator (24 Volt) |
| | 70926919 | 1 | CLIP (Secure harness to steering column) |

(Continued)

TURN SIGNAL (Continued)
(ROPS CAB)

| ITEM | PART NO. | QTY. | DESCRIPTION |
|------|----------|------|--|
| 2 | 73058298 | 1 | BRACKET, turn signal mounting |
| | 70923341 | 2 | CAPSCREW, 1/4" NC x 3/4" |
| | 70904204 | 2 | LOCKWASHER, 1/4" |
| | 70916622 | 2 | NUT, 1/4" NC |
| 3 | 70925094 | 5 | CLIP, plastic (to secure wire harness) |
| 4 | 73058879 | 1 | FUSE, 14 Amp. (Between flasher and key switch) |
| 5 | 73058880 | 1 | FLASHER, turn signal |
| 6 | 73055535 | 1 | STRAP, mounting for flasher |
| | 70917452 | 2 | SCREW, #10 x 1/2" |
| | 70917415 | 2 | NUT, #10 |
| | 70917365 | 2 | LOCKWASHER, #10 |
| 7 | 73052008 | 4 | TERMINAL, connector |
| 8 | ----- | - | See ELECTRICAL SYSTEM, item 15 |
| 9 | 73058713 | 2 | LIGHT ASSY., turn signal (Includes hardware indented below and items 10 thru 13 and 16) |
| | 70910195 | 2 | NUT, 1/2" NC |
| | 70904208 | 2 | LOCKWASHER, 1/2" |
| | 70913697 | 2 | WASHER, plain, 9/16" |
| 10 | 70929157 | 2 | BULB, (24 Volt) |
| 11 | 73055537 | 2 | LENS KIT, amber (Includes gasket and 3 screws) |
| 12 | 73055536 | 2 | LENS KIT, red (Includes gasket and 3 screws) |
| 13 | 73056676 | 2 | WASHER, rubber |
| 14 | 73059832 | 2 | PLUG, plastic |
| 15 | 73059884 | 2 | CLIP |
| 16 | ----- | 2 | BODY (Order item 9) |



T-77289

CAB AND WIPER ASSEMBLY
(ROPS CAB)

| ITEM | PART NO. | QTY. | DESCRIPTION |
|------|----------|------|---------------------------------------|
| 1 | 73059455 | 4 | PIN |
| | 70912299 | 4 | WASHER, plain, 1-1/4" |
| | 70915408 | 4 | CAPSCREW, 3/8" NC x 3/4" |
| | 70910287 | 4 | LOCKWASHER, 3/8" |
| | 70911115 | 4 | WASHER, plain, 3/8" |
| 2 | 73059477 | 4 | BUSHING |
| 3 | | - | STRIP, rubber, 62" (refer to item 30) |
| 4 | | - | CHANNEL (refer to item 29) |

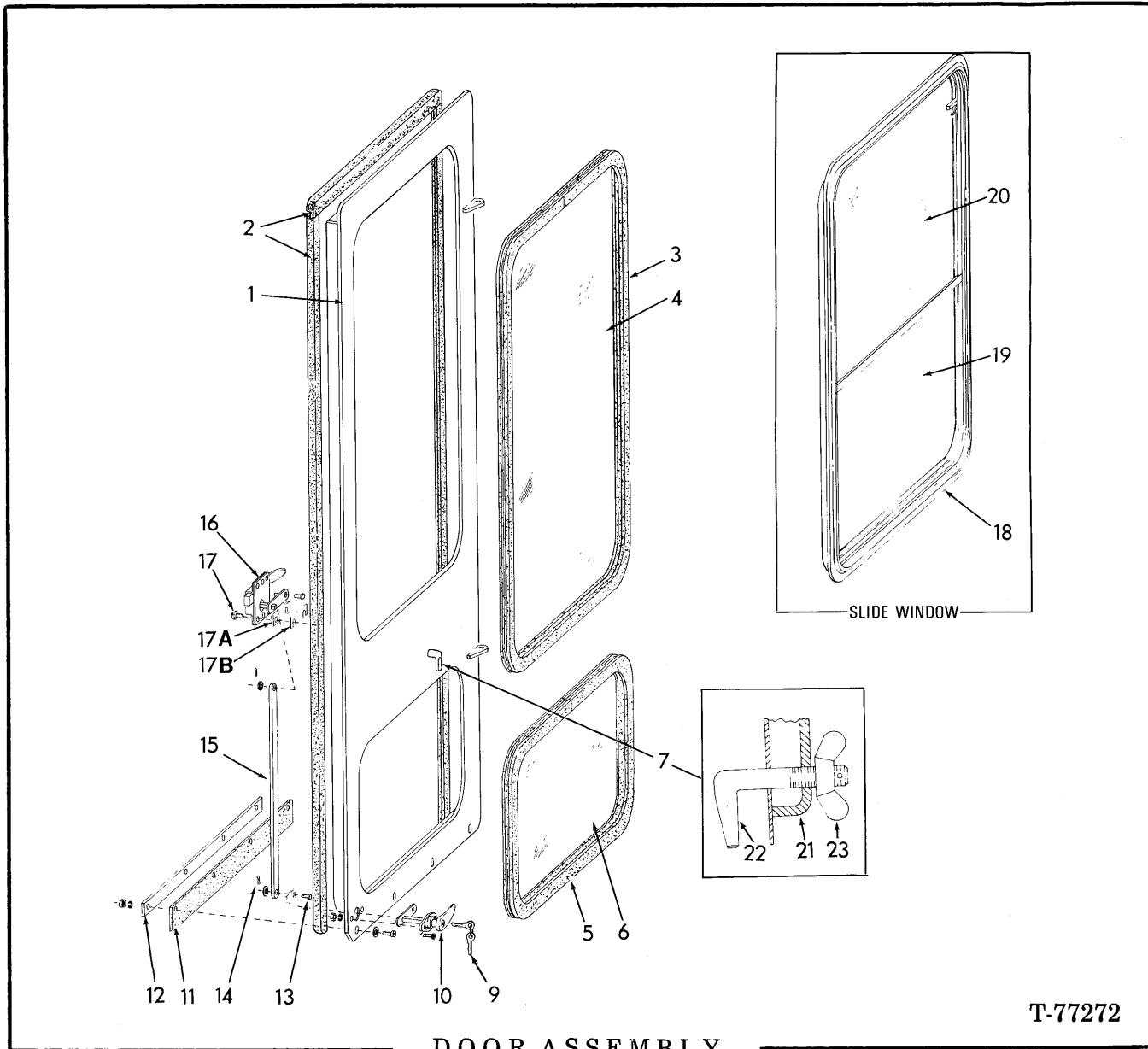
(Revised March 1978)

CAB AND WIPER ASSEMBLY (Continued)
(ROPS CAB)

| ITEM | PART NO. | QTY. | DESCRIPTION |
|------|----------|------|---|
| 5 | ----- | 1 | PANEL ASSY. (See page 266) |
| 6 | ----- | 1 | WIPER GROUP (See page 276) |
| 7 | ----- | 1 | GLASS (part No. 73059610)(See NOTE below) |
| 8 | ----- | 1 | CHANNEL, rubber, 130" (Refer to item 31) |
| 9 | ----- | 2 | GLASS (Part No. 73059611)(See NOTE below) |
| 10 | ----- | 2 | CHANNEL, 100" (Refer to item 31) |
| 11 | ----- | 2 | DOOR ASSY. (See page 272) |
| | 70922287 | 4 | CAPSCREW, 3/8" NC x 1-3/4" |
| | 70911115 | 16 | WASHER, plain, 3/8" (Use as required) |
| | 70918308 | 4 | NUT, safety, 3/8" NC |
| 12 | 73059832 | 2 | PLUG |
| 13 | 73059831 | 2 | PLUG (Not required with FLOOD LIGHTS) |
| 14 | 73059832 | 2 | PLUG |
| 15 | 70921113 | 1 | PLUG, (Not required with REAR WINDOW WIPER) |
| 16 | ----- | 1 | PANEL ASSY., rear (See page 274) |
| | 70927541 | 5 | CAPSCREW, 1/4" NC x 3/4" |
| | 70677004 | 5 | WASHER |
| 17 | 73066804 | 4 | BUMPER |
| | 70916282 | 2 | CAPSCREW, 1/4" NC x 7/8" |
| | 70900816 | 4 | WASHER, plain, 1/4" |
| | 70904204 | 4 | LOCKWASHER, 1/4" |
| | 70916622 | 2 | NUT, 1/4" NC |
| | 70918237 | 2 | CAPSCREW, 1/4" NC x 1-1/4" |
| | 70910880 | 2 | NUT, 1/4" NC |
| 18 | 73063621 | 1 | PLATE, left |
| | 73063622 | 1 | PLATE, right |
| | 70915406 | 6 | CAPSCREW, 1/4" NC x 3/4" |
| | 70900816 | 6 | WASHER, plain, 1/4" |
| | 70904204 | 6 | LOCKWASHER, 1/4" |
| 19 | ----- | - | CHANNEL (refer to item 29) |
| 20 | ----- | - | CHANNEL (refer to item 29) |
| 21 | 73059832 | 5 | PLUG |
| 22 | 73061582 | 4 | PAD, mounting (Use as required) |
| 23 | 73066554 | 1 | DECAL, start up-shut down |
| 24 | 73066555 | 1 | DECAL, operation |
| 25 | 73066556 | 1 | DECAL, bucket |
| 26 | 73066562 | 1 | DECAL, ROPS |
| 27 | 73059954 | 1 | ADHEXIVE, 5 ounce tube (used as required) |
| 28 | 73063053 | 1 | HEADLINER, rear |
| | 73063489 | 9 | FASTENER, 1/4" NC x 5/8" |
| 29 | 73070266 | - | CHANNEL, rubber (25' length - use as required) |
| 30 | 73059951 | - | STRIP, rubber (50' length - use as required) |
| 31 | 73059952 | - | CHANNEL, rubber (100' length - use as required) |

Not illustrated

NOTE: GLASS is not serviced. Refer to CAB GLASS DATA catalog for pattern.



DOOR ASSEMBLY
(ROPS CAB)

T-77272

USAGE: Optional Equipment . See page 270

NOTE: Quantity shown is for (1) door only.

| ITEM | PART NO. | QTY. | DESCRIPTION |
|------|----------|------|--|
| - | 73064447 | 1 | DOOR ASSY., left |
| | 73064448 | 1 | DOOR ASSY., right |
| | 73070449 | 1 | DOOR ASSY., left |
| | 73070450 | 1 | DOOR ASSY., right |
| 1 | 73064449 | 1 | DOOR, left |
| | 73064450 | 1 | DOOR, right |
| 2 | ----- | - | STRIP, 144" required per DOOR (Refer to item 24) |
| 3 | ----- | - | CHANNEL, 102" (Refer to item 25) |
| 4 | ----- | 1 | GLASS (Part No. 73061150)(See NOTE on page 273) |
| 5 | ----- | - | CHANNEL, 64" (Refer to item 25) |

(Continued)

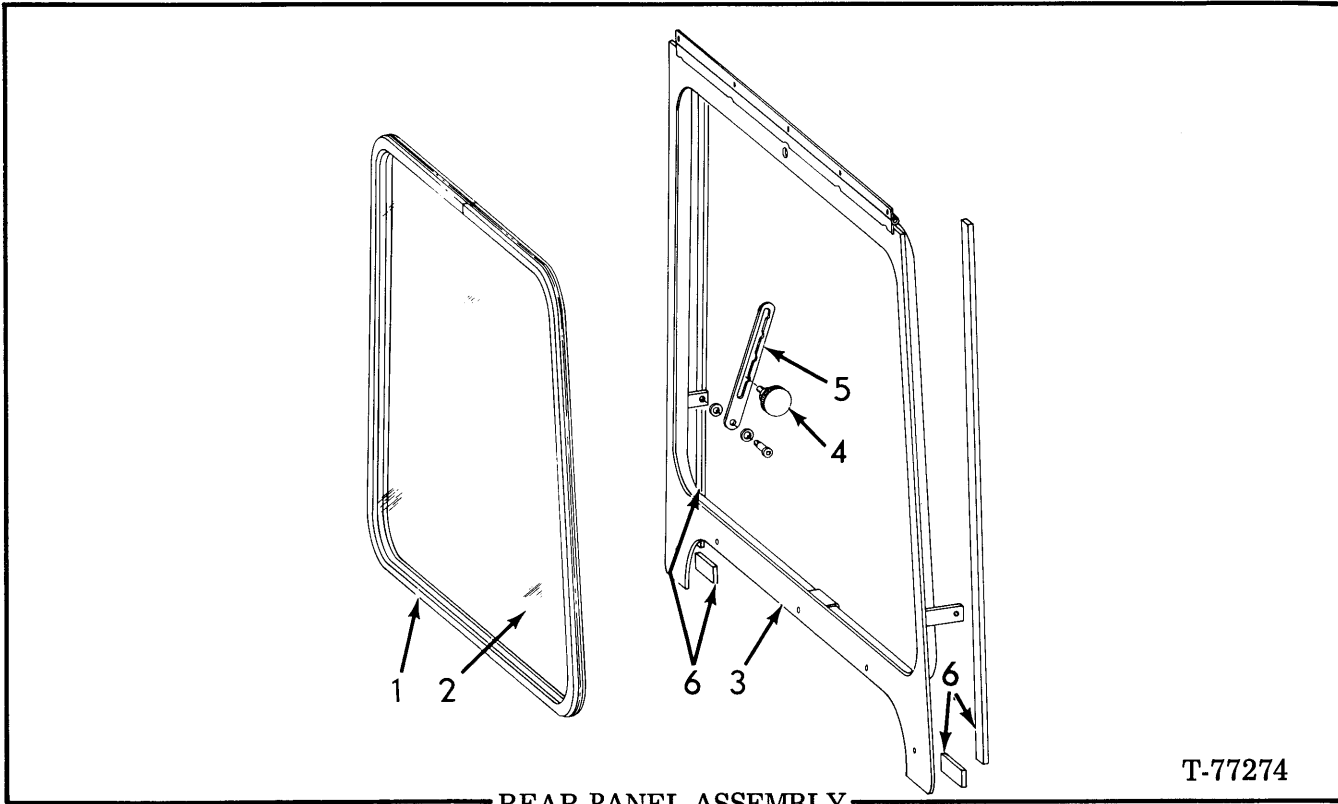
(Revised July 1978)

D O O R A S S E M B L Y (Continued)
(ROPS CAB)

| FEM | PART NO. | QTY. | DESCRIPTION |
|-----|------------|------|---|
| 6 | ----- | 1 | GLASS (Part No. 73059605)(See NOTE below) |
| 7 | 73062190 | 1 | † KIT, latch (includes items 21, 22, 23 and 17 on page 270) |
| 9 | 73061191 | 2 | KEY (PK 509) |
| 10 | { 73061731 | 1 | HANDLE, left |
| | { 73061732 | 1 | HANDLE, right |
| | 70922704 | 2 | SCREW, No. 10 NF x 3/4" flat-hd. |
| | 70904203 | 2 | LOCKWASHER, No. 10 |
| | 70926024 | 2 | NUT, No. 10 NF |
| 11 | 73059670 | 1 | STRIP |
| 12 | 73059627 | 1 | BAR |
| | 70900559 | 4 | SCREW, No. 10 NF x 5/8" |
| | 70910243 | 4 | WASHER, plain, No. 10 |
| | 70904203 | 4 | LOCKWASHER, No. 10 |
| | 70917415 | 4 | NUT, No. 10 NF |
| 13 | 70920523 | 2 | PIN, clevis, 1/4" |
| | 70911114 | 2 | WASHER, plain, 1/4" |
| 14 | 70918194 | 2 | PIN |
| 15 | 73059621 | 1 | BAR |
| 16 | { 73064445 | 1 | LOCK ASSY., left (Serviced only as a unit) |
| | { 73064446 | 1 | LOCK ASSY., right (Serviced only as a unit) |
| 17 | 70929915 | 4 | SCREW, No. 10 NF x 3/4" |
| 17A | 73061234 | 2 | PLATE |
| 17B | 73065099 | - | SHIM (Use as required) |
| 18 | 73059604 | 1 | WINDOW ASSY., slide (Optional Equipment) |
| 19 | ----- | 1 | GLASS (Part No. 73061377)(See NOTE below) |
| 20 | ----- | - | GLASS (Part No. 73061376)(See NOTE below) |
| 21 | 70085559 | 1 | NUT, wing, 5/8" NC |
| 22 | 70085558 | 1 | HOOK, 5/8" NC |
| 23 | 70906759 | 1 | SCREW, No. 4 x 1/4" |
| 24 | 73061253 | - | STRIP (100" length - use as required) |
| 25 | 73059952 | - | CHANNEL (100' length - use as required) |

NOTE: GLASS must be procured locally. Refer to CAB
GLASS DATA Catalog for pattern.

† Order item 7 only for cabs prior to unit no. 02924

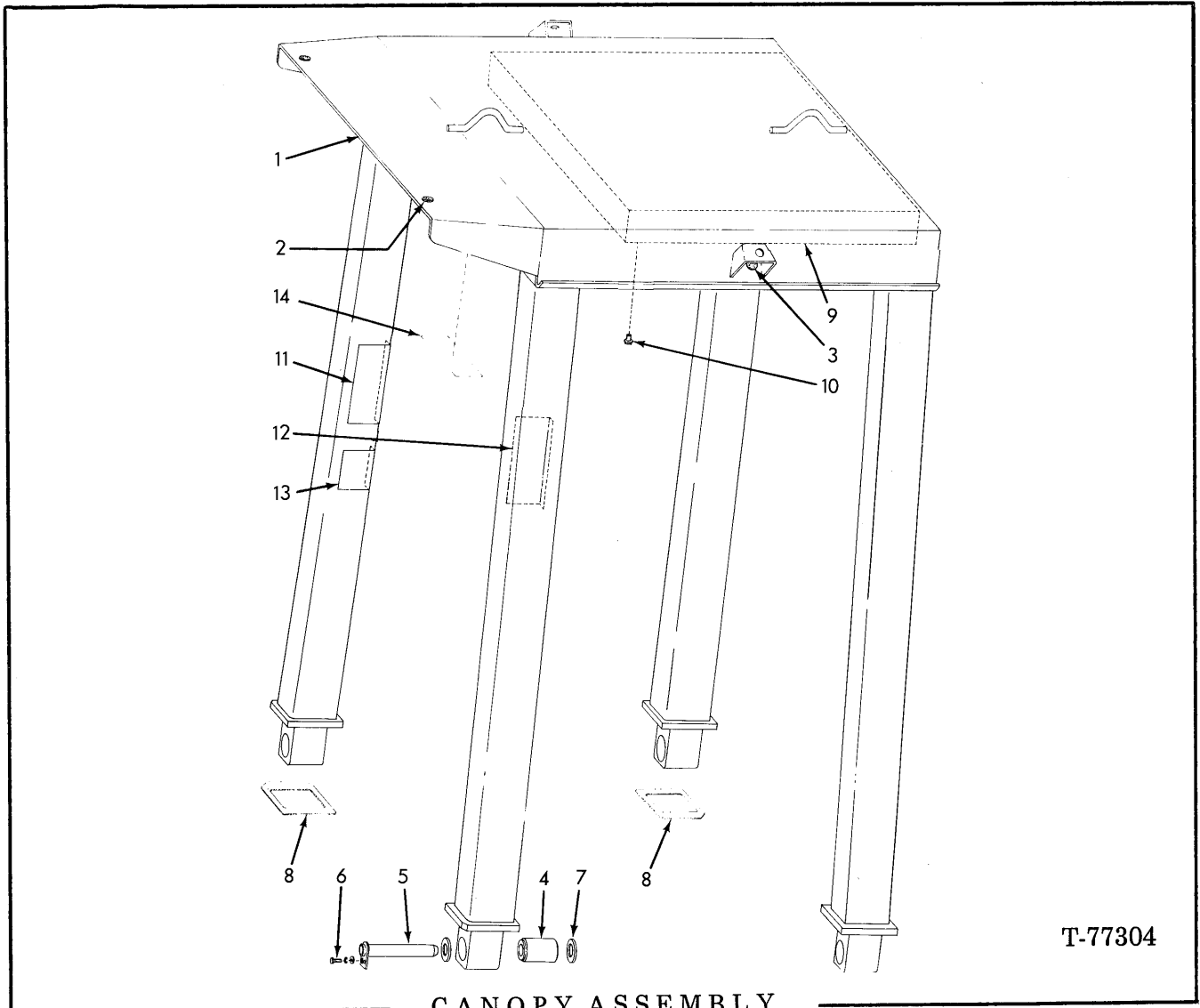


REAR PANEL ASSEMBLY
(ROPS CAB)

| ITEM | PART NO. | QTY. | DESCRIPTION |
|------|----------|------|---|
| - | 73059774 | 1 | PANEL ASSY. (Includes items 1 thru 6) |
| 1 | | 1 | CHANNEL, 125" (Refer to item 7) |
| 2 | | 1 | GLASS (Part No. 73059606)(See NOTE below) |
| 3 | | 1 | PANEL (Includes hinge)(Order PANEL ASSY. above) |
| 4 | 73061276 | 2 | KNOB |
| 5 | 73061275 | 2 | ARM |
| | 70911115 | 6 | WASHER, plain, 3/8" (Use as required) |
| | 70929613 | 2 | SCREW, 3/8" NC x 3/8" (Shoulder bolt, hex. socket head) |
| 6 | | - | STRIP, sponge, 100" (Refer to item 8) |
| 7 | 73059952 | - | CHANNEL (100' length - use as required) |
| 8 | 73061253 | - | STRIP (100" length - use as required) |

NOTE: GLASS must be procured locally. Refer to CAB GLASS DATE Catalog for pattern.

(Revised June 1979)

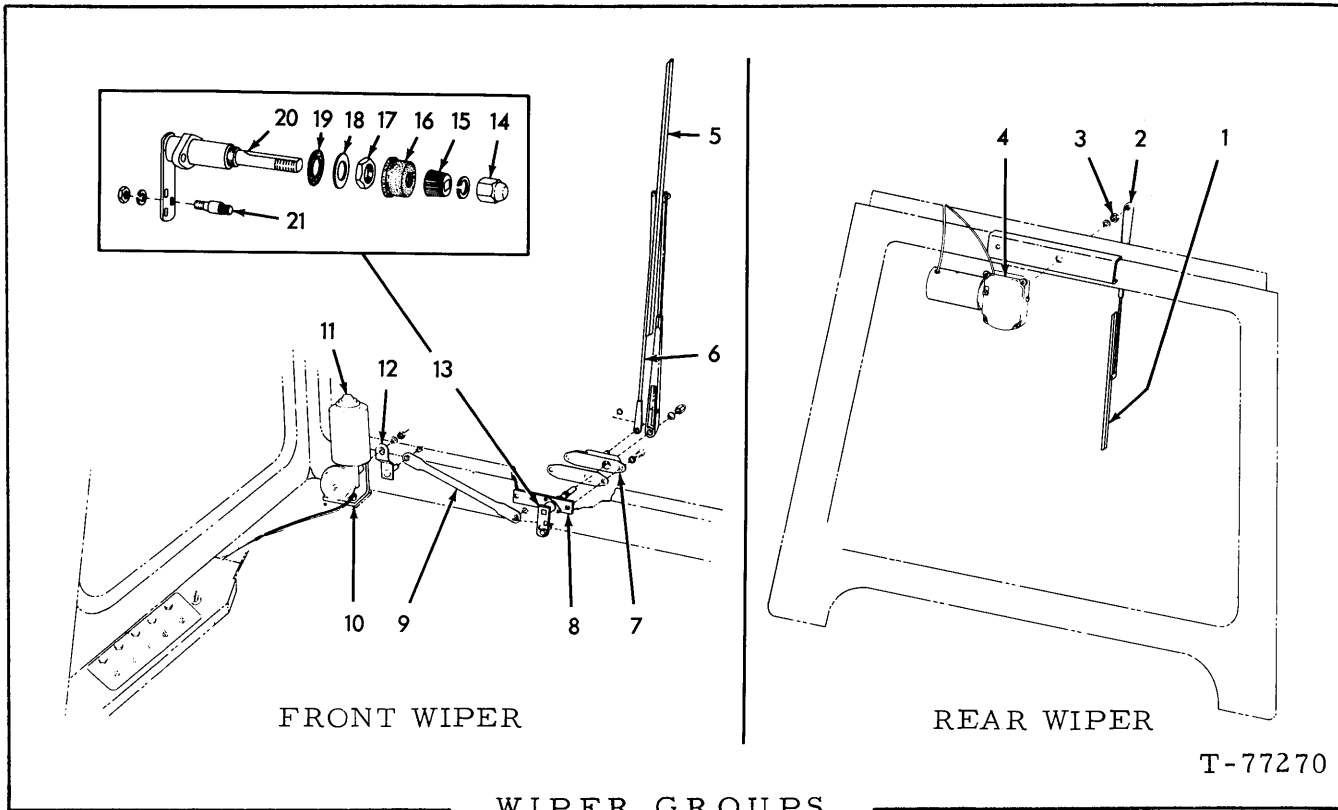


T-77304

CANOPY ASSEMBLY
(ROPS).

USAGE: Optional Equipment

| ITEM | PART NO. | QTY. | DESCRIPTION |
|------|----------|------|--|
| 1 | ----- | 1 | CANOPY ASSY. (Machinery Item) |
| 2 | 73059831 | 2 | PLUG |
| 3 | 73059832 | 2 | PLUG |
| 4 | 73059477 | 4 | BUSHING |
| 5 | 73059455 | 4 | PIN |
| 6 | 70915408 | 4 | CAPSCREW, 3/8" NC x 3/4" |
| | 70910287 | 4 | LOCKWASHER, 3/8" |
| | 70911115 | 4 | WASHER, plain, 3/8" |
| 7 | 70912299 | 4 | WASHER, spacing, 1-1/4" |
| 8 | 73061582 | 4 | PAD (rubber) |
| 9 | 73063053 | 1 | HEADLINER |
| 10 | 73063489 | 9 | FASTENER, 1/4" NC x 5/8" (1-3/4" long) |
| 11 | 73066554 | 1 | DECAL, start up, shut down |
| 12 | 73066555 | 1 | DECAL, operation |
| 13 | 73066556 | 1 | DECAL, bucket |
| 14 | 73066562 | 1 | DECAL (ROPS) |



WIPER GROUPS
(ROPS CAB)

USAGE: * First Type - used prior to Cab s/n 3447.
 ** Second Type - effective with Cab s/n 3447.

NOTE: See page 270 ROPS Cab includes FRONT WIPER.
 Order Special Equipment REAR WIPER separately.

| ITEM | PART NO. | QTY. | | DESCRIPTION |
|------|----------|------|----|---------------------------------|
| | | * | ** | |
| 1 | 73059930 | 1 | 1 | BLADE |
| 2 | 73059929 | 1 | 1 | ARM |
| 3 | 73051895 | 1 | 1 | NUT, 5/8" NF |
| 4 | 73059938 | 1 | 1 | MOTOR (24 volt) |
| | 70900558 | 1 | 1 | SCREW, #10 NF x 1/2" |
| | 70904203 | 1 | 1 | LOCKWASHER, #10 |
| | 70917415 | 1 | 1 | NUT, #10 NF |
| 5 | 73057227 | 1 | 1 | BLADE |
| 6 | 73059939 | 1 | 1 | ARM |
| 7 | 73057225 | 1 | 1 | ADAPTER ASSY. (Includes gasket) |
| | 70927340 | 2 | 2 | CAPSCREW, 1/4"NC x 3/4" |
| | 70924204 | 2 | 2 | LOCKWASHER, 1/4" |
| | 70910880 | 2 | 2 | NUT, 1/4"NC |
| 8 | 73059683 | 1 | 1 | PLATE (Early units) |
| 9 | 73059942 | 1 | 1 | LINK |
| | 70639073 | 2 | 2 | WASHER, spring, 1/4" |
| | 70639074 | 2 | 2 | CLIP, spring, 1/4" |

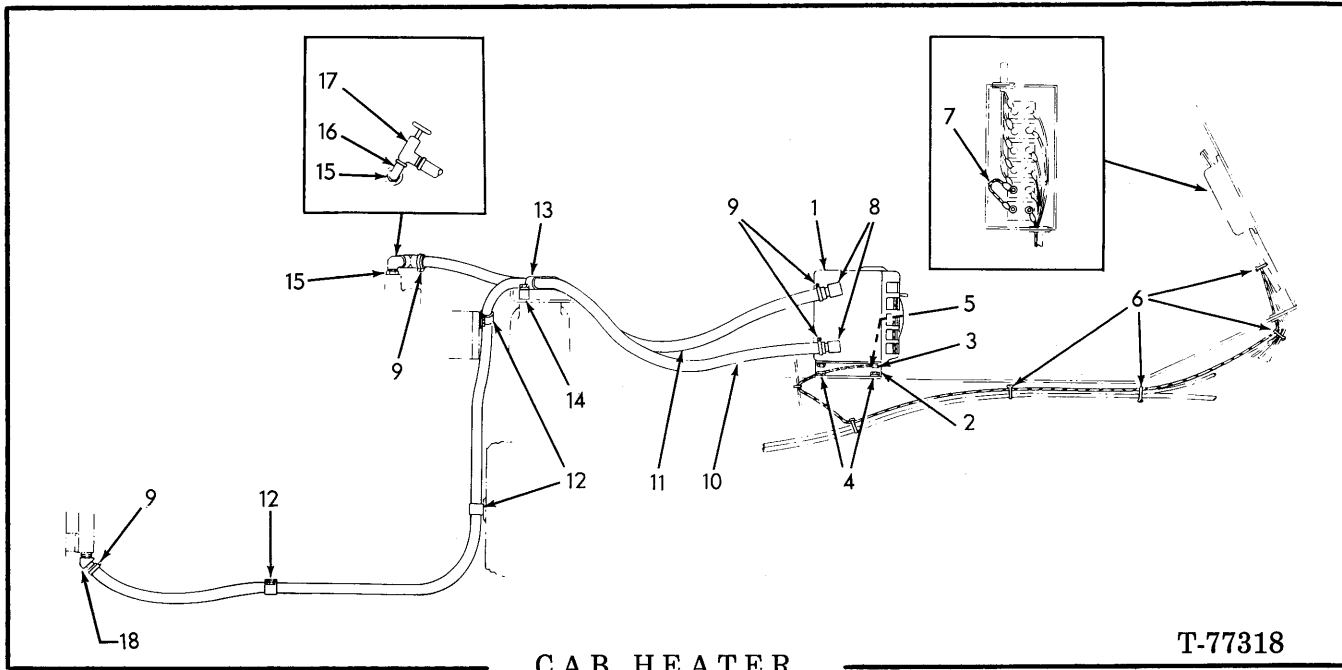
(Continued)

(Revised July 1979)

WIPER GROUPS (Continued)
(ROPS CAB)

| ITEM | PART NO. | QTY. | | DESCRIPTION |
|------|----------|------|----|---|
| | | * | ** | |
| 10 | 73059633 | 1 | 1 | BRACKET, weld assy. |
| | 70916282 | 2 | 2 | CAPSCREW, 1/4" NC x 7/8" |
| | 70904204 | 2 | 2 | LOCKWASHER, 1/4" |
| | 70900816 | 2 | 2 | WASHER, 1/4" |
| 11 | 73061907 | 1 | 1 | MOTOR (24 volt) |
| | 70923510 | 1 | 1 | GROMMET |
| | 70914120 | 3 | 3 | SCREW, 1/4" NF x 3/4" |
| | 70914105 | 3 | 3 | LOCKWASHER, 1/4" |
| 12 | 73061046 | 1 | 1 | ARM |
| 13 | ----- | 1 | - | SHAFT & PIVOT ASSY. (5/8" dia. shaft)(In- (Order 73066384 SHAFT and item 17) |
| | 73066384 | - | 1 | SHAFT & PIVOT ASSY. (11/16" dia. shaft)(In- cludes items 14 thru 21) |
| 14 | 70922121 | 2 | 2 | SCREW, #10-32 x 3/8" |
| | 70909055 | 2 | 2 | LOCKWASHER, #10 |
| | 73066417 | 1 | - | CAP NUT |
| | 70923300 | 1 | - | LOCKWASHER, 5/16" |
| | 73066426 | - | 1 | CAP NUT |
| | 70916803 | - | 1 | LOCKWASHER, 3/8" |
| 15 | 73066419 | 1 | - | DRIVER |
| | 73066427 | - | 1 | DRIVER |
| 16 | 73066415 | 1 | - | CAP, rubber |
| | 73066424 | - | 1 | CAP, rubber |
| 17 | 73066428 | - | 1 | NUT |
| 18 | 70913540 | 1 | - | WASHER, plain, 21/32" |
| | 70922088 | - | 1 | WASHER, plated, 23/32" |
| 19 | 73066416 | 1 | - | WASHER, fiber |
| | 73066425 | - | 1 | WASHER, fiber |
| 20 | ----- | 1 | 1 | SHAFT ASSY. (Order item 13) |
| 21 | 73066418 | 1 | 1 | STUD |
| | 70924958 | 1 | 1 | LOCKWASHER, 1/4" |
| | 70920437 | 1 | 1 | NUT, 1/4" NF |

(Revised March 1979)

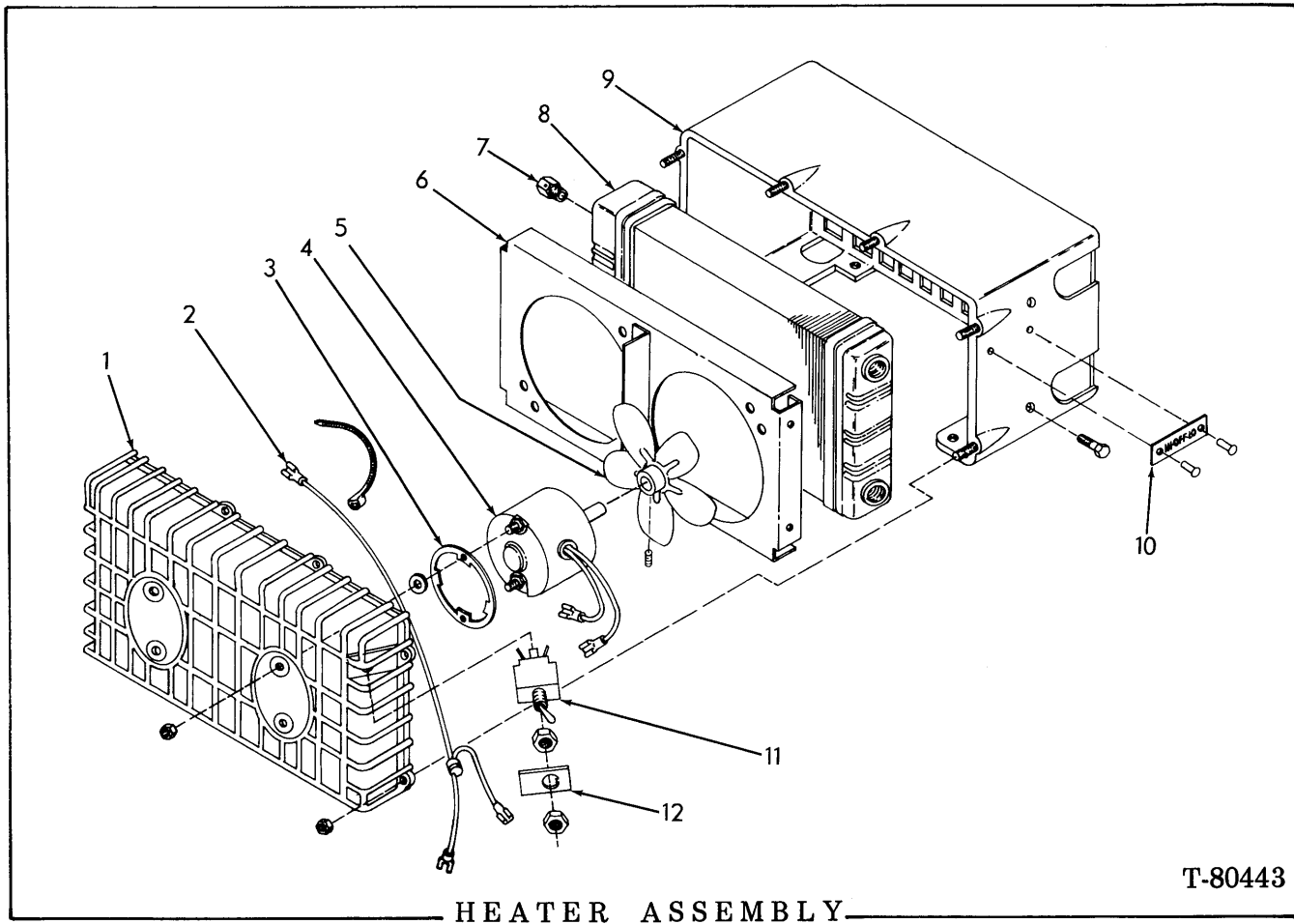


CAB HEATER

T-77318

USAGE: Special Equipment

| ITEM | PART NO. | QTY. | DESCRIPTION |
|------|----------|------|-------------------------------------|
| 1 | 73058731 | 1 | HEATER ASSY. (See page 279a) |
| 2 | 73057773 | 2 | BRACKET |
| 3 | 70915809 | 4 | CAPSCREW, 5/16" NC x 3/4" |
| | 70904205 | 4 | LOCKWASHER, 5/16" |
| | 70910335 | 4 | WASHER, plain, 5/16" |
| 4 | 70915408 | 4 | CAPSCREW, 3/8" NC x 3/4" |
| | 70910287 | 4 | LOCKWASHER, 3/8" |
| 5 | 70928176 | 1 | CLAMP |
| 6 | 70925094 | 5 | CLIP |
| 7 | 73058126 | 1 | WIRE ASSY. |
| 8 | 70925063 | 2 | NIPPLE, 3/4" NPTF, 3/4" hose |
| 9 | 70921911 | 4 | CLAMP |
| 10 | ----- | 1 | HOSE, 3/4" I. D. x 106" |
| 11 | ----- | 1 | HOSE, 3/4" I. D. x 46" |
| | | | } Refer to item 19 |
| 12 | 70927175 | 3 | CLAMP |
| 13 | 73055272 | 1 | CLAMP |
| | 70916315 | 1 | CAPSCREW, 1/2" NC x 2-1/4" |
| 14 | 73045513 | 1 | SPACER |
| 15 | 70917430 | 1 | BUSHING, 3/4" x 1/2" |
| 16 | 70901724 | 1 | ELBOW, 1/2" |
| 17 | 73058884 | 1 | VALVE |
| 18 | 70930213 | 1 | ELBOW, 1/2" NPTF |
| 19 | 73069299 | - | HOSE (25' length - use as required) |



T-80443

USAGE: Special equipment. See page 278

| ITEM | PART NO. | QTY. | DESCRIPTION |
|------|----------|------|---|
| - | 73058731 | 1 | HEATER ASSY. (Includes items 1 thru 12) |
| 1 | 73058341 | 1 | COVER |
| | 70928919 | 6 | NUT, No. 10-32 |
| 2 | 73069267 | 1 | WIRE ASSY. |
| | 70925442 | 1 | TIE |
| 3 | 73058342 | 2 | SPACER |
| 4 | 73069009 | 2 | MOTOR, 24v. |
| | 70924353 | 4 | WASHER, plain, 13/64" |
| | 70928919 | 4 | NUT, No. 10-32 |
| | 73070464 | 2 | TERMINAL |
| 5 | 73069006 | 2 | FAN (includes SETSCREW indented below) |
| | 70917570 | 2 | SETSCREW, No. 10 NF x 1/4" |
| 6 | 73058345 | 1 | SHROUD |
| | 70926020 | 4 | SCREW, No. 10 x 5/8", self-tapping |
| 7 | 73058348 | 1 | VALVE, bleeder |
| 8 | 73058346 | 1 | CORE |
| 9 | 73058340 | 1 | CASE |

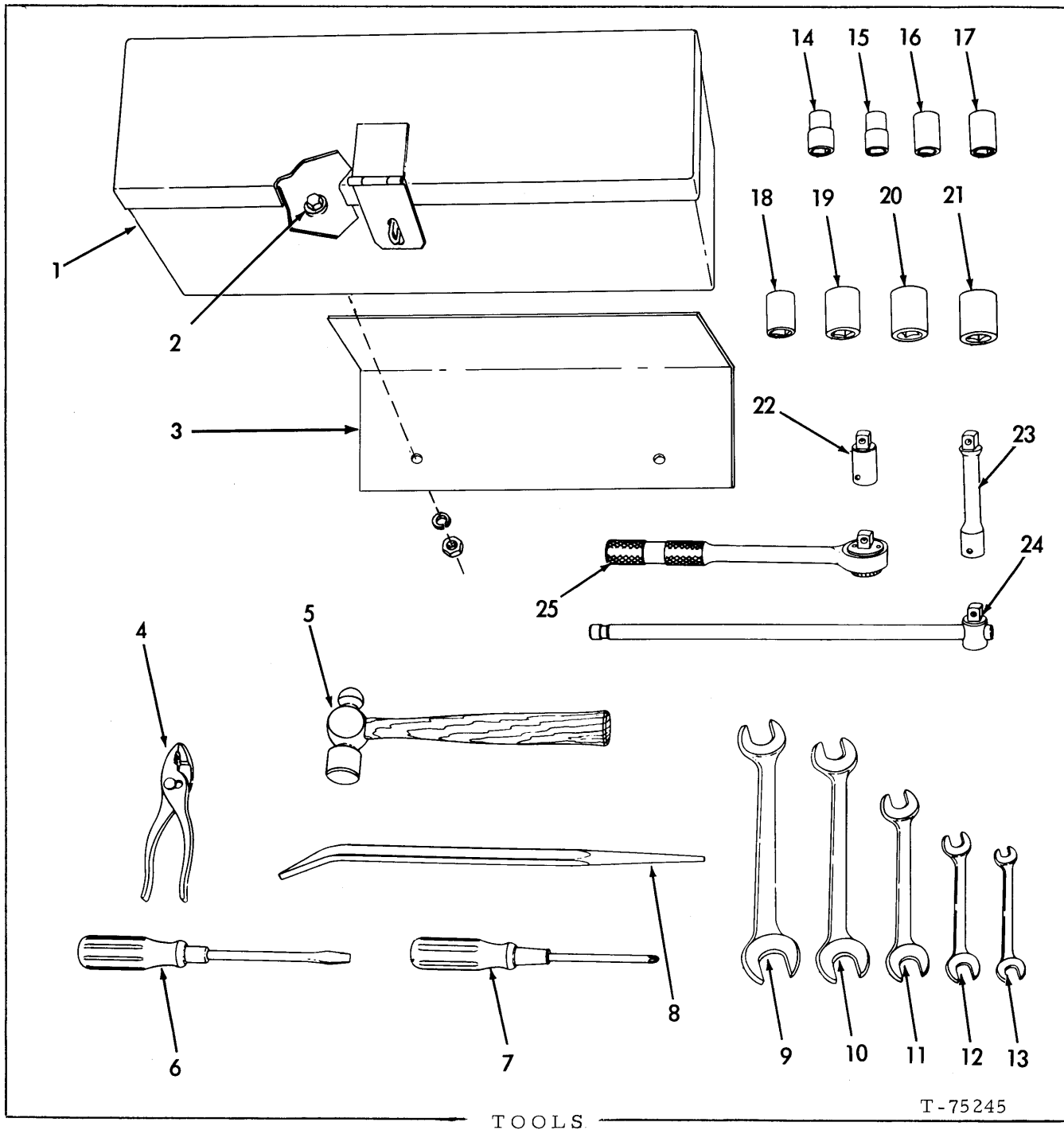
Continued

279a

(Revised July 1978)

HEATER ASSEMBLY (Continued)

| ITEM | PART NO. | QTY. | DESCRIPTION |
|------|----------|------|-------------------------------------|
| 10 | 73069269 | 2 | PLATE |
| | 73070468 | 2 | RIVET |
| 11 | 73058347 | 2 | SWITCH (Includes mounting hardware) |
| 12 | 73069001 | 2 | PLATE |



TOOLS

T-75245

USAGE: Special Equipment

| ITEM | PART NO. | QTY. | DESCRIPTION |
|------|----------|------|-----------------------|
| 1 | 73062086 | 1 | BOX, tool, |
| 2 | 70916271 | 2 | CAPSCREW, 3/8"NC x 1" |
| | 70911115 | 2 | WASHER, plain, 3/8" |
| | 70910287 | 2 | LOCKWASHER, 3/8" |
| | 70910324 | 2 | NUT, 3/8" NC |

(Continued)

(Revised June 1975)

TOOLS (Continued)

| TEM | PART NO. | QTY. | DESCRIPTION |
|-----|----------|------|---------------------------------------|
| 3 | 73062087 | 1 | BRACKET (Requires welding to install) |
| 4 | 70012389 | 1 | PLIERS, 6" |
| 5 | 70012387 | 1 | HAMMER, 1 lb. |
| 6 | 70036268 | 1 | SCREWDRIVER, 9-3/4" long |
| 7 | 70914732 | 1 | SCREWDRIVER, Phillips #2 |
| 8 | 70052371 | 1 | BAR, 16" long |
| 9 | 70050611 | 1 | WRENCH, 15°, 15/16" and 1-1/16" |
| 10 | 70050610 | 1 | WRENCH, 15°, 3/4" and 7/8" |
| 11 | 70050609 | 1 | WRENCH, 15°, 5/8" and 3/4" |
| 12 | 70050608 | 1 | WRENCH, 15°, 1/2" and 9/16" |
| 13 | 70050607 | 1 | WRENCH, 15°, 3/8" and 1/2" |
| 14 | 70914709 | 1 | SOCKET, 1/2" sq. dr., 1/2" hex |
| 15 | 70914710 | 1 | SOCKET, 1/2" sq. dr., 9/16" hex |
| 16 | 70914711 | 1 | SOCKET, 1/2" sq. dr., 5/8" hex |
| 17 | 70914712 | 1 | SOCKET, 1/2" sq. dr., 11-1/6" hex |
| 18 | 70914713 | 1 | SOCKET, 1/2" sq. dr., 3/4" hex |
| 19 | 70914714 | 1 | SOCKET, 1/2" sq. dr., 7/8" hex |
| 20 | 70914715 | 1 | SOCKET, 1/2" sq. dr., 15/16" hex |
| 21 | 70914716 | 1 | SOCKET, 1/2" sq. dr., 1" hex |
| 22 | 70914717 | 1 | BAR, 1/2" dr., 2" long |
| 23 | 70914718 | 1 | BAR, 1/2" dr., 5" long |
| 24 | 70050612 | 1 | HANDLE, 1/2" sq. dr., 15" long |
| 25 | 70914719 | 1 | HANDLE, 1/2" sq. dr. |

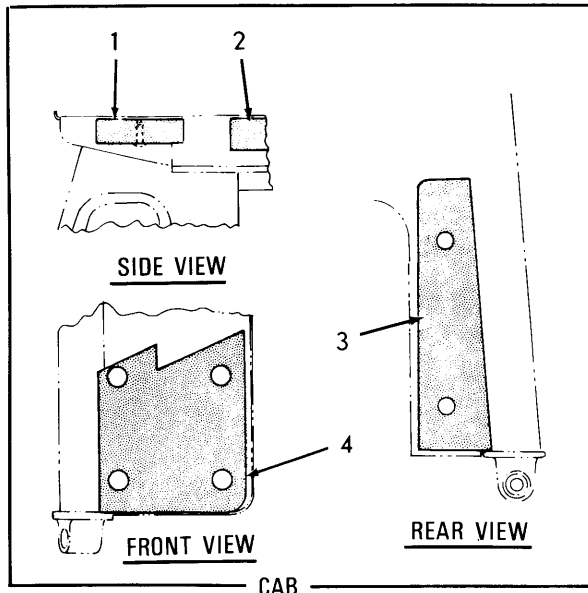
PAINTING AND MARKING
(not illustrated)

| ITEM | PART NO. | QTY. | DESCRIPTION |
|------|------------|------|--|
| 1 | { 70698037 | - | ENAMEL, F-A yellow orange (12 oz. aerosol) |
| | 70698038 | - | ENAMEL, F-A yellow orange (gallon can) |
| 2 | { 70925108 | - | ENAMEL, A-C yellow (12 oz. aerosol) |
| | 70925110 | - | ENAMEL, A-C yellow (gallon can) |
| 3 | 70925433 | - | ENAMEL, black (quart can) |
| 4 | 73067501 | 1 | KIT, decal (includes items 5 thru 48 except 10) |
| 5 | 70694425 | 1 | DECAL, F-A trademark (front of machine) |
| 6 | 70694432 | 2 | DECAL, F-A Fiat-Allis (hood) |
| 7 | 70694438 | 1 | DECAL, Fiat-Allis (counterweight) |
| 8 | 70694461 | 3 | DECAL, 745-B |
| 9 | 73057767 | 1 | DECAL, breaker box |
| 10 | 73061463 | 1 | ACTIVATOR, 16 oz can |
| 11 | { 73062406 | 1 | DECAL, lube & service (English) } L. H. |
| | 73064242 | 1 | DECAL, lube & service (German) } fender |
| 12 | 73062868 | 1 | DECAL, stripe (25' roll - use as required) |
| 13 | 73066551 | 1 | DECAL, low air pressure (instrument panel) |
| 14 | 73066552 | 2 | DECAL, ladder (platform) |
| 15 | 73066553 | 1 | DECAL, emergency brake (instrument panel) |
| 16 | 73066554 | 1 | DECAL, start up - shut down (R. H. cab/canopy post) |
| 17 | 73066555 | 1 | DECAL, operation (L. H. cab/canopy post) |
| 18 | 73066556 | 1 | DECAL, bucket (R. H. cab/canopy post) |
| 19 | 73066557 | 2 | DECAL, articulation (sides of front frame) |
| 20 | 73066816 | 1 | DECAL, trans. instruction (trans. shift control cover) |
| 21 | 73067294 | 1 | INSTRUCTION (location of decals) |
| 22 | 73067352 | 1 | INSTRUCTION , decals and handrail |
| 23 | 73067606 | 1 | DECAL, clutch release (bonnet) |
| 24 | 73067607 | 1 | DECAL, oil level (L. H. side bonnet) |
| 25 | 73067611 | 1 | DECAL, hydraulic tank (underside of tank cover) |
| 26 | 73067712 | 1 | DECAL, patent (bonnet) |
| 27 | 73067618 | 1 | PLATE, key switch instruction (instrument panel) |
| 28 | 73067621 | 1 | DECAL, air restriction indicator (bonnet) |
| 29 | 73067625 | 1 | DECAL, fuel shut-off (bonnet) |
| 30 | 73067626 | 1 | DECAL, rear axle disconnect |
| 31 | 73107881 | 2 | DECAL, rotating blades |
| 32 | 73107882 | 2 | DECAL, batt. vapors |
| 33 | 73107884 | 1 | DECAL, fluid under pressure |
| 34 | 73107885 | 1 | DECAL, towing (counterweight) |
| 35 | 73107886 | 1 | DECAL,engine starting (hydraulic console) |
| 36 | 73107889 | 1 | DECAL, pressure leaks (left fender) |
| 37 | 73107890 | 2 | DECAL, scissors point (dump cylinders) |
| 38 | 73107894 | 1 | DECAL, air cleaner |
| 39 | 73107895 | 1 | DECAL, operator warning (instrument panel) |
| 40 | 73107897 | 1 | DECAL, brakes (L. F. side rear frame) |
| 41 | 73108722 | 1 | DECAL, starting fluid (air cleaner stack) |
| 42 | 73108728 | 2 | DECAL, lube oil filter |
| 43 | 73108815 | 1 | DECAL, check air tanks |
| 44 | 73108820 | 1 | DECAL, brake fluid |
| 45 | 73109131 | 2 | DECAL, operator manual (seat) |
| 46 | 73109134 | 2 | DECAL, disconnect battery (radiator support) |
| 47 | 73109796 | 1 | APPLICATOR (for smoothing decals) |
| 48 | 73109818 | 1 | INSTRUCTION, decal storage/application |

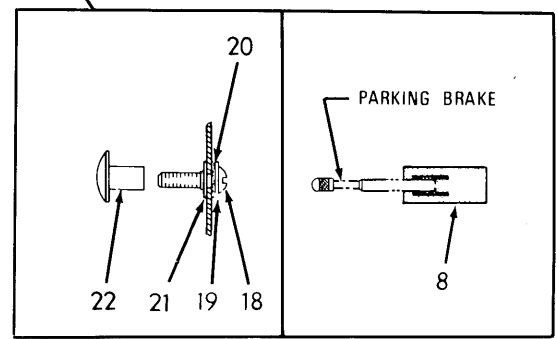
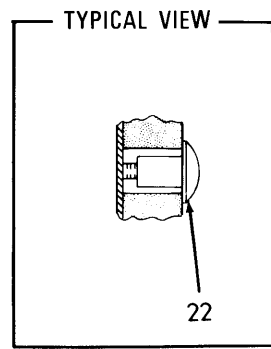
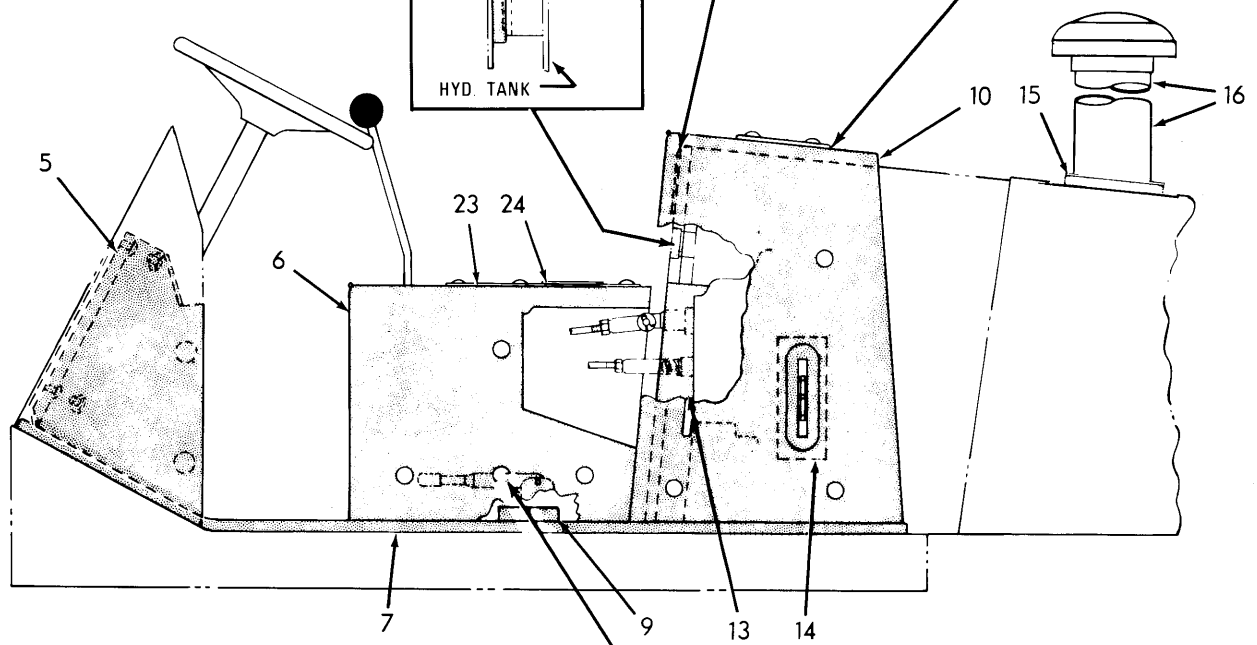
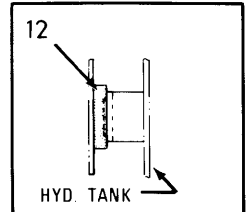
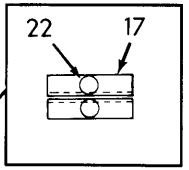
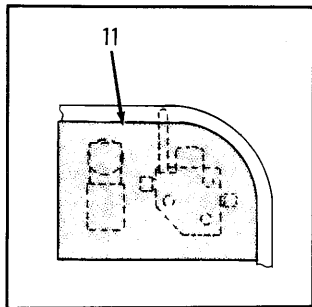
(Continued)

P A I N T I N G A N D M A R K I N G (Continued)

| TEM | PART NO. | QTY. | (not illustrated) DESCRIPTION |
|-----|----------|------|--|
| 49 | 70688188 | 1 | DECAL, |
| 50 | 70924535 | 2 | TRANSFER, A-C trademark (hood) |
| 51 | 70924553 | 3 | DECAL, Allis-Chalmers (hood & counterweight) |
| 52 | 73024429 | 1 | STICKER, engine stop (instrument panel) |
| 53 | 73048855 | 3 | STICKER, 745-B |
| 54 | 73058875 | 3 | EMBLEM, "series B" (radiator support & cowl) |
| 55 | 73103256 | 1 | STICKER, lube & service (R. H. fender) |
| 56 | 73105127 | 1 | STICKER, caution (alternator) |



CAB



T-78761

SOUND SUPPRESSION GROUP

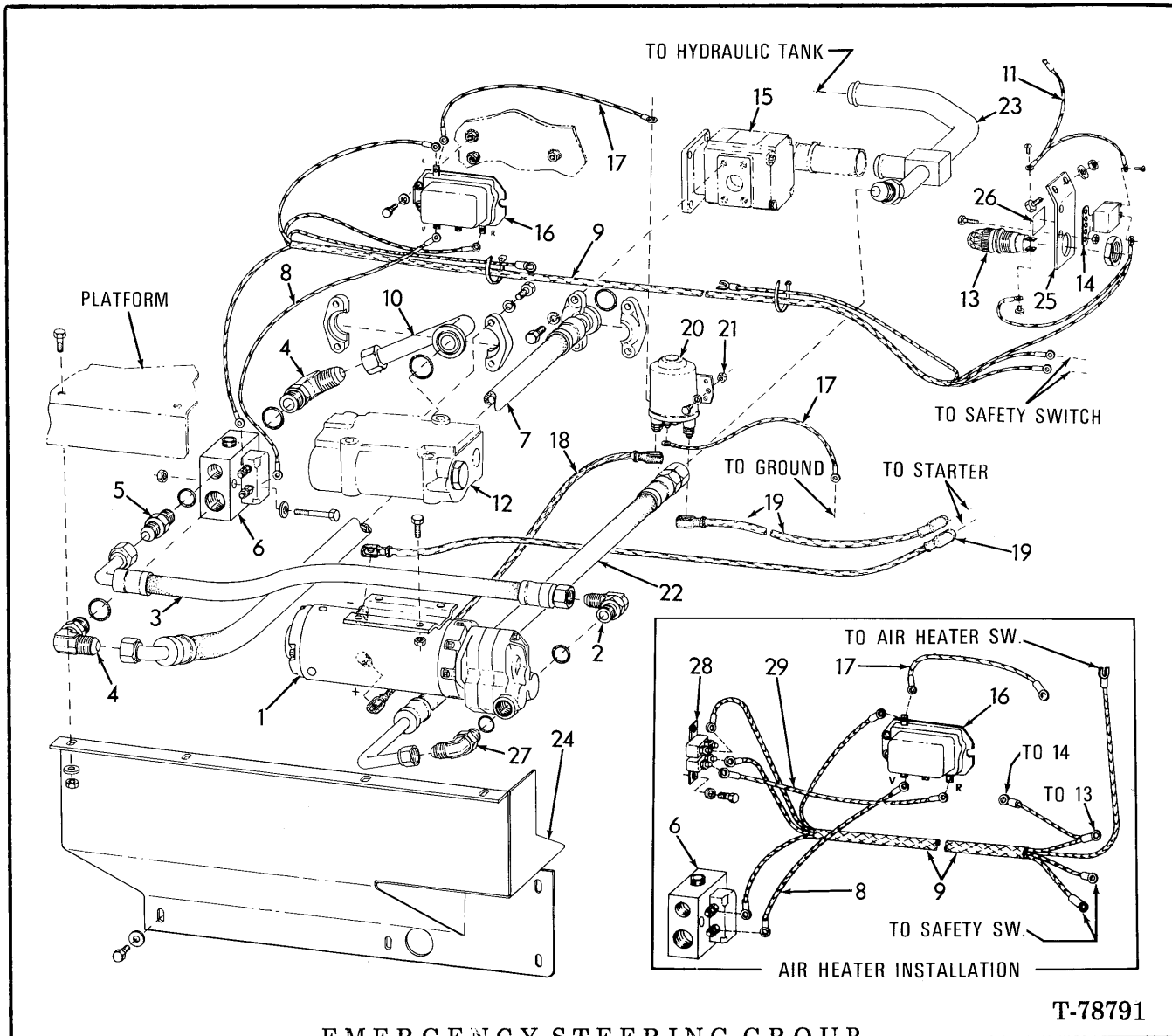
283a

(Revised March 1977)

SOUND SUPPRESSION GROUP

USAGE: Special Equipment

| ITEM | PART NO. | QTY. | DESCRIPTION |
|------|------------|------|--|
| - | ----- | 1 | SOUND SUPPRESSION GROUP (See Machinery Manual) (Includes items 1 thru 24) |
| 1 | 73063052 | 1 | HEADLINER, front |
| 2 | 73063053 | 1 | HEADLINER, rear |
| 3 | { 73063197 | 1 | CLOSURE PANEL LINER, left |
| | { 73063198 | 1 | CLOSURE PANEL LINER, right |
| 4 | { 73063139 | 1 | CLOSURE PANEL LINER, left |
| | { 73063140 | 1 | CLOSURE PANEL LINER, right |
| 5 | { 73063137 | 1 | COWL LINER, left |
| | { 73063138 | 1 | COWL LINER, right |
| 6 | 73063882 | 1 | CONSOLE LINER ASSY. (Standard) |
| | 73063883 | 1 | CONSOLE LINER ASSY. (Single lever) |
| 7 | 73063072 | 1 | FLOORMAT |
| 8 | 73063343 | 1 | PARKING BRAKE MAT |
| 9 | 73063375 | 1 | BARRIER, kick-out line |
| 10 | 73063881 | 1 | BONNET LINER ASSY. (Also order stickers)(See PAINTING and MARKING) |
| 11 | 73063170 | 1 | BARRIER, clutch cut-off |
| 12 | 73063169 | 2 | BARRIER, seat belt |
| | 70931398 | 2 | PLUG (For machines without seat belts) |
| 13 | 73063168 | 1 | BARRIER, control valve |
| 14 | 73063171 | 1 | BARRIER, sight gauge |
| 15 | 73063132 | 1 | BARRIER, air inlet |
| 16 | 73063131 | 1 | TUBE, weld assy. (Does not include CAP) |
| 17 | 73063185 | 4 | ANGLE |
| 18 | { 70922028 | 9 | SCREW, 1/4" NC x 1-3/4" |
| 19 | { 70917451 | 52 | SCREW, 1/4" NC x 1" |
| | 70911114 | 61 | WASHER, 1/4" |
| 20 | 73063605 | 61 | WASHER, rubber |
| 21 | 73063513 | 61 | TENSION NUT |
| | { 73063489 | 13 | FASTENER, 1/2" x 1-3/4" |
| 22 | { 73063488 | 45 | FASTENER, 1/2" x 3/4" |
| | 70687557 | 3 | FASTENER, 1/2" x 3/4" (Use at top of console) |
| 23 | 73067022 | 1 | PLATE, decal mounting |
| 24 | 73107886 | 1 | DECAL, starting instruction |



EMERGENCY STEERING GROUP

T-78791

USAGE: Special Equipment — requires high output alternator page 265.

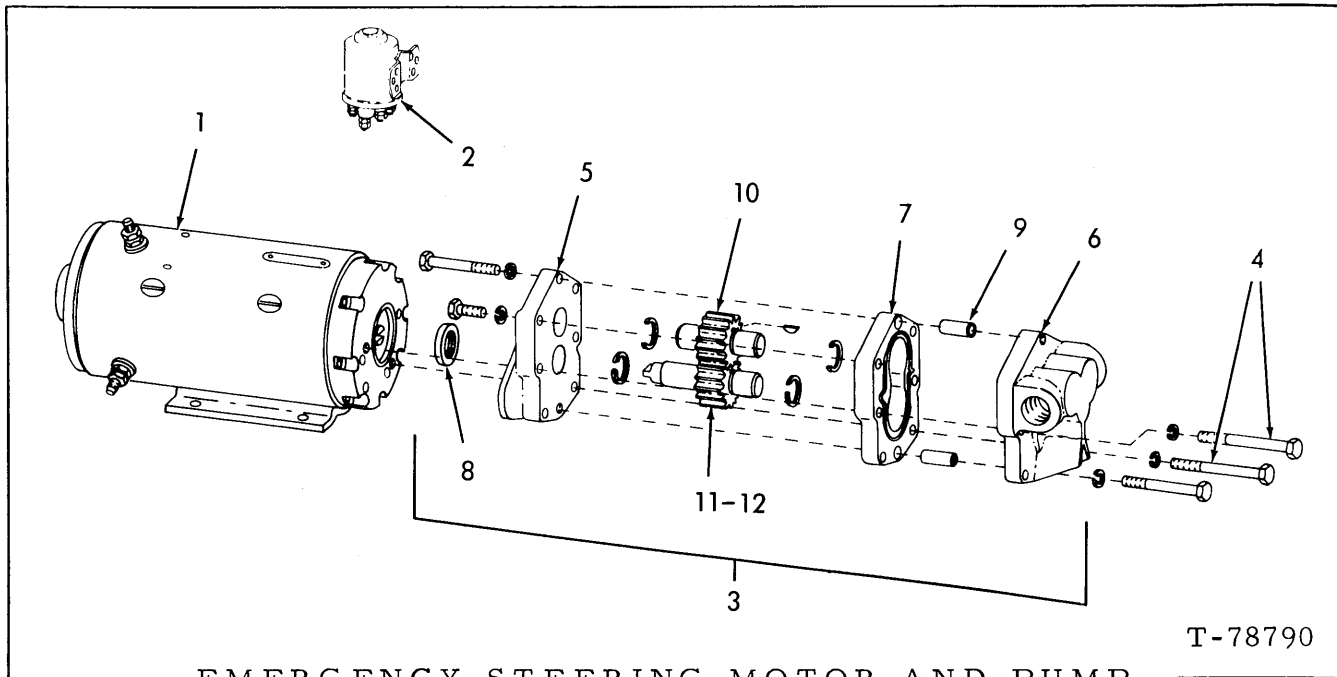
| ITEM | PART NO. | QTY. | DESCRIPTION |
|------|----------|------|--|
| - | ----- | 1 | EMERGENCY STEERING GROUP (See Construction Machinery Manual) |
| 1 | ----- | 1 | MOTOR DRIVEN PUMP (See page 283E) |
| | 70922763 | 4 | CAPSCREW, 3/8" NC x 1" |
| | 70900367 | 4 | NUT, 3/8" NC |
| 2 | 70921203 | 1 | ELBOW, 3/4" tube, 1-1/16" str. thd. (Includes O-RING below) |
| | 70921206 | 1 | O-RING |
| 3 | 73064290 | 1 | HOSE ASSY. |
| 4 | 70921227 | 2 | ELBOW, 1" tube, 1-5/16" str. thd. (Includes O-RING below) |
| | 70921214 | 2 | O-RING |
| 5 | 70921217 | 1 | CONNECTOR, 3/4" tube, 1-1/16" str. thd. (Includes O-RING) |
| | 70921206 | 1 | O-RING |
| 6 | 73064638 | 1 | FLOW SWITCH |
| | 70927174 | 2 | CAPSCREW, 3/8" NC x 2-1/2" |
| | 70677006 | 2 | WASHER |
| | 70647418 | 2 | WELDNUT, 3/8" |

(Continued)
283C

(Revised March 1978)

EMERGENCY STEERING GROUP (Continued)

| TEM | PART NO. | QTY. | DESCRIPTION |
|-----|----------|------|---|
| 7 | 73064304 | 1 | HOSE ASSY. |
| | 70921913 | 4 | CAPSCREW, 7/16" NC x 1-1/4" |
| | 70914678 | 4 | LOCKWASHER, 7/16" |
| | 70923664 | 1 | O-RING |
| | 70921117 | 2 | FLANGE, 1-1/4" |
| 8 | 73064582 | 1 | WIRE ASSY. |
| 9 | 73064739 | 1 | WIRE HARNESS |
| | 70925094 | 10 | TIE |
| 10 | 73064294 | 1 | TUBE ASSY. |
| | 70916272 | 4 | CAPSCREW, 3/8" NC x 1-1/4" |
| | 70910287 | 4 | LOCKWASHER, 3/8" |
| | 70921116 | 2 | FLANGE, 1" |
| | 70923718 | 1 | O-RING |
| 11 | 73065213 | 1 | WIRE ASSY. (Item 12 and 13 ground) |
| 12 | ----- | 1 | VALVE ASSY., demand (see page 173) |
| 13 | 73034558 | 1 | LIGHT ASSY. (Does not include LAMP below) |
| | 73034566 | 1 | LAMP, 24 v. |
| 14 | 73057952 | 1 | BUZZER |
| | 70927401 | 2 | CAPSCREW, 1/4" NC x 1" |
| | 70900365 | 2 | NUT, 1/4" NC |
| 15 | ----- | 1 | PUMP ASSY., steering (see page 172) |
| 16 | 71005917 | 1 | RELAY |
| | 70928182 | 3 | CAPSCREW, 1/4" NC x 1/2" |
| | 70677004 | 3 | WASHER |
| | ----- | 3 | WELDNUT, 1/4" |
| 17 | 73064635 | 2 | WIRE ASSY. |
| 18 | 73064636 | 1 | CABLE (solenoid to motor) |
| 19 | 73064220 | 2 | CABLE |
| 20 | 73066609 | 1 | SOLENOID (Serviced only as a unit) |
| | 70928182 | 2 | CAPSCREW, 1/4" NC x 1/2" |
| | 70677004 | 2 | WASHER |
| 21 | ----- | 2 | WELDNUT, 1/4" NC |
| 22 | 73066077 | 1 | HOSE ASSY. |
| 23 | 73066051 | 1 | TUBE ASSY. |
| | ----- | 1 | HOSE |
| | ----- | 4 | CLAMP |
| | ----- | 1 | TUBE |
| | | | } See page 170 |
| 24 | 73064361 | 1 | COVER, weld assy. |
| | 70922763 | 4 | CAPSCREW, 3/8" NC x 1" |
| | 70923683 | 4 | CAPSCREW, 3/8" NC x 3/4" |
| | 70677006 | 8 | WASHER |
| | 70900367 | 4 | NUT, 3/8" NC |
| 25 | 73065202 | 1 | PLATE |
| | 70927400 | 2 | CAPSCREW, 3/8" NC x 5/8" |
| | 70677006 | 2 | WASHER |
| | 70900367 | 2 | NUT, 3/8" NC |
| 26 | 73067623 | 1 | DECAL, "emergency steering" |
| 27 | 70924026 | 1 | ELBOW, 1" tube, 1-1/16" x 1-5/16" (Includes O-RING below) |
| | 70921206 | 1 | O-RING |
| 28 | 73068623 | 1 | DIODE ASSY. |
| | 70928182 | 2 | CAPSCREW, 1/4" NC x 1/2" |
| | 70677004 | 2 | WASHER |
| 29 | 73057436 | 1 | WIRE ASSY. |
| 30 | 73066564 | 1 | DECAL, "warning" (not illustrated) |



EMERGENCY STEERING MOTOR AND PUMP

T-78790

USAGE: Special Equipment

NOTE: See page 283C

| ITEM | PART NO. | QTY. | DESCRIPTION |
|------|----------|------|--|
| - | ----- | 1 | MOTOR DRIVEN PUMP (Not serviced as an assembly)(Order items below) |
| 1 | 73065656 | 1 | MOTOR (Serviced only as a unit) |
| 2 | ----- | 1 | SOLENOID (See page 283C) |
| 3 | 73065638 | 1 | PUMP ASSY. (Includes items 5 thru 12) |
| 4 | 70918397 | 2 | CAPSCREW, 5/16" NC x 3" (pump to motor) |
| | 70931653 | 2 | LOCKWASHER, special, 5/16" |
| 5 | ----- | 1 | BODY ASSY. (Includes 2 bearing)(Order item 3) |
| | 70918594 | 1 | CAPSCREW, 1/4" NC x 2-1/4" |
| | 70904204 | 1 | LOCKWASHER, 1/4" |
| | 70916282 | 2 | CAPSCREW, 1/4" NC x 7/8" |
| | 70904205 | 2 | LOCKWASHER, 5/16" |
| 6 | ----- | 1 | COVER ASSY. (Includes 2 bearing)(Order item 3) |
| | 70920647 | 1 | CAPSCREW, 1/4" NC x 2-1/2" |
| | 70904204 | 1 | LOCKWASHER, 1/4" |
| | 70913599 | 2 | CAPSCREW, 5/16" NC x 2-1/2" |
| | 70904205 | 2 | LOCKWASHER, 5/16" |
| 7 | 73065660 | 1 | PLATE |
| 8 | 73038927 | 1 | SEAL, oil |
| 9 | 70236837 | 2 | PIN, dowel |
| 10 | ----- | 1 | IDLER GEAR ASSY. (Order item 3) |
| | 70921396 | 1 | KEY, woodruff, 1/8" x 3/8" |
| | 73039013 | 2 | RING |
| 11 | ----- | 1 | SHAFT, drive (Order item 3) |
| | 70905122 | 1 | KEY, woodruff, 1/8" x 3/4" |
| | 73038933 | 2 | RING |
| 12 | ----- | 1 | GEAR (Order item 3) |

(Revised March 1978)

NUMERICAL INDEX 0073064655

| PART NO. | PAGE | PART NO. | PAGE | PART NO. | PAGE | PART NO. | PAGE | PART NO. | PAGE |
|---------------|------|---------------|------|---------------|------|---------------|------|---------------|------|
| 70012387..... | 281 | 70194679..... | 8 | 70658759..... | 70 | 70677010..... | 241 | 70901500..... | 159 |
| 70012389..... | 281 | 70194680..... | 101 | 70658781..... | 70 | 70678984..... | 215 | 70901651..... | 140 |
| 70035250..... | 35 | 70196606..... | 52 | 70659494..... | 172 | 70679206..... | 241 | 70901651..... | 70 |
| 70035250..... | 9 | 70196735..... | 153 | 70659494..... | 187 | 70679513..... | 111 | 70901652..... | 40 |
| 70036268..... | 281 | 70196759..... | 153 | 70660144..... | 265 | 70680080..... | 239 | 70901653..... | 111 |
| 70044973..... | 71 | 70197211..... | 52 | 70661162..... | 72 | 70680580..... | 53 | 70901653..... | 77 |
| 70049487..... | 123 | 70197810..... | 72 | 70661163..... | 72 | 70680581..... | 53 | 70901666..... | 22 |
| 70050607..... | 281 | 70198775..... | 167 | 70661454..... | 227 | 70684010..... | 197 | 70901667..... | 121 |
| 70050608..... | 281 | 70199247..... | 116 | 70661455..... | 227 | 70684010..... | 200 | 70901667..... | 125 |
| 70050609..... | 281 | 70199871..... | 173 | 70661456..... | 228 | 70684010..... | 205 | 70901677..... | 93 |
| 70050610..... | 281 | 70199933..... | 135 | 70662477..... | 72 | 70684010..... | 209 | 70901705..... | 159 |
| 70050611..... | 281 | 70208253..... | 106 | 70662618..... | 72 | 70684391..... | 247 | 70901716..... | 153 |
| 70050612..... | 281 | 70229210..... | 350 | 70663216..... | 248 | 70684734..... | 72 | 70901724..... | 278 |
| 70051998..... | 123 | 70231713..... | 260 | 70663227..... | 248 | 70687557..... | 283B | 70901763..... | 71 |
| 70052371..... | 281 | 70236837..... | 283E | 70663228..... | 248 | 70688188..... | 223 | 70901764..... | 93 |
| 70052662..... | 106 | 70242038..... | 53 | 70663229..... | 248 | 70688188..... | 225 | 70901781..... | 52 |
| 70063890..... | 350 | 70243526..... | 250 | 70663230..... | 248 | 70688188..... | 283 | 70901826..... | 142 |
| 70063891..... | 350 | 70243527..... | 250 | 70663231..... | 248 | 70691745..... | 258 | 70901826..... | 75 |
| 70067487..... | 198 | 70243528..... | 250 | 70663269..... | 248 | 70694425..... | 282 | 70901834..... | 154 |
| 70067487..... | 202 | 70246171..... | 254 | 70663278..... | 245 | 70694430..... | 233 | 70901834..... | 259 |
| 70067487..... | 206 | 70251888..... | 63 | 70663279..... | 245 | 70694432..... | 236 | 70901834..... | 50A |
| 70067487..... | 210 | 70510313..... | 164 | 70663280..... | 245 | 70694432..... | 282 | 70901835..... | 146 |
| 70067508..... | 137 | 70617932..... | 228 | 70663282..... | 248 | 70694438..... | 231 | 70901835..... | 153 |
| 70067508..... | 138 | 70619260..... | 198 | 70663283..... | 248 | 70694438..... | 282 | 70902174..... | 45 |
| 70070960..... | 203 | 70619260..... | 202 | 70663354..... | 246 | 70694461..... | 282 | 70903574..... | 30 |
| 70076489..... | 143 | 70619260..... | 206 | 70663355..... | 246 | 70695471..... | 250 | 70904001..... | 51 |
| 70078810..... | 51 | 70620721..... | 72 | 70663356..... | 244 | 70697266..... | 258 | 70904004..... | 164 |
| 70080758..... | 350 | 70621278..... | 263 | 70663455..... | 244 | 70698037..... | 282 | 70904203..... | 139 |
| 70082443..... | 350 | 70621428..... | 255 | 70663455..... | 246 | 70698038..... | 282 | 70904203..... | 257 |
| 70082444..... | 350 | 70621429..... | 253 | 70663456..... | 247 | 70699053..... | 254 | 70904203..... | 273 |
| 70082449..... | 350 | 70621429..... | 254 | 70663459..... | 247 | 70699126..... | 11 | 70904203..... | 276 |
| 70082487..... | 350 | 70621530..... | 72 | 70663977..... | 215 | 70699268..... | 265 | 70904203..... | 45 |
| 70082488..... | 350 | 70621724..... | 255 | 70664343..... | 72 | 70900365..... | 283D | 70904204..... | 109 |
| 70082489..... | 350 | 70621821..... | 255 | 70664536..... | 244 | 70900367..... | 283C | 70904204..... | 11 |
| 70082490..... | 350 | 70624584..... | 51 | 70664537..... | 245 | 70900367..... | 283D | 70904204..... | 144 |
| 70084897..... | 350 | 70628736..... | 51 | 70664538..... | 245 | 70900372..... | 245 | 70904204..... | 149 |
| 70084899..... | 350 | 70628738..... | 52 | 70664539..... | 245 | 70900558..... | 276 | 70904204..... | 154 |
| 70085558..... | 273 | 70630540..... | 350 | 70664540..... | 244 | 70900559..... | 273 | 70904204..... | 198 |
| 70085559..... | 273 | 70633730..... | 231 | 70664541..... | 244 | 70900703..... | 174 | 70904204..... | 206 |
| 70087528..... | 83 | 70633730..... | 233 | 70664542..... | 247 | 70900703..... | 237 | 70904204..... | 22 |
| 70088561..... | 80A | 70636102..... | 173 | 70664543..... | 247 | 70900703..... | 253 | 70904204..... | 223 |
| 70096815..... | 350 | 70638413..... | 141 | 70664544..... | 247 | 70900703..... | 254 | 70904204..... | 225 |
| 70096816..... | 350 | 70638413..... | 198 | 70664545..... | 247 | 70900806..... | 107 | 70904204..... | 227 |
| 70160425..... | 154 | 70638413..... | 202 | 70664546..... | 245 | 70900806..... | 135 | 70904204..... | 238 |
| 70166222..... | 153 | 70638413..... | 206 | 70664548..... | 245 | 70900806..... | 169 | 70904204..... | 252 |
| 70166697..... | 129 | 70638413..... | 210 | 70664549..... | 245 | 70900806..... | 174 | 70904204..... | 253 |
| 70181478..... | 144 | 70639073..... | 276 | 70664550..... | 203 | 70900806..... | 197 | 70904204..... | 254 |
| 70181742..... | 127 | 70639074..... | 276 | 70664551..... | 244 | 70900806..... | 201 | 70904204..... | 257 |
| 70182440..... | 119 | 70639916..... | 228 | 70665726..... | 215 | 70900806..... | 205 | 70904204..... | 267 |
| 70182763..... | 255 | 70645028..... | 71 | 70666128..... | 187 | 70900806..... | 209 | 70904204..... | 269 |
| 70183297..... | 249 | 70645029..... | 71 | 70666243..... | 111 | 70900806..... | 223 | 70904204..... | 271 |
| 70183812..... | 140 | 70646631..... | 235 | 70666244..... | 111 | 70900806..... | 225 | 70904204..... | 276 |
| 70183824..... | 141 | 70647418..... | 235 | 70666245..... | 111 | 70900806..... | 228 | 70904204..... | 277 |
| 70184550..... | 177 | 70647418..... | 283C | 70666359..... | 53 | 70900806..... | 244 | 70904204..... | 283E |
| 70185202..... | 215 | 70648180..... | 234 | 70666421..... | 215 | 70900806..... | 246 | 70904204..... | 29 |
| 70185203..... | 215 | 70648977..... | 241 | 70666983..... | 241 | 70900806..... | 247 | 70904204..... | 51 |
| 70185220..... | 129 | 70650944..... | 254 | 70667252..... | 35 | 70900808..... | 160 | 70904204..... | 55 |
| 70185239..... | 128 | 70652890..... | 248 | 70667252..... | 9 | 70900811..... | 193 | 70904204..... | 57 |
| 70185242..... | 129 | 70653570..... | 227 | 70667252..... | 9A | 70900811..... | 242 | 70904204..... | 57B |
| 70185243..... | 129 | 70654121..... | 247 | 70667676..... | 35B | 70900816..... | 267 | 70904204..... | 71 |
| 70185245..... | 129 | 70654123..... | 247 | 70669526..... | 63 | 70900816..... | 267A | 70904205..... | 135 |
| 70185966..... | 159 | 70654125..... | 247 | 70669623..... | 172 | 70900816..... | 271 | 70904205..... | 142 |
| 70185967..... | 159 | 70654127..... | 244 | 70669623..... | 186 | 70900816..... | 277 | 70904205..... | 152 |
| 70189311..... | 129 | 70654168..... | 248 | 70677004..... | 271 | 70900817..... | 182 | 70904205..... | 160 |
| 70191995..... | 176 | 70654169..... | 248 | 70677004..... | 283D | 70900817..... | 229 | 70904205..... | 164 |
| 70194533..... | 101 | 70655712..... | 228 | 70677006..... | 193 | 70900818..... | 254 | 70904205..... | 166 |
| 70194551..... | 93 | 70655718..... | 228 | 70677006..... | 283C | 70900970..... | 52 | 70904205..... | 181 |
| 70194585..... | 8 | 70656899..... | 247 | 70677006..... | 283D | 70900970..... | 53 | 70904205..... | 218 |
| 70194585..... | 89 | 70657707..... | 53 | 70677008..... | 215 | 70901310..... | 257 | 70904205..... | 240 |
| 70194679..... | 101 | 70657709..... | 53 | 70677008..... | 265 | 70901479..... | 93 | 70904205..... | 264 |

NUMERICAL INDEX 0073064655

| PART NO. | PAGE | PART NO. | PAGE | PART NO. | PAGE | PART NO. | PAGE | PART NO. | PAGE |
|-------------------|------|-------------------|------|------------------|------|-------------------|------|-------------------|------|
| 70904205.....278 | | 70904208.....112 | | 70910187.....215 | | 70910287.....275 | | 70910325.....64 | |
| 70904205.....283E | | 70904208.....127 | | 70910195.....109 | | 70910287.....278 | | 70910329.....109 | |
| 70904205.....29 | | 70904208.....133 | | 70910195.....135 | | 70910287.....280 | | 70910329.....227 | |
| 70904205.....30 | | 70904208.....170 | | 70910195.....14 | | 70910287.....283D | | 70910329.....228 | |
| 70904205.....34 | | 70904208.....194 | | 70910195.....174 | | 70910287.....33 | | 70910329.....51 | |
| 70904205.....41 | | 70904208.....203 | | 70910195.....175 | | 70910287.....34 | | 70910335.....135 | |
| 70904205.....45 | | 70904208.....222 | | 70910195.....203 | | 70910287.....35B | | 70910335.....146 | |
| 70904205.....49 | | 70904208.....224 | | 70910195.....205 | | 70910287.....39 | | 70910335.....253 | |
| 70904205.....52 | | 70904208.....227 | | 70910195.....227 | | 70910287.....43 | | 70910335.....278 | |
| 70904205.....55 | | 70904208.....228 | | 70910195.....228 | | 70910287.....48 | | 70910335.....52 | |
| 70904205.....57 | | 70904208.....229 | | 70910195.....253 | | 70910287.....49 | | 70910345.....136 | |
| 70904205.....57B | | 70904208.....234 | | 70910195.....254 | | 70910287.....50 | | 70910345.....138 | |
| 70904205.....61 | | 70904208.....235 | | 70910195.....269 | | 70910287.....57 | | 70910345.....193 | |
| 70904205.....67 | | 70904208.....264 | | 70910195.....57 | | 70910287.....57B | | 70910365.....131 | |
| 70904205.....73 | | 70904208.....269 | | 70910195.....57B | | 70910287.....75 | | 70910545.....164 | |
| 70904205.....77 | | 70904208.....30 | | 70910224.....29 | | 70910287.....76 | | 70910545.....166B | |
| 70904205.....83 | | 70904208.....35B | | 70910224.....50 | | 70910287.....77 | | 70910847.....14 | |
| 70904206.....104 | | 70904208.....37 | | 70910231.....187 | | 70910287.....9 | | 70910847.....174 | |
| 70904206.....107 | | 70904208.....41 | | 70910231.....93 | | 70910287.....93 | | 70910847.....77 | |
| 70904206.....109 | | 70904208.....55 | | 70910233.....181 | | 70910323.....135 | | 70910867.....175 | |
| 70904206.....137 | | 70904208.....64 | | 70910233.....98 | | 70910323.....146 | | 70910876.....180 | |
| 70904206.....141 | | 70904208.....66 | | 70910243.....273 | | 70910323.....160 | | 70910876.....51 | |
| 70904206.....143 | | 70904208.....67 | | 70910244.....107 | | 70910323.....240 | | 70910880.....154 | |
| 70904206.....147 | | 70904208.....84 | | 70910244.....109 | | 70910323.....30 | | 70910880.....271 | |
| 70904206.....153 | | 70904209.....109 | | 70910244.....171 | | 70910323.....43 | | 70910880.....55 | |
| 70904206.....155 | | 70904209.....125 | | 70910244.....172 | | 70910323.....55 | | 70910880.....57 | |
| 70904206.....156 | | 70904209.....30 | | 70910244.....174 | | 70910323.....57 | | 70910880.....57B | |
| 70904206.....163 | | 70904209.....84 | | 70910244.....175 | | 70910323.....57B | | 70910916.....233 | |
| 70904206.....170 | | 70904223.....12 | | 70910244.....186 | | 70910323.....67 | | 70910919.....25 | |
| 70904206.....171 | | 70904224.....120 | | 70910244.....203 | | 70910323.....73 | | 70910919.....75 | |
| 70904206.....183 | | 70904224.....122 | | 70910244.....205 | | 70910323.....83 | | 70910923.....244 | |
| 70904206.....189 | | 70904224.....89 | | 70910244.....209 | | 70910324.....109 | | 70910948.....103 | |
| 70904206.....19 | | 70904271.....74 | | 70910244.....218 | | 70910324.....135 | | 70910948.....129 | |
| 70904206.....190 | | 70905122.....107 | | 70910244.....64 | | 70910324.....146 | | 70910948.....161 | |
| 70904206.....200 | | 70905122.....283E | | 70910255.....107 | | 70910324.....155 | | 70910980.....135 | |
| 70904206.....201 | | 70905126.....24 | | 70910255.....174 | | 70910324.....156 | | 70910980.....218 | |
| 70904206.....203 | | 70905127.....16 | | 70910255.....198 | | 70910324.....160 | | 70910986.....161 | |
| 70904206.....206 | | 70905261.....180 | | 70910255.....206 | | 70910324.....197 | | 70910986.....197 | |
| 70904206.....227 | | 70905347.....131 | | 70910255.....222 | | 70910324.....198 | | 70910986.....25 | |
| 70904206.....228 | | 70905347.....180 | | 70910255.....224 | | 70910324.....200 | | 70911017.....157 | |
| 70904206.....230 | | 70905661.....142 | | 70910267.....51 | | 70910324.....201 | | 70911017.....350 | |
| 70904206.....235 | | 70906759.....273 | | 70910286.....42 | | 70910324.....202 | | 70911026.....203 | |
| 70904206.....250 | | 70906959.....141 | | 70910286.....44 | | 70910324.....206 | | 70911026.....247 | |
| 70904206.....252 | | 70906961.....215 | | 70910287.....103 | | 70910324.....209 | | 70911029.....241 | |
| 70904206.....253 | | 70906985.....256 | | 70910287.....135 | | 70910324.....227 | | 70911040.....109 | |
| 70904206.....264 | | 70907070.....127 | | 70910287.....146 | | 70910324.....228 | | 70911040.....253 | |
| 70904206.....29 | | 70907072.....125 | | 70910287.....152 | | 70910324.....229 | | 70911040.....51 | |
| 70904206.....35 | | 70907801.....149 | | 70910287.....160 | | 70910324.....230 | | 70911040.....71 | |
| 70904206.....37 | | 70907856.....139 | | 70910287.....161 | | 70910324.....236 | | 70911041.....74 | |
| 70904206.....53 | | 70907863.....31 | | 70910287.....177 | | 70910324.....250 | | | |
| 70904206.....55 | | 70907863.....31A | | 70910287.....192 | | 70910324.....252 | | 70911042.....200 | |
| 70904206.....64 | | 70907863.....32 | | 70910287.....193 | | 70910324.....253 | | 70911042.....205 | |
| 70904206.....66 | | 70907863.....9 | | 70910287.....197 | | 70910324.....254 | | 70911042.....209 | |
| 70904206.....67 | | 70908944.....247 | | 70910287.....198 | | 70910324.....280 | | 70911047.....233 | |
| 70904206.....70 | | 70909055.....266 | | 70910287.....202 | | 70910324.....358 | | 70911049.....125 | |
| 70904206.....71 | | 70909055.....267 | | 70910287.....205 | | 70910324.....39 | | 70911049.....350 | |
| 70904206.....74 | | 70909055.....277 | | 70910287.....209 | | 70910324.....48 | | 70911114.....109 | |
| 70904206.....78 | | 70909589.....220 | | 70910287.....212 | | 70910324.....51 | | 70911114.....223 | |
| 70904206.....79 | | 70910002.....25 | | 70910287.....213 | | 70910324.....64 | | 70911114.....225 | |
| 70904206.....82 | | 70910017.....12 | | 70910287.....215 | | 70910324.....70 | | 70911114.....227 | |
| 70904206.....9 | | 70910123.....107 | | 70910287.....229 | | 70910325.....203 | | 70911114.....238 | |
| 70904207.....140 | | 70910123.....109 | | 70910287.....236 | | 70910325.....205 | | 70911114.....253 | |
| 70904207.....155 | | 70910123.....143 | | 70910287.....237 | | 70910325.....209 | | 70911114.....254 | |
| 70904207.....166B | | 70910123.....229 | | 70910287.....247 | | 70910325.....228 | | 70911114.....273 | |
| 70904207.....170 | | 70910123.....236 | | 70910287.....251 | | 70910325.....229 | | 70911114.....283B | |
| 70904207.....200 | | 70910123.....237 | | 70910287.....253 | | 70910325.....240A | | 70911115.....138 | |
| 70904207.....51 | | 70910123.....251 | | 70910287.....254 | | 70910325.....253 | | 70911115.....147 | |
| 70904207.....67 | | 70910123.....50 | | 70910287.....26 | | 70910325.....254 | | 70911115.....152 | |
| 70904207.....82 | | 70910123.....71 | | 70910287.....27 | | 70910325.....265 | | 70911115.....153 | |
| 70904208.....109 | | 70910128.....63 | | 70910287.....270 | | 70910325.....358 | | 70911115.....171 | |

NUMERICAL INDEX 0073064655

| PART NO. | PAGE | PART NO. | PAGE | PART NO. | PAGE | PART NO. | PAGE | PART NO. | PAGE |
|-------------------|------|-------------------|------|-------------------|------|------------------|------|-------------------|------|
| 70911115.....175 | | 70912441.....253 | | 70914465.....123 | | 70914847.....9 | | 70915972.....155 | |
| 70911115.....183 | | 70912441.....254 | | 70914465.....125 | | 70914875.....133 | | 70915972.....182 | |
| 70911115.....189 | | 70912441.....26 | | 70914465.....169 | | 70914876.....263 | | 70915972.....215 | |
| 70911115.....193 | | 70912441.....265 | | 70914465.....188 | | 70914900.....48 | | 70915987.....138 | |
| 70911115.....198 | | 70912441.....27 | | 70914465.....190 | | 70915228.....107 | | 70915987.....182 | |
| 70911115.....201 | | 70912441.....38 | | 70914465.....191 | | 70915228.....237 | | 70915987.....183 | |
| 70911115.....202 | | 70912441.....39 | | 70914465.....193 | | 70915274.....232 | | 70915987.....194 | |
| 70911115.....206 | | 70912441.....43 | | 70914465.....194 | | 70915274.....242 | | 70915987.....217 | |
| 70911115.....212 | | 70912441.....50A | | 70914465.....242 | | 70915276.....114 | | 70915987.....222 | |
| 70911115.....213 | | 70912441.....57 | | 70914465.....243 | | 70915343.....223 | | 70915987.....224 | |
| | | | | | | | | | |
| 70911115.....228 | | 70912441.....57B | | 70914465.....244 | | 70915343.....225 | | 70915987.....228 | |
| 70911115.....230 | | 70912441.....80 | | 70914465.....248 | | 70915399.....258 | | 70915987.....229 | |
| 70911115.....237 | | 70912589.....63 | | 70914465.....76 | | 70915406.....223 | | 70915987.....237 | |
| 70911115.....250 | | 70912731.....255 | | 70914465.....80A | | 70915406.....225 | | 70915987.....240A | |
| 70911115.....251 | | 70912739.....255 | | 70914465.....80B | | 70915406.....271 | | 70915987.....253 | |
| 70911115.....270 | | 70912765.....198 | | 70914487.....263 | | 70915406.....350 | | 70915987.....254 | |
| 70911115.....271 | | 70912765.....202 | | 70914488.....231 | | 70915408.....152 | | 70915987.....264 | |
| 70911115.....274 | | 70912765.....253 | | 70914488.....233 | | 70915408.....153 | | 70915987.....265 | |
| 70911115.....275 | | 70912765.....254 | | 70914498.....42 | | 70915408.....160 | | 70915987.....40 | |
| 70911115.....280 | | 70912772.....215 | | 70914498.....45 | | 70915408.....171 | | 70915990.....77 | |
| | | | | | | | | | |
| 70911115.....64 | | 70912772.....67 | | 70914541.....86 | | 70915408.....189 | | 70916001.....29 | |
| 70911115.....71 | | 70912808.....125 | | 70914626.....144 | | 70915408.....205 | | 70916001.....32 | |
| 70911115.....82 | | 70912808.....193 | | 70914626.....152 | | 70915408.....209 | | 70916004.....215 | |
| 70911159.....236 | | 70912942.....193 | | 70914670.....264 | | 70915408.....213 | | 70916009.....27 | |
| 70911169.....114 | | 70912942.....263 | | 70914670.....41 | | 70915408.....229 | | 70916019.....158 | |
| 70911169.....116 | | 70913039.....25 | | 70914670.....52 | | 70915408.....235 | | 70916079.....257 | |
| 70911327.....149 | | 70913105.....198 | | 70914670.....55 | | 70915408.....250 | | 70916081.....240A | |
| 70911413.....67 | | 70913105.....202 | | 70914670.....57 | | 70915408.....253 | | 70916191.....155 | |
| 70911414.....55 | | 70913105.....206 | | 70914670.....57B | | 70915408.....270 | | 70916191.....21 | |
| 70911414.....57 | | 70913105.....209 | | 70914678.....161 | | 70915408.....275 | | 70916197.....183 | |
| | | | | | | | | | |
| 70911414.....57B | | 70913177.....197 | | 70914678.....183 | | 70915408.....278 | | 70916197.....184 | |
| 70911422.....30 | | 70913177.....109 | | 70914678.....184 | | 70915408.....49 | | 70916197.....39 | |
| 70911841.....63 | | 70913177.....135 | | 70914678.....197 | | 70915408.....53 | | 70916197.....42 | |
| 70911993.....182 | | 70913177.....181 | | 70914678.....21 | | 70915408.....55 | | 70916197.....44 | |
| 70911993.....236 | | 70913177.....198 | | 70914678.....256 | | 70915408.....71 | | 70916197.....67 | |
| 70911993.....48 | | 70913177.....202 | | 70914678.....2830 | | 70915480.....236 | | 70916197.....75 | |
| 70911993.....51 | | 70913177.....206 | | 70914678.....38 | | 70915514.....156 | | 70916197.....88 | |
| 70911993.....82 | | 70913177.....209 | | 70914678.....39 | | 70915521.....265 | | 70916197.....93 | |
| 70912069.....104 | | 70913177.....223 | | 70914678.....42 | | 70915788.....47 | | 70916206.....77 | |
| 70912069.....19 | | 70913177.....225 | | 70914678.....44 | | 70915789.....174 | | 70916222.....166B | |
| | | | | | | | | | |
| 70912188.....88 | | 70913257.....154 | | 70914678.....75 | | 70915790.....47 | | 70916225.....193 | |
| 70912201.....256 | | 70913432.....80 | | 70914678.....88 | | 70915790.....84 | | 70916225.....229 | |
| 70912201.....75 | | 70913463.....219 | | 70914678.....93 | | 70915797.....227 | | 70916225.....236 | |
| 70912298.....155 | | 70913528.....114 | | 70914686.....53 | | 70915797.....228 | | 70916225.....251 | |
| 70912298.....205 | | 70913535.....137 | | 70914709.....281 | | 70915807.....30 | | 70916253.....166B | |
| 70912298.....209 | | 70913540.....277 | | 70914710.....281 | | 70915807.....42 | | 70916254.....113 | |
| 70912299.....270 | | 70913544.....35 | | 70914711.....281 | | 70915807.....44 | | 70916255.....38 | |
| 70912299.....275 | | 70913544.....67 | | 70914712.....281 | | 70915807.....57B | | 70916262.....245 | |
| 70912307.....240A | | 70913544.....9 | | 70914713.....281 | | 70915807.....83 | | 70916268.....39 | |
| 70912333.....41 | | 70913569.....131 | | 70914714.....281 | | 70915809.....160 | | 70916269.....177 | |
| | | | | | | | | | |
| 70912333.....43 | | 70913599.....13 | | 70914715.....281 | | 70915809.....164 | | 70916269.....27 | |
| 70912333.....44 | | 70913599.....283E | | 70914716.....281 | | 70915809.....264 | | 70916269.....34 | |
| 70912333.....66 | | 70913697.....269 | | 70914717.....281 | | 70915809.....278 | | 70916269.....66 | |
| 70912369.....35 | | 70913704.....137 | | 70914718.....281 | | 70915809.....30 | | 70916269.....67 | |
| 70912369.....9 | | 70913730.....13 | | 70914719.....281 | | 70915809.....67 | | 70916269.....93 | |
| 70912415.....13 | | 70913827.....30 | | 70914732.....281 | | 70915809.....83 | | 70916270.....137 | |
| 70912415.....39 | | 70913830.....176 | | 70914847.....143 | | 70915813.....151 | | 70916270.....250 | |
| 70912415.....82 | | 70914086.....153 | | 70914847.....190 | | 70915813.....164 | | 70916270.....253 | |
| 70912441.....122 | | 70914087.....153 | | 70914847.....193 | | 70915813.....29 | | 70916270.....254 | |
| 70912441.....129 | | 70914105.....277 | | 70914847.....197 | | 70915841.....138 | | 70916271.....104 | |
| | | | | | | | | | |
| 70912441.....131 | | 70914120.....277 | | 70914847.....200 | | 70915842.....137 | | 70916271.....107 | |
| 70912441.....14 | | 70914392.....152 | | 70914847.....201 | | 70915842.....138 | | 70916271.....141 | |
| 70912441.....161 | | 70914392.....34 | | 70914847.....227 | | 70915874.....222 | | 70916271.....146 | |
| 70912441.....174 | | 70914392.....45 | | 70914847.....228 | | 70915874.....224 | | 70916271.....147 | |
| 70912441.....175 | | 70914392.....57 | | 70914847.....35 | | 70915905.....101 | | 70916271.....155 | |
| 70912441.....183 | | 70914392.....57B | | 70914847.....48 | | 70915956.....215 | | 70916271.....156 | |
| 70912441.....193 | | 70914392.....73 | | 70914847.....55 | | 70915969.....26 | | 70916271.....163 | |
| 70912441.....205 | | 70914398.....143 | | 70914847.....57 | | 70915969.....37 | | 70916271.....175 | |
| 70912441.....217 | | 70914465.....109 | | 70914847.....57B | | 70915969.....80 | | 70916271.....189 | |
| 70912441.....240A | | 70914465.....115 | | 70914847.....78 | | 70915972.....138 | | 70916271.....19 | |

NUMERICAL INDEX 0073064655

| PART NO. | PAGE | PART NO. | PAGE | PART NO. | PAGE | PART NO. | PAGE | PART NO. | PAGE |
|-------------------|------|-------------------|------|-------------------|------|-------------------|------|-------------------|------|
| 70916271.....203 | | 70916284.....198 | | 70916622.....260 | | 70917580.....105 | | 70918374.....50A | |
| 70916271.....212 | | 70916284.....206 | | 70916622.....269 | | 70917585.....136 | | 70918397.....283E | |
| 70916271.....213 | | 70916284.....22 | | 70916622.....271 | | 70917646.....110 | | 70918448.....110 | |
| 70916271.....229 | | 70916284.....227 | | 70916622.....63 | | 70917648.....135 | | 70918448.....130 | |
| 70916271.....230 | | 70916284.....257 | | 70916630.....153 | | 70917648.....197 | | 70918448.....51 | |
| 70916271.....235 | | 70916284.....267 | | 70916803.....277 | | 70917648.....201 | | 70918454.....80A | |
| 70916271.....236 | | 70916284.....55 | | 70916867.....82 | | 70917648.....228 | | 70918594.....283E | |
| 70916271.....252 | | 70916284.....57 | | 70916867.....88 | | 70917663.....135 | | 70918627.....129 | |
| 70916271.....253 | | 70916284.....578 | | 70916871.....32 | | 70917666.....107 | | 70918683.....14 | |
| 70916271.....26 | | 70916285.....144 | | 70916871.....9 | | 70917666.....135 | | 70918683.....41 | |
| 70916271.....27 | | 70916285.....154 | | 70916880.....252 | | 70917666.....222 | | 70918802.....161 | |
| 70916271.....280 | | 70916285.....182 | | 70916937.....107 | | 70917666.....223 | | 70918802.....46 | |
| 70916271.....34 | | 70916285.....238 | | 70916956.....240 | | 70917666.....224 | | 70918804.....46 | |
| 70916271.....35 | | 70916285.....252 | | 70916964.....260 | | 70917666.....225 | | 70918849.....75 | |
| 70916271.....358 | | 70916285.....254 | | 70916964.....63 | | 70917666.....228 | | 70918850.....12 | |
| 70916271.....70 | | 70916301.....234 | | 70916965.....84 | | 70917673.....12 | | 70918850.....163 | |
| 70916271.....76 | | 70916309.....113 | | 70916966.....113 | | 70917673.....164 | | 70918850.....93 | |
| 70916271.....82 | | 70916309.....50A | | 70917021.....22 | | 70917673.....166 | | 70918851.....12 | |
| 70916271.....9 | | 70916310.....235 | | 70917027.....157 | | 70917673.....1668 | | 70918887.....151 | |
| 70916271.....93 | | 70916310.....30 | | 70917200.....205 | | 70917673.....21 | | 70918887.....163 | |
| 70916272.....170 | | 70916310.....43 | | 70917200.....209 | | 70917673.....29 | | 70918887.....165 | |
| 70916272.....171 | | 70916310.....44 | | 70917209.....158 | | 70917680.....77 | | 70918887.....49 | |
| 70916272.....177 | | 70916311.....112 | | 70917330.....161 | | 70917705.....39 | | 70918888.....12 | |
| 70916272.....189 | | 70916311.....14 | | 70917330.....27 | | 70917758.....174 | | 70918906.....52 | |
| 70916272.....192 | | 70916311.....170 | | 70917351.....146 | | 70917778.....248 | | 70918951.....146 | |
| 70916272.....193 | | 70916311.....183 | | 70917351.....147 | | 70917806.....59 | | 70918951.....37 | |
| 70916272.....198 | | 70916311.....240A | | 70917351.....154 | | 70917806.....60 | | 70918960.....258 | |
| 70916272.....202 | | 70916311.....265 | | 70917352.....154 | | 70917806.....61 | | 70918960.....49 | |
| 70916272.....206 | | 70916311.....37 | | 70917354.....147 | | 70917807.....41 | | 70918981.....131 | |
| 70916272.....209 | | 70916311.....39 | | 70917354.....154 | | 70917807.....43 | | 70919005.....75 | |
| 70916272.....213 | | 70916311.....67 | | 70917356.....151 | | 70917807.....45 | | 70919015.....184 | |
| 70916272.....215 | | 70916313.....155 | | 70917365.....157 | | 70917807.....49 | | 70919015.....193 | |
| 70916272.....227 | | 70916313.....38 | | 70917365.....252 | | 70917807.....66 | | 70919015.....212 | |
| 70916272.....228 | | 70916314.....358 | | 70917365.....254 | | 70917807.....75 | | 70919015.....264 | |
| 70916272.....250 | | 70916314.....84 | | 70917365.....260 | | 70917808.....160 | | 70919048.....172 | |
| 70916272.....254 | | 70916315.....278 | | 70917365.....261 | | 70917808.....161 | | 70919048.....186 | |
| 70916272.....264 | | 70916317.....80 | | 70917365.....267 | | 70917809.....59 | | 70919048.....66 | |
| 70916272.....283D | | 70916319.....26 | | 70917365.....269 | | 70917809.....60 | | 70919064.....171 | |
| 70916272.....29 | | 70916333.....174 | | 70917368.....146 | | 70917809.....61 | | 70919076.....6 E | |
| 70916272.....39 | | 70916338.....115 | | 70917368.....147 | | 70917810.....41 | | 70919081.....6 E | |
| 70916272.....64 | | 70916363.....233 | | 70917370.....147 | | 70917810.....43 | | 70919116.....233 | |
| 70916272.....70 | | 70916375.....233 | | 70917376.....254 | | 70917810.....45 | | 70919127.....259 | |
| 70916273.....135 | | 70916381.....138 | | 70917393.....260 | | 70917810.....49 | | 70919127.....358 | |
| 70916273.....193 | | 70916381.....152 | | 70917395.....260 | | 70917810.....66 | | 70919134.....104 | |
| 70916273.....51 | | 70916385.....107 | | 70917395.....268 | | 70917810.....75 | | 70919134.....105 | |
| 70916274.....189 | | 70916385.....109 | | 70917415.....139 | | 70917811.....160 | | 70919134.....12 | |
| 70916274.....26 | | 70916385.....229 | | 70917415.....157 | | 70917811.....161 | | 70919134.....158 | |
| 70916274.....77 | | 70916389.....71 | | 70917415.....218 | | 70917889.....197 | | 70919134.....26 | |
| 70916275.....197 | | 70916395.....140 | | 70917415.....254 | | 70917889.....200 | | 70919134.....49 | |
| 70916275.....201 | | 70916400.....276 | | 70917415.....260 | | 70917967.....123 | | 70919134.....75 | |
| 70916275.....48 | | 70916400.....71 | | 70917415.....261 | | 70917970.....166A | | 70919172.....358 | |
| 70916275.....78 | | 70916404.....109 | | 70917415.....266 | | 70917970.....26 | | 70919173.....71 | |
| 70916277.....141 | | 70916414.....10 | | 70917415.....267 | | 70918194.....273 | | 70919183.....161 | |
| 70916277.....24 | | 70916421.....175 | | 70917415.....269 | | 70918237.....254 | | 70919224.....109 | |
| 70916277.....27 | | 70916422.....193 | | 70917415.....273 | | 70918237.....271 | | 70919224.....79 | |
| 70916277.....49 | | 70916523.....149 | | 70917415.....276 | | 70918308.....182 | | 70919226.....29 | |
| 70916277.....57B | | 70916543.....32 | | 70917415.....53 | | 70918308.....183 | | 70919226.....84 | |
| 70916277.....61 | | 70916543.....33 | | 70917425.....154 | | 70918308.....184 | | 70919227.....79 | |
| 70916278.....57 | | 70916543.....9 | | 70917430.....278 | | 70918308.....188 | | 70919228.....82 | |
| 70916279.....35 | | 70916584.....205 | | 70917443.....268 | | 70918308.....189 | | 70919230.....14 | |
| 70916279.....43 | | 70916584.....209 | | 70917451.....283B | | 70918308.....193 | | 70919230.....161 | |
| 70916279.....55 | | 70916589.....10 | | 70917452.....269 | | 70918308.....198 | | 70919230.....66 | |
| 70916279.....9 | | 70916589.....174 | | 70917467.....177 | | 70918308.....202 | | 70919232.....26 | |
| 70916280.....161 | | 70916589.....47 | | 70917503.....153 | | 70918308.....206 | | 70919262.....215 | |
| 70916282.....22 | | 70916589.....84 | | 70917503.....159 | | 70918308.....212 | | 70919262.....220 | |
| 70916282.....271 | | 70916622.....144 | | 70917546.....29 | | 70918308.....213 | | 70919277.....6 E | |
| 70916282.....277 | | 70916622.....238 | | 70917546.....33 | | 70918308.....250 | | 70919281.....6 E | |
| 70916282.....283E | | 70916622.....252 | | 70917554.....29 | | 70918308.....251 | | 70919282.....6 E | |
| 70916282.....29 | | 70916622.....254 | | 70917570.....267A | | 70918308.....271 | | 70919287.....26 | |
| 70916284.....109 | | 70916622.....257 | | 70917570.....279A | | 70918308.....70 | | 70919290.....30 | |

NUMERICAL INDEX 0073064655

| PART NO. | PAGE | PART NO. | PAGE | PART NO. | PAGE | PART NO. | PAGE | PART NO. | PAGE |
|-------------------|------|-------------------|------|-------------------|------|-------------------|------|-------------------|------|
| 70919293.....183 | | 70920473.....49 | | 70921184.....153 | | 70921886.....219 | | 70923263.....6 E | |
| 70919293.....37 | | 70920523.....273 | | 70921185.....144 | | 70921903.....153 | | 70923300.....277 | |
| 70919332.....133 | | 70920525.....78 | | 70921185.....147 | | 70921910.....50A | | 70923341.....260 | |
| 70919342.....247 | | 70920530.....6 E | | 70921185.....153 | | 70921911.....278 | | 70923341.....269 | |
| 70919347.....17 | | 70920540.....37 | | 70921186.....152 | | 70921911.....74 | | 70923341.....63 | |
| 70919351.....149 | | 70920541.....37 | | 70921186.....153 | | 70921912.....113 | | 70923376.....150 | |
| 70919423.....161 | | 70920574.....37 | | 70921186.....155 | | 70921912.....171 | | 70923376.....158 | |
| 70919423.....193 | | 70920583.....215 | | 70921203.....167 | | 70921913.....170 | | 70923376.....22 | |
| 70919423.....27 | | 70920584.....119 | | 70921203.....283C | | 70921913.....183 | | 70923376.....9A | |
| 70919423.....55 | | 70920584.....127 | | 70921204.....218 | | 70921913.....283D | | 70923379.....177 | |
| | | | | | | | | | |
| 70919440.....255 | | 70920594.....31 | | 70921204.....9 | | 70921913.....82 | | 70923379.....218 | |
| 70919497.....144 | | 70920594.....31A | | 70921206.....167 | | 70921914.....82 | | 70923459.....187 | |
| 70919497.....146 | | 70920601.....140 | | 70921206.....175 | | 70921915.....47 | | 70923470.....251 | |
| 70919503.....155 | | 70920612.....42 | | 70921206.....217 | | 70922014.....52 | | 70923510.....277 | |
| 70919546.....144 | | 70920612.....44 | | 70921206.....218 | | 70922014.....53 | | 70923539.....46 | |
| 70919615.....247 | | 70920613.....114 | | 70921206.....219 | | 70922028.....283B | | 70923558.....150 | |
| 70919621.....188 | | 70920647.....283E | | 70921206.....283C | | 70922066.....38 | | 70923559.....158 | |
| 70919621.....213 | | 70920648.....111 | | 70921206.....283D | | 70922088.....260 | | 70923559.....215 | |
| 70919768.....6 E | | 70920649.....161 | | 70921206.....34 | | 70922088.....277 | | 70923559.....218 | |
| 70919784.....35 | | 70920682.....37 | | 70921206.....35 | | 70922121.....277 | | 70923560.....220 | |
| | | | | | | | | | |
| 70919784.....9 | | 70920700.....66 | | 70921214.....113 | | 70922135.....53 | | 70923561.....218 | |
| 70919785.....135 | | 70920728.....6 E | | 70921214.....171 | | 70922195.....213 | | 70923562.....177 | |
| 70919785.....218 | | 70920751.....247 | | 70921214.....175 | | 70922198.....79 | | 70923565.....215 | |
| 70919800.....59 | | 70920775.....75 | | 70921214.....217 | | 70922211.....233 | | 70923565.....220 | |
| 70919800.....61 | | 70920790.....49 | | 70921214.....218 | | 70922238.....34 | | 70923566.....217 | |
| 70919801.....183 | | 70920795.....6 E | | 70921214.....283C | | 70922287.....271 | | 70923571.....217 | |
| 70919840.....16 | | 70920848.....6 E | | 70921214.....47 | | 70922300.....127 | | 70923574.....176 | |
| 70919840.....171 | | 70920850.....6 E | | 70921216.....47 | | 70922304.....182 | | 70923574.....39 | |
| 70919840.....40 | | 70920852.....6 E | | 70921217.....112 | | 70922355.....6 E | | 70923574.....9 | |
| 70919840.....48 | | 70920863.....6 E | | 70921217.....167 | | 70922357.....6 E | | 70923578.....183 | |
| | | | | | | | | | |
| 70919840.....67 | | 70920865.....6 E | | 70921217.....283C | | 70922419.....222 | | 70923578.....217 | |
| 70919840.....78 | | 70920867.....6 E | | 70921227.....171 | | 70922419.....223 | | 70923579.....177 | |
| 70919840.....79 | | 70920868.....6 E | | 70921227.....283C | | 70922419.....224 | | 70923580.....149 | |
| 70919840.....93 | | 70920944.....6 E | | 70921230.....209 | | 70922419.....225 | | 70923582.....175 | |
| 70919982.....137 | | 70920945.....6 E | | 70921235.....219 | | 70922421.....236 | | 70923584.....111 | |
| 70919982.....138 | | 70920946.....6 E | | 70921299.....26 | | 70922463.....149 | | 70923589.....9A | |
| 70920131.....73 | | 70920952.....6 E | | 70921311.....240 | | 70922465.....37 | | 70923590.....126 | |
| 70920144.....6 E | | 70920953.....6 E | | 70921318.....167 | | 70922471.....52 | | 70923594.....123 | |
| 70920145.....245 | | 70920972.....6 E | | 70921332.....218 | | 70922471.....53 | | 70923645.....173 | |
| 70920155.....6 E | | 70920973.....6 E | | 70921332.....240 | | 70922523.....45 | | 70923645.....176 | |
| | | | | | | | | | |
| 70920221.....6 E | | 70920978.....6 E | | 70921333.....135 | | 70922523.....46 | | 70923645.....220 | |
| 70920263.....166B | | 70920986.....6 E | | 70921333.....146 | | 70922526.....129 | | 70923663.....139 | |
| 70920275.....205 | | 70920992.....259 | | 70921339.....160 | | 70922577.....41 | | 70923664.....128 | |
| 70920275.....209 | | 70921024.....64 | | 70921339.....161 | | 70922577.....43 | | 70923664.....183 | |
| 70920279.....49 | | 70921033.....6 E | | 70921342.....232 | | 70922577.....44 | | 70923664.....184 | |
| 70920280.....41 | | 70921034.....6 E | | 70921343.....115 | | 70922586.....240 | | 70923664.....212 | |
| 70920280.....43 | | 70921076.....33 | | 70921343.....174 | | 70922632.....112 | | 70923664.....248 | |
| 70920280.....45 | | 70921076.....39 | | 70921349.....47 | | 70922632.....113 | | 70923664.....283D | |
| 70920280.....49 | | 70921076.....9 | | 70921372.....49 | | 70922644.....84 | | 70923683.....125 | |
| 70920303.....6 E | | 70921104.....153 | | 70921396.....283E | | 70922660.....160 | | 70923683.....136 | |
| | | | | | | | | | |
| 70920333.....12 | | 70921113.....271 | | 70921411.....127 | | 70922704.....273 | | 70923683.....153 | |
| 70920333.....14 | | 70921116.....170 | | 70921441.....44 | | 70922711.....252 | | 70923683.....230 | |
| 70920333.....39 | | 70921116.....171 | | 70921520.....50 | | 70922726.....263 | | 70923683.....238 | |
| 70920333.....78 | | 70921116.....193 | | 70921556.....39 | | 70922747.....49 | | 70923683.....258 | |
| 70920344.....6 E | | 70921116.....213 | | 70921565.....32 | | 70922763.....283C | | 70923683.....283D | |
| 70920390.....161 | | 70921116.....283D | | 70921565.....9 | | 70922763.....283D | | 70923683.....74 | |
| 70920399.....160 | | 70921117.....170 | | 70921566.....240 | | 70922831.....6 E | | 70923703.....251 | |
| 70920399.....161 | | 70921117.....183 | | 70921702.....267A | | 70922832.....6 E | | 70923718.....14 | |
| 70920403.....164 | | 70921117.....184 | | 70921706.....250 | | 70922844.....53 | | 70923718.....170 | |
| 70920403.....166B | | 70921117.....283D | | 70921855.....6 E | | 70922902.....83 | | 70923718.....171 | |
| | | | | | | | | | |
| 70920411.....61 | | 70921118.....170 | | 70921865.....37 | | 70922932.....267A | | 70923718.....189 | |
| 70920416.....13 | | 70921118.....183 | | 70921880.....254 | | 70922967.....153 | | 70923718.....192 | |
| 70920416.....26 | | 70921140.....115 | | 70921883.....198 | | 70922996.....111 | | 70923718.....193 | |
| 70920416.....34 | | 70921143.....161 | | 70921883.....201 | | 70923186.....6 E | | 70923718.....213 | |
| 70920416.....35 | | 70921173.....120 | | 70921883.....205 | | 70923193.....32 | | 70923718.....283D | |
| 70920428.....263 | | 70921174.....241 | | 70921883.....209 | | 70923193.....33 | | 70923718.....9A | |
| 70920437.....277 | | 70921178.....10 | | 70921885.....41 | | 70923193.....9 | | 70923719.....215 | |
| 70920450.....46 | | 70921178.....230 | | 70921885.....42 | | 70923212.....240A | | 70923811.....219 | |
| 70920469.....67 | | 70921178.....47 | | 70921885.....43 | | 70923212.....267 | | 70923813.....217 | |
| 70920473.....14 | | 70921184.....152 | | 70921885.....46 | | 70923251.....6 E | | 70923813.....218 | |

Numerical Index 0073064655

| PART NO. | PAGE | PART NO. | PAGE | PART NO. | PAGE | PART NO. | PAGE | PART NO. | PAGE |
|-------------------|------|-------------------|------|-------------------|------|-------------------|------|-------------------|------|
| 70923813.....39 | | 70925094.....269 | | 70926800.....177 | | 70928212.....32 | | 70930213.....278 | |
| 70923813.....78 | | 70925094.....278 | | 70926801.....173 | | 70928212.....9 | | 70930349.....43 | |
| 70923813.....9 | | 70925094.....283D | | 70926803.....150 | | 70928313.....115 | | 70930350.....198 | |
| 70923814.....9A | | 70925108.....282 | | 70926804.....150 | | 70928314.....115 | | 70930350.....201 | |
| 70923815.....13 | | 70925110.....282 | | 70926805.....150 | | 70928315.....115 | | 70930350.....205 | |
| 70923815.....9A | | 70925161.....258 | | 70926807.....173 | | 70928347.....115 | | 70930350.....209 | |
| 70923816.....9A | | 70925161.....259 | | 70926809.....173 | | 70928401.....123 | | 70930351.....198 | |
| 70923820.....27 | | 70925166.....171 | | 70926810.....177 | | 70928434.....205 | | 70930351.....201 | |
| 70923820.....9A | | 70925225.....197 | | 70926813.....172 | | 70928434.....209 | | 70930351.....205 | |
| 70923852.....150 | | 70925225.....201 | | 70926814.....187 | | 70928434.....227 | | 70930351.....209 | |
| | | | | | | | | | |
| 70923856.....248 | | 70925227.....75 | | 70926816.....169 | | 70928454.....508 | | 70930407.....84 | |
| 70923906.....268 | | 70925284.....125 | | 70926821.....215 | | 70928474.....259 | | 70930506.....62 | |
| 70923909.....182 | | 70925342.....70 | | 70926827.....177 | | 70928495.....52 | | 70930705.....31 | |
| 70923934.....11 | | 70925369.....157 | | 70926835.....220 | | 70928532.....123 | | 70930705.....31A | |
| 70923944.....150 | | 70925369.....261 | | 70926840.....195 | | 70928533.....122 | | 70930924.....32 | |
| 70923945.....218 | | 70925369.....266 | | 70926865.....191 | | 70928555.....123 | | 70930924.....9 | |
| 70923950.....215 | | 70925369.....267 | | 70926908.....259 | | 70928583.....218 | | 70930984.....123 | |
| 70923988.....217 | | 70925433.....282 | | 70926917.....253 | | 70928595.....260 | | 70930984.....127 | |
| 70924003.....220 | | 70925442.....279A | | 70926918.....578 | | 70928604.....218 | | 70930985.....127 | |
| 70924026.....283D | | 70925453.....173 | | 70926919.....268 | | 70928605.....217 | | 70930986.....121 | |
| | | | | | | | | | |
| 70924038.....218 | | 70925613.....138 | | 70927026.....219 | | 70928623.....147 | | 70930986.....125 | |
| 70924068.....115 | | 70925613.....253 | | 70927174.....283C | | 70928623.....153 | | 70930998.....237 | |
| 70924130.....189 | | 70925613.....264 | | 70927175.....278 | | 70928623.....171 | | 70930998.....47 | |
| 70924130.....243 | | 70925615.....63 | | 70927218.....198 | | 70928623.....252 | | 70931133.....150 | |
| 70924136.....120 | | 70925616.....136 | | 70927218.....202 | | 70928624.....153 | | 70931134.....150 | |
| 70924139.....49 | | 70925616.....137 | | 70927218.....206 | | 70928625.....198 | | 70931135.....150 | |
| 70924139.....50 | | 70925617.....153 | | 70927244.....131 | | 70928625.....201 | | 70931189.....150 | |
| 70924139.....9A | | 70925617.....267 | | 70927264.....154 | | 70928625.....205 | | 70931231.....191 | |
| 70924180.....212 | | 70925620.....253 | | 70927278.....173 | | 70928625.....209 | | 70931398.....283B | |
| 70924182.....112 | | 70925631.....245 | | 70927279.....173 | | 70928661.....80 | | 70931653.....283E | |
| | | | | | | | | | |
| 70924192.....170 | | 70925751.....233 | | 70927295.....219 | | 70928740.....160 | | 70931742.....237 | |
| 70924192.....183 | | 70925751.....242 | | 70927303.....172 | | 70928799.....258 | | 70931742.....47 | |
| 70924193.....170 | | 70925758.....39 | | 70927328.....110 | | 70928800.....258 | | 70932844.....267A | |
| 70924193.....183 | | 70925761.....125 | | 70927328.....230 | | 70928802.....231 | | 70932930.....241 | |
| 70924236.....218 | | 70925767.....195 | | 70927359.....123 | | 70928861.....147 | | 70933010.....125 | |
| 70924237.....252 | | 70925809.....236 | | 70927400.....283D | | 70928893.....169 | | 70933010.....193 | |
| 70924353.....279A | | 70925837.....358 | | 70927401.....283D | | 70928919.....267A | | 70933028.....241 | |
| 70924535.....236 | | 70925881.....183 | | 70927425.....169 | | 70928919.....279A | | 70933487.....93 | |
| 70924535.....283 | | 70925963.....50A | | 70927450.....59 | | 70928923.....258 | | 70933699.....232 | |
| 70924553.....236 | | 70925995.....169 | | 70927450.....60 | | 70928927.....147 | | 71005917.....283D | |
| | | | | | | | | | |
| 70924553.....283 | | 70925997.....169 | | 70927454.....264 | | 70928931.....267 | | 71006992.....255 | |
| 70924621.....217 | | 70926020.....279A | | 70927470.....241 | | 70928947.....75 | | 73001171.....109 | |
| 70924673.....34 | | 70926024.....273 | | 70927477.....156 | | 70929008.....267A | | 73001171.....222 | |
| 70924673.....35 | | 70926049.....253 | | 70927532.....110 | | 70929100.....45 | | 73001171.....225 | |
| 70924796.....248 | | 70926164.....120 | | 70927532.....230 | | 70929104.....218 | | 73001171.....227 | |
| 70924797.....244 | | 70926164.....126 | | 70927541.....271 | | 70929117.....252 | | 73001565.....107 | |
| 70924816.....93 | | 70926180.....184 | | 70927656.....137 | | 70929125.....120 | | 73001622.....169 | |
| 70924840.....169 | | 70926180.....188 | | 70927694.....198 | | 70929157.....269 | | 73001717.....173 | |
| 70924847.....121 | | 70926180.....189 | | 70927694.....202 | | 70929158.....268 | | 73002737.....138 | |
| 70924851.....213 | | 70926180.....193 | | 70927694.....206 | | 70929194.....197 | | 73003883.....180 | |
| | | | | | | | | | |
| 70924944.....101 | | 70926190.....53 | | 70927694.....210 | | 70929194.....201 | | 73003884.....180 | |
| 70924944.....8 | | 70926191.....182 | | 70927782.....11 | | 70929194.....205 | | 73003885.....180 | |
| 70924958.....277 | | 70926192.....140 | | 70927783.....198 | | 70929194.....209 | | 73003886.....180 | |
| 70925015.....46 | | 70926192.....155 | | 70927783.....202 | | 70929233.....146 | | 73003888.....181 | |
| 70925040.....51 | | 70926192.....173 | | 70927783.....206 | | 70929234.....147 | | 73003891.....181 | |
| 70925041.....109 | | 70926192.....175 | | 70927783.....210 | | 70929241.....197 | | 73003893.....180 | |
| 70925042.....109 | | 70926192.....181 | | 70927801.....76 | | 70929241.....201 | | 73003894.....181 | |
| 70925042.....227 | | 70926192.....221 | | 70927802.....808 | | 70929247.....111 | | 73003933.....181 | |
| 70925063.....278 | | 70926192.....224 | | 70927978.....83 | | 70929416.....66 | | 73004999.....125 | |
| 70925093.....258 | | 70926274.....215 | | 70928049.....62 | | 70929548.....149 | | 73005005.....183 | |
| | | | | | | | | | |
| 70925093.....259 | | 70926308.....261 | | 70928116.....6 E | | 70929611.....241 | | 73006439.....171 | |
| 70925094.....147 | | 70926339.....251 | | 70928121.....6 E | | 70929613.....274 | | 73006439.....183 | |
| 70925094.....155 | | 70926392.....191 | | 70928123.....6 E | | 70929733.....120 | | 73006597.....181 | |
| 70925094.....161 | | 70926577.....181 | | 70928136.....125 | | 70929847.....39 | | 73006797.....137 | |
| 70925094.....198 | | 70926577.....181 | | 70928176.....267 | | 70929849.....39 | | 73006797.....138 | |
| 70925094.....201 | | 70926611.....211 | | 70928176.....278 | | 70929870.....218 | | 73006799.....137 | |
| 70925094.....205 | | 70926612.....211 | | 70928182.....283D | | 70929910.....55 | | 73006899.....143 | |
| 70925094.....209 | | 70926617.....219 | | 70928202.....69 | | 70929911.....55 | | 73007065.....175 | |
| 70925094.....261 | | 70926712.....110 | | 70928207.....42 | | 70929915.....273 | | 73007065.....222 | |
| 70925094.....265 | | 70926712.....210 | | 70928207.....45 | | 70929932.....267A | | 73007065.....224 | |

NUMERICAL INDEX 0073064655

| PART NO. | PAGE | PART NO. | PAGE | PART NO. | PAGE | PART NO. | PAGE | PART NO. | PAGE |
|---------------|------|---------------|------|---------------|------|---------------|------|---------------|------|
| 73007115..... | 137 | 73022074..... | 127 | 73032928..... | 119 | 73038278..... | 122 | 73044436..... | 93 |
| 73007145..... | 125 | 73022076..... | 122 | 73032929..... | 119 | 73038279..... | 122 | 73044438..... | 91 |
| 73007152..... | 123 | 73022076..... | 127 | 73032930..... | 119 | 73038626..... | 114 | 73044449..... | 89 |
| 73007152..... | 127 | 73022077..... | 127 | 73032931..... | 119 | 73038626..... | 116 | 73044457..... | 99 |
| 73008046..... | 251 | 73022082..... | 127 | 73032932..... | 119 | 73038627..... | 114 | 73044466..... | 91 |
| 73008139..... | 115 | 73022083..... | 127 | 73032933..... | 119 | 73038627..... | 116 | 73044473..... | 104 |
| 73010158..... | 215 | 73022084..... | 127 | 73032934..... | 119 | 73038633..... | 114 | 73044474..... | 104 |
| 73010159..... | 215 | 73022086..... | 127 | 73032935..... | 119 | 73038633..... | 116 | 73044474..... | 8 |
| 73010347..... | 121 | 73022088..... | 126 | 73032937..... | 120 | 73038843..... | 116 | 73044478..... | 105 |
| 73010347..... | 191 | 73022110..... | 122 | 73032938..... | 120 | 73038844..... | 116 | 73044479..... | 105 |
| 73012488..... | 139 | 73022112..... | 120 | 73033044..... | 87 | 73038927..... | 283E | 73044480..... | 105 |
| 73012490..... | 139 | 73022115..... | 121 | 73033336..... | 158 | 73038933..... | 283E | 73044485..... | 105 |
| 73012494..... | 243 | 73022115..... | 125 | 73033337..... | 158 | 73039013..... | 283E | 73044485..... | 8 |
| 73013568..... | 193 | 73022116..... | 123 | 73033340..... | 158 | 73039071..... | 263 | 73044486..... | 105 |
| 73013568..... | 242 | 73022116..... | 127 | 73033342..... | 158 | 73039072..... | 263 | 73044487..... | 105 |
| 73013909..... | 107 | 73022121..... | 127 | 73033344..... | 240B | 73039643..... | 256 | 73044489..... | 105 |
| 73013937..... | 143 | 73022122..... | 127 | 73033513..... | 240B | 73040013..... | 266 | 73044489..... | 8 |
| 73013940..... | 143 | 73022314..... | 120 | 73034382..... | 249 | 73040365..... | 127 | 73044493..... | 105 |
| 73014042..... | 139 | 73022440..... | 143 | 73034558..... | 260 | 73040493..... | 127 | 73044546..... | 180 |
| 73014043..... | 139 | 73024079..... | 230 | 73034558..... | 283D | 73040937..... | 262 | 73044690..... | 217 |
| 73014044..... | 139 | 73024221..... | 120 | 73034566..... | 260 | 73040937..... | 267 | 73044692..... | 217 |
| 73014045..... | 139 | 73024383..... | 250 | 73034566..... | 283D | 73041456..... | 85 | 73044695..... | 218 |
| 73014046..... | 139 | 73024429..... | 283 | 73035268..... | 263 | 73041531..... | 249 | 73044696..... | 218 |
| 73014226..... | 51 | 73024764..... | 131 | 73035714..... | 8 | 73041822..... | 63 | 73044729..... | 218 |
| 73014310..... | 143 | 73025958..... | 223 | 73035714..... | 99 | 73041952..... | 106 | 73044730..... | 218 |
| 73014311..... | 143 | 73025958..... | 225 | 73035719..... | 99 | 73042151..... | 8 | 73044733..... | 217 |
| 73014312..... | 143 | 73026156..... | 102 | 73035739..... | 99 | 73042151..... | 99 | 73044734..... | 217 |
| 73014314..... | 143 | 73026156..... | 8 | 73035745..... | 8 | 73042335..... | 125 | 73044735..... | 217 |
| 73014549..... | 51 | 73026172..... | 82 | 73035745..... | 99 | 73042646..... | 236 | 73044744..... | 218 |
| 73014571..... | 126 | 73026289..... | 10 | 73035864..... | 101 | 73042698..... | 125 | 73044745..... | 218 |
| 73014873..... | 138 | 73026289..... | 47 | 73035950..... | 46 | 73042796..... | 114 | 73044746..... | 218 |
| 73017118..... | 107 | 73026352..... | 82 | 73036240..... | 256 | 73042807..... | 115 | 73044748..... | 219 |
| 73017119..... | 107 | 73026368..... | 64 | 73036241..... | 256 | 73042808..... | 115 | 73044749..... | 219 |
| 73018142..... | 109 | 73027397..... | 176 | 73036242..... | 256 | 73043361..... | 120 | 73044754..... | 219 |
| 73018397..... | 173 | 73027401..... | 176 | 73036709..... | 120 | 73043362..... | 120 | 73044758..... | 219 |
| 73018397..... | 177 | 73027549..... | 249 | 73036710..... | 119 | 73043363..... | 120 | 73044759..... | 219 |
| 73019133..... | 189 | 73027613..... | 131 | 73036711..... | 120 | 73043364..... | 120 | 73044791..... | 215 |
| 73019133..... | 213 | 73027620..... | 131 | 73036712..... | 119 | 73043365..... | 120 | 73044810..... | 254 |
| 73019330..... | 64 | 73028393..... | 47 | 73037183..... | 262 | 73043368..... | 120 | 73044949..... | 103 |
| 73020748..... | 110 | 73029259..... | 153 | 73037183..... | 267 | 73043369..... | 120 | 73044963..... | 121 |
| 73020853..... | 240B | 73029843..... | 136 | 73037507..... | 125 | 73043399..... | 174 | 73044963..... | 189 |
| 73020886..... | 107 | 73029930..... | 152 | 73038199..... | 119 | 73043416..... | 251 | 73044963..... | 243 |
| 73021038..... | 93 | 73029971..... | 249 | 73038203..... | 120 | 73043418..... | 250 | 73045027..... | 233 |
| 73021041..... | 8 | 73031012..... | 242 | 73038206..... | 120 | 73043427..... | 251 | 73045027..... | 242 |
| 73021041..... | 87 | 73031609..... | 153 | 73038206..... | 127 | 73043428..... | 251 | 73045033..... | 233 |
| 73021053..... | 101 | 73031667..... | 147 | 73038212..... | 122 | 73043428..... | 251 | 73045038..... | 232 |
| 73021053..... | 8 | 73031846..... | 105 | 73038216..... | 123 | 73043522..... | 115 | 73045038..... | 232 |
| 73021058..... | 105 | 73031847..... | 105 | 73038219..... | 123 | 73043676..... | 223 | 73045039..... | 232 |
| 73021058..... | 8 | 73031847..... | 8 | 73038220..... | 123 | 73043676..... | 225 | 73045041..... | 232 |
| 73021060..... | 101 | 73032165..... | 121 | 73038221..... | 123 | 73043676..... | 227 | 73045043..... | 233 |
| 73021062..... | 121 | 73032200..... | 240B | 73038222..... | 123 | 73043676..... | 228 | 73045045..... | 233 |
| 73021091..... | 93 | 73032350..... | 193 | 73038224..... | 123 | 73043841..... | 251 | 73045054..... | 233 |
| 73021094..... | 101 | 73032377..... | 114 | 73038225..... | 122 | 73043919..... | 121 | 73045085..... | 233 |
| 73021170..... | 105 | 73032378..... | 114 | 73038225..... | 122 | 73043919..... | 125 | 73045092..... | 190 |
| 73021334..... | 262 | 73032628..... | 240B | 73038226..... | 123 | 73044008..... | 253 | 73045111..... | 232 |
| 73021334..... | 267 | 73032687..... | 121 | 73038227..... | 123 | 73044030..... | 186 | 73045137..... | 169 |
| 73021657..... | 51 | 73032687..... | 125 | 73038230..... | 123 | 73044031..... | 187 | 73045211..... | 169 |
| 73021696..... | 51 | 73032781..... | 126 | 73038231..... | 122 | 73044036..... | 187 | 73045248..... | 203 |
| 73021833..... | 125 | 73032789..... | 119 | 73038233..... | 122 | 73044045..... | 186 | 73045248..... | 205 |
| 73021840..... | 125 | 73032792..... | 120 | 73038234..... | 123 | 73044047..... | 187 | 73045324..... | 215 |
| 73021867..... | 114 | 73032793..... | 120 | 73038236..... | 122 | 73044048..... | 231 | 73045463..... | 195 |
| 73021871..... | 141 | 73032794..... | 119 | 73038237..... | 123 | 73044048..... | 233 | 73045495..... | 194 |
| 73021873..... | 140 | 73032795..... | 119 | 73038238..... | 123 | 73044104..... | 183 | 73045513..... | 278 |
| 73022043..... | 119 | 73032908..... | 119 | 73038239..... | 123 | 73044216..... | 217 | 73045515..... | 193 |
| 73022056..... | 115 | 73032914..... | 120 | 73038241..... | 122 | 73044225..... | 215 | 73045516..... | 193 |
| 73022061..... | 127 | 73032916..... | 119 | 73038242..... | 123 | 73044365..... | 180 | 73045520..... | 193 |
| 73022064..... | 127 | 73032917..... | 119 | 73038244..... | 123 | 73044391..... | 93 | 73045520..... | 6 E |
| 73022069..... | 127 | 73032925..... | 119 | 73038245..... | 123 | 73044404..... | 98 | 73045531..... | 71 |
| 73022070..... | 127 | 73032926..... | 119 | 73038246..... | 123 | 73044430..... | 89 | 73045542..... | 193 |
| 73022071..... | 127 | 73032927..... | 119 | 73038251..... | 129 | 73044431..... | 89 | 73045542..... | 6 E |
| | | | | 73038254..... | 129 | 73044432..... | 86 | 73045543..... | 193 |

NUMERICAL INDEX 0073064655

| PART NO. | PAGE | PART NO. | PAGE | PART NO. | PAGE | PART NO. | PAGE | PART NO. | PAGE |
|------------------|------|------------------|------|------------------|------|------------------|------|------------------|------|
| 73045543.....6 | E | 73047218.....152 | | 73047743.....93 | | 73048289.....141 | | 73048412.....121 | |
| 73045633.....267 | | 73047220.....138 | | 73047746.....101 | | 73048290.....140 | | 73048412.....125 | |
| 73045721.....189 | | 73047227.....136 | | 73047749.....101 | | 73048291.....140 | | 73048414.....96 | |
| 73045731.....189 | | 73047228.....136 | | 73047761.....133 | | 73048292.....141 | | 73048418.....99 | |
| 73045733.....184 | | 73047229.....136 | | 73047762.....133 | | 73048293.....141 | | 73048425.....8 | |
| 73045733.....188 | | 73047231.....136 | | 73047763.....133 | | 73048294.....141 | | 73048425.....85 | |
| 73045733.....193 | | 73047234.....137 | | 73047765.....133 | | 73048295.....141 | | 73048433.....127 | |
| 73045733.....212 | | 73047235.....137 | | 73047770.....101 | | 73048296.....141 | | 73048440.....131 | |
| 73045736.....193 | | 73047343.....183 | | 73047771.....101 | | 73048297.....141 | | 73048443.....130 | |
| 73045834.....71 | | 73047354.....230 | | 73047772.....101 | | 73048298.....141 | | 73048444.....130 | |
| 73045859.....183 | | 73047354.....47 | | 73047871.....123 | | 73048299.....141 | | 73048445.....131 | |
| 73045861.....215 | | 73047415.....175 | | 73047880.....129 | | 73048299.....143 | | 73048446.....131 | |
| 73045864.....182 | | 73047421.....153 | | 73047881.....129 | | 73048300.....141 | | 73048447.....130 | |
| 73045975.....172 | | 73047423.....152 | | 73047883.....128 | | 73048300.....143 | | 73048448.....130 | |
| 73045977.....172 | | 73047450.....71 | | 73047884.....128 | | 73048301.....141 | | 73048449.....130 | |
| 73046029.....8 | | 73047477.....249 | | 73047893.....129 | | 73048301.....143 | | 73048456.....130 | |
| 73046029.....98 | | 73047482.....249 | | 73047933.....70 | | 73048302.....140 | | 73048458.....130 | |
| 73046117.....218 | | 73047506.....146 | | 73047988.....169 | | 73048303.....140 | | 73048459.....130 | |
| 73046149.....232 | | 73047510.....10 | | 73048011.....109 | | 73048304.....140 | | 73048460.....130 | |
| 73046249.....242 | | 73047515.....47 | | 73048011.....253 | | 73048309.....141 | | 73048461.....131 | |
| 73046252.....233 | | 73047637.....243 | | 73048016.....213 | | 73048310.....141 | | 73048462.....131 | |
| 73046254.....189 | | 73047638.....243 | | 73048016.....6 | E | 73048311.....141 | | 73048464.....130 | |
| 73046260.....189 | | 73047639.....243 | | 73048018.....128 | | 73048314.....141 | | 73048465.....130 | |
| 73046260.....243 | | 73047640.....243 | | 73048019.....128 | | 73048317.....149 | | 73048466.....130 | |
| 73046262.....114 | | 73047646.....243 | | 73048020.....128 | | 73048318.....149 | | 73048521.....107 | |
| 73046265.....115 | | 73047664.....89 | | 73048022.....128 | | 73048319.....149 | | 73048598.....189 | |
| 73046271.....242 | | 73047665.....89 | | 73048023.....128 | | 73048320.....149 | | 73048599.....189 | |
| 73046273.....242 | | 73047665.....93 | | 73048024.....128 | | 73048321.....149 | | 73048614.....113 | |
| 73046279.....175 | | 73047669.....89 | | 73048026.....128 | | 73048322.....149 | | 73048630.....51 | |
| 73046284.....193 | | 73047671.....89 | | 73048027.....128 | | 73048330.....217 | | 73048639.....70 | |
| 73046315.....243 | | 73047672.....89 | | 73048028.....128 | | 73048334.....175 | | 73048707.....110 | |
| 73046317.....243 | | 73047673.....89 | | 73048029.....128 | | 73048335.....175 | | 73048708.....110 | |
| 73046338.....121 | | 73047678.....91 | | 73048036.....187 | | 73048336.....175 | | 73048712.....258 | |
| 73046394.....175 | | 73047684.....91 | | 73048037.....187 | | 73048337.....175 | | 73048729.....84 | |
| 73046489.....136 | | 73047685.....91 | | 73048039.....187 | | 73048338.....149 | | 73048730.....84 | |
| 73046497.....255 | | 73047686.....91 | | 73048040.....187 | | 73048340.....149 | | 73048736.....131 | |
| 73046508.....215 | | 73047687.....91 | | 73048070.....177 | | 73048342.....149 | | 73048741.....156 | |
| 73046520.....217 | | 73047689.....91 | | 73048073.....177 | | 73048344.....149 | | 73048748.....156 | |
| 73046521.....172 | | 73047690.....91 | | 73048094.....181 | | 73048345.....149 | | 73048750.....156 | |
| 73046521.....187 | | 73047696.....92 | | 73048095.....181 | | 73048346.....150 | | 73048753.....181 | |
| 73046581.....136 | | 73047697.....92 | | 73048096.....180 | | 73048347.....150 | | 73048754.....181 | |
| 73046614.....174 | | 73047698.....8 | | 73048097.....181 | | 73048349.....150 | | 73048782.....104 | |
| 73046703.....188 | | 73047698.....93 | | 73048099.....180 | | 73048352.....213 | | 73048782.....8 | |
| 73046710.....233 | | 73047703.....94 | | 73048106.....250 | | 73048354.....213 | | 73048788.....131 | |
| 73046772.....167 | | 73047703.....96 | | 73048109.....110 | | 73048373.....150 | | 73048836.....104 | |
| 73046772.....6 | E | 73047706.....94 | | 73048112.....250 | | 73048375.....150 | | 73048839.....105 | |
| 73046776.....167 | | 73047707.....94 | | 73048113.....109 | | 73048376.....150 | | 73048855.....283 | |
| 73046776.....6 | E | 73047708.....94 | | 73048117.....213 | | 73048377.....150 | | 73048858.....80 | |
| 73046821.....138 | | 73047709.....94 | | 73048117.....6 | E | 73048378.....150 | | 73048860.....109 | |
| 73046821.....142 | | 73047709.....97 | | 73048121.....212 | | 73048379.....150 | | 73048917.....236 | |
| 73046822.....153 | | 73047710.....94 | | 73048123.....198 | | 73048381.....150 | | 73048945.....82 | |
| 73046823.....152 | | 73047710.....97 | | 73048123.....202 | | 73048382.....150 | | 73048968.....175 | |
| 73046881.....249 | | 73047711.....94 | | 73048123.....205 | | 73048383.....150 | | 73048971.....175 | |
| 73046987.....117 | | 73047711.....97 | | 73048123.....209 | | 73048384.....150 | | 73048988.....175 | |
| 73046993.....117 | | 73047712.....95 | | 73048123.....254 | | 73048386.....149 | | 73048989.....174 | |
| 73046994.....117 | | 73047712.....97 | | 73048124.....110 | | 73048387.....149 | | 73048990.....174 | |
| 73047013.....114 | | 73047723.....97 | | 73048125.....212 | | 73048388.....149 | | 73050034.....113 | |
| 73047023.....116 | | 73047724.....8 | | 73048128.....110 | | 73048389.....149 | | 73050055.....169 | |
| 73047028.....85 | | 73047724.....97 | | 73048259.....135 | | 73048392.....142 | | 73050090.....213 | |
| 73047031.....85 | | 73047729.....97 | | 73048260.....135 | | 73048393.....142 | | 73050091.....213 | |
| 73047033.....86 | | 73047730.....97 | | 73048264.....135 | | 73048394.....142 | | 73050092.....212 | |
| 73047034.....86 | | 73047731.....97 | | 73048269.....181 | | 73048395.....142 | | 73050092.....6 | E |
| 73047038.....87 | | 73047733.....98 | | 73048270.....181 | | 73048396.....142 | | 73050100.....213 | |
| 73047040.....87 | | 73047734.....98 | | 73048271.....181 | | 73048397.....142 | | 73050101.....212 | |
| 73047041.....87 | | 73047736.....99 | | 73048278.....181 | | 73048398.....142 | | 73050102.....212 | |
| 73047042.....87 | | 73047737.....98 | | 73048279.....181 | | 73048399.....143 | | 73050105.....259 | |
| 73047043.....87 | | 73047739.....99 | | 73048282.....142 | | 73048400.....143 | | 73050123.....107 | |
| 73047049.....89 | | 73047740.....99 | | 73048283.....143 | | 73048401.....141 | | 73050124.....107 | |
| 73047149.....107 | | 73047741.....8 | | 73048284.....143 | | 73048402.....150 | | 73050191.....137 | |
| | | 73047741.....93 | | 73048286.....140 | | 73048407.....122 | | 73050211.....80 | |

NUMERICAL INDEX 0073064655

| PART NO. | PAGE | PART NO. | PAGE | PART NO. | PAGE | PART NO. | PAGE | PART NO. | PAGE |
|---------------|------|---------------|------|---------------|------|---------------|------|---------------|------|
| 73050232..... | 229 | 73053885..... | 191 | 73056372..... | 175 | 73057431..... | 209 | 73057952..... | 2830 |
| 73050233..... | 229 | 73053886..... | 191 | 73056488..... | 195 | 73057432..... | 198 | 73057960..... | 260 |
| 73050249..... | 74 | 73053906..... | 215 | 73056493..... | 191 | 73057432..... | 202 | 73057966..... | 203 |
| 73050250..... | 74 | 73053921..... | 144 | 73056505..... | 131 | 73057432..... | 206 | 73057977..... | 252 |
| 73050254..... | 50A | 73053921..... | 145 | 73056530..... | 83 | 73057432..... | 209 | 73057983..... | 147 |
| 73050279..... | 74 | 73053977..... | 191 | 73056531..... | 83 | 73057436..... | 261 | 73057997..... | 154 |
| 73050281..... | 260 | 73054055..... | 146 | 73056536..... | 126 | 73057436..... | 2830 | 73058003..... | 144 |
| 73050282..... | 46 | 73054072..... | 194 | 73056654..... | 236 | 73057480..... | 82 | 73058015..... | 237 |
| 73050295..... | 155 | 73054073..... | 194 | 73056676..... | 269 | 73057485..... | 82 | 73058015..... | 257 |
| 73050298..... | 237 | 73054108..... | 195 | 73056685..... | 115 | 73057492..... | 154 | 73058049..... | 240A |
| 73050381..... | 175 | 73054150..... | 169 | 73056758..... | 83 | 73057504..... | 258 | 73058052..... | 261 |
| 73050388..... | 174 | 73054377..... | 218 | 73056759..... | 83 | 73057505..... | 260 | 73058052..... | 267 |
| 73050464..... | 85 | 73054486..... | 191 | 73056793..... | 172 | 73057506..... | 109 | 73058056..... | 257 |
| 73050475..... | 113 | 73054488..... | 194 | 73056852..... | 83 | 73057506..... | 253 | 73058063..... | 155 |
| 73050495..... | 254 | 73054500..... | 115 | 73056857..... | 83 | 73057512..... | 257 | 73058063..... | 155 |
| 73050497..... | 183 | 73054504..... | 223 | 73056863..... | 83 | 73057513..... | 237 | 73058090..... | 190 |
| 73050498..... | 183 | 73054504..... | 225 | 73056864..... | 83 | 73057523..... | 205 | 73058095..... | 191 |
| 73050567..... | 173 | 73054504..... | 228 | 73056865..... | 83 | 73057523..... | 209 | 73058096..... | 191 |
| 73050568..... | 173 | 73054504..... | 254 | 73056866..... | 83 | 73057547..... | 205 | 73058097..... | 190 |
| 73050569..... | 173 | 73054571..... | 220 | 73056870..... | 193 | 73057547..... | 209 | 73058098..... | 190 |
| 73050570..... | 173 | 73054594..... | 71 | 73056873..... | 189 | 73057583..... | 203 | 73058106..... | 198 |
| 73050571..... | 173 | 73054596..... | 115 | 73056874..... | 189 | 73057620..... | 253 | 73058106..... | 206 |
| 73050682..... | 173 | 73054638..... | 189 | 73056880..... | 232 | 73057622..... | 253 | 73058126..... | 278 |
| 73050683..... | 173 | 73054657..... | 240B | 73056896..... | 233 | 73057623..... | 180 | 73058126..... | 230 |
| 73051332..... | 233 | 73054694..... | 174 | 73056965..... | 237 | 73057624..... | 181 | 73058209..... | 217 |
| 73051703..... | 229 | 73054723..... | 213 | 73056966..... | 237 | 73057633..... | 157 | 73058210..... | 217 |
| 73051704..... | 188 | 73054770..... | 219 | 73056967..... | 236 | 73057635..... | 238 | 73058211..... | 227 |
| 73051704..... | 6 E | 73054808..... | 105 | 73056979..... | 51 | 73057638..... | 238 | 73058282..... | 147 |
| 73051800..... | 89 | 73054871..... | 177 | 73056981..... | 51 | 73057639..... | 238 | 73058289..... | 147 |
| 73051812..... | 206 | 73054872..... | 177 | 73057081..... | 227 | 73057640..... | 238 | 73058294..... | 218 |
| 73051812..... | 210 | 73054873..... | 177 | 73057085..... | 227 | 73057642..... | 257 | 73058298..... | 269 |
| 73051812..... | 217 | 73054874..... | 177 | 73057106..... | 228 | 73057671..... | 236 | 73058299..... | 172 |
| 73051813..... | 206 | 73054875..... | 177 | 73057108..... | 228 | 73057686..... | 116 | 73058299..... | 187 |
| 73051813..... | 210 | 73054876..... | 177 | 73057137..... | 52 | 73057687..... | 116 | 73058307..... | 206 |
| 73051813..... | 217 | 73055076..... | 93 | 73057138..... | 52 | 73057766..... | 109 | 73058307..... | 210 |
| 73051889..... | 120 | 73055085..... | 133 | 73057142..... | 268 | 73057767..... | 253 | 73058318..... | 137 |
| 73051895..... | 276 | 73055106..... | 169 | 73057188..... | 198 | 73057767..... | 282 | 73058320..... | 169 |
| 73052008..... | 267A | 73055109..... | 169 | 73057188..... | 206 | 73057770..... | 239 | 73058322..... | 169 |
| 73052008..... | 269 | 73055173..... | 242 | 73057197..... | 198 | 73057773..... | 278 | 73058324..... | 169 |
| 73052021..... | 249 | 73055228..... | 89 | 73057197..... | 206 | 73057777..... | 52 | 73058326..... | 169 |
| 73052024..... | 229 | 73055234..... | 177 | 73057198..... | 198 | 73057778..... | 52 | 73058327..... | 158 |
| 73052091..... | 63 | 73055245..... | 51 | 73057198..... | 206 | 73057779..... | 52 | 73058340..... | 279A |
| 73052340..... | 193 | 73055272..... | 113 | 73057225..... | 276 | 73057780..... | 52 | 73058341..... | 279A |
| 73052493..... | 169 | 73055272..... | 278 | 73057227..... | 276 | 73057781..... | 52 | 73058342..... | 279A |
| 73052615..... | 254 | 73055289..... | 47 | 73057283..... | 138 | 73057784..... | 243 | 73058345..... | 279A |
| 73052661..... | 217 | 73055292..... | 47 | 73057304..... | 225 | 73057790..... | 242 | 73058346..... | 279A |
| 73052785..... | 172 | 73055321..... | 169 | 73057305..... | 223 | 73057790..... | 242 | 73058347..... | 279B |
| 73052879..... | 190 | 73055363..... | 125 | 73057305..... | 225 | 73057841..... | 84 | 73058348..... | 279A |
| 73052942..... | 194 | 73055371..... | 174 | 73057310..... | 223 | 73057860..... | 222 | 73058348..... | 279A |
| 73053224..... | 109 | 73055420..... | 131 | 73057310..... | 225 | 73057860..... | 224 | 73058383..... | 238 |
| 73053306..... | 109 | 73055488..... | 47 | 73057311..... | 225 | 73057866..... | 223 | 73058439..... | 227 |
| 73053307..... | 109 | 73055535..... | 269 | 73057312..... | 222 | 73057866..... | 225 | 73058453..... | 249 |
| 73053308..... | 109 | 73055536..... | 269 | 73057312..... | 224 | 73057868..... | 198 | 73058457..... | 205 |
| 73053356..... | 191 | 73055537..... | 269 | 73057338..... | 227 | 73057868..... | 206 | 73058457..... | 209 |
| 73053357..... | 191 | 73055568..... | 187 | 73057339..... | 228 | 73057868..... | 223 | 73058478..... | 218 |
| 73053359..... | 191 | 73055738..... | 51 | 73057340..... | 227 | 73057868..... | 225 | 73058478..... | 219 |
| 73053418..... | 195 | 73055789..... | 194 | 73057345..... | 228 | 73057869..... | 198 | 73058479..... | 217 |
| 73053433..... | 195 | 73055810..... | 189 | 73057357..... | 109 | 73057869..... | 206 | 73058480..... | 217 |
| 73053434..... | 195 | 73055838..... | 169 | 73057357..... | 109 | 73057869..... | 223 | 73058481..... | 219 |
| 73053459..... | 215 | 73055850..... | 83 | 73057358..... | 174 | 73057869..... | 225 | 73058482..... | 217 |
| 73053524..... | 109 | 73055859..... | 119 | 73057367..... | 46 | 73057870..... | 223 | 73058484..... | 218 |
| 73053540..... | 46 | 73056104..... | 123 | 73057368..... | 46 | 73057870..... | 225 | 73058486..... | 218 |
| 73053604..... | 215 | 73056138..... | 171 | 73057395..... | 115 | 73057872..... | 198 | 73058487..... | 218 |
| 73053695..... | 215 | 73056153..... | 145 | 73057398..... | 115 | 73057872..... | 206 | 73058488..... | 218 |
| 73053697..... | 215 | 73056154..... | 145 | 73057399..... | 115 | 73057875..... | 198 | 73058492..... | 206 |
| 73053700..... | 215 | 73056178..... | 120 | 73057399..... | 115 | 73057875..... | 206 | 73058492..... | 210 |
| 73053758..... | 150 | 73056180..... | 122 | 73057400..... | 115 | 73057876..... | 198 | 73058492..... | 217 |
| 73053759..... | 150 | 73056181..... | 123 | 73057401..... | 115 | 73057876..... | 206 | 73058494..... | 217 |
| 73053765..... | 187 | 73056188..... | 126 | 73057402..... | 109 | 73057876..... | 223 | 73058495..... | 206 |
| 73053881..... | 193 | 73056313..... | 119 | 73057402..... | 253 | 73057879..... | 225 | 73058495..... | 210 |
| | | | | 73057431..... | 205 | 73057952..... | 260 | 73058495..... | 217 |

NUMERICAL INDEX 0073064655

| PART NO. | PAGE | PART NO. | PAGE | PART NO. | PAGE | PART NO. | PAGE | PART NO. | PAGE |
|---------------|------|---------------|------|---------------|------|---------------|------|---------------|------|
| 73058496..... | 217 | 73058959..... | 206 | 73059068..... | 144 | 73059762..... | 358 | 73061569..... | 129 |
| 73058497..... | 206 | 73058959..... | 210 | 73059069..... | 152 | 73059765..... | 155 | 73061582..... | 271 |
| 73058497..... | 210 | 73058960..... | 198 | 73059071..... | 157 | 73059774..... | 274 | 73061582..... | 275 |
| 73058498..... | 206 | 73058960..... | 202 | 73059074..... | 157 | 73059831..... | 271 | 73061731..... | 273 |
| 73058498..... | 210 | 73058960..... | 206 | 73059076..... | 157 | 73059831..... | 275 | 73061732..... | 273 |
| 73058499..... | 206 | 73058960..... | 210 | 73059078..... | 259 | 73059832..... | 269 | 73061750..... | 186 |
| 73058499..... | 210 | 73058961..... | 198 | 73059079..... | 197 | 73059832..... | 271 | 73061774..... | 229 |
| 73058499..... | 217 | 73058961..... | 202 | 73059079..... | 201 | 73059832..... | 275 | 73061790..... | 233 |
| 73058500..... | 217 | 73058961..... | 206 | 73059113..... | 236 | 73059873..... | 267 | 73061792..... | 218 |
| 73058501..... | 217 | 73058961..... | 210 | 73059146..... | 106 | 73059875..... | 267 | 73061793..... | 233 |
| 73058502..... | 217 | 73058962..... | 198 | 73059153..... | 235 | 73059875..... | 267A | 73061794..... | 236 |
| 73058503..... | 217 | 73058962..... | 202 | 73059179..... | 180 | 73059879..... | 267 | 73061820..... | 172 |
| 73058504..... | 217 | 73058962..... | 206 | 73059193..... | 180 | 73059884..... | 267 | 73061888..... | 237 |
| 73058527..... | 252 | 73058962..... | 210 | 73059195..... | 264 | 73059884..... | 269 | 73061895..... | 233 |
| 73058528..... | 252 | 73058963..... | 198 | 73059196..... | 180 | 73059888..... | 267 | 73061897..... | 229 |
| 73058529..... | 252 | 73058963..... | 202 | 73059197..... | 181 | 73059890..... | 266 | 73061907..... | 277 |
| 73058531..... | 252 | 73058963..... | 206 | 73059198..... | 181 | 73059891..... | 266 | 73061912..... | 220 |
| 73058532..... | 129 | 73058963..... | 210 | 73059200..... | 181 | 73059893..... | 266 | 73061913..... | 220 |
| 73058567..... | 227 | 73058974..... | 197 | 73059202..... | 181 | 73059894..... | 266 | 73061915..... | 172 |
| 73058568..... | 213 | 73058974..... | 201 | 73059204..... | 181 | 73059919..... | 267 | 73061917..... | 123 |
| 73058569..... | 213 | 73058974..... | 205 | 73059213..... | 205 | 73059920..... | 266 | 73061918..... | 129 |
| 73058587..... | 253 | 73058974..... | 209 | 73059213..... | 209 | 73059928..... | 277 | 73061968..... | 91 |
| 73058588..... | 227 | 73058975..... | 197 | 73059214..... | 123 | 73059929..... | 276 | 73061981..... | 218 |
| 73058593..... | 227 | 73058975..... | 201 | 73059216..... | 123 | 73059930..... | 276 | 73062007..... | 154 |
| 73058598..... | 231 | 73058975..... | 205 | 73059252..... | 235 | 73059938..... | 276 | 73062016..... | 99 |
| 73058599..... | 227 | 73058975..... | 209 | 73059255..... | 235 | 73059939..... | 276 | 73062017..... | 103 |
| 73058617..... | 121 | 73058978..... | 197 | 73059256..... | 235 | 73059942..... | 276 | 73062021..... | 105 |
| 73058651..... | 252 | 73058978..... | 201 | 73059260..... | 235 | 73059951..... | 271 | 73062024..... | 99 |
| 73058687..... | 218 | 73058978..... | 205 | 73059268..... | 125 | 73059952..... | 271 | 73062025..... | 8 |
| 73058688..... | 218 | 73058978..... | 209 | 73059270..... | 250 | 73059952..... | 273 | 73062025..... | 96 |
| 73058689..... | 218 | 73058979..... | 197 | 73059278..... | 235 | 73059952..... | 274 | 73062026..... | 8 |
| 73058700..... | 183 | 73058979..... | 201 | 73059281..... | 234 | 73059954..... | 271 | 73062026..... | 94 |
| 73058700..... | 6 E | 73058979..... | 205 | 73059309..... | 264 | 73060174..... | 240 | 73062027..... | 8 |
| 73058712..... | 268 | 73058979..... | 209 | 73059332..... | 127 | 73060175..... | 240 | 73062027..... | 94 |
| 73058713..... | 269 | 73058980..... | 205 | 73059335..... | 190 | 73061021..... | 253 | 73062027..... | 96 |
| 73058731..... | 278 | 73058980..... | 209 | 73059350..... | 234 | 73061046..... | 277 | 73062031..... | 103 |
| 73058731..... | 279A | 73058981..... | 197 | 73059352..... | 235 | 73061060..... | 240A | 73062031..... | 8 |
| 73058782..... | 99 | 73058981..... | 201 | 73059354..... | 194 | 73061089..... | 117 | 73062032..... | 103 |
| 73058783..... | 99 | 73058981..... | 205 | 73059401..... | 158 | 73061091..... | 117 | 73062032..... | 8 |
| 73058793..... | 8 | 73058981..... | 209 | 73059403..... | 158 | 73061126..... | 145 | 73062033..... | 103 |
| 73058793..... | 94 | 73058982..... | 197 | 73059406..... | 158 | 73061127..... | 145 | 73062034..... | 94 |
| 73058800..... | 105 | 73058982..... | 201 | 73059407..... | 158 | 73061191..... | 273 | 73062036..... | 95 |
| 73058807..... | 235 | 73058982..... | 205 | 73059408..... | 158 | 73061193..... | 109 | 73062038..... | 95 |
| 73058809..... | 235 | 73058982..... | 209 | 73059409..... | 157 | 73061193..... | 253 | 73062039..... | 95 |
| 73058834..... | 46 | 73058983..... | 197 | 73059409..... | 158 | 73061197..... | 218 | 73062040..... | 95 |
| 73058875..... | 283 | 73058983..... | 201 | 73059410..... | 158 | 73061198..... | 218 | 73062041..... | 96 |
| 73058879..... | 269 | 73058983..... | 205 | 73059411..... | 158 | 73061207..... | 255 | 73062042..... | 101 |
| 73058880..... | 269 | 73058983..... | 209 | 73059412..... | 158 | 73061208..... | 255 | 73062043..... | 101 |
| 73058882..... | 157 | 73058984..... | 198 | 73059455..... | 270 | 73061210..... | 255 | 73062043..... | 8 |
| 73058884..... | 278 | 73058984..... | 201 | 73059455..... | 275 | 73061234..... | 273 | 73062044..... | 101 |
| 73058894..... | 197 | 73058984..... | 205 | 73059461..... | 230 | 73061253..... | 273 | 73062045..... | 101 |
| 73058894..... | 200 | 73058984..... | 209 | 73059469..... | 138 | 73061253..... | 274 | 73062047..... | 101 |
| 73058896..... | 197 | 73058985..... | 198 | 73059470..... | 138 | 73061275..... | 274 | 73062048..... | 93 |
| 73058896..... | 201 | 73058985..... | 201 | 73059477..... | 270 | 73061276..... | 274 | 73062049..... | 93 |
| 73058897..... | 197 | 73058985..... | 205 | 73059477..... | 275 | 73061281..... | 172 | 73062050..... | 92 |
| 73058897..... | 201 | 73058985..... | 209 | 73059481..... | 230 | 73061282..... | 170 | 73062051..... | 8 |
| 73058902..... | 197 | 73059021..... | 198 | 73059492..... | 230 | 73061283..... | 183 | 73062051..... | 93 |
| 73058902..... | 200 | 73059021..... | 202 | 73059604..... | 273 | 73061360..... | 84 | 73062052..... | 93 |
| 73058910..... | 238 | 73059021..... | 205 | 73059621..... | 273 | 73061361..... | 84 | 73062053..... | 97 |
| 73058910..... | 257 | 73059021..... | 209 | 73059627..... | 273 | 73061395..... | 250 | 73062055..... | 94 |
| 73058917..... | 260 | 73059028..... | 206 | 73059633..... | 277 | 73061398..... | 250 | 73062057..... | 97 |
| 73058919..... | 260 | 73059028..... | 210 | 73059670..... | 273 | 73061404..... | 251 | 73062058..... | 96 |
| 73058931..... | 198 | 73059030..... | 156 | 73059676..... | 137 | 73061405..... | 251 | 73062060..... | 96 |
| 73058931..... | 201 | 73059046..... | 137 | 73059676..... | 140 | 73061426..... | 170 | 73062061..... | 97 |
| 73058934..... | 197 | 73059054..... | 156 | 73059678..... | 276 | 73061427..... | 171 | 73062062..... | 97 |
| 73058934..... | 201 | 73059055..... | 156 | 73059700..... | 127 | 73061463..... | 282 | 73062065..... | 101 |
| 73058935..... | 197 | 73059064..... | 153 | 73059729..... | 119 | 73061484..... | 64 | 73062066..... | 101 |
| 73058935..... | 200 | 73059065..... | 153 | 73059759..... | 358 | 73061485..... | 64 | 73062067..... | 8 |
| 73058959..... | 198 | 73059066..... | 147 | 73059760..... | 358 | 73061486..... | 64 | 73062067..... | 96 |
| 73058959..... | 202 | 73059067..... | 147 | 73059761..... | 358 | 73061487..... | 64 | 73062068..... | 99 |

NUMERICAL INDEX 0073064655

| PART NO. | PAGE | PART NO. | PAGE | PART NO. | PAGE | PART NO. | PAGE | PART NO. | PAGE |
|-------------------|------|-------------------|------|-------------------|------|-------------------|------|-------------------|------|
| 73062069.....99 | | 73063558.....206 | | 73065137.....112 | | 73066555.....271 | | 73069001.....279B | |
| 73062070.....101 | | 73063558.....210 | | 73065150.....167 | | 73066555.....275 | | 73069004.....267A | |
| 73062071.....91 | | 73063558.....217 | | 73065202.....283D | | 73066555.....282 | | 73069006.....279A | |
| 73062076.....105 | | 73063596.....117 | | 73065213.....283D | | 73066556.....271 | | 73069007.....267A | |
| 73062078.....94 | | 73063605.....283B | | 73065296.....135 | | 73066556.....275 | | 73069009.....279A | |
| 73062078.....96 | | 73063621.....271 | | 73065319.....141 | | 73066556.....282 | | 73069010.....267A | |
| 73062083.....91 | | 73063622.....271 | | 73065357.....111 | | 73066557.....282 | | 73069011.....267A | |
| 73062086.....280 | | 73063627.....53 | | 73065358.....111 | | 73066562.....271 | | 73069015.....267A | |
| 73062087.....281 | | 73063638.....51 | | 73065359.....111 | | 73066562.....275 | | 73069020.....267A | |
| 73062091.....8 | | 73063682.....149 | | 73065413.....92 | | 73066564.....283D | | 73069093.....206 | |
| | | | | | | | | | |
| 73062166.....120 | | 73063683.....150 | | 73065523.....93 | | 73066600.....241 | | 73069093.....210 | |
| 73062171.....159 | | 73063683.....8 | | 73065638.....283E | | 73066603.....193 | | 73069093.....219 | |
| 73062176.....219 | | 73063684.....150 | | 73065656.....283E | | 73066604.....193 | | 73069094.....206 | |
| 73062177.....219 | | 73063690.....150 | | 73065660.....283E | | 73066605.....125 | | 73069094.....210 | |
| 73062178.....219 | | 73063694.....149 | | 73065778.....86 | | 73066609.....283D | | 73069094.....217 | |
| 73062190.....273 | | 73063772.....11 | | 73065779.....89 | | 73066657.....63 | | 73069096.....104 | |
| 73062202.....195 | | 73063881.....283B | | 73065780.....86 | | 73066804.....271 | | 73069097.....92 | |
| 73062208.....191 | | 73063882.....283B | | 73065780.....91 | | 73066816.....282 | | 73069098.....103 | |
| 73062294.....240B | | 73063883.....283B | | 73065878.....188 | | 73067022.....283B | | 73069168.....89 | |
| 73062295.....240B | | 73064043.....215 | | 73065888.....63 | | 73067294.....282 | | 73069196.....256 | |
| | | | | | | | | | |
| 73062317.....131 | | 73064057.....259 | | 73065994.....129 | | 73067296.....125 | | 73069238.....256 | |
| 73062319.....131 | | 73064069.....258 | | 73065995.....129 | | 73067325.....177 | | 73069239.....256 | |
| 73062320.....131 | | 73064081.....260 | | 73066007.....119 | | 73067342.....217 | | 73069240.....256 | |
| 73062325.....251 | | 73064083.....258 | | 73066024.....131 | | 73067352.....282 | | 73069241.....256 | |
| 73062354.....218 | | 73064106.....230 | | 73066051.....283D | | 73067501.....282 | | 73069267.....279A | |
| 73062355.....219 | | 73064220.....283D | | 73066077.....283D | | 73067511.....63 | | 73069269.....279B | |
| 73062356.....219 | | 73064242.....282 | | 73066078.....85 | | 73067517.....8 | | 73069299.....278 | |
| 73062378.....233 | | 73064290.....283C | | 73066079.....85 | | 73067517.....93 | | 73069336.....95 | |
| 73062406.....282 | | 73064294.....283D | | 73066089.....129 | | 73067533.....63 | | 73069336.....97 | |
| 73062425.....129 | | 73064299.....195 | | 73066090.....129 | | 73067536.....63 | | 73069365.....169 | |
| | | | | | | | | | |
| 73062624.....240B | | 73064300.....195 | | 73066100.....51 | | 73067606.....236 | | 73069409.....218 | |
| 73062754.....175 | | 73064301.....194 | | 73066102.....51 | | 73067606.....282 | | 73069421.....8 | |
| 73062868.....282 | | 73064302.....194 | | 73066233.....254 | | 73067607.....282 | | 73069421.....93 | |
| 73062921.....229 | | 73064304.....283D | | 73066364.....129 | | 73067611.....282 | | 73069439.....88 | |
| 73063052.....283B | | 73064361.....283D | | 73066383.....131 | | 73067618.....260 | | 73069440.....89 | |
| 73063053.....271 | | 73064445.....273 | | 73066384.....277 | | 73067618.....282 | | 73069442.....104 | |
| 73063053.....275 | | 73064446.....273 | | 73066415.....277 | | 73067620.....223 | | 73069471.....249 | |
| 73063053.....283B | | 73064447.....272 | | 73066416.....277 | | 73067620.....225 | | 73069663.....50A | |
| 73063072.....283B | | 73064448.....272 | | 73066417.....277 | | 73067621.....236 | | 73069664.....50A | |
| 73063131.....283B | | 73064449.....272 | | 73066418.....277 | | 73067621.....282 | | 73069665.....50A | |
| | | | | | | | | | |
| 73063132.....283B | | 73064450.....272 | | 73066419.....277 | | 73067622.....228 | | 73069666.....50B | |
| 73063137.....283B | | 73064471.....241 | | 73066424.....277 | | 73067623.....283D | | 73069667.....50B | |
| 73063138.....283B | | 73064504.....241 | | 73066425.....277 | | 73067625.....282 | | 73069668.....50B | |
| 73063139.....283B | | 73064553.....241 | | 73066426.....277 | | 73067626.....282 | | 73069685.....50A | |
| 73063140.....283B | | 73064582.....283D | | 73066427.....277 | | 73067681.....258 | | 73070022.....126 | |
| 73063168.....283B | | 73064635.....283D | | 73066428.....277 | | 73067712.....236 | | 73070266.....271 | |
| 73063169.....283B | | 73064636.....283D | | 73066429.....254 | | 73067712.....282 | | 73070324.....177 | |
| 73063170.....283B | | 73064638.....283C | | 73066441.....183 | | 73067749.....184 | | 73070385.....177 | |
| 73063171.....283B | | 73064663.....117 | | 73066442.....183 | | 73067751.....184 | | 73070449.....272 | |
| 73063185.....283B | | 73064665.....117 | | 73066455.....132 | | 73067751.....213 | | 73070450.....272 | |
| | | | | | | | | | |
| 73063187.....127 | | 73064715.....117 | | 73066465.....183 | | 73068244.....240 | | 73070464.....279A | |
| 73063189.....127 | | 73064716.....117 | | 73066466.....183 | | 73068280.....241 | | 73070468.....279B | |
| 73063197.....283B | | 73064717.....117 | | 73066470.....212 | | 73068320.....240A | | 73070598.....8 | |
| 73063198.....283B | | 73064718.....117 | | 73066471.....212 | | 73068363.....102 | | 73070598.....89 | |
| 73063343.....283B | | 73064723.....117 | | 73066480.....253 | | 73068363.....88 | | 73070693.....105 | |
| 73063365.....169 | | 73064725.....117 | | 73066481.....253 | | 73068364.....102 | | 73071081.....90 | |
| 73063369.....191 | | 73064739.....283D | | 73066487.....259 | | 73068571.....103 | | 73071690.....135 | |
| 73063370.....195 | | 73064744.....93 | | 73066520.....241 | | 73068572.....92 | | 73073212.....190 | |
| 73063375.....283B | | 73064956.....172 | | 73066524.....241 | | 73068584.....174 | | 73100062.....193 | |
| 73063376.....105 | | 73064959.....172 | | 73066530.....241 | | 73068585.....176 | | 73100089.....177 | |
| | | | | | | | | | |
| 73063376.....8 | | 73064977.....53 | | 73066540.....241 | | 73068623.....283D | | 73100707.....97 | |
| 73063378.....105 | | 73065000.....102 | | 73066541.....236 | | 73068642.....176 | | 73100708.....89 | |
| 73063379.....105 | | 73065001.....87 | | 73066551.....282 | | 73068644.....177 | | 73100709.....89 | |
| 73063386.....89 | | 73065002.....88 | | 73066552.....229 | | 73068645.....177 | | 73100710.....87 | |
| 73063388.....86 | | 73065026.....241 | | 73066552.....282 | | 73068648.....175 | | 73100727.....177 | |
| 73063488.....283B | | 73065066.....241 | | 73066553.....157 | | 73068667.....175 | | 73100879.....240 | |
| 73063489.....271 | | 73065078.....241 | | 73066553.....282 | | 73068679.....265 | | 73100880.....240 | |
| 73063489.....275 | | 73065080.....151 | | 73066554.....271 | | 73068881.....217 | | 73103146.....70 | |
| 73063489.....283B | | 73065099.....273 | | 73066554.....275 | | 73068882.....206 | | 73103256.....283 | |
| 73063513.....283B | | 73065137.....111 | | 73066554.....282 | | 73068882.....210 | | 73103421.....112 | |

NUMERICAL INDEX 0073064655

| PART NO. | PAGE | PART NO. | PAGE | PART NO. | PAGE | PART NO. | PAGE | PART NO. | PAGE |
|---------------|------|---------------|------|---------------|------|---------------|------|---------------|------|
| 73103435..... | 120 | 73104804..... | 184 | 74028906..... | 264 | 74052940..... | 163 | 74059029..... | 69 |
| 73103439..... | 119 | 73104804..... | 188 | 74028922..... | 27 | 74053035..... | 45 | 74059030..... | 68 |
| 73103442..... | 120 | 73104804..... | 189 | 74028937..... | 81 | 74053036..... | 45 | 74059049..... | 69 |
| 73103444..... | 131 | 73104804..... | 193 | 74028940..... | 81 | 74053037..... | 45 | 74059051..... | 69 |
| 73103486..... | 151 | 73104814..... | 192 | 74028945..... | 41 | 74053298..... | 162 | 74059262..... | 350 |
| 73104109..... | 177 | 73104936..... | 237 | 74028945..... | 43 | 74053356..... | 162 | 74059264..... | 350 |
| 73104114..... | 177 | 73104936..... | 251 | 74029254..... | 578 | 74053356..... | 1668 | 74059265..... | 350 |
| 73104115..... | 176 | 73104969..... | 171 | 74029255..... | 578 | 74053409..... | 37 | 74059266..... | 350 |
| 73104116..... | 176 | 73104969..... | 6 E | 74029500..... | 22 | 74053410..... | 37 | 74059343..... | 350 |
| 73104118..... | 176 | 73105096..... | 51 | 74029556..... | 22 | 74053595..... | 162 | 74059380..... | 73 |
| 73104119..... | 176 | 73105127..... | 264 | 74035387..... | 13 | 74053968..... | 76 | 74059620..... | 45 |
| 73104120..... | 177 | 73105127..... | 283 | 74035530..... | 22 | 74054151..... | 166 | 74059810..... | 350 |
| 73104122..... | 177 | 73105283..... | 219 | 74040300..... | 164 | 74054434..... | 165 | 74059811..... | 350 |
| 73104123..... | 176 | 73105916..... | 175 | 74040302..... | 152 | 74054434..... | 166A | 74059812..... | 350 |
| 73104124..... | 176 | 73107880..... | 358 | 74040302..... | 165 | 74054435..... | 165 | 74059813..... | 350 |
| 73104125..... | 177 | 73107881..... | 282 | 74040302..... | 1668 | 74054435..... | 166A | 74059814..... | 350 |
| 73104126..... | 177 | 73107882..... | 282 | 74040303..... | 165 | 74054437..... | 163 | 74059979..... | 73 |
| 73104127..... | 177 | 73107884..... | 282 | 74040303..... | 1668 | 74054439..... | 163 | 74059992..... | 69 |
| 73104128..... | 177 | 73107885..... | 231 | 74040305..... | 164 | 74054566..... | 74 | 74060057..... | 69 |
| 73104129..... | 177 | 73107885..... | 233 | 74040305..... | 1668 | 74054568..... | 73 | 74060139..... | 48 |
| 73104130..... | 177 | 73107885..... | 282 | 74040315..... | 165 | 74054569..... | 73 | 74060140..... | 48 |
| 73104131..... | 177 | 73107886..... | 282 | 74040315..... | 1668 | 74055031..... | 73 | 74060141..... | 48 |
| 73104132..... | 177 | 73107886..... | 283B | 74040321..... | 162 | 74055032..... | 74 | 74060175..... | 49 |
| 73104134..... | 176 | 73107889..... | 282 | 74040323..... | 164 | 74055033..... | 74 | 74060176..... | 49 |
| 73104135..... | 176 | 73107890..... | 282 | 74040325..... | 1668 | 74055034..... | 73 | 74060177..... | 49 |
| 73104136..... | 177 | 73107894..... | 282 | 74040330..... | 163 | 74055195..... | 68 | 74060178..... | 49 |
| 73104137..... | 177 | 73107895..... | 282 | 74040330..... | 1668 | 74055272..... | 166 | 74060179..... | 49 |
| 73104138..... | 176 | 73107897..... | 282 | 74040335..... | 163 | 74055273..... | 166 | 74060180..... | 49 |
| 73104139..... | 176 | 73108441..... | 240A | 74040335..... | 1668 | 74055274..... | 166 | 74060181..... | 49 |
| 73104140..... | 177 | 73108722..... | 282 | 74040336..... | 163 | 74055275..... | 166 | 74060371..... | 69 |
| 73104143..... | 177 | 73108728..... | 282 | 74040336..... | 1668 | 74055276..... | 166 | 74060691..... | 350 |
| 73104144..... | 177 | 73108815..... | 282 | 74040339..... | 163 | 74055277..... | 166 | 74060695..... | 45 |
| 73104145..... | 177 | 73108819..... | 155 | 74040340..... | 163 | 74055278..... | 166 | 74060755..... | 350 |
| 73104146..... | 177 | 73108820..... | 282 | 74040340..... | 1668 | 74055279..... | 166 | 74060799..... | 48 |
| 73104283..... | 254 | 73108840..... | 240A | 74040341..... | 163 | 74055281..... | 166 | 74060908..... | 62 |
| 73104321..... | 6 E | 73109131..... | 240A | 74040342..... | 165 | 74055282..... | 166 | 74060956..... | 45 |
| 73104353..... | 120 | 73109131..... | 282 | 74040343..... | 165 | 74055283..... | 166 | 74061075..... | 48 |
| 73104546..... | 173 | 73109134..... | 282 | 74040345..... | 166 | 74055341..... | 166 | 74061093..... | 69 |
| 73104559..... | 105 | 73109796..... | 282 | 74040383..... | 80A | 74055527..... | 164 | 74061560..... | 68 |
| 73104584..... | 192 | 73109818..... | 282 | 74040383..... | 808 | 74055528..... | 164 | 74061613..... | 1668 |
| 73104585..... | 184 | 73109898..... | 241 | 74040384..... | 80A | 74055529..... | 164 | 74061614..... | 1668 |
| 73104595..... | 184 | 74003490..... | 16 | 74040385..... | 80A | 74055556..... | 164 | 74061615..... | 1668 |
| 73104596..... | 184 | 74004054..... | 26 | 74040386..... | 80A | 74055558..... | 164 | 74061616..... | 1668 |
| 73104597..... | 184 | 74006998..... | 42 | 74040539..... | 164 | 74055971..... | 37 | 74061617..... | 1668 |
| 73104598..... | 189 | 74016014..... | 75 | 74040550..... | 164 | 74056068..... | 80A | 74061618..... | 1668 |
| 73104600..... | 192 | 74020408..... | 21 | 74042081..... | 80A | 74056232..... | 80A | 74061619..... | 1668 |
| 73104640..... | 125 | 74022129..... | 14 | 74044209..... | 76 | 74056232..... | 808 | 74061620..... | 1668 |
| 73104653..... | 132 | 74023007..... | 264 | 74044210..... | 76 | 74056265..... | 166 | 74061621..... | 1668 |
| 73104655..... | 132 | 74023570..... | 62 | 74044211..... | 76 | 74056278..... | 166 | 74061622..... | 1668 |
| 73104656..... | 132 | 74023571..... | 62 | 74044212..... | 76 | 74056286..... | 69 | 74061623..... | 1668 |
| 73104657..... | 132 | 74023720..... | 45 | 74047564..... | 164 | 74056289..... | 69 | 74061624..... | 1668 |
| 73104658..... | 133 | 74023721..... | 43 | 74048596..... | 50 | 74056290..... | 68 | 74061625..... | 1668 |
| 73104659..... | 133 | 74023721..... | 45 | 74048596..... | 50A | 74056291..... | 68 | 74061626..... | 1668 |
| 73104660..... | 133 | 74024229..... | 45 | 74048597..... | 50 | 74056294..... | 69 | 74061628..... | 1668 |
| 73104661..... | 133 | 74024792..... | 63 | 74048598..... | 50 | 74056295..... | 69 | 74061629..... | 1668 |
| 73104662..... | 133 | 74025149..... | 62 | 74048649..... | 45 | 74056296..... | 69 | 74061630..... | 166A |
| 73104663..... | 133 | 74025230..... | 45 | 74050453..... | 163 | 74056300..... | 68 | 74061631..... | 166A |
| 73104664..... | 133 | 74025385..... | 55 | 74050466..... | 165 | 74056302..... | 68 | 74061632..... | 1668 |
| 73104665..... | 133 | 74025385..... | 57 | 74050467..... | 165 | 74056303..... | 68 | 74061633..... | 1668 |
| 73104666..... | 133 | 74025385..... | 57B | 74050467..... | 1668 | 74056305..... | 69 | 74061634..... | 1668 |
| 73104667..... | 133 | 74025391..... | 24 | 74050468..... | 165 | 74056306..... | 69 | 74061746..... | 14 |
| 73104668..... | 133 | 74025925..... | 67 | 74050637..... | 45 | 74056314..... | 69 | 74061755..... | 17 |
| 73104683..... | 151 | 74026614..... | 31 | 74050638..... | 45 | 74056353..... | 162 | 74061756..... | 17 |
| 73104684..... | 151 | 74026614..... | 31A | 74050645..... | 45 | 74056425..... | 162 | 74061757..... | 17 |
| 73104685..... | 151 | 74027687..... | 11 | 74050646..... | 45 | 74058845..... | 164 | 74061758..... | 17 |
| 73104692..... | 113 | 74027748..... | 50A | 74051038..... | 164 | 74058886..... | 164 | 74061759..... | 17 |
| 73104763..... | 112 | 74027748..... | 57 | 74052124..... | 163 | 74058886..... | 1668 | 74061766..... | 18 |
| 73104763..... | 6 E | 74027748..... | 57B | 74052124..... | 1668 | 74058899..... | 163 | 74061767..... | 18 |
| 73104788..... | 138 | 74028077..... | 31 | 74052540..... | 50 | 74058899..... | 1668 | 74061768..... | 18 |
| 73104789..... | 138 | 74028077..... | 31A | 74052939..... | 163 | 74059024..... | 69 | 74061769..... | 18 |

NUMERICAL INDEX 0073064655

| PART NO. | PAGE | PART NO. | PAGE | PART NO. | PAGE | PART NO. | PAGE | PART NO. | PAGE |
|---------------|------|---------------|------|---------------|------|---------------|------|---------------|------|
| 74061770..... | 18 | 74320597..... | 29 | 74321104..... | 44 | 74335056..... | 9A | 74337690..... | 17 |
| 74061785..... | 35D | 74320597..... | 32 | 74321116..... | 11 | 74335067..... | 27 | 74337698..... | 17 |
| 74061786..... | 35D | 74320597..... | 9 | 74321117..... | 11 | 74335157..... | 21 | 74337699..... | 17 |
| 74061787..... | 35D | 74320613..... | 21 | 74321135..... | 160 | 74335320..... | 76 | 74337700..... | 17 |
| 74061788..... | 35D | 74320614..... | 21 | 74321136..... | 161 | 74335369..... | 14 | 74337715..... | 17 |
| 74061789..... | 35D | 74320616..... | 21 | 74321137..... | 160 | 74335382..... | 29 | 74337716..... | 17 |
| 74061821..... | 17 | 74320617..... | 160 | 74321138..... | 161 | 74335451..... | 82 | 74337723..... | 24 |
| 74061822..... | 17 | 74320636..... | 61 | 74321146..... | 39 | 74335534..... | 13 | 74337740..... | 35 |
| 74061823..... | 17 | 74320637..... | 59 | 74321169..... | 166A | 74335550..... | 27 | 74337740..... | 9 |
| 74061824..... | 17 | 74320638..... | 59 | 74321182..... | 10 | 74335577..... | 9A | 74337741..... | 35 |
| 74061919..... | 80B | 74320638..... | 60 | 74321186..... | 35 | 74335578..... | 113 | 74337741..... | 9 |
| 74062270..... | 77 | 74320654..... | 21 | 74321189..... | 9 | 74335578..... | 9A | 74337764..... | 13 |
| 74062272..... | 77 | 74320655..... | 21 | 74321190..... | 45 | 74335623..... | 40 | 74337764..... | 9 |
| 74062311..... | 18 | 74320656..... | 6 E | 74321192..... | 45 | 74335668..... | 9A | 74337972..... | 13 |
| 74062313..... | 18 | 74320689..... | 21 | 74321194..... | 45 | 74335711..... | 27 | 74338143..... | 25 |
| 74113897..... | 9A | 74320703..... | 50 | 74321195..... | 45 | 74335712..... | 26 | 74338174..... | 161 |
| 74251367..... | 42 | 74320742..... | 26 | 74321204..... | 50 | 74335712..... | 9A | 74338284..... | 160 |
| 74251367..... | 44 | 74320776..... | 27 | 74321230..... | 35 | 74335809..... | 77 | 74338299..... | 24 |
| 74252241..... | 80 | 74320779..... | 265 | 74321247..... | 75 | 74335864..... | 80 | 74338310..... | 19 |
| 74253435..... | 61 | 74320780..... | 265 | 74321252..... | 66 | 74336129..... | 21 | 74339017..... | 18 |
| 74253453..... | 19 | 74320781..... | 265 | 74321253..... | 67 | 74336130..... | 21 | 74339021..... | 37 |
| 74253490..... | 26 | 74320782..... | 265 | 74321254..... | 82 | 74336131..... | 21 | 74339022..... | 37 |
| 74253555..... | 35D | 74320801..... | 18 | 74321338..... | 50 | 74336142..... | 25 | 74339036..... | 13 |
| 74253751..... | 37 | 74320811..... | 63 | 74321348..... | 16 | 74336156..... | 78 | 74339037..... | 13 |
| 74253771..... | 39 | 74320838..... | 33 | 74321349..... | 16 | 74336178..... | 21 | 74339038..... | 13 |
| 74253773..... | 11 | 74320838..... | 9 | 74321380..... | 24 | 74336182..... | 78 | 74339116..... | 38 |
| 74253862..... | 80A | 74320839..... | 33 | 74321381..... | 16 | 74336182..... | 9 | 74339118..... | 39 |
| 74253862..... | 80B | 74320839..... | 9 | 74321388..... | 16 | 74336234..... | 25 | 74339119..... | 38 |
| 74253863..... | 80A | 74320862..... | 42 | 74321389..... | 16 | 74336249..... | 55 | 74339120..... | 38 |
| 74253863..... | 80B | 74320880..... | 43 | 74321390..... | 16 | 74336250..... | 55 | 74339123..... | 37 |
| 74253864..... | 166B | 74320883..... | 31 | 74321391..... | 16 | 74336250..... | 57 | 74339127..... | 39 |
| 74253977..... | 19 | 74320884..... | 31 | 74321392..... | 16 | 74336250..... | 57B | 74339128..... | 37 |
| 74253978..... | 19 | 74320884..... | 31A | 74321393..... | 16 | 74336263..... | 79 | 74339150..... | 37 |
| 74254173..... | 19 | 74320885..... | 32 | 74321394..... | 16 | 74336263..... | 9 | 74339150..... | 9A |
| 74254363..... | 25 | 74320885..... | 9 | 74321395..... | 16 | 74336266..... | 9 | 74339151..... | 39 |
| 74254646..... | 250 | 74320887..... | 33 | 74321399..... | 31A | 74336345..... | 9A | 74339151..... | 9A |
| 74254646..... | 254 | 74320887..... | 9 | 74321399..... | 9 | 74336432..... | 13 | 74339198..... | 37 |
| 74254873..... | 42 | 74320887..... | 9 | 74321399..... | 9 | 74336432..... | 13 | 74339198..... | 37 |
| 74254873..... | 42 | 74320898..... | 35 | 74321427..... | 10 | 74336436..... | 14 | 74339454..... | 37 |
| 74254891..... | 27 | 74320903..... | 39 | 74321437..... | 21 | 74336436..... | 67 | 74339458..... | 160 |
| 74254977..... | 29 | 74320904..... | 39 | 74321437..... | 9 | 74336436..... | 9A | 74339459..... | 80 |
| 74254991..... | 67 | 74320905..... | 38 | 74321438..... | 21 | 74336491..... | 27 | 74339496..... | 67 |
| 74255060..... | 48 | 74320907..... | 39 | 74321438..... | 9 | 74336506..... | 78 | 74339511..... | 40 |
| 74255286..... | 74 | 74320909..... | 39 | 74321474..... | 50 | 74336531..... | 57 | 74339532..... | 67 |
| 74255287..... | 74 | 74320916..... | 32 | 74321630..... | 26 | 74336531..... | 57B | 74339533..... | 66 |
| 74255329..... | 230 | 74320916..... | 9 | 74321671..... | 33 | 74336532..... | 43 | 74339535..... | 40 |
| 74255393..... | 25 | 74320916..... | 9A | 74321671..... | 9 | 74336532..... | 55 | 74339535..... | 67 |
| 74255465..... | 18 | 74320921..... | 160 | 74321696..... | 50A | 74336532..... | 57 | 74339595..... | 37 |
| 74255585..... | 15 | 74320922..... | 161 | 74321697..... | 76 | 74336532..... | 57B | 74339604..... | 14 |
| 74255606..... | 67 | 74320924..... | 161 | 74321702..... | 57 | 74336558..... | 67 | 74339606..... | 67 |
| 74255723..... | 25 | 74320925..... | 161 | 74321702..... | 57B | 74336609..... | 22 | 74339690..... | 61 |
| 74255740..... | 41 | 74320927..... | 75 | 74321706..... | 57B | 74336646..... | 25 | 74339697..... | 38 |
| 74255740..... | 43 | 74320929..... | 75 | 74321707..... | 57B | 74336676..... | 22 | 74339698..... | 38 |
| 74255914..... | 40 | 74320930..... | 75 | 74321708..... | 57B | 74336676..... | 9A | 74339712..... | 57 |
| 74255916..... | 35 | 74320943..... | 12 | 74321709..... | 57B | 74336777..... | 80 | 74339712..... | 57B |
| 74255916..... | 9 | 74320972..... | 68 | 74321710..... | 57B | 74336897..... | 22 | 74339851..... | 50 |
| 74255961..... | 11 | 74320985..... | 13 | 74321713..... | 77 | 74337046..... | 80A | 74339949..... | 61 |
| 74255962..... | 11 | 74320994..... | 13 | 74321718..... | 21 | 74337047..... | 29 | 74341292..... | 22 |
| 74255977..... | 67 | 74321007..... | 18 | 74321718..... | 21 | 74337047..... | 29 | 74341292..... | 22 |
| 74256008..... | 13 | 74321033..... | 18 | 74321795..... | 57B | 74337573..... | 29 | 74344938..... | 50 |
| 74256009..... | 55 | 74321034..... | 18 | 74321798..... | 9A | 74337575..... | 29 | 74346100..... | 13 |
| 74256009..... | 57 | 74321035..... | 18 | 74321954..... | 9 | 74337576..... | 29 | 74346169..... | 29 |
| 74256009..... | 57B | 74321036..... | 18 | 74321959..... | 12 | 74337577..... | 29 | 74346169..... | 9A |
| 74271718..... | 50 | 74321052..... | 32 | 74321963..... | 12 | 74337578..... | 29 | 74346246..... | 27 |
| 74300145..... | 82 | 74321052..... | 9 | 74321965..... | 16 | 74337580..... | 29 | 74346307..... | 24 |
| 74300145..... | 9 | 74321052..... | 9 | 74321976..... | 80B | 74337581..... | 29 | 74346441..... | 9A |
| 74305073..... | 14 | 74321053..... | 32 | 74321981..... | 21 | 74337582..... | 29 | 74346456..... | 82 |
| 74306010..... | 30 | 74321053..... | 9 | 74321981..... | 9 | 74337584..... | 29 | 74346456..... | 9A |
| 74317554..... | 79 | 74321100..... | 43 | 74321981..... | 9 | 74337584..... | 29 | 74346456..... | 9A |
| 74320591..... | 13 | 74321101..... | 43 | 74321984..... | 9 | 74337602..... | 79 | 74346724..... | 161 |
| 74320592..... | 13 | 74321102..... | 43 | 74321992..... | 80B | 74337687..... | 17 | 74346744..... | 77 |
| | | 74321104..... | 42 | 74322027..... | 76 | 74337688..... | 17 | 74346744..... | 9A |
| | | | | 74335056..... | 77 | 74337689..... | 17 | 74347003..... | 82 |

NUMERICAL INDEX 0073064655

| PART NO. | PAGE | PART NO. | PAGE | PART NO. | PAGE | PART NO. | PAGE | PART NO. | PAGE |
|---------------|------|---------------|------|---------------|------|---------------|------|----------|------|
| 74347031..... | 79 | 74354568..... | 29 | 74359395..... | 62 | 74393077..... | 43 | | |
| 74347031..... | 9A | 74354568..... | 32 | 74359645..... | 21 | 74393077..... | 44 | | |
| 74347061..... | 14 | 74354656..... | 35 | 74359646..... | 21 | 74393260..... | 49 | | |
| 74347120..... | 9A | 74354750..... | 30 | 74359656..... | 37 | 74393286..... | 49 | | |
| 74347413..... | 13 | 74354778..... | 18 | 74359663..... | 48 | 74393344..... | 31 | | |
| 74347416..... | 13 | 74354831..... | 57 | 74359666..... | 41 | 74393346..... | 31 | | |
| 74347419..... | 13 | 74355843..... | 11 | 74359667..... | 49 | 74393347..... | 31 | | |
| 74347465..... | 14 | 74356232..... | 160 | 74359677..... | 49 | 74393349..... | 31 | | |
| 74347543..... | 34 | 74357336..... | 67 | 74359688..... | 41 | 74393349..... | 31A | | |
| 74347543..... | 35 | 74357337..... | 67 | 74359689..... | 41 | 74393349..... | 9A | | |
| | | | | | | | | | |
| 74347572..... | 30 | 74357346..... | 67 | 74359701..... | 25 | 74393350..... | 31A | | |
| 74347573..... | 9 | 74357356..... | 34 | 74359704..... | 6 | 74393351..... | 31 | | |
| 74347681..... | 160 | 74357357..... | 34 | 74359714..... | 6 | 74393351..... | 31A | | |
| 74347714..... | 161 | 74357360..... | 30 | 74359725..... | 40 | 74393352..... | 31A | | |
| 74347722..... | 161 | 74357386..... | 22 | 74359737..... | 10 | 74393353..... | 31A | | |
| 74347781..... | 80 | 74357689..... | 39 | 74359741..... | 40 | 74393354..... | 31 | | |
| 74347855..... | 161 | 74357690..... | 39 | 74359741..... | 9 | 74393354..... | 31A | | |
| 74347921..... | 161 | 74357691..... | 39 | 74359751..... | 6 | 74393359..... | 32 | | |
| 74347924..... | 19 | 74357692..... | 39 | 74359776..... | 41 | 74393359..... | 9 | | |
| 74347938..... | 29 | 74357701..... | 39 | 74359776..... | 43 | 74393359..... | 9A | | |
| | | | | | | | | | |
| 74348020..... | 29 | 74357705..... | 39 | 74359861..... | 50A | 74393427..... | 75 | | |
| 74348056..... | 13 | 74357706..... | 39 | 74359869..... | 13 | 74393504..... | 75 | | |
| 74348107..... | 26 | 74357794..... | 34 | 74359870..... | 13 | 74393581..... | 30 | | |
| 74348126..... | 9A | 74357853..... | 34 | 74359911..... | 49 | 74393587..... | 15 | | |
| 74348129..... | 25 | 74357981..... | 80 | 74359947..... | 79 | 74394407..... | 43 | | |
| 74348130..... | 25 | 74358726..... | 67 | 74359948..... | 78 | 74394407..... | 45 | | |
| 74348133..... | 9 | 74358728..... | 67 | 74359964..... | 13 | 74394509..... | 81 | | |
| 74348136..... | 27 | 74358754..... | 79 | 74359984..... | 25 | 74394510..... | 81 | | |
| 74348136..... | 9A | 74358763..... | 39 | 74359985..... | 25 | 74394660..... | 166A | | |
| 74348184..... | 37 | 74358788..... | 76 | 74362338..... | 13 | 74394939..... | 160 | | |
| | | | | | | | | | |
| 74348184..... | 9A | 74358840..... | 22 | 74362458..... | 9A | 74395024..... | 32 | | |
| 74348185..... | 39 | 74358911..... | 67 | 74369599..... | 50 | 74395024..... | 9 | | |
| 74348185..... | 9A | 74358988..... | 25 | 74371107..... | 40 | 74395087..... | 31A | | |
| 74348215..... | 29 | 74358989..... | 25 | 74371289..... | 9A | 74395089..... | 31A | | |
| 74348215..... | 9A | 74359085..... | 22 | 74371323..... | 19 | 74395419..... | 42 | | |
| 74348218..... | 30 | 74359104..... | 14 | 74371324..... | 19 | 74395419..... | 44 | | |
| 74348218..... | 9A | 74359106..... | 57 | 74371503..... | 15 | 74395740..... | 81 | | |
| 74348244..... | 13 | 74359112..... | 21 | 74371707..... | 80A | 74395741..... | 81 | | |
| 74348246..... | 13 | 74359113..... | 21 | 74372325..... | 37 | 74395889..... | 37 | | |
| 74348502..... | 80A | 74359115..... | 21 | 74372864..... | 21 | 74500230..... | 14 | | |
| | | | | | | | | | |
| 74348502..... | 80B | 74359192..... | 21 | 74373069..... | 9A | 74500231..... | 14 | | |
| 74348825..... | 76 | 74359203..... | 19 | 74373610..... | 37 | 74506737..... | 39 | | |
| 74348856..... | 14 | 74359219..... | 30 | 74373612..... | 37 | 74507084..... | 76 | | |
| 74348857..... | 14 | 74359222..... | 18 | 74373613..... | 37 | 74507359..... | 55 | | |
| 74348858..... | 14 | 74359231..... | 11 | 74373614..... | 37 | 74507359..... | 57 | | |
| 74348859..... | 14 | 74359248..... | 73 | 74374127..... | 30 | 74507359..... | 57B | | |
| 74348900..... | 14 | 74359264..... | 21 | 74375937..... | 21 | 74507374..... | 14 | | |
| 74349011..... | 9A | 74359271..... | 11 | 74375953..... | 67 | 74507673..... | 14 | | |
| 74349157..... | 25 | 74359280..... | 77 | 74376294..... | 30 | 74511213..... | 62 | | |
| 74349193..... | 66 | 74359290..... | 11 | 74376497..... | 21 | 74513552..... | 57 | | |
| | | | | | | | | | |
| 74349257..... | 24 | 74359293..... | 11 | 74376749..... | 21 | 74514091..... | 39 | | |
| 74349378..... | 29 | 74359294..... | 19 | 74376749..... | 37 | 74514400..... | 21 | | |
| 74349629..... | 13 | 74359298..... | 19 | 74376749..... | 9 | 74514780..... | 59 | | |
| 74349630..... | 13 | 74359308..... | 11 | 74378031..... | 62 | 74514780..... | 60 | | |
| 74349631..... | 13 | 74359310..... | 29 | 74378031..... | 9 | 74516432..... | 265 | | |
| 74354163..... | 26 | 74359310..... | 32 | 74379263..... | 37 | 74516821..... | 25 | | |
| 74354163..... | 9A | 74359312..... | 15 | 74379268..... | 37 | 74613537..... | 129 | | |
| 74354175..... | 13 | 74359323..... | 30 | 74379269..... | 37 | 74640976..... | 80A | | |
| 74354261..... | 15 | 74359326..... | 55 | 74380652..... | 62 | 74640978..... | 80A | | |
| 74354304..... | 27 | 74359327..... | 55 | 74380656..... | 62 | 74640978..... | 80B | | |
| | | | | | | | | | |
| 74354304..... | 9A | 74359328..... | 55 | 74380662..... | 62 | 74660358..... | 14 | | |
| 74354305..... | 27 | 74359329..... | 55 | 74386037..... | 67 | 74660408..... | 11 | | |
| 74354306..... | 27 | 74359330..... | 55 | 74387529..... | 263 | 74716090..... | 59 | | |
| 74354310..... | 66 | 74359331..... | 55 | 74388349..... | 66 | 74722511..... | 135 | | |
| 74354414..... | 26 | 74359333..... | 55 | 74388568..... | 264 | 74752075..... | 22 | | |
| 74354415..... | 26 | 74359334..... | 55 | 74388648..... | 71 | 74791157..... | 266 | | |
| 74354415..... | 9A | 74359344..... | 49 | 74389058..... | 14 | 84336897..... | 9A | | |
| 74354449..... | 13 | 74359345..... | 48 | 74390593..... | 350 | | | | |
| 74354492..... | 13 | 74359348..... | 49 | 74391160..... | 13 | | | | |
| 74354537..... | 79 | 74359373..... | 21 | 74393077..... | 41 | | | | |