

PARTS CATALOG

**540
articulated
4-wheel drive
loader**

ALPHABETICAL INDEX

The alphabetical index is located at the front of this catalog. It is used to locate major groups, assemblies and components.

NUMERICAL INDEX

The numerical index is located at the end of this catalog and indicated on which page or pages a part number appears.

ILLUSTRATIONS

All illustrations are located on the left hand page with the text on the right. Except for some common hardware, all parts are identified with an item number which corresponds to the "item" column on the text page. This is followed by the part number, quantity and description.

HARDWARE

Common hardware not identified such as bolts, nuts, cotter pins and lube fittings, are listed indented in the text beneath the item which they attach or fit into. Common hardware listed indented beneath an item is NOT included unless specified. Example: (Incl. BOLT, LOCKWASHER & NUT).

ORDERING PARTS

Be sure to refer to both the text and the illustration to assure ordering the correct part.

The Plus "+" sign preceding various numbers in the Numerical Index, shown at the end of this book, indicates those which are new since the last issue of the 540 Loader Parts Catalog Form 1013006.



INDEX

AIR INTAKE & EXHAUST	
Air Cleaner	
Diesel	41
Gas	39
Air Cleaner Asy.	
Diesel	41
Gas	39
Manifolds	
Intake & Exhaust	
Diesel	35
Gas	37
Muffler	
Diesel	35
Gas	37
ATTACHMENTS	
Bucket	
Loader	201
Blades	201
Carriages	
48" Shaft Mount	207
64" Hook Fork Mount	207
Cold Start Kit	195
Counterweight Conversion	213
Grapple	
Field Installation	189
Lift Tines	
Hook & Shaft Mount	203
Manure Fork	205
Mounting Kit	
Backhoe & 3 Pt. Hitch	197
Fork Lift	199
Tilt Cylinder Asy. (Refer to HYDRAULIC Section)	
Noise Package	
R.O.P.S. Loader & Cab Loader	191
R.O.P.S.	209
3 Pt. Hitch	
Field Installation	211
Vandalism Kit	
Field Installation	193
BACKHOE	
Backhoe Assembly	181
Cylinder Asy.'s (Refer to HYDRAULIC Section)	
Valve Assembly (Refer to HYDRAULIC Section)	
CAB	
Cab Assembly	173
Defroster Fan	
Field Installed	179
Heater	
Field Installation	177
Heater Assembly	175

INDEX

COOLING SYSTEM	
Radiator & Cooler	
Diesel & Gas	47
Water Pump	
Diesel	43
Gas	45
Belt, Fan	43,45
Blade, Fan	43,45
Thermostat	43,45
DRIVE TRAIN	
Axle — Trunnion & Motor	
Power Module	93
Motor Asy., Front	103
Parking Brake	99
Planetary Wheel & Motor	
Power Module	95
Tool Module	97
Tires	
Front & Rear	105
ELECTRICAL & INSTRUMENTS	
Distributor	75
Electrical System	
Wiring & Battery	
Diesel	61
Gas	63
Engine Electrical System	
Alternator, Diesel & Gas	73
Alternator & Starter Mount, Diesel & Gas	67
Carburetor, Gas	77
Ignition, Gas	79
Starter & Drive — Ford	
Diesel	69
Gas	71
Instruments	
Gauges & Battery	65

INDEX

ENGINE

Diesel

Balancer	17
Camshaft	13
Crankshaft	11
Cylinder Block	7
Cylinder Head	9
Engine Replacement	7
Exhaust Valve	9
Flywheel	11
Gasket Sets	
Lower Service	5
Upper Service	3
Gear, camshaft	13
Gear, crankshaft	11
Indicator, oil level	7
Intake Valve	9
Lubricating System	
Oil Pan	15
Oil Pump	15
Oil Filter	7
Piston & Connecting Rod	13
Pulley, crankshaft	11
Push Rod, Valve	13
Shaft, rocker arm	13
Short Block	7
Sleeve, cylinder	9
Tappet, valve	13
Timing Gear Cover	17
Valve Operating Mechanism	13

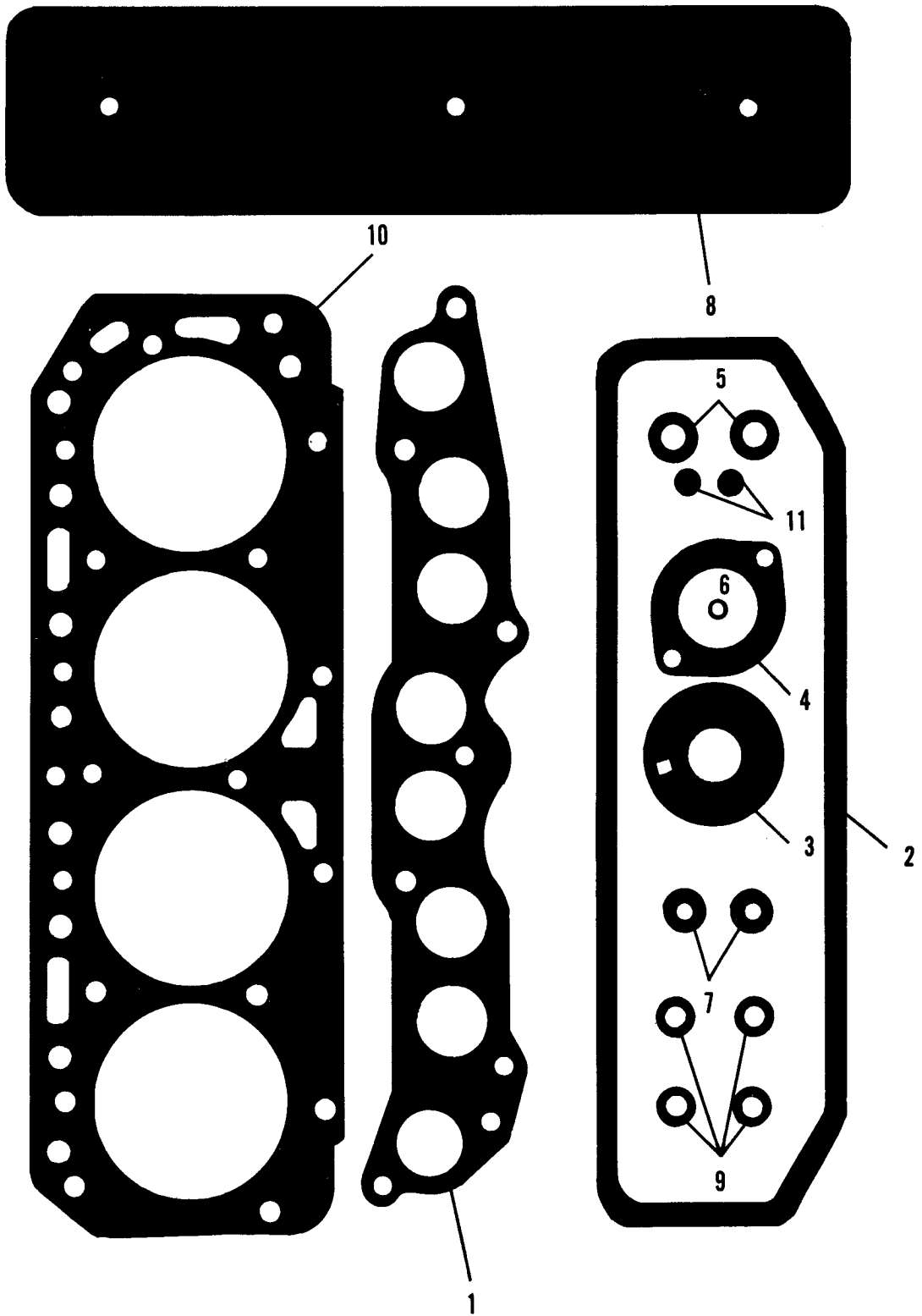
Gas

Camshaft	29
Crankshaft	27
Cylinder Block	23
Cylinder Head	25
Engine Replacement	23
Exhaust Valve	25
Flywheel	27
Gasket Sets	
Lower Service	21
Upper Service	19
Gear, camshaft	29
Gear, crankshaft	27
Governor Control	33
Indicator, oil level	23
Intake Valve	25
Lubricating System	
Oil Pan	31
Oil Pump	31
Oil Filter	23
Piston & Connecting Rod	29
Pulley, crankshaft	27
Push Rod, valve	29
Ring Gear	27
Shaft, rocker arm	29
Short Block	23
Sleeve, cylinder	25
Tappet, valve	29
Timing Gear Cover	33
Valve Operating Mechanism	29

INDEX

FORK LIFT	
Mast	
10 Ft. & 14 Ft.	187
Lift Cylinder Asy. (Refer to HYDRAULIC Section)	
FUEL SYSTEM	
Controls, Diesel & Gas	
Fuel Shut-off & Throttle	59
Fuel Injection System, Diesel	
Lines	57
Pump — Housing & Drive	49
Pump — Transfer, Head & Rotor	53
Fuel Pump, Gas	59
Fuel Tank & Lines	55
HYDRAULIC SYSTEM	
Auxiliary Hydraulics	
Field Installation	171
Control Valve	
Loader & Fork Lift	127
Power Steering	153
Control Valve & Cylinders	125
Cylinder Asy.	
Backhoe	147
Lift, 10 Ft. & 14 Ft.	137
Loader Lift	139
Loader Tilt	139
Power Steering	141
Stabilizer	143
Swing	145
Tilt	149
Filter Asy.	151
Flow Control	
Bi-Directional In-Line	165
Flow Control — In Line	115
Foot Control	155
Gear Pump	113
Hydraulic Group	
Backhoe	135
3 Pt. Hitch	169
Oil Filter	
In Tank Reservoir	165
Oil Reservoir	
Diesel & Gas	167
Piston Pump, front	121
Piston Pump, rear	117
Pump Control	157
Pump Drive	107
Power Steering	
Front Axle	159
Front Console	161
Rear Axle	163
Selector Valve Asy.	151
Steering Column	
Power Steering	153
Triple Pump Asy.	109
Triple Pump Package	111
Valve Asy.	
Backhoe	129
Valve Section	
4-Way Boom & Dipper	131
4-Way Swing, Bucket & Stabilizer	133
LIFT ARMS	
Lift Arms & Cylinders	185
NUMERICAL INDEX	
	214
SHEET METAL, FRAME & SEAT	
Control Handles	85
Decals	91
Frame Asy.	
Front	83
Rear	81
Hood, Grille & Cowl	87
Seat	89

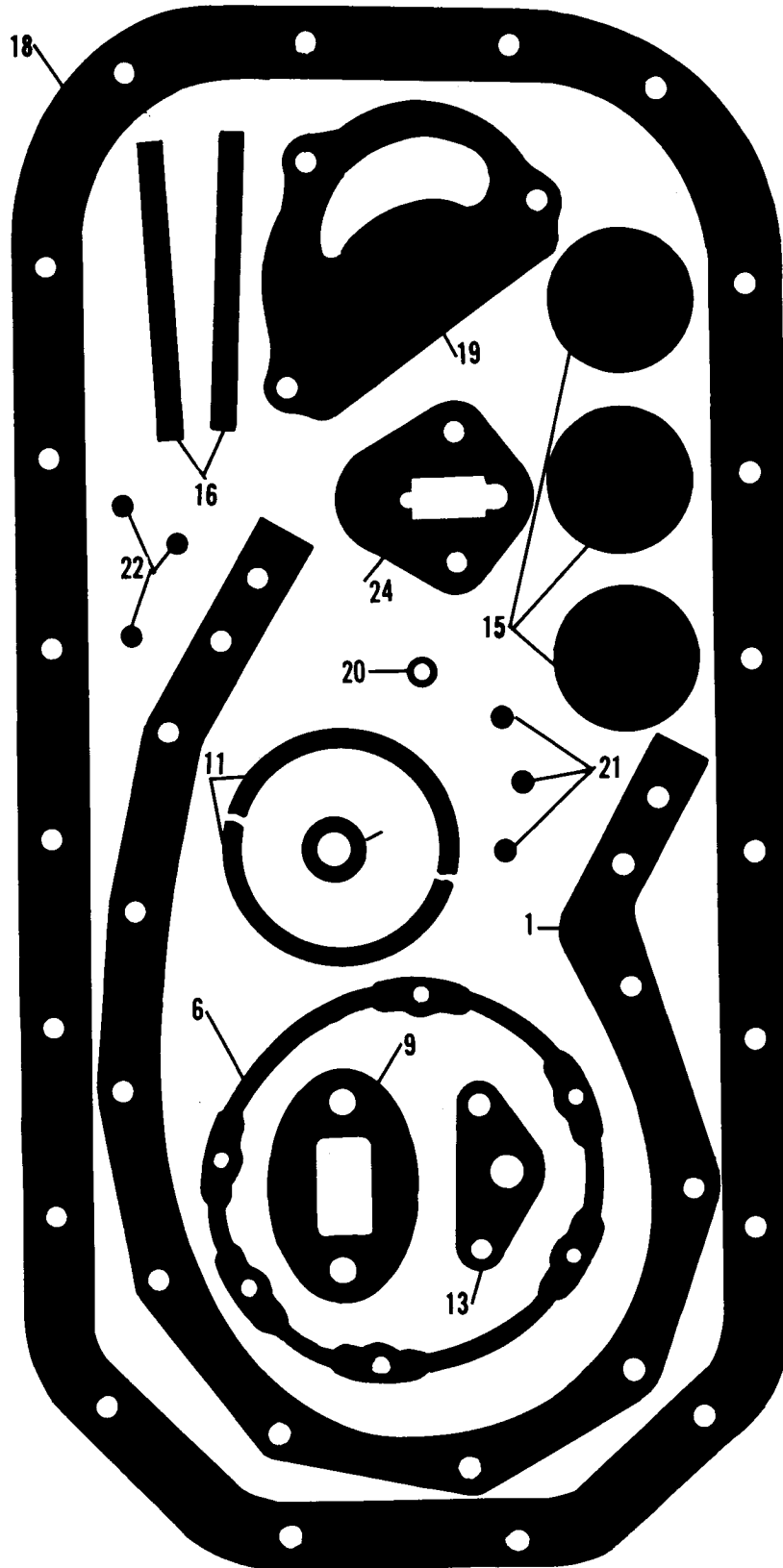
GASKET SET
UPPER SERVICE
540D



GASKET SET
UPPER SERVICE
540D

ITEM	NUMBER	QTY.	DESCRIPTION
-	1017365	1	GASKET SET, upper service
1	1013146	1	GASKET, manifold
2	1013087	1	GASKET, rocker cover
3	1017366	1	GASKET, rocker vent
4	1013116	1	GASKET, water outlet
5	1013084	8	SEAL, valve stem
6	1017367	4	SEAL, injector nozzle
7	1010740	5	SEAL, push rod & rocker cover
8	1010683	1	GASKET, push rod cover
9	1013129	8	WASHER, leak-off line
10	1013065	1	GASKET, head
11	1017368	2	PLUG, rod arm shaft

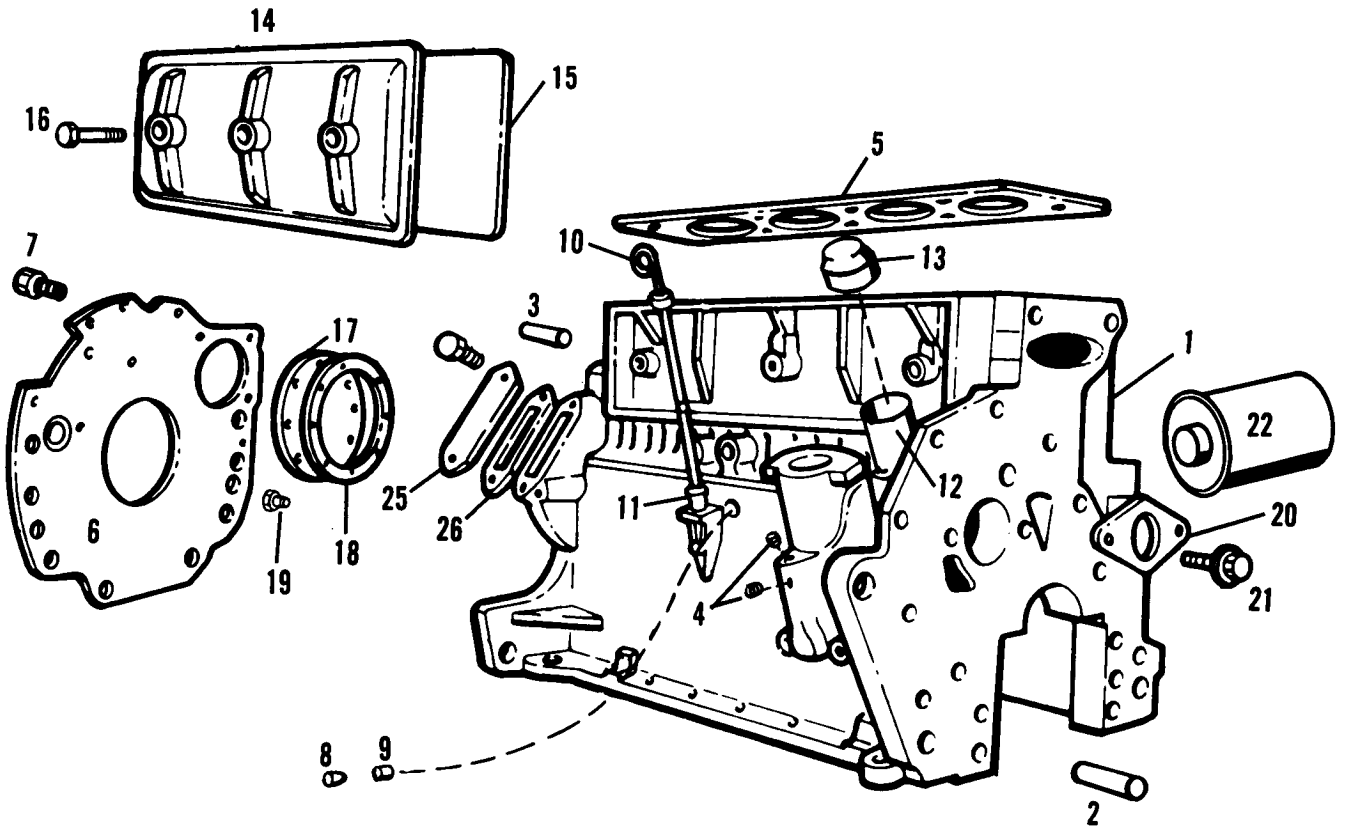
GASKET SET
LOWER SERVICE
540D



GASKET SET
LOWER SERVICE
540D

ITEM	NUMBER	QTY.	DESCRIPTION
-	1010909	1	GASKET SET, lower service
1	1010554	1	GASKET, frt. cover
2	-----	1	GASKET, frt. cover
3	-----	1	GASKET, frt. cover
4	-----	1	SEAL ASY.
5	-----	1	GASKET
6	1010580	1	GASKET
7	-----	2	PLUG
8	-----	1	GASKET
9	-----	1	GASKET
10	-----	1	GASKET
11	1010705	2	SEAL
12	-----	1	GASKET
13	1010746	1	GASKET
14	-----	1	GASKET
15	1010895	3	PLUG
16	1010605	2	SEAL
17	1010747	1	GASKET
18	1010688	1	GASKET, oil pan
19	1010789	1	GASKET
20	1010751	1	SEAL
21	1010744	3	SEAL
22	1010743	3	PLUG
23	1010811	1	SEAL
24	1010806	1	GASKET
25	-----	1	GASKET
26	-----	2	PLUG
27	-----	1	GASKET
28	-----	1	GASKET

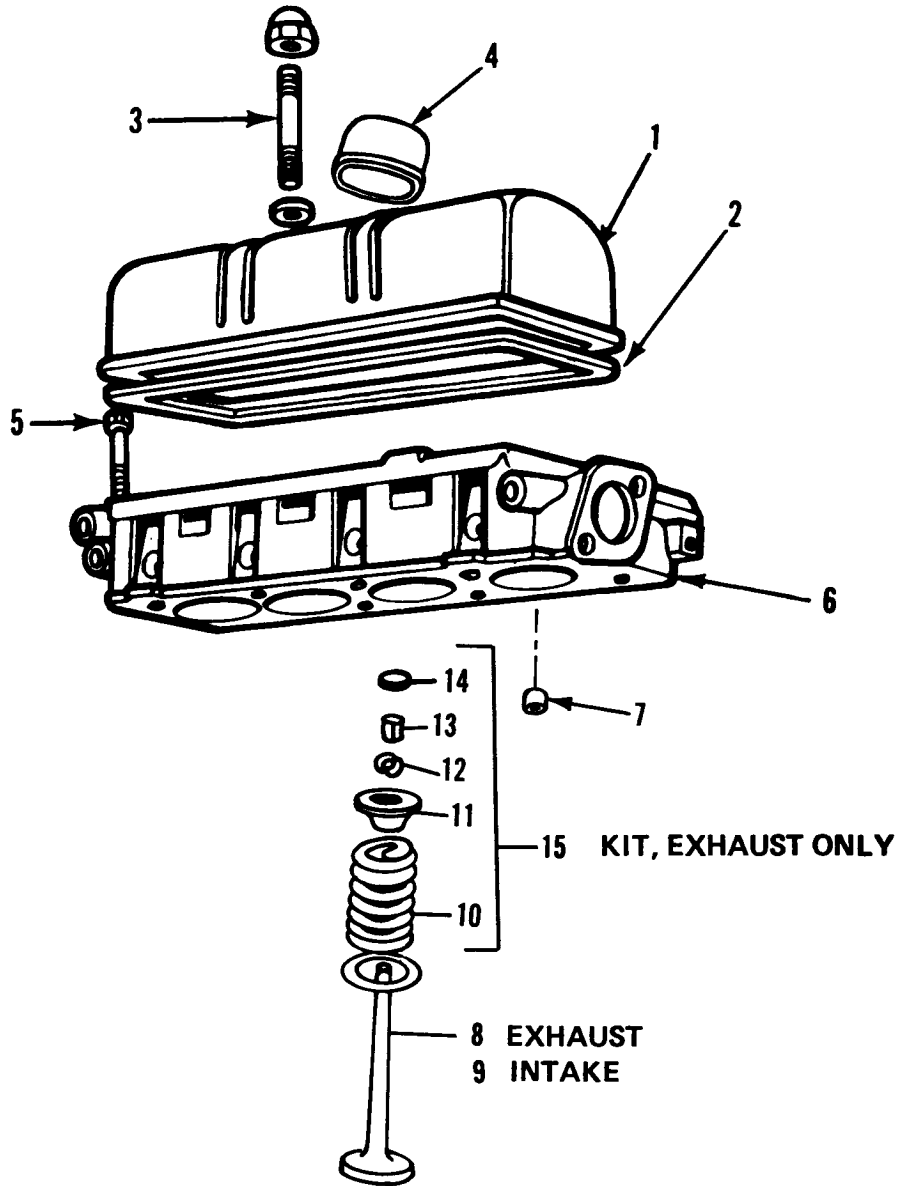
CYLINDER BLOCK
540D



CYLINDER BLOCK
540D

ITEM	NUMBER	QTY.	DESCRIPTION
1	1013155	1	BLOCK ASY., cylinder
	1010554	4	PLUG, oil line
2	1010552	2	PIN, dowel
3	1010553	2	PIN, dowel
4	1010555	2	PLUG, oil line
5	1013065	1	GASKET, cylinder head
6	1010741	1	PLATE, cover rear
7	1012636	4	BOLT, rear cover
8	1010743	3	PLUG
9	1010744	3	SEAL, cyl. block
10	1010697	1	INDICATOR, oil level
11	1010724	1	TUBE, oil level indicator
12	1013101	1	PIPE ASY., oil filler
13	1013102	1	CAP ASY., oil filler & breather
14	1010682	1	COVER, push rod
15	1010683	1	GASKET, push rod cover
16	1012651	3	BOLT, cover
17	1010579	1	COVER, cam bearing
18	1010580	1	GASKET, cam rear cover
19	1012636	6	BOLT, cover to block
20	1010581	1	PLATE, camshaft thrust
21	1010896	2	BOLT, plate cylinder
	1010899	2	WASHER, camshaft
22	1010763	1	FILTER, oil
23	1010559	1	COVER, timing pin (Not shown)
24	920649	1	BOLT, 7/16NC x 1-3/8 (Not shown)
25	-----	1	COVER, pump gear housing (Not serviced)
26	-----	1	GASKET, pump cover (Not serviced)
-	1013062	-	BLOCK ASY., short
-	1014988	-	ENGINE REPLACEMENT

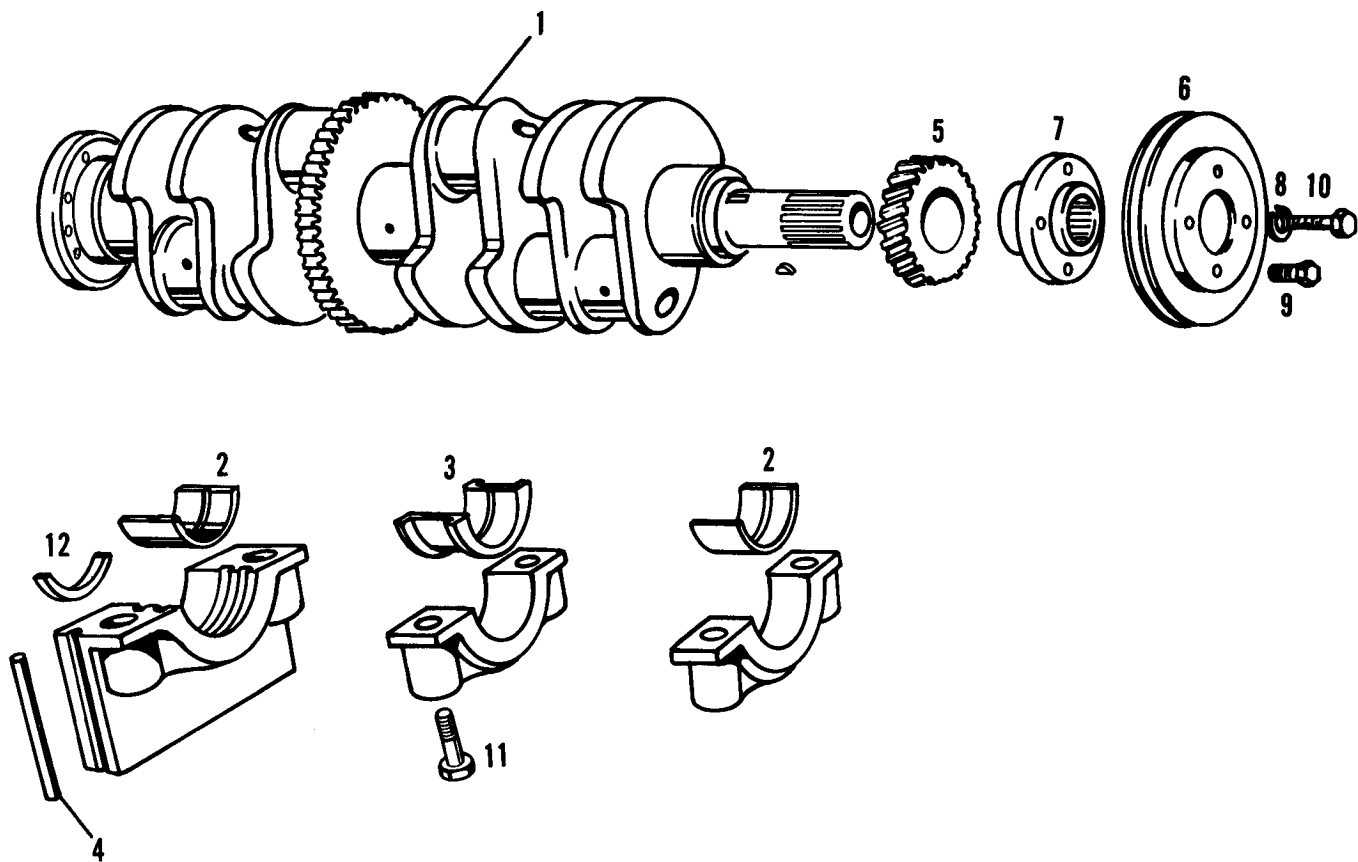
CYLINDER HEAD
540D



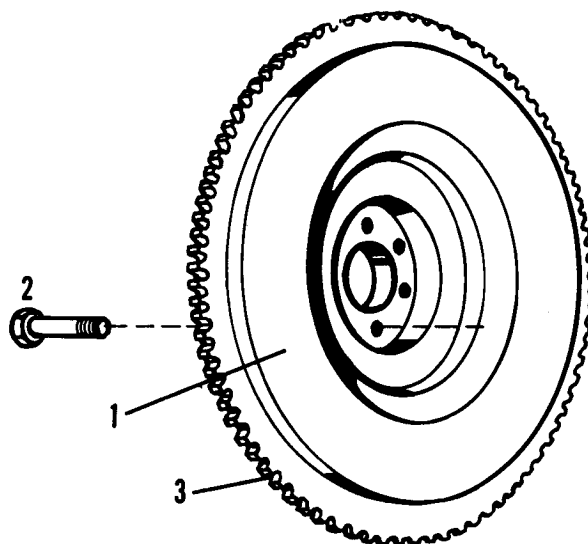
CYLINDER HEAD
540D

ITEM	NUMBER	QTY.	DESCRIPTION
1	1013086	1	COVER, valve rocker arm
2	1013087	1	GASKET, cover
3	1015737	2	STUD, 3/8NC x 1-1/2
	1010730	2	SEAL, stud
	1012639	2	NUT
	1010740	2	GROMMET
4	1015585	1	CAP ASY., rocker cover
5	1013066	8	BOLT, head, 1/2NC x 2-3/4
	1013067	10	BOLT, head, 1/2NC x 4-21/32
	1013068	1	BOLT, head, 1/2NC x 7-1/4
6	1013064	1	HEAD ASY., cylinder
7	1010648	4	BUSHING, exhaust valve guide
	1013074	4	BUSHING, intake valve guide
8	1013071	4	VALVE, exhaust
	1013072	4	WASHER, flat (exhaust only)
9	1013073	4	VALVE, intake
10	1010657	8	SPRING, valve
11	1015735	4	RETAINER, intake
	1012699	4	RETAINER, exhaust
12	1010680	8	KEY, valve spring
	1012757	8	LOCK, valve spring
13	1013077	8	SEAL, valve stem
	1013084	8	SEAL, valve stem
14	1013082	4	CAP, valve stem
15	1010737	4	LOCKING KIT, exhaust valve (Incl. Items 10, 11, 12, 13 & 14)
16	1015736	4	SLEEVE (Not shown)
17	1015579	4	INSERT, valve seat (Not shown)

CRANKSHAFT
540D



FLYWHEEL
540D



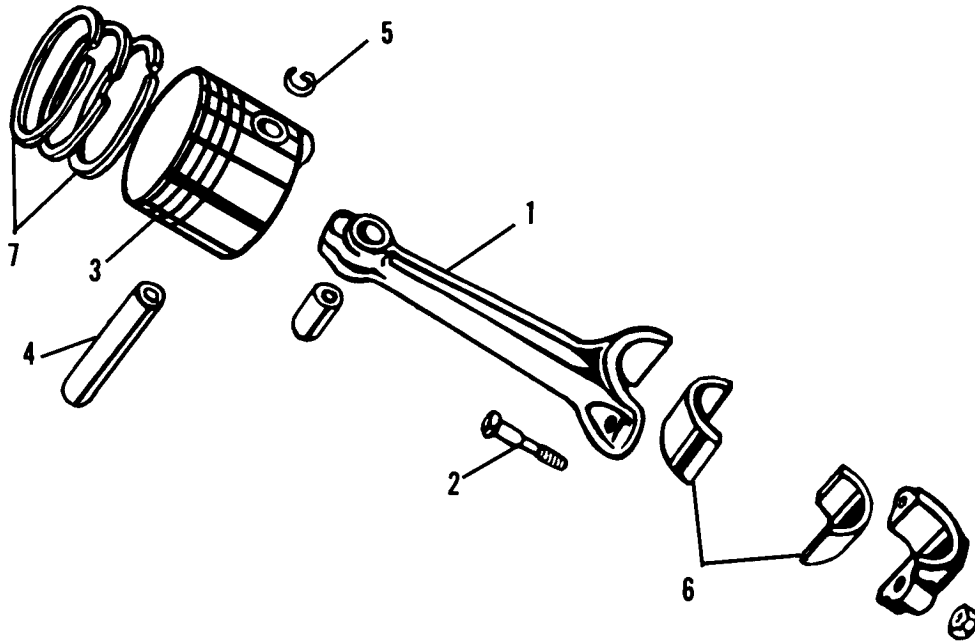
CRANKSHAFT
540D

ITEM	NUMBER	QTY.	DESCRIPTION
1	1013176	1	CRANKSHAFT ASY., w/ Plug
2	1013187	4	BEARING, main, front & rear (Std.)
	1013188	4	BEARING, main, front & rear (.001")
	1013189	4	BEARING, main, front & rear (.002")
	1013190	4	BEARING, main, front & rear (.003")
3	1013192	2	BEARING, main, center (Std.)
	1013193	2	BEARING, main, center (.001")
	1013194	2	BEARING, main, center (.002")
	1013195	2	BEARING, main, center (.003")
4	1010605	2	SEAL, rear main
	1013191	2	SEAL, rear main (.010)
5	1010584	1	GEAR, crankshaft
	1010890	1	KEY, woodruff, 5/32 x 5/8
6	1015727	1	PULLEY, crankshaft
7	1010586	1	HUB, crankshaft
8	1010904	1	WASHER
9	1010905	4	BOLT, pulley to hub
10	916226	1	BOLT, hub to crankshaft
11	1013196	1	BOLT, main cap
12	1015738	2	SEAL, crank, rear (Formed)
	1013096	2	SEAL, crank, rear (Rope)

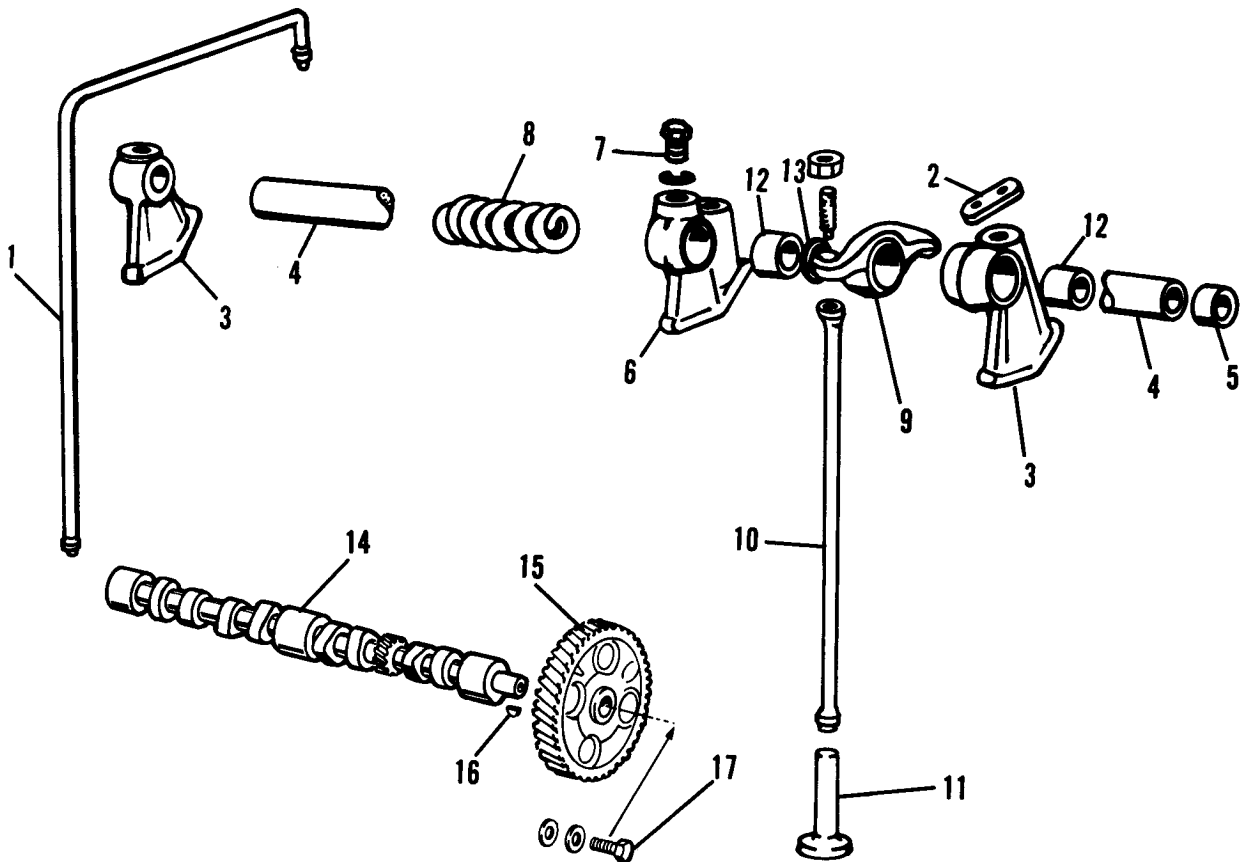
FLYWHEEL
540D

ITEM	NUMBER	QTY.	DESCRIPTION
1	1010619	1	FLYWHEEL - less bearing
2	1012637	6	BOLT, 7/16NF x 1-5/8 (self-locking)
3	1010620	1	RING, gear - flywheel
4	1010621	1	HOUSING (Not shown)
5	920677	4	BOLT, 7/16NC x 1-1/4 (Not shown)
	918199	4	WASHER, 7/16
6	920676	3	BOLT, 7/16NC x 1 (Not shown)
	918199	3	WASHER, 7/16
7	1010623	1	SEAL, flywheel housing (Not shown)

PISTON & CONNECTING ROD
540D



VALVE OPERATING MECHANISM
540D



PISTON & CONNECTING ROD
540D

ITEM	NUMBER	QTY.	DESCRIPTION
1	1013165	4	ROD ASY., connecting
	1015722	4	BUSHING
2	1010576	8	BOLT, connecting rod
	1010575	8	NUT, connecting rod
3	1015032	4	PISTON SET (Incl. Items 4 & 5)
	1015719	4	PISTON SET (.005) (Incl. Items 4 & 5)
	1013156	4	PISTON SET (.010) (Incl. Items 4 & 5)
	1013157	4	PISTON SET (.020) (Incl. Items 4 & 5)
4	1013159	4	PIN, piston
5	1013160	8	RETAINER, pin
6	1013166	8	BEARING SET, connecting rod (Std.)
	1013167	8	BEARING SET, connecting rod (.001)
	1010572	8	BEARING SET, connecting rod (.002)
	1015033	8	BEARING SET, connecting rod (.003)
7	1013161	2	RING KIT, piston (Std.)
	1013163	2	RING KIT, piston (.010)
	1013164	2	RING KIT, piston (.020)
	1015720	2	RING KIT, piston (.030)
	1015721	2	RING KIT, piston (.040)

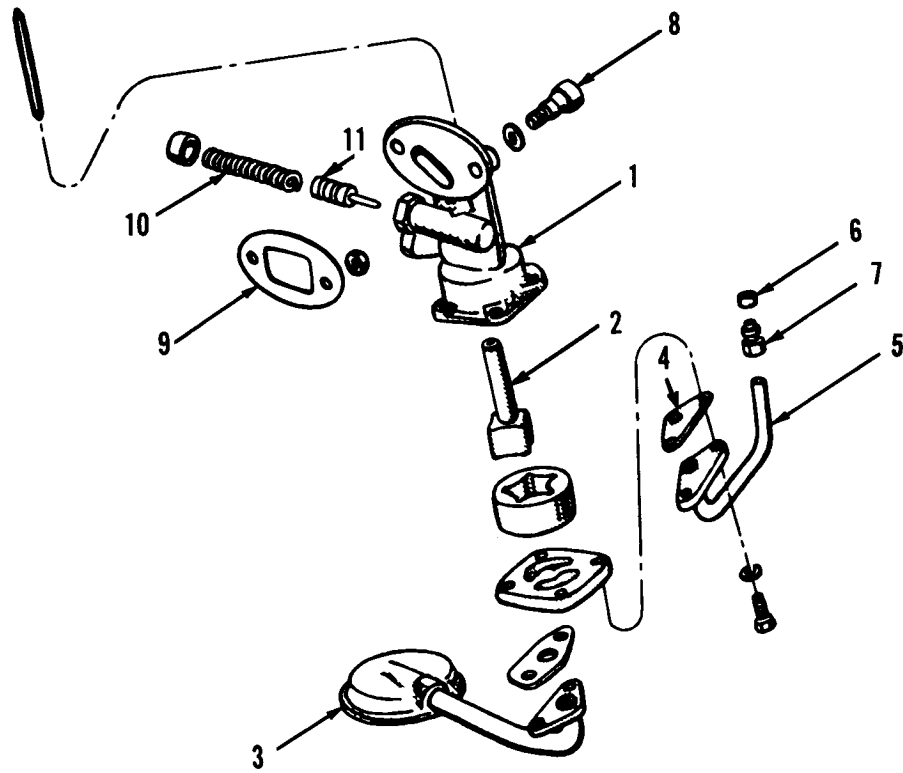
VALVE OPERATING MECHANISM
540D

ITEM	NUMBER	QTY.	DESCRIPTION
1	1013085	1	TUBE, rocker arm shaft oil inlet
	1010811	1	SEAL, oil inlet tube
2	1010733	2	BRACKET, inlet & outlet tube
3	1010726	2	SUPPORT, rocker arm
4	1013083	1	SHAFT, rocker arm
	918452	2	PIN, cotter, 1/8 x 1
5	1010732	2	PLUG, rocker shaft
6	1010727	2	SUPPORT, inter rocker arm
7	1012638	4	BOLT, rocker & support to cyl. hd.
8	1010736	3	SPRING, arm locating
9	1013080	8	ARM ASY.
	1015583	8	PLUG, rocker arm
10	1010729	8	ROD, valve push
11	1010624	8	VALVE, tappet
12	1015581	4	WASHER
13	1015580	2	WASHER
14	1013171	1	CAMSHAFT
15	1010578	1	GEAR, camshaft
16	1010890	1	KEY, 5/8 x 5/32, woodruff
17	1010889	1	BOLT, gear to shaft

540 LOADER
ENGINE

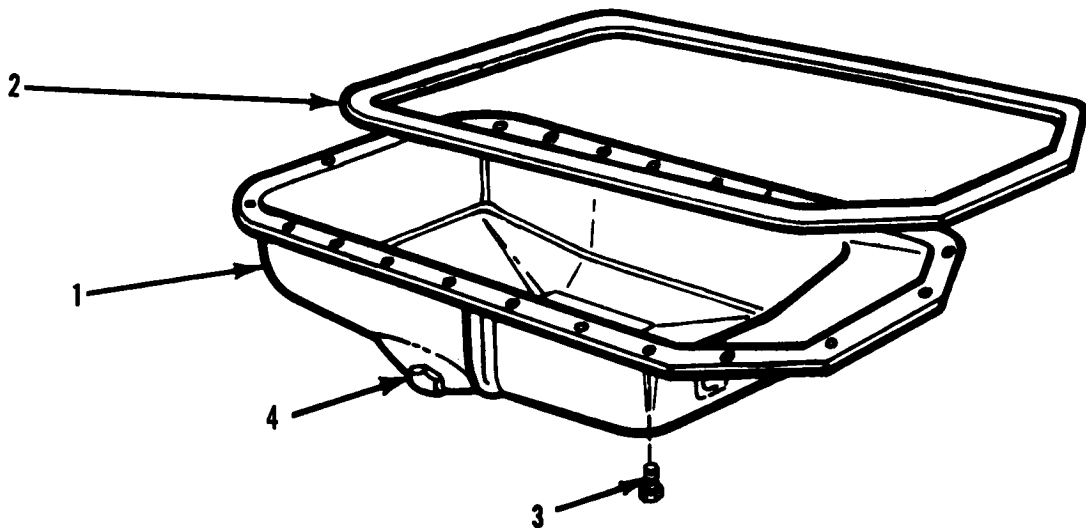
LUBRICATING SYSTEM

OIL PUMP
540D



LUBRICATING SYSTEM

OIL PAN
540D



LUBRICATING SYSTEM

OIL PUMP
540D

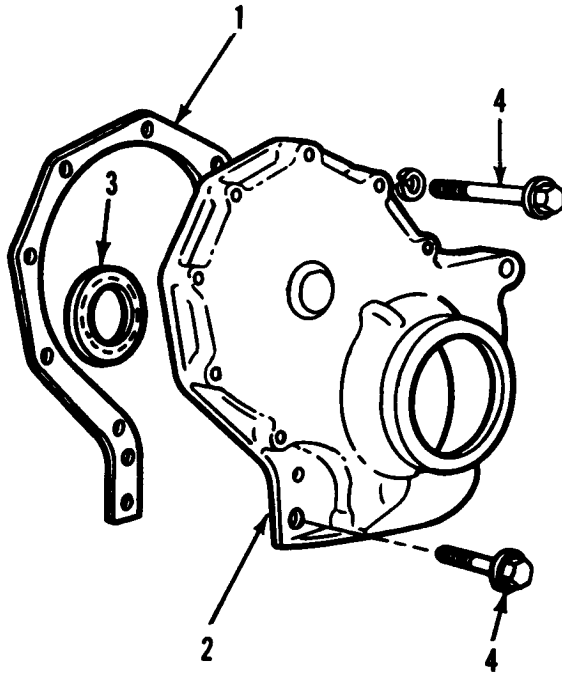
ITEM	NUMBER	QTY.	DESCRIPTION
1	1010745	1	PUMP, oil
2	1013115	1	SHAFT, oil pump
3	1010753	1	SCREEN & COVER
4	1013092	1	GASKET
5	1015584	1	TUBE ASY.
6	1010751	1	SEAL, oil filler inlet tube
7	1010752	1	CONNECTOR, oil pump
8	1012643	2	BOLT
	916602	4	NUT, 3/8NF
9	1010747	1	GASKET
10	1010748	1	SPRING, oil pump
11	1010749	1	PLUNGER, oil pump

LUBRICATING SYSTEM

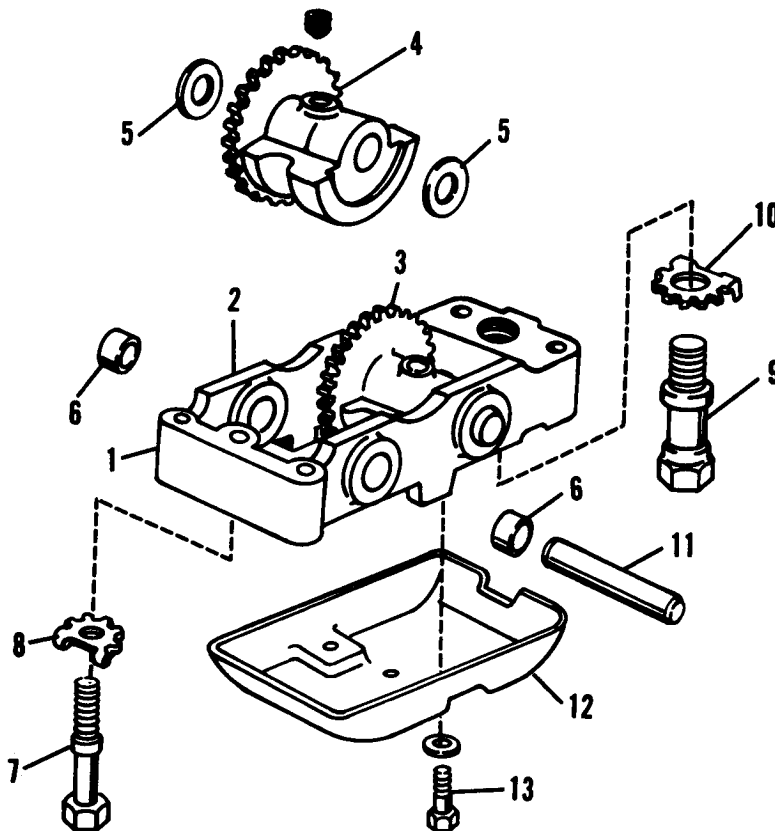
OIL PAN
540D

ITEM	NUMBER	QTY.	DESCRIPTION
1	1010684	1	PAN ASY., engine oil
2	1010688	1	GASKET
3	1012641	20	SCREW, washer
4	1013098	1	PLUG, drain
	1013099	1	GASKET, drain plug

TIMING GEAR COVER
540D



BALANCER
540D



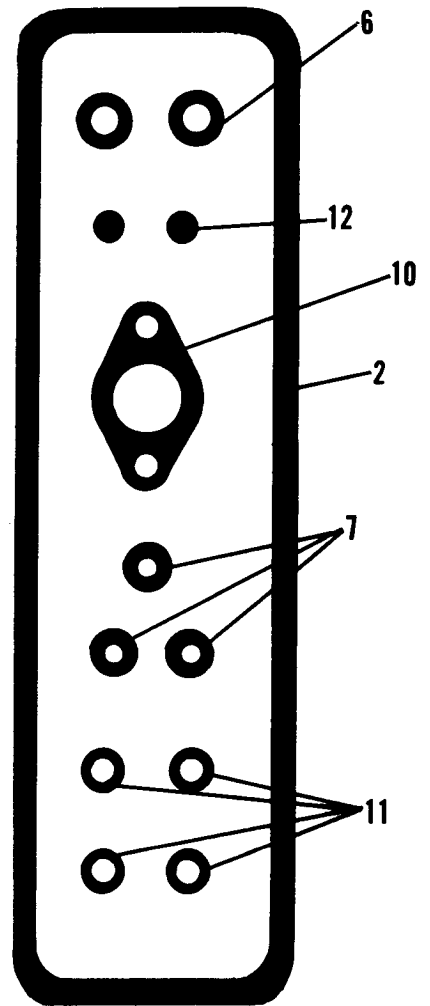
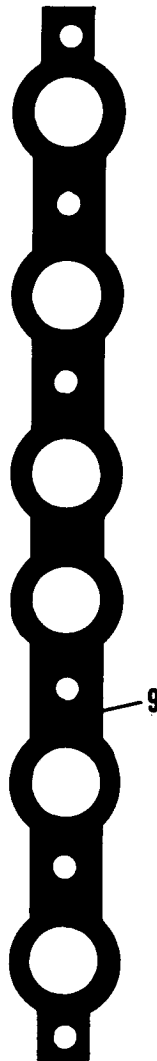
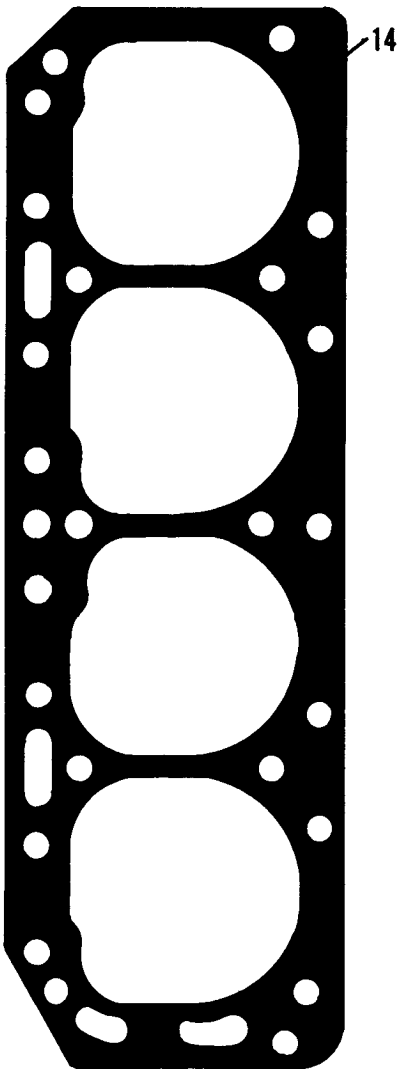
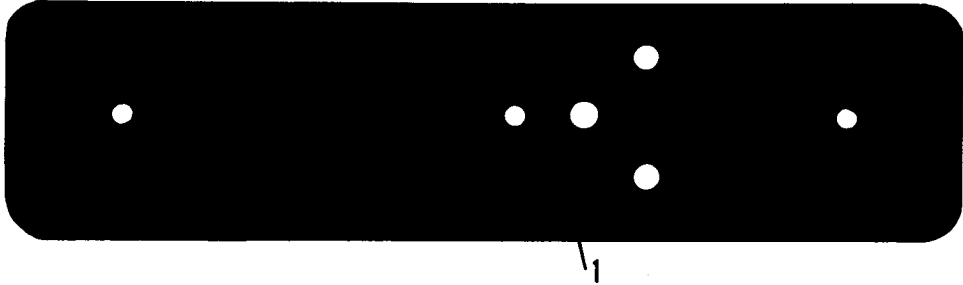
TIMING GEAR COVER
540D

ITEM	NUMBER	QTY.	DESCRIPTION
1	1010554	1	GASKET, front cover
2	1013110	1	COVER ASY., front (Incls. Camshaft & Gear)
3	1013095	1	SEAL, crankshaft front oil
4	1013066	8	BOLT, cover

BALANCER
540D

ITEM	NUMBER	QTY.	DESCRIPTION
1	1013181	1	SUPPORT, dynamic balance
2	1013175	1	BALANCER ASY.
3	1013178	1	GEAR, balance drive
4	1013179	1	GEAR, balance driven
	1013180	2	SCREW, 7/16NF x 3/8
5	1013186	4	WASHER, thrust
6	1015728	4	BEARING ASY.
7	1013182	1	BOLT, R.H.
8	1013184	1	RETAINER, R.H.
9	1013183	1	BOLT, L.H.
10	1013185	1	RETAINER, L.H.
11	1015723	2	SHAFT, engine balance
12	1015725	1	BAFFLE, dynamic balance
	1015724	1	SLINGER, crankshaft oil
13	1015726	2	BOLT, 1/4NF x 9/16
	916964	2	LOCKWASHER, 1/4

GASKET SET
UPPER SERVICE
540G



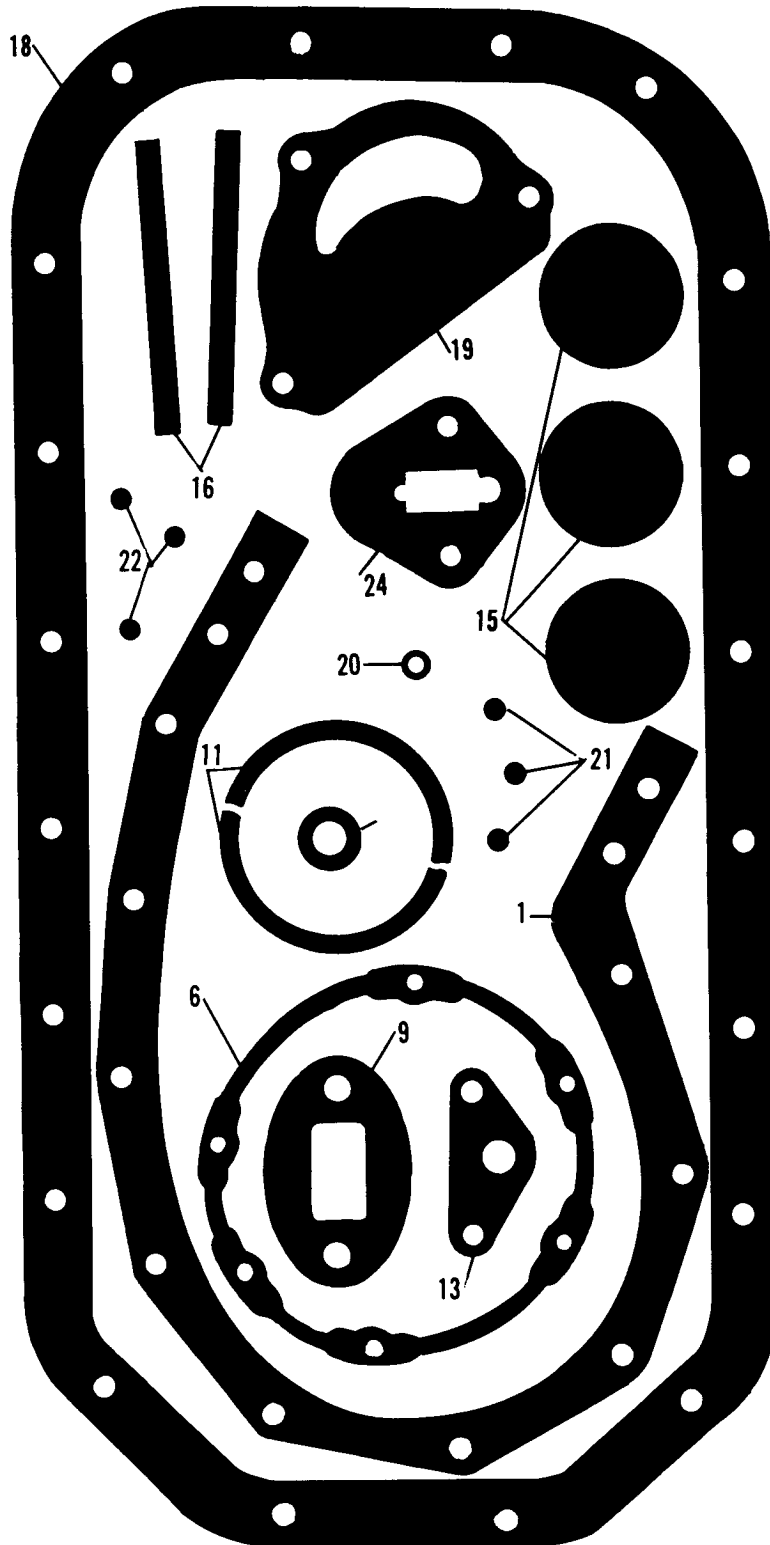
540 LOADER
ENGINE

GASKET SET
UPPER SERVICE
540G

ITEM	NUMBER	QTY.	DESCRIPTION
-	1010910	1	GASKET SET, upper service
1	1010683	1	GASKET
2	1010735	1	GASKET
3	-----	1	GASKET
4	-----	1	GASKET
5	-----	1	SEAL, o-ring
6	1010730	2	GROMMET
7	1010740	3	GROMMET
8	-----	1	GASKET, head 7/16 dia.
9	1010797	1	GASKET
10	1010807	1	GASKET
11	1010731	4	SEAL
12	1010732	2	PLUG
13	-----	1	GASKET
14	1010557	1	GASKET, head 1/2 bolt

540 LOADER
ENGINE

GASKET SET
LOWER SERVICE
540G

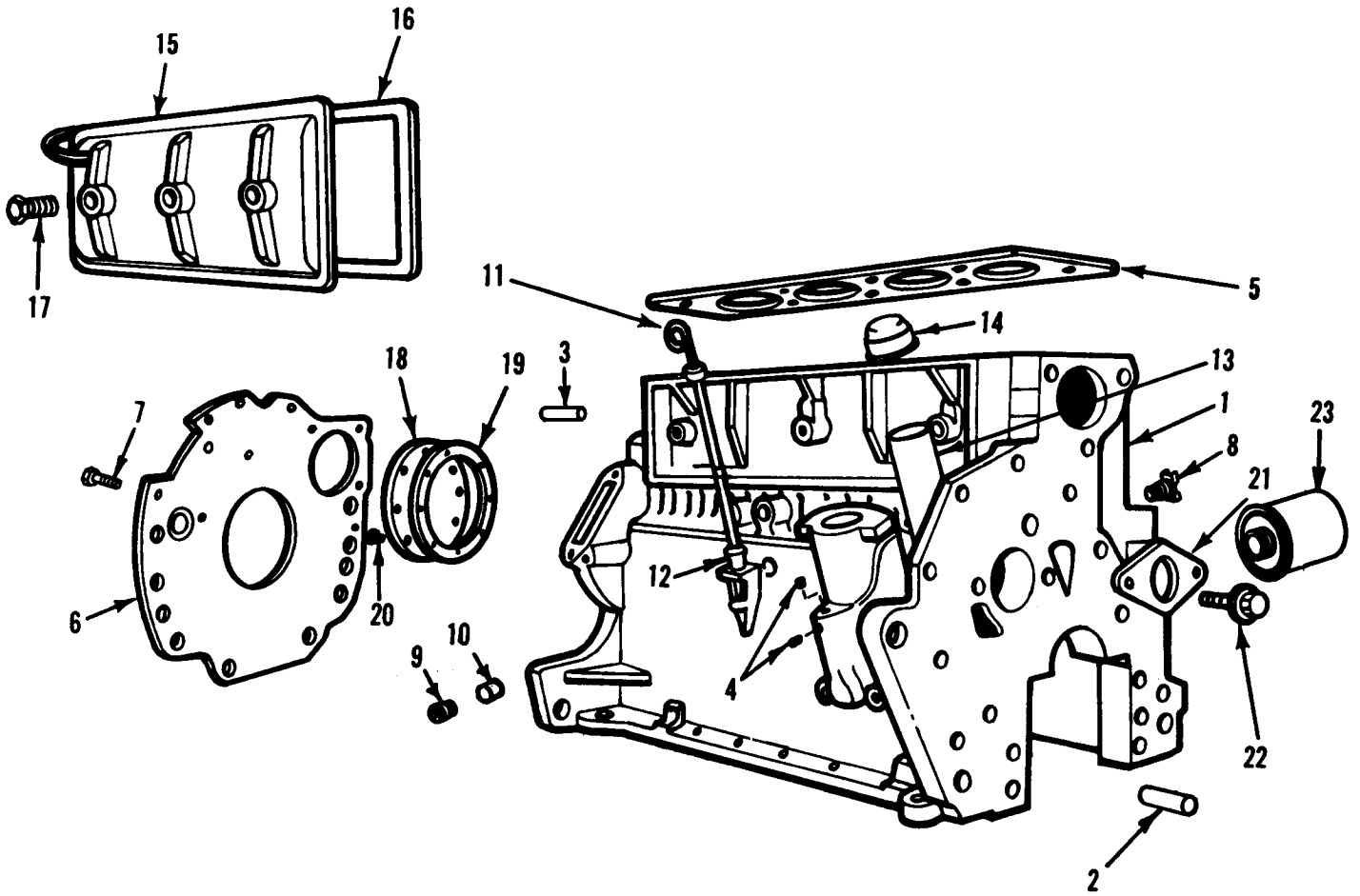


540 LOADER
ENGINE

GASKET SET
LOWER SERVICE
540G

ITEM	NUMBER	QTY.	DESCRIPTION
—	1010909	1	GASKET SET, lower service
1	1010554	1	GASKET, front cover
2	-----	1	GASKET, front cover
3	-----	1	GASKET, front cover
4	-----	1	SEAL ASY.
5	-----	1	GASKET
6	1010580	1	GASKET
7	-----	2	PLUG
8	-----	1	GASKET
9	-----	1	GASKET
10	-----	1	GASKET
11	1010705	2	SEAL
12	-----	1	GASKET
13	1010746	1	GASKET
14	-----	1	GASKET
15	1010895	3	PLUG
16	1010605	2	SEAL
17	1010747	1	GASKET
18	1010688	1	GASKET, oil pan
19	1010789	1	GASKET
20	1010751	1	SEAL
21	1010744	3	SEAL
22	1010743	3	PLUG
23	1010811	1	SEAL
24	1010806	1	GASKET
25	-----	1	GASKET
26	-----	2	PLUG
27	-----	1	GASKET
28	-----	1	GASKET

CYLINDER BLOCK
540G

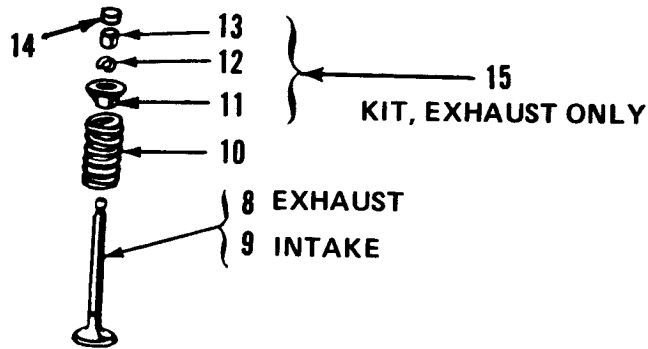
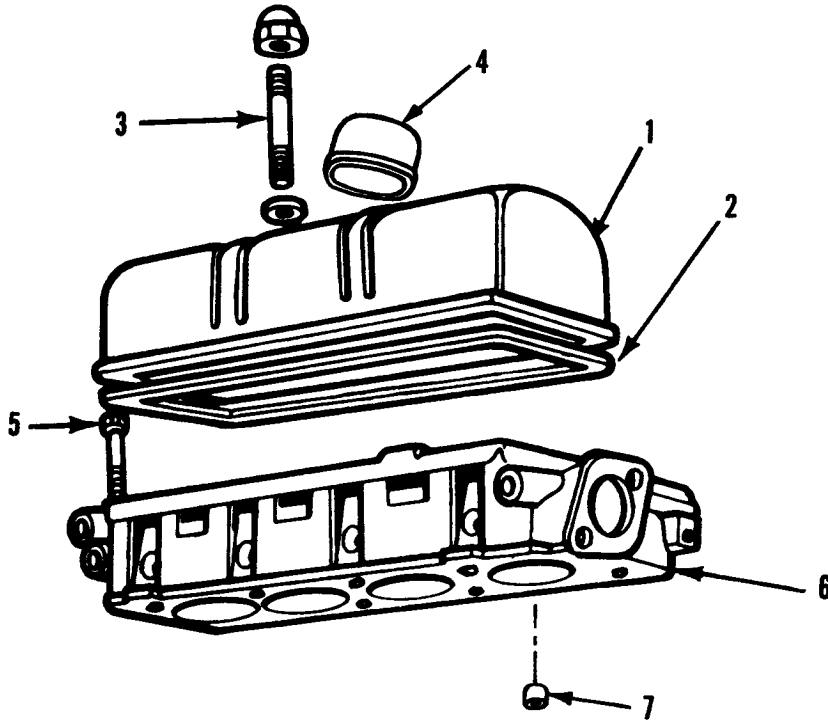


CYLINDER BLOCK
540G

ITEM	NUMBER	QTY.	DESCRIPTION
1	1010551	1	BLOCK ASY., cylinder
	1010895	4	PLUG, core hole
2	1010552	1	PIN, dowel
3	1010553	1	PIN, dowel
4	1010555	2	PLUG, oil line
5	1010557	1	GASKET, cylinder head
6	1010741	1	PLATE, cover rear
7	1012642	2	BOLT
8	1010742	1	COCK ASY.
9	1010743	3	PLUG
10	1010744	3	SEAL, camshaft tube hole
11	1010697	1	INDICATOR, oil level
12	1010724	1	TUBE, oil level indicator
13	1010721	1	PIPE ASY.
14	1010722	1	CAP ASY., oil filler
15	1010682	1	COVER, push rod
16	1010683	1	GASKET, cover push rod
17	1012651	3	BOLT, cover
18	1010579	1	COVER, camshaft rear bearing
19	1010580	1	GASKET, camshaft cover
20	1012636	6	BOLT, cover to block
21	1010581	1	PLATE, camshaft thrust
22	1010896	2	BOLT, plate, cylinder
	1010899	2	WASHER
23	1010763	1	FILTER, oil
	1010764	1	INSERT, filter mtg. bolt
24	1010559	1	COVER, timing pin (Not shown)
25	1012635	1	BOLT, cover blk (Not shown)
-	1010550	-	BLOCK ASY., short
-	1011216	-	ENGINE REPLACEMENT

540 LOADER
ENGINE

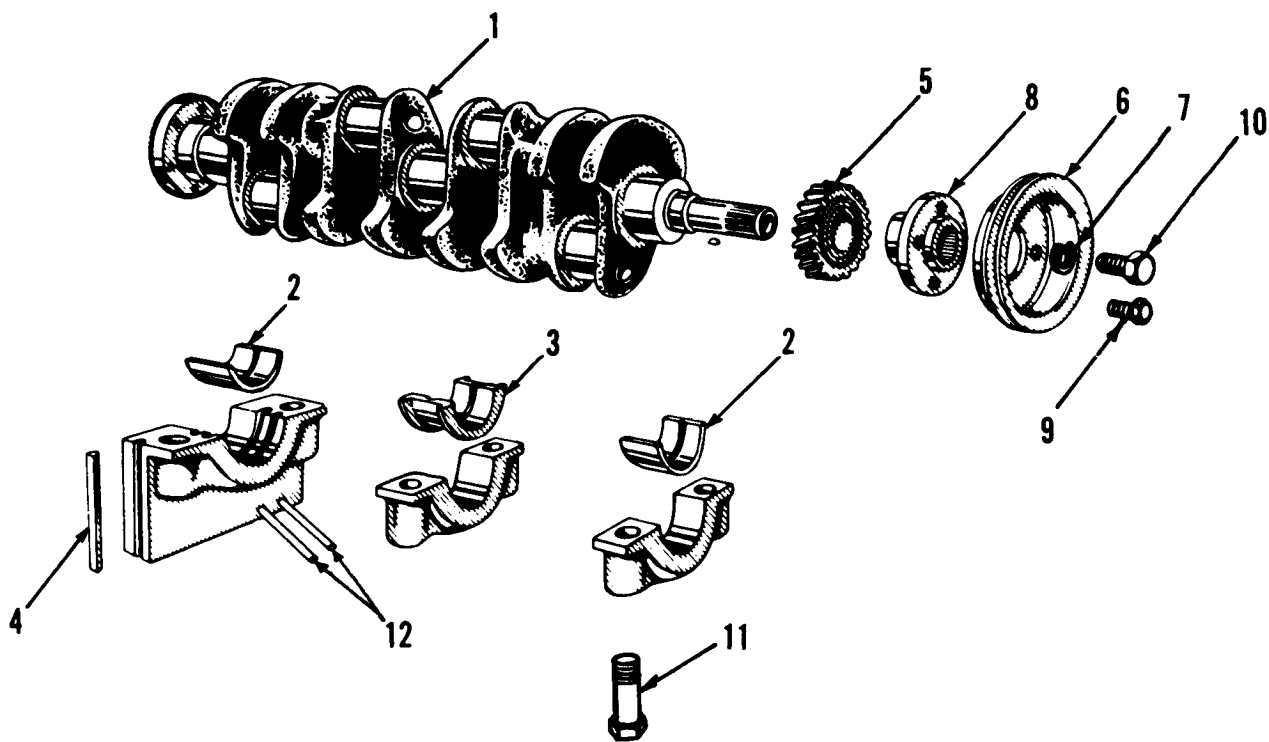
CYLINDER HEAD
540G



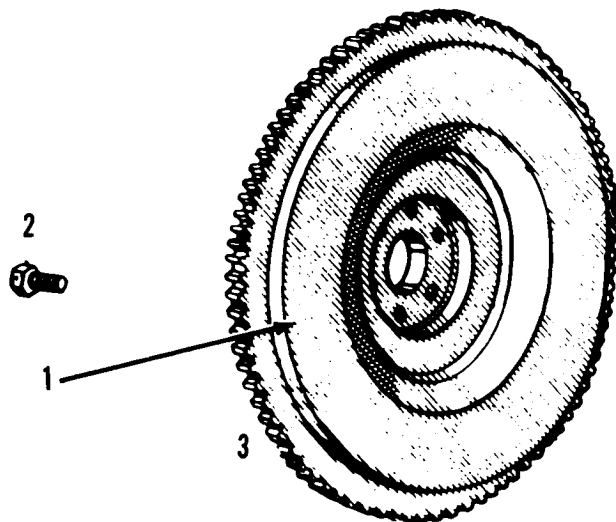
CYLINDER HEAD
540G

ITEM	NUMBER	QTY.	DESCRIPTION
1	1010739	1	COVER, valve rocker arm
2	1010735	1	GASKET, cover
3	1012640	2	STUD, 3/8NC x 1-1/2
	1010730	2	SEAL, stud
	1012639	2	NUT
	1010740	2	GROMMET
4	1010723	1	CAP ASY., rocker cover
5	1010884	12	BOLT, head
6	1010556	1	HEAD ASY., cylinder
7	1010648	8	BUSHING, valve guide
8	1010646	4	VALVE, exhaust
	1012739	4	VALVE, exhaust, .003 O/S
	1012740	4	VALVE, exhaust, .015 O/S
	1012741	4	VALVE, exhaust, .030 O/S
9	1010647	4	VALVE, intake
10	1010657	8	SPRING, valve
11	1010658	4	RETAINER, intake
	1012699	4	RETAINER, exhaust
12	1010680	8	KEY, valve spring
	1012757	8	LOCK, valve spring
13	1010731	8	SEAL, valve stem
14	1012760	4	CAP, valve stem
15	1010737	4	LOCKING KIT, exhaust valve (Incls. items 10, 11, 12, 13 & 14)
16	1010666	4	SLEEVE (Not shown)
17	1010558	4	INSERT, valve seat (Not shown)

CRANKSHAFT
540G



FLYWHEEL
540G



FLYWHEEL
540G

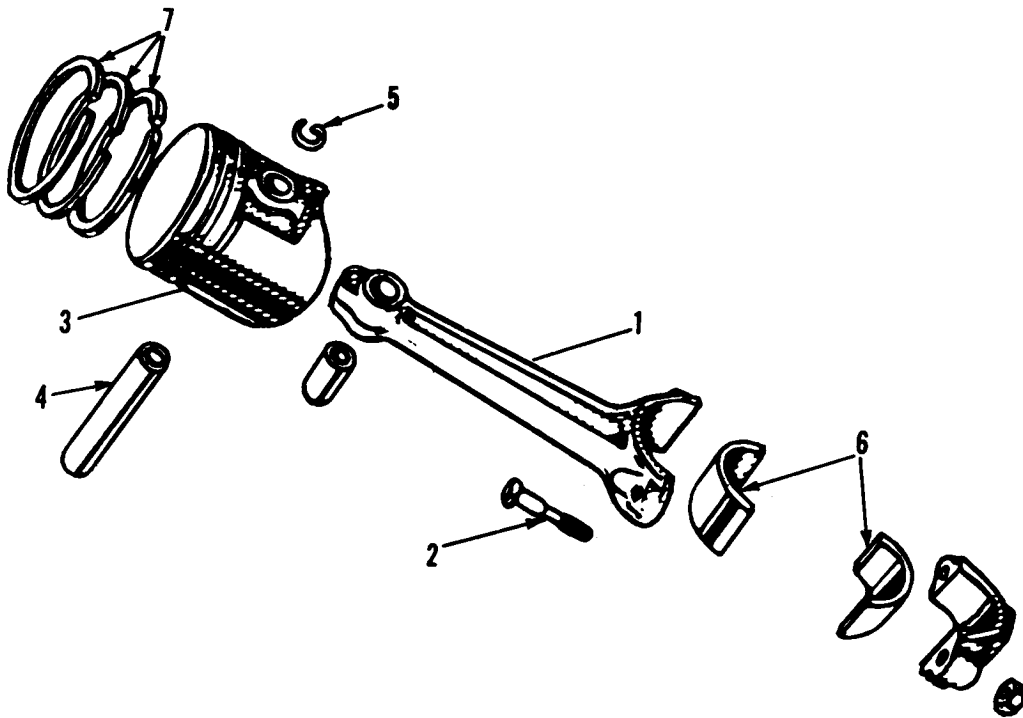
ITEM	NUMBER	DESCRIPTION	QTY.
1	1010619	FLYWHEEL - less bearing	1
2	1012637	BOLT, 7/16NF x 1-5/8 (self-locking)	6
3	1010620	RING, gear - flywheel	1
4	1010621	HOUSING (Not shown)	1
5	920677	BOLT, 7/16NC x 1-1/4 (Not shown)	4
	918199	WASHER, 7/16	4
6	920676	BOLT, 7/16NC x 1 (Not shown)	3
	918199	WASHER, 7/16	3
7	1010623	SEAL, flywheel housing (Not shown)	1

CRANKSHAFT
540G

ITEM	NUMBER	DESCRIPTION	QTY.
1	1010582	CRANKSHAFT ASY.	1
2	1010587	BEARING, main, front & rear (Std.)	4
	1010588	BEARING, main, front & rear (.001")	4
	1010589	BEARING, main, front & rear (.002")	4
	1010603	BEARING, main, front & rear (.010")	4
	1010604	BEARING, main, front & rear (.020")	4
3	1010606	BEARING, main, center (Std.)	2
	1010607	BEARING, main, center (.001")	2
	1010610	BEARING, main, center (.002")	2
	1010613	BEARING, main, center (.010")	2
	1010616	BEARING, main, center (.020")	2
4	1010605	SEAL, rear main	2
5	1010584	GEAR, crankshaft	1
6	1010890	KEY, woodruff, 5/32 x 5/8	1
6	1010585	PULLEY, crankshaft	1
7	1010904	WASHER	1
8	1010586	HUB, crankshaft	1
9	1010905	BOLT, pulley to hub	4
10	916226	BOLT, 5/8NF x 1-1/4	1
11	1010906	BOLT, main cap	6
12	1010705	SEAL, crank, rear	2

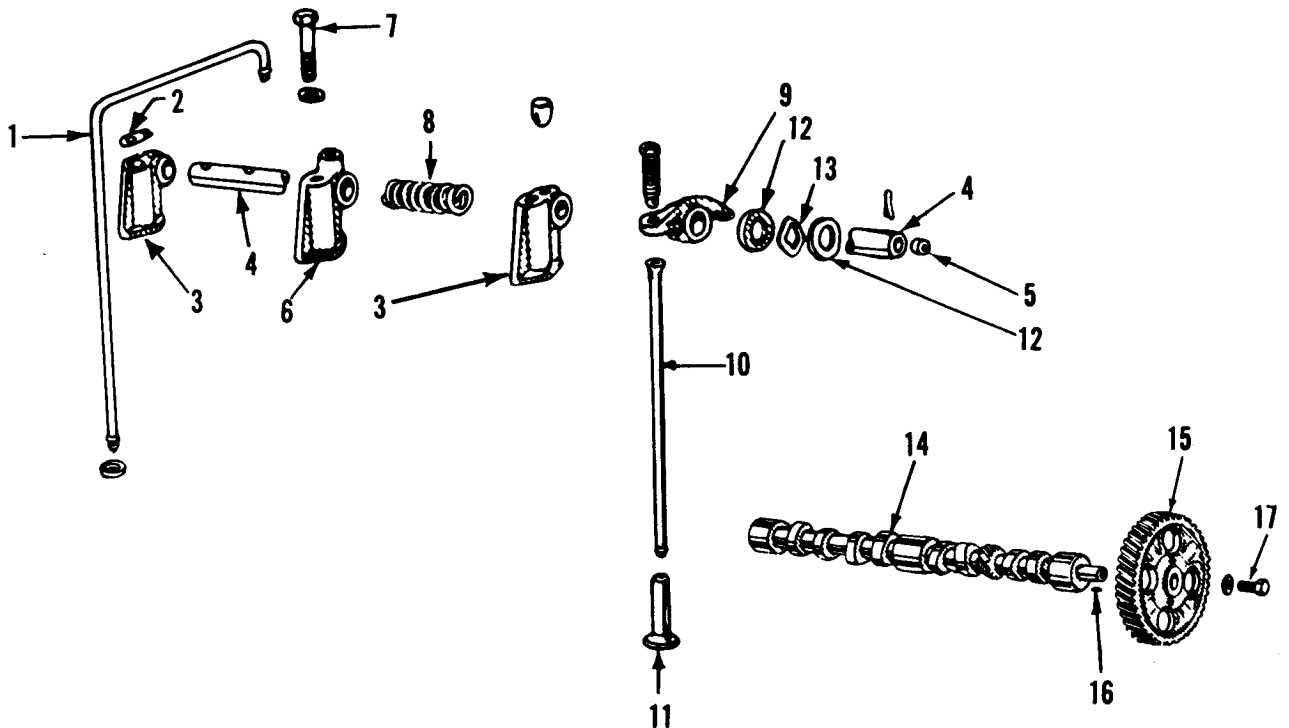
PISTON & CONNECTING ROD

540G



VALVE OPERATING MECHANISM

540G



PISTON & CONNECTING ROD
540G

ITEM	NUMBER	QTY.	DESCRIPTION
1	1010570	4	ROD ASY., connecting (Incl. Items 2 & 6)
2	1010576	8	BOLT, connecting rod
	1010575	8	NUT, connecting rod
3	1010560	4	PISTON SET
	1010561	4	PISTON SET (.020")
	1010562	4	PISTON SET (.030")
	1010563	4	PISTON SET (.040")
4	1010564	4	PIN, piston
5	1010565	8	RETAINER, pin
6	1010571	8	BEARING SET, connecting rod (Std.)
	1010572	8	BEARING SET, connecting rod (.002")
	1010573	8	BEARING SET, connecting rod (.010")
	1010574	8	BEARING SET, connecting rod (.020")
	1010885	8	BEARING SET, connecting rod (.030")
	1010886	8	BEARING SET, connecting rod (.040")
7	1010566	1	RING KIT, piston (Std.)
	1010567	1	RING KIT, piston (.030")
	1010568	1	RING KIT, piston (.020")
	1010569	1	RING KIT, piston (.040")

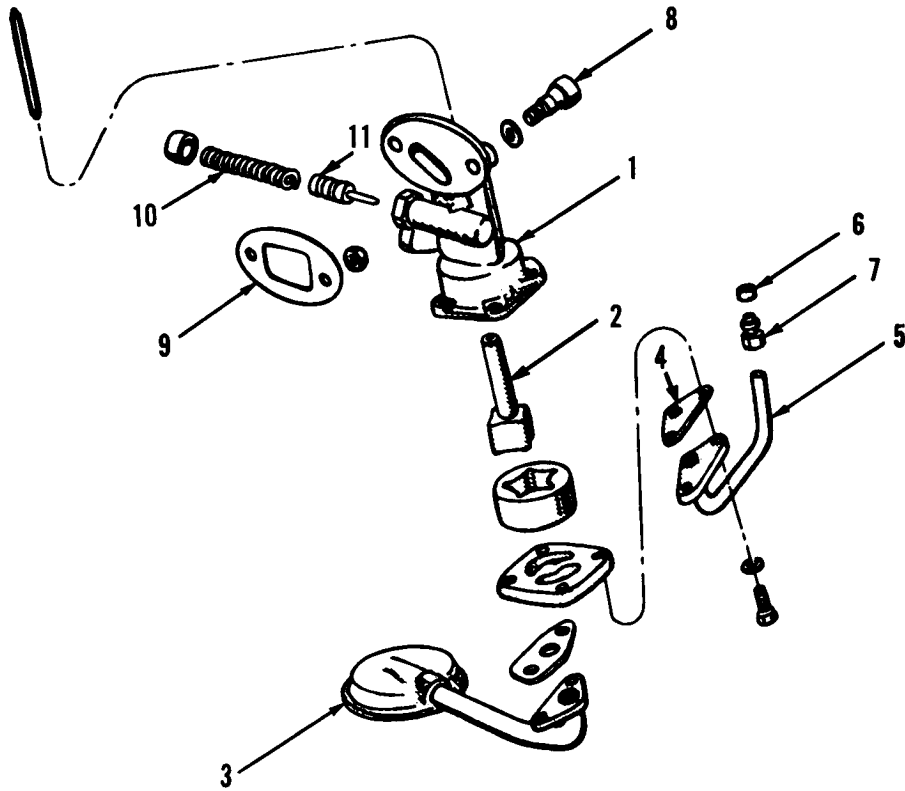
Incl. Items 4 & 5

VALVE OPERATING MECHANISM
540G

ITEM	NUMBER	QTY.	DESCRIPTION
1	1010734	1	TUBE, rocker arm shaft oil inlet
	1010811	1	SEAL, oil inlet tube
2	1010733	2	BRACKET, inlet & outlet tube
3	1010726	2	SUPPORT, rocker arm
4	1010728	1	SHAFT, rocker arm
	918452	2	PIN, cotter, 1/8 x 1
5	1010732	2	PLUG, rocker shaft
6	1010727	2	SUPPORT, inter rocker arm
7	1012638	4	BOLT, rocker & support to cyl. hd.
8	1010736	3	SPRING, arm locating
9	1010725	8	ARM ASY.
10	1010729	8	ROD, valve push
11	1010624	8	VALVE, tappet
12	1012655	4	WASHER
13	1012654	2	WASHER
14	1010577	1	CAMSHAFT
15	1010578	1	GEAR, camshaft
16	1010890	1	KEY, 5/8 x 5/32, woodruff
17	1010889	1	BOLT, gear to shaft

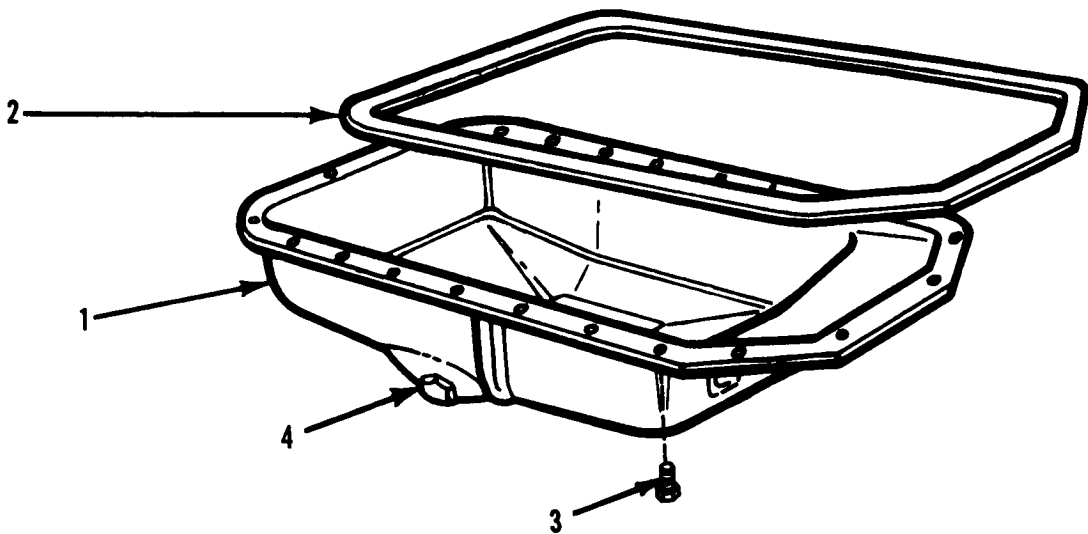
LUBRICATING SYSTEM

OIL PUMP
540G



LUBRICATING SYSTEM

OIL PAN
540G



LUBRICATING SYSTEM

OIL PUMP
540G

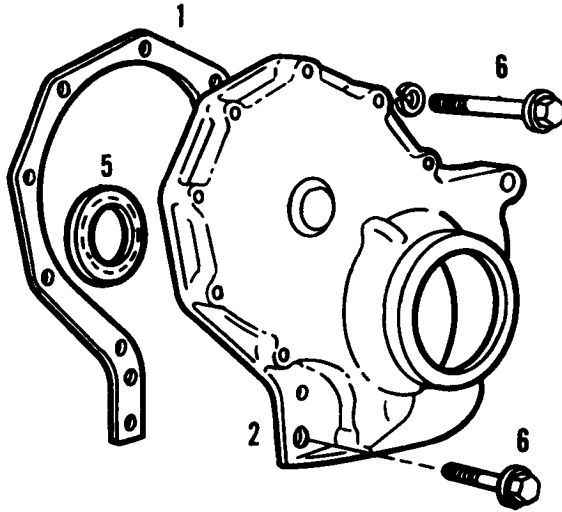
ITEM	NUMBER	QTY.	DESCRIPTION
1	1010745	1	PUMP, oil
2	1010754	1	SHAFT, oil pump
3	1010753	1	SCREEN & COVER
4	1010746	1	GASKET
5	1010750	1	TUBE ASY.
6	1010751	1	SEAL, oil filler inlet tube
7	1010752	1	CONNECTOR, oil pump
8	1012643	2	BOLT
	916602	4	NUT, 3/8NF
9	1010747	1	GASKET
10	1010748	1	SPRING, oil pump
11	1010749	1	PLUNGER, oil pump

LUBRICATING SYSTEM

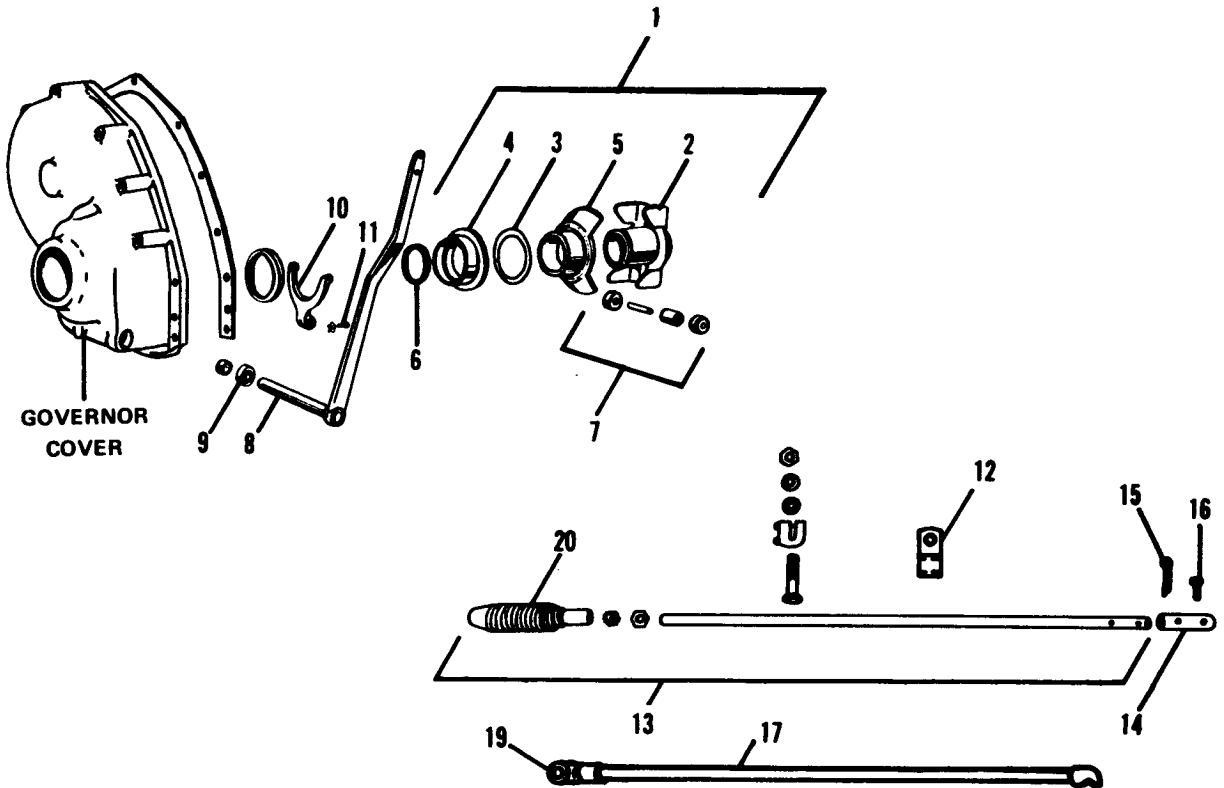
OIL PAN
540G

ITEM	NUMBER	QTY.	DESCRIPTION
1	1010684	1	PAN ASY.
2	1010688	1	GASKET
3	1012641	20	SCREW, washer
4	1013098	1	PLUG, drain
	1013099	1	GASKET, drain plug

TIMING GEAR COVER
540G



GOVERNOR CONTROL
540G



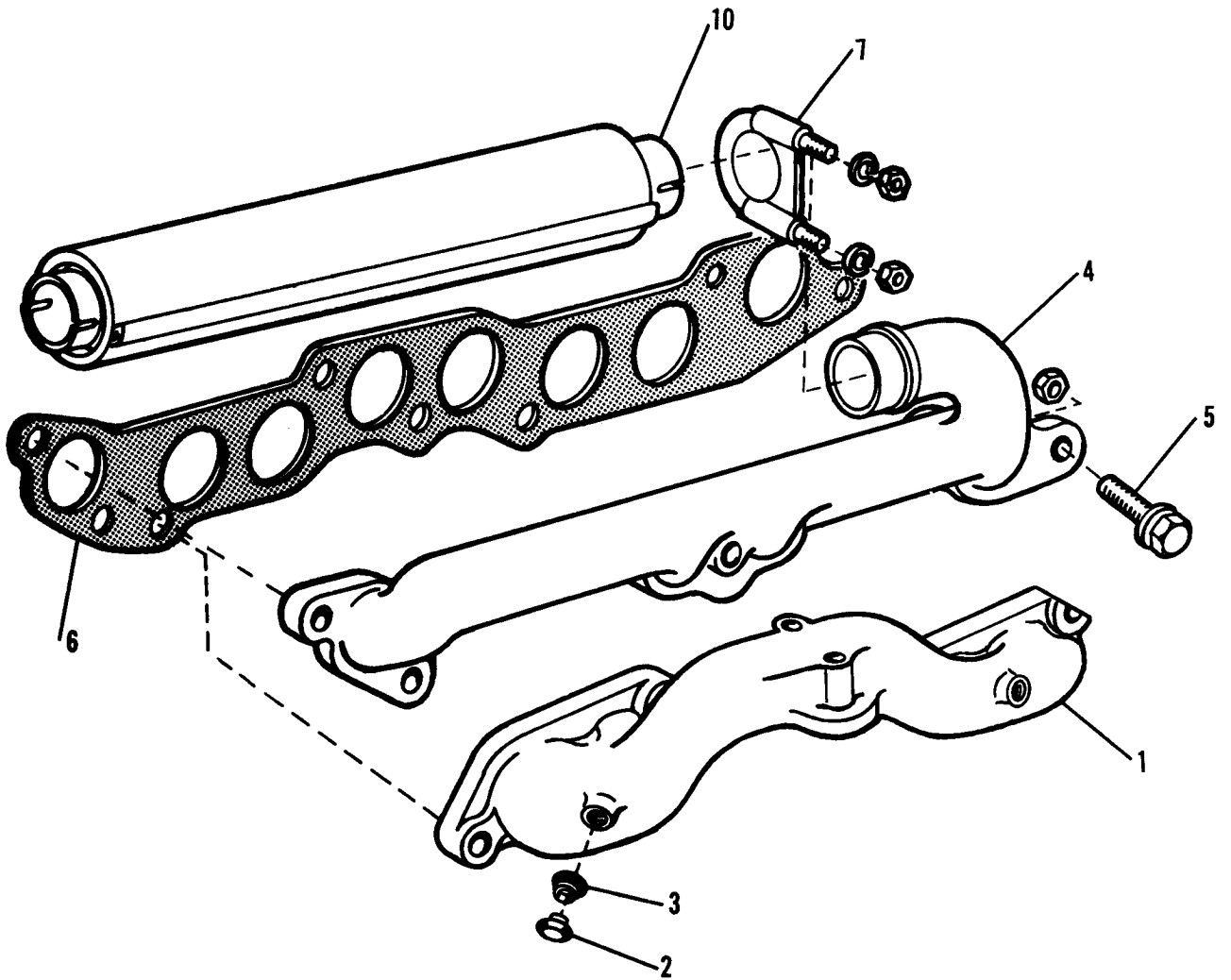
TIMING GEAR COVER
540G

ITEM	NUMBER	QTY.	DESCRIPTION
1	1010554	1	GASKET, front cover
2	1012712	1	COVER ASY., front (Incl. Camshaft & Gear)
3	1012713	1	BUSHING (Not shown)
4	1012714	1	PLUG, soft (Not shown)
5	1012700	1	SEAL, crank front
6	1012649	8	BOLT, cover

GOVERNOR CONTROL
540G

ITEM	NUMBER	QTY.	DESCRIPTION
-	1010863	1	GOVERNOR, front cover asy. (Incl. Items 1 thru 11)
1	1012701	1	CENTRIFUGAL ASY.
2	1012702	1	SLEEVE & DRIVER
3	1012703	1	BEARING, thrust
4	1012704	1	BASE, fork
5	1012705	1	RACE, governor
6	1012706	1	RING, snap
7	1012707	1	WEIGHT KIT, roller
8	1012708	1	LEVER, governor
9	1012709	1	SEAL, oil shaft
10	1012710	1	FORK, governor
11	925593	1	PIN, 3/16 x 3/4
12	1010865	1	STRAP ASY., governor
13	1010822	1	ROD ASY.
14	1010826	1	ADAPTOR
15	922002	1	PIN, cotter
16	1012647	1	SCREW
17	1010831	1	ROD, governor to carburetor
18	1010832	1	PIN, rod to engine (Not shown)
19	1010835	1	PIN, clevis
20	1012858	1	COMPENSATOR, governor

MANIFOLDS
INTAKE & EXHAUST
540D

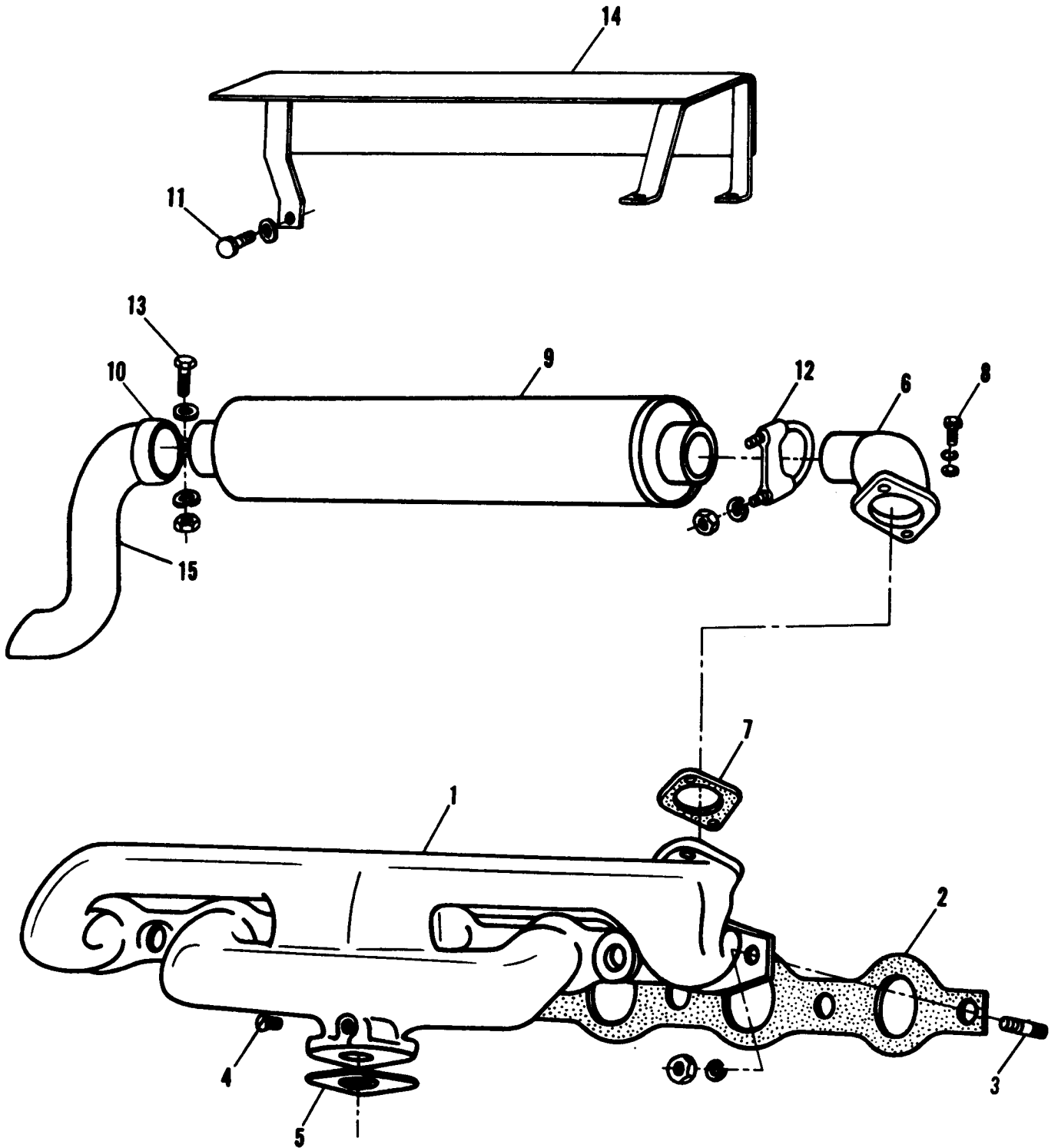


MANIFOLDS
INTAKE & EXHAUST
540D

ITEM	NUMBER	QTY.	DESCRIPTION
1	1013142	1	MANIFOLD, intake
2	1013148	2	PLUG, intake manifold
3	1013147	2	GASKET, intake manifold plug
4	1013143	1	MANIFOLD, exhaust
5	920649	3	BOLT, 7/16NC x 1-3/8
	913901	3	NUT, 7/16NC
6	1013146	1	GASKET, manifold
7	928897	1	CLAMP ASY.
	1012650	1	CLAMP
8	1013137	1	SHIELD ASY., heat (Not Shown)
9	1012634	1	BOLT, 5/16NC x 1-1/8 (Not Shown)
	917372	1	NUT, 5/16NC
10	1010874	1	MUFFLER ASY.

540 LOADER
AIR INTAKE & EXHAUST SYSTEM

MANIFOLDS
INTAKE & EXHAUST
540G



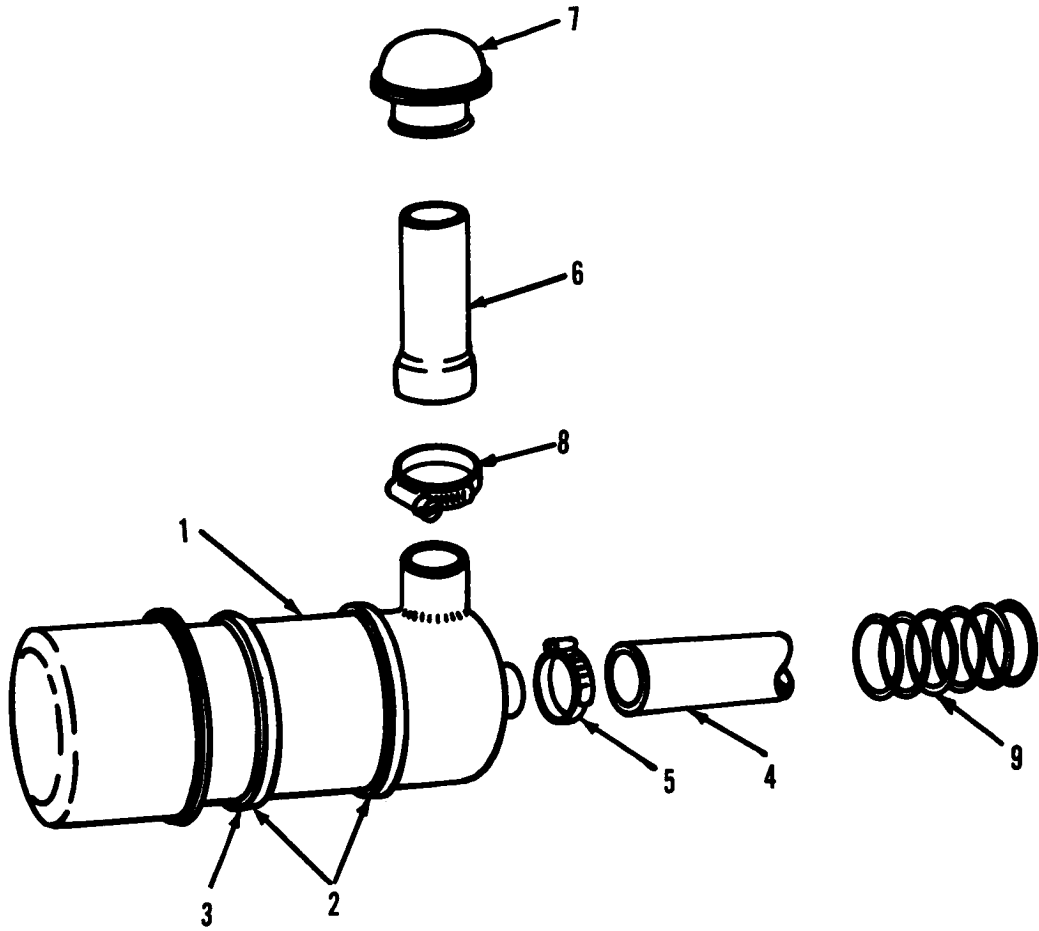
540 LOADER
AIR INTAKE & EXHAUST SYSTEM

37

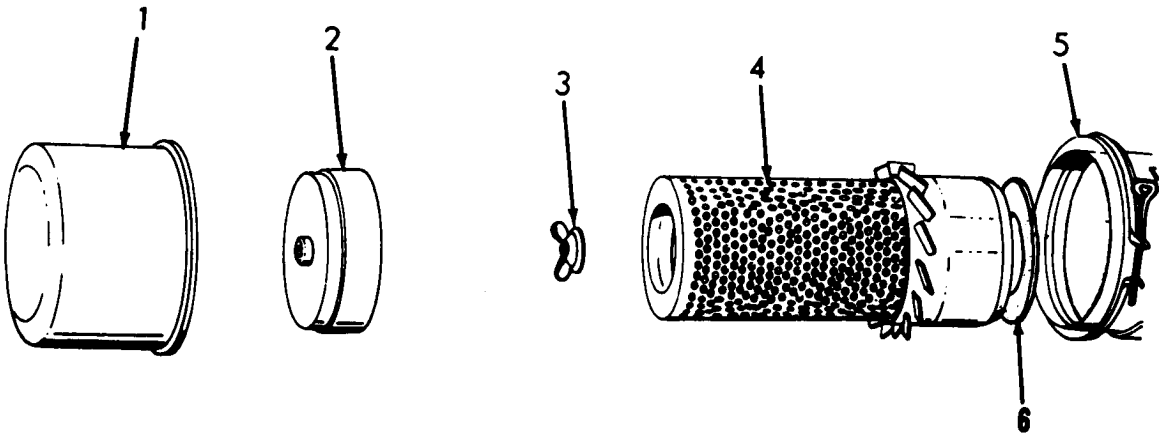
MANIFOLDS
INTAKE & EXHAUST
540G

ITEM	NUMBER	QTY.	DESCRIPTION
1	1010796	1	MANIFOLD, intake & exhaust
2	1010797	1	GASKET, manifold
3	1010889	6	BOLT
4	919137	1	PLUG, 1/8 pipe
5	1010807	1	GASKET, carburetor to manifold
6	1010877	1	ELBOW, muffler inlet
7	1010876	1	GASKET, elbow
8	921969	2	BOLT, 3/8NF x 1-1/2
	916965	2	LOCKWASHER
	916602	2	NUT, 3/8NF
9	1010874	1	MUFFLER ASY.
	930982	1	CLAMP, muffler
10	1010875	1	BRACKET
11	1012633	1	BOLT w/ washer, 3/8NC x 7/8
12	1012650	1	CLAMP, muffler
13	1012634	1	BOLT, 5/16NC x 1-1/8
	917356	1	LOCKWASHER
	1012652	1	WASHER, flat
	917372	1	NUT, 5/16NC
14	1010878	1	SHIELD, heat
15	1011225	1	PIPE, extension exhaust

AIR CLEANER
540G



AIR CLEANER ASY.
540G



540 LOADER
AIR INTAKE & EXHAUST SYSTEM

39

AIR CLEANER
540G

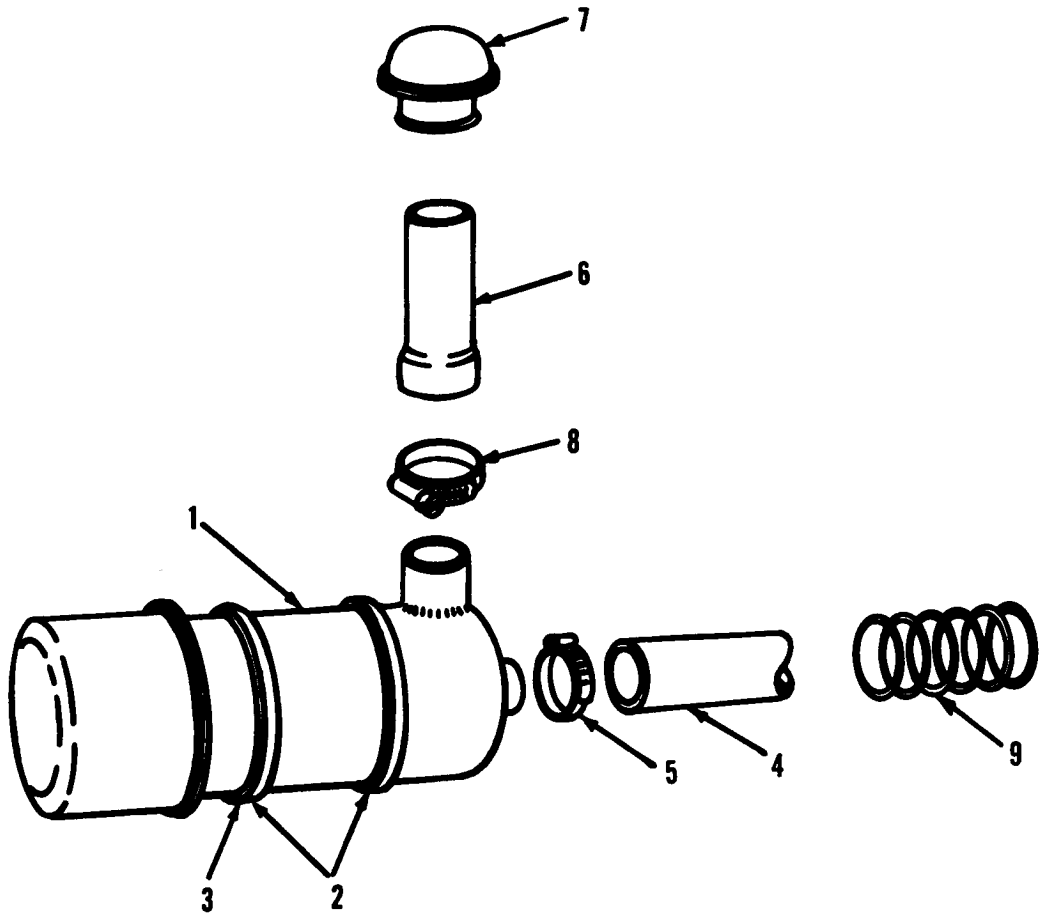
ITEM	NUMBER	QTY.	DESCRIPTION
1	1011299	1	AIR CLEANER (See AIR CLEANER ASY. for component parts)
2	1011294	2	BANDS, cleaner mounting
3	919458	4	CAPSCREW, 5/16NC x 1
	917356	4	LOCKWASHER
	917322	4	NUT, 5/16NC
4	1011255	1	HOSE, intake
5	921912	2	CLAMP, hose intake
6	2019370	1	EXTENSION, air cleaner cap (Prior to S/N 1007)
	1015092	1	EXTENSION, air cleaner cap (Eff. w/ S/N 1007)
7	208222	1	CAP, air cleaner
8	929808	1	CLAMP (Not shown) (Eff. w/ S/N 1007)
9	1016550	1	SPRING (Air Cleaner Hose)

AIR CLEANER ASY.
540G

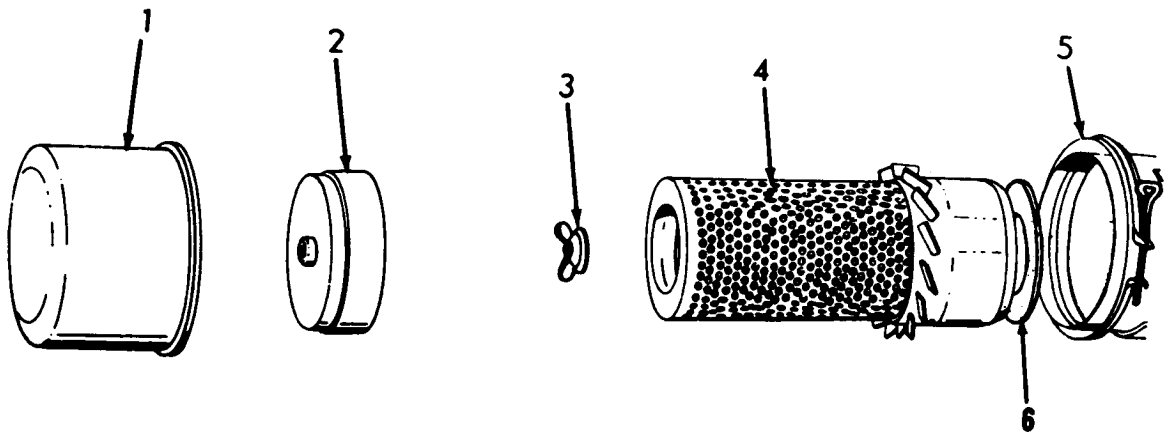
ITEM	NUMBER	QTY.	DESCRIPTION
—	1011299	1	CLEANER ASY., air
1	239519	1	CUP ASY., air cleaner
2	239521	1	SKIRT, baffle
3	239517	1	NUT ASY. (Incl. Washer & Gasket)
4	4907794	1	ELEMENT ASY.
5	233666	1	CLAMP ASY.
6	239514	1	GASKET, filter element

540 LOADER
AIR INTAKE & EXHAUST SYSTEM

AIR CLEANER
540D



AIR CLEANER ASY.
540D



540 LOADER
AIR INTAKE & EXHAUST SYSTEM

41

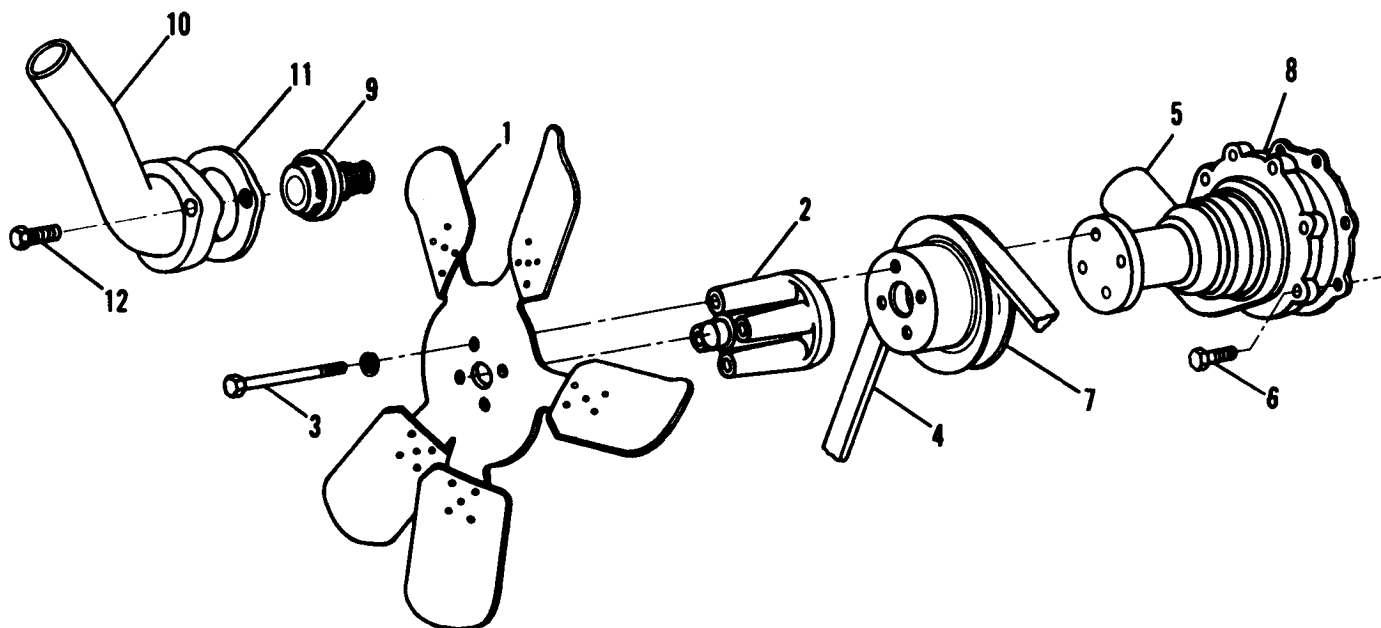
AIR CLEANER
540D

ITEM	NUMBER	QTY.	DESCRIPTION
1	1011299	1	AIR CLEANER (See AIR CLEANER ASY. for component parts)
2	1011294	2	BANDS, cleaner mounting
3	919458	4	CAPSCREW, 5/16NC x 1
	917356	4	LOCKWASHER, 5/16
	917372	4	NUT, 5/16NC
4	1011255	1	HOSE, intake
5	921912	2	CLAMP, hose intake
6	2019370	1	EXTENSION, air cleaner cap (Prior to S/N 1007)
	1015092	1	EXTENSION, air cleaner cap (Eff. w/ S/N 1007)
7	208222	1	CAP, air cleaner
8	929808	1	CLAMP (Not shown) (Eff. w/ S/N 1007)
9	1016550	1	SPRING (Air Cleaner Hose)

AIR CLEANER ASY.
540D

ITEM	NUMBER	QTY.	DESCRIPTION
-	1011299	1	CLEANER ASY., air
1	239519	1	CUP ASY., air cleaner
2	239521	1	SKIRT, baffle
3	239517	1	NUT ASY. (Incl. Washer & Gasket)
4	4907794	1	ELEMENT ASY.
5	233666	1	CLAMP ASY.
6	239514	1	GASKET, filter element

WATER PUMP
540D



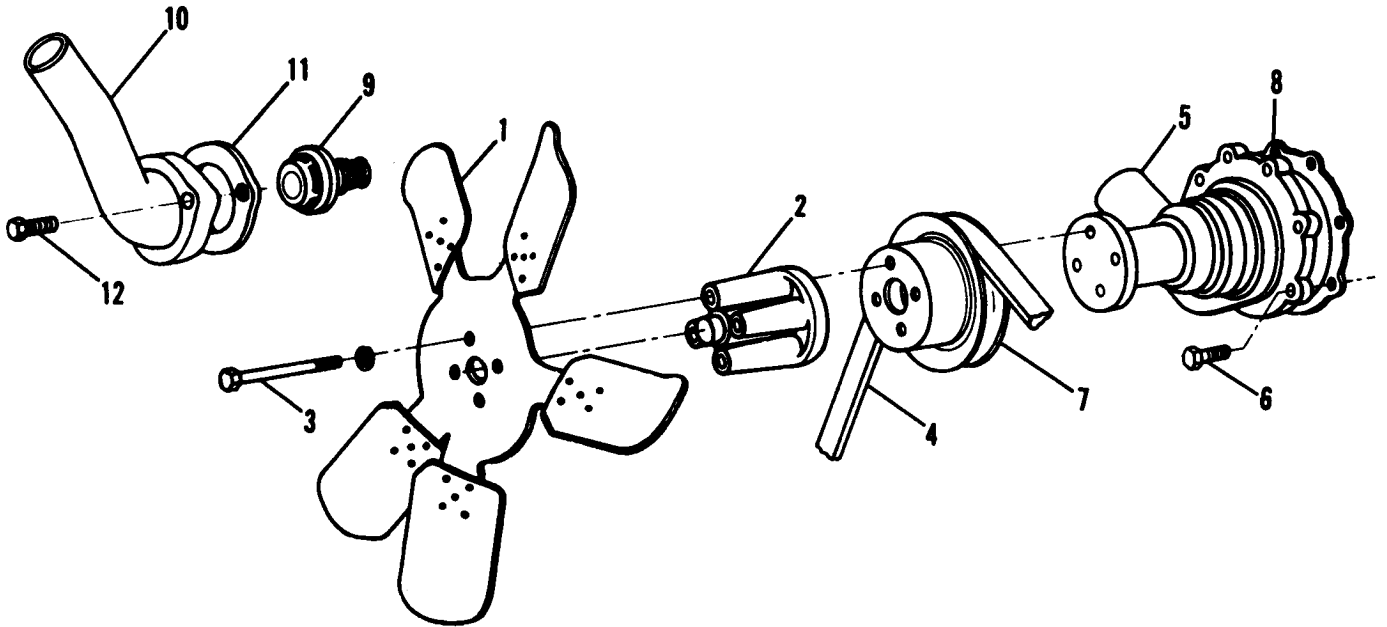
540 LOADER
COOLING SYSTEM

43

WATER PUMP
540D

ITEM	NUMBER	QTY.	DESCRIPTION
1	1010795	1	BLADE, fan
2	1010794	1	SPACER, fan
3	926055	4	CAPSCREW, 5/16NF x 3-1/4
	917356	4	LOCKWASHER, 5/16
4	1012465	1	BELT, fan
5	1010773	1	PUMP ASY., water
6	914670	3	BOLT, 5/16NC x 1-1/8
	917356	3	LOCKWASHER, 5/16
7	1010774	1	PULLEY
8	1010789	1	GASKET, water pump
9	1015740	1	THERMOSTAT ASY.
10	1015739	1	CONNECTION, water outlet
11	1013116	1	GASKET, water outlet
12	1012644	2	BOLT

WATER PUMP
540G



**540 LOADER
COOLING SYSTEM**

45

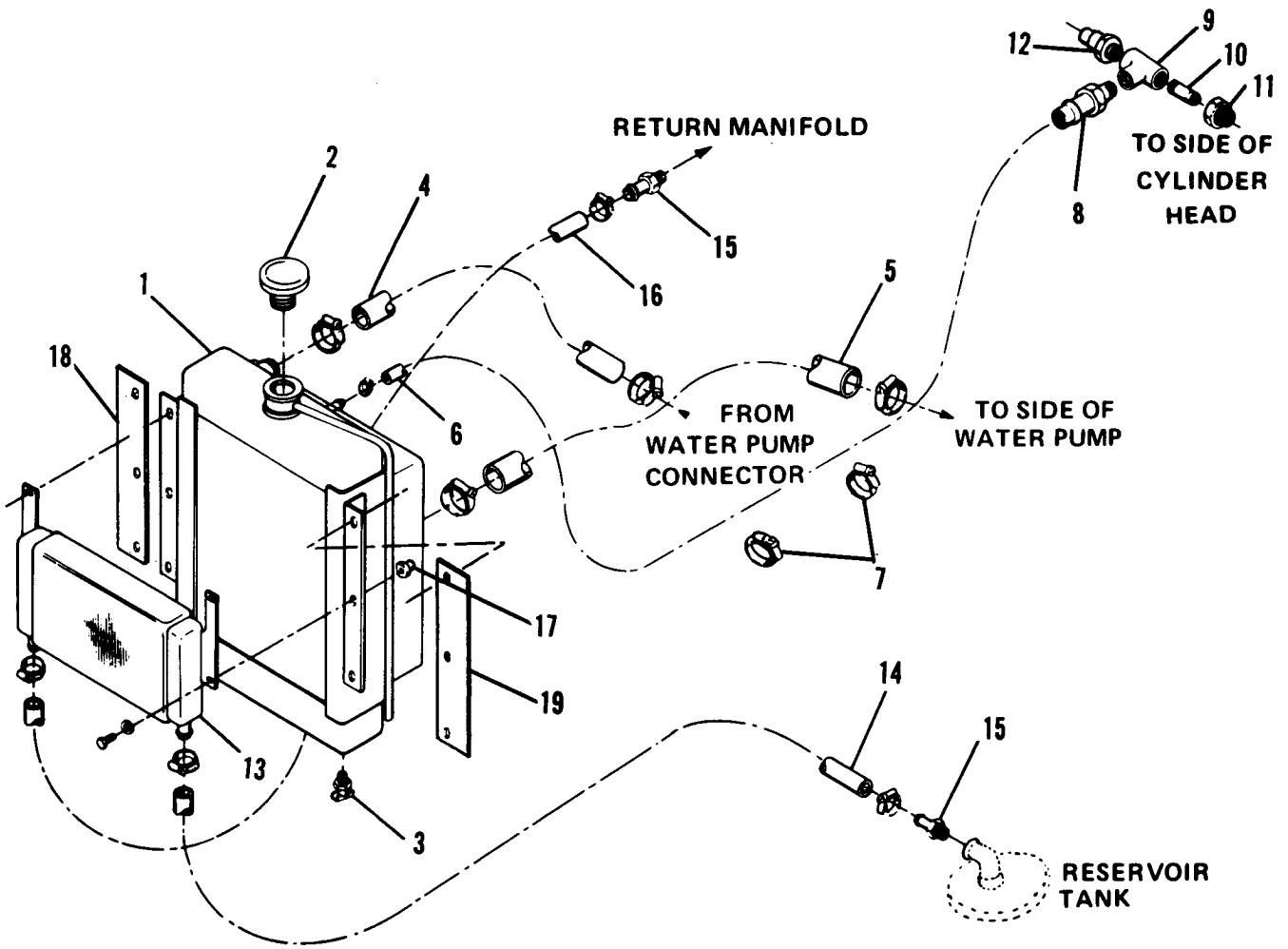
**WATER PUMP
540G**

ITEM	NUMBER	QTY.	DESCRIPTION
1	1010795	1	BLADE, fan
2	1010794	1	SPACER, fan
3	926055	4	CAPSCREW, 5/16NF x 3-1/4
	917356	4	LOCKWASHER
4	1012465	1	BELT, fan
5	1010773	1	PUMP ASY., water
6	1012645	3	CAPSCREW
7	1010774	1	PULLEY
8	1010789	1	GASKET, water pump
9	1010765	1	THERMOSTAT ASY.
10	1010766	1	CONNECTION, water outlet
11	1010767	1	GASKET, outlet connection
12	1012644	2	BOLT

**540 LOADER
COOLING SYSTEM**

RADIATOR & COOLER

540G & 540D

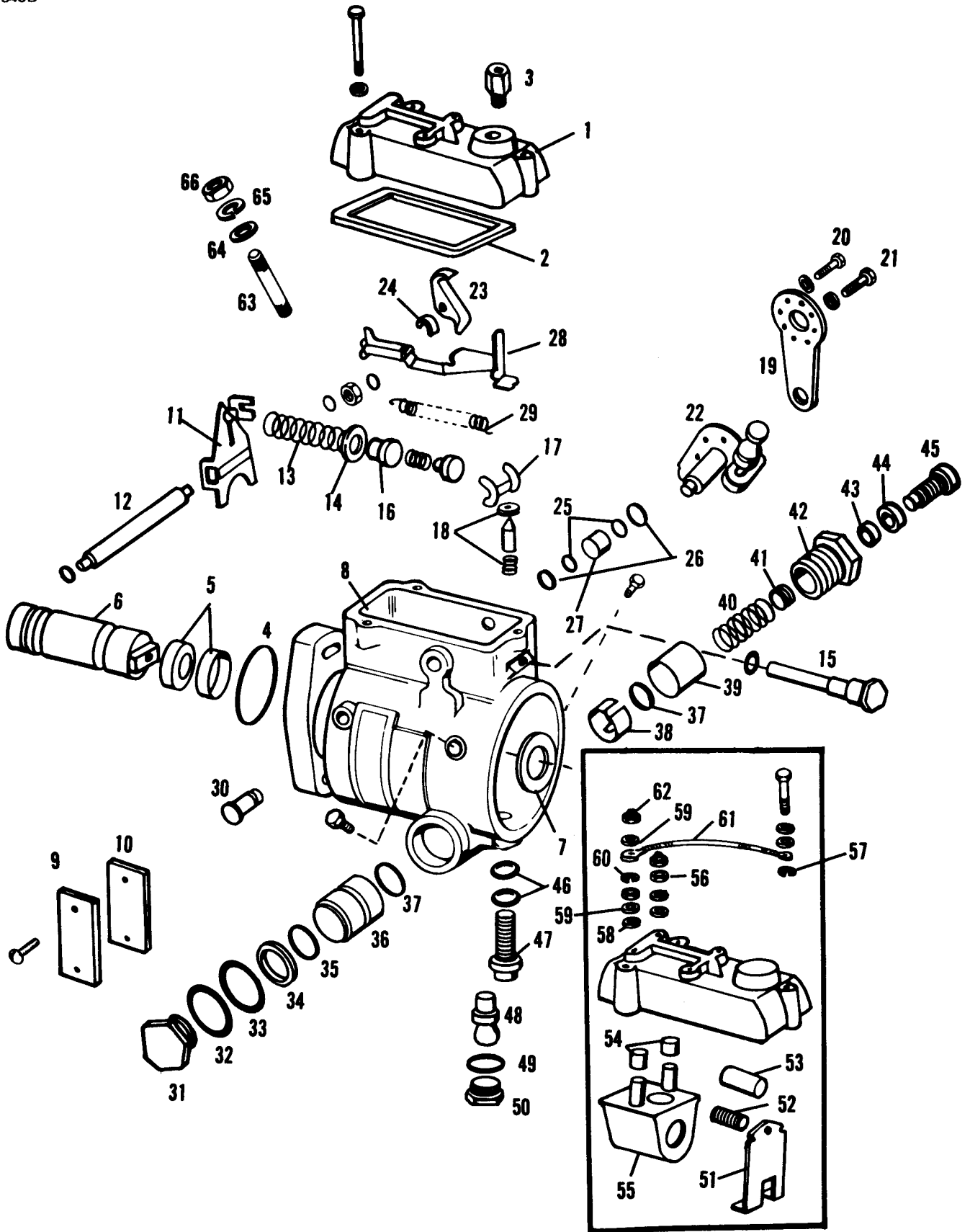


RADIATOR & COOLER
540G & 540D

ITEM	NUMBER	QTY.	DESCRIPTION
1	1011218	1	RADIATOR ASY.
	921333	6	CAPSCREW, 5/16NC x 1
	917642	6	WASHER, flat
2	254891	1	CAP, radiator
3	912415	1	COCK, drain
4	1011219	1	HOSE, radiator top
	921912	2	CLAMP, hose
5	1011220	1	HOSE, radiator bottom
	921912	2	CLAMP, hose
6	1015191	1	HOSE, deairation
7	925617	2	CLAMP, hose
	921965	2	CAPSCREW
	916965	2	LOCKWASHER
8	927028	1	NIPPLE, hose st. barb
9	919646	1	TEE, pipe reducing
10	901490	1	NIPPLE, pipe
11	901838	1	BUSHING, pipe
12	4760149	1	SENDING UNIT, temperature
13	1011244	1	COOLER ASY., oil
14	1012105	1	HOSE, cooler to tank
	925756	2	CLAMP, worm
15	926912	2	HOSE BARB, 3/4NPT
16	1012106	1	HOSE, cooler to return manifold
	925756	2	CLAMP, worm
17	1012493	6	MOUNT, rubber - radiator
18	1015290	1	BAFFLE, right
19	1015291	1	BAFFLE, left

540 LOADER
FUEL SYSTEM

FUEL INJECTION SYSTEM
PUMP - HOUSING & DRIVE
540D



FUEL INJECTION SYSTEM
PUMP - HOUSING & DRIVE
540D

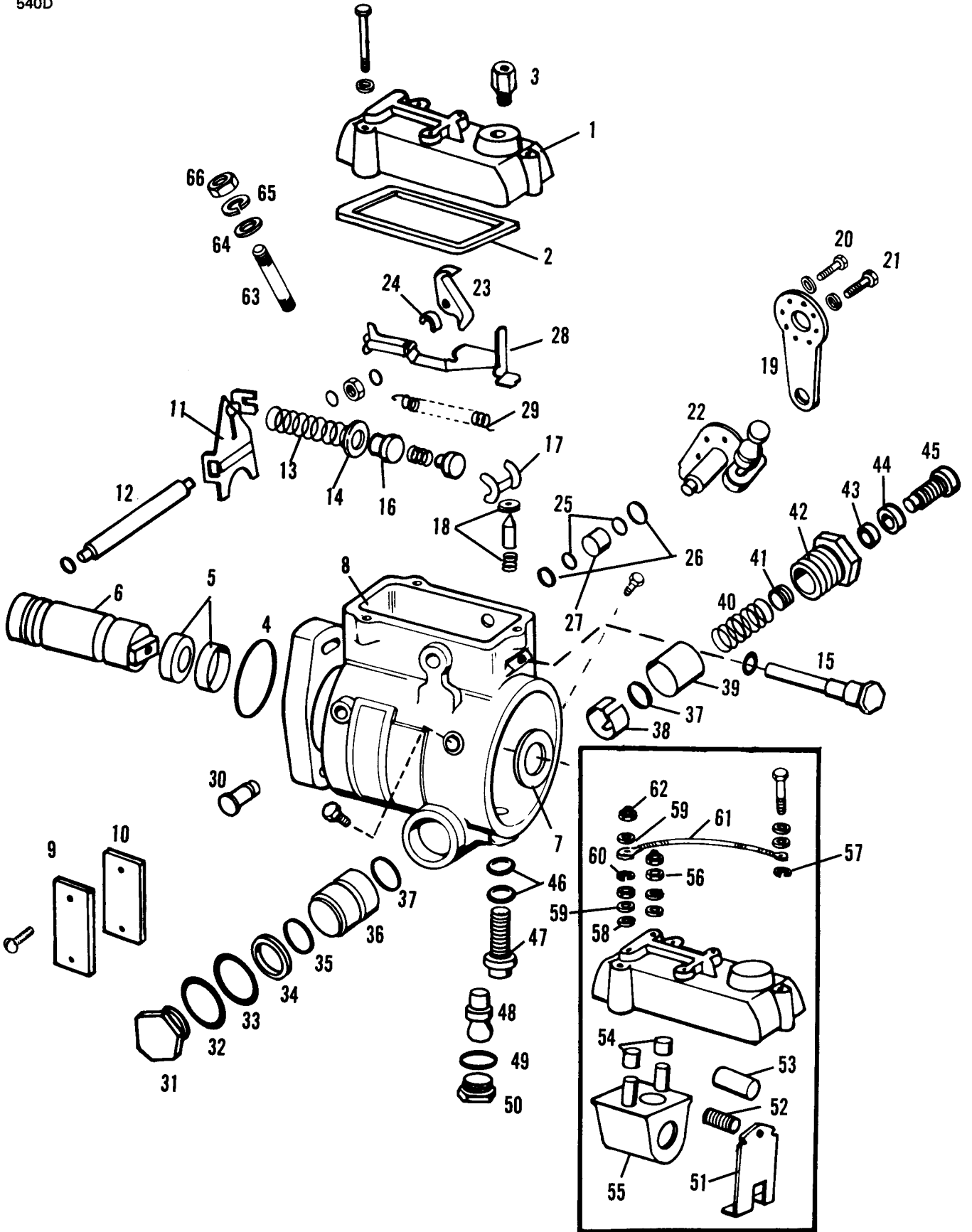
ITEM	NUMBER	QTY.	DESCRIPTION
-	1015745	1	PUMP ASY., fuel injection
1	4051500	1	COVER, governor
	4053266	3	SCREW, cover hold-down
	4053267	3	WASHER
	909055	3	LOCKWASHER
2	4048630	1	GASKET, cover
3	4055293	1	CONNECTOR, return line
4	-----	1	SEAL, pilot tube
5	4052540	2	SEAL, drive shaft
6	1015192	1	SHAFT, drive
7	1015193	1	RING, retainer - drive shaft
8	-----	1	HOUSING ASY.
	4055442	2	BUSHING, throttle shaft
	1015194	1	TUBE, pilot
9	4048603	2	COVER, timing line
	4048605	2	SCREW, timing cover
10	4048604	2	GASKET, timing line cover
11	4053589	1	ARM, governor
12	4048636	1	SHAFT, governor
	4050910	2	SEAL, pivot shaft
	4043642	2	NUT, pivot shaft retainer
13	4051809	1	SPRING, governor control
14	1015344	1	SPACER, governor thrust
15	4051378	1	STUD, guide
	4048650	1	WASHER, guide stud
	4048627	1	GUIDE, idling spring
	4049533	1	SPRING, idling
16	4048635	1	RETAINER, spring
17	4054579	1	ARM ASY., metering
18	4060959	1	VALVE, metering
	4061670	1	SPRING, metering valve
	4052915	1	SHIM, metering valve
19	1015345	1	ARM ASY., adj. throttle
20	4050913	1	SCREW, adj. throttle pos.
	912739	1	WASHER, adj. throttle pos.
21	4048647	1	SCREW, adj. throttle ret.
	909055	1	WASHER, adj. throttle ret.
22	4056488	1	SHAFT ASY., throttle
	4056799	1	SCREW, high idle
	4051366	1	NUT, high idle screw
23	4049532	1	LEVER, throttle shaft
24	4051559	1	CLIP, shaft ret.
25	4369878	2	SEAL, throttle shaft
26	4053375	2	WASHER, throttle shaft real
27	4048643	1	SPACER, throttle shaft
28	4061193	1	HOOK ASY., governor
	1015346	1	HOOK, gov. linkage
	4059171	1	LINK ASY., hook adjusting
	4059170	1	SCREW, gov. link hook adj.
	4061206	1	WASHER, gov. link hook adj.
29	4048624	1	SPRING, gov. linkage
30	4061283	1	SHAFT, shut-off

Continued

540 LOADER
FUEL SYSTEM

FUEL INJECTION SYSTEM

PUMP - HOUSING & DRIVE
540D

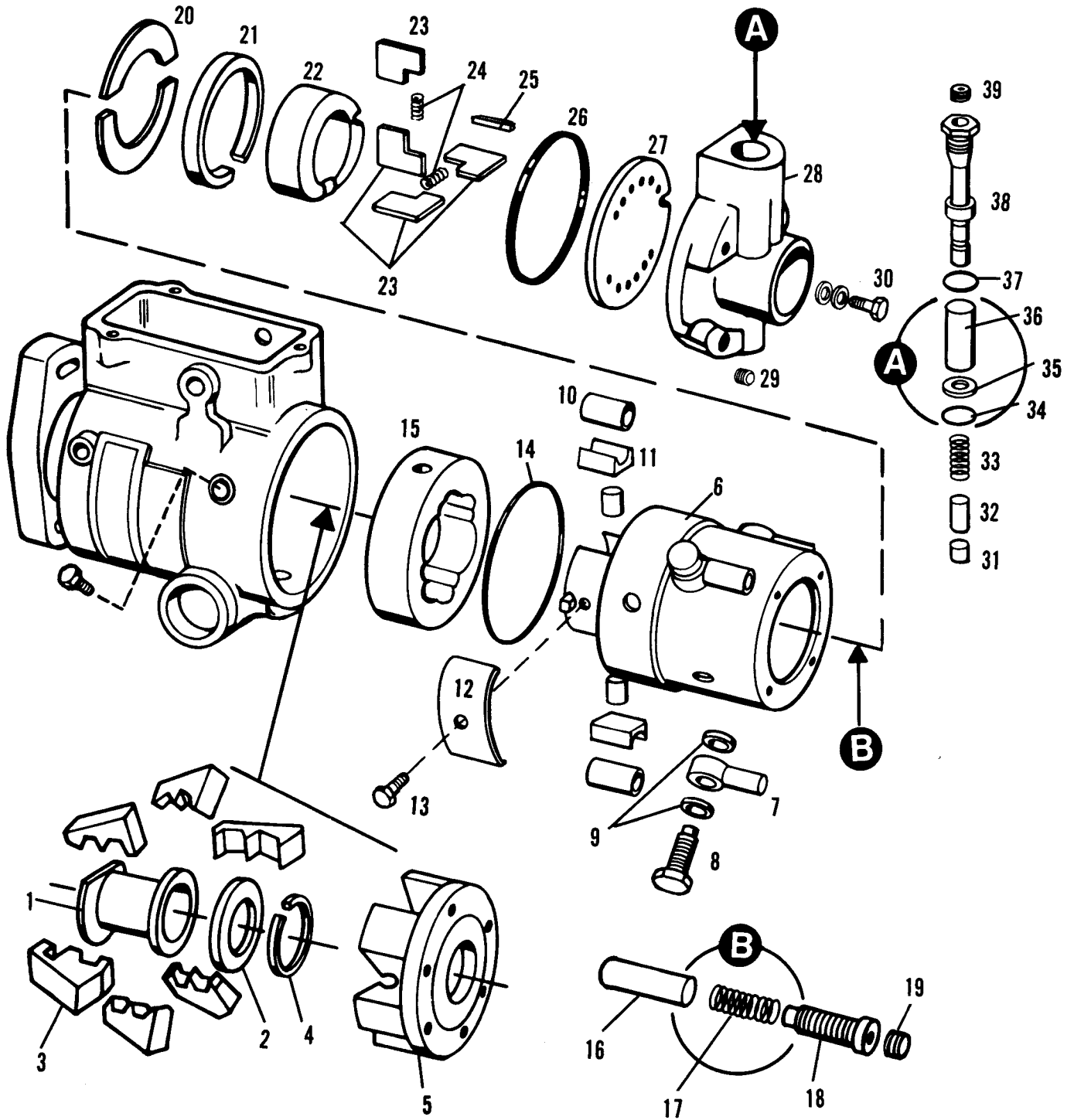


FUEL INJECTION SYSTEM
PUMP - HOUSING & DRIVE
540D

ITEM	NUMBER	QTY.	DESCRIPTION
31	1015716	1	PLUG, piston hole
32	4061170	2	SEAL, piston hole plug
33	4054589	2	SEAL, piston hole plug
34	4061128	1	RING, piston
35	-----	1	SEAL, piston ring
36	1015347	1	PISTON, power
37	4051815	2	WASHER, slide
38	1015730	1	RETAINER, slide washer
39	4061378	1	PISTON, spring
40	4059667	1	SPRING, outer advance
41	4054591	1	GUIDE, adv. adj. spring
42	4054592	1	PLUG, piston hole
43	4369878	1	SEAL, adv. adj. screw
44	4054583	1	NUT, adv. adj. screw
45	1015717	1	SCREW, adv. adjusting
46	4369595	2	SEAL, head loc. screw
47	4060065	1	SCREW ASY., head locating
48	4055687	1	SCREW, cam advance
49	4054585	1	SEAL, adv. screw hole plug
50	4054586	1	PLUG, adv. screw hole
51	4051504	1	ARM ASY., shut-down coil
52	4369496	1	SPRING, shut-down arm
53	4060214	1	SLEEVE, shut-down arm spr.
54	4369502	2	TUBE, terminal insulating
55	4061207	1	FRAME ASY., solenoid
56	4049437	2	NUT
57	4061205	1	LOCKWASHER
58	4051383	2	WASHER
59	4060067	3	WASHER
60	912739	1	LOCKWASHER
61	4060058	1	WIRE ASY., term. grounding
62	4053829	2	LOCKNUT, term. contact
63	4051363	1	SCREW, low idle adj.
64	4051365	1	SEAL, low idle screw
65	4051364	1	WASHER, low idle adj. screw
66	4051409	1	NUT, low idle adj. screw
-	4060745	1	GASKET KIT
-	4060668	1	ARM ASY., w/ solenoid
-	4061601	1	SOLENOID ASY. w/ cover

540 LOADER
FUEL SYSTEM

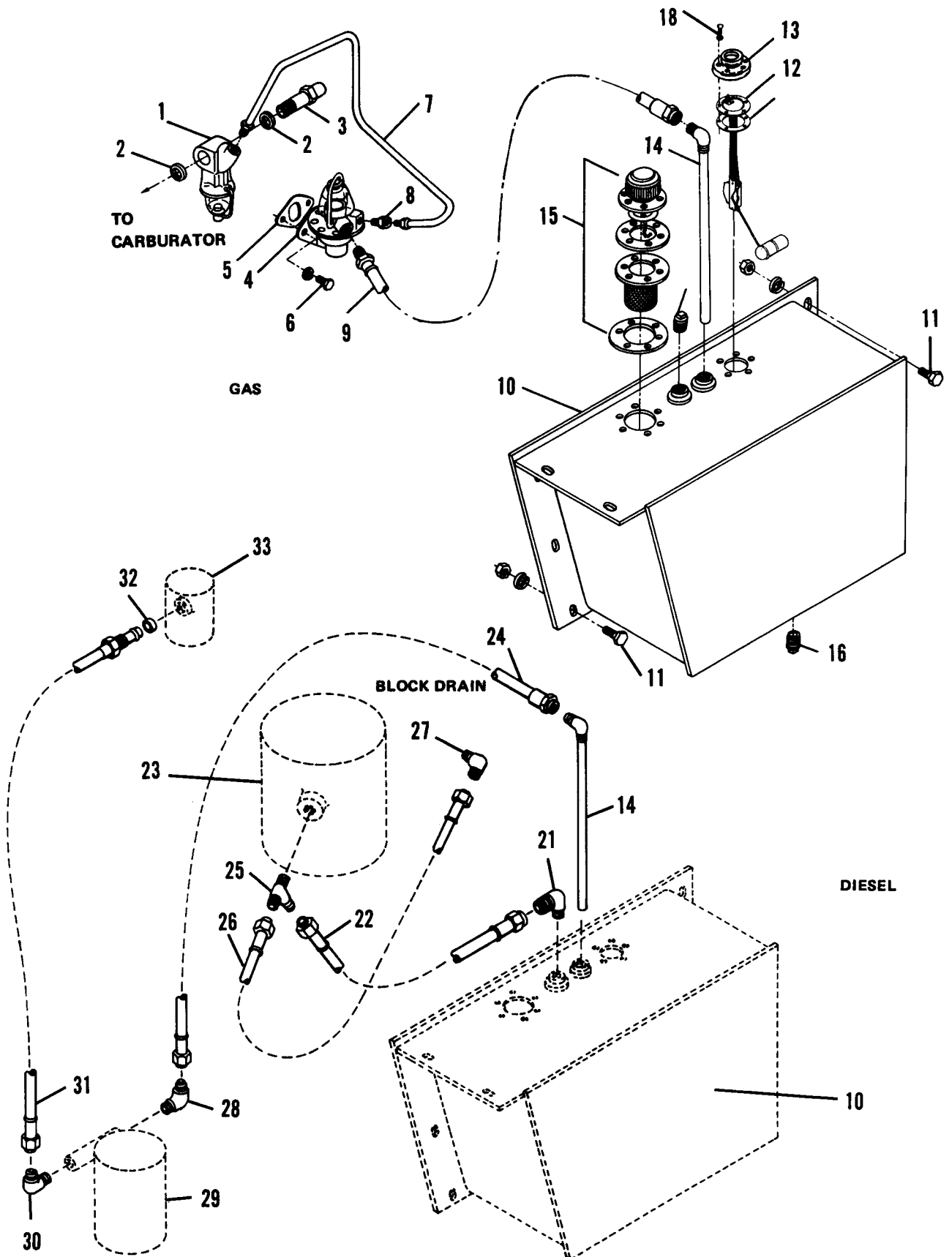
FUEL INJECTION PUMP
PUMP - TRANSFER, HEAD & ROTOR
540D



FUEL INJECTION PUMP
PUMP - TRANSFER, HEAD & ROTOR
540D

ITEM	NUMBER	QTY.	DESCRIPTION
1	4053590	1	SLEEVE, thrust
2	4048620	1	WASHER, gov. thrust sleeve
3	4053385	6	WEIGHT, governor
4	927736	1	RING, gov. cage retaining
5	4061611	1	RETAINER ASY., gov. wt.
6	-----	1	ROTOR ASY., w/ head (Incl. Item 6)
7	1015278	4	CONNECTOR, fuel line
8	4369451	4	SCREW, fuel line conn.
9	4027748	8	WASHER, fuel line conn.
10	4369436	2	ROLLER, cam
11	4061569	2	SHOE, cam roller
12	4051372	1	SPRING, leaf
13	4053362	1	SCREW, leaf spring adj.
14	4369444	1	SEAL, hydraulic head
15	1015195	1	RING, cam
16	4053384	1	VALVE, delivery
	4055937	1	VALVE, delivery (Oversize)
17	4051379	1	SPRING, delivery valve
18	4056590	1	STOP, delivery valve
19	4052538	1	SCREW, delivery valve
	1015279	1	WIRE, vent
	4051388	2	SCREW, hyd. hd. plug
	4052541	1	WIRE, vent
	4056461	1	SCREW, hyd. head plug
20	4051385	2	RETAINER, rotor
21	4051386	1	RING, rotor retainer
22	4051376	1	LINER, transfer pump
23	4061587	4	BLADE, transfer pump
	4061587	-	BLADE, transfer pump (Use as req'd)
	4061588	-	BLADE, transfer pump (Use as req'd)
24	4055958	2	SPRING, trans. pump blade
25	4369592	1	PIN, roll, end plate loc.
26	4050417	1	SEAL, transfer pump
27	4055959	1	PLATE, thrust
28	4055965	1	PLATE, end
29	4055966	1	PLUG, end plate pipe
30	1017388	4	SCREW, end plate
	909055	4	LOCKWASHER, end plate screw
	4053267	4	WASHER, end plate screw
31	4059134	1	SEAL, regulating piston
32	4369596	1	PISTON, regulating
33	4055892	1	SPRING, regulating
34	4369595	1	RING, sleeve seal
35	4055962	1	SEAL, element
36	4055961	1	ELEMENT, filter
37	4369599	1	SEAL, end plate sleeve
38	4059221	1	SLEEVE, end plate
39	4055960	1	PLUG ASY., end plate adj.
-	4060745	1	GASKET KIT

FUEL TANK & LINES



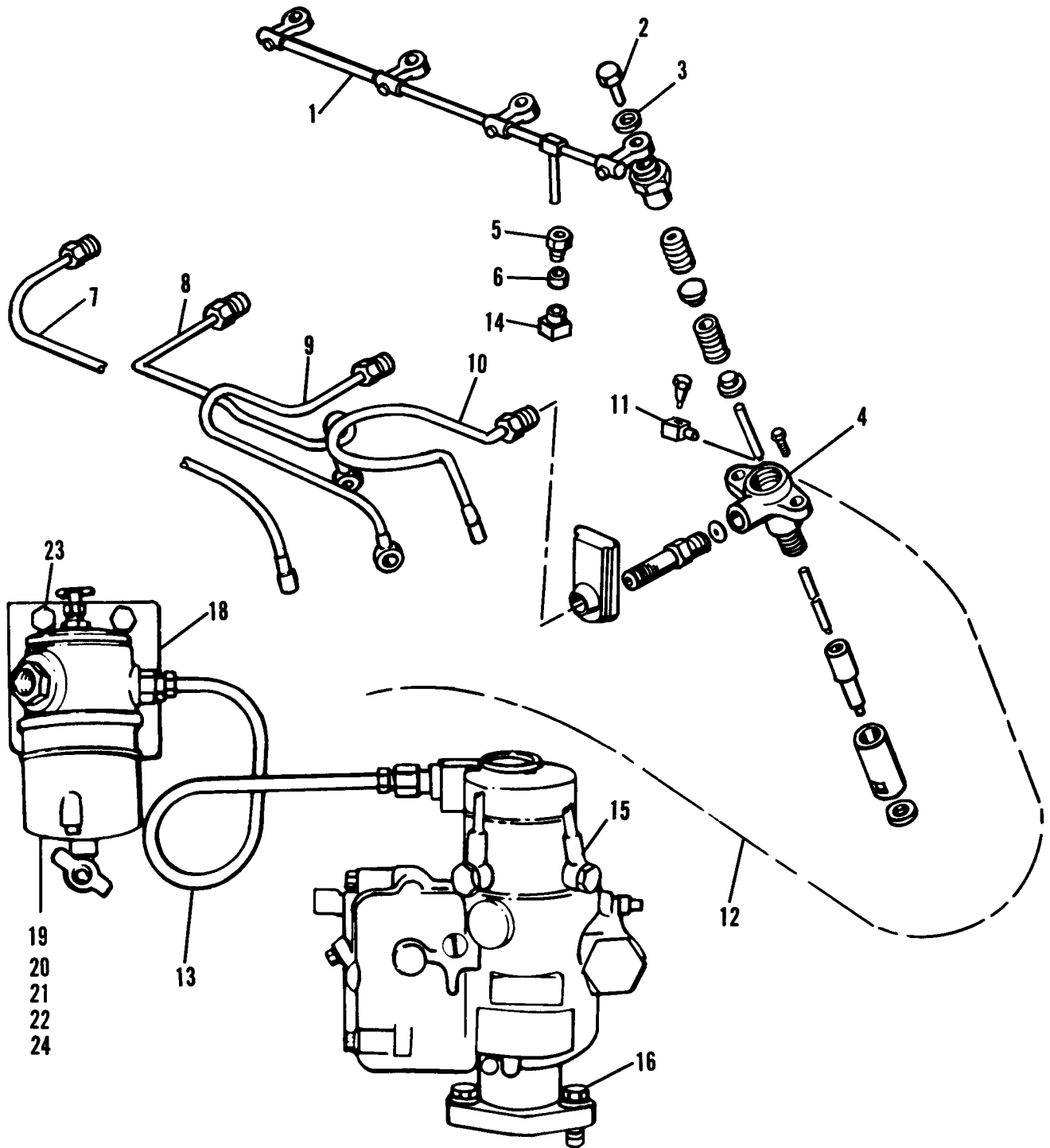
FUEL TANK & LINES

ITEM	NUMBER	QTY.	DESCRIPTION
		* **	
1	1010802	1 0	FILTER ASY., fuel
2	1010803	2 0	GASKET, filter asy.
3	1010804	1 0	ADAPTER, fuel filter - carb.
4	-----	1 0	PUMP ASY., fuel (See FUEL LIFT PUMP ASY.)
5	1010806	1 0	GASKET, fuel lift pump
6	923325	2 0	BOLT, 5/16NC x 7/8
	917356	2 0	LOCKWASHER, 5/16
7	1010799	1 0	LINE, fuel, pump to carb.
8	1010801	1 0	CONNECTOR
9	1011020	1 0	LINE, fuel, tank to pump
10	1011011	1 1	TANK ASY., fuel reservoir
11	921176	8 8	CAPSCREW, 1/2NC x 1-1/4
	916964	8 8	LOCKWASHER, 1/2
	916951	8 8	NUT, 1/2NC
	919327	8 8	WASHER, plain
12	1011079	1 1	SENDER, fuel level
13	240463	1 1	COVER, sender
14	1011004	1 1	TUBE ASY.
15	1009097	1 1	FILLER ASY.
16	905261	1 1	PLUG, 1/2NPT
17	241522	1 1	GASKET
18	919011	5 5	SCREW, self-tap, No. 10NC
	909055	5 5	LOCKWASHER, No. 10
19	917849	1 0	PLUG
20	1015146	1 0	DECAL, gasoline
	1015145	0 1	DECAL, diesel (Not Shown)
21	917750	0 1	ELBOW, male, 3/8 O.D.
22	1016529	0 1	HOSE ASY.
23	-----	0 1	PUMP, fuel injection
24	1015987	0 1	LINE, fuel
25	913043	0 1	TEE, male, flare type
26	1016528	0 1	HOSE ASY.
27	910140	0 1	ELBOW, male, flare type
28	910978	0 1	ELBOW, male, flare type
29	-----	0 1	PUMP, lift
30	910279	0 1	ELBOW, male, flare type
31	1009770	0 1	HOSE ASY.
32	1007417	0 1	SLEEVE
33	-----	0 1	FILTER, fuel

*540G

**540D

FUEL INJECTION SYSTEM
LINES
540D

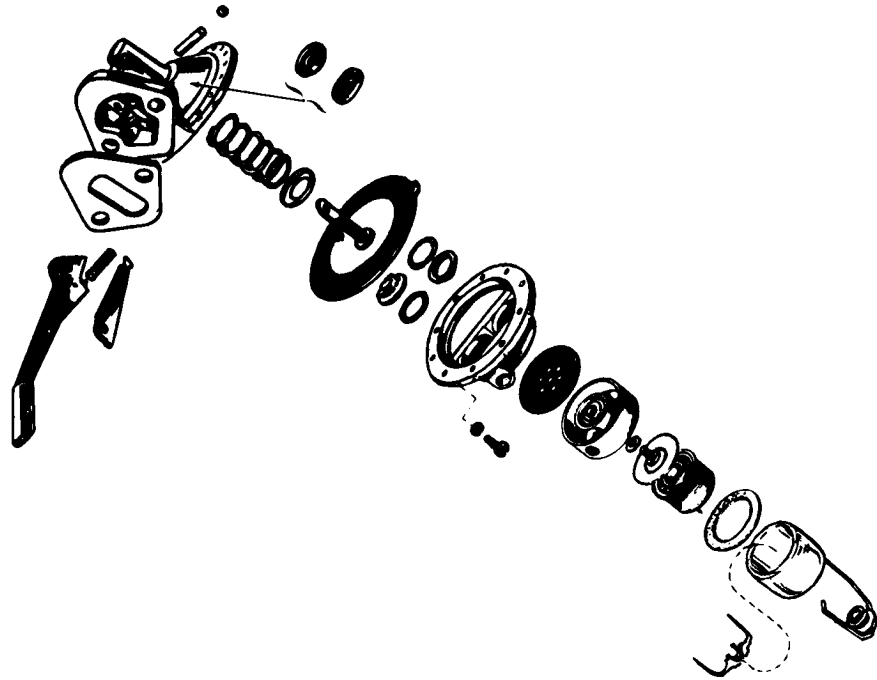


FUEL INJECTION SYSTEM
LINES
540D

ITEM	NUMBER	QTY.	DESCRIPTION
1	1013126	1	TUBE ASY., leak-off
2		4	BOLT, injector mounting
3	1013129	4	WASHER, 5/8 flat seal
4	1013141	4	INJECTOR ASY., fuel
5	1013130	1	CONNECTOR, 1/4" inv. flare
6	1013125	1	SEAL, leak-off tube
7	1013123	1	TUBE ASY., No. 4 cyl.
8	1013122	1	TUBE ASY., No. 3 cyl.
9	1013121	1	TUBE ASY., No. 2 cyl.
10	1013120	1	TUBE ASY., No. 1 cyl.
11	1013131	1	ELBOW, 1/4" pipe thd.
12	1013138	1	LINE ASY., fuel upper
13	1013139	1	LINE ASY., fuel lower
14	1013140	1	UNION, 1/4
15		1	PUMP, injector (See FUEL INJECTOR PUMP for components)
16	1013145	3	STUD, 7/16NC x 1-3/4
	1013144	3	WASHER, 7/16
17	1015586	1	GEAR, injection pump (Not shown)
18	1015588	1	BRACKET, fuel filter
19	1017087	1	FILTER, fuel
20	252050	1	ELEMENT, fuel filter
21	252049	1	SEAL
22	1013119	1	GASKET, filter element
23	923171	2	BOLT, 5/16NF x 2-1/4
24	251077	1	SEAL

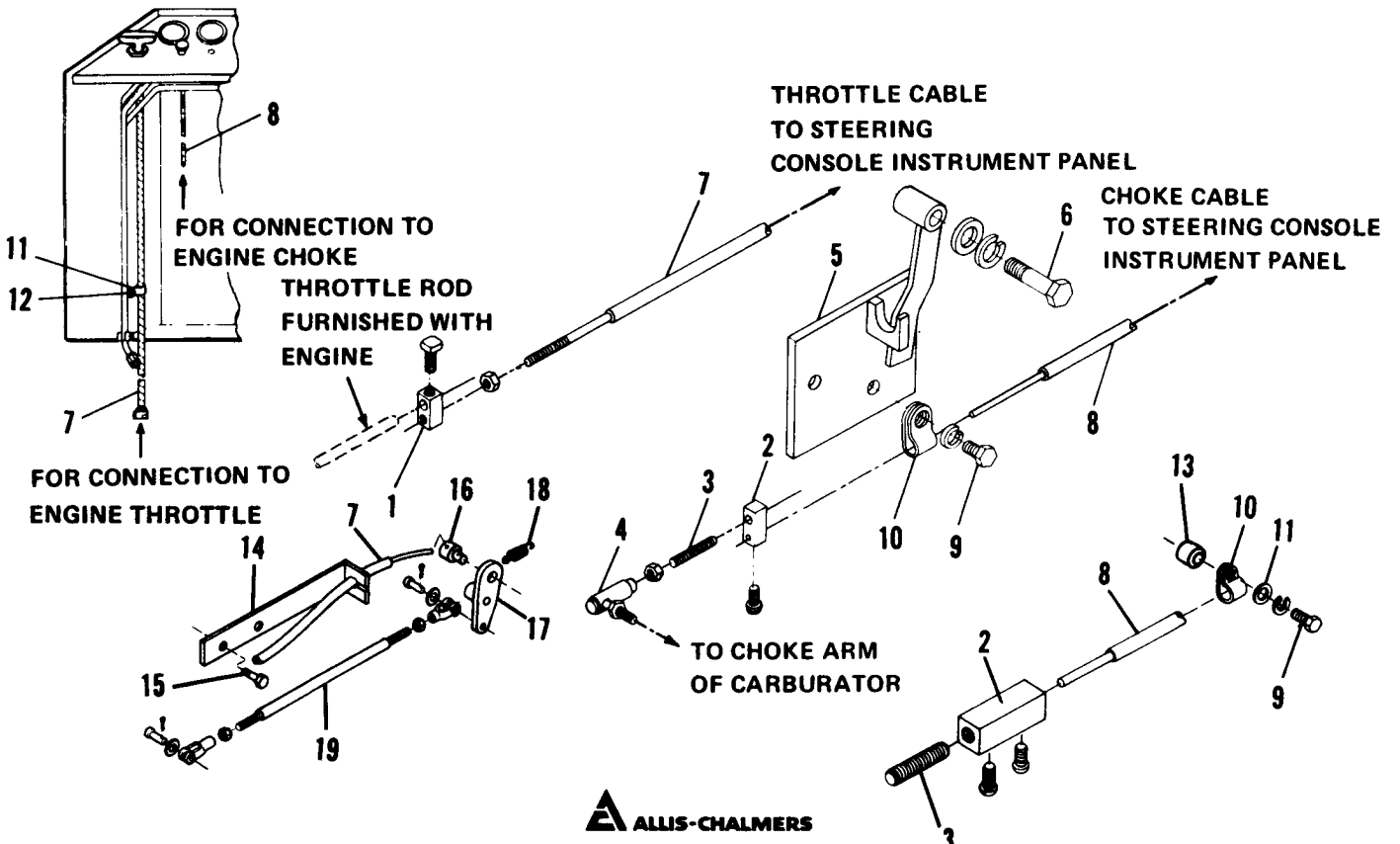
Not shown

FUEL PUMP
540G



CONTROLS

540G
FUEL SHUT-OFF & THROTTLE



FUEL PUMP
540G

ITEM	NUMBER	QTY.	DESCRIPTION
-	*1010805	1	PUMP ASY., fuel

*Components not serviced separately

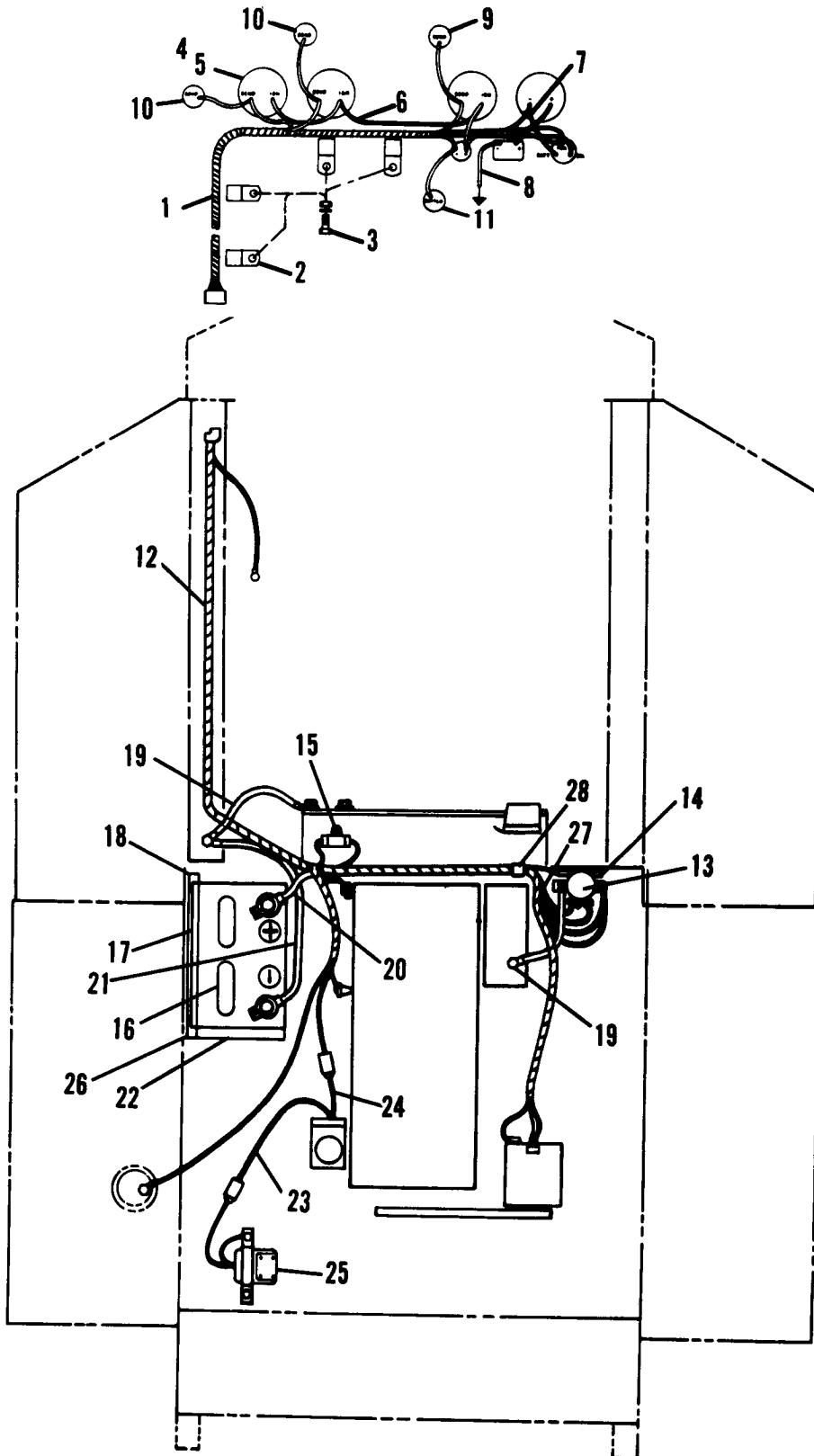
CONTROLS
540G

FUEL SHUT-OFF & THROTTLE

ITEM	NUMBER	QTY.	DESCRIPTION
1	1012467	1 0	BAR, throttle linkage
	928003	1 0	SCREW, set, 1/4NC
2	1012475	1 0	BAR, choke linkage (Prior S/N 1007)
	1015060	1 0	BAR, choke linkage (Eff. S/N 1007)
	922698	1 0	SCREW, machine, No. 8NC
3	1012469	1 0	ROD, choke linkage
	914192	1 0	NUT
4	1015762	1 0	SOCKET, ball joint
5	1011226	1 0	BRACKET, throttle & choke
6	922130	1 0	CAPSCREW, 3/8NC x 2-1/4
	924355	1 0	WASHER
	919312	1 0	LOCKWASHER
7	1015411	1 1	CABLE ASY., throttle
8	1011099	1 0	CABLE ASY., choke
9	923341	1 0	CAPSCREW, 1/4NC x 3/4
	917356	1 0	LOCKWASHER
10	926919	1 0	CLAMP
11	926049	4 2	CLAMP
12	921392	4 2	CAPSCREW
	917356	4 2	LOCKWASHER
	917372	4 2	NUT
13	1015059	1 0	SPACER (Eff. S/N 1007)
14	1015782	0 1	BRACKET, throttle cable mtg.
15	925003	0 2	CAPSCREW, 1/4NC x 1/2
16	1016531	0 1	BAR, throttle mounting
17	1017374	0 1	BELLCRANK
18	1017375	0 1	SPRING
19	1017376	0 1	ROD, throttle

540 LOADER
ELECTRICAL & INSTRUMENTS

ELECTRICAL SYSTEM
WIRING & BATTERY
540D



540 LOADER
ELECTRICAL & INSTRUMENTS

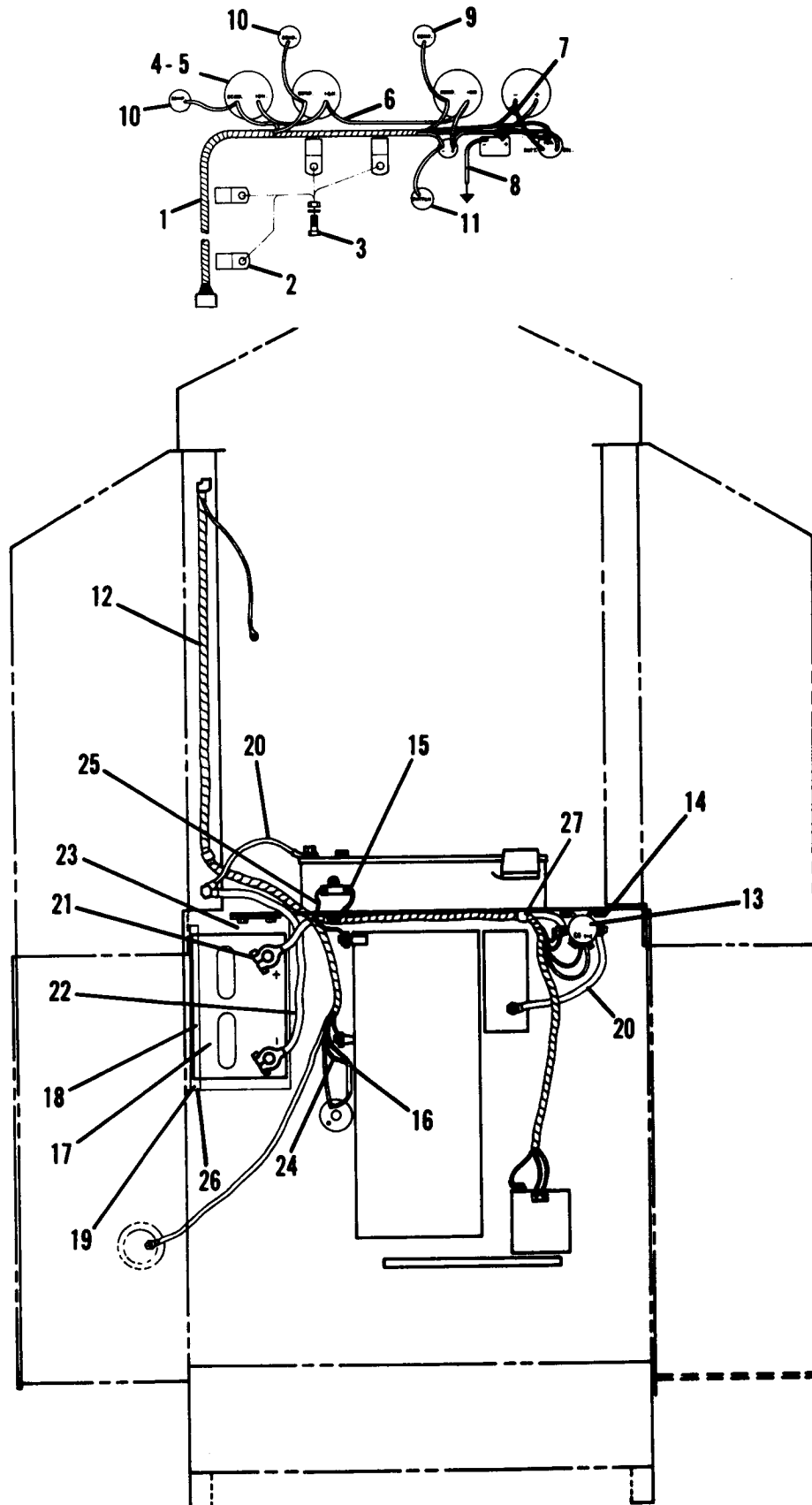
61

ELECTRICAL SYSTEM
WIRING & BATTERY
540D

ITEM	NUMBER	QTY.	DESCRIPTION
1	1011585	1	HARNES, wire (Inst. Panel to Plug)
2	926049	4	CLAMP, insulated
3	920415	4	CAPSCREW, 3/8NC x 1-1/4
	916965	4	LOCKWASHER, 3/8
	916950	4	NUT, 3/8NC
4	1003294	4	BULB, gauge light
5	1007823	4	SOCKET, lamp
6	1011608	1	HARNES, wire (Inst. Panel)
	-----	1	FUSE, 10 amp (Obtain locally)
7	1011610	1	WIRE, jumper
8	1004587	1	WIRE, jumper (Ground)
9	1011079	1	SENDER, fuel level
10	4760149	2	SENDER, oil & water temperature
11	240150	1	SWITCH, oil pressure
12	1013543	1	HARNES (Engine to Plug)
13	1011611	1	SOLENOID
14	923341	2	BOLT, 1/4NC x 3/4
	916964	2	LOCKWASHER, 1/4
	916622	2	NUT, 1/4NC
15	1013306	1	RESISTOR
16	243470	1	BATTERY
17	1015918	1	CLAMP, battery
18	249788	2	J-HOOK, battery mounting
	918264	2	LOCKWASHER
	920397	2	NUT, 1/4NC
19	1007695	2	STRAP, ground
20	1009243	1	CABLE, battery to solenoid
21	1007707	1	CABLE, battery negative
22	1015919	1	BRACKET ASY., battery
23	1015986	1	WIRE, jumper
24	1015985	1	WIRE, jumper
25	1015978	1	PUMP, fuel elec.
26	927187	2	CAPSCREW
27	1009398	1	WIRE, jumper
28	925617	3	CLAMP, wire
	921333	3	CAPSCREW
	917356	3	LOCKWASHER
	917372	3	NUT

540 LOADER ELECTRICAL & INSTRUMENTS

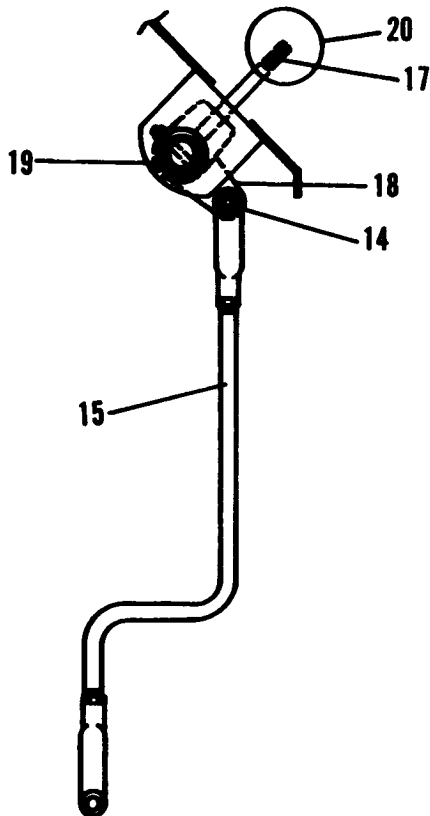
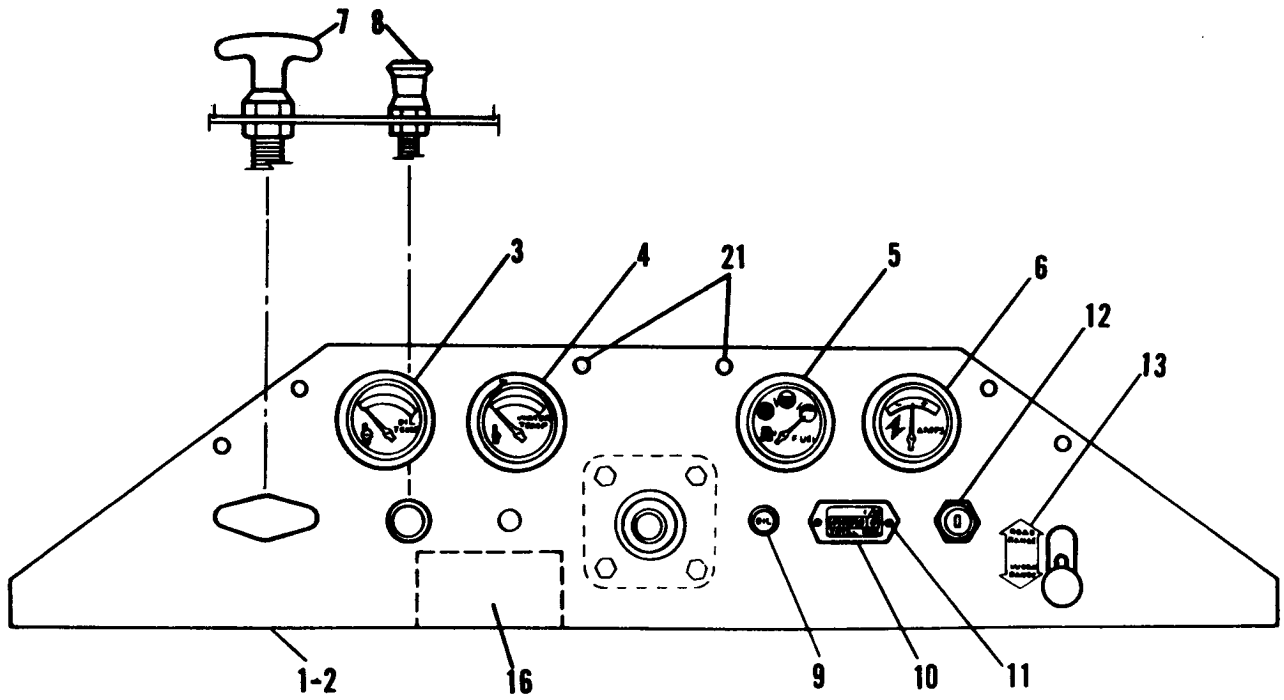
ELECTRICAL SYSTEM WIRING & BATTERY 540G



ELECTRICAL SYSTEM
WIRING & BATTERY
540G

ITEM	NUMBER	QTY.	DESCRIPTION
1	1011585	1	HARNES, wire (Inst. Panel to Plug)
2	926049	4	CLAMP, insulated
3	920415	4	CAPSCREW, 3/8NC x 1-1/4
	916965	4	LOCKWASHER, 3/8
	916950	4	NUT, 3/8NC
4	1003294	4	BULB, gauge light
5	1007823	4	SOCKET, lamp
6	1011608	1	HARNES, wire (Inst. Panel)
	-----	1	FUSE, 10 amp (obtain locally)
7	1011610	1	WIRE, jumper
8	1004587	1	WIRE, jumper (Ground)
9	1011079	1	SENDER, fuel level
10	4760149	2	SENDER, oil & water temperature
11	240150	1	SWITCH, oil pressure
12	1011586	1	HARNES, wire (Engine to Plug)
13	1011611	1	SOLENOID
14	923341	2	BOLT, 1/4 x 3/4
	916964	2	LOCKWASHER, 1/4
	916622	2	NUT, 1/4NC
15	1013306	1	RESISTOR
16	230170	1	ADAPTOR, terminal
17	243470	1	BATTERY
18	1011374	1	CLAMP, battery
19	249788	2	J-HOOK, battery mounting
	916964	2	LOCKWASHER
	916622	2	NUT, 1/4NC
20	1007695	2	STRAP, ground
21	1009243	1	CABLE, battery to solenoid
22	1007707	1	CABLE, battery negative
23	1011414	1	BRACKET ASY., battery
24	1012503	1	WIRE, jumper
25	1012502	1	WIRE, jumper
26	927187	2	CAPSCREW, battery bracket
27	925617	3	CLAMP
	921333	3	CAPSCREW
	917356	3	LOCKWASHER
	917372	3	NUT

INSTRUMENTS
GAUGES & PANEL



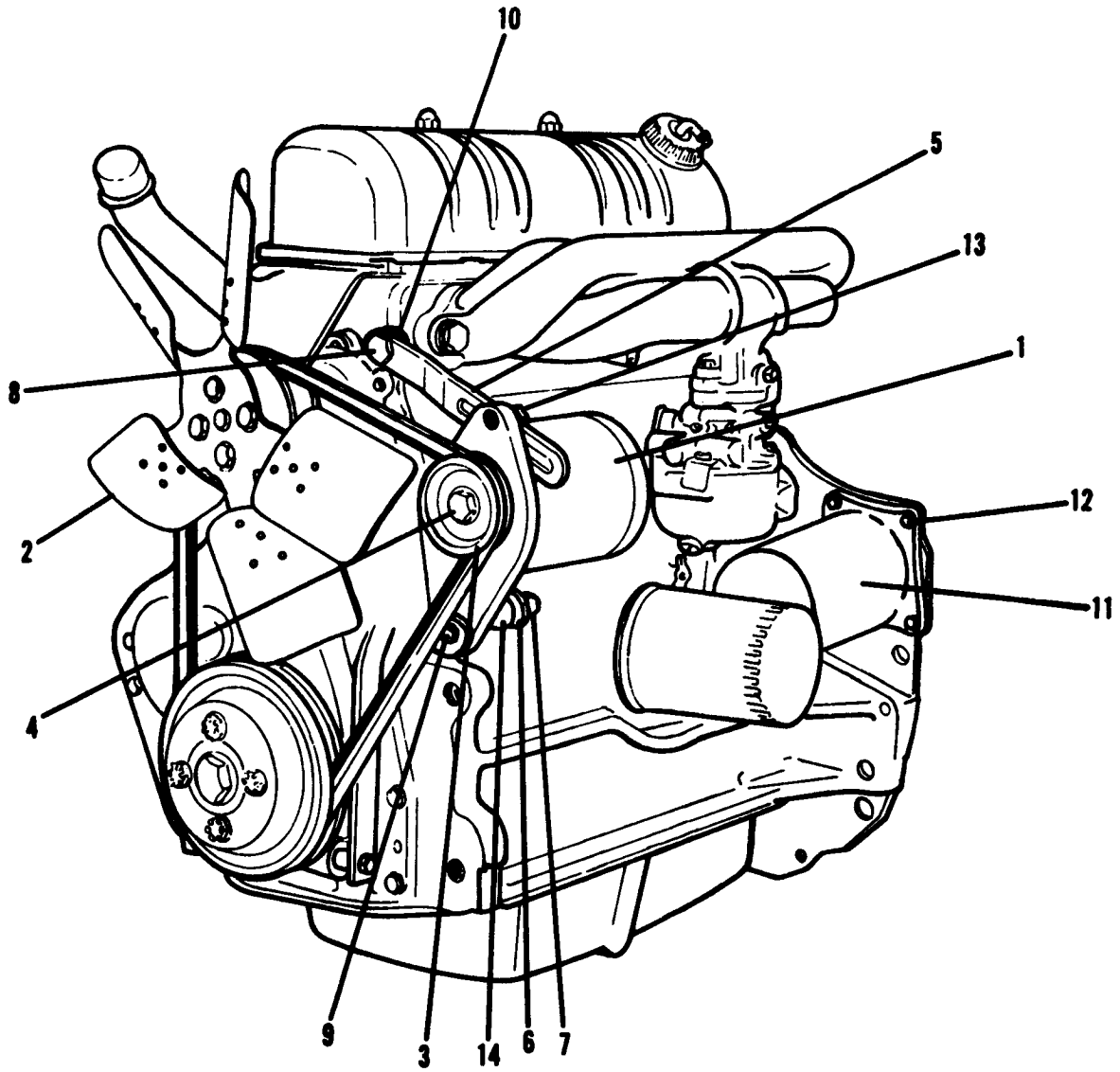
540 LOADER
ELECTRICAL & INSTRUMENTS

65

INSTRUMENTS
GAUGES & PANEL

ITEM	NUMBER	QTY.	DESCRIPTION
-	1014596	1	CONSOLE ASY.
1	1014631	1	PANEL, instrument
2	920415	4	CAPSCREW, 3/8NC x 1-1/4
	919312	4	LOCKWASHER, 3/8
	916950	4	NUT, 3/8NC
3	1003305	1	GAUGE, converter, oil temperature
	920240	2	WASHER, int. tooth
	900966	2	NUT, No. 6NC
4	4818262	1	GAUGE, water temperature
	920240	2	WASHER, int. tooth
	900966	2	NUT, No. 6NC
5	4818261	1	GAUGE, fuel
	920240	2	WASHER, int. tooth
	900966	2	NUT, No. 6NC
6	4818263	1	AMMETER
	920240	2	WASHER, int. tooth
	900966	2	NUT, NO. 6NC
7	-----	1	CABLE, throttle (See ENGINE FUEL CONTROLS)
8	-----	1	CABLE, choke (See ENGINE FUEL CONTROLS)
9	1008023	1	LAMP ASY.
	-----	1	LAMP (Trade No. 1895R)
10	1004539	1	METER, hour
11	900602	2	SCREW, No. 6NC x 3/8
	917459	2	LOCKWASHER, No. 6
	917479	2	NUT, No. 6NC
12	1011488	1	SWITCH, ignition
	241977	2	KEYS
13	1011489	1	DECAL, range selector
14	923093	2	PIN, yoke
	918448	2	PIN, cotter
15	1014770	1	ROD, selector
	917663	2	YOKE, end
	920263	2	NUT
16	1011490	1	DECAL, drive control
17	1011343	1	ROD, selector valve handle
18	1011164	1	HANDLE ASY.
	928847	1	BUSHING
19	1011433	1	PIN, handle
	925719	1	PIN, cotter
20	230366	1	KNOB, handle
21	925003	6	SCREW, tapping

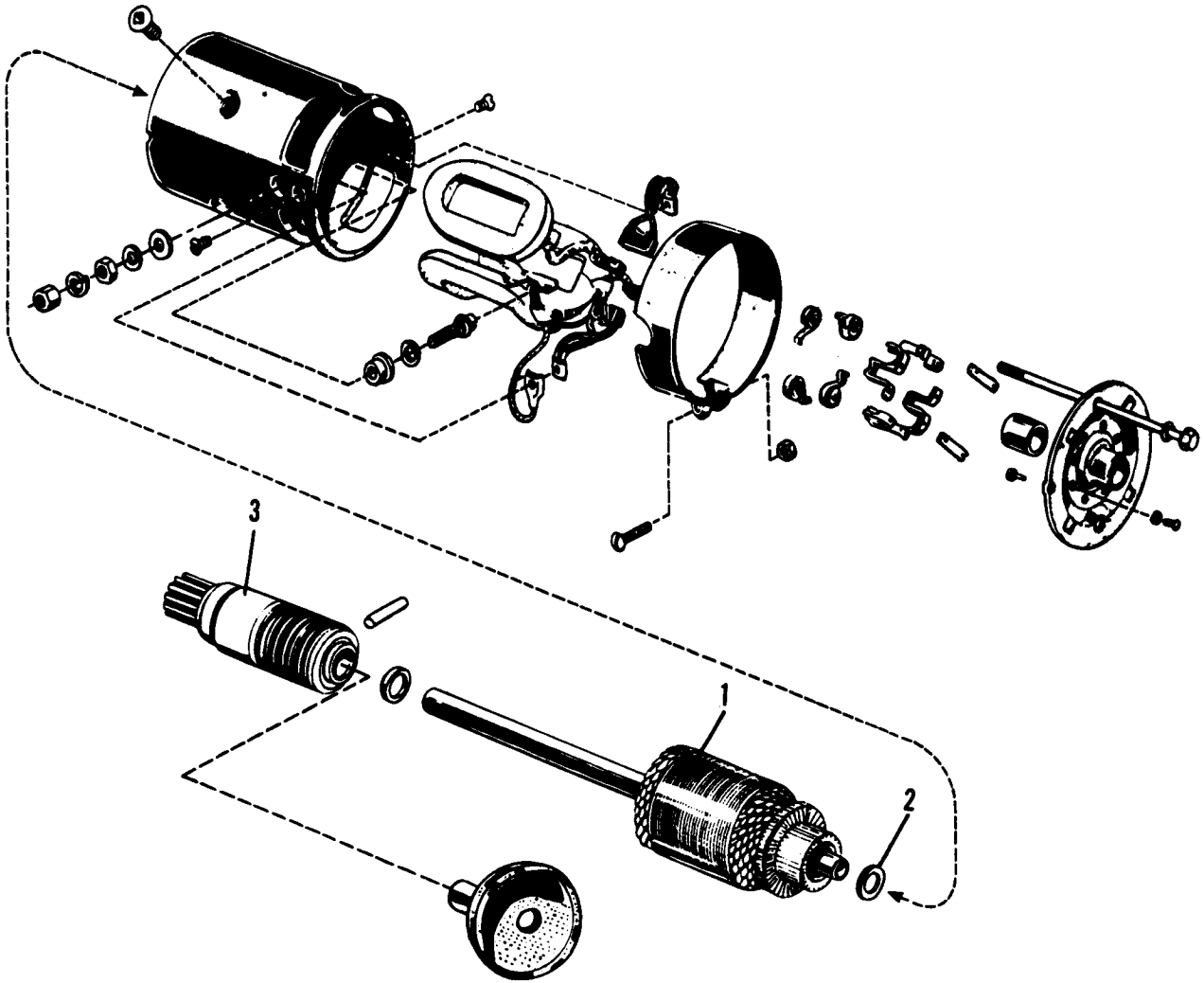
ENGINE ELECTRICAL SYSTEM
ALTERNATOR & STARTER MOUNT
540G & 540D



ENGINE ELECTRICAL SYSTEM
ALTERNATOR & STARTER MOUNT
540G & 540D

ITEM	NUMBER	QTY.	DESCRIPTION
1	-----	1	ALTERNATOR ASY. (See ALTERNATOR ASY. for component parts)
2	1010795	1	FAN, alternator
3	249693	1	PULLEY, alternator
4	4054799	1	NUT, shaft
	237006	1	LOCKWASHER
5	1011224	1	LINK, alternator adjustment
	927057	1	CAPSCREW
	919312	1	LOCKWASHER
6	1015445	1	BRACKET, mounting, alternator
7	926108	2	CAPSCREW, 7/16NC x 3/4
	914678	2	LOCKWASHER, 7/16
8	920415	1	CAPSCREW, 3/8NF x 1-1/4
	918199	1	LOCKWASHER, 3/8
9	922648	1	BOLT, 3/8NC x 4
10	1012443	1	SPACER, alternator link
11	-----	1	MOTOR ASY., starter (See STARTING MOTOR ASY. for component parts)
12	921927	3	CAPSCREW, 5/16NC x 1-1/4
	917356	3	LOCKWASHER, 5/16
13	921333	1	CAPSCREW, 5/16NC x 1
	917356	1	LOCKWASHER, 5/16
14	1012443	1	SPACER

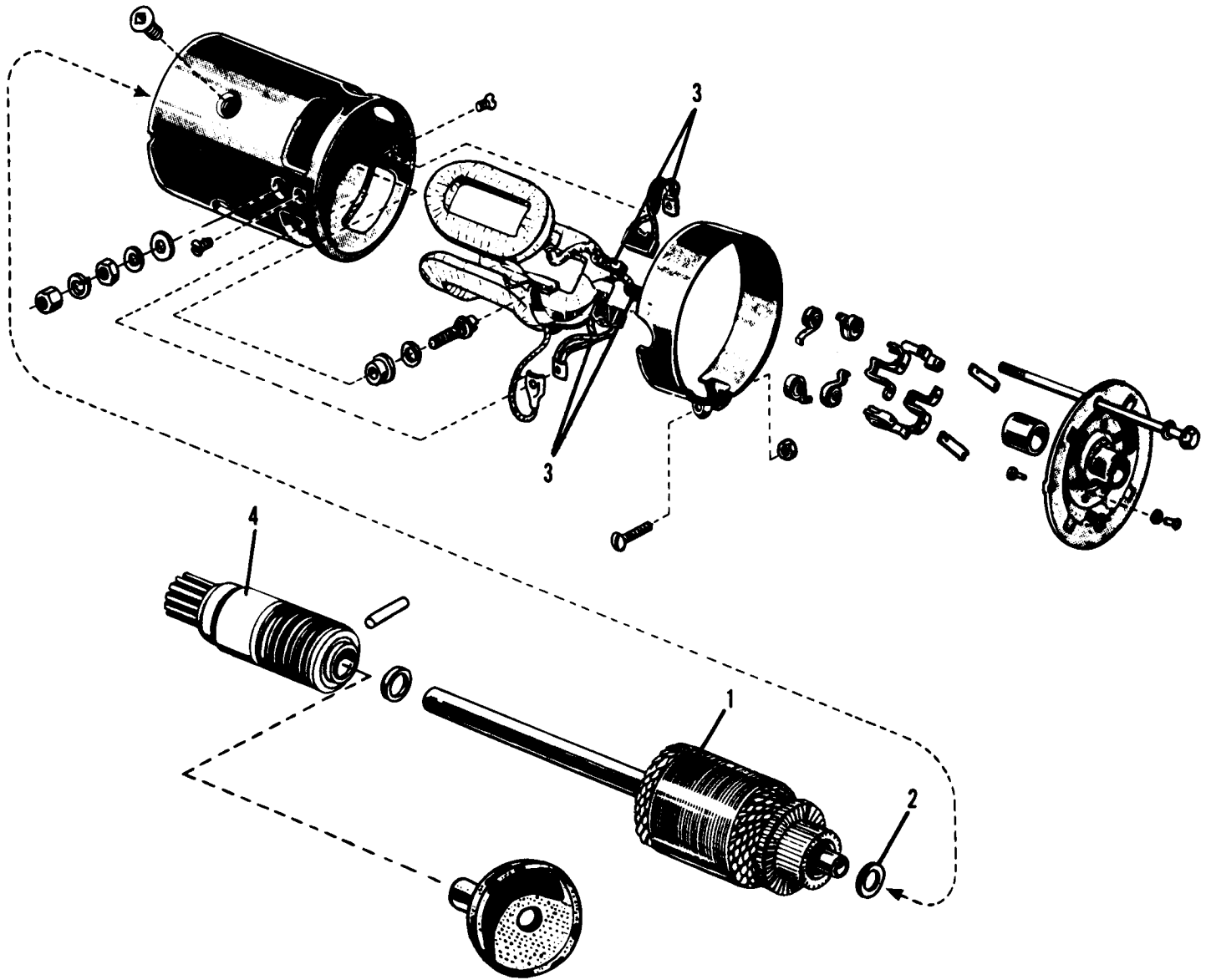
ENGINE ELECTRICAL SYSTEM
STARTER & DRIVE - FORD
540D



ENGINE ELECTRICAL SYSTEM
STARTER & DRIVE -- FORD
540D

ITEM	NUMBER	QTY.	DESCRIPTION
-	1015741	1	STARTER & DRIVE
1	1010837	1	ARMATURE ASY.
2	1010938	2	WASHER, thrust
3	1010842	1	DRIVE ASY.

ENGINE ELECTRICAL SYSTEM
STARTER & DRIVE - FORD
540G



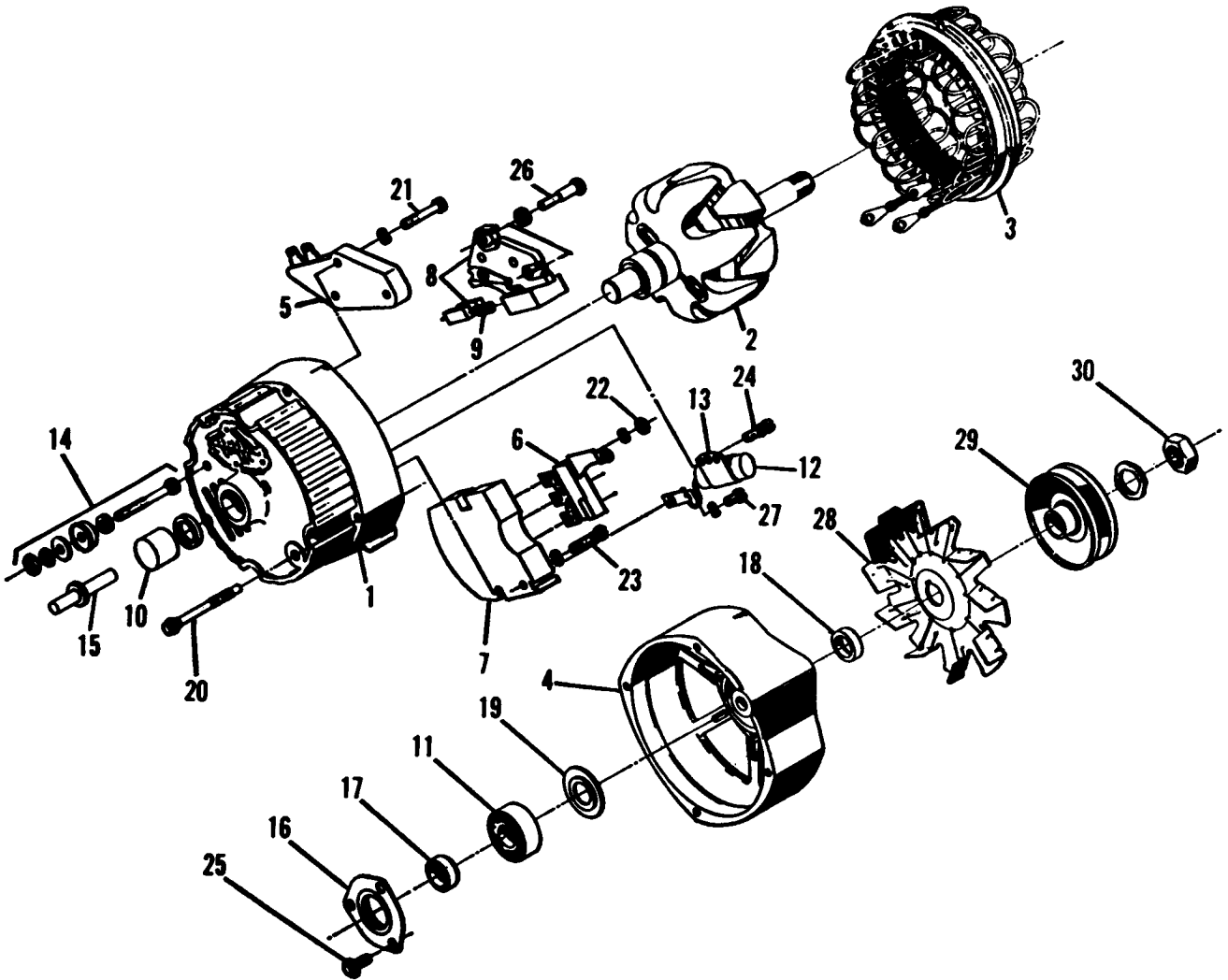
540 LOADER
ELECTRICAL & INSTRUMENTS

71

ENGINE ELECTRICAL SYSTEM
STARTER & DRIVE - FORD
540G

ITEM	NUMBER	QTY.	DESCRIPTION
-	1010836	1	STARTER & DRIVE
1	1010837	1	ARMATURE ASY.
2	1010838	2	WASHER, thrust
3	1010841	1	BRUSH KIT, starter
4	1010842	1	DRIVE ASY.

ENGINE ELECTRICAL SYSTEM
ALTERNATOR
540G & 540D

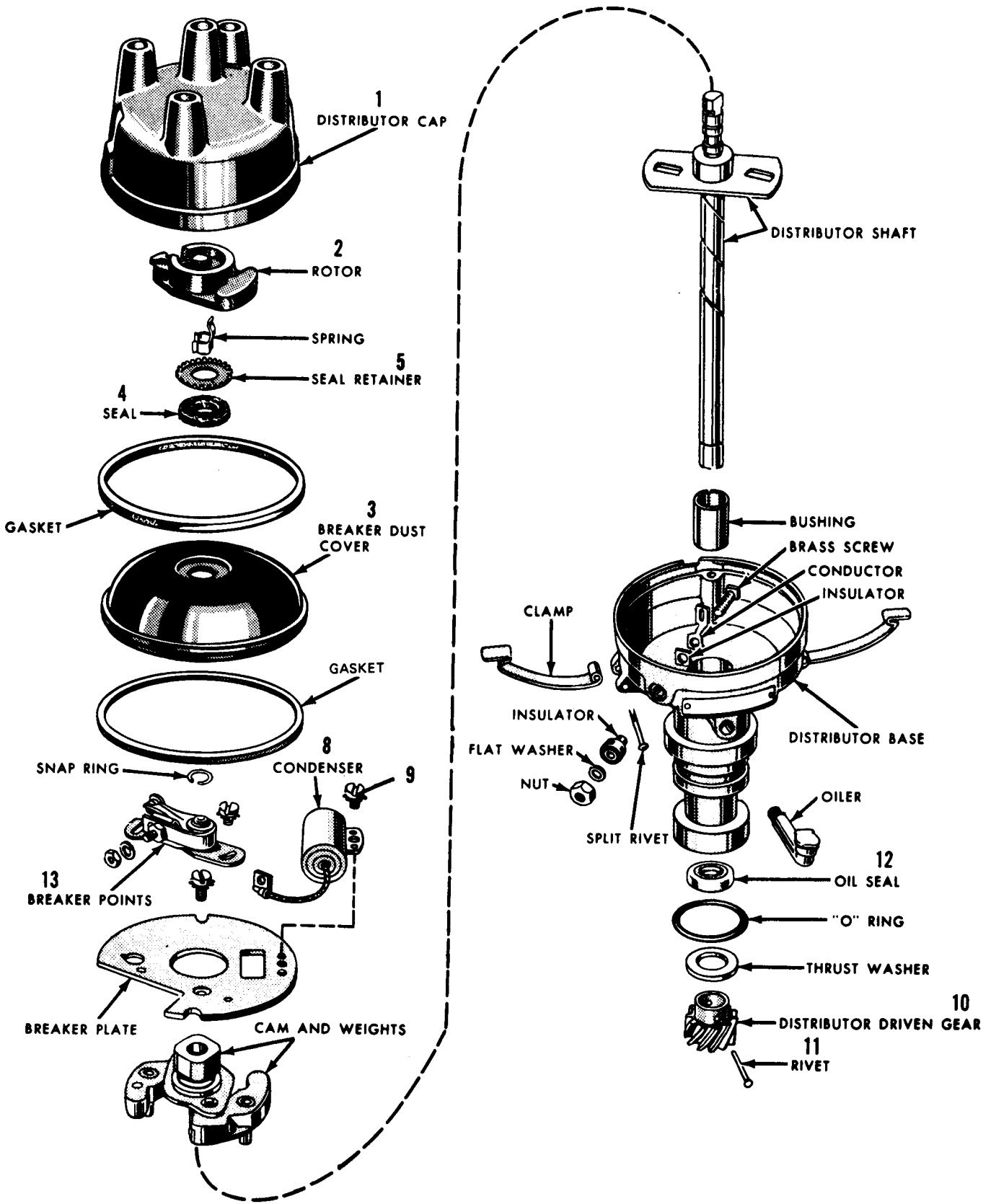


ENGINE ELECTRICAL SYSTEM

ALTERNATOR
540G & 540D

ITEM	NUMBER	QTY.	DESCRIPTION
—	1008010	1	ALTERNATOR ASY. (Incl. Items 1 thru 27 & 30)
1	1172888	1	FRAME, slip ring end (Incl. Item 10)
		1	SEAL, bearing (Not serviced)
2	1174683	1	ROTOR ASY.
3	1009610	1	STATOR ASY.
4	1142678	1	FRAME, drive end
5	1172893	1	REGULATOR
6	1172891	1	DIODE, trio
7	1009611	1	RECTIFIER, bridge
8	1180109	1	BRUSH & HOLDER (Incl. Item 9)
9	242818	2	SPRING, brush
10	1172895	1	BEARING, slip ring end
11	1148619	1	BEARING, drive end
12	1172896	1	CAPACITOR
13	4054848	1	BRACKET, capacitor
14	1172897	1	TERMINAL PACKAGE, battery
15	1009612	1	TERMINAL PACKAGE, relay
16	1172898	1	RETAINER ASY., bearing
17	242828	1	COLLAR, inside
18	242829	1	COLLAR, outside
19	1172899	1	SLINGER, grease
20	242838	4	BOLT, thru
21	1173327	1	SCREW, brush holder
	242831	1	LOCKWASHER
22	917385	3	NUT, rectifier bridge
	242831	3	LOCKWASHER
23	1173330	1	SCREW, rectifier bridge
	242831	1	LOCKWASHER
24	1173329	1	SCREW, w/ lockwasher capacitor
25	243792	3	SCREW, ball bearing retainer
26	1173328	2	SCREW, brush holder
27	1173329	1	SCREW, capacitor lead
	242831	1	LOCKWASHER
28	—	1	FAN, alternator (See ALTERNATOR & STARTER group)
29	—	1	PULLEY, alternator (See ALTERNATOR & STARTER group)
30	4054799	1	NUT, shaft
	237006	1	LOCKWASHER

DISTRIBUTOR



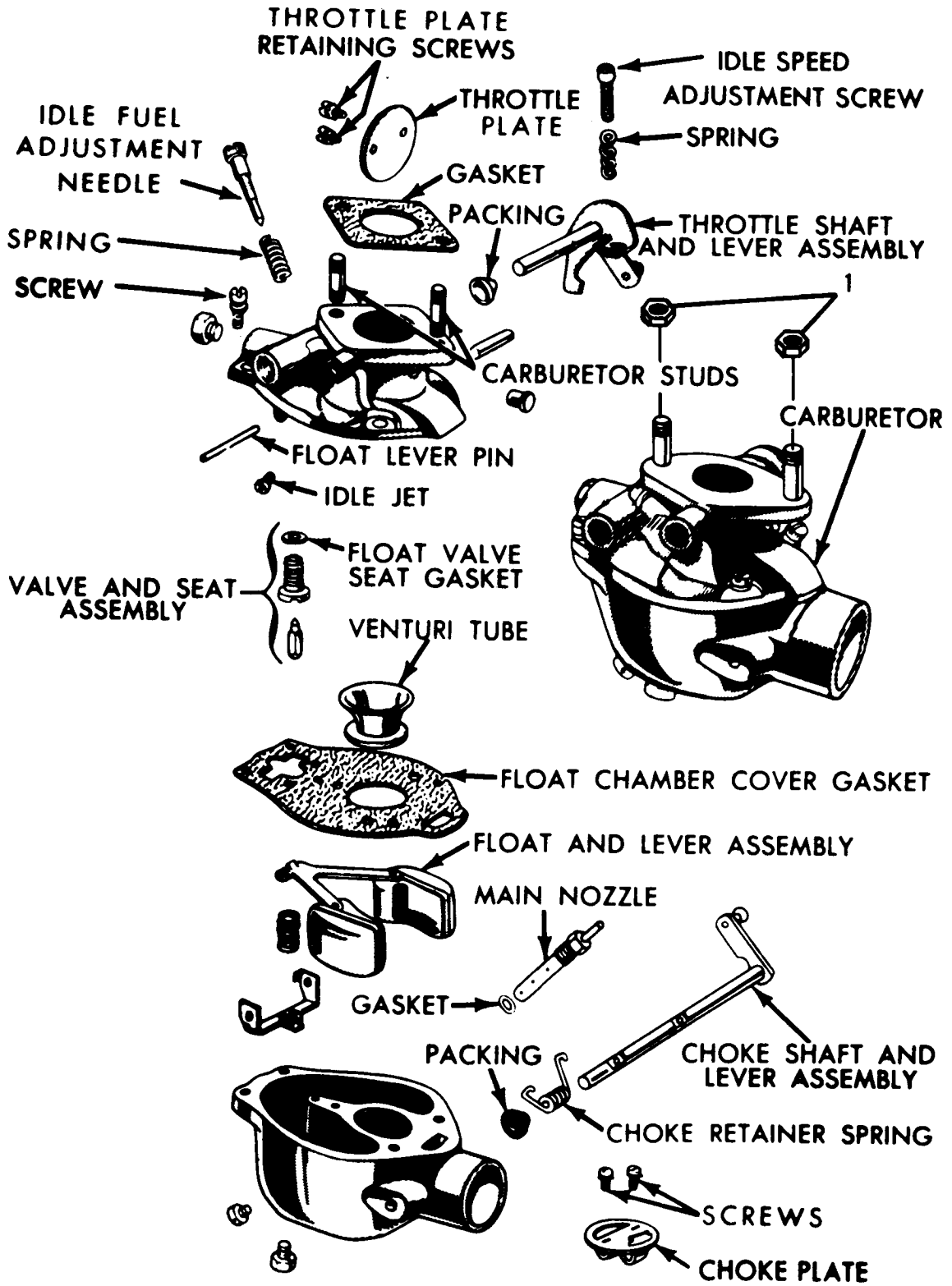
540 LOADER
ELECTRICAL & INSTRUMENTS

75

DISTRIBUTOR

ITEM	NUMBER	QTY.	DESCRIPTION
-	1010845	1	DISTRIBUTOR ASY. (less Housing & Rotor)
1	1010844	1	DISTRIBUTOR CAP
2	1010846	1	ROTOR ASY.
3	1010847	1	COVER ASY., dust
4	1010851	1	SEAL, breaker cover
5	1010856	1	RETAINER, breaker cover
6	1010857	1	CLAMP, distributor (Not shown)
7	1012644	1	BOLT (Not shown)
8	-----	1	CONDENSER ASY. (Not serviced)
9	1012653	1	SCREW, w/ Lockwasher
10	1010859	1	GEAR, distributor drive
11	1012648	1	RIVET, 1/8 x 7/8
12	1010862	1	SEAL, shaft oil
13	-----	1	POINT SET (Not serviced)
-	1010843	1	KIT, point & condenser (Incl. Items 8 & 13)

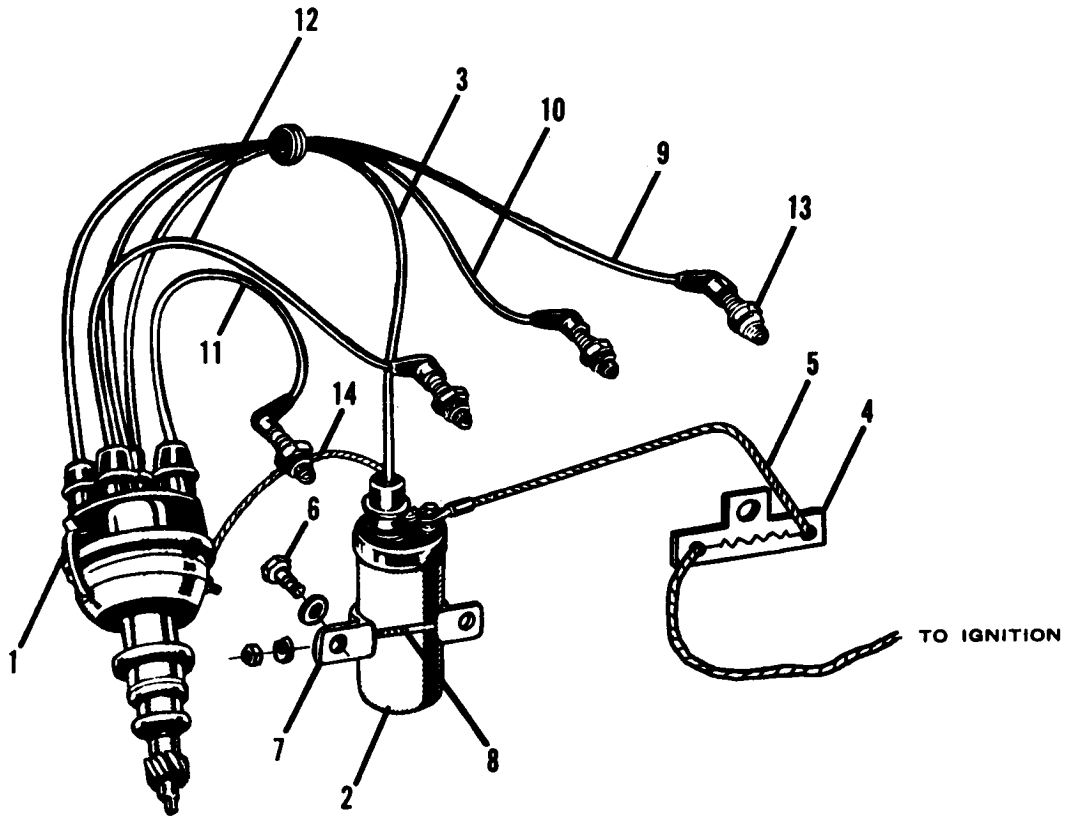
ENGINE ELECTRICAL SYSTEM
CARBURETOR
540G



ENGINE ELECTRICAL SYSTEM
CARBURETOR
540G

ITEM	NUMBER	QTY.	DESCRIPTION
-	1010812	1	CARBURETOR ASY.
1	916602	2	NUT, carb. mount.
-	1012673	-	CARBURETOR KIT, major
-	1012674	-	CARBURETOR KIT, minor

ENGINE ELECTRICAL SYSTEM
IGNITION
540G

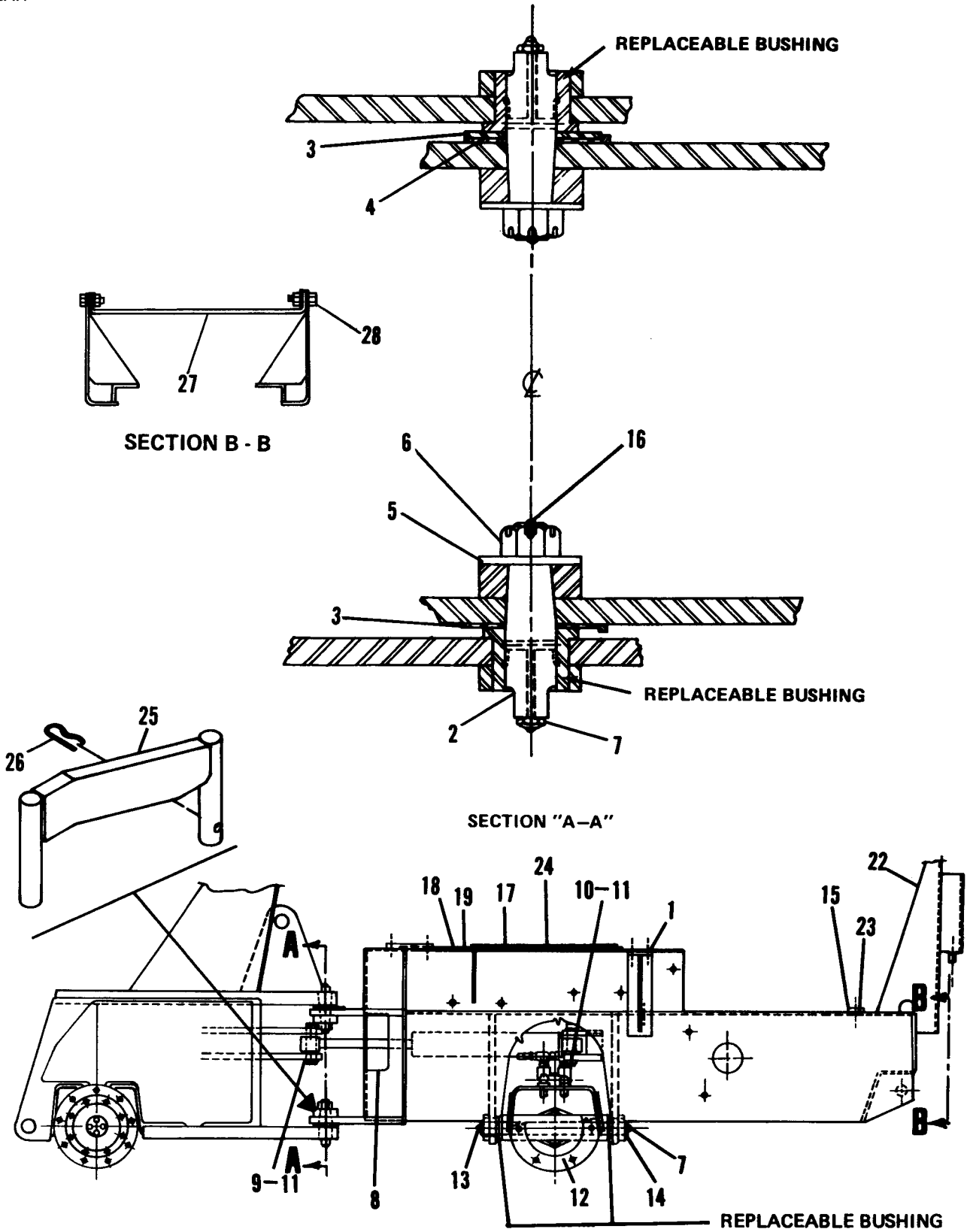


ENGINE ELECTRICAL SYSTEM
IGNITION
540G

ITEM	NUMBER	QTY.	DESCRIPTION
1	-----	1	DISTRIBUTOR ASY. (See DISTRIBUTOR ASY. for component parts)
2	1010869	1	COIL, ignition
3	1010870	1	WIRE, terminal
4	1010871	1	RESISTOR ASY.
5	1010872	1	WIRE, coil to resistor
6	919113	2	SCREW, w/ washer, 5/16NC x 1/2
7	1010873	1	STRAP, coil
8	929583	1	SCREW, No. 10NF x 1-1/2
	917365	1	LOCKWASHER, No. 10
	917415	1	NUT, No. 10NF
9	1012575	1	WIRE, No. 1 cylinder
10	1012576	1	WIRE, No. 2 cylinder
11	1012577	1	WIRE, No. 3 cylinder
12	1012578	1	WIRE, No. 4 cylinder
13	1012579	4	SPARK PLUG
14	1012715	1	WIRE, coil-to-Ten
-	1012738	1	WIRE, coil-plug type (Not shown)

540 LOADER
SHEET METAL, FRAME & SEAT

FRAME ASY.
REAR



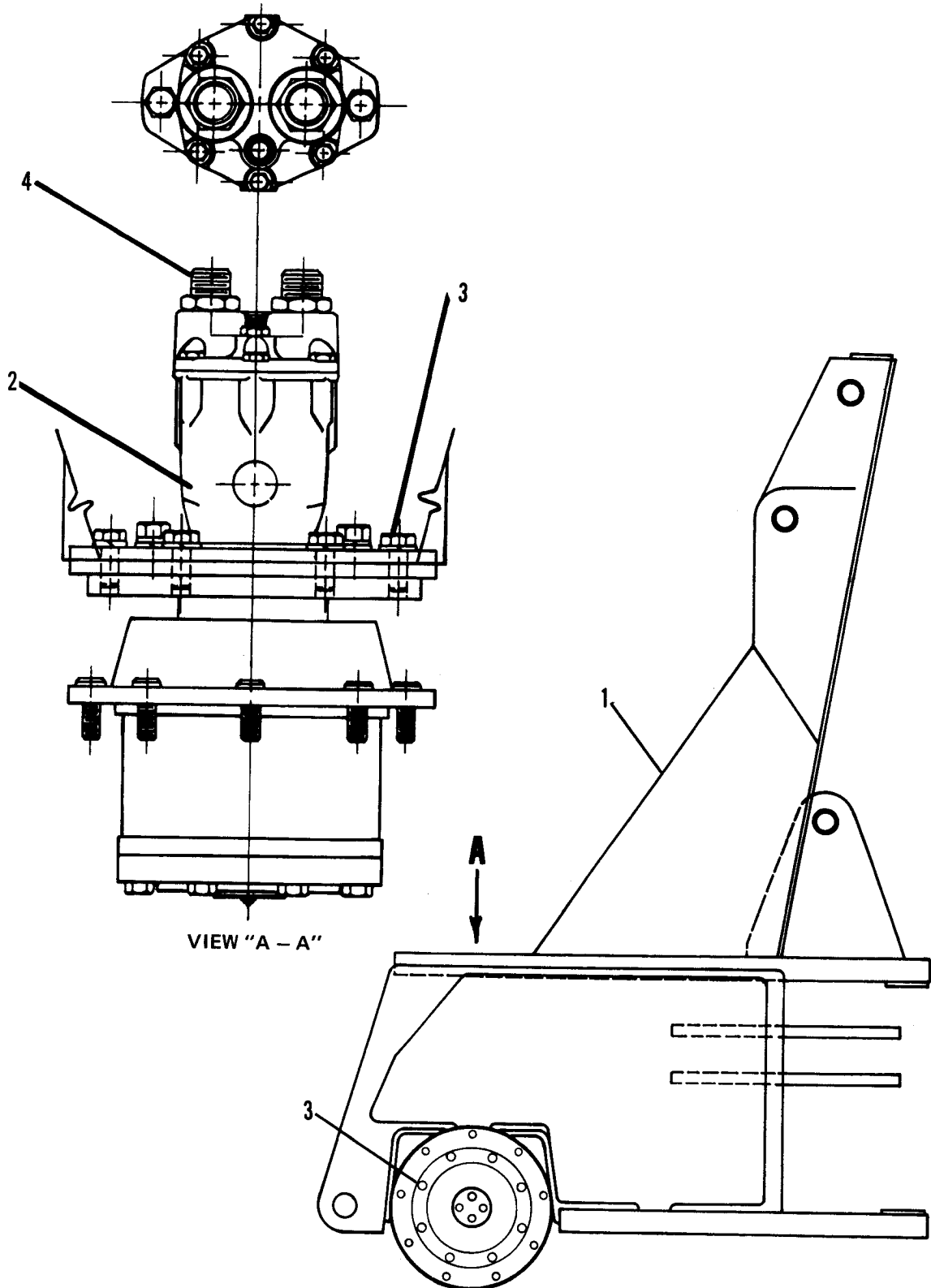
540 LOADER
SHEET METAL, FRAME & SEAT

FRAME ASY.
REAR

ITEM	NUMBER	QTY.	DESCRIPTION
1	1014660	1	FRAME ASY., rear
	1015290	1	BAFFLE (S/N 1007 & up)
	1015291	1	BAFFLE (S/N 1007 & up)
	1011133	2	BUSHING, stop
2	1013696	2	PIN, frame pivot (Use w/ 1013695)
	1013697	2	PIN, frame pivot (Use w/ 915616)
3	1011167	2	SPACER, hard (As req'd)
4	1011168	2	SPACER, regular (As req'd)
5	912299	2	WASHER
6	922010	2	NUT, slotted (Use w/ 1013697)
	1013695	2	NUT, slotted (Use w/ 1013696)
7	9002032	4	FITTING, lube, 1/8 pipe thd. st. (Pkg. of 10)
8	-----	1	CYLINDER ASY., steering (See CYL. ASY. for components)
9	1014775	1	PIN, steering cylinder, front
	922095	2	WASHER
10	1014775	1	PIN, steering cylinder, rear
	922095	2	WASHER
11	926957	4	RING, snap
12	-----	1	AXLE - TRUNNION & MOTOR ASY. (See AXLE ASY. for components)
13	1011172	1	PIN, trunnion mounting
	922679	2	WASHER
14	928179	2	RING, snap
15	1011284	4	MOUNTING, bushing
16	918459	2	PIN, cotter
17	1011496	4	ADHESIVE, non-skid
18	1014787	1	PLATE, floor, front
19	923683	7	CAPSCREW, 3/8NC x 3/4
20	921176	4	CAPSCREW, engine mount, 1/2NC x 1
	916966	4	LOCKWASHER, 1/2
	916951	4	NUT, 1/2NC
	919327	4	WASHER, plain
21	923151	4	CAPSCREW, engine mount, 5/8NC x 1-1/4
	912942	4	LOCKWASHER, 5/8
22	1014585	1	SUBFRAME, prime mover rear
23	921024	4	CAPSCREW, subframe mounting
	929379	4	LOCKWASHER
	916951	4	NUT, 1/2NC
24	1014788	1	PLATE, floor, rear
25	1015404	1	LOCK ASY., steering
26	9002803	1	CLIP, hair pin (Pkg. of 3)
-	1015850	2	TRIM, flexible
-	1015851	2	TRIM, flexible
-	1015852	1	TRIM, flexible
27	1017363	1	PAN, belly
28	920415	4	CAPSCREW
	916965	4	LOCKWASHER
	916950	4	NUT

Not shown

FRAME ASY.
FRONT



VIEW "A - A"

540 LOADER
SHEET METAL, FRAME & SEAT

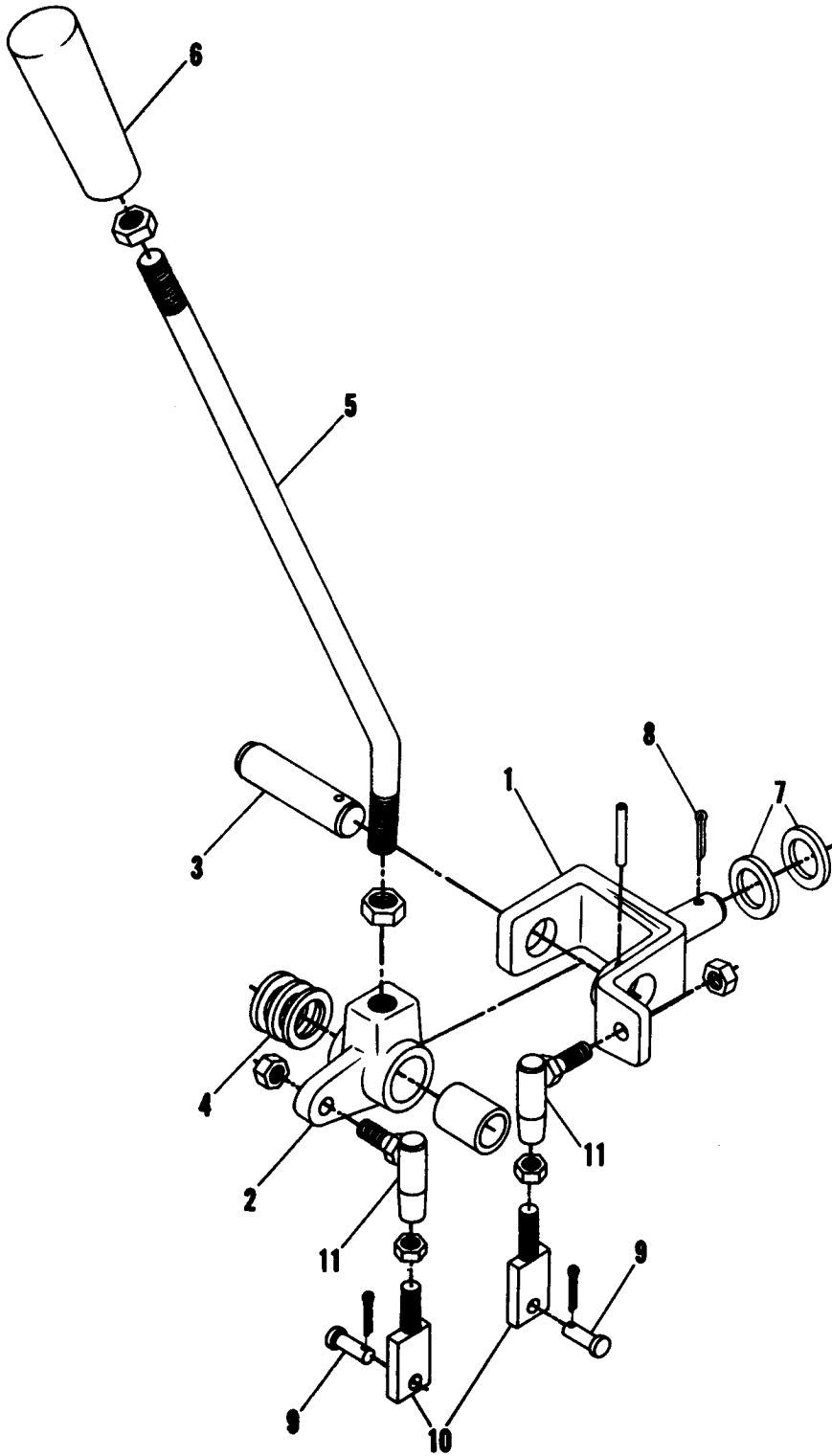
83

FRAME ASY.
FRONT

ITEM	NUMBER	QTY.	DESCRIPTION
1	1015166	1	MODULE, tool (Replaces 1014741)
	1001137	4	BUSHING
	1004110	4	BUSHING
	1011133	2	BUSHING, stop
2	-----	2	PLANETARY WHEEL & MOTOR PACKAGE
3	923112	12	CAPSCREW, 5/8NC x 1-1/4
	917373	12	LOCKWASHER, 5/8
4	921217	4	CONNECTOR, st., J.I.C., 1-1/16NF (Incl. O-Ring)
	921206	4	O-RING

540 LOADER
SHEET METAL, FRAME & SEAT

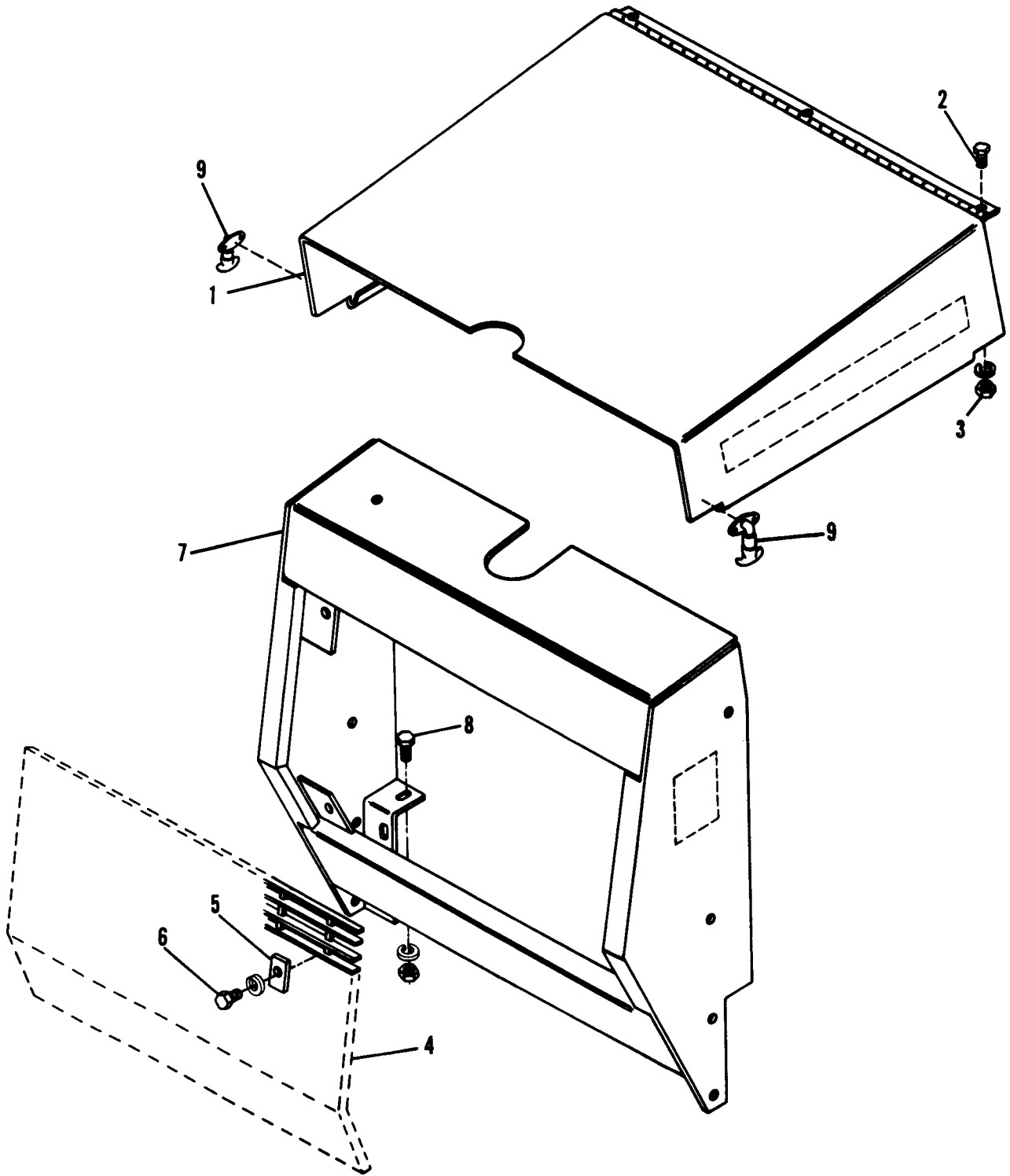
CONTROL HANDLES



CONTROL HANDLES

ITEM	NUMBER	QTY.	DESCRIPTION
—	—	—	HANDLE ASY., loader valve (Incl. Items 1 thru 5) (Not serviced as an ASY.)
1	1011298	1	LEVER, secondary machine
2	1011336	1	HANDLE ASY., w/ Bushing
	928847	1	BUSHING
3	1011433	1	PIN, cstg. mtg.
	917466	1	PIN, roll
4	924272	*	WASHER (*Use as req'd)
5	1011431	1	HANDLE, rod (Prior S/N 1007)
	1014786	1	HANDLE, rod (S/N 1007 & up)
	928847	2	NUT, 1/2NF
6	2016374	1	KNOB, handle
7	925687	2	WASHER
8	925719	1	PIN, cotter
9	923093	2	PIN, clevis
	918448	2	PIN, cotter
10	1014690	2	LINK ASY., valve
	910233	2	NUT, 5/16NF
11	917194	2	JOINT, ball
	920263	2	NUT, 5/16NF

HOOD, GRILLE & COWL



540 LOADER
SHEET METAL, FRAME & SEAT

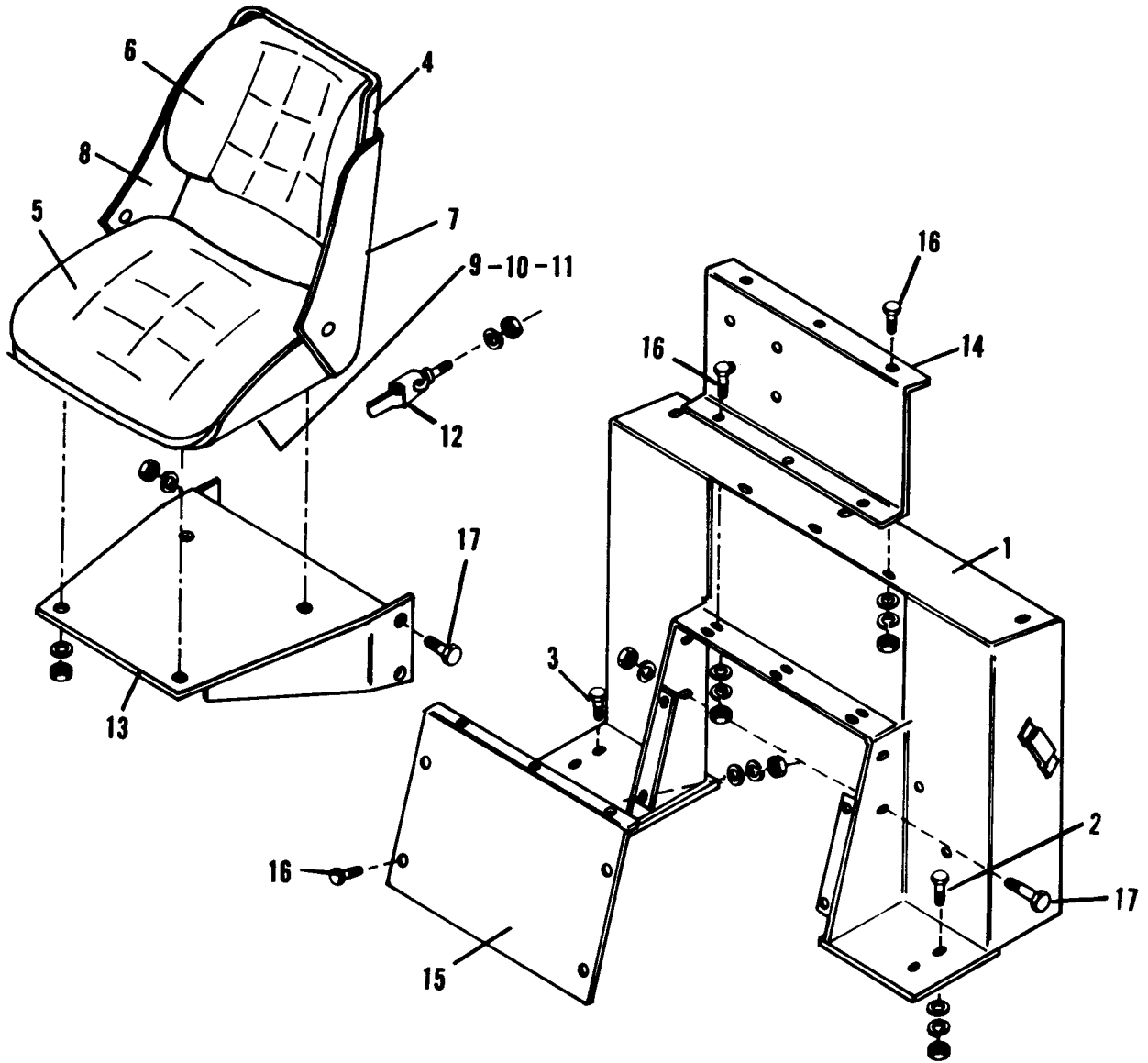
87

HOOD, GRILLE & COWL

ITEM	NUMBER	QTY.	DESCRIPTION
1	1015320	1	WRAPPER, hood
		2	DECAL, Allis-Chalmers (Not serviced separately)
2	921965	3	CAPSCREW, 3/8NC x 3/4
	916965	3	LOCKWASHER, 3/8
3	916950	3	NUT, 3/8NC
4	1011100	1	GRILLE
5	1009085	4	RETAINER, grille
6	921221	4	CAPSCREW, 3/8NC x 3/4
	916965	4	LOCKWASHER, 3/8
7	1011093	1	COWLING ASY., rear
	1011259	2	DECAL, Allis-Chalmers 540
8	921176	6	CAPSCREW, 1/2NC x 1
	916966	6	LOCKWASHER, 1/2
	916951	6	NUT, 1/2NC
	919327	6	WASHER, plain
9	928029	2	LATCH, hood

540 LOADER
SHEET METAL, FRAME & SEAT

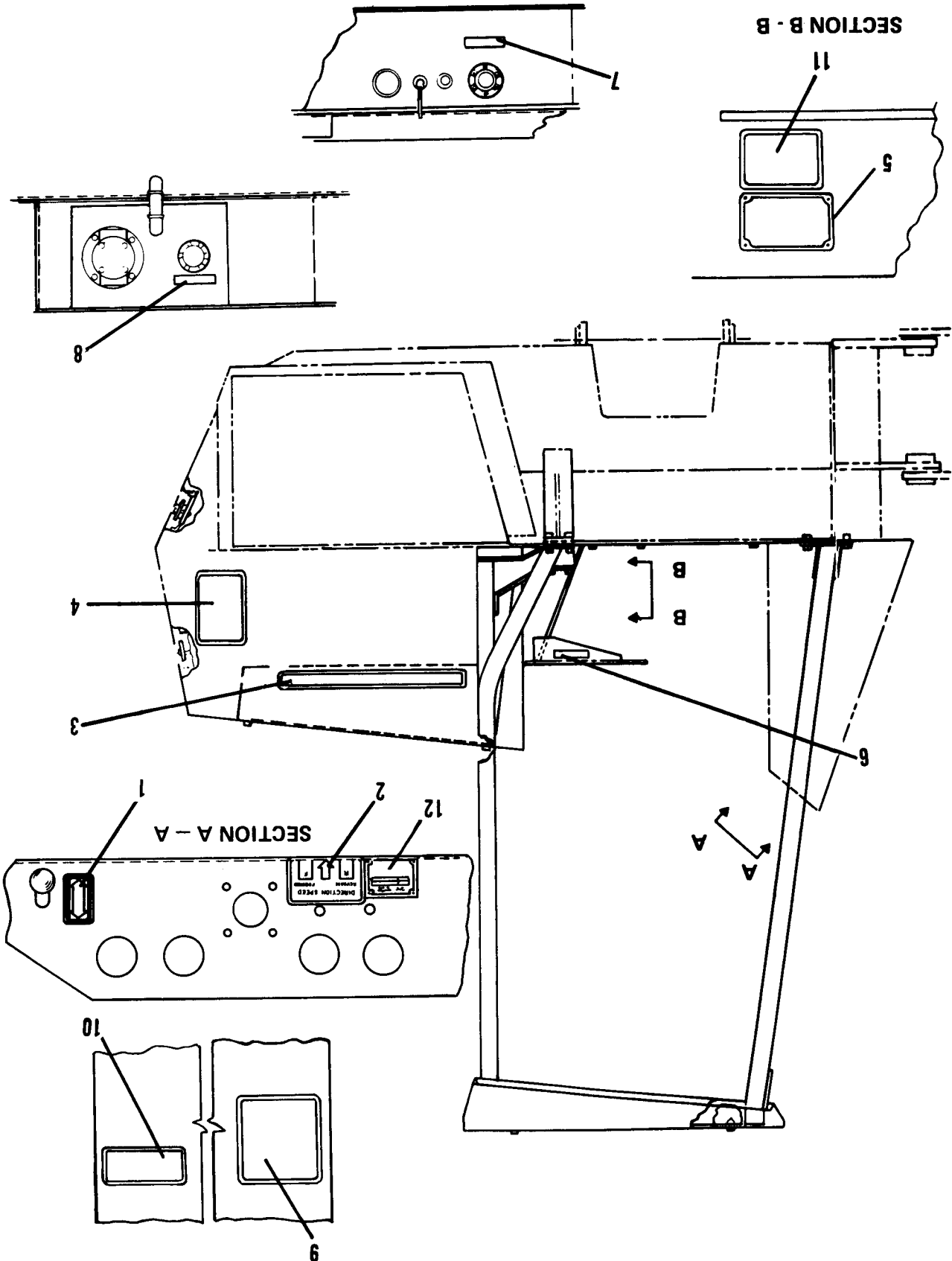
SEAT



540 LOADER
SHEET METAL, FRAME & SEAT

SEAT

ITEM	NUMBER	QTY.	DESCRIPTION
1	1014525	1	SUPPORT ASY., seat
2	920415	3	CAPSCREW, 3/8NC x 1-1/4
	916965	3	LOCKWASHER, 3/8
	916950	3	NUT, 3/8NC
	916956	3	WASHER, plain
3	921971	1	CAPSCREW, 3/8NC x 1-3/4
	916965	1	LOCKWASHER, 3/8
	916950	1	NUT, 3/8NC
	916956	1	WASHER, plain
4	1008024	1	SEAT ASY. (Incls. Items 5 thru 10)
5	1015966	1	CUSHION, seat
6	257489	1	BACKREST
7	1015965	1	RAIL, L.H.
8	1015964	1	RAIL, R.H.
9	1015968	1	ADJUSTER, R.H.
10	1015967	1	ADJUSTER, L.H.
	925205	14	CAPSCREW, 5/16NC x 5/8
	917356	6	LOCKWASHER, 5/16
	917372	6	NUT, 5/16NC
11	1015969	1	ROD
12	1014427	1	BELT ASY., seat
13	1014517	1	PLATE, mounting
14	1014520	1	PLATE, cover
15	1014521	1	PLATE, cover
16	921210	13	CAPSCREW, 3/8NC x 1
	916956	13	WASHER, plain
	916965	13	LOCKWASHER, 3/8
	916950	13	NUT, 3/8NC
17	923490	4	CAPSCREW, 3/8NC x 1
	916965	4	LOCKWASHER, 3/8
	916950	4	NUT, 3/8NC



540 LOADER
SHEET METAL, FRAME & SEAT

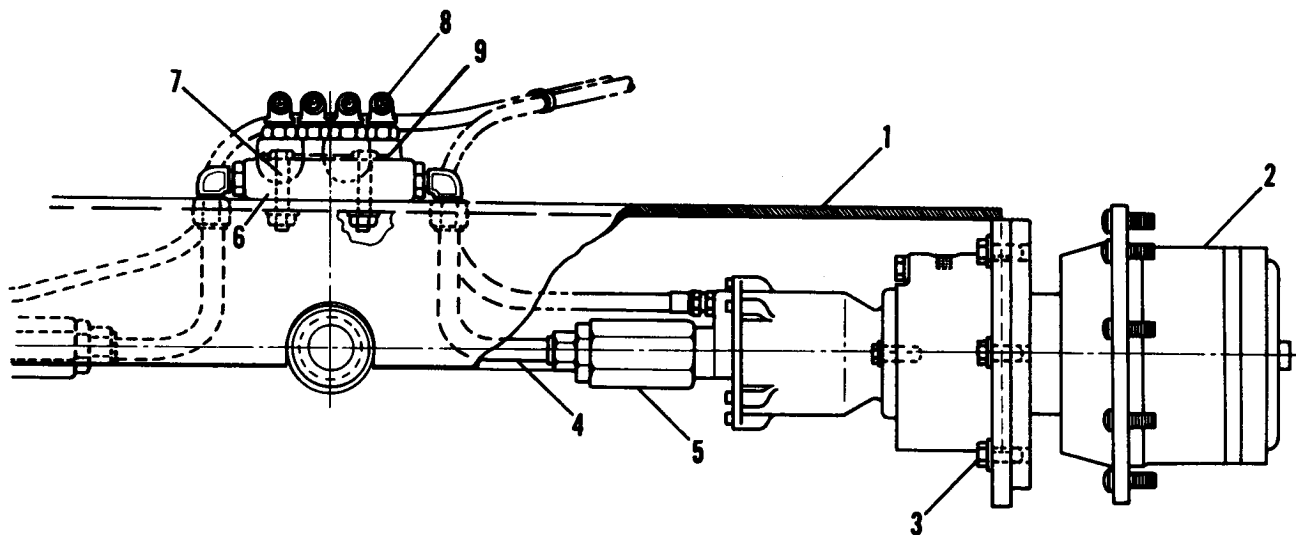
540 LOADER
SHEET METAL, FRAME & SEAT

91

DECALS

ITEM	NUMBER	QTY.	DESCRIPTION
1	1011489	1	DECAL, range selector
2	1011490	1	DECAL, drive control
3	-----	2	DECAL, Allis-Chalmers (Not serviced)
4	1011259	2	DECAL, Allis-Chalmers 540
5	-----	1	DECAL, serial number (Not serviced)
6	1015114	1	DECAL, warning - dismounting
7	1015146	1	DECAL, gasoline
8	1015147	1	DECAL, hydraulic oil
9	1015120	1	DECAL, warning
10	1015144	1	DECAL, warning - No Riders
11	1015143	2	DECAL, danger
12	-----	1	PLATE, load capacity

AXLE – TRUNNION & MOTOR
POWER MODULE

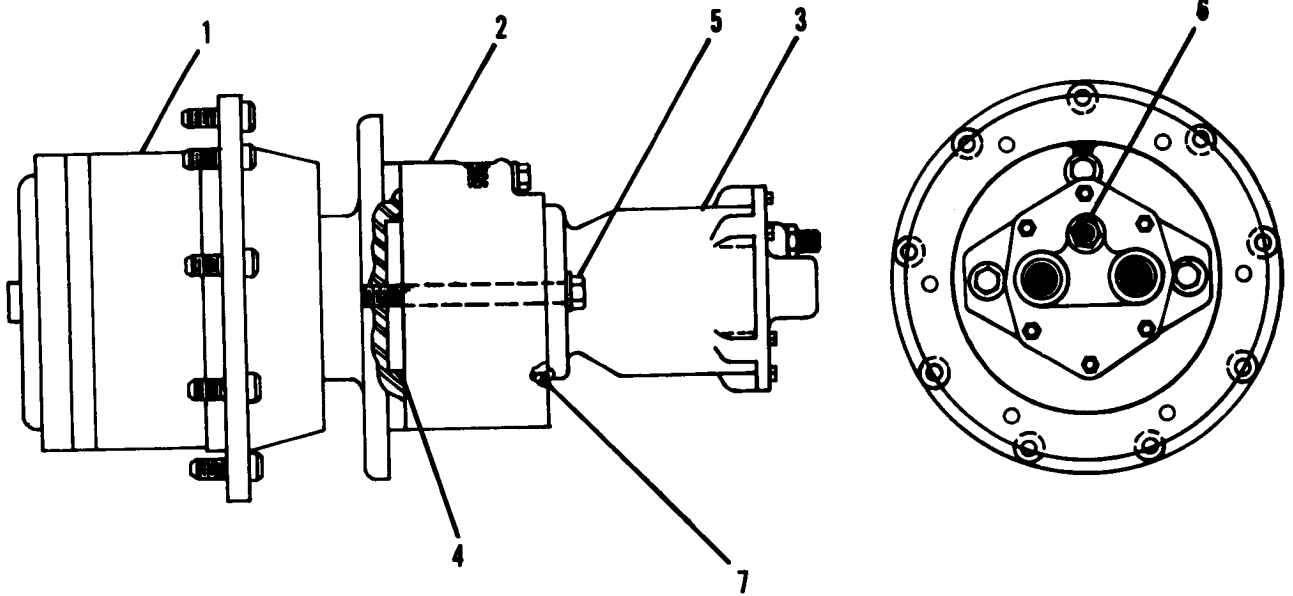


AXLE – TRUNNION & MOTOR

POWER MODULE

ITEM	NUMBER	QTY.	DESCRIPTION
—	-----	1	AXLE – TRUNNION & MOTOR ASY.
1	1011175	1	AXLE & TRUNNION ASY. (Incl. BUSHING)
	1011133	4	BUSHING, step
2	-----	2	PLANETARY WHEEL, BRAKE & MOTOR PACKAGE
3	923112	12	CAPSCREW, 5/8NC x 1-1/4
	917373	12	LOCKWASHER
4	1012482	4	TUBE ASY.
5	-----	4	FLOW CONTROL, 27 GPM (See FLOW CONTROL ASY. for components)
6	1011283	1	MANIFOLD, propulsion
7	923903	2	CAPSCREW, 3/8NC x 3
	916965	2	LOCKWASHER, 3/8
	916950	2	NUT, 3/8NC
8	921203	8	ELBOW, 90°, adjustable (Incl. O-Ring)
	921206	8	O-RING
9	1013787	1	PLATE

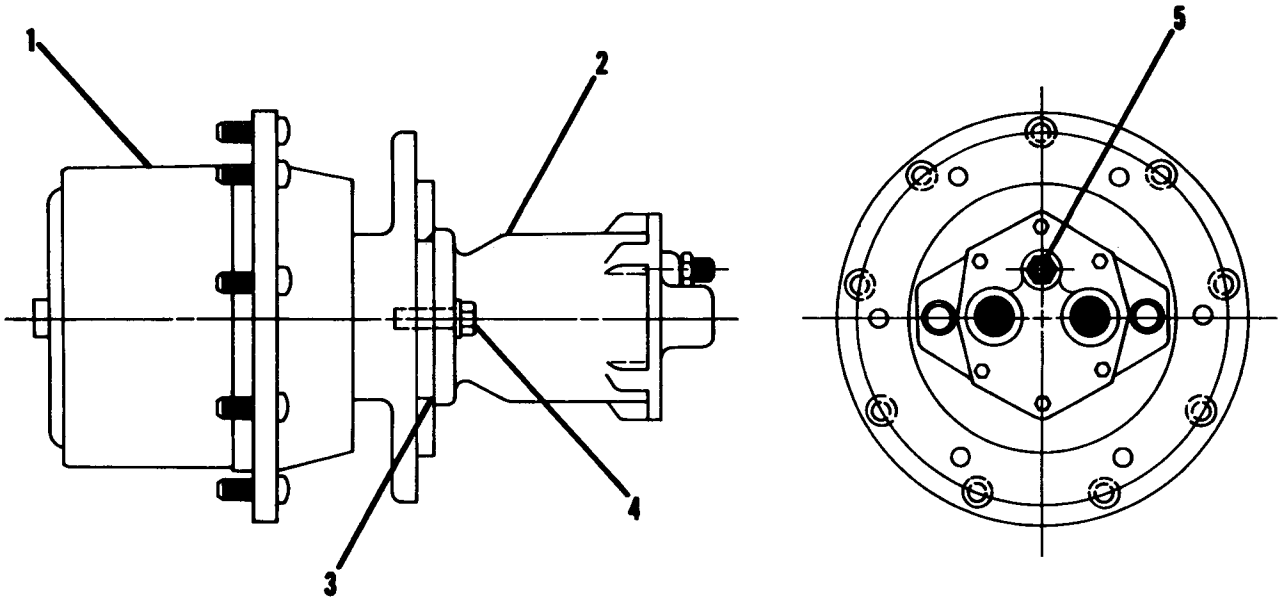
PLANETARY WHEEL & MOTOR
POWER MODULE



PLANETARY WHEEL & MOTOR
POWER MODULE

ITEM	NUMBER	QTY.	DESCRIPTION
-	-----	2	PLANETARY WHEEL, BRAKE & MOTOR PACKAGE
1	-----	1	WHEEL, planetary (See WHEEL ASY. for components)
2	-----	1	BRAKE, parking (See PARKING BRAKE ASY. for components)
3	-----	1	MOTOR ASY., hydraulic (See MOTOR ASY. for components)
4	925310	1	O-RING
5	923505	2	CAPSCREW, 1/2NC x 5
	918966	2	WASHER, lock, 1/2
6	922522	1	CONNECTOR, st., J.I.C., 9/16NF (Incl. O-Ring)
	921885	1	O-RING
7	1012230	1	GASKET

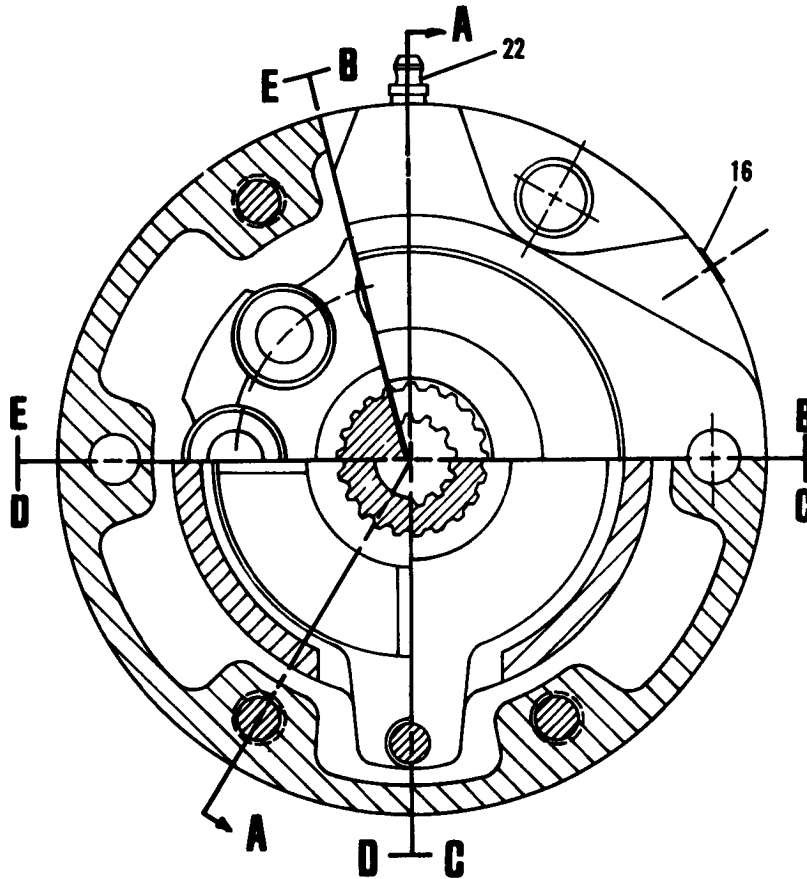
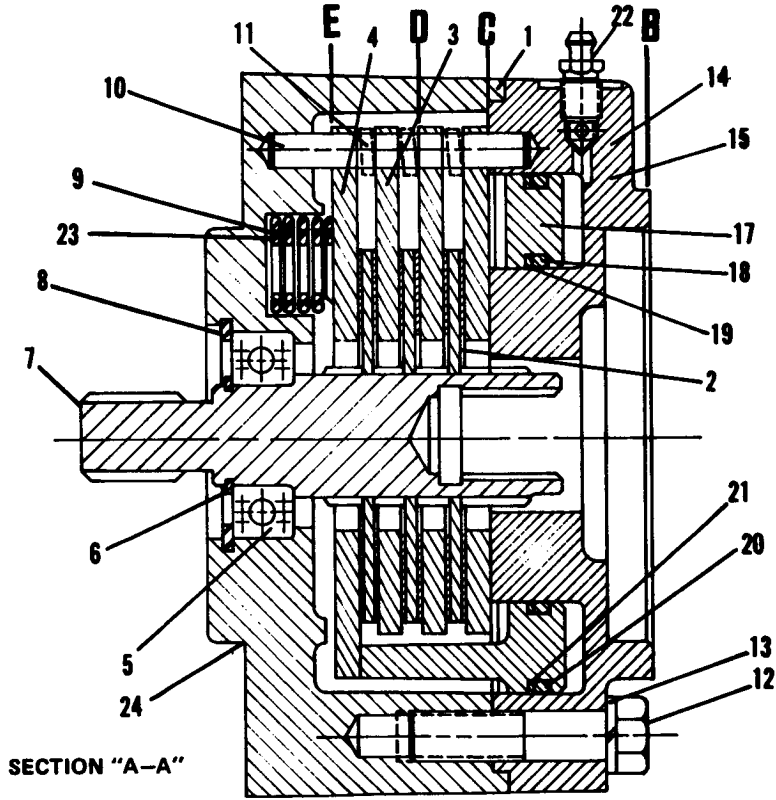
PLANETARY WHEEL & MOTOR
TOOL MODULE



PLANETARY WHEEL & MOTOR
TOOL MODULE

ITEM	NUMBER	QTY.	DESCRIPTION
-	-----	2	PLANETARY WHEEL & MOTOR PACKAGE ASY.
1	-----	1	WHEEL, planetary (See WHEEL ASY. for components)
2	-----	1	MOTOR ASY., hydraulic (See MOTOR ASY. for components)
3	925310	1	O-RING
4	923114	2	CAPSCREW, 1/2NC x 1
	916966	1	LOCKWASHER, 1/2
5	922522	1	CONNECTOR, st., J.I.C., 9/16NF (Incl. O-Ring)
	921885	1	O-RING

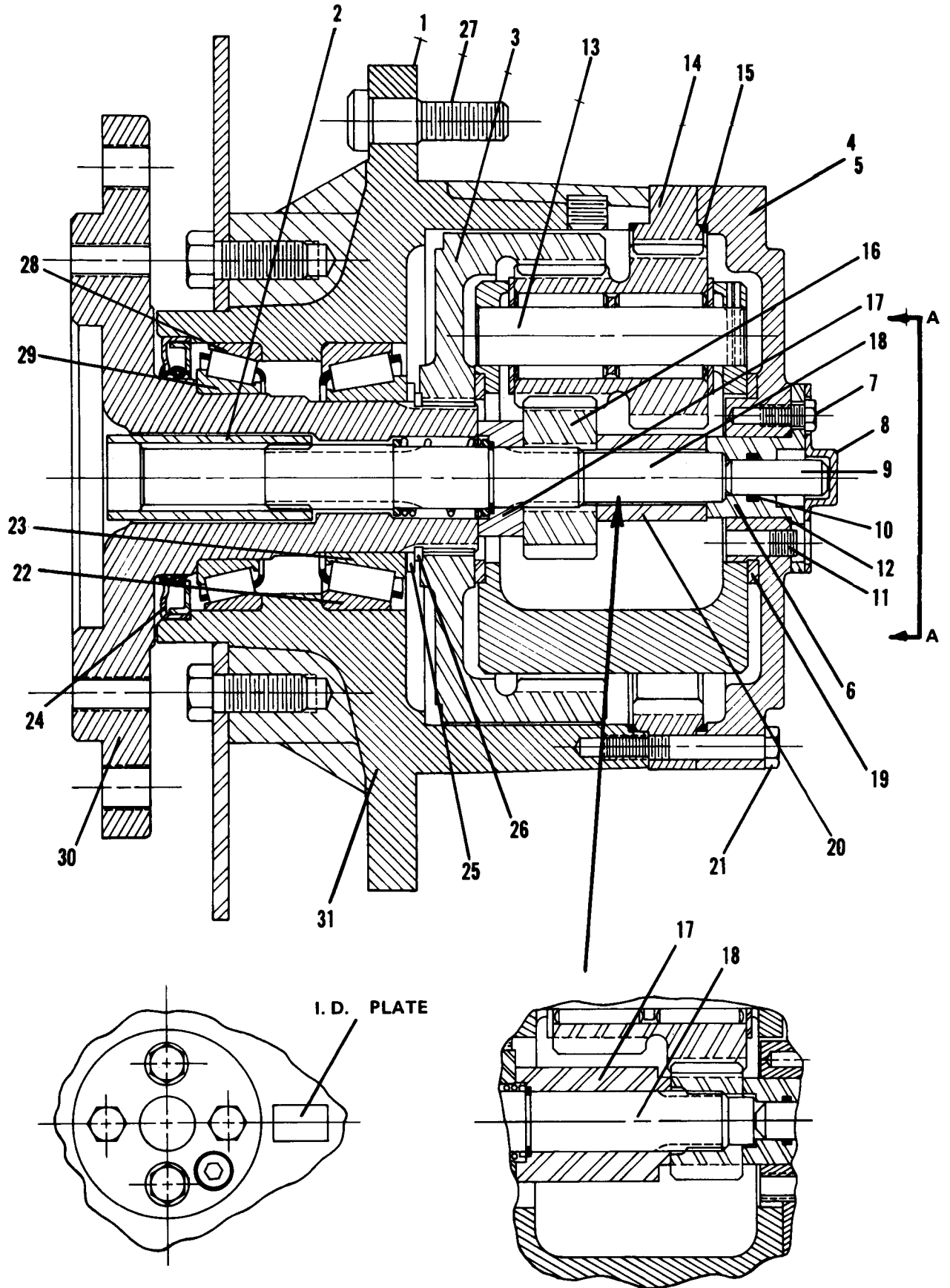
PARKING BRAKE



PARKING BRAKE

ITEM	NUMBER	QTY.	DESCRIPTION
—	1012473	1	BRAKE PACKAGE, parking
1	-----	1	HOUSING (Not serviced)
2	1012783	3	DISC - Rotating
3	1012784	3	DISC - Stationary
4	1012785	1	DISC - Primary
5	1012786	1	BEARING
6	1012787	1	RING, retaining
7	1012789	1	SHAFT, splined
8	1012788	1	RING, retaining
9	1012790	8	SPRING, compression
10	1012791	2	PIN, torque
11	1012792	6	SPRING, compression
12	925696	4	CAPSCREW, 7/16NC x 2, Gr. 5
13	918199	4	WASHER, lock, 7/16
14	1012793	1	PLATE ASY., power (Incl. Items 15 thru 22, 24 & 25)
15	1012794	1	PLATE, power
16	-----	1	PLUG, protective (Not serviced)
17	1012795	1	PISTON
18	923590	1	O-RING, parking
19	930340	1	WASHER, back-up
20	923816	1	O-RING
21	926627	1	WASHER, back-up
22	1012796	1	SCREW, bleed
23	1015446	8	SPRING, compression
24	1015447	2	GASKET
25	1015451	1	SCREW, bleed (Not shown)

WHEEL ASY.



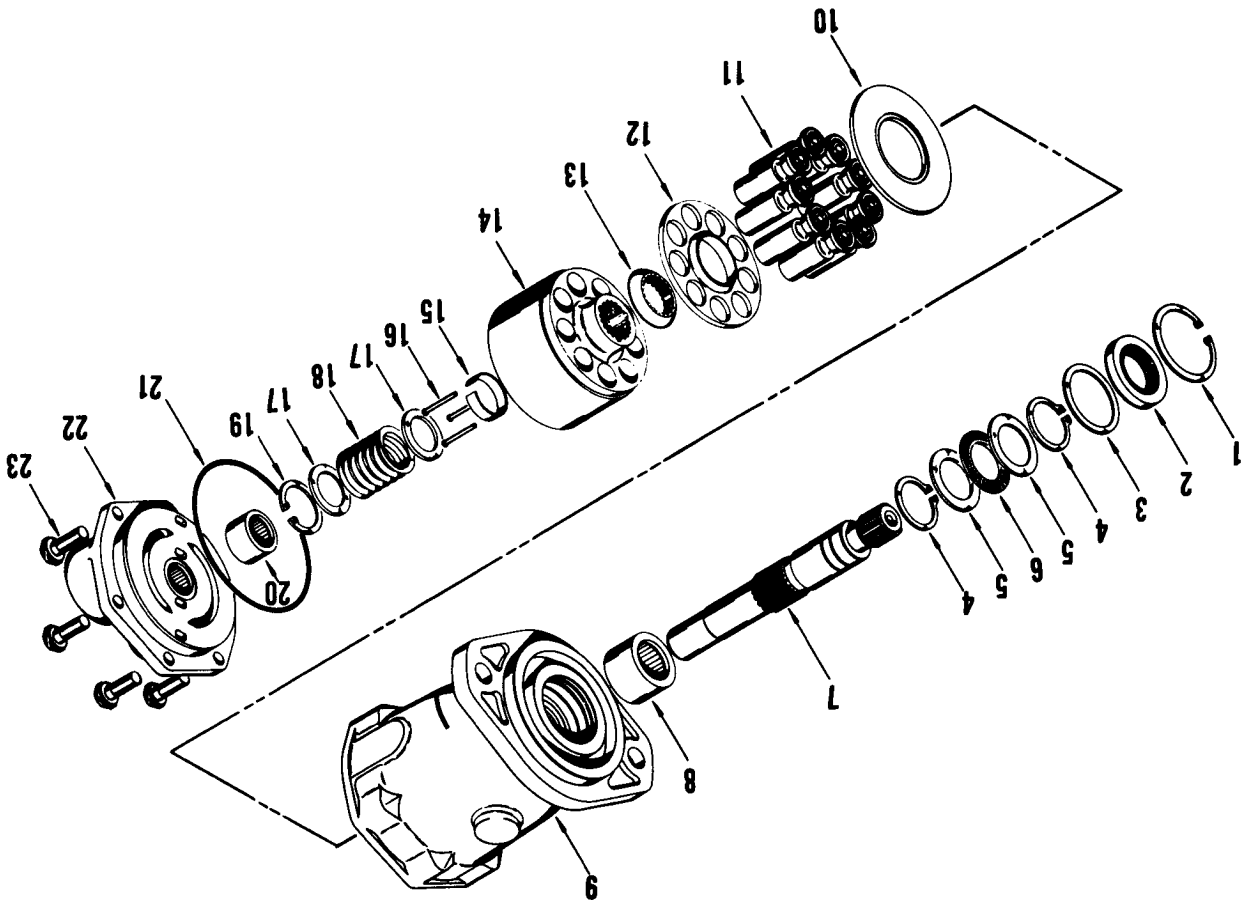
VIEW "A - A"

WHEEL ASY.

101

540 LOADER
DRIVE TRAIN

ITEM	NUMBER	QTY.	DESCRIPTION
1	1011260	1	WHEEL ASY., planetary
2	1011262	1	COUPLING
3	1011263	1	GEAR, ring
4	1011264	1	COVER ASY. (Incl. items 5 to 12)
5	1011270	1	COVER
6	1011278	1	CAP, cover
7	923341	4	BOLT
8	1011274	1	CAP, disconnect
9	1011275	1	ROD, disconnect
10	1011276	1	O-RING
11	917673	1	PLUG, pipe, 1/8
12	1011277	1	O-RING
13	1011267	1	CARRIER ASY.
14	1011268	1	GEAR, ring
15	1011269	2	O-RING
16	1011271	1	GEAR, input
17	1011272	1	SPACER, thrust
18	1011273	1	SHAFT ASY., input
19	1011279	2	WASHER, thrust
20	1011280	1	SPACER, thrust
21	923124	8	CAPSCREW
22	1012769	1	CUP, bearing
23	1012770	1	CONE, bearing
24	1012771	1	SEAL
25	1012772	*	SPACER (*Use as req'd)
26	1012773	1	RING, retaining
27	1012774	1	STUD
28	927138	1	CUP, bearing
29	927137	1	CONE, bearing
30	-----	---	SPINDLE (Not serviced)
31	-----	---	HUB (Not serviced)



540 LOADER
DRIVE TRAIN

MOTOR ASY.
FRONT

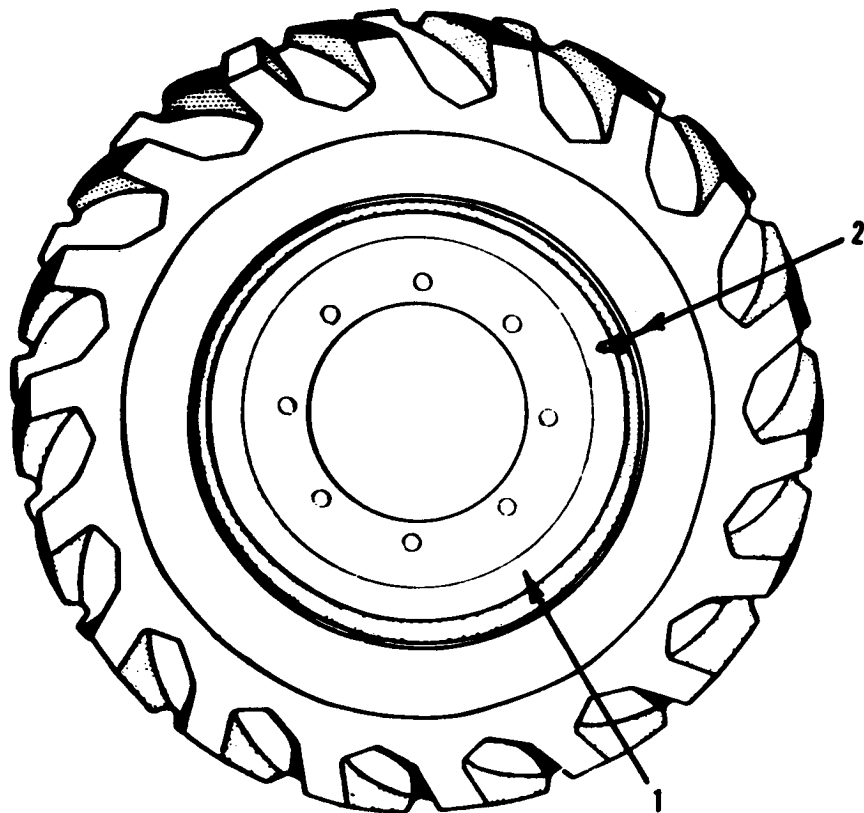
540 LOADER
DRIVE TRAIN

MOTOR ASY.
FRONT

ITEM	NUMBER	QTY.	DESCRIPTION
-	1011350	1	MOTOR ASY.
-	1016219	0	MOTOR ASY.
1	927700	1	RING, retaining
2	1012201	1	SEAL, shaft
3	1012196	1	SEAL, shaft
4	927691	2	WASHER
5	927741	0	RING, retaining
5	1012187	2	RACE, thrust
6	932255	0	RACE, thrust
6	1012188	1	BEARING, thrust
7	930441	0	BEARING, thrust
7	1012234	1	SHAFT, drive
8	1016230	0	SHAFT, drive
8	1183891	1	BEARING
9	1012235	1	HOUSING ASY.
10	1012237	1	RACE, thrust
10	1016231	0	PLATE, cam
11	1012166	1	PISTON ASY.
12	1012190	0	PISTON ASY. (Not serviced)
13	1012189	1	SPIDER (Not serviced)
14	1012233	1	SPIDER
15	1012182	1	PIVOT, spider
15	1012182	1	PIVOT, spider (Not serviced)
16	1012208	3	BLOCK, piston
16	1012208	3	BLOCK, piston (Not serviced)
17	1012181	1	PIN, keeper
17	1012181	1	PIN, loading
18	1012203	1	PIN, loading (Not serviced)
19	927694	1	WASHER (Not serviced)
20	930754	1	SPRING (Not serviced)
20	930754	1	SPRING
21	921221	1	RING, retaining
21	921221	1	RING, retaining (Not serviced)
22	1012238	1	BEARING
23	921333	6	O-RING
23	921966	6	O-RING
-	1012166	1	CAPSCREW
-	1016228	0	CAPSCREW
-	1016228	0	REPLACE KIT, piston (incl. items 11 thru 19)
-	1016228	0	REPLACE KIT, piston (incl. items 11 thru 19)

**Prior S/N 1182
**Eff. S/N 1182 & up

TIRES
FRONT & REAR



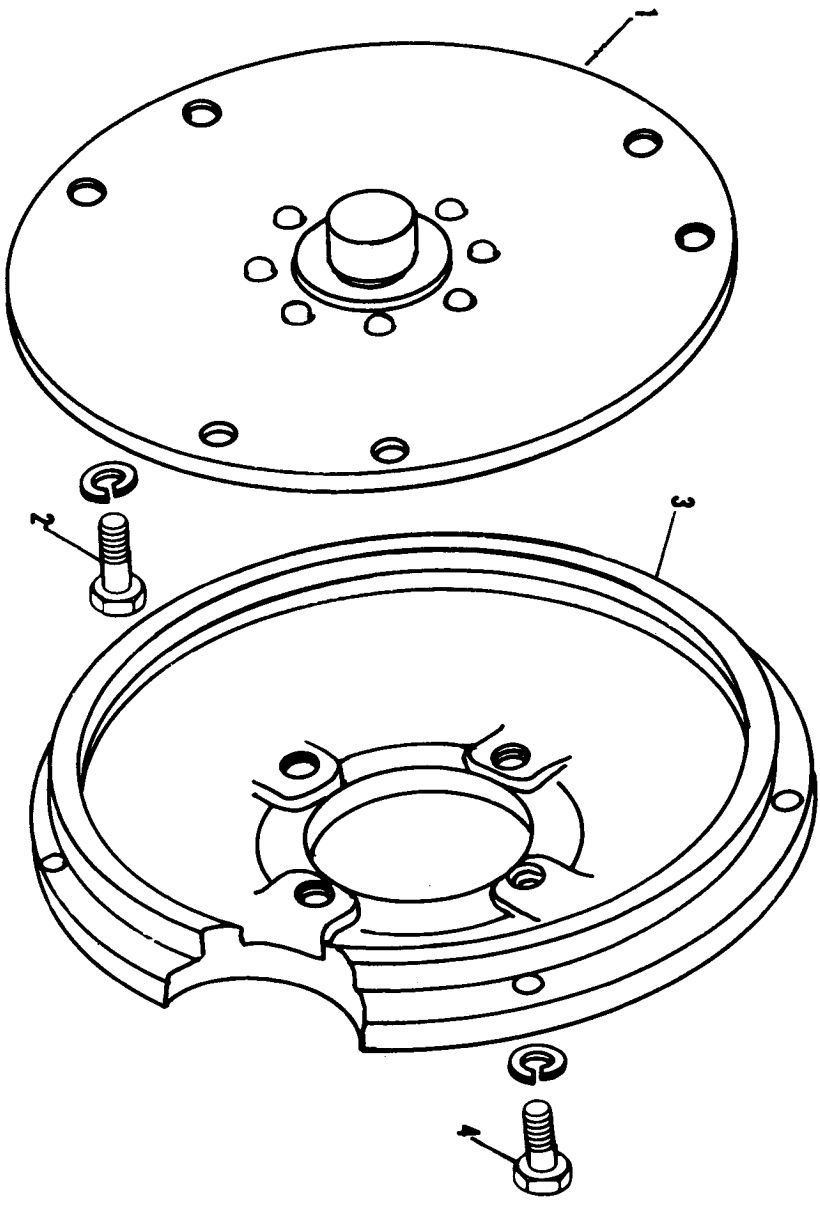
TIRES
FRONT & REAR

105

540 LOADER
DRIVE TRAIN

ITEM	NUMBER	DESCRIPTION	QTY.
1	1011291	RIM & DISC ASY., (10 x 16.5) (10 Ply)	1
1	1012487	RIM & DISC ASY., (12 x 16.5) (12 Ply)	0
2	101633	RIM & DISC ASY., (13 x 15) Terra	0
2	1011292	VALVE STEM	1
1	1011286	NUT, Inb., 1/2NF	36
1	1011286	WHEEL ASY., R.H. (10 x 16.5) (10 Ply) (See Machinery Price List)	1
1	1011286	WHEEL ASY., L.H. (10 x 16.5) (10 Ply) (See Machinery Price List)	1
1	1011286	WHEEL ASY., R.H. (12 x 16.5) (12 Ply) (See Machinery Price List)	1
1	1011286	WHEEL ASY., L.H. (12 x 16.5) (12 Ply) (See Machinery Price List)	1
1	1011286	WHEEL ASY., (31 x 15.5 x 15) Terra (See Machinery Price List)	1

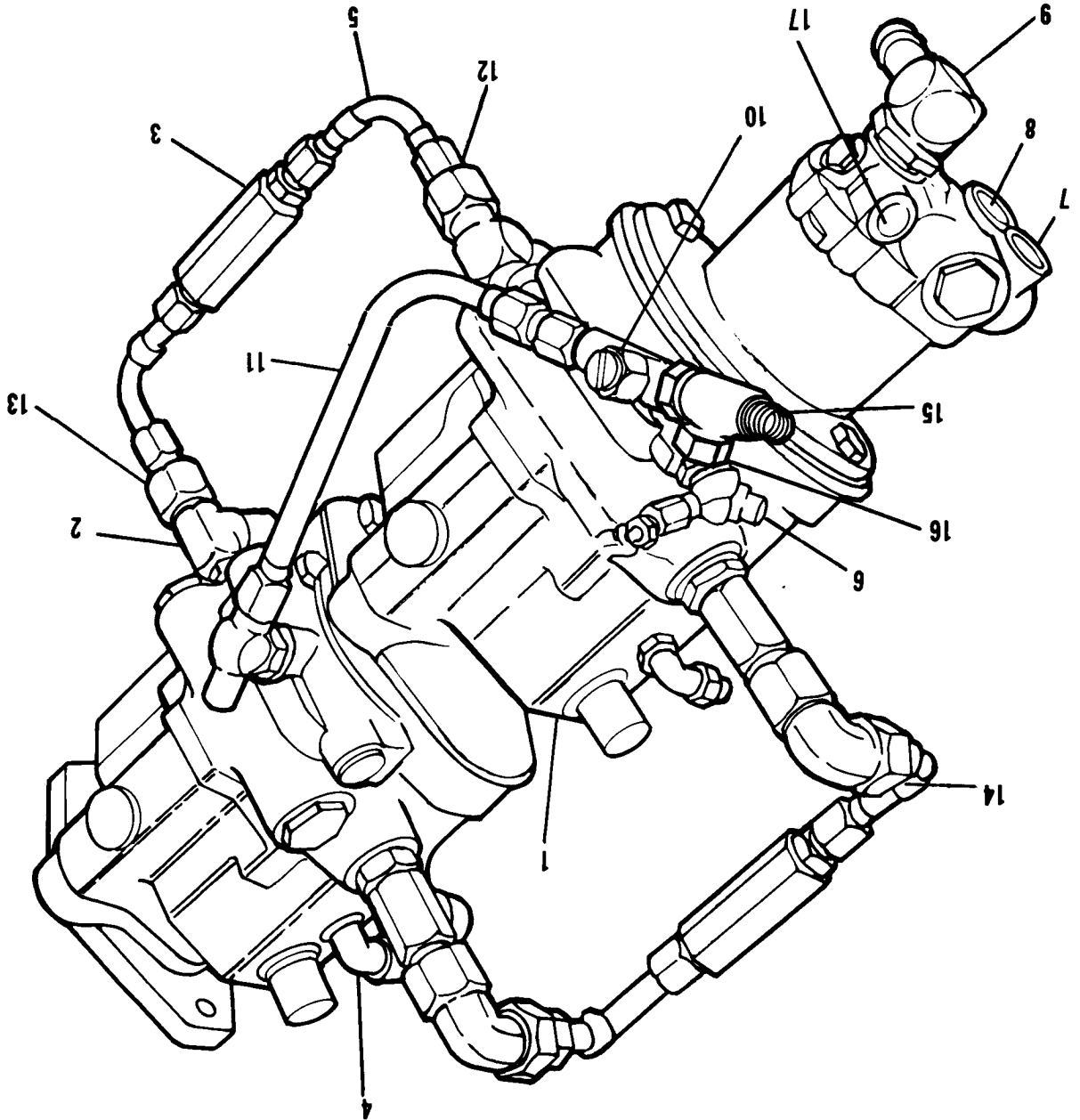
PUMP DRIVE



ITEM	NUMBER	QTY.	DESCRIPTION
1	1011228	1	PLATE, drive
2	921332	6	CAPSCREW, 5/16NC x 3/4
	917356	6	LOCKWASHER
3	1011228	1	MOUNTING, pump
	920415	7	CAPSCREW, 3/8NC x 1-1/4
4	919312	7	LOCKWASHER

540 LOADER
HYDRAULICS

PUMP DRIVE



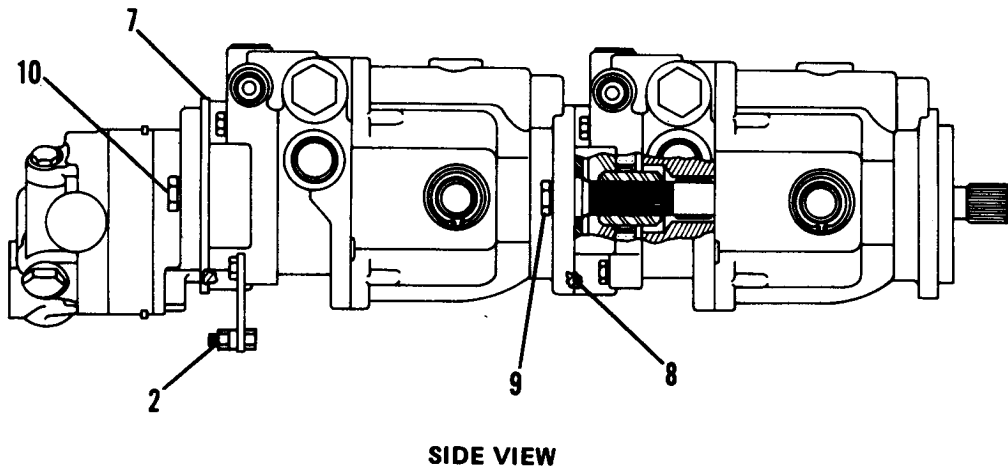
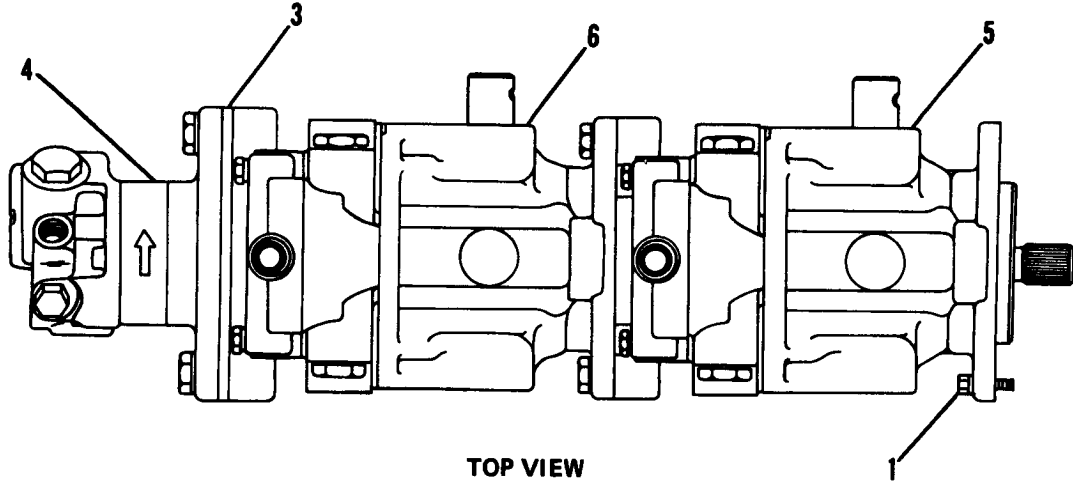
TRIPLE PUMP ASY.

TRIPLE PUMP ASY.

540 LOADER
HYDRAULICS

ITEM	NUMBER	QTY.	DESCRIPTION
1	-----	1	PUMP PACKAGE, triple (See PUMP PACKAGE ASY. for components)
2	922181	4	TEE, run, 1-1/16
3	-----	2	CONTROL, flow, bi-directional (See FLOW CONTROL ASY. for components)
4	922523	2	CONNECTOR, 90° (incl. O-Ring)
5	921885	2	O-RING
6	1012464	4	TUBE ASY.
7	922507	1	ELBOW, adjustable, 45° (incl. O-Ring)
8	921205	1	O-RING
9	922981	2	CONNECTOR, st. (incl. O-Ring)
10	921206	2	O-RING
11	923717	1	CONNECTOR, st. (incl. O-Ring)
12	924643	1	O-RING
13	929259	1	SUCTION TUBE, 90°
14	923157	2	TEE, make-up oil
15	1011234	1	TUBE, change oil
16	925853	4	REDUCER
17	919197	4	NUT, tube
18	919624	2	ELBOW, swivel, 90°
19	921298	1	TEE, swivel nut on run
20	923737	1	CAP, J.I.C.
21	924403	1	CONNECTOR, st. (incl. O-Ring)
22	924643	1	O-RING

TRIPLE PUMP PACKAGE



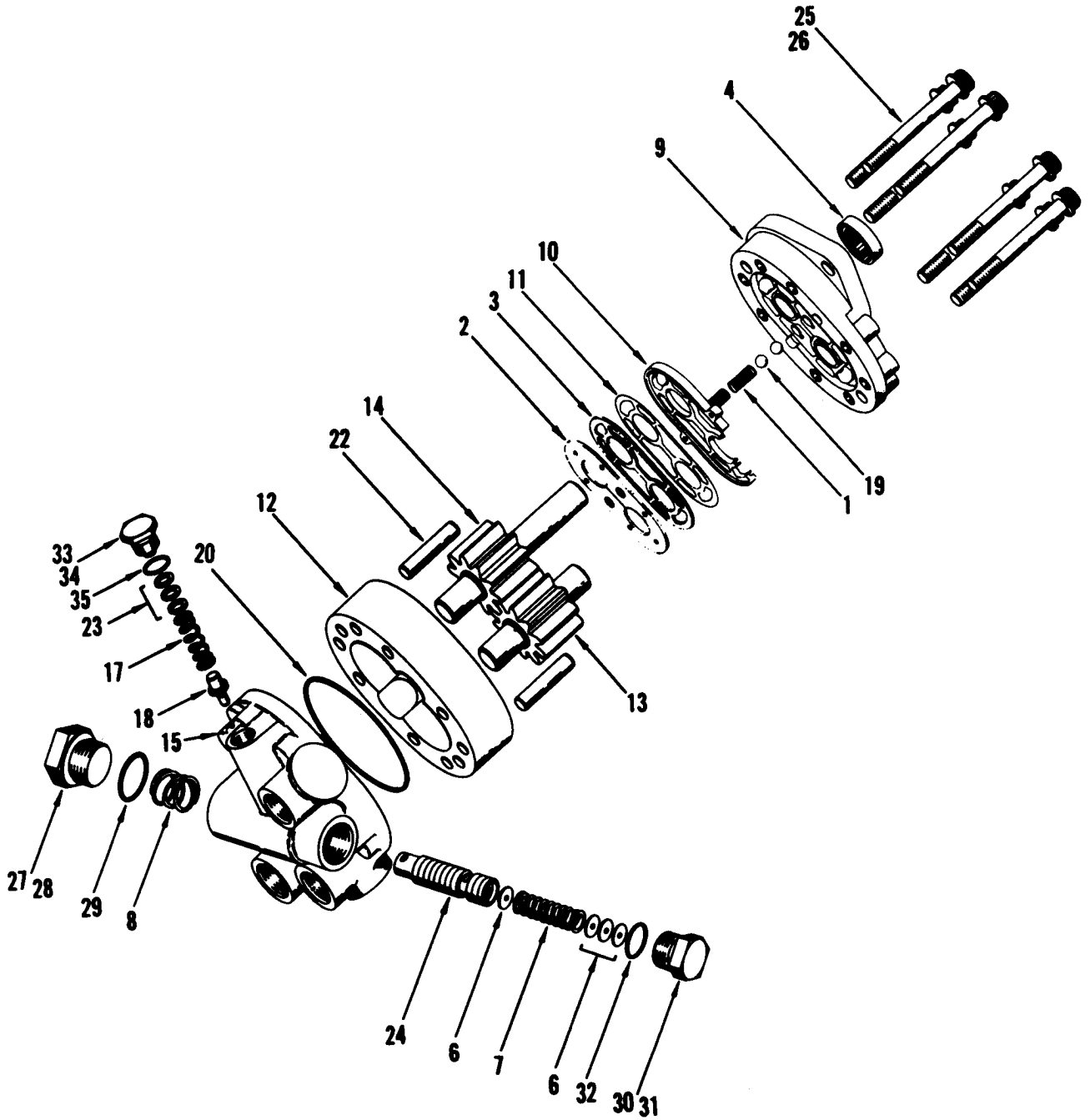
TRIPLE PUMP PACKAGE

ITEM	NUMBER	QTY.	DESCRIPTION
-	-----	1 0	PUMP ASY., triple (Incl. Items 3 to 10)
-	-----	0 1	PUMP ASY., triple (Incl. Items 3 to 10)
1	923114	2 2	CAPSCREW, 1/2NC x 1
	923291	2 2	LOCKWASHER
2	923490	1 1	CAPSCREW, 3/8NC x 1
	919312	1 1	LOCKWASHER
	916950	1 1	NUT, 3/8NC
	918266	1 1	WASHER
3	1012230	1 2	GASKET
4	-----	1 1	PUMP ASY., gear (See GEAR PUMP ASY. for components)
5	-----	1 1	PUMP ASY., piston front (See PISTON PUMP ASY., front, for components)
6	-----	1 1	PUMP ASY., piston rear (See PISTON PUMP ASY., rear, for components)
7	1012229	1 1	PLATE, spacer
8	925310	2 1	O-RING
9	919230	2 2	CAPSCREW
10	919089	2 2	CAPSCREW
-	1012225	- 0	REPAIR KIT, major seal (Incl. Items 3 & 8)
-	1016425	0 -	REPAIR KIT, major seal (Incl. Items 3 & 8)

*Prior S/N 1182

**Eff. S/N 1182 & up

GEAR PUMP

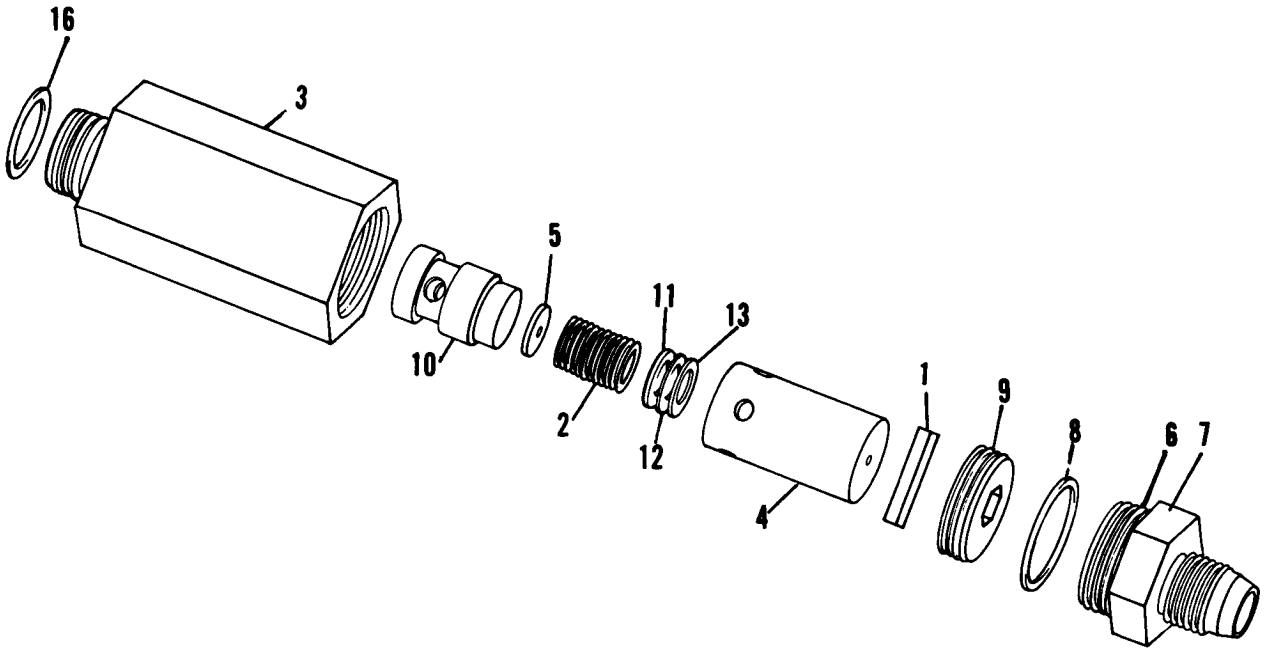


GEAR PUMP

ITEM	NUMBER	QTY.	DESCRIPTION
—	1012212	1	PUMP ASY., gear
1	650679	1	SPRING
2	650674	1	DIAPHRAGM
3	650675	1	GASKET, back-up
4	650677	1	SEAL, shaft
5	—	1*	SLEEVE (Not shown)
6	—	1*	DISC
7	—	1*	SPRING
8	4997473	1	SPRING
9	1012214	1	PLATE ASY., front
10	1178407	1	SEAL, diaphragm
11	1178408	1	GASKET, protector
12	4905520	1	BODY
13	4905463	1	GEAR ASY., idler
14	1012219	1	GEAR ASY., drive
15	—	1*	PLATE ASY., back
16	—	1*	SEAT (Not shown)
17	1132874	1	SPRING
18	4998800	1	POPPET ASY.
19	915903	1	BALL
20	926216	1	O-RING
21	—	3*	O-RING (Not shown)
22	677882	2	PIN, dowel
23	1134985	*	WASHER (*Use as req'd)
24	—	1*	SPOOL
25	1126495	6	CAPSCREW
26	927422	2	CAPSCREW
27	1012226	1	PLUG ASY.
28	—	1*	PLUG
29	—	1*	O-RING
30	921573	1	PLUG ASY.
31	—	1*	PLUG
32	—	1*	O-RING
33	922577	1	PLUG ASY.
34	—	1*	PLUG
35	—	1*	O-RING
—	4905468	—	REPAIR KIT, seal

*Not serviced separately

FLOW CONTROL – IN LINE

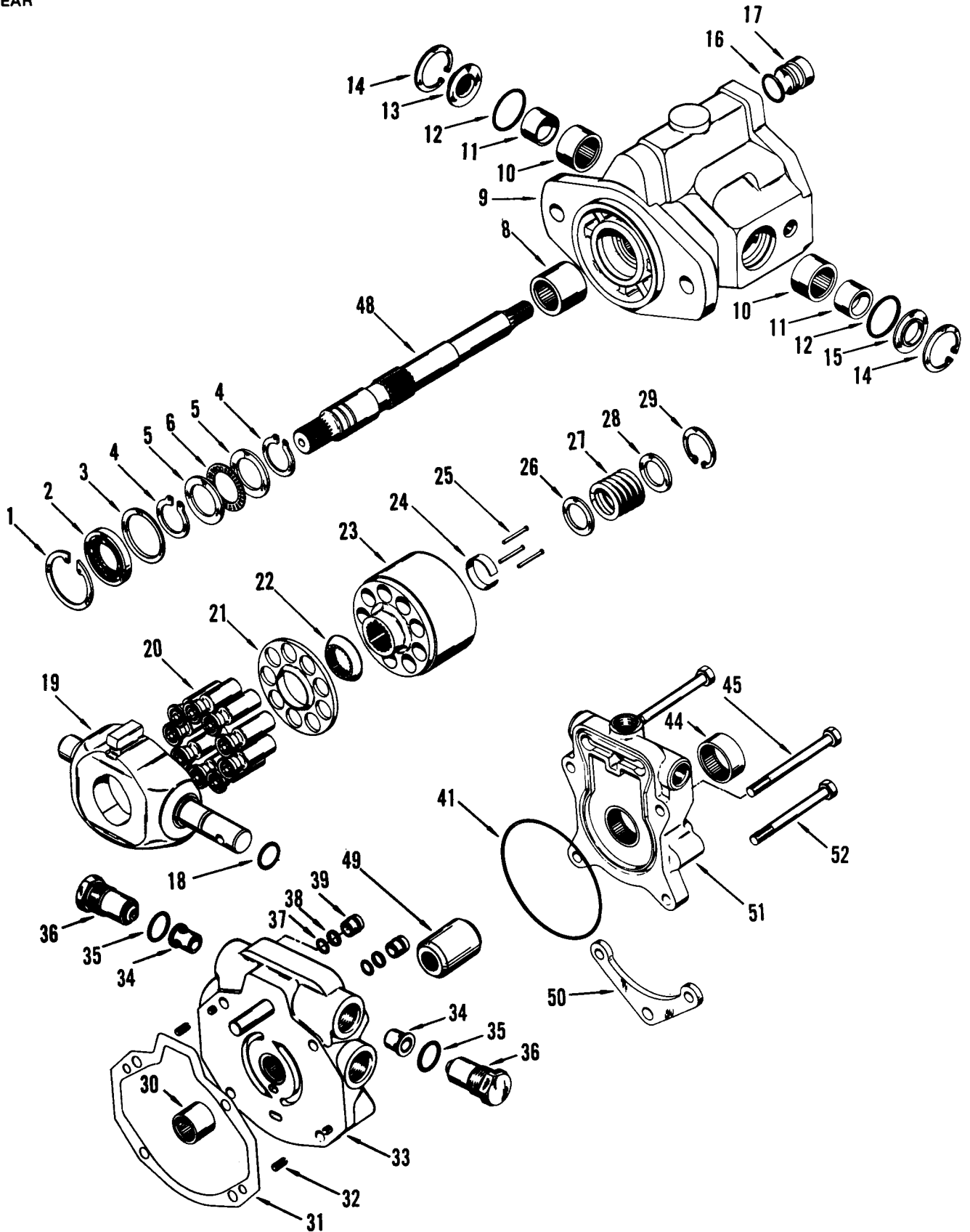


FLOW CONTROL – IN LINE

ITEM	NUMBER	QTY.	DESCRIPTION
—	1011252	1	FLOW CONTROL, in line
1	-----	1*	KEY
2	-----	1*	SPRING
3	-----	1*	CARTRIDGE
4	-----	1*	SLEEVE
5	-----	1*	WASHER
6	1012241	1	FITTING ASY.
7	-----	1*	FITTING
8	-----	1*	O-RING
9	-----	1*	PLUG
10	-----	1*	PLUNGER
11	-----	—*	SHIM (As req'd)
12	-----	—*	SHIM (As req'd)
13	-----	—*	SHIM (As req'd)
14	-----	1*	CLOSURE, protective (Not shown)
15	-----	1*	CAP (Shipping only)
16	923934	1*	O-RING

*Not serviced separately

PISTON PUMP
REAR



PISTON PUMP
REAR

ITEM	NUMBER	QTY.	DESCRIPTION
		* **	
-	1012204	1 0	PUMP ASY., piston rear
-	1016427	0 1	PUMP ASY., piston rear
1	927700	1+ 1+	RING, retaining
2	1012201	1+ 0	SEAL, shaft
	1017378	0 1+	SEAL, shaft
3	1012196	1 1	WASHER
4	927691	2 0	RING, retaining
	927741	0 2	RING, retaining
5	1012187	2+ 0	RACE, thrust
	933255	0 2+	RACE, thrust
6	1012188	1 0	BEARING, thrust
	930441	0 1	BEARING, thrust
8	930440	1+ 1+	BEARING
9	1012168	1 0	HOUSING ASY.
	1016428	0 1	HOUSING ASY.
10	1012174	2 2	BEARING, needle
11	1012167	2 1	RACE, inner
12	924137	2 0	O-RING
	924791	0 1	O-RING
13	1012178	1 1	COVER, trunnion
14	927696	2+ 2+	RING, retaining
15	1012169	1 1	COVER, sleeve
16	923808	1 0	O-RING
17	1012177	1 0	STOP, cam
	-----	0 1	STOP, cam (Not serviced)
18	923379	1+ 1+	O-RING
19	1012170	1 0	PLATE, cam (R.H.)
	1016429	0 1	PLATE, cam
20	-----	9 9	PISTON ASY. (Not serviced)
21	1012190	1 0	SPIDER
	-----	0 1	SPIDER (Not serviced)
22	1012189	1 0	PIVOT, spider
	-----	0 1	PIVOT, spider (Not serviced)
23	1012180	1 0	BLOCK, piston
	-----	0 1	BLOCK, piston (Not serviced)
24	1012182	1 0	PIN, keeper
	-----	0 1	PIN, keeper (Not serviced)
25	1012208	3 0	PIN, loading
	-----	0 3	PIN, loading (Not serviced)
26	1012181	1 0	WASHER
	-----	0 1	WASHER (Not serviced)
27	1012203	1 0	SPRING
	-----	0 1	SPRING (Not serviced)
28	1012181	1 0	WASHER
	-----	0 1	WASHER (Not serviced)
29	927694	1+ 0	RING, retaining
	-----	0 1+	RING, retaining (Not serviced)
30	1012172	1 1	BEARING
31	1012179	1+ 1+	GASKET
32	921292	1 1	PIN, roll
33	1012185	1 0	PLATE ASY., backing
	1017347	0 1	PLATE ASY., backing
	1012175	1 0	PLATE, back
	-----	0 1	PLATE, back (Not serviced)
	1012171	1 0	STOP, cam
	-----	0 1	STOP, cam (Not serviced)
34	1012176	2 0	SEAT
	1016431	0 2	SEAT
35	924774	2 0	O-RING
	923808	0 2	O-RING

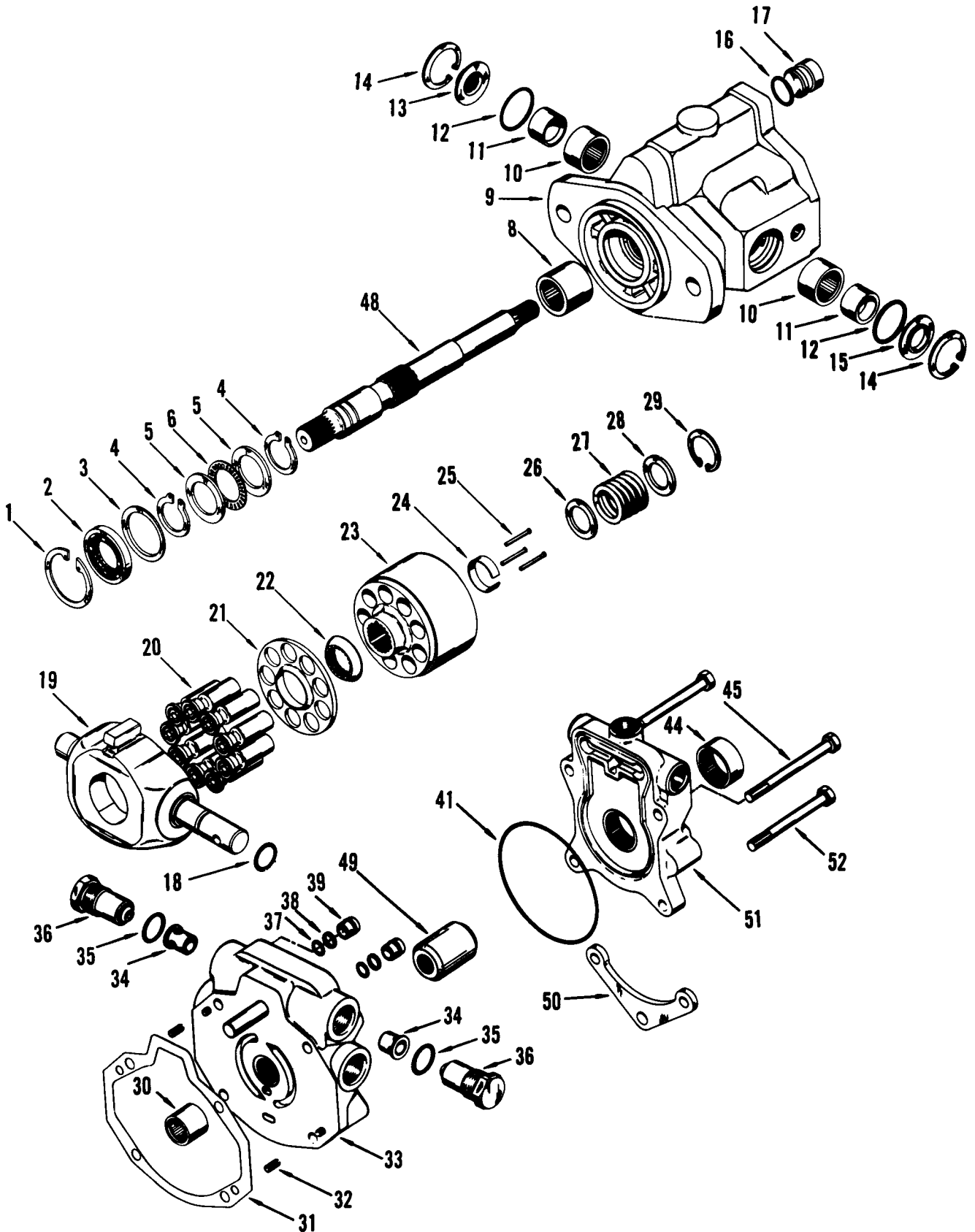
+Denotes serviced in KITS 1012225 & 1016425

*Prior S/N 1182

**Eff. S/N 1182 & up

Continued

PISTON PUMP
REAR



PISTON PUMP
REAR

ITEM	NUMBER	QTY.	DESCRIPTION
36	1012202	2 0	VALVE KIT, relief
	1016430	0 2	VALVE KIT, relief
	-----	1 1	CARTRIDGE
	-----	1 1	VALVE, body
	-----	1 1	SPOOL
	-----	1 1	O-RING
	-----	1 1	SHIM
	-----	1 1	SHIM
	-----	1 1	RING, retaining
	-----	1 1	WASHER
	-----	1 1	SPRING
37	928241	2+ 2+	O-RING
38	1012200	2+ 2+	WASHER, back-up
39	1012165	2 2	VALVE ASY., check
41	924128	1+ 1+	O-RING
44	1012183	1 1	BEARING
45	922648	2 2	CAPSCREW
48	1012210	1 0	SHAFT, drive
	1016433	0 1	SHAFT, drive
49	1012207	1 0	COUPLER
	1016437	0 1	COUPLER
50	1012206	1 1	BRACKET
51	1012209	1 0	ADAPTER ASY., charge pump
	1016432	0 1	ADAPTER ASY., charge pump
	-----	1 1	ADAPTER (Not serviced)
52	923938	2 0	CAPSCREW
	921324	0 2	CAPSCREW
-	1012166	1 0	REPLACE KIT, piston (Incl. Item 20)
-	1016228	0 1	REPLACE KIT, piston (Incl. Items 20 thru 24, & 29)

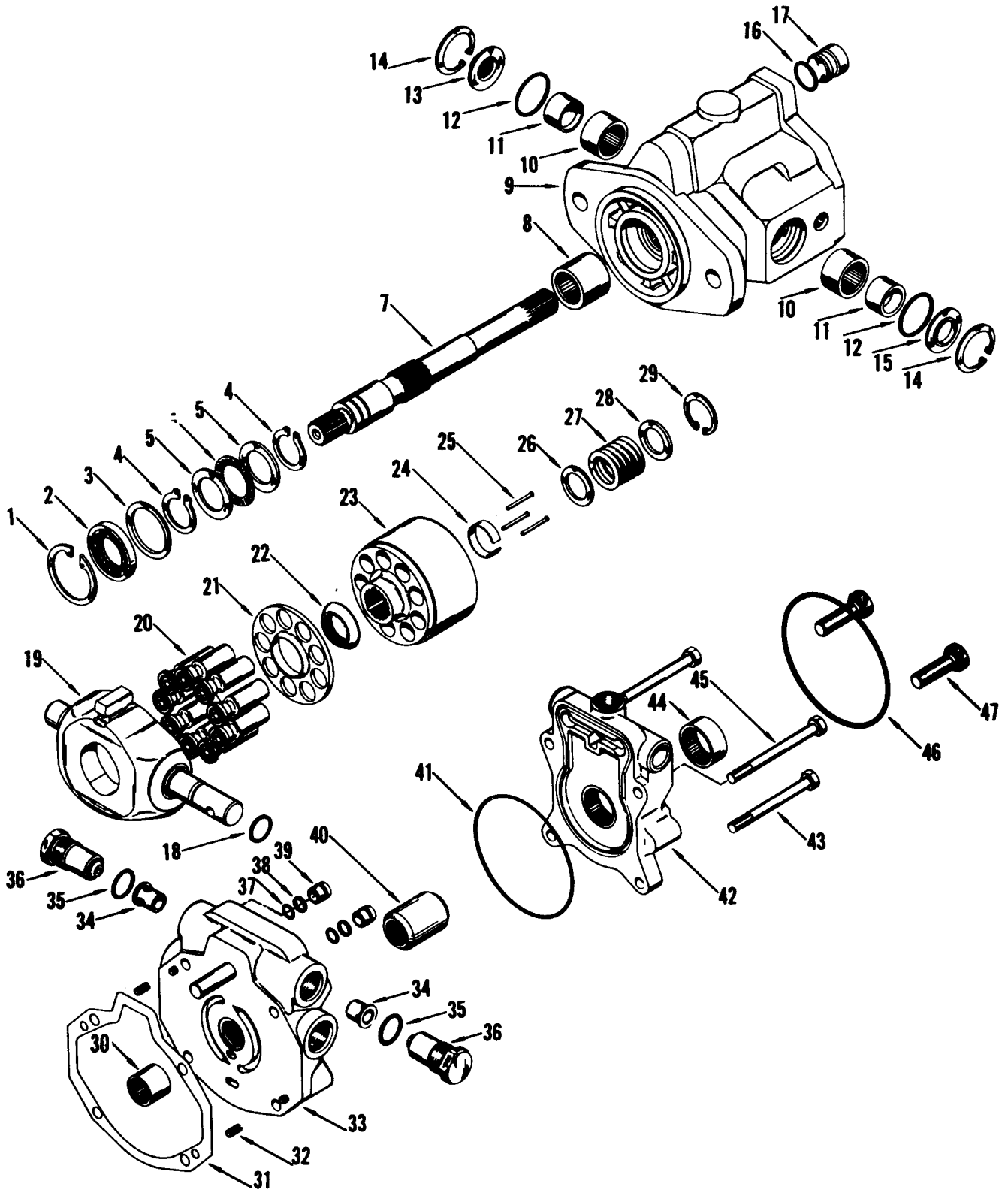
Not serviced separately

+Denotes serviced in KITS 1012225 & 1016425

- 1016434 - 0 CONVERSION KIT, oil assembly

*Prior S/N 1182
**Eff. S/N 1182 & up

PISTON PUMP
FRONT



PISTON PUMP
FRONT

ITEM	NUMBER	QTY.	DESCRIPTION
		* **	
—	1012164	1 0	PUMP ASY., piston, front
—	1016426	0 1	PUMP ASY., piston, front
1	927700	1+ 1+	RING, retaining
2	1012201	1+ 0	SEAL, shaft
	1017378	0 1+	SEAL, shaft
3	1012196	1 1	WASHER
4	927691	2+ 0	RING, retaining
	927747	0 2+	RING, retaining
5	1012187	2 0	RACE, thrust
	933255	0 2	RACE, thrust
6	1012188	1 0	BEARING, thrust
	930441	0 1	BEARING, thrust
7	1012186	1 1	SHAFT, drive
8	930440	1 1	BEARING
9	1012168	1 0	HOUSING ASY.
	1016428	0 1	HOUSING ASY.
10	1012174	2 2	BEARING
11	1012167	2 1	RACE, inner
12	924137	2+ 0	O-RING
	924791	0 2+	O-RING
13	1012178	1 1	COVER
14	927696	2+ 2+	RING, retaining
15	1012169	1 1	COVER, sleeve
16	923808	1+ 0	O-RING
17	1012177	1 0	STOP, cam
18	923379	1+ 1+	O-RING
19	1012170	1 0	CAM PLATE (R.H.)
	1016429	0 1	CAM PLATE
20	—	9 0	PISTON ASY. (Not serviced)
	—	0 9	PISTON ASY. (Not serviced)
21	1012190	1 0	SPIDER
	—	0 1	SPIDER (Not serviced)
22	1012189	1 0	PIVOT, spider
	—	0 1	PIVOT, spider (Not serviced)
23	1012180	1 0	BLOCK, piston
	—	0 1	BLOCK, piston (Not serviced)
24	1012182	1 0	PIN, keeper
	—	0 1	PIN, keeper (Not serviced)
25	1012208	3 0	PIN, loading
	—	0 3	PIN, loading (Not serviced)
26	1012181	1 0	WASHER
	—	0 1	WASHER (Not serviced)
27	1012203	1 0	SPRING
	—	0 1	SPRING (Not serviced)
28	1012181	1 0	WASHER
	—	0 1	WASHER (Not serviced)
29	927694	1+ 0	RING, retaining
	—	0 1+	RING, retaining (Not serviced)
30	1012172	1 1	BEARING
31	1012179	1+ 1+	GASKET
32	921292	1 1	PIN, roll
33	1012185	1 0	PLATE ASY., back
	1017347	0 1	PLATE ASY., back
	1012175	1 0	PLATE, back
	—	0 1	PLATE, back (Not serviced)
	1012171	1 0	STOP, cam
	—	0 1	STOP, cam (Not serviced)
34	1012176	2 0	SEAT
	1016431	0 2	SEAT
35	924774	2+ 0	O-RING
	923808	0 2+	O-RING

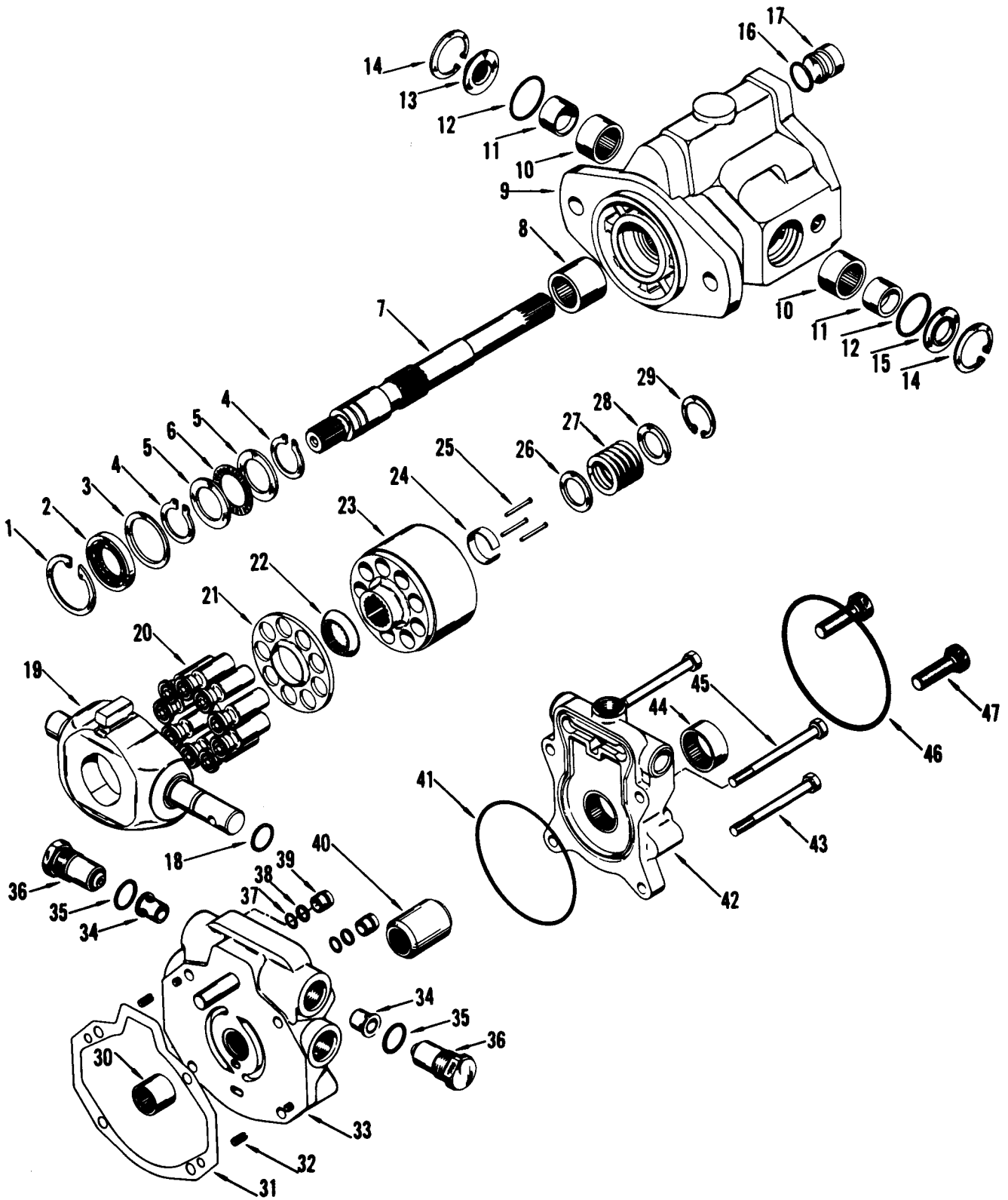
+Denotes serviced in KITS 1012225 & 1016425

*Prior S/N 1182

**Eff. S/N 1182 & up

Continued

PISTON PUMP
FRONT



PISTON PUMP
FRONT

ITEM	NUMBER	QTY.	DESCRIPTION
		* **	
36	1012202	2 0	VALVE KIT, relief
	1016430	0 2	VALVE KIT, relief
	-----	1 1	CARTRIDGE
	-----	1 1	VALVE, body
	-----	1 1	SPOOL
	-----	1 1	O-RING
	-----	1 1	SHIM
	-----	1 1	SHIM
	-----	1 1	RING, retaining
	-----	1 1	WASHER
	-----	1 1	SPRING
37	928241	2+ 2+	O-RING
38	1012200	2+ 2+	WASHER, back-up
39	1012165	2 2	VALVE ASY., check
40	1012173	1 1	COUPLER
	1012191	1 0	RING, locking
	1122836	0 1	RING, locking
41	924128	1+ 1+	O-RING
42	1012184	1 0	ADAPTER ASY., tandem
	1016438	0 1	ADAPTER ASY., tandem
43	923938	2 2	CAPSCREW
44	1012183	1 1	BEARING
45	922648	2 2	CAPSCREW
46	925310	1 1	O-RING
47	922978	2 2	CAPSCREW
-	1012166	1 0	REPLACE KIT, piston (Incl. Item 20)
-	1016228	0 1	REPLACE KIT, piston (Incl. Items 20 thru 29)

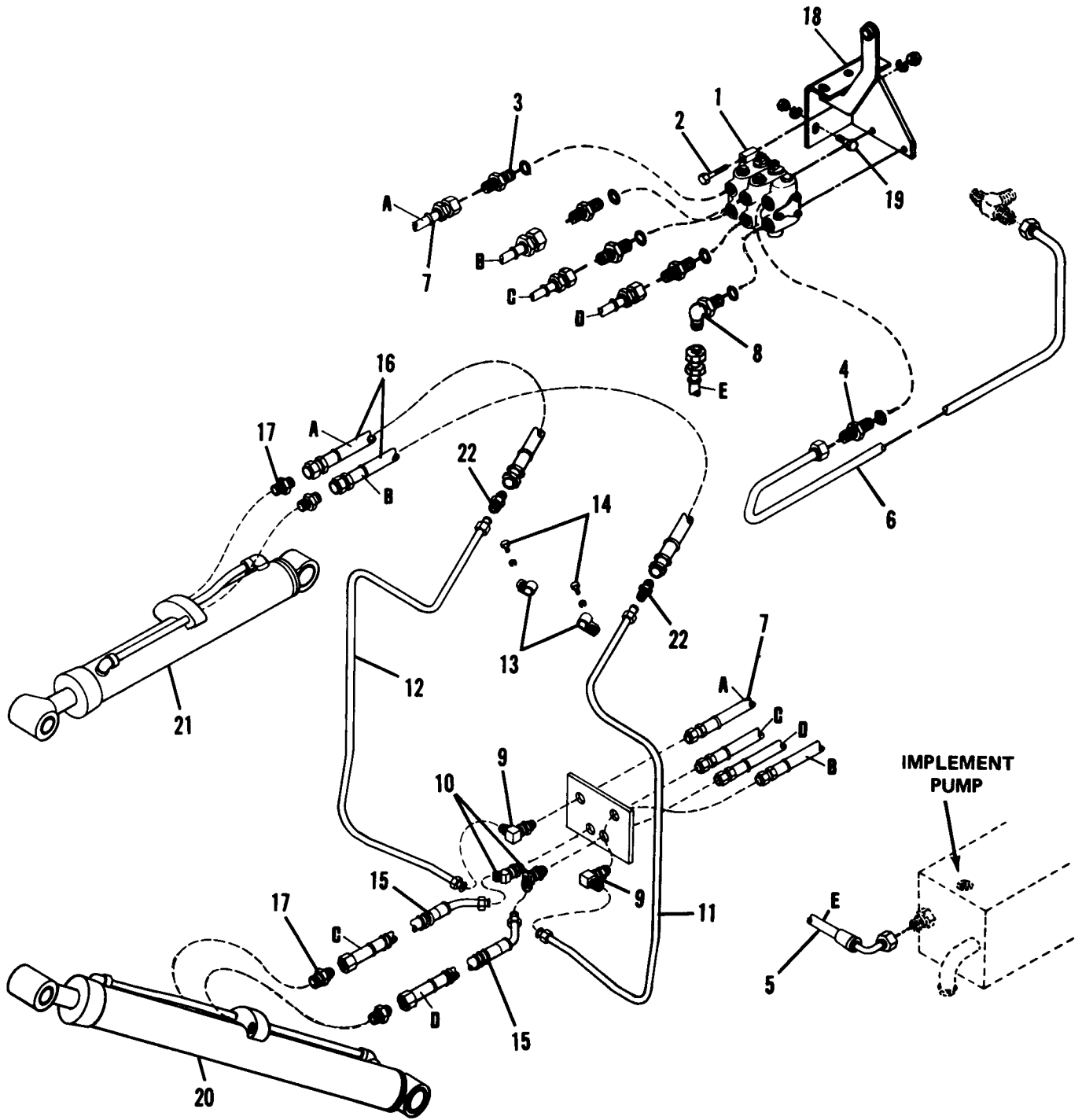
Not serviced separately

+Denotes serviced in KITS 1012225 & 1016425

- 1016434 1 0 CONVERSION KIT, old assemblies

*Prior S/N 1182
**Eff. S/N 1182 & up

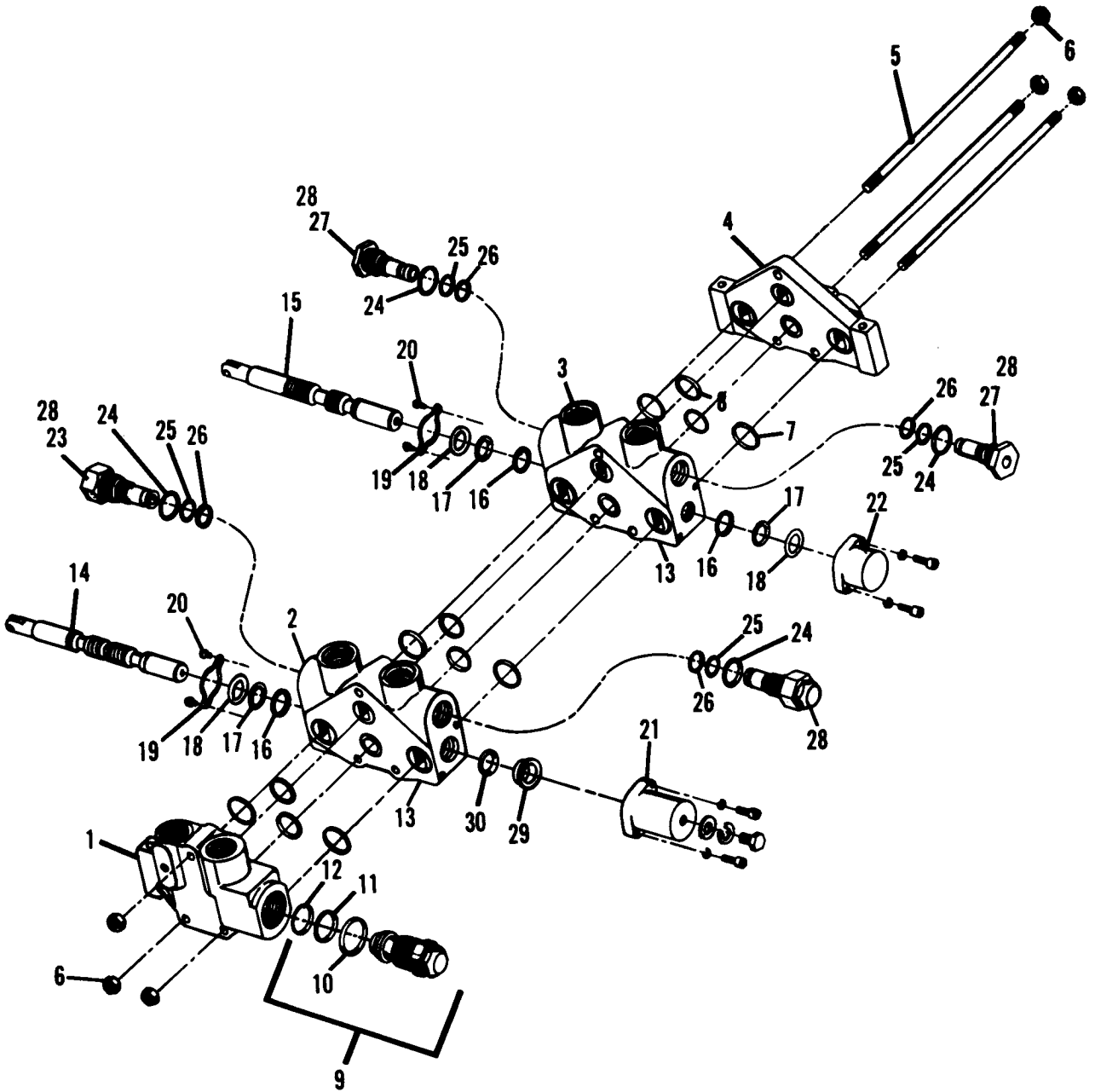
CONTROL VALVE & CYLINDERS



CONTROL VALVE & CYLINDERS

ITEM	NUMBER	QTY.	DESCRIPTION
1	-----	1	VALVE, loader (See VALVE ASY. for components)
2	923903	3	CAPSCREW, 3/8NC x 3
	916965	3	LOCKWASHER, 3/8
	916950	3	NUT, 3/8NC
3	923717	4	CONNECTOR, st. thd. (Incl. O-RING)
	921349	4	O-RING
4	921247	1	CONNECTOR, st. thd. (Incl. O-RING)
	921206	1	O-RING
5	1012040	1	HOSE, implement pump to loader valve (Prior S/N 1007)
	1015070	1	HOSE, implement pump to loader valve (Eff. S/N 1007 & up)
6	1014761	1	TUBE, implement valve to hyd. filter
7	1014749	2	HOSE, tilt cylinder
8	921203	1	FITTING, tube
9	927163	2	FITTING, bulkhead 90°
10	927245	2	FITTING, bulkhead 45°
11	1014763	1	TUBE ASY., bulkhead to tilt cylinder hose
12	1014764	1	TUBE ASY., bulkhead to tilt cylinder hose
13	925617	2	CLAMP, tube
14	921965	2	CAPSCREW, 3/8NC x 3/4
	916965	2	LOCKWASHER, 3/8
15	1014750	2	HOSE ASY., bulkhead to lift cyl. hose
16	1009518	2	HOSE ASY.
17	921409	4	CONNECTOR, st. thd. (Incl. O-RING)
	921349	4	O-RING
18	1011352	1	MOUNTING ASY., valve (Prior S/N 1007)
	1014783	1	MOUNTING ASY., valve (Eff. S/N 1007 & up)
19	920415	4	CAPSCREW, 3/8NC x 1-1/4
	916965	4	LOCKWASHER, 3/8
	916950	4	NUT, 3/8NC
	916956	4	WASHER
20	-----	1	CYLINDER ASY., lift (See LIFT CYL. ASY. for components)
21	-----	1	CYLINDER ASY., tilt (See TILT CYL. ASY. for components)
22	919066	2	UNION, tube, 3/4 J.I.C.

CONTROL VALVE
LOADER & FORK LIFT

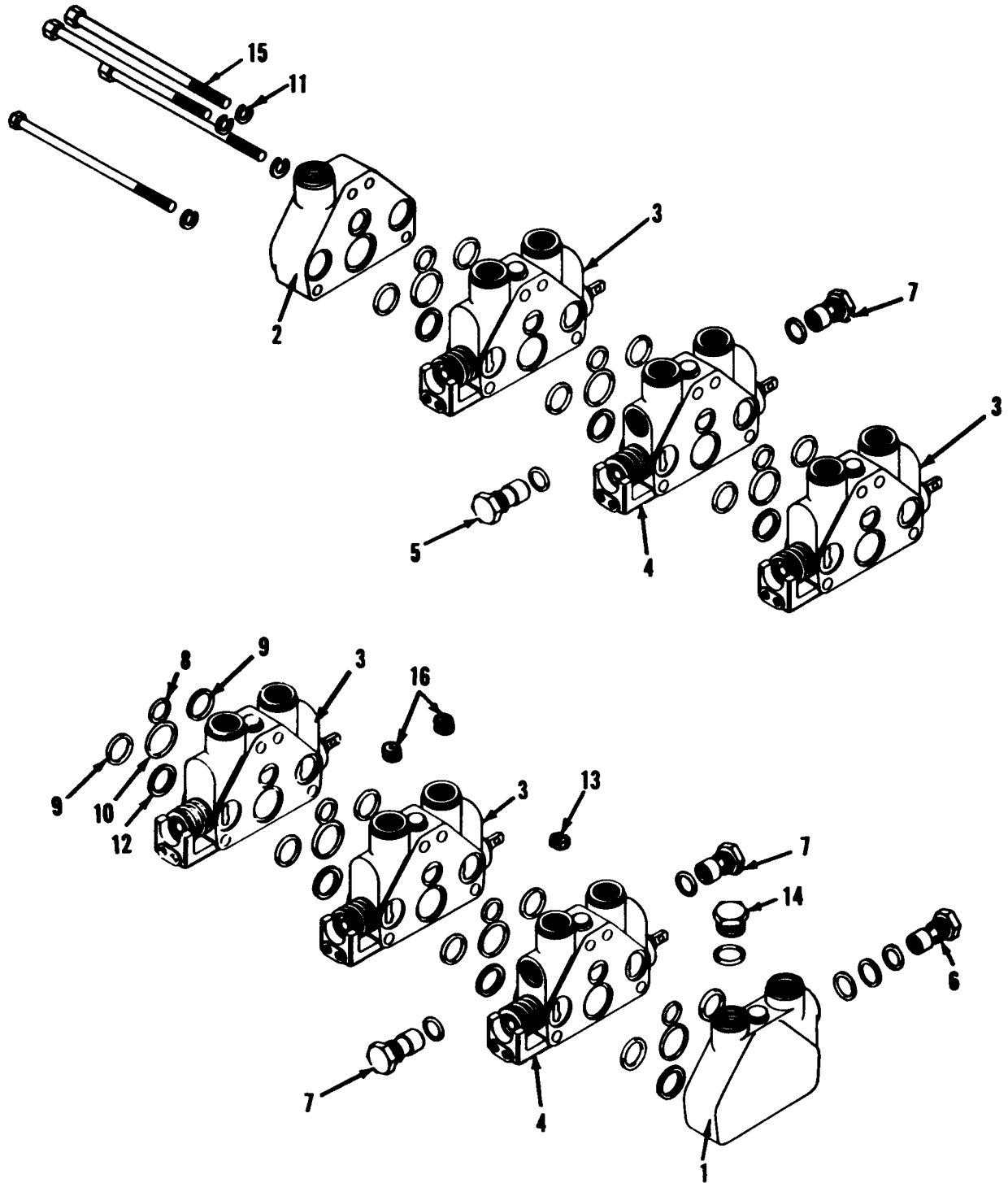


CONTROL VALVE
LOADER & FORK LIFT

ITEM	NUMBER	QTY.	DESCRIPTION
-	1010493	1 0	VALVE ASY., control - Loader
-	1015937	0 1	VALVE ASY., control - Fork Lift
1	2018984	1 1	COVER, left hand
2	1011644	1 1	SECTION, valve - 4-way float
3	1010505	1 0	SECTION, valve - 4-way
	1010504	0 1	SECTION, valve - 4-way
4	1002544	1 1	COVER, right hand
5	1011648	3 3	STUD
6	923428	6 6	NUT
7	*-----	6 6	O-RING, seal (Exhaust)
8	*-----	6 6	O-RING, seal (Pressure)
9	1010494	1 1	VALVE, relief - main 2250 P.S.I.
10	*-----	1 1	O-RING, seal
11	*-----	1 1	WASHER, back-up
12	*-----	1 1	O-RING, seal
13	*-----	2 2	HOUSING (Serviced in ASY. only)
14	*-----	1 1	SPOOL, 4-way Float (Serviced in ASY. only)
15	*-----	1 1	SPOOL, 4-way (Serviced in ASY. only)
16	*-----	3 3	O-RING, spool seal
17	*-----	3 3	WASHER, back-up
18	1011640	3 3	RETAINER, seal
19	1011639	2 2	RETAINER
20	*-----	4 4	SCREW (Not serviced)
21	1011647	1 1	POSITIONER
22	1011638	1 0	POSITIONER
	1011641	0 1	POSITIONER
23	1010489	1 0	VALVE ASY., relief 900 P.S.I.
	1010515	0 1	VALVE ASY., relief 2500 P.S.I.
24	*-----	4 4	O-RING, relief
25	*-----	4 4	WASHER, back-up relief
26	*-----	4 4	O-RING, relief
27	1010515	1 0	VALVE ASY., relief 2500 P.S.I.
28	1010506	0 2	VALVE, check
	1011470	0 1	PLUG KIT
29	1011646	1 1	PLATE, seal
30	1011645	1 1	O-RING, seal plate
-	1010492	- -	REPAIR KIT, major seal (Incls. KITS 1010508, 1010510 & 1010511)
-	1010508	- -	REPAIR KIT, section seal
-	1010510	- -	REPAIR KIT, circuit & check
-	1010511	- -	REPAIR KIT, main relief valve

*Not serviced separately

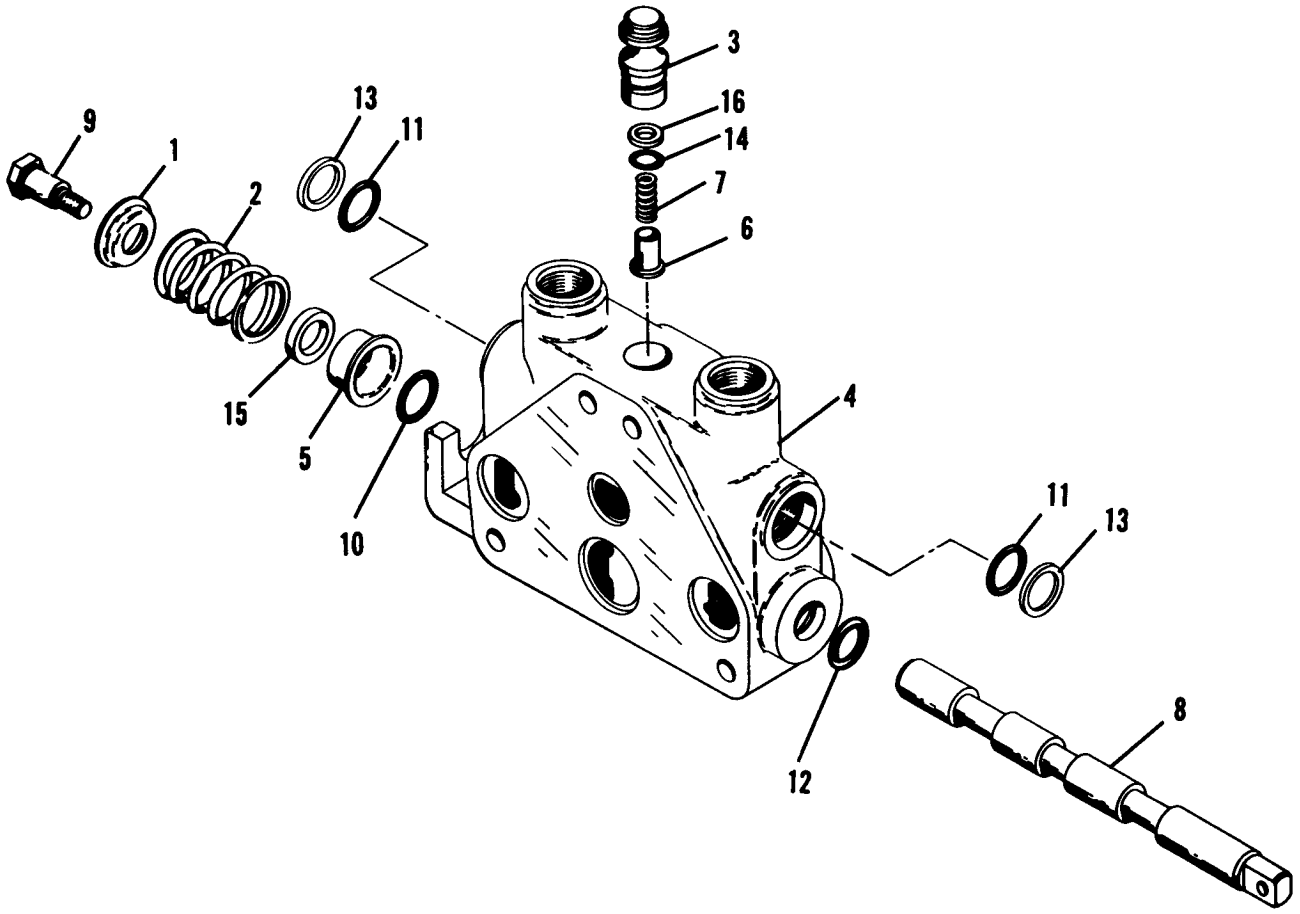
VALVE ASY.
BACKHOE



VALVE ASY.
BACKHOE

ITEM	NUMBER	QTY.	DESCRIPTION
—	1016475	—	VALVE ASY., backhoe
1	1016476	1	SECTION, port plate
2	1016477	1	SECTION, end plate
3	1016478	4	VALVE SECTION, 4-way
4	1016479	2	VALVE SECTION, 4-way
5	2017385	1	PLUG ASY.
6	2020683	1	VALVE ASY., relief 2000 PSI
7	2018418	3	VALVE ASY., relief 3000PSI
8	924773	7	O-RING
9	924775	14	O-RING
10	924777	7	O-RING
11	916964	4	LOCKWASHER
12	2017471	7	WASHER
13	1016480	1	ORIFICE PLATE
14	920107	1	PLUG ASY. (Incl. O-RING)
	921205	1	O-RING
15	2017390	4	BOLT, tie
16	1016481	2	ORIFICE PLATE

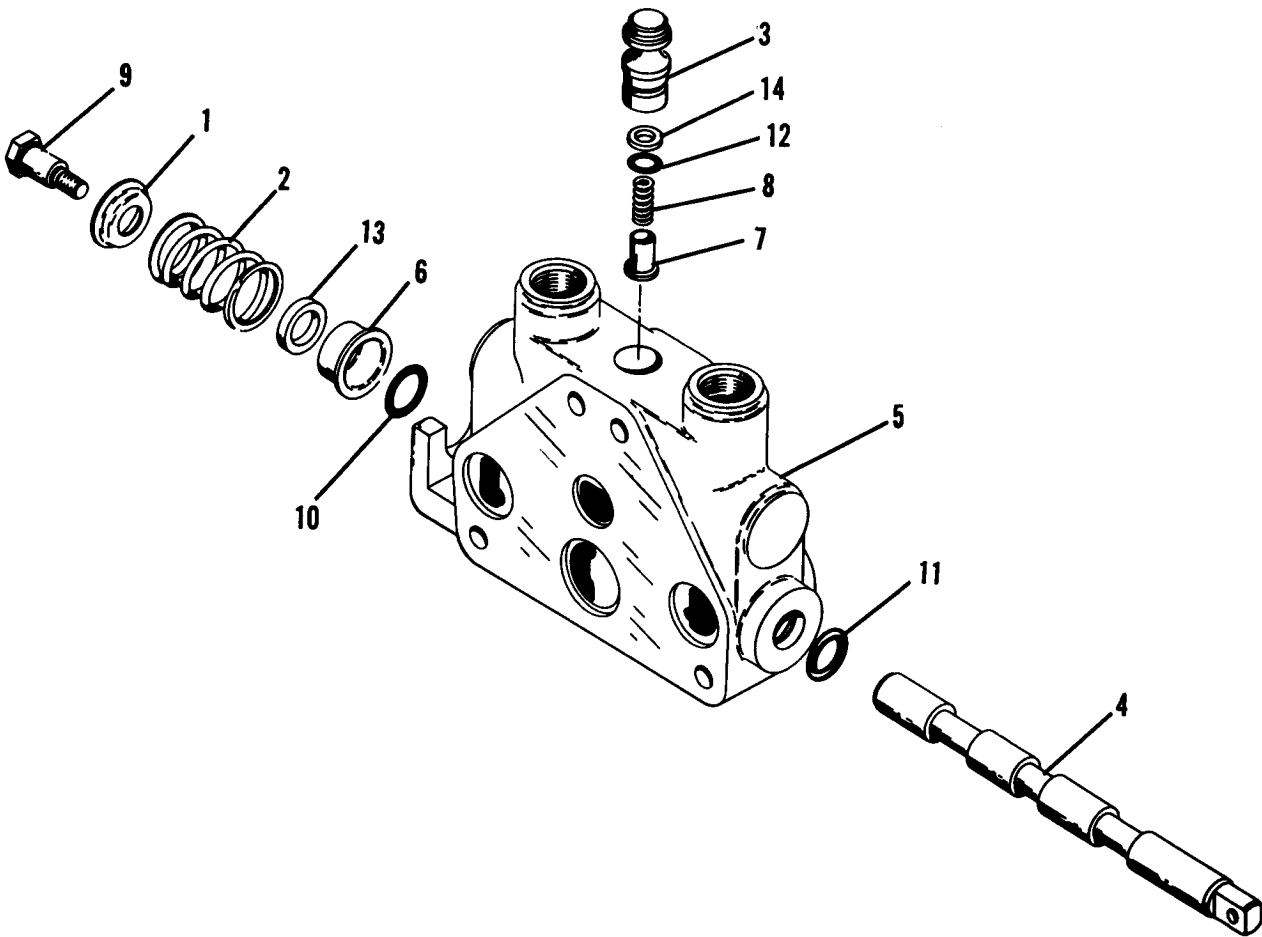
VALVE SECTION
4-WAY BOOM & DIPPER



VALVE SECTION
4-WAY BOOM & DIPPER

ITEM	NUMBER	QTY.	DESCRIPTION
—	1016479	2	VALVE SECTION — 4-way
1	4996401	1	WASHER, shallow
2	2018926	1	SPRING, spool ctr.
3	2017378	1	BODY, lift check
4	_____	1	BODY (Not Serviced)
5	4996402	1	WASHER, deep
6	4996403	1	PLUNGER, lift check
7	4996404	1	SPRING, lift check
8	_____	1	SPOOL (Not Serviced)
9	349937	1	SCREW, spool
10	923645	1	O-RING, 3/32 x 5/8 I.D.
11	923719	2	O-RING, 3/32 x 3/4 I.D.
12	4997192	1	O-RING, 1/8 x 5/8 I.D.
13	927626	2	WASHER, back-up
14	924003	1	O-RING, 1/16 x 9/16 I.D.
15	4996414	1	WASHER, misc.
16	2017379	1	WASHER, back-up

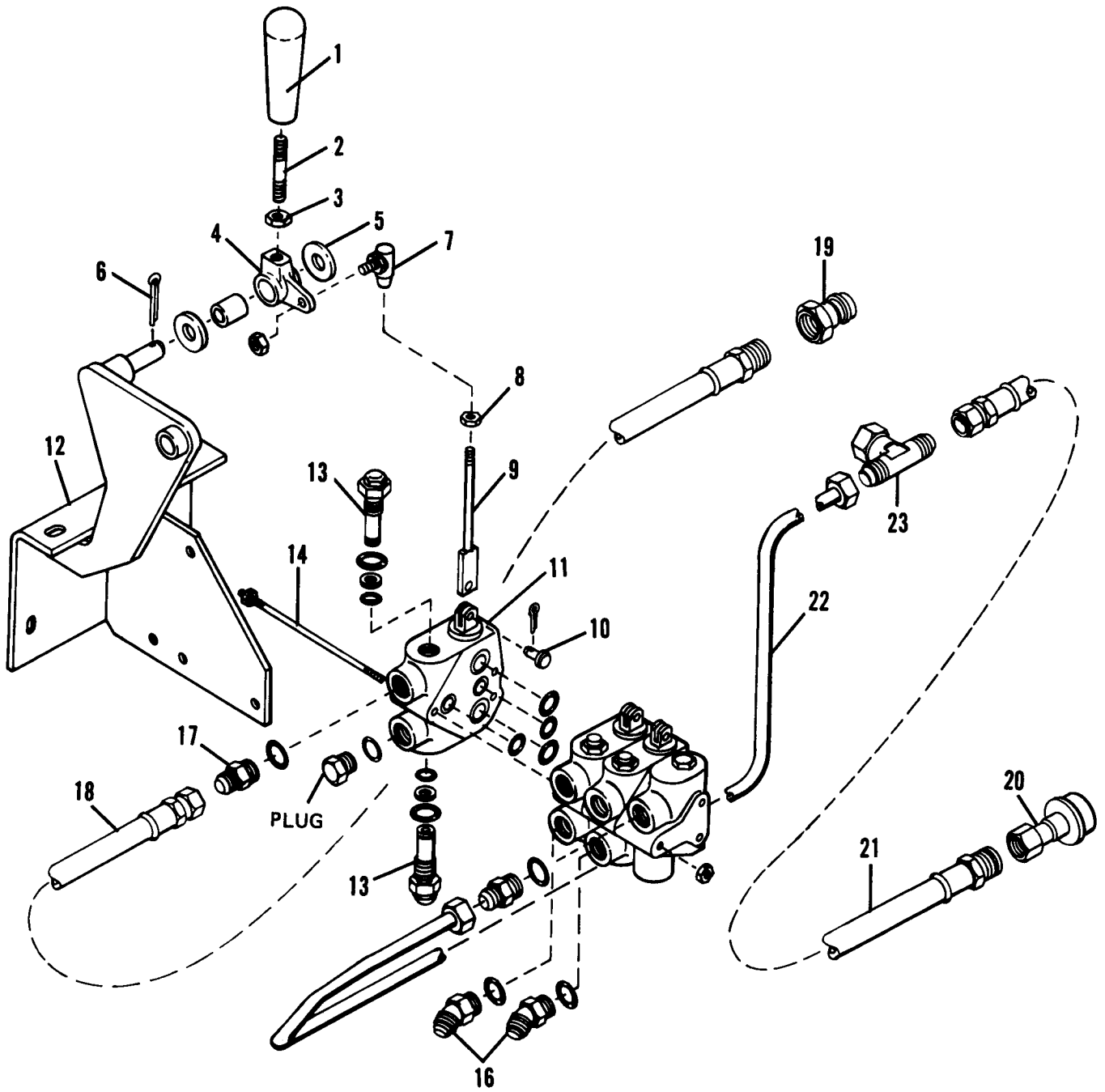
VALVE SECTION
4-WAY SWING, BUCKET & STABILIZERS



VALVE SECTION
4-WAY SWING, BUCKET & STABILIZERS

ITEM	NUMBER	QTY.	DESCRIPTION
—	1016478	4	VALVE SECTION, 4-way
1	4996401	1	WASHER, shallow
2	2018926	1	SPRING, spool ctr.
3	2017378	1	BODY, lift ck.
4	-----	1	SPOOL (Not Serviced)
5	-----	1	BODY (Not Serviced)
6	4996402	1	WASHER, deep
7	4996403	1	PLUNGER, lift ck.
8	4996404	1	SPRING, lift ck.
9	349937	1	SCREW, spool
10	923645	1	O-RING, 3/32 x 5/8 I.D.
11	4997192	1	O-RING, 1/8 x 5/8 I.D.
12	924003	1	O-RING, 1/16 x 9/16 I.D.
13	4996414	1	WASHER, misc.
14	2017379	1	WASHER, back-up

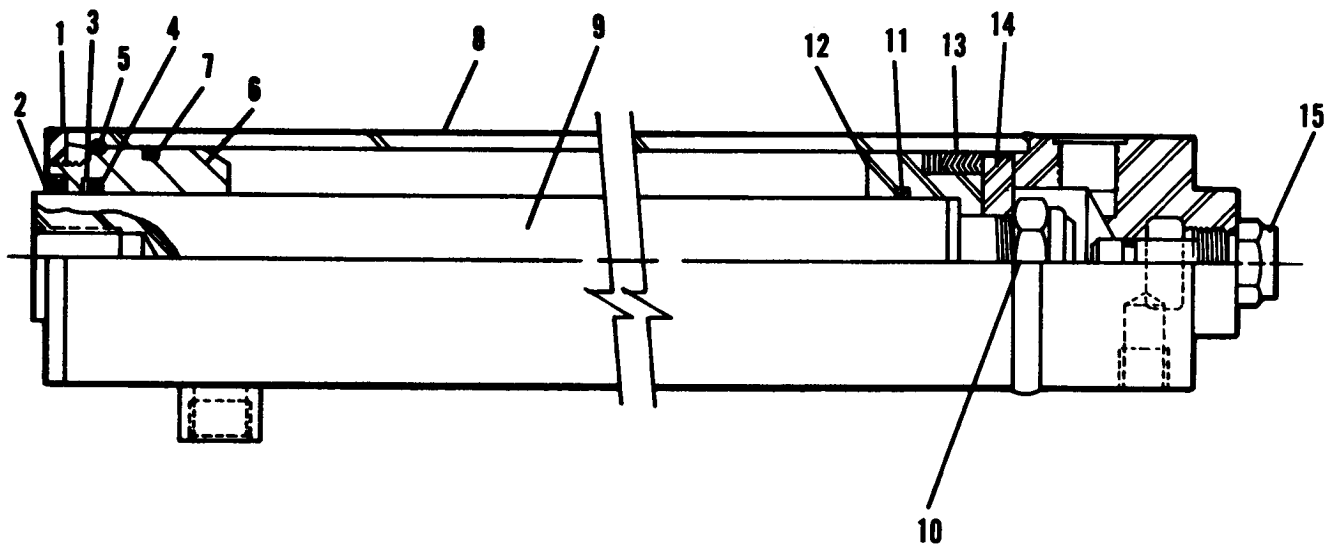
HYDRAULIC GROUP
BACKHOE



HYDRAULIC GROUP
BACKHOE

ITEM	NUMBER	QTY.	DESCRIPTION
1	2016374	1	HANDLE
2	1016372	1	STUD
3	913744	1	NUT, jam, 1/2NC
4	1011336	1	HANDLE ASY.
5	925687	2	WASHER
6	925719	1	PIN, cotter
7	917194	1	JOINT, ball
8	920263	1	NUT
9	1014690	1	LINK ASY.
10	924299	1	PIN
	918448	1	PIN, cotter
11	1010505	1	SECTION, valve
12	1016074	1	SUPPORT ASY.
13	1010506	2	VALVE ASY., check
14	2018989	3	STUD ASY.
15	1010508	1	SEAL KIT (Not shown)
16	925943	2	ELBOW, 45° swivel
17	923171	1	CONNECTOR, valve (Incl. O-RING)
	921349	1	O-RING
18	1016579	1	HOSE ASY., valve to bk. inlet hose
19	255018	1	COUPLER, male
20	1013714	1	COUPLER, female
21	1016578	1	HOSE ASY., filter to bk. valve
22	1016573	1	TUBE ASY., valve to res.
23	925834	1	TEE, swivel nut, ret. res.

CYLINDER ASY.
LIFT
10 FT. & 14 FT.



CYLINDER ASY.

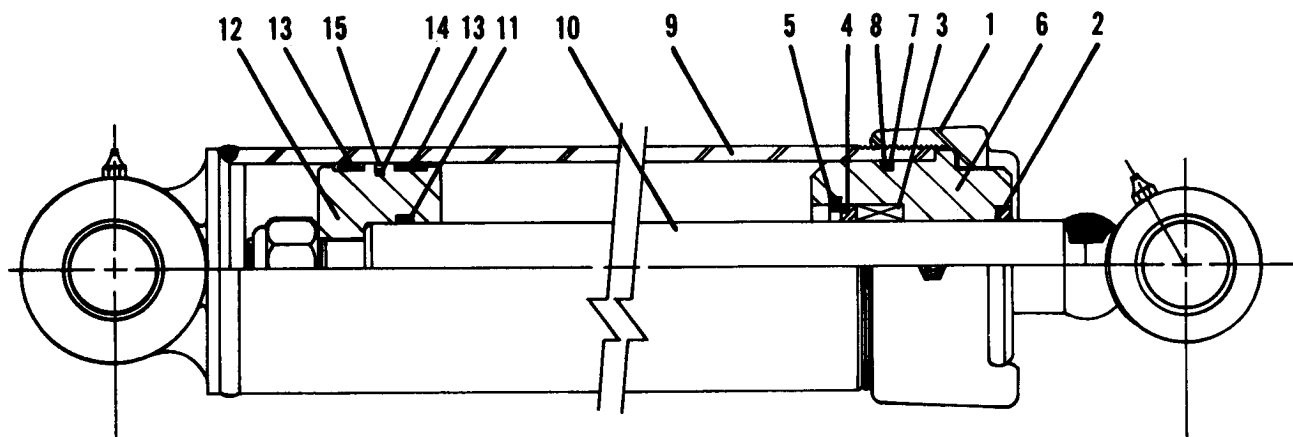
LIFT
10 FT. & 14 FT.

ITEM	NUMBER	QTY.	DESCRIPTION
--	1015094	1	— CYLINDER ASY., lift
--	1015096	— 1	CYLINDER ASY., lift
1	1013231	1 1	RETAINER
2	2014685	1 1	RING, wiper
3	928640	1 1	RING, back-up
4	923949	1 1	O-RING
5	1013228	1 1	RING, retaining
6	1013239	1 1	HEAD, cylinder
7	923582	1 1	O-RING
8	1013224	1	— TUBE ASY., cylinder
	1015946	— 1	TUBE ASY., cylinder
9	1013226	1	— ROD ASY., piston
	1015945	— 1	ROD ASY., piston
10	921140	1 1	NUT, 1-1/4NF
11	923577	1 1	O-RING
12	1013234	1 1	PISTON
13	1013229	1 1	PACKING, vee set
14	1013230	1 1	PLATE
15	1015732	1 1	VALVE, relief 1700 PSI
—	1013227	1 1	SEAL KIT (Incl. Items 2, 3, 4, 7, 11 & 13)
—	1008888	1 1	SEAL KIT (Used on Relief valve)

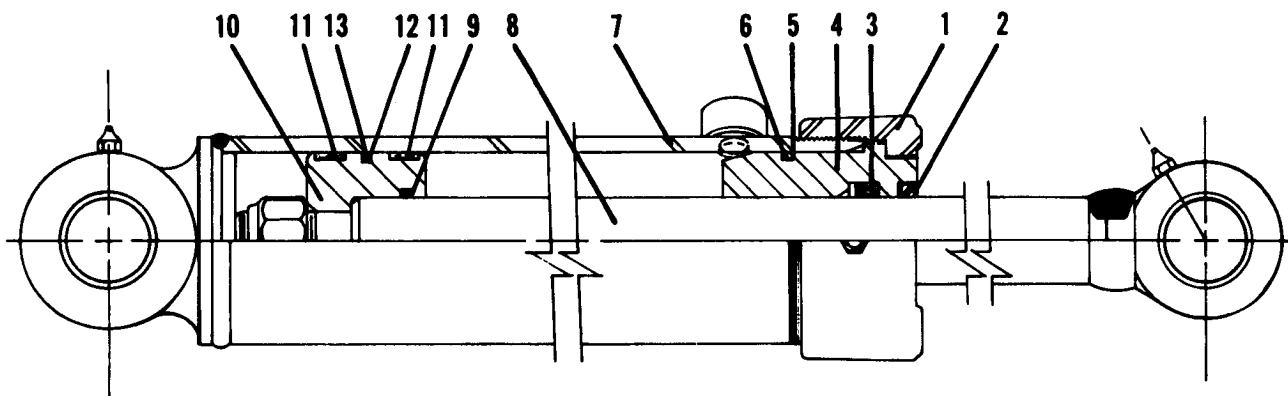
* 10 FT.

** 14 FT.

CYLINDER – LOADER LIFT



CYLINDER – LOADER TILT



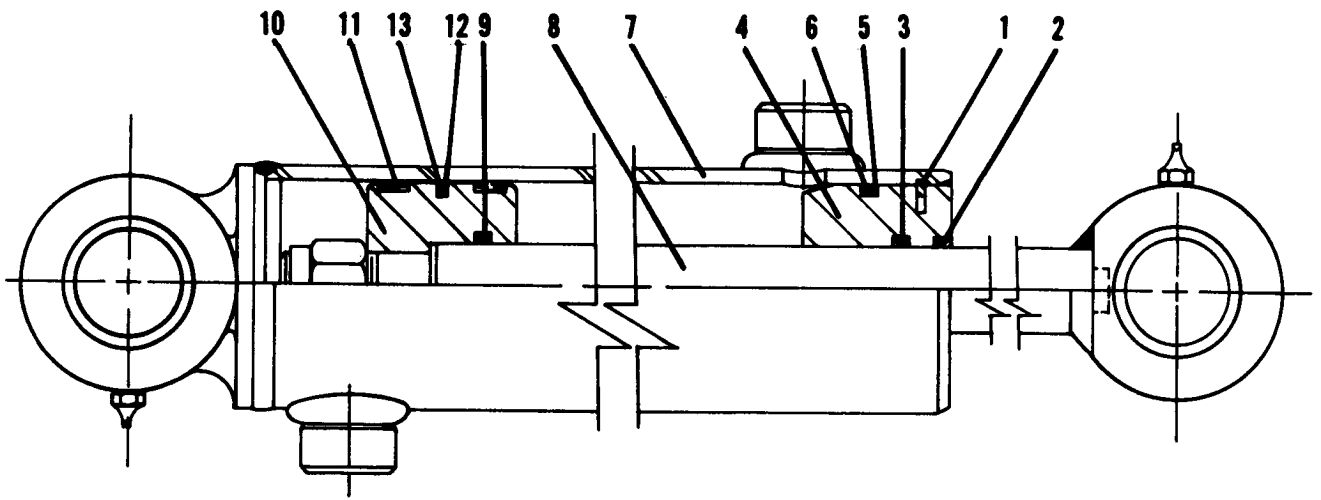
CYLINDER – LOADER LIFT

ITEM	NUMBER	QTY.	DESCRIPTION
—	1014792	1	CYLINDER ASY., lift
1	1000913	1	RING, flange
	912235	1	SETScrew, socket
	911325	1	NUT, jam
2	3053637	1	RING WIPER
3	2018413	1	"V" SET
4	2018412	1	SPRING, wave
5	2018411	1	RING, retainer
6	1000090	1	HEAD, cylinder
7	926627	1	WASHER, back-up
8	923816	1	O-RING
9	1014808	1	TUBE ASY., cylinder
	2018402	2	BUSHING
	9002032	1	FITTING, lube, 1/8 pipe thd. st. (Pkg. of 10)
10	1014796	1	ROD ASY., piston
	1004734	2	BUSHING
	9002032	1	FITTING, lube, 1/8 pipe thd. st. (Pkg. of 10)
	917777	1	NUT, lock
11	923579	1	O-RING
12	1011961	1	PISTON
13	2017362	2	RING, bearing
14	924135	1	O-RING
15	2017235	1	RING, piston
—	1001687	—	REPAIR KIT, major seal (Incl. Items 2, 3, 7, 8, 11, 13, 14, 15)

CYLINDER – LOADER TILT

ITEM	NUMBER	QTY.	DESCRIPTION
—	1014694	1	CYLINDER ASY., tilt
1	2015255	1	RING, flange
	912235	1	SETScrew, socket
	911325	1	NUT, jam
2	2014684	1	RING, wiper
3	1009576	1	SEAL
4	1009575	1	HEAD, cylinder
5	926625	1	WASHER, back-up
6	923582	1	O-RING
7	1014704	1	TUBE ASY., cylinder
	2018402	2	BUSHING
	9002032	1	FITTING, lube, 1/8 pipe thd. st. (Pkg. of 10)
8	1014703	1	ROD ASY., piston
	1001137	2	BUSHING
	9002032	1	FITTING, lube, 1/8 pipe thd. st. (Pkg. of 10)
	917777	1	NUT, lock
9	923664	1	O-RING
10	1009577	1	PISTON
11	2017480	2	RING, bearing
12	924770	1	O-RING
13	2017234	1	RING, piston
—	1009581	—	REPAIR KIT, major seal (Incl. Items 2, 3, 5, 6, 9, 11, 12, 13)

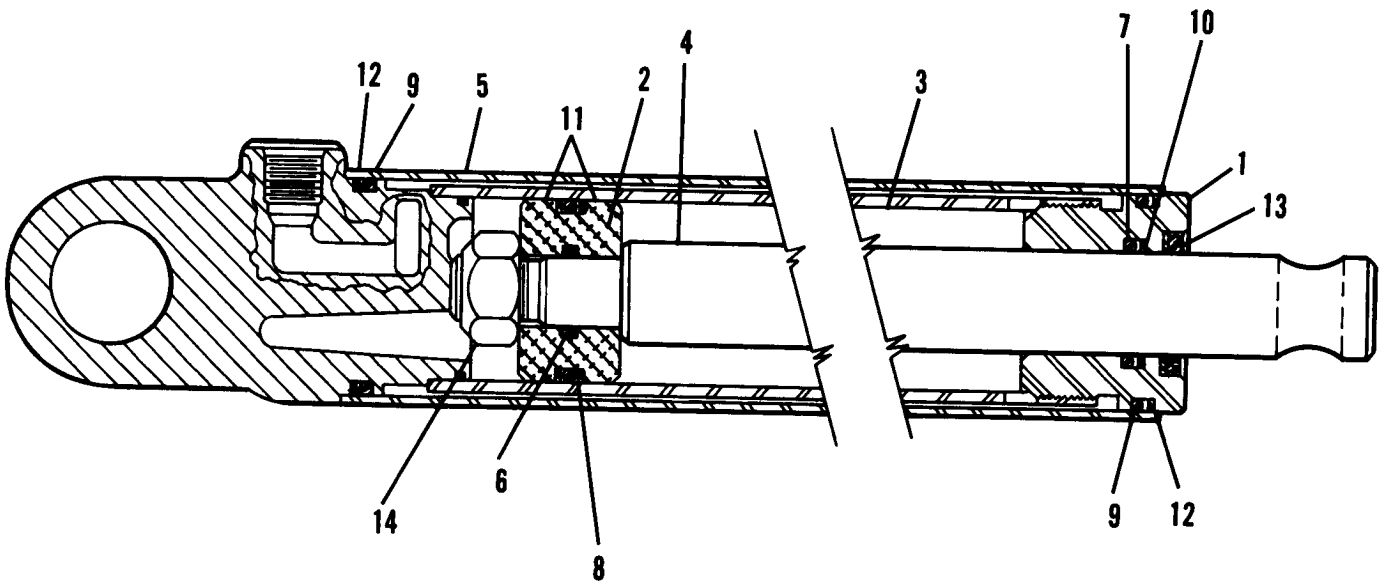
CYLINDER – POWER STEERING



CYLINDER – POWER STEERING

ITEM	NUMBER	QTY.	DESCRIPTION
–	1011300	1	CYLINDER ASY., steering
1	927704	1	RING, retaining
2	542629	1	WIPER, rod
3	1001076	1	"T" SEAL
4	1008356	1	HEAD, cylinder
5	926623	1	WASHER, back-up
6	926535	1	O-RING
7	1011306	1	TUBE ASY., cylinder
	2018394	1	BUSHING
	9002032	1	FITTING, lube, 1/8 pipe thd. st. (Pkg. of 10)
8	1011301	1	ROD ASY., piston
	2018394	1	BUSHING
	9002032	1	FITTING, lube, 1/8 pipe thd. st. (Pkg. of 10)
	921343	1	NUT, 3/4NF
9	923575	1	O-RING
10	1011315	1	PISTON
11	2017479	2	RING, bearing
12	923684	1	O-RING
13	931894	1	RING, piston
–	1011314	–	REPAIR KIT, seal (Incl. Items 2, 3, 5, 6, 9, 11, 12, 13)

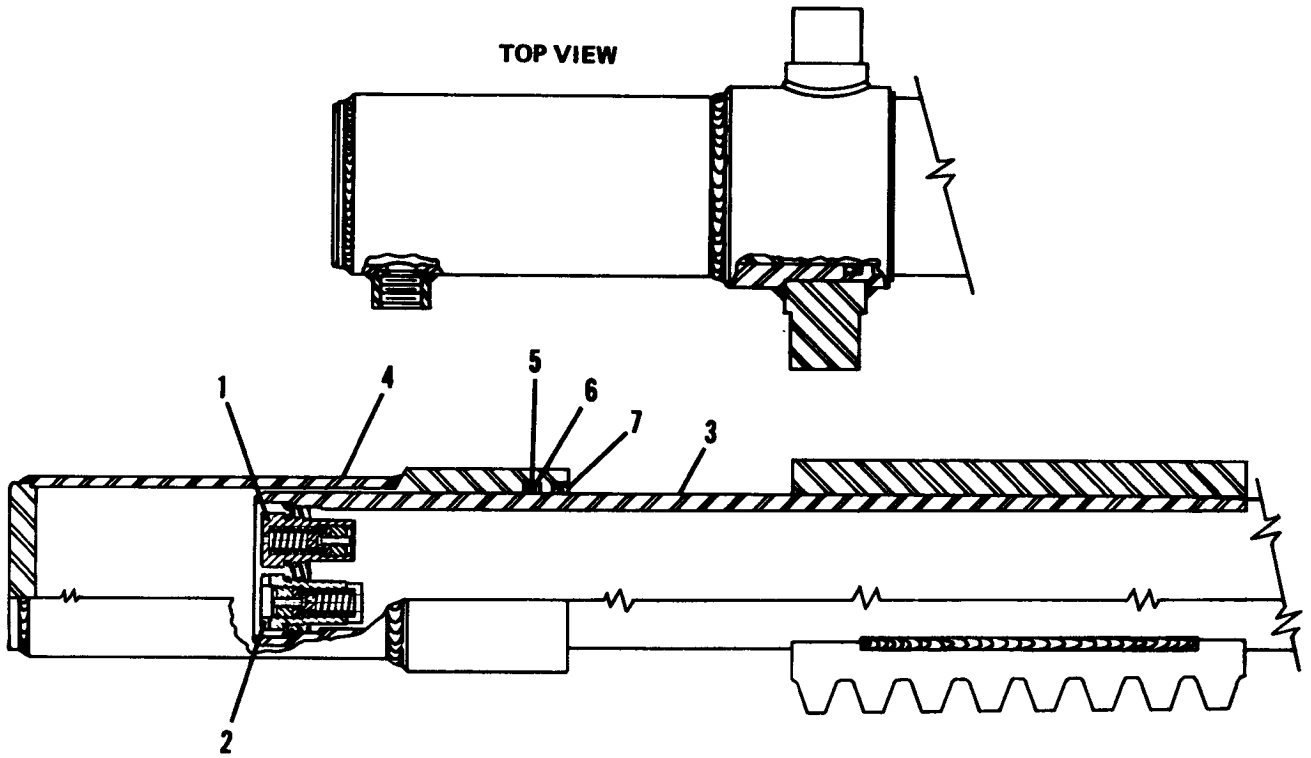
CYLINDER ASY.
STABILIZER



CYLINDER ASY.
STABILIZER

ITEM	NUMBER	QTY.	DESCRIPTION
-	1016482	2	CYLINDER ASY., stabilizer
1	1016483	1	HEAD, cylinder
2	1016484	1	PISTON
3	1016485	1	BARREL, hyd. cyl.
4	1016486	1	ROD ASY., piston
5	1016487	1	BARREL, hyd. cyl. -- outside
6	923379	1	O-RING, 3/32 x 11/16 I.D.
7	923575	1	O-RING, 1/8 x 1 I.D.
8	923664	1	O-RING, 1/8 x 1-1/2 I.D.
9	923577	2	O-RING, 1/8 x 1-3/4 I.D.
10	926616	1	RING, back-up
11	1173773	2	WASHER
12	926621	2	RING, back-up
13	1174439	1	RING, wiper
14	927147	1	NUT, lock, 5/8NF

CYLINDER ASY.
SWING



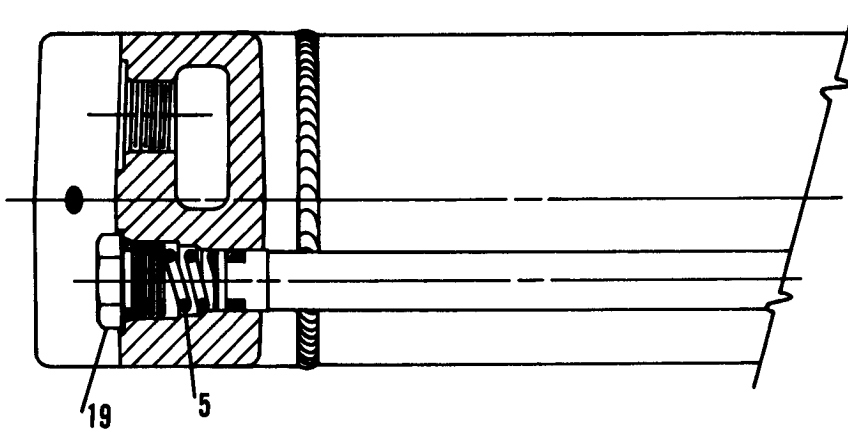
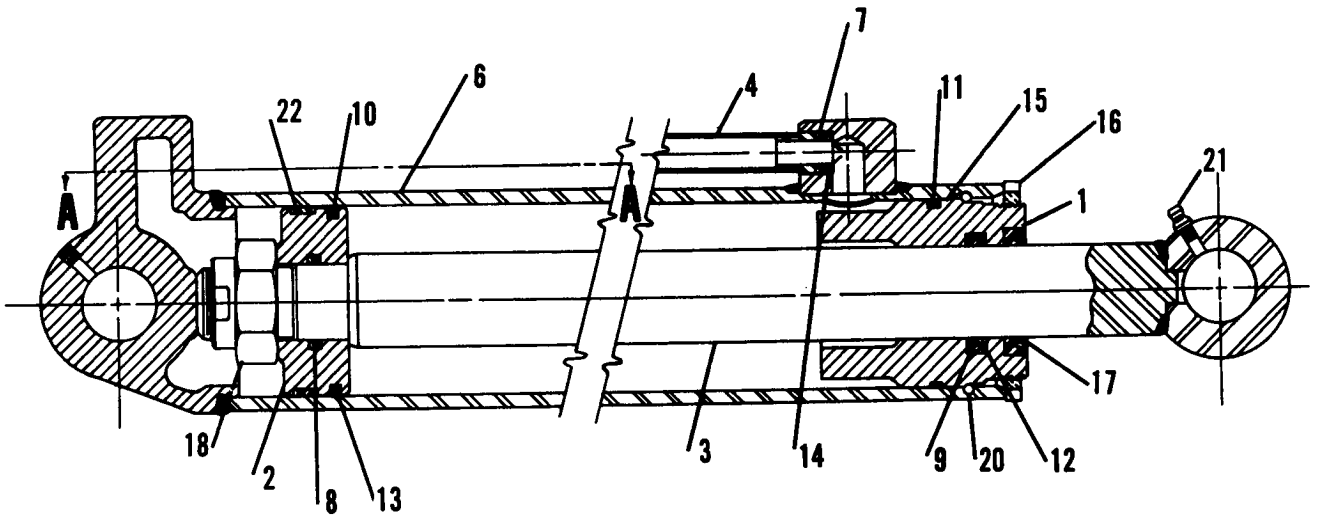
540 LOADER
HYDRAULICS

145

CYLINDER ASY.
SWING

ITEM	NUMBER	QTY.	DESCRIPTION
-	1016488	1	CYLINDER ASY., stabilizer
1	1016489	1	VALVE ASY., relief 2000 PSI
2	1016490	1	VALVE ASY., relief 2000 PSI
3	1016491	1	ROD ASY., piston
4	1016492	2	BARREL ASY.
5	923597	2	O-RING, 3/16 x 2-3/4 I.D.
6	1016493	2	RING, back-up
7	1016494	2	RING, wiper

CYLINDER ASY.
BACKHOE

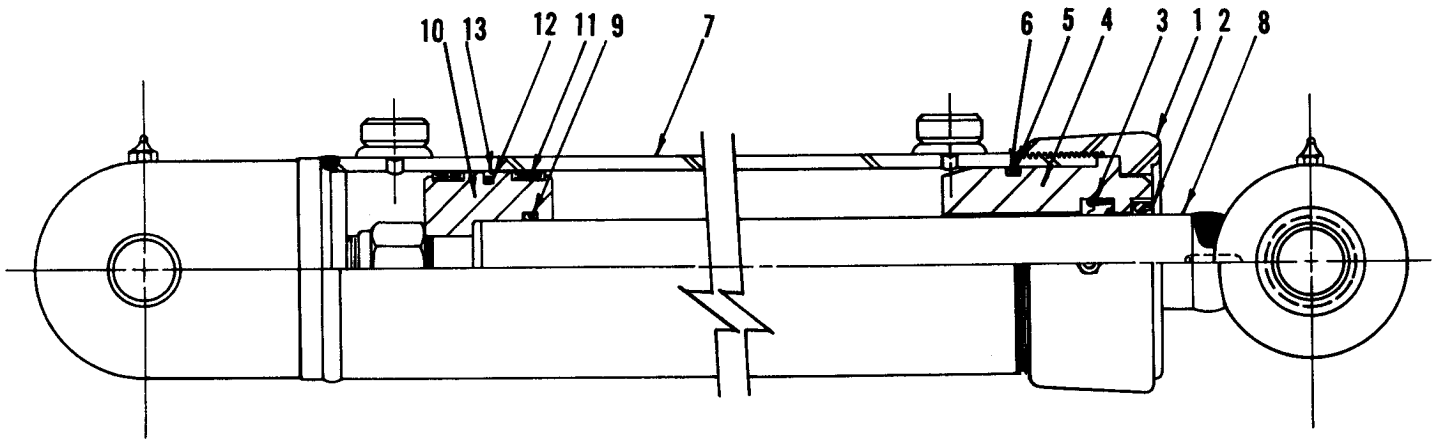


SECTION A - A

CYLINDER ASY.
BACKHOE

ITEM	NUMBER	QTY.	DESCRIPTION
—	1016495	3	CYLINDER ASY., hydraulic
1	1016496	1	HEAD, cylinder
2	1016499	1	PISTON
3	1016500	1	ROD ASY., piston
4	1016501	1	TUBE, cylinder
5	1016502	1	SPRING, plug
6	1016503	1	BARREL, hyd. cylinder
7	923548	2	O-RING, 3/32 x 7/16 I.D.
8	924111	1	O-RING, 1/8 x 1-3/16 I.D. - 90 Dur.
9	923650	1	O-RING, 3/16 x 1-1/2, I.D.
10	923581	1	O-RING, 1/8 x 2-5/8 I.D.
11	923582	1	O-RING, 1/8 x 2-3/4 I.D.
12	926638	1	RING, back-up
13	1016504	1	RING, retaining, piston
14	923021	1	RING, back-up
15	926625	1	RING, back-up
16	1016505	1	NUT, retaining
17	2014684	1	RING, wiper
18	1016506	1	NUT, 1-1/8" lock NF
19	921573	1	PLUG ASY.
20	1016507	1	RING, lock
21	914465	1	FITTING, lube
22	1016508	1	RING, wear

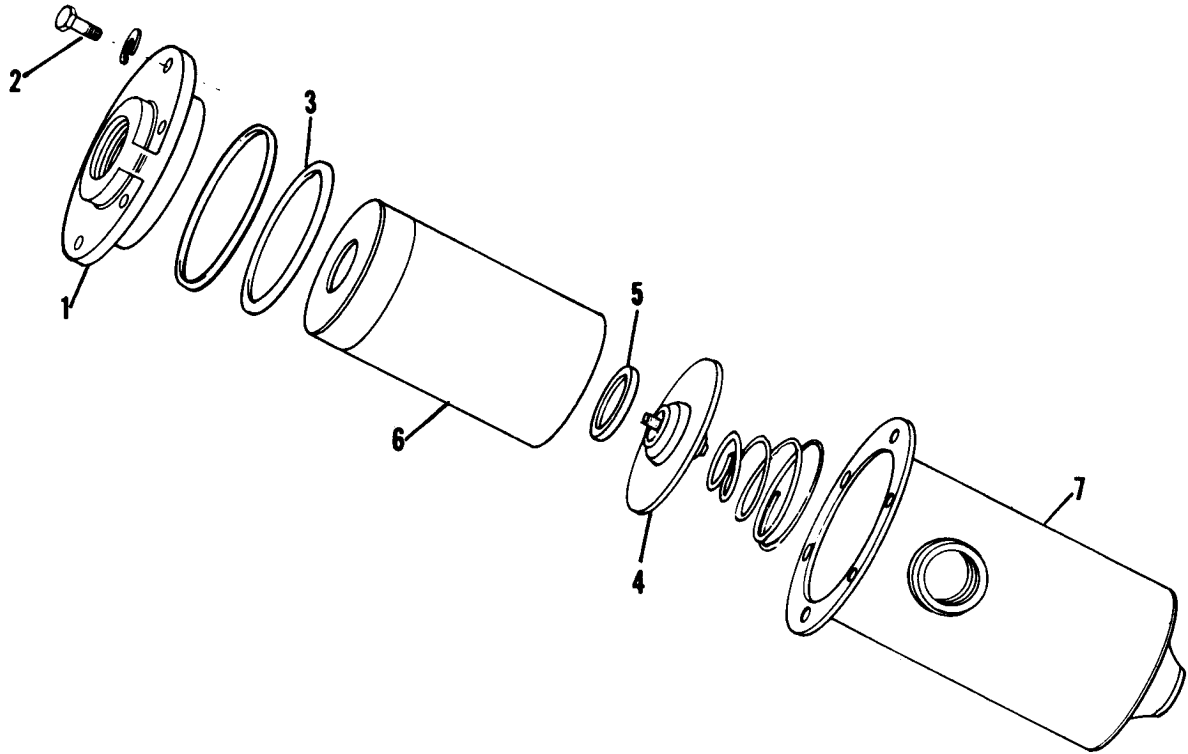
CYLINDER ASY.
TILT



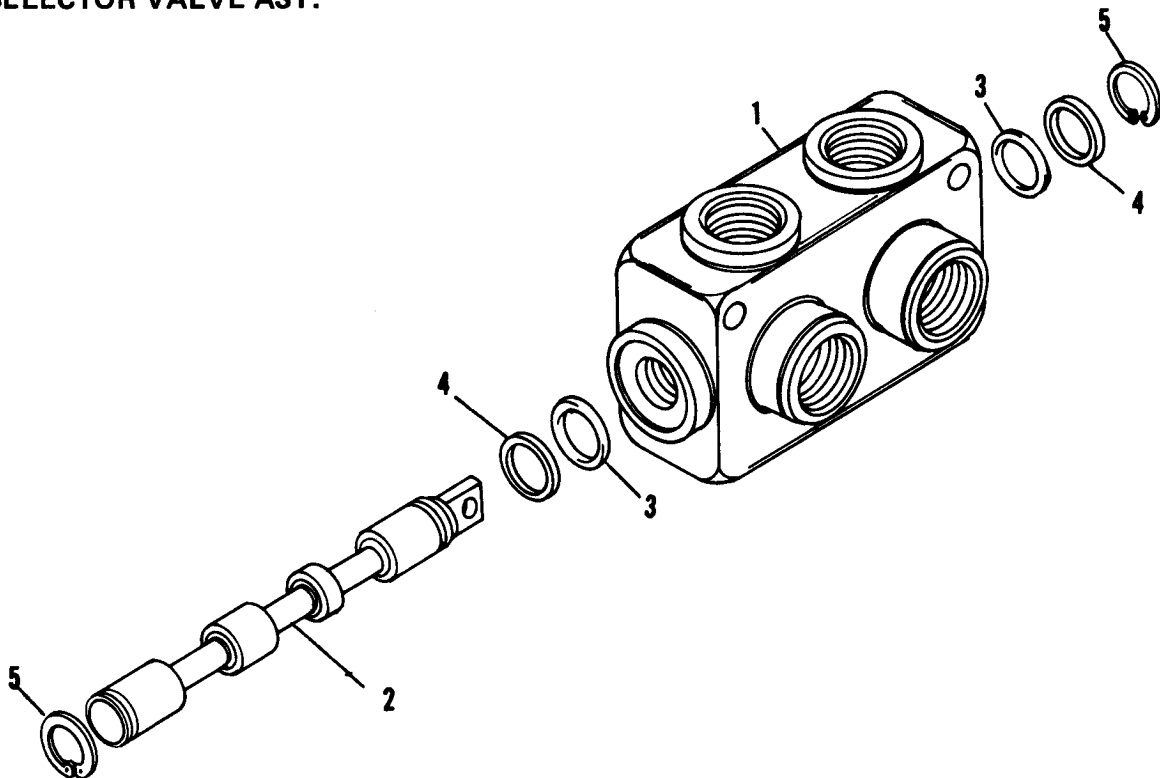
CYLINDER ASY.
TILT

ITEM	NUMBER	QTY.	DESCRIPTION
—	1015072	1	CYLINDER ASY., tilt
1	2015255	1	RING, flange
	912235	1	SCREW, set - socket
	911325	1	NUT, jam
2	2014684	1	RING, wiper
3	1009576	1	SEAL, ring
4	1009575	1	HEAD, cylinder
5	926625	1	RING, back-up
6	923582	1	O-RING
7	1015088	1	TUBE ASY., cylinder
	2018402	1	BUSHING
	9002032	1	FITTING, lube (Pkg. of 10)
8	1015087	1	ROD ASY., piston
	1009714	1	BUSHING
	9002032	1	FITTING, lube, (Pkg. of 10)
	917777	1	NUT
9	923664	1	O-RING
10	1009577	1	PISTON
11	2017480	2	RING, wear
12	924770	1	O-RING
13	2017234	1	RING, piston
—	1009581	—	SEAL KIT (Incl. Items 2,3,5, 6, 9, 11, 12 & 13)

FILTER ASY.



SELECTOR VALVE ASY.



FILTER ASY.

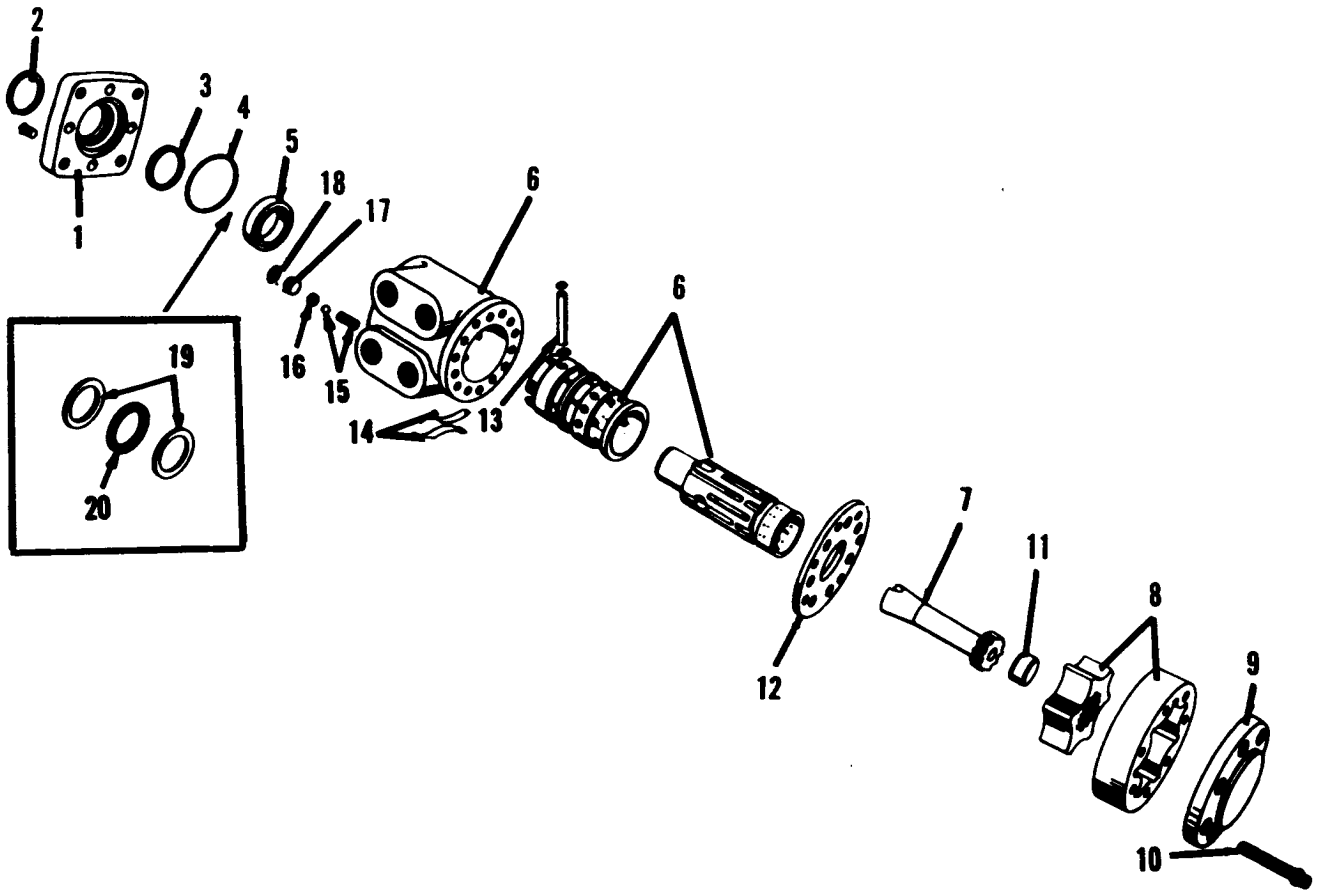
ITEM	NUMBER	QTY.	DESCRIPTION
—	1010919	—	FILTER ASY.
1	1010922	1	HEAD, filter
2	921332	6	CAPSCREW, 5/16NC x 3/4
	917356	6	LOCKWASHER, 5/16
3	1016395	1	SEAL KIT w/ Element
4	1010924	1	BY-PASS ASY.
5	-----	1	SEAL (Serviced in SEAL KIT 1016395)
6	1016396	1	ELEMENT
7	1010927	1	HOUSING

SELECTOR VALVE ASY.

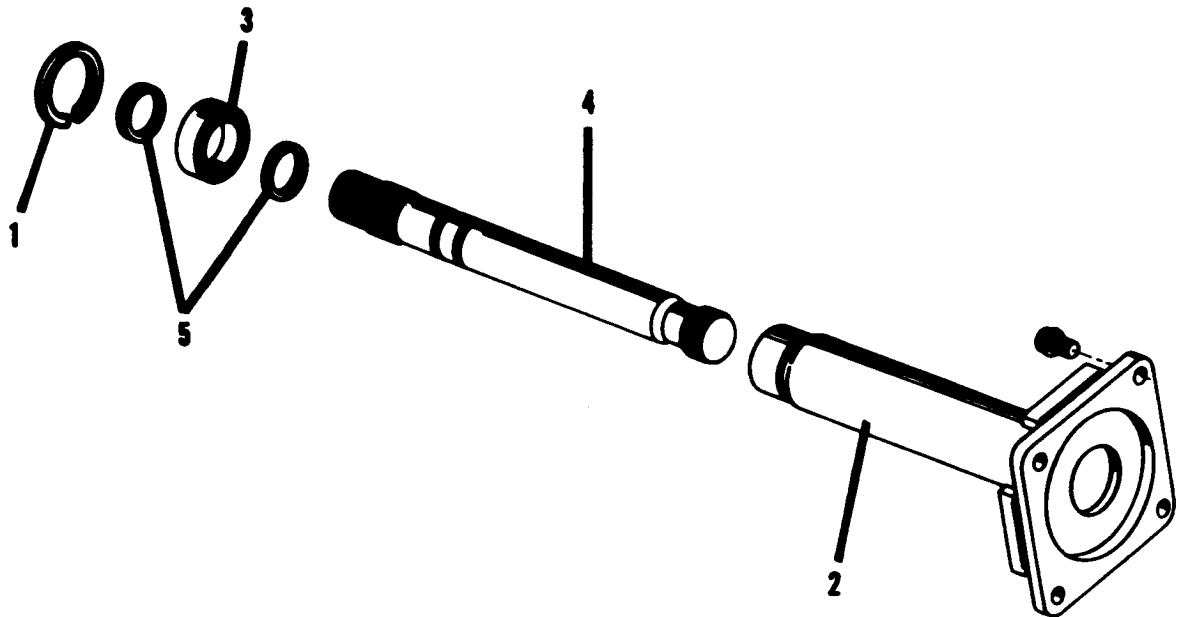
ITEM	NUMBER	QTY.	DESCRIPTION
—	1011256	1	VALVE ASY., selector
1	-----	1	BODY
2	-----	1	SPOOL
3	-----	2*	O-RING
4	-----	2*	WASHER, back-up
5	-----	2*	RING, snap
*	1012573	—	REPAIR KIT, seal (Incls. Items 3, 4, 5)

(Not serviced separately)

CONTROL VALVE
POWER STEERING



STEERING COLUMN
POWER STEERING



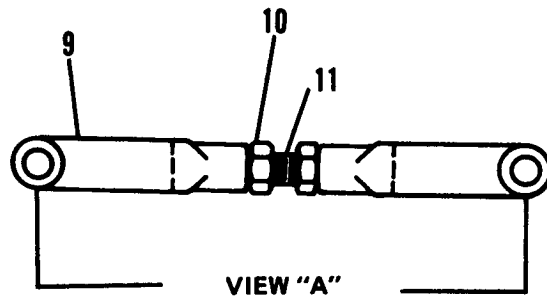
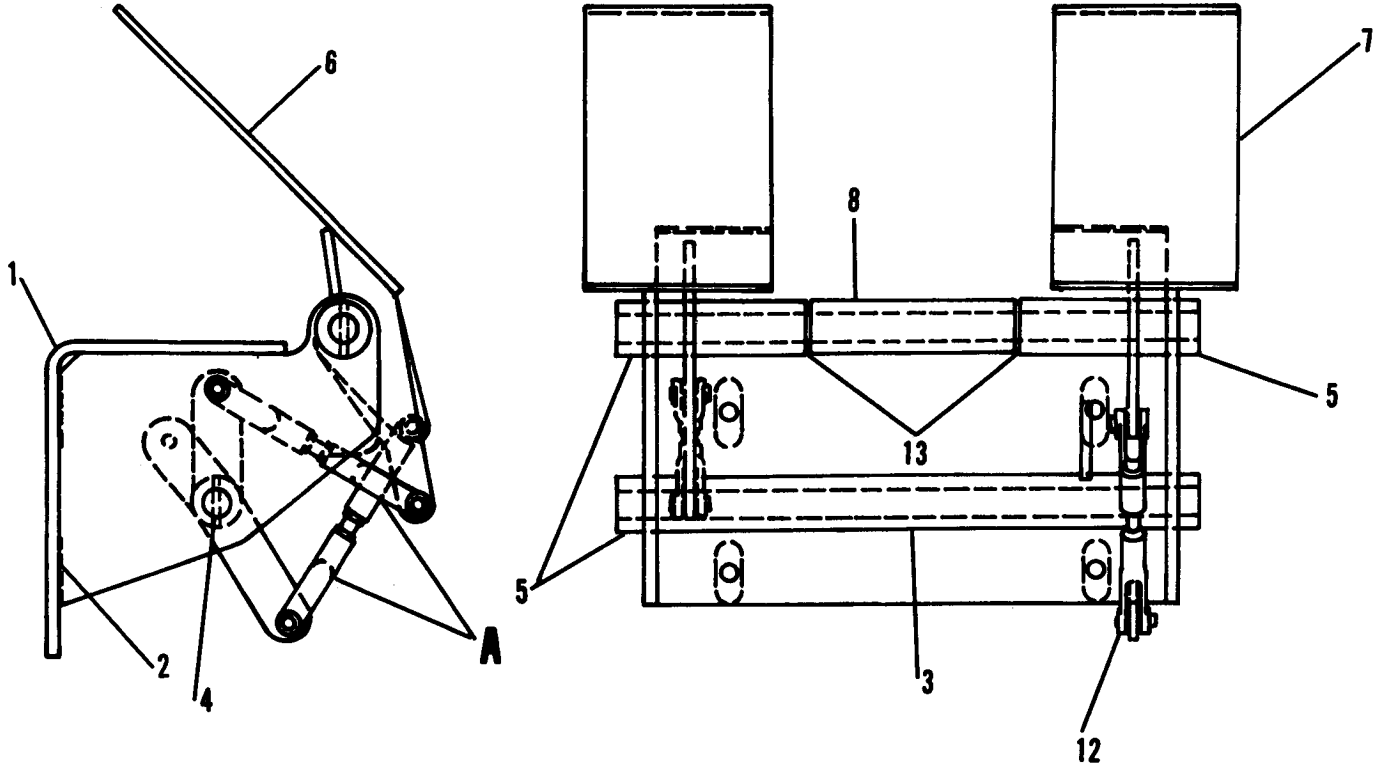
CONTROL VALVE
POWER STEERING

ITEM	NUMBER	QTY.	DESCRIPTION
-	1011257	1	VALVE ASY., control
1	239181	1	PLATE, mounting
	923334	4	CAPSCREW
2	_____	1	SEAL, oil, mtg. plate (Not serviced)
3	_____	1	SEAL, quad ring (Not serviced)
4	_____	1	SEAL, o-ring (Not serviced)
5	_____	1	LOCATOR, bushing (Not serviced)
6	679188	1	CONTROL PARTS ASY. (Incl. SLEEVE, SPOOL & VALVE HOUSING)
7	1132770	1	DRIVE
8	1010548	1	GEROTOR SET
9	1008962	1	CAP, end
10	1010549	7	CAPSCREW, kit
11	1004669	1	SPACER
12	1132771	1	PLATE
13	239176	1	PIN, centering
14	239197	6	SPRING, centering
15	239188	1	SPRING, compression
	1008968	1	BALL, steel
16	239189	1	SEAT, check
17	239195	1	PLUG, seal
18	_____	1	SEAL, o-ring (not serviced)
	239229	-	SEAL KIT (Incls. Items 2, 3, 4, 18)
19	_____	2	RACE, bearing (Not serviced)
20	_____	1	BEARING, needle thrust (Not serviced)
-	257362	1	NEEDLE BEARING PACK KIT (Incls. Items 5, 19, 20)

STEERING COLUMN
POWER STEERING

ITEM	NUMBER	QTY.	DESCRIPTION
-	1008535	1	CONTROL COLUMN ASY. (Incl. Items 1 to 5)
	923335	2	SCREW, 12 point
1	4995371	1	RING, retaining
2	1134827	1	TUBE & FLANGE ASY.
3	4994913	1	BEARING ASY.
4	1134829	1	SHAFT ASY.
5	1134841	2	RING, snap

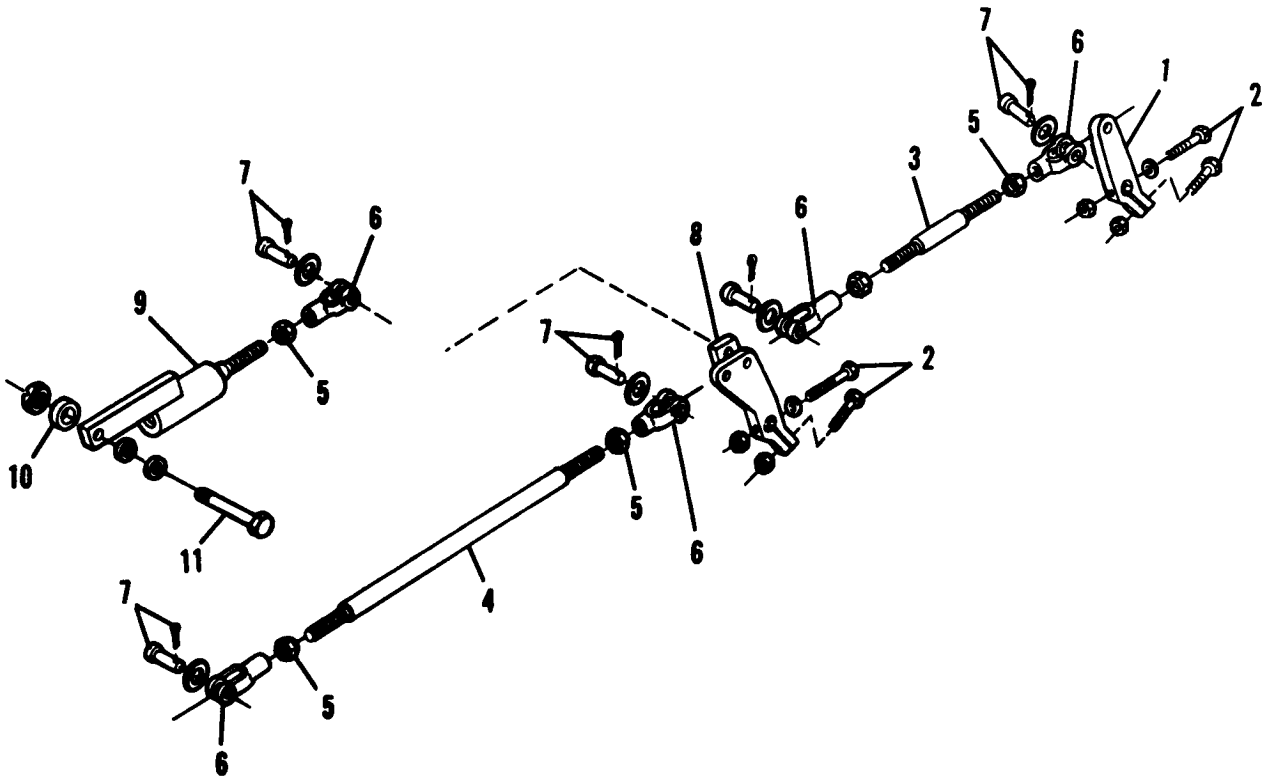
FOOT CONTROL



FOOT CONTROL

ITEM	NUMBER	QTY.	DESCRIPTION
1	1017111	1	MOUNTING, pedal
2	923490	4	CAPSCREW, 3/8NC x 1
	919312	4	WASHER
3	1017110	1	LEVER, rocker control (Incl. BUSHING)
	928847	2	BUSHING
4	1011577	2	SHAFT, control
5	925450	3	PIN
6	1011551	1	PEDAL ASY., L.H.
	928847	2	BUSHING
7	1011547	1	PEDAL ASY., R.H.
	928847	2	BUSHING
8	1014795	1	SPACER
9	917663	4	YOKE, adjustable
10	920263	4	NUT, 5/16NF
11	1011576	2	ROD, 5/16NF x 1-1/2
12	923093	4	PIN
	918448	4	PIN, cotter
13	919387	2	WASHER

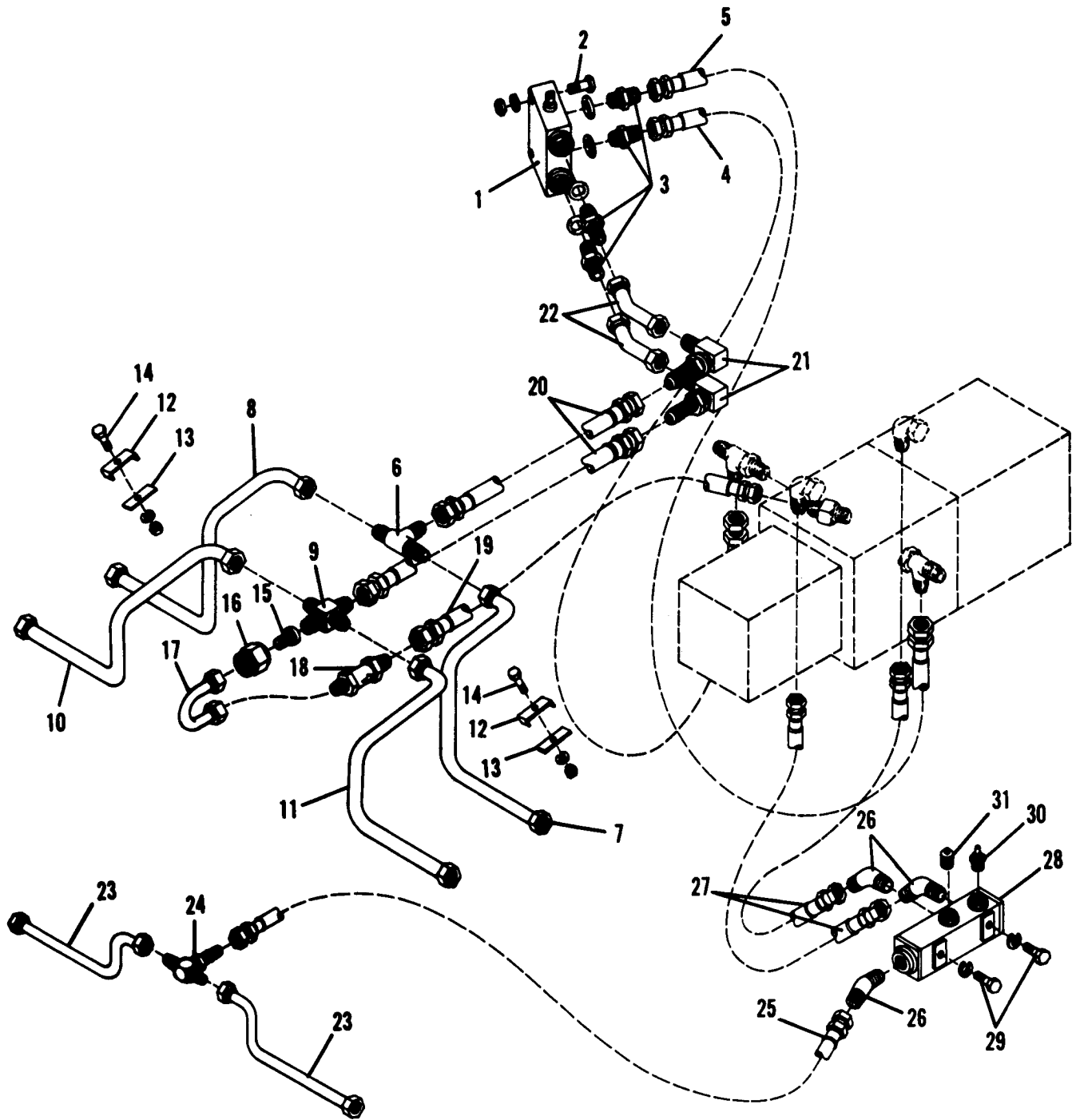
PUMP CONTROL



PUMP CONTROL

ITEM	NUMBER	QTY.	DESCRIPTION
1	1017035	1	CONTROL HANDLE ASY., pump (small)
2	923701	2	CAPSCREW, 3/8NC x 2
	918266	2	WASHER
	927537	2	NUT, 3/8NC
	921969	2	CAPSCREW
	927537	2	NUT
3	1017066	1	CONTROL ROD, pump (small)
4	1017067	1	CONTROL ROD, pump
5	910092	2	NUT, 5/16NF
6	917666	2	YOKE, adjustable
7	917648	5	PIN, yoke
	925719	5	PIN, cotter
	917379	5	WASHER
8	1017033	1	CONTROL HANDLE ASY., pump
	917379	2	WASHER
9	1017070	1	RETURN ASY., pedal
10	1017068	1	SPACER
11	921971	1	CAPSCREW
	918266	1	WASHER
	918268	1	WASHER
	919439	1	NUT

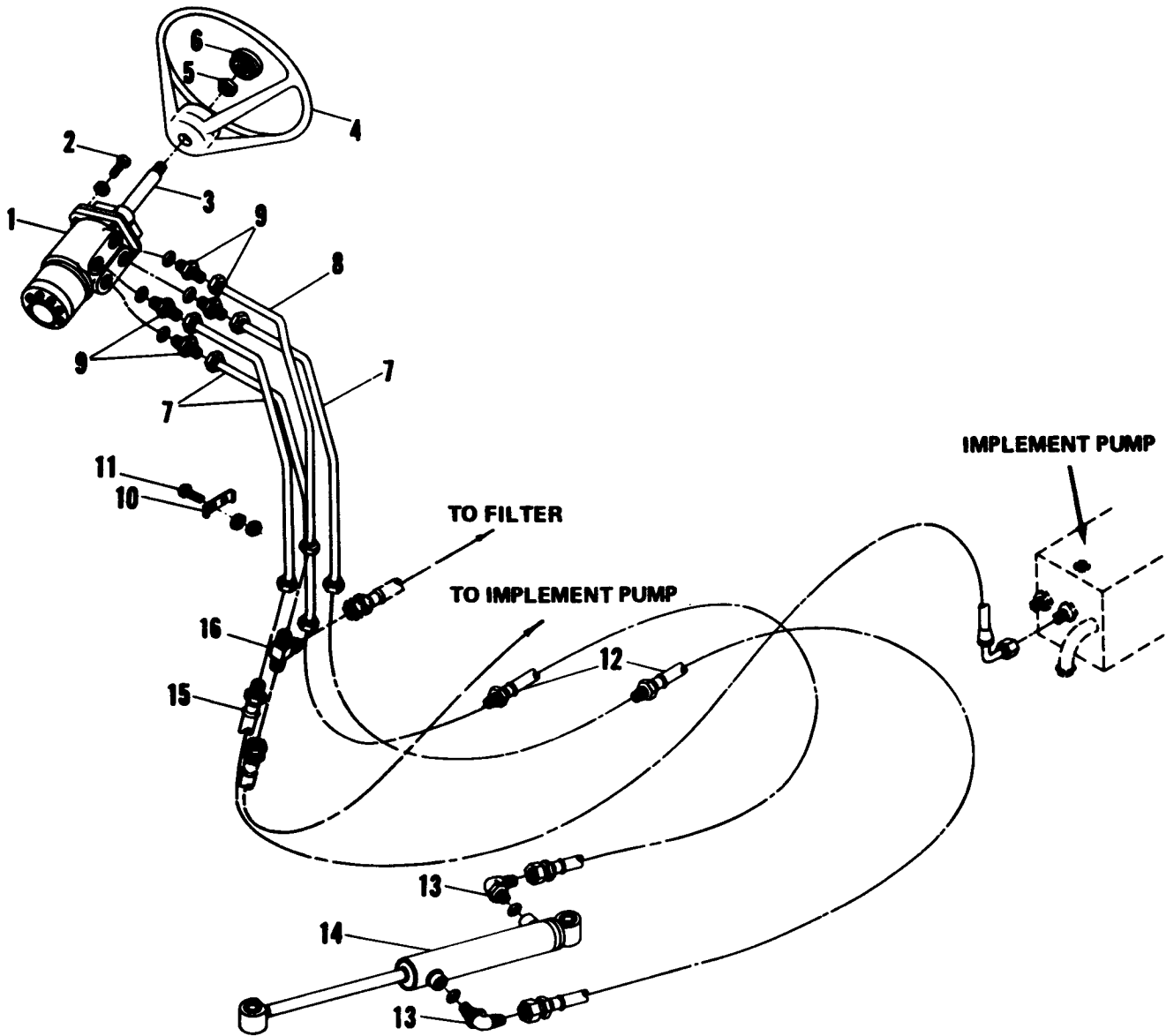
POWER STEERING
FRONT AXLE



POWER STEERING
FRONT AXLE

ITEM	NUMBER	QTY.	DESCRIPTION
1	-----	1	VALVE, selector (See SELECTOR VALVE ASY. for components)
2	920275	2	CAPSCREW
	916965	2	LOCKWASHER
	916950	2	NUT
3	921217	4	CONNECTOR, st., 1-1/16 - 12 (Incl. O-RING)
	921206	4	O-RING
4	1012034	1	HOSE ASY., selector valve to pump
5	1012035	1	HOSE ASY., selector valve to pump
6	919520	1	TEE, J.I.C., 1-1/16 - 12
7	1012075	1	TUBE ASY.
8	1012076	1	TUBE ASY.
9	1012101	1	CROSS, J.I.C., 1-1/16 - 12
10	1012073	1	TUBE ASY.
11	1012074	1	TUBE ASY.
12	1012110	2	CLAMP, tube
13	1012111	2	CLAMP, base tube
14	921971	2	CAPSCREW
	916965	2	LOCKWASHER
	916950	2	NUT
15	925853	1	REDUCER, 3/4 to 1/2
16	919197	1	NUT, tube, 1/2
17	1012070	1	TUBE ASY., cross check valve
18	1011235	1	VALVE, check
19	1012036	1	HOSE ASY., front motor pump asy.
20	1015068	2	HOSE ASY., propulsion
21	925031	2	FITTING, tube bulk head
22	1014748	2	TUBE ASY., valve to fitting
23	1012071	2	TUBE ASY., drain
24	1010992	1	TEE, union, J.I.C., 1/4 tube
25	1012037	1	HOSE ASY., front motor to return manifold
26	920316	3	ELBOW, 45°, male
27	1015071	2	HOSE ASY., front & rear pump to manifold
28	1011412	1	MANIFOLD ASY., return
29	926115	2	CAPSCREW
	916966	2	LOCKWASHER
30	4760149	1	SENDING UNIT, temp. (Replaces 1004409) (S/N 1007 & up)
31	905261	1	PLUG, 1/2

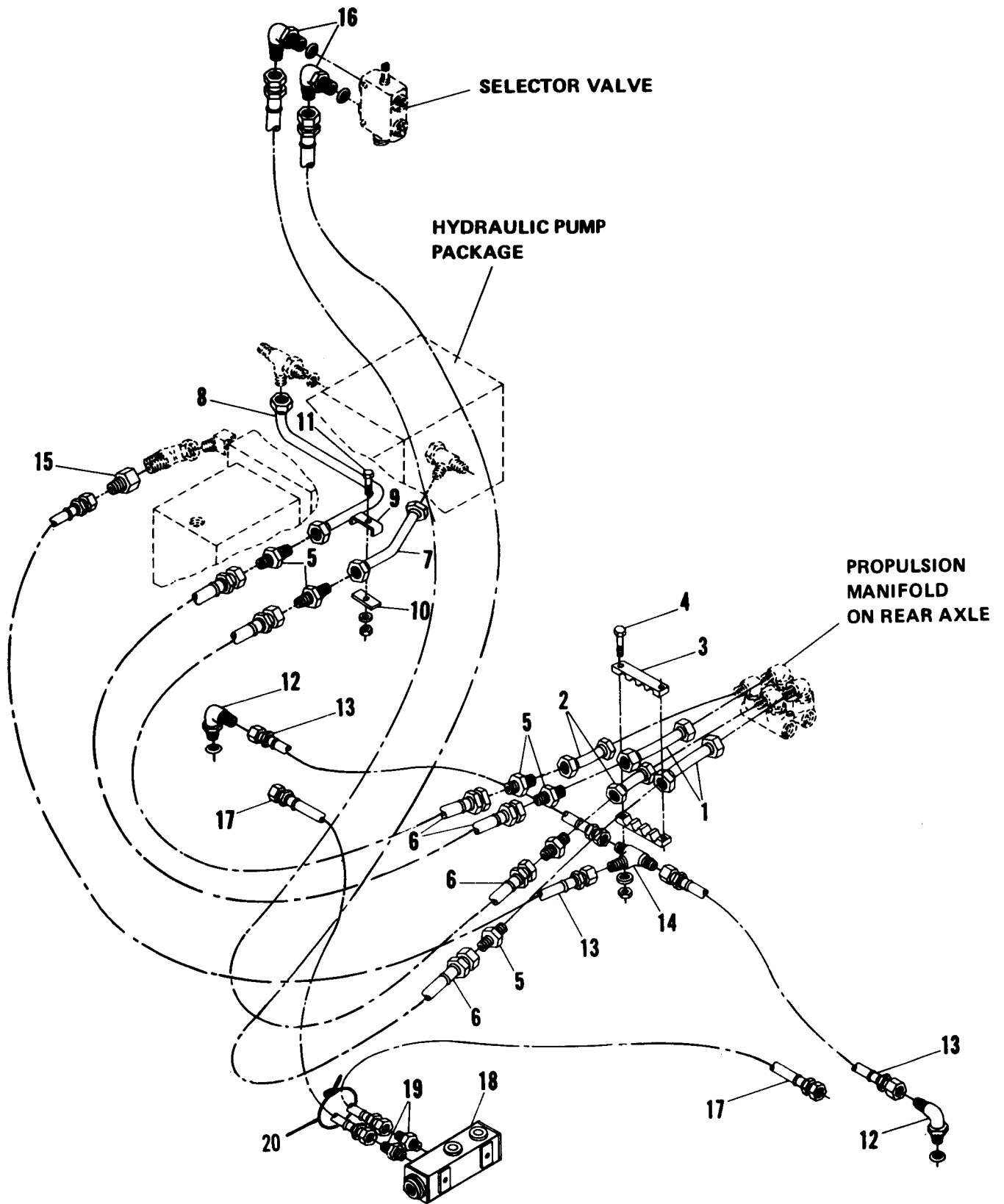
POWER STEERING
FRONT CONSOLE



POWER STEERING
FRONT CONSOLE

ITEM	NUMBER	QTY.	DESCRIPTION
1	-----	1	VALVE ASY., control (See CONTROL VALVE ASY. for components)
2	920415	4	CAPSCREW
	916965	4	LOCKWASHER
3	-----	1	COLUMN ASY., control (See CONTROL COLUMN ASY. for components)
4	256852	1	WHEEL, steering
5	252471	1	NUT, steering wheel
6	694666	1	CAP, steering wheel
7	1011457	3	TUBE ASY., steering - right, left, & in
8	1011458	1	TUBE ASY., steering - out
9	921409	4	CONNECTOR, st. 3/4 - 16 (Incl. O-RING)
	921349	4	O-RING
10	1011462	1	CLAMP, tube
11	923490	2	CAPSCREW, 3/8NC x 1
	919312	2	WASHER, lock
	916950	2	NUT, 3/8NC
12	1012039	2	HOSE ASY., steering cylinder
13	921402	2	ELBOW, 90° (Incl. O-RING)
	921349	2	O-RING
14	-----	1	CYLDINER ASY., steering (See STEERING CYL. ASY. for components)
15	1011964	1	HOSE ASY., imp. pump to steering
16	921472	1	TEE, steering tube

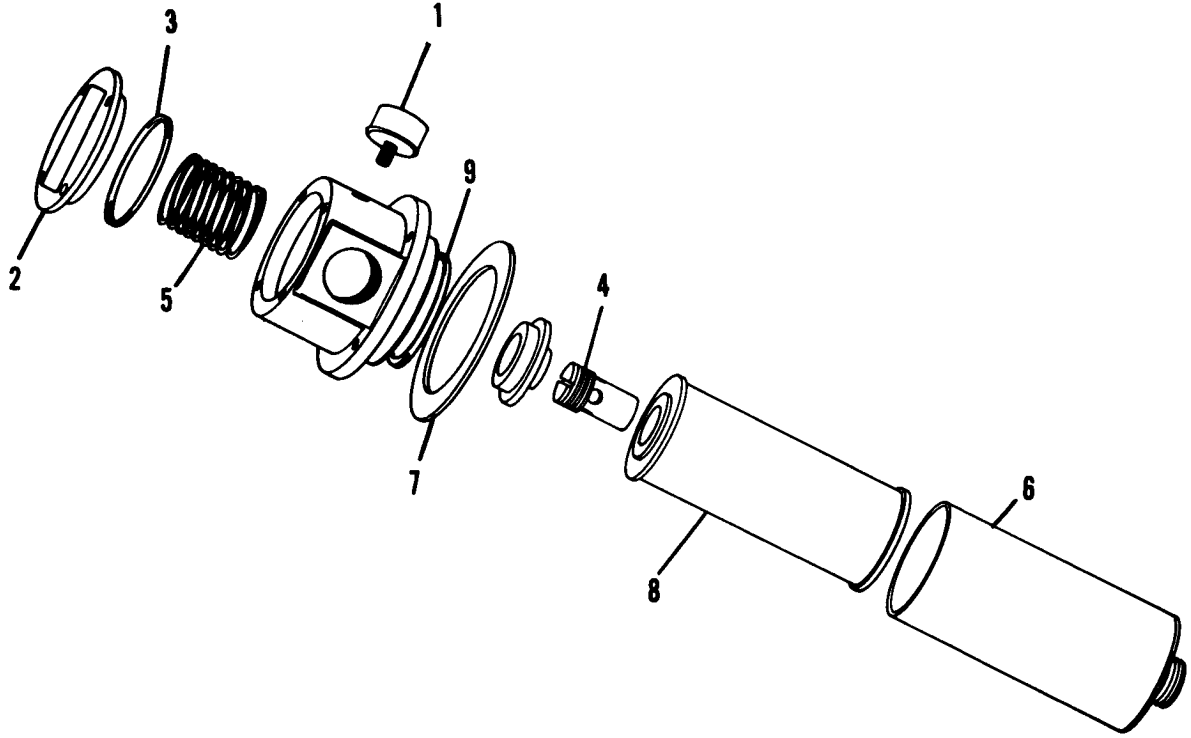
POWER STEERING
REAR AXLE



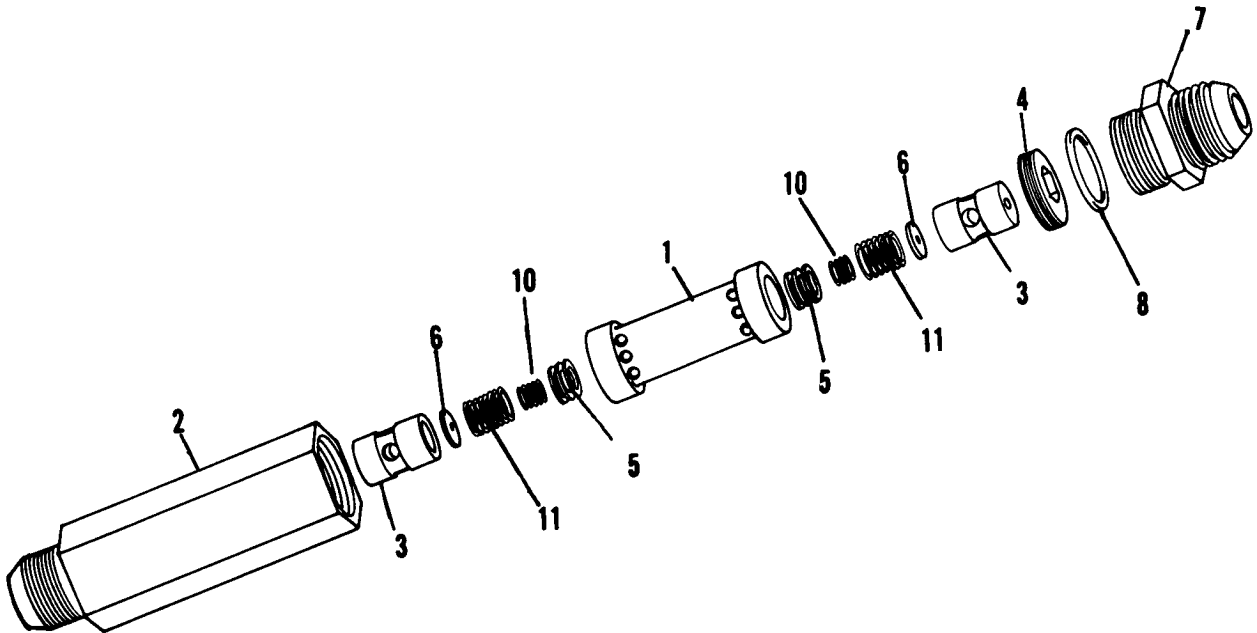
POWER STEERING
REAR AXLE

ITEM	NUMBER	QTY.	DESCRIPTION
1	1011480	2	TUBE ASY. (Long)
2	1011481	2	TUBE ASY. (Short)
3	1012072	1	CLAMP, tube
4	922130	2	CAPSCREW, 3/8NC x 2-1/4
	916965	2	LOCKWASHER
	916950	2	NUT, 3/8NC
5	919267	6	CONNECTOR, J.I.C., 1-1/16 - 12
6	1012035	4	HOSE ASY., propulsion
7	1011469	1	TUBE ASY.
8	1011468	1	TUBE ASY.
9	1012110	1	CLAMP, tube
10	1012111	1	CLAMP, base tube
11	921971	1	CAPSCREW, 3/8NC x 1-3/4
	916965	2	LOCKWASHER
	916950	2	NUT, 3/8NC
12	922571	2	ELBOW, 90°, adjustable (Incl. O-RING)
	921883	2	O-RING
13	1012504	3	HOSE ASY., brake
14	928946	1	TEE, 7/16, thd.
15	923102	1	REDUCER, 1/2 to 1/4
16	921203	2	ELBOW, 90°, adjustable (Incl. O-RING)
	921206	2	O-RING
17	1012033	2	HOSE ASY., front & rear pump
18	1011412	1	MANIFOLD ASY., return
19	919062	2	CONNECTOR, st., 9/16 - 18 x 1/4NPT
20	925094	1	TIE

**OIL FILTER
IN TANK RESERVOIR**



**FLOW CONTROL
BI-DIRECTIONAL IN-LINE**



OIL FILTER
IN TANK RESERVOIR

ITEM	NUMBER	QTY.	DESCRIPTION
-	1011243	- 0	OIL FILTER, in tank
	1011136	0 -	OIL FILTER, in tank
1	1011250	1 1	ALARM, dirt
2	1011249	1 0	CAP
	1017137	0 1	CAP
3	923818	1 0	O-RING
	923820	0 1	O-RING
4	1011246	1 1	VALVE ASY., by-pass
5	1011248	1 0	SPRING, compression
	1017139	0 1	SPRING, compression
6	-----	1 1	ENCLOSURE (Not serviced)
7	1011247	1 1	GASEKT
8	1009380	1 1	ELEMENT
9	923824	0 1	O-RING

FLOW CONTROL
BI-DIRECTIONAL IN-LINE

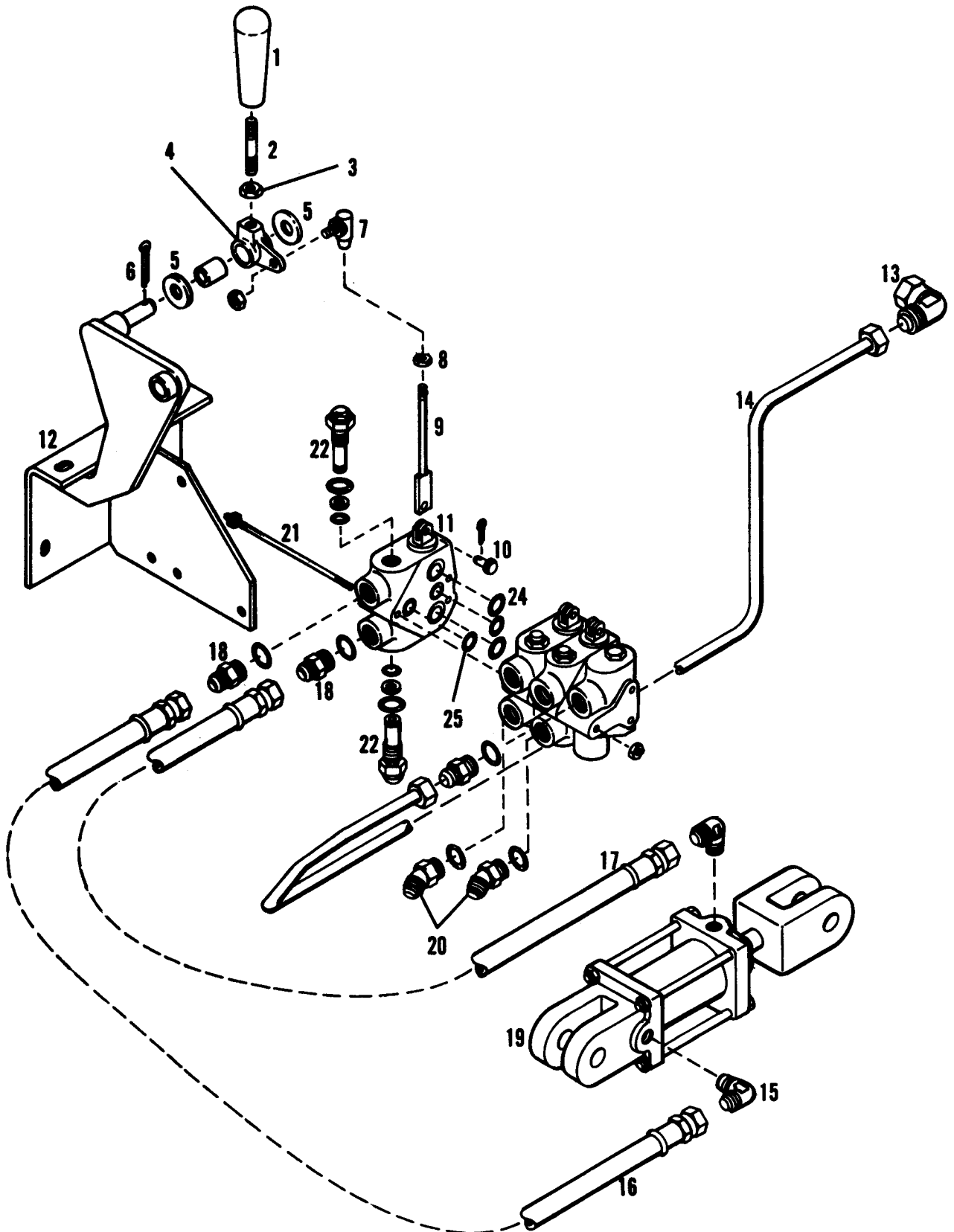
ITEM	NUMBER	QTY.	DESCRIPTION
-	1012450	1	FLOW CONTROL ASY., bi-directional
1	-----	1*	SLEEVE
2	-----	1*	CARTRIDGE
3	-----	2*	PLUNGER
4	-----	1*	PLUG
5	-----	*	SHIM (*As req'd)
6	-----	2*	WASHER
7	923717	1	CONNECTOR ASY.
8	921349	1	O-RING
9	-----	2*	CAP
10	-----	2*	SPRING
11	-----	2*	SPRING

*Not serviced separately

OIL RESERVOIR
540G & 540D

ITEM	NUMBER	QTY.	DESCRIPTION
1	1011019	1	RESERVOIR ASY., oil
	926999	1	PLUG, pipe, 1/2
2	921176	8	CAPSCREW, 1/2NC x 1-1/4
	916964	8	LOCKWASHER, 1/2
	916951	8	NUT, 1/2NC
	919327	8	WASHER, plain
3	1011016	1	PLATE, top
4	1011014	1	GASKET, top plate
5	927537	12	NUT
	916956	12	WASHER
6	1009097	1	FILLER ASY.
	919011	6	SCREW, self-tap
	909055	6	LOCKWASHER
7	-----	1	FILTER ASY., oil reservoir (See FILTER ASY. for components)
8	921969	4	CAPSCREW, 3/8NC x 1-1/2
	916965	4	LOCKWASHER, 3/8
	916950	4	NUT, 3/8NC
9	1009146	1	STRAINER, suction
10	901680	2	ELBOW, 3/4NPT
11	1012102	1	NIPPLE, hose, 90° elbow
12	1012104	1	HOSE, suction
	925881	2	CLAMP, worm
13	-----	1	FILTER ASY., oil (See FILTER ASY. for components)
14	1010920	1	MOUNTING, filter
	917356	4	LOCKWASHER
	917372	4	NUT
15	901844	2	BUSHING, reducer, 1-1/4 to 3/4
16	919272	2	ELL, st., 90°
17	1014771	1	HOSE ASY., filter tube
18	921472	1	TEE, steering tube
19	1014771	1	HOSE ASY., pump filter
20	924403	1	CONNECTOR, st. (Incl. O-RING)
	924643	1	O-RING
21	901846	1	BUSHING, reducer (1-1/2 to 3/4NPT)
22	1012103	1	TEE, 1-1/16 - 12 x 3/4 - 16 x 3/4NPT
23	1012032	1	HOSE ASY., excess chg. filter
24	921298	1	TEE, swivel run
25	1015395	1	VALVE, relief, in-line
	1015397	1	SEAL
	1015398	1	SEAL
26	919128	2	CONNECTOR, st., 3/4 - 16
27	1012464	1	TUBE ASY.
28	921332	4	CAPSCREW, 5/16NC x 3/4
	917356	4	LOCKWASHER, 5/16
	917372	4	NUT, 5/16NC
29	1014776	1	HOSE ASY., pump to steering valve
30	901513	1	NIPPLE, hose
31	1015147	1	DECAL, hydraulic oil
32	1007501	1	INDICATOR, fluid level

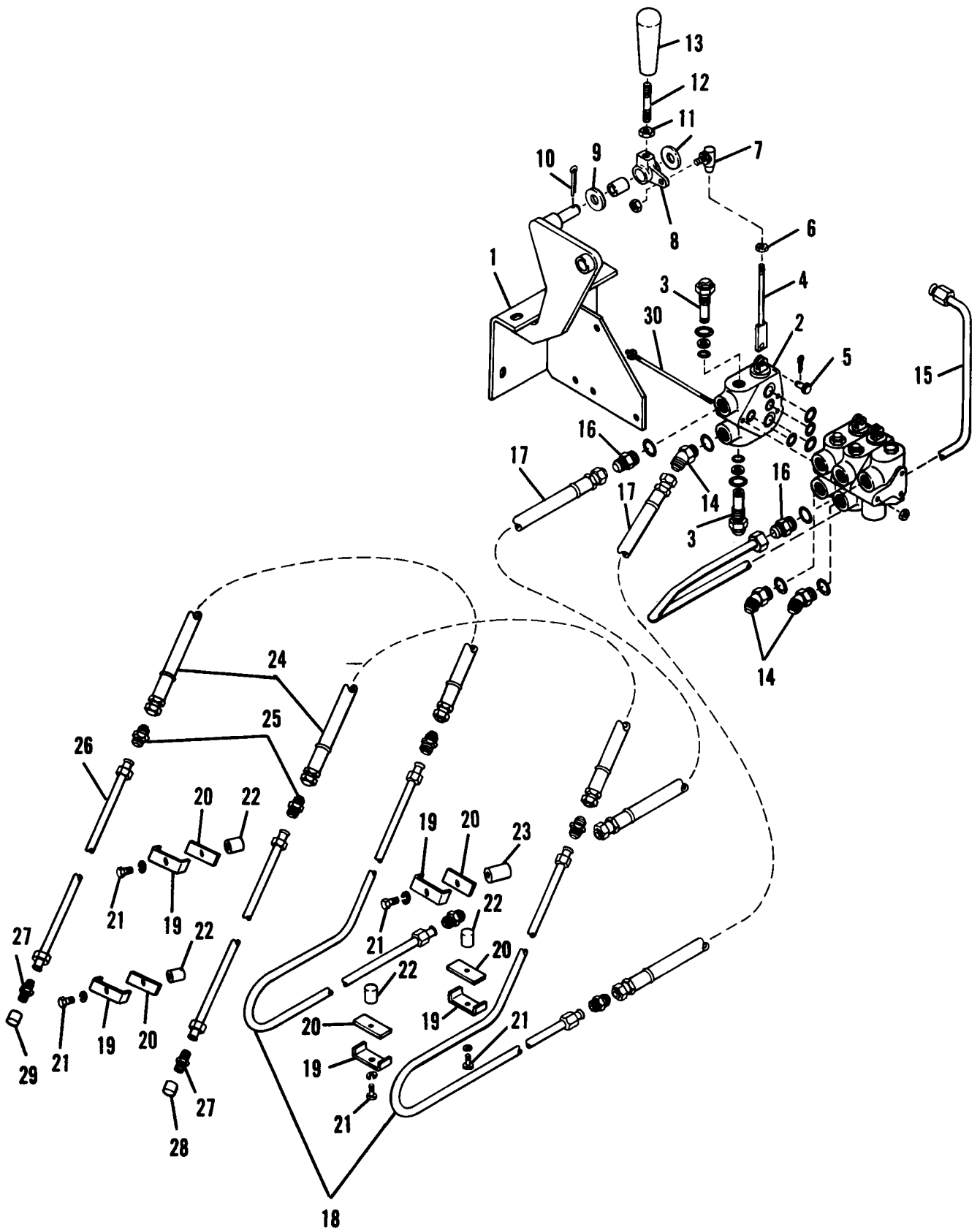
HYDRAULIC GROUP
3 PT. HITCH
FIELD INSTALLATION



HYDRAULIC GROUP
3 PT. HITCH
FIELD INSTALLATION

ITEM	NUMBER	QTY.	DESCRIPTION
1	2016374	1	HANDLE
2	1016372	1	STUD, handle
3	913744	1	NUT, jam, 1/2NC
4	1011336	1	HANDLE ASY.
	928847	1	BUSHING
5	925687	2	WASHER
6	925719	1	PIN, cotter
7	917194	1	JOINT, ball
8	920283	1	NUT
9	1014890	1	LINK ASY.
10	923083	1	PIN
	918448	1	PIN, cotter
11	1011644	1	SECTION, valve 4-way float
12	1016074	1	SUPPORT ASY.
13	919824	1	ELBOW, 90° swivel, filter to valve tube
14	1016573	1	TUBE ASY., valve to filter
15	919208	2	ELBOW, 90° - lift cylinder
16	1014749	1	HOSE ASY., base port to top valve port
17	1016571	1	HOSE ASY., rod end port to bottom valve port
18	923717	2	CONNECTOR, valve (Incl. O-RING)
	921349	2	O-RING
19	1016223	1	CYLINDER ASY., hydraulic
20	925943	2	ELBOW, 45° - bottom valve ports
21	2018989	3	STUD ASY.
22	1010506	2	VALVE ASY., check
23	924191	2	O-RING
24	923562	2	O-RING
25	923946	2	O-RING
26	1010486	2	RING, back-up

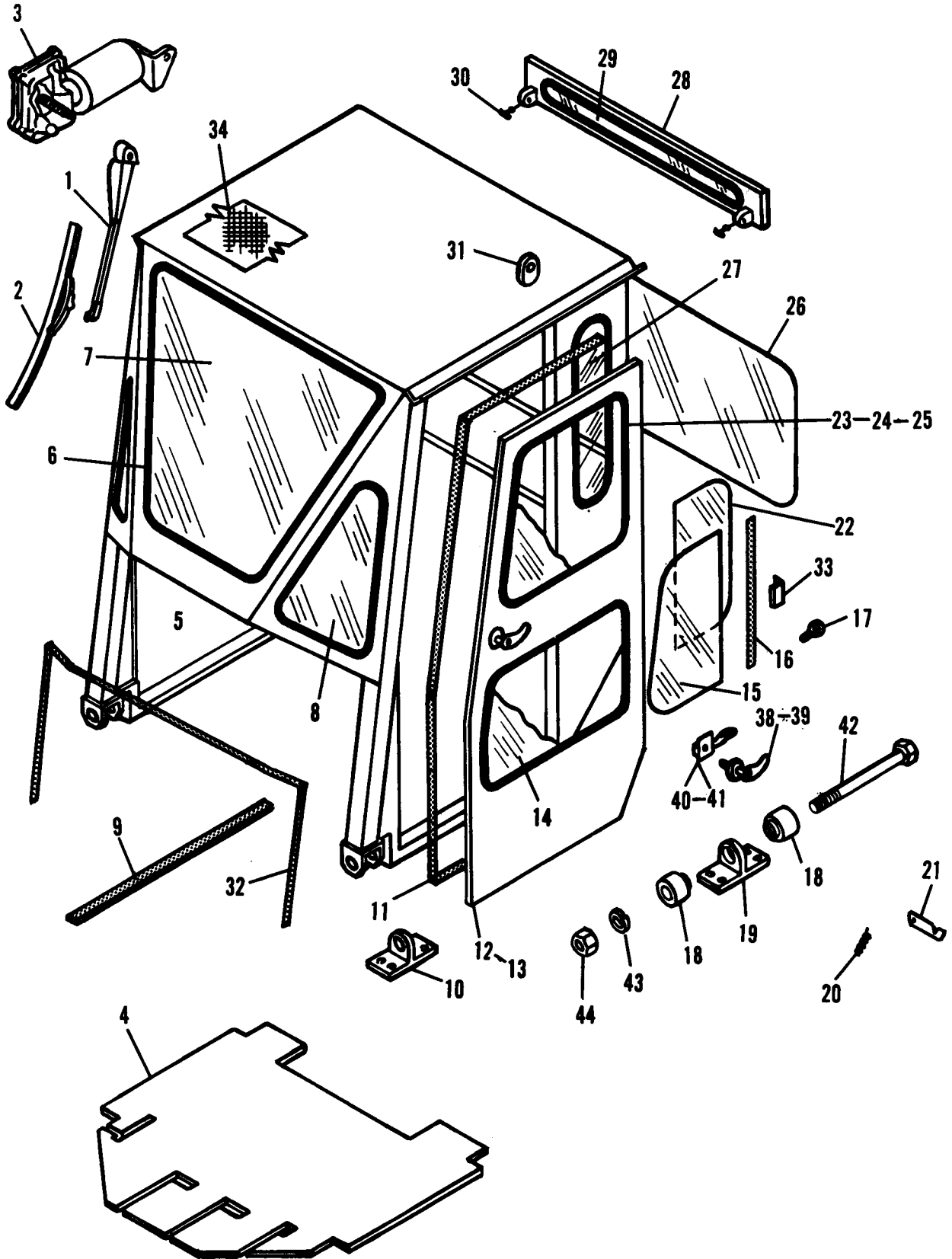
AUXILIARY HYDRAULICS
FIELD INSTALLATION



AUXILIARY HYDRAULICS
FIELD INSTALLATION

ITEM	NUMBER	QTY.	DESCRIPTION
1	1016074	1	BRACKET ASY., support
2	1010506	1	SECTION, valve
3	1010506	2	VALVE ASY., check
4	1014690	1	LINK ASY., handle
5	924299	1	PIN
	918448	1	PIN, cotter
6	920263	1	NUT, 5/16NF
7	917194	1	JOINT, ball
8	1011336	1	HANDLE ASY.
9	925687	2	WASHER
10	925719	1	PIN, cotter
11	917344	1	NUT, jam, 1/2NC
12	1016372	1	STUD
13	2016374	1	HANDLE
14	925943	3	FITTING, 45° elbow
15	1016118	1	TUBE ASY., valve to filter
16	923717	2	CONNECTOR (Incl. O-RING)
	921349	2	O-RING
17	1014749	2	HOSE ASY., valve to front frame
18	1016367	2	TUBE ASY.
19	1016369	5	CLAMP, top
20	1016370	5	CLAMP, bottom
21	921210	5	CAPSCREW, 3/8NC x 3/4
	916965	5	LOCKWASHER
22	1014743	4	SPACER
23	1016368	1	SPACER
24	1009518	2	HOSE ASY.
25	919066	6	CONNECTOR
26	1016371	2	TUBE ASY., loader arms
27	919128	2	CONNECTOR
28	255018	1	COUPLER, male
	1016384	1	COVER, dust
29	1013174	1	COUPLER, female
	1016385	1	COVER, dust
30	2018989	3	STUD ASY., valve sections
—	1010508	1	SEAL KIT

CAB ASSEMBLY

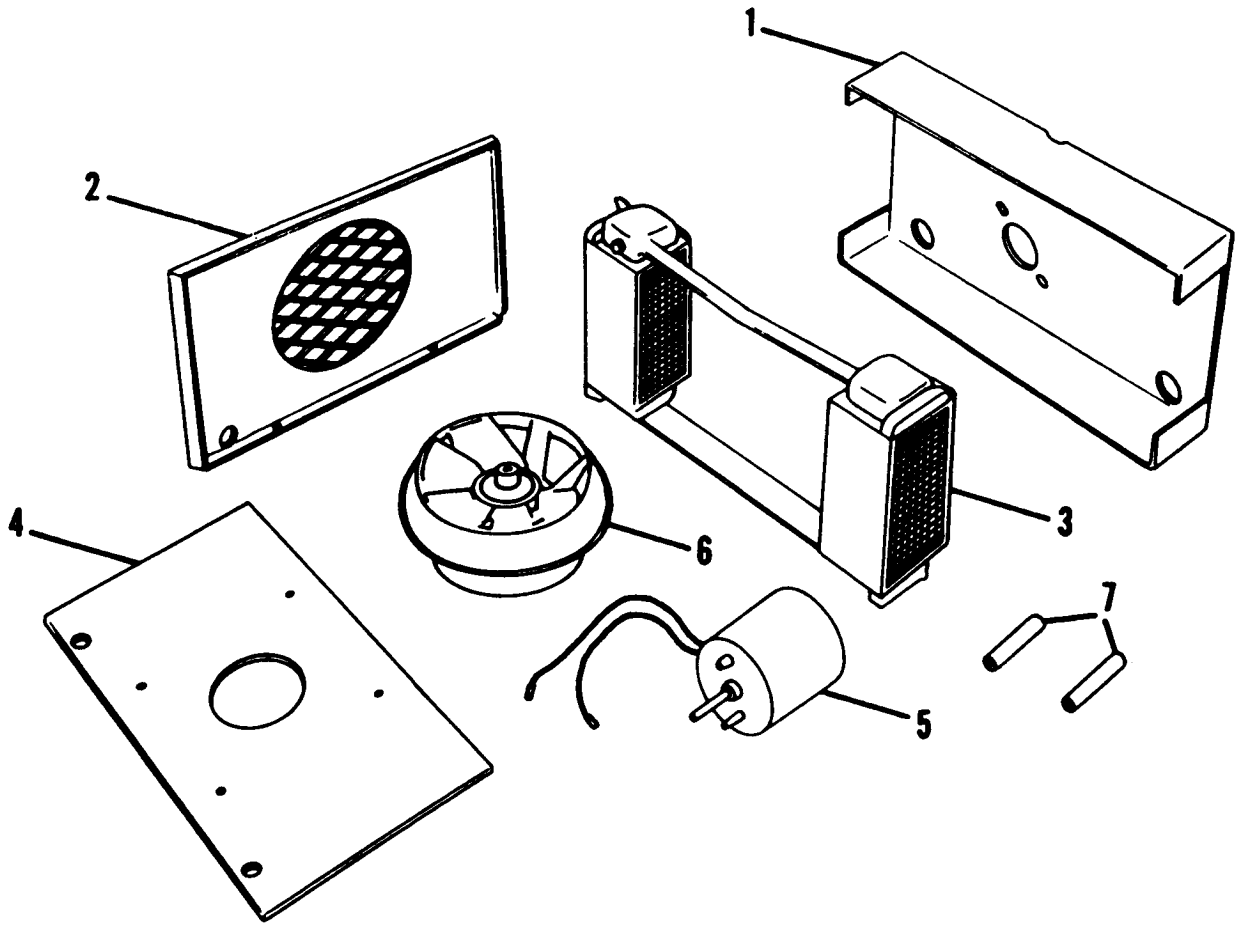


CAB ASSEMBLY

ITEM	NUMBER	QTY.	DESCRIPTION
1	-----	1	CAB ASY., (Not Serviced)
1	1016419	1	ARM, wiper
2	1016418	1	BLADE, wiper
3	1016417	1	MOTOR, wiper
4	1016399	1	MAT, floor
5	-----	2	INSULATION - foam side (Not Serviced)
6	1016397	1	MOULDING, rubber
7	-----	1	GLASS, front (Not Serviced) 17-3/4 x 23-3/4 x 35-1/2
8	-----	2	GLASS, front side (Not Serviced) 12-1/4 x 26-7/8 - Half
9	1016398	2	SEAL, weather strap - Base
10	1016402	2	MOUNT, front
11	1016403	2	SEAL, weather strip - door
12	1016404	1	DOOR, right
13	1016405	1	DOOR, left
14	-----	2	GLASS, door bottom (Not Serviced) 14-3/8 x 19-1/2 x 20-1/4
15	-----	2	GLASS, door top (Not Serviced) 15-1/8 x 19-3/8 x 18-5/8
16	1016422	2	SEAL, felt
17	-----	1	BOLT, eye (Not Serviced)
18	1016410	4	BUSHING, rubber
19	1016408	2	MOUNT, rear
20	1016966	2	SPRING, door holder
21	1016409	2	LATCH, door
22	-----	2	GLASS (Not Serviced)
23	1016407	2	MOULDING, rubber
24	1016420	2	SPACER, rubber
25	1016423	2	CHANNEL, window
26	-----	1	GLASS, back (Not Serviced) 17-3/8 x 32-1/2
27	-----	2	GLASS, side (Not Serviced) 5-3/8 x 23
28	1016414	1	FRAME, vent
29	-----	1	GLASS, vent (Not Serviced) 3 x 3-3/4
30	1016413	2	LATCH, tie down
31	-----	2	EARS, lifting (Not Serviced)
32	1016401	1	MOULDING, rubber
33	1016421	2	HANDLE
34	-----	1	INSULATION - foam top (Not Serviced)
35	925387	4	CAPSCREW, 3/4NC x 4
36	919332	4	LOCKWASHER, 3/4
37	913160	4	NUT, 3/4NC
38	1016412	1	HANDLE, door - right hand
39	1016411	1	HANDLE, door - left hand
40	1016544	1	LATCH, door - right hand
41	1016543	1	LATCH, door - left hand
42	921024	2	CAPSCREW, 1/2NC x 2 Plated
43	923291	2	LOCKWASHER, 1/2 Plated
44	916951	2	NUT, 1/2NC Plated

Not Shown

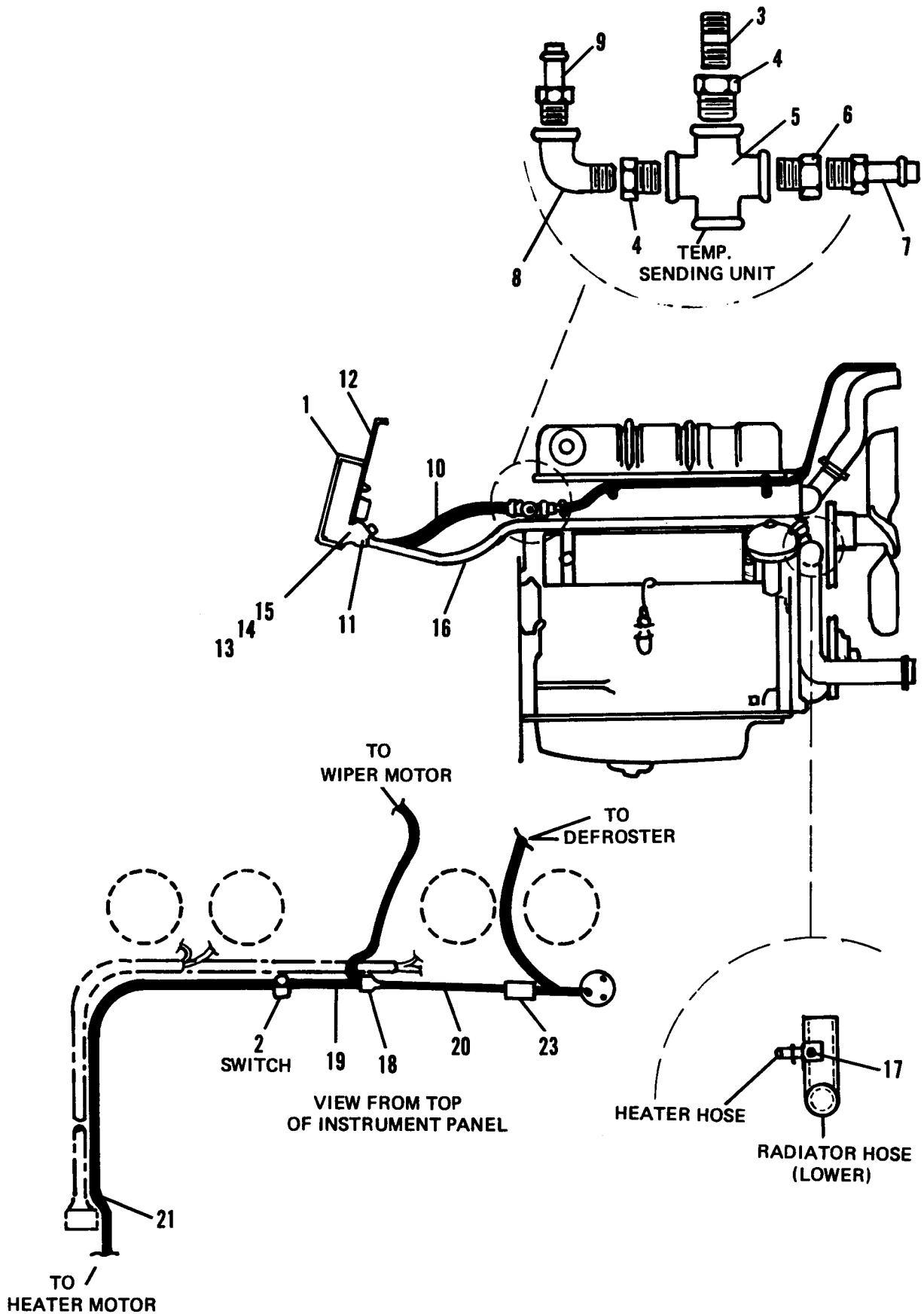
HEATER ASSEMBLY



HEATER ASSEMBLY

ITEM	NUMBER	QTY.	DESCRIPTION
-	1012517-7	1	HEATER ASSEMBLY
1	1012678-7	1	SHELL
2	1012679-5	1	COVER
3	1012680-3	1	CORE
4	1012681-1	1	GASKET
5	1012682-9	1	MOTOR
6	1012683-7	1	FAN
7	1012684-5	2	NIPPLE

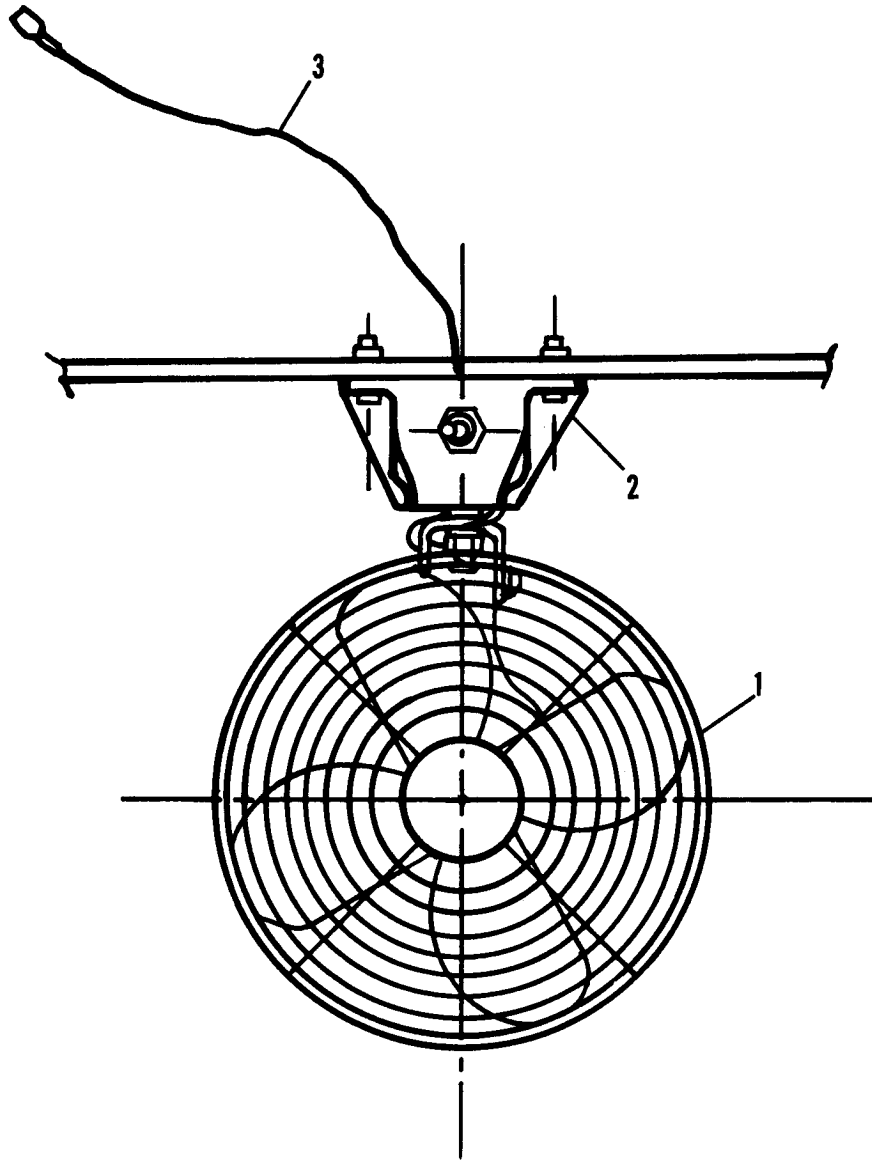
HEATER
FIELD INSTALLATION



HEATER
FIELD INSTALLATION

ITEM	NUMBER	QTY.	DESCRIPTION
1	1012517	1	HEATER ASY.
2	1012519	1	SWITCH & KNOB ASY.
3	901490	1	NIPPLE, 3/8"NPT x 1-1/2"
4	923519	2	BUSHING, reducer
5	901716	1	FITTING, cross
6	904269	1	BUSHING, reducer
7	927028	1	NIPPLE, hose
8	901723	1	FITTING, 90° elbow
9	923238	1	NIPPLE, hose
10	1016655	1	HOSE, heater
11	921911	4	CLAMP, hose
12	1016634	1	PLATE, heater mounting
13	916622	4	NUT, 1/4NC
14	916964	4	LOCKWASHER, 1/4
15	918264	8	WASHER, flat 1/4
16	1016654	1	HOSE, heater
17	1016962	1	CONNECTOR, saddle
18	1016659	1	CONNECTOR, wire
19	1016660	1	WIRE, jumper
20	1016652	1	WIRE, jumper
21	1016653	1	WIRE, switch to motor
22	930871	6	TIE, wrap (Not shown)
23	1007838	1	FUSE, 15 amp

DEFROSTER FAN
FIELD INSTALLED

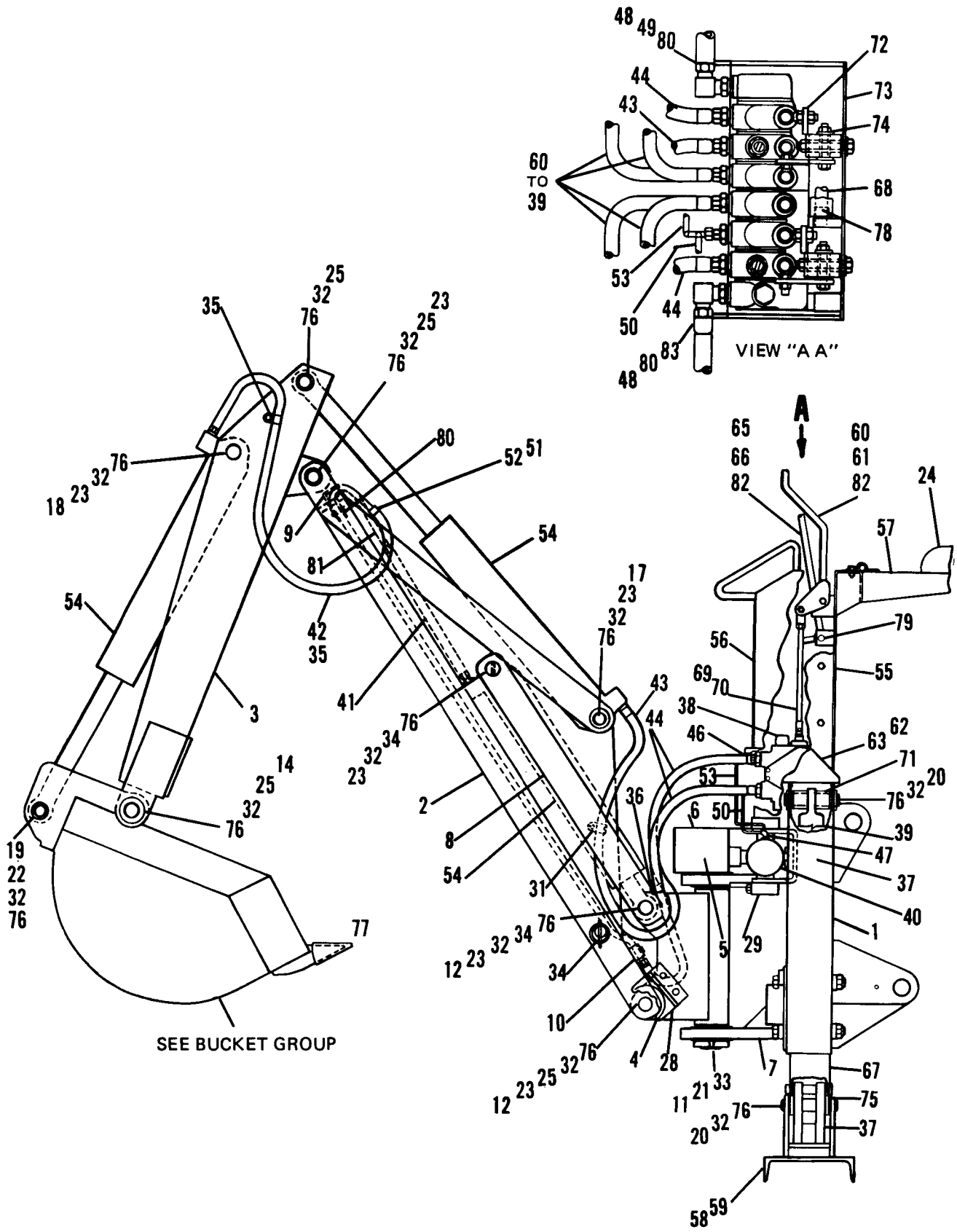


DEFROSTER FAN
FIELD INSTALLED

ITEM	NUMBER	QTY.	DESCRIPTION
1	1005724	1	FAN ASY., 12V
2	919011	4	SCREW, No. 10NC x 5/8
	917365	4	LOCKWASHER, No. 10
	916621	4	NUT, No. 10NC
3	1012959	1	WIRE
4	1007839	1	FUSE, 10 amp. (Not shown)
5	927202	1	GROMMET (Not shown)

540 LOADER
BACKHOE

BACKHOE ASSEMBLY

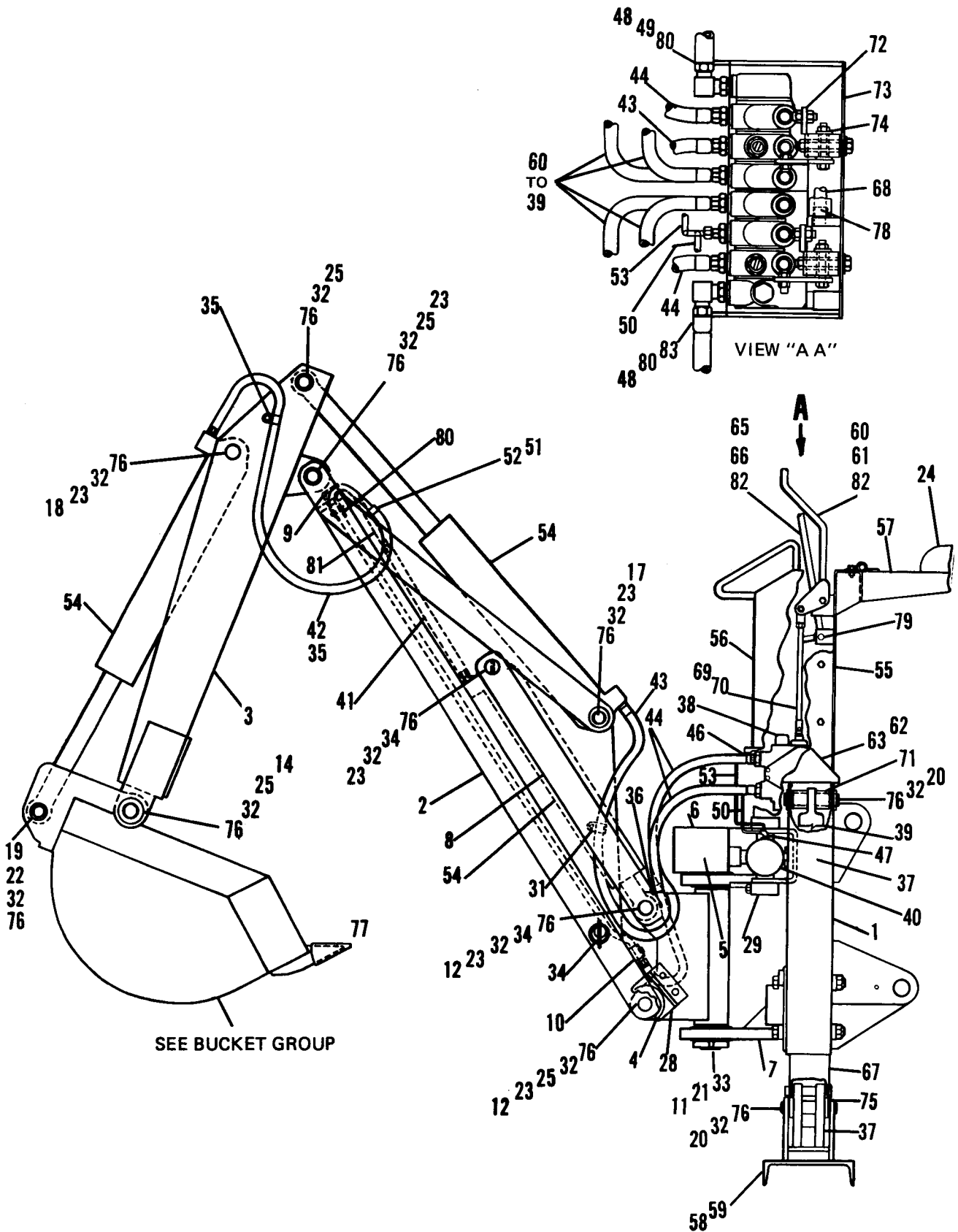


BACKHOE ASSEMBLY

ITEM	NUMBER	QTY.	DESCRIPTION
1	1016441	1	FRAME, main
2	1016442	1	BOOM ASY.
3	1016443	1	DIPPERSTICK ASY.
4	1016444	1	FRAME, swing
5	1016445	1	GEAR, swing
6	1016446	1	COVER ASY., gear
7	1016447	1	HOUSING, bearing - lower
8	1016448	1	BRACE, boom holder
9	1016449	1	CLAMP, tube
10	1016450	1	CLAMP, tube
11	430480	2	BEARING, mast
12	1016452	1	PIN, boom lower
13	1016453	1	PIN, boom dipper
14	1016454	1	PIN, dipper bracket
15	1016455	1	PIN, cyl. boom
16	1016456	1	PIN, cyl. boom
17	1016457	1	PIN, cyl. dipper
18	1016458	2	PIN, cyl. dipper
19	1016459	1	PIN, cyl. bucket
20	1016460	2	PIN, stabilizer
21	1016461	1	NUT, bearing
22	1016462	6	BUSHING, 1-1/4"
23	1016463	12	BUSHING, 1"
24	1016464	1	SEAT ASY., operator
25	1016465	6	BEARING, flange sleeve
26	1016466	1	SPACER
27	1016467	2	TUBE, cylinder
28	1016468	2	BUMPER ASY.
29	1016469	4	CLAMP, trunnion
30	1016470	1	PAD, tubing
31	1016471	2	CLAMP, hose
32	927741	26	RING, retaining
33	1016472	1	LOCKWASHER, bearing
34	239854	2	PIN, quick
35	1016586	2	CLIP, hose
36	1016473	1	SPRING, extension
37	1016474	1	PAD, stabilizer
38	-----	1	VALVE ASY., hyd. (see BACKHOE CONTROL VALVE ASY.)
39	-----	2	CYLINDER ASY., stabilizer (See STABILIZER CYL. ASY.)
40	-----	1	CYLINDER ASY., swing (See SWING CYL. ASY.)
41	1016513	2	HOSE ASY., hyd. single wire
42	1016514	2	HOSE ASY., hyd. single wire
43	1016515	2	HOSE ASY., hyd. single wire
44	1016516	4	HOSE ASY., hyd. single wire
45	1016521	4	HOSE ASY., hyd. single wire

Continued

BACKHOE ASSEMBLY

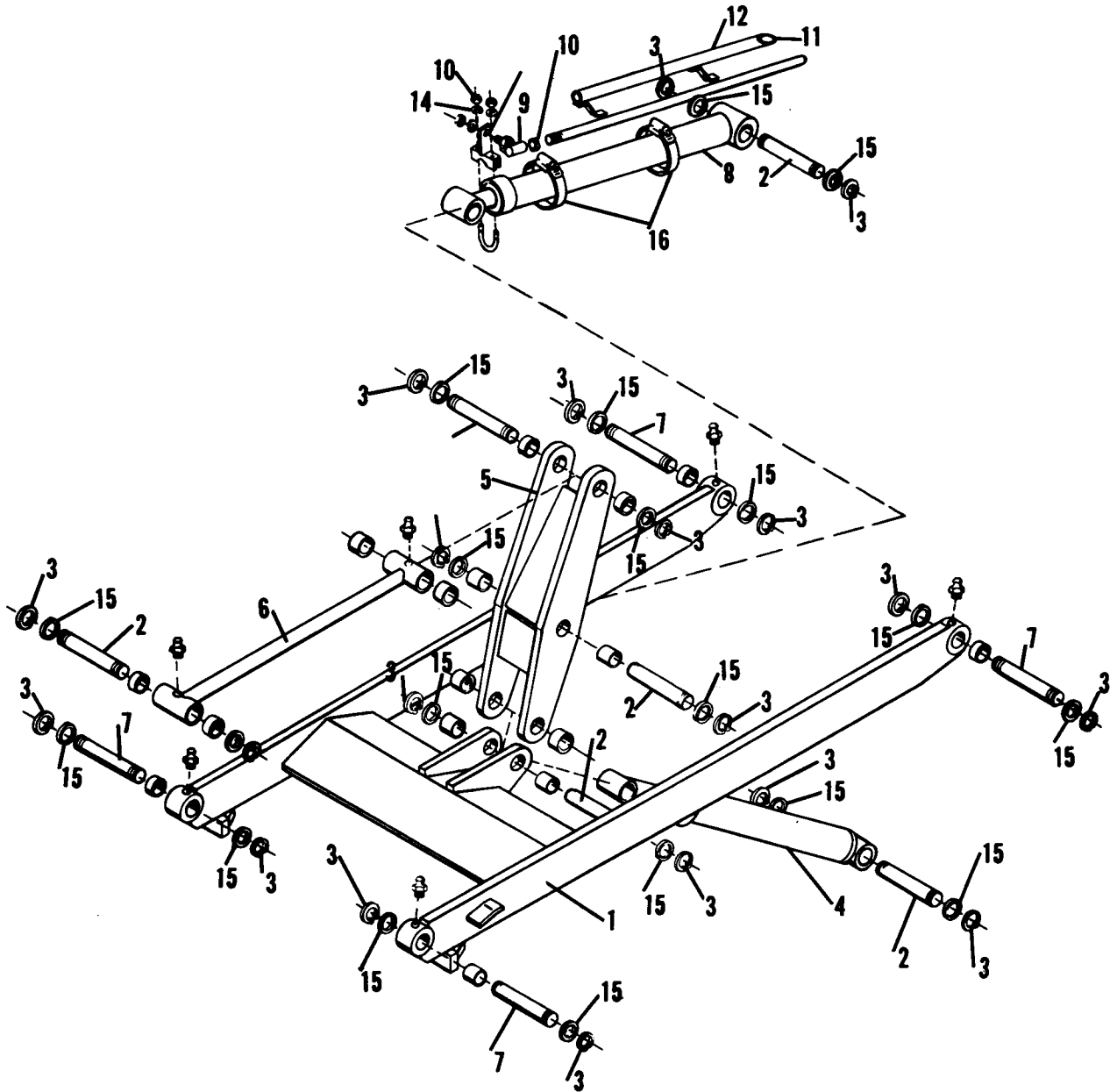


BACKHOE ASSEMBLY

ITEM	NUMBER	QTY.	DESCRIPTION
46	924403	1	CONNECTOR (Incl. O-RING)
	924643	1	O-RING
47	923905	3	ELBOW, 90° (Incl. O-RING)
	921206	3	O-RING
48	1013714	1	COUPLER ASY., nipple male
49	255018	1	COUPLER ASY., female
50	1016517	1	TUBE ASY., swing cyl.
51	1016518	1	TUBE ASY., bracket cyl. L.H.
52	1016519	1	TUBE ASY., bracket cyl. R.H.
53	1016520	1	TUBE ASY., swing cyl. R.H.
54	-----	3	CYLINDER ASY., hyd. (See HYD. CYL. ASY.)
55	1016569	1	PLATE, valve mounting
56	1016568	1	CONSOLE
57	1016567	1	HINGE, seat mount
58	1016566	2	PAD, stabilizer
59	1016565	2	BRACKET ASY., stabilizer pad
60	1016564	1	LEVER, arm L.H.
61	1016563	1	LEVER, arm R.H.
62	1016562	1	REST, foot L.H.
63	1016561	1	REST, foot R.H.
64	1016560	2	BLOCK, pivot
65	1016559	1	LEVER, stabilizer L.H.
66	1016558	1	LEVER, stabilizer R.H.
67	1016557	2	TUBE, stabilizer
68	1016556	1	PIN, valve holder
69	1016555	4	ARM, control rod
70	1016554	2	ARM, control rod
71	1016553	2	SPACER
72	911192	2	JOINT, ball
73	1016552	2	BUSHING
74	1016551	2	BUSHING
75	1016621	2	PIN, clevis
76	1016622	26	WASHER, pin
77	1016623	6	POINT, tooth shank
78	1016624	4	BUSHING, nyloner
79	1016625	1	PIN, link
80	1016626	2	HOSE
81	1016627	2	TUBE
82	1016628	4	KNOB
83	1016629	2	FITTING

540 LOADER
LIFT ARMS

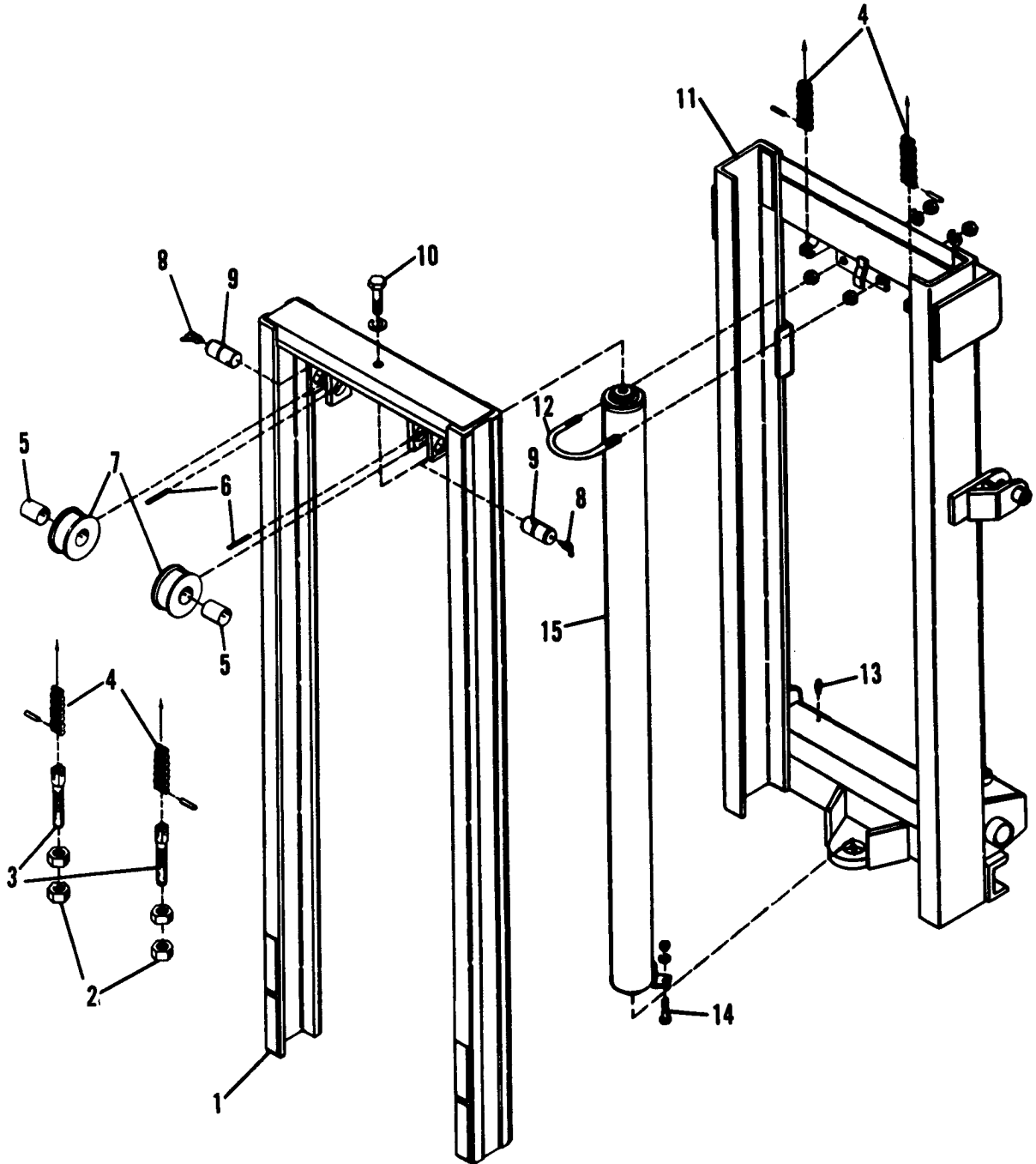
LIFT ARMS & CYLINDERS



LIFT ARMS & CYLINDERS

ITEM	NUMBER	QTY.	DESCRIPTION
1	1014552	1	ARM ASY., loader
	2014802	4	BUSHING
	9002032	2	FITTING, lube, 1/8 pipe thd. st. (Pkg. of 10)
2	1014773	6	PIN, clevis
3	928179	22	RING, snap
4	-----	1	CYLINDER ASY., lift (See LIFT CYL. ASY. for components)
5	1016961	1	LINK ASY., tilt (Incl. BUSHING)
	1004136	2	BUSHING
	1004110	4	BUSHING
	9002032	1	FITTING, lube, 1/8 pipe thd. st. (Pkg. of 10)
6	1014747	1	LINK ASY. (Incl. BUSHING)
	1001137	4	BUSHING
	913958	2	FITTING, lube
7	1014774	4	PIN, clevis
8	-----	1	CYLINDER ASY., tilt (See TILT CYL. ASY. for components)
9	916764	1	JOINT, ball
10	919262	2	NUT, jam
11	1014842	1	ROD, bucket level
12	1014838	1	TUBE ASY., bucket level
13	1015007	1	CLAMP ASY. (Incl. SADDLE, U-BOLT, NUTS & LOCKWASHERS)
14	920326	1	WASHER
15	922679	30	WASHER (*Use as req'd)
16	922200	2	CLAMP, tilt cylinder

MAST
10 FT. & 14 FT.



**540 LOADER
FORK LIFT**

187

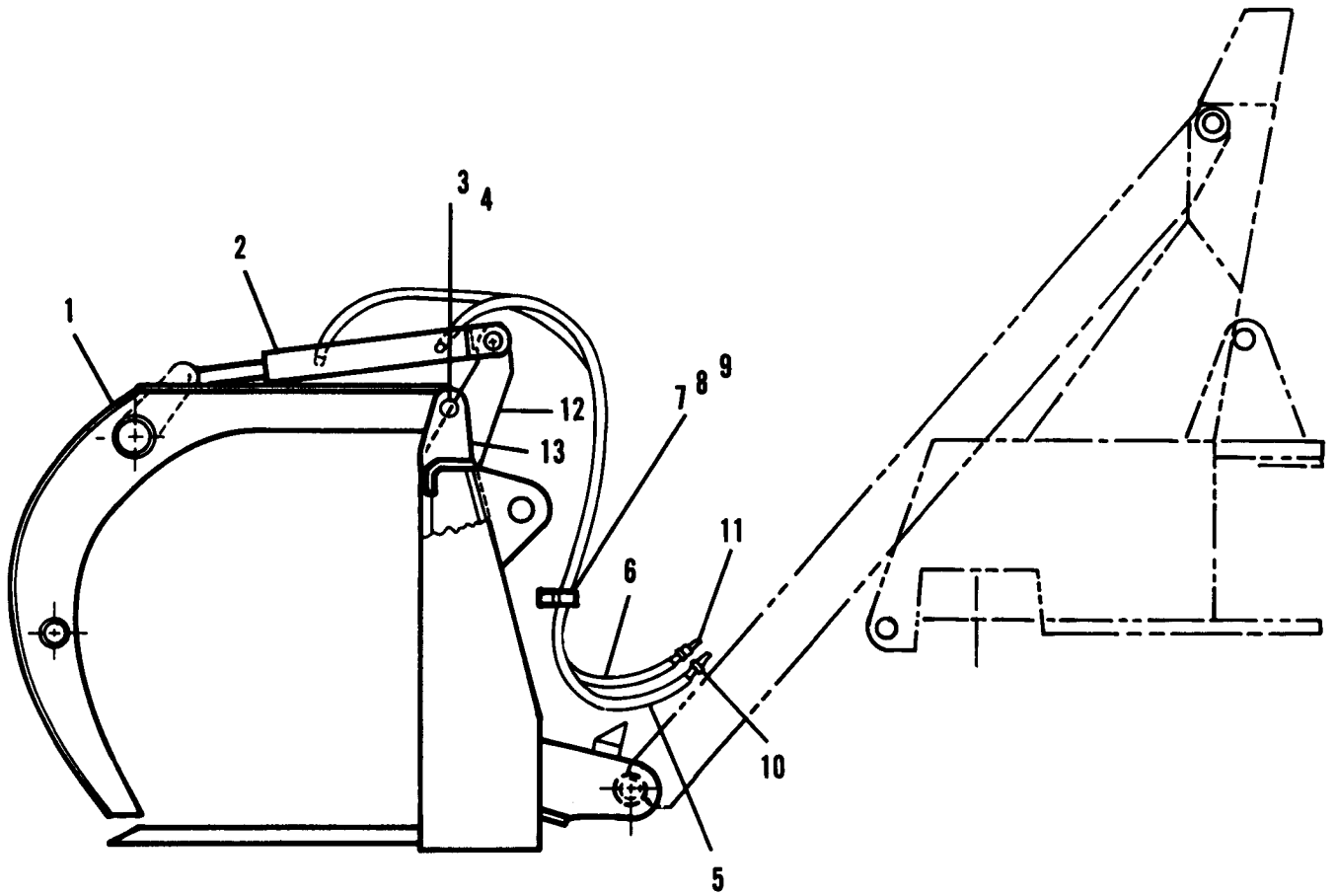
**MAST
10 FT. & 14 FT.**

ITEM	NUMBER	QTY.	DESCRIPTION
		* **	
1	2019394	1 0	RAIL ASY., inner
	2019395	0 1	RAIL ASY., inner
2	916601	4 4	NUT, jam 1"NF
3	2018328	2 2	ANCHOR, chain
4	2014764	2 0	CHAIN, lift (Incl. PINS)
	2019967	0 2	CHAIN, lift (Incl. PINS)
	2018215	4 4	PIN, chain
	2018308	— —	LINK, repair, lift chain
	2018307	— —	PLATE, link
5	2014642	2 2	BEARING, roller
6	927630	2 2	PIN, spiral 1/4 x 2-1/2
7	2018207	2 2	ROLLER ASY., chain (Incl. ITEM 5)
8	9002035	2 2	FITTING, lube 65° x 1/8
9	2015521	2 2	PIN, roller chain
10	921725	1 1	CAPSCREW, 3/4NF x 3 Gr. 5
	919332	1 1	LOCKWASHER, 3/4
11	1012725	1 0	RAIL ASY., outer
	1015093	0 1	RAIL ASY., outer
12	1015091	1 1	"U"-BOLT
	917378	2 2	WASHER, flat 3/8
	916950	4 4	NUT, 3/8NC
13	925730	2 2	FITTING, lube
14	805306	1 1	CAPSCREW, 1/2NF x 2 Gr. 5
	919423	1 1	NUT, 1/2NF
	916966	1 1	LOCKWASHER, 1/2
15	1015094	1 0	CYLINDER ASY., lift (See CYLINDER ASY. for Component Parts)
	1015095	0 1	CYLINDER ASY., lift (See CYLINDER ASY. for Component Parts)
—	2018509	1 1	SERVICE KIT, wear plates
—	924455	2 2	DECAL, trade mark combined
—	1003557	2 0	DECAL, 10'
—	1003559	0 2	DECAL, 14'

* 10 FT. MAST

** 14 FT. MAST

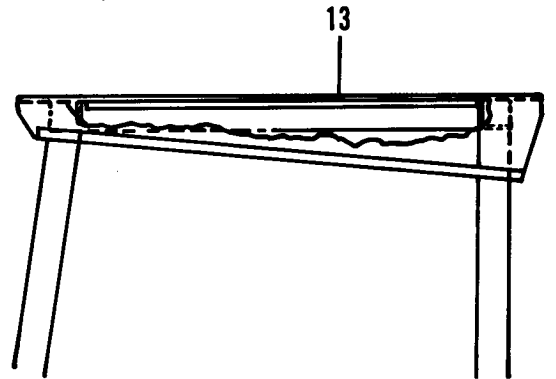
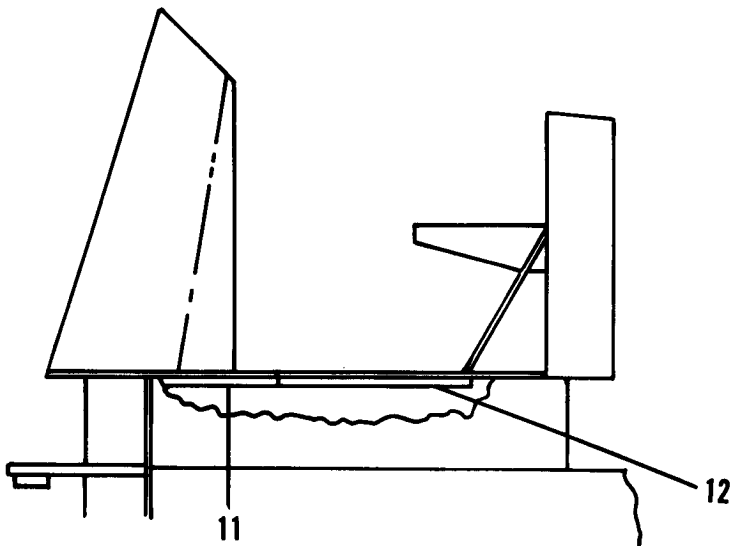
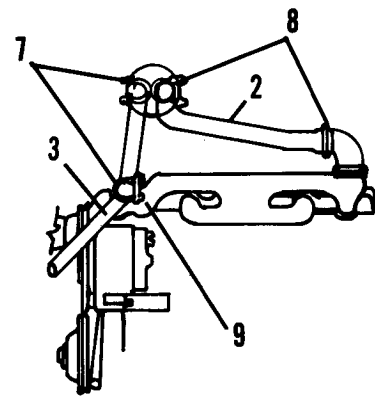
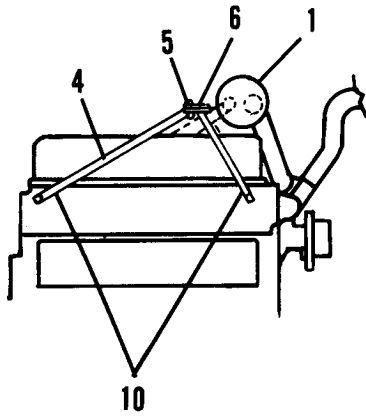
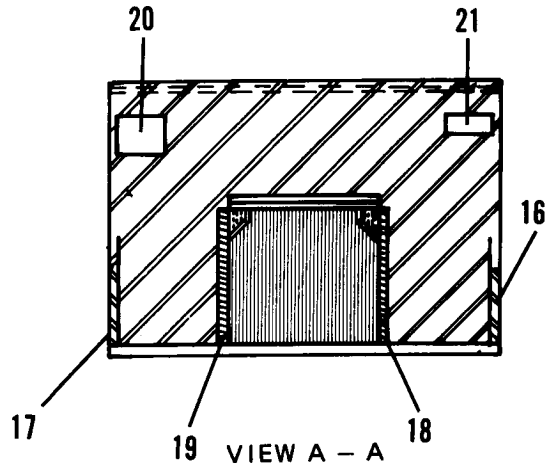
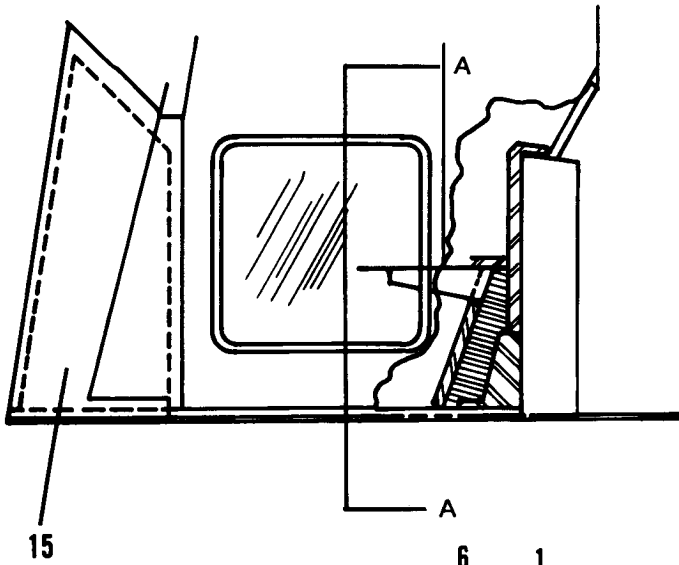
GRAPPLE
FIELD INSTALLATION



GRAPPLE
FIELD INSTALLATION

ITEM	NUMBER	QTY.	DESCRIPTION
1	1016184	1	GRAPPLE ASY.
2	1016380	1	CYLINDER ASY., hydraulic
3	1014775	2	PIN, cyl., mount
4	926957	4	RING, retainer
5	1016381	1	HOSE ASY.
6	1016382	1	HOSE ASY.
7	1014743	1	SPACER
8	921965	1	CAPSCREW, 3/8NC x 1
	916965	1	LOCKWASHER
9	925621	2	CLAMP
10	1013714	1	COUPLER, female
11	255018	1	COUPLER, male
12	1016149	1	LUG
13	1016150	4	LUG
14	9002032	2	FITTING, lube (Not shown)

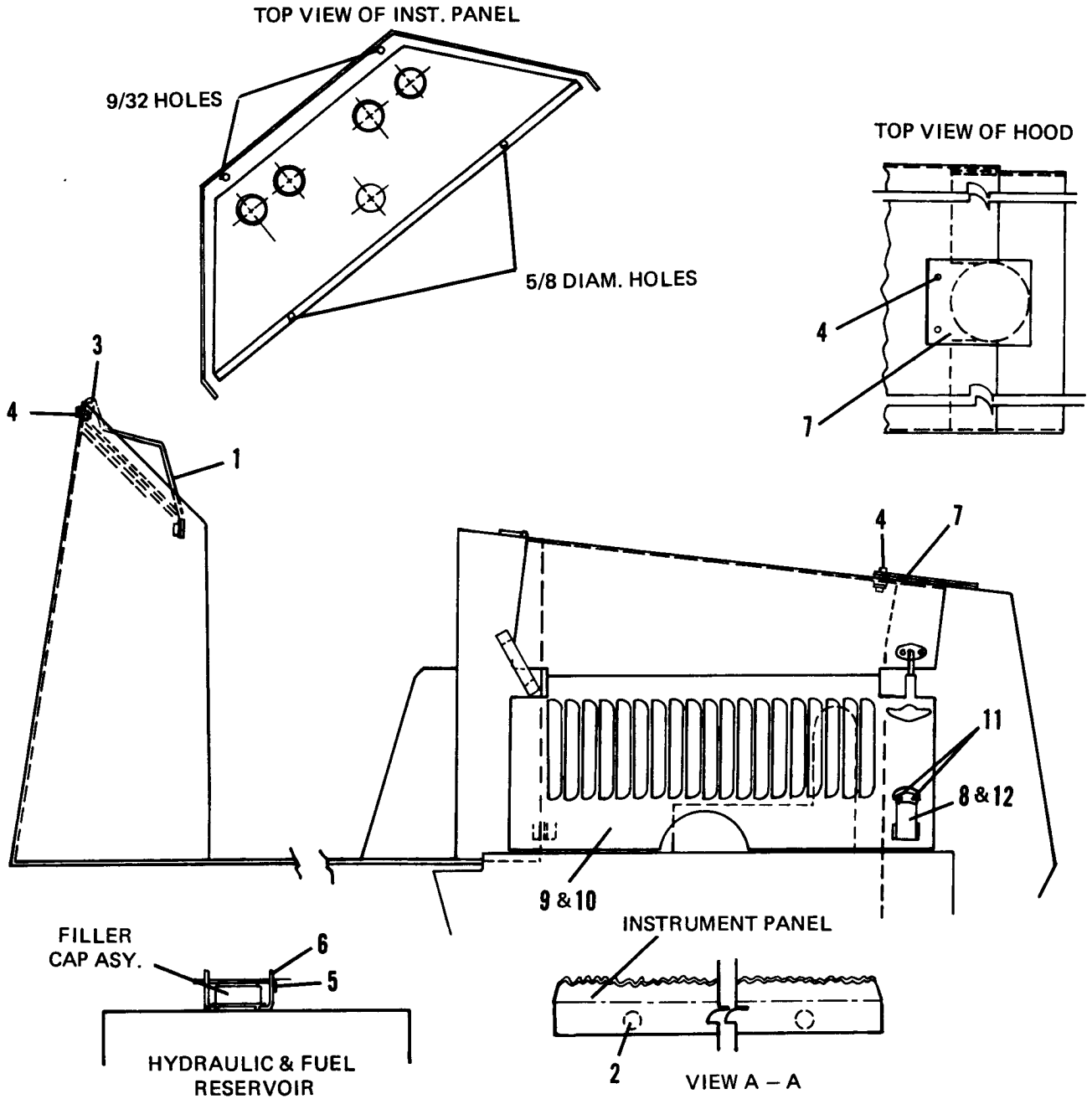
NOISE PACKAGE
ROPS LOADER & CAB LOADER



NOISE PACKAGE
ROPS LOADER & CAB LOADER

ITEM	NUMBER	QTY.	DESCRIPTION	
1	4826128	1	MUFFLER	
2	1017148	1	EXTENSION, exhaust pipe	
3	1014457	1	PIPE, exhaust	
4	1017143	1	BRACKET ASY., muffler	
5	921971	2	CAPSCREW, 3/8NC x 1-3/4	
	918266	2	WASHER	
	916965	2	LOCKWASHER, 3/8	
	916950	2	NUT, 3/8NC	
6	1014507	1	PLATE, mounting	
7	929808	2	CLAMP	
8	928897	2	CLAMP	
9	1017149	1	SUPPORT, exhaust pipe	
10	921210	3	CAPSCREW, 3/8NC x 1	
	916965	3	LOCKWASHER, 3/8	
11	1017152	1	INSULATION, floor plate front	} ROPS Loader
12	1017153	1	INSULATION, floor plate rear	
13	1017154	1	INSULATION, canopy	
14	1017155	1	SPRAY PRODUCTS, adhesive (Not shown)	
15	1017176	1	INSULATION, console	
16	1017177	1	INSULATION, seat support	
17	1017178	1	INSULATION, sound R.H.	
18	1017179	1	INSULATION, sound L.H.	
19	1017180	1	INSULATION, sound R.H.	
20	1015120	1	DECAL, 540 inst.	
21	1015144	1	DECAL, no riders	

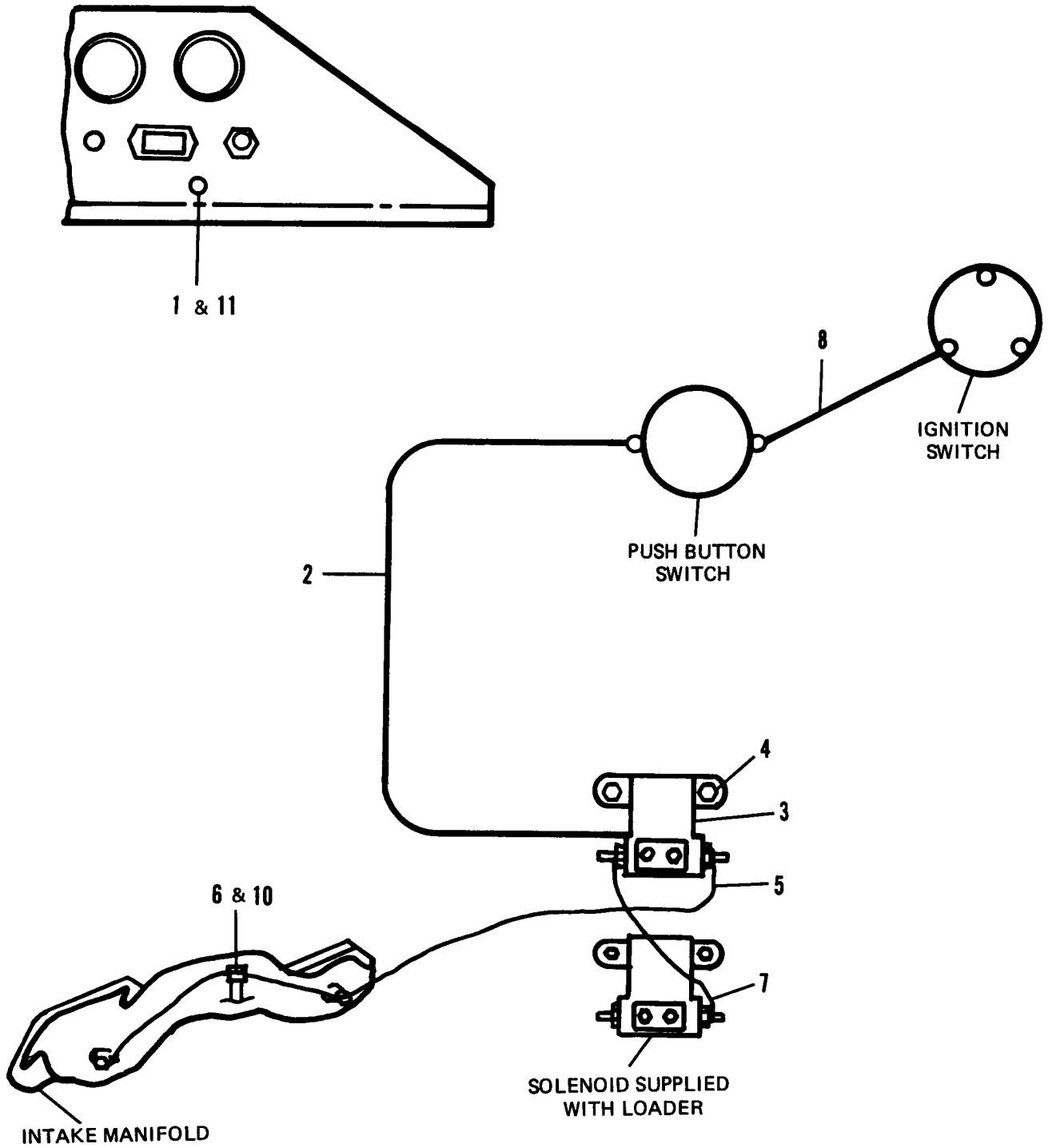
VANDALISM KIT
FIELD INSTALLATION



VANDALISM KIT
FIELD INSTALLATION

ITEM	NUMBER	QTY.	DESCRIPTION
1	1017202	1	COVER, instrument panel
2	1017076	2	PIN, instrument panel
3	1017077	2	ANGLE, instrument panel
4	921958	4	CAPSCREW, 1/4NC x 1/2
	916964	4	LOCKWASHER, 1/4
	916622	4	NUT, 1/4NC
5	1017079	2	BAR, filler cap
6	1017078	4	ANGLE, filler cap
7	1017080	1	PLATE, hood
8	1015329	2	LATCH, side panel
	1017377	8	RIVET, pop
9	1017089	1	PANEL, side - L.H.
10	1017088	1	PANEL, side - R.H.
11	911108	4	SCREW, drive
12	1015330	2	LATCH, strike

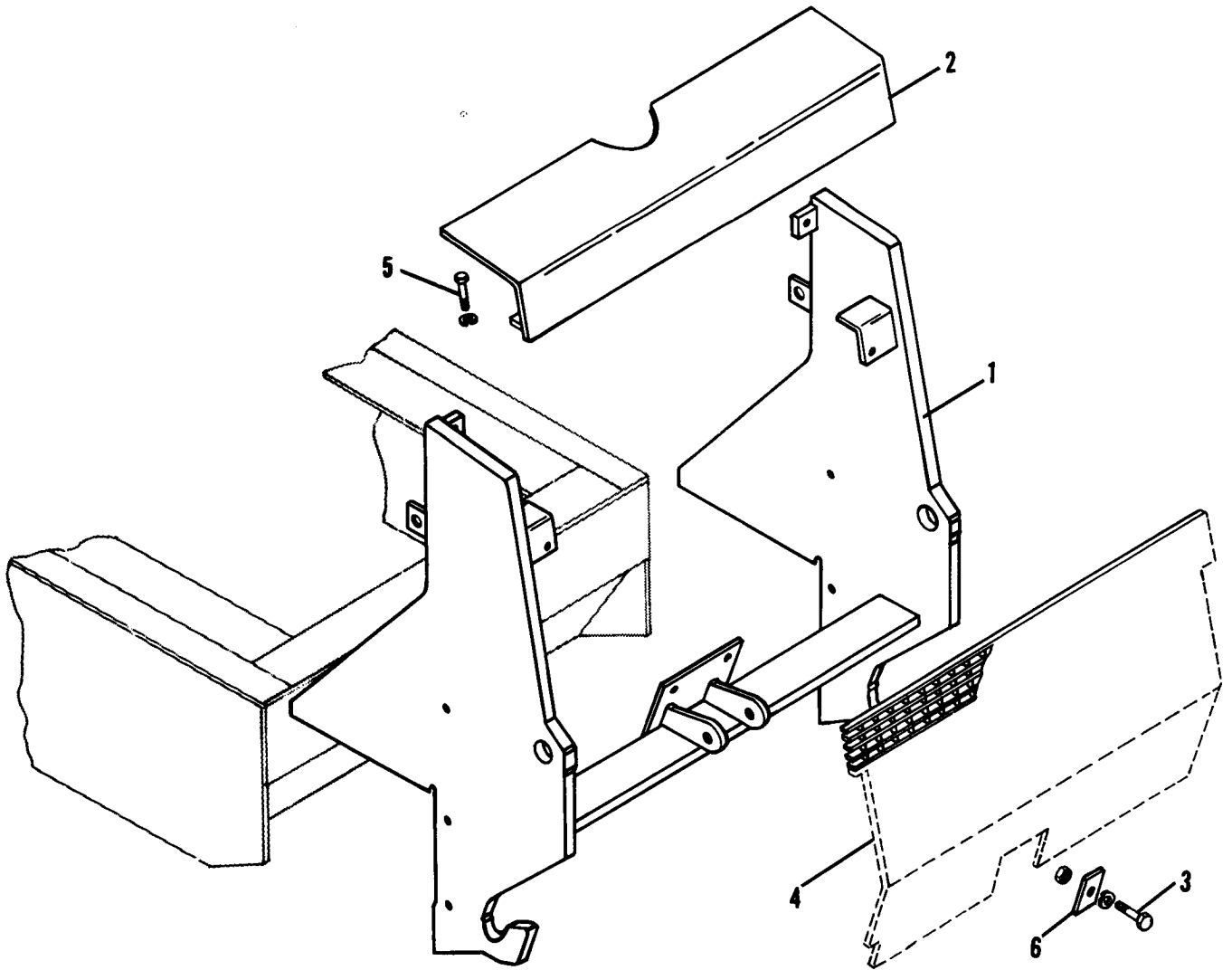
COLD START KIT



COLD START KIT

ITEM	NUMBER	QTY.	DESCRIPTION
1	253320	1	SWITCH
2	1009878	1	WIRE, switch to relay
3	1017208	1	RELAY
4	923341	2	CAPSCREW, 1/4NC x 3/4
	918964	2	LOCKWASHER, 1/4
	916622	2	NUT, 1/4NC
5	1017209	1	WIRE, relay to plug
6	1017210	1	PLUG KIT
7	1009398	1	WIRE, relay to solenoid
8	1015986	1	WIRE, switch to switch
9	1017128	1	DECAL, danger (Not shown)
10	1017214	1	DECAL, instruction
11	253321	1	CAP ASY.

MOUNTING KIT
BACKHOE & 3 PT. HITCH



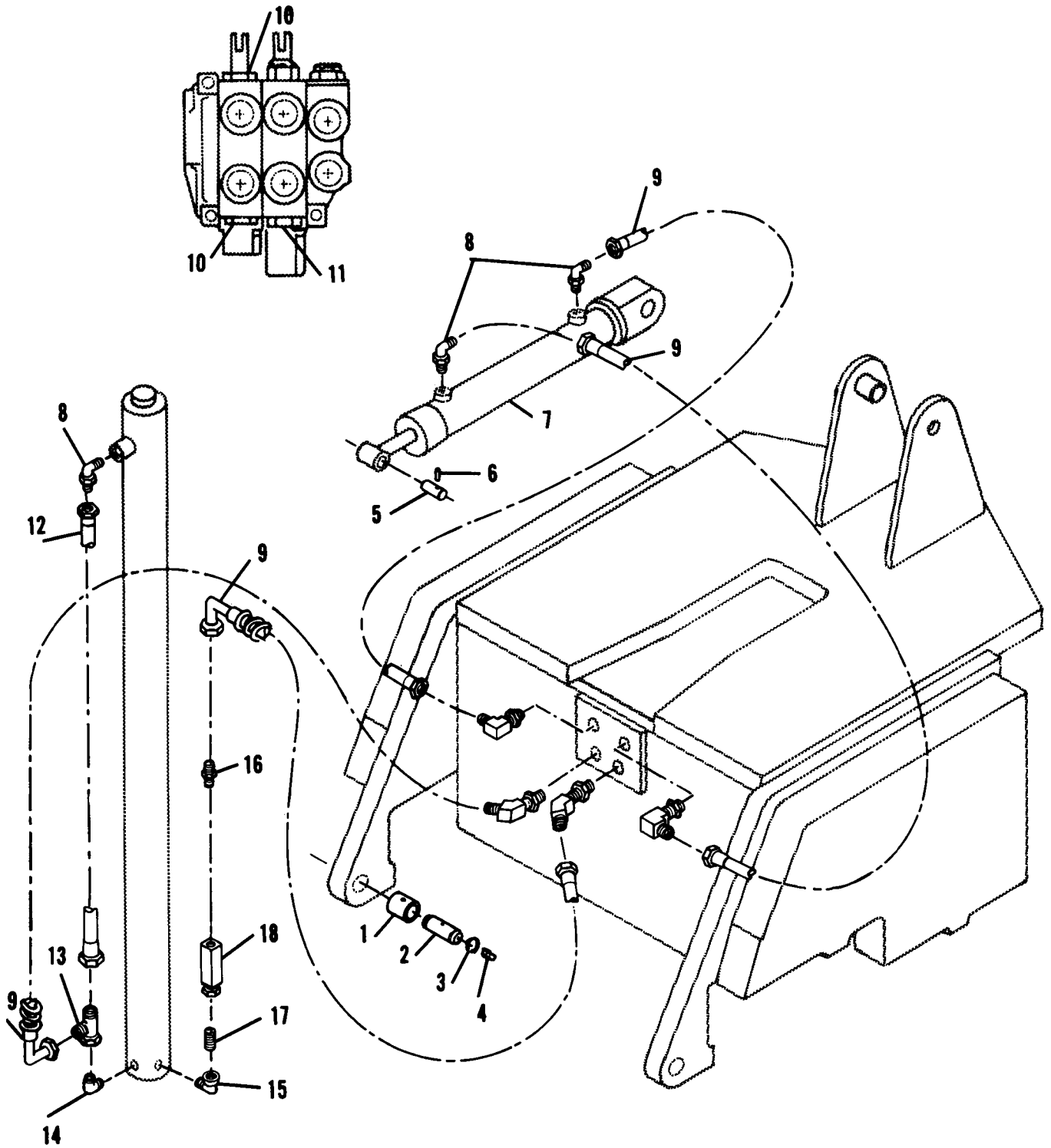
**540 LOADER
ATTACHMENTS**

197

**MOUNTING KIT
BACKHOE & 3 PT. HITCH**

ITEM	NUMBER	QTY.	DESCRIPTION
1	1016207	1	BRACKET ASY., mounting
2	1016532	1	COVER, top cowl
3	921977	4	CAPSCREW, 5/16NC x 1-1/4
	917356	4	LOCKWASHER, 5/16
	917372	4	NUT, 5/16NC
4	1016221	1	GRILL, rear cowl
5	919785	4	CAPSCREW, 5/16NC x 1-3/4
	917356	4	LOCKWASHER, 5/16
6	1009085	4	RETAINER, grill

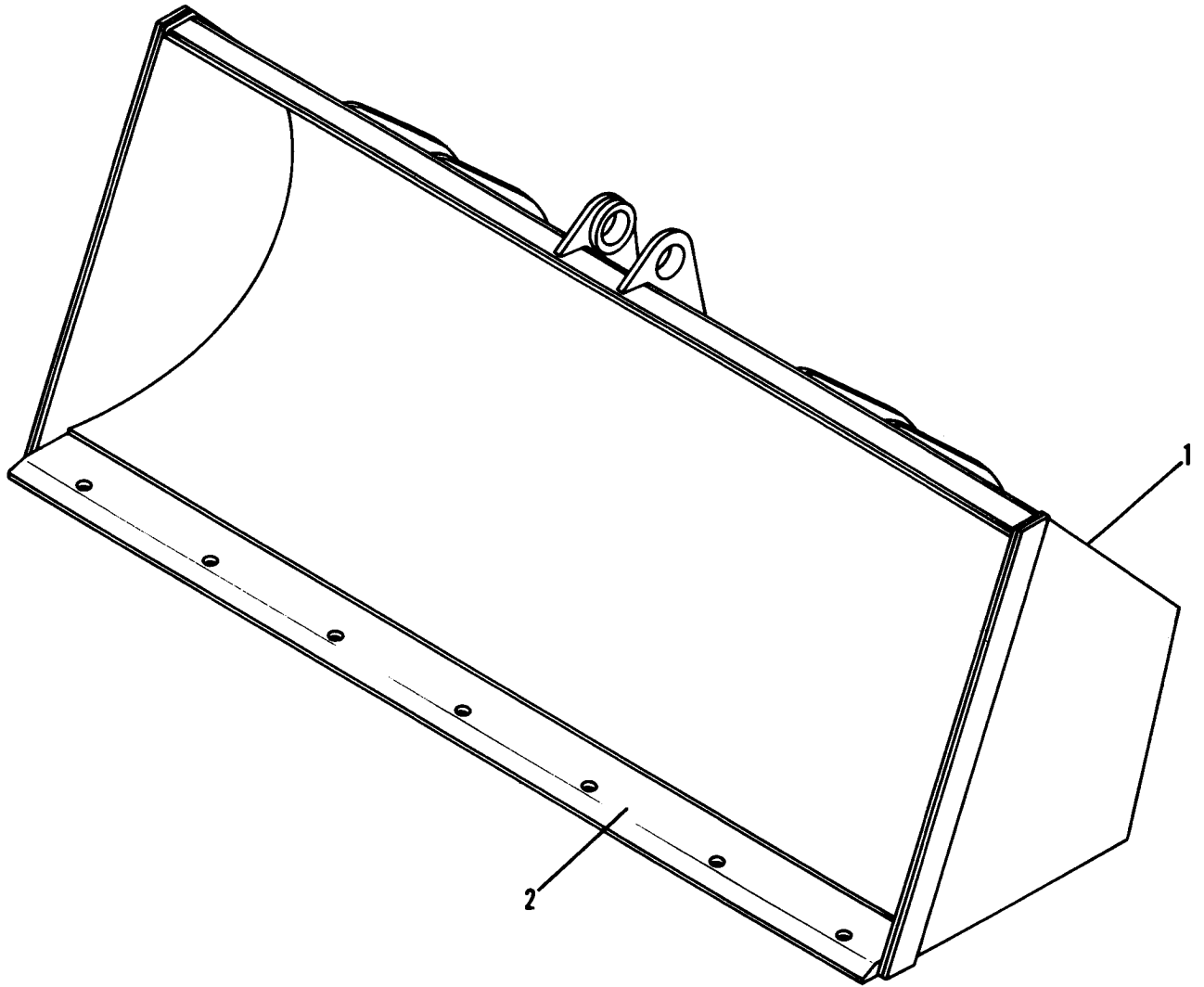
MOUNTING KIT
FORK LIFT



MOUNTING KIT
FORK LIFT

ITEM	NUMBER	QTY.	DESCRIPTION
1	1001137	2	BUSHING
2	1015089	2	PIN, lower mast mount
3	928179	4	RING, retaining
4	9002032	2	FITTING, lube
5	1009723	1	PIN, tilt cyl. mount
6	922949	1	PIN, spirol
7	-----	1	CYLINDER ASY., tilt (Refer to TILT CYL. ASY. for Components Parts)
8	921402	3	FITTING, elbow 90° (Incl. O-RING)
	921349	2	O-RING
9	1014750	4	HOSE ASY.
10	1010506	2	VALVE ASY., check
11	1011470	1	PLUG ASY.
12	1016026	1	HOSE ASY.
13	921298	1	TEE
14	919206	1	FITTING, elbow 90°
15	925050	1	FITTING, elbow 90°
16	919128	1	CONNECTOR
17	901501	1	NIPPLE, pipe
18	2020059	1	REGULATOR, flow 15GPM

BUCKET
LOADER



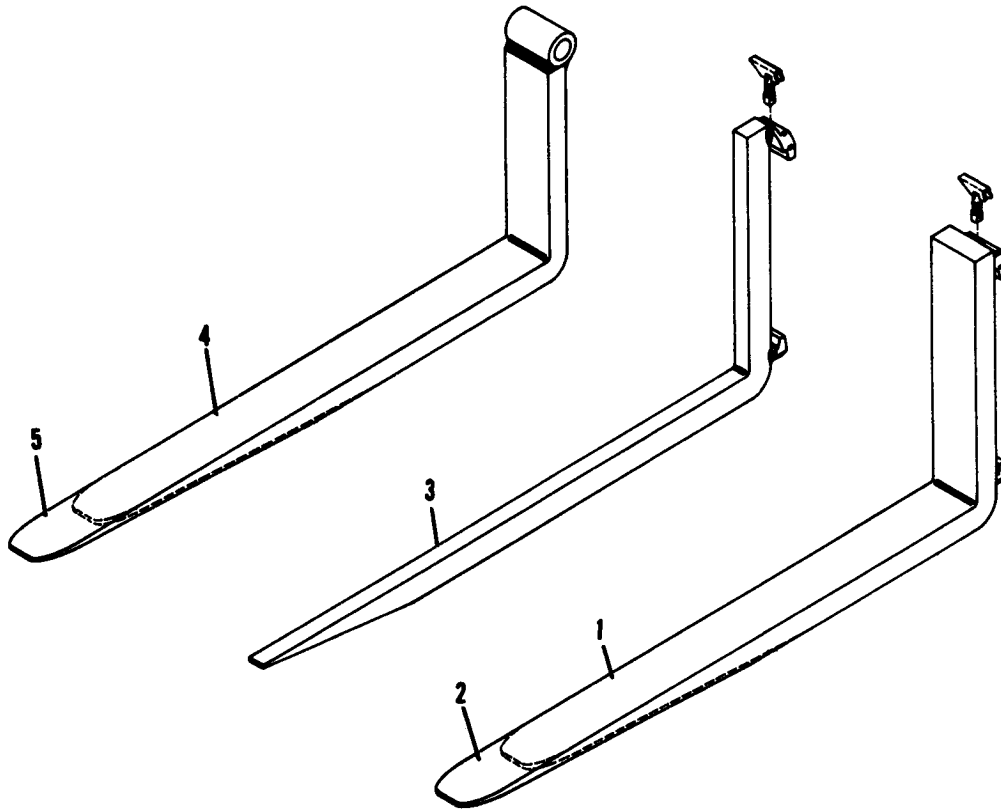
540 LOADER
ATTACHMENTS

201

BUCKET
LOADER

ITEM	NUMBER	QTY.	DESCRIPTION
1	-----	1 0	BUCKET ASY., loader, 5/8 cu. yd. (See Machinery Item)
	-----	0 1	BUCKET ASY., loader, 1 cu. yd. (See Machinery Item)
2	2017868	1 1	BLADE, bucket

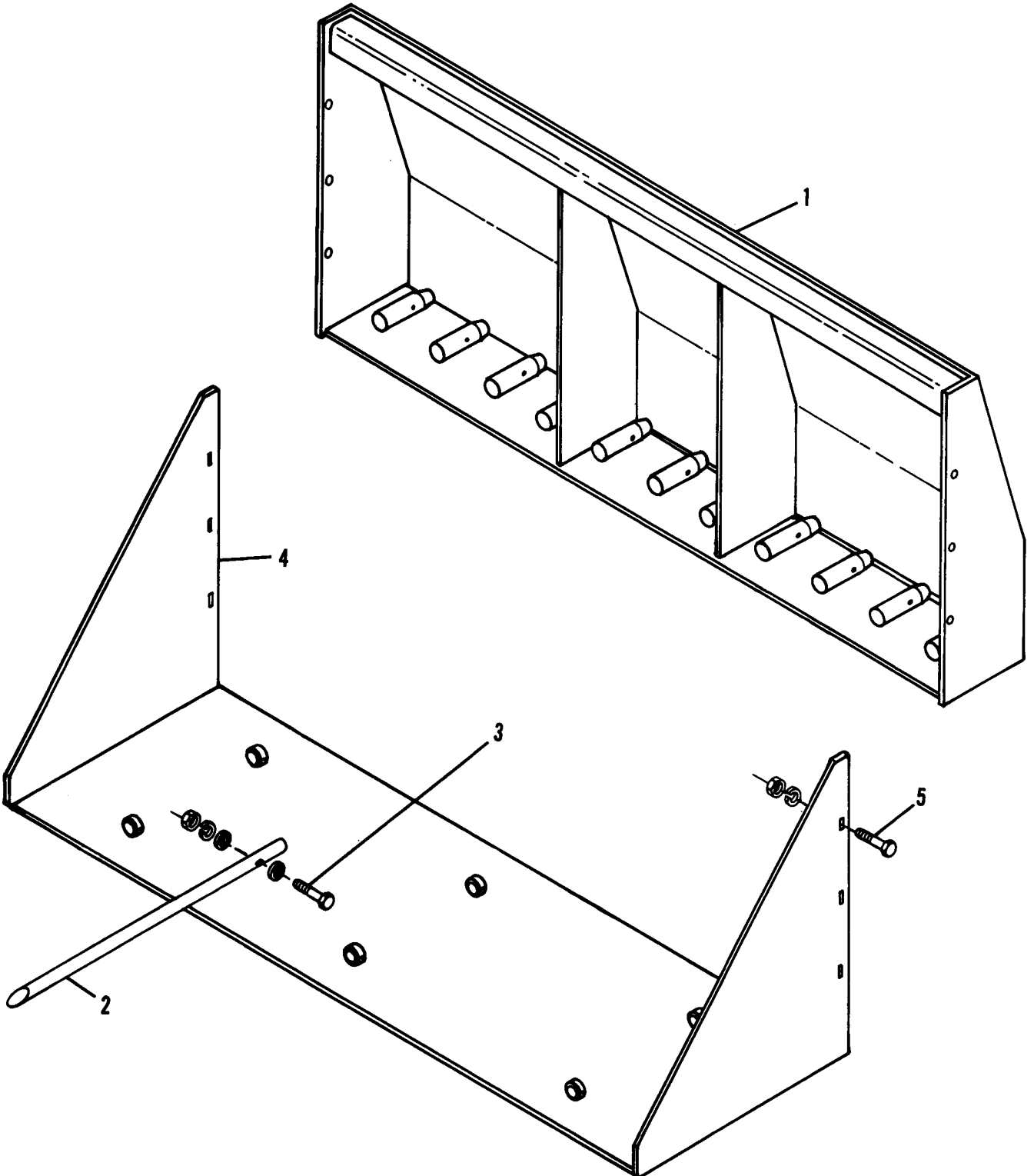
LIFT TINES
HOOK & SHAFT MOUNT



LIFT TINES
HOOK & SHAFT MOUNT

ITEM	NUMBER	QTY.	DESCRIPTION
1	-----	-	TINES ASY., 42" hook mount (MACHINERY)
	2019547	2	TINES, 42"
	2019546	2	LATCH ASY.
2	-----	-	TINES ASY., 48" hook mount (MACHINERY)
	2019548	2	TINES, 48"
	2019546	2	LATCH ASY.
3	-----	-	TINES ASY., 46" black hook mount (MACHINERY)
	1002400	6	TINES, 46"
	2019546	6	LATCH ASY.
4	-----	-	TINES ASY., 42" shaft mount swing (MACHINERY)
	2018846	2	TINES, 42" swing
5	-----	-	TINES ASY., 48" shaft mount swing (MACHINERY)
	2018894	2	TINES, 48" swing

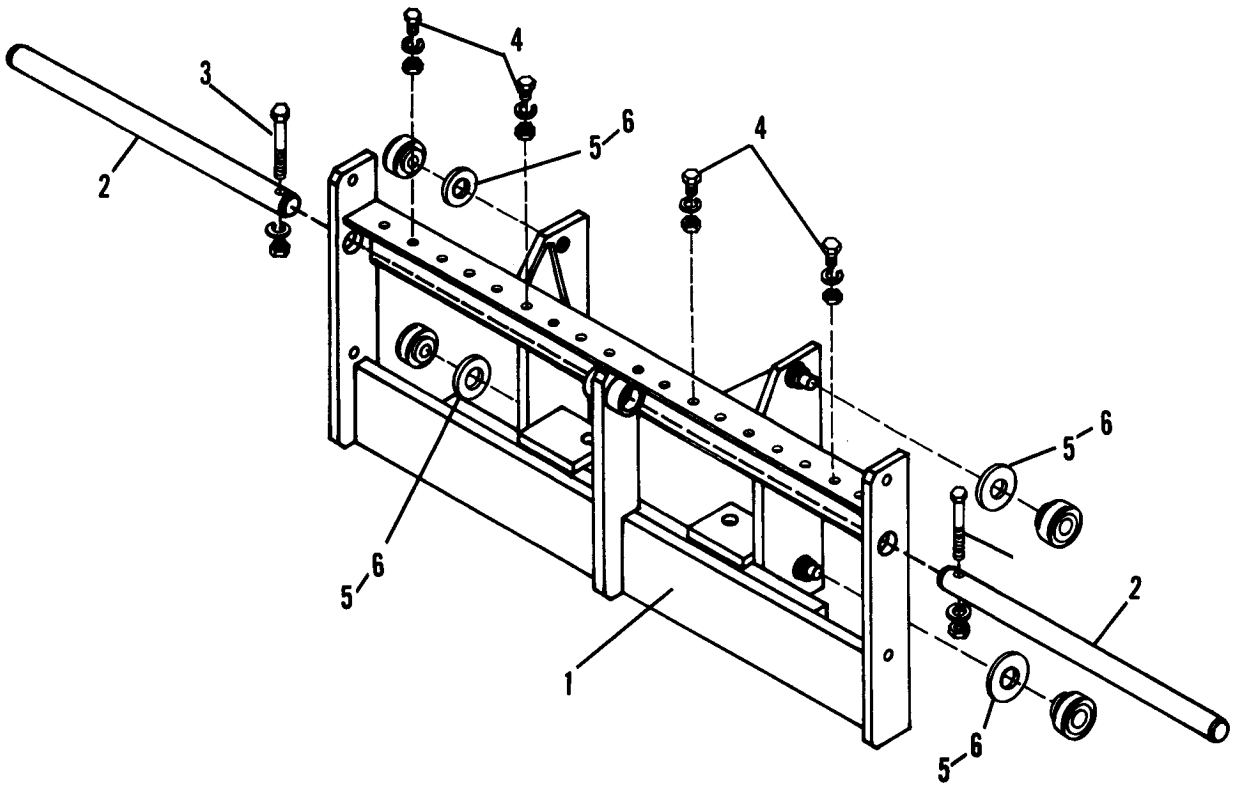
MANURE FORK



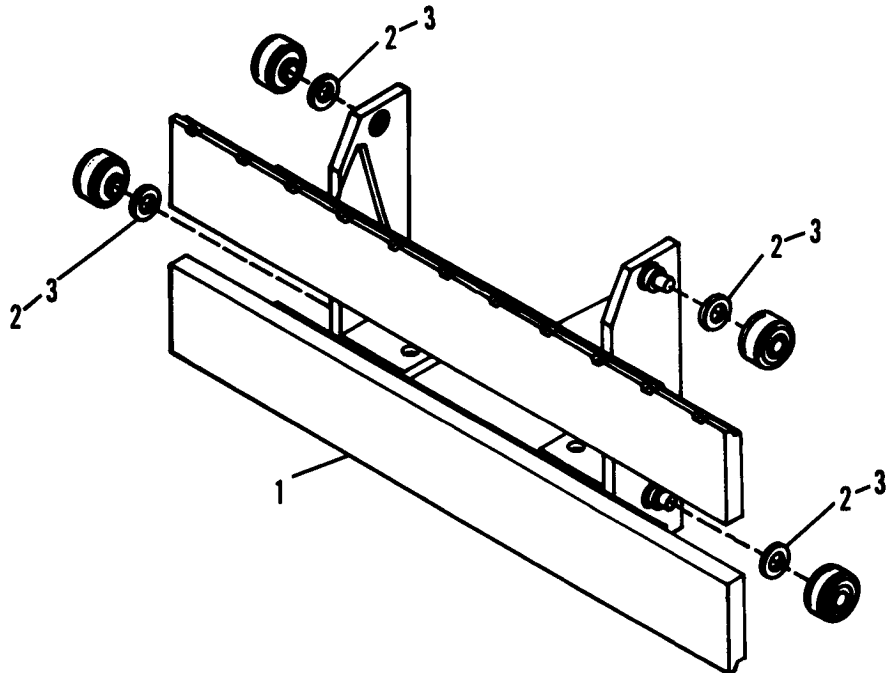
MANURE FORK

ITEM	NUMBER	QTY.	DESCRIPTION
1	1015992	1	BACK ASY., manure
2	1016003	11	TINES
3	921973	11	CAPSCREW
	916965	11	LOCKWASHER
	916956	22	WASHER
	916950	11	NUT
4	1016131	1	PAN ASY., dirt
5	920415	6	CAPSCREW
	916965	6	LOCKWASHER
	916950	6	NUT

CARRIAGE – 48"
SHAFT MOUNT



CARRIAGE – 64"
HOOK FORK MOUNT



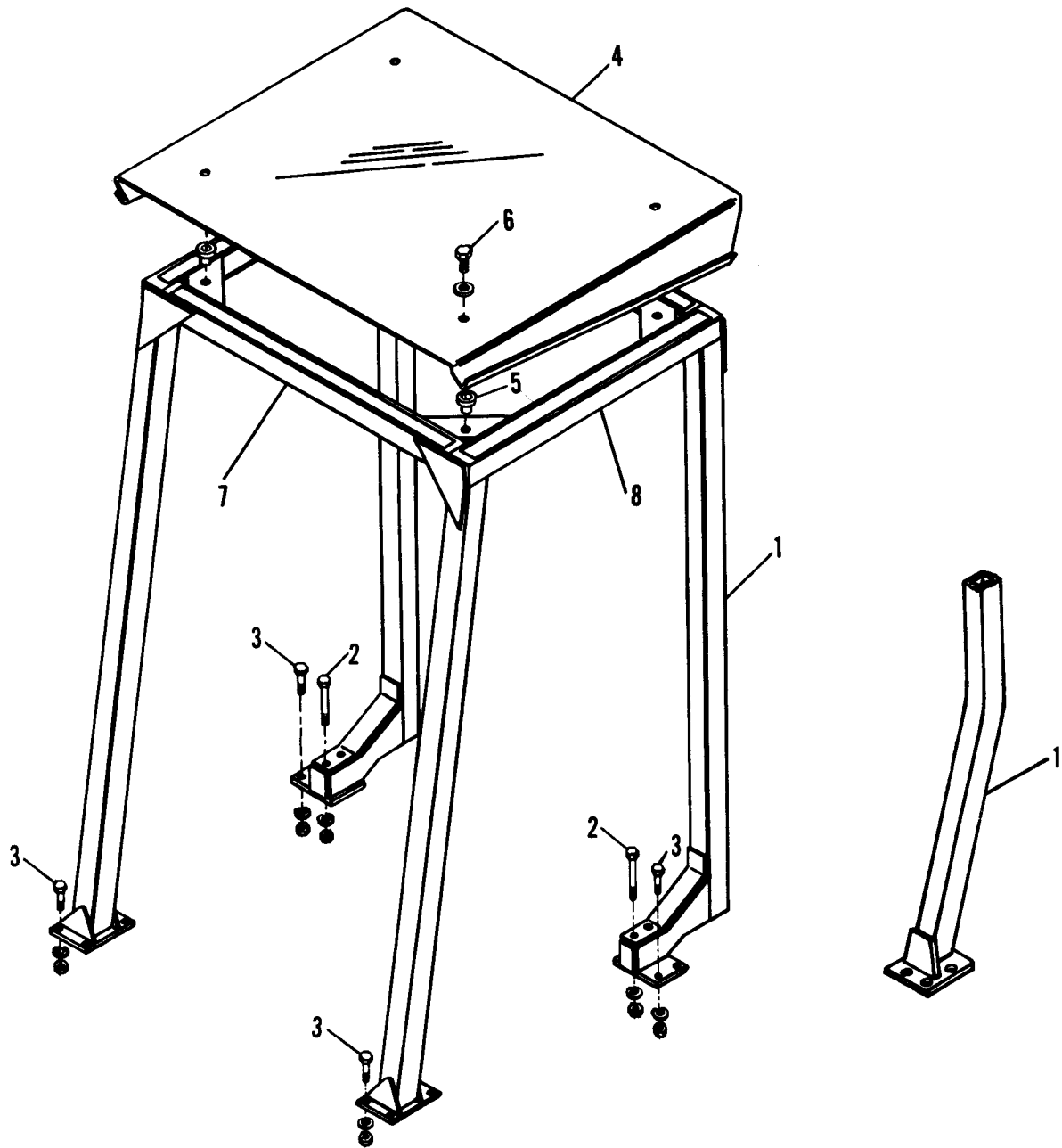
CARRIAGE – 48"
SHAFT MOUNT

ITEM	NUMBER	QTY.	DESCRIPTION
1	1014581	1	CARRIAGE ASY.
	1001732	4	BEARING, roller
2	2019424	2	SHAFT, fork
3	923191	2	CAPSCREW, 1/2NC x 3-1/4, gr. 5
	916951	2	NUT, 1/2NC
	916966	2	LOCKWASHER, 1/2
4	1017024	4	SHIM
5	1017025	4	SHIM

CARRIAGE – 64"
HOOK FORK MOUNT

ITEM	NUMBER	QTY.	DESCRIPTION
1	1014583	1	CARRIAGE ASY.
	1001732	4	BEARING, roller
2	1017024	4	SHIM
3	1017025	4	SHIM

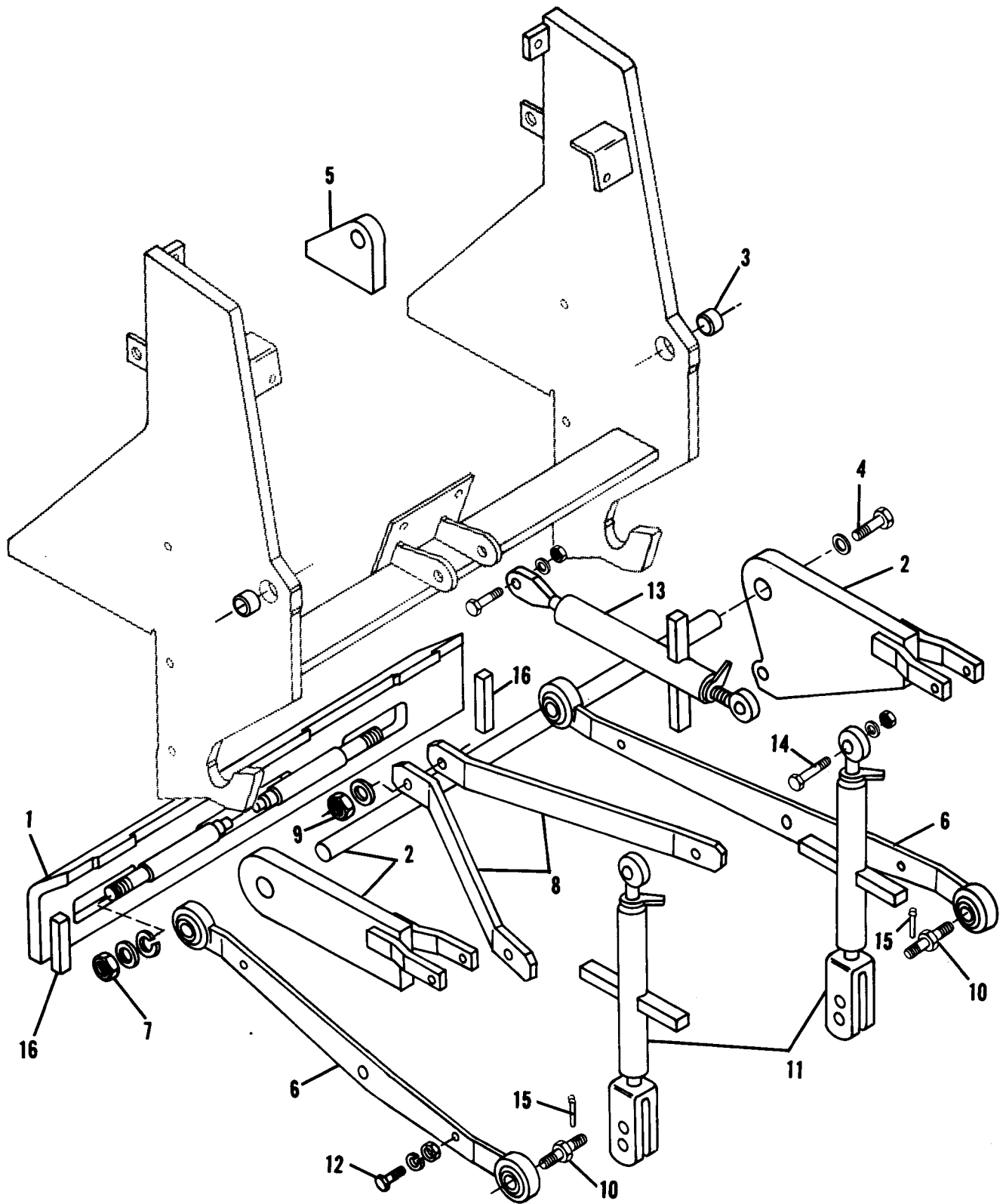
ROPS



ROPS

ITEM	NUMBER	QTY.	DESCRIPTION
1	1011077	1 0	ROPS WELDMENT
	1016349	0 1	ROPS & CANOPY
2	923502	4 0	CAPSCREW, 1/2NC x 4
	923161	0 4	CAPSCREW, 1/2NC x 4-1/2
	923291	4 4	LOCKWASHER, 1/2
	916951	4 4	NUT, 1/2NC
3	919089	4 0	CAPSCREW, 1/2NC x 1-3/4
	921024	0 4	CAPSCREW, 1/2NC x 2
	923291	4 4	LOCKWASHER, 1/2
	916951	4 4	NUT, 1/2NC
4	1011064	1 0	CANOPY
5	1012493	4 0	MOUNT, rubber
6	921977	4 0	CAPSCREW, 5/16NC x 1-1/4
	912369	4 0	WASHER, flat
7	1015834	2 0	STRIP, packing
8	1015836	2 0	STRIP, packing

3 PT. HITCH
FIELD INSTALLATION



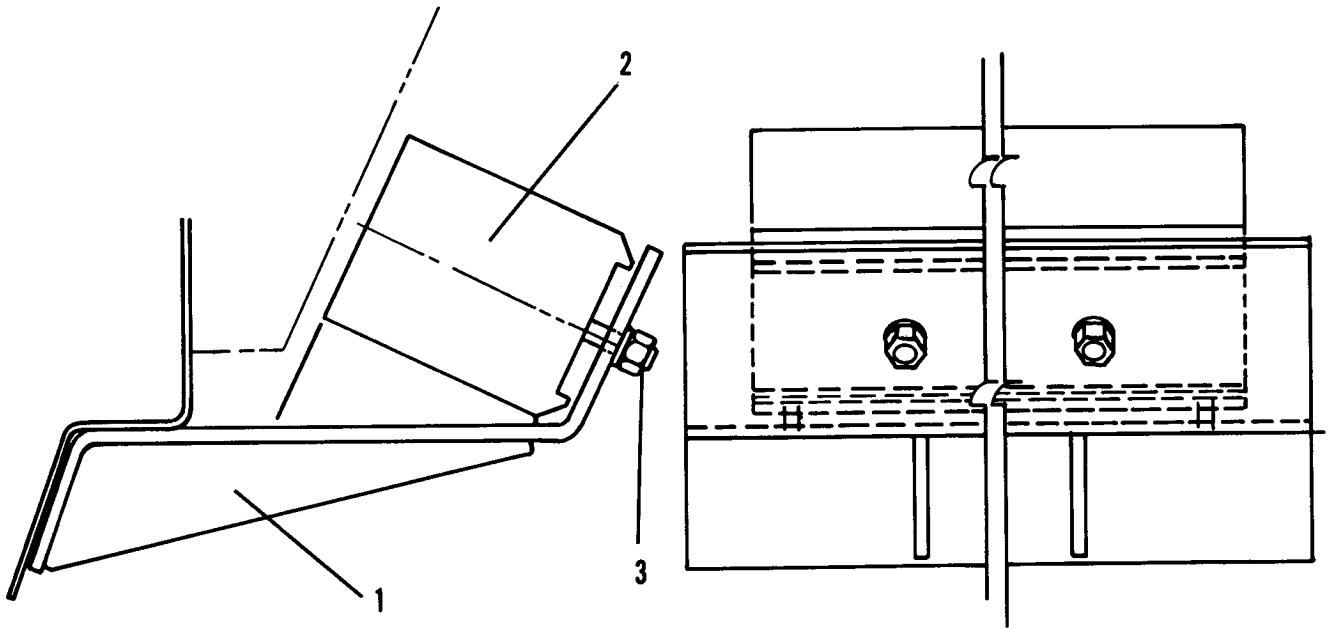
540 LOADER
ATTACHMENTS

211

3 PT. HITCH
FIELD INSTALLATION

ITEM	NUMBER	QTY.	DESCRIPTION
1	1016163	1	PIVOT ASY., lower anchor
2	1016977	1	ARM ASY., lift
3	1016216	2	SPACER, bearing
4	925872	2	CAPSCREW, 3/4NC x 2-1/4
	922679	2	WASHER, 1-17/32 x 2-1/4 O.D.
5	1016220	1	PLATE, pivot cyl. mtg (Not serviced)
6	1016981	2	ARM ASY., lift
7	919424	2	NUT, 3/8NC
	919426	2	LOCKWASHER, 7/8"
	919391	2	WASHER
8	1016978	2	BAR, sway
9	923351	2	NUT, ESNA
	900703	2	WASHER
10	1016982	2	PIN, stabilizer stub
11	1016983	2	LINK ASY., adj. side
12	924739	2	CAPSCREW, 3/4NC x 2-3/4
	919332	2	LOCKWASHER, 3/4
	913160	2	NUT, 3/4NC
13	1016984	1	LINK ASY., top
14	925387	3	CAPSCREW, 3/4NC x 4
	919332	3	LOCKWASHER, 3/4
	913160	3	NUT, 3/4NC
15	244066	2	PIN, quick hitch
16	1016224	2	BLOCK, lower hitch (Not serviced)

COUNTERWEIGHT CONVERSION



COUNTERWEIGHT CONVERSION

ITEM	NUMBER	QTY.	DESCRIPTION
1	1015928	1	SUPPORT ASY.
2	1014781	2	WEIGHT, counter
3	912137	2	BOLT, 3/4NC x 9
	919332	2	LOCKWASHER, 3/4
	918269	2	WASHER
	922686	2	NUT, 3/4NC

NUMERICAL INDEX

PART NO.	PAGE	PART NO.	PAGE	PART NO.	PAGE	PART NO.	PAGE
0208222...	39,41	+0910279...	55	0919267...	163	0922679...	81
0230170...	63	+0910978...	55	0919272...	167	+0922686...	213
0230366...	65	+0911108...	193	+0919312...	59	0922698...	59
0233666...	39,41	+0911192...	183	+0919327...	55	+0922949...	199
0237006...	67,73	0911325...	139	+0919332...	173	0922978...	123
0239176...	153	+0912137...	213	+0919387...	155	0922981...	109
0239181...	153	0912235...	139	+0919391...	211	+0923021...	147
0239188...	153	+0912299...	81	+0919423...	187	0923093...	65
0239189...	153	0912369...	209	+0919424...	211	0923102...	163
0239195...	153	0912415...	47	+0919426...	211	+0923112...	83
0239197...	153	+0912739...	49	0919439...	157	+0923114...	97
0239229...	153	0912942...	81	+0919458...	39	0923124...	101
0239514...	39,41	+0913043...	55	0919520...	159	+0923151...	81
0239517...	39,41	+0913160...	173	0919624...	109	0923157...	109
0239519...	39,41	+0913744...	135	+0919646...	47	+0923161...	209
0239521...	39,41	+0913901...	35	+0919785...	197	+0923171...	57
+0239854...	181	+0913958...	185	+0920107...	129	+0923191...	207
0240150...	61,63	+0914192...	59	0920240...	65	+0923238...	177
0240463...	55	+0914465...	147	+0920263...	65	+0923291...	111
0241522...	55	+0914670...	43	0920275...	159	+0923325...	55
0241977...	65	0915903...	113	0920316...	159	0923334...	153
0242818...	73	0916226...	11	+0920326...	185	0923335...	153
0242828...	73	+0916601...	187	+0920397...	61	+0923341...	59
0242829...	73	+0916602...	15	+0920415...	61	+0923351...	211
0242831...	73	+0916621...	179	+0920649...	7	0923379...	117
0242838...	73	+0916622...	61	+0920676...	11	0923428...	127
0243470...	61,63	0916764...	185	+0920677...	11	+0923490...	89
0243792...	73	+0916950...	61	+0921024...	81	+0923502...	209
+0244066...	211	+0916951...	55	+0921140...	137	+0923505...	95
0249693...	67	+0916956...	89	+0921176...	55	+0923519...	177
0249788...	61,63	0916964...	17	0921203...	93	+0923548...	147
+0251077...	57	+0916965...	37	0921205...	109	+0923562...	169
+0252049...	57	+0916966...	81	0921206...	83	0923575...	141
+0252050...	57	0917194...	85	+0921210...	89	+0923577...	137
0252471...	161	0917322...	39	0921217...	83	0923579...	139
+0253320...	195	+0917344...	171	+0921221...	87	+0923581...	147
+0253321...	195	+0917356...	37	+0921247...	125	0923582...	137
0254891...	47	+0917365...	79	0921292...	117	0923590...	99
+0255018...	135,171,183 189	+0917372...	35	0921298...	109	+0923597...	145
0256852...	161	+0917373...	83	+0921324...	119	+0923645...	131
0257362...	153	+0917378...	187	+0921332...	107	+0923650...	147
+0257489...	89	+0917379...	157	+0921333...	47	+0923659...	103
0267138...	117,121	0917385...	73	0921343...	141	0923664...	139
0267152...	103,117,121	0917415...	79	0921349...	125	0923683...	81
+0349937...	131,133	+0917459...	65	0921392...	59	0923684...	141
+0430480...	181	0917466...	85	0921402...	161	+0923701...	157
0542629...	141	0917479...	65	0921409...	125	0923717...	109
0650674...	113	+0917642...	47	0921472...	161	+0923719...	131
0650675...	113	+0917648...	157	0921573...	113	0923737...	109
0650677...	113	0917663...	65	+0921725...	187	0923808...	117
0650679...	113	+0917666...	157	0921883...	163	0923816...	99
+0677882...	113	0917673...	101	0921885...	95	0923818...	165
0679188...	153	+0917750...	55	0921911...	177	+0923820...	165
0694666...	161	0917777...	139	0921912...	39	+0923824...	165
+0805306...	187	0917849...	55	0921927...	67	+0923903...	93
+0827626...	131	+0918199...	11	+0921958...	193	+0923905...	183
0900602...	65	+0918264...	61	+0921965...	47	0923934...	115
+0900703...	211	+0918266...	111	+0921966...	103	+0923938...	119
0900966...	65	+0918268...	157	+0921969...	37	+0923946...	169
+0901490...	47	+0918269...	213	+0921971...	89	+0923949...	137
+0901501...	199	0918448...	65	+0921973...	205	+0924003...	131
+0901513...	167	0918452...	13	+0921977...	197	+0924111...	147
0901680...	157	0918459...	81	+0922002...	33	0924128...	119
+0901716...	177	0919011...	55	+0922010...	81	0924135...	139
+0901723...	177	0919062...	163	+0922095...	81	0924137...	117
+0901838...	47	0919066...	125	+0922130...	59	+0924191...	169
0901844...	167	+0919089...	111	0922181...	109	+0924272...	85
0901846...	167	0919113...	79	0922200...	185	+0924299...	135
+0904269...	177	+0919128...	167	0922507...	109	+0924355...	59
0905261...	55	0919137...	37	0922522...	95	0924403...	109
0909055...	49	0919197...	109	0922523...	109	+0924455...	187
+0910092...	157	+0919206...	169	0922571...	163	0924643...	109
+0910140...	55	+0919230...	111	0922577...	113	+0924739...	211
		+0919262...	185	0922648...	67	0924770...	139

NUMERICAL INDEX

PART NO.	PAGE	PART NO.	PAGE	PART NO.	PAGE	PART NO.	PAGE
+0924773...	129	0930340...	99	1010548...	153	1010726...	13,29
0924774...	117	0930440...	117	1010549...	153	1010727...	13,29
+0924775...	129	+0930441...	103	1010550...	23	1010728...	29
+0924777...	129	+0930754...	103	1010551...	23	1010729...	13,29
+0924791...	117	+0930871...	177	1010552...	7,23	1010730...	9,19,25
0925003...	65	+0930982...	37	1010553...	7,23	1010731...	9,25
0925031...	159	+0931894...	141	1010554...	5,7,17,21	1010732...	13,19,29
+0925050...	199	+0933255...	103		33	1010733...	13,29
0925094...	163	1000090...	139	1010555...	7,23	1010734...	29
+0925205...	89	1000913...	139	1010556...	25	1010735...	19,25
0925310...	95	1001076...	141	1010557...	19,23	1010736...	13,29
+0925387...	173	1001137...	83,139,185	1010558...	25	1010737...	9,25
0925450...	155		199	1010559...	7,23	1010739...	25
+0925593...	33	1001687...	139	1010560...	29	1010740...	3,9,19,25
0925617...	47	+1001732...	207	1010561...	29	1010741...	7,23
+0925621...	189	+1002400...	203	1010562...	29	1010742...	23
+0925687...	85	1002544...	127	1010563...	29	1010743...	5,7,21,23
+0925696...	99	1003294...	61,63	1010564...	29	1010744...	5,7,21,23
0925719...	65	1003305...	65	1010565...	29	1010745...	15,31
+0925730...	187	+1003557...	187	1010566...	29	1010746...	5,21,31
+0925756...	47	+1003559...	187	1010567...	29	1010747...	5,15,21,31
+0925834...	135	1004110...	83,185	1010568...	29	1010748...	15,31
0925853...	109	+1004136...	185	1010569...	29	1010749...	15,31
+0925872...	211	1004539...	65	1010570...	29	1010750...	31
0925881...	167	1004587...	61,63	1010571...	29	1010751...	5,15,21,31
+0925943...	135	+1004669...	153	1010572...	13,29	1010752...	15,31
0926049...	59	1004734...	139	1010573...	29	1010753...	15,31
0926055...	43	+1005724...	179	1010574...	29	1010754...	31
+0926108...	67	1006535...	153	1010575...	13,29	1010763...	7,23
+0926115...	159	+1007417...	55	1010576...	13,29	1010764...	23
0926216...	113	+1007501...	167	1010577...	29	1010765...	45
0926535...	141	1007695...	61,63	1010578...	13,29	1010766...	45
+0926616...	143	1007707...	61,63	1010579...	7,23	1010767...	45
+0926621...	143	1007823...	61,63	1010580...	5,7,21,23	1010773...	43,45
0926623...	141	+1007838...	177	1010581...	7,23	1010774...	43,45
0926625...	139	+1007839...	179	1010582...	27	1010789...	5,21,43,45
0926627...	99	1008010...	73	1010584...	11,27	1010794...	43,45
+0926638...	147	1008023...	65	1010585...	27	1010795...	43,45,67
+0926640...	137	1008024...	89	1010586...	11,27	1010796...	37
0926912...	47	1008356...	141	1010587...	27	1010797...	19,37
0926919...	59	+1008888...	137	1010588...	27	1010799...	55
0926957...	81	1009085...	87,197	1010589...	27	1010801...	55
0926999...	167	+1009097...	55,167	1010603...	27	1010802...	55
0927028...	47	1009146...	167	1010604...	27	1010803...	55
0927057...	67	1009243...	61,63	1010605...	5,11,21,27	1010804...	55
0927137...	101	1009380...	165	1010606...	27	1010805...	59
0927138...	101	+1009398...	61,195	1010607...	27	1010806...	5,21,55
+0927147...	143	+1009518...	125,171	1010610...	27	1010807...	19,37
+0927163...	125	1009575...	139,149	1010613...	27	1010811...	5,13,21,29
0927187...	61	1009576...	139,149	1010616...	27	1010812...	77
+0927202...	179	1009577...	139,149	1010619...	11,27	1010822...	33
+0927245...	125	1009581...	139,149	1010620...	11,27	1010826...	33
0927422...	113	1009610...	73	1010621...	11,27	1010831...	33
0927537...	157	1009611...	73	1010623...	11,27	1010832...	33
+0927630...	187	1009612...	73	1010624...	13,29	1010835...	33
0927691...	103	+1009714...	149	1010646...	25	1010836...	71
0927694...	103	+1009723...	199	1010647...	25	1010837...	69,71
0927696...	117	+1009770...	55	1010648...	9,25	1010838...	71
0927700...	103	+1009878...	195	1010657...	9,25	1010841...	71
0927704...	141	1009962...	153	1010658...	25	1010842...	69,71
+0927736...	53	1009968...	153	1010666...	25	1010843...	75
+0927741...	103	+1010486...	169	1010680...	9,25	1010844...	75
+0927747...	121	1010489...	127	1010682...	7,23	1010845...	75
0928003...	59	1010492...	127	1010683...	3,7,19,23	1010846...	75
+0928029...	87	1010493...	127		33	1010847...	75
0928179...	81	1010494...	127	1010684...	15,31	1010851...	75
0928241...	119	1010504...	127	1010688...	5,15,21,31	1010856...	75
0928847...	65	+1010505...	127,135,171	1010697...	7,23	1010857...	75
0928897...	35	1010506...	127,135,169	1010705...	5,21,27	1010859...	75
0928946...	163		171,199	1010721...	23	1010862...	75
0929259...	109	1010508...	127,135,171	1010722...	23	1010865...	33
0929379...	81	1010510...	127	1010723...	25	1010869...	79
0929583...	79	1010511...	127	1010724...	7,23	1010870...	79
0929808...	39	1010515...	127	1010725...	29	1010871...	79

NUMERICAL INDEX

PART NO.	PAGE	PART NO.	PAGE	PART NO.	PAGE	PART NO.	PAGE
1010872...	79	1011267...	101	1012037...	159	1012469...	59
1010873...	79	1011268...	101	1012039...	161	1012473...	99
1010874...	35,37	1011269...	101	1012040...	125	1012475...	59
1010875...	37	1011270...	101	1012070...	159	1012482...	93
1010876...	37	1011271...	101	1012071...	159	1012487...	105
1010877...	37	1011272...	101	1012072...	163	1012493...	47,209
1010878...	37	1011273...	101	1012073...	159	1012502...	63
1010884...	25	1011274...	101	1012074...	159	1012503...	63
1010885...	29	1011275...	101	1012075...	159	1012504...	163
1010886...	29	1011276...	101	1012076...	159	+1012517...	175,177
1010889...	13,29,37	1011277...	101	1012101...	159	+1012519...	177
1010890...	11,13,27,29	1011278...	101	1012102...	167	1012573...	151
1010895...	5,21,23	1011279...	101	1012103...	167	1012575...	79
1010896...	7,23	1011280...	101	1012104...	167	1012576...	79
1010899...	7,23	1011283...	93	1012105...	47	1012577...	79
1010904...	11,27	1011284...	81	1012106...	47	1012578...	79
1010905...	11,27	1011286...	105	1012110...	159,163	1012579...	79
1010906...	27	1011291...	105	1012111...	159,163	1012633...	37
1010909...	5,21	1011292...	105	1012164...	121	1012634...	35,37
1010910...	19	1011294...	39,41	1012165...	119,123	1012635...	23
1010919...	151	1011298...	85	1012166...	103,119,123	1012636...	7,23
1010920...	167	1011299...	39,41	1012167...	117,121	1012637...	11,27
1010922...	151	1011300...	141	1012168...	117,121	1012638...	13,29
1010924...	151	1011301...	141	1012169...	117,121	1012639...	9,25
1010927...	151	1011306...	141	1012170...	117,121	1012640...	25
+1010938...	69	1011314...	141	1012171...	117,121	1012641...	15,31
+1010992...	159	1011315...	141	1012172...	117,121	1012642...	23
1011004...	55	1011336...	85,135,169	1012173...	123	1012643...	15,31
1011011...	55		171	1012174...	117,121	1012644...	43,45,75
1011014...	167	1011343...	65	1012175...	117,121	1012645...	45
1011016...	167	1011350...	103	1012176...	117,121	1012647...	33
1011019...	167	1011352...	125	1012177...	117,121	1012648...	75
1011020...	55	1011374...	63	1012178...	117,121	1012649...	33
1011064...	209	1011412...	159,163	1012179...	117,121	1012650...	35,37
1011077...	209	1011414...	63	1012180...	117,121	1012651...	7,23
1011079...	55,61,63	1011431...	85	1012181...	103,117,121	1012652...	37
1011093...	87	1011433...	65,85	1012182...	103,117,121	1012653...	75
1011099...	59	1011457...	161	1012183...	119,123	1012654...	29
1011100...	87	1011458...	161	1012184...	123	1012655...	29
1011133...	81,83,93	1011462...	161	1012185...	117,121	1012673...	77
+1011136...	165	1011468...	163	1012186...	121	1012674...	77
1011164...	65	1011469...	163	+1012188...	103	+1012678...	175
1011167...	81	+1011470...	127,199	1012189...	103,117,121	+1012679...	175
1011168...	81	1011480...	163	1012190...	103,117,121	+1012680...	175
1011172...	81	1011481...	163	1012191...	123	+1012681...	175
1011175...	93	1011488...	65	1012196...	103,117,121	+1012682...	175
1011216...	23	1011489...	65,91	1012200...	119,123	+1012683...	175
1011218...	47	1011490...	65,91	1012201...	103,117,121	+1012684...	175
1011219...	47	1011496...	81	1012202...	119,123	1012699...	9,25
1011220...	47	1011547...	155	1012203...	103,117,121	1012700...	33
1011224...	67	1011551...	155	1012204...	117	1012701...	33
1011225...	37	1011576...	155	1012206...	119	1012702...	33
1011226...	59	1011577...	155	1012207...	119	1012703...	33
1011228...	107	1011585...	61,63	1012208...	103,117,121	1012704...	33
1011229...	107	1011596...	63	1012209...	119	1012705...	33
1011234...	109	1011608...	61,63	1012210...	119	1012706...	33
1011235...	159	1011610...	61,63	1012212...	113	1012707...	33
1011243...	165	1011611...	61,63	1012214...	113	1012708...	33
1011244...	47	+1011638...	127	1012219...	113	1012709...	33
1011246...	165	1011639...	127	1012225...	111	1012710...	33
1011247...	165	1011640...	127	1012226...	113	1012712...	33
1011248...	165	1011641...	127	1012229...	111	1012713...	33
1011249...	165	1011644...	127,169	1012230...	95,111	1012714...	33
1011250...	165	1011645...	127	1012233...	103	1012715...	79
1011252...	115	1011646...	127	1012234...	103	+1012725...	187
1011255...	39,41	1011647...	127	1012235...	103	1012738...	79
1011256...	151	1011648...	127	1012237...	103	1012739...	25
1011257...	153	1011961...	139	1012238...	103	1012740...	25
1011259...	87,91	1011964...	161	1012241...	115	1012741...	25
1011260...	101	1012032...	167	1012443...	67	1012757...	9,25
1011261...	101	1012033...	163	1012450...	165	1012760...	25
1011262...	101	1012034...	159	1012464...	109,167	1012769...	101
1011263...	101	1012035...	159,163	1012465...	43,45	1012770...	101
1011264...	101	+1012036...	159	1012467...	59	1012771...	101

NUMERICAL INDEX

PART NO.	PAGE	PART NO.	PAGE	PART NO.	PAGE	PART NO.	PAGE
1012772...	101	+1013161...	13	1014773...	185	+1015716...	51
1012773...	101	+1013163...	13	1014774...	185	+1015717...	51
1012774...	101	+1013164...	13	1014775...	81,189	+1015719...	13
1012783...	99	+1013165...	13	1014776...	167	+1015720...	13
1012784...	99	+1013166...	13	+1014781...	213	+1015721...	13
1012785...	99	+1013167...	13	1014783...	125	+1015722...	13
1012786...	99	+1013171...	13	1014786...	85	+1015723...	17
1012787...	99	+1013175...	17	1014787...	81	+1015724...	17
1012788...	99	+1013176...	11	1014788...	81	+1015725...	17
1012789...	99	+1013178...	17	1014792...	139	+1015726...	17
1012790...	99	+1013179...	17	1014795...	155	+1015727...	11
1012791...	99	+1013180...	17	1014796...	139	+1015728...	17
1012792...	99	+1013181...	17	1014808...	139	+1015730...	51
1012793...	99	+1013182...	17	1014838...	185	+1015732...	137
1012794...	99	+1013183...	17	1014842...	185	+1015735...	9
1012795...	99	+1013184...	17	+1014988...	7	+1015736...	9
1012796...	99	+1013185...	17	1015007...	185	+1015737...	9
1012858...	33	+1013186...	17	+1015032...	13	+1015738...	11
+1012959...	179	+1013187...	11	+1015033...	13	+1015739...	43
+1013062...	7	+1013188...	11	1015059...	59	+1015740...	43
+1013064...	9	+1013189...	11	1015060...	59	+1015741...	69
+1013065...	3,7	+1013190...	11	1015068...	159	+1015745...	49
+1013066...	9,17	+1013191...	11	1015070...	125	+1015762...	59
+1013067...	9	+1013192...	11	1015071...	159	+1015834...	209
+1013068...	9	+1013193...	11	+1015072...	149	+1015836...	209
+1013071...	9	+1013194...	11	+1015087...	149	+1015850...	81
+1013072...	9	+1013195...	11	+1015088...	149	+1015851...	81
+1013073...	9	+1013196...	11	+1015089...	199	+1015852...	81
+1013074...	9	+1013224...	137	+1015091...	187	+1015918...	61
+1013077...	9	+1013226...	137	1015092...	39,41	+1015919...	61
+1013080...	13	+1013227...	137	+1015093...	187	+1015928...	213
+1013082...	9	+1013228...	137	+1015094...	137,187	+1015937...	127
+1013083...	13	+1013229...	137	+1015095...	137,187	+1015945...	137
+1013084...	3,9	+1013230...	137	1015114...	91	+1015946...	137
+1013085...	13	+1013231...	137	1015120...	91,191	+1015964...	89
+1013086...	9	+1013234...	137	1015143...	91	+1015965...	89
+1013087...	3,9	+1013239...	137	1015144...	91,191	+1015966...	89
+1013092...	15	1013306...	61,63	+1015145...	55	+1015967...	89
+1013095...	17	+1013543...	61	1015146...	55,91	+1015968...	89
+1013096...	11	1013695...	81	1015147...	91,167	+1015969...	89
+1013098...	15,31	1013696...	81	1015166...	83	+1015978...	61
+1013099...	15,31	1013697...	81	+1015191...	47	+1015985...	61
+1013101...	7	+1013714...	135,171,183	+1015192...	49	+1015986...	61,195
+1013102...	7	189	+1015193...	49	+1015987...	55	
+1013110...	17	1013787...	93	+1015194...	49	+1015992...	205
+1013115...	15	1014427...	89	+1015195...	53	+1016003...	205
+1013116...	3,43	+1014457...	191	+1015278...	53	+1016026...	199
+1013119...	57	+1014507...	191	+1015279...	53	+1016074...	135,169,171
+1013120...	57	1014517...	89	1015290...	47,81	+1016118...	171
+1013121...	57	1014520...	89	1015291...	47,81	+1016131...	205
+1013122...	57	1014521...	89	1015320...	87	+1016149...	189
+1013123...	57	1014525...	89	+1015329...	193	+1016150...	189
+1013125...	57	1014552...	185	+1015330...	193	+1016163...	211
+1013126...	57	+1014581...	207	+1015344...	49	+1016184...	189
+1013129...	3,57	+1014583...	207	+1015345...	49	+1016207...	197
+1013130...	57	1014585...	81	+1015346...	49	+1016216...	211
+1013131...	57	1014596...	65	+1015347...	51	+1016219...	103
+1013137...	35	1014631...	65	1015395...	167	+1016220...	211
+1013138...	57	1014660...	81	1015397...	167	+1016221...	197
+1013139...	57	1014690...	85,135,169	1015398...	167	+1016223...	169
+1013140...	57	171	1015404...	81	+1016224...	211	
+1013141...	57	+1014694...	139	1015411...	59	+1016228...	103,119,123
+1013142...	35	1014703...	139	1015445...	67	+1016230...	103
+1013143...	35	1014704...	139	1015446...	99	+1016231...	103
+1013144...	57	+1014743...	171,189	1015447...	99	+1016232...	103
+1013145...	57	1014747...	185	1015451...	99	+1016349...	209
+1013146...	3,35	1014748...	159	+1015579...	9	+1016367...	171
+1013147...	35	+1014749...	125,169,171	+1015580...	13	+1016368...	171
+1013148...	35	+1014750...	125,199	+1015581...	13	+1016369...	171
+1013155...	7	1014761...	125	+1015583...	13	+1016370...	171
+1013156...	13	+1014763...	125	+1015584...	15	+1016371...	171
+1013157...	13	+1014764...	125	+1015585...	9	+1016372...	135,169,171
+1013159...	13	1014770...	65	+1015586...	57	+1016380...	189
+1013160...	13	1014771...	67	+1015588...	57	+1016381...	189

NUMERICAL INDEX

PART NO.	PAGE	PART NO.	PAGE	PART NO.	PAGE	PART NO.	PAGE
+1016382...	189	+1016475...	129	+1016624...	183	1132874...	113
+1016384...	171	+1016476...	129	+1016625...	183	1134827...	153
+1016385...	171	+1016477...	129	+1016626...	183	1134829...	153
+1016395...	151	+1016478...	129,133	+1016627...	183	1134841...	153
+1016396...	151	+1016479...	129,131	+1016628...	183	1134985...	113
+1016397...	173	+1016480...	129	+1016629...	183	1142678...	73
+1016398...	173	+1016481...	129	+1016633...	105	1148619...	73
+1016399...	173	+1016482...	143	+1016634...	177	1172888...	73
+1016401...	173	+1016483...	143	+1016652...	177	1172891...	73
+1016402...	173	+1016484...	143	+1016653...	177	1172893...	73
+1016403...	173	+1016485...	143	+1016654...	177	1172895...	73
+1016404...	173	+1016486...	143	+1016655...	177	1172896...	73
+1016405...	173	+1016487...	143	+1016659...	177	1172897...	73
+1016407...	173	+1016488...	145	+1016660...	177	1172898...	73
+1016408...	173	+1016489...	145	+1016961...	185	1172899...	73
+1016409...	173	+1016490...	145	+1016962...	177	1173327...	73
+1016410...	173	+1016491...	145	+1016966...	173	1173328...	73
+1016411...	173	+1016492...	145	+1016977...	211	1173329...	73
+1016412...	173	+1016493...	145	+1016978...	211	1173330...	73
+1016413...	173	+1016494...	145	+1016981...	211	+1173773...	143
+1016414...	173	+1016495...	147	+1016982...	211	+1174439...	143
+1016417...	173	+1016496...	147	+1016983...	211	1174683...	73
+1016418...	173	+1016499...	147	+1016984...	211	1178407...	113
+1016419...	173	+1016500...	147	+1017024...	207	1178408...	113
+1016420...	173	+1016501...	147	+1017025...	207	+1180109...	73
+1016421...	173	+1016502...	147	+1017033...	157	+1183891...	103
+1016422...	173	+1016503...	147	+1017035...	157	+2014642...	187
+1016423...	173	+1016504...	147	+1017066...	157	2014684...	139,147,149
+1016425...	111,117,119	+1016505...	147	+1017067...	157	+2014685...	137
	121,123	+1016506...	147	+1017068...	157	+2014764...	187
+1016426...	121	+1016507...	147	+1017070...	157	+2014802...	185
+1016427...	117	+1016508...	147	+1017076...	193	2015255...	139,149
+1016428...	117,121	+1016513...	181	+1017077...	193	+2015521...	187
+1016429...	117,121	+1016514...	181	+1017078...	193	2016374...	85,135,169
+1016430...	119,123	+1016515...	181	+1017079...	193		171
+1016431...	117,121	+1016516...	181	+1017080...	193	2017234...	139,149
+1016432...	119	+1016517...	183	+1017087...	57	2017235...	139
+1016433...	119	+1016518...	183	+1017088...	193	2017362...	139
+1016434...	119,123	+1016519...	183	+1017089...	193	+2017378...	131,133
+1016437...	119	+1016520...	183	+1017110...	155	+2017379...	131,133
+1016438...	123	+1016521...	181	+1017111...	155	+2017385...	129
+1016441...	181	+1016528...	55	+1017128...	195	+2017390...	129
+1016442...	181	+1016529...	55	+1017137...	165	+2017471...	129
+1016443...	181	+1016532...	197	+1017139...	165	2017479...	141
+1016444...	181	+1016543...	173	+1017143...	191	2017480...	139,149
+1016445...	181	+1016544...	173	+1017148...	191	2017868...	201
+1016446...	181	+1016545...	173	+1017149...	191	+2018207...	187
+1016447...	181	+1016550...	39,41	+1017152...	191	+2018215...	187
+1016448...	181	+1016551...	183	+1017153...	191	+2018307...	187
+1016449...	181	+1016552...	183	+1017154...	191	+2018308...	187
+1016449...	181	+1016553...	183	+1017155...	191	+2018328...	187
+1016450...	181	+1016554...	183	+1017176...	191	2018394...	141
+1016452...	181	+1016555...	183	+1017177...	191	2018402...	139,149
+1016453...	181	+1016556...	183	+1017178...	191	2018411...	139
+1016454...	181	+1016557...	183	+1017179...	191	2018412...	139
+1016455...	181	+1016558...	183	+1017180...	191	2018413...	139
+1016456...	181	+1016559...	183	+1017202...	193	+2018418...	129
+1016457...	181	+1016560...	183	+1017208...	195	+2018509...	187
+1016458...	181	+1016561...	183	+1017209...	195	+2018846...	203
+1016459...	181	+1016562...	183	+1017210...	195	+2018894...	203
+1016460...	181	+1016563...	183	+1017214...	195	+2018926...	131,133
+1016461...	181	+1016564...	183	+1017347...	117,121	2018984...	127
+1016462...	181	+1016565...	183	+1017347...	117,121	+2018989...	135,169,171
+1016463...	181	+1016566...	183	+1017363...	81	2019370...	39,41
+1016464...	181	+1016567...	183	+1017365...	3	+2019394...	187
+1016465...	181	+1016568...	183	+1017366...	3	+2019395...	187
+1016466...	181	+1016569...	183	+1017367...	3	+2019424...	207
+1016467...	181	+1016571...	169	+1017368...	3	+2019546...	203
+1016468...	181	+1016573...	135,169	+1017377...	193	+2019547...	203
+1016469...	181	+1016578...	135	+1017378...	103,117,121	+2019548...	203
+1016470...	181	+1016579...	135	+1017388...	53	+2019967...	187
+1016471...	181	+1016586...	181	+1122836...	123	+2020059...	199
+1016472...	181	+1016621...	183	1126495...	113	+2020683...	129
+1016473...	181	+1016622...	183	1132770...	153	3053637...	139
+1016474...	181	+1016623...	183	1132771...	153		

NUMERICAL INDEX

PART NO.	PAGE	PART NO.	PAGE
+4027748...	53	+4056590...	53
+4043642...	49	+4056799...	49
+4048603...	49	+4059134...	53
+4048604...	49	+4059170...	49
+4048605...	49	+4059171...	49
+4048620...	53	+4059221...	53
+4048624...	49	+4059667...	51
+4048627...	49	+4060058...	51
+4048630...	49	+4060065...	51
+4048635...	49	+4060067...	51
+4048636...	49	+4060214...	51
+4048643...	49	+4060668...	51
+4048647...	49	+4060745...	51, 53
+4048650...	49	+4060959...	49
+4049437...	51	+4061128...	51
+4049532...	49	+4061170...	51
+4049533...	49	+4061193...	49
+4050417...	53	+4061205...	51
+4050910...	49	+4061206...	49
+4050913...	49	+4061207...	51
+4051363...	51	+4061283...	49
+4051364...	51	+4061378...	51
+4051365...	51	+4061569...	53
+4051366...	49	+4061587...	53
+4051372...	53	+4061588...	53
+4051376...	53	+4061601...	51
+4051378...	49	+4061611...	53
+4051379...	53	+4061670...	49
+4051383...	51	+4369436...	53
+4051385...	53	+4369444...	53
+4051386...	53	+4369451...	53
+4051388...	53	+4369496...	51
+4051409...	51	+4369502...	51
+4051500...	49	+4369592...	53
+4051504...	51	+4369595...	51, 53
+4051559...	49	+4369596...	53
+4051809...	49	+4369599...	53
+4051815...	51	+4369878...	49, 51
+4052538...	53	4760149...	47, 61, 63
+4052540...	49		159
+4052541...	53	4819261...	65
+4052915...	49	4818262...	65
+4053266...	49	+4818263...	65
+4053267...	49, 53	+4826128...	191
+4053362...	53	4905463...	113
+4053375...	49	+4905468...	113
+4053384...	53	4905520...	113
+4053385...	53	4907794...	39, 41
+4053589...	49	4994913...	153
+4053590...	53	4995371...	153
+4053829...	51	+4996401...	131, 133
+4054579...	49	+4996402...	131, 133
+4054583...	51	+4996403...	131, 133
+4054585...	51	+4996404...	131, 133
+4054586...	51	+4996414...	131, 133
+4054589...	51	+4997192...	131, 133
+4054591...	51	4997473...	113
+4054592...	51	4998800...	113
4054799...	67, 73	9002032...	81, 139, 141
4054848...	73		149, 185, 189
+4055293...	49		199
+4055442...	49	+9002035...	187
+4055687...	51	9002803...	81
+4055892...	53		
+4055937...	53		
+4055958...	53		
+4055959...	53		
+4055960...	53		
+4055961...	53		
+4055962...	53		
+4055965...	53		
+4055966...	53		
+4056461...	53		
+4056488...	49		