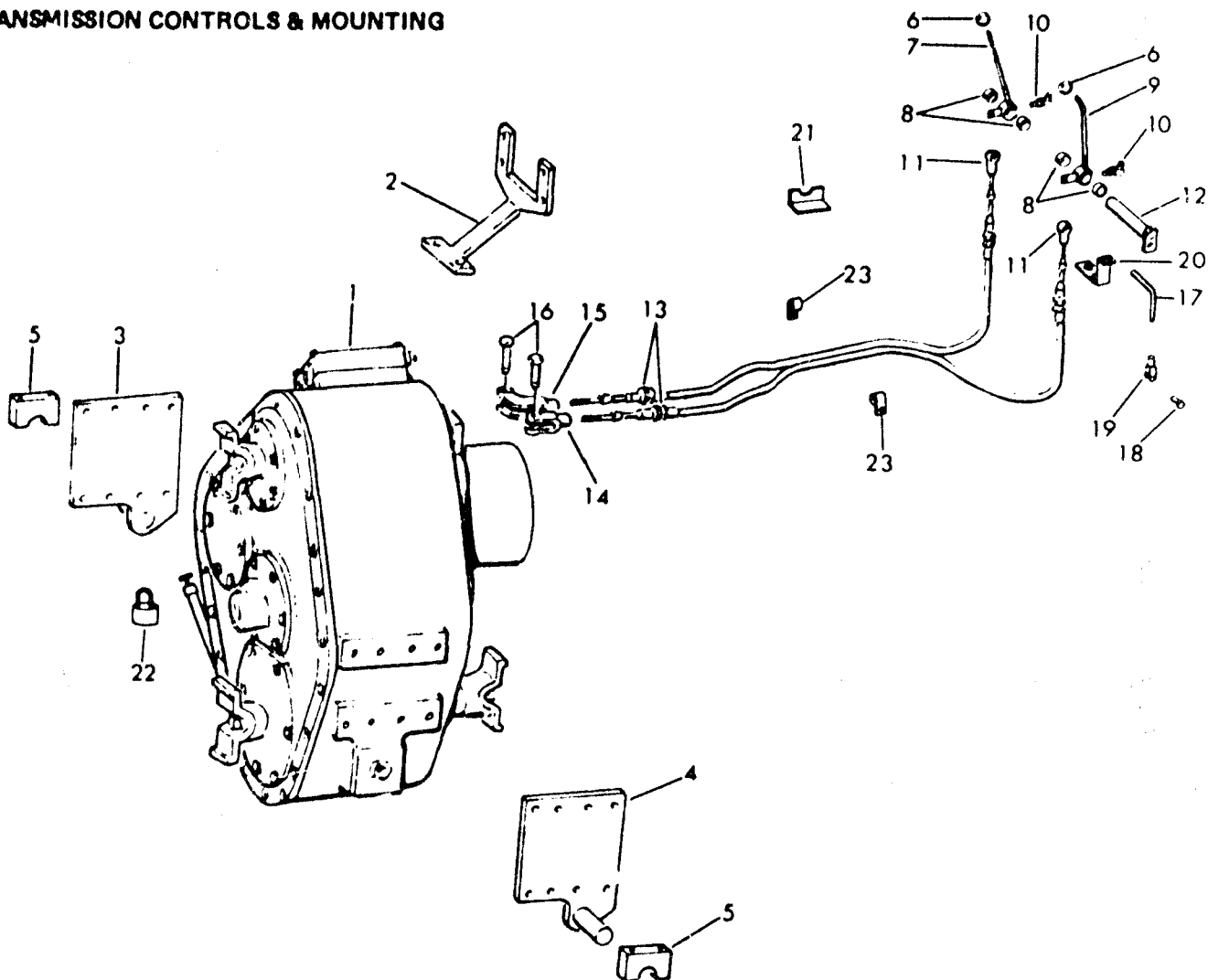


**DRIVE TRAIN**

REF. NO.	PART NUMBER	DESCRIPTION	REF. NO.	PART NUMBER	DESCRIPTION
----------	-------------	-------------	----------	-------------	-------------

**TRANSMISSION CONTROLS & MOUNTING**



**CE-111391A**

1	1 105 644 C91	TRANSMISSION ASSY (Consists of all parts listed on the following pages under "TRANSMISSION")	6	934 110 C1	KNOB, lever (2)
2	933 144 C1 24 861 R1 30 295 R1 25 546 R1	SUPPORT, transmission top BOLT, 1-1/4" long (2) BOLT (2) WASHER (4)	7	899 400 C91	LEVER w/two BUSHING, 621 050 C91 (Range) (2)
3	894 930 C1 24 866 R1 9 412 230 25 546 R1	SUPPORT, transmission lower L.H. BOLT (7) NUT (7) WASHER (14)	8	621 050 C91	BUSHING (4)
4	894 931 C1 24 863 R1 25 546 R1	SUPPORT, transmission lower R.H. BOLT (8) WASHER (8)	9	899 398 C91	LEVER w/two BUSHING, 621 050 C91 (Forward and reverse) (S/N 21363 and down)
5	216 618 H1 275 635 R1 25 546 R1 24 865 R1	BAR (2) BOLT, R.H. (S/N 21363 and (4) WASHER (4) BOLT, L.H. (S/N 21364 and up) (4)	9	1 124 947 C91	LEVER (Forward and reverse) (S/N 21364 and up)
			10	109 460	FITTING, grease (2)

# DRIVE TRAIN

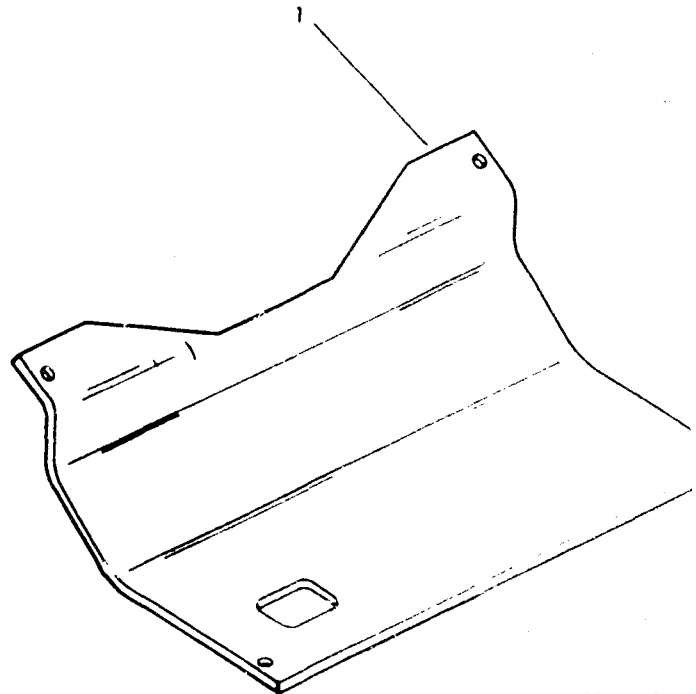
REF. NO.	PART NUMBER	DESCRIPTION
----------	-------------	-------------

REF. NO.	PART NUMBER	DESCRIPTION
----------	-------------	-------------

## TRANSMISSION CONTROLS & MOUNTING -- Continued

## TRANSMISSION GUARD ATTACHMENT

11	934 109 C1 25 493 R1 25 520 R1 25 931 R1	ROD END (2) NUT, 5/16 NC (2) SCREW (2) NUT, 5/16 NF (2)
12	1 101 459 C2 24 839 R1 25 553 R1	PIN ASSEMBLY BOLT WASHER
13	214 294 H2	CABLE, control (2)
14	676 595 C1 25 931 R1	CLEVIS NUT
15	884 930 C2 25 931 R1	END, yoke NUT
16	219 497 H1 103 372	PIN, clevis (2) PIN, cotter (2)
17	883 893 C1	ROD, link
18	103 493 103 361	PIN, clevis PIN, cotter
19	117 824 103 088	CLEVIS, rod end NUT
20	886 855 C1	SUPPORT, neutral safety switch (S/N 21363 and down)
20	1 124 944 C1 25 487 R1 25 532 R1 25 519 R1 25 931 R1	SUPPORT, neutral safety switch (S/N 21364 and up) BOLT (2) WASHER (4) NUT, hex NUT, jam
21	1 122 628 C1 25 222 R1 25 542 R1	HINGE, direct lever lock BOLT (2) WASHER (2)
22	650 382 C91	PADLOCK w/KEY
23	143 142 H1 70 427 R1 25 524 R1 25 545 R1	CLAMP (2) BOLT NUT WASHER



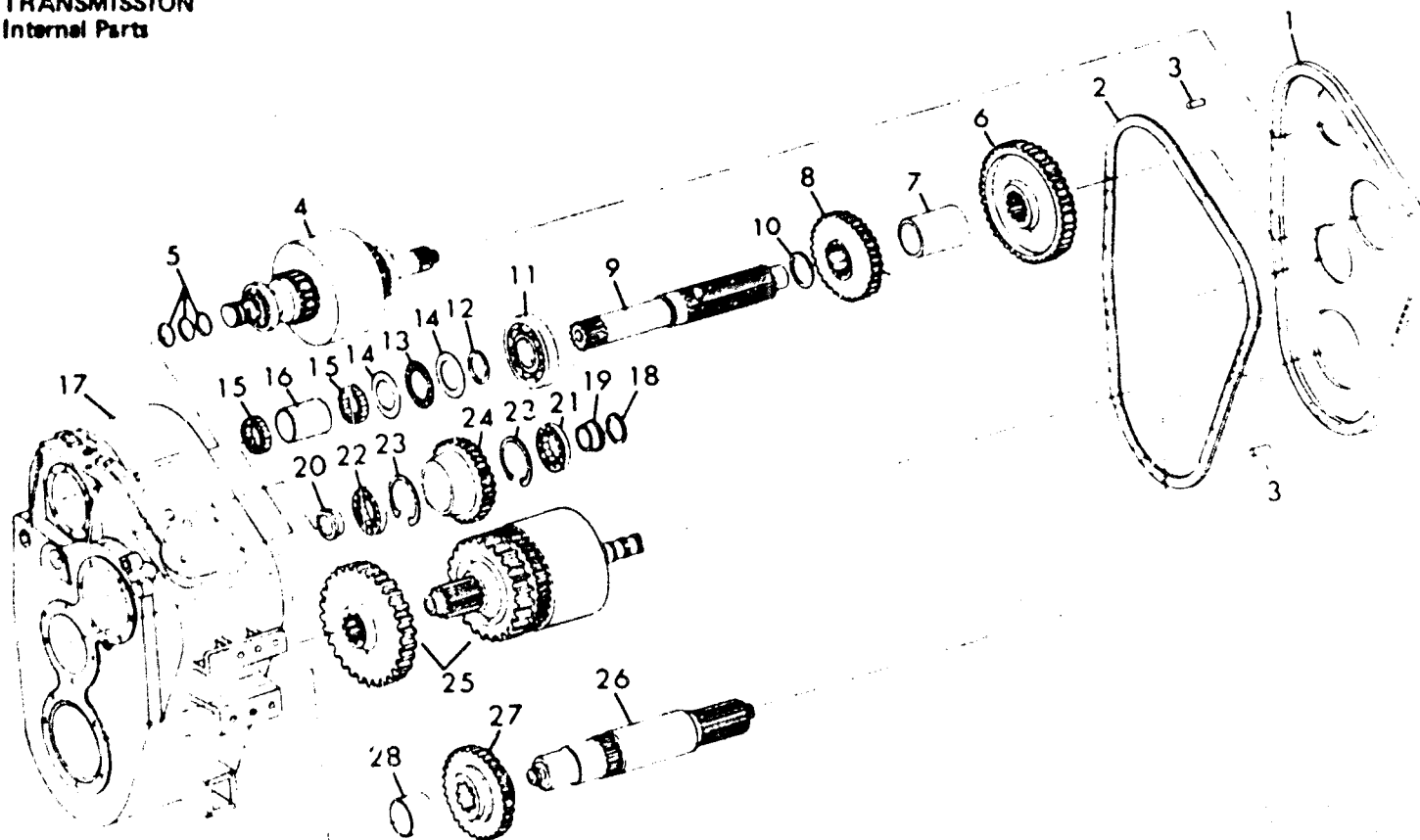
CE-11397

1	1 120 654 C1 24 890 R1 25 557 R1 25 529 R1	GUARD, transmission BOLT (4) WASHER (6) NUT (2)
---	---	--

**DRIVE TRAIN**

REF. NO.	PART NUMBER	DESCRIPTION	REF. NO.	PART NUMBER	DESCRIPTION
----------	-------------	-------------	----------	-------------	-------------

**TRANSMISSION**  
Internal Parts



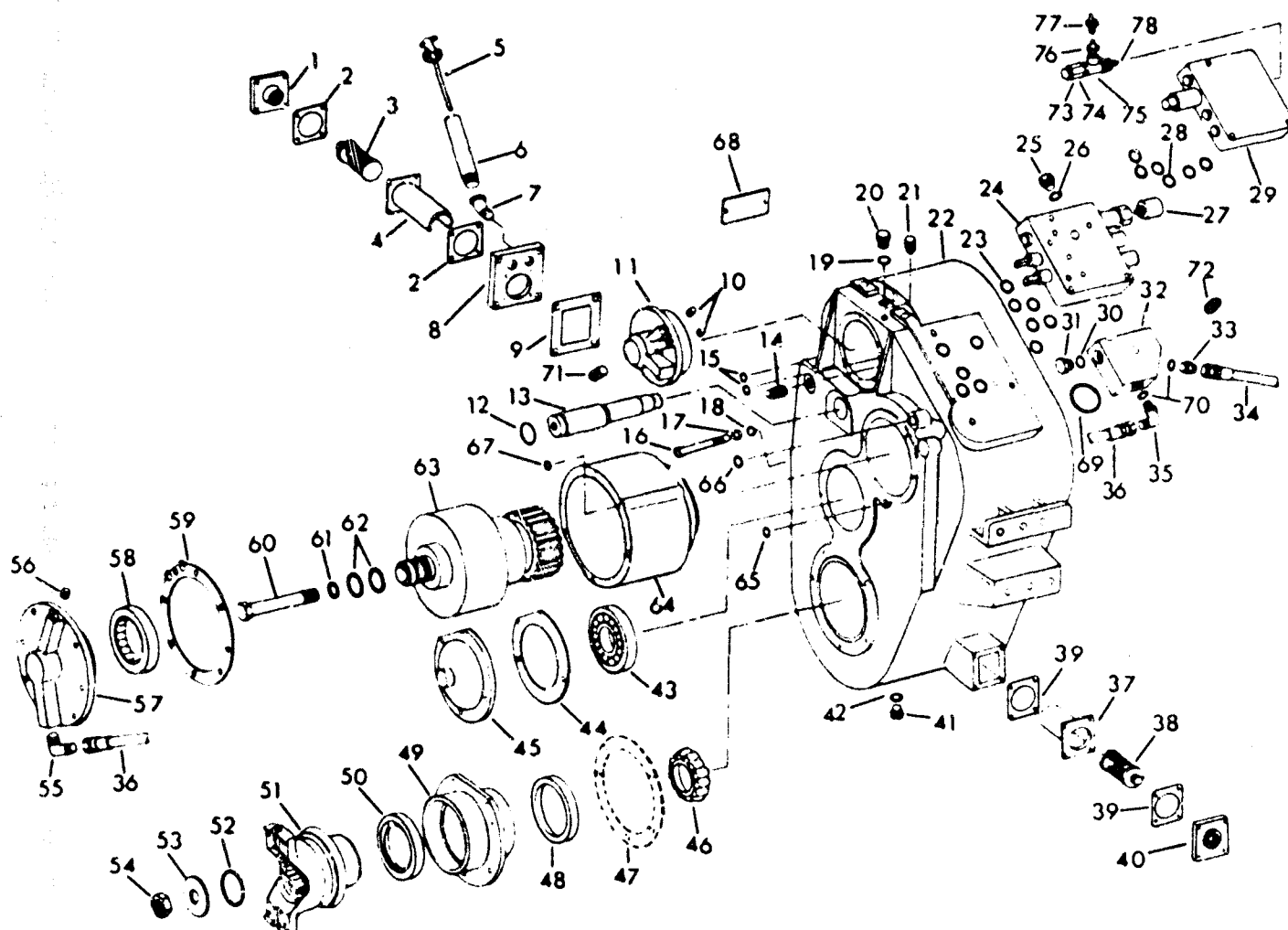
**CE-111394**

1		COVER, rear main (Refer to "Rear Cover and Related Parts")	16	922 533 C1	SPACER
2	125 524 H1	GASKET, main cover	17		HOUSING, main (Refer to "Main Housing and Tube Assembly")
3	19 904 R1	PIN, dowel (2)	18	222 445 H1	SPACER
4		CLUTCH ASSEMBLY, forward and reverse (Refer to "Forward and Reverse Clutch")	19	220 486 H1	RACE, inner
5	129 509 H1	RING, seal (3)	20	928 957 C1	RACE, inner
6	1 104 316 C1	GEAR, 53T	21	350 500 R91	BEARING
7	928 426 C1 138 999	SPACER SCREW, set	22	928 958 C91	BEARING
8	921 726 C2	GEAR, 37T	23	468 337 R1	RING, retaining (2)
9	923 212 C1	SHAFT, upper counter	24	929 211 C2	GEAR, 30T
10	125 566 H1	RING, retaining	25		CLUTCH ASSY, second and third gear (Refer to "Second and Third Gear Clutch Assembly")
11	ST-297	BEARING, ball	26	880 987 C1	SHAFT, output
12	238 604 R1	RING, retaining	27	1 105 596 C1	GEAR, 27T - output driven
13	197 228 H1	BEARING, needle thrust	28	220 522 H1	SPACER
14	922 984 C1	RACE, thrust (2)			
15	197 246 H1	BEARING, needle (2)			

# DRIVE TRAIN

REF. NO.	PART NUMBER	DESCRIPTION	REF. NO.	PART NUMBER	DESCRIPTION
----------	-------------	-------------	----------	-------------	-------------

## TRANSMISSION External Parts



**CF-111395A**

1	222 164 H1 24 840 R1 120 382	RETAINER, strainer BOLT (4) WASHER (4)	11	938 595 C1 24 840 R1 24 621 R1 24 842 R1 445 684	CAP, forward and reverse oil supply BOLT, 1" (4) BOLT, 2-1/4" BOLT, 1-3/4" PLUG
2	1 110 497 C1	GASKET, strainer retainer (Replaces 129 570 C1) (2)	12	707 253 R1	"O" RING, reverse idler shaft
3	923 081 C2	ELEMENT, filter	13	922 536 C1 26 600 R1	SHAFT, reverse idler SCREW, 1/2 x 5/8" hex-hd cap
4	922 985 C1	SHROUD	14	445 686	PLUG
5	1 120 901 C1	DIPSTICK, transmission oil (Replaces 159 208 H2)	15	355 966 R1	"O" RING (2)
6	1 120 923 C1	FITTING, dipstick (Replaces 923 133 C1)	16	25 763 R1	BOLT, reverse idler shaft
7	144 116	ELBOW, 45°	17	396 323 R1	WASHER
8	922 532 C1 24 841 R1 120 382	PLATE BOLT (4) WASHER (4)	18	370 920 R1	"O" RING
9	120 275 H1	GASKET, plate			
10	444 854	PLUG (2)			

## DRIVE TRAIN

REF. NO.	PART NUMBER	DESCRIPTION	REF. NO.	PART NUMBER	DESCRIPTION
<b>TRANSMISSION</b>			45	1 105 369 C2	COVER (Not used on units equipped w/Ground Driven Steering)
External Parts - Continued				24 840 R1	BOLT (5)
19	114 851 H1	WASHER, seal	46	13 396 DC	CONE
20	445 096	PLUG, filler	47	610 557 C9 i	GASKET, plastic (2-oz. bottle) (x)
21	444 614	PLUG	48	13 390 D	CUP, bearing
22		HOUSING, main (Refer to "Main Housing and Tube Assembly")	49	929 384 C1 24 862 R1	CAP, output yoke BOLT (5)
23	355 966 R1	"O" RING, control valve to main housing (6)	50	880 605 C91	SEAL, oil
24		VALVE, transmission control (Refer to "Control Valve")	51	933 076 C91	YOKE, front output
25	9 410 359	PLUG	52	702 283 R1	"O" RING
26	570 828 R1	"O" RING	53	880 994 C1	WASHER, yoke retainer
27	186 242 H1	CYLINDER, air	54	215 617 R1	NUT, yoke retainer
28		"O" RING, scheduling valve to transmission control valve (Refer to "Scheduling Valve") (6)	55	9 402 867	ELBOW, 90°
29		VALVE, scheduling (Refer to "Scheduling Valve")	56	444 854	PLUG, cover
	24 846 R1	BOLT (3)	57	922 914 C1 140 493 H 120 382	COVER, first gear clutch BOLT (9) WASHER (9)
	25 544 R1	WASHER (3)	58	299 489 R91	RACE w/ROLLERS, outer
30	9 410 361	PLUG, lube manifold	59	928 466 C1	GASKET, cover
31	368 269 R1	"O" RING	60	129 508 H2	BOLT, special
32	938 594 C1 275 804 R1 125 003 H1	MANIFOLD, lube BOLT SEAL	61	16 066 R1	WASHER
33	9 410 205	ADAPTER, straight	62	129 509 H1	"O" RING, first gear clutch shaft (2
34		HOSE (Refer to "Rear Cover and Related Parts")	63		CLUTCH ASSY, first gear (Refer to "First Gear Clutch")
35	9 411 107	ELBOW, 45°	64	1 105 337 C1 24 843 R1 120 382	HOUSING, first gear clutch BOLT (6) WASHER (6)
36	220 605 H1	HOSE, first gear clutch housing to manifold	65	352 221 R1	"O" RING, first gear clutch housing
37	922 985 C1	SHROUD	66	355 966 R1	"O" RING, first gear clutch housing
38	923 081 C2	ELEMENT, filter	67	355 966 R1	"O" RING, first gear clutch housing
39	1 110 497 C1	GASKET (Replaces 129 570 C1)(2)	68	887 529 C1 123 250 H1	PLATE, name SCREW, drive (2)
40	222 164 H1 24 840 R1 120 382	RETAINER, strainer BOLT (4) WASHER (4)	69	293 726 R1	"O" RING, manifold to main housi
41	113 933 H	PLUG, magnetic drain	70	368 269 R1	"O" RING (2)
42	114 851 H1	WASHER, seal	71	445 684	PLUG, cap
43	187 071 H1	BEARING, race w/rollers, outer			
43	OR 1 110 193 C91	BEARING, race w/rollers, outer			
44	1 105 352 C1	GASKET (Not used on units equipped w/Ground Driven Steering)			

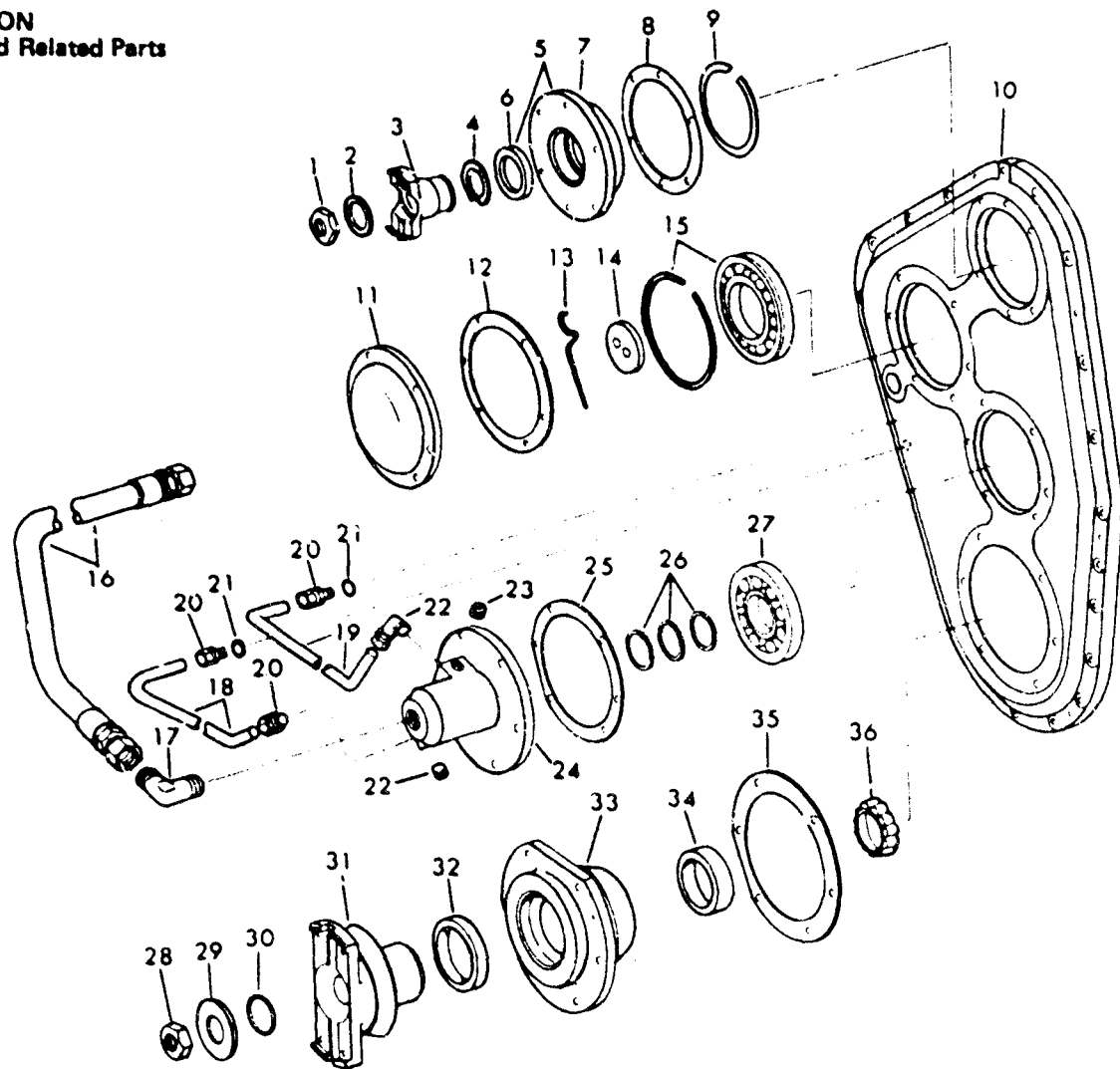
# DRIVE TRAIN

REF. NO.	PART NUMBER	DESCRIPTION	REF. NO.	PART NUMBER	DESCRIPTION
<b>TRANSMISSION</b>					
External Parts - Continued					
72	445 634	PLUG, manifold			
73	876 106 C1	"O" RING			
74	9 409 287	CONNECTOR, straight			
75	444 151	FITTING, tee			
76	443 998	REDUCER			
77	342 775 R91	PLUG			
78	9 402 709	CONNECTOR, straight			

# DRIVE TRAIN

REF. NO.	PART NUMBER	DESCRIPTION	REF. NO.	PART NUMBER	DESCRIPTION
----------	-------------	-------------	----------	-------------	-------------

**TRANSMISSION**  
Rear Cover and Related Parts



**CE-111396A**

1	215 617 R1	NUT	11	116 610 H1	COVER
2	25 540 R1	WASHER		24 840 R1	BOLT (6)
3	135 589 H1	YOKE, input		120 382	WASHER (6)
4	21 269 R1	RING, retaining	12	116 611 H1	GASKET
5	199 156 H2	CAP w/SEAL, 19? 527 C1, CAP,	13		WIRE, locking (16 ga. x 7" long)
	24 840 R1	116 608 H2			(Cut from bulk WIRE, 278 027 F)
	120 382	BOLT (6)	14	116 623 H1	RETAINER
		WASHER (6)		15 210 D	BOLT (2)
6	192 527 C1	SEAL (Replaces, 104 705 H1)	15	ST-296	BEARING w/SNAP RING, bal
7	116 608 H2	CAP	15	879 059 C1	HOSE
8	116 609 H1	GASKET	17	9 402 867	ELBOW, 90°
9	125 573 H1	RING, retaining	18	143 052 H1	TUBE, second
10	143 053 H2	COVER, main housing	19	152 125 H1	TUBE third
	140 483 H1	BOLT, 3/8" (19)	20	129 553 H1	FITTING, straight (3)
	27 077 R1	BOLT, special (2)			
	25 534 R1	WASHER (Replaces 120 382)(21)			

## DRIVE TRAIN

REF. NO.	PART NUMBER	DESCRIPTION	REF. NO.	PART NUMBER	DESCRIPTION
<b>TRANSMISSION</b>					
<b>Rear Cover and Related Parts — Continued</b>					
1	352 221 R1	"O" RING (2)			
22	129 554 H1	ELBOW, 90°			
23	444 854	PLUG (2)			
24	922 179 C1	CAP, oil supply			
	24 840 R1	BOLT (6)			
	120 382	WASHER (6)			
25	120 243 H1	GASKET			
26	129 509 H1	RING, seal (3)			
27	187 071 H1	BEARING, roller			
27	1 110 193 C91	OR BEARING, roller			
28	215 617 R1	NUT			
29	880 994 C1	WASHER			
30	702 283 R1	"O" RING			
31	933 076 C91	Y-OKE, rear output			
32	880 605 C91	SEAL, oil			
33	929 383 C2	CAP			
	24 840 R1	BOLT (6)			
	120 382	WASHER (6)			
34	105 497 H	CUP, bearing			
35	877 481 C1	SHIM (.0025") (x)			
35	877 482 C1	SHIM (.005") (x)			
35	877 483 C1	SHIM (.010") (x)			
36	659 458 R91	CONE			
	278 027 R1	WIRE, locking, bulk 16 ga. x 50 ft.			



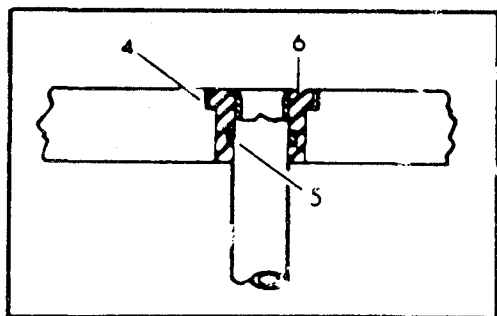
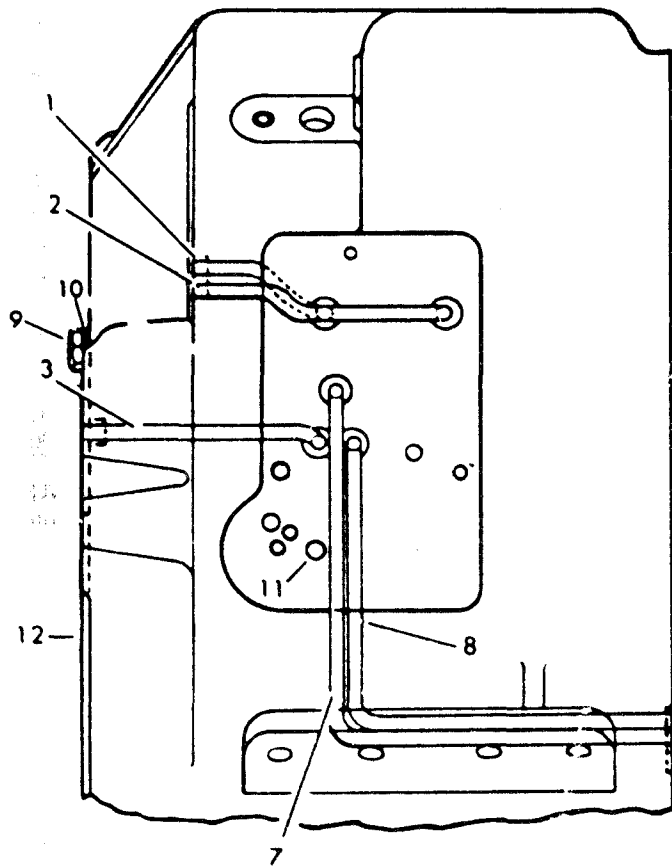
# DRIVE TRAIN

REF. NO.	PART NUMBER	DESCRIPTION	REF. NO.	PART NUMBER	DESCRIPTION
----------	-------------	-------------	----------	-------------	-------------

**TRANSMISSION**  
Main Housing and Tube Assembly

1 103 601 C91 HOUSING & TUBE ASSY, main  
(Consists of the following parts —

1	125 511 H1	TUBE, forward
2	125 512 H1	TUBE, reverse
3	125 513 H1	TUBE, first
4	146 898 H1	WASHER, seal (16)
5	355 967 R1	"O" RING (16)
6	125 509 H1	BUSHING (16)
7	125 517 H1	TUBE, second
8	125 518 H1	TUBE, third
9	445 090	PLUG
10	113 897	GASKET
11	1 103 654	PLUG, oriface
12	\$	HOUSING, main



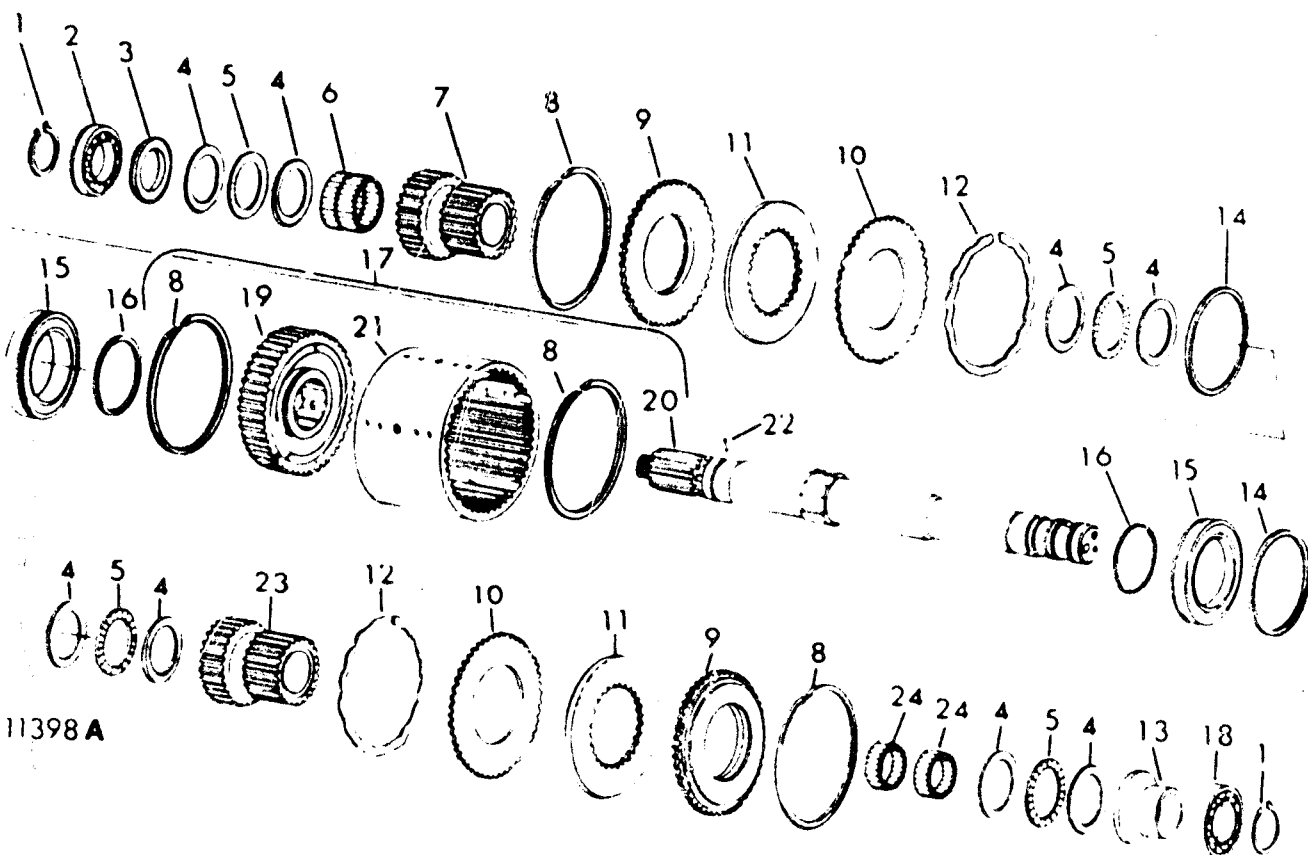
CI-111397

# DRIVE TRAIN

REF. NO.	PART NUMBER	DESCRIPTION	REF. NO.	PART NUMBER	DESCRIPTION
----------	-------------	-------------	----------	-------------	-------------

## TRANSMISSION

### Forward and Reverse Clutch Assembly



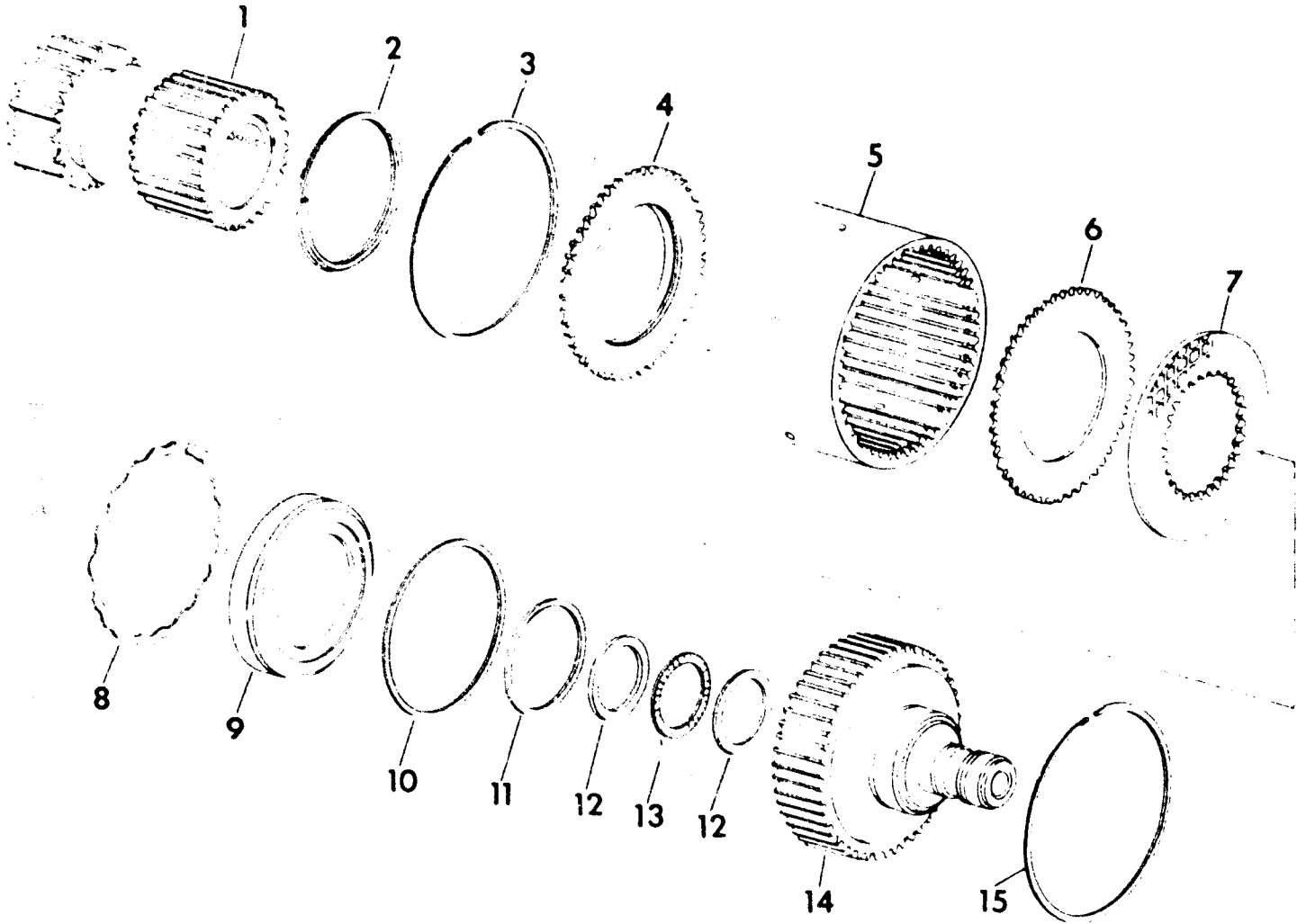
CE111398A

1	105 310 C92	CLUTCH ASSY, forward and reverse gears (Consists of the following parts -	13	922 529 C2	SPACER
1	21 269 R1	RING, retaining (2)	14	923 198 C1	RING, piston seal (external) 5-15/32" ID x 6-5/32" OD x 5/64" thick (2)
2	894 805 C91	BEARING, roller (Replaces, 53 304 D)	15	1 105 307 C1	PISTON (2)
3	922 857 C2	SPACER	16	922 912 C1	RING, piston seal (Internal) (2)
4	922 984 C1	RACE, thrust (8)	17	1 105 308 C91	HOUSING & SHAFT ASSY
5	197 228 H1	BEARING, needle thru's (4)	18	13 176 D	BEARING, ball
6	197 230 H1	BEARING, needle	19	1 104 389 C2	CYLINDER, clutch
7	1 104 315 C2	GEAR, 28T, forward input	20	933 506 C1	SHAFT ASSY
8	922 535 C1	RING, retaining (4)	21	922 752 C2	HOUSING
9	1 105 311 C1	PLATE, end (2)	22	17 134 R1	PIN, shaft spring
10	922 549 C1	PLATE, separator (20)	23	1 104 318 C1	GEAR, 21T, reverse input
11	922 551 C1	PLATE, friction (20)	24	197 246 H1	BEARING, needle (2)
12	922 913 C1	SPRING, wave (40)			

# DRIVE TRAIN

REF. NO.	PART NUMBER	DESCRIPTION	REF. NO.	PART NUMBER	DESCRIPTION
----------	-------------	-------------	----------	-------------	-------------

**TRANSMISSION**  
**First Gear - Clutch Assembly**

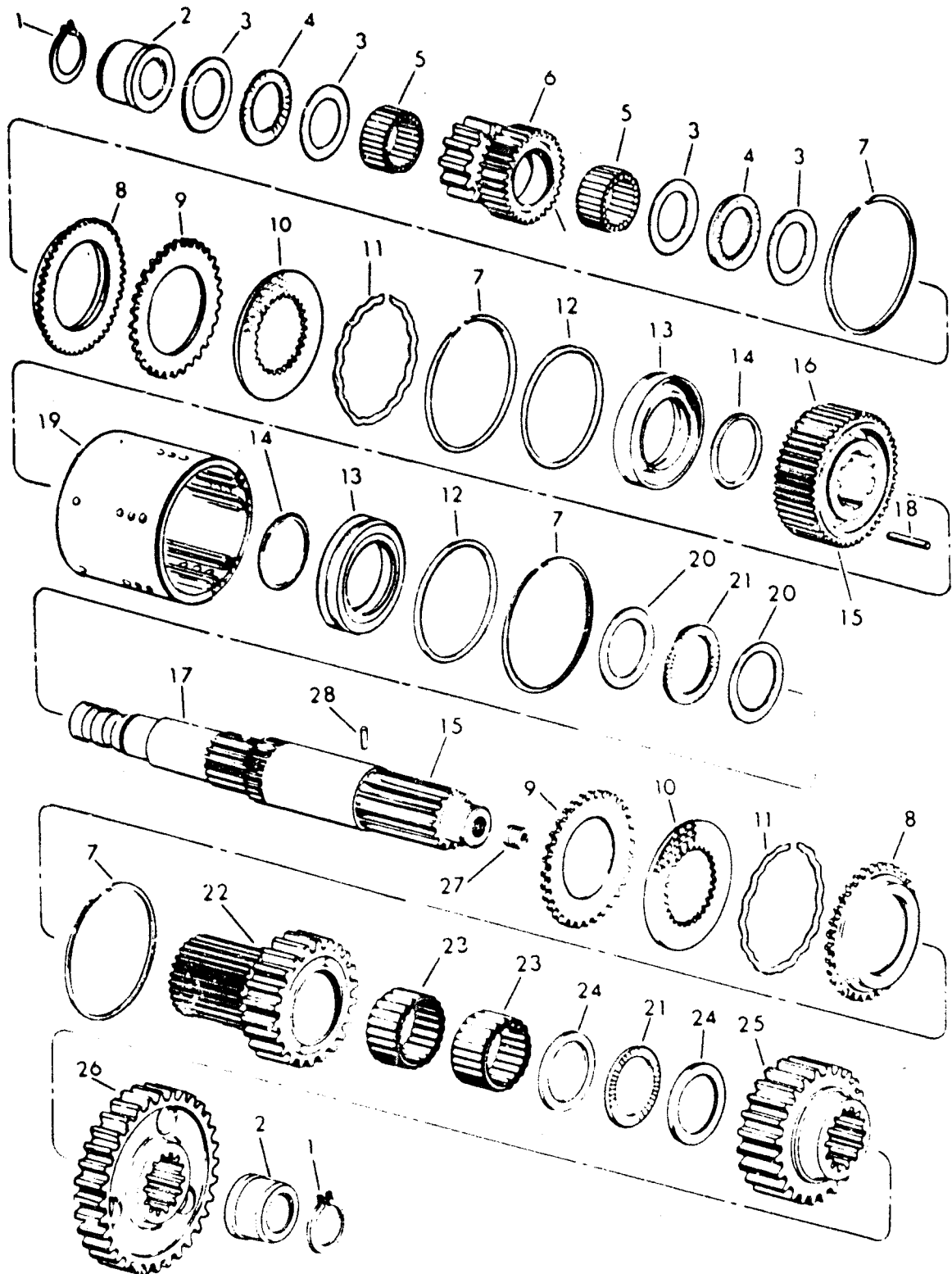


CE-102323

	1 105 306 C92	CLUTCH ASSEMBLY, first gear (Consists of the following parts -		8 922 913 C1	SPRING, wave (28)
1	1 104 319 C2	GEAR, 17T	9	923 053 C2	PISTON
2	222 444 H1	RING, retaining	10	923 198 C1	RING, piston seal (external)(5-15/32" ID x 6-5/32" OD x 5/64" thick)
3	922 535 C1	RING, end plate retaining	11	923 199 C1	RING, piston seal (internal)
4	922 548 C3	PLATE, end	12	922 984 C1	RACE, thrust (2)
5	922 858 C1	HOUSING, clutch	13	197 228 H1	BEARING, needle thrust
6	922 549 C1	PLATE, separator (external spline) (15)	14	922 534 C92	CYLINDER
7	922 551 C1	PLATE, friction (internal spline) (14)	15	922 535 C1	RING, cylinder retaining

# DRIVE TRAIN

## TRANSMISSION Second and Third Gear Clutch Assembly



CE-111399 A

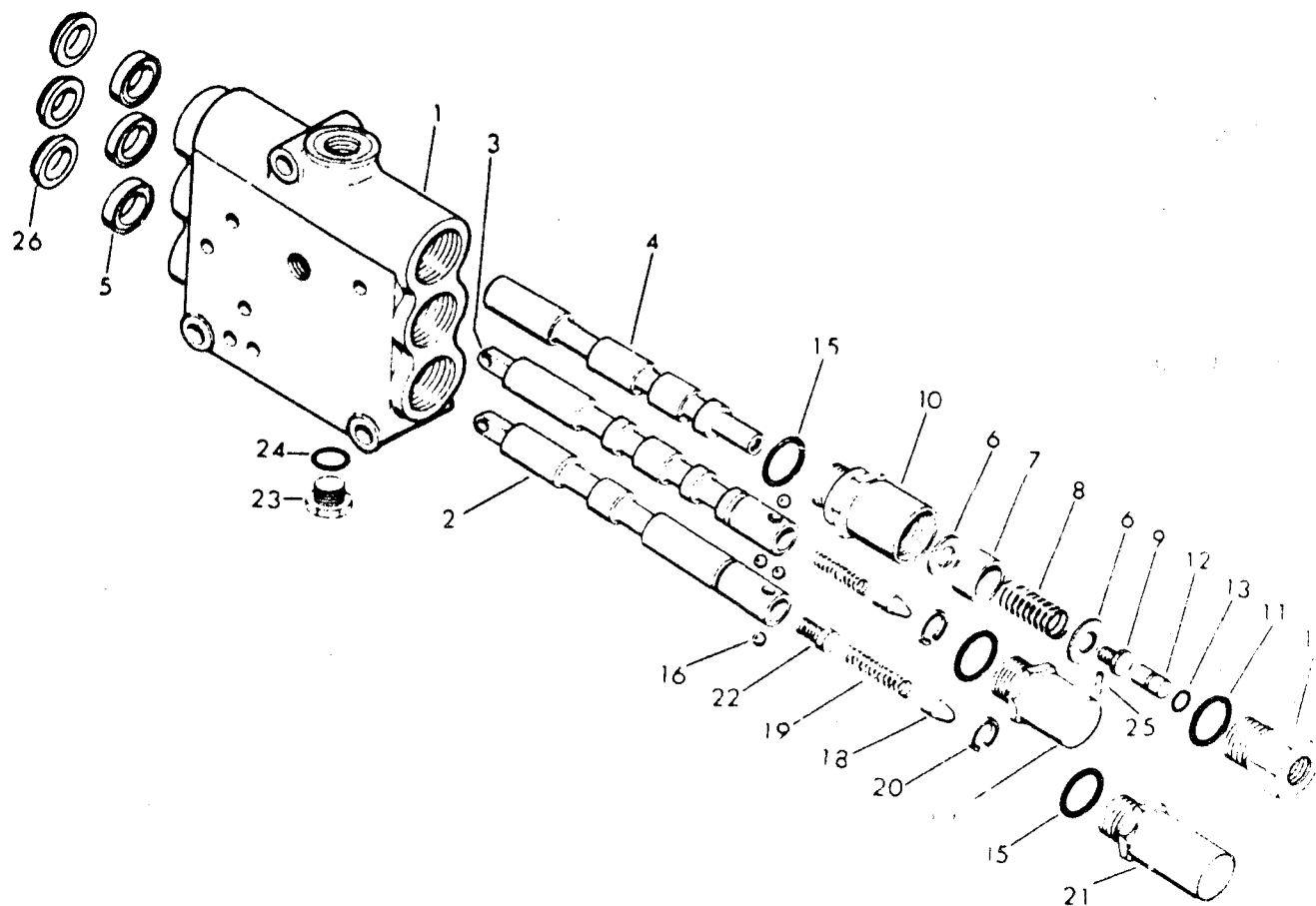
PRINTED IN UNITED STATES OF AMERICA

**DRIVE TRAIN**

REF. NO.	PART NUMBER	DESCRIPTION	REF. NO.	PART NUMBER	DESCRIPTION
<b>TRANSMISSION</b>					
<b>Second and Third Gear Clutch Assembly – Continued</b>					
1	105 639 C92	CLUTCH ASSY, second and third gears (Consists of the following parts –			
1	287 049 R1	RING, retaining (2)			
2	222 626 H1	RACE, inner (2)			
3	921 272 C1	RACE, thrust (4)			
4	374 011 R91	BEARING, needle thrust (2)			
5	610 766 C91	BEARING, needle (2)			
6	1 104 317 C2	GEAR, 22T, third			
7	922 535 C1	RING, retaining (4)			
8	922 548 C3	PLATE, end (2)			
9	922 549 C1	PLATE, separator (22)			
10	922 551 C1	PLATE, friction (20)			
11	922 913 C1	SPRING, wave (40)			
12	923 198 C1	RING, piston seal (external) (5-15/32" ID x 6-15/32" OD x 5/64" thick) (2)			
13	923 053 C2	PISTON (2)			
14	923 199 C1	RING, piston seal (internal) (2)			
	928 792 C92	SHAFT & CYLINDER ASSY			
16	922 552 C3	CYLINDER			
17	933 505 C2	SHAFT			
18	19 634 R1	PIN, spring (3)			
19	923 054 C1	HOUSING, clutch			
20	922 559 C1	RACE, thrust (2)			
21	219 220 H1	BEARING, needle thrust (2)			
22	921 733 C3	GEAR, 39T			
23	216 933 H1	BEARING, needle (2)			
24	922 861 C1	RACE, thrust (2)			
25	1 105 597 C1	GEAR, 23T			
26	1 104 320 C1	GEAR, 33T			
27	222 502	SCREW, set			
28	17 134 R1	PIN, spring (2)			

REF. NO.	PART NUMBER	DESCRIPTION	REF. NO.	PART NUMBER	DESCRIPTION
----------	-------------	-------------	----------	-------------	-------------

**TRANSMISSION**  
Transmission Control Valve



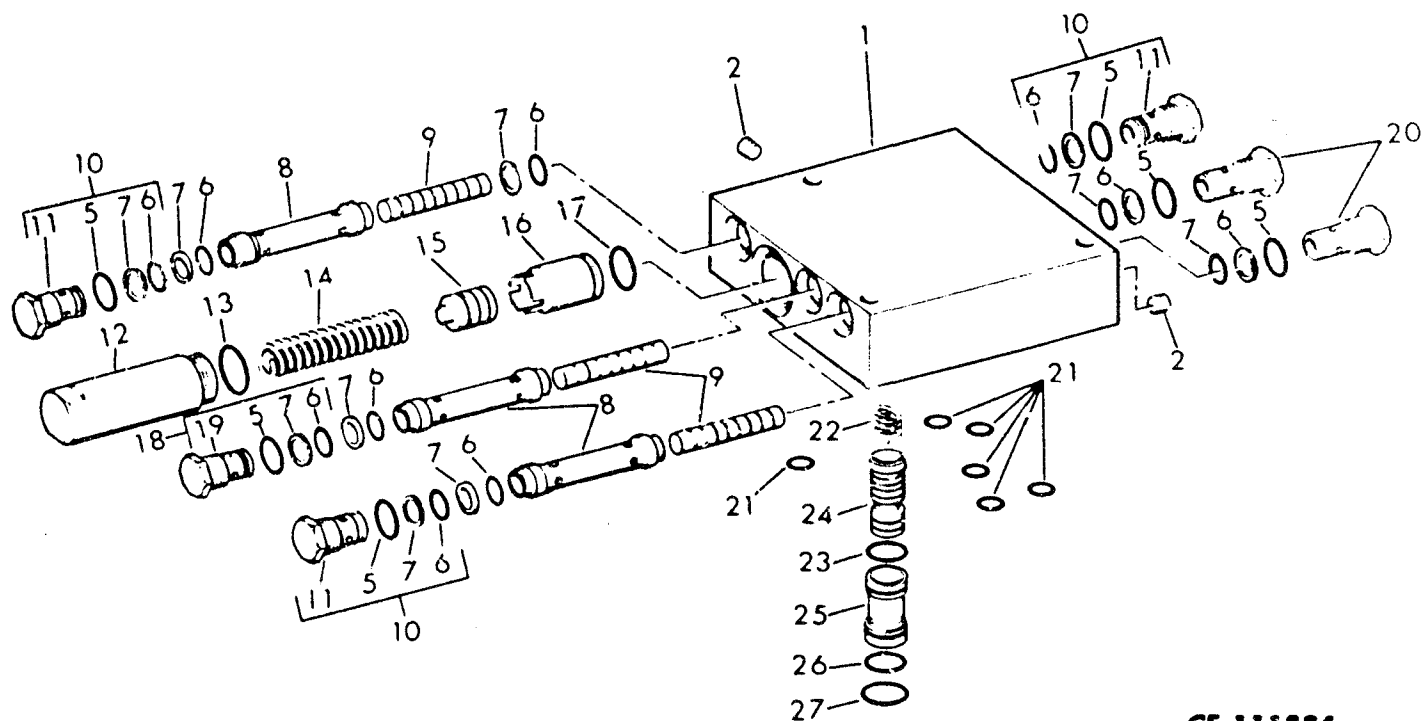
CE-111383

	927 204 C92	VALVE, transmission control (Consists of the following parts -	14	176 143 H1	PLUG, adapter
1	\$	HOUSING, valve	15	876 069 C1	"O" RING (3)
2	\$	PLUNGER, speed change	16	16 010 R1	BALL (8)
3	\$	PLUNGER, forward and reverse	17	144 633 H1	PLUG, detent
4	\$	PLUNGER, special	18	144 635 H1	CAM, detent (2)
5	634 148 C1	WIPER (3)	19	119 183 H1	SPRING (2)
6	176 418 H1	WASHER (2)	20	136 366 H1	RING, snap (2)
7	176 144 H1	SPACER	21	144 634 H1	PLUG, detent
8	180 940 H1	SPRING	22	927 977 C1	PLUG, plunger
9	219 735 H1	BOLT	23	9 410 35E	PLUG
10	176 142 H1	PLUG	24	876 206 C1	"O" RING
11	876 108 C1	"O" RING	25	207 332 H1	INSERT
12	176 145 H1	PIN	26	634 147 C1	SEAL (3)
13	27 475 R1	"O" RING			

# DRIVE TRAIN

REF. NO.	PART NUMBER	DESCRIPTION	REF. NO.	PART NUMBER	DESCRIPTION
----------	-------------	-------------	----------	-------------	-------------

**TRANSMISSION**  
Scheduling Valve



**CE-111384**

1	110 210 C91	VALVE, scheduling (Consists of the following parts -	15	927 687 C1	PISTON, accumulator
1	927 685 C1	BODY	16	927 686 C1	SLEEVE, accumulator
2	444 650	PLUG, pipe (2)	17	23 178 R1	"O" RING
5	364 885 R1	"O" RING (6)	18	927 697 C91	VALVE, check
6	370 920 R1	"O" RING (10)	19	\$	VALVE, check
7	929 435 C1	RING, back-up (10)	20	927 689 C1	RETAINER (2)
8	927 693 C1	SLEEVE, shuttle (3)	21	379 181 R1	"O" RING (3)
9	929 433 C1	SPOOL, shuttle (3)	22	927 694 C1	SPRING, compression
10	927 696 C91	VALVE, check (3)	23	298 385 R1	"O" RING
11	\$	VALVE, check (3)	24	929 434 C1	SPOOL, throttle
12	927 688 C1	RETAINER, spring	25	927 691 C1	SLEEVE, throttle
13	296 247 R1	"O" RING	26	574 069 R1	"O" RING
14	927 690 C1	SPRING, compression	27	377 028 R1	"O" RING