



Parts Catalog

SO.# 05760
1980.

~~Arnold Machine~~ SLC ENGINE # 3119295

MODEL KT 1150C

IDENT ^{CP} 10398

Generator Drive.

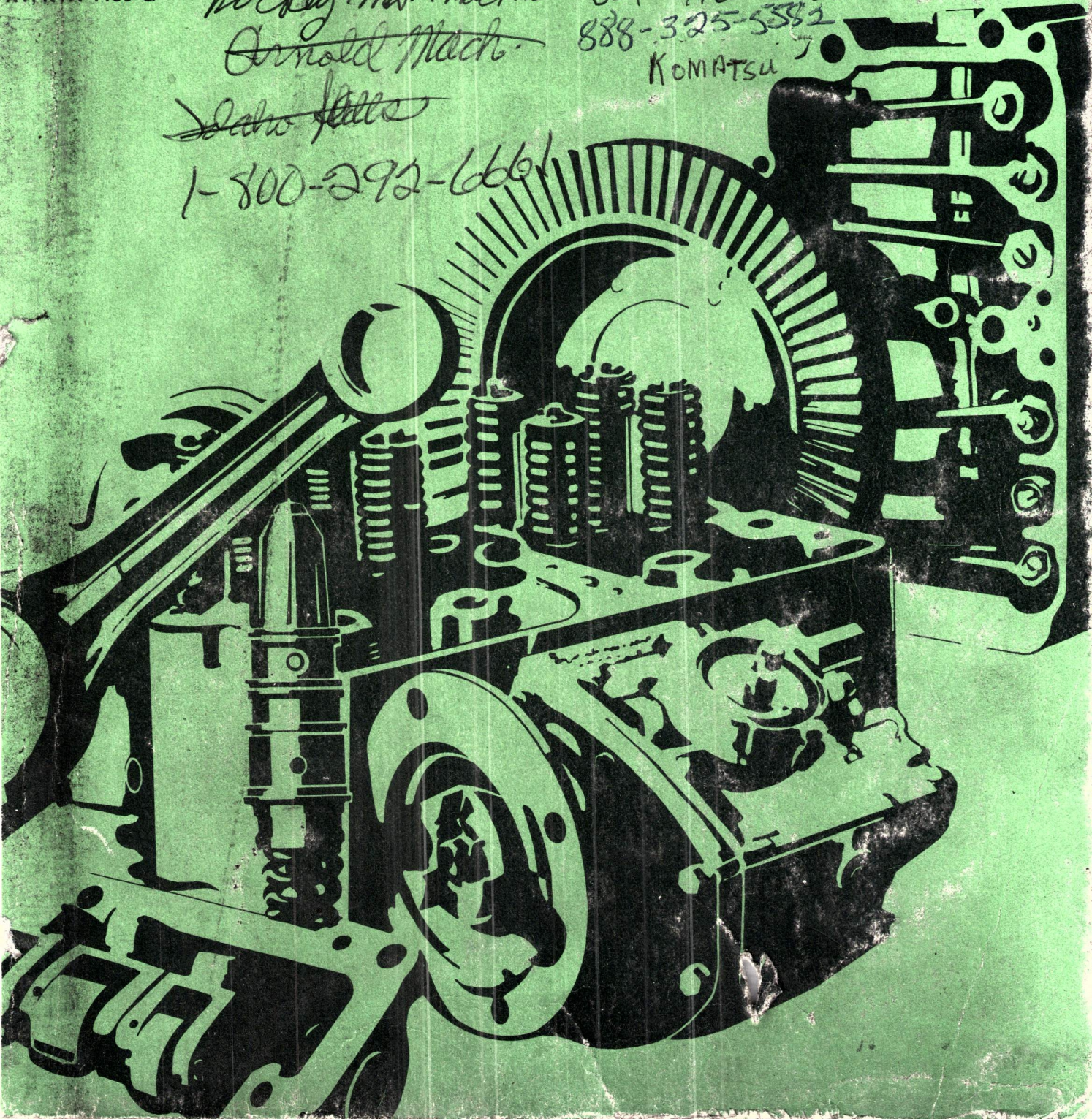
KT, KTA-1150-G

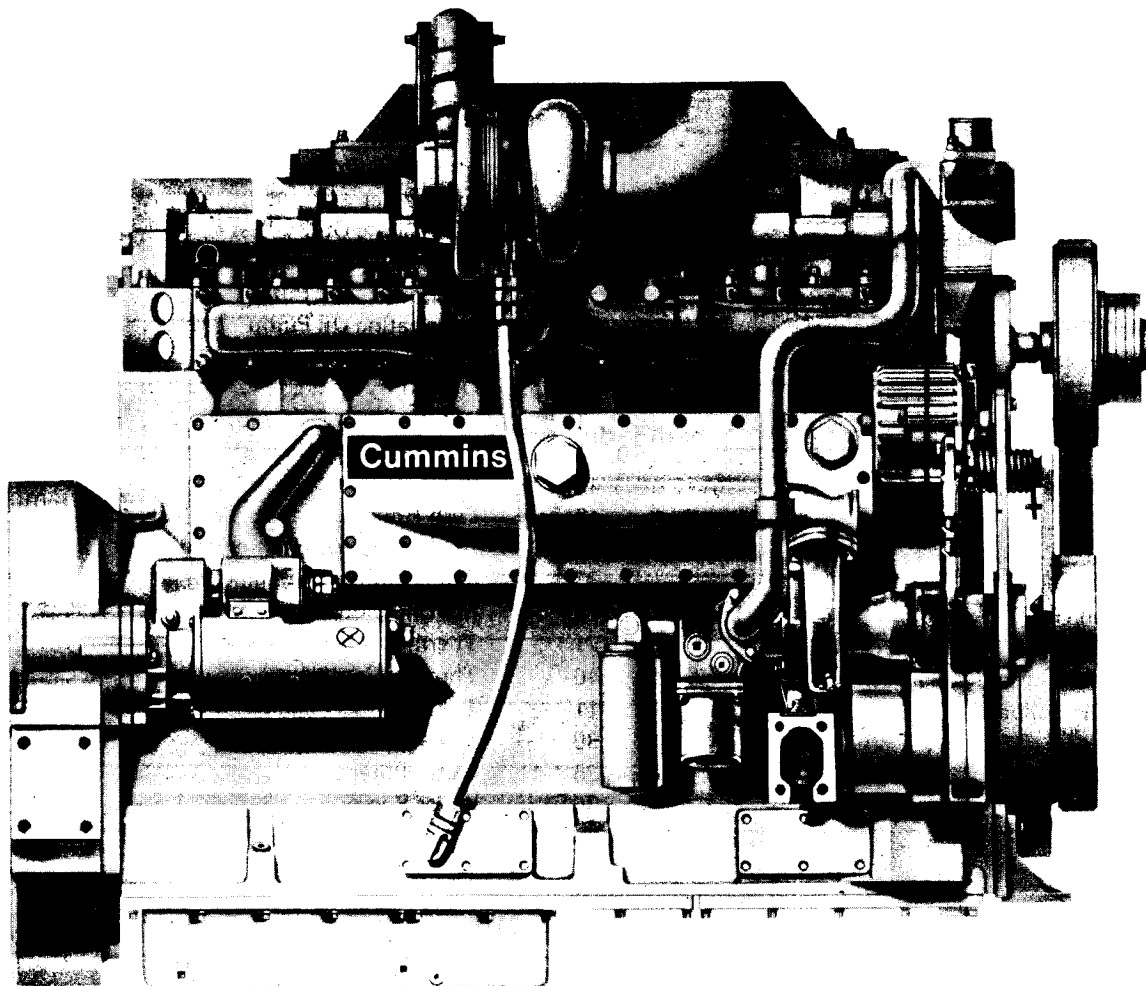
~~Rocky Mt. Machine~~ 801-972-3660 SLC

~~Arnold Mach.~~ 888-325-5582
KOMATSU

~~John Hills~~

1-800-292-6661





Parts Ordering for: KT, KTA-1150 G

Genuine Cummins Parts and Service Facilities are worldwide. There are more than 3700 Cummins Sales and Service locations in the principal cities of the United States and Canada, and more than 800 Sales and Service locations situated elsewhere throughout the free world. Each distribution outlet is thoroughly equipped with technical data, factory-trained mechanics, modern equipment and a full, adequate stock of Genuine Cummins Parts.

For quicker and better service, your parts requirements should be ordered from your nearest Cummins Distributor or Dealer. At any of the locations prompt, intelligent, courteous service is a basic trademark. Each is ready and eager to help in every possible way through personal contact or through the mail — at your convenience.

The satisfactory ordering and receiving of parts by the purchaser is greatly dependent upon the proper use of available information. In order that all avoidable errors may be eliminated, the following instructions are offered as the purchaser's guide:

Write your order clearly, using a typewriter if possible.

Be sure to list the correct part number. If in doubt as to the correct part number, state the model and serial number of the engine on which the part is to be used. Part numbers are usually located in various places on the part itself.

When possible, arrange your purchase order in part number numerical sequence.

Always specify shipping instructions — "Best Way" is satisfactory if you have no preference.

State your company name and shipping address clearly.

Genuine Cummins Parts mean QUALITY! They're designed and engineered to fit best in your Cummins Diesel. Each part is made of the highest quality material — on the most accurate of machines — by the top craftsmen of the trade.

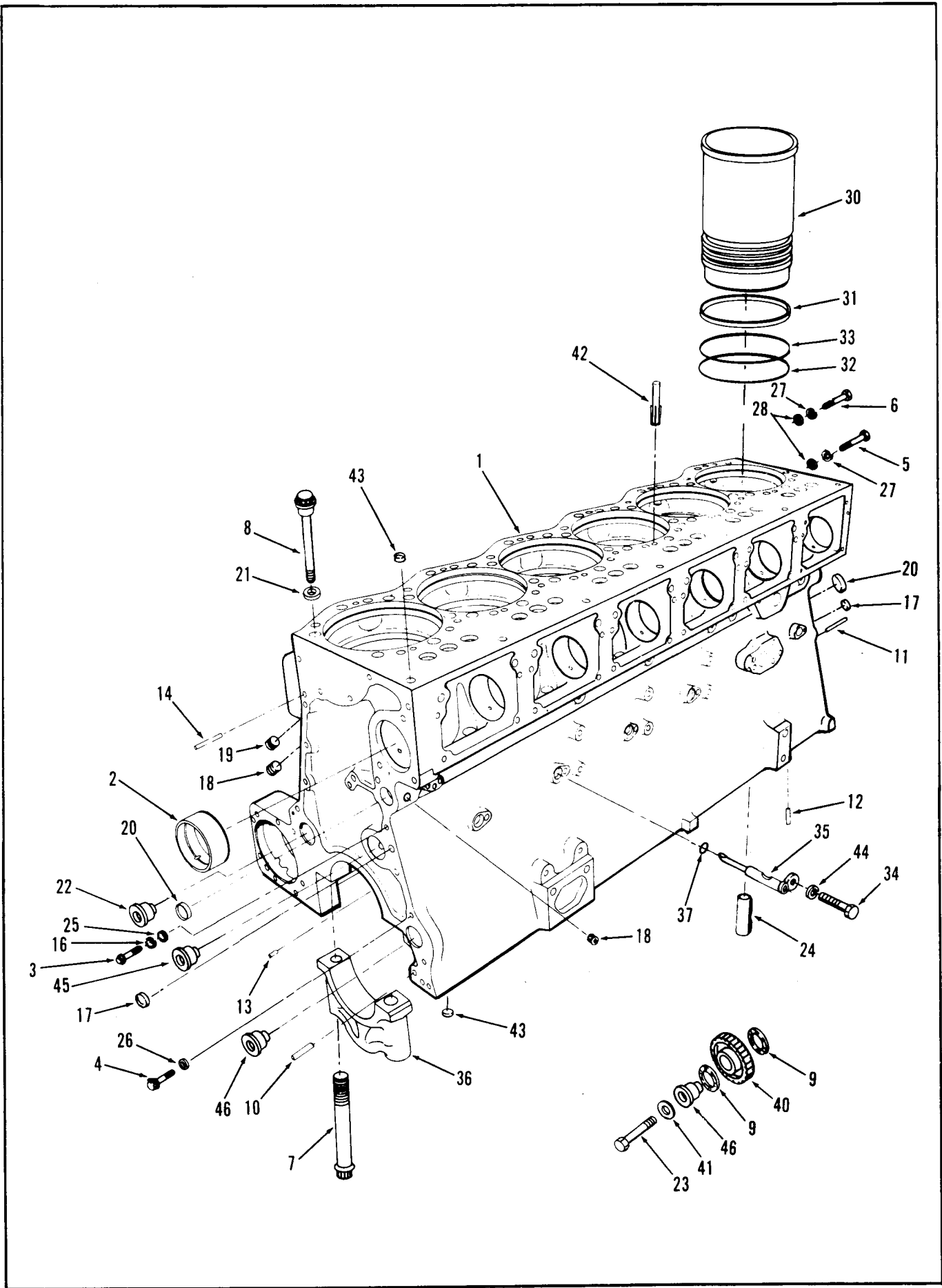
You can be sure a Genuine Cummins Part will fit better — do the job better — lessen the chances of costly breakdown. When you buy replacement parts, buy quality. Buy Genuine Cummins Parts!

YOU OWN THE BEST . . . REPAIR WITH THE BEST

TABLE OF CONTENTS

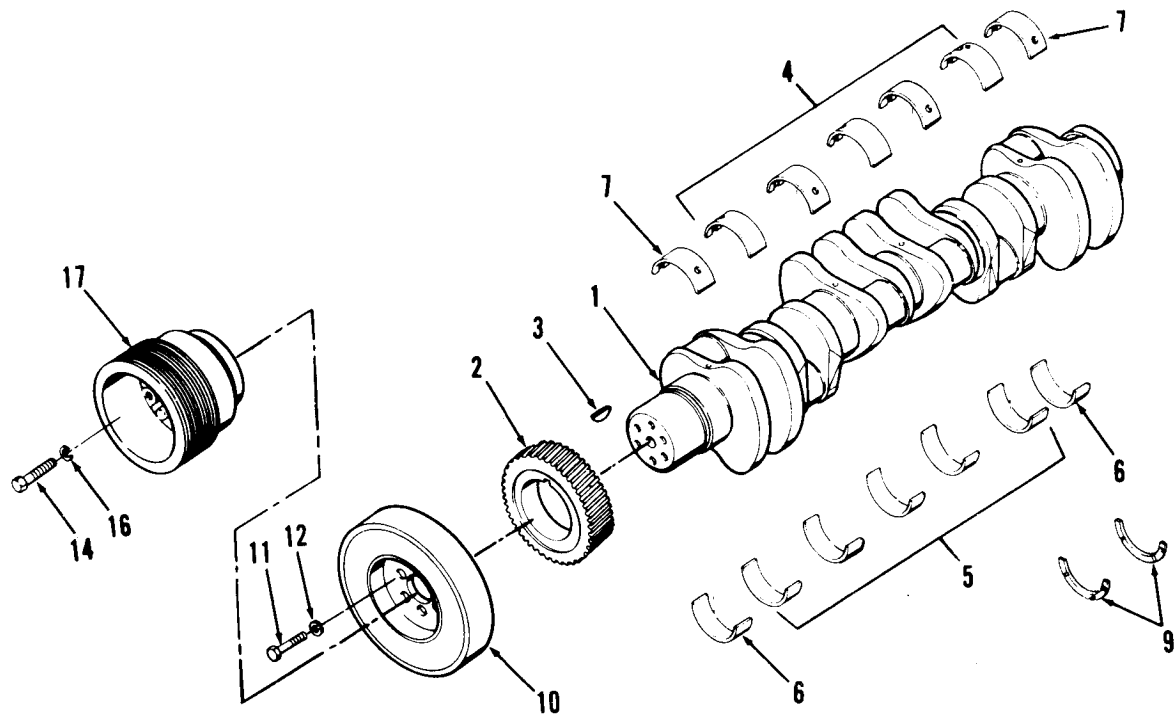
(ENGINE)

Accessory Drive Pulley	28	Fuel Pump Damper	12, 13
Aftercooler	32, 33	Fuel Pump And Woodward Governor Drive . .	36, 37
Aftercooler Connection	28, 29	Fuel Shut-Off Valve	12, 13
Air Cleaner	34	Fuel Tubing	14
Alternator	42	Gasket Sets	42
American Bosch Governor	39	Gear Cover	6, 7
Barber-Coleman Governor	39	Hand Hole Cover	16, 17
Barring Mechanism	22	Injector	12, 13
Cam Followers, Cam Follower Housing	11	Instrument Panel (Engine)	45
Camshaft	4	Intake Manifold	31
Camshaft Bushings	1	Lubricating Oil By-Pass Filter	19
Camshaft Rear Cover	4	Lubricating Oil Cooler	20, 21
Connecting Rod	3	Lubricating Oil Filter	18
Connecting Rod Bearing Shells	3	Lubricating Oil Pump	15
Crankcase Breather	10	Main Bearing Shells	2
Crankshaft	2	Oil Gauge Bracket	16, 17
Crankshaft Pulley	2	Oil Pan	16, 17
Cylinder Block	1	Oil Pan Adapter	16, 17
Cylinder Head	8, 9	Piston	3
Cylinder Kit	1	Piston Cooling Nozzle	1
Cylinder Liner	1	Piston Rings	3
Dipstick	16, 17	Push Rods	11
Electrical Equipment	42	Rocker Levers, Housing And Cover	10
Engine Heaters	44	Safety Controls (Engine)	44
Engine Wiring	44	Starting Motor	42
Exhaust Manifold	40	Thermostat And Housing	28, 29
Fan And Fan Hub	24, 25	Throttle Control	39
Fan Idler Assembly	24, 25	Turbocharger	34, 35
Flywheel Housing	41	Vibration Damper	2
Flywheel and Ring Gear	41	Water Filter	26, 27
Front Engine Support	16, 17	Water Outlet Connection	28, 29
Fuel Filter	14	Water Pump	24, 25
Fuel Gear Pump	12, 13	Water Pump Connection	26, 27
Fuel Manifold	14	Woodward Hydraulic Governor	38, 39
Fuel Pump	13		



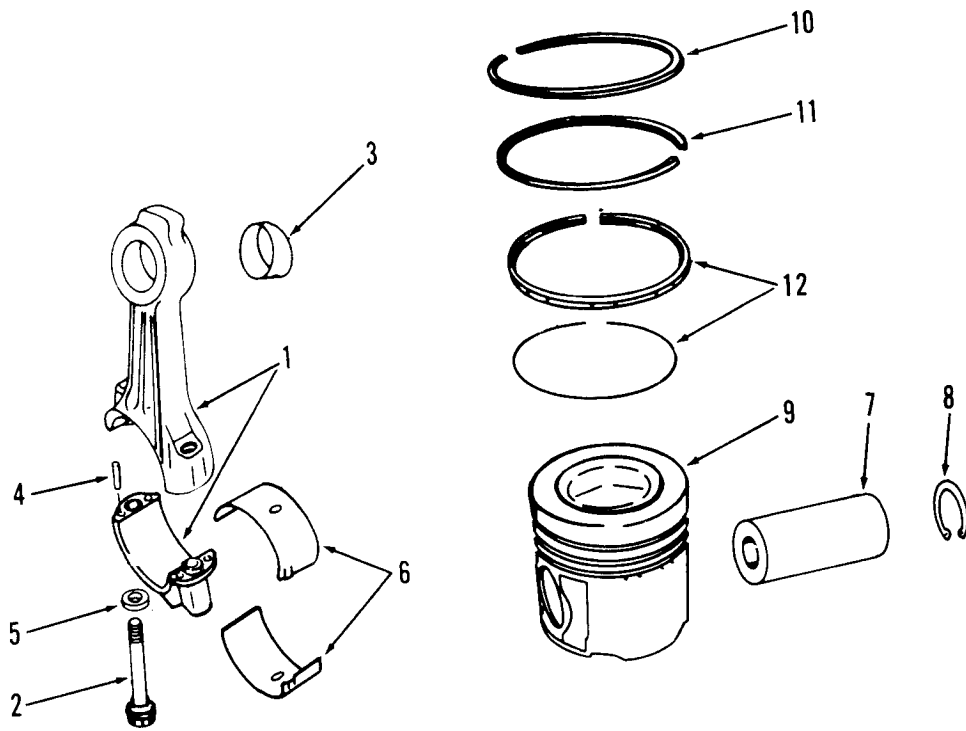
PART NUMBER	PART NAME	NO. REQ'D.	REF. NO.	PART NUMBER	PART NAME	NO. REQ'D.	REF. NO.
	CYLINDER BLOCK				CYLINDER LINER		
	All Models				All Models		
3011409	Block, cylinder (3001700)	1	1	3009549	Kit, cylinder liner	6	
3002834	Bushing, camshaft	7	2	3007710	Liner, cylinder	6	30
205021	Cap, main bearing (No. 2, 3, 4, & 5)	4	36	205182	O-ring, cylinder (bottom)	6	32
205022	Cap, main bearing (No. 1)	1	36	207524	O-ring, cylinder (top)	6	33
205023	Cap, main bearing (No. 6)	1	36	205115	Seal, crevice	6	31
205075	Cap, main bearing (No. 7)	1	36				
S-172-B	Capscrew, gear housing	9	3				
191772	Capscrew, gear housing	2	4		OVERSIZE		
S-127-C	Capscrew, flywheel housing	10	5				
S-103-A	Capscrew, flywheel housing	2	6	3012611	Kit, cylinder liner (.010)	6	
205221	Capscrew, main bearing cap	14	7	3012612	Kit, cylinder liner (.020)	6	
3007238	Capscrew, cylinder head	36	8				
207527	Capscrew	3	23				
68445	Dowel, cylinder head	12	42		LINER SHIMS		
60408-L	Dowel, gear cover (Master)	1	10		All Models		
9226	Dowel, flywheel housing	2	11				
67211	Dowel, rear main bearing	2	12	205741	Shim (.007)		A/R
124921	Dowel, thrust ring retainer (No. 6)	2	13	205742	Shim (.008)		A/R
205366	Dowel, gear cover (Diamond)	1	14	205743	Shim (.009)		A/R
3004739	Assembly, idler (3004738)	1	40	205744	Shim (.020)		A/R
	(Power steering)			205745	Shim (.031)		A/R
3004686	Bushing	2		205746	Shim (.062)		A/R
S-604	Lockwasher	11	16				
3002022	Nozzle, piston cooling	6	35				
3002369	O-ring	6	37				
3002158	Plug, pipe	2	18				
147416	Cup plug, piston cooling	2	17				
3008470	Plug, pipe	1	19				
175830	Plug, expansion (cup type)	2	20				
3001962	Shaft, idler (water pump)	1	22				
3001962	Shaft, idler (camshaft)	1	45				
3001962	Shaft, idler (power steering)	1	46				
205298	Tube	1	24				
205059	Washer, plain	36	21				
S-602	Washer, plain	9	25				
127362	Washer, plain	2	26				
S-603	Washer, plain	12	27				
S-658	Washer, plain	12	28				
200861	Washer, plain	3	41				
3007632	Plug, expansion	8	43				
130083	Washer, thrust	2	9				
	MOUNTING PARTS						
	All Models						
S-102-A	Capscrew, piston cooling nozzle (5/16" fine, 3/4" long)	6	34				
S-605	Lockwasher (5/16")	6	44				

PARTS INDENTED ARE INCLUDED IN THE PART UNDER WHICH THEY ARE INDENTED



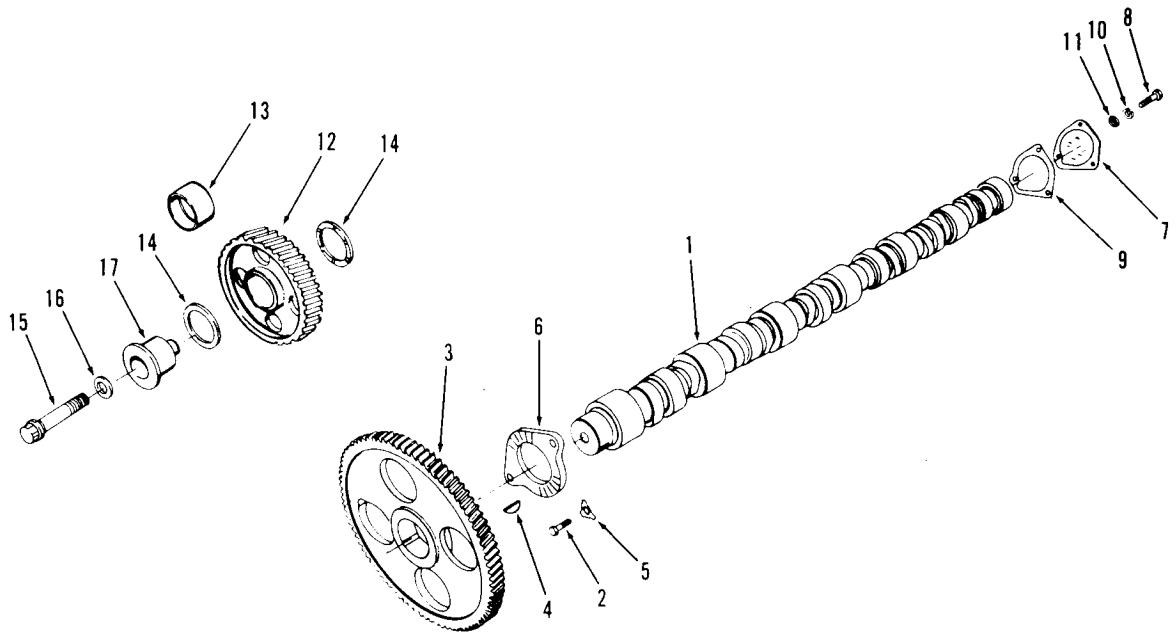
PART NUMBER	PART NAME	NO. REQ'D.	REF. NO.	PART NUMBER	PART NAME	NO. REQ'D.	REF. NO.
	CRANKSHAFT All Models				MAIN BEARINGS (Cont'd.)		
3005357	Crankshaft and counterweights (3003000)	1	1	AR-12273 205143	Bearing, main set (.030)	A/R	
207259	Gear, crankshaft	1	2	205153	Bearing, main (No. 2, 3, 4, 5, & 6 upper)	A/R	4
206904	Key, woodruff	1	3	205163	Bearing, main (No. 2, 3, 4, 5, & 6 lower)	A/R	5
	MAIN BEARINGS All Models			205173	Bearing, main (No. 1 & 7 lower)	A/R	6
AR-12270	Bearing, main set (Std)			3001197	Bearing, main (No. 1 & 7 upper)	A/R	7
205140	Bearing, main (No. 2, 3, 4, 5, & 6 upper)	5	4	AR-12274	Ring, thrust	A/R	9
205150	Bearing, main (No. 2, 3, 4, 5, & 6 lower)	5	5	205144	Bearing, main set (.040)	A/R	
205160	Bearing, main (No. 1 & 7 lower)	2	6	205154	Bearing, main (No. 2, 3, 4, 5, & 6 upper)	A/R	4
205170	Bearing, main (No. 1 & 7 upper)	2	7	205154	Bearing, main (No. 2, 3, 4, 5, & 6 lower)	A/R	5
205112	Ring, thrust	4	9	205164	Bearing, main (No. 1 & 7 lower)	A/R	6
AR-12271	Bearing, main set (.010)	A/R		205174	Bearing, main (No. 1 & 7 upper)	A/R	7
205141	Bearing, main (No. 2, 3, 4, 5, & 6 upper)	A/R	4		VIBRATION DAMPER All Models		
205151	Bearing, main (No. 2, 3, 4, 5, & 6 lower)	A/R	5	211268	Damper, vibration	1	10
205161	Bearing, main (No. 1 & 7 lower)	A/R	6	206881	Cap screw, twelve point	6	11
205171	Bearing, main (No. 1 & 7 upper)	A/R	7	205059	Washer, plain	6	12
AR-12272	Bearing, main set (.020)	A/R		206929	Screw, twelve point	6	14
205142	Bearing, main (No. 2, 3, 4, 5, & 6 upper)	A/R	4	S-608	Washer, lock	6	16
205152	Bearing, main (No. 2, 3, 4, 5, & 6 lower)	A/R	5	3003696	Pulley, crankshaft	1	17
205162	Bearing, main (No. 1 & 7 lower)	A/R	6				
205172	Bearing, main (No. 1 & 7 upper)	A/R	7				
3001197	Ring, thrust	A/R	9				

PARTS INDENTED ARE INCLUDED IN THE PART UNDER WHICH THEY ARE INDENTED



PART NUMBER	PART NAME	NO. REQ'D.	REF. NO.	PART NUMBER	PART NAME	NO. REQ'D.	REF. NO.
	CONNECTING ROD						
	All Models						
3014453	Rod, connecting (3000791)	6	1				
3013265	Bolt, connecting rod	12	2				
3000965	Bushing, piston pin	6	3				
69558	Dowel, pin	24	4				
205126	Washer, connecting rod	12	5				
205840	Bearing, connecting rod (Std)	12	6				
205841	Bearing, connecting rod (.010)	A/R	6				
205842	Bearing, connecting rod (.020)	A/R	6				
205843	Bearing, connecting rod (.030)	A/R	6				
205844	Bearing, connecting rod (.040)	A/R	6				
	PISTON						
	KT-1150 G						
3009016	Piston assembly (Std)	6					
205200	Pin, piston	6	7				
205269	Ring, snap	12	8				
3007750	Piston	6	9				
	KTA-1150 G						
AR-12313	Piston assembly	6					
205200	Pin, piston	6	7				
205269	Ring, snap	12	8				
3004730	Piston	6	9				
	RINGS						
	All Models						
AR-10680	Ring set, piston (Std)	6					
205290	Ring, compression top	6	10				
205700	Ring, compression intermediate	6	11				
205710	Ring, oil	6	12				

PARTS INDENTED ARE INCLUDED IN THE PART UNDER WHICH THEY ARE INDENTED



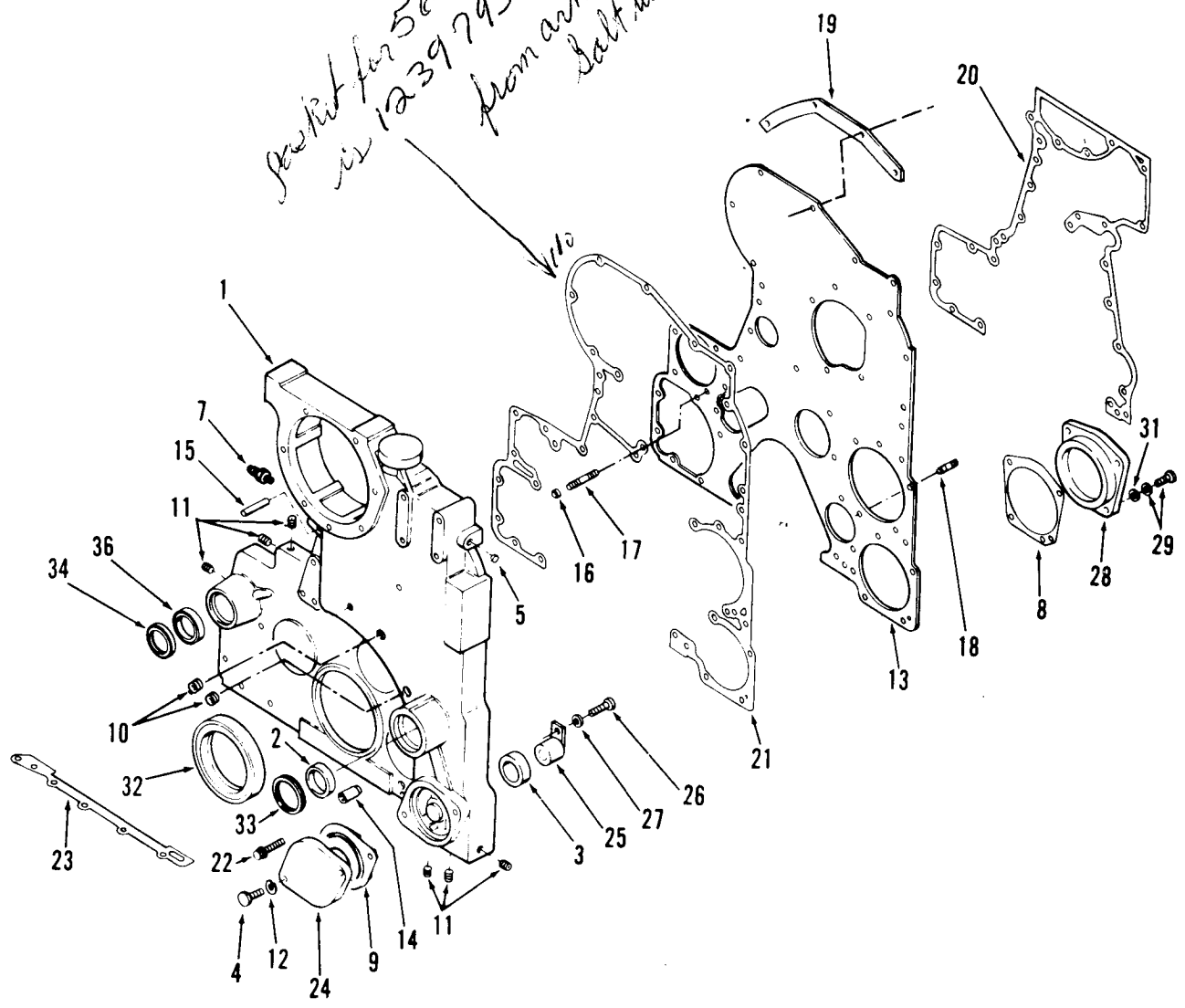
PART NUMBER	PART NAME	NO. REQ'D.	REF. NO.	PART NUMBER	PART NAME	NO. REQ'D.	REF. NO.
	CAMSHAFT All Models						
207770	Camshaft	1	1				
S-112	Capscrew	2	2				
3008970	Gear, camshaft	1	3				
S-302	Key, camshaft	1	4				
68908	Lockplate	2	5				
3007971	Plate, camshaft thrust	1	6				
	CAMSHAFT COVER All Models						
207373	Cover, rear	1	7				
S-112	Capscrew	3	8				
205236	Gasket, camshaft cover	1	9				
S-604	Lockwasher	3	10				
S-602	Washer	3	11				
	CAM IDLER GEAR All Models						
3004684	Gear, cam idler (3004599)	1	12				
3004686	Bushing, idler gear (precision bore)	1	13				
	MOUNTING PARTS All Models						
130083	Washer, thrust	2	14				
207527	Capscrew	1	15				
3200772	Washer, plain	1	16				
3001962	Shaft, idler	1	17				

PARTS INDENTED ARE INCLUDED IN THE PART UNDER WHICH THEY ARE INDENTED

PART NUMBER	PART NAME	NO. REQ'D.	REF. NO.	PART NUMBER	PART NAME	NO. REQ'D.	REF. NO.
CAMSHAFT KEYS (Optional)							
All K-6 Engines							
	Part Name	Amount Of Offset		Change In Push Tube Travel	Angle Of Offset		
200711	Key, camshaft	0.0070 (0.179)		0.0033 (0.084)	0 deg. 20'		1
200709	Key, camshaft	0.0150 (0.381)		0.0070 (0.178)	0 deg. 42'		1
200704	Key, camshaft	0.0197 (0.500)		0.0095 (0.241)	0 deg. 56'		1
200708	Key, camshaft	0.0230 (0.584)		0.0110 (0.279)	1 deg. 5'		1
200706	Key, camshaft	0.0328 (0.833)		0.0155 (0.394)	1 deg. 33'		1
200714	Key, camshaft	0.0390 (0.991)		0.0185 (0.470)	1 deg. 50'		1
206782	Key, camshaft	0.0110 (0.279)		0.0055 (0.140)	0 deg. 31'		1
216294	Key, camshaft	0.0035 (0.089)		0.0017 (0.043)	0 deg. 10'		1
3000491	Key, camshaft	0.0270 (0.686)		0.0135 (0.343)	1 deg. 16'		1
3000492	Key, camshaft	0.0360 (0.914)		0.0180 (0.457)	1 deg. 42'		1
3000493	Key, camshaft	0.0430 (1.092)		0.0215 (0.546)	2 deg. 1'		1
3000494	Key, camshaft	0.0470 (1.194)		0.0235 (0.597)	2 deg. 12'		1
3000495	Key, camshaft	0.0510 (1.295)		0.0256 (0.650)	2 deg. 24'		1

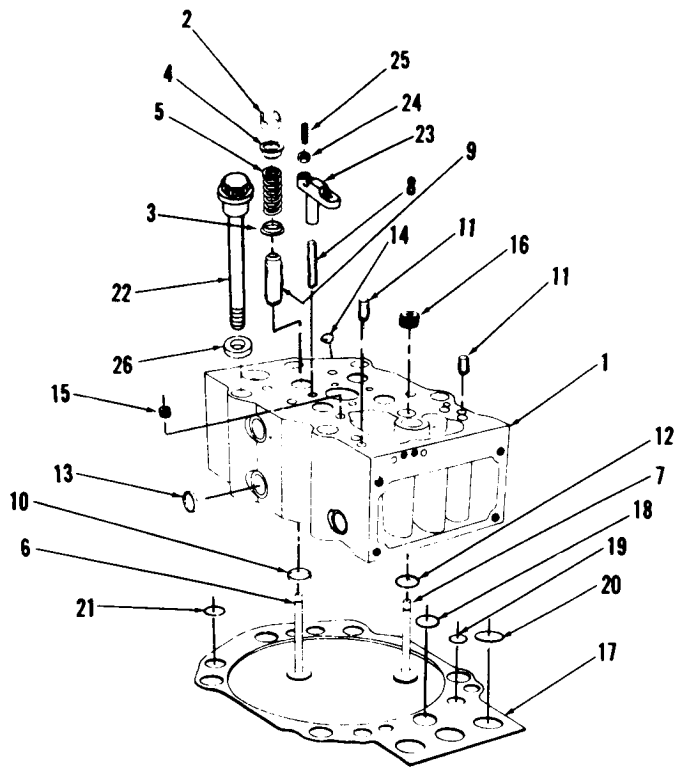
PARTS INDENTED ARE INCLUDED IN THE PART UNDER WHICH THEY ARE INDENTED

*gasket for 560 loader
is 1239793 H2 cover gasket
from Arnold machine
Salt Lake City*



PART NUMBER	PART NAME	NO. REQ'D.	REF. NO.	PART NUMBER	PART NAME	NO. REQ'D.	REF. NO.
	GEAR COVER All Models				HYDRAULIC PUMP DRIVE FRONT COVER All Models		
3017318	Gear, cover (3011376)	1	1				
132770	Bushing, air compressor drive	1	2	205792	Flange, blind	1	24
205133	Bushing, power steering drive	1	3	S-113	Capscrew	2	4
132770	Bushing, water pump drive	1	36	111445	Lockwasher	2	12
S-113	Capscrew	2	4	3008400	Gasket	1	9
175831*	Cup plug, barring	1	5	3003123	Plug, blind flange	1	25
S-1039-A	Connector, male	1	7	S-103-D	Capscrew	1	26
205792	Flange, blind plug	1	24	S-604	Lockwasher	1	27
3008400	Gasket, front hydraulic	1	9				
67622	Plug, pipe	2	10				
3002158	Plug, pipe	6	11		HYDRAULIC PUMP DRIVE REAR COVER All Models		
111445	Washer	2	12				
3007658	Assembly, gear cover plate (3007363)	1	13				
70645	Dowel, puller	1	14	3007374	Cover	1	28
102957	Dowel	1	15	3012473	Capscrew and lockwasher	4	29
3019961	Nut, plug	2	16	3007380	Gasket	1	8
3200754	Stud	1	17	127362	Washer, plain	4	31
206217	Stud	1	18				
3200642	Plate, clamping	1	19				
3200944	Gasket, plate to block	1	20				
3007376	Gasket, cover to plate	1	21				
	MOUNTING PARTS All Models				NOTES		
S-102-D	Capscrew (3/8-16 x3)	5			*175831 cup plug must be removed when using barring device 3018914.		
S-103-D	Capscrew (3/8-16 x 1-1/4)	3			†3017319 gasket is a service gasket used when front gear cover and plate are removed but it is not necessary to remove oil pan adapter. For installation of 3017319 gasket see K-6 shop manual.		
S-105	Capscrew (3/8-16 x 3-1/2)	1					
S-137	Capscrew (3/8-16 x 2)	2					
S-199-B	Capscrew (3/8-16 x 3-3/4)	5					
S-604	Lockwasher	20					
S-223	Nut, hexagon	2					
S-602	Washer, plain	5					
127362	Washer, plain	10					
205375	Capscrew (3/8-16 x 2-1/4)	1	22				
3017319†	Gasket, oil pan adapter	1	23				
3016792-yes	Seal, oil (crankshaft)	1	32				
3016788	Seal, oil (accessory drive)	1	33				
3016794	Seal, oil (water pump drive)	1	34				

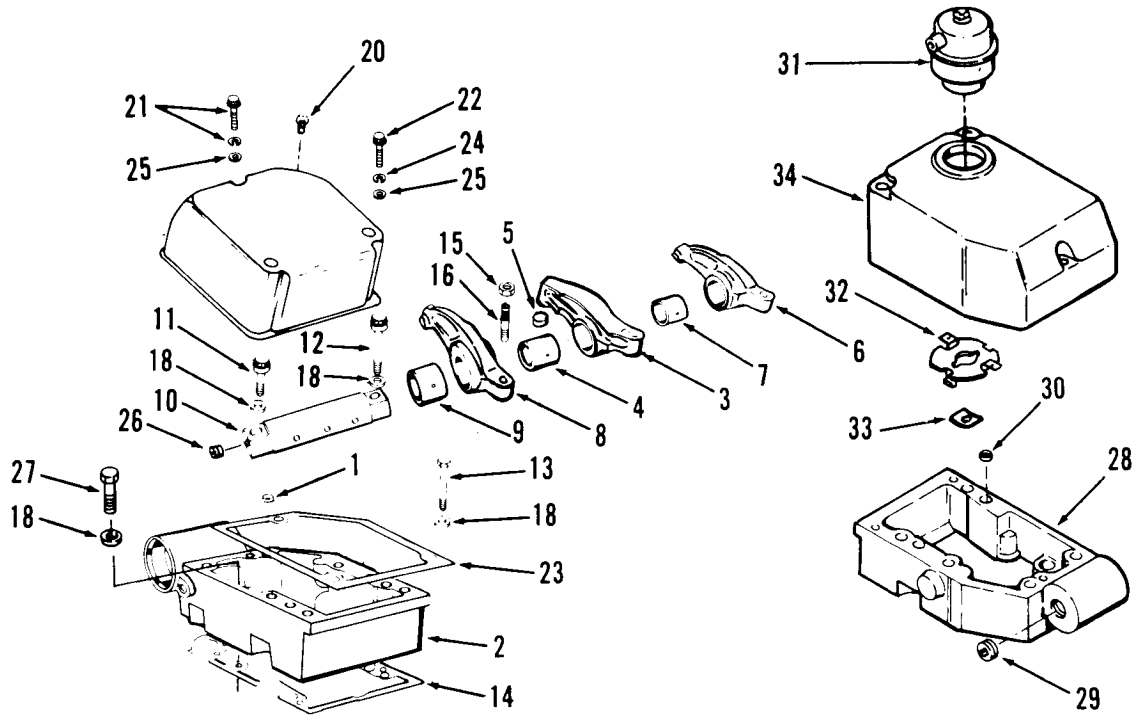
PARTS INDENTED ARE INCLUDED IN THE PART UNDER WHICH THEY ARE INDENTED



CYLINDER HEAD

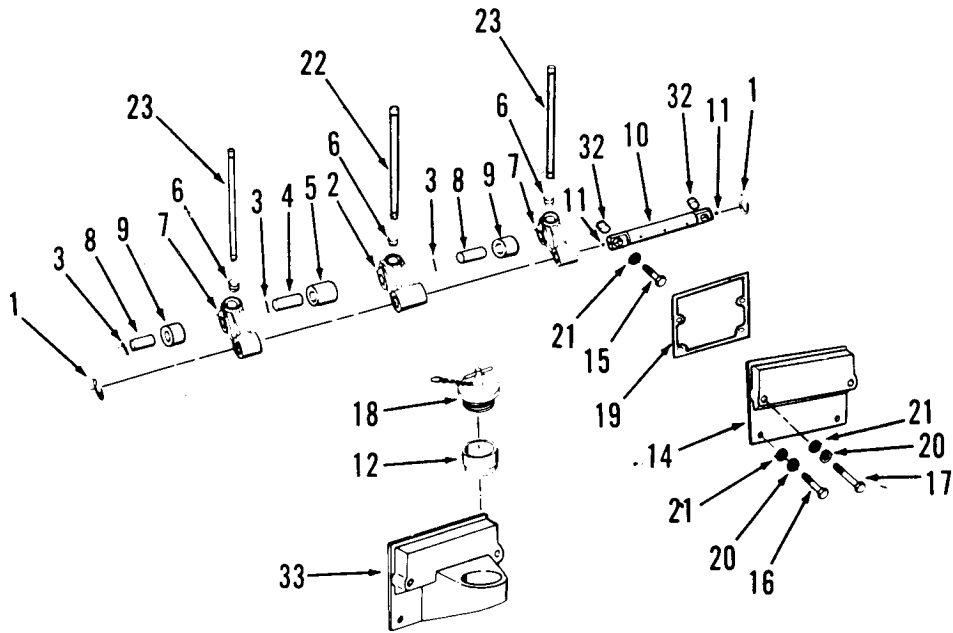
PART NUMBER	PART NAME	NO. REQ'D.	REF. NO.	PART NUMBER	PART NAME	NO. REQ'D.	REF. NO.
	CYLINDER HEAD						
	All Models						
3021692	Head, cylinder (3021691)	6	1				
205091	Collet, valve	48	2				
3001663	Guide, valve spring	24	3				
205094	Retainer, valve spring	24	4				
205208	Spring, valve	24	5				
3007225	Valve, exhaust	12	6				
207241	Valve, intake	12	7				
205169	Guide, crosshead	12	8				
3021693	Guide, valve stem	24	9				
205093	Insert, valve seat	24	10				
68445	Pin, groove	12	11				
3009109	Plate, air deflector	12	12				
205401	Plug, expansion	48	13				
206224	Plug, expansion	12	14				
3002158	Plug, pipe	6	15				
3013257	Plug, pipe	6	16				
	MOUNTING PARTS						
	All Models						
3022340	Gasket, cylinder head (205479)	6	17				
205858	Grommet, cylinder head bolt	6	18				
205852	Grommet, cylinder head oil	6	19				
205855	Grommet, cylinder head push-rod	18	20				
207448	Grommet, cylinder head water	24	21				
3007238	Capscrew, cylinder head	36	22				
205121	Crosshead, valve intake & exhaust	12	23				
203131	Nut	12	24				
147389	Screw	12	25				
205059	Washer, cylinder head	36	26				
	OVERSIZE VALVE SEAT INSERTS						
	Diameter/Depth						
205945	.005 (0.13 mm)/Std	A/R					
205981	.010 (0.25 mm)/Std	A/R					
205982	.020 (0.50 mm)/.005 (.13 mm)	A/R					
205983	.030 (0.76 mm)/.010 (.25 mm)	A/R					
205984	.040 (1.02 mm)/.015 (.38 mm)	A/R					
	Be sure to measure insert before machining head or installing insert in head.						

PARTS INDENTED ARE INCLUDED IN THE PART UNDER WHICH THEY ARE INDENTED



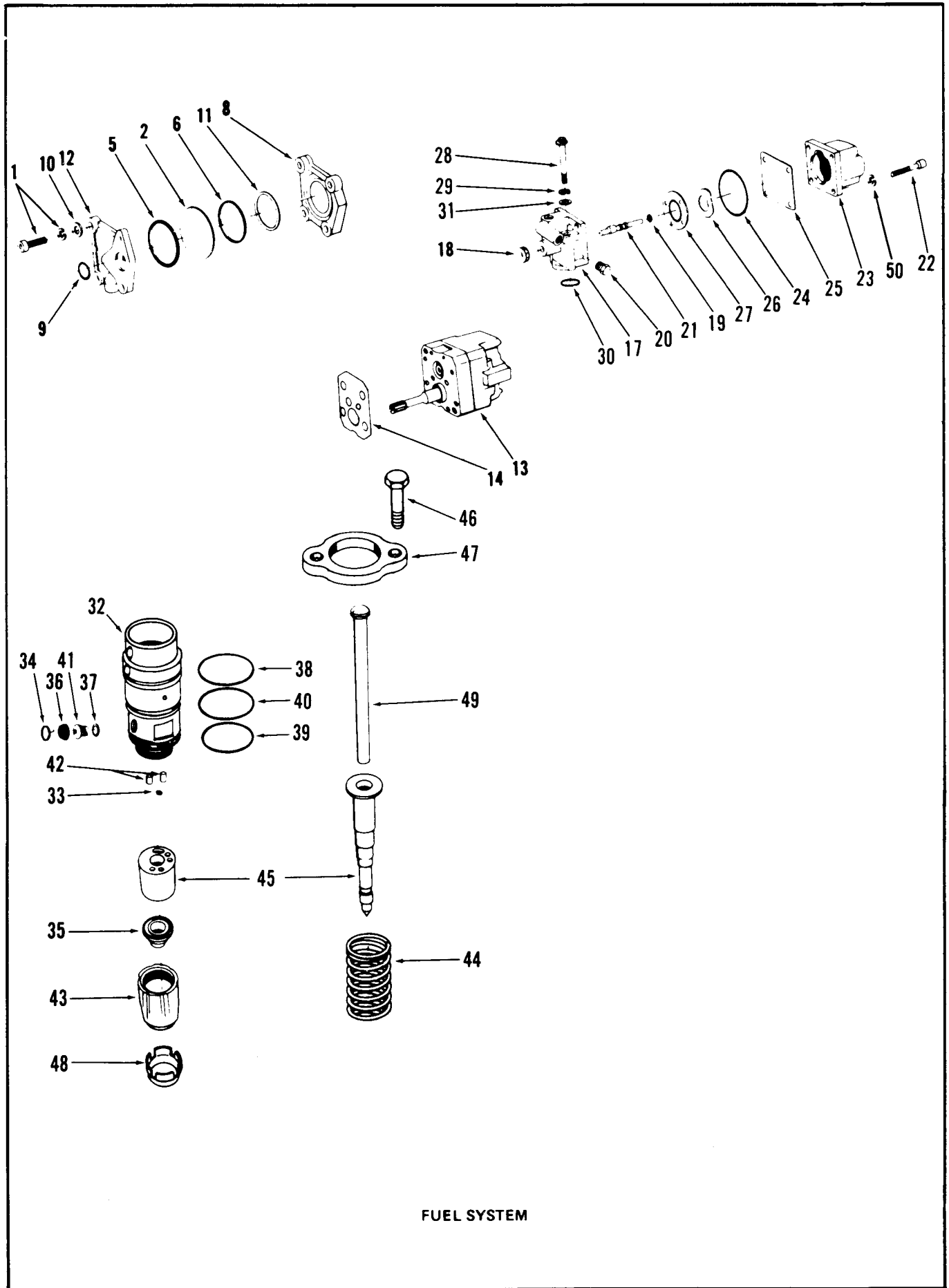
PART NUMBER	PART NAME	NO. REQ'D.	REF. NO.	PART NUMBER	PART NAME	NO. REQ'D.	REF. NO.
	ROCKER LEVER HOUSING All Models				ROCKER HOUSING COVER All Models		
3200499	Assembly, rocker lever housing	5		3010247	Cover, rocker housing (3010388)	4	19
205129	Dowel, ring	6	1	3007114	Assembly, rocker housing cover	2	
3200483	Housing	5	2	156810	Breather, crankcase	2	31
3013300	Lever, injector rocker (3013299)	6	3	219065	Baffle	2	32
207226	Bushing, injector rocker lever	6	4	3000528	Nut, push-on	4	33
194037	Socket, rocker lever	6	5	3010396	Cover, rocker housing	2	34
205138	Lever, intake rocker and bushing assembly (205123)	6	6	S-181-B	Capscrew (when Jacob Brake not used)	6	20
207344	Bushing	6	7	3012474	Capscrew & lockwasher assembly	6	21
3007421	Lever, exhaust rocker and bushing assembly (3013288)	6	8	S-169-A	Capscrew	12	22
207344	Bushing	6	9	3008401	Gasket, rocker housing cover	6	23
3008155	Shaft, rocker arm and plug assembly	6		S-604	Lockwasher	12	24
(3006340)	Shaft, rocker arm	6	10	127362	Washer, plain	18	25
203933	Plug, rocker lever shaft	6	26				
3200480	Housing, rocker	1	28				
S-995	Plug, pipe	1	29				
205129	Dowel, ring	1	30				
	MOUNTING PARTS All Models						
S-125	Capscrew	6	27				
205393	Capscrew	6	11				
205394	Capscrew	6	12				
108602	Capscrew	30	13				
3005956	Gasket, rocker lever housing	6	14				
S-212	Nut	18	15				
168306	Screw, adjust	18	16				
205128	Washer	48	18				

PARTS INDENTED ARE INCLUDED IN THE PART UNDER WHICH THEY ARE INDENTED



PART NUMBER	PART NAME	NO. REQ'D.	REF. NO.	PART NUMBER	PART NAME	NO. REQ'D.	REF. NO.
	CAM FOLLOWER & HOUSING All Models				PUSH RODS All Models		
205439	Ring, retaining	12	1	3017961	Rod, push injector	6	22
3008427	Follower, cam injector (206231)	6	2	205492	Rod, push intake and exhaust	12	23
205438	Lockwire, cam roller pin	6	3				
205068	Pin, cam follower injector	6	4				
3007120	Roller, cam follower injector	6	5				
107738	Socket, cam follower	6	6				
3008426	Follower, cam intake and exhaust (205069)	12	7				
205438	Lockwire, cam roller pin	12	3				
205071	Pin, cam follower intake and exhaust	12	8				
3007121	Roller, cam follower intake & exhaust	12	9				
107738	Socket, cam follower	12	6				
205301	Shaft and plug, cam follower	6	10				
205227	Plug, cup	12	11				
3009631	Cover, cam follower	5	14				
3009632	Cover, cam follower	1	33				
	MOUNTING PARTS All Models						
3002886	Capscrew, hexagon	12	15				
S-103-D	Capscrew	12	16				
S-126	Capscrew	12	17				
107981	Cap, oil filler	1	18				
3002993	Dowel	12	32				
3008404	Gasket, cam follower cover	6	19				
S-604	Lockwasher	24	20				
101264	Tube, oil filler	1	12				
127362	Washer, plain	24	21				

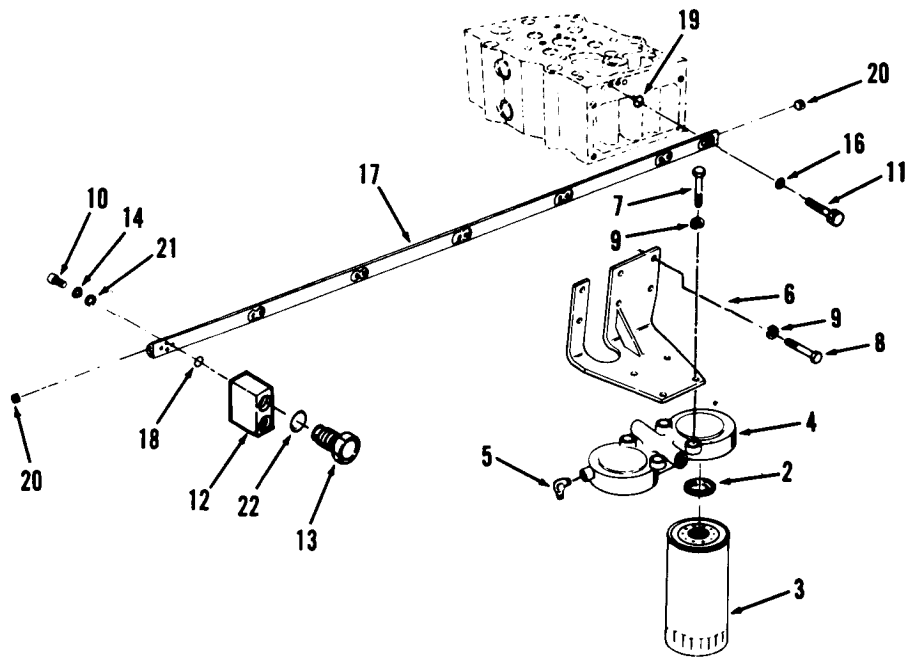
PARTS INDENTED ARE INCLUDED IN THE PART UNDER WHICH THEY ARE INDENTED



FUEL SYSTEM

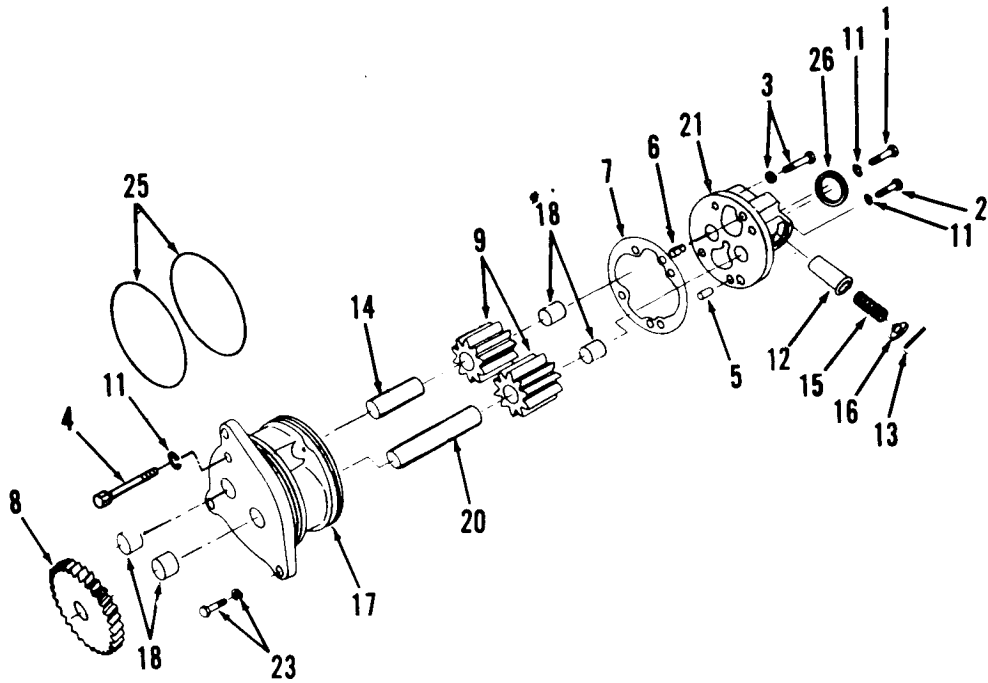
PART NUMBER	PART NAME	NO. REQ'D.	REF. NO.	PART NUMBER	PART NAME	NO. REQ'D.	REF. NO.
PT FUEL SYSTEM							
Each Cummins PT Fuel Pump is calibrated to obtain the best performance and fuel economy for your engine. Your Cummins Distributor or Dealer has the special tools required for complete rebuild and calibration.				70790	Capscrew, socket head	2	28
				181466	Lockwasher	2	29
				154087	"O" ring	1	30
				67684	Washer, plain	2	31
Caution: Do not disturb the fuel pressure settings or the throttle screw settings, as serious damage to your engine may result.							
Only PT Fuel System parts which can be replaced without pump calibration are listed here. Your Cummins Distributor will record the specific part number of your complete PT Fuel Pump in the front of this catalog.							
FUEL PUMP DAMPER							
All Models							
AR-12110	Damper, fuel assembly	1		3016675	Injector, less link	6	
BM-76340	Damper, fuel pump	1		205463	Adapter	6	32
3017051	Capscrew and lockwasher	2	1	167157	Ball, check	6	33
202897	Diaphragm, damper	1	2	174299	Clip, injector filter screen	6	34
100099	"O" ring	1	5	3003933	Cup	6	35
139988	"O" ring	1	6	3008706	Filter, screen	6	36
153338	Plate	1	8	173086	Gasket, injector orifice plug	6	37
151900	Ring, sealing	1	9	144967	"O" ring, injector body (top)	6	38
70704	Washer, plain	2	10	193736	"O" ring, injector body (bottom)	6	39
160514	Washer, nylon	1	11	205216	"O" ring, injector body (middle)	6	40
153336	Body	1	12	177282	Orifice	6	41
70704	Washer	2		203426	Pin, spiral	12	42
181466	Lockwasher	2		207245	Retainer, injector cup	6	43
S-174-C	Capscrew	2		205464	Spring, injector	6	44
				3016671*	Barrel and plunger	6	45
				165006	Capscrew	12	46
				3006696	Clamp	6	47
				207244	Ring, sealing	6	48
				205462	Link, injector plunger	6	49
GEAR PUMP							
All Models							
BM-90273	Pump, gear (3/4" R.H.)	1	13	OMIT:			
210647	Gasket, gear pump	1	14	3016675	Injector, less link	6	
				3003933	Cup	6	35
SHUTDOWN VALVE							
(Rapid Restart)							
All Models							
3018453	Valve, shut-down (24 volt)	1		ADD:			
BM-65725	Valve, shut-down	1		3016676	Injector, less link	6	
129826	Housing, valve	1	17	3001314	Cup	6	35
129838	Knob, override	1	18	*Items in 3016671 not sold separately. Available as assembly only.			
190876	"O" ring shaft	1	19				
70295	Plug, pipe	1	20				
3000266	Shaft, override	1	21				
3017995	Actuator	1					
196057	Disc, valve	1					
3019299	Disc, actuator	1					
3019298	Housing, actuator	1					
3018047	Capscrew, fillister head	4	22				
196066	Coil	1	23				
129888	"O" ring, coil to housing	1	24	206326	Capscrew	4	
129839	Shield, fuel	1	25	200817	Gasket	1	
129768	Spring	1	26	109859	Coupling, spider	1	
129827	Valve, shut-off	1	27	S-610	Lockwasher	4	
S-607	Lockwasher	4	50	S-622	Washer, plain	4	
				FUEL PUMP MOUNTING			
				All Models			

PARTS INDENTED ARE INCLUDED IN THE PART UNDER WHICH THEY ARE INDENTED



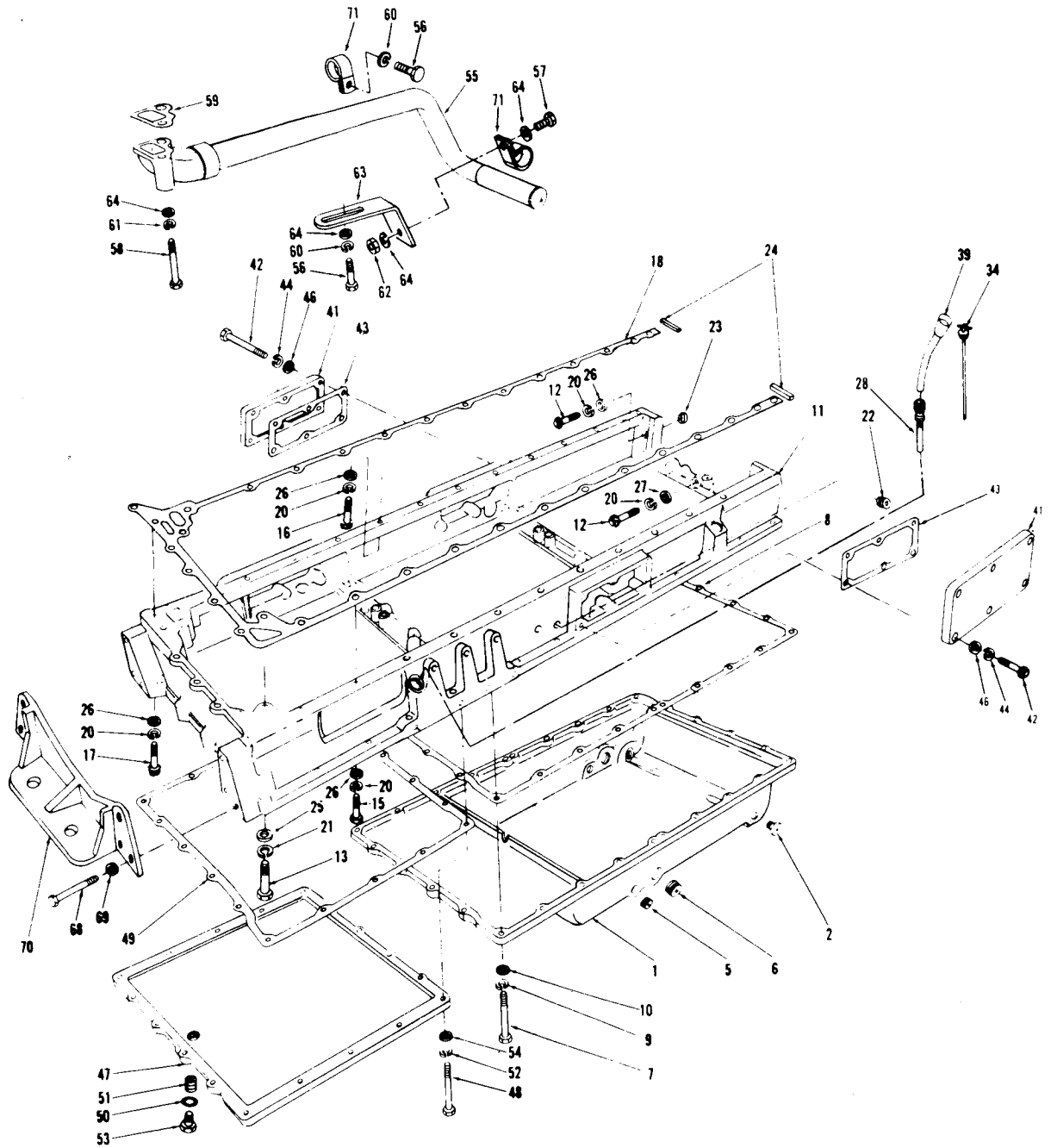
PART NUMBER	PART NAME	NO. REQ'D.	REF. NO.	PART NUMBER	PART NAME	NO. REQ'D.	REF. NO.
	FUEL FILTER All Models				FUEL TUBING All Models		
AR-13274	Filter, fuel assembly	1		3200073	Assembly, fuel supply tube	2	
156172	Cartridge	2	3	3200318	Assembly, fuel drain tube	1	
212013	Head	1	4				
255622	Seal	2	2				
129659	Elbow	2	5				
	MOUNTING PARTS All Models				MOUNTING PARTS All Models		
				S-105	Capscrew	2	
				3200386	Clamp, tube	2	
				3200387	Clamp, tube	2	
3001348	Bracket, fuel filter	1	6	206056	Connector, tube	2	
S-103-D	Capscrew	4	7	44092-P	Cover, shipping	1	
205354	Capscrew	4	8	S-604	Lockwasher	2	
S-606-A	Lockwasher	8	9	3002158	Plug, pipe	1	
				3002150	Seal, ferrule	2	
				176288	Tee	1	
				127362	Washer, plain	2	
	FUEL MANIFOLD All Models						
118226	Capscrew, socket head	2	10				
3001811	Capscrew	12	11				
207442	Connection, fuel manifold	1	12				
128014	Lockwasher	2	14				
127018	Washer, plain	12	16				
207441	Manifold, fuel	1	17				
100478	O-ring	2	18				
3001340	O-ring	12	19				
S-965-E	Plug, pipe	4	20				
128006	Washer, plain	2	21				
3002150	Ferrule, rubber	2	22				
206056	Fitting	2	13				
	* Fuel filter head listed on page 13.						

PARTS INDENTED ARE INCLUDED IN THE PART UNDER WHICH THEY ARE INDENTED



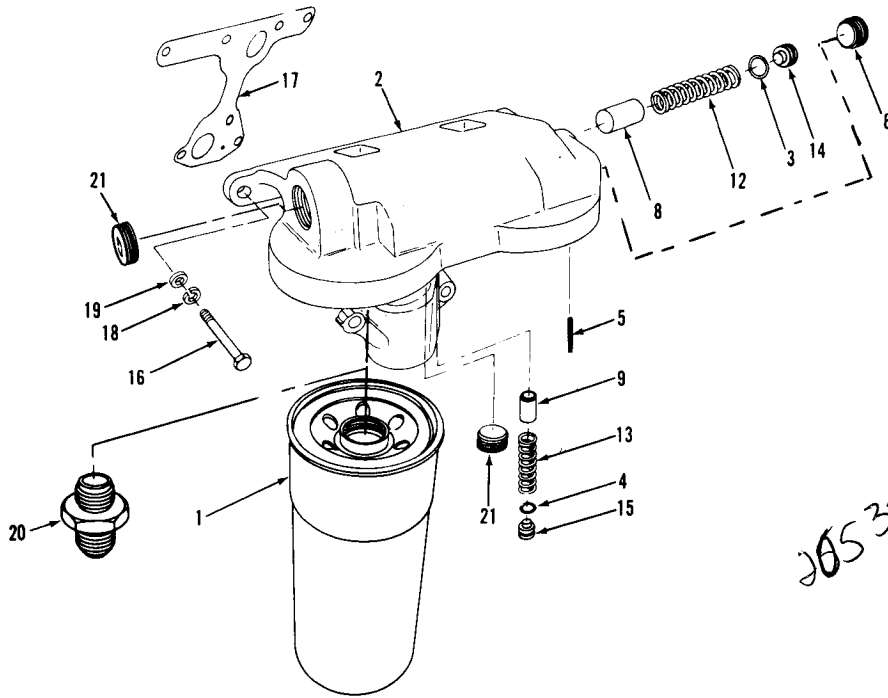
PART NUMBER	PART NAME	NO. REQ'D.	REF. NO.	PART NUMBER	PART NAME	NO. REQ'D.	REF. NO.
	LUBRICATING OIL PUMP All Models				MOUNTING PARTS All Models		
AR-10588	Pump, lubricating oil	1		205898	O-ring, lubricating pump body	2	25
S-126	Capscrew (3/8" x 16 x 2-1/2")	1	1	207135	Ring, rectangular sealing	1	26
S-141	Capscrew (3/8" x 16 x 2-3/4")	1	2	3011715	Capscrew and lockwasher	3	23
3012471	Capscrew and lockwasher assembly	1	3				
S-199-A	Capscrew (3/8" x 16 x 4")	1	4				
70760	Dowel	1	5				
107948	Dowel	1	6				
205061	Gasket, lubricating pump	1	7				
207252	Gear, lubricating pump	1	8				
146942	Gear, idler	1	9				
S-604	Lockwasher	3	11				
205080	Plunger, pressure regulator	1	12				
205345	Pin, roll	1	13				
205052	Shaft, idler	1	14				
207149	Spring, pressure regulator	1	15				
205079	Stop, pressure regulator	1	16				
AR-10583	Body and bushing, lubricating pump (205049)	1	17				
69521	Bushing, lubricating pump	2	18				
146942	Gear, lubricating pump	1	9				
205065	Shaft, lubricating pump drive	1	20				
AR-10587	Cover and bushing, lubricating pump (205088)	1	21				
69521	Bushing, lubricating pump	2	18				

PARTS INDENTED ARE INCLUDED IN THE PART UNDER WHICH THEY ARE INDENTED



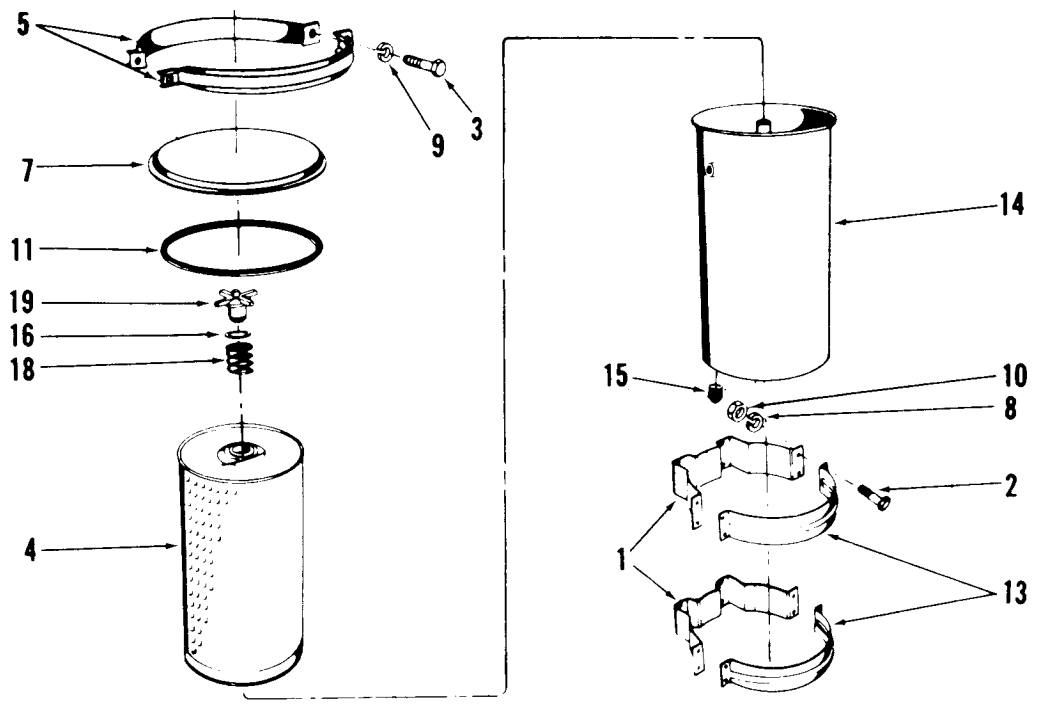
PART NUMBER	PART NAME	NO. REQ'D.	REF. NO.	PART NUMBER	PART NAME	NO. REQ'D.	REF. NO.
	OIL PAN All Models				OIL PAN ADAPTER COVER All Models		
3008538	Pan, oil	1	1	207306	Cover, oil pan adapter	1	47
3008468	Plug, pipe	2	5	S-120	Capscrew (3/8" x 16 x 1-3/4")	18	48
3008470	Plug, pipe (1")	2	6	3008407	Gasket, adapter cover	1	49
69962	Plug, oil drain (1" 18 SAE special 2)	1	2	67946	Washer, plain	1	50
110907	Plug, oil	1		200845	Insert, thread	1	51
67946	Washer, plain	2		S-604	Lockwasher (3/8")	18	52
				69962	Plug, oil pan drain	1	53
				127362	Washer, plain (3/8")	18	54
	MOUNTING PARTS All Models				OIL SUCTION TUBE All Models		
S-120	Capscrew (3/8" x 16 x 1-3/4")	28	7				
3010452	Gasket, oil pan	1	8				
S-604	Lockwasher (3/8")	28	9	3011049	Tube, oil suction	1	55
127362	Washer, plain (3/8")	28	10				
	ADAPTER OIL PAN All Models				MOUNTING PARTS All Models		
				S-112	Capscrew (3/8" x 16 x 1")	2	56
3007372	Adapter, oil pan	1	11	3010593	Capscrew and washer	1	57
S-155	Capscrew (7/16" x 14 x 1-1/4")	2		137890	Capscrew (7/16" x 14 x 4-1/2")	2	58
108707	Capscrew (3/8" x 16 x 1-1/2")	5	12	3008403	Gasket, oil connection	1	59
137980	Capscrew (9/16" x 12 x 3-1/4")	1	13	S-604	Lockwasher (3/8")	1	60
S-105	Capscrew (3/8" x 16 x 3-1/2")	2	15	S-610	Lockwasher	2	61
S-120	Capscrew (3/8" x 16 x 1-3/4")	27	16	129069	Locknut	1	62
S-104	Capscrew (3/8" x 16 x 2-1/4")	1	17	3011220	Support, oil suction tube	1	63
3007378	Gasket, oil pan adapter	1	18	S-602	Washer, plain (3/8")	3	64
S-604	Lockwasher (3/8")	35	20	3200706	Clip	2	71
S-609	Lockwasher	1	21				
S-610	Lockwasher (7/16")	2					
166484	Plug, hollow hex	3			FRONT ENGINE SUPPORT All Models		
3002158	Plug, pipe	1	22				
153518	Seal, bolt	4	23				
205241	Strip, rectangular sealing	2	24	S-173-A	Capscrew (5/8" x 11 x 2-1/4")	6	68
S-689	Washer, plain	1	25	127316	Lockwasher (5/8")	6	69
127362	Washer, plain (3/8")	35	26	206343	Support, front engine	1	70
S-622	Washer, plain	2	27				
	OIL GAUGE BRACKET All Models						
3000508	Assembly, dipstick connector and tube	1	28				
3017289	Bayonet, oil gauge	1	34				
3001345	Tube, oil gauge	1	39				
	HAND HOLE COVER All Models						
207318	Cover, hand hole	3	41				
108707	Capscrew (3/8" x 16 x 1-1/2")	18	42				
205788	Gasket, hand hole cover	3	43				
S-604	Lockwasher (3/8")	18	44				
127362	Washer, plain (3/8")	18	46				

PARTS INDENTED ARE INCLUDED IN THE PART UNDER WHICH THEY ARE INDENTED



PART NUMBER	PART NAME	NO. REQ'D.	REF. NO.	PART NUMBER	PART NAME	NO. REQ'D.	REF. NO.
	LUBRICATING OIL FILTER						
	All Models						
299670	Element, oil filter	2	1				
3009014	Head, lubricating oil filter (3200666)	1	2				
217568	Adapter, filter	2	20				
69527	O-ring, rubber	1	3				
70842	O-ring, rubber	1	4				
205345	Pin, roll	1	5				
161737	Pin, roll	2					
175830	Plug, expansion	1	6				
67622	Plug, pipe	1					
205347	Plunger, bypass valve	1	8				
205348	Plunger, piston cooling	1	9				
205346	Spring, bypass valve	1	12				
3007170	Spring, piston cooling	1	13				
69533	Stop, pressure regulator	1	14				
205350	Stop, pressure regulator	1	15				
3008470	Plug, pipe	2	21				
	MOUNTING PARTS						
	All Models						
S-103-D	Capscrew	6	16				
3011818	Gasket, oil filter head	1	17				
S-604	Lockwasher	6	18				
127362	Washer, plain	6	19				

PARTS INDENTED ARE INCLUDED IN THE PART UNDER WHICH THEY ARE INDENTED



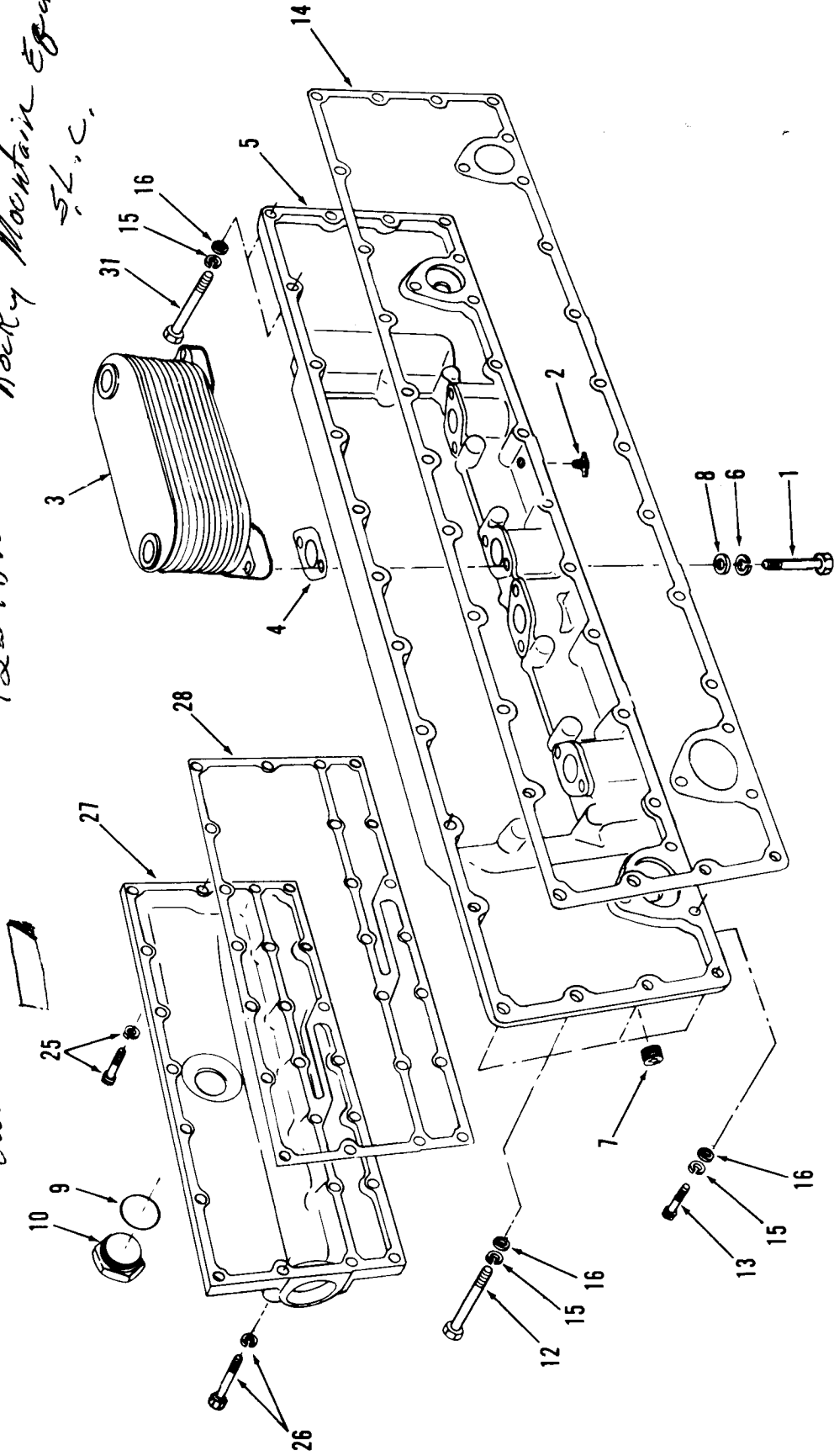
PART NUMBER	PART NAME	NO. REQ'D.	REF. NO.	PART NUMBER	PART NAME	NO. REQ'D.	REF. NO.
	LUBRICATING OIL BYPASS FILTER (Vertical mount only) All Models				LUBRICATING OIL BYPASS FILTER PLUMBING All Models		
159706	Filter, lubricating oil	1		S-921-D	Bushing, pipe	1	
145664	Bracket, mounting	2	1	S-112	Capscrew	1	
70188	Capscrew, bracket	8	2	152767	Clamp	1	
70449	Capscrew, coupling half	2	3	216848	Clamp	1	
256838	Cartridge (LF-750)	1	4	68425	Clip	2	
250856	Coupling half, with nuts	1	5	S-1040-A	Elbow, male adapter	1	
159667	Cover	1	7	68645	Elbow, male adapter	2	
70189	Lockwasher, bracket	8	8	112105	Elbow, male adapter	1	
70194	Lockwasher, coupling half	2	9	S-604	Lockwasher	1	
70299	Nut, bracket	8	10	S-946	Nipple, plain pipe	1	
164159	O-ring, cover	1	11	S-223	Nut, hexagon	1	
145665	Strap, mounting	2	13	177891	Support, oil gauge tube	1	
257222	Shell, filter	1	14	175849	Tee, pipe	1	
139090	Plug, drain (3/8" N.P.T.F.)	1	15	127362	Washer, plain	1	
157218	Support, upper	1		3014341	Connector, male	1	
116029	O-ring, support	1	16				
150037	Spring, hold down	1	18				
257210	Support, upper	1	19				
	MOUNTING PARTS All Models						
172514	Capscrew, twelve point	8					
103844	Lockwasher	8					
S-221	Nut	8					
127184	Washer	8					
AS060400SS	Hose	2					

PARTS INDENTED ARE INCLUDED IN THE PART UNDER WHICH THEY ARE INDENTED

8
O-ring for ~~Tran~~ cooler

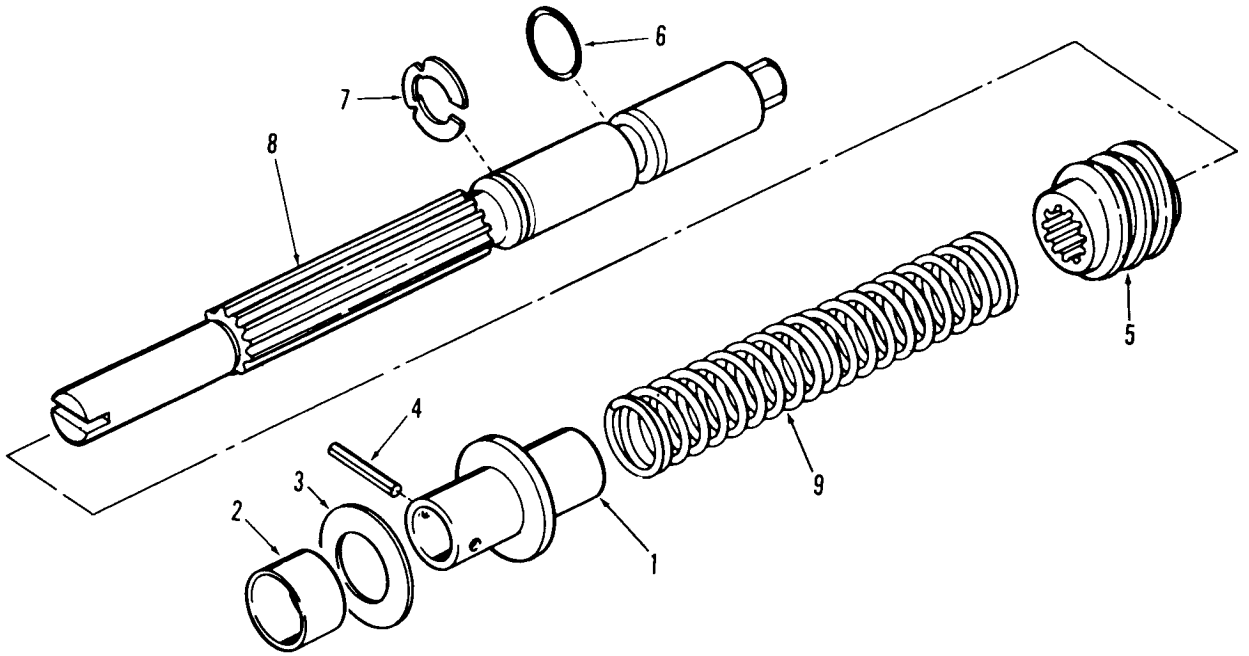
outer oil cooler basket is ~~1259840 H2~~ 1259840 H2

from ~~Rocky Mountain Equip~~ Rocky Mountain Equip
S.L.C.
S.L.C.



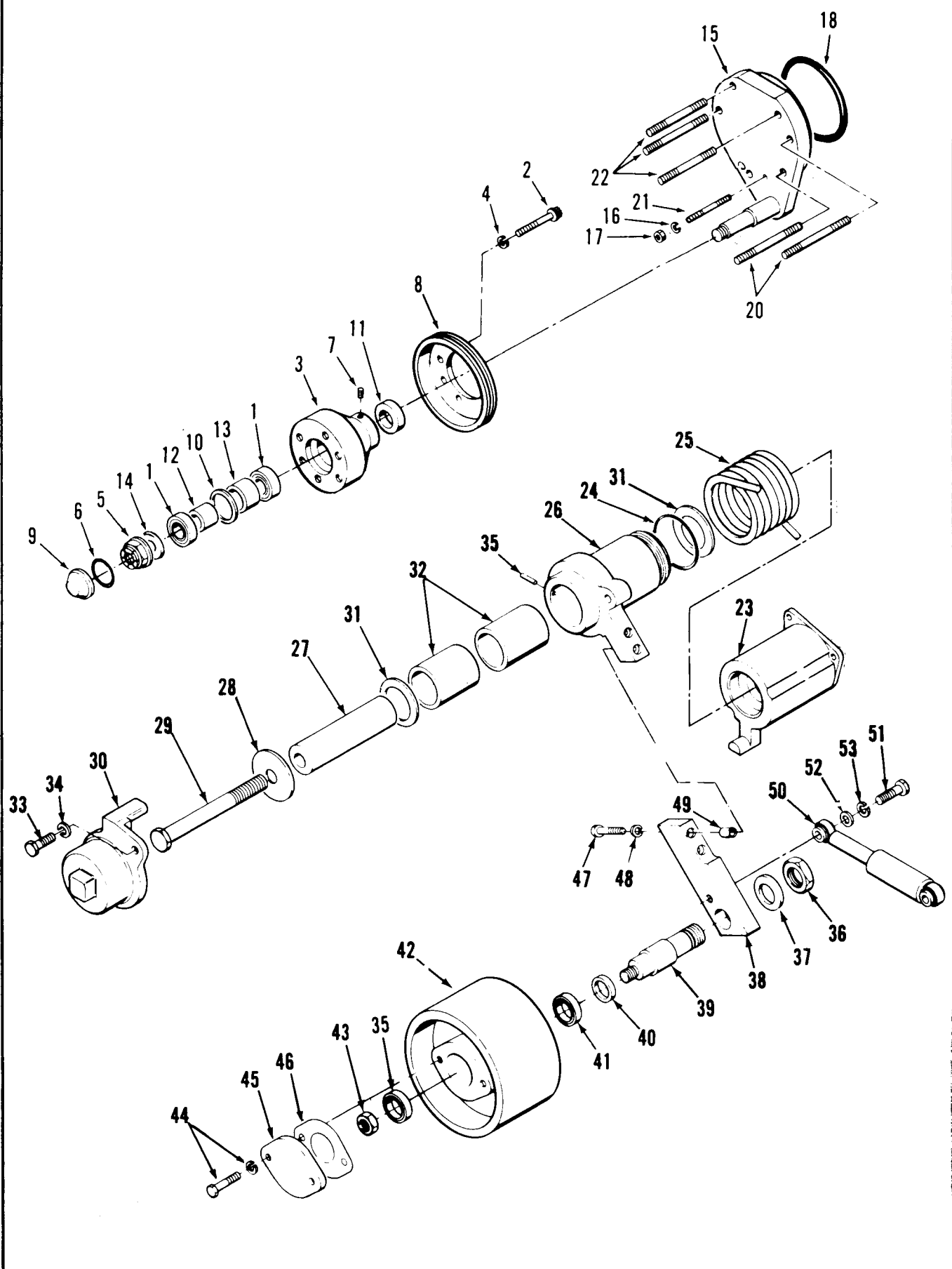
PART NUMBER	PART NAME	NO. REQ'D.	REF. NO.	PART NUMBER	PART NAME	NO. REQ'D.	REF. NO.
LUBRICATING OIL COOLER							
All Models							
3008177	Cooler, lubricating oil	1					
S-103-C	Capscrew	8	1				
S-923-E	Cock, drain	1	2				
3023079	Element, oil cooler	2	3				
206973	Gasket, oil cooler element	4	4				
3006725	Housing, oil cooler	1	5				
S-604	Lockwasher	8	6				
3008470	Plug, pipe	2	7				
145540	O-ring	1	9				
3200620	Plug, heater hole	1	10				
MOUNTING PARTS							
All Models							
S-137	Capscrew	5	31				
S-199-A	Capscrew	16					
108707	Capscrew	8	12				
S-120	Capscrew	3	13				
3200550	Gasket, oil cooler housing	1	14				
S-604	Lockwasher	26	15				
127362	Washer, plain	26	8				
LUBRICATING OIL COOLER COVER							
All Models							
3012474	Capscrew, captive	7	25				
3012478	Capscrew, captive	2	26				
3010031	Cover, oil cooler	1	27				
3011627	Gasket, oil cooler cover	1	28				

PARTS INDENTED ARE INCLUDED IN THE PART UNDER WHICH THEY ARE INDENTED



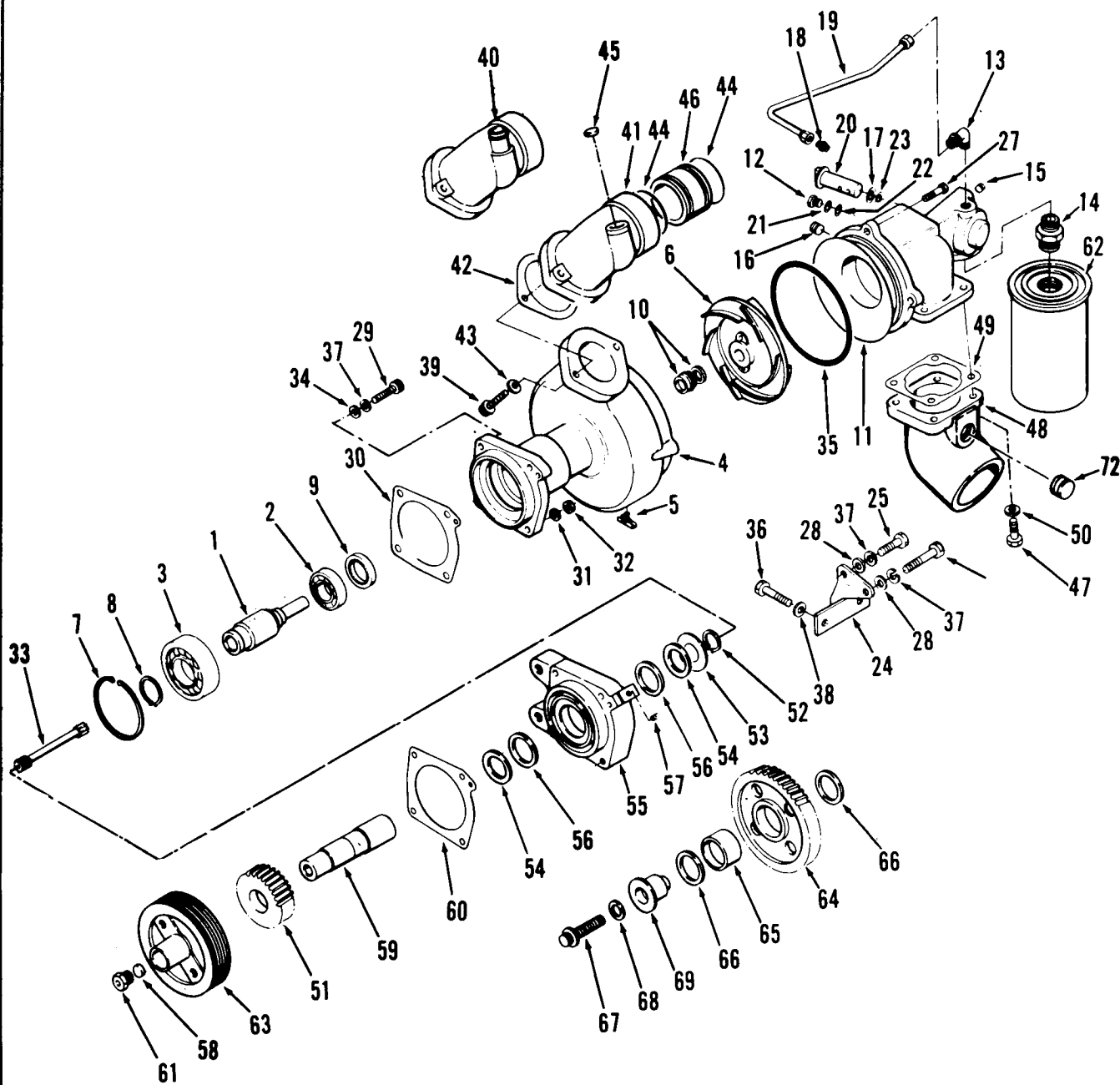
PART NUMBER	PART NAME	NO. REQ'D.	REF. NO.	PART NUMBER	PART NAME	NO. REQ'D.	REF. NO.
	BARRING MECHANISM						
	All Models						
3018914	Assembly, barring shaft guide	1					
3019154	Guide, barring shaft	1	1				
3018909	Bushing, barring shaft	1	2				
3018910	Bearing, thrust	1	3				
3018911	Pin, roll	1	4				
3019152	Gear, worm	1	5				
70842	O-ring	1	6				
3015525	Ring, retaining	1	7				
3019153	Shaft, barring	1	8				
3009620	Spring, barring	1	9				

PARTS INDENTED ARE INCLUDED IN THE PART UNDER WHICH THEY ARE INDENTED



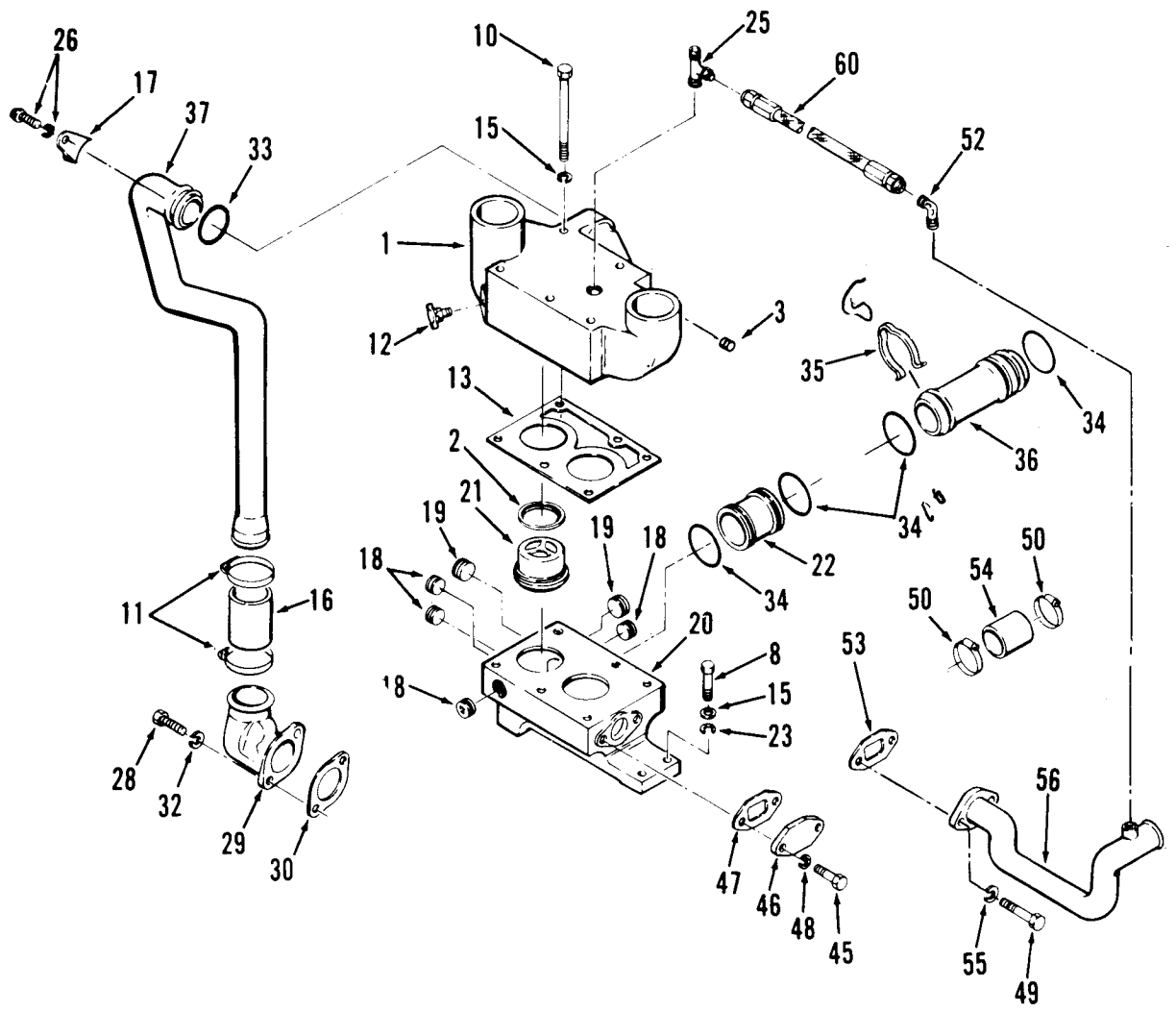
PART NUMBER	PART NAME	NO. REQ'D.	REF. NO.	PART NUMBER	PART NAME	NO. REQ'D.	REF. NO.
	FAN HUB All Models				IDLER ASSEMBLY All Models		
3002233	Hub, fan assembly	1		3009472	Assembly, pivot arm	1	
3001281	Bearing v	2	1	3009473	Support, pivot shaft	1	23
206041	Capscrew	6	2	145581	O-ring	1	24
3002183	Hub, fan	1	3	3009476	Spring, torsion	1	25
111445	Lockwasher	6	4	3175668	Arm, fan idler pivot	1	26
142176	Nut	1	5	3009475	Shaft, pivot arm	1	27
145551	O-ring	1	6	127454	Washer, flat	1	28
S-911-B	Plug, pipe	1	7	S-110-B	Capscrew	1	29
3002222	Pulley, fan hub	1	8	3175711	Cap, pivot arm	1	30
3002193	Retainer, O-ring	1	9	3009774	Washer, thrust	2	31
3001280	Ring, snap bearing	1	10	3009477	Bushing, pivot arm shaft	2	32
200307	Seal, oil	1	11	185804	Capscrew	1	33
3002210	Spacer, inner bearing	1	12	S-610	Lockwasher	1	34
3002211	Spacer, outer bearing	1	13	68171	Pin, roll	2	35
3012467	Washer, plain	1	14				
AR-45690	Support, fan hub	1	15				
3003614*	Support, fan	1			FAN IDLER All Models		
3002203	Belt, poly-v						
	MOUNTING PARTS All Models			3009639	Assembly, fan idler arm	1	
				S-213-A	Nut, hexagon jam	1	36
				S-658	Washer, plain	1	37
				3009640	Arm, fan idler	2	38
S-604	Lockwasher (3/8")	7	16	3009481	Shaft, fan idler	1	39
S-205	Nut	7	17	3003353	Seal, oil	1	40
3000859	O-ring, fan hub support	1	18	3003354	Assembly, bearing	2	41
206848	Ring, rectangular	1		3009641	Pulley, fan idler	1	42
64929	Stud	2	20	3004057	Locknut, prevailing torque	1	43
102397	Stud	5	21	3021470	Capscrew, hexagon head and lockwasher	2	44
3017233	Stud, fan hub	3	22		Cover	1	45
	* Not purchased separately			207603	Gasket	1	46
				205656			
	FAN SPACER				MOUNTING PARTS All Models		
219127	Spacer	1					
208081	Spacer, fan pilot	1					
143698	Spacer, fan	1					
106289	Capscrew	6		103009	Capscrew	3	
203310	Washer, plain	6		S-120	Capscrew	2	47
				S-604	Lockwasher	2	48
				S-610	Lockwasher	3	49
	FAN All Models			3002993	Dowel, ring	2	
215722	Fan (blower)	1			SHOCK ABSORBER All Models		
	MOUNTING PARTS FOR FAN SUPPORT						
				3008018	Absorber, shock	1	50
S-604	Lockwasher	7	16		MOUNTING PARTS All Models		
S-205	Nut	7	17				
3000859	O-ring	1	18				
206848	Seal, rectangular ring	1		S-162-A	Capscrew	2	51
66178-B	Stud	2	20	S-622	Washer, plain	2	52
107765	Stud	2	21	S-610	Lockwasher	2	53
3017233	Stud	3	22	61761	Spacer	1	

PARTS INDENTED ARE INCLUDED IN THE PART UNDER WHICH THEY ARE INDENTED



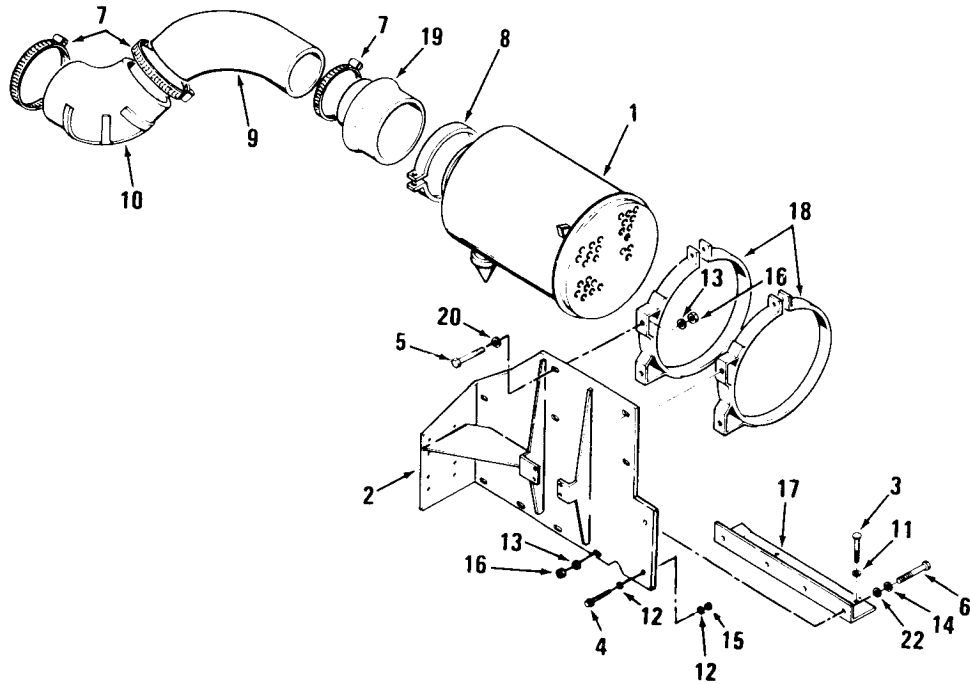
PART NUMBER	PART NAME	NO. REQ'D.	REF. NO.	PART NUMBER	PART NAME	NO. REQ'D.	REF. NO.
	WATER PUMP All Models				KTA-1150 G Same as KT except		
3022920	Pump, water	1		OMIT:			
205254	Shaft, water pump assembly	1	1	3200211	Connection, water pump	1	41
S-16002	Bearing, ball	1	2				
S-16069	Bearing, ball	1	3	ADD:			
206964	Body, water pump	1	4	3002192	Connection, water pump	1	40
S-962-E	Cock, drain	1	5	207721	Plug, expansion	1	45
205243	Impeller, water pump	1	6				
70183	Ring, retaining	1	7				
205258	Ring, retaining	1	8		WATER INLET		
206948	Seal, oil	1	9		All Models		
AR-12732	Assembly, seal and seat	1	10				
	WATER PUMP INLET HOUSING All Models			S-103-D	Capscrew	4	47
3010529	Assembly, water pump inlet housing	1		3001351	Connection, water inlet	1	48
3010181	Housing	1	11	205288	Gasket, water inlet connection	1	49
S-167-A	Capscrew	1		S-604	Lockwasher	4	50
S-114	Capscrew	1	12	S-962	Plug, pipe	1	72
S-1007-A	Elbow, flexible	1	13		WATER PUMP DRIVE		
206963	Insert, water filter head	1	14		AND SUPPORT		
3008466	Plug, pipe (1/4") coated	1	15	3007385	Drive, water pump and alternator		
3008469	Plug, pipe (3/4") coated	1	16	207251	Gear, water pump and alternator drive	1	51
70861	Ring, rubber	1	17				
S-1006-A	Connector	1	18	205166	Ring, retaining, beveled	1	52
3010704	Tube, transfer (3010535)	1	19	3002743	Washer, clamping	1	53
S-1068	Nut	2		116388	Washer, thrust	2	54
S-1070	Sleeve	2		3007386	Support, water pump (3007364)	1	55
3010536	Valve, water shut-off	1	20	205156	Bushing, water pump drive	2	56
S-600	Lockwasher	1	21	S-965-E	Plug, pipe	1	57
S-631	Washer	1	22	3005350	Shaft and plug, water pump drive	1	
205363	Washer, spring	1	23	205498	Plug, oil	1	58
146159	Washer, plain	1		3002326	Shaft, water pump and alternator drive	1	59
	MOUNTING PARTS All Models				MOUNTING PARTS		
3010530	Bracket, water pump	1	24	205233	Gasket, water pump support	1	60
S-109	Capscrew (3/8" x 16 x 7/8")	1	25	139473	Plug	1	61
3012472	Capscrew and lockwasher	1	26		WATER FILTER		
S-103	Capscrew	3	27		All Models		
S-602	Washer	3	28	299084	Element, water filter	1	62
S-102-D	Capscrew	2	29		ALTERNATOR DRIVE PULLEY		
205233	Gasket, water pump support	1	30		All Models		
S-604	Lockwasher	1	31				
S-205	Nut	1	32				
205259	Shaft, water pump driver	1	33	3002331	Pulley, alternator drive	1	63
3005594	Washer, plain	3	34		WATER PUMP IDLER		
145623	O-ring	1	35		All Models		
S-181	Capscrew	2	36				
S-604	Lockwasher	4	37	3004685	Assembly, idler gear and bushing (3004680)	1	64
S-603	Lockwasher	2	38	3004686	Bushing	1	65
127352	Washer, plain	3			MOUNTING PARTS		
	WATER PUMP TO LUBRICATING OIL COOLER TUBE KT-1150 G				All Models		
S-103-D	Capscrew	2	39	130083	Washer, thrust	2	66
3200211	Connection, water pump	1	41	207527	Capscrew	1	67
205289	Gasket, water outlet connection	1	42	3200772	Washer, plain	1	68
S-604	Lockwasher	2	43	3001962	Shaft, idler	1	69
69760	O-ring	2	44				
206998	Tube, water pump to cooler	1	46				

PARTS INDENTED ARE INCLUDED IN THE PART UNDER WHICH THEY ARE INDENTED



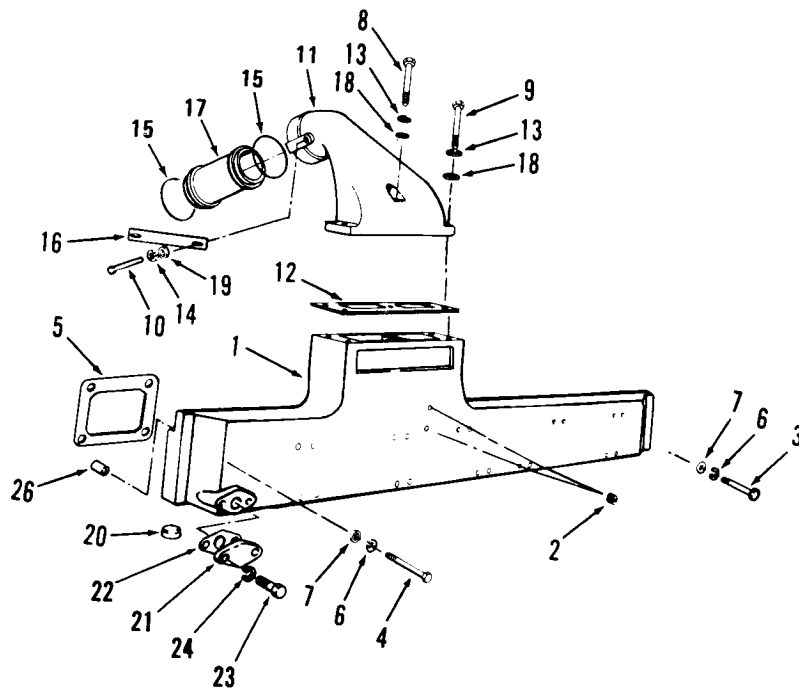
PART NUMBER	PART NAME	NO. REQ'D.	REF. NO.	PART NUMBER	PART NAME	NO. REQ'D.	REF. NO.
	THERMOSTAT HOUSING All Models				THERMOSTAT HOUSING SUPPORT COVER		
					KT Series Only		
3016720	Assembly, thermostat housing	1					
3010917	Housing, thermostat	1	1				
186780	Seal, thermostat	2	2	S-109	Capscrew	2	45
67622	Plug, pipe	1	3	207077	Cover, thermostat housing support	1	46
S-141	Capscrew	2		207056	Gasket	1	47
108707	Capscrew	2	8	S-604	Lockwasher	2	48
S-199-B	Capscrew	5	10				
S-962-E	Draincock	1	12				
3010918	Gasket, thermostat housing	1	13				
S-604	Lockwasher	10	15		AFTERCOOLER CONNECTION KTA-1150 G		
69760	O-ring, water transfer tube	2	34				
S-915-A	Plug, pipe	4	18	43828-B	Clamp, hose	2	50
S-995	Plug, pipe	2	19	3012303	Connection, aftercooler (constr.)	1	56
3010916	Support, thermostat housing	1	20	144372	Elbow	1	52
204586	Thermostat	2	21	S-112	Capscrew	2	49
207378	Tube, water transfer	1	22	S-604	Lockwasher	2	55
127362	Washer, plain	2	23	AS-050110055	Hose	1	60
3200749	Tee	1	25	3010926	Gasket	1	53
				9539-A	Hose	1	54
	WATER BYPASS TUBE All Models						
3015283	Capscrew, captive	1	26				
S-103-D	Capscrew	2	28				
3010299	Connection, water	1	29				
195866	Gasket, water bypass	1	30				
S-604	Lockwasher	2	32				
70624	O-ring	1	33				
43828-D	Clamp, hose	2	11				
68378-A	Hose	1	16				
3010689	Clamp	1	17				
3011224	Tube, water bypass	1	37				
	WATER TRANSFER TUBE All Models						
69760	O-ring	10	34				
205976	Ring, water tube retaining	5	35				
207233	Tube, water transfer	5	36				

PARTS INDENTED ARE INCLUDED IN THE PART UNDER WHICH THEY ARE INDENTED



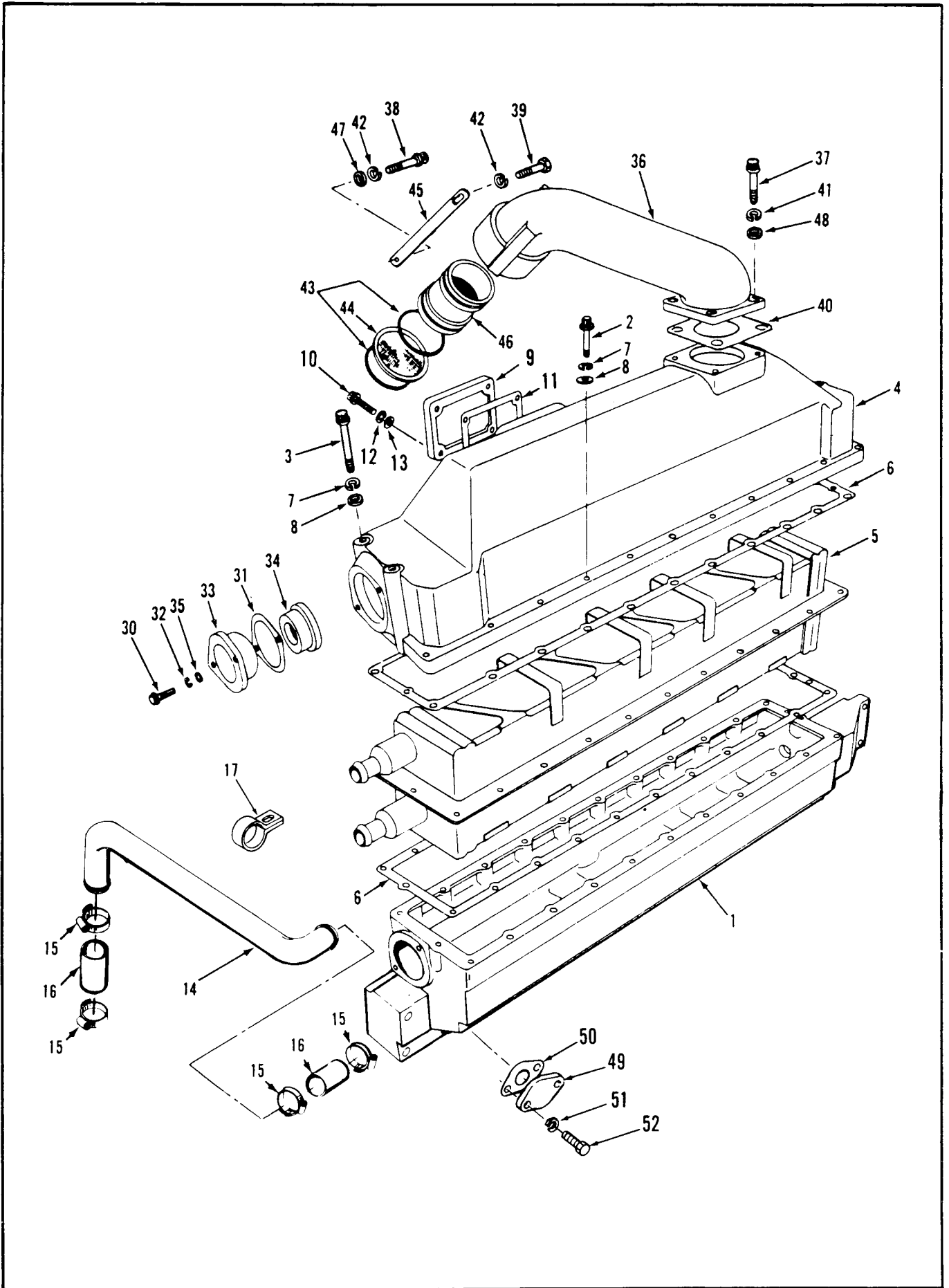
PART NUMBER	PART NAME	NO. REQ'D.	REF. NO.	PART NUMBER	PART NAME	NO. REQ'D.	REF. NO.
	AIR CLEANER						
	All Models						
3001879	Air cleaner	1	1				
3013205	Element, air cleaner (normal duty)	1					
	MOUNTING PARTS						
	All Models						
3021896	Bracket	1	2				
S-109	Capscrew	4	3				
S-145	Capscrew	4	4				
103023	Capscrew	4	5				
205378	Capscrew	4	6				
140313	Clamp, hose	3	7				
140314	Clamp, T-bolt	1	8				
105317	Elbow, 45 deg.	1	9				
3000308	Elbow, 90 deg.	1	10				
S-604	Lockwasher	4	11				
S-608	Lockwasher	4	12				
S-610	Lockwasher	4	13				
111445	Lockwasher	4	14				
S-200	Nut	4	15				
S-217	Nut	4	16				
3001888	Support, air cleaner	1	17				
197221	Strap, cleaner	2	18				
3001870	Tube, air inlet assembly	1	19				
S-622	Washer	4	20				
S-670	Washer	4					
S-602	Washer, plain	4	22				

PARTS INDENTED ARE INCLUDED IN THE PART UNDER WHICH THEY ARE INDENTED



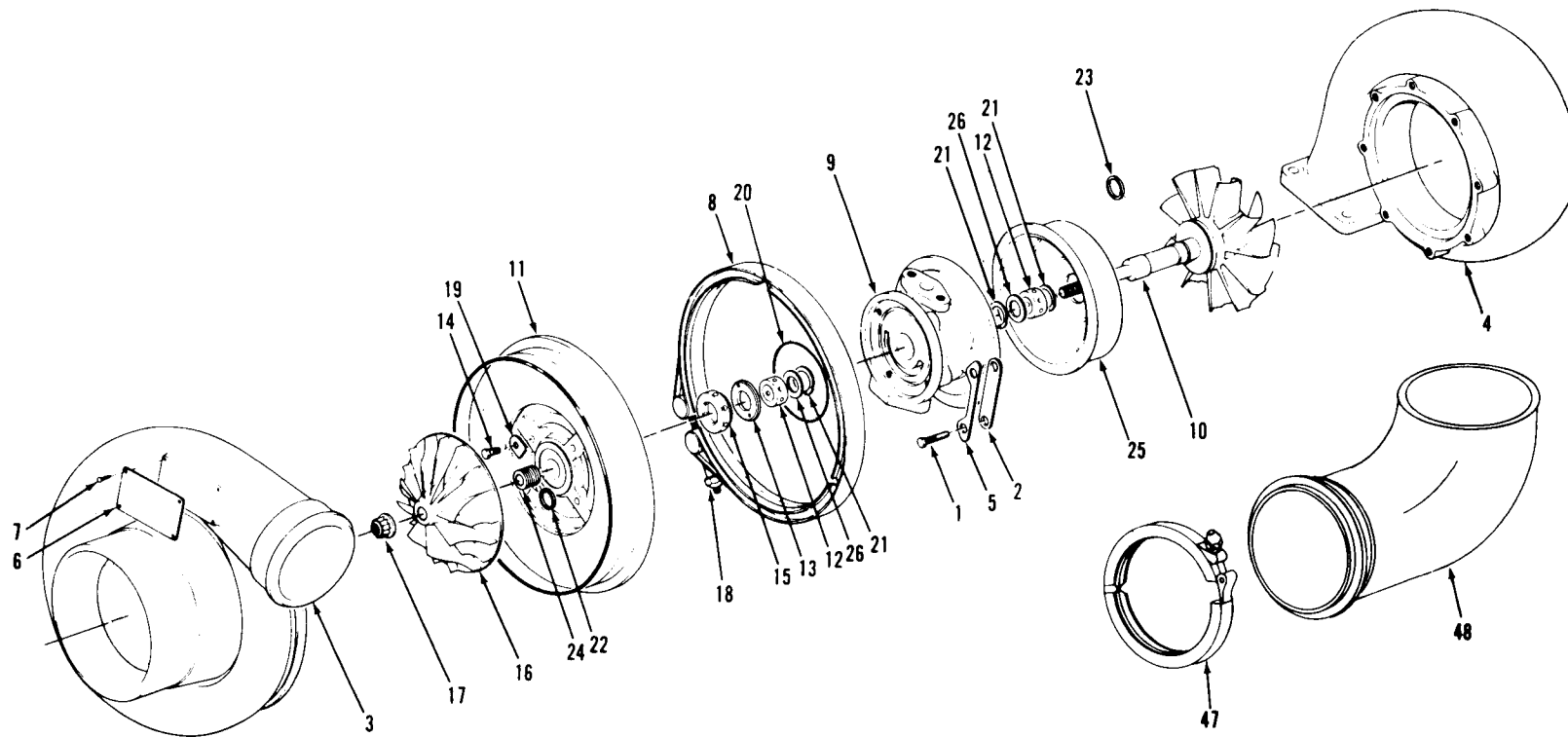
PART NUMBER	PART NAME	NO. REQ'D.	REF. NO.	PART NUMBER	PART NAME	NO. REQ'D.	REF. NO.
	AIR INTAKE MANIFOLD KT-1150 G				AIR CROSSOVER CONNECTION KT-1150 G (Cont'd)		
3010928	Manifold, air intake	1	1	207214	Tube, air crossover	1	17
S-910-B	Plug	2	2	127362	Washer, plain	5	18
				127184	Washer, plain	4	19
				3002887	Seal, dust	1	
	MOUNTING PARTS KT-1150 G				COLD STARTING AID All Models		
206305	Capscrew	1			Cold start, ether type, manually operated	1	
123204	Capscrew	2	3		Bushing	2	
137868	Capscrew	21	4	259372			
206277	Gasket, air manifold	6	5				
S-604	Lockwasher (3/8")	24	6	S-970-B			
127362	Washer, plain	24	7				
156075*	Plug, cup	1	20				
3014304	Sleeve, rubber	12	26		AIR COMPRESSOR COVER KT-1150 G		
	*To be used when air compressor is not used to plug air supply to air compressor.			3011693	Cover plate	1	21
				164916	Gasket	1	22
				S-103-D	Capscrew	2	23
				S-604	Lockwasher	2	24
	AIR CROSSOVER CONNECTION KT-1150 G						
S-102	Capscrew (5/16" x 18 x 1")	1					
S-149-A	Capscrew (3/8" x 16 x 5")	1	8				
S-120	Capscrew (3/8" x 16 x 1-3/4")	4	9				
S-107	Capscrew (5/16" x 18 x 3/4")	3	10				
3003647	Connection, air crossover	1	11				
206279	Gasket, air connection	1	12				
S-604	Lockwasher (3/8")	5	13				
S-605	Lockwasher (5/16")	4	14				
207236	O-ring, tube	2	15				
3001523	Strap, turbocharger	2	16				

PARTS INDENTED ARE INCLUDED IN THE PART UNDER WHICH THEY ARE INDENTED



PART NUMBER	PART NAME	NO. REQ'D.	REF. NO.	PART NUMBER	PART NAME	NO. REQ'D.	REF. NO.
	AIR AFTERCOOLER KTA-1150 G				AIR CROSSOVER CONNECTION KTA-1150 G		
3010927	Housing, aftercooler	1	1	3002524	Crossover, air intake	1	36
172640	Capscrew	21	2	S-107	Capscrew (5/16" x 18 x 3/4")	4	37
207222	Capscrew	3	3	207221	Capscrew	2	38
3001300	Cover, aftercooler housing	1	4	205729	Capscrew	2	39
3001299	Core, aftercooler	1	5	3001306	Gasket	1	40
3001304	Gasket, aftercooler	2	6	S-604	Lockwasher (3/8")	4	41
S-604	Lockwasher	24	7	S-605	Lockwasher (5/16")	4	42
127362	Washer, plain	24	8	207236	O-ring	2	43
				3002887	Ring, sealing	1	44
				3001523	Strap, air intake	2	45
	MOUNTING PARTS KTA-1150 G			207214	Tube, air crossover	1	46
				127362	Washer, plain	4	47
				109557	Washer, plain	4	48
S-955	Bushing, pipe	1					
103271	Capscrew	11			AIR COMPRESSOR COVER All Models		
123204	Capscrew	2					
137868	Capscrew	3					
137872	Capscrew	8					
206277	Gasket, manifold to head	6		3011693	Cover, plate	1	49
S-604	Lockwasher	24		164916	Gasket	1	50
S-910-B	Plug, pipe	1		S-103-D	Capscrew	2	51
127362	Washer, plain	24		S-604	Lockwasher	2	52
3014304	Sleeve, rubber	24					
	AFTERCOOLER INTAKE COVER KTA-1150 G						
3001303	Cover, air intake	1	9				
199919	Capscrew	4	10				
3001306	Gasket	1	11				
S-604	Lockwasher	4	12				
127362	Washer, plain	4	13				
	WATER PUMP TO AFTERCOOLER TUBE KTA-1150 G						
3010921	Tube, water pump to aftercooler	1	14				
43828-B	Clamp, hose	4	15				
3200316	Hose	2	16				
3010922	Clip	1	17				
	WATER CONNECTION SEAL KTA-1150 G						
S-103-D	Capscrew	4	30				
3001305	Gasket	2	31				
S-604	Lockwasher	4	32				
3001301	Retainer, seal	2	33				
206808	Seal	2	34				
127362	Washer, plain	4	35				

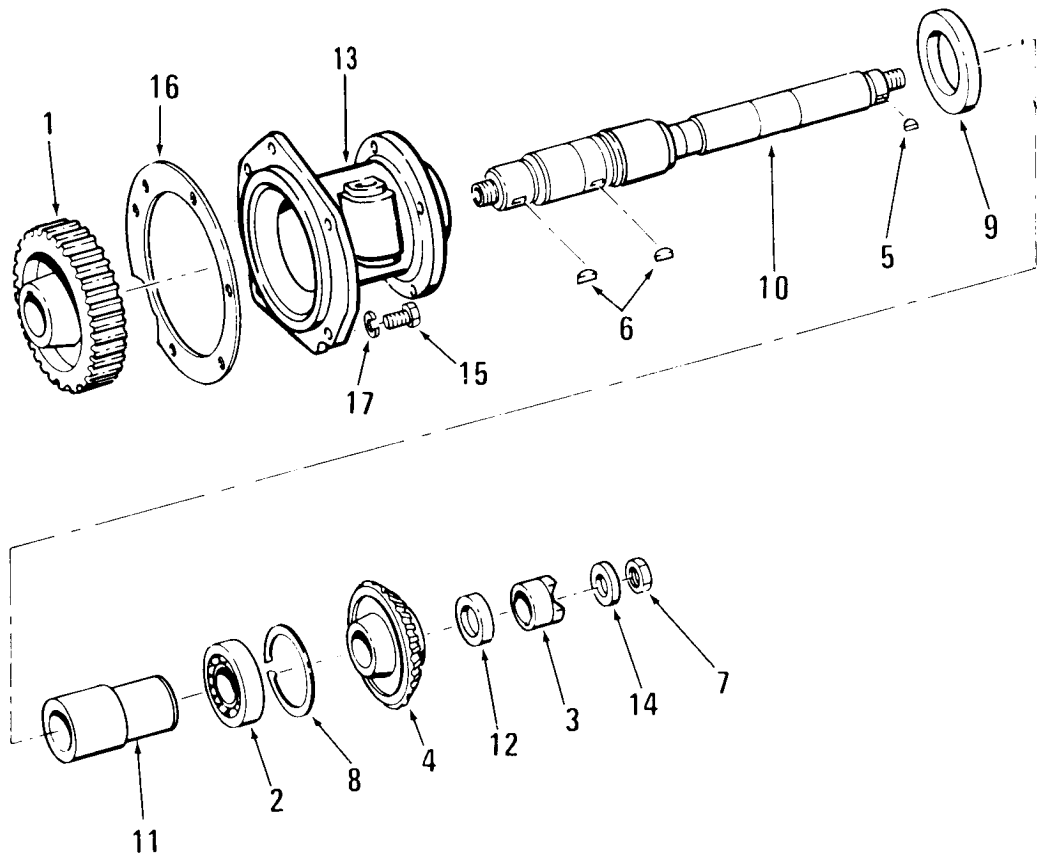
PARTS INDENTED ARE INCLUDED IN THE PART UNDER WHICH THEY ARE INDENTED



TURBOCHARGER

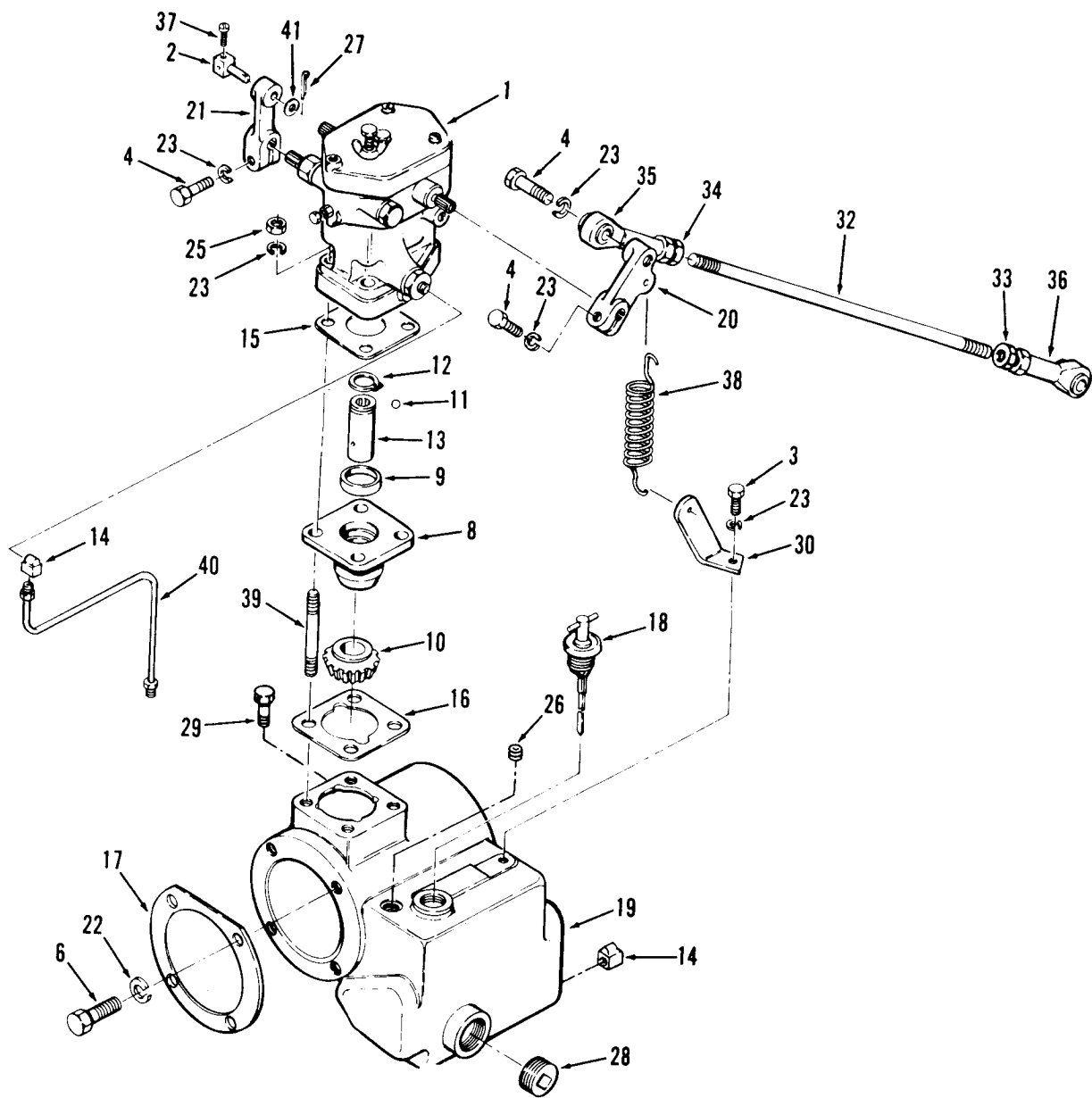
PART NUMBER	PART NAME	NO. REQ'D.	REF. NO.	PART NUMBER	PART NAME	NO. REQ'D.	REF. NO.
	TURBOCHARGER (T-18-A)				TURBOCHARGER EXHAUST CONNECTION		
	All Models				All Models		
3007732	Turbocharger	1					
202870	Bolt, turbine housing	8	1	201989	Clamp, V-Band	1	47
202871	Clamp, turbine housing	4	2	AR-7263	Connection, exhaust outlet	1	48
3009191	Housing, compressor	1	3				
3009192	Housing, turbine	1	4				
202872	Lockplate, turbine housing	4	5				
207433	Nameplate	1	6				
207434	Screw, nameplate	4	7				
202868	V-Band	1	8				
3009193	Housing assembly, rotating center	1					
3009196	Assembly, center housing	1	9				
3009194	Assembly, wheel and shaft	1	10				
3004583	Backplate	1	11				
207425	Bearing	2	12				
202856	Bearing, inboard thrust	1	13				
3004581	Bolt	4	14				
3009198	Collar, thrust	1	15				
3009195	Impeller	1	16				
3009199	Locknut	1	17				
207432	Locknut, V-Band	1	18				
3004582	Washer	4	19				
202859	O-ring	1	20				
202853	Ring, retaining	3	31				
202860	Ring, piston	1	22				
207431	Ring, piston	1	23				
3009197	Spacer, thrust	1	24				
202852	Shroud, wheel	1	25				
202855	Washer	2	26				
	MOUNTING PARTS						
	All Models						
S-1039-A	Adapter, flex	1					
208668	Adapter, hose	1					
43828-A	Clamp, hose	2					
108722	Clip	1					
147991	Clip	1					
3003536	Elbow, turbocharger oil return	1					
201017	Flange, turbocharger	1					
205396	Gasket, turbocharger to exhaust manifold	1					
201048	Gasket, oil	1					
201049	Gasket, oil	1					
209956	Hose, flexible	1					
AS-16025-NF	Hose	1					
219138	Locknut	4					
191772	Capscrew, twelve point	2					
205354	Capscrew, twelve point	2					
3012471	Capscrew, captive	2					
3006289	Stud	4					
3200178	Tube, drain	1					
3200143	Tube, oil supply	1					
206943	Union, adapter	1					
S-604	Washer, lock	4					

PARTS INDENTED ARE INCLUDED IN THE PART UNDER WHICH THEY ARE INDENTED



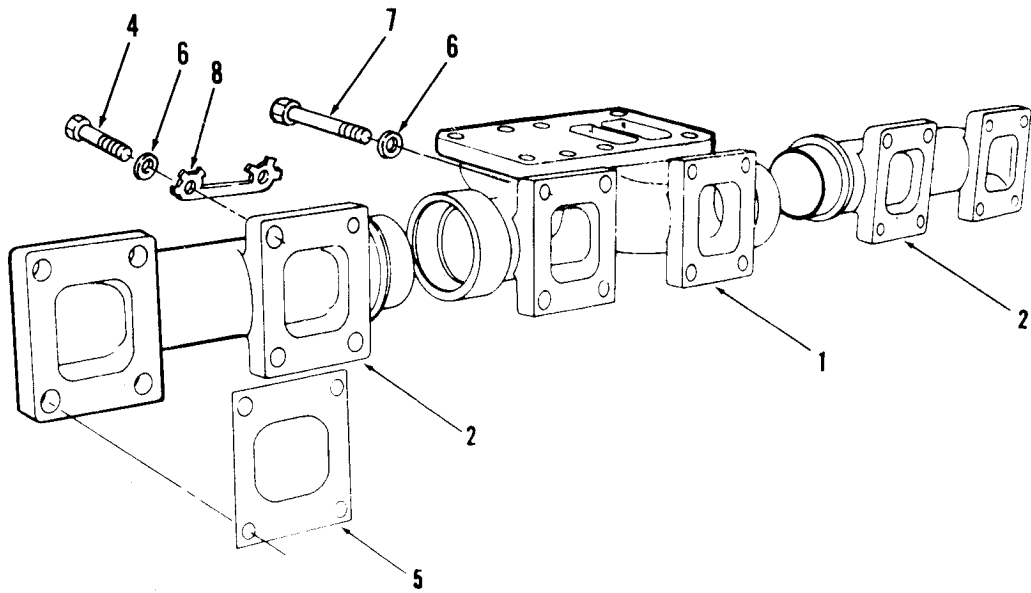
PART NUMBER	PART NAME	NO. REQ'D.	REF. NO.	PART NUMBER	PART NAME	NO. REQ'D.	REF. NO.
	WOODWARD GOVERNOR DRIVE						
3004628	Drive, fuel pump	1					
114645	Gear, drive	1	1				
S-16073	Bearing, ball (rear)	1	2				
3003305	Coupling, half	1	3				
207253	Gear, governor drive	1	4				
S-306	Key, coupling	1	5				
S-316	Key, shaft	1	6				
S-222-A	Nut, shaft	1	7				
S-16255	Ring, snap	1	8				
106339	Seal, oil	1	9				
3003301	Shaft, drive	1	10				
128067	Spacer	1	11				
3003306	Spacer, governor gear	1	12				
3014607	Support, bearing	1	13				
3003307	Washer, retaining	1	14				
	MOUNTING PARTS						
S-112	Capscrew	3	15				
205376	Capscrew	4	16				
205873	Gasket	1	16				
S-606-A	Lockwasher	8	17				
S-205	Nut	1					
S-602	Washer	2					
3003312	Support, governor housing	1					

PARTS INDENTED ARE INCLUDED IN THE PART UNDER WHICH THEY ARE INDENTED



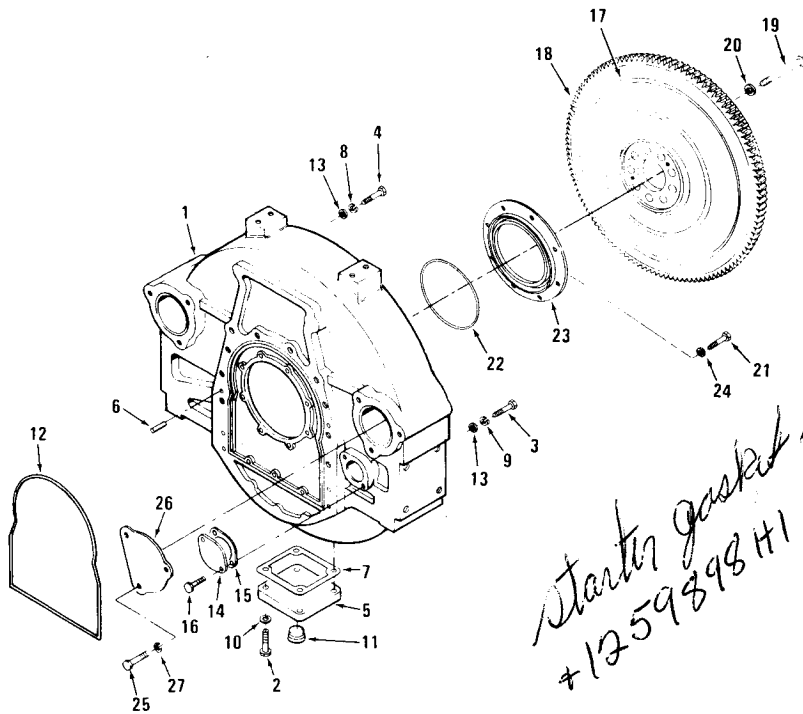
PART NUMBER	PART NAME	NO. REQ'D.	REF. NO.	PART NUMBER	PART NAME	NO. REQ'D.	REF. NO.
	WOODWARD HYDRAULIC GOVERNOR				GOVERNOR MOUNTING AND LINKAGE PSG WOODWARD HYDRAULIC GOVERNOR		
3004413	Governor, Woodward, assembly	1					
21576	Governor, Woodward (PSG)	1	1				
68846	Block, swivel	1	2	216298	Control rod	1	
S-109	Capscrew	1	3	63520	Gasket	1	
S-102-A	Capscrew	2	4	3011029	Oil supply tube	1	
3006917	Housing, governor	1		69790	Return spring	1	
BM-43223	Retainer, governor bearing	1	8	3003303	Return spring bracket	1	
103023	Capscrew	4	6	114850	Spacer	1	
102991	Collar, governor drive shaft	1	9	67020-A	Speed adjusting lever	1	
102988	Gear, governor drive	1	10	103006	Stud	4	
70739	Key, ball	1	11	3003308	Terminal shaft lever	1	
103001	Ring, snap	1	12	3003310	Throttle shaft lever	1	
102986	Shaft, drive	1	13	101646	Uniball assembly	1	
S-1028	Elbow	2	14	103000	Uniball assembly	1	
63520	Gasket, governor to bearing housing	1	15	102477	VS governor lever	1	
102992	Gasket, governor bearing retainer to housing (0.0055")	A/R	16				
103004	Gasket, governor bearing retainer to housing (0.0153")	A/R	16		WOODWARD 2301 ELECTRO-HYDRAULIC GOVERNOR EG-3P		
102996	Gasket, fuel pump cover to governor housing	1					
124577	Gasket, governor housing to bearing support (0.0153")	A/R	17	121276	Cable clamp	1	
				168568	Control rod	1	
3005986	Gauge, oil level	1	18	63520	Gasket	1	
3003300	Housing, governor drive	1	19	215982	Mating connector (Actuator)	1	
3003308	Lever, governor control	1	20	3008759	Oil supply tube	1	
67020-A	Lever, speed adjusting	1	21	114850	Spacer	1	
S-610	Lockwasher	8	22	166471	Stud	2	
S-604	Lockwasher	1	24	3003309	Terminal shaft lever	1	
S-605	Lockwasher	2	23	3003310	Throttle shaft lever	1	
69832	Nut	4	25	101646	Uniball assembly	1	
S-511	Pin, cotter, swivel block	1	27	103000	Uniball assembly	1	
3008466	Plug, pipe (1/4")	1	26				
3008469	Plug, pipe (3/4")	1	28		EGB-3P		
63876-1	Plug, pipe vent	1	29				
3003303	Bracket, retainer spring	1	30	123321	Cable clamp	1	
70208	Screw, swivel block	1	37	216298	Control rod	1	
69790	Spring, fuel lever return	1	38	63520	Gasket	1	
103006	Stud, governor mounting	4	39	176709	Mating connector (Actuator)	1	
3011029	Tube, governor oil supply	1	40	3004368	Oil supply tube	1	
S-626	Washer, plain	1	41	114850	Spacer	1	
AR-11543	Assembly, uniball control	1		63521	Stud	4	
216298	Rod, control	1	32	3003309	Terminal shaft lever	1	
68351	Nut, jam (left hand)	1	33	3003310	Throttle shaft lever	1	
S-248	Nut, jam (right hand)	1	34	101646	Uniball assembly	1	
101646	Joint, uniball (right hand)	1	35	103000	Uniball assembly	1	
103000	Joint, uniball (left hand)	1	36				
	BARBER-COLEMAN GOVERNOR				THROTTLE CONTROL		
3003643	Control package, actuator	1		191713	Control, throttle	1	
3000294	Installation kit	1					
	AMERICAN BOSCH GOVERNOR						
3019635	Actuator	1					
3020987	Control unit	1					
3017418	Magnetic pickup	1					

PARTS INDENTED ARE INCLUDED IN THE PART UNDER WHICH THEY ARE INDENTED



PART NUMBER	PART NAME	NO. REQ'D.	REF. NO.	PART NUMBER	PART NAME	NO. REQ'D.	REF. NO.
	EXHAUST MANIFOLD						
207176	Manifold, exhaust (center)	1	1				
205186	Manifold, exhaust (front and rear)	2	2				
	MOUNTING PARTS						
197032	Capscrew	20	4				
205196	Gasket, exhaust manifold	6	5				
109594	Washer, plain	20	6				
3001404	Capscrew	4	7				
3001405	Lockplate	12	8				

PARTS INDENTED ARE INCLUDED IN THE PART UNDER WHICH THEY ARE INDENTED



PART NUMBER	PART NAME	NO. REQ'D.	REF. NO.	PART NUMBER	PART NAME	NO. REQ'D.	REF. NO.
	FLYWHEEL HOUSING All Models				MOUNTING PARTS		
207366	Housing, flywheel	1	1	206354	Bolt	9	19
				207386	Washer	9	20
	MOUNTING PARTS All Models				REAR OIL CRANKSHAFT SEAL All Models		
S-109	Capscrew	4	2	205409	Capscrew, self-seal and lock	8	21
S-139	Capscrew	10	3	205247	O-ring	1	22
S-144	Capscrew	2	4	3005885	Seal, oil	1	23
3006485	Cover	1	5	S-631	Washer, plain	8	24
9226	Dowel	2	6				
207376	Gasket	1	7		STARTER HOLE COVER		
S-600	Lockwasher	2	8		Capscrew	3	25
S-603	Lockwasher	12	9	206332	Cover, starter flange	1	26
S-610	Lockwasher	4	10	62182	Lockwasher	3	27
3008470	Plug, pipe	1	11	S-603			
205239	Ring, rectangular sealing	1	12				
172648	Ring, rectangular sealing	1					
S-658	Washer, plain	12	13				
70657	Cover, index hole	1	14				
3021735	Gasket	1	15				
3001646	Screw, self tapping	2	16				
	FLYWHEEL AND RING GEAR All Models						
AR-45118	Flywheel (3005581)	1	17				
5566	Gear, ring	1	18				

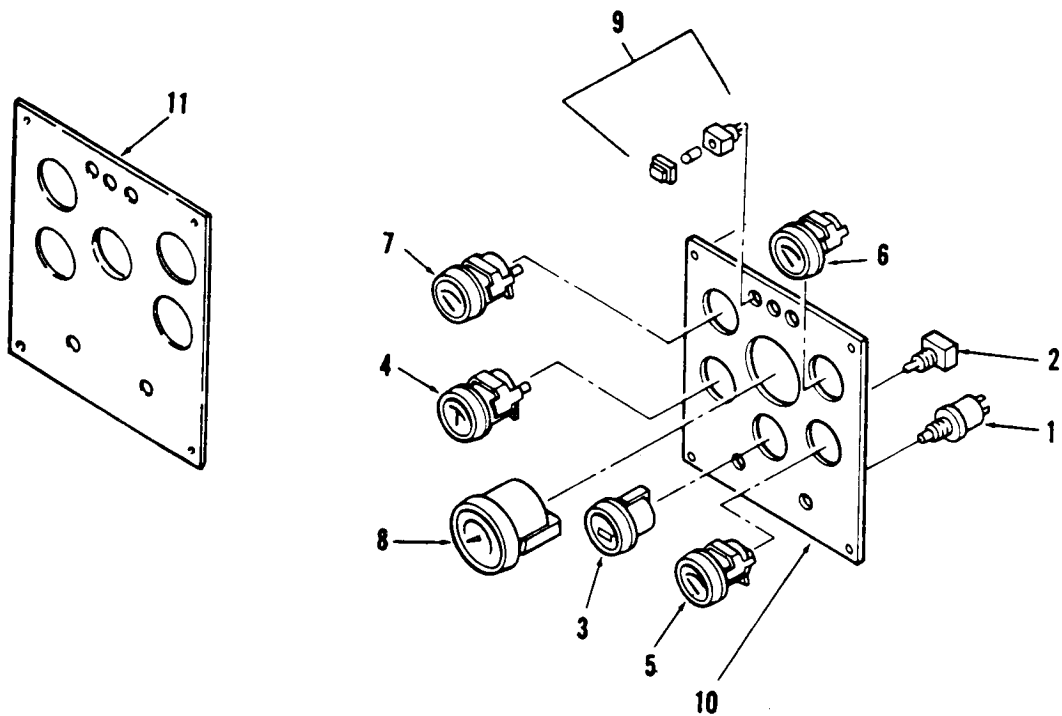
PARTS INDENTED ARE INCLUDED IN THE PART UNDER WHICH THEY ARE INDENTED

PART NUMBER	PART NAME	NO. REQ'D.	REF. NO.	PART NUMBER	PART NAME	NO. REQ'D.	REF. NO.
	STARTING MOTOR All Models				MAGNETIC SWITCH All Models		
3004699	Motor, starting (24 volt)	1		216537	Switch, magnetic	1	
3018924	Strap, braid	1		S-118-A	Capscrew	2	
				3015216	Bracket, magnetic switch	1	
				S-258	Nut, hex	2	
				S-600	Washer, lock	2	
				S-691	Washer, plain	2	
	MOUNTING PARTS All Models				VOLTAGE REGULATOR All Models		
158250	Capscrew	3					
S-603	Lockwasher	3					
	ALTERNATOR All Models			162201	Voltage regulator	1	
3016627	Alternator (24 volt, 35 amp.)	1			GASKET SETS All Models		
	MOUNTING PARTS			3011454	Engine overhaul set	1	
3002323	Pulley, alternator	1		3006135	Cylinder head gasket set (For all 12 heads)	1	
205913	Belt, alternator	1		3015239	Cylinder head gasket (One head only)	1	
3003346	Bracket, alternator	1		BM-68356	Fuel pump gasket set (P.T.G. Standard governor)	1	
S-103-D	Capscrew, alternator support	2		3010242	Fuel pump gasket set (P.T.G.-VS governor)	1	
S-199-B	Capscrew, alternator support	2					
S-122-B	Capscrew, alternator bracket	2					
S-106	Capscrew	1					
206401	Capscrew	2					
S-113	Capscrew	1					
70111	Capscrew	1					
111445	Lockwasher, alternator bracket	2					
S-604	Lockwasher, alternator support	4					
203760	Washer	3					
212738	Nut, flanged	1					
207509	Sleeve	2					
3009635	Support, alternator	1					
203310	Washer, adjustment link	3					
AR-10669	Link, alternator adjustment	1					
205957	Link, lower adjustment	1					
205958	Link, upper adjustment	1					
S-253	Nut	1					
206202	Nut, jam	1					
205959	Screw, adjusting	1					
	ELECTRICAL EQUIPMENT						
	Electrical equipment is not manufactured by the Cummins Engine Company, Inc. Complete service for electrical equipment may be obtained from the manufacturers: The Delco-Remy Company at Anderson, Indiana; The Leece-Neville Company at Cleveland, Ohio; or from their service station may be obtained from the manufacturer.						

PARTS INDENTED ARE INCLUDED IN THE PART UNDER WHICH THEY ARE INDENTED

PART NUMBER	PART NAME	NO. REQ'D.	REF. NO.	PART NUMBER	PART NAME	NO. REQ'D.	REF. NO.
	SAFETY CONTROLS (ENGINE)						
	All Models						
194505	Water temperature safety control	1					
194504	Oil pressure safety control	1					
	SPEED SWITCH (SYNCHRO-START)						
3011573	Speed switch	1					
3011575	Sending unit	1					
3021147	Bracket	1					
3017976	Brace	1					
3023296	Wiring harness	1					
	ENGINE WIRING						
	All Models						
178268	Cabinet, terminal block	1					
213229	Capacitor	1					
196891	Circuit breaker	1					
69504	Pan head screw	2					
137703	Connector, squeeze type	1					
S-600	Lockwasher	5					
S-607	Lockwasher	2					
S-691	Plain washer	1					
S-1330	Pan head screw	2					
S-105	Capscrew	4					
S-224	Nut, hex	4					
S-258	Nut, hex	1					
3000283	Bracket, terminal	1					
218901	Block, terminal	1					
218902	Marker, terminal	1					
194076	Wiring diagram	1					
3023290	Wiring harness	1					
S-188-C	Capscrew	1					
	ENGINE HEATERS (WATER)						
212023	Kim Hotstart (115 volts, 2500 watts)	A/R					
212024	Kim Hotstart (230 volts, 2500 watts)	A/R					
212026	Kim Hotstart (230 volts, 4000 watts)	A/R					
217243	Kim Hotstart (460 volts, 2500 watts)	A/R					
217244	Kim Hotstart (460 volts, 4000 watts)	A/R					
	(LUBRICATING OIL)						
167619	Oil heater (115 volts, 300 watts)	A/R					
167621	Oil heater (230 volts, 300 watts)	A/R					
3000214	Oil heater (460 volts, 300 watts)	A/R					

PARTS INDENTED ARE INCLUDED IN THE PART UNDER WHICH THEY ARE INDENTED



PART NUMBER	PART NAME	NO. REQ'D.	REF. NO.	PART NUMBER	PART NAME	NO. REQ'D.	REF. NO.
	PANEL, ENGINE INSTRUMENT				PANEL, ENGINE INSTRUMENT		
3015221*	Assembly, engine instrument panel	1		3015220**	Assembly, engine instrument panel	1	
66501	Starting switch (push-button)	1	1	66501	Starting switch (push-button)	1	1
102057	Starting switch (toggle)	1	2	102057	Starting switch (toggle)	1	2
3015236	Hourmeter	1	3	3015236	Hourmeter	1	3
3015235	Voltmeter	1	4	3015235	Voltmeter	1	4
3015234	Gauge, water temperature	1	5	3015234	Gauge, water temperature	1	5
3015238	Transducer	2		3015238	Transducer	2	
3015233	Gauge, oil temperature	1	6	3015233	Gauge, oil temperature	1	6
3015232	Gauge, oil pressure	1	7	3015232	Gauge, oil pressure	1	7
3015237	Transducer	1		3015237	Transducer	1	
3019795	Tachometer	1	8	3014664	Light assembly	3	9
3011575***	Signal generator	1		3016852	Wiring harness	1	
3014664	Light assembly	3	9		(Basic instrument panel)		
3016852	Wiring harness	1		3015087	Panel, engine instrument	1	11
3015088	Panel, engine instrument	1	10		**For use with hourmeter only.		
	* For use with tachometer and hourmeter.				***Optional		
	***Optional				WIRING HARNESS		
				3023294	Harness, wiring (Engine instrument panel to engine terminal block)	1	

PARTS INDENTED ARE INCLUDED IN THE PART UNDER WHICH THEY ARE INDENTED

Cummins Engine Company, Inc.
Columbus, Indiana, U.S.A. 47201
Cable: CUMDIEX COLUMBUS

Registered Office:
Cummins Engine Company, Ltd.
Coombe House, St. George's Square
New Malden, England
Cable: INTCUMLON MALDEN
Registration No. 573951 England