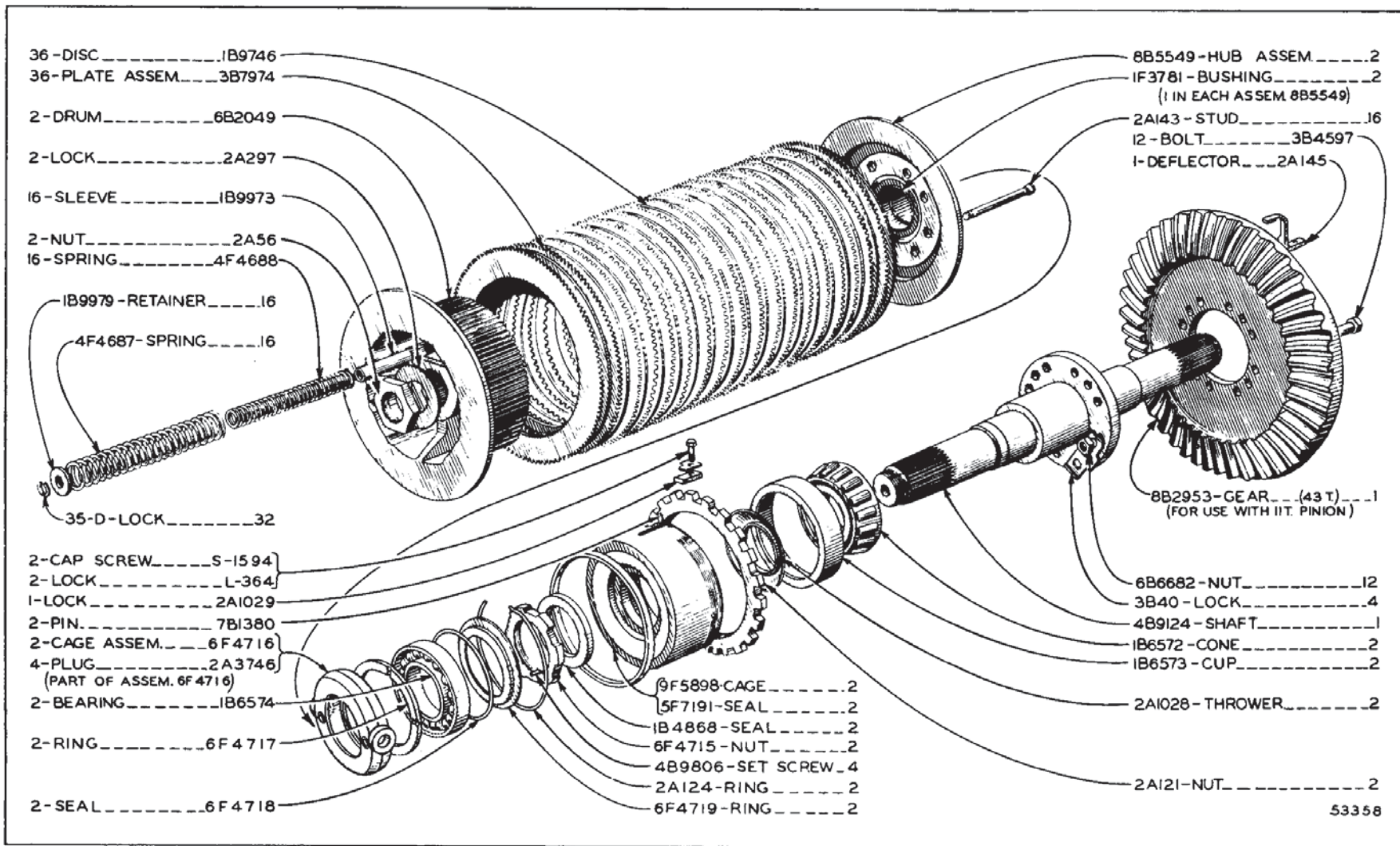


ALWAYS GIVE SERIAL NUMBER WHEN ORDERING PARTS

114

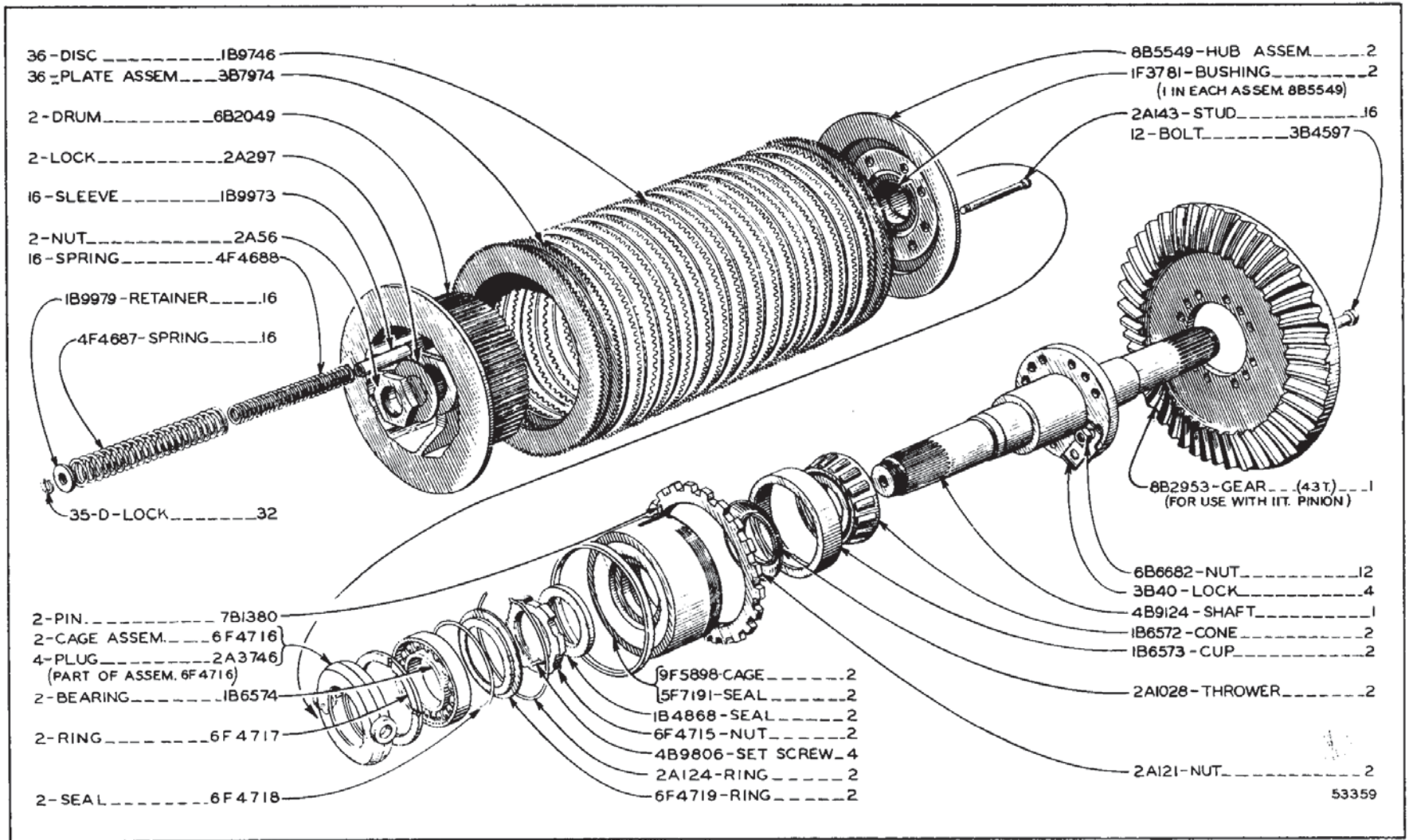
"CATERPILLAR" D8 TRACTOR



STEERING CLUTCH

Serial No. 2U15001 to 2U16899 inclusive

ONLY "CATERPILLAR" PARTS GIVE "CATERPILLAR" PERFORMANCE

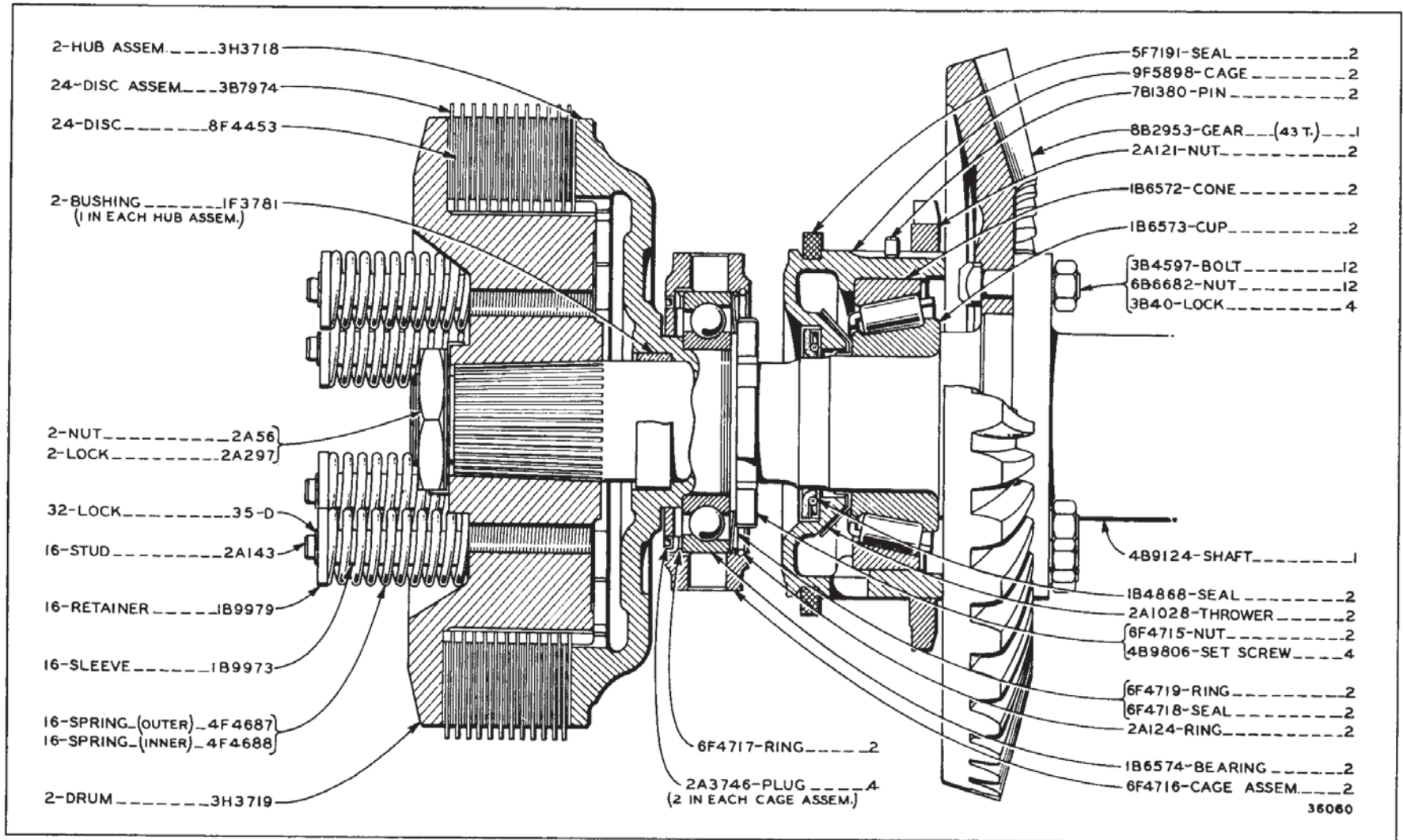


STEERING CLUTCH

Serial No. 2U16900 to 2U21512 inclusive

53359

ALWAYS GIVE SERIAL NUMBER WHEN ORDERING PARTS



STEERING CLUTCH
Effective with Serial No. 2U21513