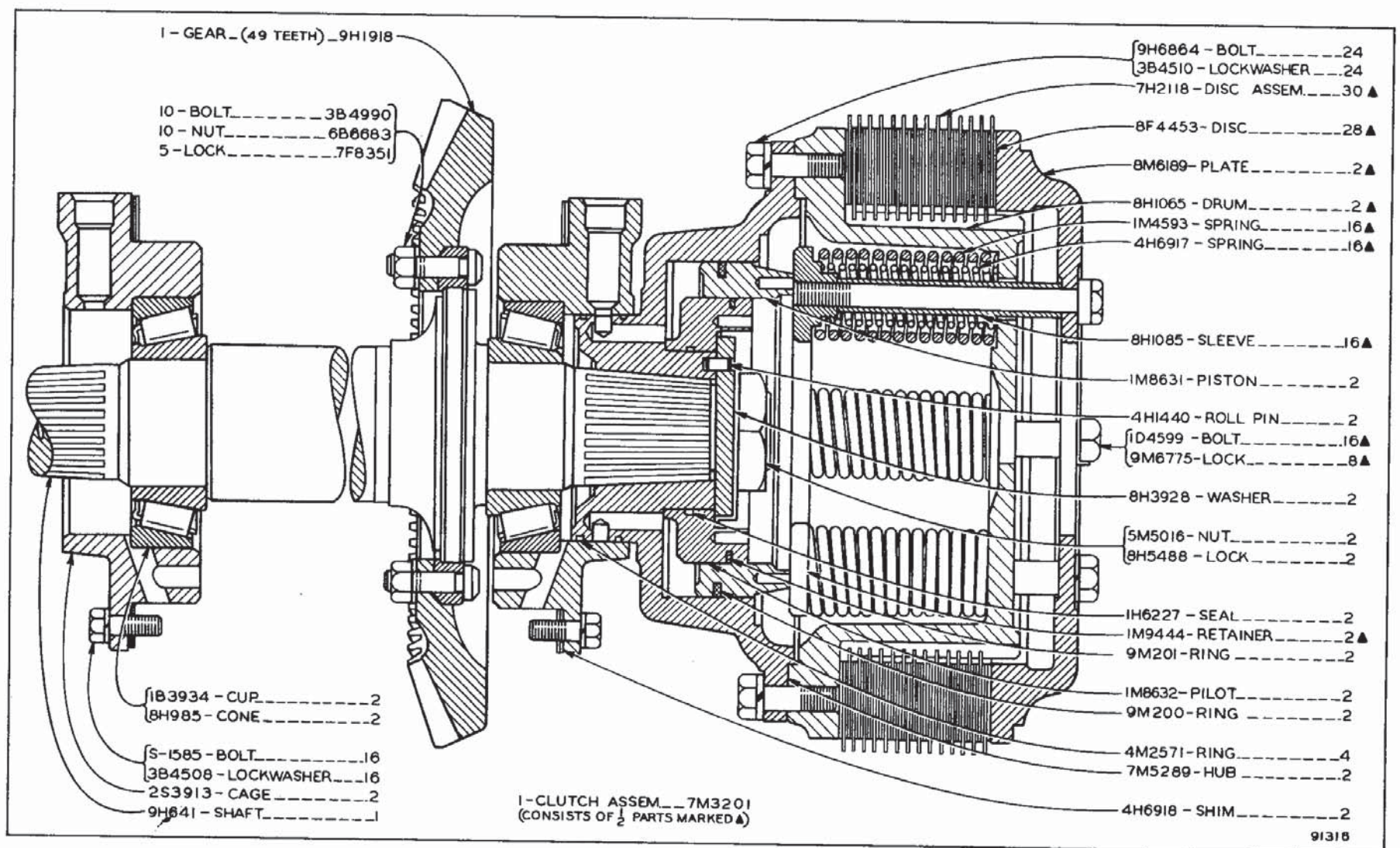


STEERING CLUTCH

Serial No. 46A3044 to 46A8477 inclusive



**STEERING CLUTCH**  
 Effective with Serial No. 46A8478