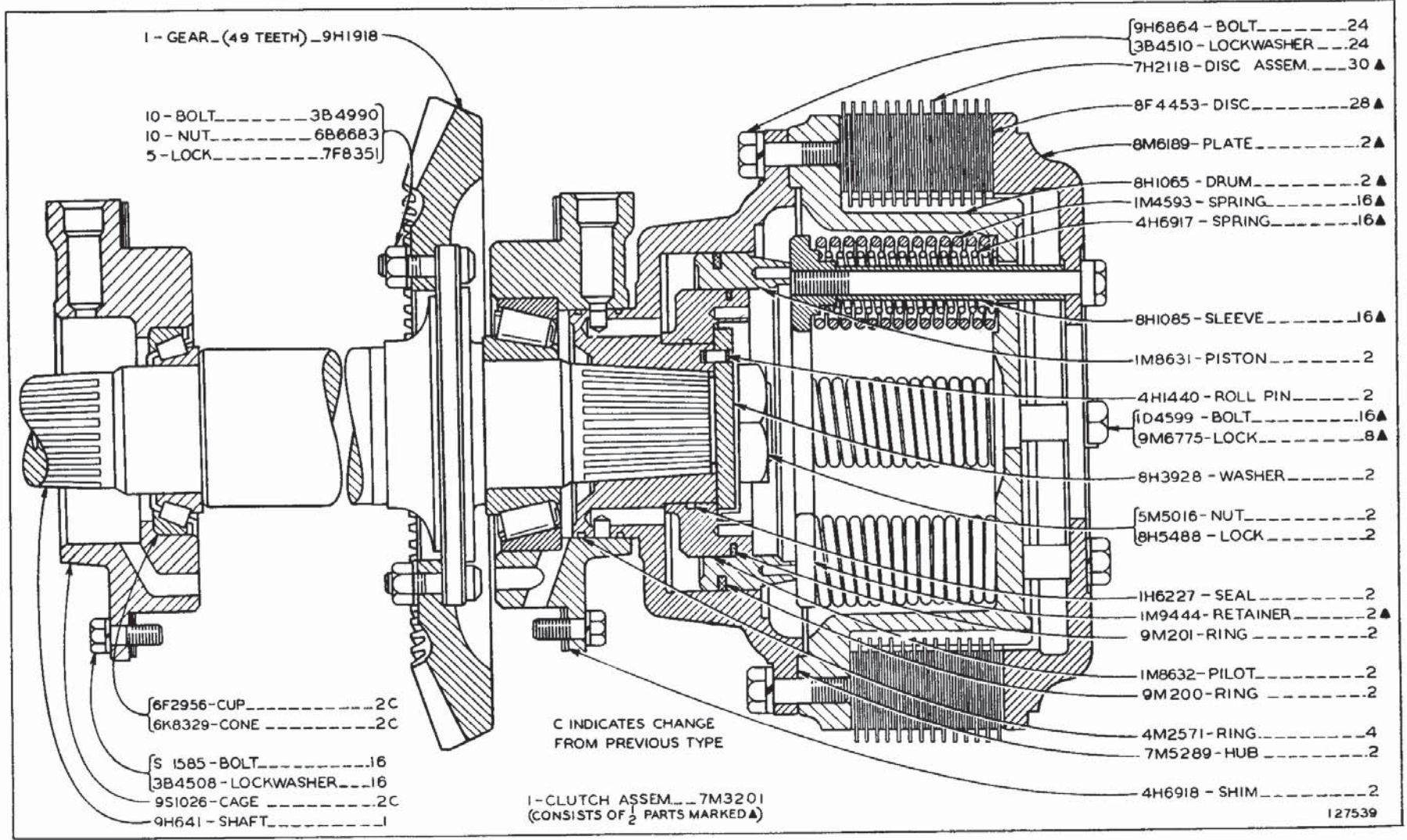


ONLY "CATERPILLAR" PARTS GIVE "CATERPILLAR" PERFORMANCE

STEERING CLUTCH (9H4147 N/S)



CLUTCH, TRANSMISSION AND CHASSIS