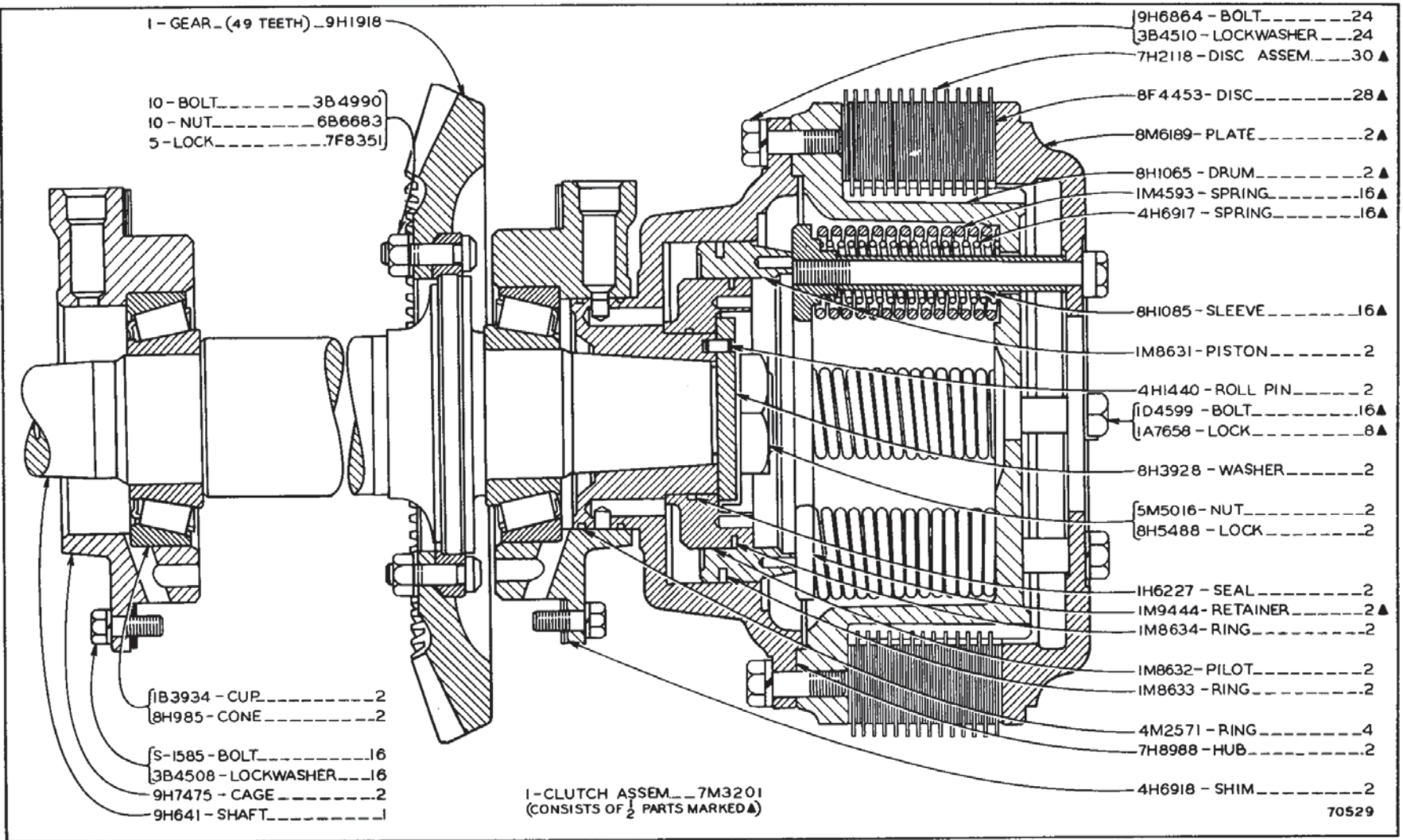


ONLY "CATERPILLAR" PARTS GIVE "CATERPILLAR" PERFORMANCE



STEERING CLUTCH