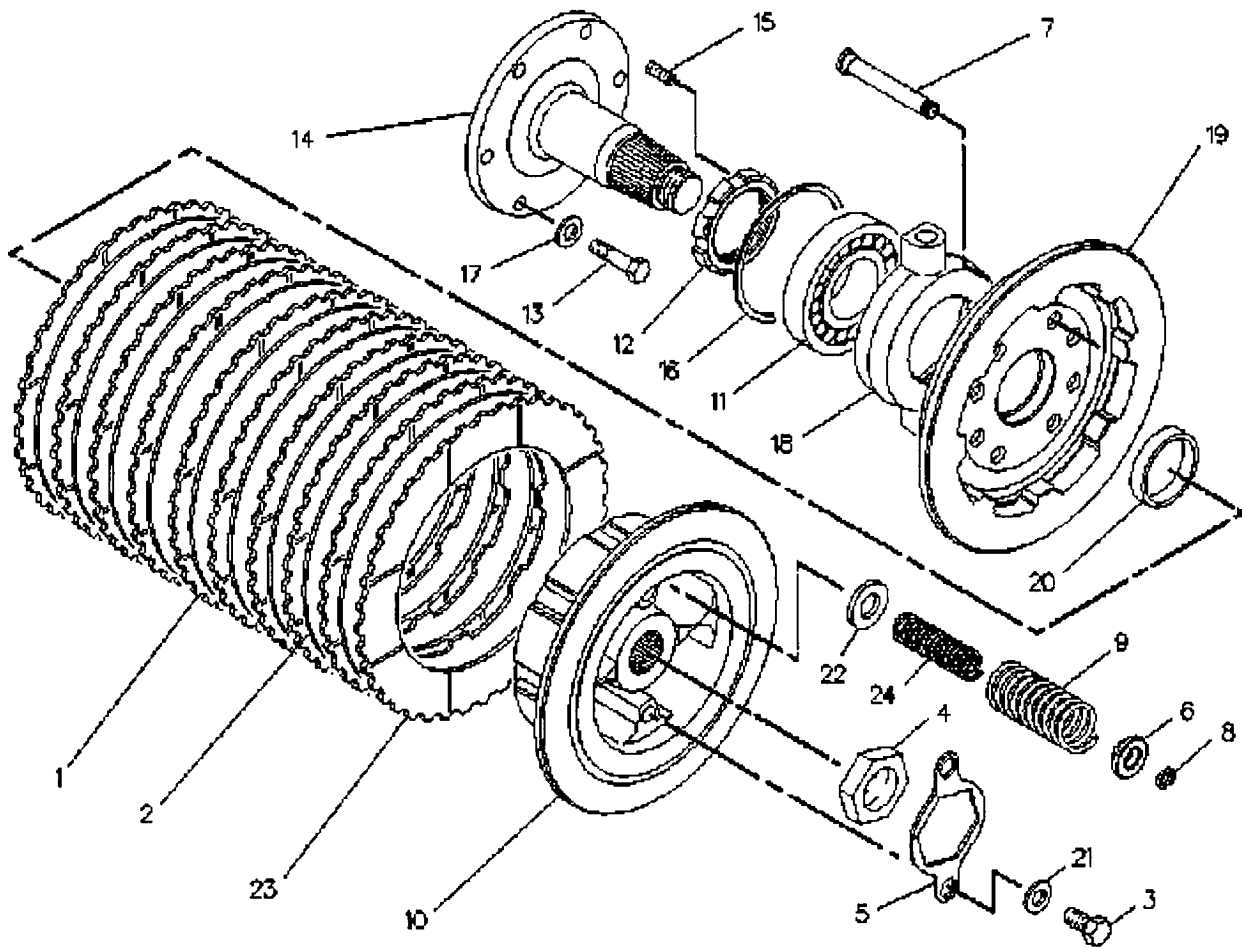


8Y7019 CLUTCH GP-STEERING



1	6Y-7914	18	DISC-FRICTION
2	5K-8616	18	DISC-STEER CLUTCH DRIVE
3	5C-6266	4	BOLT
4	0L-2341	2	NUT-SPL
5	3B-5524	2	LOCK-NUT
6	2B-9020	16	RETAINER-SPRING
7	2B-8759	16	STUD-SPRING
8	2B-9018	32	LOCK-RETAINER
9	6S-3414	16	SPRING
10	5G-8708	2	DRUM
11	7B-7515	2	BALL BEARING
12	3V-0002	2	NUT-RETAINING
13	8T-8917	12	BOLT
14	6S-3397	2	SHAFT-STEERING CLUTCH
15	010-2571	4	SETSCREW-SOCKET
16	1H-7478	2	RING-RETAINING
17	8T-4223	12	WASHER
18	6S-3399	2	CAGE-RELEASE BEARING
19	2M-1086	2	PLATE AS-PRESSURE
(EACH INCLUDES)			
20	6H-3569	1	BUSHING
21	7X-0591	4	WASHER-HARD
22	7X-0515	16	WASHER
23	5V-0593	2	DISC AS-CLUTCH
24	3K-4196	16	SPRING-CLUTCH