



CATERPILLAR

SEBP1277

parts

D5B Tractor

Direct Drive

Powered by 3306 Engine

22X439-UP (Vehicle)

23X778-UP (Vehicle)

8Z446-UP (Engine)

90H1396-UP (Bulldozer)

92H5553-UP (Bulldozer)

93H5550-UP (Bulldozer)

7X1772-UP (Hydraulic Control)

8X5456-UP (Hydraulic Control)

9X4877-UP (Hydraulic Control)

57D7749-UP (Ripper)

36U1259-UP (Winch)

QUICK REFERENCE CHARTS

USE THESE CHARTS TO RECORD FREQUENTLY USED MAINTENANCE INFORMATION

MACHINE SERIAL NO.	
EQUIPMENT NO.	

FREQUENTLY REPLACED ITEMS

PART NO.	PART NAME

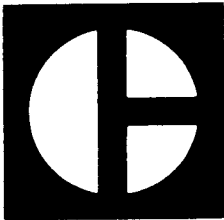
FLUIDS & LUBRICANTS

WHERE USED	TYPE	AMOUNT

OTHER MAINTENANCE ITEMS

CONTENTS

ALPHABETICAL INDEX OF GROUPS... 3
 CONVERSION EQUIVALENT
 TABLES INSIDE BACK COVER
 ORDERING PARTS----- 2
 QUICK REFERENCE
 CHART INSIDE FRONT COVER
 USING THE PARTS BOOK----- 2



PARTS BOOK

D5B TRACTOR
 DIRECT DRIVE
 POWERED BY 3306 ENGINE

SERIAL NUMBER

- 22X439-UP (VEHICLE)
- 23X778-UP (VEHICLE)
- 8Z446-UP (ENGINE)
- 90H1396-UP (BULLDOZER)
- 92H5553-UP (BULLDOZER)
- 93H5550-UP (BULLDOZER)
- 7X1772-UP (HYDRAULIC CONTROL)
- 8X5456-UP (HYDRAULIC CONTROL)
- 9X4877-UP (HYDRAULIC CONTROL)
- 57D7749-UP (RIPPER)
- 36U1259-UP (WINCH)

REVISION PUBLISHED JUNE 1981
 CATERPILLAR TRACTOR CO.
 PUBLICATIONS DIV.—SERVICE G.O.
 PEORIA, ILL. U.S.A.

QUICK REFERENCE GUIDE TO MAJOR SECTIONS

- REPLACEMENT ITEMS
AND SCHEMATIC
- BASIC ENGINE
- LUBRICATION SYSTEM
- COOLING SYSTEM
- INTAKE AND
EXHAUST SYSTEM
- FUEL SYSTEM
AND GOVERNOR
- STARTING AND
ELECTICAL SYSTEM
- POWER TRAIN — POWER
TRANSMISSION UNIT
- STEERING CLUTCHES
AND BRAKES
- CHASSIS AND
UNDERCARRIAGE
- HYDRAULIC SYSTEM
- IMPLEMENTS
- CAB, GAUGES
AND ACCESSORIES

MACHINE IDENTIFICATION

Caterpillar machines are identified with SERIAL NUMBERS. Serial numbers are assigned to the chassis and to the engine. The chassis and the engine also carry ARRANGEMENT NUMBERS and in some cases MODIFICATION NUMBERS. These numbers are shown on the serial number plates and on the master plate in the operator's compartment. For the location of the serial number plates, refer to the Specification Section at the back of this Parts Book.

Caterpillar dealers need these numbers to determine which components were included on the machine when it was assembled at the factory. This permits accurate identification of replacement part numbers.

ORDERING PARTS

Quality Caterpillar Replacement parts are available from Caterpillar dealers throughout the world. Their parts stocks are up to date and include all parts normally required to protect your investment in Caterpillar machines. When ordering parts, your order should specify the quantity, part number, part name and the serial number, arrangement number and any modification numbers of the machine for which the parts are needed. If in doubt about the part number, please provide your dealer with a complete description of the needed item.

HOW TO USE THE PARTS BOOK

Caterpillar Parts Books include illustrations of the groups or assemblies which make up the machine. These illustrations show the standard components plus many of the attachments available for the machine.

The alphabetical index located in the front part of the book should be used to determine the page number on which specific illustrations are shown. Reference to those pages will identify each of the individual serviceable parts.

Captions

The caption under each illustration identifies the part number and name of the group or assembly shown. If more than one illustration is included for any group, the caption identifies the specific machine serial numbers to which each illustration applies. In some cases it is not possible to determine the specific machine serial numbers to which different illustrations are applicable. In those cases the caption identifies the illustration as "First Type", "Second Type", etc. Reference to the actual group or assembly is necessary in those cases to determine which illustration should be used.

Captions provide additional information such as page numbers where illustrations of sub assemblies are shown, information regarding quantities used and other information intended to assist the user in determining parts needs.

Indented Part Names Within each illustration is a parts list identifying each serviceable part in the illustration. When a part name is indented in this list, it means that serviceable item is a part of the serviceable item under which it is indented.

Abbreviations and Symbols

- ▲ Used to call attention to additional information shown elsewhere within the illustration.
-
- R.H. Right Hand Refers to the side of the machine as viewed from the operator's compartment.
- L.H. Left Hand
- C Indicates changes from the previous illustration of the same group or assembly.
- O.D. Outside Diameter
- I.D. Inside Diameter
- N/S Not Serviced
- Assem. Assembly
- in. Inch
- ft Foot
- cm Centimeter
- dm Decimeter

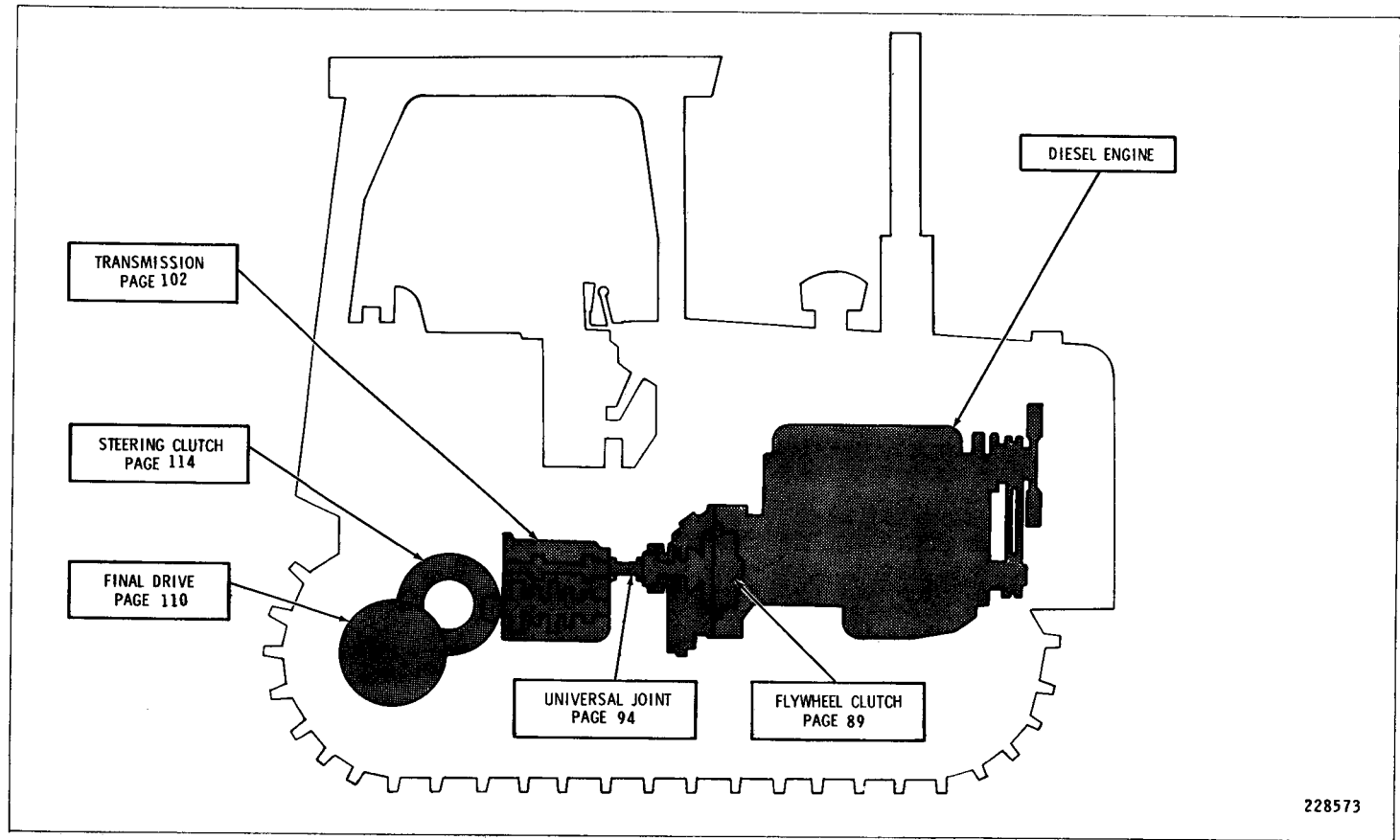
Note: Continuing improvement and advancement of product design may cause changes to your machine which may not be included in this publication. Each publication is reviewed and revised, as required, to update and include these changes in later editions.

Whenever a question arises regarding your Caterpillar product, or this publication, please consult your Caterpillar dealer for the latest available information.

REPLACEMENT ITEMS

The following chart provides a convenient listing of those items which require occasional replacement during normal operation or maintenance.

	PART NO.	QTY. USED	PAGE NO.
BATTERIES — 12 Volt	4S9261	2	61
BREATHERS			
Crankcase — Breather Assem.	8S248	1	28
Flywheel Clutch	4H6112	1	21
Winch	8S5820	1	223
COOLING SYSTEM			
Relief Valve Assem.	2S3080	1	31
FILTERS			
Air Cleaner			
Element Assem. — Primary	8N5317	1	39
Element Assem. — Secondary	2S1286	1	39
Cab Pressurizer — Filter Assem.	2V36 & 6P1319	2	243 242
Crankcase — Filter Assem.	2P4004	1	25
Fuel			
Filter Assem.	1P2299	1	53
Hydraulic			
Tank — Element Assem.	4J816 or	2	164
(Use with Fire Resistant Fluid)	3G5653	2	164
Transmission & Steering Clutch			
Element Assem.	9M9740 or	1	107
(Use with Fire Resistant Fluid)	3G3467	1	107
Seal	2H3928	1	107
Screen	3S3875	1	108
Seal	5F149	1	108
GASKETS			
Hydraulic Filler Cap	3G361 & 9H6454	1	167A 167A
Radiator Filler Cap	2P3230	1	30
Valve Cover	8S1605	1	14
HOSES — Fumes Disposal	2P7445	1	28
LAMPS			
Front & Rear — Sealed Units	1M5898	4	88
SEAT BELT	6D4709	1	260
VEE BELTS			
Alternator & Fan	2P6140	(Includes 2 Belts)	65 & 15
Refrigerant Compressor	4N9891	1	267
WINDSHIELD WIPER BLADE			
(Front & Rear)	9D1242 & 5P5436	2	251 251



POWER TRAIN

228573

INDEX

A

Name	Page
Alternator	65
Air Cleaner	39
Air Conditioner Arrangement	266
Air Cleaner Extension	40
Air Lines	39
Air Conditioner	267
Air Conditioner Lines	276
Air Filter Service Indicator	281

B

Back-Up Warning	59
Battery	61
Battery & Wiring	61
Bearing — Camshaft	7
Blade	203
Blade — Angling	204
Blower — Cab Pressurizer	247
Brace — Bulldozer	206
Brake Band & Lining — Steering Brake	120
Brake Hydraulic Mechanism	122
Breather — Engine	28
Breather — Flywheel Housing	21
Breather — Winch	223
Brush Guard	136
Bulldozer Arrangements	198
Bulldozer C Frame	205
Bulldozer Lines	182

C

Cab Accessory	246
Cab Heater	277

Name

Page

Cab Liner	241
Cab Mounting	248
Cab Pressurizer	242
Cable Guide & Case — Winch	216
Camshaft	11
Clutch & Refrigerant Compressor	271
Compressor Harness	274
Connecting Rod & Piston	10
Crankshaft	8
Crankshaft Bearing Replacements	9
Crankshaft Damper & Pulley	15
Crankcase Guard	132
Crankshaft Seals	9
Crankshaft Service Thrust Plate	10
Cylinder Block	6
Cylinder Block Cover	8
Cylinder Head	12
Cylinder Head Cover	13
Cylinder Head Fastener	11
Cylinder Mounting	193

D

Dash	148
Decelerator Control	44
Drain Lines—Fuel Injection Pump	56
Drawbar—Fixed	131
Drawbar—Swinging	131
Drum—Steering Clutch	110

E

Ether Starting Aid	84
End Bits — Replacement	201
Engine Arrangement	4

Name	Page
Engine Enclosure	145
Engine Mounting Hardware	19
Engine Oil Lines	27
Engine Support — Front	20
Engine Support — Rear	20
Equalizer Spring	128
Exhaust Manifold	37
Exhaust Manifold Fastener	37
Exhaust Pipe	38

F

Fan — Reversible	33
Fan — Suction	34
Fan & Guard — Blower	33
Fan Drive	16
Fan Drive Pulley	15
Fender	143
Fender Support	142
Filter — Air Cleaner	39
Filter — Cab Pressurizer	243
Filter — Engine Oil	25
Filter — Fuel	53
Filter — Hydraulic Tank	164
Filter — Transmission & Steering Clutch	107
Filter — Winch Oil	224
Final Drive — Lower Half	111
Final Drive — Upper Half	110
Final Drive Guard	137
Fire Extinguisher	284
Fixed Drawbar	131
Floorplate	144
Front Housing Cover	17
Front Housing Fastener	19
Front Idler	150
Front Timing Gear	17
Front Timing Gear Housing	18
Flywheel	21
Flywheel Clutch	89
Flywheel Clutch Control	101

Name	Page
Flywheel Housing	21
Frame & Case	124
Front Pull Hook	141
Fuel Injection Lines	54
Fuel Injection Pump	50
Fuel Lines	55
Fuel Priming & Primary Filter	53
Fuel Tank	58
Fuel Tank Guard	137
Fuel Tank Protection Cap	57
Fumes Disposal	28

G

Gasket — Cylinder Head	12
Gasket Kits	286
Gauge — Power Train Oil	105
Gauges	282
Gearshift Control	95
Governor & Fuel Injection Pump	45
Governor Control	42
Governor Cover	47
Grease Gun	286
Guard — Brush	136
Guard — Crankcase	132
Guard — Final Drive	137
Guard — Fuel Tank	137
Guard — Precleaner	140
Guard — Radiator	139
Guard — Radiator Hinged	138
Guard — Recoil Mechanism	149
Guard — Track Roller	159
Guards — Track Guiding	159

H

Harness — Battery & Wiring	63
Harness — Cab Pressurizer	246

Name	Page
Harness — Windshield Washer & Wiper	252
Heater — Cab	278
Heater Lines	275
Hood & Dash	146
Horn — Electric	280
Hoses — Upper & Lower Radiator	30
Housing & Regulator	36
Hydraulic Control Arrangements	162
Hydraulic Cylinder	189
Hydraulic Cylinder — Blade Tilt	190
Hydraulic Tank Mounting	163

I

Implement Linkage Control	195
---------------------------------	-----

J

Jacket Water Heater	33
---------------------------	----

K

Kit — Alternator Repair	67
Kit — Starting Motor Repair	74
Kit — Water Pump Rebuilt	29

L

Lamp — Flood	88
Latch — Cab Door — ROPS	250
Lifting — Engine	14
Lighting	85

Name	Page
Liner — Cylinder	6
Lines — Bulldozer	182
Lines — Hydraulic Pump	180
Lines — Ripper	185
Lines — Tilt Cylinder	187
Linkage — Flywheel Clutch Control ...	101
Linkage — Gear Shift Control	95
Linkage — Governor Control	42
Linkage — Implement Control	195
Linkage — Steering Brake	115
Linkage — Steering Clutch Control ...	118

M

Magnetic Screen — Power Train Oil Lines	108
Magnetic Screen — Winch	224
Mirror	250
Mounting & Condenser	272
Muffler	38

N

Name Plate & Transfers	287
Neutral Start	83
Non-ROPS Conversion Arrangement ..	237
Nozzle — Fuel Injection	54

O

Oil Filler — Engine	24
Oil Level Gauge	23
Oil Lines — Engine	27
Oil Lines — Power Train	104
Oil Pan	22

Name	Page
Oil Pan Fastener	22
Oil Pump — Engine	25

P

Padlock — Engine Oil Filler Cap	24
Padlock — Engine Oil Level Gauge ...	23
Padlock — Fuel Tank Cap	57
Padlock — Hydraulic Tank Cap	163
Padlock — Radiator Cap Cover	32
Padlock — Vandalism Guard	283
Pedal — Steering Clutch Brake	117
Pin — Drawbar	124
Pin — Fixed Drawbar	131
Pin — Swinging Drawbar	131
Piston Rings	10
Plunger — Power Train Oil	105
Power Train Oil Lines	104
Power Train Schematic	28
Precleaner Guard	140
Prescreener — Air Cleaner	41
Protection Cover — Hydraulic Tank Cap	163
Protection Cover — Oil Filler Cap ...	24
Protection Cover — Oil Level Gauge ..	23
Protective Screen — ROPS	256
Pump — Gear — Hydraulic Control ...	178
Pump — Gear — Power Train Oil Lines	108
Pump — Gear — Winch	178
Pump Lines — Hydraulic	180
Pump Lines — Winch	181
Push Arm & Brace — Bulldozer	207

R

Radiator	30
----------------	----

Name	Page
Radiator Cap Protection Cover	32
Radiator Core Protection Grid	32
Radiator Guard	139
Radiator Hinged Guard	138
Recoil Mechanism Guard	149
Refrigerant Compressor	267
Regulator — Water Temperature	36
Replacement End Bits	201
Ripper Arrangement	231
Ripper Lines	185
Ripper Mounting	233
Ripper Tooth	231
Rocker Arm — Valve Mechanism	13
Roller Guide — Winch	217
ROPS Arrangement	236
ROPS Mounting	126
ROPS — Enclosed	235
ROPS — Open	234

S

Safety Brace — ROPS	241
Seals — Fuel Injection Pump Housing ..	54
Seat	259
Seat Belt	260
Seat Belt — Suspension Seat	263
Service Meter	282
Specifications	288
Support & Seat	260
Suspension Seat	263
Sprocket — Segmented	109
Starting Motor — Electric	72
Steering Brake	115
Steering Clutch	114
Steering Clutch Control	118
Sweep	258
Swinging Drawbar	131

Name	Page
Switch — Disconnect	65
Switch — Solenoid — Starting Motor ..	82

T

Tank & Valve — Hydraulic	164
Tank & Valve — Hydraulic Control ...	166
Thermostat — Water Temperature	36
Tilt Cylinder Arrangement	186
Tilt Cylinder Lines	187
Tools — Hand	285
Torque Control	45
Towing Winch Control	228
Track Carrier Roller	156
Track Rollers	157
Track Roller Dirt Guard	158
Track Roller Frame	152
Track Roller Guard	159
Tracks	160
Transmission	92
Transmission Arrangements	94
Transmission Gears	102
Trunnion	16
Trunnion — Bulldozer	209

U

Universal Joint — Flywheel Clutch	94
--	----

V

Valve — Basic — Hydraulic Control ...	172
Valve — Control — Tank & Valve	170
Valve — External Auxiliary	177
Valve — Fuel Injection Pump	
Housing Drain	46

Name	Page
Valve — Intake & Exhaust	12
Valve — Pressure Control — Hydraulic ..	175
Valve — Relief — Hydraulic Control ..	173
Valve — Relief — Power Train Oil Lines	107
Valve — Selector & Pressure Control	
— Hydraulic	176A
Valve — Selector & Pressure Control	
— Winch	173
Valve — Selector — Hydraulic	176
Valve — Steering Clutch Control	121
Valve Mechanism	13
Valve Mechanism Cover	14
Vandalism Guard — Gauges	283
Vee Belt — Refrigerant Compressor ...	267
Vee Belts — Alternator	65
Vee Belts — Fan Drive	15

W

Washer & Wiper	251
Washer & Wiper Control	254
Water Lines	34
Water Pump	29
Water Separator	56
Winch	218
Winch Arrangement	210
Winch Control	226
Winch Conversion	213
Winch Conversion Arrangement	211
Winch Conversion —	
Direct Drive — Disconnect	215
Winch Drive	225
Winch Fairlead	230
Winch Mounting	225
Winch Towing Arrangement	210
Windshield Wiper	253

**Alimentation en
carburant et régulateur
(Page 42)**

Désignation	Page
Canalisations de carburant	55
Canalisations de vidange	56
Chapeau de sécurité (réservoir de carburant)	57
Décélérateur (commande)	44
Pompe d'amorçage et préfiltre	53
Pompe d'injection et régulateur	45
Régulateur (couverture)	47
Régulateur (timonerie extérieure)	42
Réservoir de carburant	58
Séparateur d'eau	56
Tuyauterie d'injection	54

**Circuit électrique
et démarrage
(Page 59)**

Alternateur	65
Avertisseur de recul	59
Batterie et câblage	60
Démarrage (point mort)	83
Démarrateur électrique	72
Éclairage	85
Injection d'éther	84

**Train de
transmission
(Page 89)**

Canalisations d'huile	104
Embrayage moteur	89
Embrayage moteur (commande)	101
Réducteurs latéraux	110
Schéma du train de transmission	28
Transmission	92
Vitesses (sélecteur et commande)	95

**Embrayages de
direction et freins
(Page 114)**

Désignation	Page
Embrayages de direction	114
Embrayages de direction (commande)	118
Freins de direction	115
Servo hydraulique des freins	122

**Bâti et train
de roulement
(Page 124)**

Barre d'attelage (non oscillante)	131
Barre d'attelage oscillante	131
Bâti AR et châssis	124
Capot	146
Chaînes de roulement	160
Châssis porteurs	152
Crochet de halage avant	141
Galets inférieurs	157
Galets supérieurs	156
Garde-boue	143
Grille de radiateur sur charnières	138
Grilles pour compartment moteur	145
Groupe de pose pour bâti de sécurité ROPS	126
Guide-protecteur de chaîne	159
Préfiltre (protecteur)	140
Protège-carter moteur	132
Protège-galets	159
Protège-galets renforcé	158
Protège-radiateur	139
Protège-radiateur sur charnières (renforcé)	138
Protège-réducteur latéral	137
Réservoir de carburant (protecteur)	137
Ressort transversal de suspension	128
Roues AV	150
Support de garde-boue	142
Tablier	146
Tendeur hydraulique (capot protecteur)	149
Tôle de plate-forme	144
Tôle pare-broussailles	136

Équipement hydraulique (Page 162)

Désignation	Page
Chapeau de sécurité (bouchon de réservoir hydraulique)	163
Commande hydraulique	162
Vérin d'inclinaison.	186

Équipement de travail (Page 198)

Bulldozer.	198
Commande de treuil.	226
Embout de rechange	201
Entraînement de treuil	225
Galets-guide (câble de treuil).	217
Groupe de montage de treuil	225
Groupe de transformation de treuil.	211, 212
Ripper.	231
Rouleaux guide-câble (treuil)	230
Treuil (vitesse standard).	210

Cabine, instruments de contrôle et accessoires (Page 234)

Désignation	Page
Accessoires pour le confort du conducteur	246
Avertisseur sonore électrique. . .	280
Barre pare-branches	258
Bâti de sécurité ROPS	234
Bâti de sécurité ROPS (clos) . . .	235
Chauffage cabine.	277
Climatiseur.	266
Couvercle de protection du tableau de bord.	283
Essuie-glace	254
Grille AR.	256
Groupe de transformation pour machines sans ROPS. . .	237
Indicateur de colmatage du filtre à air	281
Instruments de contrôle	282
Siège à suspension	263
Siège et support	260

Divers (Page 284)

Caractéristiques.	289
Extincteur	284
Jeux de joints.	286
Outils à main	285
Plaques signalétiques et instruc- tions sur décalcomanies	287

INDICE

Motor Básico (Página 5)

Nombre	Página
Amortiguador de vibraciones del cigüeñal y polea	15
Arbol de levas	11
Armellas de levantamiento	14
Bielas y pistones	10
Bloque de motor	6
Caja delantera	18
Caja del volante	21
Cigüeñal	8
Cojinetes de bancada de repuesto	9
Cojinetes de bancada y plancha de empuje	10
Conjunto del motor	5
Culata	12
Engranajes de sincronización	17
Herrajes de la caja delantera	19
Herrajes de la culata	11
Herrajes del montaje del motor	19
Mando del ventilador	16
Mecanismo de las válvulas	13
Muñón	16
Polea del ventilador	15
Sello del cigüeñal	9
Soporte del motor	20
Tapa de la caja delantera	17
Tapa de la culata	13
Tapa del bloque del motor	8
Tapa del mecanismo de válvulas	14
Volante	21

Sistema de Lubricación (Página 23)

Bomba del aceite	25
Cárter	22
Filtro del aceite	25
Herrajes del cárter	22
Protección de la varilla indicadora del nivel del aceite	23
Respiradero	28
Tapa protectora del tubo de llenado del aceite	24

Nombre	Página
Tuberías del aceite	27
Tubo de llenado del aceite	24
Varilla indicadora de nivel del aceite	23

Sistema de Enfriamiento (Página 29)

Bomba del agua	29
Caja y regulador	36
Calentador del agua de las camisas	33
Codo de tuberías del agua	34
Radiador	30
Reja protectora del radiador	32
Tapa protectora del radiador	32
Tuberías del agua — tubo	35
Ventilador insuflador y protección	33
Ventilador de succión	34

Sistema de Admisión y Escape (Página 37)

Antefiltro especial	41
Extensión del filtro de aire	40
Filtro de aire	39
Herrajes de múltiple de escape	37
Múltiple de escape	37
Silenciador	38
Tuberías de aire	39
Tubo de escape	38

Sistema del Combustible y Regulador (Página 42)

Bomba de cebado del combustible del filtro primario	53
Control del decelerador	44
Control del regulador	42
Regulador y bomba de inyección del combustible	45
Separador de agua	56

Nombre	Página
Tanque del combustible	58
Tapa del regulador	47
Tapa protectora del tanque del combustible.	57
Tuberías del combustible	55
Tuberías de drenado	56
Tuberías de inyección del combustible.	54

Sistema de Arranque Eléctrico (Página 59)

Alarma de retroceso	59
Alternador	65
Arranque neutral	83
Ayuda de arranque por éter	84
Batería y alambrado.	60
Luces	85
Motor de arranque eléctrico.	72

Tren de Potencia—Unidad de Transmisión de Fuerza (Página 89)

Control de cambios	95
Control del embrague principal	101
Embrague principal	89
Mando final	110
Transmisión	92
Tren de potencia esquemático	2B
Tuberías de aceite del tren de potencia	104

Embragues de Dirección y Frenos (Página 114)

Control de los embragues de dirección	118
Embragues de dirección	114
Frenos de dirección	115
Mecanismo hidráulico de los frenos.	122

Chasis y Tren de Rodaje (Página 124)

Nombre	Página
Barra de tiro fija	131
Barra de tiro giratoria	131
Bastidor de los rodillos inferiores	152
Bastidor y caja	124
Cadenas.	160
Capota y tablero	146
Cubierta del motor	145
Gancho delantero	141
Montaje de la estructura protectora contra vuelcos	126
Plancha del piso	144
Plancha engoznada de la reja del radiador.	138
Protección engoznada de la reja del radiador para trabajo pesado	138
Protección del antefiltro	140
Protección contra maleza	136
Protección del radiador.	139
Protección de los rodillos inferiores	159
Protección del cárter	132
Protección del mando final	137
Protección del mecanismo tensor	149
Protección guía de la cadena	159
Protección del tanque del combustible.	137
Resorte compensador	128
Rodillos inferiores	157
Rodillos superiores	156
Rueda guía.	150
Soporte de tapabarros	142
Tapabarros.	143

Sistema Hidráulico (Página 162)

Conjunto del cilindro de inclinación	186
Conjunto del control hidráulico	162
Tpa protectora del tanque hidráulico	163

Implementos (Página 198)

Nombre	Página
Conjunto de la conversión del malacate	211
Conjunto del desgarrador	231
Conjunto de la hoja empujadora	198
Conjunto del malacate – velocidad estándar	210
Control del malacate	276
Conversión del malacate	212
Guía de los rodillos inferiores	217
Mando del malacate	225
Montaje del malacate	225
Poleas guías del malacate	230
Puntas de repuesto.	201

Instrumentos y Accesorios (Página 234)

Accesorios de la cabina.	246
Bocina eléctrica.	280
Calentador de la cabina.	277
Conjunto del acondicionador de aire	266

Nombre	Página
--------	--------

Conversión de la estructura protectora contra vuelcos para las máquinas que no lo tienen	237
Estructura protectora contra vuelcos	234
Estructura protectora contra vuelcos cerrada	235
Indicador de servicio del filtro de aire	281
Instrumentos del motor	282
Parabrisas.	254
Protección sobre el motor	258
Protección contra vandalismo	283
Rejilla protectora	256
Soporte y asiento	260
Suspensión del asiento	263

Materiales Diversos (Página 284)

Especificaciones	289
Extintidor contra incendios.	284
Herramientas	285
Juego de empaquetaduras	286
Placas de identificación y calcomanías.	287

ÍNDICE

Partes da máquina relativas ao motor (Página 5)

Designação	Página
Amortecedor do virabrequim e polia	15
Arranjo do motor	5
Biela e pistão	10
Bloco do motor	6
Cabeçote	12
Caixa das engrenagens de distribuição	18
Caixa do volante	21
Comando do ventilador	16
Eixo comando de válvulas	11
Engrenagens de distribuição	17
Fixadores da caixa das engrenagens de distribuição	19
Fixadores para o cabeçote	11
Fixadores para o motor	19
Mancal de encosto	10
Mancais principais do virabrequim	9
Mecanismo das válvulas	13
Munhão	16
Oihal de levantamento	14
Polia do comando do ventilador	15
Suporte do motor	20
Tampa das engrenagens de distribuição	17
Tampa do bloco do motor	8
Tampa do cabeçote	13
Tampa superior do motor	14
Vedador da árvore de manivelas	9
Virabrequim	8
Volante do motor	21

Sistema de lubrificação (Página 23)

Bocal de enchimento de óleo do motor	24
Bomba de óleo do motor	25
Cárter do óleo	22
Filtro de óleo do motor	25
Fixadores para o cárter	22
Respiro	28
Tampa da vareta de nível do óleo do cárter com cadeado	23

Designação	Página
Tampa do bocal do cárter com cadeado	24
Tubulações de óleo do motor	27
Vareta de nível do óleo	23
Ventilação do cárter	28

Sistema de arrefecimento (Página 29)

Aquecedor d'água do motor	33
Bomba d'água	29
Canos d'água	35
Cotovelo d'água	34
Grelha do radiador contra erosão	32
Radiador	30
Tampa do radiador com cadeado	32
Termostato	36
Ventilador insuflador e protetor	33
Ventilador succionador	34

Sistema de admissão e escape (Página 37)

Coletor de escape	37
Extensão da tomada de ar	40
Fixadores do coletor de escape	37
Pré-purificador com tela	41
Purificador de ar	39
Silenciador	38
Tubo de escape	38
Tubos de ar	39

Sistema de combustível e governador (Página 42)

Bomba de purgação e filtro primário do combustível	53
Controle de aceleração	42
Decelerador	44
Governador e bomba injetora do combustível	45

Designação	Página
Separador d'água	56
Tampa do tanque de combustível com cadeado	57
Tampa no governador	47
Tanque de combustível	58
Tubos de drenagem	56
Tubos injetores de combustível	54
Tubulações de combustível	55

Sistema elétrico e de partida (Página 59)

Alarme de marcha à ré	59
Alternador	65
Arranjo para arranque em neutro apenas	83
Bateria e instalação elétrica	60
Injetor de éter	84
Motor de arranque elétrico	72
Sistema de iluminação	85

Sistema de transmissão (Página 89)

Alavanca de controle das marchas	95
Comando final	110
Controle da embreagem do motor	101
Diagrama do sistema de transmissão	2B
Embreagem do motor	89
Sistema de transmissão	92
Tubulações de óleo do sistema de transmissão	104

Embreagens de direção e freios (Página 114)

Controle das embreagens de direção	118
Embreagem de direção	114
Freios da máquina	115
Reforçador hidráulico dos freios	122

Chassi e material rodante (Página 124)

Designação	Página
Armação dos roletes de esteira	152
Barra de tração fixa	131
Barra de tração oscilante	131
Capô e painel	146
Chapa do piso	144
Chassi traseiro	124
Cobertura do motor	145
Esteiras	160
Gancho dianteiro	141
Grade do radiador com dobradiças	138
Grade do radiador com dobradiças para serviço pesado	138
Guarda-mato	136
Mola de suspensão	128
Moldura do radiador	139
Pára-lamas	143
Protetor das esteiras	159
Protetor do cárter do motor	132
Protetor do comando final	137
Protetor do pré-purificador	140
Protetor do tanque de combustível	137
Protetor dos roletes inferiores de esteira contra terra	158
Protetor e guia das esteiras	159
Roda-guia das esteiras	150
Rolete inferior de esteira	157
Rolete superior de esteira	156
Suporte da estrutura de segurança (ROPS)	126
Suporte do pára-lama	142
Tampa da mola tensora	149

Sistema hidráulico (Página 162)

Cilindro de inclinação	186
Comando hidráulico	162
Tampa do reservatório hidráulico com cadeado	163

Implementos (Página 198)

Cantos da lâmina	201
Comando do guincho	225

Designação	Página
Controle do guincho	226
Escarificador traseiro	231
Guia dos roletes	217
Guincho – conversão	212, 211
Guincho – velocidade normal	210
Lâmina	198
Roldanas de guia	230
Suporte do guincho	225

**Cabine, indicadores
e acessórios
(Página 234)**

Acessório da cabine	246
Aquecedor da cabine	277
Assento – suspensão	263
Assento e suporte	260
Barras de proteção do capô	258
Buzina elétrica	280
Conversão para estrutura não ROPS	237

Designação	Página
Estrutura contra capotagem (ROPS) – cabine	235
Indicador de limpeza do purificador de ar	281
Indicadores do motor	282
Limpador do pára-brisa	254
Refrigerador de ar da cabine	266
Tampas com cadeado	283
Tela de proteção	250

**Equipamento
para manutenção e diversos
(Página 284)**

Decalcomanias e placas de identificação	287
Especificações	291
Extintor de incêndio	284
Ferramentas	289
Jogos de juntas	286

INHALTSVERZEICHNIS

Motor (Seite 5)

Bezeichnung	Seite
Dämpfer und Riemenscheibe . . .	15
Huböse	14
Kurbelwelle	8
Kurbelwellendichtung	9
Kurbelwellen-Ersatzdrucklager . .	10
Kurbelwellen-Ersatzlager	9
Lüfterantrieb	16
Lüfterriemenscheibe	15
Montagezapfen	16
Motorausführung	5
Motoraufleger	20
Motorblock	6
Motorblockdeckel	8
Motor-Halteteile	19
Nockenwelle	11
Pleuelstange und Kolben	10
Schwungscheibe	21
Schwungscheibengehäuse	21
Stirnrad	17
Stirnradgehäuse	18
Stirnradgehäusedeckel	17
Stirnradgehäuse-Halteteile	19
Ventildeckel	14
Ventilsteuerung	13
Zylinderkopf	12
Zylinderkopfdeckel	13
Zylinderkopf-Halteteile	11

Schmiersystem (Seite 23)

Entdünster	28
Entlüfter	28
Öleinfüllstutzen	24
Ölleitungen	27
Ölmeßstab	23
Ölwanne	22
Ölwannen-Halteteile	22
Schmierfilter	25
Schmierpumpe	25
Schutzkappe des Öleinfüllstutzens	24
Schutzkappe des Ölmeßstabs	23

Kühlsystem (Seite 29)

Bezeichnung	Seite
Drucklüfter und Verkleidung	33
Kühlerkappe	32
Kühlernetz	30
Kühlerschutzgitter	32
Kühlwasserheizung	33
Sauglüfter	34
Thermostat und Gehäuse	36
Wasserleitungsknie	34
Wasserleitungsrohr	35
Wasserpumpe	29

Ansaug- und Abgasanlage (Seite 37)

Ansaugrohrverlängerung	40
Auspuffkrümmer	37
Auspuffkrümmer-Halteteile	37
Auspuffrohr	38
Druckluftleitungen	39
Luftreiniger	39
Schalldämpfer	38
Vorabscheider	41

Kraftstoffanlage und Regler (Seite 42)

Ablaßleitungen	56
Gasreduziergestänge	44
Kraftstoffeinspritzleitungen	54
Kraftstoff-Entlüftungspumpe und -Vorfilter	53
Kraftstoffleitungen	55
Kraftstofftank	58
Regler und Kraftstoffeinspritzpumpe	45
Reglerdeckel	47
Reglersteuerung	42
Tankkappe	57
Wasserabscheider	56

Anlasser und elektr. Anlage (Seite 59)

Bezeichnung	Seite
Anlasser, elektr.	72
Ätherstarthilfe	84
Batterie und Verdrahtung	60
Beleuchtungsanlage	85
Drehstromlichtmaschine	65
Neutralschalter	83
Rückfahrwarnhorn.	59

Kraftübertragung — Getriebe (Seite 89)

Gangschaltung	95
Getriebe	92
Hauptkupplung.	89
Hauptkupplungsgestänge.	101
Ölleitungen der Kraftübertragung.	104
Schemazeichnung — Kraftübertragung.	2B
Seitenantrieb	110

Lenkkupplungen und Bremsen (Seite 114)

Bremshydraulik.	122
Lenkbremse	115
Lenkkupplung	114
Lenkkupplungsgestänge	118

Fahr- und Laufwerk (Seite 124)

Bodenblech	144
Frontzughaken	141
Kettenführungsplatten	159
Kraftstofftankverkleidung.	137
Kühlerschutz	139
Kühlerschutz mit Scharnieren — Schwereinsatz.	138

Bezeichnung Seite

Kühlerverkleidung mit Scharnieren.	138
Laufkette.	160
Laufrollen	157
Laufrollenführung	159
Laufrollenverkleidung	158
Laufwerksrahmen	152
Leitrad	150
Motorhaube und Armaturenbrett.	146
Motorseitenverkleidung	136
Motorverkleidung	145
Panzerwanne	132
Quertraversenfeder	128
Rahmen und Gehäuse.	124
Schutzbleche	143
Schutzblechträger	142
Schwenkzugbalken	131
Seitenantriebsverkleidung	137
Stützrolle	156
Überroll-Schutzdachauflager	126
Verkleidung des Kettenspanners.	149
Vorreinigerschutz	140
Zughaken, starr.	131

Hydraulikanlage (Seite 162)

Hydrauliksteuerung — Teilliste.	162
Hydrauliktankkappe	163
Neigezylinder — Teilliste.	36

Anbaugeräte (Seite 198)

Aufreißer — Teilliste	231
Eckaufsatzmesser	201
Planiereinrichtung	198
Rollenführung.	217
Rollenturm	230
Seilwinde — Normalgang.	210
Seilwindenantrieb	225
Seilwindenaufhängung	225
Windensteuerung.	226
Winden-Umbausatz	212
Winden-Umbausatz — Teilliste.	211

**Fahrerhaus, Anzeigen
und Zubehör
(Seite 234)**

Bezeichnung	Seite
Anzeigen	282
Gefederter Fahrersitz	263
Fahrerhausheizung	277
Fahrerhauszubehör	246
Fahrersitzunterbau	260
Hupe, elektr.	280
Klimaanlage – Teilliste	266
Luftfilter-Wartungsanzeige	281
Scheibenwischer	254
Schutzabdecke	283
Schutzgitter	256
Schutzbügel	258
Überrollschutz	234

Bezeichnung	Seite
Überroll-Schutzkabine	235
Umbausatz – ohne Überrollschutz.	237

**Wartungsmesser
und Zubehör
(Seite 284)**

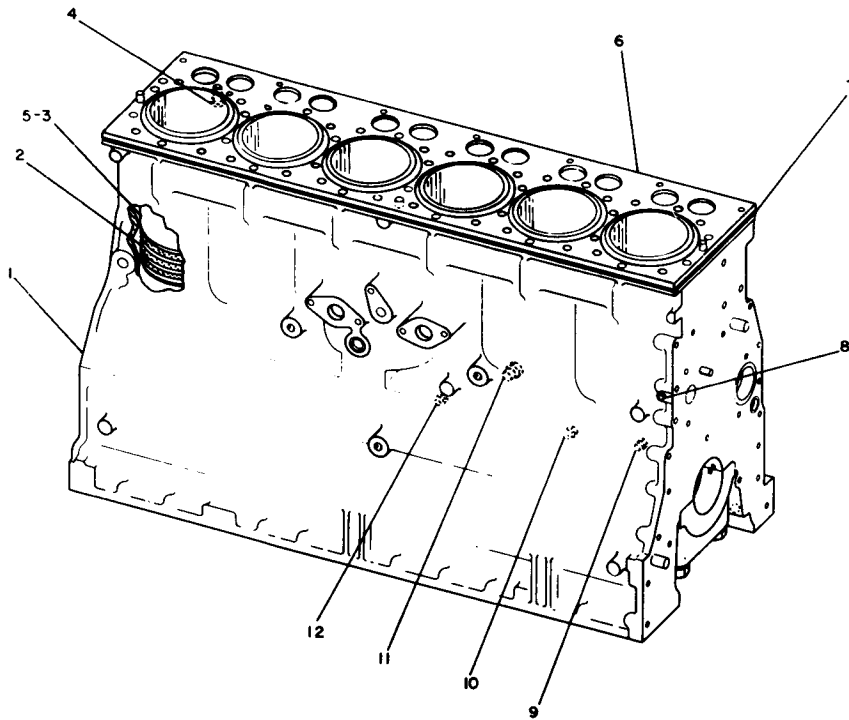
Aufkleber und Abziehbilder	287
Dichtungssätze	286
Feuerlöscher.	284
Handwerkzeuge.	285
Technische Daten	292

CATERPILLAR D5B TRACTOR

CONSISTS OF:		PAGE
<u>CENTRAL STRUCTURE</u>		
1	7N8016	CYLINDER BLOCK GROUP 6
1	7N9779	CYLINDER BLOCK COVER GROUP 8
1	6N8079	CRANKSHAFT GROUP 8
1	2P6224	CRANKSHAFT SEAL GROUP 9
6	8N2531	CONNECTING ROD AND PISTON GROUP 10
1	2P6202	CAMSHAFT GROUP 11
<u>UPPER STRUCTURE</u>		
1	8N226	CYLINDER HEAD GROUP 12
	- OR -	
1	1W3356	CYLINDER HEAD GROUP 12A
1	2P6530	CYLINDER HEAD COVER GROUP 13
1	7N9536	CYLINDER HEAD FASTENER GROUP 11
1	7N7858	ENGINE LIFTING GROUP 14
	- OR -	
1	1W5566	ENGINE LIFTING GROUP 14A
1	7N8026	VALVE MECHANISM GROUP 13
1	8N4745	VALVE MECHANISM COVER GROUP 14
<u>FRONT STRUCTURE</u>		
1	2P9641	FRONT HOUSING GROUP 18
1	4N5162	FRONT HOUSING COVER GROUP 17
1	2P6498	FRONT HOUSING FASTENER GROUP 19
1	2P9642	FRONT TIMING GEAR GROUP 17
1	7N9589	TRUNNION GROUP 16
1	2P2503	DAMPER GROUP 15
1	2P7753	FRONT ENGINE SUPPORT GROUP 20
<u>REAR STRUCTURE</u>		
1	2P6119	FLYWHEEL HOUSING GROUP 21
1	7S7878	FLYWHEEL GROUP 21
<u>LOWER STRUCTURE</u>		
1	2P6152	OIL PAN GROUP 22
1	2P6200	OIL PAN FASTENER GROUP 22

CONSISTS OF:		PAGE	
<u>LUBRICATION SYSTEM</u>			
1	2P1784	ENGINE OIL PUMP GROUP	25
1	2P6109	ENGINE OIL LINES GROUP	26B
	- OR -		
1	2P6105	ENGINE OIL LINES GROUP	27
1	2P6525	OIL FILTER GROUP	25
1	4N5139	OIL FILLER GROUP	24
1	1P4244	BREATHER GROUP	28
1	2P6493	OIL LEVEL GAUGE GROUP	23
<u>COOLING SYSTEM</u>			
1	7N5909	WATER PUMP GROUP	29
1	7N7211	WATER LINES GROUP	35
1	2P7740	ELBOW LINES GROUP	34
1	2P7741	PIPE LINES GROUP	35
	- OR -		
1	2P6215	OIL COOLER GROUP	35
<u>INTAKE AND EXHAUST SYSTEM</u>			
1	2P6572	EXHAUST MANIFOLD GROUP	37
1	4N9586	EXHAUST MANIFOLD FASTENER GROUP	37
<u>FUEL SYSTEM AND GOVERNOR</u>			
1	8N4508	PRIMING PUMP GROUP	53
1	1N4811	GOVERNOR & FUEL INJECTION PUMP GROUP ...	45
1	7N1647	FUEL INJECTION LINES GROUP	54
1	4N4510	GOVERNOR COVER GROUP	47
1	7N3900	DRAIN LINES GROUP	56

NOTE: REFER TO INDEX FOR PAGE LOCATION OF GASKET KITS

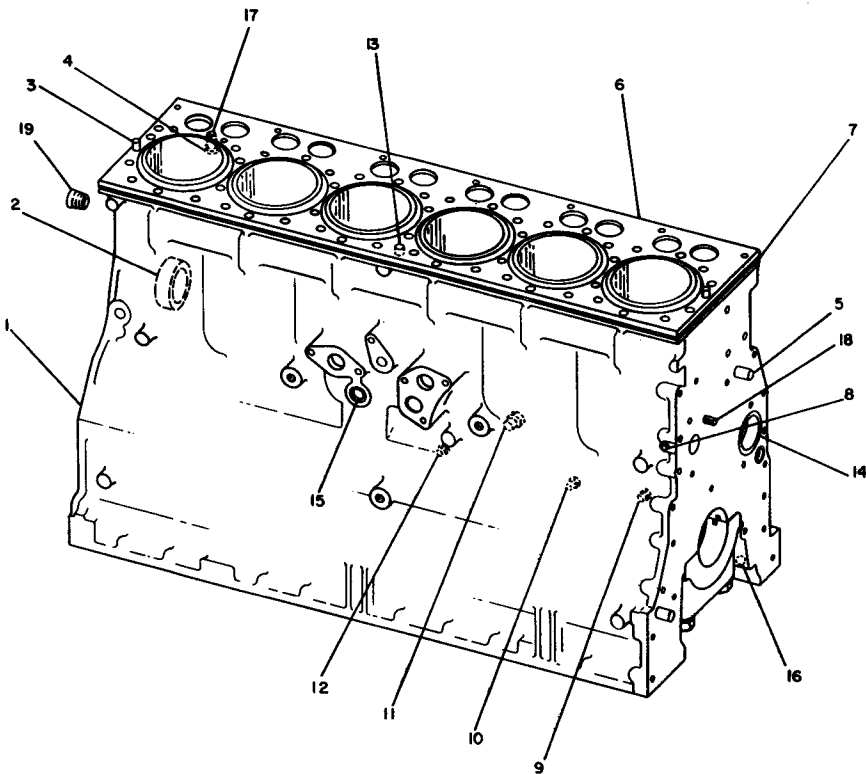


REF. NO	PART NUMBER	DESCRIPTION	QTY
1	6N8124	BLOCK ASSEM. (Separate Illustration)	1
2	5S6670	SEAL-----	18
3	2P8889	LINER-----	6
4	3S5496	SEAL-----	1
5	9L5854	BAND-----	6
6	7N7998	PLATE-----	1
7	7N7997	GASKET-----	1
8	5M6214	PLUG-----	1
9	7H3171	PLUG-----	1
10	5M6213	PLUG-----	4
11	8M9307	PLUG-----	1
11	6F7062	GASKET-----	1
12	3J5389	PLUG-----	2

222405

7N8016 CYLINDER BLOCK GROUP
 Serial No. 8Z446 to 8Z2961 Inclusive
 6N8124 Cylinder Block parts are shown on Page 7

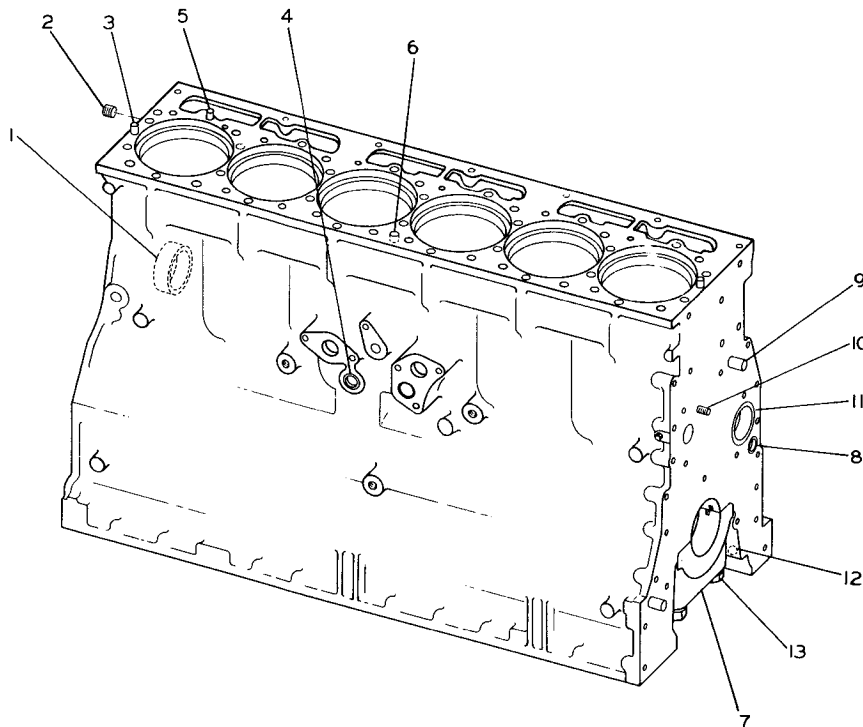
7N8016 CYLINDER BLOCK GROUP
Engine Serial No. 8Z2962—Up
7N6550 Block parts are shown on Page 6B



REF. NO.	PART NUMBER	DESCRIPTION	QTY.
C 1	7N6550	BLOCK ASSEM. ----- (Separate Illustration)	1
2	7M4046	BEARING-----	4
3	8K1207	DOWEL-----	2
4	3S5496	SEAL-----	1
5	8B6349	DOWEL-----	2
6	7N7998	PLATE-----	1
7	7N7997	GASKET-----	1
8	5M6214	PLUG-----	1
9	7H3171	PLUG-----	1
10	5M6213	PLUG-----	4
11	8M9307	PLUG-----	1
	6F7062	WASHER-----	1
12	315389	PLUG-----	2
13	5B7652	DOWEL-----	2
14	8N4110	BEARING-----	1
15	4B5387	PLUG-----	2
16	4B9782	BALL-----	1
17	159540	DOWEL-----	1
18	5S8462	STUD-----	1
19	2B858	PLUG-----	1

C INDICATES CHANGE

232245

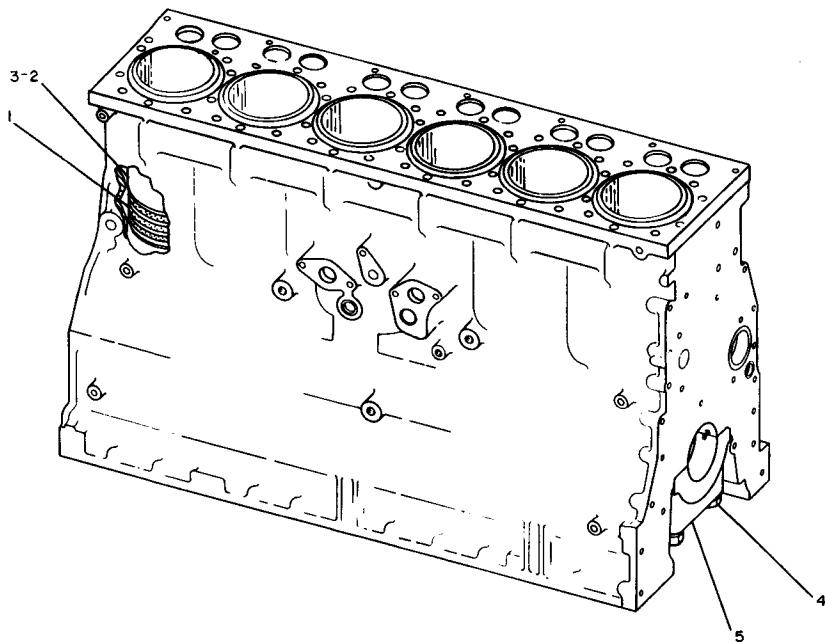


REF. NO.	PART NUMBER	DESCRIPTION	QTY
1	7M4046	BEARING-----	4
2	2B858	PLUG-----	1
3	8K1207	DOWEL-----	2
4	4B5387	PLUG-----	1
5	1S9540	DOWEL-----	1
6	5B7652	DOWEL-----	2
7	6N8003	BEARING CAP-----	7
8	4B3938	PLUG-----	1
9	8B6349	DOWEL-----	2
10	5S8462	STUD-----	1
11	8N4110	BEARING-----	1
12	4B9782	BALL-----	1
13	7S3224	BOLT-----	14
	2S5658	WASHER-----	14

231968

7N6550 CYLINDER BLOCK ASSEMBLY
 Engine Serial No. 8Z2962—Up
 Part of 7N8016 Cylinder Block Group shown on Page 6A
 For Field Replacement order 1N3576 shown on Page 6C

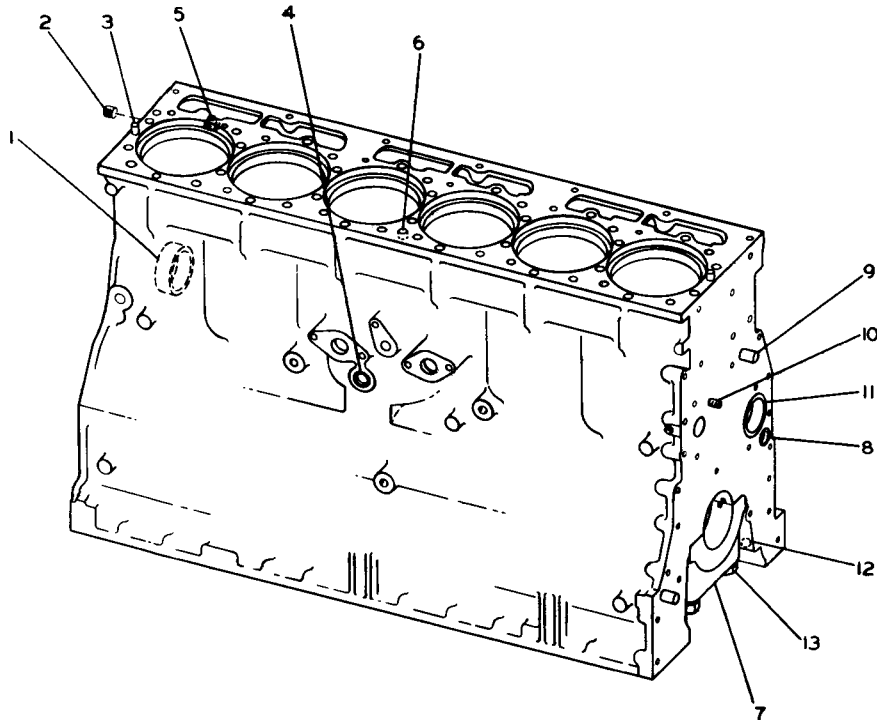
1N3576 CYLINDER BLOCK GROUP
Engine Serial No. 8Z2962—Up
Provides Field Replacement for 7N6550 shown on Page 6B



REF. NO.	PART NUMBER	DESCRIPTION	QTY.
1	5S6670	SEAL-----	18
2	2P8889	LINER-----	6
3	9L5854	BAND-----	6
4	7S3224	BOLT-----	14
	2S5658	WASHER-----	14
5	6N8003	CAP-----	7

231970

6N8124 CYLINDER BLOCK ASSEMBLY
 Engine Serial No. 8Z446 to 8Z2961 Inclusive
 Part of 7N8016 Cylinder Block Group shown on Page 6



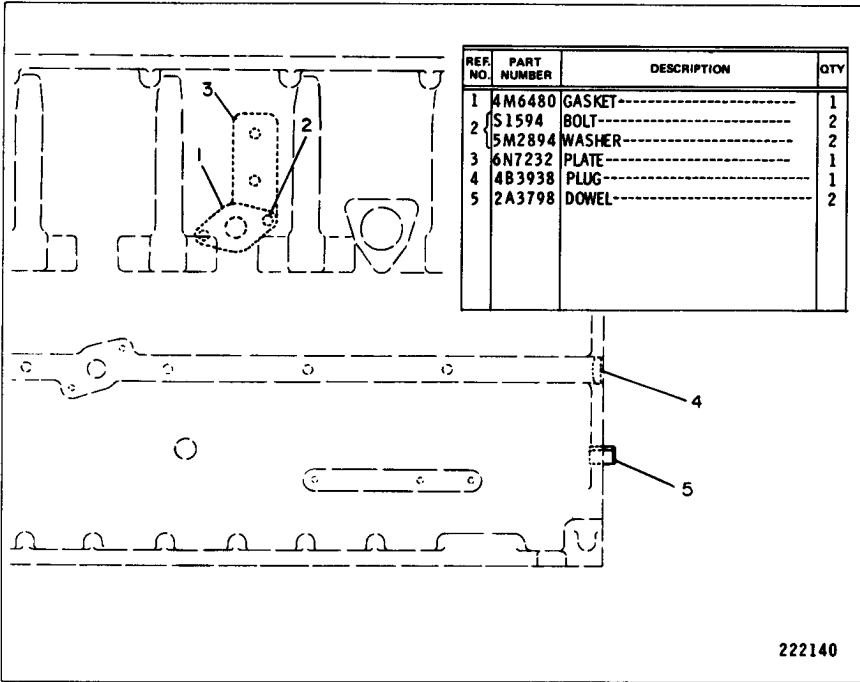
REF NO	PART NUMBER	DESCRIPTION	QTY
1	7M4046	BEARING-----	4
2	2B858	PLUG-----	1
3	8K1207	DOWEL-----	2
4	4B5387	PLUG-----	1
5	1S9540	DOWEL-----	1
6	5B7652	DOWEL-----	2
7	6N8003	BEARING CAP-----	7
8	4B3938	PLUG-----	1
9	8B6349	DOWEL-----	2
10	5S8462	STUD-----	1
C 11	8N4110	BEARING-----	1
12	4B9782	BALL-----	1
13	7S3224	BOLT-----	14
	2S5658	WASHER-----	14
<p align="center">THE FOLLOWING REPAIR KIT IS AVAILABLE:</p>			
	6N7727	KIT---(cylinder block) (Includes Orifice, Plugs, Dowels, Sleeve and Bolts)	1
	SMHS6809	FORM----- (Installing Cylinder Block Service Group)	1

C INDICATES CHANGE

226957

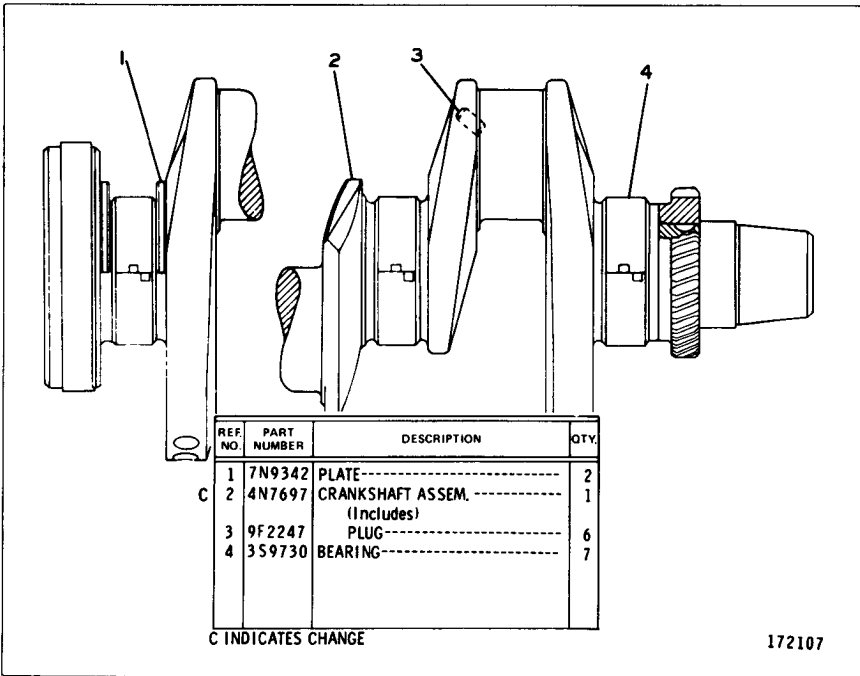
BASIC ENGINE

CATERPILLAR D5B TRACTOR



222140

7N9779 CYLINDER BLOCK COVER GROUP



C INDICATES CHANGE

172107

6N8079 CRANKSHAFT GROUP

CYLINDER BLOCK NOT REBORED				
CRANKSHAFT GROUND FOR UNDERSIZE BEARING I.D. OF				
.25 MM .51 MM .76 MM				
MAIN	QTY. 7	8N8225	8N8226	8N8227
CYLINDER BLOCK REBORED (.51 MM) (BEARING OVERSIZE O.D.)				
CRANKSHAFT GROUND FOR UNDERSIZE BEARING I.D. OF				
O (STANDARD) .25 MM				
MAIN	QTY. 7	8N8228	8N8229	
O.D.--OUTSIDE DIAMETER I.D.--INSIDE DIAMETER				

CRANKSHAFT BEARING REPLACEMENTS

CRANKSHAFT

REF. NO.	PART NUMBER	DESCRIPTION	QTY.
C	1N3216	SEAL GROUP----- (Includes)	1
	9S3111	SEAL-----	1
	2P3858	SLEEVE-----	1
3	5S6296	SEAL-----	1
4	2P3859	SLEEVE-----	1

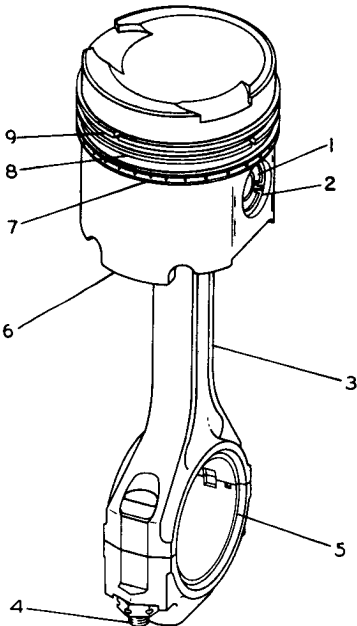
C INDICATES CHANGE

228583

2P6224 CRANKSHAFT SEAL GROUP

- 1 7N9343 THRUST PLATE
- 1 FORM SMHS7060

CRANKSHAFT SERVICE THRUST PLATE—Field Installation
 Provides a Thrust Plate to be used in the event a "Wide" Thrust Journal Crankshaft is installed in a Spacer Plate Cylinder Block

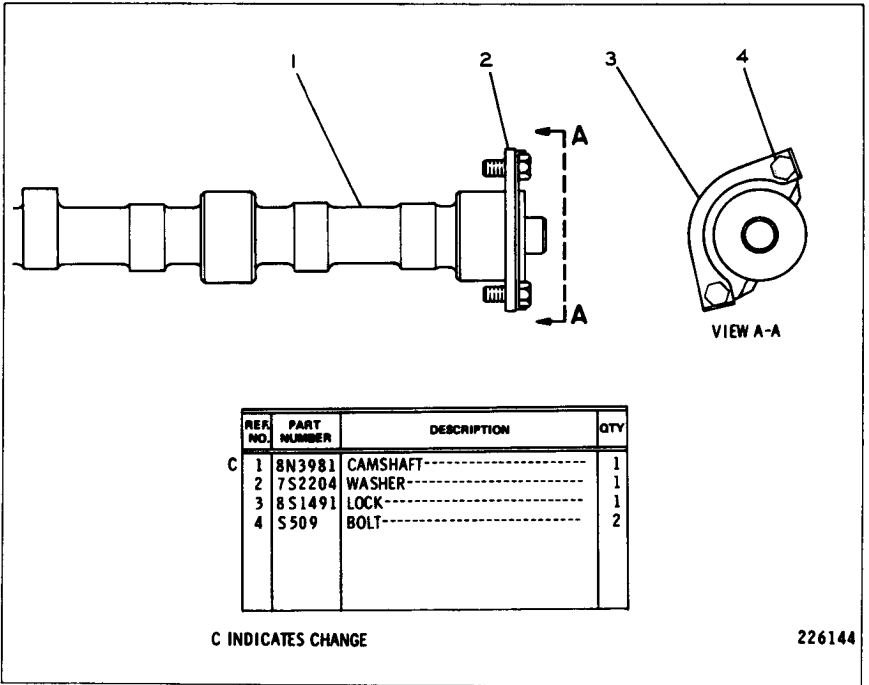


REF. NO.	PART NUMBER	DESCRIPTION	QTY.
1	7N9805	PIN-----	1
2	1S9543	RETAINER-----	2
	8N1721	ROD ASSEM.-----	1
3		(Includes)	
	8N1849	BEARING-----	1
	1P9956	BOLT-----	2
4	5S6348	NUT-----	2
C	8N8219	BEARING----- (Standard)	1
	2S502	BEARING .254mm(.01 in.)undersize	1
5	2S503	BEARING .508mm(.02 in.)undersize	1
	7M7826	BEARING .762mm(.03 in.)undersize	1
6	8N2533	PISTON GROUP-----	1
		(Includes)	
7	9L6934	RING-----(Oil)-----	1
8	9L6933	RING-----(Intermediate)-----	1
9	9L6932	RING-----(Top)-----	1
	9L6935	RING GROUP-----	1
		(Consists of Complete Set of Rings For One Piston)	

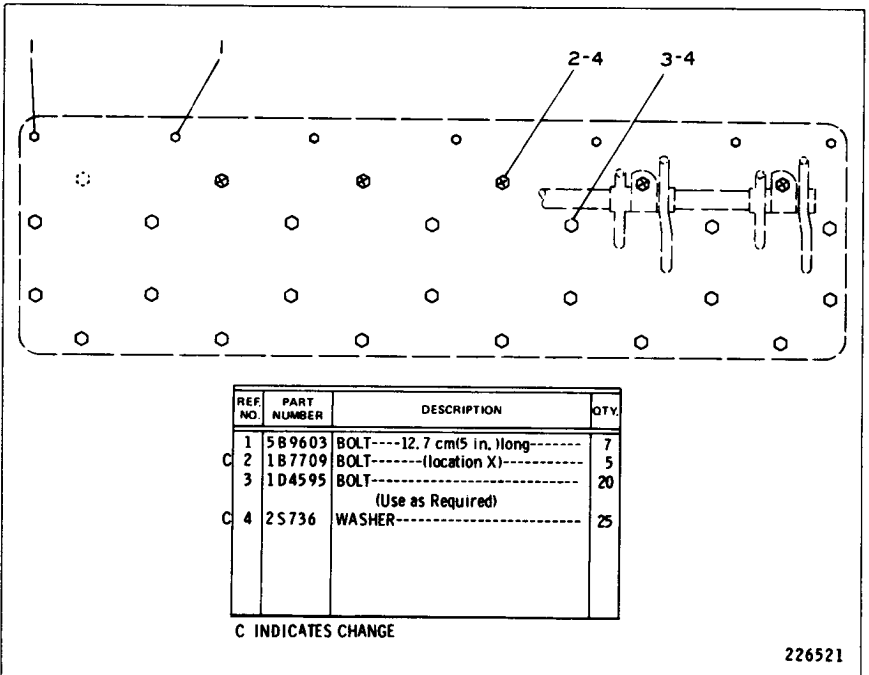
C INDICATES CHANGE

233029

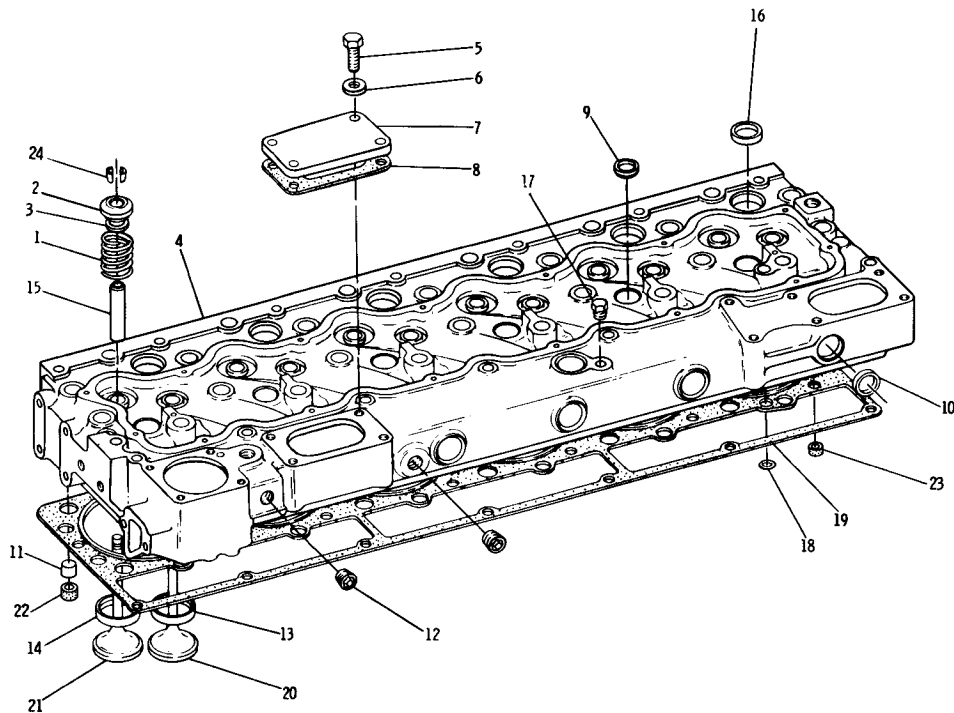
8N2531 CONNECTING ROD AND PISTON GROUP—6 Required



2P6202 CAMSHAFT GROUP—Single



7N9536 CYLINDER HEAD FASTENER GROUP

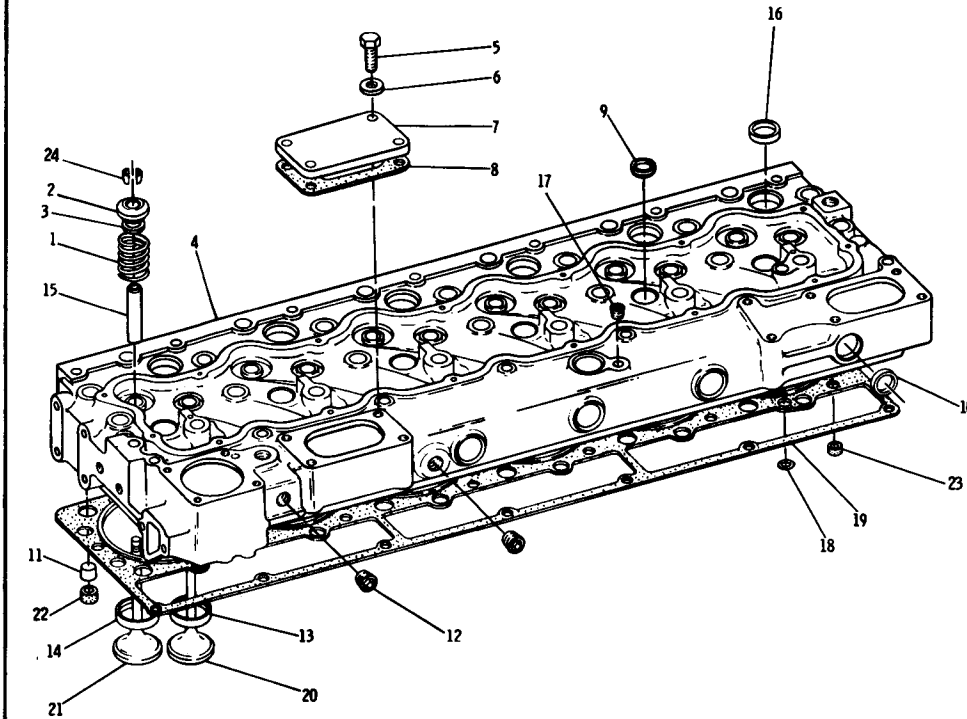


REF. NO.	PART NUMBER	DESCRIPTION	QTY.
1	7S7144	SPRING-----	12
2	8N7781	ROTOCOIL ASSEM.-----	12
		(Each Includes)	
2	8N7782	ROTOCOIL ASSEM.-----	1
		(Includes)	
6	P1385	BLOCK-----	4
3	8N7780	SHIELD-----	1
4	8N6796	HEAD ASSEM.-----	1
		(Includes)	
5	S1594	BOLT-----	4
6	5M2894	WASHER-----	4
7	1P6367	COVER-----	1
8	5S6735	GASKET-----	1
9	3B623	PLUG-----	6
10	3S8313	PLUG-----	7
11	1S3062	DIRECTOR-----	18
12	2B858	PLUG-----	3
13	7N4448	INSERT-----(intake)	6
14	8N435	INSERT-----(exhaust)	6
15	2P1262	GUIDE-----	12
16	3P1896	PLUG-----	12
17	5M6213	PLUG-----	1
18	3S5496	SEAL-----	1
19	7N7999	GASKET-----	1
20	6N9915	VALVE-----(intake)	6
21	7N573	VALVE-----(exhaust)	6
22	7N8025	SEAL-----	18
23	7N8018	SEAL-----	6
24	2A4429	LOCK-----	24

226977

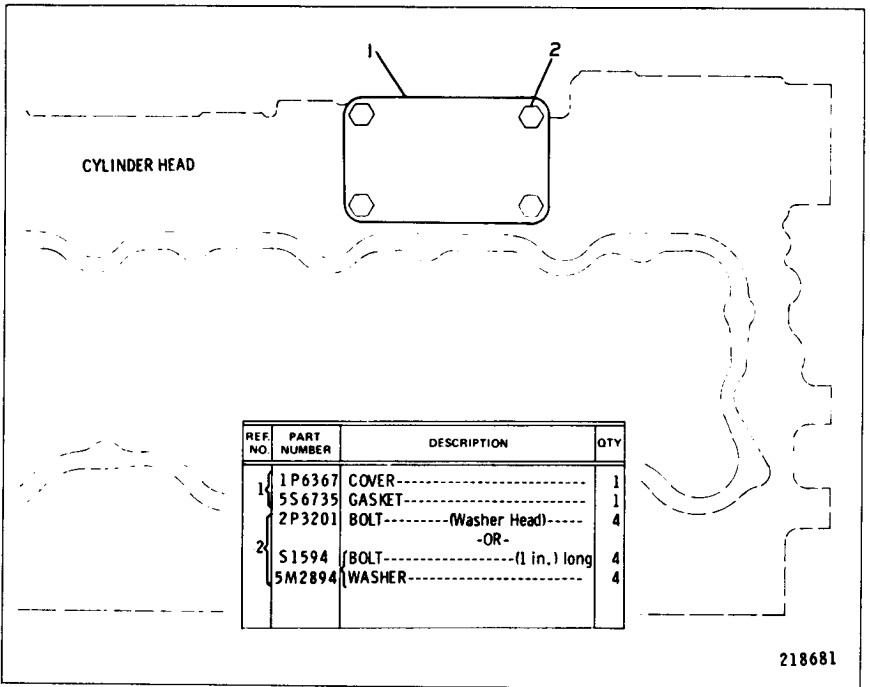
8N226 CYLINDER HEAD GROUP
Engine Serial No. 8Z2446 to 8Z2400 & 8Z4240—Up

1W3356 CYLINDER HEAD GROUP
Engine Serial No. 8Z2401 to 8Z4239 Inclusive

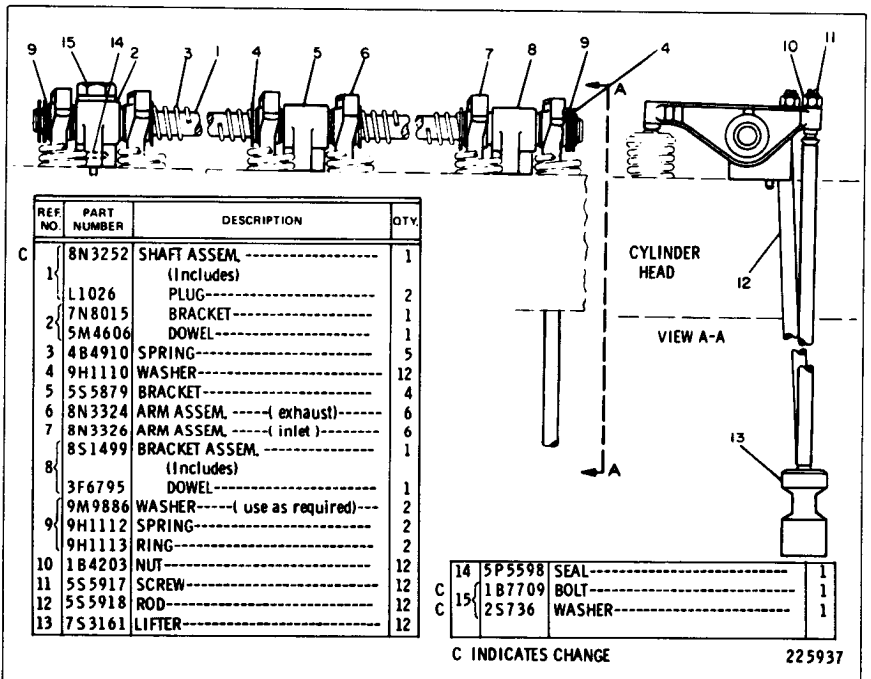


REF. NO.	PART NUMBER	DESCRIPTION	QTY.
1	7S7144	SPRING-----	12
	8N7781	ROTOCOIL ASSEM.-----	12
		(Each Includes)	
2	8N7782	ROTOCOIL ASSEM.-----	1
		(Includes)	
	6P1385	BLOCK-----	4
3	8N7780	SHIELD-----	1
4	8N6796	HEAD ASSEM.-----	1
		(Includes)	
5	S1594	BOLT-----	4
6	5M2894	WASHER-----	4
7	1P6367	COVER-----	1
8	5S6735	GASKET-----	1
9	3B623	PLUG-----	6
10	3S8313	PLUG-----	7
11	1S3062	DIRECTOR-----	18
12	2B858	PLUG-----	3
13	7N4448	INSERT (intake)-----	6
14	8N435	INSERT (exhaust)-----	6
15	2P1262	GUIDE-----	12
16	3P1896	PLUG-----	12
17	7H3171	PLUG-----	1
18	3S5496	SEAL-----	1
19	7N7999	GASKET-----	1
20	6N9915	VALVE (intake)-----	6
21	7N573	VALVE (exhaust)-----	6
22	7N8025	SEAL-----	18
23	7N8018	SEAL-----	6
24	2A4429	LOCK-----	24

233158

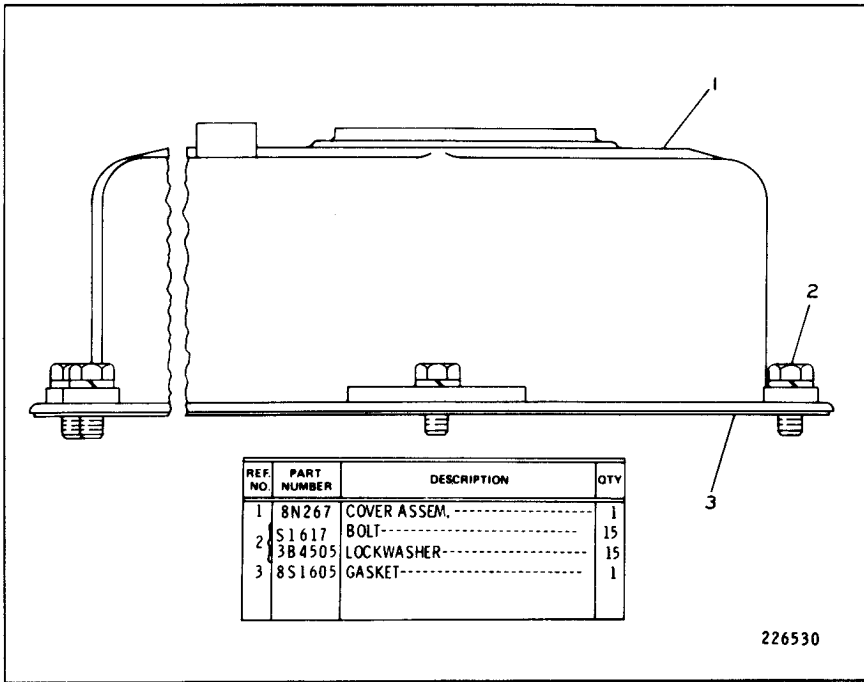


2P6530 CYLINDER HEAD COVER GROUP

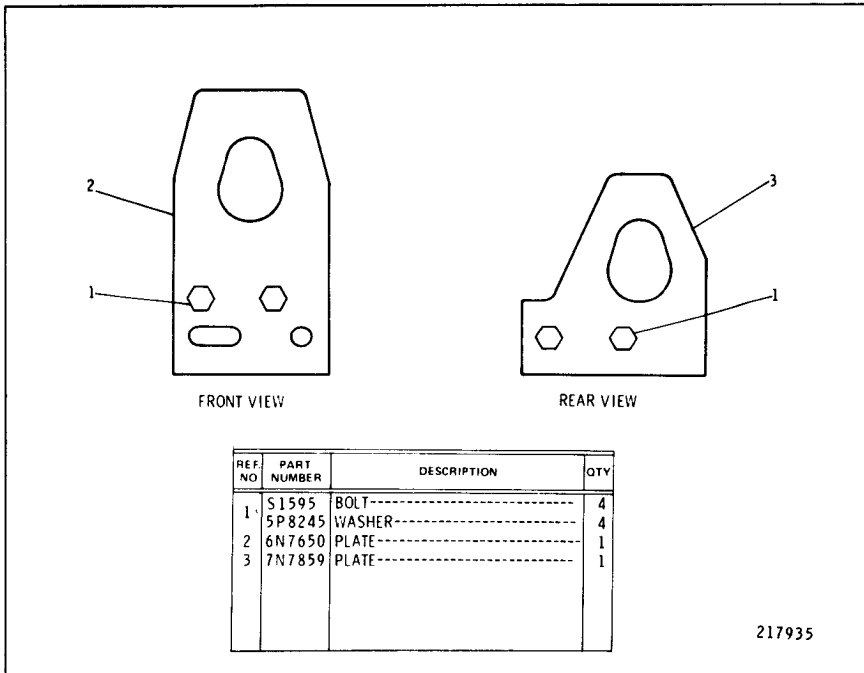


7N8026 VALVE MECHANISM GROUP

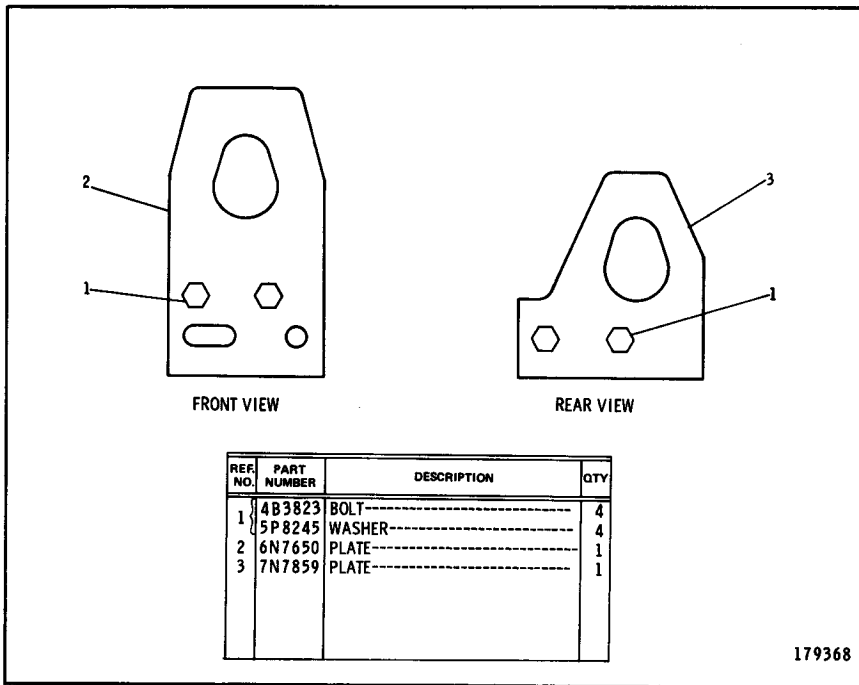
CATERPILLAR D5B TRACTOR



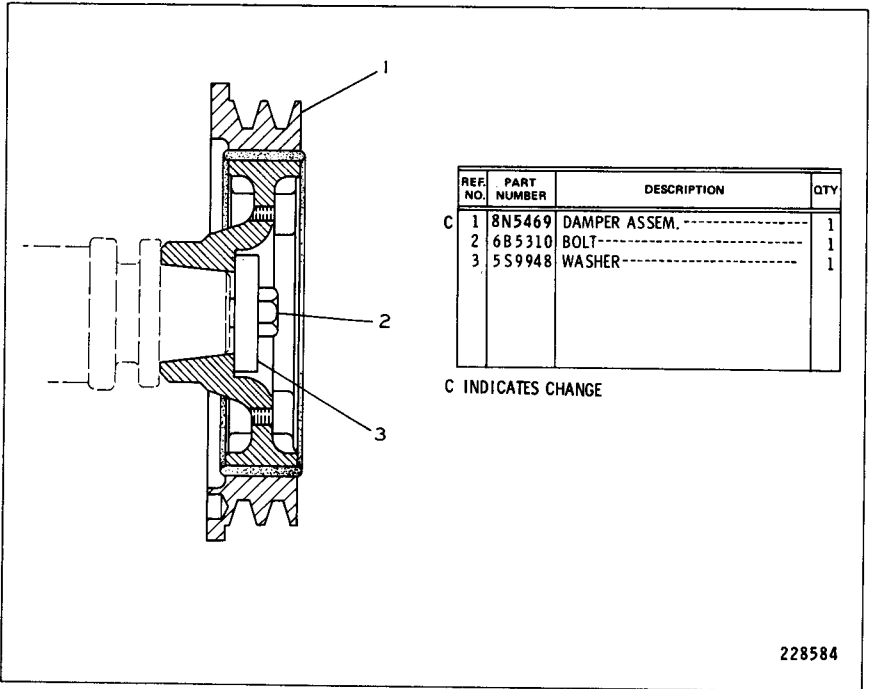
8N4745 VALVE MECHANISM COVER GROUP



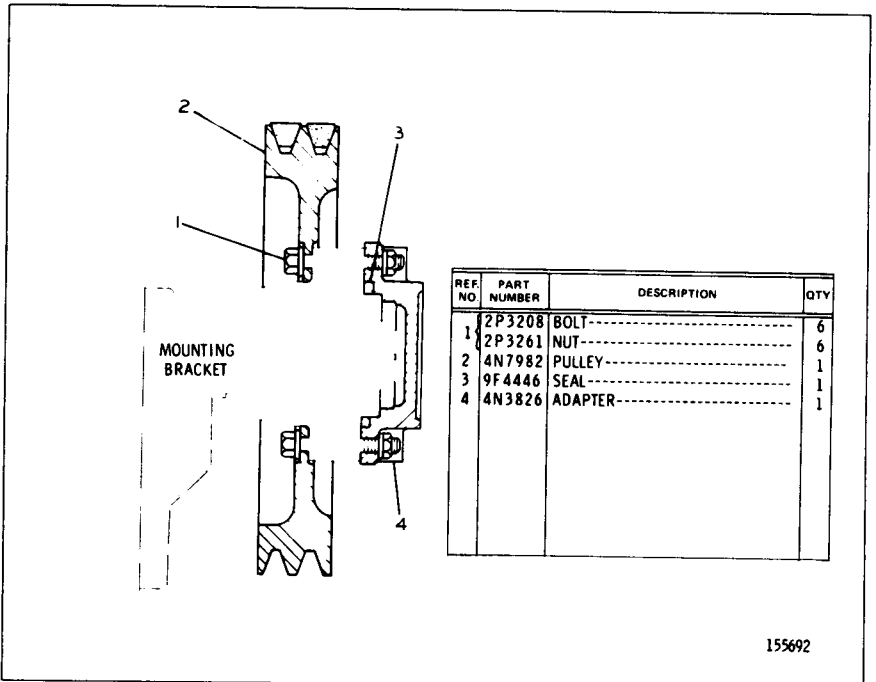
7N7858 ENGINE LIFTING GROUP
 Engine Serial No. 82446 to 823013 & 824240—Up



1W5586 ENGINE LIFTING GROUP
Engine Serial No. 8Z3014 to 8Z4239 Inclusive

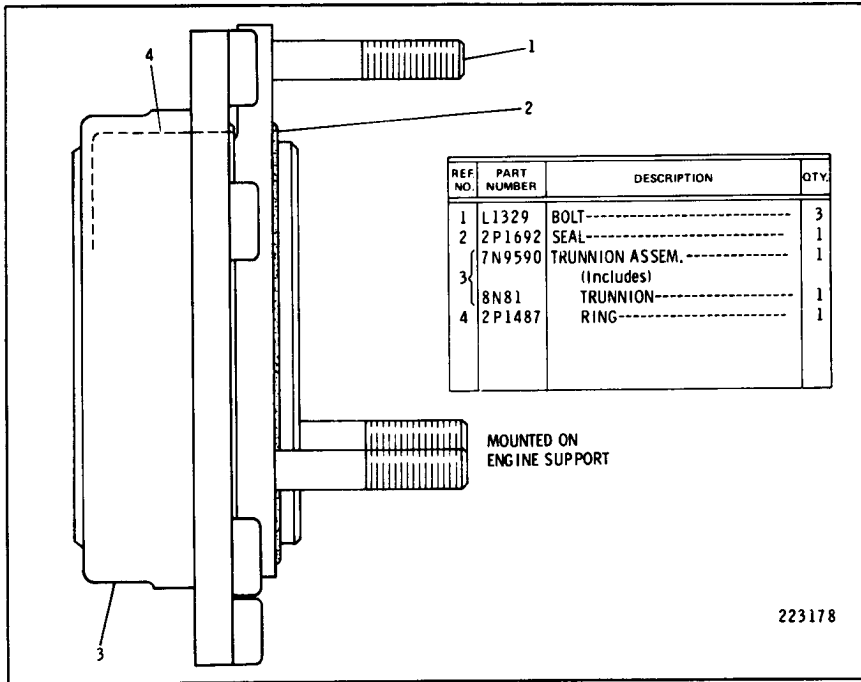


2P2503 CRANKSHAFT DAMPER AND PULLEY GROUP
 Note: 2P6140 Vee Belt Set, includes 2 belts, is used

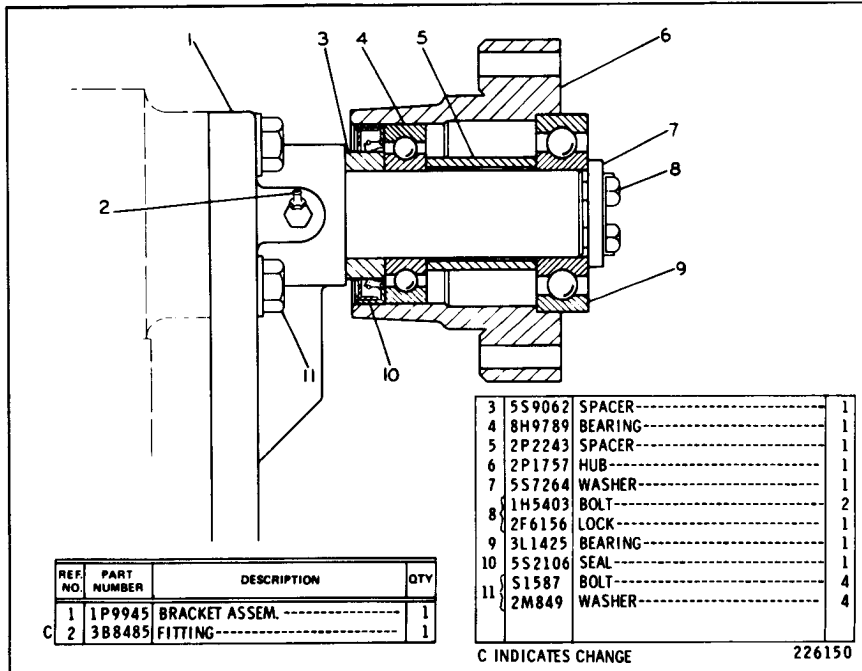


2P8158 FAN DRIVE PULLEY GROUP
 Note: 2P6140 Vee Belt Set, includes 2 belts, is used

CATERPILLAR D5B TRACTOR

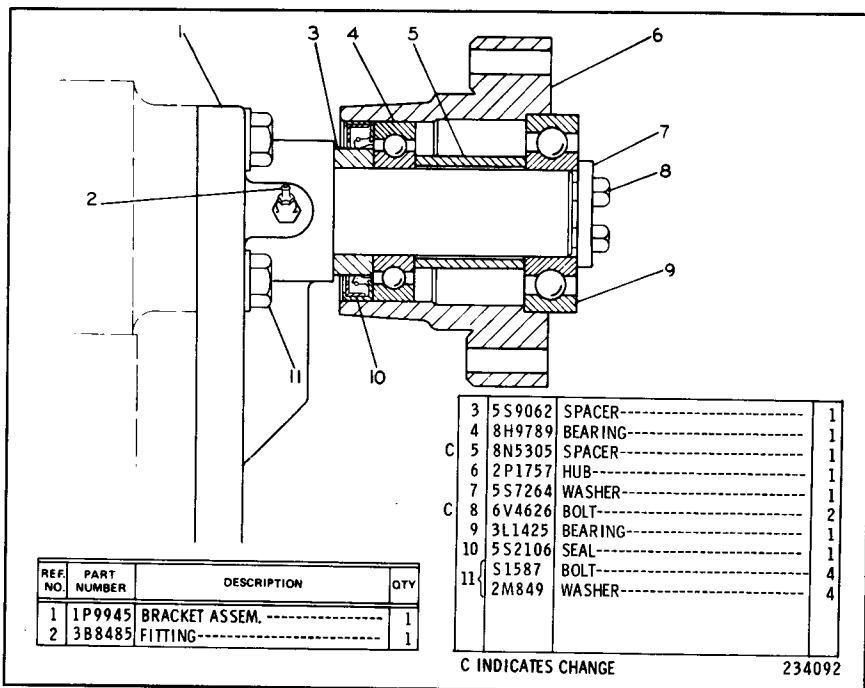


7N9589 TRUNNION GROUP

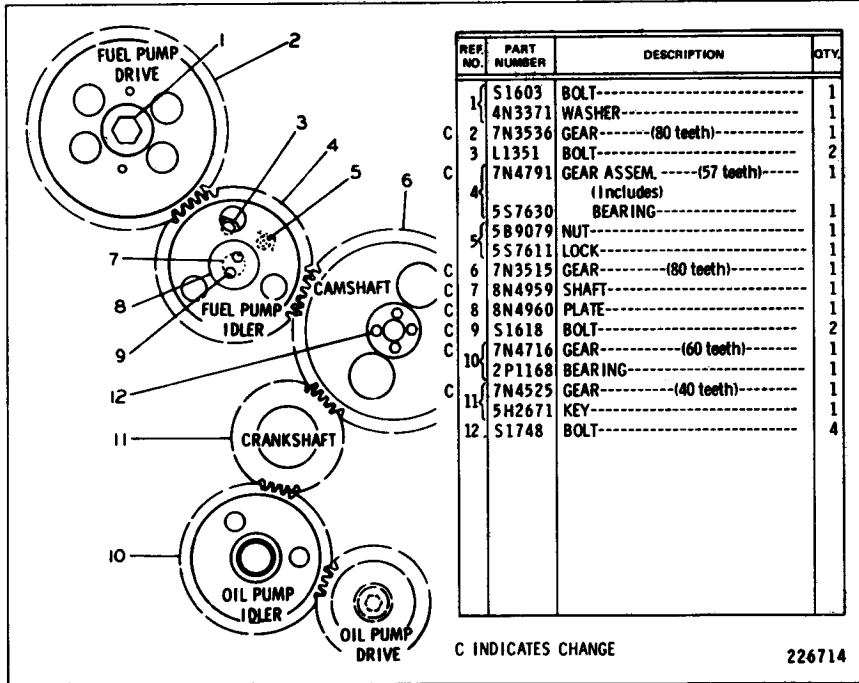


2P7831 FAN DRIVE GROUP

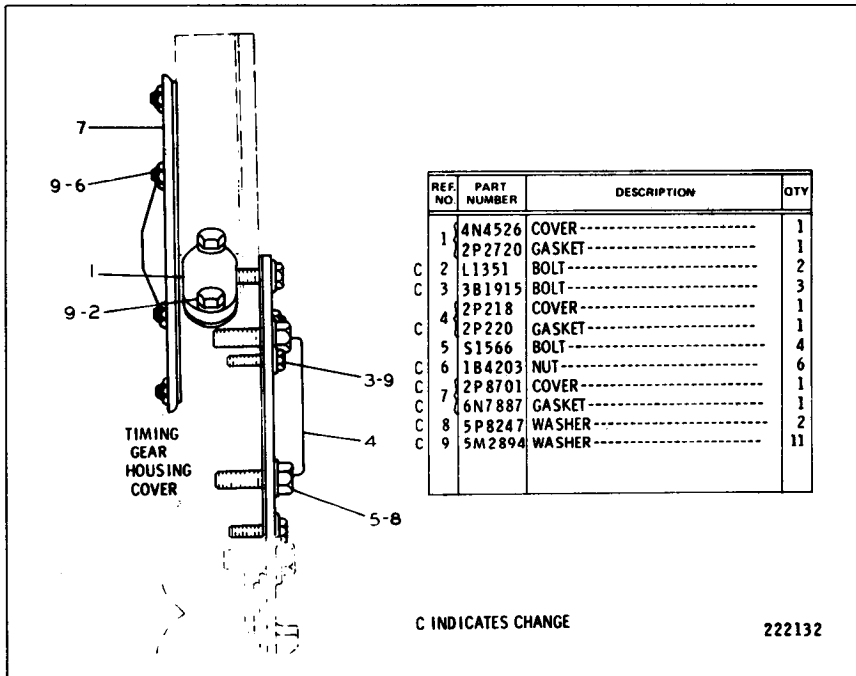
Serial No. 22X439 to 22X498 inclusive and 23X778 to 23X814 inclusive



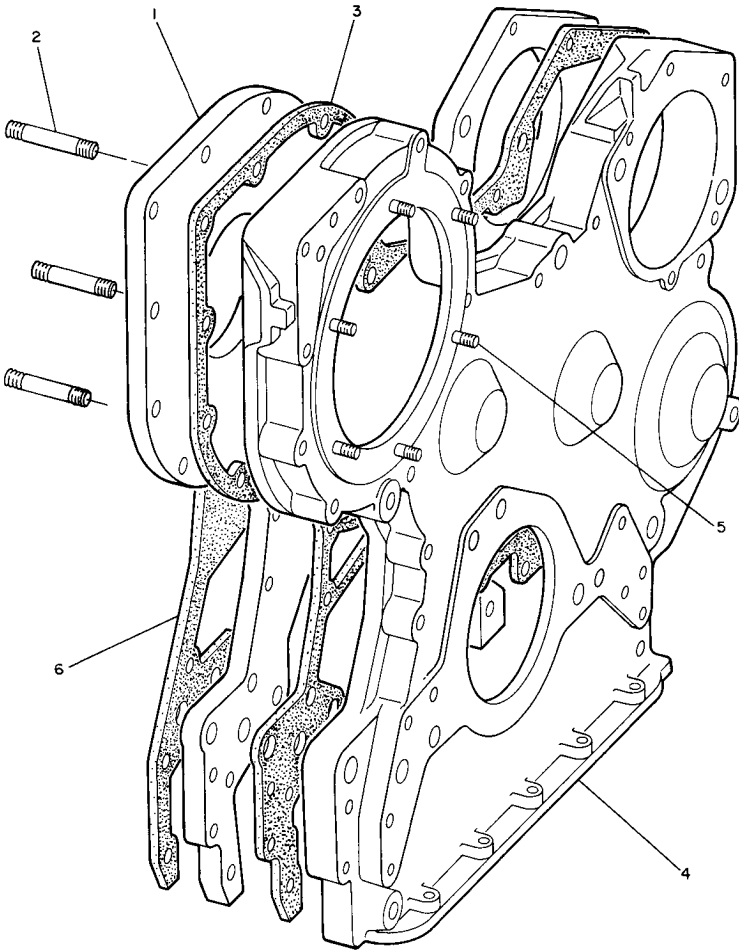
2P7831 FAN DRIVE GROUP
 Serial No. 22X499—Up and 23X815—Up



2P9642 FRONT TIMING GEAR GROUP



4N5162 FRONT HOUSING COVER GROUP

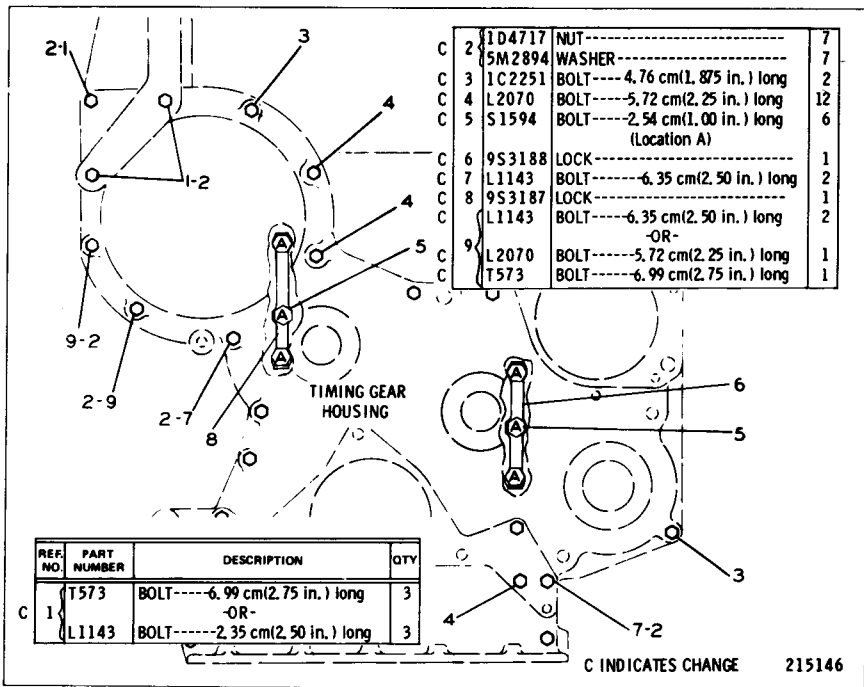


REF. NO.	PART NUMBER	DESCRIPTION	QTY
1	6N9060	PLATE ASSEM.----- (Includes)	1
2	4M8743	STUD-----	3
C 3	8N533	GASKET-----	1
C 4	8N109	HOUSING ASSEM.----- (Includes)	1
5	2S42	STUD-----	6
C 6	8N110	GASKET-----	1

C INDICATES CHANGE

234135

2P9641 FRONT HOUSING GROUP—Timing Gear



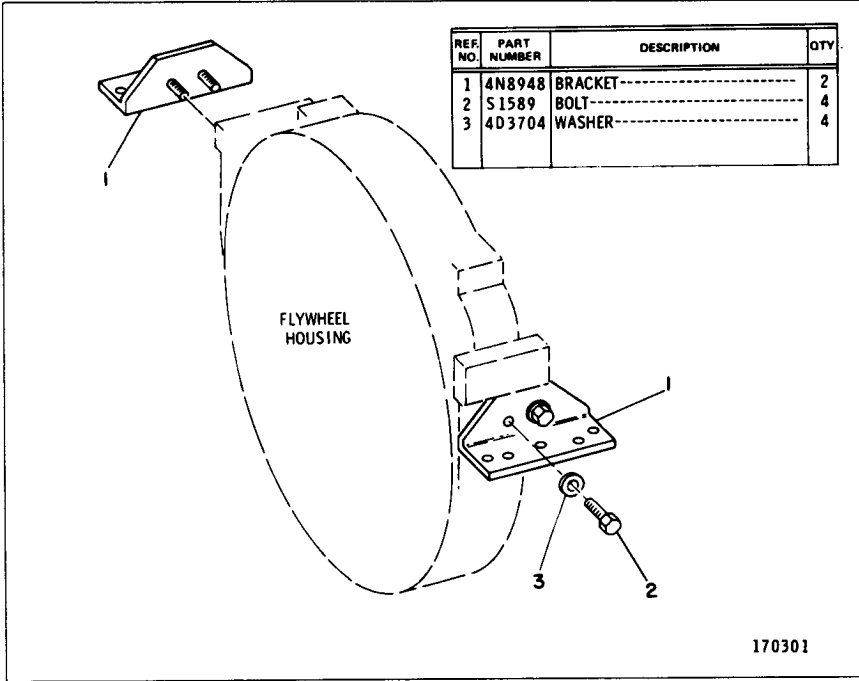
2P6498 FRONT HOUSING FASTENER GROUP

CONSISTS OF:

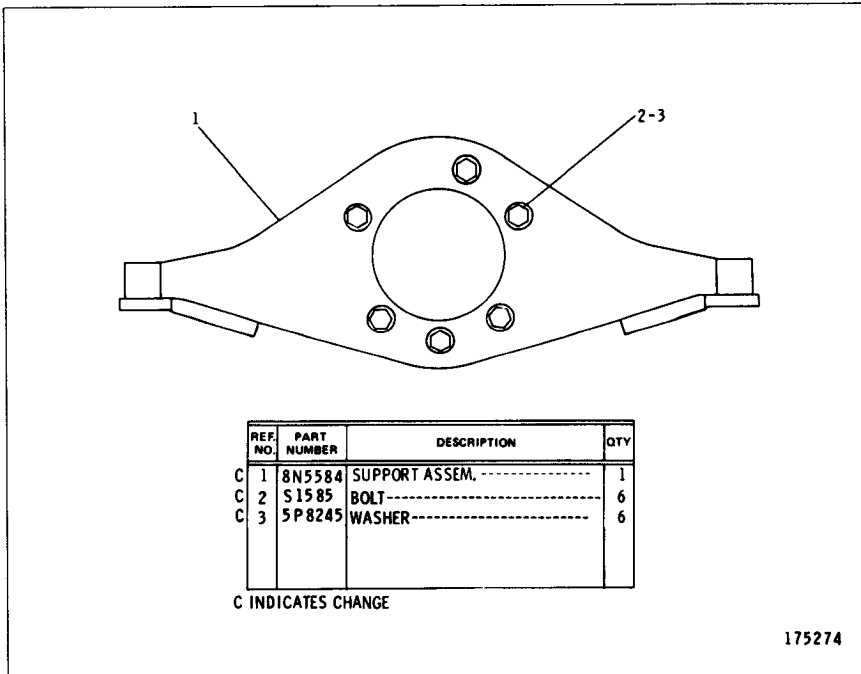
- 2 3B2968 BOLT--FRONT SUPPORT TO FRAME
- 4 1D4586 BOLT--REAR BRACKET TO FRAME
- 2 5H1504 WASHER--FRONT SUPPORT TO FRAME
- 4 9H1024 WASHER--REAR BRACKET TO FRAME
- 2 2J3506 NUT--FRONT SUPPORT TO FRAME
- 4 9M3637 SPACER--REAR BRACKET TO FRAME
- 2 8S775 SHIM (.049" THICK)--REAR BRACKET TO FRAME
- 2 8S776 SHIM (.065" THICK)--REAR BRACKET TO FRAME
- 2 8S777 SHIM (.083" THICK)--REAR BRACKET TO FRAME

5S3743 ENGINE MOUNTING HARDWARE GROUP

CATERPILLAR D5B TRACTOR



7N3468 ENGINE SUPPORT GROUP—Rear



2P7753 ENGINE SUPPORT GROUP—Front

REF. NO.	PART NUMBER	DESCRIPTION	QTY
1	2B947	BOLT-----	2
	5M6213	PLUG----- (For Use With Direct Drive Trans- mission)	1
2		-OR-	
C 4	4H6112	BREATHER----- (For Use With Power Shift Trans- mission)	1
3	9H5921	GASKET-----	1
4	1A1460	BOLT-----	11
5	L827	PLUG-----	1
6	7S7780	HOUSING ASSEM.----- (Includes)	1
	5S8030	HOUSING-----	1
7	2A3798	DOWEL-----	2
C 8	L1124	GASKET-----	1

C INDICATES CHANGE

165859

2P6119 FLYWHEEL HOUSING GROUP

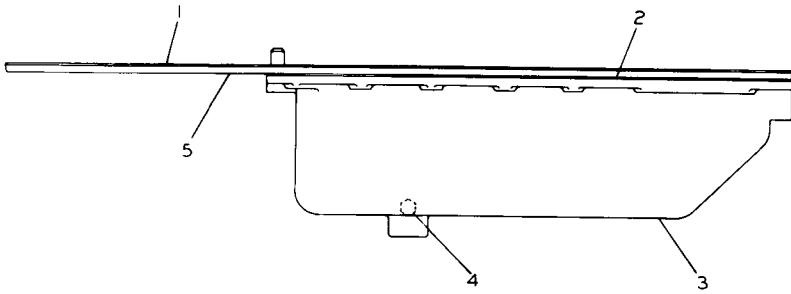
REF. NO.	PART NUMBER	DESCRIPTION	QTY
1	S1565	BOLT-----	9
2	8S8193	FLYWHEEL ASSEM.----- (Includes)	1
C 3	7N9146	GEAR----- (156 teeth)-----	1

C INDICATES CHANGE

228585

7S7878 FLYWHEEL GROUP

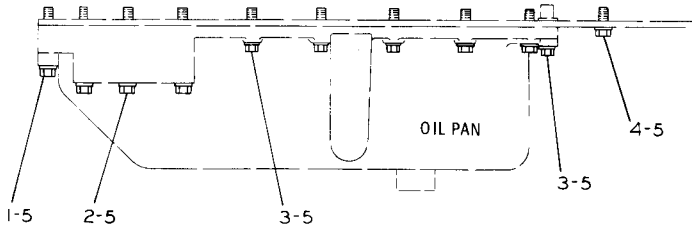
CATERPILLAR D5B TRACTOR



REF. NO.	PART NUMBER	DESCRIPTION	QTY
1	4M2969	GASKET-----	1
2	8S1965	GASKET-----	1
3	9S5417	PAN-----	1
4	4B7739	PLUG-----	1
5	2P1738	PLATE ASSEM.-----	1

117213

2P6152 OIL PAN GROUP
 Engine Serial No. 8Z446 to 4615, 4699, 4700, 4705, 4707, 4709 to 4711, 4713, 8Z4716 & 8Z4722 Inclusive

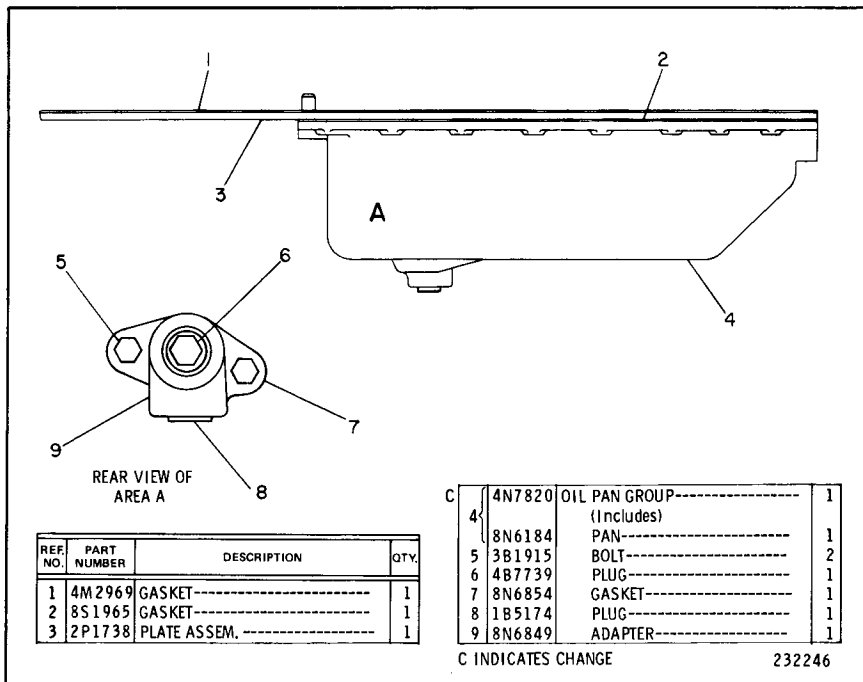


REF. NO.	PART NUMBER	DESCRIPTION	QTY
C 1	T573	BOLT-----	5
C 2	L1352	BOLT-----	3
C 3	S1591	BOLT-----	20
C 4	L1351	BOLT-----	18
C 5	5M2894	WASHER-----	46

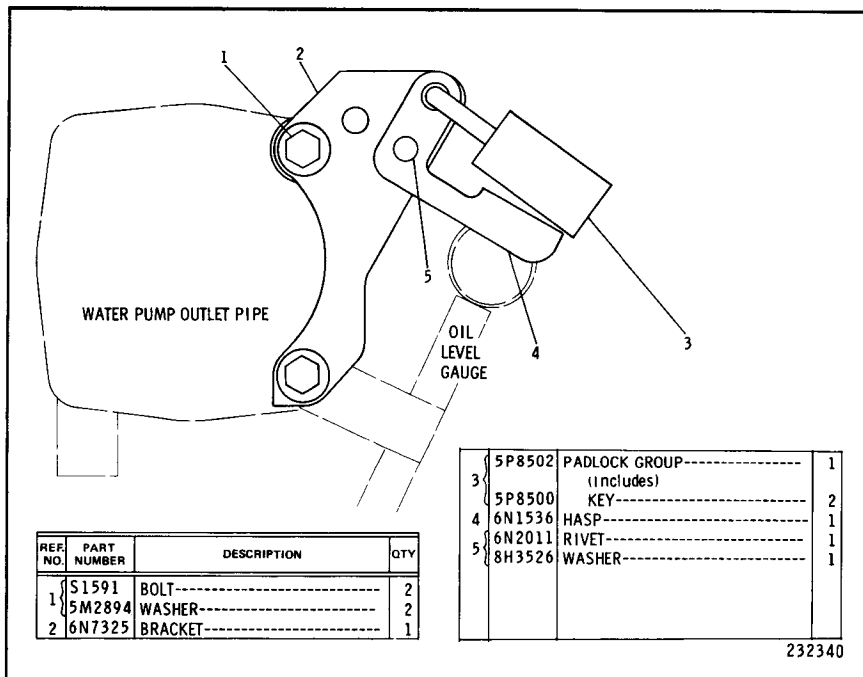
C INDICATES CHANGE

230150

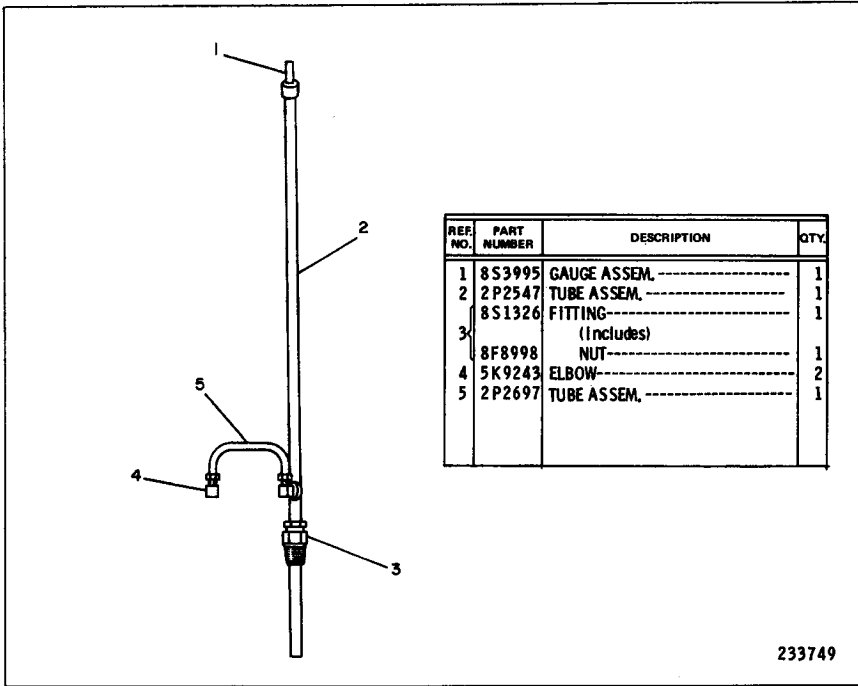
2P6200 OIL PAN FASTENER GROUP



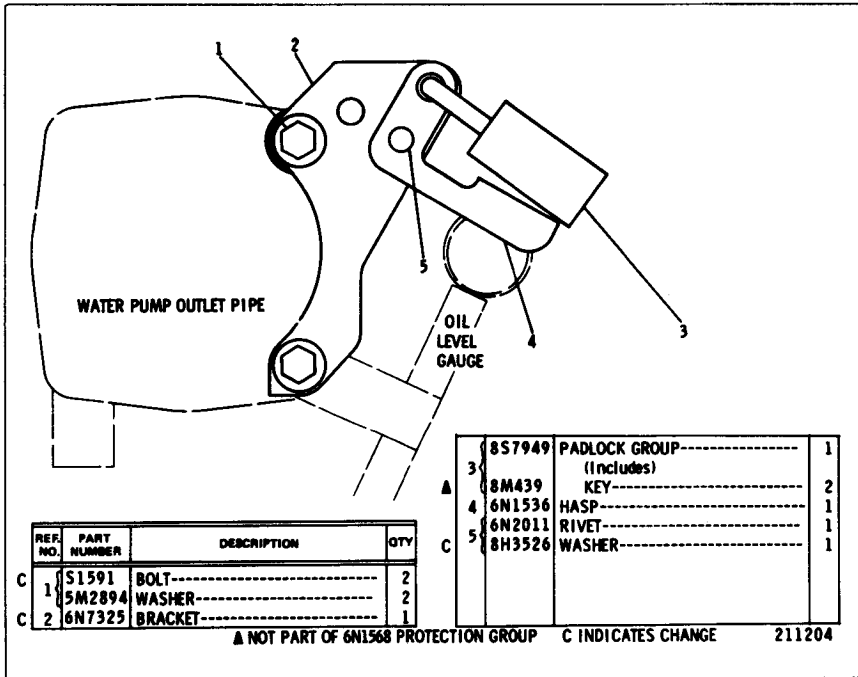
2P6152 OIL PAN GROUP
 Engine Serial No. 8Z4616 to 4698, 4701 to 4704, 4706, 4708, 4712, 4714, 4715, 4717 to 8Z4721 and 8Z4723—Up



1N4297 VANDALISM PROTECTION GROUP—Oil Level Gauge—Single Key Security System AN ATTACHMENT

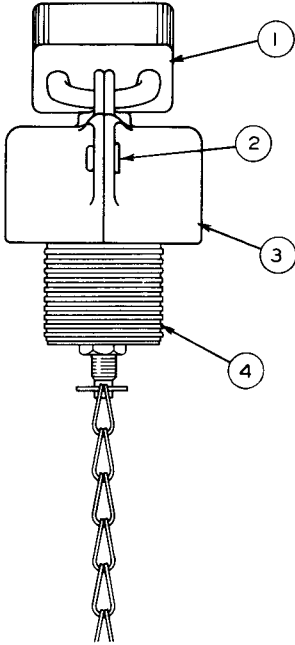


2P6493 OIL LEVEL GAUGE GROUP



6N1568 PROTECTION COVER GROUP—Oil Level Gauge
AN ATTACHMENT

CATERPILLAR D5B TRACTOR



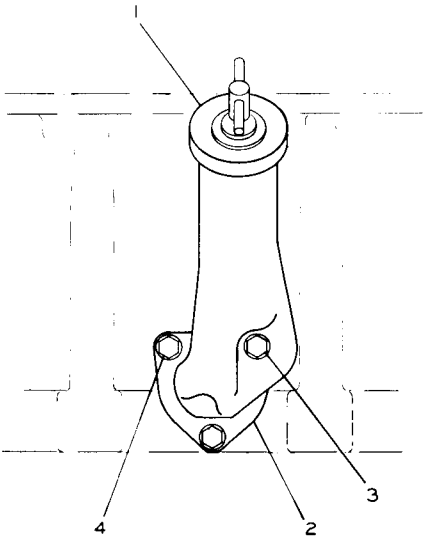
NOTE: For service of Key and Padlock order 8S7949 Padlock Group

REF NO	PART NUMBER	DESCRIPTION	QTY
1	Not Serv. 8M439	PADLOCK-----	1
		KEY-----	2
2	8S4212	RIVET-----	2
3	Not Serv.	COVER-----	2
4	7S1803	CAP ASSEM.-----	1

▲ Not part of 8S3747 Protection Cover Group

111307

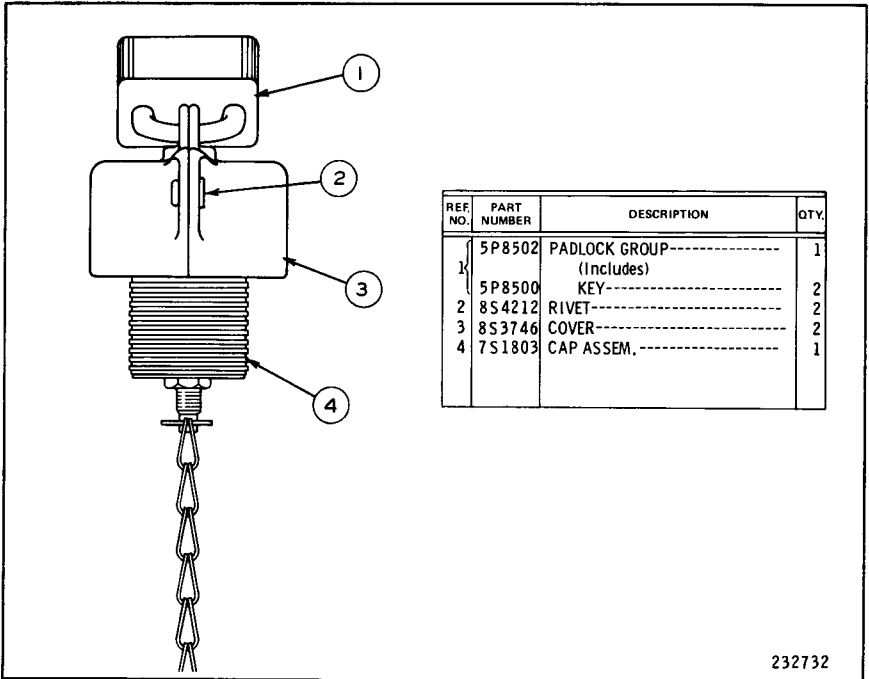
8S3747 PROTECTION COVER GROUP—Oil Filler Cap AN ATTACHMENT



REF NO.	PART NUMBER	DESCRIPTION	QTY
1	7S1803	CAP ASSEM.-----	1
	9S1434	PIPE-----	1
2	7S1801	ANCHOR-----	1
	5S8055	GASKET-----	1
3	2P3206	BOLT-----	1
4	2P3201	BOLT-----	2

117217

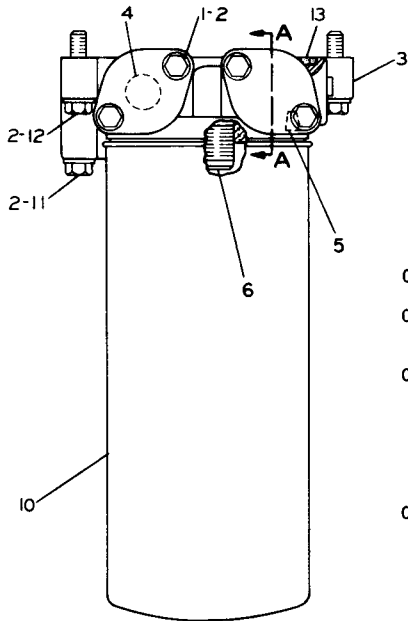
4N5139 OIL FILLER GROUP



1N4296 VANDALISM PROTECTION GROUP—Oil Filler Cap
Replaces 8S3747 shown on Page 24
AN ATTACHMENT

232732

CATERPILLAR D5B TRACTOR



REF. NO.	PART NUMBER	DESCRIPTION	QTY.
1	51618	BOLT-----	4
2	9M1974	WASHER-----	8
C	1P6448	BASE ASSEM.-----	1
		(Includes)	
C	3 { 2B858	PLUG-12,70 mm(.50 in.) thread	1
4	1B5174	PLUG-19,05 mm(.75 in.) thread	3
5	7H3171	PLUG-6,35 mm(.25 in.) thread	1
C	6	2P2537 STUD-----	1
7	1P1367	PLUNGER-----	1
8	6B830	COVER-----	2
9	8M3182	SPRING-----	1
10	2P4004	FILTER ASSEM.-----	1
11	1D4540	BOLT----69,85 mm(2.75 in.) long	1
12	1A9579	BOLT----38,10 mm(1.50 in.) long	3
C	13	8M4432 SEAL-----	2
14	4N8207	GASKET-----	2

C INDICATES CHANGE

226979

2P6525 OIL FILTER GROUP
 Engine Serial No. 8Z446 to 8Z2246 inclusive

REF. NO.	PART NUMBER	DESCRIPTION	QTY.
1	S 1618	BOLT-----	4
2	9M1974	WASHER-----	8
3	8N6212	BASE ASSEM.----- (Includes)	1
4	2B858	PLUG-12.70 mm(.50 in.) thread	1
5	2R5657	PLUG-25.4 mm(1 in.) thread	3
6	7H3171	PLUG-6.35 mm(.25 in.) thread	1
7	2P2537	STUD-----	1
8	1P1367	PLUNGER-----	1
C 8	8N6986	COVER-----	2
9	8M3182	SPRING-----	1
10	2P4004	FILTER ASSEM.-----	1
11	1D4540	BOLT----69.85 mm(2.75 in.) long	1
12	1B9575	BOLT----38.10 mm(1.50 in.) long	3
13	8M4432	SEAL-----	2
C 14	8N6985	GASKET-----	2

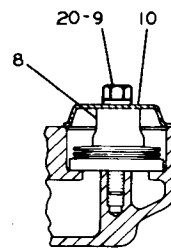
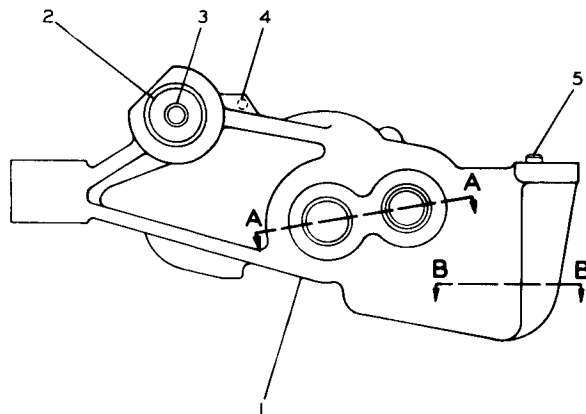
C INDICATES CHANGE 226981

2P625 OIL FILTER GROUP
Engine Serial No. 8Z2247—Up

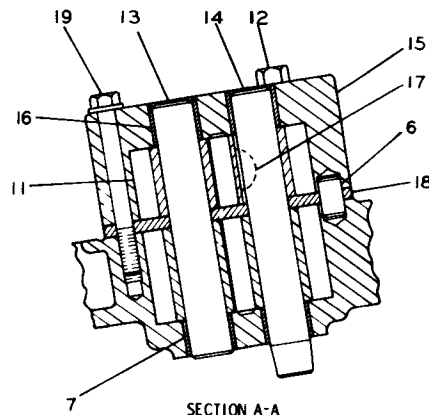
REF. NO.	PART NUMBER	DESCRIPTION	QTY.
1	8M7587	LOCK-----	2
2	2P3210	BOLT----- (washer head)----- -OR-	1
C 3	S 1619	BOLT----- (std. hex head)-----	1
4	2P3206	BOLT----- (washer head)----- -OR-	3
4	S 1590	BOLT----- (std. hex head)-----	3
5	2P1785	PUMP GROUP----- (Separate Illustration)	1
C 6	8S 497	GEAR----- (40 teeth)-----	1
C 6	8M5599	KEY-----	1
C 7	S 1590	BOLT-----	1
C 7	1P7346	WASHER-----	1
C 8	5M2894	WASHER-----	2
9	1A2029	BOLT--28.5 mm(1.125 in.) long-- -OR-	2
C 9	3B1915	BOLT--34.9 mm(1.375 in.) long--	2

C INDICATES CHANGE 228633

2P1784 OIL PUMP GROUP
2P1785 Oil Pump parts are shown on Page 26



SECTION B-B



SECTION A-A

REF. NO.	PART NUMBER	DESCRIPTION	QTY
1	2P685	BODY ASSEM.	1
2	2P1170	SHAFT ASSEM.	1
3	6F7172	DOWEL	1
4	4B9880	BALL	1
5	1F1006	DOWEL	1
6	1M3735	DOWEL	2
7	8S6511	BEARING	2

C 8	4N8385	VALVE ASSEM.	1
C 9	2B2694	BOLT	1
10	4N3732	COVER	1
C 11	6N1036	GEAR (8 Teeth)	2
C 12	T65	BOLT	2
C 13	8S493	SHAFT ASSEM.	1
14	2P6245	SHAFT ASSEM.	1

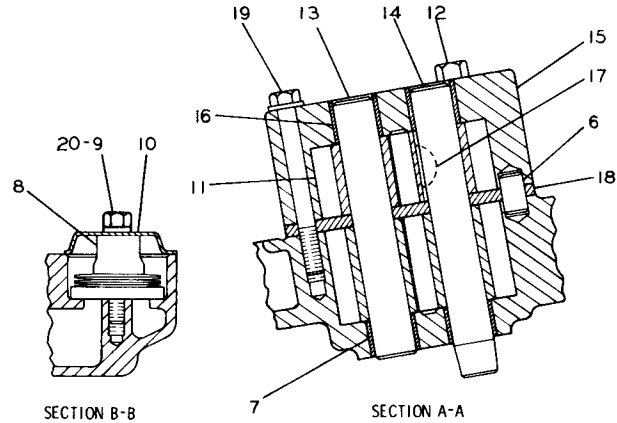
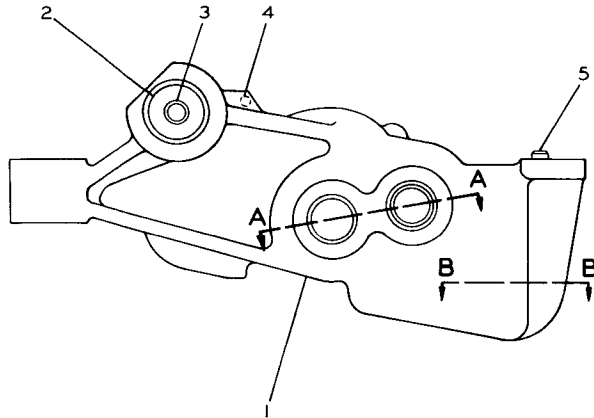
15	4N4055	BODY ASSEM.	1
16	8S6511	BEARING	2
17	1B8709	KEY	1
18	2P1781	SPACER	1
C 19	2M3403	BOLT	1
C 19	5M2894	WASHER	1
C 20	9M1974	WASHER	1

C INDICATES CHANGE

217789

2P1785 OIL PUMP GROUP
 Engine Serial No. 8Z446 to 8Z3593, 4540 to 8Z4544 inclusive
 Part of 2P1784 Oil Pump Group shown on Page 25

2P1785 OIL PUMP GROUP
 Engine Serial No. 8Z3594 to 4539 and 8Z4545—Up
 Part of 2P1784 Oil Pump Group shown on Page 25



REF. NO.	PART NUMBER	DESCRIPTION	QTY
C 1	8N8636	BODY ASSEM. -----	1
2	2P1170	SHAFT ASSEM. -----	1
3	6F7172	DOWEL -----	1
4	4B9880	BALL -----	1
5	1F1006	DOWEL -----	1
6	1M3735	DOWEL -----	2
7	8S6511	BEARING -----	2

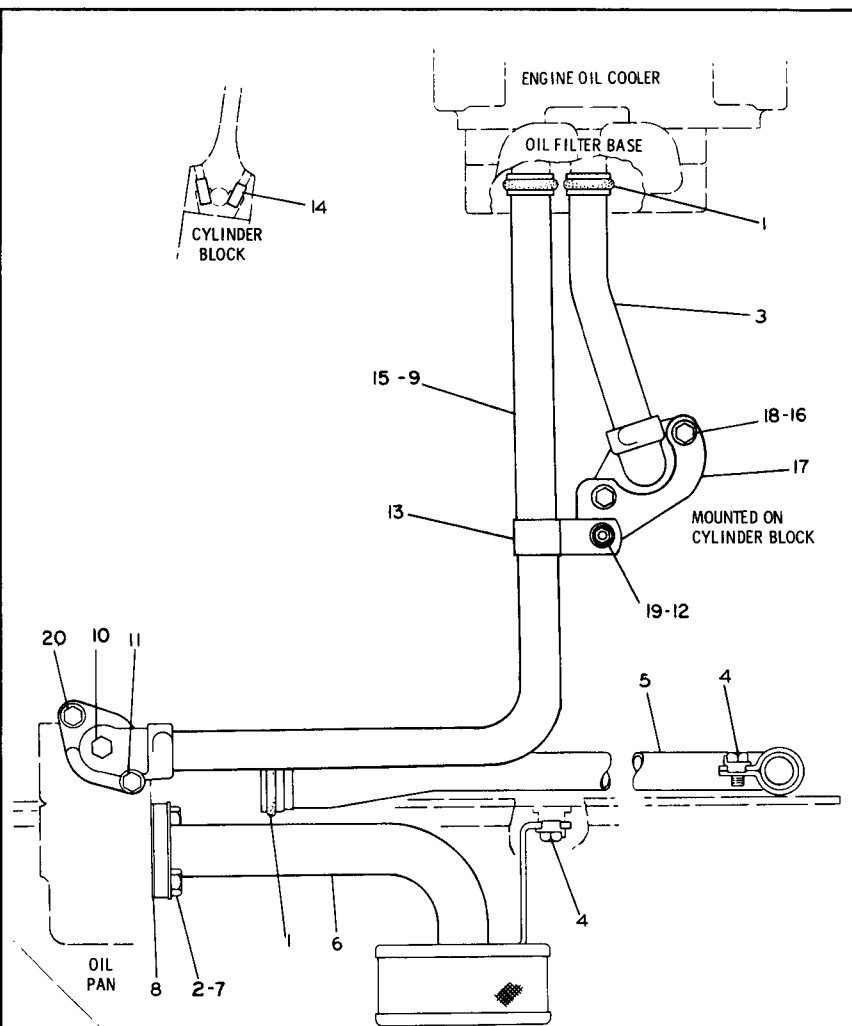
8	4N8385	VALVE ASSEM. -----	1
9	2B2694	BOLT -----	1
10	4N3732	COVER -----	1
11	6N1036	GEAR ----- 8 Teeth) -----	2
12	T65	BOLT -----	2
13	8S493	SHAFT ASSEM. -----	1
14	2P6245	SHAFT ASSEM. -----	1

15	4N4055	BODY ASSEM. -----	1
16	8S6511	BEARING -----	2
17	1B8709	KEY -----	1
18	2P1781	SPACER -----	1
19	2M3403	BOLT -----	1
5	M2894	WASHER -----	1
20	9M1974	WASHER -----	1

C INDICATES CHANGE

228659

CATERPILLAR D5B TRACTOR



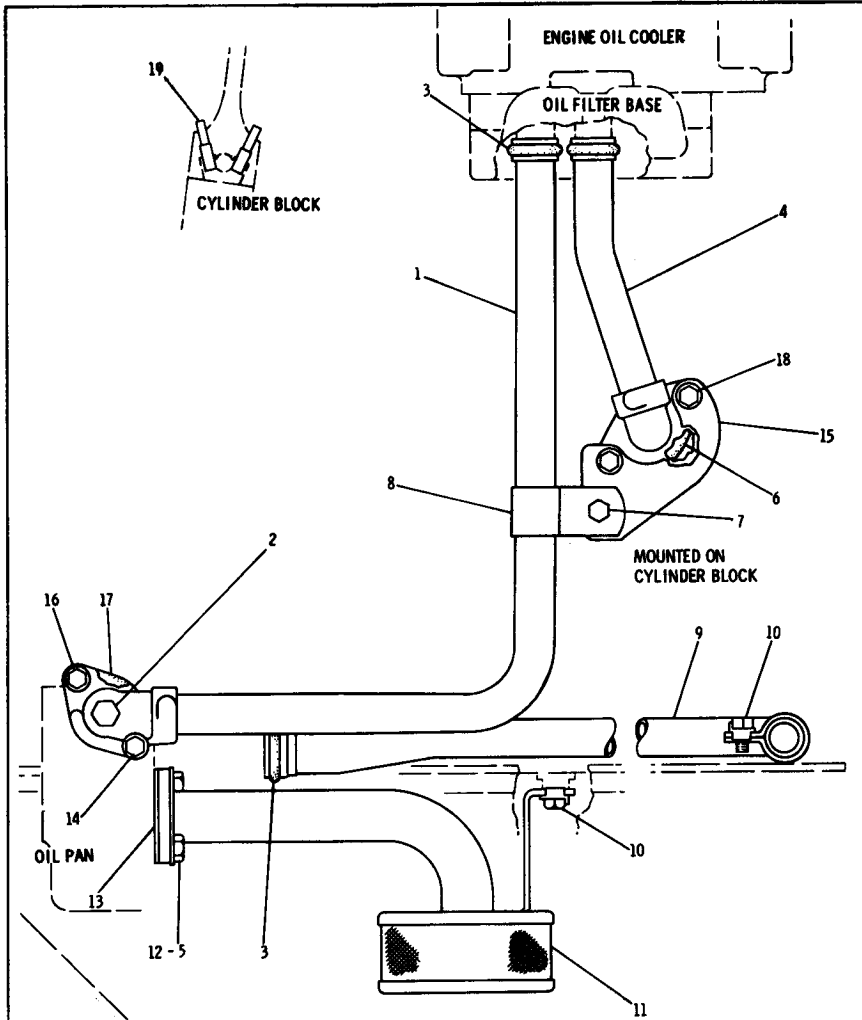
REF. NO.	PART NUMBER	DESCRIPTION	QTY.
1	9M4849	SEAL-----	3
2	S1594	BOLT-----	2
3	8N7315	TUBE ASSEM.-----	1
3	7F7590	GASKET-----	1
4	T102	BOLT-----	2
4	L364	LOCK-----	2
5	2P1739	TUBE ASSEM.-----	1
6	2P1751	BELL ASSEM.-----	1
7	8S8874	LOCK-----	1
8	8M904	GASKET-----	1
9	8N7318	TUBE ASSEM.-----	1
		(Includes)	
10	5M6213	PLUG-----	1

11	L2070	BOLT-----	1
12	9L9132	WASHER-----	1
13	8M2769	CLIP-----	1
14	7M4593	PLUG-----	6
15	2M5407	GASKET-----	1
16	8D5898	SPACER-----	4
17	8N5739	BRACKET-----	1
18	S1590	BOLT-----	2
18	5M2894	WASHER-----	2
19	L1351	BOLT-----	1
19	1D4717	NUT-----	1
20	1A2029	BOLT-----	1

C INDICATES CHANGE

226978

2P6109 ENGINE OIL LINES GROUP Engine Serial No. 8Z446 to 8Z3471 inclusive



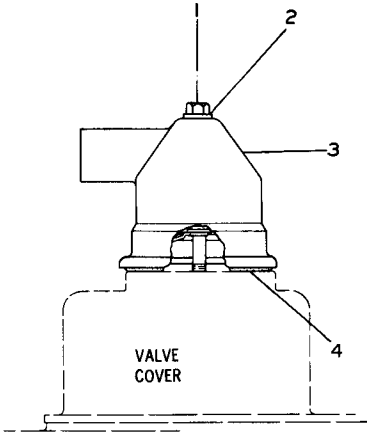
REF. NO.	PART NUMBER	DESCRIPTION	QTY.
C 1	8N7318	TUBE ASSEM. (includes)	1
2	5M6213	PLUG	1
3	9M4849	SEAL	3
C 4	8N7315	TUBE ASSEM.	1
C 5	S1594	BOLT	2
C 6	7F7590	GASKET	1
C 7	L1351	BOLT	1
C 7	1D4717	NUT	1
C 8	9L9132	WASHER	1
C 8	8M2769	CLIP	1
9	2P1739	TUBE ASSEM.	1
10	T102	BOLT	2
10	L364	LOCK	2
11	2P1751	BELL ASSEM.	1

12	8S8874	LOCK	1
13	8M904	GASKET	1
14	L2070	BOLT	1
C 15	8N5739	BRACKET	1
16	1A2029	BOLT	1
17	2M5407	GASKET	1
C 18	S1571	BOLT	2
C 18	8D5898	SPACER	2
C 19	5M2894	WASHER	2
19	2S1541	ORIFICE	6

C INDICATES CHANGE

233556

2P6109 ENGINE OIL LINES GROUP
Engine Serial No. 823472—Up

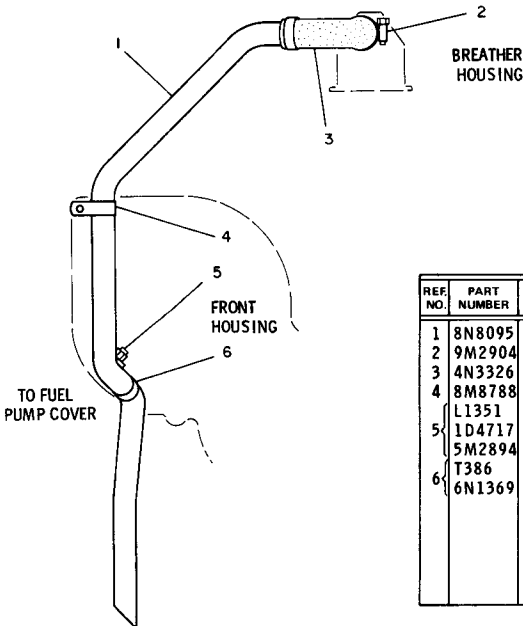


REF. NO.	PART NUMBER	DESCRIPTION	QTY.
1	3H3243	BOLT-----	1
2	4K9890	WASHER-----	1
3	8S248	BREATHER ASSEM.-----	1
C 4	4L9564	SEAL-----	1

C INDICATES CHANGE

227531

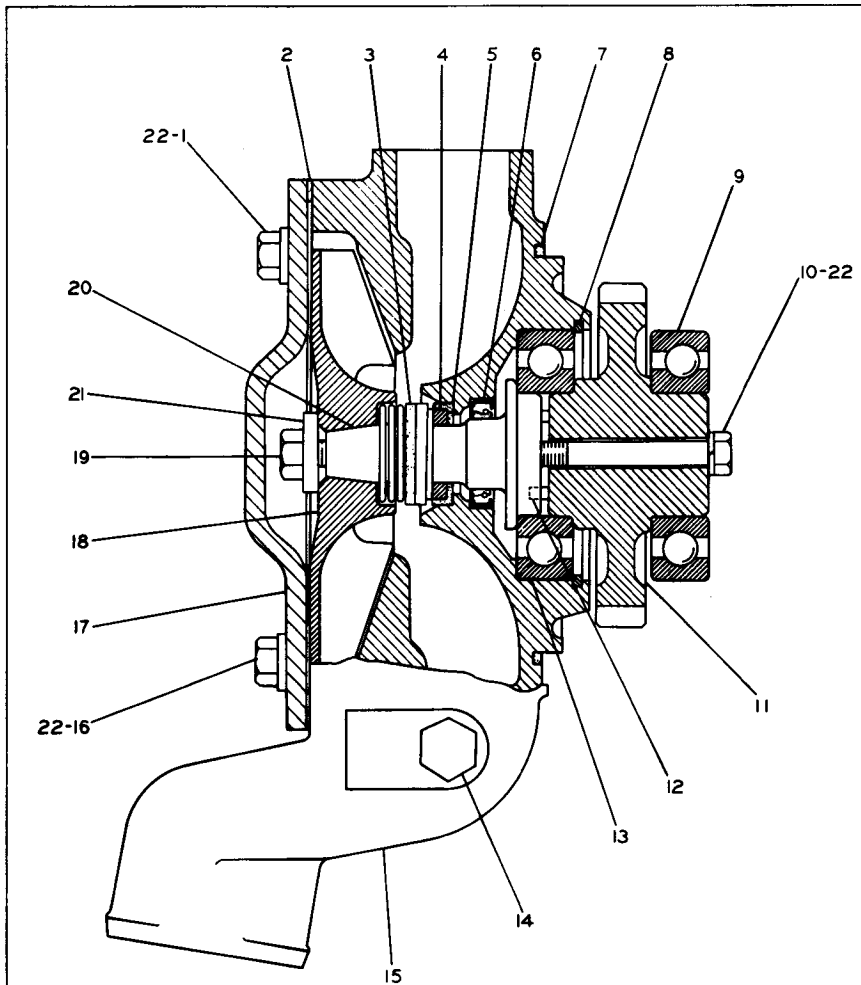
1P4244 BREATHER GROUP



REF. NO.	PART NUMBER	DESCRIPTION	QTY.
1	8N8095	TUBE-----	1
2	9M2904	CLAMP-----	2
3	4N3326	HOSE-----	1
4	8M8788	CLIP-----	1
	L1351	BOLT-----	1
5	1D4717	NUT-----	1
	5M2894	WASHER-----	2
	T386	CLIP----- (small)	1
6	6N1369	CLIP----- (large)	1

229088

8N1838 FUMES DISPOSAL GROUP



1W7053-REBUILD KIT-----1
(Includes parts marked ▲)

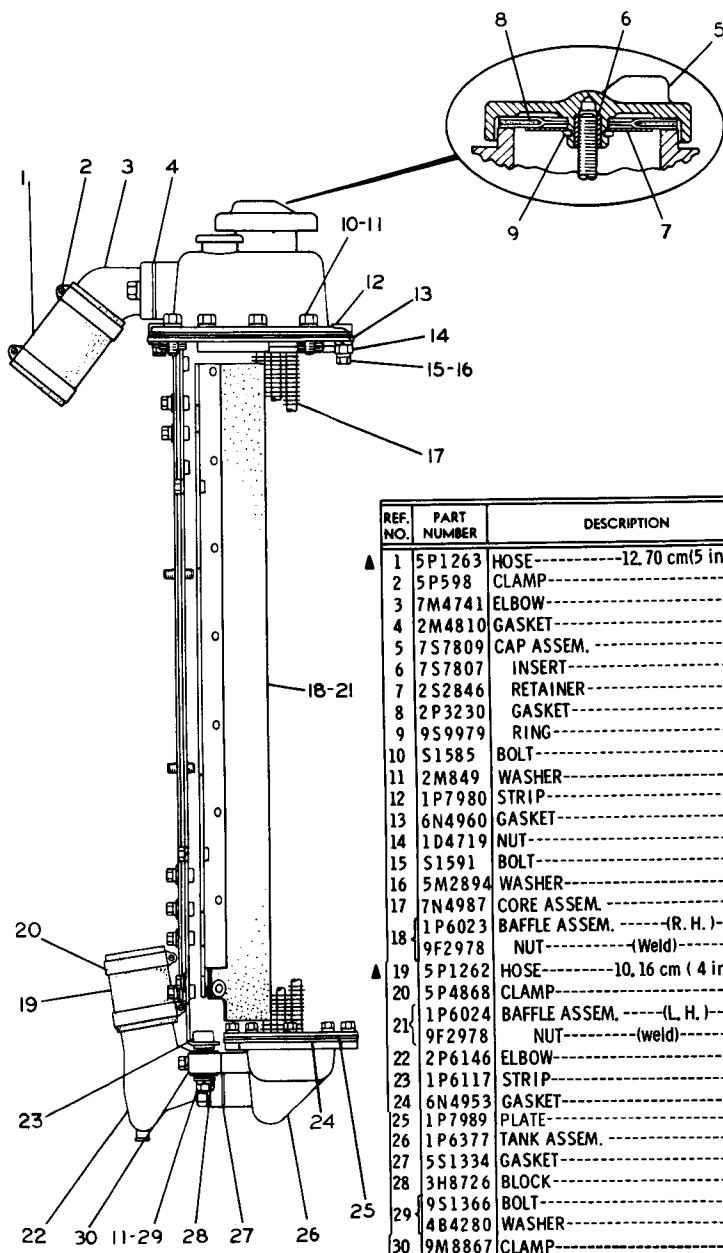
REF. NO.	PART NUMBER	DESCRIPTION	QTY
	1	L1351 BOLT-----	2
C	2	8N5928 GASKET-----	1
	3	4N6556 SEAL ASSEM.-----	1
	4	8S7762 RING-----	1
	5	8S8821 SEAL-----	1
	6	8H9520 SEAL-----	1
	7	5F3106 SEAL-----	1
▲	8	1K6985 RING-----	1
▲	9	8H9789 BEARING-----	1
▲	10	S1619 BOLT-----	1
C	11	7N5193 GEAR----- (40 teeth)	1
	12	2L5893 PIN-----	2
▲	13	6H3957 BEARING-----	1

	14	5M6213 PLUG-----	1
C	15	1W4619 HOUSING-----	1
	16	T55 BOLT-----	2
C	17	8N5929 COVER-----	1
	18	7N5910 IMPELLER-----	1
▲	19	4L6454 BOLT-----	1
▲	20	7N5899 SHAFT-----	1
▲	21	9M6527 WASHER-----	1
▲	22	5M2894 WASHER-----	5

C INDICATES CHANGE

234310

7N5909 WATER PUMP GROUP

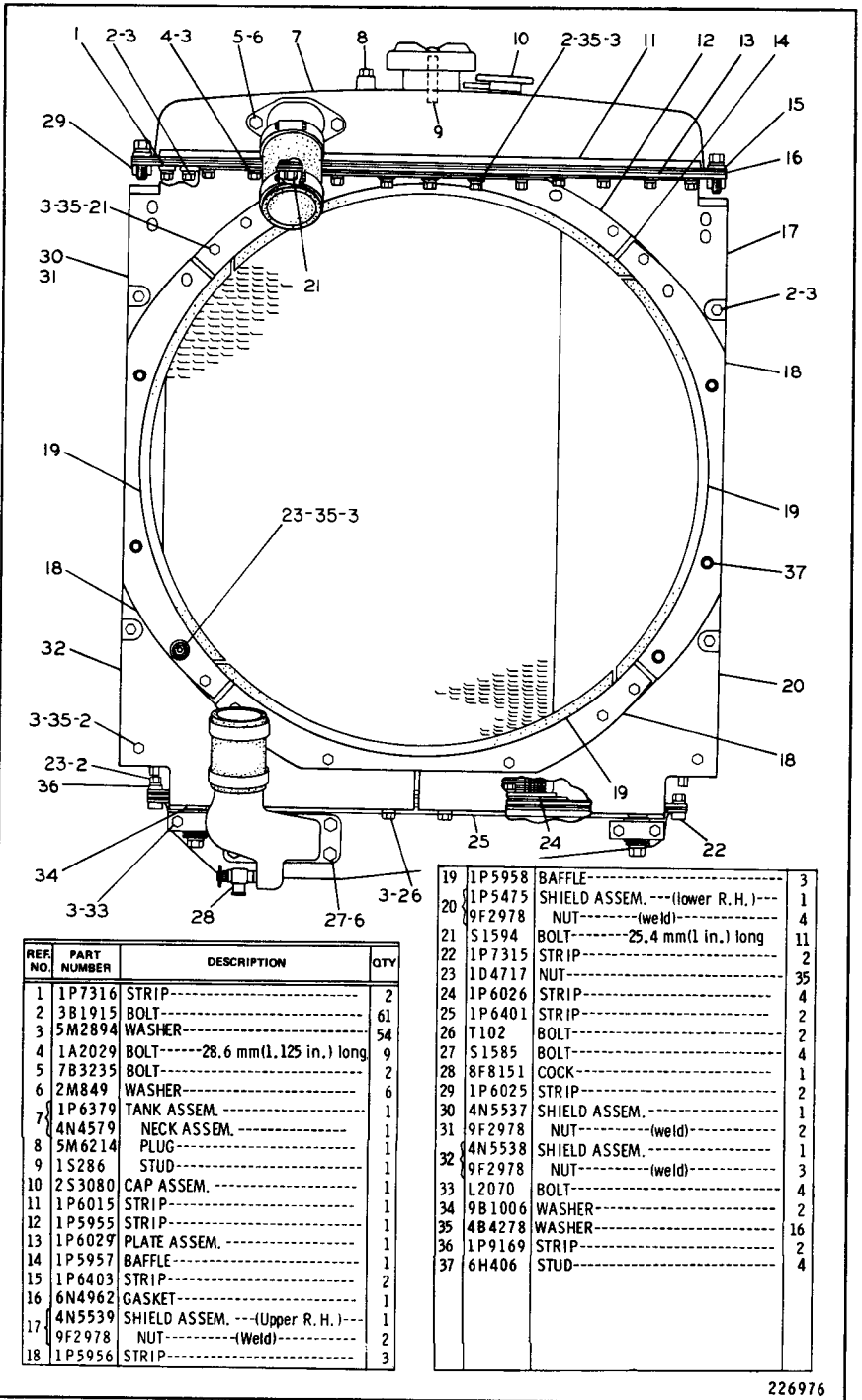


REF. NO.	PART NUMBER	DESCRIPTION	QTY
▲ 1	5P1263	HOSE-----12.70 cm(5 in.)	
2	5P598	CLAMP-----	2
3	7M4741	ELBOW-----	1
4	2M4810	GASKET-----	1
5	7S7809	CAP ASSEM.-----	1
6	7S7807	INSERT-----	1
7	2S2846	RETAINER-----	1
8	2P3230	GASKET-----	1
9	9S9979	RING-----	1
10	S1585	BOLT-----	10
11	2M849	WASHER-----	12
12	1P7980	STRIP-----	1
13	6N4960	GASKET-----	1
14	1D4719	NUT-----	2
15	S1591	BOLT-----	16
16	5M2894	WASHER-----	16
17	7N4987	CORE ASSEM.-----	1
18	1P6023	BAFFLE ASSEM.-----(R. H.)----	1
18	9F2978	NUT----- (Weld)-----	3
▲ 19	5P1262	HOSE-----10.16 cm (4 in.)	
20	5P4868	CLAMP-----	2
21	1P6024	BAFFLE ASSEM.-----(L. H.)----	1
21	9F2978	NUT----- (weld)-----	3
22	2P6146	ELBOW-----	1
23	1P6117	STRIP-----	1
24	6N4953	GASKET-----	2
25	1P7989	PLATE-----	1
26	1P6377	TANK ASSEM.-----	1
27	5S1334	GASKET-----	1
28	3H8726	BLOCK-----	2
29	9S1366	BOLT-----	2
29	4B4280	WASHER-----	2
30	9M8867	CLAMP-----	2

▲ ORDER BY THE CENTIMETER

226975

7N4985 RADIATOR GROUP—Side View



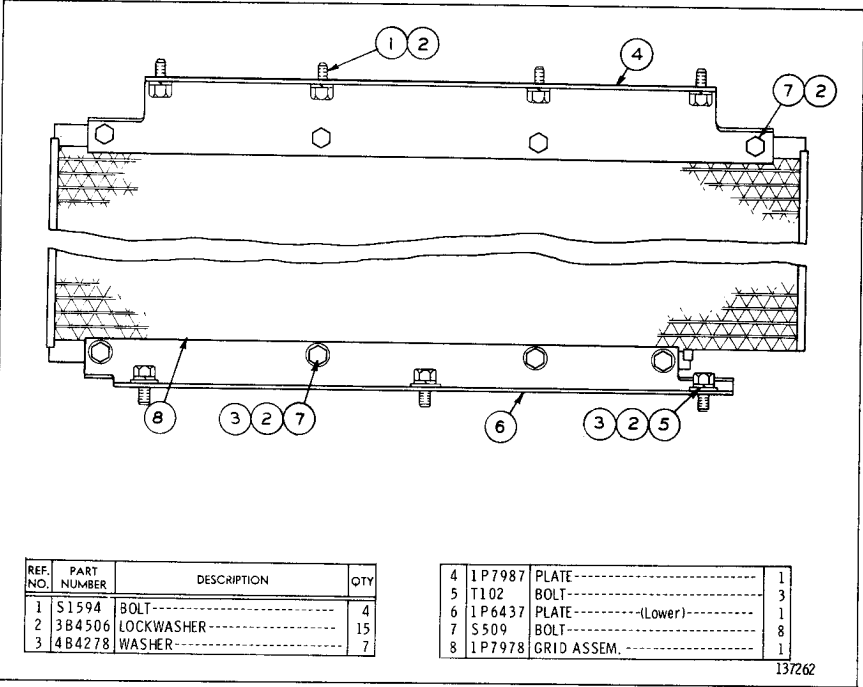
REF. NO.	PART NUMBER	DESCRIPTION	QTY
1	1P7316	STRIP-----	2
2	3B1915	BOLT-----	61
3	5M2894	WASHER-----	54
4	1A2029	BOLT-----28.6 mm(1.125 in.) long	9
5	7B3235	BOLT-----	2
6	2M849	WASHER-----	6
7	1P6379	TANK ASSEM.-----	1
8	4N4579	NECK ASSEM.-----	1
9	5M6214	PLUG-----	1
10	1S286	STUD-----	1
11	2S3080	CAP ASSEM.-----	1
12	1P6015	STRIP-----	1
13	1P5955	STRIP-----	1
14	1P6029	PLATE ASSEM.-----	1
15	1P5957	BAFFLE-----	1
16	1P6403	STRIP-----	2
17	6N4962	GASKET-----	1
18	4N5539	SHIELD ASSEM. ---(Upper R. H.)---	1
19	9F2978	NUT-----(-Weld)	2
20	1P5956	STRIP-----	3

19	1P5958	BAFFLE-----	3
20	1P5475	SHIELD ASSEM. ---(lower R. H.)---	1
21	9F2978	NUT-----(-weld)	4
22	S1594	BOLT-----25.4 mm(1 in.) long	11
23	1P7315	STRIP-----	2
24	1D4717	NUT-----	35
25	1P6026	STRIP-----	4
26	1P6401	STRIP-----	2
27	T102	BOLT-----	2
28	S1585	BOLT-----	4
29	8F8151	COCK-----	1
30	1P6025	STRIP-----	2
31	4N5537	SHIELD ASSEM.-----	1
32	9F2978	NUT-----(-weld)	2
33	4N5538	SHIELD ASSEM.-----	1
34	9F2978	NUT-----(-weld)	3
35	L2070	BOLT-----	4
36	9B1006	WASHER-----	2
37	4B4278	WASHER-----	16
	1P9169	STRIP-----	2
	6H406	STUD-----	4

226976

7N4985 RADIATOR GROUP—Rear View

CATERPILLAR D5B TRACTOR



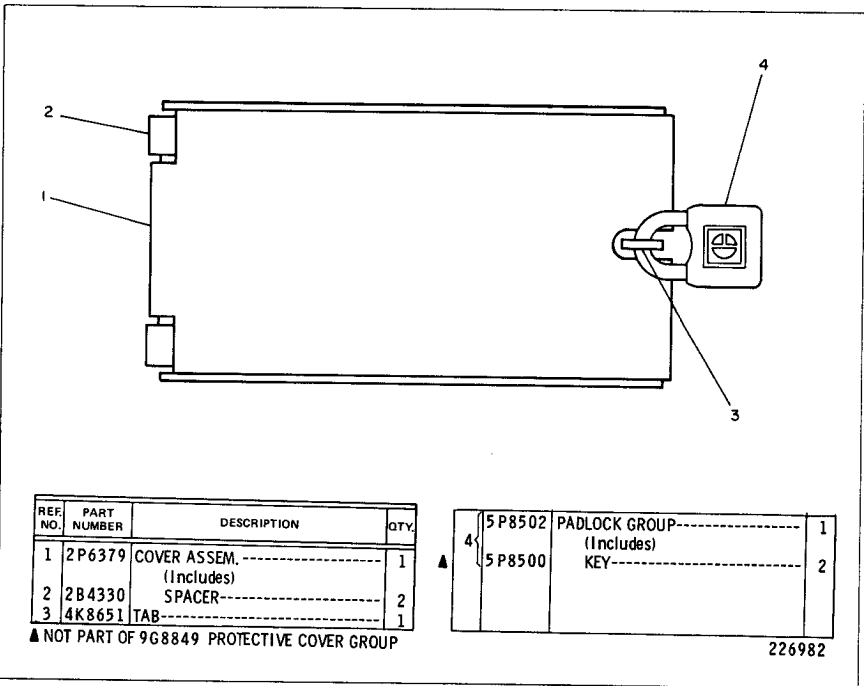
REF. NO.	PART NUMBER	DESCRIPTION	QTY
1	S1594	BOLT-----	4
2	3B4506	LOCKWASHER-----	15
3	4B4278	WASHER-----	7

4	1P7987	PLATE-----	1
5	T102	BOLT-----	3
6	1P6437	PLATE----- (Lower)	1
7	S509	BOLT-----	8
8	1P7978	GRID ASSEM.-----	1

137262

1P6436 RADIATOR CORE PROTECTION GRID GROUP

Note: Prevents sandblasting of Radiator Core
AN ATTACHMENT



REF. NO.	PART NUMBER	DESCRIPTION	QTY
1	2P6379	COVER ASSEM.----- (Includes)	1
2	2B4330	SPACER-----	2
3	4K8651	TAB-----	1

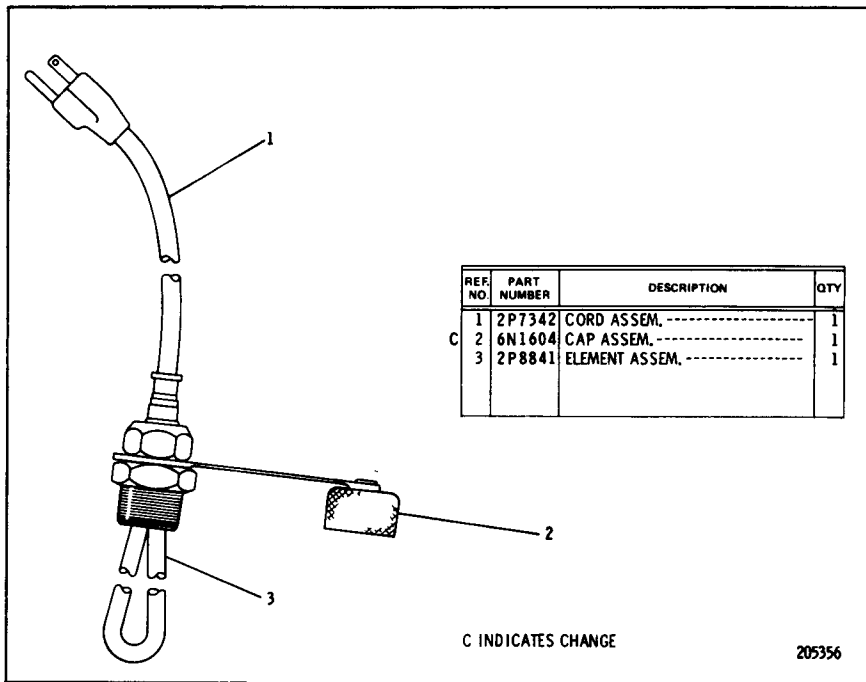
4	5P8502	PADLOCK GROUP----- (Includes)	1
	5P8500	KEY-----	2

▲ NOT PART OF 9G8849 PROTECTIVE COVER GROUP

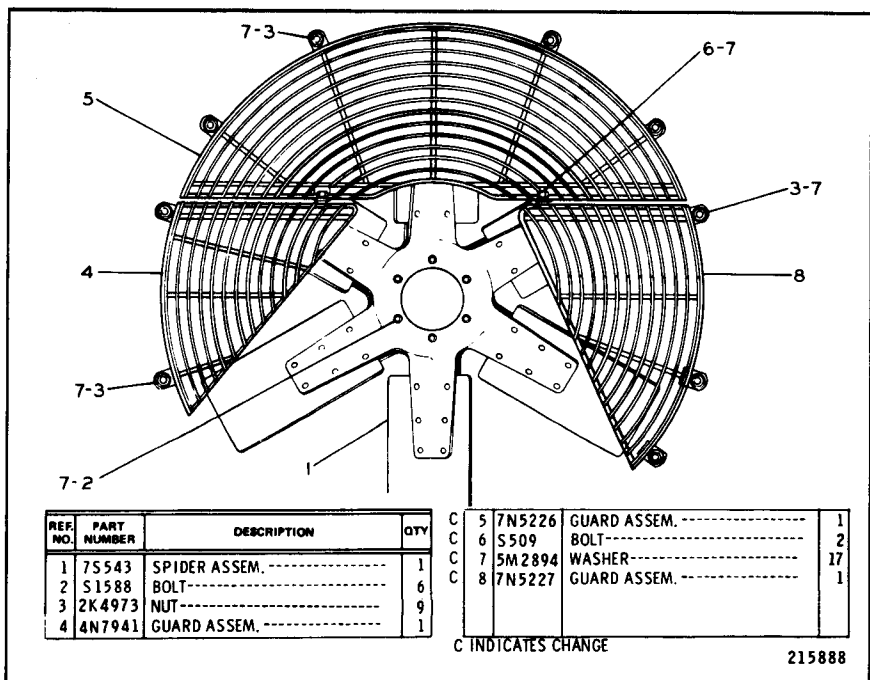
226982

9G8849 PROTECTION COVER GROUP—Radiator Cap

AN ATTACHMENT

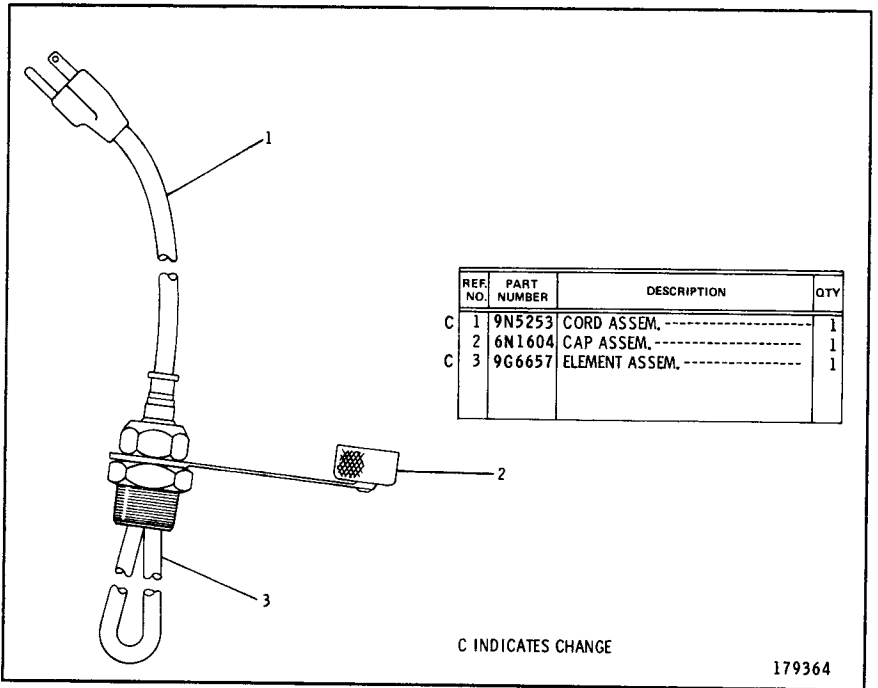


4N3586 JACKET WATER HEATER GROUP—Type 1
AN ATTACHMENT

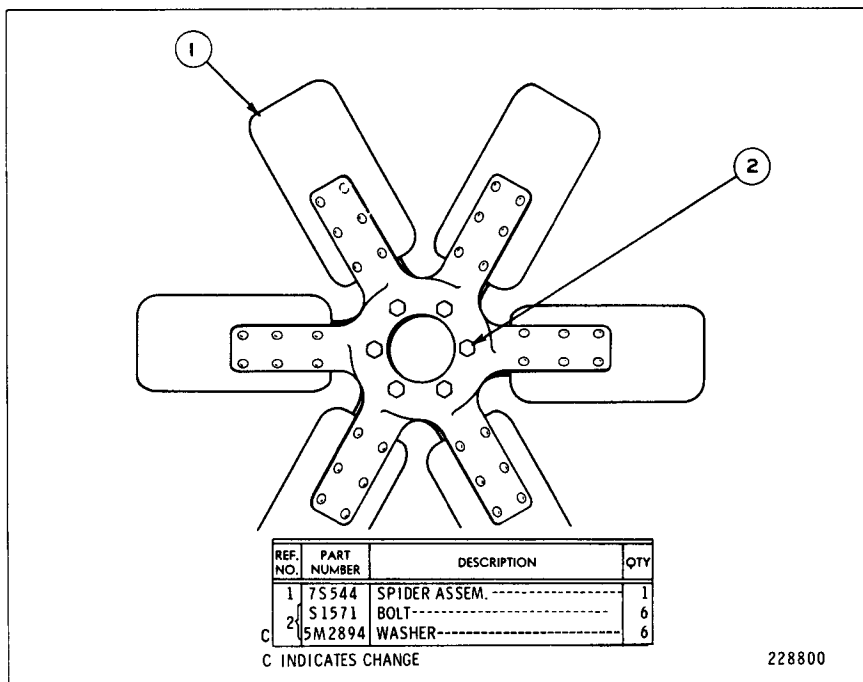


1P6897 BLOWER FAN AND GUARD GROUP

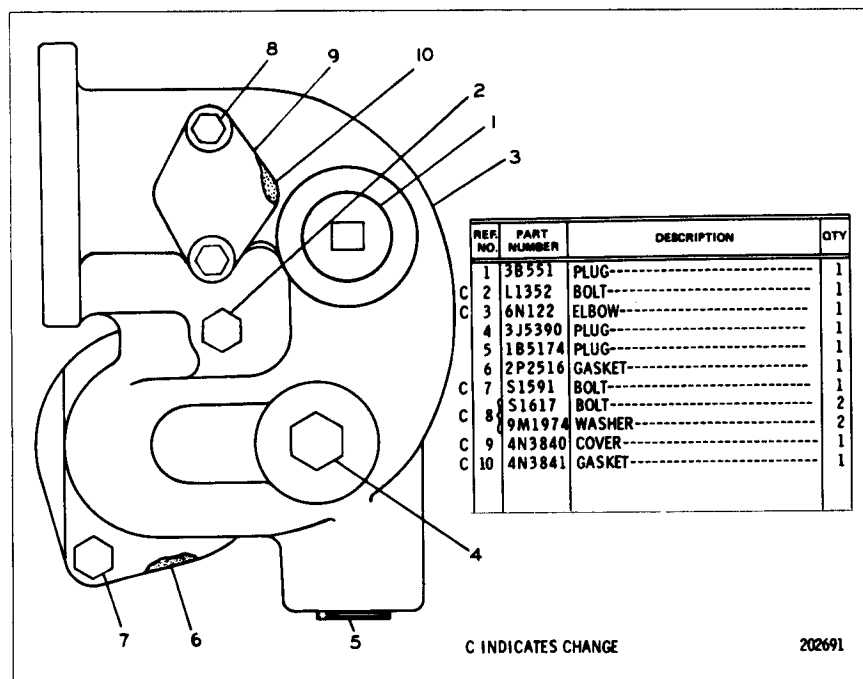
Note: 8N6583 Blower Ejector Fan Spider Assembly for reducing sandblasting and radiator core plugging and 1P6094 Reversible Fan Assembly is available



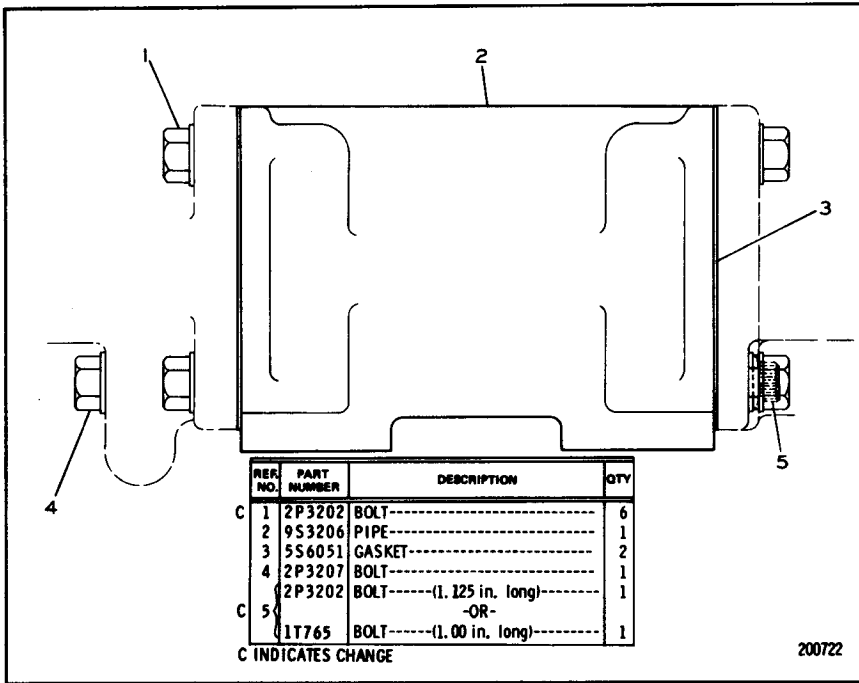
**4N3586 JACKET WATER HEATER GROUP—Type 2
AN ATTACHMENT**



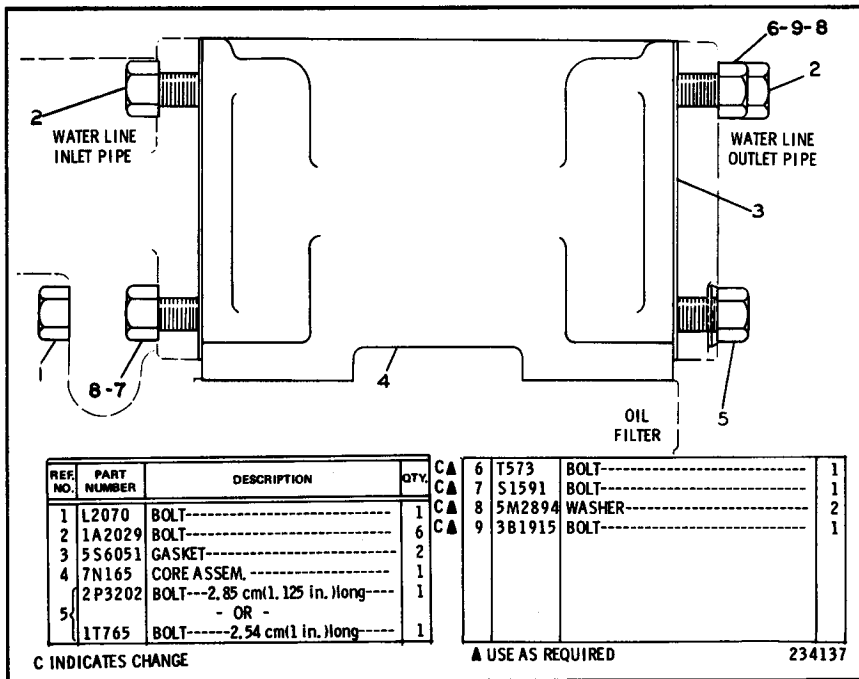
9S5443 SUCTION FAN GROUP
AN ATTACHMENT



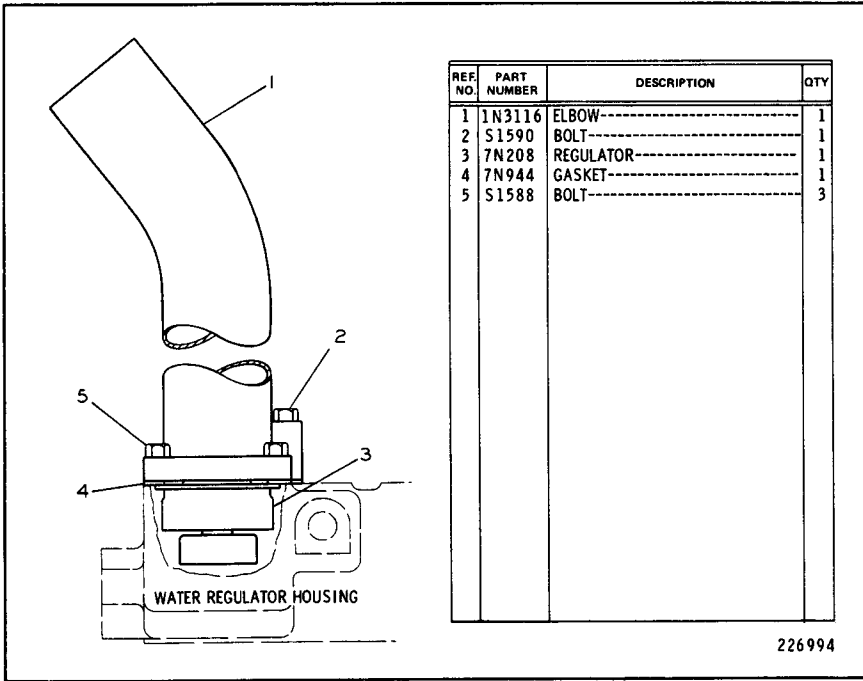
2P7740 WATER LINES GROUP—Elbow



2P7741 WATER LINES GROUP—Pipe
Engine Serial No. 82446 to 823471 Inclusive



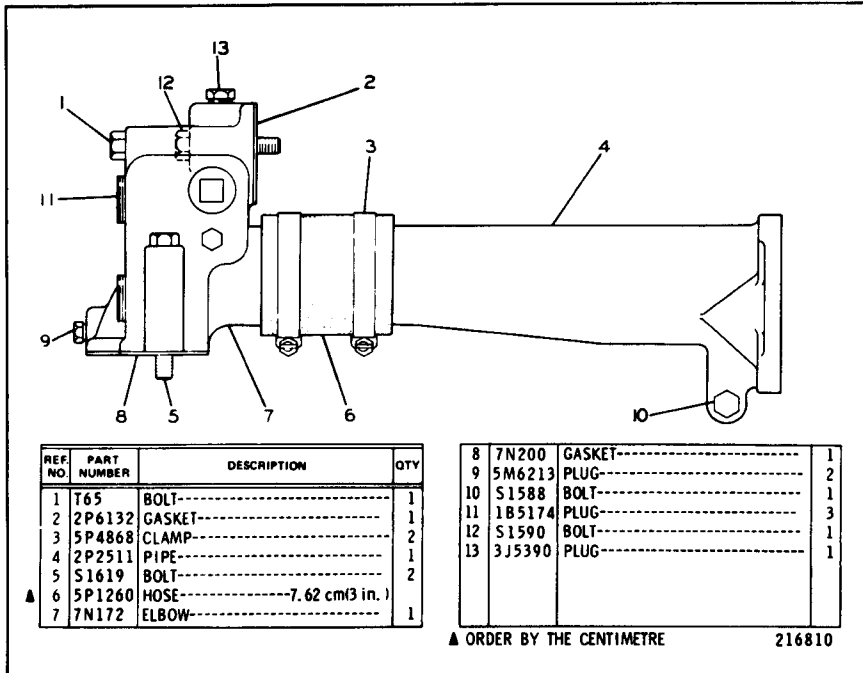
2P8215 OIL COOLER GROUP
Engine Serial No. 823472—Up



REF NO.	PART NUMBER	DESCRIPTION	QTY
1	1N3116	ELBOW-----	1
2	S1590	BOLT-----	1
3	7N208	REGULATOR-----	1
4	7N944	GASKET-----	1
5	S1588	BOLT-----	3

226994

1N3733 HOUSING AND REGULATOR GROUP



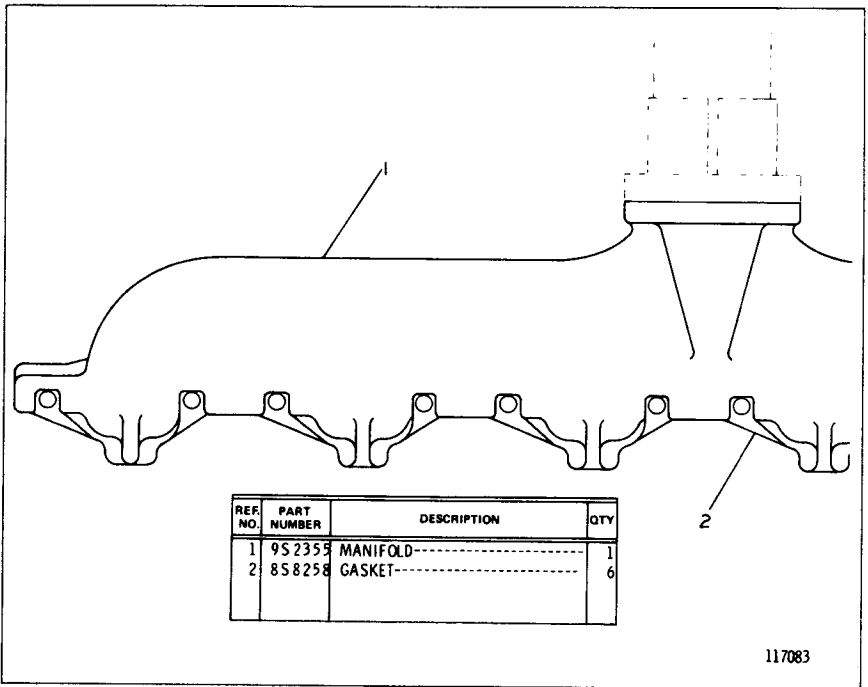
REF NO.	PART NUMBER	DESCRIPTION	QTY
1	T65	BOLT-----	1
2	2P6132	GASKET-----	1
3	5P4868	CLAMP-----	2
4	2P2511	PIPE-----	1
5	S1619	BOLT-----	2
6	5P1260	HOSE-----7.62 cm(3 in.)	1
7	7N172	ELBOW-----	1

8	7N200	GASKET-----	1
9	5M6213	PLUG-----	2
10	S1588	BOLT-----	1
11	1B5174	PLUG-----	3
12	S1590	BOLT-----	1
13	3J5390	PLUG-----	1

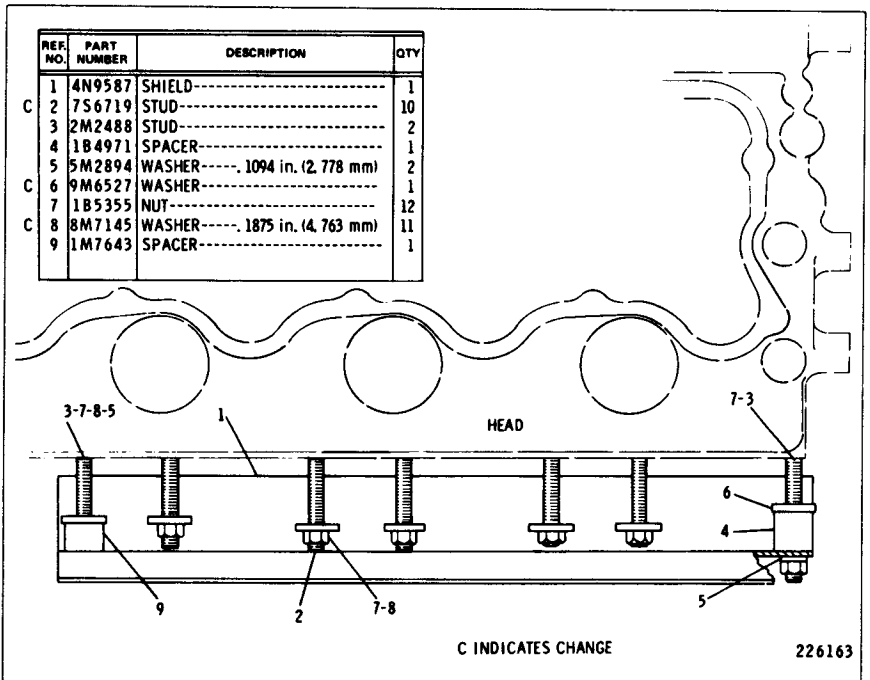
▲ ORDER BY THE CENTIMETRE

216810

7N7211 WATER LINES GROUP

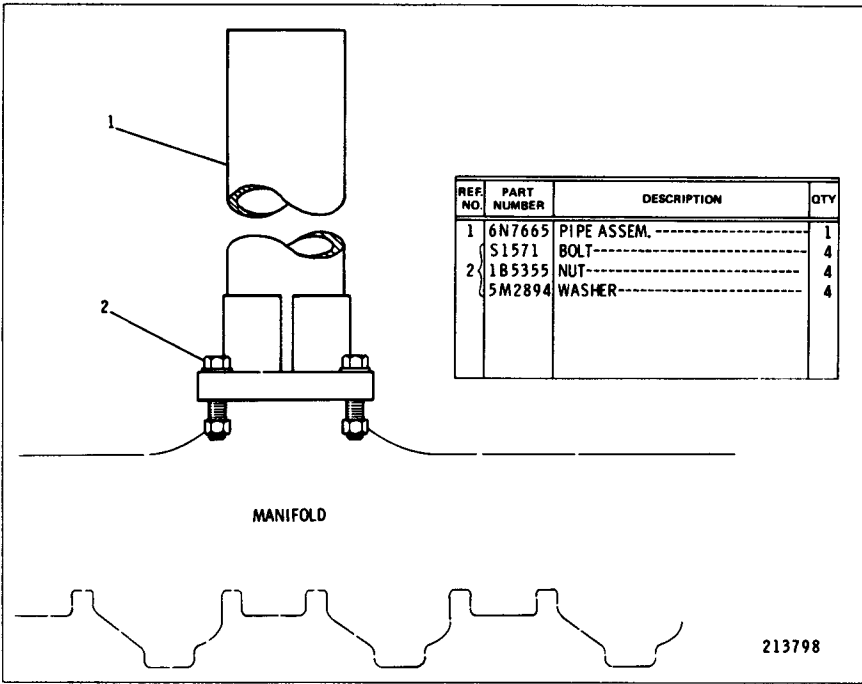


2P6572 EXHAUST MANIFOLD GROUP

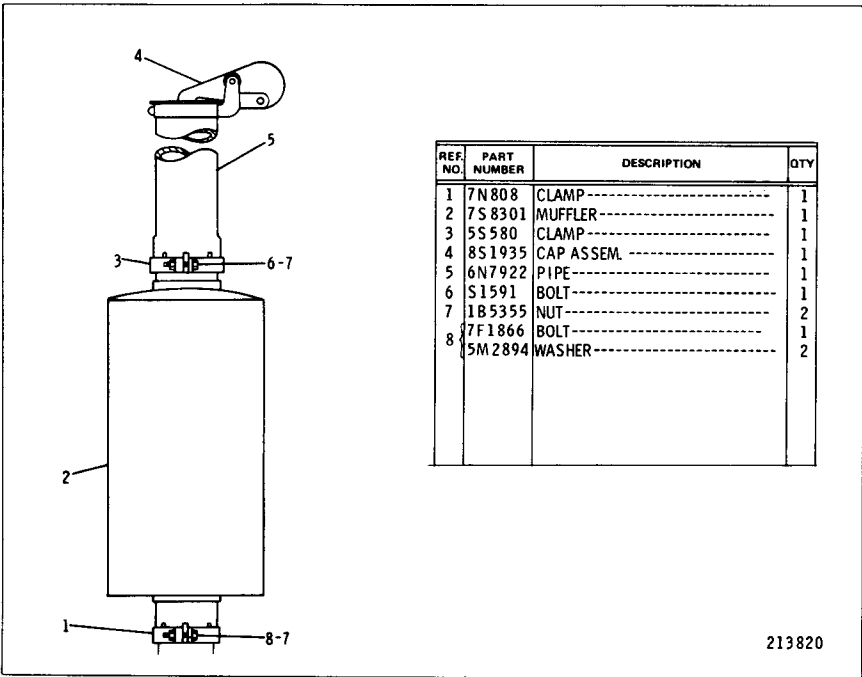


4N9586 EXHAUST MANIFOLD FASTENER GROUP

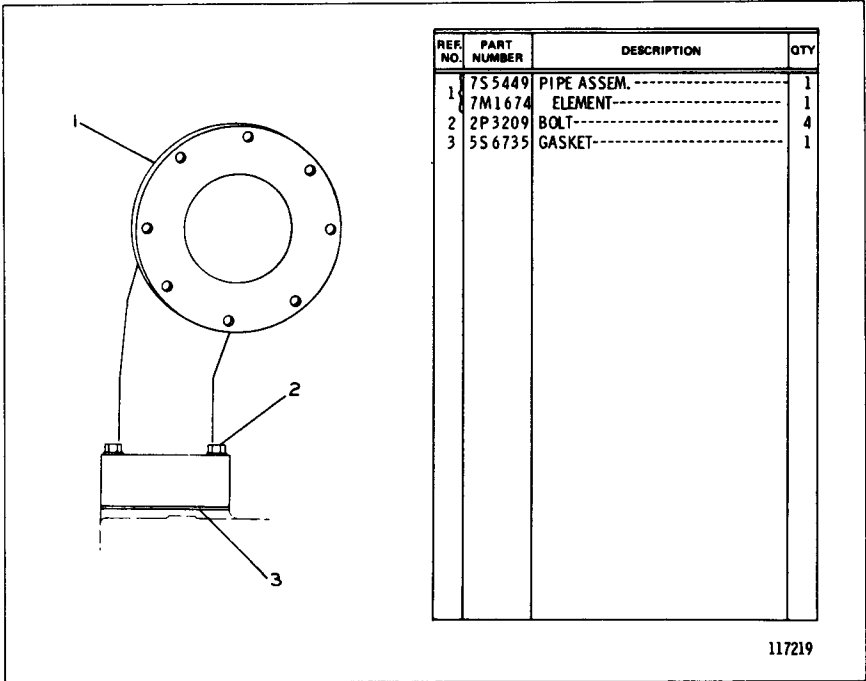
CATERPILLAR D5B TRACTOR



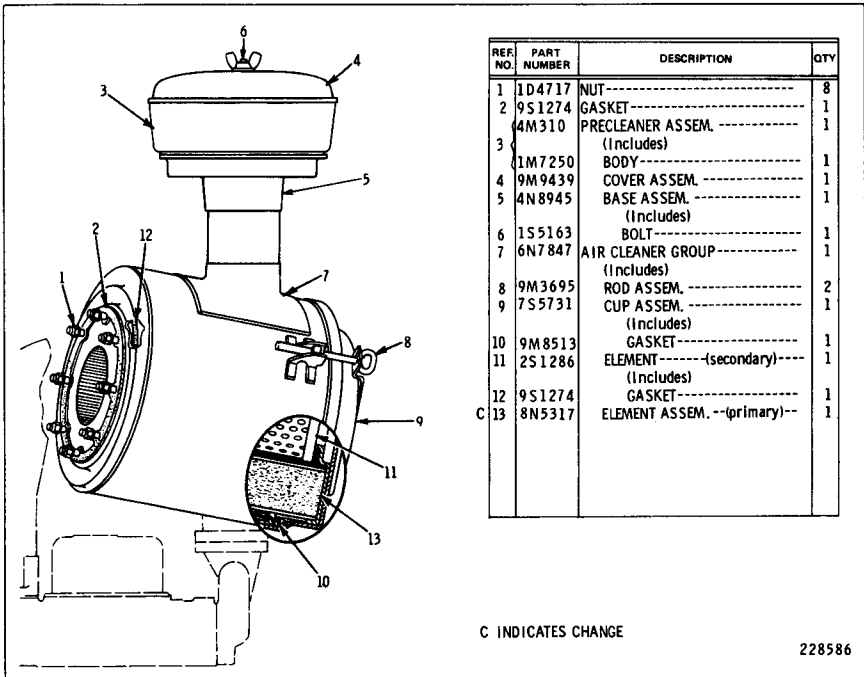
6N7816 EXHAUST PIPE GROUP



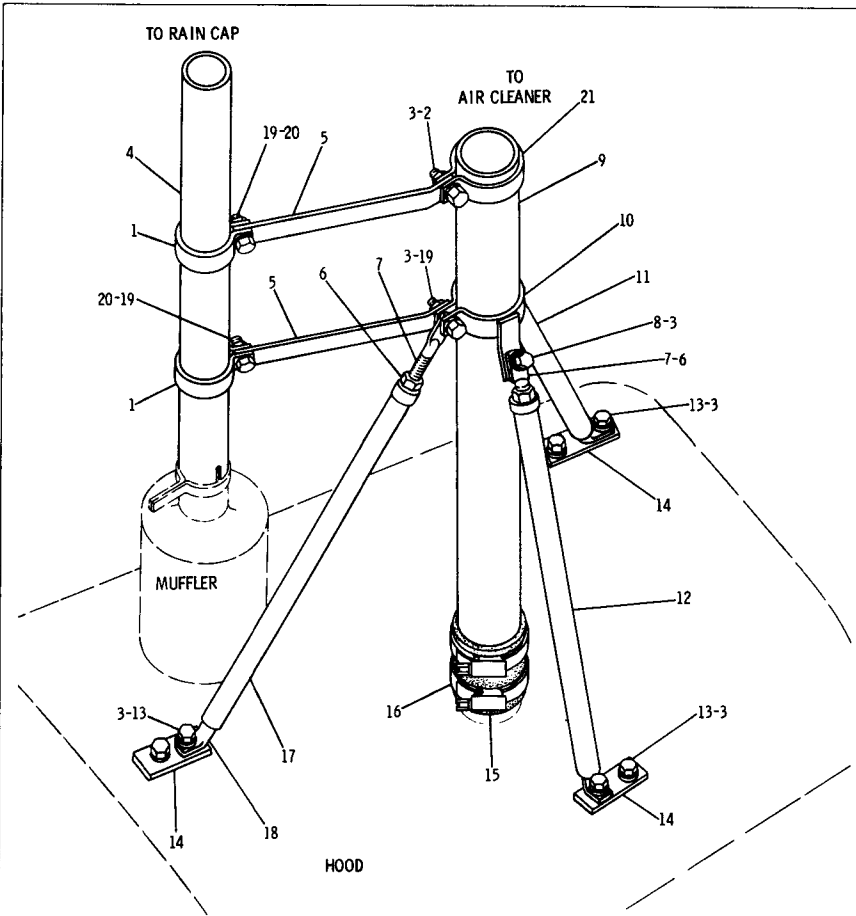
6N7718 MUFFLER GROUP



2P6841 AIR LINES GROUP



6N7817 AIR CLEANER GROUP



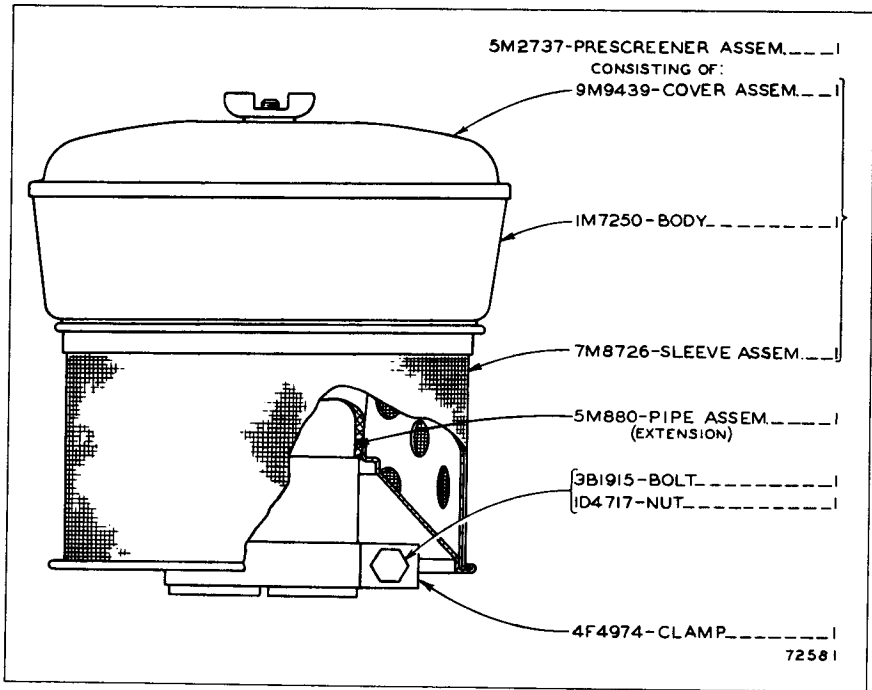
REF. NO.	PART NUMBER	DESCRIPTION	QTY
1	5S580	CLAMP-----	2
2	2D2285	BOLT-----	1
3	1D4717	NUT-----	10
	3B4506	LOCKWASHER-----	10
	8S985	PIPE-----	1
4	8S985	BRACE-----	2
5	8S986	BRACE-----	2
6	1B4205	NUT-----	2
7	7F3943	END-----	2
8	L1351	BOLT-----	2
9	1F1342	EXTENSION-----	1
10	8F6950	CLAMP ASSEM.-----	1
	8P6942	BRACE ASSEM.-----	1
11		(Includes)	
	6B1054	END-----	2
	8P6941	BRACE ASSEM.-----	1
12		(Includes)	
	6B1054	END-----	1

C	13	1A2029	BOLT-----	6
C	13	8H3526	WASHER-----	6
C	14	5M1486	PLATE-----	3
▲	15	5P1268	HOSE-----11cm(4.34 in.)	
	16	5P1717	CLAMP-----	2
	17	8P6943	BRACE ASSEM.-----	1
			(Includes)	
	18	6B1054	END-----	
	19	S1590	BOLT-----	3
	20	1B5355	NUT-----	2
	21	2B4229	CLAMP-----	1
		SMH57128	FORM-----	1
			(Installing Air Filter Extension)	

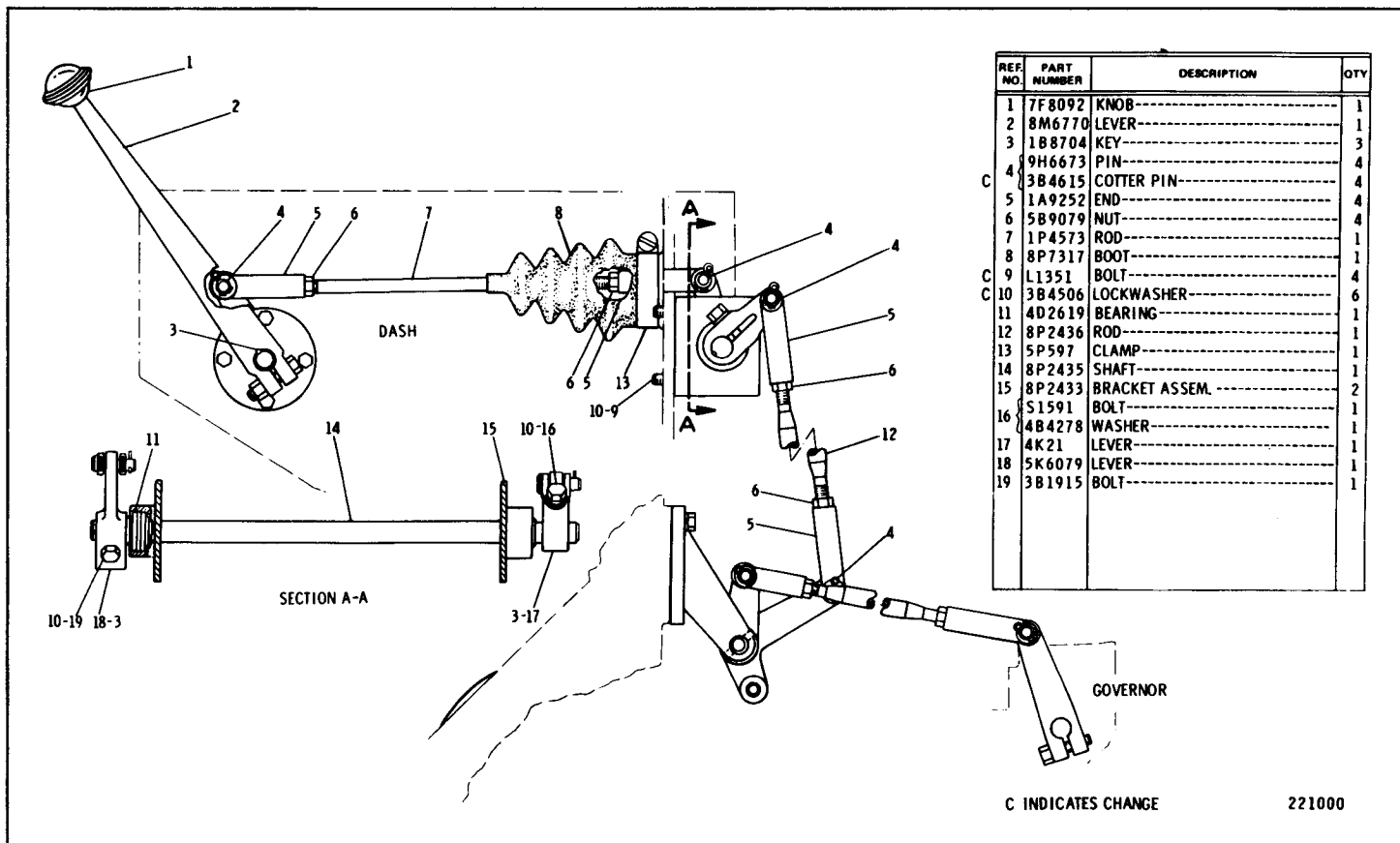
C INDICATES CHANGE
 ▲ ORDER BY THE CENTIMETER

175984

8P7070 AIR CLEANER EXTENSION GROUP
 AN ATTACHMENT



5M2734 PRESCREENER GROUP
 AN ATTACHMENT



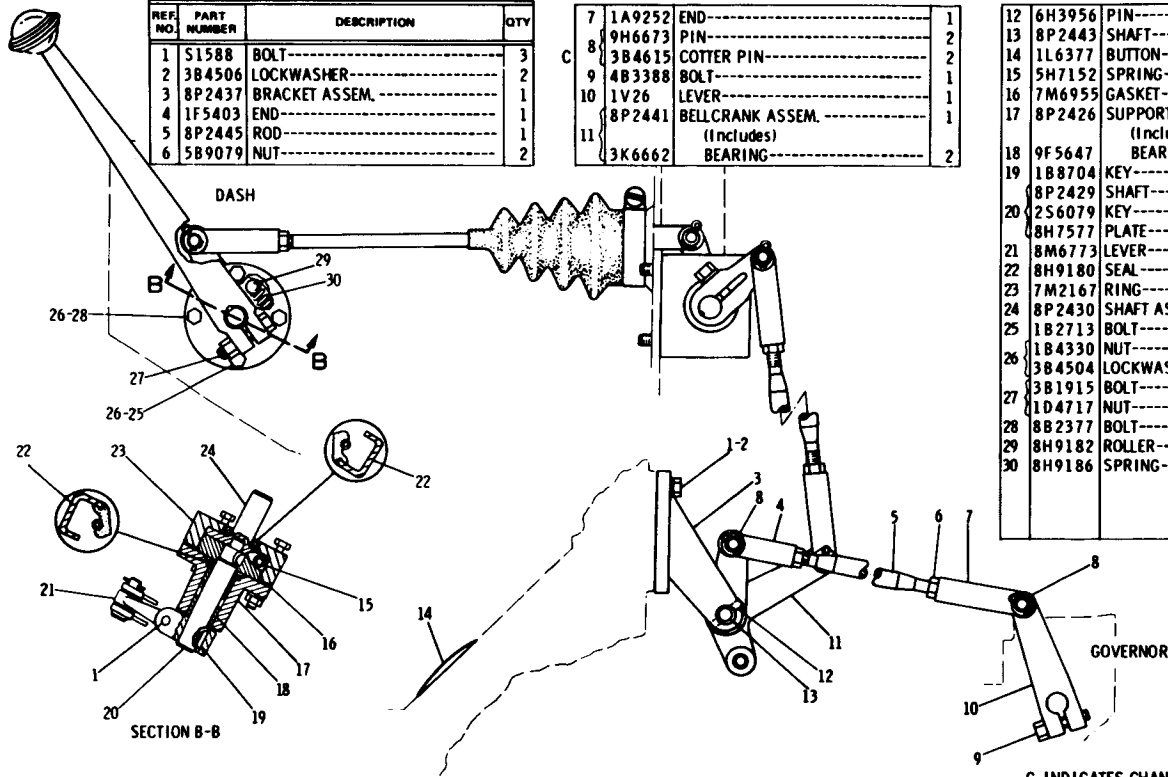
8P3126 GOVERNOR CONTROL GROUP—Part 1
 Serial No. 22X439 to 22X463 inclusive & 23X778 to 23X798 inclusive

8P3126 GOVERNOR CONTROL GROUP—Part 2
 Serial No. 22X439 to 22X463 Inclusive & 23X778 to 23X798 inclusive

REF. NO.	PART NUMBER	DESCRIPTION	QTY
1	S1588	BOLT-----	3
2	3B4506	LOCKWASHER-----	2
3	8P2437	BRACKET ASSEM.-----	1
4	1F5403	END-----	1
5	8P2445	ROD-----	1
6	5B9079	NUT-----	2

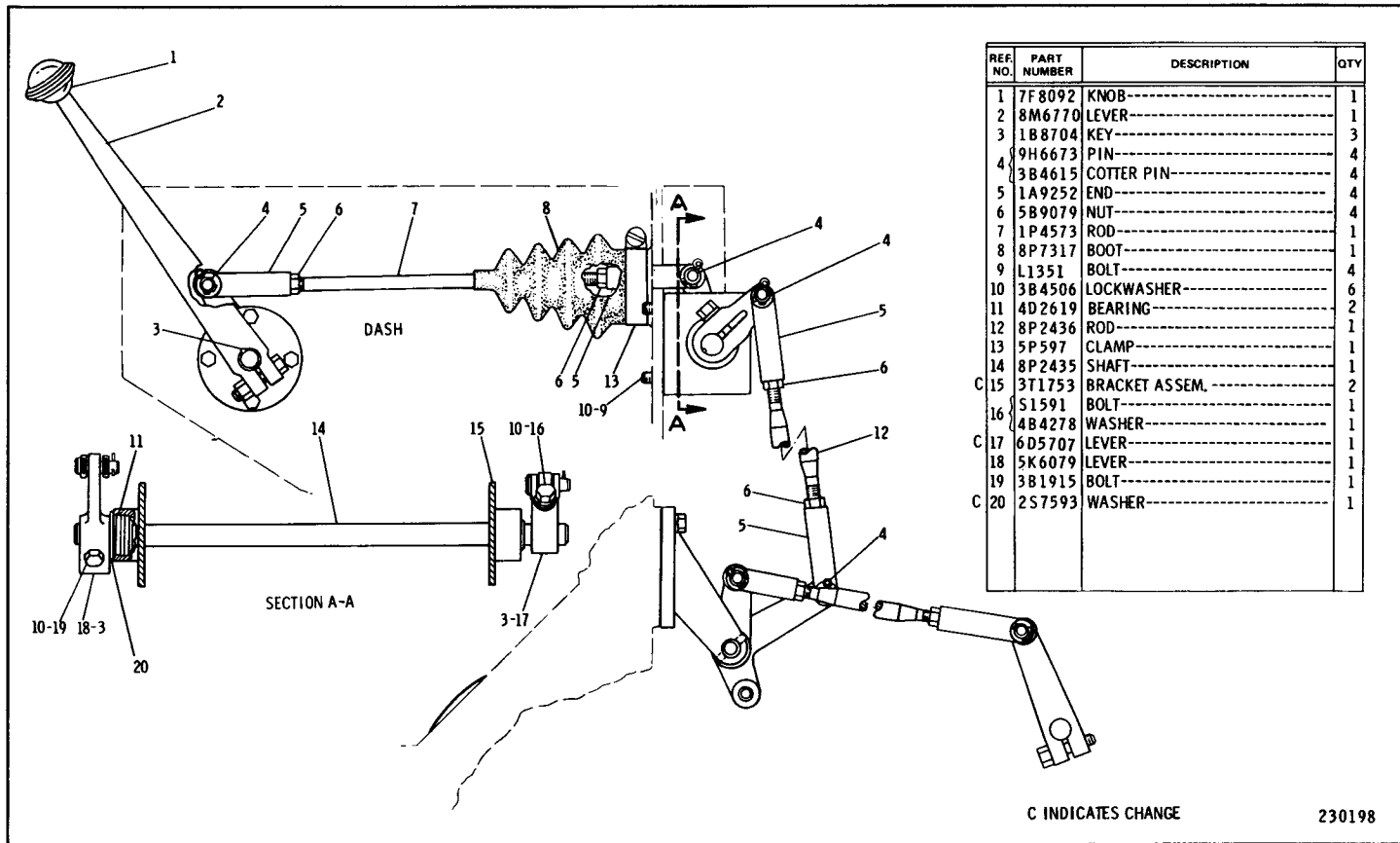
C	7	1A9252	END-----	1
	8	9H6673	PIN-----	2
	9	3B4615	COTTER PIN-----	2
	10	4B3388	BOLT-----	1
	11	1V26	LEVER-----	1
	12	8P2441	BELLCRANK ASSEM.-----	1
		(Includes)		
	13	3K6662	BEARING-----	2

12	6H3956	PIN-----	1
13	8P2443	SHAFT-----	1
14	1L6377	BUTTON-----	1
15	5H7152	SPRING-----	1
16	7M6955	GASKET-----	1
17	8P2426	SUPPORT ASSEM.-----	1
		(Includes)	
18	9F5647	BEARING-----	2
19	1B8704	KEY-----	1
20	8P2429	SHAFT-----	1
21	2S6079	KEY-----	1
22	8H7577	PLATE-----	1
23	8M6773	LEVER-----	1
24	8H9180	SEAL-----	2
25	7M2167	RING-----	1
26	8P2430	SHAFT ASSEM.-----	1
27	1B2713	BOLT-----	1
28	1B4330	NUT-----	4
29	3B4504	LOCKWASHER-----	4
30	3B1915	BOLT-----	1
	1D4717	NUT-----	1
	8B2377	BOLT-----	3
	8H9182	ROLLER-----	2
	8H9186	SPRING-----	2



C INDICATES CHANGE

220166



REF. NO.	PART NUMBER	DESCRIPTION	QTY
1	7F 8092	KNOB-----	1
2	8M6770	LEVER-----	1
3	1B 8704	KEY-----	3
4	9H 6673	PIN-----	4
	3B 4615	COTTER PIN-----	4
5	1A 9252	END-----	4
6	5B 9079	NUT-----	4
7	1P 4573	ROD-----	1
8	8P 7317	BOOT-----	1
9	L1351	BOLT-----	4
10	3B 4506	LOCKWASHER-----	6
11	4D 2619	BEARING-----	2
12	8P 2436	ROD-----	1
13	5P 597	CLAMP-----	1
14	8P 2435	SHAFT-----	1
C 15	3T1753	BRACKET ASSEM.-----	2
	S1591	BOLT-----	1
16	4B 4278	WASHER-----	1
C 17	6D5707	LEVER-----	1
18	5K 6079	LEVER-----	1
19	3B 1915	BOLT-----	1
C 20	2S 7593	WASHER-----	1

C INDICATES CHANGE

230198

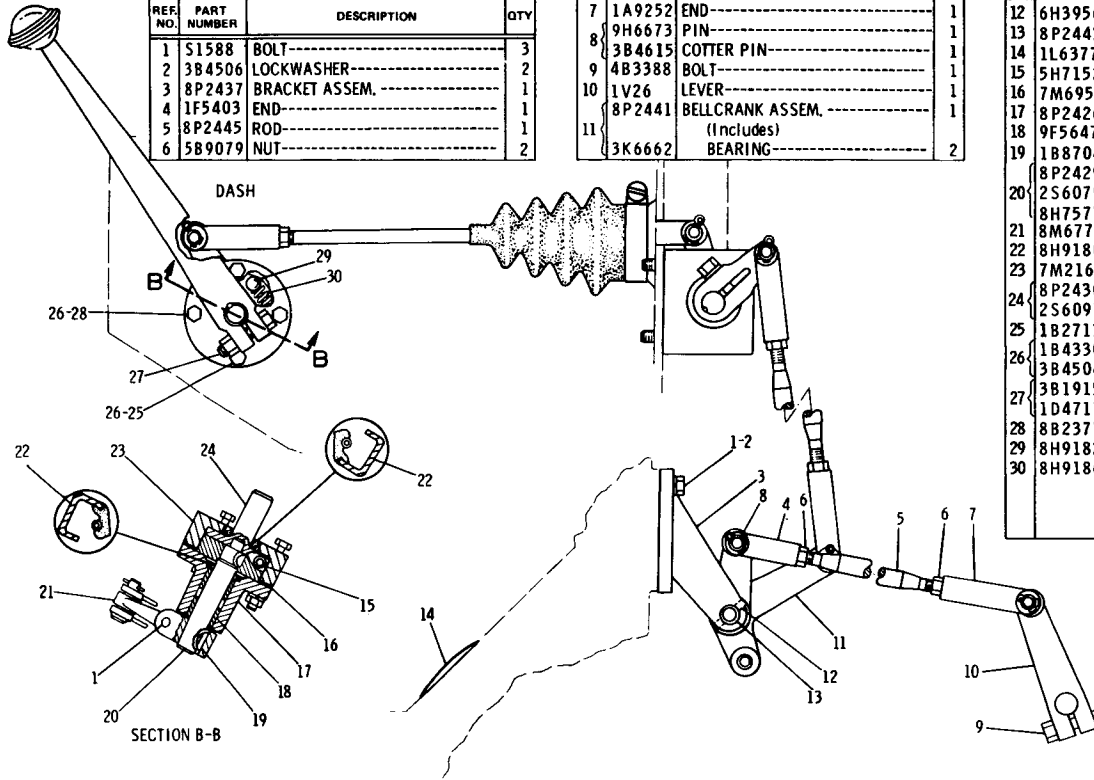
8P3126 GOVERNOR CONTROL GROUP—Part 1
Serial No. 22X464—Up and 23X799—Up

8P3128 GOVERNOR CONTROL GROUP—Part 2
Serial No. 22X464—Up and 23X799—Up

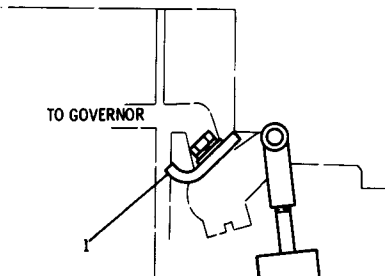
REF. NO.	PART NUMBER	DESCRIPTION	QTY
1	51588	BOLT-----	3
2	3B4506	LOCKWASHER-----	2
3	8P2437	BRACKET ASSEM.-----	1
4	1F5403	END-----	1
5	8P2445	ROD-----	1
6	5B9079	NUT-----	2

7	1A9252	END-----	1
8	9H6673	PIN-----	1
	3B4615	COTTER PIN-----	1
9	4B3388	BOLT-----	1
10	1V26	LEVER-----	1
	8P2441	BELLCRANK ASSEM.-----	1
		(Includes)	
11	3K6662	BEARING-----	2

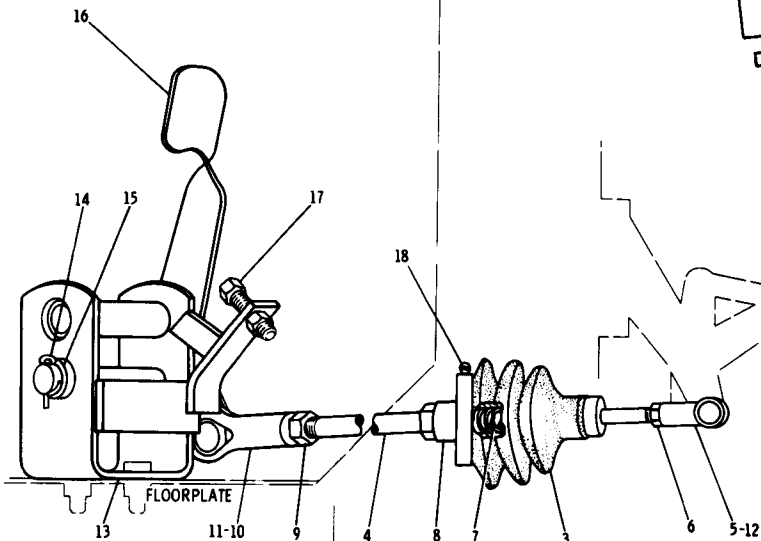
12	6H3956	PIN-----	1
13	8P2443	SHAFT-----	1
14	1L6377	BUTTON-----	1
15	5H7152	SPRING-----	1
16	7M6955	GASKET-----	1
17	8P2426	SUPPORT ASSEM.-----	1
18	9F5647	BEARING-----	2
19	1B8704	KEY-----	1
	8P2429	SHAFT-----	1
20	2S6079	KEY-----	1
	8H7577	PLATE-----	1
21	8M6773	LEVER-----	1
22	8H9180	SEAL-----	2
23	7M2167	RING-----	1
	8P2430	SHAFT ASSEM.-----	1
24	2S6091	DOWEL-----	2
25	1B2713	BOLT-----	1
26	1B4330	NUT-----	4
	3B4504	LOCKWASHER-----	4
27	3B1915	BOLT-----	1
	1D4717	NUT-----	1
28	8B2377	BOLT-----	3
29	8H9182	ROLLER-----	2
30	8H9186	SPRING-----	2



REF. NO.	PART NUMBER	DESCRIPTION	QTY
1	8P3167	ANGLE-----	1
2	8P2451	ROD ASSEM.-----	1
3	8P7792	BOOT-----	1
	8P2454	ROD ASSEM.-----	1
4		(Includes)	
	8P2455	ROD-----	1
5	9K8757	END-----	1
6	1A8285	NUT-----	1
7	8H9523	SPRING-----	1
8	8P2456	TUBE-----	1
9	1B4430	NUT-----	2
10	5J557	END-----	1
	1B4205	NUT-----	1
11	3B4508	LOCKWASHER-----	1
12	3D8752	NUT-----	1
13	8P2460	SUPPORT ASSEM.-----	1
14	3B4617	COTTER PIN-----	1
15	1A2812	WASHER-----	1
16	8P2463	PEDAL ASSEM.-----	1
17	51588	BOLT-----	1
	1B2578	NUT-----	1
18	5P597	CLAMP-----	1



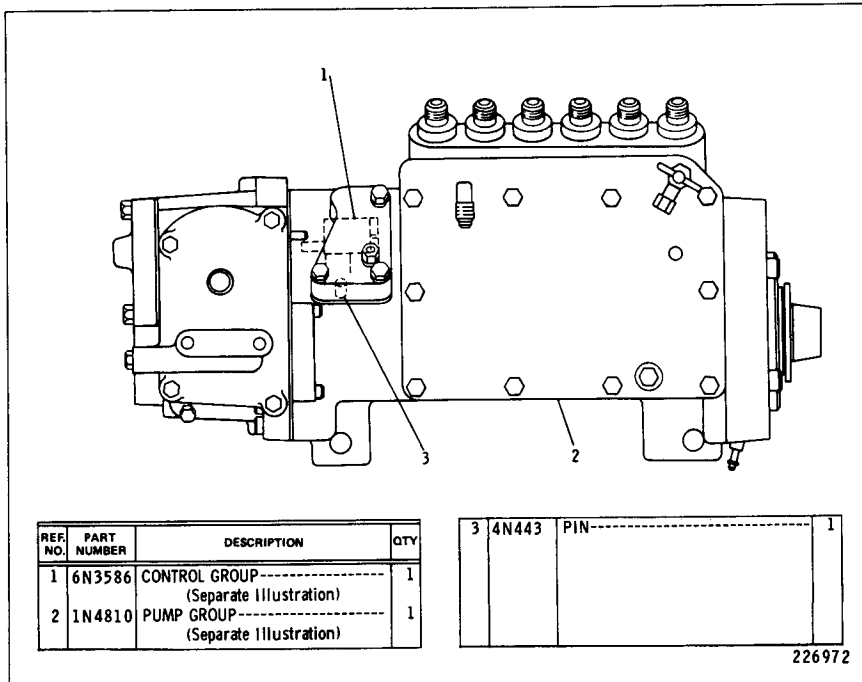
DASH ASSEMBLY



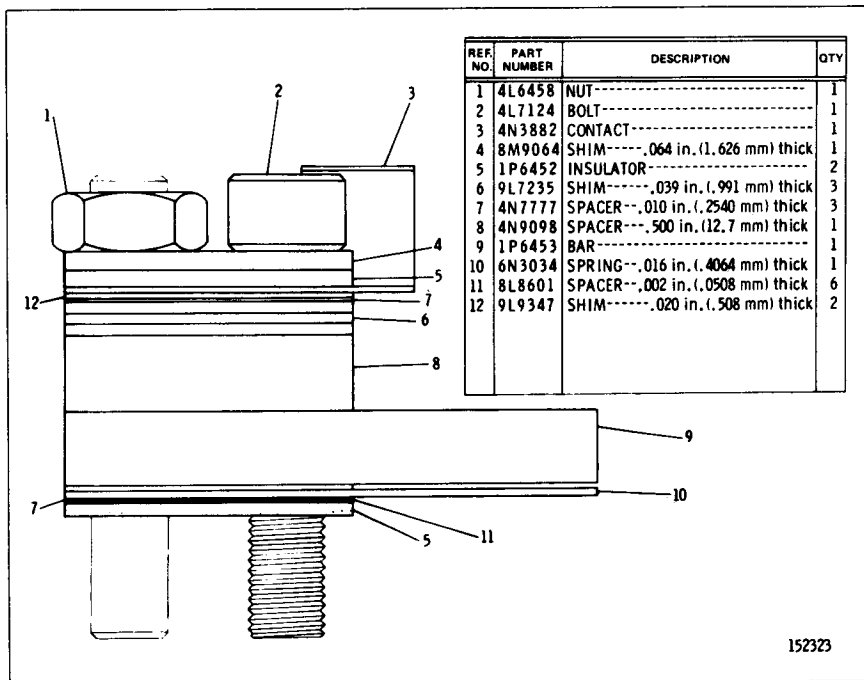
C INDICATES CHANGE

215396

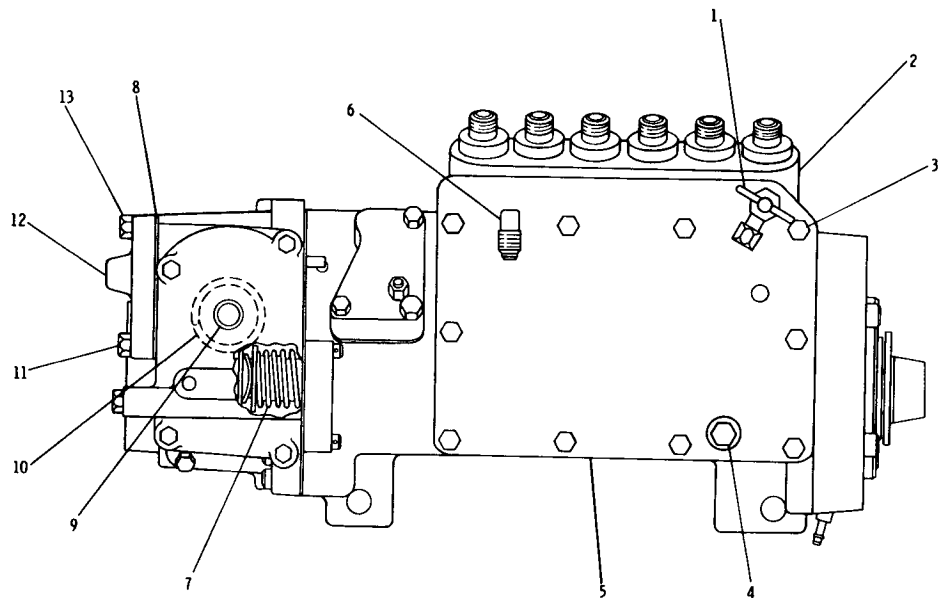
8P2490 DECELERATOR CONTROL GROUP
AN ATTACHMENT



1N4811 GOVERNOR AND FUEL INJECTION PUMP GROUP
6N3586 Torque Control & 1N4810 Governor & Fuel Injection Pump parts are shown on Pages 45 & 46



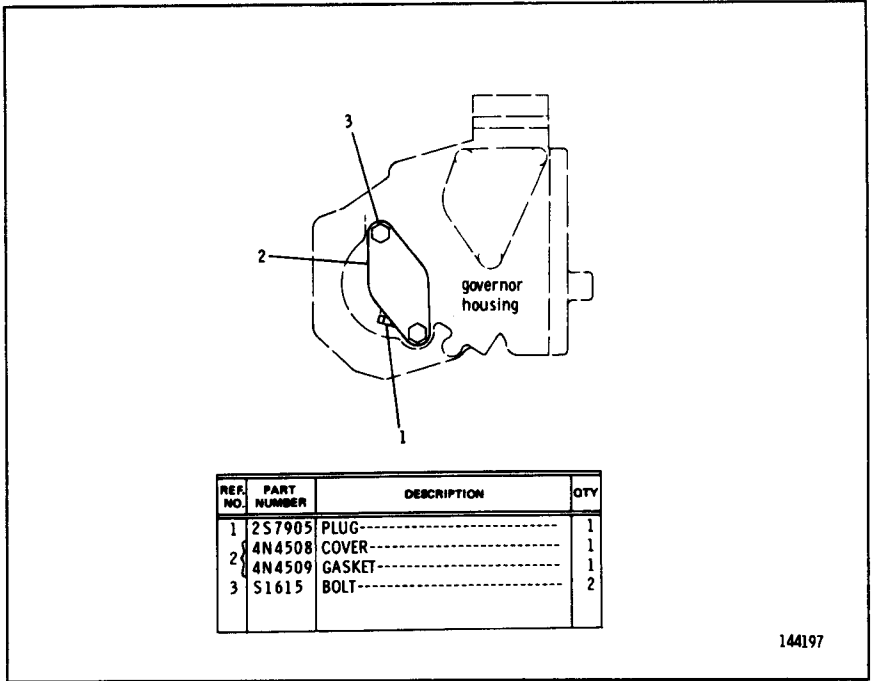
6N3586 TORQUE CONTROL GROUP
Part of 1N4811 & 1N4856 Governor & Fuel Injection Pump Groups shown on Pages 45 & 52



REF. NO.	PART NUMBER	DESCRIPTION	QTY.
1	7N450	VALVE ASSEM. -----	1
2	7N1742	FUEL INJECTION PUMP GROUP----- (Separate Illustration)	1
3	S1615	BOLT-----	10
4	9S4180	PLUG----- (drain)-----	1
	4J7533	SEAL-----	1
5	7N2058	COVER-----	1
	4N9057	GASKET-----	1
6	4N1828	ELBOW-----	1
7	6N8157	SPRING-----	1
8	4N159	GASKET -----	1
9	4N4320	SHAFT ASSEM. -----	1
10	4N4366	SPRING-----	1
11	8S4710	BOLT-----	2
12	4N53	COVER-----	1
13	S1616	BOLT-----	1

226973

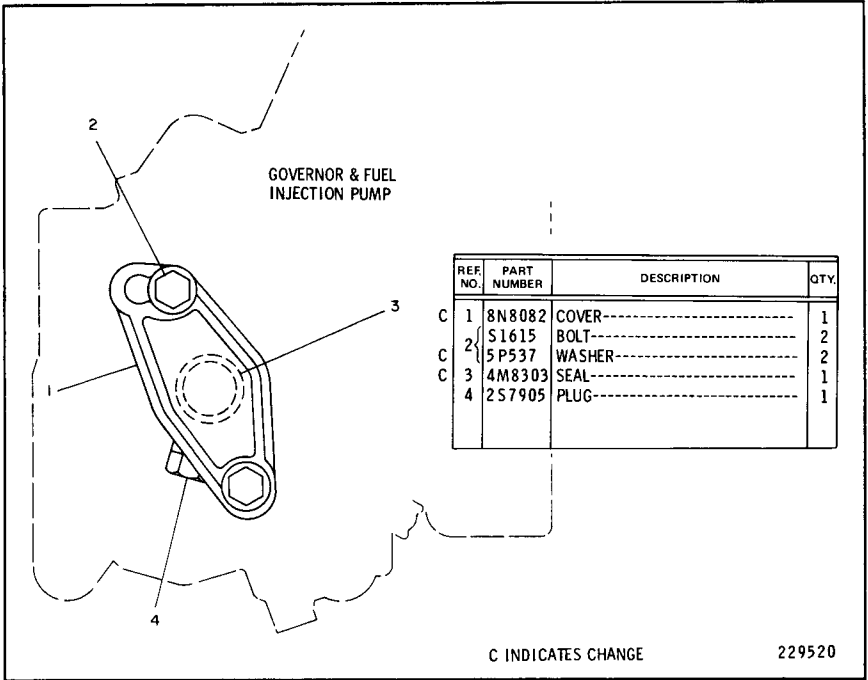
1N4810 GOVERNOR AND FUEL INJECTION PUMP GROUP
 Part of 1N4811 Governor & Fuel Injection Pump Group shown on Page 45
 7N1742 Governor & Fuel Injection Pump parts are shown on Pages 48, 49, 50 & 51



144197

4N4510 GOVERNOR COVER GROUP
 Engine Serial No. 8Z446 to 8Z673 Inclusive

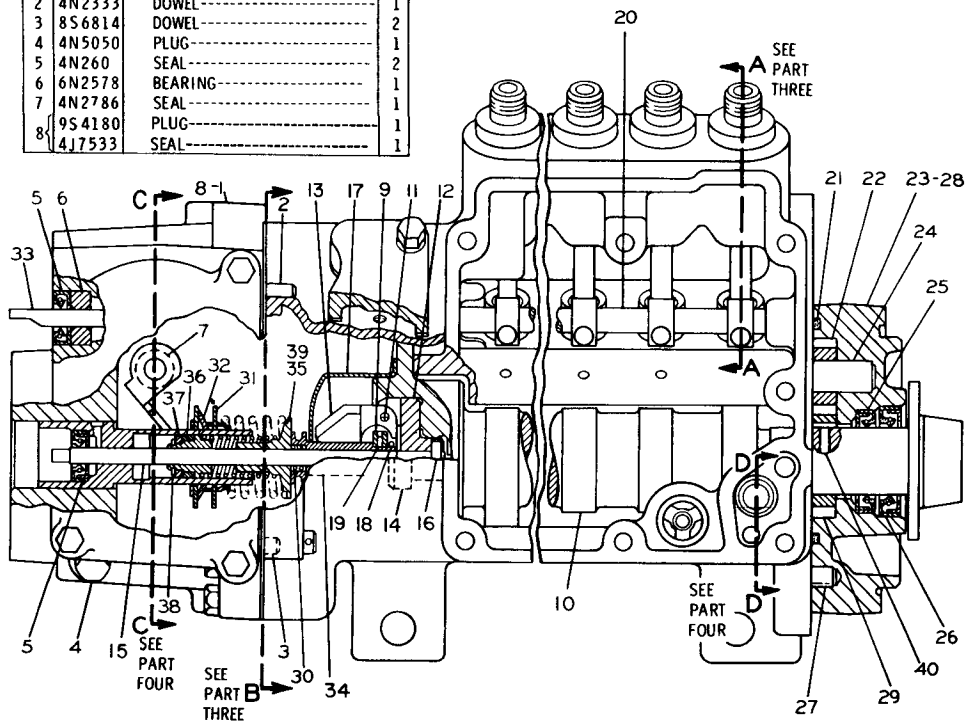
CONSISTS OF:		PAGE
1	1N4856 GOVERNOR AND FUEL INJECTION PUMP GROUP .	52
1 FORM SMHS7225	



229520

4N4510 GOVERNOR COVER GROUP
Engine Serial No. 8Z674—Up

REF NO.	PART NUMBER	DESCRIPTION	QTY
1	6N5324	HOUSING ASSEM. ----- (Includes)	1
2	4N2333	DOWEL -----	1
3	8S6814	DOWEL -----	2
4	4N5050	PLUG -----	1
5	4N260	SEAL -----	2
6	6N2578	BEARING -----	1
7	4N2786	SEAL -----	1
8	9S4180	PLUG -----	1
	4J7533	SEAL -----	1

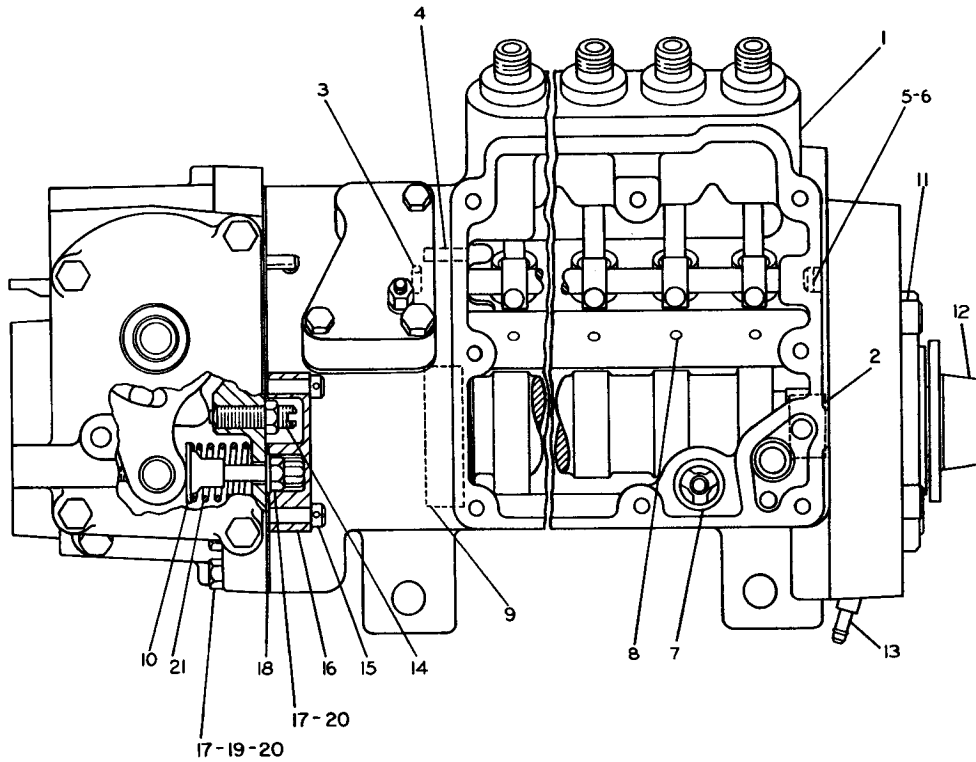


9	4N2927	RACE-----	2
10	7N1776	CAMSHAFT ASSEM. ----- (Includes)	1
11	4N511	DOWEL-----	3
12	4N446	CARRIER-----	1
13	4N425	WEIGHT-----	3
14	4N2955	BOLT-----	3
15	4N9018	SHAFT-----	1
16	4N9019	DOWEL-----	1
17	4N1723	SHIELD-----	1
18	4N2953	RING-----	1
19	4N2401	BEARING-----	1
20	4N572	SHAFT ASSEM. -----	1
21	5M6509	SEAL-----	1
22	4N406	GEAR----- (10 teeth)-----	1
23	9L6863	BODY ASSEM. ----- (Includes)	1
24	8H9804	SHAFT-----	1
25	4N636	SEAL-----	1
26	4N1584	SEAL-----	1
27	8S6814	DOWEL-----	1
28	4N5050	PLUG-----	1
29	4N429	GEAR----- (15 teeth)-----	1
30	6N6662	SPRING-----	1
31	6N2957	WASHER-----	2
32	6N2956	WASHER-----	1
33	4N927	SHAFT ASSEM. -----	1
34	4N434	RISER-----	1
35	6N4655	DASHPOT ASSEM. ----- (Includes)	1
	4N6408	PISTON ASSEM. ----- (Includes)	1
36	4N6407	SPOOL-----	1
37	4N6406	RING-----	1
38	4N6404	RING-----	1
39	6N7451	SEAL-----	1
40	4N3779	KEY-----	1

227756

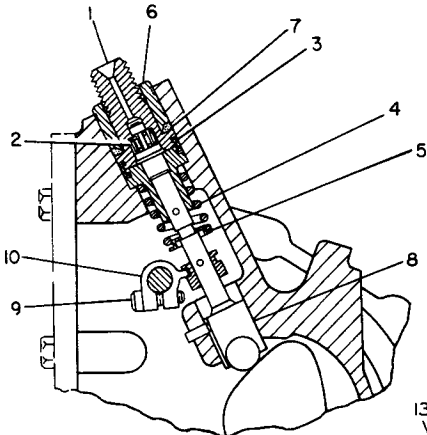
7N1742 GOVERNOR AND FUEL INJECTION PUMP GROUP—Part 1 of 4
Part of 1N4810 & 1N4856 Governor & Fuel Injection Pump Groups shown on Pages 46 & 52

7N1742 GOVERNOR AND FUEL INJECTION PUMP GROUP—Part 2 of 4
 Part of 1N4810 & 1N4856 Governor & Fuel Injection Pump Groups shown on Pages 46 & 52

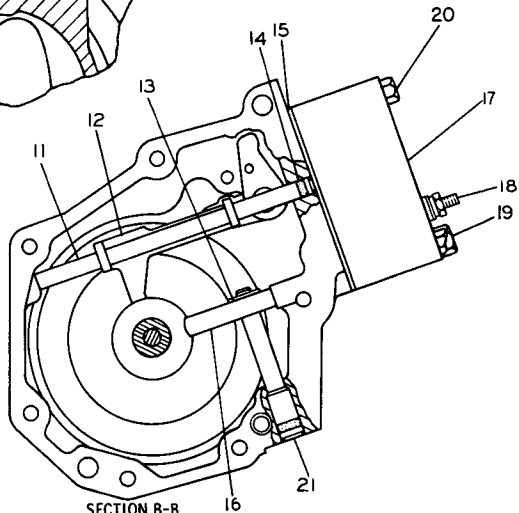


REF. NO.	PART NUMBER	DESCRIPTION	QTY.
1	8N1570	HOUSING ASSEM. -----	1
		(includes)	
2	6N1078	BEARING-----	1
3	4N5481	STUD-----	1
4	4N2333	PIN-----	1
5	4N1826	DOWEL-----	1
6	2D6392	SEAL-----	1
7	1P2298	VALVE ASSEM.-----	1
8	8N984	PIN-----	6
9	8N628	BEARING-----	1
10	4N116	GUIDE-----	1
11	5J5314	BOLT-----	4
12	4N2954	SLEEVE-----	1
13	1P4001	FITTING-----	1
14	4N54	SCREW-----	1
	5B3180	NUT-----	1
15	1P2497	BOLT-----	2
16	4N5578	COVER-----	1
	4N49	GASKET-----	1
17	1P9925	BOLT-----6,35 cm(2,5 in.) long--	2
18	4N594	GASKET-----	1
19	2A4781	BOLT-----6,99 cm(2,75 in.) long	1
	3B8695	BOLT-----8,89 cm(3,5 in.) long	1
20	6N7523	WASHER-----	2
21	9S8632	SPRING-----	1

227757



SECTION A-A



SECTION B-B

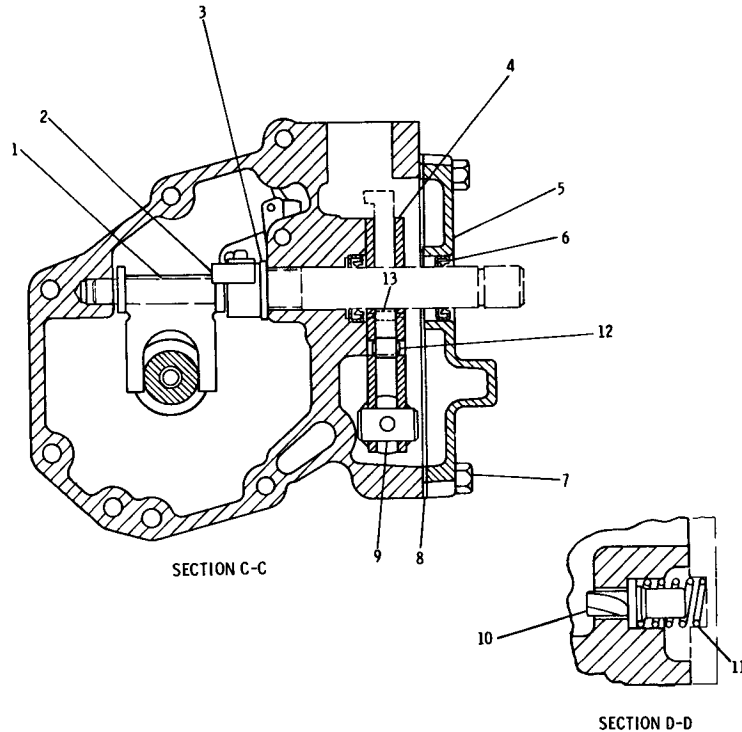
REF. NO.	PART NUMBER	DESCRIPTION	QTY.
	7N5301	PUMP ASSEM. -----	6
		(Each Includes)	
1	8N1417	BONNET-----	1
2	8N1414	CHECK ASSEM.-----	1
	8N1415	SPRING-----	1
3	4N224	RING-----	1
4	9N5862	SPRING-----	1
5	4N2728	WASHER-----	1
6	4N218	BUSHING-----	6
7	6F6672	SEAL-----	6
8	6N6794	LIFTER-----	6
	4N2685	ROLLER-----	6
9	2N2658	SCREW-----	6
10	4N1763	LEVER-----	6
11	4N528	SHAFT-----	1
12	4N2677	LEVER ASSEM.-----	1
13	2M7819	RING-----	1
14	3H442	SEAL-----	1
15	4N508	GASKET-----	1

16	4N445	LEVER-----	1
	4N1591	COVER ASSEM.-----	1
17		(Includes)	
	6N411	COVER-----	1
	6N412	MACHINE SCREW-----	1
	4B2042	NUT-----	1
	3B4501	LOCKWASHER-----	1
18	1P7326	WASHER, .06 in. (1.52 mm) thick	1
	8F1326	WASHER, .032 in. (.81 mm) thick	1
	2P3200	BOLT-----	1
19	1J9671	SEAL-----	1
20	2M5471	BOLT-----	2
	4N523	DOWEL-----	1
21	2D6392	SEAL-----	1

227758

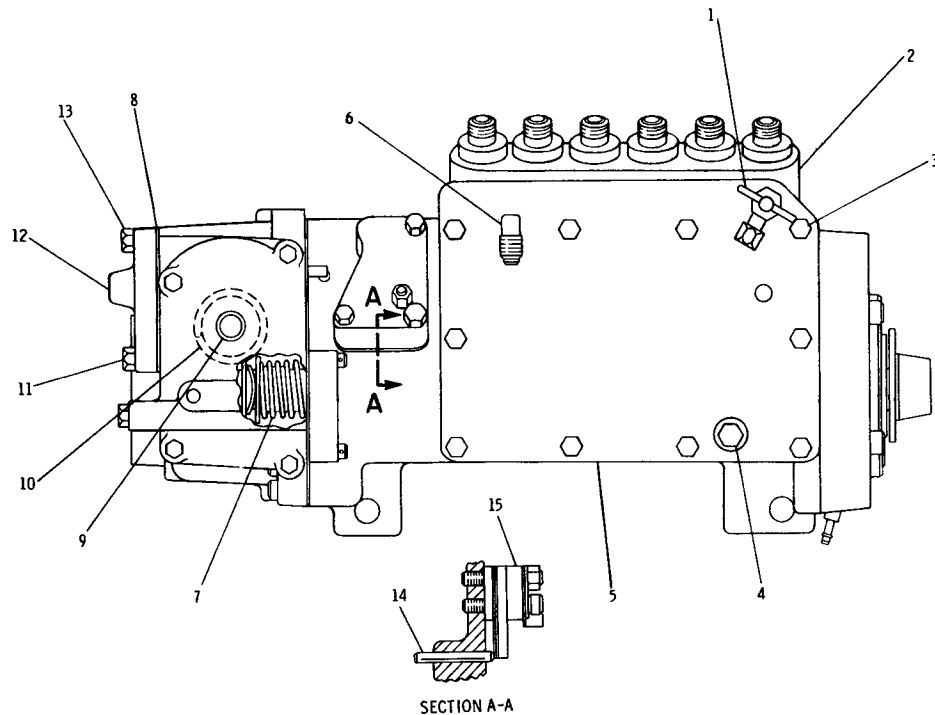
7N1742 GOVERNOR AND FUEL INJECTION PUMP GROUP—Part 3 of 4
 Part of 1N4810 & 1N4856 Governor & Fuel Injection Pump Group shown on
 Pages 46 & 52

7N1742 GOVERNOR AND FUEL INJECTION PUMP GROUP—Part 4 of 4
Part of 1N4810 & 1N4856 Governor & Fuel Injection Pump Groups shown on Pages 46 & 52



REF. NO.	PART NUMBER	DESCRIPTION	QTY
1	4N1881	LEVER-----	1
	4N448	LEVER ASSEM.-----	1
2		(Includes)	
	9L8571	DOWEL-----	1
3	8F5368	WASHER-----	1
4	6N5482	PLATE-----	2
5	4N687	COVER ASSEM.-----	1
		(Includes)	
6	4N2786	SEAL-----	1
7	S1616	BOLT-----	4
8	4N402	GASKET-----	1
9	9S8601	PIN-----	1
10	4N1767	VALVE-----	1
11	4N605	SPRING-----	1
12	4N8179	PIN-----	1
13	4N444	SPACER-----	2

227990

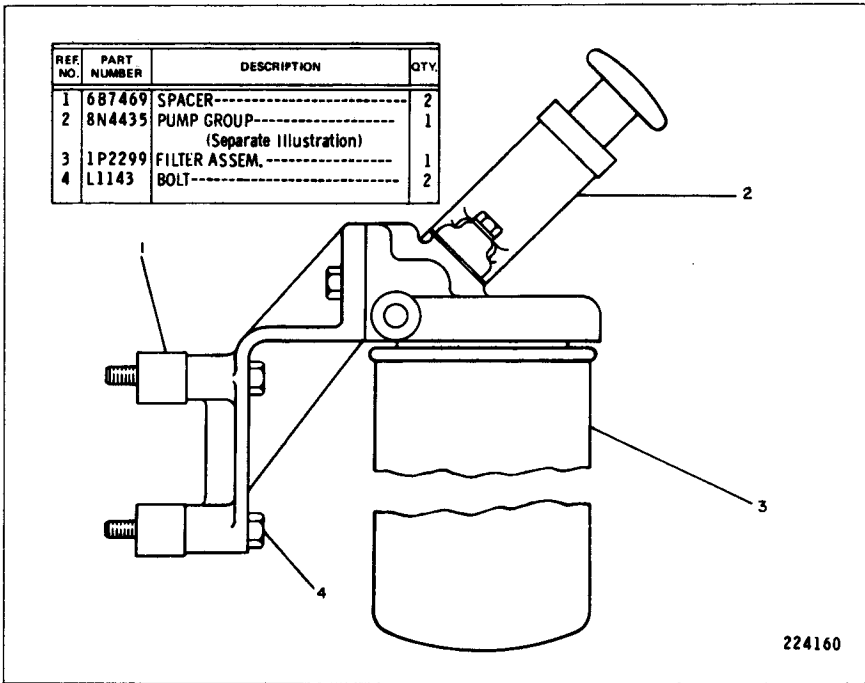


REF. NO.	PART NUMBER	DESCRIPTION	QTY.
1	7N450	VALVE ASSEM. -----	1
2	7N1742	FUEL INJECTION PUMP GROUP----- (Separate Illustration)	1
3	S1615	BOLT-----	10
4	9S4180	PLUG----- (drain)-----	1
	4J7533	SEAL-----	1
	7N2058	COVER-----	1
5	4N9057	GASKET-----	1
6	4N1828	ELBOW-----	1
7	6N8157	SPRING-----	1
8	4N159	GASKET-----	1
9	4N4320	SHAFT ASSEM. -----	1
10	4N4366	SPRING-----	1
11	8S4710	BOLT-----	2
12	4N53	COVER-----	1
13	S1616	BOLT-----	1
14	4N443	PIN-----	1
15	6N3586	CONTROL GROUP----- (Separate Illustration)	1

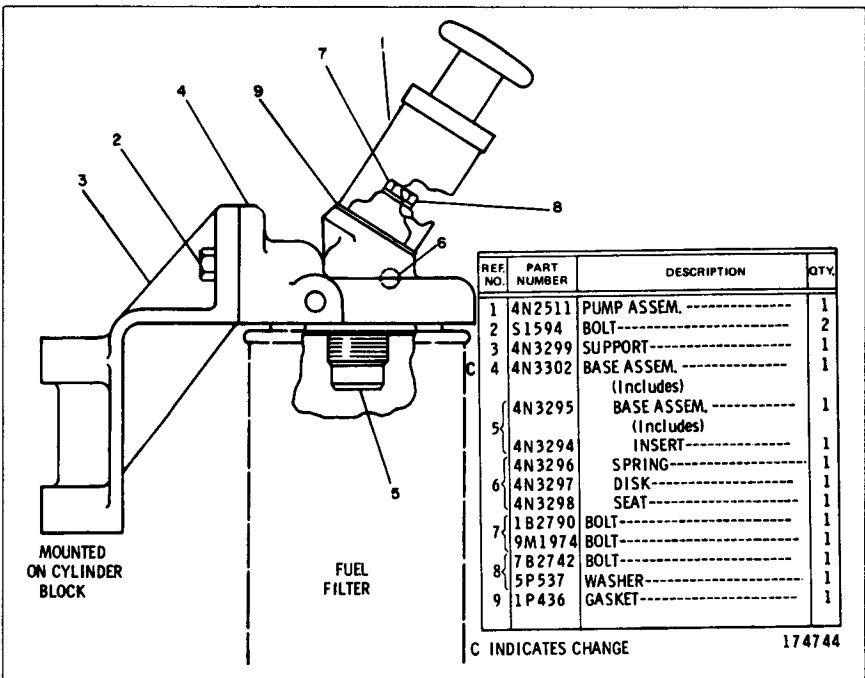
226974

1N4856 GOVERNOR AND FUEL INJECTION PUMP GROUP

Part of 1N4857 Governor & Fuel Injection Pump Group shown on Page 47
 6N3586 Torque Control & 7N1742 Governor & Fuel Injection Pump parts are shown on Pages 45, 48, 49, 50 & 51

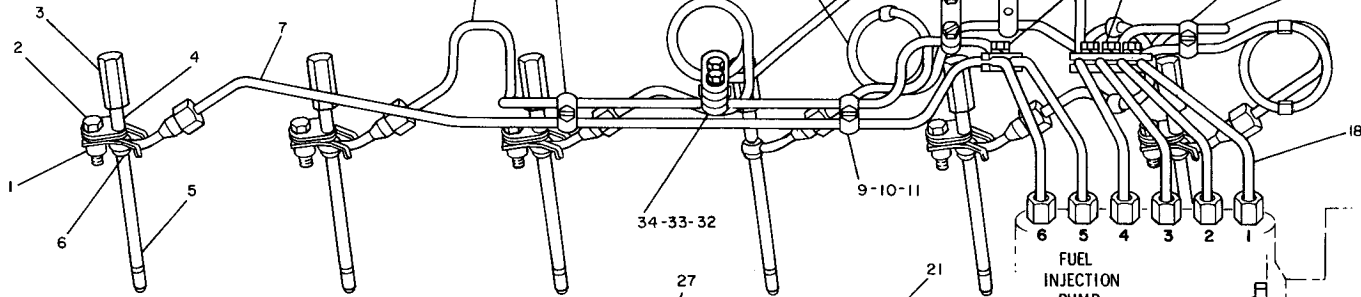


8N4508 FUEL PRIMING AND PRIMARY FILTER PUMP GROUP
8N4435 Fuel Priming Pump parts are shown on Page 53

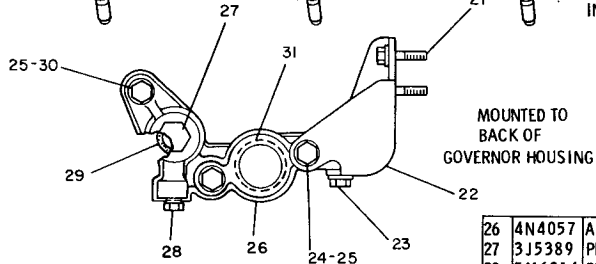


8N4435 FUEL PRIMING PUMP GROUP
Part of 8N4508 Fuel Priming Pump Group shown on Page 53

REF. NO.	PART NUMBER	DESCRIPTION	QTY.
1	9L8388	SPACER-----	6
2	9L8134	CLAMP ASSEM.-----	6



3	7N449	NOZZLE ASSEM.-----	6
		(Each Includes)	
4	1H1023	SEAL-----	1
5	9L9098	SEAL-----	1
6	9L9099	WASHER-----	1
7	8N4376	LINE ASSEM. --(No. 6)---	1
8	8N4375	LINE ASSEM. --(No. 5)---	1
9	6N6403	CLAMP --- (tapped)-----	7
10	6N6404	CLAMP-----	5
11	6H9954	MACHINE SCREW ASSEM.-----	10
12	8N4374	LINE ASSEM. --- (No. 4)---	1
13	8N4373	LINE ASSEM. --(No. 3)---	1
14	1N3139	CLAMP ASSEM.-----	1
15	8N9809	CLAMP --- (tapped)-----	1
16	8N9810	CLAMP-----	1
17	6N5125	CLAMP-----	1
18	8N4372	LINE ASSEM. --(No. 2)---	1
18	8N4371	LINE ASSEM. ----(No. 1)---	1
19	1B4203	NUT-----	3



20	2H3934	SEAL-----	1
21	2A5546	BOLT-----	2
	5P537	WASHER-----	2
22	6N4682	BRACKET-----	1
	2B2695	BOLT-----	2
23	9M1974	WASHER-----	2
24	S1619	BOLT-----	2
25	5M2894	WASHER-----	3

26	4N4057	ADAPTER-----	1
27	3J5389	PLUG-----	1
28	5M6214	PLUG-----	1
29	8M5253	SEAL-----	1
30	1A2029	BOLT-----	1
31	8M5248	SEAL-----	1
C 32	6N5124	CLAMP --- (tapped)-----	2
C 33	7N4417	CLAMP ASSEM.-----	1
C 34	2A762	BOLT-----	2
	3B4504	LOCKWASHER-----	2

C INDICATES CHANGE

230321

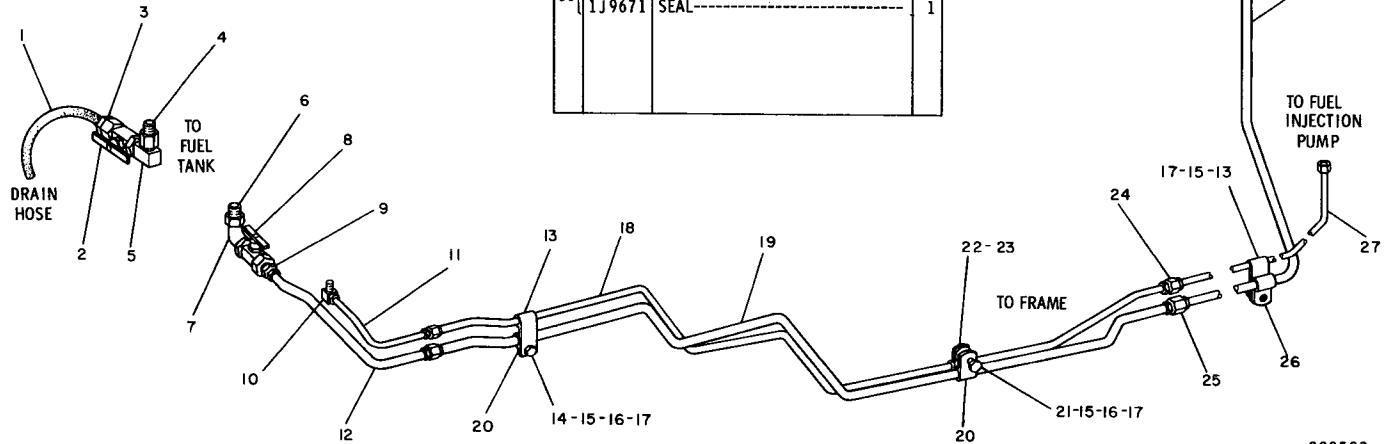
7N1647 FUEL INJECTION LINES GROUP

3T337 FUEL LINES GROUP

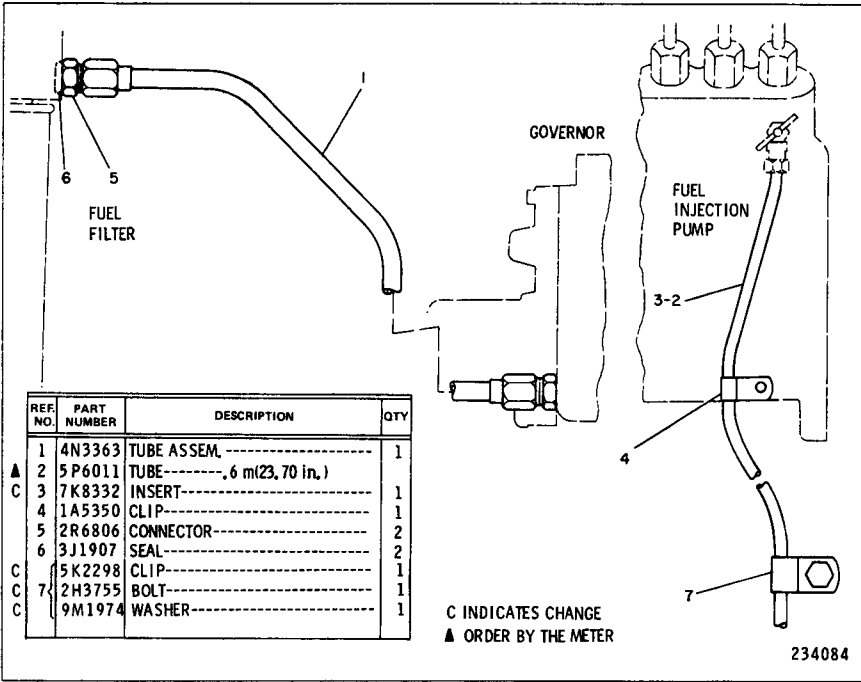
REF. NO.	PART NUMBER	DESCRIPTION	QTY.
1	5P1442	HOSE-----25 cm(9,8 in.)	
2	5P6940	VALVE-----	1
3	2R8613	ADAPTER-----	1
4	6L5652	ADAPTER-----	1
5	9L3560	ELBOW-----	1
6	5K6875	ADAPTER-----	1
7	32143	ELBOW-----	1
8	5P7090	VALVE-----	1
9	5K9248	CONNECTOR-----	1
10	5K9243	ELBOW-----	1
11	9G964	TUBE ASSEM.-----	1
12	8P2823	TUBE ASSEM.-----	1

▲ ORDER BY THE CENTIMETER

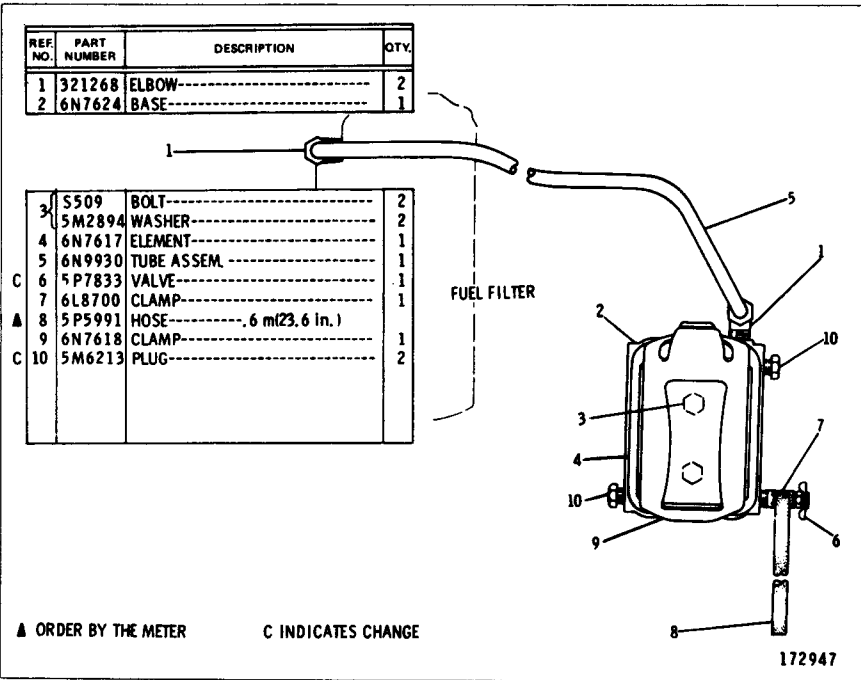
13	5K6437	CLIP-----	2
14	1A2029	BOLT-----	1
15	1D4717	NUT-----	3
16	4B4278	WASHER----- (large)	2
17	5M2894	WASHER----- (small)	3
18	9G966	TUBE ASSEM.-----	1
19	8P2956	TUBE ASSEM.-----	1
20	7M3882	CLIP-----	2
21	2A4639	BOLT-----	1
22	6H3068	CLIP-----	1
23	4S5719	SPACER-----	1
24	6K9242	UNION-----	2
25	7K1456	UNION-----	2
26	8B6127	CLIP-----	1
27	3T872	TUBE ASSEM.-----	1
28	9G8494	TUBE ASSEM.-----	1
29	5K9246	CONNECTOR-----	1
	5P4675	ADAPTER-----	1
30	1J9671	SEAL-----	1



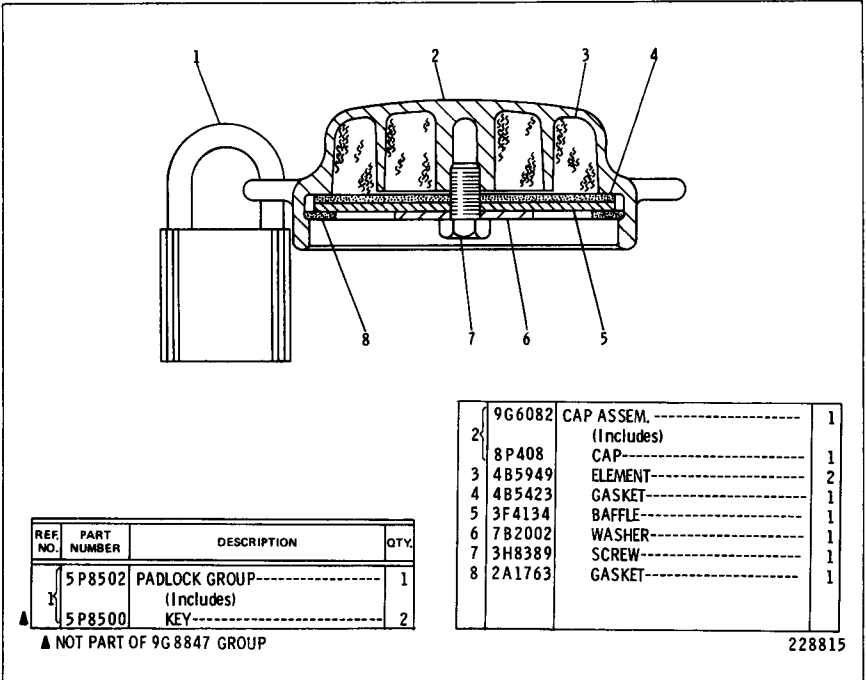
228593



7N3900 DRAIN LINES GROUP



7N9780 WATER SEPARATOR GROUP



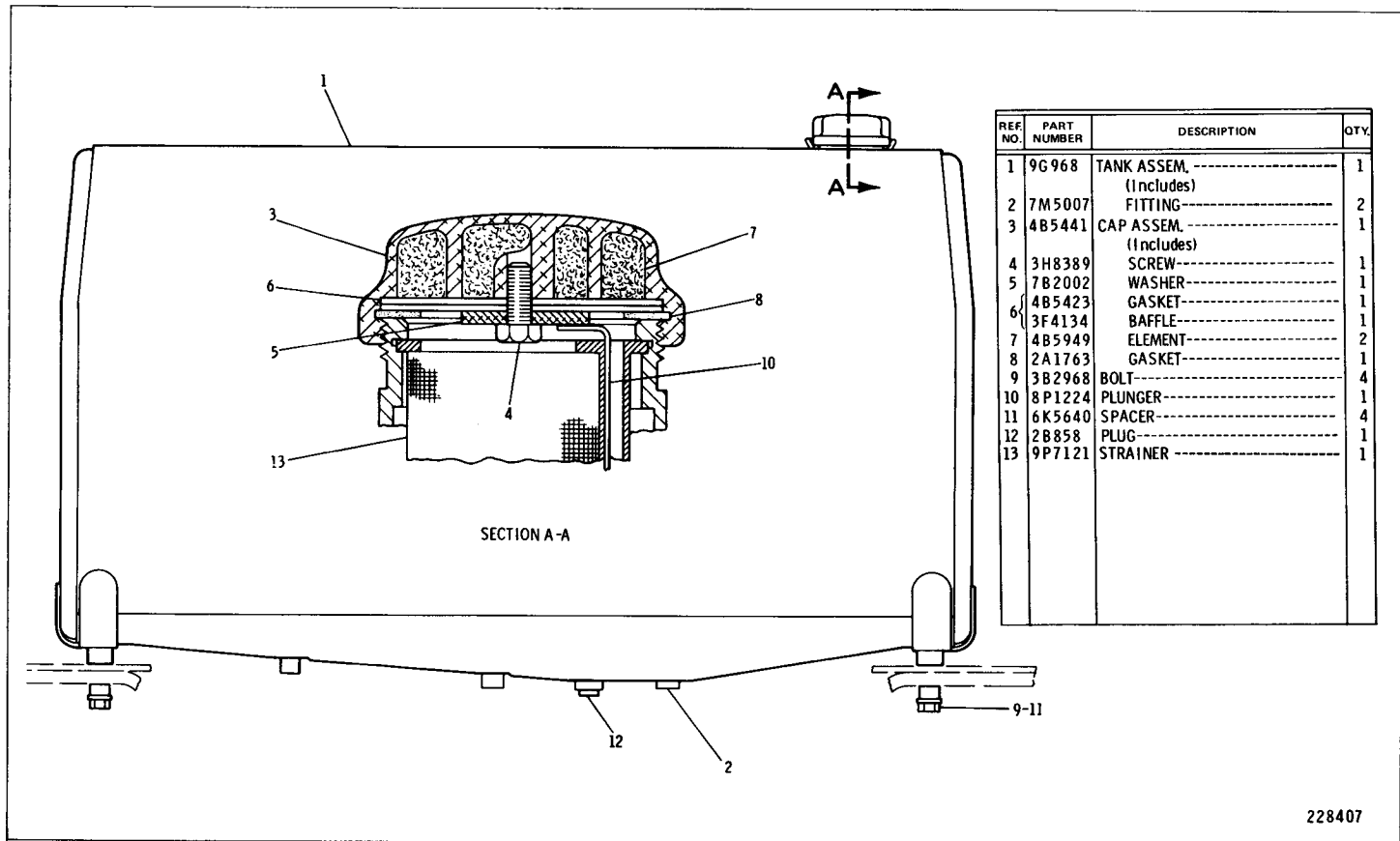
REF. NO.	PART NUMBER	DESCRIPTION	QTY.
X	5 P8502	PADLOCK GROUP-----	1
		(Includes)	
▲	5 P8500	KEY-----	2

▲ NOT PART OF 9G 8847 GROUP

9G6082	CAP ASSEM.-----	1
2	(Includes)	
8 P408	CAP-----	1
3 4B5949	ELEMENT-----	2
4 4B5423	GASKET-----	1
5 3F4134	BAFFLE-----	1
6 7B2002	WASHER-----	1
7 3H8389	SCREW-----	1
8 2A1763	GASKET-----	1

228815

9G8847 PROTECTION CAP GROUP—Fuel Tank AN ATTACHMENT

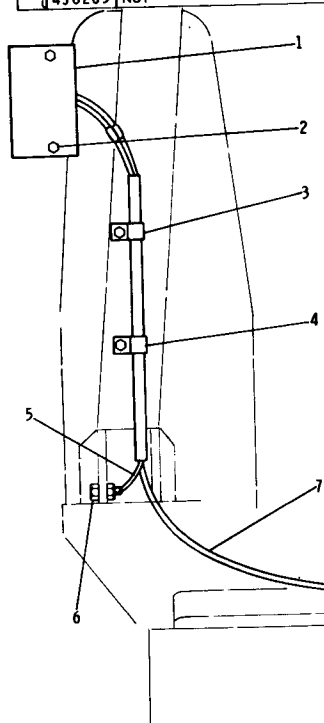


9G4194 FUEL TANK GROUP

228407

8P7434 BACK-UP WARNING GROUP

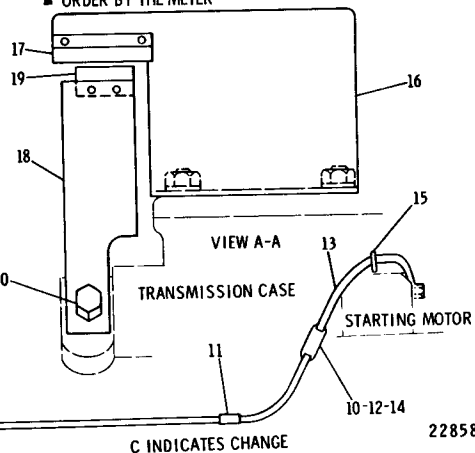
REF. NO.	PART NUMBER	DESCRIPTION	QTY
1	6P8576	ALARM	1
2	8S9191	BOLT	2
	4J8265	NUT	2

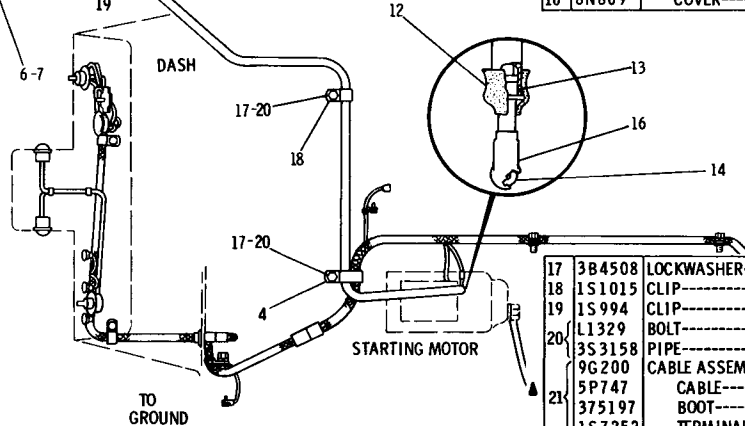
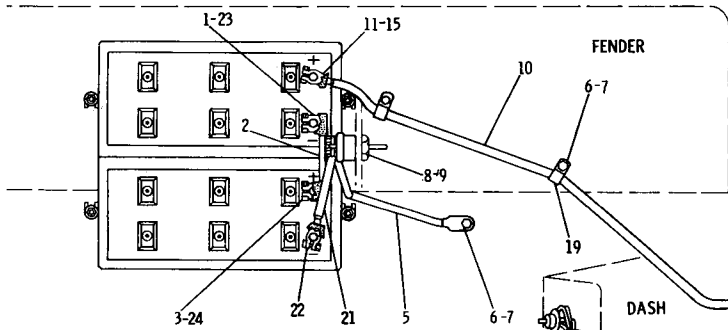


3	1S9886	CLIP	2
	51620	BOLT	2
4	5P1076	WASHER	2
	9P2240	WIRE ASSEM.	1
		(Includes)	
	5P5624	WIRE-----.66 m(25.98 in.)	1
	6N9587	CONNECTOR--(alarm)	1
	2L8079	TERMINAL----(ground)	1
	S1595	BOLT	1
	1D4719	NUT	1
	4B4280	WASHER	1
	8P5885	WIRE ASSEM.	1
		(Includes)	
	5P5628	TUBE-----1.81 m(71.26 in.)	1
	5P5624	WIRE-----2.39 m(94.09 in.)	1
	1S9593	STRAP	2
	6N9587	CONNECTOR	2
	1H5166	CLIP	2
	4B4278	WASHER	2
	8P5912	WIRE ASSEM.	1
		(Includes)	
	5P5996	TUBE-----1.50 m(58.94 in.)	1
	5P5624	WIRE-----1.57 m(61.89 in.)	1
	1S9593	STRAP	2
	6N9587	CONNECTOR	1
	2S5011	BODY	1
	2S5014	CONTACT	1
	2S5013	SPRING	1
	1H5165	CLIP	1
	3P8989	FUSE----- (2 amp)	1

	8P6314	WIRE ASSEM.	1
		(Includes)	
	5P5624	WIRE-----, 15 m(5.91 in.)	1
	2L8081	TERMINAL	1
	2S5012	CAP	1
	2S5014	CONTACT	1
	6K806	STRAP----(use as required)	4
	8P7545	SWITCH ASSEM.----(magnetic)	1
		(Includes)	
	8P7546	BRACKET	1
	9P4608	SWITCH ASSEM.	1
	337291	RIVET	2
	8P7547	ACTUATOR ASSEM.	1
		(Includes)	
	8P7548	BRACKET	1
	9P4609	ACTUATOR	1
	337291	RIVET	2
	2B947	BOLT	1

▲ ORDER BY THE METER





REF. NO.	PART NUMBER	DESCRIPTION	QTY.
	5M 9205	TERMINAL ASSEM. ---- (-) ---- (Includes)	1
1	1M 6119	BOLT-----	1
	1M 6120	NUT-----	1
2	5P 747	CABLE-----31 cm(12.21 in.)	1
	5M 9204	TERMINAL ASSEM. ---- (+) ---- (Includes)	1
3	1M 6119	BOLT-----	1
	1M 6120	NUT-----	1
4	7S 1912	CLIP-----	1
	8P 8237	CABLE ASSEM. ---- (Includes)	1
5	5P 747	CABLE-----108 cm(42.52 in.)	1
	375197	BOOT-----	1
	1S 7252	TERMINAL-----	2
6	S 509	BOLT-----	3
7	3B 4506	LOCKWASHER-----	3
8	7N 718	SWITCH ASSEM. ---- (Separate Illustration)	1
9	8H 8648	PLATE-----	1

10	7G 4936	CABLE ASSEM. ----	1
	5P 747	CABLE---246.4 cm(97 in.)	1
	5P 694	CONDUIT---233.7 cm(92 in.)	1
	3S 6049	TERMINAL ASSEM. ---- (+) ---	1
11	1M 6119	BOLT-----	1
	1M 6120	NUT-----	1
12	1S 2244	BOOT-----	2
	1S 4915	LINER-----	2
13	3S 2093	TIE-----	2
14	1S 7251	TERMINAL-----	1
15	8N 1725	COVER-----	1
16	8N 869	COVER-----	1

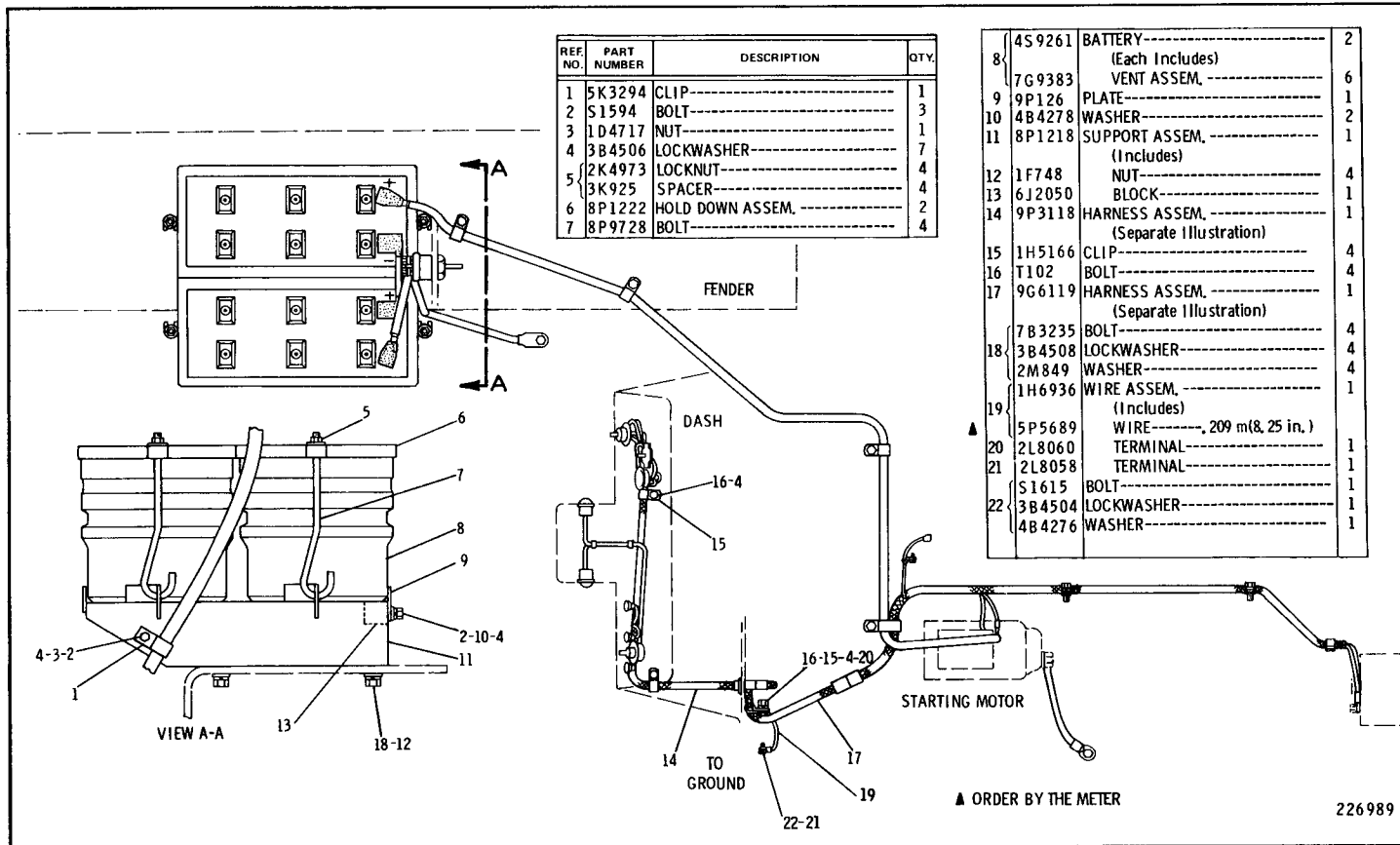
17	3B 4508	LOCKWASHER-----	2
18	1S 1015	CLIP-----	1
19	1S 994	CLIP-----	2
	L1 329	BOLT-----	2
20	3S 3158	PIPE-----	2
	9G 200	CABLE ASSEM. ----	1
	5P 747	CABLE-----40 cm(15.7 in.)	1
21	375197	BOOT-----	1
	1S 7252	TERMINAL-----	1
	7N 5274	COVER-----	1
	3S 6050	TERMINAL ASSEM. ----	1
22	1M 6119	BOLT-----	1
	1M 6120	NUT-----	1
23	9G 3	COVER-----	1
24	9G 4	COVER-----	1

▲ ORDER BY THE CENTIMETER

226988

9G6035 BATTERY AND WIRING GROUP—Part 1 of 3
 Serial No. 22X439 to 22X498 inclusive & 23X778 to 23X814 inclusive
 7N718 Switch parts are shown on Page 65

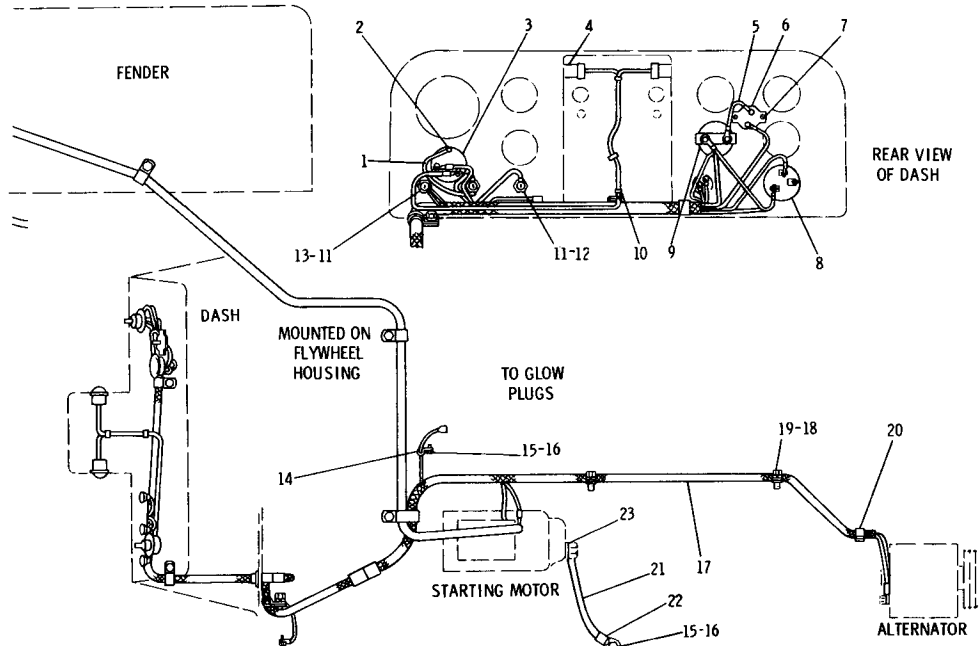
9G6035 BATTERY AND WIRING GROUP—Part 2 of 3
 Serial No. 22X439 to 22X498 Inclusive & 23X778 to 23X814 Inclusive
 9G6119 & 9P3118 Harness parts are shown on Pages 63 & 64



REF. NO.	PART NUMBER	DESCRIPTION	QTY.
1	5K3294	CLIP-----	1
2	S1594	BOLT-----	3
3	1D4717	NUT-----	1
4	3B4506	LOCKWASHER-----	7
5	2K4973	LOCKNUT-----	4
	3K925	SPACER-----	4
6	8P1222	HOLD DOWN ASSEM.-----	2
7	8P9728	BOLT-----	4

8	4S9261	BATTERY-----	2
		(Each Includes)	
		VENT ASSEM.-----	6
9	9P126	PLATE-----	1
10	4B4278	WASHER-----	2
11	8P1218	SUPPORT ASSEM.-----	1
		(Includes)	
12	1F748	NUT-----	4
13	6J2050	BLOCK-----	1
14	9P3118	HARNES ASSEM.-----	1
		(Separate Illustration)	
15	1H5166	CLIP-----	4
16	T102	BOLT-----	4
17	9G6119	HARNES ASSEM.-----	1
		(Separate Illustration)	
	7B3235	BOLT-----	4
18	3B4508	LOCKWASHER-----	4
	2M849	WASHER-----	4
	1H6936	WIRE ASSEM.-----	1
		(Includes)	
19	5P5689	WIRE-----, 209 m(& 25 in.)	1
20	2L8060	TERMINAL-----	1
21	2L8058	TERMINAL-----	1
	S1615	BOLT-----	1
22	3B4504	LOCKWASHER-----	1
	4B4276	WASHER-----	1

REF. NO.	PART NUMBER	DESCRIPTION	QTY.	
	8P7353	WIRE ASSEM. -----	1	
▲	10	(Includes)		
	5P5624	WIRE-----, 155 m(6, 102 in.)	1	
	4L3916	TERMINAL--(female)-----	1	
	2L8075	TERMINAL-----	1	
	7S6402	SWITCH ASSEM. --(three position)	1	
		(Includes)		
	7S5432	KNOB-----	1	
	7H27	NUT-----	1	
	1H4393	LOCKWASHER-----	3	
	9B7242	SCREW-----	3	
	3S8642	LAMP ASSEM. -----	2	
		(Each Includes)		
	6N8742	BODY ASSEM. -----	1	
	2D1959	BULB-----	1	
	4S6313	WIRE ASSEM. -----	1	
		(Includes)		
▲	5	5P5632	WIRE-----, 1 m(3, 94 in.)	2
	2L8066	TERMINAL-----	2	
	9S173	CIRCUIT BREAKER----(60 amp)---	1	
	4B1223	SCREW-----	2	
C	8	9G1480	SWITCH GROUP---(heat-start)---	1
		(Separate Illustration)		
	9	8M7892	AMMETER----- (60 amp)-----	1
	10	1S9593	STRAP-----	4
	11	4K5122	HOLDER-----	3
	12	8M8948	FUSE----- (15 amp) -----	2
	13	2S6024	FUSE----- (5 amp) -----	1
	14	4D7794	CLIP-----	1
	15	S509	BOLT-----	2
	16	3B4506	LOCKWASHER-----	2
	17	9G6120	HARNES ASSEM. -----	1
		(Separate Illustration)		
	18	2M287	CLIP-----	2
	19	S1624	BOLT-----	2
		3B4510	LOCKWASHER-----	2



20	1H5166	CLIP-----	1
	3S8624	CABLE ASSEM. -----	1
		(Includes)	
21	5P747	CABLE-----26 cm(10, 25 in.)	1
22	1S7252	TERMINAL-----	1
23	1S7251	TERMINAL-----	1

● ORDER BY THE CENTI METER

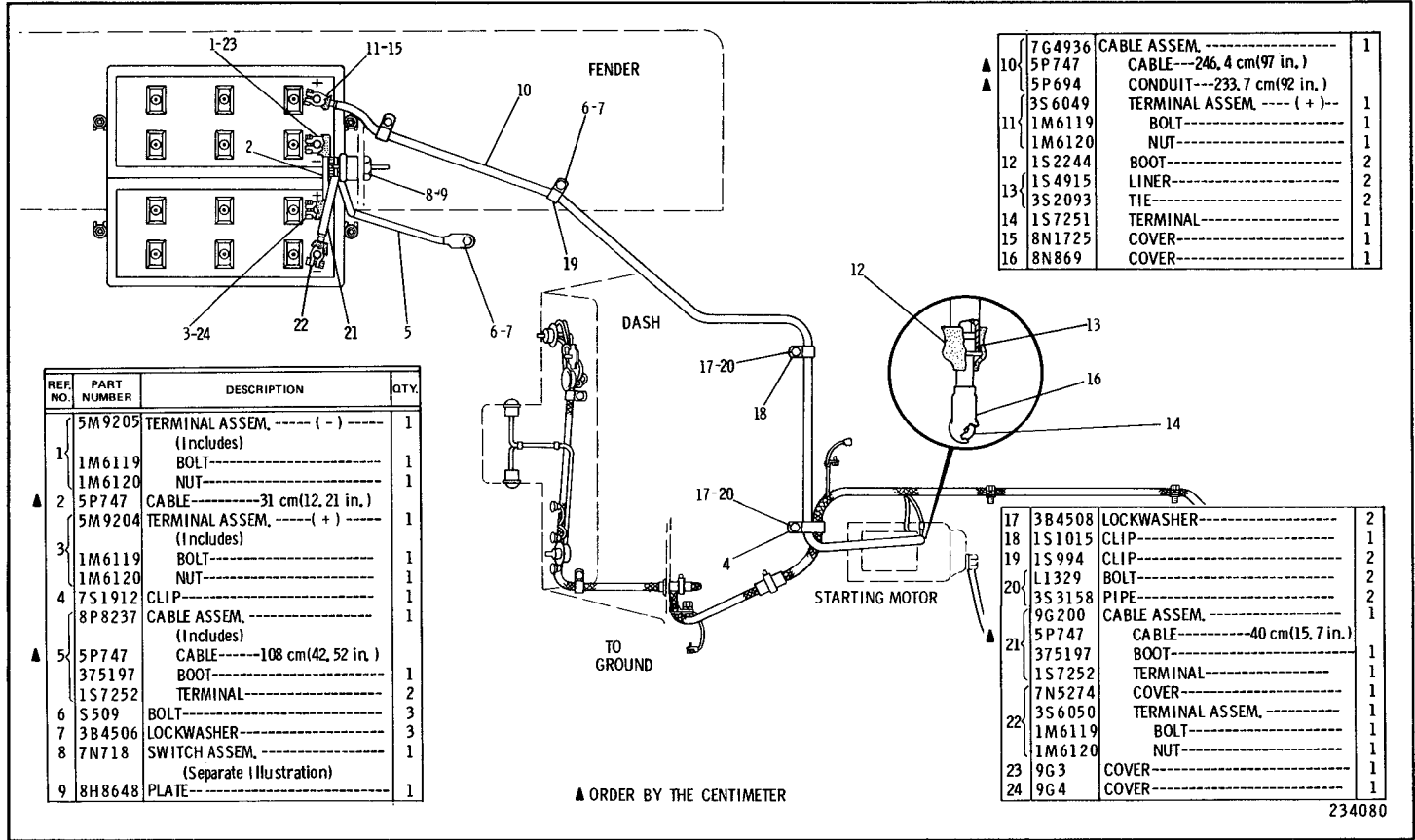
C INDICATES CHANGE

▲ ORDER BY THE METER

230338

9G6035 BATTERY AND WIRING GROUP—Part 3 of 3
 Serial No. 22X439 to 22X498 inclusive & 23X778 to 23X814 inclusive
 9G6120 Harness parts are shown on Page 63

9G6035 BATTERY AND WIRING GROUP—Part 1 of 3
 Serial No. 22X499—Up and 23X815—Up
 7N718 Switch parts are shown on Page 65



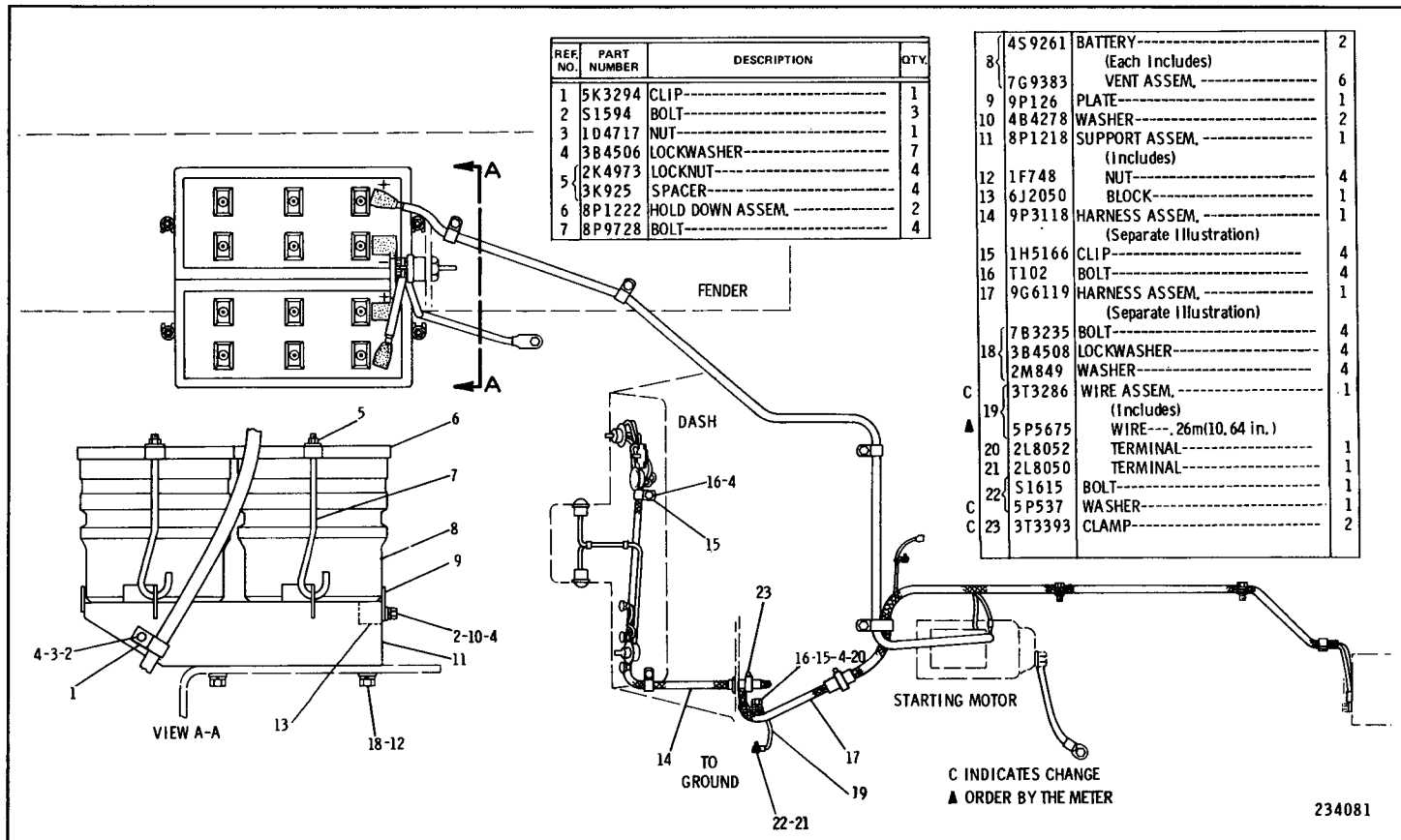
REF. NO.	PART NUMBER	DESCRIPTION	QTY.
	5M9205	TERMINAL ASSEM. ---- (-) ----	1
		(Includes)	
1	1M6119	BOLT-----	1
	1M6120	NUT-----	1
▲ 2	5P747	CABLE-----31 cm(12.21 in.)	1
	5M9204	TERMINAL ASSEM. ----(+) ----	1
		(Includes)	
3	1M6119	BOLT-----	1
	1M6120	NUT-----	1
4	7S1912	CLIP-----	1
	8P8237	CABLE ASSEM. (Includes)	1
▲ 5	5P747	CABLE-----108 cm(42.52 in.)	1
	375197	BOOT-----	1
	1S7252	TERMINAL-----	2
6	S509	BOLT-----	3
7	3B4506	LOCKWASHER-----	3
8	7N718	SWITCH ASSEM. (Separate Illustration)	1
9	8H8648	PLATE-----	1

▲ 10	7G4936	CABLE ASSEM. ----	1
	5P747	CABLE---246.4 cm(97 in.)	1
	5P694	CONDUIT---233.7 cm(92 in.)	1
	3S6049	TERMINAL ASSEM. ---- (+) --	1
11	1M6119	BOLT-----	1
	1M6120	NUT-----	1
12	1S2244	BOOT-----	2
	1S4915	LINER-----	2
13	3S2093	TIE-----	2
14	1S7251	TERMINAL-----	1
15	8N1725	COVER-----	1
16	8N869	COVER-----	1

17	3B4508	LOCKWASHER-----	2
18	1S1015	CLIP-----	1
19	1S994	CLIP-----	2
	L1329	BOLT-----	2
20	3S3158	PIPE-----	2
	9G200	CABLE ASSEM. (Includes)	1
	5P747	CABLE-----40 cm(15.7 in.)	1
21	375197	BOOT-----	1
	1S7252	TERMINAL-----	1
	7N5274	COVER-----	1
	3S6050	TERMINAL ASSEM. ----	1
22	1M6119	BOLT-----	1
	1M6120	NUT-----	1
23	9G3	COVER-----	1
24	9G4	COVER-----	1

▲ ORDER BY THE CENTIMETER

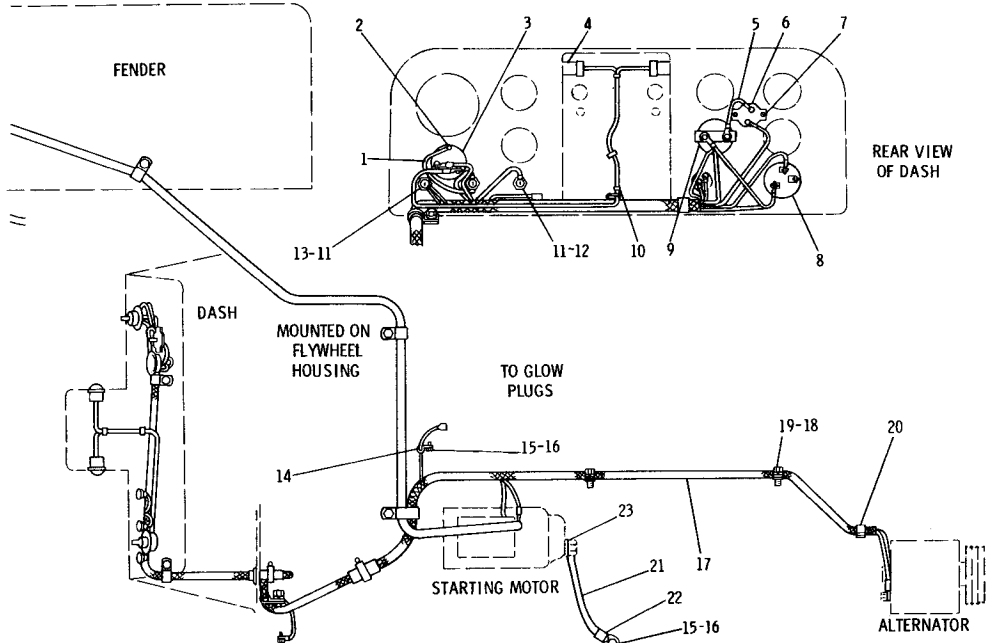
234080



9G6035 BATTERY AND WIRING GROUP—Part 2 of 3
 Serial No. 22X499—Up and 23X815—Up
 9G6119 & 9P3118 Harness parts are shown on Pages 63 & 64

9G6035 BATTERY AND WIRING GROUP—Part 3 of 3
 Serial No. 22X499—Up and 23X815—Up
 9G1480 Switch and 9G6120 Harness parts are shown on Pages 62D & 63

REF NO.	PART NUMBER	DESCRIPTION	QTY.
▲	8P7353	WIRE ASSEM.----- (Includes)	1
1	5P5624	WIRE-----, 155 m(6.102 in.)	1
	4L3916	TERMINAL--(female)-----	1
2	2L8075	TERMINAL-----	1
	7S6402	SWITCH ASSEM.--(three position) (Includes)	1
3	7S5432	KNOB-----	1
	7H27	NUT-----	1
	1H4393	LOCKWASHER-----	3
	9B7242	SCREW-----	3
	3S8642	LAMP ASSEM.-----	2
4		(Each Includes)	
	6N8742	BODY ASSEM.-----	1
	2D1959	BULB-----	1
	4S6313	WIRE ASSEM.----- (Includes)	1
▲	5P5632	WIRE-----, 1 m(3.94 in.)	1
	2L8066	TERMINAL-----	2
6	9S173	CIRCUIT BREAKER---(60 amp)---	1
7	4B1223	SCREW-----	2
8	9G1480	SWITCH GROUP---(heat-start)--- (Separate Illustration)	1
9	8M7892	AMMETER---(60 amp)---	1
10	1S9593	STRAP-----	4
11	4K5122	HOLDER-----	3
12	8M8948	FUSE---(15 amp)---	2
13	2S6024	FUSE---(5 amp)---	1
14	4D7794	CLIP-----	1
15	S509	BOLT-----	2
16	3B4506	LOCKWASHER-----	2
17	9G6120	HARNESS ASSEM.----- (Separate Illustration)	1
18	2M287	CLIP-----	2
19	S1624	BOLT-----	2
	3B4510	LOCKWASHER-----	2

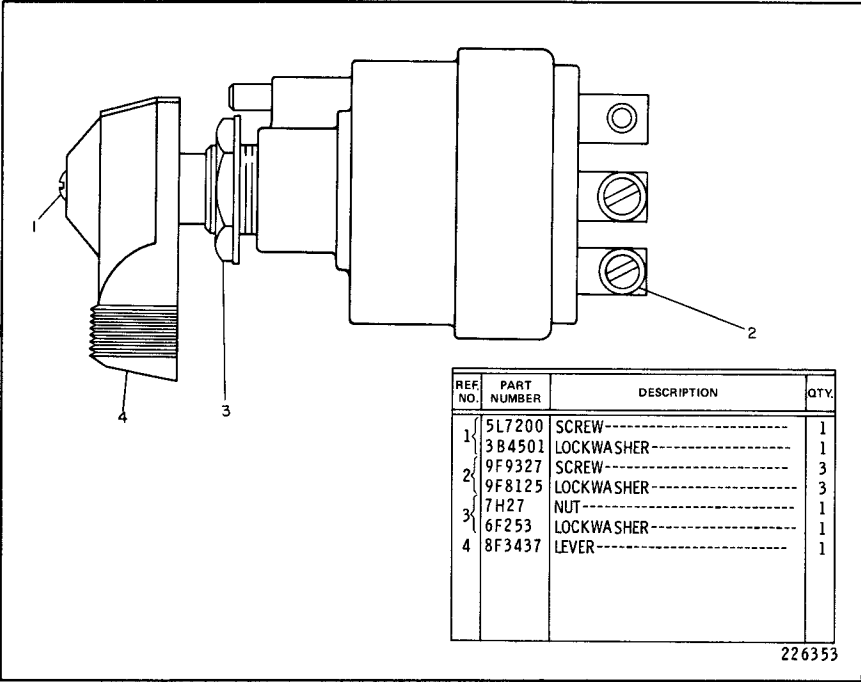


20	1H5166	CLIP-----	1
	3S8624	CABLE ASSEM.----- (Includes)	1
21		(Includes)	
	5P747	CABLE---26 cm(10.25 in.)	1
22	1S7252	TERMINAL-----	1
23	1S7251	TERMINAL-----	1

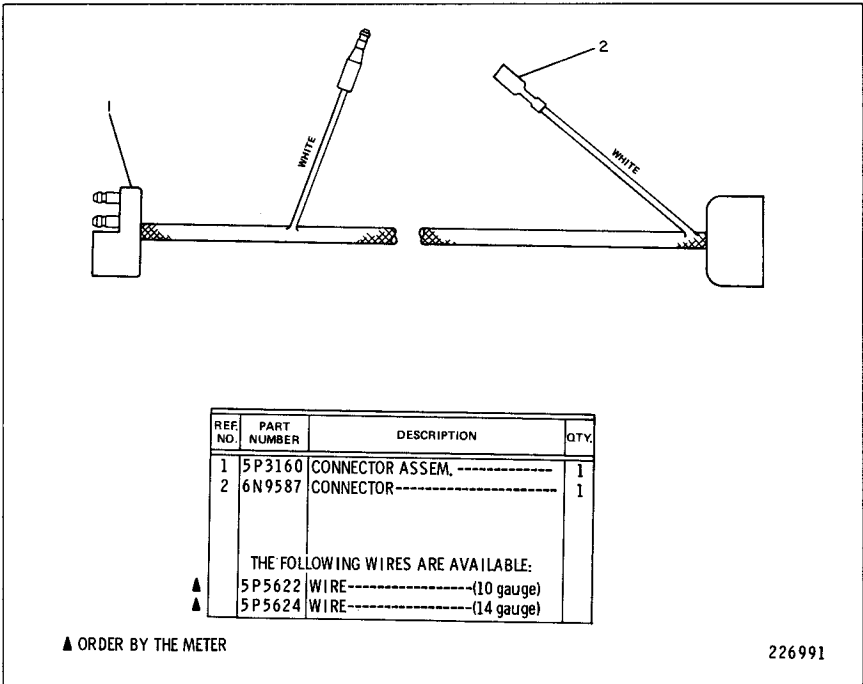
● ORDER BY THE CENTI METER

▲ ORDER BY THE METER

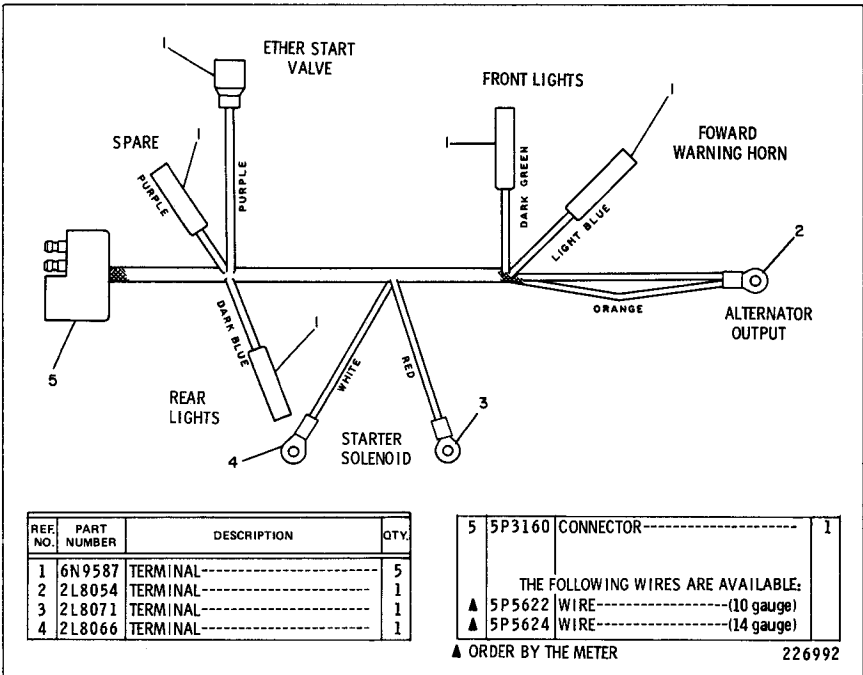
234082

**9G1480 STARTER SWITCH GROUP**

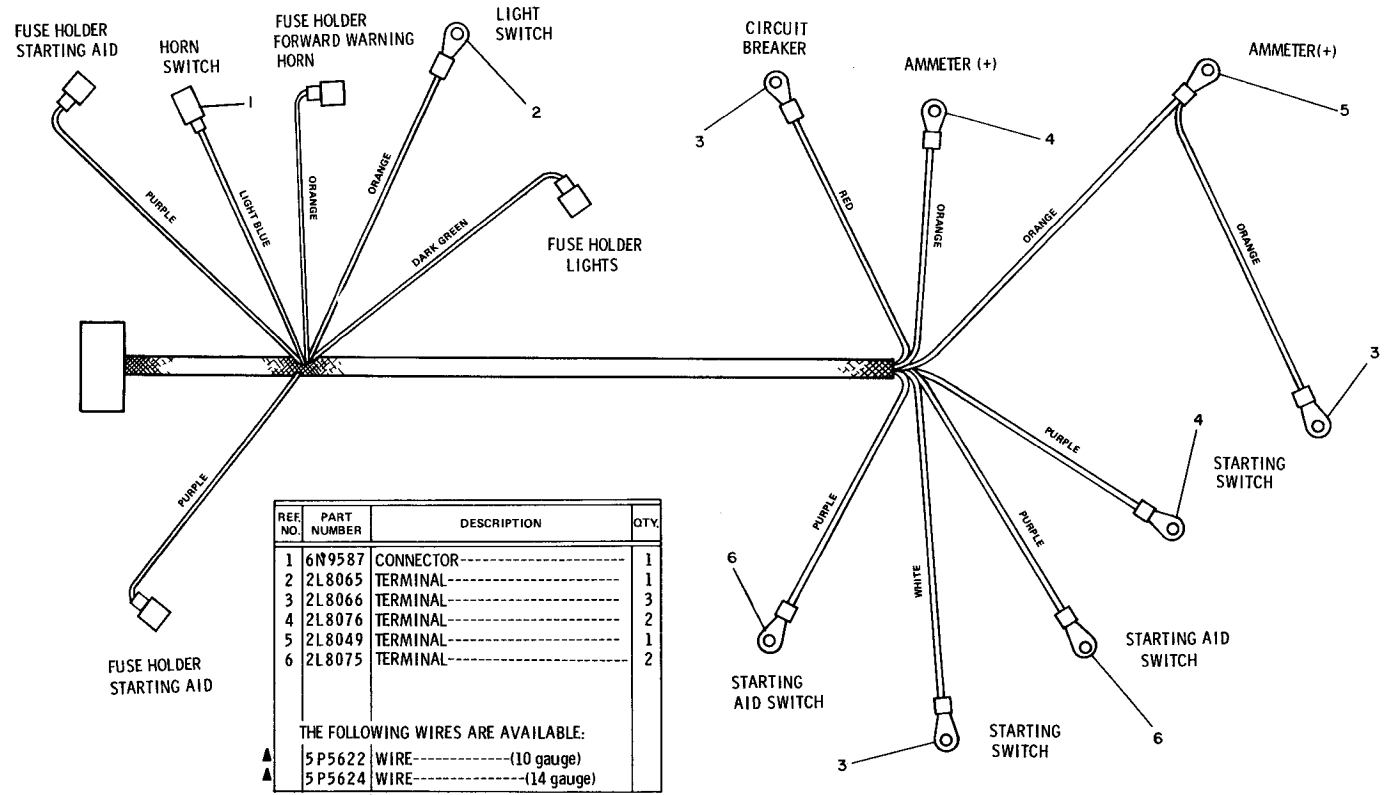
Part of 9G6035 Battery and Wiring Group shown on Page 62C



9G6119 HARNESS ASSEMBLY
Part of 9G6035 Battery & Wiring Group shown on Page 61

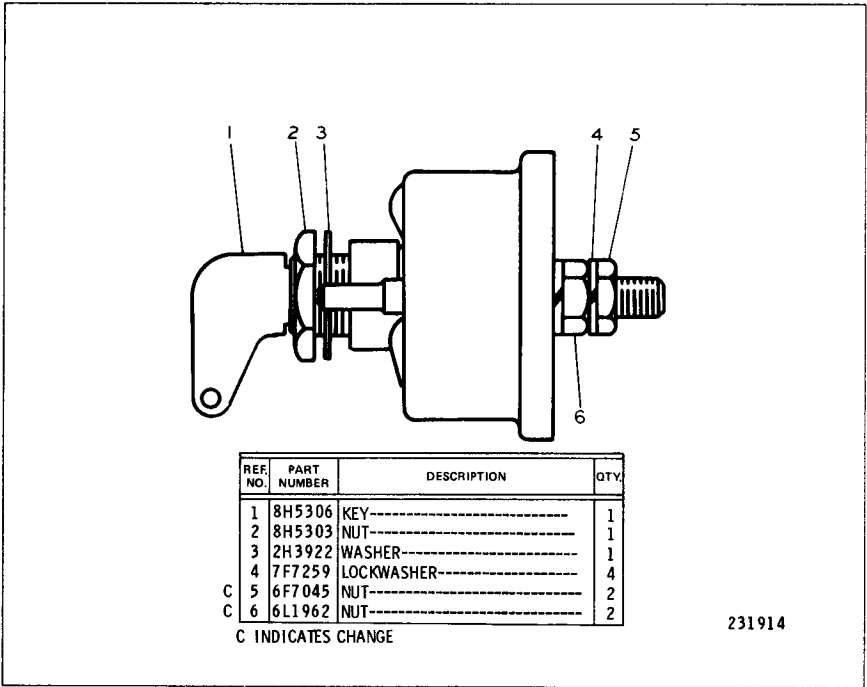


9G6120 HARNESS ASSEMBLY
Part of 9G6035 Battery & Wiring Group shown on Page 62

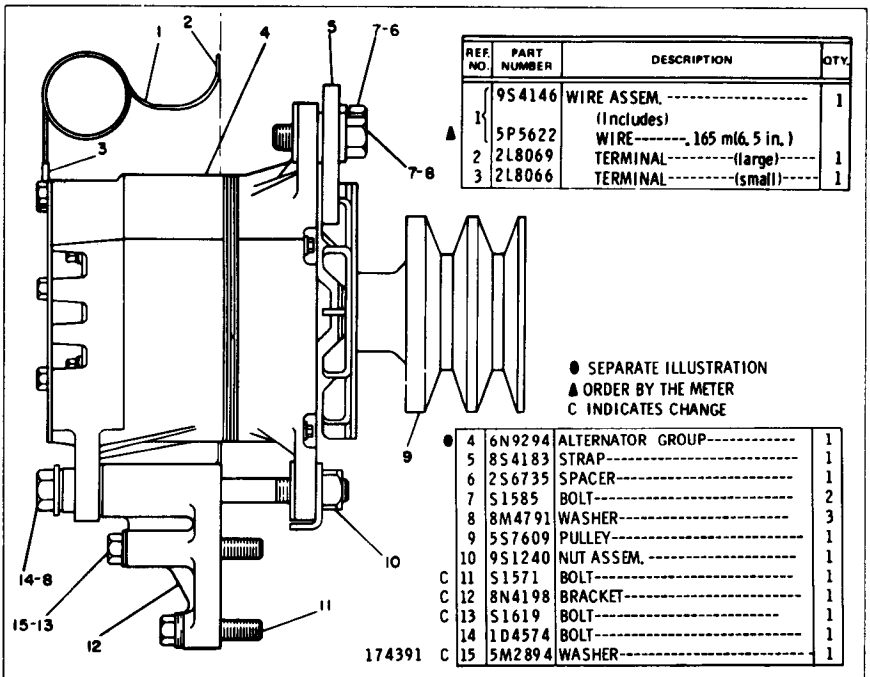


226993

9P3118 HARNESS ASSEMBLY
Part of 9G6035 Battery & Wiring Group shown on Page 61



7N718 DISCONNECT SWITCH ASSEMBLY
Part of 9G6035 Battery & Wiring Group shown on Page 60



6N5471 ALTERNATOR GROUP—24 Volt, 19 Ampere
6N9294 Alternator parts are shown on Page 66
Note: 2P6140 Vee Belt Set, includes 2 belts, is used

CATERPILLAR D5B TRACTOR

CONSISTS OF:

PAGE

1	9G8255	ALTERNATOR GROUP (DELCO REMY)	68
	- OR -		
1	7N9720	ALTERNATOR GROUP (ROBERT BOSCH)	67

6N9294 ALTERNATOR GROUP—24 Volt, 35 Ampere
Part of 6N5471 Alternator Group shown on Page 65

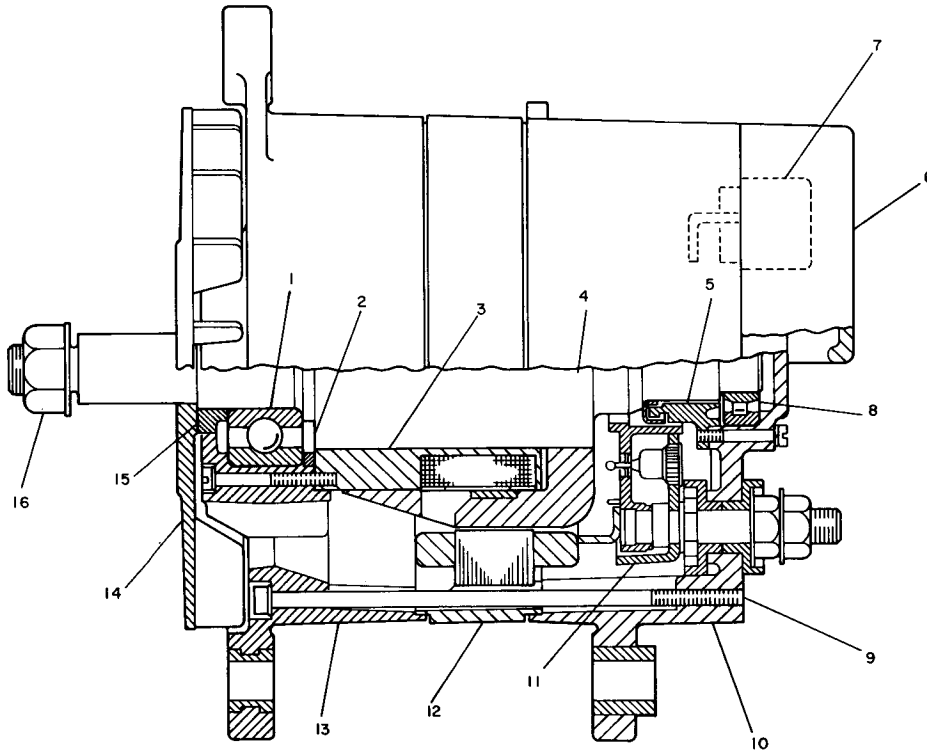
CONSISTS OF:

PAGE

1	5S9088	ALTERNATOR GROUP	70
1	1H6936	WIRE ASSEMBLY--ALTERNATOR TO ENGINE	
		CONSISTS OF:	
	1	2L8060	TERMINAL--No. 8 WIRE--3/8 SCREW
	1	2L8058	TERMINAL--No. 8 WIRE--3/8 SCREW
3 DM	5P5689	WIRE	

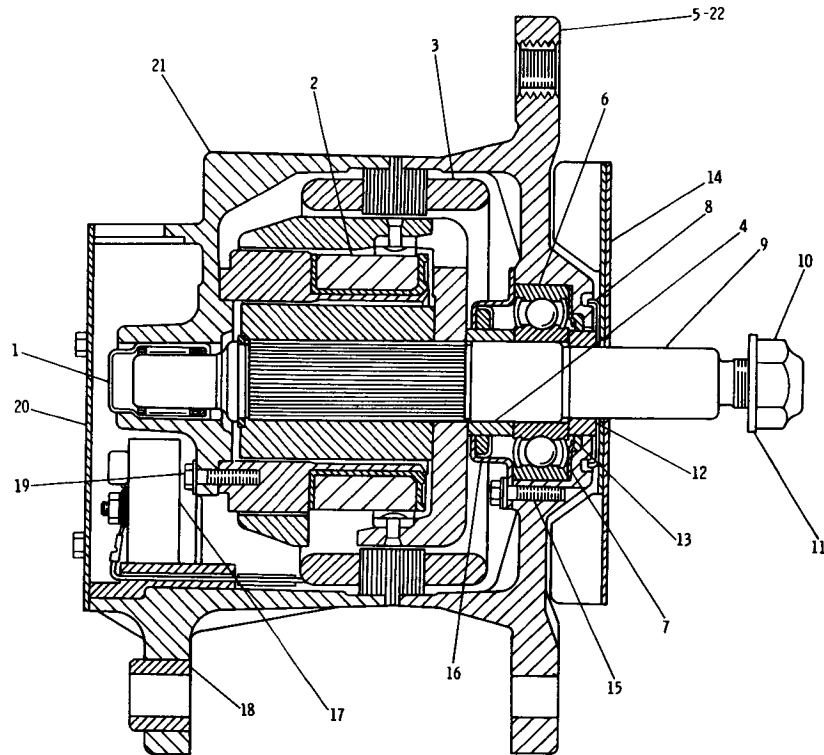
8N1084 ALTERNATOR GROUP—24 Volt, 50 Ampere
Also part of 9G7392 Roll-Over Protective Structure System listed on Page 235
AN ATTACHMENT

7N9720 ALTERNATOR GROUP—Robert Bosch—24 Volt, 35 Ampere
Part of 6N9294 Alternator Group listed on Page 66



REF NO.	PART NUMBER	DESCRIPTION	QTY.
1	9G7551	BEARING-----	1
2	9G7548	RING-----	1
3	9G7558	COIL ASSEM.-----	1
4	9G7560	ROTOR ASSEM.-----	1
5	9G7553	RING-----	1
6	9G7562	COVER ASSEM.-----	1
7	9G7567	REGULATOR ASSEM.-----	1
8	9G7552	BEARING-----	1
9	9G7557	SCREW ASSEM.-----	1
10	9G7568	FRAME ASSEM.-----	1
11	9G7563	DIODE ASSEM.-----	1
12	9G7561	STATOR ASSEM.-----	1
13	9G7566	FRAME-----	1
14	9G7564	FAN-----	1
15	9G7549	SPACER-----	1
16	2K4821	LOCKNUT-----	1
	7K7621	WASHER-----	1
THE FOLLOWING REPAIR KITS ARE AVAILABLE:			
	9G7554	KIT----- (ground terminal)----- (Includes nuts & lockwashers)	1
	9G7555	KIT----- (output terminal)----- (Includes nuts, washers & bushings)	1
	9G7556	KIT----- (capacitor)----- (Includes capacitor, screw, lockwasher & washer)	1
	9G7559	KIT----- (relay terminal)----- (Includes splice, tube, nut, terminal, lockwasher, washers, and bushing)	1
	9G7565	KIT----- (regulator terminal)----- (Includes nuts, lockwashers, washers and bushing)	1

228797

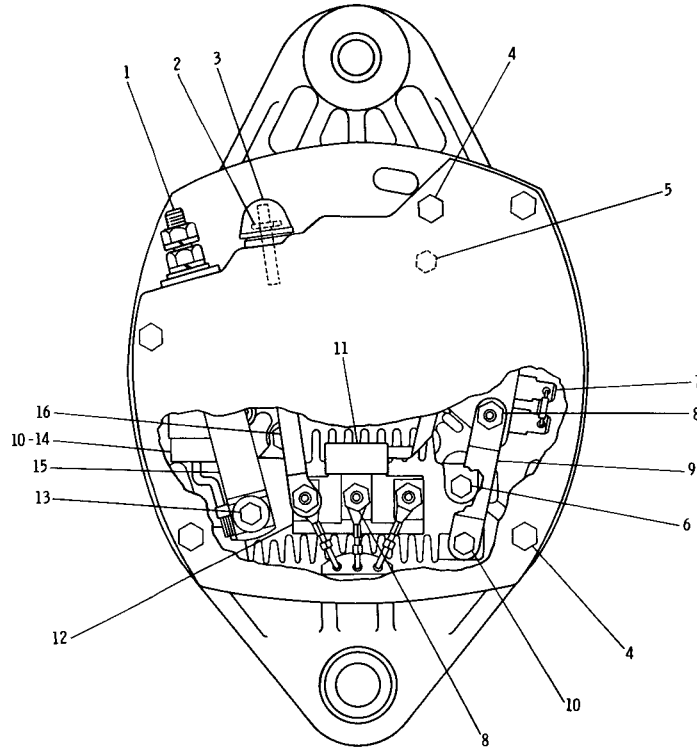


REF. NO.	PART NUMBER	DESCRIPTION	QTY
1	5P6920	BEARING-----	1
2	7N7806	COIL ASSEM.-----	1
3	7N7804	STATOR ASSEM.-----	1
4	7N7795	COLLAR-----	1
5	7N7810	FRAME ASSEM.-----	1
6	5P9514	BEARING-----	1
7	9L2140	PLATE-----	1
8	9L6782	SHIELD-----	1
9	7N7800	ROTOR ASSEM.-----	1
10	2K4821	LOCKNUT-----	1
11	7F7621	WASHER-----	1
12	9L6783	COLLAR-----	1
13	9L2139	WASHER-----	1
14	9N1210	FAN ASSEM.-----	1
15	7N9020	SCREW ASSEM.-----	3
16	9L2137	RETAINER ASSEM.-----	1
17	7N7122	RECTIFIER ASSEM.-----	1
18	9S2396	BUSHING-----	1
19	9S2007	SCREW-----	4
20	7N7809	PLATE-----	1
21	7N7805	HOUSING-----	1
22	7N9024	BOLT-----	4

228795

9G8255 ALTERNATOR GROUP—Delco-Remy—24 Volt, 35 Ampere—Part 1
Part of 6N9294 Alternator Group listed on Page 66

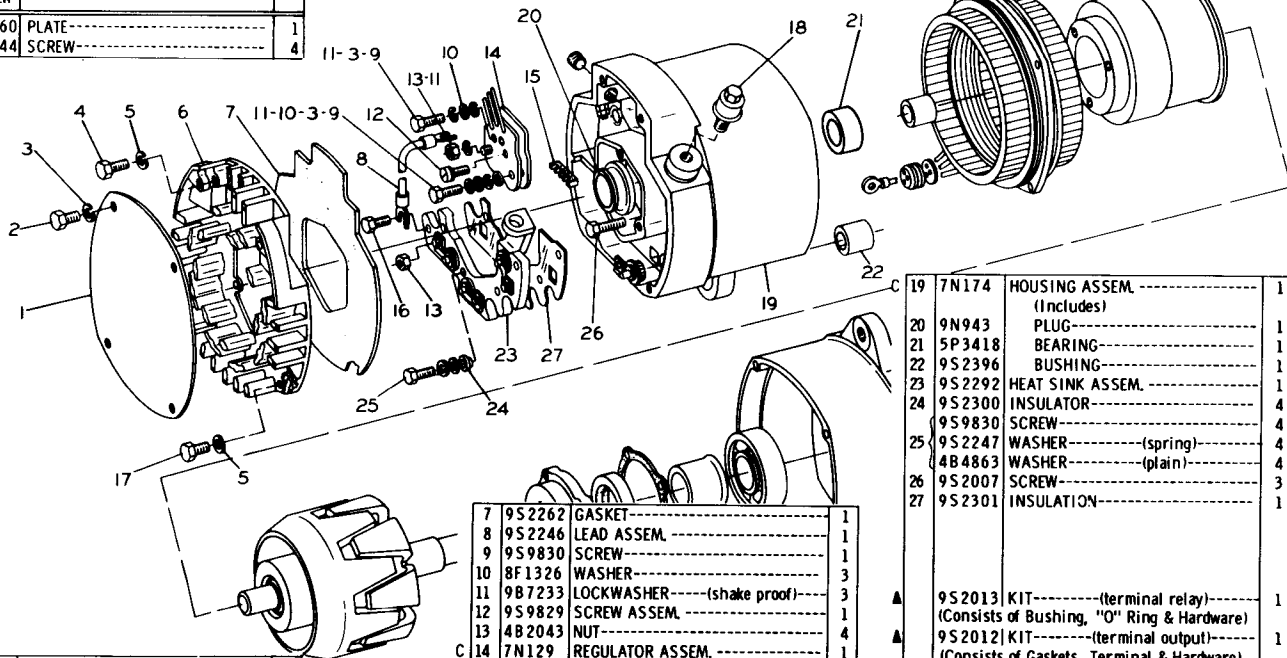
9G8255 ALTERNATOR GROUP—Delco-Remy—24 Volt, 35 Ampere—Part 2
 Part of 6N9294 Alternator Group listed on Page 66



REF. NO.	PART NUMBER	DESCRIPTION	QTY
1	7N7807	TERMINAL KIT----(output)----- (Includes Insulator, Screw, Washers, Lockwasher, Nut & Adapter)	1
2	7N7808	TERMINAL KIT----- (Includes Stud, Bushings, Washers & Nut Assem.)	1
3	9L6770	CAP-----	1
4	8N740	SCREW ASSEM.-----	5
	7N9022	SCREW ASSEM.-----	2
5	9N938	WASHER-----	2
6	7N9023	SCREW ASSEM.-----	2
7	7N7799	REGULATOR ASSEM.-----	1
8	6N1869	NUT ASSEM.-----	4
9	7N7811	CONNECTOR-----	1
10	7N9018	SCREW ASSEM.-----	3
11	9N1202	DIODE ASSEM.-----	1
12	7N7797	INSULATOR-----	2
	7N9021	SCREW ASSEM.-----	1
13	7N7796	BUSHING-----	1
	7N7802	CAPACITOR ASSEM.-----	1
14	3N4082	BRACKET-----	1
15	7N7798	CONNECTOR-----	1
16	7N7801	CONNECTOR-----	1

STARTING AND ELECTRICAL SYSTEM

REF NO.	PART NUMBER	DESCRIPTION	QTY
1	9S2260	PLATE-----	1
2	9S2544	SCREW-----	4



3	8H878	LOCKWASHER-----	6
4	9S2438	SCREW-----	2
5	7H2079	LOCKWASHER-----	7
6	9S2255	COVER-----	1

7	9S2262	GASKET-----	1
8	9S2246	LEAD ASSEM.-----	1
9	9S9830	SCREW-----	1
10	8F1326	WASHER-----	3
11	9B7233	LOCKWASHER----- (shake proof)	3
12	9S9829	SCREW ASSEM.-----	1
13	4B2043	NUT-----	4
14	7N129	REGULATOR ASSEM.-----	1
15	9S2250	GROMMET-----	1
16	9S2542	SCREW-----	1
17	9S2437	SCREW-----	5
18	9S2389	STUD ASSEM.-----	1

19	7N174	HOUSING ASSEM.----- (Includes)	1
20	9N943	PLUG-----	1
21	5P3418	BEARING-----	1
22	9S2396	BUSHING-----	1
23	9S2292	HEAT SINK ASSEM.-----	1
24	9S2300	INSULATOR-----	4
	9S9830	SCREW-----	4
25	9S2247	WASHER----- (spring)	4
	4B4863	WASHER----- (plain)	4
26	9S2007	SCREW-----	3
27	9S2301	INSULATION-----	1
▲	9S2013	KIT----- (terminal relay)	1
		(Consists of Bushing, "O" Ring & Hardware)	
▲	9S2012	KIT----- (terminal output)	1
		(Consists of Gaskets, Terminal & Hardware)	
▲	9S2290	KIT----- (heat sink)	1
		(Diode Junction Hardware)	
▲	9S2291	KIT----- (heat sink)	1
		(Positive Diode Hardware)	

C INDICATES CHANGE

▲ NOT PART OF 5S9088 ALTERNATOR ASSEM. 162528

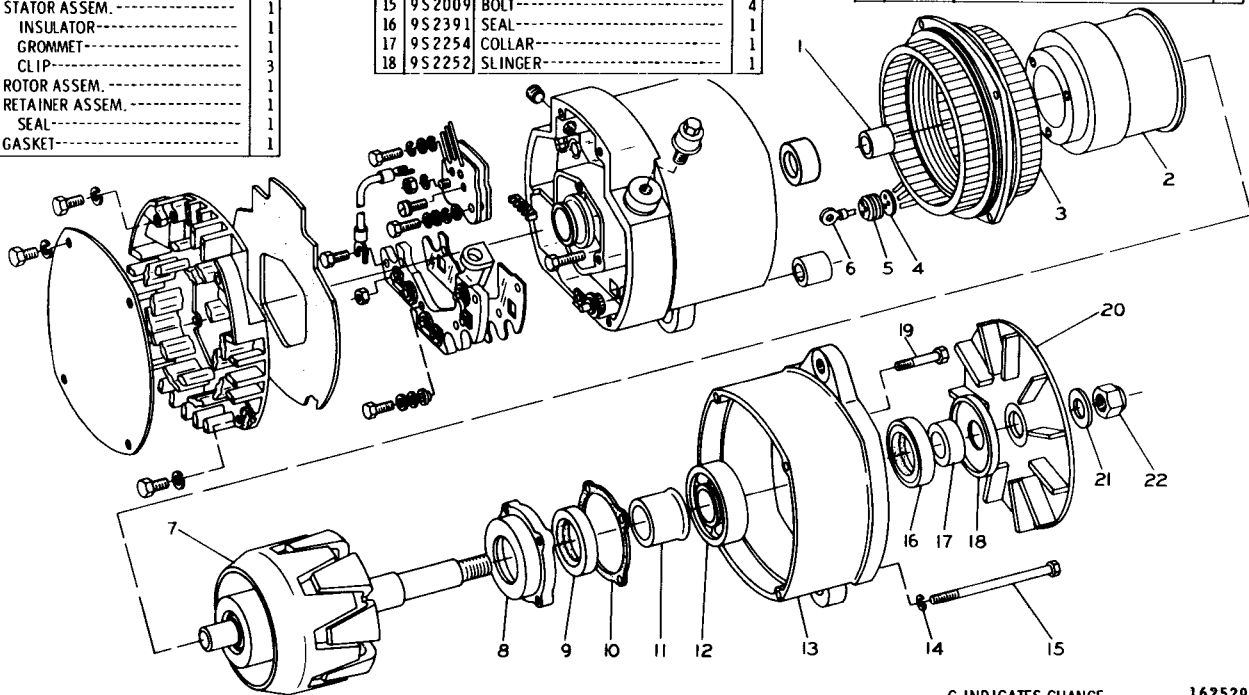
5S9088 ALTERNATOR GROUP—24 Volt, 50 Ampere—Part 1—Type 1
 Part of 8N1084 Alternator Group listed on Page 66. AN ATTACHMENT

5S9088 ALTERNATOR GROUP—24 Volt, 50 Ampere—Part 2—Type 1
 Part of 8N1084 Alternator Group listed on Page 66. AN ATTACHMENT

REF. NO.	PART NUMBER	DESCRIPTION	QTY
C 1	5P3419	RACE-----	1
2	9S2248	FIELD COIL AND SUPPORT ASSEM.	1
3	9S2004	STATOR ASSEM.-----	1
4	9S2006	INSULATOR-----	1
5	9S2005	GROMMET-----	1
6	9S2014	CLIP-----	3
7	9S2302	ROTOR ASSEM.-----	1
8	9S2390	RETAINER ASSEM.-----	1
9	9S2391	SEAL-----	1
10	9S2256	GASKET-----	1

11	9S2261	COLLAR-----	1
12	2F5721	BEARING-----	1
13	2P5616	FRAME-----	1
14	3B4502	LOCKWASHER-----	4
15	9S2009	BOLT-----	4
16	9S2391	SEAL-----	1
17	9S2254	COLLAR-----	1
18	9S2252	SLINGER-----	1

19	9S2008	SCREW-----	4
20	9S2258	FAN AND BAFFLE ASSEM.	1
21	7F7621	WASHER-----	1
22	2K4821	LOCKNUT-----	1



C INDICATES CHANGE

16259

CATERPILLAR D5B TRACTOR

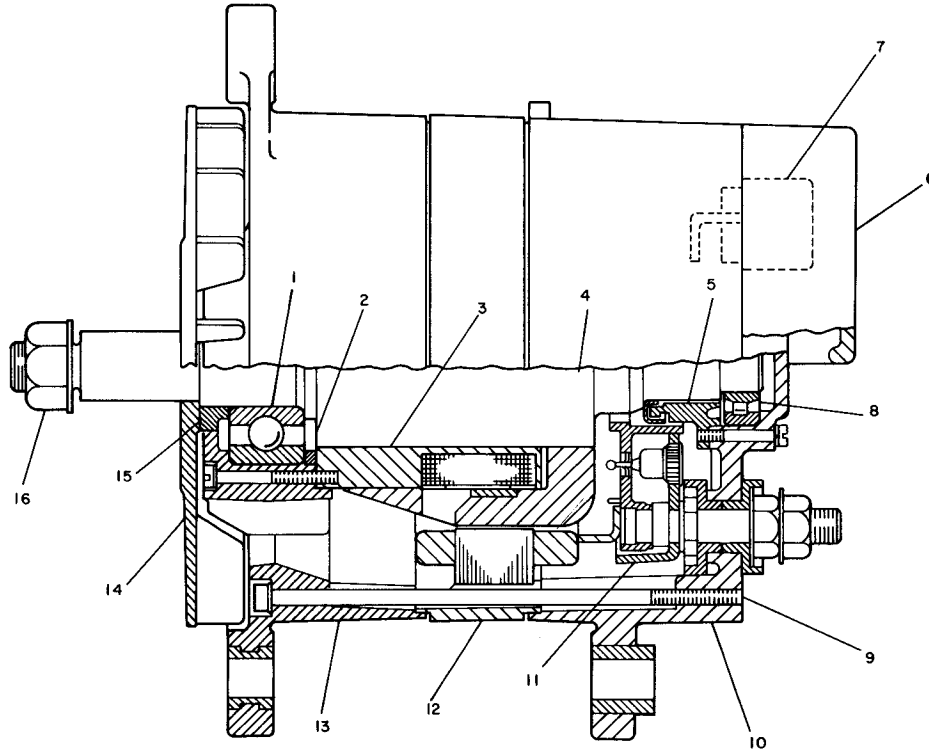
CONSISTS OF:

PAGE

1	9G9538	ALTERNATOR GROUP--ROBERT BOSCH-- 24 VOLT, 50 AMPERE	71B
	- OR -		
1	3T1888	ALTERNATOR GROUP--DELCO REMY-- 24 VOLT, 50 AMPERE	71C

5S9088 ALTERNATOR ASSEMBLY—24 Volt, 50 Ampere—Type 2
Part of 8N1084 Alternator Group listed on Page 66
AN ATTACHMENT

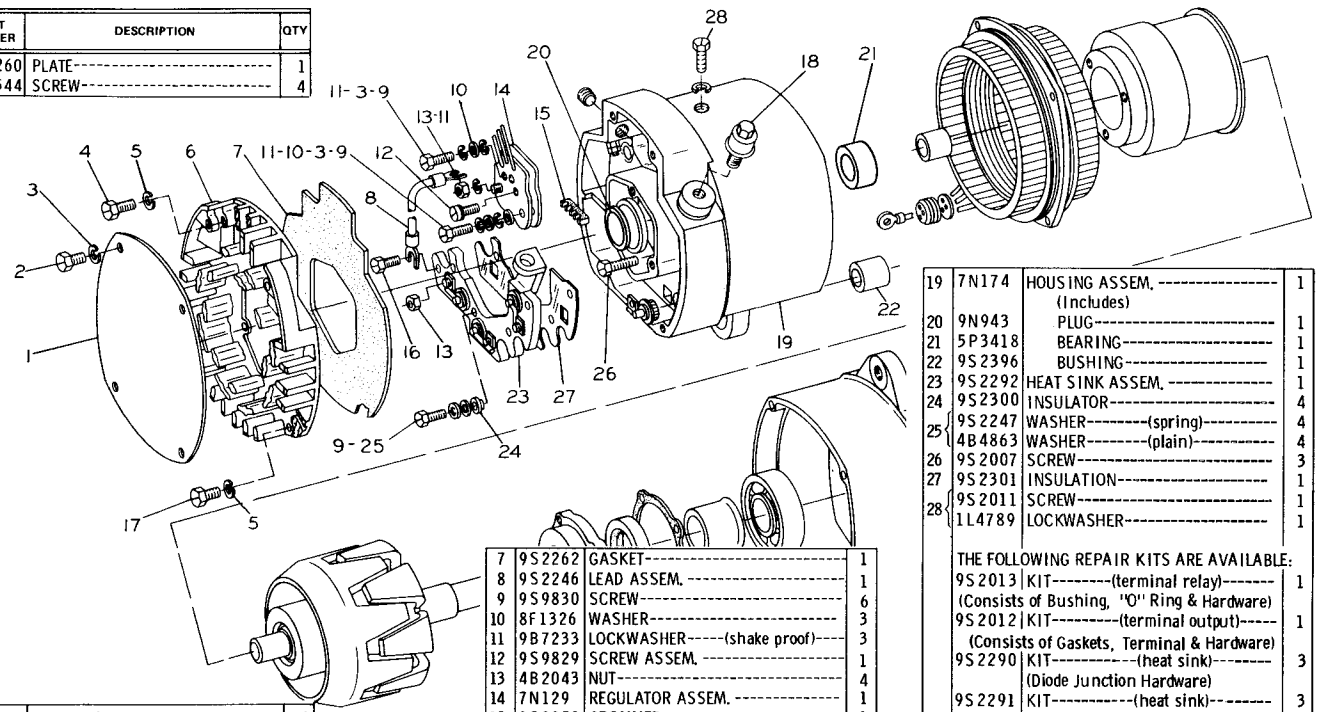
9G9538 ALTERNATOR GROUP—Robert Bosch—24 Volt, 50 Ampere
Part of 5S9088 Alternator Assembly listed on Page 71A



REF. NO.	PART NUMBER	DESCRIPTION	QTY.
1	9G7551	BEARING-----	1
2	9G7548	RING-----	1
3	3T1885	COIL ASSEM.-----	1
4	9G7560	ROTOR ASSEM.-----	1
5	9G7553	RING-----	1
6	9G7562	COVER ASSEM.-----	1
7	9G7567	REGULATOR ASSEM.-----	1
8	9G7552	BEARING-----	1
9	9G7557	SCREW ASSEM.-----	1
10	9G7568	FRAME ASSEM.-----	1
11	3T1887	DIODE ASSEM.-----	1
12	3T1886	STATOR ASSEM.-----	1
13	9G7566	FRAME-----	1
14	9G7564	FAN-----	1
15	9G7549	SPACER-----	1
16	2K4821	LOCKNUT-----	1
	7K7621	WASHER-----	1
THE FOLLOWING REPAIR KITS ARE AVAILABLE:			
	9G7554	KIT----- (ground terminal)----- (Includes nuts & lockwashers)	1
	9G7555	KIT----- (output terminal)----- (Includes nuts, washers & bushings)	1
	9G7556	KIT----- (capacitor)----- (Includes capacitor, screw, lockwasher & washer)	1
	9G7559	KIT----- (relay terminal)----- (Includes splice, tube, nut, terminal, lockwasher, washers, and bushing)	1
	9G7565	KIT----- (regulator terminal)----- (Includes nuts, lockwashers, washers and bushing)	1

233892

REF. NO.	PART NUMBER	DESCRIPTION	QTY
1	9S2260	PLATE-----	1
2	9S2544	SCREW-----	4



3	8H878	LOCKWASHER-----	6
4	9S2438	SCREW-----	2
5	7H2079	LOCKWASHER-----	7
6	9S2255	COVER-----	1

7	9S2262	GASKET-----	1
8	9S2246	LEAD ASSEM.-----	1
9	9S9830	SCREW-----	6
10	8F1326	WASHER-----	3
11	9B7233	LOCKWASHER----- (shake proof)	3
12	9S9829	SCREW ASSEM.-----	1
13	4B2043	NUT-----	4
14	7N129	REGULATOR ASSEM.-----	1
15	9S2250	GROMMET-----	1
16	9S2542	SCREW-----	1
17	9S2437	SCREW-----	5
18	9S2389	STUD ASSEM.-----	1

19	7N174	HOUSING ASSEM.-----	1
		(Includes)	
20	9N943	PLUG-----	1
21	5P3418	BEARING-----	1
22	9S2396	BUSHING-----	1
23	9S2292	HEAT SINK ASSEM.-----	1
24	9S2300	INSULATOR-----	4
	9S2247	WASHER----- (spring)	4
25	4B4863	WASHER----- (plain)	4
26	9S2007	SCREW-----	3
27	9S2301	INSULATION-----	1
	9S2011	SCREW-----	1
28	1L4789	LOCKWASHER-----	1

THE FOLLOWING REPAIR KITS ARE AVAILABLE:

9S2013	KIT----- (terminal relay)	1
	(Consists of Bushing, "O" Ring & Hardware)	
9S2012	KIT----- (terminal output)	1
	(Consists of Gaskets, Terminal & Hardware)	
9S2290	KIT----- (heat sink)	3
	(Diode Junction Hardware)	
9S2291	KIT----- (heat sink)	3
	(Positive Diode Hardware)	
SMHS7290	FORM-----	1
	(Installation & Adjustment of Regulator Assem.)	

233893

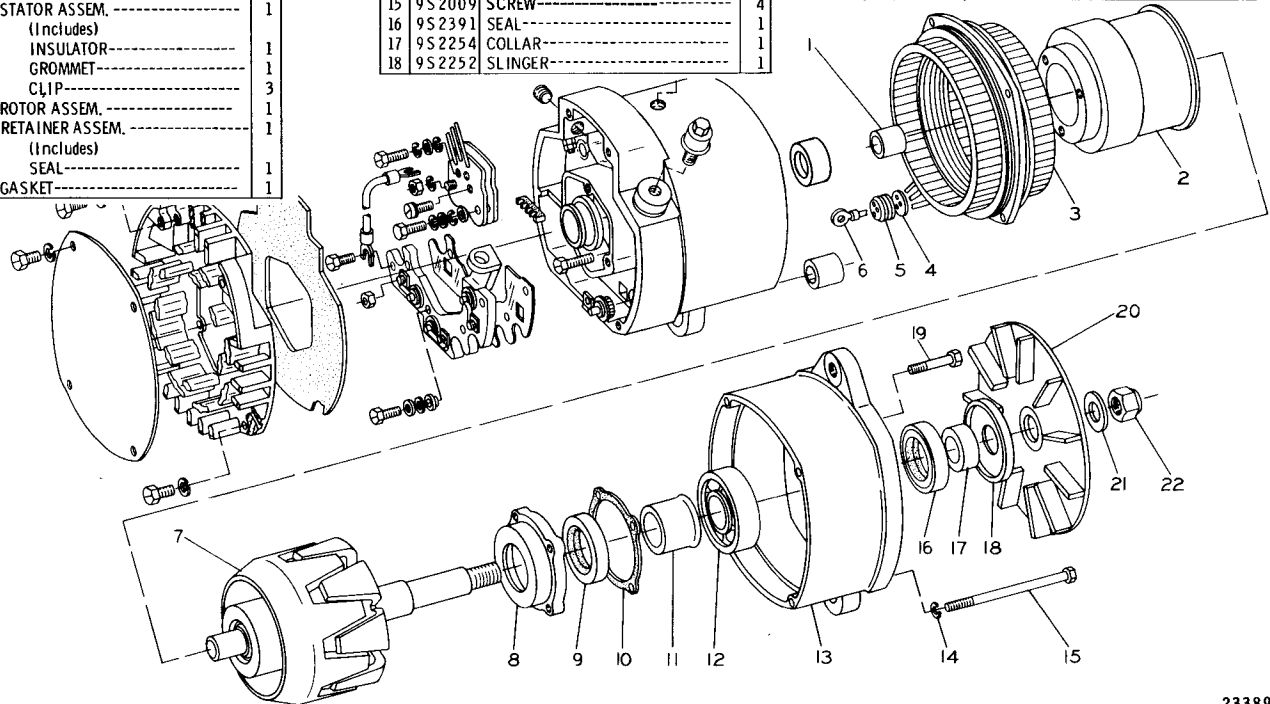
3T1888 ALTERNATOR GROUP—Delco-Remy—24 Volt, 50 Ampere—Part 1
Part of 5S9088 Alternator Assembly listed on Page 71A

3T1888 ALTERNATOR GROUP—Delco-Remy—24 Volt, 50 Ampere—Part 2
 Part of 5S9088 Alternator Assembly listed on Page 71A

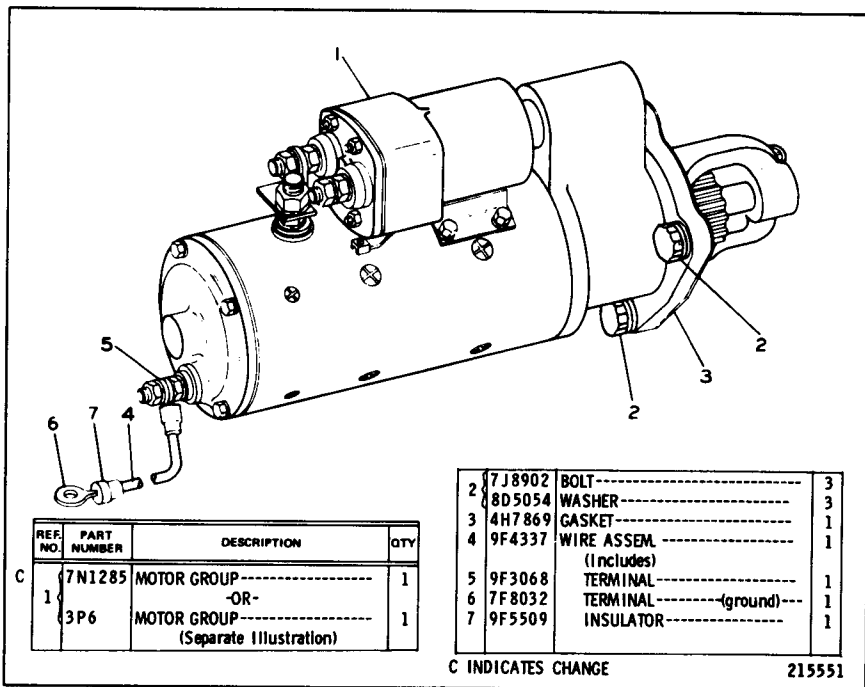
REF. NO.	PART NUMBER	DESCRIPTION	QTY.
1	5P3419	RACE-----	1
2	9S2248	FIELD COIL AND SUPPORT ASSEM.	1
3	9S2004	STATOR ASSEM.----- (Includes)	1
4	9S2006	INSULATOR-----	1
5	9S2005	GROMMET-----	1
6	9S2014	CLIP-----	3
7	9S2302	ROTOR ASSEM.-----	1
8	9S2390	RETAINER ASSEM.----- (Includes)	1
9	9S2391	SEAL-----	1
10	9S2256	GASKET-----	1

11	9S2261	COLLAR-----	1
12	2F5721	BEARING-----	1
13	2P5616	FRAME-----	1
14	3B4502	LOCKWASHER-----	4
15	9S2009	SCREW-----	4
16	9S2391	SEAL-----	1
17	9S2254	COLLAR-----	1
18	9S2252	SLINGER-----	1

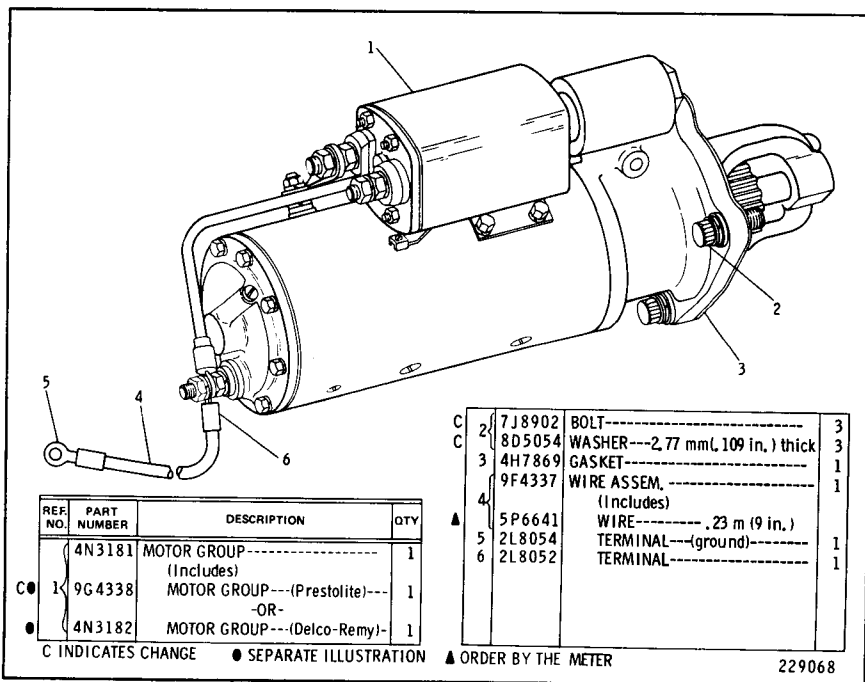
19	9S2008	SCREW-----	4
20	9S2258	FAN AND BAFFLE ASSEM.-----	1
21	7F7621	WASHER-----	1
22	2K4821	LOCKNUT-----	1



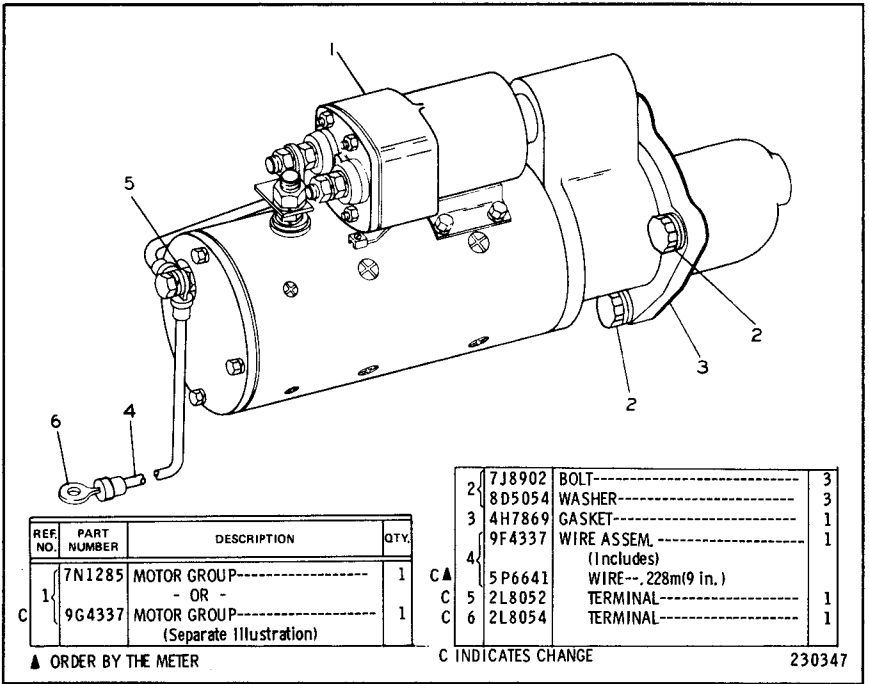
CATERPILLAR D5B TRACTOR



7S4090 ELECTRIC STARTING MOTOR GROUP—24 Volt
 Serial No. 22X439 to 22X444 inclusive and 23X778 & 23X779 inclusive
 3P6 & 7N1285 Starting Motor parts are shown on Pages 78 through 81



7S3622 ELECTRIC STARTING MOTOR GROUP—24 Volt
 FOR USE IN TEMPERATURE OF 0 DEGREES FAHRENHEIT OR BELOW. 4N3182
 & 9G4338 Starting Motor parts are shown on Pages 73 through 77
 AN ATTACHMENT

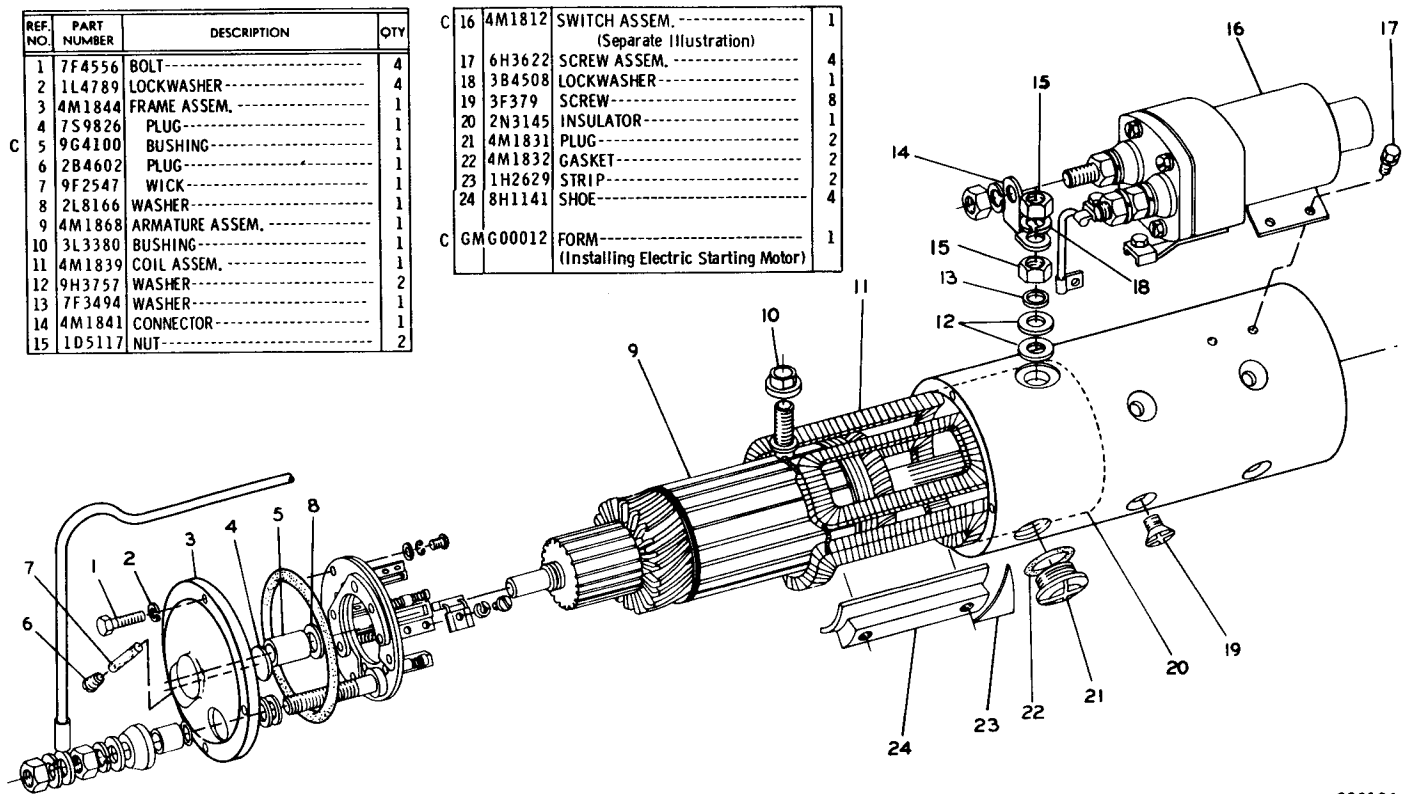


7S4090 ELECTRIC STARTING MOTOR GROUP—24 Volt
 Serial No. 22X445—Up and 23X780—Up
 7N1285 and 9G4337 Motor parts are shown on Pages 80, 81, 81A & 81B

4N3182 ELECTRIC STARTING MOTOR GROUP—Delco-Remy—24 Volt—Part 1 of 3
 Part of 7S3622 Electric Starting Motor Group shown on Page 72
 4M1812 Switch parts are shown on Page 82. AN ATTACHMENT

REF. NO.	PART NUMBER	DESCRIPTION	QTY
1	7F4556	BOLT-----	4
2	1L4789	LOCKWASHER-----	4
3	4M1844	FRAME ASSEM.-----	1
4	7S9826	PLUG-----	1
5	9G4100	BUSHING-----	1
6	2B4602	PLUG-----	1
7	9F2547	WICK-----	1
8	2L8166	WASHER-----	1
9	4M1868	ARMATURE ASSEM.-----	1
10	3L3380	BUSHING-----	1
11	4M1839	COIL ASSEM.-----	1
12	9H3757	WASHER-----	2
13	7F3494	WASHER-----	1
14	4M1841	CONNECTOR-----	1
15	1D5117	NUT-----	2

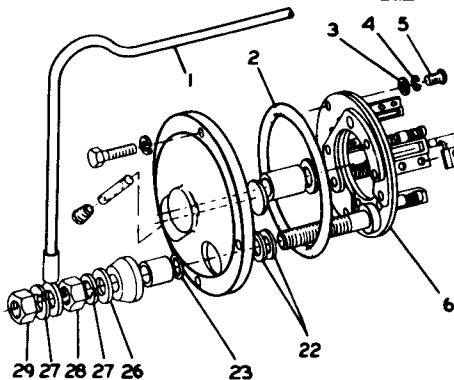
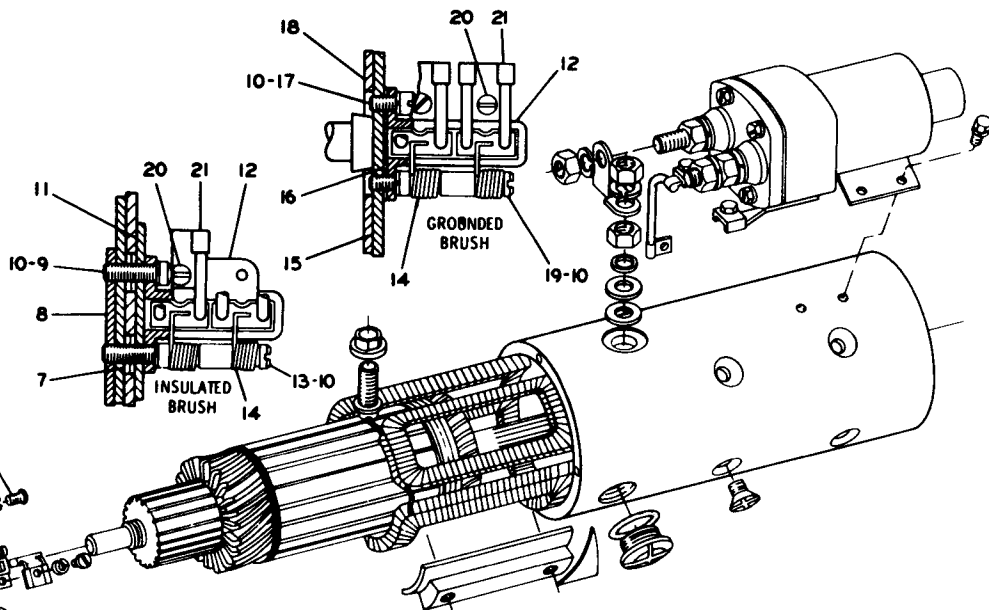
C 16	4M1812	SWITCH ASSEM.-----	1
		(Separate Illustration)	
17	6H3622	SCREW ASSEM.-----	4
18	3B4508	LOCKWASHER-----	1
19	3F379	SCREW-----	8
20	2N3145	INSULATOR-----	1
21	4M1831	PLUG-----	2
22	4M1832	GASKET-----	2
23	1H2629	STRIP-----	2
24	8H1141	SHOE-----	4
C	GMG00012	FORM-----	1
		(Installing Electric Starting Motor)	



C INDICATES CHANGE

228186

REF. NO.	PART NUMBER	DESCRIPTION	QTY
1	4M1849	LEAD ASSEM.-----	1
2	4M189	SEAL-----	1
3	7F3529	WASHER-----	3
4	8H878	LOCKWASHER-----	3
5	4B1221	SCREW-----	3
6	4M1846	PLATE ASSEM.-----	1
7	7F3525	BUSHING-----	8
8	7F4550	PLATE-----	1
9	5H6467	SCREW-----	2
10	7H2079	LOCKWASHER-----	8
11	2L6679	PLATE-----	2
12	7F4546	HOLDER-----	4
13	7F3522	SCREW-----	2
14	7F3512	SPRING-----	8
15	4M1891	PLATE ASSEM.-----	1
16	7F4549	PLATE-----	2
17	4B1311	SCREW-----	2
18	7F4545	PLATE-----	1
19	3H3697	SCREW-----	2



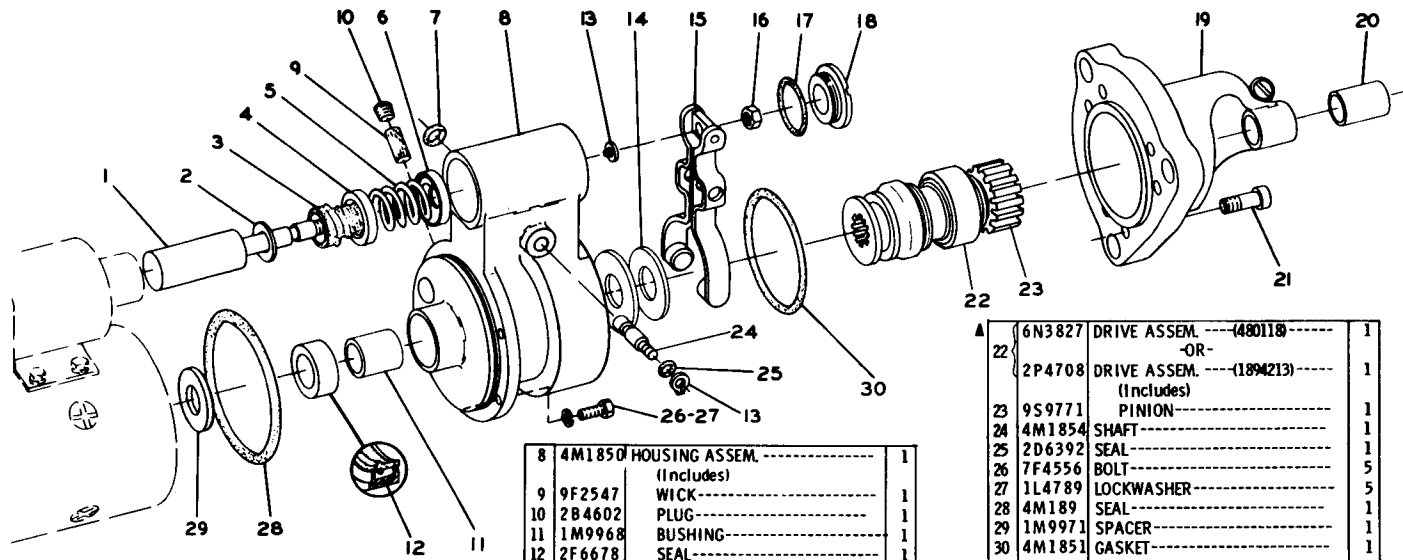
20	2F2860	SCREW-----(.312" long)-----	6
	4B1220	SCREW-----(.375" long)-----	2
	3B4501	LOCKWASHER-----	8
21	4M1845	BRUSH ASSEM.-----	8
22	7F3491	WASHER-----	2
23	8F9206	SEAL-----	1

26	7F3494	WASHER-----	1
27	3B4508	LOCKWASHER-----	2
28	1D5117	NUT-----	1
29	1D4719	NUT-----	1
THE FOLLOWING REPAIR KIT IS AVAILABLE:			
	3N3763	KIT----- (insulator)-----	1
(Includes Insulator, Bushings and Washer)			

226220

4N3182 ELECTRIC STARTING MOTOR GROUP—Delco-Remy—24 Volt—Part 2 of 3
Part of 7S3622 Electric Starting Motor Group shown on Page 72
AN ATTACHMENT

4N3182 ELECTRIC STARTING MOTOR GROUP—Delco-Remy—24 Volt—Part 3 of 3
 Part of 7S3622 Electric Starting Motor Group shown on Page 72
 AN ATTACHMENT



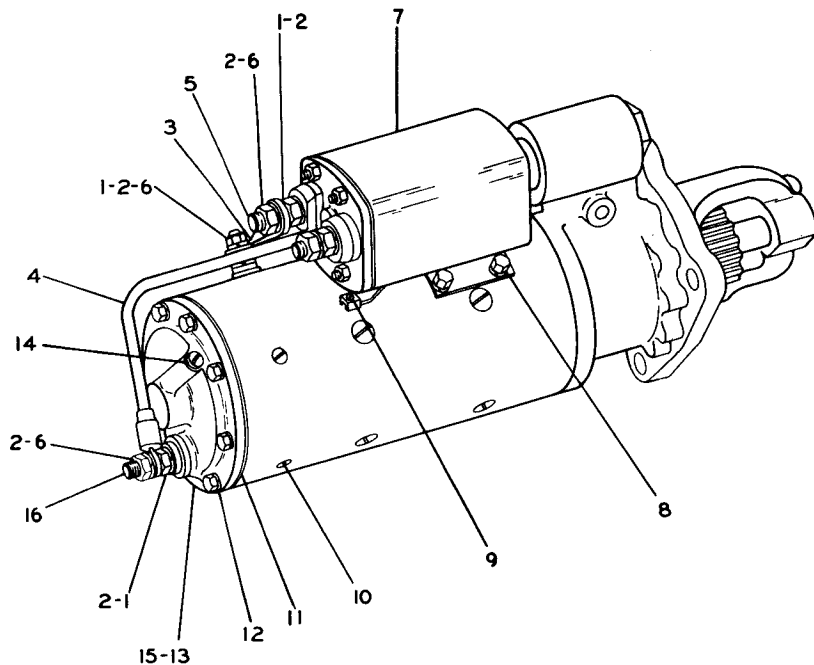
REF. NO.	PART NUMBER	DESCRIPTION	QTY
1	4M1855	PLUNGER ASSEM.-----	1
1	FMO55075	FORM----(installation instructions)	1
2	2S4027	WASHER-----	1
3	4M1829	BOOT-----	1
4	4M1828	RETAINER-----	1
5	9M7609	SPRING-----	1
6	4M1827	RETAINER-----	1
7	1H1023	SEAL-----	1

8	4M1850	HOUSING ASSEM.-----	1
		(Includes)	
9	9F2547	WICK-----	1
10	2B4602	PLUG-----	1
11	1M9968	BUSHING-----	1
12	2F6678	SEAL-----	1
13	2H3429	RING-----	2
14	4L2729	WASHER-----	1
15	4M1853	LEVER ASSEM.-----	1
16	3F2617	NUT-----	1
17	4M1832	GASKET-----	1
18	4M1831	PLUG-----	1
19	1S297	HOUSING ASSEM.-----	1
		(Includes)	
20	4M1896	BUSHING-----	1
21	4M1833	SCREW---1.50 in. (38.10 mm) long	5
7	7M336	SCREW---.875 in. (22.23 mm) long	1

▲	6N3827	DRIVE ASSEM.---(480118)----	1
22		-OR-	
22	2P4708	DRIVE ASSEM.---(1894213)----	1
		(Includes)	
23	9S9771	PINION-----	1
24	4M1854	SHAFT-----	1
25	2D6392	SEAL-----	1
26	7F4556	BOLT-----	5
27	1L4789	LOCKWASHER-----	5
28	4M189	SEAL-----	1
29	1M9971	SPACER-----	1
30	4M1851	GASKET-----	1
		THE FOLLOWING REPAIR KITS ARE AVAILABLE FOR 2P4708 DRIVE ASSEM.:	
	7N6098	KIT----- (spring)-----	1
		(Includes Cup & Spring)	
	9S9825	KIT----- (cup)-----	1
		(Includes Cup & Washers)	
	4S9459	KIT----- (washer)-----	1
		(Includes Cup & Washers)	
	FMO35152	FORM.----- (cup kit installation)---	1

▲ NOT PART OF 4N3182 MOTOR GROUP

226221

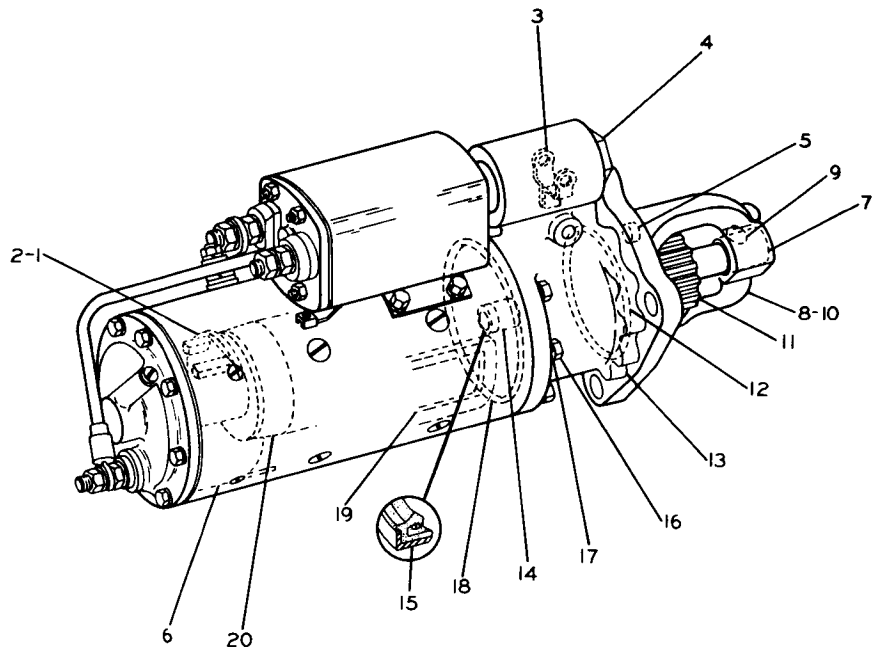


REF. NO.	PART NUMBER	DESCRIPTION	QTY
1	1D5117	NUT------(jam)-----	4
2	3B4508	LOCKWASHER-----	8
3	4N9405	CONNECTOR-----	1
4	4N9404	LEAD ASSEM.-----	1
5	2P8819	KIT-----(Field Terminal Stud)---- (Includes Stud, Bushing & Washers)	1
6	1D4719	NUT-----	4
7	9S7976	SOLENOID ASSEM.----- (Separate Illustration)	1
	6H3622	SCREW-----	4
8	3B4504	LOCKWASHER-----	4
	3K6116	WASHER-----	4
9	4M3217	SCREW-----	2
10	4B1220	SCREW-----	3
11	8S1553	GASKET-----	1
12	3B4502	LOCKWASHER-----	7
13	1P7831	HEAD ASSEM. -(Commutator End)- (Includes)	1
14	2B4602	PLUG-----	1
15	1P7832	KIT-----(Bearing & Wick)-----	1
16	4N9403	KIT-(Commutator End Terminal Stud) (Includes Stud, Bushing & Washers)	1

229069

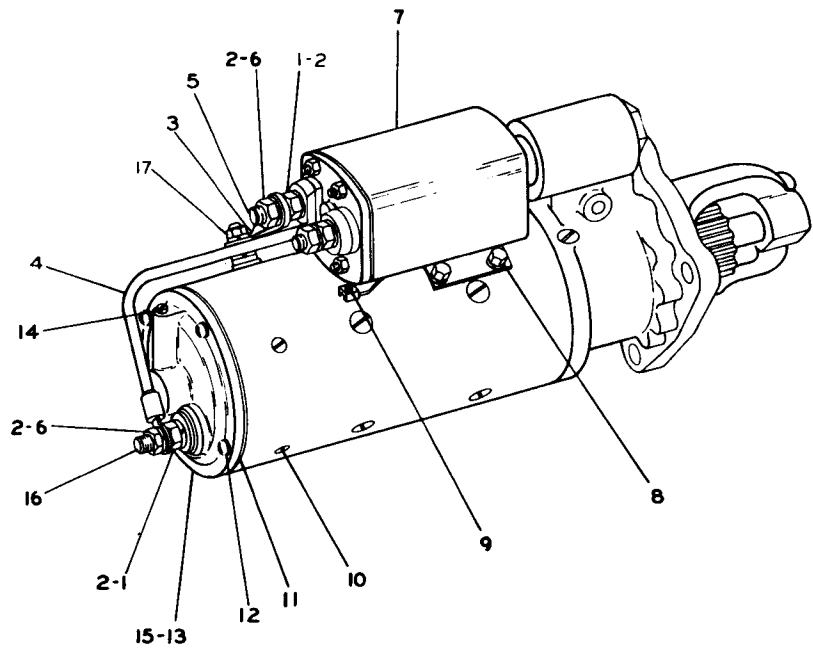
9G4338 ELECTRIC STARTING MOTOR GROUP—Prestolite—24 Volt—Part 1
 Part of 7S3622 Electric Starting Motor Group shown on Page 72
 9S7976 Solenoid Switch parts are shown on Page 82
 AN ATTACHMENT

9G4338 ELECTRIC STARTING MOTOR GROUP—Prestolite—24 Volt—Part 2
 Part of 7S3622 Electric Starting Motor Group shown on Page 72
 AN ATTACHMENT



REF. NO.	PART NUMBER	DESCRIPTION	QTY.
1	2P8822	PLATE ASSEM. -----	1
2	4N9401	KIT----- (Includes 6 Brushes)---	1
	2P8868	KIT--- (Includes 8 Springs)-----	1
3	2P8825	SHIFT YOKE ASSEM. -----	1
4	2P8817	KIT----- (Yoke Adjusting)-----	1
		(Includes Plugs, Pin, Gasket & Nut)	
5	8S1535	KIT----- (Includes 6 Plugs)-----	1
6	4N9402	KIT--- (Includes 10 Insulations)---	1
7	8S4684	KIT----- (Bearing & Wick)-----	1
8	9G5854	HOUSING ASSEM. --- (Pinion)-----	1
		(Includes)	
9	2B4602	PLUG-----	1
10	8S4680	KIT--- (Includes 10 Seals)-----	1
11	9G5587	DRIVE ASSEM. -----	1
12	2H3931	SEAL-----	1
13	2P8824	HOUSING ASSEM. -----	1
		(Includes)	
14	2B4602	PLUG-----	1
15	8S2226	BUSHING-----	1
16	8S2225	SEAL-----	1
17	L1340	SCREW-----	7
	2P8816	KIT-- (Includes Housing Screws)---	1
18	3B4504	LOCKWASHER-----	7
19	4M189	SEAL-----	1
20	2N8818	KIT----- (Field Coil)-----	1
		(Includes Coils, Gaskets & Screws)	
20	8S1546	ARMATURE ASSEM. -----	1
	8S8075	KIT-- (Armature Thrust Washers)---	1

229070



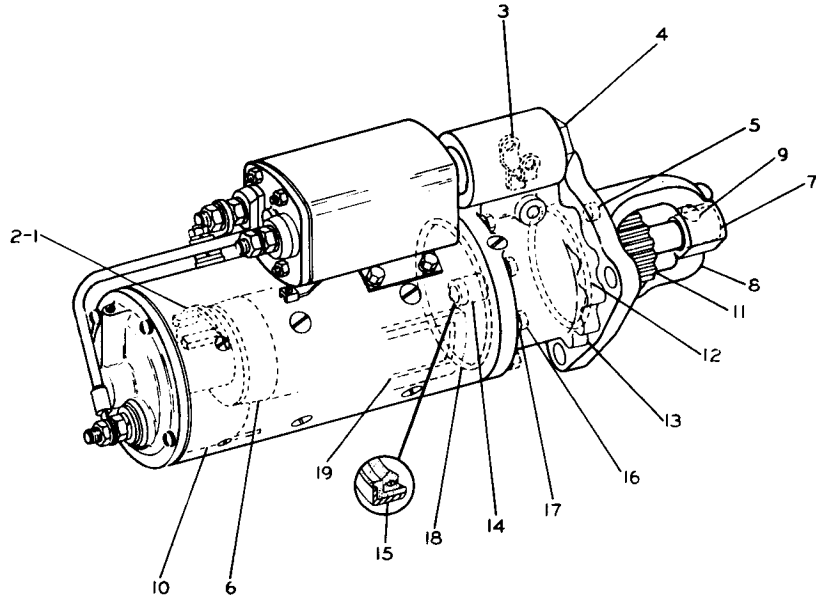
REF. NO.	PART NUMBER	DESCRIPTION	QTY
1	1D5117	NUT-----	3
2	3B4508	LOCKWASHER-----	6
3	8S2771	CONNECTOR-----	1
4	4N9404	LEAD ASSEM.-----	1
5	4N4694	KIT----- (Field Terminal Stud) (Includes Stud, Bushing & Washers)	1
6	1D4719	NUT-----	3
7	9S7976	SOLENOID ASSEM.----- (Separate Illustration)	1
8	6H3622	SCREW-----	4
8	3B4504	LOCKWASHER-----	4
8	3K6116	WASHER-----	4
9	4M3217	SCREW-----	2
10	4B1220	SCREW-----	3
11	8S6035	GASKET-----	1
12	3B4502	LOCKWASHER-----	4
13	8S2769	HEAD ASSEM. --(Commutator End)-	1
14	2B4602	PLUG-----	1
15	8S4682	KIT----- (Bearing & Wick)-----	1
16	4N4693	KIT-(Commutator End Terminal Stud) (Includes Stud, Bushing & Washers)	1
17	1D4717	NUT----- (plain)-----	1
17	1B2578	NUT----- (jam)-----	1
17	3B4506	LOCKWASHER-----	2

C INDICATES CHANGE

207040

3P6 ELECTRIC STARTING MOTOR GROUP—Prestolite—24 Volt—Part 1
 Part of 7S4090 Electric Starting Motor Group shown on Page 72
 9S7976 Solenoid Switch parts are shown on Page 82

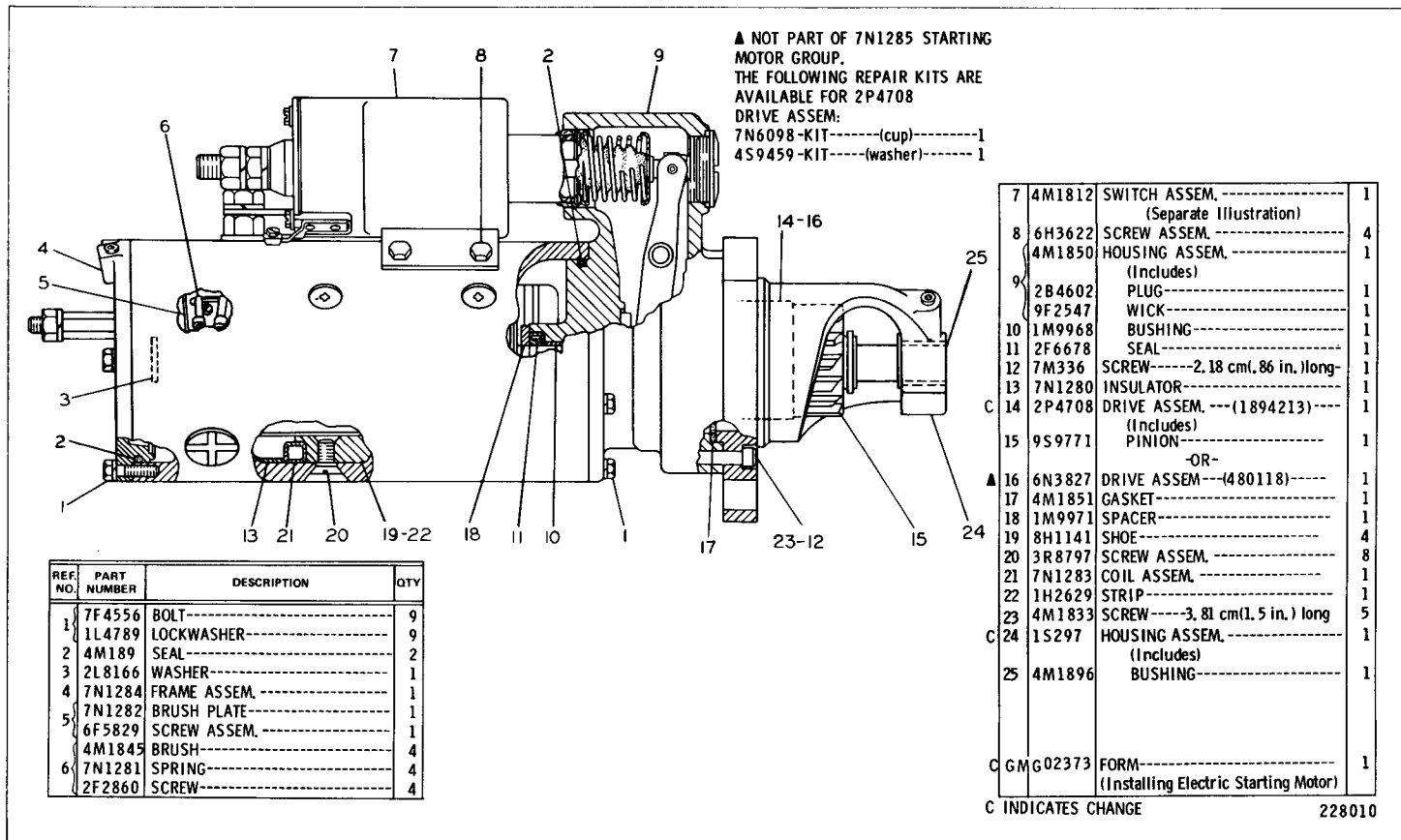
3P6 ELECTRIC STARTING MOTOR GROUP—Prestolite—24 Volt—Part 2
 Part of 7S4090 Electric Starting Motor Group shown on Page 72



REF. NO.	PART NUMBER	DESCRIPTION	QTY
1	4N4691	PLATE ASSEM. -----	1
C 2	4N8618	KIT--(Includes 3 Brushes & 1 Clip)-----	1
	4N4692	KIT----- (Includes 8 Springs)-----	1
C 3	2P8825	SHIFT YOKE ASSEM. -----	1
4	2P8817	KIT----- (Yoke Adjusting)-----	1
		(Includes Plugs, Pin, Gasket & Nut)	
5	8S1535	KIT----- (Includes 6 Plugs)-----	1
6	9S6100	ARMATURE ASSEM. -----	1
7	8S8071	KIT--(Armature Thrust Washers)---	1
8	8S4684	KIT----- (Bearing & Wick)-----	1
9	8S1543	HOUSING ASSEM.----- (Pinion)-----	1
10	2B4602	PLUG-----	1
11	8S2780	KIT--- (Includes 10 Insulations)---	1
C 12	4N4517	MOTOR DRIVE ASSEM. -----	1
	2H3931	SEAL-----	1
13	2P8824	HOUSING ASSEM. -----	1
	2B4602	PLUG-----	1
14	8S2226	BUSHING-----	1
15	8S2225	SEAL-----	1
16	2P8816	KIT--(Includes Housing Screws)---	1
17	3B4504	LOCKWASHER-----	7
18	4M189	SEAL-----	1
19	4N4690	KIT----- (Field Coil)-----	1
		(Includes Coils, Gaskets & Screws)	

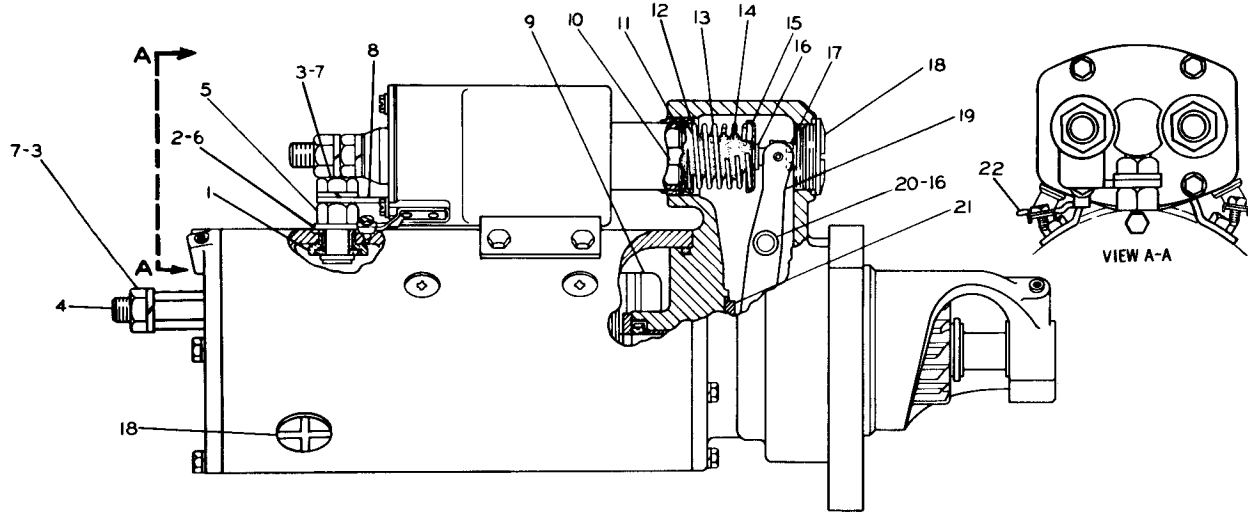
C INDICATES CHANGE

215137



7N1285 ELECTRIC STARTING MOTOR GROUP—Delco-Remy—24 Volt—Part 1
Part of 7S4090 Electric Starting Motor Group shown on Page 72
4M1812 Solenoid Switch parts are shown on Page 82

7N1285 ELECTRIC STARTING MOTOR GROUP—Delco-Remy—24 Volt—Part 2
Part of 7S4090 Electric Starting Motor Group shown on Page 72

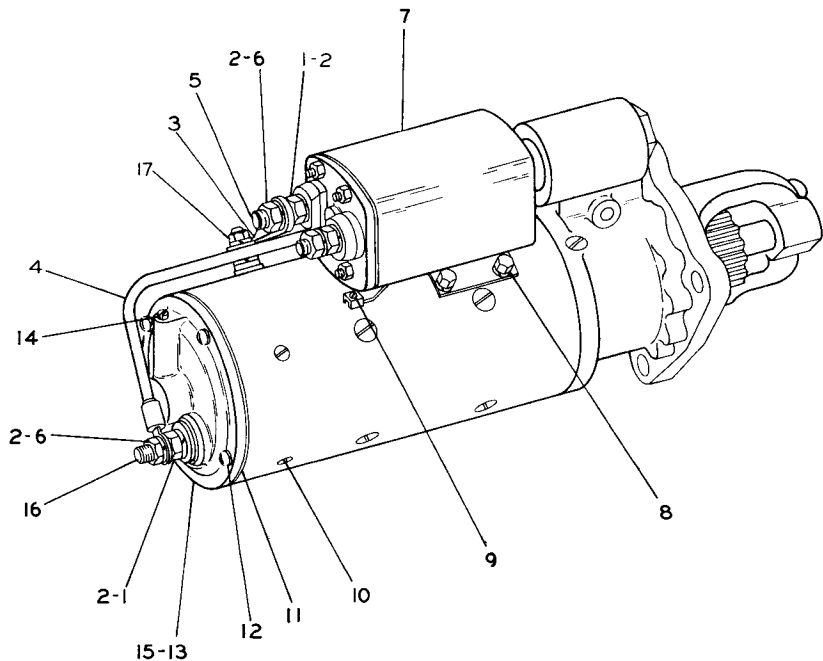


REF. NO.	PART NUMBER	DESCRIPTION	QTY
1	3L3380	BUSHING-----	1
2	690811	STUD-----	1
3	3H3680	NUT-----	1
4	7N1279	STUD ADAPTER-----	1
5	3H3681	NUT-----	1
6	9H3757	WASHER----- (large)	2
6	7F3494	WASHER----- (small)	1
7	9F4976	LOCKWASHER-----	2

8	4M1841	CONNECTOR-----	1
9	5L8877	ARMATURE ASSEM.-----	1
10	9M7606	PLUNGER ASSEM.-----	1
11	369821	WASHER-----	1
12	4M1828	RETAINER-----	1
13	9M7609	SPRING-----	1
14	4M1829	BOOT-----	1
15	4M1827	RETAINER-----	1
16	9M7611	RING-----	2
17	3F2617	NUT-----	1

18	4M1831	PLUG-----	3
	7L2894	GASKET-----	3
19	690797	LEVER ASSEM.-----	1
	4M1854	SHAFT-----	1
20	1H1023	SEAL--9.37 mm(.369 in.) diameter	1
	2D6392	SEAL--6.07 mm(.239 in.) diameter	1
21	4L2729	WASHER-----	1
22	1P3879	LEAD ASSEM.-----	1
THE FOLLOWING REPAIR KIT IS AVAILABLE:			
	3N3763	TERMINAL KIT----(insulator)----	1

215553



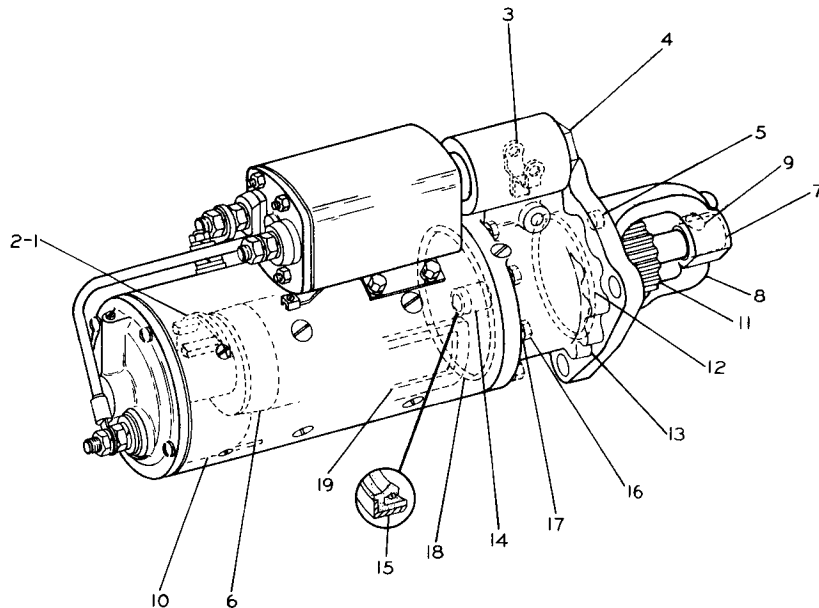
REF. NO.	PART NUMBER	DESCRIPTION	QTY
1	1D5117	NUT-----	3
2	3B4508	LOCKWASHER-----	6
3	8S2771	CONNECTOR-----	1
4	4N9404	LEAD ASSEM.-----	1
5	4N4694	KIT----- (Field Terminal Stud)-----	1
6	1D4719	NUT-----	3
7	9S7976	SOLENOID ASSEM.-----	1
		(Separate Illustration)	
8	6H3622	SCREW-----	4
	3B4504	LOCKWASHER-----	4
	3K6116	WASHER-----	4
9	4M3217	SCREW-----	2
10	4B1220	SCREW-----	3
11	8S6035	GASKET-----	1
12	3B4502	LOCKWASHER-----	4
13	8S2769	HEAD ASSEM. --(Commutator End)-----	1
14	2B4602	PLUG-----	1
15	8S4682	KIT----- (Bearing & Wick)-----	1
16	4N4693	KIT-(Commutator End Terminal Stud)-----	1
		(Includes Stud, Bushing & Washers)	
	1D4717	NUT----- (plain)-----	1
17	1B2578	NUT----- (jam)-----	1
	3B4506	LOCKWASHER-----	2

C INDICATES CHANGE

230348

9G4337 ELECTRIC STARTING MOTOR GROUP—Prestolite—24 Volt—Part 1
Serial No. 22X445—Up and 23X780—Up
Part of 7S4090 Electric Starting Motor Group shown on Page 72A
9S7976 Solenoid Switch parts are shown on Page 82

9G4337 ELECTRIC STARTING MOTOR GROUP—Prestolite—24 Volt—Part 2
Serial No. 22X445—Up and 23X780—Up
Part of 7S4090 Electric Starting Motor Group shown on Page 72A

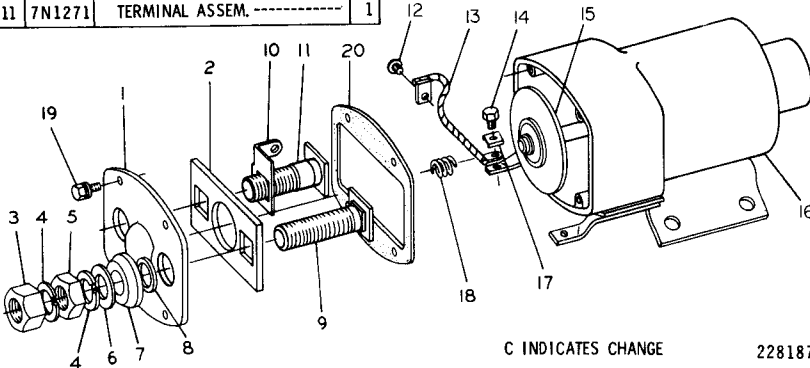


REF. NO.	PART NUMBER	DESCRIPTION	QTY
1	4N4691	PLATE ASSEM. -----	1
2	4N8618	KIT--(Includes 3 Brushes & 1 Clip)	1
	4N4692	KIT----- (Includes 8 Springs)-----	1
3	2P8825	SHIFT YOKE ASSEM. -----	1
4	2P8817	KIT----- (Yoke Adjusting)-----	1
		(Includes Plugs, Pin, Gasket & Nut)	
5	8S1535	KIT----- (Includes 6 Plugs)-----	1
6	9S6100	ARMATURE ASSEM. -----	1
	8S8071	KIT--(Armature Thrust Washers)--	1
7	8S4684	KIT----- (Bearing & Wick)-----	1
8	9G5854	HOUSING ASSEM. ---- (Pinion)----	1
9	9F2247	PLUG-----	1
10	8S2780	KIT--- (Includes 10 Insulations)---	1
11	9G5587	MOTOR DRIVE ASSEM. -----	1
12	2H3931	SEAL-----	1
13	2P8824	HOUSING ASSEM. -----	1
	2B4602	PLUG-----	1
14	8S2226	BUSHING-----	1
15	8S2225	SEAL-----	1
16	2P8816	KIT--(Includes Housing Screws)--	1
17	3B4504	LOCKWASHER-----	7
18	4M189	SEAL-----	1
19	4N4690	KIT----- (Field Coil)-----	1
		(Includes Coils, Gaskets & Screws)	
		THE FOLLOWING REPAIR KIT IS AVAILABLE:	
	8S4684	KIT--(pinion housing repair)-----	1

230349

REF. NO.	PART NUMBER	DESCRIPTION	QTY
C 1	7N1269	TERMINAL ASSEM.-----	1
	4M1834	PLATE-----	1
2	7F4907	STRIP-----	1
3	3H3681	NUT-----	2
4	3B4508	LOCKWASHER-----	4
5	3H3680	NUT-----	2
6	7F3494	WASHER-----	2
7	4M1836	INSULATOR-----	2
8	4M1837	BUSHING-----	2
9	7F4906	STUD-----	1
10	4M2800	TERMINAL-----	1
11	7N1271	TERMINAL ASSEM.-----	1

12	4M5274	SCREW----- (hex head)--	1
		- OR -	
C 13	5P9132	SCREW----- (truss head)--	1
14	1P3879	LEAD ASSEM.-----	1
15	4M3217	SCREW-----	2
C 16	9G6770	CONTACT ASSEM.-----	1
17	4M1813	CASE ASSEM.-----	1
18	1F73	CLIP-----	2
19	4M1815	SPRING-----	1
	9M7657	NUT-----	4
		- OR -	
20	9S4489	SCREW ASSEM.-----	4
	9S4490	GASKET-----	4

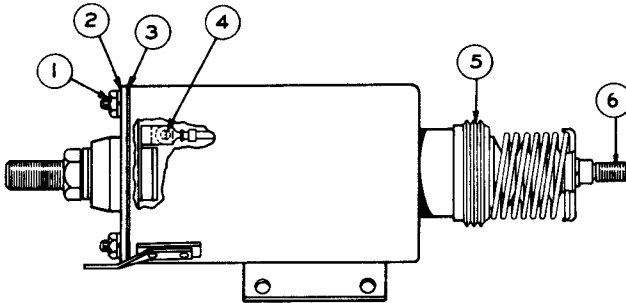


C INDICATES CHANGE

228187

4M1812 SOLENOID SWITCH ASSEMBLY

Part of 4N3182 & 7N1285 Electric Starting Motor Groups shown on Pages 73 & 80



REF. NO.	PART NUMBER	DESCRIPTION	QTY.
C 1	9M7657	NUT-----	4
2	8S8023	COVER ASSEM.-----	1
3	8S8024	GASKET----- (Part of 8S8023 Cover Assem.)	1
4	9B7235	SCREW-----	1
	9M7233	LOCKWASHER-----	1
5	8S1528	BOOT-----	1
6	8S8021	CORE ASSEM.-----	1

The following Repair Kits are available:
 8S1524-KIT----- (Terminal Stud-Battery)----- 1
 8S1525-KIT----- (Terminal Stud-Motor)----- 1
 9S8688-KIT----- (Core-Contact End)----- 1
 8S1527-KIT----- (Core-Yoke End)----- 1

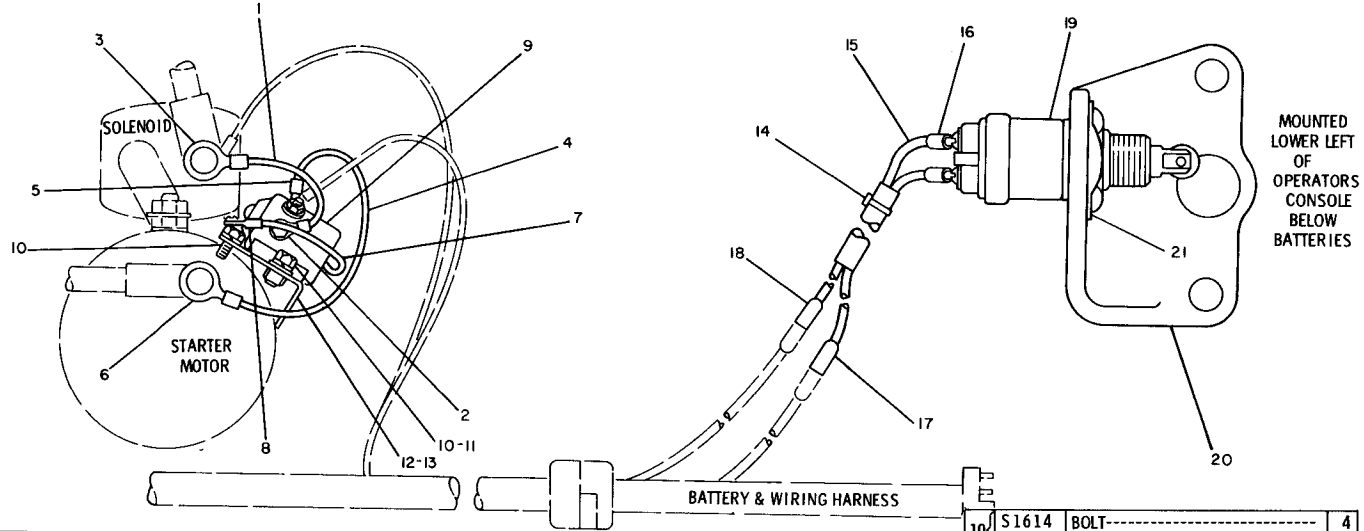
C INDICATES CHANGE

115899

9S7976 SOLENOID SWITCH ASSEMBLY—24 Volt

Part of 9G4338 & 3P6 Electric Starting Motor Groups shown on Pages 76 & 78

7G3946 NEUTRAL START GROUP



REF. NO.	PART NUMBER	DESCRIPTION	QTY.
	2P9082	WIRE ASSEM.-----	1
		(Includes)	
▲ 1	5P5622	WIRE-----, 17 m (7 in.)	
2	2L8069	TERMINAL-9,5mm(.375in.)scr.	1
3	2L8071	TERMINAL-12,7mm(.50in.)scr.	1
	2P9093	WIRE ASSEM.-----	1
		(Includes)	
▲ 4	5P5622	WIRE-----, 35 m (14 in.)	
5	2L8066	TERMINAL----(no. 10) screw--	1
6	2L8071	TERMINAL-12,7mm(.50in.)scr.	1

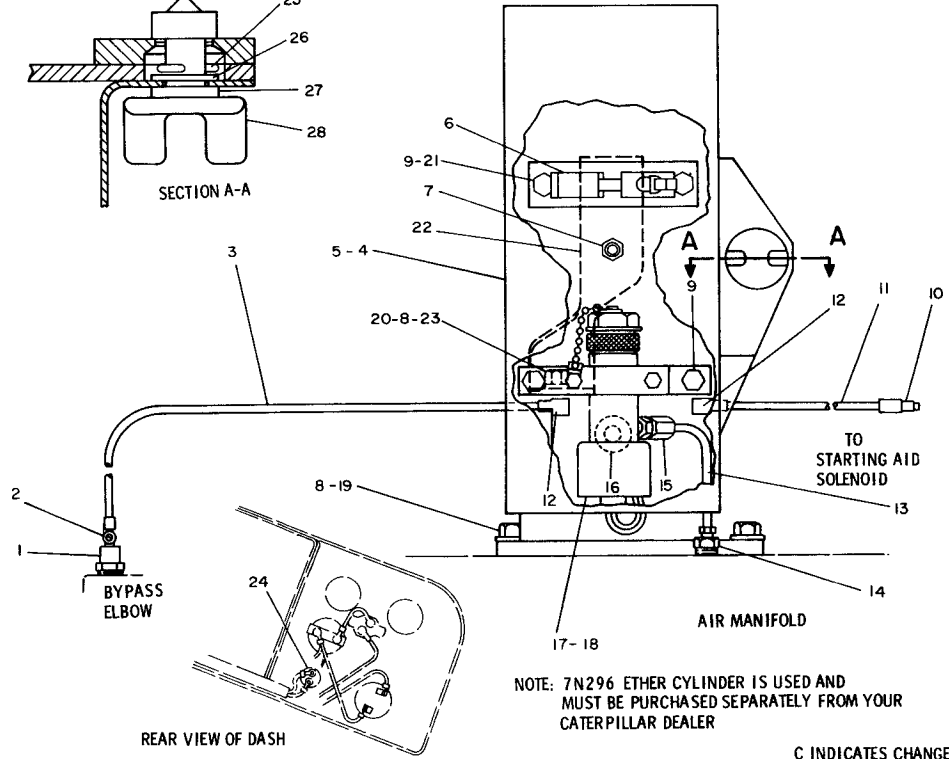
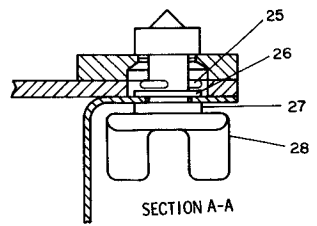
	2P9081	WIRE ASSEM.-----	1
		(Includes)	
▲ 7	5P5622	WIRE-----, 22 m (9 in.)	
8	2L8069	TERMINAL-9,5mm(.375in.)scr.	1
	2L8066	TERMINAL----(No. 10 screw)	1
	9F3099	SWITCH----- (magnetic)	1
		(Includes)	
9	4B2043	NUT---(machine screw)-----	4
	3B4501	LOCKWASHER-1mm(.040in.)thk.	4
	4F2294	NUT----- (jam)-----	4
	8F908	WASHER-----	4
	4M62	LOCKWASHER-1,9mm(.078in.)thk	4

10	S1614	BOLT-----	4
	3B4504	LOCKWASHER-----	4
11	4B4276	WASHER-----	2
12	2P9025	BRACKET ASSEM.-----	1
13	9F6445	NUT---(weld)-----	2
14	3S2093	STRAP-----	5
	7G3828	HARNES ASSEM.-----	1
▲ 15	5P5624	WIRE---2,20 m(86,6 in.)	
16	2L8076	TERMINAL-----	2
17	6N9587	CONNECTOR-----	1
18	5P5610	CONNECTOR-----	1
C 19	9G2795	SWITCH ASSEM. - (neutral start)--	1
20	7G3829	BRACKET-----	1
C 21	7G6980	RETAINER-----	1

C INDICATES CHANGE

▲ ORDER BY THE METER

228581



NOTE: 7N296 ETHER CYLINDER IS USED AND MUST BE PURCHASED SEPARATELY FROM YOUR CATERPILLAR DEALER

C INDICATES CHANGE

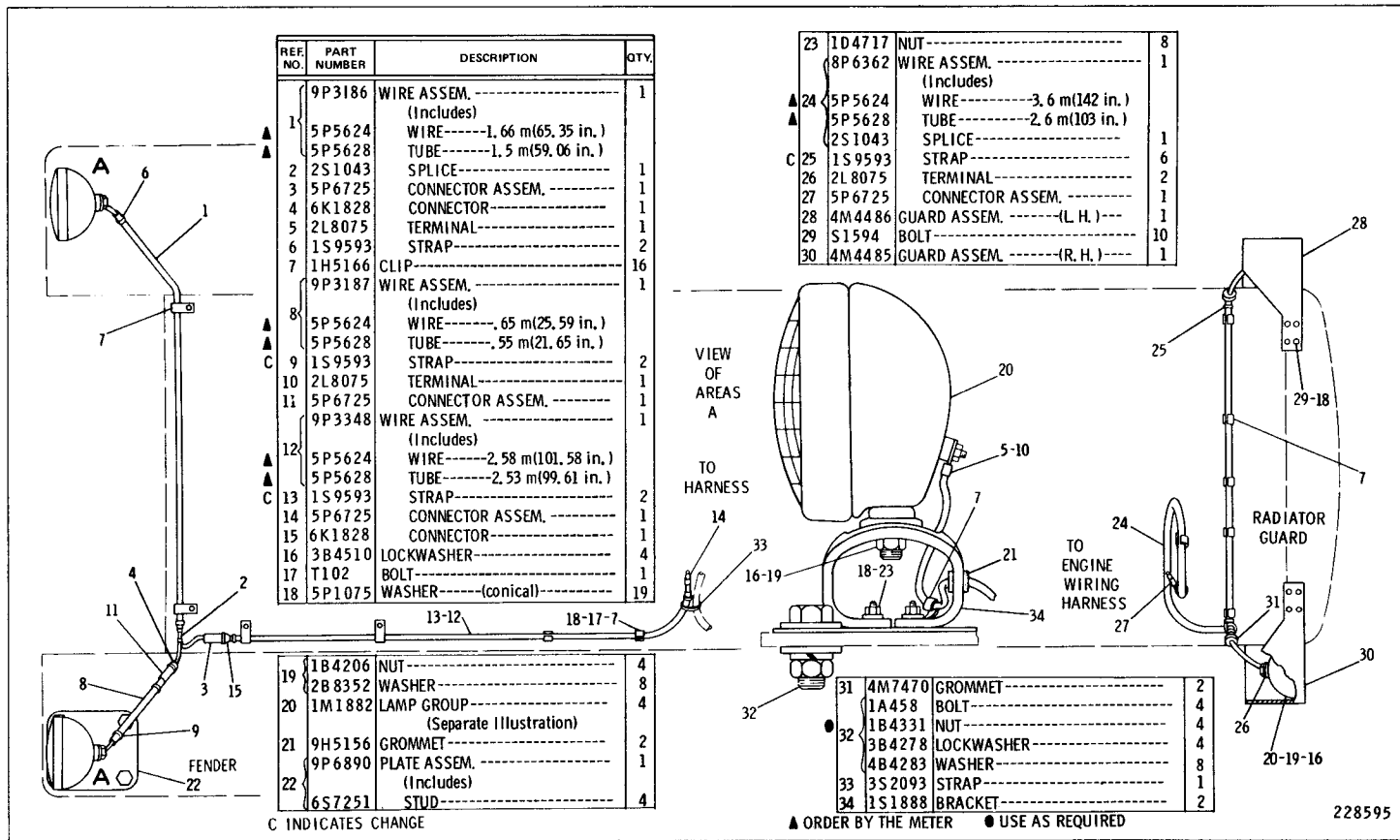
REF. NO.	PART NUMBER	DESCRIPTION	QTY.
1	6N5899	SWITCH-----(temperature)-----	1
2	2L8075	TERMINAL-----	1
▲ 3	5P5624	WIRE-----,84 m(33.07 in.)	1
4	7G6359	BOX ASSEM.-----	1
C 5	1F748	NUT-----	1
6	7N2059	CLAMP ASSEM.-----	1
C 7	S1594	BOLT-----	2
C 7	5P1075	WASHER-----	2
8	5M2894	WASHER-----	3
C 9	S1617	BOLT-----	4
C 9	5P4116	WASHER-----	4
10	5P5610	CONNECTOR-----	1
▲ 11	5P5624	WIRE-----,56 m(22.04 in.)	2
12	6N9587	CONNECTOR-----	1
13	9G941	TUBE-----	1
14	6N9995	ATOMIZER ASSEM.-----	1
15	5P7907	CONNECTOR-----	1
15	5P6313	NUT-----	1
15	5P6314	SLEEVE-----	1
16	4M7470	GROMMET-----	1
16	6N7674	VALVE ASSEM.-----	1
17	5P5610	CONNECTOR-----	2
17	5P5610	CONNECTOR-----	2
18	2V1713	TAG-----((Instruction))-----	1
19	5F4899	BOLT-----	2
C 20	1D4717	NUT-----	3
C 21	1D4716	NUT-----	4
C 22	3T1685	BRACKET-----	1
C 23	L2070	BOLT-----	1
C 24	3T306	SWITCH-----((Starting Aid))-----	1
C 25	3B4610	COTTER PIN-----	1
C 26	L1365	WASHER-----	1
C 27	63801	WASHER-----	1
C 28	6D1746	BOLT-----	1

▲ ORDER BY THE METER

177079

**9G6065 ETHER STARTING AID GROUP
AN ATTACHMENT**

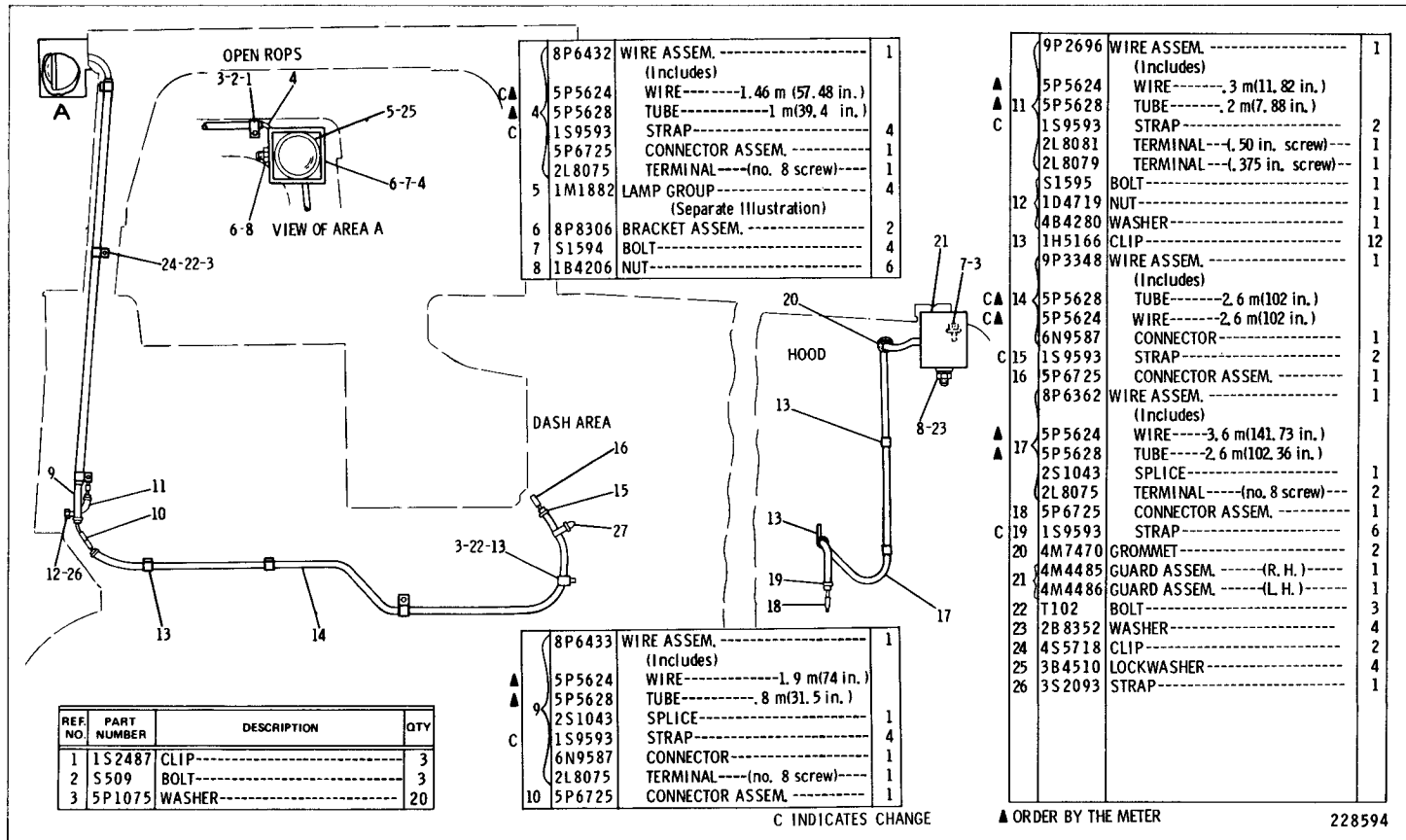
**8P6561 LIGHTING GROUP—4 Lamp—24 Volt
FOR USE WITHOUT ROPS
1M1882 Lamp parts are shown on Page 88
AN ATTACHMENT**



C INDICATES CHANGE

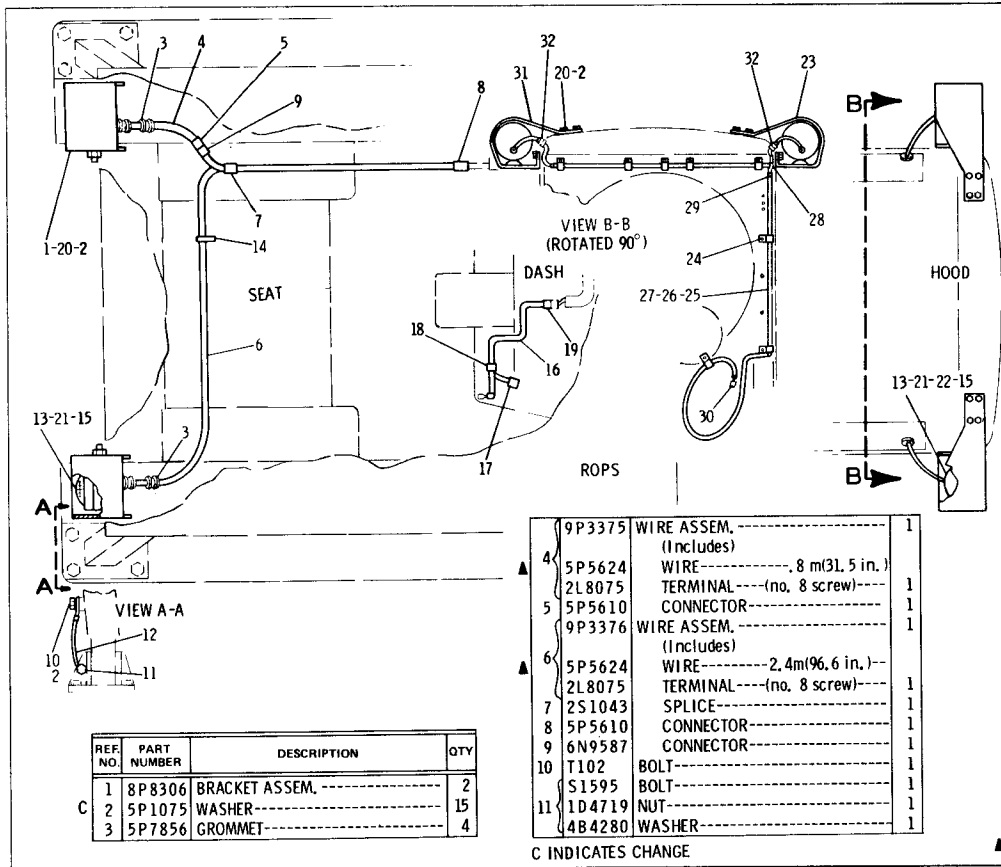
▲ ORDER BY THE METER ● USE AS REQUIRED

228595



8P6562 LIGHTING GROUP—4 Lamp—24 Volt
FOR USE WITH OPEN ROPS
1M1882 Lamp parts are shown on Page 88
AN ATTACHMENT

9P3382 LIGHTING GROUP—4 Lamp—24 Volt
 FOR USE WITH ENCLOSED ROPS
 1M1882 Lamp parts are shown on Page 88
 AN ATTACHMENT



REF. NO.	PART NUMBER	DESCRIPTION	QTY
C 1	8P8306	BRACKET ASSEM.-----	2
2	5P1075	WASHER-----	15
3	5P7856	GROMMET-----	4

4	9P3375	WIRE ASSEM.-----	1
		(Includes)	
	5P5624	WIRE-----, 8 m(31.5 in.)	1
	2L8075	TERMINAL----(no. 8 screw)---	1
	5P5610	CONNECTOR-----	1
5	9P3376	WIRE ASSEM.-----	1
		(Includes)	
	5P5624	WIRE-----2.4m(96.6 in.)---	1
	2L8075	TERMINAL----(no. 8 screw)---	1
	2S1043	SPLICE-----	1
7	5P5610	CONNECTOR-----	1
8	5P5610	CONNECTOR-----	1
9	6N9587	CONNECTOR-----	1
10	T102	BOLT-----	1
	S1595	BOLT-----	1
11	1D4719	NUT-----	1
	4B4280	WASHER-----	1

▲	9P2696	WIRE ASSEM.-----	1
		(Includes)	
	5P5624	WIRE-----, 25 m(9, 843 in.)	
	5P5628	TUBE-----, 2 m(7, 784 in.)	
C 12	1S9593	STRAP-----	2
	2L8079	TERMINAL----9.53 mm(.375 in. screw)	1
	2L8081	TERMINAL----12.70 mm(.5 in. screw)	1
13	1M1882	LAMP GROUP-----	4
		(Separate Illustration)	
14	3S2093	STRAP-----	1
15	3B4510	LOCKWASHER-----	4
	9P3374	WIRE ASSEM.-----	1
		(Includes)	
▲ 16	5P5624	WIRE-----, 9 m(35.4 in.)	
	5P4571	TERMINAL-----	1
▲ 17	4S1988	TERMINAL-----	1
18	2S1043	SPLICE-----	1
19	5P5610	CONNECTOR-----	1
C 20	S1594	BOLT-----	14
21	1B4206	NUT-----	6
22	2B8352	WASHER-----	4
23	4M4485	GUARD ASSEM.----- (R. H.)	1
24	1H5166	CLIP-----	8
25	8P6362	WIRE ASSEM.-----	1
		(Includes)	
▲ 26	5P5624	WIRE-----3.6 m(139, 075 in.)	
▲ 27	5P5628	TUBE-----2.6 m(100, 91 in.)	
28	2L8075	TERMINAL----(no. 8 screw)---	2
28	2S1043	BUTT-----	1
C 29	1S9593	STRAP-----	6
	5P5610	CONNECTOR-----	1
30	5P5610	CONNECTOR-----	1
31	4M4486	GUARD ASSEM.----- (L. H.)	1
32	4M7470	GROMMET-----	2

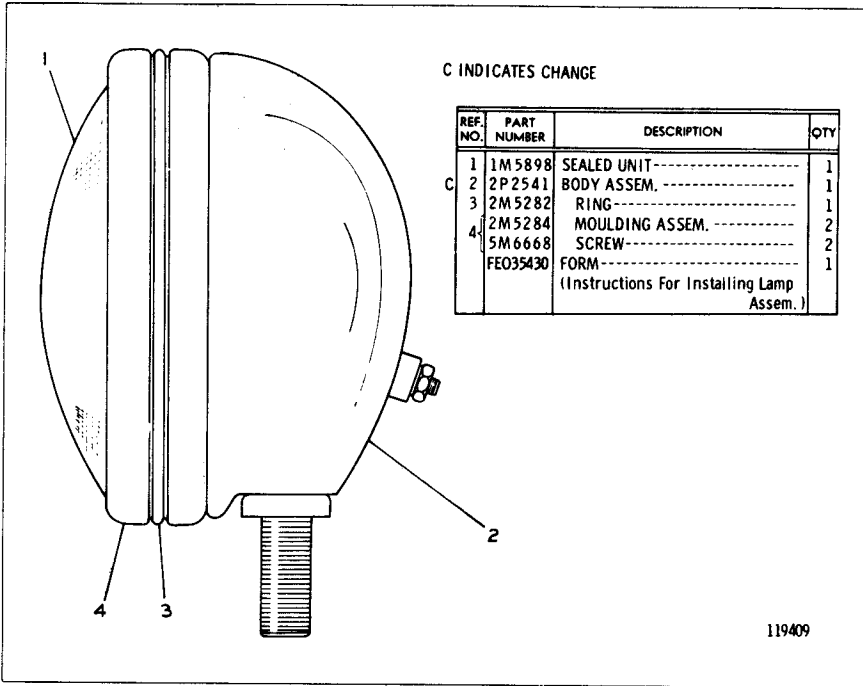
C INDICATES CHANGE

▲ ORDER BY THE METER-USE AS REQUIRED

228805

STARTING AND ELECTRICAL SYSTEM

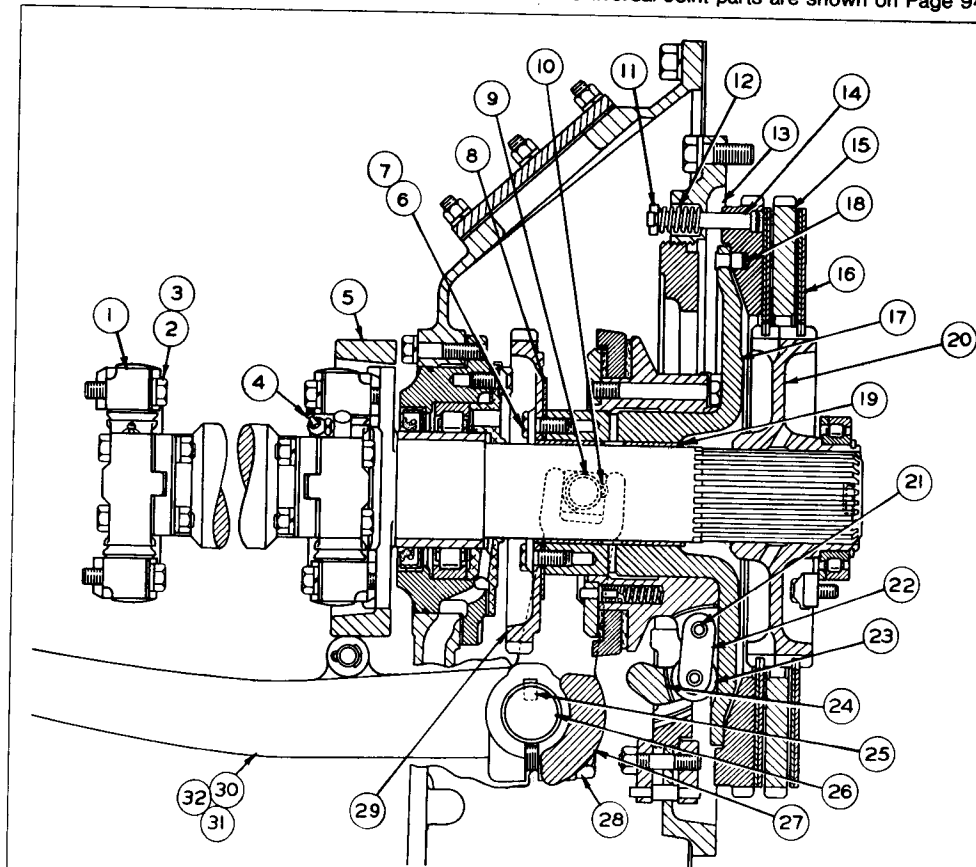
CATERPILLAR D5B TRACTOR



1M1882 FLOOD LAMP ASSEMBLY—24 Volt

Part of 8P6561, 8P6562 & 9P3382 Lighting Groups shown on Pages 85, 86 & 87
AN ATTACHMENT

3S7095 FLYWHEEL CLUTCH GROUP—Side View—Part 1 of 3
 5S723 Universal Joint parts are shown on Page 94



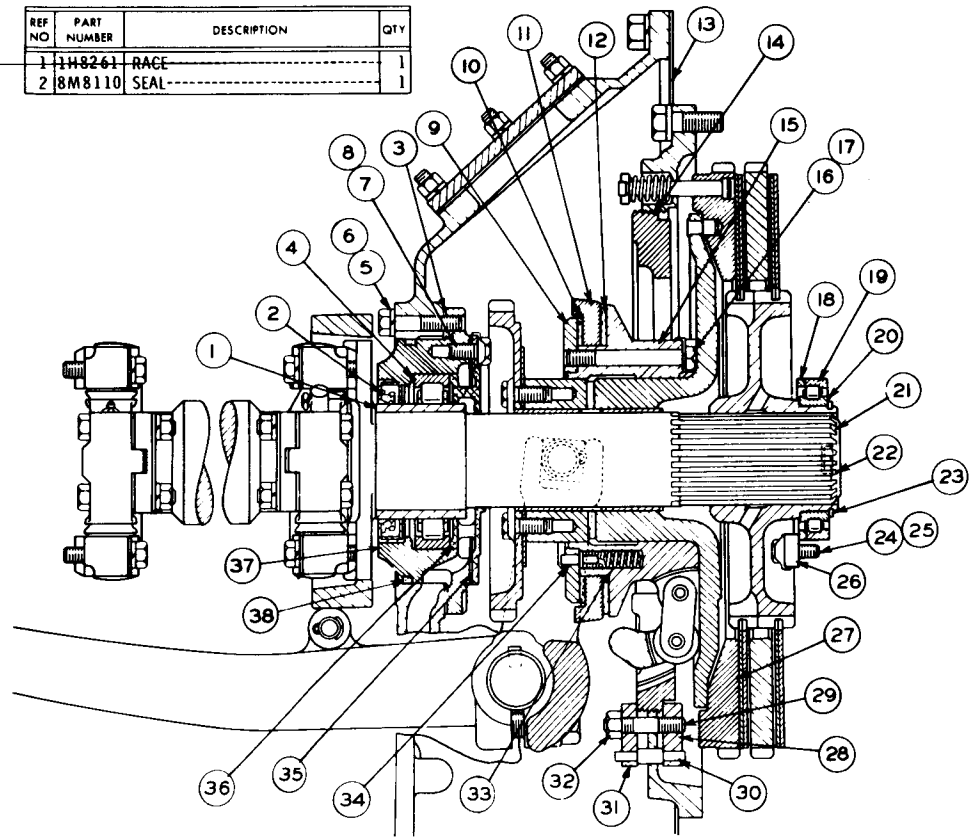
REF. NO.	PART NUMBER	DESCRIPTION	QTY.
1	5S723	JOINT ASSEM.----- Separate Illustration)	1
2	L478	BOLT-----	8
3	3V2431	LOCKWASHER-----	8
4	3B8686	FITTING-----	1
5	1H8937	DRUM-----	1
6	S509	BOLT-----	4
7	1H8330	LOCK-----	2
8	3H2645	WASHER-----	1
9	9F7095	BLOCK-----	2
10	3B4629	COTTER PIN-----	2
11	5F4061	RETAINER-----	4
	2A4429	LOCK-----	8
12	2H4406	SPRING-----	4
13	2M2290	BRACKET-----	1
14	2H4438	STUD-----	4
15	2H4338	PLATE-----	1
C 16	4S9072	DISC ASSEM.-----	2
17	4H4021	PLATE ASSEM.-----	1
18	4H3988	PIN-----	1
19	1H8396	BEARING-----	2
C 20	6P169	HUB-----	1
21	2H4498	SHAFT-----	8
22	2H5048	LINK-----	4
23	2H5047	ROLLER-----	8
	9F7101	BUSHING-----	8
24	2H5046	LINK-----	4
25	1B8724	KEY-----	2
26	3S5396	SHAFT-----	1
27	3S5395	YOKE ASSEM.-----	1
	6F8520	BEARING-----	1
28	1A1135	BOLT-----	1
29	1H8382	GEAR-----	1
30	2M6165	LEVER-----	1
31	S1601	BOLT-----	1
32	1B4206	NUT-----	1

C INDICATES CHANGE

228587

POWER TRAIN-POWER TRANSMISSION UNIT

REF NO	PART NUMBER	DESCRIPTION	QTY
1	1H8261	RACE	1
2	8M8110	SEAL	1

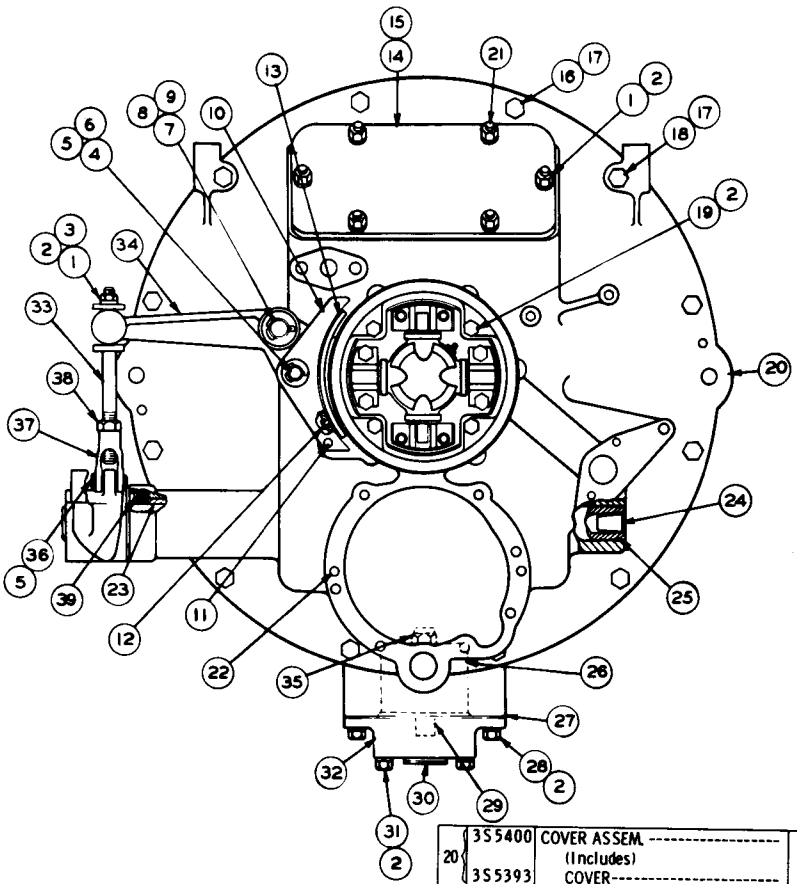


C 3	1P7045	GASKET	1
4	8B5965	OUTER RACE & ROLLER ASSEM.	1
5	S1571	BOLT	6
6	3B4506	LOCKWASHER	6
7	S509	BOLT	6
8	L364	LOCK	6
9	2H4450	WASHER	1
10	8M3999	WASHER	1
11	5H5500	COLLAR	1
12	8M4000	WASHER	1
13	3S7375	GASKET	1
14	1S8764	RING	1
15	2H4482	COLLAR	4
16	2H5330	BOLT	1
17	2H4499	LOCK	4
18	2H3526	RING	1
19	2H3525	OUTER RACE	1
20	2H3517	INNER RACE & ROLLER ASSEM.	1
21	9M8117	SHAFT	1
22	4F4585	PLUG	1
23	2H3548	RING	1
24	2B2695	BOLT	3
25	5H5652	LOCK	3
26	3K7124	RETAINER ASSEM.	3
27	1M9177	PLATE	1
28	3H7347	LOCK ASSEM.	2
29	2F7036	STUD	1
30	2H4385	PIN	1
31	2H4386	PLATE	2
32	1B4203	NUT	2
33	5B3097	SPRING	4
34	3H2646	PIN	4
35	1H8466	GASKET	1
36	9M8119	RETAINER	1
C 37	1P7161	CAGE SERVICE GROUP	1
C 38	9M3786	SEAL	1
	GMG00636	FORM	1
		(Installing Cage Service Group)	

C INDICATES CHANGE

116574

3S7095 FLYWHEEL CLUTCH GROUP—Side View—Part 2 of 3



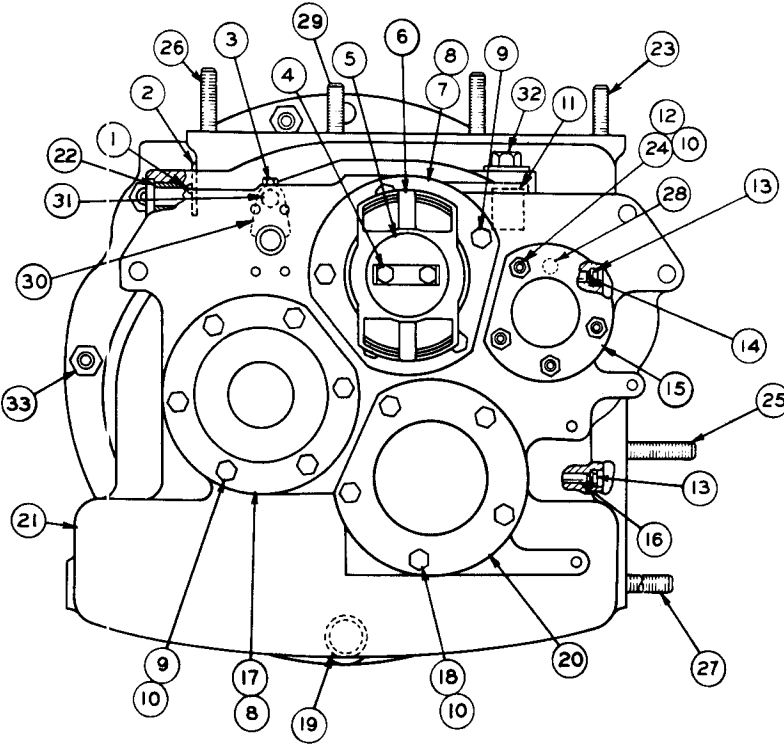
REF. NO.	PART NUMBER	DESCRIPTION	QTY
1	1D4717	NUT-----	7
2	3B4506	LOCKWASHER-----	17
3	3P4939	WASHER-----	1
4	6B7988	PIN-----	1
5	3B4617	COTTER PIN-----	2
6	1F9489	WASHER-----	1
7	1H8933	PIN-----	1
8	3B4629	COTTER PIN-----	1
9	1K485	WASHER-----	1
10	1H8946	SHOE ASSEM.-----	1
11	1H8934	(Includes) PIN-----	1
12	6B4284	RIVET-----	4
13	1H8379	FACING-----	1
14	1H8459	COVER-----	1
15	1H8460	GASKET-----	1
16	7B3235	BOLT-----	18
17	3B4508	LOCKWASHER-----	20
18	1A5822	BOLT-----	2
19	2A4996	BOLT-----	4

20	3S5400	COVER ASSEM.-----	1
		(Includes) COVER-----	1
21	3D2871	STUD-----	6
22	5B5812	DOWEL-----	2
23	5F2636	BEARING-----	2
24	2B7559	CORK-----	1
25	1H8441	SHAFT-----	1
26	7S2747	SCREEN ASSEM.-----	1
27	7S2753	GASKET-----	1
28	1A2029	BOLT-----	4
29	7S2750	SPACER-----	1
30	5S4017	PLUG-----	1
31	L2070	BOLT-----	2
	7S2751	COVER ASSEM.-----	1
32		(Includes) 1S9455 STUD-----	1
33	3S7283	ROD ASSEM.-----	1
	1P1636	LEVER ASSEM.-----	1
34		(Includes) 4H3662 BEARING-----	1
	L1604	LOCK-----	1
35	2F8616	NUT-----	1
36	S175	PIN-----	1
37	5S730	END-----	1
38	1B4430	NUT-----	1
39	7B2174	SEAL-----	1

C INDICATES CHANGE

209722

3S7095 FLYWHEEL CLUTCH GROUP—End View—Part 3 of 3



REF. NO.	PART NUMBER	DESCRIPTION	QTY
1	7B3028	SCREW-----	2
2	5S729	PLATE-----	1
3	5M6214	PLUG-----	1
4	6F7030	BOLT-----	2
4	9M1367	LOCK-----	1
5	5M7339	WASHER-----	1
5	2H3927	SEAL-----	1
6	5M7342	FLANGE-----	1
7	3S7156	COVER-----	2
8	2H3928	SEAL-----	1
9	51591	BOLT-----	11
10	3B4506	LOCKWASHER-----	20
11	7B5670	BEARING-----	1
12	1D4717	NUT-----	4
13	L1026	PLUG-----	2
14	3S7886	PIN-----	1
15	8S2140	TRUNNION-----	1
15	1H8720	SEAL-----	1
16	7F2072	PIN-----	1
17	3S7148	COVER-----	1
18	51571	BOLT-----	5
19	2H3932	SEAL-----	1
19	9S2497	COVER-----	1
20	5H8624	SEAL-----	1

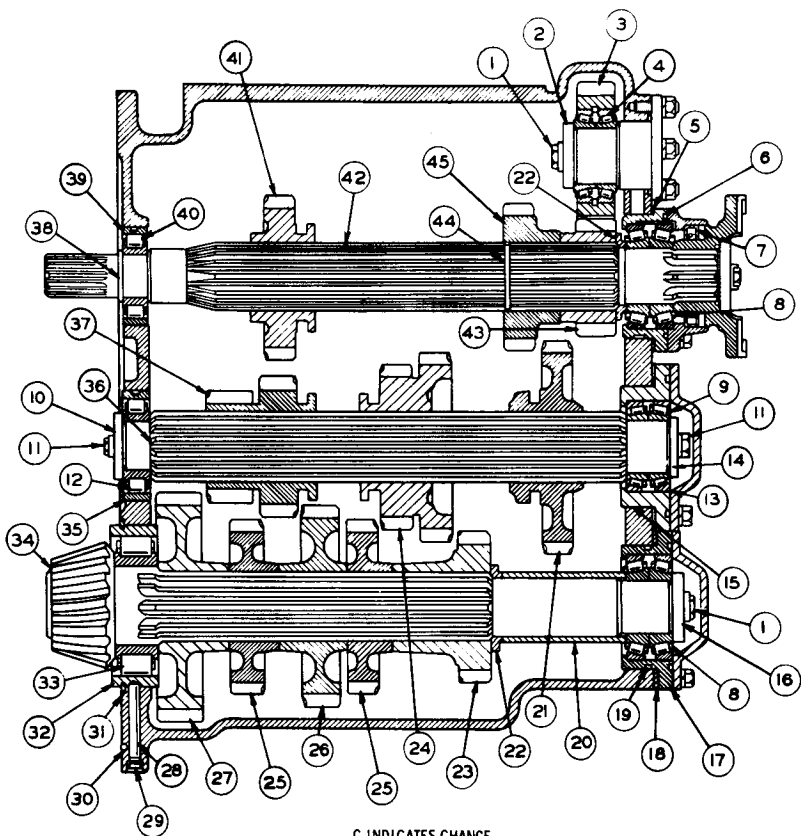
21	8S2155	CASE ASSEM.-----	1
		(Includes)	
22	1F2825	BUSHING-----	1
23	2D8806	STUD----4.83 cm(1.90 in.) long	11
24	3D2871	STUD-----	4
25	3D6627	STUD----7.62 cm(3 in.) long	3
26	5M1932	STUD----5.59 cm(2.20 in.) long	1
27	2D8155	STUD----9.14 cm(3.60 in.) long	1
28	L2061	DOWEL-----	1
28	2D8806	STUD----4.83 cm(1.90 in.) long	1
29		-or-	
29	5M1932	STUD----5.59 cm(2.20 in.) long	1
30	8S4495	TUBE ASSEM.-----	1
31	S509	BOLT-----	1
31	L364	LOCK-----	1
32	9S4205	PLUG-----	1
32	7M8485	SEAL-----	1
33	1D4720	NUT-----	12
33	3B4510	LOCKWASHER-----	12
	5S729	PLATE-----	1
	4B4159	SCREW-----	2
		(mounted on bevel gear case)	

▲ NOT SHOWN

164183

3S7094 TRANSMISSION GROUP—Part 1

Note: This Transmission provides the following speeds: (Forward) First—1.7, Second—2.6, Third—3.6, Fourth—5.0 and Fifth—6.9 M.P.H. (Reverse) First—2.1, Second—3.3, Third—4.6 and Fourth 6.3 M.P.H.

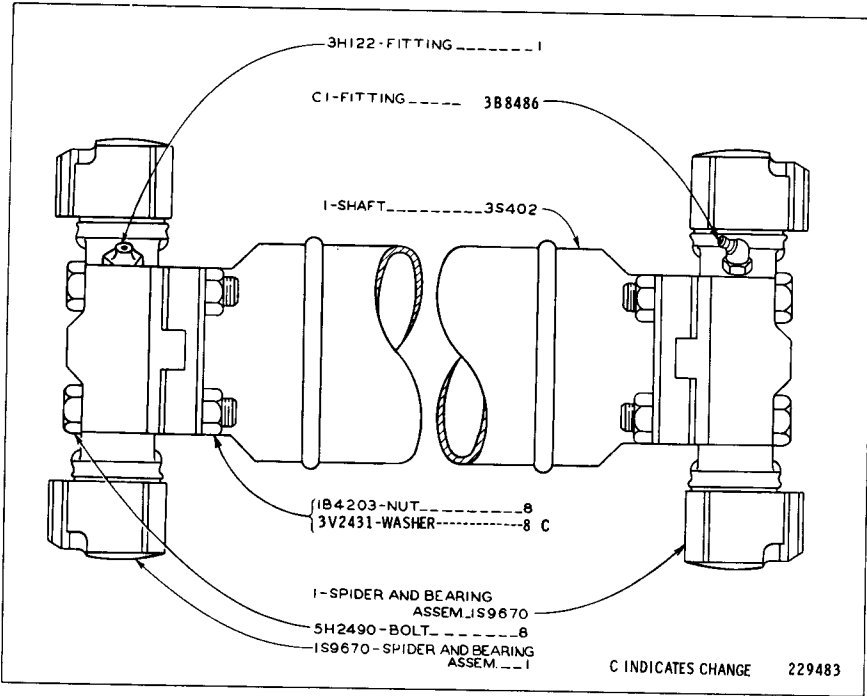


C INDICATES CHANGE

REF. NO.	PART NUMBER	DESCRIPTION	QTY
1	S1593	BOLT	4
2	5F9669	LOCK	2
2	2F7826	WASHER	1
3	7S6103	GEAR ASSEM. (24 teeth)	1
4	5M7335	BEARING ASSEM.	1
5	3S7885	GASKET	1
6	3S7144	CAGE	1
7	5P4258	SEAL	1
8	5M7366	BEARING ASSEM.	2
9	9S3582	CONE	2
10	4F3190	WASHER	1
11	6F7030	BOLT	4
11	T329	LOCK	2
12	7M1154	RACE AND ROLLER ASSEM.	1
13	9S3581	CUP	2
14	2K1722	WASHER	1
15	9S2505	CAGE	1
15	2B8924	GASKET	1
16	9B533	WASHER	1
17	3S7155	CAGE	1
18	3S7146	SHIM	1
19	4M189	SEAL	1
20	3S7160	SPACER	1
21	3S7153	GEAR (36 teeth)	1

22	3S7161	SPACER	2
23	3S7150	GEAR (25 teeth)	1
24	3S7154	GEAR (32 and 27 teeth)	1
25	3S7145	GEAR (29 teeth)	2
26	7S2762	GEAR (33 teeth)	1
27	5S8767	GEAR (39 teeth)	1
28	6B4878	DOWEL	1
29	L1026	PLUG	1
30	2M3818	SEAL	1
31	4M7432	RING	1
C 32	5P7178	RACE	1
C 33	5P3753	RACE AND ROLLER ASSEM.	1
34	3S7143	PINION (11 teeth)	1
35	2D6420	RACE	1
36	9S2507	SHAFT	1
37	7M820	GEAR (17 and 22 teeth)	1
38	1J6470	RING	1
39	6B133	RACE	1
40	6B132	RACE AND ROLLER ASSEM.	1
41	3S7157	GEAR (27 teeth)	1
42	3S7147	SHAFT	1
43	4S6190	PINION (19 teeth)	1
44	4H6195	RING	1
45	4S6189	PINION	1

164184



5S723 UNIVERSAL JOINT ASSEMBLY
 Part of 3S7095 Flywheel Clutch Group shown on Page 89

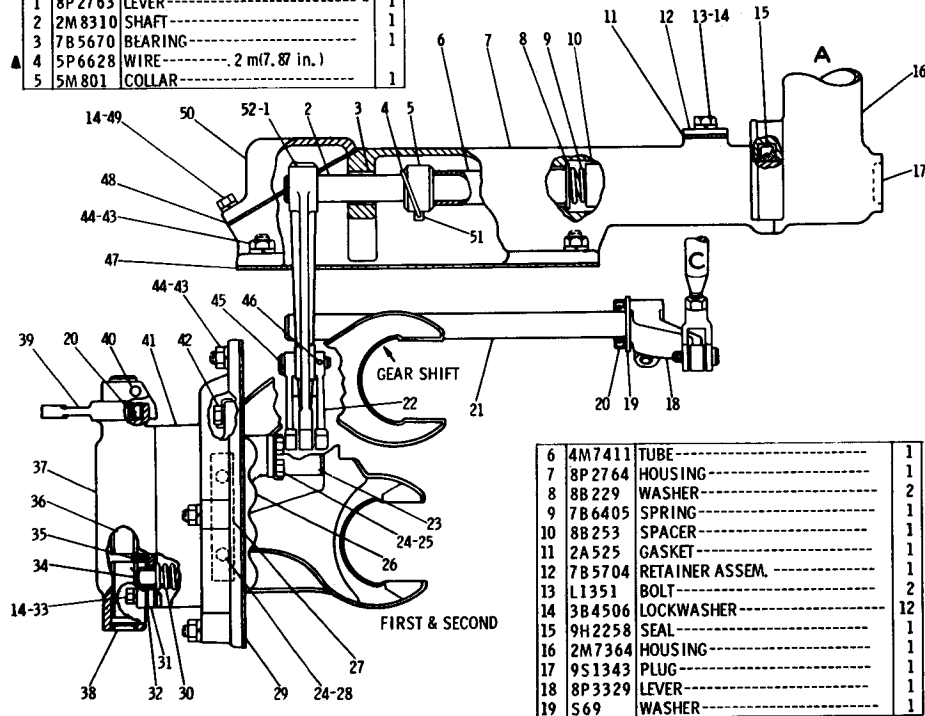
CONSISTS OF:

		PAGE
1	8S2154 TRANSMISSION GROUP	102
1	8P5368 GEARSHIFT CONTROL GROUP	98
1	9P3412 PANEL INLAY	

9P3470 TRANSMISSION ARRANGEMENT

Note: This Transmission provides the following speeds: (Forward) First—2.3, Second—2.7, Third—3.3, Fourth—3.7, Fifth—4.2 and Sixth—5.1 M.P.H. (Reverse) First—3.0, Second—3.5, Third—4.2 & Fourth—4.9 M.P.H. AN ATTACHMENT

REF. NO.	PART NUMBER	DESCRIPTION	QTY
1	8P2763	LEVER-----	1
2	2M8310	SHAFT-----	1
3	7B5670	BEARING-----	1
4	5P6628	WIRE----- 2 m(7.87 in.)	1
5	5M801	COLLAR-----	1



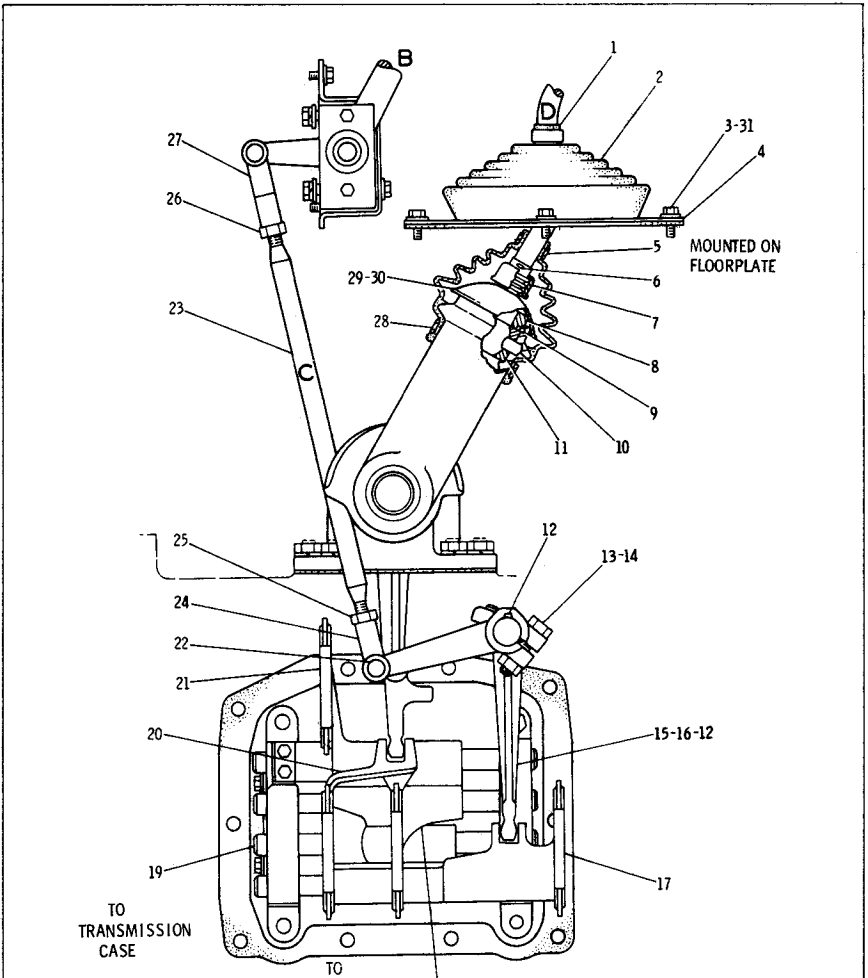
6	4M7411	TUBE-----	1
7	8P2764	HOUSING-----	1
8	8B229	WASHER-----	2
9	7B6405	SPRING-----	1
10	8B253	SPACER-----	1
11	2A525	GASKET-----	1
12	7B5704	RETAINER ASSEM.	1
13	L1351	BOLT-----	2
14	3B4506	LOCKWASHER-----	12
15	9H2258	SEAL-----	1
16	2M7364	HOUSING-----	1
17	9S1343	PLUG-----	1
18	8P3329	LEVER-----	1
19	S69	WASHER-----	1

20	4L6942	SEAL-----	2
21	3S7159	SHAFT-----	1
22	7S5358	GATE-----	1
23	6B9493	BAR ASSEM.	1
24	S509	BOLT-----	6
25	9M1367	LOCK-----	2
26	7B6337	BRACKET-----	2
27	7B6336	LOCK-----	1
28	L364	LOCK-----	2
29	7B5707	GASKET-----	1
30	6B6479	SPRING-----	4
31	6B6473	PLATE-----	1
32	6B6476	GASKET-----	2
33	S1588	BOLT-----	6
34	3P1228	PLUNGER-----	4
35	5B771	PLATE-----	1
36	3P1229	SHAFT-----	1
37	8B5641	HOUSING ASSEM.	1
		(Includes)	
38	3B623	PLUG-----	1
39	8B5833	LEVER-----	1
40	1B4442	NUT-----	1
40	7B8688	PIN-----	1
41	3B4610	COTTER PIN-----	1
41	6B9532	HOUSING-----	1
42	S1595	BOLT-----	4
42	V114	LOCK-----	4
43	1D4719	NUT-----	18
44	3B4508	LOCKWASHER-----	18
45	8B1419	PIN-----	1
46	3K4897	PIN-----	1
47	3S6758	GASKET-----	1
48	9P3370	GASKET-----	1
49	1A2029	BOLT-----	4
50	9P3371	COVER-----	1
51	1A6766	SCREW-----	1
52	1B8714	KEY-----	1

▲ ORDER BY THE METRE

213794

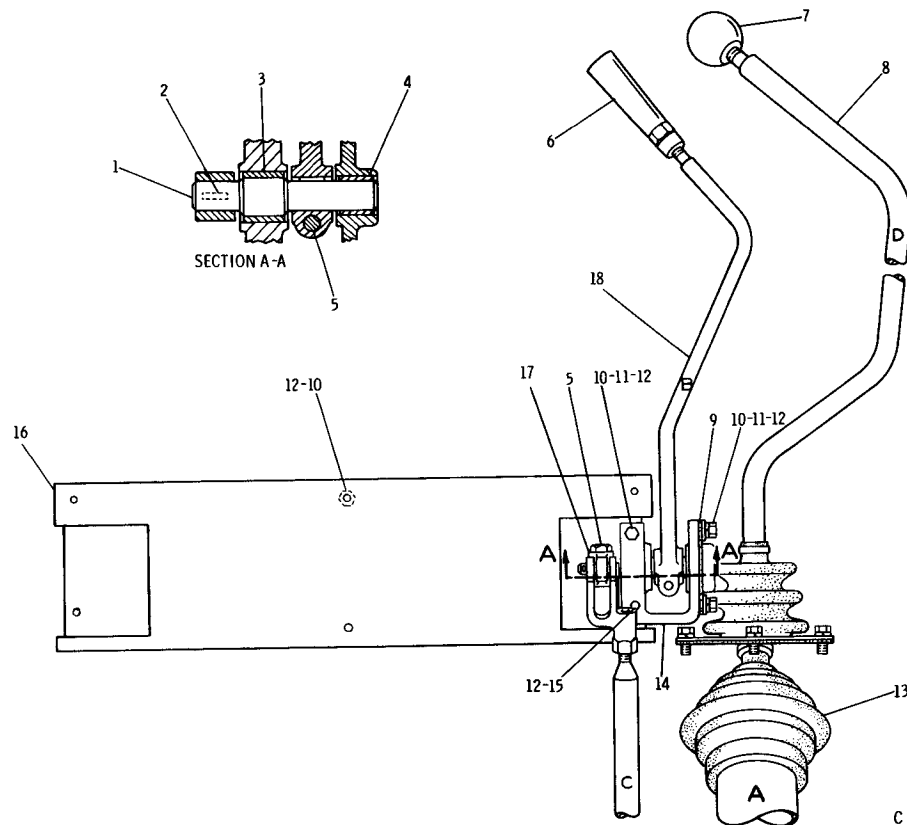
8P5367 GEARSHIFT CONTROL GROUP—Part 2 of 3



REF. NO.	PART NUMBER	DESCRIPTION	QTY.
C 1	5D1026	CLAMP-----	1
2	8P3083	BOOT-----	1
3	51615	BOLT---19,05 mm(.75 in.)long----- - OR -	8
C 3	S1616	BOLT---25,4 mm(1 in.)long-----	8
4	3P9935	RETAINER-----	1
5	5D1026	CLAMP-----	1
6	3B4618	COTTER PIN-----	1
7	L887	COVER-----	1
8	L1045	SPRING-----	1
9	7B1253	RING-----	1
10	7B1297	RING-----	1
11	2H8479	PIN-----	1
12	7B1296	SOCKET-----	2
13	1B8714	KEY-----	2
C 13	2B947	BOLT-----	1
14	1D4719	NUT-----	1
15	3A4472	LEVER-----	1
16	S1603	BOLT-----	1
17	6B9548	FORK---(forward and reverse)-----	1
18	6B9567	FORK---(third and fourth)-----	1
19	7B6338	SHAFT-----	4
20	6B9562	FORK---(first and second)-----	1
21	3S304	FORK---(gear shift)-----	1
22	S175	PIN-----	2
22	3B4617	COTTER PIN-----	2
22	8P3392	ROD ASSEM.-----	1
23		(Includes)	
23	8P3328	ROD-----	1
24	2M8340	END-----	1
25	1B4205	NUT-----	1
26	1B4205	NUT-----	1
27	6S6793	ROD END-----	1
28	9M7959	CLAMP-----	1
29	L974	PACKING-----	1
30	L888	COVER-----	1
31	4B4276	WASHER-----	8

C INDICATES CHANGE

228577



REF. NO.	PART NUMBER	DESCRIPTION	QTY
1	8P3128	SHAFT-----	1
2	1B8706	KEY-----	2
3	9S6465	BEARING-----	1
4	6D3787	BEARING-----	1
5	S1588	BOLT-----	2
6	L829	HANDLE-----	1
7	2A1736	HANDLE-----	1
8	8P3084	LEVER-----	1
9	8P3331	SEAL-----	1
10	L1351	BOLT-----22.23 mm(.875 in.)	7
11	3B4506	LOCKWASHER-----	3
12	4B4278	WASHER-----	9
13	7F6308	BOOT-----	1
14	8P3127	BRACKET-----	1
15	S1619	BOLT-----76.20 mm(3 in.)	2
C 16	7G7286	COVER ASSEM.,	1
17	9D4308	LEVER-----	1
C 18	7G2308	LEVER-----	1

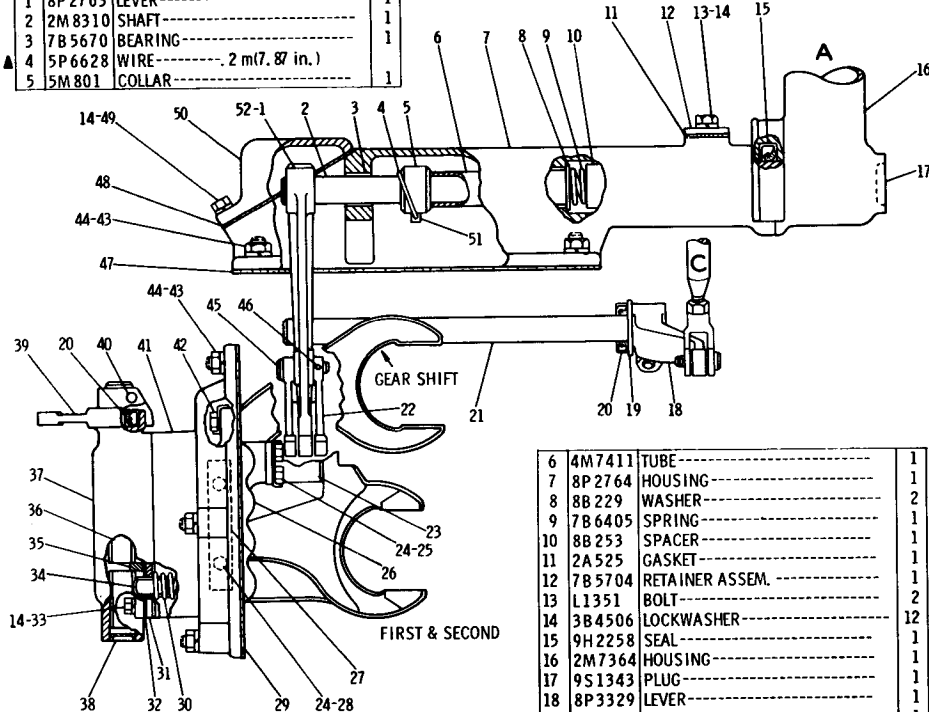
C INDICATES CHANGE

228630

8P5368 GEARSHIFT CONTROL GROUP—Part 1 of 3
Part of 9P3470 Transmission Arrangement listed on Page 94
AN ATTACHMENT

8P5368 GEARSHIFT CONTROL GROUP—Part 2 of 3
Part of 9P3470 Transmission Arrangement listed on Page 94
AN ATTACHMENT

REF. NO.	PART NUMBER	DESCRIPTION	QTY
1	8P 27 63	LEVER-----	1
2	2M 8310	SHAFT-----	1
3	7B 5670	BEARING-----	1
4	5P 6628	WIRE----- 2 m(7. 87 in.)	
5	5M 801	COLLAR-----	1

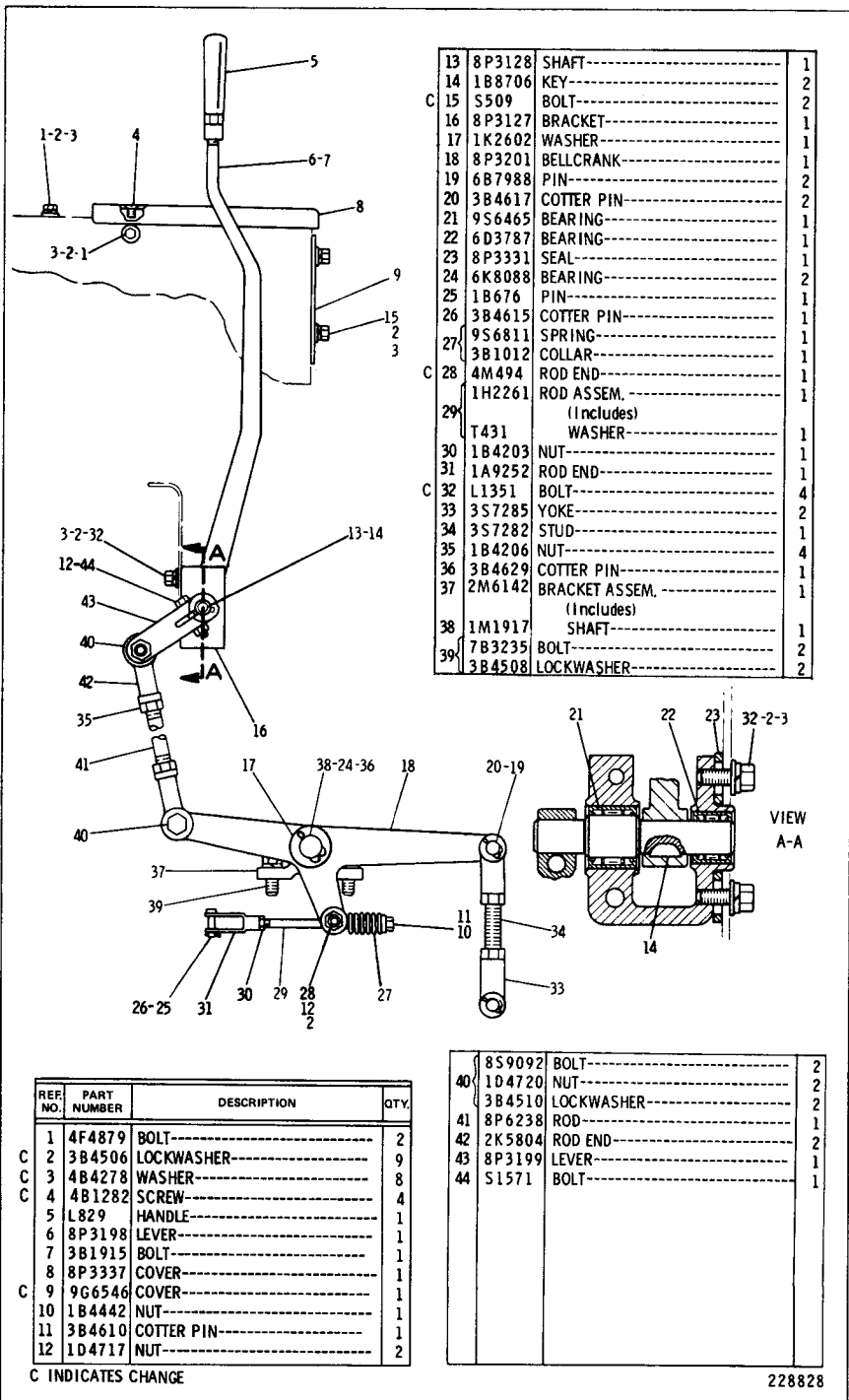


6	4M 7411	TUBE-----	1
7	8P 27 64	HOUSING-----	1
8	8B 229	WASHER-----	2
9	7B 6405	SPRING-----	1
10	8B 253	SPACER-----	1
11	2A 525	GASKET-----	1
12	7B 5704	RETAINER ASSEM.	1
13	L 1351	BOLT-----	2
14	3B 4506	LOCKWASHER-----	12
15	9H 2258	SEAL-----	1
16	2M 7364	HOUSING-----	1
17	9S 1343	PLUG-----	1
18	8P 3329	LEVER-----	1
19	S 69	WASHER-----	1

20	9M 7432	SEAL-----	2
21	3S 7159	SHAFT-----	1
22	7S 5358	GATE-----	1
23	3S 403	BAR ASSEM.-----	1
24	S 509	BOLT-----	6
25	9M 1367	LOCK-----	2
26	7B 6337	BRACKET-----	2
27	7B 6336	LOCK-----	1
28	L 364	LOCK-----	2
29	7B 5707	GASKET-----	1
30	6B 6479	SPRING-----	4
31	6B 6473	PLATE-----	1
32	6B 6476	GASKET-----	2
33	S 1588	BOLT-----	6
34	3P 1228	PLUNGER-----	4
35	5B 771	PLATE-----	1
36	3P 1229	SHAFT-----	1
37	8B 5641	HOUSING ASSEM.	1
		(Includes)	
38	3B 623	PLUG-----	1
39	8B 5833	LEVER-----	1
	1B 4442	NUT-----	1
40	7B 8688	PIN-----	1
	3B 4610	COTTER PIN-----	1
41	6B 9532	HOUSING-----	1
	S 1595	BOLT-----	4
42	V 114	LOCK-----	4
43	1D 4719	NUT-----	18
44	3B 4508	LOCKWASHER-----	18
45	8B 1419	PIN-----	1
46	3K 4897	PIN-----	1
47	3S 6758	GASKET-----	1
48	9P 3370	GASKET-----	1
49	1A 2029	BOLT-----	4
50	9P 3371	COVER-----	1
51	1A 6766	SCREW-----	1
52	1B 8714	KEY-----	1

▲ ORDER BY THE METER

228631



13	8P3128	SHAFT-----	1
14	1B8706	KEY-----	2
C 15	S509	BOLT-----	2
16	8P3127	BRACKET-----	1
17	1K2602	WASHER-----	1
18	8P3201	BELLCRANK-----	1
19	6B7988	PIN-----	2
20	3B4617	COTTER PIN-----	2
21	9S6465	BEARING-----	1
22	6D3787	BEARING-----	1
23	8P3331	SEAL-----	1
24	6K8088	BEARING-----	2
25	1B676	PIN-----	1
26	3B4615	COTTER PIN-----	1
27	9S6811	SPRING-----	1
C 28	3B1012	COLLAR-----	1
28	4M494	ROD END-----	1
C 29	1H2261	ROD ASSEM. (Includes)	1
29	T431	WASHER-----	1
30	1B4203	NUT-----	1
31	1A9252	ROD END-----	1
C 32	L1351	BOLT-----	4
33	3S7285	YOKE-----	2
34	3S7282	STUD-----	1
35	1B4206	NUT-----	4
36	3B4629	COTTER PIN-----	1
37	2M6142	BRACKET ASSEM. (Includes)	1
38	1M1917	SHAFT-----	1
39	7B3235	BOLT-----	2
39	3B4508	LOCKWASHER-----	2

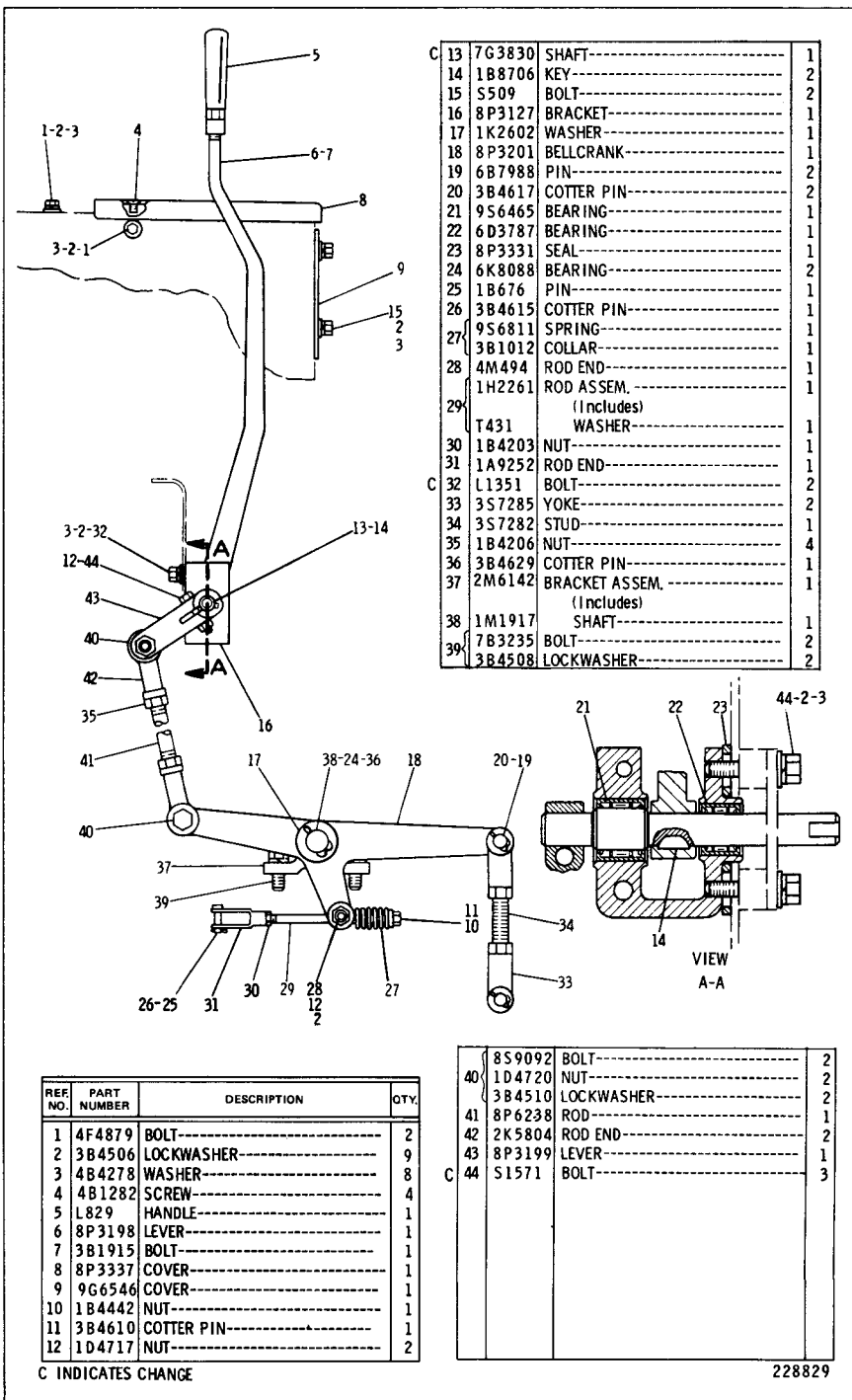
REF. NO.	PART NUMBER	DESCRIPTION	QTY.
C 1	4F4879	BOLT-----	2
2	3B4506	LOCKWASHER-----	9
C 3	4B4278	WASHER-----	8
C 4	4B1282	SCREW-----	4
C 5	L829	HANDLE-----	1
6	8P3198	LEVER-----	1
7	3B1915	BOLT-----	1
8	8P3337	COVER-----	1
C 9	9G6546	COVER-----	1
10	1B4442	NUT-----	1
11	3B4610	COTTER PIN-----	1
12	1D4717	NUT-----	2

40	8S9092	BOLT-----	2
40	1D4720	NUT-----	2
40	3B4510	LOCKWASHER-----	2
41	8P6238	ROD-----	1
42	2K5804	ROD END-----	2
43	8P3199	LEVER-----	1
44	S1571	BOLT-----	1

C INDICATES CHANGE

228828

8P5365 FLYWHEEL CLUTCH CONTROL GROUP
Serial No. 22X439 to 22X458 inclusive & 23X778 to 23X785 inclusive



C 13	7G3830	SHAFT-----	1
14	1B8706	KEY-----	2
15	S509	BOLT-----	2
16	8P3127	BRACKET-----	1
17	1K2602	WASHER-----	1
18	8P3201	BELLCRANK-----	1
19	6B7988	PIN-----	2
20	3B4617	COTTER PIN-----	2
21	9S6465	BEARING-----	1
22	6D3787	BEARING-----	1
23	8P3331	SEAL-----	1
24	6K8088	BEARING-----	2
25	1B676	PIN-----	1
26	3B4615	COTTER PIN-----	1
27	9S6811	SPRING-----	1
	3B1012	COLLAR-----	1
28	4M494	ROD END-----	1
	1H2261	ROD ASSEM.-----	1
29		(Includes)	
	T431	WASHER-----	1
30	1B4203	NUT-----	1
31	1A9252	ROD END-----	1
C 32	L1351	BOLT-----	2
33	3S7285	YOKE-----	2
34	3S7282	STUD-----	1
35	1B4206	NUT-----	4
36	3B4629	COTTER PIN-----	1
37	2M6142	BRACKET ASSEM.-----	1
		(Includes)	
38	1M1917	SHAFT-----	1
39	7B3235	BOLT-----	2
	3B4508	LOCKWASHER-----	2

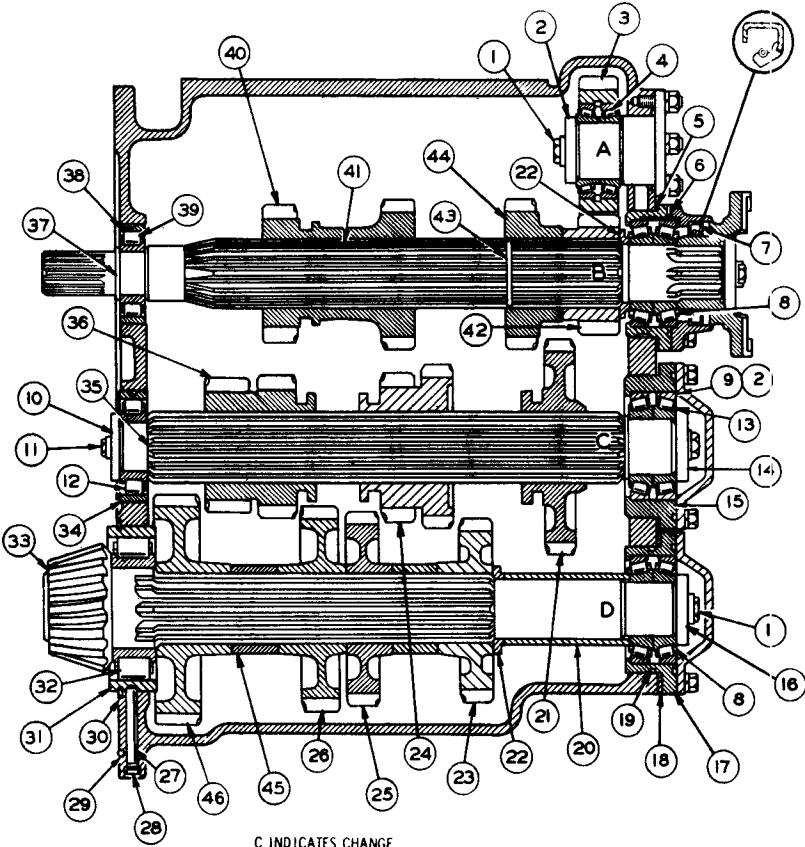
REF. NO.	PART NUMBER	DESCRIPTION	QTY.
1	4F4879	BOLT-----	2
2	3B4506	LOCKWASHER-----	9
3	4B4278	WASHER-----	8
4	4B1282	SCREW-----	4
5	L829	HANDLE-----	1
6	8P3198	LEVER-----	1
7	3B1915	BOLT-----	1
8	8P3337	COVER-----	1
9	9G6546	COVER-----	1
10	1B4442	NUT-----	1
11	3B4610	COTTER PIN-----	1
12	104717	NUT-----	2

40	8S9092	BOLT-----	2
	104720	NUT-----	2
	3B4510	LOCKWASHER-----	2
41	8P6238	ROD-----	1
42	2K5804	ROD END-----	2
43	8P3199	LEVER-----	1
C 44	S1571	BOLT-----	3

C INDICATES CHANGE

228829

8P5365 FLYWHEEL CLUTCH CONTROL GROUP
Serial No. 22X459—Up & 23X786—Up



C INDICATES CHANGE

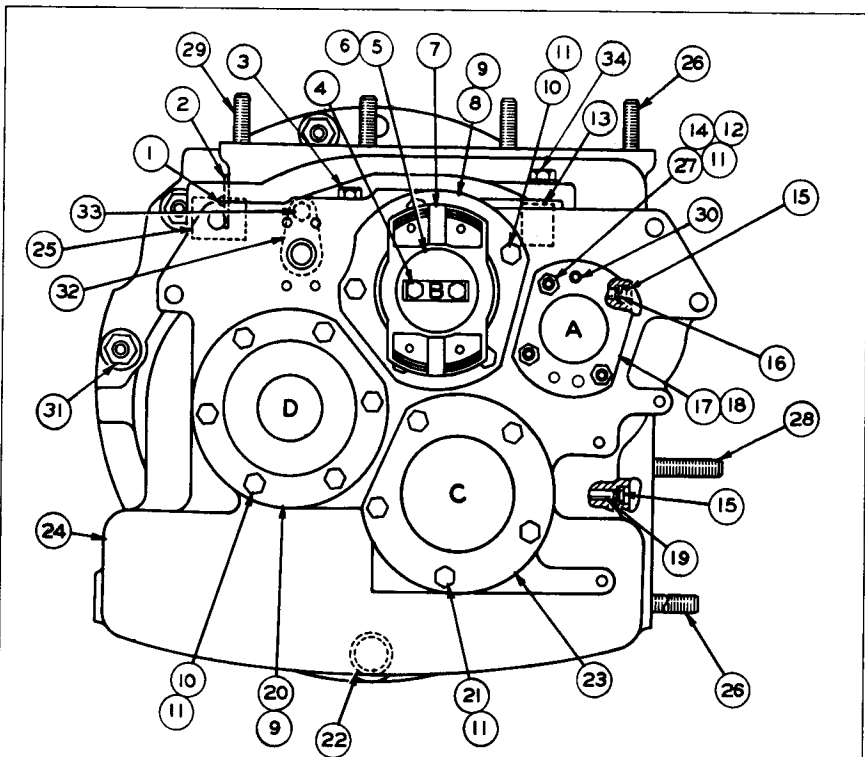
REF NO	PART NUMBER	DESCRIPTION	QTY
1	5 1593	BOLT	4
	5F9669	LOCK	2
2	2F7826	WASHER	1
3	7S6103	GEAR ASSEM. (24 Teeth)	1
4	5M7335	BEARING ASSEM.	1
5	3S7885	GASKET	1
	3S7144	CAGE	1
6	5P4258	SEAL	1
8	5M7366	BEARING ASSEM.	2
9	9S3581	CUP	?
10	4F3190	WASHER	1
	6F7030	BOLT	4
11	T329	LOCK	2
12	7M1154	RACE AND ROLLER ASSEM.	1
13	9S3582	CONE	2
14	2K1722	WASHER	1
	9S2505	CAGE	1
	2B8924	GASKET	1
16	9B533	WASHER	1
17	3S7155	CAGE	1
18	3S7146	SHIM	1
19	4M189	SEAL	1
20	3S7160	SPACER	1
21	8S2134	GEAR (33 Teeth)	1

22	3S7161	SPACER	1
23	8S2131	GEAR (30 Teeth)	1
24	8S2133	GEAR (25 and 24 Teeth)	1
25	8S2130	GEAR (33 Teeth)	1
26	8S2129	GEAR (35 Teeth)	1
27	6B4878	DOWEL	1
28	L 1026	PLUG	1
29	2M3818	SEAL	1
30	4M7432	RING	1
31	5P7178	RACE	1
32	5P3753	RACE AND ROLLER ASSEM.	1
33	3S7143	PINION (11 Teeth)	1
34	2D6420	RACE	1
35	9S2507	SHAFT	1
36	8S2132	GEAR (19 and 21 Teeth)	1
37	1J6470	RING	1
38	6B133	RACE	1
39	6B132	RACE AND ROLLER ASSEM.	1
40	8S2137	GEAR ASSEM. (20 and 23 Teeth)	1
41	3S7147	SHAFT	1
42	8S2139	PINION (20 Teeth)	1
43	4H6195	RING	1
44	8S2138	PINION (26 Teeth)	1
45	3S400	SPACER	1
46	8S2128	GEAR (37 Teeth)	1

C INDICATES CHANGE

213839

8P2154 TRANSMISSION GROUP—Part 1
Part of 9P3470 Transmission Arrangement listed on Page 94



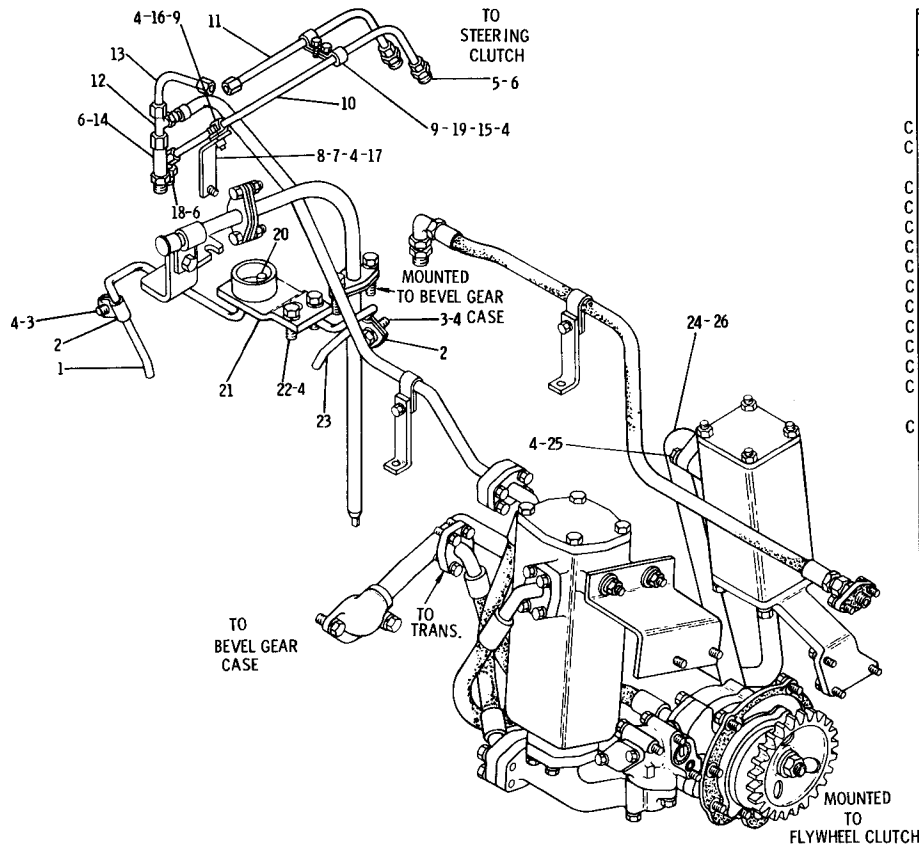
REF. NO.	PART NUMBER	DESCRIPTION	QTY
1	7B3028	SCREW-----	2
2	5M2477	PLATE-----	1
3	5M6214	PLUG-----	1
4	{ 6F7030	BOLT-----	2
	{ 9M1367	LOCK-----	1
5	5M7339	WASHER-----	1
6	2H3927	SEAL-----	1
7	5M7342	FLANGE-----	1
8	3S7156	COVER-----	1
9	2H3928	SEAL-----	2
10	S1591	BOLT-----	11
11	3B4506	LOCKWASHER-----	20
12	{ 1D4717	NUT-----5.57 mm(.219 in.) thick	1
	{ 3B4506	LOCKWASHER-----	1
13	7B5670	BEARING-----	1
14	1D4717	NUT----- $\frac{3}{4}$ 34 mm(.328 in.) thick	4
15	L1026	PLUG-----	2
16	3S7886	PIN-----	1
17	8S2140	TRUNNION-----	1
18	1H8720	SEAL-----	1
19	7F2072	PIN-----	1
20	3S7148	COVER-----	1
21	S1571	BOLT-----	5

22	2H3932	SEAL-----	1
23	{ 9S2497	COVER-----	1
	{ 5H8624	SEAL-----	1
24	8S2155	CASE ASSEM.-----	1
25	1F2825	BUSHING-----	1
26	2D8806	STUD-----48.26 mm(1.90 in.) long	11
27	3D2871	STUD-----	4
28	3D6627	STUD-----76.20 mm(3 in.) long	4
29	5M1932	STUD-----	3
30	L2061	DOWEL-----	1
31	{ 1D4720	NUT-----	12
	{ 3B4510	LOCKWASHER-----	12
32	8S4495	TUBE ASSEM.-----	1
33	{ S509	BOLT-----	1
	{ L364	LOCK-----	1
	{ 4S5858	PLUG ASSEM.-----	1
34	{ 9S4205	PLUG-----	1
	{ 7M8485	SEAL-----	1
	{ 5M2477	PLATE----- (Number)-----	1
	{ 4B4159	SCREW-----	2

(Not Shown - Mounted on Bevel Gear Case)

213840

8P2154 TRANSMISSION GROUP—Part 2
Part of 9P3470 Transmission Arrangement listed on Page 94



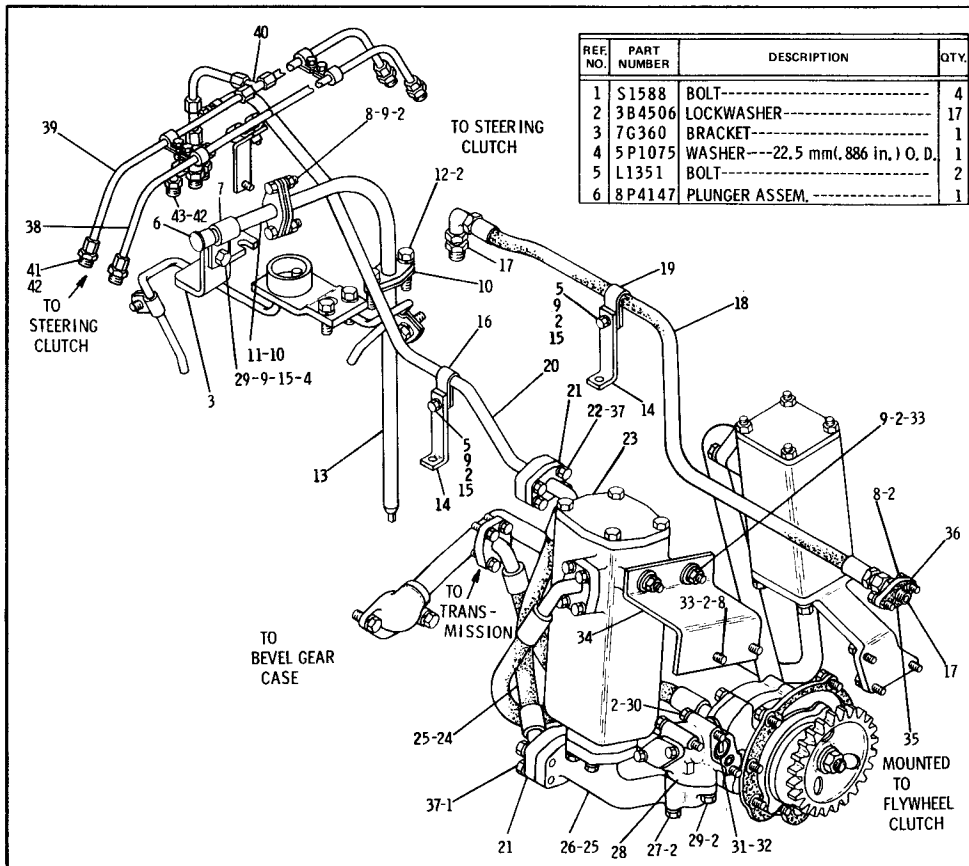
REF. NO.	PART NUMBER	DESCRIPTION	QTY.
1	8P1641	TUBE-----	1
2	8B6127	CLIP-----	2
3	T102	BOLT-----	2
C 4	3B4506	LOCKWASHER-----	14
C 5	2R6806	FITTING-----	2
6	3J1907	SEAL-----	4
7	3B1915	BOLT-----	1
C 8	7G9684	BRACKET ASSEM.-----	1
C 9	4D7794	CLIP-----	6
C 10	7G6195	TUBE ASSEM.-----	1
C 11	7G6193	TUBE ASSEM.-----	1
C 12	619258	TEE-----	1
C 13	7G6192	TUBE ASSEM.-----	1
C 14	307937	FITTING-----	1
C 15	4F4879	BOLT-----	4
C 16	S509	BOLT-----	1
C 17	5M2894	WASHER-----	1
18	307942	ELBOW-----	1
C 19	4J4906	BLOCK-----	2
20	2L3650	PIN-----	1
21	8P1738	BRACKET ASSEM.-----	1
22	L1351	BOLT-----	2
23	8P1640	TUBE-----	1
24	8P3302	TUBE ASSEM.-----	1
	8M4436	SEAL-----(large)-----	1
25	S1571	BOLT-----	4
26	8M4986	SEAL------(small)-----	1

C INDICATES CHANGE

228574

8P5218 POWER TRAIN OIL LINES GROUP—Part 1 of 3
 Serial No. 22X439 to 22X507, 528 to 22X530 inclusive, 23X778 to 23X827, 838 to 23X841 inclusive

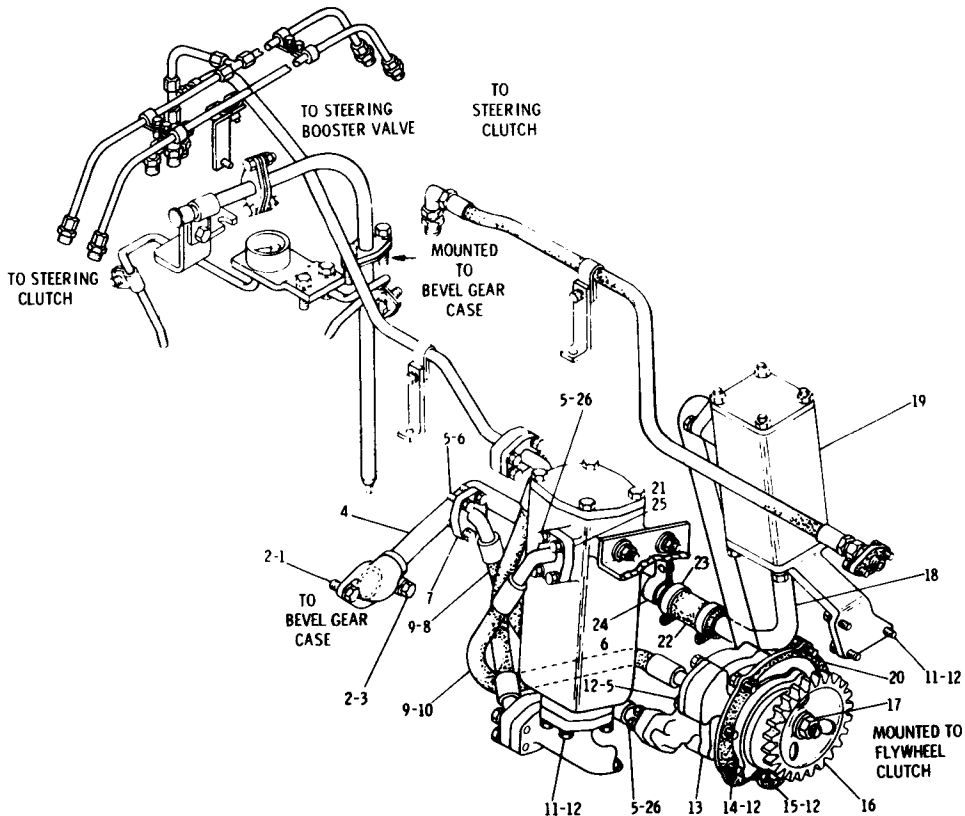
8P5218 POWER TRAIN OIL LINES GROUP—Part 2 of 3
 Serial No. 22X439 to 22X507, 528 to 22X530 inclusive & 23X778 to 23X827, 838 to 23X841 inclusive
 3S7406 Filter & 8P2513 Valve parts are shown on Page 107



7	1S1409	CLIP-----	1
8	S1594	BOLT-----	6
9	1D4717	NUT-----	7
10	7B6473	GASKET-----	2
11	8P3998	GUIDE ASSEM.-----	1
12	S509	BOLT-----	2
13	8P4145	GUIDE ASSEM.-----	1
C 14	7G3902	BRACKET-----	2
15	4B4278	WASHER-----	3
C 16	1S2487	CLIP-----	1
17	8M755	CONNECTOR-----	2
18	8P4803	HOSE ASSEM. --96.5 cm(37.99 in.)	1
19	3S8665	CLIP-----	1
C 20	7G6198	TUBE ASSEM.-----	1
21	1P4576	FLANGE-----	4
22	S1591	BOLT-----	4
23	3S7406	FILTER GROUP-----	1
		(Separate Illustration)	
24	8M4987	SEAL-----	1
24	3S9193	HOSE ASSEM. --34.85 cm(13.72 in.)	1
25	8M4988	SEAL-----	3
26	8P2157	MANIFOLD-----	1
27	L2070	BOLT-----	1
28	8P2513	VALVE GROUP-----	1
		(Separate Illustration)	
29	1A2029	BOLT-----	2
30	T573	BOLT-----	3
31	8M4432	SEAL----- (large)	1
32	8M8157	SEAL----- (small)	1
33	4H9981	WASHER-----	4
34	8P2257	BRACKET ASSEM.-----	1
35	4F5640	GASKET-----	1
36	1S9353	COVER-----	1
37	5M2894	WASHER-----	8
C 38	7G6194	TUBE ASSEM.-----	1
C 39	7G6193	TUBE ASSEM.-----	1
40	4S3652	TEE-----	1
C 41	2R6806	FITTING-----	2
42	3J1907	SEAL-----	3
43	307942	ELBOW-----	1

C INDICATES CHANGE

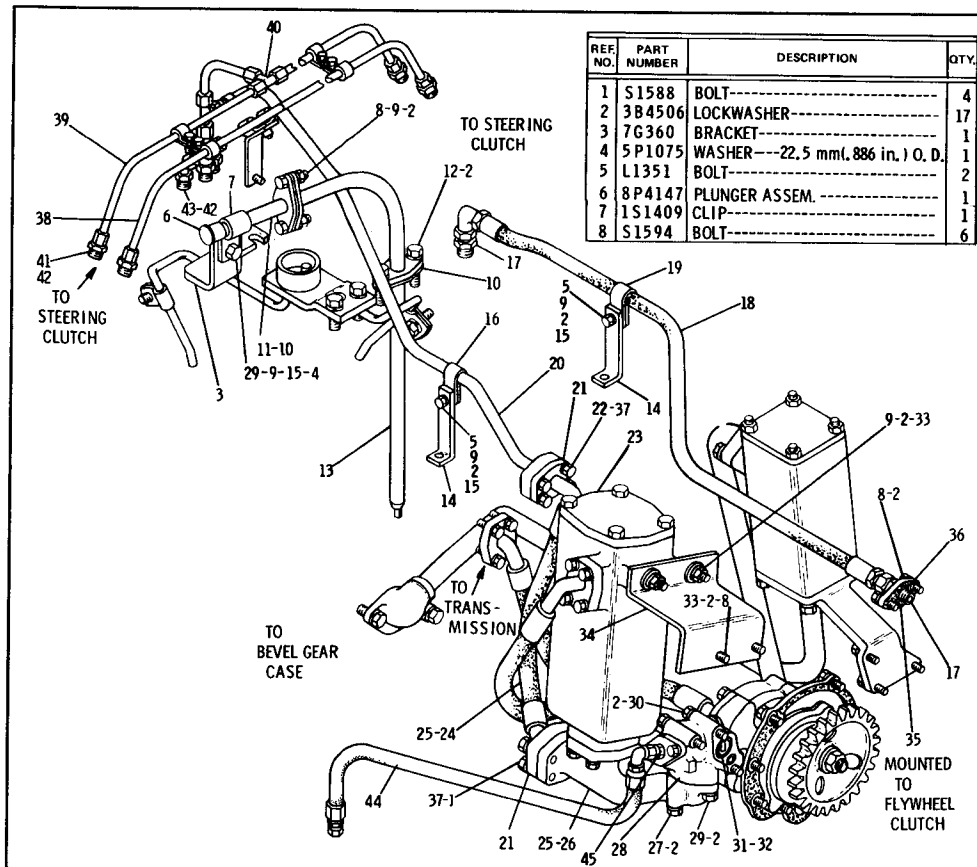
228575



REF NO	PART NUMBER	DESCRIPTION	QTY
1	6H1717	BOLT-----	1
2	3B4508	LOCKWASHER-----	2
3	9S1366	BOLT-----	1
4	1P8232	TUBE ASSEM.-----	1
4	1H9696	SEAL-----	1
5	S1588	BOLT-----	14
6	4B4278	WASHER---L. 65 mm(.065 in.) thick	4
7	1P4576	FLANGE-----	4
8	3P2783	HOSE ASSEM. --40.95 cm(16.12 in.)	1
9	8M4988	SEAL-----	3
10	1P4807	HOSE ASSEM. --69.06 cm(27.19 in.)	1
11	1A2029	BOLT-----	7
12	3B4506	LOCKWASHER-----	16
13	7G3813	PUMP GROUP----- (Separate Illustration)	1
14	S1594	BOLT-----	5
15	1A5964	BOLT-----	2
16	3S6023	GEAR----- (34 teeth)	1
16	1B8708	KEY-----	1
17	2K4821	NUT-----	1
17	4B4281	WASHER-----	1
18	8P2339	TUBE ASSEM.-----	1
19	9M8669	SCREEN GROUP----- (Separate Illustration)	1
20	3S6024	GASKET-----	1
21	8M4987	SEAL-----	1
22	1P8234	HOSE-----	1
23	5P2230	CLAMP-----	2
24	3S3841	CLIP-----	1
24	4B4280	WASHER--2.41 mm(.095 in.) thick	1
25	1P4577	FLANGE-----	2
26	5M2894	WASHER-----	8

175009

8P5218 POWER TRAIN OIL LINES GROUP—Part 3 of 3
 Serial No. 22X439 to 22X507, 528 to 22X530 inclusive & 23X778 to 23X827, 838 to 23X841 inclusive
 7G3813 Pump & 9M8669 Screen parts are shown on Page 108



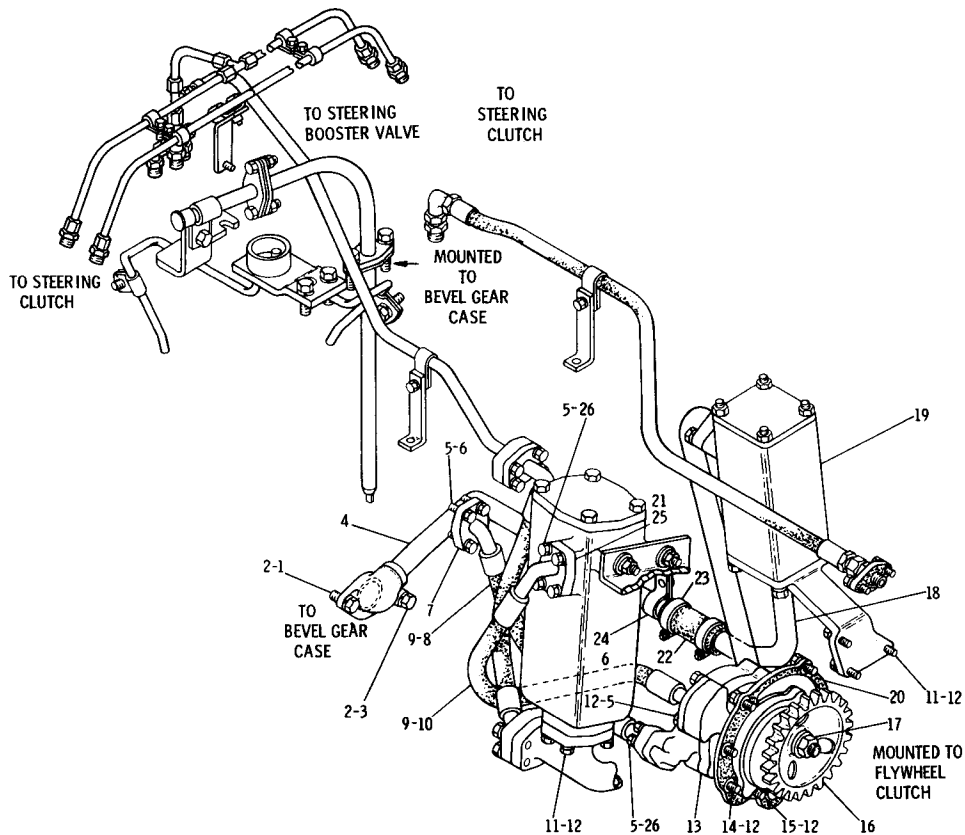
9	1D4717	NUT-----	7
10	7B6473	GASKET-----	2
11	8P3998	GUIDE ASSEM.-----	1
12	S509	BOLT-----	2
13	8P4145	GUIDE ASSEM.-----	1
C 14	7G3902	BRACKET-----	2
15	4B4278	WASHER-----	3
C 16	1S2487	CLIP-----	1
17	8M755	CONNECTOR-----	2
18	8P4803	HOSE ASSEM.---96.5 cm(37.99 in.)	1
19	3S8665	CLIP-----	1
C 20	7G6198	TUBE ASSEM.-----	1
21	1P4576	FLANGE-----	4
22	S1591	BOLT-----	4
	3S7406	FILTER GROUP-----	1
23		(Separate Illustration)	
	8M4987	SEAL-----	1
24	3S9193	HOSE ASSEM.---34.85 cm(13.72 in.)	1
25	8M4988	SEAL-----	3
26	8P2157	MANIFOLD-----	1
27	L2070	BOLT-----	1
C 28	3T1698	VALVE GROUP-----	1
		(Separate Illustration)	
29	1A2029	BOLT-----	2
30	T573	BOLT-----	3
31	8M4432	SEAL----- (large)	1
32	8M8157	SEAL----- (small)	1
33	4H9981	WASHER-----	4
34	8P2257	BRACKET ASSEM.-----	1
35	4F5640	GASKET-----	1
36	1S9353	COVER-----	1
37	5M2894	WASHER-----	8
C 38	7G6194	TUBE ASSEM.-----	1
C 39	7G6193	TUBE ASSEM.-----	1
40	4S3652	TEE-----	1
C 41	2R6806	FITTING-----	2
42	3I1907	SEAL-----	3
43	307942	ELBOW-----	1
C 44	9N5245	HOSE ASSEM.-----	1
C 45	8L6557	CONNECTOR-----	1

C INDICATES CHANGE

176846

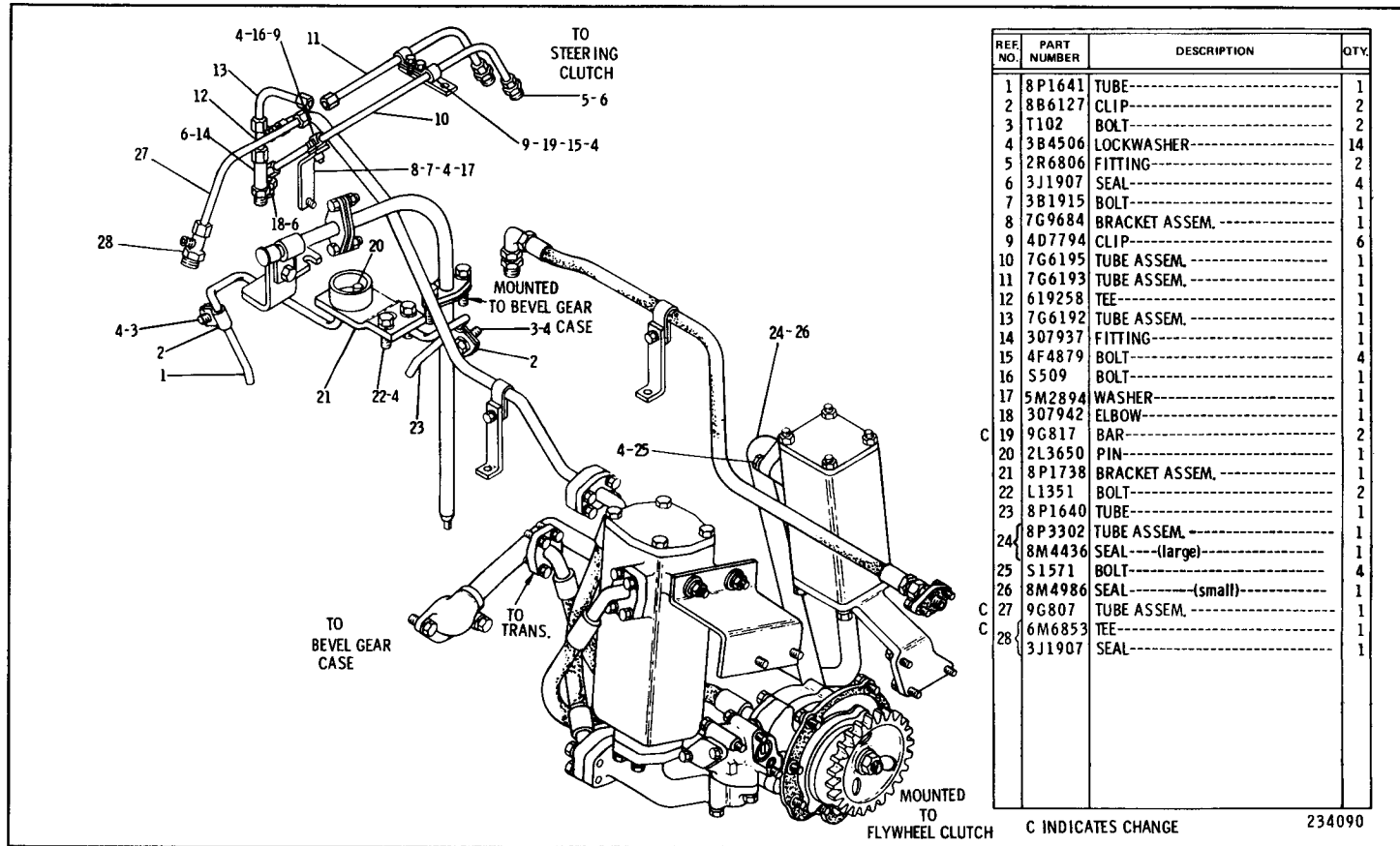
8P5218 POWER TRAIN OIL LINES GROUP—Part 2 of 3
 Serial No. 22X508 to 22X526 Inclusive & 23X828 to 23X837 Inclusive
 3T1698 Valve & 3S7406 Filter parts are shown on Pages 106G & 107

8P5218 POWER TRAIN OIL LINES GROUP—Part 3 of 3
Serial No. 22X508 to 22X526 Inclusive & 23X828 to 23X837 Inclusive
7G3813 Pump & 9M8669 Screen parts are shown on Page 108



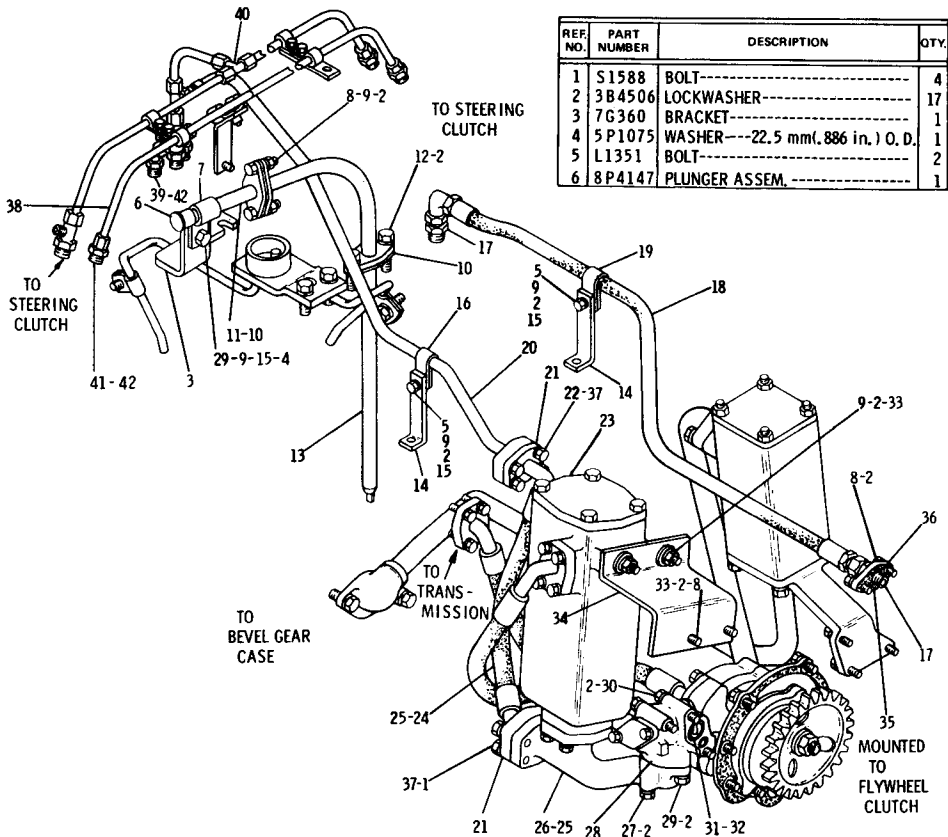
REF. NO.	PART NUMBER	DESCRIPTION	QTY
1	6H1717	BOLT-----	1
2	3B4508	LOCKWASHER-----	2
3	9S1366	BOLT-----	1
4	1P8232	TUBE ASSEM.-----	1
	1H9696	SEAL-----	1
5	S1588	BOLT-----	14
6	4B4278	WASHER---1, 65 mm(. 065 in.) thick	4
7	1P4576	FLANGE-----	4
8	3P2783	HOSE ASSEM. --40, 95 cm(16, 12 in.)	1
9	8M4988	SEAL-----	3
10	1P4807	HOSE ASSEM. --69, 06 cm(27, 19 in.)	1
11	1A2029	BOLT-----	7
12	3B4506	LOCKWASHER-----	16
13	7G3813	PUMP GROUP----- (Separate Illustration)	1
14	S1594	BOLT-----	5
15	1A5964	BOLT-----	2
16	3S6023	GEAR----- (34 teeth)	1
	1B8708	KEY-----	1
17	2K4821	NUT-----	1
	4B4281	WASHER-----	1
18	8P2339	TUBE ASSEM.-----	1
19	9M8669	SCREEN GROUP----- (Separate Illustration)	1
20	3S6024	GASKET-----	1
21	8M4987	SEAL-----	1
22	1P8234	HOSE-----	1
23	5P2230	CLAMP-----	2
24	3S3841	CLIP-----	1
	4B4280	WASHER--2, 41 mm(. 095 in.) thick	1
25	1P4577	FLANGE-----	2
26	5M2894	WASHER-----	8

176847



8P5218 POWER TRAIN OIL LINES GROUP—Part 1 of 3
 Serial No. 22X527 & 22X531—Up and 23X842—Up

8P5218 POWER TRAIN OIL LINES GROUP—Part 2 of 3
Serial No. 22X527 & 22X531—Up and 23X842—Up
3T1918 Valve & 3S7406 Filter parts are shown on Pages 106G & 107

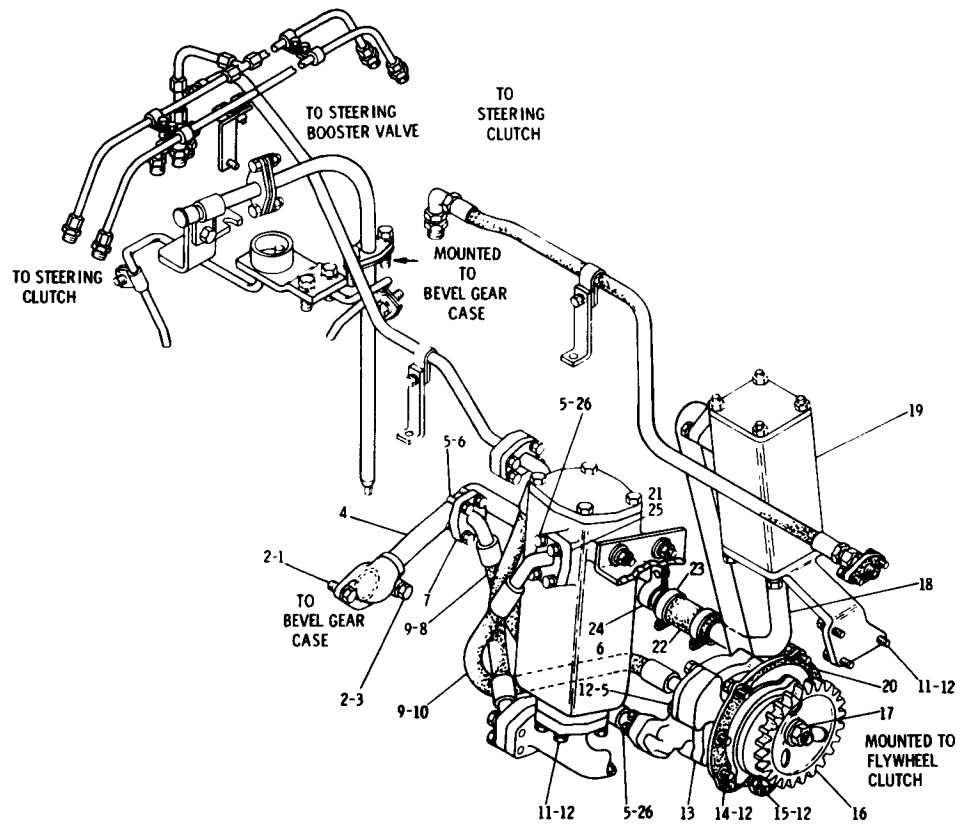


REF. NO.	PART NUMBER	DESCRIPTION	QTY.
1	S1588	BOLT-----	4
2	3B4506	LOCKWASHER-----	17
3	7G360	BRACKET-----	1
4	5P1075	WASHER---22.5 mm(.886 in.) O. D.	1
5	L1351	BOLT-----	2
6	8P4147	PLUNGER ASSEM.-----	1

7	1S1409	CLIP-----	1
8	S1594	BOLT-----	6
9	1D4717	NUT-----	7
10	7B6473	GASKET-----	2
11	8P3998	GUIDE ASSEM.-----	1
12	S509	BOLT-----	2
13	8P4145	GUIDE ASSEM.-----	1
14	7G3902	BRACKET-----	2
15	4B4278	WASHER-----	3
16	1S2487	CLIP-----	1
17	8M755	CONNECTOR-----	2
18	8P4803	HOSE ASSEM.---96.5 cm(37.99 in.)	1
19	3S8665	CLIP-----	1
20	7G6198	TUBE ASSEM.-----	1
21	1P4576	FLANGE-----	4
22	S1591	BOLT-----	4
	3S7406	FILTER GROUP-----	1
23		(Separate Illustration)	
	8M4987	SEAL-----	1
24	3S9193	HOSE ASSEM.---34.85 cm(13.72 in.)	1
25	8M4988	SEAL-----	3
26	8P2157	MANIFOLD-----	1
27	L2070	BOLT-----	1
C 28	3T1918	VALVE GROUP-----	1
		(Separate Illustration)	
29	1A2029	BOLT-----	2
30	T573	BOLT-----	3
31	8M4432	SEAL----- (large)	1
32	8M8157	SEAL----- (small)	1
33	4H9981	WASHER-----	4
34	8P2257	BRACKET ASSEM.-----	1
35	4F5640	GASKET-----	1
36	1S9353	COVER-----	1
37	5M2894	WASHER-----	8
38	7G6194	TUBE ASSEM.-----	1
39	307942	ELBOW-----	1
40	4S3652	TEE-----	1
C 41	2R6806	FITTING-----	1
42	3J1907	SEAL-----	2

C INDICATES CHANGE

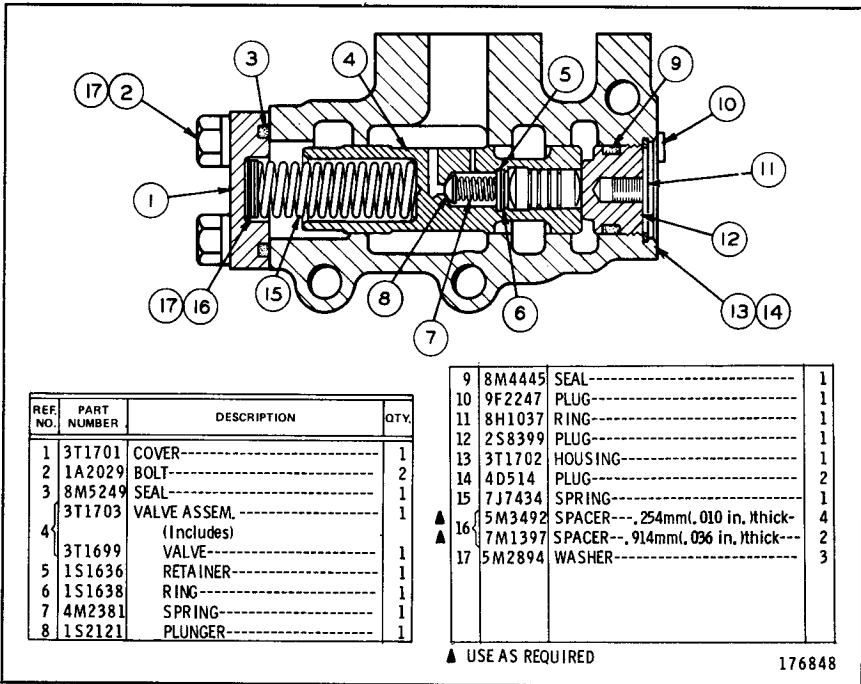
234091



REF NO.	PART NUMBER	DESCRIPTION	QTY
1	6H1717	BOLT-----	1
2	3B4508	LOCKWASHER-----	2
3	9S1366	BOLT-----	1
4	1P8232	TUBE ASSEM.-----	1
4	1H9696	SEAL-----	1
5	S1588	BOLT-----	14
6	4B4278	WASHER--1.65 mm(.065 in.) thick	4
7	1P4576	FLANGE-----	4
8	3P2783	HOSE ASSEM. --40.95 cm(16.12 in.)	1
9	8M4988	SEAL-----	3
10	1P4807	HOSE ASSEM. --69.06 cm(27.19 in.)	1
11	1A2029	BOLT-----	7
12	3B4506	LOCKWASHER-----	16
13	7G3813	PUMP GROUP----- (Separate Illustration)	1
14	S1594	BOLT-----	5
15	1A5964	BOLT-----	2
16	3S6023	GEAR-----(-34 teeth)	1
16	1B8708	KEY-----	1
17	2K4821	NUT-----	1
17	4B4281	WASHER-----	1
18	8P2339	TUBE ASSEM.-----	1
19	9M8669	SCREEN GROUP----- (Separate Illustration)	1
20	3S6024	GASKET-----	1
21	8M4987	SEAL-----	1
22	1P8234	HOSE-----	1
23	5P2230	CLAMP-----	2
24	3S3841	CLIP-----	1
24	4B4280	WASHER--2.41 mm(.095 in.) thick	1
25	1P4577	FLANGE-----	2
26	5M2894	WASHER-----	8

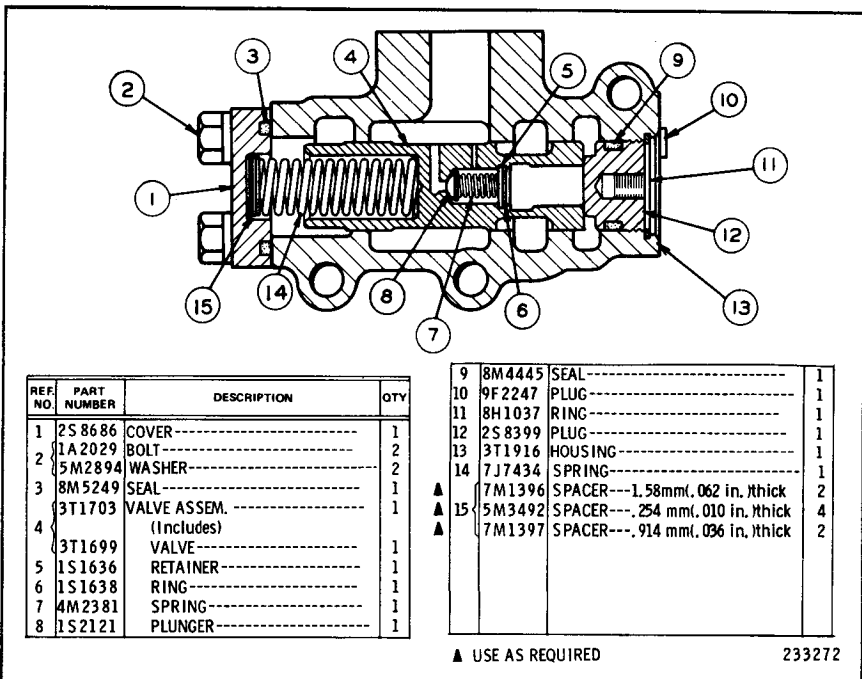
175009

8P5218 POWER TRAIN OIL LINES GROUP—Part 3 of 3
 Serial No. 22X527 & 22X531—Up and 23X842—Up
 7G3813 Pump & 9M8669 Screen parts are shown on Page 108



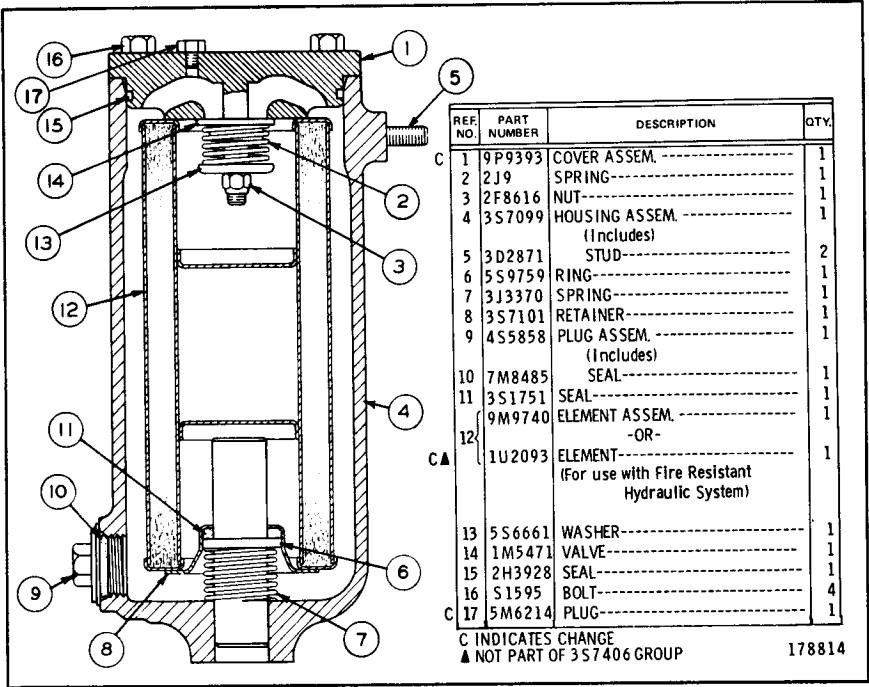
3T1698 RELIEF VALVE GROUP

Part of 8P5218 Power Train Oil Lines Group shown on Page 106B

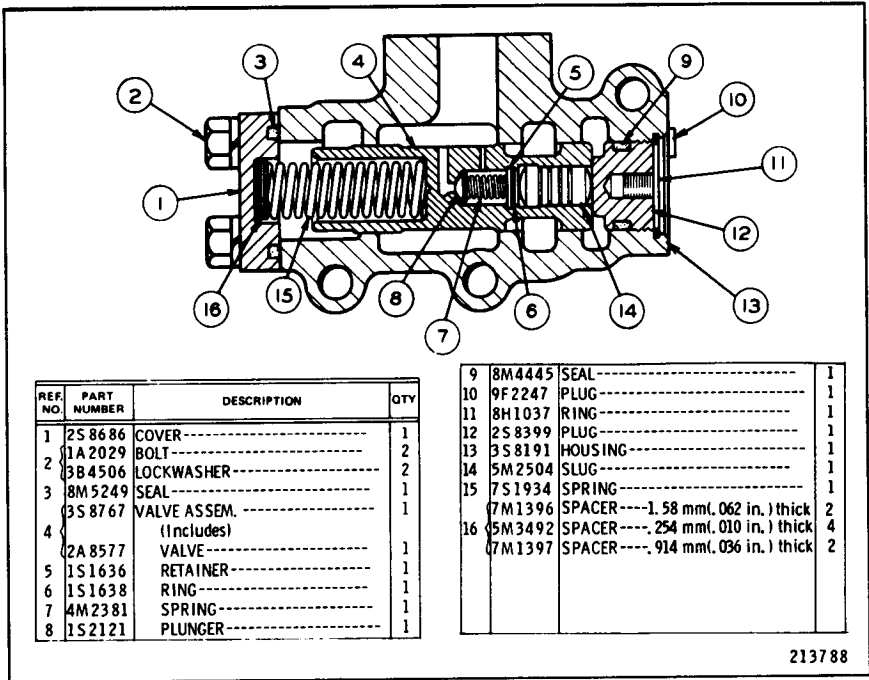


3T1918 RELIEF VALVE GROUP

Part of 8P5218 Power Train Oil Lines Group shown on Page 106E



3S7406 TRANSMISSION AND STEERING CLUTCH FILTER GROUP
 Part of 8P5218 Power Train Oil Lines Group shown on Pages 105, 106B & 106E



8P2513 RELIEF VALVE GROUP
 Part of 8P5218 Power Train Oil Lines Group shown on Page 105

REF. NO.	PART NUMBER	DESCRIPTION	QTY
1	7G8768	MANIFOLD-----	1
2	1P1981	BODY ASSEM.-----	1
3	5M4987	DOWEL-----	4
4	3S6041	MANIFOLD ASSEM.-----	1
5	2S7923	BEAR ING-----	2
6	1P1985	BODY ASSEM.-----	1
7	5M3605	DOWEL-----	2
8	2S7910	COVER ASSEM.-----	1
9	2S7931	BEAR ING-----	2
10	4M189	SEAL-----	4
11	7G1014	GEAR----- (8 teeth)	1
12	S1608	BOLT-----	4
12	3S4	WASHER-----	4
13	1P1990	GEAR ASSEM.----- (8 teeth)	1
14	8M2518	BOLT-----	2
14	8M3175	WASHER-----	2
15	4F7391	SEAL-----	3
16	1P1988	GEAR ASSEM.----- (8 teeth)	2
17	2S3625	COVER-----	1
18	8M5249	SEAL-----	1
19	1B8702	KEY-----	1
20	S1594	BOLT-----	2
20	3B4506	WASHER-----	2
SMH57326		FORM (INSTALLING PUMP AND GEAR)	

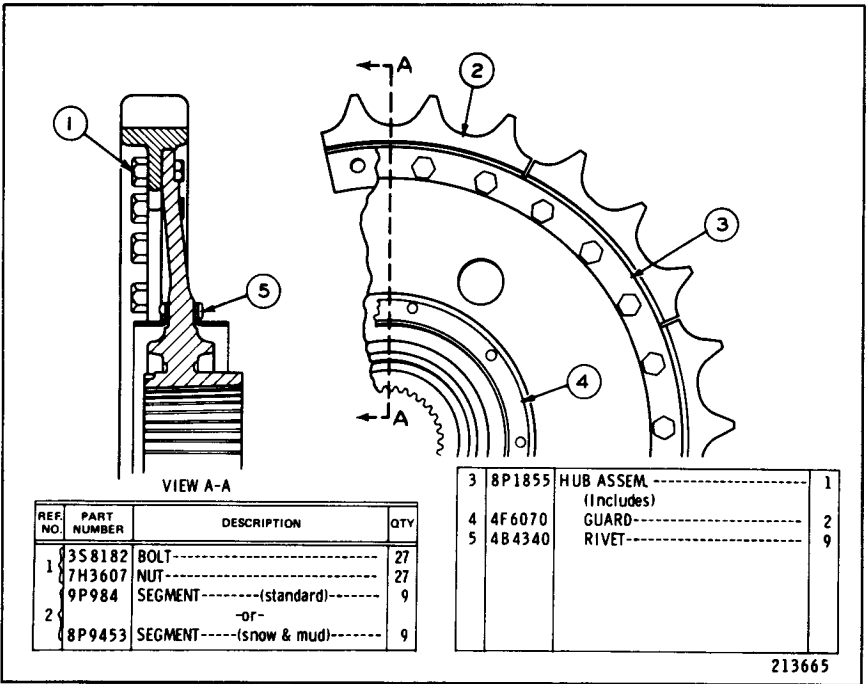
224167

7G3813 GEAR PUMP GROUP—2 Section
Part of 8P5218 Power Train Oil Lines Group shown on Page 106

REF. NO.	PART NUMBER	DESCRIPTION	QTY
1	3D2871	STUD-----	4
2	1D4717	NUT-----	4
3	3S3439	COVER-----	1
4	3S3440	SPRING WASHER-----	1
5	5F149	SEAL-----	2
6	3S3875	SCREEN-----	1
7	2S1641	TUBE ASSEM.-----	1
8	8M7160	MAGNET-----	4
9	1J8668	STUD----- (2" long)	4
	8M1047	STUD----- (1.70" long)	4
	2M4779	STUD----- (1.80" long)	4
10	1D4717	NUT-----	4
	3B4506	LOCKWASHER-----	4
10	8M7166	HOUSING-----	1

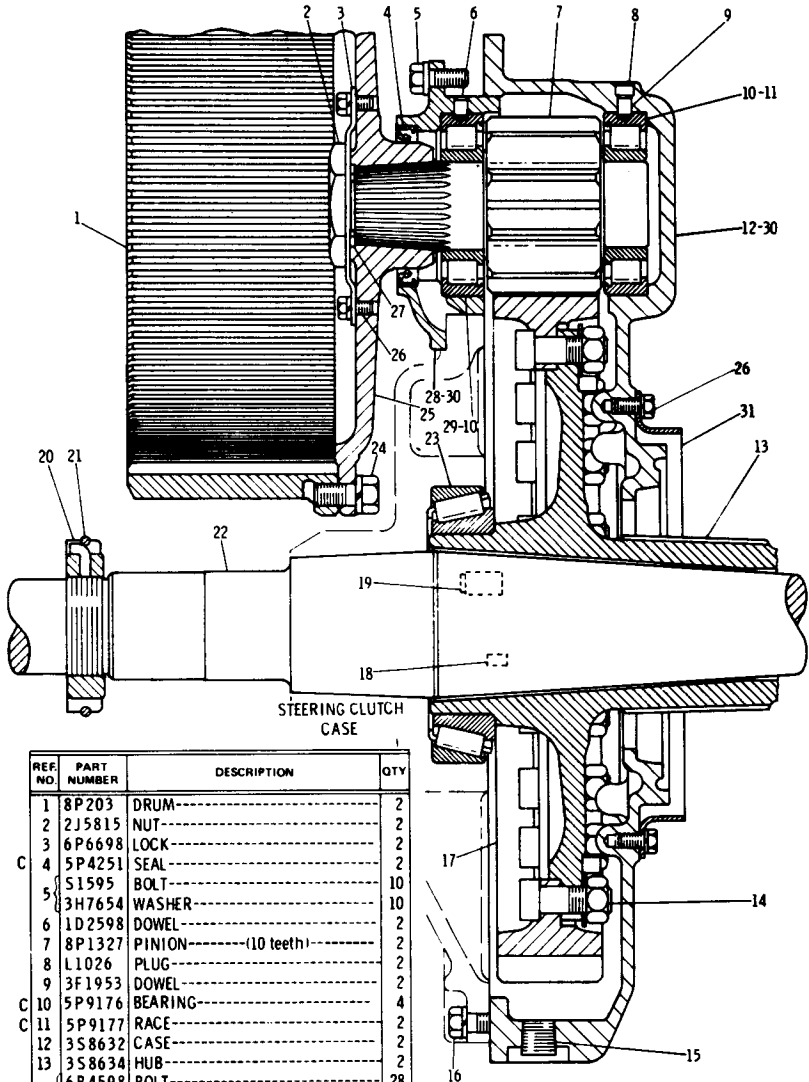
113539

9M8669 MAGNETIC SCREEN GROUP
Part of 8P5218 Power Train Oil Lines Group shown on Page 106



9P988 SEGMENTED SPROCKET GROUP

Part of 8P2469 & 8P2470 Final Drive Groups shown on Pages 111, 113 & 113B

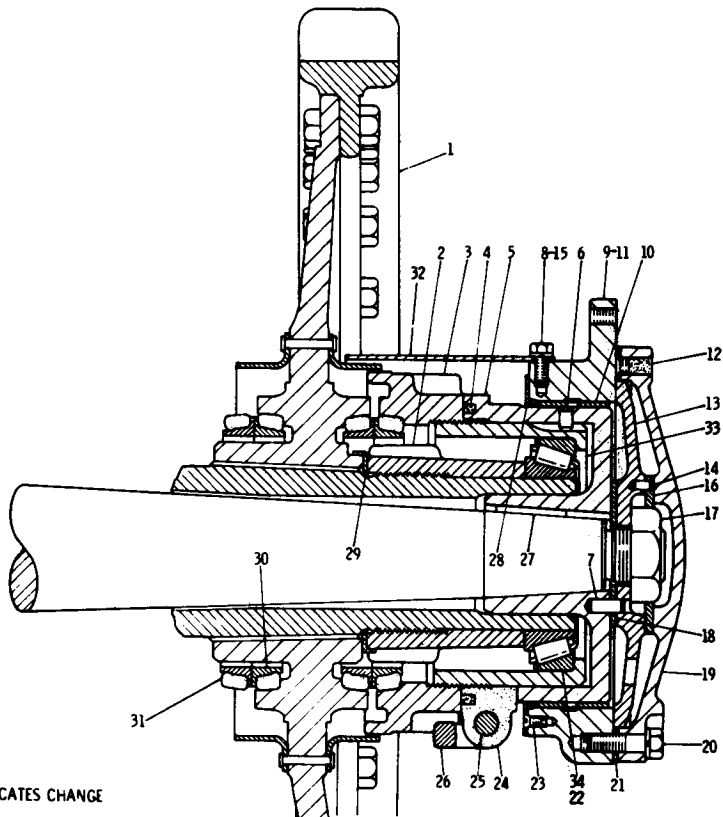


REF. NO.	PART NUMBER	DESCRIPTION	QTY
1	8P203	DRUM-----	2
2	2J5815	NUT-----	2
3	6P6698	LOCK-----	2
C 4	5P4251	SEAL-----	2
5	S1595	BOLT-----	10
5	3H7654	WASHER-----	10
6	1D2598	DOWEL-----	2
7	8P1327	PINION----- (10 teeth)	2
8	L1026	PLUG-----	2
9	3F1953	DOWEL-----	2
C 10	5P9176	BEARING-----	4
C 11	5P9177	RACE-----	2
12	3S8632	CASE-----	2
13	3S8634	HUB-----	2
14	6B4598	BOLT-----	28
14	6B6682	NUT-----	28
14	1H2433	LOCK----- 17.15 cm (6.75 in.) long	6
14	5M5241	LOCK----- 10.16 cm (4 in.) long	8
15	3S9182	PLUG-----	4
16	S1585	BOLT-----	40
16	2M849	WASHER-----	40
17	5M5242	GEAR----- (49 teeth)	2
18	5B7267	CORK-----	4
19	2B8162	DOWEL-----	4
20	8H3326	NUT-----	2
20	2B8093	PIN-----	2
21	2B8092	RING-----	2
22	2F7577	SHAFT-----	2

23	5D7449	CUP-----	2
23	5D7453	CONE-----	2
24	4B4043	BOLT-----	24
24	3B4510	LOCKWASHER-----	24
25	8P1328	FLANGE-----	2
26	S509	BOLT-----	14
26	3B4506	LOCKWASHER-----	14
27	6P8359	GASKET-----	2
28	9S3321	CAGE-----	2
C 29	6V370	RACE-----	2
30	7M7260	LIQUID GASKET-----	2
31	1A4073	GUARD-----	2

NOTE: QUANTITIES SHOWN ARE THOSE REQUIRED FOR BOTH R. H. & L. H. SIDES. C INDICATES CHANGE 174125

8P2469 FINAL DRIVE GROUP—Upper Half
Serial No. 22X439—Up



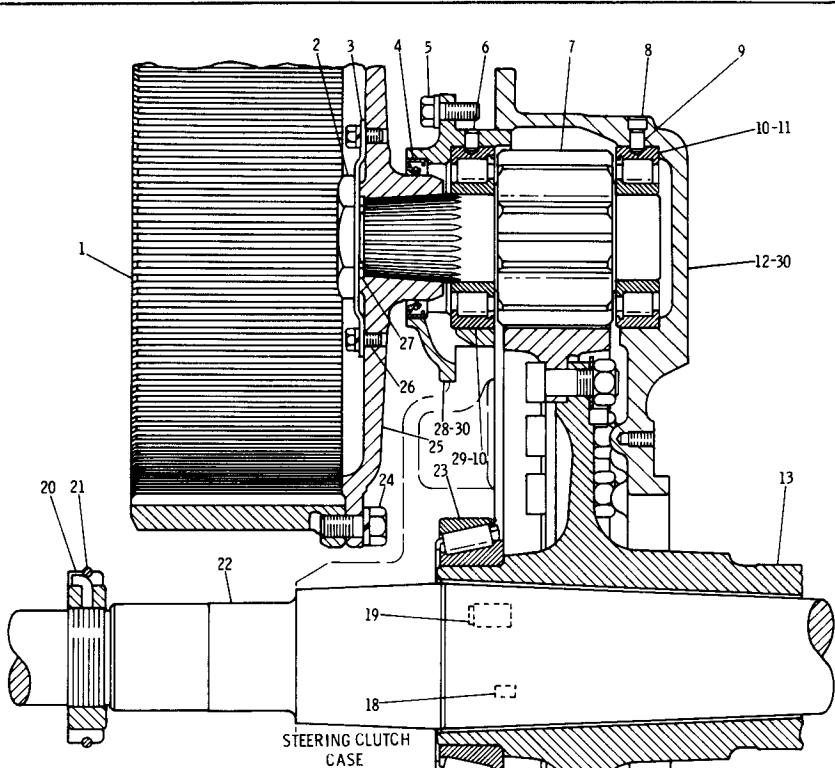
C INDICATES CHANGE

REF. NO.	PART NUMBER	DESCRIPTION	QTY
1	9P988	SPROCKET GROUP--- (Separate Illustration)	2
2	4H9040	NUT-----	2
3	8P1853	NUT-----	2
4	8P4237	GASKET-----	2
5	2S1477	HOLDER ASSEM. (Each Includes)	2
6	1F1006	DOWEL-----	1
7	8B1312	PIN-----	2
8	5509	BOLT-----	8
8	3B4506	LOCKWASHER---	8
9	7S7625	SUPPORT ASSEM. (Each Includes)	2
10	3F1965	BEARING-----	1
11	2M122	DOWEL-----	4
11	2B7408	PLUG-----	2
11	3B8491	FITTING-----	2
12	2B7557	CORK-----	2
13	3F1972	RETAINER ASSEM. (Each Includes)	2
14	S130	PIN-----	2
15	4B4278	WASHER-----	8
16	2F2815	LOCK-----	2
17	1A3585	NUT-----	2
18	2S4366	SHIM-----	8
19	3F1956	CAP-----	2
19	9F2247	PLUG-----	2
20	S1587	BOLT-----	2
20	3B4508	LOCKWASHER---	12
21	3F1955	GASKET-----	2
22	3F1396	CONE-----	2
23	4B1281	SCREW-----	16
24	1F4583	SEAL-----	2
24	6F7024	BOLT-----	2
25	1B4206	NUT-----	2
25	3B4510	LOCKWASHER---	2
26	3P3623	LOCK-----	2
27	1B8742	KEY-----	2
28	3F1954	RETAINER-----	2
28	9M5894	SEAL-----	2
29	3F1960	LOCK-----	2
30	8P1857	SEAL GROUP----- (Each Includes)	4
31	7M475	RING-----	2
32	3F1958	GUARD-----	2
33	7G6044	CAGE ASSEM. (Each Includes)	2
34	8P6343	CUP-----	1

NOTE: QUANTITIES SHOWN ARE THOSE REQUIRED FOR BOTH R. H. & L. H. SIDES.

174126

8P2469 FINAL DRIVE GROUP—Lower Half
Serial No. 22X439—Up
9P988 Sprocket parts are shown on Page 109

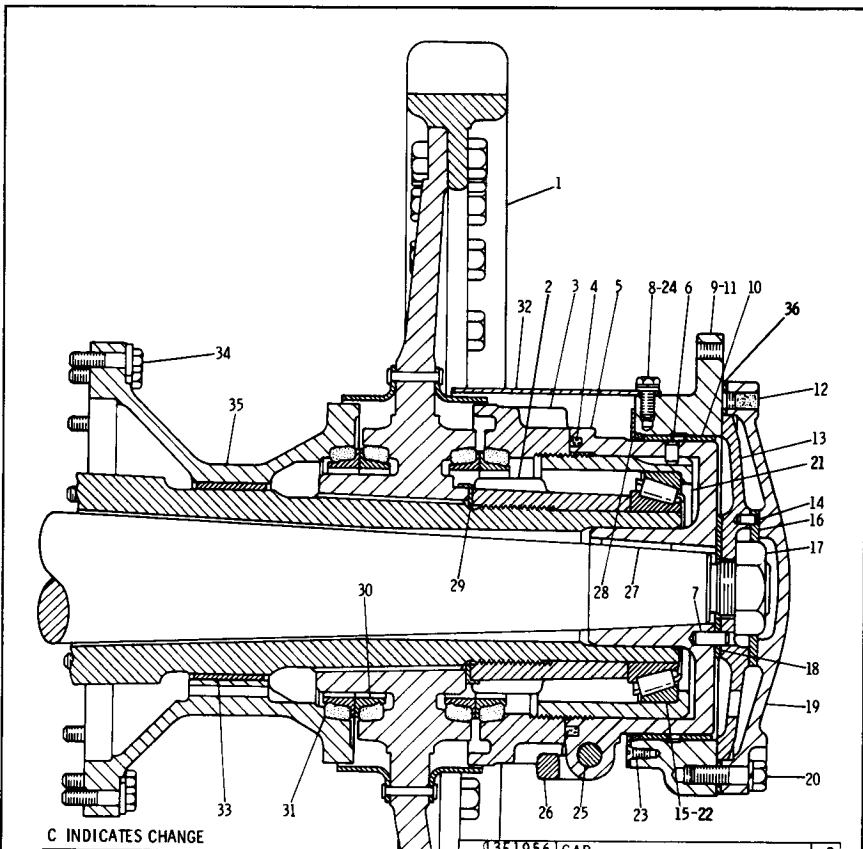


REF. NO.	PART NUMBER	DESCRIPTION	QTY
1	8P203	DRUM-----	2
2	2J5815	NUT-----	2
3	6P6698	LOCK-----	2
4	5P4251	SEAL-----	2
5	S1595	BOLT-----	10
5	3H7654	WASHER-----	10
6	1D2598	DOWEL-----	2
7	8P1327	PINION----- (10 teeth)-----	2
8	L1026	PLUG-----	2
9	3F1953	DOWEL-----	2
10	5P9176	ROLLER ASSEM.-----	4
11	5P9177	RACE-----	2
12	2P1511	CASE-----	2
13	3P5754	HUB-----	2
14	6B4598	BOLT-----	28
14	6B6682	NUT-----	28
14	1H2435	LOCK----- (17, 15 cm(6, 75 in.) long)	6
14	5M5241	LOCK----- (10, 16 cm(4 in.) long)	8
15	3S9182	PLUG-----	4
16	S1585	BOLT-----	40
16	2M849	WASHER-----	40
17	5M5242	GEAR----- (49 teeth)-----	2
18	5B7267	CORK-----	4
19	2B8162	DOWEL-----	4
20	8H3326	NUT-----	2
20	2B8093	PIN-----	2
21	2B8092	RING-----	2
22	2F7576	SHAFT-----	2

17			
14			
15			
16			
23	5D7449	CUP-----	2
23	5D7453	CONE-----	2
24	4B4043	BOLT-----	24
24	3B4510	LOCKWASHER-----	24
25	8P1328	FLANGE-----	2
26	S509	BOLT-----	4
26	3B4506	LOCKWASHER-----	4
27	6P8359	GASKET-----	2
28	9S3321	CAGE-----	2
29	6V370	RACE-----	2
30	7M7260	LIQUID GASKET-----	

NOTE: QUANTITIES SHOWN ARE THOSE REQUIRED FOR BOTH R. H. & L. H. SIDES. C INDICATES CHANGE 228285

8P2470 FINAL DRIVE GROUP—Upper Half
Serial No. 23X778 to 23X803 Inclusive



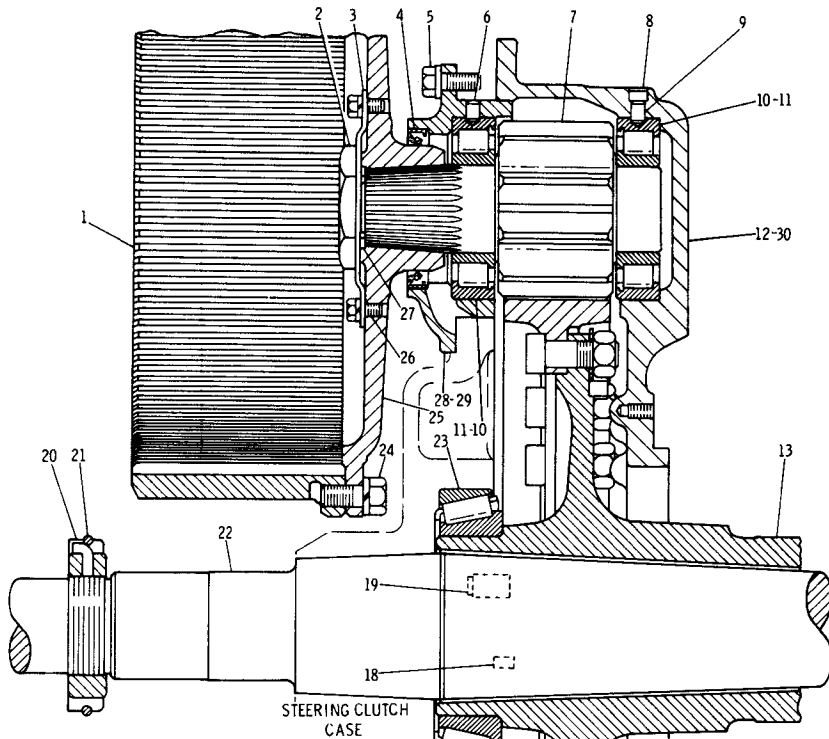
C INDICATES CHANGE

REF NO.	PART NUMBER	DESCRIPTION	QTY
1	9P988	SPROCKET GROUP----- (Separate Illustration)	2
2	4H9040	NUT-----	2
3	8P1853	NUT-----	2
4	8P4237	GASKET-----	2
5	2S1477	HOLDER ASSEM. (Each Includes)	2
C 6	8M6521	DOWEL-----	1
7	8B1312	PIN-----	2
8	S509	BOLT-----	8
8	3B4506	LOCKWASHER-----	8
9	7S7625	SUPPORT ASSEM. (Each Includes)	2
10	3F1965	BEARING-----	1
	2M122	DOWEL-----	4
11	2B7408	PLUG-----	2
	3B8491	FITTING-----	2
12	2B7557	CORK-----	2
13	3F1972	RETAINER ASSEM. (Each Includes)	2
14	S130	PIN-----	2
15	3F1396	CONE-----	2
16	2F2815	LOCK-----	2
17	1A3585	NUT-----	2
18	2S4366	SHIM-----	8
19	3F1956	CAP-----	2
	9F2247	PLUG-----	2
20	S1587	BOLT-----	12
	3B4508	LOCKWASHER-----	12
21	7G6044	CAGE ASSEM. (Each Includes)	2
C 22	8B6343	CUP-----	1
23	4B1281	SCREW-----	16
C 24	4B4278	WASHER-----	8
	6F7024	BOLT-----	2
25	1B4206	NUT-----	2
	3B4510	LOCKWASHER-----	2
26	3P3623	LOCK-----	2
27	1B8742	KEY-----	2
	3F1954	RETAINER-----	2
	9M5894	SEAL-----	2
28	3F1960	LOCK-----	2
30	8P1857	SEAL GROUP----- (Each Includes)	4
31	7M475	RING-----	2
32	3F1958	GUARD-----	2
33	2P1553	BEARING-----	2
	S1571	BOLT-----	32
34	8F6809	WASHER-----	32
35	3P5755	EXTENSION-----	2
36	3F1955	GASKET-----	2

NOTE: QUANTITIES SHOWN ARE THOSE REQUIRED FOR BOTH R. H. & L. H. SIDES.

228286

8P2470 FINAL DRIVE GROUP—Lower Half
 Serial No. 23X778 to 23X803 Inclusive
 9P988 Sprocket parts are shown on Page 109

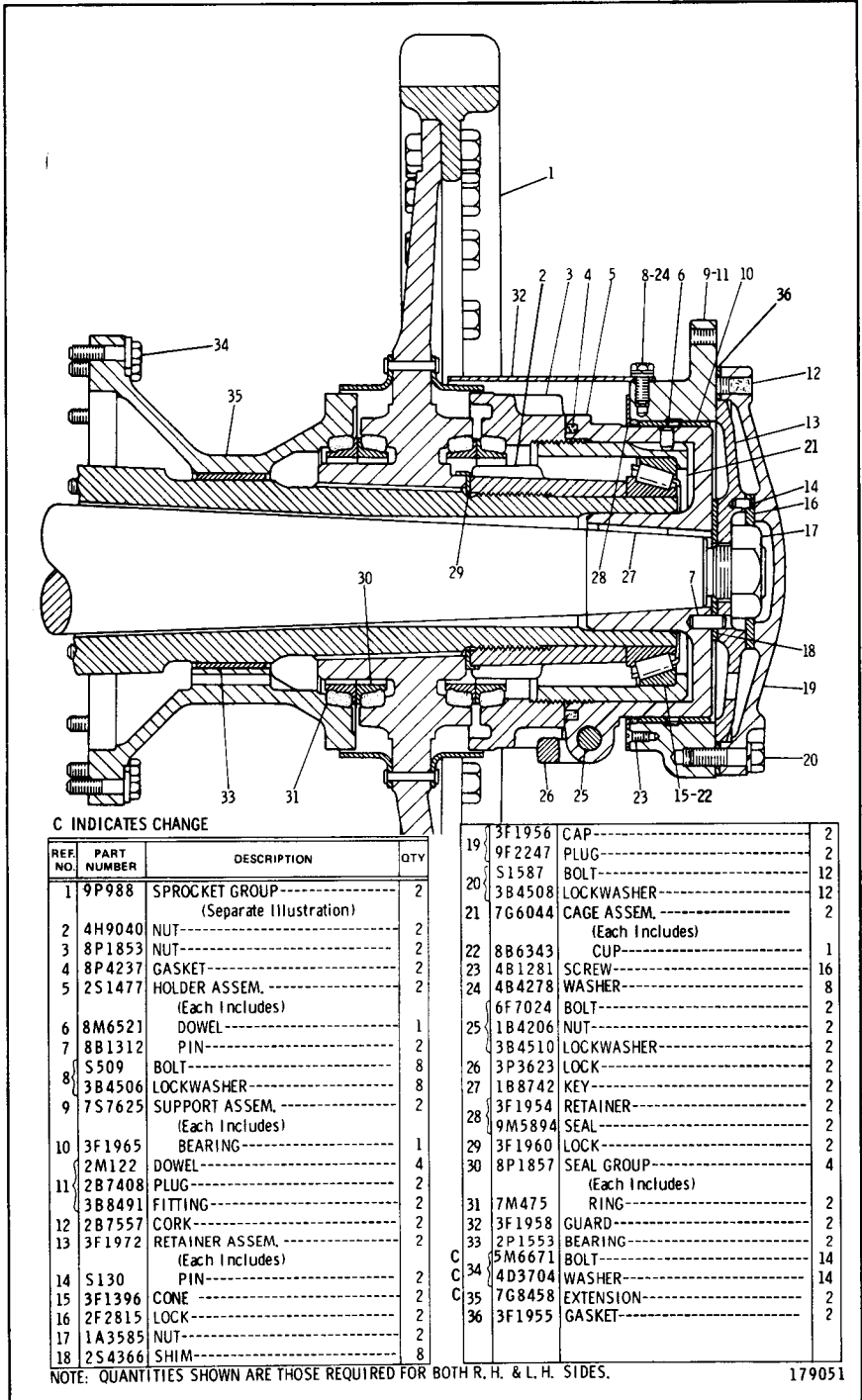


REF. NO.	PART NUMBER	DESCRIPTION	QTY
1	8P203	DRUM-----	2
2	2J5815	NUT-----	2
3	6P6698	LOCK-----	2
4	5P4251	SEAL-----	2
5	S1595	BOLT-----	10
5	3H7654	WASHER-----	10
C 6	6H879	DOWEL-----	2
C 7	8P1774	PINION----- (9 teeth)	2
8	L1026	PLUG-----	2
9	3F1953	DOWEL-----	2
C 10	2D6421	ROLLER ASSEM.	4
C 11	1M1604	RACE-----	4
C 12	2P9951	CASE-----	2
C 13	7G8459	HUB-----	2
	6B4598	BOLT-----	28
	6B6682	NUT-----	28
C 14	3P5446	LOCK-----17.15 cm(6.75 in.) long	6
C 15	3P5447	LOCK-----10.16 cm(4 in.) long	8
15	3S9182	PLUG-----	4
16	S1585	BOLT-----	40
16	2M849	WASHER-----	40
C 17	2P9660	GEAR----- (44 teeth)	2
18	5B7267	CORK-----	4
19	2B8162	DOWEL-----	4
20	8H3326	NUT-----	2
20	2B8093	PIN-----	2
21	2B8092	RING-----	2
22	2F7576	SHAFT-----	2

17			
14			
15			
16			
23	5D7449	CUP-----	2
	5D7453	CONE-----	2
24	4B4043	BOLT-----	24
	3B4510	LOCKWASHER-----	24
25	8P1328	FLANGE-----	2
	S509	BOLT-----	4
26	3B4506	LOCKWASHER-----	4
27	6P8359	GASKET-----	2
C 28	2P9672	CAGE-----	2
C 29	7M7260	LIQUID GASKET-----	2

NOTE: QUANTITIES SHOWN ARE THOSE REQUIRED FOR BOTH R, H, & L, H, SIDES. C INDICATES CHANGE 179050

8P2470 FINAL DRIVE GROUP—Upper Half
Serial No. 23X804—Up



C INDICATES CHANGE

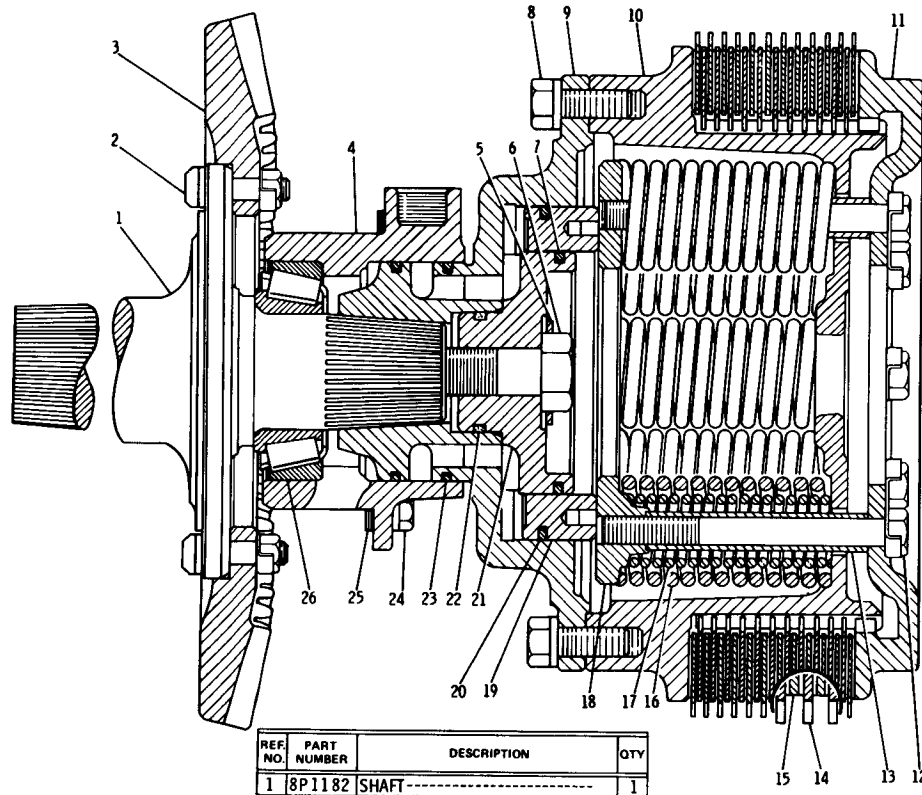
REF. NO.	PART NUMBER	DESCRIPTION	QTY
1	9P988	SPROCKET GROUP (Separate Illustration)	2
2	4H9040	NUT-----	2
3	8P1853	NUT-----	2
4	8P4237	GASKET-----	2
5	2S1477	HOLDER ASSEM. (Each Includes)	2
6	8M6521	DOWEL-----	1
7	8B1312	PIN-----	2
8	5509	BOLT-----	8
8	3B4506	LOCKWASHER-----	8
9	7S7625	SUPPORT ASSEM. (Each Includes)	2
10	3F1965	BEARING-----	1
	2M122	DOWEL-----	4
11	2B7408	PLUG-----	2
	3B88491	FITTING-----	2
12	2B7557	CORK-----	2
13	3F1972	RETAINER ASSEM. (Each Includes)	2
14	S130	PIN-----	2
15	3F1396	CONE-----	2
16	2F2815	LOCK-----	2
17	1A3585	NUT-----	2
18	2S4366	SHIM-----	8

19	3F1956	CAP-----	2
	9F2247	PLUG-----	2
	S1587	BOLT-----	12
20	3B4508	LOCKWASHER-----	12
21	7G6044	CAGE ASSEM. (Each Includes)	2
22	8B6343	CUP-----	1
23	4B1281	SCREW-----	16
24	4B4278	WASHER-----	8
	6F7024	BOLT-----	2
25	1B4206	NUT-----	2
	3B4510	LOCKWASHER-----	2
26	3P3623	LOCK-----	2
27	1B8742	KEY-----	2
	3F1954	RETAINER-----	2
28	9M5894	SEAL-----	2
29	3F1960	LOCK-----	2
30	8P1857	SEAL GROUP (Each Includes)	4
31	7M475	RING-----	2
32	3F1958	GUARD-----	2
33	2P1553	BEARING-----	2
C	5M6671	BOLT-----	14
C	4D3704	WASHER-----	14
C	7G8458	EXTENSION-----	2
C	3F1955	GASKET-----	2

NOTE: QUANTITIES SHOWN ARE THOSE REQUIRED FOR BOTH R. H. & L. H. SIDES.

179051

8P2470 FINAL DRIVE GROUP—Lower Half
Serial No. 23X804—Up
9P988 Sprocket parts are shown on Page 109



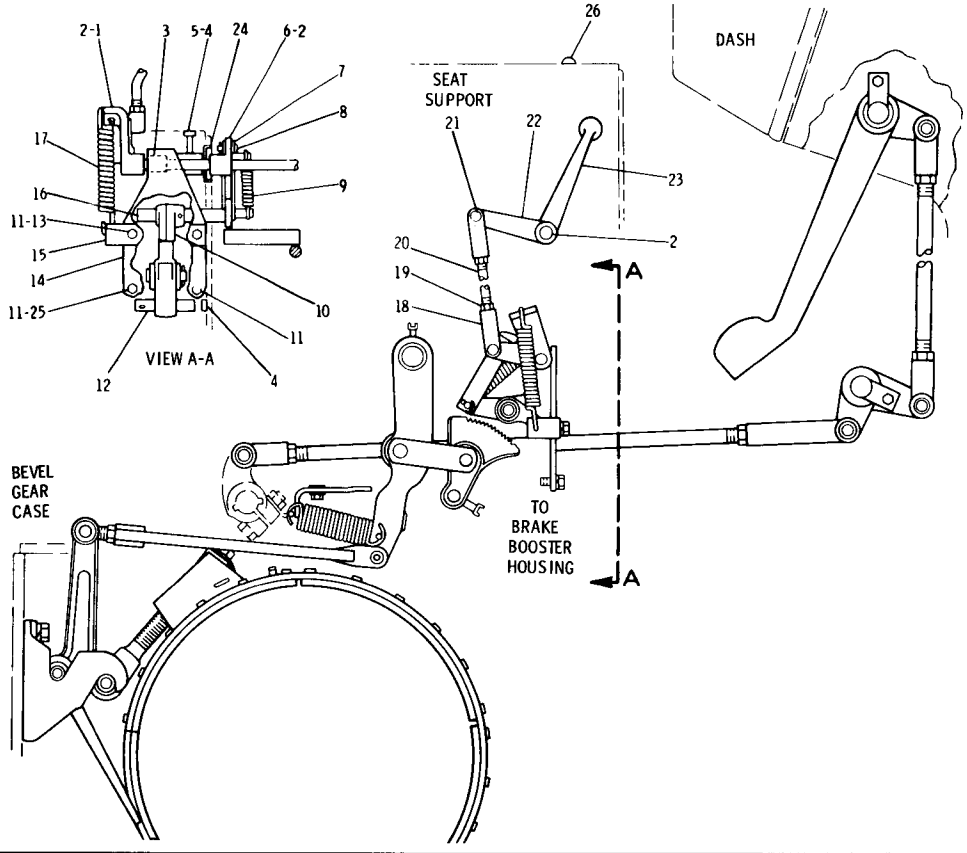
REF. NO.	PART NUMBER	DESCRIPTION	QTY
1	8P1182	SHAFT-----	1

	3B4990	BOLT-----	10
	6B6683	NUT-----	10
	9G7918	LOCK-----	5
	3P1183	GEAR----- (47 teeth)	1
	8P1324	CAGE-----	2
	6P6700	LOCK-----	2
	5S509	BOLT-----	4
	3B4506	LOCKWASHER-----	4
	6F7037	BOLT-----	2
	9M1393	RING-----	2
	S1589	BOLT-----	24
	3B4510	LOCKWASHER-----	24
	8P1325	HUB-----	2
	8P1181	DRUM-----	2
	8P8240	PLATE ASSEM.-----	2
	5D9514	BOLT-----	16
	9M6775	LOCK-----	8
	6P6696	SLEEVE-----	16
	5S71	DISC ASSEM.-----	26
	1A3987	DISC-----	24
	6P6586	SPRING-----	16
	6P6630	SPRING-----	16
	1M9444	RETAINER-----	2
	8P1353	PISTON-----	2
	8M7438	RING-----	2
	8P8570	PILOT ASSEM.-----	2
		(Each Includes)	
	4H1440	PIN-----	1
	6L1650	SEAL-----	2
	7P1697	RING-----	4
	S1585	BOLT-----	12
	3B4508	LOCKWASHER-----	12
	7G4141	SHIM PACK-----	2
	6H3568	CUP-----	2
	6H3566	CONE-----	2

C INDICATES CHANGE

228597

8P3260 STEERING CLUTCH GROUP



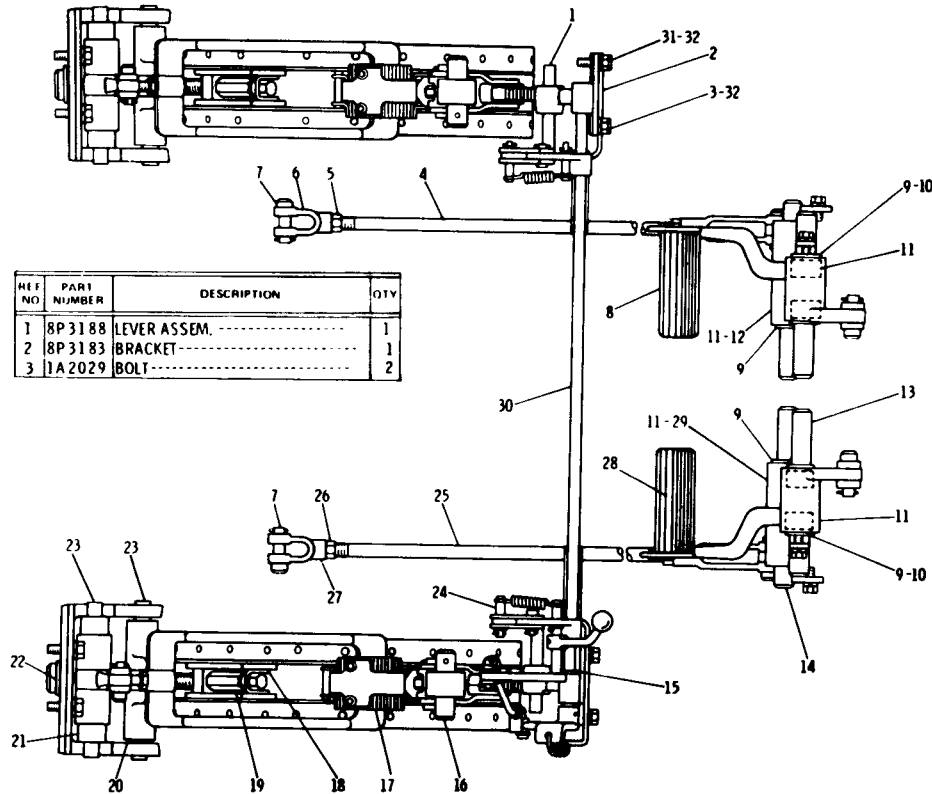
REF. NO.	PART NUMBER	DESCRIPTION	QTY
1	8P3175	LEVER-----	1
2	6H3956	PIN-----	3
3	5P1901	BEARING-----	2
4	L1026	PLUG-----	4
5	1J5353	PIN-----	2
6	8P3173	LEVER-----	2
7	6P2772	PLATE-----	4
8	1A2457	PIN-----	2
8	L261	WASHER-----	2
8	3B4607	COTTER PIN-----	2
9	9D1058	SPRING-----	2
10	3P5206	PAWL-----	2
10	1H1200	PIN-----	2
11	3B4506	LOCKWASHER-----	4
12	9K7102	PIN-----	2
13	1A2029	BOLT-----	2
14	8P3168	COVER ASSEM.-----	2
14	7S2780	GASKET-----	2
15	8P3181	BRACKET-----	1
16	8P3186	LEVER ASSEM.-----	1
17	1D1313	SPRING-----	1
18	2K400	YOKE END-----	2
19	5B9079	NUT-----	2
20	8P3189	ROD-----	1
21	1B676	PIN-----	2
21	3B4615	COTTER PIN-----	2
22	8P3177	LEVER ASSEM.-----	1
23	8P3176	LEVER-----	1
24	L1021	PLUG-----	2
25	S1594	BOLT-----	2
C 26	3D9871	BUTTON-----	1

C INDICATES CHANGE

228579

8P4985 STEERING BRAKE GROUP—Part 2 of 3—Side View
 Serial No. 22X439 to 22X526, 528 to 22X530 Inclusive & 23X733 to 23X841 Inclusive

8P4985 STEERING BRAKE GROUP—Part 3 of 3—Top View
 Serial No. 22X439 to 22X526, 528 to 22X530 Inclusive & 23X733 to 23X841 Inclusive

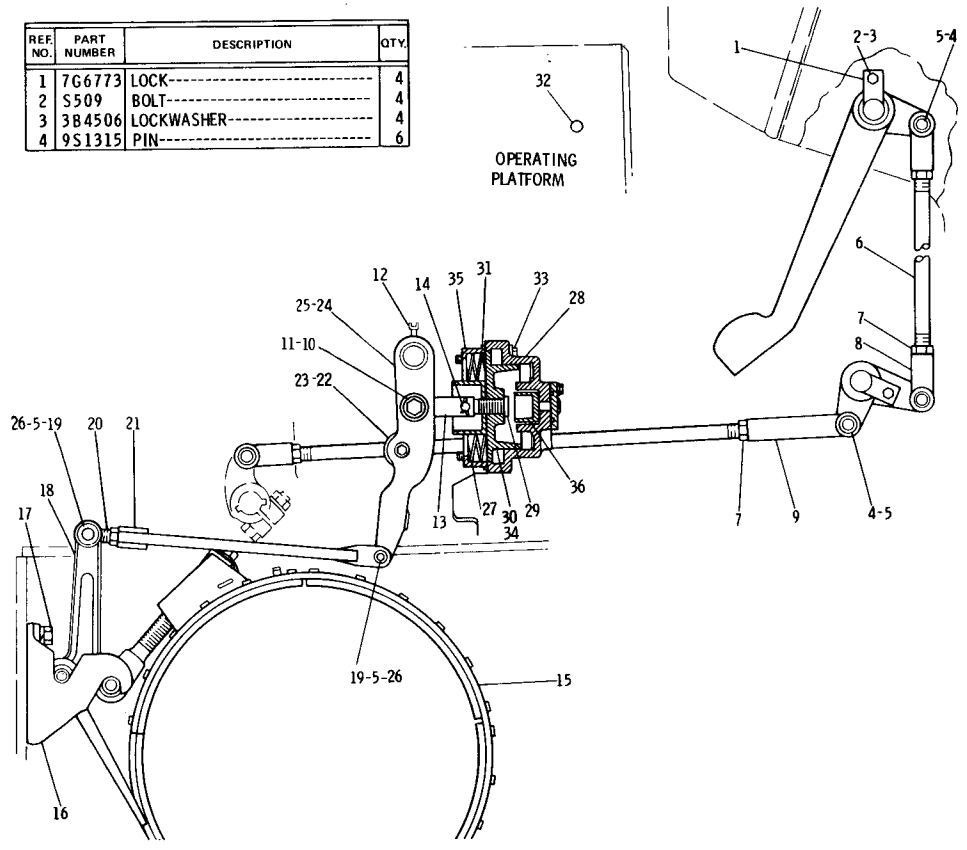


4	8P3300	ROD ASSEM. -----	1
		(Includes)	
5	1B4206	NUT -----	1
6	4M7930	END -----	1
7	9S1315	PIN -----	2
	3B4617	COTTER PIN -----	2
8	8P1870	PEDAL -----	1
9	9S1328	WASHER -----	8
10	8P9821	WASHER -----	2
11	6K8088	BEARING -----	8
12	8P2504	BELLCRANK -----	2
13	8P3475	SHAFT -----	2
14	8P2507	SHAFT -----	2
	9S201	WASHER -----	1
15	3B4615	COTTER PIN -----	1
16	8P569	SHAFT -----	2
17	9G3491	SPRING -----	4
18	9P1154	CLIP -----	2
19	8P5647	NUT ASSEM. -----	2
20	6P9420	FORK -----	2
21	4K1304	SPACER -----	4
22	9M7002	SEAL -----	2
23	8P3002	PIN -----	4
	6P4406	PIN -----	4
24	L261	WASHER -----	4
	3B4607	COTTER PIN -----	4
25	8P2511	ROD -----	1
26	9S1354	NUT -----	1
27	4M7930	END -----	1
28	8P1871	PEDAL -----	1
29	8P2503	BELLCRANK -----	1
30	8P3191	SHAFT -----	1
31	S1594	BOLT -----	2
32	3B4506	LOCKWASHER -----	4

C INDICATES CHANGE

174140

REF. NO.	PART NUMBER	DESCRIPTION	QTY.
1	7G6773	LOCK-----	4
2	S509	BOLT-----	4
3	3B4506	LOCKWASHER-----	4
4	9S1315	PIN-----	6



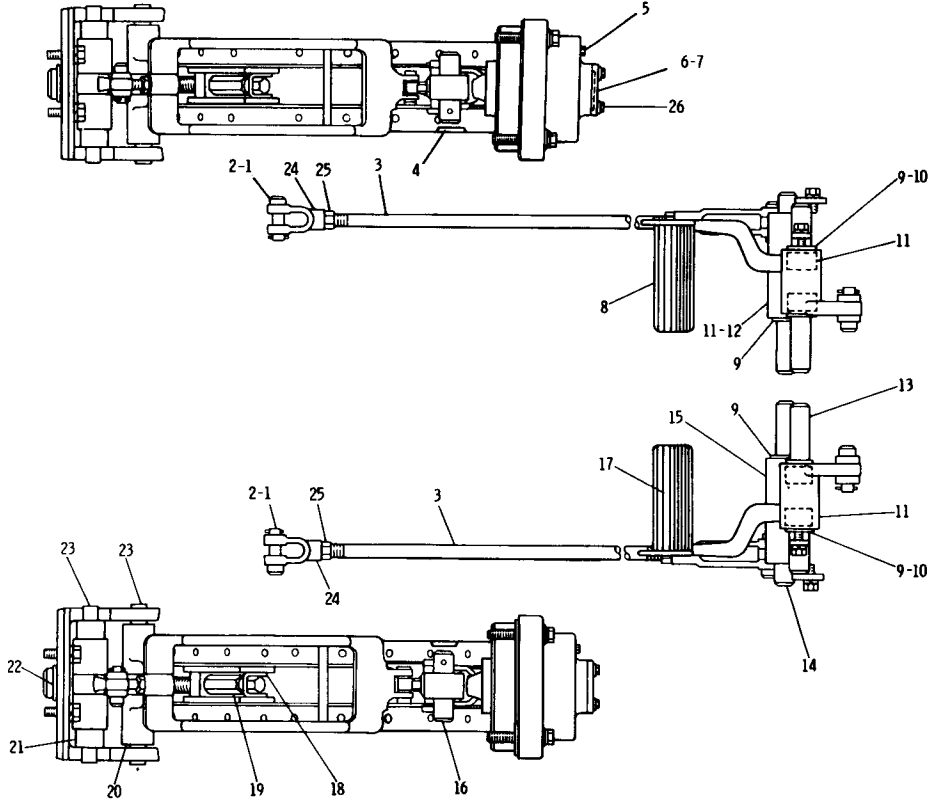
5	3B4617	COTTER PIN-----	12
6	8P2502	ROD-----	2
7	9S1354	NUT-----	6
8	4M7930	END-----	4
9	9S1314	END-----	2
10	2K2188	PIN-----	2
11	3B4510	LOCKWASHER-----	10
12	L1026	PLUG-----	2
12	1J5353	PIN-----	2
13	9G779	LINK-----	2
14	1A8827	PIN-----	2
14	3B4615	COTTER PIN-----	2
15	9P740	BAND AND LINING ASSEM.----- (Separate Illustration)	2
16	8P3001	ANCHOR-----	2
17	S1592	BOLT-----	8
18	8P4545	LEVER-----	2
19	8B1419	PIN-----	4
20	8P4546	ROD END-----	2
20	1B4430	NUT-----	2
21	8P4714	LINK-----	2
22	1P1650	ROLLER-----	2
23	6B7988	PIN-----	2
23	3B4618	COTTER PIN-----	2
23	9G7804	LEVER ASSEM.----- (Each Includes)	2
24	9G788	LEVER-----	1
25	7S2670	BEARING-----	1
26	T883	WASHER-----	4
27	9G809	SPRING-----	2
28	7G5081	CYLINDER-----	2
29	9G780	PLUNGER-----	2
30	9G5078	PISTON-----	2
31	9D8042	SEAL-----	2
32	2M4009	PLUG-----	1
33	S1623	BOLT-----	8
33	5P8245	WASHER-----	8
34	2P1068	RING-----	2
35	9G1706	RING-----	2
36	9G787	CUP-----	2

C INDICATES CHANGE

179570

9G7802 STEERING BRAKE GROUP—Part 1—Side View
 Serial No. 22X527 & 22X531—Up and 23X842—Up
 9P740 Brake Band & Lining parts are shown on Page 120

9G7802 STEERING BRAKE GROUP—Part 2—Top View
 Serial No. 22X527 & 22X531—Up and 23X842—Up



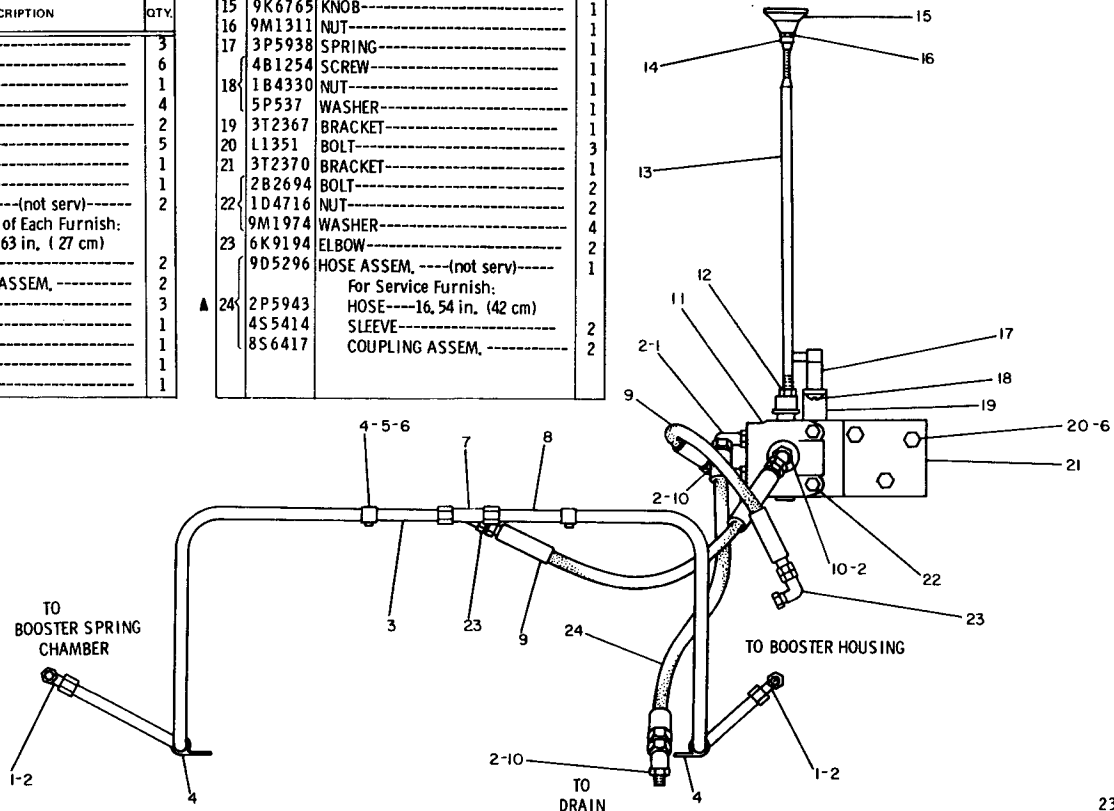
REF. NO.	PART NUMBER	DESCRIPTION	QTY.
1	9S1315	PIN-----	2
2	3B4617	COTTER PIN-----	2
3	8P2511	ROD-----	2
4	L1021	PLUG-----	2
5	5M6214	PLUG-----	2
6	3T1264	COVER ASSEM.-----	2
7	3H1461	SEAL-----	2
8	8P1870	PEDAL-----	1
9	9S1328	WASHER-----	8
10	9P9821	WASHER-----	2
11	6K8088	BEARING-----	8
12	8P2504	BELLCRANK-----	1
13	8P3475	SHAFT-----	2
14	8P2507	SHAFT-----	2
15	8P2503	BELLCRANK-----	1
16	8P569	SHAFT-----	2
17	8P1871	PEDAL-----	1
18	9P1154	CLIP-----	2
19	8P5647	NUT ASSEM.-----	2
20	6P9420	FORK-----	2
21	7M2853	SPACER-----	4
22	9M7002	SEAL-----	2
23	8P3002	PIN-----	4
24	4M7930	END-----	2
25	9S1354	NUT-----	2
26	8L5202	BOLT-----	2
	5M2894	WASHER-----	2

179571

9G7805 BRAKE CONTROL GROUP
 Serial No. 22X527 & 22X531—Up and 23X842—Up

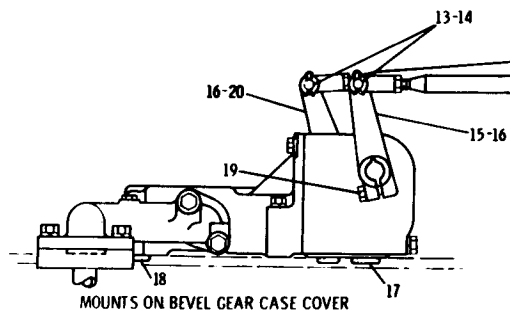
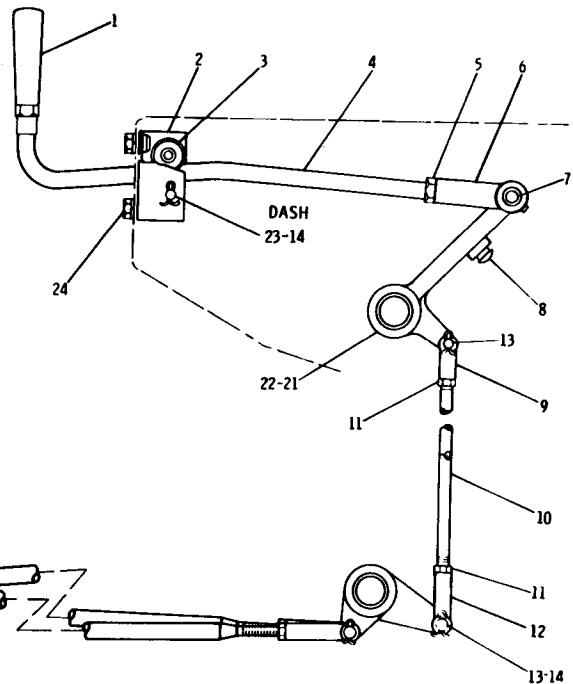
REF. NO.	PART NUMBER	DESCRIPTION	QTY.
1	307947	ELBOW-----	3
2	3J1907	SEAL-----	6
3	9G806	TUBE ASSEM.-----	1
4	4D7794	CLIP-----	4
5	4F4879	BOLT-----	2
6	5M2894	WASHER-----	5
7	4S3652	TEE-----	1
8	9G808	TUBE ASSEM.-----	1
	2G7552	HOSE ASSEM. ----(not serv)-----	2
		For Service of Each Furnish:	
▲ 9	2P5943	HOSE---10.63 in. (27 cm)	
	4S5414	SLEEVE-----	2
	8S6417	COUPLING ASSEM.-----	2
10	307942	ELBOW-----	3
11	3T1078	VALVE GROUP-----	1
12	1B2578	NUT-----	1
13	3T2368	ROD ASSEM.-----	1
14	347897	BEARING-----	1

15	9K6765	KNOB-----	1
16	9M1311	NUT-----	1
17	3P5938	SPRING-----	1
	4B1254	SCREW-----	1
18	1B4330	NUT-----	1
	5P537	WASHER-----	1
19	3T2367	BRACKET-----	1
20	1I351	BOLT-----	3
21	3T2370	BRACKET-----	1
	2B2694	BOLT-----	2
22	1D4716	NUT-----	2
	9M1974	WASHER-----	4
23	6K9194	ELBOW-----	2
	9D5296	HOSE ASSEM. ----(not serv)-----	1
		For Service Furnish:	
▲ 24	2P5943	HOSE---16.54 in. (42 cm)	
	4S5414	SLEEVE-----	2
	8S6417	COUPLING ASSEM.-----	2



REF NO	PART NUMBER	DESCRIPTION	QTY
1	L 829	HANDLE-----	2
	8P3409	BRACKET ASSEM.-----	2
2		(Each Includes)	
	9F2978	NUT-----	2
	1P2878	ROLLER-----	4
	8P3410	ROD-----	2
	9S1354	NUT-----	2
	4K5563	END-----	2
	7H9397	PIN-----	2
	1H1200	PIN----- (spring)	2
	9M5884	BUMPER-----	2
	1M1341	ROD END-----	2
	8P2971	ROD-----	2
	5B9079	NUT-----	4
	2K400	END-----	2
	1B676	PIN-----	8
	3B4615	COTTER PIN-----	12
	3D8525	LEVER-----	1
	1B8706	KEY-----	2
	8M4990	SEAL-----	1
	1S4	SEAL-----	2
	S1588	BOLT-----	2

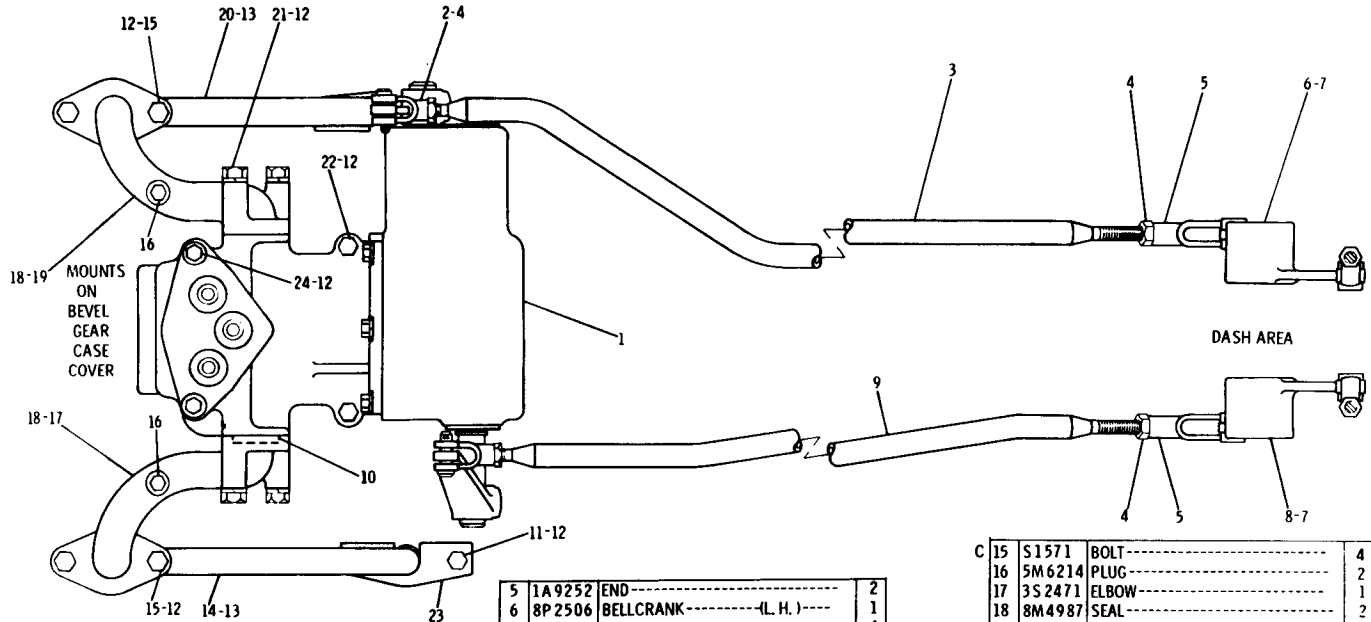
20	8P3205	LEVER-----	1
	8P3262	LEVER----- (R. H.)-----	1
21	8P3261	LEVER----- (L. H.)-----	1
	6K8088	BEARING-----	4
	9S1328	WASHER-----	4
22	8P9821	WASHER----- (spring)-----	4
23	1A8827	PIN-----	4
	T102	BOLT-----	4
24	3B4506	LOCKWASHER-----	4



174120

8P4365 STEERING CLUTCH CONTROL GROUP—Side View

8P4365 STEERING CLUTCH CONTROL GROUP—Top View
 8P5199 Valve parts are shown on Page 121



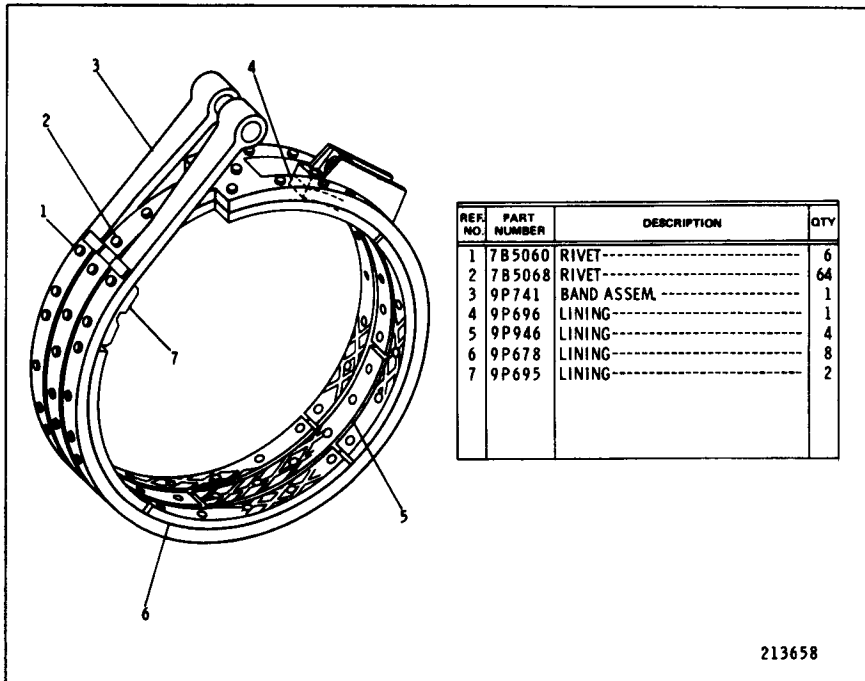
REF. NO.	PART NUMBER	DESCRIPTION	QTY.
1	8P5199	VALVE GROUP----- (Separate Illustration)	1
2	1M1341	END-----	2
3	7G3912	ROD-----	1
4	5B9079	NUT-----	4

5	1A9252	END-----	2
6	8P2506	BELLCRANK----- (L. H.)-----	1
7	6K8088	BEARING-----	4
8	8P2505	BELLCRANK----- (R. H.)-----	1
9	8P3987	ROD-----	1
10	8M4988	SEAL-----	2
11	S1594	BOLT-----	4
C 12	3B4506	LOCKWASHER-----	16
13	8M4446	SEAL-----	2
14	8P1728	TUBE ASSEM.-----	1

C 15	S1571	BOLT-----	4
16	5M6214	PLUG-----	2
17	3S2471	ELBOW-----	1
18	8M4987	SEAL-----	2
19	3S2472	ELBOW-----	1
20	8P1729	TUBE ASSEM.-----	1
21	L2070	BOLT-----	4
22	L1143	BOLT-----	2
23	9P1383	PLATE-----	2
24	L1352	BOLT-----	2

C INDICATES CHANGE

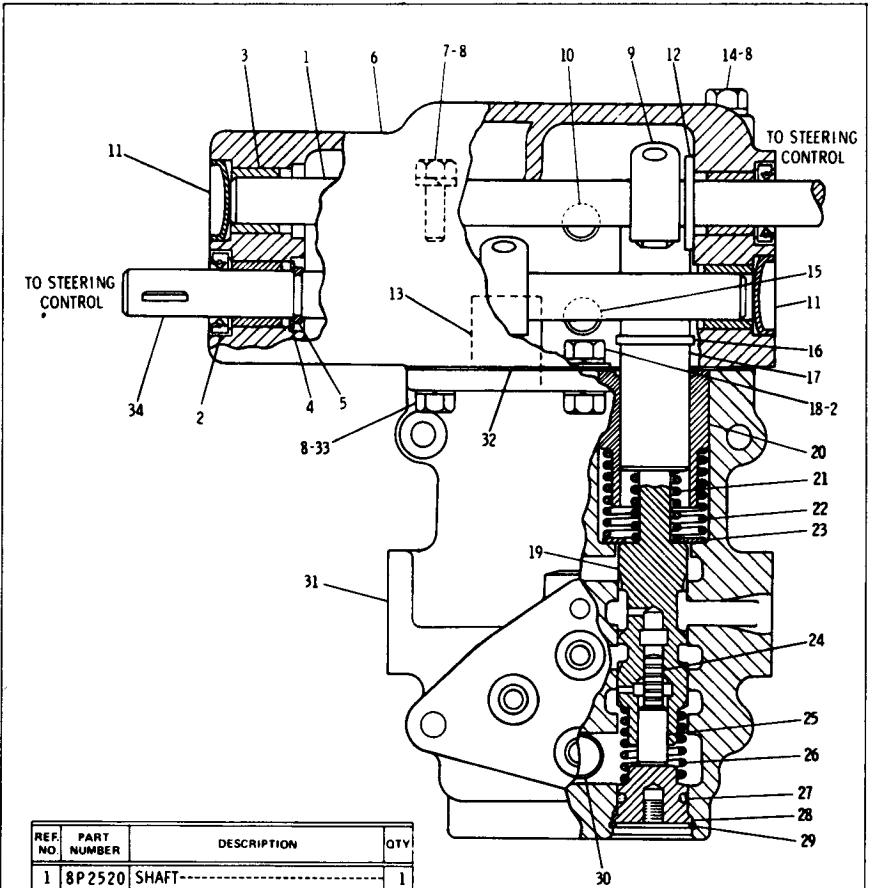
174121



213658

9P740 BRAKE BAND AND LINING ASSEMBLY

Part of 8P4985 & 9G7802 Steering Brake Groups shown on Pages 115 & 117A



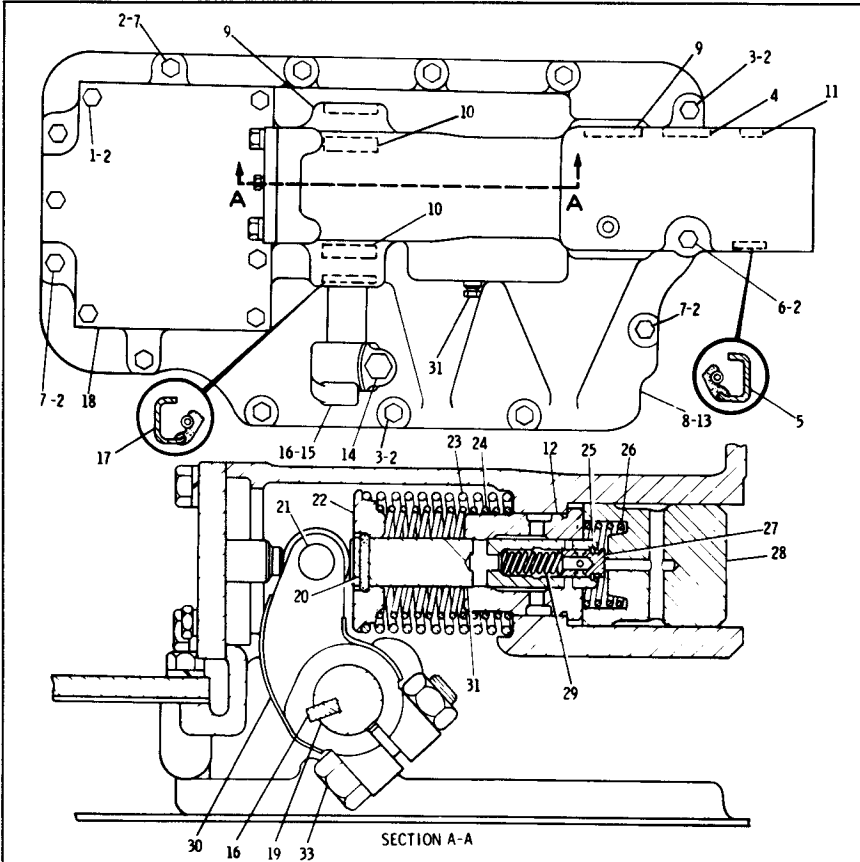
REF. NO.	PART NUMBER	DESCRIPTION	QTY
1	8P2520	SHAFT-----	1
2	9H223	SEAL-----	2
3	8H8175	BEARING-----	4
4	3B9363	WASHER-----	1
5	3S7005	RING-----	1
6	8P8043	HOUSING-----	1
7	T65	BOLT-----	1
8	3B4506	LOCKWASHER-----	6
	2P4045	LEVER-----	2
9	1B8706	KEY-----	2
	S1588	BOLT-----	2
10	2S8413	STANDPIPE-----	1
11	3S8313	PLUG-----	2
12	4B4283	WASHER-----	1
13	8S1016	PLUNGER-----	1
14	1A5183	BOLT-----	1
15	8S5716	STANDPIPE-----	1
16	1H4148	RING-----	1
17	8S1015	PLUNGER-----	1
18	S509	BOLT-----	1
	3K925	WASHER-----	1
	3P3774	VALVE ASSEM.-----	2
19	3K9042	RING-----	2
	L1365	WASHER-----	2
20	8S1043	BUSHING-----	2
21	5J4698	SPRING----- (inner)	2

22	8S5753	SPRING----- (outer)	2
23	2H1730	WASHER-----	2
24	3P3716	SLUG-----	2
25	3P3717	PISTON-----	2
26	2S8398	SPRING-----	2
27	8M4445	SEAL-----	2
28	2S8399	PLUG-----	2
29	8H1037	RING-----	2
30	2S8412	STANDPIPE-----	1
31	6P968	HOUSING-----	1
32	2S8414	GASKET-----	1
33	S1594	BOLT-----	3
34	8P3301	SHAFT-----	1

C INDICATES CHANGE

214563

8P5199 CONTROL VALVE GROUP
Part of 8P4365 Steering Clutch Control Group shown on Page 119



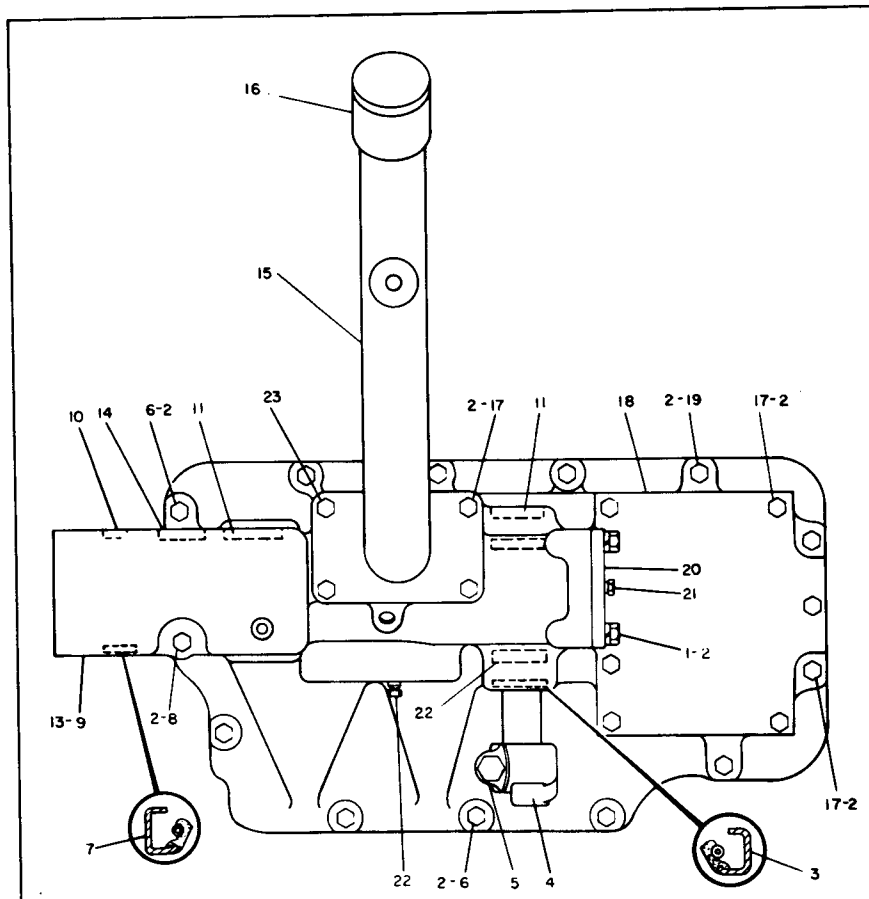
REF NO.	PART NUMBER	DESCRIPTION	QTY
1	S1594	BOLT-----	6
2	3B4506	LOCKWASHER-----	19
3	S1591	BOLT-----	2
4	9S1343	PLUG-----	1
5	5H1190	SEAL-----	1
6	6B1557	BOLT-----	1
7	T573	BOLT-----	10
8	8P563	HOUSING ASSEM.-----	1
		(Includes)	
	L1026	PLUG-----	1
9	L1021	PLUG-----	2
10	1J3710	BEARING-----	2
11	5B1866	PLUG-----	1
12	2S8359	SLEEVE-----	1
13	7M7260	LIQUID GASKET-----	1
14	S1589	BOLT-----	1
15	8P3204	LEVER-----	1
16	1B8719	KEY-----	3
17	2P6286	SEAL-----	1
18	8P804	COVER-----	1
18	8P805	GASKET-----	1
19	8P802	SHAFT-----	2
20	4H8158	RING-----	2

	6B7687	ROLLER-----	2
21	3B4617	COTTER PIN-----	2
	3H1977	PIN-----	2
22	2S8416	RETAINER-----	2
23	9H7534	SPRING----- (outer)	2
24	9H7553	SPRING----- (inner)	2
C 25	5P6717	RING-----	2
26	3J3370	SPRING-----	2
27	2S8571	VALVE-----	2
28	8P1186	PISTON-----	2
C 29	5M3389	SPRING-----	2
30	9H7657	LEVER-----	2
31	5S6880	PLUNGER-----	1
32	5M6214	PLUG-----	1
C 33	8S9092	BOLT-----	2
	1D4720	NUT-----	2

C INDICATES CHANGE

173157

8P1872 BRAKE HYDRAULIC MECHANISM GROUP—Right Hand
 Serial No. 22X439 to 22X483 Inclusive & 23X778 to 23X808 Inclusive



TOP VIEW

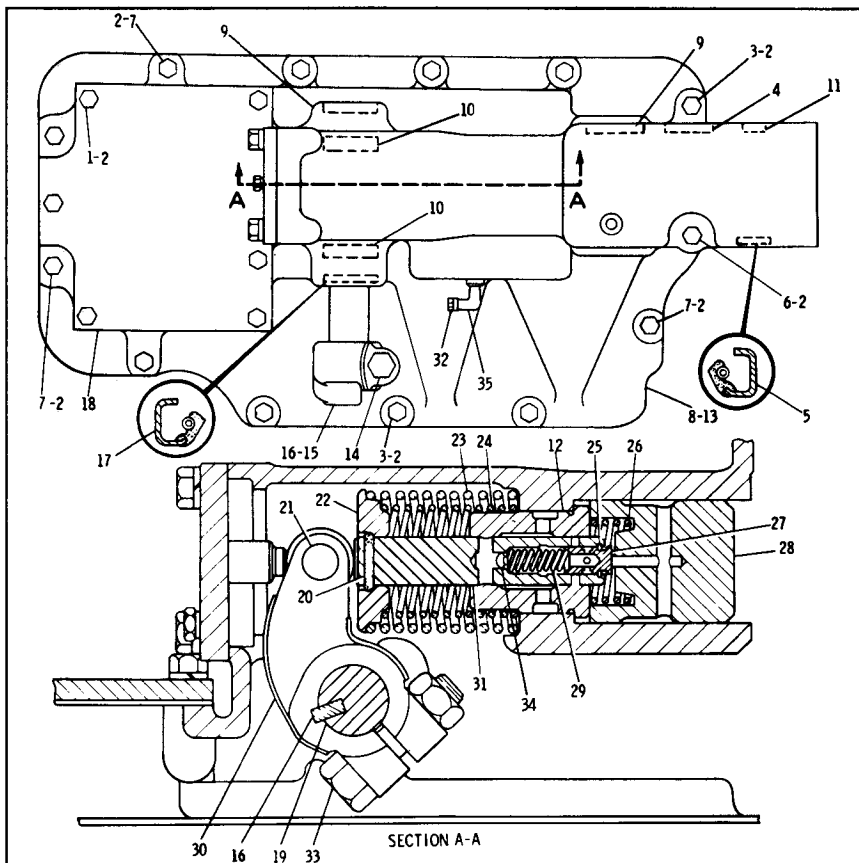
REF NO	PART NUMBER	DESCRIPTION	QTY
1	1A2029	BOLT-----	8
2	3B4506	LOCKWASHER-----	29
3	2P6286	SEAL-----	1
4	8P3203	LEVER-----	1
	1B8719	KEY-----	1
5	S1589	BOLT-----	1
6	S1591	BOLT-----	2
7	5H1190	SEAL-----	1
C 8	8P1557	BOLT-----	1
	8P562	HOUSING ASSEM.-----	1
9	L11026	PLUG-----	1
	2S8359	SLEEVE-----	1
10	5B1866	PLUG-----	1
11	L1021	PLUG-----	2
12	1J3710	BEARING-----	2

13	7M7260	LIQUID GASKET-----	
14	9S1343	PLUG-----	1
	8P3197	SPOUT-----	1
15	8P3394	GASKET-----	1
16	L827	PLUG-----	1
17	S1594	BOLT-----	8
	8P804	COVER-----	1
18	8P805	GASKET-----	1
C 19	T573	BOLT-----	10
	8P8255	COVER ASSEM.-----	2
20	5M6213	PLUG-----	2
22	5M6214	PLUG-----	1
C 23	3B1915	BOLT-----	2
	5P1075	WASHER-----	2

C INDICATES CHANGE

173158

8P1872 BRAKE HYDRAULIC MECHANISM GROUP—Left Hand
 Serial No. 22X439 to 22X483 inclusive & 23X778 to 23X808 inclusive



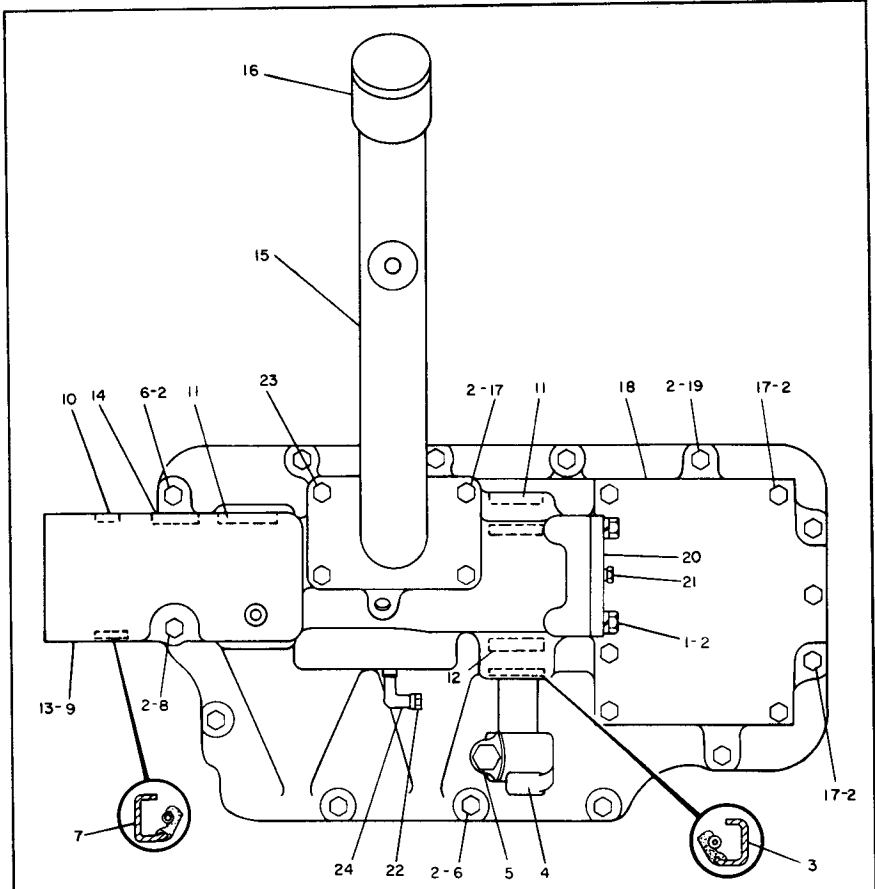
REF. NO.	PART NUMBER	DESCRIPTION	QTY.
1	S1594	BOLT-----	6
2	3B4506	LOCKWASHER-----	19
3	S1591	BOLT-----	2
4	9S1343	PLUG-----	1
5	5H1190	SEAL-----	1
6	6B1557	BOLT-----	1
7	T573	BOLT-----	10
8	8P563	HOUSING ASSEM.-----	1
		(Includes)	
	L1026	PLUG-----	1
9	L1021	PLUG-----	2
10	1J3710	BEARING-----	2
11	5B1866	PLUG-----	1
12	2S8359	SLEEVE-----	1
13	7M7260	LIQUID GASKET-----	
14	S1589	BOLT-----	1
15	8P3204	LEVER-----	1
16	1B8719	KEY-----	3
17	2P6286	SEAL-----	1
18	8P804	COVER-----	1
18	8P805	GASKET-----	1
19	8P802	SHAFT-----	2
20	4H8158	RING-----	2

	6B7687	ROLLER-----	2
21	3B4617	COTTER PIN-----	2
	3H1977	PIN-----	2
22	2S8416	RETAINER-----	2
23	9H7534	SPRING----- (outer)	2
24	9H7553	SPRING----- (inner)	2
C 25	5P6717	RING-----	2
26	3J3370	SPRING-----	2
27	2S8571	VALVE-----	2
28	8P1186	PISTON-----	2
C 29	1B9061	SPRING-----	2
30	9H7657	LEVER-----	2
C 31	5S6880	PLUNGER-----	2
32	5M6214	PLUG-----	1
C 33	8S9092	BOLT-----	2
	1D4720	NUT-----	2
C 34	1S2121	PLUNGER-----	2
C 35	3B6552	ELBOW-----	1

C INDICATES CHANGE

179561

8P1872 BRAKE HYDRAULIC MECHANISM GROUP—Right Hand
 Serial No. 22X484 to 22X526 & 22X528 to 22X530 inclusive and
 23X809 to 23X841 inclusive



TOP VIEW

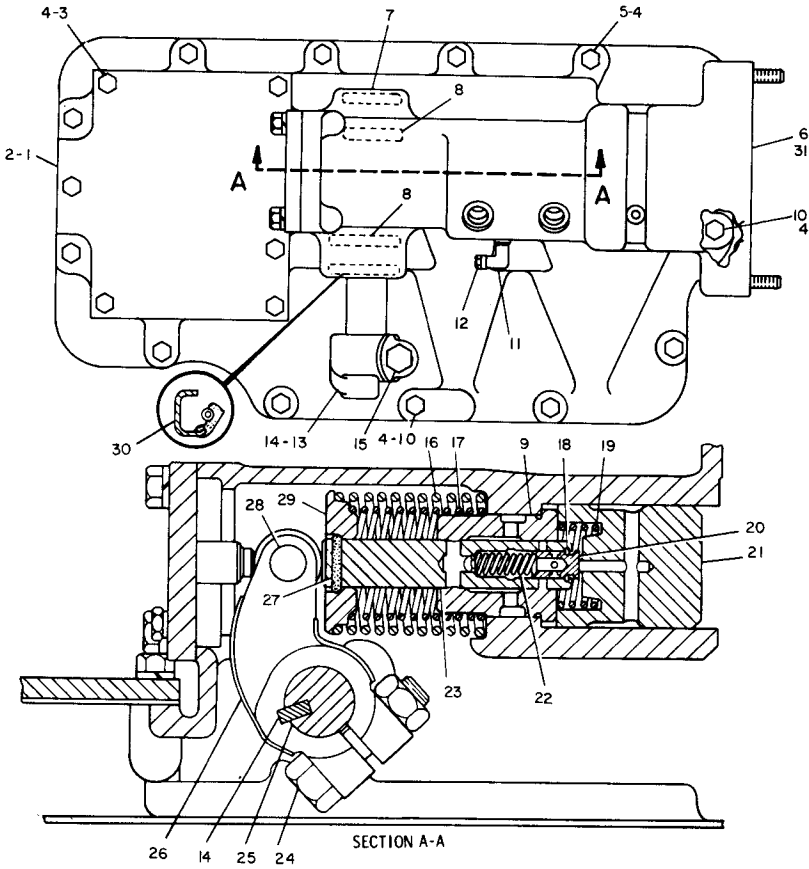
REF. NO.	PART NUMBER	DESCRIPTION	QTY.
1	1A2029	BOLT-----	8
2	3B4506	LOCKWASHER-----	29
3	2P6286	SEAL-----	1
4	8P3203	LEVER-----	1
	1B8719	KEY-----	1
5	S1589	BOLT-----	1
6	S1591	BOLT-----	2
7	5H1190	SEAL-----	1
C 8	6B1557	BOLT-----	1
	8P562	HOUSING ASSEM.-----	1
9	L1026	PLUG-----	1
	2S8359	SLEEVE-----	1
	5B1866	PLUG-----	1
10	5B1866	PLUG-----	2
11	L1021	PLUG-----	2
12	1J3710	BEARING-----	2

13	7M7260	LIQUID GASKET-----	
14	9S1343	PLUG-----	1
15	8P3197	SPOUT-----	1
	8P3394	GASKET-----	1
16	L827	PLUG-----	1
C 17	S1594	BOLT-----	8
	8P804	COVER-----	1
18	8P805	GASKET-----	1
	8P805	GASKET-----	1
C 19	T573	BOLT-----	10
20	8P8255	COVER ASSEM.-----	2
21	5M6213	PLUG-----	2
22	5M6214	PLUG-----	1
C 23	3B1915	BOLT-----	2
C 23	5P1075	WASHER-----	2
C 24	3B6552	ELBOW-----	1

C INDICATES CHANGE

179562

8P1872 BRAKE HYDRAULIC MECHANISM GROUP—Left Hand
 Serial No. 22X484 to 22X526 & 22X528 to 22X530 inclusive and
 23X809 to 23X841 inclusive

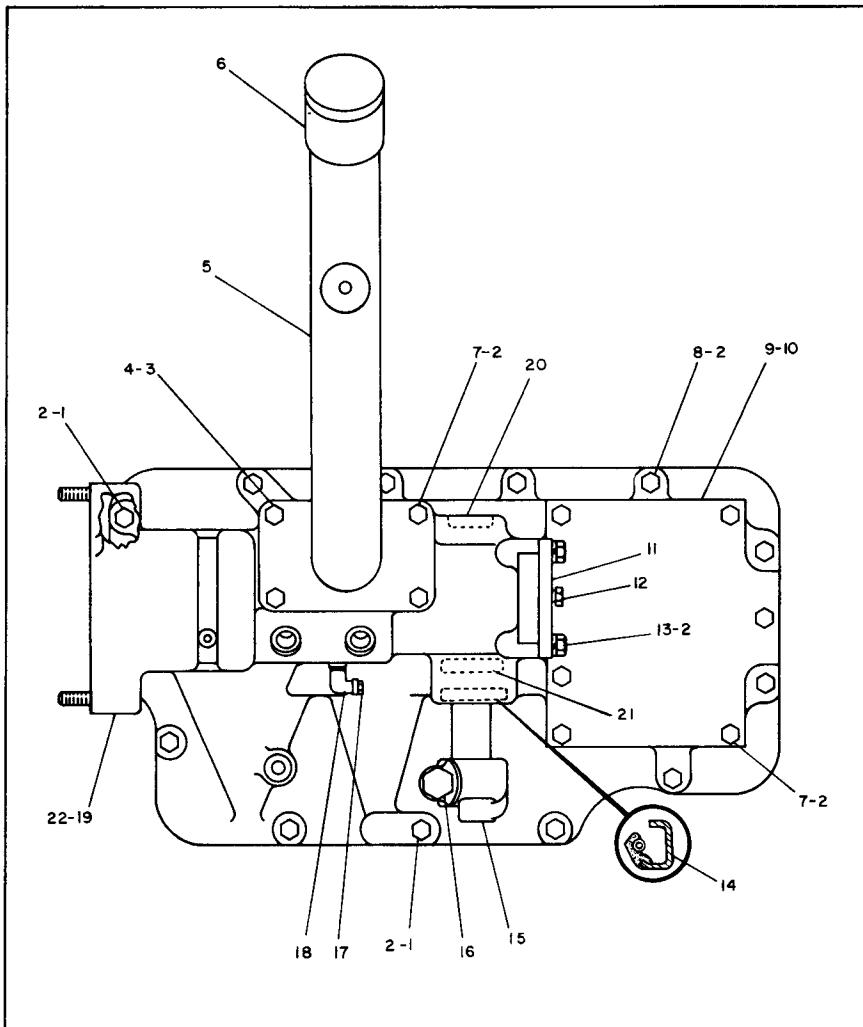


REF. NO.	PART NUMBER	DESCRIPTION	QTY.
1	8P804	COVER-----	1
2	8P805	GASKET-----	1
3	S1594	BOLT-----	6
4	3B4506	LOCKWASHER-----	19
5	T573	BOLT-----	10
6	9G818	HOUSING ASSEM.-----	1
		(Includes)	
6	6B7651	PIN-----	2
7	L1021	PLUG-----	2
8	1J3710	BEARING-----	2
9	2S8359	SLEEVE-----	1
10	S1591	BOLT-----	3
11	3B6552	ELBOW-----	1
12	5M6214	PLUG-----	1
13	8P3204	LEVER-----	1
14	1B8719	KEY-----	3
15	S1589	BOLT-----	1
16	9H7534	SPRING----- (outer)	2
17	9H7553	SPRING----- (inner)	2
18	5P6717	RING-----	2
19	3J3370	SPRING-----	2

20	2S8571	VALVE-----	2
21	9G9465	PISTON-----	2
22	5M3389	SPRING-----	2
23	5S6880	PLUNGER-----	2
24	8S9092	BOLT-----	2
	1D4720	NUT-----	2
25	8P802	SHAFT-----	2
26	9H7657	LEVER-----	2
27	4H8158	RING-----	2
	6B7687	ROLLER-----	2
28	3H1977	PIN-----	2
	3B4617	COTTER PIN-----	2
29	2S8416	RETAINER-----	2
30	2P6286	SEAL-----	1
31	3F5022	PLUG-----	1

179567

9G7803 BRAKE HYDRAULIC MECHANISM GROUP—Right Hand
Serial No. 22X527 & 22X531—Up and 23X842—Up



REF. NO.	PART NUMBER	DESCRIPTION	QTY.
1	S1591	BOLT-----	3
2	3B4506	LOCKWASHER-----	29
3	3B1915	BOLT-----	2
4	5P1075	WASHER-----	2
5	8P3197	SPOUT-----	1
	8P3394	GASKET-----	1
6	L827	PLUG-----	1
7	S1594	BOLT-----	8
8	T573	BOLT-----	10
9	8P804	COVER-----	1
10	8P805	GASKET-----	1
11	8P8255	COVER ASSEM.-----	2
12	5M6213	PLUG-----	2
13	1A2029	BOLT-----	8
14	2P6286	SEAL-----	1

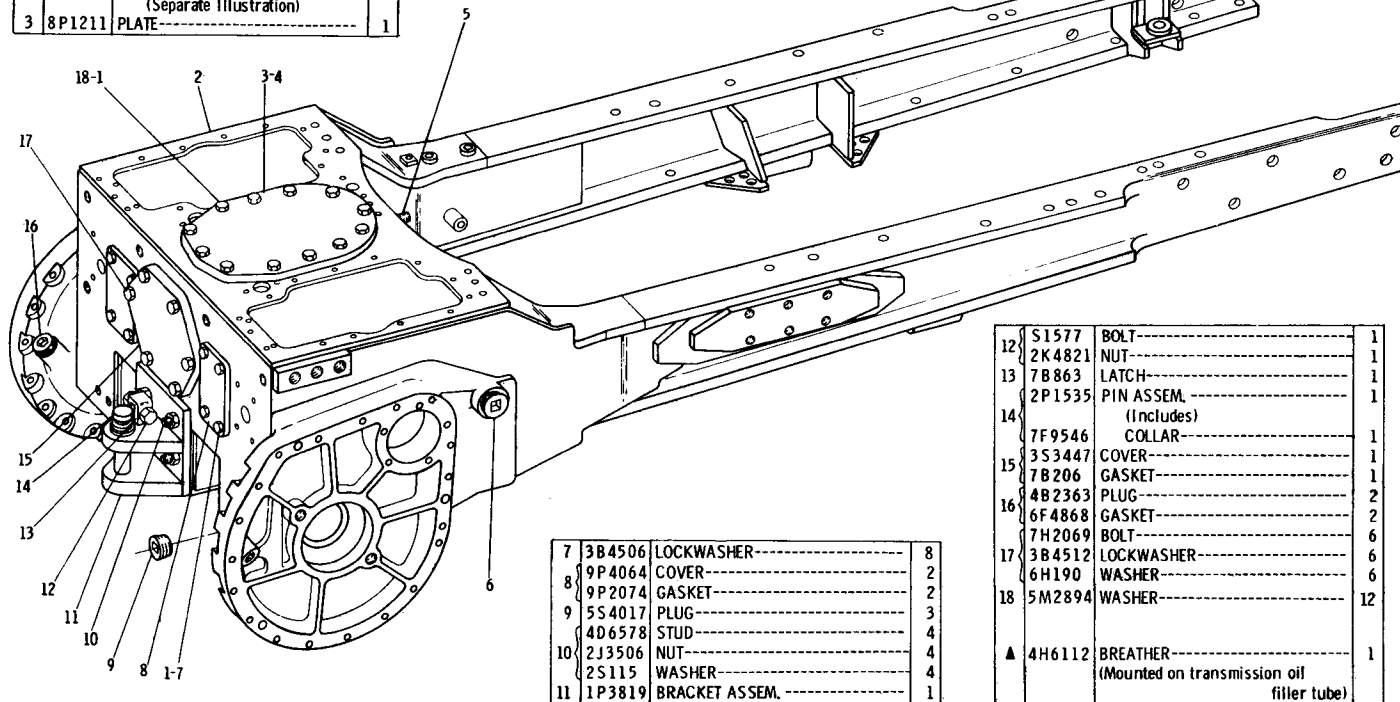
15	8P3203	LEVER-----	1
	1B8719	KEY-----	1
16	S1589	BOLT-----	1
17	5M6214	PLUG-----	1
18	3B6552	ELBOW-----	1
19	9G805	HOUSING ASSEM.-----	1
	(Includes)		
19	2S8359	SLEEVE-----	1
	6B7651	PIN-----	2
20	L1021	PLUG-----	2
21	1J3710	BEARING-----	2
22	3F5022	PLUG-----	1

179568

9G7803 BRAKE HYDRAULIC MECHANISM GROUP—Left Hand
Serial No. 22X527 & 22X531—Up and 23X842—Up

REF. NO.	PART NUMBER	DESCRIPTION	QTY.
C 1	S1594	BOLT-----	20
2	8P1053	CASE ASSEM.----- (Separate Illustration)	1
3	8P1211	PLATE-----	1

4	7M7260	GASKET SOLUTION-----	
5	2D8822	STUD-----	12
6	7B9665	PLUG-----	2



7	3B4506	LOCKWASHER-----	8
8	9P4064	COVER-----	2
8	9P2074	GASKET-----	2
9	5S4017	PLUG-----	3
	4D6578	STUD-----	4
10	2J3506	NUT-----	4
	2S115	WASHER-----	4
11	1P3819	BRACKET ASSEM.-----	1

C INDICATES CHANGE

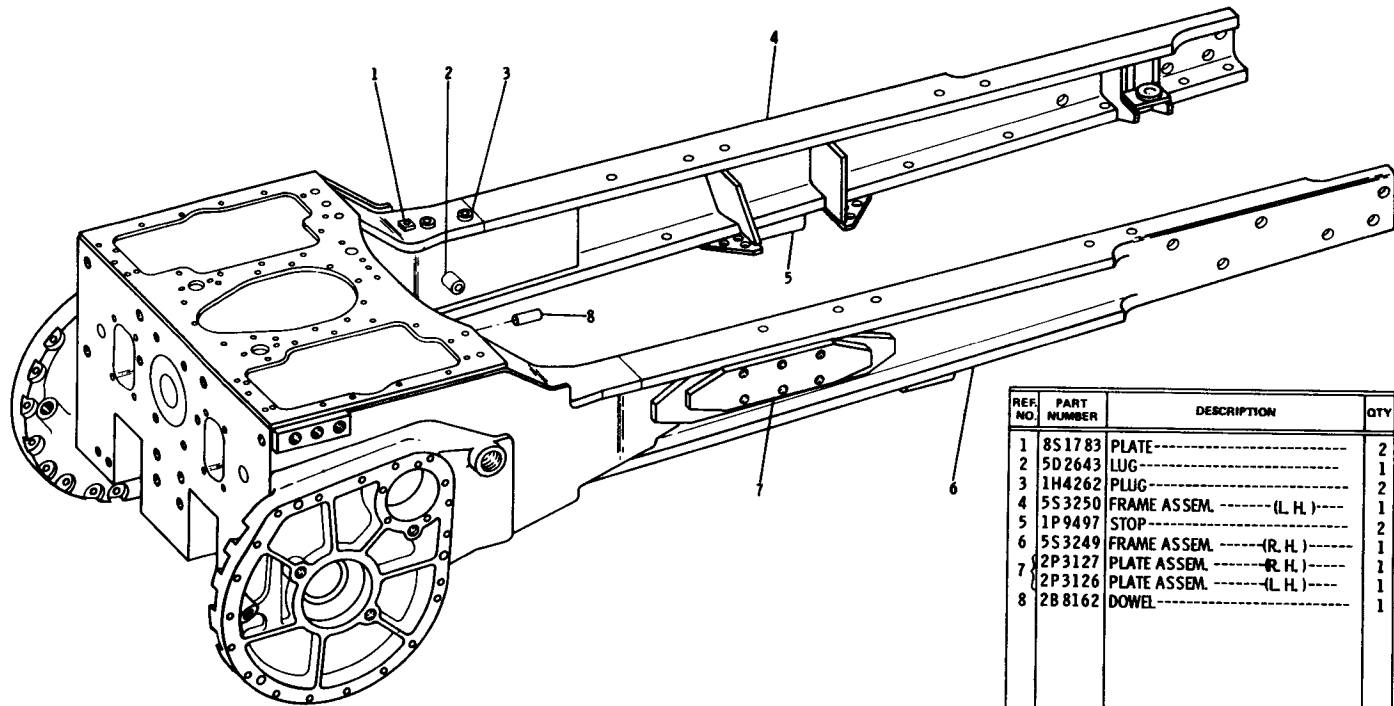
12	S1577	BOLT-----	1
	2K4821	NUT-----	1
13	7B863	LATCH-----	1
	2P1535	PIN ASSEM.-----	1
14	7F9546	COLLAR-----	1
	3S3447	COVER-----	1
15	7B206	GASKET-----	1
	4B2363	PLUG-----	2
16	6F4868	GASKET-----	2
	7H2069	BOLT-----	6
17	3B4512	LOCKWASHER-----	6
	6H190	WASHER-----	6
18	5M2894	WASHER-----	12
▲	4H6112	BREATHER----- (Mounted on transmission oil filler tube)	1

▲ NOT SHOWN

226998

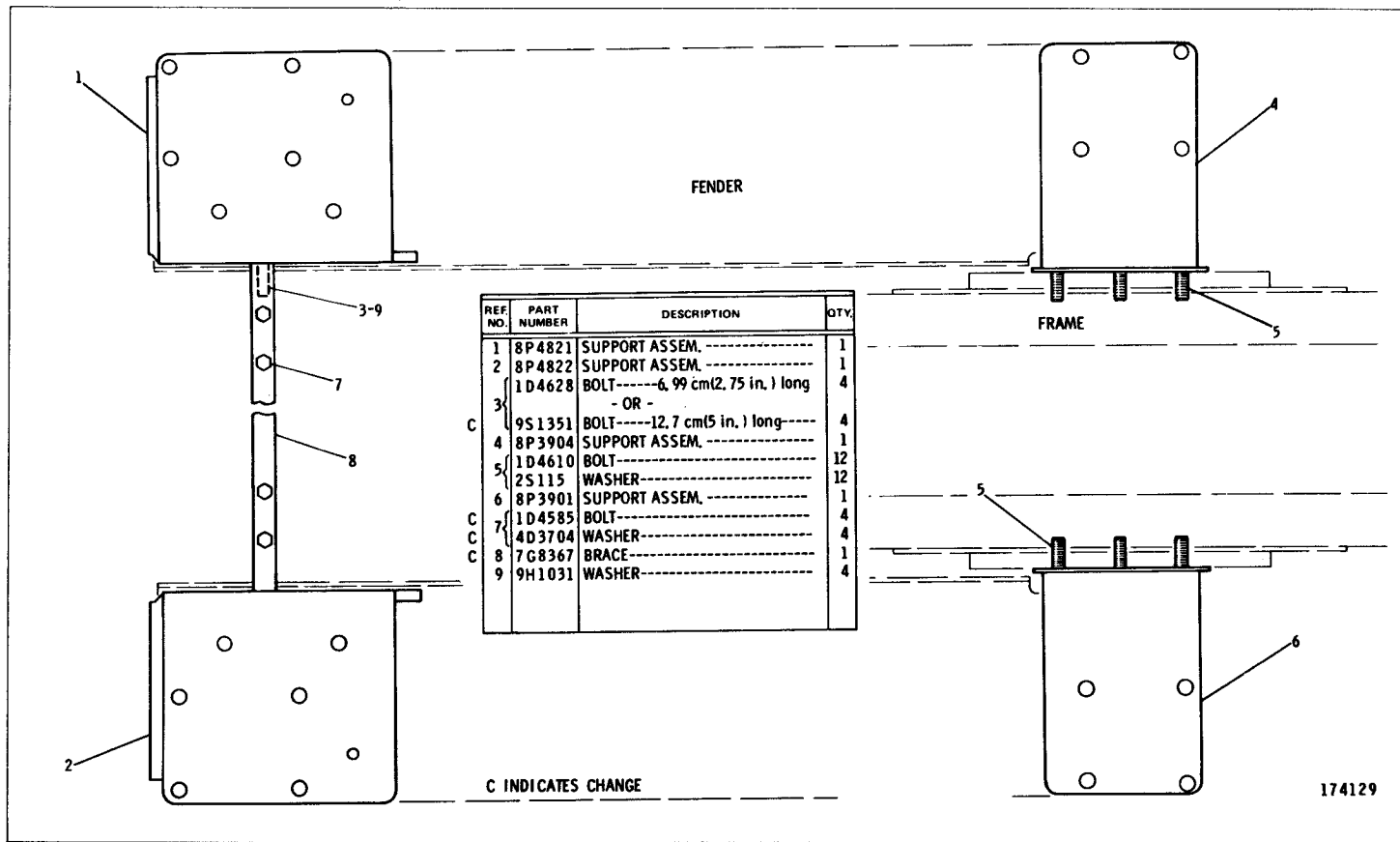
8P1212 FRAME AND CASE GROUP
8P1053 Frame & Case parts are shown on Page 125

8P1053 FRAME AND CASE GROUP
 Part of 8P1212 Frame & Case Group shown on Page 124

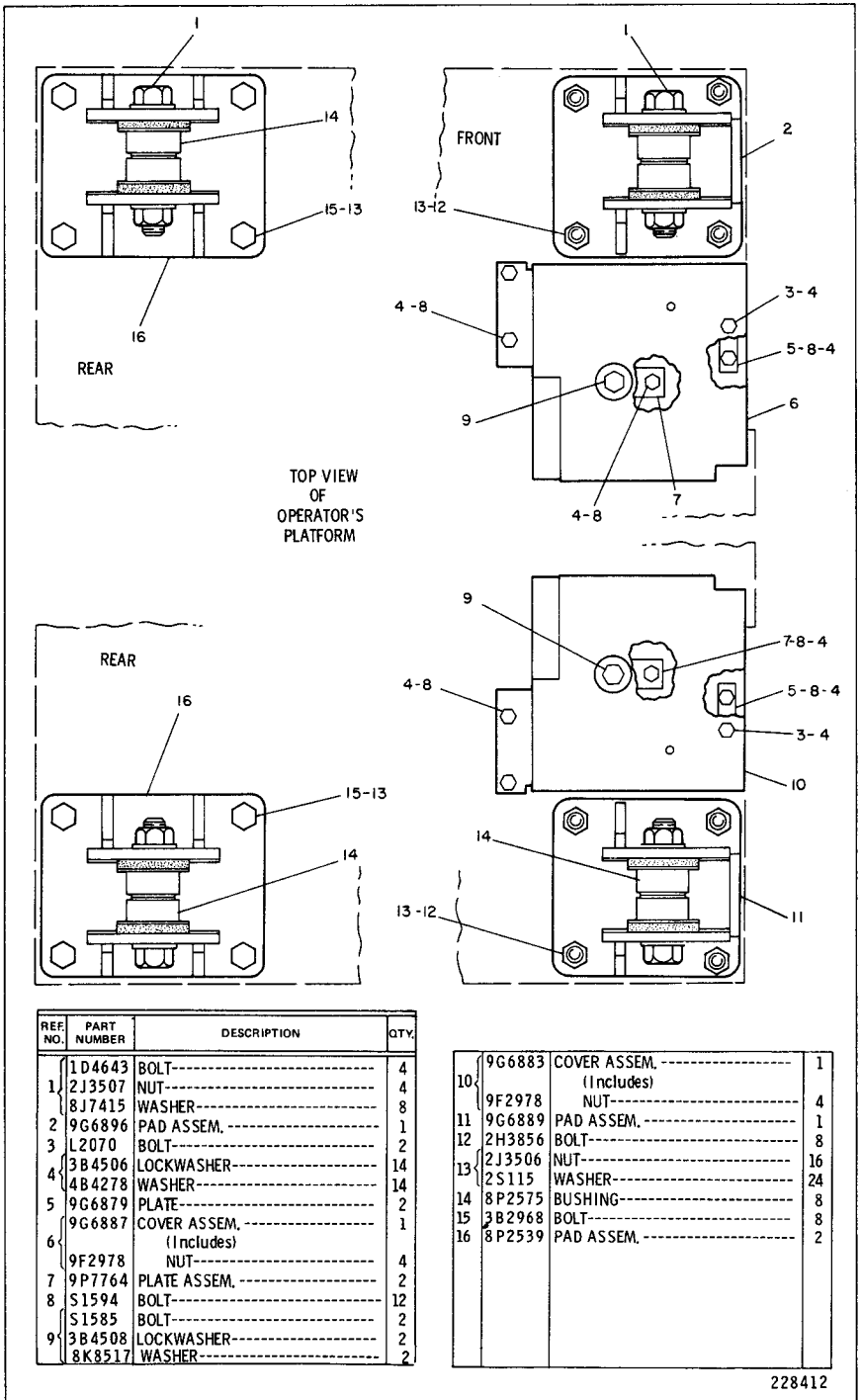


REF. NO.	PART NUMBER	DESCRIPTION	QTY
1	8S1783	PLATE-----	2
2	5D2643	LUIG-----	1
3	1H4262	PLUG-----	2
4	5S3250	FRAME ASSEM. -----(L. H.)----	1
5	1P9497	STOP-----	2
6	5S3249	FRAME ASSEM. -----(R. H.)----	1
7	2P3127	PLATE ASSEM. -----(R. H.)----	1
	2P3126	PLATE ASSEM. -----(L. H.)----	1
8	2B8162	DOWEL-----	1

213457



8P4942 ROLL-OVER PROTECTIVE STRUCTURE MOUNTING GROUP
Serial No. 22X439—Up



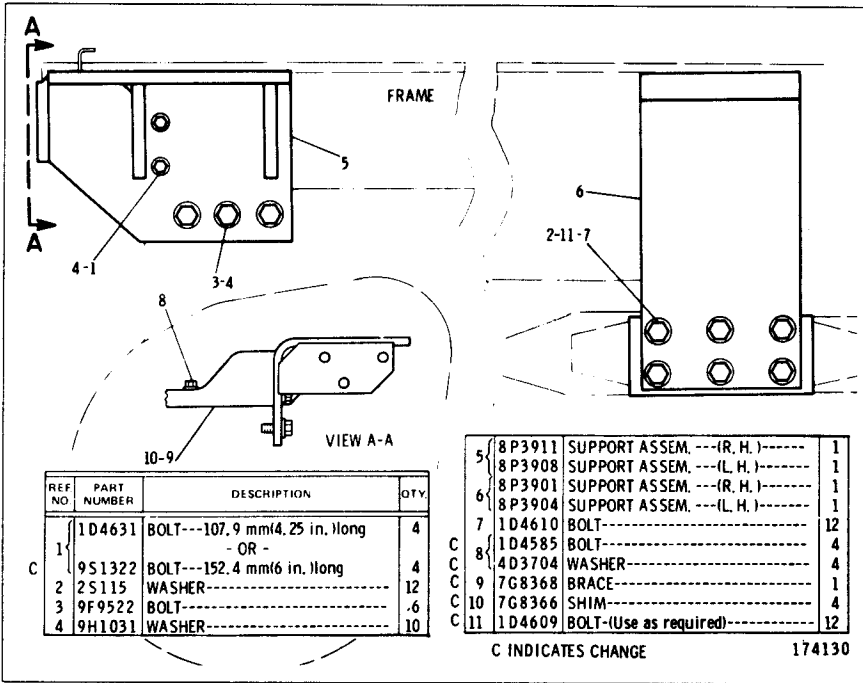
REF. NO.	PART NUMBER	DESCRIPTION	QTY.
1	1D4643	BOLT-----	4
	2J3507	NUT-----	4
2	8J7415	WASHER-----	8
	9G6896	PAD ASSEM.-----	1
3	L2070	BOLT-----	2
	3B4506	LOCKWASHER-----	14
4	4B4278	WASHER-----	14
	9G6879	PLATE-----	2
6	9G6887	COVER ASSEM.-----	1
		(Includes)	
7	9F2978	NUT-----	4
	9P7764	PLATE ASSEM.-----	2
8	S1594	BOLT-----	12
	S1585	BOLT-----	2
9	3B4508	LOCKWASHER-----	2
	8K8517	WASHER-----	2

10	9G6883	COVER ASSEM.-----	1
		(Includes)	
11	9F2978	NUT-----	4
	9G6889	PAD ASSEM.-----	1
12	2H3856	BOLT-----	8
	2J3506	NUT-----	16
13	2S115	WASHER-----	24
	8P2575	BUSHING-----	8
15	3B2968	BOLT-----	8
	8P2539	PAD ASSEM.-----	2

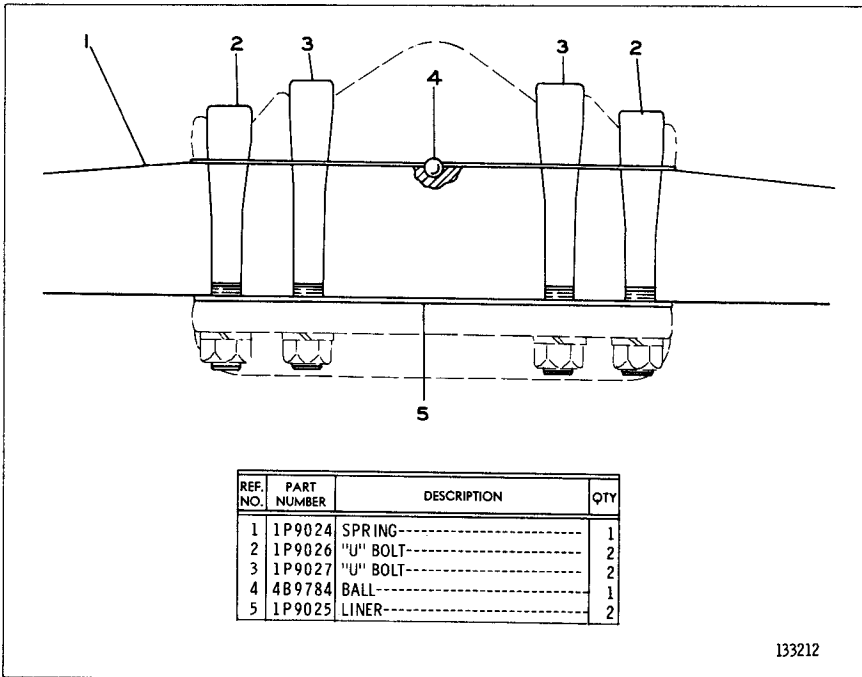
228412

9G6077 ROLL-OVER PROTECTIVE STRUCTURE MOUNTING GROUP

CATERPILLAR D5B TRACTOR

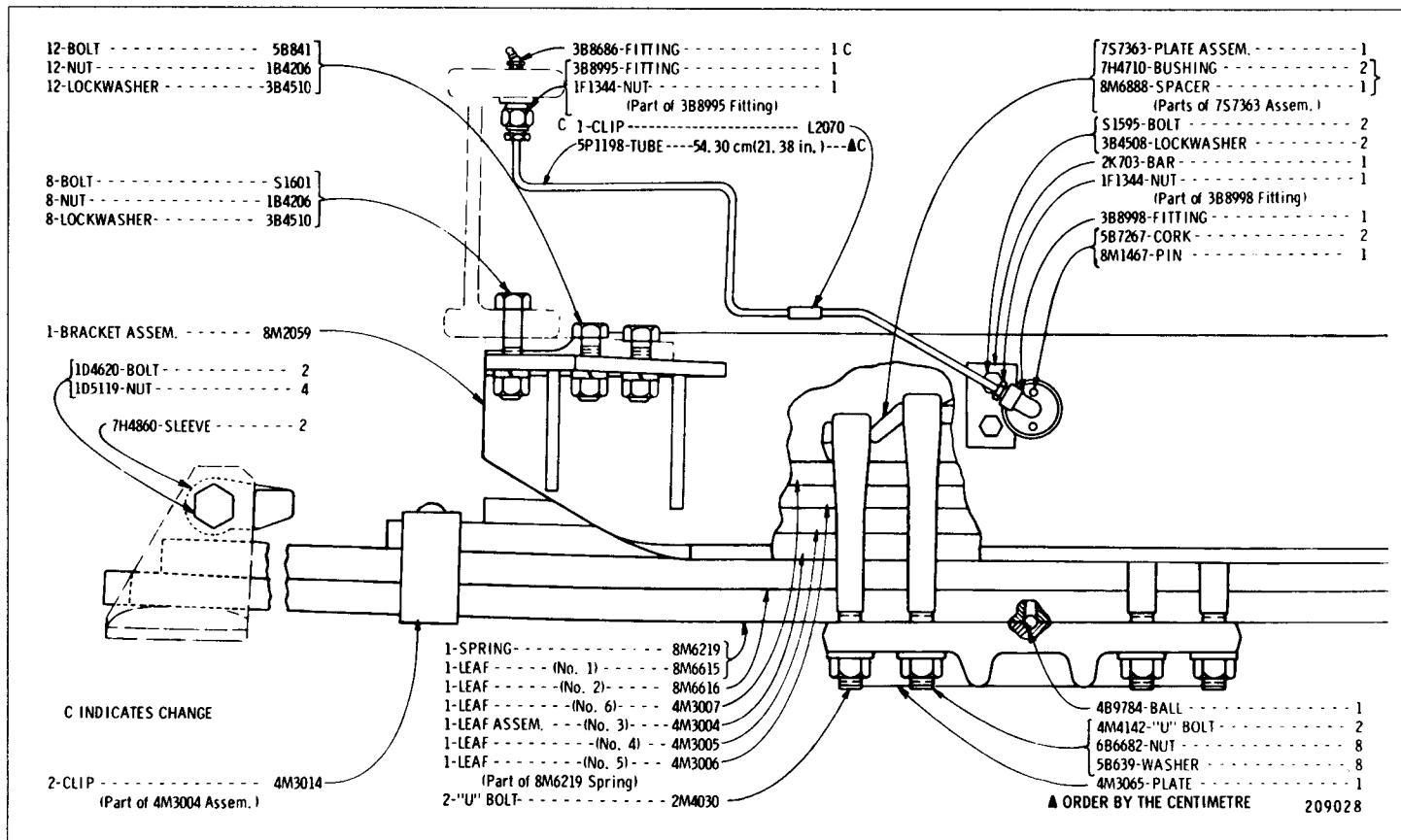


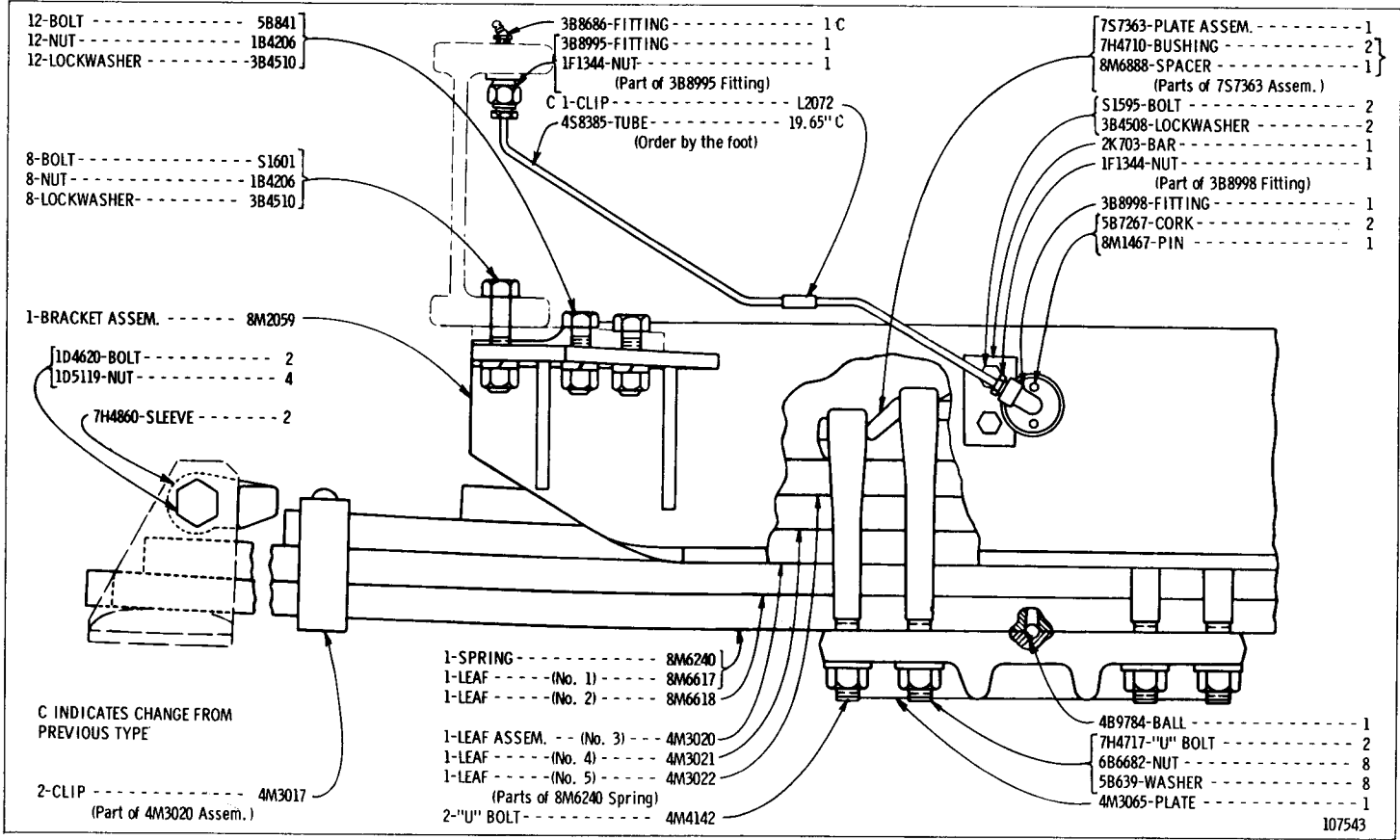
8P4943 ROLL-OVER PROTECTIVE STRUCTURE MOUNTING GROUP
Serial No. 23X778—Up



1P9028 EQUALIZER SPRING GROUP
Serial No. 23X778—Up. FOR USE IN SEVERE APPLICATIONS
AN ATTACHMENT

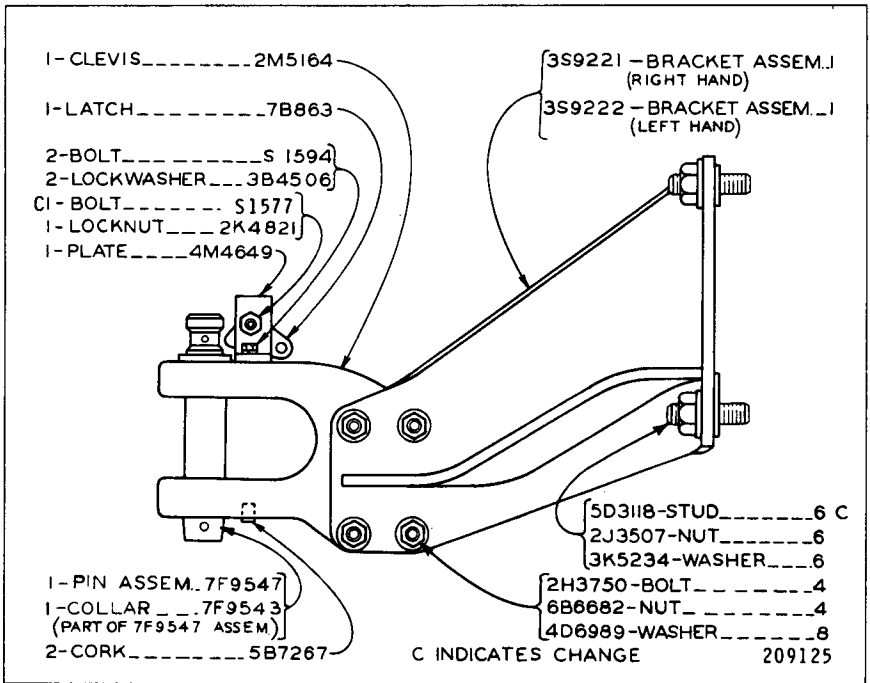
2M2400 EQUALIZER SPRING GROUP Serial No. 22X439—Up



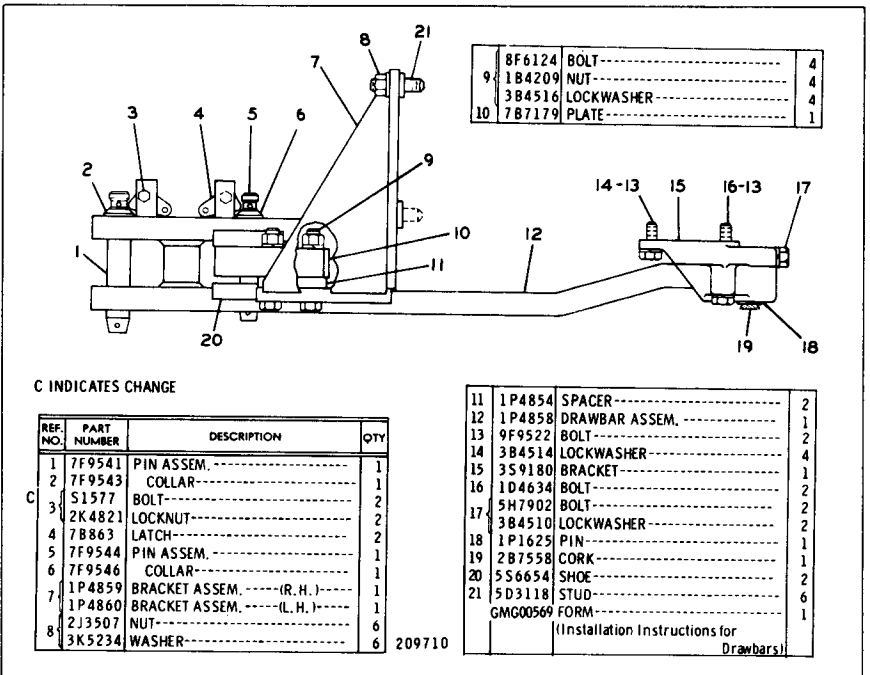


2M2401 EQUALIZER SPRING GROUP
Serial No. 23X778—Up

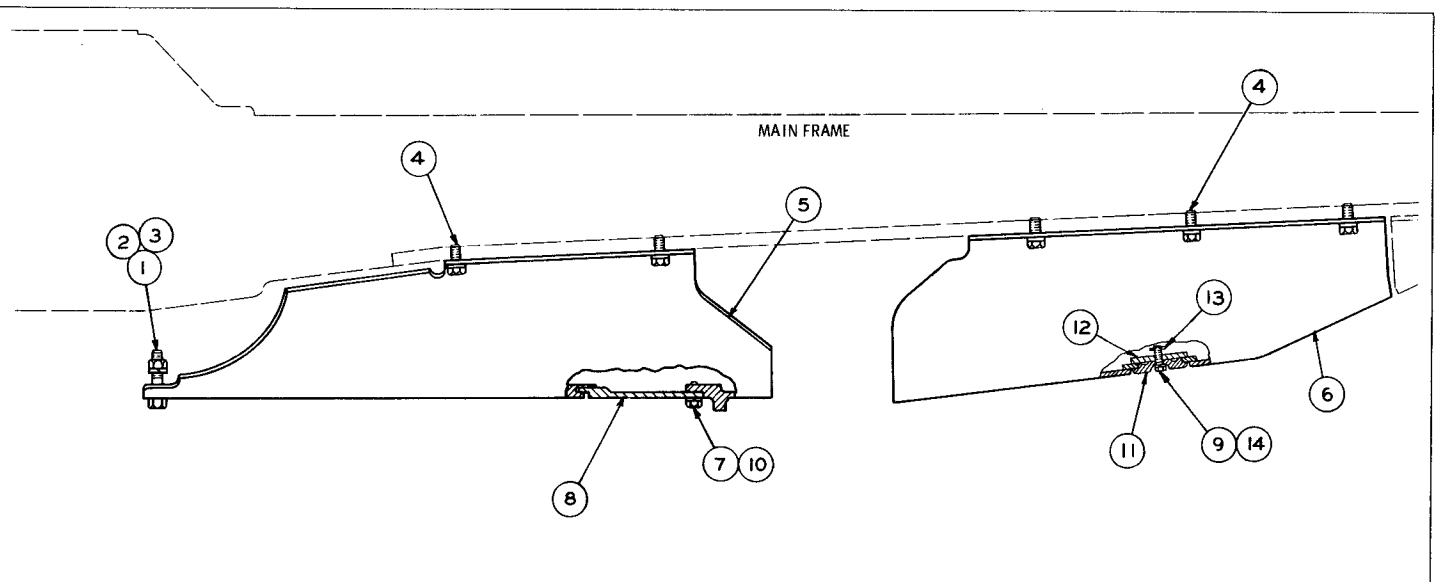
107543



3S9179 FIXED DRAWBAR GROUP
 AN ATTACHMENT



1P4861 SWINGING DRAWBAR GROUP
 AN ATTACHMENT



REF. NO.	PART NUMBER	DESCRIPTION	QTY
1	1D4608	BOLT-----	2
2	1B4331	NUT-----	2
3	3B4512	LOCKWASHER-----	2
C 4	S1566	BOLT-----	10
C	5P8247	WASHER-----	10

5	3S5949	PLATE ASSEM.-----	1
6	9S2721	GUARD ASSEM.-----	1
7	6H1717	BOLT-----	1
8	3S5954	COVER ASSEM.-----	1
9	2S9732	BOLT-----	1
10	3B4508	LOCKWASHER-----	1

11	8S8673	COVER-----	1
12	2S9434	STRIP-----	1
13	4H5128	PIN-----	1
14	3B4510	LOCKWASHER-----	1

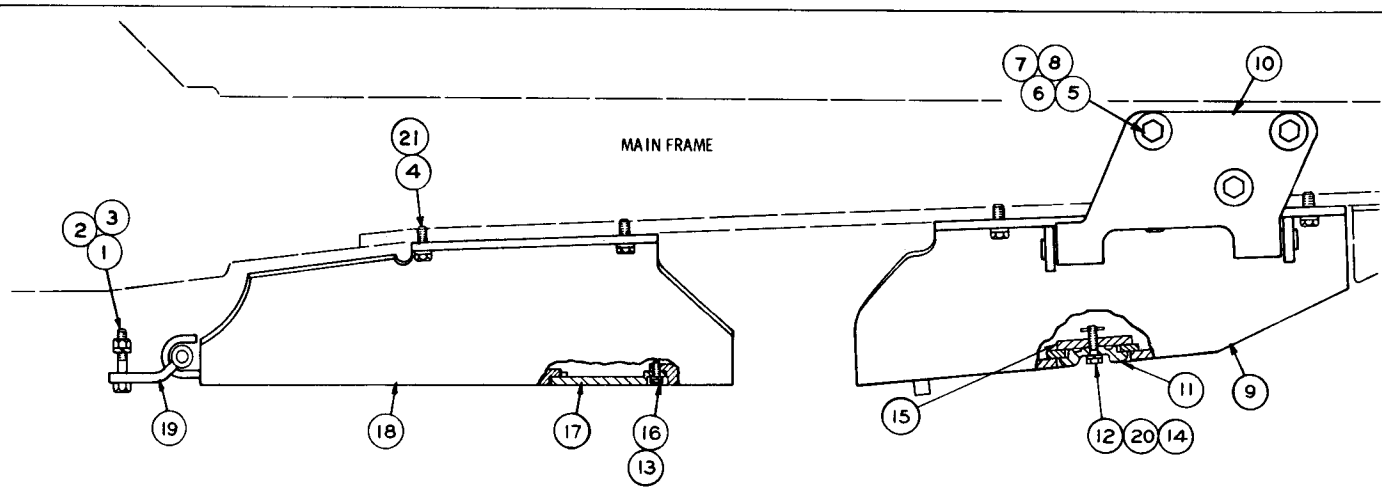
C INDICATES CHANGE

GMG00038-FORM -----1
 (Instructions for installing Crankcase Guard)

228802

**8S3031 CRANKCASE GUARD GROUP
 FOR USE WITH SWINGING DRAWBAR
 AN ATTACHMENT**

**8S3030 CRANKCASE GUARD GROUP—Extreme Service
FOR UE WITH SWINGING DRAWBAR AND RIPPER
AN ATTACHMENT**



REF. NO.	PART NUMBER	DESCRIPTION	QTY.
C 1	3B2968	BOLT-----	2
2	1B4331	NUT-----	2
3	3B4512	LOCKWASHER-----	2
4	S1589	BOLT-----	10
5	1D5873	BOLT-----	3
6	1B4208	NUT-----	3

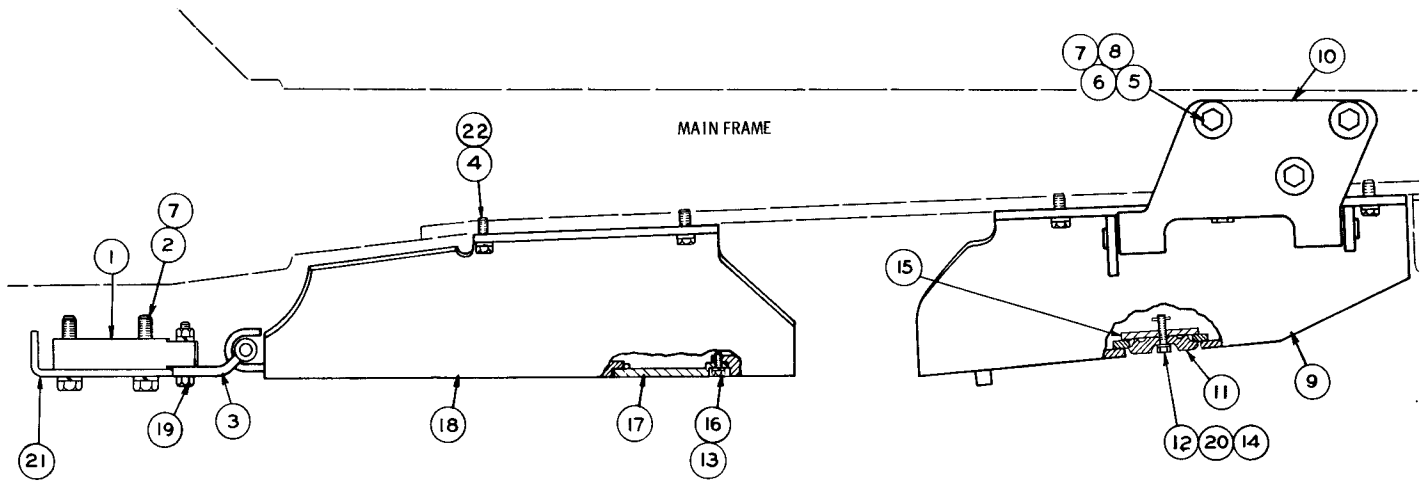
7	3B4514	LOCKWASHER-----	3
8	2R690	WASHER-----	3
9	9S2722	GUARD ASSEM.-----	1
		(Includes)	
10	5S9696	HINGE ASSEM.-----	1
11	8S8673	COVER-----	1
12	2S9732	BOLT-----	1
13	3B4508	LOCKWASHER-----	1
14	4H5128	PIN-----	1

15	2S9434	STRIP-----	1
16	6H1717	BOLT-----	1
17	5S9688	COVER ASSEM.-----	1
18	5S9694	GUARD ASSEM.-----	1
19	5S9692	SUPPORT ASSEM.-----	1
C 20	3B4510	LOCKWASHER-----	1
C 21	5P9247	WASHER-----	10

GMG00038-FORM----- 1
(Instructions for installing Crankcase Guard)

C INDICATES CHANGE

228803



REF. NO.	PART NUMBER	DESCRIPTION	QTY	
1	1P7037	PLATE-----	2	
	1D4629	BOLT-----8.89 cm(3.5 in.) long -OR-	4	
C	1D4630	BOLT-----10.16 cm(4 in.) long	4	
3	5S9692	SUPPORT ASSEM.-----	1	
C	4	S1589	BOLT-----	10
5	1D4625	BOLT-----	3	
6	2J3505	NUT-----	3	

7	3B4514	LOCKWASHER-----	7
8	2R690	WASHER-----	3
9	9S2722	GUARD ASSEM.-----	1
10	5S9696	HINGE ASSEM.-----	1
11	8S8673	COVER-----	1
12	2S9732	BOLT-----	1
13	3B4508	LOCKWASHER-----	1
14	4H5128	PIN-----	1
15	2S9434	STRIP-----	1
16	6H1717	BOLT-----	1

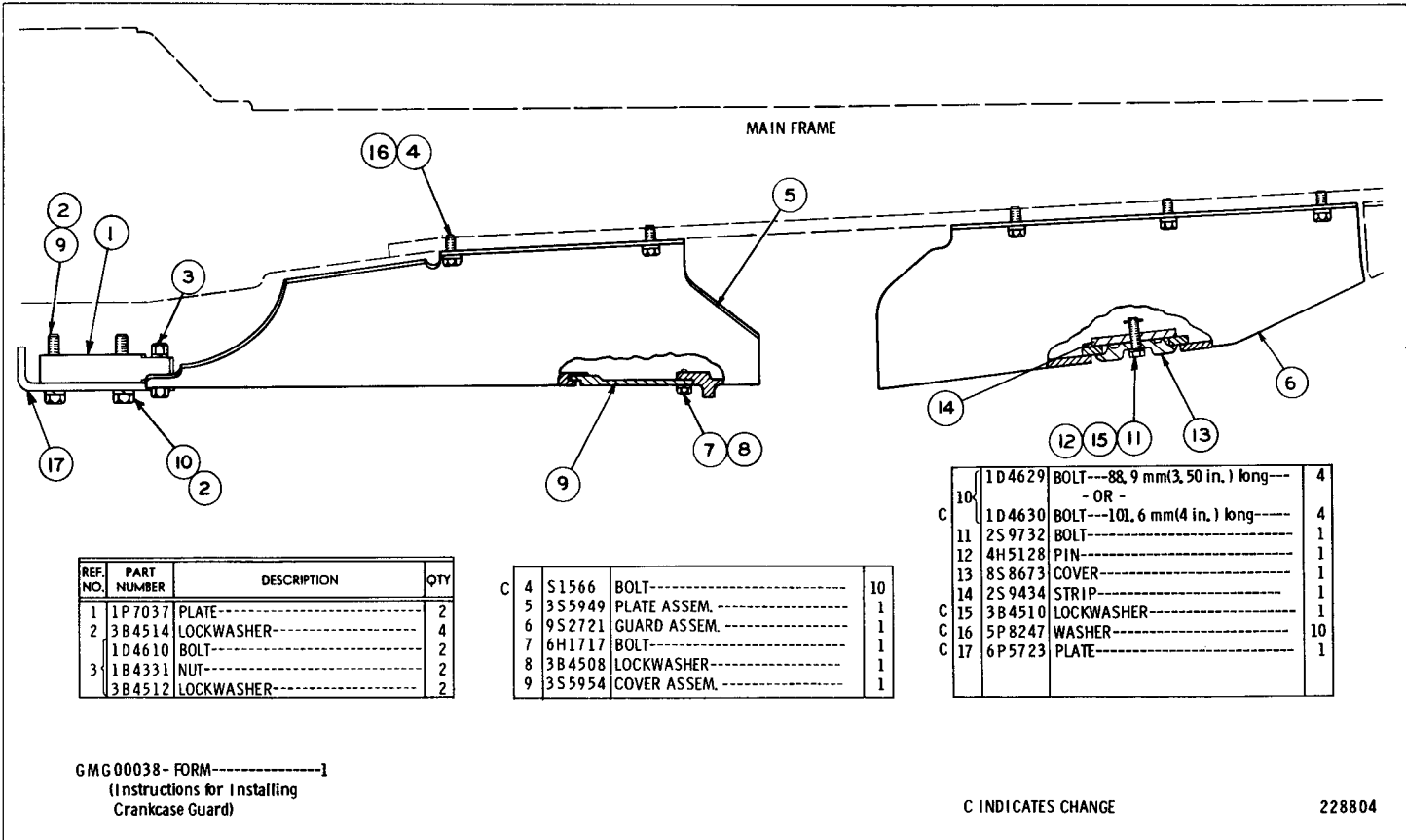
17	5S9688	COVER ASSEM.-----	1	
18	5S9694	GUARD ASSEM.-----	1	
	1D4610	BOLT-----	2	
19	1B4331	NUT-----	2	
	3B4512	LOCKWASHER-----	2	
C	20	3B4510	LOCKWASHER-----	1
C	21	9P1408	PLATE-----	1
C	22	5P8247	WASHER-----	10
	GMG00038	FORM---(Instructions for Installing Crankcase Guard)	1	

C INDICATES CHANGE

228801

7S9170 CRANKCASE GUARD GROUP—Extreme Service
AN ATTACHMENT

7S1526 CRANKCASE GUARD GROUP
AN ATTACHMENT



REF. NO.	PART NUMBER	DESCRIPTION	QTY
1	1P7037	PLATE-----	2
2	3B4514	LOCKWASHER-----	4
	1D4610	BOLT-----	2
3	1B4331	NUT-----	2
	3B4512	LOCKWASHER-----	2

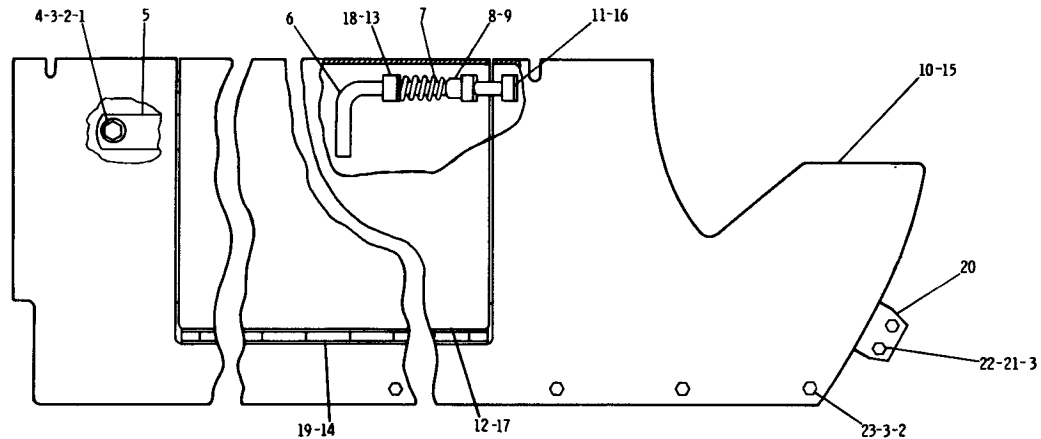
C	4	S1566	BOLT-----	10
	5	3S5949	PLATE ASSEM.-----	1
	6	9S2721	GUARD ASSEM.-----	1
	7	6H1717	BOLT-----	1
	8	3B4508	LOCKWASHER-----	1
	9	3S5954	COVER ASSEM.-----	1

	10	1D4629	BOLT---8&, 9 mm(3,50 in.) long---	4
		- OR -		
C	10	1D4630	BOLT---10L, 6 mm(4 in.) long----	4
	11	2S9732	BOLT-----	1
	12	4H5128	PIN-----	1
	13	8S8673	COVER-----	1
	14	2S9434	STRIP-----	1
C	15	3B4510	LOCKWASHER-----	1
C	16	5P8247	WASHER-----	10
C	17	6P5723	PLATE-----	1

GMG00038-FORM-----1
(Instructions for Installing
Crankcase Guard)

C INDICATES CHANGE

228804



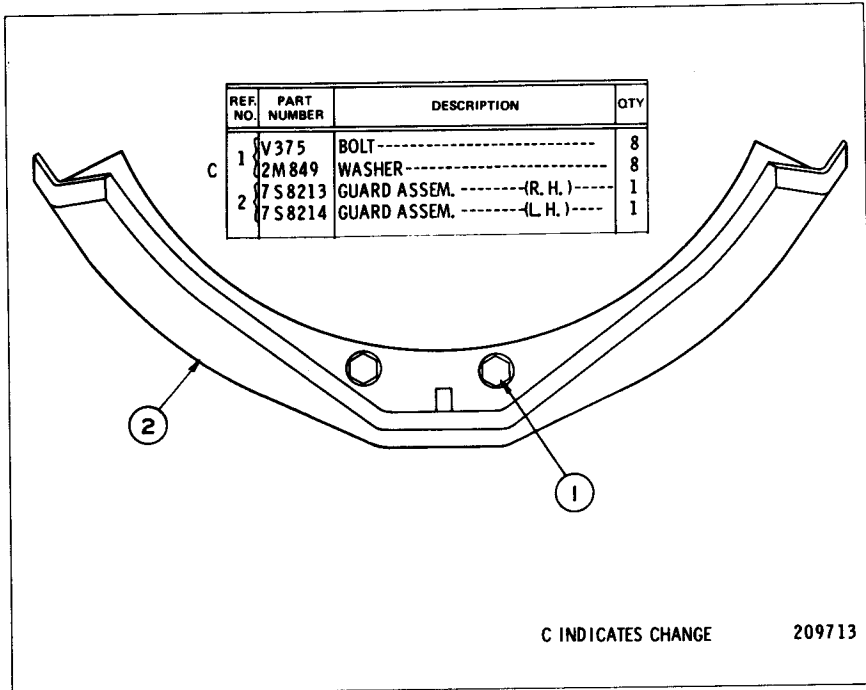
REF. NO.	PART NUMBER	DESCRIPTION	QTY
1	S1588	BOLT-----	4
2	1D4717	NUT-----	10
3	3B4506	LOCKWASHER-----	16
4	4B4278	WASHER-----	6
5	8P7349	BRACE----- (R. H.)-----	1
	8P7350	BRACE----- (L. H.)-----	1
6	2M6095	HANDLE-----	4
7	6B533	SPRING-----	4
8	9S2075	SPACER-----	4
9	6H3956	PIN-----	4

10	8P7340	GUARD ASSEM. ----- (R. H.)-----	1
		(Includes)	
11	5M9498	GUIDE-----	2
12	9S3004	DOOR ASSEM. -----	1
		(Includes)	
13	5M9498	GUIDE-----	4
14	8S2495	HINGE-----	1
15	8P7341	GUARD ASSEM. ----- (L. H.)-----	1
		(Includes)	
16	5M9498	GUIDE-----	1
17	9S3004	DOOR ASSEM. -----	1
		(Includes)	
18	5M9894	GUIDE-----	4
19	8S2495	HINGE-----	1

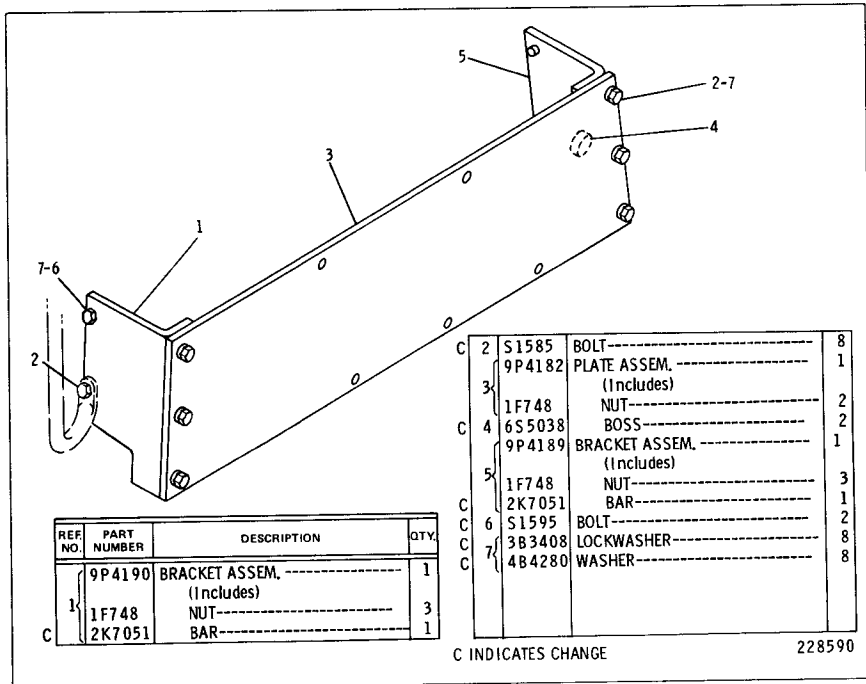
20	5S9482	PLATE ASSEM. -----	2
		(Each Includes)	
21	9F2978	NUT----- (weld)-----	2
22	S1594	BOLT-----	4
23	L1351	BOLT-----	8

213803

8P7339 BRUSH GUARD GROUP
AN ATTACHMENT

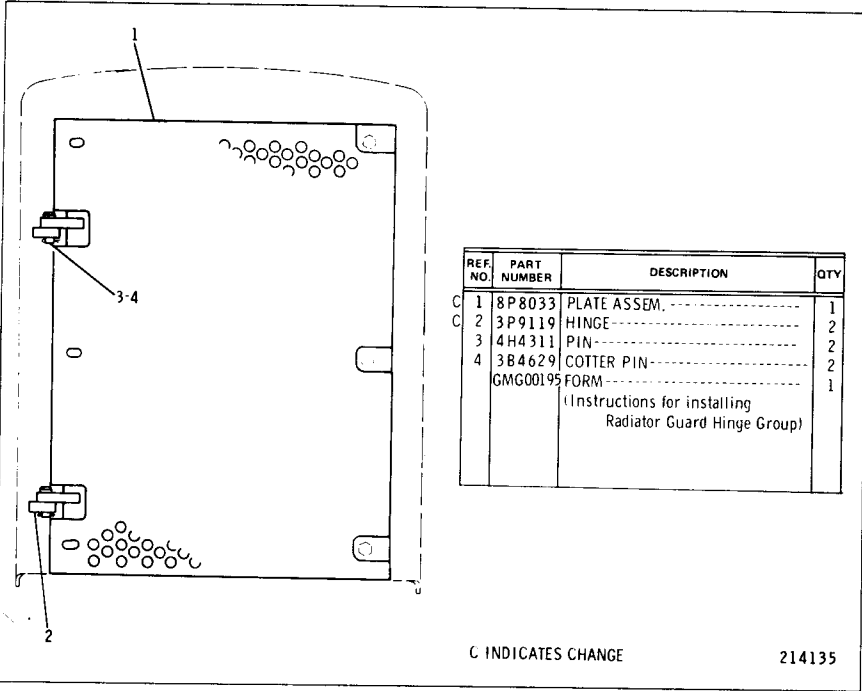


7S8210 FINAL DRIVE GUARD GROUP
Serial No. 23X778—Up. AN ATTACHMENT

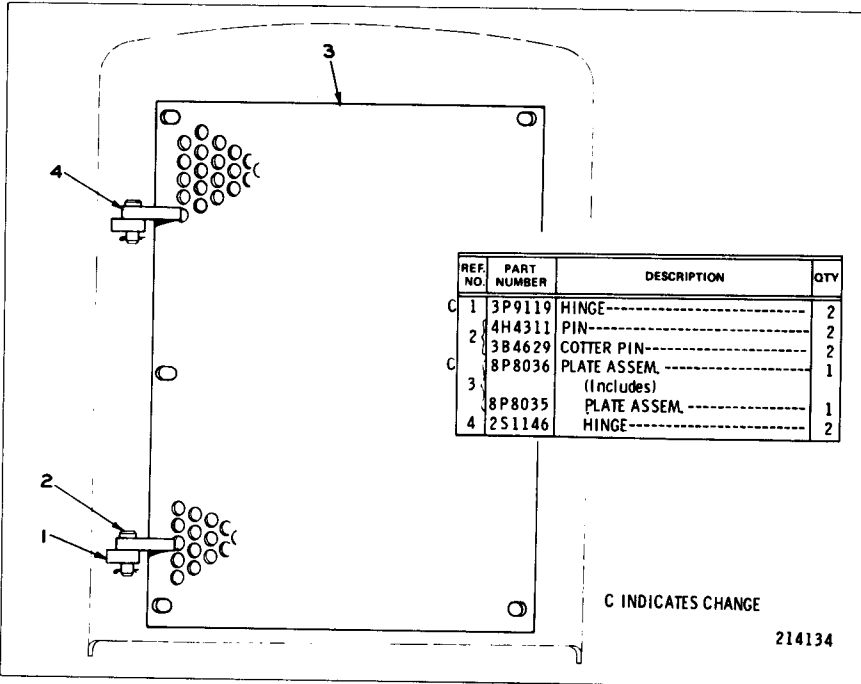


8P2141 FUEL TANK GUARD GROUP
FOR USE WITH HEATER OR AIR CONDITIONER
AN ATTACHMENT

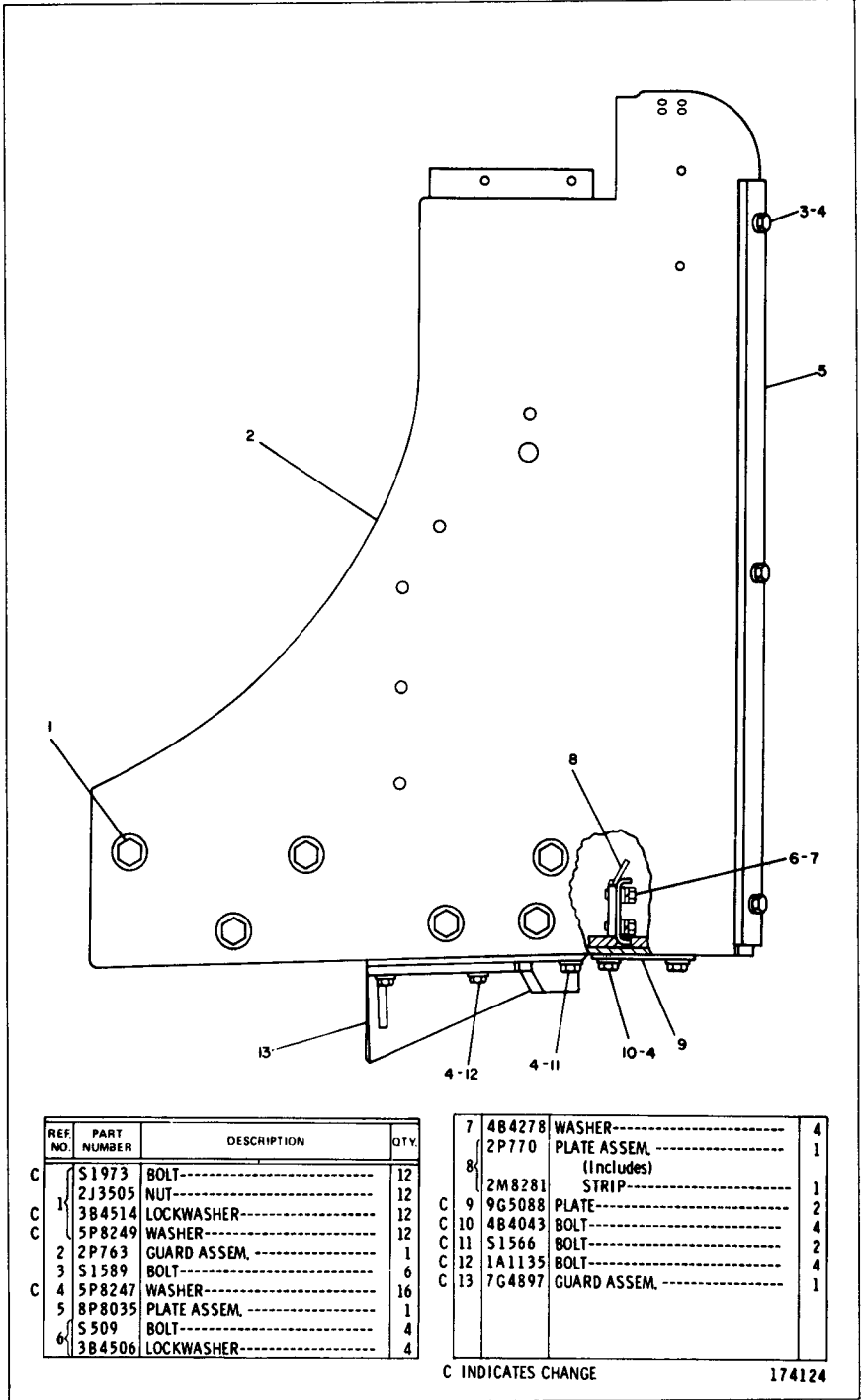
CATERPILLAR D5B TRACTOR



2P2094 RADIATOR HINGED GUARD GROUP—Heavy Duty AN ATTACHMENT



9S8203 RADIATOR GRILL HINGED PLATE GROUP AN ATTACHMENT



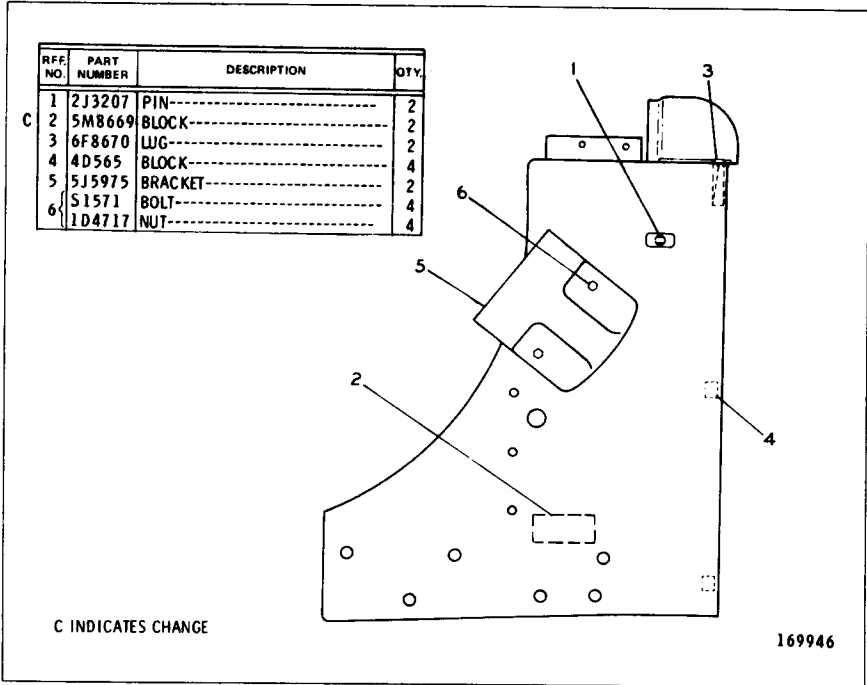
REF. NO.	PART NUMBER	DESCRIPTION	QTY.
C	3	S 1973 BOLT-----	12
	1	2J3505 NUT-----	12
	1	3B4514 LOCKWASHER-----	12
C	1	5P8249 WASHER-----	12
2	2P763	GUARD ASSEM.-----	1
3	S 1589	BOLT-----	6
C	4	5P8247 WASHER-----	16
5	8P8035	PLATE ASSEM.-----	1
6	S 509	BOLT-----	4
	6	3B4506 LOCKWASHER-----	4

7	4B4278	WASHER-----	4
8	2P770	PLATE ASSEM.-----	1
		(Includes)	
	2M8281	STRIP-----	1
C	9	9G5088 PLATE-----	2
C	10	4B4043 BOLT-----	4
C	11	S 1566 BOLT-----	2
C	12	1A1135 BOLT-----	4
C	13	7G4897 GUARD ASSEM.-----	1

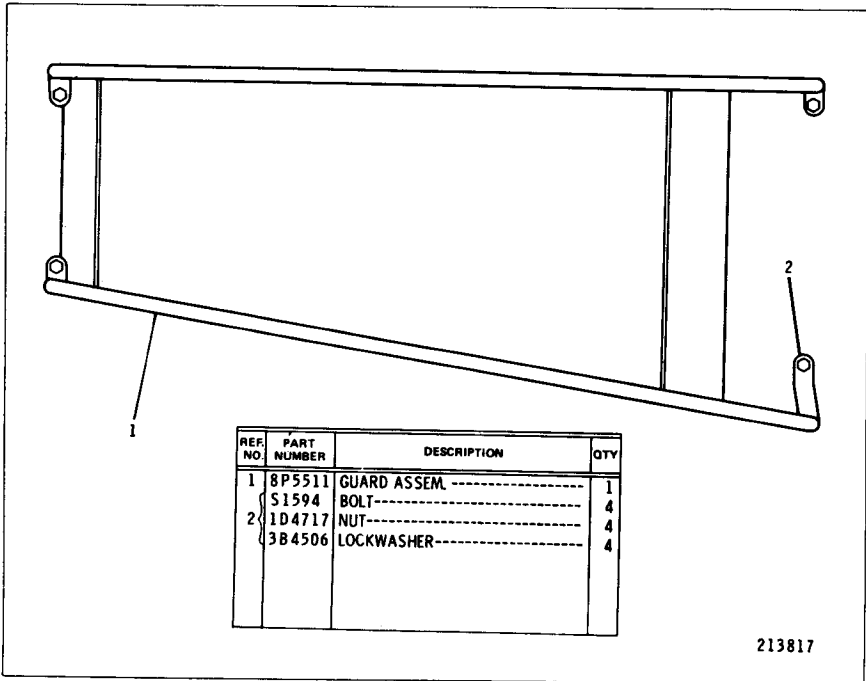
C INDICATES CHANGE

174124

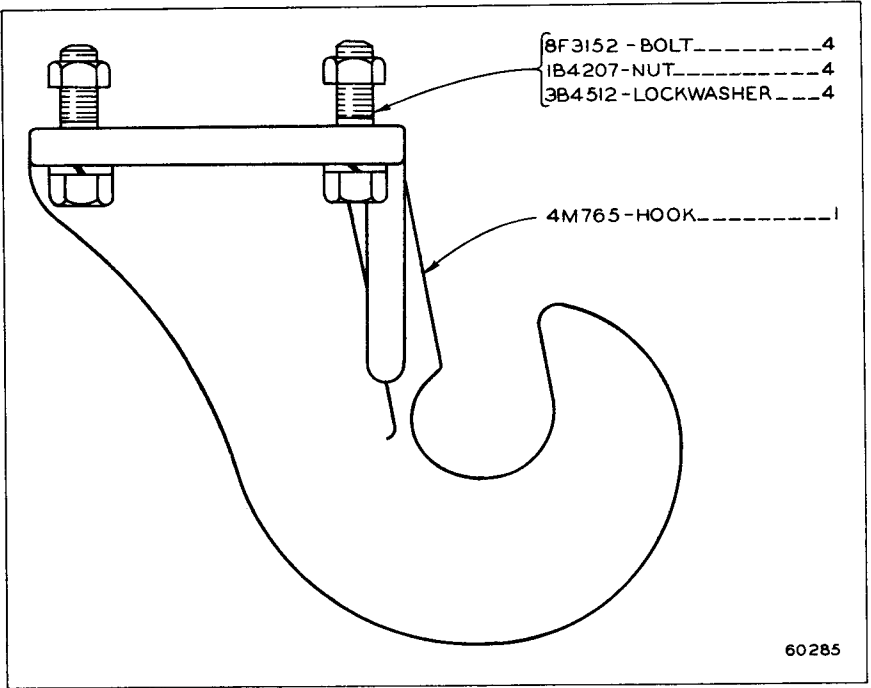
2P762 RADIATOR GUARD GROUP



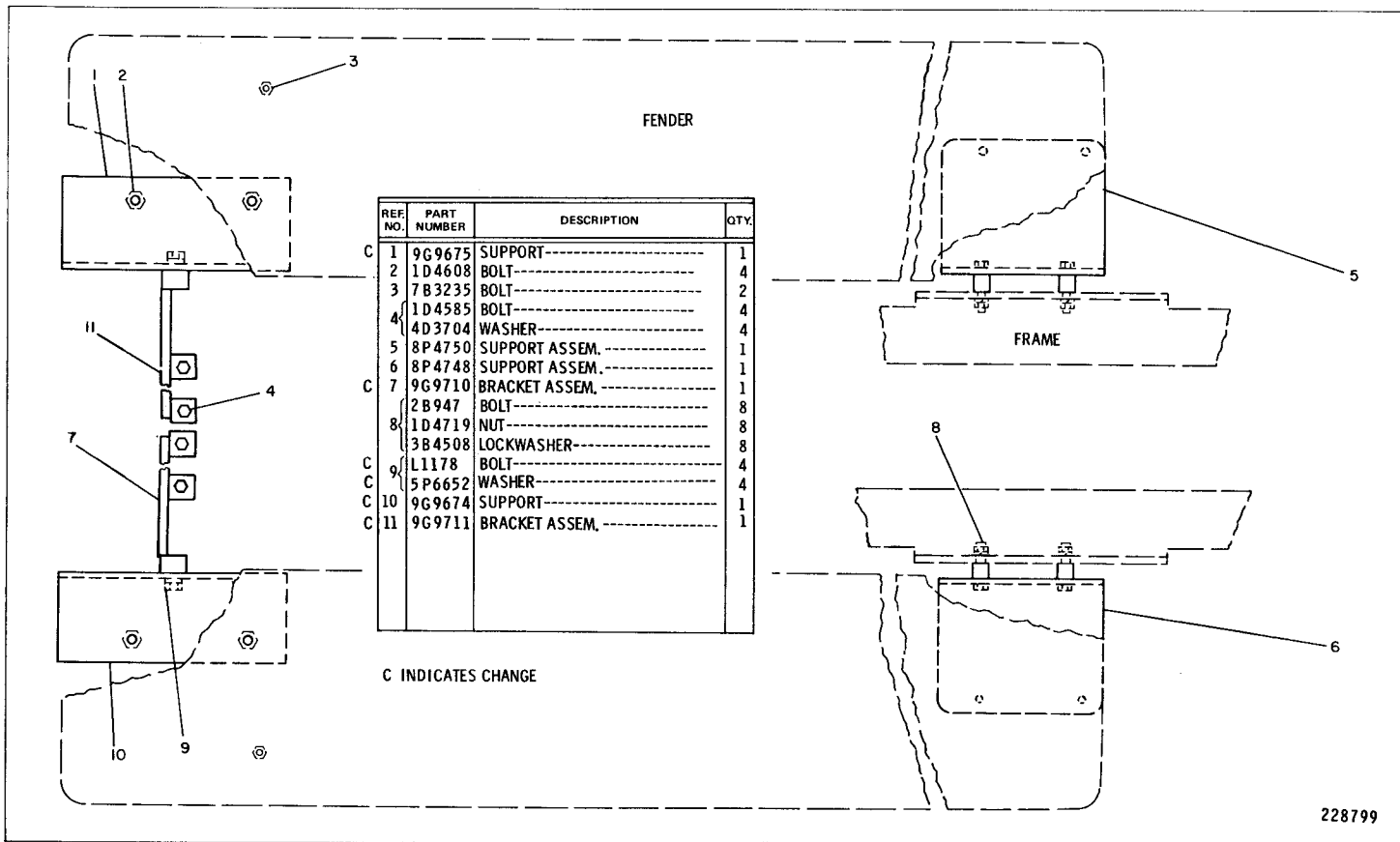
8J2896 RADIATOR GUARD ASSEMBLY—Bulldozer
AN ATTACHMENT



8P5512 PRECLEANER GUARD GROUP
AN ATTACHMENT



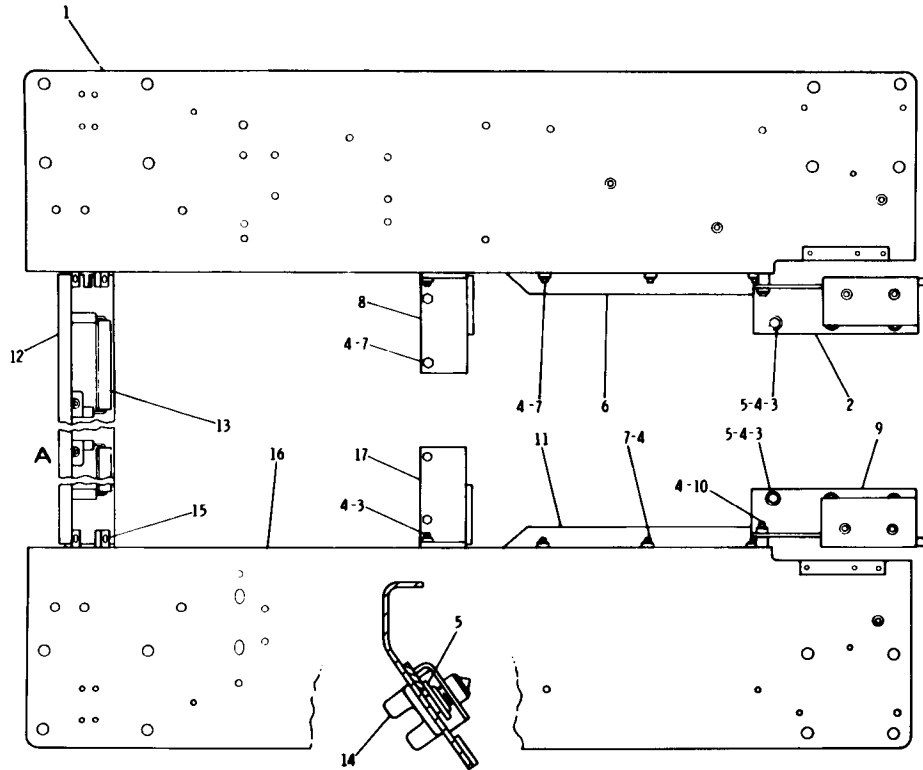
4M3001 FRONT PULL HOOK GROUP
AN ATTACHMENT



228799

8P5610 FENDER SUPPORT GROUP
FOR USE ON MACHINES EXPORTED WITHOUT ROPS MOUNTING
AN ATTACHMENT

8P5364 FENDER GROUP

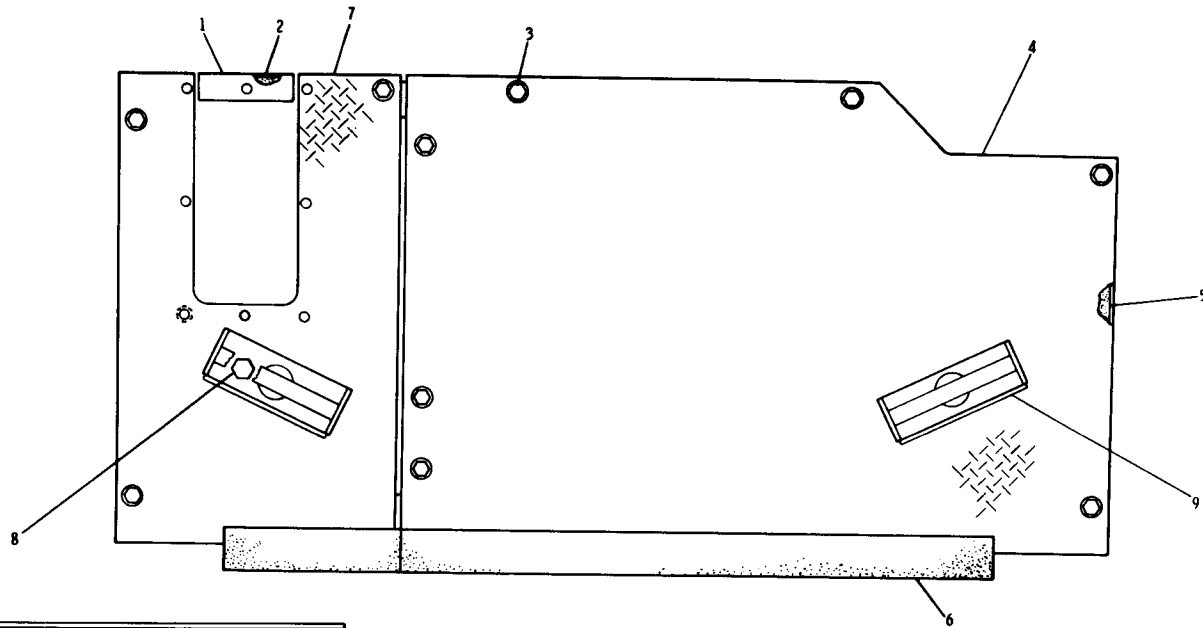


VIEW OF AREA A

REF NO	PART NUMBER	DESCRIPTION	QTY.
C 1	7G8608	FENDER ASSEM. -----	1
2	8P3439	SUPPORT ASSEM. -----	1
3	S1585	BOLT-----	10
4	3B4508	LOCKWASHER-----	26
C 5	4B4280	WASHER-----	8
6	3P6033	GUARD-----	1
7	S1595	BOLT-----	10
8	8P4754	BRACKET ASSEM. -----	1
9	8P3440	SUPPORT ASSEM. -----	1
10	2B947	BOLT-----	6
11	3P6032	GUARD-----	1
12	8P9995	PLATE ASSEM. -----	1
		(includes)	
	8P8376	PLATE-----	1
13	6K1049	HINGE-----	2
14	6D1746	BOLT-----	2
	3B4610	COTTER PIN-----	2
	S509	BOLT-----	4
15	3B4506	LOCKWASHER-----	4
	4B5271	WASHER-----	4
C 16	7G8607	FENDER ASSEM. -----	1
17	8P4752	BRACKET ASSEM. -----	1

C INDICATES CHANGE

174134



REF NO.	PART NUMBER	DESCRIPTION	QTY.
1	8P5889	PLATE ASSEM. ----- (Includes)	1
▲ 2	5P7246	SEAL-----, 1 m (4.21 in.)	10
	51594	BOLT-----	10
3	3B4506	LOCKWASHER-----	10
	4B4278	WASHER-----	10

4	7G1770	FLOORPLATE ASSEM. -----	1
▲ 5	5P7246	SEAL-----, 3.39 m (133.8 in.)	1
6	5P7245	SEAL-----, .82 m (32.28 in.)	1
7	7G1772	FLOORPLATE ASSEM. -----	4
8	51595	BOLT-----	4
	3B4508	LOCKWASHER-----	4

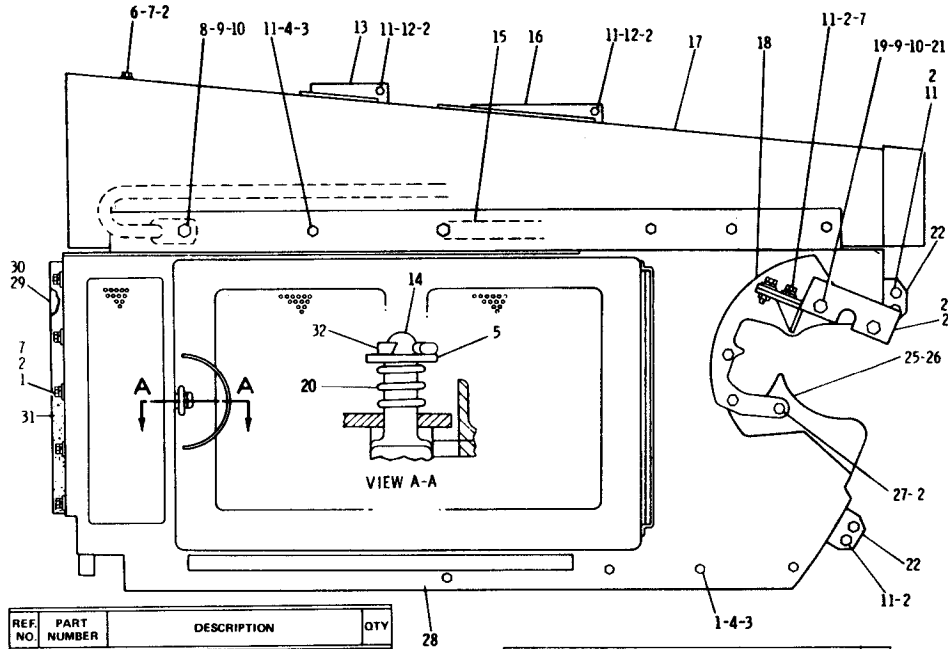
9	5H156	SUPPORT ASSEM. -----	2
	SMHS7334	FORM----- (Instructions for installing floorplates)	1

▲ ORDER BY THE METER

224181

7G1774 FLOORPLATE GROUP

8P5393 ENGINE ENCLOSURE GROUP
AN ATTACHMENT



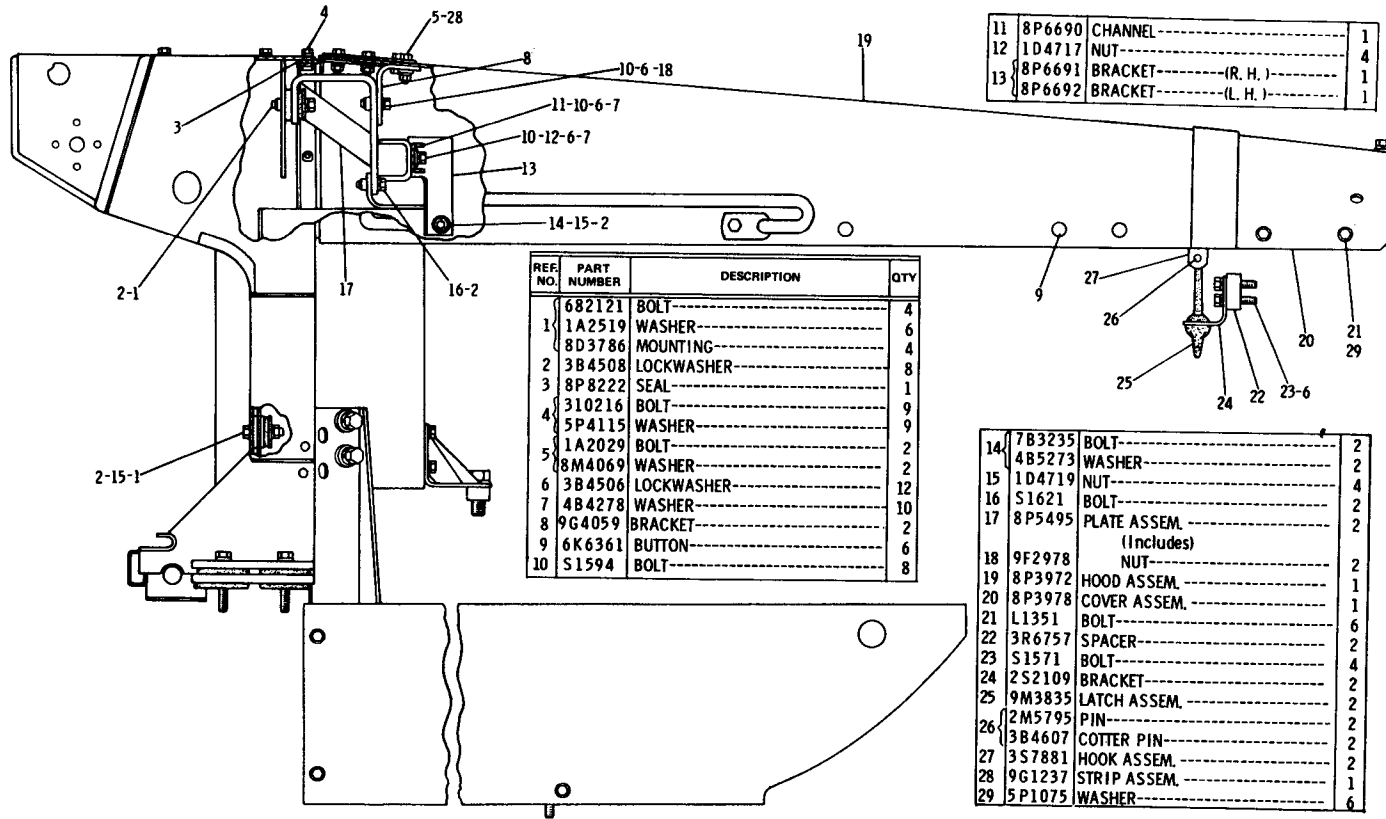
REF NO.	PART NUMBER	DESCRIPTION	QTY
C 1	L1351	BOLT-----	18
C 2	3B4506	LOCKWASHER-----	32
C 3	5M2894	WASHER-----	18
C 4	2K4973	NUT----- (lock)	18
5	1A4784	WASHER-----	2
6	5509	BOLT-----	2
C 7	4B4278	WASHER-----	20

8	S1585	BOLT-----	4
	1D4719	NUT-----	4
9	3B4508	LOCKWASHER-----	8
10	4B4280	WASHER-----	8
C 11	S1594	BOLT-----	24
C 12	1D4717	NUT-----	2
13	8P6760	CLAMP ASSEM.-----	1

14	9B1783	FASTENER-----	2
15	8P6120	GASKET-----	2
16	8P4388	CLAMP ASSEM.-----	1
17	8P4410	HOOD ASSEM.-----	1
18	3P1871	PLATE ASSEM.-----(R. H.)-----	1
	3P1872	PLATE ASSEM.-----(L. H.)-----	1
19	1D4566	BOLT-----	4
20	4B7033	SPRING-----	2
21	8S375	SPACER-----	4
22	5S9482	PLATE ASSEM.-----	4
23	3P1892	BRACKET ASSEM.-----(R. H.)-----	1
	3P1893	BRACKET ASSEM.-----(L. H.)-----	1
		(Each Includes)	
24	9F2978	NUT----- (weld)	2
25	3P1869	PLATE ASSEM.-----	1
	3P1870	PLATE ASSEM.-----	1
		(Each Includes)	
26	1L5081	SPACER-----	3
	9F2978	NUT----- (weld)	3
27	3B1915	BOLT-----	6
28	8P4828	ENCLOSURE ASSEM.-----(R. H.)-----	1
	8P4831	ENCLOSURE ASSEM.-----(L. H.)-----	1
29	8P4183	PLATE ASSEM.-----	1
	8P4185	PLATE ASSEM.-----	1
		(Each Includes)	
30	9F2978	NUT----- (weld)	5
31	5P5923	SEAL-----, 440 m(17. 32 in.)	1
32	3B4623	COTTER PIN-----	2
	S M H S 6853	FORM-----	1
		(Installation)	

▲ ORDER BY THE METER

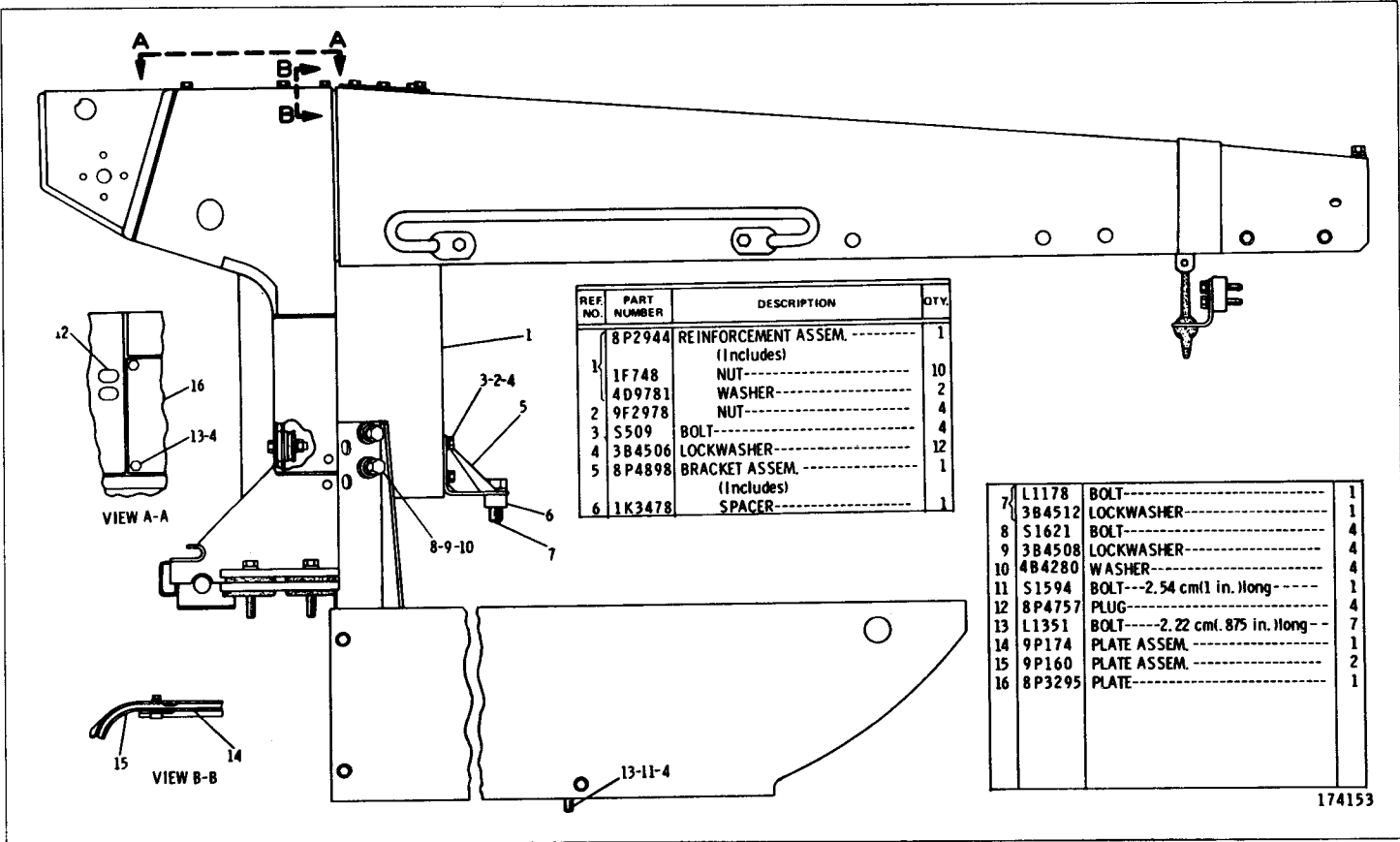
174180



226996

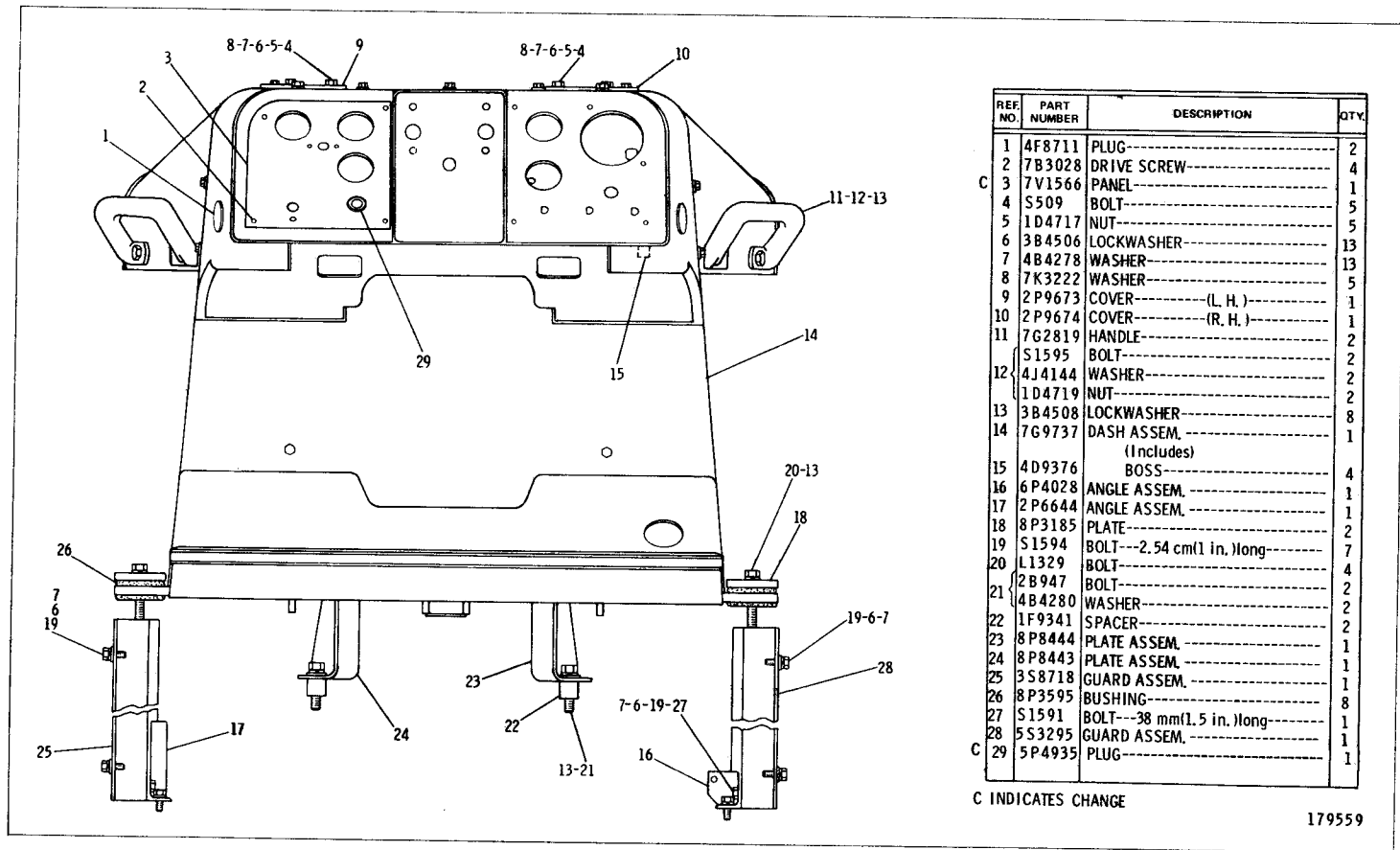
8P4369 HOOD AND DASH GROUP—Part 1 of 3

8P4369 HOOD AND DASH GROUP—Part 2 of 3



REF. NO.	PART NUMBER	DESCRIPTION	QTY.
	8 P2944	REINFORCEMENT ASSEM. -----	1
		(Includes)	
1	1F748	NUT-----	10
4	D9781	WASHER-----	2
2	9F2978	NUT-----	4
3	S509	BOLT-----	4
4	3B4506	LOCKWASHER-----	12
5	8P4898	BRACKET ASSEM.-----	1
		(Includes)	
6	1K3478	SPACER-----	1

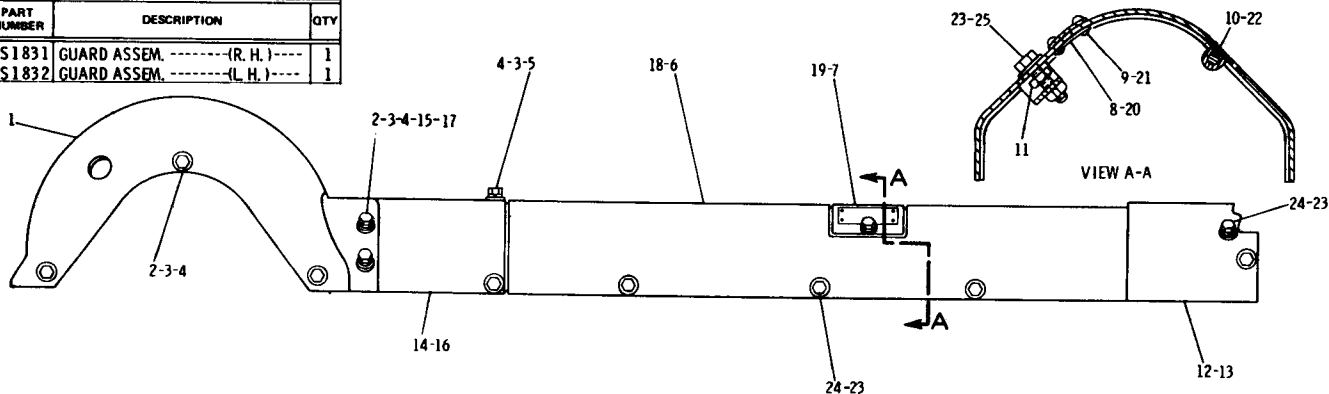
7	L1178	BOLT-----	1
	3B4512	LOCKWASHER-----	1
8	S1621	BOLT-----	4
9	3B4508	LOCKWASHER-----	4
10	4B4280	WASHER-----	4
11	S1594	BOLT---2.54 cm(.1 in.)long-----	1
12	8P4757	PLUG-----	4
13	L1351	BOLT---2.22 cm(.875 in.)long--	7
14	9P174	PLATE ASSEM.-----	1
15	9P160	PLATE ASSEM.-----	2
16	8P3295	PLATE-----	1



8P4369 HOOD AND DASH GROUP—Part 3 of 3

8P3103 RECOIL MECHANISM GUARD GROUP

REF. NO.	PART NUMBER	DESCRIPTION	QTY
1	8S1831	GUARD ASSEM. -----(R. H.)-----	1
1	8S1832	GUARD ASSEM. -----(L. H.)-----	1



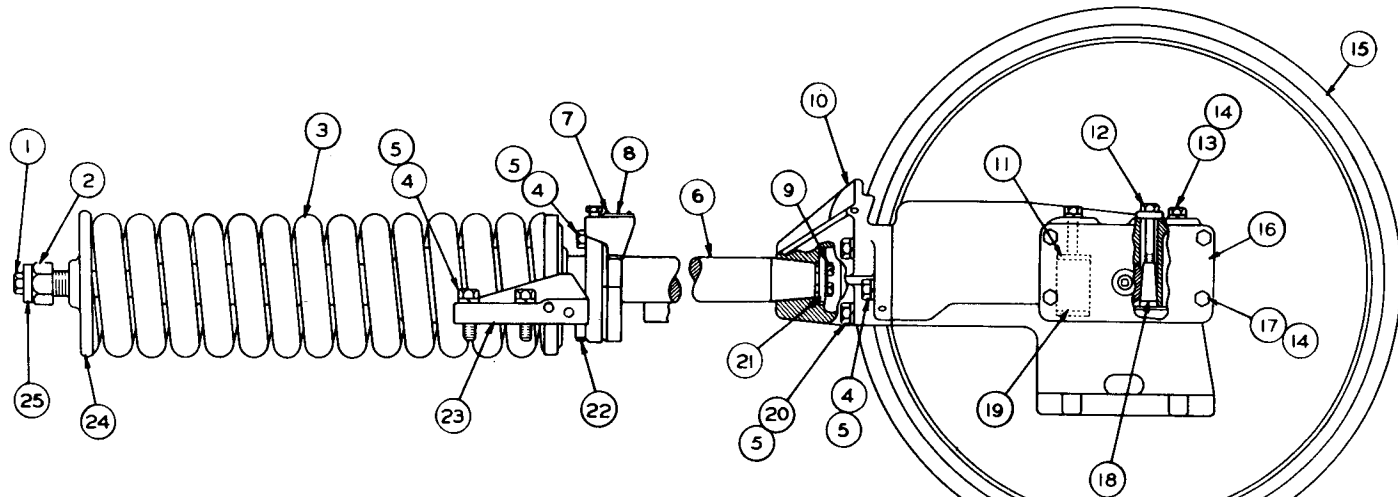
	2	S1621	BOLT-----	10
	3	3B4508	LOCKWASHER-----	14
C	4	4B4280	WASHER-----	14
	5	S1595	BOLT-----	4
	6	8P7395	GUARD ASSEM. -----(R. H.)-----	1
			(Includes)	
C	7	9G3917	COVER SERVICE GROUP-----	1
			(Includes)	
	8	5P9441	PLATE----- (warning)	1
	9	7B3028	SCREW----- (drive)	4
	10	5H8991	SHAFT-----	1
C	11	2K4973	LOCKNUT-----	2

	12	5A6897	GUARD----- (R. H.)-----	1
	13	5A6898	GUARD----- (L. H.)-----	1
	14	8P4111	GUARD ASSEM. ----- (R. H.)-----	1
			(Includes)	
	15	1F748	NUT-----	2
	16	8P4112	GUARD ASSEM. ----- (L. H.)-----	1
			(Includes)	
	17	1F748	NUT-----	2

	18	8P7394	GUARD ASSEM. ----- (L. H.)-----	1
			(Includes)	
C	19	9G3917	COVER SERVICE GROUP-----	1
			(Includes)	
	20	5P9441	PLATE----- (warning)	1
	21	7B3028	SCREW-----	4
	22	5H8991	SHAFT-----	1
C	23	4B4278	WASHER-----	20
	24	S1594	BOLT-----	18
		3B4506	LOCKWASHER-----	18
C	25	3B1915	BOLT-----	2

C INDICATES CHANGE

174563



REF. NO.	PART NUMBER	DESCRIPTION	QTY
1	S1620	BOLT-----	2
2	1B4334	NUT-----	2
3	3P1465	SPRING-----	2
4	1A1135	BOLT-----	20
5	3B4510	LOCKWASHER-----	28
6	8K5587	ROD GROUP----- (Each Includes)	2
7	7B3028	SCREW-----	4
8	2S5927	PLATE-----	1
9	1A2029	BOLT-----	4
	T329	LOCK-----	2

10	4M1186	SUPPORT-----	2
11	4B1382	PLATE-----	8
12	3B8428	BOLT-----	4
	4K9943	WASHER-----	4
13	S1585	BOLT-----	8
14	3B4508	LOCKWASHER-----	24
15	8S2560	IDLER ASSEM.-----	2
16	7M9398	PLATE-----	4
C 17	S1587	BOLT-----	16
18	5M5000	LOCK-----	4

19	4F5004	SPRING ASSEM.-----	8
20	1B4367	BOLT-----	8
21	7M2461	WASHER-----	2
C 22	7M1201	DOWEL-----	4
	2V7524	STOP--(R. H. outer-L. H. inner)---	2
23	2V7525	STOP--(R. H. inner-L. H. outer)---	2
24	9H4104	PILOT-----	2
25	2S1654	WASHER-----	2

NOTE: QUANTITIES SHOWN ARE THOSE REQUIRED FOR BOTH R. H. AND L. H. FRONT IDLERS

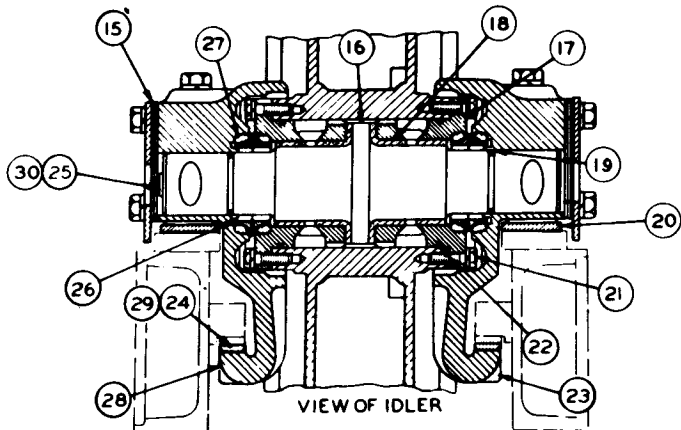
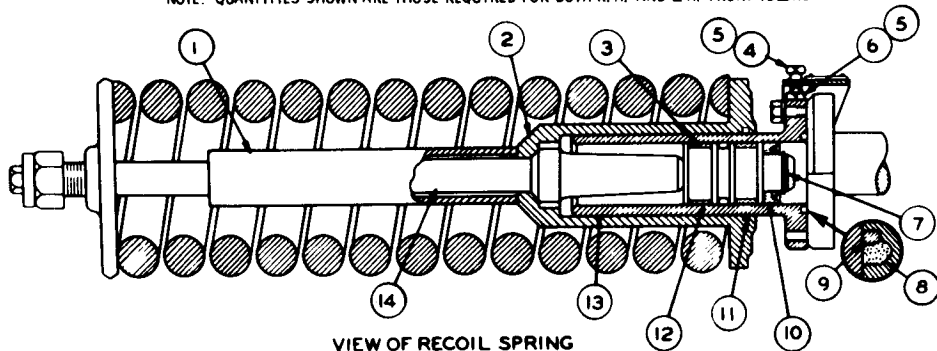
C INDICATES CHANGE

228578

BP2745 FRONT IDLER GROUP—Part 1

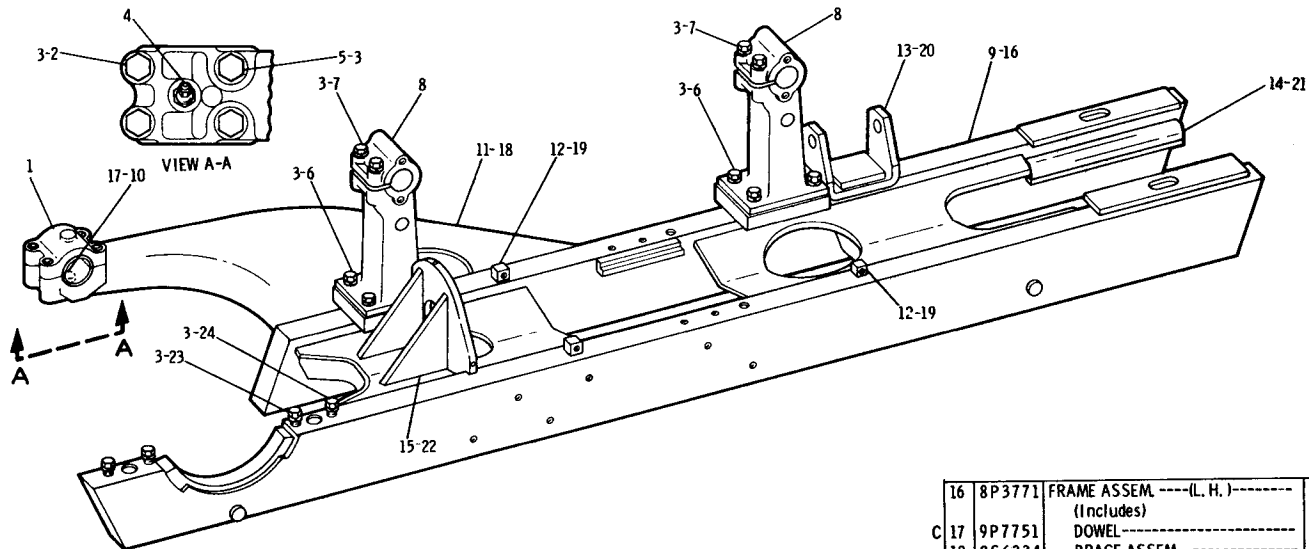
8P2745 FRONT IDLER GROUP—Part 2

NOTE: QUANTITIES SHOWN ARE THOSE REQUIRED FOR BOTH R. H. AND L. H. FRONT IDLERS



REF. NO.	PART NUMBER	DESCRIPTION	QTY
1	7H2424	SLEEVE-----	2
2	1S6422	PILOT ASSEM.-----	2
3	9H7670	PISTON-----	2
4	2S5926	VALVE-----	2
5	5M6708	WASHER-----	4
6	2S5925	VALVE-----	2
7	9H7668	RING-----	2
8	4M7021	SEAL-----	2
9	4M7022	RING-----	2
10	2S5867	SEAL-----	2
11	7H2444	SEAL-----	2
12	7H2423	RING-----	4
13	8M6676	CYLINDER-----	2
14	2P7622	BOLT-----	2
15	4K7384	SHIM-----	24
16	5K305	SHAFT-----	2
17	3P8272	BUSHING ASSEM.-----	4
18	9B2289	PIN-----	2
18	8P6652	BEARING ASSEM.-----	1
19	7F8267	SEAL-----	4
20	1F8875	PLATE ASSEM.-----	4
20	6B6022	PIN-----	2
21	1A2029	BOLT-----	24
21	3B4506	LOCKWASHER-----	24
22	1H6227	SEAL-----	4
23	5K304	BEARING ASSEM.----- (R. H. Inner - L. H. Outer)	2
24	7K6412	STRIP-----	2
25	2P347	PLUG-----	2
26	2M2858	SEAL GROUP-----	4
27	1M3097	SEAL-----	2
28	5K303	BEARING ASSEM.----- (R. H. Outer - L. H. Inner)	2
29	7K6412	STRIP-----	2
30	1S8947	SEAL-----	2

164339



REF. NO.	PART NUMBER	DESCRIPTION	QTY
	155315	CAP ASSEM. (Each includes)	2
C 1	9P7752	DOWEL	1
	7B5979	SHELL	4
2	L1169	BOLT	4
3	3B4510	LOCKWASHER	40
4	3B8487	FITTING	2
5	1A8651	BOLT	4
6	S1589	BOLT	16

7	8S9092	BOLT	8
C 8	2M7207	BRACKET	4
9	8P3772	FRAME ASSEM. --- (R. H.) --- (Includes)	1
C 10	9P7751	DOWEL	1
11	2S6333	BRACE ASSEM.	1
12	8K8428	BLOCK	3
13	8M6243	BRACKET ASSEM.	1
14	4K4780	STRIP ASSEM.	2
15	5P2351	GUSSET	2

16	8P3771	FRAME ASSEM. --- (L. H.) --- (Includes)	1
C 17	9P7751	DOWEL	1
18	2S6334	BRACE ASSEM.	1
19	8K8428	BLOCK	3
20	8M6243	BRACKET ASSEM.	1
21	4K4780	STRIP ASSEM.	2
22	5P2351	GUSSET	2
23	1D4585	BOLT	4
24	S1625	BOLT	4
	S M H S 6800	FORM (Installing Track Roller Frame)	1

C INDICATES CHANGE

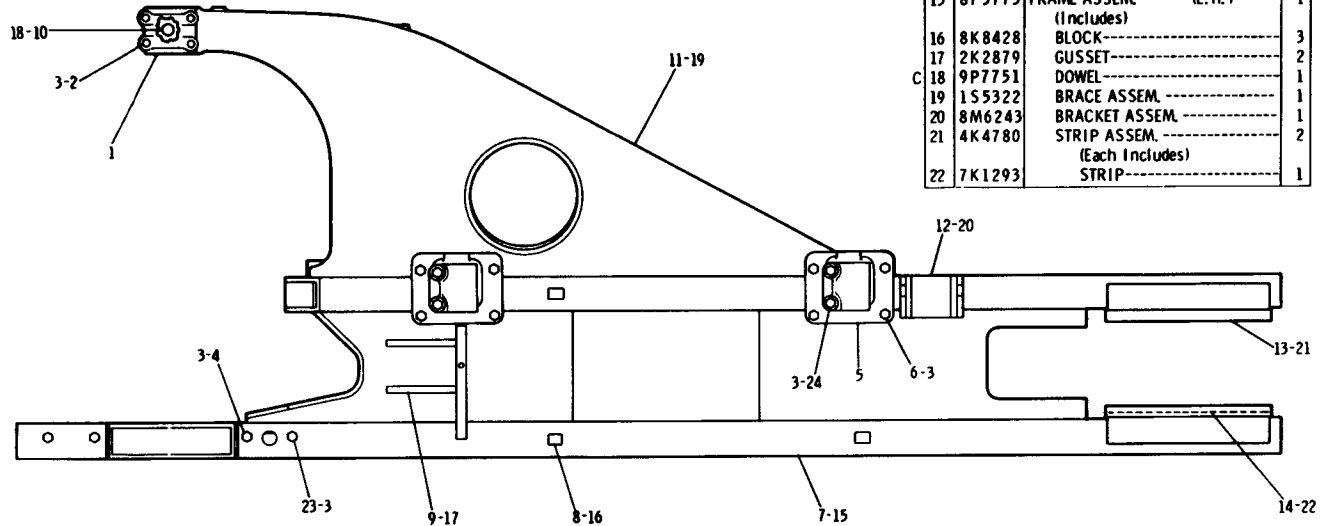
232079

8P3767 TRACK ROLLER FRAME GROUP

Serial No. 22X439—Up

Note: Quantities shown are those required for both R.H. & L.H. sides

8P3764 TRACK ROLLER FRAME GROUP
Serial No. 23X778—Up



15	8P3773	FRAME ASSEM.----- (L. H.)-----	1
		(Includes)	
16	8K8428	BLOCK-----	3
17	2K2879	GUSSET-----	2
18	9P7751	DOWEL-----	1
19	1S5322	BRACE ASSEM.-----	1
20	8M6243	BRACKET ASSEM.-----	1
21	4K4780	STRIP ASSEM.-----	2
		(Each Includes)	
22	7K1293	STRIP-----	1

REF. NO.	PART NUMBER	DESCRIPTION	QTY
	1S5315	CAP ASSEM.-----	2
		(Each Includes)	
C 1	9P7752	DOWEL-----	1
	3B8487	FITTING-----	2
	7B5979	SHELL-----	4
2	L1169	BOLT-----9.53 cm(3.75 in.) long	4
	1A8651	BOLT-----11.43 cm(4.5 in.) long	4
3	3B4510	LOCKWASHER-----	40
4	1D4585	BOLT-----8.26 cm(3.25 in.) long	4
5	2M7207	BRACKET-----	4

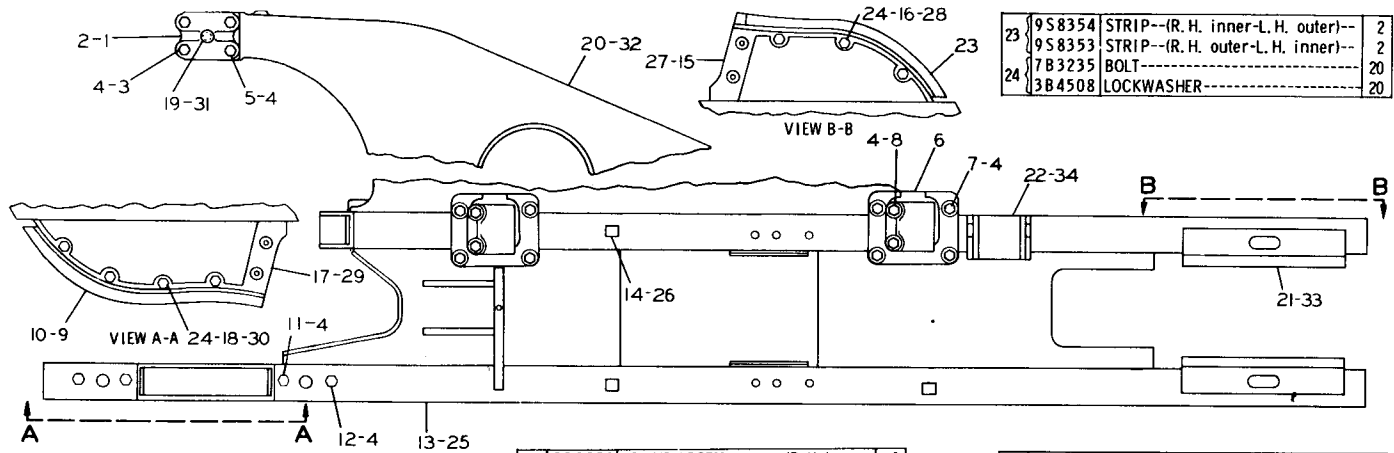
6	S1589	BOLT-----	16
7	8P3774	FRAME ASSEM.----- (R. H.)-----	1
		(Includes)	
8	8K8428	BLOCK-----	3
9	2K2879	GUSSET-----	2
C 10	9P7751	DOWEL-----	1
	11 1S5321	BRACE ASSEM.-----	1
	12 8M6243	BRACKET ASSEM.-----	1
	13 4K4780	STRIP ASSEM.-----	2
		(Each Includes)	
14	7K1293	STRIP-----	1

23	S1625	BOLT-----6.35 cm(2.5 in.) long	4
	1D4585	BOLT-----8.26 cm(3.25 in.) long	8
		-OR-	
24	8S9092	BOLT-----5.72 cm(2.25 in.) long	8
	SMHS6800	FORM-----	1
		(Installing replacement track roller frames)	

NOTE: QUANTITIES SHOWN ARE THOSE REQUIRED FOR BOTH R. H. AND L. H. SIDES.

C INDICATES CHANGE

167392



23	9S8354	STRIP--(R. H. inner-L. H. outer)--	2
	9S8353	STRIP--(R. H. outer-L. H. inner)--	2
	7B3235	BOLT-----	20
24	3B4508	LOCKWASHER-----	20

REF. NO.	PART NUMBER	DESCRIPTION	QTY
	1S5315	CAP ASSEM. -----	2
C 1	9P7752	(Each Includes) DOWEL -----	1
	7B5979	SHELL -----	4
2	3B8487	FITTING-----	2
3	L1169	BOLT-----	4
4	3B4510	LOCKWASHER-----	40
5	1A8651	BOLT-----	4
6	2M7207	BRACKET-----	2
7	S1589	BOLT-----	16
8	S9092	BOLT-----	8
9	9S8245	STRIP----- (R. H. rear)	1
10	9S8246	STRIP----- (L. H. rear)	1
11	1D4585	BOLT----- 8.26 cm(3.25 in.) long	4
12	S1625	BOLT----- 6.35 cm(2.5 in.) long	4

13	8P3770	FRAME ASSEM. ----- (R. H.) -----	1
		(Includes)	
14	8K8428	BLOCK-----	3
	9S8359	GUARD ASSEM. --(front inner)	1
	9S8358	GUARD ASSEM. --(front outer)	1
15		(Each Includes)	
	9M3781	NUT-----	2
16	L2119	WASHER-----	3
	9S8258	GUARD ASSEM. ----- (rear)	1
17		(Includes)	
	9M3781	NUT-----	2
18	L2119	WASHER-----	4
C 19	9P7751	DOWEL-----	1
20	1S5321	BRACE ASSEM. -----	1
	4K4780	STRIP ASSEM. -----	2
21		(Each Includes)	
	7K1293	STRIP-----	1
22	8M6243	BRACKET ASSEM. -----	1

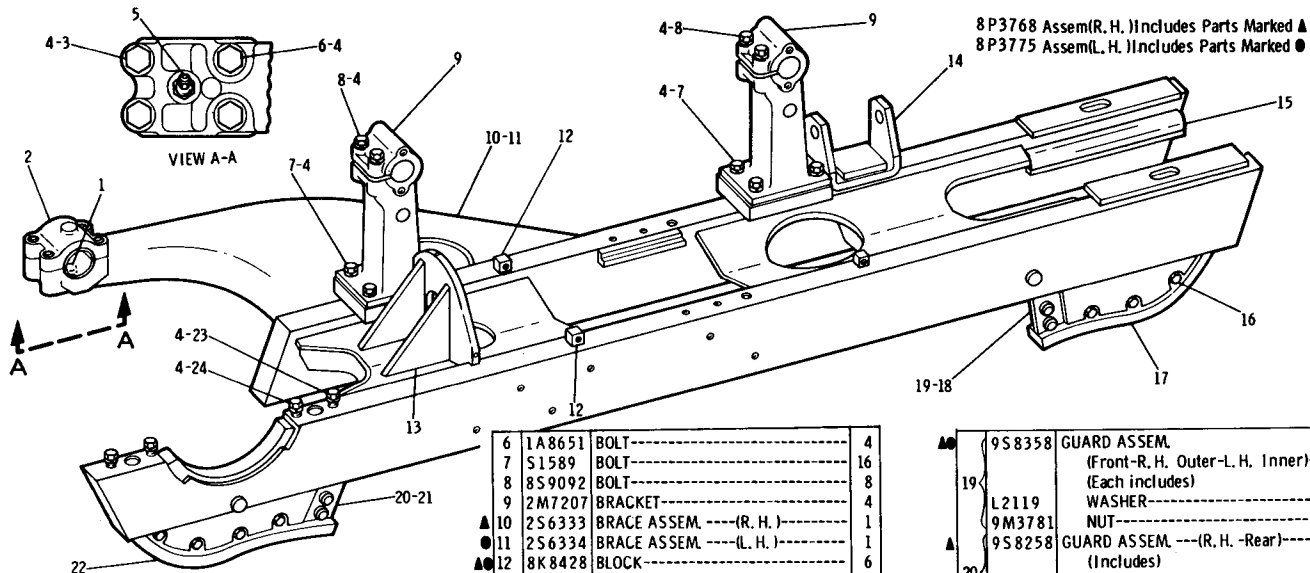
25	8P3769	FRAME ASSEM. ----- (L. H.) -----	1
		(Includes)	
26	8K8423	BLOCK-----	3
	9S8358	GUARD ASSEM. --(front inner)	1
	9S8359	GUARD ASSEM. --(front outer)	1
27		(Each Includes)	
	9M3781	NUT-----	2
28	L2119	WASHER-----	3
	9S8257	GUARD ASSEM. ----- (rear)	1
29		(Includes)	
	9M3781	NUT-----	2
30	L2119	WASHER-----	4
C 31	9P7751	DOWEL-----	1
32	1S5322	BRACE ASSEM. -----	1
	4K4780	STRIP ASSEM. -----	2
33		(Each Includes)	
	7K1293	STRIP-----	1
34	8M6243	BRACKET ASSEM. -----	1

NOTE: QUANTITIES SHOWN ARE THOSE REQUIRED FOR BOTH R. H. AND L. H. SIDES.

C INDICATES CHANGE 228588

8P3765 TRACK ROLLER FRAME GROUP—With Guiding Guards
Serial No. 23X778—Up. AN ATTACHMENT

BP3766 TRACK ROLLER FRAME GROUP—With Guiding Guards
Serial No. 23X778—Up
Note: Quantities shown are those required for both R.H. and L.H. sides
AN ATTACHMENT



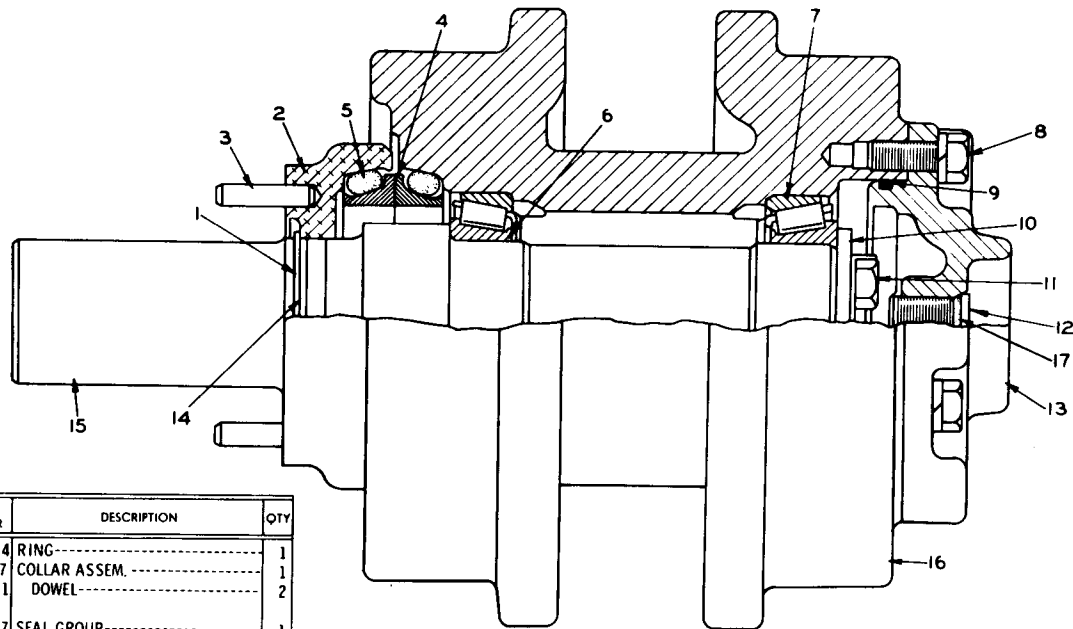
REF NO.	PART NUMBER	DESCRIPTION	QTY
C▲ 1	9P7751	DOWEL	2
	1S5315	CAP ASSEM. -----(R. H.)	2
		(Each includes)	
C 2	9P7752	DOWEL	1
	7B5979	SHELL	4
3	L1169	BOLT	4
4	3B4510	LOCKWASHER	40
5	3B8487	FITTING	2

6	1A8651	BOLT	4
7	51589	BOLT	16
8	8S9092	BOLT	8
9	2M7207	BRACKET	4
▲ 10	2S6333	BRACE ASSEM. -----(R. H.)	1
● 11	2S6334	BRACE ASSEM. -----(L. H.)	1
▲ 12	8K8428	BLOCK	6
▲ 13	2K2879	GUSSET	4
C▲ 14	8M6243	BRACKET ASSEM.	2
▲ 15	4K4780	STRIP ASSEM.	4
	7B3235	BOLT	20
16	3B4508	LOCKWASHER	20
	9S8354	STRIP--(R. H. -Inner-L. H. Outer)-	2
17	9S8353	STRIP--(R. H. Outer-L. H. Inner)--	2
▲ 18	9S8359	GUARD ASSEM. (Front-R. H. Inner-L. H. Outer)--	2
		(Each includes)	
	L2119	WASHER	3
	9M3781	NUT	2

▲ 19	9S8358	GUARD ASSEM. (Front-R. H. Outer-L. H. Inner)-	2
		(Each includes)	
	L2119	WASHER	3
	9M3781	NUT	2
▲ 20	9S8258	GUARD ASSEM. -----(R. H. -Rear)----	1
		(Includes)	
	L2119	WASHER	4
	9M3781	NUT	2
▲ 21	9S8257	GUARD ASSEM. -----(L. H. -Rear)----	1
		(Includes)	
	L2119	WASHER	4
	9M3781	NUT	2
22	9S8245	STRIP--(R. H. -Rear)--	1
	9S8246	STRIP--(L. H. -Rear)--	1
23	S1625	BOLT	4
24	1D4585	BOLT	4
	SMHS 6800	FORM--(Installing Frame Assem.)	1

C INDICATES CHANGE

228589



REF. NO.	PART NUMBER	DESCRIPTION	QTY
1	1M7914	RING-----	1
2	9S3567	COLLAR ASSEM.-----	1
3	1M4291	DOWEL-----	2
4	1M8747	SEAL GROUP-----	1
5	8H2262	RING-----	2
6	9S3582	CONE-----	2
7	9S3581	CUP-----	2
8	S1594	BOLT-----	3
	3B4506	LOCKWASHER-----	3
9	2H6338	SEAL-----	1

10	9S3568	PLATE-----	1
	T703	BOLT-----	2
	T329	LOCK-----	1
C 12	2P347	PLUG-----	1

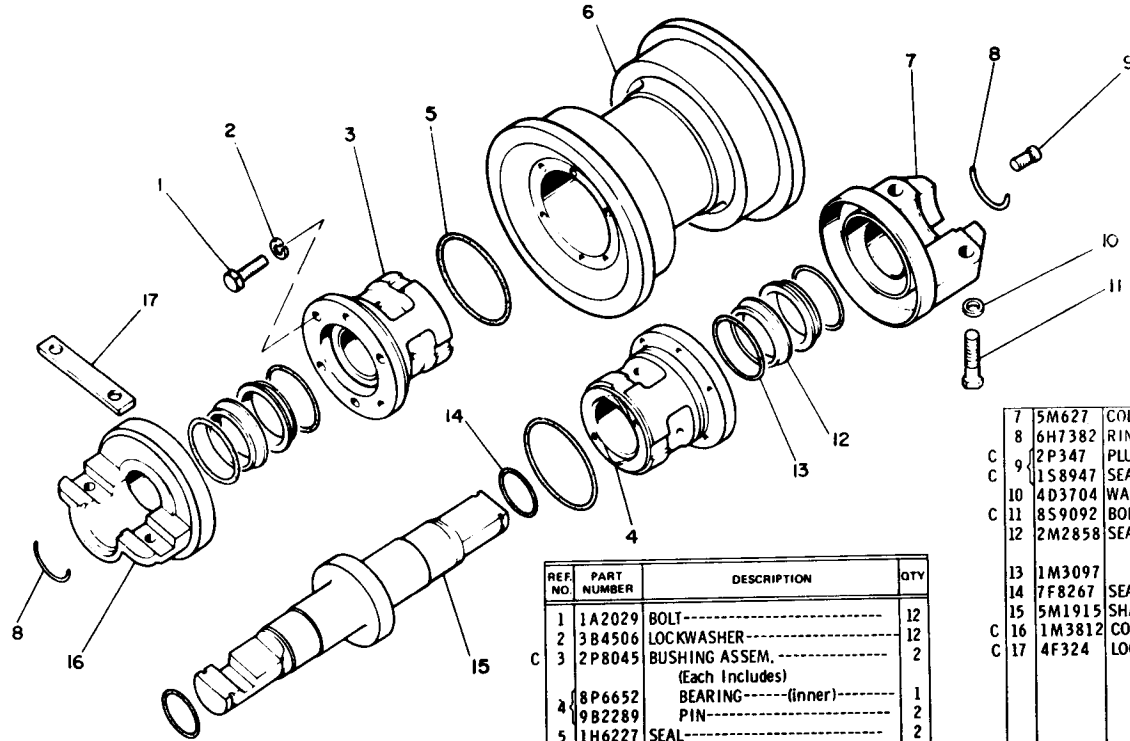
13	5M2043	COVER-----	1
14	1H9696	SEAL-----	1
15	9S3565	SHAFT-----	1
16	9S3569	ROLLER-----	1
CL7	1S8947	SEAL-----	1

C INDICATES CHANGE

207818

9S3570 TRACK CARRIER ROLLER GROUP—4 Required

7K8572 TRACK ROLLER GROUP—Single Flange—6 Required

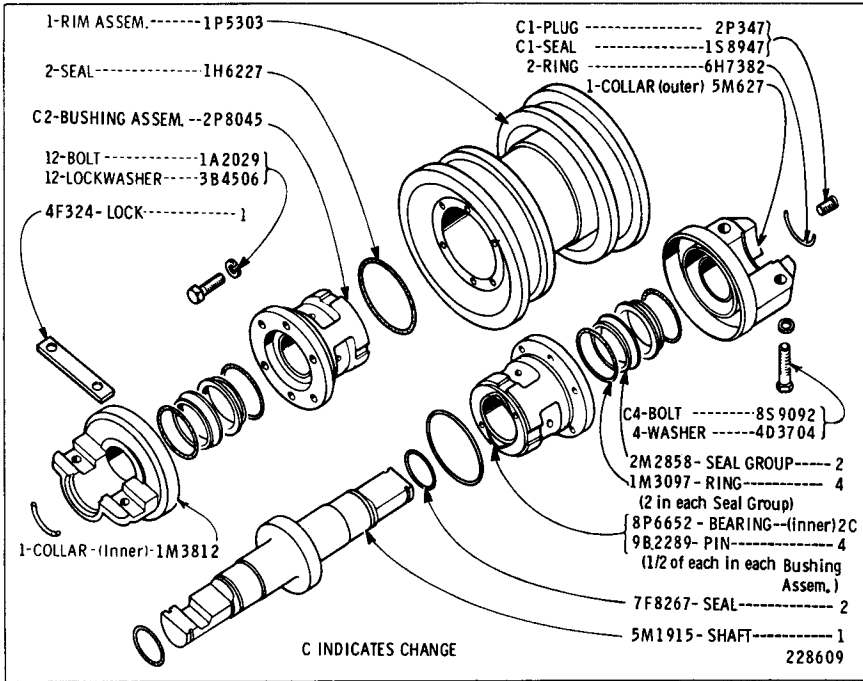


REF NO	PART NUMBER	DESCRIPTION	QTY
1	1A2029	BOLT-----	12
2	3B4506	LOCKWASHER-----	12
3	2P8045	BUSHING ASSEM. (Each Includes)	2
4	8P6652	BEARING----- (inner)	1
5	9B2289	PIN-----	2
5	1H6227	SEAL-----	2
6	7K8569	RIM ASSEM.-----	1

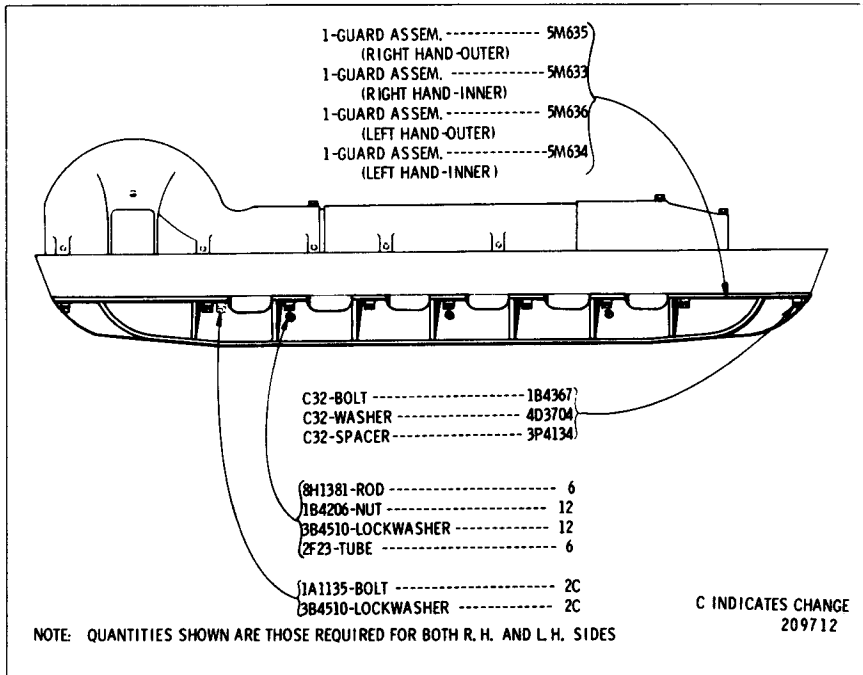
7	5M627	COLLAR----- (outer)	1	
8	6H7382	RING-----	2	
C	2P347	PLUG-----	1	
9	1S8947	SEAL-----	1	
10	4D3704	WASHER-----	4	
11	8S9092	BOLT-----	4	
C	12	2M2858	SEAL GROUP-----	2
		(Each Includes)		
13	1M3097	RING-----	2	
14	7F8267	SEAL-----	2	
15	5M1915	SHAFT-----	1	
C	16	1M3812	COLLAR----- (inner)	1
C	17	4F324	LOCK-----	1

172378

CATERPILLAR D5B TRACTOR



7K8571 TRACK ROLLER GROUP—Double Flange—6 Required



8B2868 TRACK ROLLER DIRT GUARD GROUP—Heavy Duty AN ATTACHMENT

REF. NO.	PART NUMBER	DESCRIPTION	QTY
1	9S8347	GUARD ASSEM. ----(R. H. -Inner)-	1
2	9S8348	GUARD ASSEM. ----(L. H. -Inner)-	1
C 3	1D4585	BOLT-----	22
C 4	3B4510	LOCKWASHER-----	12
C 5	4D3704	WASHER-----	22
	4S6559	TUBE-----	6

C INDICATES CHANGE			
6	1B4206	NUT-----	12
7	8H1381	ROD-----	6
8	9S8351	GUARD ASSEM. ----(Outer)-	2
9	2M4668	RETAINER-----	6
10	S1595	BOLT-----	12
	3B4508	LOCKWASHER-----	12
C 11	3P4134	SPACER-----	22

NOTE: QUANTITIES SHOWN ARE THOSE REQUIRED FOR BOTH R. H. AND L. H. SIDES 209121

9S8352 TRACK ROLLER GUARD GROUP
AN ATTACHMENT

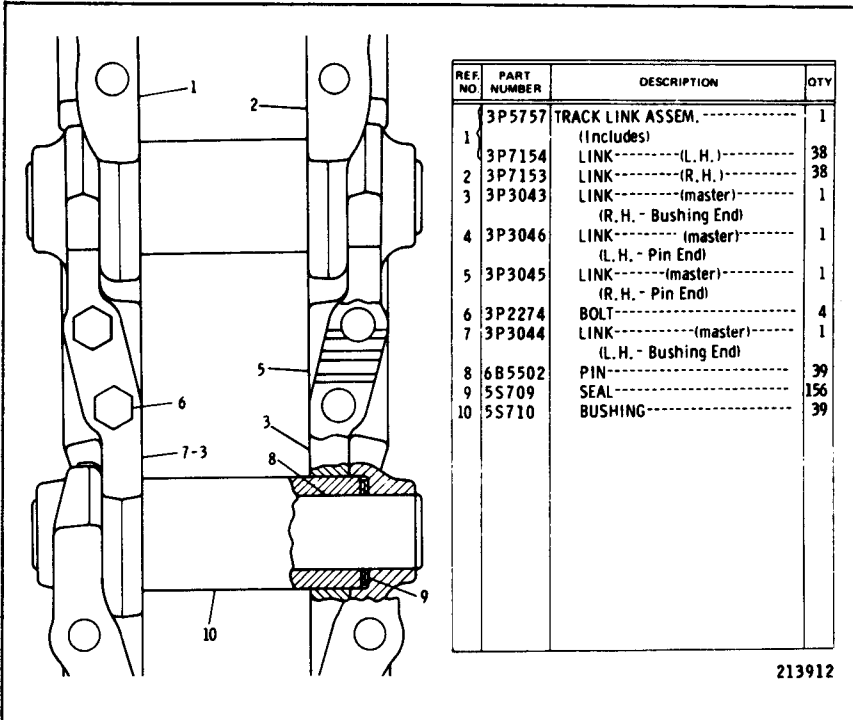
REF. NO.	PART NUMBER	DESCRIPTION	QTY
C 1	1D4585	BOLT-----	8
	4D3704	WASHER-----	8
2	6H1717	BOLT-----	16
	3B4508	LOCKWASHER-----	16

C INDICATES CHANGE			
C 3	3V1133	STRIP-----	4
4	5S6513	GUARD ASSEM. ----	2
C 5	3P4134	SPACER-----	8

GMG002192 FORM --- (Installation Instructions) 1

214057

5S6519 TRACK GUIDING GUARD GROUP—Center
AN ATTACHMENT

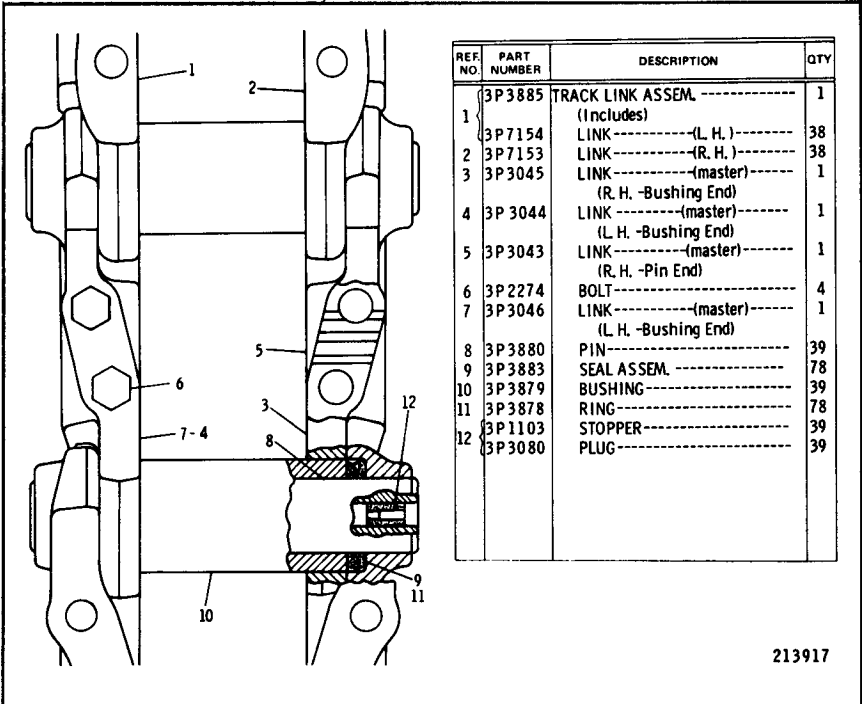


NAME	SHOE (39 REQUIRED FOR ONE TRACK)	COMPLETE TRACK GROUP (HARDWARE INCLUDED) 2 REQUIRED PER TRACTOR
406 MM (16 IN.) GROUSER SHOE	38--5S820 1--3P3888 (MASTER)	3P5766
457 MM (18 IN.) GROUSER SHOE	38--5S821 1--3P3889 (MASTER)	3P5767
510 MM (20 IN.) GROUSER SHOE	38--5S822 1--3P3890 (MASTER)	3P5768 SERIAL No. 23X778--UP
560 MM (22 IN.) GROUSER SHOE	38--5S823 1--3P3891 (MASTER)	3P5769 SERIAL No. 23X778--UP

7H3597 TRACK SHOE BOLT--152 REQUIRED FOR ONE TRACK
1M1408 NUT--USED WITH 7H3597

NOTE: 6K6292 TRACK PIN AND BUSHING GROUP, CONSISTING OF A COMPLETE SET OF PINS AND BUSHINGS FOR ONE TRACK, IS AVAILABLE.

TRACK GROUPS—2 Required—Sealed Non-Lubricated
AN ATTACHMENT



REF. NO.	PART NUMBER	DESCRIPTION	QTY
1	3P3885	TRACK LINK ASSEM. -----	1
		(Includes)	
2	3P7154	LINK------(L. H.)-----	38
3	3P7153	LINK------(R. H.)-----	38
4	3P3045	LINK------(master)-----	1
		(R. H. -Bushing End)	
5	3P3044	LINK------(master)-----	1
		(L. H. -Bushing End)	
6	3P3043	LINK------(master)-----	1
		(R. H. -Pin End)	
7	3P2274	BOLT-----	4
8	3P3046	LINK------(master)-----	1
		(L. H. -Bushing End)	
9	3P3880	PIN-----	39
10	3P3883	SEAL ASSEM.-----	78
11	3P3879	BUSHING-----	39
12	3P3878	RING-----	78
	3P1103	STOPPER-----	39
	3P3080	PLUG-----	39

213917

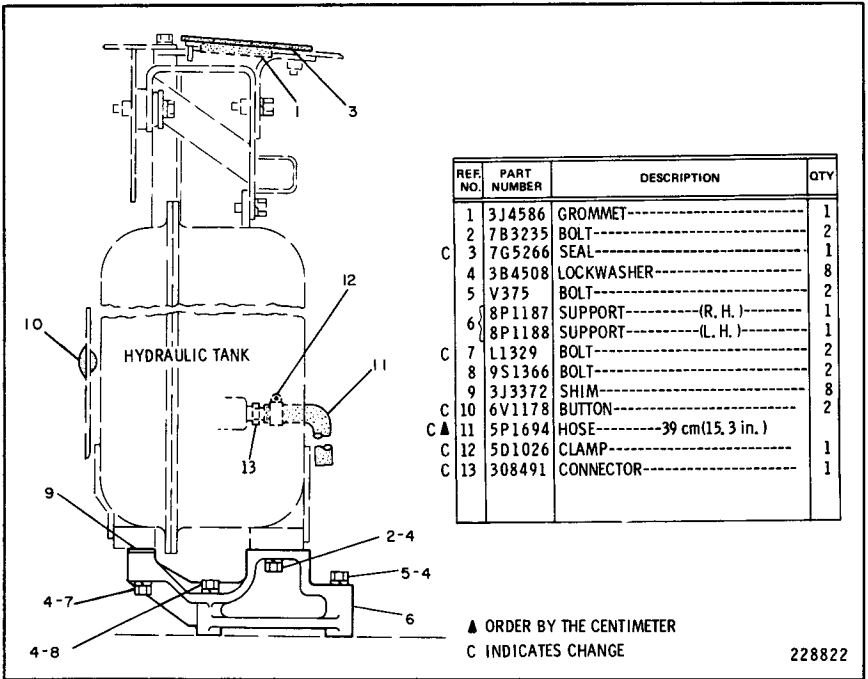
NAME	SHOE (39 REQUIRED FOR ONE TRACK)	COMPLETE TRACK GROUP (HARDWARE INCLUDED) 2 REQUIRED PER TRACTOR
406 MM (16 IN.) GROUSER SHOE	38--5S820 1--3P3888 (MASTER)	3P3906
457 MM (18 IN.) GROUSER SHOE	38--5S821 1--3P3889 (MASTER)	3P3907
510 MM (20 IN.) GROUSER SHOE	38--5S822 1--3P3890 (MASTER)	3P3910 SERIAL No. 23X778--UP
560 MM (22 IN.) GROUSER SHOE	38--5S823 1--3P3891 (MASTER)	3P3913 SERIAL No. 23X778--UP

7H3597 TRACK SHOE BOLT--152 REQUIRED FOR ONE TRACK
1M1408 NUT--USED WITH 7H3597

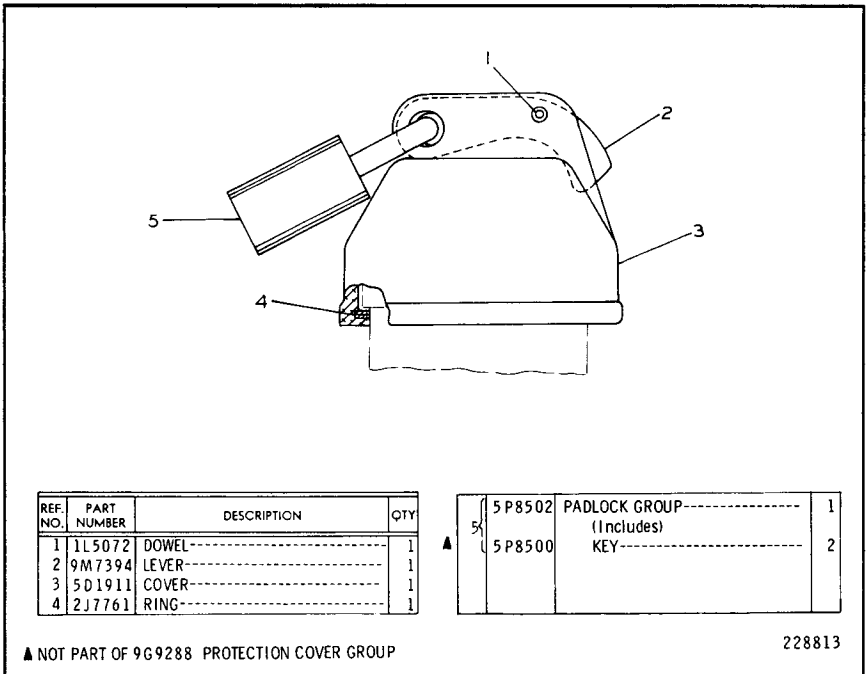
TRACK GROUPS--2 Required--Sealed & Lubricated

CATERPILLAR D5B TRACTOR

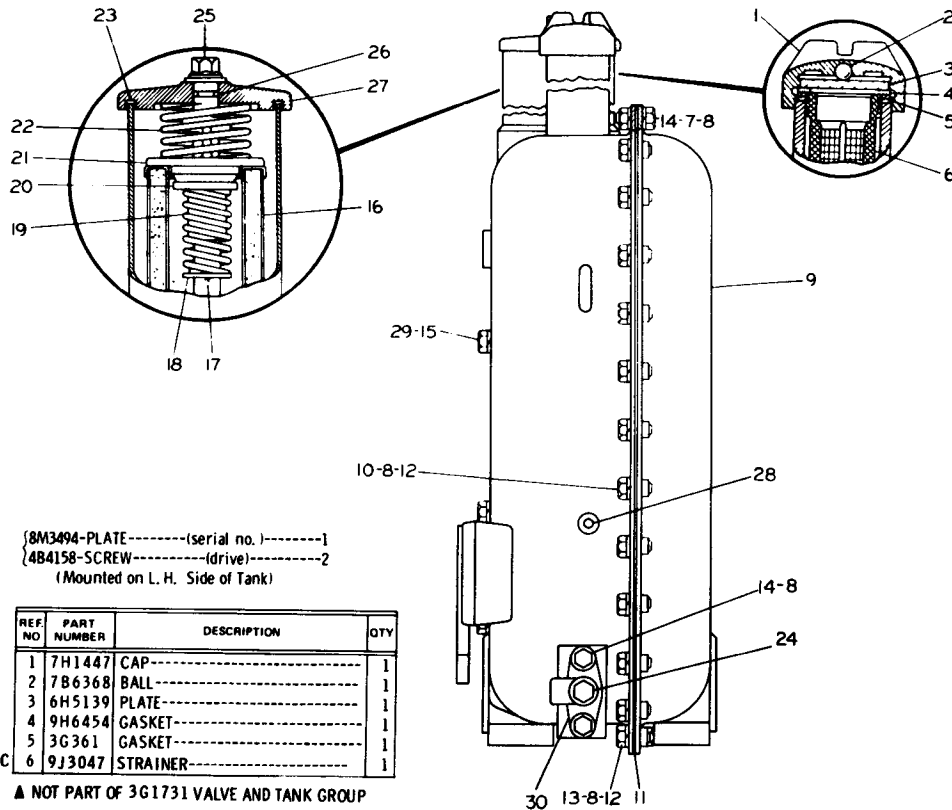
8P3070	ARRANGEMENT FOR 5A OR 5S BULLDOZER	
	CONSISTS OF:	PAGE
1	3G1731 TANK AND VALVE GROUP	164
1	8J6330 GEAR PUMP GROUP	178
1	9G7041 BULLDOZER LINES GROUP	184
1	8P4156 HYDRAULIC TANK MOUNTING GROUP	163
1	8P5721 IMPLEMENT LINKAGE GROUP	195
1	8P8148 PUMP LINES GROUP	180
1	5P8166 FILM--INSTRUCTION	
1 FORM SMHS6816	
8P3071	ARRANGEMENT FOR 5S BULLDOZER AND HYDRAULIC TILT CYLINDER	
	CONSISTS OF:	
1	3G1732 TANK AND VALVE GROUP	166
1	8J6330 GEAR PUMP GROUP	178
1	9G7041 BULLDOZER LINES GROUP	184
1	8P4156 HYDRAULIC TANK MOUNTING GROUP	163
1	8P5692 IMPLEMENT LINKAGE GROUP	196
1	8P8148 PUMP LINES GROUP	180
1	9P476 TILT CYLINDER LINES GROUP	188
1	5P8161 FILM--INSTRUCTION	
1 FORM SMHS6816	
8P3072	ARRANGEMENT FOR 5A OR 5S BULLDOZER AND NO. 5 RIPPER	
	CONSISTS OF:	
1	3G9791 TANK AND VALVE GROUP	168
1	4J487 EXTERNAL AUXILIARY VALVE GROUP	177
1	8J6330 GEAR PUMP GROUP	178
1	9G7041 BULLDOZER LINES GROUP	184
1	8P4156 HYDRAULIC TANK MOUNTING	163
1	7G1253 RIPPER LINES GROUP	185
1	8P5040 IMPLEMENT LINKAGE GROUP	197
1	8P5721 IMPLEMENT LINKAGE GROUP	195
1	8P8148 PUMP LINES GROUP	180
1	5P8166 FILM--DOZER INSTRUCTION	
1	5P532 FILM--RIPPER INSTRUCTION	
1 FORM SMHS6816	
8P3073	ARRANGEMENT FOR 5S BULLDOZER, HYDRAULIC TILT CYLINDER AND NO. 5 RIPPER	
	CONSISTS OF:	
1	3G9791 TANK AND VALVE GROUP	168
1	4J487 EXTERNAL AUXILIARY VALVE GROUP	177
1	8J6330 GEAR PUMP GROUP	178
1	9G7041 BULLDOZER LINES GROUP	184
1	8P4156 HYDRAULIC TANK MOUNTING GROUP	163
1	7G1253 RIPPER LINES GROUP	185
1	8P5040 IMPLEMENT LINKAGE GROUP	197
1	8P5692 IMPLEMENT LINKAGE GROUP	196
1	8P8148 PUMP LINES GROUP	180
1	9P476 TILT CYLINDER LINES GROUP	188
1	5P8161 FILM--DOZER INSTRUCTION	
1	5P532 FILM--RIPPER INSTRUCTION	
1 FORM SMHS6816	



8P4158 HYDRAULIC TANK MOUNTING
Part of 8P3070, 8P3071, 8P3072 & 8P3073 Hydraulic Control Arrangements listed on Page 162. AN ATTACHMENT



9G9288 PROTECTION COVER GROUP (Hydraulic Tank Cap)
AN ATTACHMENT



{8M3494-PLATE----- (serial no.)-----1
 {4B4158-SCREW----- (drive)-----2
 (Mounted on L. H. Side of Tank)

REF NO	PART NUMBER	DESCRIPTION	QTY
1	7H1447	CAP-----	1
2	7B6368	BALL-----	1
3	6H5139	PLATE-----	1
4	9H6454	GASKET-----	1
5	3G361	GASKET-----	1
C 6	9J3047	STRAINER-----	1

▲ NOT PART OF 3G1731 VALVE AND TANK GROUP

7	1D4717	NUT-----	3
	5B9627	WASHER-----	3
8	3B4506	LOCKWASHER-----	42
9	3G7229	COVER ASSEM.-----	1
10	9F2978	NUT-----	29
11	3H9523	GASKET-----	1
12	L1351	BOLT-----2.22 cm (.875 in.) long	37
13	9F2978	NUT-----	4
14	1A2029	BOLT-----	5
15	S1595	BOLT-----	2
	4J816	ELEMENT ASSEM. --- (disposable) --- -OR-	2
▲ 16	3G5653	ELEMENT----- (fire resistant fluid)	2
17	2M8729	PIN-----	1
18	3J1997	RETAINER-----	1
19	7F9802	SPRING-----	1
20	5J1096	VALVE GROUP-----	1
21	5J1095	SEAT-----	1
22	9J8775	SPRING-----	1
23	3J1991	GASKET-----	1
24	4B7739	PLUG-----	1
25	7J5590	BOLT-----	1
26	8F9206	SEAL-----	1
27	4J596	COVER-----	1
	9S8004	PLUG-----	1
28	3J1907	SEAL-----	1
29	3B4508	LOCKWASHER-----	2
30	8H9819	ADAPTER-----	1
	8H9818	GASKET-----	1

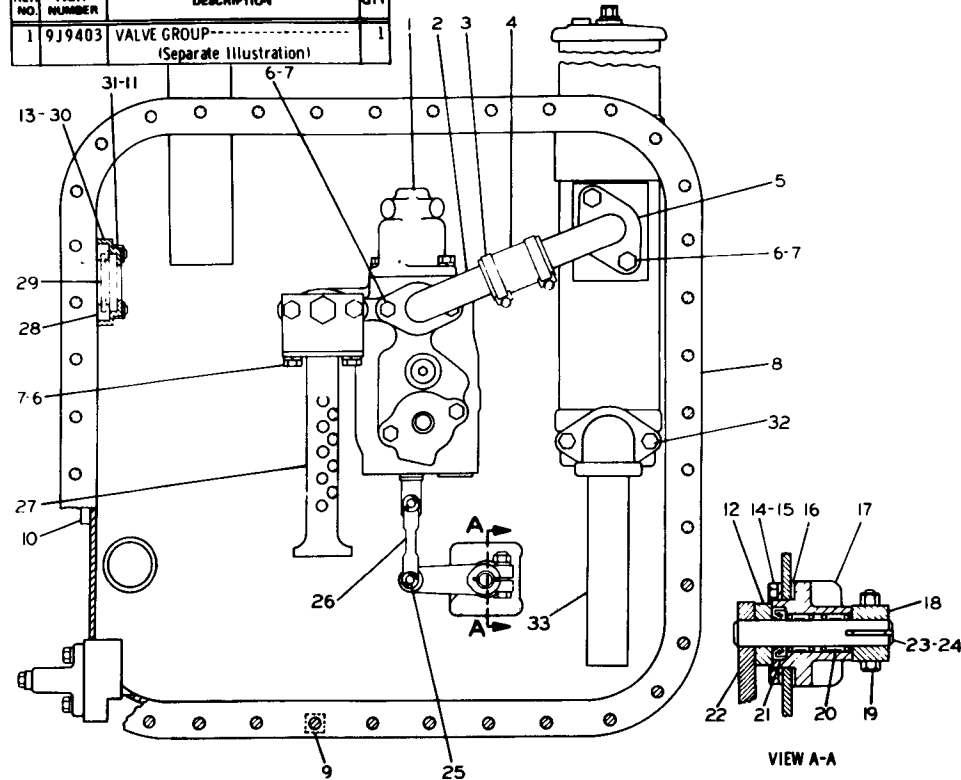
C INDICATES CHANGE

173587

3G1731 TANK AND VALVE GROUP—Single Valve—Part 1
 Hydraulic Serial No. 7X1772 to 7X1909 inclusive
 Part of 8P3070 Hydraulic Control Arrangement listed on Page 62

3G1731 TANK AND VALVE GROUP—Single Valve—Part 2
 Hydraulic Serial No. 7X1772 to 7X1909 inclusive. Part of 8P3070 Hydraulic Control
 Arrangement listed on Page 162. 9J9403 Control Valve parts are shown on Page 170

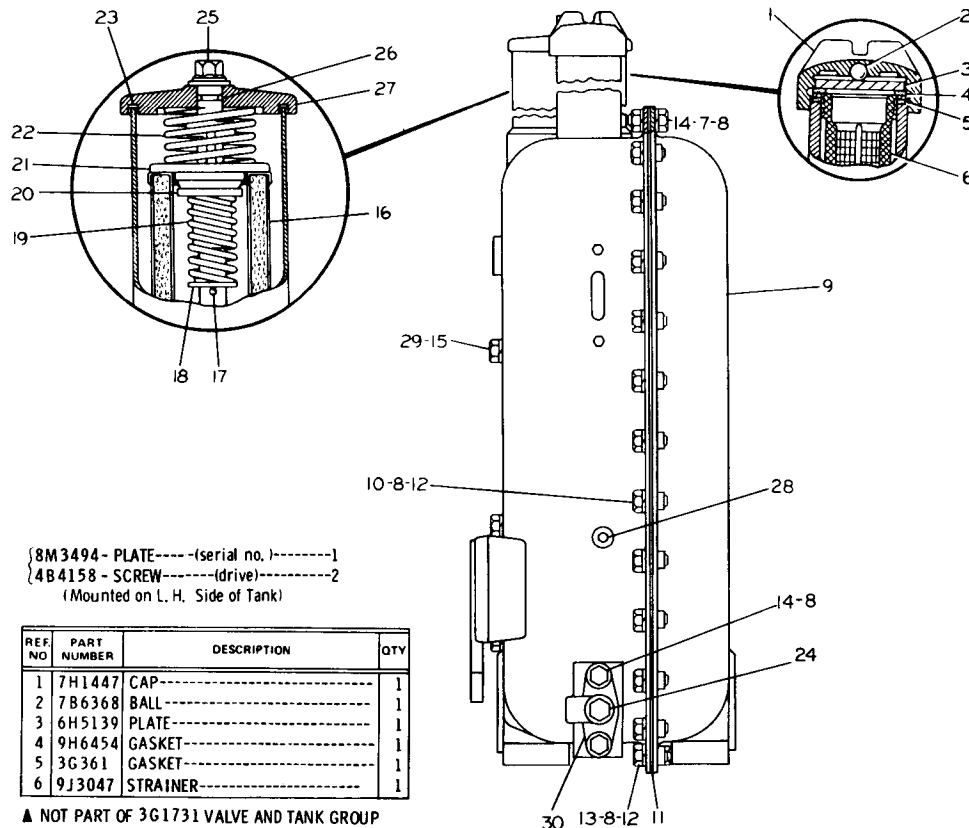
REF. NO.	PART NUMBER	DESCRIPTION	QTY
1	9J9403	VALVE GROUP----- (Separate Illustration)	1



2	8J3539	TUBE ASSEM. -----	1
3	1J9778	CLAMP -----	2
4	8J2660	HOSE -----	1
5	8J1803	TUBE ASSEM. -----	1
6	51621	BOLT -----	6
7	3B4508	LOCKWASHER -----	6
8	3G2712	TANK ASSEM. -----	1
9	9F2978	NUT -----	4
10	5J3306	FITTING -----	1
11	8J6910	STUD -----	4
12	2H5746	ADAPTER -----	1
C 13	3G5980	PLATE -----	1
14	1A2029	BOLT -----	4
15	3B4506	LOCKWASHER -----	4
16	4J8425	GASKET -----	1
17	8J1841	HOUSING -----	1
18	2J6074	LEVER ASSEM. -----	1
	7H3912	BUSHING -----	1
19	51591	BOLT -----	1
	1D4717	NUT -----	1
20	7F7983	BEARING -----	2
21	3J4407	SEAL -----	1
22	8J2654	LEVER ASSEM. -----	1
	2J1345	LEVER -----	1
23	8J2652	SHAFT -----	1
24	1B8706	KEY -----	1
25	1J4384	PIN -----	2
	3B4615	COTTER PIN -----	2
26	7H3932	ROD -----	1
27	8J2509	TUBE ASSEM. -----	1
28	4J8251	GROMMET -----	1
29	4J8252	GLASS -----	1
30	8J6913	RETAINER -----	1
31	4J8265	NUT -----	4
C 32	310219	BOLT -----	2
C 32	5M2894	WASHER -----	2
33	3G4074	TUBE ASSEM. -----	1

C INDICATES CHANGE

173583



{8M3494- PLATE------(serial no.)-----1
 {4B4158- SCREW------(drive)-----2
 (Mounted on L. H. Side of Tank)

REF NO	PART NUMBER	DESCRIPTION	QTY
1	7H1447	CAP-----	1
2	7B6368	BALL-----	1
3	6H5139	PLATE-----	1
4	9H6454	GASKET-----	1
5	3G361	GASKET-----	1
6	9J3047	STRAINER-----	1

▲ NOT PART OF 3G1731 VALVE AND TANK GROUP

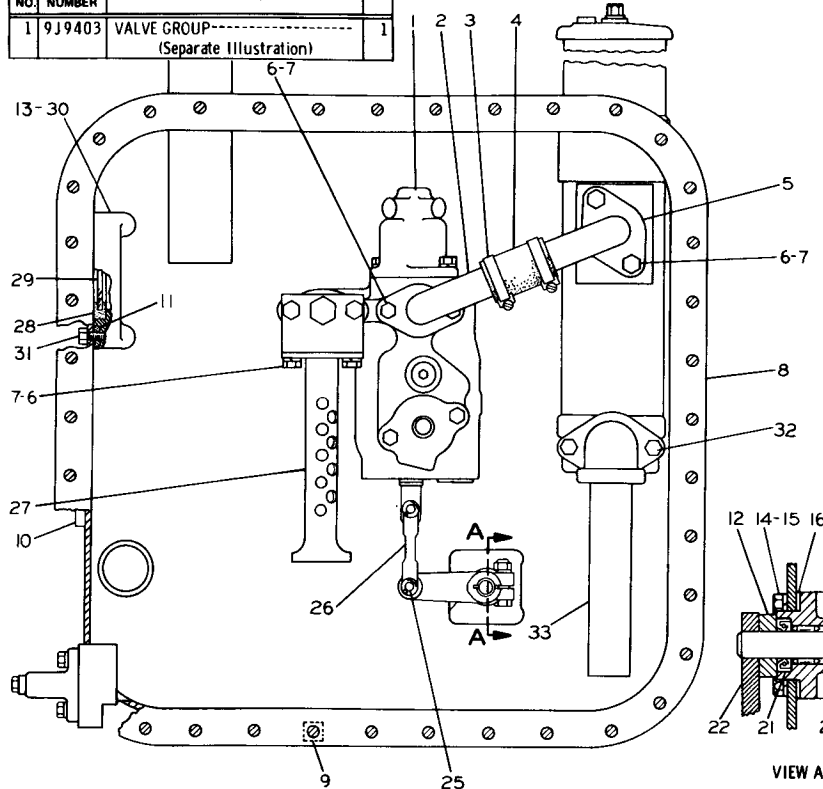
7	1D4717	NUT-----	3
5	5B9627	WASHER-----	3
8	3B4506	LOCKWASHER-----	42
9	3G7229	COVER ASSEM.-----	1
10	9F2978	NUT-----	29
11	3H9523	GASKET-----	1
12	L1351	BOLT-----2.22 cm (.875 in.) long	37
13	9F2978	NUT-----	4
14	1A2029	BOLT-----	5
15	S1595	BOLT-----	2
16	4J816	ELEMENT ASSEM. --- (disposable) --- -OR-	2
▲ 16	3G5653	ELEMENT----- (fire resistant fluid)	2
17	2M8729	PIN-----	1
18	3J1997	RETAINER-----	1
19	7F9802	SPRING-----	1
20	5J1096	VALVE GROUP-----	1
21	5J1095	SEAT-----	1
22	9J8775	SPRING-----	1
23	3J1991	GASKET-----	1
24	4B7739	PLUG-----	1
25	7J5590	BOLT-----	1
26	8F9206	SEAL-----	1
27	4J596	COVER-----	1
28	9S8004	PLUG-----	1
28	3J1907	SEAL-----	1
29	3B4508	LOCK WASHER-----	2
30	8H9819	ADAPTER-----	1
30	8H9818	GASKET-----	1

229485

3G1731 TANK AND VALVE GROUP—Single Valve—Part 1
 Hydraulic Serial No. 7X1910—Up
 Part of 8P3070 Hydraulic Control Arrangement listed on Page 162

3G1731 TANK AND VALVE GROUP—Single Valve—Part 2
 Hydraulic Serial No. 7X1910—Up. Part of 8P3070 Hydraulic Control Arrangement
 listed on Page 162. 9J9403 Control Valve parts are shown on Page 170

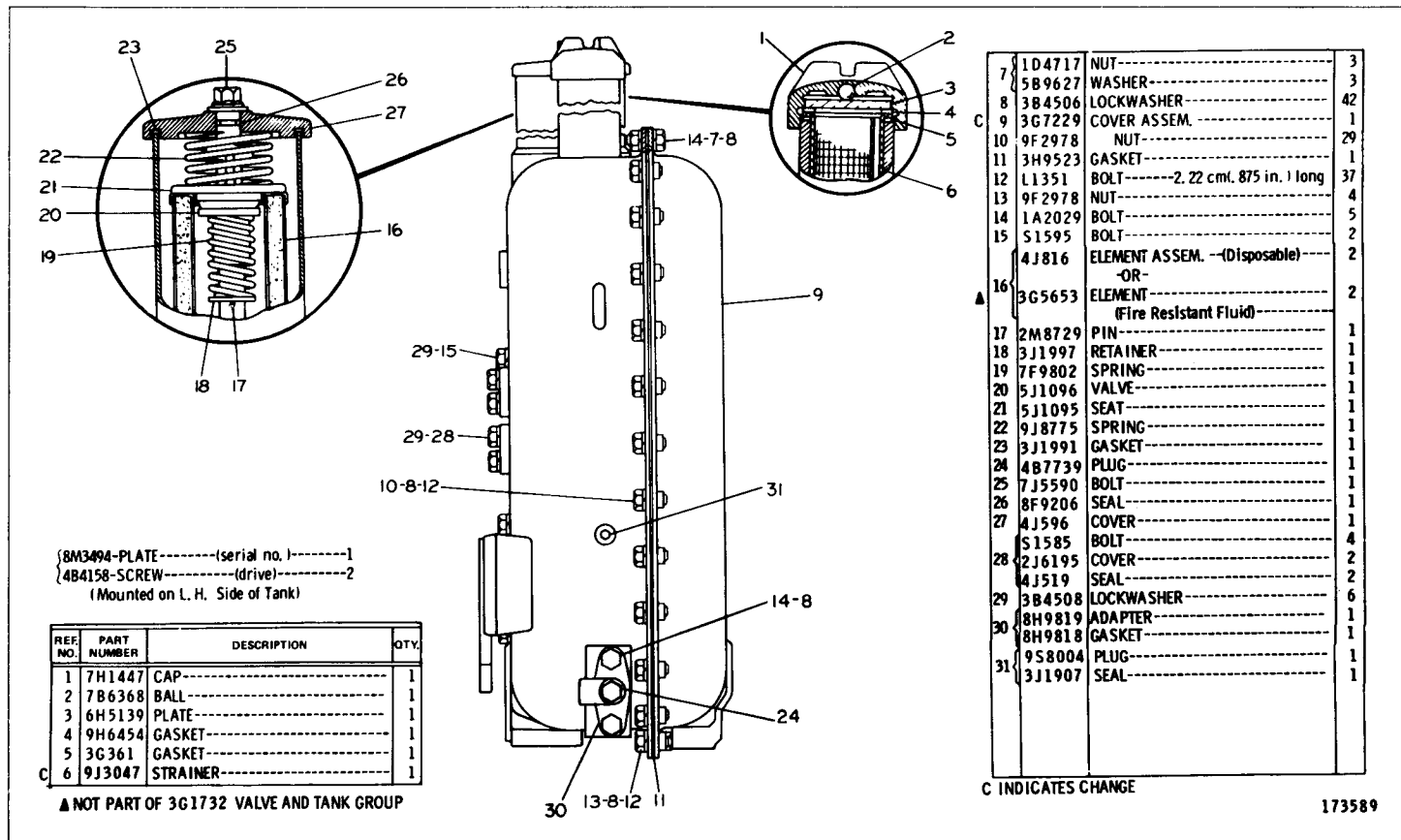
REF. NO.	PART NUMBER	DESCRIPTION	QTY
1	9J9403	VALVE GROUP----- (Separate Illustration)	1



2	8J3539	TUBE ASSEM. -----	1
3	1J9778	CLAMP-----	2
4	8J2660	HOSE-----	1
5	8J1803	TUBE ASSEM. -----	1
6	S1621	BOLT-----	6
7	3B4508	LOCKWASHER-----	6
8	3G2712	TANK ASSEM. -----	1
9	9F2978	NUT-----	4
10	5J3306	FITTING-----	1
11	5H6005	SEAL-----	2
12	2H5746	ADAPTER-----	1
13	3G5980	PLATE-----	1
14	1A2029	BOLT-----	4
15	3B4506	LOCKWASHER-----	4
16	4J8425	GASKET-----	1
17	8J1841	HOUSING-----	1
18	2J6074	LEVER ASSEM. -----	1
18	7H3912	BUSHING-----	1
19	S1591	BOLT-----	1
19	1D4717	NUT-----	1
20	7F7983	BEARING-----	2
21	3J4407	SEAL-----	1
22	8J2654	LEVER ASSEM. -----	1
22	2J1345	LEVER-----	1
23	8J2652	SHAFT-----	1
24	1B8706	KEY-----	1
25	1J4384	PIN-----	2
25	3B4615	COTTER PIN-----	2
26	7H3932	ROD-----	1
27	8J2509	TUBE ASSEM. -----	1
28	4J8251	GROMMET-----	1
29	4J8252	GLASS-----	1
30	3G2692	RETAINER-----	1
31	5D353	BOLT-----	2
31	310219	BOLT-----	2
32	5M2894	WASHER-----	2
33	3G4074	TUBE ASSEM. -----	1

C INDICATES CHANGE

229486

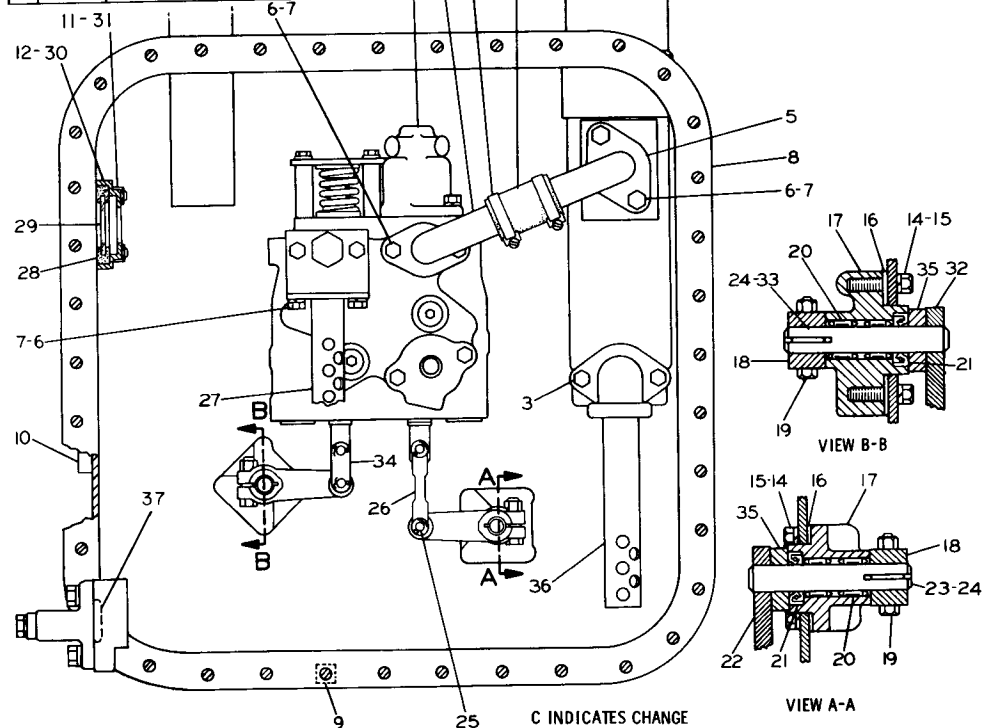


3G1732 TANK AND VALVE GROUP—Two Valve—Part 1
 Hydraulic Serial No. 8X5456 to 8X5780 inclusive. Part of 8P3071 Hydraulic Control Arrangement listed on Page 162

3G1732 TANK AND VALVE GROUP—Two Valve—Part 2
 Hydraulic Serial No. 8X5456 to 8X5780 inclusive. Part of 8P3071 Hydraulic Control
 Arrangement listed on Page 162. 9J9833 Control Valve parts are shown on Page 171

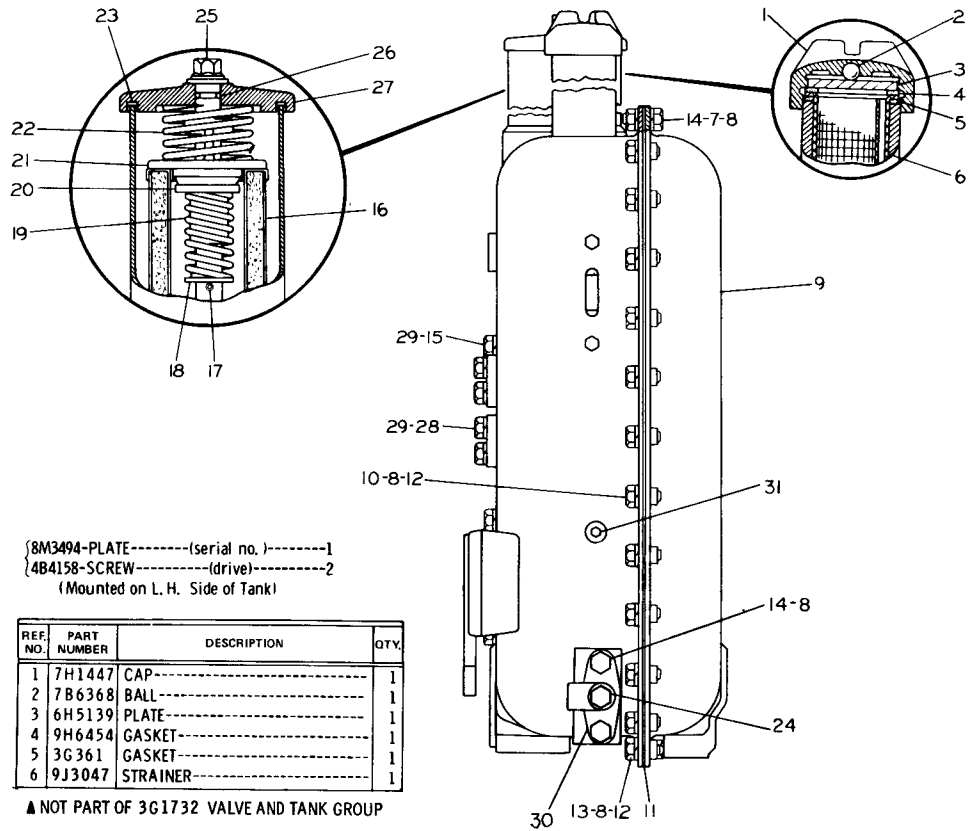
REF. NO.	PART NUMBER	DESCRIPTION	QTY
1	9J9833	VALVE GROUP (Separate Illustration)	1

2	8J3539	TUBE ASSEM.-----	1
3	310219	BOLT-----	2
3	5M2894	WASHER-----	2



4	8J2660	HOSE-----	1
5	8J1803	TUBE ASSEM.-----	1
6	S1621	BOLT-----	6
7	3B4508	LOCKWASHER-----	6
8	3G2708	TANK ASSEM.-----	1
9	9F2978	NUT---(weld)-----	4
10	5J3306	FITTING-----	1
11	8J6910	STUD-----	4
12	3G5980	PLATE-----	2
13	1J9778	CLAMP-----	2
14	1A2029	BOLT-----	8
15	3B4506	LOCKWASHER-----	8
16	4J8425	GASKET-----	2
17	8J1841	HOUSING-----	2
18	2J6074	LEVER ASSEM.-----	2
18	7H3912	BUSHING-----	1
19	S1591	BOLT-----	2
19	1D4717	NUT-----	2
20	7F7983	BEARING-----	4
21	3J4407	SEAL-----	2
22	8J2654	LEVER ASSEM.-----	1
23	2J1345	LEVER-----	1
23	8J2652	SHAFT-----	1
24	1B8706	KEY-----	2
25	1J4384	PIN-----	4
25	3B4615	COTTER PIN-----	4
26	7H3932	ROD-----	1
27	8J2509	TUBE ASSEM.-----	1
28	4J8251	GROMMET-----	1
29	4J8252	GLASS-----	1
30	8J6913	RETAINER-----	1
31	4J8265	NUT-----	4
32	8J2653	LEVER ASSEM.-----	1
32	2J1345	LEVER-----	1
33	8J2652	SHAFT-----	1
34	5H2207	LINK-----	2
35	2H5746	ADAPTER-----	2
36	3G4074	TUBE ASSEM.-----	1
37	4J8996	SEAL-----	1

229487



{8M3494-PLATE------(serial no.)-----1
 {4B4158-SCREW------(drive)-----2
 (Mounted on L. H. Side of Tank)

REF. NO.	PART NUMBER	DESCRIPTION	QTY.
1	7H1447	CAP-----	1
2	7B6368	BALL-----	1
3	6H5139	PLATE-----	1
4	9H6454	GASKET-----	1
5	3G361	GASKET-----	1
6	9J3047	STRAINER-----	1

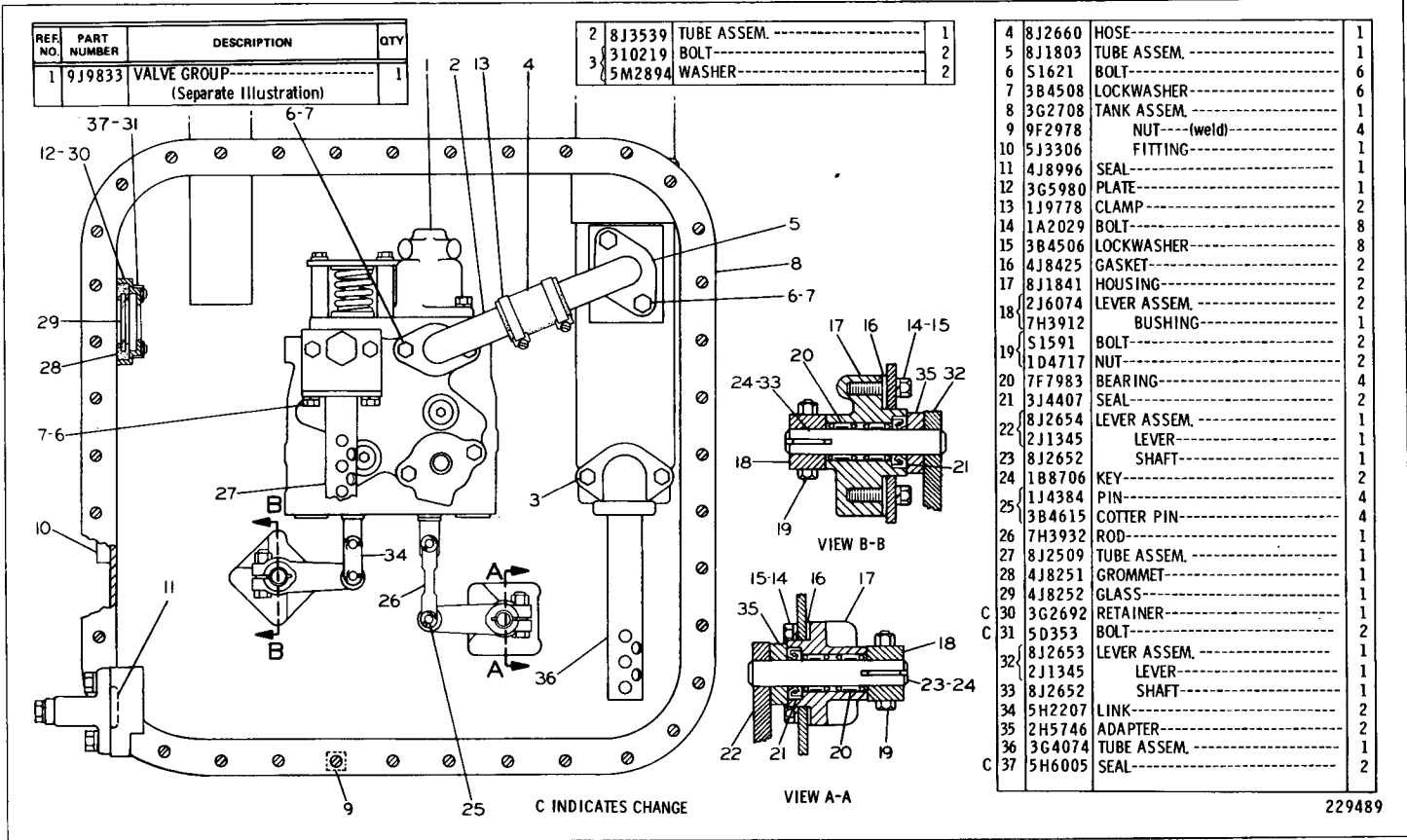
▲ NOT PART OF 3G1732 VALVE AND TANK GROUP

7	1D4717	NUT-----	3
	5B9627	WASHER-----	3
8	3B4506	LOCKWASHER-----	42
9	3G7229	COVER ASSEM.-----	1
10	9F2978	NUT-----	29
11	3H9523	GASKET-----	1
12	L1351	BOLT-----2.22 cm(. 875 in.) long	37
13	9F2978	NUT-----	4
14	1A2029	BOLT-----	5
15	S1595	BOLT-----	2
	4J816	ELEMENT ASSEM. --(Disposable)-----	2
▲ 16		-OR-	
	3G5653	ELEMENT-----	2
		(Fire Resistant Fluid)	
17	2M8729	PIN-----	1
18	3J1997	RETAINER-----	1
19	7F9802	SPRING-----	1
20	5J1096	VALVE-----	1
21	5J1095	SEAT-----	1
22	9J8775	SPRING-----	1
23	3J1991	GASKET-----	1
24	4B7739	PLUG-----	1
25	7J5590	BOLT-----	1
26	8F9206	SEAL-----	1
27	4J596	COVER-----	1
	S1585	BOLT-----	4
28	2I6195	COVER-----	2
	4J519	SEAL-----	2
29	3B4508	LOCKWASHER-----	6
30	8H9819	ADAPTER-----	1
	8H9818	GASKET-----	1
31	9S8004	PLUG-----	1
	3J1907	SEAL-----	1

229488

3G1732 TANK AND VALVE GROUP—Two Valve—Part 1
 Hydraulic Serial No. 8X5781—Up. Part of 8P3071 Hydraulic Control Arrangement listed on Page 162

3G1732 TANK AND VALVE GROUP—Two Valve—Part 2
 Hydraulic Serial No. 8X5781—Up. Part of 8P3071 Hydraulic Control Arrangement
 listed on Page 162. 9J9833 Control Valve parts are shown on Page 171



REF. NO.	PART NUMBER	DESCRIPTION	QTY
1	9J9833	VALVE GROUP (Separate Illustration)	1

2	8J3539	TUBE ASSEM.-----	1
3	310219	BOLT-----	2
3	5M2894	WASHER-----	2

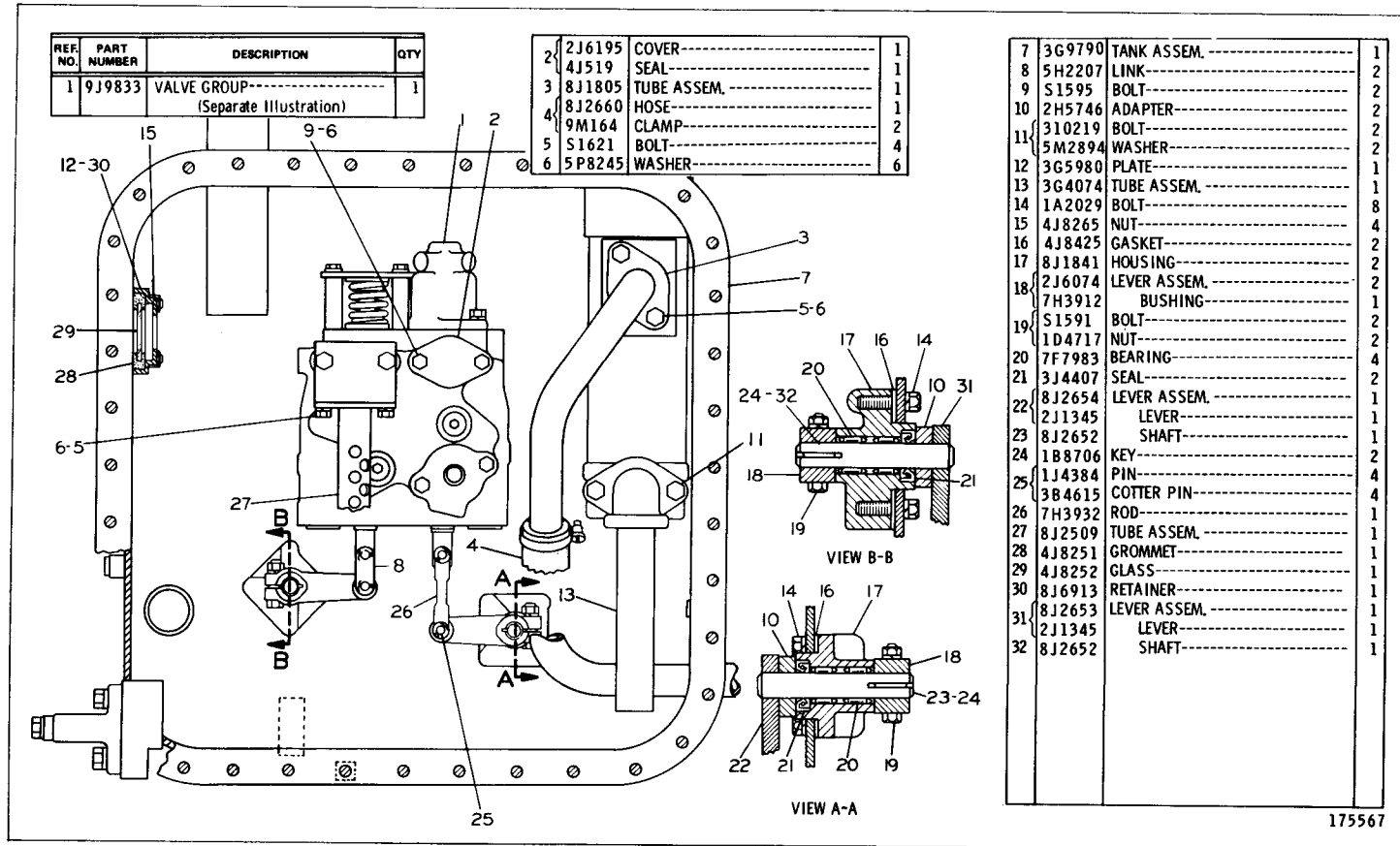
4	8J2660	HOSE-----	1
5	8J1803	TUBE ASSEM.-----	1
6	S1621	BOLT-----	6
7	3B4508	LOCKWASHER-----	6
8	3G2708	TANK ASSEM.-----	1
9	9F2978	NUT----(weld)	4
10	5J3306	FITTING-----	1
11	4J8996	SEAL-----	1
12	3G5980	PLATE-----	1
13	1J9778	CLAMP-----	2
14	1A2029	BOLT-----	8
15	3B4506	LOCKWASHER-----	8
16	4J8425	GASKET-----	2
17	8J1841	HOUSING-----	2
18	2J6074	LEVER ASSEM.-----	2
18	7H3912	BUSHING-----	1
19	S1591	BOLT-----	2
19	1D4717	NUT-----	2
20	7F7983	BEARING-----	4
21	3J4407	SEAL-----	2
22	8J2654	LEVER ASSEM.-----	1
22	2J1345	LEVER-----	1
23	8J2652	SHAFT-----	1
24	1B8706	KEY-----	2
25	1I4384	PIN-----	4
25	3B4615	COTTER PIN-----	4
26	7H3932	ROD-----	1
27	8J2509	TUBE ASSEM.-----	1
28	4J8251	GROMMET-----	1
29	4J8252	GLASS-----	1
C 30	3G2692	RETAINER-----	1
C 31	5D353	BOLT-----	2
32	8J2653	LEVER ASSEM.-----	1
32	2J1345	LEVER-----	1
33	8J2652	SHAFT-----	1
34	5H2207	LINK-----	2
35	2H5746	ADAPTER-----	2
36	3G4074	TUBE ASSEM.-----	1
C 37	5H6005	SEAL-----	2

C INDICATES CHANGE

229489

HYDRAULIC SYSTEM

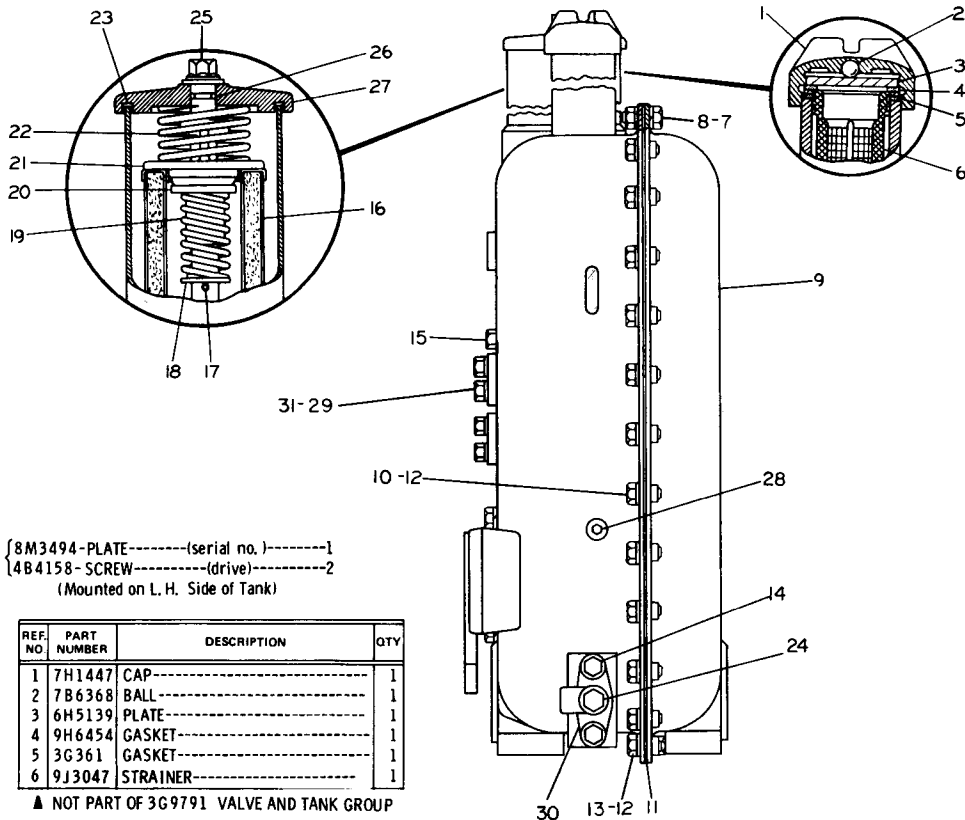
1678



175567

3G9791 TANK AND VALVE GROUP—Two Valve with External Valve—Part 1
 Hydraulic Serial No. 9X4877 to 9X5312 inclusive
 Part of 8P3072 & 8P3073 Hydraulic Control Arrangements listed on Page 162

3G9791 TANK AND VALVE GROUP—Two Valve with External Valve—Part 2
 Hydraulic Serial No. 9X4877 to 9X5312 inclusive. Part of 8P3072 & 8P3073 Hydraulic Control Arrangement
 listed on Page 162. 9J9833 Control Valve parts are shown on Page 171



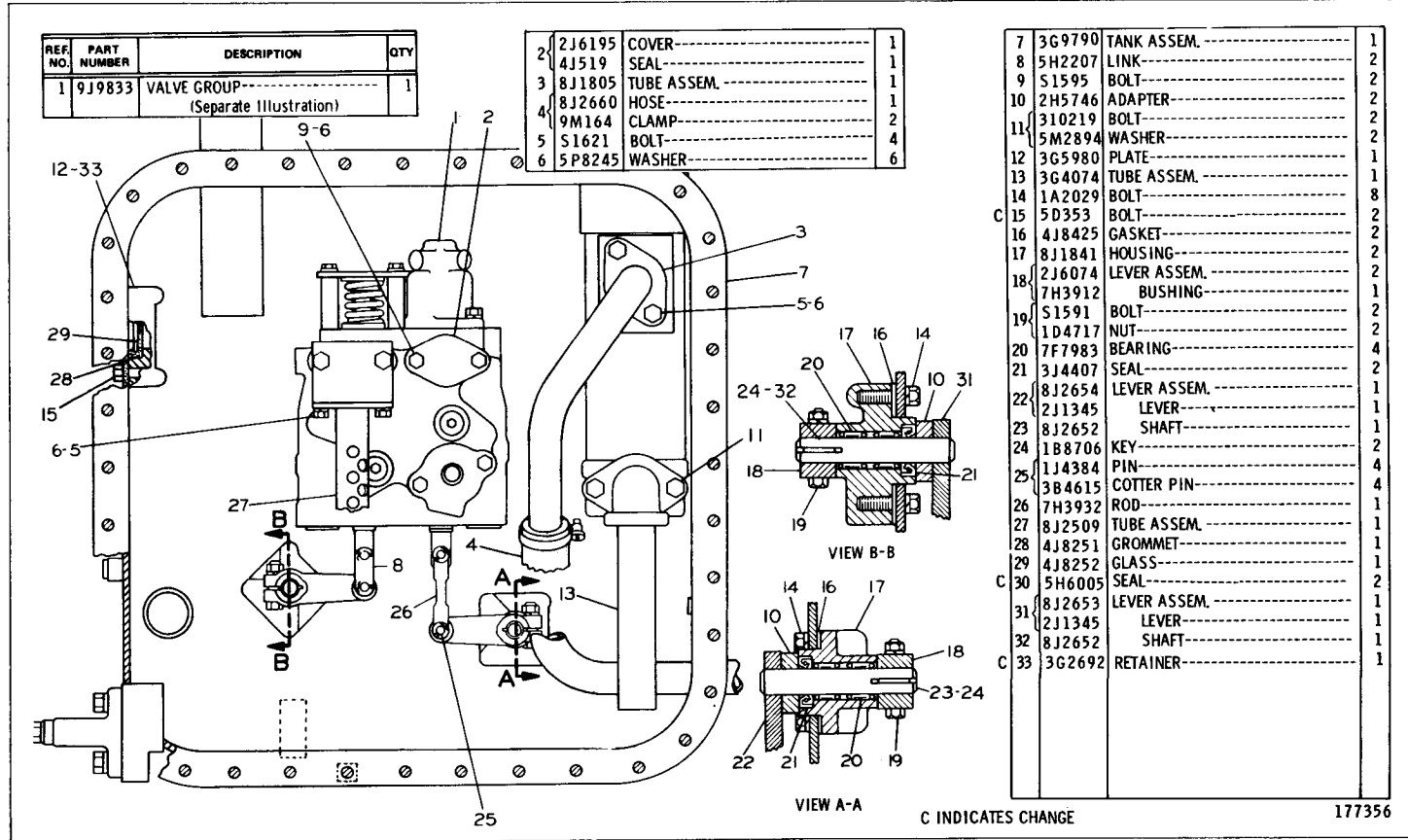
{ 8M3494-PLATE------(serial no.)-----1
 { 4B4158- SCREW------(drive)-----2
 (Mounted on L. H. Side of Tank)

REF NO.	PART NUMBER	DESCRIPTION	QTY
1	7H1447	CAP-----	1
2	7B6368	BALL-----	1
3	6H5139	PLATE-----	1
4	9H6454	GASKET-----	1
5	3G361	GASKET-----	1
6	9J3047	STRAINER-----	1

▲ NOT PART OF 3G9791 VALVE AND TANK GROUP

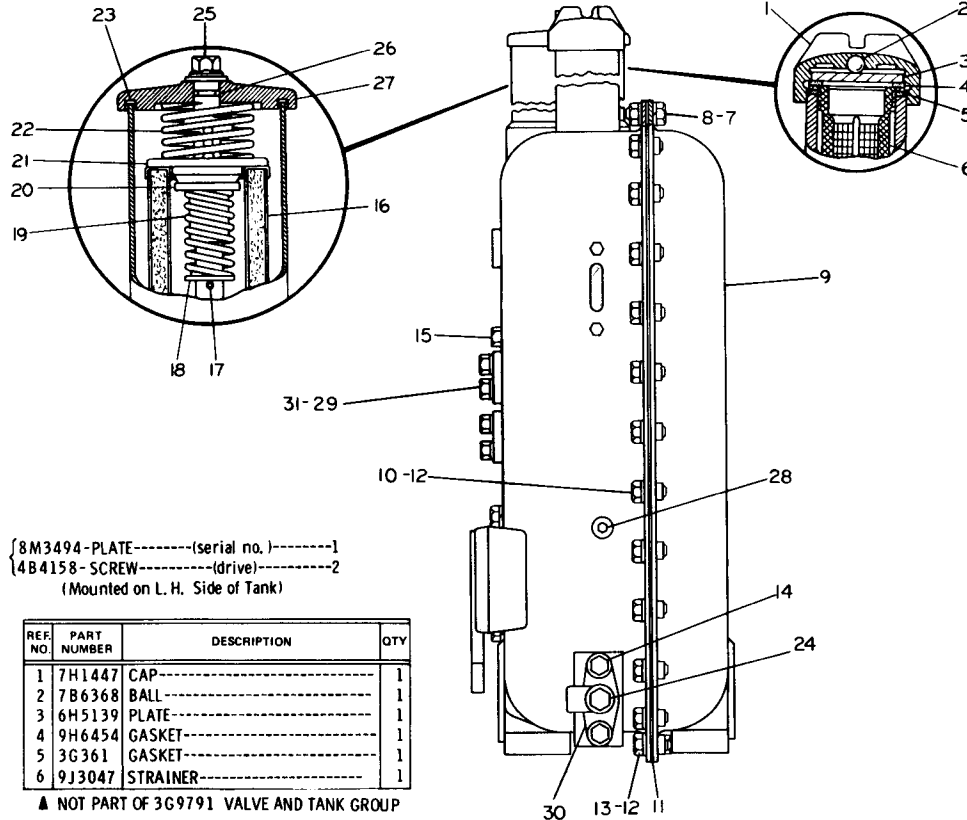
7	1D4717	NUT-----	3
8	5B9627	WASHER-----	3
9	5D353	BOLT-----	3
10	3G7229	COVER ASSEM.-----	1
11	9F2978	NUT-----	29
12	3H9523	GASKET-----	1
13	5K9107	BOLT-----	37
14	1B2578	NUT-----	4
15	1A2029	BOLT-----	2
16	5I595	BOLT-----	2
17	4J816	ELEMENT ASSEM. --(disposable)----- - OR -	2
18	3G5653	ELEMENT----- (fire resistant fluid)	2
19	2M8729	PIN-----	1
20	3J1997	RETAINER-----	1
21	7F9802	SPRING-----	1
22	5J1096	VALVE GROUP-----	1
23	5J1095	SEAT-----	1
24	9J8775	SPRING-----	1
25	3J1991	GASKET-----	1
26	4B7739	PLUG-----	1
27	7J5590	BOLT-----	1
28	8F9206	SEAL-----	1
29	4J596	COVER-----	1
30	9S8004	PLUG-----	1
31	3J1907	SEAL-----	1
32	5I585	BOLT-----	4
33	8H9819	ADAPTER-----	1
34	8H9818	GASKET-----	1
35	2J6195	COVER-----	2
36	4J519	SEAL-----	2

175568



3G9791 TANK AND VALVE GROUP—Two Valve with External Valve—Part 1
 Hydraulic Serial No. 9X5313—Up. Part of 8P3072 & 8P3073 Hydraulic Control Arrangements
 listed on Page 162. 9J9833 Control Valve parts are shown on Page 171

3G9791 TANK AND VALVE GROUP—Two Valve with External Valve—Part 2
 Hydraulic Serial No. 9X5313—Up
 Part of 8P3072 & 8P3073 Hydraulic Control Arrangements listed on Page 162



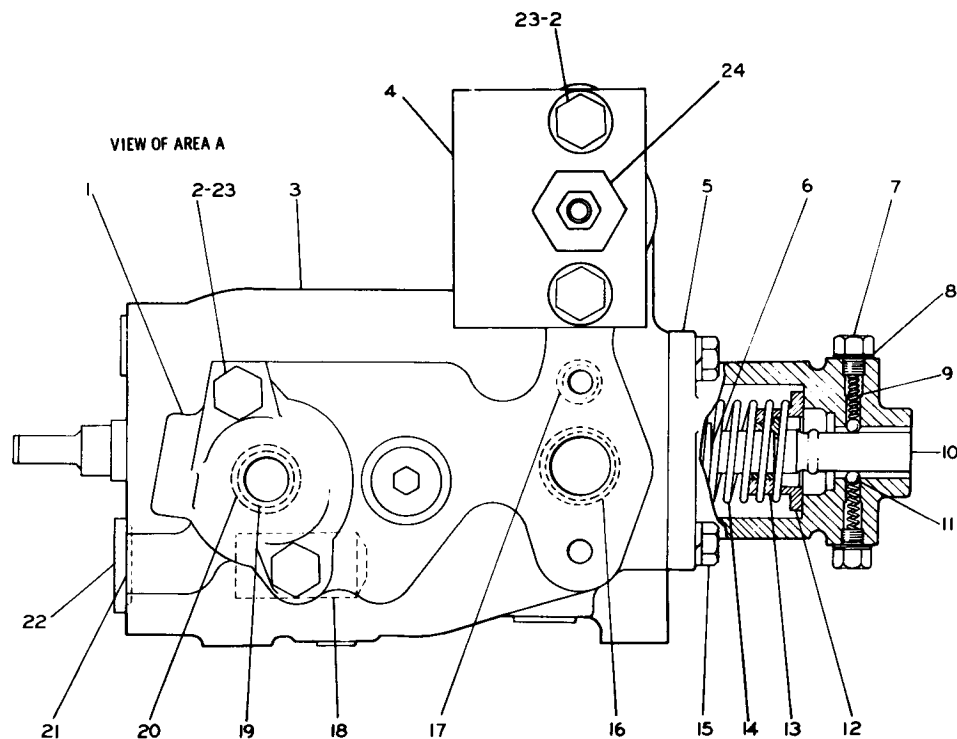
{ 8M3494 - PLATE----- (serial no.)-----1
 { 4B4158 - SCREW----- (drive)-----2
 (Mounted on L. H. Side of Tank)

REF. NO.	PART NUMBER	DESCRIPTION	QTY
1	7H1447	CAP-----	1
2	7B6368	BALL-----	1
3	6H5139	PLATE-----	1
4	9H6454	GASKET-----	1
5	3G361	GASKET-----	1
6	9J3047	STRAINER-----	1

▲ NOT PART OF 3G9791 VALVE AND TANK GROUP

7	1D4717	NUT-----	3
7	5B9627	WASHER-----	3
8	5D353	BOLT-----	3
9	3G7229	COVER ASSEM.-----	1
10	9F2978	NUT-----	29
11	3H9523	GASKET-----	1
12	5K9107	BOLT-----	37
13	1B2578	NUT-----	4
14	1A2029	BOLT-----	2
15	S1595	BOLT-----	2
15	4J816	ELEMENT ASSEM. --(disposable)-----	2
▲ 16	3G5653	ELEMENT----- (fire resistant fluid)	2
17	2M8729	PIN-----	1
18	3J1997	RETAINER-----	1
19	7F9802	SPRING-----	1
20	5J1096	VALVE GROUP-----	1
21	5J1095	SEAT-----	1
22	9J8775	SPRING-----	1
23	3J1991	GASKET-----	1
24	4B7739	PLUG-----	1
25	7J5590	BOLT-----	1
26	8F9206	SEAL-----	1
27	4J596	COVER-----	1
28	9S8004	PLUG-----	1
28	3J1907	SEAL-----	1
29	S1585	BOLT-----	4
30	8H9819	ADAPTER-----	1
30	8H9818	GASKET-----	1
31	2J6195	COVER-----	2
31	4J519	SEAL-----	2

177557



REF. NO.	PART NUMBER	DESCRIPTION	QTY.
1	8J3554	HOUSING-----	1
2	V375	BOLT-----	4
3	9J7193	VALVE GROUP-----	1
		(Separate Illustration)	
4	8J5449	BODY-----	1
5	6J9992	RETAINER-----	1
6	8J3557	SPACER-----	1
7	7J1767	PLUG-----	4
8	6J6516	SHIM-----	8
9	6J9996	SPRING-----	4
10	8J3556	DETENT-----	1
11	5H1472	BALL-----	4
12	5J9092	SPACER-----	1
13	5J9091	SPACER-----	1
14	4J5105	SPRING-----	1
15	1A2029	BOLT-----	2
	3B4506	LOCKWASHER-----	2
16	4J8997	SEAL-----	5
17	6F6672	SEAL-----	10
	5J9078	VALVE-----	2
18	2A5885	SPRING-----	1
19	5J9098	SPRING-----	1
20	4J519	SEAL-----	1
21	4K1388	SEAL-----	1
22	9S8009	PLUG-----	1
23	3B4508	LOCKWASHER-----	4
C 24	3G8078	VALVE GROUP-----	1
		(Separate Illustration)	

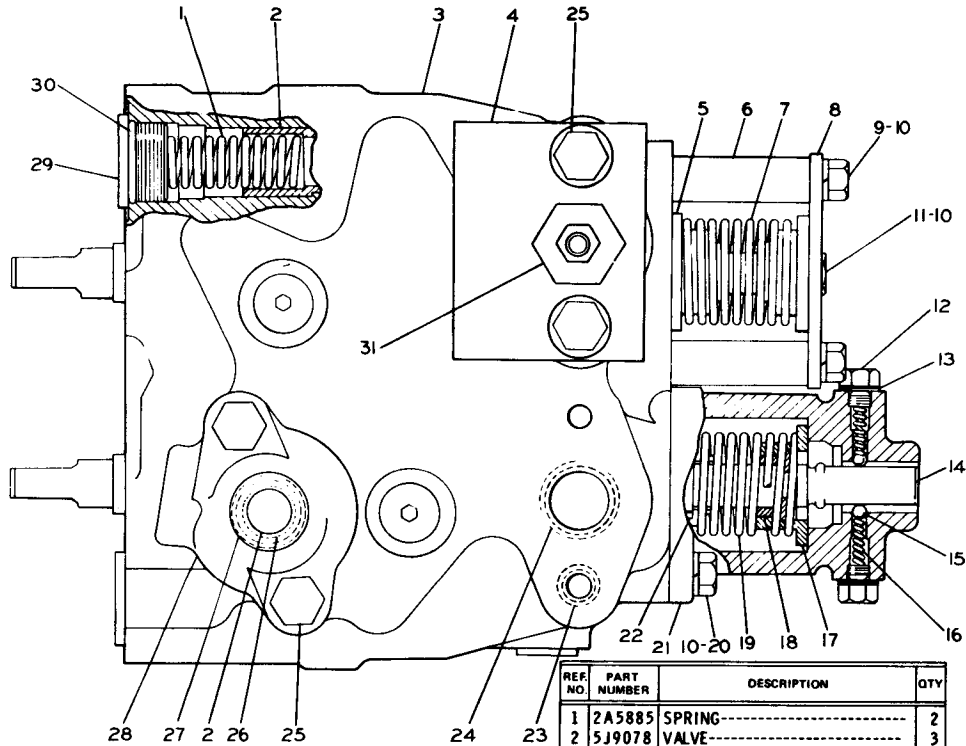
C INDICATES CHANGE

171196

9J9403 CONTROL VALVE GROUP
 Part of 3G1731 Tank and Valve Group shown on Pages 165 & 165B
 9J7193 & 3G8078 Valve parts are shown on Pages 172 & 173

9J9833 CONTROL VALVE GROUP

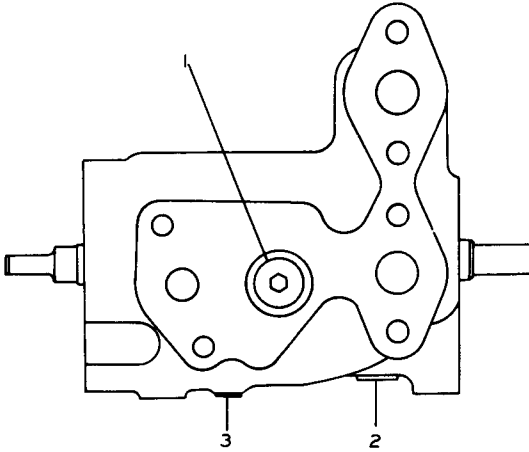
Part of 3G1732 & 3G9791 Tank & Valve Groups shown on Pages 167, 167B, 169 & 169A
 9J7194 & 3G8078 Valve parts are shown on Pages 172 & 173



3	9J7194	VALVE GROUP-----	1
		(Separate Illustration)	
4	8J5449	BODY-----	1
5	5J9088	SPACER-----	2
6	8J3639	SPACER-----	2
7	3J4121	SPRING-----	1
8	8J3640	PLATE-----	1
9	T573	BOLT-----	2
10	3B4506	LOCKWASHER-----	5
	L1351	BOLT-----	1
11	6B7949	WASHER-----	1
12	7J1767	PLUG-----	4
13	6J6516	SHIM-----	8
14	8J3556	DETENT-----	1
15	5H1472	BALL-----	4
16	6J9996	SPRING-----	4
17	5J9092	SPACER-----	1
18	5J9091	SPACER-----	1
19	4J5105	SPRING-----	1
20	1A2029	BOLT-----	2
21	6J9992	RETAINER-----	1
22	8J3557	SPACER-----	1
23	6F6672	SEAL-----	14
24	4J8997	SEAL-----	7
	V375	BOLT-----	4
25	3B4508	LOCKWASHER-----	4
26	5J9098	SPRING-----	1
27	4J519	SEAL-----	1
28	8J3554	HOUSING-----	1
29	9S8009	PLUG-----	2
30	4K1388	SEAL-----	2
31	3G8078	VALVE GROUP-----	1
		(Separate Illustration)	

C INDICATES CHANGE

172101

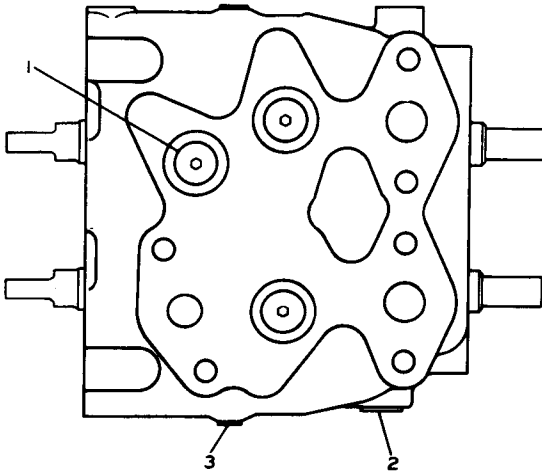


REF. NO.	PART NUMBER	DESCRIPTION	QTY
1	9S8006	PLUG-----	1
	2M9780	SEAL-----	1
2	9S8005	PLUG-----	2
	3K360	SEAL-----	2

3	9S8003	PLUG-----	1
	1J9671	SEAL-----	1

206260

9J7193 BASIC VALVE GROUP
Part of 9J9403 Control Valve Group shown on Page 170

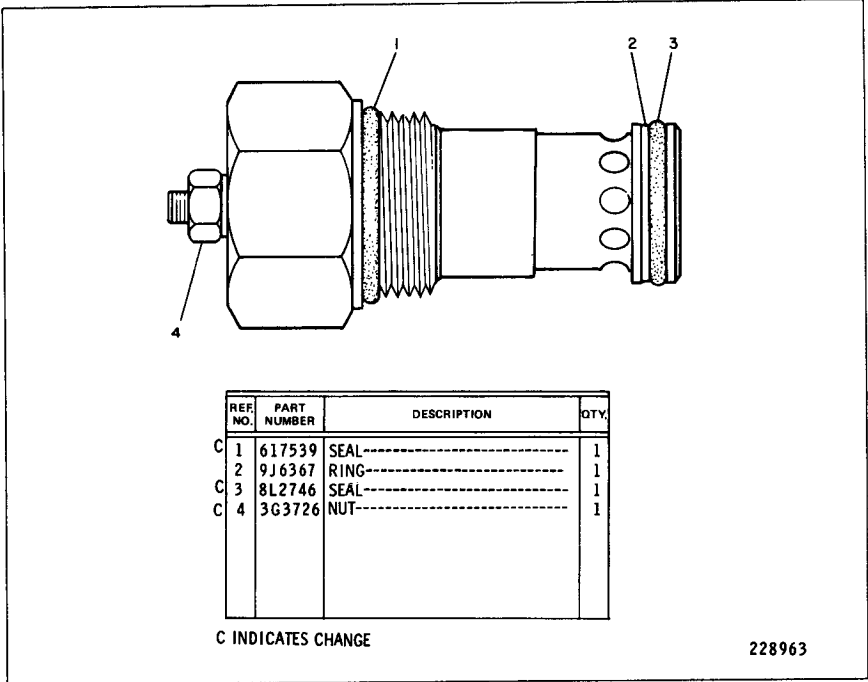


REF. NO.	PART NUMBER	DESCRIPTION	QTY
1	9S8006	PLUG-----	3
	2M9780	SEAL-----	3
2	9S8005	PLUG-----	3
	3K360	SEAL-----	3

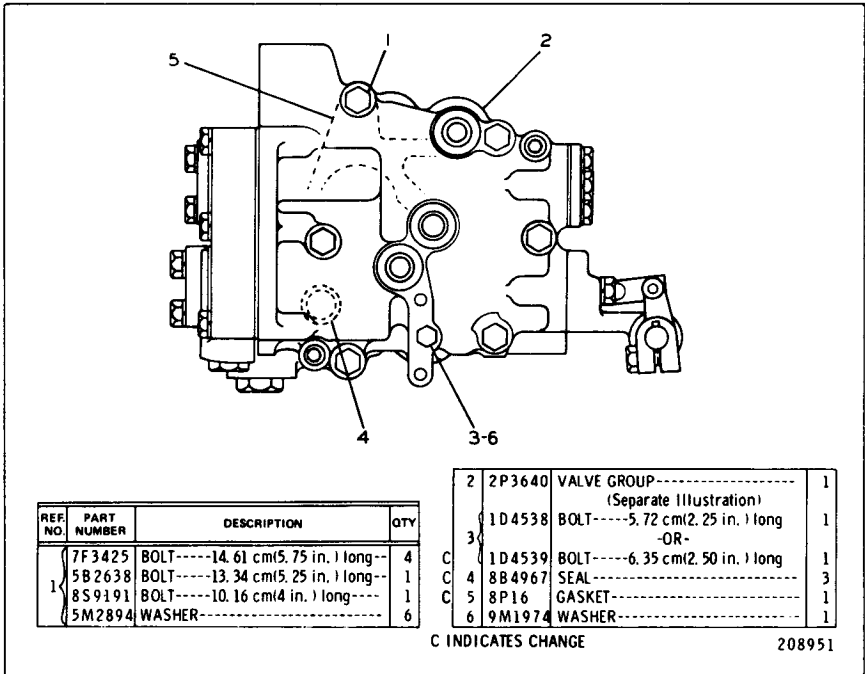
3	9S8003	PLUG-----	2
	1J9671	SEAL-----	2

206259

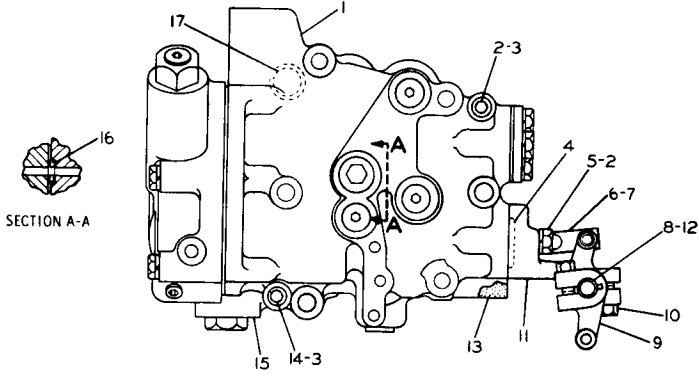
9J7194 BASIC VALVE GROUP
Part of 9J9833 Control Valve Group shown on Page 171



3G8078 RELIEF VALVE GROUP
Part of 9J9403 & 9J9833 Control Valve Groups shown on Pages 170 & 171



1P7528 SELECTOR AND PRESSURE CONTROL VALVE GROUP—Winch
Winch Serial No. 36U1259—Up
Part of 1P8628 Winch Arrangement listed on Page 210
2P3640 Valve parts are shown on Page 174



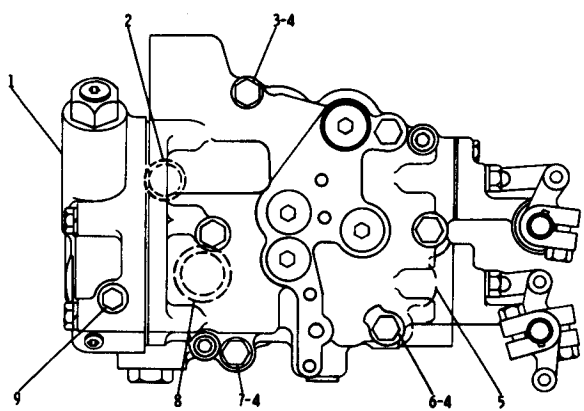
REF. NO.	PART NUMBER	DESCRIPTION	QTY
C 1	8P1392	VALVE GROUP---(Pressure)--- (Separate Illustration)	1
2	3S4346	BOLT-----	1
3	9M1974	WASHER-----	4
4	3D2992	SEAL-----	1
5	1B7182	BOLT-----	2
6	1P5130	LINK-----	2
7	9S1303	PIN-----	2
	3B4607	COTTER PIN-----	2

8	2P6969	SHAFT-----	1
	1B8702	KEY-----	2
9	6P9367	LEVER-----	2
10	2B2695	BOLT-----	2
11	2P6971	BRACKET ASSEM.-----	1
	9H2400	BEARING-----	2
12	4B4280	WASHER-----	2
13	2P3650	GASKET-----	1
14	6L4783	BOLT-----	1
15	3P4121	VALVE GROUP---(Selector)--- (Separate Illustration)	1
16	2H5001	SEAL-----	1
17	5F7054	SEAL-----	4

C INDICATES CHANGE

168275

2P3640 SELECTOR AND PRESSURE CONTROL VALVE GROUP
Part of 1P7528 Selector & Pressure Control Valve Group shown on Page 173
8P1392 & 3P4121 Valve parts are shown on Pages 175 & 176



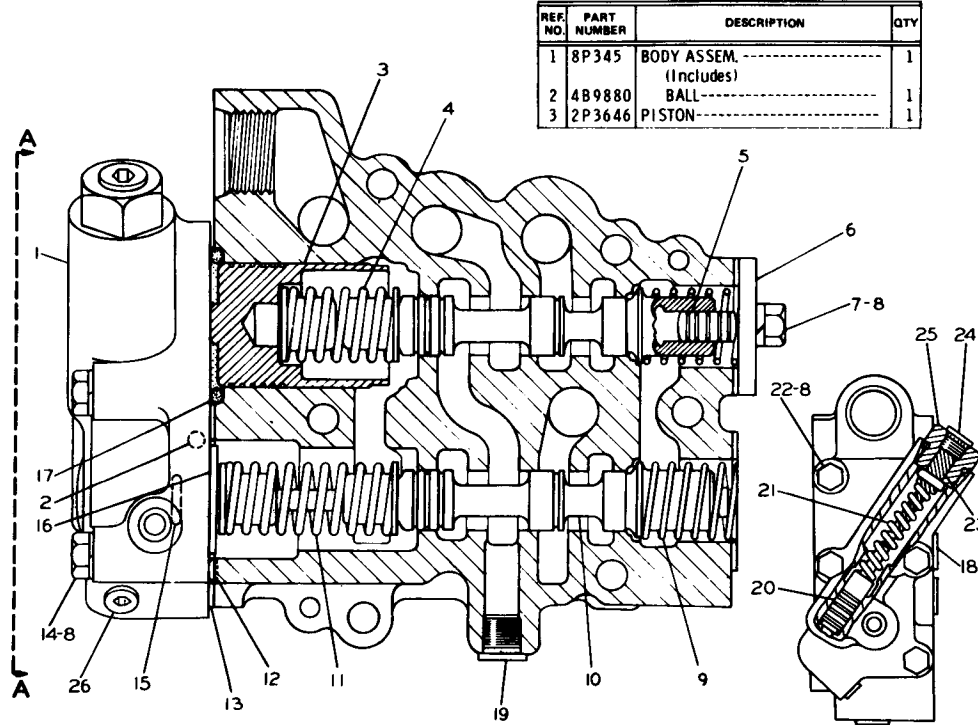
REF. NO.	PART NUMBER	DESCRIPTION	QTY
1	8P11	VALVE GROUP--- (Separate Illustration)	1
2	5H8038	SEAL---(Separate Illustration)---	1
3	7F3425	BOLT-----	4
4	5M2894	WASHER-----	6
5	8P16	GASKET-----	1

6	5B2638	BOLT-----	1
7	8S9191	BOLT-----	1
8	8B4967	SEAL-----	3
9	1D4539	BOLT-----	1
	9M1974	WASHER-----	1

208952

8P13 SELECTOR AND PRESSURE CONTROL VALVE GROUP—With Drum Disconnect
Part of 9G566 & 9G568 Winch Conversion Groups shown on Pages 213 & 215
8P11 Selector & Pressure Control Valve parts are shown on Page 176A
AN ATTACHMENT

8P1392 PRESSURE CONTROL VALVE GROUP
 Part of 2P3640 and 8P11 Selector & Pressure Control Valve Groups shown on Pages 174 and 176A

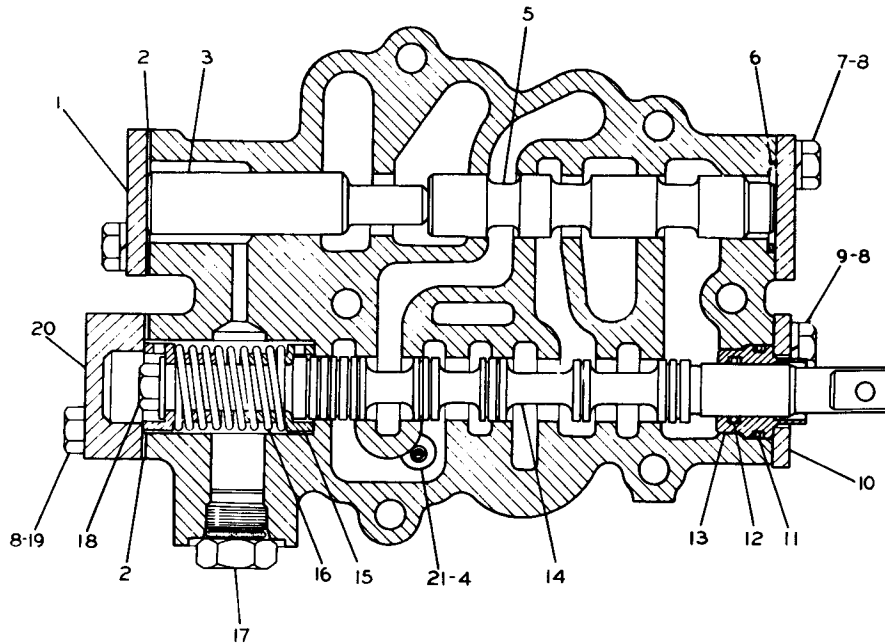


REF. NO.	PART NUMBER	DESCRIPTION	QTY
1	8P345	BODY ASSEM. ----- (Includes)	1
2	4B9880	BALL-----	1
3	2P3646	PISTON-----	1

4	3P5168	SPRING ASSEM. -----	1
5	2M1168	SLUG-----	2
6	6B8830	COVER-----	1
6	3P218	GASKET-----	1
7	2B2695	BOLT-----	2
8	3B4505	LOCKWASHER-----	6
9	1P3216	SPRING-----	2
10	3P2767	SPOOL-----	2
11	3P5169	SPRING ASSEM. -----	1
12	6F5559	SEAL-----	1
13	2P3644	GASKET-----	1
14	2B2694	BOLT-----	3
15	4K2039	SEAL-----	1
16	3P2847	RETAINER-----	1
17	1H9696	SEAL-----	1
18	9S8005	PLUG-----	1
18	3K360	SEAL-----	1
19	9S8004	PLUG-----	4
19	3J1907	SEAL-----	4
20	3P4660	SPOOL-----	1
21	8P346	SPRING-----	1
22	1B7182	BOLT-----	1
22	8P325	STOP ASSEM. ----- (Includes)	1
23	5H9809	DOWEL-----	1
24	9S8003	PLUG-----	1
24	1J9671	SEAL-----	1
25	6P9959	PLUG-----	1
25	2M9780	SEAL-----	1
26	9S8001	PLUG-----	1
26	4J7533	SEAL-----	1
	5MHS6709	FORM----- (Installation Instructions for Body Assem.)	1

VIEW A-A

HYDRAULIC SYSTEM



REF. NO.	PART NUMBER	DESCRIPTION	QTY
1	6B830	COVER-----	2
2	3P218	GASKET-----	2
3	2P3683	STOP-----	2
4	5F9144	SEAL-----	1
5	2P3639	SPOOL-----	1
6	3H107	SEAL-----	1
7	2B2695	BOLT-----	4
8	3B4505	LOCKWASHER-----	8
9	S1617	BOLT-----	2
10	1P6217	FLANGE-----	1
11	4D9986	SEAL-----	1
12	8M5260	SEAL-----	1
13	3S2682	BUSHING-----	1
14	2P3617	SPOOL-----	1
15	3P220	RETAINER-----	2
16	3P3202	SPRING-----	1
17	9S4185	PLUG-----	1
18	3K360	SEAL-----	1
18	S1618	BOLT-----	1
18	1T738	WASHER-----	1
19	4B3388	BOLT-----	2
20	3P219	COVER-----	1
20	3P4117	VALVE ASSEM.-----	1
21	1L5316	PIN-----	1
21	5B9318	BALL-----	1
▲C 22	3K5762	PLUG-----	1

C INDICATES CHANGE

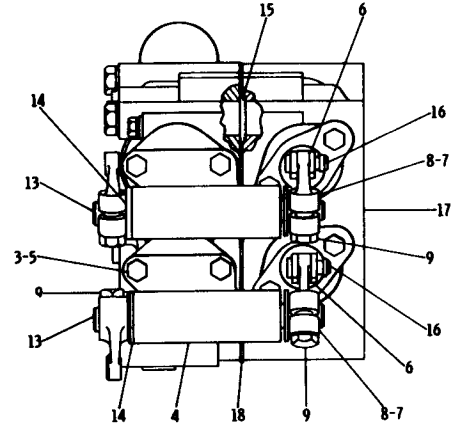
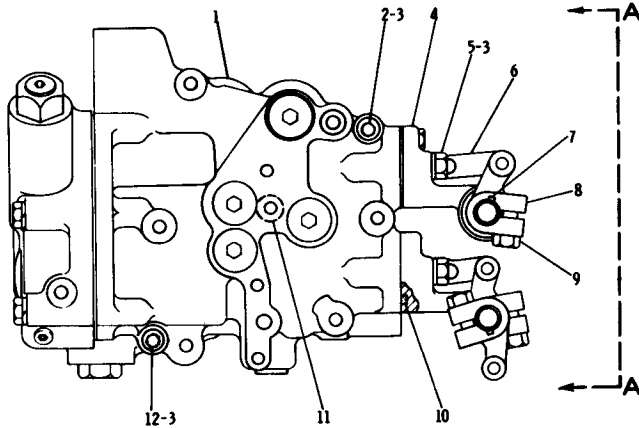
▲ NOT SHOWN

204975

3P4121 SELECTOR VALVE GROUP

Part of 2P3640 Selector & Pressure Control Valve Group shown on Page 174

8P11 SELECTOR AND PRESSURE CONTROL VALVE GROUP
 Part of 8P13 Selector & Pressure Control Valve Group shown on Page 174
 8P1392 Pressure Control Valve & 8P12 Selector Valve parts are shown on Pages 175 & 176B
AN ATTACHMENT



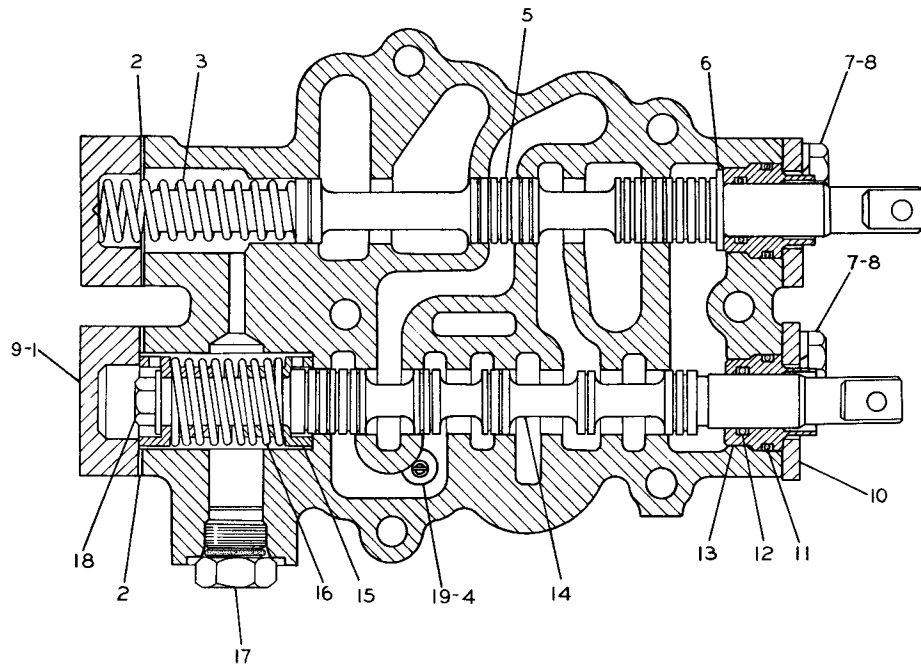
VIEW A-A

REF NO	PART NUMBER	DESCRIPTION	QTY
1	8P1392	VALVE GROUP-----(pressure)----- (Separate Illustration)	1
2	3S4346	BOLT-----	1
3	9M1974	WASHER-----	6
4	2P6971	BRACKET ASSEM.-----	2
5	1B7182	BOLT-----	4
6	1P5130	LINK-----	4

7	1B8702	KEY-----	4
8	6P9367	LEVER-----	4
9	2B2695	BOLT-----	4
10	3D2992	SEAL-----	2
11	2H5001	SEAL-----	1
12	6L4783	BOLT-----	1
13	2P6969	SHAFT-----	2
14	4B4280	WASHER-----	4
15	5F7054	SEAL-----	4

16	9S1303	PIN-----	4
	3B4607	COTTER PIN-----	4
17	8P12	VALVE GROUP----- (selector)----- (Separate Illustration)	1
18	2P3650	GASKET-----	1

208953



REF. NO.	PART NUMBER	DESCRIPTION	QTY
1	8P4299	COVER-----	2
2	3P218	GASKET-----	2
3	2S3620	SPRING-----	1
4	5F9144	SEAL-----	1
5	8P14	SPOOL-----	1
6	2A995	WASHER-----	1
7	S1617	BOLT-----	4
8	3B4505	LOCKWASHER-----	4
9	1T414	BOLT-----	4
10	1P6217	FLANGE-----	2
11	4D9986	SEAL-----	2
12	8M5260	SEAL-----	2
13	3S2682	BUSHING-----	2
14	2P3617	SPOOL-----	1
15	3P220	RETAINER-----	2
16	3P3202	SPRING-----	1
17	9S4185	PLUG-----	1
17	3K360	SEAL-----	1
18	S1618	BOLT-----	1
18	1T738	WASHER-----	1
18	3P4117	VALVE ASSEM.-----	1
19		(Includes)	
	1L5316	PIN-----	1
	5B9318	BALL-----	1
C ▲	7H3171	PLUG-----	1

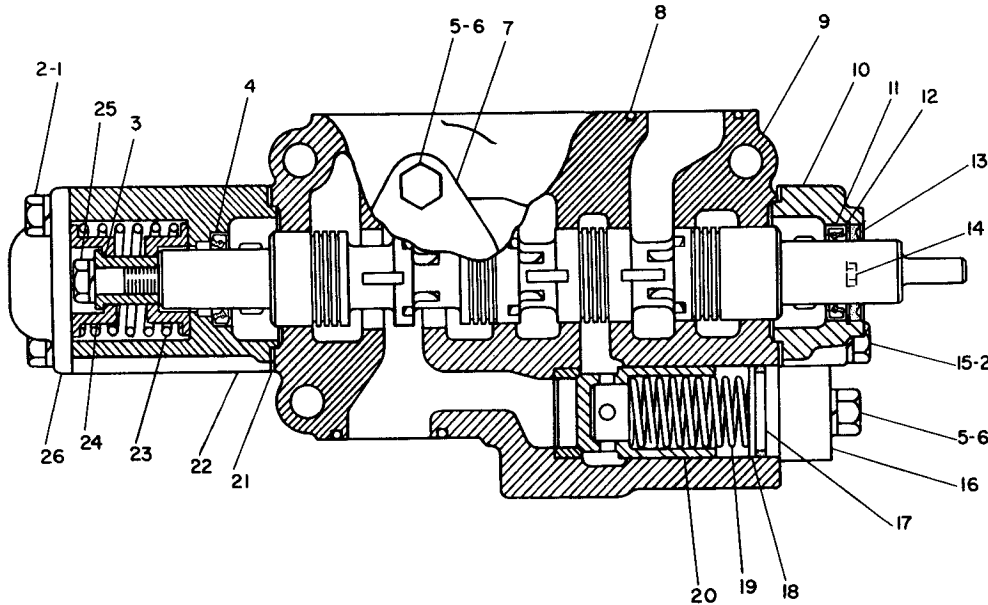
C INDICATES CHANGE

▲ NOT SHOWN

228956

8P12 SELECTOR VALVE GROUP
Part of 8P11 Selector & Pressure Control Valve Groups shown on Page 176A
AN ATTACHMENT

4J487 EXTERNAL AUXILIARY VALVE GROUP
 Part of 8P3072 & 8P3073 Hydraulic Control Arrangements listed on Page 162
AN ATTACHMENT

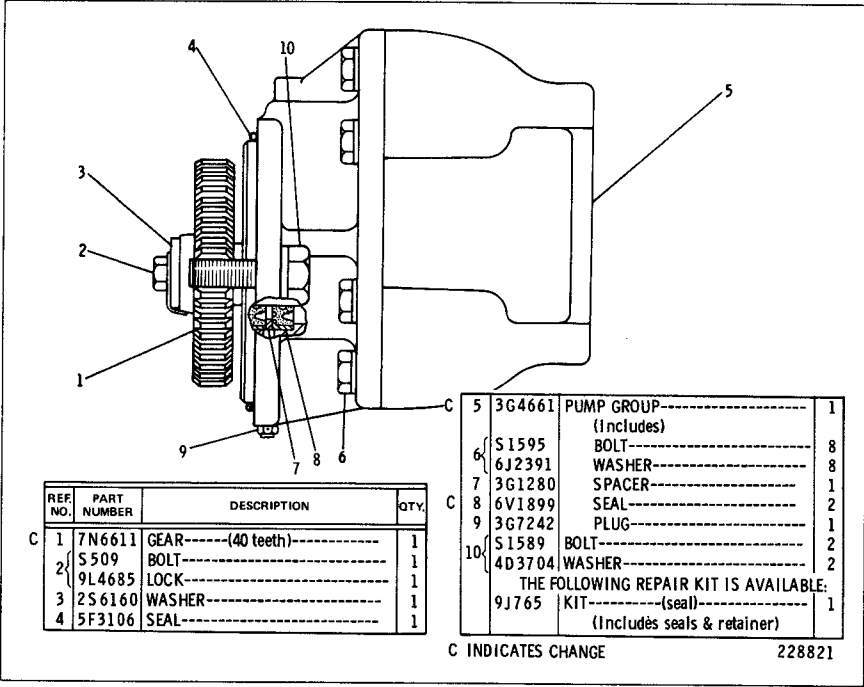


REF. NO.	PART NUMBER	DESCRIPTION	QTY.
1	T55	BOLT-----	2
2	3B4506	LOCKWASHER-----	4
3	2J7169	SPACER-----	1
4	4J3923	SEAL-----	1
5	S1585	BOLT-----	4
6	3B4508	LOCKWASHER-----	4
7	2J8038	COVER-----	1
8	6F711	SEAL-----	5
9	4J4617	BODY GROUP-----	1
10	9J4089	RETAINER-----	1
11	4J3923	SEAL-----	1
12	4M9298	RING-----	1
13	8J5963	SEAL-----	1
14	5M6214	PLUG-----	1
15	S1571	BOLT-----	2
16	4J5225	FLANGE-----	1
17	6F6673	SEAL-----	1
18	2J5820	PLUG-----	1
19	2J5845	SPRING-----	1
20	2J5436	VALVE-----	1
21	2J7188	GASKET-----	2
22	7J3897	RETAINER-----	1
23	4J3840	SPRING-----	1
24	2J7168	SPACER-----	2
25	T768	BOLT-----	1
26	3B4507	LOCKWASHER-----	1
	2J5142	COVER-----	1

C INDICATES CHANGE

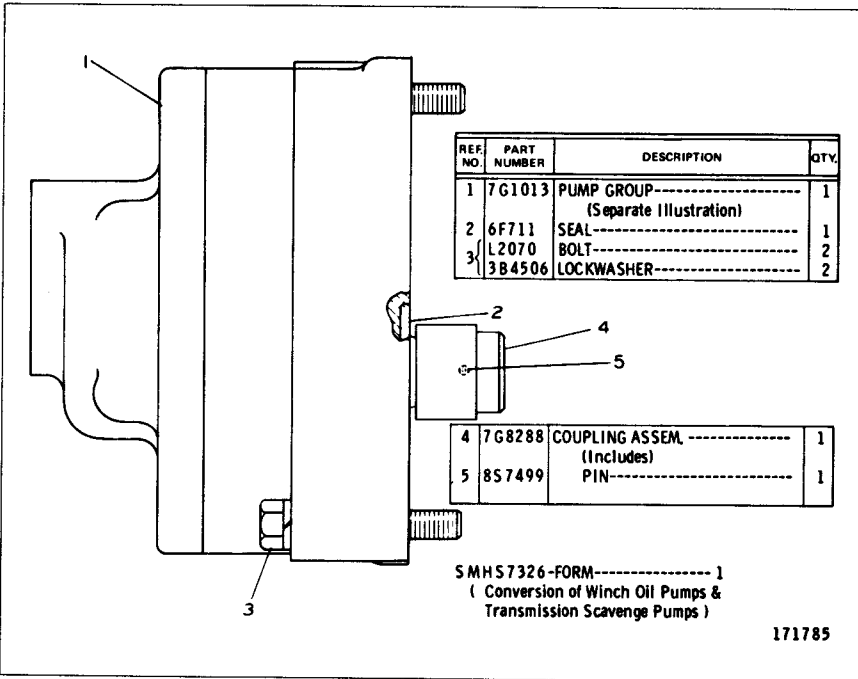
228831

CATERPILLAR D5B TRACTOR



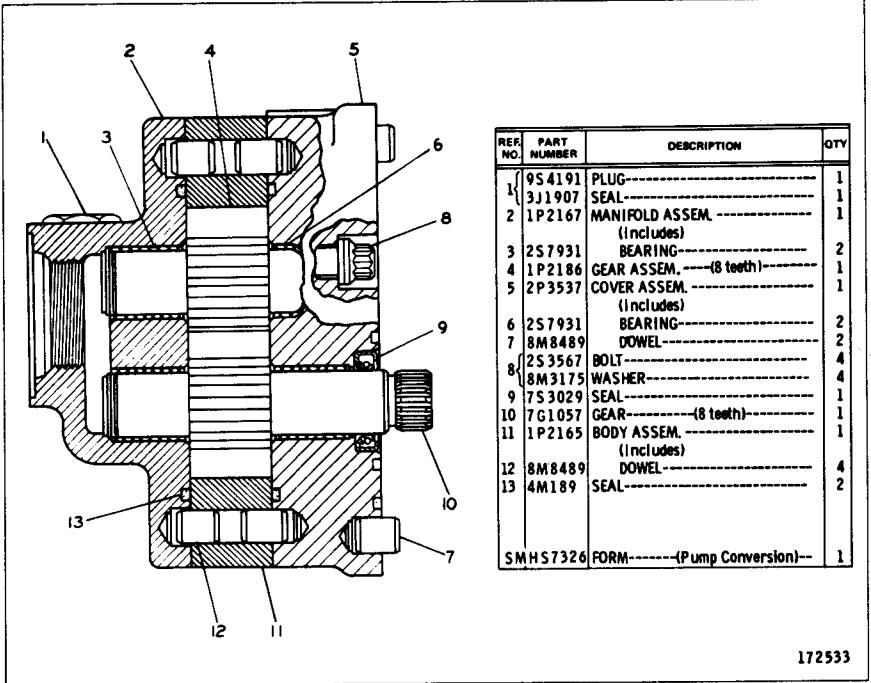
8J6330 GEAR PUMP GROUP

Part of 8P3070, 8P3071, 8P3072 & 8P3073 Hydraulic Control Arrangements listed on Page 162. AN ATTACHMENT



7G3814 GEAR PUMP GROUP—Winch

Part of 8P1988 Winch Arrangement listed on Page 210
7G1013 Gear Pump parts are shown on Page 179. AN ATTACHMENT

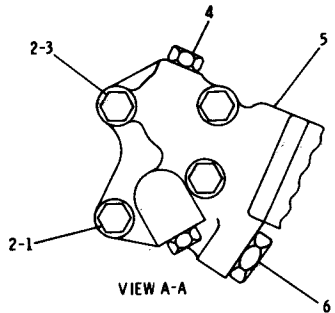


REF. NO.	PART NUMBER	DESCRIPTION	QTY
1	9S 4191	PLUG-----	1
	3J1907	SEAL-----	1
2	1P2167	MANIFOLD ASSEM.-----	1
		(includes)	
3	2S 7931	BEARING-----	2
4	1P2186	GEAR ASSEM.----(8 teeth)-----	1
5	2P3537	COVER ASSEM.-----	1
		(includes)	
6	2S 7931	BEARING-----	2
7	8M 8489	DOWEL-----	2
8	2S 3567	BOLT-----	4
	8M 3175	WASHER-----	4
9	7S 3029	GEAR-----	1
10	7G1057	SEAL-----	1
11	1P2165	BODY ASSEM.-----	1
		(includes)	
12	8M 8489	DOWEL-----	4
13	4M189	SEAL-----	2
	SMHS 7326	FORM----- (Pump Conversion)---	1

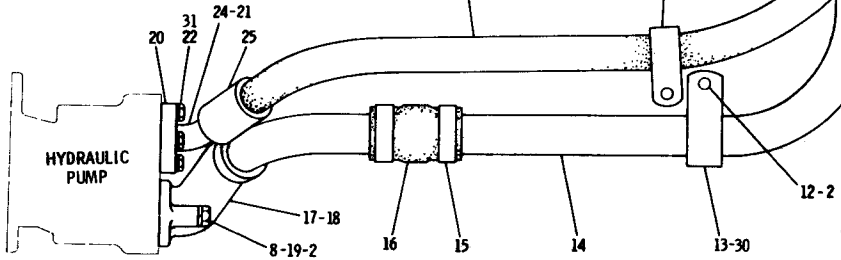
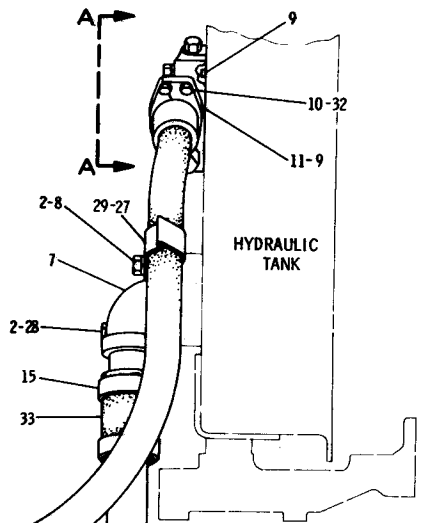
172533

7G1013 GEAR PUMP GROUP
 Part of 7G3814 Gear Pump Group shown on Pages 178

REF. NO.	PART NUMBER	DESCRIPTION	QTY
1	S1587	BOLT	1
2	3B4508	LOCKWASHER	10
3	2B947	BOLT	3
4	9S4191	PLUG	2
	3J1907	SEAL	2
5	3P1288	ELBOW	1
	9S4183	PLUG	1
6	3D2824	SEAL	1
	2P6650	ELBOW ASSEM.	1
7	4J526	SEAL	1
8	9S1366	BOLT	2
9	4J520	SEAL	3
10	S1588	BOLT	4
11	1P4577	FLANGE	2
12	S1621	BOLT	2
13	6K6167	CLIP	1
14	2P9848	TUBE	1
15	5P597	CLAMP	4
▲ 16	5P1292	HOSE -----11.43 cm(4.50 in.)	1
17	2P9849	ELBOW ASSEM.	1
18	4J524	SEAL	1
19	S1595	BOLT	1
20	1P4578	FLANGE	2
21	4J522	SEAL	1



▲ 22	3H5368	BOLT	4
	8P8543	HOSE ASSEM.	1
23	5P181	HOSE -----124 cm(31.49 in.)	1
24	3S7252	SLEEVE	2
25	7S573	STEM ASSEM. -----(45°)	1
26	3S8496	STEM ASSEM. --- (straight) ---	1

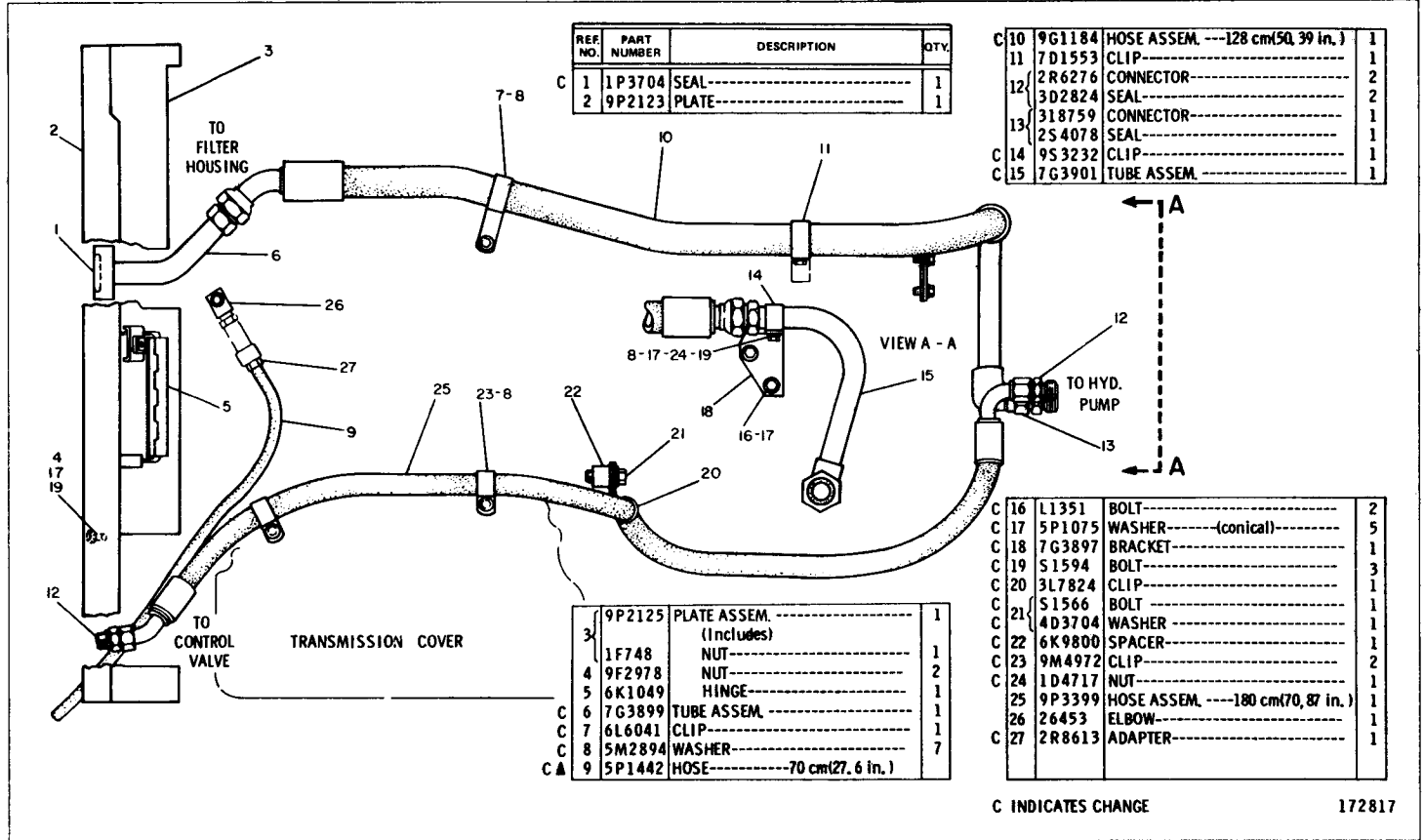


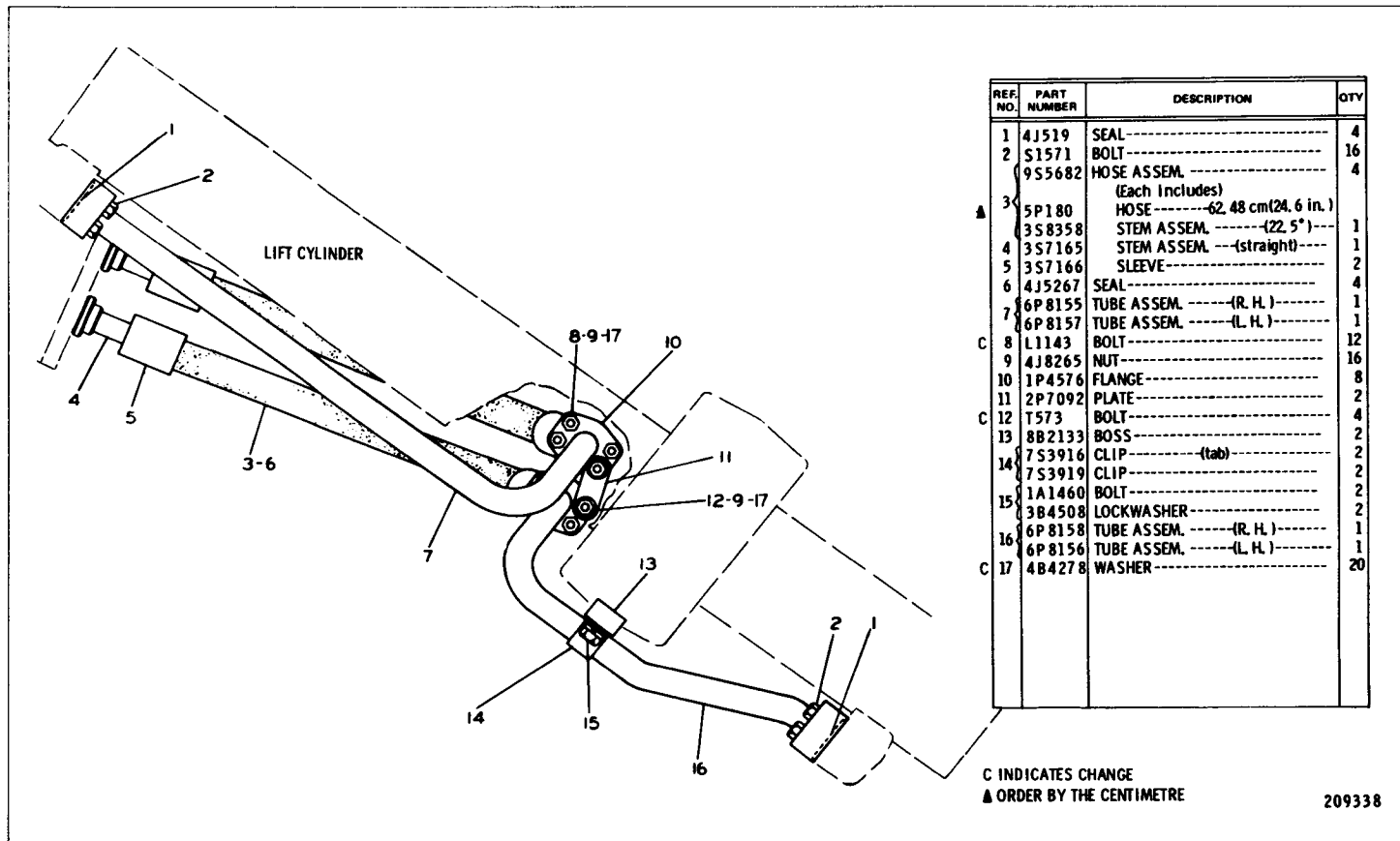
27	7K1401	CLIP	2
28	1B2886	BOLT	1
29	7K1402	BRACKET	2
30	6K6164	BRACKET	1
31	4B4279	WASHER	4
32	4B4278	WASHER	4
▲ 33	5P1292	HOSE -----11.43 cm(4.50 in.)	1

▲ ORDER BY THE CENTIMETRE C INDICATES CHANGE 214265

8P8148 PUMP LINES GROUP—Hydraulic
 Part of 8P3070, 8P3071, 8P3072 & 8P3073 Hydraulic Control Arrangements listed on Page 162
 AN ATTACHMENT

8P5196 PUMP LINES GROUP—Winch
 Part of 8P1988 Winch Arrangement listed on Page 210
 AN ATTACHMENT



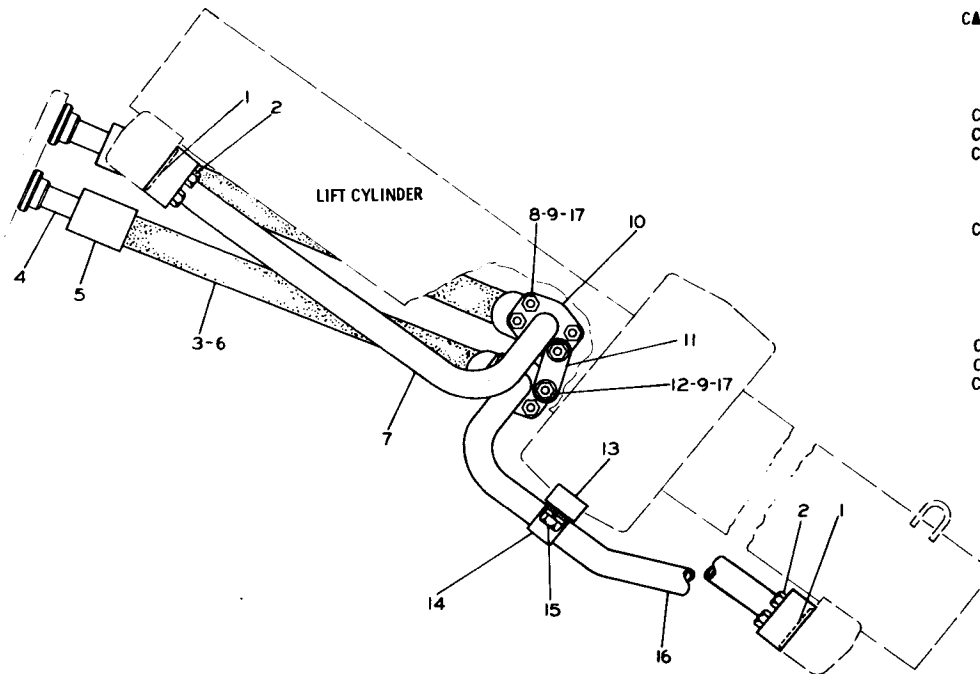


REF. NO.	PART NUMBER	DESCRIPTION	QTY
1	4J519	SEAL-----	4
2	S1571	BOLT-----	16
	9S5682	HOSE ASSEM.-----	4
▲ 3		(Each Includes)	
	5P180	HOSE-----62.48 cm(24.6 in.)	
	3S8358	STEM ASSEM.-----(22.5°)---	1
4	3S7165	STEM ASSEM.-----(straight)---	1
5	3S7166	SLEEVE-----	2
6	4J5267	SEAL-----	4
7	6P8155	TUBE ASSEM.-----(R. H.)-----	1
	6P8157	TUBE ASSEM.-----(L. H.)-----	1
C 8	L1143	BOLT-----	12
9	4J8265	NUT-----	16
10	1P4576	FLANGE-----	8
11	2P7092	PLATE-----	2
C 12	T573	BOLT-----	4
13	8B2133	BOSS-----	2
14	7S3916	CLIP----- (tab)-----	2
	7S3919	CLIP-----	2
15	1A1460	BOLT-----	2
	3B4508	LOCKWASHER-----	2
16	6P8158	TUBE ASSEM.-----(R. H.)-----	1
	6P8156	TUBE ASSEM.-----(L. H.)-----	1
C 17	4B4278	WASHER-----	20

2P6743 BULLDOZER LINES GROUP
 Part of 8J3472 & 8J4757 Bulldozer Arrangements listed on Page 199
 AN ATTACHMENT

209338

2P6055 BULLDOZER LINES GROUP
 Part of 8J3459, 8J3460 & 8J3463 Bulldozer Arrangements listed on Pages 198 & 199
AN ATTACHMENT

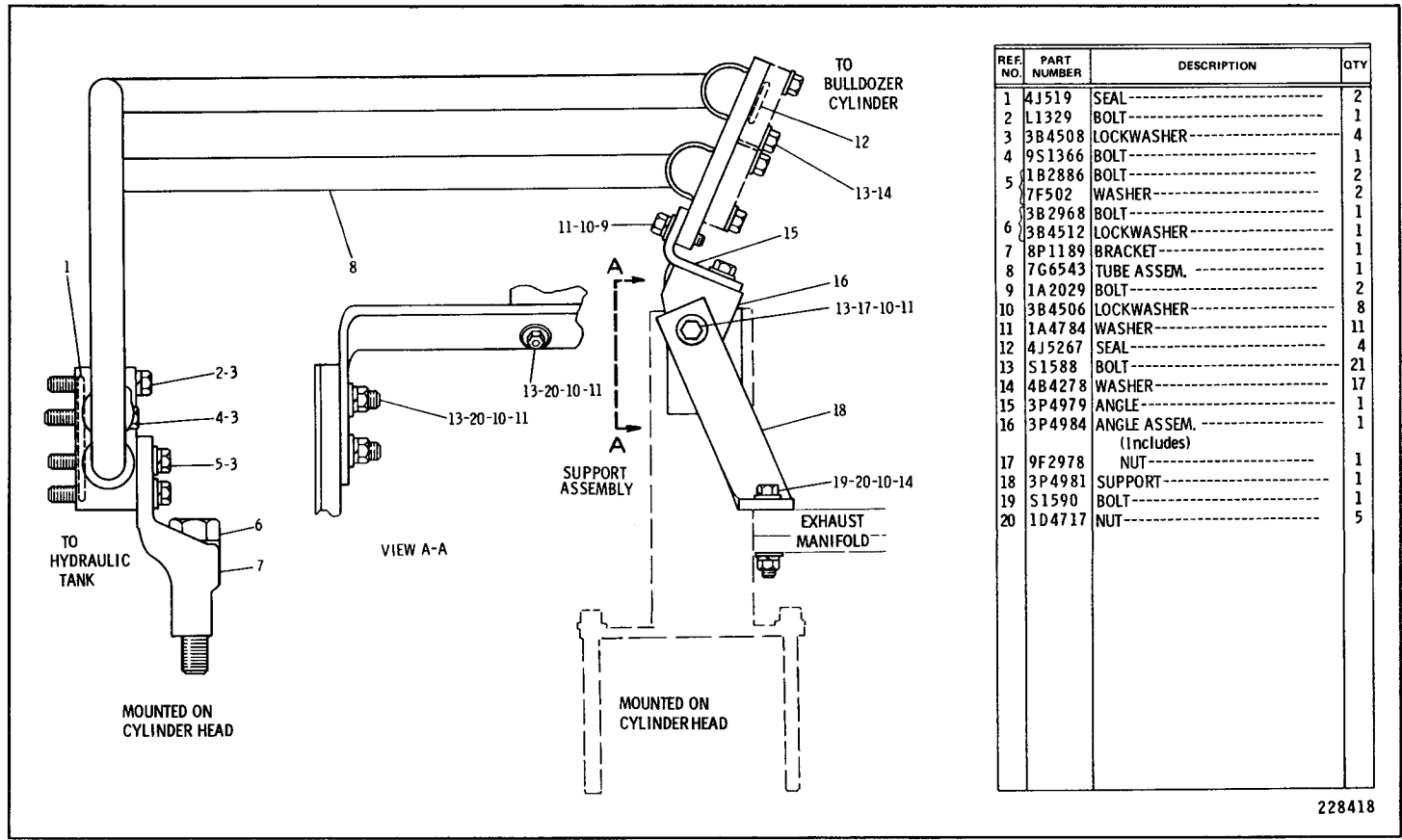


REF NO.	PART NUMBER	DESCRIPTION	QTY
1	4J519	SEAL-----	4
2	S1571	BOLT-----	16
	9S5682	HOSE ASSEM.-----	4
CA 3	5P180	HOSE-----62.48 cm(24.60 in.)	
	3S8358	STEM ASSEM.-----(22.5")-----	1
4	3S7165	STEM ASSEM.-----(straight)-----	1
5	3S7166	SLEEVE-----	2
6	4J5267	SEAL-----	4
C 7	6P8133	TUBE ASSEM.-----(R.H.)-----	1
	6P8135	TUBE ASSEM.-----(L.H.)-----	1
C 8	L1143	BOLT-----	12
9	4J8265	NUT-----	16
10	1P4576	FLANGE-----	8
11	2P7092	PLATE-----	2
C 12	T573	BOLT-----	4
13	8B2133	BOSS-----	2
14	7S3916	CLIP----- (tab)-----	2
	7S3919	CLIP-----	2
15	1A1460	BOLT-----	2
	3B4508	LOCKWASHER-----	2
C 16	6P8129	TUBE ASSEM.-----(R.H.)-----	1
C 16	6P8131	TUBE ASSEM.-----(L.H.)-----	1
C 17	4B4278	WASHER-----	20

C INDICATES CHANGE

▲ ORDER BY THE CENTIMETRE

209340

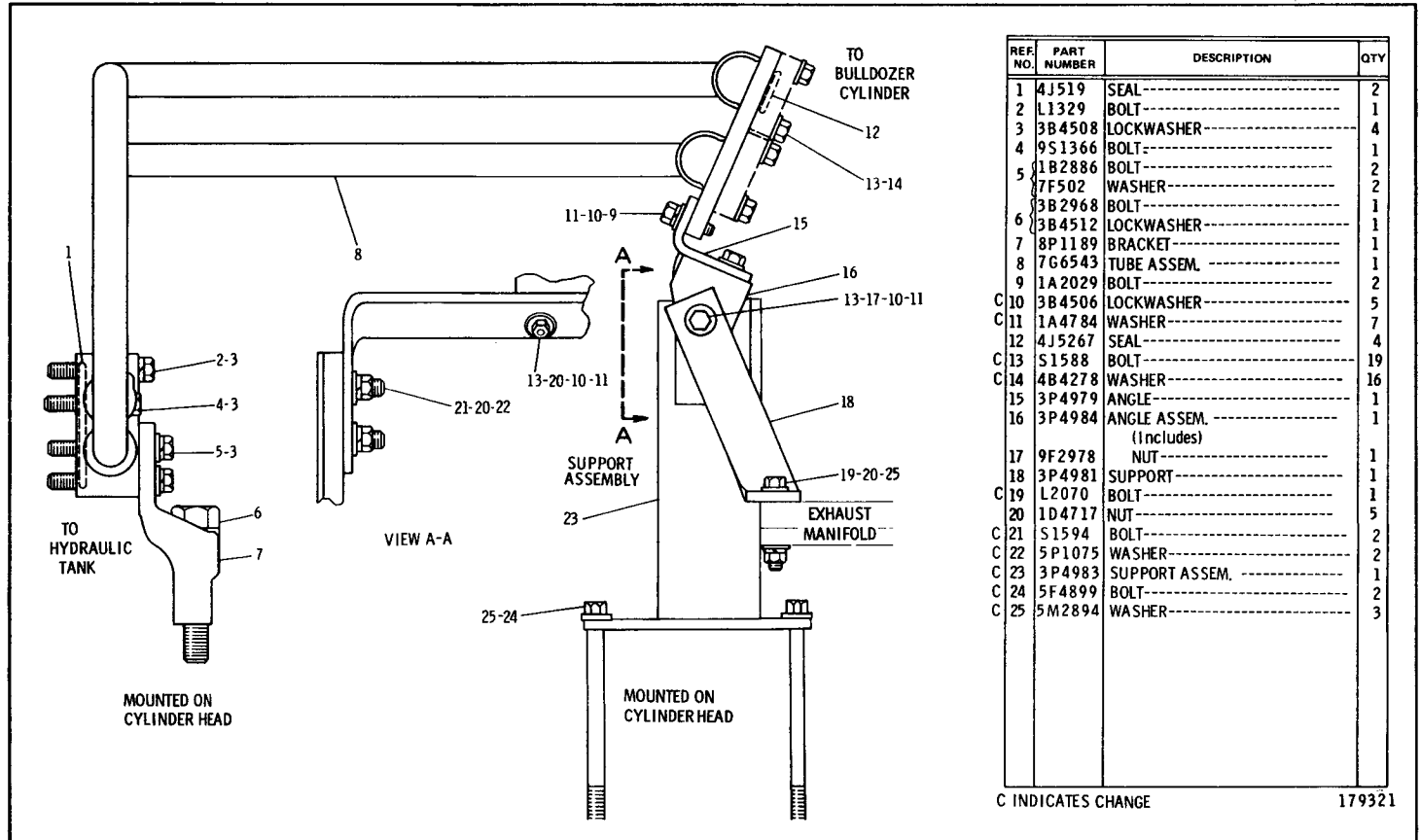


REF. NO.	PART NUMBER	DESCRIPTION	QTY
1	4J519	SEAL-----	2
2	L1329	BOLT-----	1
3	3B4508	LOCKWASHER-----	4
4	9S1366	BOLT-----	1
5	1B2886	BOLT-----	2
	7F502	WASHER-----	2
6	3B2968	BOLT-----	1
	3B4512	LOCKWASHER-----	1
7	8P1189	BRACKET-----	1
8	7G6543	TUBE ASSEM.-----	1
9	1A2029	BOLT-----	2
10	3B4506	LOCKWASHER-----	8
11	1A4784	WASHER-----	11
12	4J5267	SEAL-----	4
13	S1588	BOLT-----	21
14	4B4278	WASHER-----	17
15	3P4979	ANGLE-----	1
16	3P4984	ANGLE ASSEM.----- (Includes)	1
17	9F2978	NUT-----	1
18	3P4981	SUPPORT-----	1
19	S1590	BOLT-----	1
20	1D4717	NUT-----	5

228418

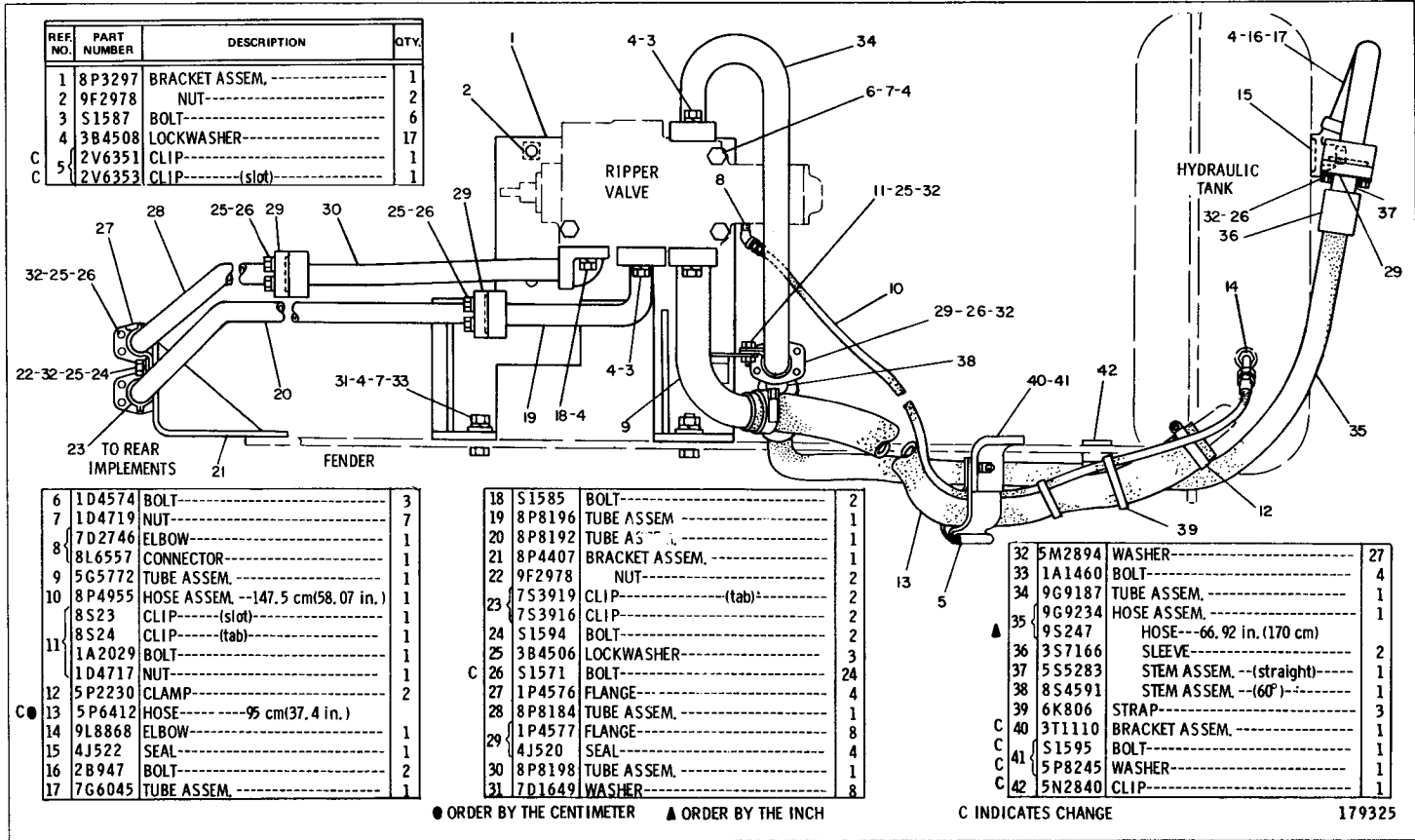
9G7041 BULLDOZER LINES GROUP—Type 1
 Part of 8P3070, 8P3071, 8P3072 & 8P3073 Hydraulic Control Arrangements listed on Page 162
 AN ATTACHMENT

9G7041 BULLDOZER LINES GROUP—Type 2
Part of 8P3070, 8P3071, 8P3072 & 8P3073 Hydraulic Control Arrangements listed on Page 162
AN ATTACHMENT



HYDRAULIC SYSTEM

7G1253 RIPPER LINES GROUP
 Part of 8P3072 & 8P3073 Hydraulic Control Arrangements listed on Page 162
 AN ATTACHMENT



HYDRAULIC SYSTEM

REF. NO.	PART NUMBER	DESCRIPTION	QTY.
1	8J7051	HOSE ASSEM.-----	2
	5P180	HOSE-----118.62 cm(46.70 in.)	
2	3S7166	SLEEVE-----	2
3	3S8360	STEM ASSEM.-----	1
4	5S6102	STEM ASSEM.-----	1
5	4J5267	SEAL-----	2
6	S1594	BOLT-----	1
	1D4717	NUT-----	1
7	1P4577	FLANGE-----	4
8	4J520	SEAL-----	2
9	S1588	BOLT-----	8
10	1L4684	CLAMP-----	2
11	5M2894	WASHER-----	8

C INDICATES CHANGE
 ▲ ORDER BY THE CENTIMETER

228957

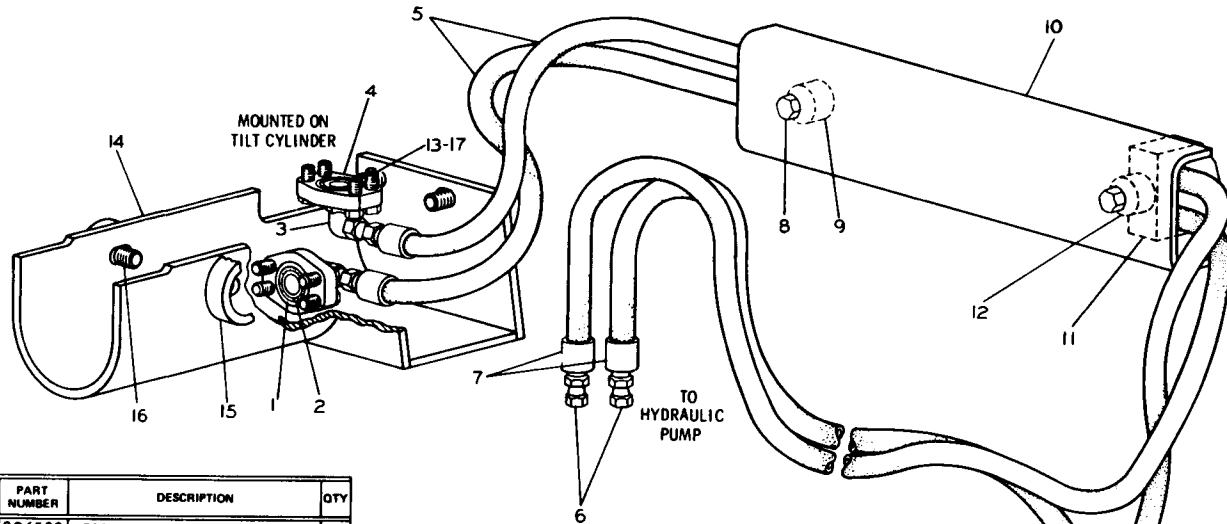
8J7050 RIPPER LINES GROUP
 Part of 9J6699 Ripper Arrangement listed on Page 231
 AN ATTACHMENT

CONSISTS OF:			PAGE
1	2J1402	HYDRAULIC CYLINDER GROUP	190
1	1U653	TILT CYLINDER LINES GROUP	187

1U654 TILT CYLINDER ARRANGEMENT
 5S Bulldozer Serial No. 92H5553—Up for—60" Gauge
 AN ATTACHMENT

CONSISTS OF:		PAGE
1	2J1402 HYDRAULIC CYLINDER GROUP	190
1	2P6052 TILT CYLINDER LINES GROUP	186B

8J3932 TILT CYLINDER ARRANGEMENT
5S Bulldozer Serial No. 90H1396—Up for—74" Gauge



REF. NO.	PART NUMBER	DESCRIPTION	QTY
1	2P6588	HEAD-----	2
2	4J5267	SEAL-----	2
3	54362	ELBOW-----	2
4	3K360	SEAL-----	2
4	1P4576	FLANGE-----	4
5	2P7959	HOSE ASSEM.-----	2
		(Includes)	
C▲	2P5943	HOSE-----121 in. (307, 34 cm)	2
6	8S6417	COUPLING ASSEM.-----	2
7	4S5414	SLEEVE-----	2
C	2H3855	BOLT-----	2
9	6J499	LUG-----	1
10	2P8492	GUARD-----	1

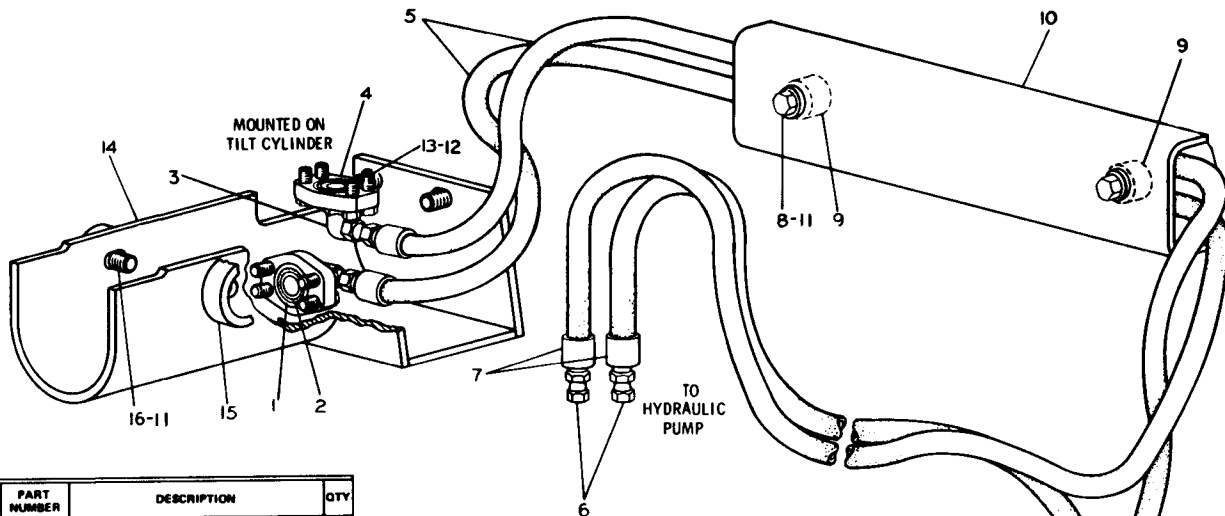
11	2P8097	BRACKET ASSEM.-----	1	
		(Includes)		
12	6J499	LUG-----	1	
13	S1588	BOLT-----	8	
C	14	6J333	GUARD ASSEM.-----	1
		(Includes)		
	15	3J3708	SPACER-----	2
C	16	S1595	BOLT-----	4
C	17	5P8245	WASHER-----	4
C		5M2894	WASHER-----	8

▲ ORDER BY THE INCH
C INDICATES CHANGE

173599

2P6052 TILT CYLINDER LINES GROUP
Part of 8J3932 Tilt Cylinder Arrangement listed on Page 186A
AN ATTACHMENT

1U653 TILT CYLINDER LINES GROUP
 Part of 1U654 Tilt Cylinder Arrangement listed on Page 186
 AN ATTACHMENT



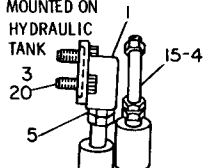
REF NO.	PART NUMBER	DESCRIPTION	QTY
1	2P6588	HEAD-----	2
2	4J5267	SEAL-----	2
3	54362	ELBOW-----	2
	3K360	SEAL-----	2
4	1P4576	FLANGE-----	4
	2P7959	HOSE ASSEM. (Includes)	2
A	2P5943	HOSE-----121 in. (307.34 cm)	2
	6S6417	COUPLING ASSEM.-----	2
	7 4S5414	SLEEVE-----	2
C	8 S1621	BOLT-----	2
C	9 6J499	WJG-----	2
10	2P8492	GUARD-----	1

11	5P8245	WASHER-----	6
12	5M2894	WASHER-----	8
13	S1588	BOLT-----	8
14	6J333	GUARD ASSEM. (Includes)	1
15	3J3708	SPACER-----	2
16	S1595	BOLT-----	4

▲ ORDER BY THE INCH

173600

MOUNTED ON
HYDRAULIC
TANK



6	2P3204	BOLT-----	1
7	6D7573	CLIP-----	2
8	1A2029	BOLT-----	2
	1D4717	NUT-----	2
9	3B4506	LOCKWASHER-----	3
	2P7958	HOSE ASSEM.-----	2
		(Each Includes)	
10	2P5943	HOSE----- 98.40 in. (249.93 cm)	2
11	4S5414	SLEEVE-----	2
12	8S6417	COUPLING ASSEM.-----	2
13	4B4278	WASHER-----	5

C ▲

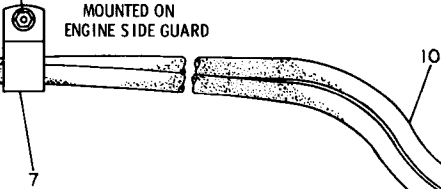
14	5S 8995	ANGLE-----	1
15	1P 1376	CONNECTOR-----	1
16	1J7468	CLAMP-----	2
	1J7647	CLAMP----- (threaded)	2
17	2B7092	SPACER-----	2
18	7K 4129	UNION-----	2
19	8S4950	CAP-----	2
C 20	8M2530	BOLT-----	2
C 21	6K 806	STRAP-----	2

C

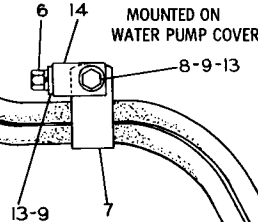
C

8-9-13

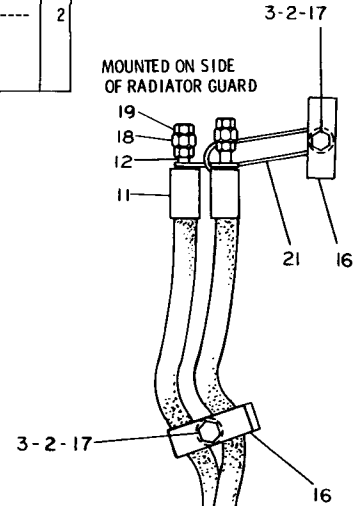
MOUNTED ON
ENGINE SIDE
GUARD



MOUNTED ON
WATER PUMP
COVER



MOUNTED ON SIDE
OF RADIATOR
GUARD



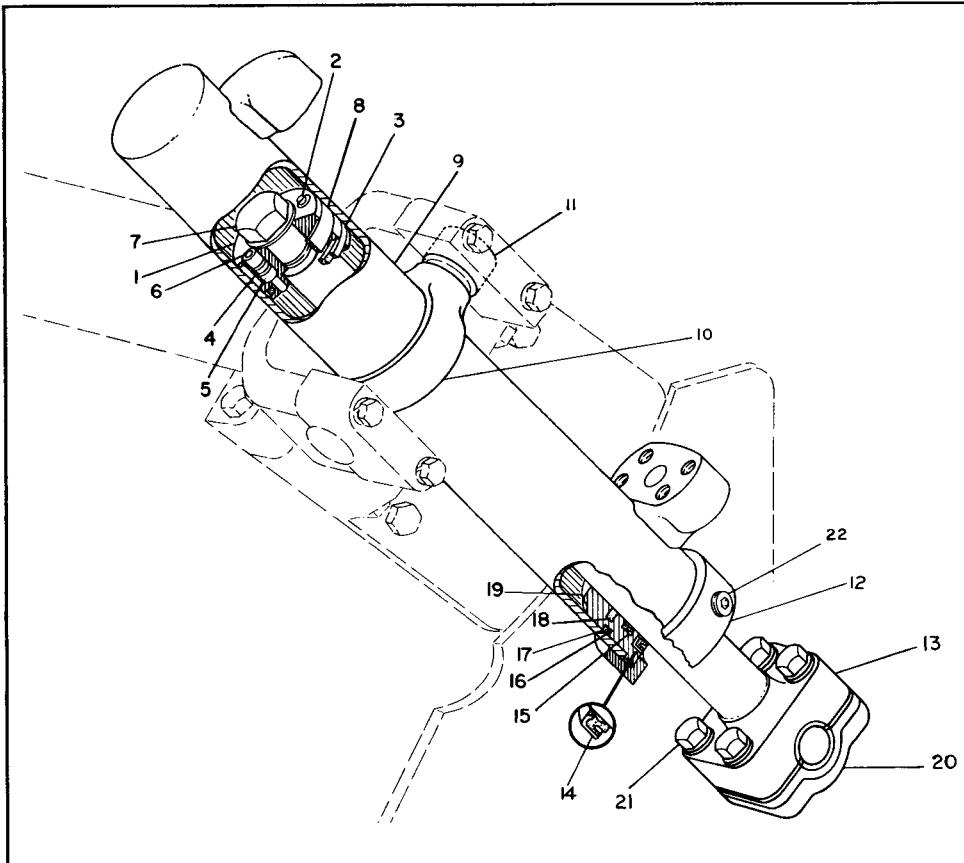
REF. NO.	PART NUMBER	DESCRIPTION	QTY.
C 1	7G9494	ELBOW-----	1
	4J520	SEAL-----	1
C 2	S1587	BOLT-----	2
C 3	3B4508	LOCKWASHER-----	2
4	3J1907	SEAL-----	2
C 5	2R6806	CONNECTOR-----	1

C INDICATES CHANGE
▲ ORDER BY THE INCH

234085

9P476 TILT CYLINDER LINES GROUP
Part of 8P3071 & 8P3073 Hydraulic Control Arrangements listed on Page 162
AN ATTACHMENT

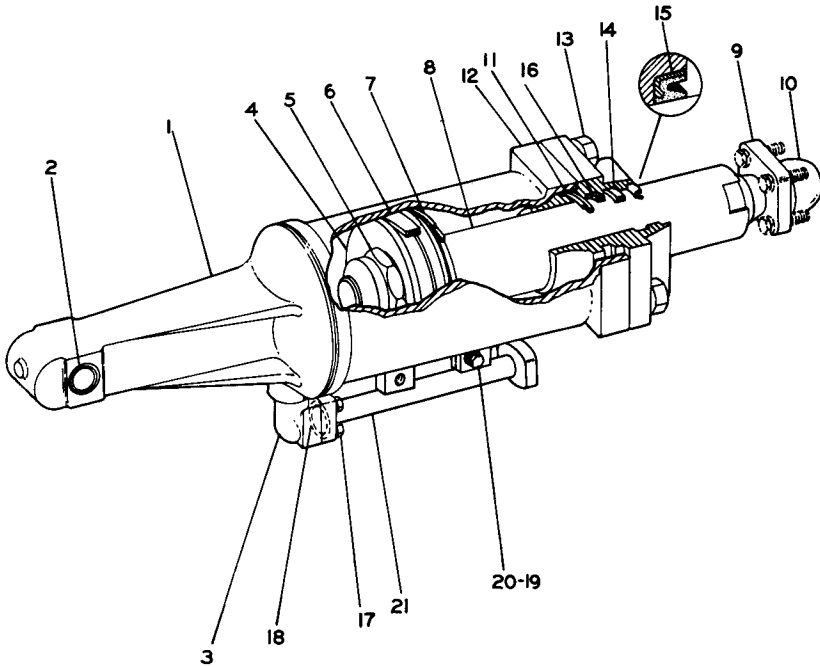
**7J8302 HYDRAULIC CYLINDER GROUP—(Change 0-11) 102 mm (4 in.) Bore x 864 mm (34 in.) Stroke—2 Required
Part of 8J3459, 8J3460, 8J3462 & 8J3463 Bulldozer Arrangements listed on Pages 198 & 199. AN ATTACHMENT**



REF. NO.	PART NUMBER	DESCRIPTION	QTY.
C 1	9J2007	PISTON ASSEM. ----- (Includes)	1
2	9J2009	PLUNGER-----	1
3	5J5402	SEAL ASSEM. ----- (Includes)	1
4	5J5400	SEAL-----	1
4	9J2008	PLUNGER-----	1
5	8J9282	SPACER-----	2
6	9J2010	INSERT-----	2
C 7	5P1839	BOLT-----	1
8	8J4359	WASHER-----	1
8	1M1571	RING-----	1
9	7J8301	CYLINDER ASSEM. ----- (Includes)	1
C 10	4T421	TRUNNION ASSEM. ----- (Includes)	1
11	4J6374	BEARING-----	2
12	7J6461	CROWN-----	1
13	7J8294	ROD ASSEM. -----	1
14	1K6982	SEAL-----	1
15	5J964	SEAL-----	1
16	2K6830	RING-----	1
17	1H8128	SEAL-----	1
18	5J3620	SEAL-----	1
19	7J8295	HEAD-----	1
C 20	3J6559	CAP-----	1
C 20	3J6572	SHIM-----	12
C 21	3B2968	BOLT-----	4
C 21	5P8248	WASHER-----	4
C 22	8J5912	SETSCREW-----	1

C INDICATES CHANGE

179563



REF. NO.	PART NUMBER	DESCRIPTION	QTY
1	6J337	CYLINDER ASSEM.-----	1
		(Includes)	
2	2J8489	BEARING-----	1
3	2K44	ELBOW-----	1
4	3J9704	PISTON-----	1
5	2J564	NUT-----	1
6	3J9703	RING-----	1
7	5J4991	SEAL ASSEM.-----	1
8	2J1424	ROD ASSEM.-----	1
		(Includes)	
9	3F6612	CAP-----	1
10	3F6492	BALLSTUD-----	1
11	2K4472	SEAL-----	1
	2K4473	RING-----	1
C 12	3G9912	HEAD-----	1
	1D4709	BOLT-----	4
C 13	5P8250	WASHER-----	4
C 14	5J8300	SEAL-----	1
15	2J1411	SEAL-----	1
C 16	6J6915	SEAL-----	1
17	S1571	BOLT-----	4

18	4J519	SEAL-----	1
C 19	3B4506	LOCKWASHER-----	1
	S1594	BOLT-----	1
20	1D4717	NUT-----	1
	4B4278	WASHER-----	1
21	8J5818	TUBE ASSEM.-----	1

C INDICATES CHANGE

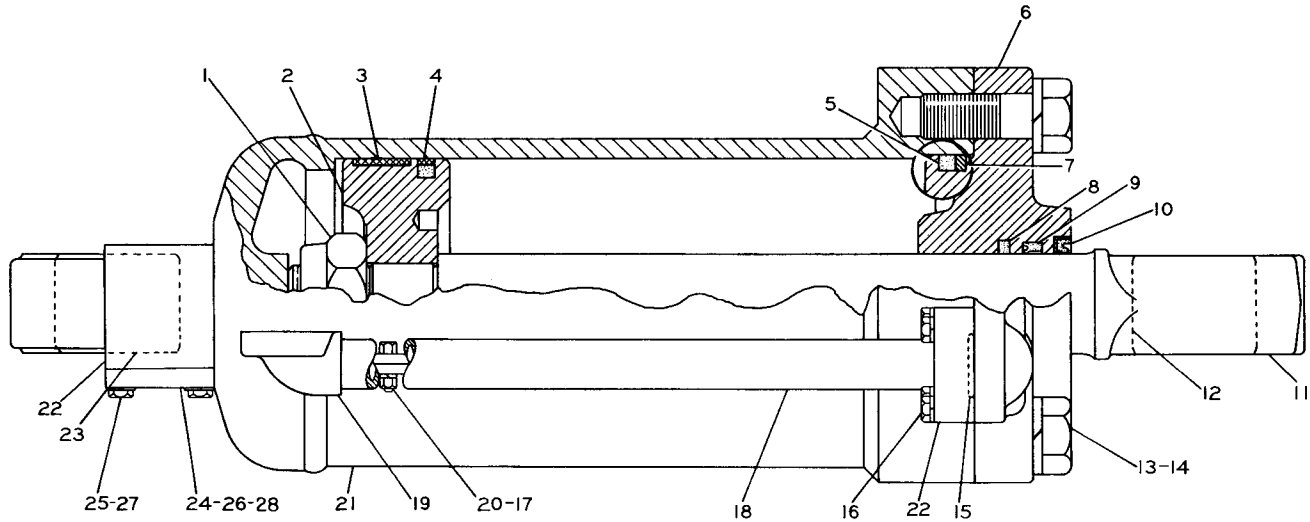
176233

2J1402 HYDRAULIC CYLINDER GROUP—Blade Tilt—165 mm (6.5") Bore x 127 mm (5") Stroke

Part of 1U654 & 8J3932 Tilt Cylinder Arrangements listed on Pages 186 & 186A

AN ATTACHMENT

8J1779 CYLINDER GROUP—185 mm (7.25 in.) Bore x 305 mm (12 in.) Stroke
 Part of 9J6699 Ripper Arrangement listed on Page 231. AN ATTACHMENT



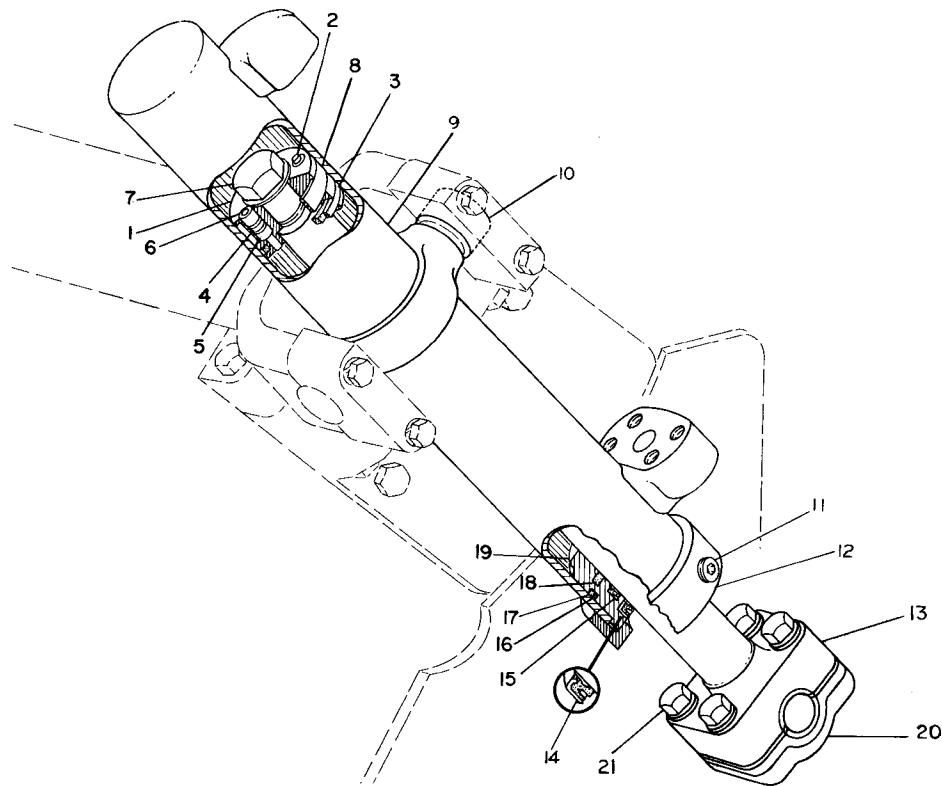
REF. NO.	PART NUMBER	DESCRIPTION	QTY
1	2J564	NUT-----	1
2	8J1772	PISTON-----	1
3	1J2674	WEAR RING-----	1
4	5J4993	SEAL ASSEM.-----	1
5	2K2939	SEAL-----	1
6	8J1770	HEAD-----	1
C 7	2K2940	RING-----	1
8	5J3620	SEAL-----	1
9	5J964	SEAL-----	1
10	1K6982	SEAL-----	1

11	8J1777	ROD ASSEM.-----	1
12	2K4507	BEARING-----	1
13	1J2814	BOLT-----	4
14	3B4518	LOCKWASHER-----	4
15	4F7391	SEAL-----	1
C 16	S1571	BOLT-----	4
17	3B4506	LOCKWASHER-----	6
18	8J1769	MANIFOLD ASSEM.-----	1
19	2K1285	CONNECTION-----	1
20	S1594	BOLT-----	2
	1D4717	NUT-----	2

21	8J1778	CYLINDER ASSEM.-----	1
22	1J2675	BLOCK-----	1
23	2K4507	BEARING-----	1
24	1P4577	FLANGE-----	2
25	S1588	BOLT-----	4
26	5H4019	COVER-----	1
C 27	5M2894	WASHER-----	4
C 28	4J520	SEAL-----	1

C INDICATES CHANGE

228958



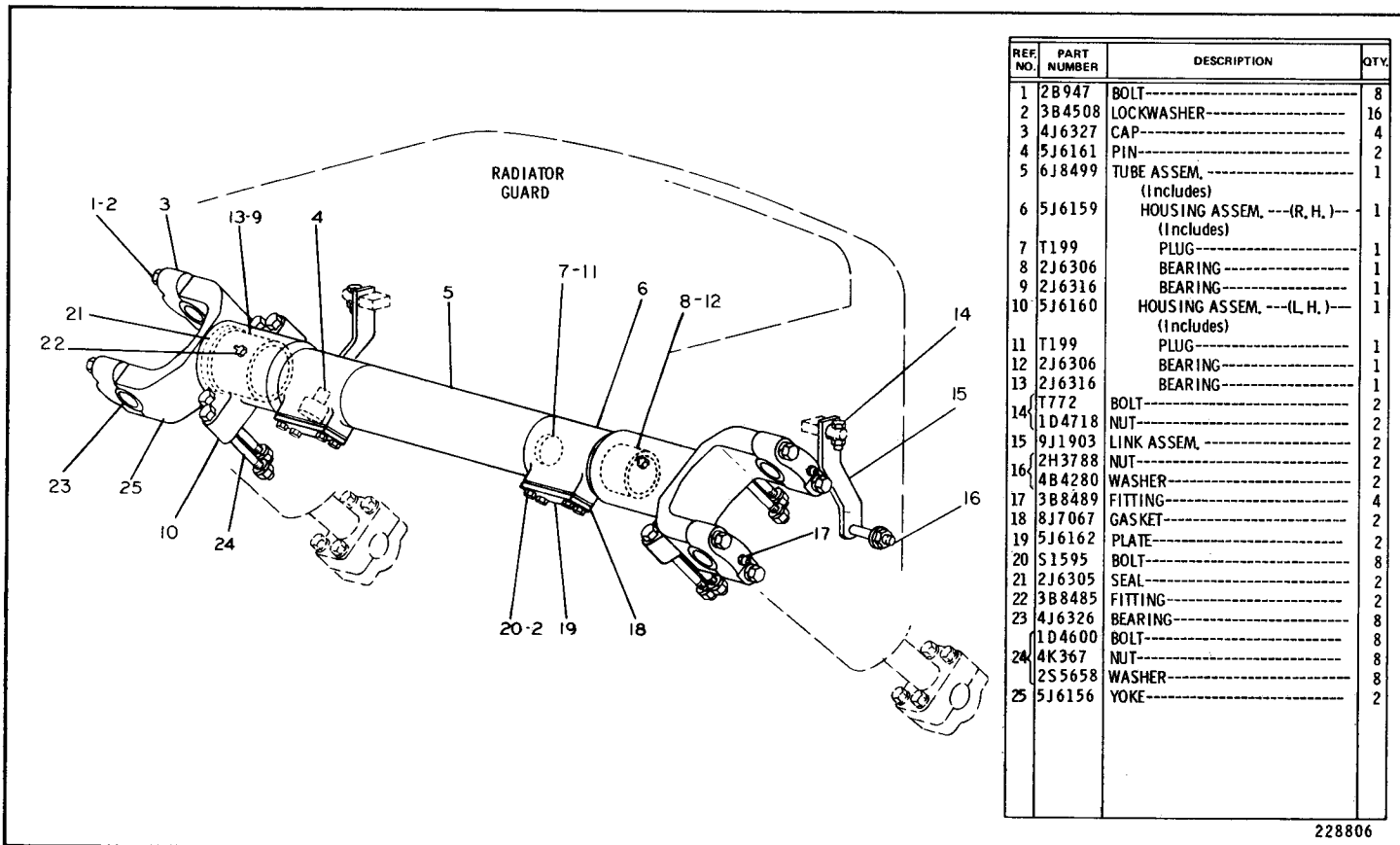
REF. NO.	PART NUMBER	DESCRIPTION	QTY.
C 1	9J2007	PISTON ASSEM.----- (Includes)	1
2	9J2009	PLUNGER-----	1
	5J5402	SEAL ASSEM.----- (Includes)	1
3	5J5400	SEAL-----	1
4	9J2008	PLUNGER-----	1
5	8J9282	SPACER-----	2
6	9J2010	INSERT-----	2
C 7	5P1839	BOLT-----	1
7	8J4359	WASHER-----	1
8	1M1571	RING-----	1
9	7J8298	CYLINDER ASSEM.----- (Includes)	1
C 10	4T421	TRUNNION ASSEM.----- (Includes)	1
10	4J6374	BEARING-----	2
C 11	8J5912	SETSCREW-----	1
12	7J6461	CROWN-----	1
13	7J8294	ROD ASSEM.-----	1
14	1K6982	SEAL-----	1
15	5J964	SEAL-----	1
16	2K6830	RING-----	1
17	1H8128	SEAL-----	1
18	5J3620	SEAL-----	1
19	7J8295	HEAD-----	1
C 20	3J6559	CAP-----	1
C 20	3J6572	SHIM-----	12
C 21	3B2968	BOLT-----	4
C 21	5P8248	WASHER-----	4

C INDICATES CHANGE

179564

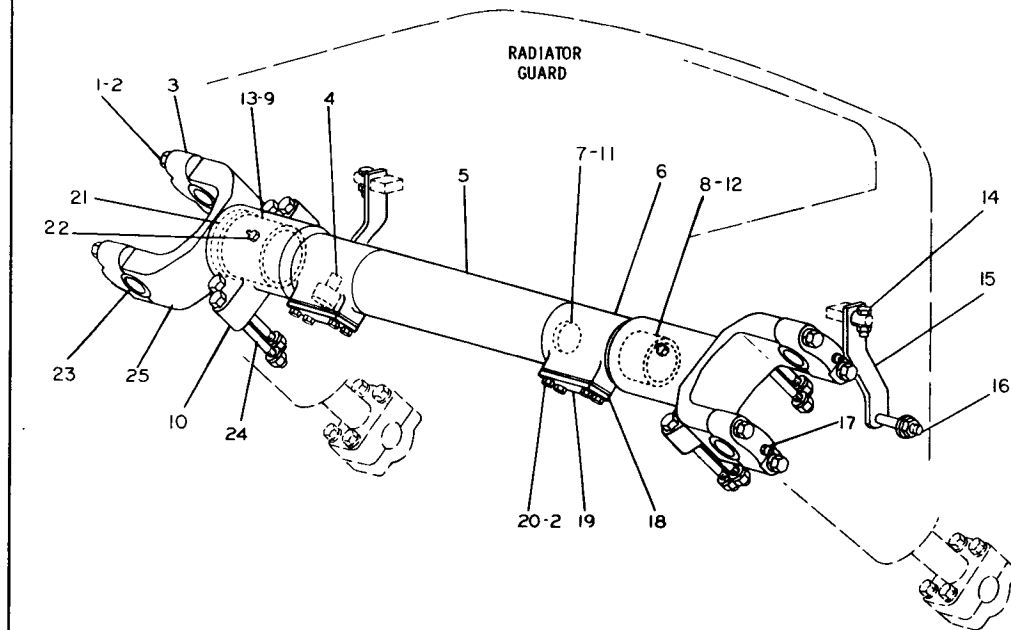
7J8299 HYDRAULIC CYLINDER GROUP—76 mm (4 in.) Bore x 838 mm (34 in.) Stroke—2 Required
Part of 8J3472 & 8J4757 Bulldozer Arrangements listed on Page 199
AN ATTACHMENT

8J2895 CYLINDER MOUNTING GROUP—Type 1
Part of 8J3459, 8J3462 & 8J3472 Bulldozer Arrangements listed on Pages 198 & 199
AN ATTACHMENT



REF NO.	PART NUMBER	DESCRIPTION	QTY.
1	2B947	BOLT-----	8
2	3B4508	LOCKWASHER-----	16
3	4J6327	CAP-----	4
4	5J6161	PIN-----	2
5	6J8499	TUBE ASSEM.-----	1
		(Includes)	
6	5J6159	HOUSING ASSEM. --- (R, H.) ---	1
		(Includes)	
7	T199	PLUG-----	1
8	2J6306	BEARING-----	1
9	2J6316	BEARING-----	1
10	5J6160	HOUSING ASSEM. --- (L, H.) ---	1
		(Includes)	
11	T199	PLUG-----	1
12	2J6306	BEARING-----	1
13	2J6316	BEARING-----	1
14	T772	BOLT-----	2
	1D4718	NUT-----	2
15	9J1903	LINK ASSEM.-----	2
	2H3788	NUT-----	2
16	4B4280	WASHER-----	2
17	3B8489	FITTING-----	4
18	8J7067	GASKET-----	2
19	5J6162	PLATE-----	2
20	S1595	BOLT-----	8
21	2J6305	SEAL-----	2
22	3B8485	FITTING-----	2
23	4J6326	BEARING-----	8
	1D4600	BOLT-----	8
24	4K367	NUT-----	8
	2S5658	WASHER-----	8
25	5J6156	YOKE-----	2

228806



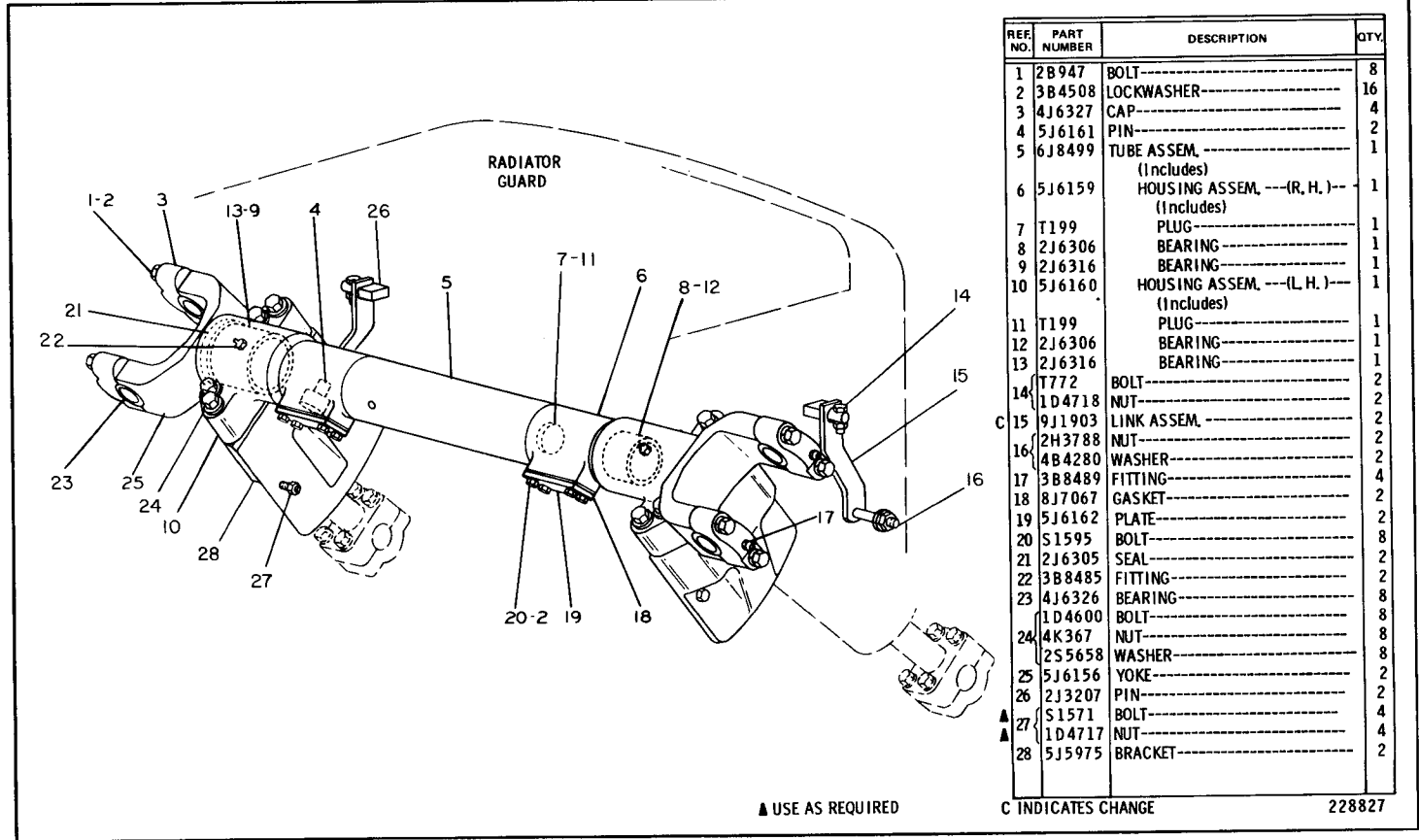
REF. NO.	PART NUMBER	DESCRIPTION	QTY.
1	2B947	BOLT-----	8
2	3B4508	LOCKWASHER-----	16
3	4J6327	CAP-----	4
4	5J6161	PIN-----	2
5	6J8499	TUBE ASSEM.-----	1
6	5J6159	HOUSING ASSEM. --- (R, H.) --- (Includes)	1
7	T199	PLUG-----	1
8	2J6306	BEARING-----	1
9	2J6316	BEARING-----	1
10	5J6160	HOUSING ASSEM. --- (L, H.) --- (Includes)	1
11	T199	PLUG-----	1
12	2J6306	BEARING-----	1
13	2J6316	BEARING-----	1
14	T772	BOLT-----	2
14	1D4718	NUT-----	2
15	9J1903	LINK ASSEM.-----	2
16	2H3788	NUT-----	2
16	4B4280	WASHER-----	2
17	3B8489	FITTING-----	4
18	8J7067	GASKET-----	2
19	5J6162	PLATE-----	2
20	S1595	BOLT-----	8
21	2J6305	SEAL-----	2
22	3B8485	FITTING-----	2
23	4J6326	BEARING-----	4
24	1D4600	BOLT-----	8
24	4K367	NUT-----	8
25	2S5658	WASHER-----	8
25	5J6156	YOKE-----	2

C INDICATES CHANGE

234083

8J2895 CYLINDER MOUNTING GROUP—Type 2
 Part of 8J3459, 8J3462 & 8J3472 Bulldozer Arrangements listed on Pages 198 & 199
 AN ATTACHMENT

8J8500 CYLINDER MOUNTING GROUP—Type 1
Part of 8J3460, 8J3463 & 8J4757 Bulldozer Arrangements listed on Pages 198 & 199
AN ATTACHMENT



REF. NO.	PART NUMBER	DESCRIPTION	QTY.
1	2B947	BOLT-----	8
2	3B4508	LOCKWASHER-----	16
3	4J6327	CAP-----	4
4	5J6161	PIN-----	2
5	6J8499	TUBE ASSEM.-----	1
		(Includes)	
6	5J6159	HOUSING ASSEM. --- (R. H.) ---	1
		(Includes)	
7	T199	PLUG-----	1
8	2J6306	BEARING-----	1
9	2J6316	BEARING-----	1
10	5J6160	HOUSING ASSEM. --- (L. H.) ---	1
		(Includes)	
11	T199	PLUG-----	1
12	2J6306	BEARING-----	1
13	2J6316	BEARING-----	1
14	T772	BOLT-----	2
	1D4718	NUT-----	2
C 15	9J1903	LINK ASSEM.-----	2
	2H3788	NUT-----	2
16	4B4280	WASHER-----	2
17	3B8489	FITTING-----	4
18	8J7067	GASKET-----	2
19	5J6162	PLATE-----	2
20	S1595	BOLT-----	8
21	2J6305	SEAL-----	2
22	3B8485	FITTING-----	2
23	4J6326	BEARING-----	8
	1D4600	BOLT-----	8
24	4K367	NUT-----	8
	2S5658	WASHER-----	8
25	5J6156	YOKE-----	2
26	2J3207	PIN-----	2
27	S1571	BOLT-----	4
▲ 27	1D4717	NUT-----	4
▲ 28	5J5975	BRACKET-----	2

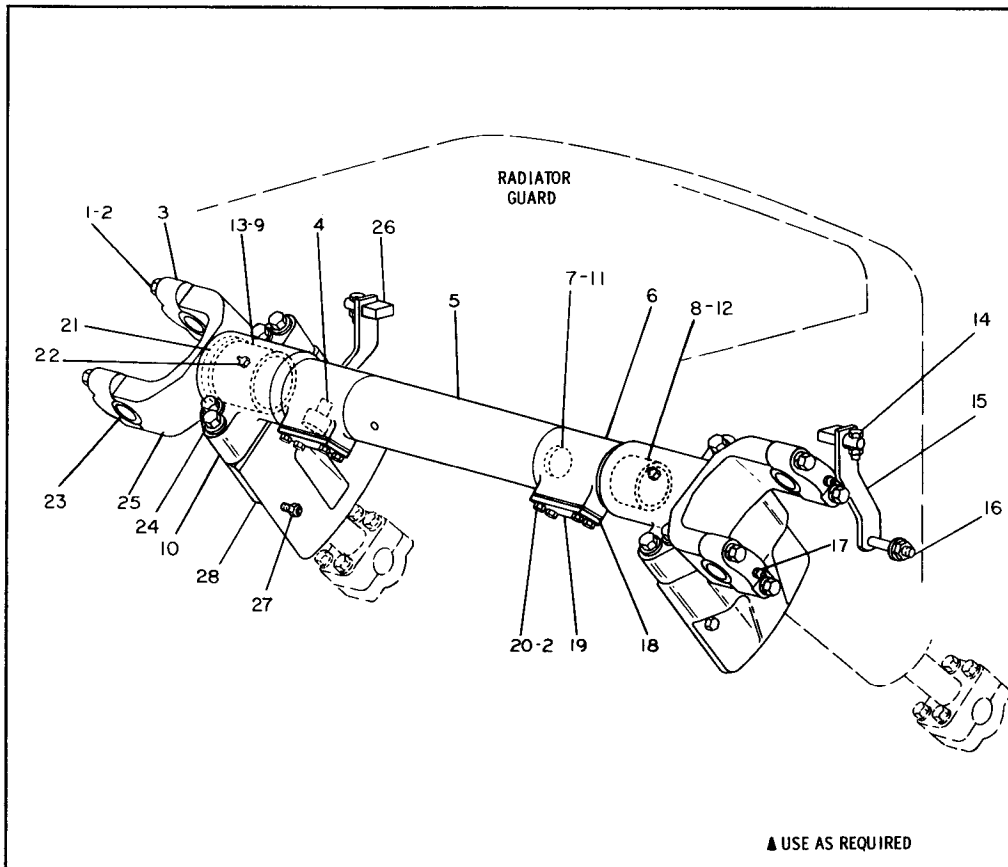
▲ USE AS REQUIRED

C INDICATES CHANGE

228827

HYDRAULIC SYSTEM

1938



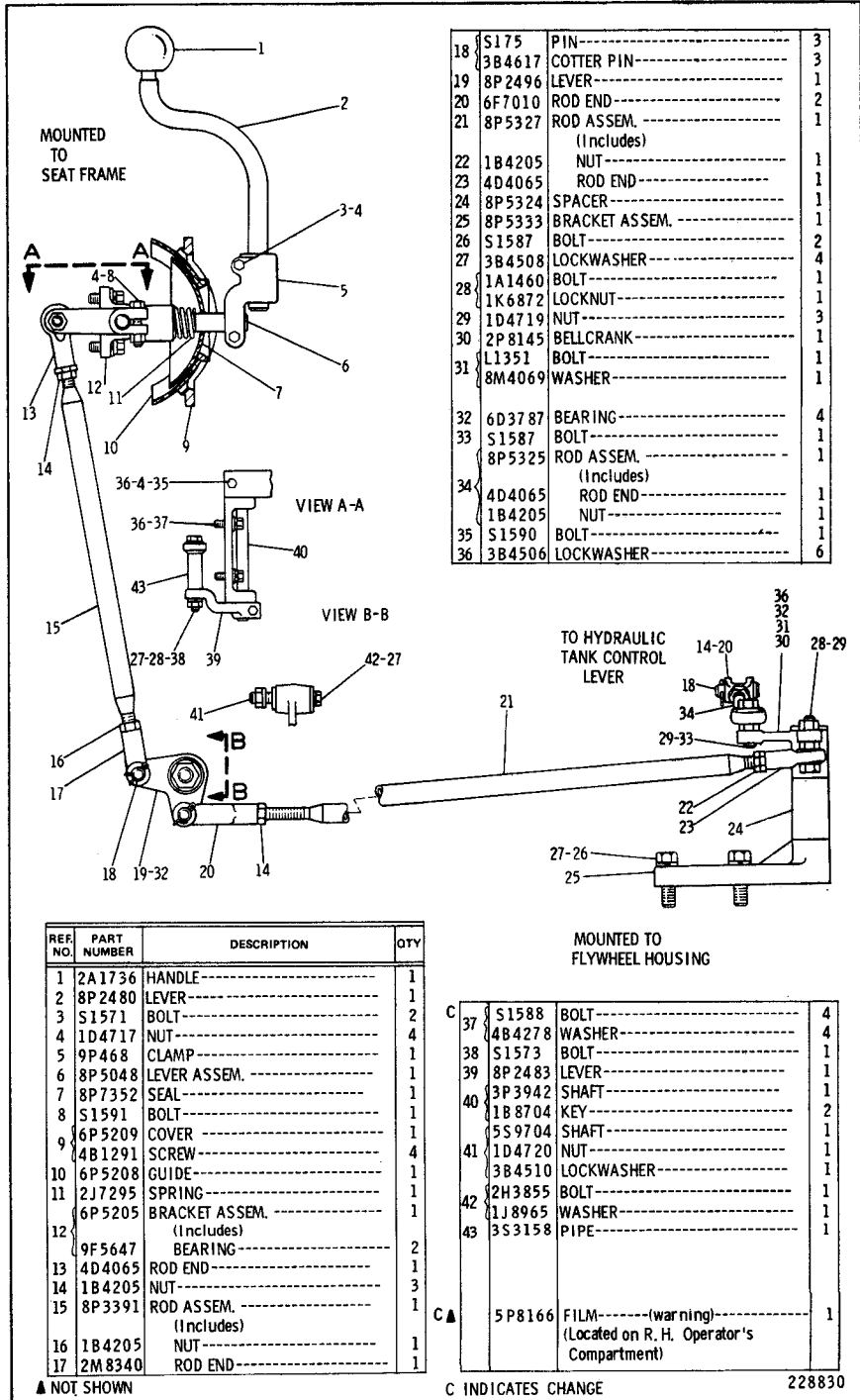
REF. NO.	PART NUMBER	DESCRIPTION	QTY.
1	2B947	BOLT-----	8
2	3B4508	LOCKWASHER-----	16
3	4J6327	CAP-----	4
4	5J6161	PIN-----	2
5	6J8499	TUBE ASSEM.-----	1
6	5J6159	(Includes) HOUSING ASSEM. --- (R, H.)--	1
7	T199	PLUG-----	1
8	2J6306	BEARING-----	1
9	2J6316	BEARING-----	1
10	5J6160	(Includes) HOUSING ASSEM. --- (L, H.)--	1
11	T199	PLUG-----	1
12	2J6306	BEARING-----	1
13	2J6316	BEARING-----	1
14	T772	BOLT-----	2
14	1D4718	NUT-----	2
15	9J1903	LINK ASSEM.-----	2
16	2H3788	NUT-----	2
16	4B4280	WASHER-----	2
17	3B8489	FITTING-----	4
18	8J7067	GASKET-----	2
19	5J6162	PLATE-----	2
20	S1595	BOLT-----	8
21	2J6305	SEAL-----	2
22	3B8485	FITTING-----	2
23	4J6326	BEARING-----	4
24	1D4600	BOLT-----	8
24	4K367	NUT-----	8
24	2S5658	WASHER-----	8
25	5J6156	YOKE-----	2
26	2J3207	PIN-----	2
▲ 27	S1571	BOLT-----	4
▲ 27	1D4717	NUT-----	4
28	5J5975	BRACKET-----	2

▲ USE AS REQUIRED

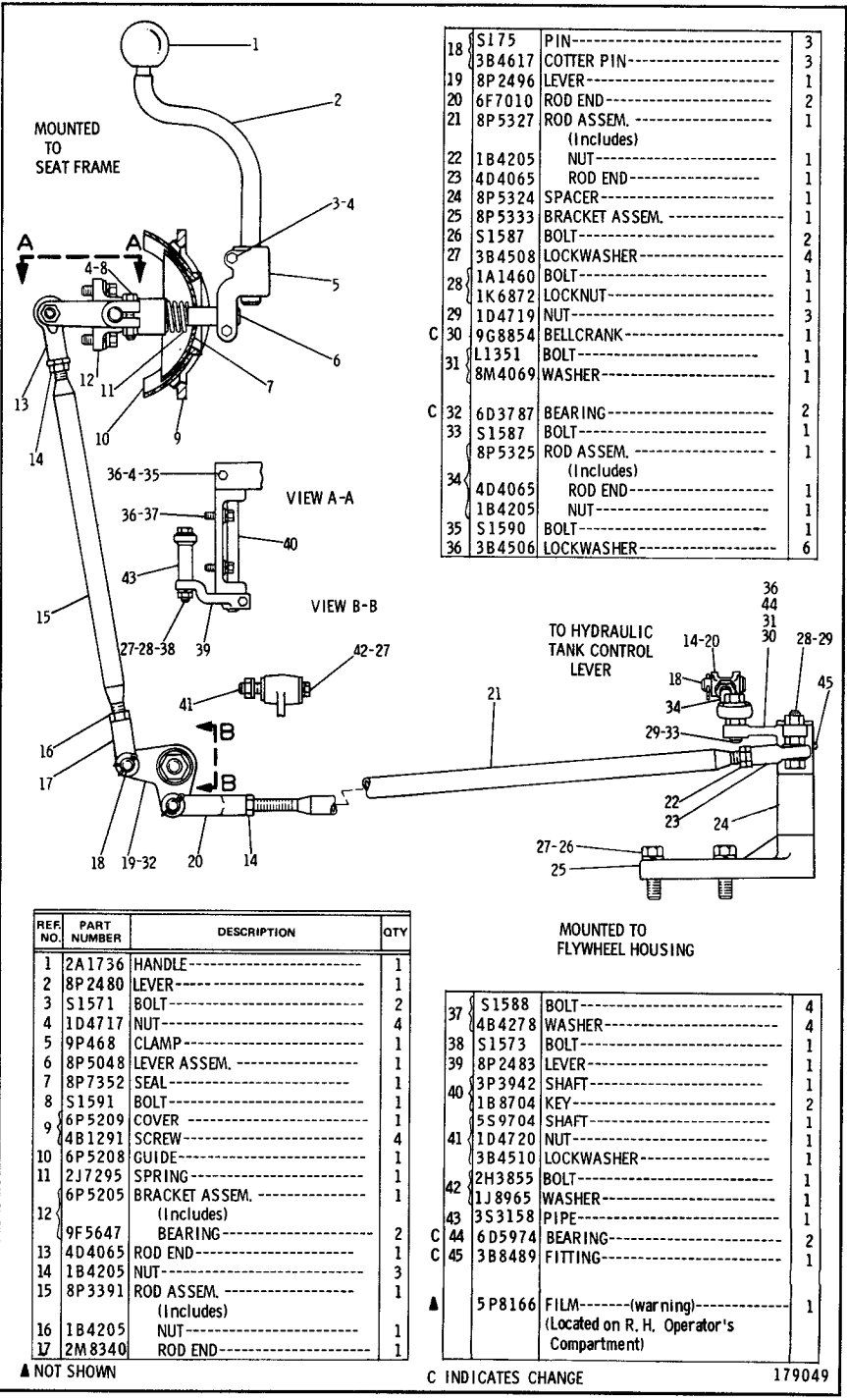
C INDICATES CHANGE

179565

8J8500 CYLINDER MOUNTING GROUP—Type 2
 Part of 8J3460, 8J3463 & 8J4757 Bulldozer Arrangements listed on Pages 198 & 199
 AN ATTACHMENT



8P5721 IMPLEMENT LINKAGE GROUP—Type 1
Part of 8P3070 & 8P3072 Hydraulic Control Arrangements listed on Page 162
AN ATTACHMENT



18	S175	PIN-----	3
	3B4617	COTTER PIN-----	3
19	8P2496	LEVER-----	1
20	6F7010	ROD END-----	2
21	8P5327	ROD ASSEM.-----	1
		(Includes)	
22	1B4205	NUT-----	1
23	4D4065	ROD END-----	1
24	8P5324	SPACER-----	1
25	8P5333	BRACKET ASSEM.-----	1
26	S1587	BOLT-----	2
27	3B4508	LOCKWASHER-----	4
28	1A1460	BOLT-----	1
	1K6872	LOCKNUT-----	1
29	1D4719	NUT-----	3
C 30	9G8854	BELLCRANK-----	1
31	L1351	BOLT-----	1
	8M4069	WASHER-----	1
C 32	6D3787	BEARING-----	2
33	S1587	BOLT-----	1
	8P5325	ROD ASSEM.-----	1
		(Includes)	
34	4D4065	ROD END-----	1
	1B4205	NUT-----	1
35	S1590	BOLT-----	1
36	3B4506	LOCKWASHER-----	6

REF. NO.	PART NUMBER	DESCRIPTION	QTY
1	2A1736	HANDLE-----	1
2	8P2480	LEVER-----	1
3	S1571	BOLT-----	2
4	1D4717	NUT-----	4
5	9P468	CLAMP-----	1
6	8P5048	LEVER ASSEM.-----	1
7	8P7352	SEAL-----	1
8	S1591	BOLT-----	1
9	6P5209	COVER-----	1
	4B1291	SCREW-----	4
10	6P5208	GUIDE-----	1
11	2J7295	SPRING-----	1
	6P5205	BRACKET ASSEM.-----	1
12		(Includes)	
	9F5647	BEARING-----	2
13	4D4065	ROD END-----	1
14	1B4205	NUT-----	3
15	8P3391	ROD ASSEM.-----	1
		(Includes)	
16	1B4205	NUT-----	1
17	2M8340	ROD END-----	1

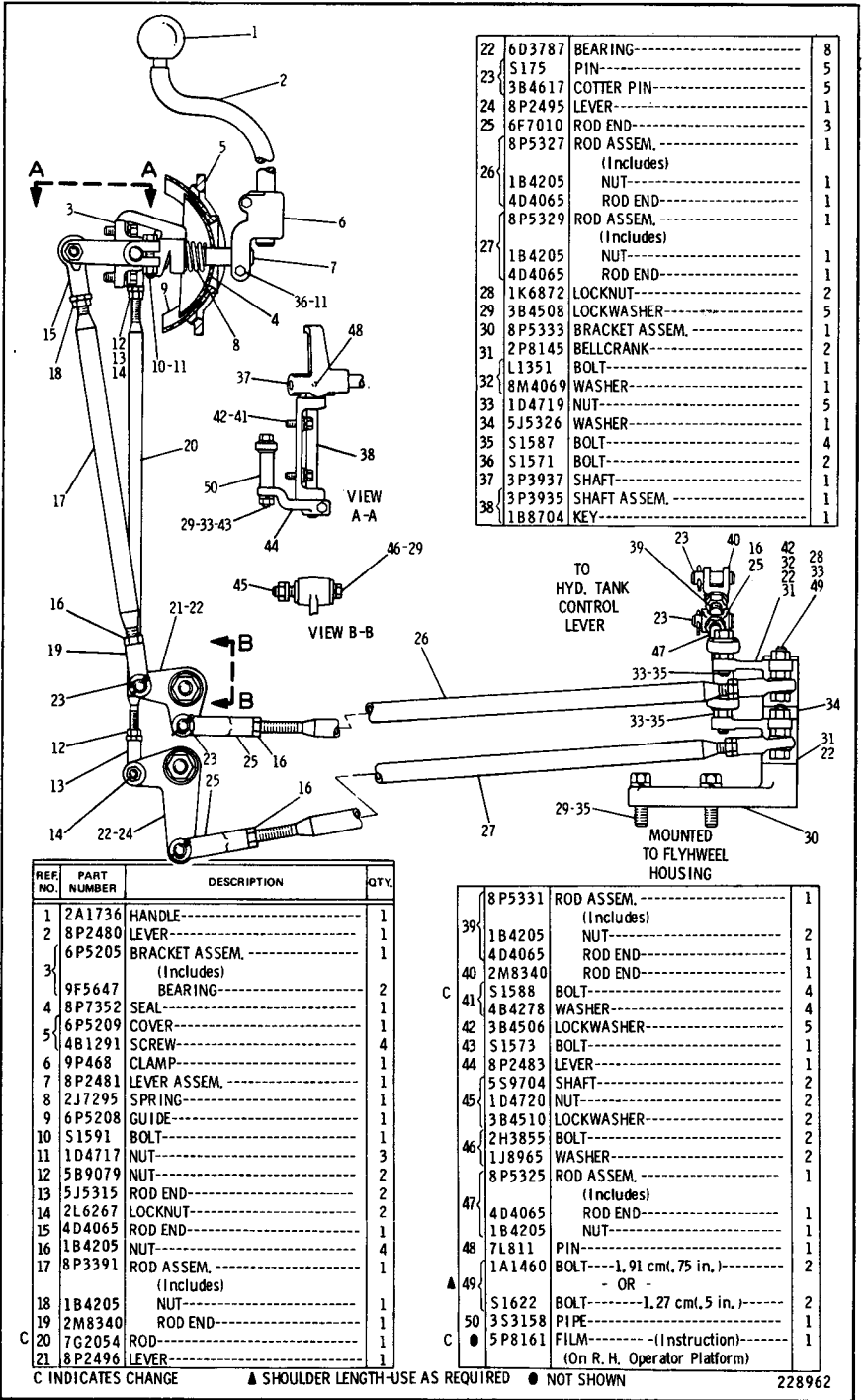
37	S1588	BOLT-----	4
	4B4278	WASHER-----	4
38	S1573	BOLT-----	1
39	8P2483	LEVER-----	1
40	3P3942	SHAFT-----	1
	1B8704	KEY-----	2
	5S9704	SHAFT-----	1
41	1D4720	NUT-----	1
	3B4510	LOCKWASHER-----	1
42	2H3855	BOLT-----	1
	1J8965	WASHER-----	1
43	3S3158	PIPE-----	1
C 44	6D5974	BEARING-----	2
C 45	3B8489	FITTING-----	1
▲	5P8166	FILM----- (warning) (Located on R. H. Operator's Compartment)	1

▲ NOT SHOWN

C INDICATES CHANGE

179049

8P5721 IMPLEMENT LINKAGE GROUP—Type 2
 Part of 8P3070 & 8P3072 Hydraulic Control Arrangements listed on Page 162
 AN ATTACHMENT



22	6D3787	BEARING-----	8
	5175	PIN-----	5
23	3B4617	COTTER PIN-----	5
24	8P2495	LEVER-----	1
25	6F7010	ROD END-----	3
	8P5327	ROD ASSEM.-----	1
		(Includes)	
26	1B4205	NUT-----	1
	4D4065	ROD END-----	1
	8P5329	ROD ASSEM.-----	1
		(Includes)	
27	1B4205	NUT-----	1
	4D4065	ROD END-----	1
28	1K6872	LOCKNUT-----	2
29	3B4508	LOCKWASHER-----	5
30	8P5333	BRACKET ASSEM.-----	1
31	2P8145	BELLCRANK-----	2
	11351	BOLT-----	1
32	8M4069	WASHER-----	1
33	1D4719	NUT-----	5
34	5J5326	WASHER-----	1
35	S1587	BOLT-----	4
36	S1571	BOLT-----	2
37	3P3937	SHAFT-----	1
38	3P3935	SHAFT ASSEM.-----	1
	1B8704	KEY-----	1

REF. NO.	PART NUMBER	DESCRIPTION	QTY.
1	2A1736	HANDLE-----	1
2	8P2480	LEVER-----	1
3	6P5205	BRACKET ASSEM.-----	1
		(Includes)	
4	9F5647	BEARING-----	2
4	8P7352	SEAL-----	1
5	6P5209	COVER-----	1
	481291	SCREW-----	4
6	9P468	CLAMP-----	1
7	8P2481	LEVER ASSEM.-----	1
8	2J7295	SPRING-----	1
9	6P5208	GUIDE-----	1
10	S1591	BOLT-----	1
11	1D4717	NUT-----	3
12	5B9079	NUT-----	2
13	5J5315	ROD END-----	2
14	2L6267	LOCKNUT-----	2
15	4D4065	ROD END-----	1
16	1B4205	NUT-----	4
17	8P3391	ROD ASSEM.-----	1
		(Includes)	
18	1B4205	NUT-----	1
19	2M8340	ROD END-----	1
20	7G2054	ROD-----	1
21	8P2496	LEVER-----	1

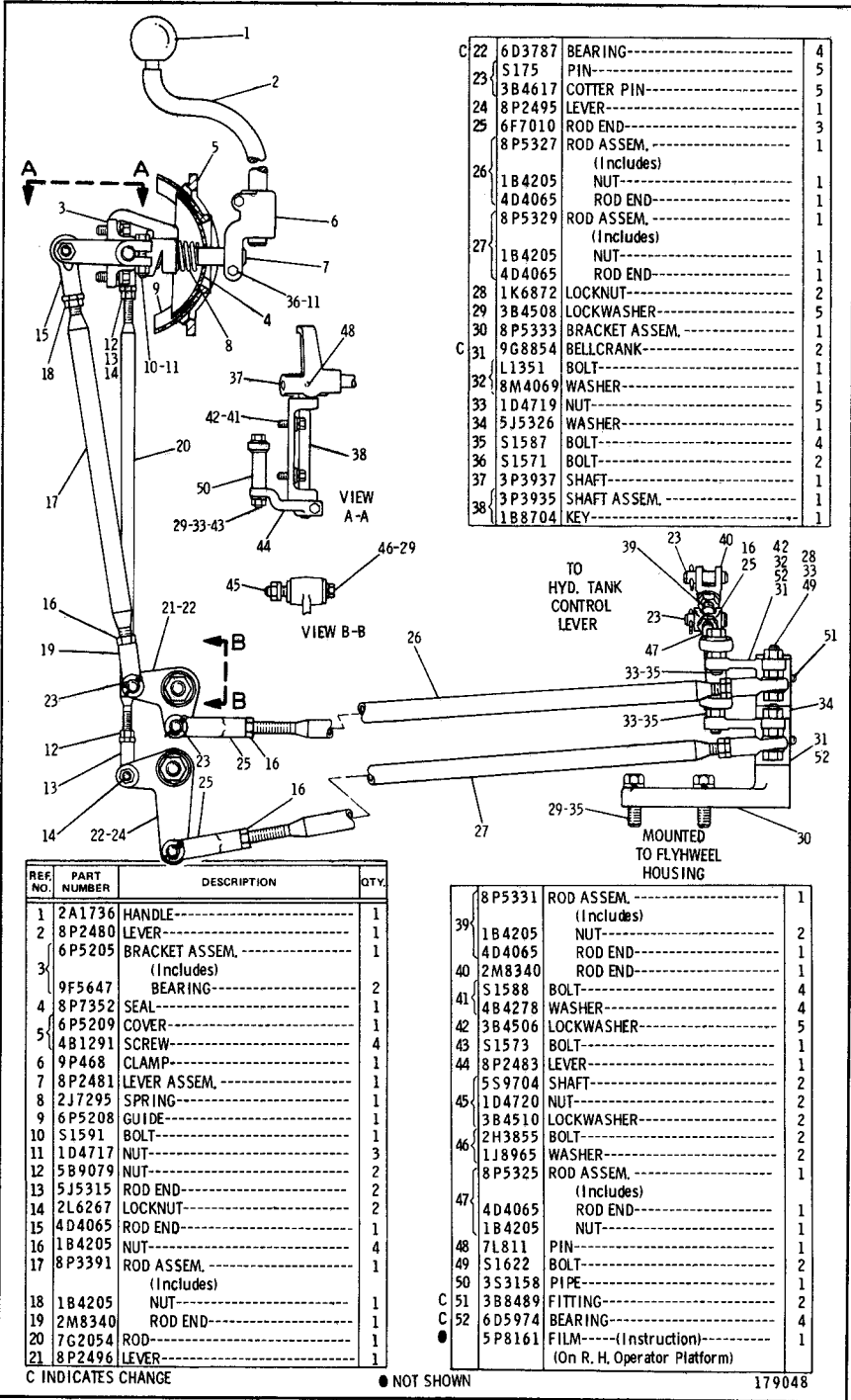
	8P5331	ROD ASSEM.-----	1
		(Includes)	
39	1B4205	NUT-----	2
	4D4065	ROD END-----	1
40	2M8340	ROD END-----	1
	S1588	BOLT-----	4
41	4B4278	WASHER-----	4
42	3B4506	LOCKWASHER-----	5
43	S1573	BOLT-----	1
44	8P2483	LEVER-----	1
	5S9704	SHAFT-----	2
45	1D4720	NUT-----	2
	3B4510	LOCKWASHER-----	2
46	2H3855	BOLT-----	2
	1J8965	WASHER-----	2
	8P5325	ROD ASSEM.-----	1
		(Includes)	
47	4D4065	ROD END-----	1
	1B4205	NUT-----	1
48	7L811	PIN-----	1
	1A1460	BOLT-----1.91 cm(.75 in.)-----	2
		- OR -	
49	S1622	BOLT-----1.27 cm(.5 in.)-----	2
50	3S3158	PIPE-----	1
51	5P8161	FILM----- (Instruction)-----	1
		(On R. H. Operator Platform)	

C INDICATES CHANGE

▲ SHOULDER LENGTH-USE AS REQUIRED ● NOT SHOWN

228962

8P5892 IMPLEMENT LINKAGE GROUP—Type 1
 Part of 8P3071 & 8P3073 Hydraulic Control Arrangements listed on Page 162
AN ATTACHMENT



C 22	6D3787	BEARING-----	4
	S175	PIN-----	5
23	3B4617	COTTER PIN-----	5
	8P2495	LEVER-----	1
24	8P2495	LEVER-----	1
25	6F7010	ROD END-----	3
	8P5327	ROD ASSEM.-----	1
		(Includes)	
	1B4205	NUT-----	1
26	4D4065	ROD END-----	1
	8P5329	ROD ASSEM.-----	1
		(Includes)	
	1B4205	NUT-----	1
	4D4065	ROD END-----	1
27	1B4205	NUT-----	1
	4D4065	ROD END-----	1
28	1K6872	LOCKNUT-----	2
29	3B4508	LOCKWASHER-----	5
30	8P5333	BRACKET ASSEM.-----	1
31	9G8854	BELLCRANK-----	2
C	L1351	BOLT-----	1
32	8M4069	WASHER-----	1
	1D4719	NUT-----	5
34	5J5326	WASHER-----	1
35	S1587	BOLT-----	4
36	S1571	BOLT-----	2
37	3P3937	SHAFT-----	1
	3P3935	SHAFT ASSEM.-----	1
38	1B8704	KEY-----	1

REF. NO.	PART NUMBER	DESCRIPTION	QTY.
1	2A1736	HANDLE-----	1
2	8P2480	LEVER-----	1
3	6P5205	BRACKET ASSEM.-----	1
		(Includes)	
	9F5647	BEARING-----	2
4	8P7352	SEAL-----	1
5	6P5209	COVER-----	1
	4B1291	SCREW-----	4
6	9P468	CLAMP-----	1
7	8P2481	LEVER ASSEM.-----	1
8	2J7295	SPRING-----	1
9	6P5208	GUIDE-----	1
10	S1591	BOLT-----	1
11	1D4717	NUT-----	3
12	5B9079	NUT-----	2
13	5J5315	ROD END-----	2
14	2L6267	LOCKNUT-----	2
15	4D4065	ROD END-----	1
16	1B4205	NUT-----	4
17	8P3391	ROD ASSEM.-----	1
		(Includes)	
	1B4205	NUT-----	1
19	2M8340	ROD END-----	1
20	7G2054	ROD-----	1
21	8P2496	LEVER-----	1

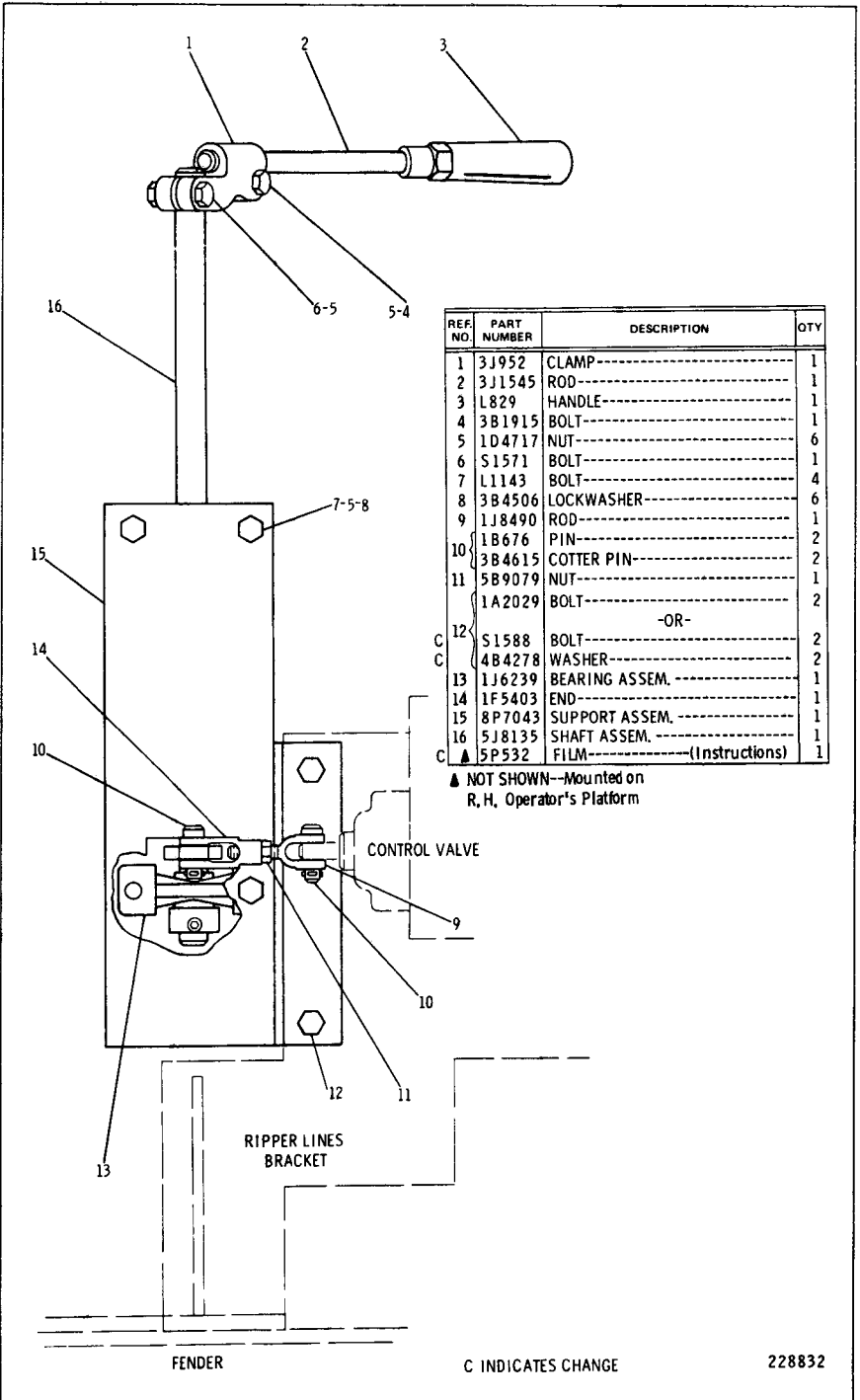
	8P5331	ROD ASSEM.-----	1
		(Includes)	
	1B4205	NUT-----	2
	4D4065	ROD END-----	1
40	2M8340	ROD END-----	1
	S1588	BOLT-----	4
41	4B4278	WASHER-----	4
42	3B4506	LOCKWASHER-----	5
43	S1573	BOLT-----	1
44	8P2483	LEVER-----	1
	5S9704	SHAFT-----	2
45	1D4720	NUT-----	2
	3B4510	LOCKWASHER-----	2
	2H3855	BOLT-----	2
46	1L8965	WASHER-----	2
	8P5325	ROD ASSEM.-----	1
		(Includes)	
	4D4065	ROD END-----	1
	1B4205	NUT-----	1
48	7L811	PIN-----	1
49	S1622	BOLT-----	2
50	3S3158	PIPE-----	1
C 51	3B8489	FITTING-----	2
C 52	6D5974	BEARING-----	4
	5P8161	FILM----- (Instruction)	1
		(On R. H. Operator Platform)	

C INDICATES CHANGE

● NOT SHOWN

179048

8P5692 IMPLEMENT LINKAGE GROUP—Type 2
 Part of 8P3071 & 8P3073 Hydraulic Control Arrangements listed on Page 162
AN ATTACHMENT



8P5040 IMPLEMENT LINKAGE GROUP
 Part of 8P3072 & 8P3073 Hydraulic Control Arrangements listed on Page 162
 AN ATTACHMENT

8J3459 BULLDOZER ARRANGEMENT--STRAIGHT--FOR 60 IN. GAUGE

CONSISTS OF:		PAGE
1	7J1740 BULLDOZER ARRANGEMENT--STRAIGHT	200
2	7J8302 CYLINDER GROUP	189
1	2P6055 BULLDOZER LINES GROUP	183
1	8J2895 CYLINDER MOUNTING GROUP	193
1	8J2896 RADIATOR GUARD ASSEMBLY	140

8J3460 BULLDOZER ARRANGEMENT--STRAIGHT--FOR 60 IN. GAUGE
FIELD INSTALLATION

CONSISTS OF:		PAGE
1	7J1740 BULLDOZER ARRANGEMENT--STRAIGHT	200
2	7J8302 CYLINDER GROUP	189
1	2P6055 BULLDOZER LINES GROUP	183
1	6J8500 CYLINDER MOUNTING GROUP	194

8J3462 BULLDOZER ARRANGEMENT--STRAIGHT--FOR 74 IN. GAUGE

CONSISTS OF:		PAGE
1	3G7900 BULLDOZER ARRANGEMENT--STRAIGHT	200
2	7J8302 CYLINDER GROUP	189
1	2P6055 BULLDOZER LINES GROUP	183
1	8J2895 CYLINDER MOUNTING GROUP	193
1	8J2896 RADIATOR GUARD ASSEMBLY	140

8J3463 BULLDOZER ARRANGEMENT--STRAIGHT--FOR 74 IN. GAUGE
FIELD INSTALLATION

CONSISTS OF:			PAGE
1	3G7900	BULLDOZER ARRANGEMENT--STRAIGHT	200
2	7J8302	CYLINDER GROUP	189
1	2P6055	BULLDOZER LINES GROUP	183
1	6J8500	CYLINDER MOUNTING GROUP	194

8J3472 BULLDOZER ARRANGEMENT--ANGLING

CONSISTS OF:			PAGE
1	7J1749	BULLDOZER ARRANGEMENT--ANGLING	201
2	7J8299	CYLINDER GROUP	192
1	2P6743	BULLDOZER LINES GROUP	182
1	8J2895	CYLINDER MOUNTING GROUP	193
1	8J2896	RADIATOR GUARD ASSEMBLY	140

8J4757 BULLDOZER ARRANGEMENT--ANGLING
FIELD INSTALLATION

CONSISTS OF:			PAGE
1	7J1749	BULLDOZER ARRANGEMENT--ANGLING	201
2	7J8299	CYLINDER GROUP	192
1	2P6743	BULLDOZER LINES GROUP	182
1	6J8500	CYLINDER MOUNTING GROUP	194

CONSISTS OF:

PAGE

1	6J618	BLADE GROUP	202
1	8F6371	PUSH ARM AND BRACE GROUP	207
1	5J7267	TRUNNION GROUP	209

7J1740 BULLDOZER ARRANGEMENT—Straight—For 60 in. Gauge
5S Bulldozer Serial No. 90H1396—Up
Part of 8J3459 & 8J3460 Bulldozer Arrangements listed on Page 198

CONSISTS OF:

PAGE

1	3G6202	BLADE GROUP	203
1	3G7899	PUSH ARM AND BRACE GROUP	208
1	5J7267	TRUNNION GROUP	209

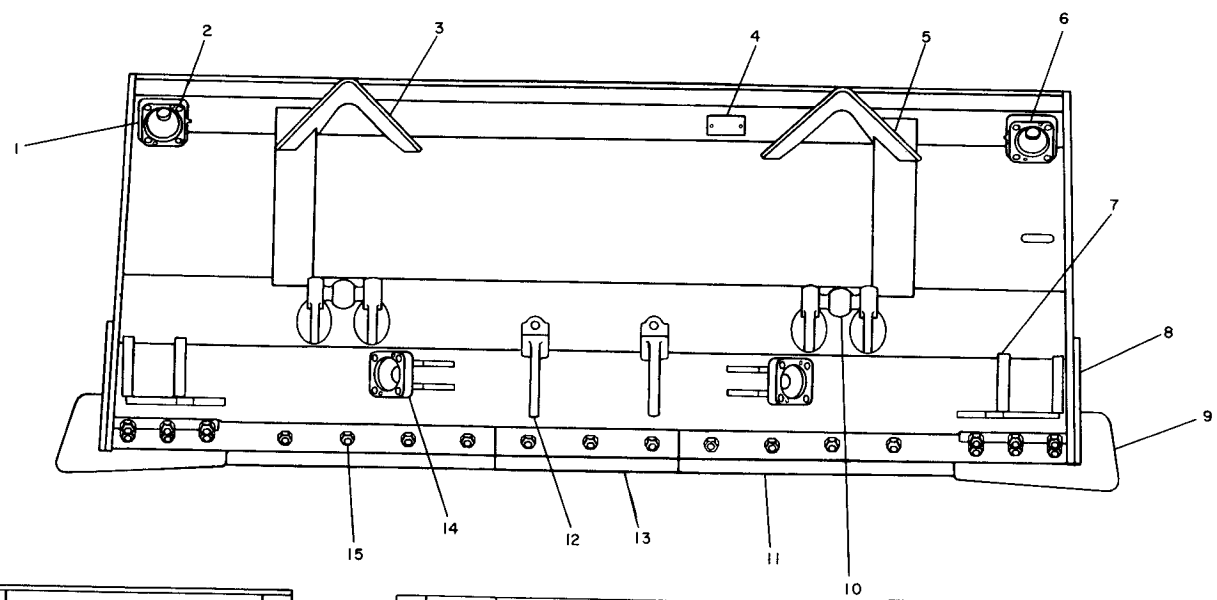
3G7900 BULLDOZER ARRANGEMENT—Straight—For 74 in. Gauge
5S Bulldozer Serial No. 92H5553—Up
Part of 8J3462 & 8J3463 Bulldozer Arrangements listed on Pages 198 & 199

CONSISTS OF:			PAGE
1	8F6373	BRACE GROUP	206
1	6J679	C FRAME GROUP	205
1	5J7267	TRUNNION GROUP	209
1	9J6847	BLADE GROUP--ANGLING	204

7J1749 BULLDOZER ARRANGEMENT—Angling
5A Bulldozer Serial No. 93H5550—Up
Part of 8J3472 & 8J4757 Bulldozer Arrangements listed on Page 199

CONSISTS OF:		
1	4J8261	END BIT--R.H.--FORGED--HEAVY DUTY
1	4J8262	END BIT--L.H.--FORGED--HEAVY DUTY

REPLACEMENT END BITS
5A Bulldozer Serial No. 93H5550—Up



REF. NO.	PART NUMBER	DESCRIPTION	QTY.
1	3F6611	SOCKET-----	2
	3B8489	FITTING-----	2
2	4B1254	SCREW-----	8
3	7J924	DEFLECTOR---(L. H.)---	1
4	5P4020	PLATE-----	1
	4B4159	SCREW-----	2
5	7J923	DEFLECTOR---(R. H.)---	1
6	3F6608	SHIM-----	20

● CONSISTS OF 2 BRACKETS

7	3F6521	BRACKET-----	4
8	4F2503	SHOE----- (R. H.)	1
	4F2504	SHOE----- (L. H.)	1
	3G8321	END BIT---(R. H.)--(standard)	1
	3G8322	END BIT---(L. H.)--(standard)	1
	9F7073	END BIT---(R. H.) - (heavy duty)	1
	9F7074	END BIT---(L. H.) - (heavy duty)	1
	4J3473	BRACKET ASSEM.	2
		(Each Includes)	
	4J2414	TRUNNION-----	1

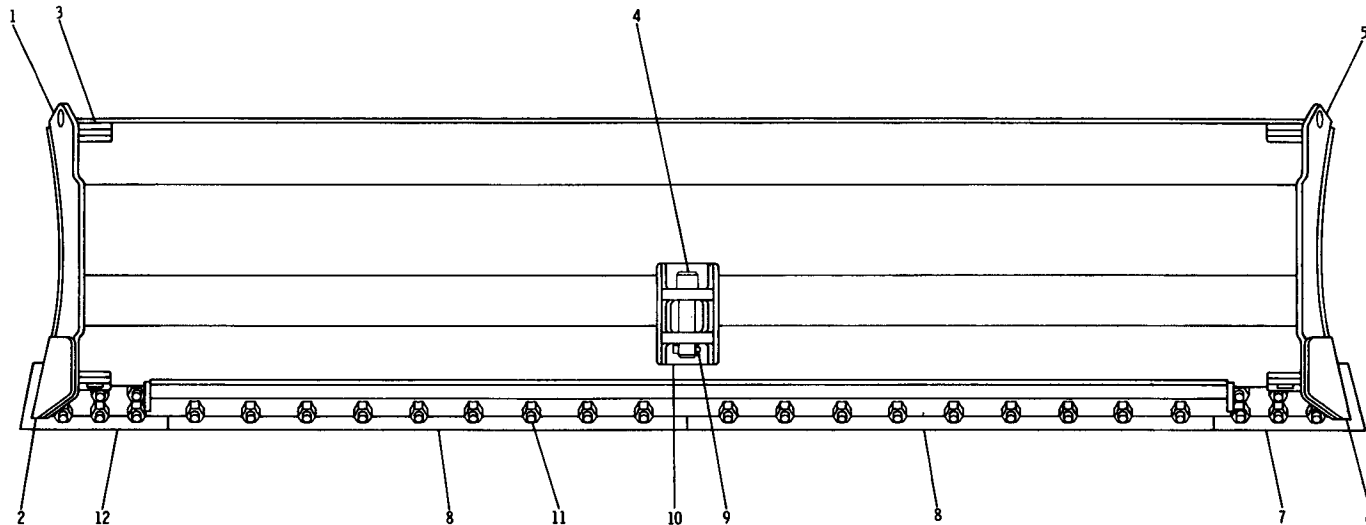
▲ NOT PART OF 6J618 BLADE GROUP

C	11	8J1488	CUTTING EDGE-----	2
●▲	12	7J687	BRACKET GROUP-----	1
C	13	8J1487	CUTTING EDGE-----	1
	14	9F4182	SOCKET ASSEM.	2
	15	3F5108	BOLT-----	23
		4K367	NUT-----	23
		FM055294	FORM---(Instructions for Installing Hitch Bracket)	1

C INDICATES CHANGE

230222

6J618 BLADE GROUP
 5S Bulldozer Serial No. 90H1396—Up for 60 in. Gauge
 Part of 7J1740 Bulldozer Arrangement listed on Page 200
 Note: 1J3108 Moldboard Service Plate is used



REF. NO.	PART NUMBER	DESCRIPTION	QTY.
1	9J7520	PLATE ASSEM. -----(L. H.)----- (Includes)	1
2	9J7524	SHOE-----	1
3	4H6286	BRACKET-----	4
4	5F689	PIN-----	1
5	9J7519	PLATE ASSEM. -----(R. H.)----- (Includes)	1
6	9J7523	SHOE-----	1

C	7	5J6939	END BIT----- (R. H.)-----	1
			-OR-	
	8	3G8297	END BIT----- (R. H. -hot cupped)---	1
		9J6853	EDGE-----	2
		4F255	PIN-----	1
		3B4626	COTTER PIN-----	1
	10	5F733	BRACKET-----	1
		4F7827	BOLT-----	30
	11	2J3506	NUT-----	30

C	C	C	C	12	5J6940	END BIT----- (L. H.)-----	1
						-OR-	
					3G8298	END BIT----- (L. H. -hot cupped)---	1
					5P4020	PLATE-----	1
					4B4159	SCREW-----	2

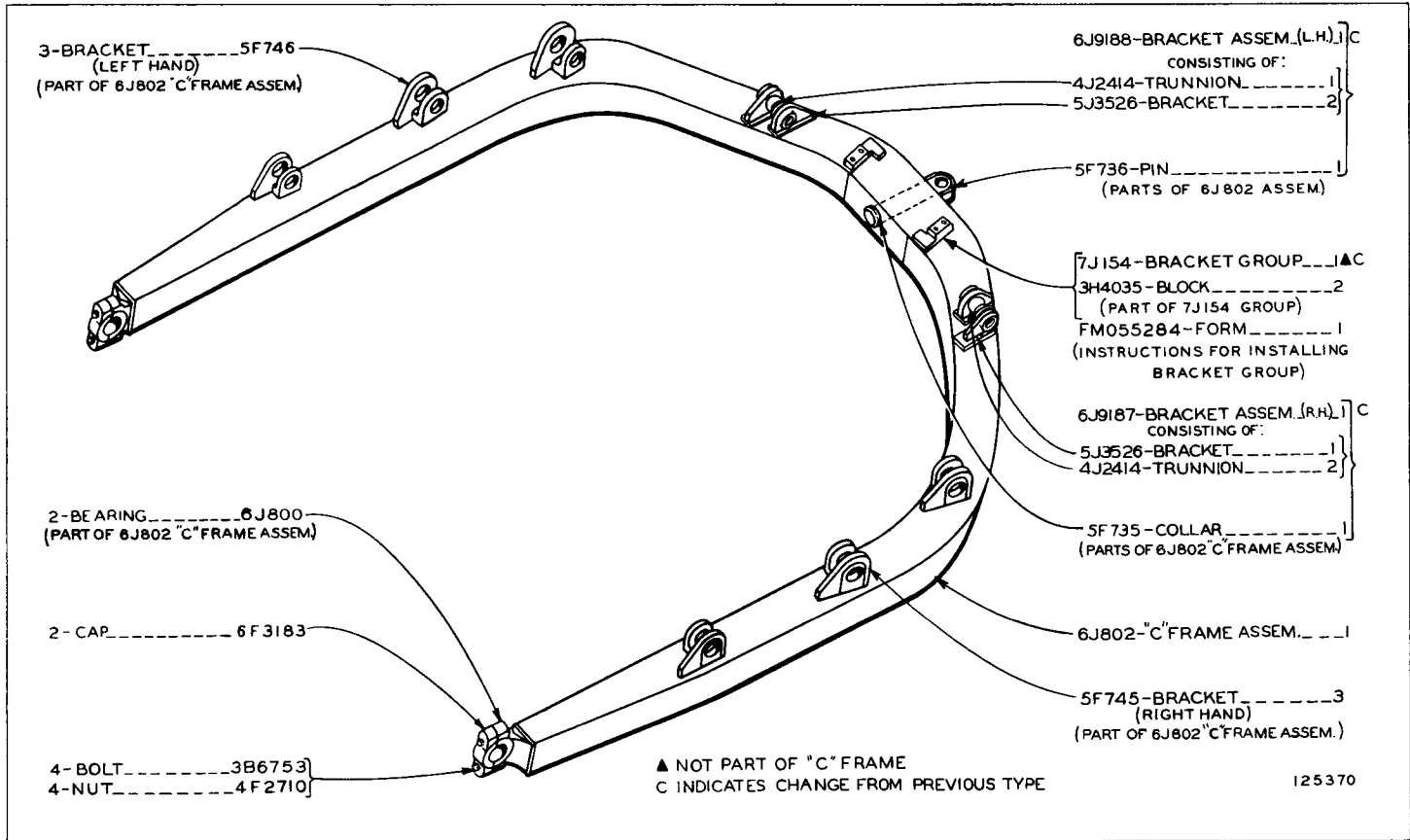
▲ NOT SHOWN-NOT PART OF 9J6847 BLADE GROUP

C INDICATES CHANGE

230223

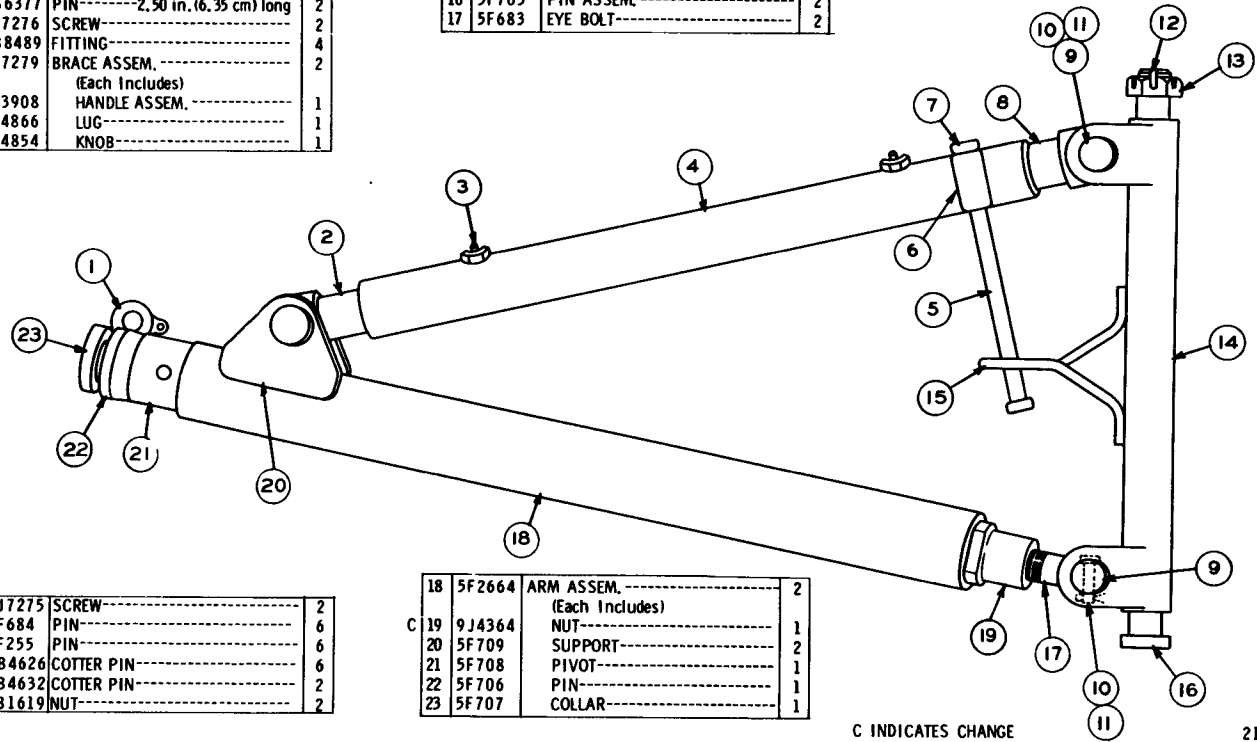
9J6847 BLADE GROUP—Angling
5A Bulldozer Serial No. 93H5550—Up
Part of 7J1749 Bulldozer Arrangement listed on Page 201
Note: 1J3108 Moldboard Service Plate is used

6J679 C FRAME GROUP
5A Bulldozer Serial No. 93H5550—Up
 Part of 7J1749 Bulldozer Arrangement listed on Page 201



REF. NO.	PART NUMBER	DESCRIPTION	QTY
1	4F1252	PIN-----6 in. (15.24 cm) long	2
	8S6377	PIN-----2.50 in. (6.35 cm) long	2
2	5J7276	SCREW-----	2
3	3B8489	FITTING-----	4
4	5J7279	BRACE ASSEM.-----	2
		(Each Includes)	
5	6F3908	HANDLE ASSEM.-----	1
6	8J4866	LUG-----	1
7	3F4854	KNOB-----	1

14	5F688	TUBE ASSEM.-----	2
		(Each Includes)	
15	5J7277	RETAINER-----	1
16	5F705	PIN ASSEM.-----	2
17	5F683	EYE BOLT-----	2



8	5J7275	SCREW-----	2
9	5F684	PIN-----	6
10	4F255	PIN-----	6
11	3B4626	COTTER PIN-----	6
12	3B4632	COTTER PIN-----	2
13	7B1619	NUT-----	2

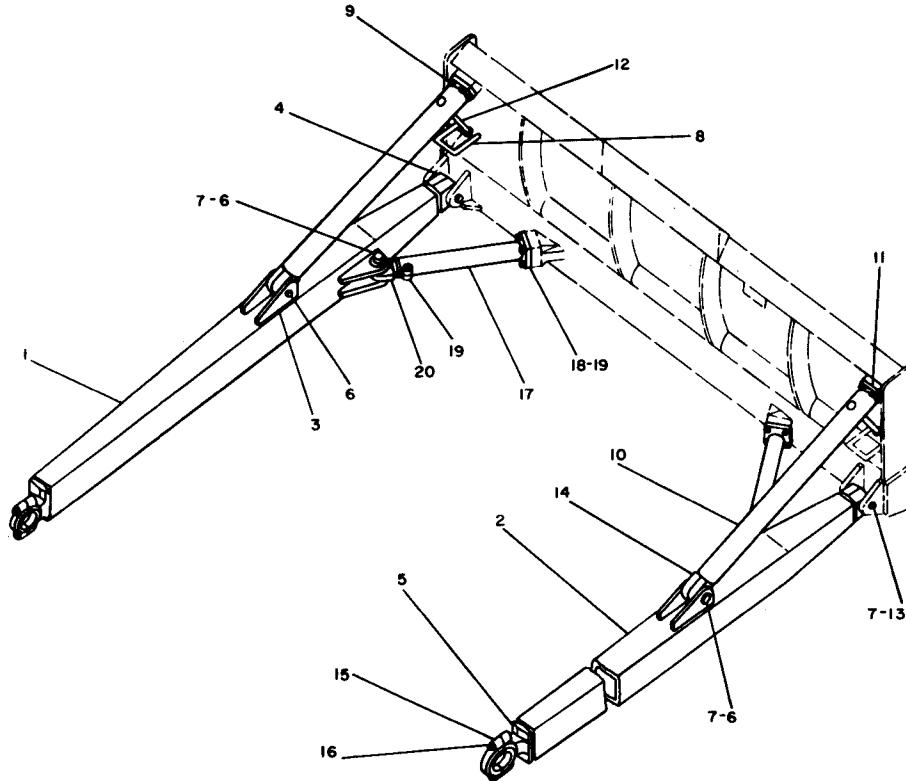
18	5F2664	ARM ASSEM.-----	2
		(Each Includes)	
C 19	9J4364	NUT-----	1
20	5F709	SUPPORT-----	2
21	5F708	PIVOT-----	1
22	5F706	PIN-----	1
23	5F707	COLLAR-----	1

C INDICATES CHANGE

215717

8F6373 BRACE GROUP
 5A Bulldozer Serial No. 93H5550—Up
 Part of 7J1749 Bulldozer Arrangement listed on Page 201

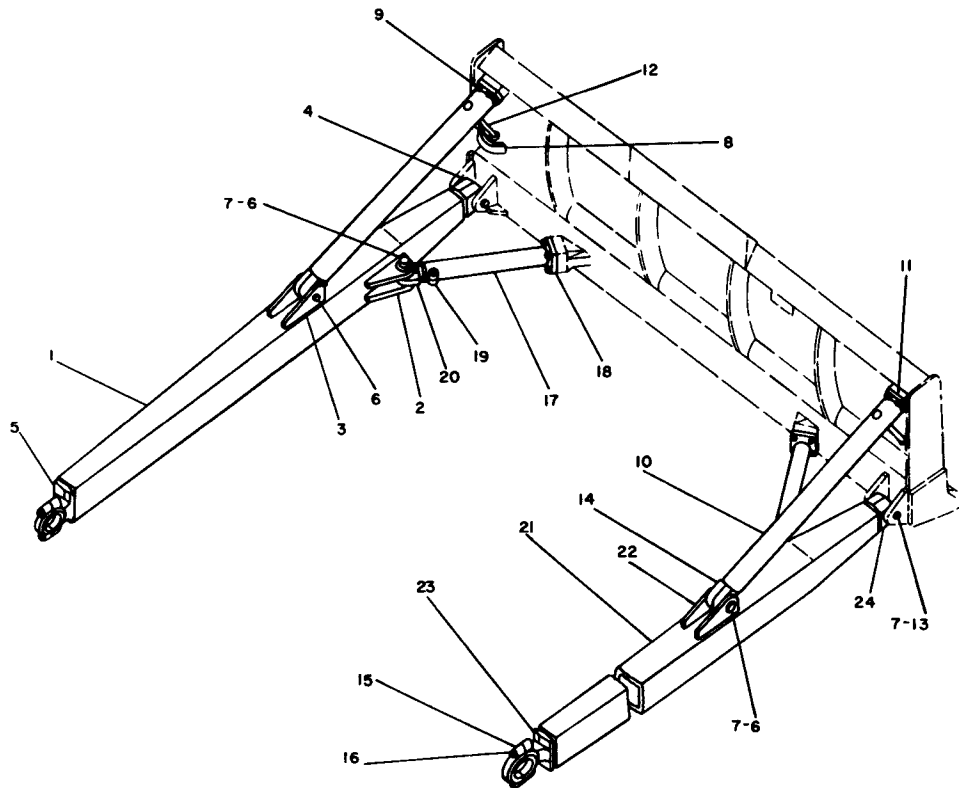
8F6371 PUSH ARM AND BRACE GROUP
 5S Bulldozer Serial No. 90H1396—Up for 60 in. Gauge
 Part of 7J1740 Bulldozer Arrangement listed on Page 200



REF. NO.	PART NUMBER	DESCRIPTION	QTY.
1	6F3250	ARM ASSEM. -----(L. H.)-----	1
2	6F3249	ARM ASSEM. -----(R. H.)-----	1
C 3	2J7429	BRACKET-----	4
4	3F6446	PIVOT-----	1
5	6F3184	BEARING-----	1
6	3F6185	PIN-----	4
7	4F255	PIN-----	6
C 8	3B4627	COTTER PIN-----	6
8	4J3475	RETAINER-----	1
9	8S9092	BOLT-----	16
9	3B4510	LOCKWASHER-----	16
10	7J2758	BRACE ASSEM.-----	2
		(Each Includes)	
11	3F6612	CAP-----	1
	3F6492	BALLSTUD-----	1
	8J4866	LUG-----	1
12	6F3908	HANDLE-----	1
	3F4854	KNOB-----	1
13	3F6523	PIN-----	2
14	4J3583	SCREW-----	2
15	6F3183	CAP-----	2
16	3B6753	BOLT-----	4
	4F2710	NUT-----	4
17	3F6561	ARM ASSEM.-----	2
		(Each Includes)	
18	3F6612	CAP-----	1
	3F6492	BALLSTUD-----	1
19	8B5144	BOLT-----	2
	1B4206	NUT-----	2
20	3F5567	EYEBOLT-----	2

C INDICATES CHANGE

173598

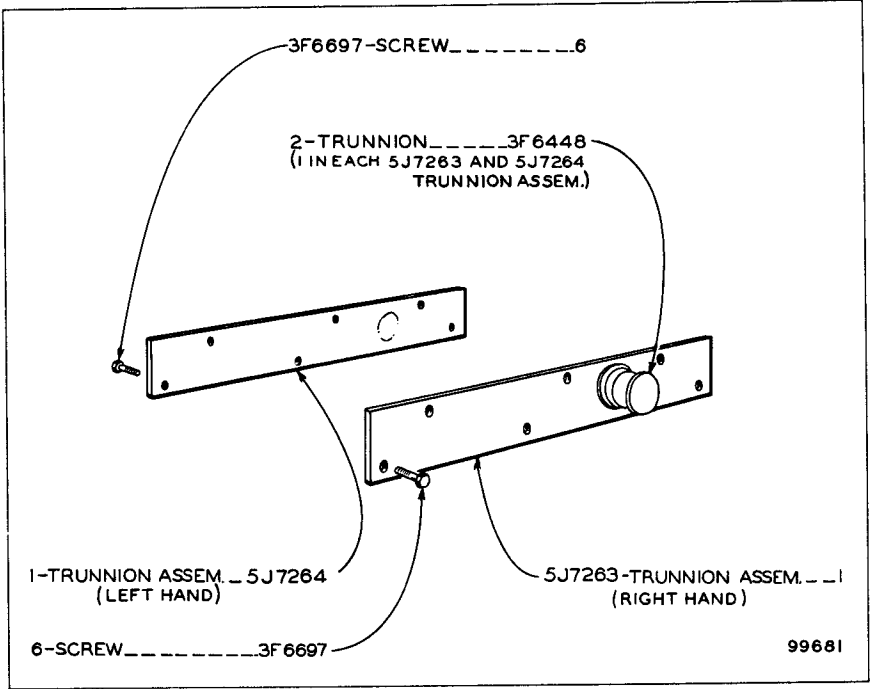


REF NO.	PART NUMBER	DESCRIPTION	QTY.
1	3G7898	ARM ASSEM. ---(L. H.)-----	1
		(Includes)	
2	3G6184	BRACKET-----	2
3	3G6194	BRACKET-----	2
4	3G7844	PIVOT-----	1
5	3G7838	BEARING-----	1
6	3F6185	PIN-----	4
	4F255	PIN-----	6
7	3B4627	COTTER PIN-----	6
8	3J6567	RETAINER-----	1
9	1A1135	BOLT-----	16
10	7J2758	BRACE ASSEM.-----	2
		(Each Includes)	
	3F6612	CAP-----	1
	3F6492	BALLSTUD-----	1
	8J4866	LUG-----	1
	6F3908	HANDLE-----	1
	3F4854	KNOB-----	1
13	3F6523	PIN-----	2
14	4J3583	SCREW-----	2
15	6F3183	CAP-----	2
	3B6753	BOLT-----	4
	4F2710	NUT-----	4
17	3F6561	ARM ASSEM.-----	2
		(Each Includes)	
	3F6612	CAP-----	1
	3F6492	BALLSTUD-----	1
	8B5144	BOLT-----	2
	1B4206	NUT-----	2
20	3F5567	EYEBOLT-----	2
21	3G7897	ARM ASSEM. --- (R. H.)-----	1
		(Includes)	
	3G6184	BRACKET-----	2
22	3G6194	BRACKET-----	2
23	3G7838	BEARING-----	1
24	3G7843	PIVOT-----	1

C INDICATES CHANGE

173578

3G7899 PUSH ARM AND BRACE GROUP
 5S Bulldozer Serial No. 92H5553—Up for 74 in. Gauge
 Part of 3G7900 Bulldozer Arrangement listed on Page 200



5J7267 TRUNNION GROUP

Serial No. 90H1396—Up, 92H5553—Up & 93H5550—Up

Part of 7J1740, 3G7900 & 7J1749 Bulldozer Arrangements listed on Pages 200 & 201

CONSISTS OF:		PAGE
1	1P8628 WINCH ARRANGEMENT	210
1	1P8951 WINCH MOUNTING GROUP	225
1	1P9204 WINCH DRIVE GROUP	225
1	7G3814 GEAR PUMP GROUP	178
1	8P5196 PUMP LINES GROUP	181
1	8P5694 WINCH CONTROL GROUP	226
1 FORM SMHS7326	

**8P1988 WINCH ARRANGEMENT—Standard Speed
AN ATTACHMENT**

CONSISTS OF:		PAGE
1	1P7528 SELECTOR AND PRESSURE CONTROL VALVE GROUP	173
1	1P8632 WINCH GROUP	218
1	8P1506 CABLE GUIDE AND CASE GROUP	216

1P8628 WINCH TOWING ARRANGEMENT

Winch Serial No. 36U1259—Up

Part of 8P1988 Winch Arrangement listed on Page 210

CONSISTS OF:			PAGE
1	8P5693	TOWING WINCH CONTROL GROUP	228
1	9G568	WINCH CONVERSION GROUP	214

**9G2801 WINCH CONVERSION ARRANGEMENT—Direct Drive—Disconnect—Low Speed
MUST BE USED IN CONJUNCTION WITH 8P1988 WINCH ARRANGEMENT LISTED ON
PAGE 210. AN ATTACHMENT**

CONSISTS OF:			PAGE
1	9G566	WINCH CONVERSION GROUP	213
1	8P5693	TOWING WINCH CONTROL GROUP	228

**9G2802 WINCH CONVERSION ARRANGEMENT—Direct Drive—Disconnect—
Standard Speed
MUST BE USED IN CONJUNCTION WITH 8P1988 WINCH ARRANGEMENT LISTED
ON PAGE 210. AN ATTACHMENT**

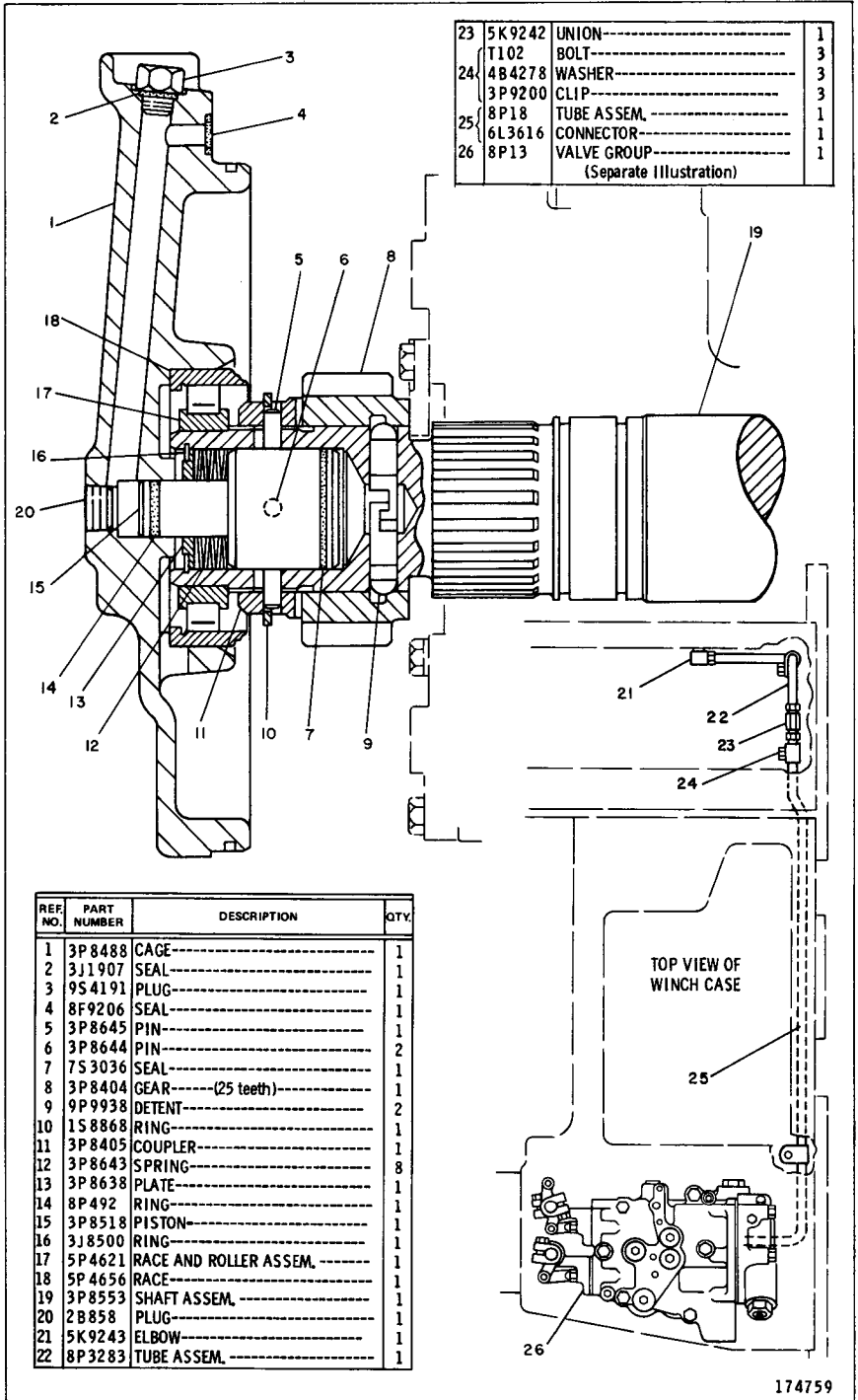
CONSISTS OF:

- 1 2P3554 DRUM ASSEMBLY--LOW SPEED

9G564 WINCH CONVERSION GROUP—Direct Drive—Low Speed

Winch Serial No. 36U1259—Up

MUST BE USED WITH 8P1988 WINCH ARRANGEMENT LISTED ON PAGE 210
AN ATTACHMENT

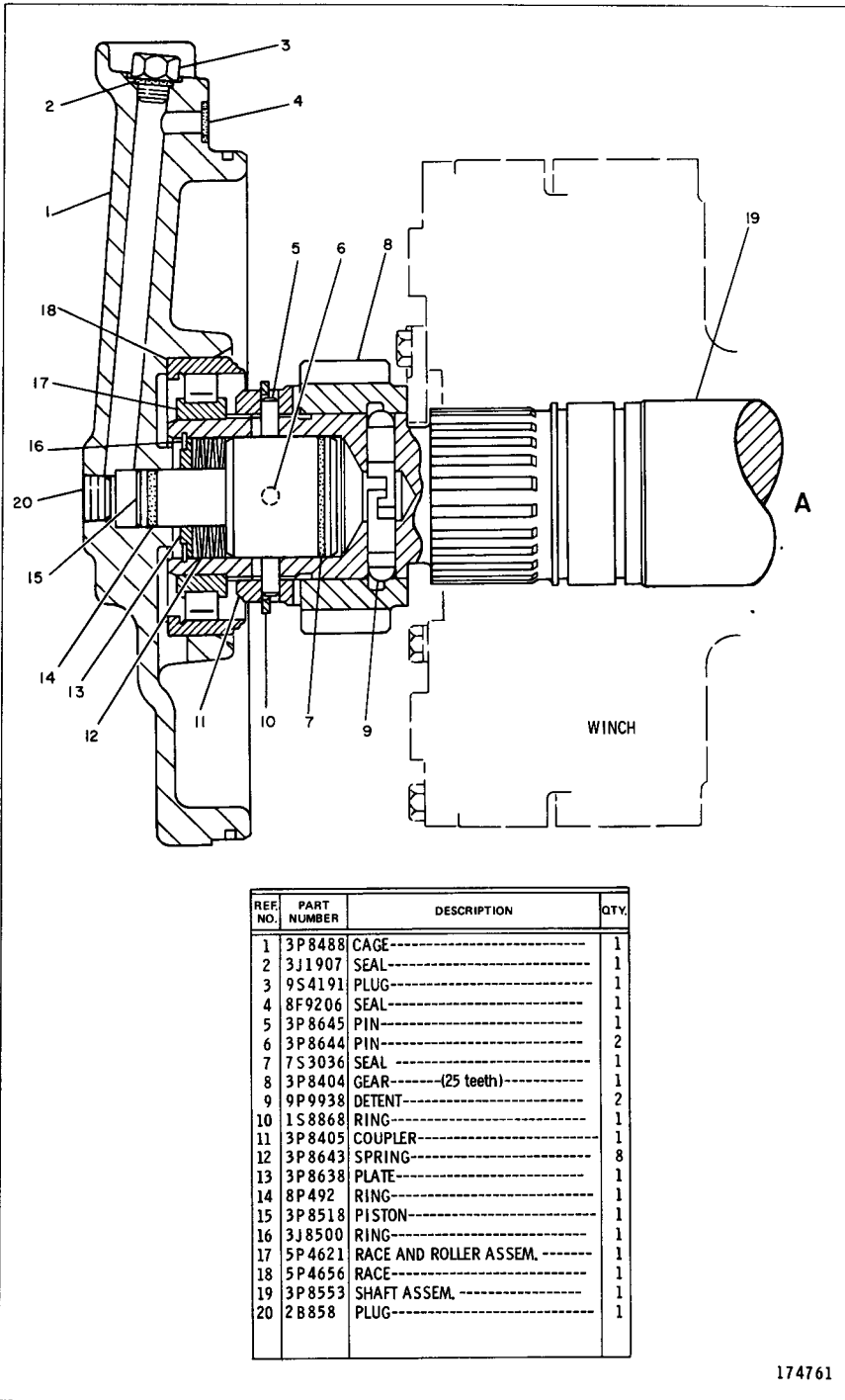


174759

9G566 WINCH CONVERSION GROUP

Winch Serial No. 36U1259—Up. Part of 9G2802 Winch Conversion Arrangement listed on Page 211. 8P13 Selector & Pressure Control Valve parts are shown on Page 174

AN ATTACHMENT

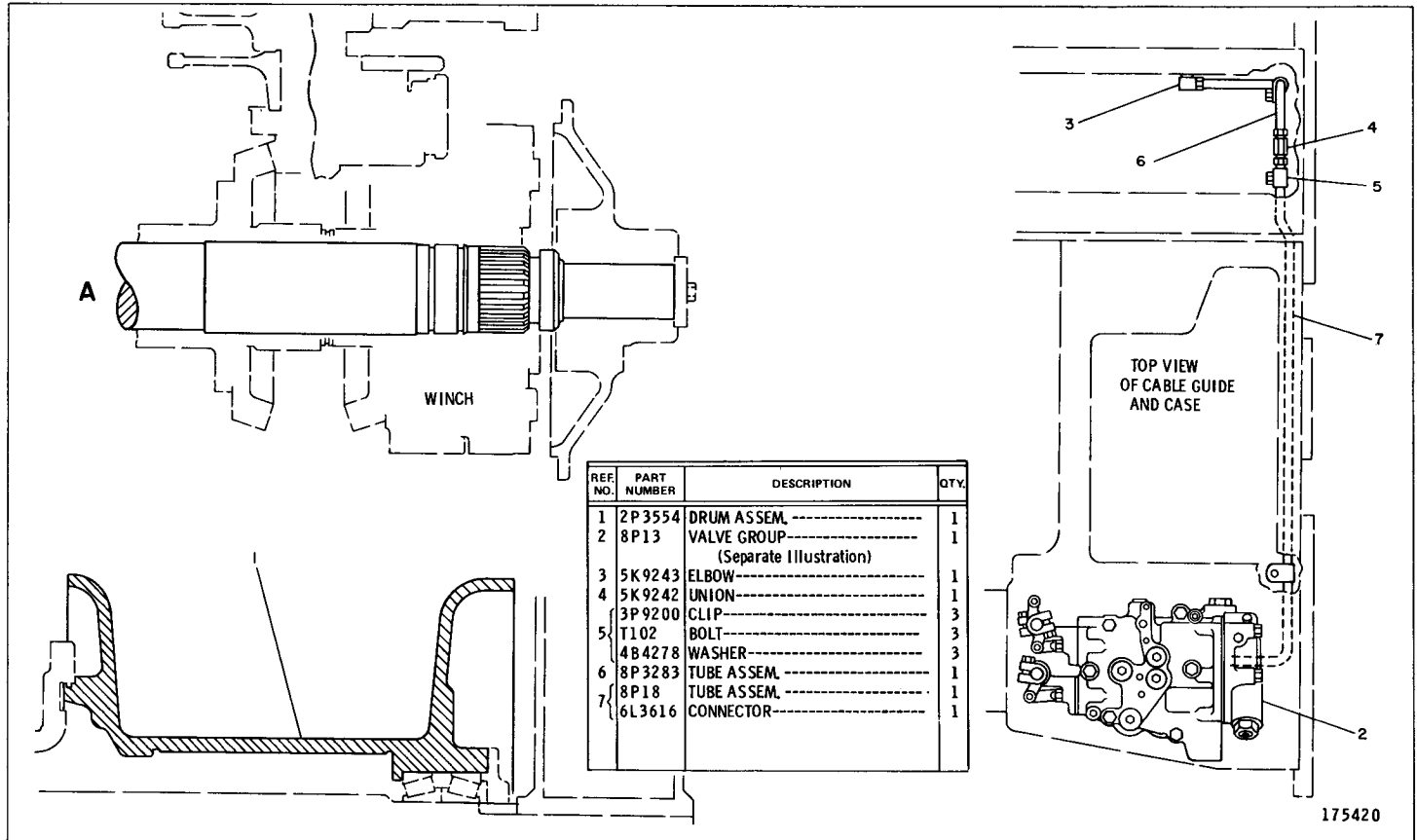


174761

9G568 WINCH CONVERSION GROUP—Direct Drive—Disconnect—Low Speed—
Part 1

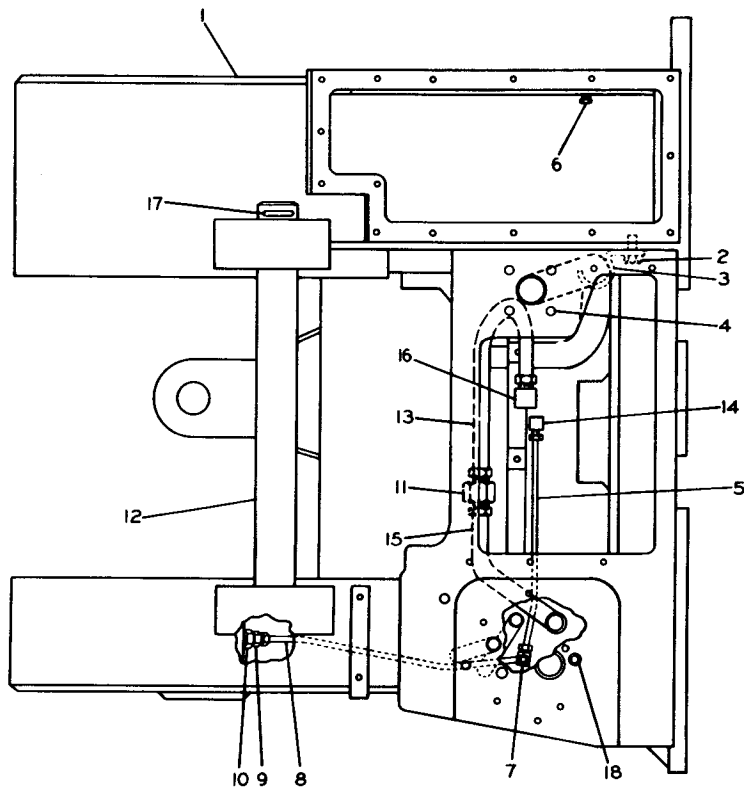
Winch Serial No. 36U1259—Up. Part of 9G2801 Winch Conversion Arrangement
listed on Page 211. AN ATTACHMENT

9G568 WINCH CONVERSION GROUP—Direct Drive Disconnect—Low Speed—Part 2
 Winch Serial No. 36U1259—Up. Part of 9G2801 Winch Conversion Arrangement listed on Page 211
 8P13 Selector & Pressure Valve parts are shown on Page 174. AN ATTACHMENT



175420

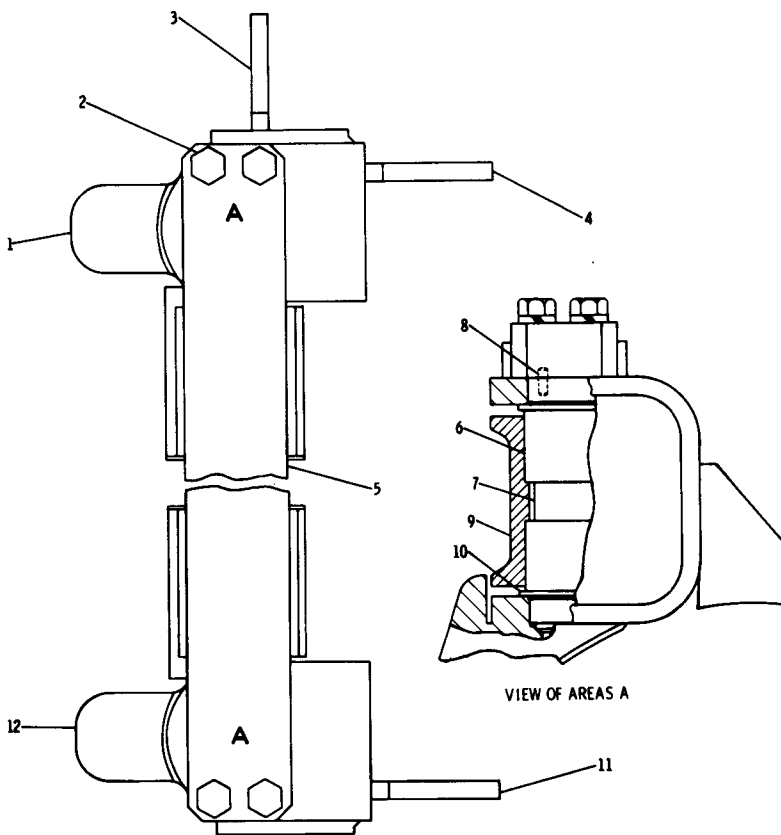
IMPLEMENTS



REF. NO.	PART NUMBER	DESCRIPTION	QTY
1	8P1504	CASE ASSEM. -----	1
		(Includes)	
2	T102	BOLT-----	1
3	4B4278	WASHER-----	1
3	2P3572	CLAMP-----	1
4	2M1538	STUD-----	4
5	6P7820	TUBE ASSEM. -----	1
6	5M6214	PLUG-----	1
7	9L9045	TEE-----	1
8	1P9279	TUBE ASSEM. -----	1
9	5K9239	CONNECTOR-----	1
10	2P4439	ADAPTER-----	1
11	5K9249	UNION-----	1
12	1P9265	SHAFT-----	1
13	8P7623	TUBE ASSEM. -----	1
14	5K9243	ELBOW-----	1
15	8P7622	TUBE ASSEM. -----	1
15	7F8607	SEAL-----	1
16	5P9240	ELBOW-----	1
17	3B5325	COTTER PIN-----	2
18	9F2247	PLUG-----	1

161928

8P1506 CABLE GUIDE AND CASE GROUP—Top View
 Winch Serial No. 36U1259—Up
 Part of 1P8628 Winch Towing Arrangement listed on Page 210

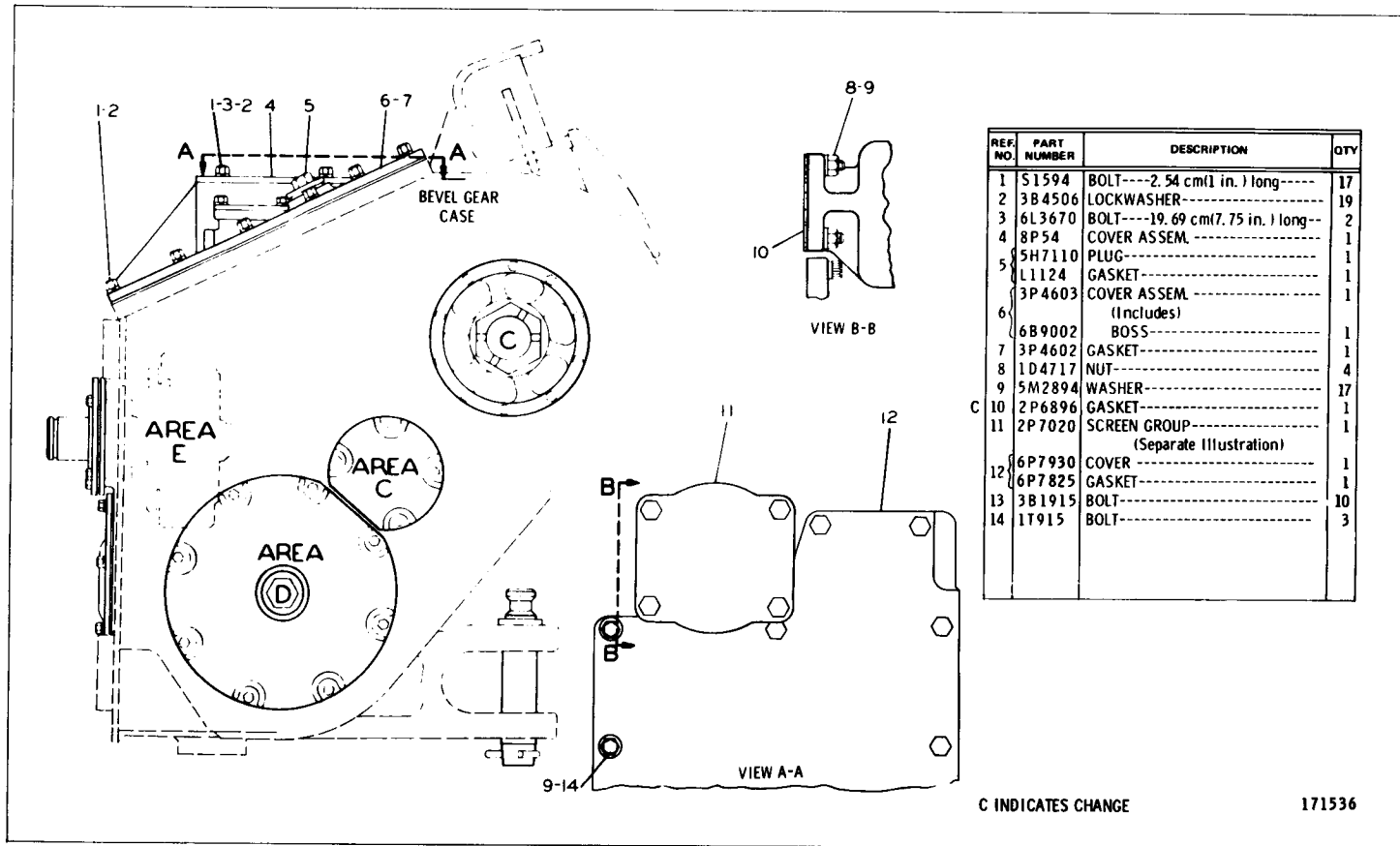


REF. NO.	PART NUMBER	DESCRIPTION	QTY
1	8P2394	SUPPORT ASSEM. ----(L. H.)----	1
2	51625	BOLT-----	4
	3B4510	LOCKWASHER-----	4
3	2P2949	GUSSET-----	1
4	2P6882	GUSSET-----	1
5	2P6884	BAR ASSEM. -----	1
6	7J9884	BEARING-----	4
7	2P3559	SHAFT ASSEM. ----- (Each Includes)	2
8	9S1307	DOWEL-----	1
9	8P2933	ROLLER-----	2
10	2P3558	SLEEVE-----	4

11	2P6881	GUSSET-----	1
12	8P2395	SUPPORT ASSEM. -----(R. H.)----	1
	SMHS6746	FORM ----- (Installing Roller Groups)	1

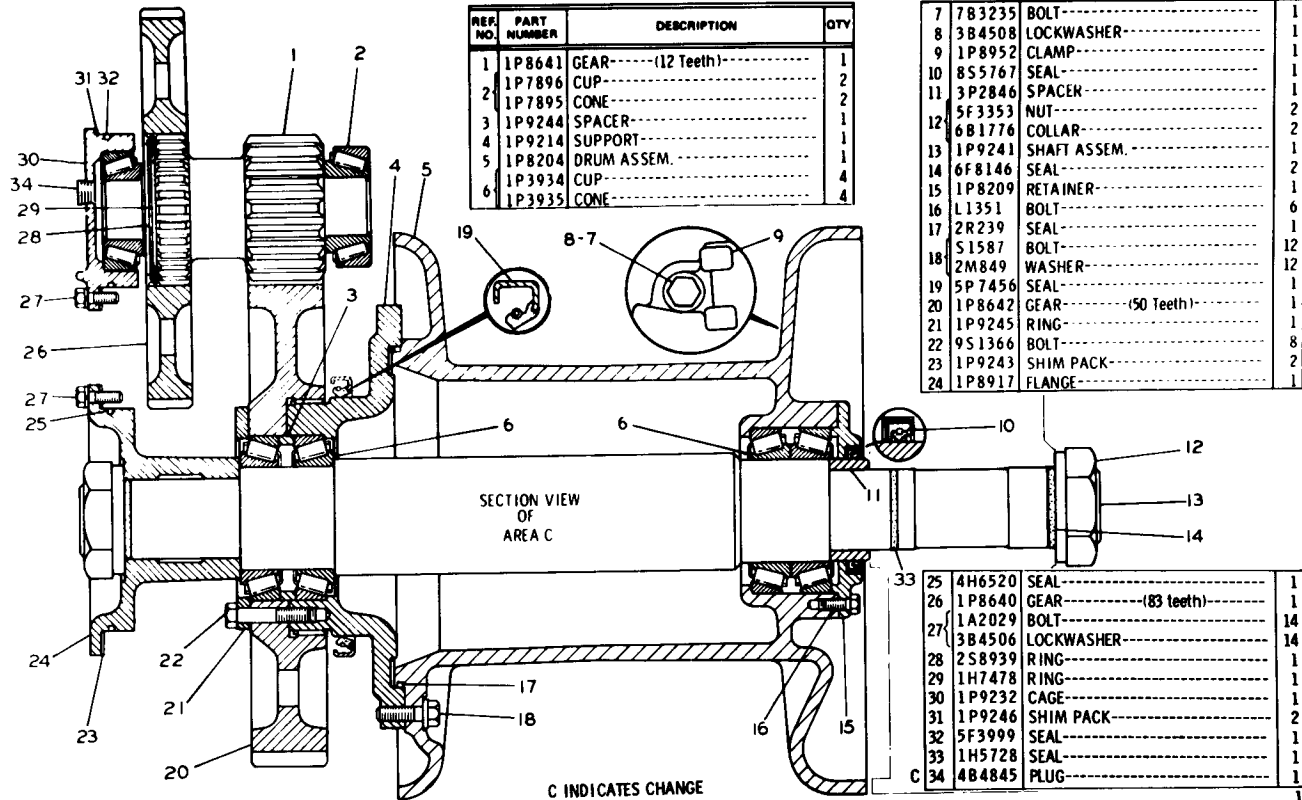
208948

8P2396 ROLLER GUIDE GROUP—Top View
Winch Serial No. 36U1259—Up
AN ATTACHMENT

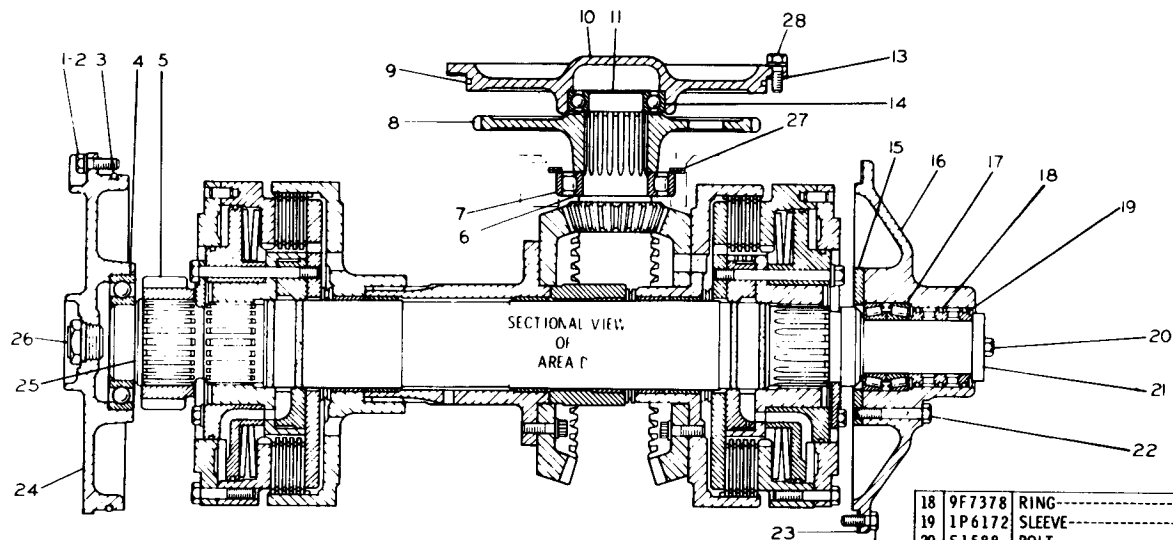


1P8632 WINCH GROUP—Standard Winch Gears & Drum Without Drum Disconnect—Part 1 of 6
 Winch Serial No. 36U1259—Up. Part of 1P8628 Winch Towing Arrangement listed on Page 210
 2P7020 Screen parts are shown on Page 224

1P8632 WINCH GROUP—Standard Winch Gears & Drum Without Drum Disconnect—Part 2 of 6
Winch Serial No. 36U1259—Up. Part of 1P8638 Winch Towing Arrangement listed on Page 210



171537



REF. NO.	PART NUMBER	DESCRIPTION	QTY
1	1A2029	BOLT-----	8
C 2	3B4506	LOCKWASHER-----	8
3	2R239	SEAL-----	1
4	7B7515	BEARING-----	1
5	1P8639	GEAR----- (25 Teeth)-----	1
6	2K1738	RACE AND ROLLER ASSEM-----	1
C 7	5P9066	RACE-----	1
8	1P8638	GEAR----- (80 Teeth)-----	1

9	5H4909	SEAL-----	1
10	1P6174	CAGE-----	1
11	1P9251	PINION-----	1
C 12	S1594	BOLT-----	9
13	1P6175	SHIM PACK-----	4
14	1T43	BEARING-----	1
15	1P4232	RETAINER-----	1
16	1P5290	MANIFOLD-----	1
17	9S3581	CUP-----	2
	9S3582	CONE-----	2

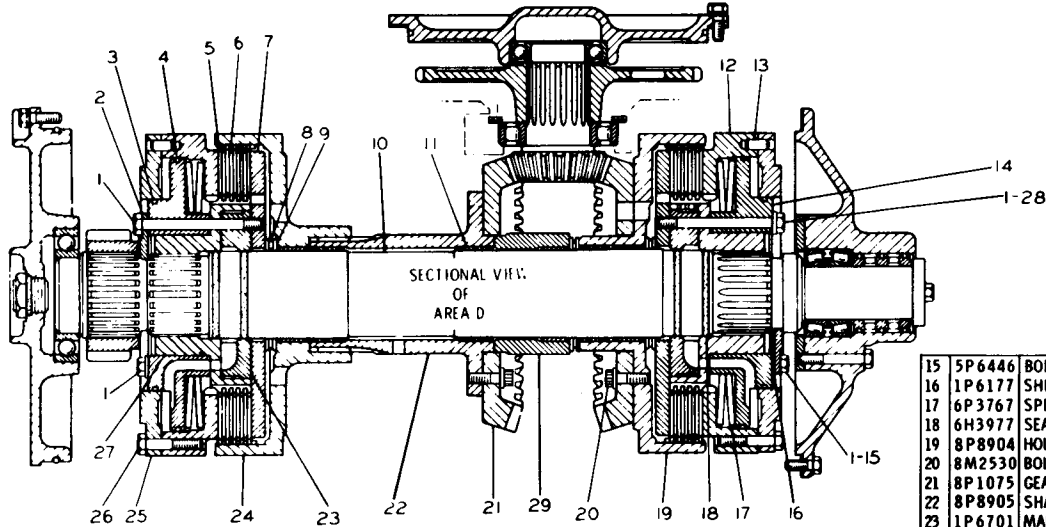
18	9F7378	RING-----	3
19	1P6172	SLEEVE-----	1
20	S1588	BOLT-----	2
21	1P6180	WASHER-----	4
22	L1143	BOLT-----	4
23	1P6178	SHIM PACK-----	2
24	1P9247	CAGE-----	1
25	1M4093	RING-----	1
26	4J4742	BODY ASSEM-----	1
	7M8485	SEAL-----	1
C 27	5M4480	RING-----	1
C 28	L1351	BOLT-----	6

C INDICATES CHANGE

171538

1P8632 WINCH GROUP—Standard Winch Gears & Drum Without Drum Disconnect—Part 3 of 6
Winch Serial No. 36U1259—Up. Part of 1P8628 Winch Towing Arrangement listed on Page 210

1P8632 WINCH GROUP—Standard Winch Gears & Drum Without Drum Without—Part 4 of 6
 Winch Serial No. 36U1259—Up. Part of 1P8628 Winch Towing Arrangement listed on Page 210

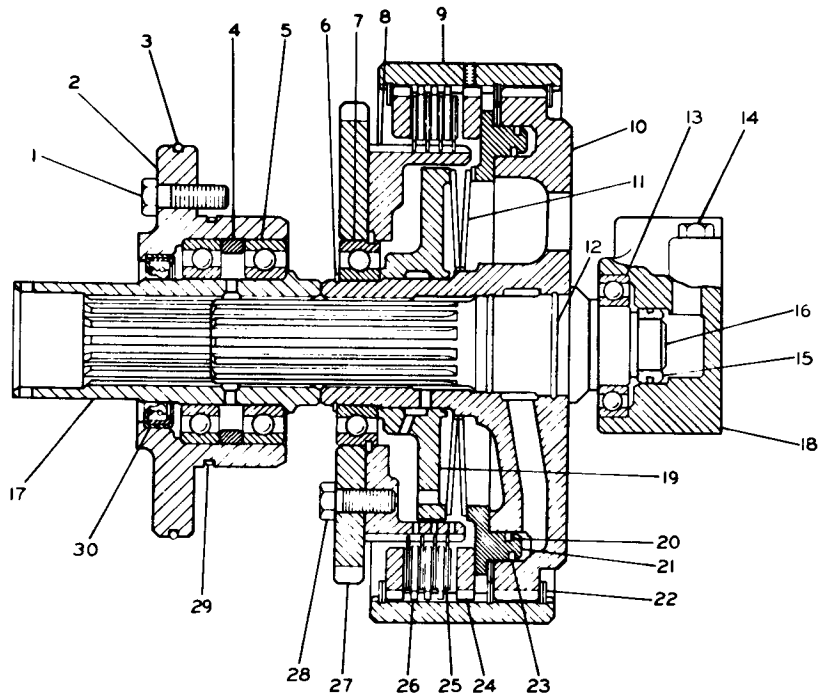


REF. NO.	PART NUMBER	DESCRIPTION	QTY
1	1A5964	BOLT-----11.43cm(4.5 in.) long	16
2	1P6176	PLATE-----	4
3	1S9497	RING-----	2
4	8S3371	RING-----	2
5	2P4371	DISC ASSEM.-----	10
6	2P4370	PLATE-----	8

7	1P6167	PLATE-----	2
8	1P6070	BEARING-----	3
9	1P6071	RACE-----	6
10	1P9248	SHAFT ASSEM.-----	1
11	2P1005	BEARING-----	6
12	1P6179	HUB ASSEM.----- (Includes)	2
13	881312	DOWEL-----	2
14	1P6158	MANIFOLD-----	2

15	5P6446	BOLT-----5.08 cm(2 in.) long-----	4
16	1P6177	SHIM PACK-----	2
17	6P3767	SPRING-----	4
18	6H3977	SEAL-----	4
19	8P8904	HOUSING-----	1
20	8M2530	BOLT-----	16
21	8P1075	GEAR----- (51 Teeth)	2
22	8P8905	SHAFT-----	1
23	1P6701	MANIFOLD-----	2
24	1P8662	HOUSING-----	1
25	1P6153	PLATE-----	2
26	S1590	BOLT-----	16
27	1P8651	HUB-----	2
28	5M2894	WASHER-----	4
29	8P8906	SPACER-----	1

171539



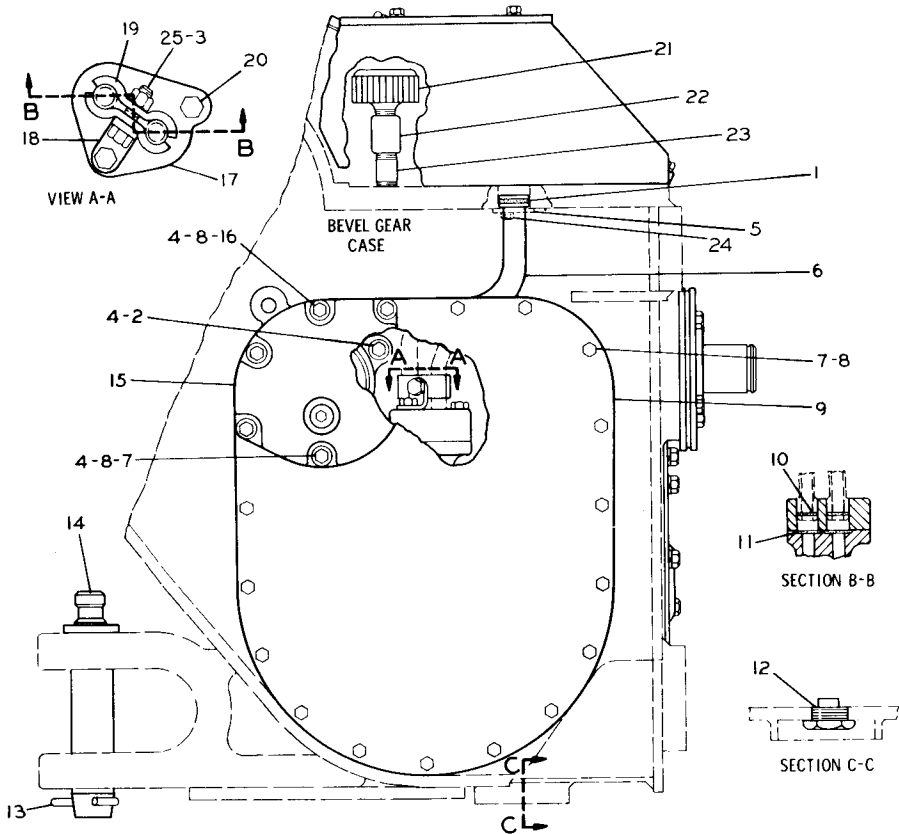
SECTIONAL VIEW OF AREA E

REF. NO.	PART NUMBER	DESCRIPTION	QTY.
1	S1588	BOLT-----	4
2	1P8644	CAGE-----	1
3	6F4718	SEAL-----	1
4	1P9257	SPACER-----	1
5	9M1997	BEARING-----	1
6	4K4284	RING-----	1
7	3K526	BEARING-----	1
8	1P8661	HUB-----	1
9	8P2670	GEAR----- (70 teeth)	1
10	6P7828	HOUSING-----	1
11	1P9258	SPRING-----	2
12	6J2419	SEAL-----	2
13	2S3029	BEARING-----	1
14	4F9351	BOLT-----	3
15	2P3672	CARRIER-----	1
	1P9252	RING-----	1
16	6P7827	SHAFT-----	1
17	1P8663	COUPLING-----	1
18	6P7826	CAGE-----	1
19	1P7543	HOUSING-----	1
20	1P9261	RING-----	1
21	1P7542	PISTON-----	1
22	1P9254	RING-----	3
23	1P9260	RING-----	1
24	1P7544	PLATE-----	2
25	2P3719	DISC ASSEM.-----	4
26	1P9256	PLATE-----	3
27	1P8637	GEAR----- (63 teeth)	1
28	S1594	BOLT-----	8
29	1H6227	SEAL-----	1
30	7H7107	SEAL-----	1

171540

1P8632 WINCH GROUP—Standard Winch Gears & Drum Without Drum Disconnect—Part 5 of 6
 Winch Serial No. 36U1259—Up. Part of 1P8628 Winch Towing Arrangement listed on Page 210

1P8632 WINCH GROUP—Standard Winch Gears & Drum Without Drum Disconnect—Part 6 of 6
 Winch Serial No. 36U1259—Up. Part of 1P8628 Winch Towing Arrangement listed on Page 210
 2P5830 Oil Filter parts are shown on Page 224



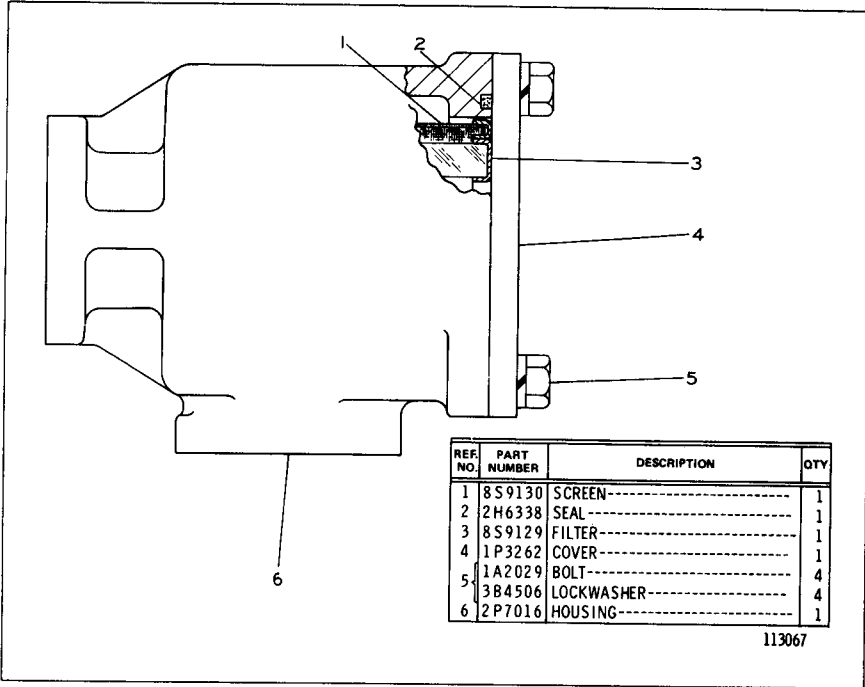
REF. NO.	PART NUMBER	DESCRIPTION	QTY.
1	4F8946	SEAL-----	2
2	S1594	BOLT-----	2
C 3	2L6267	LOCKNUT-----	1
4	4B4278	WASHER-----	9
5	6P8678	PLATE-----	1
6	2P5853	TUBE ASSEM.---	1
C 7	S1588	BOLT-----	17
8	3B4506	LOCKWASHER---	21
9	2P5738	COVER ASSEM.---	1
10	2P3637	GASKET-----	1
11	4J5351	SEAL-----	2
12	5H2767	SEAL-----	2
13	2D8390	PLUG-----	1
14	6F4868	GASKET-----	1
15	3B5319	COTTER PIN---	1
16	7F9541	PIN ASSEM.---	1
17	7F9543	COLLAR-----	1
18	2P5830	FILTER GROUP--	1
(Separate Illustration)			
19	5F3999	SEAL-----	1
20	2A4639	BOLT-----	4
21	2P1053	FLANGE-----	1
22	2P4438	BRACKET-----	1
23	2P4437	CLAMP-----	2
24	S1590	BOLT-----	2
25	8S5820	BREATHER-----	1
	3B6488	COUPLING-----	1
	3B7262	NIPPLE-----	1
	T102	BOLT-----	1
C 25	1A2209	BOLT-----	1

C INDICATES CHANGE

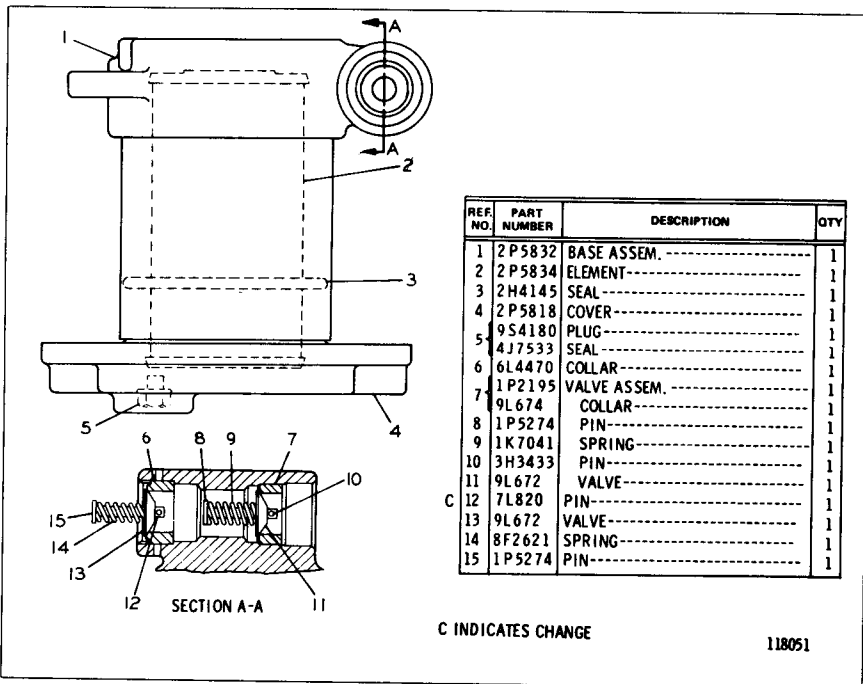
228833

IMPLEMENTS

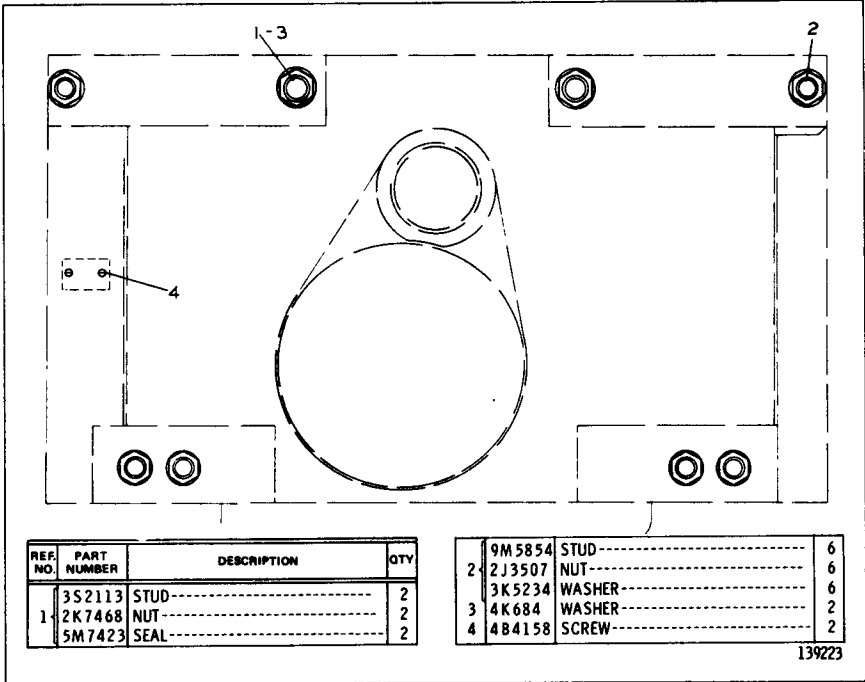
223



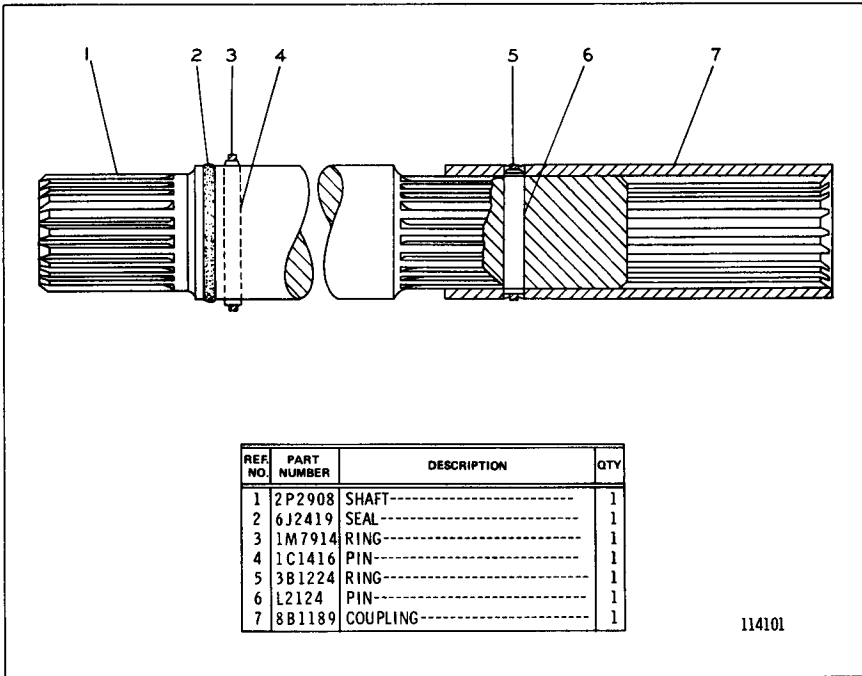
2P7020 MAGNETIC SCREEN GROUP
Winch Serial No. 36U1259—Up
Part of 1P8632 Winch Group shown on Page 218



2P5830 OIL FILTER GROUP
Winch Serial No. 36U1259—Up
Part of 1P8632 Winch Group shown on Page 223

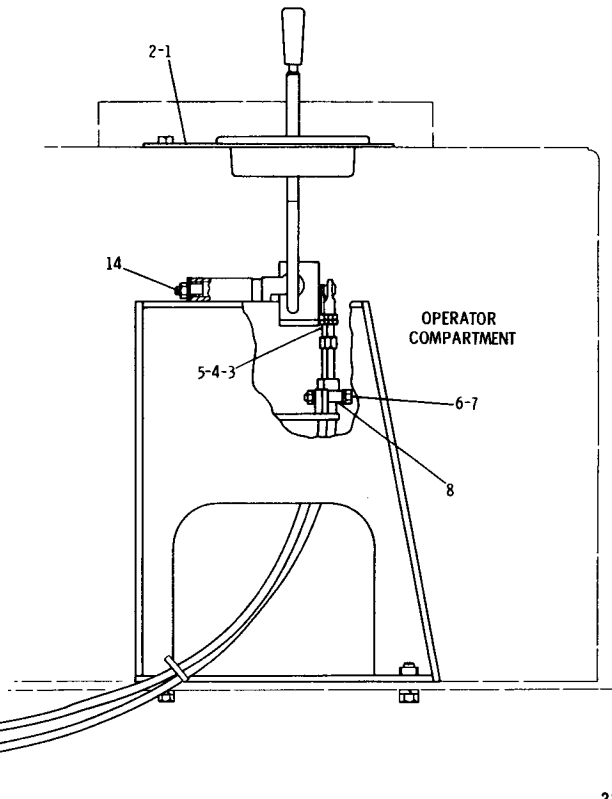


1P8951 WINCH MOUNTING GROUP
AN ATTACHMENT



1P9204 WINCH DRIVE GROUP
AN ATTACHMENT

REF. NO.	PART NUMBER	DESCRIPTION	QTY
1	8P4866	PLATE -----	1
2	7D4786	PLUG -----	1
3	8S7048	ROD END -----	1
4	3B4504	LOCKWASHER -----	1
5	6F612	NUT -----	2
	1A9579	BOLT -----	1
6	1D4716	NUT -----	1
	3B4505	LOCKWASHER -----	1
7	9M1974	WASHER -----	2
	2P6973	CLAMP ASSEM. -----	2
8		(Each Includes)	
	2H1190	DOWEL -----	1
9	8L8413	STRAP -----	2
	S1616	BOLT -----	1
10	6D8554	NUT -----	1
11	6L7751	ROD END -----	1
12	1B7182	BOLT -----	1
C 13	3P2299	CABLE ASSEM. -----	1
	2K4973	NUT -----	1
14	3L9689	WASHER -----	1



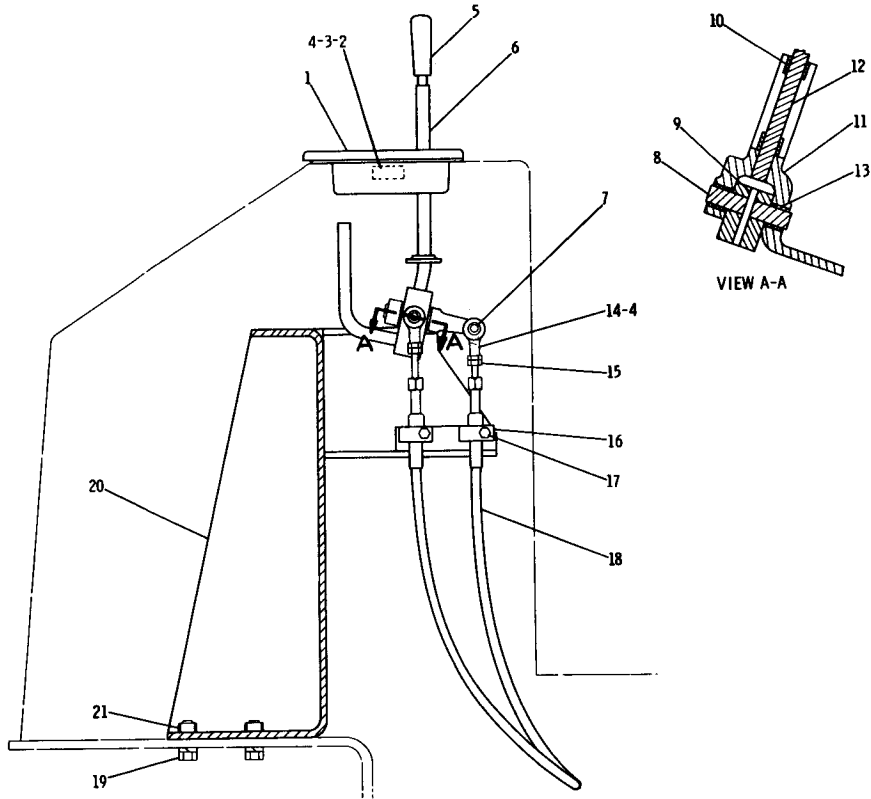
C INDICATES CHANGE

TO
WINCH VALVE

**8P5694 WINCH CONTROL GROUP—Side View—Without Drum Disconnect—Type 1
AN ATTACHMENT**

228951

8P5694 WINCH CONTROL GROUP—End View—Without Drum Disconnect—Type 1
AN ATTACHMENT

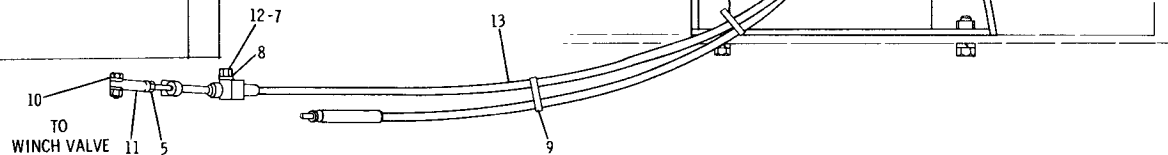


REF. NO.	PART NUMBER	DESCRIPTION	QTY
C 1	6P5661	GUIDE-----	1
	5B7431	SCREW-----	4
2	3P5938	SPRING-----	1
C 3	4B1284	SCREW-----	1
	1B4330	NUT-----	1
4	3B4504	LOCKWASHER-----	2
5	7M706	KNOB-----	1
6	8P4872	LEVER ASSEM.-----	1
7	S1597	BOLT-----	1
	2L9038	LOCKNUT-----	1
8	2P6008	SHAFT-----	1
9	2H2525	PIN-----	1
10	9H2400	BEARING-----	2
11	2P6001	BELLCRANK ASSEM.-----	1
		(Includes)	
12	2P6009	SHAFT-----	1
13	9H2400	BEARING-----	2
14	6L7751	ROD END-----	1
15	6F612	NUT-----	1
	2P6973	CLAMP ASSEM.-----	1
16		(Includes)	
	2H1190	DOWEL-----	1
	1A9579	BOLT-----	1
	1D4716	NUT-----	1
17	3B4505	LOCKWASHER-----	1
	9M1974	WASHER-----	1
C 18	3P2300	CABLE ASSEM.-----	1
	7B3235	BOLT-----	4
19	3B4508	LOCKWASHER-----	4
20	8P5007	SUPPORT ASSEM.-----	1
		(Includes)	
21	1F748	NUT----- (weld)-----	4

C INDICATES CHANGE

228952

REF. NO.	PART NUMBER	DESCRIPTION	QTY
1	8P4866	PLATE -----	1
2	7D4786	PLUG -----	1
3	8S7048	ROD END -----	1
4	3B4504	LOCKWASHER -----	1
5	6F612	NUT -----	2
	1A9579	BOLT -----	1
6	1D4716	NUT -----	1
	3B4505	LOCKWASHER -----	1
7	9M1974	WASHER -----	2
C 8	9G9979	CLAMP -----	2
9	8L8413	STRAP -----	2
10	S1616	BOLT -----	1
	6D8554	NUT -----	1
11	6L7751	ROD END -----	1
12	1B7182	BOLT -----	1
13	3P2299	CABLE ASSEM. -----	1
14	2K4973	NUT -----	1
	3L9689	WASHER -----	1



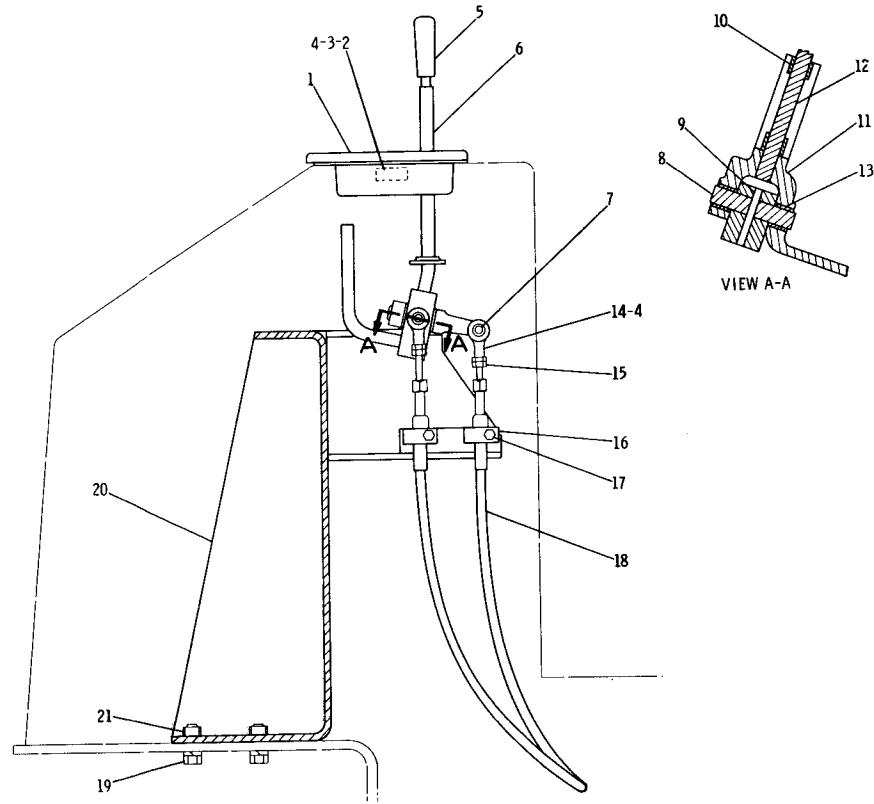
C INDICATES CHANGE

TO
WINCH VALVE

234088

8P5694 WINCH CONTROL GROUP—Side View—Without Drum Disconnect—Type 2
AN ATTACHMENT

**8P5694 WINCH CONTROL GROUP—End View—Without Drum Disconnect—Type 2
AN ATTACHMENT**



REF NO.	PART NUMBER	DESCRIPTION	QTY
1	6P5661	GUIDE-----	1
	5B7431	SCREW-----	4
2	3P5938	SPRING-----	1
3	4B1284	SCREW-----	1
	1B4330	NUT-----	1
4	3B4504	LOCKWASHER-----	2
5	7M706	KNOB-----	1
6	8P4872	LEVER ASSEM.-----	1
7	S1597	BOLT-----	1
	2L9038	LOCKNUT-----	1
8	2P6008	SHAFT-----	1
9	2H2525	PIN-----	1
10	9H2400	BEARING-----	2
11	2P6001	BELLCRANK ASSEM.----- (Includes)	1
12	2P6009	SHAFT-----	1
13	9H2400	BEARING-----	2
14	6L7751	ROD END-----	1
15	6F612	NUT-----	1
C 16	9G9979	CLAMP-----	1
17	1A9579	BOLT-----	1
	1D4716	NUT-----	1
	3B4505	LOCKWASHER-----	1
18	9M1974	WASHER-----	1
	3P2300	CABLE ASSEM.-----	1
19	7B3235	BOLT-----	4
	3B4508	LOCKWASHER-----	4
20	8P5007	SUPPORT ASSEM.----- (Includes)	1
21	1F748	NUT----- (weld)	4

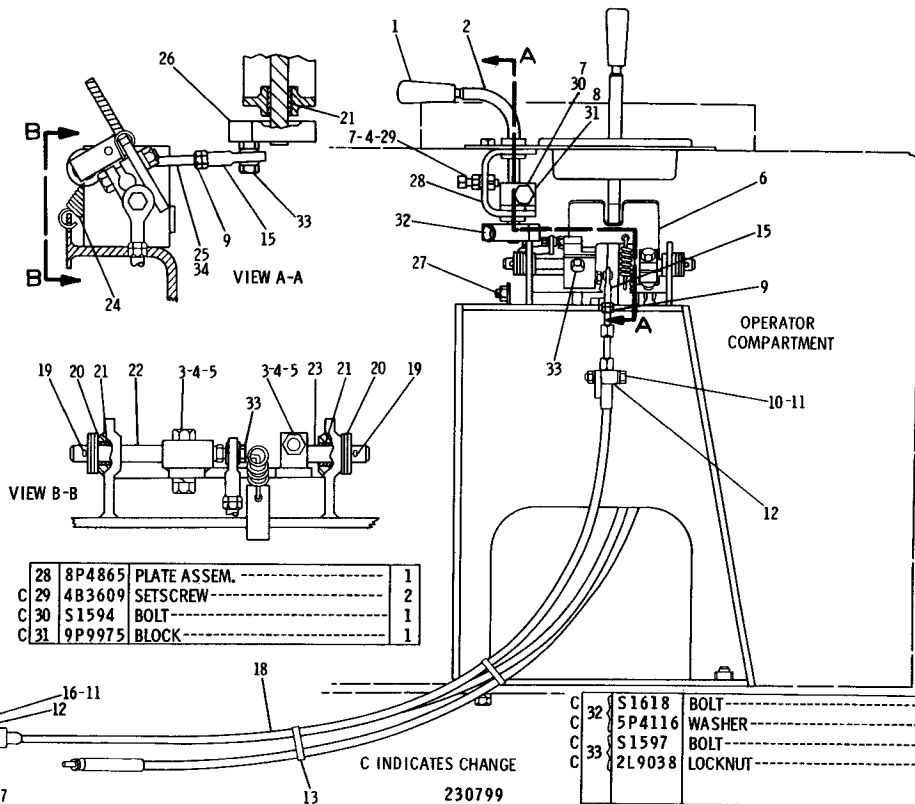
C INDICATES CHANGE

234089

IMPLEMENTS

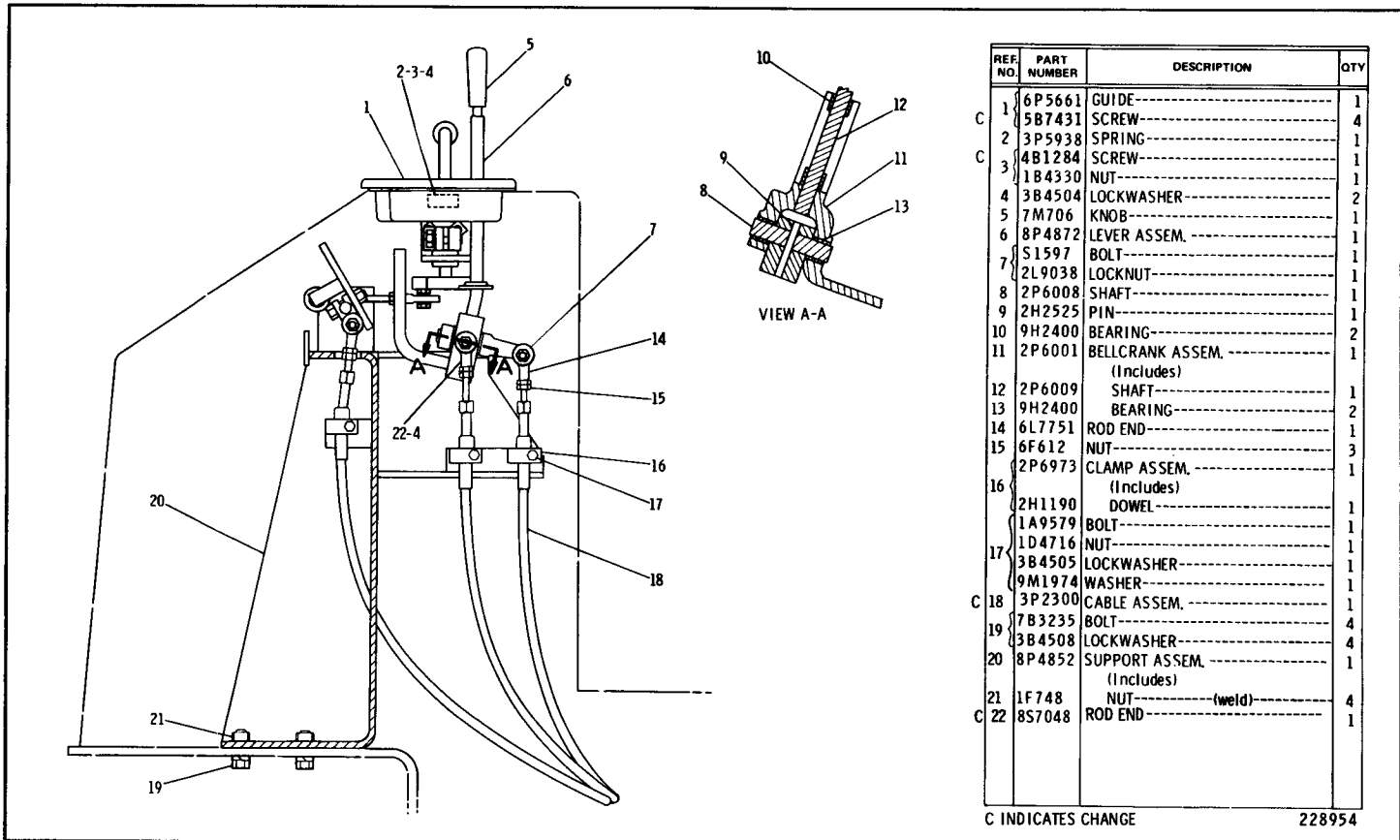
2278

REF. NO.	PART NUMBER	DESCRIPTION	QTY
1	7M706	KNOB	1
C 2	7G45	ROD	1
3	S1591	BOLT	2
C 4	1D4717	NUT	4
5	3B4506	LOCKWASHER	2
C 6	9P9992	PLATE ASSEM.	1
7	5P1075	WASHER	3
C 8	1B8704	KEY	2
9	6F612	NUT	4
	1A9579	BOLT	2
10	1D4716	NUT	2
	3B4505	LOCKWASHER	2
11	9M1974	WASHER	4
	2P6973	CLAMP ASSEM.	4
12	(Each Includes)		
	2H1190	DOWEL	1
13	8L8413	STRAP	2
	S1616	BOLT	2
14	6D8554	NUT	2
C 15	6L7751	ROD END	5
16	1B7182	BOLT	2
17	8P28	SPACER	1
C 18	3P2299	CABLE ASSEM.	2
19	2H3767	COTTER PIN	2
20	4B4280	WASHER	6
21	2H2400	BEARING	4
22	8P4862	SHAFT	1
23	8P4863	SHAFT	1
24	4M8799	SPRING	1
25	8P4871	ROD	1
C 26	9P9991	LEVER	1
	2K4973	NUT	1
27	3L9689	WASHER	1



8P5693 TOWING WINCH CONTROL GROUP—Side View—With Drum Disconnect—Type 1
Part of 9G2801 and 9G2802 Winch Conversion Arrangements listed on Page 211
AN ATTACHMENT

8P5693 TOWING WINCH CONTROL GROUP—Front View—With Drum Disconnect—Type 1
Part of 9G2801 and 9G2802 Winch Conversion Arrangements listed on Page 211
AN ATTACHMENT



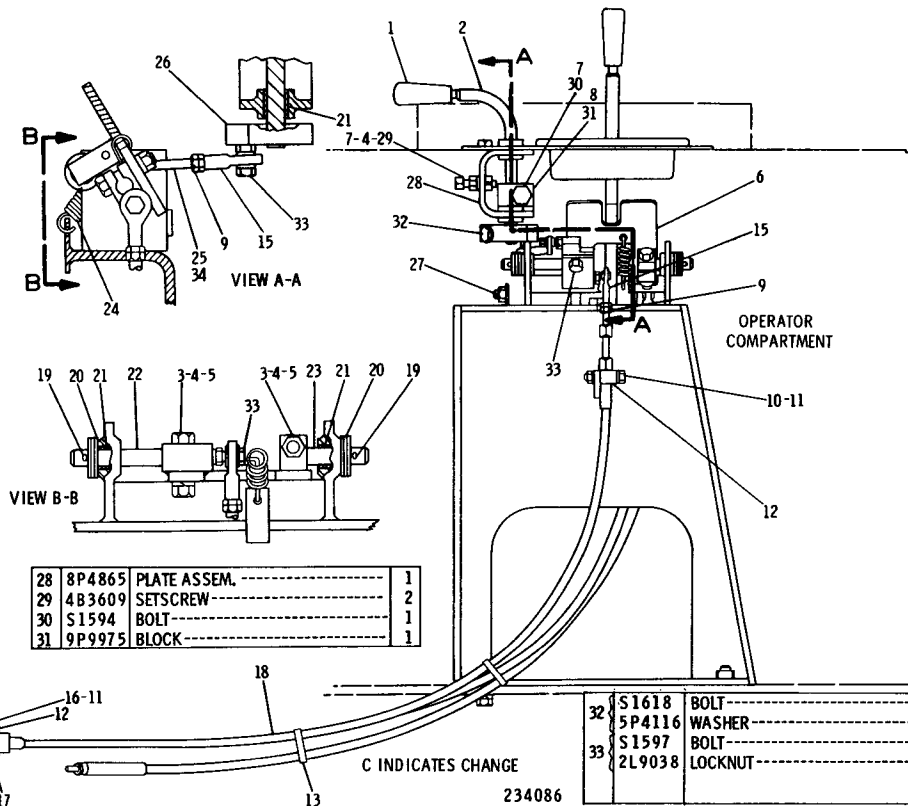
REF. NO.	PART NUMBER	DESCRIPTION	QTY
C 1	6P5661	GUIDE-----	1
	5B7431	SCREW-----	4
2	3P5938	SPRING-----	1
	4B1284	SCREW-----	1
3	1B4330	NUT-----	1
	4 3B4504	LOCKWASHER-----	2
5	7M706	KNOB-----	1
6	8P4872	LEVER ASSEM.-----	1
7	51597	BOLT-----	1
	2L9038	LOCKNUT-----	1
8	2P6008	SHAFT-----	1
9	2H2525	PIN-----	1
10	9H2400	BEARING-----	2
11	2P6001	BELLCRANK ASSEM.-----	1
12	(Includes)		
	2P6009	SHAFT-----	1
13	9H2400	BEARING-----	2
14	6L7751	ROD END-----	1
15	6F612	NUT-----	3
16	2P6973	CLAMP ASSEM.-----	1
	(Includes)		
2H1190	DOWEL-----	1	
17	1A9579	BOLT-----	1
	1D4716	NUT-----	1
18	3B4505	LOCKWASHER-----	1
	9M1974	WASHER-----	1
C 18	3P2300	CABLE ASSEM.-----	1
	7B3235	BOLT-----	4
19	3B4508	LOCKWASHER-----	4
	8P4852	SUPPORT ASSEM.-----	1
20	(Includes)		
	1F748	NUT----- (weld)	4
C 22	8S7048	ROD END-----	1

C INDICATES CHANGE

228954

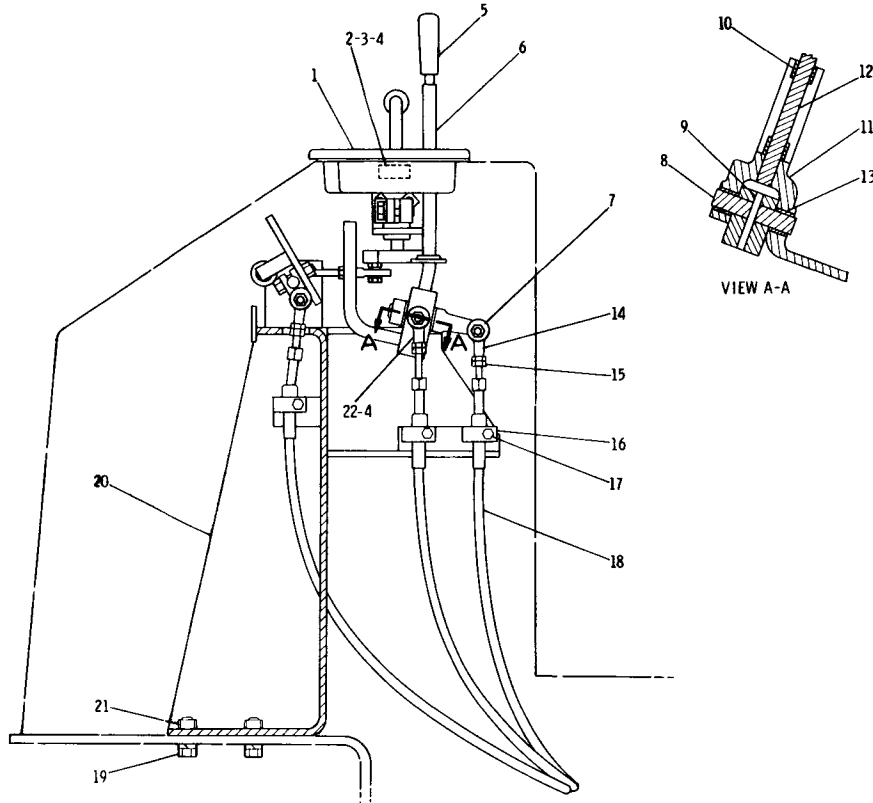
IMPLEMENTS

REF. NO.	PART NUMBER	DESCRIPTION	QTY
1	7M706	KNOB-----	1
2	7G45	ROD-----	1
3	S1591	BOLT-----	2
4	1D4717	NUT-----	4
5	3B4506	LOCKWASHER-----	2
6	9P9992	PLATE ASSEM.	1
7	5P1075	WASHER-----	3
8	1B8704	KEY-----	2
9	6F612	NUT-----	4
10	1A9579	BOLT-----	2
10	1D4716	NUT-----	2
10	3B4505	LOCKWASHER-----	2
11	9M1974	WASHER-----	4
12	9G9979	CLAMP-----	4
13	8L8413	STRAP-----	2
14	S1616	BOLT-----	2
14	6D8554	NUT-----	2
15	6L7751	ROD END-----	5
16	1B7182	BOLT-----	2
17	8P28	SPACER-----	1
18	3P2299	CABLE ASSEM.	2
19	2H3767	COTTER PIN-----	2
20	4B4280	WASHER-----	6
21	2H2400	BEARING-----	4
22	8P4862	SHAFT-----	1
23	8P4863	SHAFT-----	1
24	4M8799	SPRING-----	1
25	8P4871	ROD-----	1
26	9P9991	LEVER-----	1
27	2K4973	NUT-----	1
27	3L9689	WASHER-----	1



2P5693 TOWING WINCH CONTROL GROUP—Side View—With Drum Disconnect—Type 2
Part of 9G2801 and 9G2802 Winch Conversion Arrangements listed on Page 211
AN ATTACHMENT

8P5693 TOWING WINCH CONTROL GROUP—Front View—With Drum Disconnect—Type 2
Part of 9G2801 and 9G2802 Winch Conversion Arrangements listed on Page 211
AN ATTACHMENT



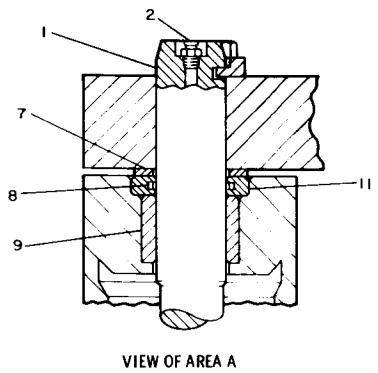
REF. NO.	PART NUMBER	DESCRIPTION	QTY
1	6P5661	GUIDE-----	1
	5B7431	SCREW-----	4
2	3P5938	SPRING-----	1
	4B1284	SCREW-----	1
3	1B4330	NUT-----	1
	3B4504	LOCKWASHER-----	2
5	7M706	KNOB-----	1
6	8P4872	LEVER ASSEM.-----	1
7	S1597	BOLT-----	1
	2L9038	LOCKNUT-----	1
8	2P6008	SHAFT-----	1
9	2H2525	PIN-----	1
10	9H2400	BEARING-----	2
	2P6001	BELLCRANK ASSEM.-----	1
		(Includes)	
12	2P6009	SHAFT-----	1
13	9H2400	BEARING-----	2
14	6L7751	ROD END-----	1
15	6F612	NUT-----	3
C 16	9G9979	CLAMP-----	1
17	1A9579	BOLT-----	1
	1D4716	NUT-----	1
	3B4505	LOCKWASHER-----	1
18	9M1974	WASHER-----	1
	3P2300	CABLE ASSEM.-----	1
19	7B3235	BOLT-----	4
	3B4508	LOCKWASHER-----	4
20	8P4852	SUPPORT ASSEM.-----	1
		(Includes)	
21	1F748	NUT----- (weld)	4
22	8S7048	ROD END-----	1

C INDICATES CHANGE

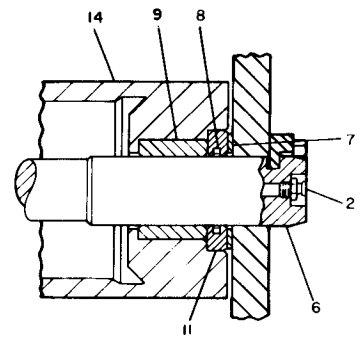
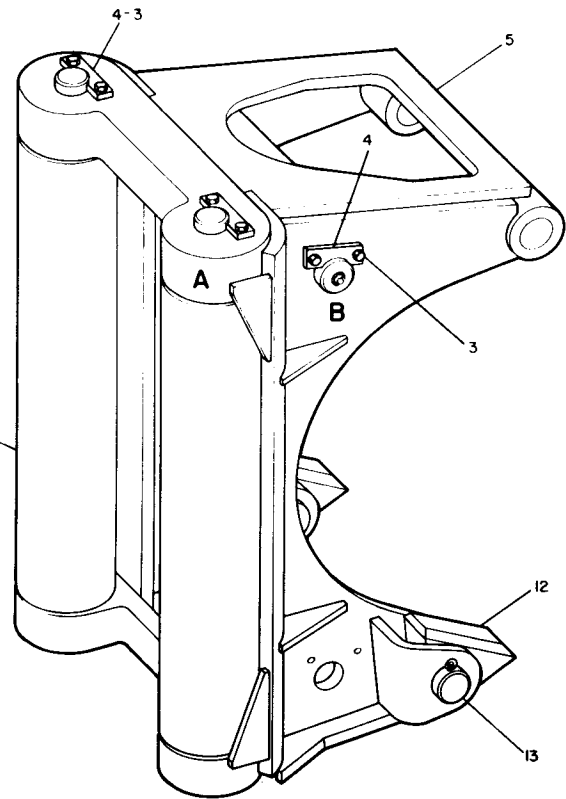
234087

IMPLEMENTS

2298



VIEW OF AREA A



VIEW OF AREA B

REF. NO.	PART NUMBER	DESCRIPTION	QTY
1	9P7731	SHAFT-----	2
2	3B8489	FITTING-----	6
3	7S9372	BOLT-----	6
4	9G8253	CLIP-----	3
5	9P7730	FRAME ASSEM.-----	1
6	6P3471	SHAFT-----	1
7	9P9726	WASHER-----	6
8	3D2898	SEAL--48, 8 mm(L. 925 in.) I. D.---	6
9	5P8476	SEAL--44, 07 mm(L. 735 in.) I. D.---	6
9	7J6250	BEARING-----	6
10	9P7735	ROLLER ASSEM.-----	2
11	9P7453	CARRIER-----	6

12	9P7732	SUPPORT-----	2
13	1P7545	PIN-----	2
13	3B5325	COTTER PIN-----	2
14	6P3473	ROLLER ASSEM.-----	1
SMHS6847		FORM-----	1
		(Installation of 55 & 56 winch)	

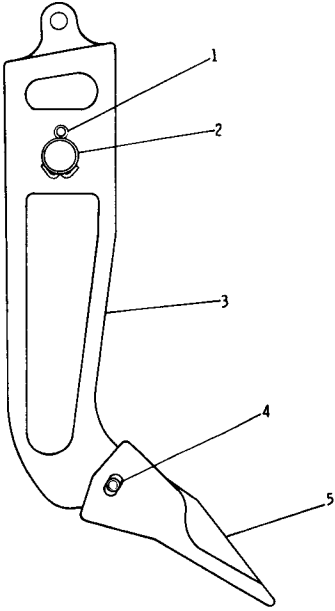
C INDICATES CHANGE

174548

9P7729 WINCH FAIRLEAD GROUP
Winch Serial No. 36U1259—Up
AN ATTACHMENT

CONSISTS OF:			PAGE
1	8J1779	CYLINDER GROUP	191
1	8J7050	RIPPER LINES GROUP	186
1	8J7590	RIPPER ARRANGEMENT	232
1	9J6215	RIPPER MOUNTING GROUP	233
1	5S3881	FILM--No. 5 RIPPER	
1	GMG00014 INSTALLATION INSTRUCTIONS FORM No.	

**9J6699 RIPPER ARRANGEMENT
AN ATTACHMENT**

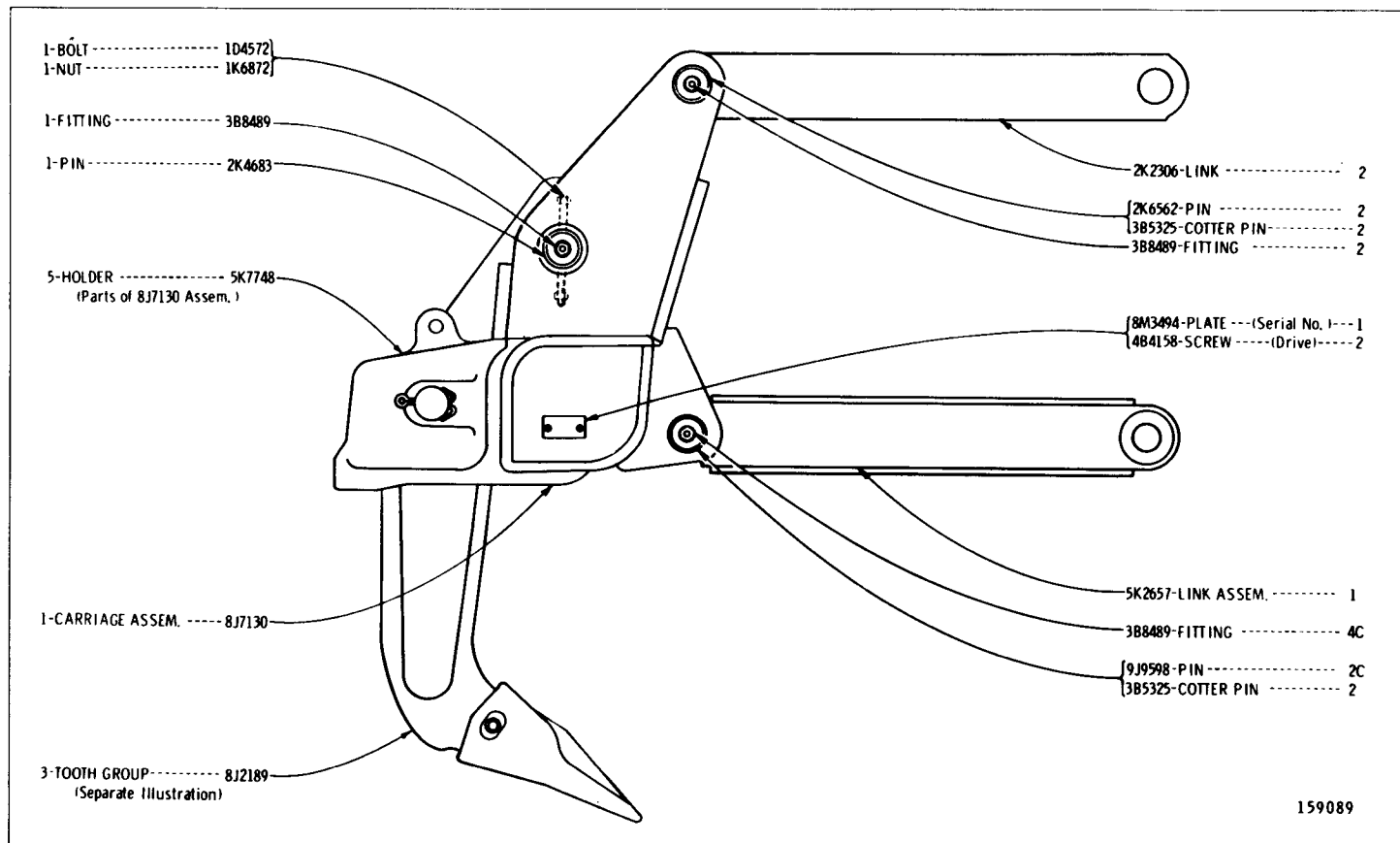


REF. NO.	PART NUMBER	DESCRIPTION	QTY.
1	3B5325	COTTER PIN-----	2
2	8J2190	PIN-----	1
3	9J3139	SHANK-----	1
	9J8923	SHANK----- (curved)	1
4	9J2358	PIN-----	1
	1U2405	RETAINER-----	1
5	9J8920	TIP-----	1

▲ NOT PART OF 8J2189 TOOTH GROUP
 C INDICATES CHANGE

228961

8J2189 RIPPER TOOTH GROUP
 Ripper Serial No. 57D7749—Up
 Also part of 8J7590 Ripper Arrangement listed on Page 232
AN ATTACHMENT



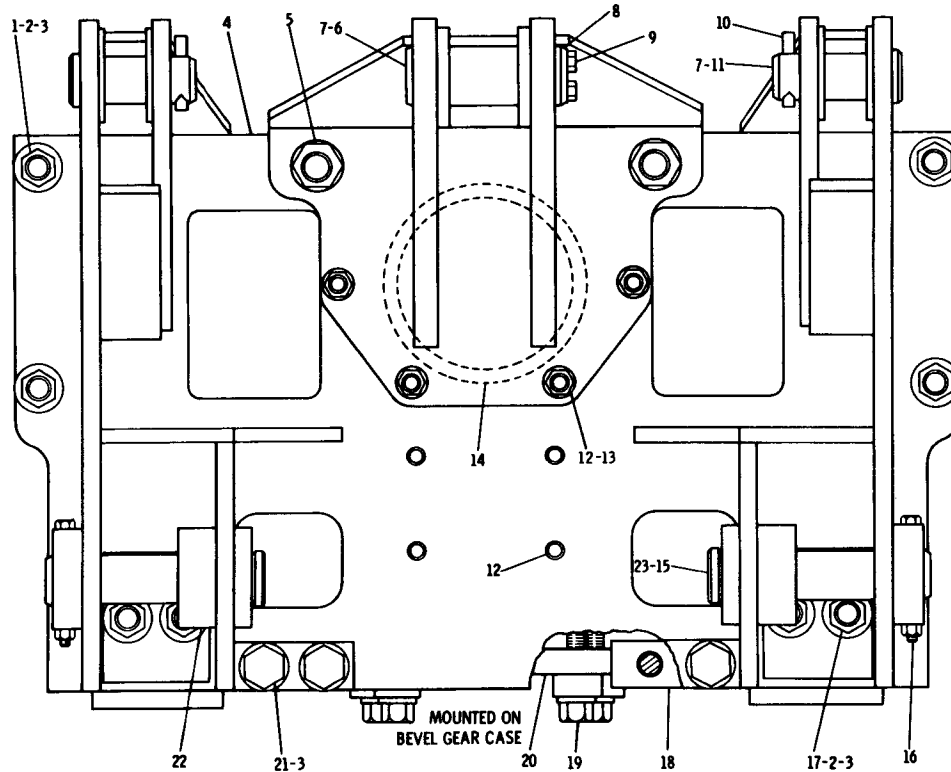
8J7590 RIPPER ARRANGEMENT

Ripper Serial No. 57D7749—Up

Part of 9J6699 Ripper Arrangement listed on Page 231. 8J2189 Tooth parts are shown on Page 231

Note: Two 8J2189 Tooth Groups may be added to convert to a Five Tooth Group

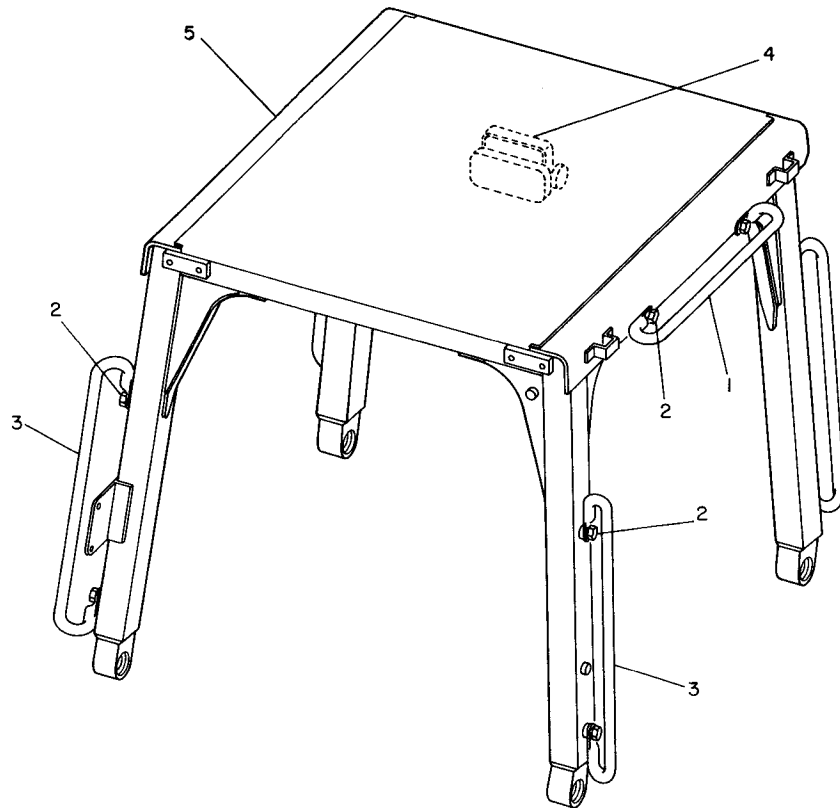
9J6215 RIPPER MOUNTING GROUP
 Part of 9J6699 Ripper Arrangement listed on Page 231
 AN ATTACHMENT



REF. NO.	PART NUMBER	DESCRIPTION	QTY
1	253390	STUD-----	4
2	2J3507	NUT-----	8
3	7M9650	WASHER-----	12
4	9J6214	PLATE ASSEM-----	1
	5K8687	STUD-----	2
5	3K9770	NUT-----	2
	4K684	WASHER-----	2
6	3K7845	PIN-----	1
7	3B8489	FITTING-----	3
8	2K703	BAR-----	1
9	S1621	BOLT-----	2
	3B4508	LOCKWASHER-----	2
10	3B5325	COTTER PIN-----	2
11	2K6563	PIN-----	2
12	6D1915	STUD-----	8
	2J3506	NUT-----	4
13	2S115	WASHER-----	4
14	3K1516	SEAL-----	1
15	9J9689	PIN-----	2
	2H6488	BOLT-----	2
16	1K6872	LOCKNUT-----	2
17	7D4512	STUD-----	4
18	4K3927	SHIM-----	10
19	1D4629	BOLT-----	4
	9H1031	WASHER-----	4
20	9J6609	DRAWBAR ASSEM-----	1
21	1D4637	BOLT-----	4
22	9J6210	SPACER-----	2
23	3B8490	FITTING-----	2

C INDICATES CHANGE

162393



REF. NO.	PART NUMBER	DESCRIPTION	QTY
1	8P8299	GRABIRON-----	2
	51621	BOLT-----	12
2	3B4508	LOCKWASHER-----	12
	4B4280	WASHER-----	12
3	9P7853	GRABIRON-----	4
4	9P9392	MIRROR GROUP-----	1
		(Separate Illustration)	
5	9G6868	ROLLOVER ASSEM.-----	1
C▲	6V3245	PLATE----(ROPS Certification)----	1
C▲	6V3254	PLATE----- (Identification)-----	1

C INDICATES CHANGE
▲ NOT SHOWN

230094

9G6074 ROLL-OVER PROTECTIVE STRUCTURE GROUP—Open
9P9392 Mirror parts are shown on Page 250

		PAGE
CONSISTS OF:		
1	9G7396 ROLL-OVER PROTECTIVE SYSTEM ARRANGEMENT.	236
1	8N1084 ALTERNATOR GROUP	66
1 SMHS7631 FORM	
1	8P8281 COVER GROUP	
CONSISTING OF:		
1	6P8861 PLATE--TO WINCH CONTROL LEVER	
1	6P8862 PLATE--TO WINCH CONTROL LEVER	
1	6P8863 PLATE--TO BOTTOM OF WINCH CONTROL CASTING	
3	4B1282 SCREW--TO BOTTOM OF WINCH CONTROL CASTING	
1	2J7295 SPRING--TO WINCH CONTROL LEVER	
1	8P2822 TUBE ASSEMBLY--FUEL LINE	
2	8P3870 PLATE--BOOT TO DASH	
2	8P3202 BOOT--TO DASH	
1	8P6363 PLUG--TORQUE CONVERTER OPENING ON DIRECT DRIVE DASH	
1	8P6364 PLUG--TACHOMETER CABLE OPENING TO DASH	
1	3P9091 BOOT--RIPPER LINKAGE	
6	L1351 BOLT--PLATE--BOOT TO DASH	
6	3B4506 LOCKWASHER--PLATE--BOOT TO DASH	
2	9S3335 BULB--DASH	
1	8P9994 PLATE ASSEMBLY	
2	5P7856 GROMMET--FOR LIGHT WIRES	
3 DM	5P5611 SEAL--TO COVER ASSEMBLY	
1	8P3547 COVER ASSEMBLY--TO SEAT SUPPORT	
1	9P7989 BOOT--TO POWER SHIFT CONSOLE	
1	9G965 TUBE ASSEMBLY--FUEL RETURN LINES	
6 DM	3P646 SEALER	
1	8P7624 PLATE--INSIDE CONSOLE	
3	S509 BOLT--TO PLATE	
3	3B4506 LOCKWASHER--TO BOLT	
2	4S6336 BUTTON--PLUG CONDENSER HOLES	
2	S509 BOLT--PLUG DRYER HOLES	
2	1D4717 NUT--PLUG DRYER HOLES	

CONSISTS OF:		PAGE	
1	9G6870	ROLL-OVER PROTECTIVE SYSTEM ARRANGEMENT.	237
1	8P2129	SAFETY BRACE GROUP	241
1	9G6902	CAB LINER GROUP	241
1	9G8298	CAB PRESSURIZER GROUP	242
1	9G6897	CAB MOUNTING GROUP	248
1	9P9392	MIRROR GROUP	250
1	9G7478	WASHER & WIPER CONTROL GROUP	254
2	4V8015	LATCH GROUP	250
6	3B4506	LOCKWASHER	
12	S1621	BOLT	
12	3B4508	LOCKWASHER	
12	4B4280	WASHER	
4	9P7853	GRAB IRON	
1	9P1034	PLATE	
2	9P1579	COVER	
8	4F7957	BOLT	
5	S1614	BOLT	
13	3B4504	LOCKWASHER	
5	4B4276	WASHER	
3	T102	BOLT	
3	5P1075	WASHER	
1	9P5053	PLATE	
1	9P5052	PLATE ASSEMBLY	
2	9P2639	GASKET	
2	S1594	BOLT	
4	S509	BOLT	
2	9P1131	GRAB IRON	

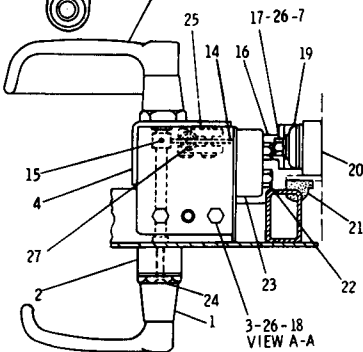
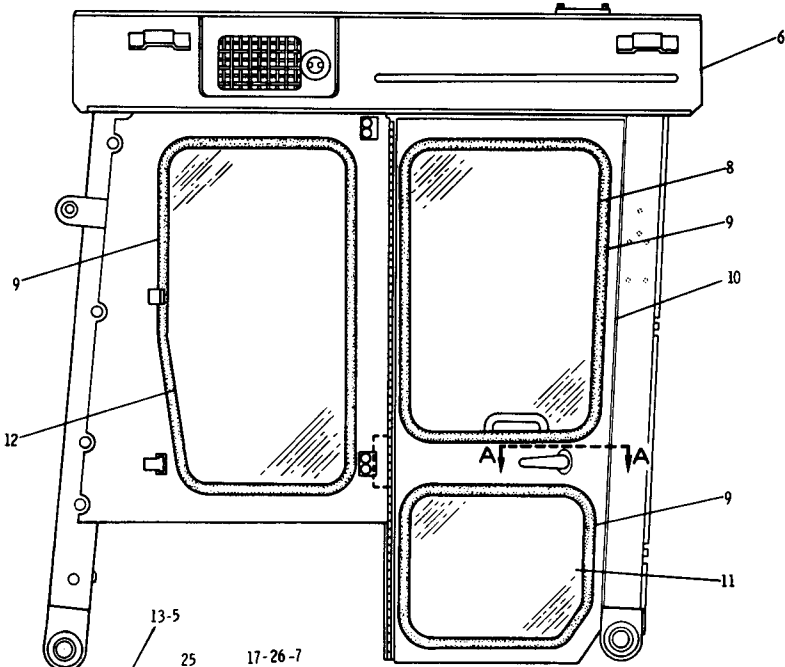
9G7396 ROLL-OVER PROTECTIVE SYSTEM ARRANGEMENT
 Part of 9G7392 Roll-Over Protective System listed on Page 235
AN ATTACHMENT

CONSISTS OF:			PAGE
1	9G6854	ROLL-OVER PROTECTIVE SYSTEM GROUP	238
1	7G6541	WASHER AND WIPER GROUP	251

9G6870 ROLL-OVER PROTECTIVE SYSTEM ARRANGEMENT
 Part of 9G7396 Roll-Over Protective System Arrangement listed on Page 236

CONSISTS OF:		
8	1B4331	NUT--ROPS MTG. BRACKET TO FENDER REAR
4	2B947	BOLT (1/2" x 2 1/4") ROPS MTG. BRACKET TO COVER ASSEMBLY
4	3B4508	LOCKWASHER--To GRAB IRON
4	3B4508	LOCKWASHER--ROPS MTG. BRACKET TO COVER ASSEMBLY
8	3B4512	LOCKWASHER--ROPS MTG. BRACKET TO FENDER REAR
16	4B4283	WASHER--ROPS MTG. BRACKET TO FENDER REAR
8	1D4608	BOLT--ROPS MTG. BRACKET TO FENDER REAR
1	9G7117	COVER ASSEMBLY--To FENDER
1	9G7122	COVER ASSEMBLY--To FENDER
4	L1714	WASHER--ROPS MTG. BRACKET TO COVER ASSEMBLY
2	8P9830	GRAB IRON ASSEMBLY
1	9P6891	PLATE ASSEMBLY--To FENDER REAR
CONSISTS OF:		
	2	8P2813 BOSS
	1	1S1888 BRACKET
	1	4V1204 PLATE
4	S1620	BOLT--To GRAB IRON

9P7412 NON-ROPS CONVERSION ARRANGEMENT
 FOR USE ON MACHINES EXPORTED WITHOUT ROPS
 AN ATTACHMENT



REF. NO.	PART NUMBER	DESCRIPTION	QTY.
1	6V1995	HANDLE ASSEM.----- (Each Includes) KEY-----	2 1
2	5P9610	SPACER-----	2
3	S1615	BOLT-----	6
4	9P1395	COVER ASSEM.---(R. H.)-----	1
	9P1396	COVER ASSEM.---(L. H.)-----	1
5	6V1841	SCREW-----	4
6	9G6827	CAB ASSEM.-----	1
7	9N869	WASHER-----	4
8	8P3325	GLASS-----	1
9	5P5768	SEAL----- (use as required)	1
10	9G6865	DOOR ASSEM.-----	1
11	8P3326	GLASS-----	1

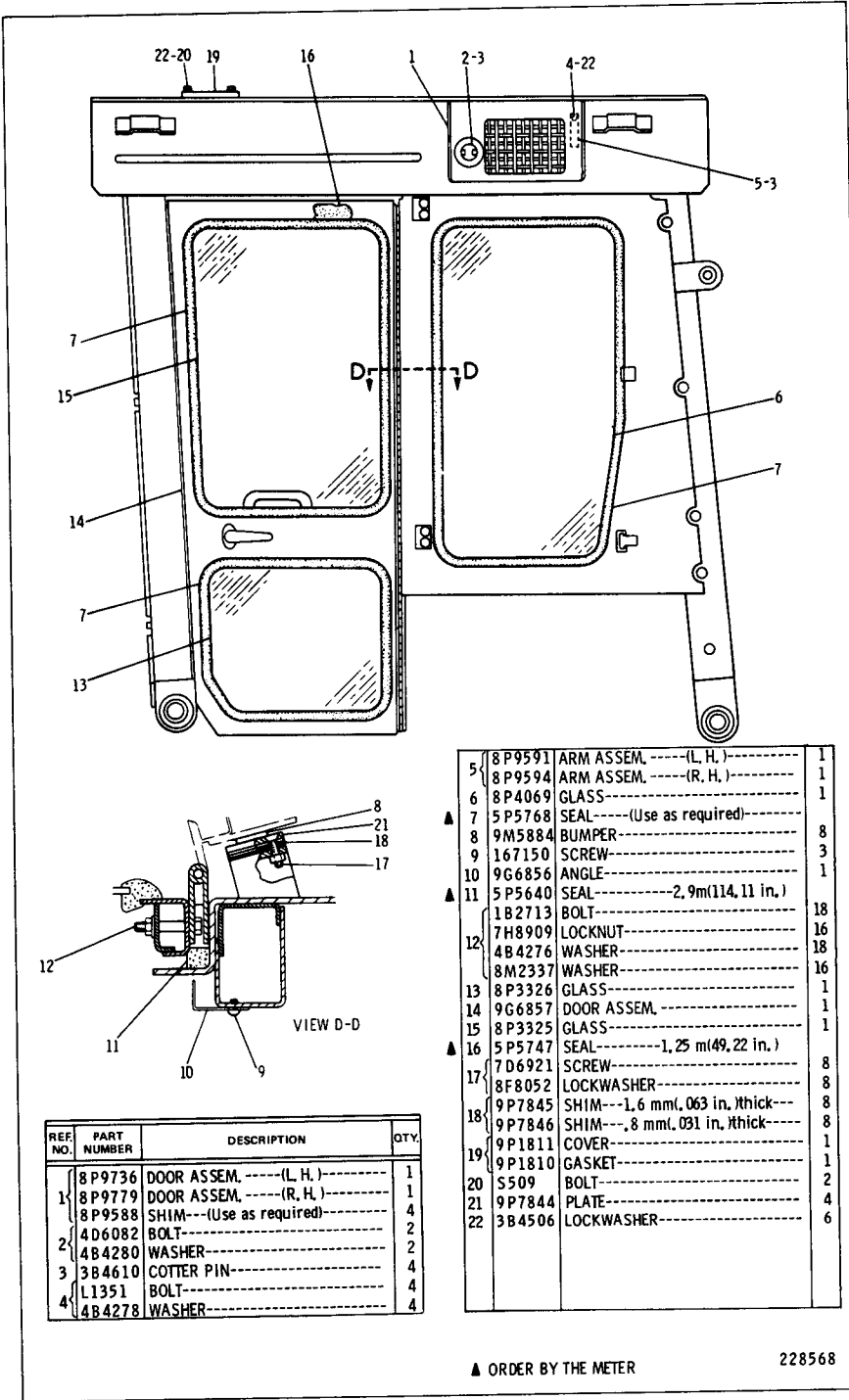
12	8P4069	GLASS-----	1
13	6V1637	HANDLE ASSEM.-----	2
14	9P436	LEVER ASSEM.-----	2
15	5606	PIN-----	2
16	6V1155	STRIKER ASSEM.-----	2
17	S1616	BOLT-----	4
18	4B4276	WASHER-----	6
19	9P1145	PLATE-----	2
19	9P1200	SHIM---1, 9mm(.074 in.)-----	6
20	8P3327	PLATE-----	2
▲ 21	5P5747	SEAL-----2, 6m(102, 36 in.)	1
22	7B2742	BOLT-----	8
22	2D6235	LOCKNUT-----	8
23	6V3295	LATCH---(R. H.)-----	1
23	6V3296	LATCH---(L. H.)-----	1
24	6V1251	SCREW-----	4
	9P6894	LEVER-----	2
25	9P6895	PIN-----	4
	3B5311	COTTER PIN-----	4
26	3B4504	LOCKWASHER-----	10
27	4H3521	SPRING-----	2
●	6V888	FILM---(Instruction)----- (Film to be placed next to exterior door handles)	1

● NOT SHOWN

▲ ORDER BY THE METER

228567

9G6854 ROLL-OVER PROTECTIVE STRUCTURE GROUP—R.H. Side View—Part 1 of 3
Part of 9G6870 ROPS System Arrangement listed on Page 237
AN ATTACHMENT



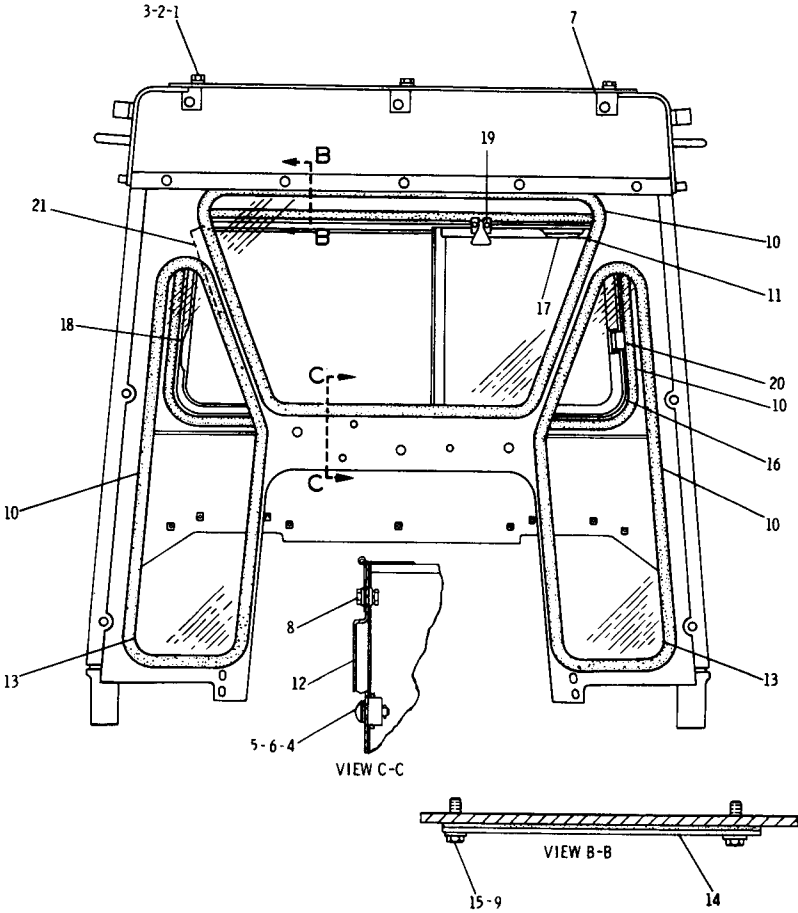
5	8 P9591	ARM ASSEM. ----(L. H.)-----	1
	8 P9594	ARM ASSEM. ----(R. H.)-----	1
6	8 P4069	GLASS-----	1
7	5 P5768	SEAL-----(Use as required)-----	3
8	9 M5884	BUMPER-----	8
9	1 67150	SCREW-----	3
10	9 G6856	ANGLE-----	1
▲ 11	5 P5640	SEAL-----2.9m(114, 11 in.)-----	1
	1 B2713	BOLT-----	18
12	7 H8909	LOCKNUT-----	16
	4 B4276	WASHER-----	18
	8 M2337	WASHER-----	16
13	8 P3326	GLASS-----	1
14	9 G6857	DOOR ASSEM.-----	1
15	8 P3325	GLASS-----	1
▲ 16	5 P5747	SEAL-----1.25 m(49, 22 in.)-----	1
	7 D6921	SCREW-----	8
17	8 F8052	LOCKWASHER-----	8
	9 P7845	SHIM---1.6 mm(.063 in. thick)---	8
18	9 P7846	SHIM---.8 mm(.031 in. thick)---	8
	9 P1811	COVER-----	1
19	9 P1810	GASKET-----	1
20	S509	BOLT-----	2
21	9 P7844	PLATE-----	4
22	3 B4506	LOCKWASHER-----	6

REF. NO.	PART NUMBER	DESCRIPTION	QTY.
1	8 P9736	DOOR ASSEM. ----(L. H.)-----	1
	8 P9779	DOOR ASSEM. ----(R. H.)-----	1
	8 P9588	SHIM---(Use as required)-----	4
2	4 D6082	BOLT-----	2
	4 B4280	WASHER-----	2
3	3 B4610	COTTER PIN-----	4
	L1351	BOLT-----	4
4	4 B4278	WASHER-----	4

▲ ORDER BY THE METER

228568

9G6854 ROLL-OVER PROTECTIVE STRUCTURE GROUP—L.H. Side View—Part 2 of 3
 Part of 9G6870 ROPS System Arrangement listed on Page 237
 AN ATTACHMENT



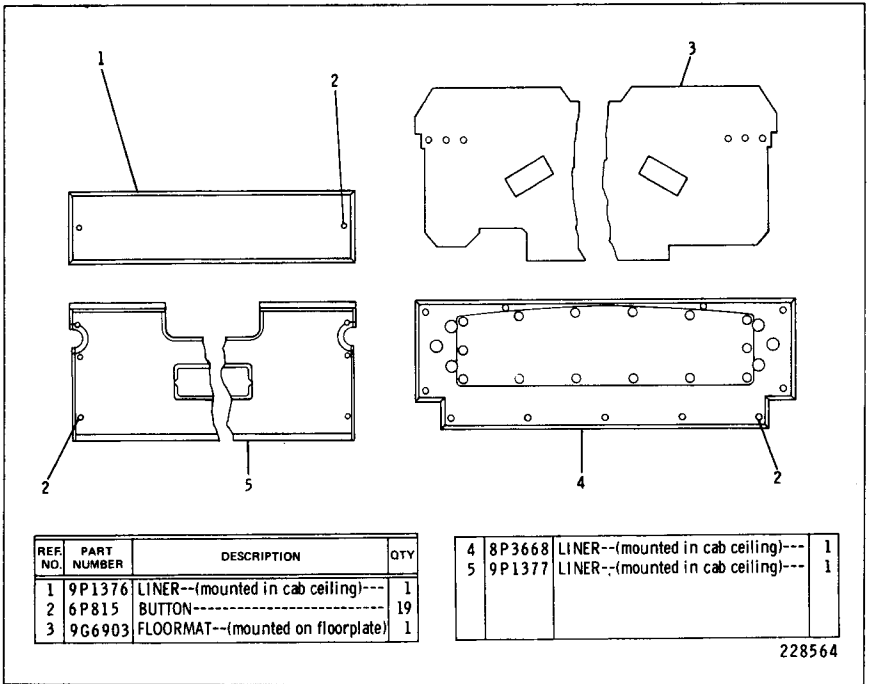
REF. NO.	PART NUMBER	DESCRIPTION	QTY
1	S1594	BOLT-----2.54 cm (1 in.) long	3
2	1D4717	NUT-----	3
3	3B4506	LOCKWASHER-----	3
4	5P7518	RETAINER-----	2
5	5P7519	NUT-----	2
6	5P9034	STUD-----	2
7	8P3142	BRACKET ASSEM.-----	3
8	8L6521	BOLT-----	5
8	4B2049	NUT-----	5
8	3B4502	LOCKWASHER-----	5
8	4B4274	WASHER-----	10
9	5P4115	LOCKWASHER-----	14
▲ 10	5P5768	SEAL----- (use as required)	
11	8P3762	GLASS-----	1
12	9G6855	DOOR-----	1
13	8P3763	GLASS-----	1

14	8P3880	PLATE-----	1
14	8P3881	GASKET-----	1
15	687624	SCREW-----	14
16	9P9385	WINDOW ASSEM.-----	1
16		(Includes)	
16	9P9387	GLASS-----	1
▲ 17	5P8918	SEAL-----1.3 m(51.19 in.)	1
▲ 18	5P5680	SEAL-----2.54 m(100 in.)	1
19	2H6622	SCREW-----	2
20	9P7860	LOCK ASSEM.-----	1
20	9P7859	SCREW-----	2
21	9G8808	COVER-----	1
21	5P7924	SCREW-----	3
●	6V3247	PLATE----- (Identification)-----	1
●	6V3245	PLATE----- (ROPS Warning)-----	1
●	347044	RIVET-----	6

● NOT SHOWN ▲ ORDER BY THE METER-USE AS REQUIRED

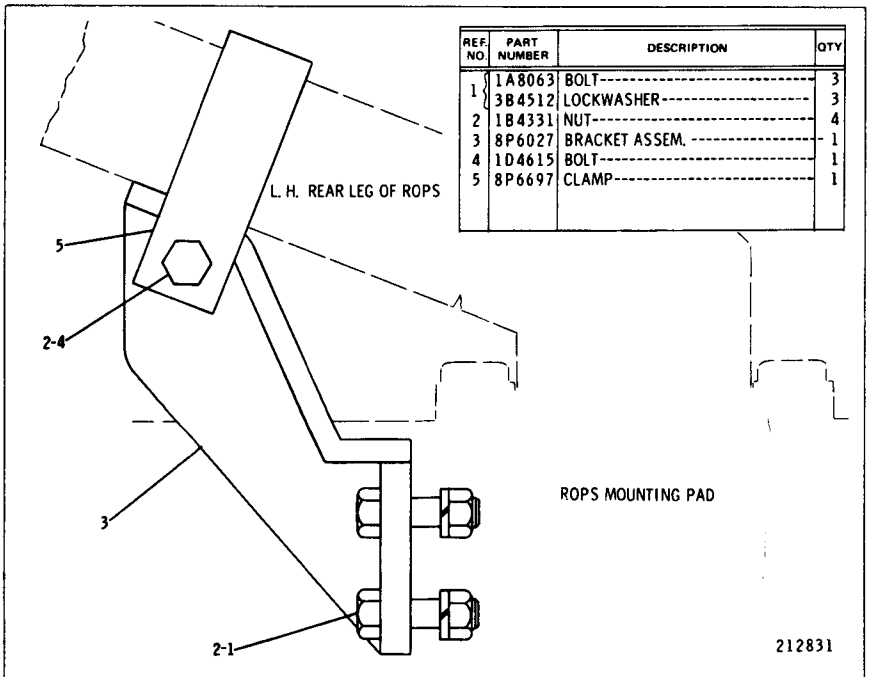
228569

9G6854 ROLL-OVER PROTECTIVE STRUCTURE GROUP—Front View—Part 3 of 3
Part of 9G6870 ROPS System Arrangement listed on Page 237
AN ATTACHMENT



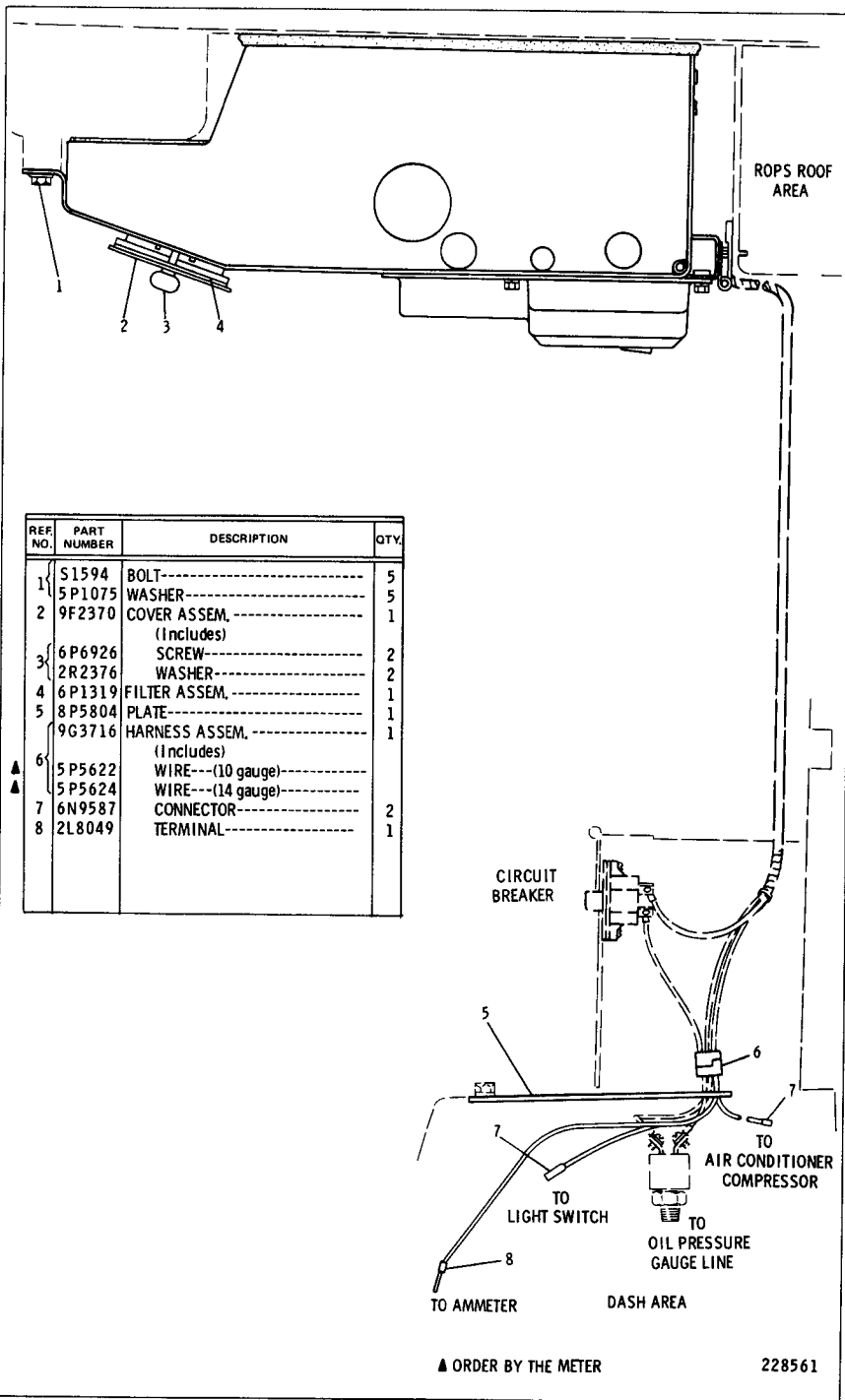
9G6902 CAB LINER GROUP

Part of 9G7396 Roll-Over Protective System Arrangement listed on Page 236
AN ATTACHMENT



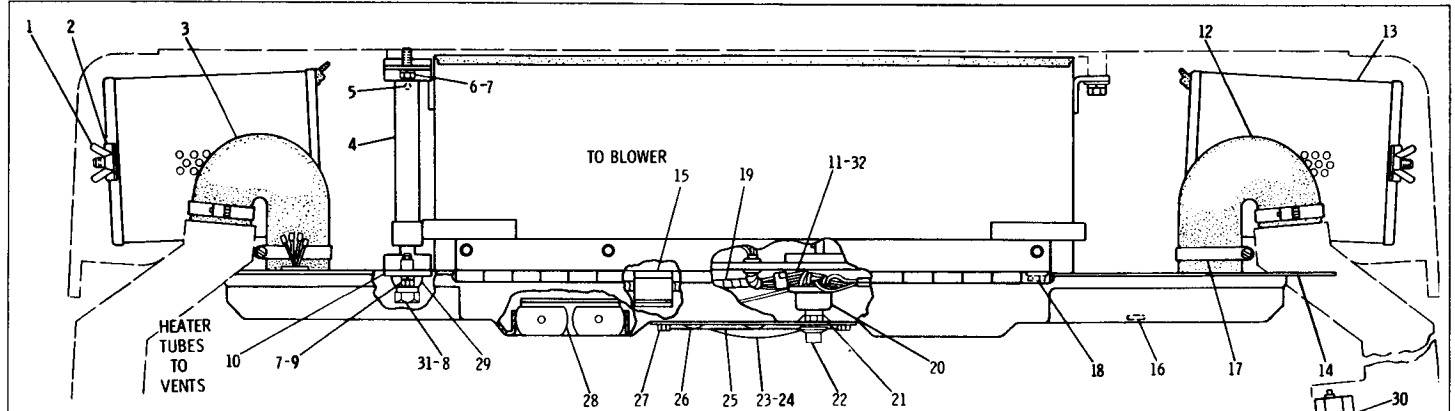
8P2129 SAFETY BRACE GROUP

Part of 9G7396 Roll-Over Protective System Arrangement listed on Page 236
AN ATTACHMENT



9G8298 CAB PRESSURIZER GROUP—Part 1 of 3
 Part of 9G7396 Roll-Over Protective System Arrangement listed on Page 236
 AN ATTACHMENT

9G8298 CAB PRESSURIZER GROUP—Part 2 of 3
 Part of 9G7396 Roll-Over Protective System Arrangement listed on Page 236
 8P6368 Harness parts are shown on Page 246. AN ATTACHMENT



REF. NO.	PART NUMBER	DESCRIPTION	QTY
1	2P 9498	NUT-----	4
2	8P 9587	STRAP-----	2
3	5P 3915	HOSE-----65 cm(25.6 in.)	1
4	6P 4147	TUBE ASSEM.-----	1
5	4H 1641	PIN-----	1
6	T 102	BOLT-----	2
7	3B 4506	LOCKWASHER-----	4
8	6P 5812	SCREW ASSEM.-----	1
9	S 1594	BOLT-----	2
10	6P 4152	BRACKET-----	1
	9P 2046	HARNES ASSEM.-----	1
		(Includes)	
▲	11	5P 5624 WIRE----- (14 gauge)-----	
▲		5P 5623 WIRE----- (16 gauge)-----	
		2L 8065 TERMINAL-----	1
		2L 8075 TERMINAL-----	1
●	12	5P 3915 HOSE-----65 cm(25.6 in.)	1
13	2V 36	FILTER-----	2

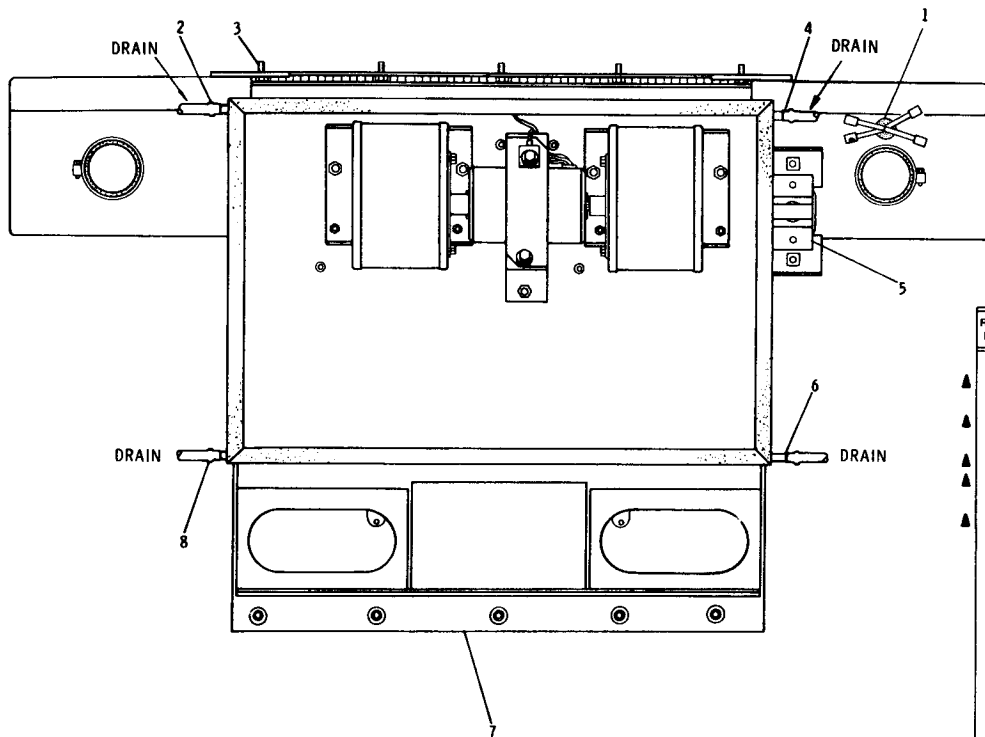
14	7G 1367	DUCT ASSEM.-----	1
15	319195	CLIP-----	1
16	2D 3406	BUTTON-----2.54mm(1 in.) dia. hole	1
17	2J 6540	CLAMP-----	4
18	S 1614	BOLT-----	10
	5P 4115	WASHER-----	10
19	8P 6368	HARNES ASSEM.-----	1
		(Separate Illustration)	
20	6P 3236	SWITCH ASSEM.-----	1
21	2P 4339	NUT-----	1
22	1P 6509	KNOB-----	1
	9M 4192	LAMP ASSEM.-----	1
		(Includes)	
23	1S 3291	DOOR ASSEM.-----	1
	7N 9943	LAMP-----	1
	2F 2860	SCREW-----	2
	1H 2204	SCREW ASSEM.-----	3
24	4B 2047	NUT-----	3

▲ ORDER BY THE METER

25	8P 3710	PLATE-----	1
26	302283	PLUG-----	2
27	310243	SCREW-----	4
28	6P 5673	LOUVER-----	4
29	6P 5564	ROD-----	1
	6P 8689	LOUVER-----	2
30	5P 6458	SEAL-----	4
31	4D 3704	WASHER-----	2
32	3S 2093	STRAP-----	2

● ORDER BY THE CENTIMETER

228562



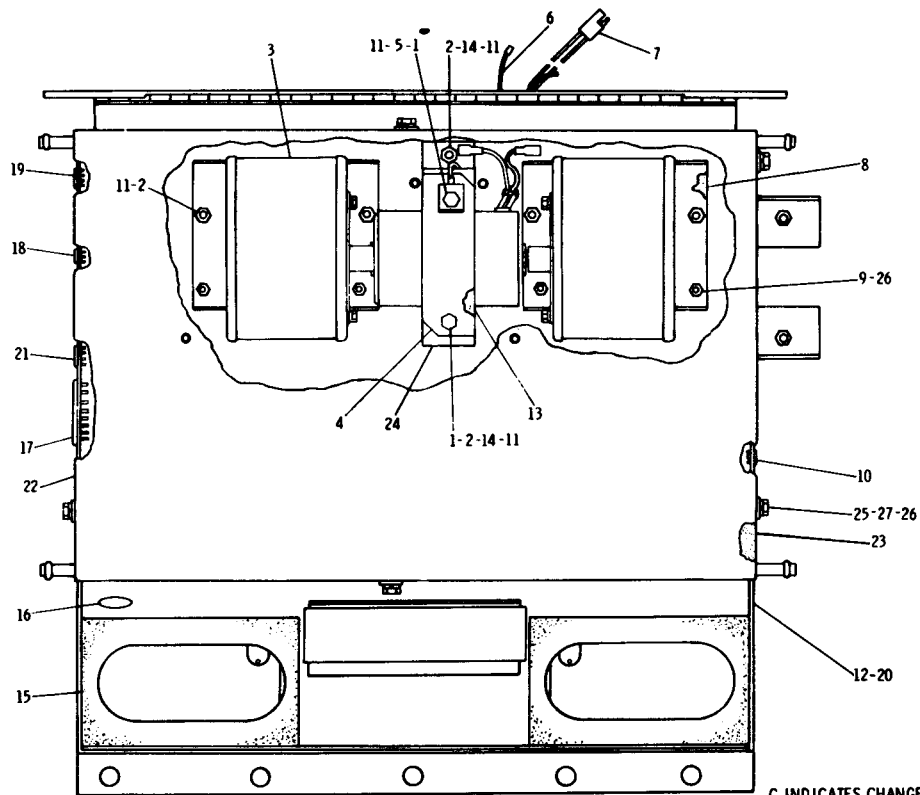
REF. NO.	PART NUMBER	DESCRIPTION	QTY
1	9D3768	GROMMET-----	1
▲ 2	5P6129	TUBE-----, 86 m(34.06 in.)	1
3	S1615	BOLT-----	5
▲ 4	5P6129	TUBE-----, 86 m(34.06 in.)	1
5	6P4151	BRACKET-----	1
▲ 6	5P6129	TUBE-----, 23 m(9.06 in.)	1
▲ 7	9P5089	PRESSURIZER GROUP----- (Separate Illustration)	1
▲ 8	5P6129	TUBE-----, 23 m(9.06 in.)	1

▲ ORDER BY THE METER

228563

9G8298 CAB PRESSURIZER GROUP—Part 3 of 3
 Part of 9G7396 ROLL-OVER Protective System Arrangement listed on Page 236
 9P5089 Pressurizer parts are shown on Page 245. AN ATTACHMENT

9P5089 BASIC PRESSURIZER GROUP
 Part of 9G8298 Cab Pressurizer, 8P2146 Air Conditioner & 8P4914 Heater Groups
 shown on Pages 244, 268 & 278. 9P3788 Blower parts are shown on Page 247
AN ATTACHMENT



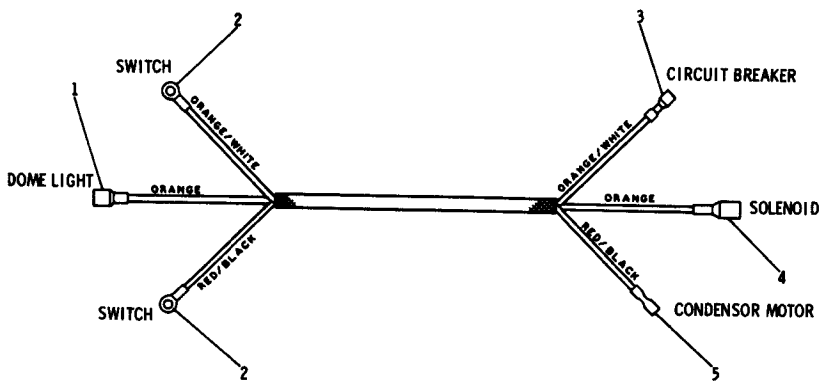
C INDICATES CHANGE

REF. NO.	PART NUMBER	DESCRIPTION	QTY
C 1	51594	BOLT-----	2
C 2	1D4717	NUT-----	6
3	9P3788	BLOWER ASSEM.----- (Separate Illustration)	1
4	6P1298	STRAP-----	1
5	2H4499	LOCK-----	1
	9P6897	WIRE ASSEM.----- (Includes)	1
▲ 6	5P5629	WIRE-----,36 m (14 in.)	
	4S1988	TERMINAL----(dome light)----	1
	2L8079	TERMINAL-----	1
	8P6385	HARNES ASSEM.----- (Includes)	1
▲ 7	5P5623	WIRE----- (16 gauge)	
▲	5P5624	WIRE----- (14 gauge)	
	5P4571	TERMINAL-----	6
8	6P1296	SEAL-----	2
9	1B4330	NUT-----	4
10	3D9871	BUTTON-----	4
C 11	3B4506	LOCKWASHER-----	8
C 12	7G3057	CASE ASSEM.-----	1
▲ 13	5P5908	SEAL-----,31 m(12.20 in)	
C 14	4B4278	WASHER-----	3
15	8P2303	SEAL-----	2
C 16	7D4786	PLUG-----	1
17	6P1294	PLUG-----	1
18	5K3546	BUTTON-----	1
19	4S6336	BUTTON-----	1
20	7L6479	PLUG---(fits 7,87mm(.31 in. hole)	5
C 21	1V9019	PLUG-----	2
C 22	7G3000	COVER ASSEM.----- (Includes)	1
23	7G2999	SEAL-----	1
C 24	7G2377	BRACKET ASSEM.-----	1
C 25	S1614	BOLT-----	6
C 26	8B4504	LOCKWASHER-----	10
C 27	4B4276	WASHER-----	6

▲ ORDER BY THE METRE

169044

CATERPILLAR D5B TRACTOR



REF. NO.	PART NUMBER	DESCRIPTION	QTY
1	5P4571	TERMINAL-----	1
2	2L8065	TERMINAL-----	2
3	6N9018	TERMINAL-----	1
4	5P5694	TERMINAL-----	1
5	6N9587	CONNECTOR-----	1

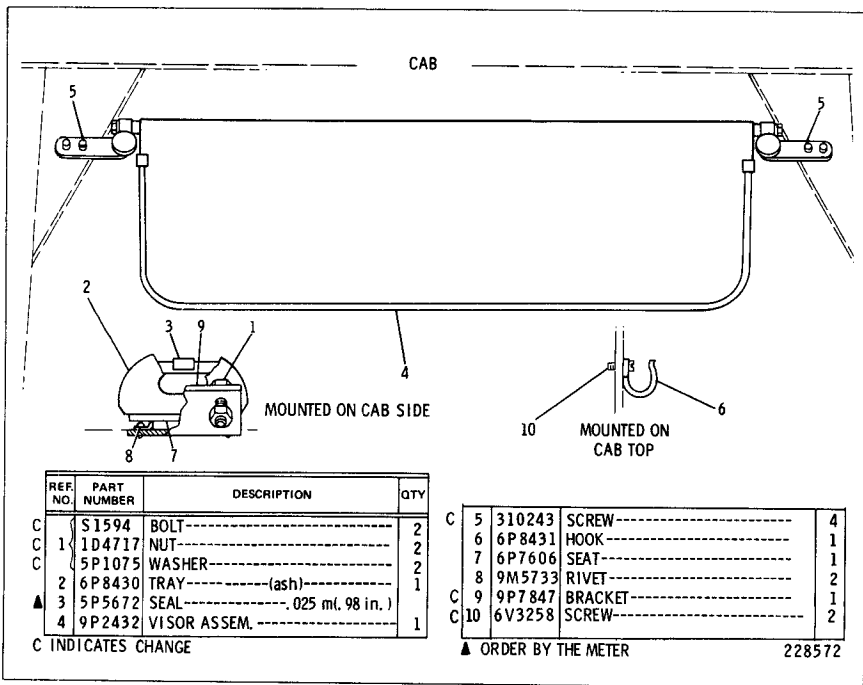
THE FOLLOWING WIRES ARE AVAILABLE:	
5P5622	WIRE----- (10 gauge)-----
5P5621	WIRE----- (12 gauge)-----
5P5624	WIRE----- (14 gauge)-----

▲ ORDER BY THE METRE

213437

8P6368 HARNESS ASSEMBLY

Part of 9G8298 Cab Pressurizer Group shown on Page 243
AN ATTACHMENT



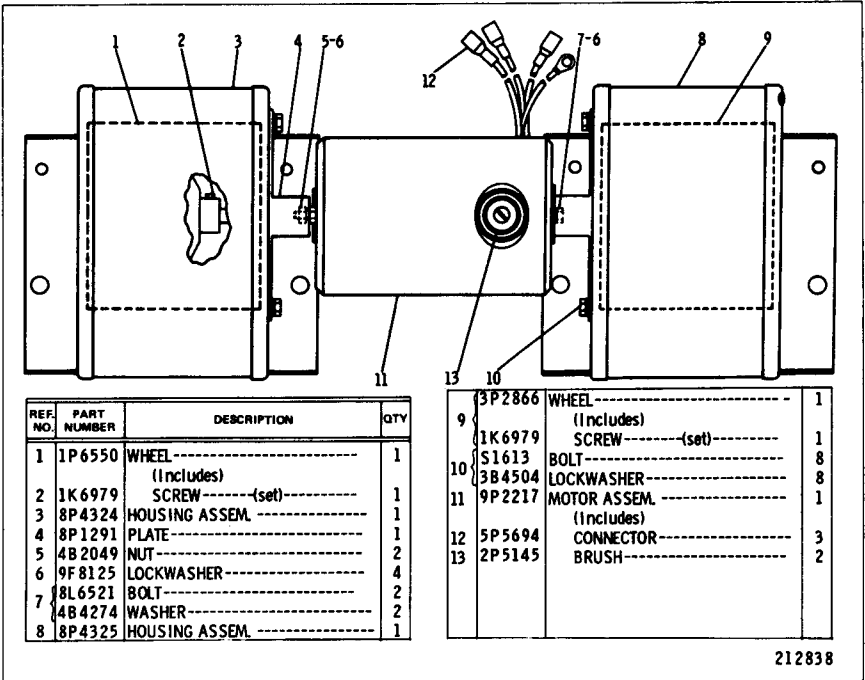
REF. NO.	PART NUMBER	DESCRIPTION	QTY
C	5	S1594 BOLT-----	2
C	1	1D4717 NUT-----	2
C	1	5P1075 WASHER-----	2
	2	6P8430 TRAY----- (ash)-----	1
▲	3	5P5672 SEAL----- (.025 mt. 98 in.)	1
	4	9P2432 VISOR ASSEM.	1

C	5	310243 SCREW-----	4
	6	6P8431 HOOK-----	1
	7	6P7606 SEAT-----	1
	8	9M5733 RIVET-----	2
C	9	9P7847 BRACKET-----	1
C	10	6V3258 SCREW-----	2

▲ ORDER BY THE METER

228572

8P2140 CAB ACCESSORY GROUP AN ATTACHMENT

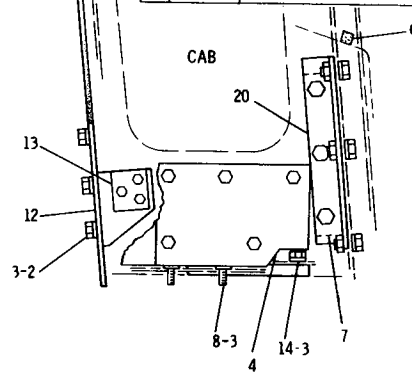
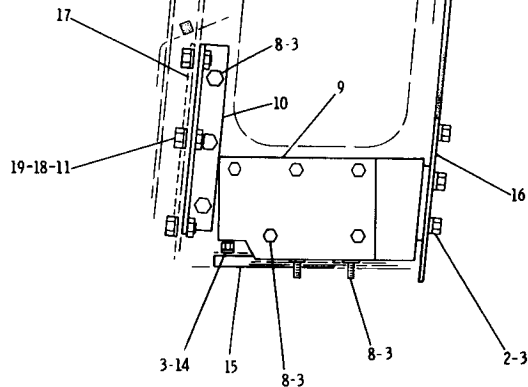


212838

9P3788 BLOWER ASSEMBLY
 Part of 9P5089 Pressurizer Group shown on Page 245
 AN ATTACHMENT

REF. NO.	PART NUMBER	DESCRIPTION	QTY.
1	8 P3448	BRACKET ASSEM.	2
2	S1594	BOLT	22
3	5 P1075	WASHER	48
4	9G6901	PLATE	1
5	8P3442	STRIP	4
6	5P7514	SEAL	4
7	9P2044	PLATE	2
8	L1351	BOLT	20
9	9G6900	PLATE	1
10	9G6898	ANGLE	1
11	S1616	BOLT	6
12	9P2035	BRACKET	1
13	8P3760	PLATE	2
14	S1591	BOLT (L. H.)	6

15	9P2029	BLOCK	2
16	8P3761	BRACKET	1
17	5P5640	SEAL	6
18	7H8909	NUT	6
19	5P4115	WASHER (conical)	6
	5P537	WASHER	6
20	9G6899	ANGLE	1

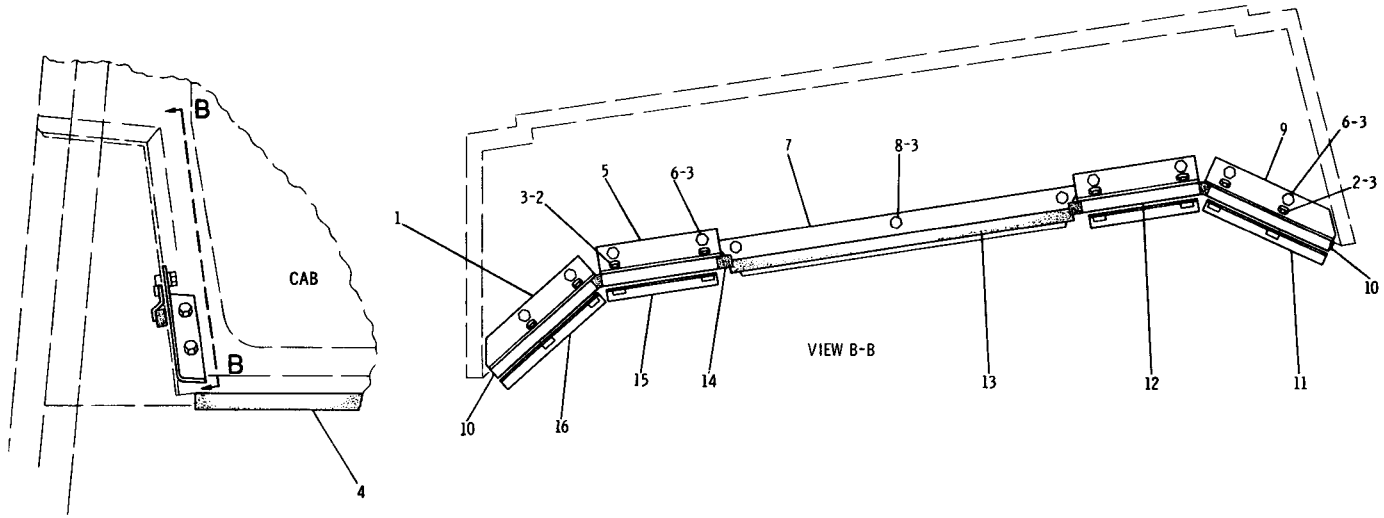


▲ ORDER BY THE METER-USE AS REQUIRED

226999

9G6897 CAB MOUNTING GROUP—Part 1
Part of 9G7396 Roll-Over Protective System Arrangement listed on Page 236
AN ATTACHMENT

9G6897 CAB MOUNTING GROUP—Part 2
 Part of 9G7396 Roll-Over Protective System Arrangement listed on Page 236
AN ATTACHMENT



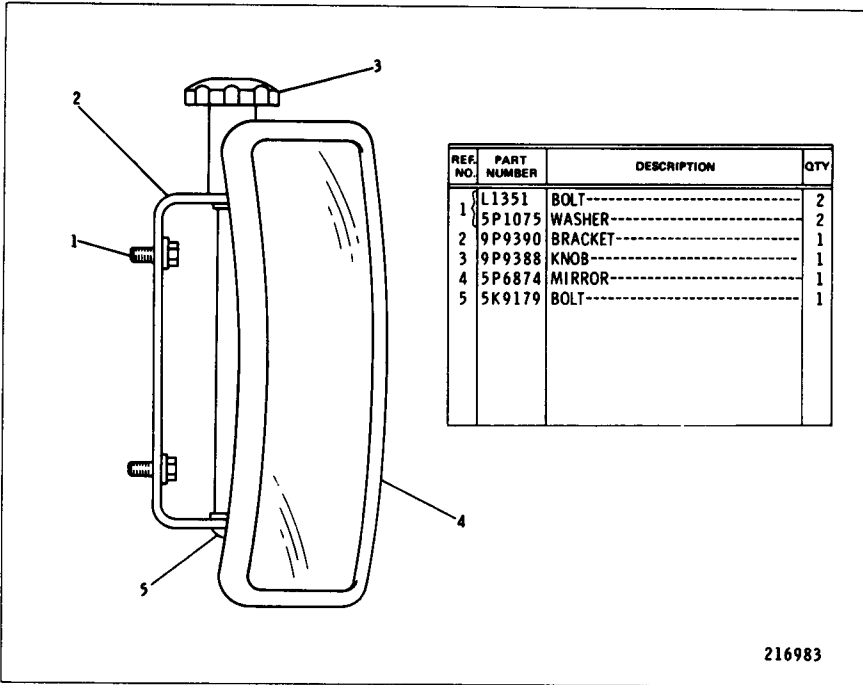
REF. NO.	PART NUMBER	DESCRIPTION	QTY.
1	8P3350	BRACKET-----	1
2	S1590	BOLT-----	8
3	5P1075	WASHER-----	19
▲ 4	5P5936	SEAL-----	4
5	8P3348	BRACKET-----	2

6	S1594	BOLT-----	8
7	8P3346	BRACKET ASSEM.-----	1
8	L1351	BOLT-----	3
9	8P3351	BRACKET-----	1
10	8P3356	SPACER-----	2
11	9P2037	ANGLE ASSEM.-----	1
12	8P3352	SPACER-----	2

▲ 13	5P5755	SEAL-----	2
▲ 14	5P7514	SEAL-----	
15	9P2043	ANGLE ASSEM.-----	1
16	9P2042	ANGLE ASSEM.-----	

▲ ORDER BY THE METER—USE AS REQUIRED

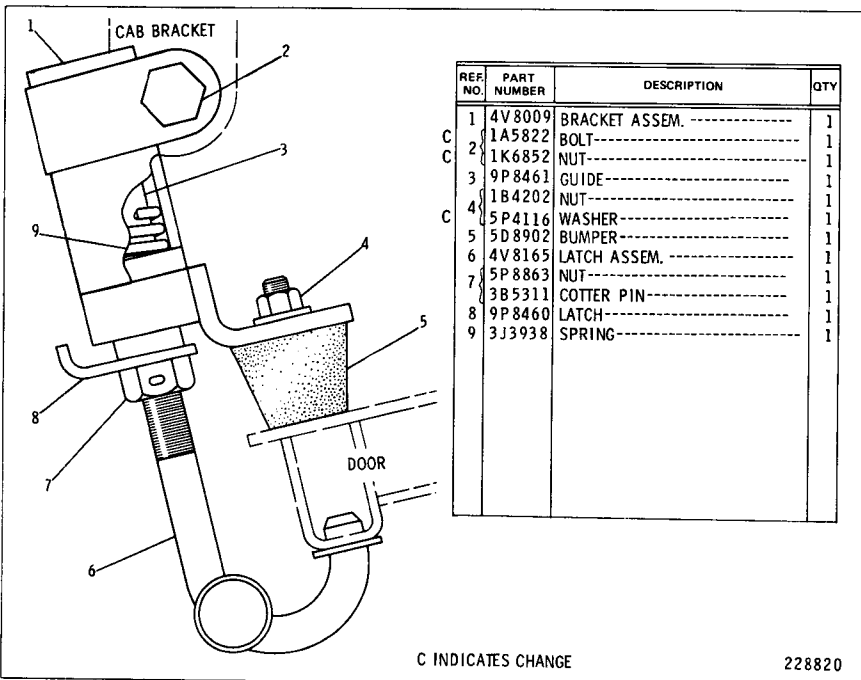
227000



216983

9P9392 MIRROR GROUP

Part of 9G6074 ROPS & 9G7396 Roll-Over Protective System Arrangement listed on Pages 234 & 236



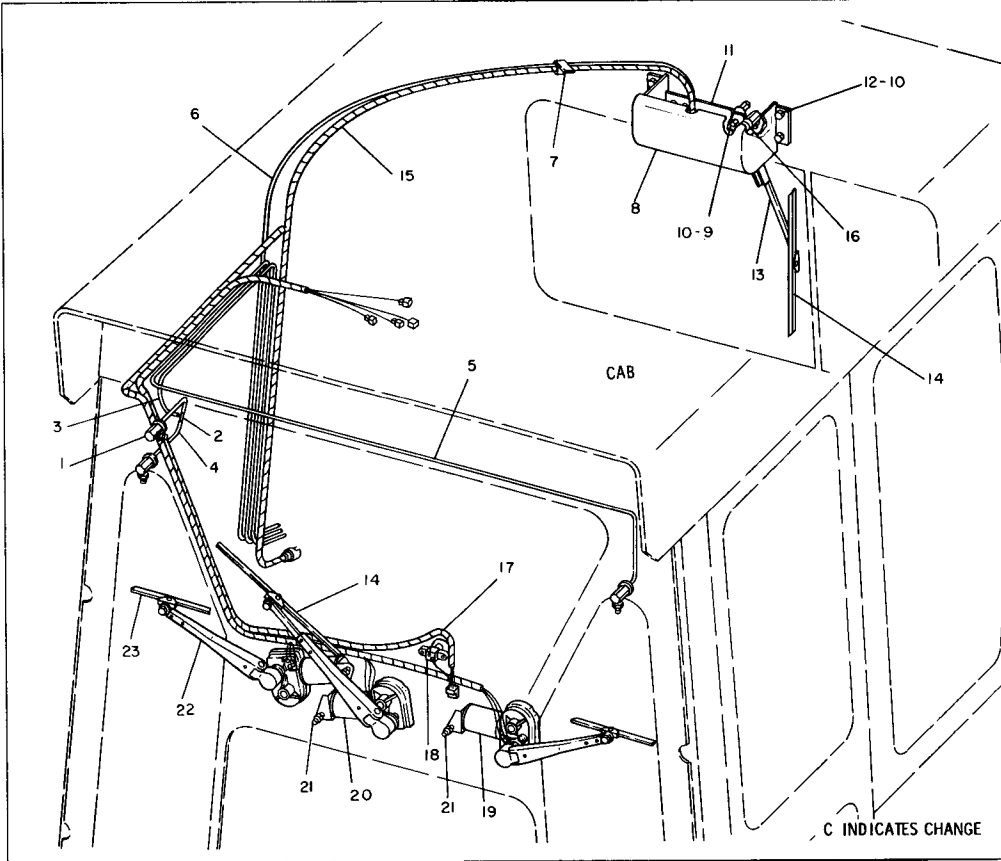
C INDICATES CHANGE

228820

4V8015 LATCH GROUP

Part of 9G7396 Roll-Over Protective System Arrangement listed on Page 236
AN ATTACHMENT

7G6541 WASHER AND WIPER GROUP
 Part of 9G6870 Roll-Over Protective System listed on Page 237
 7G8734 & 9G8107 Harness & 1V3079 Wiper parts are shown on Pages 252 & 253
AN ATTACHMENT



REF NO.	PART NUMBER	DESCRIPTION	QTY.
1	9P2369	JET ASSEM. -----	4
2	6K9632	TEE-----	1
A	3	5P5992 HOSE----- 2.15 m(84.6 in.)	
A	4	5P5992 HOSE----- 2.40 m(9.44 in.)	
A	5	5P5992 HOSE----- 3.50 m(137.7 in.)	
A	6	5P5992 HOSE----- 2.55 m(100 in.)	
	7	1V3593 CLIP-----	1
	8	7G8735 COVER-----	1
	9	6F7027 BOLT-----	2
	10	3B4504 LOCKWASHER-----	6
C	11	1V3079 WIPER GROUP----- (Separate Illustration)	1
	12	1B4330 NUT-----	4
		4B4276 WASHER-----	4
		9P1721 ARM ASSEM.-----	1
	14	9D1242 BLADE-----	2
	15	7G8734 HARNESS ASSEM.----- (Separate Illustration)	1
	16	6D4972 SPACER-----	1
	17	9G8107 HARNESS ASSEM.----- (Separate Illustration)	1
	18	6N9349 CIRCUIT BREAKER-----	1
		5M6668 SCREW-----	2
		9G156 MOTOR ASSEM.-----	1
	19	4D7468 NUT-----	1
		1K502 WASHER-1.19mm(.046 in.)thick	1
		4D7464 WASHER-1.59 mm(.63 in.)thick	1
		9G155 MOTOR ASSEM.-----	2
	20	4D7468 NUT-----	1
		1K502 WASHER-1.19 mm(.046 in.)thick	1
		4D7464 WASHER-1.59mm(.63 in.)thick	1
		8L6521 BOLT-----	3
		4B2049 NUT-----	3
	21	9F5599 LOCKWASHER-----	3
		9F9831 WASHER-----	3
	22	5P5346 ARM-----	3
	23	5P5436 BLADE-----	2

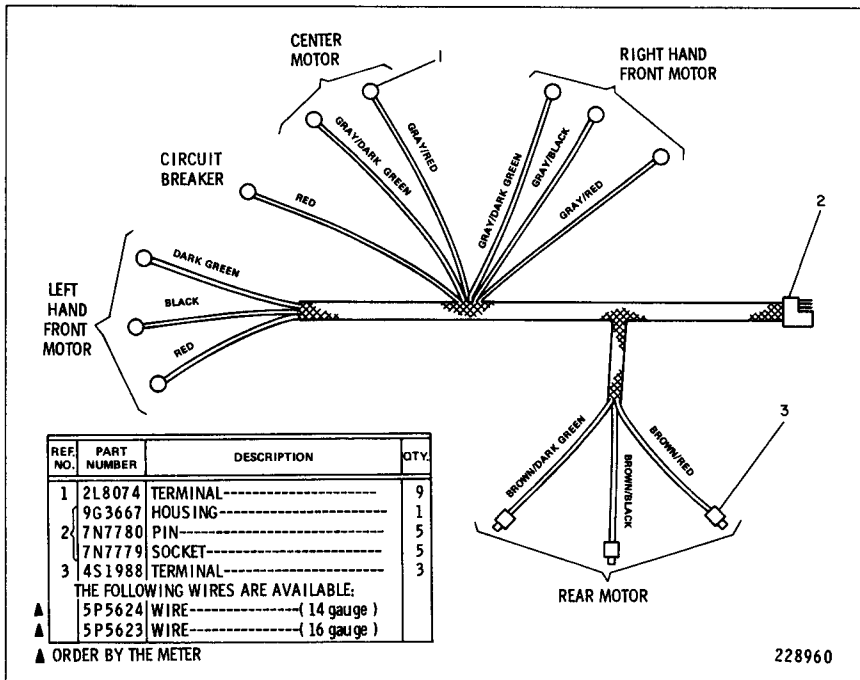
C INDICATES CHANGE

▲ ORDER BY THE METER

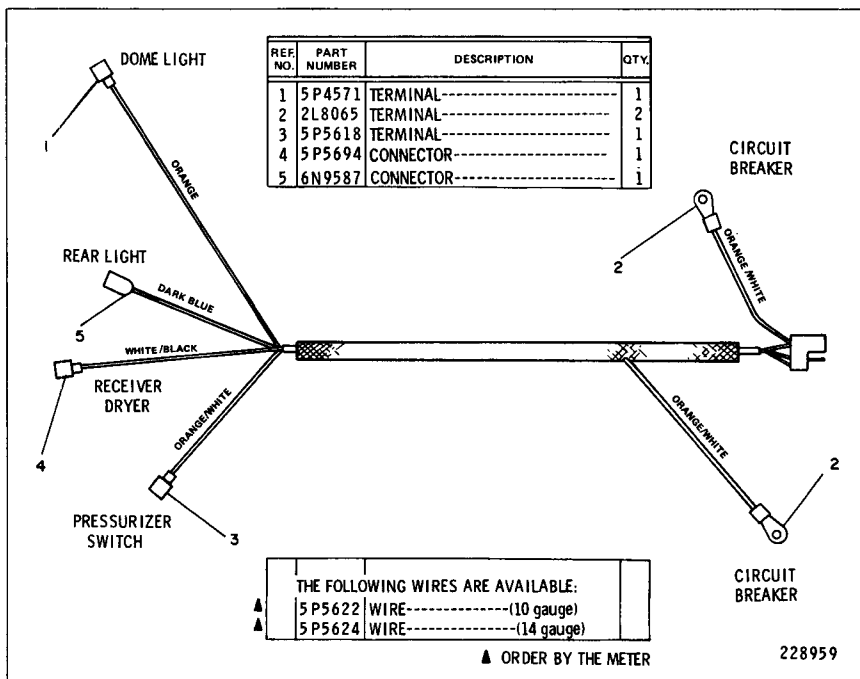
228571

CAB, GAUGES AND ACCESSORIES

CATERPILLAR D5B TRACTOR



7G8734 HARNESS ASSEMBLY
 Part of 7G6541 Washer & Wiper Group shown on Page 251
 AN ATTACHMENT



9G8107 HARNESS ASSEMBLY
 Part of 7G6541 Washer & Wiper Group shown on Page 251
 AN ATTACHMENT

REF. NO.	PART NUMBER	DESCRIPTION	QTY
C 1	8F1315	SCREW ASSEM.-----	2
2	4D7416	WASHER-----	2
3	4D7411	CLIP-----	2
4	4D7408	LINK-----	1
5	4D7417	BRACKET-----	1
6	9D202	MOTOR ASSEM.----- (Includes)	1
7	1B4201	NUT-----	1
	7F9223	LOCKWASHER-----	1
8	6K5499	ARM-----	1
9	4D7421	WASHER-----	1
C 10	7K4475	TERMINAL-----	3

C 11	S1570	BOLT-----	3
	1H3338	LOCKWASHER-----	3
12	9K682	SHAFT AND LINK ASSEM.----- (Separate Illustration)	1

C INDICATES CHANGE 228599

1V3079 WIPER GROUP

Part of 7G6541 Washer & Wiper Group shown on Page 251
 9K682 Shaft & Link parts are shown on Page 253. AN ATTACHMENT

REF. NO.	PART NUMBER	DESCRIPTION	QTY
1	8D237	NUT-----	1
2	9F5644	LOCKWASHER-----	1
3	1V3658	DRIVER-----	1
4	1V3657	CAP-----	1
5	1V3656	NUT-----	1

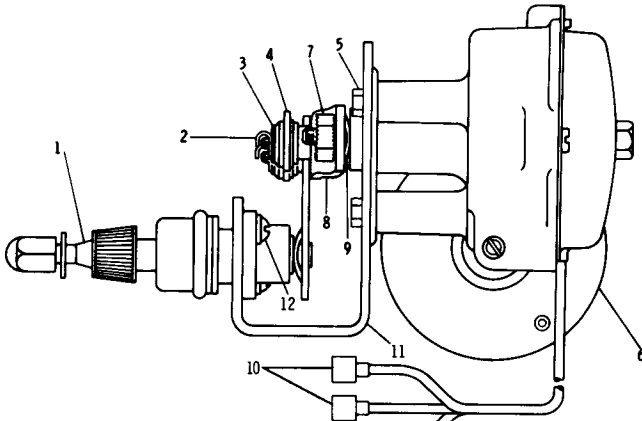
6	4B1550	WASHER-----	1
7	9S8016	GASKET-----	1
	1V3655	STUD-----	1
8	9M1311	NUT-----	1
	1H3244	LOCKWASHER-----	1

119884

9K682 SHAFT AND LINK ASSEMBLY

Part of 1V3079 & 1V4358 Wiper Groups shown on Pages 253 & 254
 AN ATTACHMENT

CATERPILLAR D5B TRACTOR



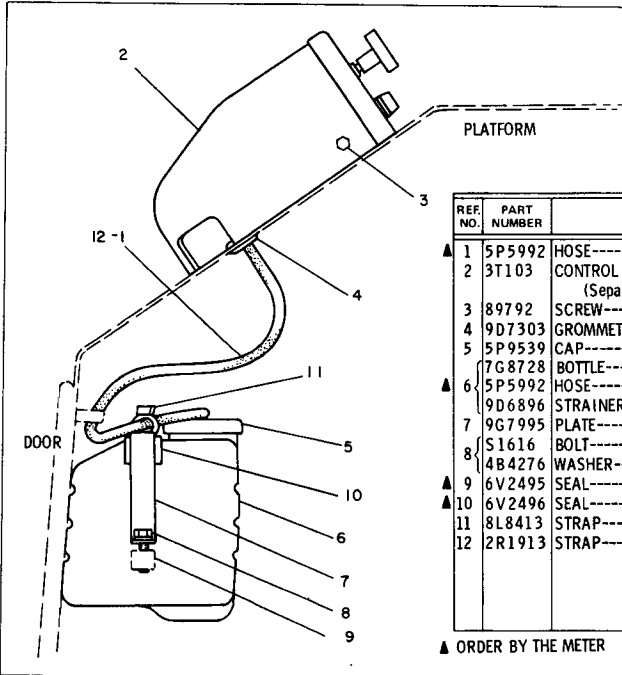
REF. NO.	PART NUMBER	DESCRIPTION	QTY
1	9K682	SHAFT & LINK ASSEM.----- (Separate Illustration)	1
2	4D7411	CLIP-----	2
3	4D7416	SPACER-----	2
4	4D7408	LINK-----	1
5	S1570	BOLT-----	3
	1H3338	LOCKWASHER-----	3

6	9D202	MOTOR ASSEM.-----	1
7	1B4201	NUT-----	1
	7F9223	LOCKWASHER-----	1
8	6K5499	ARM-----	1
9	4D7421	WASHER-----	1
C 10	7K4475	TERMINAL-----	3
11	4D7417	BRACKET-----	1
12	8F1315	SCREW ASSEM.-----	2

C INDICATES CHANGE

228598

1V4358 WIPER GROUP—24 Volt—Field Installation
9K682 Shaft & Link parts are shown on Page 253



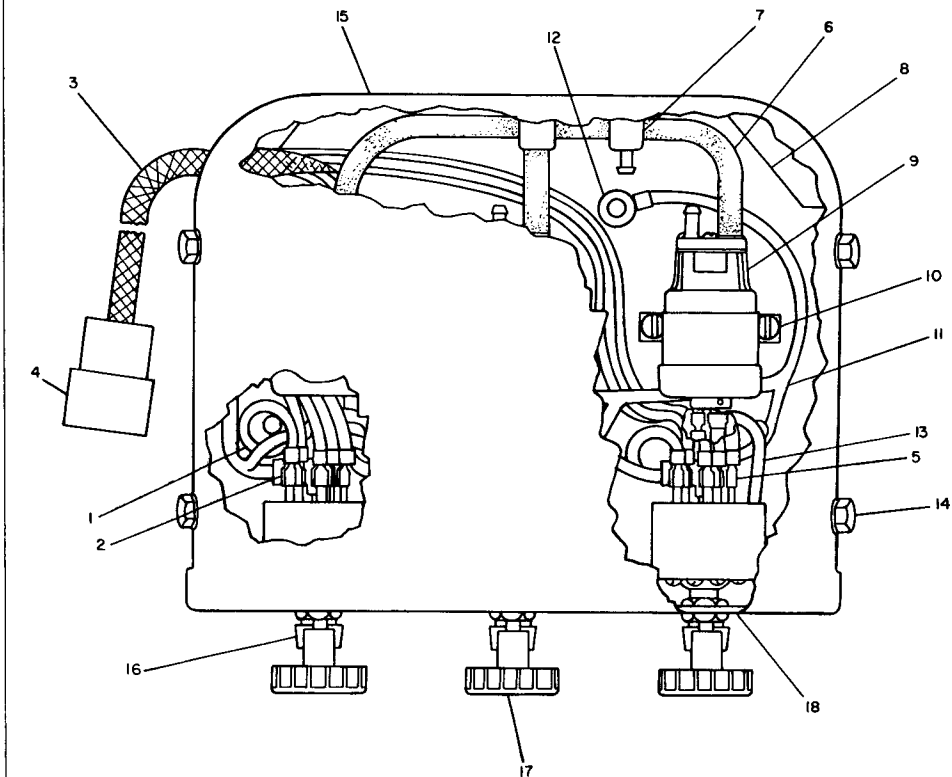
REF. NO.	PART NUMBER	DESCRIPTION	QTY
▲ 1	5P5992	HOSE-----, 600 m(23.6 in.)	
2	3T103	CONTROL GROUP----- (Separate Illustration)	1
3	89792	SCREW-----	3
4	9D7303	GROMMET-----	1
5	5P9539	CAP-----	1
	7G8728	BOTTLE-----	1
▲ 6	5P5992	HOSE-----, 120 m(4.7 in.)	
	9D6896	STRAINER-----	1
7	9G7995	PLATE-----	1
8	S1616	BOLT-----	2
	4B4276	WASHER-----	2
▲ 9	6V2495	SEAL-----, 400 m(15.7 in.)	
▲ 10	6V2496	SEAL-----, 520 m(20.4 in.)	
11	8L8413	STRAP-----	1
12	2R1913	STRAP-----	1

▲ ORDER BY THE METER

228565

9G748 WASHER AND WIPER CONTROL GROUP
Part of 9G7396 Roll-Over Protective System Arrangement listed on Page 236
3T103 Washer & Wiper Control parts are shown on Page 255. AN ATTACHMENT

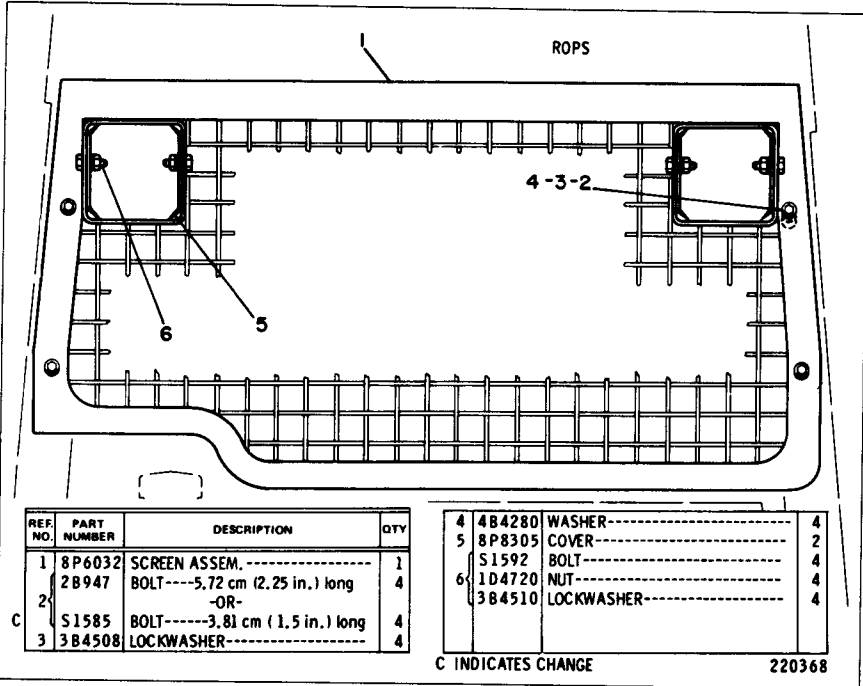
3T103 WASHER AND WIPER CONTROL GROUP
 Part of 9G7478 Washer & Wiper Control Group shown on Page 254
 AN ATTACHMENT



REF. NO.	PART NUMBER	DESCRIPTION	QTY.
1	7G8732	WIRE ASSEM.-----	3
		(Each Includes)	
	5P5623	WIRE-----,180 m(7.08 in.)	
2	5P4571	TERMINAL-----	2
	7G8733	HARNES ASSEM.-----	1
		(Includes)	
3	5P5623	WIRE----- (16 gauge)	
	5P5624	WIRE----- (14 gauge)	
	9G3673	HOUSING-----	1
4	7N7779	SOCKET-----	5
	7N7780	PIN-----	5
5	5P4571	TERMINAL-----	9
6	5P5992	HOSE-----, 230 m(9.05 in.)	
7	6K9632	TEE-----	2
	7G6307	PLATE ASSEM.-----	1
		(Includes)	
8	9F6445	NUT-----	4
9	9C8963	PUMP ASSEM.-----	3
	4B1226	SCREW-----	6
10	8F1434	LOCKWASHER-----	6
	7G8731	WIRE ASSEM.-----	1
		(Includes)	
11	5P5623	WIRE-----,590 m(23 in.)	
	5P4571	TERMINAL-----	3
12	2L8079	TERMINAL-----	1
	7G8729	WIRE ASSEM.-----	3
		(Each Includes)	
13	5P5623	WIRE-----,180 m(7.08 in.)	
	5P4571	TERMINAL-----	1
14	9S2011	SCREW-----	4
15	7G6542	COVER-----	1
	4K5122	HOLDER-----	3
16	9K1896	FUSE----- (4 amp)	3
	1V7362	SWITCH----- (washer-wiper)	3
		(Each Includes)	
17	7N4033	KNOB-----	1
18	7G6308	PANEL-----	1

▲ ORDER BY THE METER

228566



REF. NO.	PART NUMBER	DESCRIPTION	QTY
1	8P6032	SCREEN ASSEM.-----	1
2	2B947	BOLT----5.72 cm (2.25 in.) long	4
	S1585	BOLT-----3.81 cm (1.5 in.) long	4
3	3B4508	LOCKWASHER-----	4

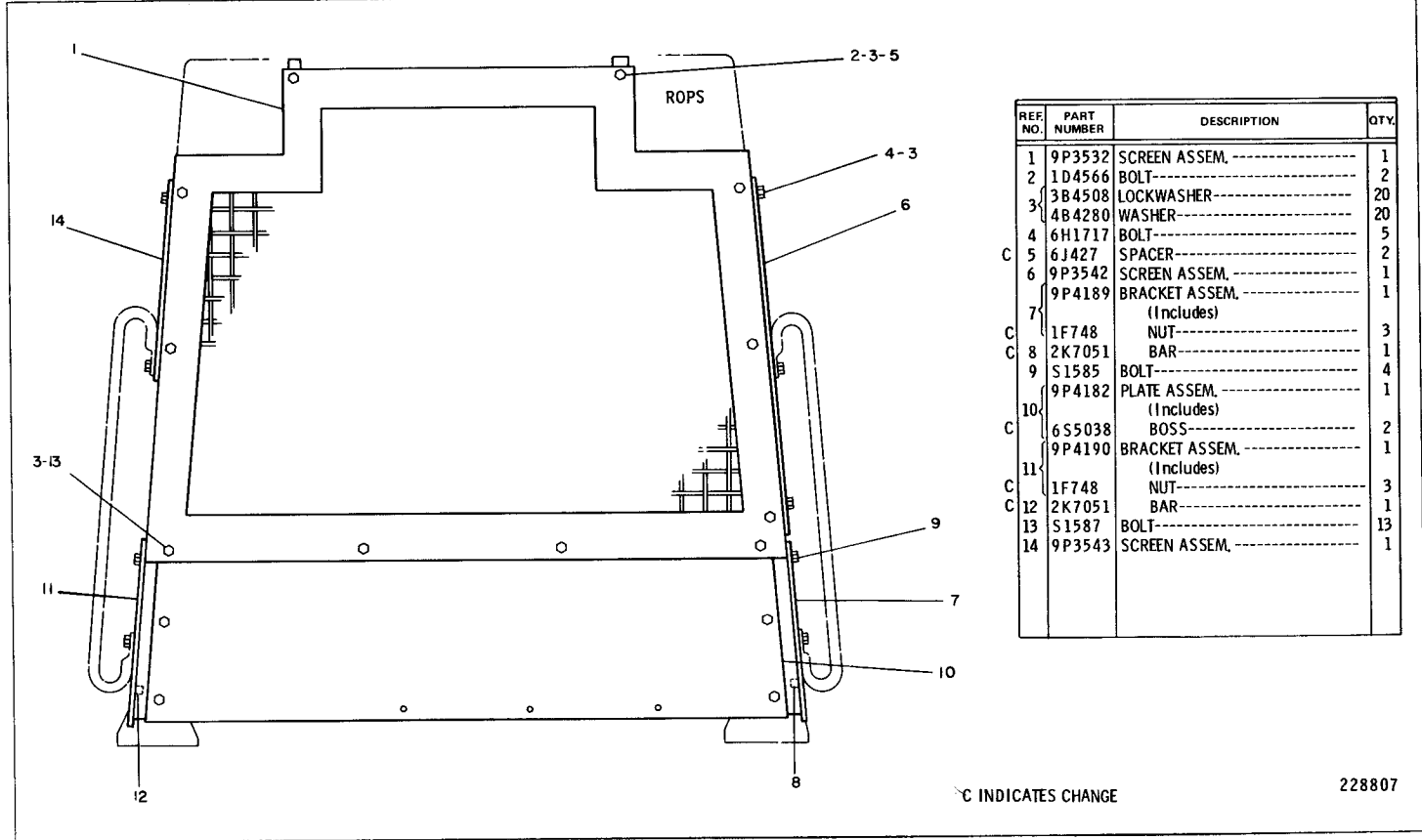
4	4B4280	WASHER-----	4
5	8P8305	COVER-----	2
6	S1592	BOLT-----	4
	1D4720	NUT-----	4
	3B4510	LOCKWASHER-----	4

C INDICATES CHANGE

220368

8P2132 PROTECTIVE SCREEN GROUP
FOR USE WITH OPEN ROPS. AN ATTACHMENT

**8P9496 PROTECTIVE SCREEN GROUP
FOR USE WITH HEATER, AIR CONDITIONER, CAB OR ENCLOSED ROPS
AN ATTACHMENT**



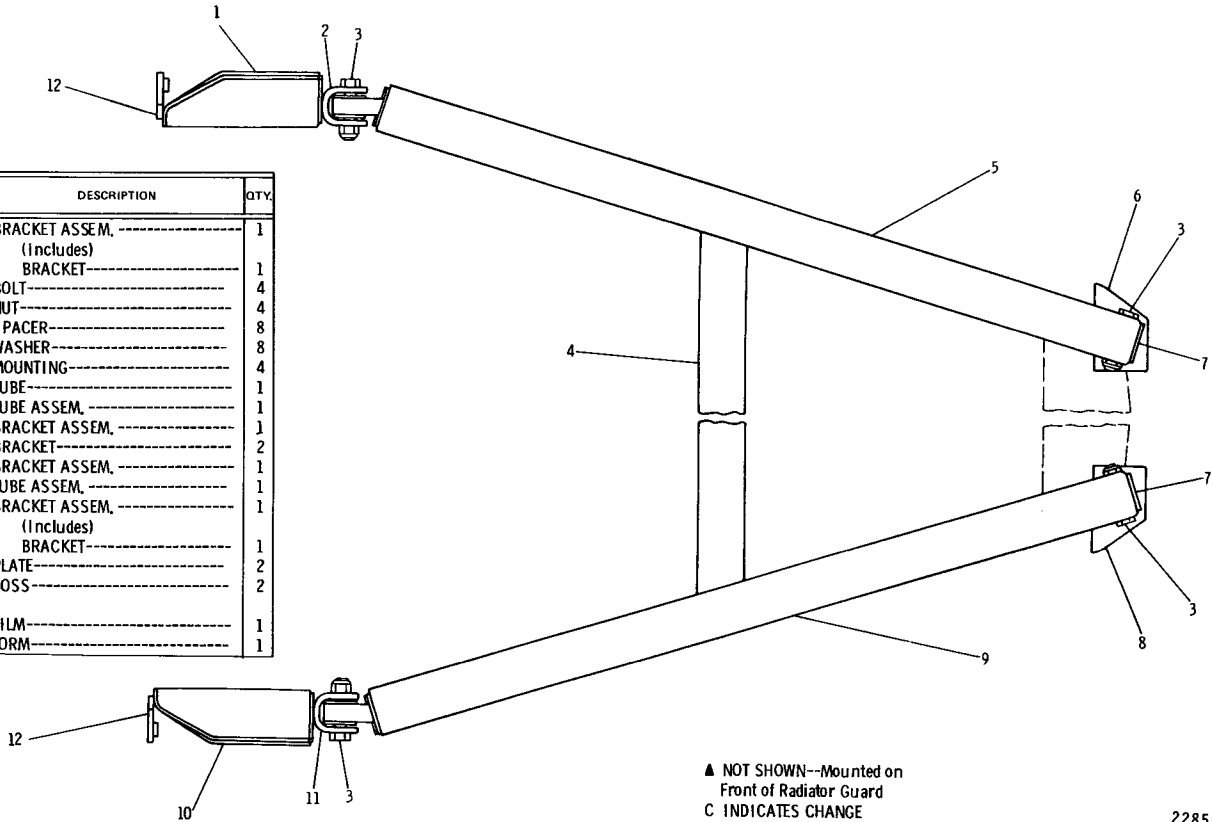
REF NO.	PART NUMBER	DESCRIPTION	QTY.
1	9P3532	SCREEN ASSEM. -----	1
2	1D4566	BOLT-----	2
3	3B4508	LOCKWASHER-----	20
	4B4280	WASHER-----	
4	6H1717	BOLT-----	5
5	6J427	SPACER-----	2
6	9P3542	SCREEN ASSEM.-----	1
7	9P4189	BRACKET ASSEM.-----	1
		(Includes)	
C 7	1F748	NUT-----	3
C 8	2K7051	BAR-----	1
9	S1585	BOLT-----	4
	9P4182	PLATE ASSEM.-----	
10		(Includes)	1
	6S5038	BOSS-----	
C 10	9P4190	BRACKET ASSEM.-----	1
11		(Includes)	2
C 11	1F748	NUT-----	3
C 12	2K7051	BAR-----	1
13	S1587	BOLT-----	13
14	9P3543	SCREEN ASSEM.-----	1

°C INDICATES CHANGE

228807

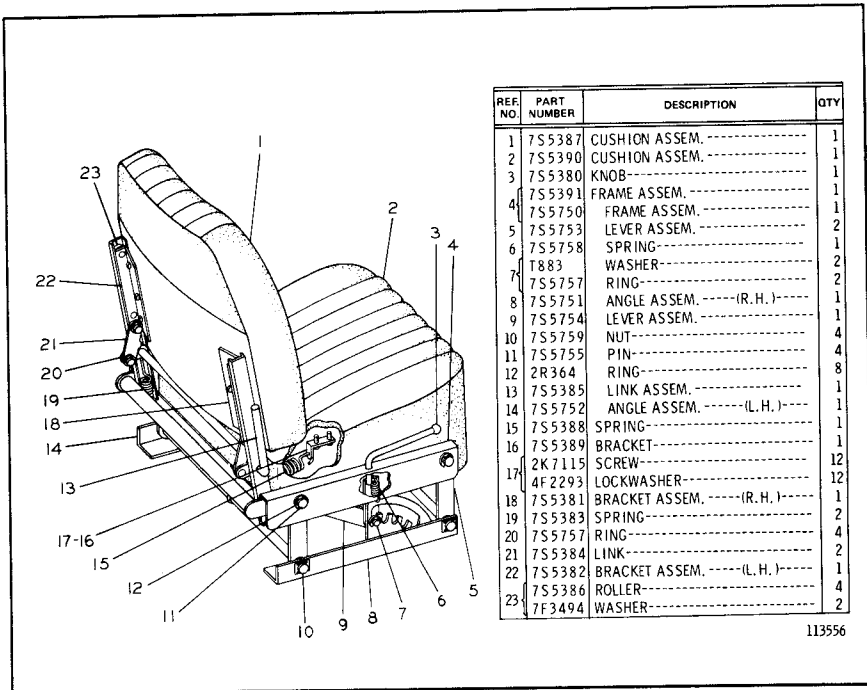
CAB, GAUGES AND ACCESSORIES

REF. NO.	PART NUMBER	DESCRIPTION	QTY.
1	8P5990	BRACKET ASSEM. ----- (Includes) BRACKET-----	1
2	9S5183	BRACKET-----	1
	2A1420	BOLT-----	4
	2H3791	NUT-----	4
3	1P2772	SPACER-----	8
	8P5244	WASHER-----	8
	9S5187	MOUNTING-----	4
4	8P5985	TUBE-----	1
5	8P5984	TUBE ASSEM.-----	1
C 6	8P6001	BRACKET ASSEM.-----	1
7	9S5183	BRACKET-----	2
C 8	8P6006	BRACKET ASSEM.-----	1
9	8P5982	TUBE ASSEM.-----	1
10	8P5986	BRACKET ASSEM.----- (Includes) BRACKET-----	1
11	9S5183	BRACKET-----	1
C 12	9G7095	PLATE-----	2
C	3H3051	BOSS-----	2
C ▲	2P9744	FILM-----	1
C	SMHS7219	FORM-----	1



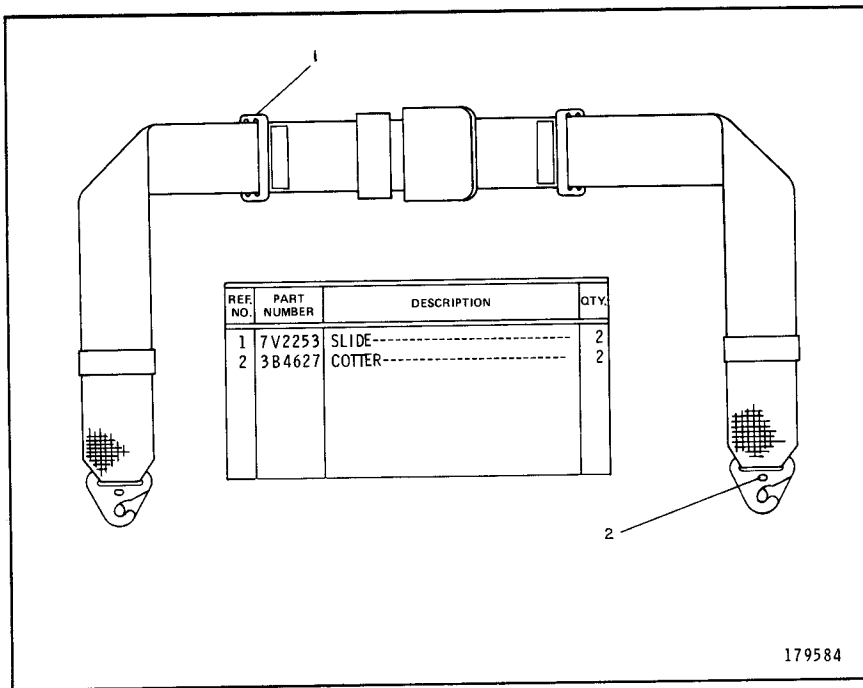
8P2135 SWEEP GROUP
AN ATTACHMENT

228591



5S45 SEAT ASSEMBLY

Part of 9G5920 Support and Seat Group shown on Page 260



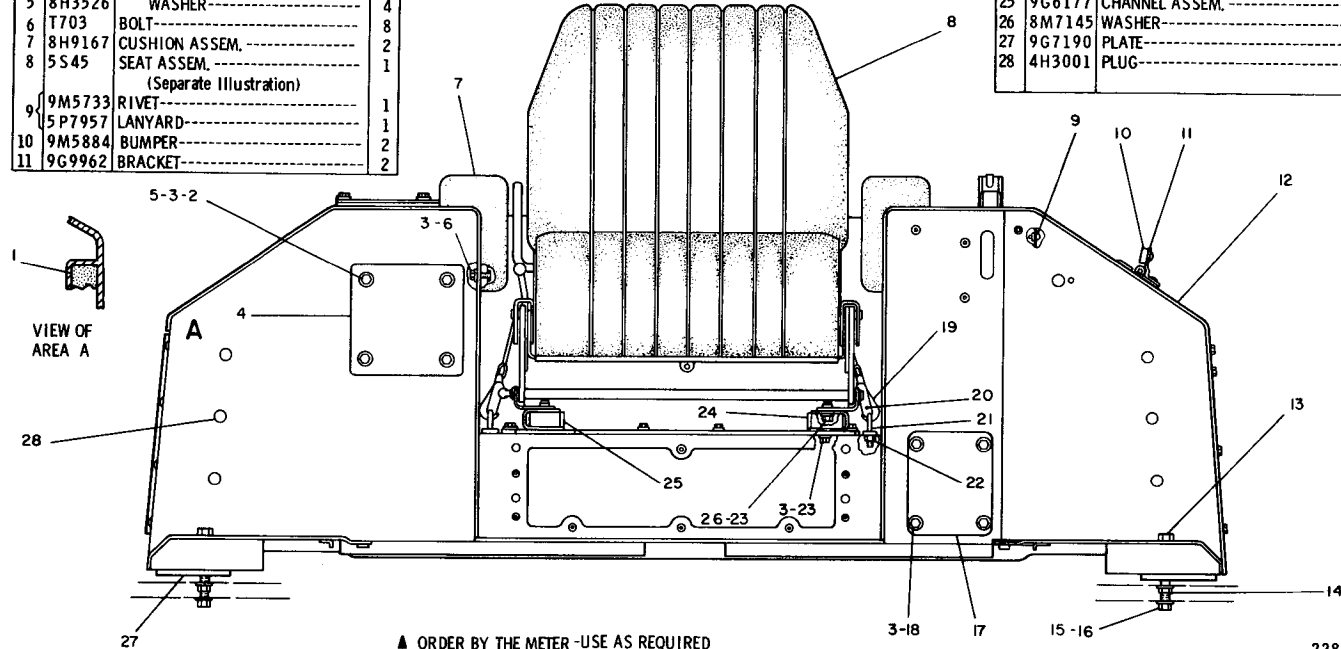
7V9507 SEAT BELT GROUP

Serial No. 22X447 and 22X456—Up and 23X778—Up
 Part of 9G5920 Support and Seat Group shown on Page 261 A

REF. NO.	PART NUMBER	DESCRIPTION	QTY.
▲ 1	5P5968	SEAL----, 595 m(23.42 in.)	
2	L1351	BOLT-----	4
3	5M2894	WASHER-----	18
4	8P4877	COVER ASSEM.-----	1
		(Includes)	
▲ 5	5P7246	SEAL---, 680 m(26.78 in.)	
6	8H3526	WASHER-----	4
7	T703	BOLT-----	8
8	8H9167	CUSHION ASSEM.-----	2
9	5S45	SEAT ASSEM.-----	1
		(Separate Illustration)	
10	9M5733	RIVET-----	1
11	5P7957	LANYARD-----	1
12	9M5884	BUMPER-----	2
13	9G9962	BRACKET-----	2

12	9G9302	SUPPORT GROUP-----	1
		(Separate Illustration)	
13	V375	BOLT-----	2
14	7B3235	BOLT-----	2
15	5P8245	WASHER-----	6
16	1A5822	BOLT-----	2
17	9G6543	COVER-----	1
	9G6542	SEAL-----	1

18	5S09	BOLT-----	4
19	6D4709	SEAT BELT GROUP-----	1
		(Includes)	
20	3B4605	COTTER-----	2
21	8S933	EYEBOLT-----	2
22	8S934	NUT-----	2
23	S1594	BOLT-----	6
24	9G6180	CHANNEL ASSEM.-----	1
25	9G6177	CHANNEL ASSEM.-----	1
26	8M7145	WASHER-----	4
27	9G7190	PLATE-----	6
28	4H3001	PLUG-----	14

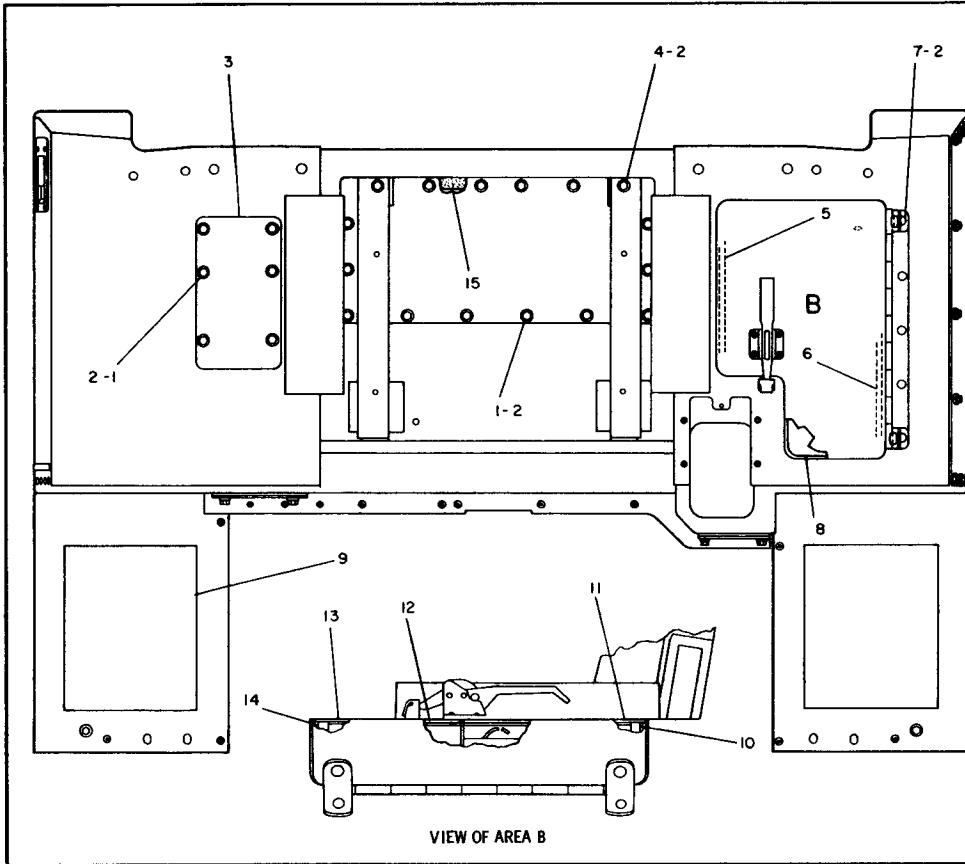


▲ ORDER BY THE METER -USE AS REQUIRED

228414

9G5920 SUPPORT AND SEAT GROUP—Part 1
Serial No. 22X439 to 446, 448 to 22X455 Inclusive
5S45 Seat & 9G9302 Seat Support parts are shown on Pages 259 & 262

9G5920 SUPPORT AND SEAT GROUP—Part 2
Serial No. 22X439 to 446, 448 to 22X455 Inclusive



REF. NO.	PART NUMBER	DESCRIPTION	QTY.
1	S1594	BOLT-----	18
2	5M2894	WASHER-----	22
3	8P4824	COVER-----	1
3	8P4825	SEAL-----	1
4	S1590	BOLT-----	2
▲ 5	6V3449	SEAL---1.62 m(63.78 in.)	
▲ 6	5P5637	SEAL---.435 m(17.13 in.)	
7	1D4676	BOLT-----	2
	1D4717	NUT-----	2
8	9G5974	TRAY ASSEM.-----	1
▲ 9	5P5897	COATING----, 5 m(19.68 in.)	
▲ 10	5P5637	SEAL-----, 305 m(12.01 in.)	
▲ 11	5P5637	SEAL-----, 285 m(11.23 in.)	
▲ 12	5P5637	SEAL-----, 115 m(4.53 in.)	
▲ 13	5P5637	SEAL-----, 130 m(5.12 in.)	
▲ 14	5P5637	SEAL-----, 180 m(7.09 in.)	
15	9G5953	SEAL-----	1
●	5P7958	SLEEVE-----(Not Shown)-----	1

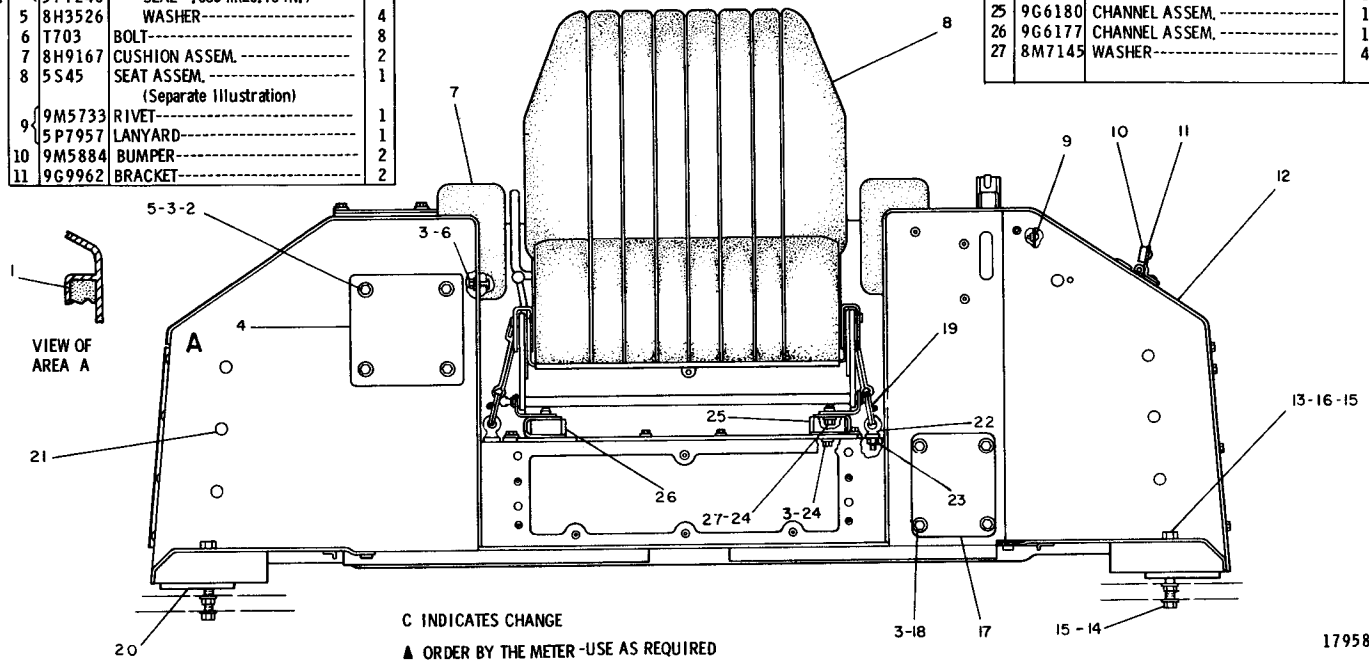
▲ ORDER BY THE METER
 ● NOT PART OF 9G5920
 SUPPORT & SEAT GROUP

228415

REF. NO.	PART NUMBER	DESCRIPTION	QTY.
▲ 1	5P5968	SEAL---,595 m(23.42 in.)	
2	L1351	BOLT-----	4
3	5M2894	WASHER-----	18
4	8P4877	COVER ASSEM.-----	1
		(Includes)	
▲ 5	5P7246	SEAL--,.680 m(26.78 in.)	
5	8H3526	WASHER-----	4
6	T703	BOLT-----	8
7	8H9167	CUSHION ASSEM.-----	2
8	5S45	SEAT ASSEM.-----	1
		(Separate Illustration)	
9	9M5733	RIVET-----	1
	5P7957	LANYARD-----	1
10	9M5884	BUMPER-----	2
11	9G9962	BRACKET-----	2

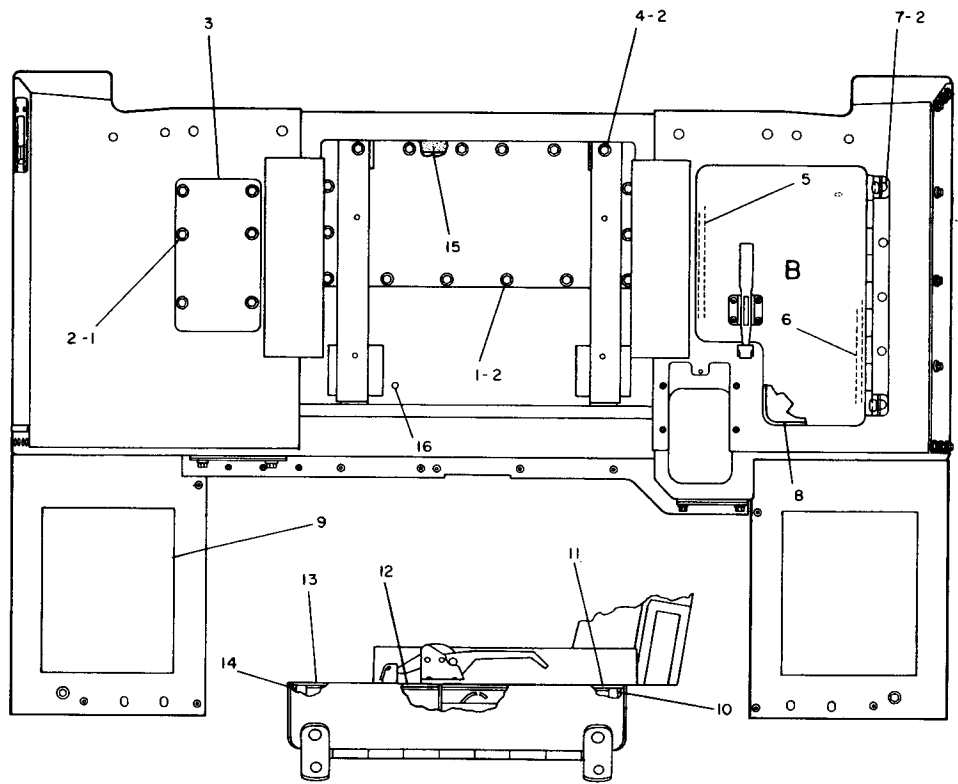
12	9G9302	SUPPORT GROUP-----	1
		(Separate Illustration)	
13	V375	BOLT-----	2
14	7B3235	BOLT-----	2
15	5P8245	WASHER-----	6
16	1A5822	BOLT-----	2
17	9G6543	COVER-----	1

18	S509	BOLT-----	4
19	7V9507	SEAT BELT GROUP-----	1
		(Separate Illustration)	
20	9G7190	PLATE-----	6
21	4H3001	PLUG-----	14
22	8S933	EYEBOLT-----	2
23	8S934	NUT-----	2
24	S1594	BOLT-----	6
25	9G6180	CHANNEL ASSEM.-----	1
26	9G6177	CHANNEL ASSEM.-----	1
27	8M7145	WASHER-----	4



9G5920 SUPPORT AND SEAT GROUP—Part 1
 Serial No. 22X447 & 22X456—Up and 23X778—Up
 7V9507 Belt, 5S45 Seat & 9G9302 Support parts are shown on Pages 259 & 262

9G5920 SUPPORT AND SEAT GROUP—Part 2
Serial No. 22X447 & 22X456—Up and 23X778—Up



VIEW OF AREA B

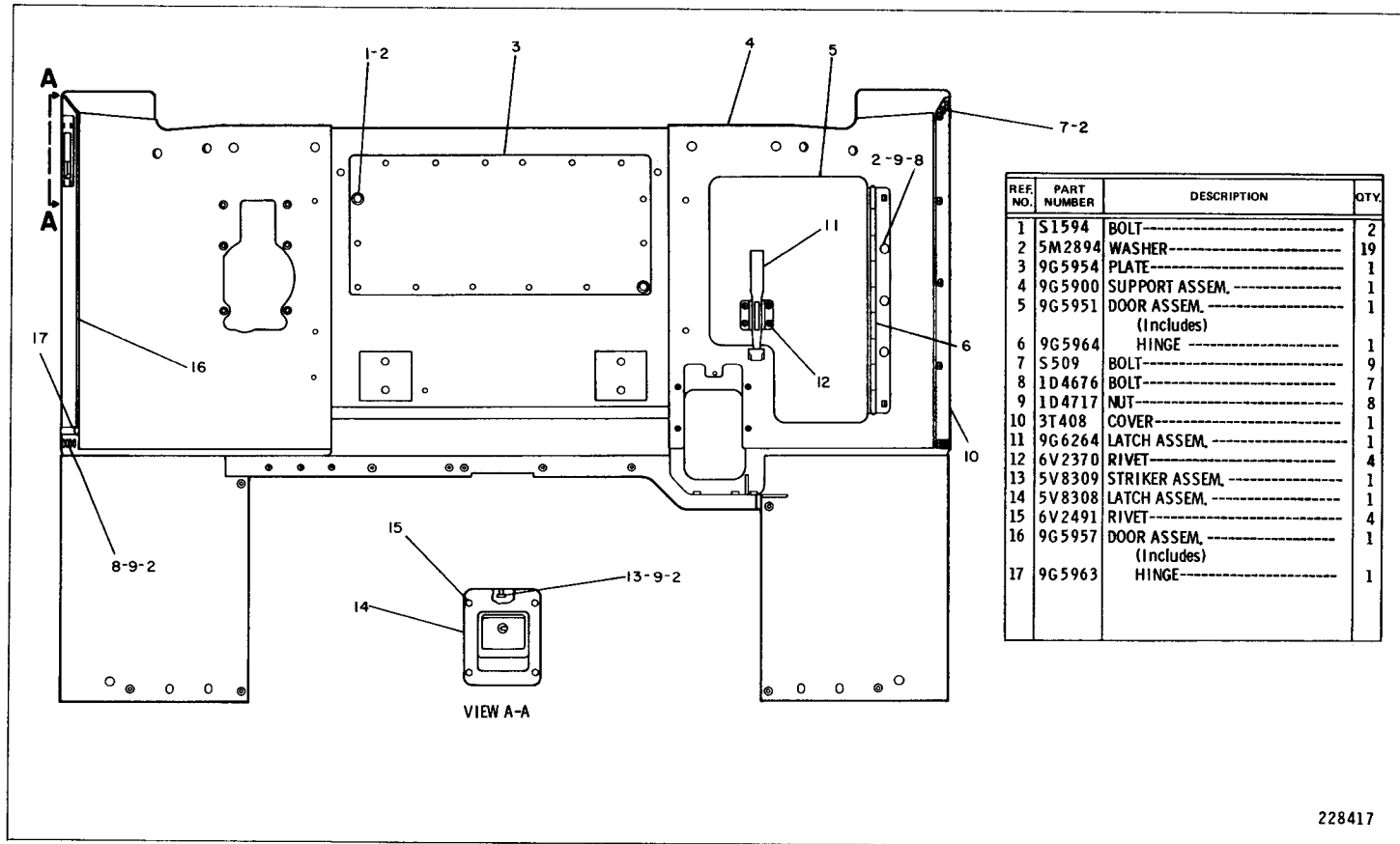
REF. NO.	PART NUMBER	DESCRIPTION	QTY.
1	S1594	BOLT-----	18
2	5M2894	WASHER-----	22
3	8P4824	COVER-----	1
3	8P4825	SEAL-----	1
4	S1590	BOLT-----	2
▲ 5	6V3449	SEAL---1.62 m(63.78 in.)	
▲ 6	5P5637	SEAL---.435 m(17.13 in.)	
7	1D4676	BOLT-----	2
7	1D4717	NUT-----	2
8	9G5974	TRAY ASSEM.-----	1
▲ 9	5P5897	COATING---.5 m(19.68 in.)	
▲ 10	5P5637	SEAL-----,305 m(12.01 in.)	
▲ 11	5P5637	SEAL-----,285 m(11.23 in.)	
▲ 12	5P5637	SEAL-----,115 m(4.53 in.)	
▲ 13	5P5637	SEAL-----,130 m(5.12 in.)	
▲ 14	5P5637	SEAL-----,180 m(7.09 in.)	
15	9G5953	SEAL-----	1
C 16	5P7988	PLUG-----	1
●	5P7958	SLEEVE----- (not shown)	1

● NOT PART OF 9G5920 SUPPORT & SEAT GROUP

▲ ORDER BY THE METER

C INDICATES CHANGE

232393



9G9302 SEAT SUPPORT GROUP
Part of 9G5920 Support & Seat Group shown on Page 260

REF. NO.	PART NUMBER	DESCRIPTION	QTY.
1	3V8715	SEAT GROUP----- (Separate Illustration)	1
2	1D4716	NUT-----	4
	9M1974	WASHER-----	4
3	S1594	BOLT-----	4
	5M2894	WASHER-----	4
4	9G6178	BRACKET ASSEM. --- (R. H.)-----	1
	9G6179	BRACKET ASSEM. --- (L. H.)----- (Each Includes)	1
5	9F2978	NUT-----	1
6	8K9002	SEAT BELT GROUP----- (Includes)	1
7	8S934	NUT-----	2
8	8S933	EYEBOLT-----	2
9	3B4606	COTTER-----	2
10	5894	WASHER-----	4

228814

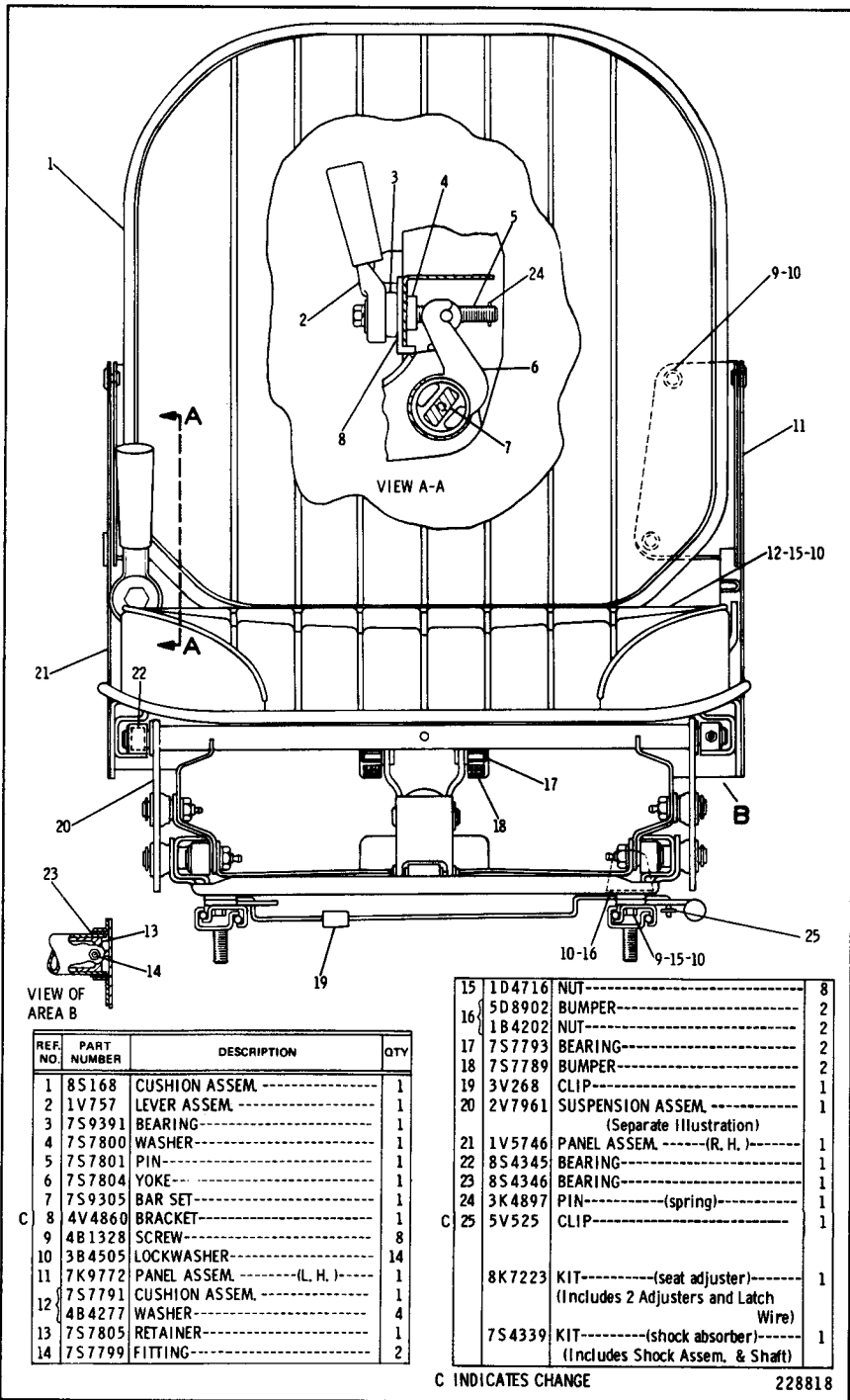
9G9931 SUSPENSION SEAT GROUP—Type 1
3V8715 Seat parts are shown on Pages 264 & 264A
AN ATTACHMENT

REF. NO.	PART NUMBER	DESCRIPTION	QTY.
1	3V8715	SEAT GROUP----- (Separate Illustration)	1
2	1D4716	NUT-----	4
	9M1974	WASHER-----	4
3	S1594	BOLT-----	4
	5M2894	WASHER-----	4
4	9G6178	BRACKET ASSEM. --- (R. H.)-----	1
	9G6179	BRACKET ASSEM. --- (L. H.)----- (Each Includes)	1
5	9F2978	NUT-----	1
	7G2998	SEAT BELT GROUP----- (Includes)	1
6	8D6899	BELT GROUP----- (Includes)	1
	7V2253	SLIDE-----	2
	8S934	NUT-----	2
8	5V5262	BOLT-----	2
	9V9502	BELT----- (Each Includes)	2
10	3B4627	COTTER-----	1
11	8S933	EYEBOLT-----	2
12	8S934	NUT-----	2
13	5894	WASHER-----	4

179040

C INDICATES CHANGE

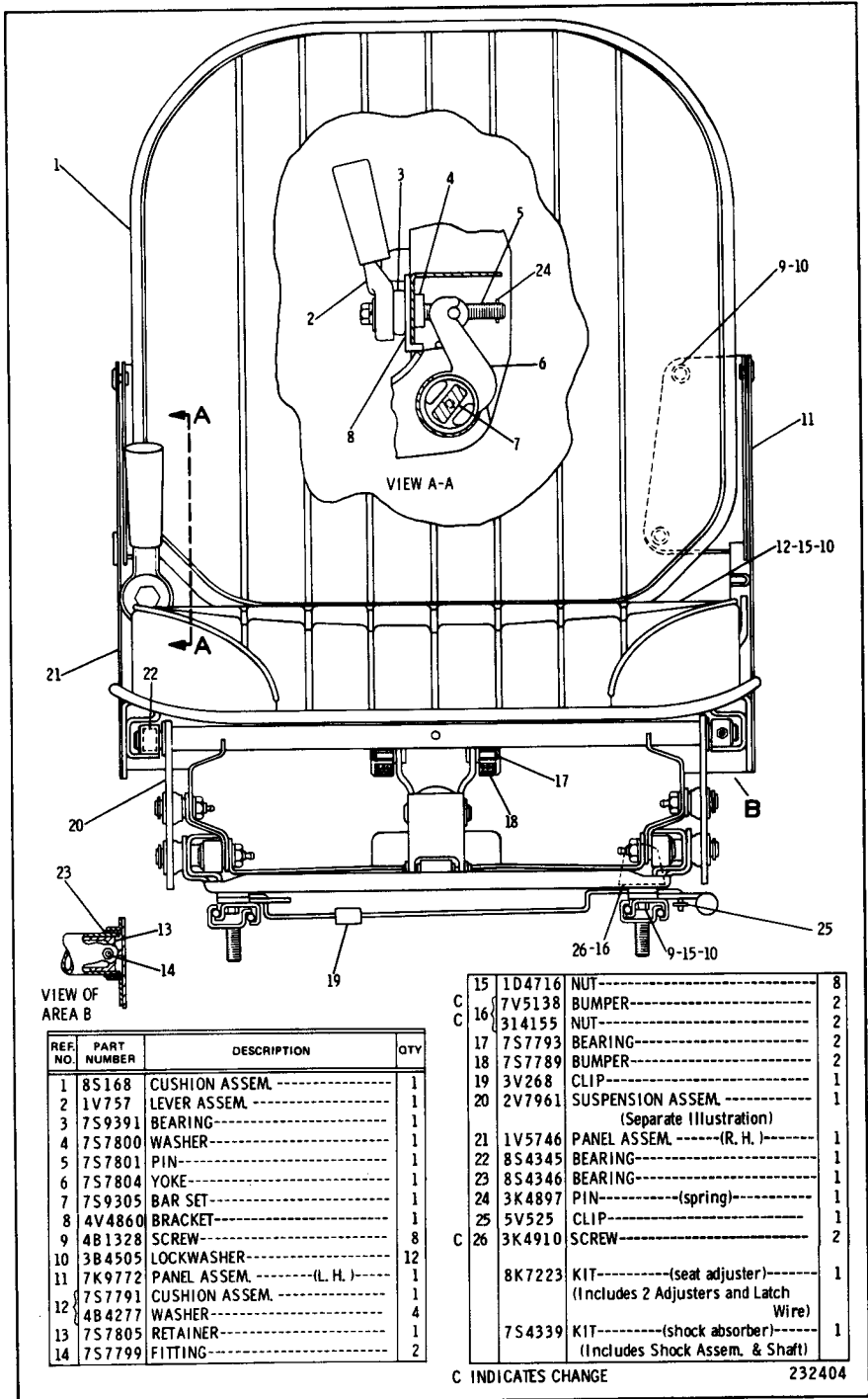
9G9931 SUSPENSION SEAT GROUP—Type 2
3V8715 Seat parts are shown on Pages 264 & 264A
AN ATTACHMENT



3V8715 SEAT GROUP—Type 1

Part of 9G9931 Suspension Seat Group shown on Page 263

2V7961 Seat Suspension parts are shown on Page 265. AN ATTACHMENT



VIEW OF AREA B

REF NO.	PART NUMBER	DESCRIPTION	QTY
1	8S168	CUSHION ASSEM.	1
2	1V757	LEVER ASSEM.	1
3	7S9391	BEARING.....	1
4	7S7800	WASHER.....	1
5	7S7801	PIN.....	1
6	7S7804	YOKE.....	1
7	7S9305	BAR SET.....	1
8	4V4860	BRACKET.....	1
9	4B1328	SCREW.....	8
10	3B4505	LOCKWASHER.....	12
11	7K9772	PANEL ASSEM.(L. H.)....	1
12	7S7791	CUSHION ASSEM.	1
12	4B4277	WASHER.....	4
13	7S7805	RETAINER.....	1
14	7S7799	FITTING.....	2

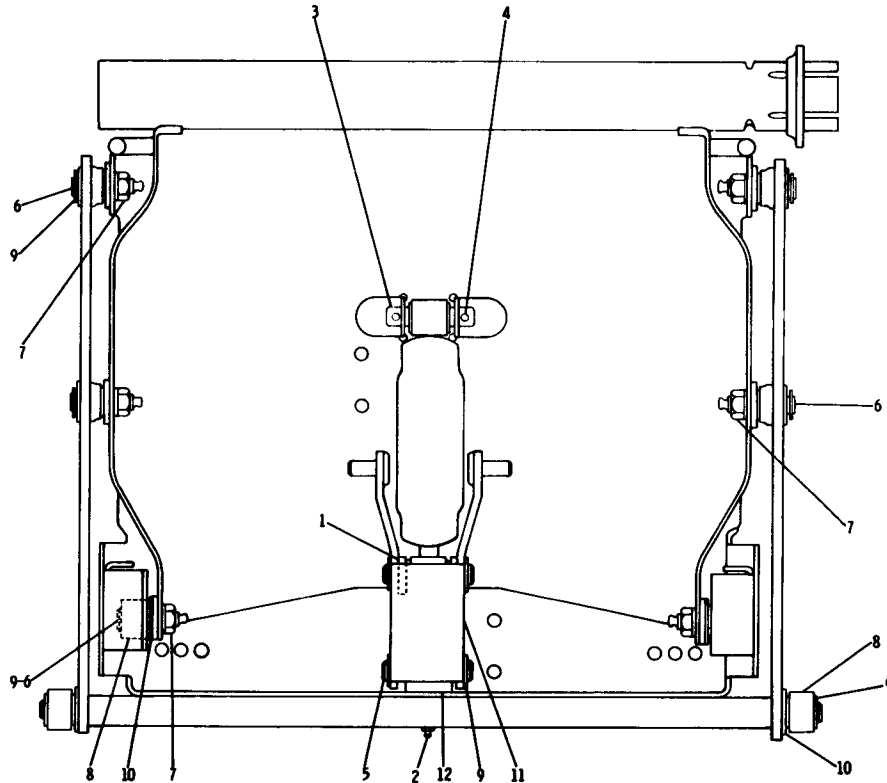
15	1D4716	NUT.....	8	
C	16	7V5138	BUMPER.....	2
C	16	314155	NUT.....	2
17	7S7793	BEARING.....	2	
18	7S7789	BUMPER.....	2	
19	3V268	CLIP.....	1	
20	2V7961	SUSPENSION ASSEM.	1	
		(Separate Illustration)		
21	1V5746	PANEL ASSEM.(R. H.)....	1	
22	8S4345	BEARING.....	1	
23	8S4346	BEARING.....	1	
24	3K4897	PIN.....(spring).....	1	
25	5V525	CLIP.....	1	
C	26	3K4910	SCREW.....	2
		8K7223	KIT.....(seat adjuster)....	1
			(Includes 2 Adjusters and Latch Wire)	
		7S4339	KIT.....(shock absorber)....	1
			(Includes Shock Assem. & Shaft)	

C INDICATES CHANGE

232404

3V8715 SEAT GROUP—Type 2
 Part of 9G9931 Suspension Seat Group shown on Page 263
 2V7961 Seat Suspension parts are shown on Page 265. AN ATTACHMENT

2V7961 SEAT SUSPENSION ASSEMBLY
 Part of 3V8715 Seat Group shown on Page 264
 AN ATTACHMENT



REF. NO.	PART NUMBER	DESCRIPTION	QTY.
1	7S9885	WASHER-----	2
2	7S9868	FITTING-----	1
3	7S9871	SHAFT-----	1
4	6H3956	PIN-----	2
5	7S9870	SHAFT-----	1
6	7S9867	STUD-----	6
7	3K6060	LOCKNUT-----	4
	3B4506	LOCKWASHER-----	6
8	7S9866	BEARING ASSEM.-----	4
9	7S5757	RING-----	10
10	7S9884	WASHER-----	4
11	7S9873	BRACKET ASSEM.-----	1
12	7S9869	BEARING-----	2
	7S4339	KIT----- (shock absorber)----- (Includes Shock Absorber Assem. and Shaft)	1

226581

CATERPILLAR D5B TRACTOR

CONSISTS OF:

		PAGE
1	9P5228 AIR CONDITIONER ARRANGEMENT	266
1	8N3219 REFRIGERANT COMPRESSOR ARRANGEMENT	267
1	4N7532 FAN GUARD ASSEMBLY	
16 HG	5P1313 REFRIGERANT	

**7G9698 AIR CONDITIONER ARRANGEMENT—Heats & Cools
AN ATTACHMENT**

CONSISTS OF:

		PAGE
1	9P5225 AIR CONDITIONER GROUP	267
1	8P2148 AIR CONDITIONER LINES GROUP	276
1	8P3148 MOUNTING AND CONDENSER GROUP	272
1	9G3698 HEATER LINES GROUP	275
1	9P2045 COMPRESSOR HARNESS ASSEMBLY	274
1	5F9757 GROMMET--HARNESS	

**9P5228 AIR CONDITIONER ARRANGEMENT—Heats & Cools
Part of 7G9698 Air Conditioner Arrangement listed on Page 266
AN ATTACHMENT**

CONSISTS OF:

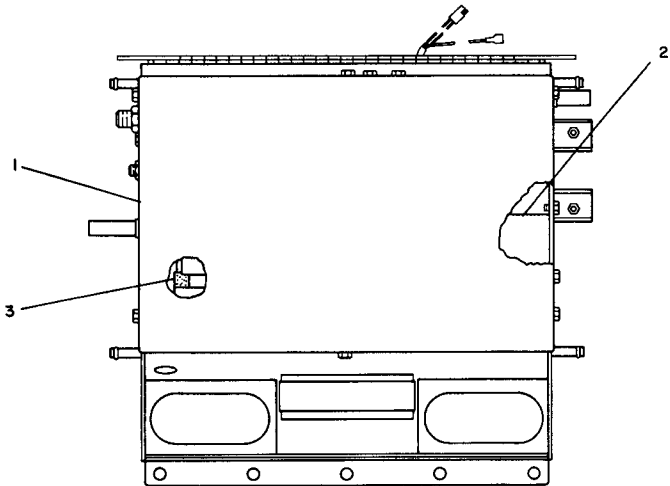
PAGE

- 1 8N3192 REFRIGERANT COMPRESSOR GROUP 270
- 1 6N2417 PULLEY ASSEMBLY

CONSISTS OF:

- 6 1S9130 STUD
- 1 4N9891 VEE BELT

8N3219 REFRIGERANT COMPRESSOR ARRANGEMENT
 Part of 7G9698 Air Conditioner Arrangement listed on Page 266
 AN ATTACHMENT



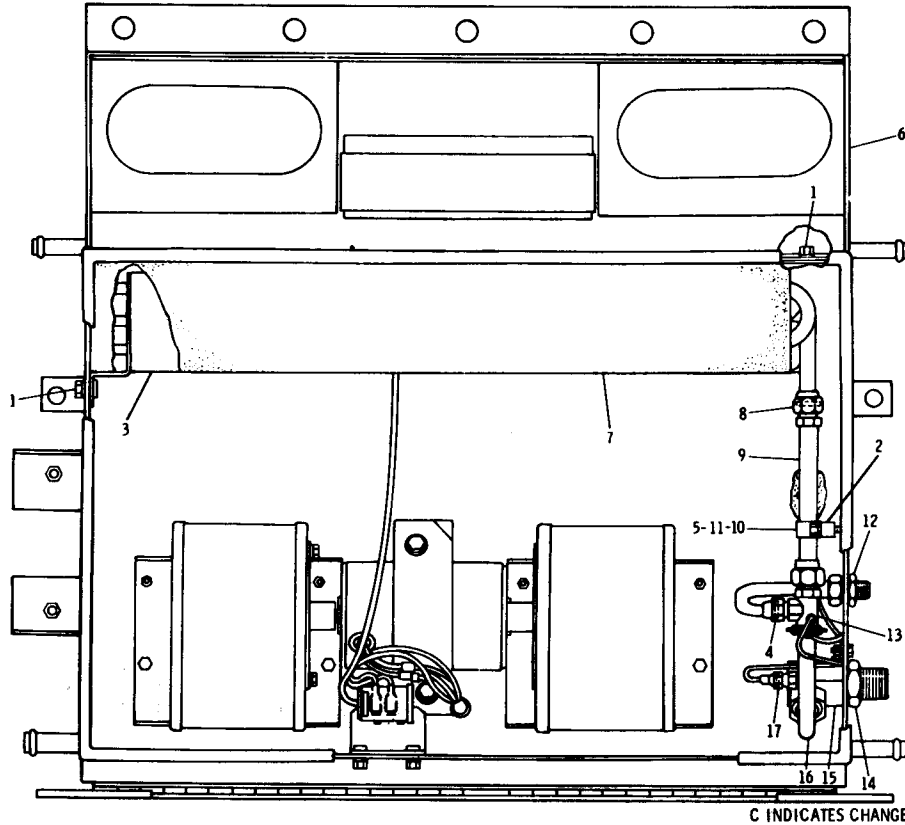
REF. NO.	PART NUMBER	DESCRIPTION	QTY.
1	8P2146	CONDITIONER GROUP----- (Separate Illustration)	1

2	9G3764	HEATER GROUP----- (Separate Illustration)	1
3	5P5671	SEAL-----, 25 m(9, 8 in.)	

▲ ORDER BY THE METER

176040

9P5225 AIR CONDITIONER GROUP
 Part of 9P5228 Air Conditioner Arrangement listed on Page 266
 8P2146 Air Conditioner & 9G3764 Heater parts are shown on Pages 268, 269 & 279
 AN ATTACHMENT

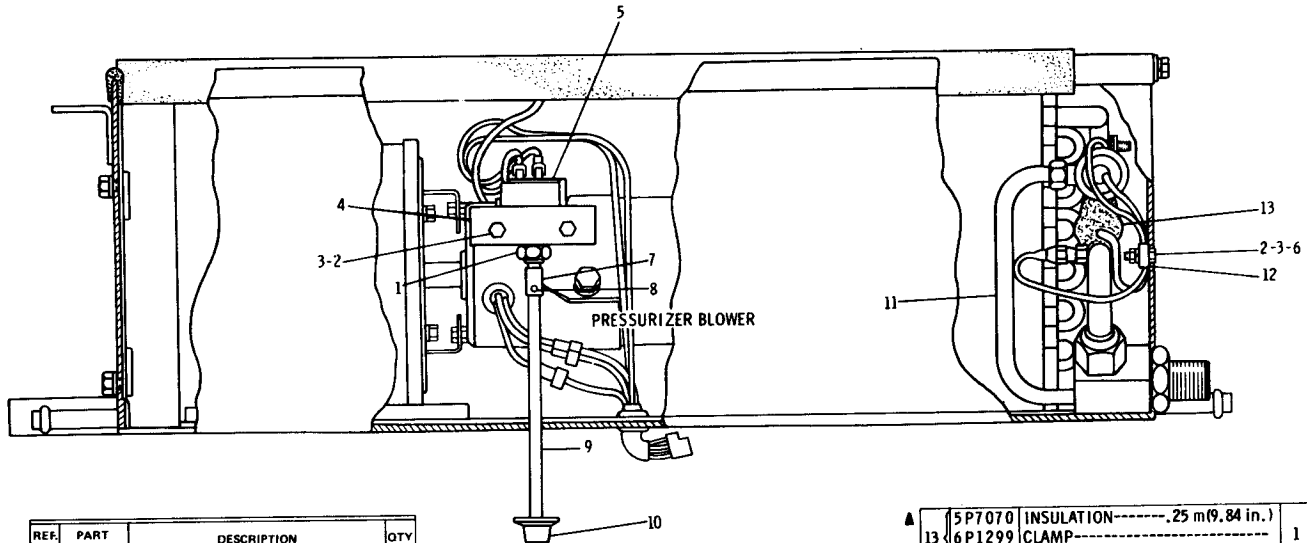


REF NO.	PART NUMBER	DESCRIPTION	QTY.
1	T102	BOLT-----	4
	3B4506	LOCKWASHER-----	4
2	3S6696	SPACER-----	1
C 3	7G3474	COIL-----	1
4	5F9144	SEAL-----	1
C 5	3B4504	LOCKWASHER-----	1
6	9P5089	PRESSURIZER GROUP----- (Separate Illustration)	1
7	7G3616	SEAL-----	1
8	6M5062	SEAL-----	2
9	8P3599	TUBE ASSEM.-----	1
10	8J1256	CLIP-----	1
11	1B4330	NUT-----	1
12	1B9982	NUT-----	1
	1K4702	WASHER-----	1
13	2G401	VALVE-----	1
14	6P1303	NUT-----	1
15	9P2185	FITTING ASSEM.-----	1
16	9P2188	TUBE ASSEM.-----	1
	5L4758	SEAL-----	2
17	5P6458	SEAL-----	1

175850

8P2146 AIR CONDITIONER GROUP—Part 1
 Part of 9P5225 Air Conditioner Group shown on Page 267
 9P5089 Basic Pressurizer parts are shown on Page 245
 AN ATTACHMENT

8P2146 AIR CONDITIONER GROUP—Part 2
 Part of 9P5225 Air Conditioner Group shown on Page 267
 AN ATTACHMENT

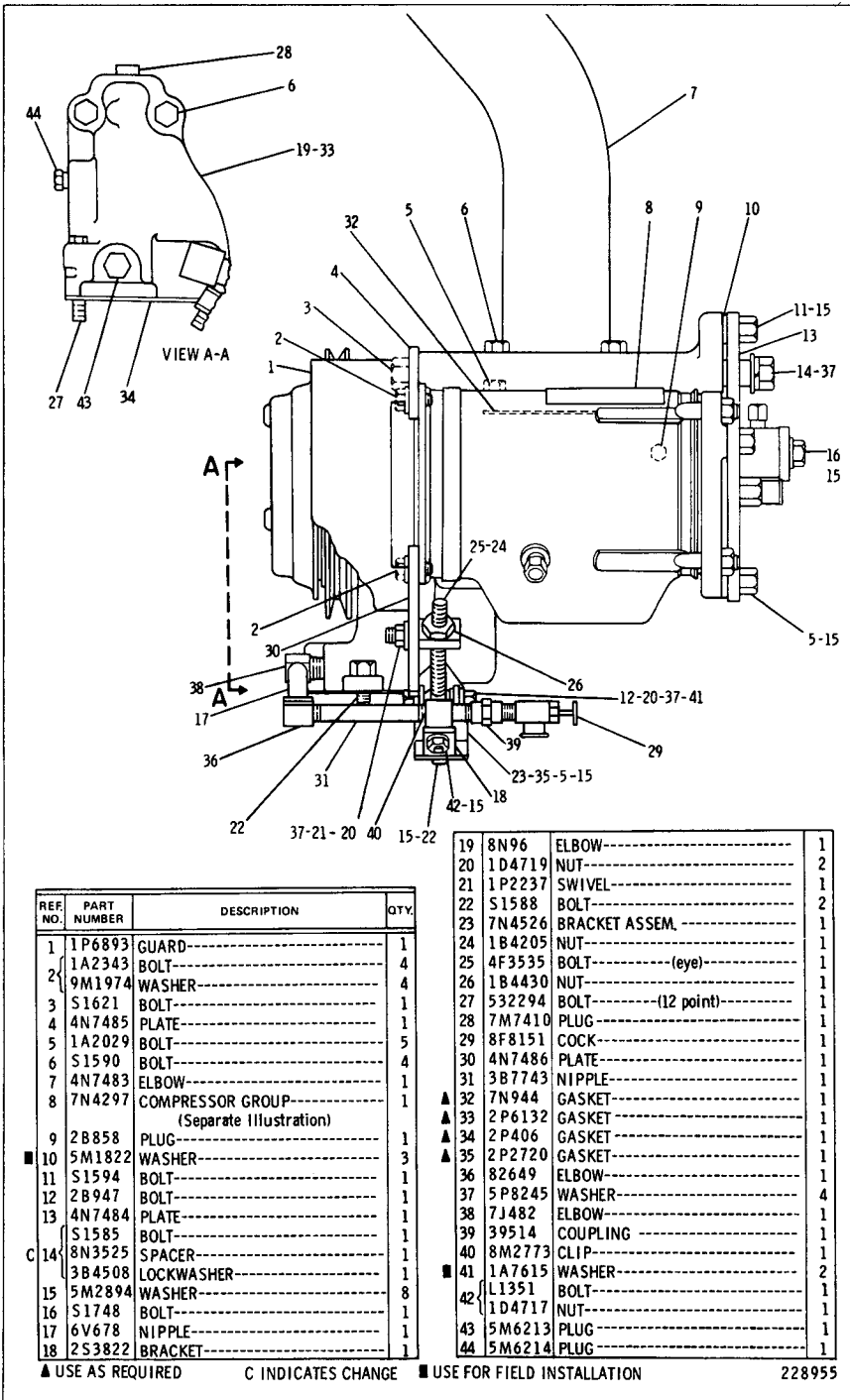


REF. NO.	PART NUMBER	DESCRIPTION	QTY
1	2P4339	NUT-----	1
2	2A762	BOLT-----	3
3	3B4504	LOCKWASHER-----	3
4	8P2111	BRACKET ASSEM.-----	1
5	9P3498	SWITCH----- (thermostat)	1
6	1B4330	NUT-----	1
7	8P3597	SLEEVE-----	1
8	3H1118	PIN-----	2
9	8P3598	ROD-----	1
10	1P6509	KNOB-----	1
11	8P4710	TUBE ASSEM.-----	1
12	1P6525	CLAMP-----	1

▲ 13	5P7070	INSULATION----- .25 m(9.84 in.)	
	6P1299	CLAMP-----	1
	1P6524	SCREW-----	1
S M H S 7 0 0 0		FORM----(Installing Switch)-----	1

▲ ORDER BY THE METER

175851



REF. NO.	PART NUMBER	DESCRIPTION	QTY.
1	1P6893	GUARD-----	1
1	1A2343	BOLT-----	4
2	9M1974	WASHER-----	4
3	S1621	BOLT-----	1
4	4N7485	PLATE-----	1
5	1A2029	BOLT-----	5
6	S1590	BOLT-----	4
7	4N7483	ELBOW-----	1
8	7N4297	COMPRESSOR GROUP (Separate Illustration)	1
9	2B858	PLUG-----	1
10	5M1822	WASHER-----	3
11	S1594	BOLT-----	1
12	2B947	BOLT-----	1
13	4N7484	PLATE-----	1
C 14	S1585	BOLT-----	1
	8N3525	SPACER-----	1
	3B4508	LOCKWASHER-----	1
15	5M2894	WASHER-----	8
16	S1748	BOLT-----	1
17	6V678	NIPPLE-----	1
18	2S3822	BRACKET-----	1

19	8N96	ELBOW-----	1
20	1D4719	NUT-----	2
21	1P2237	SWIVEL-----	1
22	S1588	BOLT-----	2
23	7N4526	BRACKET ASSEM.-----	1
24	1B4205	NUT-----	1
25	4F3535	BOLT----- (eye)	1
26	1B4430	NUT-----	1
27	532294	BOLT----- (12 point)	1
28	7M7410	PLUG-----	1
29	8F8151	COCK-----	1
30	4N7486	PLATE-----	1
31	3B7743	NIPPLE-----	1
▲ 32	7N944	GASKET-----	1
▲ 33	2P6132	GASKET-----	1
▲ 34	2P406	GASKET-----	1
▲ 35	2P2720	GASKET-----	1
36	82649	ELBOW-----	1
37	5P8245	WASHER-----	4
38	7J482	ELBOW-----	1
39	39514	COUPLING-----	1
40	8M2773	CLIP-----	1
■ 41	1A7615	WASHER-----	2
42	L1351	BOLT-----	1
42	1D4717	NUT-----	1
43	5M6213	PLUG-----	1
44	5M6214	PLUG-----	1

▲ USE AS REQUIRED

C INDICATES CHANGE

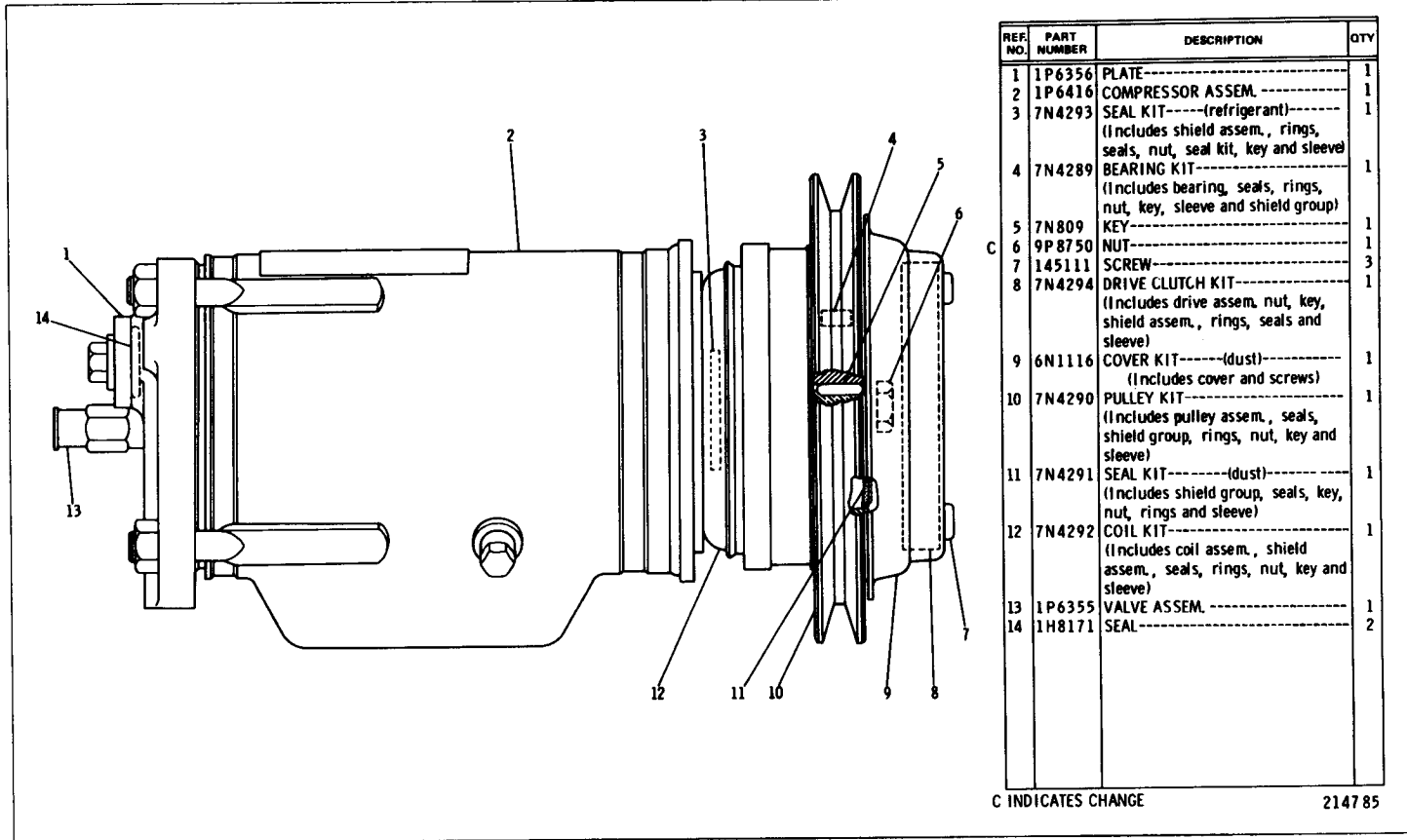
■ USE FOR FIELD INSTALLATION

228955

8N3192 REFRIGERANT COMPRESSOR GROUP

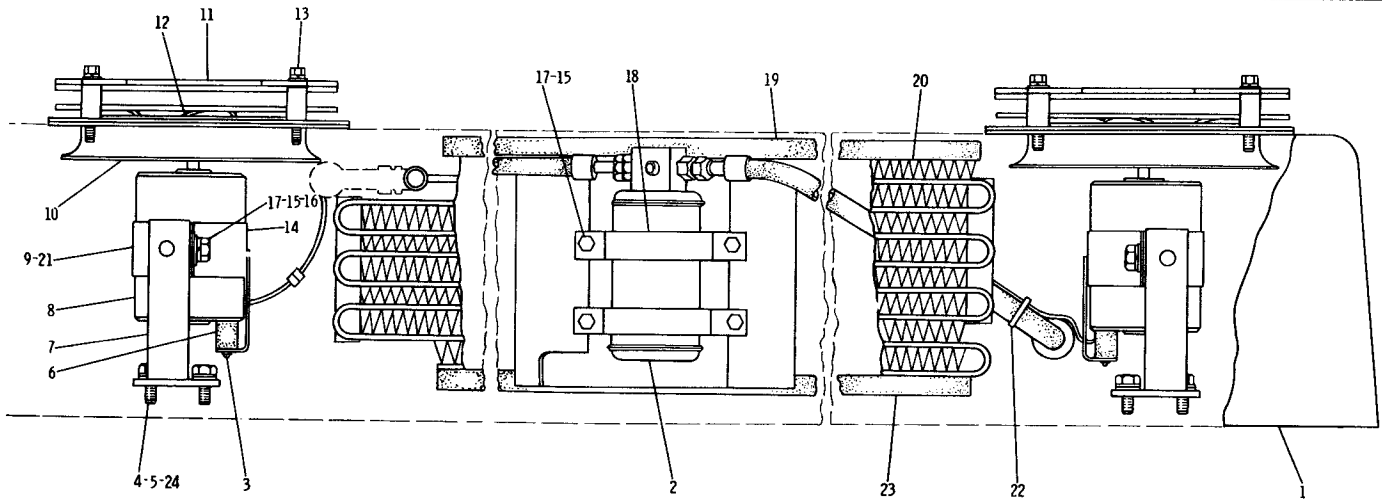
Part of 8N3219 Refrigerant Compressor Arrangement listed on Page 267
 7N4297 Clutch & Refrigerant Compressor parts are shown on Page 271
AN ATTACHMENT

7N4297 CLUTCH AND REFRIGERANT COMPRESSOR GROUP
 Part of BN3192 Refrigerant Compressor Group shown on Page 270
 AN ATTACHMENT



REF. NO.	PART NUMBER	DESCRIPTION	QTY
1	1P6356	PLATE-----	1
2	1P6416	COMPRESSOR ASSEM.-----	1
3	7N4293	SEAL KIT-----(refrigerant)----- (Includes shield assem., rings, seals, nut, seal kit, key and sleeve)	1
4	7N4289	BEARING KIT----- (Includes bearing, seals, rings, nut, key, sleeve and shield group)	1
5	7N809	KEY-----	1
6	9P8750	NUT-----	1
7	145111	SCREW-----	3
8	7N4294	DRIVE CLUTCH KIT----- (Includes drive assem. nut, key, shield assem., rings, seals and sleeve)	1
9	6N1116	COVER KIT-----(dust)----- (Includes cover and screws)	1
10	7N4290	PULLEY KIT----- (Includes pulley assem., seals, shield group, rings, nut, key and sleeve)	1
11	7N4291	SEAL KIT-----(dust)----- (Includes shield group, seals, key, nut, rings and sleeve)	1
12	7N4292	COIL KIT----- (Includes coil assem., shield assem., seals, rings, nut, key and sleeve)	1
13	1P6355	VALVE ASSEM.-----	1
14	1H8171	SEAL-----	2

C INDICATES CHANGE 214785



REF. NO.	PART NUMBER	DESCRIPTION	QTY
1	8P3138	GRILL ASSEM.-----	1
2	9D6888	DRYER-----	1
3	2H6622	SCREW-----	2
4	6L7101	SPACER-----	2
C 4	L1351	BOLT-----	6
5	5P1075	WASHER-----	6
6	8P7567	BUMPER ASSEM.-----	2
7	9P252	PLATE ASSEM.-----	2

8	9P2218	MOTOR ASSEM.-----	2
		(Each Includes)	
8	2P5145	BRUSH-----	2
	5P5610	CONNECTOR---(push type)---	1
12	2L7018	PAD-----	1
	2P4556	STRAP-----	2
10	9P247	ORIFICE ASSEM.-----	2
C 11	7G1289	GUARD ASSEM.-----	2
12	3P7995	FAN-----	2
	1B2714	BOLT-----	8
13	3B4504	LOCKWASHER-----	8
	4B5269	WASHER-----	8

C INDICATES CHANGE

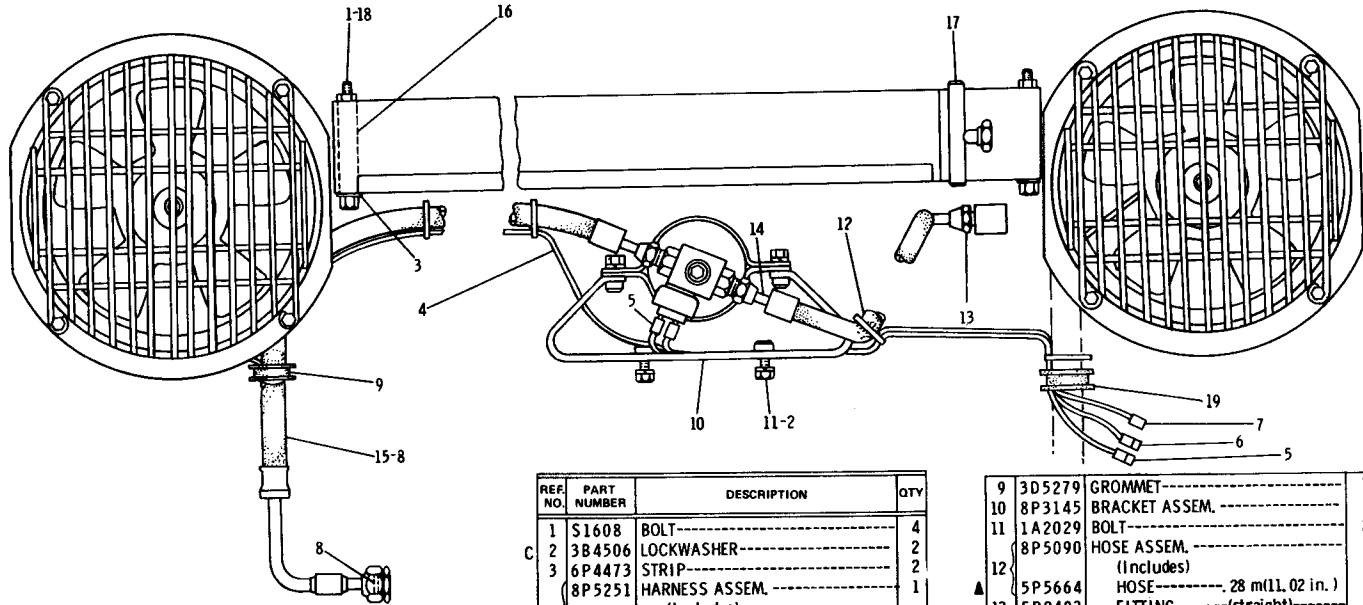
14	9P2424	STRAP ASSEM.-----	2
15	3B4506	LOCKWASHER-----	8
16	4B4278	WASHER-----	4
C 17	S1588	BOLT-----	8
▲ 18	8D7644	CLAMP-----	4
C ▲ 19	5P5962	SEAL-----1.3 m(51.2 in.)	
20	8P5089	COIL-----	1
▲ 21	5P5908	SEAL-----.7 m(27.6 in.)	
C 22	3S2093	STRAP-----	3
▲ 23	5P5921	SEAL-----1.3 m(51.2 in.)	
24	3J3372	SHIM-----	4

▲ ORDER BY THE METER

178938

8P3148 MOUNTING AND CONDENSER GROUP—Front View
 Part of 9P5228 Air Conditioner Arrangement listed on Page 266
 AN ATTACHMENT

8P3148 MOUNTING AND CONDENSER GROUP—Top View
 Part of 9P5228 Air Conditioner Arrangement listed on Page 266
 AN ATTACHMENT



REF NO.	PART NUMBER	DESCRIPTION	QTY
1	51608	BOLT-----	4
2	3B4506	LOCKWASHER-----	2
C 3	6P4473	STRIP-----	2
	(8P5251)	HARNESSE ASSEM.-----	1
		(Includes)	
▲ 4	5P5624	WIRE----- (14 gauge)	1
▲ 4	5P5621	WIRE----- (12 gauge)	1
	6K1828	CONNECTOR----- (motor)	2
	2S1043	BUTT-----	1
C 5	5P4571	TERMINAL (dryer & connector)	3
	6 7K9689	CONNECTOR (connector)	1
C 7	5P5694	TERMINAL (thermostat)	1
8	5F9144	SEAL-----	4

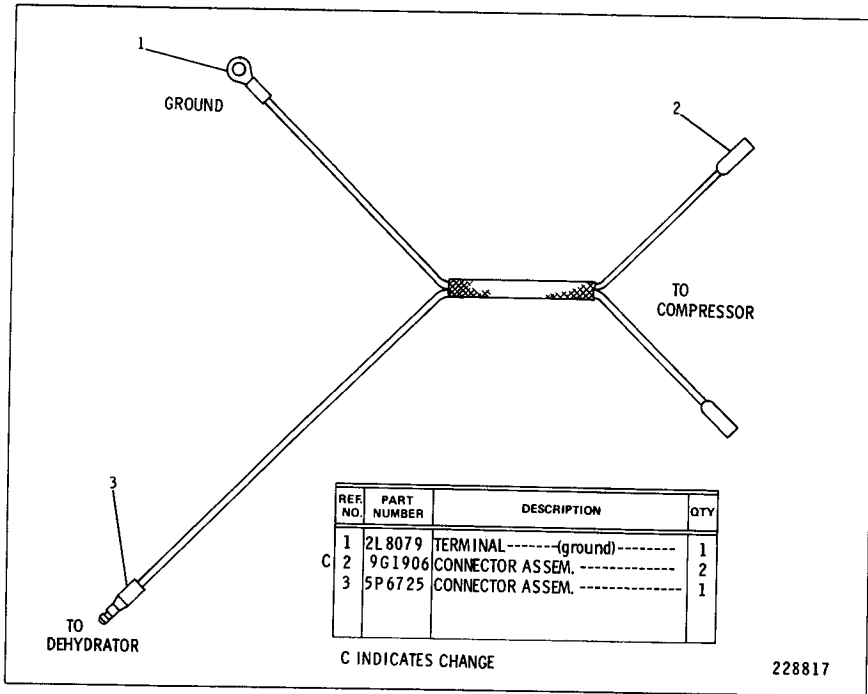
C INDICATES CHANGE

9	3D5279	GROMMET-----	1
10	8P3145	BRACKET ASSEM.-----	1
11	1A2029	BOLT-----	2
	8P5090	HOSE ASSEM.-----	1
		(Includes)	
▲ 12	5P5664	HOSE----- 28 m(11.02 in.)	1
13	5P2493	FITTING (straight)	1
14	9D4507	FITTING (90°)	1
15	8P3137	HOSE ASSEM.-----	1
C 16	7K3245	TUBE-----	4
C ▲ 17	5P7070	INSULATION----- 25 m(9.8 in.)	1
C 18	2K4973	LOCKNUT-----	4
C 19	3D6209	GROMMET-----	1

▲ ORDER BY THE METER

178939

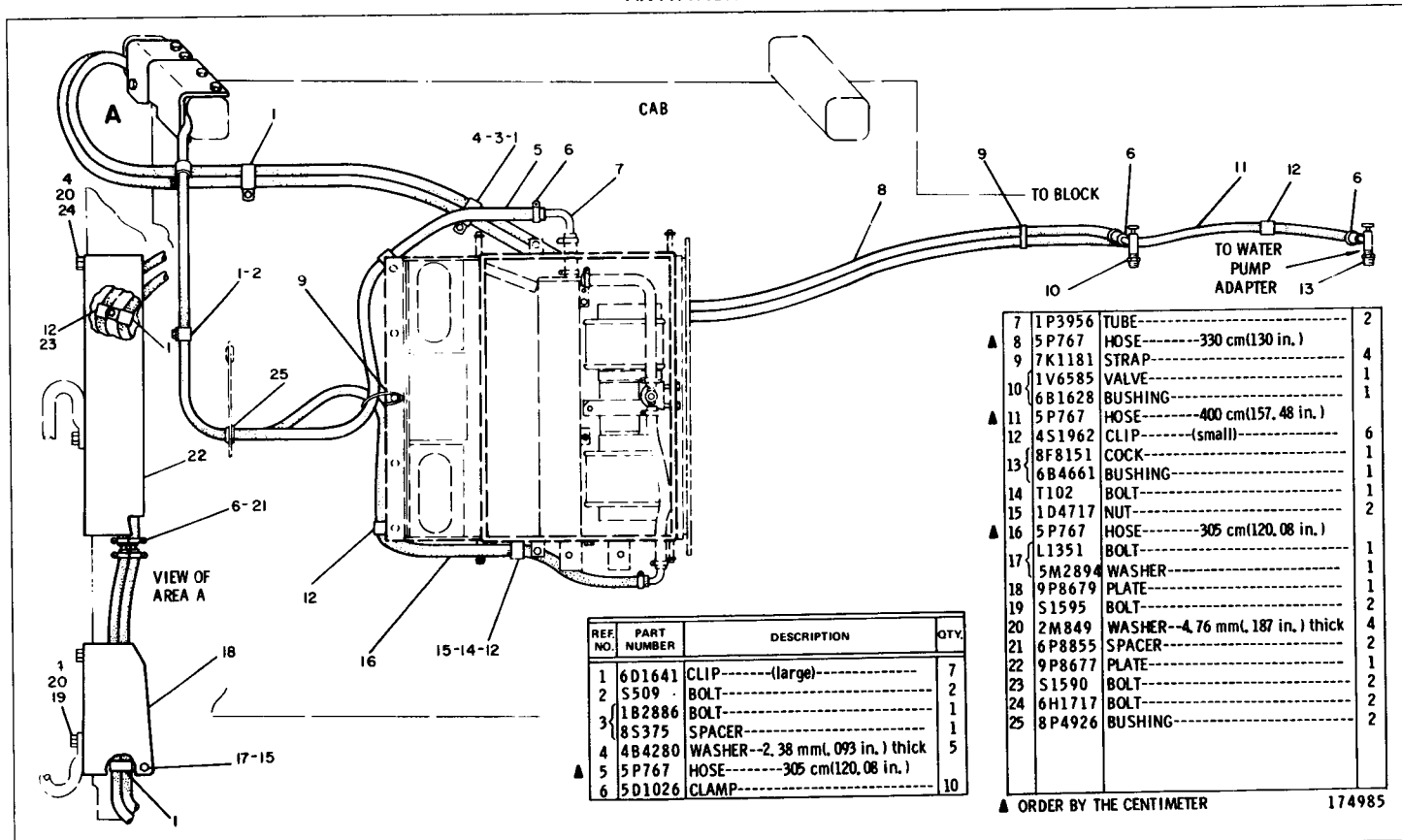
CATERPILLAR D5B TRACTOR



228817

9P2045 COMPRESSOR HARNESS ASSEMBLY
 Part of 9P5228 Air Conditioner Arrangement listed on Page 266
 AN ATTACHMENT

9G3698 HEATER LINES GROUP
 Part 9P5228 Air Conditioner Arrangement & 8P2137 Cab Heater Group shown on Pages 266 & 277
 AN ATTACHMENT



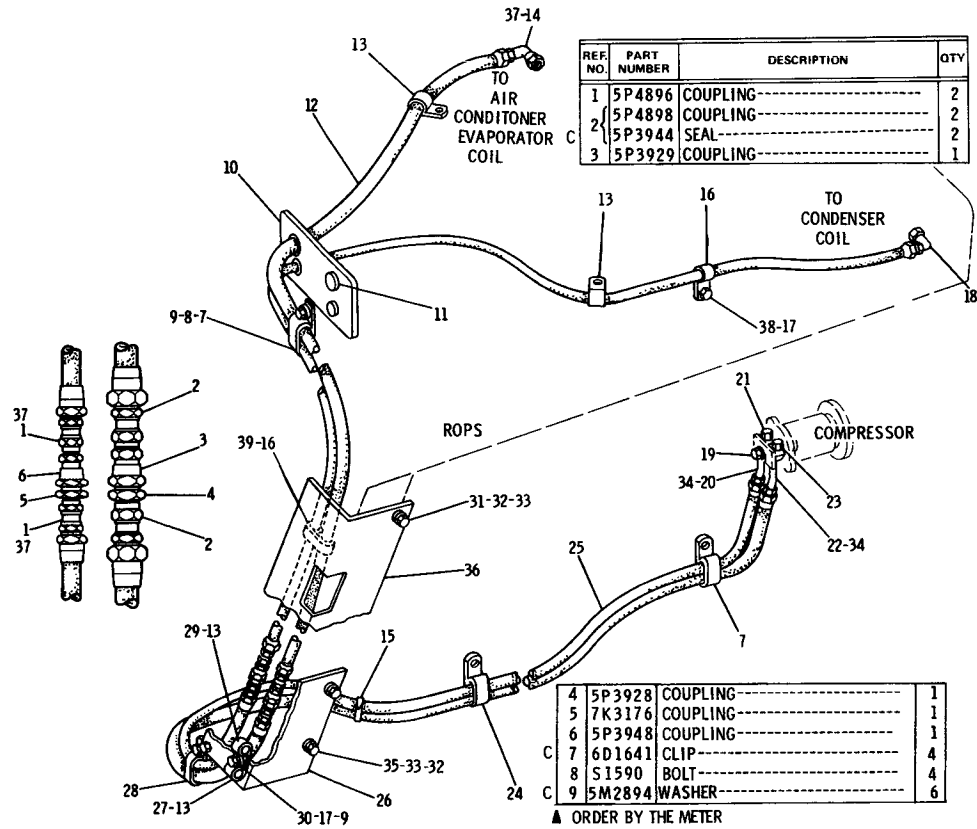
REF. NO.	PART NUMBER	DESCRIPTION	QTY.
1	6D1641	CLIP------(large)-----	7
2	S509	BOLT-----	2
3	1B2886	BOLT-----	1
3	8S375	SPACER-----	1
4	4B4280	WASHER--2.38 mm(.093 in.) thick	5
5	5P767	HOSE-----305 cm(120.08 in.)	1
6	5D1026	CLAMP-----	10

7	1P3956	TUBE-----	2
▲ 8	5P767	HOSE-----330 cm(130 in.)	1
9	7K1181	STRAP-----	4
10	1V6585	VALVE-----	1
10	6B1628	BUSHING-----	1
▲ 11	5P767	HOSE-----400 cm(157.48 in.)	1
12	4S1962	CLIP----- (small)	6
▲ 13	8F8151	COCK-----	1
13	6B4661	BUSHING-----	1
14	T102	BOLT-----	1
15	1D4717	NUT-----	2
▲ 16	5P767	HOSE-----305 cm(120.08 in.)	1
17	L1351	BOLT-----	1
17	5M2894	WASHER-----	1
18	9P8679	PLATE-----	1
19	S1595	BOLT-----	2
20	2M849	WASHER--4.76 mm(.187 in.) thick	4
21	6P8855	SPACER-----	2
22	9P8677	PLATE-----	1
23	S1590	BOLT-----	2
24	6H1717	BOLT-----	2
25	8P4926	BUSHING-----	2

▲ ORDER BY THE CENTIMETER

174985

CAB, GAUGES AND ACCESSORIES



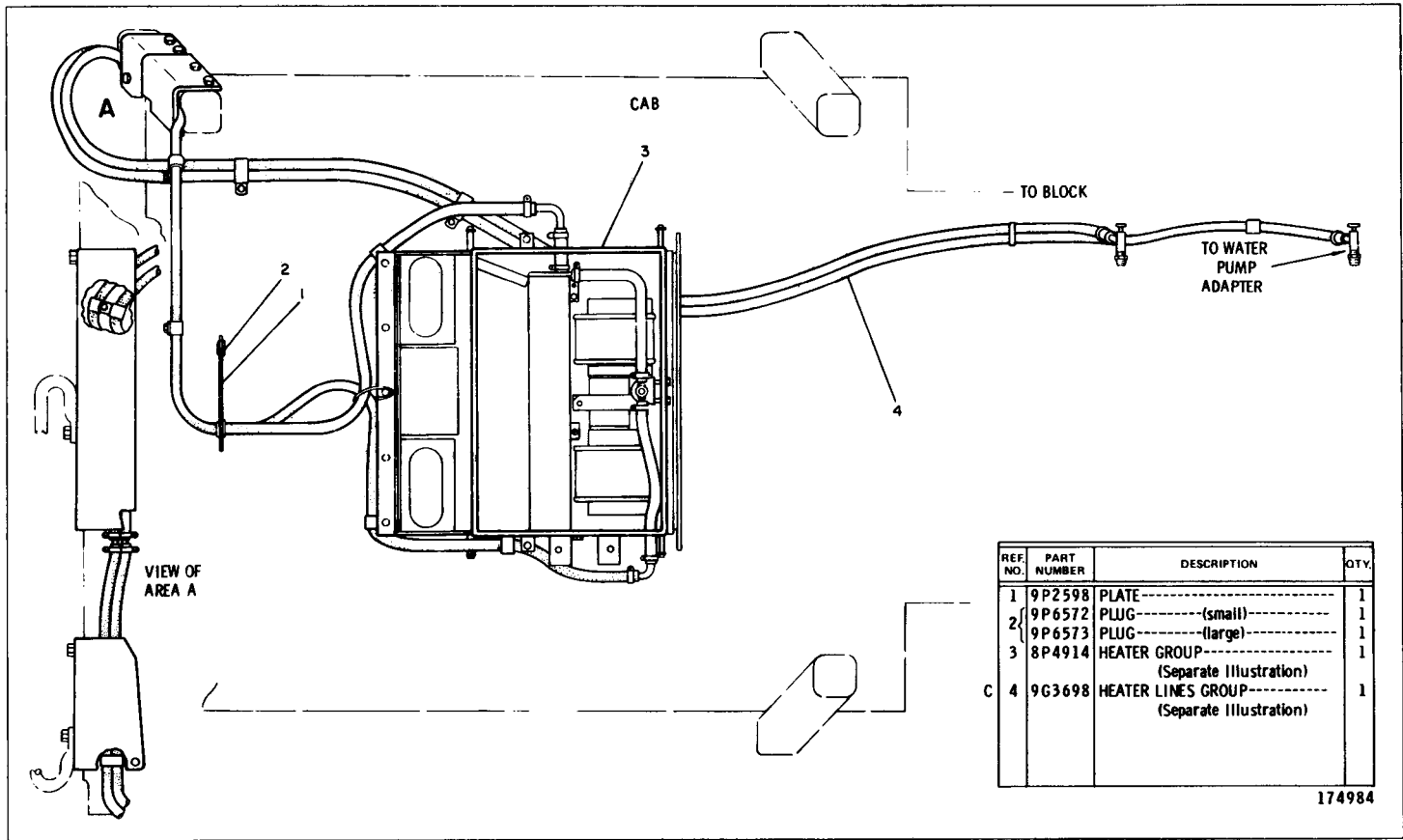
	9P2598	PLATE-----	1
10	8P4928	BUSHING-----	1
	8P4927	BUSHING-----	1
11	9P6571	PLUG-----	2
▲ 12	5P5676	HOSE-----8.4m(30.7 in.)	
C 13	3P2404	CLIP-----	5
14	5P6673	COUPLING-----	1
C 15	7K1181	STRAP-----	4
C 16	4S1962	CLIP-----	3
C 17	1D4717	NUT-----	3
	9D4508	COUPLING-----	1
18	6M5062	SEAL-----	1
	S1748	BOLT-----	1
19	4B4278	WASHER-----	1
C 20	6V876	COUPLING-----	1
		(Includes)	
21	2L1224	CAP-----	1
C 22	6V875	COUPLING-----	1
		(Includes)	
23	2L1224	CAP-----	1
C 24	8M2769	CLIP-----	1
▲ 25	5P5645	HOSE-----8.25m(32.8 in.)	
C 26	9P8678	PLATE-----	1
	5P3950	CAP-----	1
C 27	5P3951	PLUG-----	1
	5P6994	CLIP-----	1
C 28	1K6705	BOLT-----	1
	5P3946	PLUG-----	1
29	5P3945	CAP-----	1
30	L1351	BOLT-----	2
C 31	6H1717	BOLT-----	3
C 32	4B4280	WASHER-----	5
C 33	2M849	WASHER-----	5
C 34	1H8171	SEAL-----	2
C 35	S1595	BOLT-----	2
C 36	9P8676	PLATE-----	1
C 37	1S8947	SEAL-----	3
38	T102	BOLT-----	1
C 39	4S4455	CLIP----- (slot)	2

C INDICATES CHANGE

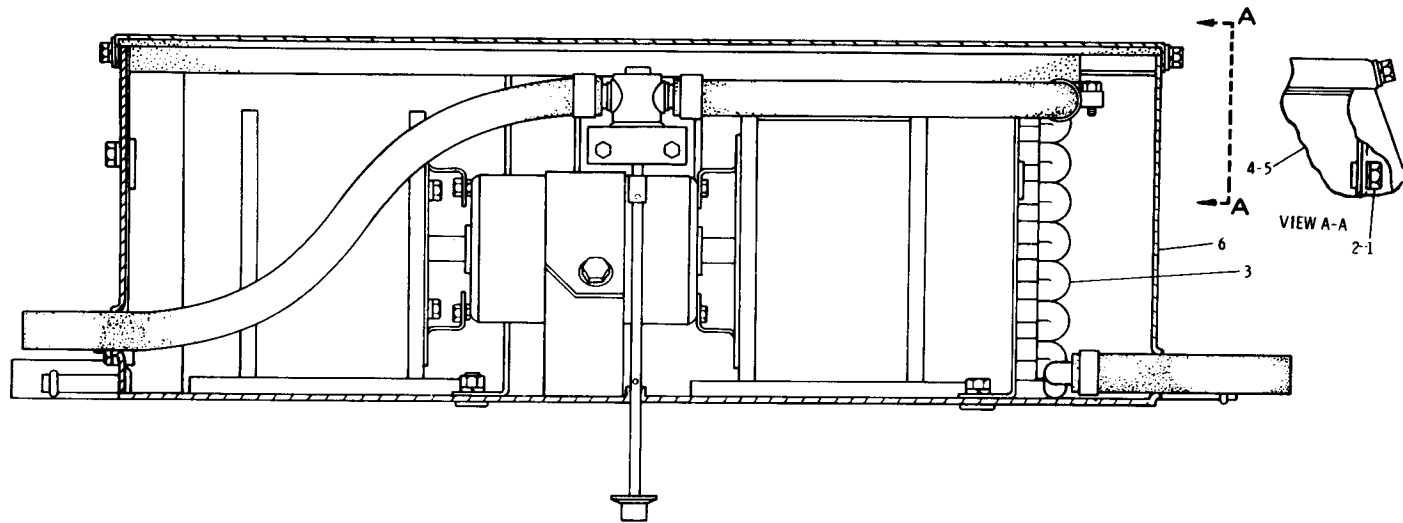
228596

8P2148 AIR CONDITIONER LINES GROUP
 Part of 9P5228 Air Conditioner Arrangement listed on Page 266
 AN ATTACHMENT

8P2137 CAB HEATER GROUP
9G3698 Heater Lines & 8P4914 Heater parts are shown on Pages 275 & 278
AN ATTACHMENT



174984



REF. NO.	PART NUMBER	DESCRIPTION	QTY.
1	T102	BOLT-----	2
2	3B4506	LOCKWASHER-----	2
3	9G3764	CAB HEATER GROUP----- (Separate Illustration)	1

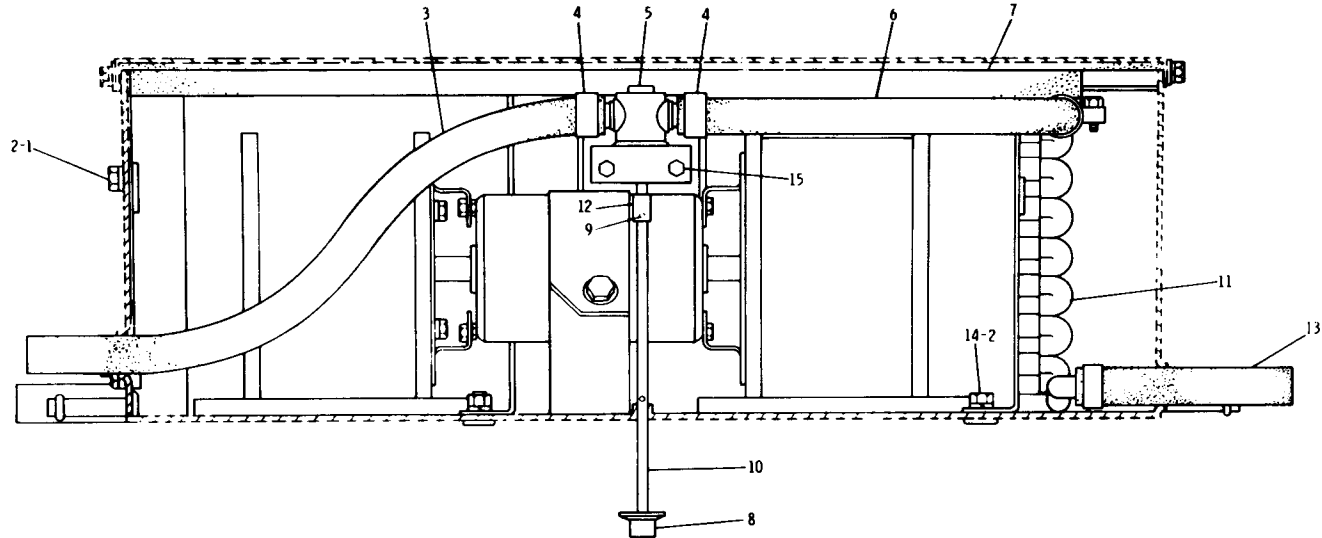
▲ 4	5P5671	SEAL-----, 135 ml(5.32 in.)	
5	8P4884	BAFFLE ASSEM.-----	1
6	9P5089	PRESSURIZER GROUP----- (Separate Illustration)	1

▲ ORDER BY THE METER
C INDICATES CHANGE

174989

8P4914 HEATER GROUP
Part of 8P2137 Cab Heater Group shown on Page 277
9P5089 Pressurizer & 9G3764 Cab Heater parts are shown on Pages 245 & 279
AN ATTACHMENT

9G3764 CAB HEATER GROUP
 Part of 9P5225 Air Conditioner & 8P4914 Heater Groups shown on Pages 267 & 278
AN ATTACHMENT



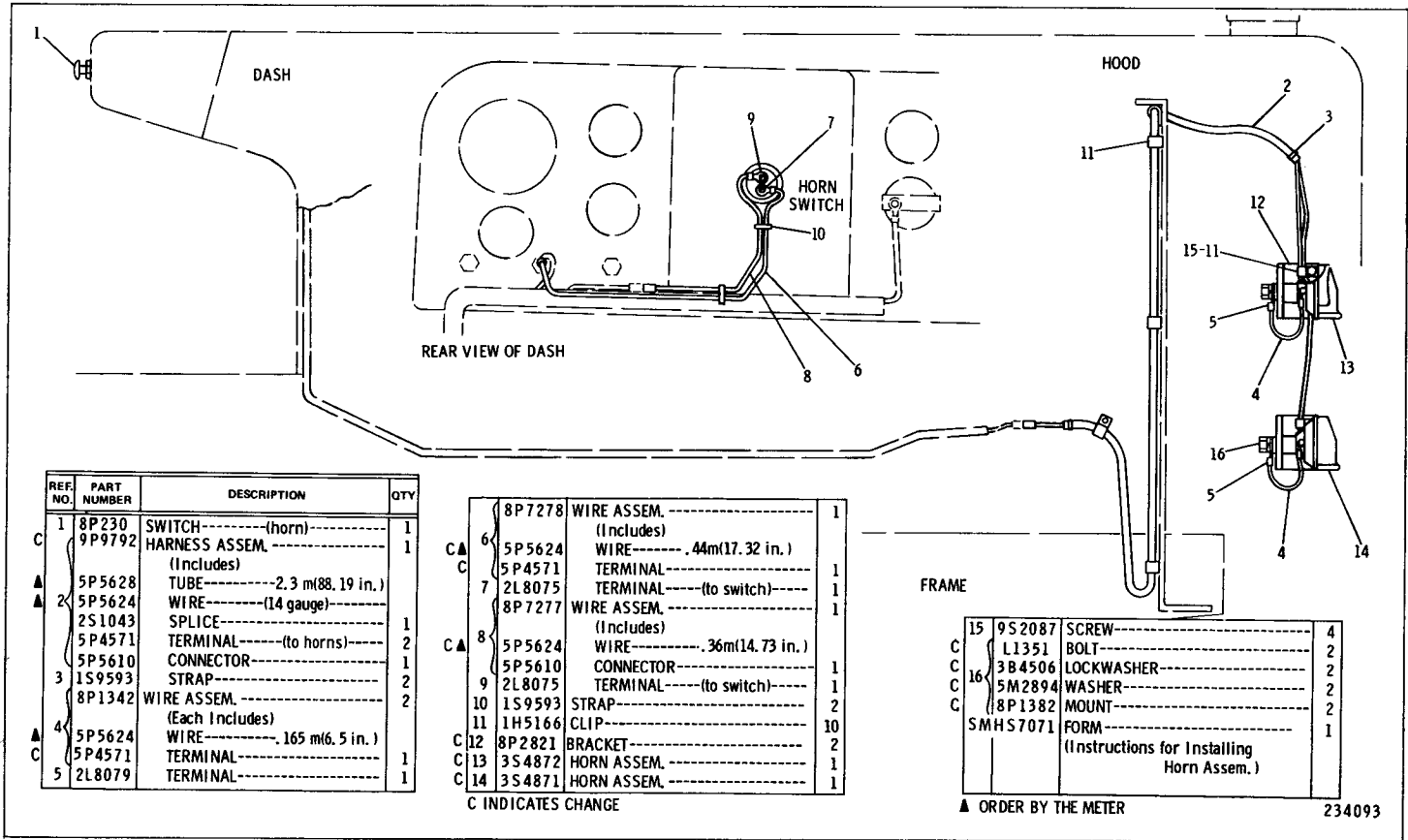
REF NO.	PART NUMBER	DESCRIPTION	QTY.
1	T1102	BOLT-----	2
2	3B4506	LOCKWASHER-----	4
▲ 3	5 P767	HOSE-----44,50 cm(17,52 in.)	4
4	5D1026	CLAMP-----	4
5	3P7994	VALVE-----	1

▲ 6	5 P767	HOSE-----38,10 cm(15 in.)	
7	7G3615	SEAL-----	1
8	1P6509	KNOB-----	1
9	3H1118	PIN-----	2
10	8P3600	ROD-----	1
11	3P7993	COIL-----	1
12	8P3597	SLEEVE-----	1

▲ ORDER BY THE CENTIMETER

▲ 13	5 P767	HOSE-----10,20 cm(4,02 in.)	
14	1D4717	NUT-----	2
15	7B2742	BOLT-----	2
	3B4504	LOCKWASHER-----	2
	8P6099	SPACER-----	2

174990



REF. NO.	PART NUMBER	DESCRIPTION	QTY
1	8P230	SWITCH------(horn)-----	1
C	9P9792	HARNES ASSEM.-----	1
		(Includes)	
▲	5P5628	TUBE-----2.3 m(88, 19 in.)	1
▲	2	5P5624 WIRE------(14 gauge)	1
	2S1043	SPLICE-----	1
	5P4571	TERMINAL------(to horns)-----	2
	5P5610	CONNECTOR-----	1
	3	1S9593 STRAP-----	2
	8P1342	WIRE ASSEM.-----	2
		(Each Includes)	
▲	4	5P5624 WIRE-----, 165 m(6, 5 in.)	1
C	5P4571	TERMINAL-----	1
	5	2L8079 TERMINAL-----	1

	8P7278	WIRE ASSEM.-----	1
		(Includes)	
C	6	5P5624 WIRE-----, 44m(17, 32 in.)	1
C	5P4571	TERMINAL-----	1
	7	2L8075 TERMINAL------(to switch)-----	1
	8P7277	WIRE ASSEM.-----	1
		(Includes)	
C	8	5P5624 WIRE-----, 36m(14, 73 in.)	1
	5P5610	CONNECTOR-----	1
	9	2L8075 TERMINAL------(to switch)-----	1
	10	1S9593 STRAP-----	2
	11	1H5166 CLIP-----	10
C	12	8P2821 BRACKET-----	2
C	13	3S4872 HORN ASSEM.-----	1
C	14	3S4871 HORN ASSEM.-----	1

C INDICATES CHANGE

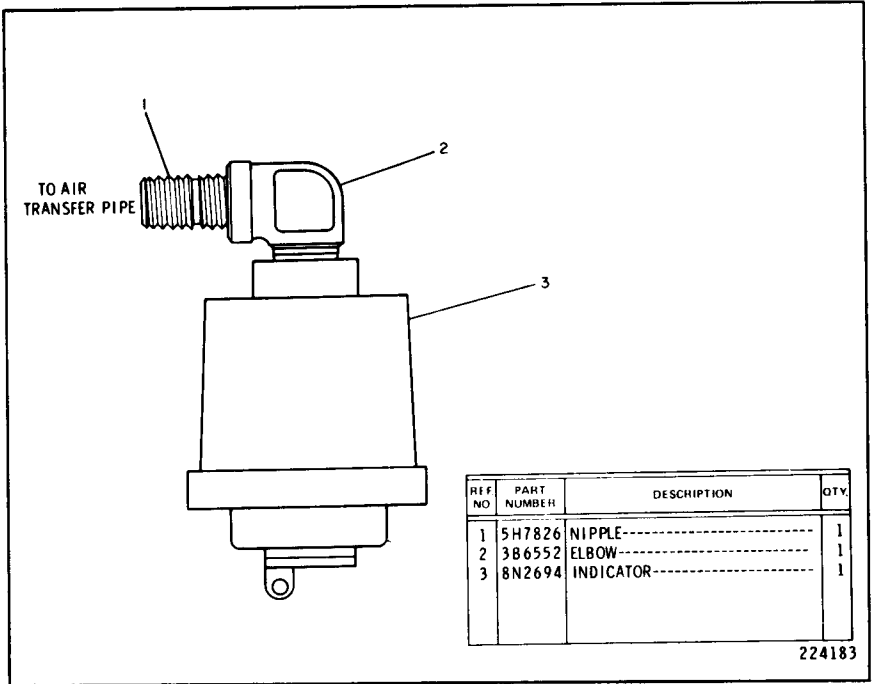
FRAME

	15	9S2087	SCREW-----	4
C		L1351	BOLT-----	2
C		3B4506	LOCKWASHER-----	2
C	16	5M2894	WASHER-----	2
C		8P1382	MOUNT-----	2
		SMHS7071	FORM-----	1
			(Instructions for Installing Horn Assem.)	

▲ ORDER BY THE METER

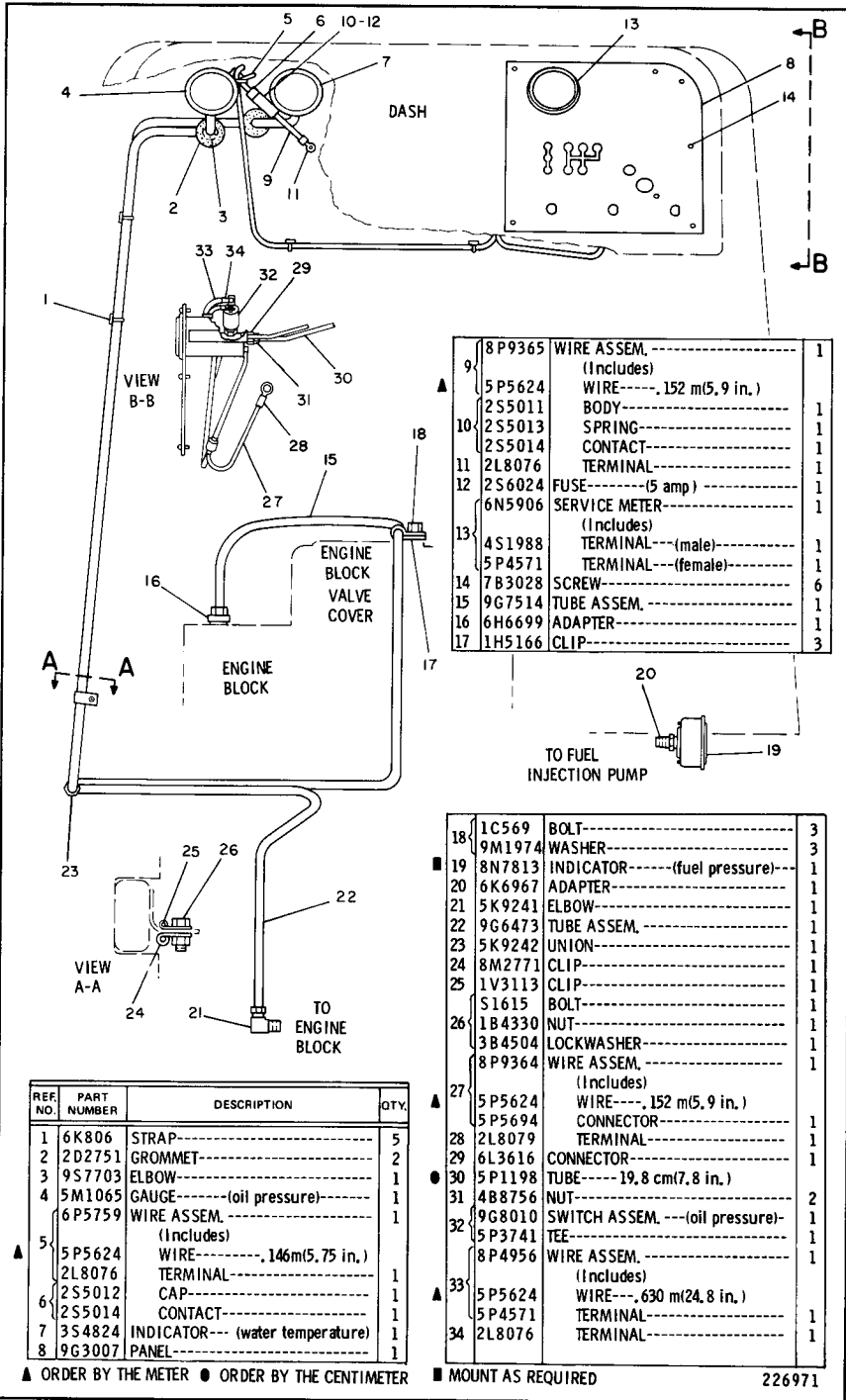
234093

8P7307 ELECTRIC HORN GROUP—Forward Warning

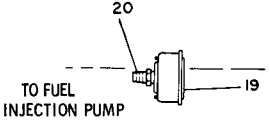


8N3179 AIR FILTER SERVICE INDICATOR GROUP

CATERPILLAR D5B TRACTOR



8	P9365	WIRE ASSEM. ---	1
9	5P5624	(Includes) WIRE-----, 152 m(5,9 in.)	1
10	2S5011	BODY-----	1
10	2S5013	SPRING-----	1
10	2S5014	CONTACT-----	1
11	2L8076	TERMINAL-----	1
12	2S6024	FUSE----- (5 amp)	1
12	6N5906	SERVICE METER-----	1
13	4S1988	(Includes) TERMINAL---(male)	1
13	5P4571	TERMINAL---(female)	1
14	7B3028	SCREW-----	6
15	9G7514	TUBE ASSEM.-----	1
16	6H6699	ADAPTER-----	1
17	1H5166	CLIP-----	3



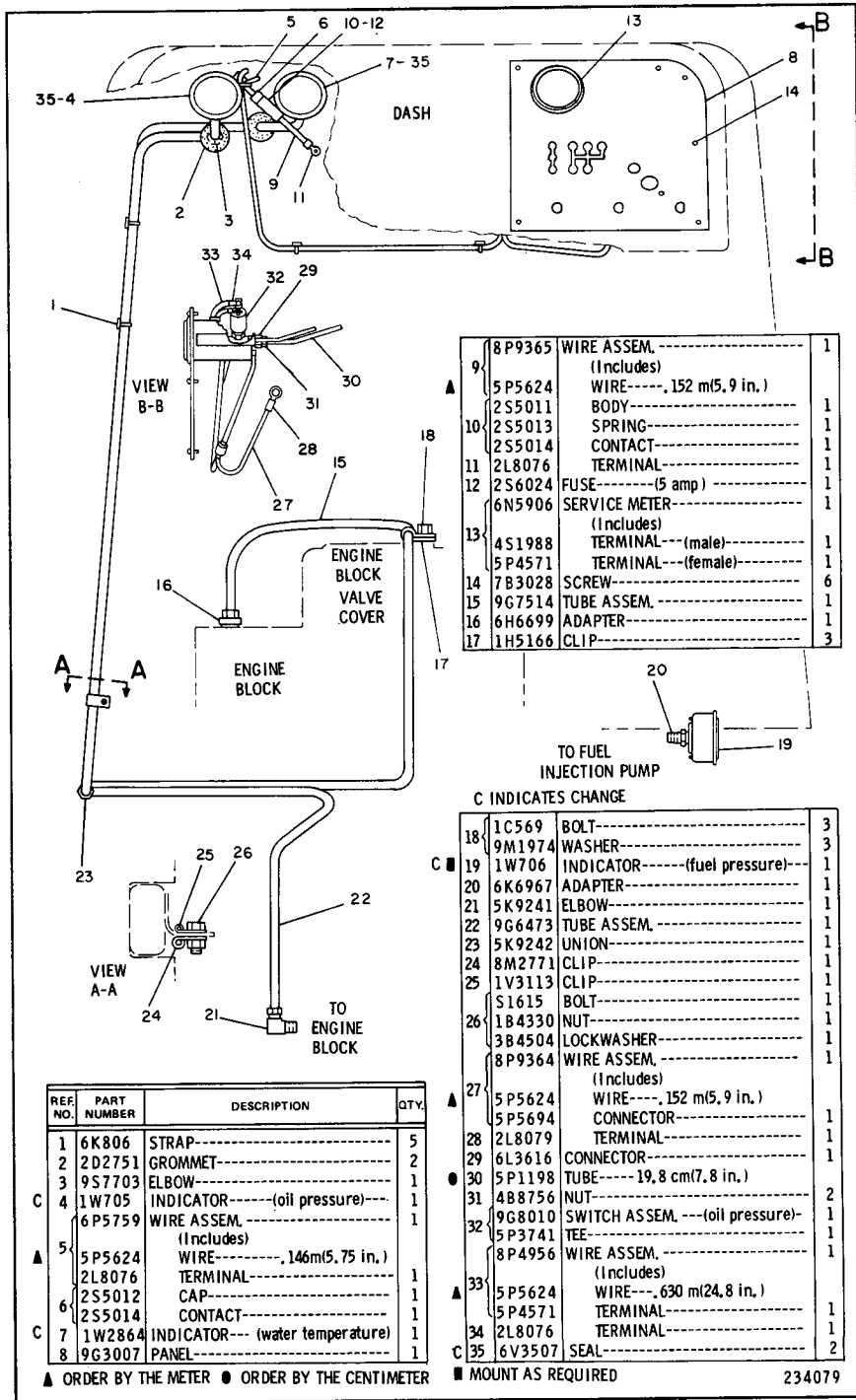
18	1C569	BOLT-----	3
18	9M1974	WASHER-----	3
19	8N7813	INDICATOR----- (fuel pressure)---	1
20	6K6967	ADAPTER-----	1
21	5K9241	ELBOW-----	1
22	9G6473	TUBE ASSEM.-----	1
23	5K9242	UNION-----	1
24	8M2771	CLIP-----	1
25	1V3113	CLIP-----	1
25	S1615	BOLT-----	1
26	1B4330	NUT-----	1
26	3B4504	LOCKWASHER-----	1
27	8P9364	WIRE ASSEM. ---	1
27	5P5624	(Includes) WIRE-----, 152 m(5,9 in.)	1
27	5P5694	CONNECTOR-----	1
28	2L8079	TERMINAL-----	1
29	6L3616	CONNECTOR-----	1
30	5P1198	TUBE-----, 19,8 cm(7,8 in.)	1
31	4B8756	NUT-----	2
32	9G8010	SWITCH ASSEM. --- (oil pressure)---	1
32	5P3741	TEE-----	1
32	8P4956	WIRE ASSEM. ---	1
33	5P5624	(Includes) WIRE-----, 630 m(24,8 in.)	1
33	5P4571	TERMINAL-----	1
34	2L8076	TERMINAL-----	1

REF. NO.	PART NUMBER	DESCRIPTION	QTY.
1	6K806	STRAP-----	5
2	2D2751	GROMMET-----	2
3	9S7703	ELBOW-----	1
4	5M1065	GAUGE----- (oil pressure)---	1
5	6P5759	WIRE ASSEM. ---	1
5	5P5624	(Includes) WIRE-----, 146m(5,75 in.)	1
6	2L8076	TERMINAL-----	1
6	2S5012	CAP-----	1
6	2S5014	CONTACT-----	1
7	3S4824	INDICATOR--- (water temperature)	1
8	9G3007	PANEL-----	1

▲ ORDER BY THE METER ● ORDER BY THE CENTIMETER ■ MOUNT AS REQUIRED

226971

9G5884 GAUGE GROUP—On Dash
 Serial No. 22X439 to 22X497 inclusive and 23X778 to 23X814 inclusive



REF. NO.	PART NUMBER	DESCRIPTION	QTY.
1	6K806	STRAP-----	5
2	2D2751	GROMMET-----	2
3	9S7703	ELBOW-----	1
C 4	1W705	INDICATOR----(oil pressure)---	1
	6P5759	WIRE ASSEM. (Includes)	1
▲ 5	5P5624	WIRE-----, 146m(5,75 in.)	1
	2L8076	TERMINAL-----	1
6	2S5012	CAP-----	1
	2S5014	CONTACT-----	1
C 7	1W2864	INDICATOR---(water temperature)	1
8	9G3007	PANEL-----	1

8	P9365	WIRE ASSEM. (Includes)	1
9	5P5624	WIRE-----, 152 m(5,9 in.)	1
	2S5011	BODY-----	1
10	2S5013	SPRING-----	1
	2S5014	CONTACT-----	1
11	2L8076	TERMINAL-----	1
12	2S6024	FUSE---(5 amp)-----	1
	6N5906	SERVICE METER (Includes)	1
13	4S1988	TERMINAL---(male)-----	1
	5P4571	TERMINAL---(female)-----	1
14	7B3028	SCREW-----	6
15	9G7514	TUBE ASSEM.	1
16	6H6699	ADAPTER-----	1
17	1H5166	CLIP-----	3

C INDICATES CHANGE

18	1C569	BOLT-----	3
	9M1974	WASHER-----	3
19	1W706	INDICATOR----(fuel pressure)---	1
20	6K6967	ADAPTER-----	1
21	5K9241	ELBOW-----	1
22	9G6473	TUBE ASSEM.	1
23	5K9242	UNION-----	1
24	8M2771	CLIP-----	1
25	1V3113	CLIP-----	1
	S1615	BOLT-----	1
26	1B4330	NUT-----	1
	3B4504	LOCKWASHER-----	1
	8P9364	WIRE ASSEM. (Includes)	1
▲ 27	5P5624	WIRE-----, 152 m(5,9 in.)	1
	5P5694	CONNECTOR-----	1
28	2L8079	TERMINAL-----	1
29	6L3616	CONNECTOR-----	1
● 30	5P1198	TUBE-----, 19,8 cm(7,8 in.)	1
31	4B8756	NUT-----	2
	9G8010	SWITCH ASSEM.---(oil pressure)---	1
32	5P3741	TEE-----	1
	8P4956	WIRE ASSEM. (Includes)	1
▲ 33	5P5624	WIRE-----, 630 m(24,8 in.)	1
	5P4571	TERMINAL-----	1
34	2L8076	TERMINAL-----	1
C 35	6V3507	SEAL-----	2

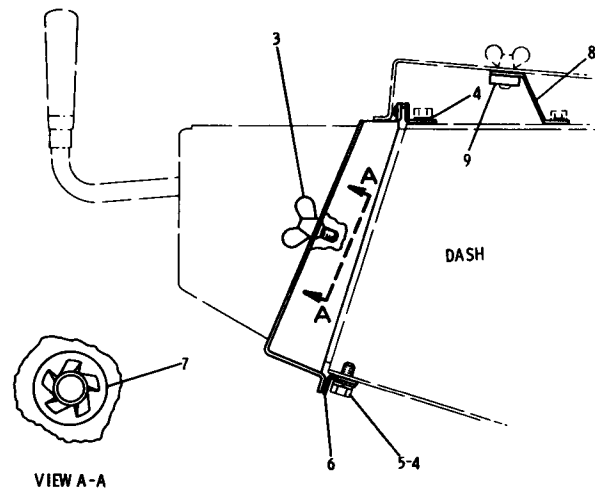
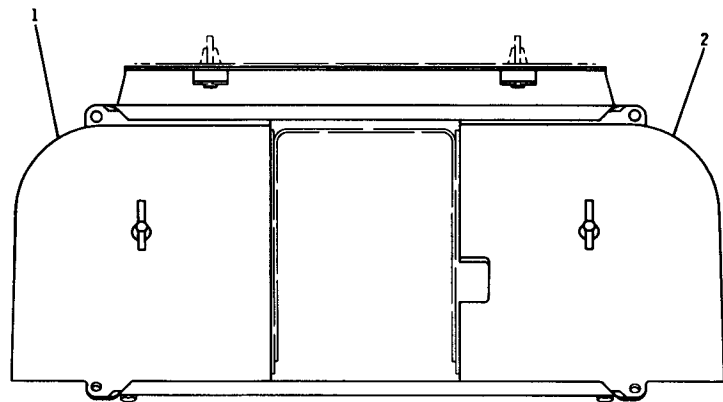
▲ ORDER BY THE METER ● ORDER BY THE CENTIMETER

■ MOUNT AS REQUIRED

234079

9G5884 GAUGE GROUP—On Dash
Serial No. 22X498—Up and 23X815—Up

9G8848 VANDALISM GUARD GROUP
 CANNOT BE USED WITH ENCLOSED ROPS
 AN ATTACHMENT



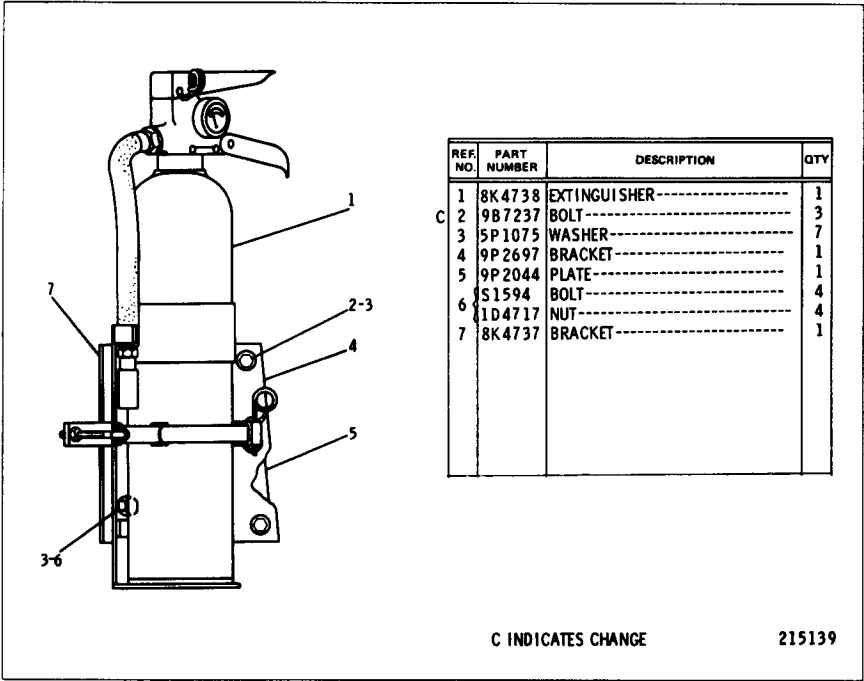
REF. NO.	PART NUMBER	DESCRIPTION	QTY
1	8P8223	COVER ASSEM.-----	1
2	8P9285	COVER ASSEM.-----	1
3	4K487	BOLT-----	2
4	4B4278	WASHER-----	4
5	5S09	BOLT-----	2
5	3B4506	LOCKWASHER-----	2
6	8P9284	GUIDE-----	2

● NOT PART OF 9G8848 VANDALISM GUARD GROUP

7	5P6883	RETAINER-----	2
8	9P3782	BRACKET ASSEM.-----	1
		(Includes)	
9	6S3829	LUG-----	2
	5P8502	PADLOCK GROUP-----	2
		(Each Includes)	
●	5P8500	KEY-----	2

▲ NOT SHOWN

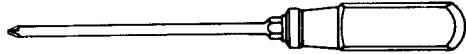
226983



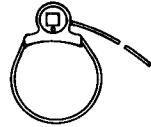
8P6869 FIRE EXTINGUISHER GROUP

Note: 8K4738 Fire Extinguisher must be procured locally
AN ATTACHMENT

9S7977 HAND TOOL GROUP
 8F9866 Grease Gun parts are shown on Page 286
 AN ATTACHMENT



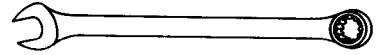
9S1738 SCREWDRIVER
 NO. 2 PHILLIPS



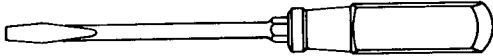
2P8250 STRAP WRENCH ASSEM.



5S9569 SOCKET



- 8H8503 WRENCH (5/16" Opening)
- 8H8505 WRENCH (3/8" Opening)
- 8H8513 WRENCH (7/8" Opening)
- 8H8508 WRENCH (9/16" Opening)
- 8H8509 WRENCH (5/8" Opening)
- 8H8511 WRENCH (3/4" Opening)
- 8H8515 WRENCH (1" Opening)



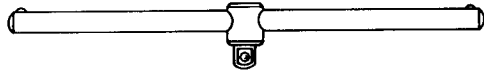
1F1157 SCREWDRIVER



5S9568 SOCKET



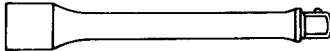
C 5P1763 SOCKET



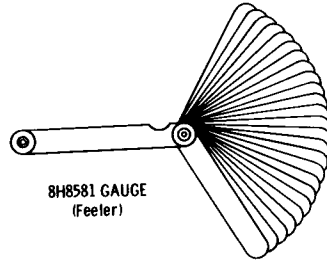
5S9566 WRENCH



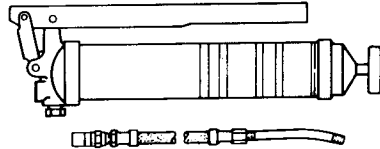
- 8H8549 SOCKET (9/16" Opening)
- 8H8554 SOCKET (7/8" Opening)
- 8H8555 SOCKET (15/16" Opening)
- 8H8556 SOCKET (1" Opening)
- 9S1730 SOCKET (11/8" Opening)



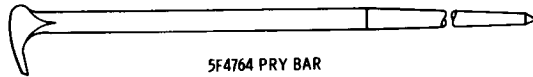
5S9567 EXTENSION



8H8581 GAUGE
 (Feeler)



8F9866 GREASE GUN (Lever)
 (See Separate Illustration)



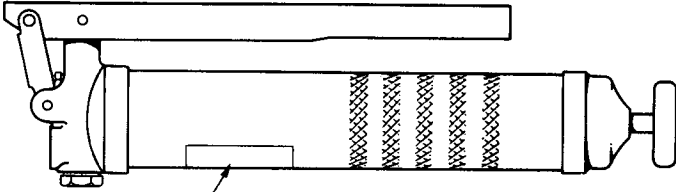
5F4764 PRY BAR

C INDICATES CHANGE

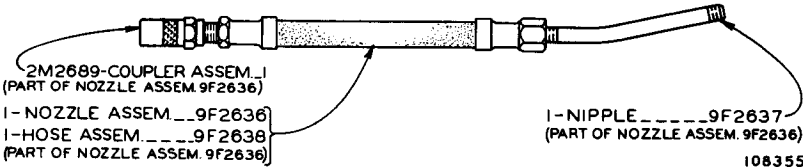
201200

CATERPILLAR D5B TRACTOR

C INDICATES CHANGE FROM PREVIOUS TYPE



C1-FORM-----GEG00150
(DECAL-SERVICE TOOL)



2M2689-COUPLER ASSEM..1
(PART OF NOZZLE ASSEM. 9F2636)

1-NOZZLE ASSEM...9F2636
1-HOSE ASSEM.....9F2636
(PART OF NOZZLE ASSEM. 9F2636)

1-NIPPLE.....9F2637
(PART OF NOZZLE ASSEM. 9F2636)

108355

8F9866 GREASE GUN

Part of 9S7977 Hand Tool Group shown on Page 285
AN ATTACHMENT

ENGINE GASKET KITS

6V2971	VALVE GRINDING
6V1752	CENTRAL AND LOWER STRUCTURE
5P8768	SINGLE CYLINDER LINER
6V2912	FRONT STRUCTURE
6V1550	REAR STRUCTURE
6V2972	FUEL SYSTEM
5P9102	OIL COOLER AND LINES

OTHER GASKET KITS

5P9143	FLYWHEEL CLUTCH
5P9144	TRANSMISSION CASE AND COVERS
5P9145	GEARSHIFT CONTROL
5P9146	TRANSMISSION OIL LINES

GASKET KITS

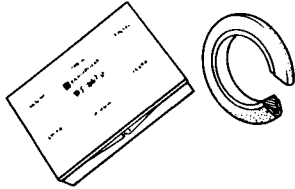
QUANTITY USED	PART NUMBER	DESCRIPTION
1	5H8450	PLATE--SERIAL NUMBER (TRACTOR) ON REAR FACE OF BEVEL GEAR AND STEERING CLUTCH CASE
1	3N3790	PLATE--SERIAL NUMBER (ENGINE) ON L.H. SIDE OF CYLINDER BLOCK
1	6V1721	PLATE--SERIAL NUMBER (MASTER) IN OPERATOR'S COMPARTMENT ON LOWER R.H. DASH PLATE
1	5P8197	PLATE--WARNING (UNIVERSAL) ON TOP OF DASH CONSOLE
1	8M3494	PLATE--SERIAL NUMBER--(HYDRAULIC) EXTREME L.H. SIDE AT TOP OF TANK ASSEMBLY WHEN VIEWING INSTALLED UNIT FROM REAR OF TRACTOR
1	8M3494	PLATE--SERIAL NUMBER--(RIPPER) ON SIDE OF CARRIAGE ASSEMBLY
1	5P4020	PLATE--SERIAL NUMBER--(BULLDOZER) UPPER R.H. CORNER OF BLADE
1	6V527	PLATE--SERIAL NUMBER--(WINCH) L.H. SIDE OF WINCH--FORWARD EDGE
22	4B4158	DRIVE SCREW
2	1P9878	FILM--CAT ON SIDE OF HOOD
2	2P931	FILM--CAT--ON WINCH EACH SIDE ABOVE DRUM SHAFT
1	4V4018	FILM--PARKING BRAKE ON TOP OF PARKING BRAKE KNOB ON TOP R.H. CONSOLE
1	5P9067	FILM--DISCONNECT ADJACENT TO R.H. SIDE OF CONTROL QUADRANT
1	5P8166	FILM--INSTRUCTION--5A & 5S DOZER CONTROL ON R.H. OPERATOR PLATFORM
1	5P8161	FILM--INSTRUCTION--5S DOZER CONTROL WITH BLADE TILT ON R.H. OPERATOR PLATFORM
1	5S3881	FILM--No. 5 RIPPER ON RIPPER SERIAL No. PLATE BELOW SERIAL NUMBER
1	5P532	FILM--INSTRUCTION--No. 5 RIPPER CONTROL ON R.H. OPERATOR PLATFORM
1	5P6439	TRANSFER GROUP CONSISTING OF:
2	2P931	FILM--CAT ON EACH SIDE OF HOOD
1	5P1091	FILM--WARNING IN OPERATOR COMPARTMENT, POSITIONED SO SEATED OPERATOR CAN READ
2	5P6381	FILM--D5B ON EACH SIDE OF SEAT SUPPORT
1	5P8517	FILM--CAUTION ON VERTICAL SURFACE BETWEEN STEERING LEVERS
2	8S3923	FILM--CORPORATE SYMBOL ON EACH SIDE OF SEAT SUPPORT
1	8S3696	FILM--STARTING--ON TOP OF CONSOLE
1	8S3942	FILM--CATERPILLAR--ON FRONT OF RADIATOR
1	8S8958	FILM--CATERPILLAR--ON BACK OF FUEL TANK

NAME PLATES AND TRANSFERS



IP2305 ELECTRIC TERMINAL KIT

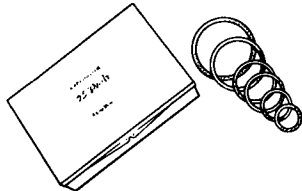
(Insulated)
(Includes terminals, wire joints
and crimping tool)



9S3138 SEAL KIT

(Includes 28 metal - backed seals)

Qty.	Nominal Size	Part No.
2	1/2 inch (1,27 cm)	5J1583
6	3/4 inch (1,905 cm)	6J3575
6	1 inch (2,54 cm)	6J3600
6	1 1/4 inch (3,175 cm)	6J3625
4	1 1/2 inch (3,81 cm)	6J3650
4	2 inches (5,08 cm)	6J3800



9S3135 SEAL KIT

(Includes 60 rubber O-ring seals)

Qty.	Nominal Size	Part No.
10	1/2 inch (1,27 cm)	4J5140
10	3/4 inch (1,905 cm)	4J5267
10	1 inch (2,54 cm)	4J0520
10	1 1/4 inch (3,175 cm)	4J0522
10	1 1/2 inch (3,81 cm)	4J0524
10	2 inches (5,08 cm)	4J0527

THREADED INSERTS KITS

Master (Includes inserts and tools)

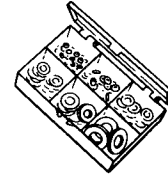
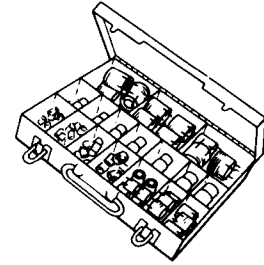
Coarse	Fine	Size
9S3700	9S3500	Assorted

Repair (Includes inserts and tools)

9S3510	9S3509	#10
9S3512	9S3511	1/4
9S3514	9S3513	5/16
9S3618	9S3515	3/8
9S3620	9S3619	7/16
9S3622	9S3621	1/2
9S3624	9S3623	9/16
9S3626	9S3625	5/8
9S3628	9S3627	3/4
9S3630	9S3629	7/8
9S3632	9S3631	1
9S3633		1 1/8
9S3635		1 1/4
9S3637		1 1/2

Refill (Includes inserts)

9S3674	9S3673	#10
9S3649	9S3639	1/4
9S3650	9S3640	5/16
9S3651	9S3641	3/8
9S3652	9S3642	7/16
9S3653	9S3643	1/2
9S3654	9S3644	9/16
9S3655	9S3645	5/8
9S3656	9S3646	3/4
9S3657	9S3647	7/8
9S3658	9S3648	1
9S3675		1 1/8
9S3677		1 1/4
9S3679		1 1/2

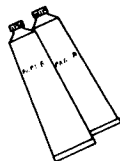


HARDWARE ASSORTMENT KITS

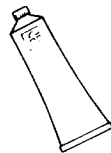
- 8S7198 Course Thread Hex Nut
- 8S7197 Fine Thread Hex Nut
- 8S7196 Lockwasher Assortment
- 8S7195 Flatwasher Assortment
- 8S7193 Woodruff Key Assortment



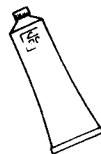
GASKET CEMENT
5H2471 8 oz. (227 g)



EPOXY CEMENT
5M2941 2 - 2 oz. (57g) Tube



BEARING LUBRICANT
253230 14 1/2 oz. (411 g)



GASKET SEALER
4H5363 11 oz. (312 g)
(fast drying-hard setting)
8H5137 11 oz. (312 g)
(non-hardening)



ANTI-SEIZURE COMPOUND
4S9416 16 oz. (454 g) Aerosol
9M3710 16 oz. (454 g) Paste



GLASS OR PLASTIC CEMENT
3S1831 1 pint (0.473 L)



LIQUID GASKET
7M7260 8 oz. (227 g)



SEALING COMPOUND
5S1454 1 pint (0.473 L)



GREASE - SILICONE
4L7468 8 oz. (227 g)



9S3262 SEALANT REPAIR KIT

contains:

Bearing Mount	7M7456	1 2/3 fl. oz. (50 cc)
Thread Lock	9S3263	1 2/3 fl. oz. (50 cc)
Pipe Sealant	9S3264	1 2/3 fl. oz. (50 cc)
Retaining Compound	9S3265	1 2/3 fl. oz. (50 cc)
Quick Cure Primer	8M8060	6 oz. (170 g) Aerosol



CHAIN & CABLE LUBRICANT
9S6106 16 oz. (454 g) Aerosol
2P2737 Case of 12

BELT DRESSING

9S6107 16 oz. (454 g) Aerosol
2P2738 Case of 12

ELECTRO-INSULATION SPRAY

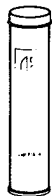
9S6108 16 oz. (454 g) Aerosol
2P2739 Case of 12

PENETRATING OIL

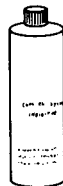
9S6109 16 oz. (454 g) Aerosol
2P2740 Case of 12

BATTERY SAVER & CLEANER

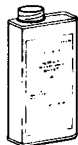
9S6110 16 oz. (454 g) Aerosol
2P2741 Case of 12



GREASE GUN CARTRIDGE
1P808 14 1/2 oz. (411 gms)



COOLING SYSTEM INHIBITOR
3P2043 1 pint (0.473 L)
P0001 1 case of 12
3P2044 1 quart (0.946 L)
P0002 1 case of 12



SILICONE FLUID
8M553 145 cc.
9M5165 150 cc.

SPECIFICATIONS

(SUBJECT TO CHANGE WITHOUT NOTICE)

Weight, shipping (approximate): (includes ROPS mounting and open ROPS)

D5B Tractor (without Bulldozer, Ripper, Winch, Hydraulic Control):

60" Gauge	9 270 kg	(20,440 lbs.)
74" Gauge	9 480 kg	(20,903 lbs.)
5S Bulldozer (60" Gauge)	1 360 kg	(3,000 lbs.)
5S Bulldozer (74" Gauge)	1 500 kg	(3,300 lbs.)
5A Bulldozer (74" Gauge)	1 860 kg	(4,100 lbs.)
Ripper (not installed)	1 540 kg	(3,400 lbs.)
Winch	1 000 kg	(2,200 lbs.)

153 Hydraulic Control:

Tank and Valve:	empty	w/oil
Single Valve	105 kg (232 lbs.)	145 kg (320 lbs.)
Double Valve	115 kg (254 lbs.)	152 kg (335 lbs.)
Triple Valve	115 kg (254 lbs.)	152 kg (335 lbs.)
Third Valve	20 kg (47 lbs.)	—
Pump	10 kg (22 lbs.)	—

DIMENSIONS

Length:

Kettendozer D5B (without Bulldozer, Ripper Winch, Hydraulic Control)	3 620 mm	(11' 10.5")
Ripper (behind transmission case):		
Ripper raised	1 200 mm	(47.1")
Teeth in ground	1 460 mm	(57.6")

Width:

Kettendozer D5B:		
60" Gauge	2 010 mm	(6' 7.25")
74" Gauge	2 370 mm	(7' 9.25")
Ripper	2 340 mm	(92.3")

Height:

D5B Tractor (over grousers)	2 970 mm	(9' 9")
-----------------------------------	----------	---------

Ground Clearance:

D5B Tractor (from face of shoe)	280 mm	(10.93")
Ripper (under teeth, fully raised)	465 mm	(18.3")

REFILL CAPACITIES (Approximate)

COMPARTMENT OR SYSTEM	LITERS	U.S. GALS.	IMP. GAL.
Engine Crankcase	27	7.25	6
Transmission, Bevel and Steering Clutches	77.5	20.5	17.1
Final Drives (each)	11.3	3	2.4
Hydraulic System	43.5	11.5	2.4
Cooling System	34	9	7.4
Fuel Tank	246	65	54
Winch	43.5	11.5	9.5

SERIAL NUMBER PLATE LOCATION

MASTER PLATE — In operator's compartment on lower R. H. dash plate.

TRACTOR PLATE — On rear face of bevel gear and steering clutch case.

ENGINE PLATE — On L. H. side of cylinder block.

BULLDOZER PLATE — On R. H. side of the rear face of the moldboard.

RIPPER PLATE — On side of carriage assembly.

HYDRAULIC CONTROL PLATE — On the top center of the hydraulic control tank assembly.

WINCH PLATE — On L. H. side of the case below the upper mounting pad.

CARACTÉRISTIQUES

(PEUVENT ÊTRE MODIFIÉES SANS PRÉAVIS)

Poids (approx.), en ordre d'expédition (avec groupe de pose pour bâti de sécurité et bâti de sécurité ROPS ouvert) :

Tracteur D5B (sans bulldozer, ripper, treuil, commande hydraulique) :		
Voie de 1520 mm	9 270 kg	
Voie de 1880 mm	9 480 kg	
Bulldozer 5S (voie de 1520 mm)	1 360 kg	
Bulldozer 5S (voie de 1880 mm)	1 500 kg	
Bulldozer 5A (voie de 1880 mm)	1 860 kg	
Ripper (non monté)	1 540 kg	
Treuil	1 000 kg	
Commande hydraulique 153 :		
Réservoir et distributeur :		A vide Avec huile
Un distributeur	105 kg	145 kg
Deux distributeurs	115 kg	152 kg
Trois distributeurs	115 kg	152 kg
Troisième distributeur	20 kg	—
Pompe	10 kg	—

DIMENSIONS

Longueur :	
Tracteur D5B (sans bulldozer, ripper, treuil, commande hydraulique)	3 620 mm
Lame (à l'extérieur des embouts) :	
Bulldozer 5S (voie de 1520 mm)	2 600 mm
Bulldozer 5S (voie de 1880 mm)	3 100 mm
Bulldozer 5A (voie de 1880 mm)	3 630 mm
Ripper (à l'arrière du bâti AR) :	
Poutre relevée	1 200 mm
Dents dans le sol	1 460 mm
Largeur :	
Tracteur D5B :	
Voie de 1520 mm	2 010 mm
Voie de 1880 mm	2 370 mm
Ripper	2 340 mm
Hauteur :	
Tracteur D5B (à l'extérieur des nervures)	2 970 mm
Hauteur de lame :	
Bulldozer 5S (voie de 1520 mm)	965 mm
Bulldozer 5S (voie de 1880 mm)	980 mm
Bulldozer 5A (voie de 1880 mm)	860 mm
Garde au sol :	
Tracteur D5B (depuis la semelle du patin)	280 mm
Ripper (relevé, sous pointe)	465 mm
Vitesse linéaire (câble de treuil) :	
Tambour vide :	
Vitesse standard	28,95 m/mn
Petite vitesse	23,16 m/mn
Tambour plein :	
Vitesse standard	55,16 m/mn
Petite vitesse	49,68 m/mn

MARQUAGE DU NUMÉRO DE SÉRIE

PLAQUE PRINCIPALE — Sur la tôle inférieure droite de tablier dans le poste de conduite.

TRACTEUR — Sur la face arrière du bâti AR renfermant les embrayages de direction.

MOTEUR — Sur le côté gauche du bloc-cylindres.

BULLDOZER — Sur le côté droit de la face arrière de la lame.

RIPPER — Sur le côté du bâti.

COMMANDE HYDRAULIQUE — Au sommet et au centre du réservoir de commande hydraulique.

TREUIL — Sur le côté gauche du carter en dessous de la semelle de montage supérieure.

ESPECIFICACIONES

(SUJETAS A CAMBIO SIN PREVIO AVISO)

Peso de embarque aproximado

(incluye montaje del ROPS y ROPS abierta)

Tractor D5B (sin hoja empujadora, desgarrador, malacate o control hidráulico)

Entrevía de 60"	9270 kg
Entrevía de 74"	9480 kg
Hoja empujadora 5S (entrevía de 60")	1361 kg
Hoja empujadora 5S (entrevía de 74")	1497 kg
Hoja empujadora 5A (entrevía de 74")	1860 kg
Desgarrador (no instalado)	1542 kg
Malacate	1000 kg

Control Hidráulico 153:

Tanque y válvula	Vacío	Con Aceite
De una válvula	105 kg	145 kg
De dos válvulas	115 kg	152 kg
De tres válvulas	115 kg	152 kg
Tercera válvula	21 kg	—
Bomba	9 kg	—

DIMENSIONES

Largo:

Tractor D5B:
(sin hoja empujadora, desgarrador, malacate y control hidráulico). 3610 mm

Largo de la Hoja (incluyendo las cantoneras):

Hoja empujadora 5S (entrevía de 60") 1616 mm
 Hoja empujadora 5S (entrevía de 74") 3099 mm
 Hoja empujadora 5A (entrevía de 74") 3632 mm

Desgarrador (detrás de la caja de la transmisión)

Desgarrador levantado 1196 mm
 Dientes en el suelo 1463 mm

Ancho:

Tractor D5B:
 Entrevía de 60" 2010 mm
 Entrevía de 74" 2370 mm
 Desgarrador 2338 mm

Alto:

Tractor D5B 2970 mm

Alto de la hoja:

Hoja empujadora 5S (entrevía de 60") 965 mm
 Hoja empujadora 5S (entrevía de 74") 966 mm
 Hoja empujadora 5A (entrevía de 74") 857 mm

Despeje del suelo:

Tractor D5B (desde la cara de la zapata)
 Desgarrador (debajo de los dientes, completamente levantado). 465 mm

Velocidad de Tubería del Malacate (pies por minuto)

Tambor desnudo:
 Velocidad estándar 28.95 m
 Velocidad baja 23.16 m

Tambor lleno:

Velocidad estándar 55.16 m
 Velocidad baja 49.68 m

UBICACION DE LA PLACA CON EL NUMERO DE SERIE DE LA MAQUINA

Placa Maestra — En el compartimiento del operador, en la parte inferior del lado derecho del tablero de la placa.

Placa del Tractor — En la cara trasera de la corona y la caja del embrague de dirección.

Placa del Motor — En lado izquierdo del bloque del motor.

Placa de la Hoja Empujadora — En el lado derecho de cara trasera de la hoja.

Placa del Desgarrador — En el lado del conjunto de la carrocería.

Placa del Control Hidráulico — En la parte superior del centro del conjunto del tanque del control hidráulico.

Placa del malacate — En lado izquierdo de la caja debajo de la parte superior del asiento de montaje

ESPECIFICAÇÕES

(SUJEITAS A ALTERAÇÕES SEM AVISO PRÉVIO)

Peso de embarque (aproximado) com montagem do toldo ROPS (sem lâmina, escarificador traseiro, guincho e comando hidráulico):		
Bitola de 1 525 mm (60'')		9 270 kg
Bitola de 1 880 mm (74'')		9 480 kg
Lâmina 5S (bitola de 1 525 mm – 60'')		1 360 kg
Lâmina 5S (bitola de 1 880 mm – 74'')		1 500 kg
Escarificador traseiro apenas		1 540 kg
Guincho		1 000 kg
Comando hidráulico 153:		
Reservatório e válvula:	Vazio	Com óleo
Uma válvula	105 kg	145 kg
Duas válvulas	115 kg	152 kg
Tres válvulas	115 kg	152 kg
Terceira válvula	21 kg	
Bomba	9 kg	

DIMENSÕES

Comprimento da máquina (sem lâmina, escarificador traseiro, guincho, comando hidráulico)	3 620 mm
Comprimento da lâmina (sobre os cantos):	
Lâmina 5S (bitola de 1 525 mm – 60'')	2 620 mm
Lâmina 5S (bitola de 1 880 mm – 74'')	3 100 mm
Lâmina 5A (bitola de 1 880 mm – 74'')	3 630 mm
Comprimento do escarificador traseiro (atrás da caixa de mudanças):	
Com o escarificador traseiro levantado	1 200 mm
Com os dentes no chão	1 464 mm
Largura da máquina:	
Com bitola de 1 525 mm (60'')	2 020 mm
Com bitola de 1 880 mm (74'')	2 370 mm
Largura do escarificador traseiro	2 340 mm
Altura da máquina (sobre as garras das sapatas)	2 970 mm
Altura da lâmina:	
Lâmina 5S (bitola de 1 525 mm – 60'')	965 mm
Lâmina 5S (bitola de 1 880 mm – 74'')	965 mm
Lâmina 5A (bitola de 1 880 mm – 74'')	860 mm
Altura livre por baixo da máquina (desde a face da sapata)	280 mm
Altura livre por baixo do escarificador traseiro: (por baixo dos dentes com o escarificador traseiro levantado)	465 mm
Velocidade do guincho (m/min):	
Com tambor vazio:	
Velocidade normal	28,95 m
Velocidade lento	23,16 m
Com tambor cheio:	
Velocidade normal	55,16 m
Velocidade lento	49,68 m

SITUAÇÃO DAS PLACAS COM OS NÚMEROS DE SÉRIE

PRINCIPAL: no lado direito inferior do painel de instrumentos.

MÁQUINA: na caixa da coroa e embreagem de direção, atrás.

MOTOR: no lado esquerdo do bloco do motor.

LÂMINA: no lado direito da lâmina, atrás.

ESCARIFICADOR TRASEIRO: no lado do suporte.

COMANDO HIDRÁULICO: em cima do reservatório hidráulico, no centro.

GUINCHO: no lado esquerdo do alojamento.

TECHNISCHE DATEN

(UNVERBINDLICH, ÄNDERUNGEN VORBEHALTEN)

Versandgewicht, etwa): (einschl. Überroll-Schutzdach- und -auflager)

Kettendozer D5B (ohne Planierschild, Aufreißer,
Seilwinde, Hydrauliksteuerung):

1520 mm Spurweite.	9 270 kg
1880 mm Spurweite.	9 480 kg
Planierschild 5S (1520 mm Spurweite)	1 360 kg
Planierschild 5S (1880 mm Spurweite)	1 500 kg
Planierschild 5A (1880 mm Spurweite)	1 860 kg
Aufreißer (nicht angebaut)	1 540 kg
Seilwinde.	1 000 kg

Hydrauliksteuerung 153:

Tank und Ventil:

	Leer	Voll
Einzelventil	105 kg	145 kg
Doppelventil.	115 kg	152 kg
Drillingsventil.	115 kg	152 kg
Drittes Ventil	20 kg	—
Pumpe.	10 kg	—

ABMESSUNGEN

Länge:

Kettendozer D5B (ohne Planierschild, Aufreißer,
Seilwinde, Hydrauliksteuerung) 3 620 mm

Schildlänge (über Eckaufsatzmesser):

Planierschild 5S (1520 mm Spurweite)	2 600 mm
Planierschild 5S (1880 mm Spurweite)	3 100 mm
Planierschild 5A (1880 mm Spurweite)	3 630 mm

Aufreißer (hinter dem Getriebegehäuse):

Aufreißer, angehoben.	1 200 mm
Zähne im Boden	1 460 mm

Breite:

Kettendozer D5B:

1520 mm Spurweite.	2 010 mm
1880 mm Spurweite.	2 370 mm
Aufreißer.	2 340 mm

Höhe:

Kettendozer D5B (über Plattensteg) 2 970 mm

Schildhöhe:

Planierschild 5S (1520 mm Spurweite)	965 mm
Planierschild 5S (1880 mm Spurweite)	980 mm
Planierschild 5A (1880 mm Spurweite)	860 mm

Bodenfreiheit:

Kettendozer D5B (über Bodenplatte gemessen) 280 mm

Aufreißer (über Zähne, voll angehoben) 465 mm

Seilgeschwindigkeit (m/min):

Leere Trommel:

Normalgang	28,95 m
Kriechgang.	23,16 m

Volle Trommel:

Normalgang	55,16 m
Kriechgang.	49,68 m

LAGE DER SERIENNUMMERNSCHILDER

SAMMELSCHILD — Rechts unten am Armaturenbrett im Fahrerhaus.

MASCHINE — Rückwärts am Tellerrad- und Lenkkupplungsgehäuse.

MOTOR — Links am Motorblock.

PLANIERSCHILD — Rechts an der Schildrückseite.

AUFREISSER — Seitlich am Aufreißerrahmen.

HYDRAULIK — Oben in der Mitte des Hydrauliktanks.

SEILWINDE — Links am Gehäuse unter dem oberen Auflager.

CONVERSION EQUIVALENT TABLES

VOLUME AND CAPACITY EQUIVALENTS

Unit	Cu. In.	Cu. Ft.	Cu. Yd.	Cu. Cm.	Cu. M.	U. S. Liquid Gallons	Imperial Gallons	Liters
1 Cu. In.	1	.000579	.0000214	16.39	.0000164	.004329	.00359	.0164
1 Cu. Ft.	1728	1	.03704	28317	.0283	7.481	6.23	28.32
1 Cu. Yd.	46656	27	1	764600	.765	202	167.9	764.6
1 Cu. Cm.	.061	.0000353	.00000131	1	.000001	.000264	.00022	.001
1 Cu. M.	61020	35.31	1.308	1,000,000	1	264.2	220.2	1000
1 U. S. Liquid Gal.	231	.1337	.00495	3785	.003785	1	.833	3.785
1 Imperial Gallon	277.42	.16	.00594	4545.6	.004546	1.2	1	4.546
1 Liter	61.02	.03531	.001308	1000	.001	.2642	.22	1

LENGTH EQUIVALENTS

Unit	Centimeters	Inches	Feet	Yards	Meters	Kilometers
1 Centimeter	1	0.3937	0.03281	0.01094	0.01	
1 Inch	2,540	1	0.08333	0.02778	0.0254	
1 Foot	30.48	12	1	0.3333	0.3048	
1 Yard	91.44	36	3	1	0.9144	
1 Meter	100	39.37	3.281	1.0936	1	
1 Kilometer	100000	39370	3281	1093.6	1000	1

AREA EQUIVALENTS

Unit	Sq. Cm.	Sq. In.	Sq. M.	Sq. Ft.
1 Sq. Cm.	1	0.155		
1 Sq. In.	6.4516	1	.00064516	.006944
1 Sq. M.	10,000	1550	1	10,764
1 Sq. Ft.	929	144	0.0929	1

WEIGHT EQUIVALENTS

Unit	Kilograms	Ounces Avoirdupois	Pounds Avoirdupois
1 Kilogram	1	35.27	2.205
1 Ounce	0.02835	1	0.0625
1 Pound	0.4536	16	1

Inches to Centimeters and Centimeters to Inches

Inches or Centi- meters	Inches to Centimeters		Inches or Centi- meters	Centimeters to Inches	
	Inches	Centi- meters		Inches	Centi- meters
1	0.39	2.54	26	10.24	66.04
2	0.79	5.08	27	10.63	68.58
3	1.18	7.62	28	11.02	71.12
4	1.57	10.16	29	11.42	73.66
5	1.97	12.70	30	11.81	76.20
6	2.36	15.24	31	12.20	78.74
7	2.76	17.78	32	12.60	81.28
8	3.15	20.32	33	12.99	83.82
9	3.54	22.86	34	13.39	86.36
10	3.94	25.40	35	13.78	88.90
11	4.33	27.94	36	14.17	91.44
12	4.72	30.48	37	14.57	93.98
13	5.12	33.02	38	14.96	96.52
14	5.51	35.56	39	15.35	99.06
15	5.91	38.10	40	15.75	101.60
16	6.30	40.64	41	16.14	104.14
17	6.69	43.18	42	16.54	106.68
18	7.09	45.72	43	16.93	109.22
19	7.48	48.26	44	17.32	111.76
20	7.87	50.80	45	17.72	114.30
21	8.27	53.34	46	18.11	116.84
22	8.66	55.88	47	18.50	119.38
23	9.06	58.42	48	18.90	121.92
24	9.45	60.96	49	19.29	124.46
25	9.84	63.50	50	19.69	127.00


How to use:

11 inches = 27.94 centimeters

11 centimeters = 4.33 inches



CATERPILLAR

Caterpillar, Cat and  are Trademarks of Caterpillar Tractor Co

SEBP1277 (6-81)

Printed in U.S.A.