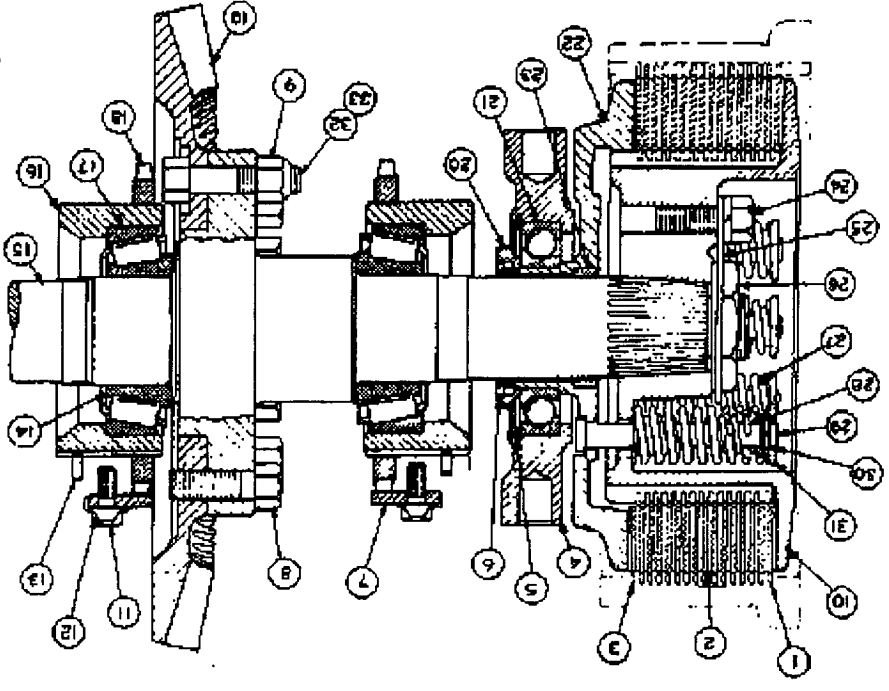


STEERING CLUTCH (9K327 N/S)



Part No.	Description	QTY
1	DISC ASSEMBLY	1
2	DISC ASSEMBLY	1
3	DISC ASSEMBLY	1
4	DISC ASSEMBLY	1
5	DISC ASSEMBLY	1
6	DISC ASSEMBLY	1
7	DISC ASSEMBLY	1
8	DISC ASSEMBLY	1
9	DISC ASSEMBLY	1
10	DISC ASSEMBLY	1
11	DISC ASSEMBLY	1
12	DISC ASSEMBLY	1
13	DISC ASSEMBLY	1
14	DISC ASSEMBLY	1
15	DISC ASSEMBLY	1
16	DISC ASSEMBLY	1
17	DISC ASSEMBLY	1
18	DISC ASSEMBLY	1
19	DISC ASSEMBLY	1
20	DISC ASSEMBLY	1
21	DISC ASSEMBLY	1
22	DISC ASSEMBLY	1
23	DISC ASSEMBLY	1
24	DISC ASSEMBLY	1
25	DISC ASSEMBLY	1
26	DISC ASSEMBLY	1
27	DISC ASSEMBLY	1
28	DISC ASSEMBLY	1
29	DISC ASSEMBLY	1
30	DISC ASSEMBLY	1
31	DISC ASSEMBLY	1
32	DISC ASSEMBLY	1

INDICATES CHANGE

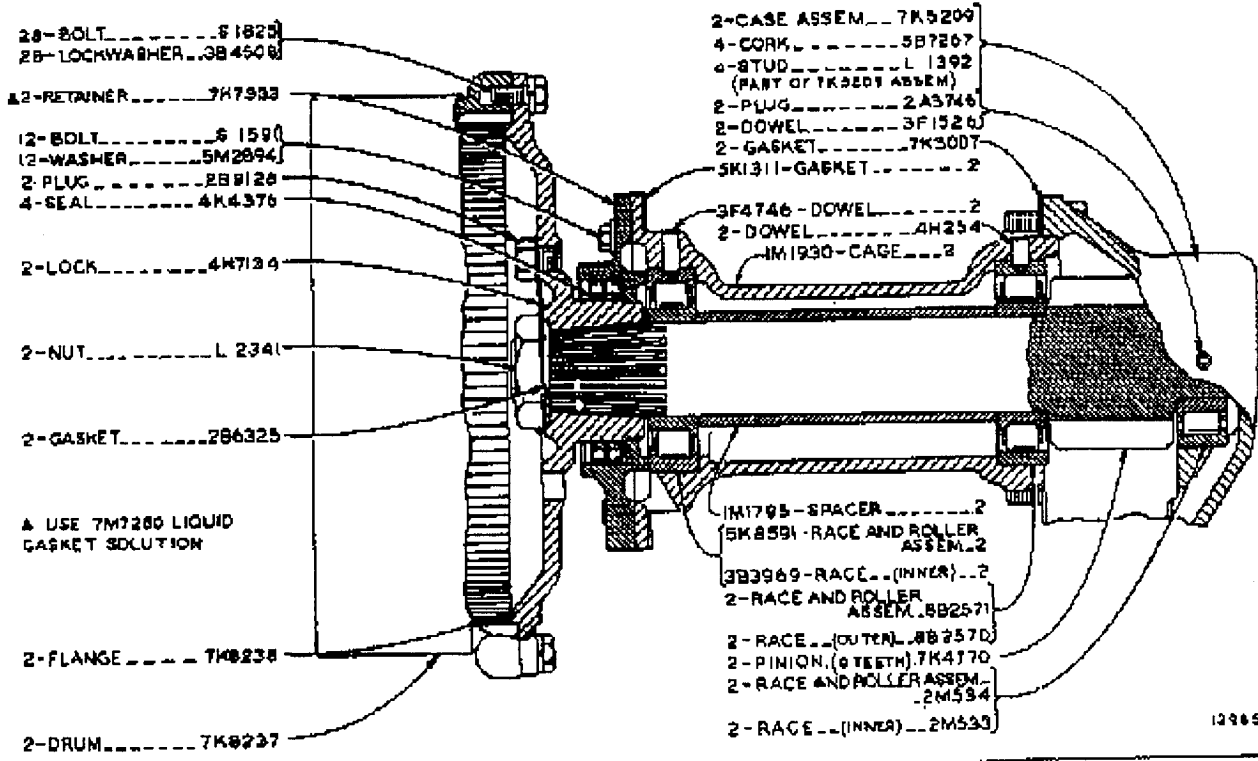
Note	Ref	Number	Qty	Part Name
		9K-0327	1	STEERING CLUTCH
	1	4K-1333	2	DISC ASSEM. (90 Teeth)
	2	5K-8616	30	DISC (8 Teeth)
	3	5K-8617	30	DISC ASSEM. (90 Teeth)
	4	4K-1331	2	CAGE
	5	1H-7478	2	RING
	6	4B-9806	4	SCREW
	7	1A-4145	2	LOCK
	8	0S-1566	11	BOLT
	9	2K-0337	1	NUT
	10	4K-1328	2	DRUM
	11	0L-1351	2	BOLT
	12	0L-0364	2	LOCK
	13	0S-0130	2	PIN
	14	6H-3566	2	CONE
	15	9K-0323	1	SHAFT
	16	5K-8606	2	CAGE
	17	6H-3568	2	CUP
	18	2B-8778	2	NUT
	19	8K-9661	1	GEAR (55 Teeth)
	20	8K-9637	2	NUT
	21	1B-4102	2	BEARING
	22	4K-1315	2	PLATE ASSEM.
	23	6H-3569	2	BUSHING
	24	0S-1624	4	BOLT
		3B-4510	4	LOCKWASHER
	25	3B-5524	2	LOCK

	26	0L-2341	2	NUT
	27	4K-1302	16	SPRING (Outer)
	28	6B-8804	16	SPRING (Inner)
	29	2B-8759	16	STUD
	30	2B-9018	32	LOCK
	31	2B-9020	16	RETAINER
	32	2B-2322	1	BOLT
C	33	9K-5680	1	WASHER

C

INDICATES CHANGE

4050 FINAL DRIVE (9K6016 N/S)--Upper Half--Part 1 of 2
Serial No. 86J1992 to 86J2047 inclusive



Note	Ref	Number	Qty	Part Name
		9K-6016	1	FINAL DRIVE GP
		0S-1825	28	BOLT
		3B-4508	28	LOCKWASHER
H		7K-7333	2	RETAINER
		0S-1591	12	BOLT
		5M-2894	12	WASHER
		2B-9128	2	PLUG
		4K-4376	4	SEAL
		4H-7134	2	LOCK
		0L-2341	2	NUT
		2B-6325	2	GASKET
		7K-8238	2	FLANGE
		7K-8237	2	DRUM
		7K-5209	2	CASE ASSEM
		5B-7267	4	CORK
		0L-1392	4	STUD
				(PART OF 7K5209 ASSEM)
		2A-3746	2	PLUG
		3F-1526	2	DOWEL
		7K-3007	2	GASKET
		5K-1311	2	GASKET
		3F-4746	2	DOWEL
		4H-0254	2	DOWEL
		1M-1930	2	CAGE
		1M-1795	2	SPACER
		5K-8591	2	RACE AND ROLLER ASSEM.
		3B-3969	2	RACE (INNER)

8B-2571 2 RACE AND ROLLER ASSEM.

8B-2570 2 RACE (OUTER)

7K-4770 2 PINION (9 TEETH)

2M-0534 2 RACE AND ROLLER ASSEM.

2M-0533 2 RACE (INNER)

H

USE 7M7260 LIQUID GASKET SOLUT