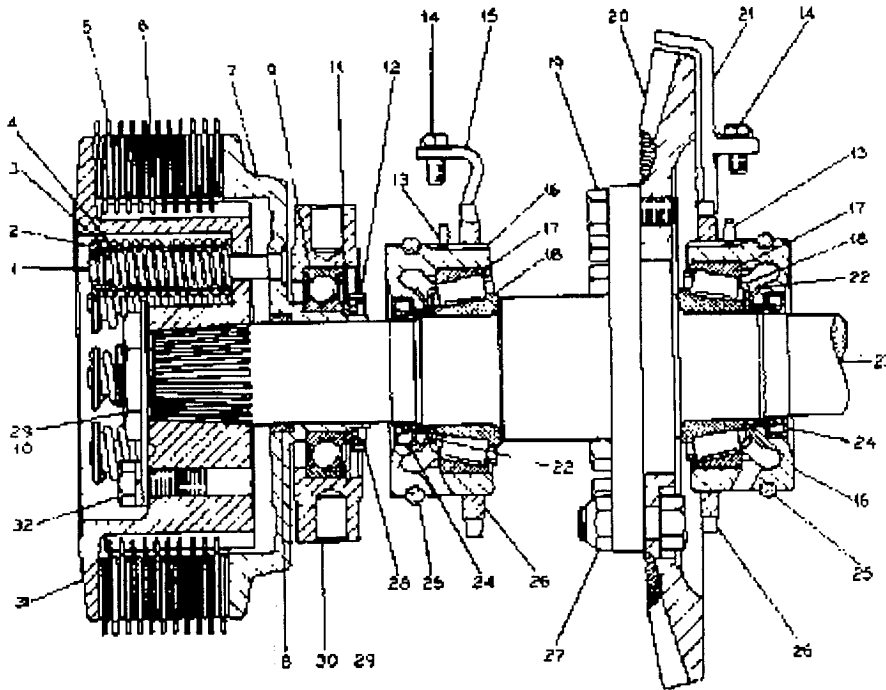


**83J D4D TRACK-TYPE TRACTOR Parts Identification**

Media Number SEBP1046-00 Publication Date 1978/09/01 Update Date 1996/06/24

83J 3422-UP

**4101 9K324 STEERING CLUTCH GROUP**



REF. NO.	PART NUMBER	DESCRIPTION	QTY
1	288759	SHOULDER	10
1	289018	LOCK	32
2	289820	RETAINER	16
3	088807	SPRING	16
4	088804	SPRING	16
5	375504	DISC ASSEM.	22
6	2H6936	DISC	20
7	2M3084	PLATE ASSEM.	2
8	5M3549	GUSHING	2
C 4	5P6982	BEARING	2
30	385524	LOCK	2
11	1H7478	RING	2
C 12	5V2	NUT	2
13	5L30	PIN	2
14	L134	BOLT	2
15	L364	LOCK	2
16	4K4843	LOCK	2
17	4K4804	CAGE	2
18	6H3506	CUP	2
19	5J566	BOLT	11
20	9K322	GEAR	1
21	4K4827	DEFLECTOR	1
22	6H3503	THROWER	2
23	9K323	SHAFT	1
24	4K4390	SEAL	2
25	8F4469	SEAL	2
26	788718	NUT	2
27	9K3106	BOLT	1
27	2K337	LOCKWASHER	1
C 28	102571	SCREW	8
29	42583	NUT	2
C 30	1V3243	CAGE	2
31	8K1174	DRUM	2
32	51624	BOLT	4
32	384510	LOCKWASHER	4

C INDICATES CHANGE

161458

Note	Ref	Number	Qty	Part Name
		9K-0324	1	STEERING CLUTCH GROUP
	1	2B-8759	16	STUD
		2B-9018	32	LOCK
	2	2B-9020	16	RETAINER
	3	6B-8807	16	SPRING (Outer)
	4	6B-8804	16	SPRING (Inner)
	5	3F-5504	22	DISC ASSEM. (95 Teeth)
	6	2H-6936	20	DISC
	7	2M-1086	2	PLATE ASSEM.
	8	6H-3569	1	BUSHING
C	9	5P-6982	2	BEARING
	10	3B-5524	2	LOCK
	11	1H-7478	2	RING
C	12	3V-0002	2	NUT
	13	0S-0130	2	PIN
	14	0L-1351	2	BOLT
		0L-0364	2	LOCK
	15	4K-4943	1	LOCK
	16	4K-4894	2	CAGE
	17	6H-3568	2	CUP
	18	6H-3566	2	CONE
	19	0S-1566	11	BOLT
	20	9K-0322	1	GEAR
	21	4K-4877	1	DEFLECTOR
	22	6H-3581	2	THROWER
	23	9K-0323	1	SHAFT
	24	4K-4390	2	SEAL

	25	8F-4469	2	SEAL
	26	2B-8778	2	NUT
	27	9K-5706	1	BOLT
		2K-0337	1	LOCKNUT
C	28	010-2571	4	SCREW
	29	0L-2341	2	NUT
C	30	1V-3243	2	CAGE
	31	8H-1174	2	DRUM
	32	0S-1624	4	BOLT
		3B-4510	4	LOCKWASHER

INDICATES CHANGE