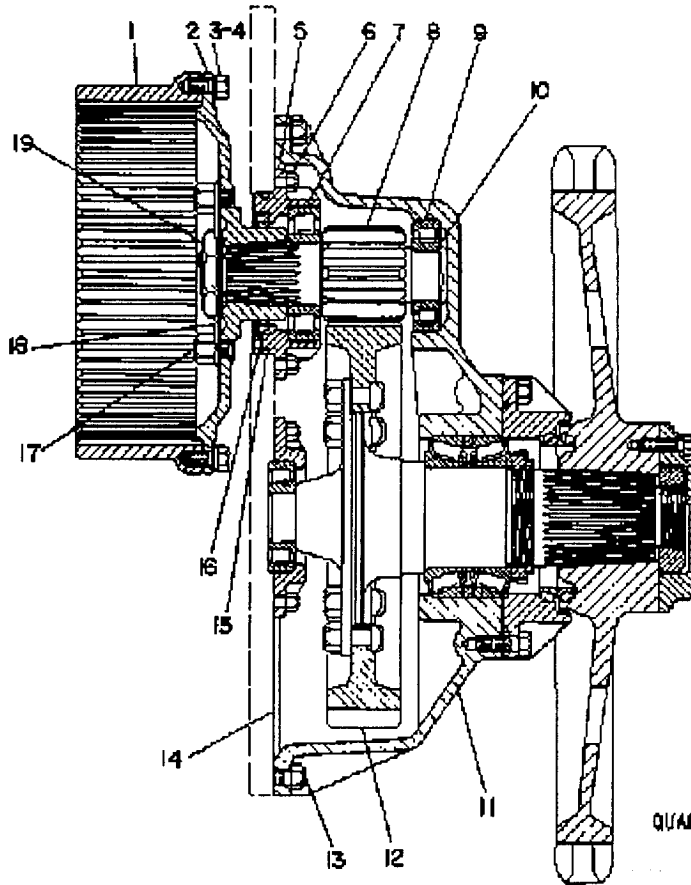


27Y D3B TRACK-TYPE TRACTOR Parts Identification

Media Number SEBP1252-02 Publication Date 1988/12/01 Update Date 2002/04/29

4050 6S3604 FINAL DRIVE GP-PART 1 OF 2

S/N 27Y1-3687



QUANTITIES SHOWN ARE THOSE REQUIRED FOR BOTH L.H. & R.H. SIDES

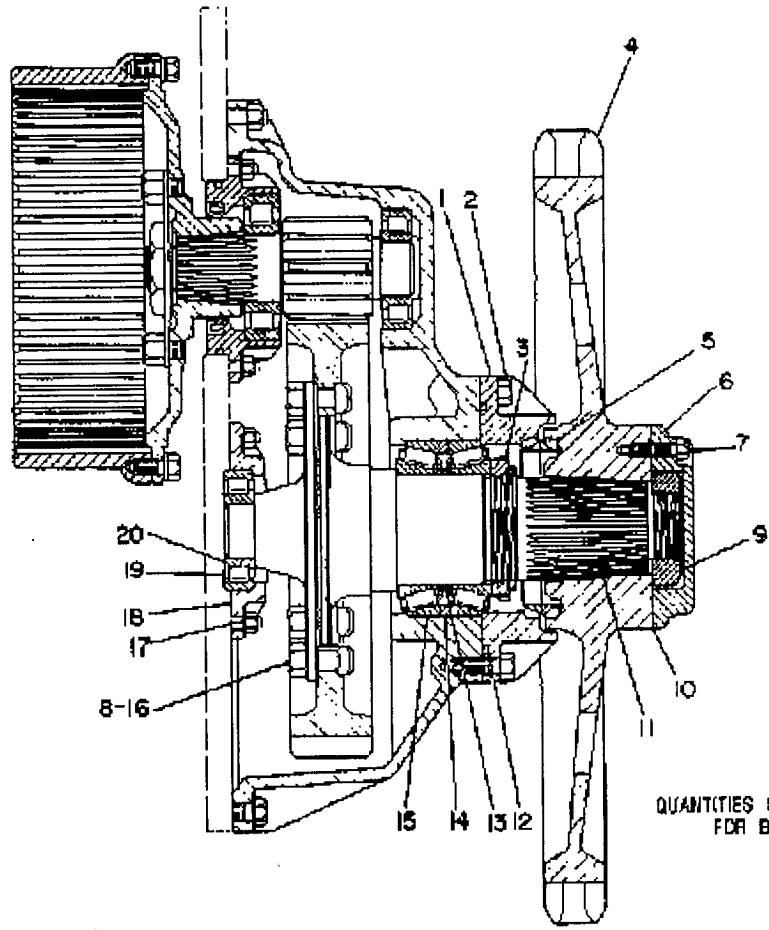
Note	Ref	Number	Qty	Part Name
		6S-3604	1	FINAL DRIVE GP
	1	6S-3203	2	DRUM-STEERING CLUTCH
	2	7K-8238	2	FLANGE
	3	6H-1717	28	BOLT
	4	2M-0849	28	WASHER
	5	6S-6521	2	CAGE-BEARING
C	6	2K-4973	12	LOCKNUT
	7	5K-8591	2	BEARING-OUTER
		3B-3969	2	RACE-BEARING-INNER (INNER)
	8	6S-6512	2	PINION
	9	3K-5595	2	BEARING-OUTER
	10	3K-5596	2	RACE-BEARING (INNER)
	11	6S-3204	2	COVER-FINAL DRIVE
		1B-5174	4	PLUG-PIPE
	12	6S-3177	2	GEAR (56 TEETH)
C	13	0S-1595	16	BOLT
		1F-7958	24	NUT-FULL
B	14	7M-7260		LIQUID GASKET
	15	2H-3935	2	SEAL-O-RING
	16	3K-9619	2	SEAL-LIP TYPE
	17	1H-9456	4	BOLT
C	18	5V-0659	2	LOCK-NUT
	19	2J-5815	2	NUT-SPECIAL
		5G-0695	2	SEAL
B				USE AS REQUIRED
C				CHANGE FROM PREVIOUS TYPE

27Y D3B TRACK-TYPE TRACTOR Parts Identification

Media Number SEBP1252-02 Publication Date 1988/12/01 Update Date 2002/04/29

4050 6S3604 FINAL DRIVE GP-PART 2 OF 2

S/N 27Y1-3687



QUANTITIES SHOWN ARE THOSE REQUIRED FOR BOTH L.H. & R.H. SIDES

Note	Ref	Number	Qty	Part Name
		6S-3604	1	FINAL DRIVE GP
	1	6S-3192	2	RETAINER
C	2	0S-1595	12	BOLT
	3	6S-4531	2	LOCKNUT
	4	6S-8270	2	SPROCKET-TRACK
CR	5	5P-9121	2	SEAL GP-DUO-CONE
				(EACH INCLUDES)
		5P-9120	2	RING-SEALING
	6	6S-6816	2	LOCK-NUT
C	7	3B-1915	12	BOLT
C	8	7H-3607	20	NUT
	9	9B-2962	2	NUT
		6S-4535	2	GASKET
B	10	7M-7260		LIQUID GASKET
	11	5G-0319	2	SHAFT
	12	1H-8278	2	SEAL-O-RING
	13	5P-7208	2	SPACER-CONE
	14	2P-8387	2	SPACER-CUP
	15	1P-3934	4	CUP-ROLLER BEARING
		1P-3935	4	CONE-ROLLER BEARING
	16	3K-3815	20	BOLT-SPECIAL HEAD
C	17	2K-4973	12	LOCKNUT
	18	6S-3194	2	CAGE-BEARING
	19	6S-2905	2	BEARING-OUTER
	20	3B-3967	2	RACE-ROLLER BEARING (INNER)

THE FOLLOWING PART IS

AVAILABLE FOR

REPLACEMENT OF WORN

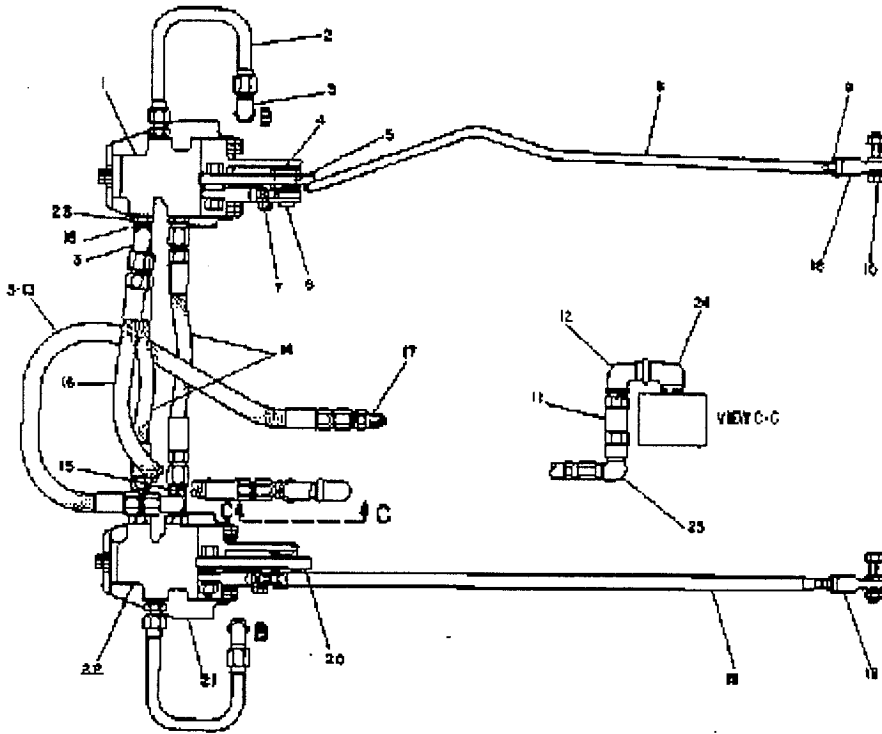
SPROCKET RIM:

B	6S-7880	RIM-SPROCKET
B		USE AS REQUIRED
C		CHANGE FROM PREVIOUS TYPE
R		REMGF PART MAY BE AVAILABLE

27Y D3B TRACK-TYPE TRACTOR Parts Identification

Media Number SEBP1252-02 Publication Date 1988/12/01 Update Date 2002/04/29

4106 5G1237 STEERING CLUTCH CONTROL GROUP-PART 1 OF 2
 SERIAL NO. 27Y1 TO 27Y3144 INCLUSIVE
 5G145-PAGE 92, 5G706-PAGE 93



REF. NO.	PART NUMBER	DESCRIPTION	QTY.
1	5Q706	VALVE GROUP (Separate Illustration)	1
2	5Q398	TUBE ASSEM.	2
3	6K9194	ELBOW	4
4	4B2474	WASHER	2
5	9S4775	BEARING	2
6	5Q274	SHAFT ASSEM.	2
7	5F2093	BOLT	2
8	9M1197	WASHER	2
9	5Q1789	ROD	1
10	1B4209	NUT	1
11	1S391	BOLT	4
12	1D4717	NUT	4
13	6M2394	WASHER	4
14	6S4047	VALVE	1
15	4B6047	ELBOW	1
16	3W8848	HOSE ASSEM. -- 66.8 cm (26.29 in.)	1
17	5Q868	HOSE ASSEM. -- 24 cm (9.45 in.)	2
18	6A6833	TIE	2
19	5Q2718	HOSE ASSEM. -- 37.3 cm (14.6 in.)	1
20	6L3262	CONNECTOR	1
21	4D4064	END	4
22	4K8137	ROD	1
23	5Q277	CAM ASSEM.	2
24	5G247	BRACKET	2
25	5G143	VALVE GROUP (Separate Illustration)	1
26	2R6886	CONNECTOR	4
27	3J1987	SEAL	6
28	32143	ELBOW	1
29	2H3097	ELBOW	1

C INDICATES CHANGE

173095

Note Ref Number Qty Part Name
 5G-1237 1 CONTROL GP-STEERING CLUTCH

Y 1 5G-0706 1 VALVE GROUP

(Separate Illustration)

2 5G-0398 2 TUBE ASSEM.

C 3 6K-9194 4 ELBOW

4 4B-2479 4 WASHER

5 9S-4775 2 BEARING

6 5G-0274 2 SHAFT ASSEM.

7 2F-2093 2 BOLT

9M-1974 2 WASHER

8 5G-1729 1 ROD

9 1B-4203 4 NUT

10 0S-1591 4 BOLT

1D-4717 4 NUT

C 5M-2894 4 WASHER

11 6S-4097 1 VALVE

12 4B-6067 1 ELBOW

13 3V-8848 1 HOSE ASSEM, 66.8 cm (26.29 in.)

14 5G-0868 2 HOSE ASSEM, 24 cm (9.45 in.)

15 6M-6853 2 TEE

16 5G-2718 1 HOSE ASSEM, 37.3 cm (14.6 in.)

C 17 8L-3282 1 CONNECTOR

18 4D-4064 4 END

19 4K-8157 1 ROD

20 5G-0273 2 CAM ASSEM.

21 5G-0247 2 BRACKET

Y 22 5G-0145 1 VALVE GROUP

(Separate Illustration)

	23	2R-6806	4	CONNECTOR
		3J-1907	6	SEAL
	24	003-2143	1	ELBOW
C	25	2N-8037	1	ELBOW
C				INDICATES CHANGE
Y				SEPARATE ILLUSTRATION

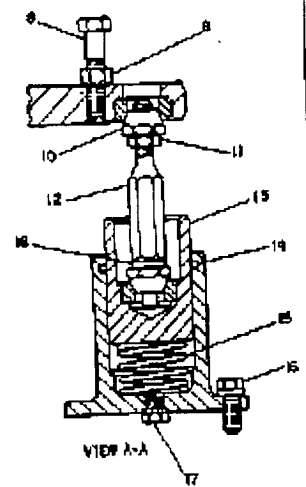
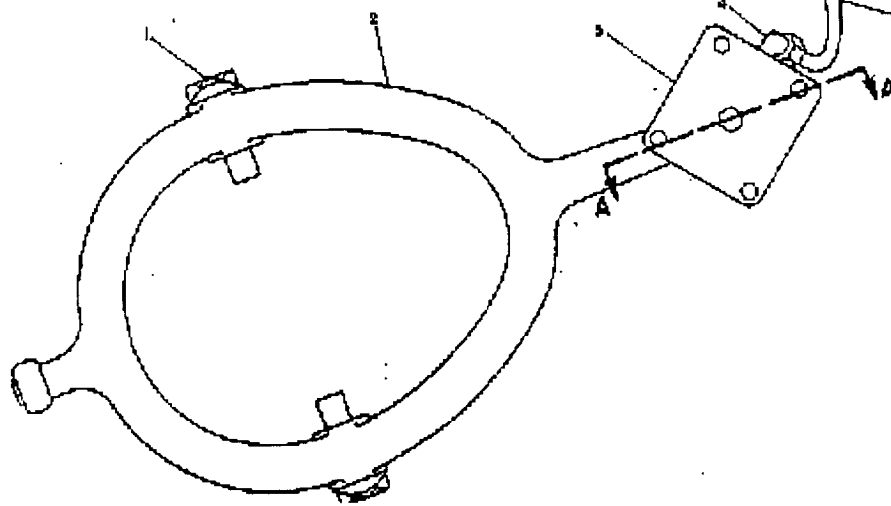
27Y D3B TRACK-TYPE TRACTOR Parts Identification

Media Number SEBP1252-02 Publication Date 1988/12/01 Update Date 2002/04/29

**4106 5G1237 STEERING CLUTCH CONTROL GROUP-PART 2 OF 2
SERIAL NO. 27Y1 TO 27Y3144 INCLUSIVE**

QTY	PART NUMBER	DESCRIPTION	COPY
1	7K8019	SCREW	4
1	1335	LOCK	4
1	453836	YORK ASSEM (Each Includ)	2
2	1M1723	INSERT	1
1	2A7651	BALL	1
3	5G718	CYLINDER	2
1	307041	ELBOW	2
4	5J1907	SEAL	2

5	2P1278	UNION	2
6	2M6145	GASKET	2
6	2P1279	NUT	2
7	50705	TUBE ASSEM	2
8	602121	BOLT	2
9	1D4719	NUT	2
10	1M1729	NUT	2
11	1D4439	NUT	2
12	561780	ROD	2
13	653483	PISTON ASSEM (Each Includ)	2
14	1M1722	INSERT	2

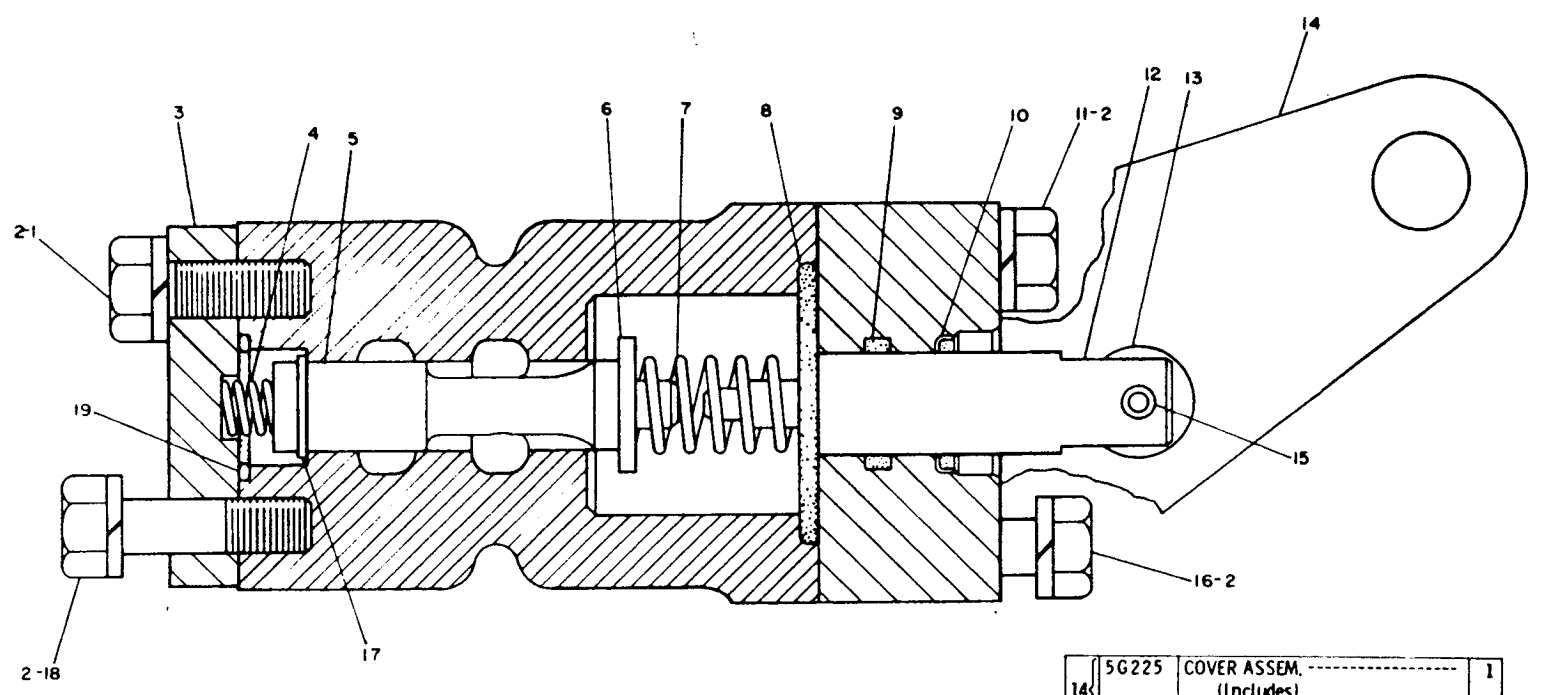


14	693479	RING	2
15	1M8720	SEAL	2
15	7M4914	SPRING	2
16	51988	BOLT	2
17	6S4182	PLUG	2
17	5J7354	SEAL	2
18	5P8245	WASHER	2

723192

Note	Ref	Number	Qty	Part Name
		5G-1237	1	CONTROL GP-STEERING CLUTCH
	1	7K-8915	4	SCREW
		0T-0355	4	LOCK
	2	6S-3838	2	YOKE ASSEM.
				(Each Includes)
		1M-1723	1	INSERT
		1A-7657	1	BALL
	3	5G-0718	2	CYLINDER
	4	030-7947	2	ELBOW
		3J-1907	2	SEAL
	5	2P-1278	2	UNION
		4H-6145	2	GASKET
	6	2P-1279	2	NUT
	7	5G-0705	2	TUBE ASSEM.
	8	068-2121	2	BOLT
	9	1D-4719	2	NUT
	10	1M-1729	4	NUT
	11	1B-4430	2	NUT
	12	5G-1780	2	ROD
	13	6S-3483	2	PISTON ASSEM.
				(Each Includes)
		1M-1723	1	INSERT
	14	6S-3479	2	RING
		1H-8720	2	SEAL
	15	7M-4914	2	SPRING
	16	0S-1588	8	BOLT
	17	9S-4182	2	PLUG

	3J-7354	2	SEAL
18	5P-8245	2	WASHER



REF NO.	PART NUMBER	DESCRIPTION	QTY.
1	4B9883	BOLT-----	1
2	9M1974	WASHER-----	6
3	5G1452	COVER-----	1
4	2P4547	SPRING-----	1
5	5G216	SPOOL-----	1

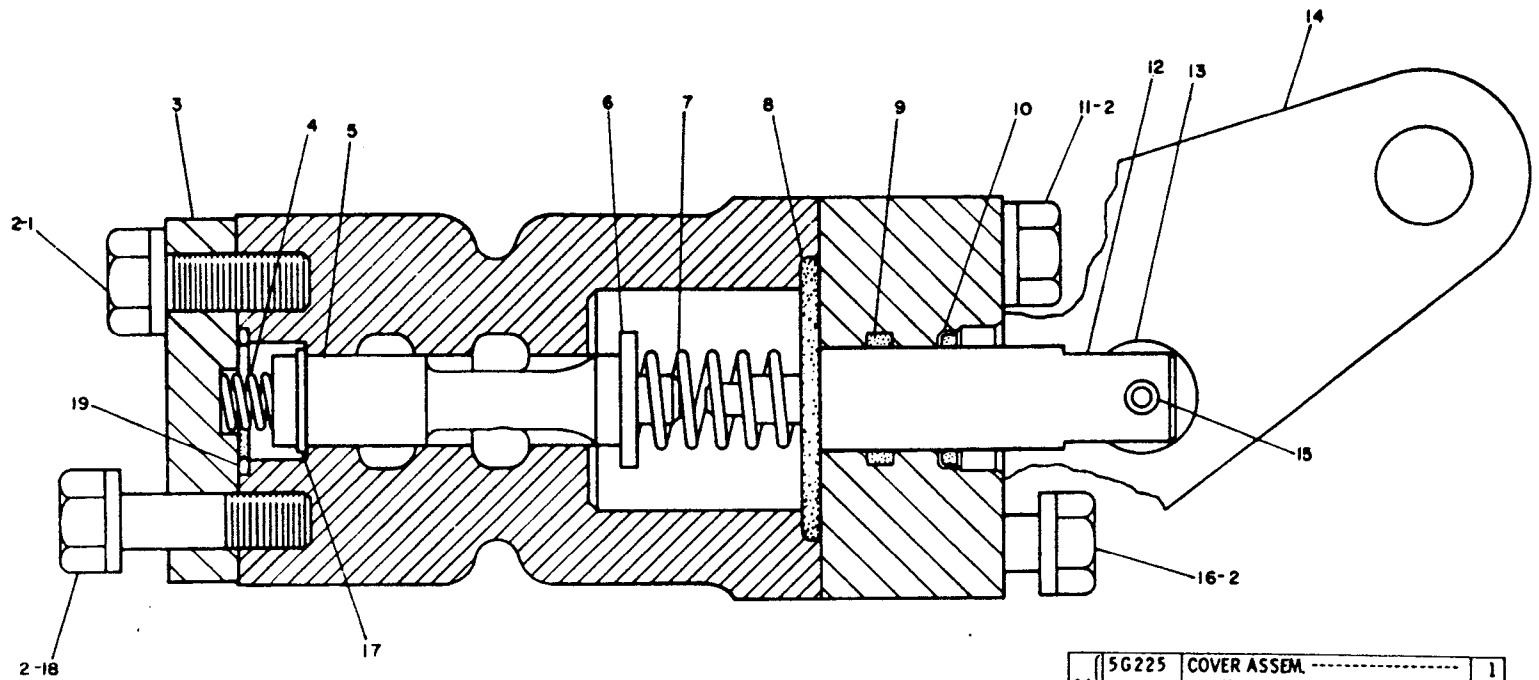
6	5G830	SPACER-----	1
7	9D7884	SPRING-----	1
8	4F7391	SEAL-----	1
9	6F4855	SEAL-----	1
10	3H5077	SEAL-----	1
11	5D4184	BOLT-----	2
12	5G146	STEM-----	1
13	5J8966	ROLLER-----	1

14	5G225	COVER ASSEM.-----	1
		(Includes)	
	6H3956	PIN-----	1
15	5H8985	PIN-----	1
16	1H5403	BOLT-----	2
17	1H5549	RING-----	1
18	6H187	BOLT-----	1
19	2P2975	SEAL-----	1

223225

5G145 CONTROL VALVE GROUP
 Part of 5G384 Steering Clutch Control Group shown on Page 84

5G706 CONTROL VALVE GROUP
 Part of 5G384 Steering Clutch Control Group shown on Page 84



REF. NO.	PART NUMBER	DESCRIPTION	QTY.
1	489883	BOLT-----	1
2	9M1974	WASHER-----	6
3	5G1452	COVER-----	1
4	2P4547	SPRING-----	1
5	5G216	SPOOL-----	1

6	5G830	SPACER-----	1
7	9D7884	SPRING-----	1
8	4F7391	SEAL-----	1
9	6F4855	SEAL-----	1
10	3H5077	SEAL-----	1
11	5D4184	BOLT-----	2
12	5G146	STEM-----	1
13	5J8966	ROLLER-----	1

14	5G225	COVER ASSEM.-----	1
		(Includes)	
	6H3956	PIN-----	1
15	5H8985	PIN-----	1
16	1H5403	BOLT-----	2
17	1H5549	RING-----	1
18	6H187	BOLT-----	1
19	2P2975	SEAL-----	1

223226