

The CASE logo is displayed in white, bold, italicized capital letters on a black trapezoidal background. A horizontal orange bar is positioned directly beneath the letters.

PARTS CATALOG
LOADER BACKHOE
580CK SERIES B ³
with Shuttle Transmission

A small, stylized version of the CASE logo, featuring a white circle with a black outline and a small black shape below it.

87632283 NA

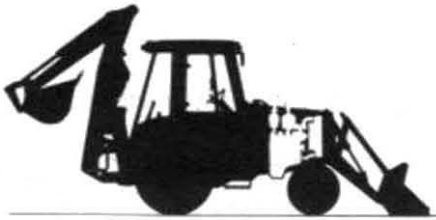
Issued 01 Mar 00

SECTION INDEX

Page

GENERAL

2



ENGINE

10



FUEL

124



ELECTRICAL

187



STEERING/
TRACK

256



POWER TRAIN

288



BRAKES

387



CHASSIS/
MOUNTED
EQUIPMENT

397

GENERAL INFORMATION

Abbreviations and Terms

PIN - Product Identification Number.
SN - Serial Number.
NSS - Not sold separately.
REF - Reference. Used to clarify drawing.
RESERVED - No item listed.
UAR - Use as required.

Changes

When changes are made to the machine, revised pages for this catalog will be issued. These pages must be inserted into your catalog as soon as they are received. Failure to keep your catalog up to date will result in confusion and may cause you to order wrong parts.

Illustrations

All parts are illustrated in "Exploded Views" which show the individual parts in their normal relationship to each other. Reference numbers are used in the illustrations. These numbers correspond to those in the "Reference Number" column and are followed by the part number, description and quantity required.

Orders

Orders should specify correct part number, full description, quantity required, machine and engine model, machine and engine serial numbers, method of shipment and shipping address.

Right-Hand and Left-Hand Sides

The terms right-hand and left-hand (abbreviated to RH and LH) as used in this catalog indicate the right and left sides of the machine as viewed by the operator in the normal operating position for proper operation of the machine or attachment.

U.S. and Metric Units

Sizes, lengths, and dimensions are given in U.S. units followed by its equivalent in metric units. See item 8 below. Sizes of hardware (bolts, nuts, etc.) are given according to hardware type --- in inches for U.S. hardware; in millimeter for metric hardware. See items 9 and 10.

PARTS ORDERING INFORMATION FOR FRENCH, GERMAN, ITALIAN AND SWEDISH SPEAKING COUNTRIES

3

COMMANDE DE PIÈCES DE RECHANGE

Ce catalogue Pièces Rechange est conçu pour une identification facile de toutes les pièces CASE d'origine. Situé au début du catalogue, un répertoire permet de localiser rapidement les principaux groupes ou montages. A la fin du catalogue, un index numérique de pièces de rechange précise la page sur laquelle chacune des pièces est décrite.

Les pièces sont mentionnées par ordre du numéro de référence suivies du numéro de la pièce, de la description et de la quantité nécessaire. Les quantités mentionnées sous la rubrique « Quantité » correspondent à la quantité nécessaire pour former des assemblages ou des sous-ensembles.

Toutes les pièces sont illustrées sur des dessins éclatés montrant les pièces individuellement les unes par rapport aux autres. Les numéros de référence correspondent aux numéros des pièces sur les vues éclatées. Ces chiffres se rapportent à ceux de la rubrique « Chiffre de référence » qui sont suivis par le numéro de la pièce et sa description.

Toutes les commandes doivent spécifier exactement le numéro correct de la pièce, sa description, la quantité nécessaire, le type et le NUMERO DU MATERIEL, le mode d'expédition et l'adresse du destinataire.

Pour être sûr que votre commande de pièces correspond à vos besoins, vérifiez l'illustration et la description dans le catalogue avec la pièce à commander.

BESTELLUNG VON ERSATZTEILEN

Diese Ersatzteilliste ist so zusammengestellt, dass alle Original—CASE—Ersatzteile leicht identifiziert werden können. Vorn ist ein Inhaltsverzeichnis nach Baugruppen und Bauteilen angeordnet, welches das Auffinden der Teile erleichtert. Hinten am Schluss der Liste befindet sich ein fortlaufendes Verzeichnis der Ersatzteilnummern, in dem der betreffenden Ersatzteilnummer jeweils die Seitennummer gegenübersteht, auf der das Teil verzeichnet ist.

Im Ersatzteilverzeichnis befindet sich vor der Ersatzteilnummer eine laufende Nummer, die auch auf der Abbildung wiederholt wird, daneben die Ersatzteilnummer, die Bezeichnung des Teils und die davon benötigte Stückzahl für die betreffende Baugruppe.

Alle Teile sind in Zerlegt-Darstellung so abgebildet, dass sie in ihrem natürlichen Zusammenhang mit den anderen Teilen erkennbar sind, und werden mit der « laufenden Nummer » des Ersatzteilverzeichnisses bezeichnet, um ihre Auffindung zu erleichtern.

Alle Ersatzteil-Aufträge müssen deutlich die richtige Ersatzteilnummer, die genaue Beschreibung, die benötigte Anzahl von Teilen, Modell und NUMMER des traktors, die gewünschte Versandart und die Versandadresse enthalten.

Das benötigte Teil muss sorgfältig mit der Abbildung und der Beschreibung verglichen werden, damit die in Auftrag gegebenen Teile auch richtig bestellt sind.

ORDINI DI PEZZI

Questo libro di pezzi è disposto in modo da permettere facilmente una identificazione di tutti gli Autentici Pezzi CASE Impiegati. Un indice è fornito sulla facciata del catalogo dei pezzi per individuare i principali gruppi o montaggi. Un indice numerico alla fine del catalogo dei pezzi indica la pagina in cui ciascun pezzo numerato è descritto.

I pezzi sono elencati in ordine di numero di riferimento seguito dal numero del pezzo, descrizione, e quantitativo richiesto. I quantitativi indicati nella colonna « Quantitativo richiesto » rappresentano il numero di pezzi richiesto per comporre uno dei precedenti Montaggi o Sotto-Montaggi.

Tutti i pezzi sono illustrati in « Prospetti Sviluppati » che mostrano i singoli pezzi e la loro relazione normale tra di loro. I numeri di riferimento sono indicati nella illustrazione. Questi numeri corrispondono a quelli nella colonna « Numero di Riferimento » e sono seguiti dal numero del pezzo e la descrizione.

Tutti gli ordini devono specificare chiaramente il preciso numero del pezzo, completa descrizione, quantitativo richiesto, modello e NUMERO DELLA SERIE della trattoria, metodo di spedizione e indirizzo della spedizione.

Controllate l'illustrazione e la descrizione con il pezzo richiesto, per assicurarvi che i pezzi ordinati sono giusti.

BESTÄLLNING AV RESERVDELAR

Denna reservdelkatalog har getts en speciell uppställningsform för att förenkla identifieringen av alla äkta CASE reservdelar. Ett register finns i början av katalogen upptagande de olika större grupperna och enheterna. En reservdelsnummerförteckning i slutet av katalogen anger vilken sida de olika detaljerna förekomma på.

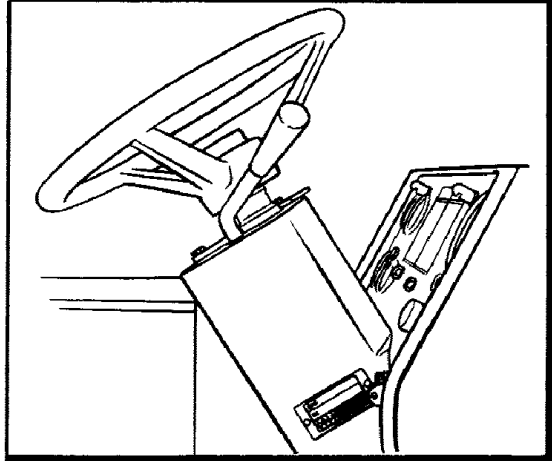
De olika reservdelarna anges i referensnummerordning atföljda av reservdelsnumret, beskrivning och antal. Antalet, som anges i kolumnen « Quantity Required », är det antal som ingår i enheten i fråga.

Alla reservdelar avbildas i språngbilder i sina inbördes lagen. Referensnumren anges på språngbilderna. De framgår också av kolumnen « Reference Number » där de atföljas av beskrivning och reservdelsnummer.

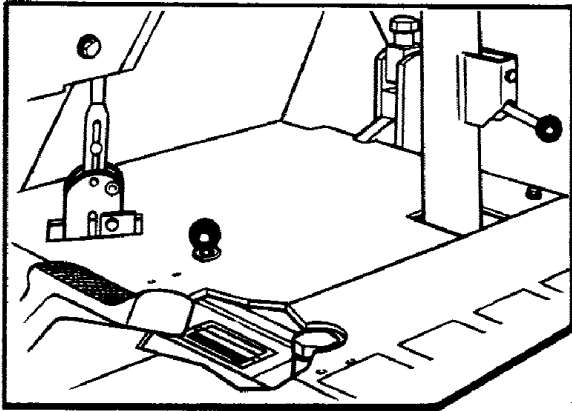
Reservdelbeställningar skall upptaga korrekt reservdelsnummer, beskrivning, beställt antal, modell och serienummer på maskinen, transportsätt och mottagarens adress.

Kontrollera noga att bild och beskrivning motsvara den önskade detaljen så att misstag undvikas.

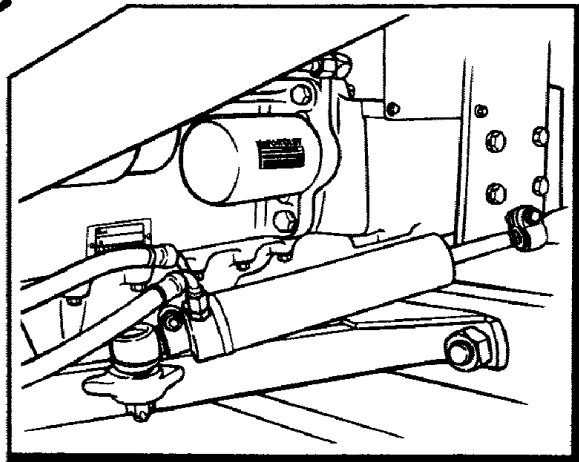
TRACTOR MODEL & SERIAL NUMBER



TRANSMISSION SERIAL NUMBER



ENGINE SERIAL NUMBER



Serial Numbers

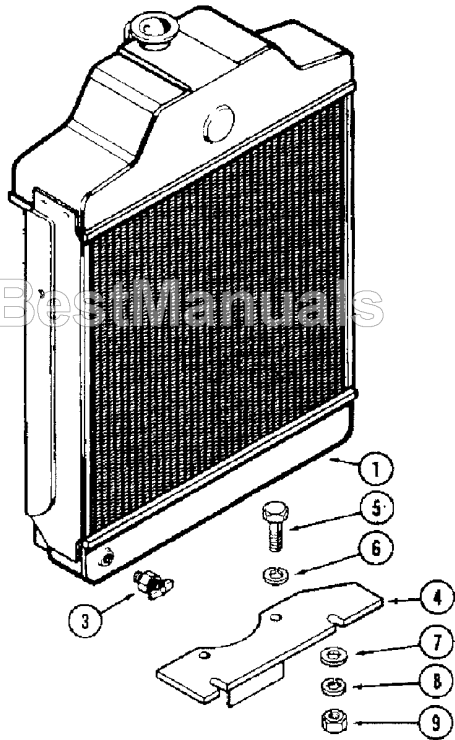
When using this catalog, notice the reference to serial numbers of various components noted here and listed in the "description" copy. By referring to correct serial numbers, proper parts identification will be assured.

DEALERS OWNERS RECORD

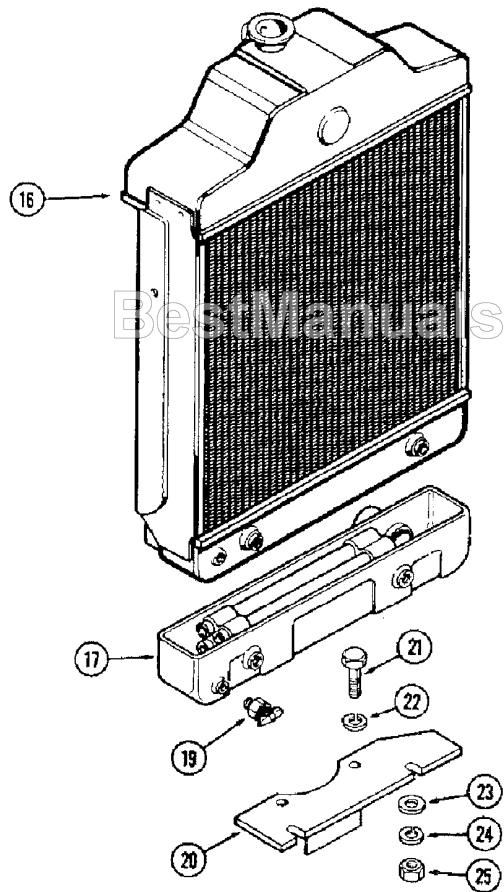
OWNERS NAME	SERIAL NUMBER	YEAR	ATTACHMENTS



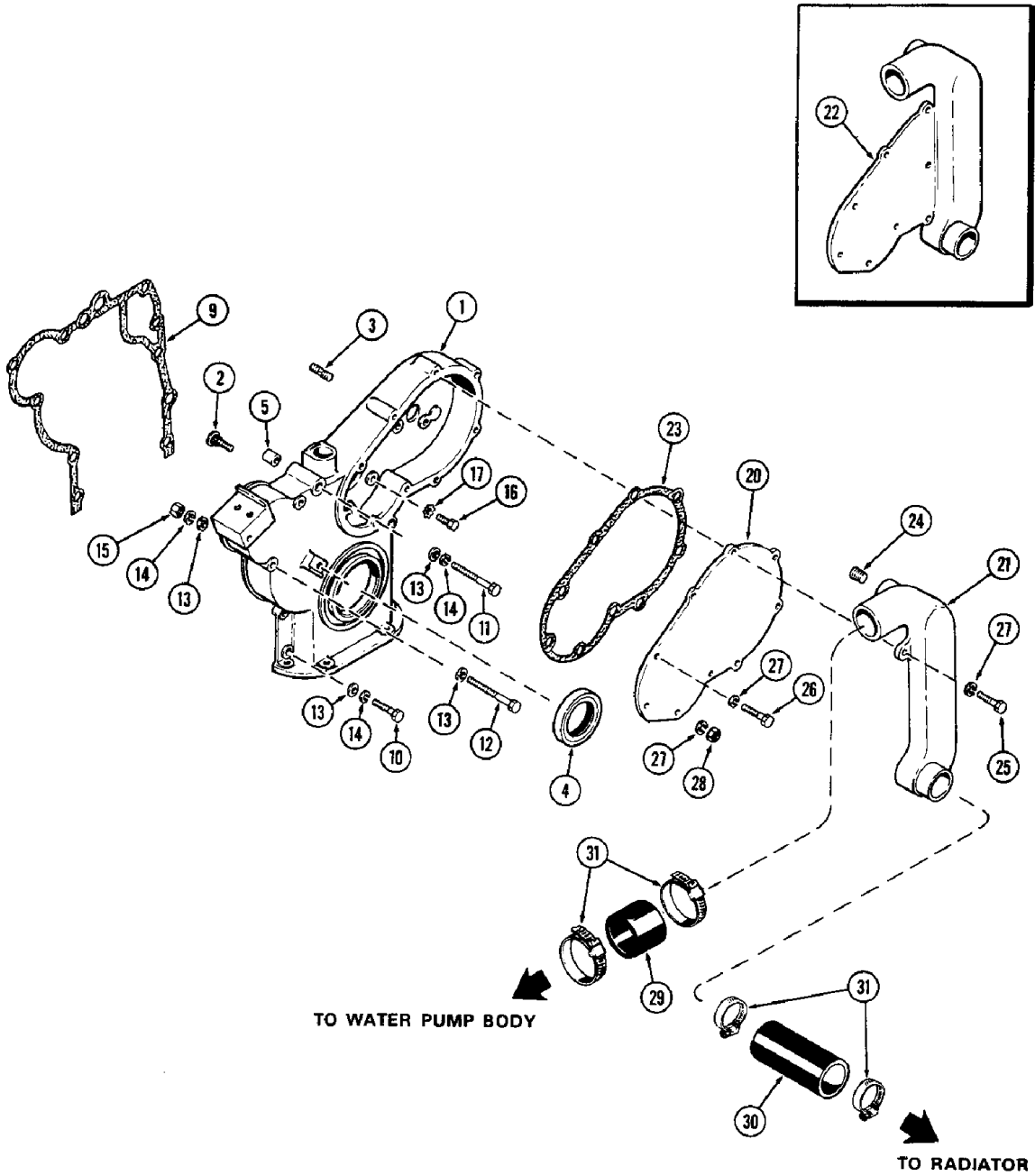
MECHANICAL SHUTTLE



POWER SHUTTLE

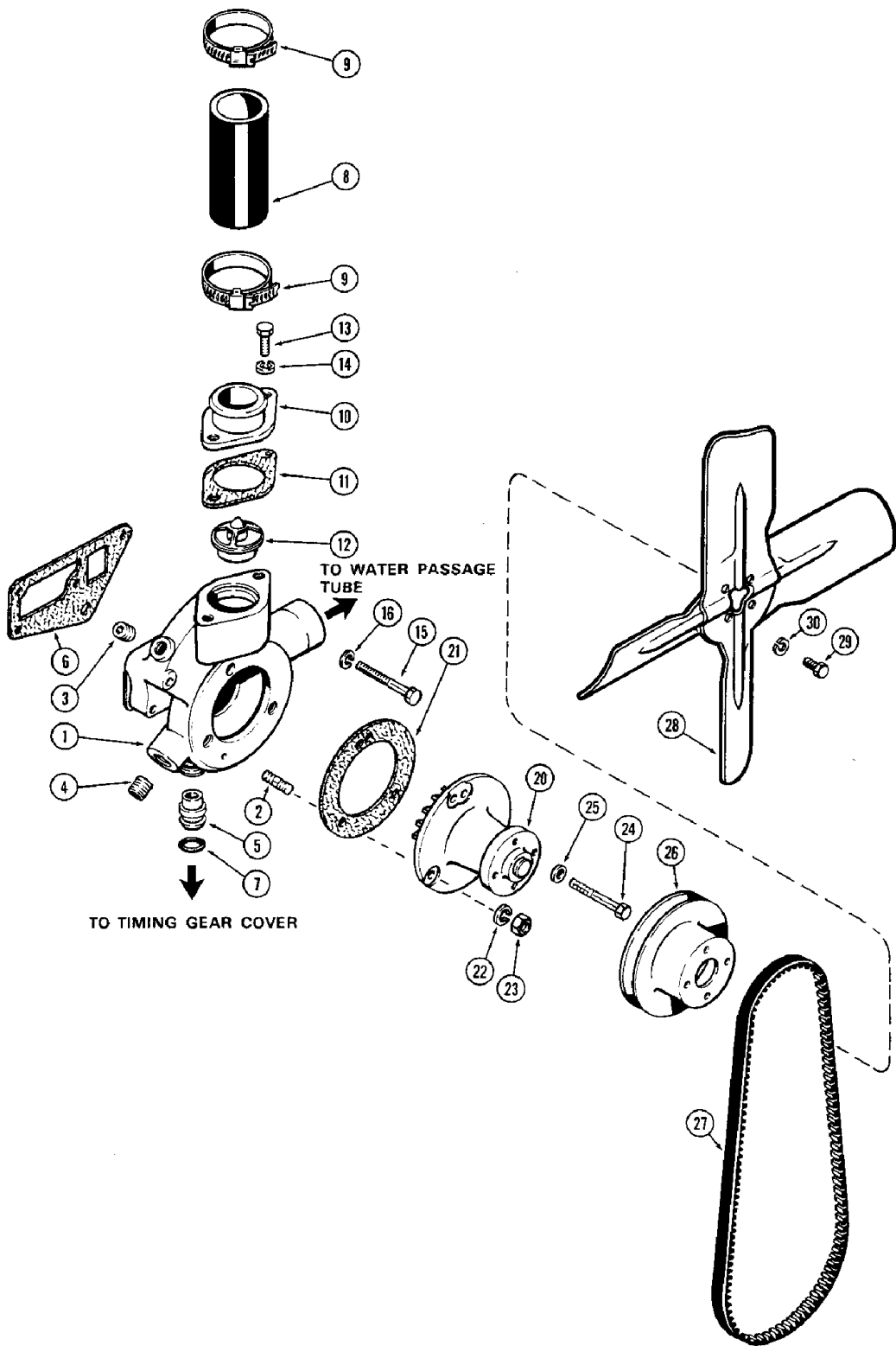


Diag #	Part #	Name	Description	Qty
1	A39344	RADIATOR	RADIATOR - mechanical shuttle	1
2	A39359	CAP	CAP - radiator, mechanical shuttle	1
3	217-103	COCK, DRAIN	VALVE - radiator, mechanical shuttle	1
4	A35574	BRACKET	BRACKET - radiator support, mechanical shuttle	1
5	13-816	BOLT,Hex, 1/2"-13 x 1", G5, Full Thd	Mechanical shuttle	2
6	92-8	LOCK WASHER,1/2"	Mechanical shuttle	2
7	195-25	WASHER,3/8"	Mechanical shuttle	2
8	92-6	LOCK WASHER,3/8"	mechanical shuttle	2
9	25-106	NUT,3/8"-16, G5	WASHER - lock, 3/8" N.C. hex., mechanical shuttle	2
16	A39345	RADIATOR	RADIATOR ASSY., power shuttle, Includes: Ref. 17	1
17	G45484	RESERVOIR	TANK - lower, w/cooler tubes, power shuttle	1
18	A39359	CAP	CAP - radiator, power shuttle	1
19	217-103	COCK, DRAIN	VALVE - radiator drain, power shuttle	1
20	A35574	BRACKET	BRACKET - radiator support, power shuttle	1
21	13-813	BOLT - 1/2 x 1" N.C. hex., power shuttle	BOLT - 1/2 x 1" N.C. hex., power shuttle	2
22	92-8	LOCK WASHER,1/2"	Power shuttle	2
23	195-25	WASHER,3/8"	Power shuttle	2
24	92-6	LOCK WASHER,3/8"	power shuttle	2
25	25-106	NUT,3/8"-16, G5	WASHER - 3/8" N.C. hex., power shuttle	2



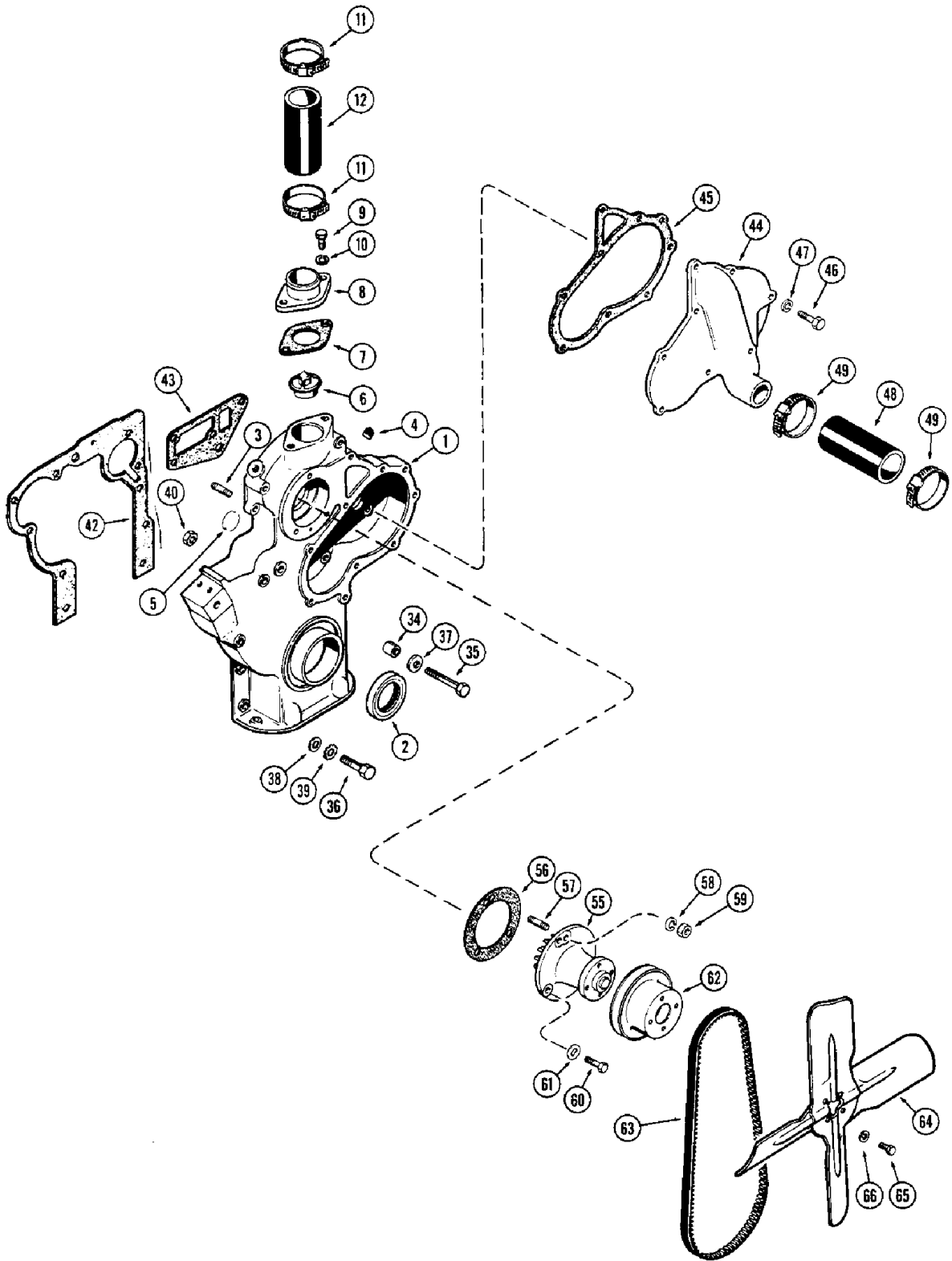
Diag #	Part #	Name	Description	Qty
1	A51981	COVER	ASSY. - timing gear (Replaces A51123	1
2	A51649	STUD	- timing gear cover	2
3	G11204	STUD	- injection pump (3/8" N.C. x 1-7/16")	3
4	A39110	OIL SEAL	- oil, crankshaft, front (2 x 3 x 1/2")	1
5	A29442	RING	DOWEL - cover to block (9/16 x 3/8 x 5/8")	2
9	A51529	GASKET	-, Serial Range: cover-block	1
10	13-620	BOLT,Hex, 3/8"-16 x 1 1/4", G5, Full Thd	BOLT,Hex, 3/8"-16 x 1 1/4", G5, Full Thd	3
10	13-624	BOLT,Hex, 3/8"-16 x 1 1/2", G5	- (3/8 x 1-1/2" N.C. hex.)	1
11	13-644	BOLT,Hex, 3/8"-16 x 2 3/4", G5	- (3/8 x 2-3/4" N.C. hex.)	2
12	13-648	BOLT,Hex, 3/8"-16 x 3", G5	- (3/8 x 3" N.C. hex.)	1
12	13-652	BOLT,Hex, 3/8"-16 x 3 1/4", G5	- (3/8 x 3-1/4" N.C. hex.)	3
13	A50820	WASHER	- (3/8 x 3/4 x 1/8")	12
13	95-6	WASHER,3/8"	- 7/16 x 1 x 5/64"	1
14	92-6	LOCK WASHER,3/8"	WASHER - lock, 3/8"	3
15	25-106	NUT,3/8"-16, G5	- (3/8" N.C. hex.)	3
16	13-614	BOLT,Hex, 3/8"-16 x 7/8", G5, Full Thd	BOLT,Hex, 3/8"-16 x 7/8", G5, Full Thd	2
17	193-10	LOCK WASHER,Ext Tooth, 3/8"	WASHER, LOCK, Ext Tooth, 3/8"	2
20	A51908	WASHER	COVER - injection pump drive gear	1
21	A51907	TUBE	- water passage	1
22	A51765	CLIP	COVER - injection pump drive gear (Changed to aluminum from cast iron eng. ser. no. 2731067) (Replaces A39911) (Order 1-A51907 tube, 1-A51908 cover, 2-A50820 washers, 5-13-616 bolts	1
23	A39925	GASKET	- injection pump drive gear cover	1
24	221-843	PLUG,Hex Soc, 3/8"-18	- pipe (3/8" hex. socket head)	1
25	13-616	BOLT,Hex, 3/8"-16 x 1", G5, Full Thd	BOLT,Hex, 3/8"-16 x 1", G5, Full Thd	7
26	13-624	BOLT,Hex, 3/8"-16 x 1 1/2", G5	- (3/8 x 1-1/2" N.C. hex.)	2
27	A50820	WASHER	- (3/8 x 3/4 x 1/8") (Used w/aluminum cover)	9
27	92-6	LOCK WASHER,3/8"	WASHER - lock, , used w/cast iron cover 3/8"	9

Diag #	Part #	Name	Description	Qty
28	25-106	NUT,3/8"-16, G5	- (3/8" N.C. hex.)	2
29	A7249	HOSE	- pump body to cover (2" I.D. x 1-3/4" lg.)	1
30	A135011	RADIATOR HOSE, 1.75" ID x 2.25", SAE 20R2 Class R Grade 1	1.75" ID x 2.25 ", SAE 20R2, Lower	1
31	214-260	HOSE CLAMP,#36, 1.81/2.75 Type F Worm	HOSE CLAMP,#36, 1.81/2.75 Type F Worm	4



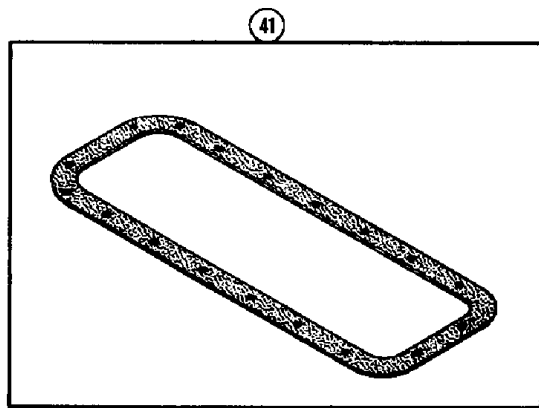
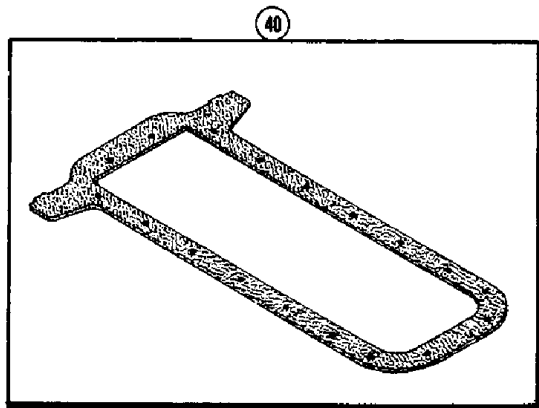
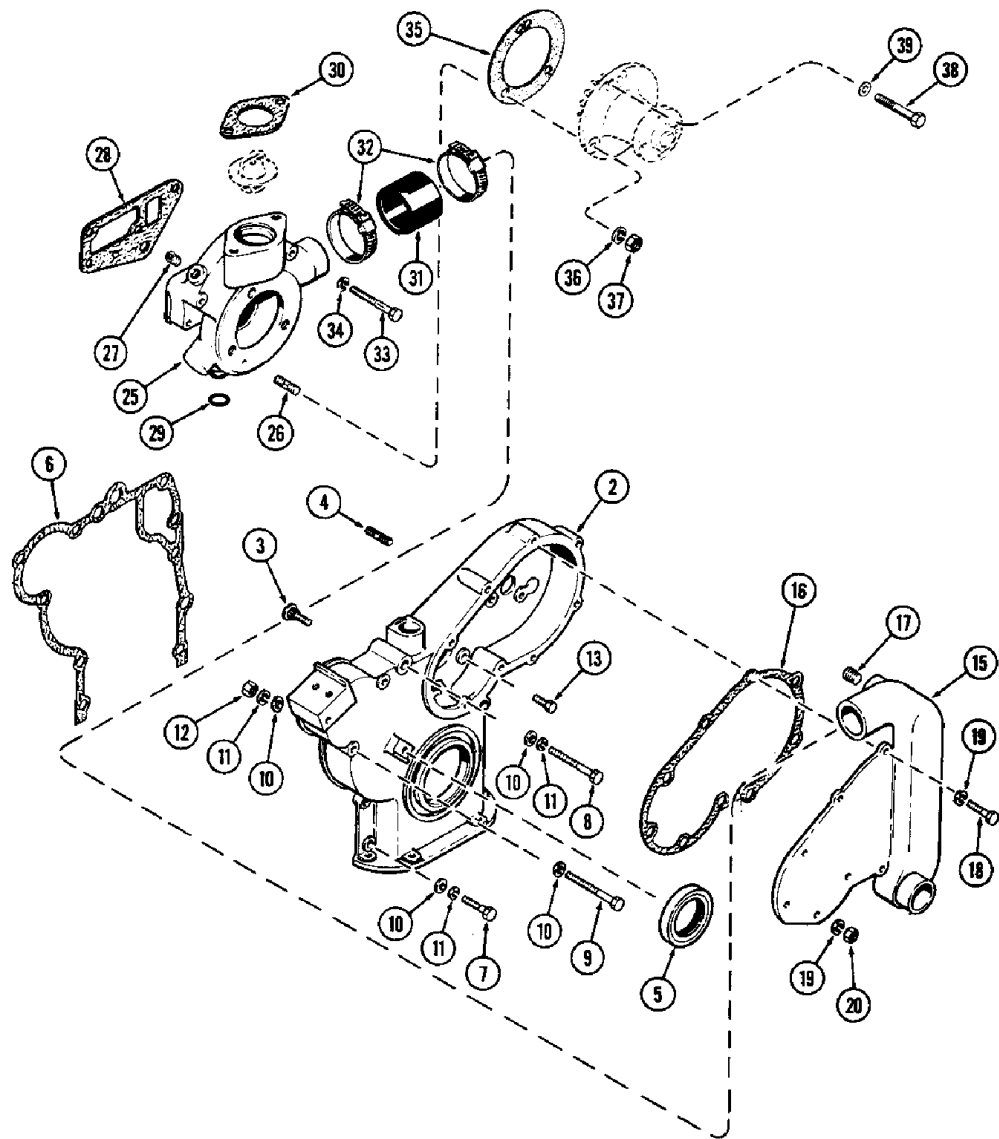
Diag #	Part #	Name	Description	Qty
1	A144054	BODY	BODY ASSY. - water pump (Replaces A39912)	1
2	A29433	STUD	STUD - 3/8" N.C. x 1"	2
3	221-843	PLUG,Hex Soc, 3/8"-18	PLUG - pipe (3/8" hex. socket head)	1
4	221-1844	PLUG,Hex Soc, 1/2"-14	PLUG - 1/2" P.T. hex. sckt. hd.	1
5	A142823	FITTING	FITTING - water pump body inlet	1
6	A38084	GASKET	GASKET - pump body to cylinder head	1
7	F62075	O-RING,0.734" ID x 1.012" OD	"O"RING - (3/4 x 1 x 1/8") Water pump body to cover	1
8	G46239	RADIATOR HOSE,2.00" ID x 4.88", SAE 20R2	Upper, Outlet to Radiator	1
9	214-260	HOSE CLAMP,#36, 1.81/2.75 Type F Worm	HOSE CLAMP, #36, 1.81/2.75 Type F Worm	2
10	G2144	FITTING	OUTLET - thermostat housing	1
11	G46907	GASKET	GASKET - water outlet to pump body	1
12	A57641	THERMOSTAT	THERMOSTAT - 180 degrees	1
13	13-616	BOLT,Hex, 3/8"-16 x 1", G5, Full Thd	BOLT, Hex, 3/8"-16 x 1", G5, Full Thd	2
14	92-6	LOCK WASHER,3/8"	WASHER - lock, 3/8"	2
15	13-644	BOLT,Hex, 3/8"-16 x 2 3/4", G5	BOLT - (3/8 x 2-3/4" N.C. hex.)	2
15	13-630	BOLT,Hex, 3/8"-16 x 1 7/8", G5	BOLT - (3/8 x 1-7/8" N.C. hex.)	1
16	92-6	LOCK WASHER,3/8"	WASHER - lock, 3/8"	3
20	A146584	PUMP, WATER	PUMP ASSY. - water, Includes: Ref. 21	1
20	A48363	REMAN-WATER PUMP	Remanufactured WATER PUMP - For N.A. Only	1
20	A48323	CORE-WATER PUMP	Return Number, WATER PUMP - For N.A. Only	1
21	A38083	GASKET	GASKET -, Serial Range: pump-body	1
22	92-6	LOCK WASHER,3/8"	WASHER - lock, 3/8"	2
23	25-106	NUT,3/8"-16, G5	NUT - 3/8" N.C. hex.	2
24	13-644	BOLT,Hex, 3/8"-16 x 2 3/4", G5	BOLT - 3/8 x 2-3/4" N.C. hex.	1
25	A7085	WASHER	WASHER - copper (25/64 x 9/16 x 1/32")	1
26	G11339	PULLEY	PULLEY - fan	1
27	A38824	BELT	Fan and Alternator Drive, Use with Prestolite Alternator	1
27	A139089	BELT	Drive, Used with Delco Alternator, First Used Tractor Serial No. 8785551	1

Diag #	Part #	Name	Description	Qty
		A139089 belt - Description should read "1st used on tractor SN 8755551".	A139089 belt - Description should read "1st used on tractor SN 8755551".	1
28	G45243	FAN	FAN - radiator	1
29	13-48	BOLT,Hex, 1/4"-20 x 1/2", G5, Full Thd	BOLT - 5/16 x 1/2" N.C. hex.	4
30	92-5	LOCK WASHER,5/16"	LOCK WASHER, 5/16"	4



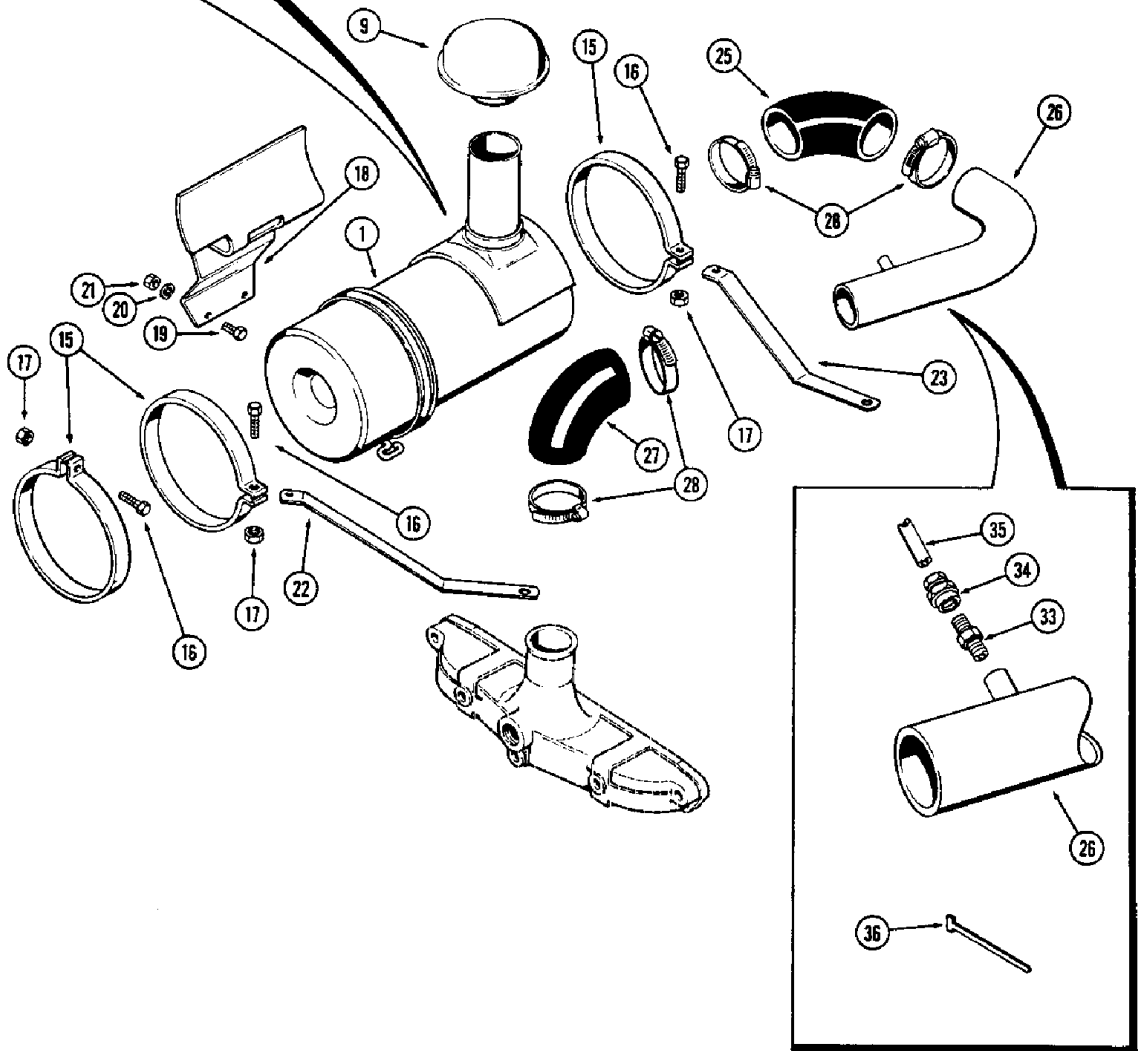
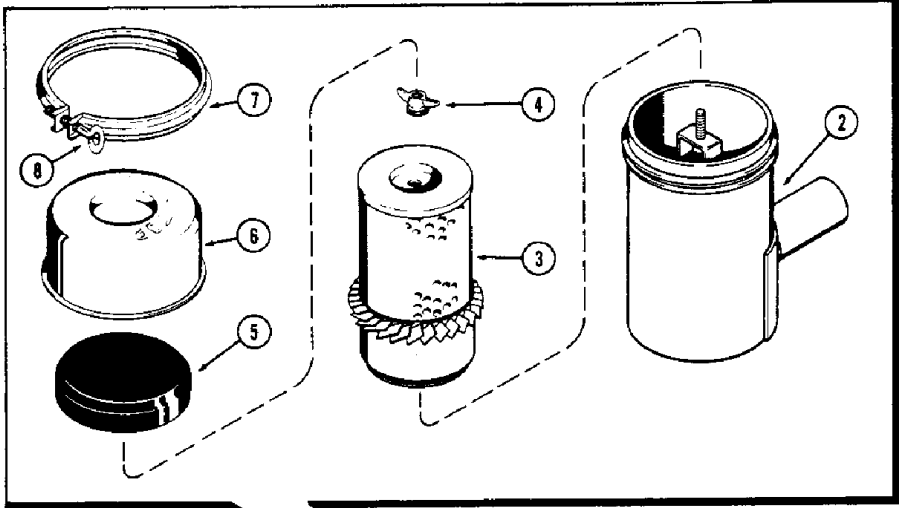
Diag #	Part #	Name	Description	Qty
	A39846		COVER ASSY. - timing gear (Order kit A51890 see Figure 13E) (Replaces A38955), Includes: Ref. 1 - 5	1
1	NSS	NOT SERVICED SEPARATELY	COVER - timing gears	1
2	A39110	OIL SEAL	- oil, crankshaft, front	1
3	G11204	STUD	- (3/8" N.C. x 1-7/16")	3
4	A58620	PLUG,Cup, 3/4", Stainless	- water cooler hole (49/64" cup type)	1
5	221-1022	PLUG,Sq Soc, 1/2"-14 NPTF	- (3/8" P.T. hex. socket head)	2
6	A57641	THERMOSTAT	- (180 degrees)	1
7	G46907	GASKET	-, Serial Range: connection-cover	1
8	G2144	FITTING	CONNECTION - water outlet	1
9	13-616	BOLT,Hex, 3/8"-16 x 1", G5, Full Thd	BOLT,Hex, 3/8"-16 x 1", G5, Full Thd	2
10	92-6	LOCK WASHER,3/8"	WASHER - lock, 3/8"	2
11	214-260	HOSE CLAMP,#36, 1.81/2.75 Type F Worm	HOSE CLAMP,#36, 1.81/2.75 Type F Worm	2
12	G46239	RADIATOR HOSE,2.00" ID x 4.88", SAE 20R2	Upper, Outlet to Radiator 2.00" ID x 4.88", SAE 20R2	1
34	A29442	RING	- dowel, Serial Range: cover-block	2
35	413-632	BOLT,Hex, 3/8"-16 x 2", G5	- 3/8 x 2" N.C. hex.	1
35	13-644	BOLT,Hex, 3/8"-16 x 2 3/4", G5	- 3/8 x 2-3/4" N.C. hex.	3
35	13-648	BOLT,Hex, 3/8"-16 x 3", G5	- 3/8 x 3" N.C. hex.	1
35	13-652	BOLT,Hex, 3/8"-16 x 3 1/4", G5	- 3/8 x 3-1/4" N.C. hex.	3
36	13-614	BOLT,Hex, 3/8"-16 x 7/8", G5, Full Thd	BOLT,Hex, 3/8"-16 x 7/8", G5, Full Thd	2
36	13-620	BOLT,Hex, 3/8"-16 x 1 1/4", G5, Full Thd	BOLT,Hex, 3/8"-16 x 1 1/4", G5, Full Thd	4
36	13-624	BOLT,Hex, 3/8"-16 x 1 1/2", G5	- 3/8 x 1-1/2" N.C. hex.	1
37	195-25	WASHER,3/8"	- 13/32 x 13/16 x 1/16"	5
37	195-22	WASHER	- 3/8 x 3/4 x 1/16"	2
38	92-6	LOCK WASHER,3/8"	WASHER - lock, 3/8"	12
39	193-10	LOCK WASHER,Ext Tooth, 3/8"	WASHER, LOCK, Ext Tooth, 3/8"	2
40	25-106	NUT,3/8"-16, G5	- 3/8" N.C. hex.	3
42	A38228	GASKET	-, Serial Range: cover-block	1

Diag #	Part #	Name	Description	Qty
43	A38084	GASKET	-, Serial Range: cover-head	1
44	G2077	COVER ASSY	COVER - timing gear housing	1
45	G46859	GASKET	- cover	1
46	13-616	BOLT,Hex, 3/8"-16 x 1", G5, Full Thd	BOLT,Hex, 3/8"-16 x 1", G5, Full Thd	8
46	413-632	BOLT,Hex, 3/8"-16 x 2", G5	- 3/8 x 2" N.C. hex.	1
47	92-6	LOCK WASHER,3/8"	WASHER - lock, 3/8"	9
48	G46269	RADIATOR HOSE,1.75" ID x 2.50", SAE 20R2	Lower 1.75" ID x 2.50", SAE 20R2	1
49	214-258	HOSE CLAMP,#28, 1.31/2.25 Type F Worm	HOSE CLAMP,#28, 1.31/2.25 Type F Worm	2
55	A39074	PUMP	ASSY. - water, fan and belt, Includes: Ref. 56	1
56	A38083	GASKET	- pump to cover, water fan and belt	1
57	A29433	STUD	- 3/8" N.C. x 1", water pump, fan and belt	2
58	92-6	LOCK WASHER,3/8"	WASHER - lock, , water pump, fan and belt 3/8"	2
59	25-106	NUT,3/8"-16, G5	- (3/8" N.C. hex.), water pump, fan and belt	2
60	13-644	BOLT,Hex, 3/8"-16 x 2 3/4", G5	- (3/8 x 2-3/4" N.C. hex.), water pump, fan and belt	1
61	A7085	WASHER	- (25/64 x 9/16 x 1/32" copper), water pump, fan and belt	1
62	G11339	PULLEY	- water pump, fan and belt	1
63	A38824	BELT	Alternator, Water Pump, Fan	1
64	G45243	FAN	- radiator, water pump, and belt	1
65	13-512	BOLT,Hex, 5/16"-18 x 3/4", G5, Full Thd	Water pump, fan and belt Hex, 5/16"-18 x 3/4", G5, Full Thd	4
66	92-5	LOCK WASHER,5/16"	water pump, fan and belt 5/16"	4

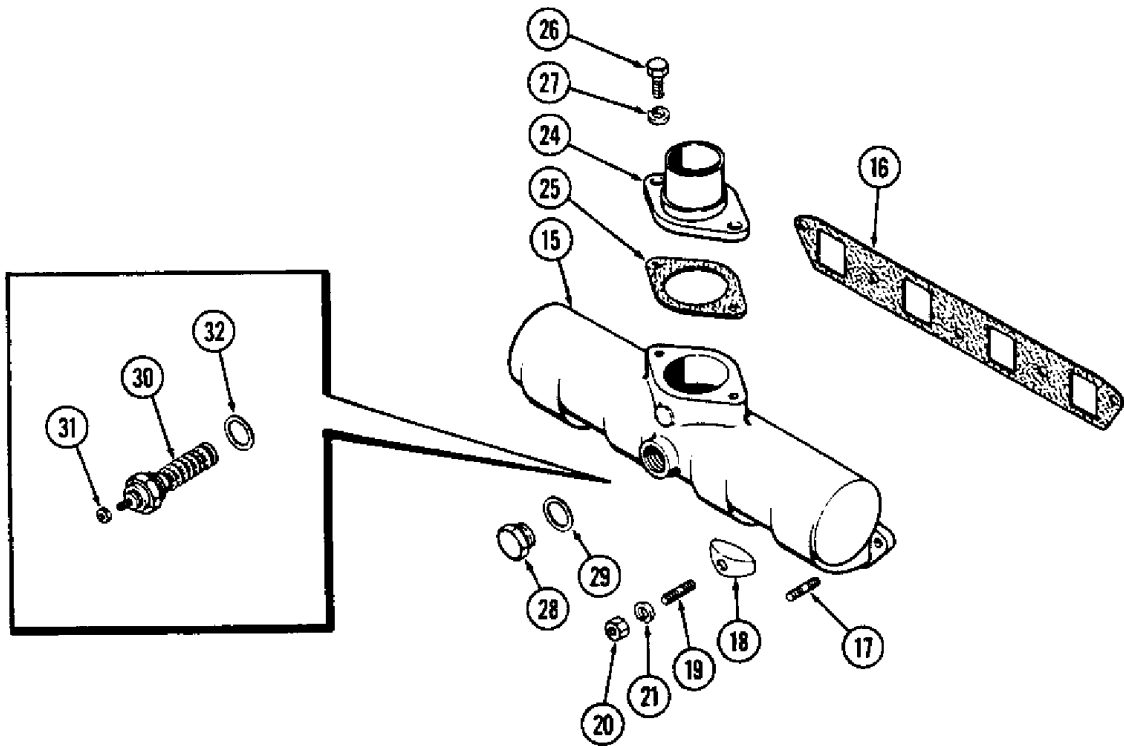
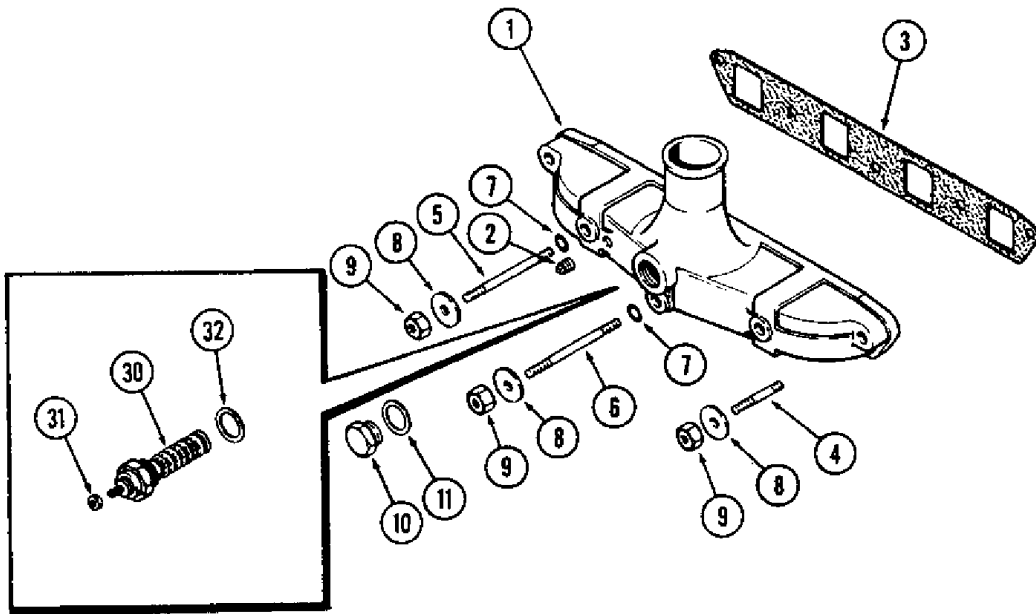


Diag #	Part #	Name	Description	Qty
	A51890	DUST VALVE	KIT - timing gear cover conversion, Includes: Ref. 2 - 41	1
2	A51981	COVER	ASSY. - timing gear (Replaces A51734), Includes: Ref. 3 - 5	1
3	A51649	STUD	- timing gear cover	2
4	G11204	STUD	- injection pump, 3/8" N.C. x 1-7/16"	3
5	A39110	OIL SEAL	- oil, crankshaft front	1
6	A51529	GASKET	-, Serial Range: cover-block	1
7	13-620	BOLT,Hex, 3/8"-16 x 1 1/4", G5, Full Thd	BOLT,Hex, 3/8"-16 x 1 1/4", G5, Full Thd	3
7	13-624	BOLT,Hex, 3/8"-16 x 1 1/2", G5	- 3/8 x 1-1/2" N.C. hex.	1
8	13-644	BOLT,Hex, 3/8"-16 x 2 3/4", G5	- 3/8 x 2-3/4" N.C. hex.	2
9	13-648	BOLT,Hex, 3/8"-16 x 3", G5	- 3/8 x 3" N.C. hex.	1
9	13-652	BOLT,Hex, 3/8"-16 x 3 1/4", G5	- 3/8 x 3-1/4" N.C. hex.	3
10	95-6	WASHER,3/8"	- 7/16 x 1 x 5/64"	1
11	92-6	LOCK WASHER,3/8"	WASHER - lock, 3/8"	3
12	25-106	NUT,3/8"-16, G5	- 3/8" N.C. hex.	3
13	13-614	BOLT,Hex, 3/8"-16 x 7/8", G5, Full Thd	BOLT,Hex, 3/8"-16 x 7/8", G5, Full Thd	2
15	A51765	CLIP	COVER - injection pump drive gear	1
16	A39925	GASKET	- cover	1
17	178-821	SET SCREW,Hex Soc, 3/8"-16 x 3/8"	SCREW - 3/8 x 3/8" hex. sckt. hd. nylock set	1
18	13-618	BOLT,Hex, 3/8"-16 x 1 1/8", G5, Full Thd	BOLT,Hex, 3/8"-16 x 1 1/8", G5, Full Thd	7
19	92-6	LOCK WASHER,3/8"	WASHER - lock, 3/8"	7
20	25-106	NUT,3/8"-16, G5	- 3/8" N.C. hex.	2
25	A51888		ASSY. - water pump, Includes: Ref. 26 and 27	1
26	A29433	STUD	- water pump	1
	178-821	SET SCREW,Hex Soc, 3/8"-16 x 3/8"	SCREW - 3/8 x 3/8" hex. sckt. hd. nylock set	1
	178-874	SCREW - 7/16 x 7/16" hex. sckt. hd. pipe	SCREW - 7/16 x 7/16" hex. sckt. hd. pipe	1
27	222-843	PLUG - 3/8" hex. sckt. hd. pipe	PLUG - 3/8" hex. sckt. hd. pipe	1
28	A38084	GASKET	- pump body to cylinder head	1

Diag #	Part #	Name	Description	Qty
29	F62075	O-RING,0.734" ID x 1.012" OD	"O"RING - 3/4 x 1 x 1/8"	1
30	G46907	GASKET	- water outlet to pump body	1
31	A7249	HOSE	- pump, Serial Range: body-cover	1
32	214-260	HOSE CLAMP,#36, 1.81/2.75 Type F Worm	HOSE CLAMP,#36, 1.81/2.75 Type F Worm	2
33	13-644	BOLT,Hex, 3/8"-16 x 2 3/4", G5	- 3/8 x 2-3/4" N.C. hex.	2
33	413-632	BOLT,Hex, 3/8"-16 x 2", G5	- 3/8 x 2" N.C. hex.	1
34	92-6	LOCK WASHER,3/8"	WASHER - lock, 3/8"	3
35	A38083	GASKET	- water, Serial Range: pump-body	1
36	92-6	LOCK WASHER,3/8"	WASHER - lock, 3/8"	2
37	25-106	NUT,3/8"-16, G5	- 3/8" N.C. hex.	2
38	13-648	BOLT,Hex, 3/8"-16 x 3", G5	- 3/8 x 3" N.C. hex.	1
39	A7085	WASHER	- 25/64 x 9/16 x 1/32" copper	1
40	NSS	NOT SERVICED SEPARATELY	GASKET - oil pan (Order from Figure 32)	1
41	NSS	NOT SERVICED SEPARATELY	GASKET - oil pan (Not used on this unit)	1

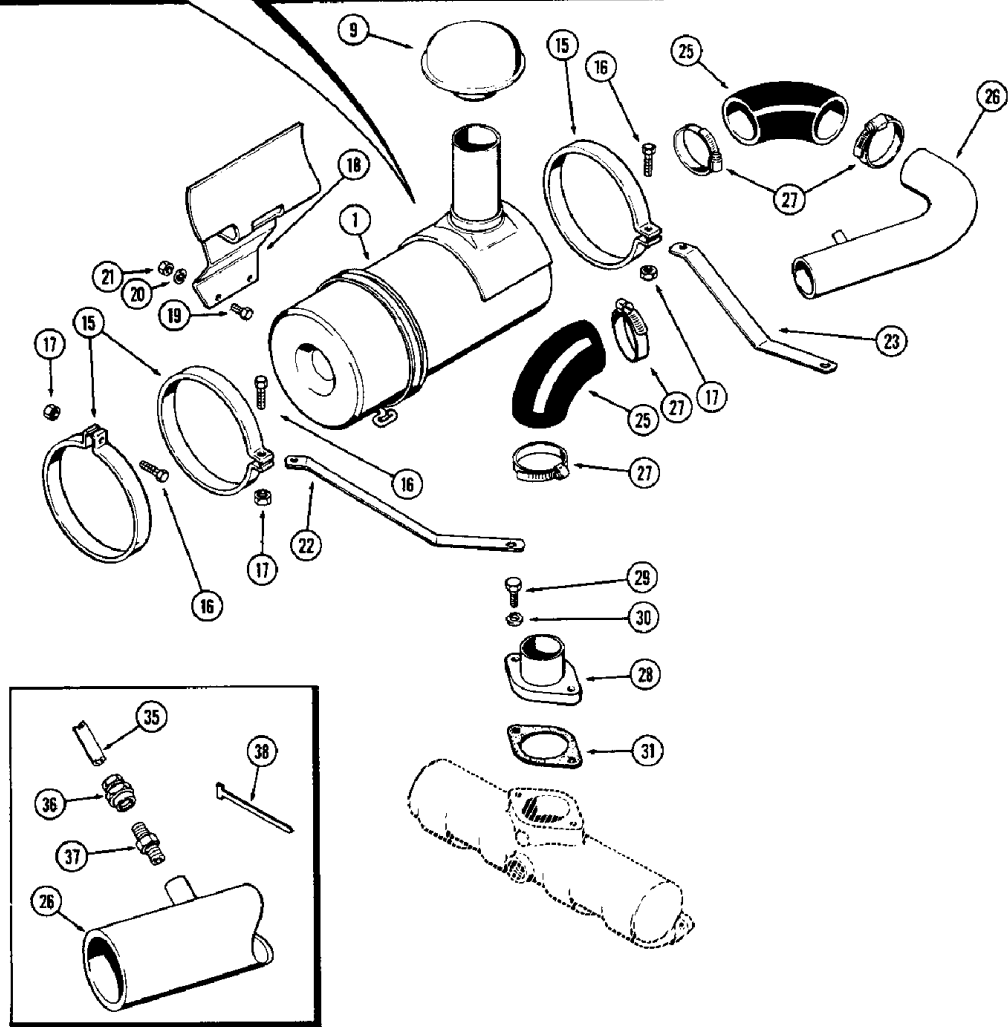
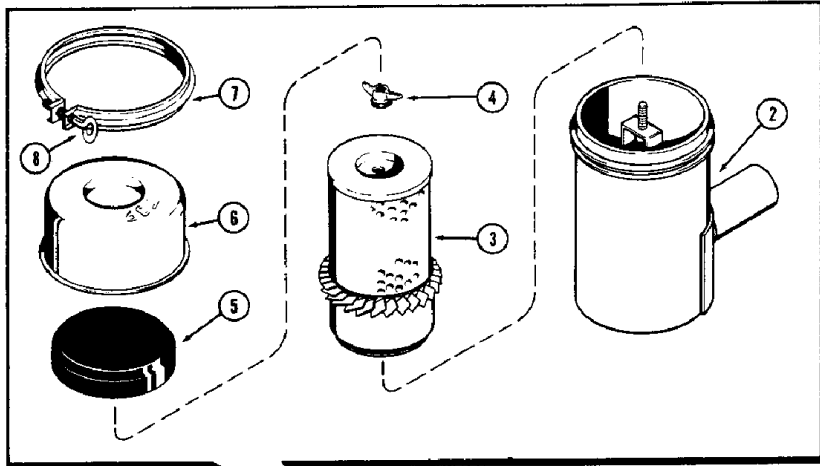


Diag #	Part #	Name	Description	Qty
1	A139086	AIR CLEANER	ASSY. - (Replaces A39346), Includes: Ref. 2 - 8	1
2	NSS	NOT SERVICED SEPARATELY	BODY - air cleaner	1
3	A42274	AIR FILTER	ELEMENT - cleaner	1
4	F91761	WING NUT	- wing, element	1
5	F22312	BAFFLE	- rubber	1
6	F91760	CUP	- access, air cleaner	1
7	F84999	CLAMP	ASSY. - cup	1
8	25-224	SQUARE NUT,Sq, 1/4"-20	- 1/4" N.C. hex.	1
9	A61276	AIR CLEANER	PRE-CLEANER	1
15	A39347	BAND	- air cleaner mounting	3
16	113-132	BOLT,Hex, 1/4"-20 x 1 3/4", G5	- 1/4 x 1-3/4" N.C. hex.	3
17	131-48	LOCK NUT,1/4"-20, GB	NUT - lock, 1/4" N.C. hex.	3
18	A39348	BRACKET	- air cleaner mounting	1
19	13-612	BOLT,Hex, 3/8"-16 x 3/4", G5, Full Thd	BOLT,Hex, 3/8"-16 x 3/4", G5, Full Thd	2
20	92-6	LOCK WASHER,3/8"	WASHER - lock, 3/8"	2
21	25-106	NUT,3/8"-16, G5	- 3/8" N.C. hex.	2
22	A39350	STRAP	- air cleaner support	1
23	A39607	STRAP	- air cleaner support	1
25	A39353	LARGE HOSE	HOSE - air, Serial Range: cleaner-tube	1
26	A39351	TUBE	- air intake	1
27	D28030	ELBOW UNION	HOSE -, Serial Range: tube-manifold	1
28	214-262	HOSE CLAMP,#44, 2.31/3.25 Type F Worm	CLAMP - hose, 2-5/16" to 3-1/4"	4
33	D36264	FITTING	FILTER - safety, air restriction	1
34	222-5130	FITTING,7/16"-24 x 1/8" NPT Fem	CONNECTOR - filter to tube, 1/4" tube x 1/8" P.T.	1
35	A39358	TUBE	- safety filter to indicator on panel	1
36	L11541	CABLE TIE	STRAP - air indicator tube	1

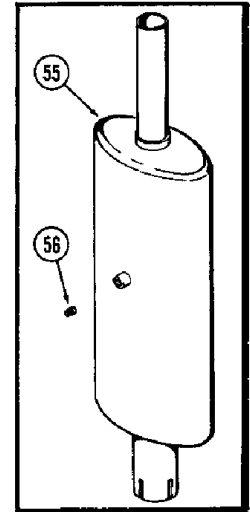
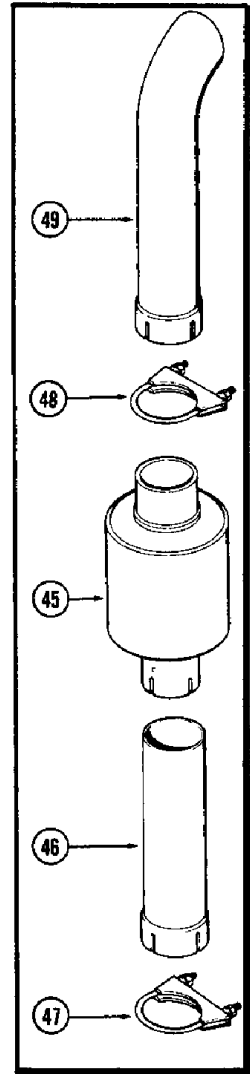
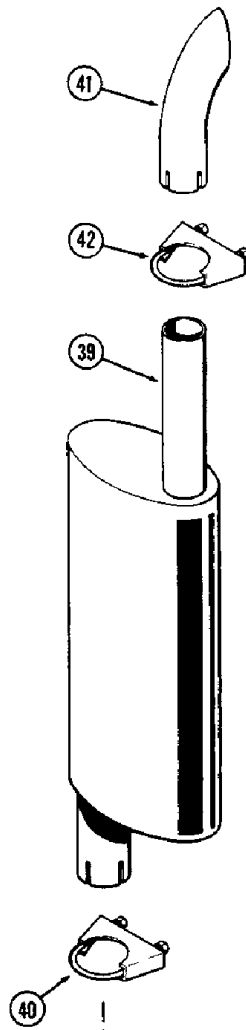
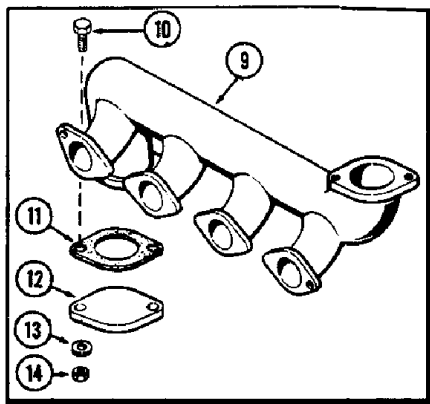
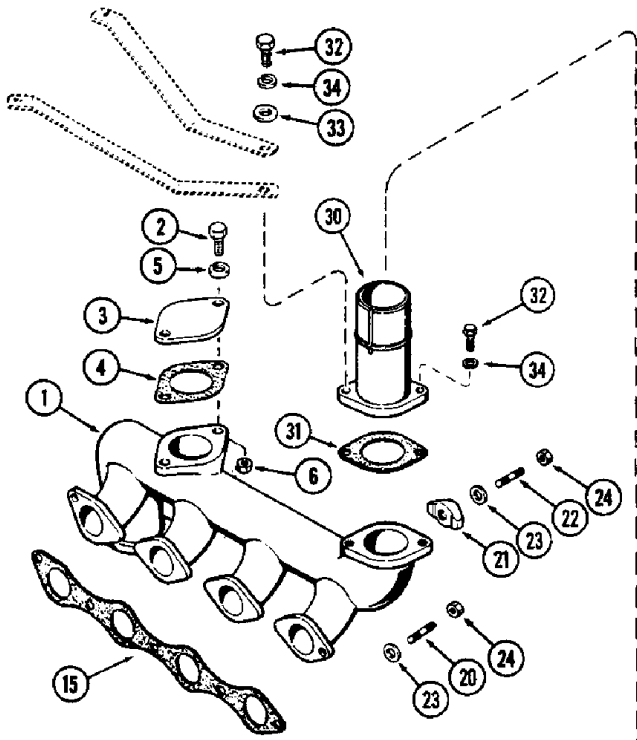


Diag #	Part #	Name	Description	Qty
1	A51876	MANIFOLD	- intake (Aluminum) (Replaces A51501), Includes: Ref. 2	1
2	222-11	FITTING,3/8"-24 Inv Fl x 1/8" NPT Fem	PLUG - pipe, 1/8" sq. hd.	1
3	G46871	GASKET	STUD -, Serial Range: manifold-head	1
4	A35175	STUD	- manifold to head (3/8" N.C. x 2-7/16")	2
5	A51499	STUD	- manifold to head (3/8" N.C. x 4-5/16")	2
6	A51500	STUD	- manifold to head (3/8" N.C. x 5-5/16")	1
7	A27891	O-RING,0.362" ID x 0.568" OD x 0.103"	"O"RING - manifold stud (3/8 x 9/16 x 3/32")	3
8	D41740	WASHER	- plain, manifold stud (25/64 x 1 x 7/64")	5
9	25-106	NUT,3/8"-16, G5	- 3/8" N.C. hex.	5
10	A20917	PLUG	- manifold (Heater hole)	1
11	A20916	MANIFOLD GASKET	GASKET - plug	1
15	A35782	MANIFOLD	- intake (Cast) used prior trac s/n 8725448	1
16	G46871	GASKET	- manifold to head, intake (Cast) used prior trac s/n 8725448	1
17	A29431	STUD	- manifold to head (3/8" N.C. x 1-3/4"), intake (Cast) used prior trac s/n 8725448	2
18	A35028	CLAMP	- manifold to head, intake (Cast) used prior trac s/n 8725448	3
19	A39129	STUD	- manifold clamp (3/8" N.C. x 2-1/16"), intake (Cast) used prior trac s/n 8725448	3
20	25-106	NUT,3/8"-16, G5	- 3/8" N.C. hex., manifold intake (Cast) used prior trac s/n 8725448	5
21	92-6	LOCK WASHER,3/8"	WASHER - , manifold, intake (Cast) used prior trac s/n 8725448 3/8"	5
24	A37098	FLANGE	- inlet, air cleaner tube, intake manifold (Cast) used prior trac s/n 8725448	1
25	D22670	GASKET	- flange, intake manifold (Cast) used prior trac s/n 8725448	1
26	13-618	BOLT,Hex, 3/8"-16 x 1 1/8", G5, Full Thd	Manifold, intake (Cast) used prior trac S/N 8725448 Hex, 3/8"-16 x 1 1/8", G5, Full Thd	2
27	92-6	LOCK WASHER,3/8"	WASHER - , manifold, intake (Cast) used prior trac s/n 8725448 3/8"	2
28	A20917	PLUG	- manifold (Heater hole), intake (Cast) used prior trac s/n 8725448	1
29	A20916	MANIFOLD GASKET	GASKET - plug, intake (Cast) used prior trac s/n 8725448	1
30	A37775	HEATER	ASSY. - intake manifold	1

Diag #	Part #	Name	Description	Qty
31	129-503	NUT, 1/4"-20, Brass	Manifold heater 1/4"-20, Brass	1
32	A20916	MANIFOLD GASKET	GASKET -, Serial Range: heater-manifold	1

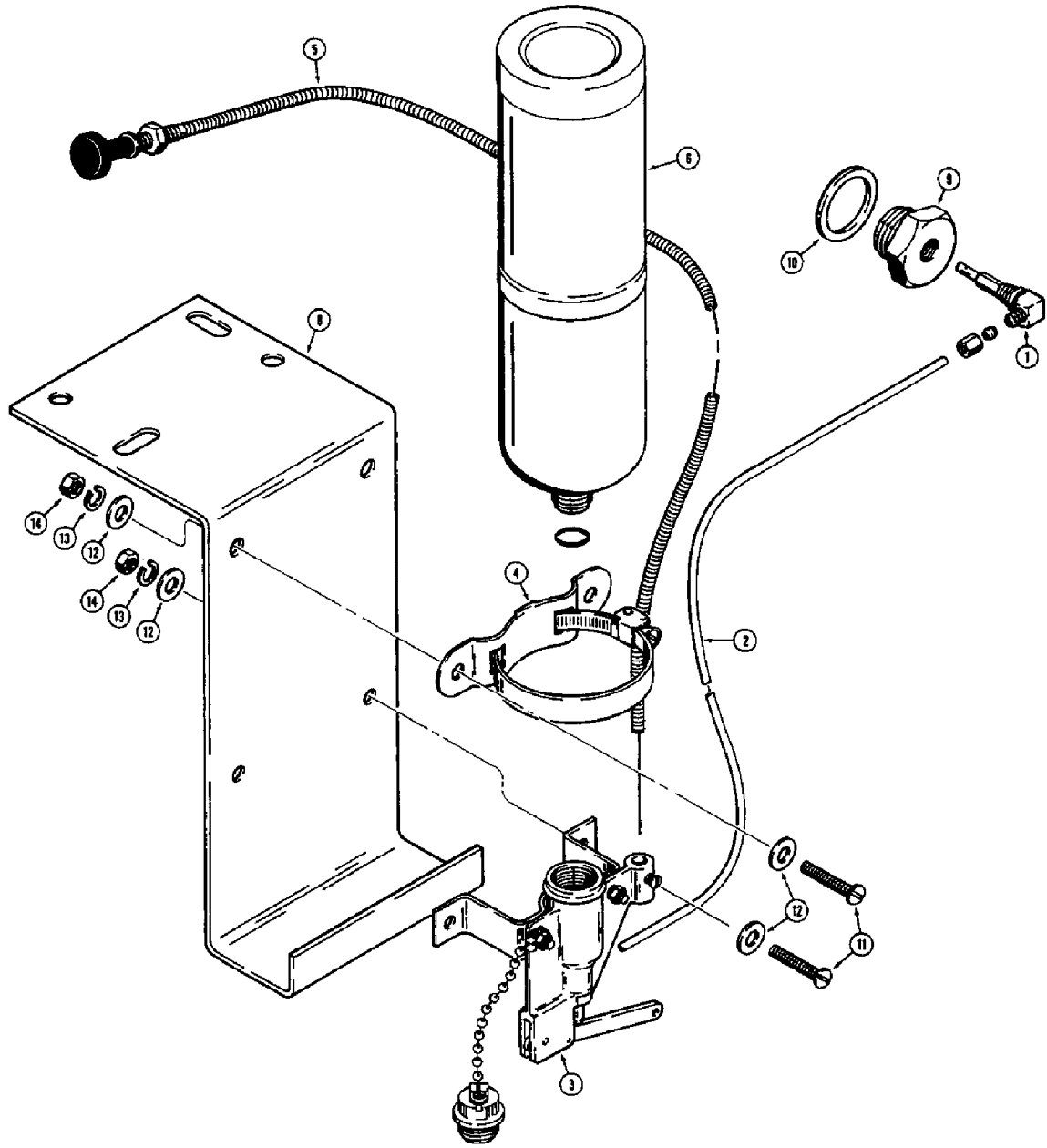


Diag #	Part #	Name	Description	Qty
1	A39346	AIR CLEANER	ASSY., Includes: Ref. 2 - 8	1
2	NSS	NOT SERVICED SEPARATELY	BODY - air cleaner	1
3	A42274	AIR FILTER	ELEMENT - cleaner	1
4	F91761	WING NUT	- element retaining, wing	1
5	F22312	BAFFLE	- rubber	1
6	F91760	CUP	- air cleaner access	1
7	F84999	CLAMP	ASSY. - cup retaining	1
8	25-224	SQUARE NUT,Sq, 1/4"-20	- 1/4" N.C. hex.	1
9	A61276	AIR CLEANER	PRE-CLEANER ASSY.	1
15	A39347	BAND	- air cleaner mounting	3
16	113-132	BOLT,Hex, 1/4"-20 x 1 3/4", G5	- 1/4 x 1-3/4" N.C. hex.	3
17	131-48	LOCK NUT,1/4"-20, GB	NUT - 1/4" N.C. hex., lock	3
18	A39348	BRACKET	- air cleaner mounting	1
19	13-612	BOLT,Hex, 3/8"-16 x 3/4", G5, Full Thd	BOLT,Hex, 3/8"-16 x 3/4", G5, Full Thd	2
20	92-6	LOCK WASHER,3/8"	WASHER - lock, 3/8"	2
21	25-106	NUT,3/8"-16, G5	- 3/8" N.C. hex.	2
22	A39350	STRAP	- air cleaner support	1
23	A39607	STRAP	- air cleaner support	1
25	A39353	LARGE HOSE	HOSE - air cleaner	2
26	A39351	TUBE	- air, Serial Range: cleaner-manifold	1
27	214-262	HOSE CLAMP,#44, 2.31/3.25 Type F Worm	CLAMP - hose, 2-5/16" to 3-1/4"	4
28	A37098	FLANGE	- manifold inlet	1
29	13-618	BOLT,Hex, 3/8"-16 x 1 1/8", G5, Full Thd	BOLT,Hex, 3/8"-16 x 1 1/8", G5, Full Thd	2
30	92-6	LOCK WASHER,3/8"	WASHER - lock, 3/8"	2
31	D22670	GASKET	- flange	1
35	A39358	TUBE	- safety filter to indicator on panel	1
36	222-5130	FITTING,7/16"-24 x 1/8" NPT Fem	COUPLING - tube to filter, 1/8" P.T. for 1/4" tube	1
37	D36264	FITTING	FILTER - safety, air restriction	1
38	L11541	CABLE TIE	STRAP - vacuum tube to tachometer cable	1



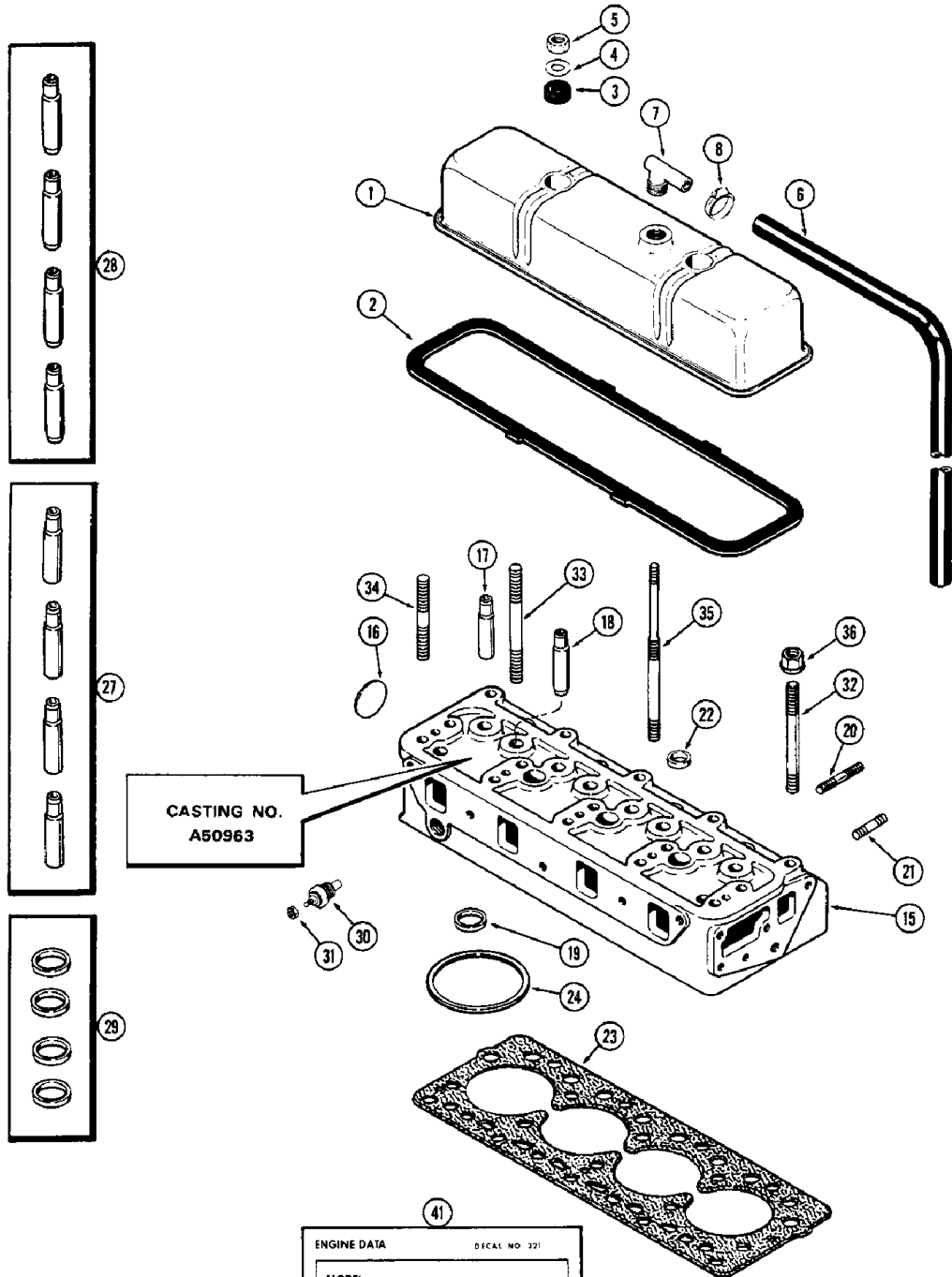
Diag #	Part #	Name	Description	Qty
1	A39233	MANIFOLD	ASSY. - exhaust (1st used eng. ser. no. 2706683) (Replaced G2113), Includes: Ref. 2 - 6	1
2	13-620	BOLT,Hex, 3/8"-16 x 1 1/4", G5, Full Thd	BOLT,Hex, 3/8"-16 x 1 1/4", G5, Full Thd	4
3	A38188	PLATE	- exhaust manifold	2
4	G46853	MANIFOLD GASKET	- exhaust manifold plate	2
5	195-25	WASHER,3/8"	- () 3/8"	4
6	131-903	NUT,3/8"-16	NUT - (3/8" N.C. Seez Pruf)	4
9	G2113	EXHAUST MANIFOLD	MANIFOLD - exhaust (Used prior to eng. ser. no. 2706683) (Order A39233)	1
10	13-624	BOLT,Hex, 3/8"-16 x 1 1/2", G5	- 3/8 x 1-1/2" N.C. hex.	2
11	G46853	MANIFOLD GASKET	- plate	1
12	A38188	PLATE	- exhaust manifold outlet cover	1
13	195-25	WASHER,3/8"	- 13/32 x 13/16 x 1/16"	2
14	131-903	NUT,3/8"-16	NUT - 3/8" N.C. Seez Pruf	2
15	G46872	MANIFOLD GASKET	- exhaust manifold	1
20	A29431	STUD	- manifold to head (3/8" N.C. x 1-3/4")	2
21	A35028	CLAMP	-, Serial Range: manifold-head	3
22	A39129	STUD	- manifold clamp (3/8" N.C. x 2-1/16")	3
23	195-25	WASHER,3/8"	- 13/32 x 13/16 x 1/16"	5
24	131-903	NUT,3/8"-16	NUT - 3/8" N.C. Seez-Pruf	5
30	G2095	FITTING	OUTLET - exhaust manifold	1
31	G46853	MANIFOLD GASKET	- outlet	1
32	13-624	BOLT,Hex, 3/8"-16 x 1 1/2", G5	- 3/8 x 1-1/2" N.C. hex.	2
33	195-25	WASHER,3/8"	- plain. 13/32 x 13/16 x 5/64"	4
34	92-6	LOCK WASHER,3/8"	WASHER - lock, 3/8"	2
39	A39561	MUFFLER	- exhaust, standard	1
40	A13240	CLAMP	- muffler (2-1/2" I.D.), standard	1
41	A39571	PIPE, EXHAUST SYSTEM	EXTENSION - muffler, standard	1
42	G45410	CLAMP	- extension (1-7/8" I.D.), standard muffler	1
45	D45256	MUFFLER	- spark arresting	1
46	D49170		PIPE - outlet to muffler, spark arresting	1
47	A13240	CLAMP	- pipe (2-1/2" I.D.), spark arresting muffler	1
48	A27115	CLAMP	- muffler (2-7/8" I.D.), spark arresting muffler	2

Diag #	Part #	Name	Description	Qty
49	D33535	PIPE	EXTENSION - muffler, spark arresting	1
55	D65392	MUFFLER	ASSY. - exhaust, fork lift	1
56	217-76	DRAIN PLUG,Sq Hd, 1/4"-18 NPTF, Brass	PLUG - 1/4" P.T. sq. hd., fork lift muffler	1



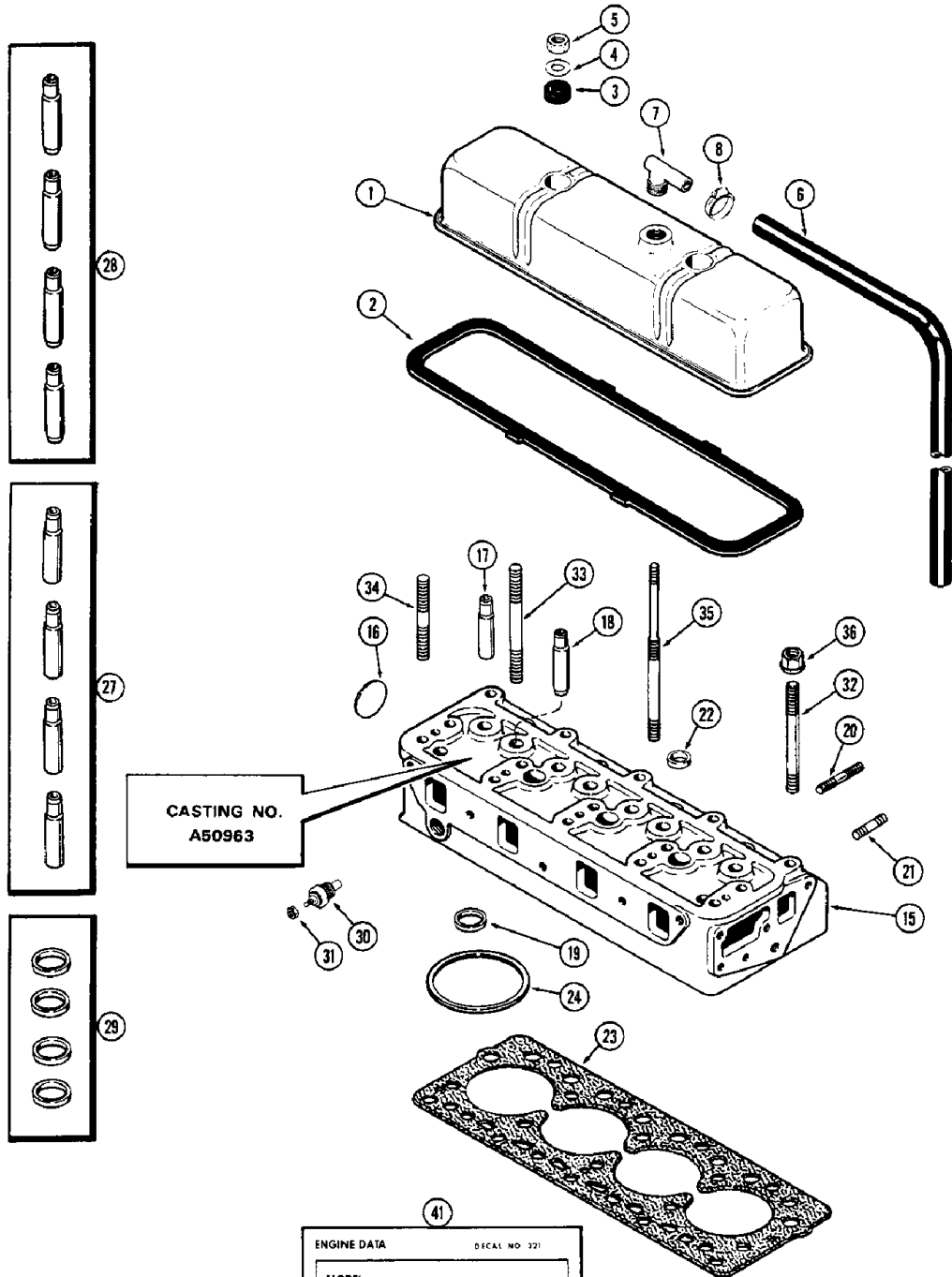
720108

Diag #	Part #	Name	Description	Qty
1	D55946	JET	ASSY. - starting aid (Includes one 1/8" compression fitting)	1
2	D55947	TUBE	- actuator valve to jet (60" long) (Includes two 1/8" compression fittings)	1
3	D55948	VALVE	ASSY. - actuator (Includes plug	1
4	D55949	BRACKET	CLAMP -, Serial Range: cylinder-bracket	1
5	D55950	CABLE	ASSY. - control	1
6	D55767	CYLINDER	- cold starting fuel	1
	D55951	REPAIR KIT	KIT - overhaul (Includes two "O"rings, on 1/8" compression fitting	1
8	D55692	BRACKET	- mounting, starting aid	1
9	D54833	PLUG	- manifold	1
10	A20916	MANIFOLD GASKET	WASHER - manifold plug	1
11	75-416	SCREW,Sltd Rd Hd, 1/4"-20 x 1"	- machine, (1/4"-20 N.C. x 1" round head)	4
12	95-4	WASHER,1/4"	- plain () 1/4"	8
13	92-4	LOCK WASHER,1/4"	WASHER, LOCK, 1/4"	4
14	25-104	NUT,1/4"-20, G5	NUT,1/4"-20, G5	4



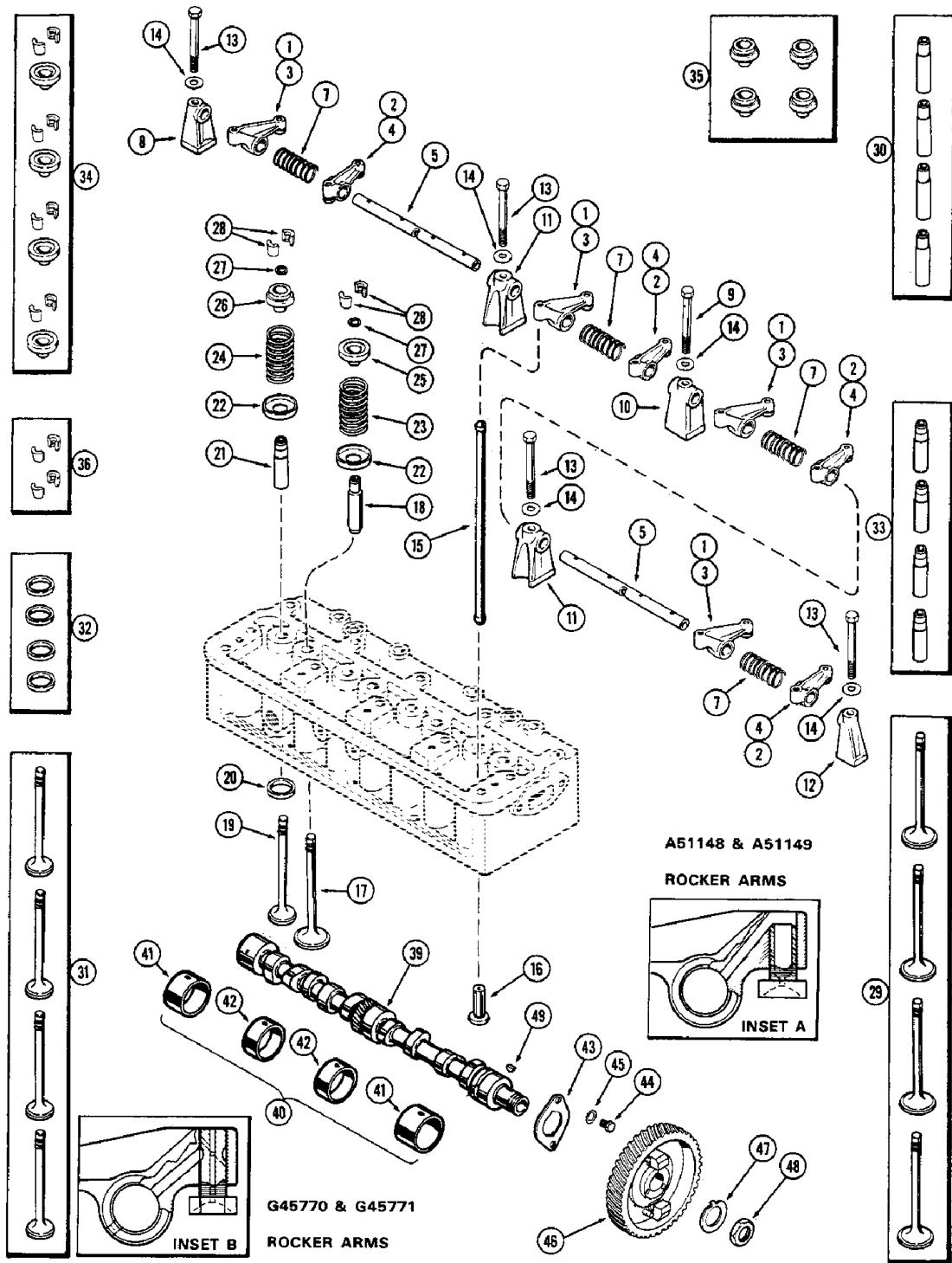
Diag #	Part #	Name	Description	Qty
1	A36815	COVER	ASSY. - cylinder head	1
2	A43030	GASKET	- cover	1
3	A142098	GROMMET	- cover (Replaces G46867)	2
4	G49400	WASHER	- cover nut	2
5	25-106	NUT,3/8"-16, G5	- (3/8" N.C. hex.)	2
6	A39570	TUBE	- breather, neoprene	1
7	A9155	ELBOW	- breather	1
8	214-253	HOSE CLAMP,#10, 0.56/1.06 Type F Worm	CLAMP - hose, 9/16 to 1-1/16"	1
15	A37858	HEAD ASSY. - cylinder (Casting #A50963) (See note), Includes: Ref. 16 - 22	HEAD ASSY. - cylinder (Casting #A50963) (See note), Includes: Ref. 16 - 22	1
16	A39242	PLUG	- rear, 1-3/4" expansion (Replaces A30036)	1
17	NSS	NOT SERVICED SEPARATELY	GUIDE - exhaust valve (Order ref. 27)	4
18	NSS	NOT SERVICED SEPARATELY	GUIDE - intake valve (Order ref. 28)	4
19	NSS	NOT SERVICED SEPARATELY	INSERT - exhaust valve seat (Order ref. 29)	4
20	A39129	STUD	- manifold clamp, 3/8" N.C. x 2-1/16"	6
21	A29431	STUD	- manifold, 3/8" N.C. x 1-3/4"	4
22	41-1016	PLUG,Cup, 1"	- 1" cup type	3
23	A39279	GASKET	- cylinder, Serial Range: head-block	1
27	G11946	GUIDE	S - exhaust valve stem (Set of 4)	1
28	G11945	GUIDE	S - intake valve stem (Set of 4)	1
29	A43048	KIT	INSERTS - exhaust valve seat (Set of 4) (Replaces G11986)	1
30	A21462	SENDER UNIT	UNIT - sending, engine temperature	1
31	193-1000	NUT,Keps, w/LW,#10-32	- #10 N.F. hex., Keps	1
32	A39047	12 PT SCREW	BOLT - cylinder head (1/2 x 3-1/2" N.C., 12 pt. hd.)	4
32	A39048	12 PT SCREW	BOLT - cylinder head (1/2 x 5-1/8" N.C., 12 pt. hd.)	11
32	A39049	12 PT SCREW	BOLT - cylinder head (1/2 x 5-5/8" N.C., 12 pt. hd.)	2
33	A39046	WASHER	- cyl. head bolts (1/2 x 7/8 x 1/8")	17
34	A36902	STUD	- cylinder head (1/2" N.C. x 5-5/8")	2
35	A51114	NUT	- heat studs (1/2" N.C. x 3/8" N.C.) (Replaces A39256)	2

Diag #	Part #	Name	Description	Qty
36	A51271	STUD	- cover (3/8" N.C. x 3-3/4") (Replaces A39255)	2
37	A39046	WASHER	- (1/2 x 7/8 x 1/8")	2
41	321-2396	DECAL	- engine data (Power shuttle) (1st used engine ser. no. 2726393)	1
41	321-1374	DECAL	- engine data (Power shuttle) (Used prior to engine ser. no. 2726393)	1
41	321-2555	DECAL	- engine data (Mech. shuttle) (1st used engine ser. no. 2717963)	1
41	321-1371		DECAL - engine data (Mech. shuttle) (Used prior to engine ser. no. 2717963)	1



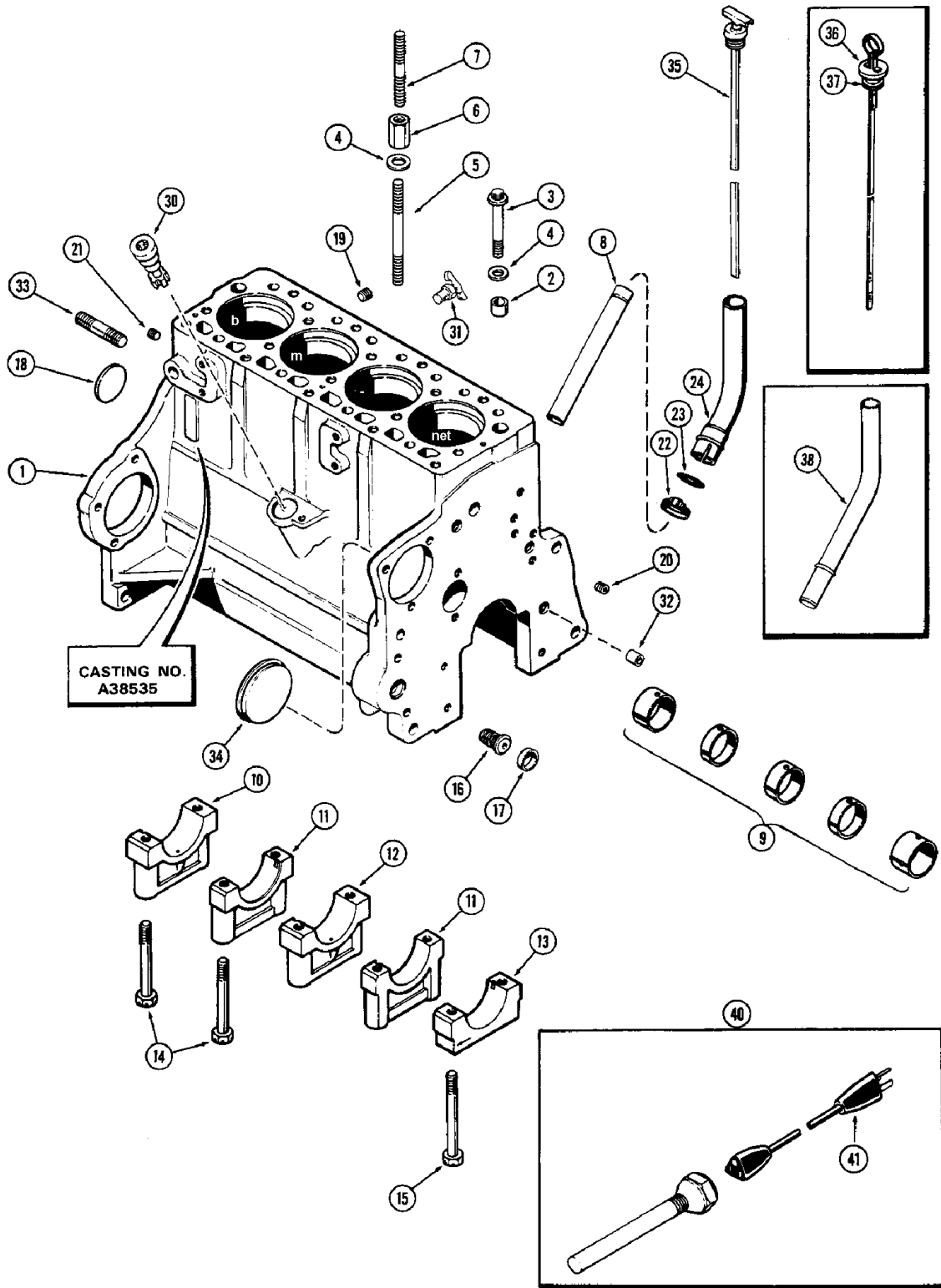
Diag #	Part #	Name	Description	Qty
1	A36815	COVER	ASSY. - cylinder head	1
2	A43030	GASKET	- cover	1
3	A142098	GROMMET	- cover (Replaces G46867)	2
4	G49400	WASHER	- cover nut	2
5	25-106	NUT,3/8"-16, G5	- 3/8" N.C. hex.	2
6	A39570	TUBE	- breather, neoprene	1
7	A9155	ELBOW	- breather	1
8	214-253	HOSE CLAMP,#10, 0.56/1.06 Type F Worm	CLAMP - hose, 9/16 to 1-1/16"	1
15	A37856	CYLINDER HEAD	HEAD ASSY. - cylinder (Casting #A50963), Includes: Ref. 16 - 22	1
		A37856 head assy - Description should read "casting #A150384". This part subs to A166029 which is a bare head other than inserts, guides and cup plugs.	A37856 head assy - Description should read "casting #A150384". This part subs to A166029 which is a bare head other than inserts, guides and cup plugs.	1
16	A39242	PLUG	- rear, 1-3/4" expansion (Replaces A30036)	1
17	NSS	NOT SERVICED SEPARATELY	GUIDE - exhaust valve (Order ref. 27)	4
18	NSS	NOT SERVICED SEPARATELY	GUIDE - intake valve (Order ref. 28)	4
19	NSS	NOT SERVICED SEPARATELY	INSERT - exhaust valve seat (Order ref. 29)	4
20	A39129	STUD	- manifold clamp, 3/8" N.C. x 2-1/16"	6
21	A29431	STUD	- manifold, 3/8" N.C. x 1-3/4"	4
22	41-1016	PLUG,Cup, 1"	- 1" cup type	3
23	A38640		- cylinder head (Order A39279)	1
24	A38639	RING	- fire (Std. w/orange mark) (Order A39279 gasket)	4
24	A38651	RING	- fire (Oversize w/black mark)	4
27	G11946	GUIDE	S - exhaust valve stem (Set of 4)	1
28	G11945	GUIDE	S - intake valve stem (Set of 4)	1
29	A43048	KIT	INSERTS - exhaust valve seat (Set of 4) (Replaces G11986)	1
30	A21462	SENDER UNIT	UNIT - engine temperature sending	1
31	193-1000	NUT,Keps, w/LW,#10-32	- #10 N.F. hex., Keps	1
32	A36902	STUD	- 1/2 N.C. x 5-5/8"	11
33	A36905	STUD	- 1/2" N.C. x 6-1/8"	2

Diag #	Part #	Name	Description	Qty
34	A36904	STUD	- 1/2" N.C. x 4"	4
35	A36903	STUD	-, Serial Range: head-cover	2
36	A37030	BEARING LOCK NUT	- 1/2" N.C., flanges	19
41	321-1374	DECAL	- engine data (Power shuttle)	1
41	321-1371		DECAL - engine data (Mech. shuttle)	1



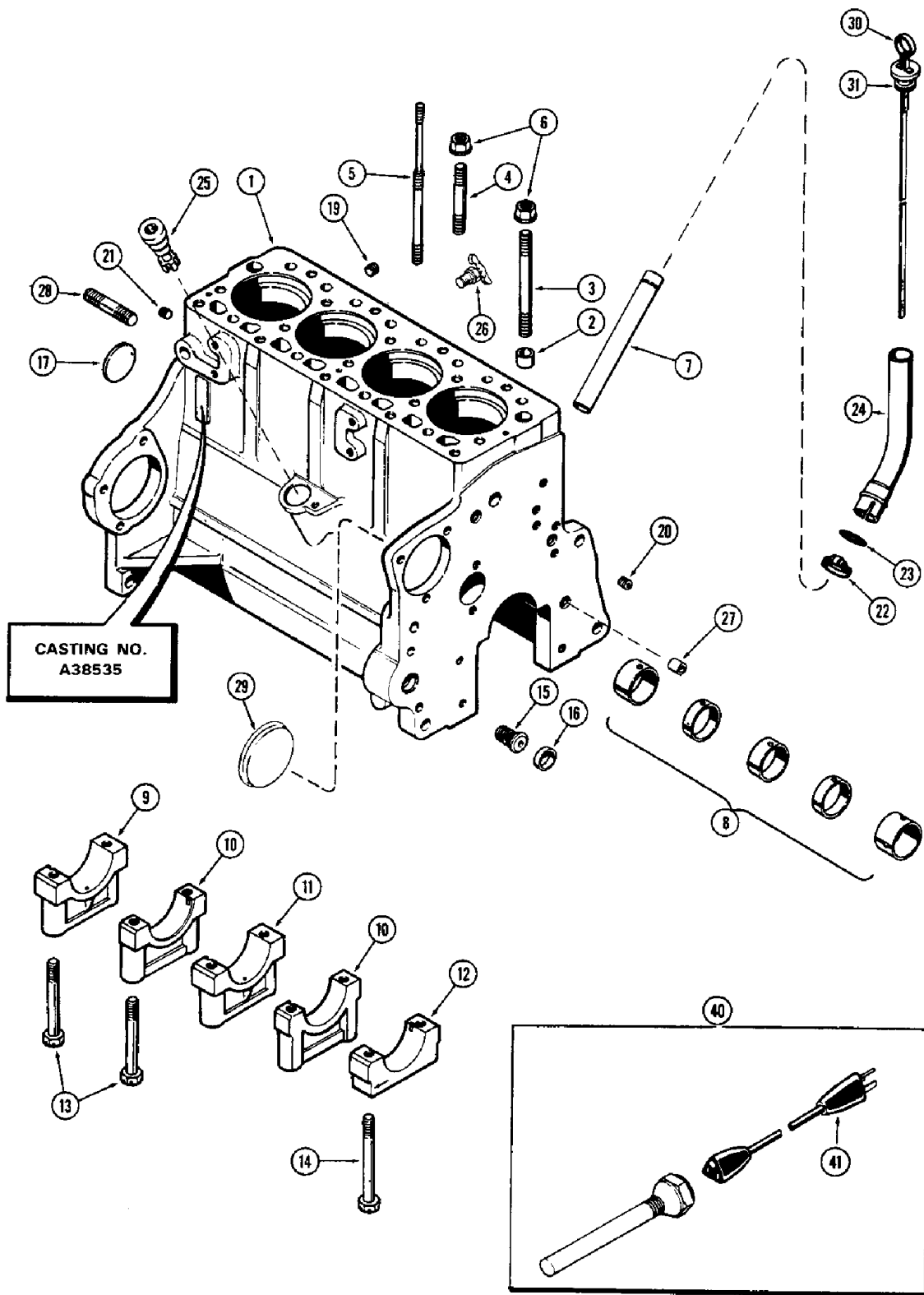
Diag #	Part #	Name	Description	Qty
1	A51149	ARM	ASSY. - rocker, left hand, w/adj. screw (1st used eng. ser. no. 2715764) (See inset A)	4
2	A51148	ARM	ASSY. - rocker, right hand, w/adj. screw (1st used eng. ser. no. 2715764) (See inset A)	4
3	G45771	ARM	ASSY. - rocker, L.H. w/adj. screw (Used prior to eng. ser. no. 2715764) (See inset B)	4
4	G45770	ARM	ASSY. - rocker, R.H., w/adj. screw (Used prior to eng. ser. no. 2715764) (See inset B)	4
5	A38181	SHAFT	- rocker arm	2
7	G48501	SPRING	- rocker shaft	4
8	A36615	BRACKET	- rocker arm, rear	1
9	G49067	BOLT	- rear bracket, drilled	1
10	G2101	BRACKET	- rocker arm, center	1
11	A51084	BRACKET	- rocker arm, intermediate (Replaced G2102)	2
12	G2100	BRACKET	- rocker arm, front	1
13	13-656	BOLT,Hex, 3/8"-16 x 3 1/2", G5	- 3/8 x 3-1/2" N.C. hex.	4
14	A30058	WASHER	- bracket bolt	5
15	G47079	ROD	- push	8
16	G47077	TAPPET	LIFTER - push rod	8
17	NSS	NOT SERVICED SEPARATELY	VALVE - intake (Order ref. 27)	4
18	NSS	NOT SERVICED SEPARATELY	GUIDE - intake valve (Order ref. 28)	4
19	NSS	NOT SERVICED SEPARATELY	VALVE - exhaust (Order ref. 29)	4
20	NSS	NOT SERVICED SEPARATELY	INSERT - exhaust valve seat (Order ref. 30)	4
21	NSS	NOT SERVICED SEPARATELY	GUIDE - exhaust valve (Order ref. 31)	4
22	G49065	SEAT	- valve spring	8
23	A30025	SPRING	- valve	8
24	NSS	NOT SERVICED SEPARATELY	RETAINER - valve springs (Order ref. 32)	8
25	G46851	SEAL	- rubber, valve stem	8
26	NSS	NOT SERVICED SEPARATELY	LOCK - retainers (Order ref. 33)	16

Diag #	Part #	Name	Description	Qty
27	A41726	VALVE	S - intake (Set of 4)	1
28	G11945	GUIDE	S - intake valve stem (Set of 4)	1
29	A41727	VALVE	S - exhaust (Set of 4)	1
30	A43048	KIT	INSERTS - valve seat (Set of 4) (Replaces G11986)	1
31	G11946	GUIDE	S - exhaust valve stem (Set of 4)	1
32	G11927	RETAINER	S - valve spring (Set of 4 w/locks)	2
33	G11929	LOCK	S - retainer (Set of 4)	4
39	A39013	CAM	SHAFT	1
40	A42746	CAM	BUSHING KIT - camshaft, Includes: Ref. 41 and 42	1
41	NSS	NOT SERVICED SEPARATELY	BUSHING - camshaft, front	2
42	NSS	NOT SERVICED SEPARATELY	BUSHING - camshaft, intermediate (1/2" wide)	3
43	A29290	PLATE	- camshaft thrust	1
44	A30056	SCREW	BOLT - thrust plate	2
45	193-9	LOCK WASHER,Ext Tooth, 5/16"	WASHER, LOCK, Ext Tooth, 5/16"	2
46	A38931	GEAR	- camshaft	1
47	A29438	LOCK NUT	LOCK - camshaft nut	1
48	A30063	NUT	- camshaft	1
49	126-12	WOODRUFF KEY,#6, 5/32" x 5/8"	WOODRUFF KEY,#6, 5/32" x 5/8"	1



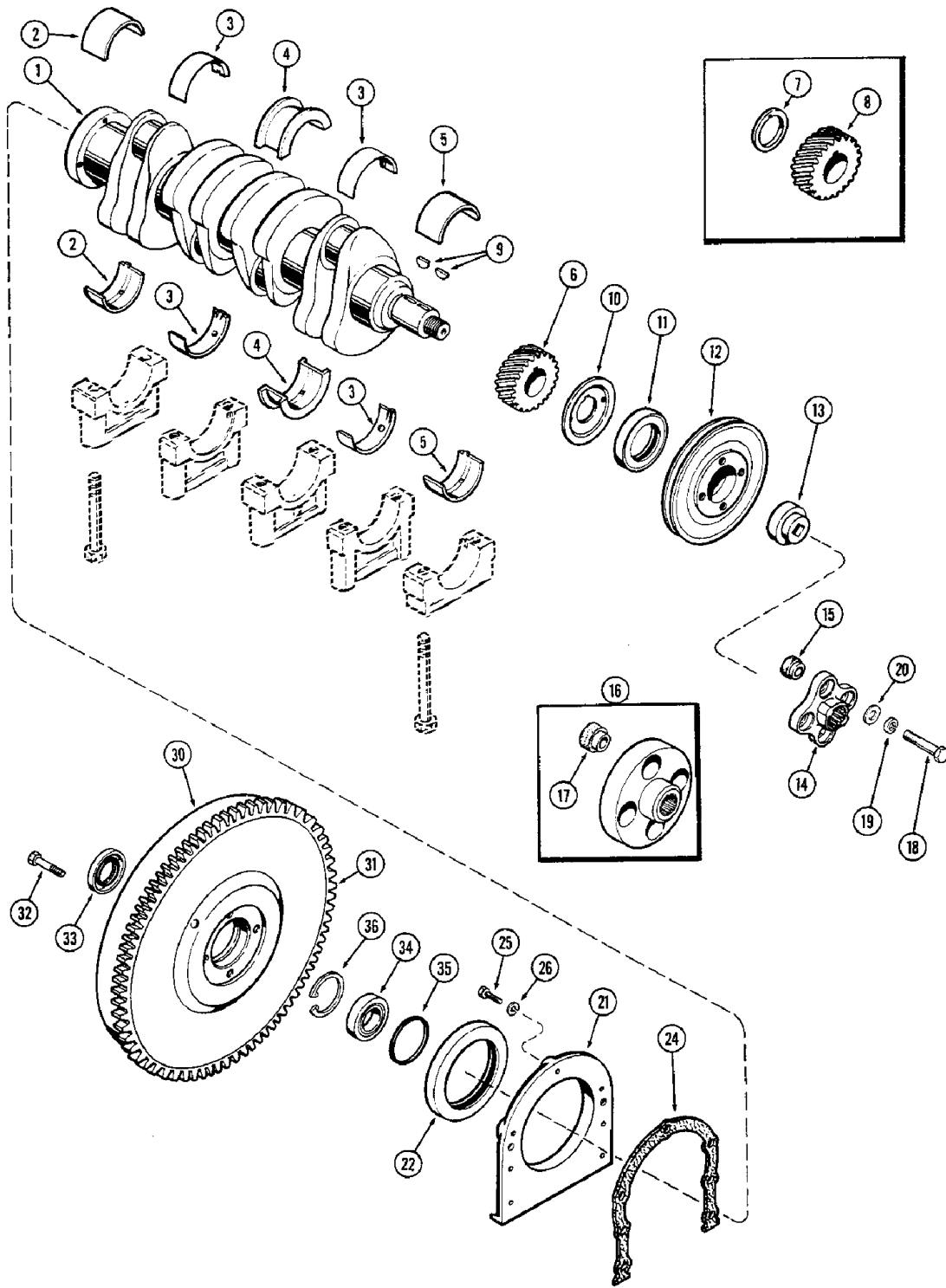
Diag #	Part #	Name	Description	Qty
	A42814	CYLINDER BLOCK	BLOCK ASSY. - cylinder, short (Incl. crankshaft)	1
1	A41597	SKELETON ENGINE	BLOCK ASSY. - cylinder, stripped (Casting #A38535), Includes: Ref. 2 - 24	1
2	G49608	RING	- dowel, cylinder, Serial Range: head-block	2
3	A39047	12 PT SCREW	cyl. head (1/2 x 3-1/2" N.C., 12 pt. hd.)	4
3	A39048	12 PT SCREW	cyl. head (1/2 x 5-1/8" N.C. 12 pt. hd.)	11
3	A39049	12 PT SCREW	cyl. head (1/2 x 5-5/8" N.C. 12 pt. hd.)	2
4	A39046	WASHER	cyl. head bolts (1/2 x 7/8 x 1/8")	19
5	A36902	STUD	cyl. head (1/2" N.C. x 5-5/8")	2
6	A51114	NUT	head studs (1/2" N.C. x 3/8" N.C.) (Repl. A39256)	2
7	A51271	STUD	cyl. head cover (3/8" N.C. x 3-3/4") (Replaced A39255)	2
8	A37149	TUBE	oil gauge	1
9	A42746	CAM	BUSHING SET - camshaft	1
10	A51057	CAP	main bearing, rear (Replaces A38385)	1
11	A51055	CAP	main bearing, intermediate (Replaces G2128)	2
12	A51056	CAP	main bearing, center (Replaces G2127)	1
13	A51054	CAP	- main bearing, front (Replaces G2126)	1
14	26-872	BOLT,Hex, 1/2"-13 x 4 1/2", G8	- 1/2 x 4-1/2" N.C. hex., slotted	8
15	26-882	BOLT,Hex, 1/2"-13 x 5 1/8", G8	- 1/2 x 5-1/8" N.C. hex. slotted (Cap	2
16	A153552	ADAPTER	- oil filter	1
17	41-1016	PLUG,Cup, 1"	adapter hole, 1" cup type	1
18	A39241	PLUG,Exp, 2.12" dia	camshaft hole (2-1/8" expansion) (Replaces A30033)	1
19	221-1032	DRAIN PLUG,Sq Soc, 3/8"-18 NPTF	3/8" P.T., socket head	1
20	G49070	PLUG	front oil gallery, 1/4" P.T. drilled	1
21	217-433	PLUG,Hex Soc, 1/4"-18 NPTF	Rear oil gallery Hex Soc, 1/4"-18 NPTF	1
22	214-256	HOSE CLAMP,#20, 0.81/1.75 Type F Worm	extension (1-3/16 to 1-3/4")	1
23	A27342	O-RING,1.109" ID x 1.387" OD x 0.139"	(1-1/8 x 1-3/8 x 1/8")	1
24	A37407	TUBE	EXTENSION - filler	1
30	A38942	DRIVE ASSY.	TACHOMETER	1

Diag #	Part #	Name	Description	Qty
31	A23656	COCK, DRAIN	VALVE ASSY. - drain	1
32	A29442	RING	dowel, timing gear, Serial Range: cover-block	2
33	A29333	STUD	- 5/8" N.C./N.F. x 3"	2
		Accepts 92-10 washer (subs to 492-11062) and 25-1110 nut (subs to 425-1110).	Accepts 92-10 washer (subs to 492-11062) and 25-1110 nut (subs to 425-1110).	1
34	A29268	PLUG	COVER - timing gear chamber hole, 3-1/4"	1
35	A136379	DIPSTICK	engine oil level (w/o "O" rings)	1
36	A37406	DIPSTICK	engine oil level (w/"O"rings), Includes: Ref. 37	1
37	F62075	O-RING,0.734" ID x 1.012" OD	(3/4 x 1 x 1/8")	2
38	A140185		- oil filter	1
40	A44815	HEATER	ASSY. - cylinder block (Replaces A40637)	1
41	A44814	ELECTRIC CABLE	CORD - 12" (Replaces A40477), cyl block heater	1



Diag #	Part #	Name	Description	Qty
	A42814	CYLINDER BLOCK	BLOCK ASSY. - cylinder, short (Incl. crankshaft)	1
1	A41597	SKELETON ENGINE	BLOCK ASSY. - cylinder, stripped (Casting #A38535), Includes: Ref. 2 - 24	1
2	G49608	RING	dowel, cylinder, Serial Range: head-block	2
3	A36902	STUD	1/2" N.C. x 5-5/8"	11
3	A36905	STUD	1/2" N.C. x 6"	2
4	A36904	STUD	1/2" N.C. x 4"	4
5	A36903	STUD	cylinder head cover	2
6	A37030	BEARING LOCK NUT	1/2" N.C., flanges	19
7	A37149	TUBE	oil gauge	1
8	A42746	CAM	BUSHING SET - camshaft	1
9	A51057	CAP	main bearing, rear (Replaces A38385)	1
10	A51055	CAP	main bearing, intermediate (Replaces G2128)	2
11	A51056	CAP	main bearing, center (Replaces G2127)	1
12	A51054	CAP	- main bearing, front (Replaces G2126)	1
13	26-872	BOLT,Hex, 1/2"-13 x 4 1/2", G8	- 1/2 x 4-1/2" N.C. hex., sltd.	8
14	26-882	BOLT,Hex, 1/2"-13 x 5 1/8", G8	- 1/2 x 5-1/8" N.C. hex. sltd. (Cap	2
15	A153552	ADAPTER	- oil filter	1
16	41-1016	PLUG,Cup, 1"	adapter hole, 1" cup type	1
17	A39241	PLUG,Exp, 2.12" dia	rear (2-1/8" expansion) (Replaces A30033)	1
19	221-1032	DRAIN PLUG,Sq Soc, 3/8"-18 NPTF	3/8" P.T., sckt. hd.	1
20	G49070	PLUG	front oil gallery, 1/4" P.T. drilled	1
21	217-433	PLUG,Hex Soc, 1/4"-18 NPTF	Rear oil gallery Hex Soc, 1/4"-18 NPTF	1
22	214-256	HOSE CLAMP,#20, 0.81/1.75 Type F Worm	extension (1-3/16 to 1-3/4")	1
23	A27342	O-RING,1.109" ID x 1.387" OD x 0.139"	(1-1/8 x 1-3/8 x 1/8")	1
24	A37407	TUBE	EXTENSION - filler	1
25	A38942	DRIVE ASSY.	TACHOMETER DRIVE ASSY.	1
26	A23656	COCK, DRAIN	VALVE ASSY.	1
27	A29442	RING	dowel, timing gear cover to block, Includes: Ref. 28	2
28	A29333	STUD	5/8" N.C./N.F. x 3"	2

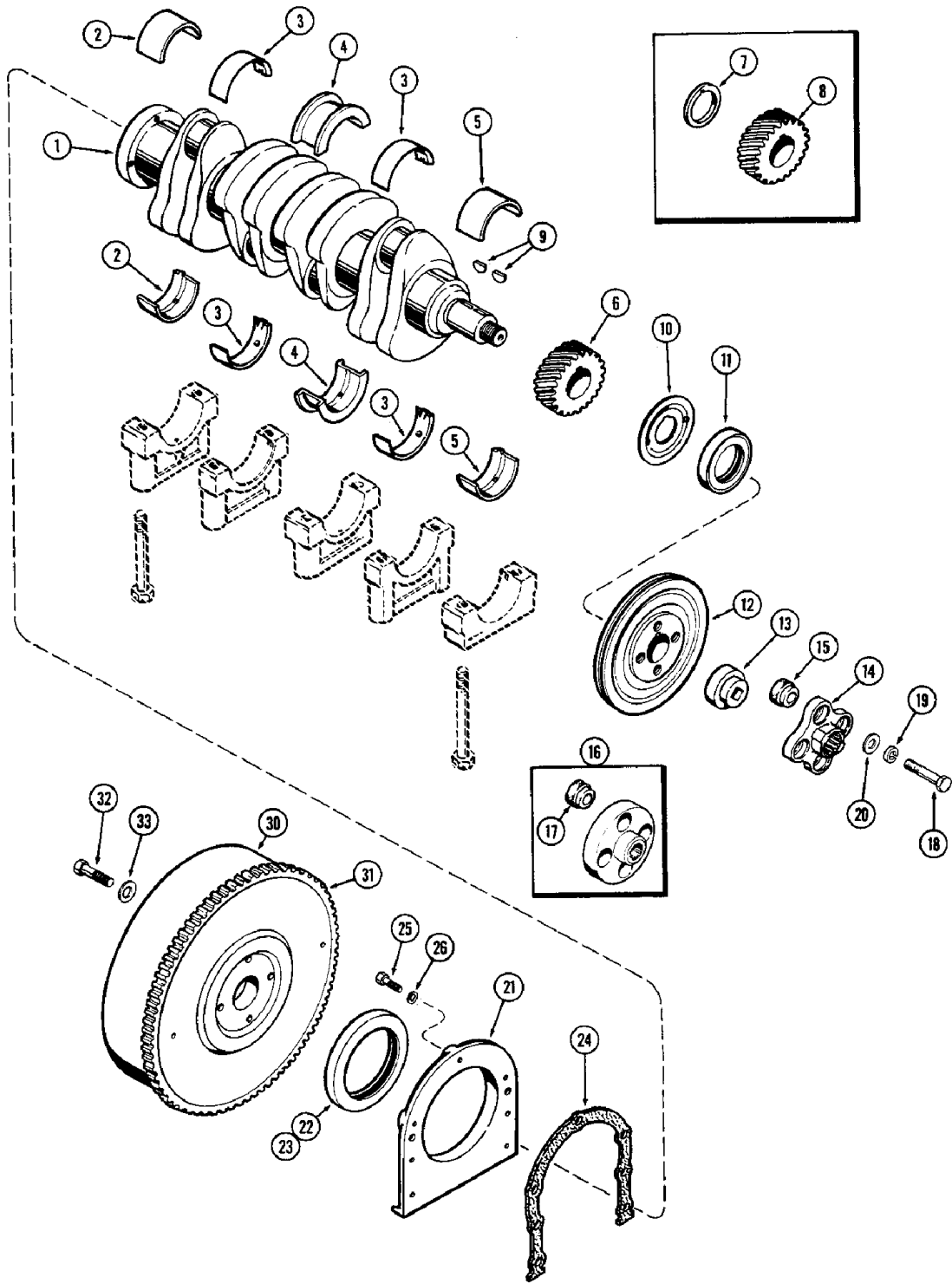
Diag #	Part #	Name	Description	Qty
29	A29268	PLUG	COVER - timing gear chamber hole, 3-1/4"	1
30	A37406	DIPSTICK	engine oil level	1
31	F62075	O-RING,0.734" ID x 1.012" OD	(3/4 x 1 x 1/8")	2
40	A44815	HEATER	ASSY. - cylinder block (Replaces A40637), Includes: Ref. 41	1
41	A44814	ELECTRIC CABLE	CORD - 12" (Replaces A40477), cyl block heater	1



Diag #	Part #	Name	Description	Qty
1	A39146	CRANKSHAFT	CRANKSHAFT	1
2	A36495	BEARING LINER	LINER - main bearing, rear (Std.)	1
2	A36496	LINING	LINER - main bearing, rear (.002" undersize)	1
2	A36497	BEARING LINER	LINER - main bearing, rear (.010" undersize)	1
2	A36498	KIT	LINER - main bearing, rear (.020" undersize)	1
2	A36499	BEARING LINER	LINER - main bearing, rear (.030" undersize)	1
3	A36485	LINING	LINER - main bearing, intermediate (Std.)	2
3	A36486	LINING	LINER - main bearing, intermediate (.002" undersize)	2
3	A36487	CRANKSHAFT BEARING,3.067" ID x 3.092" OD x 1"	LINER - main bearing, intermediate (.010" undersize)	2
3	A36488	CRANKSHAFT BEARING,3.067" ID x 3.092" OD x 1"	LINER - main bearing, intermediate (.020" undersize)	2
3	A36489	LINING	LINER - main bearing, intermediate (.030" undersize)	2
3	A36490	BEARING LINER	LINER - main bearing, center (Std.)	1
		A36490 liner - On page 25 this part should be labeled as Ref #4.	A36490 liner - On page 25 this part should be labeled as Ref #4.	1
4	A36491	LINING	LINERS - main bearing, center (.002" undersize)	1
4	A36492	BEARING LINER	LINER - main bearing, center (.010" undersize)	1
4	A36493	BEARING LINER	LINER - main bearing, center (.020" undersize)	1
4	A36494	LINING	LINER - main bearing, center (.030" undersize)	1
5	A36480	CRANKSHAFT BEARING,3.067" ID x 3.092" OD x 1.286"	LINER - main bearing, front (Std.)	1
5	A36481	LINING	LINER - main bearing, front (.002" undersize)	1
5	A36482	CRANKSHAFT BEARING,2.874" ID x 3.092" OD x 1.286"	LINER - main bearing, front (.010" undersize)	1

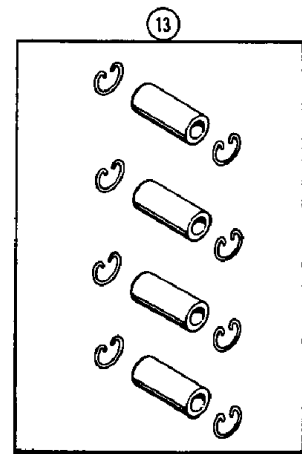
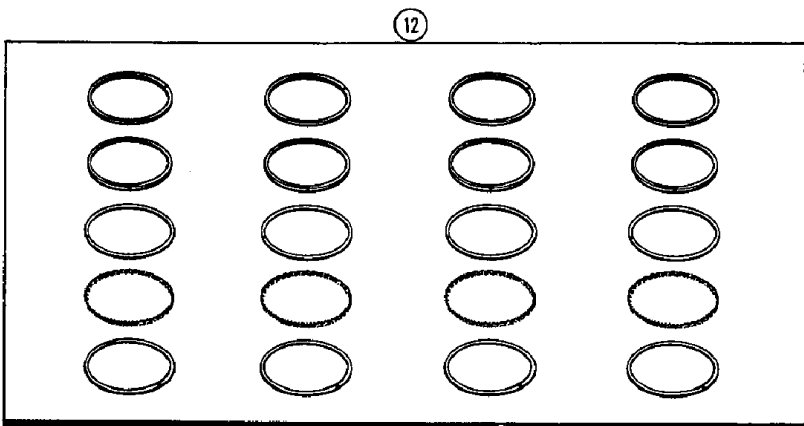
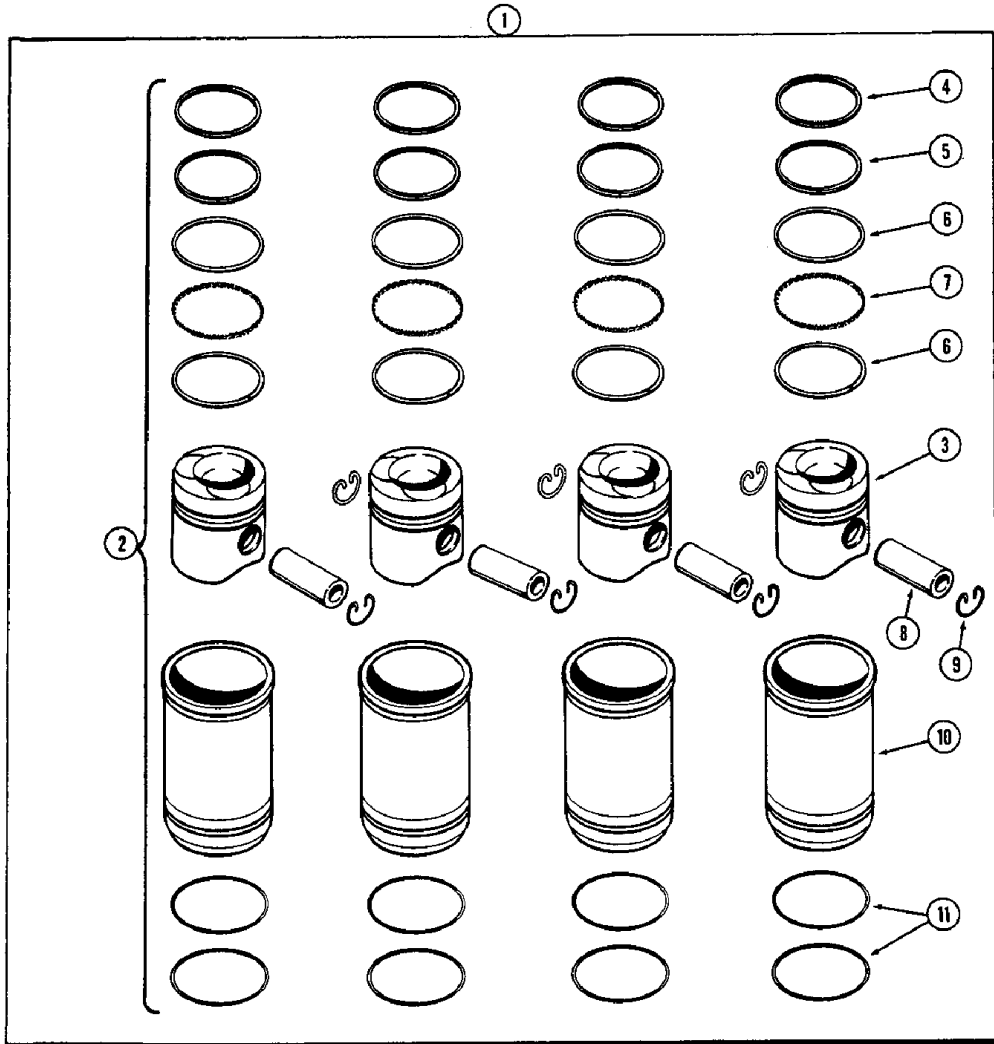
Diag #	Part #	Name	Description	Qty
5	A36483	LINING	LINER - main bearing, front (.020" undersize)	1
5	A36484	LINING	LINER - main bearing, front (.030" undersize)	1
6	A39288	GEAR	- crankshaft (24 teeth) (1-5/32" wide) (Replaces A29294 spacer	1
7	A29294	BUSHING	SPACER - thrust, crankshaft (Use w/A29263 gear only)	1
8	A29263	GEAR	- crankshaft (24 teeth) (1-1/16" wide) (Order A39288)	1
9	126-216	WOODRUFF KEY,Hi-Pro, 1" Dia x 1/4" x 1 1/16"	KEY - pulley	2
10	A29259	SLINGER	- oil	1
11	A39110	OIL SEAL	- oil, crankshaft front (2 x 3 x 1/2")	1
		A39110 oil seal - Wear ring repair kit for this part is A155893.	A39110 oil seal - Wear ring repair kit for this part is A155893.	1
12	A50962	PULLEY	- fan drive (Replaces G11342	1
13	A35673	NUT	-, Serial Range: pulley-crankshaft	1
14	A51885	COUPLING, BREAK AWAY	COUPLING - pump drive flexible (Replaces A35558), Includes: Ref. 15	1
15	A45216	BUSHING	- coupling	4
16	A35558		COUPLING - pump drive flexible (Order A51885), Includes: Ref. 17	1
17	G36905	BLOCK	BUSHING - coupling	4
18	13-724	BOLT,Hex, 7/16"-14 x 1 1/2", G5	Hex, 7/16"-14 x 1 1/2, G5	4
19	92-7	LOCK WASHER,7/16"	LOCK WASHER,7/16"	4
20	A30013	WASHER	- 29/64 x 3/4 x 16 ga.	4
21	A38390	RETAINER	- oil seal, rear	1
22	A51339	OIL SEAL	- oil, rear (4 x 5 x 1/2") (Replaces A39111)	1
		A51339 rear oil seal - Wear ring repair kit for this part is A49851.	A51339 rear oil seal - Wear ring repair kit for this part is A49851.	1
24	A39188	GASKET	- retainer	1
25	26-412	BOLT,Hex, 1/4"-20 x 3/4", G8, Full Thd	- (1/4 x 3/4" N.C. hex.)	4
25	26-416	BOLT,Hex, 1/4"-20 x 1", G8, Full Thd	- (1/4 x 1" N.C. hex.)	3
26	92-4	LOCK WASHER,1/4"	WASHER, LOCK, 1/4"	7
30	A144358	FLYWHEEL	ASSY. - engine (Replaces A37214), Includes: Ref. 31	1
31	G11710	GEAR	- ring (135 teeth)	1
32	A37216	BOLT	- 7/16 x 2" N.F. hex., drilled	4

Diag #	Part #	Name	Description	Qty
33	A138295	OIL SEAL	- oil, flywheel (1-3/16 2-5/32 x 1/4") (Replaces A37647)	1
34	T17389	BALL BEARING,1.1811" ID x 2.1654" OD x 0.5118"	BEARING - flywheel	1
35	A37646	O-RING,2.237" ID x 2.443" OD x 0.103"	RING - seal, flywheel (2-15/64 x 2-11/32 x 3/32")	1
36	49482	SNAP RING,2.125", Int, #212	Ring, Snap, , brg 2.125", Int, #212	1



Diag #	Part #	Name	Description	Qty
1	A39146	CRANKSHAFT	CRANKSHAFT	1
2	A36495	BEARING LINER	LINER - main bearing, rear (Std.)	1
2	A36496	LINING	LINER - main bearing, rear (.002" undersize)	1
2	A36497	BEARING LINER	LINER - main bearing, rear (.010" undersize)	1
2	A36498	KIT	LINER - main bearing, rear (.020" undersize)	1
2	A36499	BEARING LINER	LINER - main bearing, rear (.030" undersize)	1
3	A36485	LINING	LINER - main bearing, intermediate (Std.)	2
3	A36486	LINING	LINER - main bearing, intermediate (.002" undersize)	2
3	A36487	CRANKSHAFT BEARING,3.067" ID x 3.092" OD x 1"	LINER - main bearing, intermediate (.010" undersize)	2
3	A36488	CRANKSHAFT BEARING,3.067" ID x 3.092" OD x 1"	LINER - main bearing, intermediate (.020" undersize)	2
3	A36489	LINING	LINER - main bearing, intermediate (.030" undersize)	2
4	A36490	BEARING LINER	LINER - main bearing, center (Std.)	1
4	A36491	LINING	LINER - main bearing, center (.002" undersize)	1
4	A36492	BEARING LINER	LINER - main bearing, center (.010" undersize)	1
4	A36493	BEARING LINER	LINER - main bearing, center (.020" undersize)	1
4	A36494	LINING	LINER - main bearing, center (.030" undersize)	1
5	A36480	CRANKSHAFT BEARING,3.067" ID x 3.092" OD x 1.286"	LINER - main bearing, front (Std.)	1
5	A36481	LINING	LINER - main bearing, front (.002" undersize)	1
5	A36482	CRANKSHAFT BEARING,2.874" ID x 3.092" OD x 1.286"	LINER - main bearing, front (.010" undersize)	1
5	A36483	LINING	LINER - main bearing, front (.020" undersize)	1
5	A36484	LINING	LINER - main bearing, front (.030" undersize)	1

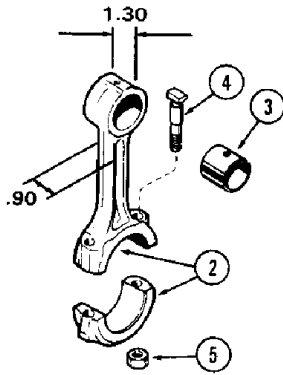
Diag #	Part #	Name	Description	Qty
6	A39288	GEAR	- crankshaft (24 teeth) (1-5/32" wide) (Replaces A29294 spacer)	1
7	A29294	BUSHING	SPACER - thrust, crankshaft (Use w/A29263 gear only)	1
8	A29263	GEAR	- crankshaft (24 teeth) (1-1/16" wide) (Order A39288)	1
9	126-216	WOODRUFF KEY,Hi-Pro, 1" Dia x 1/4" x 1 1/16"	KEY - pulley	2
10	A29259	SLINGER	- oil	1
11	A39110	OIL SEAL	- oil, crankshaft front (2 x 3 x 1/2")	1
12	A50962	PULLEY	- fan drive (Replaces G11342)	1
13	A35673	NUT	-, Serial Range: pulley-crankshaft	1
14	A51885	COUPLING, BREAK AWAY	COUPLING - pump drive flexible (Replaces A35558), Includes: Ref. 15	1
15	A45216	BUSHING	- coupling	4
16	A35558		COUPLING ASSY. - flexible (Order A51885), Includes: Ref. 17	1
17	G36905	BLOCK	BUSHING - coupling	4
18	13-724	BOLT,Hex, 7/16"-14 x 1 1/2", G5	Hex, 7/16"-14 x 1 1/2, G5	4
19	92-7	LOCK WASHER,7/16"	LOCK WASHER,7/16"	4
20	A30013	WASHER	- 29/64 x 3/4 x 16 ga.	4
21	A38390	RETAINER	- rear oil seal	1
		A38390 retainer - Illustration shows bottom flange on wrong side of part.	A38390 retainer - Illustration shows bottom flange on wrong side of part.	1
22	A51339	OIL SEAL	- oil, rear (4 x 5 x 1/2") (Replaces A39111)	1
24	A39188	GASKET	- retainer	1
25	26-412	BOLT,Hex, 1/4"-20 x 3/4", G8, Full Thd	- (1/4 x 3/4" N.C. hex.)	4
25	26-416	BOLT,Hex, 1/4"-20 x 1", G8, Full Thd	- (1/4 x 1" N.C. hex.)	4
26	92-4	LOCK WASHER,1/4"	WASHER, LOCK, 1/4"	7
30	G11860	FLYWHEEL	ASSY., Includes: Ref. 31	1
31	G11710	GEAR	- ring (135 teeth)	1
32	121-300	LOCK BOLT,Hex, Lock, 7/16"-20 x 1 1/8"	BOLT - 7/16 x 2-1/8" N.F. hex., drilled	4
33	A30013	WASHER	- 29/64 x 3/4 x 16 ga.	4



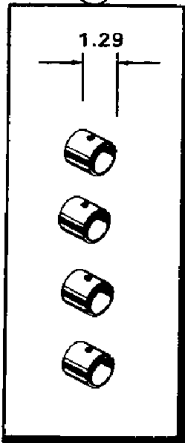
Diag #	Part #	Name	Description	Qty
1	A42813	PISTON	PISTON	1
2	A42812	SLEEVE	PISTON	4
3	A38424	PISTON	PISTON	1
4	G4819	RING	- compression, 1st groove (See ref. 12)	1
5	G4817	RING	- compression, 2nd groove (See ref. 12)	1
6	G47155	RAIL	RING - oil control, 3rd groove (See ref. 12)	2
7	G47174	SPRING	SPACER - oil control ring (See ref. 12)	1
8	NSS	NOT SERVICED SEPARATELY	PIN - piston (Order ref. 13)	1
9	G46702	RING, LOCKING	RING - piston pin retaining (See ref. 13)	2
10	A39006	SLEEVE	- piston	1
11	G46888	O-RING,3.737" ID x 3.943" OD	"O"RING - sleeve sealing	2
12	G37075	RING	KIT - re-ring (Set of 4)	1
13	A35771	KIT	PIN SET - (set of 4 pins	1

①

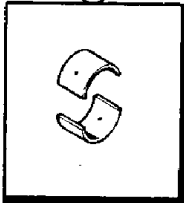
A136931 ROD



⑥

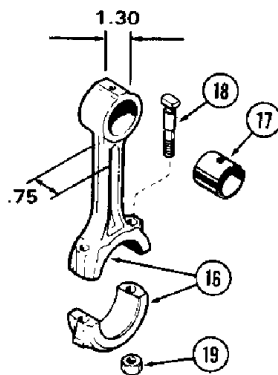


⑩

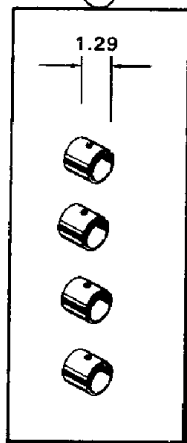


⑮

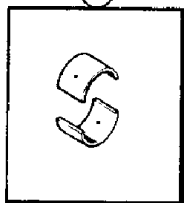
A144024 ROD



⑳

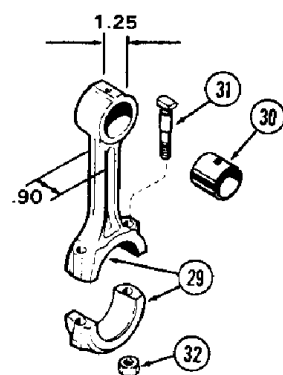


㉔

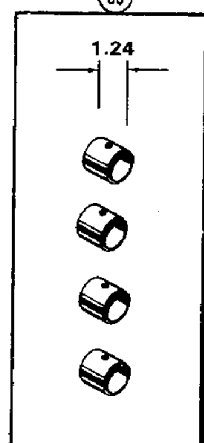


㉘

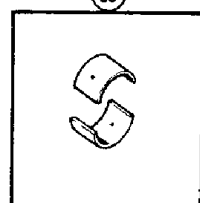
G11847 ROD



㉛

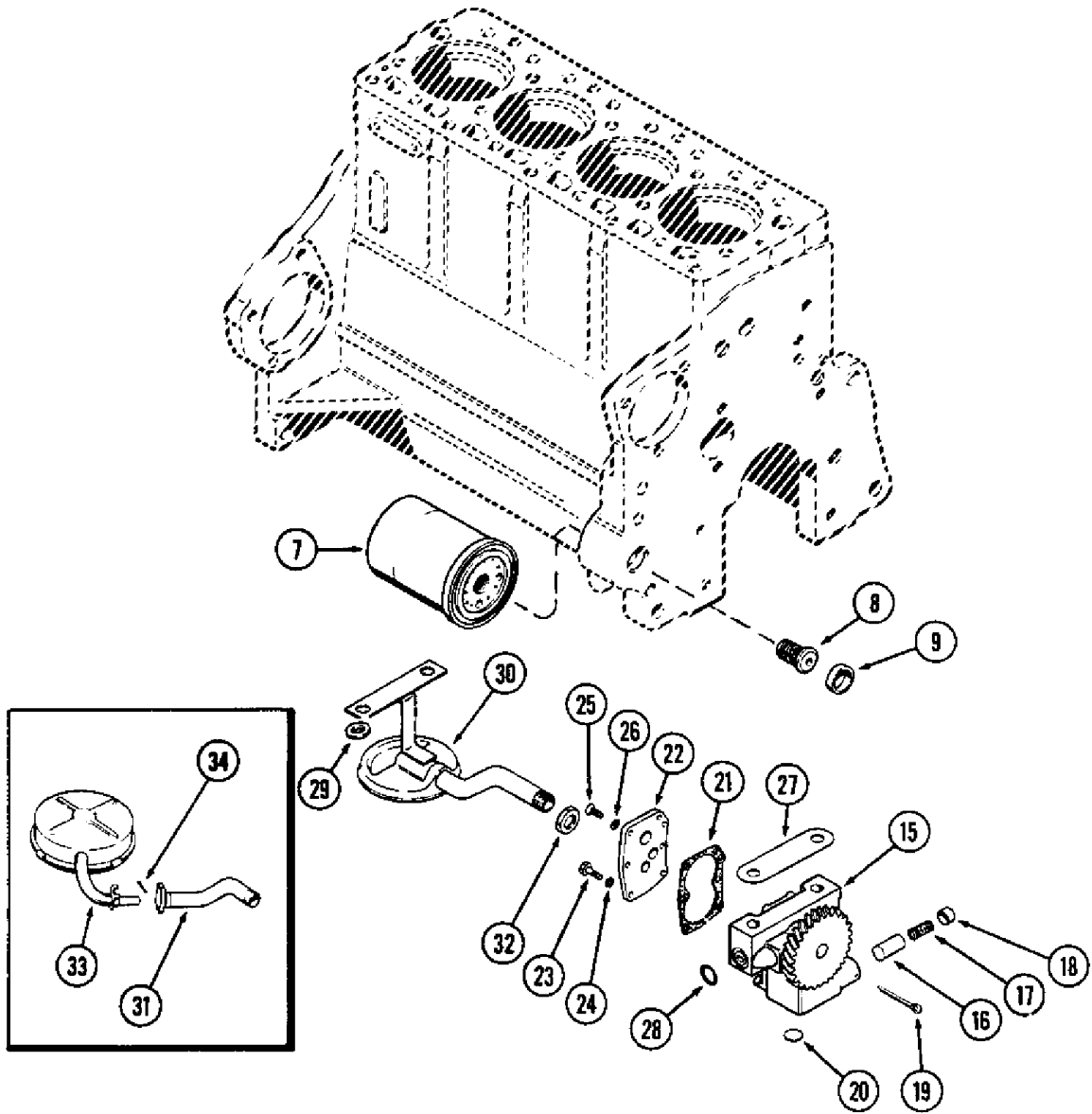


㉞



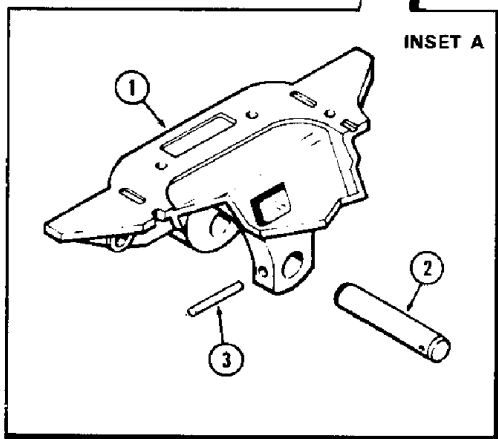
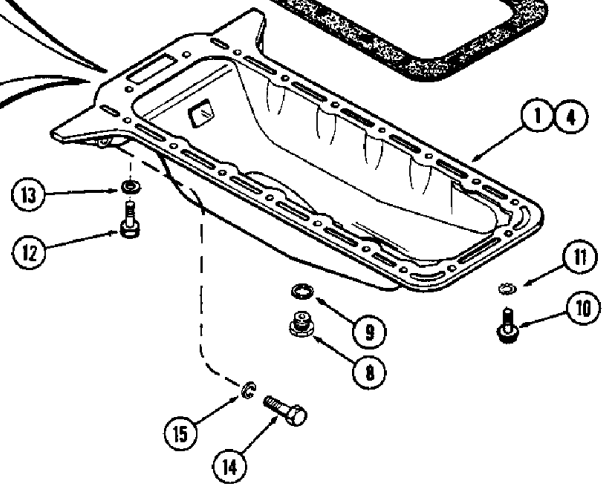
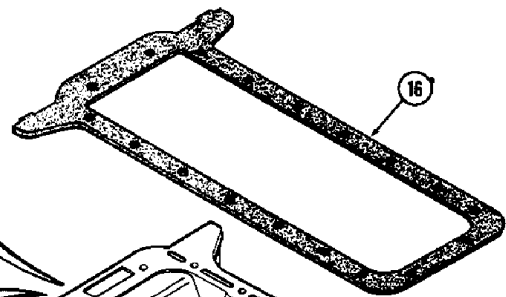
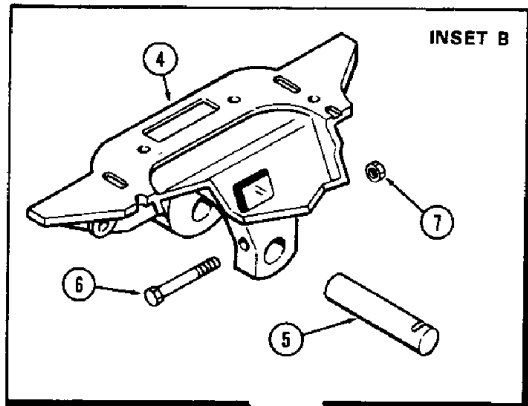
Diag #	Part #	Name	Description	Qty
1	A136931	ROD, CONNECTING	ROD ASSY. - connecting, Includes: Ref. 2 - 5	4
2	NSS	NOT SERVICED SEPARATELY	ROD	1
3	NSS	NOT SERVICED SEPARATELY	BUSHING - piston pin (Order ref. 6) (1-7/32 x 15/16 x 1.29" width)	1
4	G49064	STEP BOLT	BOLT - conn. rod cap	2
5	A51904	NUT	NUT - conn. rod, 3/8" N.F.	2
6	A44083	KIT	BUSHING SET - piston pin (Set of 4)	1
10	A36500	SEAL	LINER SET - conn. rod brg. (Std.) (Set of 2)	4
10	A36501	BEARING LINER	LINER SET - conn. rod brg. (-.002") (Set of 2)	4
10	A36502	LINING	SET - conn. rod brg. (-.010") (Set of 2)	4
10	A36503	BEARING LINER	LINER SET - conn. rod bearing (-.020") (Set of 2)	4
10	A36504	KIT	LINER SET - conn. rod brg. (-.030") (Set of 2)	4
15	A144024	ROD	aSSY. - connecting (Replacement for G11847), used prior s/n 2767997, Includes: Ref. 16 - 19	4
16	NSS	NOT SERVICED SEPARATELY	ROD	1
17	NSS	NOT SERVICED SEPARATELY	BUSHING - piston pin (Order ref. 20) (1-7/32 x 1-5/16 x 1.29" width), used prior s/n 2767997	1
18	G49064	STEP BOLT	conn. rod cap, used prior s/n 2767997	2
19	A51904	NUT	conn. rod, 3/8" N.F., used prior s/n 2767997	2
20	A44083	KIT	BUSHING SET - piston pin (Set of 4), used prior s/n 2767997	1
24	A36500	SEAL	LINER - conn. rod brg. (Std.) (Set of 2), used prior s/n 2767997	4
24	A36501	BEARING LINER	LINER - conn. rod brg. (-.002") (Set of 2), used prior s/n 2767997	4
24	A36502	LINING	conn. rod brg. (-.010") (Set of 2), used prior s/n 2767997	4
24	A36503	BEARING LINER	LINER - conn. rod brg. (-.020") (Set of 2), used prior s/n 2767997	4
24	A36504	KIT	LINER - conn. rod beg. (-.030") (Set of 2), used prior s/n 2767997	4

Diag #	Part #	Name	Description	Qty
28	G18847	ROD ASSY. - connecting (Order A144024), used prior s/n 2767997, Includes: Ref. 29 - 32	ROD ASSY. - connecting (Order A144024), used prior s/n 2767997, Includes: Ref. 29 - 32	4
29	NSS	NOT SERVICED SEPARATELY	ROD	1
30	NSS	NOT SERVICED SEPARATELY	BUSHING - piston pin (Order ref. 33) (1-7/32 x 1-5/16 x 1.24" width), used prior s/n 2767997	1
31	G49064	STEP BOLT	conn. rod cap, used prior s/n 2767997	2
32	A51904	NUT	conn. rod bolt (Replaced A39286), used prior s/n 2767997	2
33	G11953	BUSHING	SET - piston pin (Set of 4), used prior s/n 2767997	1
36	A36500	SEAL	LINER SET - conn. rod brg. (Std.) (Set of 2), used prior s/n 2767997	4
36	A36501	BEARING LINER	LINER SET - conn. rod brg. (-.002") (Set of 2), used prior s/n 2767997	4
36	A36502	LINING	LINER SET - conn. rod brg. (-.010) (Set of 2), used prior s/n 2767997	4
36	A36503	BEARING LINER	LINER SET - conn. rod brg. (-.020") (Set of 2), used prior s/n 2767997	4
36	A36504	KIT	LINER SET - conn. rod brg. (-.030") (Set of 2), used prior s/n 2767997	4

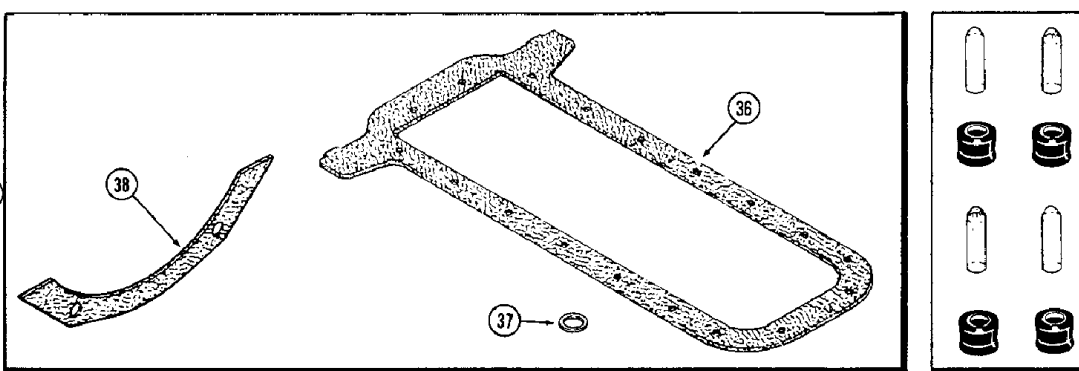
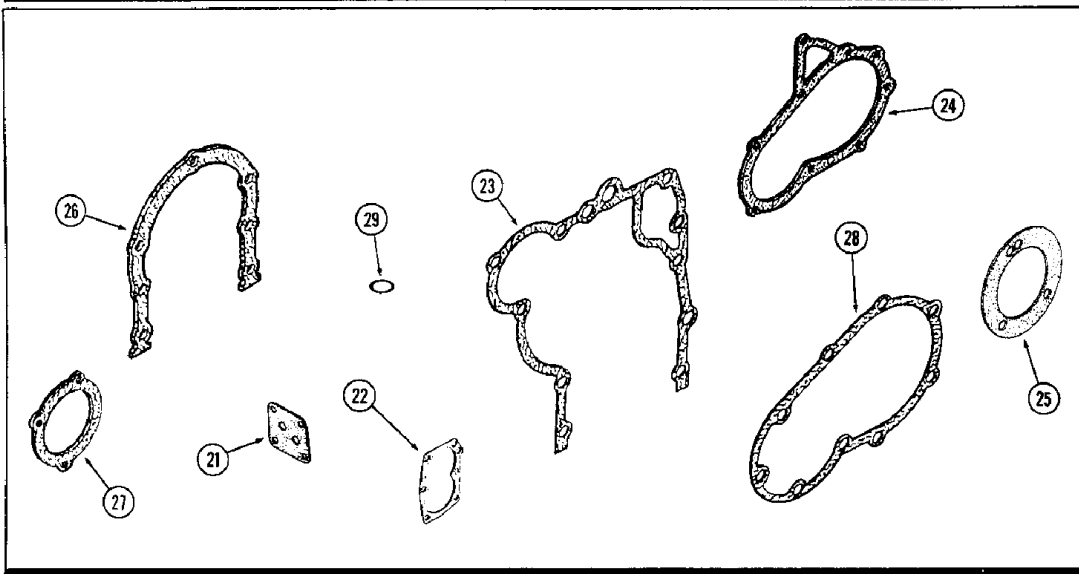
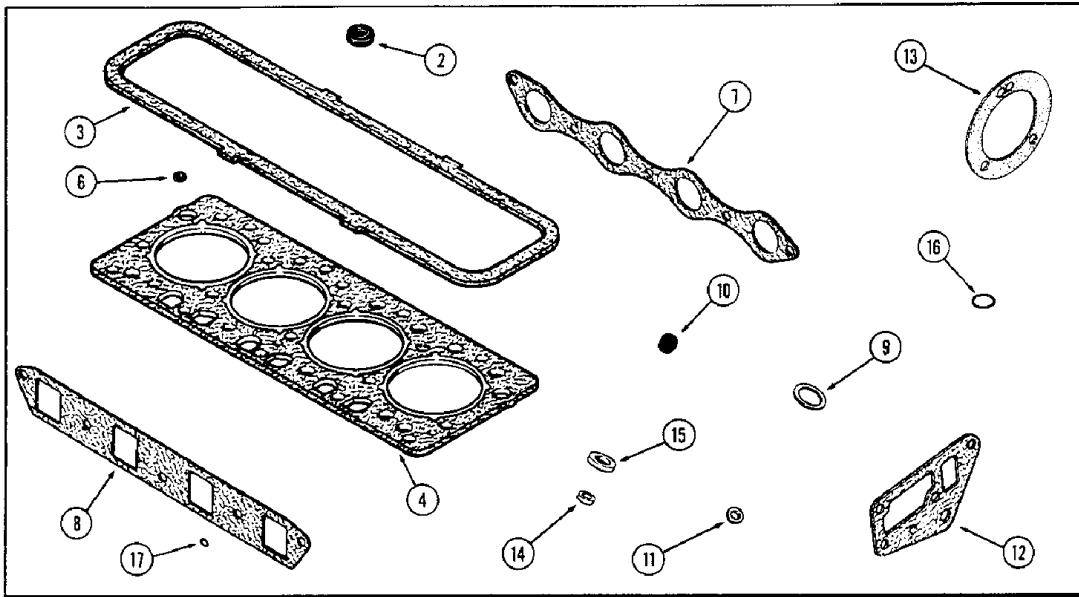


Diag #	Part #	Name	Description	Qty
7	A37189	FILTER, ELEMENT	ELEMENT, FILTER engine oil	1
8	A153552	ADAPTER	ADAPTER -, Serial Range: filter-block	1
9	41-1016	PLUG,Cup, 1"	adapter opening, 1" cup type	1
15	A38372	PUMP	ASSY. - oil pump, Includes: Ref. 16 - 26	1
15	AR38372	REMAN-ENG OIL PUMP	REMAN-ENGINE OIL PUMP Remanufactured Oil Pump; For N.A. only	1
15	AC38372	CORE PUMP, ENGINE OIL	CORE-ENGINE OIL PUMP Return number - For N.A. only	1
16	A29279		- relief, oil pump	1
17	G48500	SPRING	relief valve, oil pump	1
18	A29260	RETAINER	relief spring, oil pump	1
19	132-50	COTTER PIN,1/8" x 1 1/4"	Pin, Split (Cotter), , Oil pump 1/8" x 1 1/4"	1
20	A39321	PLUG,Cup, 7/16"	pump body (1/2" cup type) (Replaces A30020), oil	1
21	G46852	GASKET	pump cover, oil	1
22	NSS	NOT SERVICED SEPARATELY	COVER - pump body, oil	1
23	13-420	BOLT,Hex, 1/4"-20 x 1 1/4", G5	BOLT, , Oil pump Hex, 1/4"-20 x 1 1/4", G5	1
23	13-412	BOLT,Hex, 1/4"-20 x 3/4", G5, Full Thd	BOLT, , Oil pump Hex, 1/4"-20 x 3/4", G5, Full Thd	3
24	92-4	LOCK WASHER,1/4"	WASHER, LOCK, , Oil pump 1/4"	4
25	73-410	SCREW,Slotted Flat Hd, 1/4"-20 x 5/8"	1/4 x 5/8" flat hd., oil pump	2
26	193-52	LOCK WASHER,Ext Csk Tooth, 1/4"	WASHER, LOCK, , Oil pump Ext Csk Tooth, 1/4"	2
27	G11337	SHIM,.002" Thk	SHIM, , Pump to block, Oil .002" Thk	1
27	G11338	SHIM,.005" Thk	SHIM, , Pump to block, Oil .005" Thk	1
28	A27365	O-RING,0.737" ID x 0.943" OD x 0.103"	3/4 x 15/16 x 3/32", oil pump	1
29	G49404	WASHER	screen bracket to brg. cap (17/32 x 27/32 x 1/16"), oil pump	2
30	NSS	NOT SERVICED SEPARATELY	SCREEN - oil pump (1st used eng. ser. no. 2719436) (Order ref. 31, 32, 33	1
31	A39035	TUBE	PIPE ASSY. - suction (Used prior to eng. ser. no. 2719436), oil pump	1
32	223-207	LOCK NUT	NUT - pipe tp pump, lock, oil	1
33	A39036	FLOAT	ASSY. - (Includes screen) (Used prior to eng. ser. no. 2719436), oil pump	1

Diag #	Part #	Name	Description	Qty
34	132-50	COTTER PIN,1/8" x 1 1/4"	Pin, Split (Cotter), (Used prior to eng. S/N 2719436), oil pump 1/8" x 1 1/4"	1

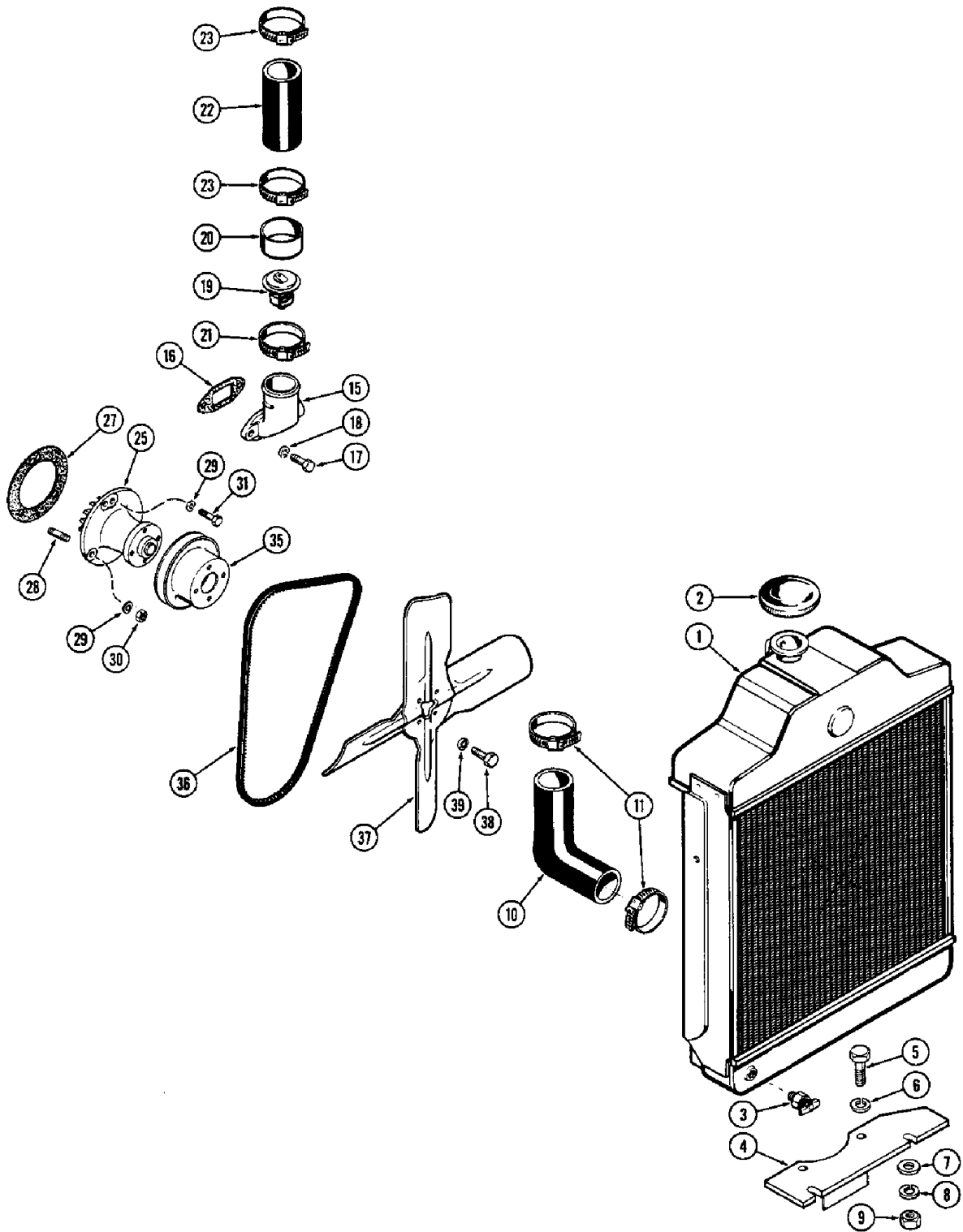


Diag #	Part #	Name	Description	Qty
1	A38425	PAN	- oil (Used with A51356 radius rod rear pivot pin and 135-361 groove pin) (See inset A) (Order 1-A51539 oil pan, 1-A51537 bolt and 131-351 nut)	1
2	A51356	PIN	- radius rod rear pivot	1
3	135-361	GROOVED PIN, 1/4" x 2", Type F	PIN - Grooved, 1/4" x 2", Type F	1
4	A51539	PAN	- oil (Used with A51537 pivot pin, 26-544 bolt and 131-351 nut) (See inset B)	1
5	A51537	PIN	- radius rod rear pivot	1
6	26-544	BOLT, Hex, 5/16"-18 x 2 3/4", G8	- 5/16 x 2-3/4" N.C. hex.	1
7	131-151	LOCK NUT	NUT - 5/16" N.C. hex.	1
8	A140222	PLUG	- drain (Replaces A14280)	1
9	A58608	OIL PAN GASKET SET	- drain plug, nylon	1
10	26-528	BOLT, Hex, 5/16"-18 x 1 3/4", G8	- (5/16 x 1-3/4" N.C. hex.)	14
10	26-516	BOLT, Hex, 5/16"-18 x 1", G8, Full Thd	BOLT, Hex, 5/16"-18 x 1", G8, Full Thd	2
11	193-83	LOCK WASHER, Int Tooth, 5/16"	WASHER - Shakeproof, 5/16" ext.	16
12	26-564	BOLT, Hex, 5/16"-18 x 4", G8	- (5/16 x 4" N.C. hex.)	2
13	195-1019	WASHER	- 11/21 x 7/8 x 1/16", brass	2
14	113-663	BOLT (SPREADER)	BOLT - 5/8 x 2-1/4" N.C. hex. (To torque tube)	2
15	92-10	LOCK WASHER, 5/8"	WASHER, LOCK, 5/8"	2
16	NSS	NOT SERVICED SEPARATELY	GASKET - oil pan (Order A43064 Figure 32)	1



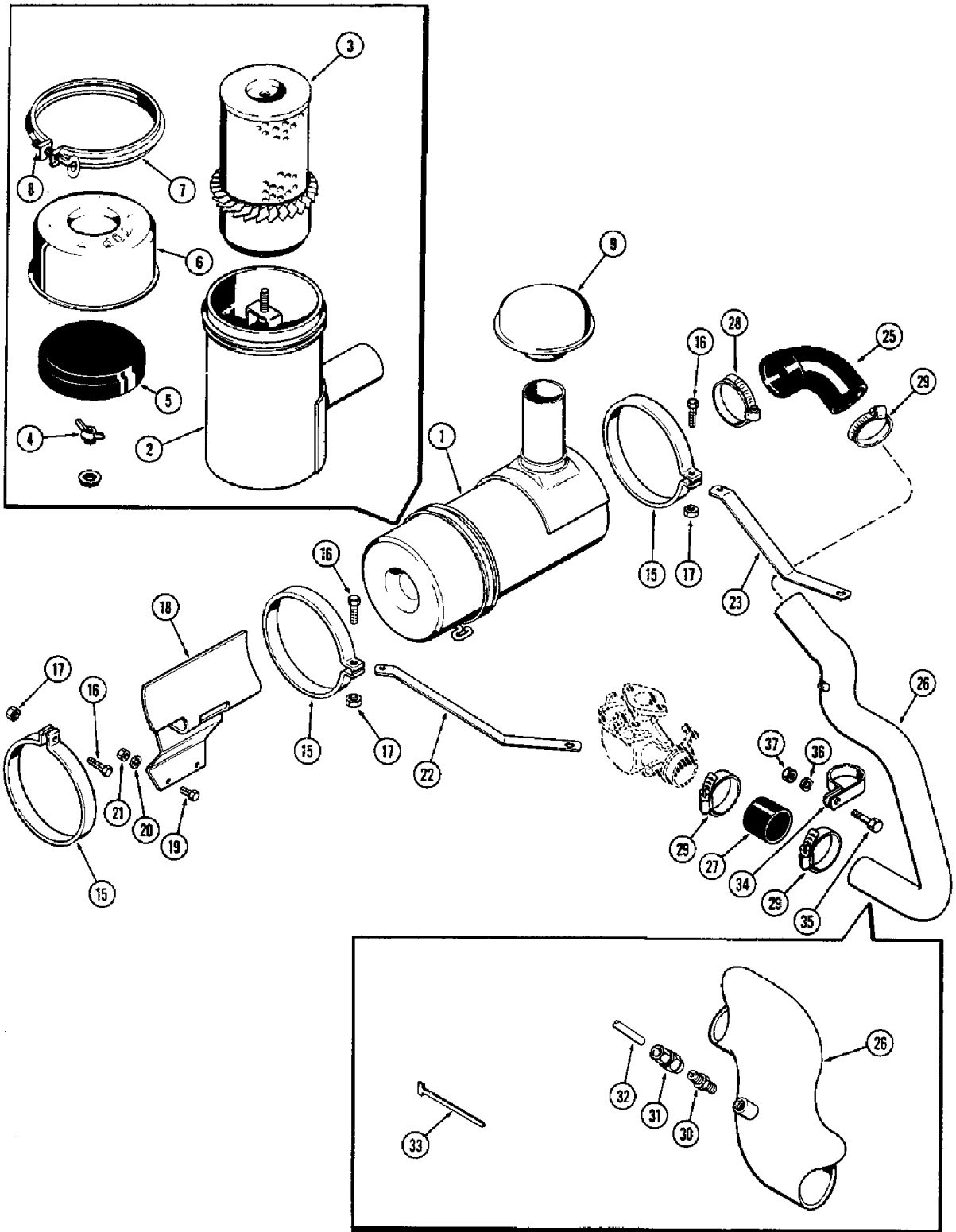
Diag #	Part #	Name	Description	Qty
1	A43193	GASKET	KIT - valve grind (See note) (Replaces A43069)	1
2	A142098	GROMMET	- valve cover stud (Rubber) (Replaces G46867)	2
3	A43030	GASKET	- valve cover	1
4	A39279	GASKET	- cylinder head (Replaces A38640)	1
6	G46851	SEAL	- valve stem (Rubber) (See ref. 40)	8
7	G46872	MANIFOLD GASKET	- manifold, exhaust	1
8	G46871	GASKET	- manifold, intake	1
9	G49068	GASKET	- fuel injector seat (Not applicable)	4
10	222-101	SLEEVE,3/16" Tube	- for (Not applicable) 3/16" Tube	4
10	222-103	SLEEVE,5/16" Tube	(Not applicable) 5/16" Tube	2
11	G49407	RING	WASHER - injection lines, 3/8 x 1/2 x 1/16"	8
12	A38084	GASKET	- timing gear cover, upper	1
13	A38083	GASKET	- water pump	1
14	A41402	SEAL	- carbon stop, fuel injector, 5/16 x 11/32 x 1/8"	4
15	A41403	WASHER	- fuel injector, 3/8 x 9/16 x 1/8"	4
16	F62075	O-RING,0.734" ID x 1.012" OD	"O"RING - water pump body, 3/4 x 1 x 1/8"	1
17	A27891	O-RING,0.362" ID x 0.568" OD x 0.103"	"O"RING - intake manifold stud (3/8 x 9/16 x 3/32")	3
20	A43198	GASKET	KIT - cylinder block (See note) (Replaces A41426), Includes: Ref. 21 - 29	1
21	G46854	GASKET	- oil filter bracket (Not applicable)	1
22	G46852	GASKET	- oil pump cover	1
23	A51529	GASKET	- timing gear cover, lower (Replaces A38228)	1
24	G46859	GASKET	- timing gear cover, front (Used w/1 piece cover. See Figure 13C)	1
25	A38083	GASKET	- water pump	1
26	A39188	GASKET	- rear oil seal retainer	1
27	A30042	GASKET	- power steering pump	1
28	A39925	GASKET	- inj. pump drive gear cover (Used w/2 piece cover. See Figure 12)	1
29	F62075	O-RING,0.734" ID x 1.012" OD	"O"RING - water pump body	1
35	A43064	GASKET	KIT - oil pan (See note), Includes: Ref. 36 - 38	1

Diag #	Part #	Name	Description	Qty
36	NSS	NOT SERVICED SEPARATELY	GASKET - oil pan (Order A43064)	1
37	A58608	OIL PAN GASKET SET	- drain plug, nylon	1
38	G46913	GASKET	- block to torque tube	1
40	M20611	SEAL KIT	- seal, valve stem (Set of 4 seals	1



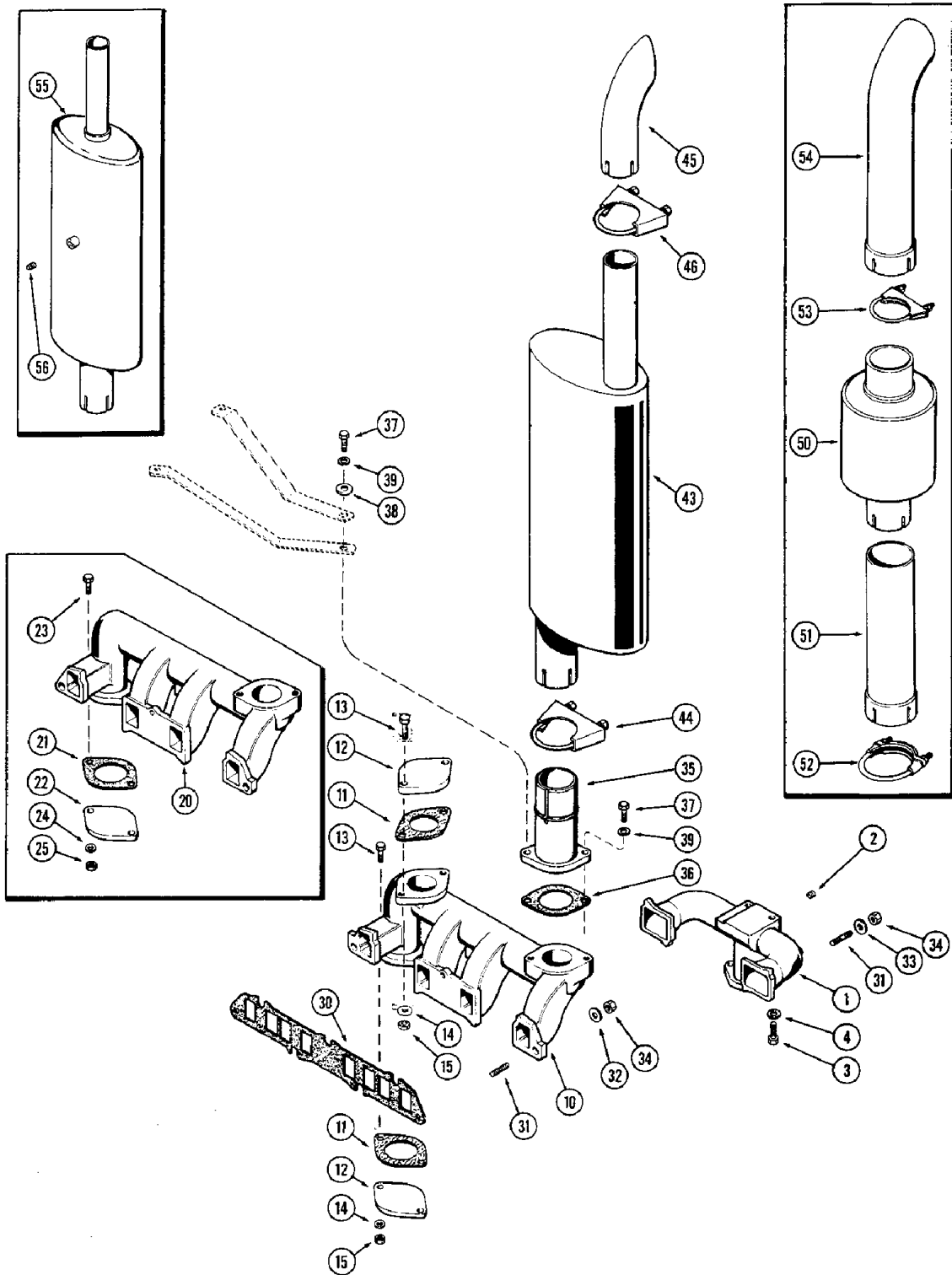
Diag #	Part #	Name	Description	Qty
1	A39344	RADIATOR	RADIATOR	1
2	A39359	CAP	- radiator	1
3	217-103	COCK, DRAIN	DRAIN COCK - radiator	1
4	A35574	BRACKET	- radiator mounting	1
5	13-816	BOLT,Hex, 1/2"-13 x 1", G5, Full Thd	BOLT,Hex, 1/2"-13 x 1", G5, Full Thd	2
6	92-8	LOCK WASHER,1/2"	LOCK WASHER,1/2"	2
7	195-25	WASHER,3/8"	- 13/32 x 13/16 x 1/16"	2
8	92-6	LOCK WASHER,3/8"	WASHER - lock, 3/8"	2
9	25-106	NUT,3/8"-16, G5	- 3/8" N.C. hex.	2
10	G46361	RADIATOR HOSE,1.75" ID x 5.13", SAE 20R4	Lower 1.75" ID x 5.13", SAE 20R4	1
11	214-258	HOSE CLAMP,#28, 1.31/2.25 Type F Worm	lower #28, 1.31/2.25 Type F Worm	2
15	G11965	ELBOW	- cylinder, Serial Range: head-radiator	1
16	A30003	GASKET	- elbow	1
17	13-616	BOLT,Hex, 3/8"-16 x 1", G5, Full Thd	BOLT,Hex, 3/8"-16 x 1", G5, Full Thd	2
18	92-6	LOCK WASHER,3/8"	WASHER - lock, 3/8"	2
19	G11065	CASE	THERMOSTAT - 177 degrees to 182 degress F	1
20	G49625	SUPPORT	- thermostat clamp	1
21	214-262	HOSE CLAMP,#44, 2.31/3.25 Type F Worm	CLAMP - hose, 2-5/16 to 3-1/4"	1
22	G46239	RADIATOR HOSE,2.00" ID x 4.88", SAE 20R2	Upper 2.00" ID x 4.88", SAE 20R2	1
23	214-260	HOSE CLAMP,#36, 1.81/2.75 Type F Worm	HOSE CLAMP,#36, 1.81/2.75 Type F Worm	2
25	A39074	PUMP	ASSY. - water, Includes: Ref. 27	1
27	A38083	GASKET	- pump to timing gear cover	1
28	A29433	STUD	- 3/8" N.C. x 1"	1
29	193-30	LOCK WASHER,Int Tooth, 3/8"	WASHER, LOCK, Int Tooth, 3/8"	3
30	25-106	NUT,3/8"-16, G5	- 3/8" N.C. hex.	1
31	13-612	BOLT,Hex, 3/8"-16 x 3/4", G5, Full Thd	BOLT,Hex, 3/8"-16 x 3/4", G5, Full Thd	1
31	13-644	BOLT,Hex, 3/8"-16 x 2 3/4", G5	- 3/8 x 2-3/4" N.C. hex.	1
35	G11339	PULLEY	- fan	1

Diag #	Part #	Name	Description	Qty
36	A38824	BELT	Fan and Alternator Drive	1
37	G45243	FAN	- cooling	1
38	13-58	BOLT,Hex, 5/16"-18 x 1/2", G5, Full Thd	BOLT,Hex, 5/16"-18 x 1/2", G5, Full Thd	4
39	92-5	LOCK WASHER,5/16"	LOCK WASHER,5/16"	4



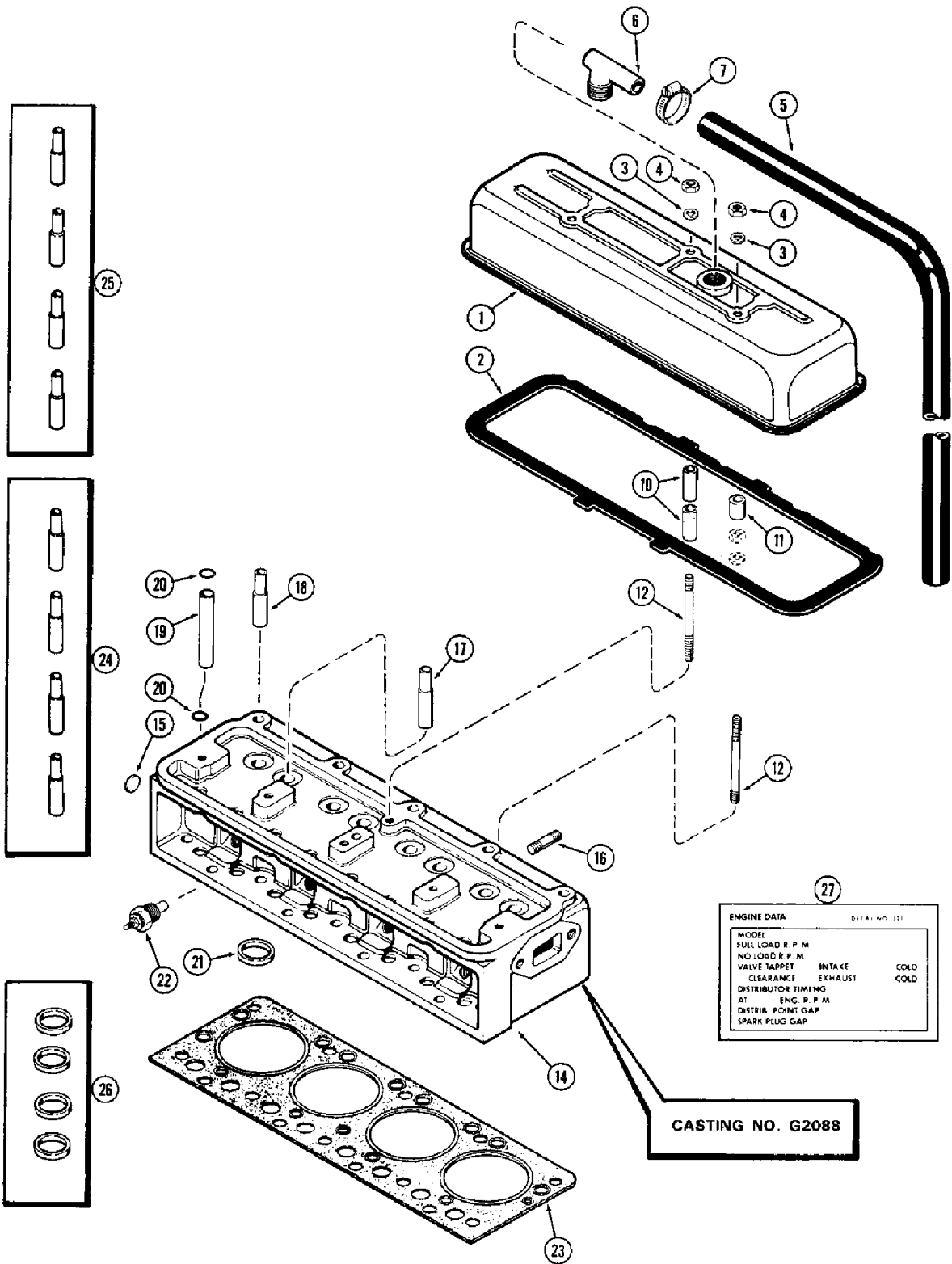
Diag #	Part #	Name	Description	Qty
1	A139086	AIR CLEANER	ASSY. - (Replaces A39346), Includes: Ref. 2 - 8	1
2	NSS	NOT SERVICED SEPARATELY	BODY - air cleaner	1
3	A42274	AIR FILTER	ELEMENT - cleaner	1
4	F91761	WING NUT	- element retaining, wing	1
5	F22312	BAFFLE	BATTLE - rubber	1
6	F91760	CUP	- air cleaner access	1
7	F84999	CLAMP	ASSY. - cup retaining	1
8	25-224	SQUARE NUT,Sq, 1/4"-20	- 1/4" N.C. hex.	1
9	A61276	AIR CLEANER	PRE-CLEANER ASSY.	1
15	A39347	BAND	- air cleaner mounting	3
16	113-132	BOLT,Hex, 1/4"-20 x 1 3/4", G5	- 1/4 x 1-3/4" N.C. hex.	3
17	131-48	LOCK NUT,1/4"-20, GB	NUT - 1/4" N.C. hex., lock	3
18	A39348	BRACKET	- air cleaner mounting	1
19	13-612	BOLT,Hex, 3/8"-16 x 3/4", G5, Full Thd	BOLT,Hex, 3/8"-16 x 3/4", G5, Full Thd	2
20	92-6	LOCK WASHER,3/8"	WASHER - lock, 3/8"	2
21	25-106	NUT,3/8"-16, G5	- 3/8" N.C. hex.	2
22	A39608		STRAP - air cleaner support	1
23	A39349		STRAP - air cleaner support	1
25	A39357	HOSE	- air cleaner to air tube	1
26	A39354		TUBE - air, Serial Range: cleaner-carburetor	1
27	G46157	AIR INTAKE TUBE,2" ID x 2.375" OD x 2" L	HOSE, 2.00" ID x 2.00", SAE 20R2 - Carburetor to Air Tube	1
28	214-262	HOSE CLAMP,#44, 2.31/3.25 Type F Worm	CLAMP - hose, 2-5/16 to 3-1/4"	1
29	214-260	HOSE CLAMP,#36, 1.81/2.75 Type F Worm	HOSE CLAMP,#36, 1.81/2.75 Type F Worm	3
30	D36264	FITTING	FILTER - safety	1
31	222-5130	FITTING,7/16"-24 x 1/8" NPT Fem	CONNECTOR - vacuum tube to filter, 3/8" P.T. for 1/4" tube	1
32	A39358	TUBE	- safety filter to indicator on panel	1
33	L11541	CABLE TIE	STRAP - vacuum tube to tachometer cable	1
34	A39356		CLAMP - tube	1
35	13-620	BOLT,Hex, 3/8"-16 x 1 1/4", G5, Full Thd	- 5/8 x 1-3/4" N.C. hex.	1

Diag #	Part #	Name	Description	Qty
36	84057		WASHER, LOCK, (5/8") M16	1
37	25-106	NUT,3/8"-16, G5	- 5/8" N.C. hex.	1

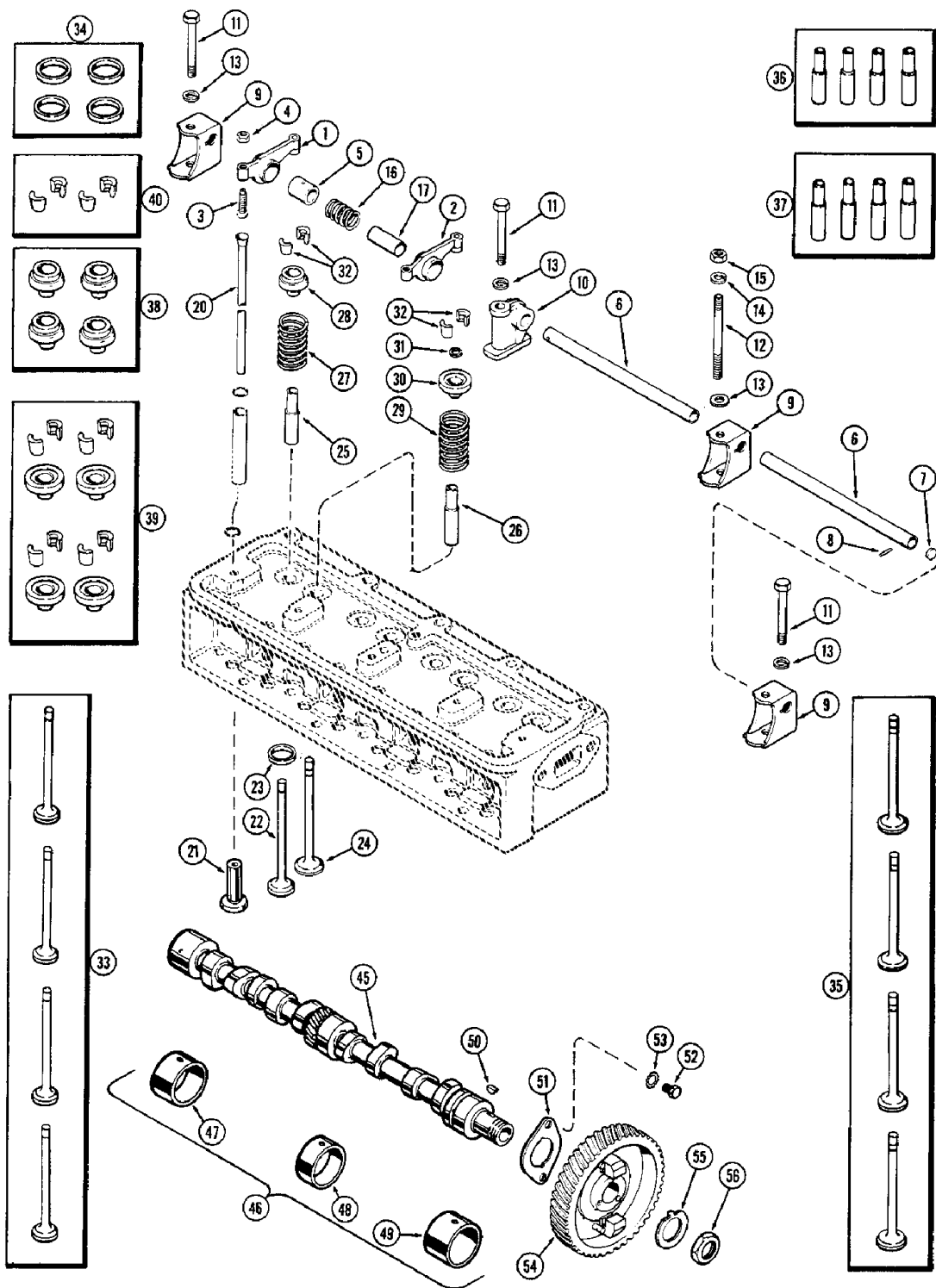


Diag #	Part #	Name	Description	Qty
1	A37004	MANIFOLD	intake	1
2	221-1012	DRAIN PLUG,Sq Hd, 1/4"-18 NPTF	1/4" P.T. sq. hd.	1
3	13-640	BOLT,Hex, 3/8"-16 x 2 1/2", G5	- 3/8 x 2-1/2" N.C. hex.	2
4	92-6	LOCK WASHER,3/8"	WASHER - lock, 3/8"	2
10	A39231	MANIFOLD ASSY	exhaust, 1st used eng s/n 2706224, Includes: Ref. 11 - 15	1
11	G46853	MANIFOLD GASKET	exhaust manifold plate, 1st used eng s/n 2706224	2
12	A38188	PLATE	exhaust manifold, 1st used eng s/n 2706224	2
13	13-620	BOLT,Hex, 3/8"-16 x 1 1/4", G5, Full Thd	1st used eng S/N 2706224 Hex, 3/8"-16 x 1 1/4", G5, Full Thd	4
14	195-25	WASHER,3/8"	plain (), 1st used eng s/n 2706224 3/8"	4
15	193-903	NUT - (3/8" N.C. Seez-Pruf), 1st used eng s/n 2706224	NUT - (3/8" N.C. Seez-Pruf), 1st used eng s/n 2706224	4
20	G2042	MANIFOLD	exhaust (Order A39231), used prior to eng s/n 2706224	1
21	G46853	MANIFOLD GASKET	cover, used prior to eng s/n 2706224	1
22	A38188	PLATE	COVER - exhaust opening, used prior to eng s/n 2706224	1
23	13-624	BOLT,Hex, 3/8"-16 x 1 1/2", G5	- 3/8 x 1-1/2" N.C. hex., used prior to eng s/n 2706224	2
24	195-25	WASHER,3/8"	13/32 x 13/16 x 1/16", used prior to eng s/n 2706224	2
25	131-903	NUT,3/8"-16	3/8" N.C. hex., brass, used prior to eng s/n 2706224	2
30	A30030	GASKET	intake	1
31	A29431	STUD	3/8" N.C. x 1-3/4", used prior to eng s/n 2706224	7
32	A30058	WASHER	13/32 x 7/8 x 1/8", exhaust manifold, used prior to eng s/n 2706224	4
33	195-25	WASHER,3/8"	13/32 x 13/16 x 1/16", intake manifold, used prior to eng s/n 2706224	3
34	131-903	NUT,3/8"-16	3/8" N.C. hex., brass, used prior to eng s/n 2706224	7
35	G2095	FITTING	outLET - exhaust, muffler, used prior to eng s/n 2706224	1
36	G46853	MANIFOLD GASKET	outlet, used prior to eng s/n 2706224	1

Diag #	Part #	Name	Description	Qty
37	13-624	BOLT,Hex, 3/8"-16 x 1 1/2", G5	- 3/8 x 1-1/2" N.C. hex., used prior to eng s/n 2706224	2
38	195-25	WASHER,3/8"	plain, 13/32 x 13/16 x 1/16", used prior to eng s/n 2706224	4
39	92-6	LOCK WASHER,3/8"	WASHER - lock, , used prior to eng s/n 2706224 3/8"	2
43	A39561	MUFFLER	standard	1
44	A13240	CLAMP	muffler (2-1/2" I.D.), standard	1
45	A39571	PIPE, EXHAUST SYSTEM	extension, standard muffler	1
46	G45410	CLAMP	extension (1-7/8" I.D.), standard muffler	1
50	D45256	MUFFLER	spark arresting	1
51	D49170		PIPE - outlet to muffler, spark arresting	1
52	A13240	CLAMP	pipe (2-1/2" I.D.), sparkarresting muffler	1
53	A27115	CLAMP	muffler (2-7/8" I.D.), spark arresting	2
54	D33535	PIPE	EXTENSION - muffler, spark arresting	1
55	D65392	MUFFLER	ASSY. - exhaust, fork lift	1
56	217-76	DRAIN PLUG,Sq Hd, 1/4"-18 NPTF, Brass	1/4" P.T. sq. hd., fork lift muffler	1

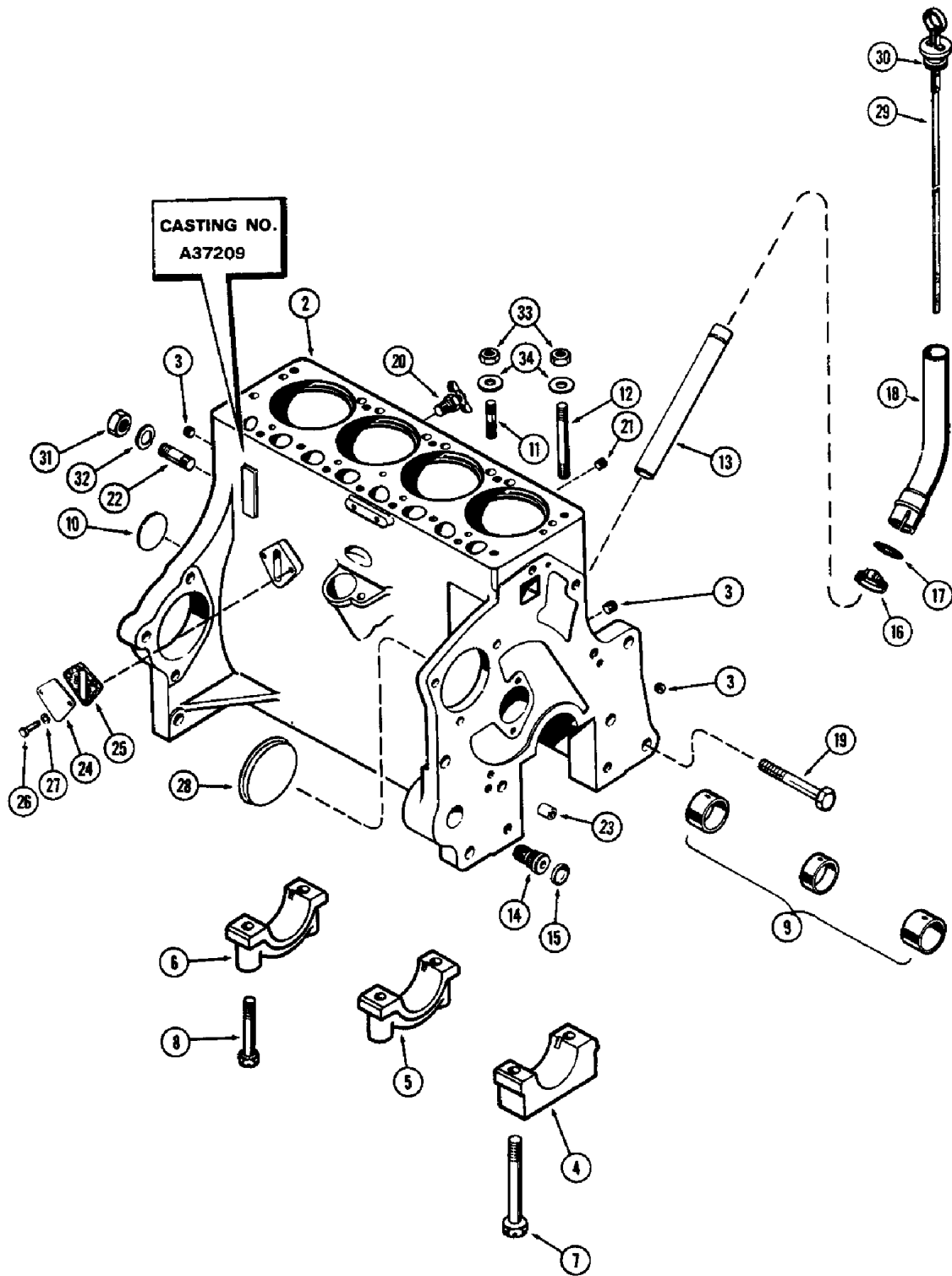


Diag #	Part #	Name	Description	Qty
1	A37212	COVER	ASSY. - cylinder head	1
2	A43021	GASKET	- cover	1
3	A29277	WASHER	- 13/32 x 1 x 1/8"	3
4	25-1106	NUT - 3/8" N.C. hex.	NUT - 3/8" N.C. hex.	3
5	A39570	TUBE	- breather, neoprene	1
6	A9155	ELBOW	- breather	1
7	214-253	HOSE CLAMP,#10, 0.56/1.06 Type F Worm	CLAMP - hose, 9/16 to 1-1/16"	1
10	A29999	SPACER	- cover, 19/32" long	2
11	A30065	SPACER	- cover, 17/32" long	2
12	G49505	STUD	- 3/8" N.C. x 4-5/8"	3
14	G11874	HEAD (CYLINDER)	HEAD ASSY. - cylinder (Casting #G2088), Includes: Ref. 15 - 21	1
15	41-18	PLUG	- 1-1/8" expansion	1
16	A29431	STUD	- 3/8" N.C. x 1-3/4"	7
17	NSS	NOT SERVICED SEPARATELY	GUIDE - intake valve (Order ref. 24)	4
18	NSS	NOT SERVICED SEPARATELY	GUIDE - exhaust valve (Order ref. 25)	4
19	G11360	TUBE,0.687" OD x 3.687" L	- push rod	8
20	F62114	O-RING,0.674" ID x 0.88" OD	"O"RING - 11/16 x 7/8 x 3/32"	16
21	NSS	NOT SERVICED SEPARATELY	INSERT - exhaust valve seat (Order ref. 26)	4
22	A21462	SENDER UNIT	SENDER - heat gauge	1
23	G46870	CYLINDER HEAD GASKET	-, Serial Range: head-block	1
24	G10269	KIT	GUIDES - intake valve (Set of 4)	1
25	A30270	GUIDE	S - exhaust valve (Set of 4)	1
26	G11960	KIT	INSERTS - exhaust valve seat (Set of 4)	1
27	321-1356	DECAL	- engine data	1



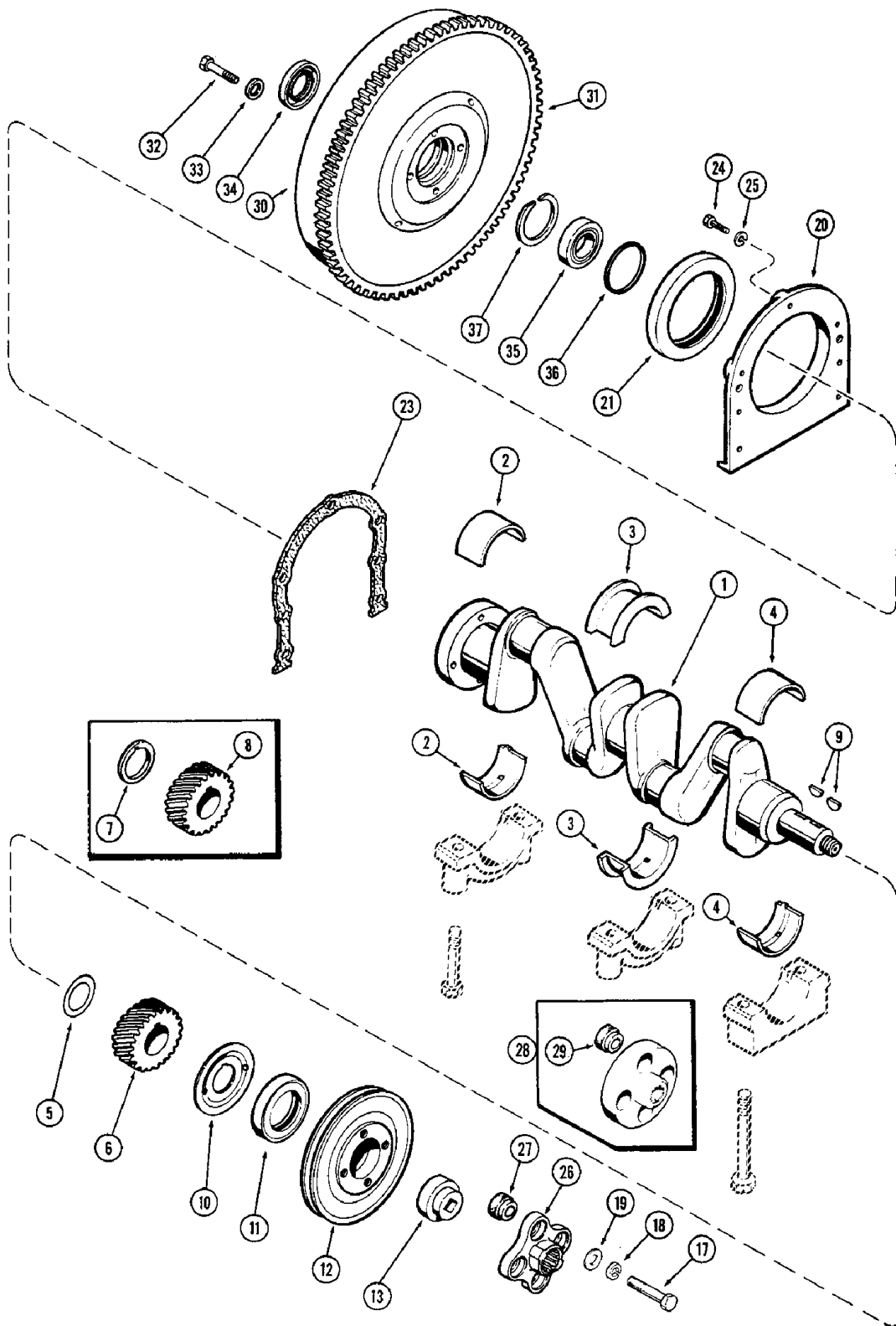
Diag #	Part #	Name	Description	Qty
1	G45234	ARM	ASSY. - rocker, R.H., Includes: Ref. 3 - 5	4
2	G45235	ARM	ASSY. - rocker, L.H., Includes: Ref. 3 - 5	4
3	A31056	ADJUSTMENT SCREW	SCREW - adjusting	1
4	25-155	JAM NUT, Jam, 5/16"-24, G5	- 5/16" N.F. hex., jam	1
5	A31055	BUSHING	- rocker arm	1
6	A37197	SHAFT	- rocker arm	2
7	A26796	PLUG	- shaft	2
8	138-57	LOCK PIN, 1/8" x 3/4", Slotted	PIN, 1/8" x 3/4", Slotted	2
9	G46250	BRACKET	- rocker arm shaft	4
10	G2107	BRACKET	- rocker arm shaft, center	1
11	13-644	BOLT, Hex, 3/8"-16 x 2 3/4", G5	- 3/8 x 2-3/4" N.C. hex.	3
12	G49505	STUD	- 3/8" N.C. x 4-5/8"	2
13	A29277	WASHER	- 13/32 x 1 x 1/8"	2
14	92-6	LOCK WASHER, 3/8"	WASHER - lock, 3/8"	5
15	25-106	NUT, 3/8"-16, G5	- 3/8" N.C. hex.	2
16	A30007	SPRING	- rocker arm shaft	4
17	A30008	SPACER	- rocker arm shaft	2
20	G11086	ROD	- push	8
21	A30006	TAPPET	LIFTER - push rod	8
22	NSS	NOT SERVICED SEPARATELY	VALVE - exhaust (Order ref. 33)	4
23	NSS	NOT SERVICED SEPARATELY	INSERT - exhaust valve seat (Order ref. 34)	4
24	NSS	NOT SERVICED SEPARATELY	VALVE - intake (Order ref. 35)	4
25	NSS	NOT SERVICED SEPARATELY	GUIDE - exhaust valve stem (Order ref. 36)	4
26	NSS	NOT SERVICED SEPARATELY	GUIDE - intake valve stem (Order ref. 37)	4
27	G10004	SPRING	- exhaust valve	4
28	NSS	NOT SERVICED SEPARATELY	ROTO-CAP - exhaust valve (Order ref. 38)	4
29	A30025	SPRING	- intake valve	4
30	NSS	NOT SERVICED SEPARATELY	RETAINER - intake valve spring (Order ref. 39)	4
31	G46851	SEAL	- intake valve stem	4

Diag #	Part #	Name	Description	Qty
32	NSS	NOT SERVICED SEPARATELY	LOCK - valve spring (Order ref. 40)	16
33	G11962	VALVE, ENG EXHAUST,	VALVES - exhaust (Set of 4)	1
34	G11960	KIT	INSERTS - exhaust valve seat (Set of 4)	1
35	G11961	VALVE	- intake (Set of 4)	1
36	A30270	GUIDE	S - exhaust valve stem (Set of 4)	1
37	G10269	KIT	GUIDES - intake valve stem (Set of 4)	1
38	G11928	CAP	ROTO-CAP - exhaust valve (Set of 4)	1
39	G11927	RETAINER	S - intake valve spring (Set of 4 w/locks)	1
40	G11929	LOCK	S - valve spring (Set of 4)	4
45	G2049	CAMSHAFT	CAMSHAFT	1
46	A41225	KIT	BUSHING SET - camshaft, Includes: Ref. 47 - 49	1
47	NSS	NOT SERVICED SEPARATELY	BUSHING - camshaft, rear (1-3/16" wide)	1
48	NSS	NOT SERVICED SEPARATELY	BUSHING - camshaft, center (23/32" wide)	1
49	NSS	NOT SERVICED SEPARATELY	BUSHING - camshaft, front (1-5/16" wide)	1
50	126-12	WOODRUFF KEY,#6, 5/32" x 5/8"	WOODRUFF KEY,#6, 5/32" x 5/8"	1
51	A29290	PLATE	- thrust	1
52	A30056	SCREW	- plate	2
53	193-9	LOCK WASHER,Ext Tooth, 5/16"	WASHER, LOCK, Ext Tooth, 5/16"	2
54	G37066	GEAR	- camshaft	1
55	A29438	LOCK NUT	WASHER - tab, camshaft nut locking	1
56	A30063	NUT	- camshaft	1



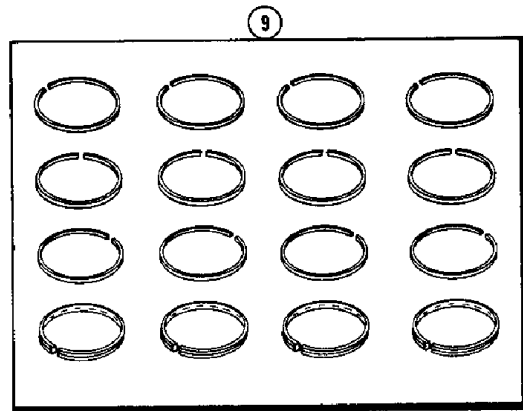
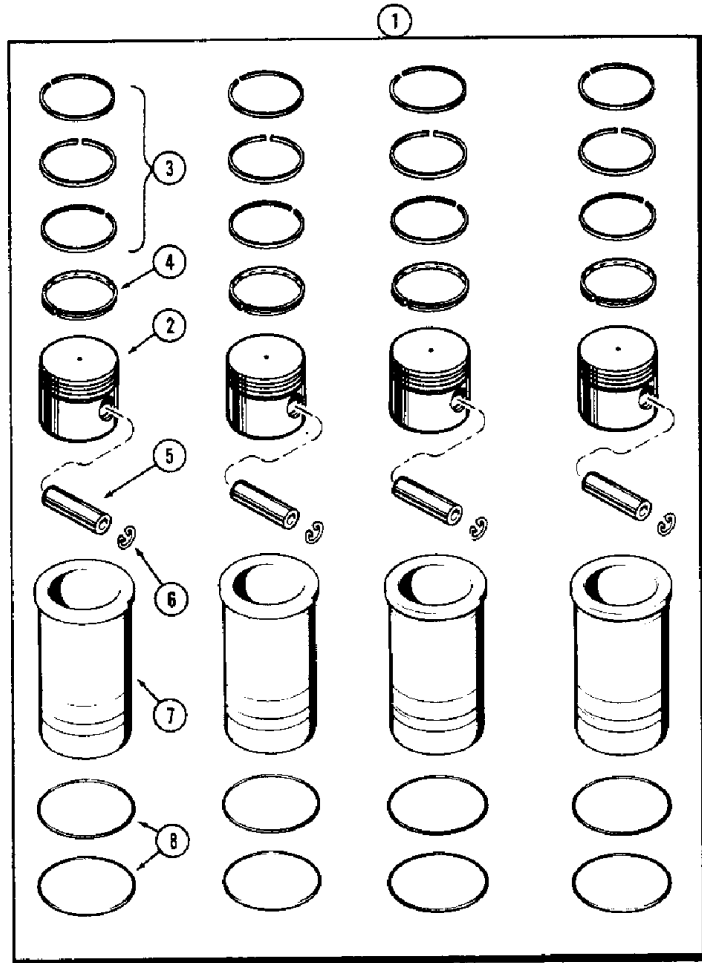
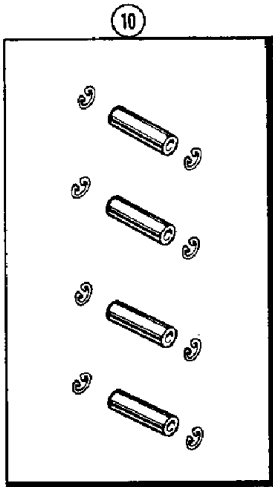
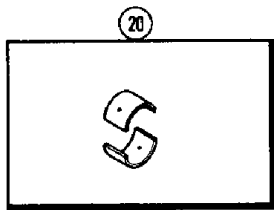
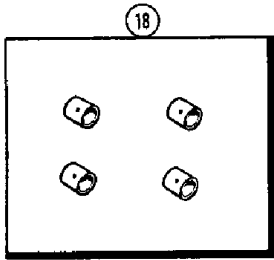
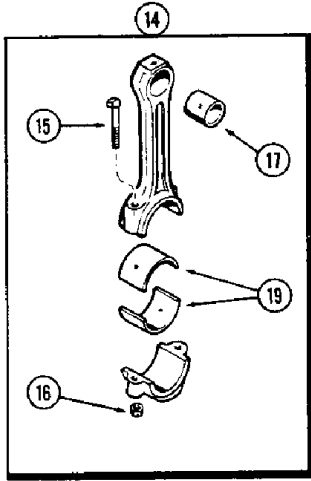
Diag #	Part #	Name	Description	Qty
	A41599	SKELETON ENGINE	BLOCK ASSY. - short (Incl. stripped block, crankshaft)	1
2	A40816	SKELETON ENGINE	BLOCK ASSY. - stripped (Casting #A37209), Includes: Ref. 3 - 19	1
3	217-433	PLUG,Hex Soc, 1/4"-18 NPTF	Oil gallery Hex Soc, 1/4"-18 NPTF	3
4	G2035	CAP	- crankshaft main bearing, front	1
5	G2036	CAP	- crankshaft main bearing, center	1
6	G2037	CAP	- crankshaft main bearing, rear	1
7	G49059	BOLT	- 1/2 x 4-3/4" N.C. hex., sltd., brg. cap	2
8	G49037	BOLT	- 1/2 x 3" N.C. hex., sltd.	4
9	A41225	KIT	BUSHING SET - camshaft	1
10	A39241	PLUG,Exp, 2.12" dia	- 2-1/8" dia., camshaft hole (Replaces A30033)	1
11	A30057	STUD	- 1/2" N.C. x 2", Serial Range: head-block	9
12	A29436	STUD	- 1/2" N.C. x 5-7/8", Serial Range: head-block	5
13	A37149	TUBE	- dipstick	1
14	A153552	ADAPTER	- oil filter	1
15	41-1016	PLUG,Cup, 1"	- 1" cup, adapter	1
16	214-256	HOSE CLAMP,#20, 0.81/1.75 Type F Worm	CLAMP - extension (1-3/16 to 1-3/4")	1
17	A27342	O-RING,1.109" ID x 1.387" OD x 0.139"	"O"RING - (1-1/8 x 1-3/8 x 1/8")	1
18	A37407	TUBE	EXTENSION - filler	1
19	A38303	BOLT (SPREADER)	BOLT - 5/8 x 3-13/64" N.C. hex.	1
20	A23656	COCK, DRAIN	DRAIN COCK	1
21	221-850	PLUG,Hex Soc, 1/16"-27	- 1/16" P.T.	1
22	A29333	STUD	- 5/8" N.C./N.F. x 3" engine mounting	2
23	A29442	RING	- dowel, timing gear cover	2
24	G11702	COVER	- fuel pump opening	1
25	A65561	GASKET	- cover (Replaced G46902)	1
26	13-512	BOLT,Hex, 5/16"-18 x 3/4", G5, Full Thd	BOLT,Hex, 5/16"-18 x 3/4", G5, Full Thd	2
27	92-5	LOCK WASHER,5/16"	LOCK WASHER,5/16"	2
28	A29268	PLUG	COVER - timing gear chamber hole, 3-1/4"	1
29	A37406	DIPSTICK	- engine oil level, Includes: Ref. 30	1
30	F62075	O-RING,0.734" ID x 1.012" OD	"O"RING - (3/4 x 1 x 1/8")	2

Diag #	Part #	Name	Description	Qty
31	25-1110	NUT,5/8"-18, G5	- 5/8" N.F. hex.	2
32	92-10	LOCK WASHER,5/8"	WASHER, LOCK, 5/8"	2
33	A30021	NUT	- head stud	19
34	G49404	WASHER	- head stud	19

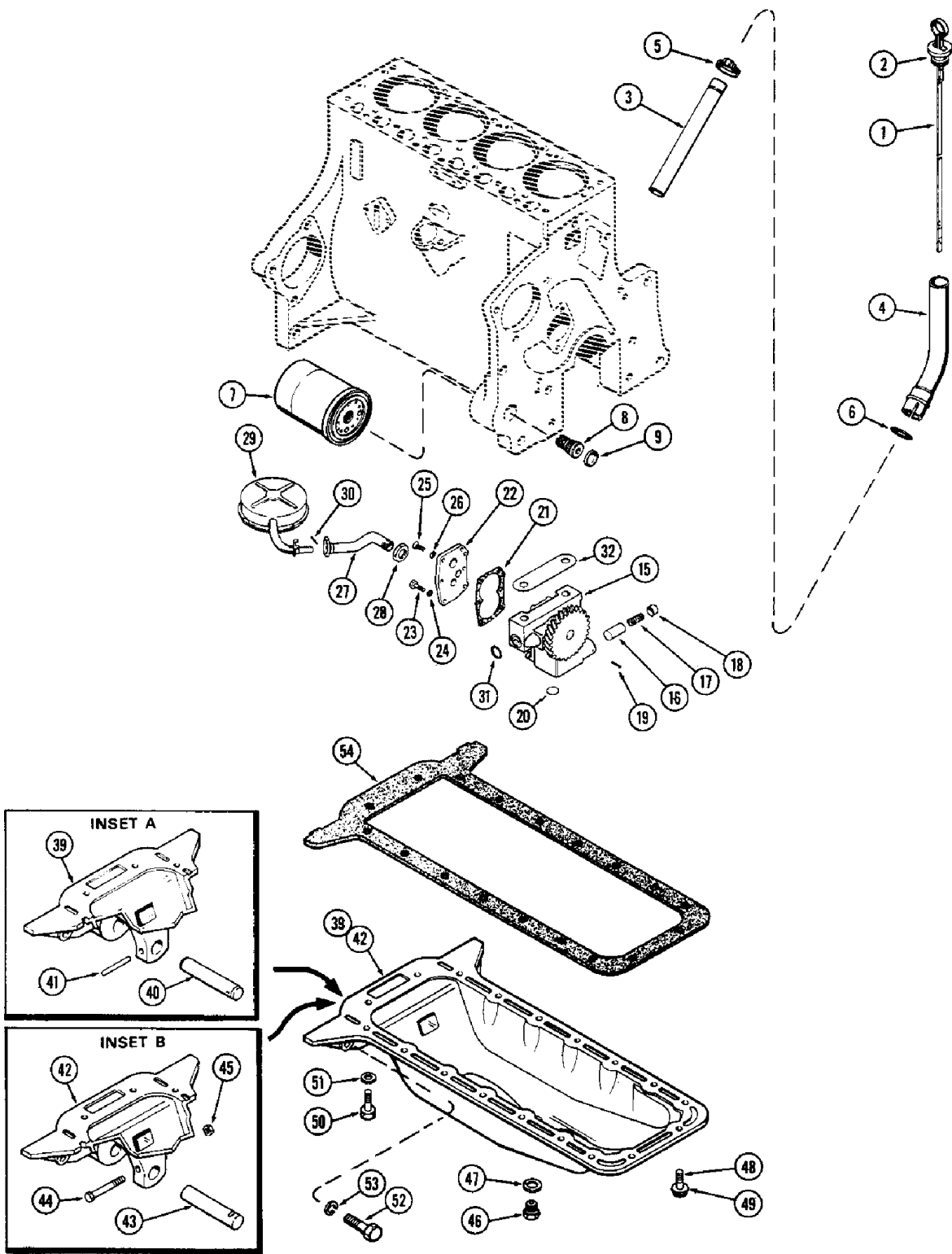


Diag #	Part #	Name	Description	Qty
1	A37210	CRANKSHAFT	CRANKSHAFT	1
2	G37051	KIT	LINER - main bearing, rear (Std.)	1
2	G37052	KIT	LINER - main bearing, rear (.002" undersize)	1
2	A42322	FIP KIT	LINER - main bearing, rear (.010" undersize)	1
2	G37053	KIT	LINER - main bearing, rear (.020" undersize)	1
2	G37054	KIT	LINER - main bearing, rear (.040" undersize)	1
3	G37047	KIT	LINER - main bearing, center (Std.)	1
3	G37048	KIT	LINER - main bearing, center (.002" undersize)	1
3	A42321	FIP KIT	LINER - main bearing, center (.010" undersize)	1
3	G37049	KIT	LINER - main bearing, center (.020" undersize)	1
3	G37050	KIT	LINER - main bearing, center (.040" undersize)	1
4	G37043	KIT	LINER - main bearing, front (Std.)	1
4	G37044	KIT	LINER - main bearing, front (.002" undersize)	1
4	A42320	BEARING LINER	LINER - main bearing, front (.010" undersize)	1
4	G37045	KIT	LINER - main bearing, front (.020" undersize)	1
4	G37046	KIT	LINER - main bearing, front (.040" undersize)	1
5	A29293	SHIM,.010" Thk	Thrust .010" Thk	1
6	A39288	GEAR	- crankshaft (24 teeth) (1-5/32" wide) (Replaces A29294 spacer	1
7	A29294	BUSHING	SPACER - thrust (Use w/A29263 gear only)	1
8	A29263	GEAR	- crankshaft (24 teeth) (1-1/16" wide) (Order A39288)	1
9	126-216	WOODRUFF KEY,Hi-Pro, 1" Dia x 1/4" x 1 1/16"	KEY - pulley	2
10	A29259	SLINGER	- oil	1
11	A39110	OIL SEAL	- oil, crankshaft front (2 x 3 x 1/2")	1
12	A50962	PULLEY	- fan drive (Replaces G11342	1
13	A35673	NUT	-, Serial Range: pulley-crankshaft	1

Diag #	Part #	Name	Description	Qty
17	13-724	BOLT,Hex, 7/16"-14 x 1 1/2", G5	Hex, 7/16"-14 x 1 1/2, G5	4
18	92-7	LOCK WASHER,7/16"	LOCK WASHER,7/16"	4
19	A30013	WASHER	- 29/64 x 3/4 x 16 ga.	4
20	A38390	RETAINER	- rear oil seal	1
21	A51339	OIL SEAL	- oil, rear (4 x 5 x 1/2") (Replaces A39111)	1
23	A39188	GASKET	- retainer	1
24	26-412	BOLT,Hex, 1/4"-20 x 3/4", G8, Full Thd	- 1/4 x 3/4" N.C. hex.	4
24	26-416	BOLT,Hex, 1/4"-20 x 1", G8, Full Thd	- 1/4 x 1" N.C. hex.	3
25	80682	LOCK WASHER,1/4"	Washer, Lock, 1/4"	7
26	A51885	COUPLING, BREAK AWAY	COUPLING ASSY. - pump drive (Replaces 35558), Includes: Ref. 27	1
27	A45216	BUSHING	- coupling	4
28	A35558		COUPLING ASSY. - flexible (Order A51885), Includes: Ref. 29	1
29	G36905	BLOCK	BUSHING - coupling	4
30	A144358	FLYWHEEL	ASSY. - engine (Replaces A37214), Includes: Ref. 31	1
31	G11710	GEAR	- ring (135 teeth)	1
32	A37216	BOLT	- 7/16 x 2" N.F. hex., drilled	4
33	A30013	WASHER	- flywheel mounting	4
34	A138295	OIL SEAL	- oil, flywheel (1-7/8 x 2-11/64 x 1/4") (Repl. A37647)	1
35	T17389	BALL BEARING,1.1811" ID x 2.1654" OD x 0.5118"	BEARING - flywheel	1
36	A37646	O-RING,2.237" ID x 2.443" OD x 0.103"	RING - seal, flywheel (2-15/64 x 2-11/32 x 3/32")	1
37	49482	SNAP RING,2.125", Int, #212	Ring, Snap, , brg 2.125", Int, #212	1

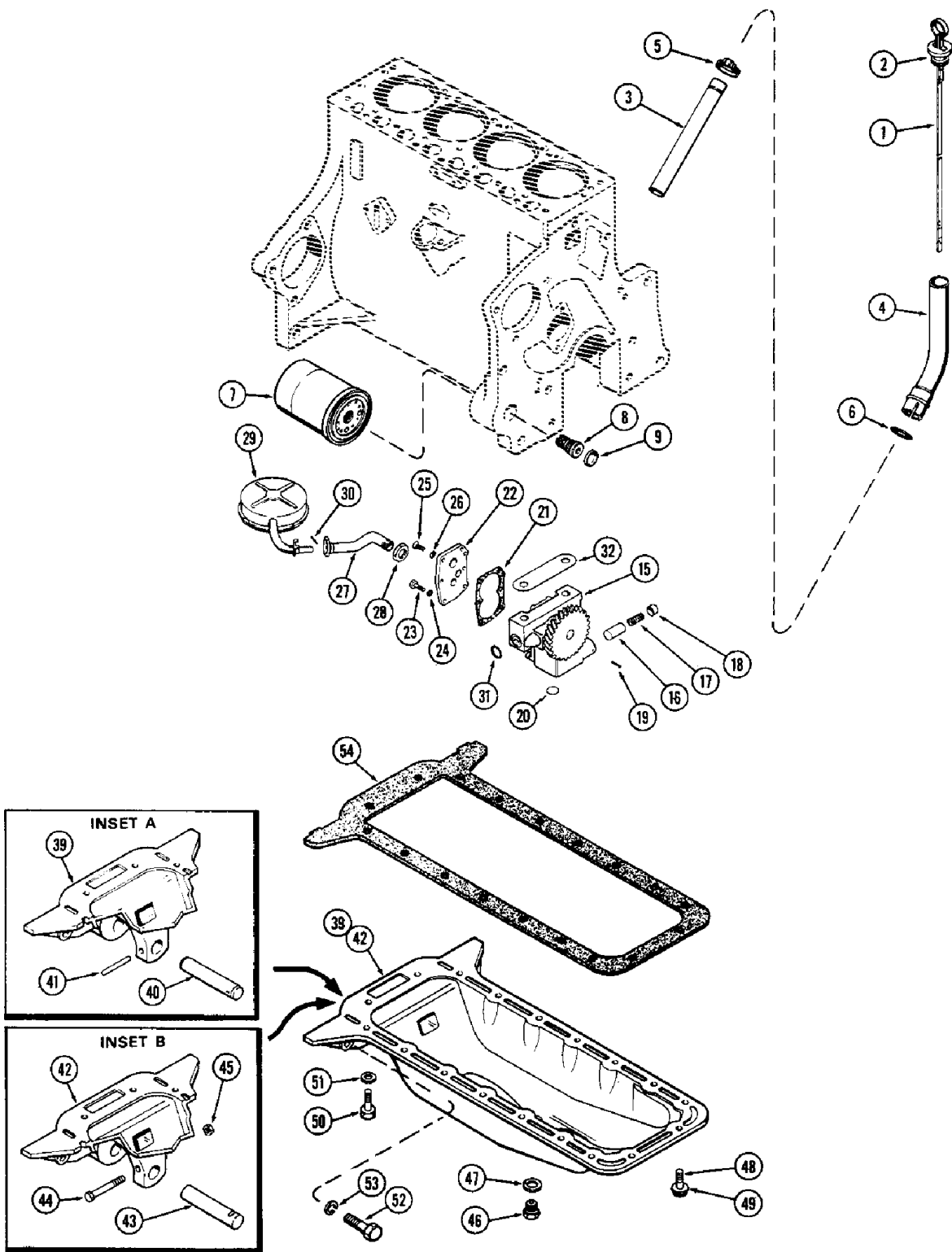


Diag #	Part #	Name	Description	Qty
1	G11958	SET	PISTON	1
2	G2105	PISTON	- cylinder	4
3	G4810	RING, PISTON	RING - compression, piston (See ref. 9)	12
4	G4811	RING, PISTON	RING - oil control, piston (See ref. 9)	4
5	NSS	NOT SERVICED SEPARATELY	PIN - piston (Order ref. 10)	4
6	A26915	RING, SNAP	RING - retaining (See ref. 10)	8
7	G2104	SLEEVE CYLINDER	SLEEVE - cylinder	4
8	G46909	O-RING,3.112" ID x 3.344" OD	"O"RING - sleeve packing	8
9	G11994	PACKAGE, RINGS	RING KIT - re-ring (Set of 4)	1
10	A36030	KIT	PIN KIT - piston (Set of 4 pins	1
14	G11172	STEM	ROD ASSY. - connecting, Includes: Ref. 15 - 20	4
15	G11701	BOLT	- cap	2
16	A51904	NUT	NUT - 3/8" N.F. hex.	2
17	NSS	NOT SERVICED SEPARATELY	BUSHING - conn. rod (Order ref. 18)	1
18	G11922	BUSHING	SET - conn. rod (Set of 4)	1
19	NSS	NOT SERVICED SEPARATELY	LINER - conn. rod (Order ref. 20)	1
20	A36500	SEAL	LINER - conn. rod bearing (Std.)	4
20	A36501	BEARING LINER	LINER - conn. rod bearing (.002" undersize)	4
20	A36502	LINING	LINER - conn. rod bearing (.010" undersize)	4
20	A36503	BEARING LINER	LINER - conn. rod bearing (.020" undersize)	4
20	A36504	KIT	LINER - conn. rod bearing (.030" undersize)	4

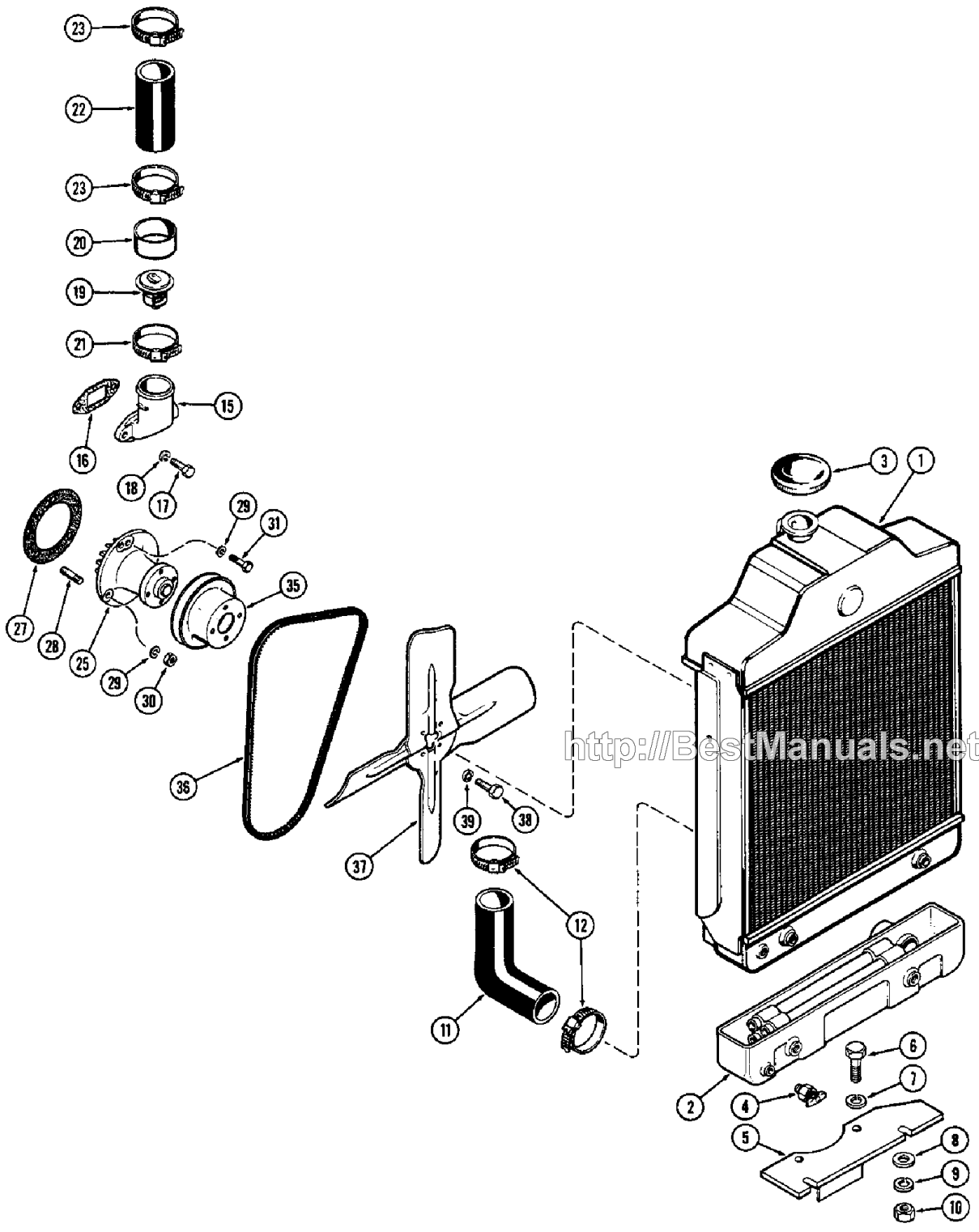


Diag #	Part #	Name	Description	Qty
1	A37406	DIPSTICK	ASSY. - engine oil level, Includes: Ref. 2	1
2	F62075	O-RING,0.734" ID x 1.012" OD	"O"RING - 3/4 x 1 x 1/8"	2
3	A37149	TUBE	- oil filler	1
4	A37407	TUBE	EXTENSION - filler	1
5	214-256	HOSE CLAMP,#20, 0.81/1.75 Type F Worm	CLAMP - extension, 1-3/16 to 1-3/4"	1
6	A27342	O-RING,1.109" ID x 1.387" OD x 0.139"	"O"RING - 1-1/8 x 1-3/8 x 1/8"	1
7	A37189	FILTER, ELEMENT	FILTER - engine oil	1
8	A153552	ADAPTER	-, Serial Range: filter-block	1
9	41-1016	PLUG,Cup, 1"	- adapter, 1" cup	1
15	A38369	PUMP	ASSY. - oil (Replaces G11844), Includes: Ref. 16 - 26	1
16	A29279		- relief	1
17	G48513	VALVE SPRING	SPRING - relief valve	1
18	A29260	RETAINER	- relief spring	1
19	132-50	COTTER PIN,1/8" x 1 1/4"	Pin, Split (Cotter), 1/8" x 1 1/4"	1
20	A39321	PLUG,Cup, 7/16"	- pump body (1/2" cup type) (Replaces A30020)	2
21	G46852	GASKET	- pump cover	1
22	NSS	NOT SERVICED SEPARATELY	COVER - pump body	1
23	13-420	BOLT,Hex, 1/4"-20 x 1 1/4", G5	BOLT,Hex, 1/4"-20 x 1 1/4", G5	1
23	13-412	BOLT,Hex, 1/4"-20 x 3/4", G5, Full Thd	BOLT,Hex, 1/4"-20 x 3/4", G5, Full Thd	3
24	92-4	LOCK WASHER,1/4"	WASHER, LOCK, 1/4"	4
25	73-410	SCREW,Slotted Flat Hd, 1/4"-20 x 5/8"	- 1/4 x 5/8" flat hd. mach.	2
26	193-52	LOCK WASHER,Ext Csk Tooth, 1/4"	WASHER, LOCK, Ext Csk Tooth, 1/4"	1
27	A39035	TUBE	PIPE ASSY. - suction	1
28	223-207	LOCK NUT	NUT -, Serial Range: pipe-pump	1
29	A39036	FLOAT	ASSY. - (Includes screen)	1
30	132-50	COTTER PIN,1/8" x 1 1/4"	Pin, Split (Cotter), 1/8" x 1 1/4"	1
31	A27365	O-RING,0.737" ID x 0.943" OD x 0.103"	"O"RING - 3/4 x 15/16 x 3/32"	1
32	G11337	SHIM,.002" Thk	Pump to block .002" Thk	1

Diag #	Part #	Name	Description	Qty
32	G11338	SHIM,.005" Thk	Pump to block .005" Thk	1
39	A38426	PAN	- oil (Use with A51356 radius rod rear pivot pin and 135-361 groove pin) (See inset A) (Order 1-A51538 oil pan, 1-A51537 pivot pin, 1-26-544 bolt	1
40	A51356	PIN	- radius rod rear pivot	1
41	135-361	GROOVED PIN,1/4" x 2", Type F	Pin, Grooved, 1/4" x 2", Type F	1
42	A51538	PAN	- oil (Use with A51537 pivot pin, 26-544 bolt and 131-351 nut) (See inset B)	1
43	A51537	PIN	- radius rod rear pivot	1
44	26-544	BOLT,Hex, 5/16"-18 x 2 3/4", G8	- 5/16 x 2-3/4" N.C. hex.	1
45	131-351	LOCK NUT,5/16"-18, GA	NUT - 5/16" N.C. hex.	1
46	A140222	PLUG	- drain, oil pan (Replaces A14280)	1
47	A58608	OIL PAN GASKET SET	- drain plug	1
48	26-528	BOLT,Hex, 5/16"-18 x 1 3/4", G8	- 5/16 x 1-3/4" N.C. hex.	12
48	26-516	BOLT,Hex, 5/16"-18 x 1", G8, Full Thd	BOLT,Hex, 5/16"-18 x 1", G8, Full Thd	2
49	193-83	LOCK WASHER,Int Tooth, 5/16"	WASHER - Shakeproof, 5/16" ext.	14
50	26-564	BOLT,Hex, 5/16"-18 x 4", G8	- 5/16 x 4" N.C. hex.	2
51	195-1019	WASHER	- 11/32 x 7/8 x 1/16", brass	2
52	113-663	BOLT (SPREADER)	BOLT - 5/8 x 2-1/4" N.C. hex. (To torque tube)	2
53	92-10	LOCK WASHER,5/8"	WASHER, LOCK, 5/8"	2
54	NSS	NOT SERVICED SEPARATELY	GASKET - oil pan (Order A43065 Figure 68)	1



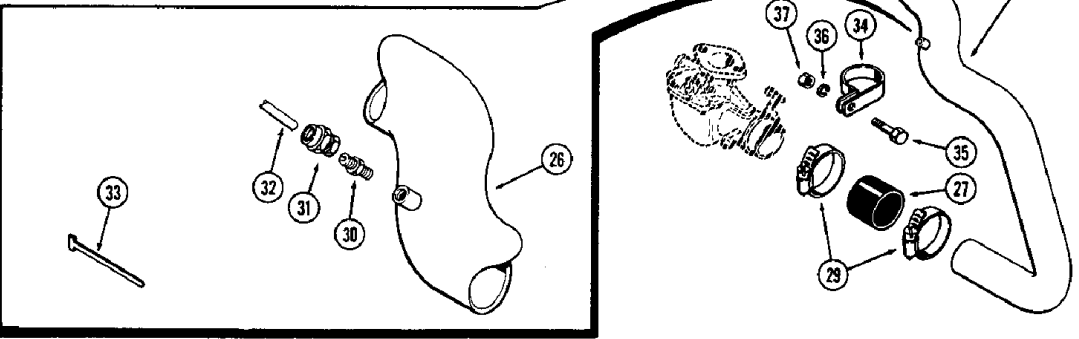
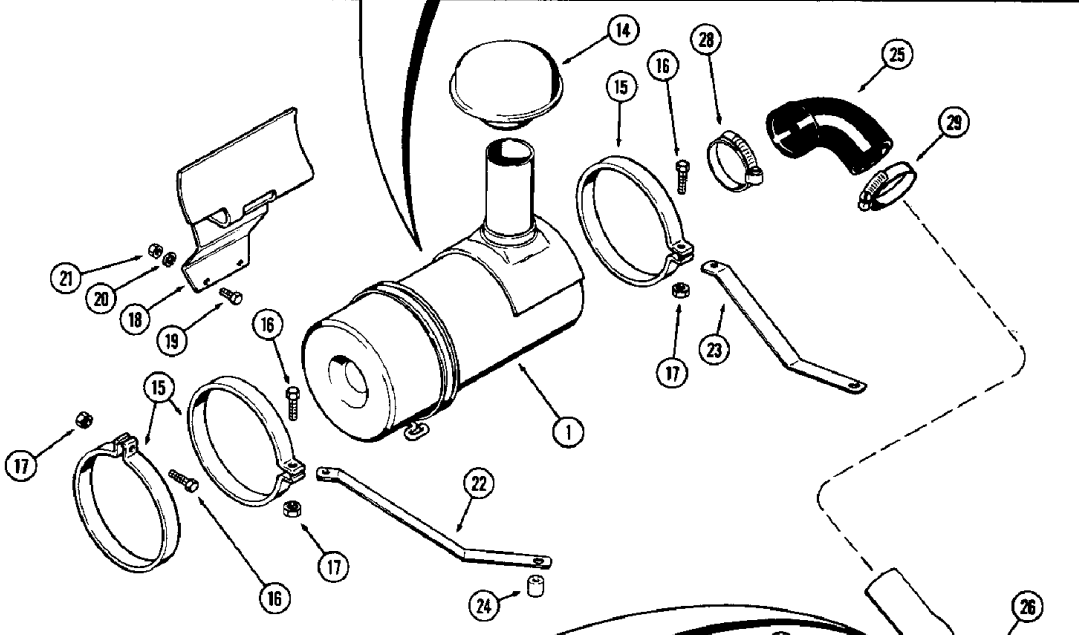
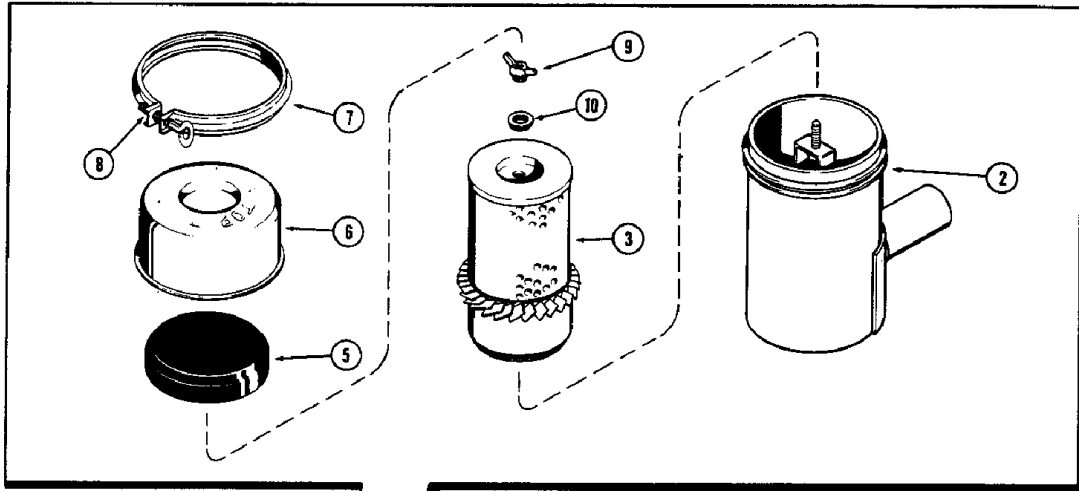
Diag #	Part #	Name	Description	Qty
1	G11963	GASKET	VALVE GRIND GASKET KIT - (See note), Includes: Ref. 2 - 8	1
2	G46870	CYLINDER HEAD GASKET	- cylinder head	1
3	A43021	GASKET	- valve cover	1
4	G46851	SEAL	- valve stem	4
5	A30030	GASKET	- manifold	1
6	G46826	GASKET	- carburetor	1
7	A30003	GASKET	- water outlet elbow	1
8	A29956	GASKET	-, Serial Range: carburetor-manifold	1
10	A41465	GASKET	CYLINDER BLOCK GASKET KIT - (See note), Includes: Ref. 11 - 16	1
11	A39188	GASKET	- rear oil seal retainer	1
12	A38226	GASKET	- timing gear cover	1
13	A65561	GASKET	- fuel pump opening (Replaces G46902)	1
14	A38083	GASKET	- water pump	1
15	G46852	GASKET	- oil pump cover	1
16	G46854	GASKET	- oil filter bracket (Not applicable)	1
20	A43065	KIT	OIL PAN GASKET KIT - (See note), Includes: Ref. 21 - 23	1
21	NSS	NOT SERVICED SEPARATELY	GASKET - oil pan (Order A43065)	1
22	A58608	OIL PAN GASKET SET	- drain plug, nylon	1
23	G46913	GASKET	- block to torque tube	1
25	M20611	SEAL KIT	- seal, valve stem (Set of 4 seals	1



<http://BestManuals.net>

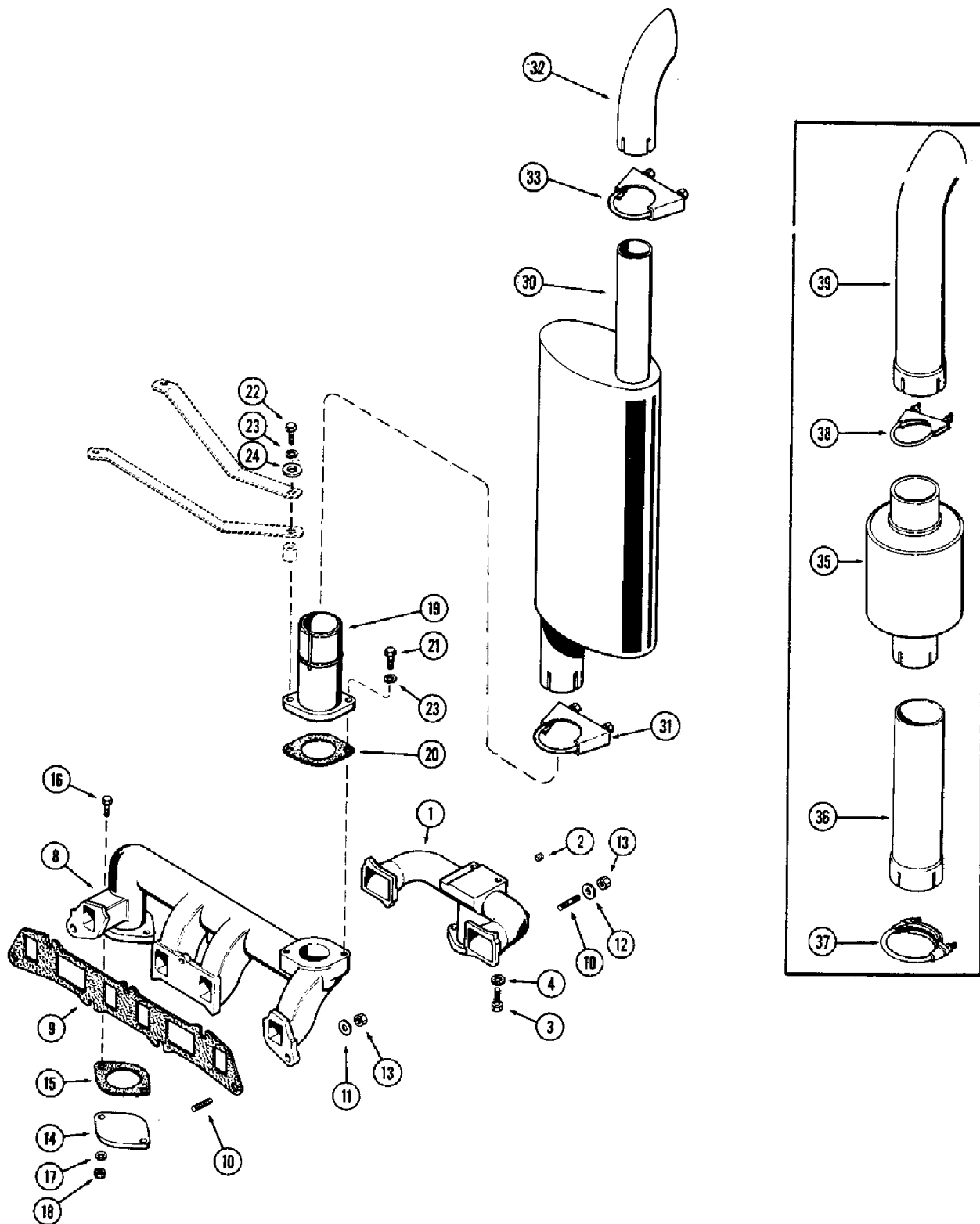
Diag #	Part #	Name	Description	Qty
1	A39345	RADIATOR	ASSY., Includes: Ref. 2	1
2	G45484	RESERVOIR	TANK - lower	1
3	A39359	CAP	- radiator	1
4	217-103	COCK, DRAIN	DRAIN COCK - radiator	1
5	A35574	BRACKET	- radiator mounting	1
6	13-816	BOLT,Hex, 1/2"-13 x 1", G5, Full Thd	BOLT,Hex, 1/2"-13 x 1", G5, Full Thd	2
7	92-8	LOCK WASHER,1/2"	LOCK WASHER,1/2"	2
8	195-25	WASHER,3/8"	- 13/32 x 13/16 x 1/16"	2
9	92-6	LOCK WASHER,3/8"	WASHER - lock, 3/8"	2
10	25-106	NUT,3/8"-16, G5	- 3/8" N.C. hex.	2
11	G46361	RADIATOR HOSE,1.75" ID x 5.13", SAE 20R4	Lower 1.75" ID x 5.13", SAE 20R4	1
12	214-258	HOSE CLAMP,#28, 1.31/2.25 Type F Worm	lower #28, 1.31/2.25 Type F Worm	2
15	G11965	ELBOW	- cylinder, Serial Range: head-radiator	1
16	A30003	GASKET	- elbow	1
17	13-616	BOLT,Hex, 3/8"-16 x 1", G5, Full Thd	BOLT,Hex, 3/8"-16 x 1", G5, Full Thd	2
18	92-6	LOCK WASHER,3/8"	WASHER - lock, 3/8"	2
19	G11065	CASE	THERMOSTAT - 177 degrees to 182 degrees F.	1
20	G49625	SUPPORT	- thermostat clamp	1
21	214-262	HOSE CLAMP,#44, 2.31/3.25 Type F Worm	CLAMP - hose, 2-5/16 to 3-1/4"	1
22	G46239	RADIATOR HOSE,2.00" ID x 4.88", SAE 20R2	Upper 2.00" ID x 4.88", SAE 20R2	1
23	214-260	HOSE CLAMP,#36, 1.81/2.75 Type F Worm	HOSE CLAMP,#36, 1.81/2.75 Type F Worm	2
25	A39076	WATER PUMP	PUMP ASSY. - water, Includes: Ref. 27	1
		A39076 water pump - If pump housing shows number A38082, use pump nbr A39074 (subs to A146584) or reman pump nbr A48363.	A39076 water pump - If pump housing shows number A38082, use pump nbr A39074 (subs to A146584) or reman pump nbr A48363.	1
27	A38083	GASKET	- pump to timing gear cover	1
28	A29433	STUD	- 3/8" N.C. x 1"	1
29	193-30	LOCK WASHER,Int Tooth, 3/8"	WASHER, LOCK, Int Tooth, 3/8"	3

Diag #	Part #	Name	Description	Qty
30	25-106	NUT,3/8"-16, G5	- 3/8" N.C. hex.	1
31	13-612	BOLT,Hex, 3/8"-16 x 3/4", G5, Full Thd	BOLT,Hex, 3/8"-16 x 3/4", G5, Full Thd	1
31	13-644	BOLT,Hex, 3/8"-16 x 2 3/4", G5	- 3/8 x 2-3/4" N.C. hex.	1
35	G11339	PULLEY	- fan	1
36	A38824	BELT	Fan and Alternator Drive, Use with Prestolite Alternator	1
36	A135826	BELT	Fan and Alternator, Use with Delco Alternator	1
37	G45243	FAN	- cooling	1
38	13-58	BOLT,Hex, 5/16"-18 x 1/2", G5, Full Thd	BOLT,Hex, 5/16"-18 x 1/2", G5, Full Thd	4
39	92-5	LOCK WASHER,5/16"	LOCK WASHER,5/16"	4

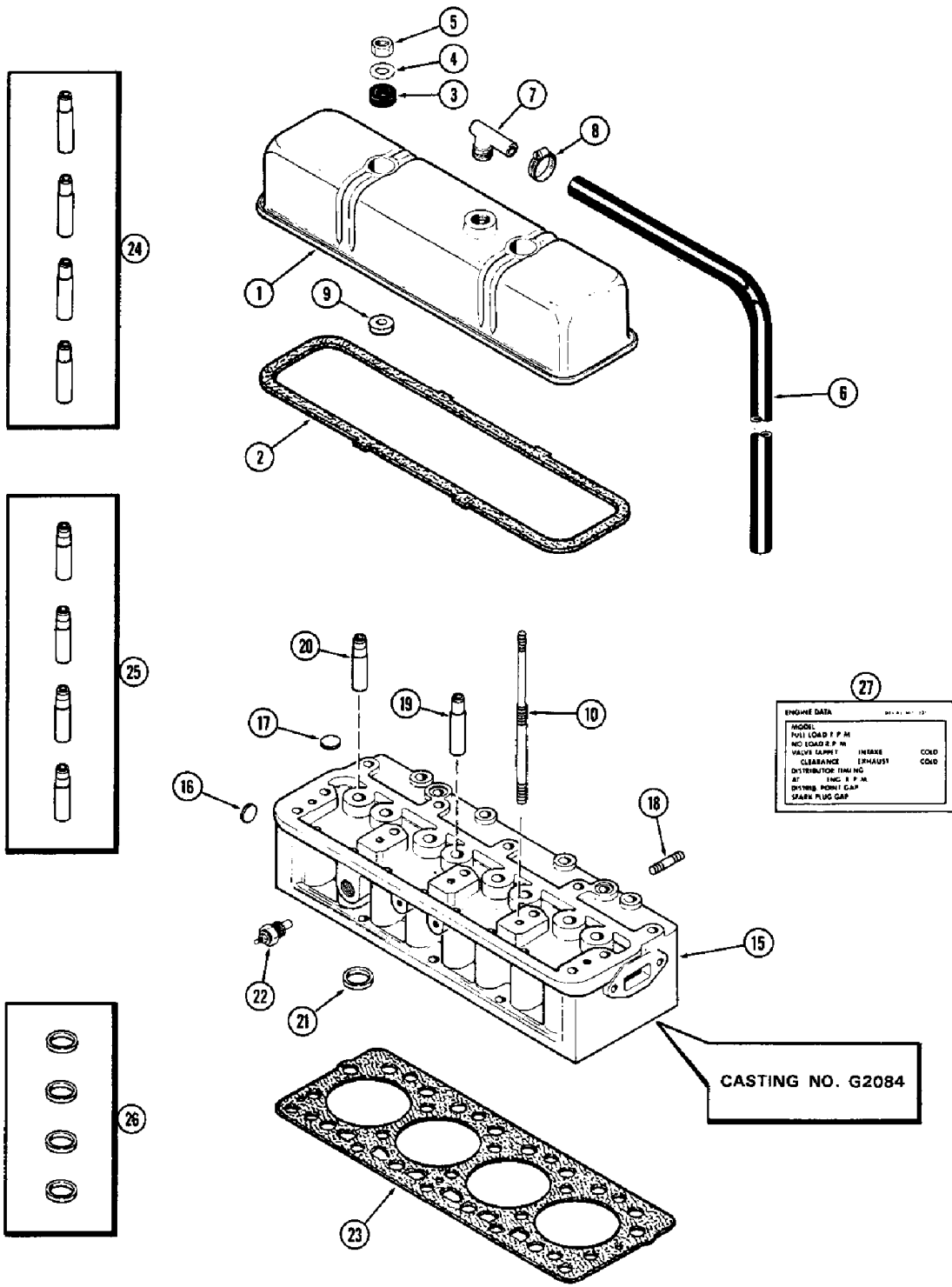


Diag #	Part #	Name	Description	Qty
1	A139086	AIR CLEANER	ASSY. - (Replaces A39346)	1
2	NSS	NOT SERVICED SEPARATELY	BODY - air cleaner	1
3	A42274	AIR FILTER	ELEMENT - cleaner, Includes: Ref. 5	1
5	F22312	BAFFLE	- rubber	1
6	F91760	CUP	- air cleaner access	1
7	F84999	CLAMP	ASSY. - cup retaining	1
8	25-224	SQUARE NUT,Sq, 1/4"-20	- 1/4" N.C. hex.	1
9	F91761	WING NUT	- element retaining wing (Replaces D37977)	1
10	D37976	GASKET	- nut seal	1
14	A61276	AIR CLEANER	PRE-CLEANER ASSY.	1
15	A39347	BAND	- air cleaner mounting	3
16	113-132	BOLT,Hex, 1/4"-20 x 1 3/4", G5	- 1/4 x 1-3/4" N.C. hex.	3
17	131-48	LOCK NUT,1/4"-20, GB	NUT - 1/4" N.C. hex., lock	3
18	A39348	BRACKET	- air cleaner mounting	1
19	13-612	BOLT,Hex, 3/8"-16 x 3/4", G5, Full Thd	BOLT,Hex, 3/8"-16 x 3/4", G5, Full Thd	2
20	92-6	LOCK WASHER,3/8"	WASHER - lock, 3/8"	2
21	25-106	NUT,3/8"-16, G5	- 3/8" N.C. hex.	2
22	A39350	STRAP	- air cleaner support	1
23	A39607	STRAP	- air cleaner support	1
24	71029	SPACER - strap	SPACER - strap	1
25	A39357	HOSE	- air cleaner to air tube	1
26	A39524	TUBE	- air, Serial Range: cleaner-carburetor	1
27	G46157	AIR INTAKE TUBE,2" ID x 2.375" OD x 2" L	HOSE, 2.00" ID x 2.00", SAE 20R2 - Carburetor to Air Tube	1
28	214-262	HOSE CLAMP,#44, 2.31/3.25 Type F Worm	CLAMP - hose, 2-5/16 to 3-1/4"	1
29	214-260	HOSE CLAMP,#36, 1.81/2.75 Type F Worm	HOSE CLAMP,#36, 1.81/2.75 Type F Worm	3
30	D36264	FITTING	FILTER - safety	1
31	222-5130	FITTING,7/16"-24 x 1/8" NPT Fem	COUPLING - vacuum tube to filter, 3/8" P.T. for 1/4" tube	1
32	A39527		TUBE - safety filter to indicator on panel	1
33	L11541	CABLE TIE	STRAP - vacuum tube to tachometer cable	1
34	A39356		CLAMP - tube	1

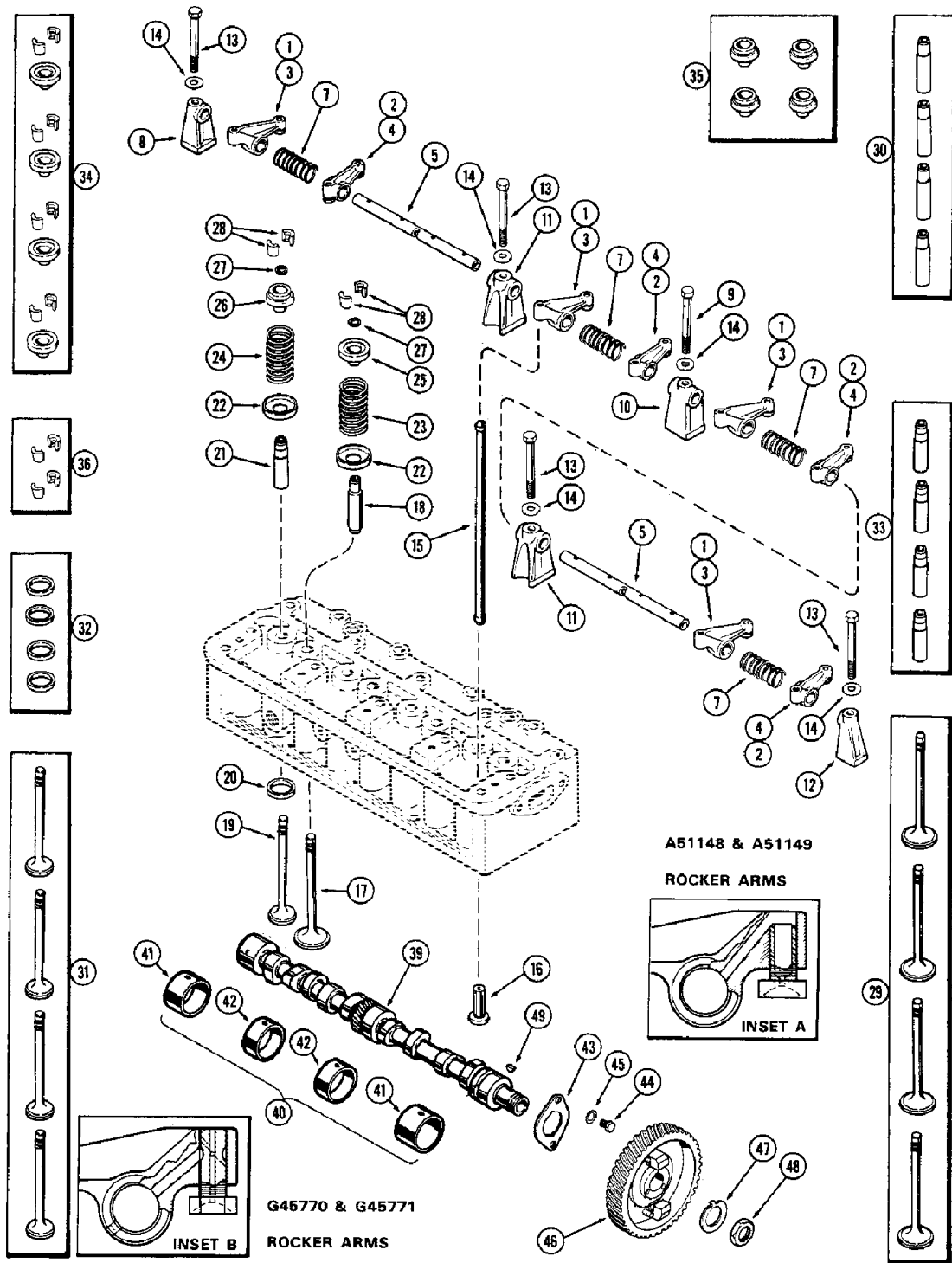
Diag #	Part #	Name	Description	Qty
35	13-620	BOLT,Hex, 3/8"-16 x 1 1/4", G5, Full Thd	- 5/8 x 1-3/4" N.C. hex.	1
36	92-6	LOCK WASHER,3/8"	WASHER - lock, 3/8"	1
37	25-106	NUT,3/8"-16, G5	- 5/8" N.C. hex.	1



Diag #	Part #	Name	Description	Qty
1	A37170	MANIFOLD	intake	1
2	221-1012	DRAIN PLUG,Sq Hd, 1/4"-18 NPTF	- 1/4" P.T. sq. hd.	1
3	13-640	BOLT,Hex, 3/8"-16 x 2 1/2", G5	- 3/8 x 2-1/2" N.C. hex.	2
4	92-6	LOCK WASHER,3/8"	WASHER - lock, 3/8"	2
8	G2097	MANIFOLD	exhaust	1
9	G46868	MANIFOLD GASKET	intake	1
10	A29431	STUD	3/8" N.C. x 1-3/4"	7
11	A30058	WASHER	13/32 x 7/8 x 1/8", exhaust manifold	4
12	195-25	WASHER,3/8"	13/32 x 13/16 x 1/16", intake manifold	3
13	131-903	NUT,3/8"-16	3/8" N.C. hex., brass	7
14	A38188	PLATE	COVER - exhaust opening	1
15	G46853	MANIFOLD GASKET	cover	1
16	13-624	BOLT,Hex, 3/8"-16 x 1 1/2", G5	- 3/8 x 1-1/2" N.C. hex.	2
17	195-25	WASHER,3/8"	13/32 x 13/16 x 1/16"	2
18	131-903	NUT,3/8"-16	3/8" N.C. hex., brass	2
19	G2095	FITTING	OUTLET - exhaust, muffler	1
20	G46853	MANIFOLD GASKET	outlet	1
21	13-624	BOLT,Hex, 3/8"-16 x 1 1/2", G5	- 3/8 x 1-1/2" N.C. hex.	1
22	13-640	BOLT,Hex, 3/8"-16 x 2 1/2", G5	- 3/8 x 2-1/2" N.C. hex.	1
23	92-6	LOCK WASHER,3/8"	WASHER - lock, 3/8"	2
24	195-25	WASHER,3/8"	plain, 13/32 x 13/16 x 1/16"	4
30	A39561	MUFFLER	exhaust, standard	1
31	A13240	CLAMP	- muffler (2-1/2" I.D.), standard exhaust	1
32	A39571	PIPE, EXHAUST SYSTEM	extension, standard muffler	1
33	G45410	CLAMP	- extension (1-7/8" I.D.), standard muffler	1
35	D45256	MUFFLER	- spark arresting	1
36	D49170		PIPE - outlet to muffler, spark arresting	1
37	A13240	CLAMP	pipe (2-1/2" I.D.), spark arresting muffler	1
38	A27115	CLAMP	(2-7/8" I.D.), spark arresting muffler	2
39	D33535	PIPE	EXTENSION - spark arresting muffler	1

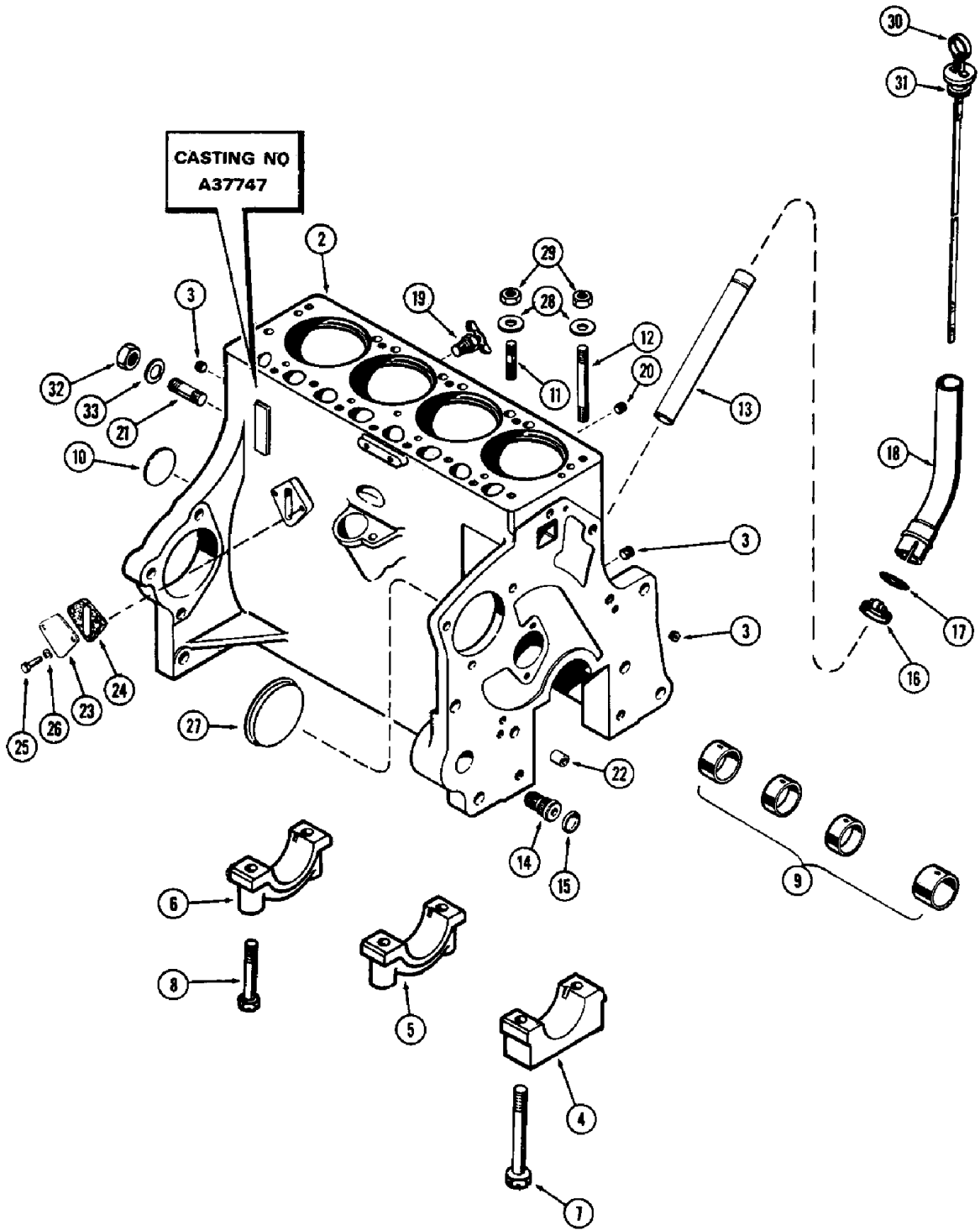


Diag #	Part #	Name	Description	Qty
1	A36815	COVER	ASSY. - cylinder head	1
2	A43030	GASKET	- cover	1
3	A142098	GROMMET	- rubber (Replaces G46867)	2
4	G49400	WASHER	- cover nut	2
5	25-106	NUT,3/8"-16, G5	- 3/8" N.C. hex.	2
6	A39570	TUBE	- breather, neoprene	1
7	A9155	ELBOW	- breather	1
8	214-253	HOSE CLAMP,#10, 0.56/1.06 Type F Worm	CLAMP - hose, 9/16 to 1-1/16"	1
9	G11352	BUSHING	SPACER - cover, 13/32 x 1-1/8 x 11/32"	2
10	A36780	STUD	- cover	2
15	A39270	HEAD	ASSY. - cylinder (Casting #G2084), Includes: Ref. 16 - 21	1
16	41-18	PLUG	- 1-1/8" expansion	1
17	41-13	PLUG,Exp, 13/16"	- 13/16" expansion	2
18	A29431	STUD	- 3/16" N.C. 1-3/4"	7
19	NSS	NOT SERVICED SEPARATELY	GUIDE - intake valve (Order ref. 24)	4
20	NSS	NOT SERVICED SEPARATELY	GUIDE - exhaust valve (Order ref. 25)	4
21	NSS	NOT SERVICED SEPARATELY	INSERT - exhaust valve seat (Order ref. 26)	4
22	A21462	SENDER UNIT	SENDER - heat gauge	4
23	A36585	CYLINDER HEAD GASKET	-, Serial Range: head-block	1
24	G11861	GUIDE	S intake valve (Set of 4)	1
25	G11946	GUIDE	S - exhaust valve (Set of 4)	1
26	A43048	KIT	INSERTS - exhaust valve seat (Set of 4)	1
27	321-1827	DECAL - engine data	DECAL - engine data	1

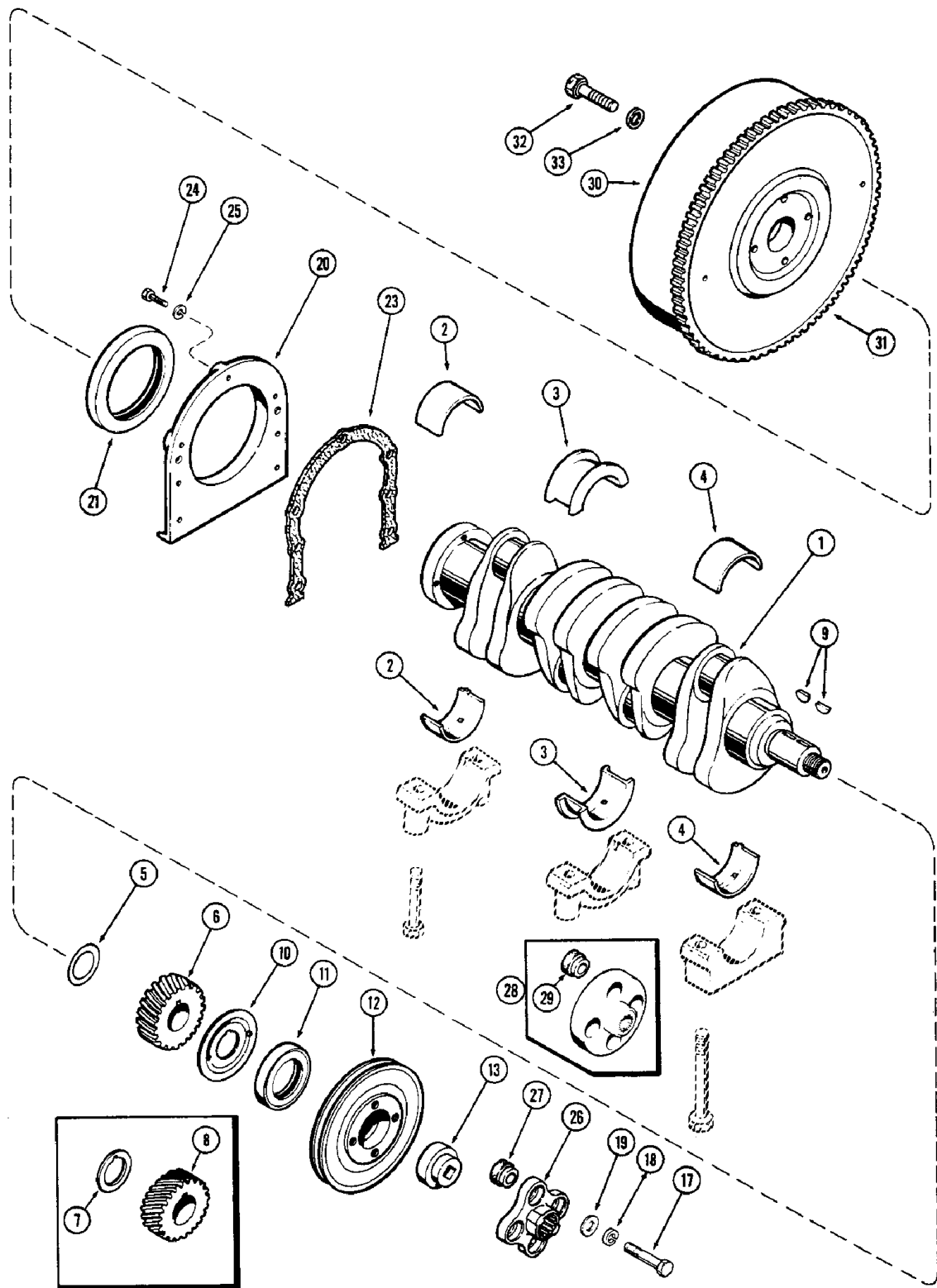


Diag #	Part #	Name	Description	Qty
1	A51149	ARM	ASSY. - rocker, left hand, w/adj. screw (1st used eng. ser. (Perkins No. (See inset A)	4
2	A51148	ARM	ASSY. - rocker, right hand, w/adj. screw (1st used eng. ser. no. 2715764) (See inset A)	4
3	G45771	ARM	ASSY. - rocker, left hand, w/adj. screw (Used prior to eng. no. 2715764) (See inset B)	4
4	G45770	ARM	ASSY. - rocker, right hand, w/adj. screw (Used prior to eng. no. 2715764) (See inset B)	4
5	A38181	SHAFT	- rocker arm	2
7	G48501	SPRING	- rocker shaft	4
8	A36615	BRACKET	- rocker arm, rear	1
9	G49067	BOLT	- center bracket, drilled	1
10	D2101	BRACKET - rocker arm, center	BRACKET - rocker arm, center	1
11	A51084	BRACKET	- rocker arm, intermediate (Replaces G2102)	2
12	G2100	BRACKET	- rocker arm, front	1
13	13-656	BOLT,Hex, 3/8"-16 x 3 1/2", G5	- 3/8 x 3-1/2" N.C. hex.	4
14	A30058	WASHER	- bracket bolt	5
15	G47129	PUSH ROD	ROD - push	8
16	A30006	TAPPET	LIFTER - push rod	8
17	NSS	NOT SERVICED SEPARATELY	VALVE - intake (Order ref. 29)	4
18	NSS	NOT SERVICED SEPARATELY	GUIDE - intake valve (Order ref. 30)	4
19	NSS	NOT SERVICED SEPARATELY	VALVE - exhaust (Order ref. 31)	4
20	NSS	NOT SERVICED SEPARATELY	INSERT - exhaust valve seat (Order ref. 32)	4
21	NSS	NOT SERVICED SEPARATELY	GUIDE - exhaust valve (Order ref. 33)	4
22	G49065	SEAT	- valve spring	8
23	A30025	SPRING	- valve, intake	4
24	G10004	SPRING	- valve, exhaust	4
25	NSS	NOT SERVICED SEPARATELY	RETAINERS - valve springs (Order ref. 34)	4

Diag #	Part #	Name	Description	Qty
26	NSS	NOT SERVICED SEPARATELY	ROTO-CAP - exhaust valve (Order ref. 35)	4
27	G46851	SEAL	- rubber, valve stem	4
28	NSS	NOT SERVICED SEPARATELY	LOCK - retainers (Order ref. 36)	16
29	G11987	VALVE	S - intake (Set of 4)	1
30	G11861	GUIDE	S - intake valve stem (Set of 4)	1
31	A43047	VALVE	S - exhaust (Set of 4)	1
32	A43048	KIT	INSERTS - valve seat (Set of 4)	1
33	G11946	GUIDE	S - exhaust valve stem (Set of 4)	1
34	G11927	RETAINER	S - valve spring (Set of 4 w/locks)	1
35	G11928	CAP	ROTO-CAP - exhaust valve (Set of 4)	1
36	G11929	LOCK	S - retainer (Set of 4)	4
39	G2091	CAMSHAFT	CAMSHAFT	1
40	A41229	BUSHING	KIT - camshaft, Includes: Ref. 41 and 42	1
41	NSS	NOT SERVICED SEPARATELY	BUSHING - front	2
42	NSS	NOT SERVICED SEPARATELY	BUSHING - intermediate (1/2" wide)	2
43	A29290	PLATE	- camshaft thrust	1
44	A30056	SCREW	BOLT - thrust plate	2
45	193-9	LOCK WASHER,Ext Tooth, 5/16"	WASHER, LOCK, Ext Tooth, 5/16"	2
46	G37066	GEAR	- camshaft	1
47	A29438	LOCK NUT	LOCK - camshaft nut	1
48	A30063	NUT	- camshaft	1
49	126-12	WOODRUFF KEY,#6, 5/32" x 5/8"	WOODRUFF KEY,#6, 5/32" x 5/8"	1

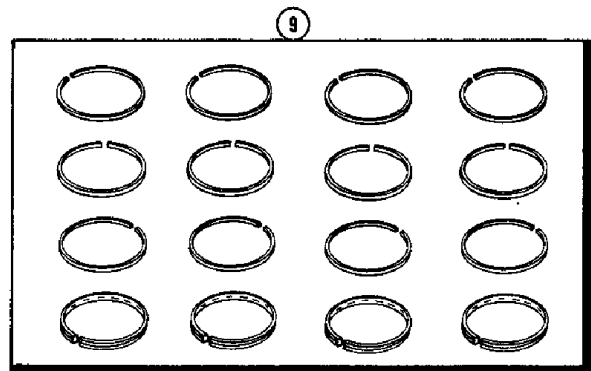
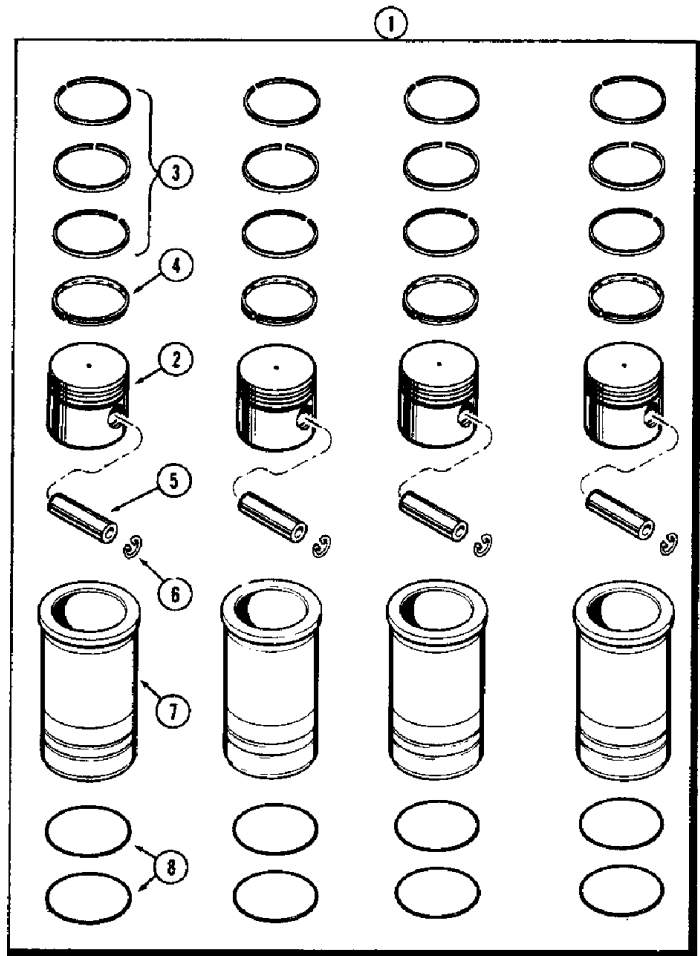
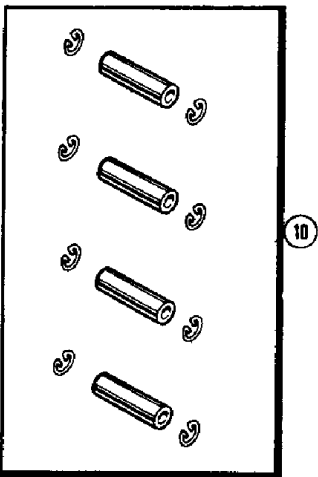
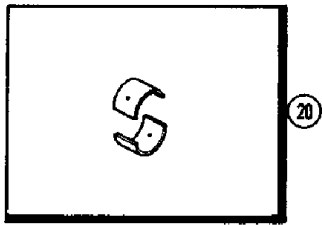
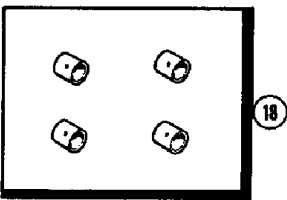
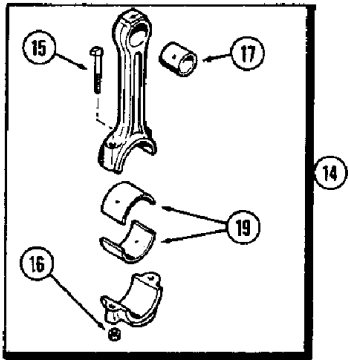


Diag #	Part #	Name	Description	Qty
	A41029	SKELETON ENGINE	BLOCK ASSY. - cylinder, short (Incl. crankshaft)	1
2	A41030	SKELETON ENGINE	BLOCK ASSY. - cylinder, stripped (Casting #A37747), Includes: Ref. 3 - 18	1
3	217-433	PLUG,Hex Soc, 1/4"-18 NPTF	Oil gallery Hex Soc, 1/4"-18 NPTF	3
4	G2059		CAP - crankshaft main bearing, front	1
5	G2060		CAP - crankshaft main bearing, center	1
6	G2062		CAP - crankshaft main bearing, rear	1
7	G49059	BOLT	- 1/2 x 4-3/4" N.C. hex., sltd., front cap	2
8	G49038		BOLT - 1/2 x 3-3/8" N.C. hex., sltd.	4
9	A41229	BUSHING	SET - camshaft	1
10	A39241	PLUG,Exp, 2.12" dia	- camshaft hole, 2-1/8"	1
11	A30057	STUD	- 1/2" N.C. x 2"	3
12	A29436	STUD	- 1/2" N.C. x 5-7/8"	14
13	A37149	TUBE	- dipstick	1
14	A153552	ADAPTER	- oil filter	1
15	41-1016	PLUG,Cup, 1"	- filter adapter, 1" cup type	1
16	214-256	HOSE CLAMP,#20, 0.81/1.75 Type F Worm	CLAMP - extension (1-3/16 to 1-3/4	1
17	A27342	O-RING,1.109" ID x 1.387" OD x 0.139"	"O"RING - (1-1/8 x 1-3/8 x 1/8")	1
18	A37407	TUBE	- oil filler extension	1
19	A23656	COCK, DRAIN	DRAIN COCK	1
20	221-32	PLUG,Sq Soc, 3/8"-18 NPTF	- 3/8" P.T. sq. sckt. hd.	1
21	A29333	STUD	- 5/8" N.F. x 3"	2
22	A29442	RING	- dowel	2
23	G11702	COVER	- fuel pump opening	1
24	A65561	GASKET	- cover (Replaced G46902)	1
25	13-512	BOLT,Hex, 5/16"-18 x 3/4", G5, Full Thd	BOLT,Hex, 5/16"-18 x 3/4", G5, Full Thd	2
26	92-5	LOCK WASHER,5/16"	LOCK WASHER,5/16"	2
27	A29268	PLUG	COVER - timing gear chamber opening	1
28	G49404	WASHER	- cyl. head stud	19
29	A30021	NUT	- cyl. head stud	19
30	A37406	DIPSTICK	ASSY. - oil gauge	1
31	F62075	O-RING,0.734" ID x 1.012" OD	"O"RING - (3/4 x 1 x 1/8")	2

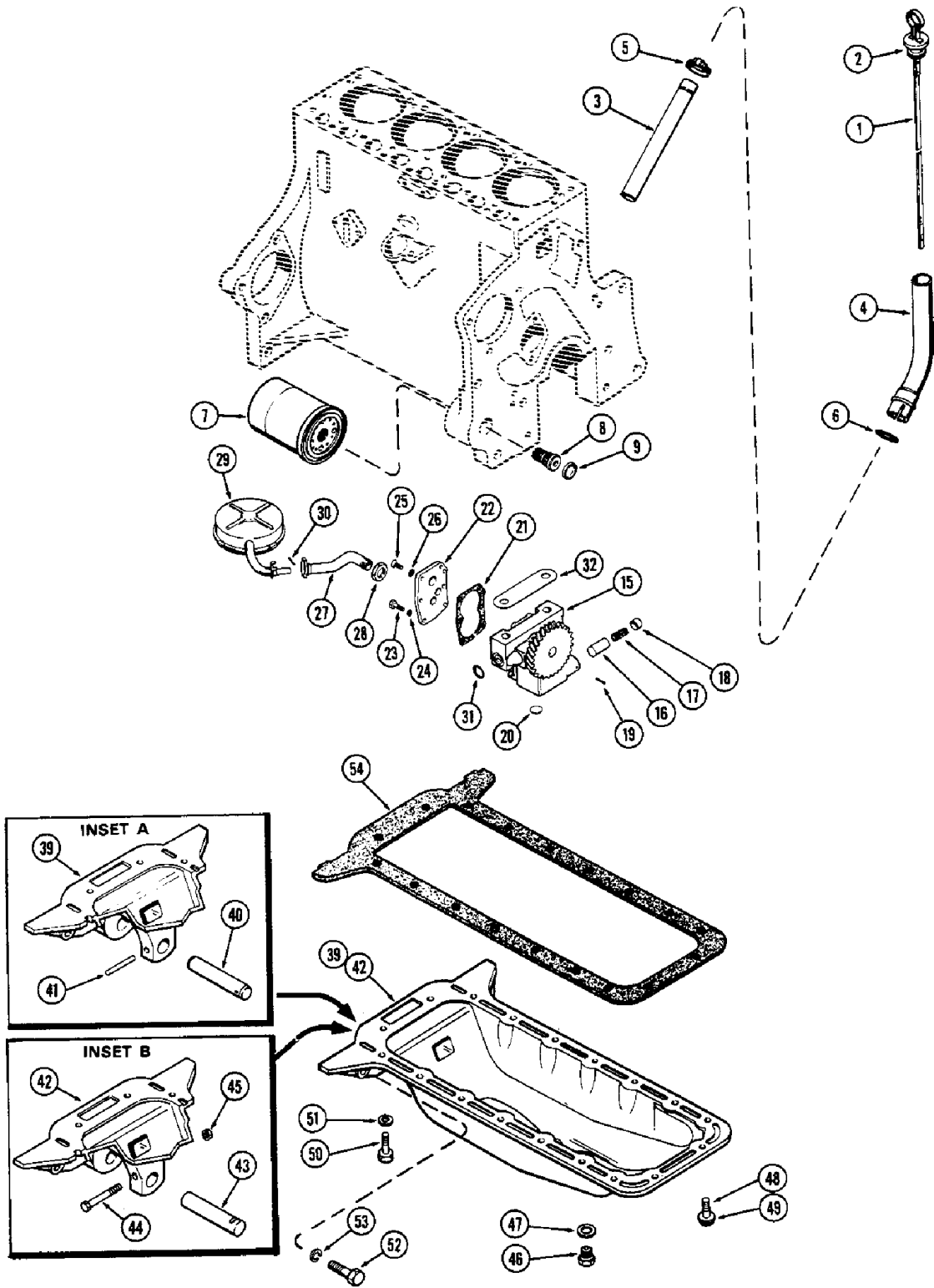


Diag #	Part #	Name	Description	Qty
1	A39146	CRANKSHAFT	CRANKSHAFT	1
2	A36495	BEARING LINER	LINER - main bearing, rear (Std.)	1
2	A36496	LINING	LINER - main bearing, rear (.002" undersize)	1
2	A36497	BEARING LINER	LINER - main bearing, rear (.010" undersize)	1
2	A36498	KIT	LINER - main bearing, rear (.020" undersize)	1
2	A36499	BEARING LINER	LINER - main bearing, rear (.030" undersize)	1
3	A36490	BEARING LINER	LINER - main bearing, center (Std.)	1
3	A36491	LINING	LINER - main bearing, center (.002" undersize)	1
3	A36492	BEARING LINER	LINER - main bearing, center (.010" undersize)	1
3	A36493	BEARING LINER	LINER - main bearing, center (.020" undersize)	1
3	A36494	LINING	LINER - main bearing, center (.030" undersize)	1
4	A36480	CRANKSHAFT BEARING,3.067" ID x 3.092" OD x 1.286"	LINER - main bearing, front (Std.)	1
4	A36481	LINING	LINER - main bearing, front (.002" undersize)	1
4	A36482	CRANKSHAFT BEARING,2.874" ID x 3.092" OD x 1.286"	LINER - main bearing, front (.010" undersize)	1
4	A36483	LINING	LINER - main bearing, front (.020" undersize)	1
4	A36484	LINING	LINER - main bearing, front (.030" undersize)	1
5	A29293	SHIM,.010" Thk	Thrust .010" Thk	1
6	A39288	GEAR	- crankshaft (24 teeth) (1-5/32" wide) (Replaces A29294 spacer	1
7	A29294	BUSHING	SPACER - thrust (Use with A29263 gear only)	1
8	A29263	GEAR	- crankshaft (24 teeth) (1-1/16" wide) (Order A39288)	1
9	126-216	WOODRUFF KEY,Hi-Pro, 1" Dia x 1/4" x 1 1/16"	KEY - pulley	2
10	A29259	SLINGER	- oil	1

Diag #	Part #	Name	Description	Qty
11	A39110	OIL SEAL	- oil, crackshaft front (2 x 3 x 1/2")	1
12	A50962	PULLEY	- fan drive (Replaced G11342	1
13	A35673	NUT	-, Serial Range: pulley-crankshaft	1
17	13-724	BOLT,Hex, 7/16"-14 x 1 1/2", G5	Hex, 7/16"-14 x 1 1/2", G5	4
18	92-7	LOCK WASHER,7/16"	LOCK WASHER,7/16"	4
19	A30013	WASHER	- 29/64 x 3/4 x 16 ga.	4
20	A38390	RETAINER	- rear oil seal	1
		A38390 retainer - Illustration shows bottom flange on wrong side.	A38390 retainer - Illustration shows bottom flange on wrong side.	1
21	A51339	OIL SEAL	- oil, rear (4 x 5 x 1/2") (Replaces A39111)	1
23	A39188	GASKET	- retainer	1
24	26-412	BOLT,Hex, 1/4"-20 x 3/4", G8, Full Thd	- 1/4 x 3/4" N.C. hex.	4
24	26-416	BOLT,Hex, 1/4"-20 x 1", G8, Full Thd	- 1/4 x 1" N.C. hex.	3
25	92-4	LOCK WASHER,1/4"	WASHER, LOCK, 1/4"	7
26	A51885	COUPLING, BREAK AWAY	COUPLING ASSY. - pump shaft (Replaces A35558), Includes: Ref. 27	1
27	A45216	BUSHING	- coupling	4
28	A35558		COUPLING ASSY. - flexible (Order A51885), Includes: Ref. 29	1
29	G36905	BLOCK	BUSHING - coupling	4
30	A39336	FLYWHEEL	ASSY., Includes: Ref. 31	1
31	G11710	GEAR	- ring (135 teeth)	1
32	A37216	BOLT	- 7/16 x 2" N.F. hex. drilled	4
33	A30013	WASHER	- flywheel mounting	4

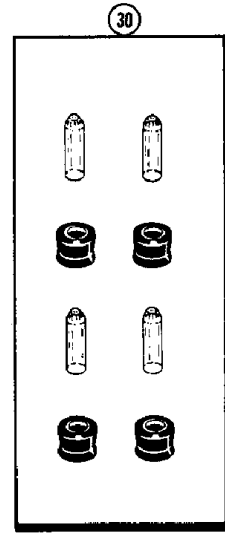
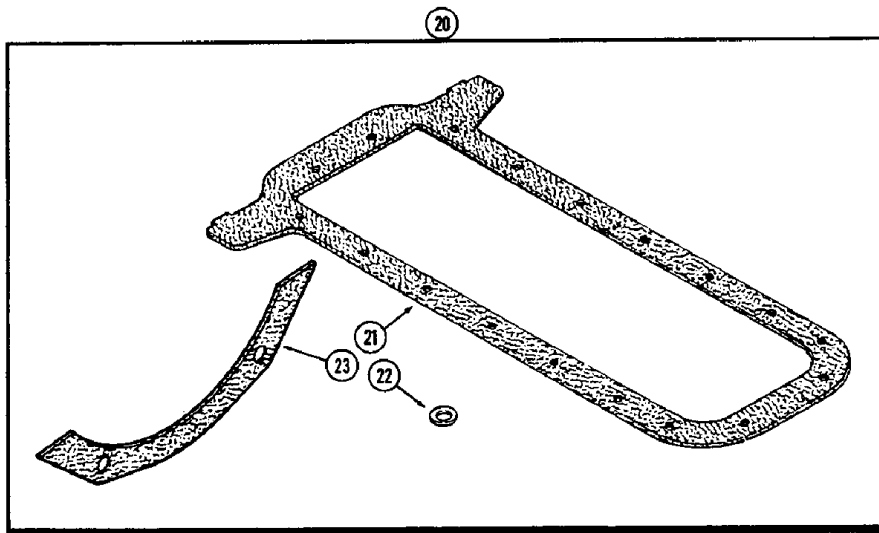
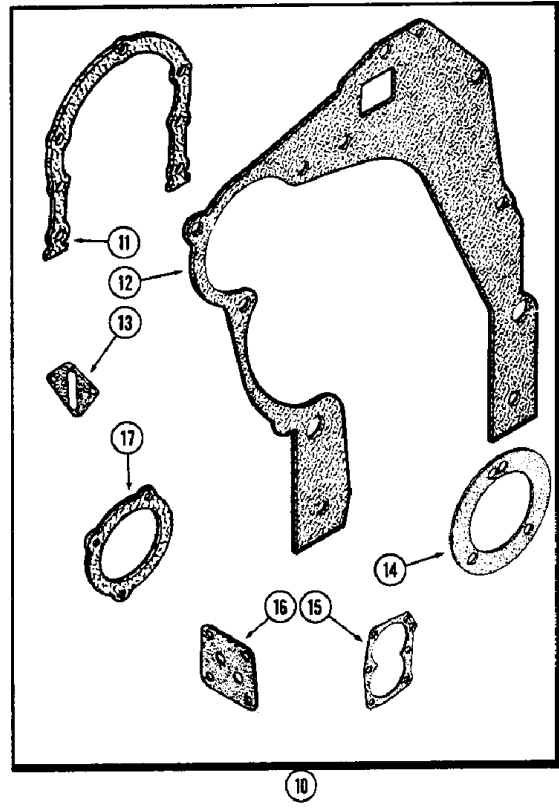
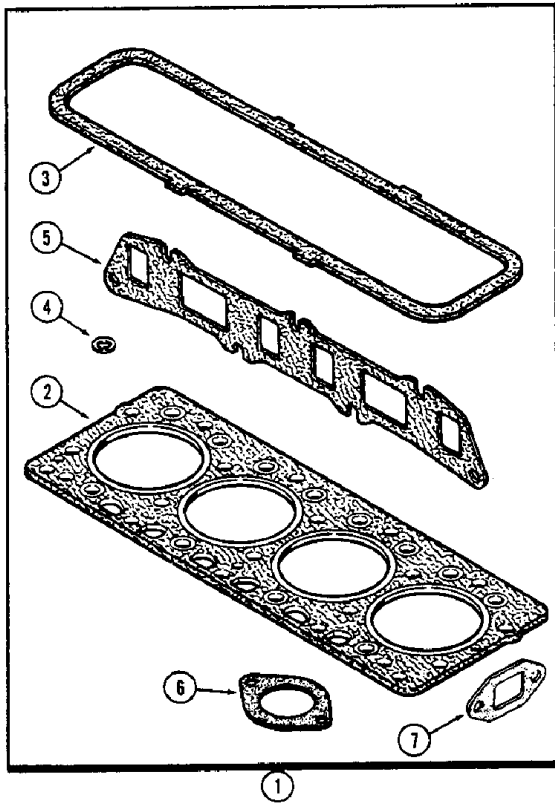


Diag #	Part #	Name	Description	Qty
1	A36031	SLEEVE	PISTON	1
2	G2092	PISTON	- cylinder	4
3	G4807	RING	- compression, piston (See ref. 9)	12
4	G4809	RING	- oil control, piston (See ref. 9)	4
5	NSS	NOT SERVICED SEPARATELY	PIN - piston (Order ref. 10)	4
6	A26915	RING, SNAP	RING - retaining (See ref. 10)	8
7	G2090	SLEEVE	- cylinder	4
8	G46888	O-RING,3.737" ID x 3.943" OD	"O"RING - sleeve packing	8
9	G11999	RING	KIT - re-ring (Set of 4)	1
10	A36030	KIT	PIN KIT - piston (Set of 4 pins	1
14	G11172	STEM	ROD ASSY. - connecting, Includes: Ref. 15 - 17	4
15	G11701	BOLT	- cap	2
16	A51904	NUT	NUT - 3/8" N.F. hex.	2
17	NSS	NOT SERVICED SEPARATELY	BUSHING - conn. rod (Order ref. 18)	1
18	G11922	BUSHING	SET - conn. rod (Set of 4)	1
19	NSS	NOT SERVICED SEPARATELY	LINER - conn. rod (Order ref. 20)	1
20	A36500	SEAL	LINER - conn. rod bearing (Std.)	4
20	A36501	BEARING LINER	LINER - conn. rod bearing (.002" undersize)	4
20	A36502	LINING	LINER - conn. rod bearing (.010" undersize)	4
20	A36503	BEARING LINER	LINER - conn. rod bearing (.020" undersize)	4
20	A36504	KIT	LINER - conn. rod bearing (.030" undersize)	4



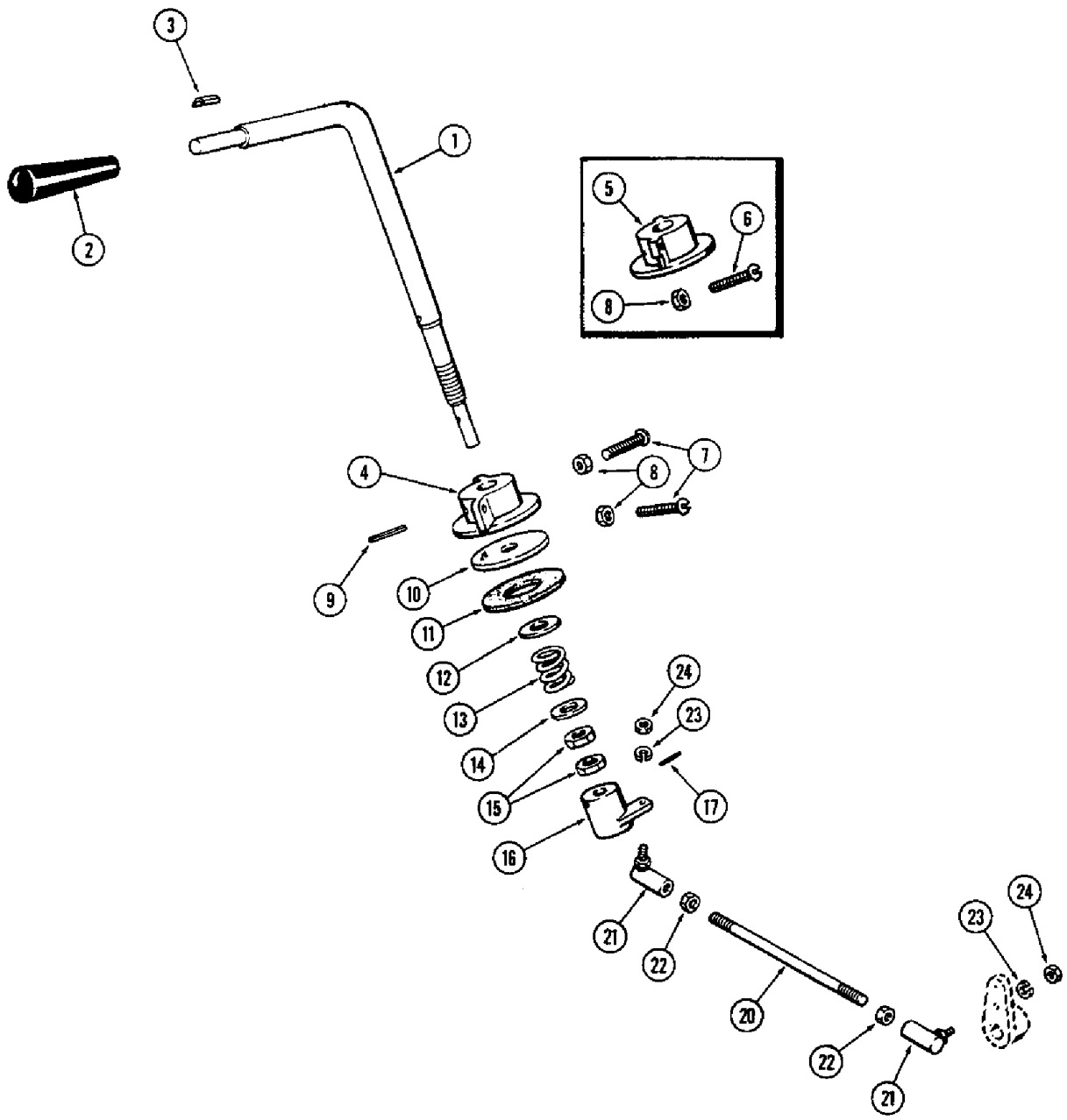
Diag #	Part #	Name	Description	Qty
1	A37406	DIPSTICK	ASSY. - engine oil level, Includes: Ref. 2	1
2	F62075	O-RING,0.734" ID x 1.012" OD	"O"RING - 3/4 x 1 x 1/8"	2
3	A37149	TUBE	- oil filler	1
4	A37407	TUBE	EXTENSION - filler	1
5	214-256	HOSE CLAMP,#20, 0.81/1.75 Type F Worm	CLAMP - extension, 1-3/16 to 1-3/4"	1
6	A27342	O-RING,1.109" ID x 1.387" OD x 0.139"	"O"RING - 1-1/8 x 1-3/8 x 1/8"	1
7	A37189	FILTER, ELEMENT	FILTER - engine oil	1
8	A153552	ADAPTER	-, Serial Range: filter-block	1
9	41-1016	PLUG,Cup, 1"	- adapter opening, 1" cup type	1
15	A38369	PUMP	ASSY. - oil (Replaces G11844), Includes: Ref. 16 - 26	1
16	A29279		- relief	1
17	G48513	VALVE SPRING	SPRING - relief valve	1
18	A29260	RETAINER	- relief spring	1
19	132-50	COTTER PIN,1/8" x 1 1/4"	Pin, Split (Cotter), 1/8" x 1 1/4"	1
20	41-102	PLUG,Exp, 1/2"	- pump body	1
21	G46852	GASKET	- pump cover	1
22	NSS	NOT SERVICED SEPARATELY	COVER - pump body	1
23	13-420	BOLT,Hex, 1/4"-20 x 1 1/4", G5	BOLT,Hex, 1/4"-20 x 1 1/4", G5	1
23	13-412	BOLT,Hex, 1/4"-20 x 3/4", G5, Full Thd	BOLT,Hex, 1/4"-20 x 3/4", G5, Full Thd	3
24	92-4	LOCK WASHER,1/4"	WASHER, LOCK, 1/4"	4
25	73-410	SCREW,Slotted Flat Hd, 1/4"-20 x 5/8"	- 1/4 x 5/8" flat hd.	2
26	193-52	LOCK WASHER,Ext Csk Tooth, 1/4"	WASHER, LOCK, Ext Csk Tooth, 1/4"	2
27	A39035	TUBE	PIPE ASSY. - suction	1
28	223-207	LOCK NUT	NUT - pipe to pump, lock	1
29	A39036	FLOAT	ASSY. - (Includes screen)	1
30	132-50	COTTER PIN,1/8" x 1 1/4"	Pin, Split (Cotter), 1/8" x 1 1/4"	1
31	A27365	O-RING,0.737" ID x 0.943" OD x 0.103"	"O"RING - 3/4 x 15/16 x 3/32"	1
32	G11337	SHIM,.002" Thk	Pump to block .002" Thk	1
32	G11338	SHIM,.005" Thk	Pump to block .005" Thk	1

Diag #	Part #	Name	Description	Qty
39	A38425	PAN	- oil (Use with A51356 radius rod rear pivot pin and 135-361 groove pin) (See inset A) (Order A51539 oil pan, 1-A51537 pivot pin, 1-26-544 bolt	1
40	A51356	PIN	- radius rod rear pivot	1
41	135-361	GROOVED PIN, 1/4" x 2", Type F	Pin, Grooved, 1/4" x 2", Type F	1
42	A51539	PAN	- oil (Use with A51537 pivot pin, 26-544 bolt and 131-351 nut) (See inset B)	1
43	A51537	PIN	- radius rod rear pivot	1
44	26-544	BOLT, Hex, 5/16"-18 x 2 3/4", G8	- 5/16 x 2-3/4" N.C. hex.	1
45	131-351	LOCK NUT, 5/16"-18, GA	NUT - 5/16" N.C. hex.	1
46	A140222	PLUG	- drain, oil pan (Replaces A14280)	1
47	A58608	OIL PAN GASKET SET	- drain plug, nylon	1
48	26-528	BOLT, Hex, 5/16"-18 x 1 3/4", G8	- 5/16 x 1-3/4" N.C. hex.	14
48	26-516	BOLT, Hex, 5/16"-18 x 1", G8, Full Thd	BOLT, Hex, 5/16"-18 x 1", G8, Full Thd	2
49	193-83	LOCK WASHER, Int Tooth, 5/16"	WASHER - Shakeproof, 5/16" ext.	16
50	26-564	BOLT, Hex, 5/16"-18 x 4", G8	- 5/16 x 4" N.C. hex.	2
51	195-1019	WASHER	- 11/32 x 7/8 x 1/16", brass	2
52	113-663	BOLT (SPREADER)	BOLT - 5/8 x 2-1/4" N.C. hex. (To torque tube)	2
53	92-10	LOCK WASHER, 5/8"	WASHER, LOCK, 5/8"	2
54	NSS	NOT SERVICED SEPARATELY	GASKET - oil pan (Order A41450 Figure 98)	1

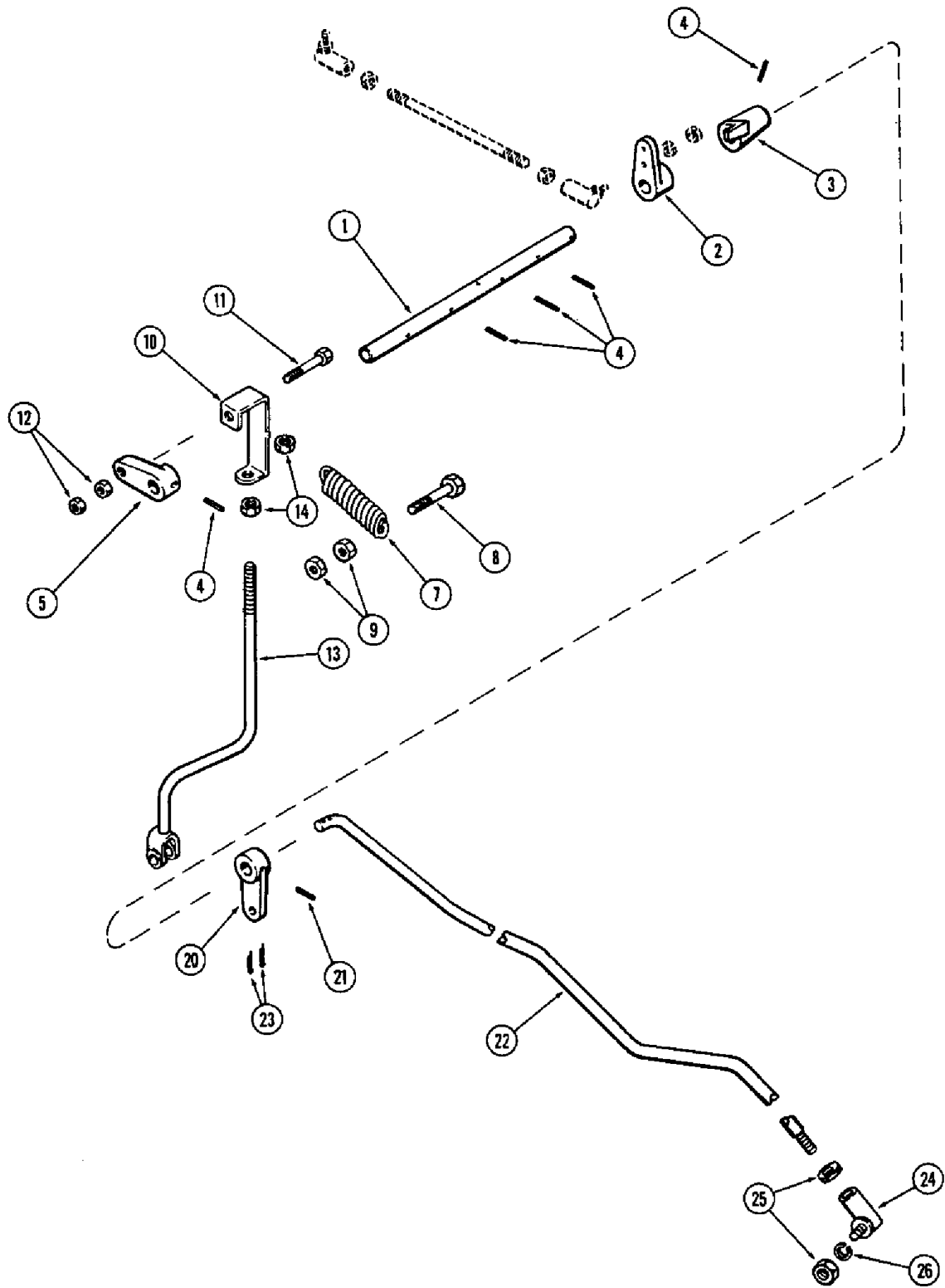


Diag #	Part #	Name	Description	Qty
1	A36411	GASKET	VALVE GRIND GASKET KIT - (See note), Includes: Ref. 2 - 7	1
2	A36585	CYLINDER HEAD GASKET	-, Serial Range: head-block	1
3	A43030	GASKET	- valve cover	1
4	G46851	SEAL	- valve stem	4
5	G46868	MANIFOLD GASKET	- manifold	1
6	G46826	GASKET	- carburetor	1
7	A30003	GASKET	- water outlet elbow	1
10	A41466	GASKET	CYLINDER BLOCK GASKET KIT - (See note), Includes: Ref. 11 - 17	1
11	A39188	GASKET	- rear oil seal retainer	1
12	A38227	GASKET	- timing gear cover	1
13	A65561	GASKET	- fuel pump opening (Replaced G46902)	1
14	A38083	GASKET	- water pump	1
15	G46852	GASKET	- oil pump cover	1
16	G46854	GASKET	- oil filter bracket (Not applicable)	1
17	A30042	GASKET	- power steering pump	1
20	A43064	GASKET	OIL PAN GASKET KIT - (Replaced A41450) (See note), Includes: Ref. 21 - 23	1
21	NSS	NOT SERVICED SEPARATELY	GASKET - oil pan to block (Order A43064)	1
22	A58608	OIL PAN GASKET SET	- drian plug, nylon	1
23	G46913	GASKET	- block to torque tube	1
30	M20611	SEAL KIT	- seal, valve stem (Set of 4 seals	1

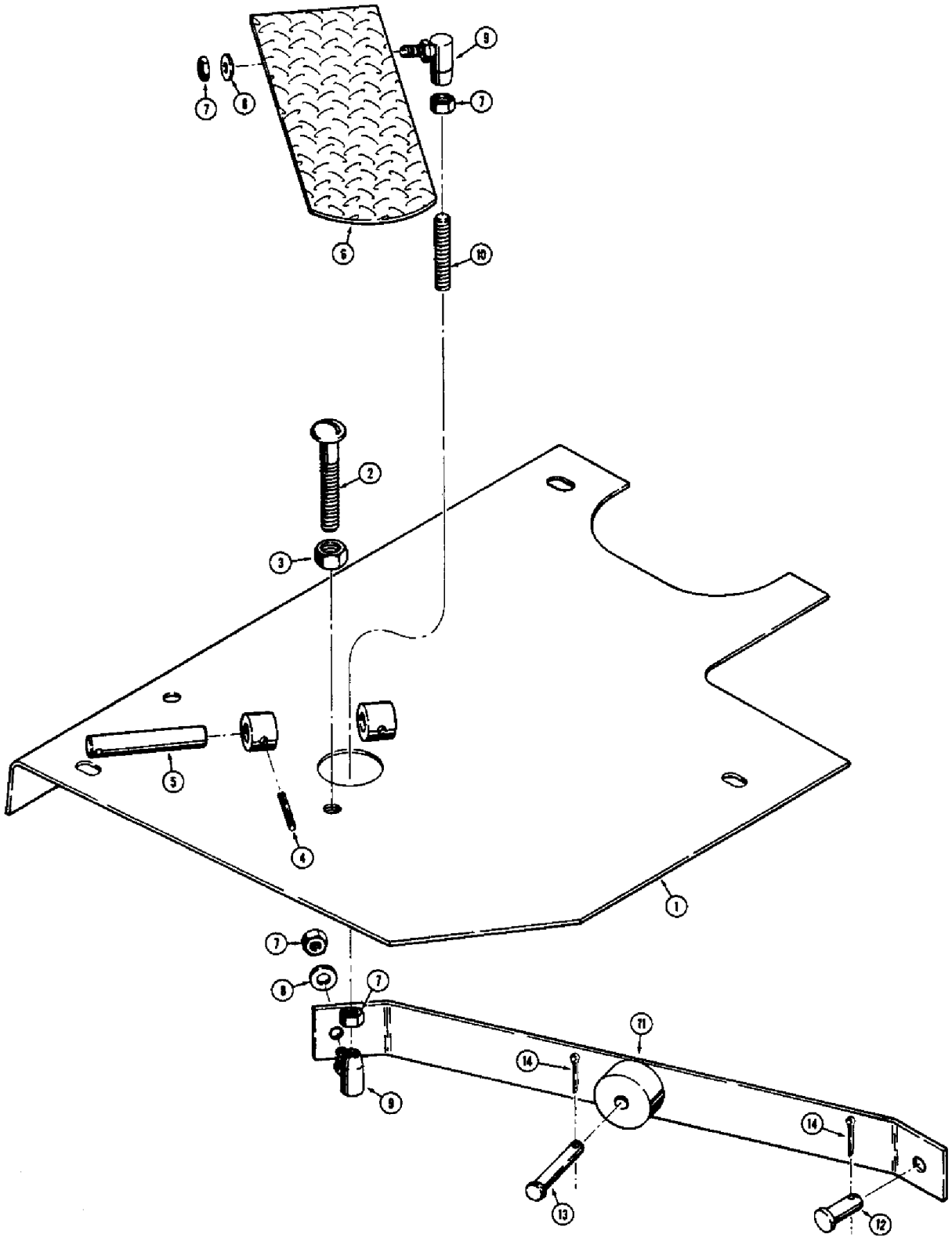




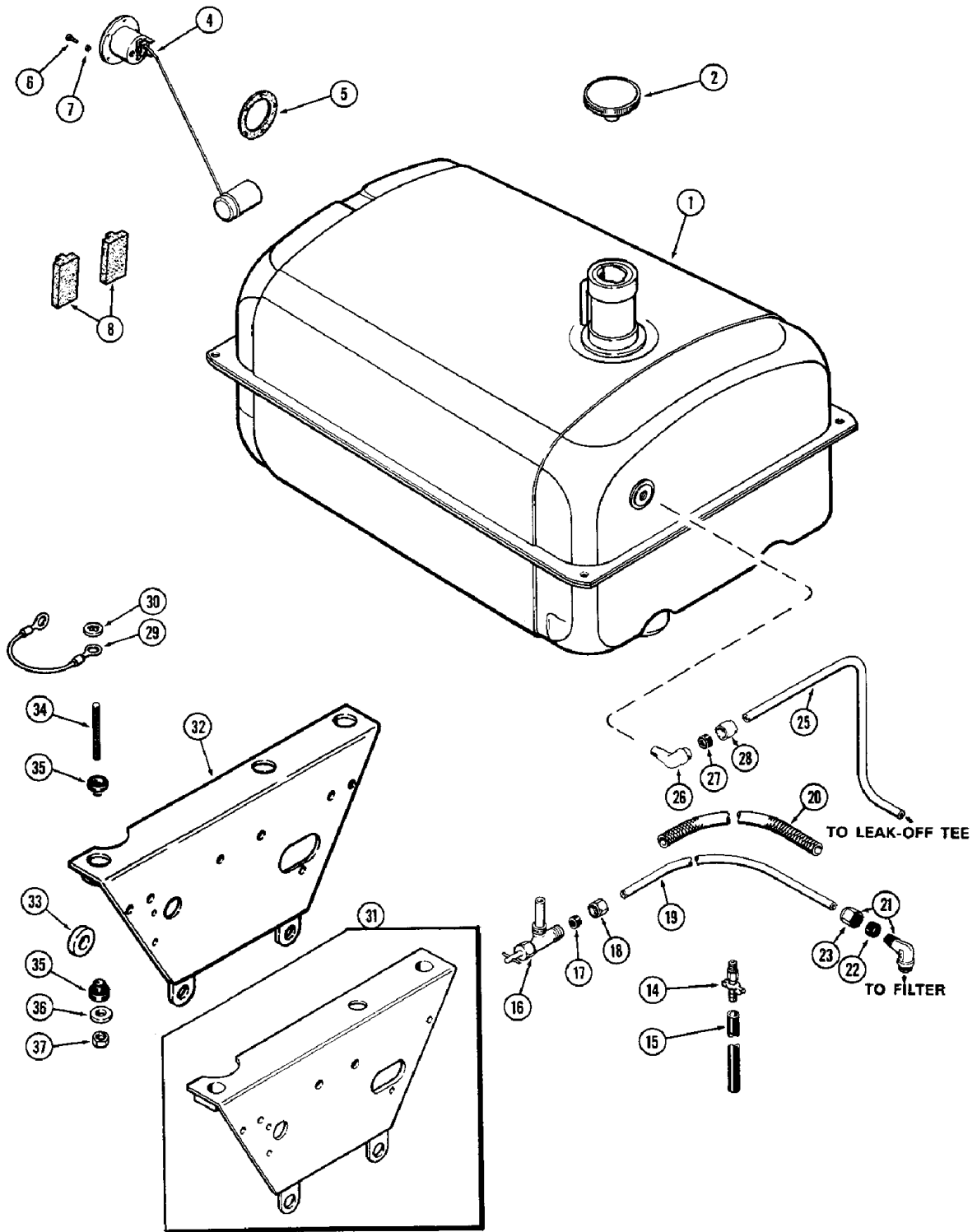
Diag #	Part #	Name	Description	Qty
1	A39391	LEVER	- throttle control	1
2	A37247	KNOB	- throttle lever	1
3	A51528	OIL SEAL	RING - knob to control lever	1
4	A51511		COLLAR - stop, friction plate (Replaces A38173)	1
5	A38173	STOP	COLLAR - stop, friction plate (Replaces 1-A51511)	1
6	75-432	SCREW	- 1/4 x 2" N.C. rd. hd. mach.	2
7	75-424	SCREW	- 1/4 x 1-1/2" N.C. rd. hd. mach.	2
8	25-104	NUT,1/4"-20, G5	NUT,1/4"-20, G5	2
9	138-118	LOCK PIN,7/32" x 1 1/2", Slotted	PIN, 7/32" x 1 1/2", Slotted	1
10	A57029	DISC	- throttle plate	1
11	A11969	GASKET	DISC - friction	1
12	A32838	WASHER	- friction disc	1
13	A34113	SPRING	- tension, lever	1
14	195-33	WASHER,1/2"	- 17/32 x 1-1/16 x 13 ga.	1
15	25-148	JAM NUT,Jam, 1/2"-13, G5	- 1/2" NC hex, jam	2
16	G1338	LEVER	- bottom	1
17	138-77	LOCK PIN,5/32" x 1", Slotted	PIN, 5/32" x 1", Slotted	1
20	A35642	ROD	- lever to cross shaft	1
21	A10329	BALL JOINT	- intermediate rod	2
22	25-154	JAM NUT,Jam, 1/4"-28, G5	- 1/4" N.F. hex, jam	2
23	92-4	LOCK WASHER,1/4"	WASHER, LOCK, 1/4"	2
24	25-114	NUT,1/4"-28, G5	- 1/4" N.F. hex.	4



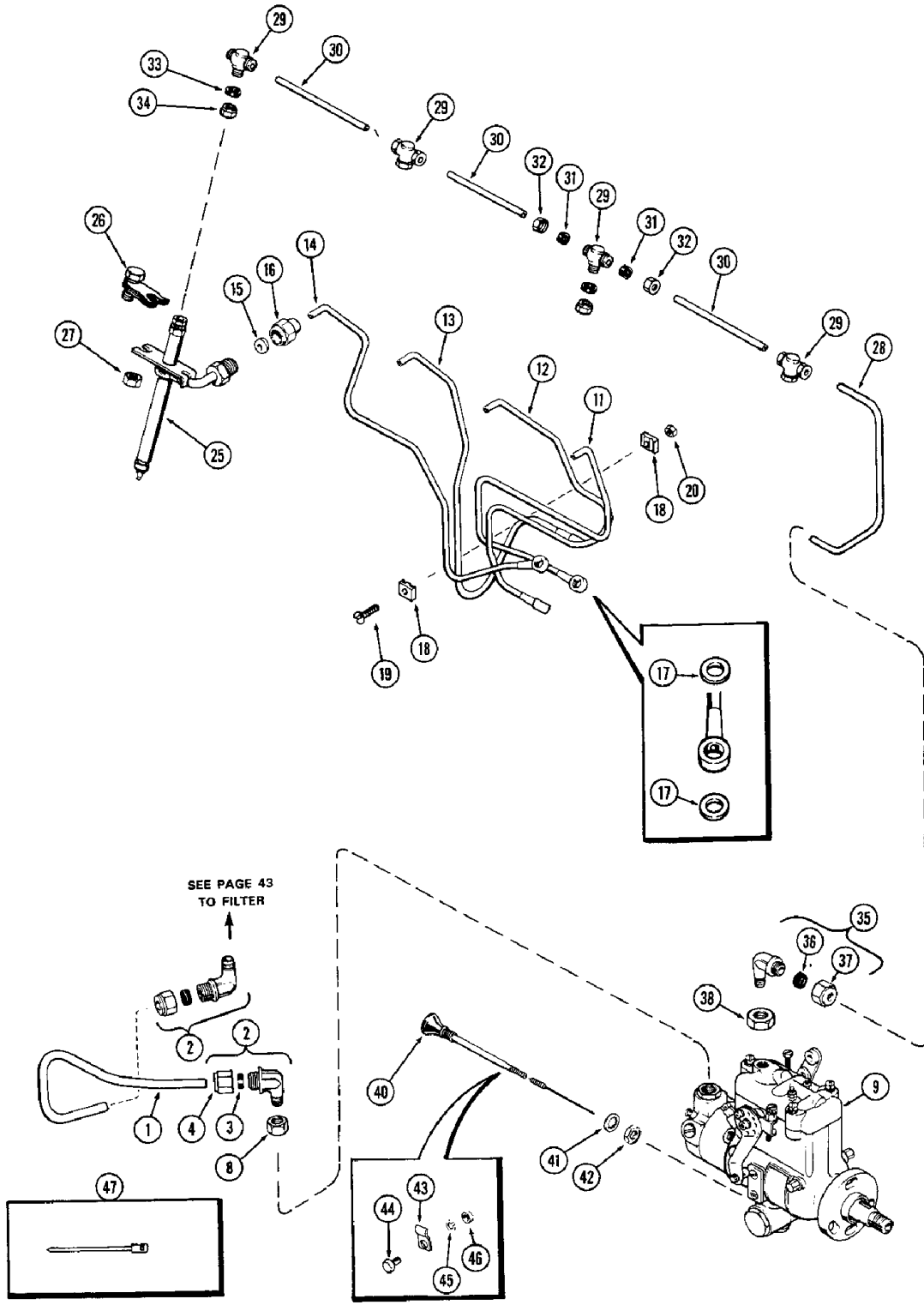
Diag #	Part #	Name	Description	Qty
1	A37264	SHAFT	- cross, throttle control	1
2	A35638	LEVER	- cross shaft	1
3	A35639	LEVER	- override	1
4	138-77	LOCK PIN,5/32" x 1", Slotted	PIN, 5/32" x 1", Slotted	4
5	A51115	LEVER	- throttle stop (Replaces A37265)	1
7	B18277	SPRING	- throttle return	1
		B18277 spring - Late units used F17468 return spring (now replaced by R52979).	B18277 spring - Late units used F17468 return spring (now replaced by R52979).	1
8	413-632	BOLT,Hex, 3/8"-16 x 2", G5	- 3/8 x 2" N.C. hex.	1
9	25-146	JAM NUT,Jam, 3/8"-16, G5	- 3/8" N.C. hex., jam	2
10	A37271	DRAG LINK	LINK - throttle pivot	1
11	13-640	BOLT,Hex, 3/8"-16 x 2 1/2", G5	- 3/8 x 2-1/2" N.C. hex.	1
12	25-146	JAM NUT,Jam, 3/8"-16, G5	- 1/4" N.C. hex., jam	2
13	A39386	ROD	- throttle	1
14	25-106	NUT,3/8"-16, G5	- 3/8" N.C. hex.	2
20	A37270	LEVER	- throttle rod	1
21	138-77	LOCK PIN,5/32" x 1", Slotted	PIN, 5/32" x 1", Slotted	1
22	A51326	ROD	- cross shaft to fuel pump (Replaced A39161)	1
23	132-26	COTTER PIN	PIN - Split (Cotter), 3/32" x 3/4"	2
24	A10329	BALL JOINT	- rod connecting	1
25	25-114	NUT,1/4"-28, G5	- 1/4" N.F. hex.	2
26	92-4	LOCK WASHER,1/4"	WASHER, LOCK, 1/4"	1



Diag #	Part #	Name	Description	Qty
1	D55023	PLATE ASSY.	PLATE - floor, R.H. front (Replaces D49715)	1
2	75-640	SCREW	- machine, round head (3/8" -16 N.C. x 2-1/2")	1
3	25-106	NUT,3/8"-16, G5	- hex. (3/8"-16 N.C.)	1
4	135-737	GROOVED PIN,5/32" x 1", Type E	PIN, GROOVED, , Shaft 5/32" x 1", Type E	1
5	R17364	SHAFT	- pedal pivot (Replaced 71044)	1
6	D49700	PEDAL	- foot accelerator	1
7	25-115	NUT,5/16"-24, G5	- hex (5/16"-24 NF)	4
8	92-5	LOCK WASHER,5/16"	med sect. 5/16"	2
9	A19105	BALL JOINT	- accelerator stud	2
10	D50720	STUD	- accelerator pedal	1
11	D50719	DRAG LINK	LINK - accelerator control	1
12	141-4	CLEVIS PIN,3/8" x 1.060"	PIN, CLEVIS, , Throttle link 3/8" x 1.060"	1
13	D50715	AXLE PIN	PIN - special, link support	1
14	132-26	COTTER PIN	PIN - Split (Cotter), 3/32" x 3/4"	2



Diag #	Part #	Name	Description	Qty
1	A51553	TANK	- fuel (Replaces A39764)	1
2	A51390	CAP	- fuel tank (Replaced A39377)	1
4	A23480	SENDER UNIT	SENDER - fuel gauge	1
5	A11822	GASKET	- sender	1
6	174-95	SCREW,Sltd Rd Hd, #10-32 x 3/8"	- #10-32 x 3/8" rd. hd.	5
7	92-3	LOCK WASHER,#10	WASHER, LOCK, #10	5
8	A37315	PAD	- rear, tank support	2
14	217-107	VALVE	- water trap drain	1
15	A22988	HOSE,0.25" ID x 15.00", SAE SC716 CS	- Drain 0.25" ID x 15.00", SAE SC716 CS	1
16	A51780	LOCK VALVE	VALVE ASSY. - needle, fuel line (Replaces A7313), Includes: Ref. 17 and 18	1
17	222-104	SLEEVE,3/8" Tube	- for 3/8" Tube	1
18	222-114	NUT,5/8"-24	NUT - for 3/8" tube	1
19	A35630	TUBE	LINE - fuel, Serial Range: valve-filter	1
20	A27241	LOOM	- fuel line	1
21	222-47	ELBOW,90°, 5/8"-24 Fem x 1/4"-27 NPTF	- to filter, 3/8" tube x 1/4" P.T., Includes: Ref. 22 and 23	1
22	222-104	SLEEVE,3/8" Tube	- 3/8" Tube	1
23	222-114	NUT,5/8"-24	NUT - 3/8" tube	1
25	A37899	TUBE	- fuel tank leak-off, 1/4" tube	1
26	222-43	ELBOW,90°, 1/2"-24 Fem x 1/4"-27 NPTF	ASSY. - leak-off line to fuel tank, Includes: Ref. 27 and 28	1
27	222-104	SLEEVE,3/8" Tube	- for 1/4" tube	1
28	222-114	NUT,5/8"-24	NUT - for 1/4" tube	1
29	A39882	BEARING	WIRE - ground, fuel tank	1
30	193-68	LOCK WASHER,Int Tooth, 3/8"	WASHER, LOCK, Int Tooth, 3/8"	1
31	A39378	SUPPORT	- front, fuel tank (Used prior to trac. ser. no. 8731267)	1
32	A51792	SUPPORT	- front, fuel tank (1st used trac. ser. no. 8731267)	1
33	A51801	BUSHING	SPACER - support to torque tube (1st used trac. ser. no. 8731267)	2
34	A37310	STUD	- 3/8" N.C. x 3-1/4"	4
35	A37311	BUSHING	- mounting, rubber	8
36	G62051	WASHER - 13/32 x 1-1/2"	WASHER - 13/32 x 1-1/2"	4
37	131-352	LOCK NUT,3/8"-16, GA	NUT - 3/8" N.C. hex., lock	4

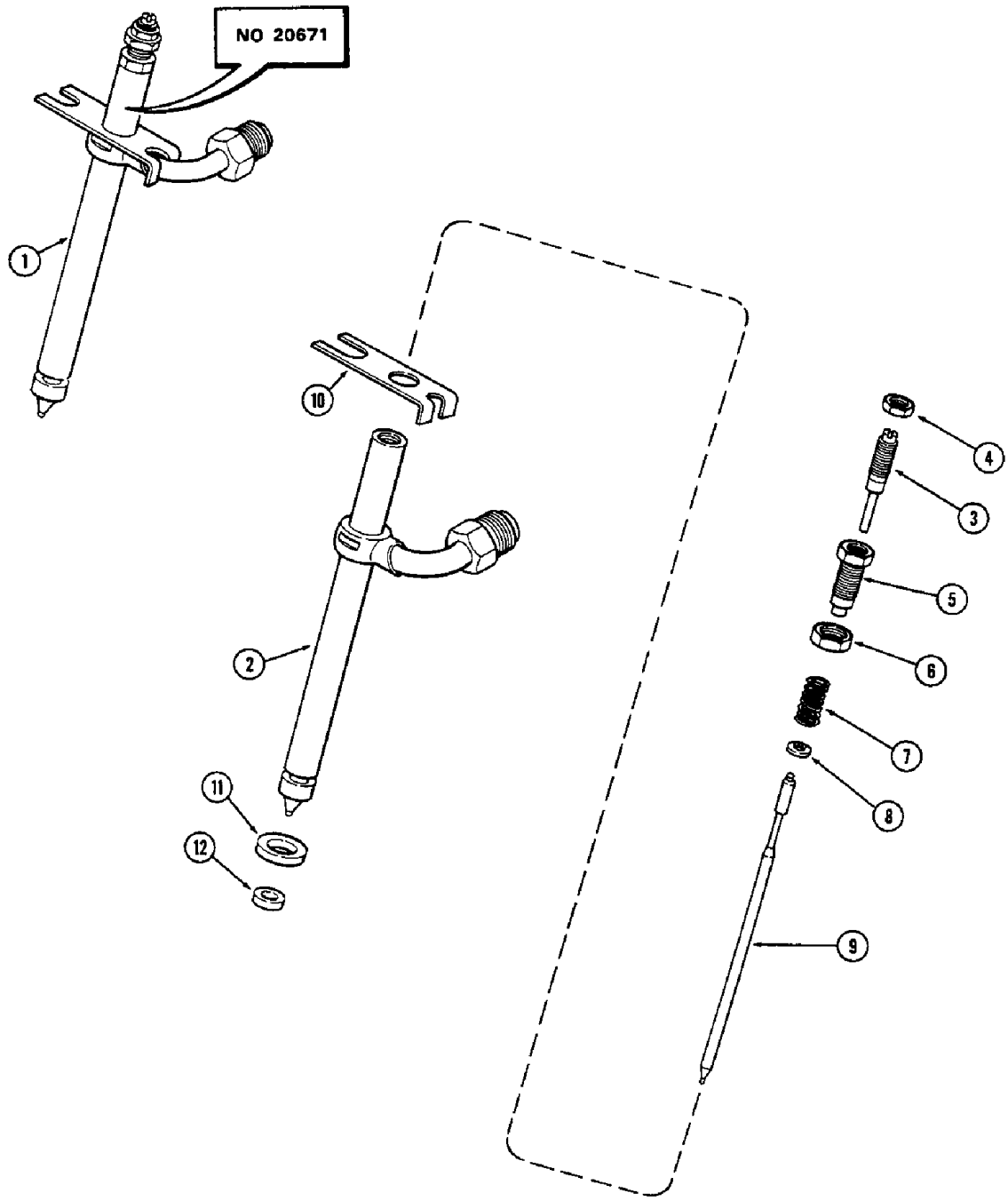


Diag #	Part #	Name	Description	Qty
1	A51784	TUBE	LINE - fuel, filter to pump (Replaces A36566)	1
2	222-47	ELBOW,90°, 5/8"-24 Fem x 1/4"-27 NPTF	ASSY. - 1/4" P.T., Includes: Ref. 3 and 4	2
3	222-104	SLEEVE,3/8" Tube	- for 3/8" Tube	1
4	222-114	NUT,5/8"-24	NUT - for 3/8" tube	1
8	A38161	LOCK NUT	-, Serial Range: elbow-pump	1
9	REF	INSTRUCTION	PUMP ASSY. - fuel injection, w/mech. shuttle (See Figures 46	1
9	REF	INSTRUCTION	PUMP ASSY. - fuel injection, w/power shuttle (See Figures 48	1
11	A41391	TUBE	ASSY. - pump to #1 injector, Includes: Ref. 15 - 17	1
12	A41392	TUBE	ASSY. - pump to #2 injector, Includes: Ref. 15 - 17	1
13	A41393	TUBE	ASSY. - pump to #3 injector, Includes: Ref. 15 - 17	1
14	A41394	TUBE	ASSY. - pump to #4 injector, Includes: Ref. 15 - 17	1
		A41394 not illustrated properly the part pictured is A35061 see 310G crawler pg 40 for illustration of all tubes if customer requires tube which looks like picture DB	A41394 not illustrated properly the part pictured is A35061 see 310G crawler pg 40 for illustration of all tubes if customer requires tube which looks like picture DB	1
15	A37850	PIPE FITTING	SLEEVE - tube	1
16	A37851	NUT	- tube	1
17	G49407	RING	WASHER - screw connector	2
18	A58709	BRACKET	CLAMP - injection tubes	4
19	173-102	SCREW,Sltd Rd Hd, #10-24 x 1"	BOLT - #10 - 24 x 1" rd. hd.	2
20	131-612	SPRING NUT,Tinn, #10-24	NUT - #10-24 Tinnerman	2
25	REF	INSTRUCTION	NOZZLE ASSY. - fuel injection (See Figure 43A)	4
26	A37837	CLAMP	ASSY. - injection nozzle	4
27	A37839	SPACER	- nozzle clamp	4
28	A142906	TUBE	- leak-off, pump to tee (Replaces A38158	1
29	A58960	PIPE FITTING	TEE - nozzle leak-off	4
30	A38644	TUBE	- leak-off	3
31	222-102	SLEEVE,1/4" Tube	SLEEVE,1/4" Tube	8

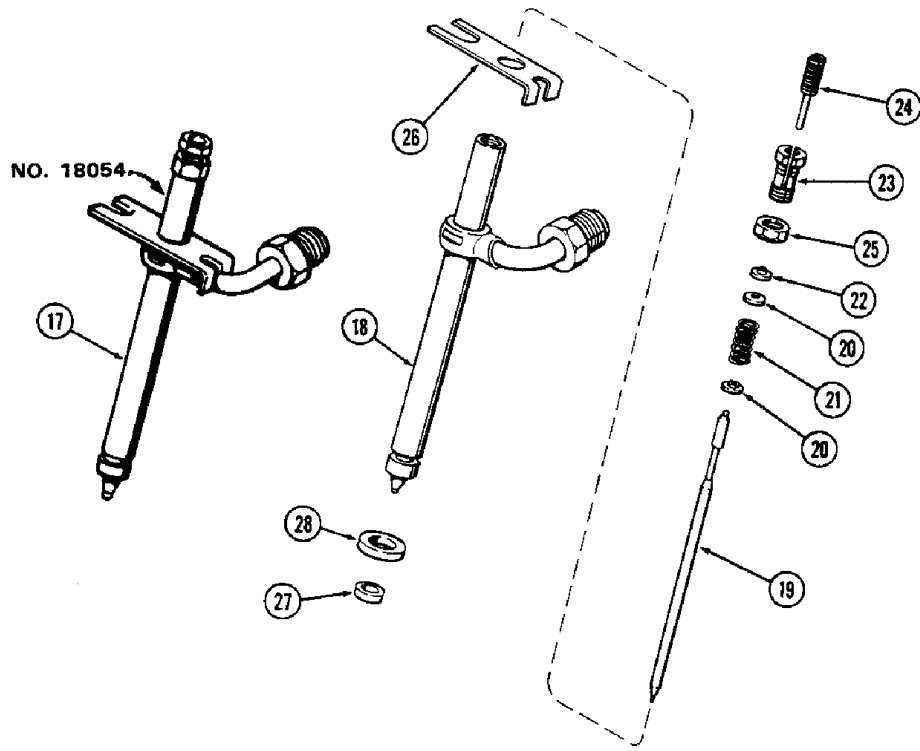
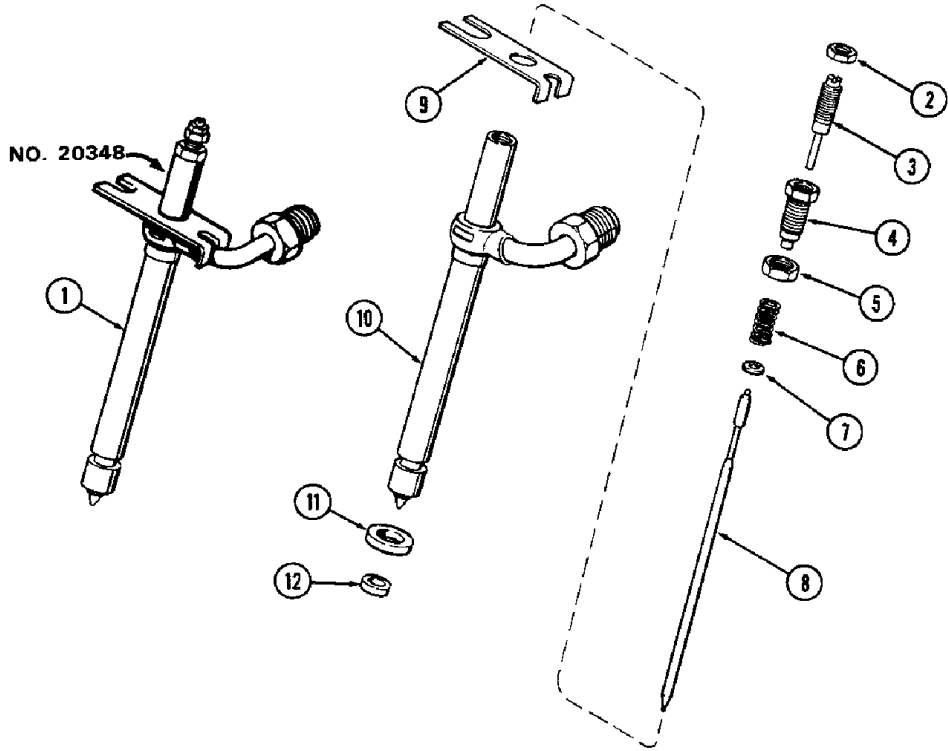
Diag #	Part #	Name	Description	Qty
32	87017024	TUBE NUT,1/2"-24	NUT - for 1/4" tube	8
33	A58962	GROMMET	- nozzle cap, rubber	4
34	A58961	NUT	- nozzle	4
35	222-42	ELBOW,90°, 1/2"-24 Fem x 1/8"-27 NPTF	ASSY. - pump to leak-off, Includes: Ref. 36 and 37	1
36	222-102	SLEEVE,1/4" Tube	SLEEVE,1/4" Tube	1
37	87017024	TUBE NUT,1/2"-24	NUT - for 1/4" tube	1
38	A38160	LOCK NUT	-, Serial Range: elbow-pump	1
39	A38454	ELECTRICAL WIRE	CONTROL - fuel shut-off	1
41	193-68	LOCK WASHER,Int Tooth, 3/8"	WASHER, LOCK, Int Tooth, 3/8"	1
42	86585245	NUT,Jam, 3/8"-24, G5	- 3/8" N.F. hex., jam	1
43	A26673	CLIP	- cable retaining	1
44	113-2	BOLT,Hex, 1/4"-20 x 5/8", G5, Full Thd	BOLT,Hex, 1/4"-20 x 5/8", G5, Full Thd	2
45	192-19	LOCK WASHER,1/4"	WASHER, LOCK, 1/4"	1
46	7770	NUT,0.25" OD	1/4"-20, G5	1
47	L11541	CABLE TIE	STRAP - fuel shut-off cable to steering tube (Replaced items 43, 44, 45	1

Diag #	Part #	Name	Description	Qty
1	A51739	FILTER	ASSY. - (Replaces A39865), Includes: Ref. 2 - 9	1
2	A51738	CYLINDER HEAD	HEAD - fuel filter (Replaces A39866)	1
3	A39867	FILTER	ASSY. - secondary (Also order ref. 8), Includes: Ref. 4	1
4	A42315	GASKET	filter	1
5	A39868	FILTER	primary (Also order ref. 6	1
6	G49080	PLUG	filter drain	1
7	218-5002	O-RING,0.301" ID	3-1, .301" ID x .064" Thk	1
8	218-5152	PLUG,Hex Hd, 3/8"-24 ORB	Assy (3/16" OD tube) Includes Ref. 9 Hex Hd, 3/8"-24 ORB	1
9	218-5002	O-RING,0.301" ID	3-1, .301" ID x .064" Thk	1
10	13-514	BOLT,Hex, 5/16"-18 x 7/8", G5, Full Thd	BOLT,Hex, 5/16"-18 x 7/8", G5, Full Thd	3
11	92-5	LOCK WASHER,5/16"	LOCK WASHER,5/16"	3
15	A35735	FILTER	ASSY. - fuel (Order A51739), can type used prior s/n 2718490, Includes: Ref. 16 - 31	1
16	A35664	HEAD	mounting, can type used prior s/n 2718490	1
17	A51346	FILTER	ASSY. - final (Incl. gasket) (Repl. A39109	1
18	A35672	CAP	ASSY. - final filter, can type used prior s/n 2718490, Includes: Ref. 19 and 20	1
19	A35971	SCREW	VALVE - bleeder, can type used prior s/n 2718490	1
20	NLS	NO LONGER SERVICED	GASKET - bleeder valve, can type used prior s/n 2718490	1
21	A35669	SPRING	final filter, can type used prior s/n 2718490	1
22	A35670	WASHER	final filter, can type used prior s/n 2718490	1
23	A35671	GASKET	rubber, final filter, can type used prior s/n 2718490	1
24	A35863	FILTER, ELEMENT	ASSY. - primary filter, can type used prior s/n 2718490, Includes: Ref. 25	1
25	A28056	GASKET	filter body, can type used prior s/n 2718490	1
26	A37099		BODY - primary filter, can type used prior s/n 2718490	1
27	217-102	PLUG, DRAIN	VALVE, can type used prior s/n 2718490	1
28	A21131	NUT	primary filter body, can type used prior s/n 2718490	1
29	A28055	GASKET	nut to head, can type used prior s/n 2718490	1
30	G49080	PLUG	drain, can type used prior s/n 2718490	1

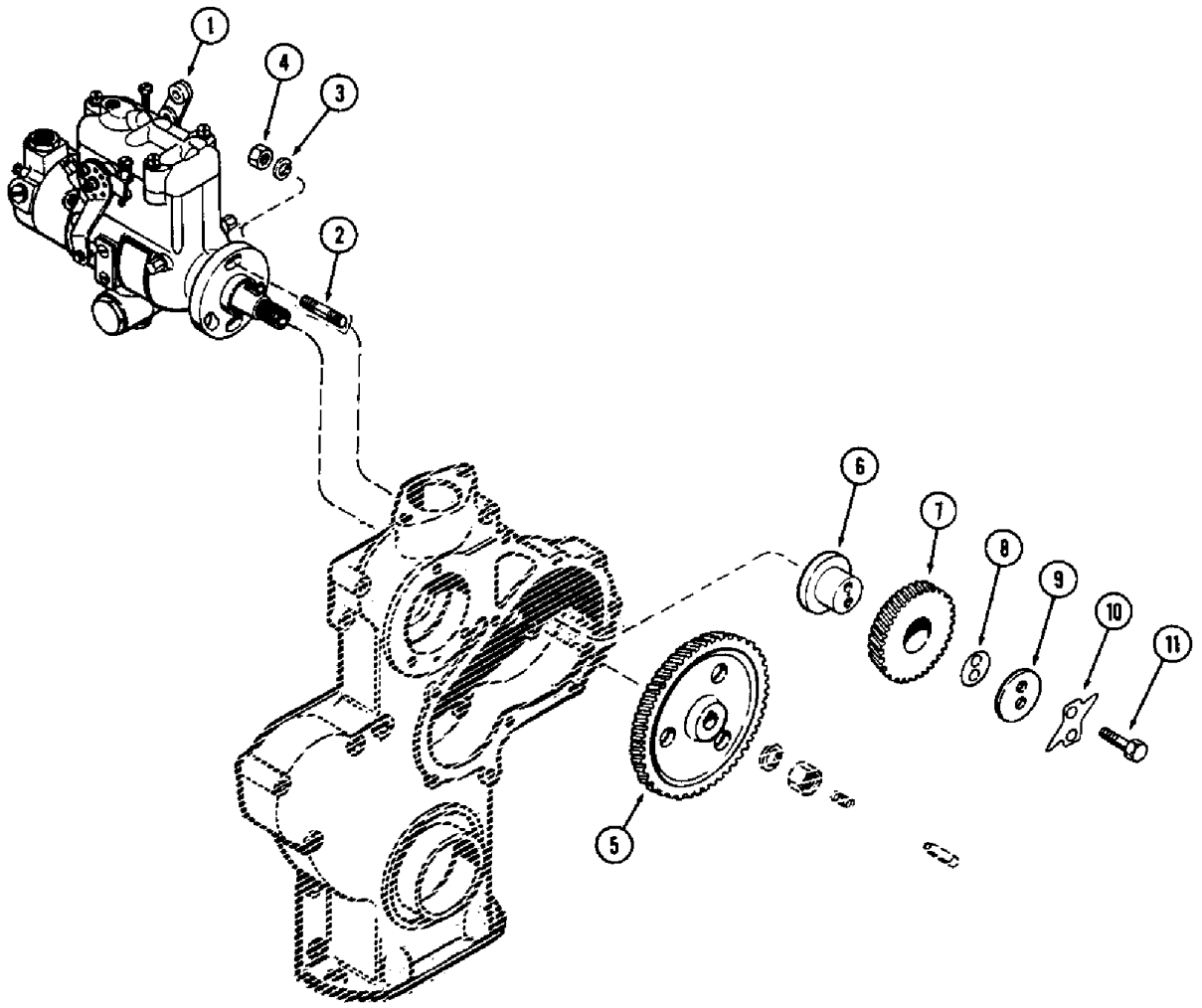
Diag #	Part #	Name	Description	Qty
31	A27891	O-RING,0.362" ID x 0.568" OD x 0.103"	"O"RING - 3/8 x 9/16 x 3/32", can type used prior s/n 2718490	1
32	13-514	BOLT,Hex, 5/16"-18 x 7/8", G5, Full Thd	Can type used prior S/N 2718490 Hex, 5/16"-18 x 7/8", G5, Full Thd	3
33	92-5	LOCK WASHER,5/16"	can type used prior s/n 2718490 5/16"	3



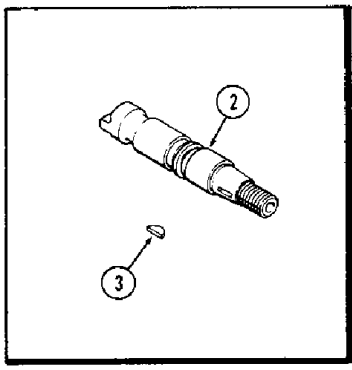
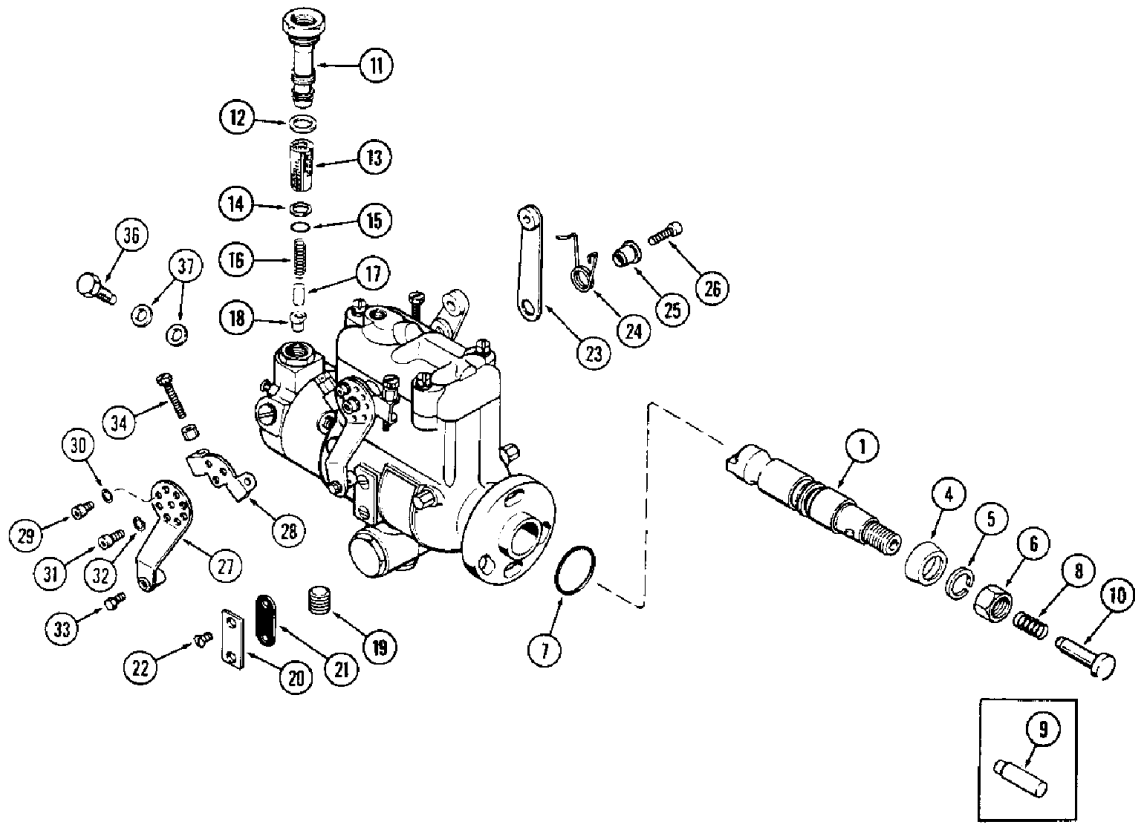
Diag #	Part #	Name	Description	Qty
1	A140829	NOZZLE INJECTION	NOZZLE ASSY. - injector (See note) (Replaces A51234) (Supplier's no. 20671 stamped on body), Includes: Ref. 2 - 12	4
2	NSS	NOT SERVICED SEPARATELY	BODY - nozzle	1
3	A43599	ADJUSTMENT SCREW	SCREW - lift adjusting	1
4	A43602	NUT	- lock, lift adjusting screw	1
5	A43600	ADJUSTMENT SCREW	SCREW - pressure adjusting	1
6	A42424	LOCK NUT	- lock, pressure adjusting screw	1
7	A43733	SPRING	- nozzle pressure adjusting (9/16" free length, w/red stain)	1
8	A44369	SEAT	- pressure adjusting spring	1
9	NSS	NOT SERVICED SEPARATELY	VALVE - nozzle	1
10	A43506	PLATE ASSY.	PLATE - nozzle holder	1
11	A41403	WASHER	- nozzle body	1
12	A41402	SEAL	- carbon stop	1



Diag #	Part #	Name	Description	Qty
1	A51234	NOZZLE CAP	NOZZLE ASSY. - fuel injection (Supplier's no. 20348 stamped on body) (See note) (Order A140829), Includes: Ref. 2 - 12	4
2	A43602	NUT	LOCKNUT - lift screw lock	1
3	A43599	ADJUSTMENT SCREW	SCREW - lift adjusting	1
4	A43600	ADJUSTMENT SCREW	SCREW - pressure adjusting	1
5	A42424	LOCK NUT	LOCKNUT - pressure adj. screw	1
6	A43733	SPRING	- pressure (9/16" free length w/red stain)	1
7	A44369	SEAT	- spring	1
8	NSS	NOT SERVICED SEPARATELY	VALVE - nozzle (Order A140829)	1
9	A43506	PLATE ASSY.	PLATE - nozzle locating	1
10	NSS	NOT SERVICED SEPARATELY	BODY - nozzle (Order A140829)	1
11	A41403	WASHER	- plain	1
12	A41402	SEAL	- carbon stop	1
17	A37836	NOZZLE	ASSY. - fuel injection (See note) (Supplier's #18054 stamped on body) (Order A140829), used prior to eng. ser. no. 2717963, Includes: Ref. 18 - 28	4
18	NSS	NOT SERVICED SEPARATELY	BODY - nozzle (Order A140829), used prior to eng. ser. no. 2717963	1
19	NSS	NOT SERVICED SEPARATELY	VALVE - nozzle (Order A140829), used prior to eng. ser. no. 2717963	1
20	A41401	SEAT	- pressure spring (Order A44369), used prior to eng. ser. no. 2717963	2
21	A41444	VALVE SPRING	SPRING - pressure (17/32" free length w/green color code), used prior to eng. ser. no. 2717963	1
22	A41407	WASHER	- ball type, used prior to eng. ser. no. 2717963	1
23	A41409	ADJUSTMENT SCREW	SCREW - pressure adjusting, used prior to eng. ser. no. 2717963	1
24	A41408	ADJUSTMENT SCREW	SCREW - lift adjusting, used prior to eng. ser. no. 2717963	1
25	A42424	LOCK NUT	- lock, used prior to eng. ser. no. 2717963	1
26	A41405	PLATE	- locating, nozzle, used prior to eng. ser. no. 2717963	1
27	A41402	SEAL	- carbon stop, used prior to eng. ser. no. 2717963	1
28	A41403	WASHER	- plain, used prior to eng. ser. no. 2717963	1

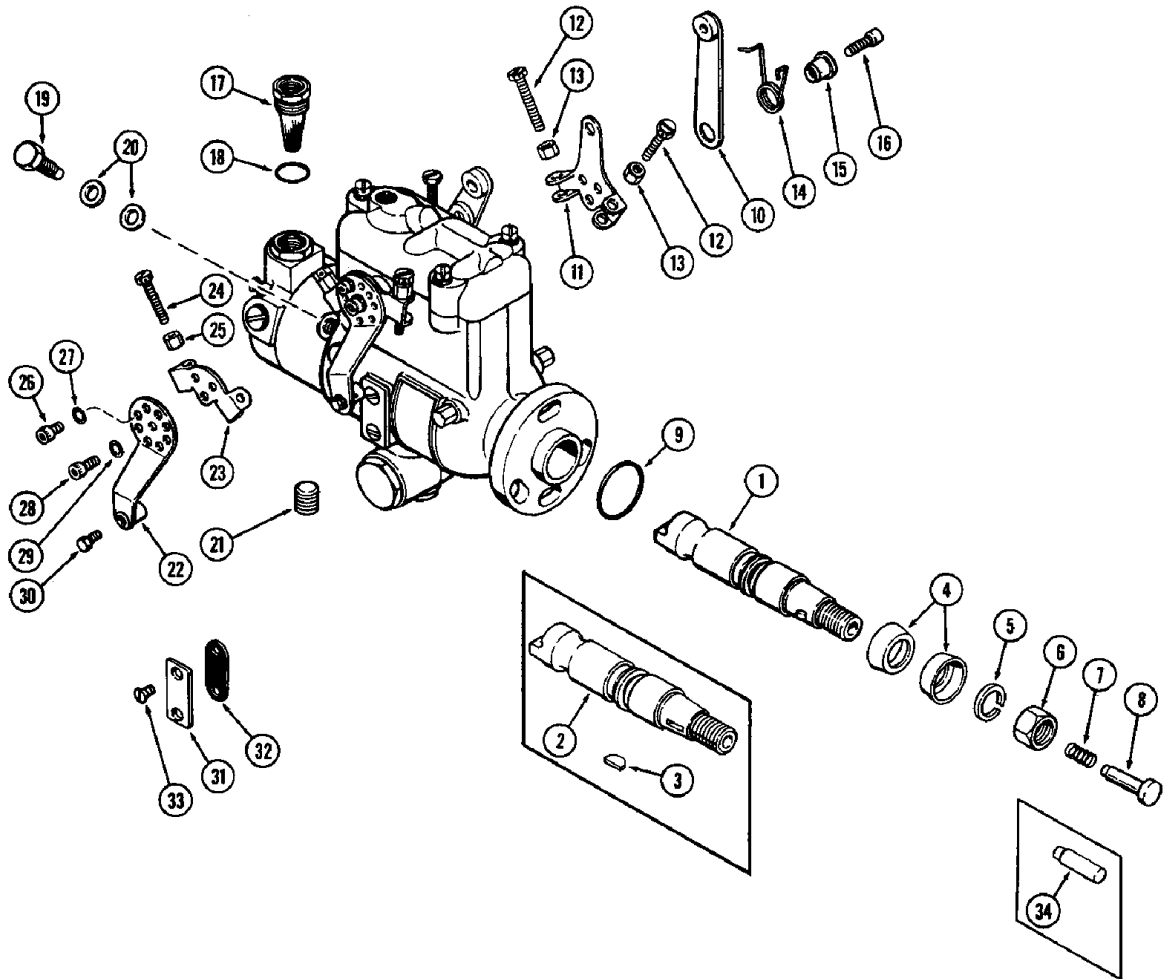


Diag #	Part #	Name	Description	Qty
1	REF	INSTRUCTION	PUMP ASSY. - fuel injection, w/mech. shuttle (See Figures 44	1
1	REF	INSTRUCTION	PUMP ASSY. - fuel injection, w/power shuttle (See Figures 48	1
2	G11204	STUD	3/8" N.C. x 1-7/16"	3
3	A30043	WASHER	pump mounting stud	3
4	25-106	NUT,3/8"-16, G5	N.C. hex.	3
5	G2076	GEAR	drive, injection pump	1
6	G11726	HUB	idler gear, pump drive	1
7	G11852	GEAR	idler (Includes bushing)	1
8	G11728	SHIM,.005" Thk	Idler gear	1
8	G11729	SHIM,.006" Thk	Idler gear	1
8	G11730	SHIM,.007" Thk	Idler gear	1
8	G11731	SHIM,.009" Thk	Idler gear	1
9	G11732	PLATE	thrust, idler gear	1
10	G11746	PLATE	lock, idler gear	1
11	413-632	BOLT,Hex, 3/8"-16 x 2", G5	N.C. hex.	2



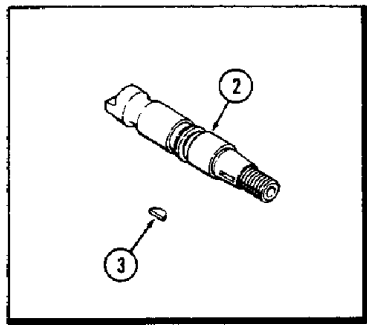
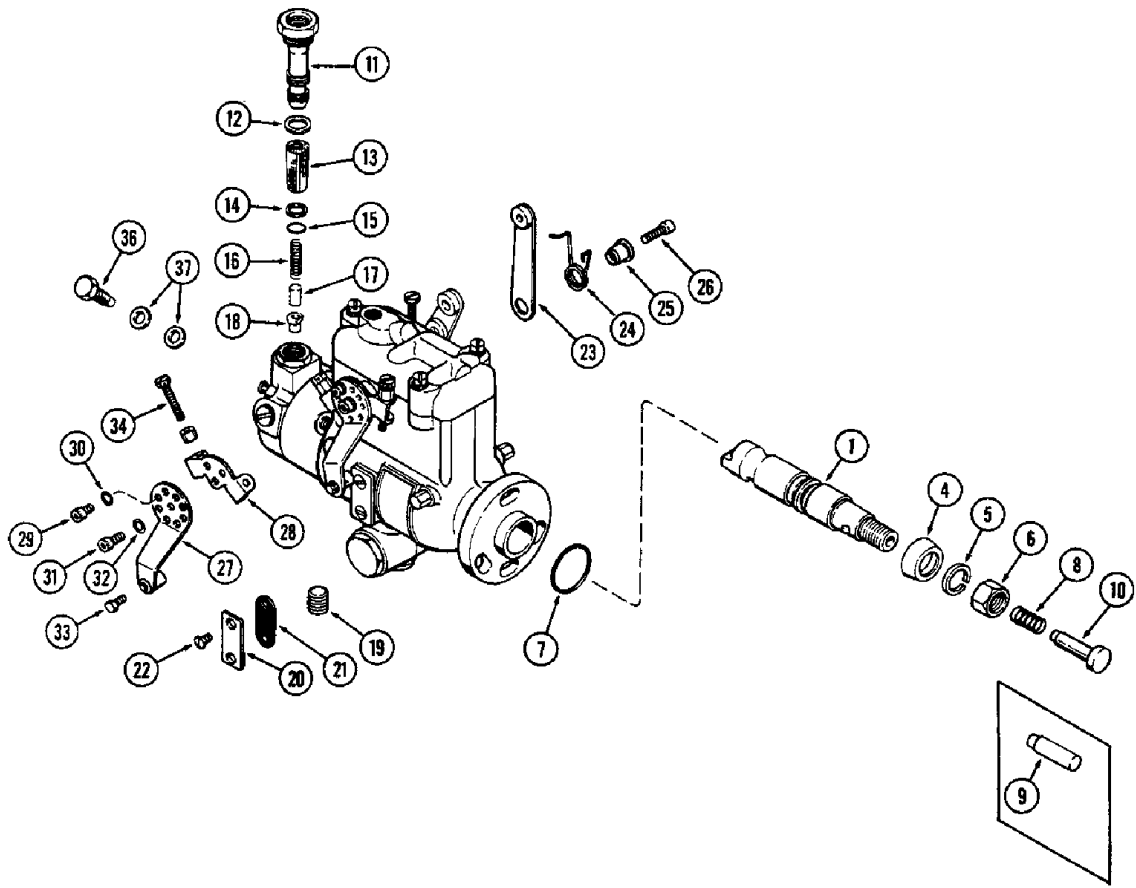
Diag #	Part #	Name	Description	Qty
	A51045	PUMP	ASSY. - fuel injection (1900 R.P.M.) (Stanadyne #DBGFCC431-40AJ), Includes: Ref. 1 - 37	1
1	A44710	SHAFT	ASSY. - drive (Incl. pin) (Repl. A47113)	1
2	G47113	SHAFT	- drive (Order A44710)	1
3	126-12	WOODRUFF KEY,#6, 5/32" x 5/8"	(Only with A47113 shaft) #6, 5/32" x 5/8"	1
4	R14711	SEAL	- drive shaft	1
5	192-24	LOCK WASHER,9/16"	WASHER, LOCK, , Drive shaft 9/16"	1
6	25-119	NUT,9/16"-18, G5	- (9/16" N.F. hex.)	1
7	74244	O-RING	SEAL - pilot tube	1
8	G48502	SPRING	- thrust, drive shaft	1
9	G47128	PLUNGER	- thrust (Order A44653)	1
10	A44653	PLUNGER	- thrust (Replaces G47128)	1
11	A43869	SLEEVE	- end plate filter pilot	1
12	51200280	SEAL	- filter sleeve	1
13	A43870	FILTER, FUEL	FILTER - element	1
14	A43871	SEAL	- filter element	1
15	A28090	O-RING,0.301" ID x 0.441" OD x 0.07"	-011, 70 Duro, .301" ID x .070" Thk - Sleeve seal	1
16	A43867	SPRING	- pump regulating	1
17	73621	PISTON	- pump regulating (Replaces A43866)	1
18	A43868	SEAL	- regulating piston	1
19	217-433	PLUG,Hex Soc, 1/4"-18 NPTF	Pipe Hex Soc, 1/4"-18 NPTF	1
20	G46330	COVER	- timing window	1
21	73453		- cover	1
22	73514		- timing window	2
23	G45338	ARM	- throttle	1
24	G48505	SPRING	- throttle arm	1
25	G49621	RETAINER	- spring, throttle arm	1
26	165-124	HEX SOC SCREW,Hex Soc Hd, #10-32 x 3/4", Locking	SCREW - throttle arm (#10-32 x 3/4" socket hd.)	1
27	G45337	ARM	- shut-off	1
28	NSS	NOT SERVICED SEPARATELY	LEVER - shut-off	1
29	165-1	SCREW	- position, shut-off arm (#8-24 x 1/4" socket hd.)	1

Diag #	Part #	Name	Description	Qty
30	193-91	LOCK WASHER,Int Tooth, #8	WASHER, LOCK, , Position screw Int Tooth, #8	1
31	165-30	HEX SOC SCREW,Hex Soc Hd, #10-32 x 3/8"	SCREW - retaining, shut-off arm (#10-32 x 3/8" sckt. hd.)	1
32	193-99	LOCK WASHER,Int Tooth, #10	WASHER, LOCK, , Retaining screw Int Tooth, #10	1
33	163-70	SCREW - pivot (#8-24 x 3/8" hex. hd.)	SCREW - pivot (#8-24 x 3/8" hex. hd.)	1
		163-70 Screw per Jim Chronis memo 11/23/98 this should not have been released as a Service part. dealer should be able to find a #8-24 x 3/8 " Socket Head Screw, locally.	163-70 Screw per Jim Chronis memo 11/23/98 this should not have been released as a Service part. dealer should be able to find a #8-24 x 3/8 " Socket Head Screw, locally.	1
34	G49088	SCREW	- adjusting, high idle	1
36	73613	SCREW	- connector, injection tube	4
37	G49407	RING	WASHER - connector	8



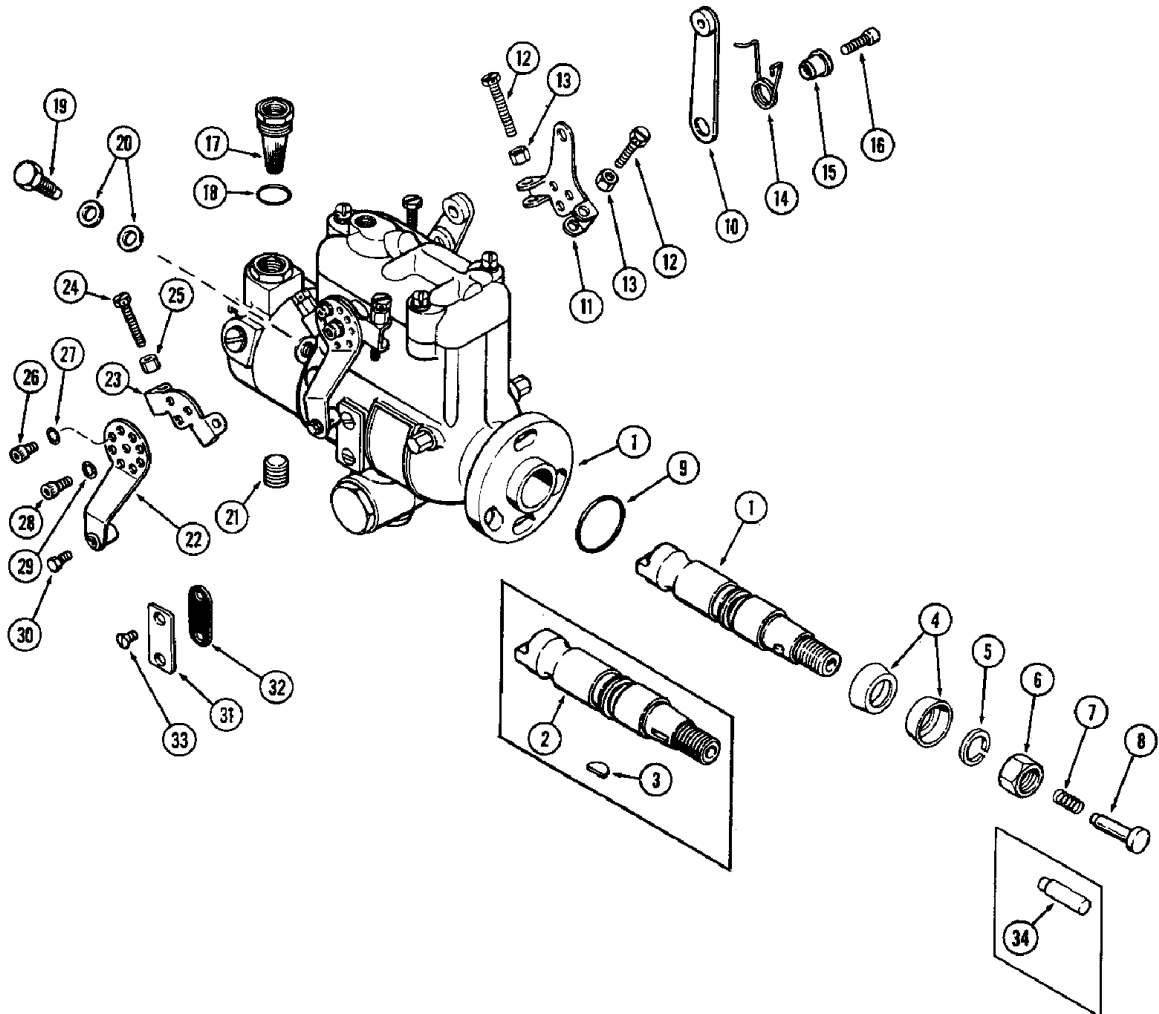
Diag #	Part #	Name	Description	Qty
	A35773	PUMP, FUEL INJECTION	PUMP ASSY. - fuel injection (1900 R.P.M.) (Stanadyne #DBGFCC431-30AJ) (Order A51045) (Figure 46), Includes: Ref. 1 - 34	1
1	A44710	SHAFT	ASSY. - drive (Incl. pin) (Replaces G47113)	1
2	G47113	SHAFT	- drive (Order A44710)	1
3	126-12	WOODRUFF KEY,#6, 5/32" x 5/8"	(Use only w/G47113 shaft) #6, 5/32" x 5/8"	1
4	R14711	SEAL	- drive shaft	2
5	192-24	LOCK WASHER,9/16"	WASHER, LOCK, 9/16"	1
6	25-119	NUT,9/16"-18, G5	- 9/16" N.F. hex.	1
7	G48502	SPRING	- thrust	1
8	A44653	PLUNGER	- thrust (Replaces G47128)	1
9	74244	O-RING	SEAL - pilot tube	1
10	G45338	ARM	- throttle	1
11	NSS	NOT SERVICED SEPARATELY	LEVER - idle adjust	1
12	G49088	SCREW	- idle adjusting	2
13	73651		- idle screw	2
14	G48505	SPRING	- throttle arm	1
15	G49621	RETAINER	- spring	1
16	165-124	HEX SOC SCREW,Hex Soc Hd, #10-32 x 3/4", Locking	SCREW - throttle arm (#10-32 x 3/4" socket hd.)	1
17	73671		FILTER - fuel inlet	1
18	73666		- filter	1
19	73613	SCREW	- connector, injection tube	4
20	G49407	RING	WASHER - connector screw	8
21	217-433	PLUG,Hex Soc, 1/4"-18 NPTF	PLUG,Hex Soc, 1/4"-18 NPTF	1
22	G45337	ARM	- fuel shut-off	1
23	NSS	NOT SERVICED SEPARATELY	LEVER - shut-off	1
24	G49088	SCREW	- shut-off adjusting	1
25	73651		- shut-off screw	1
26	165-1	SCREW	- shut-off arm to stop arm (#8-24 x 1/4" sckt. hd.)	1
27	193-91	LOCK WASHER,Int Tooth, #8	WASHER, LOCK, , Stop arm screw Int Tooth, #8	1
28	165-30	HEX SOC SCREW,Hex Soc Hd, #10-32 x 3/8"	SCREW - stop arm to pump (#10-32 x 3/8" socket hd.)	1

Diag #	Part #	Name	Description	Qty
29	193-99	LOCK WASHER,Int Tooth, #10	WASHER, LOCK, , Arm mounting screw Int Tooth, #10	1
30	163-7	SCREW,Slotted Hex Hd, #8-32 x 3/8"	- clamp, shut-off cable (#8-24 x 3/8" hex. hd.)	1
31	G46330	COVER	- timing window	2
32	73453		- cover	2
33	73514		- cover	4
34	G47128	PLUNGER	- thrust, (Order A44653)	1



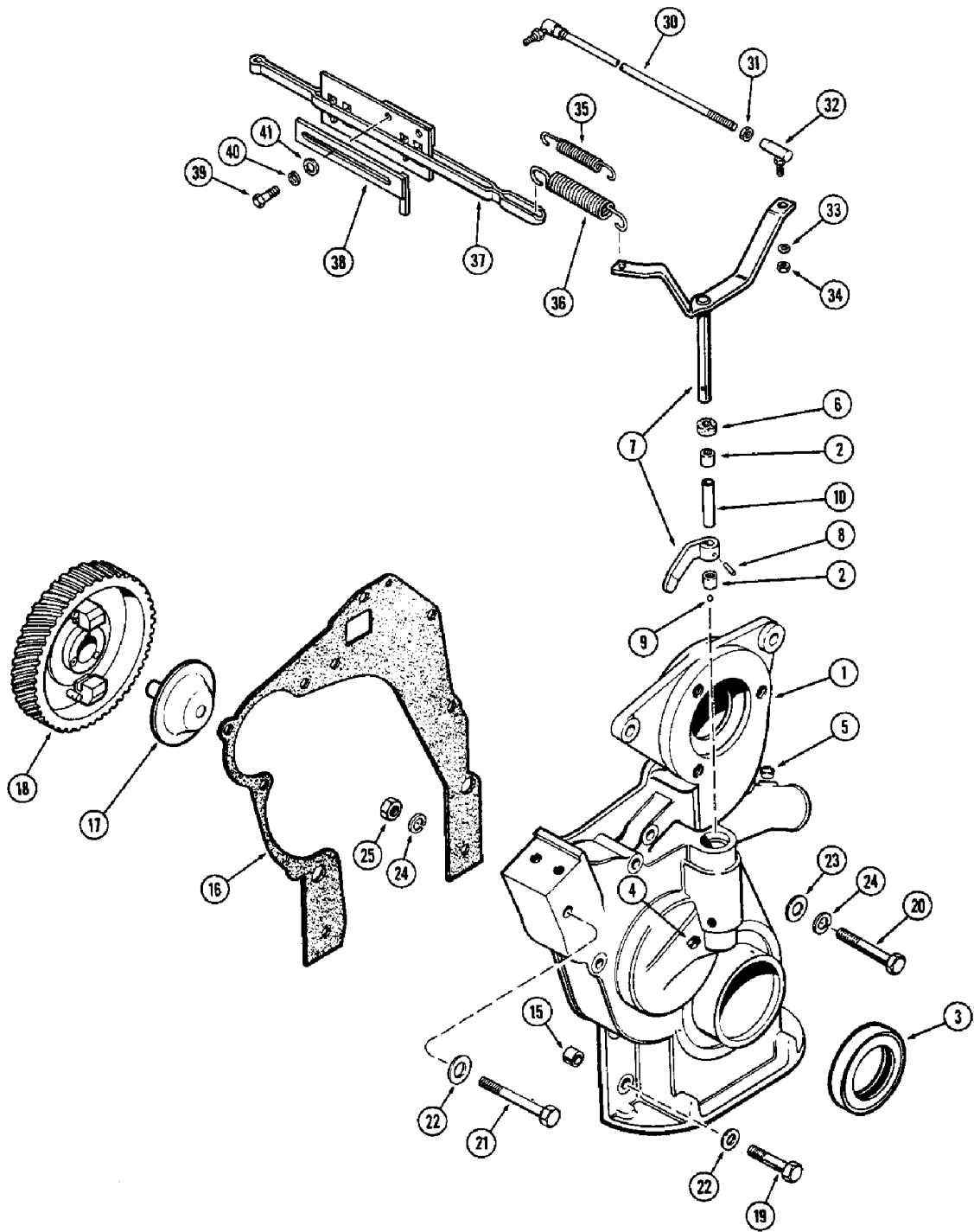
Diag #	Part #	Name	Description	Qty
	A51425	PUMP	ASSY. - fuel injection (2100 R.P.M.) (Stanadyne no. DBGFCC431-46AJ), Includes: Ref. 1 - 37	1
1	A44710	SHAFT	ASSY. - drive (Incl. pin) (Repl. G47113)	1
2	G47113	SHAFT	- drive (Order A44710)	1
3	126-12	WOODRUFF KEY,#6, 5/32" x 5/8"	(Use only with G47113 shaft) #6, 5/32" x 5/8"	1
4	R14711	SEAL	- drive shaft	1
5	192-24	LOCK WASHER,9/16"	WASHER, LOCK, , Drive shaft nut 9/16"	1
6	25-119	NUT,9/16"-18, G5	- (9/16" N.F. hex., jam)	1
7	74244	O-RING	SEAL - pilot tube	1
8	G48502	SPRING	- thrust, pump drive shaft (1-3/16" free length)	1
9	G47128	PLUNGER	- thust spring (Order A44653)	1
10	A44653	PLUNGER	- thrust spring (Replaces G47128)	1
11	A43869	SLEEVE	- end plate filter pilot	1
12	73666		- end plate sleeve	1
13	A43870	FILTER, FUEL	FILTER - element	1
14	A43871	SEAL	- element (3/8 x 1/2 x 1/16")	1
15	A28090	O-RING,0.301" ID x 0.441" OD x 0.07"	-011, 70 Duro, .301" ID x .070" Thk - Sleeve	1
16	A43867	SPRING	- regulating (21/32" free length) (One end red)	1
17	73621	PISTON	- regulating (Replaces A43866)	1
18	A43868	SEAL	- regulating piston (Rubber)	1
19	217-433	PLUG,Hex Soc, 1/4"-18 NPTF	Pipe Hex Soc, 1/4"-18 NPTF	1
20	G46330	COVER	- timing window	1
21	73453		- timing window cover	1
22	73514		- timing window cover	2
23	G45338	ARM	- throttle	1
24	G48505	SPRING	- throttle arm	1
25	G49621	RETAINER	- throttle arm spring	1
26	165-124	HEX SOC SCREW,Hex Soc Hd, #10-32 x 3/4", Locking	SCREW - throttle arm (#10-32 x 3/4" socket hd.)	1
27	G45337	ARM	- shut-off	1
28	NSS	NOT SERVICED SEPARATELY	LEVER - shut-off	1

Diag #	Part #	Name	Description	Qty
29	165-1	SCREW	- positioning, shut-off arm (#8-24 x 1/4" sckt. hd.)	1
30	193-91	LOCK WASHER,Int Tooth, #8	WASHER, LOCK, , Positioning screw Int Tooth, #8	1
31	165-30	HEX SOC SCREW,Hex Soc Hd, #10-32 x 3/8"	SCREW - retaining, shut-off arm (#10-32 x 3/8" sckt. hd.)	1
32	193-99	LOCK WASHER,Int Tooth, #10	WASHER, LOCK, , Shut-off arm retaining screw Int Tooth, #10	1
33	163-7	SCREW,Slotted Hex Hd, #8-32 x 3/8"	- pivot (#8-24 x 3/8" hex. hd.)	1
34	G49088	SCREW	- adjusting, high idle (#10-32 x 1-3/4" sltd. hd.)	1
36	73613	SCREW	- fuel line connector	4
37	G49407	RING	WASHER - connector screw (3/8 x 1/2 x 1/16")	8



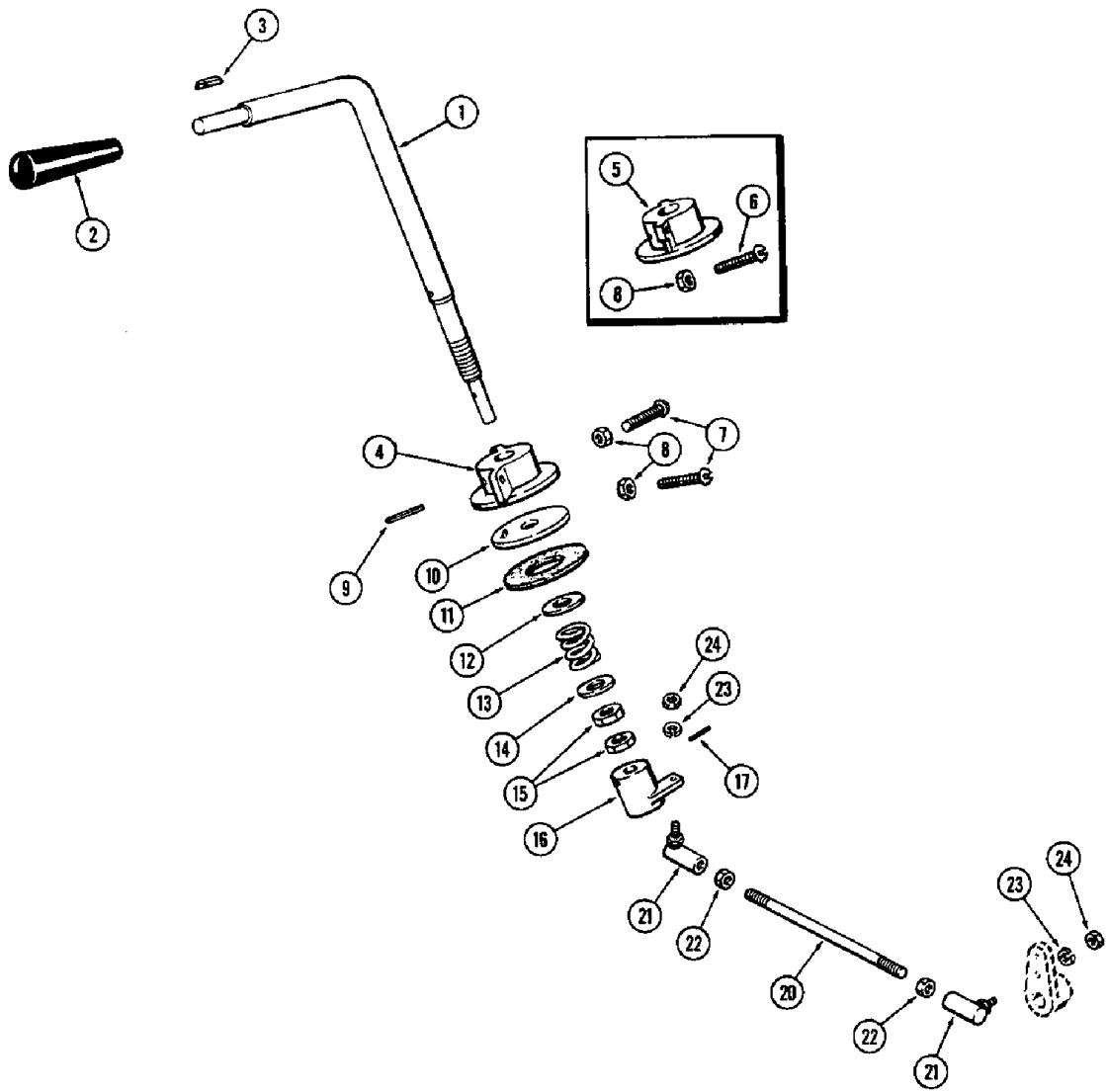
Diag #	Part #	Name	Description	Qty
1	A39600		PUMP - fuel injection (2100 R.P.M.) (Order A51425) (Figure 48)	1
1	A44710	SHAFT	ASSY. - drive (Incl. pin) (Replaces G47113)	1
2	G47113	SHAFT	- drive (Order A44710)	1
3	126-12	WOODRUFF KEY,#6, 5/32" x 5/8"	(Used only w/G47113 shaft) #6, 5/32" x 5/8"	1
4	R14711	SEAL	- drive shaft	2
5	192-24	LOCK WASHER,9/16"	WASHER, LOCK, 9/16"	1
6	25-119	NUT,9/16"-18, G5	- 9/16" N.F. hex.	1
7	G48502	SPRING	- thrust	1
8	A44653	PLUNGER	- thrust spring (Replaces G47128)	1
9	74244	O-RING	SEAL - pilot tube	1
10	A41431	ARM	- throttle	1
11	NSS	NOT SERVICED SEPARATELY	LEVER - idle adjust	1
12	G49088	SCREW	- idle adjusting	2
13	73651		- idle screw	2
14	G48505	SPRING	- throttle arm	1
15	G49621	RETAINER	- spring	1
16	165-124	HEX SOC SCREW,Hex Soc Hd, #10-32 x 3/4", Locking	SCREW - throttle arm (#10-32 x 3/4" socket hd.)	1
17	73671		FILTER - fuel inlet	1
18	73666		- filter	1
19	73613	SCREW	- connector, injection tube	4
20	G49407	RING	WASHER - connector screw	8
21	217-433	PLUG,Hex Soc, 1/4"-18 NPTF	PLUG,Hex Soc, 1/4"-18 NPTF	1
22	G45337	ARM	- fuel shut-off	1
23	NSS	NOT SERVICED SEPARATELY	LEVER - shut-off	1
24	G49088	SCREW	- shut-off adjusting	1
25	73651		- shut-off screw	1
26	165-1	SCREW	- shut-off arm to stop arm (#8-24 x 1/4" sckt. hd.)	1
27	193-191	WASHER - lock, stop arm screw (#8)	WASHER - lock, stop arm screw (#8)	1
28	165-30	HEX SOC SCREW,Hex Soc Hd, #10-32 x 3/8"	SCREW - stop arm to pump (#10-32 x 3/8" socket hd.)	1

Diag #	Part #	Name	Description	Qty
29	193-99	LOCK WASHER,Int Tooth, #10	WASHER, LOCK, , Arm mounting screw Int Tooth, #10	1
30	163-7	SCREW,Slotted Hex Hd, #8-32 x 3/8"	- clamp, shut-off cable (#8-24 x 3/8" hex. hd.)	1
31	G46330	COVER	- timing window	2
32	73453		- cover	2
33	73514		- cover	4
34	G47128	PLUNGER	- thrust spring (Order A44653)	1

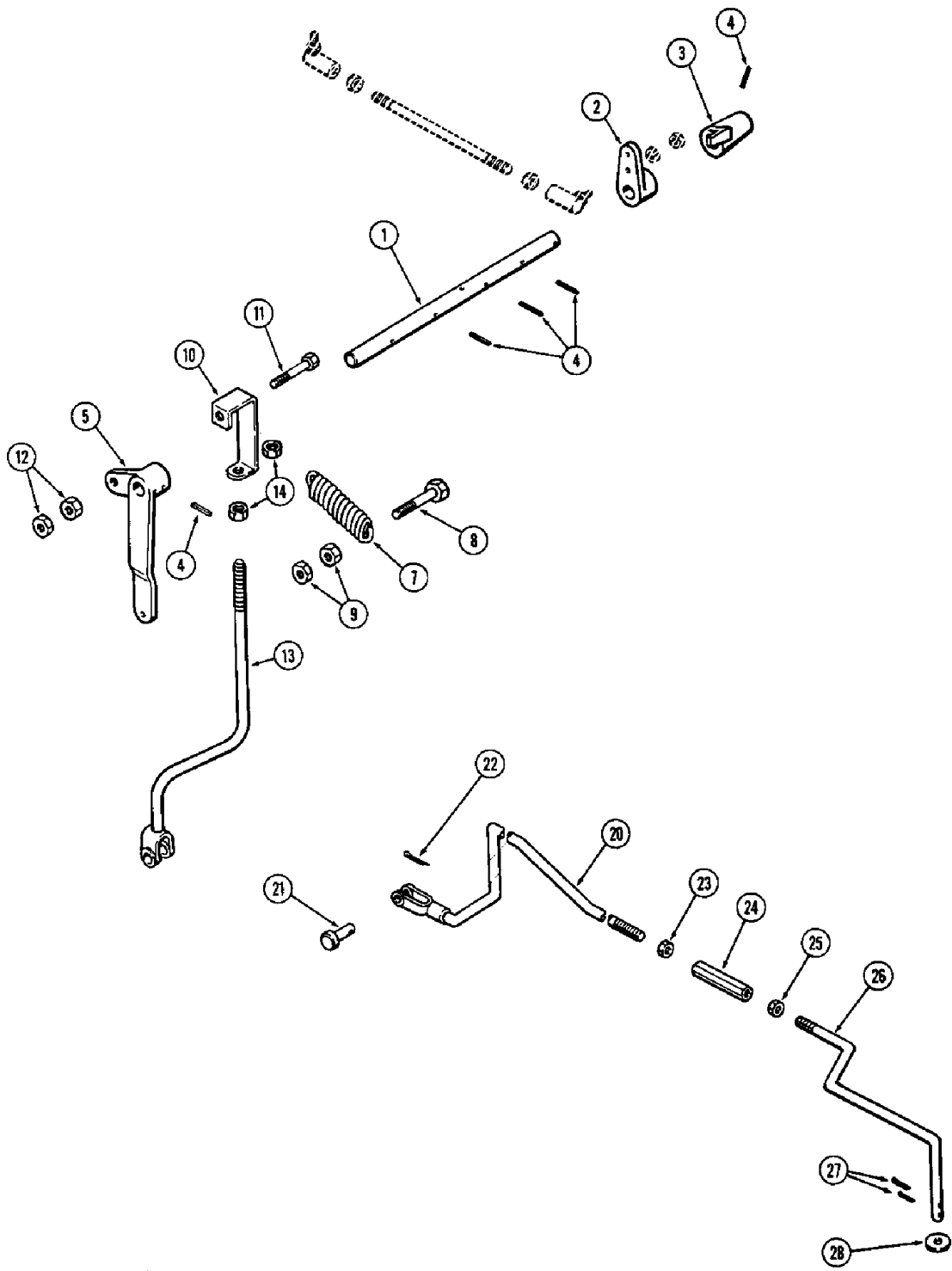


Diag #	Part #	Name	Description	Qty
1	A39102	COVER	ASSY. - timing gear, Includes: Ref. 2 - 5	1
2	A35822	NEEDLE BEARING,9.52 mm ID x 14.29 mm OD x 12.7 mm	BEARING - needle, governor shaft	2
3	A39110	OIL SEAL	- oil, crankshaft front	1
4	A30016	FITTING	PLUG - 1/8" P.T., sltd. hd.	1
5	221-843	PLUG,Hex Soc, 3/8"-18	- 3/8" P.T. hex. sckt. hd.	1
6	A30011	SEAL	- dust, governor shaft	1
7	A51754	LEVER	SHAFT	1
8	138-57	LOCK PIN,1/8" x 3/4", Slotted	PIN, 1/8" x 3/4", Slotted	1
9	211-5	BALL,3/16" Dia	- thrust, governor shaft	1
10	A30012	SPACER	- thrust, governor shaft	1
15	A29442	RING	- dowel, Serial Range: cover-block	2
16	A38226	GASKET	-, Serial Range: cover-block	1
17	A29957	SHAFT	ASSY. - governor	1
18	G37066	GEAR	- camshaft, w/governor weights	1
19	13-620	BOLT,Hex, 3/8"-16 x 1 1/4", G5, Full Thd	BOLT,Hex, 3/8"-16 x 1 1/4", G5, Full Thd	3
19	13-624	BOLT,Hex, 3/8"-16 x 1 1/2", G5	- 3/8 x 1-1/2" N.C. hex.	2
20	413-632	BOLT,Hex, 3/8"-16 x 2", G5	- 3/8 x 2" N.C. hex.	1
20	13-636	BOLT,Hex, 3/8"-16 x 2 1/4", G5	BOLT,Hex, 3/8"-16 x 2 1/4", G5	1
21	13-652	BOLT,Hex, 3/8"-16 x 3 1/4", G5	- 3/8 x 3-1/4" N.C. hex.	3
22	195-25	WASHER,3/8"	- 13/32 x 13/16 x 1/16"	5
23	G49400	WASHER	- 13/32 x 1-5/32 x 10 ga.	1
24	92-6	LOCK WASHER,3/8"	WASHER - lock, 3/8"	10
25	25-106	NUT,3/8"-16, G5	- 3/8" N.C. hex.	3
30	G45310	ROD ASSY.	- governor to carburetor, Includes: Ref. 31 and 32	1
31	25-114	NUT,1/4"-28, G5	- 1/4" N.F. hex.	1
32	A10329	BALL JOINT	BALLJOINT - rod	1
33	92-4	LOCK WASHER,1/4"	WASHER, LOCK, 1/4"	2
34	25-114	NUT,1/4"-28, G5	- 1/4" N./F. hex.	2
35	A37005	SPRING	- inner, governor speed (Red)	1
36	G48515	SPRING	- outer, governor speed (Blue)	1
37	G45793	ROD	- governor control	1

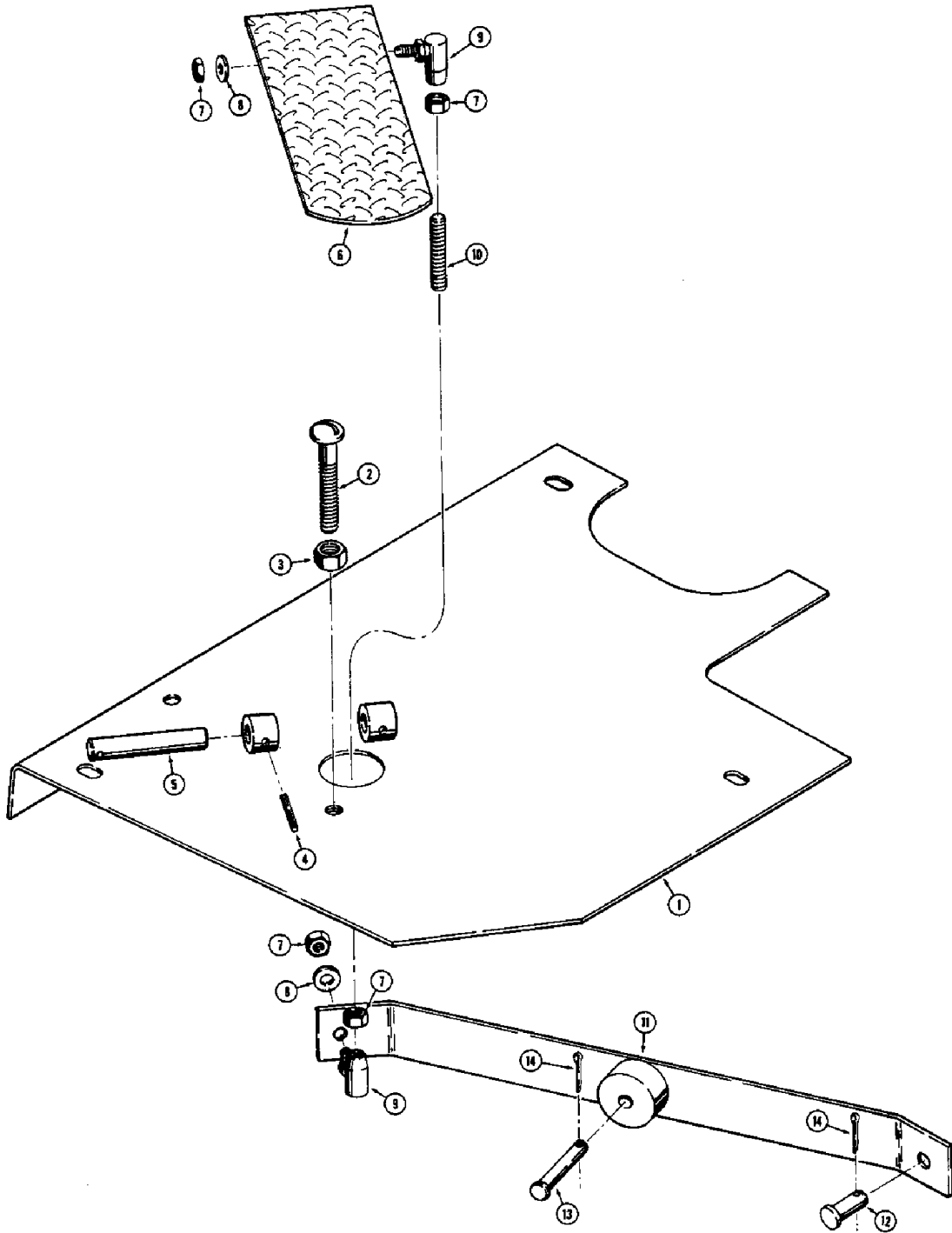
Diag #	Part #	Name	Description	Qty
38	G45792	STOP	GUIDE - control rod	1
39	113-103	BOLT,Hex, 5/16"-18 x 1", G5, Full Thd	BOLT,Hex, 5/16"-18 x 1", G5, Full Thd	2
40	192-20	LOCK WASHER,5/16"	WASHER, LOCK, 5/16"	2
41	195-521	WASHER,5/16", SAE	- 11/32 x 11/16 x 1/16"	2



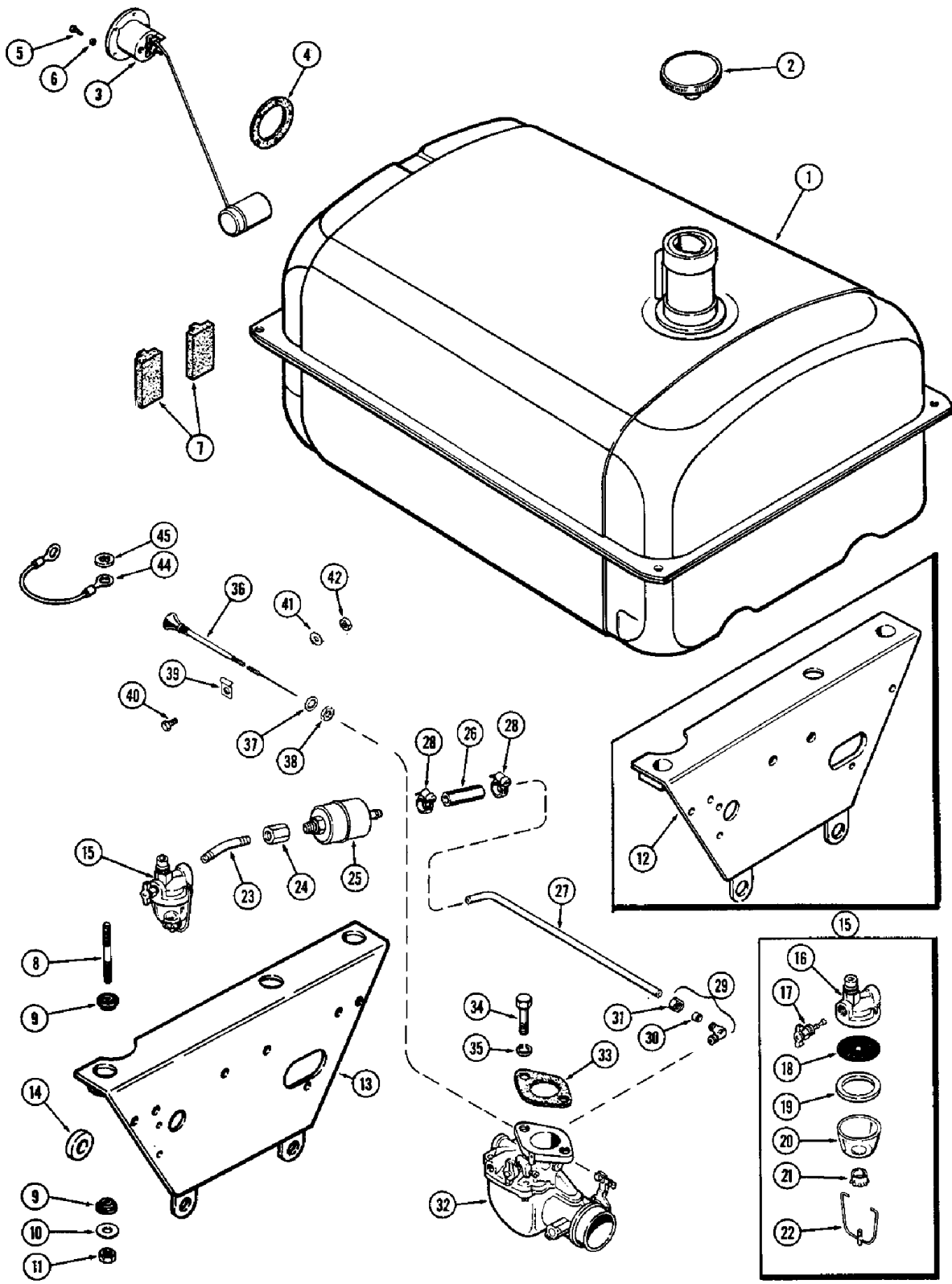
Diag #	Part #	Name	Description	Qty
1	A39391	LEVER	- throttle control	1
2	A37247	KNOB	- throttle lever	1
3	A51528	OIL SEAL	RING - retainer, Serial Range: knob-lever	1
4	A51511		COLLAR - stop, friction plate (Replaces A38173)	1
5	A38173	STOP	COLLAR - stop, friction plate (Order 1-A51511)	1
6	75-432	SCREW	- 1/4 x 2" N.C. rd. hd. mach.	2
7	75-424	SCREW	- 1/4 x 1-1/2" N.C. rd. hd. mach.	2
8	25-104	NUT,1/4"-20, G5	NUT,1/4"-20, G5	2
9	138-118	LOCK PIN,7/32" x 1 1/2", Slotted	PIN, 7/32" x 1 1/2", Slotted	1
10	A57029	DISC	- throttle plate	1
11	A11969	GASKET	DISC - friction	1
12	A32838	WASHER	- friction disc	1
13	A34113	SPRING	- tension, lever	1
14	195-33	WASHER,1/2"	- 17/32 x 1-1/16 x 13 ga.	1
15	25-148	JAM NUT,Jam, 1/2"-13, G5	- 1/2" NC hex, jam	2
16	G1338	LEVER	- bottom	1
17	138-77	LOCK PIN,5/32" x 1", Slotted	PIN, 5/32" x 1", Slotted	1
20	A35642	ROD	- lever to cross shaft	1
21	A10329	BALL JOINT	BALLJOINT - intermediate rod	2
22	25-154	JAM NUT,Jam, 1/4"-28, G5	- 1/4" N.F. hex, jam	2
23	92-4	LOCK WASHER,1/4"	WASHER, LOCK, 1/4"	2
24	25-114	NUT,1/4"-28, G5	- 1/4" N.F. hex.	4



Diag #	Part #	Name	Description	Qty
1	A37264	SHAFT	- cross, throttle control	1
2	A35638	LEVER	- cross shaft	1
3	A35639	LEVER	- override	1
4	138-77	LOCK PIN,5/32" x 1", Slotted	PIN, 5/32" x 1", Slotted	4
5	A37285	LEVER - throttle stop	LEVER - throttle stop	1
7	A38304	SPRING	- return	1
8	413-632	BOLT,Hex, 3/8"-16 x 2", G5	- 3/8 x 2" N.C. hex.	1
9	25-146	JAM NUT,Jam, 3/8"-16, G5	- 3/8" N.C. hex., jam	2
10	A37271	DRAG LINK	LINK - throttle pivot	1
11	13-640	BOLT,Hex, 3/8"-16 x 2 1/2", G5	- 3/8 x 2-1/2" N.C. hex.	1
12	25-146	JAM NUT,Jam, 3/8"-16, G5	- 1/4" N.C. hex., jam	2
13	A39386	ROD	- throttle	1
14	25-106	NUT,3/8"-16, G5	- 3/8" N.C. hex.	2
20	A37893	ROD	- throttle control, rear	1
21	141-2	CLEVIS PIN,1/4" x .770"	PIN - clevis, 1/4 x 3/4"	1
22	132-7	COTTER PIN,1/16" x 3/4"	Pin, Split (Cotter), 1/16" x 3/4"	1
23	9635082	NUT,5/16"-18, G5	- 5/16" N.C. hex. (R.H. thread)	1
24	A37269	TURNBUCKLE	- rod adjusting	1
25	129-342		NUT - 5/16" N.C. hex. (L.H. thread)	1
26	A37266	ROD	- throttle control, front	1
27	132-7	COTTER PIN,1/16" x 3/4"	Pin, Split (Cotter), 1/16" x 3/4"	2
28	95-5	WASHER,3/8" x 7/8" x .083"	- 3/8 x 7/8 x 5/64"	1

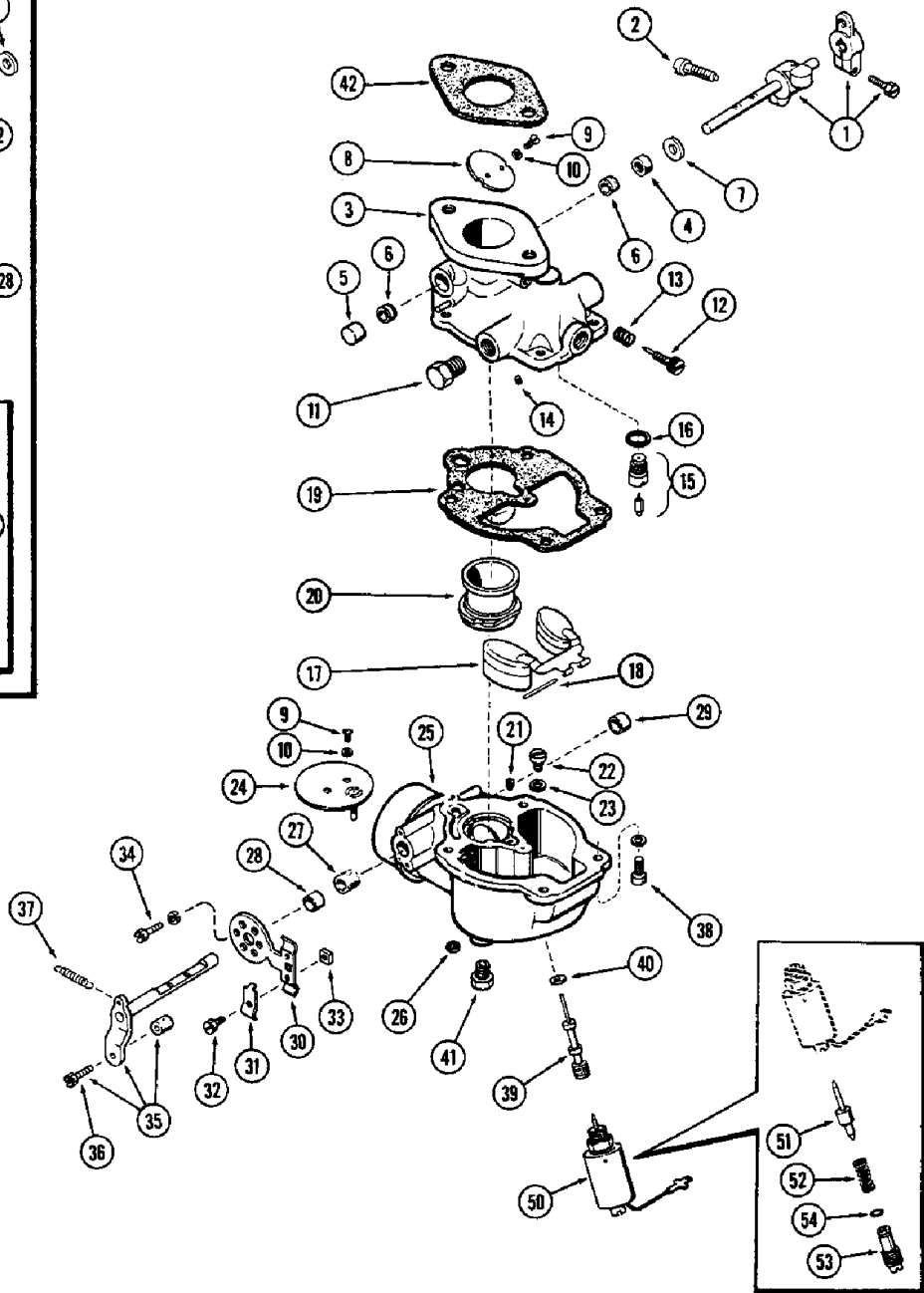
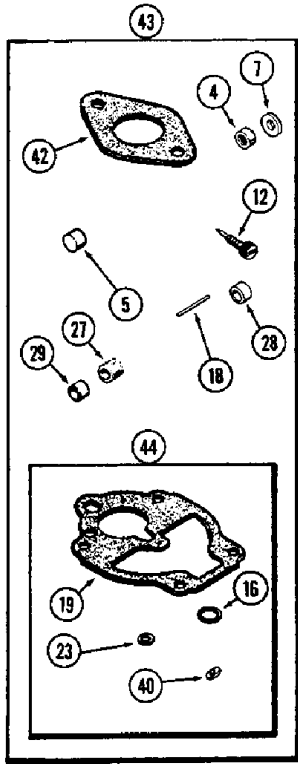


Diag #	Part #	Name	Description	Qty
1	D55023	PLATE ASSY.	PLATE - floor, R.H. (Replaces D49715)	1
2	75-640	SCREW	- machine, round head (3/8"-16 N.C. x 2-1/2")	1
3	25-106	NUT,3/8"-16, G5	- hex. (3/8"-16 N.C.)	1
4	135-737	GROOVED PIN,5/32" x 1", Type E	PIN, GROOVED, , Shaft 5/32" x 1", Type E	1
5	R17364	SHAFT	- pedal, pivot (Replaced 71044)	1
6	D49700	PEDAL	- foot accelerator	1
7	25-115	NUT,5/16"-24, G5	- hex (5/16"-24 NF)	4
8	92-5	LOCK WASHER,5/16"	med sect. 5/16"	2
9	A19105	BALL JOINT	BALLJOINT - accelerator stud	2
10	D50720	STUD	- accelerator pedal	1
11	D50719	DRAG LINK	LINK - accelerator control	1
12	141-4	CLEVIS PIN,3/8" x 1.060"	PIN, CLEVIS, , Throttle link 3/8" x 1.060"	1
13	D50715	AXLE PIN	PIN - special, link support	1
14	132-26	COTTER PIN	Pin, Split (Cotter), 3/32" x 3/4"	2



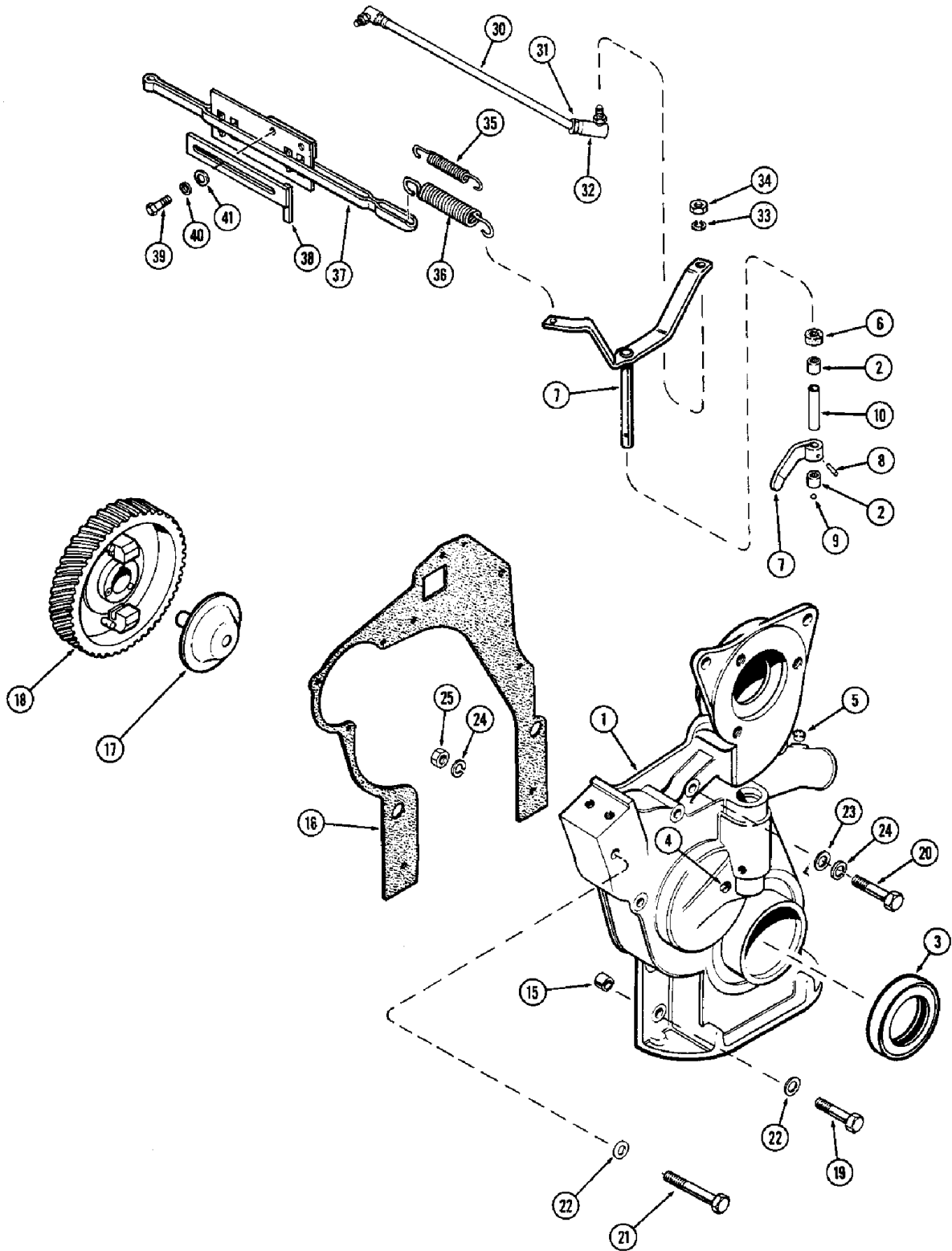
Diag #	Part #	Name	Description	Qty
1	A51552	TANK	- fuel (Replaces A39769)	1
1	A39818	TANK	- fuel (Forklift only)	1
2	A51390	CAP	- fuel tank (Replaced A39377)	1
3	A23480	SENDER UNIT	SENDER - fuel gauge	1
4	A11822	GASKET	- sender	1
5	174-95	SCREW,Sltd Rd Hd, #10-32 x 3/8"	- #10-32 x 3/8" rd. hd.	5
6	92-3	LOCK WASHER,#10	WASHER, LOCK, #10	5
7	A37315	PAD	- rear tank support	2
8	A37310	STUD	- 3/8" N.C. x 3-1/4"	4
9	A37311	BUSHING	- mounting, rubber	8
10	F62051	WASHER	- stud nut	4
11	131-352	LOCK NUT,3/8"-16, GA	NUT - 3/8" N.C. hex., lock	4
12	A39378	SUPPORT	- front, fuel tank (Used prior to trac. ser. no. 8731267)	1
13	A51792	SUPPORT	- front, fuel tank (1st used trac. ser. no. 8731267)	1
14	A51801	BUSHING	SPACER - support to torque tube (1st used trac. ser. no. 8731267)	2
15	A30049	STRAINER ELEMENT	STRAINER ASSY. - fuel, Includes: Ref. 16 - 22	1
16	A11214	HEAD	HEAD	1
17	A11205	VALVE	- shut-off	1
18	A11211	FILTER SCREEN	SCREEN	1
19	A11208	GASKET	- bowl	1
20	A11209	BOWL	BOWL	1
21	A11210	ADJUSTER	NUT	1
22	A11212	BAIL	ASSY.	1
23	A51542	NIPPLE, LUBE	NIPPLE -, Serial Range: strainer-filter	1
24	221-1335	COUPLING,Pipe, 1/8" NPT	- nipple to filter Pipe, 1/8" NPT	1
25	D53499	FILTER	- fuel	1
26	A39811		HOSE - fuel filter to fuel line	1
27	A51541	TUBE	- fuel tank to filter (Replaces A51305)	1
28	214-253	HOSE CLAMP,#10, 0.56/1.06 Type F Worm	CLAMP - hose, 9/16 to 1-1/16"	2
29	217-20	ELBOW,90°, 1/8"-28 NPTF, Fem x 1/8"-27 NPTF Male	Assy - fuel line to carburetor, Incl. Ref. 30 and 31 90°, 1/8"-28 NPTF, Fem x 1/8"-27 NPTF Male	1
30	222-653	SLEEVE,5/16" Tube, Comp	- for 5/16" tube	1

Diag #	Part #	Name	Description	Qty
31	222-663	NUT,1/2"-24, 45° Fl, Comp	NUT - for 5/16" tube	1
32	A38249		ASSY. - (See Figure 78)	1
33	G46826	GASKET	-, Serial Range: carburetor-manifold	1
34	13-614	BOLT,Hex, 3/8"-16 x 7/8", G5, Full Thd	BOLT,Hex, 3/8"-16 x 7/8", G5, Full Thd	2
35	92-6	LOCK WASHER,3/8"	WASHER - lock, 3/8"	2
36	A38458	CONTROL	- choke	1
37	193-68	LOCK WASHER,Int Tooth, 3/8"	WASHER, LOCK, Int Tooth, 3/8"	1
38	86585245	NUT,Jam, 3/8"-24, G5	- 3/8" N.F. hex., jam	1
39	A26673	CLIP	- choke cable	1
40	113-2	BOLT,Hex, 1/4"-20 x 5/8", G5, Full Thd	BOLT,Hex, 1/4"-20 x 5/8", G5, Full Thd	1
41	192-19	LOCK WASHER,1/4"	WASHER, LOCK, 1/4"	1
42	7770	NUT,0.25" OD	1/4"-20, G5	1
	A22988	HOSE,0.25" ID x 15.00", SAE SC716 CS	- Choke control 0.25" ID x 15.00", SAE SC716 CS	2
44	A39882	BEARING	WIRE - ground, fuel tank	1
45	193-68	LOCK WASHER,Int Tooth, 3/8"	WASHER, LOCK, Int Tooth, 3/8"	1



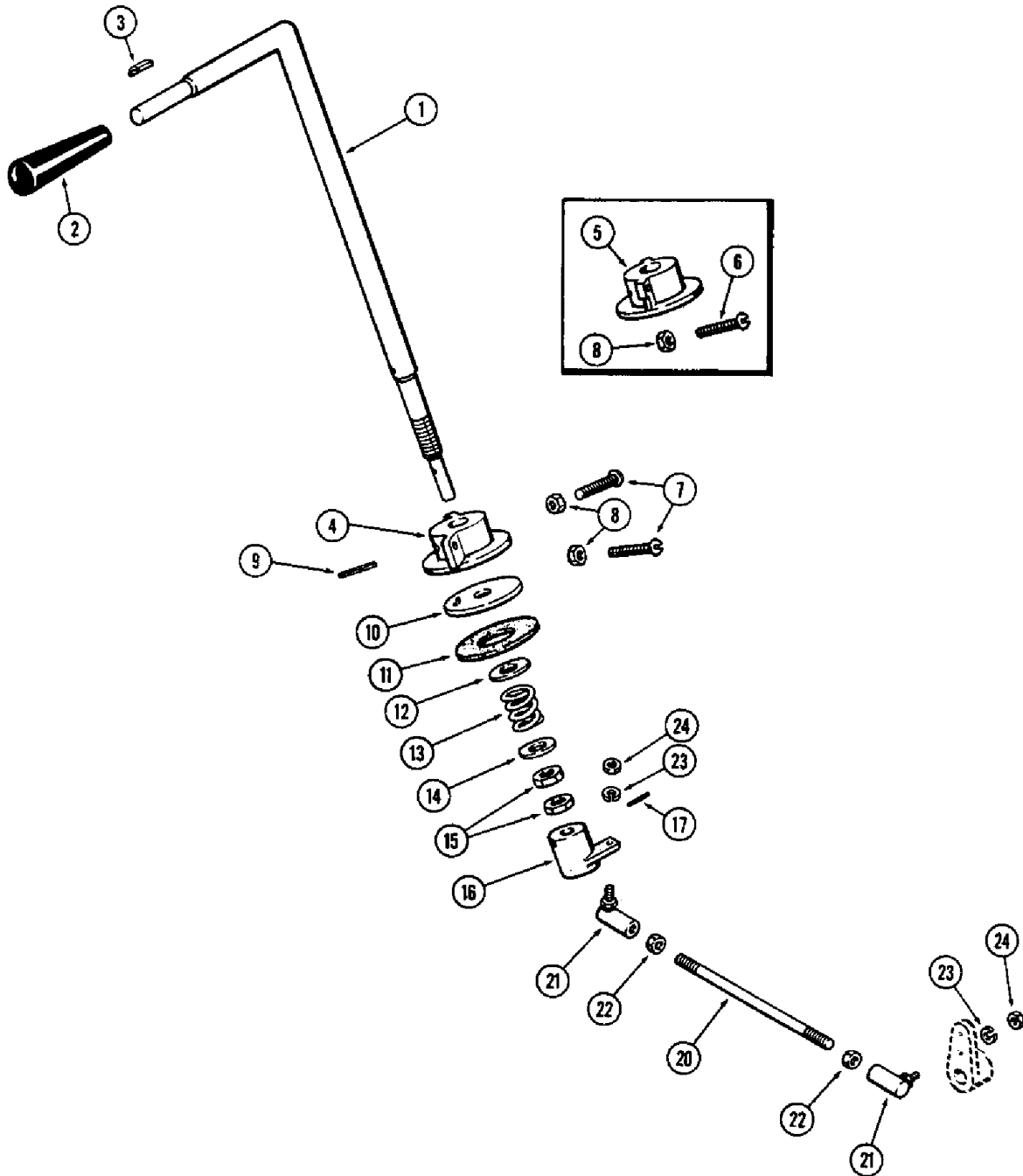
Diag #	Part #	Name	Description	Qty
	A38249		ASSY., Includes: Ref. 1 - 41	1
1	B51245	SHAFT	ASSY. - throttle	1
2	B51581		SCREW - stop	1
3	NSS	NOT SERVICED SEPARATELY	BODY - throttle (Order A38249)	1
4	B51528	SEAL	- throttle shaft	1
5	A40612	PLUG	- throttle shaft hole	1
6	A40609	BUSHING	- throttle shaft	2
7	B59360	RETAINER	WASHER - throttle shaft seal retaining	1
8	B51211	PLATE	- throttle	1
9	173-223	SCREW,Sltd Rd Hd, #6-32 x 1/4"	- plate, #6-32 x 1/4" pan hd. (Replaces A24896)	4
10	192-15	LOCK WASHER,#6	Washer, Lock, #6	4
11	B51541	PLUG	- fuel inlet	2
12	B51265	HOSE	NEEDLE - idle adjusting	1
13	B51404	SPRING	- idle needle	1
14	A25174	JET	- idle	1
15	A40186	VALVE & SEAT - fuel (Matched), Includes: Ref. 16	VALVE & SEAT - fuel (Matched), Includes: Ref. 16	1
16	B51618	WASHER	- fuel valve seat	1
17	B51359	FLOAT	FLOAT	1
18	B51433	AXLE	- float	1
19	B51470	GASKET	- bowl	1
		B51470 bowl gasket - Artwork is not correct. B51470 (used on carb model #67 does not have V in venturi hole. Gasket showing is B51471 (see Figure 108) which is used on carb model #267 (slightly larger than B51470 and has V in venturi hole.	B51470 bowl gasket - Artwork is not correct. B51470 (used on carb model #67 does not have V in venturi hole. Gasket showing is B51471 (see Figure 108) which is used on carb model #267 (slightly larger than B51470 and has V in venturi hole.	1
20	A25187		VENTURI	1
21	B51340	JET	- well vent	1
22	A25173	JET	- main	1
23	B51619	WASHER	- main jet	1
24	B51365	PLATE	- choke	1
25	B51180	BOWL	ASSY. - fuel, Includes: Ref. 26 - 29	1
26	B51442	FILTER	DISC - drain	1

Diag #	Part #	Name	Description	Qty
27	B51533	WASHER	- packing, choke shaft	1
28	B51439	RETAINER	- packing	1
29	B51509	PLUG	- choke shaft hole	1
30	B51400	SUPPORT	BRACKET ASSY. - choke, Includes: Ref. 31 - 33	1
31	B51403	CLIP	_ choke rod	1
32	B51580	SCREW	- clip	1
33	129-76	NUT,Sq, #8-36	- clip screw	1
34	B51458	SCREW	- bracket	2
35	B59632	SHAFT	ASSY. - choke, Includes: Ref. 36	1
36	B51579		SCREW - swivel, choke rod	1
37	B51412	SPRING	- return, choke lever	1
38	B51635	SCREW	-, Serial Range: bowl-body	4
39	B51323	JET	- discharge	1
40	B51610	WASHER	- discharge jet	1
41	B51541	PLUG	- bowl drain	1
42	B51459	GASKET	-, Serial Range: carburetor-manifold	1
43	A41085	KIT	- carburetor repair (Incl. items 4, 5, 7, 11, 15,18, 22, 27 thru 29, 40, 42	1
44	B51496	GASKET	KIT - carburetor overhaul (Incl. items 15, 18, 22	1
50	A38253	SOLENOID	ASSY., Includes: Ref. 51	1
51	A41560	PLUNGER	- solenoid	1
52	A41557	SPRING	- plunger	1
53	A41559	SCREW	- lead	1
54	A41558	O-RING	"O"RING - screw	1

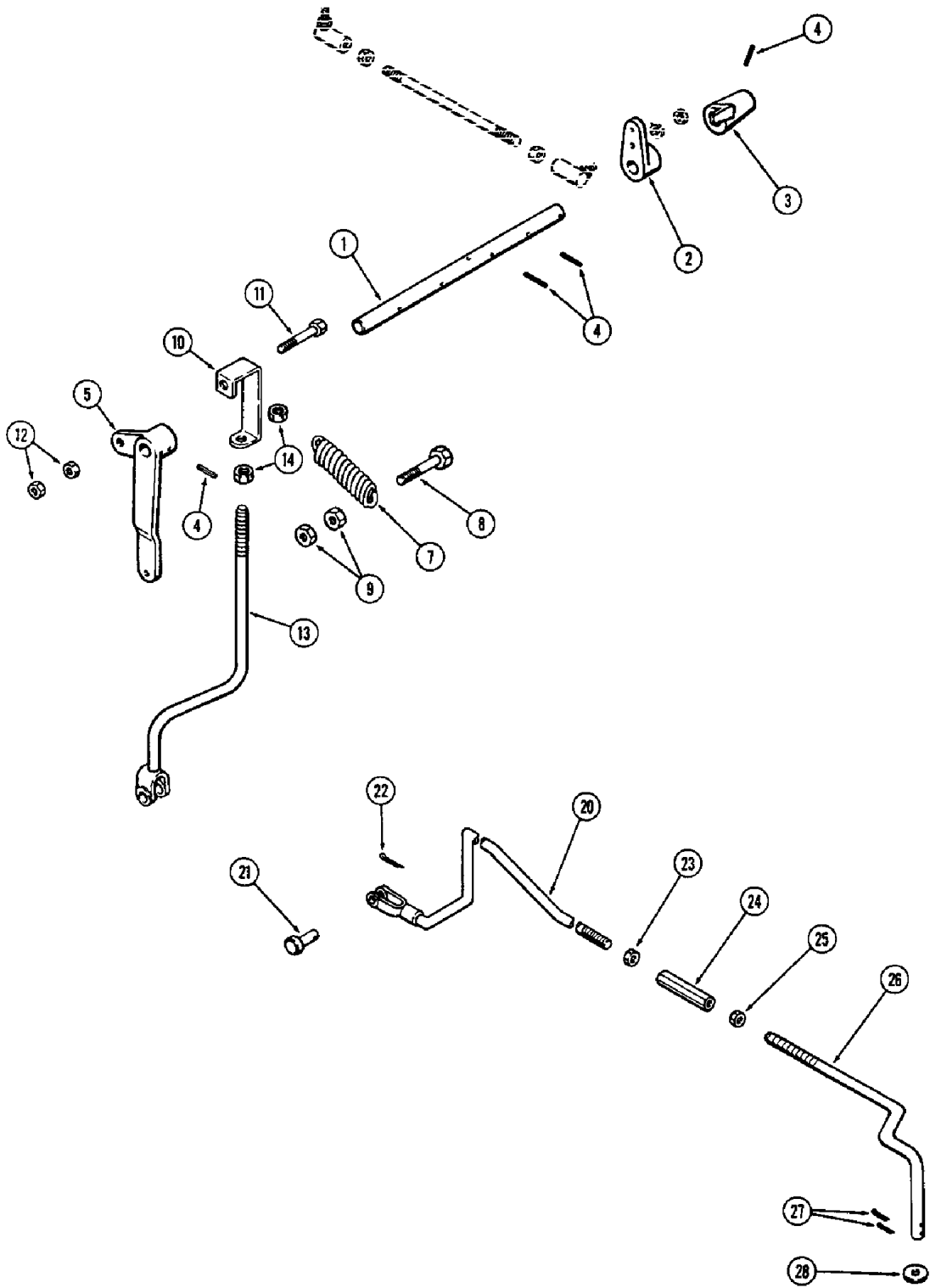


Diag #	Part #	Name	Description	Qty
1	A39102	COVER	ASSY. - timing gear, Includes: Ref. 2 - 5	1
2	A35822	NEEDLE BEARING,9.52 mm ID x 14.29 mm OD x 12.7 mm	BEARING - needle, governor shaft	2
3	A39110	OIL SEAL	- oil, crankshaft front	1
4	A30016	FITTING	PLUG - 1/8" P.T., sltd. hd.	1
5	221-843	PLUG,Hex Soc, 3/8"-18	- 3/8" P.T., hex. sckt. hd.	1
6	A30011	SEAL	- dust, governor shaft	1
7	A51754	LEVER	SHAFT	1
8	138-57	LOCK PIN,1/8" x 3/4", Slotted	PIN, 1/8" x 3/4", Slotted	1
9	211-5	BALL,3/16" Dia	- thrust, governor shaft	1
10	A30012	SPACER	- thrust, governor shaft	1
15	A29442	RING	- dowel, Serial Range: cover-block	2
16	A38227	GASKET	-, Serial Range: cover-block	1
17	A29957	SHAFT	ASSY. - governor	1
18	G37066	GEAR	- camshaft, w/governor weights	1
19	13-620	BOLT,Hex, 3/8"-16 x 1 1/4", G5, Full Thd	BOLT,Hex, 3/8"-16 x 1 1/4", G5, Full Thd	3
19	13-624	BOLT,Hex, 3/8"-16 x 1 1/2", G5	- 3/8 x 1-1/2" N.C. hex.	2
20	413-632	BOLT,Hex, 3/8"-16 x 2", G5	- 3/8 x 2" N.C. hex.	1
20	13-636	BOLT,Hex, 3/8"-16 x 2 1/4", G5	BOLT,Hex, 3/8"-16 x 2 1/4", G5	1
21	13-652	BOLT,Hex, 3/8"-16 x 3 1/4", G5	- 3/8 x 3-1/4" N.C. hex.	3
22	195-25	WASHER,3/8"	- 13/32 x 13/16 x 1/16"	5
23	G49400	WASHER	- 13/32 x 1-5/32 x 10 ga.	1
24	92-6	LOCK WASHER,3/8"	WASHER - lock, 3/8"	10
25	25-106	NUT,3/8"-16, G5	- 3/8" N.C. hex.	3
30	G45228	ROD	ASSY. - governor to carburetor, Includes: Ref. 31 and 32	1
31	25-114	NUT,1/4"-28, G5	- 1/4" N.F. hex.	1
32	A10329	BALL JOINT	- rod	1
33	92-4	LOCK WASHER,1/4"	WASHER, LOCK, 1/4"	2
34	25-114	NUT,1/4"-28, G5	- 1/4" N.F. hex.	2
35	A37005	SPRING	- inner, governor speed (Red)	1
36	G48511	SPRING	- outer, governor speed (Black)	1
37	G45793	ROD	- governor control	1

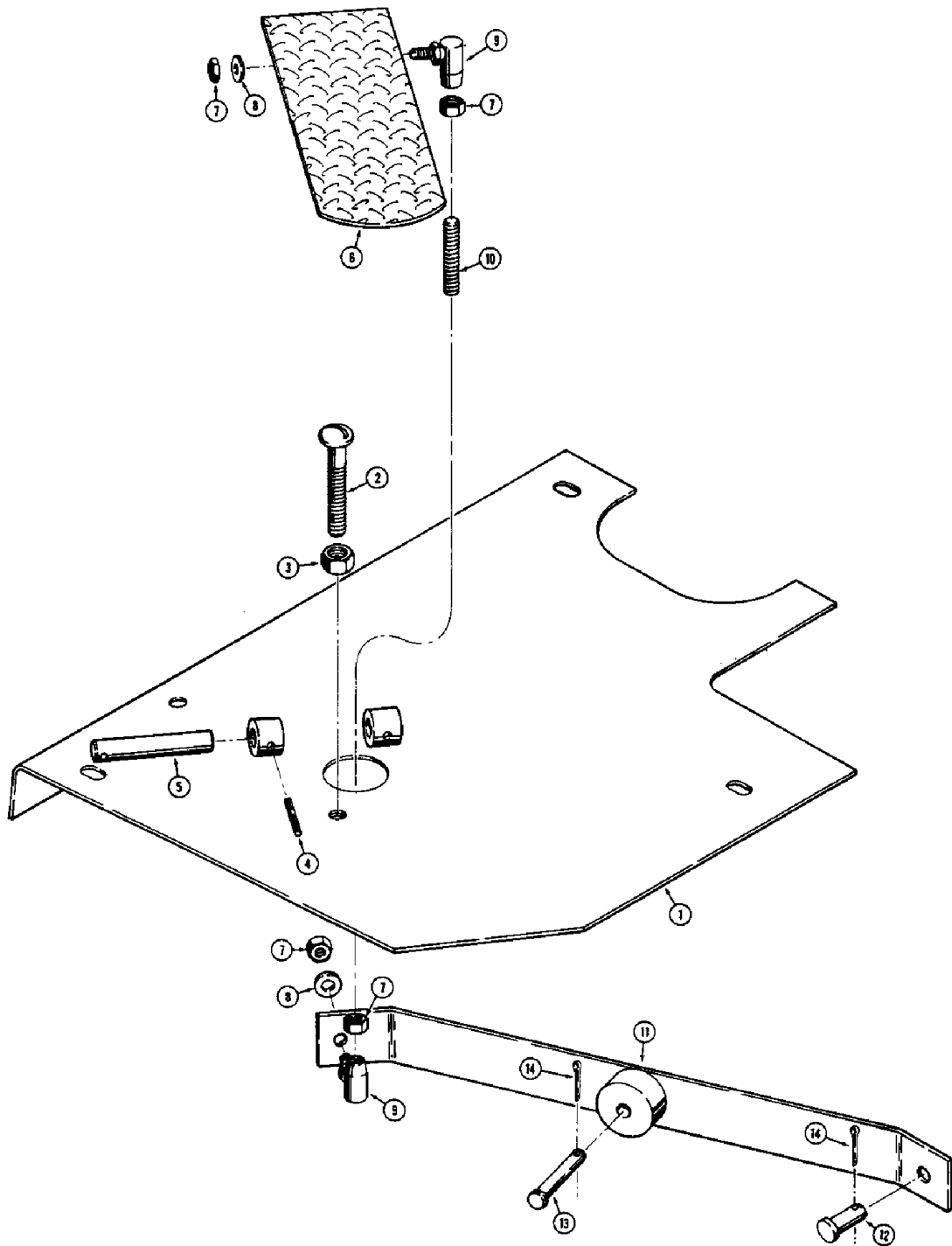
Diag #	Part #	Name	Description	Qty
38	G45792	STOP	GUIDE - control rod	1
39	113-103	BOLT,Hex, 5/16"-18 x 1", G5, Full Thd	BOLT,Hex, 5/16"-18 x 1", G5, Full Thd	2
40	192-20	LOCK WASHER,5/16"	WASHER, LOCK, 5/16"	2
41	195-521	WASHER,5/16", SAE	- 11/32 x 11/16 x 1/16"	2



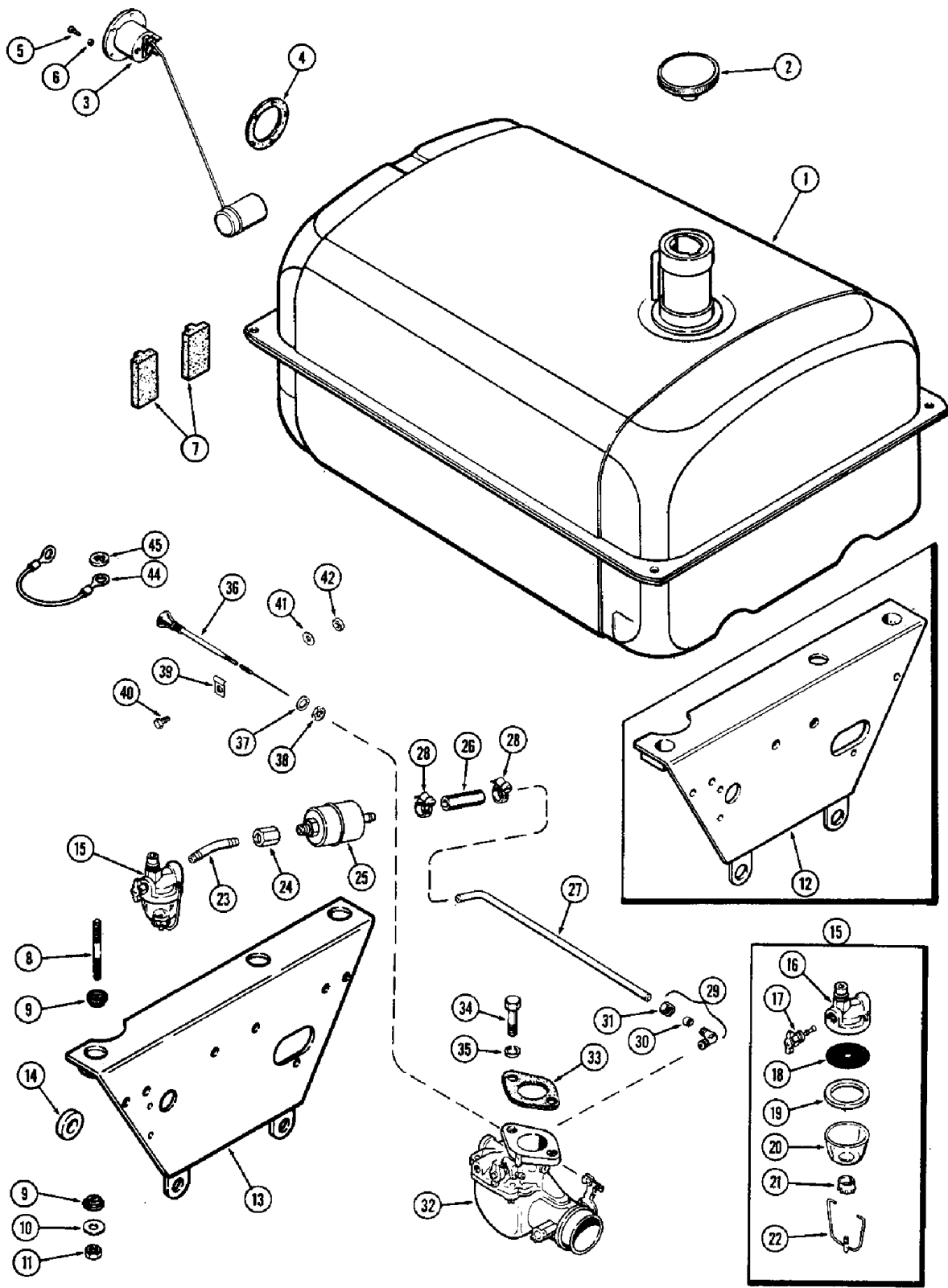
Diag #	Part #	Name	Description	Qty
1	A39391	LEVER	- throttle control	1
2	A37247	KNOB	- throttle lever	1
3	A51528	OIL SEAL	RING - retainer, Serial Range: knob-lever	1
4	A51511		COLLAR - stop, friction plate (Replaces A38173)	1
5	A38173	STOP	COLLAR - stop, friction plate (Order 1-A51511)	1
6	75-432	SCREW	- 1/4 x 2" N.C. rd. hd. mach.	2
7	75-424	SCREW	- 1/4 x 1-1/2" N.C. rd. hd. mach.	2
8	25-104	NUT,1/4"-20, G5	NUT,1/4"-20, G5	2
9	138-118	LOCK PIN,7/32" x 1 1/2", Slotted	PIN, 7/32" x 1 1/2", Slotted	1
10	A57029	DISC	- throttle plate	1
11	969	DISC - friction	DISC - friction	1
12	A32838	WASHER	- friction disc	1
13	A34113	SPRING	- tension, lever	1
14	195-33	WASHER,1/2"	- 17/32 x 1-1/16 x 13 ga.	1
15	25-148	JAM NUT,Jam, 1/2"-13, G5	- 1/2" NC hex, jam	2
16	G1338	LEVER	- bottom	1
17	138-77	LOCK PIN,5/32" x 1", Slotted	PIN, 5/32" x 1", Slotted	1
20	A35642	ROD	- lever to cross shaft	1
21	A10329	BALL JOINT	- intermediate rod	2
22	25-154	JAM NUT,Jam, 1/4"-28, G5	- 1/4" N.F. hex, jam	2
23	92-4	LOCK WASHER,1/4"	WASHER, LOCK, 1/4"	2
24	25-114	NUT,1/4"-28, G5	- 1/4" N.F. hex.	4



Diag #	Part #	Name	Description	Qty
1	A37264	SHAFT	- cross, throttle control	1
2	A35638	LEVER	- cross shaft	1
3	A35639	LEVER	- override	1
4	138-77	LOCK PIN,5/32" x 1", Slotted	PIN, 5/32" x 1", Slotted	4
5	A37265	LEVER	- throttle stop	1
7	A38304	SPRING	- return	1
8	413-632	BOLT,Hex, 3/8"-16 x 2", G5	- 3/8 x 2" N.C. hex.	1
9	25-146	JAM NUT,Jam, 3/8"-16, G5	- 3/8" N.C. hex., jam	2
10	A37271	DRAG LINK	LINK - throttle pivot	1
11	13-640	BOLT,Hex, 3/8"-16 x 2 1/2", G5	- 3/8 x 2-1/2" N.C. hex.	1
12	25-146	JAM NUT,Jam, 3/8"-16, G5	- 1/4" N.C. hex., jam	2
13	A39386	ROD	- throttle	1
14	25-106	NUT,3/8"-16, G5	- 3/8" N.C. hex.	2
20	A37893	ROD	- throttle control, rear	1
21	141-2	CLEVIS PIN,1/4" x .770"	PIN - clevis, 1/4 x 3/4"	1
22	132-7	COTTER PIN,1/16" x 3/4"	Pin, Split (Cotter), 1/16" x 3/4"	1
23	9635082	NUT,5/16"-18, G5	- 5/16" N.C. hex. (R.H. thread)	1
24	A37269	TURNBUCKLE	- rod adjusting	1
25	129-342		NUT - 5/16" N.C. hex. (L.H. thread)	1
26	A39526		ROD - throttle control, front	1
27	132-7	COTTER PIN,1/16" x 3/4"	Pin, Split (Cotter), 1/16" x 3/4"	2
28	95-5	WASHER,3/8" x 7/8" x .083"	- 3/8 x 7/8 x 5/64"	1

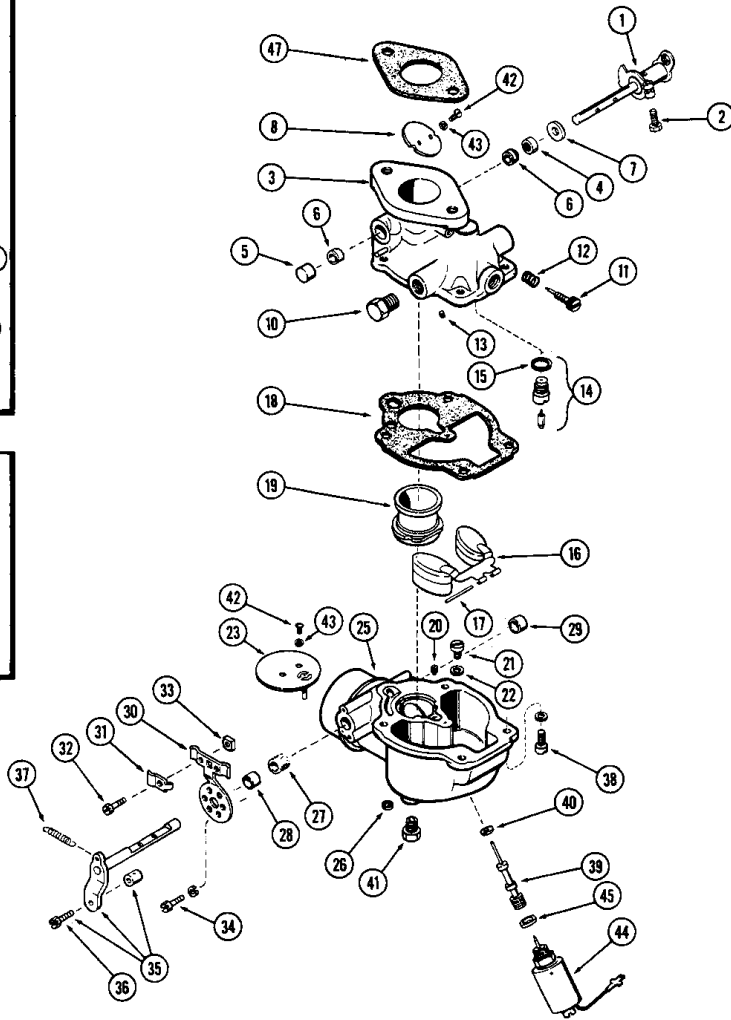
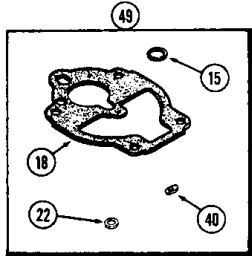
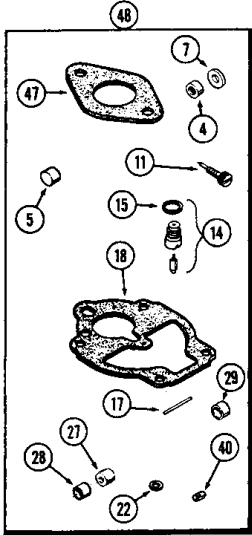


Diag #	Part #	Name	Description	Qty
1	D55023	PLATE ASSY.	PLATE - floor, R.H. front (Replaces D49715)	1
2	75-640	SCREW	- machine, round head (3/8"-16 N.C. x 2-1/2")	1
3	25-106	NUT,3/8"-16, G5	- hex. (3/8"-16 N.C.)	1
4	135-737	GROOVED PIN,5/32" x 1", Type E	PIN, GROOVED, , Shaft 5/32" x 1", Type E	1
5	R17364	SHAFT	- pedal pivot (Replaced 71044)	1
6	D49700	PEDAL	- foot accelerator	1
7	25-115	NUT,5/16"-24, G5	- hex (5/16"-24 NF)	4
8	92-5	LOCK WASHER,5/16"	LOCK WASHER,5/16"	2
9	A19105	BALL JOINT	- accelerator stud	2
10	D50720	STUD	- accelerator pedal	1
11	D50719	DRAG LINK	LINK - accelerator control	1
12	141-4	CLEVIS PIN,3/8" x 1.060"	PIN, CLEVIS, , Throttle link 3/8" x 1.060"	1
13	D50715	AXLE PIN	PIN - special, link support	1
14	132-26	COTTER PIN	Pin, Split (Cotter), 3/32" x 3/4"	2



Diag #	Part #	Name	Description	Qty
1	A51552	TANK	- fuel (Replaces A39769)	1
1	A39818	TANK	- fuel (Forklift only)	1
2	A51390	CAP	- fuel tank	1
3	A23480	SENDER UNIT	SENDER - fuel gauge	1
4	A11822	GASKET	- sender	1
5	174-95	SCREW,Sltd Rd Hd, #10-32 x 3/8"	- #10-32 x 3/8" rd. hd.	5
6	92-3	LOCK WASHER,#10	WASHER, LOCK, #10	5
7	A37315	PAD	- rear tank support	2
8	A37310	STUD	- 3/8" N.C. x 3-1/4"	4
9	A37311	BUSHING	- mounting, rubber	8
10	F62051	WASHER	- stud nut	4
11	131-352	LOCK NUT,3/8"-16, GA	NUT - 3/8" N.C. hex., lock	4
12	A39378	SUPPORT	- front, fuel tank (Used prior to trac. ser. no. 8731267)	1
13	A51792	SUPPORT	- front, fuel tank (1st used trac. cer. no. 8731267)	1
14	A51801	BUSHING	SPACER - support to torque tube (1st used trac. ser. no. 8731267)	1
15	A30049	STRAINER ELEMENT	STRAINER ASSY. - fuel, Includes: Ref. 16 - 22	1
16	A11214	HEAD	HEAD	1
17	A11205	VALVE	- shut-off	1
18	A11211	FILTER SCREEN	SCREEN	1
19	A11208	GASKET	- bowl	1
20	A11209	BOWL	BOWL	1
21	A11210	ADJUSTER	NUT	1
22	A11212	BAIL	ASSY.	1
23	A51542	NIPPLE, LUBE	NIPPLE -, Serial Range: strainer-filter	1
24	221-1335	COUPLING,Pipe, 1/8" NPT	- nipple to filter Pipe, 1/8" NPT	1
25	D53499	FILTER	- fuel	1
26	A39811		HOSE - fuel filter to fuel line	1
27	A51541	TUBE	- fuel tank to filter (Replaces A51305)	1
28	214-253	HOSE CLAMP,#10, 0.56/1.06 Type F Worm	CLAMP - hose, 9/16 to 1-1/16"	2
29	222-619	ELBOW,90°, 1/2"-24 x 1/8" NPT, Comp	ASSY. - fuel line to carburetor, Includes: Ref. 30 and 31	1
30	222-653	SLEEVE,5/16" Tube, Comp	- for 5/16" tube	1

Diag #	Part #	Name	Description	Qty
31	222-663	NUT,1/2"-24, 45° Fl, Comp	NUT - for 5/16" tube	1
32	A39568	CARBURETOR	ASSY. - (See Figure 108)	1
33	G46826	GASKET	-, Serial Range: carburetor-manifold	1
34	13-614	BOLT,Hex, 3/8"-16 x 7/8", G5, Full Thd	BOLT,Hex, 3/8"-16 x 7/8", G5, Full Thd	2
35	92-6	LOCK WASHER,3/8"	WASHER - lock, 3/8"	2
36	A38458	CONTROL	- choke	1
37	193-68	LOCK WASHER,Int Tooth, 3/8"	WASHER, LOCK, Int Tooth, 3/8"	1
38	86585245	NUT,Jam, 3/8"-24, G5	- 3/8" N.F. hex., jam	1
39	A26673	CLIP	- choke cable	1
40	113-2	BOLT,Hex, 1/4"-20 x 5/8", G5, Full Thd	BOLT,Hex, 1/4"-20 x 5/8", G5, Full Thd	1
41	192-19	LOCK WASHER,1/4"	WASHER, LOCK, 1/4"	1
42	7770	NUT,0.25" OD	1/4"-20, G5	1
	A22988	HOSE,0.25" ID x 15.00", SAE SC716 CS	- Choke control 0.25" ID x 15.00", SAE SC716 CS	2
44	A39882	BEARING	WIRE - ground, fuel tank	1
45	193-68	LOCK WASHER,Int Tooth, 3/8"	WASHER, LOCK, Int Tooth, 3/8"	1

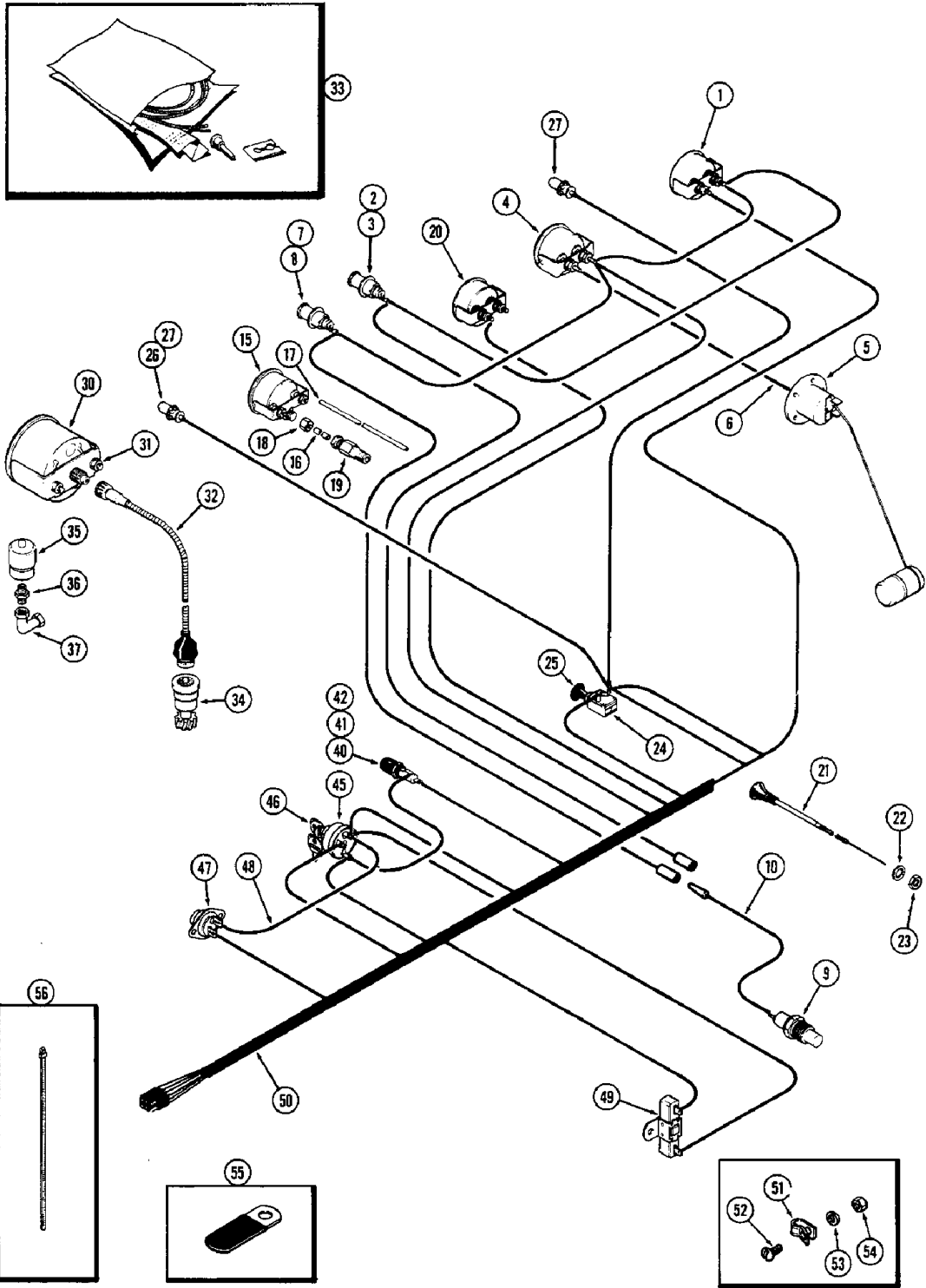


Diag #	Part #	Name	Description	Qty
	A39568	CARBURETOR	ASSY., Includes: Ref. 1 - 43	1
1	A43459	SHAFT	ASSY. - throttle	1
2	B51581		SCREW - stop	1
3	NSS	NOT SERVICED SEPARATELY	BODY - throttle (Order A39568)	1
4	B51528	SEAL	- throttle shaft	1
5	A40612	PLUG	- throttle shaft hole	1
6	A40609	BUSHING	- throttle shaft	2
7	B59360	RETAINER	WASHER - throttle shaft seal retaining	1
8	B51211	PLATE	- throttle	1
10	B51541	PLUG	- fuel inlet	2
11	A41389	SCREW	NEEDLE - idle adjusting	1
12	B51404	SPRING	- idle needle	1
13	B51306	JET	- idle	1
14	A40938	VALVE	VALVE	1
15	B51618	WASHER	- fuel valve seat	1
16	B51359	FLOAT	- fuel lever	1
17	B51433	AXLE	- float	1
18	B51471	GASKET	- bowl	1
		B51471 bowl gasket - This part is used on carb model #267 and has V in venturi hole. It is slightly larger than B51470 (used on carb model #67) which does not have V in venturi hole (see Figure 78).	B51471 bowl gasket - This part is used on carb model #267 and has V in venturi hole. It is slightly larger than B51470 (used on carb model #67) which does not have V in venturi hole (see Figure 78).	1
19	A25170	VENTURI	VENTURI	1
20	B51338	TUBE	JET - well vent	1
21	B51287		JET - main	1
22	B51619	WASHER	- main jet	1
23	B51365	PLATE	- choke	1
25	B51180	BOWL	ASSY. - fuel, Includes: Ref. 26 - 29	1
26	B51442	FILTER	DISC - drain	1
27	B51533	WASHER	- packing, choke shaft	1
28	B51439	RETAINER	- packing	1
29	B51509	PLUG	- choke shaft hole	1
30	A42350		BRACKET ASSY. - choke, Includes: Ref. 31 - 33	1

Diag #	Part #	Name	Description	Qty
31	B51403	CLIP	- choke rod	1
32	B51580	SCREW	- clip	1
33	129-76	NUT,Sq, #8-36	- clip screw	1
34	B51458	SCREW	- bracket	2
35	A43458		SHAFT ASSY . - choke, Includes: Ref. 36	1
36	B51579		SCREW - swivel, choke rod	1
37	B51412	SPRING	- return, choke lever	1
38	B51635	SCREW	-, Serial Range: bowl-body	4
39	B51323	JET	- discharge	1
40	B51610	WASHER	- discharge jet	1
41	B51541	PLUG	- bowl drain	1
42	173-223	SCREW,Slt'd Rd Hd, #6-32 x 1/4"	- throttle plate	4
43	192-15	LOCK WASHER,#6	Washer, Lock, #6	4
44	A137011	SOLENOID	ASSY. - (Replaces A39569)	1
45	B51707	GASKET	- solenoid mounting	1
47	B51459	GASKET	-, Serial Range: carburetor-manifold	1
48	CASA40940	KIT	- carburetor repair (Incl. items 4, 5, 7, 11, 14, 15, 17, 18, 22, 27 thru 29, 40	1
49	B51496	GASKET	KIT - carburetor gasket (Incl. items 15, 18, 22	1

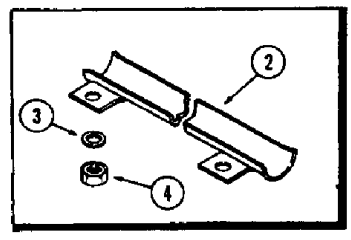
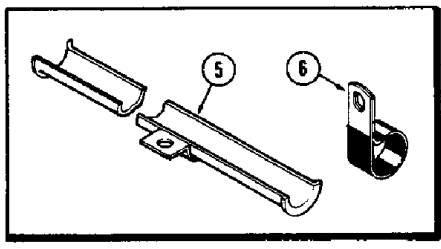
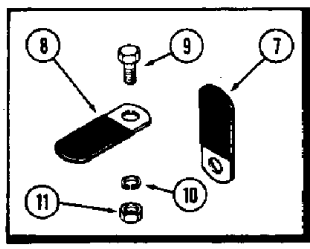
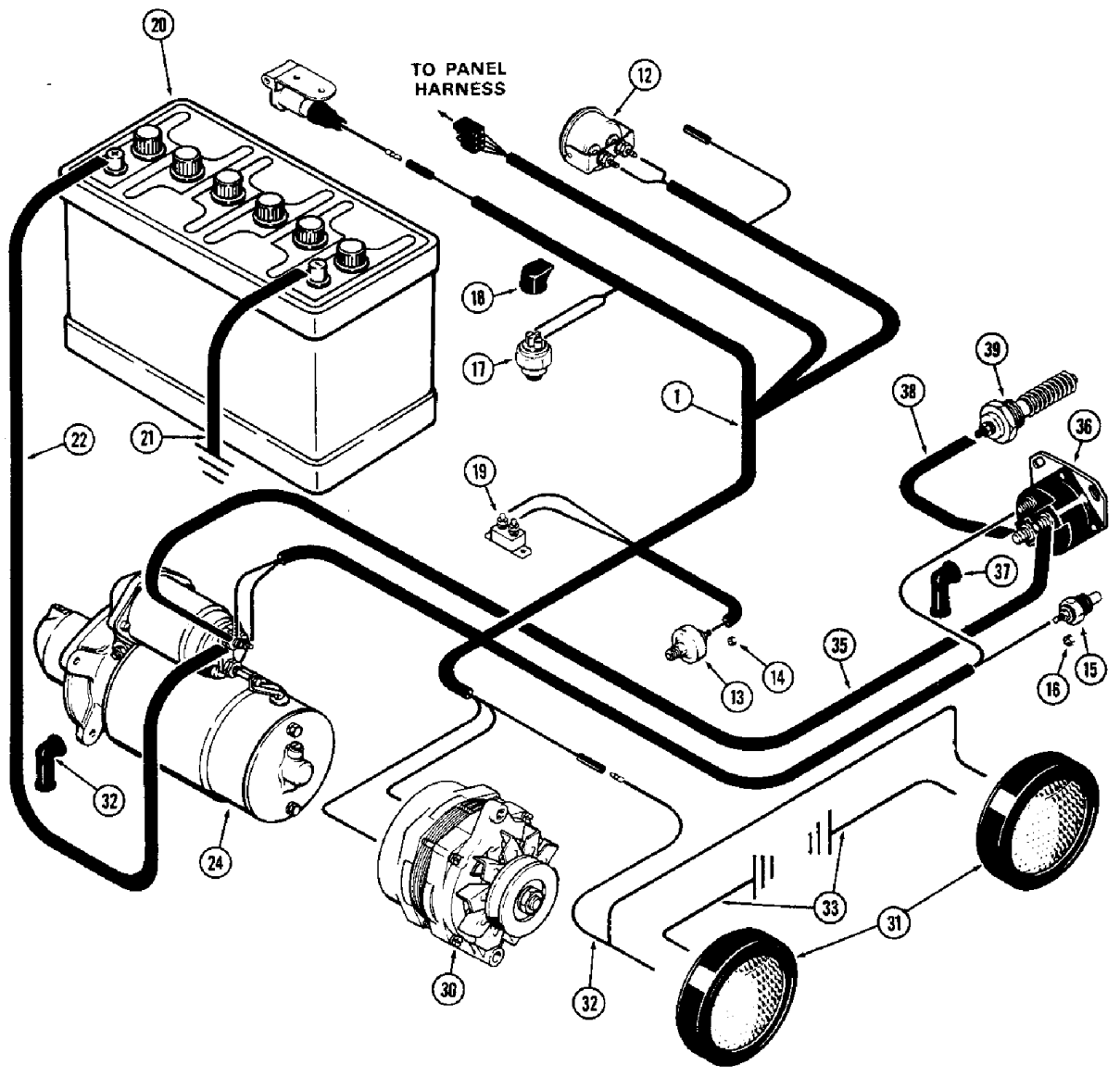


ELECTRICAL



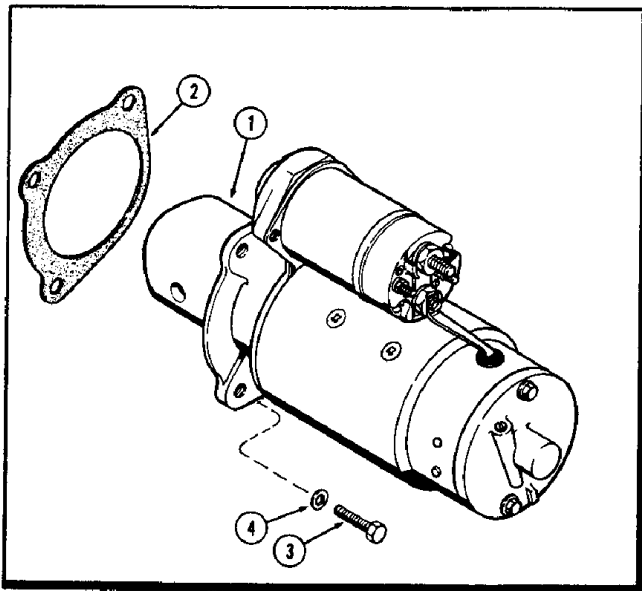
Diag #	Part #	Name	Description	Qty
1	A39804	GAUGE	- engine temperature	1
2	A24084	LAMP	ASSY. - wiring, engine oil pressure, Includes: Ref. 3	1
3	A24354	BULB	- oil pressure lamp	1
4	A39805	GAUGE	- fuel	1
5	A23480	SENDER UNIT	SENDER - fuel level	1
6	A11783	ELECTRICAL WIRE	WIRE - fuel gauge to sending unit	1
7	A39395	LIGHT ASSY.	LAMP ASSY. - converter oil temp. (Power shuttle), Includes: Ref. 8	1
8	A24354	BULB	- oil pressure lamp	1
9	A33241	SWITCH	SENDER - converter temperature (Power shuttle)	1
10	A36677	ELECTRICAL WIRE	WIRE -, Serial Range: sender-lamp	1
15	A39849	ELECTRICAL GAUGE	GAUGE - converter oil pressure (Power shuttle) (Replaces A39800)	1
16	A9366	TUBE	- converter oil pressure	1
17	A35903	LOOM	- oil pressure tube	1
18	222-10	FITTING,3/8"-24 Inv Fl x 1/8" NPT	COUPLING - tube to gauge	1
19	222-400	HYD CONNECTOR,1/8" NPT x 5/16"-24	CONNECTOR - tube to valve	1
20	A39802	AMMETER	- 60 amp.	1
21	A38454	ELECTRICAL WIRE	CONTROL - fuel shut-off	1
22	193-68	LOCK WASHER,Int Tooth, 3/8"	WASHER, LOCK, Int Tooth, 3/8"	1
23	86585245	NUT,Jam, 3/8"-24, G5	- 3/8" N.F. hex. jam	1
24	A39887	SWITCH	- lights (Replaced G13142)	1
		A39887 switch - This part does not include the retaining nut (A39888).	A39887 switch - This part does not include the retaining nut (A39888).	1
25	A137204	KNOB	- light switch (Replaces G13141)	1
26	A24087	LAMP BASE	LAMP ASSY. - instrument panel, Includes: Ref. 27	2
27	A22349	BULB	- panel lamp	1
30	A39806	TACHOMETER	ASSY.	1
31	193-1000	NUT,Keps, w/LW,#10-32	- #10 N.F. hex., Keps	2
32	A39403	CABLE	ASSY. - tachometer drive, Includes: Ref. 33	1
33	A24523	KIT	CABLE - replacement core (Cut to length required)	1

Diag #	Part #	Name	Description	Qty
34	A38942	DRIVE ASSY.	- tachometer (In block)	1
35	A59568	INDICATOR	- air cleaner	1
36	217-194	FITTING,1/8"-27 NPTF, Brass	- indicator to mounting block	1
37	222-5113	FITTING,90°, 7/16"-24 x 1/8" NPTF	- 90 degrees, tube mounting block	1
40	A22874	HOLDER	ASSY. - fuse, Includes: Ref. 41	1
41	NLS	NO LONGER SERVICED	CAP - fuse holder	1
42	223-20	FUSE,20 Amp, Type SFE	- 20 amp.	1
45	A24510	SWITCH	ASSY - starting w/key (Diesel)	1
46	A24509	KEY	- ignition switch (Set of 2)	1
47	A36948	SWITCH	- starter	1
48	A39405	ELECTRICAL WIRE	WIRE - starter switch to starter botton	1
49	F22316	RESISTOR	- 75 ohm.	1
50	A39393	HARNESS	- instrument wire	1
51	A62209	CLAMP,5/16", Insul, 1/4" Bolt	CLIP - tach. cable to fuel tank	1
52	113-2	BOLT,Hex, 1/4"-20 x 5/8", G5, Full Thd	BOLT,Hex, 1/4"-20 x 5/8", G5, Full Thd	1
53	192-19	LOCK WASHER,1/4"	WASHER, LOCK, 1/4"	1
54	7770	NUT,0.25" OD	1/4"-20, G5	1
55	A39394		CLIP - harness wire	2
56	L11541	CABLE TIE	STRAP - tube	1



Diag #	Part #	Name	Description	Qty
1	A39392	HARNESS	ASSY. - main wiring (Use w/Prestolite alternator)	1
1	A135774	HARNESS	ASSY. - main wiring (Use w/Delco alternator)	1
2	A37506		wire (w/ring) (Order A51269)	1
3	195-521	WASHER,5/16", SAE	11/32 x 11/16 x 1/16"	2
4	9635082	NUT,5/16"-18, G5	NUT,5/16"-18, G5	2
5	A51269		wiring harness (Replaces A37506)	1
6	49838	CLAMP	front fuel tank stud (Used w/A51269)	1
7	A37179	CLIP	harness	3
8	A39394		harness	1
9	13-512	BOLT,Hex, 5/16"-18 x 3/4", G5, Full Thd	BOLT,Hex, 5/16"-18 x 3/4", G5, Full Thd	1
10	92-5	LOCK WASHER,5/16"	LOCK WASHER,5/16"	1
11	9635082	NUT,5/16"-18, G5	5/16" N.C. hex.	1
12	A39802	AMMETER	- 60 amp.	1
13	A13794	TRANSMITTER	SWITCH - engine oil pressure	1
14	193-1000	NUT,Keps, w/LW,#10-32	#10 N.F. hex. Keps	1
15	A21462	SENDER UNIT	engine temperature	1
16	193-1000	NUT,Keps, w/LW,#10-32	#10 N.F. hex., Keps	1
17	A20990	SWITCH	- safety, neutral start	1
18	A61028	BOOT	switch	1
19	A22877	BREAKER	circuit (See Figure 114)	1
20	A38411	BATTERY	12 volt (Dry)	1
20	L49990	X	BATTERY - 12 volt (Wet-charged)	1
21	A38414	STRAP	battery ground	1
22	A51549	CABLE	battery to solenoid (57") (Replaces A38415)	1
24	REF	INSTRUCTION	STARTER ASSY. - (See Figure 114)	1
30	REF	INSTRUCTION	ALTERNATOR ASSY. - (See Figure 115A)	1
31	D30243	LAMP	LIGHT ASSY. - front head (See Figure 121C)	2
32	D39242	ELECTRICAL WIRE	CABLE - connecting, headlight	1
33	A11768	ELECTRICAL WIRE	CABLE - ground, headlight	2
35	A36896	CABLE PULLING GRIP	starter solenoid to heater solenoid, manifold	1
36	A39079	SOLENOID	heater (See Figure 114), manifold	1
37	A21753	CAP	NIPPLE - solenoid terminals, manifold heater	2
38	A21483	CABLE	solenoid to , manifold heater	1

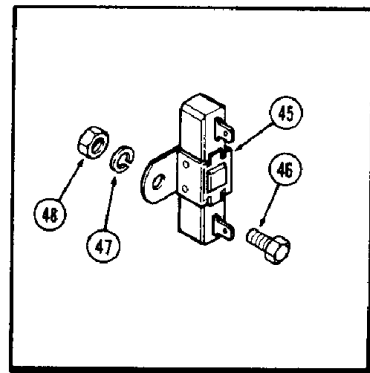
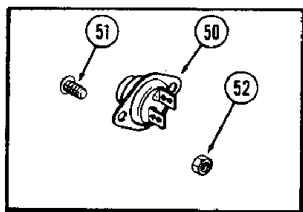
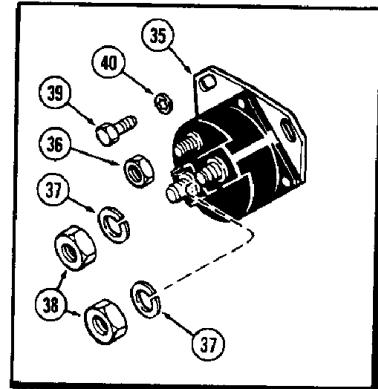
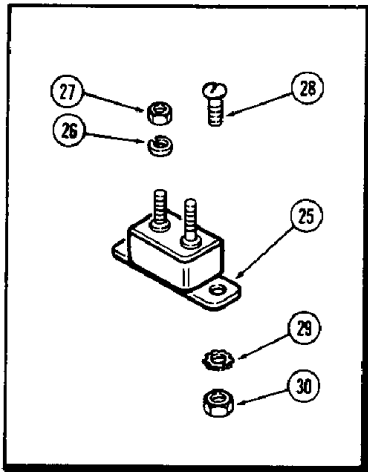
Diag #	Part #	Name	Description	Qty
39	A37775	HEATER	ASSY. - manifold (See Figure 15A)	1



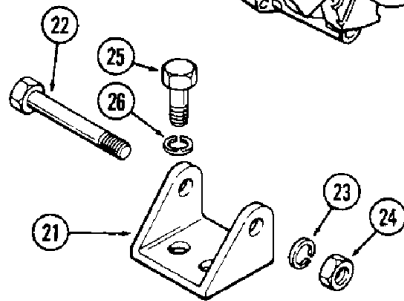
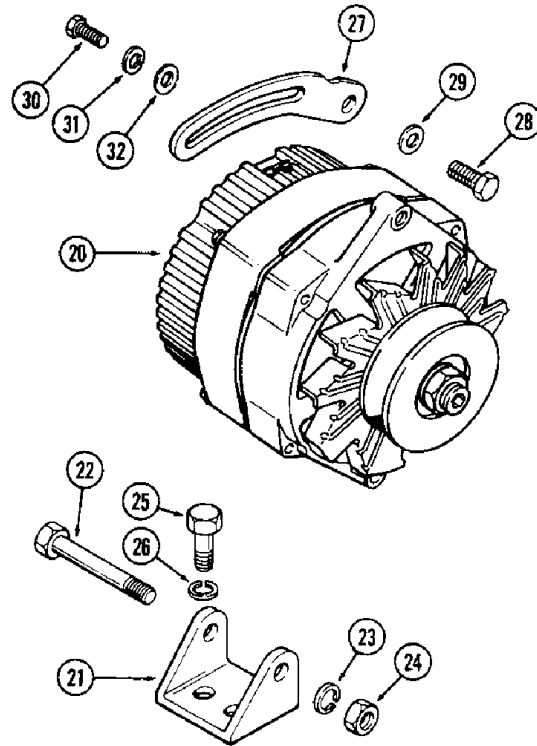
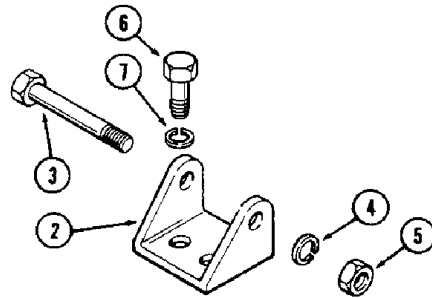
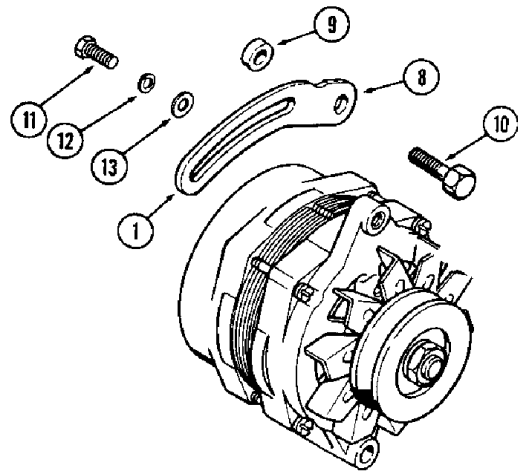
WARNING

WHILE USING JUMPER CABLES OR NEGATIVE GROUND SYSTEM ALWAYS CONNECT POSITIVE JUMPER CABLE TO BATTERY TERMINAL ON STARTER. COILS/DIODES FROM OPERATOR SEAT. ANY OTHER METHOD COULD RESULT IN TRACK OR RUNAWAY.

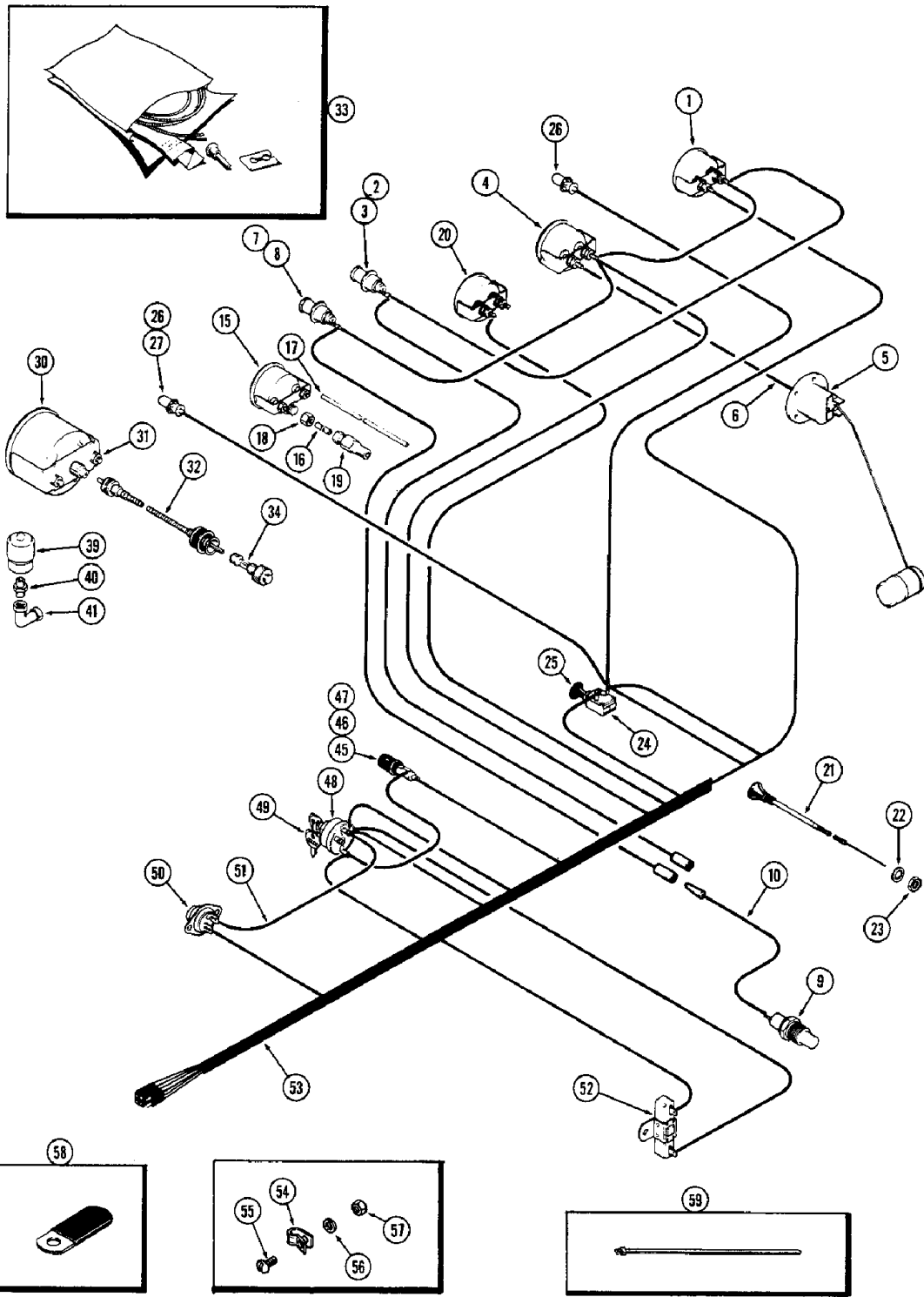
5



Diag #	Part #	Name	Description	Qty
1	REF	INSTRUCTION	STARTER ASSY. - (Mech. shuttle) (See Figures 122-123A)	1
1	REF	INSTRUCTION	STARTER ASSY. - (Power shuttle) (See Figures 126, 127A)	1
2	G46873	GASKET	- starter (Power shuttle)	1
3	113-219	BOLT,Hex, 3/8"-16 x 2", G5	BOLT,Hex, 3/8"-16 x 2", G5	3
4	193-72	LOCK WASHER	- Shakeproof, 3/8" int.	2
4	192-21	LOCK WASHER,3/8"	WASHER, LOCK, 3/8"	1
5	321-2788	DECAL	- warning (1st used trac. ser. no. 8742574)	1
25	A22877	BREAKER	- circuit	1
26	192-18	LOCK WASHER,#10	WASHER, LOCK, #10	2
27	129-37	NUT,#10-32	NUT,#10-32	2
28	173-226	SCREW,Sltd Rd Hd, #8-32 x 3/8"	- #8 x 3/8" N.C. rd. hd.	2
29	193-90	LOCK WASHER,Ext, #8	WASHER, LOCK, Ext, #8	2
30	129-16	NUT,#8-32	NUT,#8-32	2
35	A39079	SOLENOID	- manifold heater	1
36	193-1000	NUT,Keps, w/LW,#10-32	- #10 N.F. hex., Keps	1
37	192-20	LOCK WASHER,5/16"	WASHER, LOCK, 5/16"	2
38	9635082	NUT,5/16"-18, G5	NUT,5/16"-18, G5	2
39	113-1	BOLT,Hex, 1/4"-20 x 1/2", G5, Full Thd	BOLT,Hex, 1/4"-20 x 1/2", G5, Full Thd	2
40	193-60	LOCK WASHER,Int Tooth, 1/4"	WASHER, LOCK, Int Tooth, 1/4"	2
45	F22316	RESISTOR	- 75 ohm	1
46	113-24	BOLT - 1/4 x 5/8" N.C. hex.	BOLT - 1/4 x 5/8" N.C. hex.	1
47	192-19	LOCK WASHER,1/4"	WASHER, LOCK, 1/4"	1
48	7770	NUT,0.25" OD	1/4"-20, G5	1
50	A36948	SWITCH	- starter	1
51	173-257	SCREW,Sltd Rd Hd, #10-24 x 1/2"	- #10 x 1/2" N.C. Phillips hd.	2
52	193-1004	NUT,Keps, w/LW,#10-24	NUT - #10 N.C. hex. Keps	2

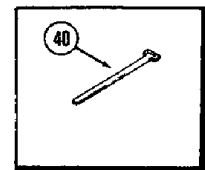
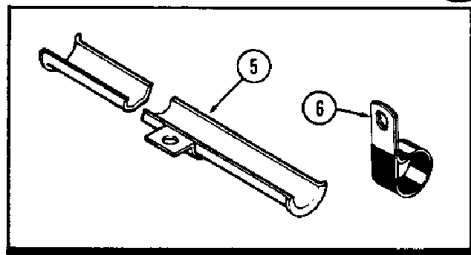
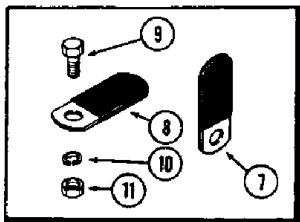
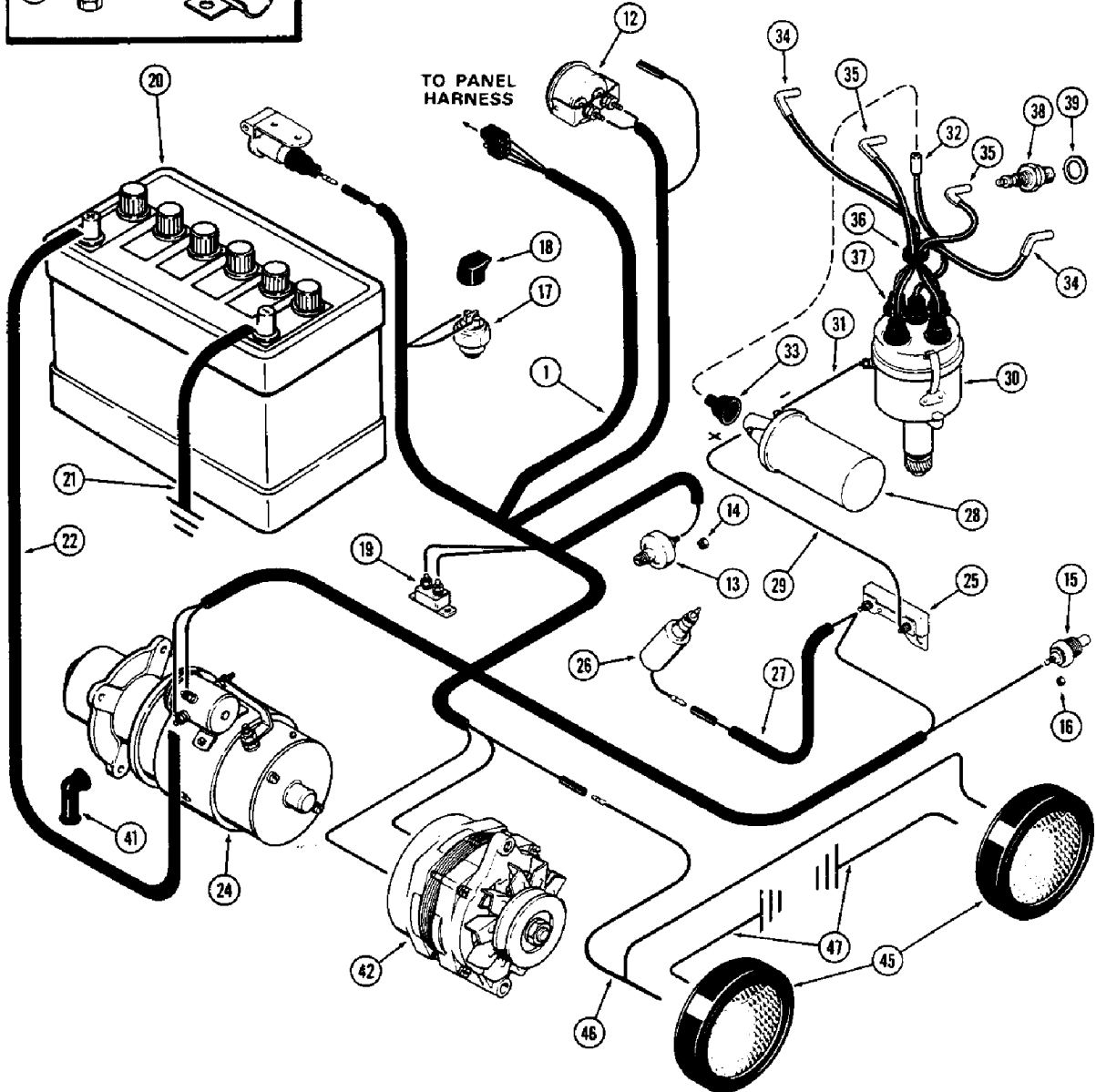
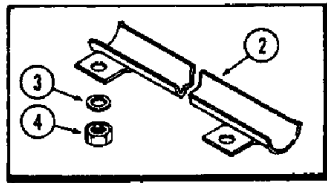


Diag #	Part #	Name	Description	Qty
1	REF	INSTRUCTION	ALTERNATOR ASSY. - Prestolite (See Figure 132)	1
2	A38492	BRACKET	- mounting	1
3	113-241	BOLT,Hex, 3/8"-16 x 3", G5	BOLT,Hex, 3/8"-16 x 3", G5	1
4	192-21	LOCK WASHER,3/8"	WASHER, LOCK, 3/8"	1
5	129-103	NUT,3/8"-16, G5	NUT, 3/8"-16, G5	1
6	13-612	BOLT,Hex, 3/8"-16 x 3/4", G5, Full Thd	BOLT,Hex, 3/8"-16 x 3/4", G5, Full Thd	2
7	92-6	LOCK WASHER,3/8"	WASHER - lock, 3/8"	2
8	A139258	STRAP	- adjusting (Replaces A37017)	1
9	G11271	SPACER	-, Serial Range: strap-cover	1
10	13-636	BOLT,Hex, 3/8"-16 x 2 1/4", G5	BOLT,Hex, 3/8"-16 x 2 1/4", G5	1
11	113-102	BOLT,Hex, 5/16"-18 x 3/4", G5, Full Thd	Hex, 5/16"-18 x 3/4", G5, Full Thd	1
12	192-20	LOCK WASHER,5/16"	WASHER, LOCK, 5/16"	1
13	195-103	WASHER,5/16"	- 3/8 x 7/8 x 5/64"	1
20	REF	INSTRUCTION	ALTERNATOR ASSY. - Delco (See Figure 133A)	1
21	A38492	BRACKET	- mounting, delco	1
22	113-241	BOLT,Hex, 3/8"-16 x 3", G5	Delco Hex, 3/8"-16 x 3", G5	1
23	192-21	LOCK WASHER,3/8"	WASHER, LOCK, , Delco 3/8"	1
24	129-103	NUT,3/8"-16, G5	NUT, , Delco 3/8"-16, G5	1
25	13-612	BOLT,Hex, 3/8"-16 x 3/4", G5, Full Thd	Delco Hex, 3/8"-16 x 3/4", G5, Full Thd	2
26	92-6	LOCK WASHER,3/8"	WASHER - lock, , Delco 3/8"	2
27	A139258	STRAP	- adjusting (Replaces A37017), delco	1
28	413-632	BOLT,Hex, 3/8"-16 x 2", G5	- 3/8 x 2" N.C. hex., Delco	1
29	95-6	WASHER,3/8"	- 7/16 x 1 x 5/64", delco	2
30	113-102	BOLT,Hex, 5/16"-18 x 3/4", G5, Full Thd	Hex, 5/16"-18 x 3/4", G5, Full Thd, Delco	1
31	192-20	LOCK WASHER,5/16"	WASHER, LOCK, , Delco 5/16"	1
32	195-103	WASHER,5/16"	- 3/8 x 7/8 x 5/64", delco	1



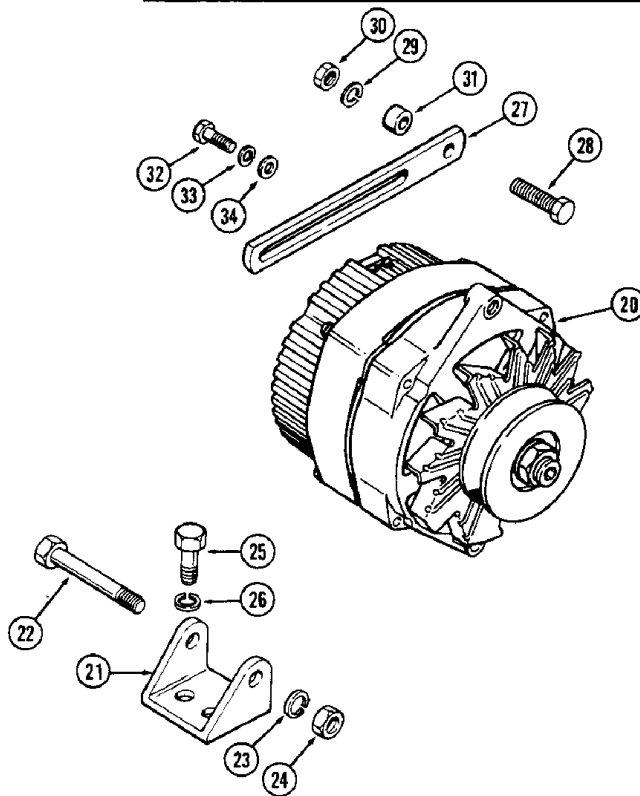
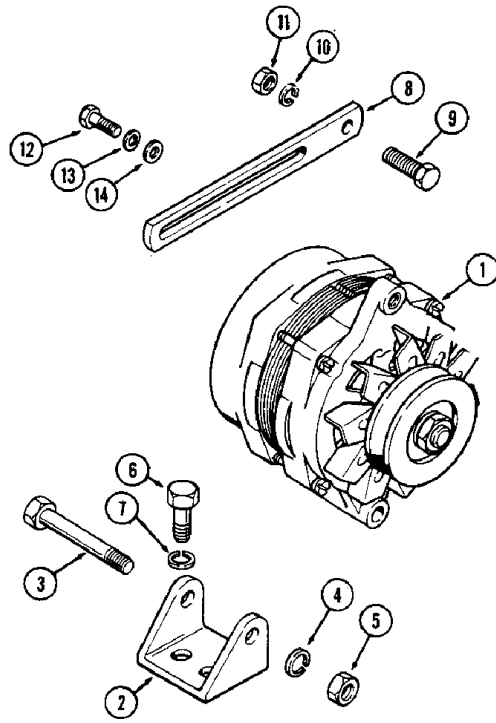
Diag #	Part #	Name	Description	Qty
1	A39804	GAUGE	- engine temperature	1
2	A24084	LAMP	ASSY. - warning, engine oil pressure, Includes: Ref. 3	1
3	A24354	BULB	- oil pressure lamp	1
4	A39805	GAUGE	- fuel	1
5	A23480	SENDER UNIT	SENDER - fuel level	1
6	A11783	ELECTRICAL WIRE	WIRE - fuel gauge to sending unit	1
7	A39395	LIGHT ASSY.	LAMP ASSY. - converter oil temp. (Power shuttle), Includes: Ref. 8	1
8	A24354	BULB	- oil pressure lamp (#57 red)	1
9	A33241	SWITCH	SENDER - converter temperature (Power shuttle)	1
10	A36677	ELECTRICAL WIRE	WIRE -, Serial Range: sender-lamp	1
15	A39849	ELECTRICAL GAUGE	GAUGE - converter oil pressure (Power shuttle) (Replaces A39800)	1
16	A9366	TUBE	- converter oil pressure	1
17	A35903	LOOM	- oil pressure tube	1
18	222-10	FITTING,3/8"-24 Inv Fl x 1/8" NPT	COUPLING - tube to gauge	1
19	222-400	HYD CONNECTOR,1/8" NPT x 5/16"-24	CONNECTOR - tube to valve	1
20	A39802	AMMETER	- 60 amp.	1
21	A38458	CONTROL	- choke	1
22	193-68	LOCK WASHER,Int Tooth, 3/8"	WASHER, LOCK, Int Tooth, 3/8"	1
23	86585245	NUT,Jam, 3/8"-24, G5	- 3/8" N.F. hex. jam	1
24	A39887	SWITCH	- lights (Replaces G13142)	1
25	A137204	KNOB	- light switch (Replaces G13141)	1
26	A24087	LAMP BASE	LAMP ASSY. - instrument panel, Includes: Ref. 27	2
27	A22349	BULB	- panel lamp (#363)	1
30	A39806	TACHOMETER	ASSY.	1
31	193-1000	NUT,Keps, w/LW,#10-32	- #10 N.F. hex., Keps	2
32	A39404	CABLE	ASSY. - tachometer drive, Includes: Ref. 33	1
33	A24523	KIT	CABLE - replacement core (Cut to length required)	1
34	A24761	SHAFT	DRIVE - tachometer (In distributor)	1
39	A59568	INDICATOR	- air cleaner	1

Diag #	Part #	Name	Description	Qty
40	217-194	FITTING,1/8"-27 NPTF, Brass	- indicator to mounting block	1
41	222-5113	FITTING,90°, 7/16"-24 x 1/8" NPTF	- 90 degrees, tube to mounting block	1
45	A22874	HOLDER	ASSY. - fuse, Includes: Ref. 46	1
46	A10958	CAP	- fuse holder	1
47	223-20	FUSE,20 Amp, Type SFE	- 20 amp.	1
48	A24511	SWITCH	ASSY - starting, w/key (Gas) Includes: Ref 49	1
49	A24509	KEY	- ignition switch (Set of 2)	1
50	A36948	SWITCH	- starter	1
51	A39405	ELECTRICAL WIRE	WIRE - starter switch to starter button	1
52	F22316	RESISTOR	- 75 ohm	1
53	A39393	HARNESS	- instrument wire	1
54	A62209	CLAMP,5/16", Insul, 1/4" Bolt	CLIP - tach. cable to fuel tank	1
55	113-2	BOLT,Hex, 1/4"-20 x 5/8", G5, Full Thd	BOLT,Hex, 1/4"-20 x 5/8", G5, Full Thd	1
56	192-19	LOCK WASHER,1/4"	WASHER, LOCK, 1/4"	1
57	7770	NUT,0.25" OD	1/4"-20, G5	1
58	A39394		CLIP - harness wire	2
59	L11541	CABLE TIE	STRAP - tube	1

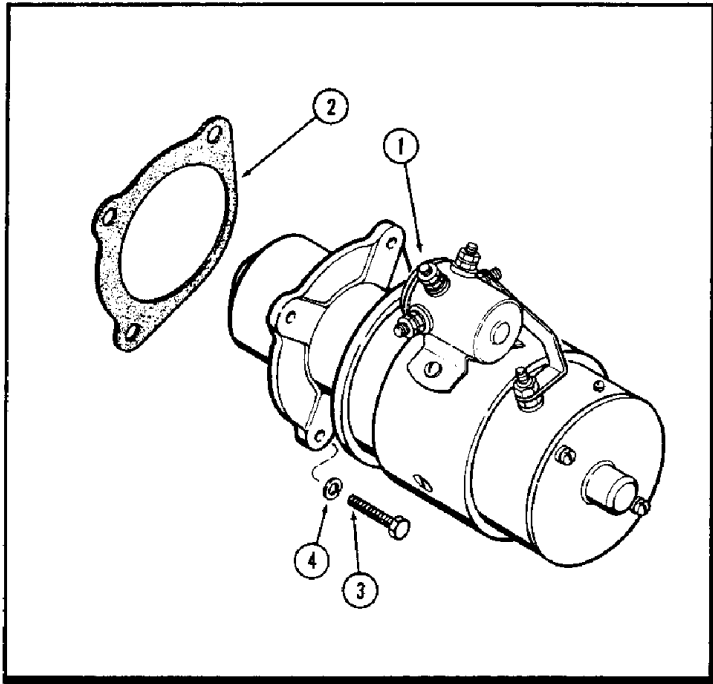


Diag #	Part #	Name	Description	Qty
1	A39392	HARNESS	ASSY. - main wiring (Use w/Prestolite alternator)	1
1	A135774	HARNESS	ASSY. - main wiring (Use w/Delco alternator)	1
2	A37506		CONDUIT - wire	1
3	195-521	WASHER,5/16", SAE	- 11/32 x 11/16 x 1/16"	2
4	9635082	NUT,5/16"-18, G5	NUT,5/16"-18, G5	2
5	A51269		CONDUIT - wiring harness (Replaces A37506)	1
6	49838	CLAMP	- front fuel tank stud (Used w/51269)	1
7	A37179	CLIP	- harness	2
8	A39394		CLIP - harness	1
9	13-512	BOLT,Hex, 5/16"-18 x 3/4", G5, Full Thd	BOLT,Hex, 5/16"-18 x 3/4", G5, Full Thd	1
10	92-5	LOCK WASHER,5/16"	LOCK WASHER,5/16"	1
11	9635082	NUT,5/16"-18, G5	- 5/16" N.C. hex.	1
12	A39802	AMMETER	- 60 amp.	1
13	A13794	TRANSMITTER	SWITCH - engine oil pressure	1
14	193-1000	NUT,Keps, w/LW,#10-32	- #10 N.F. hex., Keps	1
15	A21462	SENDER UNIT	SENDER - engine temperature	1
16	193-1000	NUT,Keps, w/LW,#10-32	- #10 N.F. hex., Keps	1
17	A20990	SWITCH	- safety, neutral start	1
18	A61028	BOOT	- switch	1
19	A22877	BREAKER	- circuit (See Figure 120)	1
20	F22631	BATTERY	- 12 volt (Dry)	1
20	D60337	BATTERY - 12 volt (Wet-charged)	BATTERY - 12 volt (Wet-charged)	1
21	A38414	STRAP	- battery ground	1
22	A51549	CABLE	- battery to starter solenoid (Replaces A38415)	1
24	REF	INSTRUCTION	STARTER ASSY. - (See Figure 120)	1
25	A24504	RESISTOR	- ballast	1
26	A38253	SOLENOID	ASSY. - (Mech. shuttle) (See Figure 78)	1
26	A137011	SOLENOID	ASSY. - (Power shuttle) (See Figure 108) (Replaces A39569)	1
27	A38244		WIRE -, Serial Range: resistor-solenoid	1
28	A40778	COIL	ASSY. - ignition	1
29	A38832	ELECTRICAL WIRE	WIRE - resistor to coil (Positive terminal)	1

Diag #	Part #	Name	Description	Qty
30	A18461	DISTRIBUTOR	ASSY. - (See Figure 134)	1
31	G13085	ELECTRICAL WIRE	WIRE - distributor to coil (Negative terminal)	1
32	A62857	ELECTRICAL WIRE	WIRE -, Serial Range: coil-distributor	1
33	G46803	BOOT	NIPPLE - hi-tension coil wire	1
34	A39186	CABLE	WIRE - #1	2
35	A39187	CABLE	WIRE - #2	2
36	A30109	WASHER	RING - tie, hi-tension wires	1
37	A29338	COVER	NIPPLE - hi-tension distributor wires	5
38	G44840	SPARK PLUG	- ignition, Includes: Ref. 39	4
39	G46839	GASKET	- spark plug	1
40	L11541	CABLE TIE	STRAP - carb. wire to oil press. wire	1
41	A21753	CAP	NIPPLE - starter solenoid cable	1
42	REF	INSTRUCTION	ALTERNATOR ASSY. - (See Figure 119A)	1
45	D30243	LAMP	LIGHT ASSY. - front head (See Figure 121C)	2
46	D39242	ELECTRICAL WIRE	CABLE - connecting, headlight	1
47	A11768	ELECTRICAL WIRE	CABLE - ground, headlight	2

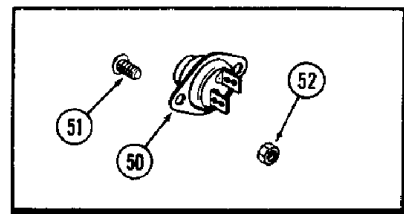
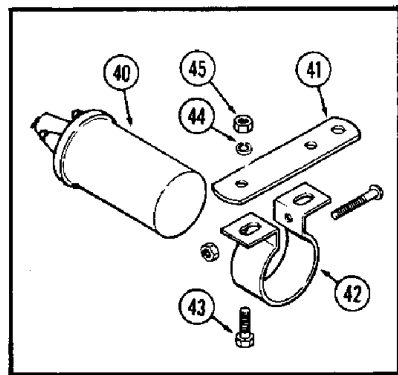
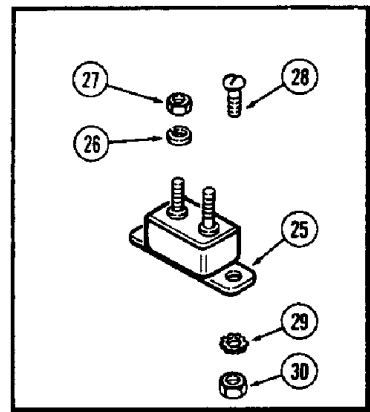
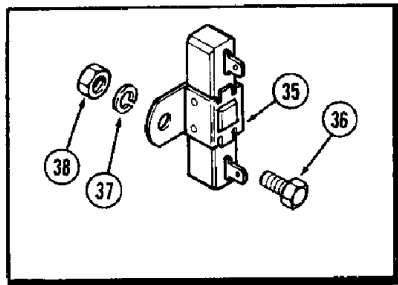


Diag #	Part #	Name	Description	Qty
1	REF	INSTRUCTION	ALTERNATOR ASSY. - Prestolite (See Figure 132)	1
2	A38492	BRACKET	- mounting	1
3	113-241	BOLT,Hex, 3/8"-16 x 3", G5	BOLT,Hex, 3/8"-16 x 3", G5	1
4	192-21	LOCK WASHER,3/8"	WASHER, LOCK, 3/8"	1
5	129-103	NUT,3/8"-16, G5	NUT, 3/8"-16, G5	1
6	13-612	BOLT,Hex, 3/8"-16 x 3/4", G5, Full Thd	BOLT,Hex, 3/8"-16 x 3/4", G5, Full Thd	2
7	92-6	LOCK WASHER,3/8"	WASHER - lock, 3/8"	2
8	A59167	STRAP	- alternator adjusting	1
9	13-620	BOLT,Hex, 3/8"-16 x 1 1/4", G5, Full Thd	BOLT,Hex, 3/8"-16 x 1 1/4", G5, Full Thd	1
10	92-6	LOCK WASHER,3/8"	WASHER - lock, 3/8"	1
11	25-106	NUT,3/8"-16, G5	- 3/8" N.C. hex.	1
12	113-102	BOLT,Hex, 5/16"-18 x 3/4", G5, Full Thd	Hex, 5/16"-18 x 3/4", G5, Full Thd	1
13	192-20	LOCK WASHER,5/16"	WASHER, LOCK, 5/16"	1
14	195-103	WASHER,5/16"	- 3/8 x 7/8 x 5/64"	1
20	REF	INSTRUCTION	ALTERNATOR ASSY. - delco (See Figure 133A)	1
21	A38492	BRACKET	- mounting,delco	1
22	113-241	BOLT,Hex, 3/8"-16 x 3", G5	Delco Hex, 3/8"-16 x 3", G5	1
23	192-21	LOCK WASHER,3/8"	WASHER, LOCK, , Delco 3/8"	1
24	129-103	NUT,3/8"-16, G5	NUT, , Delco 3/8"-16, G5	1
25	13-612	BOLT,Hex, 3/8"-16 x 3/4", G5, Full Thd	Delco Hex, 3/8"-16 x 3/4", G5, Full Thd	2
26	92-6	LOCK WASHER,3/8"	WASHER - lock, , Delco 3/8"	2
27	A59167	STRAP	- alternator adjusting,delco	1
28	13-628	BOLT,Hex, 3/8"-16 x 1 3/4", G5	Delco Hex, 3/8"-16 x 1 3/4", G5	1
29	92-6	LOCK WASHER,3/8"	WASHER - lock, , Delco 3/8"	1
30	25-106	NUT,3/8"-16, G5	- 3/8" N.C. hex.,delco	1
31	A37418	SPACER	-, Serial Range: strap-cover,delco	1
32	113-102	BOLT,Hex, 5/16"-18 x 3/4", G5, Full Thd	Hex, 5/16"-18 x 3/4", G5, Full Thd, Delco	1
33	192-20	LOCK WASHER,5/16"	WASHER, LOCK, , Delco 5/16"	1
34	195-103	WASHER,5/16"	- 3/8 x 7/8 x 5/64",delco	1

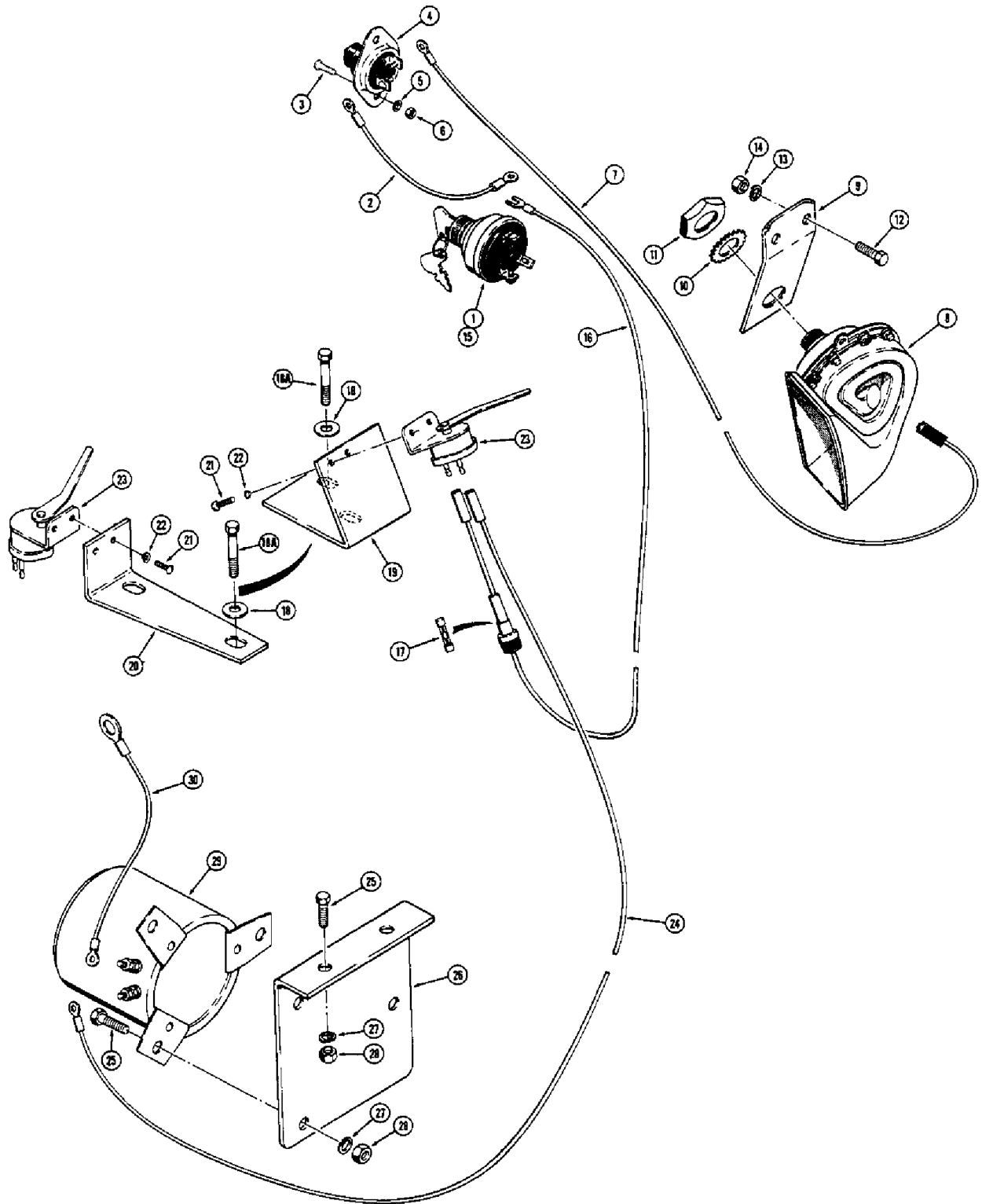


⚠ WARNING

WHEN USING JUMPER CABLES ON NEARBY GROUND SYSTEMS, CONNECT POSITIVE JUMPER CABLE TO BATTERY TERMINAL ON STARTER. AVOIDING THIS USE NORMAL STARTING PROCEDURE. FROM OPERATOR'S SEAT. ANY OTHER METHOD COULD RESULT IN TRACTOR RUNAWAY.

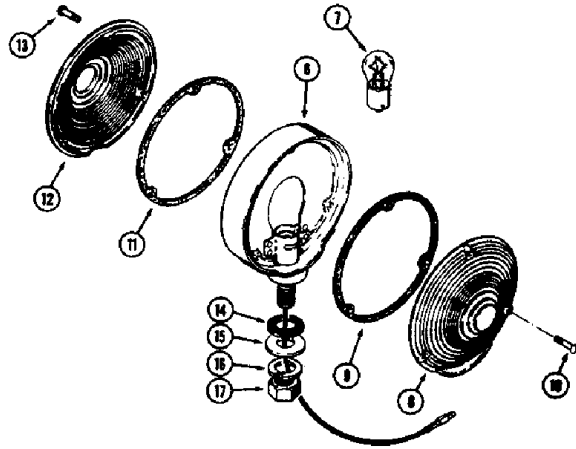
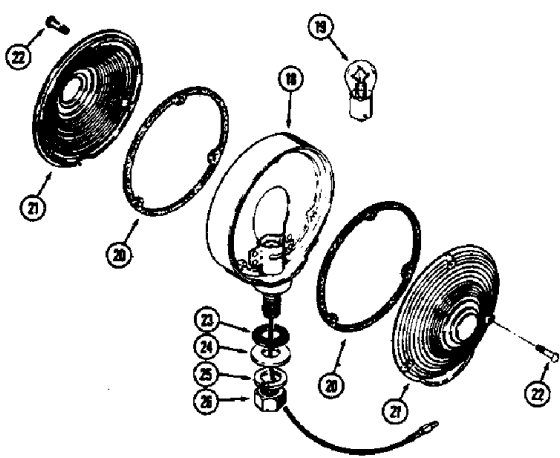
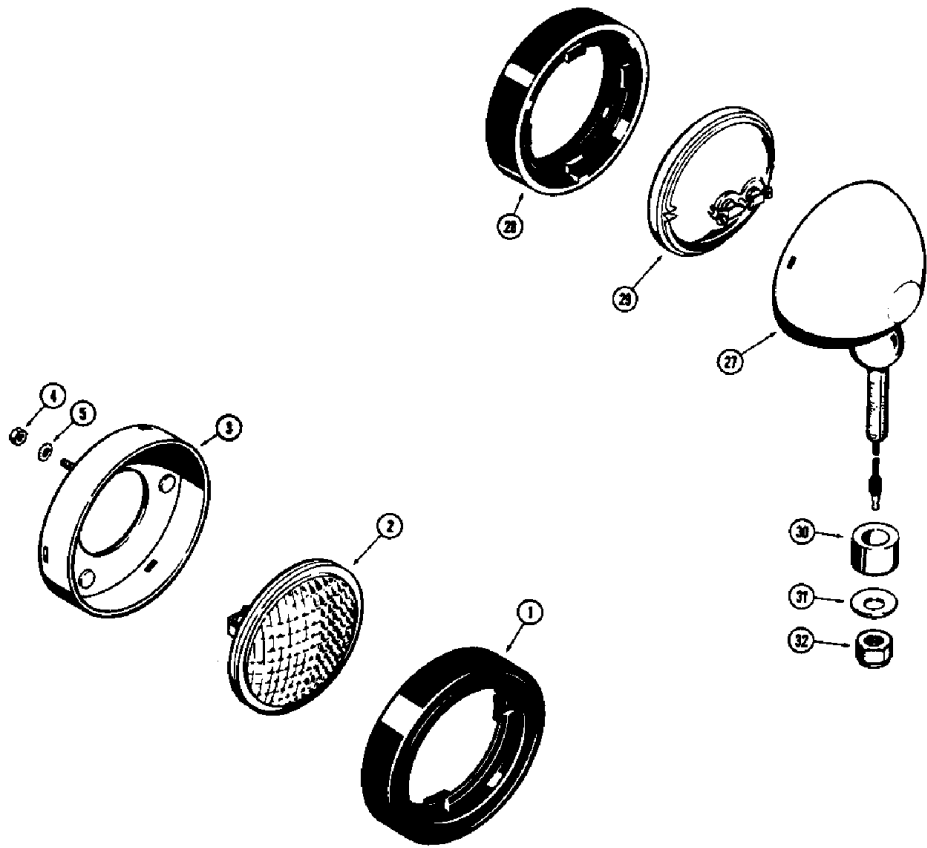


Diag #	Part #	Name	Description	Qty
1	A36584	STARTING MOTOR	STARTER ASSY. - (See Figure 130)	1
1	104223A1R	REMAN-STARTER	Remanufactured STARTER 12 volt Presto Inertia - For N.A. Only	1
1	104223A1C	CORE-STARTER	Return Number, STARTER 12 volt Presto Inertia - For N.A. Only	1
2	G46873	GASKET	GASKET - starter (Power shuttle)	1
3	113-219	BOLT,Hex, 3/8"-16 x 2", G5	BOLT, Hex, 3/8"-16 x 2", G5	3
4	193-72	LOCK WASHER	WASHER - Shakeproof, 3/8" int./ext.	2
4	192-21	LOCK WASHER,3/8"	WASHER, LOCK, 3/8"	1
5	321-2788	DECAL	DECAL - warning (1st used trac. ser. no. 8742574)	1
25	A22877	BREAKER	BREAKER - circuit	1
26	192-18	LOCK WASHER,#10	WASHER, LOCK, #10	2
27	129-37	NUT,#10-32	NUT, #10-32	2
28	173-226	SCREW,Sltd Rd Hd, #8-32 x 3/8"	SCREW - #8 x 3/8" N.C. rd. hd.	2
29	193-90	LOCK WASHER,Ext, #8	WASHER, LOCK, Ext, #8	2
30	129-16	NUT,#8-32	NUT, #8-32	2
35	F22316	RESISTOR	RESISTOR - 75 OHM	1
36	113-24	BOLT - 1/4 x 5/8" N.C. hex.	BOLT - 1/4 x 5/8" N.C. hex.	1
37	192-19	LOCK WASHER,1/4"	WASHER, LOCK, 1/4"	1
38	7770	NUT,0.25" OD	NUT, 1/4"-20, G5	1
40	A40778	COIL	COIL ASSY. - ignition	1
41	G11705	BRACKET	BRACKET - coil mounting	1
42	G46106	BRACKET	CLAMP ASSY. - coil	1
43	175-406	SCREW	BOLT - 5/16 x 3/4" N.F. hex. (Mech. shuttle)	2
43	113-118	BOLT,Hex, 5/16"-18 x 5/8", G5, Full Thd	BOLT, (Power shuttle) Hex, 5/16"-18 x 5/8", G5, Full Thd	2
44	192-20	LOCK WASHER,5/16"	WASHER, LOCK, 5/16"	2
45	9635082	NUT,5/16"-18, G5	NUT, 5/16"-18, G5	2
50	A36948	SWITCH	SWITCH - starter	1
51	173-257	SCREW,Sltd Rd Hd, #10-24 x 1/2"	SCREW - #10 x 1/2" N.C. Phillips hd.	2
52	193-1004	NUT,Keps, w/LW,#10-24	NUT - #10 N.C. hex. Keps	2



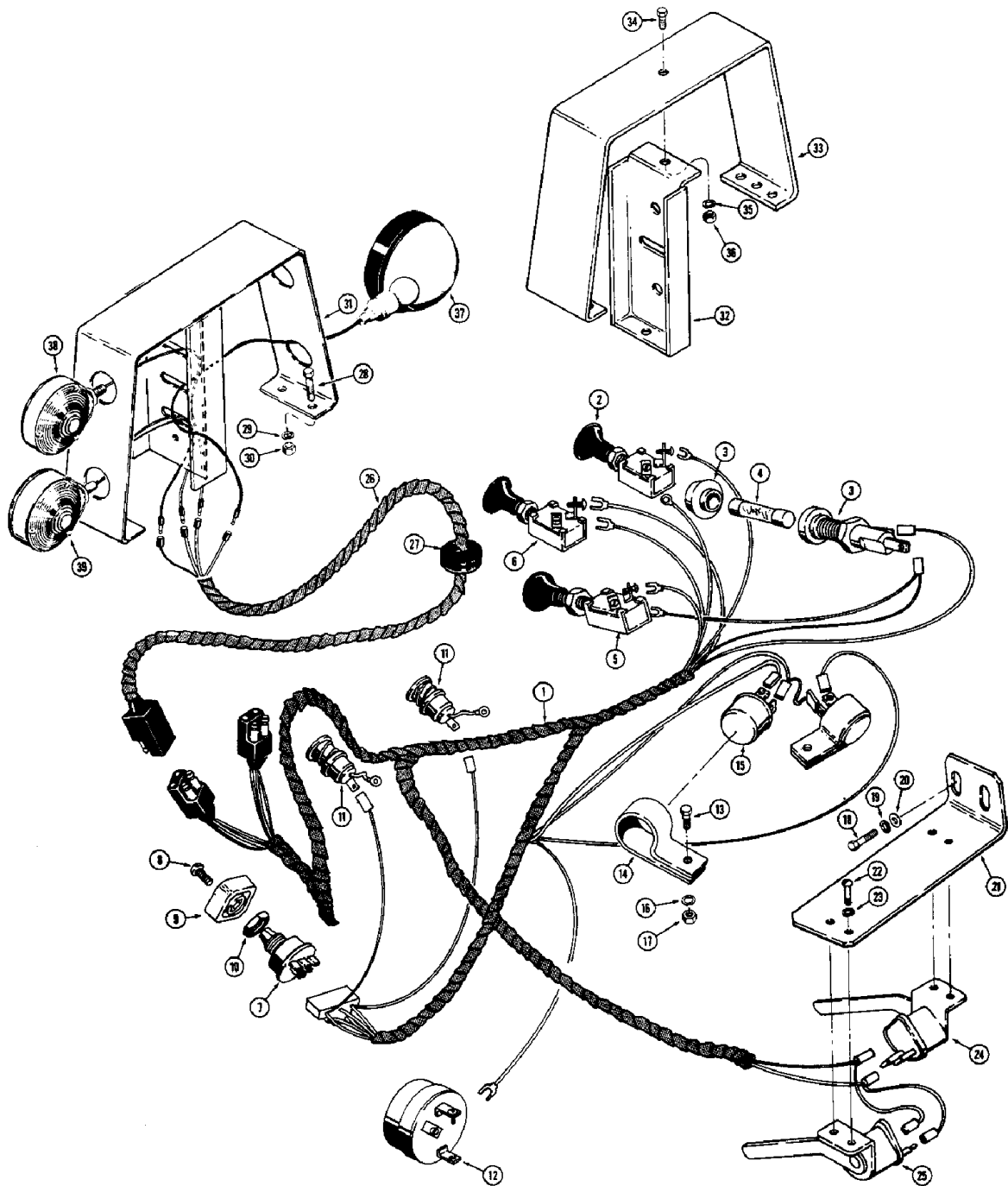
Diag #	Part #	Name	Description	Qty
1	A24511	SWITCH	- ignition	1
2	33705		WIRE - ignition switch to horn button	1
3	173-234		SCREW - machine, round head (#5-40 N.C. x 1/2")	2
4	A36948	SWITCH	- horn control	1
5	192-14	LOCK WASHER,#5	Washer, Lock, #5	2
6	129-14	NUT,#5-40	NUT,#5-40	2
7	A36949		WIRE - horn, Serial Range: button-horn	1
8	A19581	HORN	- warning, 12 volt	1
9	A36946	BRACKET	- horn mounting	1
10	193-16	LOCK WASHER,Ext Tooth, 7/8"	WASHER - lock, external Shakeproof	1
11	L30866	LOCK NUT	- special, Serial Range: horn-bracket	1
12	113-3	BOLT,Hex, 1/4"-20 x 3/4", G5, Full Thd	BOLT,Hex, 1/4"-20 x 3/4", G5, Full Thd	2
13	92-4	LOCK WASHER,1/4"	WASHER, LOCK, 1/4"	2
14	25-104	NUT,1/4"-20, G5	NUT,1/4"-20, G5	2
15	A24511	SWITCH	- ignition w/key (Gas)	1
16	D51824		WIRE - ignition switch to alarm switch	1
17	223-14	FUSE,10 Amp, Type SFE	- protective, 14 amp	1
18	195-25	WASHER,3/8"	- plain () 2 used with D51822 bracket - 6 used with D51821 bracket (If required) 3/8"	2-6
18A	113-259	BOLT,Hex, 3/8"-16 x 4 1/2", G5	BOLT,Hex, 3/8"-16 x 4 1/2", G5	2
19	D51822		BRACKET - switch mtg. (Used on mechanical shift models)	1
20	D51821	BRACKET	- switch mounting (Used on power shuttle models)	1
21	173-221	SCREW,Sltd Rd Hd, #10-32 x 7/16"	- machine, round head (#10-32 N.C. x 7/16")	2
22	192-18	LOCK WASHER,#10	WASHER, LOCK, #10	2
23	A33977	SWITCH	- backup alarm	1
24	D51823	ELECTRICAL WIRE	WIRE - alarm, Serial Range: switch-alarm	1
25	13-512	BOLT,Hex, 5/16"-18 x 3/4", G5, Full Thd	BOLT,Hex, 5/16"-18 x 3/4", G5, Full Thd	5
26	D51906	BRACKET	- mounting, alarm	1
27	92-5	LOCK WASHER,5/16"	LOCK WASHER,5/16"	5
28	9635082	NUT,5/16"-18, G5	- hex. (5/16"-18 N.C.)	5
29	D51820	ALARM	- backup safety	1

Diag #	Part #	Name	Description	Qty
30	D51905	ELECTRICAL WIRE	WIRE - ground, alarm	1



Diag #	Part #	Name	Description	Qty
	D30243	LAMP	HEADLIGHT ASSY. - front, Includes: Ref. 1 - 3	2
1	A25213	RETAINER	light (Used only in Hobbs assy.)	1
1	D31441	RETAINER	light (Used only in guide lamp assy.)	1
2	D33182	LAMP	LIGHT - sealed beam	1
3	NSS	NOT SERVICED SEPARATELY	BODY - light	1
4	129-7	NUT,#10-24	hex. (N.C.) #10-24	6
5	193-6	LOCK WASHER,Ext Tooth, #10	WASHER, LOCK, Ext Tooth, #10	6
	D49733	LAMP	LIGHT ASSY. - stop and tail, Includes: Ref. 6 - 17	2
6	NSS	NOT SERVICED SEPARATELY	BODY - light, stop and tail, D49733	1
7	T34857	BULB,C6, #1157, 12.8V	D49733 stop	1
	L32213	LENS	KIT - replacement, red, D49733 stop	1
8	NSS	NOT SERVICED SEPARATELY	LENS - red, D49733 stop	1
9	NSS	NOT SERVICED SEPARATELY	GASKET - lens, D49733 stop	1
10	173-279	SCREW,Sltd Rd Hd, #6-32 x 5/8"	no. 6-32 N.C. x 5/8", D49733 stop	3
	L32214	LENS	KIT - replacement, amber, D49733 stop	1
11	NSS	NOT SERVICED SEPARATELY	GASKET - lens, D49733 stop	1
12	NSS	NOT SERVICED SEPARATELY	LENS - amber, D49733 stop	1
13	173-279	SCREW,Sltd Rd Hd, #6-32 x 5/8"	no. 6-32 N.C. x 5/8", D49733 stop	3
14	L32256	WASHER	BUSHING - rubber, D49733 stop	1
15	195-105	WASHER,7/16"	plain (1/2") Zinc plated, D49733 stop	2
16	192-23	LOCK WASHER,1/2"	WASHER, LOCK, , D49733 Stop	1
17	129-125	NUT,1/2"-20, G5	L43737 Stop and tail 1/2"-20, G5	1
	D49734	LAMP	LIGHT ASSY. - signal and flasher, D49733 stop	2
18	NSS	NOT SERVICED SEPARATELY	BOSY - light, signal and flasher, D49734	1
19	A41264	BULB,#1156, 12V	Light, D49734 Signal	1
	L32214	LENS	KIT - replacement, D49734 signal	2

Diag #	Part #	Name	Description	Qty
20	NSS	NOT SERVICED SEPARATELY	GASKET - lens, D49734 signal	1
21	NSS	NOT SERVICED SEPARATELY	LENS - amber, D49734 signal	1
22	173-279	SCREW,Sltd Rd Hd, #6-32 x 5/8"	no. 6-32 N.C. x 5/8", D49734 signal	3
23	L32256	WASHER	BUSHING - rubber, D49734 signal	1
24	195-105	WASHER,7/16"	plain (1/2") Zinc plated, D49734 signal	2
25	192-23	LOCK WASHER,1/2"	WASHER, LOCK, , D49734 Signal	1
26	129-125	NUT,1/2"-20, G5	D49734 Signal and flasher light 1/2"-20, G5	1
	D49976	LIGHT	ASSY. - rear flood, D49976, Includes: Ref. 27 - 32	2
27	NSS	NOT SERVICED SEPARATELY	BODY - light, D49976 rear flood light	1
28	A25213	RETAINER	light, rubber, D49976 rear flood light	1
29	A24572	LAMP	LIGHT - sealed beam, D49976 rear flood	1
30	D37048	BUSHING	pivot, D49976 rear flood light	1
31	195-106	WASHER,1/2"	plain, D49976 rear flood light 1/2"	1
32	131-9	LOCK NUT,1/2"-20, GB	hex., lock (1/2"-20 N.F.), D49976 rear flood light	1

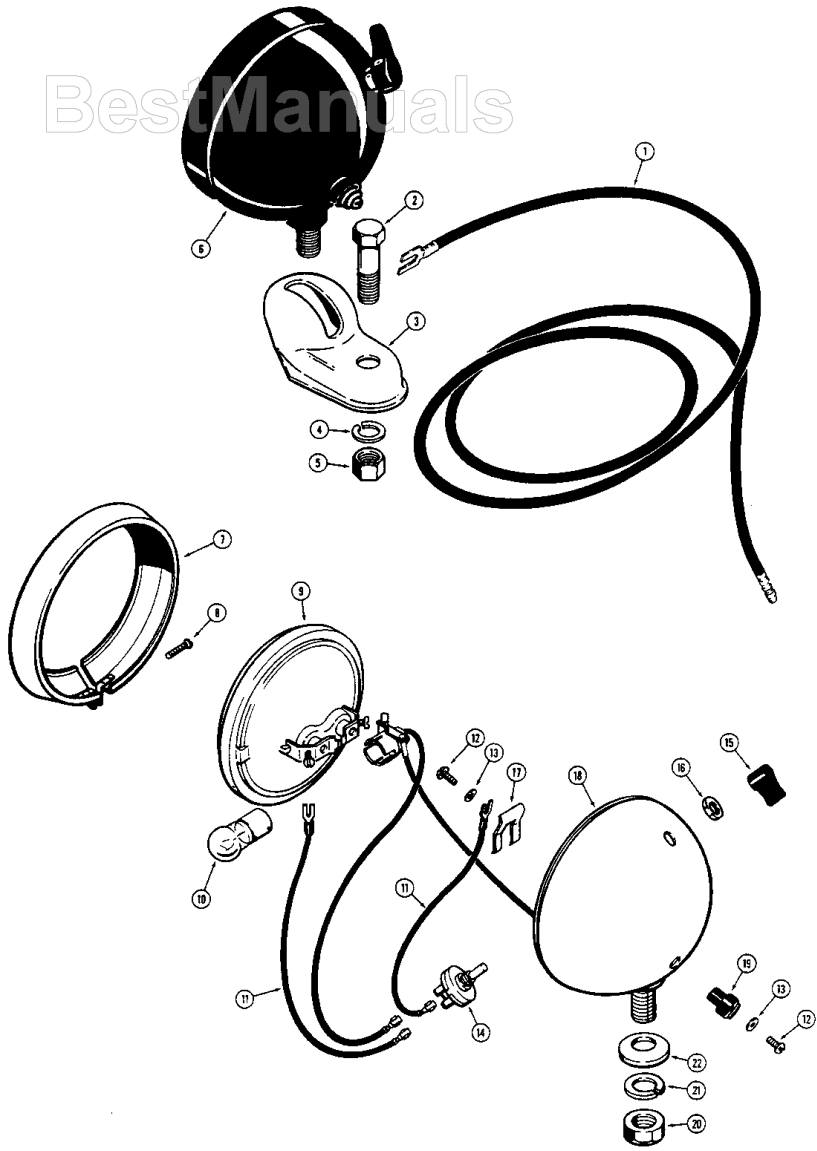


720-06

Diag #	Part #	Name	Description	Qty
1	D51981	HARNESS	- main wiring, rear lights (When stock is exhausted, order D55222 for service)	1
1	D55222	HARNESS	- main wiring, rear lights	1
2	A39887	SWITCH	SWTICH - headlight (Replaces G13142)	1
		A39887 switch - This does not come with the knob or retaining nut (knob is A137203 and nut is A39888).	A39887 switch - This does not come with the knob or retaining nut (knob is A137203 and nut is A39888).	1
3	A22874	HOLDER	AND FUSE - protective, Includes: Ref. 4	1
4	223-20	FUSE,20 Amp, Type SFE	- 20 amp.	1
5	D51977	SWITCH	- rear flood light	1
		D51977 switch - This part now subs to primes (A39887 switch, A39888 nut, D69038 knob).	D51977 switch - This part now subs to primes (A39887 switch, A39888 nut, D69038 knob).	1
6	A39887	SWITCH	SWTICH - rear flasher light (Replaces A37936)	1
		A39887 switch - See note for Ref #2 above.	A39887 switch - See note for Ref #2 above.	1
7	D52008	SWITCH	- turn signal light	1
8	A20468	SCREW	- knob mounting (#8-32 N.C. x 5/16")	1
9	A20465	KNOB	- turn signal switch	1
10	A20467	NUT	- switch to instrument panel	1
11	D51979	LAMP	LIGHT - turn signal indicator	2
12	A24511	SWITCH	- ignition, w/key (Gas)	1
13	13-412	BOLT,Hex, 1/4"-20 x 3/4", G5, Full Thd	BOLT,Hex, 1/4"-20 x 3/4", G5, Full Thd	1
14	A34868	CLAMP	BRACKET - flasher mounting	2
15	A65550	FLASHER UNIT	FLASHER - turn signal, 12 volt (Replaced A34867)	2
16	80682	LOCK WASHER,1/4"	Washer, Lock, 1/4"	2
17	7770	NUT,0.25" OD	1/4"-20, G5	2
18	13-614	BOLT,Hex, 3/8"-16 x 7/8", G5, Full Thd	BOLT,Hex, 3/8"-16 x 7/8", G5, Full Thd	2
19	92-6	LOCK WASHER,3/8"	WASHER - lock, 3/8"	2
20	195-25	WASHER,3/8"	- plain () 3/8"	2
21	D51976	BRACKET	- mounting, stop light switch	1
22	173-221	SCREW,SltD Rd Hd, #10-32 x 7/16"	- machine, round head (#10-32 N.F. x 7/16")	4

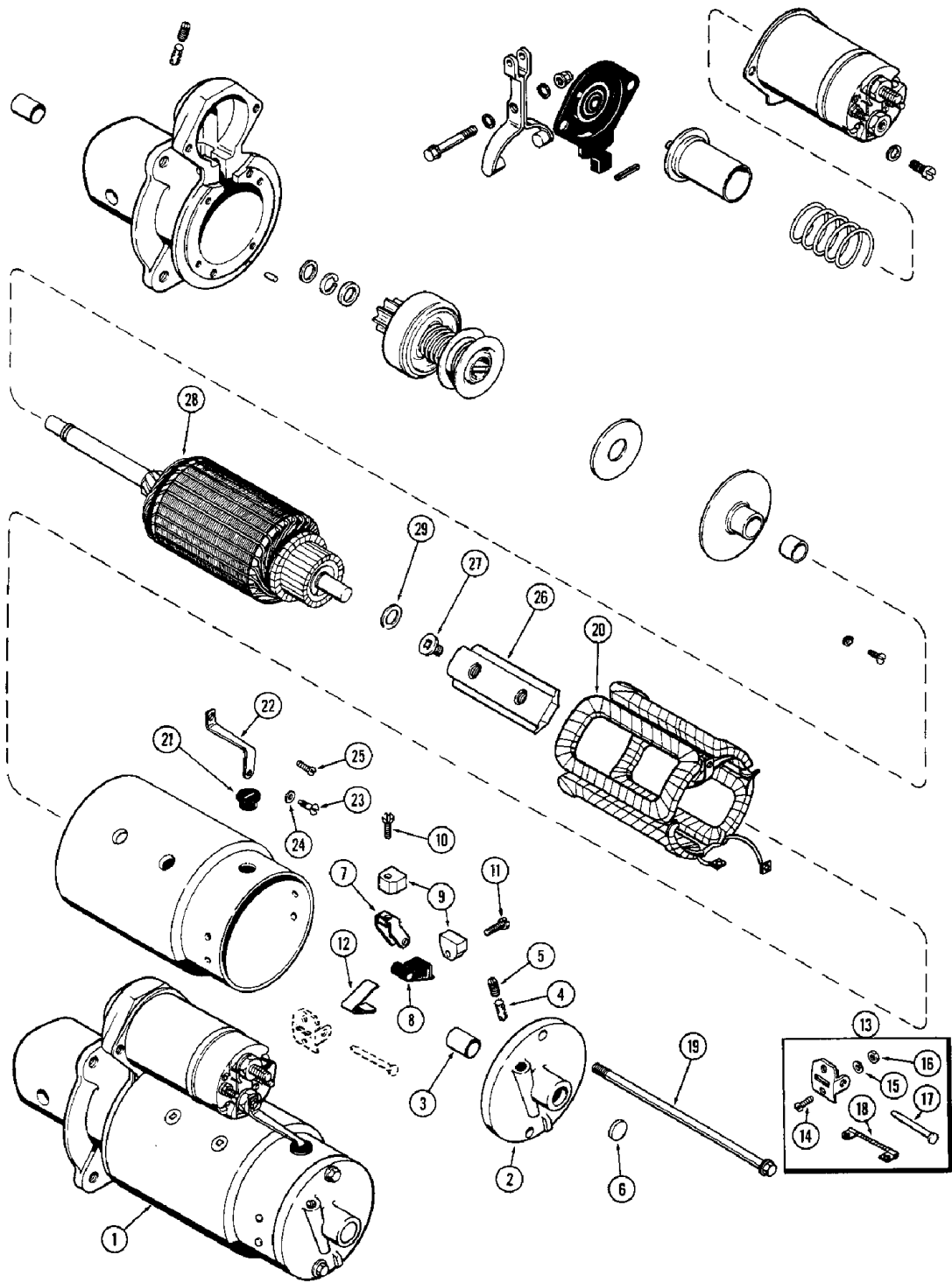
Diag #	Part #	Name	Description	Qty
23	192-18	LOCK WASHER,#10	WASHER, LOCK, #10	4
24	A33977	SWITCH	- stop light, L.H.	1
25	A33976	SWITCH	- stop light, R.H.	1
26	D49973		HARNES - rear lights	2
27	D50667		GROMMET - fender	2
28	13-614	BOLT,Hex, 3/8"-16 x 7/8", G5, Full Thd	BOLT,Hex, 3/8"-16 x 7/8", G5, Full Thd	8
29	92-6	LOCK WASHER,3/8"	WASHER - lock, 3/8"	8
30	25-106	NUT,3/8"-16, G5	- hex. (3/8"-16 N.C.)	8
31	D52410	BRACKET	- light mounting (1 piece) (Order ref. 32, 33, 35	2
32	D58713	LARGE PLATE	PLATE - light mounting (2 piece bolted assy.)	2
33	D58721	BRACKET	- light mounting (2 piece bolted assy.)	2
34	13-612	BOLT,Hex, 3/8"-16 x 3/4", G5, Full Thd	Use w/A58713	2
35	92-6	LOCK WASHER,3/8"	WASHER - lock, 3/8"	2
36	25-106	NUT,3/8"-16, G5	- hex. (3/8" - 16 N.C.)	2
37	D49976	LIGHT	ASSY. - rear flood (See Figure 121C)	2
38	D49734	LAMP	LIGHT ASSY. - flasher	2
39	D49733	LAMP	LIGHT ASSY. - stop	2

BestManuals



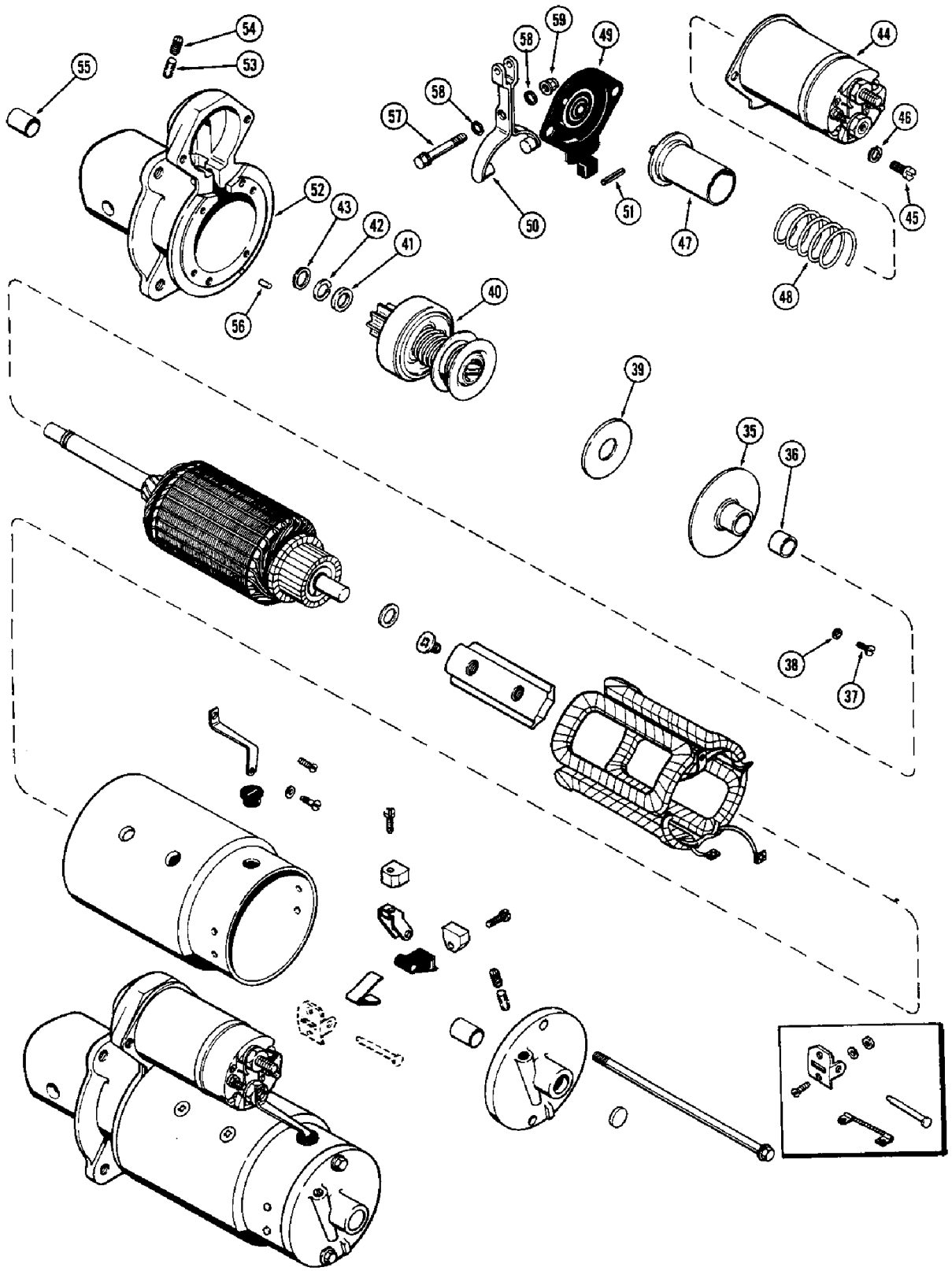
72C-07

Diag #	Part #	Name	Description	Qty
1	A37516		WIRE - tractor harness to rear light	1
2	113-209	BOLT,Hex, 3/8"-16 x 1 1/2", G5	BOLT,Hex, 3/8"-16 x 1 1/2", G5	1
3	A34046	BRACKET	- light mounting	1
4	192-21	LOCK WASHER,3/8"	WASHER, LOCK, 3/8"	1
5	129-103	NUT,3/8"-16, G5	NUT, 3/8"-16, G5	1
6	A20965	LAMP BASE	LIGHT ASSY. - rear, flood	1
7	B50255	MOLDING	MOULDING - light retaining	1
8	10934	BRACKET	SCREW - molding retainer	1
9	A40855	LAMP BASE	LIGHT - sealed beam	1
10	B50223	BULB	- red, 12 volt (15 C.P.)	1
11	B50273		WIRE - switch	2
12	173-73	SCREW,Sltd Rd Hd, #8-32 x 1/4"	- machine, round head (#8-32 N.C. x 1/4")	2
13	193-4	LOCK WASHER,Ext Tooth, #6	WASHER - med. sect. lock (1/4")	2
14	B50275	SWITCH	- light (Order A43182 when stock is depleted)	1
15	B50310	SWITCH	HANDLE - switch (Order A43182)	1
16	A39888	NUT	- 3/8-32, switch retainer (Replaced B50224)	1
17	10927	SPRING	- terminal	1
18	NSS	NOT SERVICED SEPARATELY	BODY - light	1
19	B50293	INSULATOR	TERMINAL - wire	1
20	129-105	NUT,1/2"-13, G5	NUT,1/2"-13, G5	1
21	192-23	LOCK WASHER,1/2"	WASHER, LOCK, 1/2"	1
22	10923	WASHER	- light mounting	1
	A43182	KIT	- switch knob	1

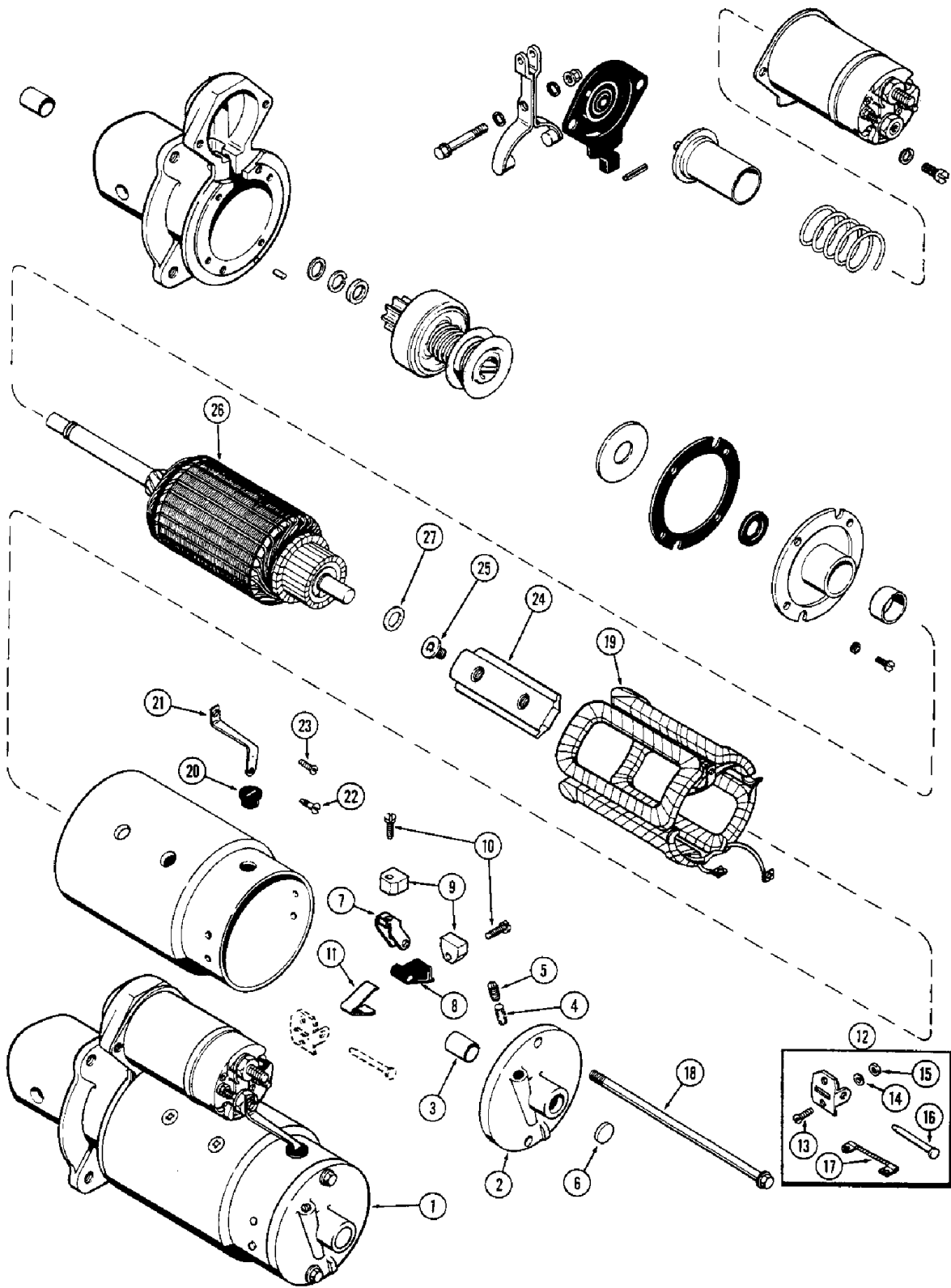


Diag #	Part #	Name	Description	Qty
1	A51873	STARTER MOTOR	STARTER ASSY. - (Delco-Remy #1109190) (Order A39839), Includes: Ref. 2 - 29	1
1	104198A2R	REMAN-STARTER	Remanufactured Starter; For N.A. only	1
1	104198A1C	CORE-STARTER	Return number - For N.A. only	1
1	104202A2R	REMAN-STARTER	Remanufactured Starter; For N.A. only	1
1	104202A1C	CORE-STARTER	Return number - For N.A. only	1
2	A25304	FRAME	HEAD ASSY. - commutator end, Includes: Ref. 3 - 6	1
3	R15020	BUSHING	BUSHING	1
4	A41979	WICK	WICK - oil	1
5	221-1041	PLUG	PLUG - 1/8" P.T. sltd. hd.	1
6	R15021	PLUG	PLUG - bushing hole	1
7	A40217	HOLDER	HOLDER - brush, ground	1
8	R15027	HOLDER	HOLDER - brush, insulated	1
9	A25356	BRUSH, COMMUTATOR	BRUSH BRUSH	4
10	A42124	SCREW	SCREW - grounded, Serial Range: brush-holder	2
11	D32481	SELF-TAP SCREW,Sltd Pan Hd, #8-32 x 13/16", w/LW	SCREW - insulated brush to holder	2
12	A25359	SPRING	SPRING - brush tension	2
13	A25379	KIT	SUPPORT KIT - brush holder, Includes: Ref. 14 - 18	2
14	173-212	SCREW,Sltd Rd Hd, #10-24 x 1/2"	SCREW - #10 x 1/2" N.C., rd. hd.	2
15	192-18	LOCK WASHER,#10	WASHER, LOCK, #10	2
16	R15032	X	NUT - #10 N.F. hex.	2
17	A41983	PIN	PIN -, Serial Range: holder-support	1
18	A42494	ELECTRICAL WIRE	WIRE LEAD - brush ground, #12 wire, 1-5/8" long	1
19	A25552	BOLT (SPREADER)	BOLT - thru	2
20	A25319	COIL	COIL ASSY - field	5
21	A41980	GROMMET	GROMMET - coil connector (In frame)	1
22	A40225	CONNECTOR, ELEC	CONNECTOR CONNECTOR -, Serial Range: coil-solenoid	1
23	173-221	SCREW,Sltd Rd Hd, #10-32 x 7/16"	SCREW - #10 x 7/16" N.F. rd. hd.	1
24	192-18	LOCK WASHER,#10	WASHER, LOCK, #10	1

Diag #	Part #	Name	Description	Qty
25	A42023	SCREW	SCREW -, Serial Range: connector-solenoid	1
26	A25391	SHOE	SHOE - pole	4
27	A42127	SCREW,Cross Flat Hd, 3/8"-24 x 5/8"	SCREW - pole shoes	8
28	A40219	ARMATURE	ARMATURE	1
29	A41917	WASHER	WASHER - brake, commutator end	1



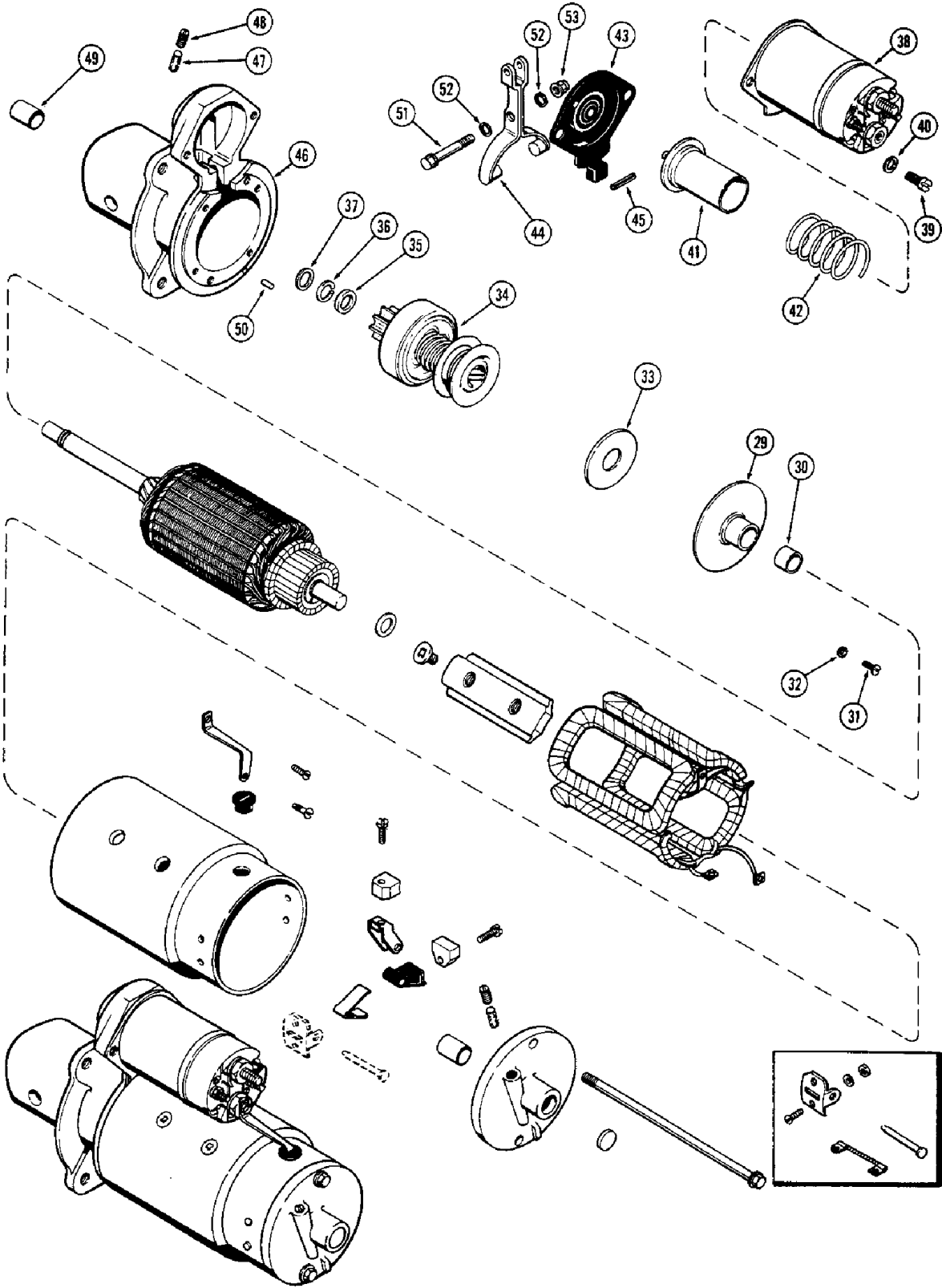
Diag #	Part #	Name	Description	Qty
	A51873	STARTER MOTOR	STARTER ASSY. - (Continued from Figure 122), Includes: Ref. 35 - 59	1
	A40215	PLATE ASSY.	PLATE ASSY. - center bearing, Includes: Ref. 35 and 36	1
35	NSS	NOT SERVICED SEPARATELY	PLATE - center bearing (Order A40215)	1
36	R15038	BUSHING	BEARING - center plate	1
37	173-221	SCREW,Sltd Rd Hd, #10-32 x 7/16"	SCREW - bearing plate, #10-32 x 7/16" rd. hd.	2
38	192-18	LOCK WASHER,#10	WASHER, LOCK, #10	2
39	R15043	WASHER	WASHER - thrust, center bearing	1
40	A43652	DRIVE	DRIVE ASSY. - starter	1
	87421540	REMAN-STARTER DRIVE	Remanufactured, For N.A. Only	1
	87421541	CORE-STARTER DRIVE	Return Number, Drive Unit, For N.A. Only	1
41	R15049	COLLAR	COLLAR - stop, starter drive	1
42	R15048	RING	RING - snap, collar retaining	1
43	A25385	WASHER	WASHER - thrust, starter drive	1
44	G44891	SOLENOID	SOLENOID ASSY. - (See Figure 128)	1
45	173-201	SCREW	SCREW - solenoid, 1/4 x 1/2" rd. hd.	2
46	192-19	LOCK WASHER,1/4"	WASHER, LOCK, 1/4"	2
47	A40218	PLUNGER	PLUNGER - solenoid	1
48	A40221	SPRING	SPRING - plunger return	1
49	A42126	GASKET	BOOT - solenoid cover	1
50	A40220	LEVER	LEVER - shift	1
51	138-93	LOCK PIN,3/16" x 13/16", Slotted	Pin, 3/16" x 13/16", Slotted	1
52	A44495	LUG	HOUSING ASSY. - drive end, Includes: Ref. 53 - 55	1
53	R15023	WICK	WICK - oil	1
54	221-1041	PLUG	PLUG - 1/8" P.T. sckt. hd.	1
55	A25387	BEARING	BUSHING - 15/32 x 5/8 x 13/16"	1
56	R15041		SPARE PART PIN - locating, drive end housing	1
57	A40520	STUD	PIVOT - shift lever	1
58	192-20	LOCK WASHER,5/16"	WASHER, LOCK, 5/16"	2
59	425-145	JAM NUT,Jam, 5/16"-18, G5	NUT, , Pivot stud Jam, 5/16"-18, G5	1



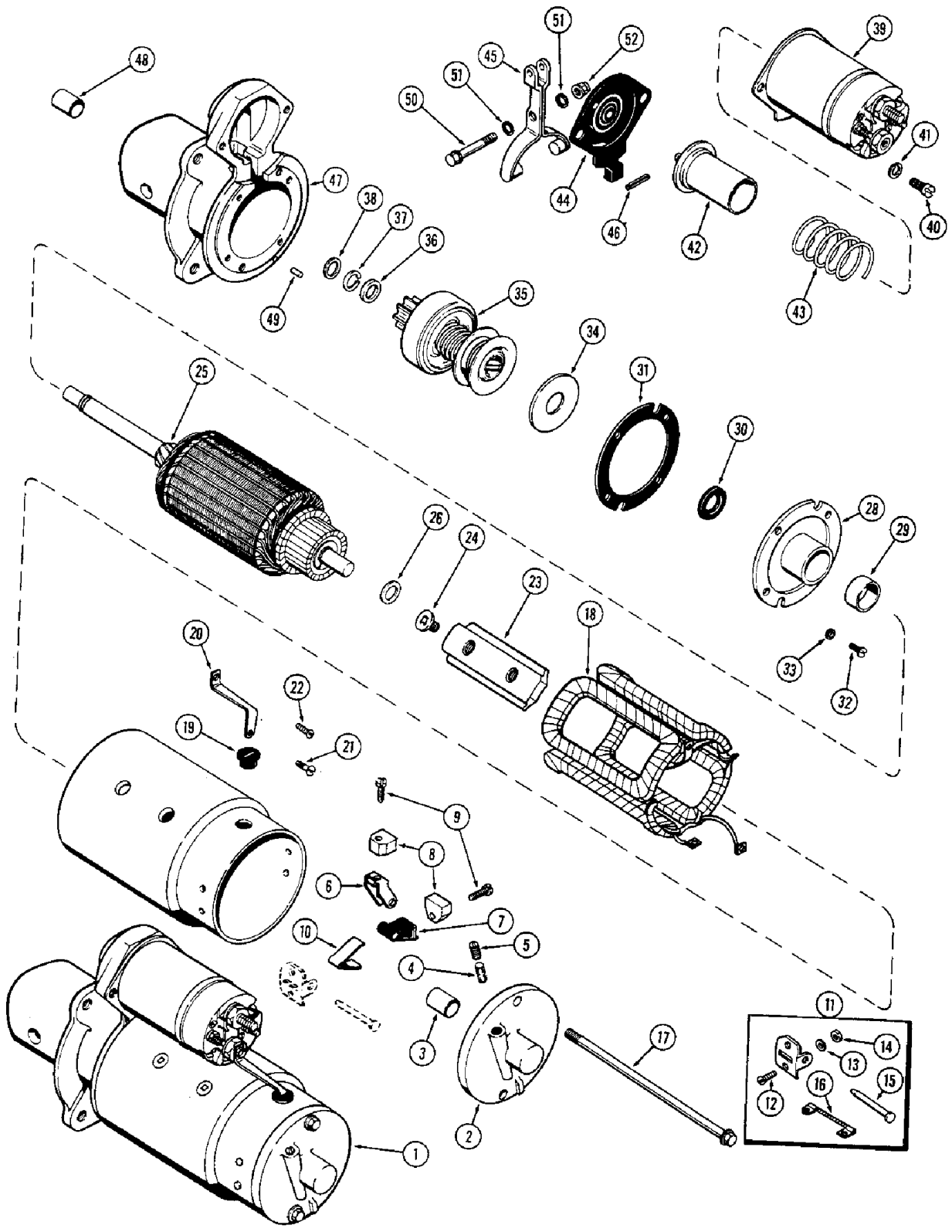
Diag #	Part #	Name	Description	Qty
1	A36583	STARTER MOTOR	STARTER ASSY. - (Delco Remy #1107583) (Order A39839) (See Figure 126), Includes: Ref. 2 - 27	1
1	104198A2R	REMAN-STARTER	Remanufactured Starter; For N.A. only	1
1	104198A1C	CORE-STARTER	Return number - For N.A. only	1
1	104202A2R	REMAN-STARTER	Remanufactured Starter; For N.A. only	1
1	104202A1C	CORE-STARTER	Return number - For N.A. only	1
2	A25304	FRAME	HEAD ASSY. - commutator end, Includes: Ref. 3 - 6	1
3	R15020	BUSHING	BUSHING	1
4	A41979	WICK	WICK - oil	1
5	221-1041	PLUG	PLUG - 1/8" P.T., sltd. hd.	1
6	R15021	PLUG	PLUG - bushing pole	1
7	A40217	HOLDER	HOLDER - brush, ground	2
8	R15027	HOLDER	HOLDER - brush, insulated	2
9	A25356	BRUSH, COMMUTATOR	BRUSH BRUSH	4
10	D32481	SELF-TAP SCREW,Sltd Pan Hd, #8-32 x 13/16", w/LW	SCREW - brush to holder	4
11	A25359	SPRING	SPRING - brush tension	2
12	A25379	KIT	SUPPORT KIT - brush holder, Includes: Ref. 13 - 17	2
13	173-212	SCREW,Sltd Rd Hd, #10-24 x 1/2"	SCREW - #10 x 1/2" N.C. rd. hd.	2
14	192-18	LOCK WASHER,#10	WASHER, LOCK, #10	2
15	R15032	X	NUT - #10 N.C. hex.	2
16	A41983	PIN	PIN -, Serial Range: holder-support	1
17	A42494	ELECTRICAL WIRE	WIRE LEAD - brush ground (#12 wire, 1-5/8" long)	1
18	A25552	BOLT (SPREADER)	BOLT - thru	2
19	A25319	COIL	COIL ASSY. - field	1
20	A41980	GROMMET	GROMMET - coil connector (In frame)	1
21	A40225	CONNECTOR, ELEC	CONNECTOR CONNECTOR -, Serial Range: coil-solenoid	1
22	173-221	SCREW,Sltd Rd Hd, #10-32 x 7/16"	SCREW - #10 x 7/16" N.F. rd. hd.	1
23	A42023	SCREW	SCREW -, Serial Range: connector-solenoid	1
24	A25391	SHOE	SHOE - pole	4

Diag #	Part #	Name	Description	Qty
25	74-610	SCREW, Slotted Flat Hd, 3/8"-24 x 5/8"	SCREW - pole shoes	8
26	A40219	ARMATURE	ARMATURE	1
27	A41917	WASHER	WASHER - bracke, commutator end	1

Diag #	Part #	Name	Description	Qty
	A36583	STARTER MOTOR	STARTER ASSY. - (Cont'd from Figure 124) (See note), Includes: Ref. 29 - 53	1
	A40223	PLATE	ASSY. - center bearing, Includes: Ref. 29 - 32	1
29	NSS	NOT SERVICED SEPARATELY	PLATE - center bearing (Order A40223)	1
30	A41982	BUSHING	BEARING - center, 3/4 x 1-1/4 x 13/32"	1
31	A40228	OIL SEAL	SEAL - oil, 3/4 x 1-1/4 x 1/4"	1
32	A41981	GASKET	- center bearing	1
33	A41959	SCREW	- center bearing to drive housing	4
34	192-18	LOCK WASHER,#10	WASHER, LOCK, #10	4
35	R15043	WASHER	- thrust, center bearing	1
36	A41871	DRIVE	ASSY. - starter	1
37	R15049	COLLAR	- stop, starter drive	1
38	R15048	RING	- snap, collar retaining	1
39	A25385	WASHER	- thrust, starter drive	1
40	G44891	SOLENOID	ASSY. - (See Figure 128)	1
41	A42023	SCREW	- solenoid to drive housing	2
42	192-18	LOCK WASHER,#10	WASHER, LOCK, #10	2
43	A40218	PLUNGER	- solenoid	1
44	A40221	SPRING	- plunger return	1
45	A40222	BOOT	- solenoid cover	1
46	A40220	LEVER	- shift	1
47	138-93	LOCK PIN,3/16" x 13/16", Slotted	Pin, 3/16" x 13/16", Slotted	1
48	A40224	FRAME	HOUSING ASSY. - drive end, Includes: Ref. 49	1
49	A40227	BUSHING	- 1/2 x 9/16 x 25/32"	1
50	R15041		PIN - locating, drive end housing	1
51	A40520	STUD	PIVOT - shift lever	1
52	A42181	SEALING WASHER	SEAL - pivot stud	2
53	425-145	JAM NUT,Jam, 5/16"-18, G5	Pivot stud Jam, 5/16"-18, G5	1

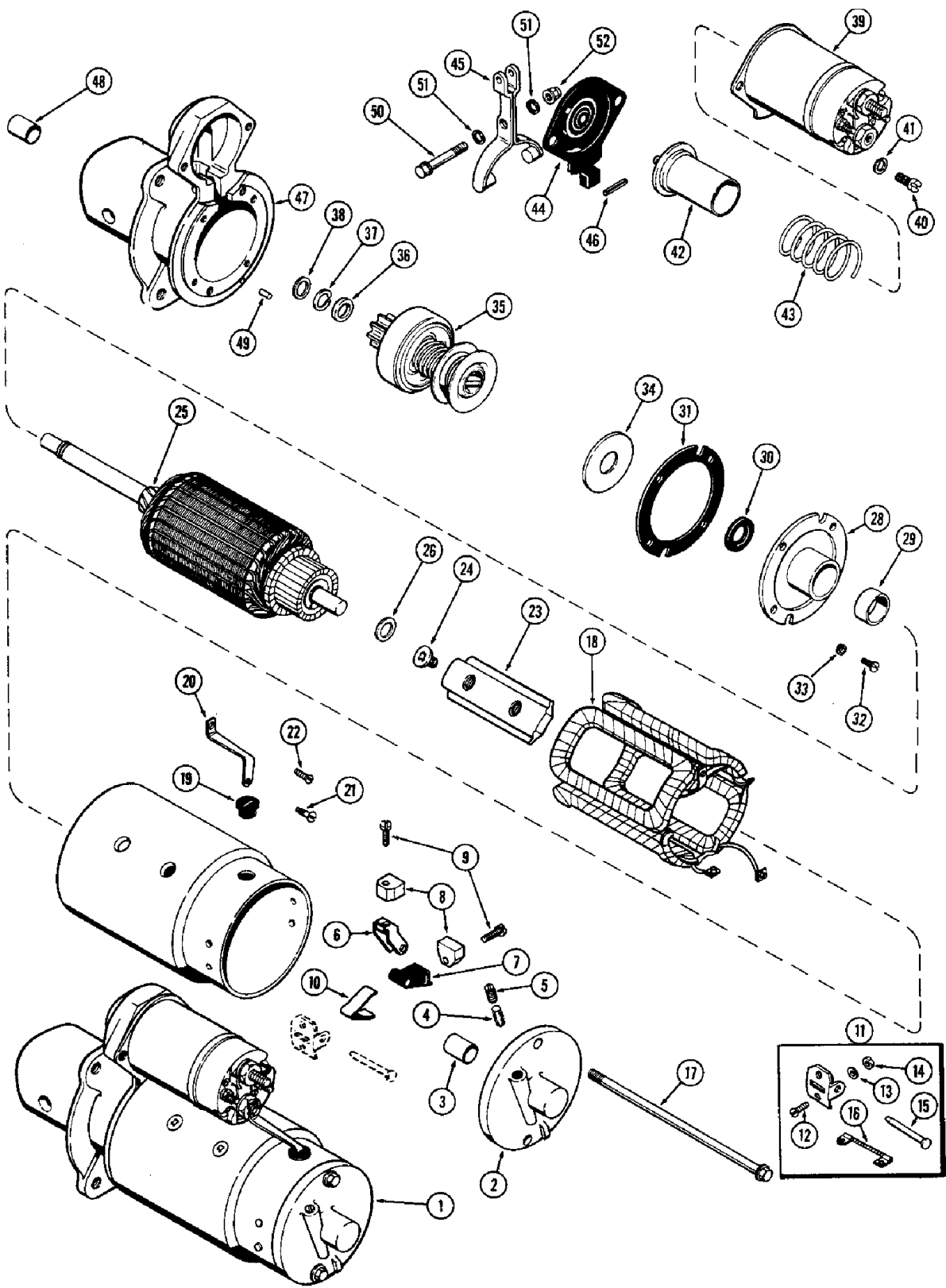


Diag #	Part #	Name	Description	Qty
	A36582		STARTER ASSY. - (Cont'd from Figure 125C) (See note), Includes: Ref. 29 - 53	1
	A40215	PLATE ASSY.	- center bearing, Includes: Ref. 29 and 30	1
29	NSS	NOT SERVICED SEPARATELY	PLATE - center bearing (Order A40215)	1
30	A42125	BUSHING	BEARING - center	1
31	A41959	SCREW	- center bearing to drive housing	2
32	193-42	WASHER, LOCK,Ext-Int Tooth, #10	WASHER - Shakeproof, #10 int./ext.	2
33	R15043	WASHER	- thrust, center bearing	1
34	A41871	DRIVE	ASSY. - starter	1
35	R15049	COLLAR	- stop, starter drive	1
36	R15048	RING	- snap, collar retaining	1
37	A25385	WASHER	- thrust, starter drive	1
38	G44891	SOLENOID	ASSY. - (See Figure 128)	1
39	A42023	SCREW	- solenoid to drive housing	2
40	192-18	LOCK WASHER,#10	WASHER, LOCK, #10	2
41	A40218	PLUNGER	- solenoid	1
42	A40221	SPRING	- plunger return	1
43	A42126	GASKET	BOOT - solenoid cover	1
44	A40220	LEVER	- shift	1
45	138-93	LOCK PIN,3/16" x 13/16", Slotted	Pin, 3/16" x 13/16", Slotted	1
46	A40226	FRAME	HOUSING ASSY. - drive end, Includes: Ref. 47 - 49	1
47	R15023	WICK	- oil	1
48	221-1041	PLUG	- 1/8" P.T. sltd. hd.	1
49	A25387	BEARING	BUSHING - 15/32 x 5/8 x 13/16"	1
50	R15041		PIN - locating, drive end housing	1
51	A40520	STUD	PIVOT - shift lever	1
52	A42181	SEALING WASHER	SEAL - pivot stud	2
53	425-145	JAM NUT,Jam, 5/16"-18, G5	Pivot stud Jam, 5/16"-18, G5	1



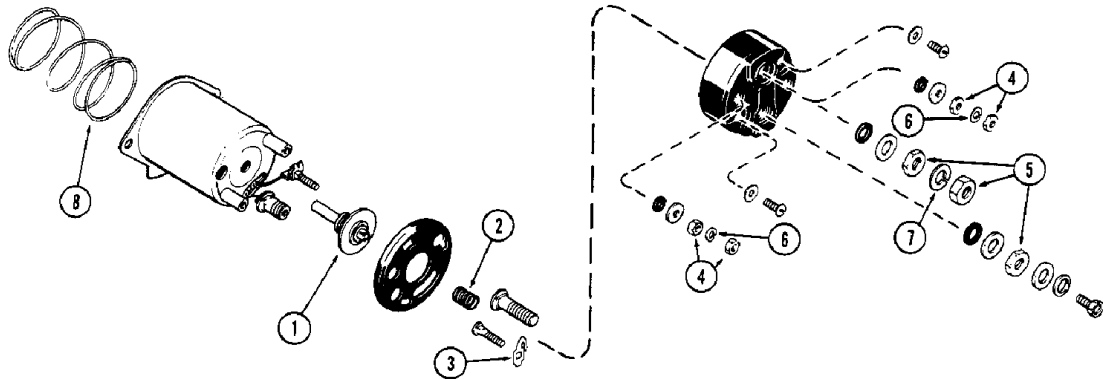
Diag #	Part #	Name	Description	Qty
1	A39839	STARTING MOTOR	STARTER ASSY. - (Delco-Remy #1109143), Includes: Ref. 2 - 52	1
1	104198A2R	REMAN-STARTER	Remanufactured Starter; For N.A. only	1
1	104198A1C	CORE-STARTER	Return number - For N.A. only	1
1	104202A2R	REMAN-STARTER	Remanufactured Starter; For N.A. only	1
1	104202A1C	CORE-STARTER	Return number - For N.A. only	1
2	A41870	FRAME	HEAD ASSY. - commutator end, Includes: Ref. 3 - 5	1
3	R15020	BUSHING	BUSHING - 9/16 x 11/16 x 29/32"	1
4	A41979	WICK	WICK - oil	1
5	221-1041	PLUG	PLUG - 1/8" P.T. sltd. hd.	1
6	A40217	HOLDER	HOLDER - brush, ground	2
7	R15027	HOLDER	HOLDER - brush, insulated	2
8	A25356	BRUSH, COMMUTATOR	BRUSH BRUSH	4
9	D32481	SELF-TAP SCREW,Sltd Pan Hd, #8-32 x 13/16", w/LW	SCREW - brush to holder, insulated	2
9	A42124	SCREW	SCREW - brush to holder, ground	2
10	A25359	SPRING	SPRING - brush tension	2
11	A25379	KIT	SUPPORT KIT - brush holder, Includes: Ref. 12 - 16	2
12	173-212	SCREW,Sltd Rd Hd, #10-24 x 1/2"	SCREW - #10 x 1/2" N.C. rd. hd.	2
13	192-18	LOCK WASHER,#10	WASHER, LOCK, #10	2
14	R15032	X	NUT - #10 N.C. hex.	2
15	A41983	PIN	PIN -, Serial Range: holder-support	1
16	A42494	ELECTRICAL WIRE	WIRE LEAD - brush ground	1
17	A25552	BOLT (SPREADER)	BOLT - thru	2
18	A25548	COIL	COIL ASSY. - field	1
19	A41980	GROMMET	GROMMET - coil connector (In frame)	1
20	A40225	CONNECTOR, ELEC	CONNECTOR CONNECTOR -, Serial Range: coil-solenoid	1
21	173-221	SCREW,Sltd Rd Hd, #10-32 x 7/16"	SCREW - #10 x 7/16" N.F. rd. hd.	1
22	A42023	SCREW	SCREW -, Serial Range: connector-solenoid	1
23	A25391	SHOE	SHOE - pole	4
24	A42127	SCREW,Cross Flat Hd, 3/8"-24 x 5/8"	SCREW - pole shoes	8

Diag #	Part #	Name	Description	Qty
25	A25547	ARMATURE	ARMATURE	1
26	A41917	WASHER	WASHER - brake, commutator end	1
	A40223	PLATE	PLATE ASSY. - center bearing, Includes: Ref. 28 - 31	1
28	NSS	NOT SERVICED SEPARATELY	PLATE - center bearing (Order A40223)	1
29	A41982	BUSHING	BEARING - 3/4 x 1-1/4 x 13/32"	1
30	A40228	OIL SEAL	SEAL - oil, 3/4 x 1-1/4 x 1/4"	1
31	A41981	GASKET	GASKET - center bearing	1
32	A41959	SCREW	SCREW - center bearing to drive housing	4
33	192-18	LOCK WASHER,#10	WASHER, LOCK, #10	4
34	R15043	WASHER	WASHER - thrust, center bearing	1
35	A43652	DRIVE	DRIVE ASSY. - starter, 10 teeth	1
	87421540	REMAN-STARTER DRIVE	Remanufactured, For N.A. Only	1
	87421541	CORE-STARTER DRIVE	Return Number, Drive Unit, For N.A. Only	1
36	R15049	COLLAR	COLLAR - stop, starter drive	1
37	R15048	RING	RING - snap, collar retaining	1
38	A25385	WASHER	WASHER - thrust, starter drive	1
39	G44891	SOLENOID	SOLENOID ASSY. - (See Figure 128)	1
40	A42023	SCREW	SCREW - solenoid to drive housing	2
41	192-19	LOCK WASHER,1/4"	WASHER, LOCK, 1/4"	2
42	A40218	PLUNGER	PLUNGER - solenoid	1
43	A40221	SPRING	SPRING - plunger return	1
44	A40222	BOOT	BOOT - solenoid cover	1
45	A40220	LEVER	LEVER - shift	1
46	138-93	LOCK PIN,3/16" x 13/16", Slotted	Pin, 3/16" x 13/16", Slotted	1
47	A43653	HOUSING	HOUSING ASSY. - drive end, Includes: Ref. 48 and 49	1
48	A40227	BUSHING	BUSHING - 1/2 x 9/16 x 25/32"	1
49	R15041		SPARE PART PIN - locating, drive end housing	1
50	A40520	STUD	PIVOT - shift lever (Replaced A25401)	1
51	A41984	WASHER	SEAL - pivot stud	2
52	131-4	LOCK NUT,5/16"-18, GB	NUT - pivot stud	1

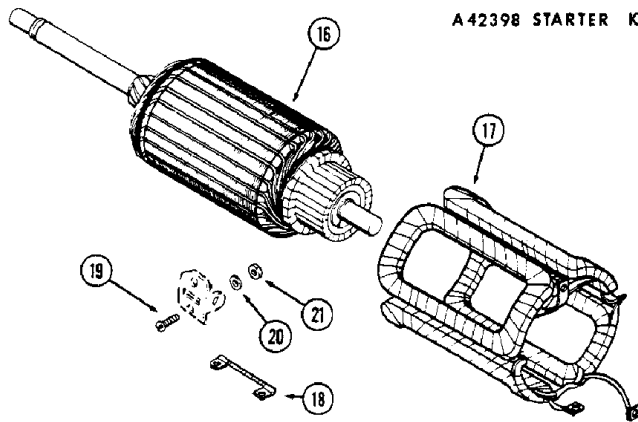


Diag #	Part #	Name	Description	Qty
1	A38413	STARTER MOTOR	STARTER ASSY. - (Delco-Remy #1107874) (See Figure 128) (Order A39839 from Figure 126), Includes: Ref. 2 - 52	1
1	104198A2R	REMAN-STARTER	Remanufactured Starter; For N.A. only	1
1	104198A1C	CORE-STARTER	Return number - For N.A. only	1
1	104202A2R	REMAN-STARTER	Remanufactured Starter; For N.A. only	1
1	104202A1C	CORE-STARTER	Return number - For N.A. only	1
2	A41870	FRAME	HEAD ASSY. - commutator end, Includes: Ref. 3 - 5	1
3	R15020	BUSHING	BUSHING - 9/16 x 11/16 x 29/32"	1
4	A41979	WICK	WICK - oil	1
5	221-1041	PLUG	PLUG - 1/8" P.T., sltd. hd.	1
6	A40217	HOLDER	HOLDER - brush, ground	2
7	R15027	HOLDER	HOLDER - brush, insulated	2
8	A25356	BRUSH, COMMUTATOR	BRUSH BRUSH	4
9	D32481	SELF-TAP SCREW,Sltd Pan Hd, #8-32 x 13/16", w/LW	SCREW - brush holder	4
10	A25359	SPRING	SPRING - brush tension	2
11	A25379	KIT	SUPPORT KIT - brush holder, Includes: Ref. 12 - 16	2
12	173-212	SCREW,Sltd Rd Hd, #10-24 x 1/2"	SCREW - #10 x 1/2" N.C. rd. hd.	2
13	192-18	LOCK WASHER,#10	WASHER, LOCK, #10	2
14	R15032	X	NUT - #10 N.C. hex.	4
15	A41983	PIN	PIN -, Serial Range: holder-support	1
16	A42494	ELECTRICAL WIRE	WIRE LEAD - brush ground	1
17	A25552	BOLT (SPREADER)	BOLT - thru	2
18	A25548	COIL	COIL ASSY. - field	1
19	A41980	GROMMET	GROMMET - coil connector (In frame)	1
20	A40225	CONNECTOR, ELEC	CONNECTOR CONNECTOR -, Serial Range: coil-solenoid	1
21	173-221	SCREW,Sltd Rd Hd, #10-32 x 7/16"	SCREW - #10 x 7/16" N.F. rd. hd.	1
22	A42023	SCREW	SCREW -, Serial Range: connector-solenoid	1
23	A25391	SHOE	SHOE - pole	4
24	74-610	SCREW,Slotted Flat Hd, 3/8"-24 x 5/8"	SCREW - pole shoes	8

Diag #	Part #	Name	Description	Qty
25	A25547	ARMATURE	ARMATURE	1
26	A41917	WASHER	WASHER - brake, commutator end	1
	A40223	PLATE	PLATE ASSY. - center bearing, Includes: Ref. 28 - 31	1
28	NSS	NOT SERVICED SEPARATELY	PLATE - center bearing (Order A40223)	1
29	A41982	BUSHING	BEARING - 3/4 x 1-1/4 x 13/32"	1
30	A40228	OIL SEAL	SEAL - oil, 3/4 x 1-1/4 x 1/4"	1
31	A41981	GASKET	GASKET - center bearing	1
32	A41959	SCREW	SCREW - center bearing to drive housing	4
33	192-18	LOCK WASHER,#10	WASHER, LOCK, #10	4
34	R15043	WASHER	WASHER - thrust, center bearing	1
35	A41871	DRIVE	DRIVE ASSY. - starter, 9 teeth (See Figure 128 for A43662 rebuild kit)	1
36	R15049	COLLAR	COLLAR - stop, starter drive	1
37	R15048	RING	RING - snap, collar retaining	1
38	A25385	WASHER	WASHER - thrust, starter drive	1
39	G44891	SOLENOID	SOLENOID ASSY. - (See Figure 128)	1
40	A42023	SCREW	SCREW - solenoid to drive housing	2
41	192-18	LOCK WASHER,#10	WASHER, LOCK, #10	4
42	A40218	PLUNGER	PLUNGER - solenoid	1
43	A40221	SPRING	SPRING - plunger return	1
44	A40222	BOOT	BOOT - solenoid cover	1
45	A40220	LEVER	LEVER - shift	1
46	138-93	LOCK PIN,3/16" x 13/16", Slotted	Pin, 3/16" x 13/16", Slotted	1
47	A40224	FRAME	HOUSING ASSY. - drive end, Includes: Ref. 48	1
48	A40227	BUSHING	BUSHING - 1/2 x 9/16 x 25/32"	1
49	R15041		SPARE PART PIN - locating, drive end housing	1
50	A25401		SPARE PART PIVOT - shift lever	1
51	A41984	WASHER	SEAL - pivot stud	2
52	131-4	LOCK NUT,5/16"-18, GB	NUT - pivot stud	1



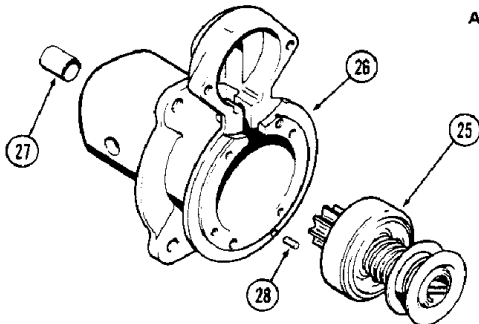
A 42398 STARTER KIT



22

CONVERTED MOTOR
 EQUIPPED WITH
 ARMATURE-J I CASE A25547
 FIELD COIL-J I CASE A25548
 BRUSH LEADS-J I CASE R15030

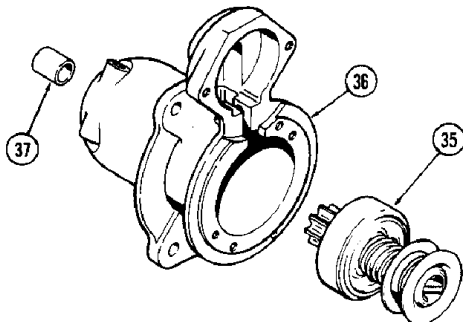
A43662 STARTER KIT



25

CONVERTED MOTOR
 EQUIPPED WITH
 FRAME/DR.HSG.-J I CASE A43653
 DRIVE-J I CASE A43652

A44799 STARTER KIT

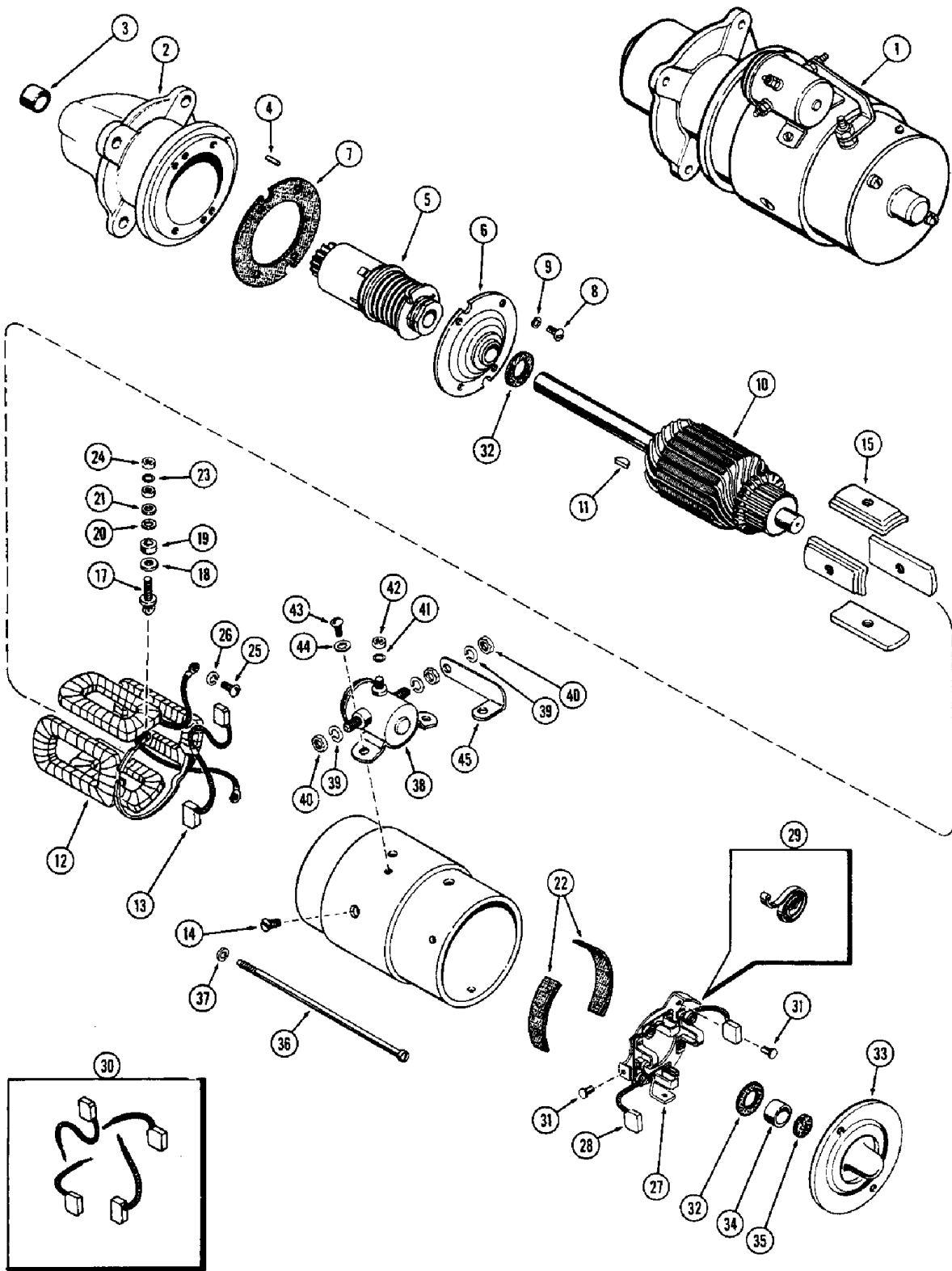


38

CONVERTED MOTOR
 EQUIPPED WITH
 FRAME/DR.HSG.-J I CASE A44495
 DRIVE-J I CASE A43652

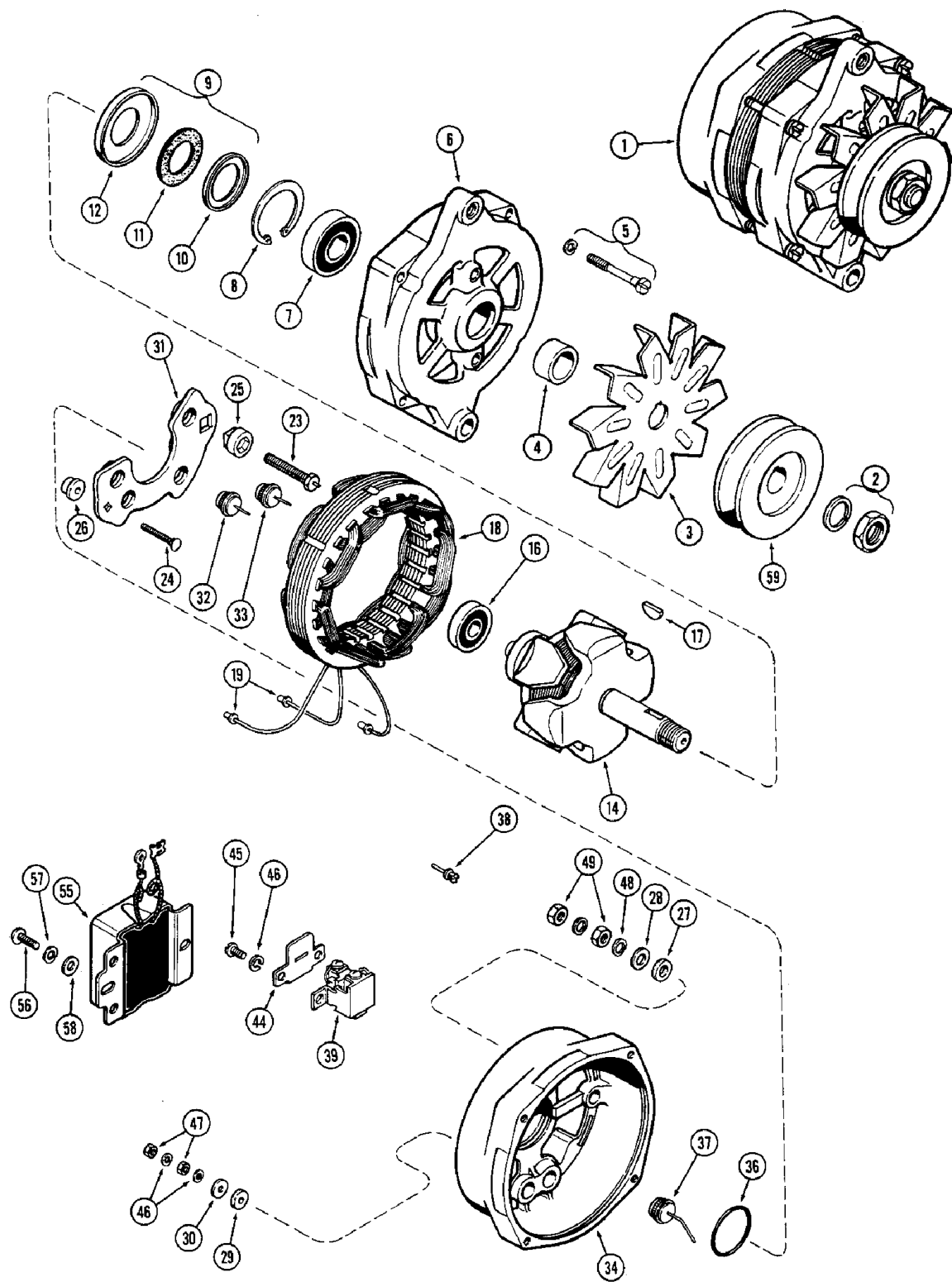
Diag #	Part #	Name	Description	Qty
	G44891	SOLENOID	ASSY. - (Delco-Remy #1114356) (See Delco-Remy dealer for all parts illustrated but not listed), Includes: Ref. 1 - 8	1
1	A42061	SWITCH	CONTACT ASSY.	1
2	A42059	SPRING	contact return	1
3	A42060	HALF BLADE	contact	1
4	129-16	NUT,#8-32	NUT, #8-32	4
5	87016560	JAM NUT,Jam, 3/8"-16, G5	NUT, Jam, 3/8"-16, G5	3
6	192-16	LOCK WASHER,#8	Washer, Lock, #8	2
7	192-21	LOCK WASHER,3/8"	WASHER, LOCK, 3/8"	1
8	A40221	SPRING	plunger return	1
	A42398	CONVERSION KIT	CONVERSION KIT - (To convert A36582	1
16	A25547	ARMATURE	A42398 starter conversion kit	1
17	A25548	COIL	field, A42398 starter conversion kit	1
18	R15030	ELECTRICAL WIRE	WIRE LEAD - ground, brush (#10 wire, 2" long), A42398 starter conversion kit	2
19	173-212	SCREW,Sltd Rd Hd, #10-24 x 1/2"	#10-24 x 1/2" rd. hd., A42398 starter conversion kit	4
20	192-18	LOCK WASHER,#10	WASHER, LOCK, , A42398 starter conversion kit #10	4
21	129-17	NUT,#10-24	hex., A42398 starter conversion kit #10-24	4
22	321-2936	DECAL	converted motor, A42398 starter conversion kit	1
	A43662	CONVERSION KIT	CONVERSION KIT - (To convert A38413 starter into A39839 starter), Includes: Ref. 25 - 29	1
25	A43652	DRIVE	starter (10 tooth pinion), A43662 starter conversion kit	1
	87421540	REMAN-STARTER DRIVE	Remanufactured, For N.A. Only	1
	87421541	CORE-STARTER DRIVE	Return Number, Drive Unit, For N.A. Only	1
	87421540	REMAN-STARTER DRIVE	Remanufactured, For N.A. Only	1
	87421541	CORE-STARTER DRIVE	Return Number, Drive Unit, For N.A. Only	1
26	A43653	HOUSING	FRAME ASSY. - starter drive end, A43662 starter conversion kit, Includes: Ref. 27 and 28	1
27	A40227	BUSHING	(1/2 x 9/16 x 25/32"), A43662 starter conversion kit	1
28	R15041		SPARE PART locating, A43662 starter conversion kit	1

Diag #	Part #	Name	Description	Qty
29	321-2937	DECAL	converted motor, A43662 starter conversion kit	1
	A44799	KIT	CONVERSION KIT - (To convert A36582 starter into A51873 starter), Includes: Ref. 35 - 38	1
35	A43652	DRIVE	starter, A44799 starter conversion kit	1
36	A44495	LUG	FRAME ASSY. - starter drive end, A44799 starter conversion kit, Includes: Ref. 37	1
37	A25387	BEARING	15/32 x 5/8 x 13/16", A44799 starter conversion kit	1
38	321-3016	DECAL	converted motor (Replaces 321-2748), A44799 starter conversion kit	1



Diag #	Part #	Name	Description	Qty
1	A36584	STARTING MOTOR	STARTER ASSY. - (Prestolite #MDU-7104A), Includes: Ref. 2 - 45	1
1	104223A1R	REMAN-STARTER	Remanufactured STARTER 12 volt Presto Inertia - For N.A. Only	1
1	104223A1C	CORE-STARTER	Return Number, STARTER 12 volt Presto Inertia - For N.A. Only	1
2	A25610	HOUSING	HOUSING ASSY. - drive end, Includes: Ref. 3 and 4	1
3	A25611	BEARING	BEARING - armature shaft	1
4	NSS	NOT SERVICED SEPARATELY	PIN - housing locating (Order ref. 2)	1
5	A40272	DRIVE	DRIVE ASSY. - starter	1
6	A43257	BUSHING	PLATE ASSY. - intermediate bearing	1
7	G46910	GASKET	GASKET - intermediate bearing plate	1
8	173-221	SCREW,Sltd Rd Hd, #10-32 x 7/16"	SCREW - #10-32 x 7/16" rd. hd.	4
9	92-3	LOCK WASHER,#10	WASHER, LOCK, #10	4
10	A25607	ARMATURE	SPARE PART ARMATURE	1
11	126-112	WOODRUFF KEY,#6, 5/32" x 5/8", HT	WOODRUFF KEY, #6, 5/32" x 5/8", HT	1
12	A25604	PACKAGE	COIL ASSY. - field, Includes: Ref. 13 and 14	1
13	NSS	NOT SERVICED SEPARATELY	BRUSH - (Order ref. 30)	2
14	NSS	NOT SERVICED SEPARATELY	SCREW - pole shoes (Order ref. 12)	4
15	NSS	NOT SERVICED SEPARATELY	SHOE - pole	4
	A40278	KIT	TERMINAL KIT - field, Includes: Ref. 17 - 22	1
17	NSS	NOT SERVICED SEPARATELY	STUD - field terminal	1
18	NSS	NOT SERVICED SEPARATELY	WASHER - insulating, inner	1
19	NSS	NOT SERVICED SEPARATELY	BUSHING - insulating	1
20	NSS	NOT SERVICED SEPARATELY	WASHER - insulating, outer	1
21	NSS	NOT SERVICED SEPARATELY	WASHER - plain	1

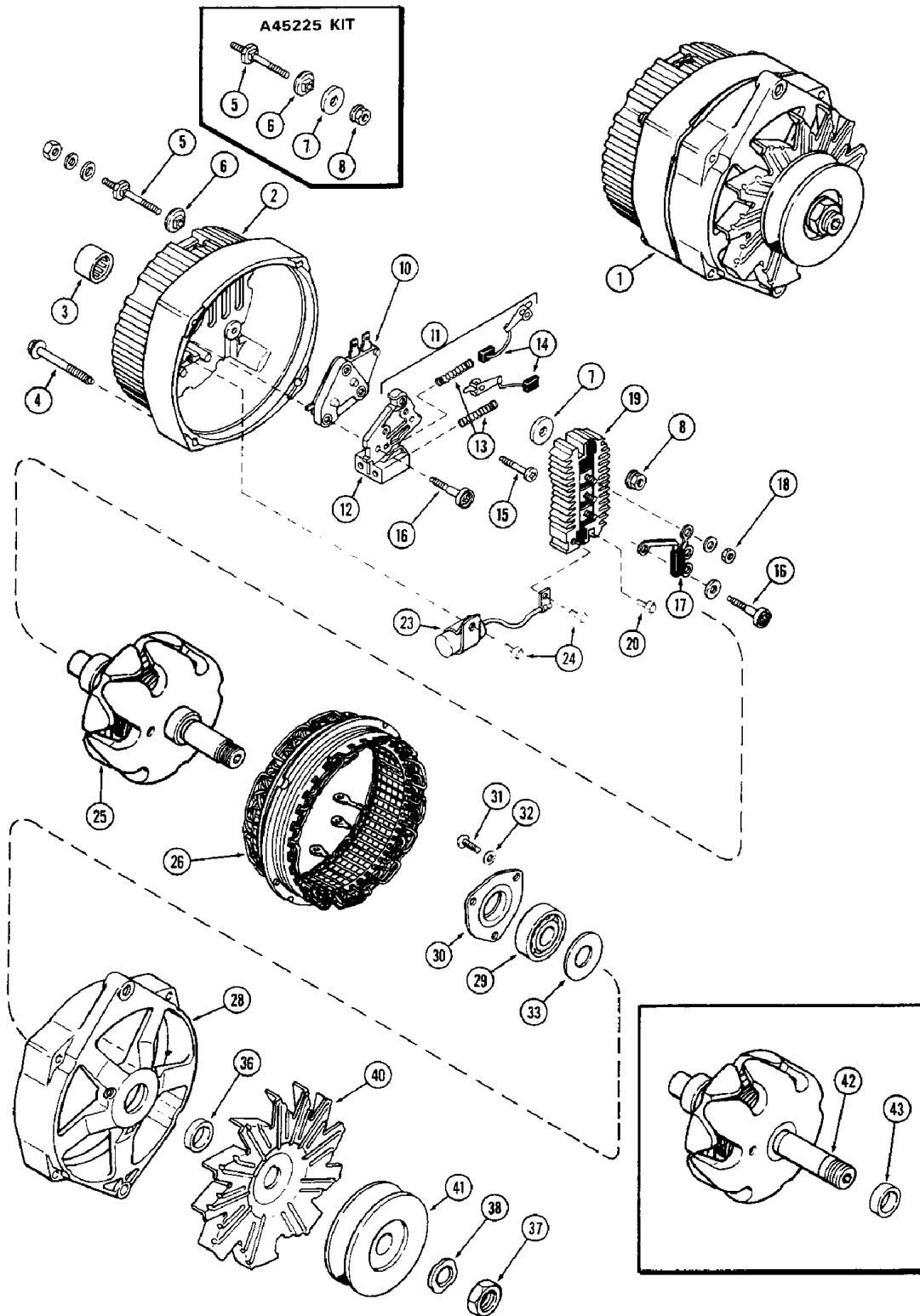
Diag #	Part #	Name	Description	Qty
22	NSS	NOT SERVICED SEPARATELY	INSULATION - field coil	2
23	92-5	LOCK WASHER,5/16"	LOCK WASHER, 5/16"	1
24	9635082	NUT,5/16"-18, G5	NUT, 5/16"-18, G5	2
25	173-74	SCREW	SCREW - #8-32 x 5/16" rd. hd.	1
26	192-16	LOCK WASHER,#8	Washer, Lock, #8	1
27	A25612	PLATE	PLATE ASSY. - brush carrier, Includes: Ref. 28 and 29	1
28	NSS	NOT SERVICED SEPARATELY	BRUSH - (Order ref. 30)	2
29	A40275	SPRING	SPRING SET - brush (Set of 4)	1
30	A25603	BRUSH SET	BRUSH SET - (Set of 4)	1
31	NSS	NOT SERVICED SEPARATELY	RIVET - brush plate	3
	A40277	KIT	THRUST WASHER KIT - (Use as req.), Includes: Ref. 32	1
32	NSS	NOT SERVICED SEPARATELY	WASHER - bearing, 1/32" thick (Order A40277)	4
32	NSS	NOT SERVICED SEPARATELY	WASHER - comm. end, 3/64" thick (Order A40277)	2
33	A40274	HEAD	HEAD ASSY. - commutator end, Includes: Ref. 34 and 35	1
34	NSS	NOT SERVICED SEPARATELY	BUSHING - armature shaft (Order ref. 33)	1
35	NSS	NOT SERVICED SEPARATELY	FELT - oil (Order ref. 33)	1
36	NSS	NOT SERVICED SEPARATELY	BOLT - thru	2
37	192-19	LOCK WASHER,1/4"	WASHER, LOCK, 1/4"	2
38	A40795	SOLENOID	SOLENOID ASSY., Includes: Ref. 39 - 42	1
39	192-20	LOCK WASHER,5/16"	WASHER, LOCK, 5/16"	3
40	129-122	NUT,5/16"-24, G5	NUT, 5/16"-24, G5	3
41	192-18	LOCK WASHER,#10	WASHER, LOCK, #10	1
42	129-37	NUT,#10-32	NUT, #10-32	1
43	174-93	SCREW,Sltd Rd Hd, #10-32 x 1/4"	SCREW - #10-32 x 1/4" rd. hd.	2
44	193-26	LOCK WASHER,Int Tooth, #10	WASHER, LOCK, Int Tooth, #10	2
45	G46297	CONNECTOR, ELEC	CONNECTOR CONNECTOR -, Serial Range: solenoid-field	1



Diag #	Part #	Name	Description	Qty
1	A38815	ALTERNATOR	ALTERNATOR ASSY. - (Prestolite #ALK-7314) (Production only - includes pulley	1
	A42776	ALTERNATOR	ALTERNATOR ASSY. - (Prestolite #ALK-6314-S) (Service only - w/o pulley or regulator), Includes: Ref. 2 - 59	1
	103801A1R	REMAN-ALTERNATOR	REMANUFACTURED 12 VOLT, 61 AMP ALTERNATOR - NA Only	1
	103801A1C	CORE-ALTERNATOR	Return Number, 12 VOLT, 61 AMP ALTERNATOR - N.A. Only	1
	103799A1R	REMAN-ALTERNATOR	REMANUFACTURED 12 VOLT, 63 AMP ALTERNATOR - NA Only	1
	103799A1C	CORE-ALTERNATOR	Return Number, 12 Volt, 63 Amp Alternator - NA Only	1
	A45324	ALTERNATOR	SPARE PART ALTERNATOR - 12 Volt 35 AMP	1
	87746858	REMAN-ALTERNATOR	580B w/Shuttle Trans., N.A. Only	1
	104025A1R	REMAN-ALTERNATOR	REMANUFACTURED 12 VOLT, 35 AMP ALTERNATOR - NA Only	1
	104025A1C	CORE-ALTERNATOR	Return Number, 12 VOLT, 35 AMP ALTERNATOR - NA Only	1
	A47625	ALTERNATOR	ALTERNATOR - 12 Volt 72 ampere	1
	103804A1R	REMAN-ALTERNATOR	For N.A. only	1
2	A40581	KIT	PACKAGE - nut	1
3	A41066	FAN	FAN - ventilating	1
4	A41078	BUSHING	SPACER - rotor shaft	1
5	A41081		SPARE PART PACKAGE - bolt, thru (Set of 4 w/washers)	1
6	A42262	HEAD	SPARE PART HEAD ASSY. - drive end, Includes: Ref. 7 - 12	1
7	A42263	BALL	BEARING - ball	1
8	NSS	NOT SERVICED SEPARATELY	RING - snap, bearing retainer (Order ref. 6)	1
9	A42268	KIT	PACKAGE - retainer	1
10	NSS	NOT SERVICED SEPARATELY	RETAINER - seal (Order ref. 9)	1
11	NSS	NOT SERVICED SEPARATELY	SEAL - felt (Order ref. 9)	1
12	NSS	NOT SERVICED SEPARATELY	RETAINER - felt seal (Order ref. 9)	1
14	A42774	KIT	ROTOR ASSY. - alternator	1

Diag #	Part #	Name	Description	Qty
16	A41077	BALL BEARING,0.3937" ID x 1.1811" OD x 0.3543"	BEARING - ball, rotor shaft (Sealed)	1
17	126-112	WOODRUFF KEY,#6, 5/32" x 5/8", HT	WOODRUFF KEY, #6, 5/32" x 5/8", HT	1
18	A41079	STATOR	STATOR ASSY. - alternator (Replaces A42775)	1
19	A41065	KIT	PACKAGE - eyelet, wire end (Set of 6)	1
	A42771	STUD	PACKAGE - terminal stud, Includes: Ref. 23 - 30	1
23	NSS	NOT SERVICED SEPARATELY	STUD - battery terminal (Order A42771)	1
24	NSS	NOT SERVICED SEPARATELY	STUD - auxiliary terminal (Order A42771)	1
25	NSS	NOT SERVICED SEPARATELY	BUSHING - insulation, battery term. (Order A42771)	1
26	NSS	NOT SERVICED SEPARATELY	BUSHING - insulation, battery term. (Order A42771)	1
27	NSS	NOT SERVICED SEPARATELY	WASHER - insulating, battery term. (Order A42771)	1
28	NSS	NOT SERVICED SEPARATELY	WASHER - plain, battery term (Order A42771)	1
29	NSS	NOT SERVICED SEPARATELY	WASHER - insulating, aux. term. (Order A42771)	1
30	NSS	NOT SERVICED SEPARATELY	WASHER - plain. aux. term. (Order A42771)	1
31	A42773	HEAD (CYLINDER)	HEAT SINK - rectifier, Includes: Ref. 32 and 33	1
32	A41075	DIODE	DIODE - positive (Color coded w/red mark)	3
33	A42261	DIODE	DIODE - output (Set of 2) (Color coded w/black mark)	1
34	A42772		SPARE PART HEAD ASSY. - slip ring end, Includes: Ref. 35 - 38	1
35	A41072	O-RING,1.176" ID x 1.312" OD x 0.07"	"O" RING - sealing	1
37	A41071	DIODE	DIODE - negative (Color coded w/black mark)	4
38	A42266	KIT	PACKAGE - plugs (Set of 10)	1
39	A43952	HOLDER	HOLDER ASSY. - brush (Replaced A42495)	1
44	A41073	COVER	INSULATION - brush holder cover	1
45	187-1012	SELF-TAP SCREW,Slotted Pan Hd, #10 x 3/8"	SCREW - #10-24 x 3/8" mach.	2
46	92-3	LOCK WASHER,#10	WASHER, LOCK, #10	8
47	129-667	NUT,#10-32, LH	NUT - #10 N.F. hex., jam	2
48	92-4	LOCK WASHER,1/4"	WASHER, LOCK, 1/4"	2

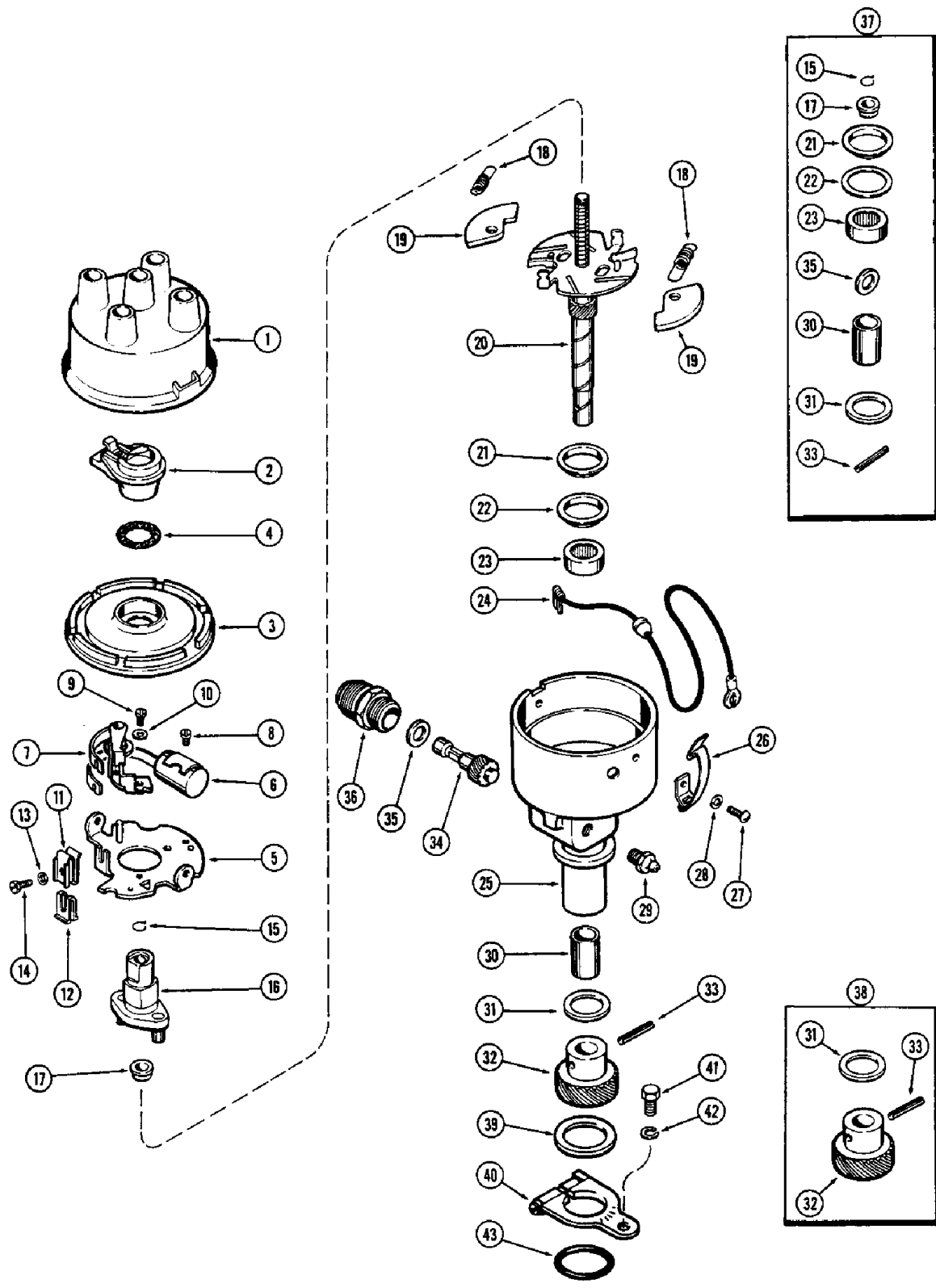
Diag #	Part #	Name	Description	Qty
49	131-902	NUT,1/4"-28	NUT - hex. 1/4"-28	2
55	A44543	REGULATOR	REGULATOR ASSY. - voltage (Replaced A42098	1
56	NSS	NOT SERVICED SEPARATELY	SCREW - regulator mounting	2
57	NSS	NOT SERVICED SEPARATELY	WASHER - lock	2
58	NSS	NOT SERVICED SEPARATELY	WASHER - plain	2
59	A42777	PULLEY	PULLEY - drive	1



Diag #	Part #	Name	Description	Qty
1	A139389	ALTERNATOR	ALTERNATOR - 37 amp (Delco #1102898) (Prod. only) (Order A45210, A43384 fan	1
	A45201	ALTERNATOR	ALTERNATOR - 42 amp (Delco #1100583) (Repairs only) (Less pulley	1
	87297244	REMAN-ALTERNATOR	Remanufactured ALTERNATOR - NA Only	1
	87297245	CORE-ALTERNATOR	Return number - For N.A. only	1
	103799A1R	REMAN-ALTERNATOR	REMANUFACTURED 12 VOLT 63 AMP ALTERNATOR - NA Only	1
	103799A1C	CORE-ALTERNATOR	Return Number, 12 VOLT 63 AMP ALTERNATOR - NA Only	1
	103798A1R	REMAN-ALTERNATOR	Remanufactured, 12 volt 63 ampere, N.A. Only	1
	103798A1C	CORE-ALTERNATOR	Return Number, N.A. Only	1
	103801A1R	REMAN-ALTERNATOR	REMANUFACTURED 12 VOLT, 61 AMP ALTERNATOR - NA Only	1
	103801A1C	CORE-ALTERNATOR	Return Number, 12 VOLT, 61 AMP ALTERNATOR - N.A. Only	1
	A45324	ALTERNATOR	SPARE PART ALTERNATOR - 12 Volt 35 AMP	1
	87746858	REMAN-ALTERNATOR	580B w/Shuttle Trans., N.A. Only	1
	104025A1R	REMAN-ALTERNATOR	REMANUFACTURED 12 VOLT, 35 AMP ALTERNATOR - NA Only	1
	104025A1C	CORE-ALTERNATOR	Return Number, 12 VOLT, 35 AMP ALTERNATOR - NA Only	1
	A47625	ALTERNATOR	ALTERNATOR - 12 Volt 72 ampere	1
	103804A1R	REMAN-ALTERNATOR	For N.A. only	1
	87297306	REMAN-GENERATOR	REMANUFACTURED 12 VOLT, 20 AMP GENERATOR - NA Only	1
	87297307	CORE-GENERATOR	Return Number, 12 VOLT, 20 AMP GENERATOR - NA Only	1
	104450A1R	REMAN-GENERATOR	REMANUFACTURED 12 VOLT 20 AMP GENERATOR - NA Only	1
	104450A1C	CORE-GENERATOR	Return Number, 12 VOLT, 20 AMP GENERATOR - NA Only	1
2	A45217	FRAME	FRAME ASSY. - slip ring end, Includes: Ref. 3	1
3	A45218	BEARING ASSY	BEARING - roller	1
4	163-6	SCREW,Hex Hd, #10-24 x 1 3/4"	BOLT - thru, #10-24 x 1-3/4" hex. washer hd.	4
	A45225	TERMINAL CONNECTOR	TERMINAL KIT - battery, Includes: Ref. 5 - 8	1

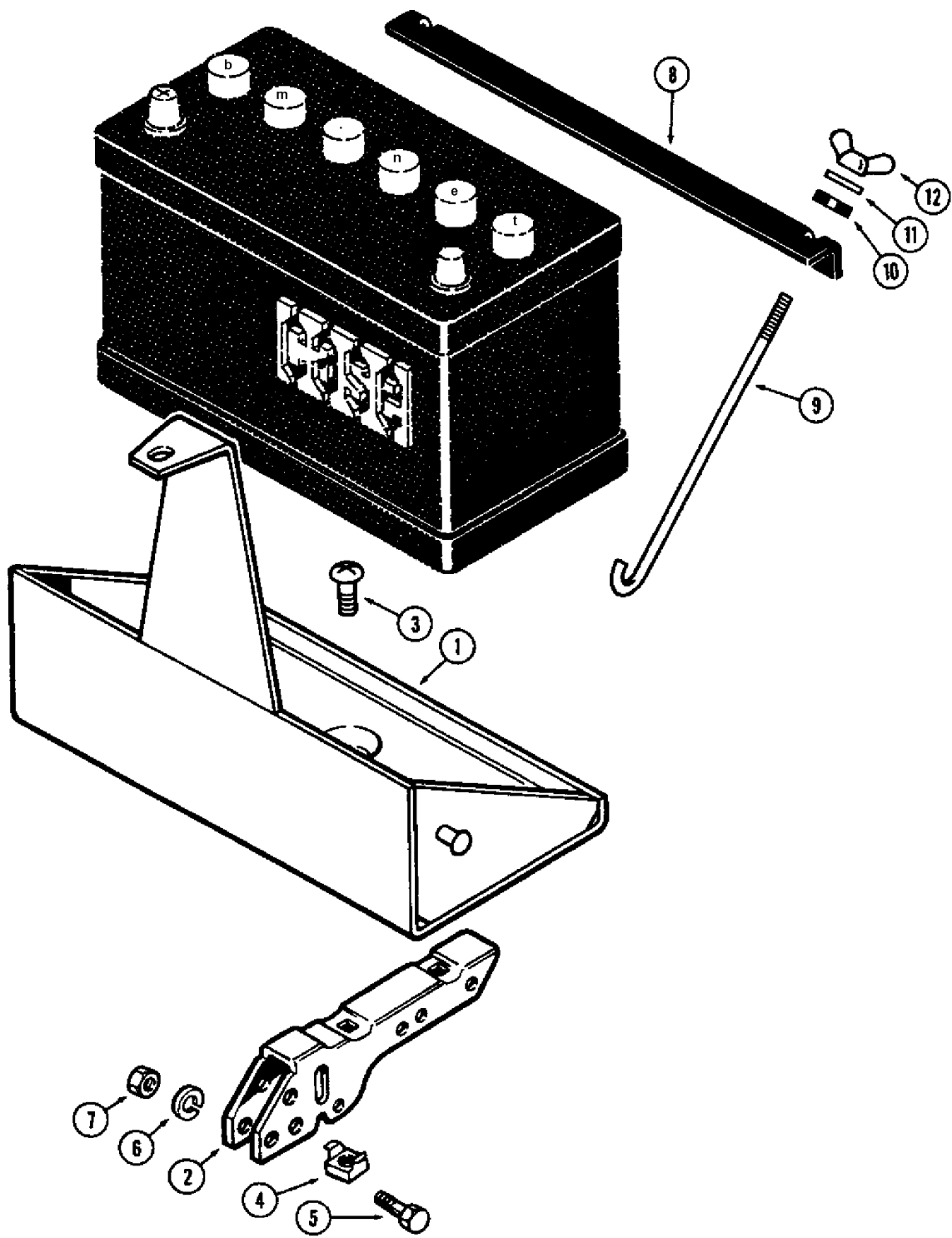
Diag #	Part #	Name	Description	Qty
5	NSS	NOT SERVICED SEPARATELY	STUD - terminal	1
6	NSS	NOT SERVICED SEPARATELY	INSULATOR	1
7	NSS	NOT SERVICED SEPARATELY	WASHER - insulating	1
8	NSS	NOT SERVICED SEPARATELY	NUT ASSY.	2
10	A45213	REGULATOR	REGULATOR - voltage	1
11	A45222	BRUSH, COMMUTATOR	BRUSH BRUSH HOLDER ASSY. - (Includes brushes)	1
12	NSS	NOT SERVICED SEPARATELY	HOLDER - brush	1
13	A43678	SPRING	SPRING - brush	2
14	NSS	NOT SERVICED SEPARATELY	BRUSH - generator	2
15	A45224	SCREW	SCREW - brush holder, grounded (#8-32 x 1-1/16")	1
16	A44223	GEAR	SCREW - brush holder, insulated	2
17	A45219	DIODE ELEMENT	DIODE - trio	1
18	129-16	NUT,#8-32	NUT, #8-32	3
19	A45394	RECTIFIER	RECTIFIER BRIDGE - (Replaces A45220)	1
20	A45221	SCREW,Hex, #8-32 x 1", w/Wash	SCREW - rectifier bridge (#8-32 x 1")	1
23	A45226	CAPACITOR	CAPACITOR ASSY. - (Includes bracket)	1
24	A45228	SELF-TAP SCREW,Hex Wash Hd, #8-32 x .59", Spc	SCREW - capacitor (#8-32 x 3/8")	2
25	A45391	ROTOR	ROTOR ASSY. - (Includes slip rings (See ref. 42)	1
26	A45233	STATOR	STATOR ASSY.	1
28	A45229	FRAME	FRAME - drive end	1
29	A45230	BEARING ASSY	BEARING - ball, drive end	1
30	A44433	PLATE	PLATE ASSY. - bearing retainer, w/felt seal	1
31	173-210	SCREW,Sltd Rd Hd, #10-24 x 3/8"	SCREW - bearing plate, #10-24 x 3/8" rd. hd.	3
32	195-512	WASHER,#10	WASHER - 7/32 x 7/16 x 1/16"	4
33	A45232	WASHER	WASHER - grease slinger, bearing	1
36	A72047	COLLAR	COLLAR - outer, rotor shaft (43/64 I.D. x 7/8" O.D. x 13/64")	1
37	A25546	NUT	NUT - pulley	1
38	R16171	BELLEVILLE SPRING	WASHER - lock	1
40	A43384	FAN	FAN - alternator	1
41	A51561	PULLEY	PULLEY - drive, alternator	1

Diag #	Part #	Name	Description	Qty
42	A45214	ROTOR	ROTOR ASSY. - (w/o slip rings) (Order A45391)	1
43	A44522	COLLAR	COLLAR - rotor shaft inner, 43/64 x 29/32 x 23/64" (Used w/A45214 rotor) (See ref. 42)	1



Diag #	Part #	Name	Description	Qty
	A18461	DISTRIBUTOR	ASSY. - (Auto-Lite #IBT-4403-A), Includes: Ref. 1 - 43	1
1	A24564	CAP	ASSY. - distributor	1
2	A24566	ROTOR	- distributor	1
3	A24763	PLATE	COVER ASSY. - breaker plate, Includes: Ref. 4	1
4	A24764	WASHER	SEAL - felt, cover	1
5	A40330	PLATE	ASSY. - breaker, Includes: Ref. 6 and 7	1
	A40930	KIT	CONTACT KIT, Includes: Ref. 6 and 7	1
6	NSS	NOT SERVICED SEPARATELY	CONDENSER - (Order A40930)	1
7	NSS	NOT SERVICED SEPARATELY	POINTS - contact breaker (Order A40930)	1
8	A24776	SCREW	- #6-32 x 5/32" fillister hd.	1
9	A24779		SCREW - #8-32 x 3/16" fillister hd.	2
10	192-16	LOCK WASHER,#8	Washer, Lock, #8	2
11	A24774	CLIP	- primary wire	1
12	A44287	KIT	INSULATOR - primary wire (Replaces A24773)	1
13	195-506	WASHER,#6	- 5/32 x 5/16 x 1/32"	1
14	A24775	SCREW	- #6-32 x 5/8" hex.	1
15	A24756		RING - snap, cam retaining (See ref. 37)	1
16	A42429		PLATE - cam	1
17	A24757	SPACER - cam (See ref. 37)	SPACER - cam (See ref. 37)	1
18	A24778	SPRING KIT	- governor (Set of 2)	1
19	A41388		WEIGHT - governor	2
20	A25979	SHAFT	- drive, distributor	1
21	A24758		WASHER - thrust, inner (see ref. 37)	1
22	A24759		WASHER - thrust, outer (See ref. 37)	1
23	A24767	BEARING	- needle (See ref. 37)	1
24	A25965	HARNESS	WIRE - primary lead	1
25	NSS	NOT SERVICED SEPARATELY	BASE - distributor	1
26	A40329	SPRING	LOCK KIT - cap retainer	1
27	A24775	SCREW	- #8-32 x 5/16" rd. hd. cap lock	2
28	192-6	LOCK WASHER,#8	WASHER, LOCK, #8	2
29	219-57	LUBE NIPPLE,90°, 1/4" NPT x .75" lg	FITTING - lube, 1/4"-20, 90 degrees	1

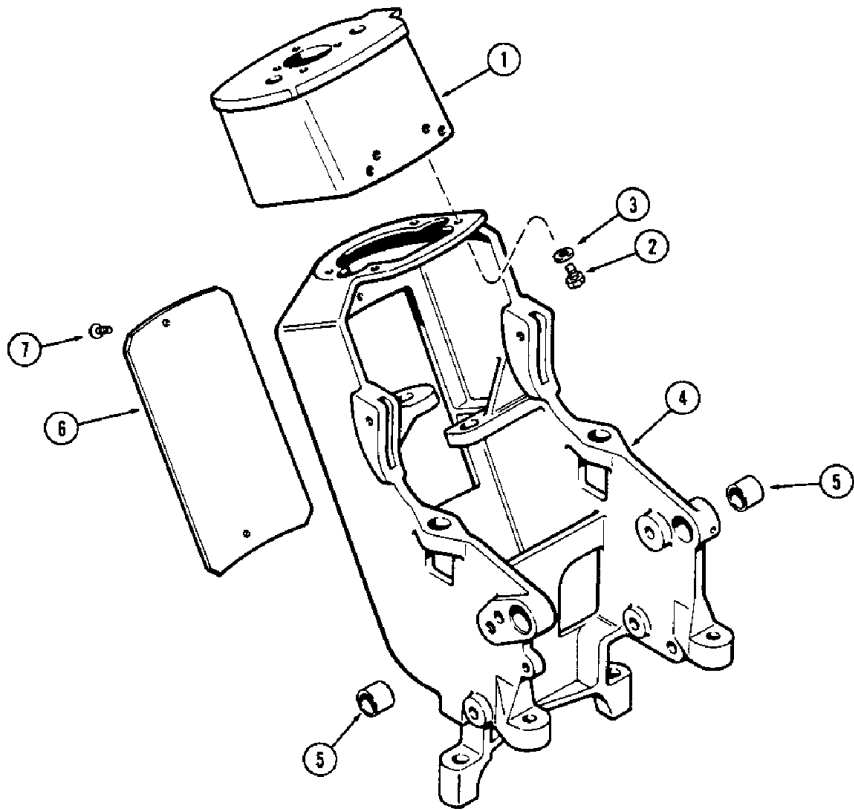
Diag #	Part #	Name	Description	Qty
30	A24766	BUSHING	BEARING - drive shaft, bronze (See ref. 37)	1
31	A25200	WASHER	- thrust, lower (See ref. 37)	1
32	NSS	NOT SERVICED SEPARATELY	GEAR - drive (Order ref. 38)	1
33	138-56	LOCK PIN,1/8" x 11/16", Slotted	PIN, , Drive gear (See ref. 37)	1
34	A24761	SHAFT	SHAFT	1
35	A24755		WASHER - thrust, tach. drive (See ref. 37), Includes: Ref. 36	1
36	A24781		HOUSING - tach. drive gear	1
37	A40326	PACKAGE, REPAIR	KIT - drive shaft repair (Incl. items 15, 17, 21 thru 23, 30, 33)	1
38	A40323	GEAR	KIT - drive gear repair repair (Incl. items 31 thru 33)	1
39	A30080	THRUST WASHER	- thrust	1
40	A29989	ARM	- advance	1
41	113-1	BOLT,Hex, 1/4"-20 x 1/2", G5, Full Thd	BOLT,Hex, 1/4"-20 x 1/2", G5, Full Thd	1
42	192-19	LOCK WASHER,1/4"	WASHER, LOCK, 1/4"	1
43	A29456	O-RING,1.046" ID x 1.324" OD x 0.139"	"O" RING - 1-1/16 x 1-5/16 x 1/8"	1



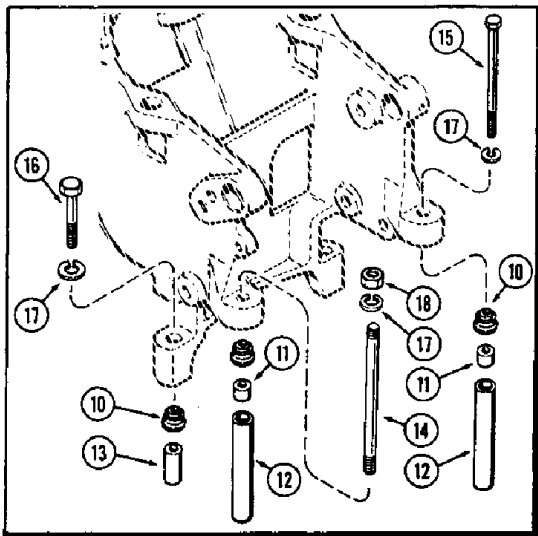
Diag #	Part #	Name	Description	Qty
1	D49731	CASE	WRAPPER ASSY. - battery	1
2	A37365	SUPPORT	- battery box	1
3	175-413	SCREW	- 5/16 x 3/4" truss hd., mach.	2
4	1502286C2	NUT,Floating Cage, 5/16"-18	- 5/16" N.C. retaining	2
5	13-628	BOLT,Hex, 3/8"-16 x 1 3/4", G5	- 3/8 x 1-1/4" N.C. hex.	3
6	92-6	LOCK WASHER,3/8"	WASHER - lock, 3/8"	3
7	25-106	NUT,3/8"-16, G5	- 3/8" N.C. hex.	3
8	D49724	ANGLE	- battery hold down	1
9	D49723	BOLT	- battery hold down	2
10	G46867	GROMMET	- hold down bolt	2
11	G49400	WASHER	- 13/32 x 1-5/32 x 10 ga.	2
12	129-410	WING NUT,3/8"-16	NUT - 3/8" wing	2



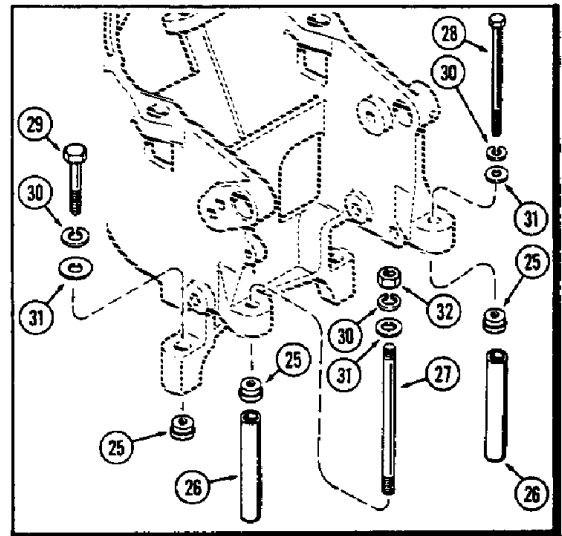
STEERING/
TRACK



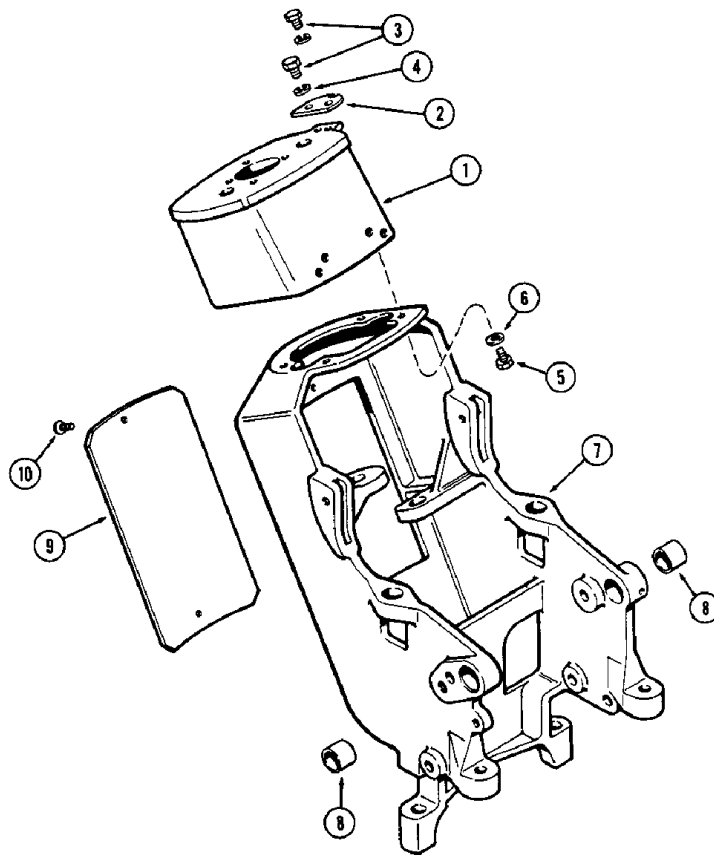
DIESEL - MECH. SHUTTLE



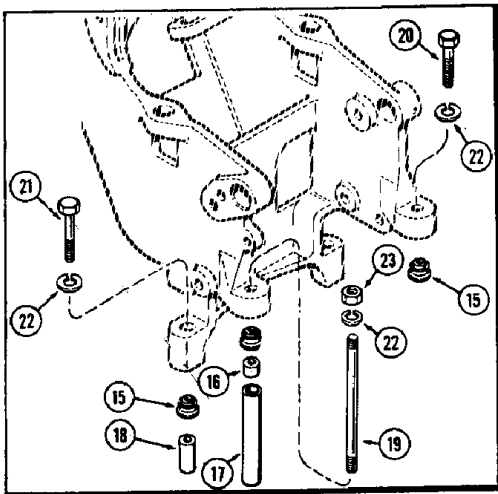
GASOLINE - MECH. SHUTTLE



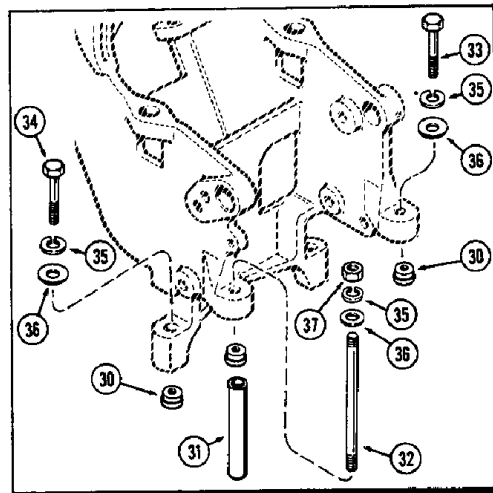
Diag #	Part #	Name	Description	Qty
1	A39310	STEERING COLUMN	steering	1
2	13-620	BOLT,Hex, 3/8"-16 x 1 1/4", G5, Full Thd	BOLT,Hex, 3/8"-16 x 1 1/4", G5, Full Thd	4
3	92-6	LOCK WASHER,3/8"	WASHER - lock, 3/8"	4
4	A39380	SUPPORT	ASSY. - steering column, Includes: Ref. 5	1
5	A37530	BUSHING	cross shaft, brake pedal	2
6	A39384		steering support	1
7	175-405	SCREW,Cross Truss Hd, 1/4"-20 x 1/2"	1/4 x 1/2" N.C. truss hd.	2
10	G45343	COMPOSITE RING	(w/rubber insert), support mounting diesel	4
11	A37418	SPACER	- support, front (1/2" high), support mounting diesel	2
12	G49624	SPACER	support, front (4-7/8" high), support mounting diesel	2
13	G49622	SPACER,5/8" Tube x 1 7/16"	support, rear (1-7/16" high), support mounting diesel	2
14	A38169	STUD	3/8" N.C. x 7-3/16", R.H. front, support mounting diesel	1
15	15-6108		3/8 x 6-3/4" N.C. hex., L.H. front, support mounting diesel	1
16	13-644	BOLT,Hex, 3/8"-16 x 2 3/4", G5	- 3/8 x 2-3/4" N.C. hex., rear, support mounting diesel	2
17	92-6	LOCK WASHER,3/8"	WASHER - lock, , support mounting diesel 3/8"	4
18	25-106	NUT,3/8"-16, G5	3/8" N.C. hex., support mounting diesel	1
25	A35627	BUSHING	mounting (Flanged, steel), gasoline	4
26	G49624	SPACER	front (4-7/8" high), gasoline	2
27	A38169	STUD	3/8" N.C. x 7-3/16", R.H. front, gasoline	1
28	15-6108		3/8 x 6-3/4" N.C. hex., L.H. front, gasoline	1
29	13-644	BOLT,Hex, 3/8"-16 x 2 3/4", G5	- 3/8 x 2-3/4" N.C. hex., rear, gasoline	2
30	92-6	LOCK WASHER,3/8"	WASHER - lock, , gasoline 3/8"	4
31	95-6	WASHER,3/8"	- 7/16 x 1 x 5/64", gasoline	4
32	25-106	NUT,3/8"-16, G5	3/8" N.C. hex., gasoline	1



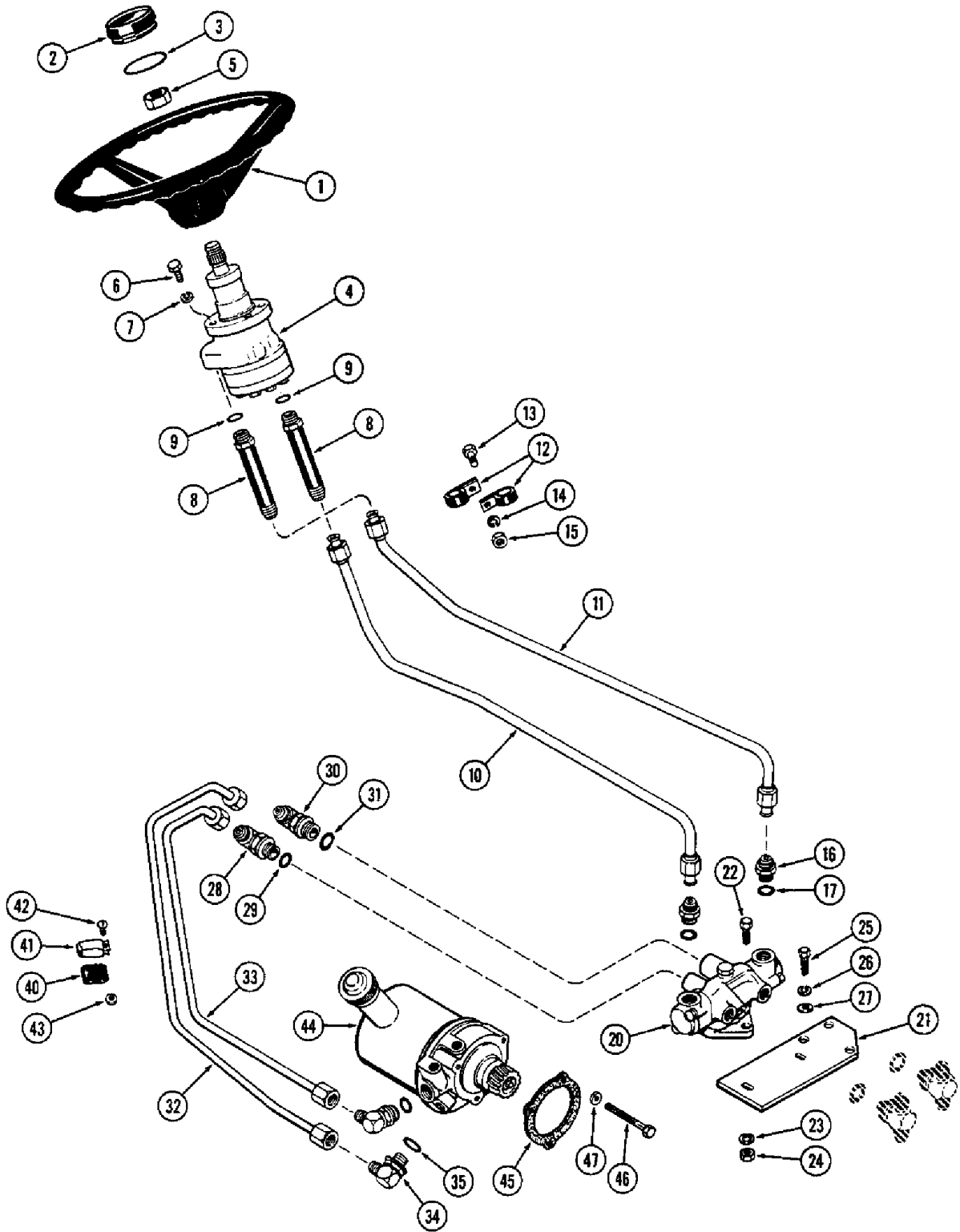
DIESEL - POWER SHUTTLE



GASOLINE - POWER SHUTTLE

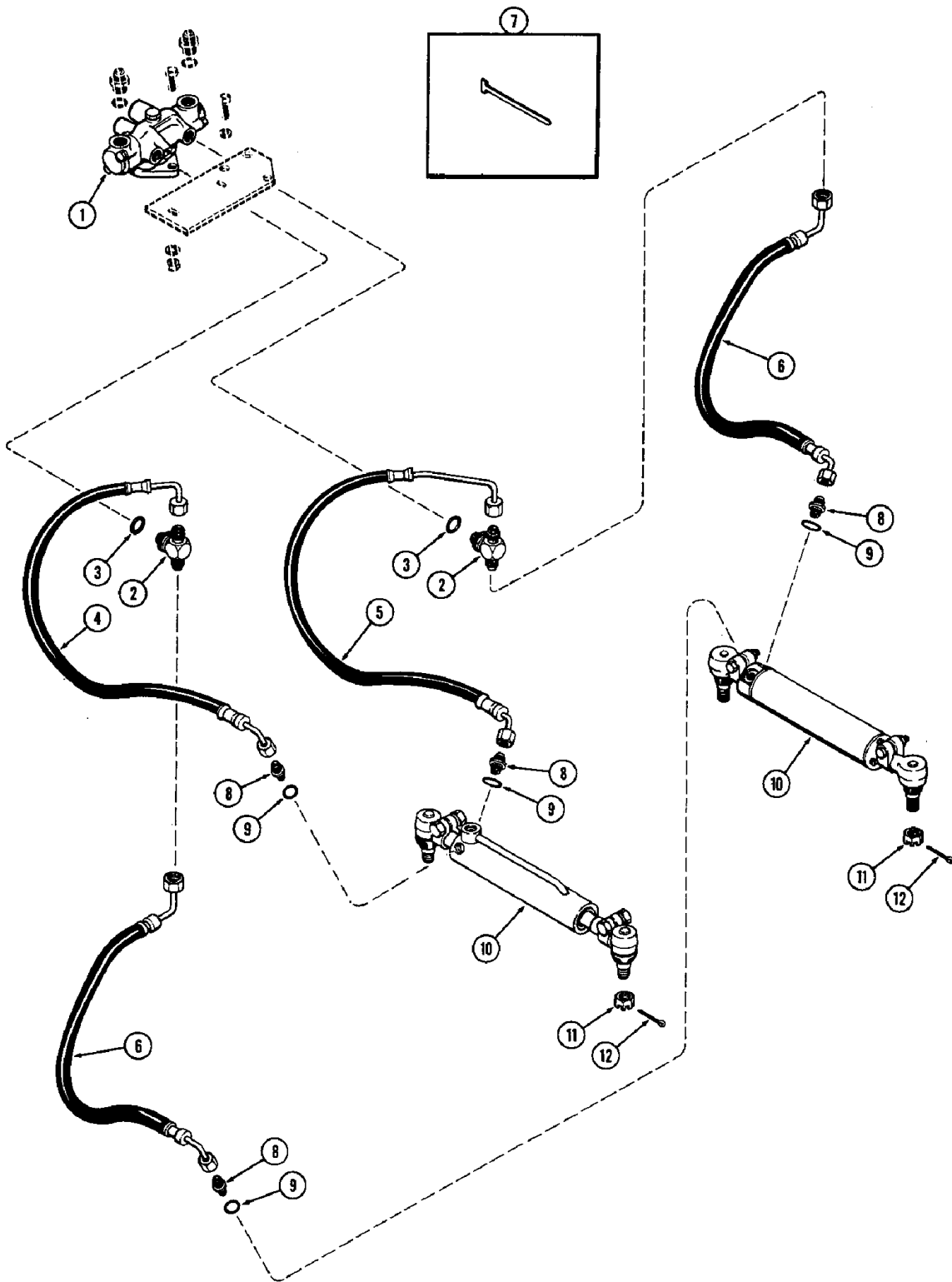


Diag #	Part #	Name	Description	Qty
1	A39310	STEERING COLUMN	COLUMN - steering	1
2	A135382	PLATE ASSY.	PLATE - shuttle lock (Replaces A38298)	1
3	13-410	BOLT,Hex, 1/4"-20 x 5/8", G5, Full Thd	BOLT,Hex, 1/4"-20 x 5/8", G5, Full Thd	2
4	92-4	LOCK WASHER,1/4"	WASHER, LOCK, 1/4"	2
5	13-620	BOLT,Hex, 3/8"-16 x 1 1/4", G5, Full Thd	BOLT,Hex, 3/8"-16 x 1 1/4", G5, Full Thd	4
6	92-6	LOCK WASHER,3/8"	WASHER - lock, 3/8"	4
7	A39380	SUPPORT	ASSY. - steering column, Includes: Ref. 8	1
8	A37530	BUSHING	- cross shaft, brake pedal	2
9	A39384		COVER - steering support	1
10	175-405	SCREW,Cross Truss Hd, 1/4"-20 x 1/2"	- 1/4 x 1/2" N.C. truss hd.	2
15	G45343	COMPOSITE RING	BUSHING - mounting (w/rubber insert)	4
16	A37418	SPACER	- support, front (1/2" high)	2
17	A38488	SPACER	- support, R.H. front (3-7/8" high)	1
18	G49622	SPACER,5/8" Tube x 1 7/16"	- support, rear	2
19	A29437	STUD	- 3/8" N.C. x 6-3/8", R.H. front	1
20	13-628	BOLT,Hex, 3/8"-16 x 1 3/4", G5	L.H. front Hex, 3/8"-16 x 1 3/4", G5	1
21	13-644	BOLT,Hex, 3/8"-16 x 2 3/4", G5	- 3/8 x 2-3/4" N.C. hex., rear	2
22	92-6	LOCK WASHER,3/8"	WASHER - lock, 3/8"	4
23	25-106	NUT,3/8"-16, G5	- 3/8" N.C. hex.	1
30	A35627	BUSHING	- mounting (Flanged, steel)	4
31	A38488	SPACER	- support, R.H. front (3-7/8" high)	1
32	A29437	STUD	- 3/8" N.C. x 6-3/8", R.H. front	1
33	13-628	BOLT,Hex, 3/8"-16 x 1 3/4", G5	L.H. front Hex, 3/8"-16 x 1 3/4", G5	1
34	13-644	BOLT,Hex, 3/8"-16 x 2 3/4", G5	- 3/8 x 2-3/4" N.C. hex., rear	2
35	92-6	LOCK WASHER,3/8"	WASHER - lock, 3/8"	4
36	95-6	WASHER,3/8"	- 7/16 x 1 x 5/64"	3
37	25-106	NUT,3/8"-16, G5	- 3/8" N.C. hex.	1



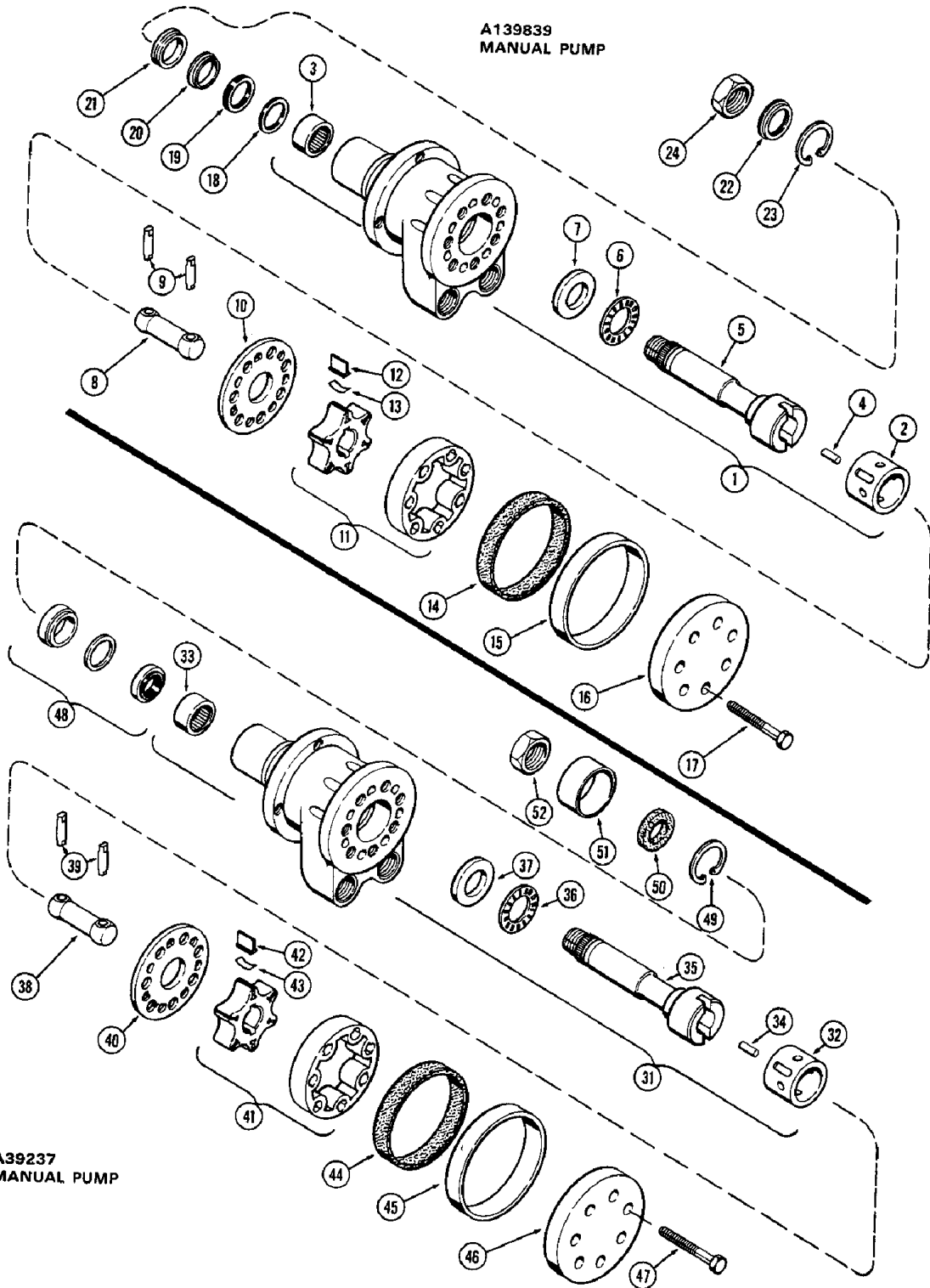
Diag #	Part #	Name	Description	Qty
1	A65544	STEERING WHEEL	(Replaces A61007)	1
2	A62210	PLUG	MEDALLION - steering wheel	1
3	D26115	O-RING,2.109" ID x 2.387" OD	"O" RING - 2-1/8 x 2-3/8 x 1/8"	1
		D26115 O-ring - If medallion is sloppy in steering wheel use A29884 O-ring (subs to 238-5229).	D26115 O-ring - If medallion is sloppy in steering wheel use A29884 O-ring (subs to 238-5229).	1
4	REF	INSTRUCTION	PUMP ASSY. - steering hand (See Figure 146)	1
5	A14567	JAM NUT	- steering wheel retaining	1
6	13-520	BOLT,Hex, 5/16"-18 x 1 1/4", G5	- 5/16 x 1-1/4" N.C. hex.	4
7	92-5	LOCK WASHER,5/16"	LOCK WASHER,5/16"	4
8	A39108	HOSE	ASSY. - pump tubes, 9-1/2" long, Includes: Ref. 9	2
10	A39492	TUBE	- pump to valve, R.H.	1
11	A39493	TUBE	- pump to valve, L.H.	1
12	49838	CLAMP	- pump tubes	2
13	13-614	BOLT,Hex, 3/8"-16 x 7/8", G5, Full Thd	BOLT,Hex, 3/8"-16 x 7/8", G5, Full Thd	1
14	92-6	LOCK WASHER,3/8"	WASHER - lock, 3/8"	1
15	25-106	NUT,3/8"-16, G5	- 3/8" N.C. hex.	1
16	218-5059	HYD CONNECTOR,3/4"-16, 37° x 3/4"-16, O-Ring	CONNECTOR, HYD., , Assy, Tube to valve, Incl. Ref 17 3/4"-16, 37° x 3/4"-16, O-Ring	2
20	A37980	VALVE	ASSY. - control (See Figure 148)	1
21	A35581	SPLIT PIN/SAFETY PIN	PLATE - valve mounting	1
22	13-618	BOLT,Hex, 3/8"-16 x 1 1/8", G5, Full Thd	- 3/8 x 1-1/4" N.C. hex.	3
23	92-6	LOCK WASHER,3/8"	WASHER - lock, 3/8"	3
24	25-106	NUT,3/8"-16, G5	- 3/8" N.C. hex.	3
25	13-516	BOLT,Hex, 5/16"-18 x 1", G5, Full Thd	BOLT,Hex, 5/16"-18 x 1", G5, Full Thd	2
26	92-5	LOCK WASHER,5/16"	LOCK WASHER,5/16"	2
27	95-5	WASHER,3/8" x 7/8" x .083"	- 3/8 x 7/8 x 5/64"	2
28	A51764	ELBOW	ASSY. - press, tube to valve (Replaces A35613), Includes: Ref. 29	1
29	218-5005	O-RING,0.114" ID x 0.254" OD x 0.07"	6-1, 90 Duro, .468" ID x .078" Thk	1

Diag #	Part #	Name	Description	Qty
30	218-5106	ELBOW,90°, 3/4"-16, 37° x 3/4"-16, O-Ring	Assy - return tube to valve (Replaces A37080), Includes: Ref. 31 90°, 3/4"-16, 37° x 3/4"-16, O-Ring	1
32	A35733	TUBE	- return, pump to valve (Used w/diesel mech.	1
32	A35731		TUBE - return, pump to valve (Used w/gas mech. shuttle)	1
33	A35732	TUBE	- pressure, pump to valve (Used w/diesel mech.	1
33	A35730	TUBE ASSY.	TUBE - pressure, pump to valve (Used w/gas mech. shuttle)	1
34	A37080	ELBOW	ASSY. - tube to pump, Includes: Ref. 35	2
40	G46835	GROMMET	- rubber, tube clamp	1
41	G46194	CLAMP	- tube	1
42	173-203	SCREW,Slt'd Rd Hd, #6-32 x 1/2"	- #10-32 x 3/4" Phillips hd.	1
43	193-1000	NUT,Keps, w/LW,#10-32	- #10-32 hex., Keps	1
44	REF	INSTRUCTION	PUMP ASSY. - power (See Figure 150)	1
45	A30042	GASKET	- pump	1
46	13-652	BOLT,Hex, 3/8"-16 x 3 1/4", G5	- 3/8 x 3-1/4" N.C. hex.	3
47	92-6	LOCK WASHER,3/8"	WASHER - lock, 3/8"	3
17	218-5006	O-RING,0.176" ID x 0.316" OD x 0.07"	"O" RING - 41/64 x 13/16 x 5/64"	1
31	218-5006	O-RING,0.176" ID x 0.316" OD x 0.07"	"O" RING - 41/64 x 13/16 x 5/64"	1
35	218-5006	O-RING,0.176" ID x 0.316" OD x 0.07"	"O" RING - 41/64 x 13/16 x 5/64"	1
9	218-5006	O-RING,0.176" ID x 0.316" OD x 0.07"	"O" RING - 41/64 x 13/16 x 5/64"	1



Diag #	Part #	Name	Description	Qty
1	A37980	VALVE	ASSY. - control (See Figure 148)	1
2	218-5182	TEE,9/16"-18, 37° x 9/16"-18, O-Ring Br	ASSY. - hose to valve, Includes: Ref. 3	2
3	218-5005	O-RING,0.114" ID x 0.254" OD x 0.07"	6-1, 90 Duro, .468" ID x .078" Thk	1
4	A35616	HOSE	- valve to R.H. cylinder outer port (36-1/4" long)	1
5	A35614	HOSE	- valve to R.H. cylinder inner port (39-5/8" long)	1
6	A35615	HOSE	- valve to L.H. cylinder (32-1/2" long)	2
7	L11541	CABLE TIE	STRAP - hose	2
8	218-5057	HYD CONNECTOR,9/16"-18, 37° x 9/16"-18, O-Ring	CONNECTOR ASSY. - hose to cylinder, Incl. Ref. 9	4
9	218-5005	O-RING,0.114" ID x 0.254" OD x 0.07"	6-1, 90 Duro, .468" ID x .078" Thk	1
10	REF	INSTRUCTION	CYLINDER ASSY. - steering (See Figures 152)	2
11	25-1310	SLOTTED NUT,5/8"-18, G5	NUT - 5/8" N.F. hex., sltd.	4
12	132-50	COTTER PIN,1/8" x 1 1/4"	Pin, Split (Cotter), 1/8" x 1 1/4"	4
	219-1	LUBE NIPPLE,1/8"-27 x .66 lg	FITTING - lube, 1/8" str. (Steering cylinder)	2
	219-40	LUBE NIPPLE,65°, 1/8" NPT x 7/8" lg	FITTING - lube, 1/8", 67-1/2" (Steering cylinder)	2

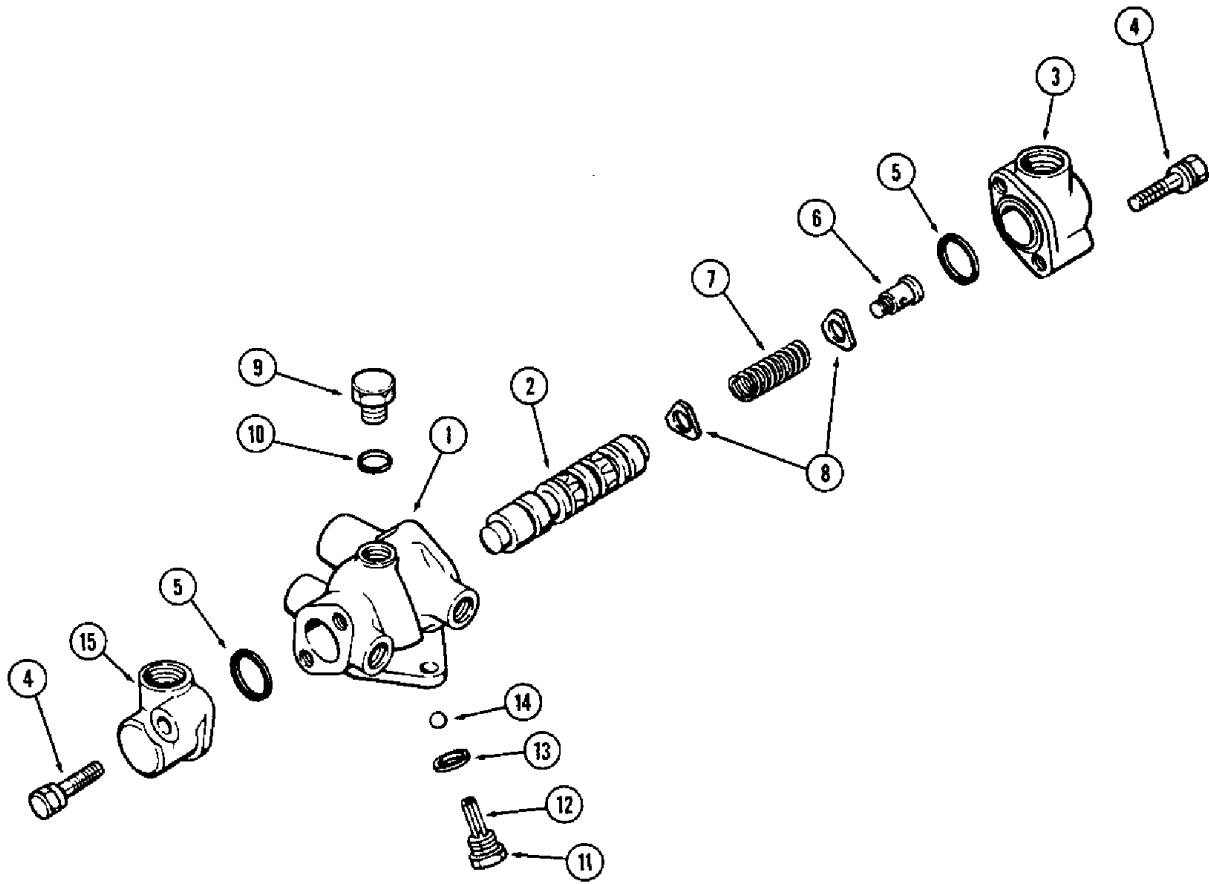
A139839
MANUAL PUMP



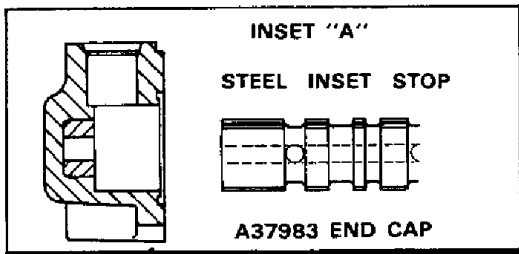
A39237
MANUAL PUMP

Diag #	Part #	Name	Description	Qty
	A139839	PUMP	ASSY. - manual (Replaces A39237), Includes: Ref. 1 - 24	1
1	F82945	BODY	ASSY., Includes: Ref. 2 and 3	1
2	NSS	NOT SERVICED SEPARATELY	COMMUTATOR - (Order F82945)	1
3	A30588	NEEDLE BEARING,0.875" ID x 1.125" OD x 0.5"	BEARING - needle	1
4	F19631	PIN	- commutator	1
5	A40735	SHAFT	- coupling	1
6	F19633	NEEDLE BEARING	BEARING - needle, thrust	1
7	F19634	BEARING WASHER	RACE - thrust bearing	1
8	F19635	LINK	- rotor drive	1
9	F19636	PIN	- link	2
10	A42206	SPACER	- rotor	1
11	A45348	ROTOR ASSY.	ROTOR SET - (Matched rotor	1
12	NSS	NOT SERVICED SEPARATELY	VALVE - rotor (Order ref. 11)	6
13	A42219	SPRING	- retainer, vane	6
14	A35788		- rotor	1
15	A35787	RETAINER	- rotor seal	1
16	F16941		COVER - end	1
17	28-928	BOLT,Hex, 9/16"-18 x 1 3/4", G8, Full Thd	- 5/16 x 1-3/4" N.C. hex. (Replaces F19642)	7
	A45343	GASKET KIT	SEAL - kit, Includes: Ref. 18 - 22	1
18	A43749	BACK-UP RING	WASHER - seal	1
19	NSS	NOT SERVICED SEPARATELY	SPACER - seal ring	1
20	NSS	NOT SERVICED SEPARATELY	SEAL - oil, inner	1
21	NSS	NOT SERVICED SEPARATELY	SEAL - oil. outer	1
22	D70586	SEAL	- dust cover	1
23	A21145	SNAP RING,1.25, Int, #125	Ring, Snap, 1.25", Int, #125, thrust washer	1
24	A14567	JAM NUT	- coupling shaft	1
	A39237	PUMP	ASSY. - manual (Order A139839), Includes: Ref. 31 - 52	1
31	F82945	BODY	ASSY., Includes: Ref. 32 and 33	1
32	NSS	NOT SERVICED SEPARATELY	COMMUTATOR - (Order F82945)	1

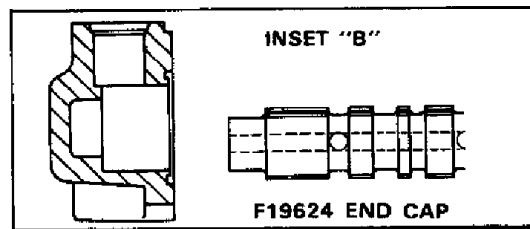
Diag #	Part #	Name	Description	Qty
33	A30588	NEEDLE BEARING,0.875" ID x 1.125" OD x 0.5"	BEARING - needle	1
34	F19631	PIN	- spool	1
35	A40735	SHAFT	- coupling (Replaces F19632)	1
36	F19633	NEEDLE BEARING	BEARING - thrust	1
37	F19634	BEARING WASHER	RACE - thrust bearing	1
38	F19635	LINK	- rotor drive	1
39	F19636	PIN	- link	2
40	A42206	SPACER	- rotor	1
41	A43520	ROTOR ASSY.	ROTOR SET - (Matched rotor	1
42	NSS	NOT SERVICED SEPARATELY	VALVE - motor	6
43	A42219	SPRING	- vane	6
44	A35788		- rotor	1
45	A35787	RETAINER	- rotor seal	1
46	F19641		COVER - end	1
47	F19642		BOLT - 5/16 x 1-3/4" N.C. hex.	7
48	A40624	SEAL	KIT - pump shaft	1
49	A21145	SNAP RING,1.25, Int, #125	Ring, Snap, 1.25", Int, #125	1
50	F19645	BUSHING	SEAL - felt, dust cover	1
51	A42057	SEAL	RETAINER - dust seal	1
52	A14567	JAM NUT	- shaft	1



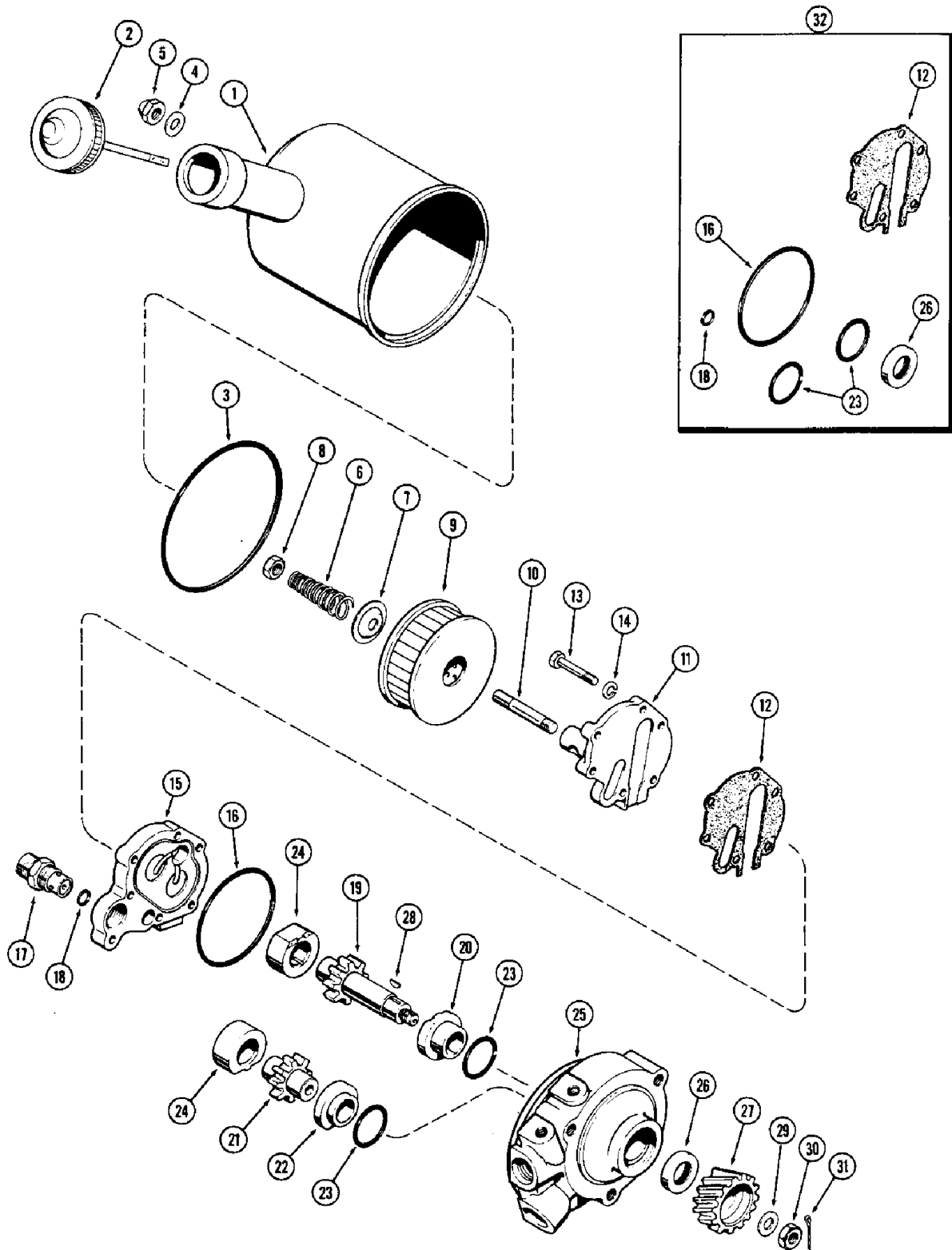
SPOOL WITHOUT STOP



SPOOL WITH STOP

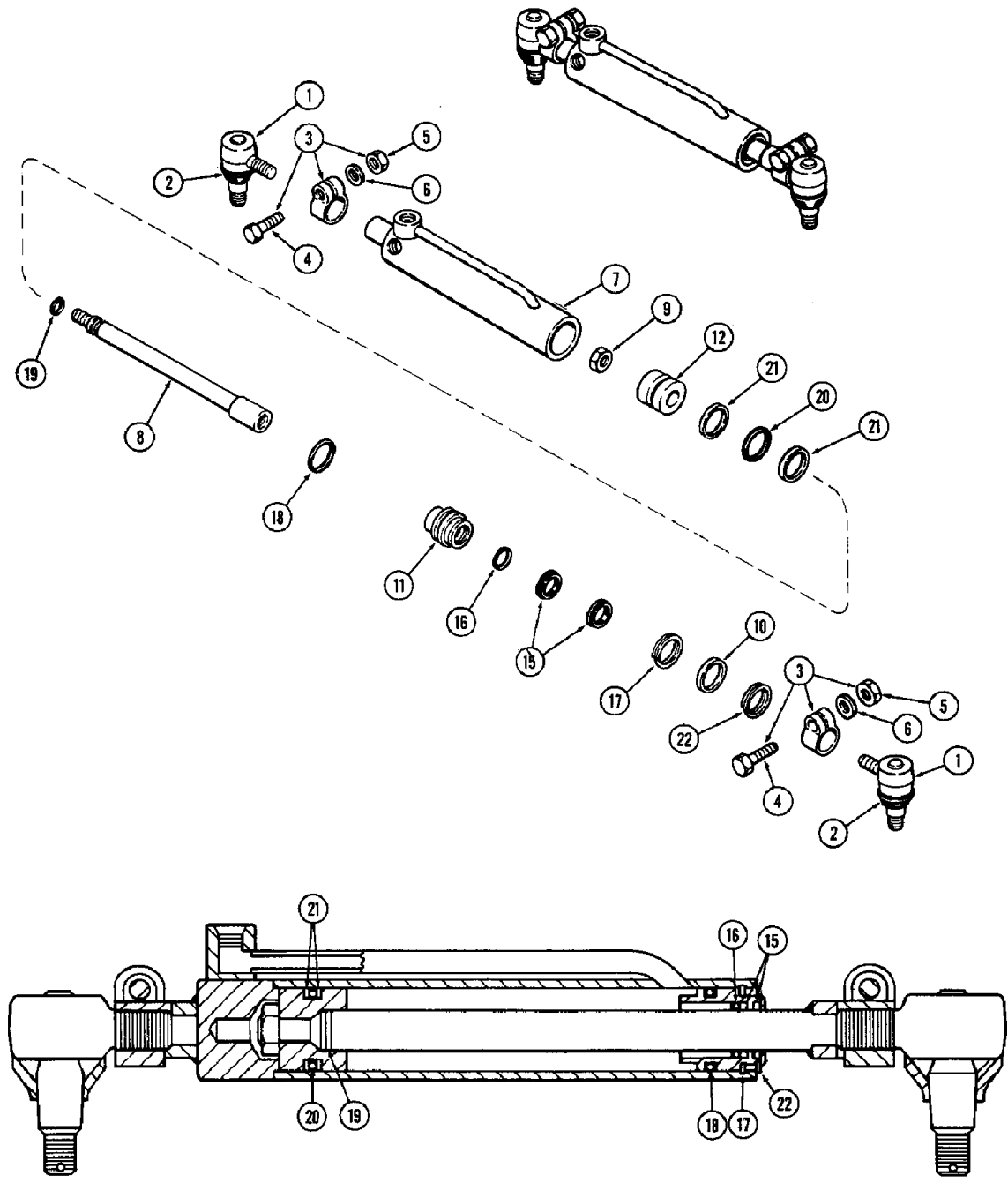


Diag #	Part #	Name	Description	Qty
	A37980	VALVE	ASSY. - control, Includes: Ref. 1 - 15	1
1	NSS	NOT SERVICED SEPARATELY	BODY - (Order A37980)	1
2	NSS	NOT SERVICED SEPARATELY	SPOOL - (Order A37980)	1
3	F19624	CAP	- end (See ref. 15)	1
4	L30404	CAPTIVE WASHER SCREW	BOLT - end cap, Sems	4
5	F21003	O-RING,1.237" ID x 1.443" OD	"O" RING - end cap	2
6	F19623	SCREW	- centering	1
7	F19622	VALVE SPRING	SPRING - centering	1
8	F19619	WASHER	- spring retaining	2
9	129998	PLUG,Hex Hd, 1/2"-20 ORB	Assy, Top, Valve body (Replaces F83122) Hex Hd, 1/2"-20 ORB	1
10	218-5004	O-RING,0.414" ID	5-1, 90 Duro, .414" ID x .072" Thk, seal, plug (Replaces F19628)	2
11	F82943	VALVE	PLUG ASSY. - relief valve, Includes: Ref. 12 - 14	1
12	138-60	LOCK PIN,1/8" x 15/16", Slotted	PIN, 1/8" x 15/16", Slotted	1
13	218-5002	O-RING,0.301" ID	3-1, .301" ID x .064" Thk, relief plug, Replaces F19630	1
14	211-7	BALL,1/4" Dia	- relief valve 1/4" Dia	1
15	F19624	CAP	- end, w/o stop (See note)	1
15	A37983	CAP	- end, w/stop (See note)	1

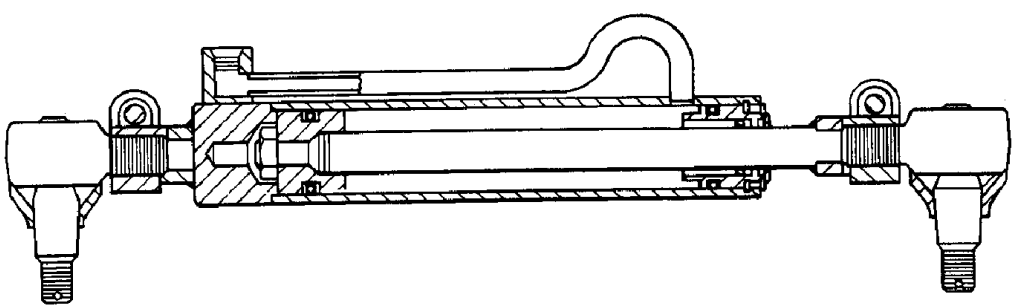
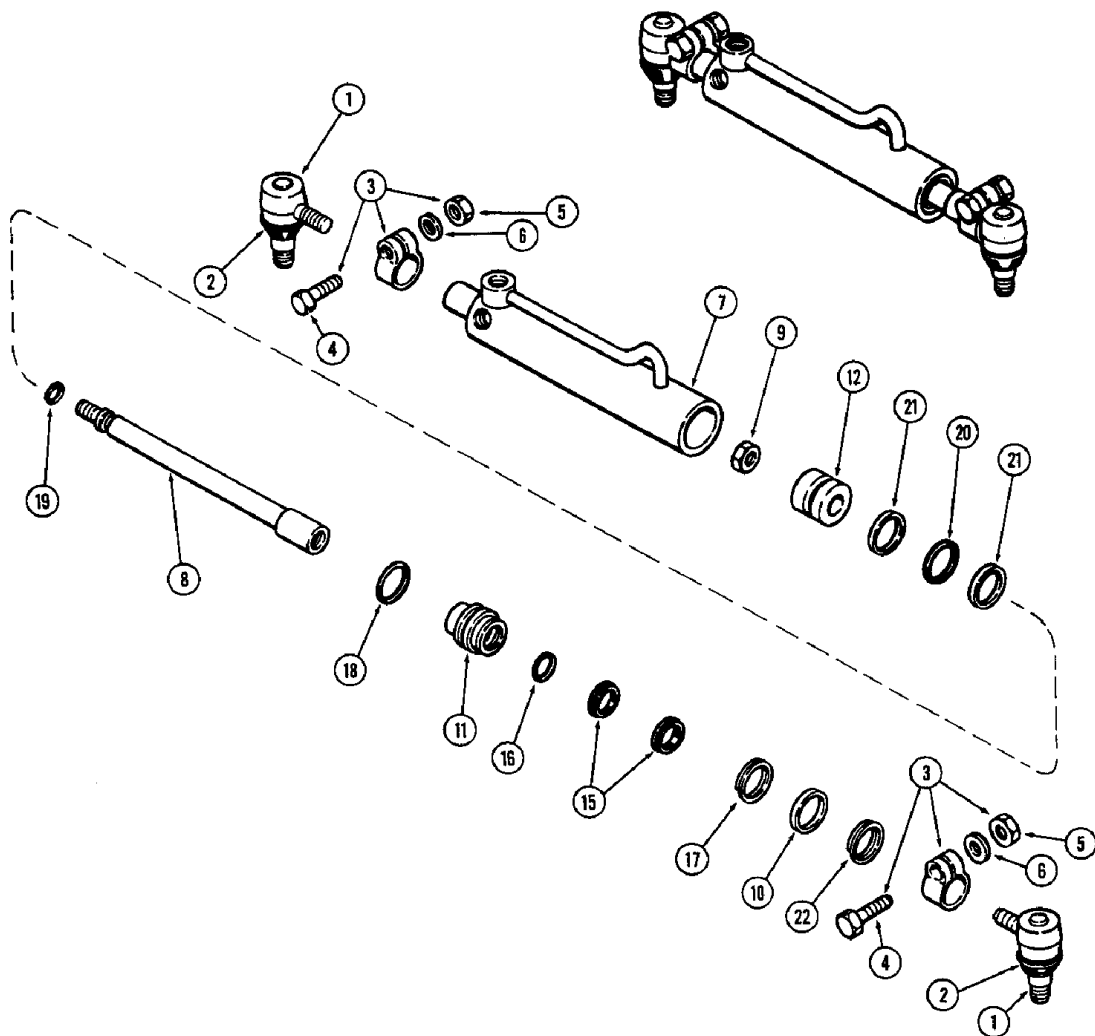


Diag #	Part #	Name	Description	Qty
	A137187	PUMP	ASSY. - power steering (Replaces A36559), Includes: Ref. 1 - 31	1
1	A35951	RESERVOIR	- oil	1
2	A35967	GAUGE	CAP - reservoir (Includes dipstick)	1
3	A35965	O-RING,4.737" ID x 0.113"	GASKET - reservoir	1
4	A42164	WASHER	- reservoir nut (Replaces A35961)	1
5	129-525	BEARING LOCK NUT,Crown, 3/8"-16	- 3/8" N.C. acorn	1
6	A35963	SPRING	- element tension	1
7	A35962	CAP	SEAT - element spring	1
8	25-156	JAM NUT,Jam, 3/8"-24, G5	- 3/8" N.C. hex., jam	1
9	A42242	FILTER, ELEMENT	ELEMENT - filter (Metal)	1
10	A35952	STUD	- 3/8" N.C. x 2-3/8"	1
11	A35950	COVER	- pump, rear	1
12	A35966	GASKET	- rear cover	1
		Part of seal kit P/N A35970	Part of seal kit P/N A35970	1
13	26-426	BOLT,Hex, 1/4"-20 x 1 5/8", G8	- 1/4 x 1-5/8" N.C. hex.	6
14	92-4	LOCK WASHER,1/4"	WASHER, LOCK, 1/4"	6
15	A35949	COVER	- pump, intermediate	1
16	A35959	SEAL,2.55" ID x 2.756" OD x 0.103"	"O" RING - 2-9/16 x 2-3/4 x 3/32"	1
		Part of seal kit P/N A35970	Part of seal kit P/N A35970	1
17	A137188	LOCK VALVE	VALVE ASSY. - relief (Replaces A35968)	1
18	A42187	O-RING,0.426" ID x 0.566" OD x 0.07"	"O" RING - 5/16 x 7/16 x 1/16"	1
		Part of seal kit P/N A35970	Part of seal kit P/N A35970	1
19	A25593	GEAR	- driven	1
20	A35957	BEARING	- gear, front	1
21	A35954	GEAR	- pump	1
		This is part nbr A35954 gear (now replaced by A185086 gear). Not listed on Figure 151 in error.	This is part nbr A35954 gear (now replaced by A185086 gear). Not listed on Figure 151 in error.	1
22	A35955	BEARING	- idler gear front	1
23	A35958	O-RING,1.049" ID x 1.255" OD x 0.103"	"O" RING - 1-1/6 x 1-1/4 x 3/32"	12
		Part of seal kit P/N A35970	Part of seal kit P/N A35970	1
24	A35956	BEARING	- rear	2

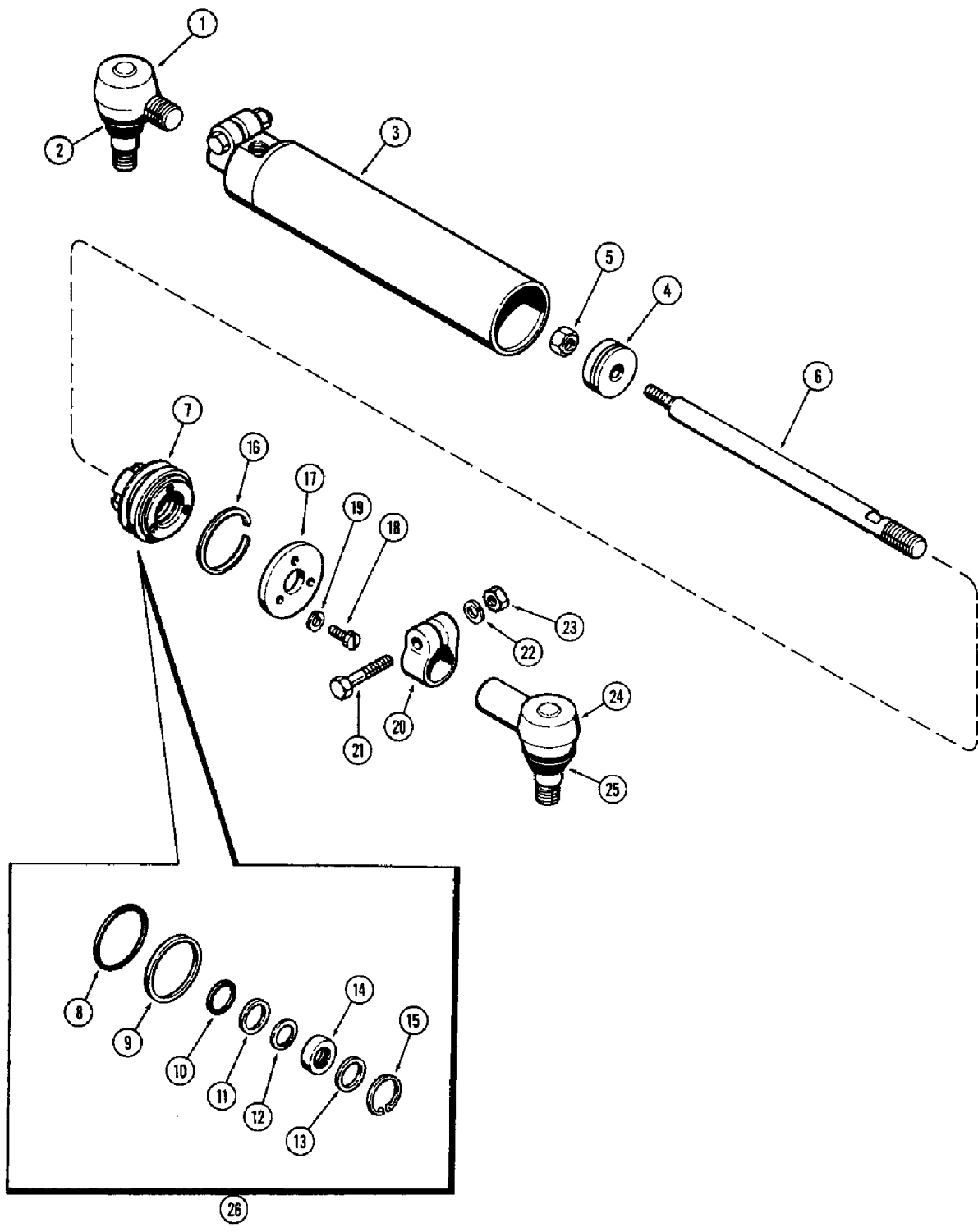
Diag #	Part #	Name	Description	Qty
25	A35948	BODY	- front	1
26	A50421	OIL SEAL	- oil, 3/4 x -1/4 x 1/4" (Replaces G13827)	1
		Part of seal kit P/N A35970	Part of seal kit P/N A35970	1
27	A25594	GEAR	- pump drive	1
		A25594 pump drive gear - This gear has 14 helical teeth.	A25594 pump drive gear - This gear has 14 helical teeth.	1
28	126-109	WOODRUFF KEY,#3, 1/8" x 1/2", HT	WOODRUFF KEY,#3, 1/8" x 1/2", HT	1
29	195-25	WASHER,3/8"	- 13/32 x 13/16 x 5/64"	1
30	F18390	NUT	- 3/8" N.F. hex. sltd.	1
31	132-5	COTTER PIN,1/16" x 1/2"	Pin, Split (Cotter), 1/16" x 1/2"	1
32	A35970	KIT	- seal, Includes Refs. 12, 16, 18, 23 and 26	1



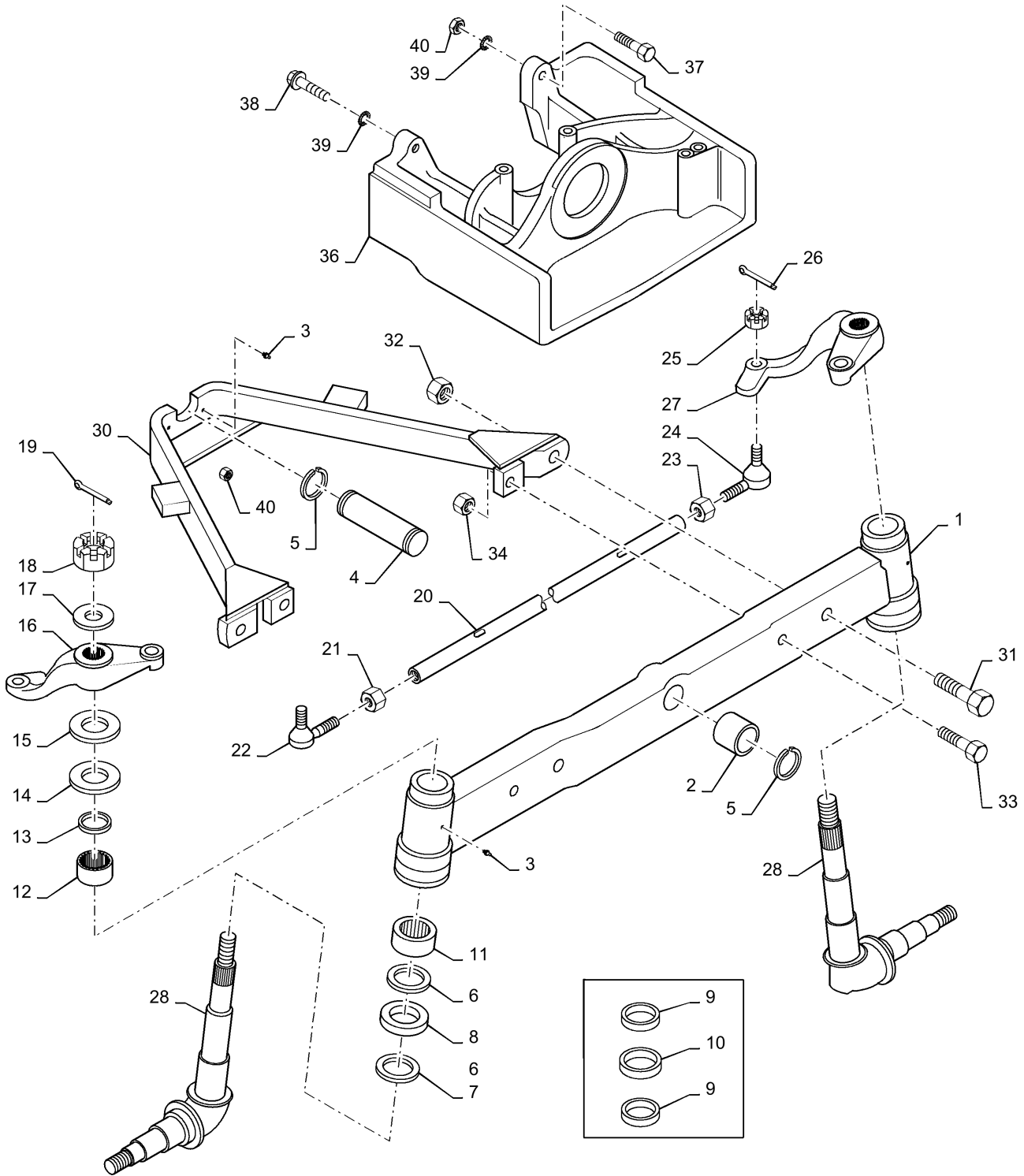
Diag #	Part #	Name	Description	Qty
	A137503	CYLINDER	ASSY. - steering (Replaces A137859, A51731)	2
1	A40962	BALL JOINT	END ASSY. - male thread, Includes: Ref. 2	2
2	A41424	SEAL	BOOT - end	1
3	A27080	CLAMP	ASSY. - end, Includes: Ref. 4 - 6	2
4	14-624	BOLT,Hex, 3/8"-24 x 1 1/2", G5	- 3/8 x 1-1/2" N.F. hex.	1
5	25-116	NUT,Hex, 3/8"-24, G5	- 3/8" N.F. hex.	1
6	92-6	LOCK WASHER,3/8"	WASHER - lock, 3/8"	1
7	NSS	NOT SERVICED SEPARATELY	BODY - cylinder (Order A137503)	1
8	A44642	ROD	- piston	1
9	131-1145	JAM NUT,Jam, 5/8"-18	NUT - lock, 9/16" N.F. hex. (Gripco)	1
10	A44641	SPACER	- cylinder head	1
11	A44639	GLAND	ASSY. - (Includes bushing)	1
12	A44640	PISTON	- cylinder	1
	A44644	GASKET KIT	KIT - cylinder repair, Includes: Ref. 15 - 21	1
15	A44651	WIPER SEAL	WIPER - rod	2
16	F62075	O-RING,0.734" ID x 1.012" OD	"O" RING - inner, gland (3/4 x 1 x 1/8")	1
17	A44652	SNAP RING,#150, 1.591", Int, Spiral	RING - lock, gland	1
		Subs to 102-23150 retaining ring.	Subs to 102-23150 retaining ring.	1
18	A41184	O-RING,1.234" ID x 1.512" OD x 0.139"	"O" RING - outer, gland (1-1/4 x 1-1/2 x 1/8")	1
19	A30097	O-RING,0.549" ID x 0.755" OD x 0.103"	"O" RING - rod to piston (9/16 x 3/4 x 3/32")	1
20	A27577	O-RING,1.234" ID x 1.512" OD x 0.139"	"O" RING - piston (1-1/4 x 1-1/2 x 1/8")	1
21	A45035	SEALING RING	RING - back-up, leather	2
22	A44654	SNAP RING,#125, 1.188", Ext Spiral	RING - lock, outer	1



Diag #	Part #	Name	Description	Qty
	A51713	CYLINDER ASSY. - hydraulic (Replaces A37859) (Order A137503, Figure 152), Includes: Ref. 1 - 22	CYLINDER ASSY. - hydraulic (Replaces A37859) (Order A137503, Figure 152), Includes: Ref. 1 - 22	2
1	A40962	BALL JOINT	END ASSY. - male thread, Includes: Ref. 2	2
2	A41424	SEAL	BOOT - dust	1
3	A27080	CLAMP	ASSY. - end, Includes: Ref. 4 - 6	2
4	14-624	BOLT,Hex, 3/8"-24 x 1 1/2", G5	BOOT - 3/8 x 1-1/2" N.F. hex.	1
5	25-116	NUT,Hex, 3/8"-24, G5	- 3/8" N.F. hex.	1
6	92-6	LOCK WASHER,3/8"	WASHER - lock, 3/8"	1
7	NSS	NOT SERVICED SEPARATELY	BODY - cylinder (Order A137503)	1
8	A44642	ROD	- piston	1
9	131-1145	JAM NUT,Jam, 5/8"-18	NUT - lock, 9/16" N.F. (Gripco)	1
10	A44641	SPACER	- head	1
11	A44639	GLAND	ASSY. - (Includes bushing)	1
12	A44640	PISTON	- cylinder	1
	A44644	GASKET KIT	KIT - cylinder repair, Includes: Ref. 15 - 21	1
15	NSS	NOT SERVICED SEPARATELY	WIPER - rod	2
16	F62075	O-RING,0.734" ID x 1.012" OD	"O" RING - gland inner, 3/4 x 1 x 1/8"	1
17	A44652	SNAP RING,#150, 1.591", Int, Spiral	RING - lock, gland	1
		Subs to 102-23150 retaining ring.	Subs to 102-23150 retaining ring.	1
18	A41184	O-RING,1.234" ID x 1.512" OD x 0.139"	"O" RING - gland, 1-1/4 x 1-1/2 x 1/8"	1
19	A30097	O-RING,0.549" ID x 0.755" OD x 0.103"	"O" RING - rod to piston, 9/16 x 3/4 x 3/32"	1
20	A27577	O-RING,1.234" ID x 1.512" OD x 0.139"	"O" RING - piston, 1-1/4 x 1-1/2 x 1/8"	1
21	A45035	SEALING RING	RING - back-up, leather	2
22	A44654	SNAP RING,#125, 1.188", Ext Spiral	RING - lock, outer	1

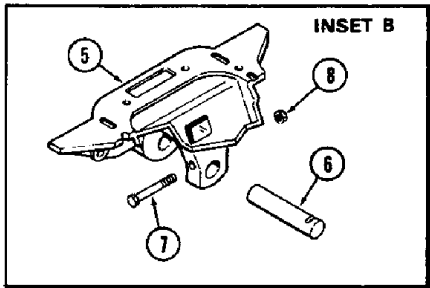
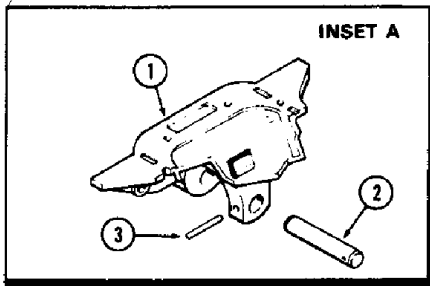


Diag #	Part #	Name	Description	Qty
	A37859	CYLINDER	steering (Order A137503 Figure 152), Includes: Ref. 1 - 25	1
1	A40962	BALL JOINT	male thread, Includes: Ref. 2	1
2	A41424	SEAL	Boot, end	1
3	NSS	NOT SERVICED SEPARATELY	BODY - cylinder (Order A137503)	1
4	A36395	PISTON	PISTON	1
5	131-366	NUT	NUT	1
6	A35873	ROD	piston	1
7	A36443	GLAND	cylinder, Includes: Ref. 8 - 16	1
8	A7156	O-RING,1.734" ID x 2.012" OD	(See ref. 26)	1
9	A35884	WASHER	back-up, 1-3/4" I.D. leather (See ref. 26)	1
10	F62114	O-RING,0.674" ID x 0.88" OD	(See ref. 26)	1
11	A35879	RING	back-up, .087" I.D. leather (See ref. 26)	1
12	F9886	WASHER	retaining (See ref. 26)	1
13	F9887	WASHER	retaining, oil seal (See ref. 26)	2
14	A11061	SEAL	(See ref. 26)	1
15	A37885	RING - snap (See ref. 26)	RING - snap (See ref. 26)	1
16	A35885	RING	gland retainer	1
17	A35887	PLATE ASSY.	end	1
18	182-125	SCREW,Slotted Pan Hd, #10-24 x 1/2"	SCREW,Slotted Pan Hd, #10-24 x 1/2"	3
19	92-3	LOCK WASHER,#10	LOCK WASHER,#10	3
20	A27080	CLAMP	end, Includes: Ref. 21 - 23	1
21	14-628	BOLT,Hex, 3/8"-24 x 1 3/4", G5	BOLT,Hex, 3/8"-24 x 1 3/4", G5	1
22	92-6	LOCK WASHER,3/8"	LOCK WASHER,3/8"	1
23	25-116	NUT,Hex, 3/8"-24, G5	NUT,Hex, 3/8"-24, G5	1
24	A40963	BALL JOINT	female thread, Includes: Ref. 25	1
25	A41424	SEAL	BOOT - end	1
26	A36396	GASKET KIT	gland seal repair (Incl. items 8 - 15)	1

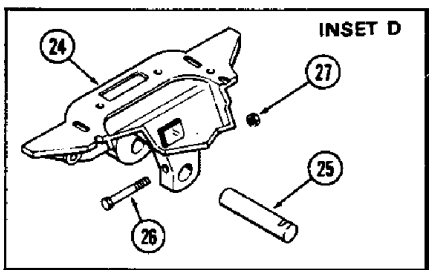
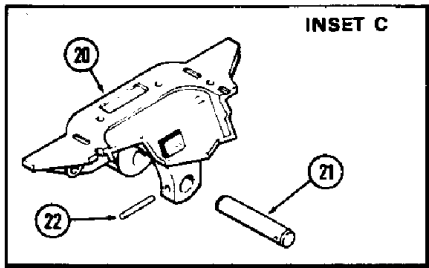
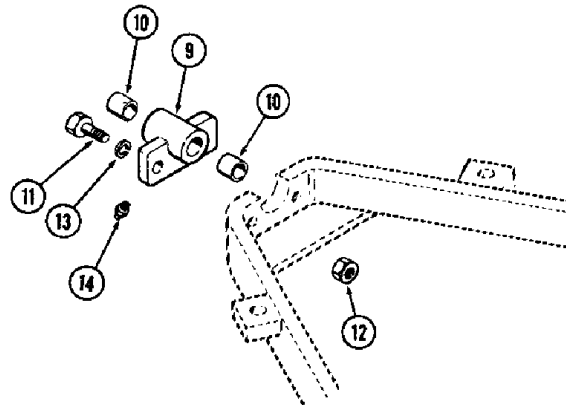


Diag #	Part #	Name	Description	Qty
1	A38382	AXLE, FRONT	ASSY. - front, Includes: Ref. 2	1
		A38382 axle assy - The castings at each end of this axle (which spindles go through) are NSS.	A38382 axle assy - The castings at each end of this axle (which spindles go through) are NSS.	1
2	A36282	BUSHING	Pivot	1
3	219-1	LUBE NIPPLE, 1/8"-27 x .66 lg	P.T. str.	3
4	A38384	PIN	Pivot (w/grease fitting hole)	1
5	A27085	RING	Snap, pivot pin	2
6	A36565	WASHER	Thrust (1/4" thick, see inset) (See ref. 7)	4
7	A44603	BEARING WASHER, 2.065" ID x 2.62" OD x 0.375"	Thrust (3/8" thick, see inset) (Used thrust bearing trac. S/N's 8711518 thru 8716638)	2
8	A27602	THRUST BEARING, 2.041" ID x 2.9475" OD x 0.635"	(2 x 2-15/16 x 5/8") (See ref. 9)	2
9	NSS	NOT SERVICED SEPARATELY	WASHER - thrust (Prod. only) (Order A27602)	4
10	NSS	NOT SERVICED SEPARATELY	WASHER - thrust (Prod. only) (Order A27602)	2
11	A28230	NEEDLE BEARING, 2" ID x 2.3755" OD x 1"	Lower, 2 x 2-3/8 x 1"	2
12	A28229	NEEDLE BEARING, 1.75" ID x 2.1255" OD x 1"	Upper, 1-3/4 x 2-1/8 x 1"	2
13	A27754	OIL SEAL	Oil, upper, 1-3/4 x 2-1/8 x 3/16"	2
14	A51533	GUARD	SHIELD - dust (Replaces A35344)	2
15	A35345	SHIM, .0359" Thk	Spindle (#20 gauge)	1
15	A35346	SHIM, .0598" Thk	Spindle (16 gauge)	1
15	A35861	SHIM, .0149" Thk	Spindle (28 gauge)	1
16	A137742	ARM	Steering, RH (Replaces A37926)	1
17	A62918	WASHER	Spindle nut	2
18	25-1918	SLOTTED NUT, 1 1/8"-12, G5, Thk	SLOTTED NUT, 1 1/8"-12, G5, Thk	2
19	132-97	COTTER PIN, 3/16" x 1 3/4"	COTTER PIN, 3/16" x 1 3/4"	2
20	A39120	TIE-ROD	TIE ROD TUBE	1
21	G49084	JAM NUT	11/16"-23 hex. lock (RH thread)	1
22	G45368	END ASSY.	Tie rod, RH	1
23	G49085	JAM NUT	11/16"-23 hex., lock (LH thread)	1
24	G45369	END ASSY.	Tie rod, LH	1
25	25-139	SLOTTED NUT, 9/16"-18, G5	SLOTTED NUT, 9/16"-18, G5	2

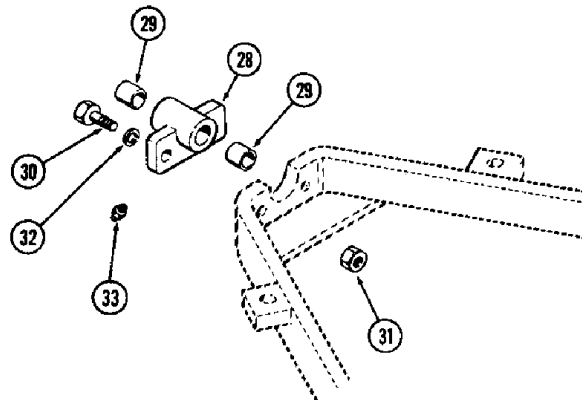
Diag #	Part #	Name	Description	Qty
26	132-50	COTTER PIN,1/8" x 1 1/4"	COTTER PIN,1/8" x 1 1/4"	2
27	A137741	ARM	Steering, LH (Replaces A37927)	1
28	REF	INSTRUCTION	SPINDLE - wheel (See Figure 156)	2
30	A36283	ROD	RADIUS	1
31	13-1664	BOLT,Hex, 1"-8 x 4", G5	BOLT,Hex, 1"-8 x 4", G5	2
32	25-1616	NUT,1"-8, G5, Hvy	NUT,1"-8, G5, Hvy	2
33	13-1264	BOLT,Hex, 3/4"-10 x 4", G5	BOLT,Hex, 3/4"-10 x 4", G5	2
34	25-1012	NUT,3/4"-10, G5	NUT,3/4"-10, G5	2
36	A39319		SPARE PART SUPPORT - front axle	1
37	26-1036	BOLT,Hex, 5/8"-11 x 2 1/4", G8	BOLT,Hex, 5/8"-11 x 2 1/4", G8	2
38	A38303	BOLT (SPREADER)	5/8 x 3-13/64" N.C. hex.	1
38	A135977	STEP BOLT	5/8 x 3-1/4" N.C. hex, shoulder	1
39	193-34	LOCK WASHER,Int Tooth, 5/8"	Shakeproof, 5/8" ext.	4
40	25-1610	NUT,5/8"-11, G5, Hvy	NUT,5/8"-11, G5, Hvy	2



W/188 DIESEL & 188 SPARK IGNITION

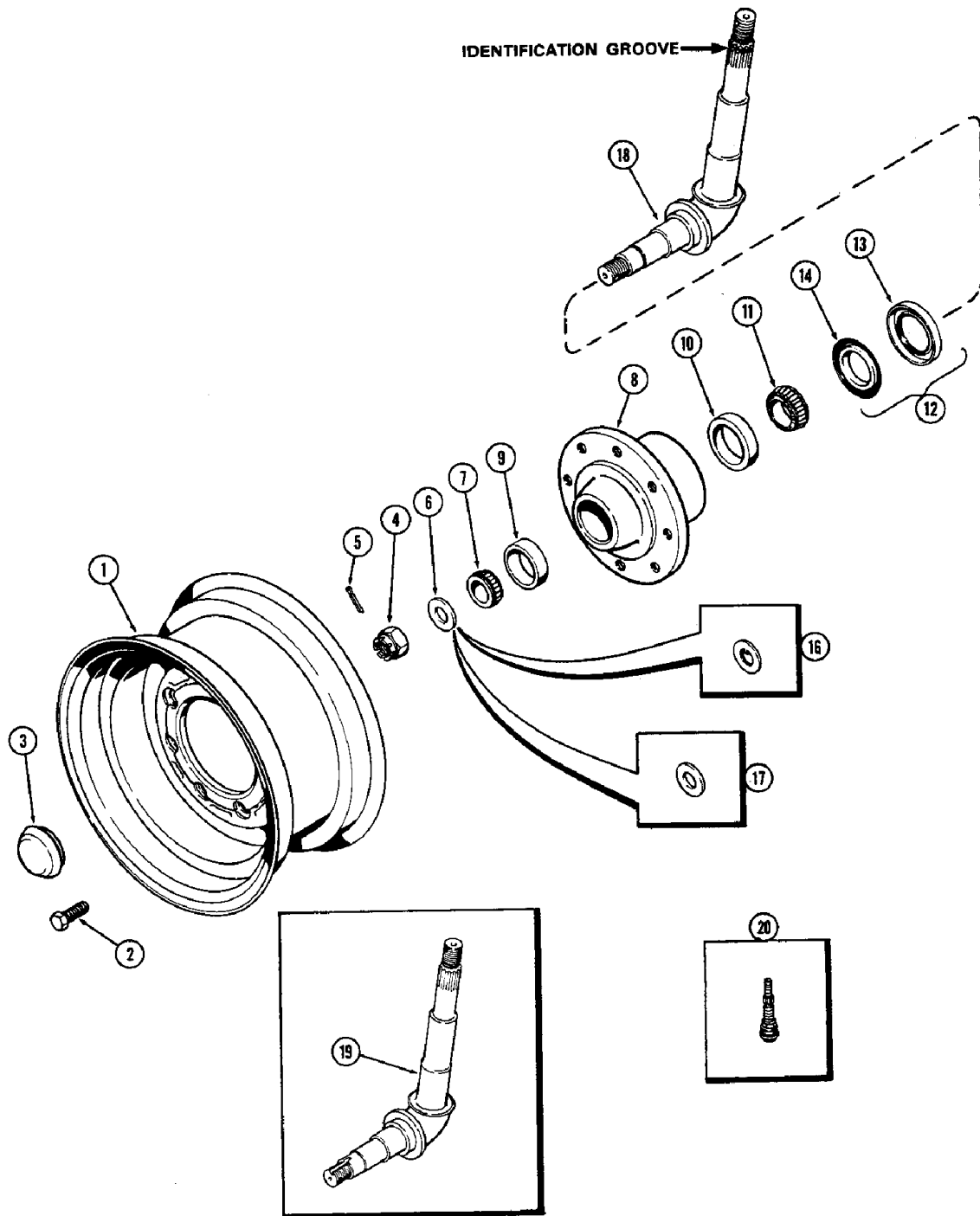


W/159 SPARK IGNITION



Diag #	Part #	Name	Description	Qty
1	A38425	PAN	oil (Used with A51356 pivot pin and 135-361 groove pin) (See inset A) (Order A51539 oil pan, A51537 pivot pin, 26-544 bolt	1
2	A51356	PIN	rear pivot	1
3	135-361	GROOVED PIN, 1/4" x 2", Type F	1/4" x 2", Type F	1
5	A51539	PAN	oil (Used with A51537 pivot pin, 26-544 bolt	1
6	A51537	PIN	rear pivot	1
7	26-544	BOLT, Hex, 5/16"-18 x 2 3/4", G8	- 5/16 x 2-3/4" N.C. hex.	1
8	131-351	LOCK NUT, 5/16"-18, GA	lock, 5/16" N.C. hex.	1
9	A38199	PIVOT	ASSY. - rear, radius rod, Includes: Ref. 10	1
10	A29944	BUSHING	rear pivot	2
11	13-1036	BOLT, Hex, 5/8"-11 x 2 1/4", G5	BOLT, Hex, 5/8"-11 x 2 1/4", G5	2
12	25-1010	NUT, 5/8"-11, G5	NUT, 5/8"-11, G5	2
13	92-10	LOCK WASHER, 5/8"	WASHER, LOCK, 5/8"	2
14	219-36	LUBE NIPPLE, 45°, 1/8" NPT x 7/8" lg	FITTING - lube, 1/8" P.T. 45 degrees	1
20	A38426	PAN	oil (Used with A51356 pivot pin and 135-361 groove pin) (Order inset C) (Order A51538 oil pan, A51356 pivot pin, 26-544 bolt	1
21	A51356	PIN	rear pivot, w/ 159 spark ignition eng.	1
22	135-361	GROOVED PIN, 1/4" x 2", Type F	w/ 159 spark ignition eng. 1/4" x 2", Type F	1
24	A51538	PAN	oil (Used with A51537 pivot pin, 26-544 bolt,	1
25	A51537	PIN	rear pivot, w/ 159 spark ignition eng.	1
26	26-544	BOLT, Hex, 5/16"-18 x 2 3/4", G8	- 5/16 x 2-3/4" N.C. hex., w/ 159 spark ignition eng.	1
27	131-351	LOCK NUT, 5/16"-18, GA	lock, 5/16" N.C., w/ 159 spark ignition eng.	1
28	A38199	PIVOT	ASSY. - rear, radius rod, w/ 159 spark ignition eng., Includes: Ref. 29	1
29	A29944	BUSHING	rear pivot, w/ 159 spark ignition eng.	2
30	13-1036	BOLT, Hex, 5/8"-11 x 2 1/4", G5	w/ 159 spark ignition eng. Hex, 5/8"-11 x 2 1/4", G5	2
31	25-1010	NUT, 5/8"-11, G5	w/ 159 spark ignition eng. 5/8"-11, G5	2
32	92-10	LOCK WASHER, 5/8"	WASHER, LOCK, , w/ 159 spark ignition eng. 5/8"	2

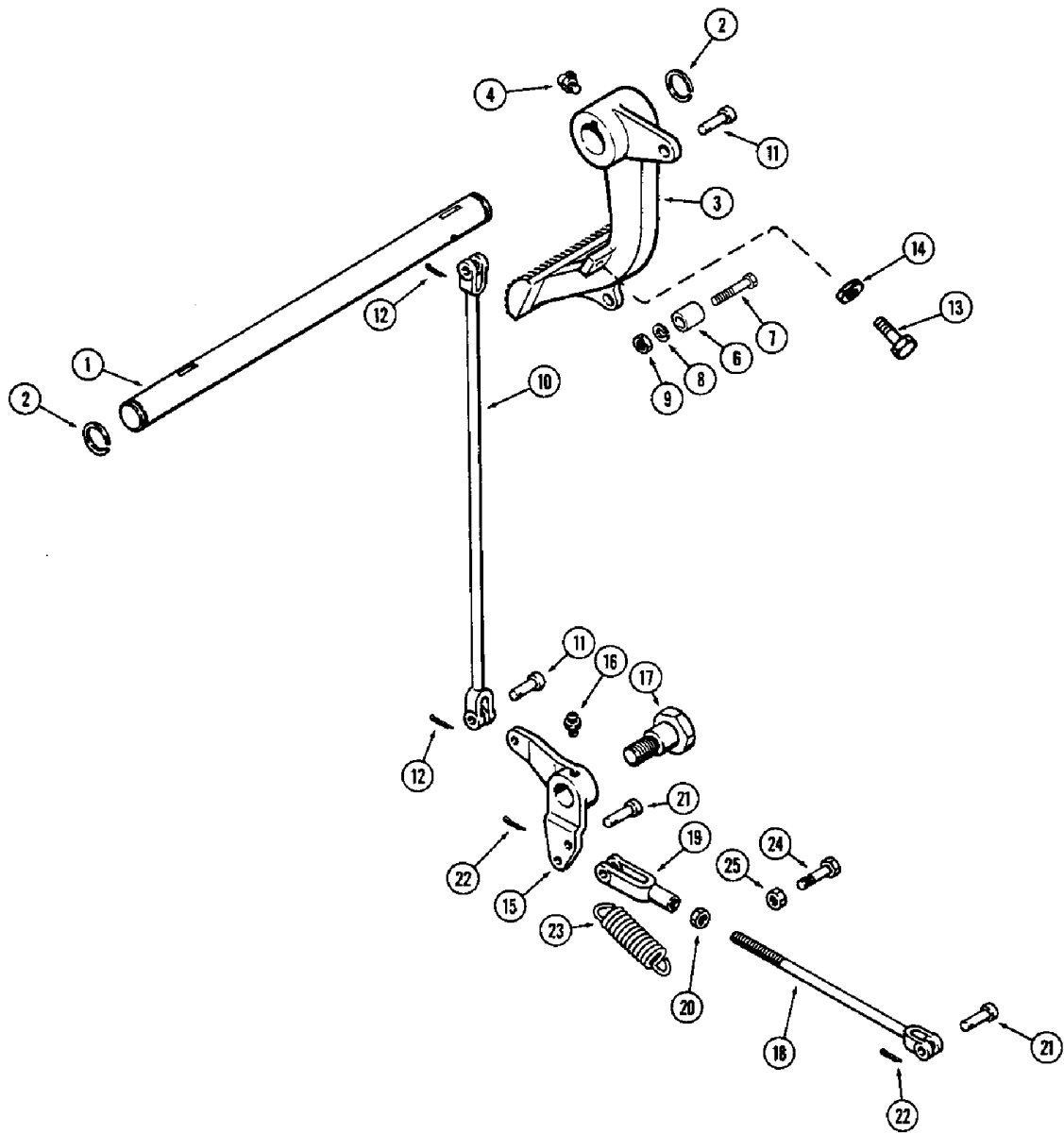
Diag #	Part #	Name	Description	Qty
33	219-36	LUBE NIPPLE,45°, 1/8" NPT x 7/8" lg	FITTING - lube, 1/8" P.T. 45 degrees, w/ 159 spark ignition eng.	1



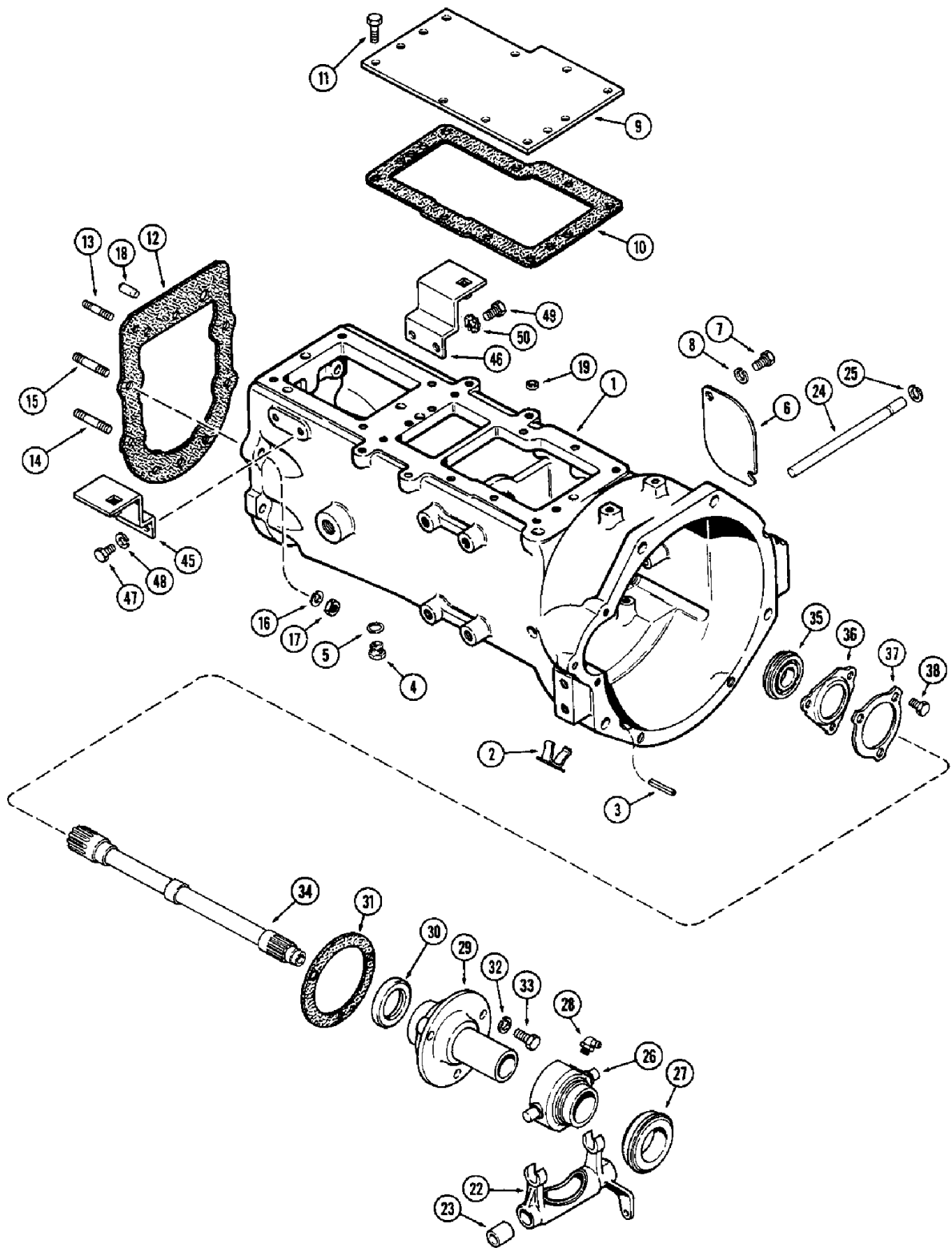
Diag #	Part #	Name	Description	Qty
1	A39117	WHEEL	- takes 7.50 X 16 tire (Replaces A39528)	2
1	A39118	RIM	WHEEL - takes 11 x 16 tire	2
2	A38208	WHEEL BOLT	BOLT - lug, front wheel (Replaces A62567)	16
3	A29425	CAP	- hub	2
4	25-1918	SLOTTED NUT,1 1/8"-12, G5, Thk	NUT - 1-1/8" N.F. hex., sltd.	2
5	132-97	COTTER PIN,3/16" x 1 3/4"	Pin, Split (Cotter), 3/16" x 1 3/4"	2
7	A29465	ROLLER BEARING,34.938 mm ID x 24.684 mm	CONE - outer bearing	2
8	A51157	HUB	- front wheel (Replaces A39144)	2
9	A27631	CUP	- outer bearing	2
10	A29062	ROLLER BEARING,82.956 mm OD x 19.101 mm	CUP - inner bearing	2
11	A29063	ROLLER BEARING,44.463 mm ID x 25.476 mm	CONE - inner bearing	2
12	A57250	OIL SEAL	KIT - seal, front wheel, Includes: Ref. 13 and 14	2
13	NSS	NOT SERVICED SEPARATELY	SEAL - inner half (Order ref. 12)	1
14	NSS	NOT SERVICED SEPARATELY	SEAL - outer half (Order ref. 12)	1
16	A62918	WASHER	- hub nut (1-9/64 x 2 x 3/16") (Used w/A135648 spindle)	2
17	A26789	BEARING WASHER	WASHER - hub nut (1-9/64 x 2 x 3/16") (Used w/A57248 spindle w/keyway)	1
18	A135648	SPINDLE	- front wheel (w/o keyway)	2
19	A57248	SPINDLE	- front wheel, R.H.	1
20	A38261	VALVE	- tubeless tire	1



POWER TRAIN

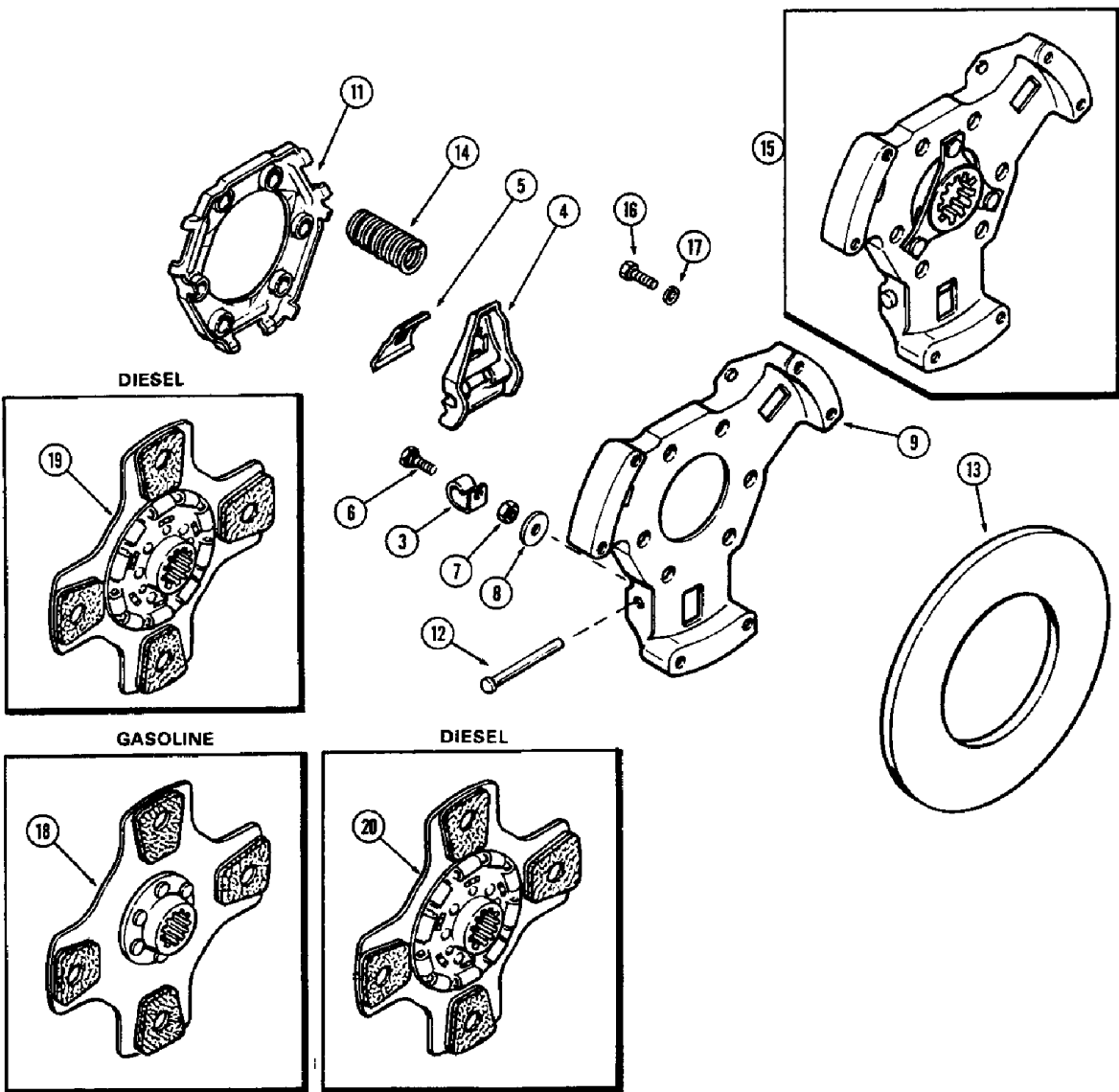
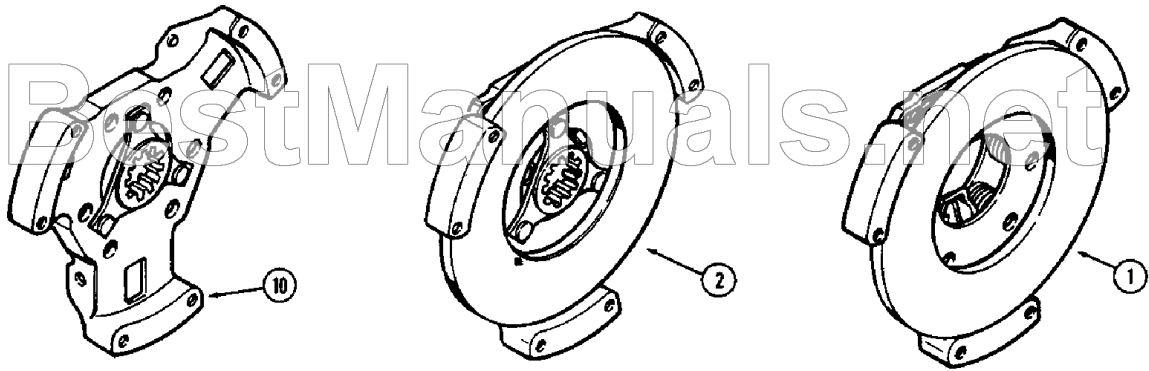


Diag #	Part #	Name	Description	Qty
1	A37701	SHAFT	- cross, brake	1
2	A37235	SNAP RING,#100, .941", Ext	RING - snap, pedal to shaft	1
3	A39808	PEDAL	- clutch	1
4	219-55	LUBE NIPPLE,90°, 1/8" NPT x .84" lg	FITTING - lube, 1/8" P.T., 45 degrees	1
6	A37459	SPACER	STOP - 9/16 x 27/32 x 11/16"	1
7	13-832	BOLT,Hex, 1/2"-13 x 2", G5	BOLT,Hex, 1/2"-13 x 2", G5	1
8	92-8	LOCK WASHER,1/2"	LOCK WASHER,1/2"	1
9	25-108	NUT,1/2"-13, G5	- 1/2" N.C. hex.	1
10	A37254		ROD -, Serial Range: pedal-lever	1
11	141-3	CLEVIS PIN,5/16" x .940"	PIN, CLEVIS, , Yoke 5/16" x .940"	2
12	132-26	COTTER PIN	Pin, Split (Cotter), 3/32" x 3/4"	2
13	113-169	BOLT,Hex, 1/4"-20 x 1 1/4", G5, Full Thd	Clutch pedal adj. Hex, 1/4"-20 x 1 1/4", G5, Full Thd	1
14	25-144	JAM NUT,Jam, 1/4"-20, G5	- (1/4" hex. jam)	1
15	A37257	PIVOT	LEVER - pivot, clutch rod	1
16	219-1	LUBE NIPPLE,1/8"-27 x .66 lg	FITTING - lube, 1/8" P.T. st.	1
17	A37256	BOLT	- pivot lever shoulder	1
18	A37480	ROD	-, Serial Range: lever-throwout	1
19	213-3	ADJUSTABLE CLEVIS,5/16"-24	YOKE - rod to lever	1
20	25-155	JAM NUT,Jam, 5/16"-24, G5	- 5/16" N.F. hex., jam	1
21	141-3	CLEVIS PIN,5/16" x .940"	PIN, CLEVIS, , Yoke 5/16" x .940"	2
22	132-26	COTTER PIN	Pin, Split (Cotter), 3/32" x 3/4"	2
23	A35789	SPRING	- return	1
24	13-520	BOLT,Hex, 5/16"-18 x 1 1/4", G5	- 5/16 x 1-1/4" N.C. hex.	1
25	9635082	NUT,5/16"-18, G5	- 5/16" N.C. hex.	1

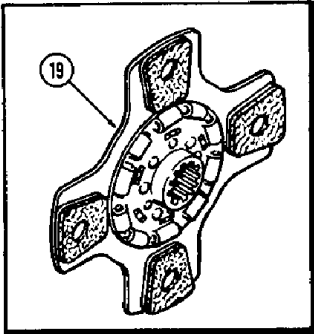


Diag #	Part #	Name	Description	Qty
1	A51800	TUBE	- torque (1st used trac. ser. no. 8731267)	1
1	A39214	TUBE	- torque (Used prior to trac. ser. no. 8731267) (Order 1-A51800 tube	1
2	A35216	COVER	- timing hole	1
3	138-65	LOCK PIN,1/8" x 1 1/2", Slotted	PIN, , Timing pointer 1/8" x 1 1/2", Slotted	1
4	A140222	PLUG	- drain (Replaces A14280)	1
5	A58608	OIL PAN GASKET SET	- plug	1
6	A7082	COVER	- hand hole	1
7	13-68	SCREW,Hex, 3/8"-16 x 1/2", G5, Full Thd	BOLT - 3/8 x 1/2" N.C. hex.	1
8	92-6	LOCK WASHER,3/8"	WASHER - lock, 3/8"	1
9	A39574		COVER - front (w/o hydraulics)	1
10	G10876	GASKET	- cover	1
11	13-614	BOLT,Hex, 3/8"-16 x 7/8", G5, Full Thd	BOLT,Hex, 3/8"-16 x 7/8", G5, Full Thd	11
12	A39029	GASKET	- torque tube to trans. case	1
13	A38708	STUD	- 1/2" N.C./N.F. x 2-3/8"	1
14	A38707	STUD	- 1/2" N.C./N.F. x 2-1/2" (Replaces A29336)	4
		A38707 stud - This stud is 2.560" long. One size is used to service both sizes called out.	A38707 stud - This stud is 2.560" long. One size is used to service both sizes called out.	1
15	A38707	STUD	- 1/2" N.C./N.F. x 2-9/16"	3
16	92-8	LOCK WASHER,1/2"	LOCK WASHER,1/2"	4
17	25-118	NUT,1/2"-20, G5	- 1/2" N.F. hex.	4
18	A29540	PIN	DOWEL - torque tube locating	1
19	41-1010	PLUG,Cup, 5/8"	- 3/8" cup type	1
22	G14469	YOKE	ASSY. - clutch throwout, Includes: Ref. 23	1
23	G49661	BUSHING	- yoke	2
24	A35029	SHAFT	- pivot, throwout yoke	1
25	A35030	RING	- snap, pivot shaft	1
26	A45388	CARRIER	ASSY. - throwout bearing (Replaces A37774), Includes: Ref. 27	1
27	A144152	BEARING	- throwout (Replaces A7538	1
28	219-36	LUBE NIPPLE,45°, 1/8" NPT x 7/8" lg	FITTING - lube, 1/8" P.T., 45 degrees	1
29	A38634	CARRIER	SLEEVE ASSY. - throwout, Includes: Ref. 30	1

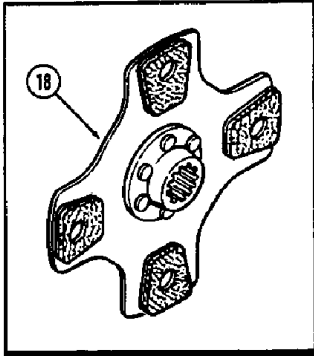
Diag #	Part #	Name	Description	Qty
30	A37611	OIL SEAL	- oil, clutch shaft	1
31	G10407	GASKET	- sleeve	1
32	13-616	BOLT,Hex, 3/8"-16 x 1", G5, Full Thd	BOLT,Hex, 3/8"-16 x 1", G5, Full Thd	3
33	92-6	LOCK WASHER,3/8"	WASHER - lock, 3/8"	3
34	A37618	SHAFT	- clutch	1
35	A37733	BALL BEARING	BEARING - clutch shaft	1
36	G10383	BEARING CAP	CAP - bearing	1
37	G10382	LOCK	- bearing cap	1
38	13-516	BOLT,Hex, 5/16"-18 x 1", G5, Full Thd	BOLT,Hex, 5/16"-18 x 1", G5, Full Thd	3
45	D52992	BRACKET	SUPPORT - floor plate, R.H.	1
46	D52991	SUPPORT	- floor plate, L.H.	1
47	13-612	BOLT,Hex, 3/8"-16 x 3/4", G5, Full Thd	R.H. Hex, 3/8"-16 x 3/4", G5, Full Thd	2
48	92-6	LOCK WASHER,3/8"	WASHER - lock, , RH 3/8"	2
49	113-206	BOLT,Hex, 3/8"-16 x 3/4", G5, Full Thd	L.H. Hex, 3/8"-16 x 3/4", G5, Full Thd	2
50	193-72	LOCK WASHER	- Shakeproof, 3/8" int./ext., L.H.	2



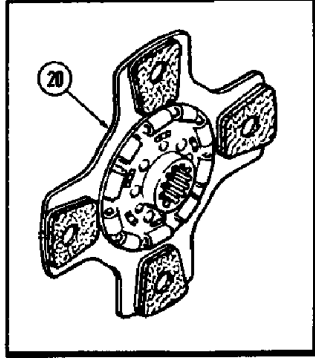
DIESEL



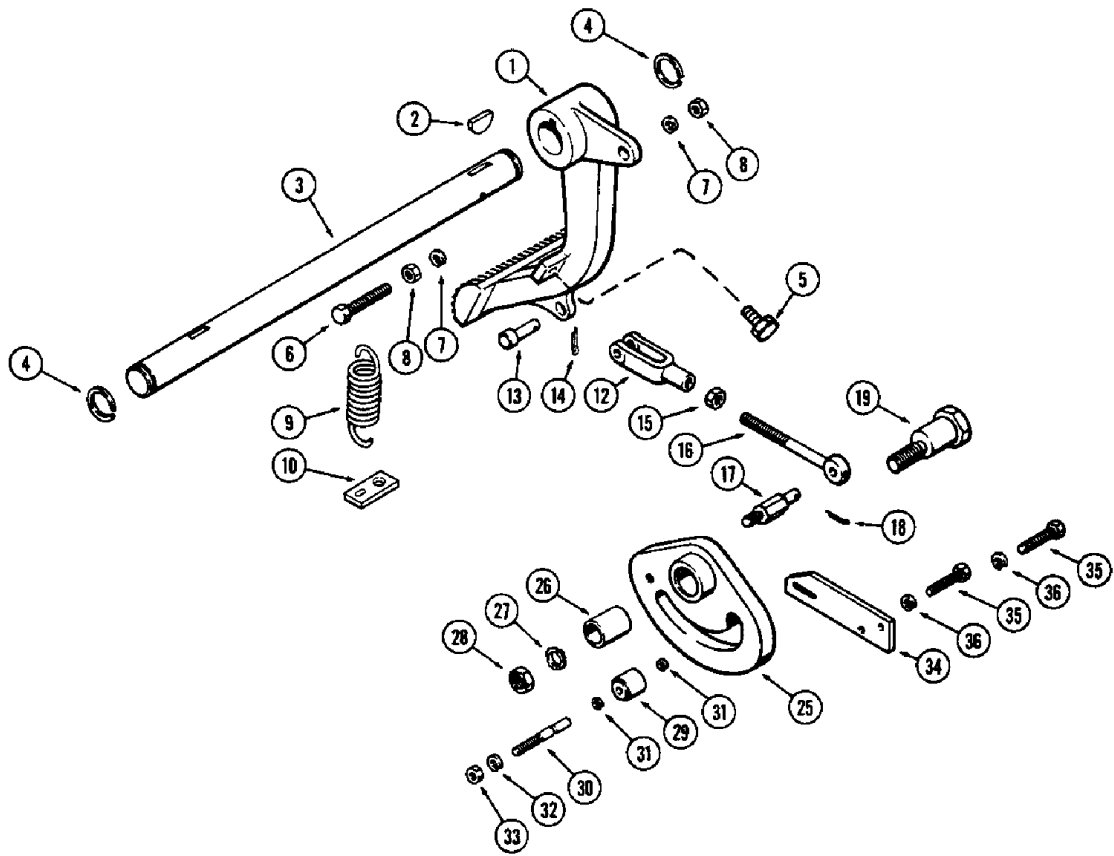
GASOLINE



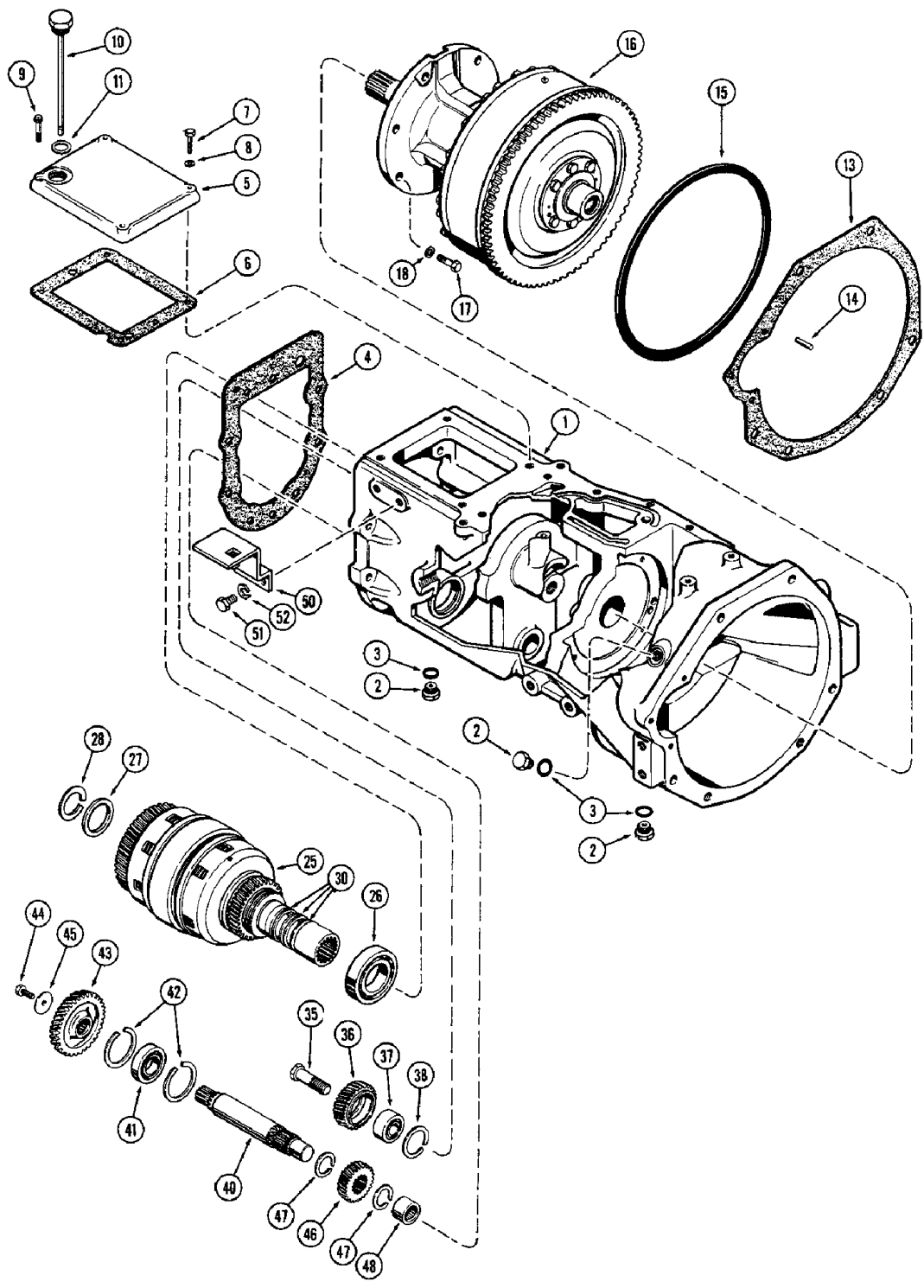
DIESEL



Diag #	Part #	Name	Description	Qty
1	A39213	PLATE	PLATE ASSY. - pressure (w/o hub) (Order A39212), Includes: Ref. 3 - 15	1
2	A39212	CLUTCH	PLATE ASSY. - pressure (w/hub), Includes: Ref. 3 - 15	1
	A39212R	REMAN-CLUTCH PLATE	580B, Case Construction King Tractor w/Shuttle Trans., N.A. Only	1
	A39212C	CORE-CLUTCH PLATE	Return Number, For N.A. Only	1
2	5092792C	CORE-CLUTCH PLATE	Return number - For N.A. only	1
3	A43607	CLIP	CLIP - clutch return	3
4	NSS	NOT SERVICED SEPARATELY	LEVER - pressure spring (Order A43660)	3
5	A43605	LINK	LINK - pressure plate	3
6	A43608		ADJUSTOR - lever screw	3
7	25-155	JAM NUT, Jam, 5/16"-24, G5	LOCKNUT - adjustor (Replaced G49005)	3
8	G49048	WASHER	WASHER - flat, adjustor	3
9	NSS	NOT SERVICED SEPARATELY	BRACKET - pressure plate (w/o hub) (Order A43660)	1
10	NSS	NOT SERVICED SEPARATELY	BRACKET - pressure plate (w/hub) (Order A43660)	1
11	A43613	RING	RING - pressure plate spring	1
12	A43606		SPARE PART PIN - pivot, lever (See A43660)	3
13	A43609	PLATE	PLATE - pressure	1
14	A43612	SPRING	KIT - pressure spring (Set of 6, yellow code)	1
15	A43660	BRACKET	BRACKET ASSY. - clutch pressure plate w/lever (Includes items 4, 10)	1
16	G11207	BOLT	BOLT -, Serial Range: plate-flywheel	6
17	92-5	LOCK WASHER, 5/16"	LOCK WASHER, 5/16"	6
18	A39087	PLATE ASSY.	PLATE - driving (Gasoline)	1
19	A51840	CLUTCH DISK Change to Clutch DISC	CLUTCH DISK PLATE - driving (Diesel) (1st used trac. ser. no. 8738840)	1
19	1997844C1R	REMAN-CLUTCH DISC	Remanufactured Clutch Disc, 11 in., 21Tooth hub, 4 paddle, N.A. Only	1
19	1997844C1C	CORE-CLUTCH DISC	Return Number, N.A. Only	1
20	A38389	PLATE	PLATE - driven; driving (Diesel) (Used prior to trac. ser. no. 8738840)	1

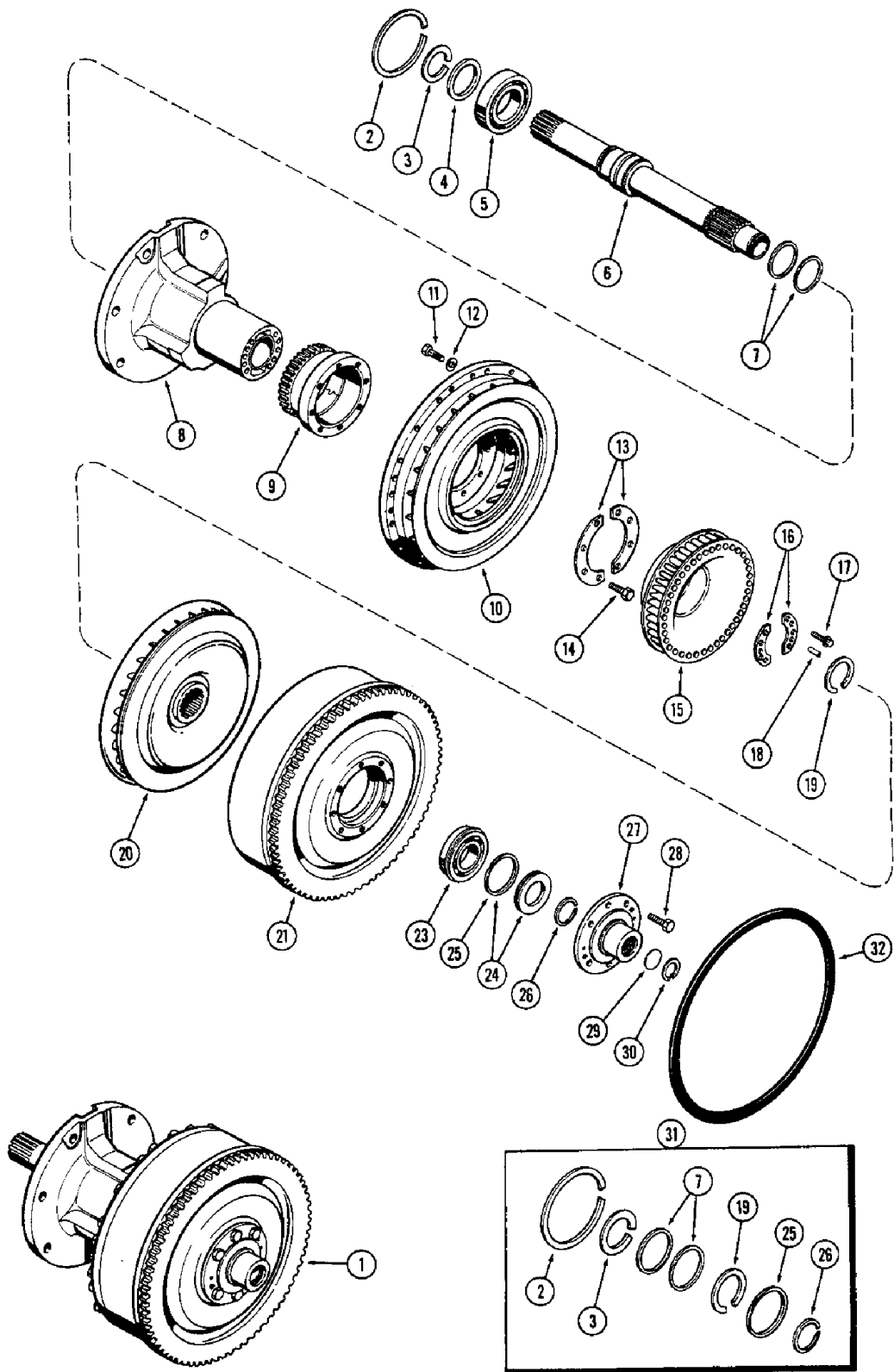


Diag #	Part #	Name	Description	Qty
1	A39808	PEDAL	- clutch brake	1
2	126-21	WOODRUFF KEY,#A, 1/4" x 7/8"	WOODRUFF KEY,#A, 1/4" x 7/8"	1
3	A37701	SHAFT	- cross, brake	1
4	A37235	SNAP RING,#100, .941", Ext	RING - snap, cross shaft	2
5	A51222		SCREW - adjusting, clutch pedal	1
6	13-540	BOLT,Hex, 5/16"-18 x 2 1/2", G5	BOLT,Hex, 5/16"-18 x 2 1/2", G5	1
7	92-5	LOCK WASHER,5/16"	LOCK WASHER,5/16"	2
8	9635082	NUT,5/16"-18, G5	- 5/16" N.C. hex.	2
9	A37724	SPRING	- pedal return	1
10	A38142	BRACKET	- spring anchor	1
12	213-3	ADJUSTABLE CLEVIS,5/16"-24	YOKE - pedal to link	1
13	141-3	CLEVIS PIN,5/16" x .940"	PIN, CLEVIS, , Yoke to pedal 5/16" x .940"	1
14	132-25	COTTER PIN,3/32" x 5/8"	Pin, Split (Cotter), 3/32" x 5/8"	1
15	25-115	NUT,5/16"-24, G5	- hex (5/16"-24 NF)	1
16	A37717	DRAG LINK	LINK - pedal to cam stud	1
17	A37716	STUD	- cam	1
18	132-25	COTTER PIN,3/32" x 5/8"	Pin, Split (Cotter), 3/32" x 5/8"	1
19	A37718	STEP BOLT	SHAFT - pivot, clutch cam	1
25	A38274	CAM	ASSY. - clutch operating, Includes: Ref. 26	1
26	A37715	BUSHING	- cam	1
27	193-48	LOCK WASHER,Ext-Int Tooth, 1/2"	WASHER - Shakeproof, 1/2" ext.	1
28	25-108	NUT,1/2"-13, G5	- 1/2" N.C. hex.	1
29	A37720		- cam follower	1
30	A37786	SHAFT	- cam follower	1
31	A31196	CIRCLIP,#25, .207" Dia, E-Type	Ring, Retaining, , bearing to shaft #25, .207" Dia, E-Type	2
32	92-4	LOCK WASHER,1/4"	WASHER, LOCK, 1/4"	2
33	25-104	NUT,1/4"-20, G5	NUT,1/4"-20, G5	2
34	A37722	BRACKET	SUPPORT - cam follower shaft	1
35	13-410	BOLT,Hex, 1/4"-20 x 5/8", G5, Full Thd	BOLT,Hex, 1/4"-20 x 5/8", G5, Full Thd	2
36	92-4	LOCK WASHER,1/4"	WASHER, LOCK, 1/4"	2



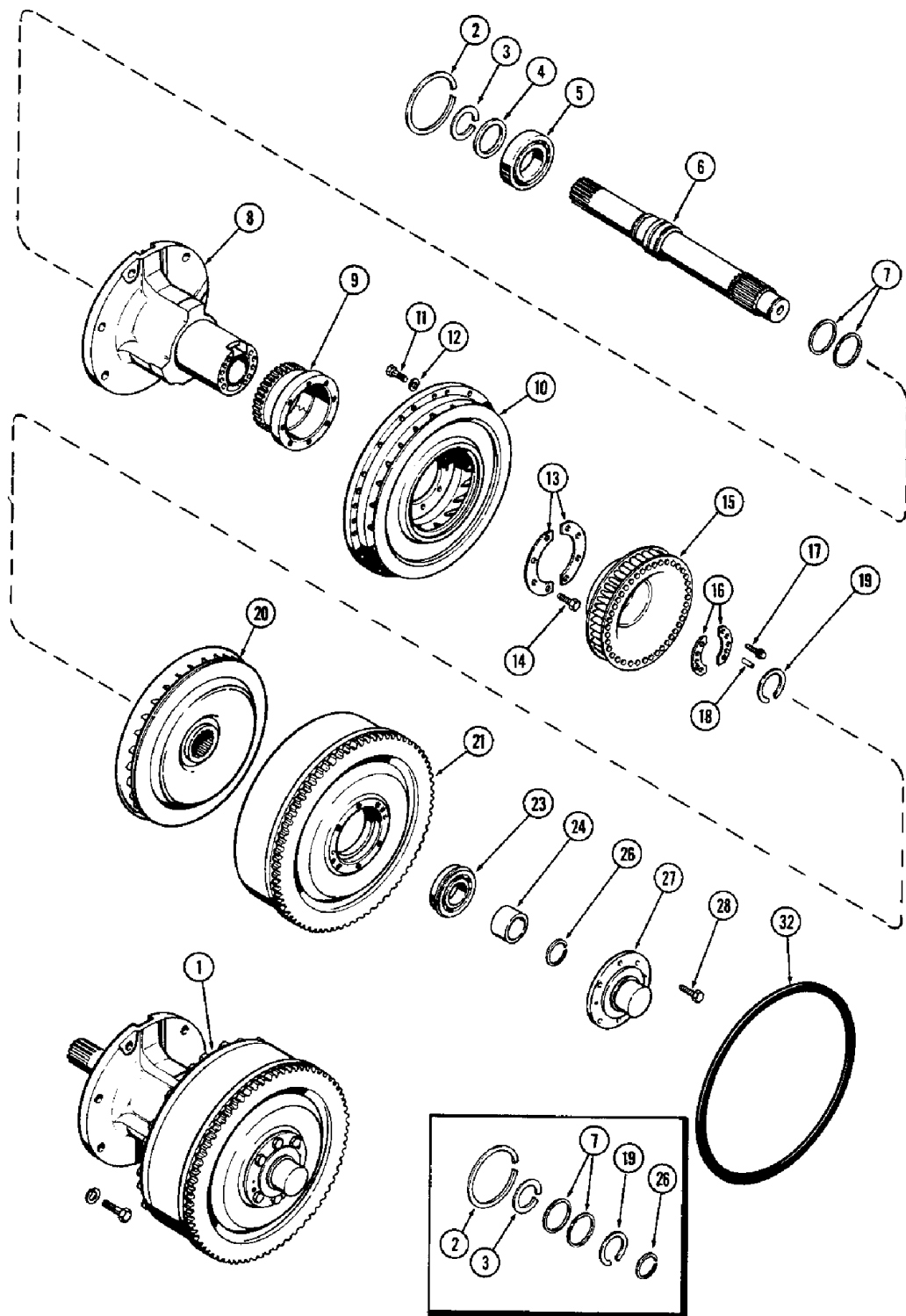
Diag #	Part #	Name	Description	Qty
1	A51791	HOUSING	TORQUE TUBE (1st used trac. ser. no. 8731267)	1
		A51791 torque tube - Uses qty 2 of A38710 bolts to attach to engine block.	A51791 torque tube - Uses qty 2 of A38710 bolts to attach to engine block.	1
		A51791 torque tube - Diameter of hole which torque converter shaft fits into is 2.000 - 2.008.	A51791 torque tube - Diameter of hole which torque converter shaft fits into is 2.000 - 2.008.	1
1	A38359	SPARE PART	TORQUE TUBE - (Used prior to trac. ser. no. 8731267)	1
2	A140222	PLUG	- drain	3
3	A58608	OIL PAN GASKET SET	- plug	3
4	A39029	GASKET	- torque tube to trans. case	1
5	A37222		COVER - top rear	1
6	G46842	GASKET	- cover	1
7	13-624	BOLT,Hex, 3/8"-16 x 1 1/2", G5	- 3/8 x 1-1/2" N.C. hex.	3
8	92-6	LOCK WASHER,3/8"	WASHER - lock, 3/8"	3
9	166-45	12 PT SCREW,12 Pt Fig, 3/8"-16 x 1", G8	SCREW - 3/8 x 1" N.C. Ferry cap	1
10	A38313	DIPSTICK	- oil level	1
10	A39858		DIPSTICK - oil level (Forklift only)	1
11	A38660	GASKET	- dipstick	1
13	G46876	GASKET	- torque, Serial Range: tube-engine	1
14	138-63	LOCK PIN,1/8" x 1 1/4", Slotted	PIN, , Timing pointer 1/8" x 1 1/4", Slotted	1
16	REF	INSTRUCTION	TORQUE CONVERTER - (See Figures 168	1
17	13-624	BOLT,Hex, 3/8"-16 x 1 1/2", G5	- 3/8 x 1-1/2" N.C. hex.	5
18	92-6	LOCK WASHER,3/8"	WASHER - lock, 3/8"	5
25	REF	INSTRUCTION	CLUTCH ASSY. - power shuttle (See Figures 170 thru 176)	1
26	G10418	BEARING, BALL	BEARING - clutch front	1
27	A37783	SHIM,.0149" Thk	Clutch to main shaft .0149" Thk	1
28	A26946	RING	- snap, clutch to main shaft	1
30	A43258	RING	KIT - seal, main shaft (Set of 3)	1
35	A37628		- clutch idler gear	1
36	A37628		GEAR - clutch idler gear (28 teeth)	1

Diag #	Part #	Name	Description	Qty
37	G13608	BALL BEARING	BEARING - idle gear	1
38	A27150	RING	- snap, idler gear	1
40	A37623	SHAFT	COUNTERSHAFT - clutch drive	1
41	40040	BEARING,1.1811" ID x 2.4409" OD x 0.6299"	- countershaft rear	1
42	A30091	RING, SNAP	RING - snap, rear bearing	2
43	A37625	GEAR WHEEL	GEAR - countershaft rear (39 teeth)	1
44	114-215	BOLT,Locking, 3/8"-24 x 1", G5	BOLT,Locking, 3/8"-24 x 1", G5	1
45	A37627	WASHER	- gear retaining	1
46	A37624	GEAR	- countershaft front (23 teeth)	1
47	A37626	SNAP RING,#137, 1.291", Ext	RING - snap, front gear	2
48	F60368	NEEDLE BEARING	BEARING - front	1
50	D52992	BRACKET	SUPPORT - floor plate, R.H.	1
50	D52991	SUPPORT	- floor plate, L.H.	1
51	13-612	BOLT,Hex, 3/8"-16 x 3/4", G5, Full Thd	R.H. Hex, 3/8"-16 x 3/4", G5, Full Thd	2
51	113-206	BOLT,Hex, 3/8"-16 x 3/4", G5, Full Thd	L.H. Hex, 3/8"-16 x 3/4", G5, Full Thd	2
52	92-6	LOCK WASHER,3/8"	WASHER - lock, , RH 3/8"	2
53	193-72	LOCK WASHER	- Shakeproof, 3/8" int./ext., L.H.	2

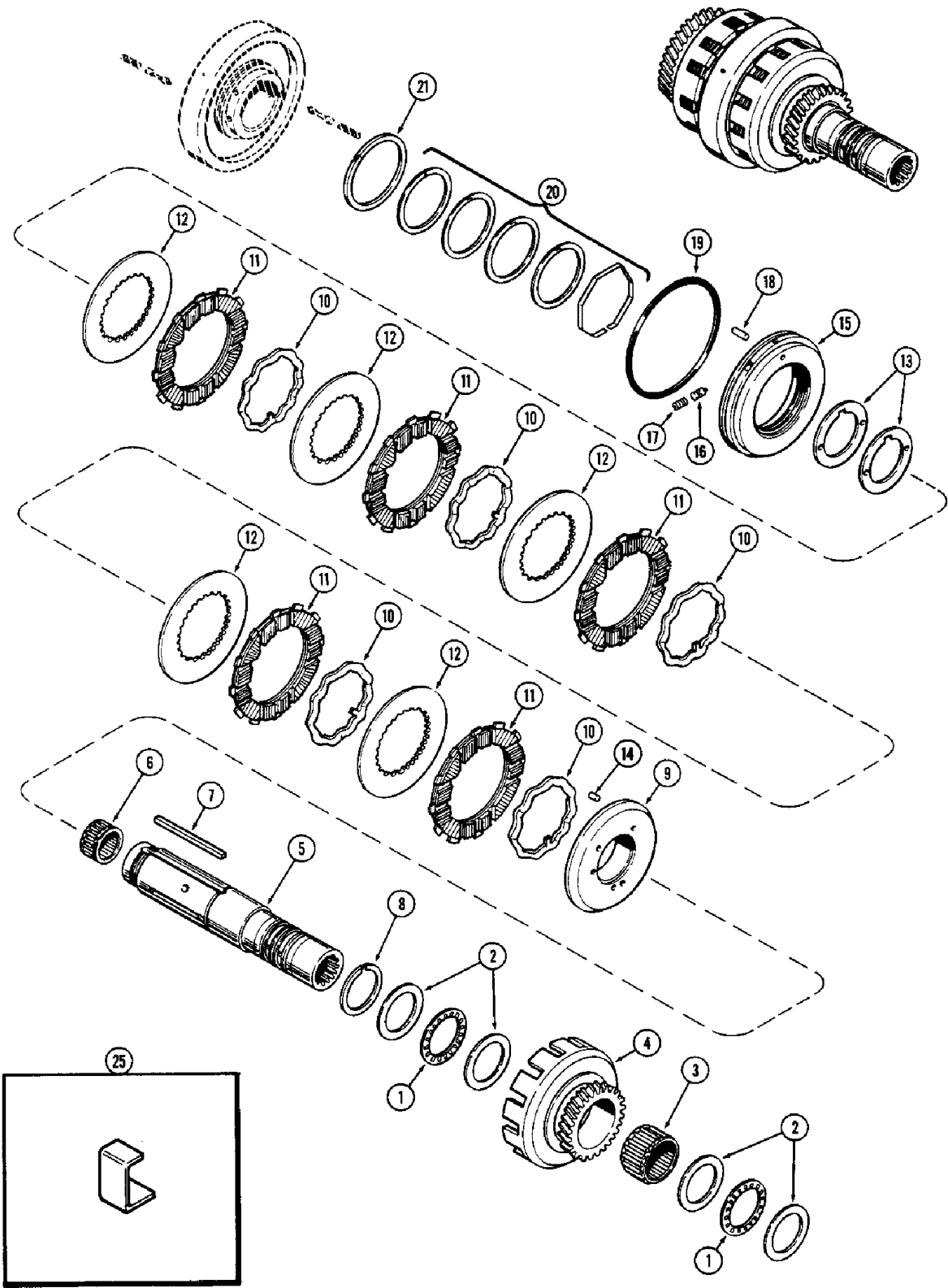


Diag #	Part #	Name	Description	Qty
1	A39521	CONVERTER	TORQUE CONVERTER, Includes: Ref. 2 - 30	1
2	A36373	RING, SNAP	RING - snap, carrier bearing internal	1
3	A27085	RING	- snap, carrier bearing external	1
4	A40880	SPACER	- carrier bearing	1
5	B18274	BALL BEARING, 1.7712" ID x 3.3465" OD x 0.748"	BEARING - carrier	1
6	A40879	SLEEVE CYLINDER	SHAFT - output (Hollow)	1
7	A20229	RING	- seal, shaft	2
8	A43448	CARRIER	- converter guide	1
9	A41400	GEAR	- pump drive	1
		A41400 gear - This gear has a bushing (part nbr A36272) inside of it.	A41400 gear - This gear has a bushing (part nbr A36272) inside of it.	1
10	A40872	WHEEL	- impeller	1
11	13-514	BOLT, Hex, 5/16"-18 x 7/8", G5, Full Thd	BOLT, Hex, 5/16"-18 x 7/8", G5, Full Thd	18
12	A22873	WASHER	- plain	18
13	D37017	PLATE	- clamp	2
14	13-514	BOLT, Hex, 5/16"-18 x 7/8", G5, Full Thd	BOLT, Hex, 5/16"-18 x 7/8", G5, Full Thd	8
15	D36835	WHEEL	- guide	1
16	A36278	PLATE	- clamp	2
17	166-24	12 PT SCREW, 12 Pt Flg, 5/16"-18 x 3/4", G8	SCREW - 5/16 c 3/4" N.C. 12 pt. hd.	6
18	138-224	LOCK PIN, 5/16" x 3/4", Slotted	PIN, 5/16" x 3/4", Slotted	4
19	A27085	RING	- snap, turbine	1
20	D36829	TURBINE	- (Replaces R31572)	1
21	A40873	HOUSING	- rotating	1
23	A37733	BALL BEARING	BEARING - housing	1
24	A36267	SEAL	CARRIER ASSY. - seal ring	1
25	A36269	SEAL	RING - seal, converter oil	1
26	A36385	RING	- snap, carrier	1
27	A40878	FLYWHEEL	PILOT - flywheel	1
28	13-512	BOLT, Hex, 5/16"-18 x 3/4", G5, Full Thd	BOLT, Hex, 5/16"-18 x 3/4", G5, Full Thd	6
29	A36372	PLUG	- front, converter shaft	1

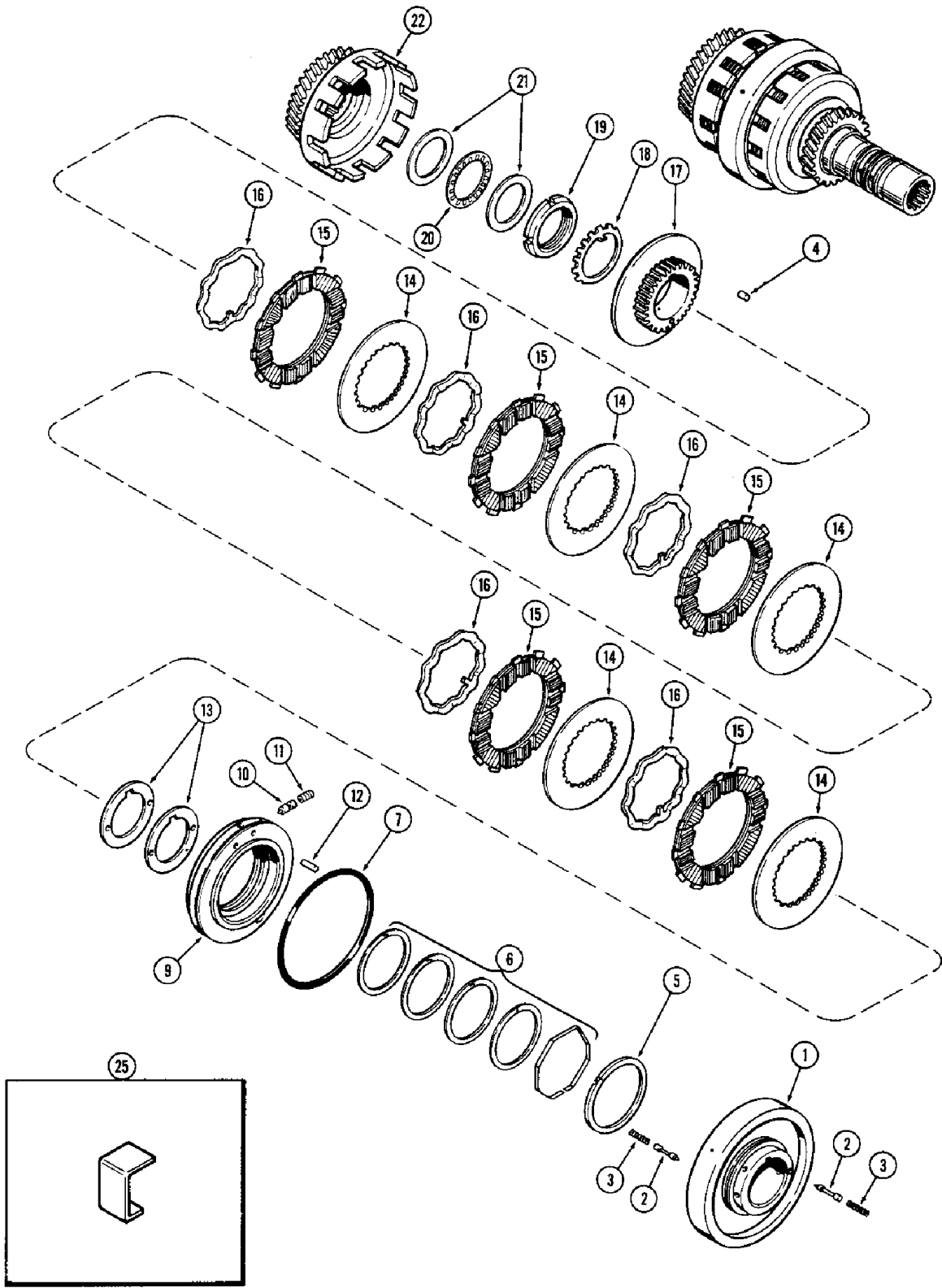
Diag #	Part #	Name	Description	Qty
30	A36277	SNAP RING,1.125", Int, #112	plug 1.125", Int, #112	1
31	A41084	KIT	- repair (Incl. items 2, 3, 7, 19, 25	1
32	G46817	GASKET	-, Serial Range: converter-flywheel	1



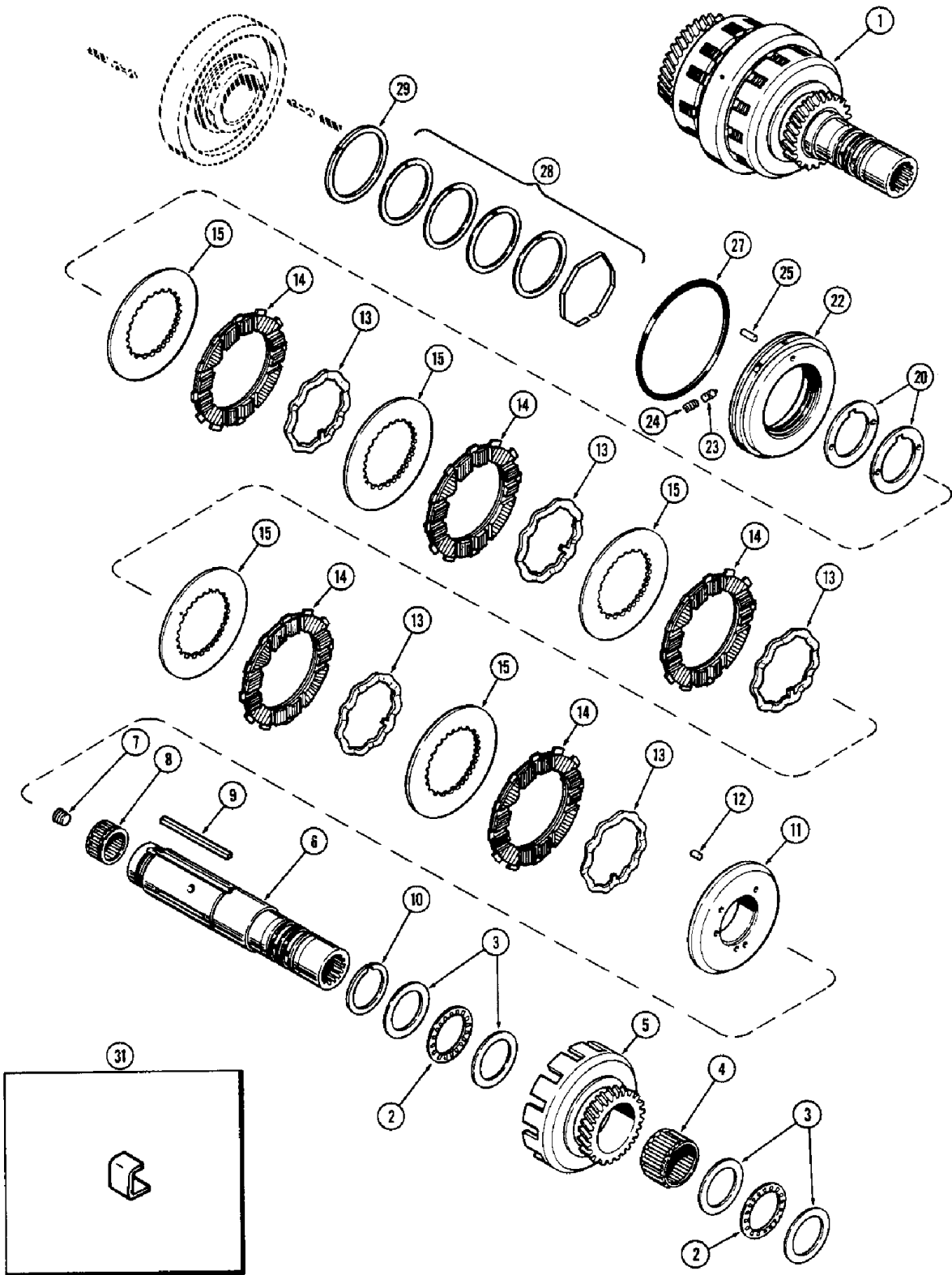
Diag #	Part #	Name	Description	Qty
1	A51165	TORQUE CONVERTER - (Order A39521 - see Figure 168), Includes: Ref. 2 - 28	TORQUE CONVERTER - (Order A39521 - see Figure 168), Includes: Ref. 2 - 28	1
2	A36373	RING, SNAP	RING - snap, internal, carrier bearing	1
3	A27085	RING	- snap, external, carrier bearing	1
4	A40880	SPACER	- carrier bearing	1
5	B18274	BALL BEARING, 1.7712" ID x 3.3465" OD x 0.748"	BEARING - carrier	1
6	A44154	SHAFT	- output (Solid)	1
7	A20229	RING	- seal, shaft	2
8	A43448	CARRIER	- converter guide	1
9	A41400	GEAR	- pump drive	1
		A41400 gear - This gear has a bushing (part nbr A36272) inside of it.	A41400 gear - This gear has a bushing (part nbr A36272) inside of it.	1
10	A40872	WHEEL	- impeller	1
11	13-514	BOLT, Hex, 5/16"-18 x 7/8", G5, Full Thd	BOLT, Hex, 5/16"-18 x 7/8", G5, Full Thd	18
12	A22873	WASHER	- plain	18
13	D37017	PLATE	- clamp	2
14	13-514	BOLT, Hex, 5/16"-18 x 7/8", G5, Full Thd	BOLT, Hex, 5/16"-18 x 7/8", G5, Full Thd	8
15	D36835	WHEEL	- guide	1
16	A36278	PLATE	- clamp	2
17	166-24	12 PT SCREW, 12 Pt Flg, 5/16"-18 x 3/4", G8	SCREW - (5/16 x 3/4" N.C. 12 pt. hd.)	6
18	138-224	LOCK PIN, 5/16" x 3/4", Slotted	PIN, 5/16" x 3/4", Slotted	4
19	A27085	RING	- snap, turbine	1
20	D36829	TURBINE	TURBINE	1
21	A40873	HOUSING	- rotating	1
23	A37733	BALL BEARING	BEARING - housing	1
24	A44153	SPACER	- ball bearing, pilot end	1
26	A36385	RING	- snap, external	1
27	A44155	HUB CAP	PILOT - flywheel	1
28	13-512	BOLT, Hex, 5/16"-18 x 3/4", G5, Full Thd	BOLT, Hex, 5/16"-18 x 3/4", G5, Full Thd	6
31	A41084	KIT	- repair (Includes items 2, 3, 7, 19, 25	1
32	G46817	GASKET	-, Serial Range: converter-flywheel	1



Diag #	Part #	Name	Description	Qty
	A38926	CLUTCH	ASSY - (Twin Disc #X9963A), Includes: Ref. 1 - 21	1
1	NSS	NOT SERVICED SEPARATELY	BEARING - needle, clutch reverse gear (Order A42870)	2
2	A41021	THRUST WASHER	RACE - bearing, reverse clutch needle (See A42870)	4
3	A41020	ROLLER CAGE BEARING, 2.125" ID x 2.5" OD x 1.5"	BEARING - roller, clutch reverse gear (See A42870)	1
4	A43510	GEAR	- spider, reverse clutch	1
5	A42869	SHAFT	ASSY. - clutch quill (Hollow)	1
6	A24521	BEARING - needle, clutch sliding gear shaft (See A42870)	BEARING - needle, clutch sliding gear shaft (See A42870)	1
7	A43298	KEY	- clutch hubs to quill shaft	1
8	A42849	RING, SNAP	RING - snap, quill shaft stop	1
9	A42856	PLATE	BACKPLATE - clutch hub, reverse	1
10	A42831	SPRING	- clutch plate wave, reverse	5
11	A42854	PLATE	- clutch driving sintered, reverse	5
12	A42855	PLATE	- clutch driven steel, reverse	5
13	A42838	SHIM, .005" Thk	Clutch .005" Thk	1
13	A42839	SHIM, .007" Thk	Clutch .007" Thk	1
13	A42840	SHIM, .010" Thk	Clutch .010" Thk	1
14	138-35	LOCK PIN, 3/32" x 3/8", Slotted	PIN, 3/32" x 3/8", Slotted	4
	A42872	KIT	- clutch piston w/valve, Includes: Ref. 15 - 18	2
15	A42860	PISTON	- forward	1
16	A42836	PISTON	- clutch dump valve	1
17	A42847	SPRING	- clutch dump valve piston	1
18	A42850	PIN	- clutch dump valve spring	1
	A42871	SEAL	KIT - seals	1
19	A42843	SEAL	RING - seal, clutch piston to carrier (Rubber)	2
20	A42848	PISTON	RING - piston, clutch carrier to piston seal	2
21	A42899	RING	- piston, intermediate, Serial Range: piston-carrier	2
	A42870	BEARING ASSY	KIT - bearings (Incl. item 1 thru 3	1
25	A43071	CLIP	- clutch pack clamp	4

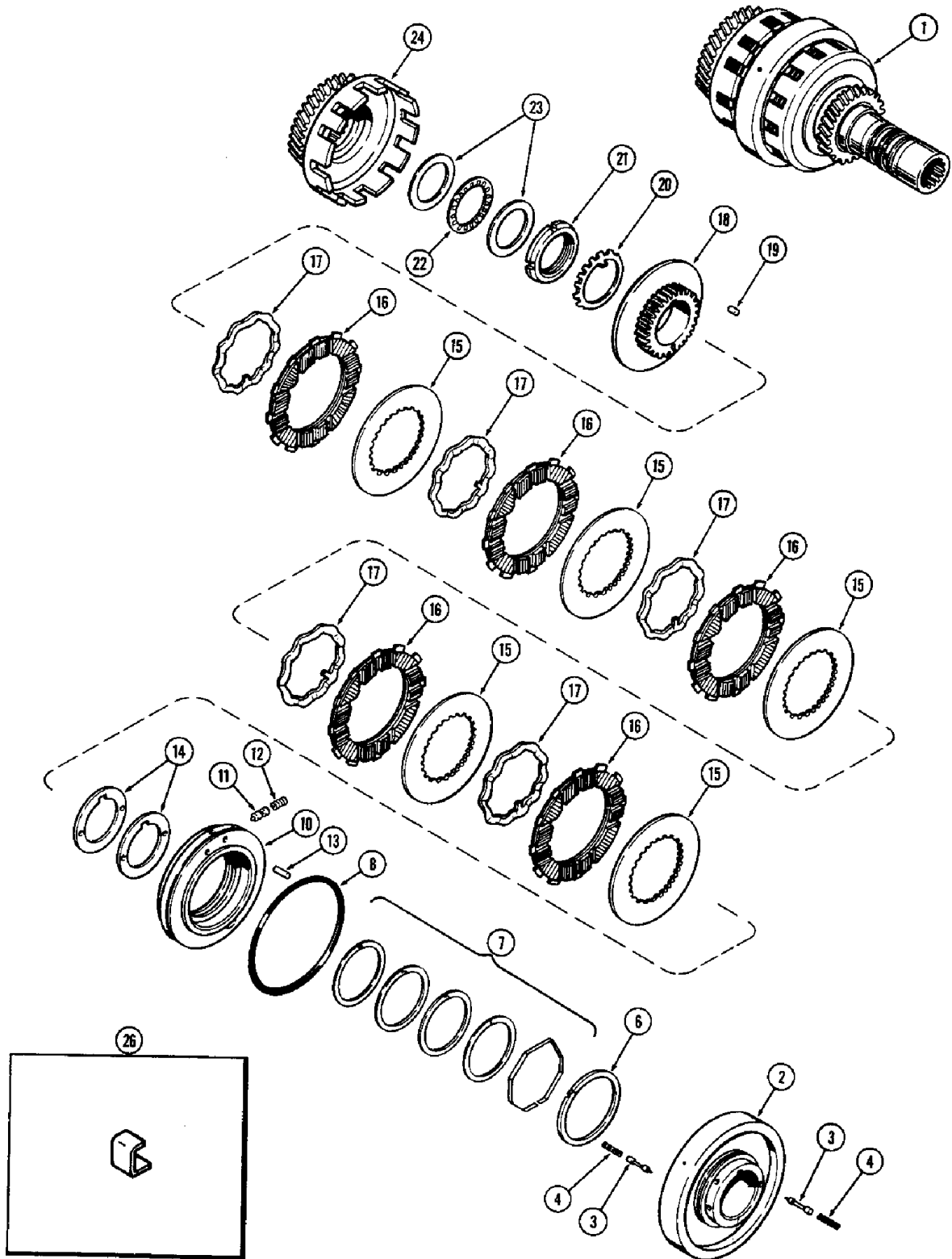


Diag #	Part #	Name	Description	Qty
	A38926	CLUTCH	ASSY. - (Twin Disc #X9963A) (Cont'd from Figure 170), Includes: Ref. 1 - 22	1
1	A42858	CARRIER	ASSY. - clutch piston	1
2	A42837	PISTON ASSY.	PISTON - clutch lube	2
3	A42846	VALVE SPRING	SPRING - clutch lube valve	2
4	138-35	LOCK PIN,3/32" x 3/8", Slotted	PIN, 3/32" x 3/8", Slotted	4
	A42871	SEAL	KIT - seals	1
5	A42899	RING	- piston, intermediate, Serial Range: piston-carrier	2
6	A42848	PISTON	RING - piston, clutch carrier to piston seal	2
7	A42843	SEAL	RING - seal, clutch piston to carrier (Rubber)	2
	A42872	KIT	- clutch piston w/valve, Includes: Ref. 9 - 12	2
9	A42872	KIT	PISTON - forward	1
10	A42836	PISTON	- clutch dump valve	1
11	A42847	SPRING	- clutch dump valve piston	1
12	A42850	PIN	- clutch dump valve spring	1
13	A42838	SHIM,.005" Thk	Clutch .005" Thk	1
13	A42839	SHIM,.007" Thk	Clutch .007" Thk	1
13	A42840	SHIM,.010" Thk	Clutch .010" Thk	1
14	A42855	PLATE	- clutch driven steel, forward	5
15	A42854	PLATE	- clutch driving sintered, forward	5
16	A42831	SPRING	- clutch plate wave, forward	5
17	A42857	PLATE ASSY.	BACKPLATE - clutch hub, forward	1
18	192-311	LOCK WASHER,Bearing, W-11	PLATE - lock, bearing	1
19	A42832	LOCK NUT	NUT - lock, Serial Range: clutch-shaft	1
20	NSS	NOT SERVICED SEPARATELY	BEARING - forward clutch needle (Order A42870)	1
21	A42844	WASHER	RACE - bearing, forward clutch needle (See A42870)	2
22	A43508	GEAR WHEEL	GEAR - spider, forward clutch	1
	A42870	BEARING ASSY	KIT - bearings (Incl. items 1 thru 3	1
25	A43071	CLIP	- clutch pack clamp	4

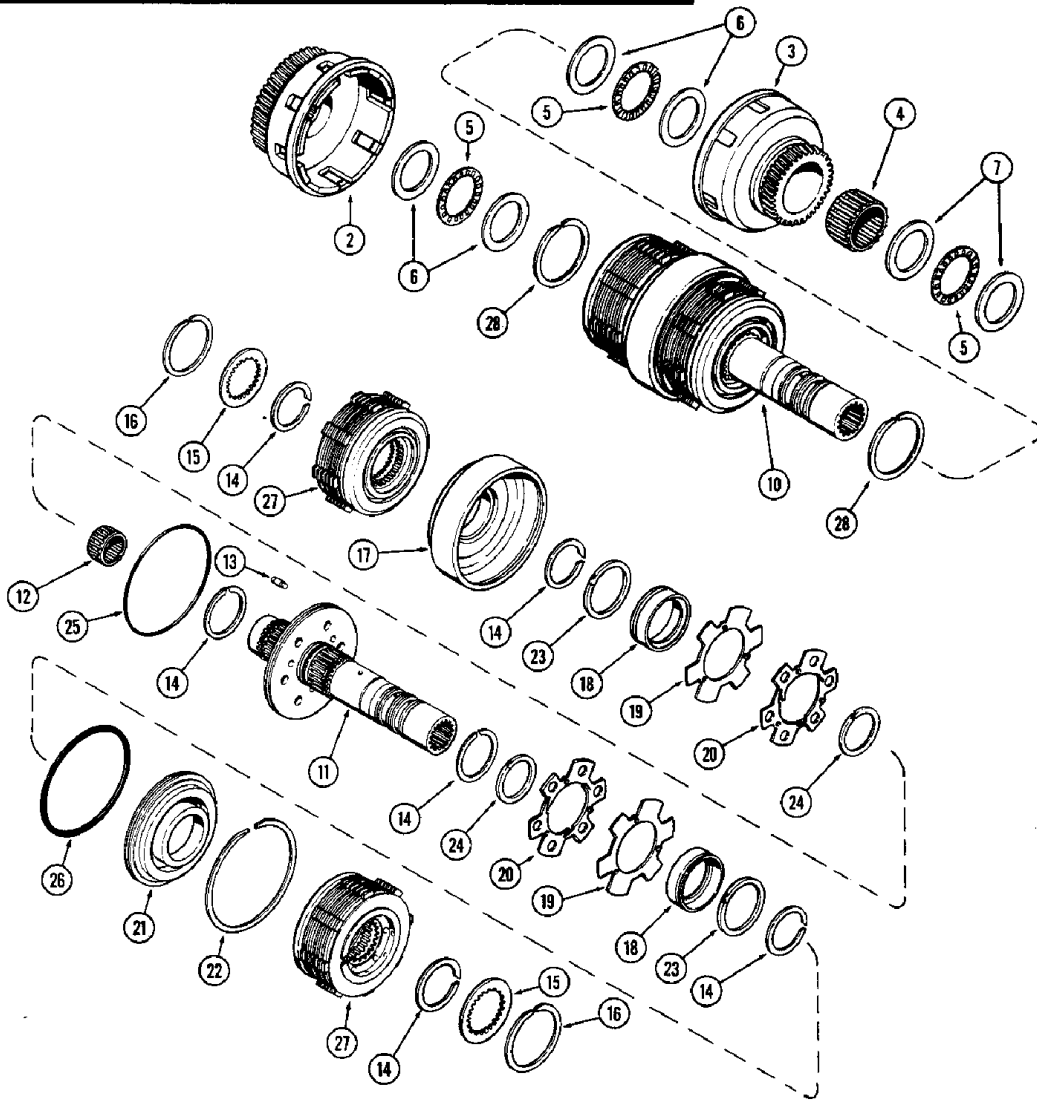
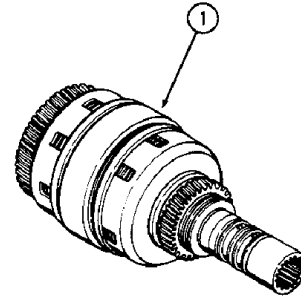
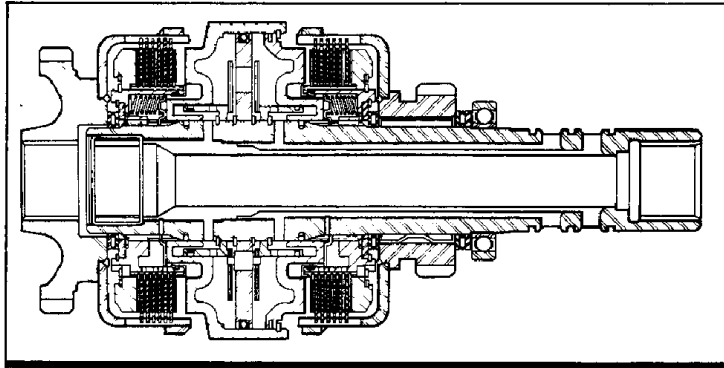


Diag #	Part #	Name	Description	Qty
1	A51166	CLUTCH ASSY. - (Twin Disc #X9963C) (Order A38926 - see Figures 170 & 172)	CLUTCH ASSY. - (Twin Disc #X9963C) (Order A38926 - see Figures 170 & 172)	1
2	NSS	NOT SERVICED SEPARATELY	BEARING - needle, clutch reverse gear (Order A42870)	2
3	A41021	THRUST WASHER	RACE - needle bearing, reverse clutch (See A42870)	4
4	A41020	ROLLER CAGE BEARING, 2.125" ID x 2.5" OD x 1.5"	BEARING - roller, clutch reverse gear (See A42870)	1
5	A43510	GEAR	- spider, reverse clutch	1
6	A44150	SHAFT	ASSY. - clutch quill (Solid)	1
7	A44152	PLUG	- orifice, quill shaft	1
8	A24621	NEEDLE BEARING, 1.375" ID x 1.750" OD x 1"	BEARING - needle, clutch sliding gear shaft (See A42870)	1
9	A43298	KEY	- clutch hubs to quill shaft	1
10	A42849	RING, SNAP	RING - snap, quill shaft stop	1
11	A42856	PLATE	BACKPLATE - clutch hub, reverse	1
12	138-35	LOCK PIN, 3/32" x 3/8", Slotted	PIN, 3/32" x 3/8", Slotted	4
13	A42831	SPRING	- wave, clutch plate, reverse	5
14	A42854	PLATE	- sintered, clutch driving, reverse	5
15	A42855	PLATE	- steel, clutch driven, reverse	5
20	A42838	SHIM, .005" Thk	Clutch .005" Thk	1
20	A42839	SHIM, .007" Thk	Clutch .007" Thk	1
20	A42840	SHIM, .010" Thk	Clutch .010" Thk	1
	A42872	KIT	- clutch piston w/valve	2
22	A42860	PISTON	- forward	1
23	A42836	PISTON	- clutch dump valve	1
24	A42847	SPRING	- clutch dump valve piston	1
25	A42850	PIN	- clutch dump valve spring	1
	A42871	SEAL	KIT - seals	1
27	A42843	SEAL	RING - seal, clutch piston to carrier (Rubber)	2
28	A42848	PISTON	RING - piston, clutch, Serial Range: carrier-piston	2
29	A42899	RING	- piston, intermediate, Serial Range: piston-carrier	2
	A42870	BEARING ASSY	KIT - bearing (Includes items 1 thru 3	1

Diag #	Part #	Name	Description	Qty
31	A43071	CLIP	- clutch pack clamp	4

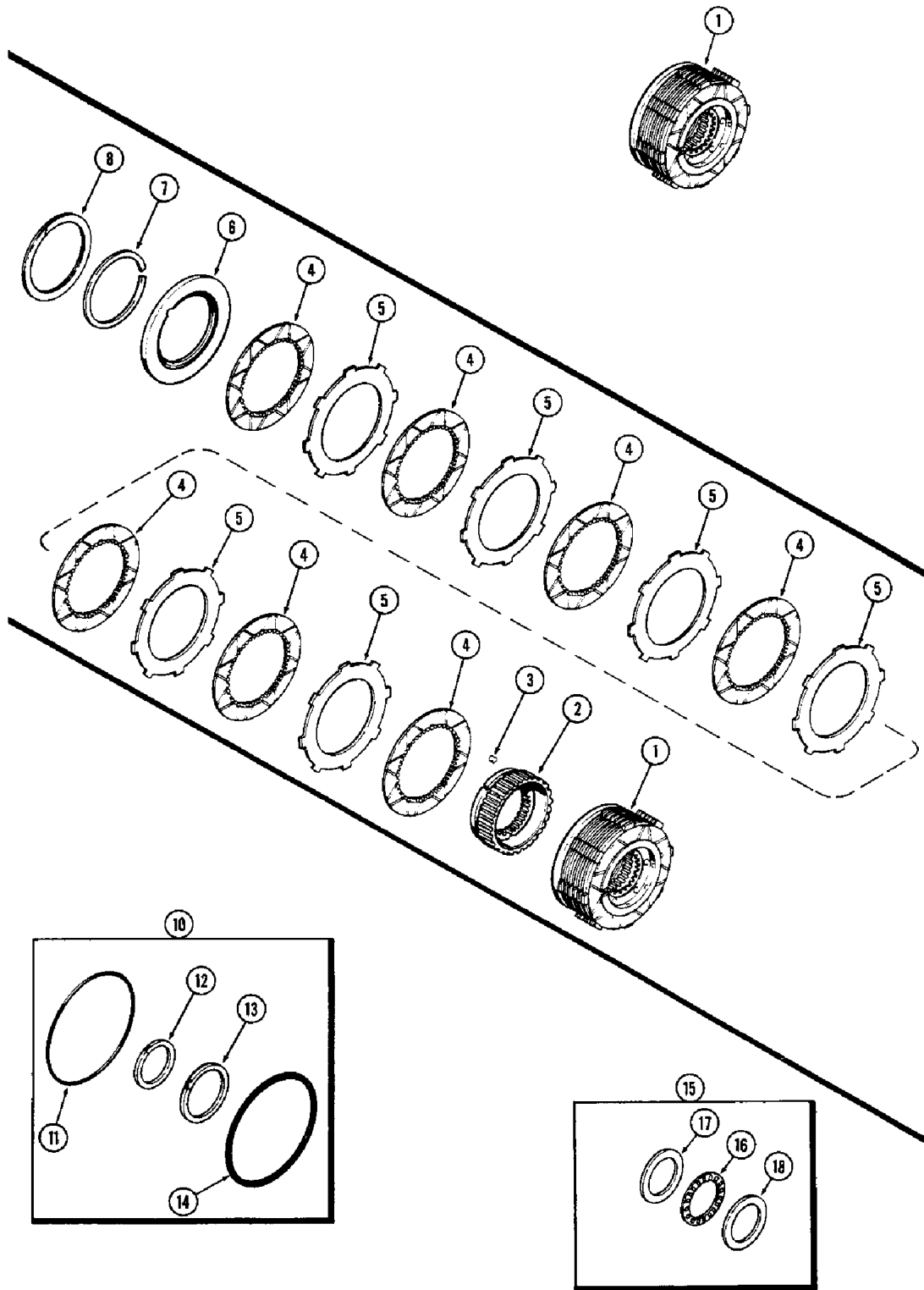


Diag #	Part #	Name	Description	Qty
1	A51166	CLUTCH ASSY - (Twin Disc #X9963C) (Cont'd from Figure 173A) (Order A38926 - see Figures 170 & 172), Includes: Ref. 2 - 24	CLUTCH ASSY - (Twin Disc #X9963C) (Cont'd from Figure 173A) (Order A38926 - see Figures 170 & 172), Includes: Ref. 2 - 24	1
2	A42858	CARRIER	ASSY. - clutch piston	1
3	A42837	PISTON ASSY.	PISTON - clutch lube	2
4	A42846	VALVE SPRING	SPRING - clutch lube valve	2
	A42871	SEAL	KIT - seals	1
6	A42899	RING	- piston, intermediate, Serial Range: piston-carrier	2
7	A42848	PISTON	RING - piston, clutch, Serial Range: carrier-piston	2
8	A42843	SEAL	RING - seal, rubber, clutch, Serial Range: piston-carrier	2
	A42872	KIT	- clutch piston with valve, Includes: Ref. 10 - 13	2
10	A42860	PISTON	- forward	1
11	A42836	PISTON	- clutch dump valve	1
12	A42847	SPRING	- clutch dump valve piston	1
13	A42850	PIN	- clutch dump valve spring	1
14	A42838	SHIM,.005" Thk	Clutch .005" Thk	1
14	A42839	SHIM,.007" Thk	Clutch .007" Thk	1
14	A42840	SHIM,.010" Thk	Clutch .010" Thk	1
15	A42855	PLATE	- steel, clutch driven, forward	5
16	A42854	PLATE	- sintered, clutch driving, forward	5
17	A42831	SPRING	- wave, clutch plate, forward	5
18	A42857	PLATE ASSY.	BACKPLATE - clutch hub, forward	1
19	138-35	LOCK PIN,3/32" x 3/8", Slotted	PIN, 3/32" x 3/8", Slotted	4
20	192-311	LOCK WASHER,Bearing, W-11	PLATE - lock, bearing	1
21	A42832	LOCK NUT	NUT - lock, Serial Range: clutch-shaft	1
22	NSS	NOT SERVICED SEPARATELY	BEARING - needle, forward clutch (Order A42870)	1
23	A42844	WASHER	RACE - needle bearing, forward clutch (See A42870)	2
24	A43508	GEAR WHEEL	GEAR - spider, forward clutch	1
	A42870	BEARING ASSY	KIT - bearings (Includes items 2 thru 4	1
26	A43071	CLIP	- clutch pack clamp	4

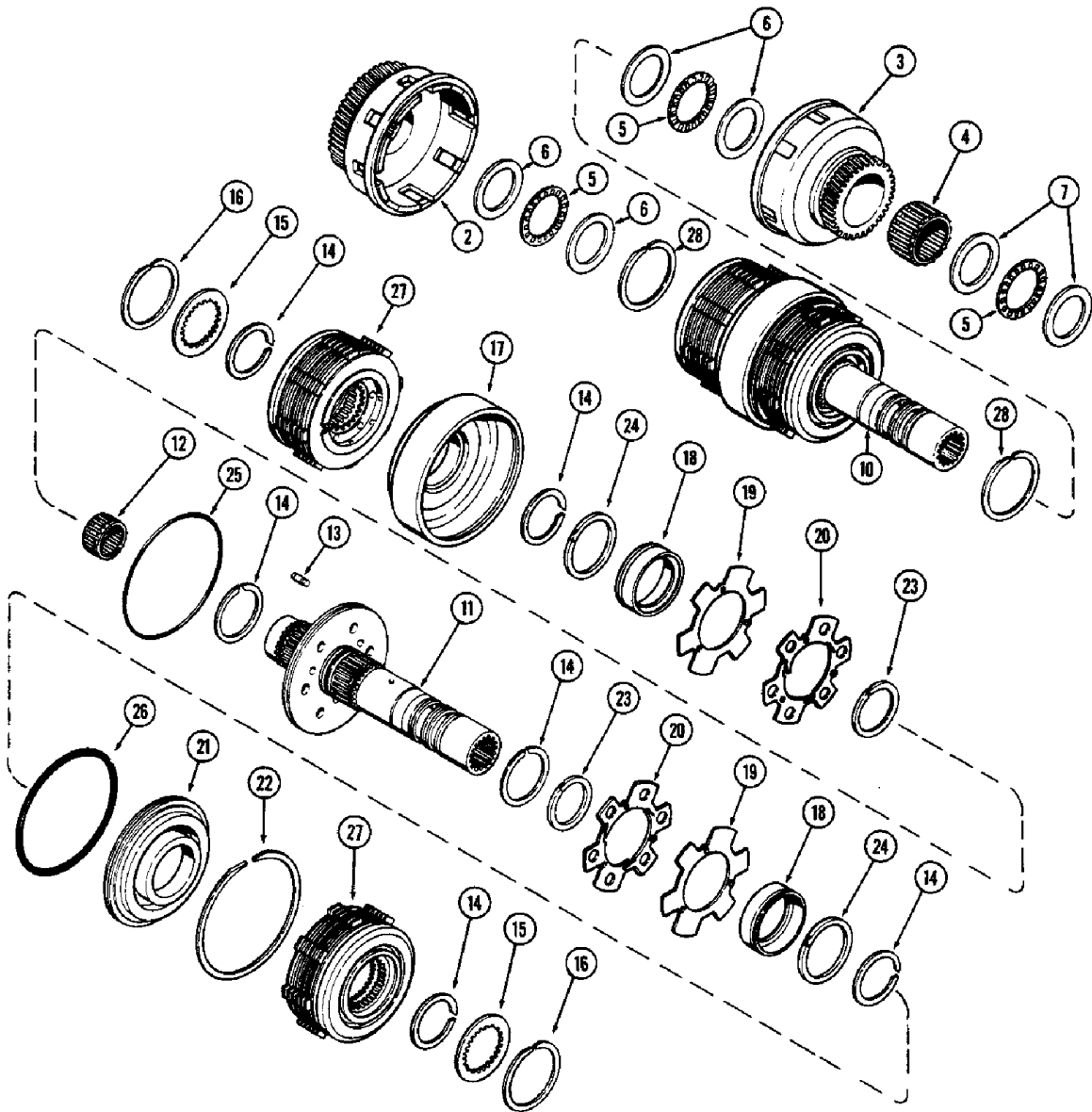
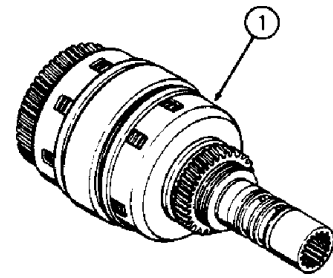
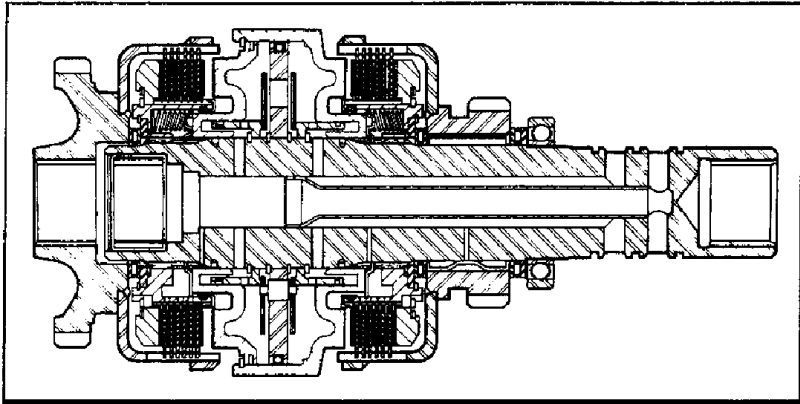


Diag #	Part #	Name	Description	Qty
1	A38133	CLUTCH	ASSY. - (Rockford #4-900-062-14694), Includes: Ref. 2 - 28	1
2	A41013	GEAR WHEEL	GEAR - rear, forward	1
3	A41022	BEARING	GEAR - front, reverse	1
4	A41020	ROLLER CAGE BEARING, 2.125" ID x 2.5" OD x 1.5"	BEARING - front gear	1
5	NSS	NOT SERVICED SEPARATELY	BEARING - thrust (Order A41002 Figure 175A)	3
6	NSS	NOT SERVICED SEPARATELY	WASHER - thrust, 1/16" wide (Order A41002 Figure 175A)	4
7	NSS	NOT SERVICED SEPARATELY	WASHER - thrust, 1/8" wide (Order A41002 Figure 175A)	2
10	A41358	CLUTCH ASSEMBLY	CLUTCH ASSY. - pack, w/shaft, Includes: Ref. 11 - 28	1
11	A40975	SHAFT	ASSY. - w/separator plate	1
12	A24621	NEEDLE BEARING, 1.375" ID x 1.750" OD x 1"	BEARING - rear gear	1
13	A40981	AXLE PIN	PIN - dowel, separator	3
14	A40980	RING	- snap, external	6
15	A41011	SPACER	- clutch	2
16	A41012	RING, SNAP	RING - snap, internal, clutch spacer	2
17	A40991	HOUSING	- force piston	1
18	A40984	PISTON	- accelerating	2
19	A40983	DISC	- valve	2
20	A40982	CLUTCH	DISC - reinforcing, valve disc	2
21	A40988	PISTON	- force	1
22	A40992	RING, SNAP	RING - snap, internal, piston housing	1
23	NSS	NOT SERVICED SEPARATELY	RING - seal, (2-3/8" dia.) (Order A41000 Figure 175A)	1
24	NSS	NOT SERVICED SEPARATELY	RING - seal (3" dia.) (Order A41000 Figure 175A)	1
25	NSS	NOT SERVICED SEPARATELY	SEAL - separator plate (5-3/4" I.D.) (Order A41000 Figure 175A)	1
26	NSS	NOT SERVICED SEPARATELY	RING - seal, housing (5-3/8" I.D.) (Order A41000 Figure 175A)	1
27	A41356	HUB	CLUTCH PACK - forward	2

Diag #	Part #	Name	Description	Qty
		A41356 clutch pack - The springs are included w/ the hub (part nbr A40994 on Figure 175A).	A41356 clutch pack - The springs are included w/ the hub (part nbr A40994 on Figure 175A).	1
28	A40980	RING	- snap, external, clutch spacer	2

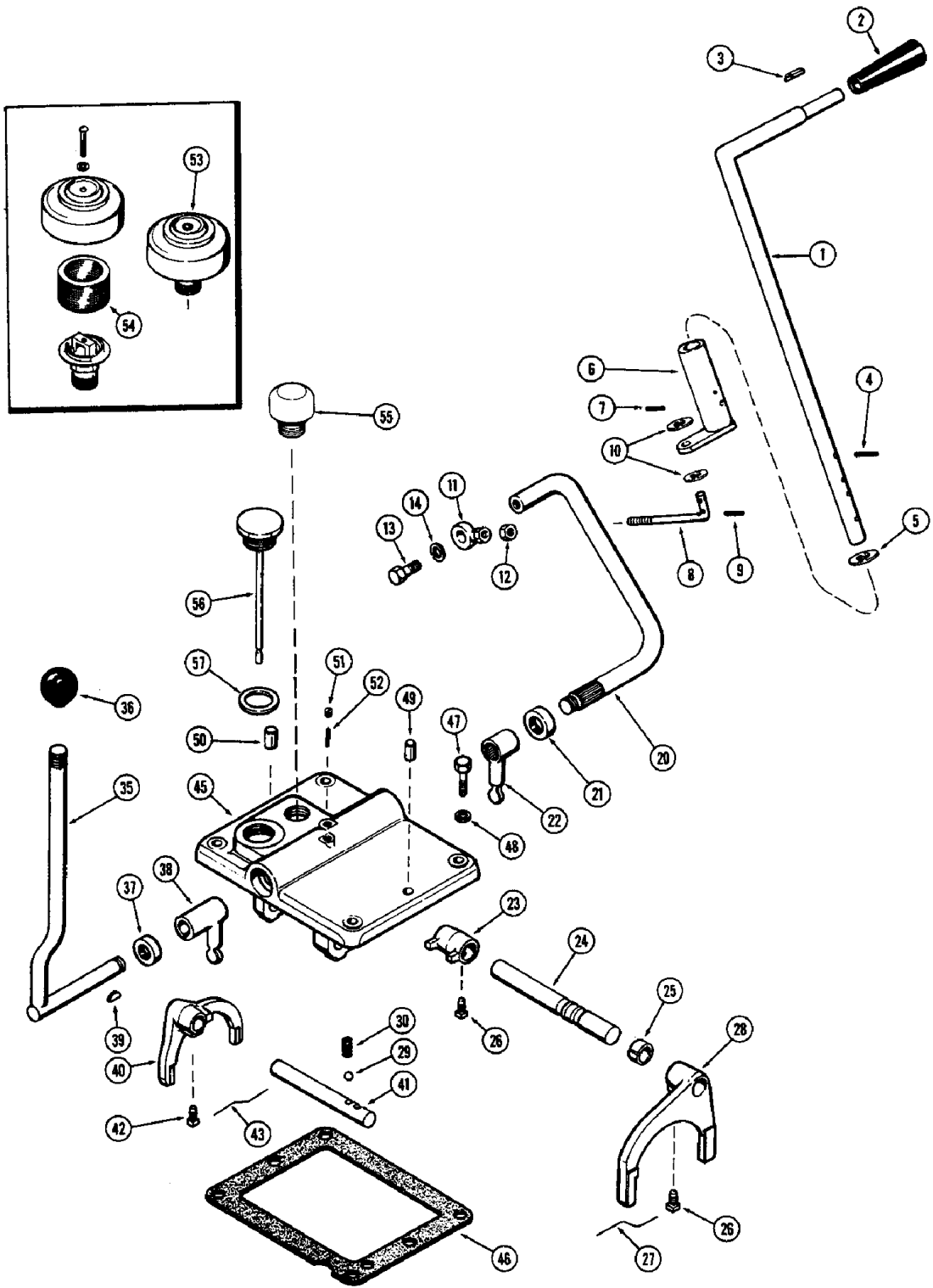


Diag #	Part #	Name	Description	Qty
1	A41356	HUB	CLUTCH PACK - forward	2
2	A40994	HUB	ASSY. - clutch	1
		A40994 hub - This part includes the springs.	A40994 hub - This part includes the springs.	1
3	A41008	AXLE PIN	dowel, clutch plate	2
4	A41355	DISC	PLATE - clutch internal spline	7
5	A41005	PLATE	clutch, external spline	6
6	A41006	PLATE ASSY.	backing, clutch pack	1
7	A41007	RING, SNAP	external, back plate	1
8	A41009	SNAP RING,#412, 4.284, Int, Spiral	nternal, clutch hub	1
10	A41000	GASKET KIT	clutch seal, Includes: Ref. 11 - 14	1
11	NSS	NOT SERVICED SEPARATELY	"O" RING - separator seal, 5-3/4" I.D.	1
12	NSS	NOT SERVICED SEPARATELY	RING - seal, 2-3/8" closed dia. (Hook type), Includes: Ref. 13	2
13	NSS	NOT SERVICED SEPARATELY	RING - seal, 3" closed dia. (Hook type)	2
14	NSS	NOT SERVICED SEPARATELY	RING - seal, 5-3/8" I.D. (Lathe cut)	1
15	A41002	THRUST BEARING	Includes: Ref. 16 - 18	1
16	NSS	NOT SERVICED SEPARATELY	BEARING - thrust	3
17	NSS	NOT SERVICED SEPARATELY	WASHER - thrust bearing (1/16" wide)	4
18	NSS	NOT SERVICED SEPARATELY	WASHER - thrust bearing (1/8" wide)	2



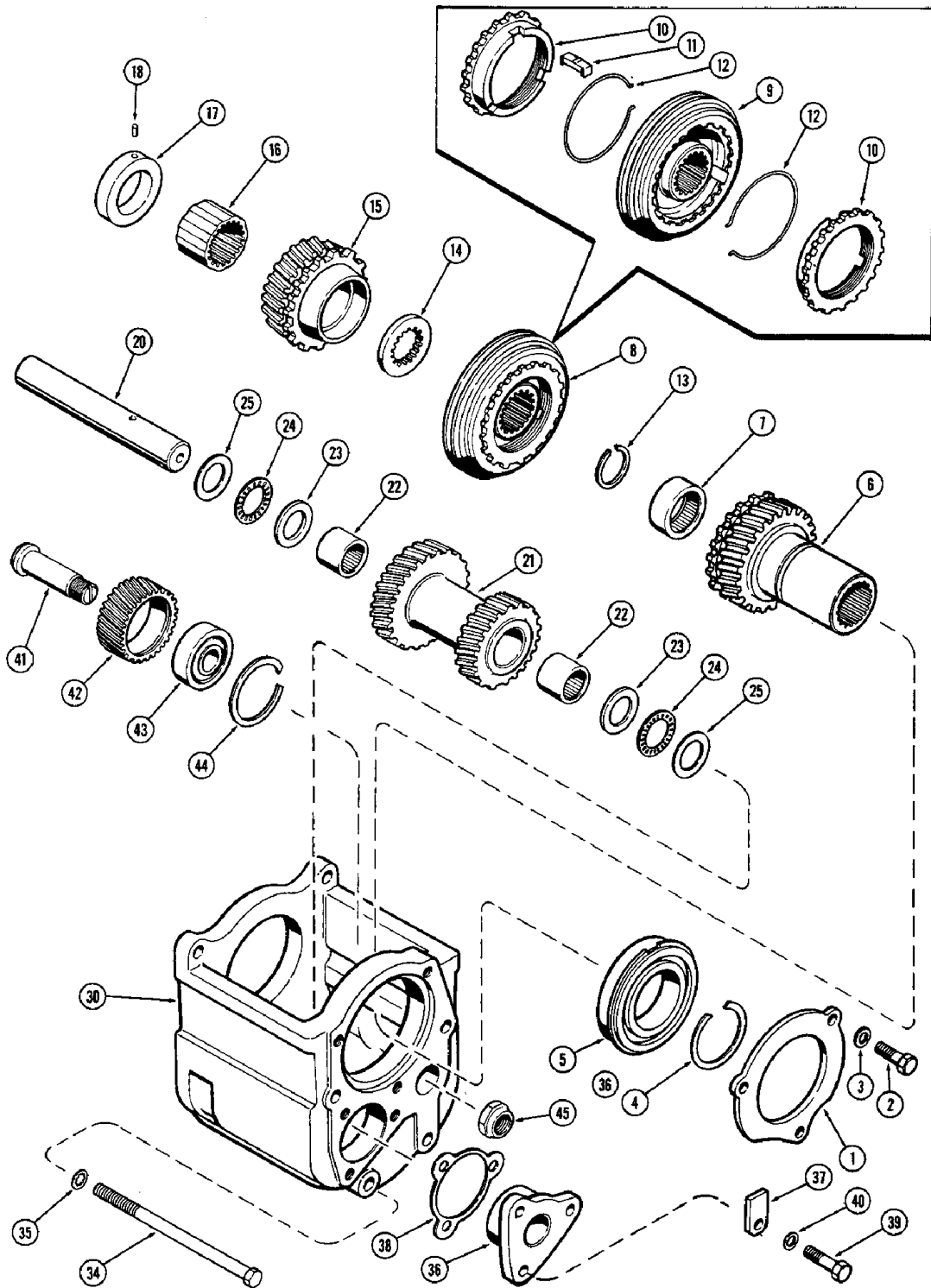
Diag #	Part #	Name	Description	Qty
1	A51512	CLUTCH ASSY. - solid shaft (Rockford #4-900-052-20462) (Order A38133 Figure 174), Includes: Ref. 2 - 28	CLUTCH ASSY. - solid shaft (Rockford #4-900-052-20462) (Order A38133 Figure 174), Includes: Ref. 2 - 28	1
2	A41013	GEAR WHEEL	GEAR - rear, forward	1
3	A41022	BEARING	GEAR - front, reverse	1
4	A41020	ROLLER CAGE BEARING, 2.125" ID x 2.5" OD x 1.5"	BEARING - front gear	1
5	NSS	NOT SERVICED SEPARATELY	BEARING - thrust (Order A41002 Figure 175A)	3
6	NSS	NOT SERVICED SEPARATELY	WASHER - thrust, 1/16" wide (Order A41002 Figure 175A)	4
7	NSS	NOT SERVICED SEPARATELY	WASHER - thrust, 1/8" wide (Order A41002 Figure 175A)	2
10	NSS	NOT SERVICED SEPARATELY	CLUTCH ASSY. - pack, w/shaft (Order A41358 hollow shaft pack) (See Figure 174), Includes: Ref. 11 - 28	1
11	NSS	NOT SERVICED SEPARATELY	SHAFT ASSY. - w/separator plate (Order A40975 hollow shaft) (See Figure 174)	1
12	A24621	NEEDLE BEARING, 1.375" ID x 1.750" OD x 1"	BEARING - rear gear	1
13	A40981	AXLE PIN	PIN - dowel, separator	3
14	A40980	RING	- snap, external	6
15	A41011	SPACER	- clutch	2
16	A41012	RING, SNAP	RING - snap, internal, clutch spacer	2
17	A40991	HOUSING	- force piston	1
18	A40984	PISTON	- accelerating	2
19	A40983	DISC	- valve	2
20	A40982	CLUTCH	DISC - reinforcing, valve disc	2
21	A40988	PISTON	- force	1
22	A40992	RING, SNAP	RING - snap, internal, piston housing	1
23	NSS	NOT SERVICED SEPARATELY	RING - seal (2-3/8" dia.) (Order A41000 Figure 175A)	1
24	NSS	NOT SERVICED SEPARATELY	RING - seal (3" dia.) (Order A41000 Figure 175A)	1
25	NSS	NOT SERVICED SEPARATELY	SEAL - separator plate (5-3/4" I.D.) (Order A41000 Figure 175A)	1
		Separator plate has 5.25" O.D. while separator plate	Separator plate has 5.25" O.D. while separator plate seal has 5.75" I.D. This	1

Diag #	Part #	Name	Description	Qty
		seal has 5.75" I.D. This provides a better seal according to Rockford engineering.	provides a better seal according to Rockford engineering.	
26	NSS	NOT SERVICED SEPARATELY	RING - seal, housing (5-3/8" I.D.) (Order 41000 Figure 175A)	1
27	A41356	HUB	CLUTCH PACK - forward	2
		A41356 clutch pack - Springs are included with hub (A40994).	A41356 clutch pack - Springs are included with hub (A40994).	1
28	A40980	RING	- snap, external, clutch spacer	2



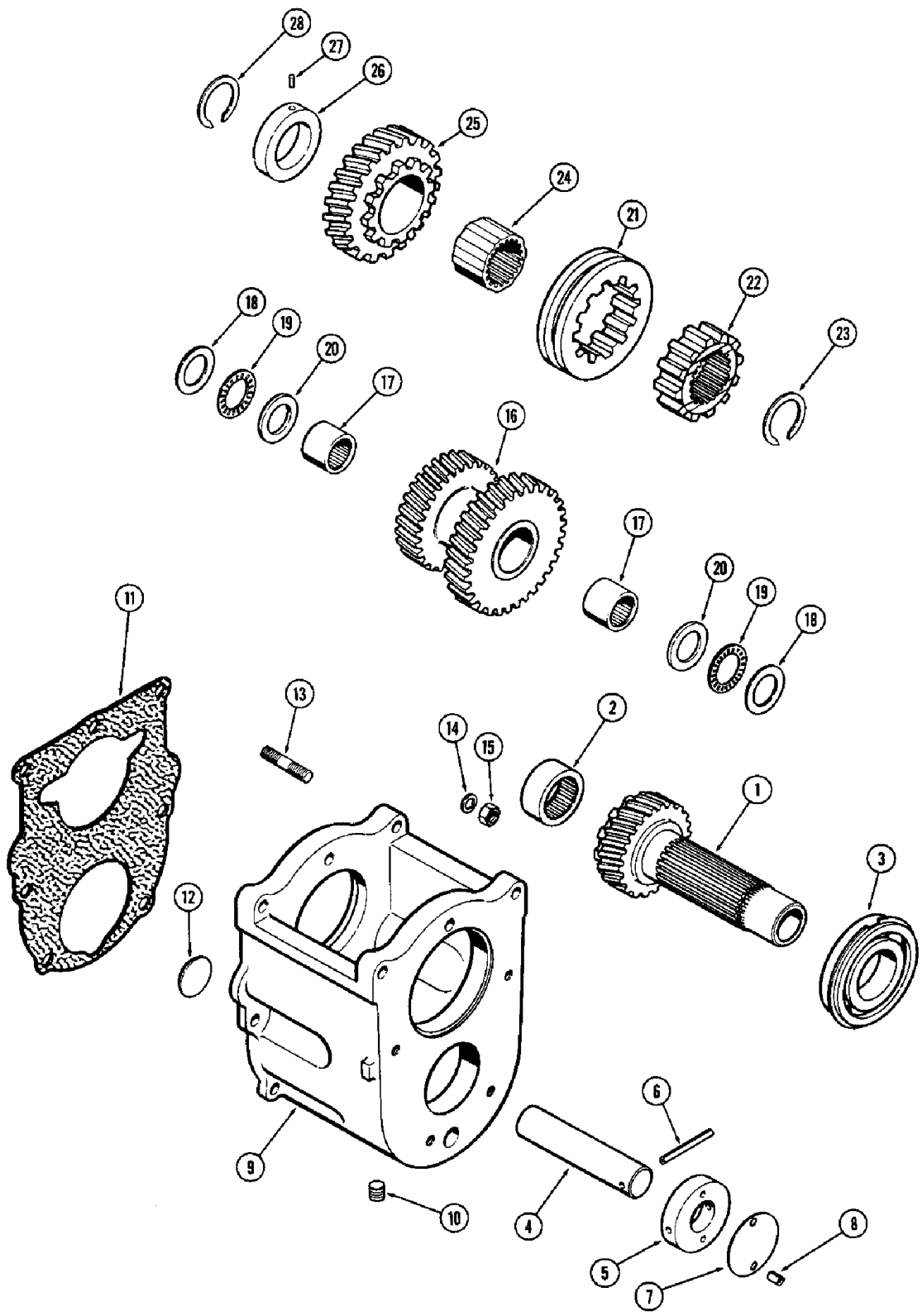
Diag #	Part #	Name	Description	Qty
1	A39325	LEVER	- shuttle control	1
2	A37247	KNOB	- lever	1
3	A51528	OIL SEAL	RING - retainer, hand lever knob	1
4	138-97	LOCK PIN,3/16" x 1 1/8", Slotted	PIN, 3/16" x 1 1/8", Slotted	1
5	195-41	WASHER,5/8"	WASHER,5/8"	1
6	A37242	LEVER	- lower	1
7	138-97	LOCK PIN,3/16" x 1 1/8", Slotted	PIN, 3/16" x 1 1/8", Slotted	1
8	A38435	ROD	- linkage	1
9	138-45	LOCK PIN,3/32" x 1", Slotted	PIN, 3/32" x 1", Slotted	2
10	95-6	WASHER,3/8"	- 7/16 x 1 x 5/64"	2
11	A32398	BALL JOINT	END - ball joint	1
12	25-116	NUT,Hex, 3/8"-24, G5	- 3/8" N.F. hex.	1
13	13-620	BOLT,Hex, 3/8"-16 x 1 1/4", G5, Full Thd	BOLT,Hex, 3/8"-16 x 1 1/4", G5, Full Thd	1
14	92-6	LOCK WASHER,3/8"	WASHER - lock, 3/8"	1
20	A37419	LEVER	- shift control	1
21	G10450	OIL SEAL	- oil, 3/4 x 1-1/4 x 3/8"	1
22	G15659	LEVER	- shift fork, shuttle	1
23	G16638	LUG	- shuttle shift rail	1
24	G30264	KIT	- rail, shuttle shift, Includes: Ref. 25	1
25	A38203	SPACER	- shift rail, 1/2" long	1
26	A29964	SCREW	- lock, Serial Range: lug-rail	1
27	A29966	ELECTRICAL WIRE	WIRE - screw locking, #18 gauge x 7" long	1
28	G16633	FORK	- shuttle shift	1
29	211-11	BALL,3/8" Dia	- detent, shift rail (.) 3/8" Dia	2
30	G47039	SPRING	- detent ball	2
35	A39330	LEVER	- range shift	1
36	A23885	KNOB	- range lever	1
37	A26778	SEAL	- oil, 5/8 x 1-1/8 x 3/8"	1
38	G15657	LEVER	- range shift fork	1
39	126-12	WOODRUFF KEY,#6, 5/32" x 5/8"	WOODRUFF KEY,#6, 5/32" x 5/8"	1
40	G16632	FORK	- range shift	1
41	A37985	RAIL	- range shift	1
42	A29964	SCREW	- lock	1

Diag #	Part #	Name	Description	Qty
43	A29966	ELECTRICAL WIRE	WIRE - screw locking, #18 gauge x 7" long	1
45	A37984	COVER	- shift control	1
46	G46842	GASKET	- cover	1
47	166-45	12 PT SCREW, 12 Pt Flg, 3/8"-16 x 1", G8	SCREW - 3/8 x 1" N.C. 12 pt. Ferry cap	1
47	13-624	BOLT, Hex, 3/8"-16 x 1 1/2", G5	- 3/8 x 1-1/2" N.C. hex.	3
48	92-6	LOCK WASHER, 3/8"	WASHER - lock, 3/8"	4
49	A29426	AXLE PIN	PIN - dowel, 3/8 x 3/4", front	1
50	G10711	PIN	- dowel, 1/2 x 3/4", rear	1
51	221-1850	PLUG, Hex Soc, 1/16"-27	- 1/16" roll thrd., sckt. hd.	2
52	138-61	LOCK PIN, 1/8" x 1", Slotted	PIN, 1/8" x 1", Slotted	2
53	A9238	BREATHER	ASSY. - (w/service filter) (Order A75179), Includes: Ref. 54	1
54	A10059	FILTER, ELEMENT	ELEMENT - filter	1
55	A75179	BREATHER	ASSY. - oil (w/nylon washable element)	1
56	A38311	DIPSTICK	- oil level	1
57	A38660	GASKET	- dipstick	1

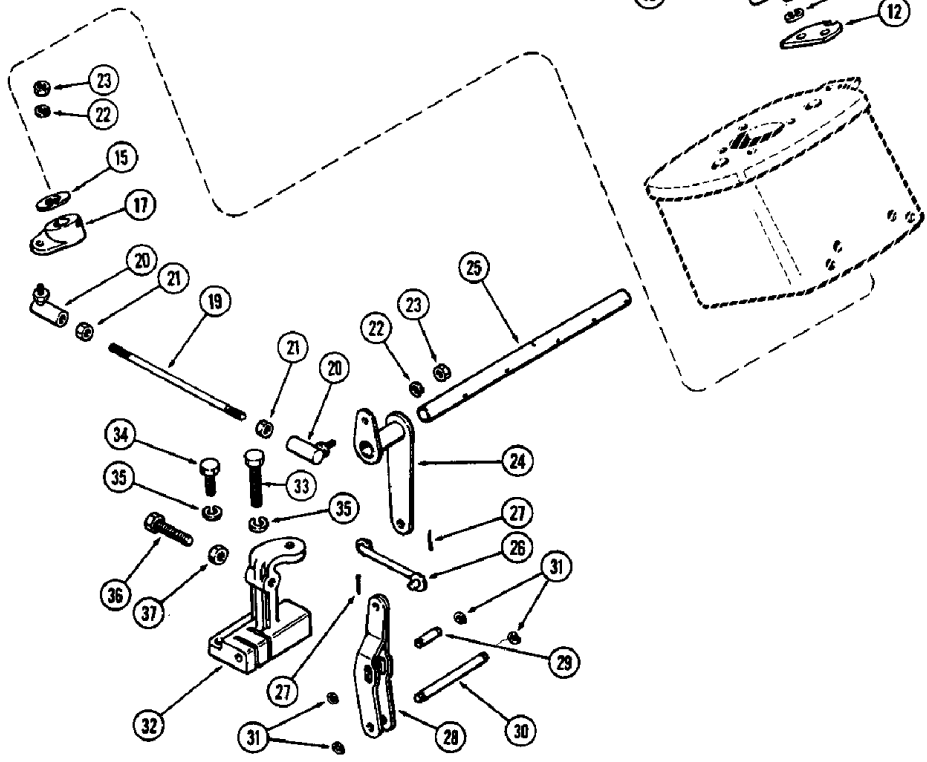
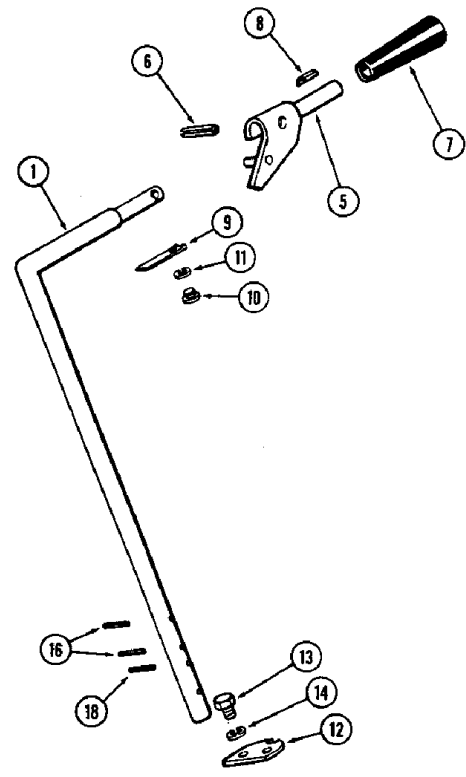
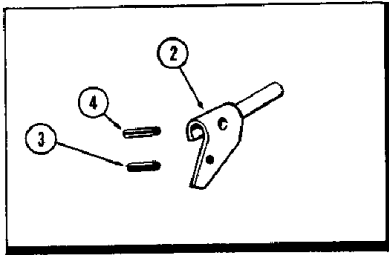


Diag #	Part #	Name	Description	Qty
1	G16627	RETAINER	- bearing, input gear	1
2	13-618	BOLT,Hex, 3/8"-16 x 1 1/8", G5, Full Thd	BOLT,Hex, 3/8"-16 x 1 1/8", G5, Full Thd	3
3	92-6	LOCK WASHER,3/8"	WASHER - lock, 3/8"	3
4	A27209	RING	- snap, input gear bearing	1
5	A31209	BALL BEARING	BEARING - ball, input gear (Replaces G13607)	1
6	A37617	GEAR	- input	1
7	A35767	NEEDLE BEARING,1.375" ID x 1.7505" OD x 0.75"	BEARING - needle, input gear	1
8	A51874	SYNCHRONIZER	ASSY. - shuttle shift (Replaces G45049), Includes: Ref. 9 - 12	1
9	NSS	NOT SERVICED SEPARATELY	HUB	1
10	G46077	RING	- blocking	2
11	G46078	PLATE	- shifter	3
12	A40766	SPRING	SPRING	2
13	A27565	RING	- snap, synchronizer (.076")	1
13	A27566	RING	- snap, synchronizer (.080")	1
13	A27567	RING	- snap, synchronizer (.083")	1
13	G46097	RING	- snap, synchronizer (.087")	1
13	A27568	RING	- snap, synchronizer (.091")	1
14	G16625	COLLAR	- thrust, output gear	1
15	G16624	GEAR	- output (27 teeth)	1
16	G16619	SLEEVE	- output gear	1
17	G13459	COLLAR	ASSY. - thrust, output gear, Includes: Ref. 18	1
18	138-18	LOCK PIN,5/64" x 3/8", Slotted	PIN, 5/64" x 3/8", Slotted	1
20	G16617	SHAFT	COUNTERSHAFT - cluster gear	1
21	G16615	GEAR	- cluster (25 teeth and 30 teeth)	1
22	G10420	NEEDLE BEARING	BEARING - needle, cluster gear	2
23	G46082	WASHER	- thrust, inner (1/8")	2
24	G13609	THRUST BEARING	BEARING, THRUST, Cluster gear	2
25	G46081	BEARING WASHER	WASHER - thrust, outer (1/32")	2
30	G1205	HOUSING	- shuttle gear	1
	14-628	BOLT,Hex, 3/8"-24 x 1 3/4", G5	- 3/8 x 1-3/4" N.F. hex., shuttle hsg. to range hsg.	3
	92-6	LOCK WASHER,3/8"	WASHER - lock, 3/8"	3

Diag #	Part #	Name	Description	Qty
	25-116	NUT,Hex, 3/8"-24, G5	- 3/8" N.F. hex.	3
34	13-6104	BOLT,Hex, 3/8"-16 x 6 1/2", G5	Shuttle housing to range housing Hex, 3/8"-16 x 6 1/2", G5	4
35	193-30	LOCK WASHER,Int Tooth, 3/8"	WASHER, LOCK, Int Tooth, 3/8"	4
36	G1206	RING	BUSHING - front, countershaft	1
37	G16618	LATCH	LOCK - countershaft	1
38	G16616	SHIM,.005" Thk	Cluster gear .005" Thk	1
39	13-624	BOLT,Hex, 3/8"-16 x 1 1/2", G5	- 3/8 x 1-1/2" N.C. hex.	1
39	13-618	BOLT,Hex, 3/8"-16 x 1 1/8", G5, Full Thd	BOLT,Hex, 3/8"-16 x 1 1/8", G5, Full Thd	2
40	92-6	LOCK WASHER,3/8"	WASHER - lock, 3/8"	3
41	G16613	STUD	- reverse idler gear	1
42	G16612	GEAR	- reverse idler (24 teeth)	1
43	G13608	BALL BEARING	BEARING - idler gear	1
44	A27150	RING	- snap, bearing	1
45	G16614	NUT	- idler gear stud	1

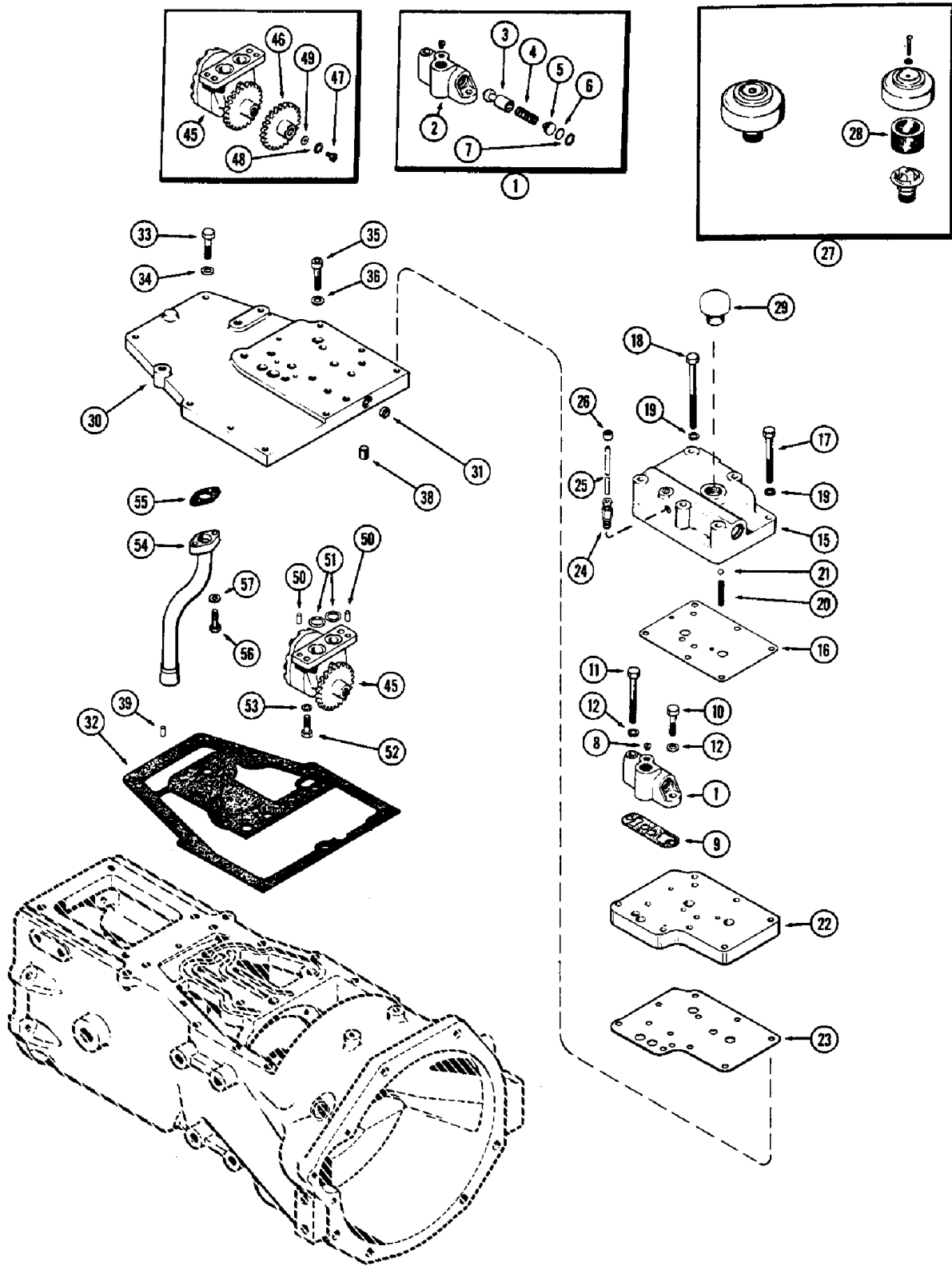


Diag #	Part #	Name	Description	Qty
1	G16623	GEAR	- input (25 teeth)	1
2	G10419	NEEDLE BEARING	BEARING - needle, input gear	1
3	G13606	BALL BEARING	BEARING - ball, input gear	1
4	G16606	SHAFT	COUNTERSHAFT	1
5	G16607	COLLAR	- countershaft	1
6	138-104	LOCK PIN,3/16" x 2", Slotted	PIN, 3/16" x 2", Slotted	1
7	G16608	SHIM,.005" Thk	Countershaft .005" Thk	1
8	138-88	LOCK PIN,3/16" x 1/2", Slotted	PIN - roll, 5/16 x 3/8"	2
9	G1254		HOUSING - gear	1
10	221-1849	PLUG	- 1/8" P.T. hex. sckt. hd.	1
11	G46841	GASKET	- housing to trans. case	1
12	41-20	PLUG,Exp, 1 1/4"	- rear, 1-1/2" dia. (Replaced A30084)	1
13	G10710	STUD	- 3/8" N.F. x 1-3/4"	7
14	92-6	LOCK WASHER,3/8"	WASHER - lock, 3/8"	7
15	25-116	NUT,Hex, 3/8"-24, G5	- 3/8" N.F. hex.	7
16	G16611	GEAR	- cluster (34 teeth and 27 teeth)	1
17	F51079	NEEDLE BEARING	BEARING - needle, cluster gear (Replaced F62094)	2
18	G46081	BEARING WASHER	WASHER - thrust, outer, 1/32"	2
19	G13609	THRUST BEARING	BEARING, THRUST, Cluster gear	2
20	G46082	WASHER	- thrust, inner, 1/8"	2
21	A38153	COLLAR	- shift	1
22	G16621	CARRIER	- shift collar (12 teeth)	1
23	A27565	RING	- snap, shift collar (.076")	1
23	A27566	RING	- snap, shift collar (.080")	1
23	A27567	RING	- snap, shift collar (.083")	1
23	G46097	RING	- snap, shift collar (.087")	1
23	A27568	RING	- snap, shift collar (.091")	1
24	G16619	SLEEVE	- output gear	1
25	G16620	GEAR	- output (32 teeth)	1
26	G13458	COLLAR	- thrust, output gear, Includes: Ref. 27	1
27	138-18	LOCK PIN,5/64" x 3/8", Slotted	PIN - roll, 5/16 x 3/8"	1
28	A26946	RING	- snap, thrust collar	1



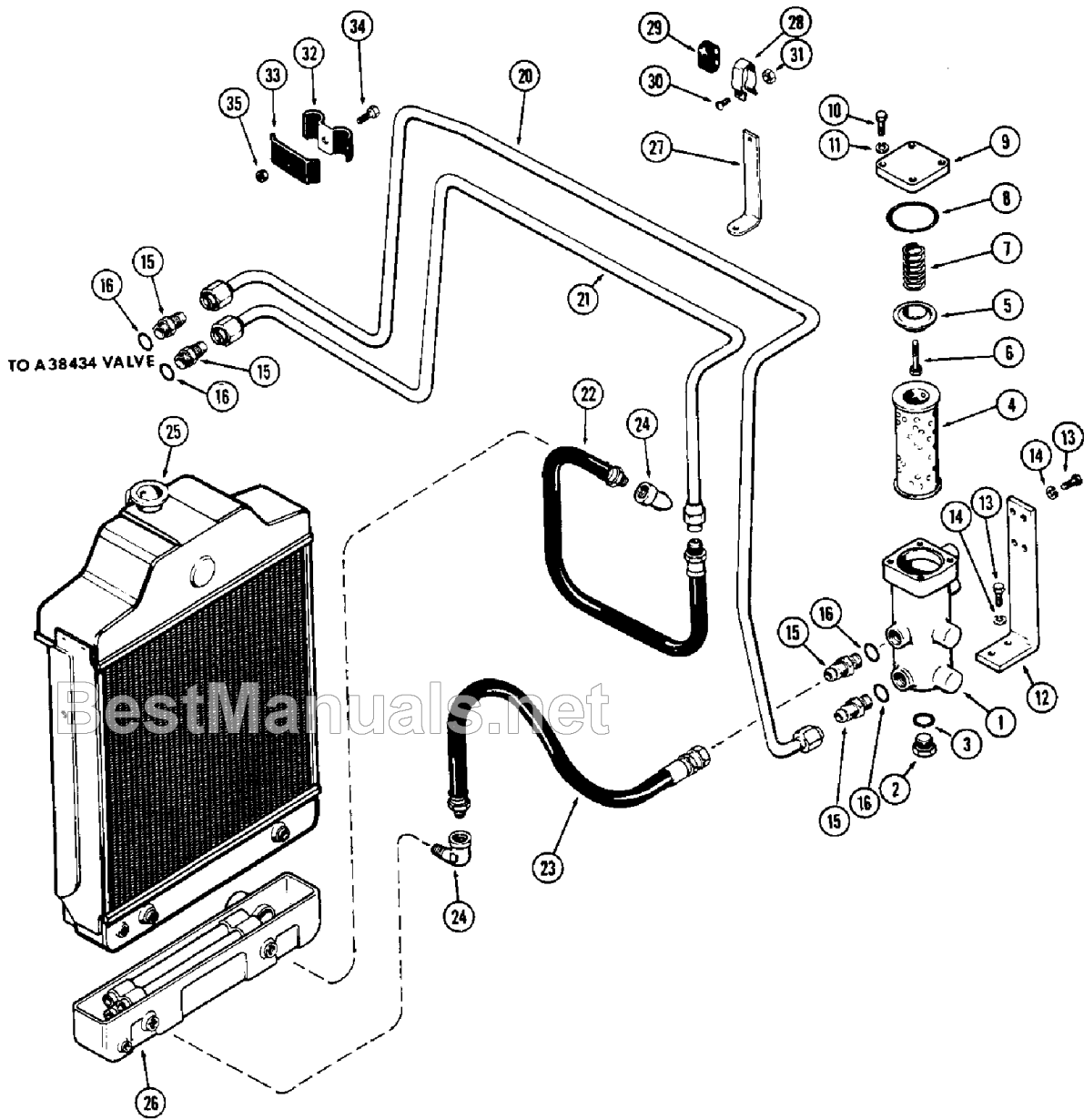
Diag #	Part #	Name	Description	Qty
1	A39326	LEVER	- shuttle shift	1
2	A38293	HANDLE	- lever lock (Used prior to trac. SN. 8711102)	1
3	138-57	LOCK PIN,1/8" x 3/4", Slotted	PIN, , Used prior to tractor S/N 8711102) 1/8" x 3/4", Slotted	1
4	138-134	LOCK PIN,1/4" x 1", Slotted	PIN, , Used prior to tractor S/N 8711102 1/4" x 1", Slotted	1
5	A51625	HANDLE	- lever lock (1st used trac. SN. 8711102)	1
6	138-2053	PIN,1/4" x 1 1/4", Coiled	(1st used tractor S/N 8711102) 1/4" x 1 1/4", Coiled	1
7	A37247	KNOB	- handle	1
8	A51528	OIL SEAL	RING - retainer, knob	1
9	A38296	SPRING	- leaf, shuttle lock	1
10	182-82	SCREW,Slotted Pan Hd, #8-32 x 1/4"	- #8 x 1/4" N.C. sltd. pan hd.	1
11	195-8	WASHER	- 11/64 x 13/32 x 1/16"	1
12	A135382	PLATE ASSY.	PLATE - shuttle lock (Replaces A38298)	1
13	13-410	BOLT,Hex, 1/4"-20 x 5/8", G5, Full Thd	BOLT,Hex, 1/4"-20 x 5/8", G5, Full Thd	2
14	92-4	LOCK WASHER,1/4"	WASHER, LOCK, 1/4"	2
15	195-41	WASHER,5/8"	WASHER,5/8"	1
16	138-97	LOCK PIN,3/16" x 1 1/8", Slotted	PIN, 3/16" x 1 1/8", Slotted	2
17	A37630	LEVER	- lower	1
18	138-97	LOCK PIN,3/16" x 1 1/8", Slotted	PIN, 3/16" x 1 1/8", Slotted	1
19	A35642	ROD	- handle lever to cross shaft	1
20	A10329	BALL JOINT	- rod	2
21	25-154	JAM NUT,Jam, 1/4"-28, G5	- 1/4" N.C. hex	2
22	92-4	LOCK WASHER,1/4"	WASHER, LOCK, 1/4"	2
23	25-114	NUT,1/4"-28, G5	- 1/4" N.C. hex.	2
24	A37631	LEVER	- cross shaft	1
25	A37264	SHAFT	- cross, throttle	1
26	G30260	LINK	- cross shaft to spool lever	1
27	132-24	COTTER PIN,3/32" x 1/2"	PIN - cotter, 3/32 x 1"	2
28	A37634	LEVER	- pivot, valve spool control	1
29	A37637	PIN	- center pivot, 1" long	1
30	G16825	PIN	- lower pivot, 3-9/16" long	1
31	G46146	SNAP RING,#37, Ext	Ring, Snap, , pivot pin #37, Ext	4

Diag #	Part #	Name	Description	Qty
32	A37638	SUPPORT	- control lever	1
33	13-634	BOLT,Hex, 3/8"-16 x 2 1/8", G5	BOLT,Hex, 3/8"-16 x 2 1/8", G5	1
34	13-616	BOLT,Hex, 3/8"-16 x 1", G5, Full Thd	BOLT,Hex, 3/8"-16 x 1", G5, Full Thd	1
35	92-6	LOCK WASHER,3/8"	WASHER - lock, 3/8"	2
36	113-129	BOLT,Hex, 5/16"-18 x 1 3/4", G5, Full Thd	BOLT,Hex, 5/16"-18 x 1 3/4", G5, Full Thd	1
37	25-145	JAM NUT,Jam, 5/16"-18, G5	- 5/16" N.C. hex., jam	1



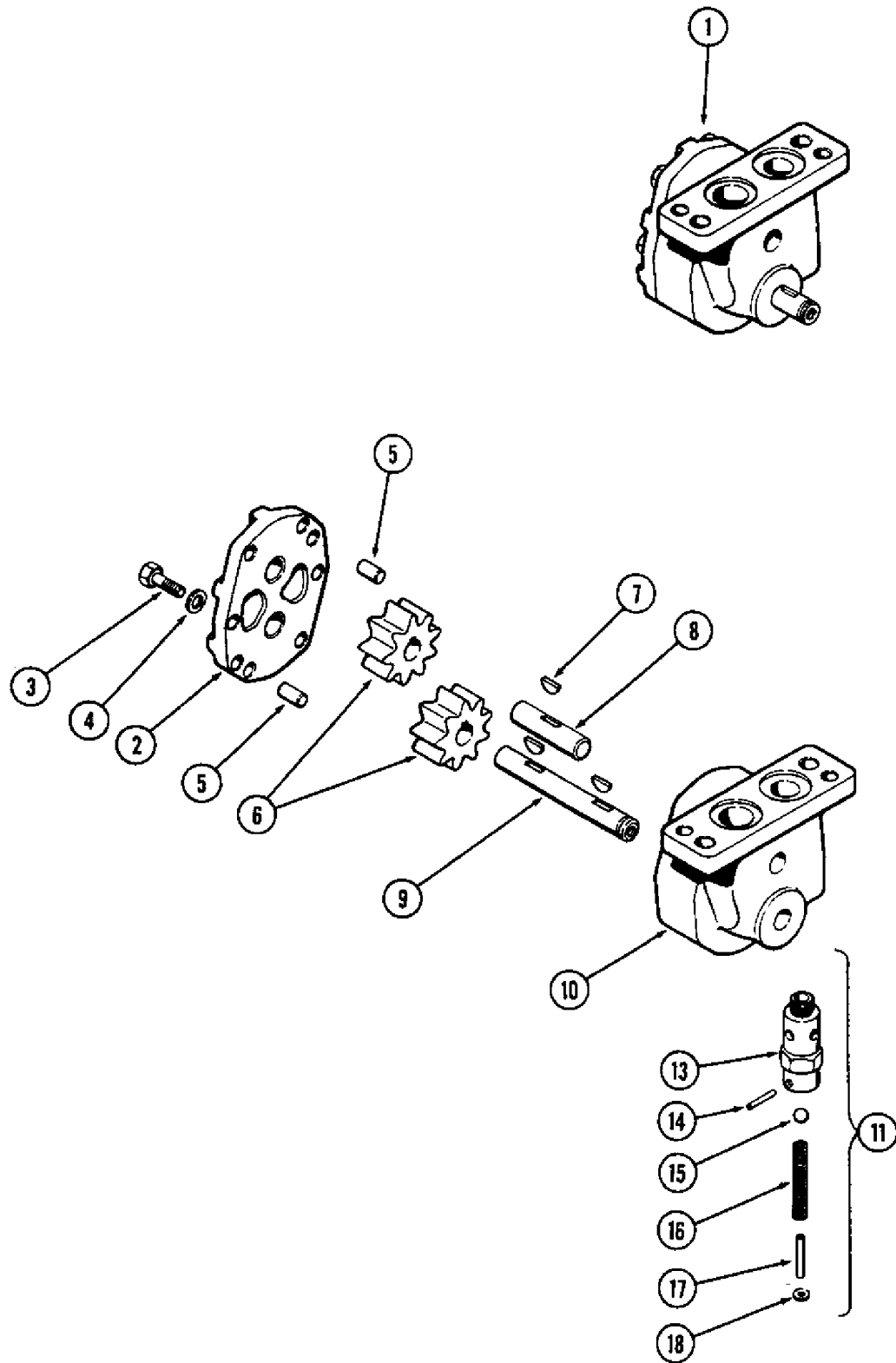
Diag #	Part #	Name	Description	Qty
1	A36898	VALVE	ASSY. - regulator, Includes: Ref. 2 - 7	1
2	NSS	NOT SERVICED SEPARATELY	BODY - (Order ref. 1)	1
3	NSS	NOT SERVICED SEPARATELY	SPOOL - (Order ref. 1)	1
4	A30106	VALVE SPRING	SPRING - valve spool	1
5	G16779	CAP	PLUG - end	1
6	A30097	O-RING,0.549" ID x 0.755" OD x 0.103"	"O" RING - 9/16 x 3/4 x 3/32"	1
7	G46150	SNAP RING,0.75", Int, #75	Ring, Snap, , end plug 0.75", Int, #75	1
8	221-1840	PLUG	- 1/8" P.T. sckt. hd.	1
9	G46824	GASKET	- regulator valve	1
10	413-632	BOLT,Hex, 3/8"-16 x 2", G5	- 3/8 x 2" N.C. hex.	1
11	13-652	BOLT,Hex, 3/8"-16 x 3 1/4", G5	- 3/8 x 3-1/4" N.C. hex.	1
12	92-6	LOCK WASHER,3/8"	WASHER - lock, 3/8"	2
15	A38434	VALVE	ASSY. - control (See Figure 192)	1
16	A38030	GASKET	- control valve	1
17	13-660	BOLT,Hex, 3/8"-16 x 3 3/4", G5	- 3/8 x 3-3/4" N.C. hex.	1
18	13-668	BOLT,Hex, 3/8"-16 x 4 1/4", G5	- 3/8 x 4-1/4" N.C. hex.	3
18	13-684	BOLT,Hex, 3/8"-16 x 5 1/4", G5	BOLT,Hex, 3/8"-16 x 5 1/4", G5	2
19	92-6	LOCK WASHER,3/8"	WASHER - lock, 3/8"	6
20	A38489	SPRING	- detent, valve spool	1
21	211-11	BALL,3/8" Dia	- detent, valve spool (.) 3/8" Dia	1
22	A38028	PLATE	- oil distribution	1
23	A38029	GASKET	- distribution plate	1
24	222-400	HYD CONNECTOR,1/8" NPT x 5/16"-24	CONNECTOR - tube to valve	1
25	G46292	TUBE,0.125" OD x 28" L	- oil pressure, valve to gauge	1
26	222-10	FITTING,3/8"-24 Inv Fl x 1/8" NPT	COUPLING - pressure tube to gauge	1
27	A9238	BREATHER	ASSY. - (w/service element) (Order A75179), Includes: Ref. 28	1
28	A10059	FILTER, ELEMENT	ELEMENT - filter	1
29	A75179	BREATHER	ASSY. - oil (w/nylon washable filter)	1
30	A38386	HOUSING	- adapter, valve	1

Diag #	Part #	Name	Description	Qty
31	41-1013	PLUG,Cup, 13/16"	- 53/64" cup type	2
32	A37517	GASKET	- adapter housing	1
33	13-622	BOLT,Hex, 3/8"-16 x 1 3/8", G5	- 3/8 x 1-3/8" N.C. hex.	6
33	13-626	BOLT,Hex, 3/8"-16 x 1 5/8", G5	BOLT,Hex, 3/8"-16 x 1 5/8", G5	1
34	92-6	LOCK WASHER,3/8"	WASHER - lock, 3/8"	7
35	61-628	HEX SOC SCREW,Hex Soc Hd, 3/8"-16 x 1 3/4"	SCREW - 3/8 x 1-3/4" N.C. sckt. hd.	1
36	195-401	SEALING WASHER,3/8"	WASHER - sealing, 3/8"	2
38	A29426	AXLE PIN	PIN - dowel, front, 3/8 x 3/4"	1
39	G10711	PIN	- dowel, rear, 1/2 x 3/4"	1
45	A37570	PUMP	ASSY. - drive (See Figure 190)	1
46	G16798	GEAR	- pump drive (Replaced G16913)	1
47	165-101	HEX SOC SCREW,Hex Soc Hd, 1/4"-28 x 3/8", Lock	SCREW - 1/4 x 3/8" N.C. hex. sckt. hd., locking	1
48	G46147	SNAP RING,0.625", Int, #62	Ring, Snap, 0.625", Int, #62	1
49	G49045	WASHER	- retainer, drive gear	1
50	A11528	PIN	- dowel, pump mtg. 5/16 x 9/16"	2
51	A7075	GASKET	GASKET -, Serial Range: pump-adapter	2
52	13-620	BOLT,Hex, 3/8"-16 x 1 1/4", G5, Full Thd	BOLT,Hex, 3/8"-16 x 1 1/4", G5, Full Thd	2
53	92-6	LOCK WASHER,3/8"	WASHER - lock, 3/8"	2
54	A38034	TUBE	- suction, oil	1
55	A38212	GASKET	- tube	1
56	13-520	BOLT,Hex, 5/16"-18 x 1 1/4", G5	- 5/16 x 1-1/4" N.C. hex.	2
57	92-5	LOCK WASHER,5/16"	LOCK WASHER,5/16"	2

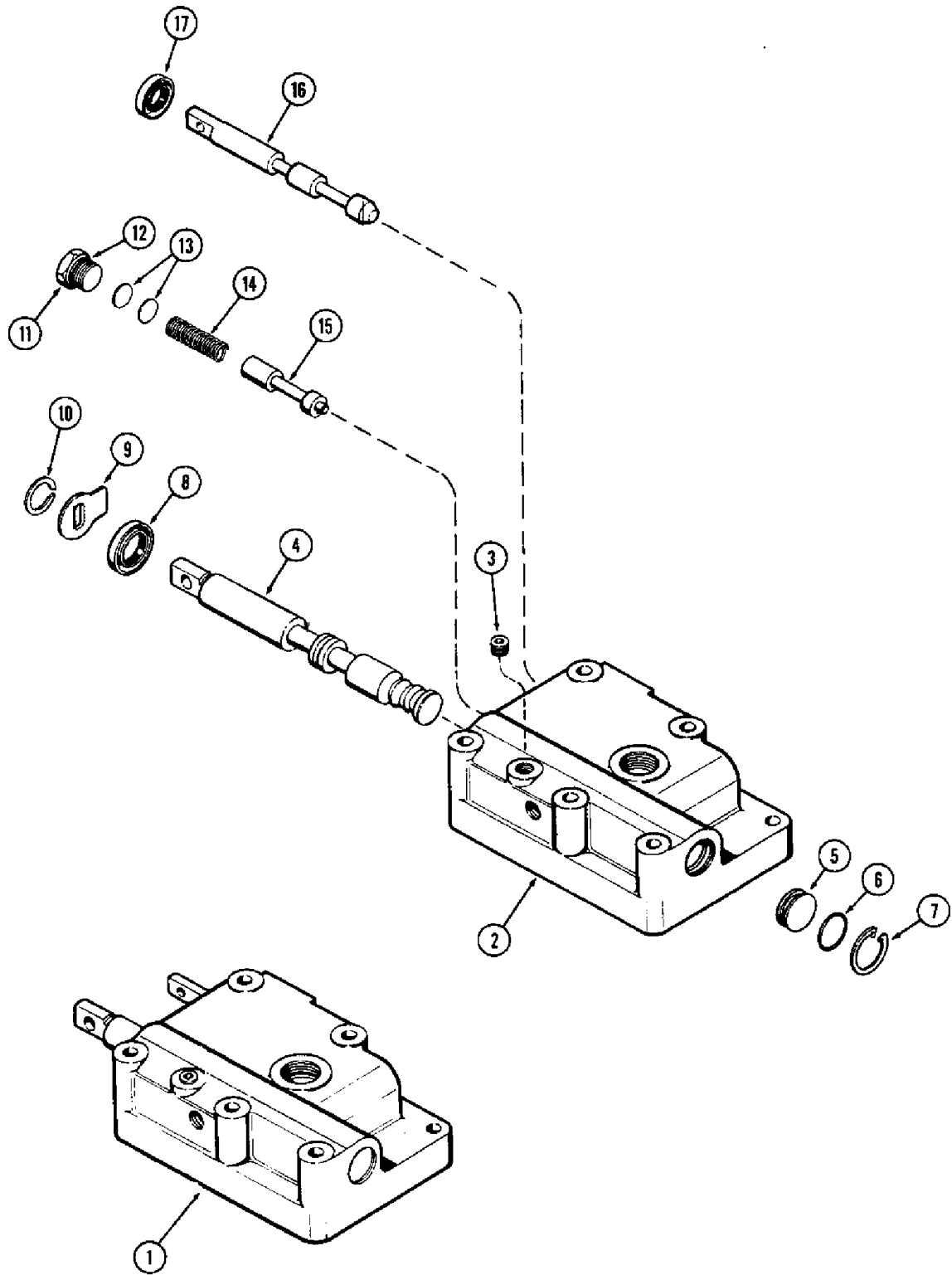


Diag #	Part #	Name	Description	Qty
1	A38416	HOUSING	- oil filter	1
2	86512512	PLUG,Hex Hd, 7/8"-14 ORB	Assy, Housing, Incl. Ref. 3 Hex Hd, 7/8"-14 ORB	1
3	237-6010	O-RING,0.239" ID x 0.379" OD x 0.07"	"O" RING - 3/4 x 15/16 x 3/32"	1
4	A51463	FILTER	ELEMENT - oil filter (25 Micron) (1st used tractor serial no. 8709200)	1
4	A39578	HYDRAULIC OIL FILTER	ELEMENT - oil filter (10 Micron) (Used prior to tractor serial no. 8709200) (Order A51463)	1
5	A36523	CAP	- element retainer	1
6	13-428	BOLT,Hex, 1/4"-20 x 1 3/4", G5	BOLT,Hex, 1/4"-20 x 1 3/4", G5	1
7	A29993	VALVE SPRING	SPRING - retainer, element	1
8	A29884	O-RING,2.359" ID x 2.637" OD x 0.139"	"O" RING - 2-3/8 x 2-5/8 x 1/8"	1
9	G1248	COVER	CAP - 3/8 x 1" N.C. hex., cap	1
10	13-616	BOLT,Hex, 3/8"-16 x 1", G5, Full Thd	Cap Hex, 3/8"-16 x 1", G5, Full Thd	4
11	92-6	LOCK WASHER,3/8"	WASHER - lock, 3/8"	4
12	A38223	BRACKET	- filter housing support	1
13	13-614	BOLT,Hex, 3/8"-16 x 7/8", G5, Full Thd	BOLT,Hex, 3/8"-16 x 7/8", G5, Full Thd	4
14	92-6	LOCK WASHER,3/8"	WASHER - lock, 3/8"	4
15	218-5062	HYD CONNECTOR,7/8"-14, 37° x 7/8"-14, O-Ring	CONNECTOR ASSY. - for 5/8" tube, Includes: Ref. 16	4
16	237-6010	O-RING,0.239" ID x 0.379" OD x 0.07"	"O" RING - 3/4 x 15/16 x 3/32"	1
20	A38658	TUBE	- input (A38434 valve to oil filter)	1
21	A38659	TUBE	- return (Oil cooler to A38434 valve)	1
22	A37586	HOSE,12.70 mm ID x 485.60 mm	RADIATOR HOSE, , to Return Tube 12.70 mm ID x 485.60 mm	1
23	A38417	HOSE	- filter to cooler, 17-13/32" long	1
24	221-1413	ELBOW,90°, 3/8"-18, NPT	- street, 3/8" P.T., 90 degrees (Not required)	2
25	A39345	RADIATOR	ASSY., Includes: Ref. 26	1
26	G45484	RESERVOIR	TANK - oil cooler (Repairs only)	1
27	A37587	BRACKET	- tube clamp (w/gas engine) (5-3/4" high)	1
27	A37588	BRACKET	- tube clamp (w/diesel engine) (5-9/64" high)	1

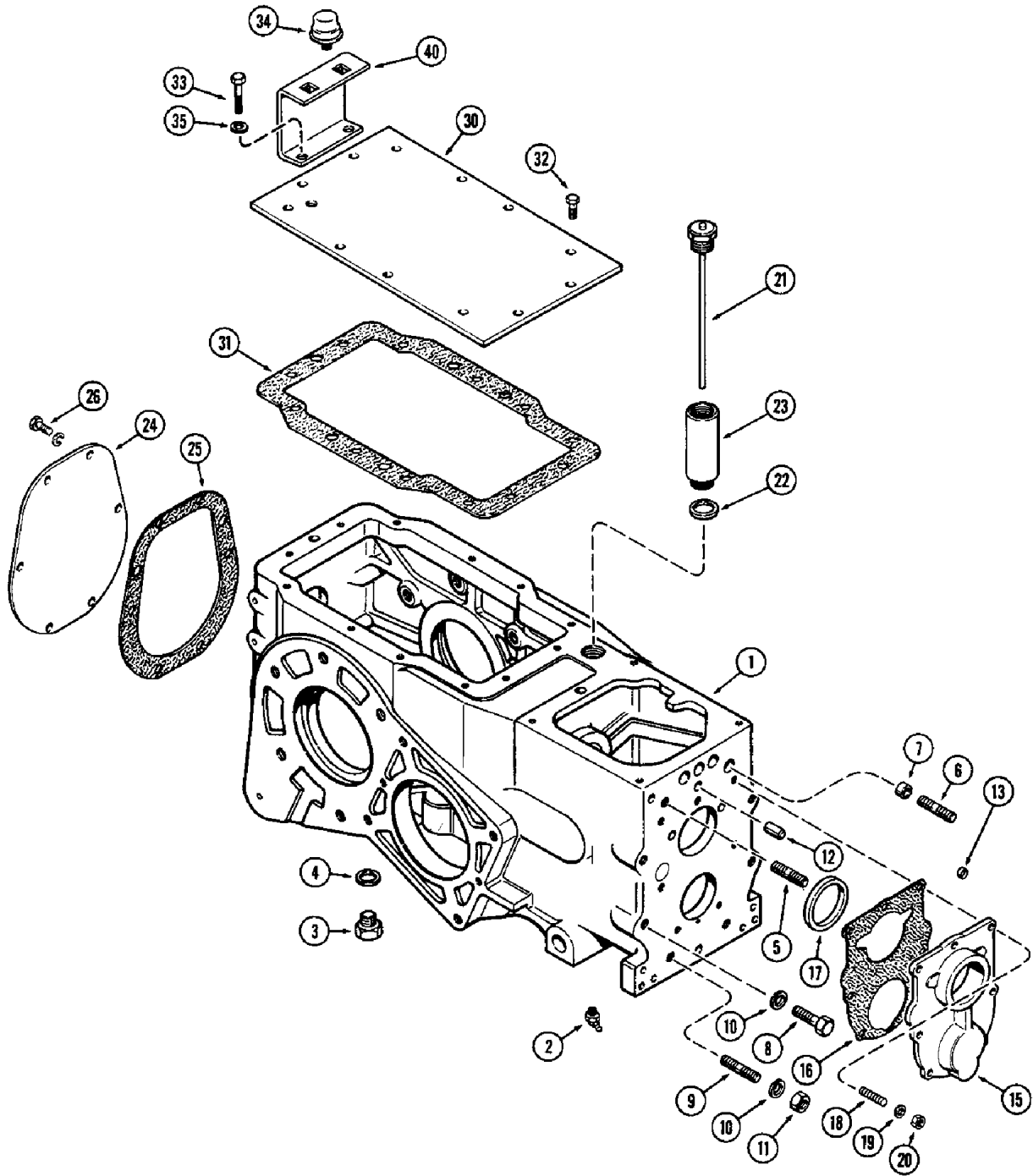
Diag #	Part #	Name	Description	Qty
28	A37590	CLAMP	- tube	2
29	G46835	GROMMET	- rubber, tube clamp	3
30	174-203	SCREW	- #10-32 x 3/4" rd. hd. Phillips	2
31	193-1000	NUT,Keps, w/LW,#10-32	- #10-32 hex. Keps, brass	2
32	A38391	CLAMP	- tubes	1
33	A38392	STRAP	- tubes	1
34	13-410	BOLT,Hex, 1/4"-20 x 5/8", G5, Full Thd	BOLT,Hex, 1/4"-20 x 5/8", G5, Full Thd	1
35	131-2	NUT,1/4"-20, GB	NUT - 1/4" N.C. elastic stop	1



Diag #	Part #	Name	Description	Qty
1	A37570	PUMP	ASSY. - converter drive, Includes: Ref. 2 - 18	1
2	A37577	COVER	- pump	1
3	13-414	BOLT,Hex, 1/4"-20 x 7/8", G5, Full Thd	BOLT,Hex, 1/4"-20 x 7/8", G5, Full Thd	6
4	80682	LOCK WASHER,1/4"	Washer, Lock, 1/4"	6
5	A11528	PIN	- dowel, cover	2
	A37572	SHAFT	GEAR Includes: Ref. 6, 7, 9	1
		One only is included with each of A37572 drive gear & shaft assy and A37575 idler gear & shaft assy.	One only is included with each of A37572 drive gear & shaft assy and A37575 idler gear & shaft assy.	1
	A37575	SHAFT	GEAR Includes: Ref. 6 - 8	1
6	A37574	GEAR - driver & idler	GEAR - driver & idler	1
7	126-9	WOODRUFF KEY,#3, 1/8" x 1/2"	Gear #3, 1/8" x 1/2"	1
8	NSS	NOT SERVICED SEPARATELY	SHAFT - idler, short	1
9	NSS	NOT SERVICED SEPARATELY	SHAFT - driver, long	1
10	A37571	HOUSING	- pump	1
11	A37578	VALVE	ASSY. - relief, Includes: Ref. 13 - 17	1
13	NSS	NOT SERVICED SEPARATELY	BODY - (Order ref. 11)	1
14	138-57	LOCK PIN,1/8" x 3/4", Slotted	PIN, 1/8" x 3/4", Slotted	1
15	211-9	BALL,5/16" Dia	- check, . 5/16" Dia	1
16	A37580	VALVE SPRING	SPRING - relief	1
17	138-96	LOCK PIN,3/16" x 1", Slotted	PIN, 3/16" x 1", Slotted	1
18	195-6	WASHER,#6	- shim, relief valve	1

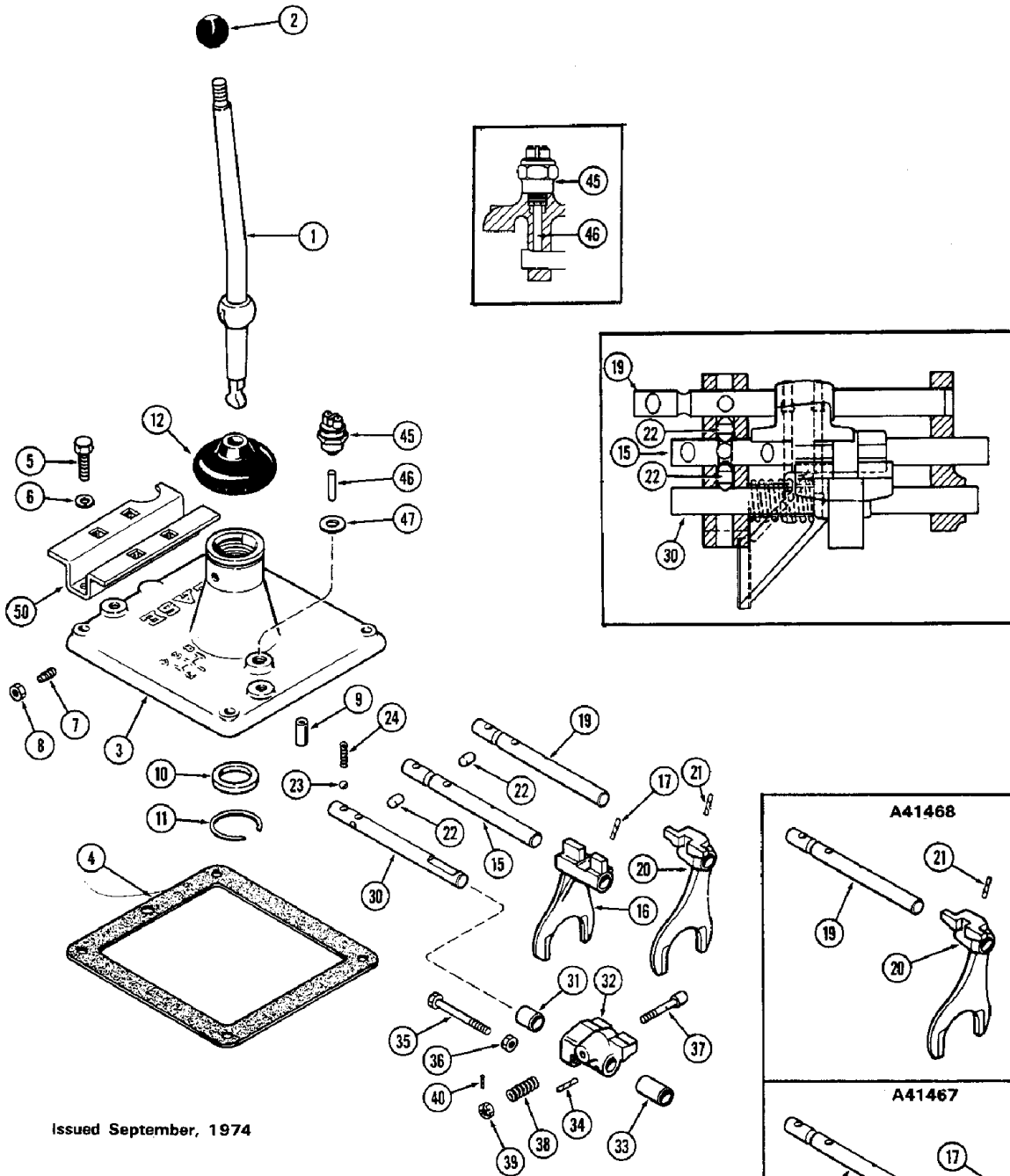


Diag #	Part #	Name	Description	Qty
1	A38434	VALVE	ASSY. - shuttle control, Includes: Ref. 2 - 17	1
2	NSS	NOT SERVICED SEPARATELY	BODY - valve (Order ref. 1)	1
3	221-1849	PLUG	- 1/8" P.T., sckt. hd.	1
4	NSS	NOT SERVICED SEPARATELY	SPOOL - power shuttle control (Order ref. 1)	1
5	A37549	PLUG	- spool opening	1
6	F62075	O-RING,0.734" ID x 1.012" OD	"O" RING - 3/4 x 1 x 1/8"	1
7	A37550	SNAP RING,1.00", Int, #100	Ring, Snap, , plug 1.00", Int, #100	1
8	A11507	OIL SEAL	- oil, 7/8 x 1-3/8 x 1/4"	1
9	NLS	NO LONGER SERVICED	PLATE - interlock, spool	1
10	A29329	RING, SNAP	RING - snap, plate retaining	1
11	A39131	PLUG	- pressure regulator (Replaces A38443)	1
13	A38441	SHIM,.0209" Thk	Pressure regulating .0209" Thk	1
13	A38442	SHIM,.0418" Thk	Pressure regulating .0418" Thk	1
14	A38440	SPRING	- regulator spool, 2-3/64" free length	1
15	A37551	PLUNGER	SPOOL - pressure regulator	1
16	A38033	SPOOL	- flow control	1
17	A37558	SEAL	- oil, 9/16 x 1-1/8 x 1/4"	1
12	218-5006	O-RING,0.176" ID x 0.316" OD x 0.07"	"O" RING - plug	1



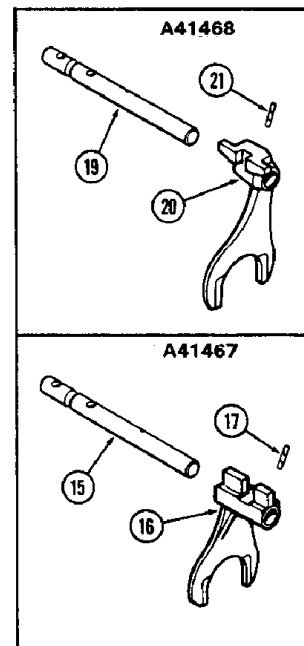
Diag #	Part #	Name	Description	Qty
1	A38714	CASE	- transmission	1
2	219-36	LUBE NIPPLE,45°, 1/8" NPT x 7/8" lg	FITTING - lube 1/8" P.T. x 45 degrees	2
3	A140222	PLUG	- drain (Replaces A14280)	1
4	A58608	OIL PAN GASKET SET	- plug (Nylon)	1
5	A38708	STUD	- 1/2" N.C./N.F. x 2-3/8", upper R.H.	1
6	A38707	STUD	- 1/2" N.C./N.F. x 2-9/16", upper L.H.	1
		A38707 stud - This is 2.560" long.One size is used to service both sizes called out.	A38707 stud - This is 2.560" long.One size is used to service both sizes called out.	1
7	A50011	SLEEVE	- stud, upper L.H.	1
8	113-465	BOLT	- 1/2 x 2" N.C. hex.	4
9	A38707	STUD	- 1/2" N.C./N.F. x 2-1/2" lower (Replaces A29336)	2
		A38707 stud - This is 2.560" long.One size is used to service both sizes called out.	A38707 stud - This is 2.560" long.One size is used to service both sizes called out.	1
10	92-8	LOCK WASHER,1/2"	LOCK WASHER,1/2"	8
11	25-178	NUT,1/2"-20, G5, Hvy	- 1/2" N.F. hex.	4
12	A29540	PIN	DOWEL - torque tube to trans. case	1
13	A39321	PLUG,Cup, 7/16"	- 7/16" cup type	1
15	G1027	COVER	- front (Used w/power shuttle)	1
16	G46841	GASKET	- cover	1
17	A39184	COLLAR	- pilot (Used w/power shuttle)	1
18	G10710	STUD	- 3/8" N.C./N.F. x 1-3/4"	7
19	92-6	LOCK WASHER,3/8"	WASHER - lock, 3/8"	7
20	25-116	NUT,Hex, 3/8"-24, G5	- 3/8" N.F. hex.	7
21	A39323	DIPSTICK	- oil level	1
22	A38660	GASKET	- dipstick	1
23	A39322	TUBE	- dipstick extension	1
24	A39105	COVER	- rear (Used w/o P.T.O. or hitch)	1
25	G10447	GASKET	- cover	1
26	13-612	BOLT,Hex, 3/8"-16 x 3/4", G5, Full Thd	BOLT,Hex, 3/8"-16 x 3/4", G5, Full Thd	6
30	A39853	COVER	- top (Used w/o hitch) (Replaces A39320)	1
31	G10941	GASKET	- cover	1

Diag #	Part #	Name	Description	Qty
32	26-616	BOLT,Hex, 3/8"-16 x 1", G8, Full Thd	- 3/8 x 1" N.C. hex.	3
33	26-618	BOLT,Hex, 3/8"-16 x 1 1/8", G8, Full Thd	- 3/8 x 1-1/8" N.C. hex.	5
33	26-628	BOLT,Hex, 3/8"-16 x 1 3/4", G8	- (3/8 x 1-3/4" N.C. hex.) (Seat support plate to trans. rear top cover)	4
34	A27173	BREATHER	- oil	1
35	95-6	WASHER,3/8"	- (flat) (Seat support plate to trans. cover) 3/8"	4
40	D52994	BRACKET	SUPPORT - floor plate, rear	1



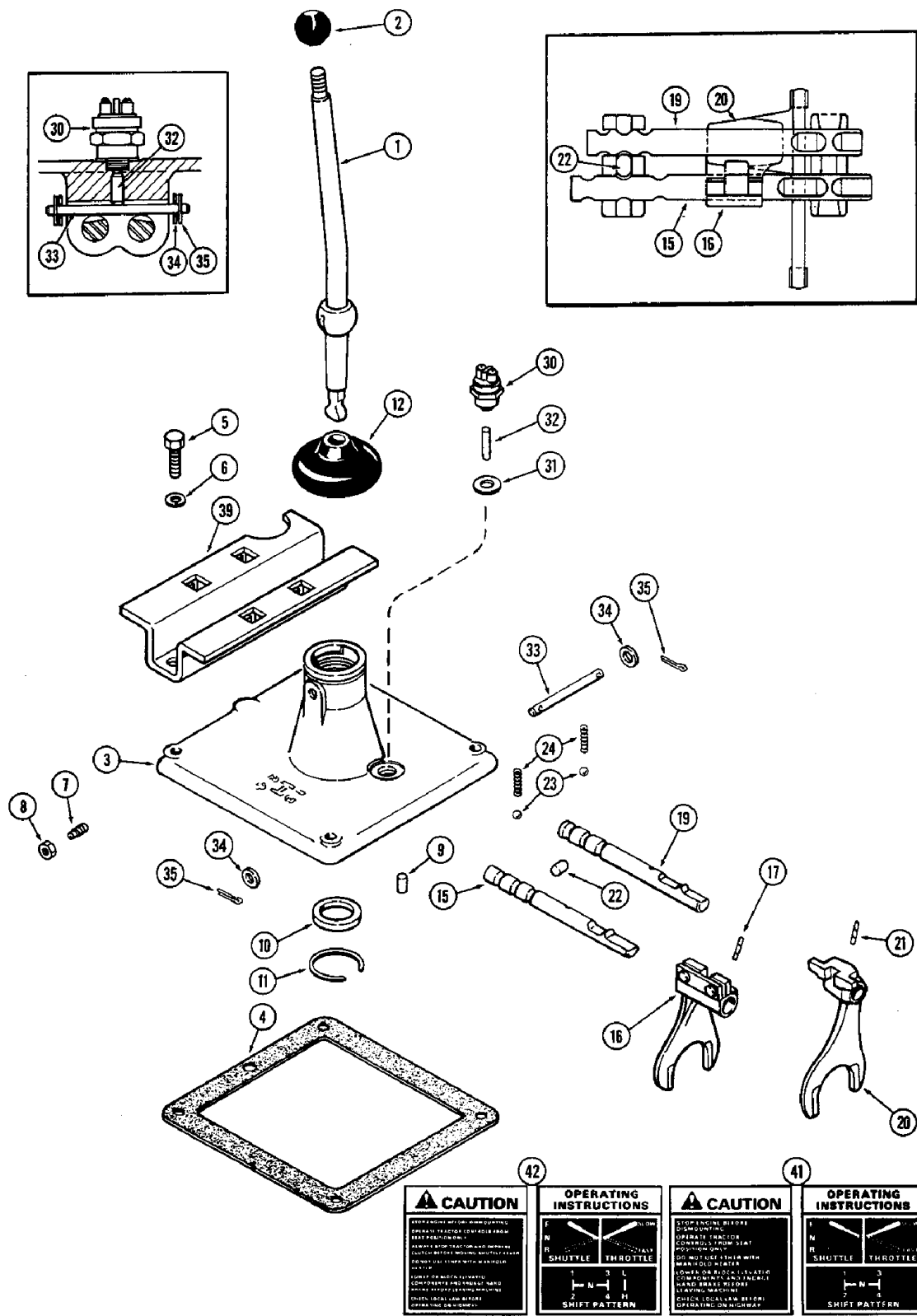
Issued September, 1974

52	51
CAUTION OPERATING INSTRUCTIONS F N R SHUTTLE THROTTLE 1 2 3 4 H SHIFT PATTERN	CAUTION OPERATING INSTRUCTIONS F N R SHUTTLE THROTTLE 1 2 3 4 H SHIFT PATTERN



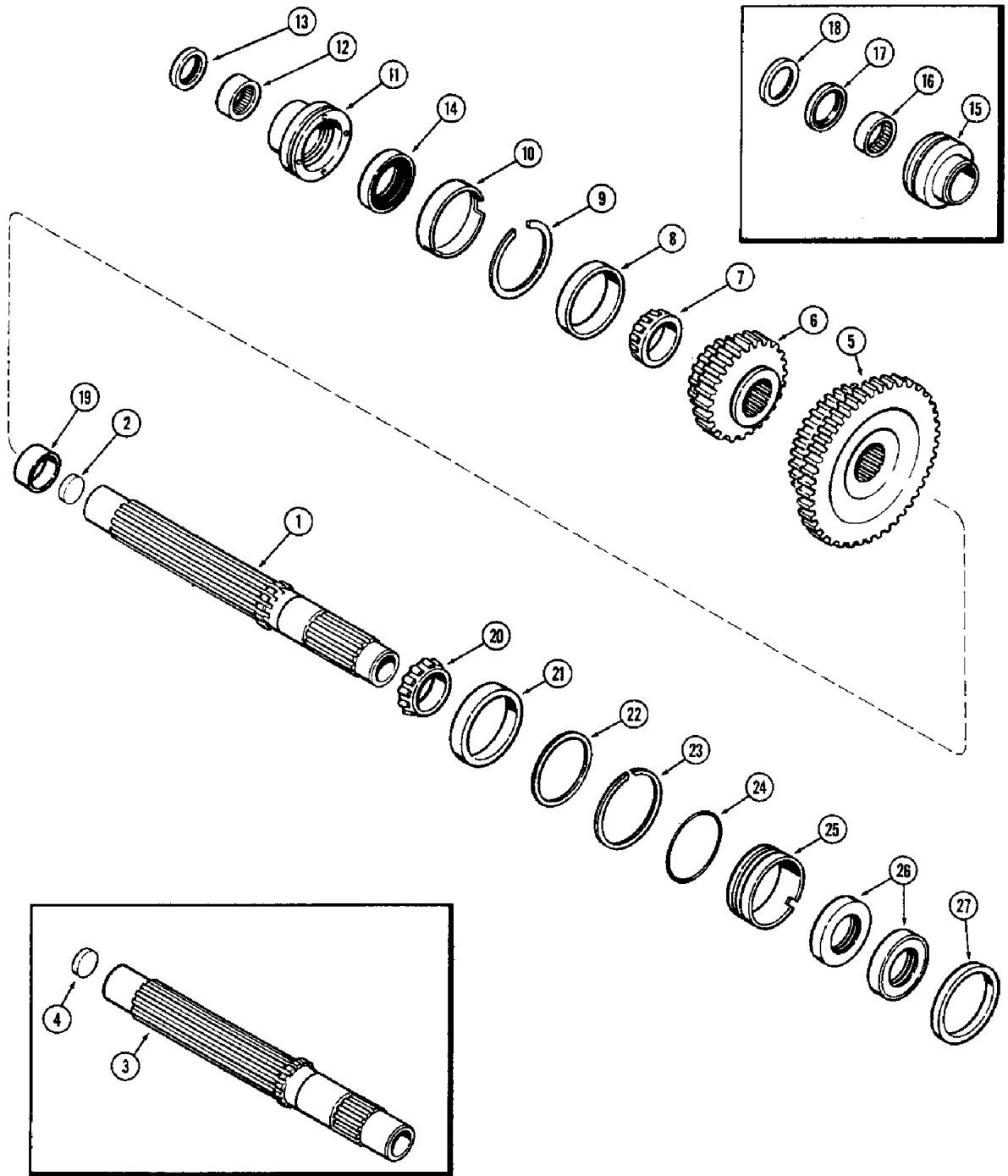
Diag #	Part #	Name	Description	Qty
1	A51747	LEVER	- gear shift (Replaces A39864	1
2	A23885	KNOB	- shift lever	1
3	A36155	COVER	- control	1
4	G10342	GASKET	- cover	1
5	13-624	BOLT,Hex, 3/8"-16 x 1 1/2", G5	- 3/8 x 1-1/2" N.C. hex.	3
5	13-626	BOLT,Hex, 3/8"-16 x 1 5/8", G5	BOLT,Hex, 3/8"-16 x 1 5/8", G5	1
6	92-6	LOCK WASHER,3/8"	WASHER - lock, 3/8"	4
7	G15468	SCREW	- shift lever retaining	1
8	25-145	JAM NUT,Jam, 5/16"-18, G5	- 5/16" N.C. hex., jam	1
9	138-245	LOCK PIN,1/2" x 7/8", Slotted	Pin, , Cover to trans. case 1/2" x 7/8", Slotted	1
10	A7923	SEAT	- support, shift lever	1
11	A26836	RING, SNAP	RING - snap, seat retaining	1
12	A57876	COVER	- dust, shift lever	1
	A41467	FORK	KIT - shift, 1st	1
15	A38233	ROD	RAIL - shift, 1st	1
16	A38232	FORK	- shift, 1st	1
17	138-2009	PIN,3/16" x 1", Coiled	PIN,3/16" x 1", Coiled	1
	A41468	PACKAGE, REPAIR	KIT - shift, 3rd	1
19	A38235	ROD	RAIL - shift, 3rd	1
20	A38234	FORK	- shift, 3rd	1
21	138-2009	PIN,3/16" x 1", Coiled	PIN,3/16" x 1", Coiled	1
22	A29060	PLUG	- interlock, shift rail	2
23	211-11	BALL,3/8" Dia	- shift rail detent, . 3/8" Dia	3
24	G47039	SPRING	- detent ball	3
30	A38236	ROD	RAIL - reverse shift	1
31	G49632	SPACER	- rear, reverse shift (3/4" long)	1
32	A38237	LUG	- reverse shift	1
33	G49611	SPACER	- front, reverse shift (1-1/4" long)	1
34	138-2009	PIN,3/16" x 1", Coiled	PIN,3/16" x 1", Coiled	1
35	13-548	CAP,Hex, 5/16"-18 x 3", G5	BOLT - 5/16 x 3" N.C. hex.	1
36	25-145	JAM NUT,Jam, 5/16"-18, G5	- 5/16" N.C. hex., jam	1
37	A29963	PLUNGER	- reverse latch	1
38	T25643	VALVE SPRING	SPRING - plunger	1

Diag #	Part #	Name	Description	Qty
39	25-135	SLOTTED NUT,5/16"-24, G5	NUT - 5/16" N.F. hex., sltd.	1
40	132-5	COTTER PIN,1/16" x 1/2"	Pin, Split (Cotter), 1/16" x 1/2"	1
45	A20990	SWITCH	- safety, neutral start	1
46	G15574	PLUNGER	- switch	1
47	G49401	SHIM,.005" Thk	Switch .005" Thk	1
47	G49402	SHIM,.010" Thk	Switch .010" Thk	1
50	D52993		SUPPORT - floor plate, center	1
51	321-1644	DECAL	- shifting instruction (w/power shuttle)	1
52	321-1951	DECAL	- shifting instructions (w/power shuttle)	1



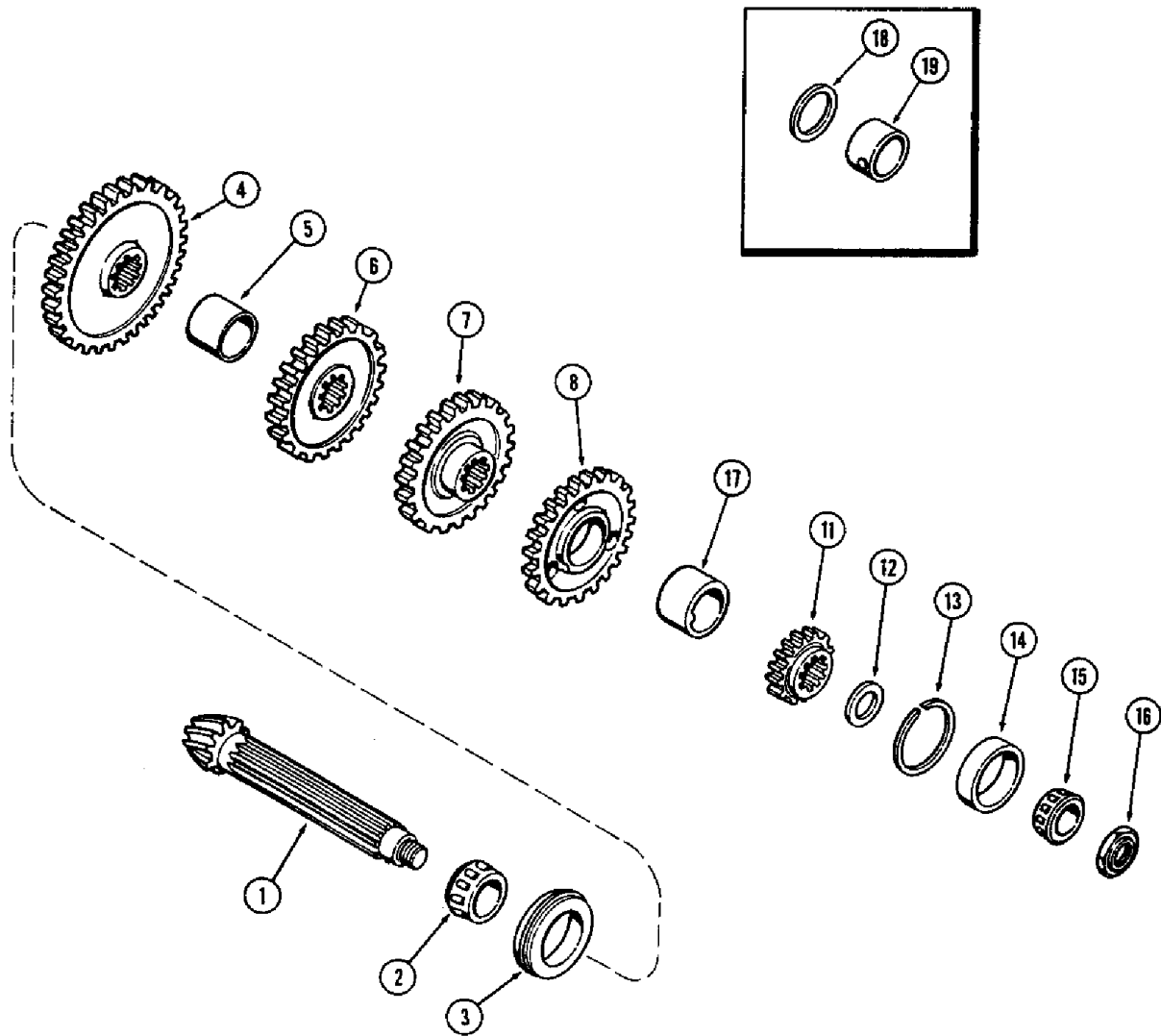
Diag #	Part #	Name	Description	Qty
1	A51747	LEVER	- gear lever	1
2	A23885	KNOB	- shift lever	1
3	A51882	COVER	- control	1
4	G10342	GASKET	- cover	1
5	13-624	BOLT,Hex, 3/8"-16 x 1 1/2", G5	- 3/8 x 1-1/2" N.C. hex.	3
5	13-628	BOLT,Hex, 3/8"-16 x 1 3/4", G5	- 3/8 x 1-5/8" N.C. hex.	1
6	92-6	LOCK WASHER,3/8"	WASHER - lock, 3/8"	4
7	G15468	SCREW	- shift lever retaining	1
8	25-145	JAM NUT,Jam, 5/16"-18, G5	- jam, 5/16" N.C. hex.	1
9	138-245	LOCK PIN,1/2" x 7/8", Slotted	Pin, , Cover to trans. case 1/2" x 7/8", Slotted	1
10	A7923	SEAT	- support, shift lever	1
11	A26836	RING, SNAP	RING - snap, seat retaining	1
12	A57876	COVER	- dust, shift lever	1
15	A51879	ROD	RAIL - shift, 1st	1
		Shift rails - Illustration is incorrect. Item #'s should be reversed in this drawing.	Shift rails - Illustration is incorrect. Item #'s should be reversed in this drawing.	1
16	A38248	FORK TEDDER	FORK - shift, 1st	1
17	138-2009	PIN,3/16" x 1", Coiled	PIN,3/16" x 1", Coiled	1
19	A51878	ROD	RAIL - shift, 3rd	1
		Shift rails - Illustration is incorrect. Item #'s should be reversed in this drawing.	Shift rails - Illustration is incorrect. Item #'s should be reversed in this drawing.	1
20	A38234	FORK	- shift, 3rd	1
21	138-2009	PIN,3/16" x 1", Coiled	PIN,3/16" x 1", Coiled	1
22	A29060	PLUG	- interlock shift rail	1
23	211-11	BALL,3/8" Dia	- shift rail detent, . 3/8" Dia	2
24	G47039	SPRING	- detent ball	2
30	A20990	SWITCH	- safety, neutral start	1
31	G49401	SHIM,.005" Thk	Switch .005" Thk	1
31	G49402	SHIM,.010" Thk	Switch .010" Thk	1
32	A51881		PIN - plunger, neutral start switch	1
33	A51880	ROD	- neutral start	1
34	95-4	WASHER,1/4"	- 5/16 x 3/4 x 1/16"	2
35	132-24	COTTER PIN,3/32" x 1/2"	PIN, SPLIT (COTTER), 3/32" x 1/2"	2

Diag #	Part #	Name	Description	Qty
39	D52993		SUPPORT - floor plate, center	1
41	321-2649	DECAL	- shifting instructions (w/power shuttle)	1
42	321-2650	DECAL	- shifting instructions (w/mech. shuttle)	1

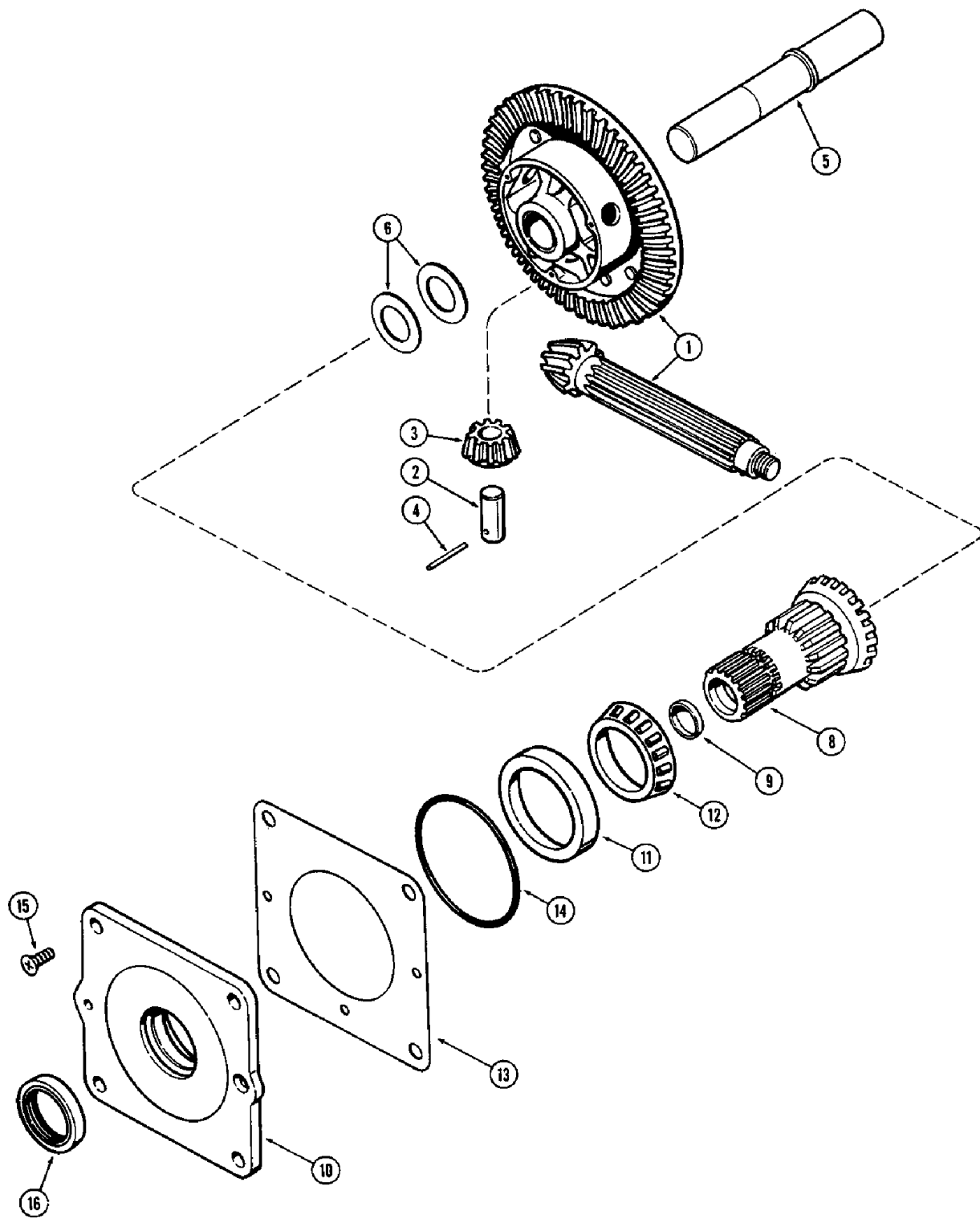


Diag #	Part #	Name	Description	Qty
1	G13462	SHAFT	- main drive (Used w/mech. shuttle) (Used w/P.T.O.) (Replaces A37604), 14-19/32" long	1
2	A38534	PLUG	- 1-1/16" cup type (Used w/o P.T.O.)	1
3	A51180	SHAFT - main drive (Solid) (Order A38849 & A38534)	SHAFT - main drive (Solid) (Order A38849 & A38534)	1
3	A38849	SHAFT	- main drive (Used w/power shuttle), 14-1/8" long	1
4	A38534	PLUG	- 1-1/16" cup type (Used w/o P.T.O.)	1
5	A38917	GEAR	- 3rd	1
6	A38630	GEAR	- 1st	1
7	A29976	ROLLER BEARING	CONE - rear bearing, main shaft	1
8	A29977	BEARING CUP	CUP - rear bearing	1
9	A29971	RING	- snap, bearing retaining	1
10	G10616	CUP	- oil slinger (Used without P.T.O.)	1
11	A39275	BEARING ASSY	HOUSING ASSY. - mainshaft rear oil seal, Includes: Ref. 12 - 14	1
12	A37606	NEEDLE BEARING,1.25" ID x 1.5005" OD x 0.5"	BEARING - roller, needle (1-1/2 x 1-1/4 x 1/2")	1
13	A37605	OIL SEAL	- oil (1-1/2 x 2-1/8 x 5/16")	1
14	A57479	OIL SEAL	- oil (1-1/2 x 2-1/8 x 5/16")	1
15	A37604	HOUSING	ASSY. - mainshaft rear oil seal (Used w/P.T.O.) (Order 1-A39275	1
16	A37606	NEEDLE BEARING,1.25" ID x 1.5005" OD x 0.5"	BEARING - roller, needle (1-1/2 x 1-1/4 x 1/2")	1
17	A37605	OIL SEAL	- oil, (1-1/4 x 1-5/8 x 3/16")	1
18	A37607	COLLAR CLAMP	COLLAR - oil seal (1-17/64 x 1-5/8 x 3/16")	1
19	A39240	SLEEVE	- wear (1-3/8 x 1-1/2 x 41/64")	1
20	G10424	CONE	- front bearing, main shaft	1
21	G10425	CUP	- front bearing	1
22	G10340	SHIM,.007" Thk	Bearing adjusting .007" Thk	1
22	G10341	SHIM,.005" Thk	Bearing adjusting .005" Thk	1
23	A30092	RING	- snap, oil seal housing (Used w/mech. shuttle)	1
24	G10389	O-RING,2.609" ID x 2.887" OD	"O" RING - 2-5/8 x 2-7/8 x 1/8" (Used w/mech. shuttle)	1
25	A39185	CARRIER	HOUSING - front oil seal (w/mech. shuttle)	1
26	G10422	OIL SEAL	- oil, mainshaft front, 1-9/16 x 2-7/16 x 15/32"	2

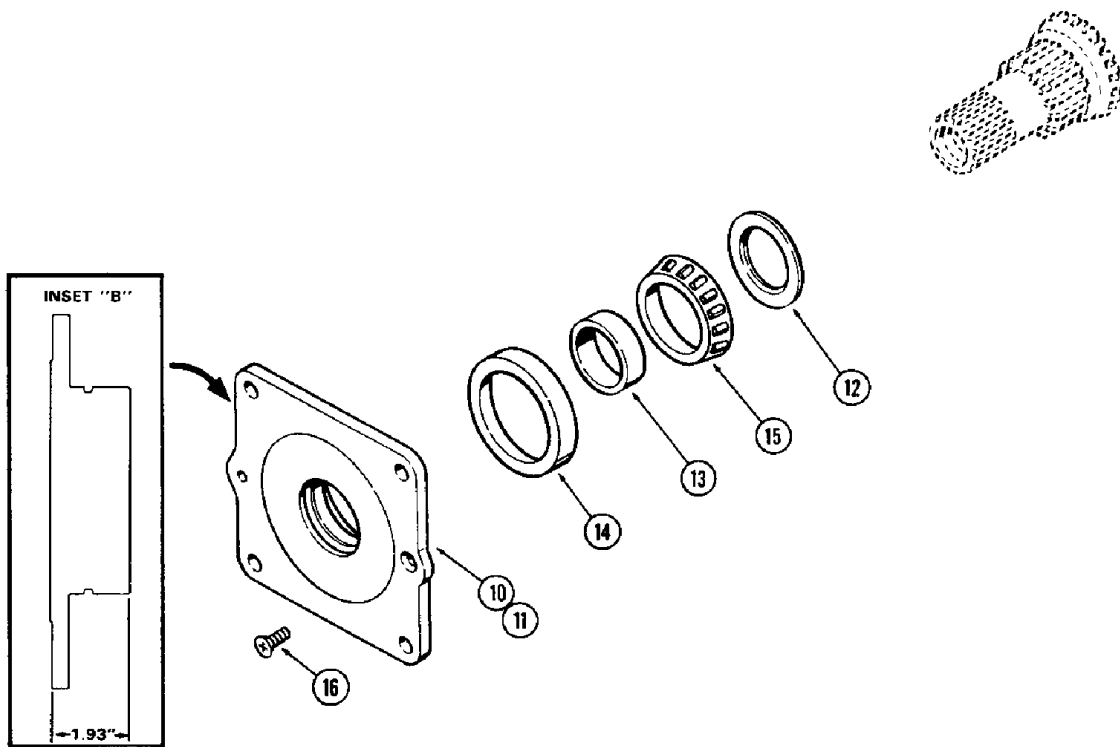
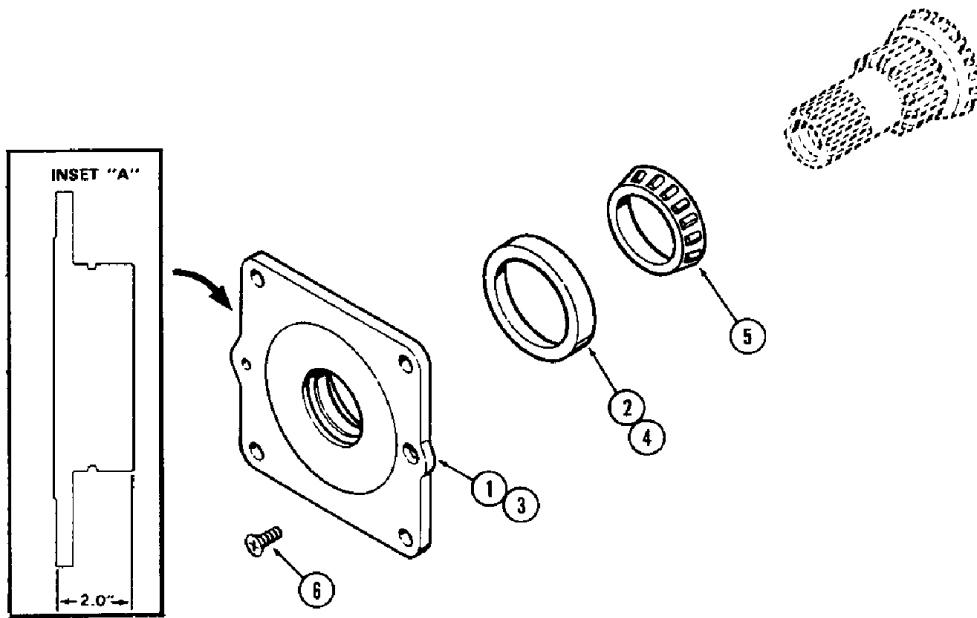
Diag #	Part #	Name	Description	Qty
27	A39184	COLLAR	- pilot (Used w/power shuttle) (Replaces G10311)	1



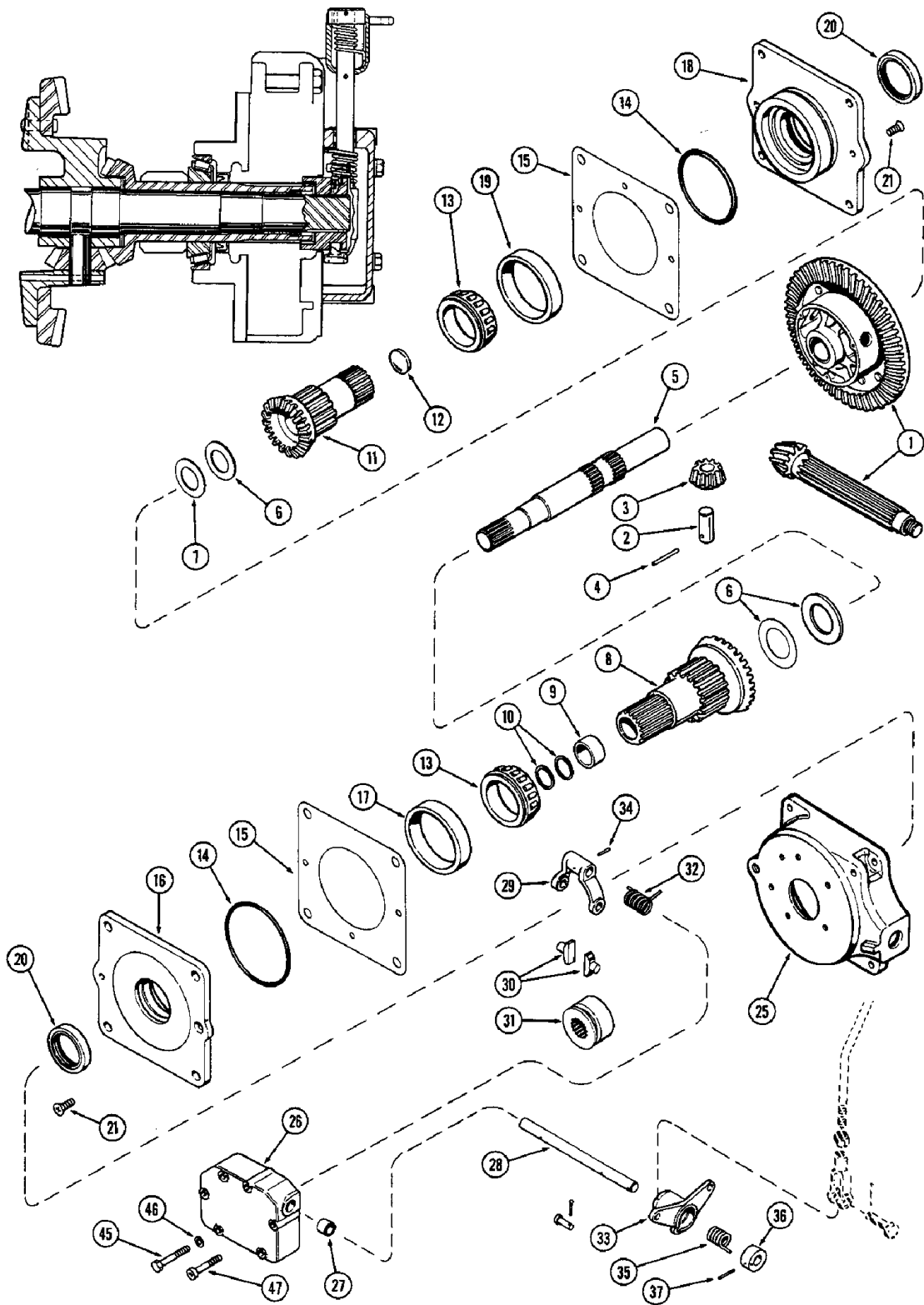
Diag #	Part #	Name	Description	Qty
1	NSS	NOT SERVICED SEPARATELY	COUNTERSHAFT - (Order from Figure 202 or 204)	1
2	A30116	ROLLER BEARING, 1.625" ID x 1.1875"	CONE - rear bearing, countershaft	1
3	A30115	CUP	- rear bearing	1
4	A38157		- countershaft 1st (47 teeth)	1
5	A36619	BUSHING	SPACER - 1st and 2nd gear (1-5/8" long)	1
6	A37732	GEAR	- countershaft 2nd (38 teeth)	1
7	A37731	GEAR	- countershaft 3rd (35 teeth)	1
8	A37730	GEAR	- oil slinger (35 teeth)	1
11	G16527	GEAR	- countershaft 4th (19 teeth)	1
12	A38769	SPACER	- gear (.164")	1
12	A38768	SPACER	- gear (.169")	1
12	A38767	SPACER	- gear (.174")	1
12	A38766	SPACER	- gear (.179")	1
12	A38765	SPACER	- gear (.184")	1
12	A38764	SPACER	- gear (.194")	1
12	A38762	SPACER	- gear (.199")	1
12	A38761	SPACER	- gear (.204")	1
12	A38759	SPACER	- gear (.209")	1
12	A38758	SPACER	- gear (.214")	1
12	A38757	SPACER	- gear (.219")	1
12	A38756	SPACER	- gear (.224")	1
12	A38755	SPACER	- gear (.229")	1
12	A38754	SPACER	- gear (.234")	1
12	A38753	SPACER	- gear (.239")	1
12	A38752	SPACER	- gear (.244")	1
13	A29971	RING	- snap, front bearing	1
14	A29977	BEARING CUP	CUP - front bearing	1
15	A30072	ROLLER BEARING, 1.19" ID x 0.771"	CONE - front bearing, countershaft	1
16	G49010	LOCK NUT	- adjusting, countershaft	1
17	A39249	SPACER	- gear countershaft (1st used trans. S/N 2387190)	1
18	G46070	WASHER	- slinger gear (1-5/8" I.D. x 2-3/8" O.D.) (Used prior to trans. S/N 2387190)	1
19	G13260	BUSHING	SPACER - 4th gear, 1-1/4" long (w/rivet) (Used prior to trans. S/N 2387190)	1



Diag #	Part #	Name	Description	Qty
1	A39267	GEAR, BEVEL	RING GEAR ASSY. - countershaft, matched	1
		Uses 45-620 rivets.	Uses 45-620 rivets.	1
2	A39024	SHAFT	- pinion gear	3
3	A38933	GEAR	- pinion	3
4	138-2036	PIN,3/16" x 2", Coiled	PIN,3/16" x 2", Coiled	3
5	A37186	SHAFT	- differential cross	1
6	A39012	WASHER	- thrust, cross shaft (.089")	1
		If a .010 shim is req'd. use A29388.	If a .010 shim is req'd. use A29388.	1
6	A39007	WASHER	- thrust, cross shaft (.094")	1
6	A39008	WASHER	- thrust, cross shaft (.099")	1
6	A39009	WASHER	- thrust, cross shaft (.104")	1
6	A39010	WASHER	- thrust, cross shaft (.109")	1
6	A39011	WASHER	- thrust, cross shaft (.119")	1
8	A144337	GEAR	ASSY. - differential side (Replaces A38937), Includes: Ref. 9	2
		P/N A144337 which now subs to primes, A144338 gear and A29902 plug.	P/N A144337 which now subs to primes, A144338 gear and A29902 plug.	1
9	A29902	PLUG	- 1-5/8" expansion	1
10	REF	INSTRUCTION	CARRIER ASSY. - bearing, R.H. (See Figure 203A)	1
10	REF	INSTRUCTION	CARRIER ASSY. - bearing, L.H. (See Figure 203A), Includes: Ref. 11	1
11	A26744	ROLLER BEARING,110.025 mm OD x 18.875 mm	CUP - bearing, side gear	1
12	REF	INSTRUCTION	CONE - bearing, side gear (See Figure 203A)	2
13	A39289	SHIM,.007" Thk	Bearing carrier (.003") .007" Thk	1
13	G10719	SHIM,.005" Thk	Bearing carrier .005" Thk	1
13	G10720	SHIM,.010" Thk	Bearing carrier .010" Thk	1
14	G10347	O-RING,4.984" ID x 5.262" OD	"O" RING - 5 x 5-1/4 x 1/8"	2
15	171-237	SCREW,Cross Flat Hd, 3/8"-16 x 3/4"	- 3/8 x 3/4" flat Phillips hd.	2
16	A39273	OIL SEAL	- oil, 2-1/4 x 3 x 1/2"	2



Diag #	Part #	Name	Description	Qty
1	A140279	HOUSING	CARRIER ASSY. - bearing, R.H. side gear (L.H. shown) (2" wide. See inset "A") (Replaces G30490), Includes: Ref. 2	1
2	A26744	ROLLER BEARING,110.025 mm OD x 18.875 mm	CUP - bearing, side gear	1
3	A140280	HOUSING	CARRIER ASSY. - bearing, L.H. side gear (2" wide. See inset "A") (Replaces G30491), Includes: Ref. 4	1
4	A26744	ROLLER BEARING,110.025 mm OD x 18.875 mm	CUP - bearing, side gear	1
5	A30114	CONE	- bearing, side gear (Timken #390) (See note)	2
6	171-237	SCREW,Cross Flat Hd, 3/8"-16 x 3/4"	- 3/8 x 3/4" flat hd. Phillips	2
10	NSS	NOT SERVICED SEPARATELY	CARRIER - bearing, R.H. side gear (L.H. shown) (1.93" wide. See inset "B") (Order ref. 1	1
11	NSS	NOT SERVICED SEPARATELY	CARRIER - bearing, L.H. side gear (1.93" wide. See inset "B") (Order ref. 3	1
12	A138489	WASHER	- thrust, side gear bearing, trans. ser. no. 2438862 thru 2446129 only	2
13	A138482	BUSHING	SLEEVE - bearing support, trans. ser. no. 2438862 thru 2446129 only	2
14	A26744	ROLLER BEARING,110.025 mm OD x 18.875 mm	CUP - bearing, side gear, trans. ser. no. 2438862 thru 2446129 only	2
15	A30044	ROLLER BEARING	CONE - bearing, side gear (Timken #399A) (See note), trans. ser. no. 2438862 thru 2446129 only	2
		Ref note w/ regard to substituting A30114 bearing cone for A30044 bearing cone. The A138489 washer and A138482 sleeve would still be used in this instance. (refer Service Bulletin 11-75/15).	Ref note w/ regard to substituting A30114 bearing cone for A30044 bearing cone. The A138489 washer and A138482 sleeve would still be used in this instance. (refer Service Bulletin 11-75/15).	1
16	171-237	SCREW,Cross Flat Hd, 3/8"-16 x 3/4"	- 3/8 x 3/4" flat hd. Phillips, trans. ser. no. 2438862 thru 2446129 only	2



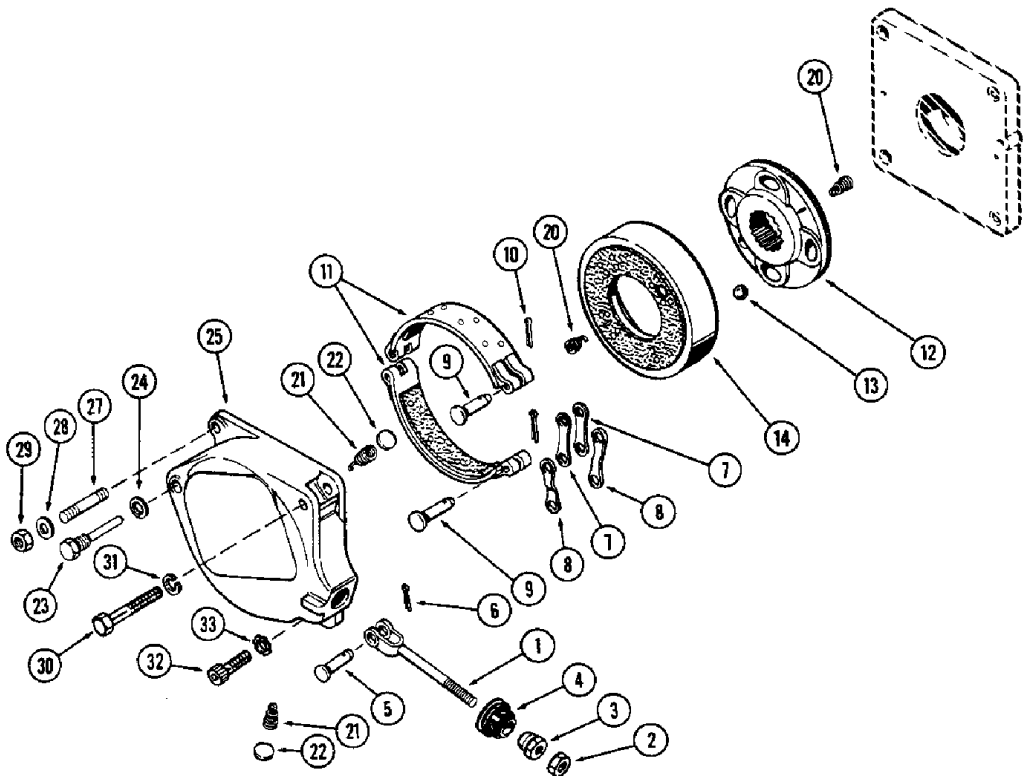
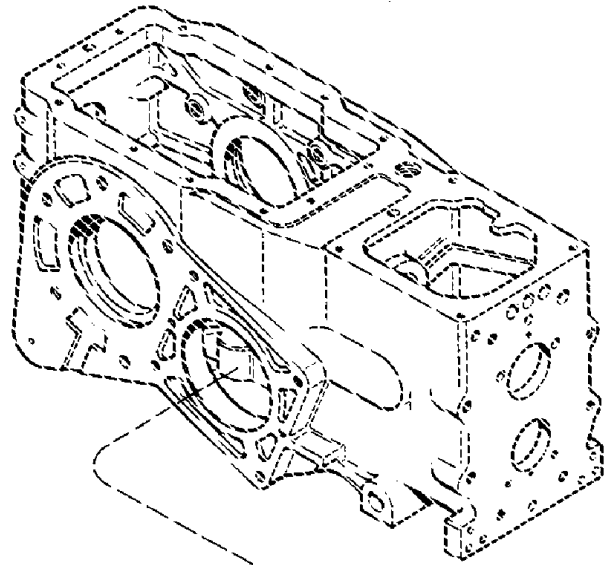
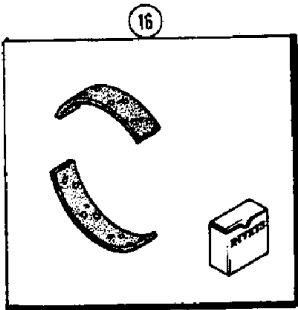
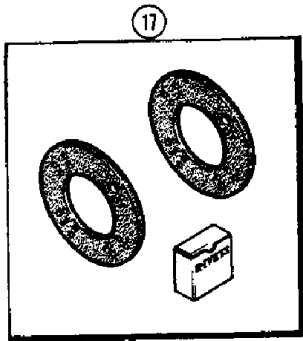
Diag #	Part #	Name	Description	Qty
1	A39266	GEAR, BEVEL	RING GEAR ASSY.	1
		Uses 45-620 rivets.	Uses 45-620 rivets.	1
2	A39024	SHAFT	- pinion gear	3
3	A38933	GEAR	- pinion	3
4	138-2036	PIN,3/16" x 2", Coiled	PIN,3/16" x 2", Coiled	3
5	A144266	SHAFT	- cross (Replaces A136955)	1
6	A39012	WASHER	- thrust, center wheel (.089")	1
6	A39007	WASHER	- thrust, center wheel (.094")	1
6	A39008	WASHER	- thrust, center wheel (.099")	1
6	A39009	WASHER	- thrust, center wheel (.104")	1
6	A39010	WASHER	- thrust, center wheel (.109")	1
6	A39011	WASHER	- thrust, center wheel (.119")	1
7	A29388	WASHER	shim	1
8	A144339	GEAR	ASSY. - side, R.H. (Replaces A38935), Includes: Ref. 9	1
9	A35921	BUSHING	- gear	1
10	A35919	OIL SEAL	- oil, 1-3/8 x 1-5/8 x 1/8"	2
11	A144337	GEAR	ASSY. - side, L.H. (Replaces A38937), Includes: Ref. 12	1
12	A29902	PLUG	- gear, 1-5/8" expansion	1
13	NSS	NOT SERVICED SEPARATELY	CONE - bearing, side gear (See Figure 203A)	2
14	G10347	O-RING,4.984" ID x 5.262" OD	"O" RING - 5 x 5-1/4 x 1/8"	2
15	A39289	SHIM,.007" Thk	Bearing carrier .007" Thk	1
15	G10719	SHIM,.005" Thk	Bearing carrier .005" Thk	1
15	G10720	SHIM,.010" Thk	Bearing carrier .010" Thk	1
16	REF	INSTRUCTION	CARRIER ASSY. - bearing, R.H. (See Figure 203A), Includes: Ref. 17	1
17	A26744	ROLLER BEARING,110.025 mm OD x 18.875 mm	CUP - bearing	1
18	REF	INSTRUCTION	CARRIER ASSY. - bearing, L.H. (See Figure 203A), Includes: Ref. 19	1
19	A26744	ROLLER BEARING,110.025 mm OD x 18.875 mm	CUP - bearing	1
20	A39273	OIL SEAL	- oil, 2-1/4 x 3 x 1/2"	2
21	171-237	SCREW,Cross Flat Hd, 3/8"-16 x 3/4"	- 3/8 x 3/4" flat Phillips hd.	4
25	A37052	COVER	- brake, R.H. (w/lock) (See Figure 206)	1

Diag #	Part #	Name	Description	Qty
25	G1394	COVER	- brake, R.H. (w/o lock) (See Figure 206)	1
25	G1395	COVER	- brake, L.H. (w/ or w/o lock) (See Figure 206)	1
26	A35923	HOUSING	COVER ASSY. - lock, Includes: Ref. 27	1
27	A35925	BUSHING	- lever shaft	1
28	A37564	SHAFT	- actuating, 9.62" long	1
29	A38749	LEVER	- locking collar	1
30	A65101	FINGER	- locking collar (Replaced A38750)	2
31	A35929	CLAMP	COLLAR - locking	1
32	A35933	SPRING	- inner	1
33	A39841	LEVER	- actuating (Replaces A39407)	1
34	138-96	LOCK PIN,3/16" x 1", Slotted	PIN, 3/16" x 1", Slotted	1
35	A36446	SPRING	- outer	1
36	A36447	RETAINER	COLLAR - spring retainer	1
37	138-99	LOCK PIN,3/16" x 1 3/8", Slotted	PIN, 3/16" x 1 3/8", Slotted	1
45	13-540	BOLT,Hex, 5/16"-18 x 2 1/2", G5	BOLT,Hex, 5/16"-18 x 2 1/2", G5	5
46	92-5	LOCK WASHER,5/16"	LOCK WASHER,5/16"	5
47	61-536	HEX SOC SCREW,Hex Soc Hd, 5/16"-18 x 2 1/4"	SCREW - 5/16 x 2-1/4" N.C. hex. sckt. hd.	1

NOT ILLUSTRATED

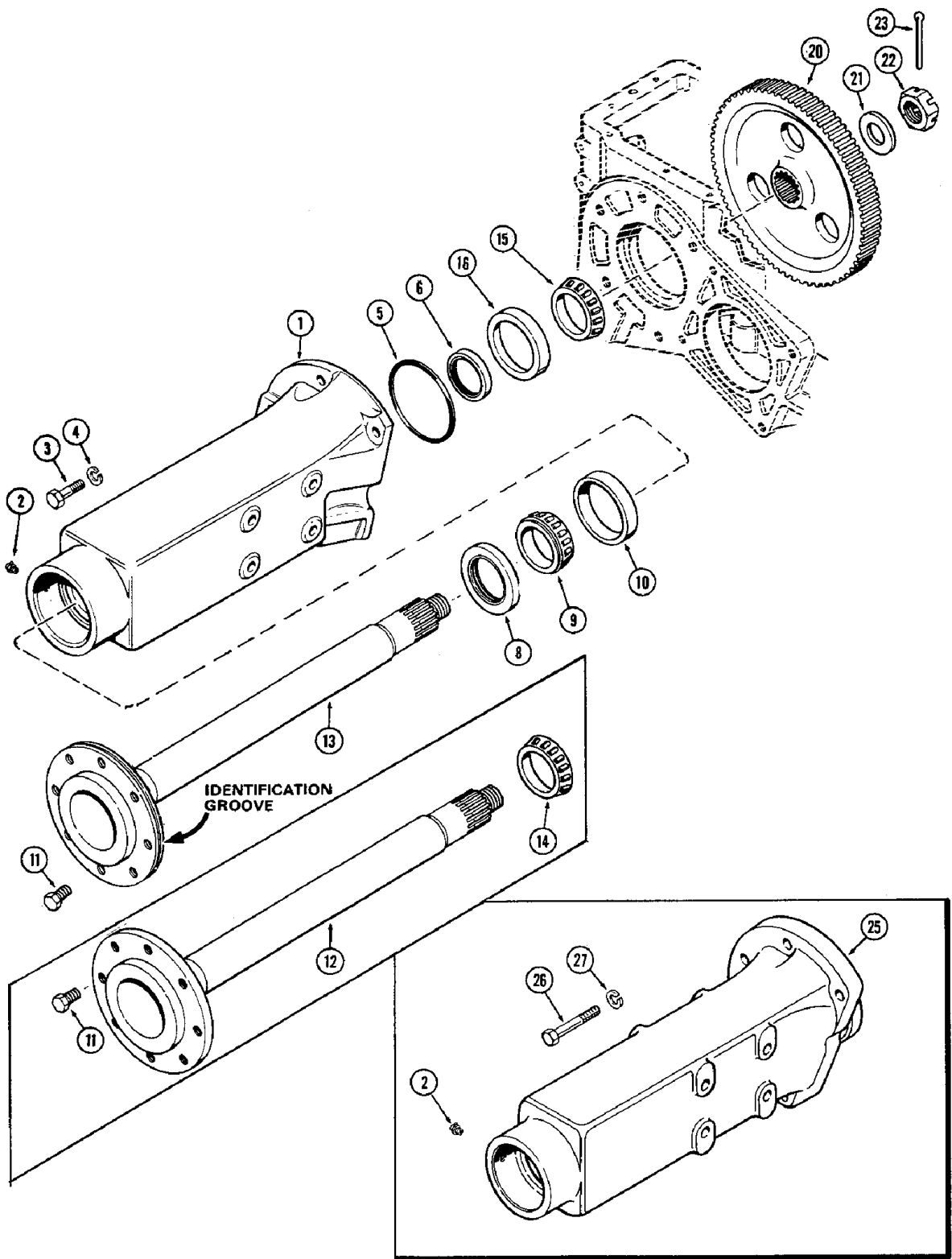
Diag #	Part #	Name	Description	Qty
1	D55023	PLATE ASSY.	floor, R.H. front (Replaces D49715)	1
2	353-459	BUSHING	snap, floor plate	1
3	D50714	LINK	PEDAL - differential lock (Service with D56411 pedal, 25-116 nut, 213--4 yoke	1
3	D56411	LEVER	PEDAL - differential lock	1
4	25-115	NUT,5/16"-24, G5	- hex (5/16"-24 NF) (Used w/D50714 pedal)	1
4	25-116	NUT,Hex, 3/8"-24, G5	hex. (3/8"-24 N.F.) (Used w/D56411 pedal)	1
5	213-3	ADJUSTABLE CLEVIS,5/16"-24	rod end (Used w/D0714 pedal)	1
5	213-4	ADJUSTABLE CLEVIS,3/8"-24 x 2 1/2"	YOKE - rod end (Used w/D56411 pedal)	1
6	141-3	CLEVIS PIN,5/16" x .940"	PIN, CLEVIS, , Yoke (Used w/D50714 pedal) 5/16" x .940"	1
6	141-4	CLEVIS PIN,3/8" x 1.060"	PIN, CLEVIS, , Yoke (Used w/D56411 pedal) 3/8" x 1.060"	1
7	132-25	COTTER PIN,3/32" x 5/8"	cotter, 5/32" dia. x 5/8"	1
8	D55462	PLATE ASSY.	floor, L.H. rear (Replaces D50691), used with pwr shift models prior trac s/n 8704268	1
9	353-473	BUSHING	snap, floor plate, used with pwr shift models prior trac s/n 8704268	1
10	D51637	ROD	PEDAL - differential lock, used with pwr shift models prior trac s/n 8704268	1
11	D54488	BRACKET	SUPPORT - floor plate, used with pwr shift models prior trac s/n 8704268	1
12	13-616	BOLT,Hex, 3/8"-16 x 1", G5, Full Thd	Used with power shift models prior tractor S/N 8704268 Hex, 3/8"-16 x 1", G5, Full Thd	4
13	D51635		support, linkage, used with pwr shift models prior trac s/n 8704268	2
14	92-6	LOCK WASHER,3/8"	WASHER - lock, , used with pwr shift models prior trac S/N 8704268 3/8"	4
15	25-106	NUT,3/8"-16, G5	hex. (3/8"-16 N.C.), used with pwr shift models prior trac s/n 8704268	4
16	141-4	CLEVIS PIN,3/8" x 1.060"	PIN, CLEVIS, , Yoke, used with pwr shift models prior tractor S/N 8704268 3/8" x 1.060"	3
17	132-26	COTTER PIN	Pin, Split (Cotter), 3/32" x 3/4", used with pwr shift models prior trac s/n 8704268	3
18	213-4	ADJUSTABLE CLEVIS,3/8"-24 x 2 1/2"	YOKE - rod end, used with pwr shift models prior trac s/n 8704268	3

Diag #	Part #	Name	Description	Qty
19	25-116	NUT,Hex, 3/8"-24, G5	hex. (3/8"-24 N.F.), used with pwr shift models prior trac s/n 8704268	3
20	D51641		cross, linkage, used with pwr shift models prior trac s/n 8704268	1
21	95-6	WASHER,3/8"	plain (), used with pwr shift models prior trac s/n 8704268 3/8"	2
22	132-26	COTTER PIN	Pin, Split (Cotter), 3/32" x 3/4", used with pwr shift models prior trac s/n 8704268	2
23	D51638	HARNESS	ROD - connecting, differential lock, used with pwr shift models prior trac s/n 8704268	1



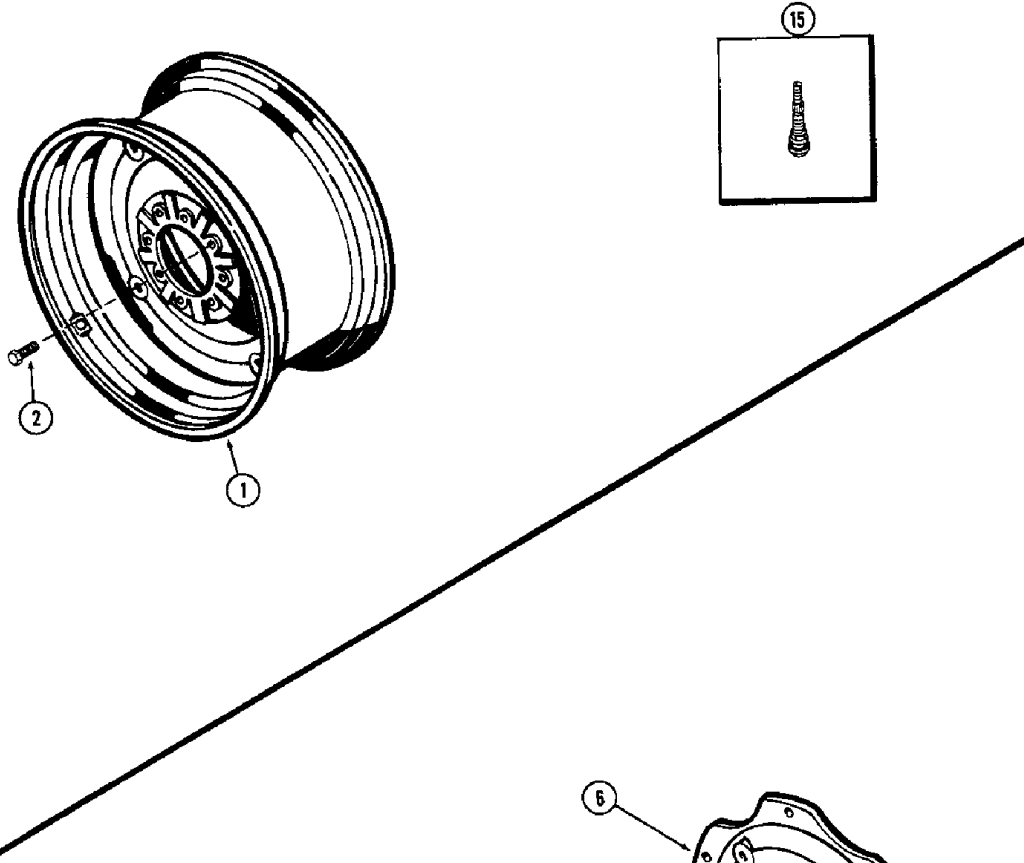
Diag #	Part #	Name	Description	Qty
1	G46351	ROD	- brake actuating	2
2	25-157	JAM NUT, Jam, 7/16"-20, G5	- 7/16" N.F. hex., jam	2
3	G10709	NUT	- adjusting, brake rod	2
4	A135946	DUST CAP	PIN - yoke, rod to brake assembly	2
		CAP OR SEAL WITH P/N A135946 AND ITEM #5 WOULD BE THE PIN WITH P/N 141-5 WHICH SUBS TO A 427-7119. BA-CAMCE	CAP OR SEAL WITH P/N A135946 AND ITEM #5 WOULD BE THE PIN WITH P/N 141-5 WHICH SUBS TO A 427-7119. BA-CAMCE	1
6	132-26	COTTER PIN	Pin, Split (Cotter), 3/32" x 3/4"	2
7	G46345	LINK	- straight, brake actuating	4
8	G46344	LINK	- offset, brake actuating	4
9	G49082	PIN	- link	4
10	132-26	COTTER PIN	Pin, Split (Cotter), 3/32" x 3/4"	4
11	A44756	BAND	- actuating (Set of 2) (See ref. 16) (Replaces G45468)	2
12	A142980	BRAKE DISC	DISC - brake (See ref. 17) (Replaces G45362)	2
13	211-21	BALL	- actuating (1" dia.)	8
14	A142979	DRUM	- actuating (Replaces G45361)	2
	G45391	SET	LINING KIT - band, disc and drum, Includes: Ref. 16 and 17	2
16	A44721	KIT	- lining, brake band (Replaces A41728)	1
17	A44720	LINING	KIT - lining, brake disc (Replaces A41552)	1
20	G48508	SPRING	- disc return	4
21	G48507	SPRING	- band return	4
22	41-13	PLUG, Exp, 13/16"	- return spring (13/16" expansion)	4
23	G15801	BOLT	- anchoe, band set	2
24	92-10	LOCK WASHER, 5/8"	WASHER, LOCK, 5/8"	2
25	A37052	COVER	- brake, R.H. (w/lock) (See Figure 204)	1
25	G1394	COVER	- brake, R.H. (w/o lock) (Shown)	1
25	G1395	COVER	- brake, L.H. (w/ or w/o lock)	1
27	A38707	STUD	- 1/2" N.F. x 2-1/2" (Replaces A29336)	4
28	92-8	LOCK WASHER, 1/2"	LOCK WASHER, 1/2"	4
29	25-118	NUT, 1/2"-20, G5	- 1/2" N.F. hex.	4
30	13-860	BOLT, Hex, 1/2"-13 x 3 3/4", G5	BOLT, Hex, 1/2"-13 x 3 3/4", G5	2
31	92-8	LOCK WASHER, 1/2"	LOCK WASHER, 1/2"	2

Diag #	Part #	Name	Description	Qty
32	61-828	HEX SOC SCREW,Hex Soc Hd, 1/2"-13 x 1 3/4"	SCREW - 1/2 x 1-3/4" hex. sckt. hd.	2
33	193-12	LOCK WASHER,Ext Tooth, 1/2"	WASHER, LOCK, Ext Tooth, 1/2"	2

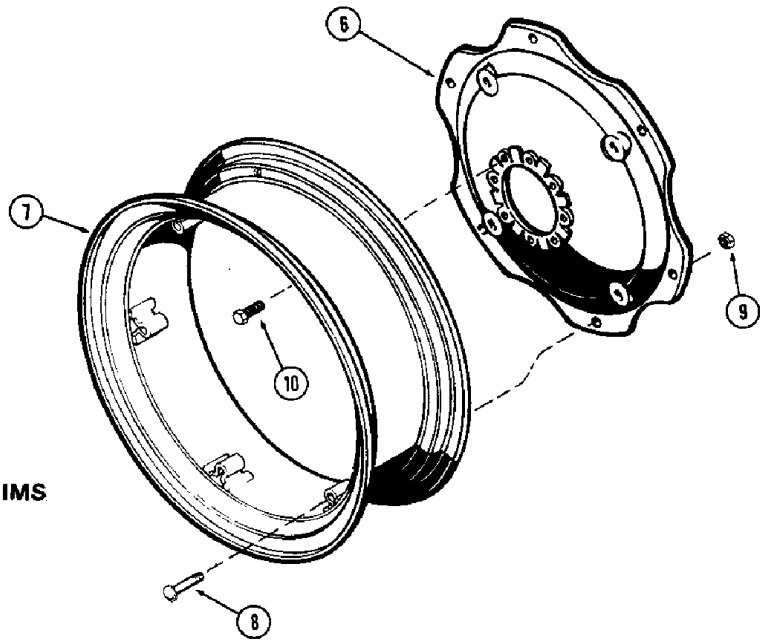


Diag #	Part #	Name	Description	Qty
1	A51892	HOUSING	- axle, R.H. (See ref. 25) (Replaces A37068)	1
1	A51893	HOUSING	- axle, L.H. (See ref. 25) (Replaces A37069)	1
2	219-36	LUBE NIPPLE,45°, 1/8" NPT x 7/8" lg	FITTING - lube, 1/8" P.T., 45 degrees	2
3	113-662	SCREW	BOLT - 5/8 x 2" N.C. hex.	2
3	113-663	BOLT (SPREADER)	BOLT - 5/8 x 2-1/4" N.C. hex.	6
3	113-667	BOLT - 5/8 x 4" N.C. hex.	BOLT - 5/8 x 4" N.C. hex.	2
4	92-10	LOCK WASHER,5/8"	WASHER, LOCK, 5/8"	10
5	G10347	O-RING,4.984" ID x 5.262" OD	"O" RING - 5 x 5-1/4 x 1/8"	2
6	G13801	OIL SEAL	- oil, inner 2-1/4 x 3-1/8 x 1/2"	2
8	G13822	SEAL	- oil, outer 3 x 4-11/32 x 1/2"	2
9	G15207	ROLLER BEARING	CONE - outer bearing	2
10	G15208	BEARING CUP	CUP - outer bearing	2
11	A38208	WHEEL BOLT	BOLT - wheel to axle, 5/8" N.F. spec.	16
12	A38209	SHAFT	- rear axle (w/o ident. groove) (Used prior to trans. ser. no. 2438061) (Order ref. 13	2
13	A138233	SHAFT	- rear axle (w/identification groove) (1st used trans. ser. no. 2438061)	2
14	G10414	ROLLER BEARING	CONE - inner bearing (Timken #388A) (Use on shaft w/o identification groove)	2
15	L33289	ROLLER BEARING,57.1565 mm ID x 21.857 mm	CONE - inner bearing , 2-1/4 inch ID (Timken #387A) (Use on shaft w/identification groove)	2
16	G10415	BEARING CUP	CUP - inner bearing	2
20	A37925	GEAR	- final drive	2
21	F62105	WASHER	- axle (1-17/32 x 2-3/4" x 1/4")	2
22	A30075	WHEEL NUT	- 1-1/2" N.F. hex. sltd.	2
23	132-157	COTTER PIN,1/4" x 2 1/2"	Pin, Split (Cotter), 1/4" x 2 1/2"	2
25	E15278	HOUSING - axle, R.H. (w/side-shaft backhoe)	HOUSING - axle, R.H. (w/side-shaft backhoe)	1
26	E15277	HOUSING	- axle, L.H. (w/side-shaft backhoe)	1
26	113-663	BOLT (SPREADER)	BOLT - 5/8 x 2-1/4" N.C. hex.	8
26	113-667	BOLT - 5/8 x 4" N.C. hex.	BOLT - 5/8 x 4" N.C. hex.	2
27	92-10	LOCK WASHER,5/8"	WASHER, LOCK, 5/8"	10

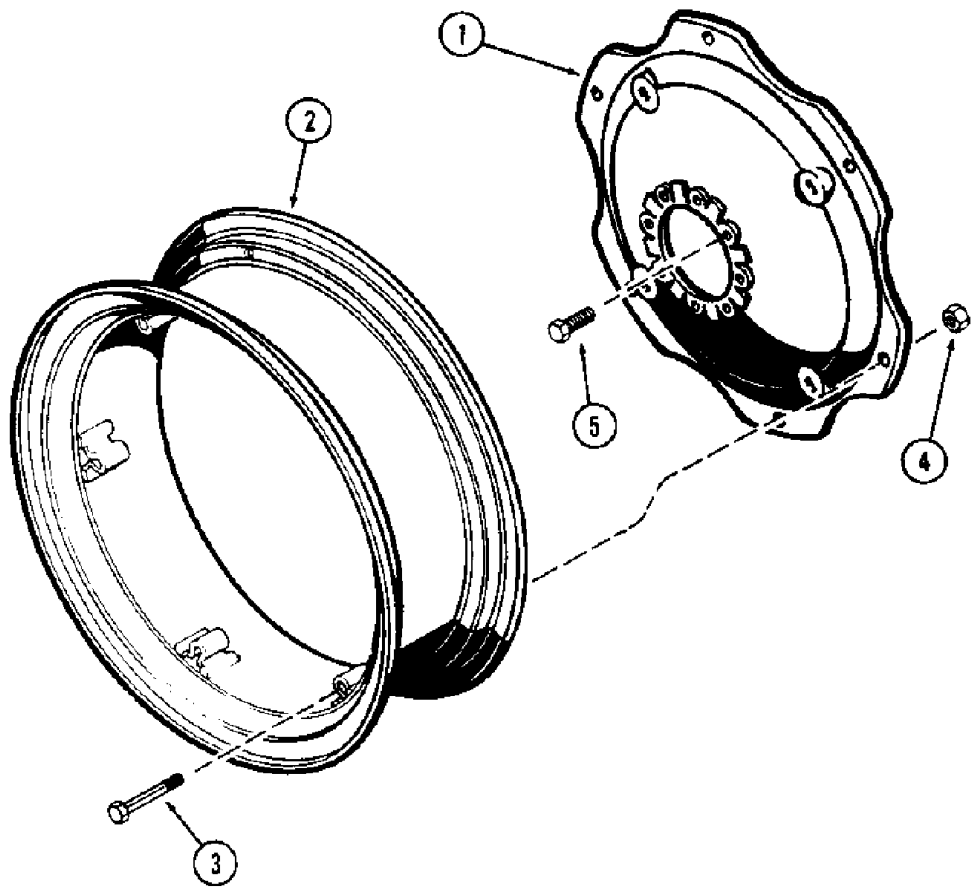
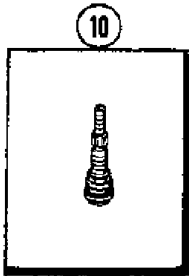
INTEGRAL RIMS



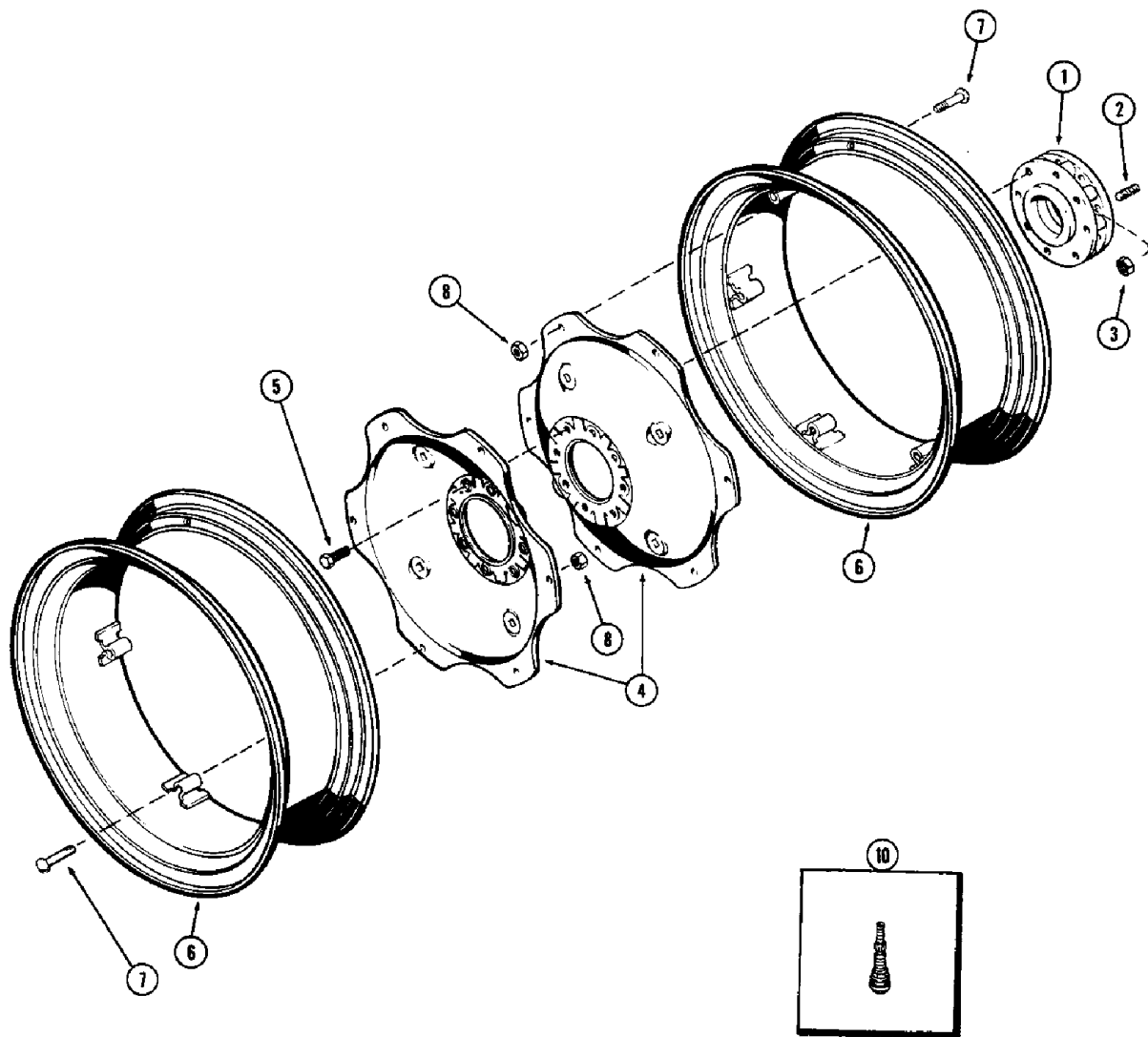
DEMOUNTABLE RIMS



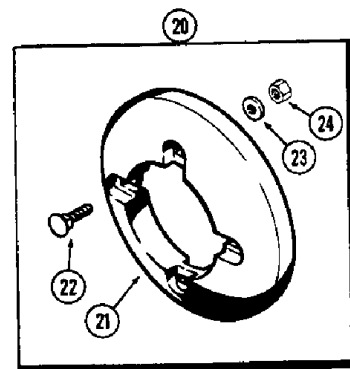
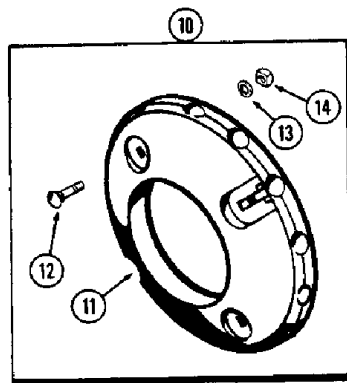
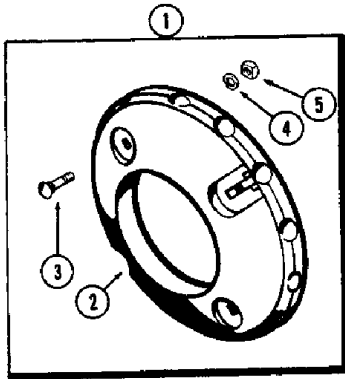
Diag #	Part #	Name	Description	Qty
1	A139085	WHEEL	- rear (7/32" offset) (Takes 16.9 or 17.5 X 24 tire w/ or w/o backhoe and w/fork lift) (Replaces A39787)	2
1	A139085	WHEEL	- rear (7/32" offset) (Takes 18.4 X 24 tire w/fork lift only) (Replaces A39787)	2
1	A38403	RIM	WHEEL - rear (7/32" offset) (Takes 14.9 X 24 tire used w/and w/o backhoe) (Replaces A35578)	2
1	A139084	RIM	WHEEL - rear (Takes 14.9 X 24 tire w/o backhoe) (Replaces A35906)	2
2	A38208	WHEEL BOLT	BOLT - 5/8" N.F., special	16
6	G46240	DISC	- wheel, 24" demountable rims	2
7	A39536	RIM	- (W15L-24) (Takes 16.9 X 24 or 17.5 X 24 tire), 24" demountable rims	2
7	A39537		- (W12-24) (Takes 14.9 X 24 tire), 24" demountable rims	2
8	G10701	BOLT	- 5/8 x 2-11/16" N.F. special, 24" demountable rims	12
9	129-565	NUT,5/8"-18, G5	- 5/8" N.F. hex., 24" demountable rims	12
10	A38208	WHEEL BOLT	BOLT - 5/8" N.F. special, 24" demountable rims	16
15	A20058	VALVE STEM	- Rim (For tubeless tire), 24" demountable rims	2



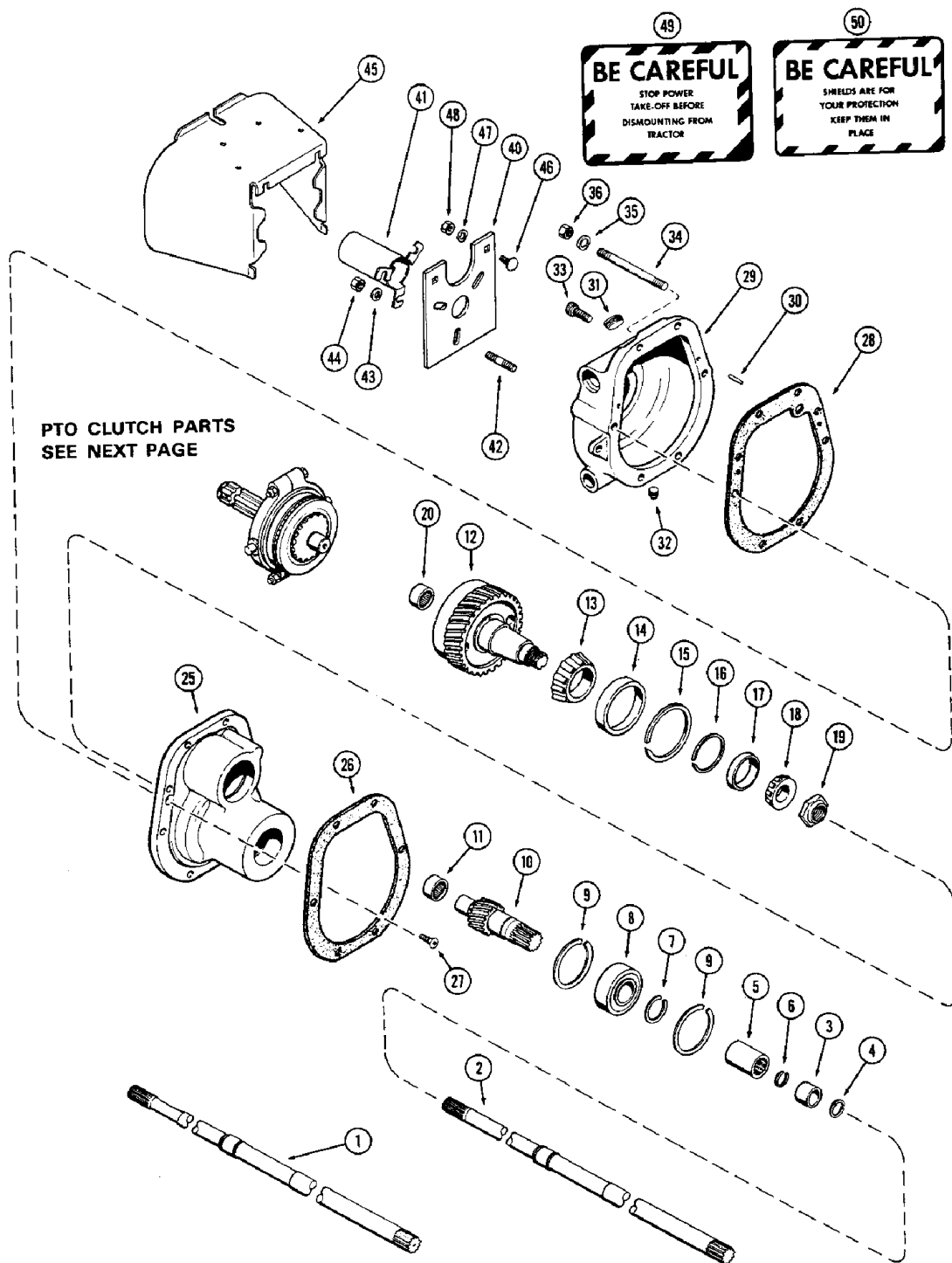
Diag #	Part #	Name	Description	Qty
1	G12001	DISC	- wheel, demountable rim	2
2	A39535	RIM	- (W15L-28) (Takes 16.9 X 28 tire)	2
3	G10701	BOLT	- 5/8 x 2-11/16" N.F. special	12
4	129-565	NUT,5/8"-18, G5	- 5/8" N.F. hex.	12
5	A38208	WHEEL BOLT	BOLT - 5/8" N.F. special	16
10	A20058	VALVE STEM	- Rim (For tubeless tires)	2



Diag #	Part #	Name	Description	Qty
1	A38211	ADAPTER	- dual wheel	2
2	A38210	STUD	- 5/8" N.F. x 2-3/8", Serial Range: adapter-axle	16
3	25-1710	NUT,5/8"-18, G5, Hvy	- 5/8" N.F. hex.	16
4	G46240	DISC	- wheel	4
5	A38208	WHEEL BOLT	BOLT - 5/8 x 1" N.F. special	16
6	A39538	RIM	- (W10-24) (Takes 12.4 X 24 tire)	4
7	G10701	BOLT	- 5/8 x 2-11/16" N.F. special	24
8	129-565	NUT,5/8"-18, G5	- 5/8" N.F. hex.	24
10	A20058	VALVE STEM	- Rim (For tubeless tire)	4

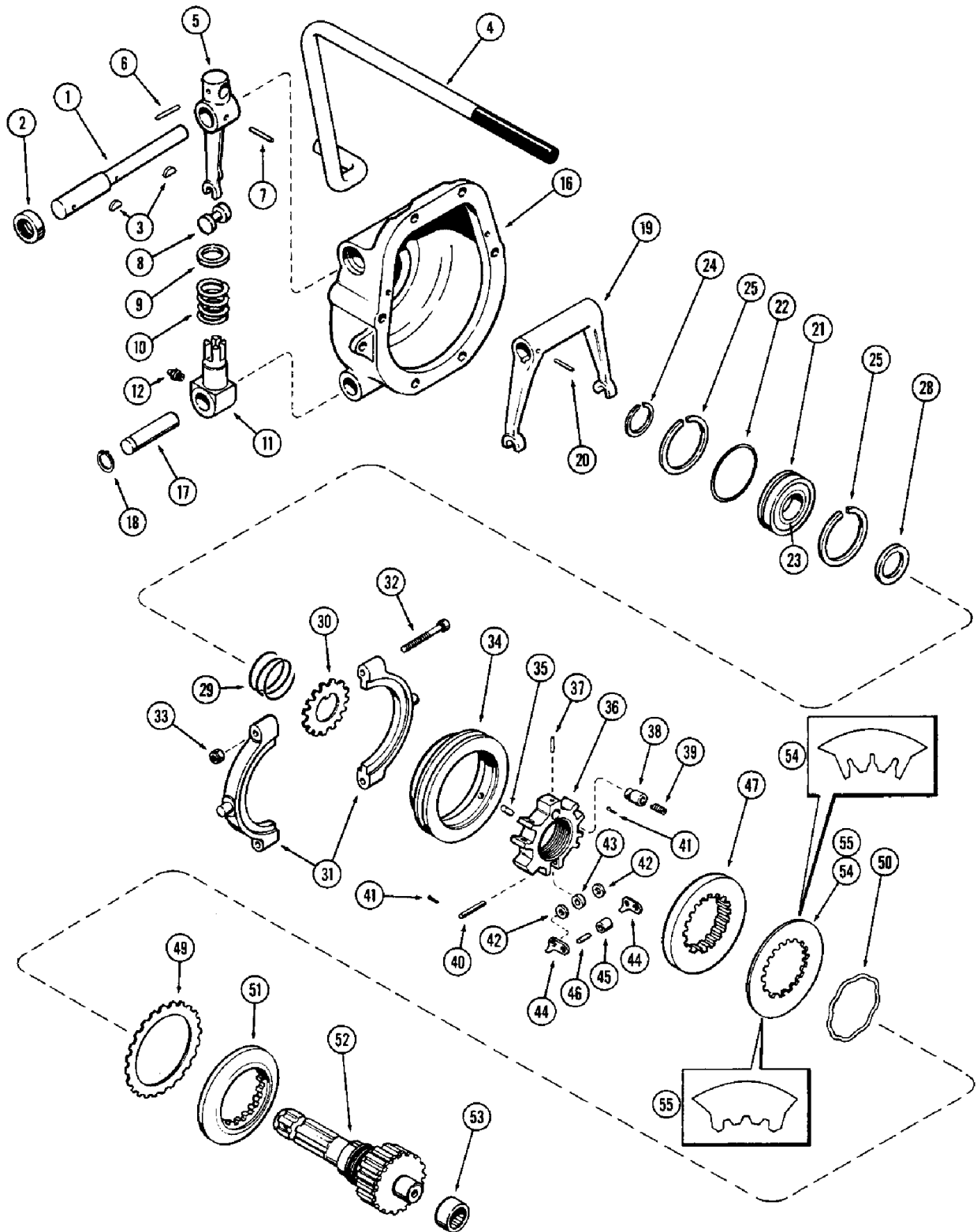


Diag #	Part #	Name	Description	Qty
1	G12018	WEIGHT SET - (For 24" integral or 28" demountable (Set of 2) (Mach. item), Includes: Ref. 2 - 5	WEIGHT SET - (For 24" integral or 28" demountable (Set of 2) (Mach. item), Includes: Ref. 2 - 5	1
2	NSS	NOT SERVICED SEPARATELY	WEIGHT - 73 lb. ea.	2
3	11-1052	BOLT (MACHINE)	BOLT - 5/8 x 3-1/4" N.C. carr.	4
4	92-10	LOCK WASHER,5/8"	WASHER, LOCK, 5/8"	4
5	25-1010	NUT,5/8"-11, G5	NUT,5/8"-11, G5	4
10	G12609	WEIGHT SET - 24" demountable wheel, 1st set (Mach. item), Includes: Ref. 11 - 14	WEIGHT SET - 24" demountable wheel, 1st set (Mach. item), Includes: Ref. 11 - 14	1
11	NSS	NOT SERVICED SEPARATELY	WEIGHT - 78 lb. ea.	2
12	11-1036	BOLT (MACHINE)	BOLT - 5/8 x 2-1/4" N.C. carr.	4
13	92-10	LOCK WASHER,5/8"	WASHER, LOCK, 5/8"	4
14	25-1010	NUT,5/8"-11, G5	NUT,5/8"-11, G5	4
20	G12610	WEIGHT SET - 24" demountable wheel, 2nd set (Mach. item), Includes: Ref. 21 - 24	WEIGHT SET - 24" demountable wheel, 2nd set (Mach. item), Includes: Ref. 21 - 24	1
21	NSS	NOT SERVICED SEPARATELY	WEIGHT - 78 lb. ea.	2
22	11-1052	BOLT (MACHINE)	BOLT - 5/8 x 3-1/4" N.C. carr.	4
23	92-10	LOCK WASHER,5/8"	WASHER, LOCK, 5/8"	4
24	25-1010	NUT,5/8"-11, G5	NUT,5/8"-11, G5	4



Diag #	Part #	Name	Description	Qty
1	A39077	SHAFT	ASSY. - drive, 58-21/32" long (Mech. shuttle) (Incl. items 3	1
2	A38290	SHAFT	ASSY. - drive, 57" (Power shuttle), Includes: Ref. 3 and 4	1
3	A38287	RACE	- inner	1
4	A37643	SNAP RING,#102, .962", Ext	RING - snap, bearing retaining	2
5	A37662	COUPLING, BREAK AWAY	COUPLING - drive, Serial Range: shaft-gear	1
6	A32441	RING, SNAP	RING - snap, coupling stop	1
7	A21619	CIRCLIP	RING - snap, Serial Range: bearing-gear	1
8	G13812		BEARING - input gear	1
9	B18276	RING, SNAP	RING - snap, Serial Range: bearing-housing	2
10	A37663	GEAR	- input	1
11	F51104	NEEDLE BEARING	BEARING - needle, input gear	1
12	A38278	GEAR WHEEL	GEAR - clutch drum	1
13	G15211	ROLLER BEARING	CONE - rear bearing, drum gear	1
14	A28168	CUP	- rear bearing, drum gear	1
15	G46143	RING	- snap, rear bearing	1
16	G46801	X	RING - snap, front bearing	1
17	B12408	BEARING CUP,59.156 mm OD x 11.862 mm	CUP - front bearing, drum gear	1
18	B12409	BEARING, ROLLER,31.763 mm ID x 16.84 mm	CONE - front bearing, drum gear	1
19	G49010	LOCK NUT	- adjusting	1
20	F7232	BEARING	- needle, output shaft	1
25	A38279	HOUSING	- front	1
26	G10447	GASKET	- housing to trans. case	1
27	171-240	SCREW,Cross Flat Hd, 1/4"-20 x 1"	- 1/4 x 1" N.C. flat, Phillips hd., nylock	2
28	G46815	GASKET	- front to rear housing	1
29	A37677		HOUSING - rear (Includes brake shaft)	1
30	G16764		PIN - dowel, 1/2 x 1-7/8"	2
31	221-1851	PLUG,Hex Soc, 3/4"-14 NPTF	- 3/4" P.T. sckt. hd.	1
32	221-1032	DRAIN PLUG,Sq Soc, 3/8"-18 NPTF	PLUG - 3/8" P.T. sq. sckt. hd.	1

Diag #	Part #	Name	Description	Qty
33	165-102	CAPSCREW,Hex Soc Hd, 3/8"-16 x 1 3/4", Locking	SCREW - 3/8 x 1-3/4" N.C. sckt. hd., nylock	2
34	A37681	STUD	- 3/4" N.F. x 5-9/32"	4
35	92-5	LOCK WASHER,5/16"	WASHER - lock, 3/8"	4
36	25-116	NUT,Hex, 3/8"-24, G5	- 3/8" N.F. hex.	4
40	G16775		PLATE - guard mounting	1
41	A38715	GUARD	- output shaft	1
42	A7391	STUD	- 3/8" N.C./N.F. x 1-1/8"	3
43	92-6	LOCK WASHER,3/8"	WASHER - lock, 3/8"	3
44	25-116	NUT,Hex, 3/8"-24, G5	- 3/8" N.F. hex.	3
45	A27335	GUARD	- universal joint	1
46	11-612	BOLT	- 3/8 x 3/4" N.C. carr.	2
47	92-6	LOCK WASHER,3/8"	WASHER - lock, 3/8"	2
48	25-106	NUT,3/8"-16, G5	- 3/8" N.C. hex.	2
49	321-605	DECAL	- safety (Be careful)	1
50	321-608	DECAL	- safety (Be careful)	1

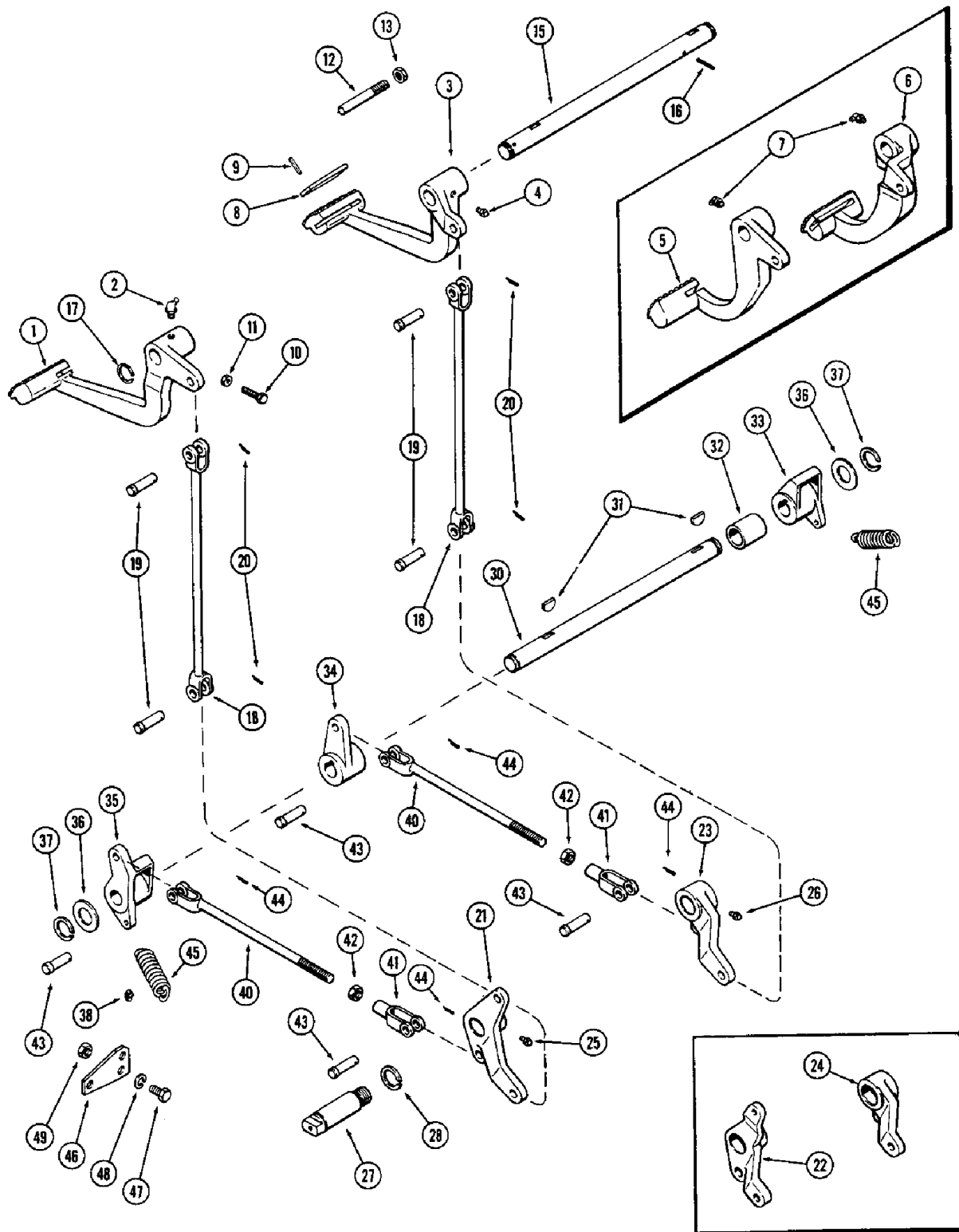


Diag #	Part #	Name	Description	Qty
1	A37696	SHAFT	- cross, clutch control	1
2	G13818	OIL RESERVOIR	SEAL - oil , 1 x 1-1/2 x 5/16"	1
3	126-12	WOODRUFF KEY,#6, 5/32" x 5/8"	WOODRUFF KEY,#6, 5/32" x 5/8"	2
4	A39534	LEVER	- hand, throwout	1
5	A39084	LEVER	- brake	1
6	135-350	PULLEY	PIN - groove (7/32 x 1-1/4")	1
7	135-90	PULLEY	PIN - groove (5/16 x 2")	1
8	A37684	AXLE PIN	PIN - over center lock	1
9	A38412	WASHER	- thrust, actuator spring	1
10	A37699	SPRING	- brake actuator	1
11	A37698	ARM	- pivot, brake lever	1
12	219-1	LUBE NIPPLE, 1/8"-27 x .66 lg	FITTING - lube, 1/8" P.T. str.	1
16	A37677		HOUSING ASSY. - rear, Includes: Ref. 17	1
17	A37679	SHAFT	- brake pivot	1
18	B18206	SNAP RING,#87, Ext	Ring, Snap, , lever shaft #87, Ext	1
19	A37682	YOKE	- throwout	1
20	138-90	LOCK PIN,3/16" x 5/8", Slotted	Pin, 3/16" x 5/8", Slotted	1
21	G13611	BALL BEARING	BEARING ASSY. - rear, output shaft, Includes: Ref. 22 and 23	1
22	G46844	O-RING,2.628" ID	"O" RING - 2-5/8 x 2-13/16 x 7/64"	1
23	G13819	SEAL	- oil, bearing	1
24	A21619	CIRCLIP	RING - snap, rear bearing, output shaft	1
25	A27369	RING, SNAP	RING - snap, rear, Serial Range: bearing-housing	2
28	A37695	WASHER	- pressure spring adjusting	1
29	A37694	SPRING	- plate pressure	1
30	A38305	LARGE PLATE	PLATE - clutch adjusting	1
31	A37675	COLLAR ASSY.	- clutch throwout, Includes: Ref. 32 and 33	1
32	14-540	BOLT,Hex, 5/16"-24 x 2 1/2", G5	- 5/16 x 2-1/2" N.F. hex.	2
33	131-575	NUT	NUT - 5/16" N.F. flexlock	2
34	A38282	SLEEVE	- sliding (Includes bonded brake lining)	1
35	135-139	PIN	- groove, 1/4 x 1/2" shearproof	1
36	A38280	CARRIER	- clutch lever	1

Diag #	Part #	Name	Description	Qty
37	138-43	LOCK PIN,3/32" x 7/8", Slotted	PIN, 3/32" x 7/8", Slotted	1
38	A51596	PIN	- lock, clutch adjusting (Replaces A37691)	1
39	A37692	VALVE SPRING	SPRING - lock pin, clutch adjusting	1
40	A37671	AXLE PIN	PIN - pivot, clutch link	3
41	132-24	COTTER PIN,3/32" x 1/2"	PIN, SPLIT (COTTER), 3/32" x 1/2"	6
42	A37689	ROLLER	- outer, clutch link	6
43	A37688	ROLLER	- inner, clutch link	3
44	A38281	DRAG LINK	LINK - clutch plate	6
45	A37670	SPACER	- clutch link	3
46	A37690	AXLE PIN	PIN - link roller	3
47	A39934	PLATE	- pressure, clutch (Replaces A38975)	1
49	A11127	PLATE	- clutch, external tooth	8
50	A27591	VALVE SPRING	SPRING - separator, clutch plate	8
51	A7101	PLATE	- backing, clutch	1
52	A37666	SHAFT	- output	1
53	F7232	BEARING	- needle, output shaft	1
54	A65425	PLATE	- clutch, internal tooth (Replaced A57170)	7
55	A57170	BRAKE DISC	PLATE - clutch, internal tooth (Order A65425)	7



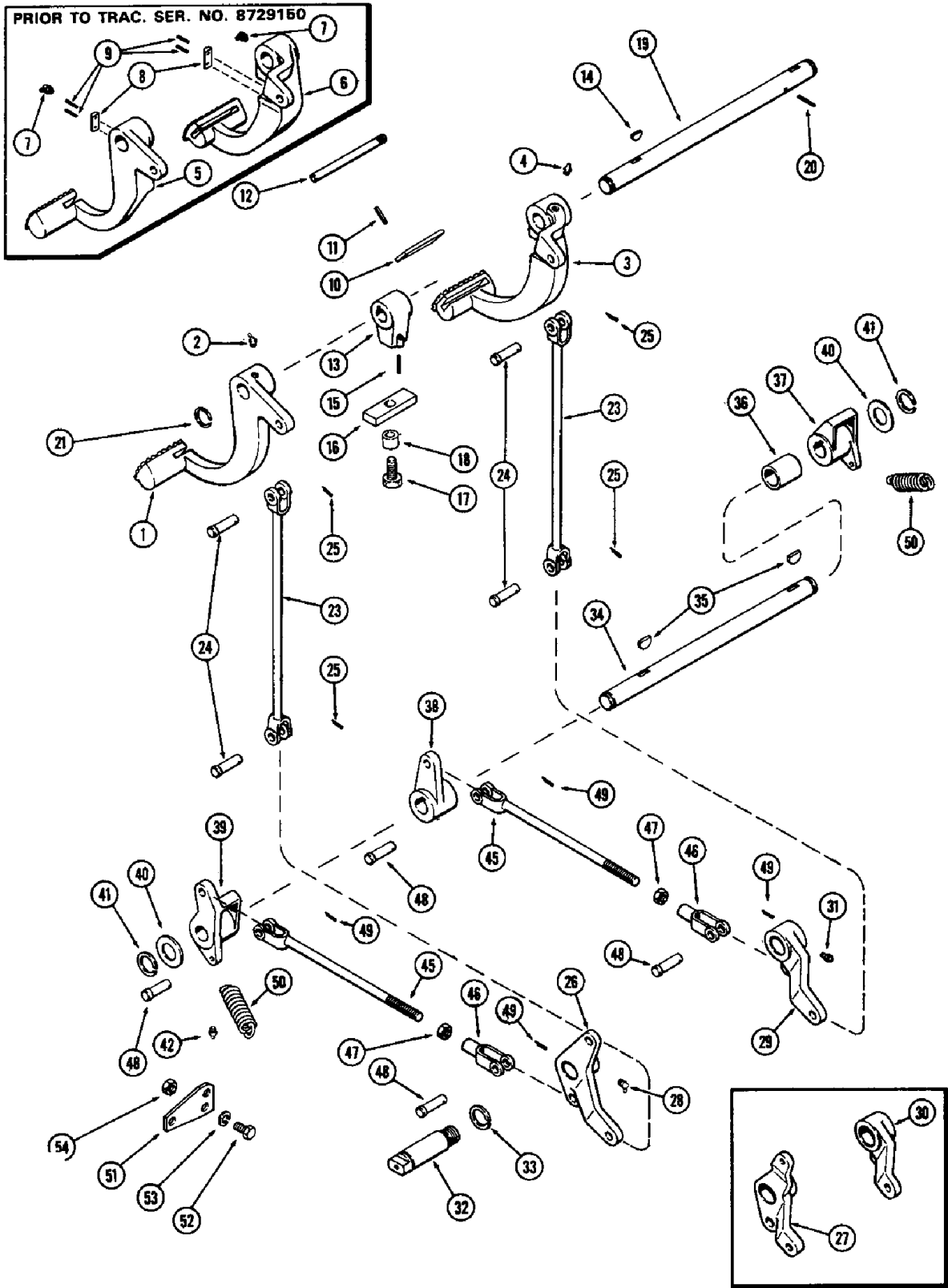
BRAKES



Diag #	Part #	Name	Description	Qty
1	A51742	PEDAL	- brake, R.H. (1st used trac. ser. no. 8740746)	1
2	219-36	LUBE NIPPLE,45°, 1/8" NPT x 7/8" lg	FITTING - lube, 1/8" P.T. x 45 degrees	1
3	A51743	PEDAL	- brake, L.H. (1st used trac. ser. no. 8740746)	1
4	219-1	LUBE NIPPLE,1/8"-27 x .66 lg	FITTING - lube, 1/8" P.T. str.	1
5	A39314	PEDAL	- brake, R.H. (Order A51742) (Used prior trac. ser. no. 8740746)	1
6	A39315	PEDAL	- brake, L.H. (Order A51743) (Used prior to trac. ser. no. 8740746)	1
7	219-55	LUBE NIPPLE,90°, 1/8" NPT x .84" lg	NIPPLE, LUBE, 90°, 1/8" NPT x .84" lg	2
8	A37704		INTERLOCK - brake pedals	1
9	138-155	LOCK PIN,5/16" x 1 1/4", Slotted	PIN, 5/16" x 1 1/4", Slotted	1
10	13-516	BOLT,Hex, 5/16"-18 x 1", G5, Full Thd	BOLT,Hex, 5/16"-18 x 1", G5, Full Thd	1
11	25-145	JAM NUT,Jam, 5/16"-18, G5	- 5/16" N.C. hex.	1
12	A37241	STUD	- pedal stop	1
13	25-148	JAM NUT,Jam, 1/2"-13, G5	- 1/2" NC hex, jam	1
15	A37701	SHAFT	- cross, brake pedal	1
16	138-65	LOCK PIN,1/8" x 1 1/2", Slotted	PIN, 1/8" x 1 1/2", Slotted	1
17	A37235	SNAP RING,#100, .941", Ext	RING - snap, pedal shaft	1
18	A37238	ROD	-, Serial Range: pedal-pivot	2
19	141-6	CLEVIS PIN,1/2" x 1.360"	PIN - yoke	4
20	132-48	COTTER PIN,1/8" x 1"	Pin, Split (Cotter), 1/8" x 1"	4
21	A51786	LEVER	- pivot, R.H. (1st used trans. ser. no. 2430328)	1
22	A39838	LEVER	- pivot, R.H. (Replaces A39335) (Used prior to trans. ser. no. 2430328)	1
23	A51787	LEVER	- pivot, L.H. (1st used trans. ser. no. 2430328)	1
24	A39334	LEVER	- pivot, L.H. (Used prior to trans. ser. no. 2430328)	1
25	219-55	LUBE NIPPLE,90°, 1/8" NPT x .84" lg	NIPPLE, LUBE, 90°, 1/8" NPT x .84" lg	1

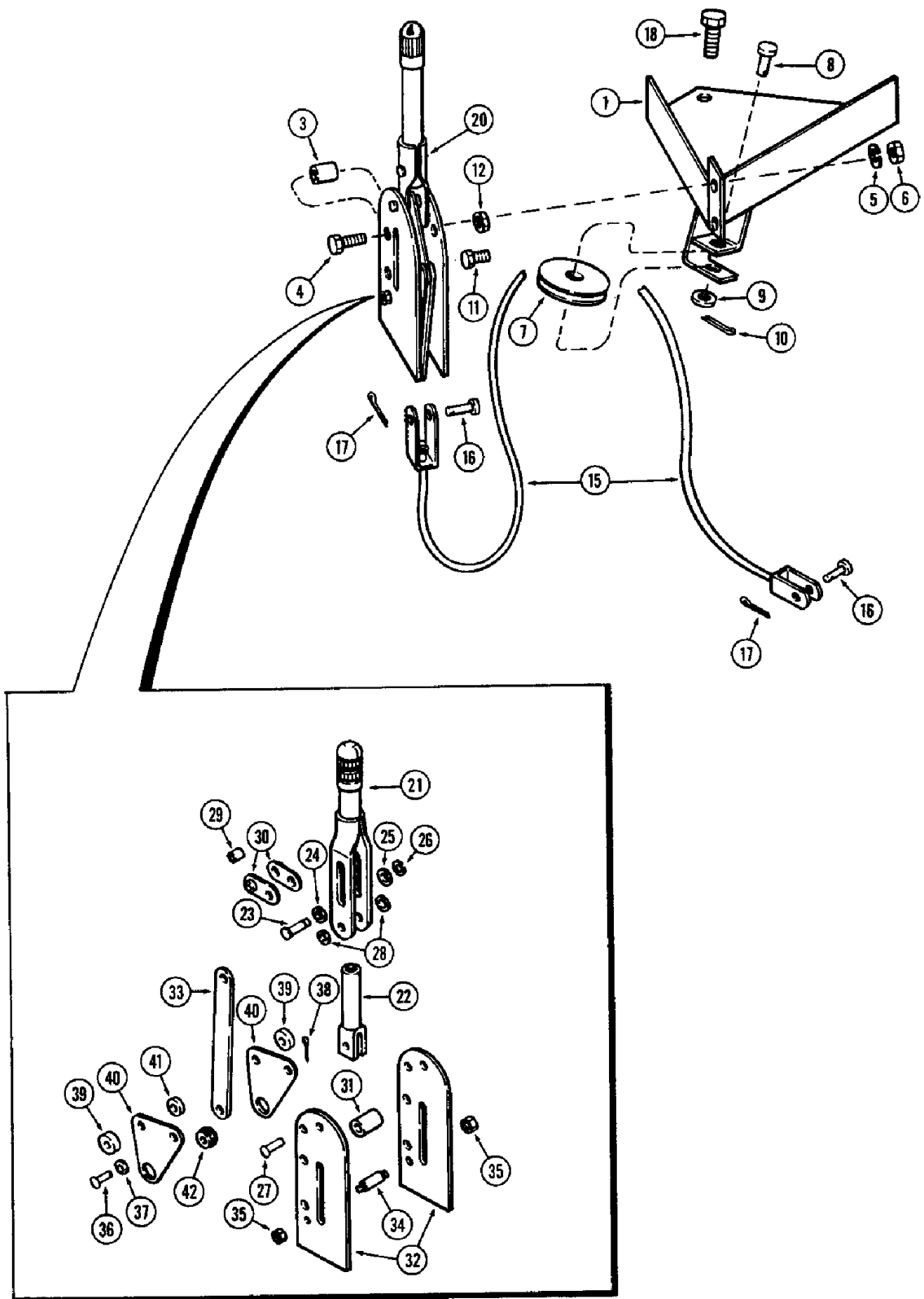
Diag #	Part #	Name	Description	Qty
26	219-1	LUBE NIPPLE, 1/8"-27 x .66 lg	FITTING - lube, 1/8" P.T. str.	1
27	A37491	SHAFT	- stub, pivot levers	1
28	A37237		RING - snap, pivot shaft	1
30	G10708	SHAFT	- cross, lower brake lever	1
31	126-124	WOODRUFF KEY,#15, 1/4" x 1", HT	WOODRUFF KEY,#15, 1/4" x 1", HT	2
32	G16783	SPACER	- lever, L.H.	1
33	G1057	LEVER	- brake, L.H. (L.H. end of shaft)	1
34	A37230	LEVER	- brake, L.H. (R.H. end of shaft)	1
35	A37231	LEVER	- brake, R.H.	1
36	B18145	WASHER	- 1-7/8" O.D. x 1-3/32" I.D.	2
37	F62093	RING, SNAP	RING - snap, lever cross shaft	2
38	219-1	LUBE NIPPLE, 1/8"-27 x .66 lg	FITTING - lube, 1/8" P.T., str.	1
40	A37239	ROD	- brake lever to pivot lever	2
41	213-6	ADJUSTABLE CLEVIS, 1/2"-20 x 3"	YOKE - rod	2
42	25-158	JAM NUT, Jam, 1/2"-20, G5	- 1/2" N.F. hex., jam	2
43	141-6	CLEVIS PIN, 1/2" x 1.360"	PIN - yoke	4
44	132-48	COTTER PIN, 1/8" x 1"	Pin, Split (Cotter), 1/8" x 1"	4
45	G10848	SPRING	- lever return	2
46	A39333	BRACKET	- brake spring anchor, R.H.	1
47	13-628	BOLT, Hex, 3/8"-16 x 1 3/4", G5	BOLT, Hex, 3/8"-16 x 1 3/4", G5	2
48	92-6	LOCK WASHER, 3/8"	WASHER - lock, 3/8"	2
49	25-106	NUT, 3/8"-16, G5	- 3/8" N.C. hex.	2

PRIOR TO TRAC. SER. NO. 8729150



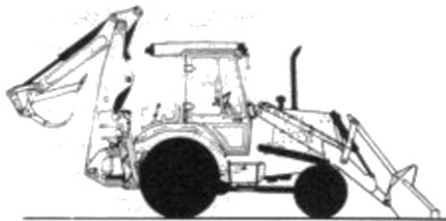
Diag #	Part #	Name	Description	Qty
1	A51686	PEDAL	- brake, R.H. (1st used trac. ser. no. 8729150)	1
2	219-36	LUBE NIPPLE,45°, 1/8" NPT x 7/8" lg	FITTING - lube, 1/8" 45 degrees (R.H. pedal)	1
3	A51687	PEDAL	- brake, L.H. (1st used trac. ser. no. 8729150)	1
4	219-1	LUBE NIPPLE,1/8"-27 x .66 lg	FITTING - lube, 1/8" str. (L.H. pedal)	1
5	A39316	PEDAL	- brake, R.H. (Used prior to trac. ser. no. 8729150)	1
6	A39317	PEDAL	- brake, L.H. (Used prior to trac. ser. no. 8729150)	1
7	129-55	FITTING - lube, 1/8" 90 degrees (Used prior to trac. ser. no. 8729150)	FITTING - lube, 1/8" 90 degrees (Used prior to trac. ser. no. 8729150)	2
8	A37709	INSERT	- equalizer (Used prior to trac. ser. no. 8729150)	2
9	138-2013	PIN,1/8" x 9/16", Coiled	(Used prior to tractor S/N 8729150) 1/8" x 9/16", Coiled	4
10	A37704		INTERLOCK - brack pedals	1
11	138-155	LOCK PIN,5/16" x 1 1/4", Slotted	PIN, 5/16" x 1 1/4", Slotted	1
12	A37745	STUD	- pedal stop	1
13	A37744	LEVER	- equalizer, brack pedal	1
14	126-21	WOODRUFF KEY,#A, 1/4" x 7/8"	Equalizer lever #A, 1/4" x 7/8"	1
15	138-96	LOCK PIN,3/16" x 1", Slotted	PIN, 3/16" x 1", Slotted	1
16	A37707	DRAG LINK	LINK - pedal equalizer	1
17	13-824	BOLT,Hex, 1/2"-13 x 1 1/2", G5, Full Thd	BOLT,Hex, 1/2"-13 x 1 1/2", G5, Full Thd	1
18	A38285	SPACER	- link bolt	1
19	A37701	SHAFT	- cross, brake pedal	1
20	138-65	LOCK PIN,1/8" x 1 1/2", Slotted	PIN, 1/8" x 1 1/2", Slotted	1
21	A37235	SNAP RING,#100, .941", Ext	RING - snap, pedal shaft	1
23	A37238	ROD	- brack, Serial Range: pedal-pivot	2
24	141-6	CLEVIS PIN,1/2" x 1.360"	PIN - yoke, 1/2" x 1-3/8"	4
25	132-48	COTTER PIN,1/8" x 1"	Pin, Split (Cotter), 1/8" x 1"	4

Diag #	Part #	Name	Description	Qty
26	A51786	LEVER	- pivot, R.H. (1st used trans. ser. no. 243032)	1
27	A39838	LEVER	- pivot, R.H. (Replaced A39335) (Used prior to trans. ser. no. 2430328)	1
28	219-55	LUBE NIPPLE,90°, 1/8" NPT x .84" lg	NIPPLE, LUBE, 90°, 1/8" NPT x .84" lg	1
29	A51787	LEVER	- pivot, L.H. (1st used trans. ser. no. 2430328)	1
30	A39334	LEVER	- pivot, L.H. (Used prior to trans. ser. no. 2430328)	1
31	219-1	LUBE NIPPLE,1/8"-27 x .66 lg	FITTING - lube, 1/8" P.T., str.	1
32	A37491	SHAFT	- stub, pivot levers	1
33	A37237		RING - snap, pivot shaft	1
34	G10708	SHAFT	- cross, lower brake lever	1
35	126-124	WOODRUFF KEY,#15, 1/4" x 1", HT	WOODRUFF KEY,#15, 1/4" x 1", HT	2
36	G16783	SPACER	- lever, L.H.	1
37	G1057	LEVER	- brake, L.H. (L.H. end of shaft)	1
38	A37230	LEVER	- brake, L.H. (R.H. end of shaft)	1
39	A37231	LEVER	- brake, R.H.	1
40	B18145	WASHER	- 1-7/8" O.D. x 1-3/32" I.D.	2
41	F62093	RING, SNAP	RING - snap, lever cross shaft	2
42	219-1	LUBE NIPPLE,1/8"-27 x .66 lg	FITTING - lube, 1/8" P.T., str.	1
45	A37239	ROD	- brake to pivot lever	2
46	213-6	ADJUSTABLE CLEVIS,1/2"-20 x 3"	YOKE - rod	2
47	25-58	NUT - 1/2" N.F. hex., jam	NUT - 1/2" N.F. hex., jam	2
48	141-6	CLEVIS PIN,1/2" x 1.360"	PIN - yoke, 1/2" x 1-3/8"	4
49	132-48	COTTER PIN,1/8" x 1"	Pin, Split (Cotter), 1/8" x 1"	4
50	G10848	SPRING	- lever return	2
51	A39333	BRACKET	- brake spring anchor, R.H.	1
52	13-628	BOLT,Hex, 3/8"-16 x 1 3/4", G5	BOLT,Hex, 3/8"-16 x 1 3/4", G5	2
53	92-6	LOCK WASHER,3/8"	WASHER - lock, 3/8"	2
54	25-106	NUT,3/8"-16, G5	- 3/8" N.C. hex.	2

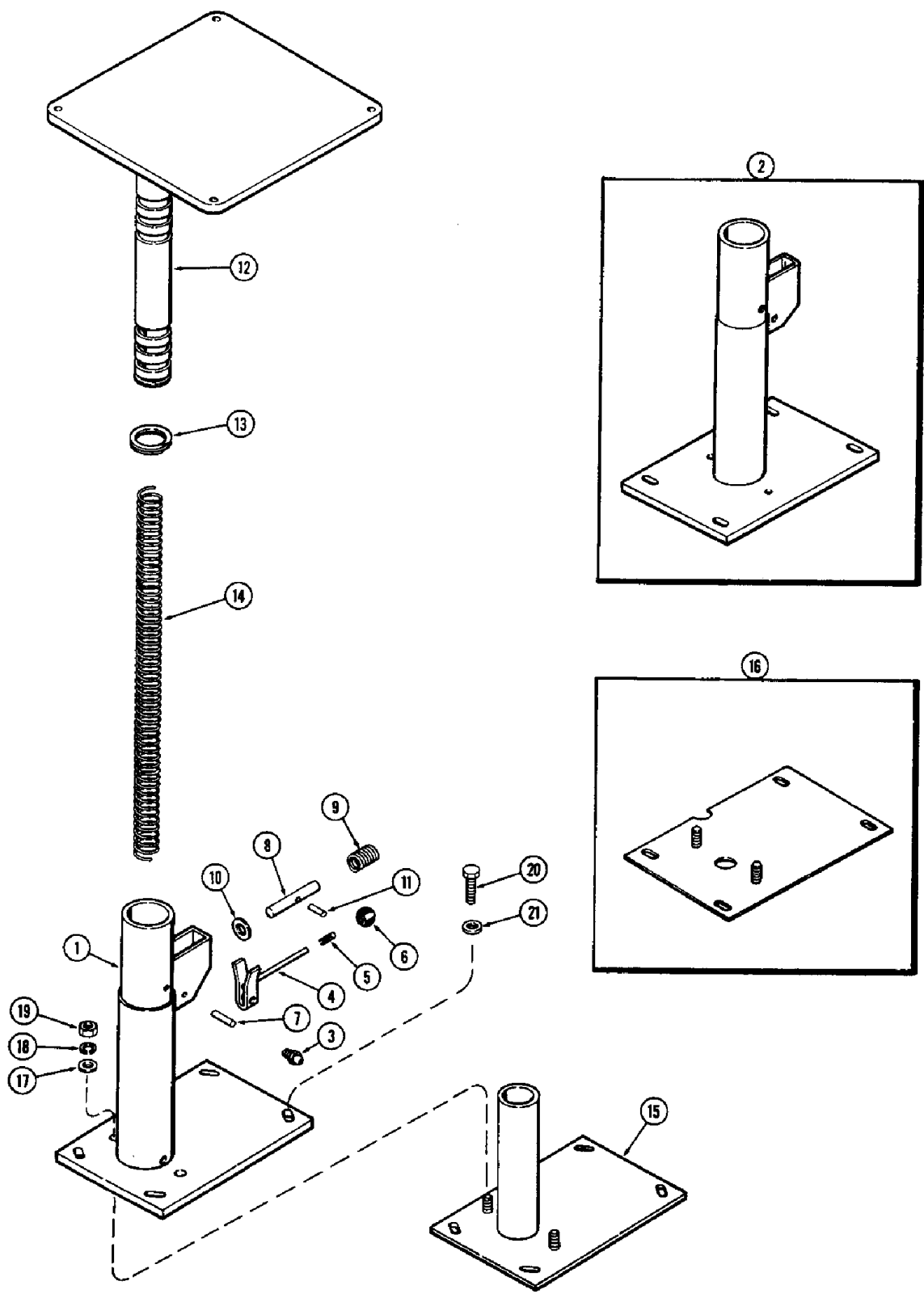


Diag #	Part #	Name	Description	Qty
1	D52049	BRACKET	- brake lever	1
3	D57738	SPACER	- brake lever	2
4	13-532	BOLT,Hex, 5/16"-18 x 2", G5	BOLT,Hex, 5/16"-18 x 2", G5	2
5	92-5	LOCK WASHER,5/16"	LOCK WASHER,5/16"	2
6	9635082	NUT,5/16"-18, G5	- 5/16" N.C. hex.	2
7	D32543	SHEAVE	PULLEY - brake cable	1
8	141-12	CLEVIS PIN,3/8" x 1 5/16"	PIN - pulley to bracket	1
9	195-25	WASHER,3/8"	- 13/32 x 13/16 x 5/64"	1
10	132-25	COTTER PIN,3/32" x 5/8"	Pin, Split (Cotter), 3/32" x 5/8"	1
11	13-68	SCREW,Hex, 3/8"-16 x 1/2", G5, Full Thd	BOLT - (3/8 x 1/2" N.C. hex.)	1
12	25-106	NUT,3/8"-16, G5	- (3/8" N.C. hex.)	1
15	D49719	CABLE	- parking brake	1
16	141-3	CLEVIS PIN,5/16" x .940"	PIN, CLEVIS, 5/16" x .940"	2
17	132-25	COTTER PIN,3/32" x 5/8"	Pin, Split (Cotter), 3/32" x 5/8"	2
18	26-624	BOLT,Hex, 3/8"-16 x 1 1/2", G8	- 3/8 x 1-1/2" N.C. hex.	2
18	26-628	BOLT,Hex, 3/8"-16 x 1 3/4", G8	- 3/8 x 1-3/4" N.C. hex.	1
18	26-632	BOLT,Hex, 3/8"-16 x 2", G8	- 3/8 x 2" N.C. hex.	2
20	D52835	LEVER	ASSY. - brake, Includes: Ref. 21 - 42	1
		D52835 lever assy - Most major components of this assembly are now NSS. Must order complete assembly.	D52835 lever assy - Most major components of this assembly are now NSS. Must order complete assembly.	1
21	D54786	HANDLE	- brake lever	1
22	L32960	TUBE	- adjusting	1
23	A42204	PIN	- handle retaining	1
24	D47261	WASHER	- pin	1
25	95-5	WASHER,3/8" x 7/8" x .083"	- 3/8 x 7/8 x 5/64"	1
26	C14652	RING	- retaining	1
27	D54788		RIVET - retaining	1
28	A10454	WAVE WASHER	- spring	2
29	D54798		SPACER - link	2
30	D54789		BRACKET - pivot	2
31	D54866		SPACER - bracket	1
32	D54791		BRACKET - mounting	2

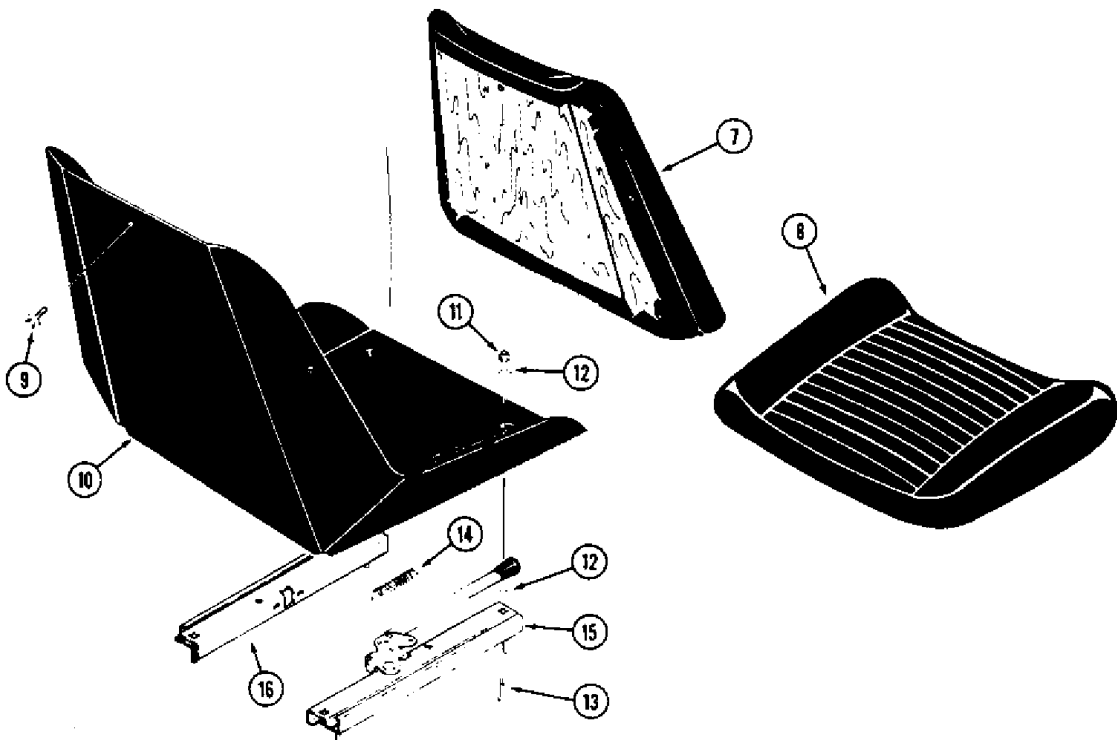
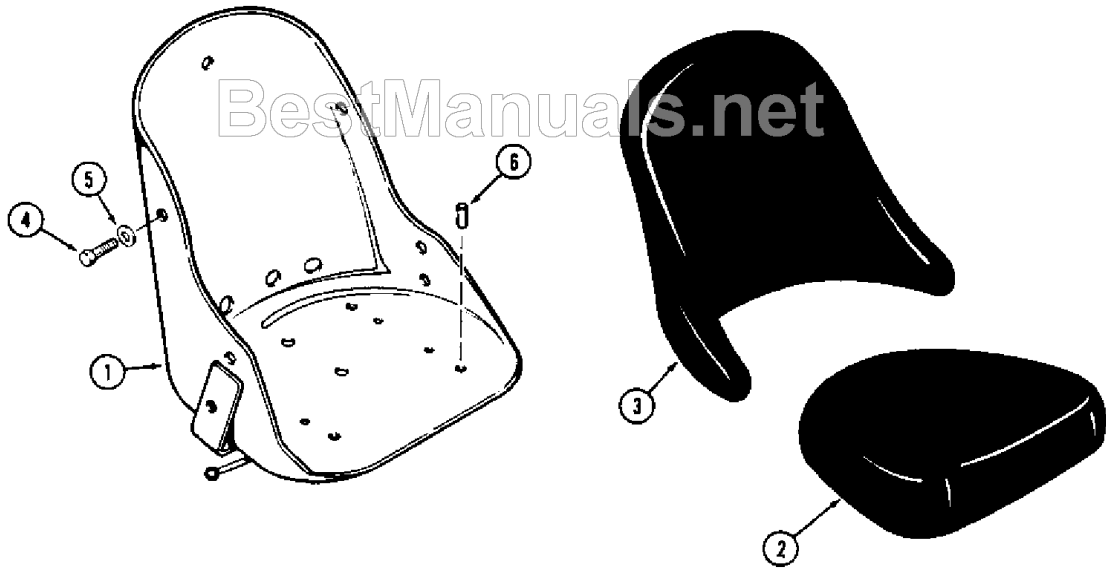
Diag #	Part #	Name	Description	Qty
33	D54790		LINK - hand brake	1
34	D54792		STUD - hand brake (5/16" N.F.)	1
35	131-31	LOCK NUT,5/16"-24, G8	NUT - lock (5/16" N.F.)	2
36	D54797	PIN	- pivot	1
37	D47261	WASHER	- pin	1
38	132-26	COTTER PIN	Pin, Split (Cotter), 3/32" x 3/4"	1
39	D54793		SPACER - bellcrank (Thick)	2
40	D54795		BELLCRANK - hand brake	2
41	D54794	SPACER	- bellcrank (Thin)	1
42	D54796		BUSHING - bellcrank	1



**CHASSIS/
MOUNTED
EQUIPMENT**

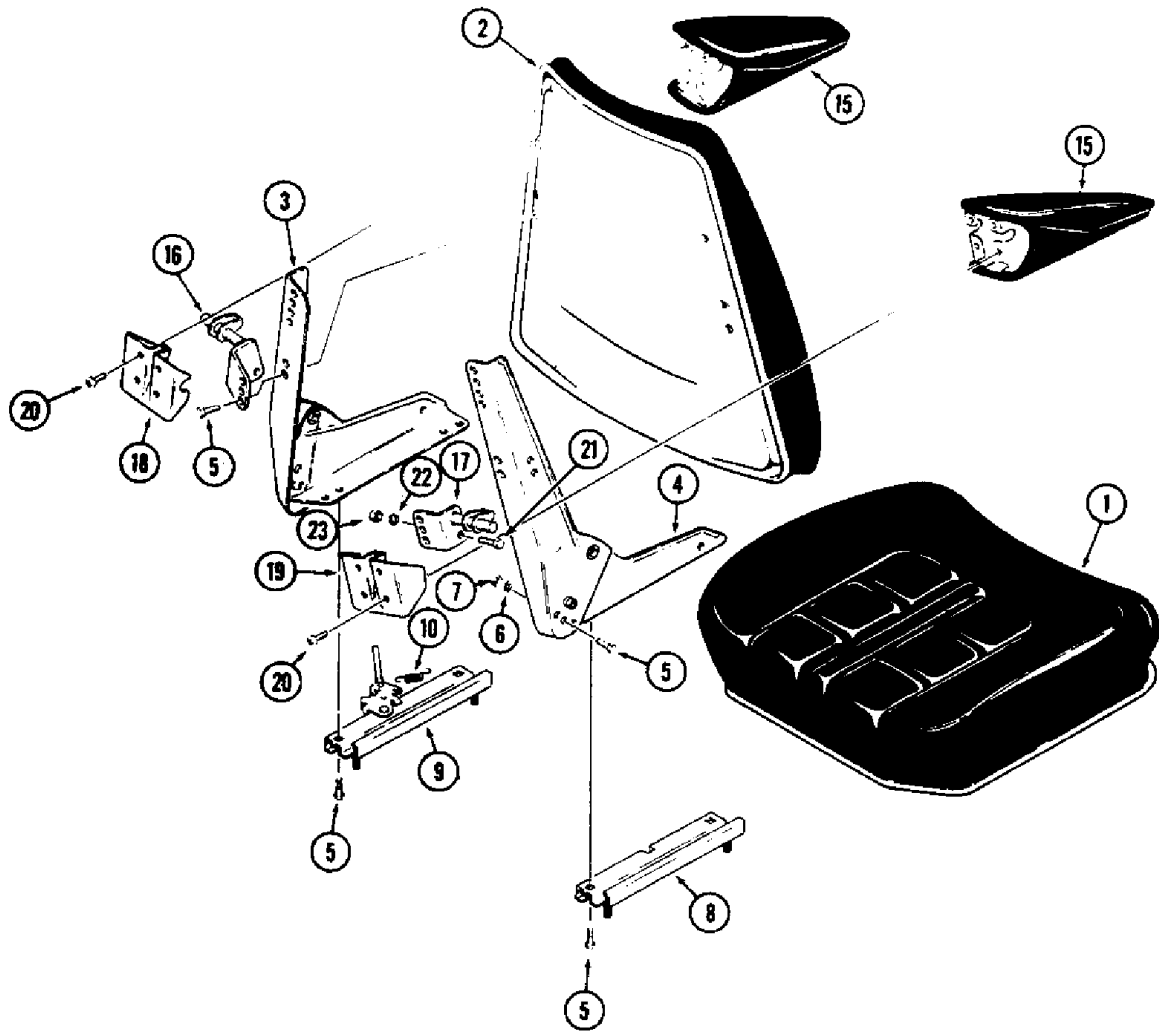


Diag #	Part #	Name	Description	Qty
1	D61054	POST	ASSY. - base (1st used trac. ser no. 8734021)	1
1	D61053		POST ASSY. - base (w/drawbar models) (1st used trac. ser. no. 8734021)	1
2	D49780	BASE	POST ASSY. - base (Used prior to trac. ser. no. 8734021)	1
2	D55297		POST ASSY. - base (w/drawbar models) (Used prior to trac. ser. no. 8734021)	1
3	219-1	LUBE NIPPLE, 1/8"-27 x .66 lg	FITTING - lube, 1/8" P.T., str.	1
4	D38258	LOCK	ASSY. - post	1
5	D38673	RING	- tolerance tab	1
6	D38643	KNOB	- post lock	1
7	138-137	LOCK PIN, 1/4" x 1 3/8", Slotted	PIN, 1/4" x 1 3/8", Slotted	1
8	D38261	PIN	- post lock	1
9	D49774	SPRING	- lock pin	1
10	D49941	BELLEVILLE SPRING	- spring	1
11	138-94	LOCK PIN, 3/16" x 7/8", Slotted	PIN, 3/16" x 7/8", Slotted	1
12	D49781	POST	ASSY. - seat mounting	1
13	D49776	SNAP RING, #187, 2.008", Int, Spiral	RING - snap	1
14	D49775	SPRING	- seal list	1
15	D61055		PLATE - base spacer (1st used trac. ser. no. 8734021)	1
16	D54443		PLATE - base spacer (Used prior to trac. ser. no. 8734021)	1
17	195-25	WASHER, 3/8"	- 13/32 x 13/16 x 1/16"	2
18	92-6	LOCK WASHER, 3/8"	WASHER - lock, 3/8"	2
19	25-106	NUT, 3/8"-16, G5	- 3/8" N.C. hex.	2
20	26-628	BOLT, Hex, 3/8"-16 x 1 3/4", G8	- (3/8 x 1-3/4" N.C. hex.)	4
21	95-6	WASHER, 3/8"	- (flat) 3/8"	4

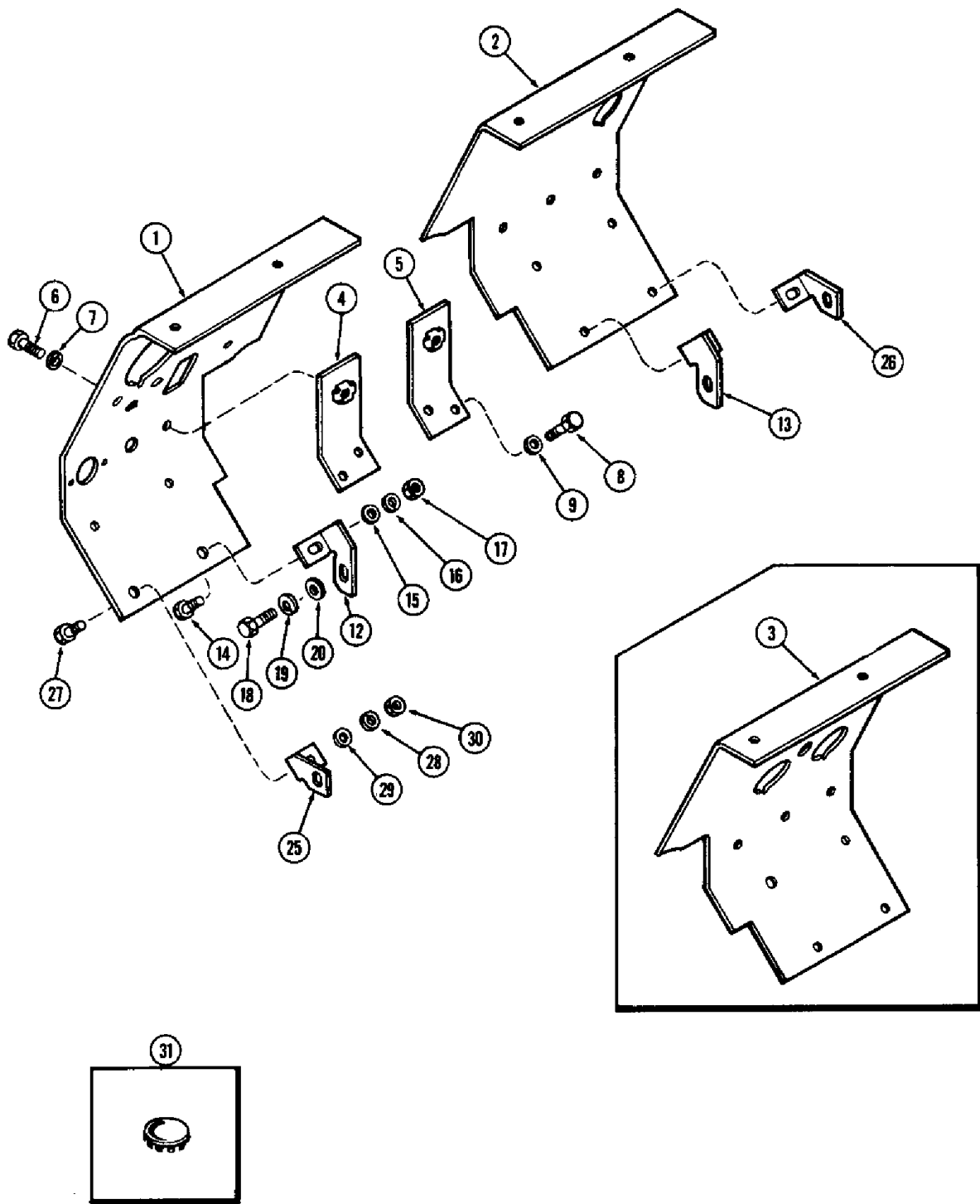


Diag #	Part #	Name	Description	Qty
	D49606	SEAT ASSY.	tractor (Order L46484), Includes: Ref. 1 - 6	1
1	NSS	NOT SERVICED SEPARATELY	SHELL - seat	1
2	A42745	SEAT	CUSHION	1
3	A42747	BACKREST	seat	1
4	113-205	BOLT,Hex, 3/8"-16 x 5/8", G5, Full Thd	BOLT,Hex, 3/8"-16 x 5/8", G5, Full Thd	5
5	195-525	WASHER,3/8", SAE	WASHER,3/8", SAE	5
6	L32870	PIN	cushion alignment	2
	L46484	SEAT	ASSY. - tractor, Includes: Ref. 1 - 6	1
1	NSS	NOT SERVICED SEPARATELY	SHELL - L46484 JR. ROAD KING SEAT(W/ SEAT BELT SLOTS)	1
2	D52470	CUSHION	L46484 JR. ROAD KING SEAT(W/ SEAT BELT SLOTS)	1
3	A42747	BACKREST	L46484 JR. ROAD KING SEAT(W/ SEAT BELT SLOTS)	1
4	113-205	BOLT,Hex, 3/8"-16 x 5/8", G5, Full Thd	L46484 Jr. road king seat (w/ seat belt slots) Hex, 3/8"-16 x 5/8", G5, Full Thd	5
5	195-525	WASHER,3/8", SAE	L46484 JR. ROAD KING SEAT(W/ SEAT BELT SLOTS) 3/8", SAE	5
6	L32870	PIN	cushion alignment (Replaced L33658), L46484 JR. ROAD KING SEAT(W/ SEAT BELT SLOTS)	2
	D55381	SEAT	ASSY. - operator, L46484 JR. ROAD KING (W/ SEAT BELT SLOTS), Includes: Ref. 7 - 16	1
7	D55938	CUSHION	d55381 OPERATOR SEAT (ID BY PLEATED SEAT	1
8	D55939	CUSHION	d55381 OPERATOR SEAT (ID BY PLEATED SEAT	1
9	193-545	SCREW,SEMS, Hex Hd, 1/4"-20 x 3/4"	WASHER ASSY. - hex. hd. (1/4"-20 N.C. x 3/4") Cushion to seat shell, d55381 OPERATOR SEAT (ID BY PLEATED SEAT	5
10	D55940	SHELL	d55381 OPERATOR SEAT (ID BY PLEATED SEAT	1
11	131-31	LOCK NUT,5/16"-24, G8	NUT - hex., lock (5/16"-24 N.F.), d55381 OPERATOR SEAT (ID BY PLEATED SEAT	4
12	95-5	WASHER,3/8" x 7/8" x .083"	standard wrot (5/16"), d55381 OPERATOR SEAT (ID BY PLEATED SEAT	8
13	114-101	BOLT,Hex, 5/16"-24 x 7/8", G5, Full Thd	(Slide to shell), D55381 Operator Seat (id by pleated seat	4

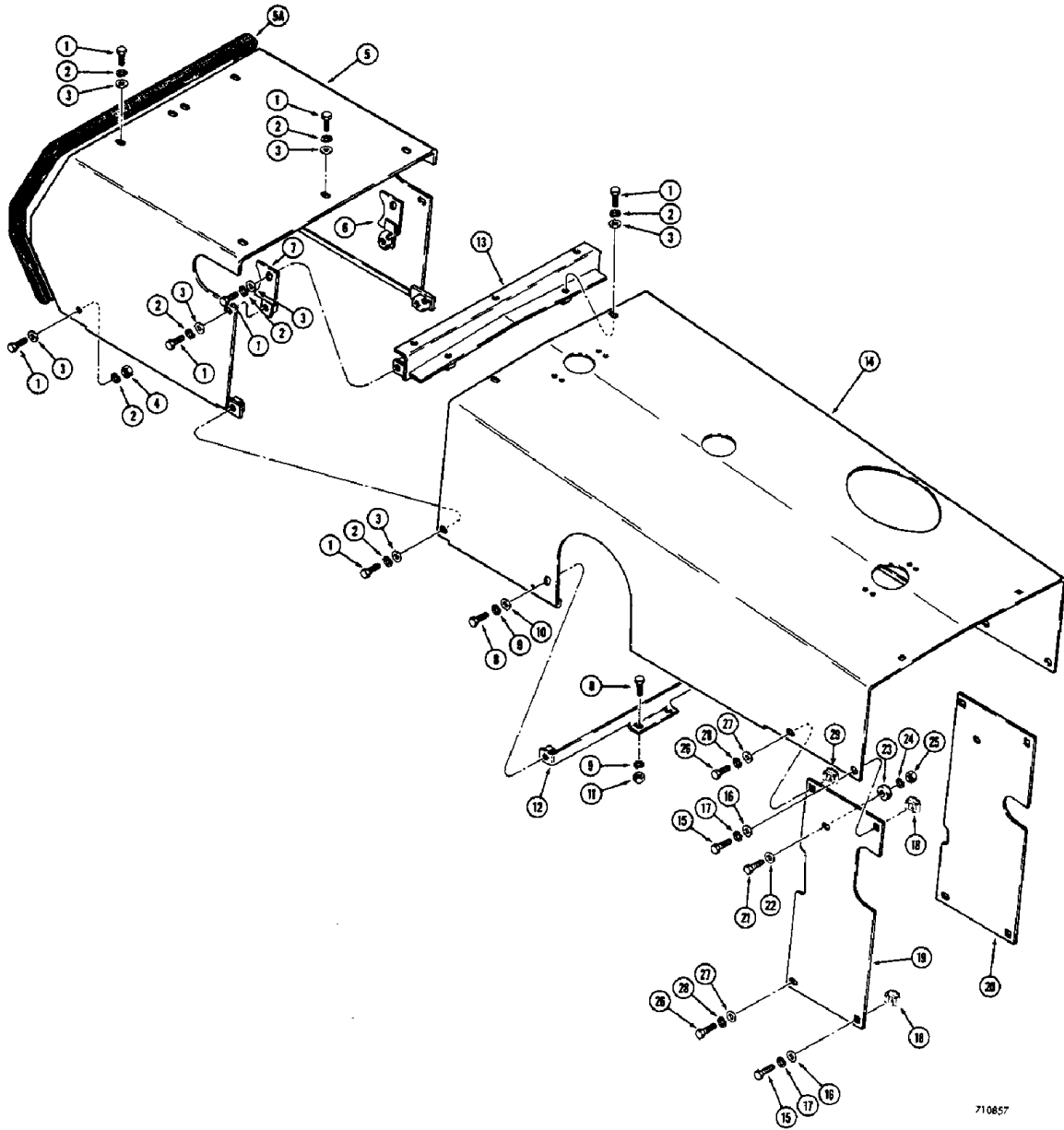
Diag #	Part #	Name	Description	Qty
14	D55954	SPRING	adjustment lever, d55381 OPERATOR SEAT (ID BY PLEATED SEAT	1
15	D53585	CUSHION	sLIDE - seat, R.H. (Adjustment side), d55381 OPERATOR SEAT (ID BY PLEATED SEAT	1
16	D53586	SLIDE	L.H. (Plain side), d55381 OPERATOR SEAT (ID BY PLEATED SEAT	1



Diag #	Part #	Name	Description	Qty
	D56409	SEAT	ASSY. - operator, Includes: Ref. 1 - 10	1
1	D56883	SEAT	CUSHION	1
2	D56884	BACKREST	CUSHION	1
3	D56885	RAIL ASSY.	SUPPORT - seat, L.H.	1
4	D56886	RAIL ASSY.	SUPPORT - seat, R.H.	1
5	113-143	BOLT	HHCS - (5/16"-18 N.C. x 5/8")	14
6	80681	LOCK WASHER,5/16"	WASHER, LOCK, 5/16"	2
7	9635082	NUT,5/16"-18, G5	NUT,5/16"-18, G5	2
8	D56887	SEAT	SLIDE - , R.H.	1
9	D56888	ADJUSTER	SLIDE - seat, L.H. (Adjustment side)	1
10	D56889	SPRING	adjustment lever	1
	D56424	ARMREST	KIT	1
15	D56898	ARMREST	D56424 (used w/ D56409 operators seat only), Includes: Ref. 15 - 23	2
16	D56899	BRACKET	mounting, L.H., D56424 arm rest (used w/ D56409 operators seat only)	1
17	D56900	BRACKET	mounting, R.H., D56424 arm rest (used w/ D56409 operators seat only)	1
18	D56901	BRACKET	PLATE - mounting, L.H., D56424 arm rest (used w/ D56409 operators seat only)	1
19	D56902	BRACKET	PLATE - mounting, R.H., D56424 arm rest (used w/ D56409 operators seat only)	1
20	187-1004	SELF-TAP SCREW,Cross Flat Hd, #8 x 3/8"	self-tapping (#8-32 N.C. x 3/8" Phillips hd.), D56424 arm rest (used w/ D56409 operators seat only)	8
21	113-143	BOLT	HHCS - (5/16"-18 N.C. x 5/8"), D56424 arm rest (used w/ D56409 operators seat only)	2
22	192-20	LOCK WASHER,5/16"	WASHER, LOCK, , D56424 Arm rest (used w/ D56409 operators seat only) 5/16"	2
23	9635082	NUT,5/16"-18, G5	D56424 arm rest (used w/ D56409 operators seat only) 5/16"-18, G5	2



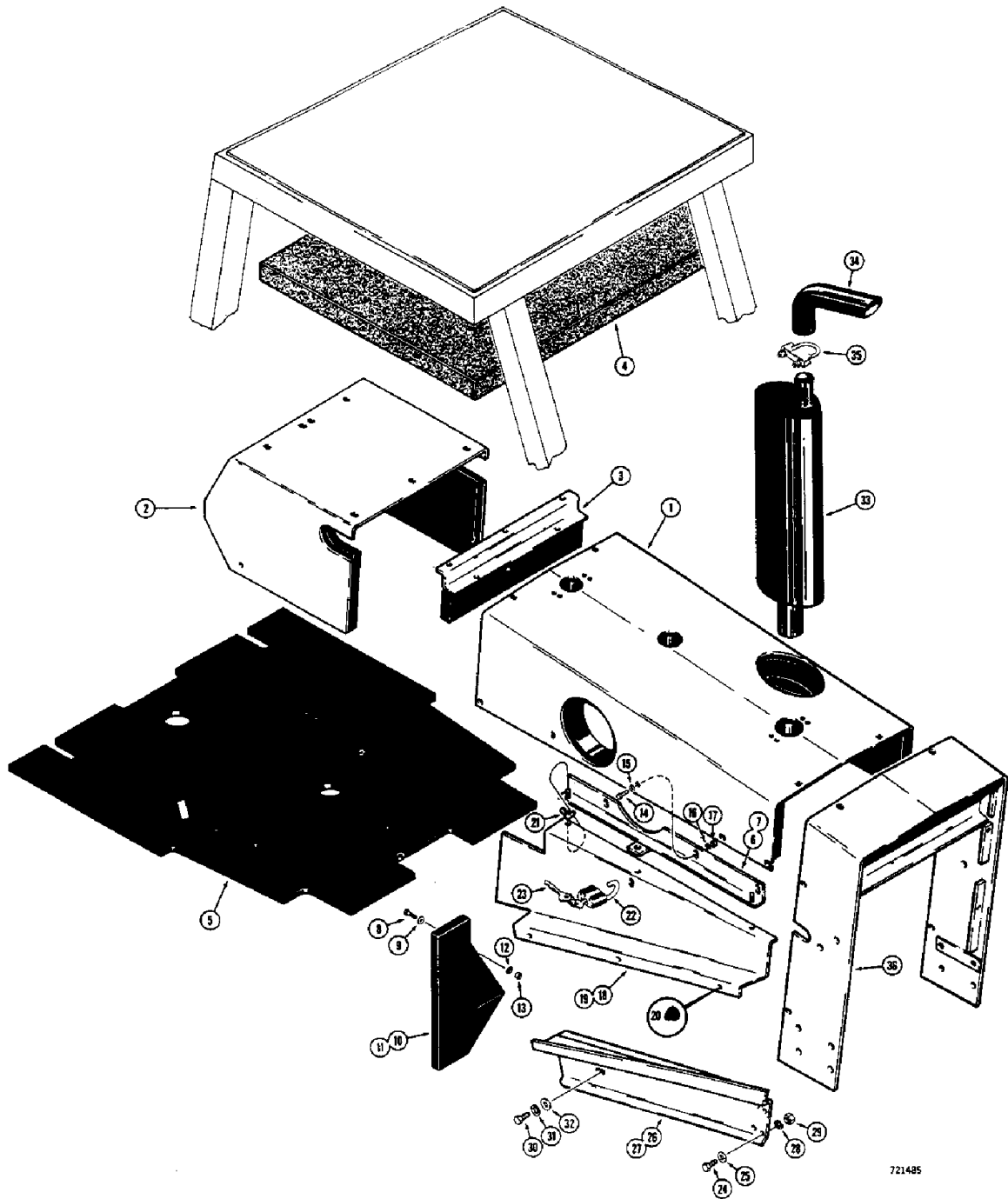
Diag #	Part #	Name	Description	Qty
1	A39788		PANEL ASSY. instrument, R.H.	1
2	A39789		PANEL ASSY. - instrument, L.H. (Mech. shuttle)	1
3	A39793		PANEL ASSY. - instrument, L.H. (Power shuttle)	1
4	A39792		BRACKET ASSY. - panel to steering column, R.H.	1
5	A39801		BRACKET ASSY. - panel to steering column, L.H.	1
6	113-269	BOLT	- 3/8 x 7/8" N.C. hex.	2
7	192-43	WASHER,3/8"	LOCK, 3/8"	2
8	113-221	BOLT,Hex, 3/8"-16 x 7/8", G5, Full Thd	BOLT,Hex, 3/8"-16 x 7/8", G5, Full Thd	4
9	192-21	LOCK WASHER,3/8"	WASHER, LOCK, 3/8"	4
12	A39418		BRACKET - panel support, R.H.	1
13	A39419	BRACKET	- panel support, L.H.	1
14	113-269	BOLT	- 3/8 x 7/8" N.C. hex.	2
15	195-104	WASHER,3/8"	- 7/16 x 1 x 1/16"	2
16	192-21	LOCK WASHER,3/8"	WASHER, LOCK, 3/8"	2
17	129-103	NUT,3/8"-16, G5	NUT, 3/8"-16, G5	2
18	13-614	BOLT,Hex, 3/8"-16 x 7/8", G5, Full Thd	BOLT,Hex, 3/8"-16 x 7/8", G5, Full Thd	2
19	92-6	LOCK WASHER,3/8"	WASHER - lock, 3/8"	2
20	95-6	WASHER,3/8"	- 7/16 x 1 x 5/64"	2
25	A39420	BRACKET	- panel to hood, R.H.	1
26	A39421	BRACKET	- panel to hood, L.H.	1
27	113-269	BOLT	- 3/8 x 7/8" N.C. hex.	2
28	192-21	LOCK WASHER,3/8"	WASHER, LOCK, 3/8"	2
29	195-104	WASHER,3/8"	- 7/16 x 1 x 1/16"	2
30	129-103	NUT,3/8"-16, G5	NUT, 3/8"-16, G5	2
31	A39890	PLUG,9/32"	- button (0.281" dia.) (Plated)	1
31	A39891		PLUG - button (0.390" dia.) (Plated) 25/64"	3
31	A39892	PLUG,33/64"	- button (0.515" dia.) (Plated)	1
31	A39893	HOLE PLUG BUTTON,11/16"	PLUG - button (0.688" dia.) (Plated)	2
31	A39894	HOLE PLUG BUTTON,23/32	PLUG - button (0.719" dia.) (Plated)	1
31	353-411	PLUG,Dome, 1.000" hole, Nylon	Horn button hole Dome, 1.000" hole, Nylon	1



710657

Diag #	Part #	Name	Description	Qty
1	113-206	BOLT,Hex, 3/8"-16 x 3/4", G5, Full Thd	BOLT,Hex, 3/8"-16 x 3/4", G5, Full Thd	15
2	192-21	LOCK WASHER,3/8"	WASHER, LOCK, 3/8"	15
3	195-525	WASHER,3/8", SAE	WASHER,3/8", SAE	15
4	25-106	NUT,3/8"-16, G5	- hex. (3/8"-16 N.C.)	2
5	D49657		WRAPPER - instrument panel (Use 1-D54002 plate, 1-D54003 plate)	1
5A	D52412	RUBBER STRIP	TRIM - instrument panel (50-5/16" lg.) (Order D52812)	1
5A	D52812	RUBBER STRIP	TRIM - instrument panel (83" lg.) (Replaces D52412)	1
6	D54002	COVER PLATE	PLATE - cover, L.H. (Replaces D49645)	1
7	D54003	COVER PLATE	PLATE - cover, R.H. (Replaces D49646)	1
8	113-206	BOLT,Hex, 3/8"-16 x 3/4", G5, Full Thd	BOLT,Hex, 3/8"-16 x 3/4", G5, Full Thd	4
9	192-21	LOCK WASHER,3/8"	WASHER, LOCK, 3/8"	4
10	195-525	WASHER,3/8", SAE	WASHER,3/8", SAE	2
11	25-106	NUT,3/8"-16, G5	- hex. (3/8"-16 N.C.)	2
12	D53036	STRAP	- hood support, center	1
13	D49644	BRACKET	- hood support, top (Order 1-D55499, 1-D54002)	1
		Use J-nuts with this bracket order 5 of 131-634.	Use J-nuts with this bracket order 5 of 131-634.	1
14	D49653		HOOD - engine (Diesel models only)	1
14	D49662		HOOD - engine (Gas models only)	1
15	113-103	BOLT,Hex, 5/16"-18 x 1", G5, Full Thd	BOLT,Hex, 5/16"-18 x 1", G5, Full Thd	6
16	195-521	WASHER,5/16", SAE	- plain (5/16") Zinc plated	6
17	192-20	LOCK WASHER,5/16"	WASHER, LOCK, 5/16"	6
18	131-113	SPRING NUT,J, Ret, 5/16"-18	(Before loader S/N 5228999) J, Ret, 5/16"-18	1
19	D55739		PANEL - side, R.H. (Diesel models only) (Loader serial no. 5228999 and afer)	1
19	D49656	PANEL ASSY.	PANEL - side, R.H. (Diesel models only)	1
19	D49659	BUSHING	PANEL - side, R.H. (Gas models only) (Before loader serial no. 5228999)	1
19	D55738		PANEL - side, R.H. (Gas models only) (Loader serial no. 5228999 and after)	1
20	D49655	PANEL ASSY.	PANEL - side, L.H. (Diesel models only)	1
20	D49658		PANEL - side, L.H. (Gas models only)	1

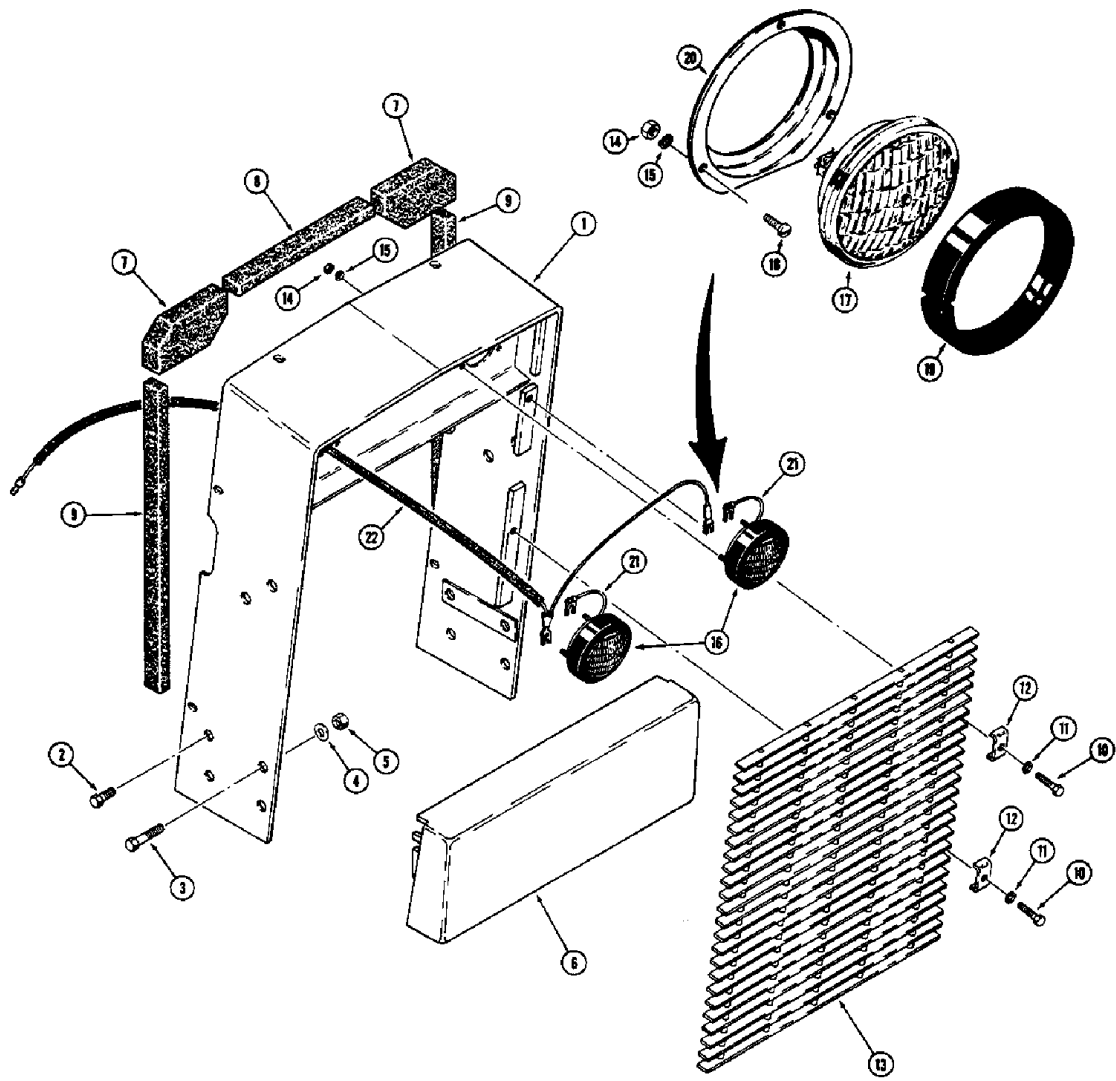
Diag #	Part #	Name	Description	Qty
21	113-103	BOLT,Hex, 5/16"-18 x 1", G5, Full Thd	BOLT,Hex, 5/16"-18 x 1", G5, Full Thd	2
22	195-521	WASHER,5/16", SAE	- plain (5/16") Zinc plated	2
23	D31074	SPACER	- panel	2
24	92-5	LOCK WASHER,5/16"	LOCK WASHER,5/16"	2
25	9635082	NUT,5/16"-18, G5	- hex. (5/16"-18 N.C.)	2
26	113-102	BOLT,Hex, 5/16"-18 x 3/4", G5, Full Thd	Hex, 5/16"-18 x 3/4", G5, Full Thd	4
27	195-521	WASHER,5/16", SAE	- plain (5/16") Zinc plated	4
28	192-20	LOCK WASHER,5/16"	WASHER, LOCK, 5/16"	4
29	131-113	SPRING NUT,J, Ret, 5/16"-18	SPRING NUT,J, Ret, 5/16"-18	2



721485

Diag #	Part #	Name	Description	Qty
1	D55199		HOOD - special, noise control	1
2	D55184	SUPPORT	WRAPPER - special, noise control (Use 1-D55504 wrapper, 1-D59896 pad	1
3	D55188		PLATE - baffle, noise control	1
4	D55195		PADDING - roll bar	1
5	D59157		FLOOR MAT - operator compartment (Replaces D55200)	1
6	D55697		HANGER - side panel, L.H.	1
7	D55695		HANGER - side panel, R.H.	1
8	113-102	BOLT,Hex, 5/16"-18 x 3/4", G5, Full Thd	Hex, 5/16"-18 x 3/4", G5, Full Thd	2
9	195-521	WASHER,5/16", SAE	- plain (5/16")	2
10	D56011		PLATE - noise deflection, L.H.	1
11	D56010		PLATE - noise deflection, R.H.	1
12	192-20	LOCK WASHER,5/16"	WASHER, LOCK, 5/16"	2
13	9635082	NUT,5/16"-18, G5	- hex. (5/16"-18 N.C.)	2
14	113-207	BOLT,Hex, 3/8"-16 x 1", G5, Full Thd	BOLT,Hex, 3/8"-16 x 1", G5, Full Thd	8
15	195-525	WASHER,3/8", SAE	WASHER,3/8", SAE	16
16	192-21	LOCK WASHER,3/8"	WASHER, LOCK, 3/8"	8
17	129-103	NUT,3/8"-16, G5	NUT, 3/8"-16, G5	8
18	D55182		PANEL - side, L.H. noise control	1
19	D55179		PANEL - side, R.H. noise control	1
20	D55964		GROMMET - side, Serial Range: panel-frame	12
21	129-409	WING NUT,1/4"-20	NUT, WING, 1/4"-20	4
22	R29554	LOCK	PANLOCK - panel lockup	2
23	R29555	KEY	- padlock	2
24	113-102	BOLT,Hex, 5/16"-18 x 3/4", G5, Full Thd	Hex, 5/16"-18 x 3/4", G5, Full Thd	4
25	195-521	WASHER,5/16", SAE	- plain (5/16")	4
26	D56303		PANEL - noise control, L.H. lower	1
27	D56302		PANEL - noise control, R.H. lower	1
28	192-20	LOCK WASHER,5/16"	WASHER, LOCK, 5/16"	4
29	113-113	BOLT,Hex, 5/16"-18 x 7/8", G5, Full Thd	NUT - Tinnerman (5/16"-18 N.C.)	4
30	113-602	BOLT,Hex, 5/8"-11 x 1", G5, Full Thd	BOLT,Hex, 5/8"-11 x 1", G5, Full Thd	2
31	192-25	LOCK WASHER,5/8"	WASHER, LOCK, 5/8"	2

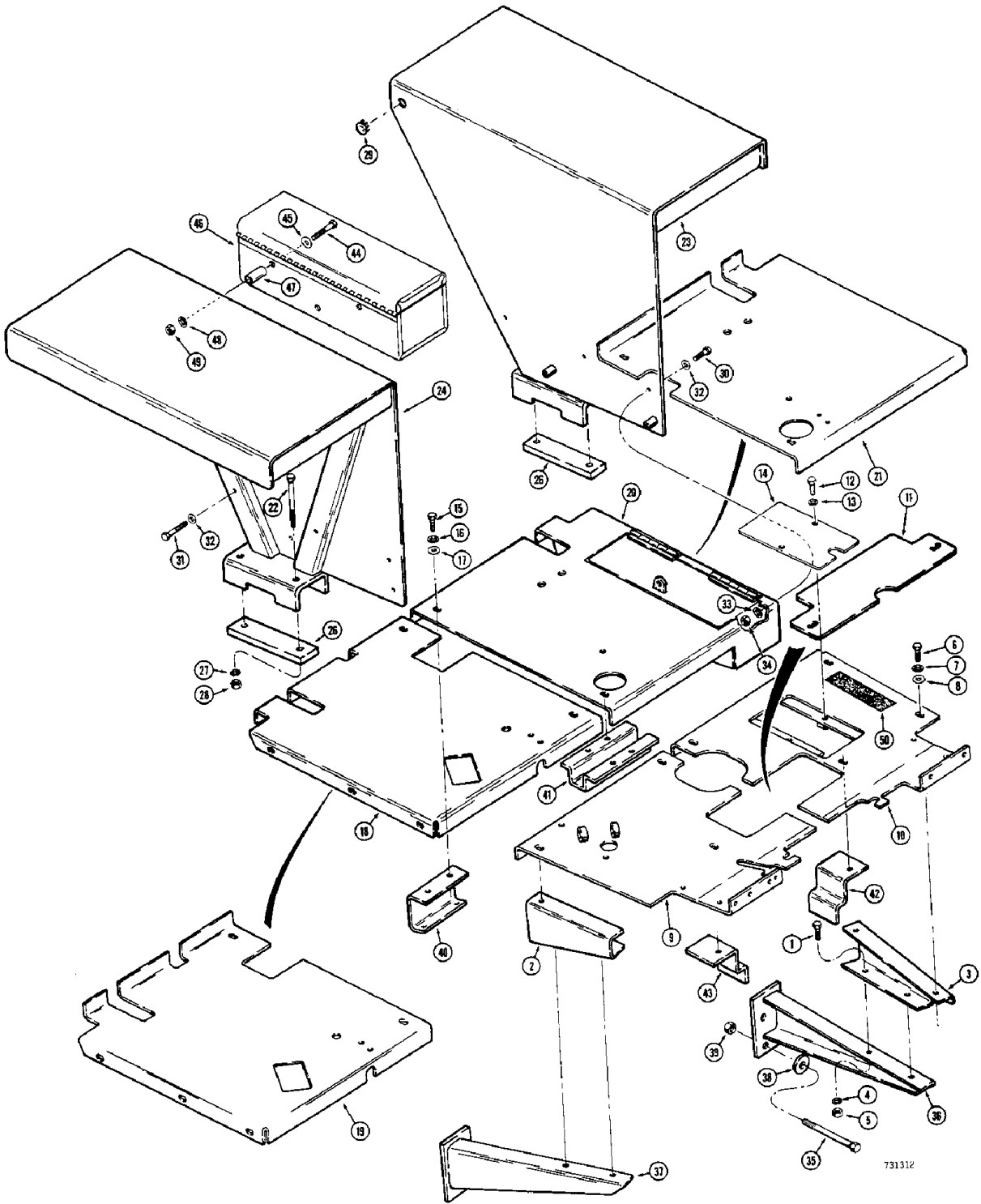
Diag #	Part #	Name	Description	Qty
32	195-541	WASHER,5/8", SAE	- plain (5/8")	2
33	D55532	MUFFLER	- engine, special	1
34	D53101	PIPE	EXTENSION - exhaust	1
35	G45410	CLAMP	-, Serial Range: extension-muffler	1
36	D57855		WRAPPER - rad. guard (Used w/D55199 special hood only)	1



730366

Diag #	Part #	Name	Description	Qty
1	D49663		WRAPPER - radiator (Gas models only) (Before loader serial no. 5228999)	1
1	D55737	SUPPORT	WRAPPER - radiator (Gas models only) (Loader serial no. 5228999 thru serial no. 8709714)	1
1	D57302	SUPPORT	WRAPPER - radiator (Gas models only) (Trac. serial no. 8709715 and after)	1
1	D49652		WRAPPER - radiator (Diesel models only) (Before loader serial no. 5228999)	1
1	D55736	SUPPORT	WRAPPER - radiator (Diesel models only) (Loader serial. no. 5228999) thru trac. serial no. 8709714)	1
1	D57303	SUPPORT	WRAPPER - radiator (Diesel models only) (Trac. serial no. 8709715 and after)	1
2	13-1024	BOLT,Hex, 5/8"-11 x 1 1/2", G5, Full Thd	BOLT,Hex, 5/8"-11 x 1 1/2", G5, Full Thd	4
3	13-1036	BOLT,Hex, 5/8"-11 x 2 1/4", G5	BOLT,Hex, 5/8"-11 x 2 1/4", G5	4
4	95-10	WASHER,5/8"	- plain () 5/8"	4
5	230-4117	LOCK NUT,7/16"-14, GA	NUT - hex., lock (5/8"-11 N.C.)	4
6	D31071		GUARD - equipment pump (Gas models only)	1
6	D31082	GUARD ASSY.	GUARD - equipment pump (Diesel models only)	1
7	G46278	BAFFLE	- radiator, top	2
8	G46280	BAFFLE	- radiator, top center	1
9	D31270	INSULATOR	BAFFLE - radiator, side	2
10	113-273	BOLT	HHCS - 3/8"-16 N.C. x 1-1/2"	4
11	192-43	WASHER,3/8"	LOCK, 3/8"	4
12	L13218	CLIP	- grille retainer	4
13	D49649	GRILLE ASSY	GRILLE - radiator (Used with D49663 and D49652 wrappers only)	1
		D55506 grille - Should also include part nbr D57302 wrapper in "used with" information.	D55506 grille - Should also include part nbr D57302 wrapper in "used with" information.	1
13	D55506	GRILLE	- radiator (Used with D55737, D55736 and D57303 wrappers only)	1
14	129-17	NUT,#10-24	NUT - hex. (N.C.) #10-24	6
15	192-18	LOCK WASHER,#10	WASHER, LOCK, #10	6

Diag #	Part #	Name	Description	Qty
16	D30243	LAMP	LIGHT ASSEMBLY - front head (See Figure 121C) (Before trac. serial no. 8709715)	2
17	D33182	LAMP	LIGHTS - front head (Sealed beam) (Trac. serial no. 8709715 and after)	2
18	182-516	SCREW, Slotted Pan Hd, #10-24 x 1/2"	- mach., pan hd. (#10-24 N.C. x 1/2") (Used with D33182 light only)	6
19	D57287	RETAINER	- light (Used with D33182 light only)	2
20	D57288	RING	- light retainer (Use with D33182 light only)	2
21	A11768	ELECTRICAL WIRE	CABLE - grond, headlight	2
22	D39242	ELECTRICAL WIRE	CABLE - connecting, headlight	1



Diag #	Part #	Name	Description	Qty
1	13-616	BOLT,Hex, 3/8"-16 x 1", G5, Full Thd	(Not used with cab) Hex, 3/8"-16 x 1", G5, Full Thd	4
2	D52997	SUPPORT	- floor plate, R.H. (Not used with cab)	1
3	D52998		SUPPORT - floor plate, L.H. (Not used with cab)	1
4	92-6	LOCK WASHER,3/8"	WASHER - lock, , not used w/cab 3/8"	4
5	25-106	NUT,3/8"-16, G5	- hex. (3/8"-16 N.C.) (Not used with cab)	4
6	13-616	BOLT,Hex, 3/8"-16 x 1", G5, Full Thd	BOLT,Hex, 3/8"-16 x 1", G5, Full Thd	7
7	92-6	LOCK WASHER,3/8"	WASHER - lock, 3/8"	7
8	195-25	WASHER,3/8"	- plain () 3/8"	7
9	D55023	PLATE ASSY.	PLATE - floor, R.H. front	1
10	D55022	PLATE	- floor, L.H. front	1
11	D55305		COVER - floor plate, center	1
12	13-612	BOLT,Hex, 3/8"-16 x 3/4", G5, Full Thd	BOLT,Hex, 3/8"-16 x 3/4", G5, Full Thd	2
13	92-6	LOCK WASHER,3/8"	WASHER - lock, 3/8"	2
14	D55028	PLATE	- battery access	1
15	13-616	BOLT,Hex, 3/8"-16 x 1", G5, Full Thd	BOLT,Hex, 3/8"-16 x 1", G5, Full Thd	4
16	92-6	LOCK WASHER,3/8"	WASHER - lock, 3/8"	4
17	195-25	WASHER,3/8"	- plain () 3/8"	4
18	D49714	PLATE	- floor, R.H. rear (Before loader ser. no. 5205025)	1
19	D55461	PLATE	- floor, R.H. rear (Loader S/N 5205025)	1
20	D50691	PLATE	- floor, L.H. rear (Before loader ser. no. 5205025)	1
21	D55462	PLATE ASSY.	PLATE - floor, L.H. rear (Loader S/N 5205025)	1
22	13-8140	BOLT,Hex, 1/2"-13 x 8 3/4", G5	HHCS - 1/2"-13 N.C. x 8-3/4"	4
23	D49697	FENDER	- tractor, L.H. (When stock is exhausted, order F93265 fender)	1
23	F93265	FENDER	- tractor, L.H.	1
24	D49696	FENDER	- tractor, R.H. (When stock is exhausted, order 1-F93264 fender, 1-L42732 spacer, 1-13-632 bolt)	1
24	F63264	FENDER - tractor, R.H.	FENDER - tractor, R.H.	1
25	L42723	SPACER	- fender (Not shown)	1
26	D50703	BAR	- fender mounting	2

Diag #	Part #	Name	Description	Qty
27	92-8	LOCK WASHER,1/2"	LOCK WASHER,1/2"	4
28	25-108	NUT,1/2"-13, G5	- hex. (1/2"-13 N.C.)	4
29	205-32		PLUG - button, fender 3/4"	2
30	13-616	BOLT,Hex, 3/8"-16 x 1", G5, Full Thd	BOLT,Hex, 3/8"-16 x 1", G5, Full Thd	2
31	413-632	BOLT,Hex, 3/8"-16 x 2", G5	- 3/8 x 2" N.C. hex.	4
32	195-25	WASHER,3/8"	- plain () 3/8"	10
33	92-6	LOCK WASHER,3/8"	WASHER - lock, 3/8"	6
34	25-106	NUT,3/8"-16, G5	- hex. (3/8"-16 N.C.)	6
35	113-39	BOLT,Hex, 1/4"-20 x 4-1/2", G2	HHCS - 5/8"-11 N.C. x 8"	4
36	D50285	PLATE - support, L.H. (Used with drawbar models only)	PLATE - support, L.H. (Used with drawbar models only)	1
37	D50286	PLATE - support, R.H. (Used with drawbar models only)	PLATE - support, R.H. (Used with drawbar models only)	1
38	A28084	WASHER	- special	4
39	129-563	NUT,5/8"-11, G8	- hex. (5/8"-11 N.C.)	4
40	D52994	BRACKET	SUPPORT - floor plate, rear	1
41	D52993		SUPPORT - floor plate, center	1
42	D52991	SUPPORT	- floor plate, L.H. front	1
43	D52992	BRACKET	SUPPORT - floor plate, R.H. front	1
44	113-233	BOLT,Hex, 3/8"-16 x 1 3/4", G5	BOLT,Hex, 3/8"-16 x 1 3/4", G5	3
45	195-525	WASHER,3/8", SAE	WASHER,3/8", SAE	3
46	D55624	TOOL	BOX - tool, fender mounted	1
47	D40893	BUSHING	SPACER - tool, Serial Range: box-fender	3
48	192-21	LOCK WASHER,3/8"	WASHER, LOCK, 3/8"	3
49	129-103	NUT,3/8"-16, G5	NUT, 3/8"-16, G5	3
50	D55216	ANTI-SKID STRIP	PAD - anit-skid	2

Case 580 B CONSTRUCTION KING

CONSTRUCTION KING 580 B Case

EXTENDAHOE



CK
REMOVE COVER TO CHECK TONGUE TUBE DIPSTICK



WARNING
OPERATE BACKHOE ONLY FROM OPERATOR'S SEAT

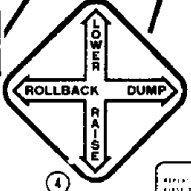
J. I. Case Company ... owns or is licensed under the following patents

1	2	3	4	5	6	7	8	9	10	11	12	13	14	15	16	17	18	19	20	21	22	23	24	25	26	27	28	29	30	31	32	33	34	35	36	37	38	39	40	41	42	43	44	45	46	47	48	49	50	51	52	53	54	55	56	57	58	59	60	61	62	63	64	65	66	67	68	69	70	71	72	73	74	75	76	77	78	79	80	81	82	83	84	85	86	87	88	89	90	91	92	93	94	95	96	97	98	99	100
---	---	---	---	---	---	---	---	---	----	----	----	----	----	----	----	----	----	----	----	----	----	----	----	----	----	----	----	----	----	----	----	----	----	----	----	----	----	----	----	----	----	----	----	----	----	----	----	----	----	----	----	----	----	----	----	----	----	----	----	----	----	----	----	----	----	----	----	----	----	----	----	----	----	----	----	----	----	----	----	----	----	----	----	----	----	----	----	----	----	----	----	----	----	----	----	----	----	----	-----

J. I. Case Company ... owns or is licensed under the following patents

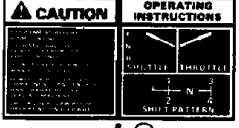
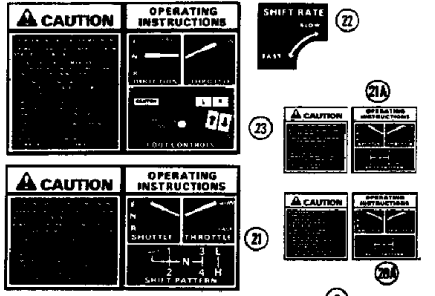
1	2	3	4	5	6	7	8	9	10	11	12	13	14	15	16	17	18	19	20	21	22	23	24	25	26	27	28	29	30	31	32	33	34	35	36	37	38	39	40	41	42	43	44	45	46	47	48	49	50	51	52	53	54	55	56	57	58	59	60	61	62	63	64	65	66	67	68	69	70	71	72	73	74	75	76	77	78	79	80	81	82	83	84	85	86	87	88	89	90	91	92	93	94	95	96	97	98	99	100
---	---	---	---	---	---	---	---	---	----	----	----	----	----	----	----	----	----	----	----	----	----	----	----	----	----	----	----	----	----	----	----	----	----	----	----	----	----	----	----	----	----	----	----	----	----	----	----	----	----	----	----	----	----	----	----	----	----	----	----	----	----	----	----	----	----	----	----	----	----	----	----	----	----	----	----	----	----	----	----	----	----	----	----	----	----	----	----	----	----	----	----	----	----	----	----	----	----	----	-----

- 2 GASOLINE
- 1 DIESEL FUEL
- 34 CAUTION REMOVE FUEL CAP SLOWLY



HYDRA-GUIDE

- 41 CAUTION
- 40 CAUTION



BE CAREFUL
PRESSURE COOLING SYSTEM
REMOVE CAP SLOWLY



Case 580 B

CAUTION
NEGATIVE GROUND SYSTEM
WHEN USING BATTERY CHARGER
OR BOOSTER BATTERY CONNECT
POSITIVE TO POSITIVE & NEGATIVE
TO NEGATIVE

IMPORTANT
Check oil level in power
steering reservoir after
each 40 hours of operation

HYDROSTATIC

IMPORTANT
REPAIR THIS LEAK AFTER
PRESSURE HAS BEEN RELEASED
OPERATION WILL BE
DANGEROUS IF NOT
REPAIRED FOR OPERATING
J. I. CASE CO. P/MSI 100 014

IMPORTANT
TO PROTECT TRANSMISSION DO NOT USE
DUMP VALVE PEDAL FOR COASTING.
DO NOT ALLOW ENGINE SPEED TO EXCEED
3000. REDUCE SPEED WITH MARCH SPEED
LEVER IF NECESSARY.
PULL UP TRANSMISSION DISCONNECT
LEVER FOR TOWING.

WARNING
OPERATING CONTROLS AND INSTRUMENTS
WHEN OPERATING FROM SEAT. ALWAYS
USE SEAT BELT. NEVER OPERATE
WITH ALCOHOL OR DRUGS. ALWAYS
WEAR YOUR SAFETY BELT.

Diag #	Part #	Name	Description	Qty
	D54862	DECAL	KIT - decal, equipment, Includes: Ref. 1 - 41	1
1	321-230	DECAL	- diesel fuel	1
2	321-18	DECAL	- gasoline	1
3	321-2100	DECAL	- warning, pressure cap (Radiator shroud)	1
4	321-2397	DECAL	- loader control valve (Loader controls)	1
5	321-1985	DECAL	- 580B construction king (L.H.)	1
6	321-1984	DECAL	- construction king 580B (R.H.)	1
7	321-2425	DECAL	- Case (3" high - 2 on hood	4
8	321-1482	DECAL	- CK (On loader arm	4
9	321-2102	DECAL	- important, check oil level (On R.H. loader frame)	1
10	321-1654	DECAL	- air cleaner (On air cleaner cap)	1
11	321-229	DECAL	- hydraulic fluid	1
12	321-663	DECAL	- patent (Equipment)	1
13	321-246	DECAL	- patent (Tractor)	1
14	321-1646	DECAL	- differential lock	1
15	321-1061	DECAL	- caution (Alternator)	1
16	321-1062	DECAL	- caution (Battery ground)	1
17	321-2445	DECAL	- starting (Gas or diesel models)	1
19	321-2101	DECAL	- oil filter	1
20	321-1644	DECAL	- shifting instructions, power shuttle models (Used prior to trans. ser. no. 2447415)	1
22A	321-2649	DECAL	- shifting instructions, power shuttle models (1st used trans. ser. no. 2447415)	1
21	321-1951	DECAL	- shifting instruction, mechanical shuttle models (Used prior to trans. ser. no. 2447415)	1
21A	321-2650	DECAL	- shifting instructions, mechanical shuttle models (1st used trans. ser. no. 2447415)	1
23	321-1643	DECAL	- shifting, hydrostatic models	1
24	321-2060	DECAL	- hydrostatic (On fuel tank)	2
25	321-1572	DECAL	- Case (4" high)	3
26	321-1647	DECAL	- backhoe control, individual lever	1
27	321-2193	DECAL	- backhoe control, extendahoe	1
28	321-2058	DECAL	- extendahoe (On dipper)	2
29	321-2542	DECAL	- backhoe control, dual lever (Replaces 321-2059)	1
30	321-2057	DECAL	- backhoe control, hydra-guide models	1

Diag #	Part #	Name	Description	Qty
31	321-1831	DECAL	- hydra-guide (On backhoe boom)	2
32	321-2091	DECAL	- operator's warning	1
33	321-2103	DECAL	- warning, spring under compression	1
34	321-2493	DECAL	- caution, fuel cap removal	1
35	321-2337	DECAL	- torque dipstick (Not shown)	1
36	321-2534	DECAL	- "580B", 4" high	2
37	321-2486	DECAL	- "Warning", hydrostatic models	1
38	321-2191	DECAL	- caution, backhoe operation (Not shown)	1
39	321-2192	DECAL	- backhoe control, individual lever (Not shown)	1
40	321-2631	DECAL	- caution, backhoe operation (Stabilizer to boom interference)	1
41	321-2630	DECAL	- caution (Extending dipper in over center position)	1
42	321-1572	DECAL	- "Case", 4" high	2
43	321-2581	DECAL	- important (Overspeed hydrostatic models)	1

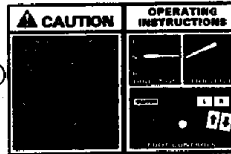
580B

construction king

extendahoe



HYDRAULIC FLUID



REMOVE COVER TO CHECK TORQUE TUBE DIPSTICK



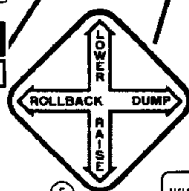
J. I. Case Company ... items of its licensed under the following patents:

1	2,812,812
2	2,812,813
3	2,812,814
4	2,812,815
5	2,812,816
6	2,812,817
7	2,812,818
8	2,812,819
9	2,812,820
10	2,812,821
11	2,812,822
12	2,812,823
13	2,812,824
14	2,812,825
15	2,812,826
16	2,812,827
17	2,812,828
18	2,812,829
19	2,812,830
20	2,812,831
21	2,812,832
22	2,812,833
23	2,812,834
24	2,812,835
25	2,812,836
26	2,812,837
27	2,812,838
28	2,812,839
29	2,812,840
30	2,812,841
31	2,812,842
32	2,812,843
33	2,812,844
34	2,812,845
35	2,812,846
36	2,812,847
37	2,812,848
38	2,812,849
39	2,812,850
40	2,812,851
41	2,812,852
42	2,812,853
43	2,812,854
44	2,812,855
45	2,812,856
46	2,812,857
47	2,812,858
48	2,812,859
49	2,812,860
50	2,812,861
51	2,812,862
52	2,812,863
53	2,812,864
54	2,812,865
55	2,812,866
56	2,812,867
57	2,812,868
58	2,812,869
59	2,812,870
60	2,812,871
61	2,812,872
62	2,812,873
63	2,812,874
64	2,812,875
65	2,812,876
66	2,812,877
67	2,812,878
68	2,812,879
69	2,812,880
70	2,812,881
71	2,812,882
72	2,812,883
73	2,812,884
74	2,812,885
75	2,812,886
76	2,812,887
77	2,812,888
78	2,812,889
79	2,812,890
80	2,812,891
81	2,812,892
82	2,812,893
83	2,812,894
84	2,812,895
85	2,812,896
86	2,812,897
87	2,812,898
88	2,812,899
89	2,812,900
90	2,812,901
91	2,812,902
92	2,812,903
93	2,812,904
94	2,812,905
95	2,812,906
96	2,812,907
97	2,812,908
98	2,812,909
99	2,812,910
100	2,812,911

J. I. Case Company ... items of its licensed under the following patents:

1	2,812,912
2	2,812,913
3	2,812,914
4	2,812,915
5	2,812,916
6	2,812,917
7	2,812,918
8	2,812,919
9	2,812,920
10	2,812,921
11	2,812,922
12	2,812,923
13	2,812,924
14	2,812,925
15	2,812,926
16	2,812,927
17	2,812,928
18	2,812,929
19	2,812,930
20	2,812,931
21	2,812,932
22	2,812,933
23	2,812,934
24	2,812,935
25	2,812,936
26	2,812,937
27	2,812,938
28	2,812,939
29	2,812,940
30	2,812,941
31	2,812,942
32	2,812,943
33	2,812,944
34	2,812,945
35	2,812,946
36	2,812,947
37	2,812,948
38	2,812,949
39	2,812,950
40	2,812,951
41	2,812,952
42	2,812,953
43	2,812,954
44	2,812,955
45	2,812,956
46	2,812,957
47	2,812,958
48	2,812,959
49	2,812,960
50	2,812,961
51	2,812,962
52	2,812,963
53	2,812,964
54	2,812,965
55	2,812,966
56	2,812,967
57	2,812,968
58	2,812,969
59	2,812,970
60	2,812,971
61	2,812,972
62	2,812,973
63	2,812,974
64	2,812,975
65	2,812,976
66	2,812,977
67	2,812,978
68	2,812,979
69	2,812,980
70	2,812,981
71	2,812,982
72	2,812,983
73	2,812,984
74	2,812,985
75	2,812,986
76	2,812,987
77	2,812,988
78	2,812,989
79	2,812,990
80	2,812,991
81	2,812,992
82	2,812,993
83	2,812,994
84	2,812,995
85	2,812,996
86	2,812,997
87	2,812,998
88	2,812,999
89	2,812,999
90	2,812,999

GASOLINE
DIESEL FUEL



IMPORTANT
Check oil level in power steering reservoir after each 80 hours of operation.



HYDROSTATIC



IMPORTANT
DUE TO POSSIBLE INTERFERENCE TO GALLEYS, USE CAUTION WHEN EXTENDING BATTERY CABLES IN OVER CENTER POSITION.

IMPORTANT
DUE TO POSSIBLE INTERFERENCE TO GALLEYS, USE CAUTION WHEN EXTENDING BATTERY CABLES IN OVER CENTER POSITION.

IMPORTANT
REPLACE THIS FILTER AFTER FIRST 20 HOURS OF OPERATION. USE ONLY GENUINE CASE FILTERS. CONSULT CASE REPRESENTATIVE FOR REPLACEMENT.

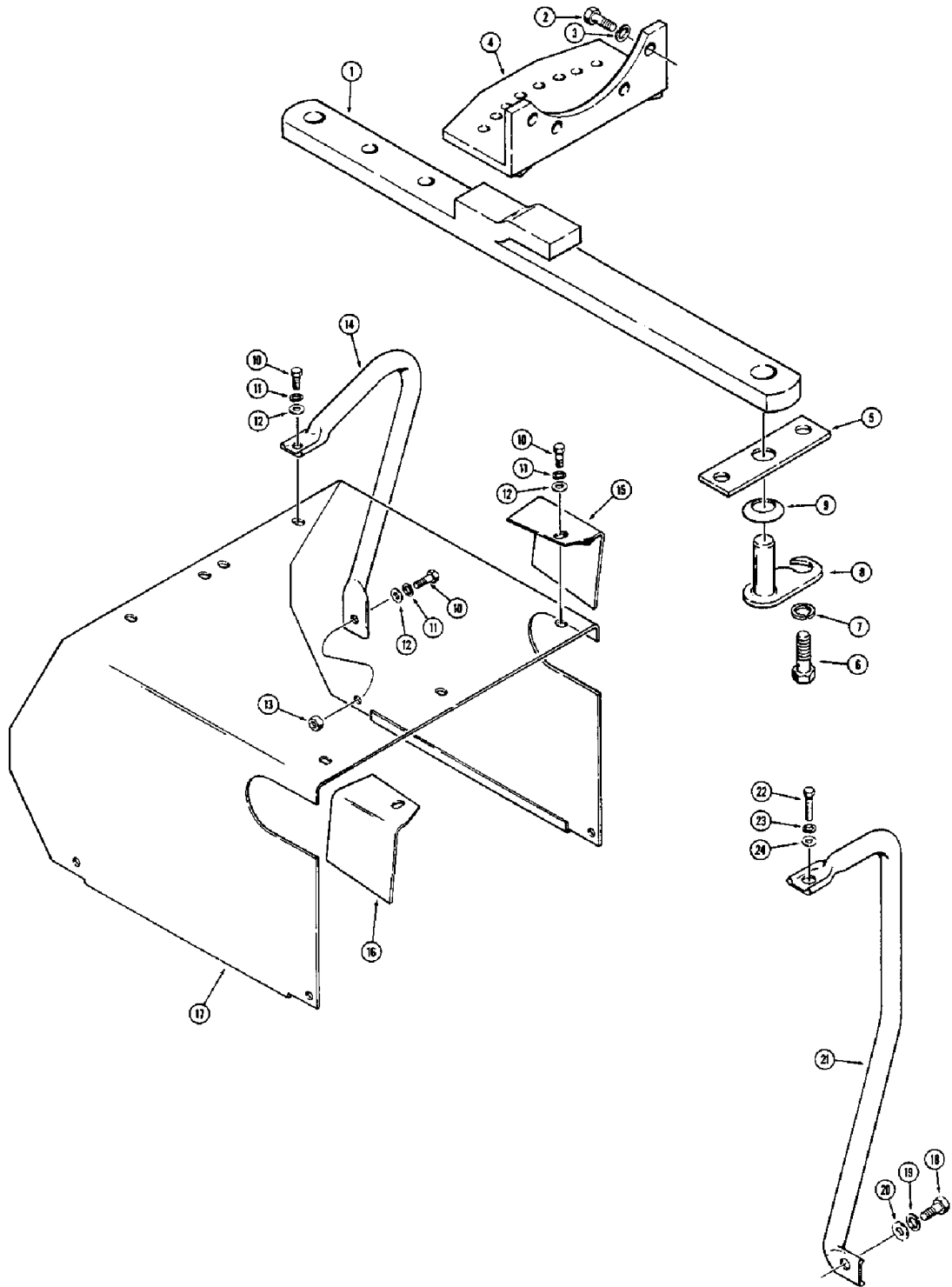
IMPORTANT
TO PROTECT TRANSMISSION DO NOT USE DUMP VALVE FIRST FOR COASTING. DO NOT ALLOW ENGINE SPEED TO EXCEED 1200. REDUCE SPEED WITH HAND SPEED LEVER IF NECESSARY. PULL UP TRANSMISSION DISCONNECT LEVER FOR TOWING.

WARNING
REVERSE CONTROLS ARE NOT IDENTICAL TO CONVENTIONAL TRACTOR. DO NOT OPERATE WITHOUT CAREFULLY READING ALL PAGE NUMBERS IN OPERATOR'S MANUAL.

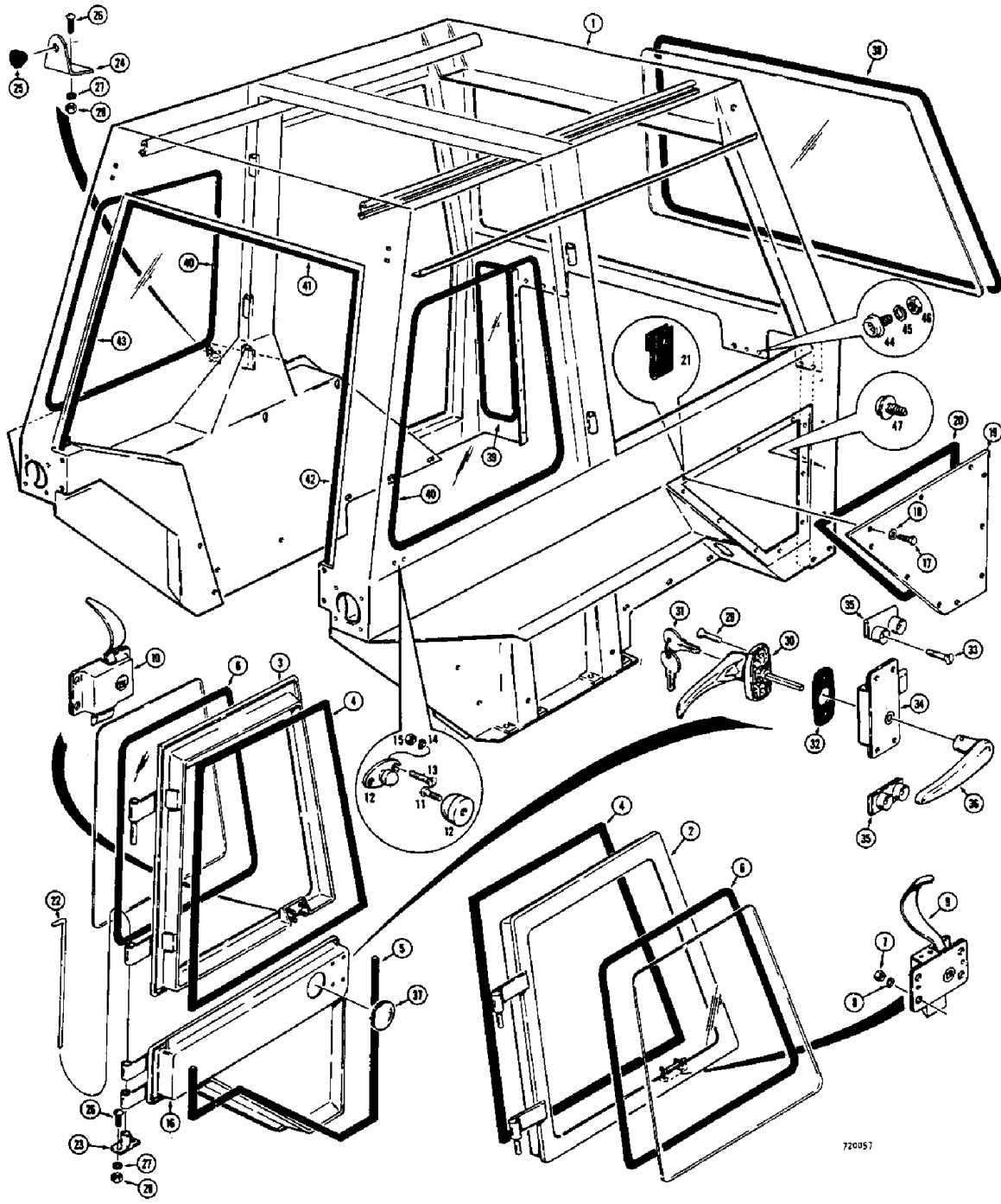
HYDRA-GUIDE

Diag #	Part #	Name	Description	Qty
	D70648	DECAL	KIT - 580B, Includes: Ref. 1 - 48	1
1	321-230	DECAL	- diesel fuel	1
2	321-18	DECAL	- gasoline	1
3	321-3061	DECAL	- caution, pressure	1
4	321-3047	DECAL	- shifting instructions	1
5	321-2397	DECAL	- loader instructions	1
6	321-3055	DECAL	- warning, seat spring	1
7	321-3138	DECAL	- 580B	2
8	321-3109	DECAL	- 4" "Case" with tread, R.H.	1
9	321-3108	DECAL	- 4" "Case" with thread, L.H.	1
10	321-2102	DECAL	- power steering	1
11	321-229	DECAL	- hydraulic fluid	1
12	321-663	DECAL	- equipment patents	1
13	321-1646	DECAL	- differential lock	1
14	321-1061	DECAL	- instruction	1
15	321-1654	DECAL	- air cleaner	1
16	321-1062	DECAL	- instruction	1
17	321-2445	DECAL	- ignition, gas and diesel	1
18	321-246	DECAL	- tractor patent	1
19	321-2101	DECAL	- oil filter	1
20	321-2337	DECAL	- torque tube dipstick	1
21	321-3057	DECAL	- caution	1
22	321-2060	DECAL	- hydrostatic	2
23	321-1656	DECAL	- shift rate, hydrostatic	1
24	321-1643	DECAL	- shift, hydrostatic	1
25	321-2486	DECAL	- warning	1
26	321-2581	DECAL	- important	1
27	321-3069	DECAL	- construction king	2
28	321-3184	DECAL	- "Case" 6" high, with tread	1
29	321-3182	DECAL	- "Case" 5" high, with tread, R.H.	1
30	321-3183	DECAL	- "Case" 5" high, with tread, L.H.	1
31	321-3139	DECAL	- extendahoe	2
32	321-3135	DECAL	- "Case" with tread, R.H. (Extendahoe)	1
33	321-3134	DECAL	- "Case" with tread, L.H. (Extendahoe)	1
34	321-3170	DECAL	- important (Extendahoe)	1
35	321-2192	DECAL	- operator information (Individual lever)	1

Diag #	Part #	Name	Description	Qty
36	321-2427	EMBLEM	DECAL - "Case" 6" high	1
37	321-3185	DECAL	- tread	1
38	321-3056	DECAL	- caution	1
39	321-3058	DECAL	- important	1
40	321-3054	DECAL	- operator's warning	2
41	321-3149	DECAL	- "Case" 4", with tread (Sideshift backhoe)	1
42	321-2551	DECAL	- caution (Sideshift backhoe)	1
43	321-1831	DECAL	- "hydra-guide"	2
44	321-2057	DECAL	- backhoe control (Hydra-guide models)	1
45	321-2542	DECAL	- backhoe control (Dual lever)	1
46	321-2190	DECAL	- boom lock	1
47	321-3141	DECAL	- "Case" 6" high, with tread	1
48	321-3234	DECAL	- "Case" 5", with tread	1



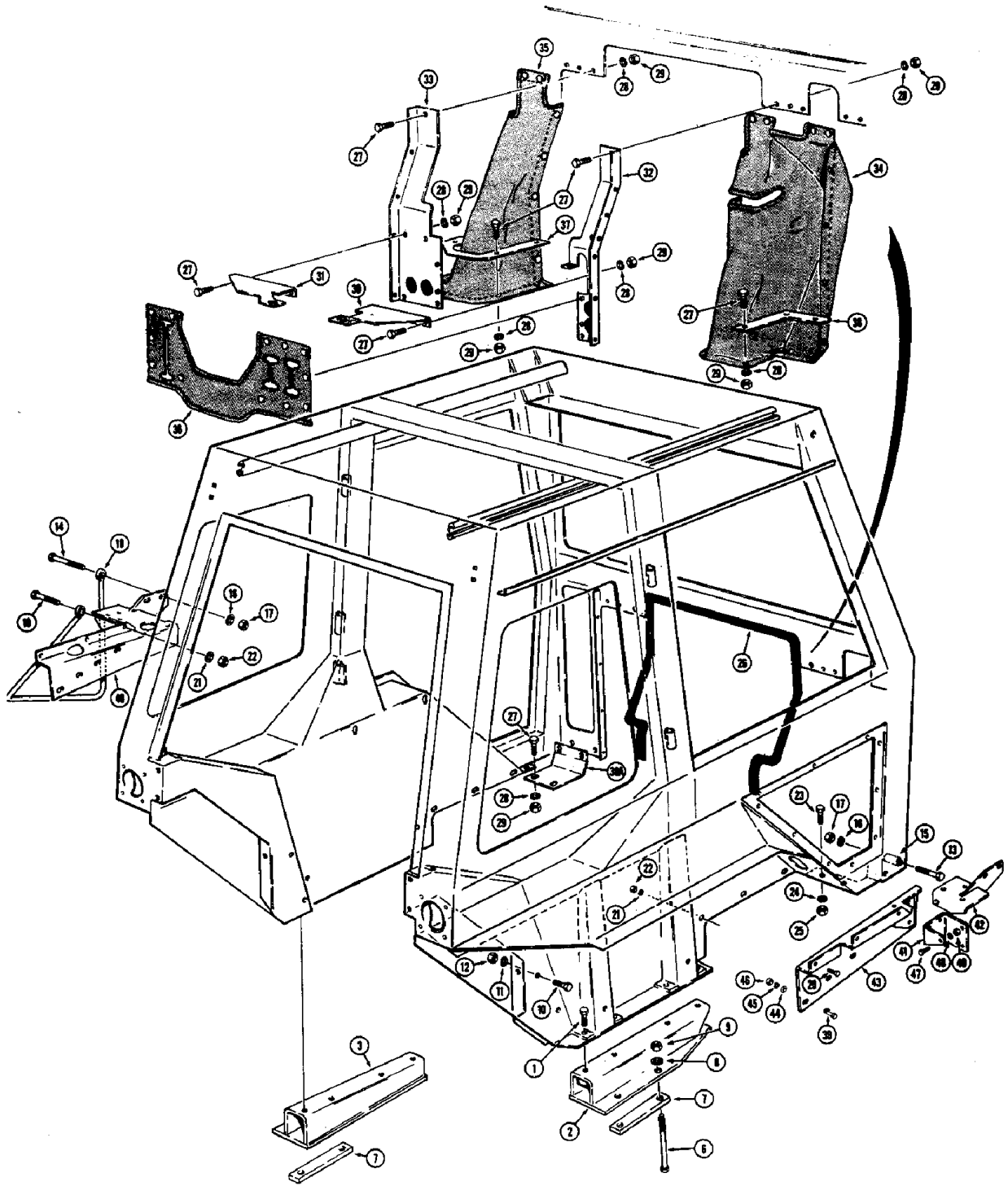
Diag #	Part #	Name	Description	Qty
1	A37809	BAR	DRAWBAR - swinging, tractor	1
2	13-1024	BOLT,Hex, 5/8"-11 x 1 1/2", G5, Full Thd	BOLT,Hex, 5/8"-11 x 1 1/2", G5, Full Thd	4
3	92-10	LOCK WASHER,5/8"	WASHER, LOCK, 5/8"	4
4	G30266	SUPPORT	- rear, drawbar	1
5	G10617	SUPPORT	- front, drawbar	1
6	13-1224	BOLT,Hex, 3/4"-10 x 1 1/2", G5	BOLT,Hex, 3/4"-10 x 1 1/2", G5	2
7	92-12	LOCK WASHER,3/4"	WASHER, LOCK, 3/4"	2
8	G14403	PIN	PIN	1
9	A35270	WASHER	- spring type	1
10	113-206	BOLT,Hex, 3/8"-16 x 3/4", G5, Full Thd	Assist handle and step Hex, 3/8"-16 x 3/4", G5, Full Thd	4
11	192-21	LOCK WASHER,3/8"	WASHER, LOCK, , Assist handle and step 3/8"	4
12	195-525	WASHER,3/8", SAE	assist handle and step 3/8", SAE	4
13	25-106	NUT,3/8"-16, G5	- hex. (3/8"-16 N.C.), assist handle and step	1
14	D55308		HANDLE - operator assist, assist handle and step	1
15	D55139		PLATE - cover, L.H. (Drawbar models only), assist handle and step	1
16	D55140		PLATE - cover, R.H. (Drawbar models only), assist handle and step	1
17	D55504		WRAPPER - instrument panel, assist handle and step	1
18	13-1016	BOLT,Hex, 5/8"-11 x 1", G5, Full Thd	Assist handle and step Hex, 5/8"-11 x 1", G5, Full Thd	1
19	92-10	LOCK WASHER,5/8"	WASHER, LOCK, , Assist handle and step 5/8"	1
20	95-10	WASHER,5/8"	- plain (), assist handle and step 5/8"	1
21	D55309		STEP - access, operator, assist handle and step	1
22	13-624	BOLT,Hex, 3/8"-16 x 1 1/2", G5	HHCS - (3/8"-16 N.C. x 1-1/2"), assist handle and step	1
23	92-6	LOCK WASHER,3/8"	WASHER - lock, , assist handle and step 3/8"	1
24	95-6	WASHER,3/8"	- plain (), assist handle and step 3/8"	1



720957

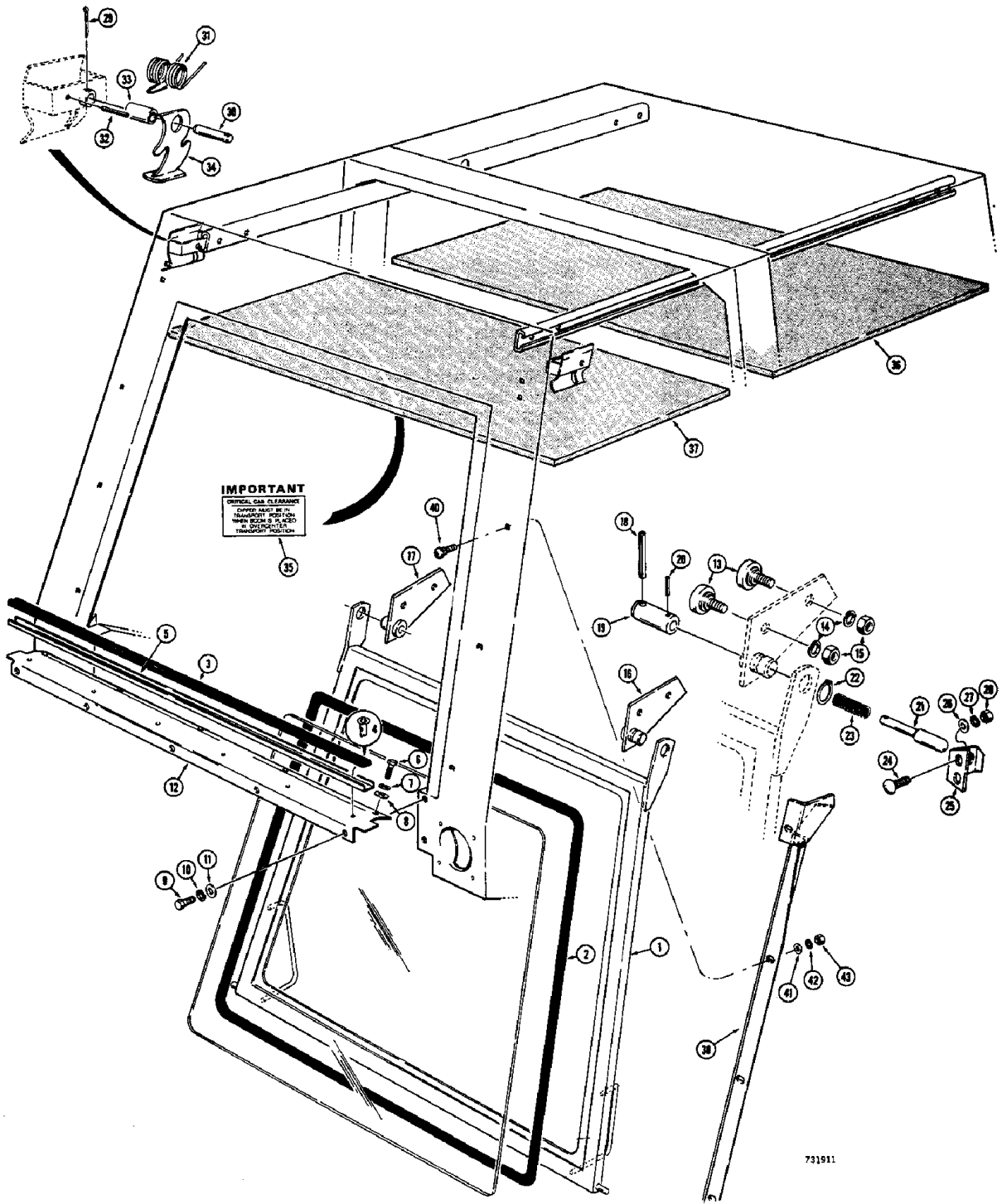
Diag #	Part #	Name	Description	Qty
	F93163	CAB - operator (Machinery item), Includes: Ref. 1 - 47	CAB - operator (Machinery item), Includes: Ref. 1 - 47	1
1	F93124		FRAME - operator cab	1
2	F63096	WINDOW FRAME - cab, R.H. side	WINDOW FRAME - cab, R.H. side	1
3	F93095		WINDOW FRAME - cab, L.H. side	1
4	NSS	NOT SERVICED SEPARATELY	WEATHERSTRIP - window, R.H. and L.H. (122.2" long) Cut from roll A42504 roll	2
5	NSS	NOT SERVICED SEPARATELY	WEATHERSTRIP - door (66.5" long) Cut from A42504 roll	1
6	F42011	MOUNTING - window glass, front (For repairs order A42677)	MOUNTING - window glass, front (For repairs order A42677)	2
7	7770	NUT,0.25" OD	1/4"-20, G5	8
8	192-19	LOCK WASHER,1/4"	WASHER, LOCK, 1/4"	8
9	F93203	LATCH	- window, R.H.	1
10	F93204	LATCH ASSY.	LATCH - window, L.H.	1
11	173-207	X	SCREW - machine, round head (1/4"-20 N.C. x 5/8")	2
12	F93104	HOLDER	SOCKET AND BRACKET - door holder	2
13	171-212	SCREW,Slotted Flat Hd, #10-24 x 5/8"	- machine, flat head (#10-24 N.C. x 5/8")	4
14	192-18	LOCK WASHER,#10	WASHER, LOCK, #10	4
15	129-17	NUT,#10-24	NUT - hex. (N.C.) #10-24	4
16	F93122	CHASSIS	DOOR FRAME - cab	1
17	113-2	BOLT,Hex, 1/4"-20 x 5/8", G5, Full Thd	BOLT,Hex, 1/4"-20 x 5/8", G5, Full Thd	10
18	192-19	LOCK WASHER,1/4"	WASHER, LOCK, 1/4"	1
19	F42030		PANEL - access, R.H. front	1
20	F42031		GASKET - access panel	1
21	131-617	NUT,Ret, J, 1/4"-20	- Tinnerman (1/4"-20 N.C.)	10
22	F42100	PIN	ROD - pivot, L.H. door and window	1
23	F93231		BRACKET - support, pivot rod	1
24	F42231	BRACKET	- door stop	1
25	F42232	STOP	- door, rubber	1
26	111-317	CARRIAGE BOLT,Short NK, 3/8"-16 x 1", G2	BOLT, CARRIAGE, Short NK, 3/8"-16 x 1", G2	3
27	192-21	LOCK WASHER,3/8"	WASHER, LOCK, 3/8"	3
28	129-103	NUT,3/8"-16, G5	NUT, 3/8"-16, G5	3

Diag #	Part #	Name	Description	Qty
29	171-212	SCREW,Slotted Flat Hd, #10-24 x 5/8"	- machine, flat head (#10-24 N.C. x 5/8")	2
30	F93131	HANDLE	- door lock, outside	1
31	A42653	SET OF 2 KEYS	KEY - lock (Set of two)	1
32	A42913	GASKET	- door handle	1
33	171-244	SCREW,Slotted Flat Hd, #10-24 x 1"	- machine, flat head (#10-24 N.C. x 1")	4
34	F93107	LATCH	ASSEMBLY - door, L.H.	1
35	F93108	CLIP	- retainer, door latch	2
36	F63925	HANDLE	- door, inside (Replaces A42588)	1
37	205-72	HOLE PLUG BUTTON,3"	BUTTON - access, latch	1
38	NSS	NOT SERVICED SEPARATELY	MOULDING - glass, windshield (For repaires order A42677)	1
39	NSS	NOT SERVICED SEPARATELY	MOULDING - glass, lower front window (For repairs order A42677)	1
40	NSS	NOT SERVICED SEPARATELY	MOULDING - glass, L.H. and R.H. rear windows (For repairs order A42677)	2
41	F43092	SEAL	WEATHERSTRIP - rear window, top (34.56" long), cut from bulk roll 653008	1
42	F43092	SEAL	WEATHERSTRIP - rear window, R.H. side (37.4" long), cut from bulk roll 653008	1
43	F43092	SEAL	WEATHERSTRIP - rear window, L.H. side (37.4" long), cut from bulk roll 653008	1
44	216-152		FASTENER - snap type	10
45	192-16	LOCK WASHER,#8	Washer, Lock, #8	10
46	129-16	NUT,#8-32	NUT,#8-32	10
47	216-153		FASTENER - snap type (Phillips head screw)	4
	653008	WEATHERSTRIP, bulk used for Refs. 41, 42 and 43	WEATHERSTRIP, bulk used for Refs. 41, 42 and 43	1



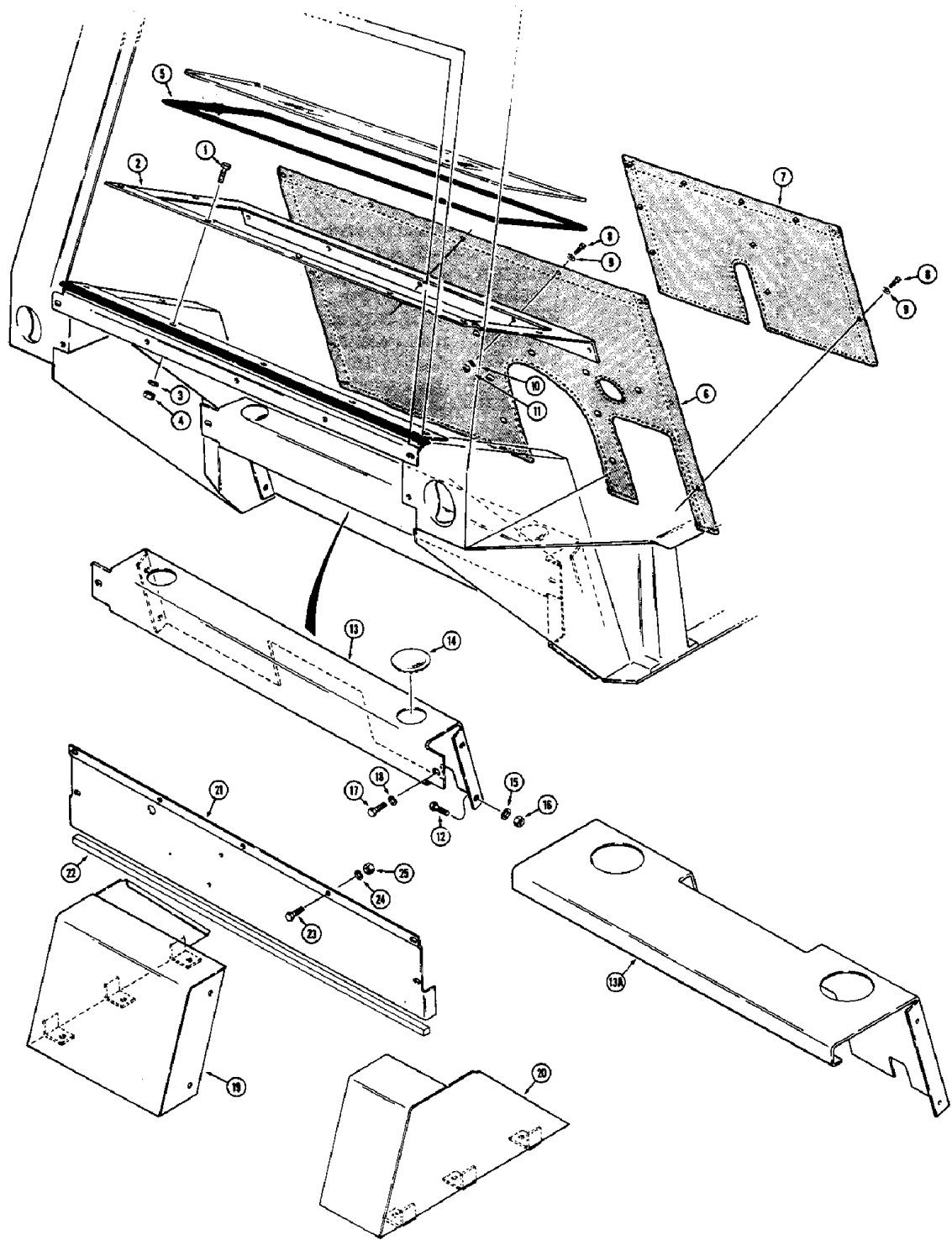
Diag #	Part #	Name	Description	Qty
	F93163	CAB - operator (Machinery item), Includes: Ref. 1 - 3	CAB - operator (Machinery item), Includes: Ref. 1 - 3	1
1	28-820	BOLT,Hex, 1/2"-20 x 1 1/4", G8, Full Thd	HHCS - 1/2"-20 N.F. x 1-1/4" (Grade 8)	8
2	F93097		BRACKET - mounting, cab to axle, R.H.	1
3	F93097		BRACKET - mounting, cab to axle, L.H. (R.H. shown)	1
		Part nbr listed should be F93098.	Part nbr listed should be F93098.	1
6	28-10120	BOLT,Hex, 5/8"-18 x 7 1/2", G8	HHCS - 5/8"-18 N.F. x 7-1/2" (Grade 8)	4
7	F42025		BAR - axle mounting	2
8	192-165	LOCK WASHER,5/8"	WASHER, LOCK, 5/8"	4
9	25-1710	NUT,5/8"-18, G5, Hvy	- hex. (5/8"-18 N.F.)	4
10	114-209	BOLT,Hex, 3/8"-24 x 3/4", G5, Full Thd	HHCS - 3/8"-24 N.F. x 3/4"	6
11	192-21	LOCK WASHER,3/8"	WASHER, LOCK, 3/8"	6
12	129-123	NUT,3/8"-24, G5	NUT,3/8"-24, G5	6
13	114-306	BOLT,Hex, 7/16"-20 x 3", G5	HHCS - 7/16"-20 N.F. x 3"	3
14	114-310	BOLT,Hex, 7/16"-20 x 3 3/4", G5	(At step) Hex, 7/16"-20 x 3 3/4", G5	1
15	F42060		SPACER -, Serial Range: cab-tractor	4
16	192-22	LOCK WASHER,7/16"	WASHER, LOCK, 7/16"	4
17	425-117	NUT,7/16"-20, G5	- hex. (7/16"-20 N.F.)	4
18	F42196		STEP - cab access, L.H.	1
19	114-203	BOLT,Hex, 3/8"-24 x 1 1/2", G5	HHCS - 3/8"-24 N.F. x 1-1/2"	1
20	114-218	BOLT,Hex, 3/8"-24 x 7/8", G5, Full Thd	HHCS - 3/8"-24 N.F x 7/8"	5
21	192-21	LOCK WASHER,3/8"	WASHER, LOCK, 3/8"	6
22	129-123	NUT,3/8"-24, G5	NUT,3/8"-24, G5	6
23	114-218	BOLT,Hex, 3/8"-24 x 7/8", G5, Full Thd	HHCS - 3/8"-24 N.F x 7/8"	4
24	192-21	LOCK WASHER,3/8"	WASHER, LOCK, 3/8"	4
25	129-123	NUT,3/8"-24, G5	NUT,3/8"-24, G5	4
26	F43094		SEAL - dust, cab to tractor (Cut to length from roll)	1
27	113-4	BOLT,Hex, 1/4"-20 x 1", G5	BOLT,Hex, 1/4"-20 x 1", G5	24
28	192-19	LOCK WASHER,1/4"	WASHER, LOCK, 1/4"	24

Diag #	Part #	Name	Description	Qty
29	7770	NUT,0.25" OD	1/4"-20, G5	24
30	F93152		BRACKET - support, front panel (R.H.)	1
31	F93153		BRACKET - support, front panel (L.H.)	1
32	F93154		PANEL - closure, R.H. front	1
33	F93155		PANEL - closure, L.H. front	1
		F93155 panel - Plugs showing in illustration at bottom of this part are 353-414 plug.	F93155 panel - Plugs showing in illustration at bottom of this part are 353-414 plug.	1
34	F93142	PANEL	- closure, R.H. front (Fabric)	1
35	F93146	PANEL	- closure, L.H. front (Fabric)	1
36	F93147	PANEL	- closure, center (Fabric)	1
37	F42166		STRIP - retainer, closure (Inner)	2
38	F42167		STRIP - retainer, closure (Outer)	2
38A	F42200		EXTENSION - floor, L.H. lower	1
39	113-312	BOLT,Hex, 7/16"-14 x 1 1/4", G5	BOLT,Hex, 7/16"-14 x 1 1/4", G5	8
40	F93099		BRACKET - mounting, front (L.H.)	1
41	F42384		SUPPORT - mounting, front (R.H.)	1
42	F93304		BRACKET - mounting, front (R.H.)	1
43	F93305		PLATE - mounting, front (R.H.)	1
44	195-105	WASHER,7/16"	- plain () 7/16"	8
45	192-22	LOCK WASHER,7/16"	WASHER, LOCK, 7/16"	8
46	129-104	NUT,7/16"-14, G5	NUT,7/16"-14, G5	8
47	13-620	BOLT,Hex, 3/8"-16 x 1 1/4", G5, Full Thd	HHCS - 3/8"-N.C. x 1-3/4"	5
48	92-6	LOCK WASHER,3/8"	WASHER - lock, 3/8"	5
49	25-106	NUT,3/8"-16, G5	- hex. (3/8" N.C.)	2



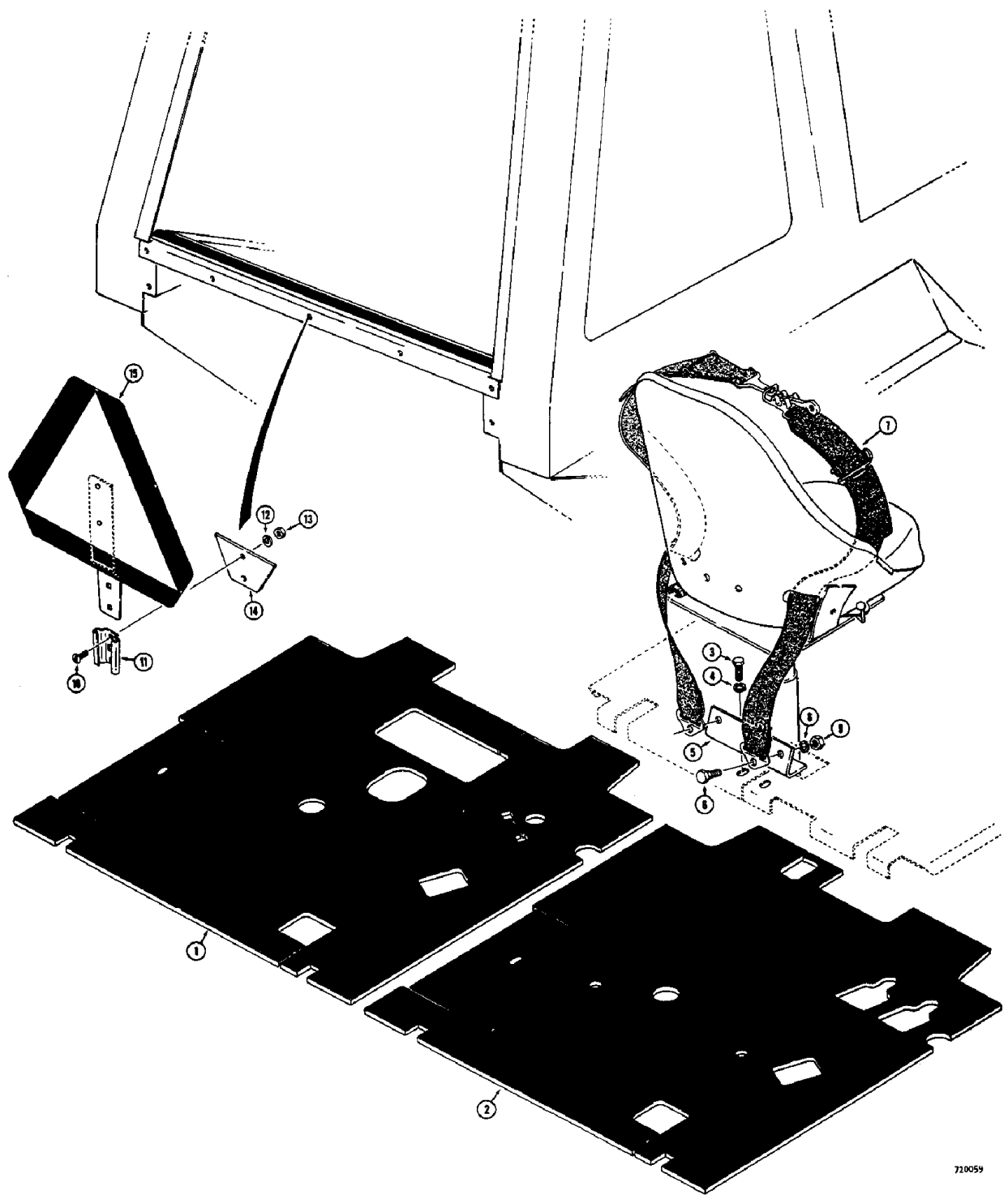
Diag #	Part #	Name	Description	Qty
	F93163	CAB - operator (Machinery item), Includes: Ref. 1 - 37	CAB - operator (Machinery item), Includes: Ref. 1 - 37	1
1	F93109	FRAME	WINDOW - rear, roll-up (See note)	1
2	F42115	MOULDING - glass, rear window (For repairs order A42677)	MOULDING - glass, rear window (For repairs order A42677)	1
3	F42114	SEAL	WEATHERSTRIP - rear window, lower (44-1/4" long) Cut from 653011 roll	1
4	151-526	RIVET,Pop, 1/8" x .337"	RIVET,Pop, 1/8" x .337"	1
5	F42107		CHANNEL - weatherstrip, lower	1
6	113-3	BOLT,Hex, 1/4"-20 x 3/4", G5, Full Thd	BOLT,Hex, 1/4"-20 x 3/4", G5, Full Thd	2
7	192-19	LOCK WASHER,1/4"	WASHER, LOCK, 1/4"	2
8	195-18	WASHER,1/4"	plain () 1/4"	2
9	113-102	BOLT,Hex, 5/16"-18 x 3/4", G5, Full Thd	Hex, 5/16"-18 x 3/4", G5, Full Thd	2
10	192-20	LOCK WASHER,5/16"	WASHER, LOCK, 5/16"	2
11	195-21	WASHER,5/16"	- plain () 5/16"	2
12	F42050	MEMBER	SUPPORT - rear window, lower	1
13	F42201	BEARING CARRIER	ROLLER - type, window	4
14	192-20	LOCK WASHER,5/16"	WASHER, LOCK, 5/16"	4
15	9635082	NUT,5/16"-18, G5	NUT,5/16"-18, G5	4
16	F93208	CARRIER	rear window (R.H.)	1
17	F93207	CARRIER	rear window (L.H.)	1
18	138-142	LOCK PIN,1/4" x 2", Slotted	PIN, 1/4" x 2", Slotted	2
19	F42190	COLLAR	plunger	2
20	138-55	LOCK PIN,1/8" x 5/8", Slotted	PIN, 1/8" x 5/8", Slotted	2
21	F42189	PLUNGER	latch	2
22	T25683	SNAP RING,#75, Ext	plunger #75, Ext	2
23	F42202	SPRING	return, plunger	2
24	111-317	CARRIAGE BOLT,Short NK, 3/8"-16 x 1", G2	BOLT, CARRIAGE, Short NK, 3/8"-16 x 1", G2	4
25	F42188	BRACKET	plunger latch	2
26	195-103	WASHER,5/16"	plain (3/8")	2
27	192-21	LOCK WASHER,3/8"	WASHER, LOCK, 3/8"	2
28	129-103	NUT,3/8"-16, G5	NUT, 3/8"-16, G5	2
29	132-8	X	PIN - cotter, 1/16" dia. x 7/8"	2
30	F42204	PIN	pivot, latch	2

Diag #	Part #	Name	Description	Qty
31	F42169	SPRING	latch	2
32	138-64	LOCK PIN,1/8" x 1 3/8", Slotted	Pin, 1/8" x 1 3/8", Slotted	2
33	NSS	NOT SERVICED SEPARATELY	SLEEVE - latch (Parts of F93163 latch)	2
34	F93161	LATCH	rear window opening	2
35	321-2115	DECAL - "cab clearence"	DECAL - "cab clearence"	1
36	F42209		cab, front section	1
37	F42210	ROOF LINING	HEADLINER - cab, rear section	1
	F93421		rear window, Includes: Ref. 38 - 43	1
38	F93345		window, R.H., F93421 rear window guide kit for cabs prior s/n 7812063	1
39	F93346		window, L.H. (R.H. shown), F93421 rear window guide kit for cabs prior s/n 7812063	1
40	412-410	CARRIAGE BOLT,Short NK, 1/4"-20 x 5/8", G2	sq. shoulder (1/4"-20 N.C. x 3/4") (Zinc plated), F93421 rear window guide kit for cabs prior s/n 7812063	8
41	195-518	WASHER,1/4", SAE	- plain (1/4") (Zinc plated)	8
42	192-19	LOCK WASHER,1/4"	WASHER, LOCK, , F93421 rear window guide kit for cabs prior S/N 7812063 1/4"	8
43	7770	NUT,0.25" OD	1/4"-20, G5, F93421 rear window guide kit for cabs prior S/N 7812063	8



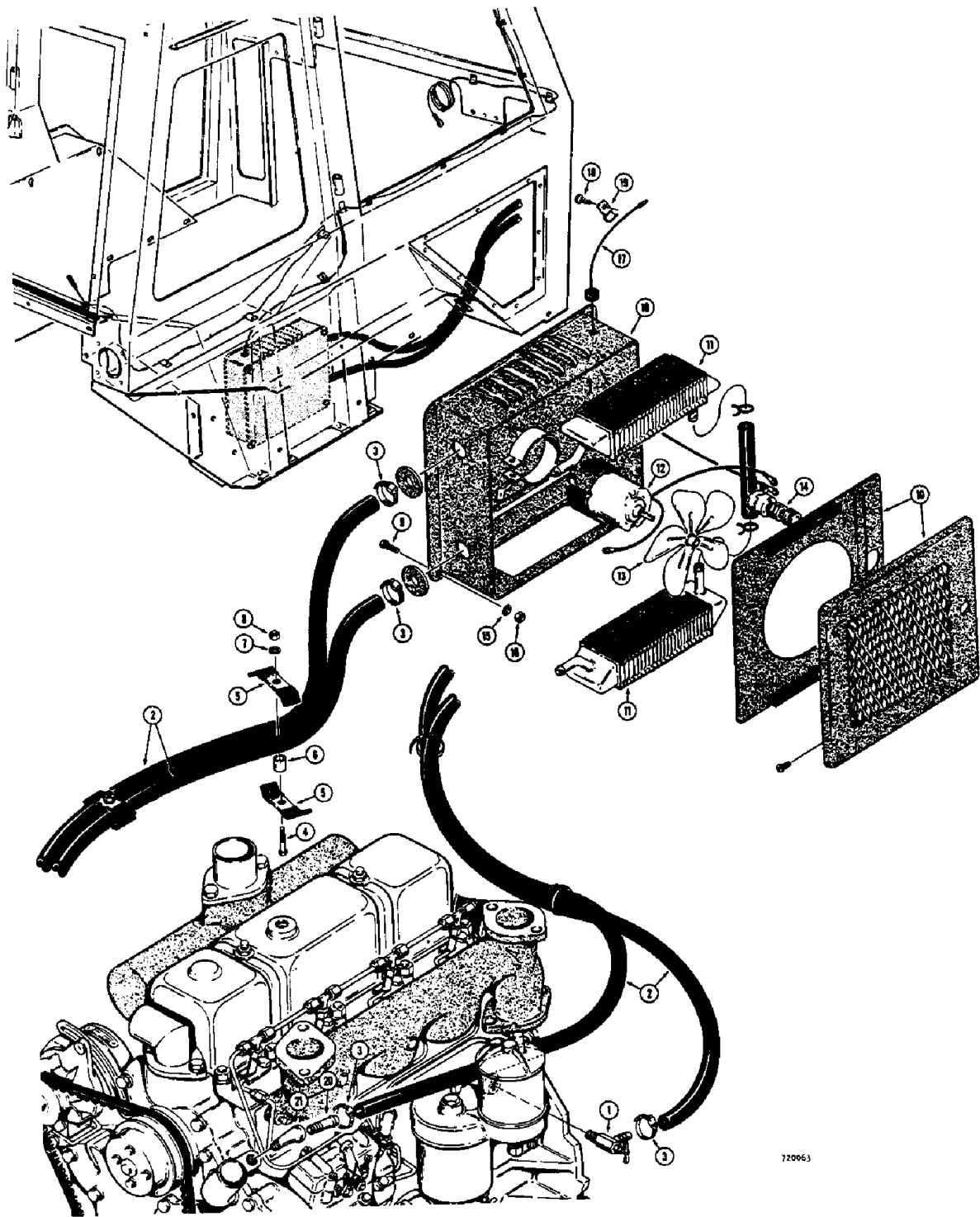
Diag #	Part #	Name	Description	Qty
1	113-102	BOLT,Hex, 5/16"-18 x 3/4", G5, Full Thd	Hex, 5/16"-18 x 3/4", G5, Full Thd	3
2	F42137		window closure	1
3	192-20	LOCK WASHER,5/16"	WASHER, LOCK, 5/16"	3
4	9635082	NUT,5/16"-18, G5	NUT,5/16"-18, G5	3
5	F42139	MOULDING - window, closure panel (For repairs order A42677)	MOULDING - window, closure panel (For repairs order A42677)	1
6	F93176		closure, rear (3 point hitch and loader models only) See F93177, ref. no. 7	1
7	F93177		closure, rear (Used in addition to F93176 for loader only models)	1
8	113-2	BOLT,Hex, 1/4"-20 x 5/8", G5, Full Thd	BOLT,Hex, 1/4"-20 x 5/8", G5, Full Thd	11
9	195-102	WASHER,1/4"	flat 1/4"	11
10	192-19	LOCK WASHER,1/4"	WASHER, LOCK, 1/4"	11
11	7770	NUT,0.25" OD	1/4"-20, G5	3
12	113-248	BOLT,Hex, 3/8"-16 x 2 3/4", G5	HHCS - 3/8"-16 N.C. x 3/4", closure parts used w/ 3 point hitch, loader only or loader-counterweight models	4
13	F42045	MEMBER	CROSS - rear, backhoe (Before backhoe SN 5251151), closure parts used w/ 3 point hitch, loader only or loader-counterweight models	1
13A	F42783		CROSS- rear, backhoe (Backhoe SN 5251151)	1
14	205-72	HOLE PLUG BUTTON,3"	button, crossmember, closure parts used w/ 3 point hitch, loader only or loader-counterweight models	2
15	192-21	LOCK WASHER,3/8"	WASHER, LOCK, , Closure parts used w/ 3 point hitch, loader only or loader-counterweight models 3/8"	4
16	129-103	NUT,3/8"-16, G5	NUT, , Closure parts used w/ 3 point hitch, loader only or loader-counterweight models 3/8"-16, G5	2
17	113-206	BOLT,Hex, 3/8"-16 x 3/4", G5, Full Thd	Closure parts used w/ 3 point hitch, loader only or loader-counterweight models Hex, 3/8"-16 x 3/4", G5, Full Thd	2
18	192-21	LOCK WASHER,3/8"	WASHER, LOCK, , Closure parts used w/ 3 point hitch, loader only or loader-counterweight models 3/8"	2

Diag #	Part #	Name	Description	Qty
19	F93134		control tower, R.H. (Before backhoe SN 5251151 only), parts (used w/ loader models only)	1
20	F93135		control tower, L.H. (Before backhoe SN 5251151 only), parts (used w/ loader models only)	1
21	F42134	PANEL	closure, rear (Rear wiper mounting), parts (used w/ loader-backhoe models only)	1
22	F42136	SEAL	rear closure, parts (used w/ loader-backhoe models only)	1
23	113-102	BOLT,Hex, 5/16"-18 x 3/4", G5, Full Thd	Hex, 5/16"-18 x 3/4", G5, Full Thd, Closure parts (used w/ loader-backhoe models only)	7
24	192-20	LOCK WASHER,5/16"	WASHER, LOCK, , Closure parts (used w/ loader-backhoe models only) 5/16"	7
25	9635082	NUT,5/16"-18, G5	Closure parts (used w/ loader-backhoe models only) 5/16"-18, G5	3



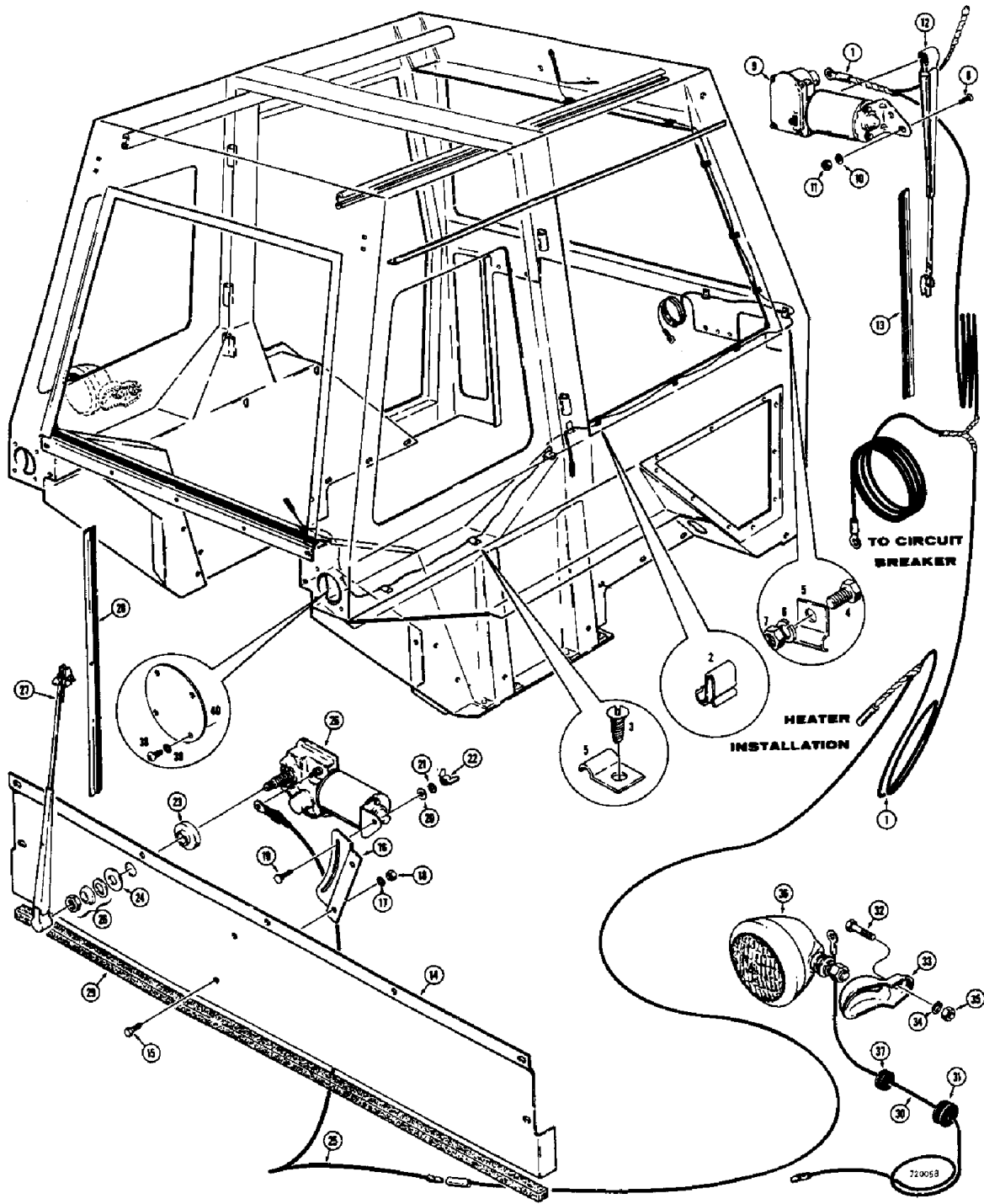
720059

Diag #	Part #	Name	Description	Qty
1	F42162		floor (Dry clutch and torque converter models only)	1
2	F42163		floor (Hydrostatic models only)	1
	D59157		float (35 Backhoe)	1
3	113-208	BOLT,Hex, 3/8"-16 x 1 1/4", G5, Full Thd	Seat belts - must be used w/ F93139 ROPS unit or F93163 ROPS cab unit Hex, 3/8"-16 x 1 1/4", G5, Full Thd	2
4	192-21	LOCK WASHER,3/8"	WASHER, LOCK, , Seat belts - must be used w/ F93139 ROPS unit or F93163 ROPS cab unit 3/8"	2
5	F42235	BRACKET	mounting, seat belt, must be used w/ F93139 rops unit or F93163 rops cab unit	1
6	F42236	STEP BOLT	shoulder (Special), seat belts - must be used w/ F93139 rops unit or F93163 rops cab unit	2
7	L48907	BELT	SAFETY BELT, Must be used w/ F93139 ROPS unit or F93163 ROPS cab unit	1
8	192-22	LOCK WASHER,7/16"	WASHER, LOCK, , Seat belts - must be used w/ F93139 ROPS unit or F93163 ROPS cab unit 7/16"	2
9	425-117	NUT,7/16"-20, G5	hex. (7/16"-20 N.F.), seat belts - must be used w/ F93139 rops unit or F93163 rops cab unit	2
10	111-215	CARRIAGE BOLT,Short NK, 5/16"-18 x 3/4", G2, Full Thd	BOLT - round head, square shoulder (5/16"-18 N.C. x 3/4"), SMV emblem	2
11	A8179	SOCKET	mounting, SMV emblem	1
12	192-20	LOCK WASHER,5/16"	WASHER, LOCK, , SMV emblem 5/16"	2
13	9635082	NUT,5/16"-18, G5	SMV emblem 5/16"-18, G5	2
14	F42260		socket mounting, SMV emblem	1
15	A59450	WARNING SIGN	EMBLEM ASSEMBLY - SMV	1



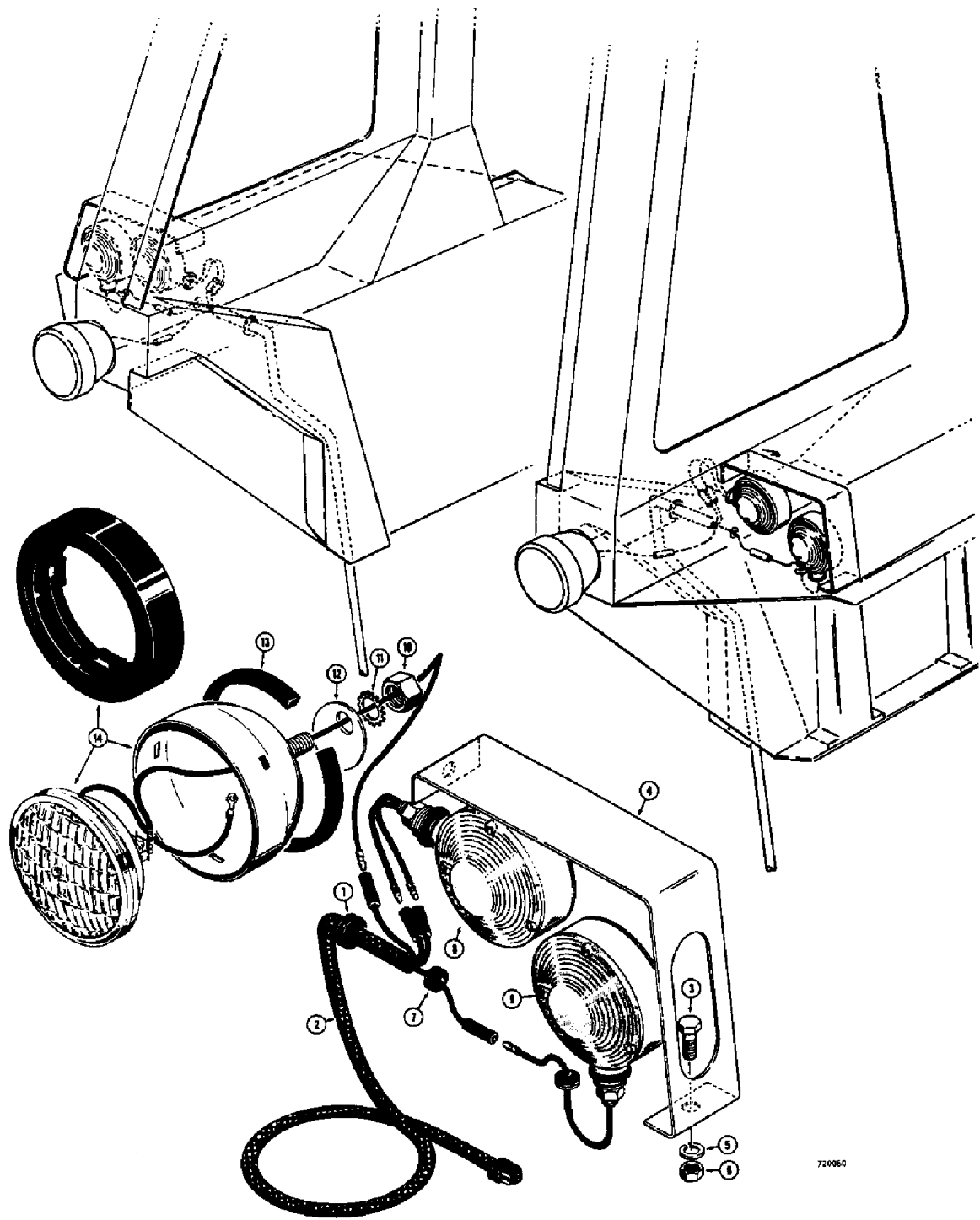
72063

Diag #	Part #	Name	Description	Qty
1	A16764	VALVE	- water shut-off	1
2	F42219	HEATER HOSE	HOSE - heater, inlet and return	2
3	214-253	HOSE CLAMP,#10, 0.56/1.06 Type F Worm	CLAMP - hose	4
4	113-122	BOLT,Hex, 5/16"-18 x 1 1/2", G5	BOLT,Hex, 5/16"-18 x 1 1/2", G5	2
5	R16916		CLAMP - heater hose	4
6	F20734	SCREW	SPACER - clamp	2
7	129-20	NUT,#1-72	WASHER - med. sect. lock (5/16")	2
8	9635082	NUT,5/16"-18, G5	NUT,5/16"-18, G5	2
9	412-410	CARRIAGE BOLT,Short NK, 1/4"-20 x 5/8", G2	BOLT - round head, square shoulder (1/4"-20 N.C. x 5/8")	4
	F93213	HEATER	ASSEMBLY - cab, Includes: Ref. 10 - 14	1
10	F42221		CASE ASSEMBLY - heater	1
11	F42222	CORE	- heater	2
12	A18347	MOTOR HOUSING	MOTOR - heater, 12 volt	1
13	F42224	FAN	- heater, 7" dia.	1
14	F42225	SWITCH	- fan, 3 speed	1
15	192-19	LOCK WASHER,1/4"	WASHER, LOCK, 1/4"	4
16	7770	NUT,0.25" OD	1/4"-20, G5	4
17	F42218		WIRE - jumper, heater to cab wiring harness (90" long)	1
18	187-1075		SCREW - self-tapping (12-24 N.C. x 1/2")	4
19	A26673	CLIP	- wire, heater wire	4
20	A19940	PIPE	NIPPLE - straight (Return hose to timing gear cover)	1
21	221-1413	ELBOW,90°, 3/8"-18, NPT	- street, 90 degrees	1

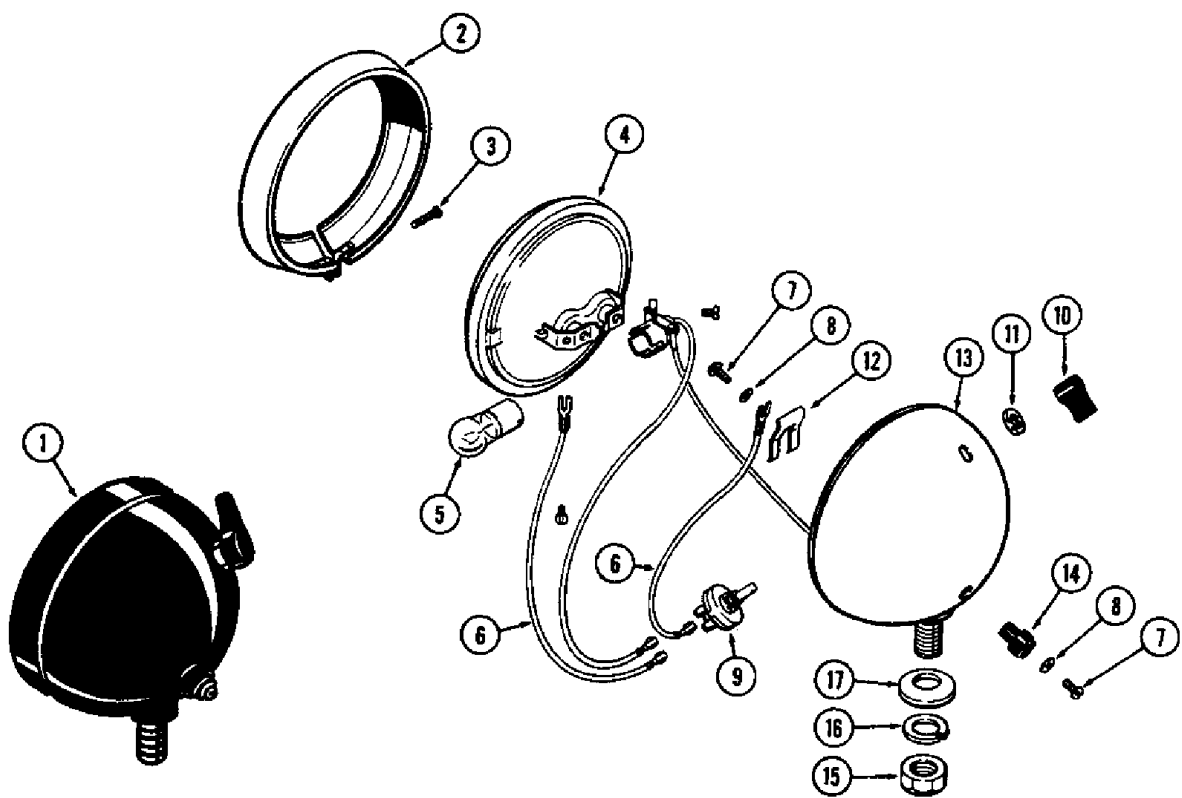


Diag #	Part #	Name	Description	Qty
	F93163	CAB - operator (Machinery item), Includes: Ref. 1 - 13	CAB - operator (Machinery item), Includes: Ref. 1 - 13	1
1	F42215		- wiring, cab	1
2	F54095		wire harness to cab (Push-on type)	1
3	187-1075		self-tapping (#12-24 N.C. x 1/2")	4
4	113-2	BOLT,Hex, 1/4"-20 x 5/8", G5, Full Thd	BOLT,Hex, 1/4"-20 x 5/8", G5, Full Thd	2
5	A26673	CLIP	wire (Bolt-on type)	6
6	192-19	LOCK WASHER,1/4"	WASHER, LOCK, 1/4"	2
7	7770	NUT,0.25" OD	1/4"-20, G5	2
8	173-212	SCREW,Sltd Rd Hd, #10-24 x 1/2"	machine, round head (#10-24 N.C. x 1/2")	1
9	F93209	WIPER MOTOR	ASSEMBLY front	1
10	192-18	LOCK WASHER,#10	WASHER, LOCK, #10	1
11	129-17	NUT,#10-24	hex. (N.C.) #10-24	1
12	F42213	ARM	windshield wiper (16" long)	1
13	F42214	WIPER	BLADE - windshield (18" long)	1
14	F42134	PANEL	rear closure and wiper mounting (used with backhoe models only)	1
15	113-2	BOLT,Hex, 1/4"-20 x 5/8", G5, Full Thd	Used with backhoe models only Hex, 1/4"-20 x 5/8", G5, Full Thd	2
16	F42211		wiper adjustment, (used with backhoe models only)	1
17	192-19	LOCK WASHER,1/4"	WASHER, LOCK, (Used with backhoe models only) 1/4"	2
18	7770	NUT,0.25" OD	1/4"-20, G5, Used with backhoe models only	2
19	11-310	CARRIAGE BOLT,Short NK, 3/16"-24 x 5/8", G2, Full Thd	BOLT, CARRIAGE, , Used w/ backhoe models only) Short NK, 3/16"-24 x 5/8", G2, Full Thd	1
20	195-101	WASHER,3/16"	plain (), (used with backhoe models only) 3/16"	1
21	192-18	LOCK WASHER,#10	WASHER, LOCK, , Used with backhoe models only #10	1
22	129-402	NUT - winged (#10-24 N.C.), (used with backhoe models only)	NUT - winged (#10-24 N.C.), (used with backhoe models only)	1
23	F42212		SPACER - wiper motor to panel, (used with backhoe models only)	1
24	195-541	WASHER,5/8", SAE	- plain (5/8"), Wiper mounting, (used with backhoe models only)	1

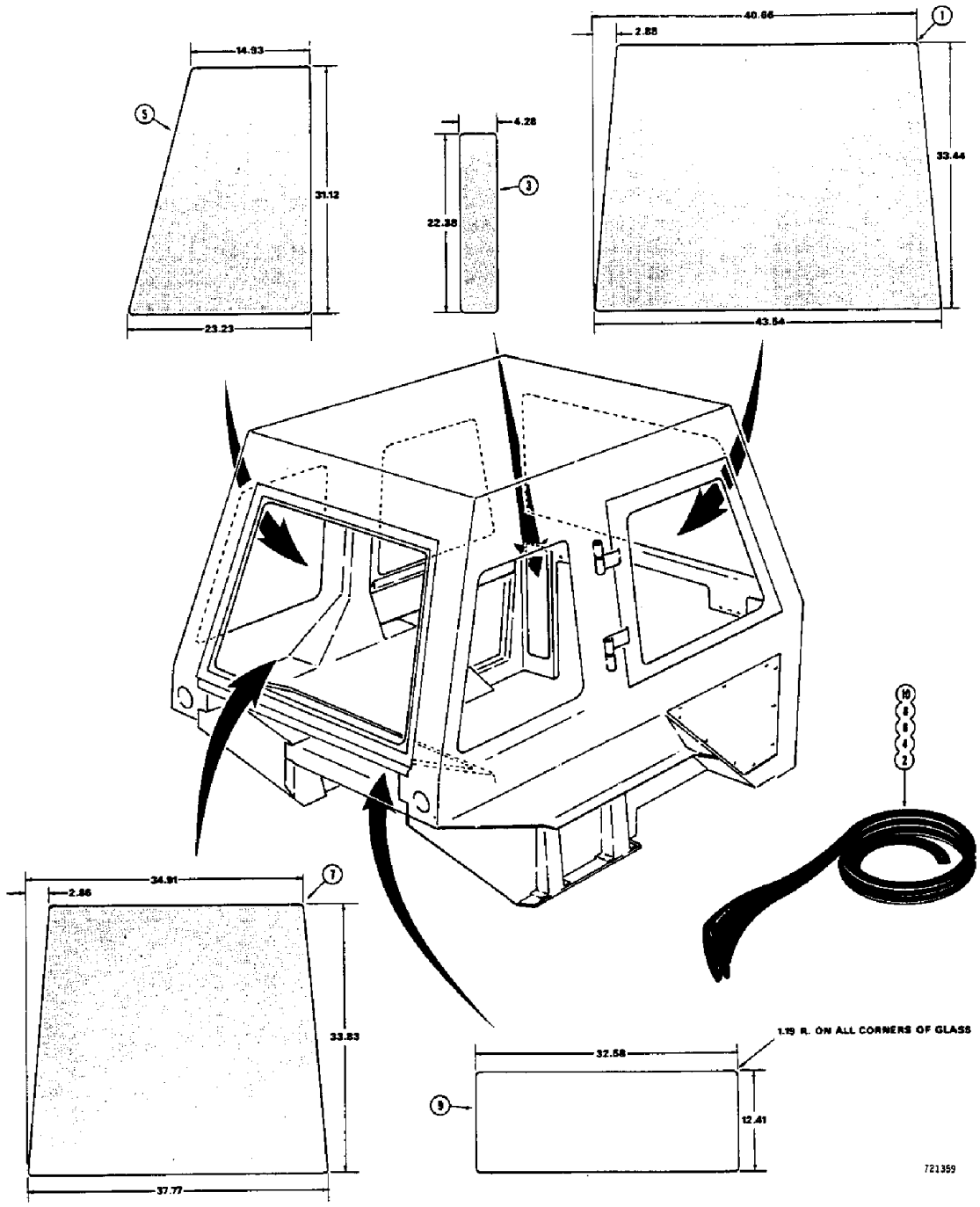
Diag #	Part #	Name	Description	Qty
25	F42216		WIRE - jumper, cab harness to rear wiper, (used with backhoe models only)	1
26	F93209	WIPER MOTOR	MOTOR ASSEMBLY - rear , (used with backhoe models only)	1
		Part includes D71417 washer, D71418 spacer, D71419 nut (as shown in illustration).	Part includes D71417 washer, D71418 spacer, D71419 nut (as shown in illustration).	1
27	F42213	ARM	wiper (16" long), (used with backhoe models only)	1
28	F42214	WIPER	BLADE - (18" long), (used with backhoe models only)	1
29	F42136	SEAL	- rear closure panel (39.2 inches long), (used with backhoe models only)	1
30	A37516		harness to rear light, (used with backhoe models only)	1
31	D50667		light at fender (Inner), (used with backhoe models only)	1
32	113-209	BOLT,Hex, 3/8"-16 x 1 1/2", G5	(Used with backhoe models only) Hex, 3/8"-16 x 1 1/2", G5	1
33	A34046	BRACKET	light mounting, (used with backhoe models only)	1
34	192-21	LOCK WASHER,3/8"	WASHER, LOCK, (Used with backhoe models only) 3/8"	1
35	129-103	NUT,3/8"-16, G5	NUT, (Used w/ backhoe models only) 3/8"-16, G5	1
36	A20965	LAMP BASE	LIGHT - backhoe, rear (Standard), (used with backhoe models only)	1
37	L13765	GROMMET	light, wire at fender (Outer), (used with backhoe models only)	1
38	187-1075		self-tapping (#12-24 N.C. x 1/2"), (used with backhoe models only)	8
39	192-19	LOCK WASHER,1/4"	WASHER, LOCK, (Used with backhoe models only) 1/4"	8
40	F42106		rear light (Used if optional rear light is not installed), (used with backhoe models only)	2



Diag #	Part #	Name	Description	Qty
1	D50667		GROMMET - light harness	2
2	D49973		HARNESS - wiring, rear lights	2
3	113-206	BOLT,Hex, 3/8"-16 x 3/4", G5, Full Thd	BOLT,Hex, 3/8"-16 x 3/4", G5, Full Thd	4
4	F42041		BRACKET - light mounting	2
5	192-21	LOCK WASHER,3/8"	WASHER, LOCK, 3/8"	4
6	129-103	NUT,3/8"-16, G5	NUT, 3/8"-16, G5	4
7	L13765	GROMMET	- light wires	4
8	D49733	LAMP	LIGHT - rear, tail and stop (Parts lift Figure 121C)	2
9	D49734	LAMP	LIGHT - rear, flasher and signal (Parts list Figure 121C)	2
10	129-105	NUT,1/2"-13, G5	NUT,1/2"-13, G5	2
11	193-87	LOCK WASHER,Ext-Int Tooth, 1/2"	WASHER, LOCK, Ext-Int Tooth, 1/2"	2
12	F42105		RETAINER -, Serial Range: light-cab	2
13	F42104	SEAL	-, Serial Range: light-cab	2
14	A59701	LAMP	LIGHT - rear, flood	2

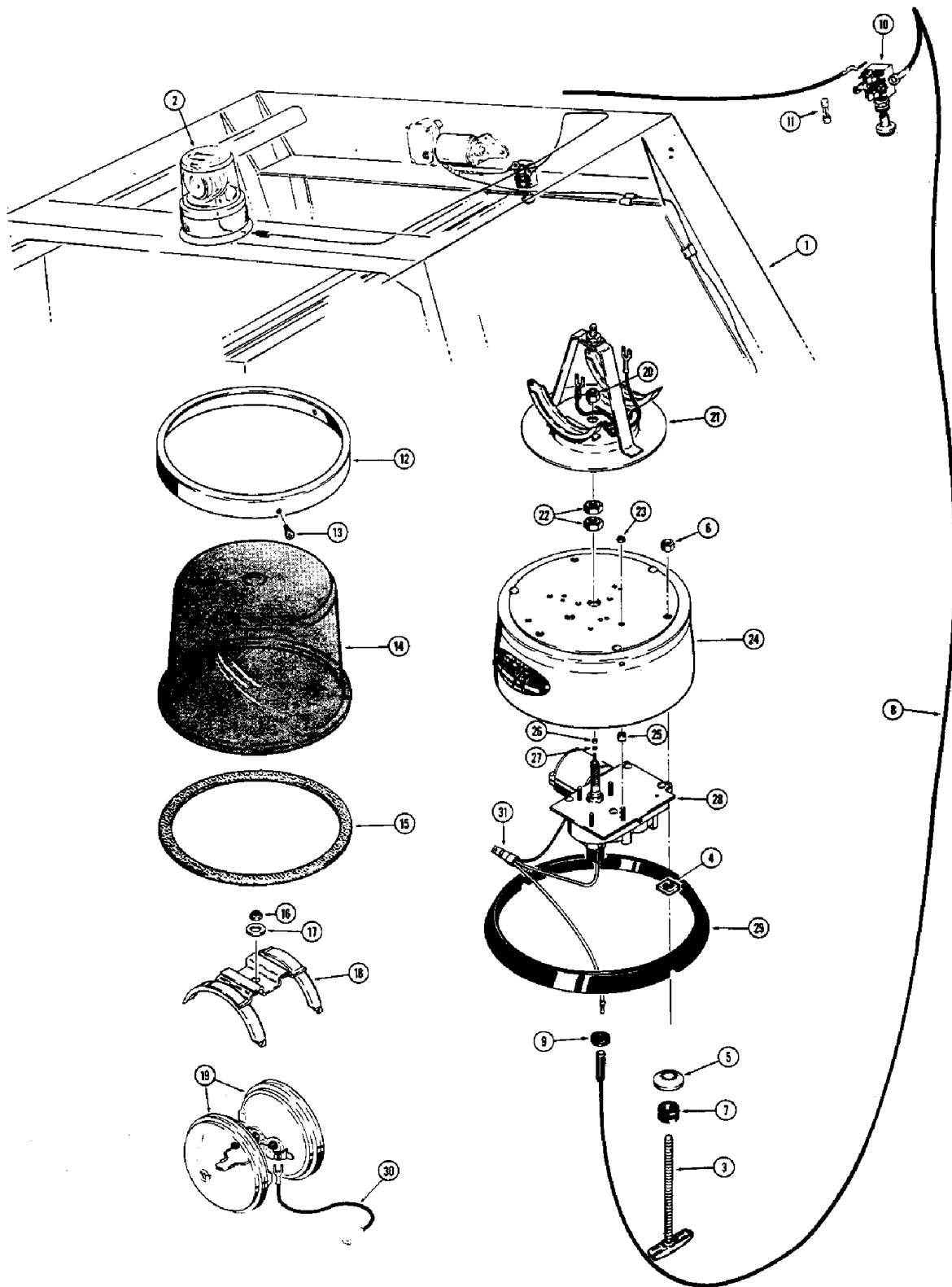


Diag #	Part #	Name	Description	Qty
1	A20965	LAMP BASE	LAMP ASSY. - flood	1
2	B50255	MOLDING	- lamp retaining	1
3	10934	BRACKET	SCREW - molding	1
4	A40855	LAMP BASE	LAMP - sealed unit	1
5	B50223	BULB	- red (15 C.P., 12 volt)	1
6	B50273		WIRE - switch	2
7	173-73	SCREW,Slt'd Rd Hd, #8-32 x 1/4"	- wire	2
8	193-4	LOCK WASHER,Ext Tooth, #6	WASHER - (1/4" lock)	2
9	B50275	SWITCH	- light (Order A43182 when stock is depleted)	1
10	B50310	SWITCH	KNOB - switch (Order A43182)	1
11	A39888	NUT	- 3/8-32, switch retainer (Replaced B50224)	1
12	10927	SPRING	- terminal	1
13	NSS	NOT SERVICED SEPARATELY	BODY	1
14	B50293	INSULATOR	TERMINAL wire	1
15	129-105	NUT,1/2"-13, G5	NUT,1/2"-13, G5	1
16	192-23	LOCK WASHER,1/2"	WASHER, LOCK, 1/2"	1
17	10923	WASHER	- bearing	1



721359

Diag #	Part #	Name	Description	Qty
1	NSS	NOT SERVICED SEPARATELY	GLASS - windshield	1
2	NSS	NOT SERVICED SEPARATELY	MOULDING - glass, windshield (For repairs order A42677)	1
3	NSS	NOT SERVICED SEPARATELY	GLASS - window, lower L.H. front	1
4	NSS	NOT SERVICED SEPARATELY	MOULDING - glass, lower L.H. front (For repairs order A42677)	1
5	NSS	NOT SERVICED SEPARATELY	GLASS - windows and door, side	4
6	NSS	NOT SERVICED SEPARATELY	MOULDING - glass, side windows and door (For repairs order A42677)	4
7	NSS	NOT SERVICED SEPARATELY	GLASS - window, rear hinged	1
8	NSS	NOT SERVICED SEPARATELY	MOULDING - glass, rear window (For repairs order A42677)	1
9	NSS	NOT SERVICED SEPARATELY	GLASS - window, closure panel	1
10	NSS	NOT SERVICED SEPARATELY	MOULDING - glass, closure panel (For repairs order A42677)	1
	A42677	MOLDING	MOULDING - glass (50' roll)	1



Diag #	Part #	Name	Description	Qty
1	REF	INSTRUCTION	CAB - operators (See Figures 238 thru 256)	1
2	F93158	LAMP	ROTATING BEACON ATT. - 360 degrees amber, Includes: Ref. 3 - 31	1
	L35092	KIT	ATTACHING PARTS - beacon lamp, Includes: Ref. 3 - 11	1
3	L35148	BOLT	- toggle (#10-24)	3
4	129-47	NUT	- square (#10-24)	3
5	L35146	LOCK WASHER	WASHER - lock (#10)	3
6	86625057	NUT,#10-24, GB	NUT, LOCK, #10-24, GB	3
7	F13115	GROMMET	- rubber, beacon mounting	3
8	L35145	HARNESS	WIRE - beacon to switch (8 ft.)	1
9	A43211	GROMMET	- rubber, beacon wire	1
10	L16099	SWITCH	ASSY. - beacon	1
11	NSS	NOT SERVICED SEPARATELY	FUSE - beacon switch	1
	NSS	NOT SERVICED SEPARATELY	LAMP ASSY. - rotating beacon (Order F93158), Includes: Ref. 12 - 31	1
12	L32219		RING - clamp, lens	1
13	168-70	SCREW,Drive, #8 x 3/8"	- self-tapping (#8-32 x 3/8")	3
14	L32221	LENS	- amber	1
15	L32220		GASKET - lens	1
16	131-204	NUT,1/4"-20	NUT - lock (1/4" N.C.)	1
17	95-4	WASHER,1/4"	- 5/16 x 3/4 x 1/16"	1
18	L32222		BRACKET - retainer, sealed beam light	1
19	D66204	LAMP	LIGHT - sealed beam	2
20	129-303	NUT,3/8"-16, G5, LH	- hex. (3/8" N.F.) (L.H. thrd.)	1
21	L32224		PLATE - mounting. light	1
22	L32225	NUT	- special brass	2
23	129-29	NUT - lock (#8-32 hex.)	NUT - lock (#8-32 hex.)	4
24	L32226	BASE	- motor	1
25	L32228	SPACER	-, Serial Range: motor-base	1
26	129-3	NUT,#4-40	NUT,#4-40	2
27	192-3	LOCK WASHER	- lock (#4)	1
28	D65187	MOTOR	- electric, 12 volt	1
29	L32227	GASKET	- base	1
30	L35144		WIRE - ground	1
31	T29401	NUT	- twist-on, wire	1