



# PARTS MANUAL

THIS IS A COMPLETE NEW PARTS MANUAL DATED AUGUST 1982

## MODEL 325H

BUCYRUS CONSTRUCTION PRODUCTS, A DIVISION OF NORTHWEST ENGINEERING COMPANY, IS ONLY THE SUPPLIER OF THIS MATERIAL AND IS NOT RESPONSIBLE FOR ITS CONTENTS. BUCYRUS CONSTRUCTION PRODUCTS HAS NO AFFILIATION WITH THE BUCYRUS-ERIE COMPANY, A DIVISION OF BECOR WESTERN. GOODS DESCRIBED HEREIN MAY BE PURCHASED THROUGH A DISTRIBUTOR OF BUCYRUS CONSTRUCTION PRODUCTS. THE MAIN OFFICE OF BUCYRUS CONSTRUCTION PRODUCTS IS LOCATED AT 1367 W. 12th STREET, ERIE, PA (P.O. BOX 800, ZIP CODE 16512).

SERIAL NUMBER \_\_\_\_\_

DISTRIBUTOR \_\_\_\_\_

ADDRESS \_\_\_\_\_

TELEPHONE \_\_\_\_\_

PARTS MANAGER \_\_\_\_\_

## "100" SERIES H MACHINE PARTS MANUAL INSTRUCTIONS

There is an authorized Bucyrus-Erie Company distributor serving every part of the world where Bucyrus-Erie Company products are sold. Each distributor maintains a stock of **FACTORY SPEC REPLACEMENT PARTS** and service facilities for the equipment working within their territory.

When the equipment is moved into a new territory, it is recommended you immediately give the Bucyrus-Erie Company distributor serving that territory the model and serial numbers of your Bucyrus-Erie Company equipment. This will enable them to check their stock and order additional **FACTORY SPEC REPLACEMENT PARTS** in anticipation of your requirements.

The parts illustrated in this manual may not look exactly like the parts on your machine. However, the parts ordered will be correct for the model and serial number furnished.

The illustrations within are for use in ordering parts only and therefore do not always depict the correct sequence of assembly.

The listing of a part in this manual does not imply that it was furnished with your machine. It is simply available for purchase.

A Numerical Index of all part numbers contained in the parts list, and the page number on which they can be found is located at the back of this manual.

### USE THE FOLLOWING STEPS FOR QUICKER & BETTER PARTS ORDERING:

#### 1. SERIAL NO.

Always have the machine serial number available before attempting to use this manual. The model identification plate is located on the inside of the right hand boom foot mounting.

#### 2. LOCATING PARTS

Determine the drawing number on which the needed replacement part is found. Use the pictorial index and/or alphabetical index found near the front of this manual.

#### 3. PARTS LIST

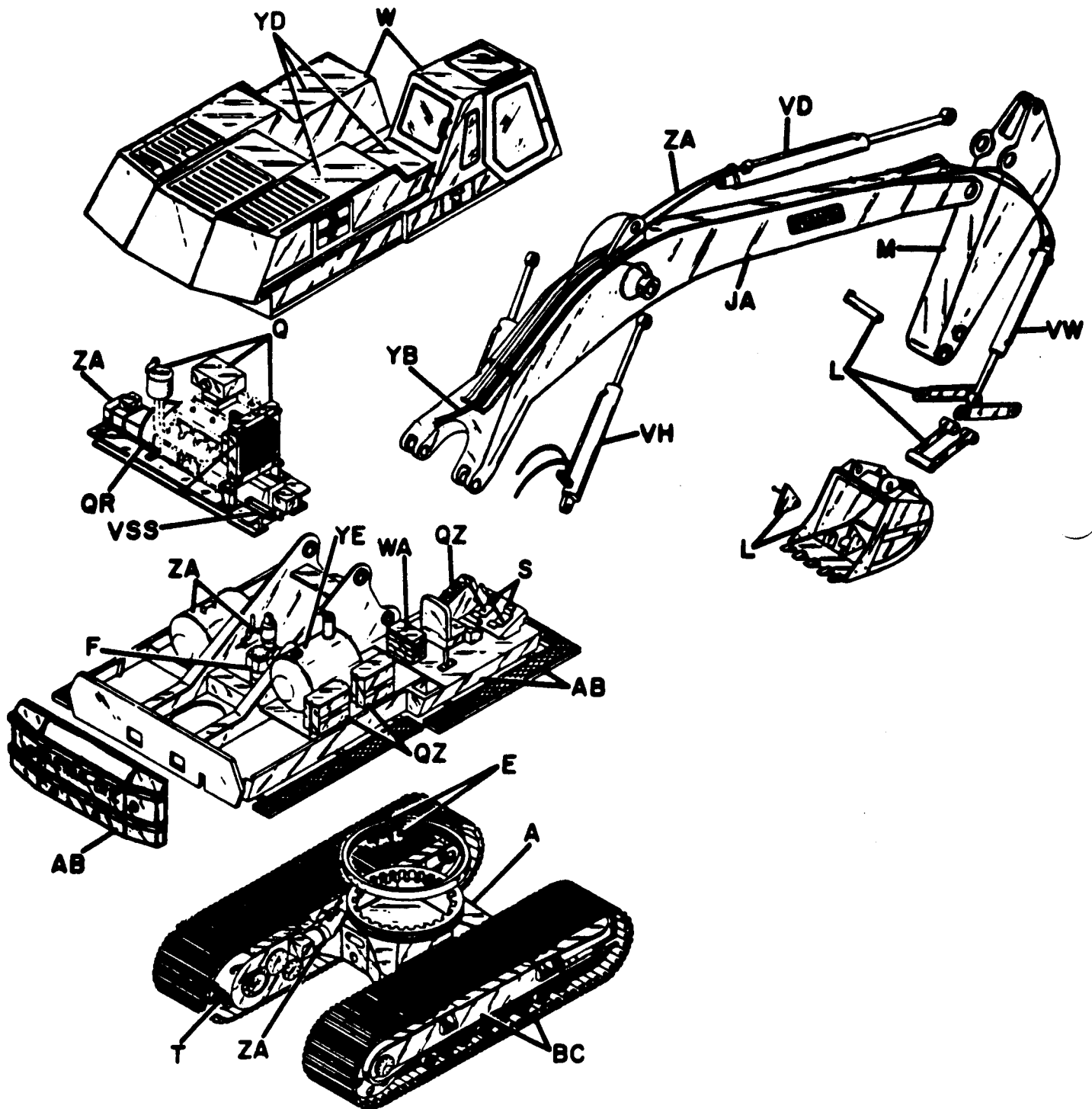
The corresponding parts list will immediately follow the illustration. Match the reference number of the desired part on the illustrations to the parts list reference number. Make certain the description and serial number range agree with the desired part and the serial number of your machine. If a part can not be replaced separately, an NSI will follow the parts list description. If a number appears in the "Replaced By" column, a letter will be to the right of the quantity. A "D" indicates this number directly replaces the number in the "Part Number" column. An "A" indicates it is a direct replacement but the additional parts listed below that item are also needed. An "R" (refer factory) indicates that your distributor must contact a Bucyrus-Erie Company "interpreter" to determine the correct part number. In all cases, the terms "Right Hand" and "Left Hand" identify parts from the viewpoint of a person sitting in the operator's seat with the machine in traveling position.

#### 4. COMPONENTS

To order components of an cylinder, motor, pump, valve, etc., it is necessary to first locate the drawing illustrating the complete unit. The accompanying parts list will then refer you to a particular drawing behind the yellow "Component Drawing" divider. If an assembly must be replaced as a complete unit, you will see the note "Components not furnished separately."

#### 5. DISTRIBUTOR REQUIREMENTS

Always furnish your local Bucyrus-Erie Company distributor the model and serial number of the machine, description, part number, and quantity of parts desired. When ordering parts by reference number the drawing number must be given. When ordering parts for a cylinder, motor, pump, valve, etc., also furnish the vendor name and model number from nameplate.



## PICTORIAL INDEX CODE

Determine the symbol area of machine where part(s) is located by using the code listing as shown below, and as illustrated on machine pictorial index on opposite page.

- A TRUCK FRAME**
- AB REVOLVING FRAME**
  - Counterweight
  - Running Boards
- BC CRAWLERS**
  - Frames & Attached Equipment
  - Track Chain
- E SWING CIRCLE**
  - Balls & Spacers
  - Race
  - Rack
- F SWING MACHINERY**
  - Bearings
  - Gear Box
  - Motor
  - Seals
- JA BOOM**
  - Pins
  - Tube Clamps
- L DIPPER**
  - Links & Pins
  - Side Cutters
  - Teeth & Adapters
- M HANDLE**
  - Long & Standard
- Q MAIN ENGINE**
  - Fuel Piping
  - Mounts
  - Radiator
- QR TRANSMISSION**
  - Adapters
  - U-Joints
- OZ ELECTRIC STARTING**
  - Gauges
  - Switches
- S OPERATING LEVERS**
  - Controls
  - Seat
  - Swing Lock
- T PROPEL MACHINERY**
  - Brake Assembly
  - Bearings
  - Gears
  - Shafts
- VD DIG CYLINDER**
- VH HOIST CYLINDER**
- VSS SWING SERVO CYLINDER**
- VW WRIST CYLINDER**
- W CABS**
  - Operator & Machinery
  - Panels
- WA HEATER & AIR CONDITIONER**
  - Defroster
  - Fresh Air
- YB LUBRICATION SYSTEM**
- YD TOOLS & SUPPLIES**
- YE FUEL SUPPLY**
- ZA AIR SUPPLY**
  - Pump
  - Valves
- ZA HYDRAULIC UNIT**
  - Center Swivel
  - Cylinder
  - Filters
  - Pumps & Motors
  - Tank
  - Tubes, Hose & Fittings
  - Valves

### 325H ALPHABETICAL INDEX

<b>A</b>		<b>D</b>	
Adapters, Dipper	L111, L114	Dipper Penetrators	L111, L114
Air Cleaner	Q167, Q168, Q179	Dipper Side Cutters	L111, L114
Air Conditioner	WA116, WA117	Dipper Teeth	L111, L114
Air Magnetic Switch	ZA426	Disable Control	S176
Air Piping	ZA426	Disable Valve	ZA425
Air Pump	ZA426	Drive Tumbler Sprocket	T106
Air Shroud	Q167, Q168, Q179	Drive, Right Angle	T106
<b>B</b>		<b>E</b>	
Battery Cover	QZ133, QZ134	Electric Starting - Cummins	QZ134
Boom	JA161	Electric Starting - GM	QZ133
Boom Foot Pins	JA161	Emergency Stop Cable	Q167, Q168, Q179
Boom Hoist Control Valve	ZA423, ZA425	Engine - Cummins	Q168
Boom Hoist Cylinder	VH118	Engine - GM	Q167, Q179
Boom Hoist Cylinder Pins	JA161	Engine Magnetic Switch	QZ133, QZ134
Boom Levers	ZA425	Exhaust Piping	Q167, Q168, Q179
Brake, Propel	T106	Extinguisher, Fire	YD112
Brake, Swing	F118		
<b>C</b>		<b>F</b>	
Cab, Machinery	W163	Fan Guard	Q167, Q168, Q179
Cab, Operators	W162	Filter, High Pressure	ZA423
Cab Hydraulic Piping	ZA425	Filter, Oil Tank	ZA427, ZA489
Casting, Rear End	AB130	Filter, Return Line	ZA423
Center Swivel	ZA422	Filter, Swing	ZA423
Chain Assembly, Track	BC110	Fire Extinguisher	YD112
Circle, Swing	E127	Flow Divider Valve	ZA423
Cleaner, Air	Q167, Q168, Q179	Foot Control Valve	ZA425
Compressor, Air Conditioner	WA116, WA117	Foot Pedal Lever	S176
Console, Operator's Control	W162	Foot Throttle	S176
Console, Propel Control	S176	Foot Valve, Third Propel Pedal	ZA451
Counterbalance Valve, Propel	ZA428, ZA490	Frame, Crawler	BC110
Crankshaft Adapter	QR151, QR152	Frame, Revolving	AB130
Crawler Frame	BC110	Frame, Truck	A127
Crawlers	BC110	Fresh Air	WA115, WA116, WA117
Cylinder, Boom Hoist	VH118	Front End Hydraulic Piping	ZA431
Cylinder, Dig	VD111	Front End Lubrication	YB107
Cylinder Support, Dig	ZA431	Front Window Guard	W164
Cylinder Support, Wrist	ZA431	Fuel Gauge	QZ133, QZ134
Cylinder, Swing Servo	VSS102	Fuel Lever Sender	YE142
Cylinder, Wrist	VW118	Fuel Tank	YE142
<b>D</b>		<b>G</b>	
Defroster	WA115, WA116, WA117	Gauge, Fuel	QZ133, QZ134
Dig Control Lever	ZA425	Gauge, Oil Pressure	QZ133, QZ134
Dig Control Valve	ZA423, ZA425	Gauge, Oil Temperature	ZA425
Dig Cylinder	VD111	Gauges, Engine	QZ133, QZ134
Dig Cylinder Pins	JA161, M103	Gear Case, Swing	F118
Dig Cylinder Support	ZA431	Grapple Control Valve	ZA423
Dipper	L111, L114	Grapple Piping	ZA423
Dipper Adapters	L111, L114	Grease Gun	E127, YD112
Dipper Links & Pins	L111, L112	Guard, Fan	Q167, Q168, Q179
		Guard, Front Window	W164

Component drawing parts are not listed above. To order such parts it is necessary to first locate the basic drawing illustrating the complete unit. The accompanying parts list will refer you to the proper component drawing behind the yellow "Component Drawings" divider.

### 325H ALPHABETICAL INDEX

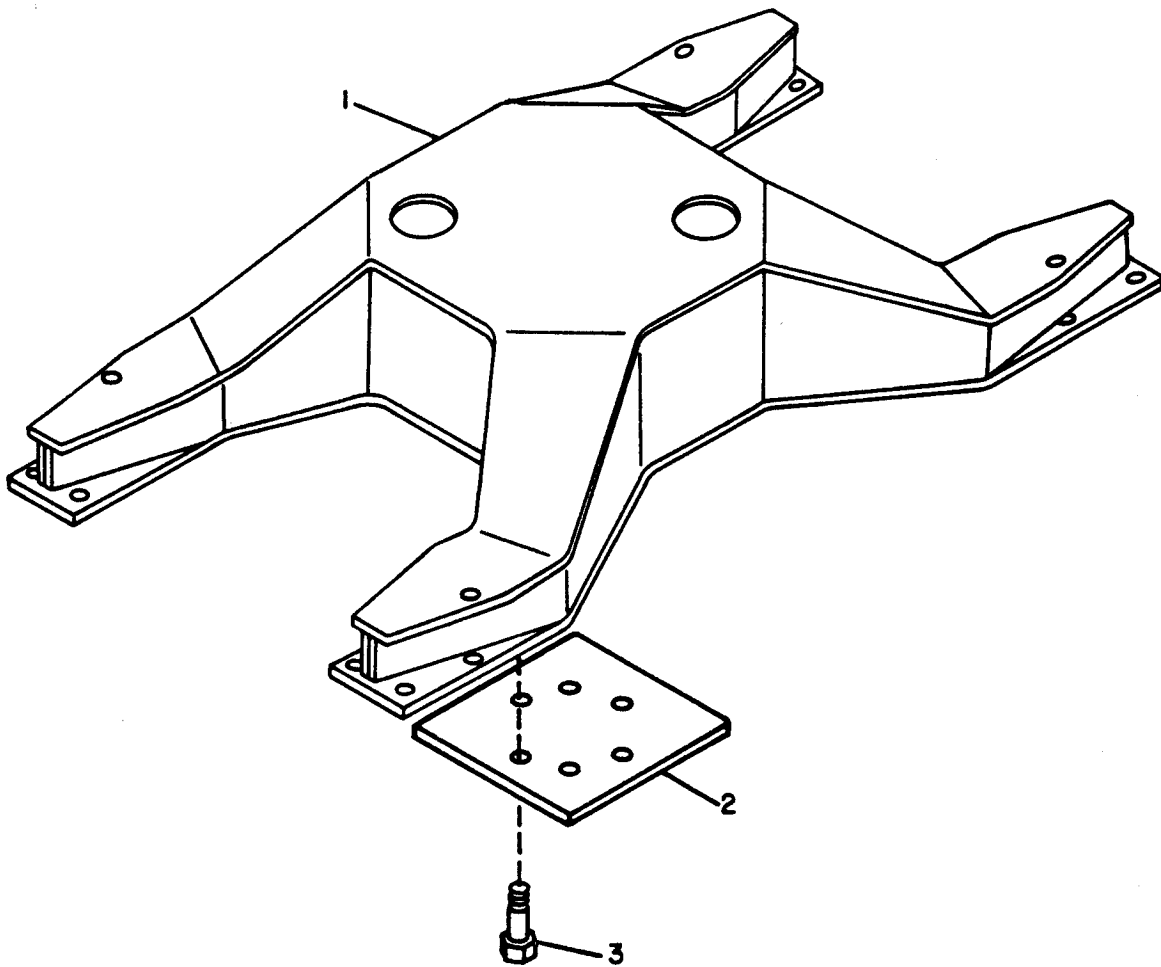
G		M	
Guard, Lower Roller	BC362	Machinery, Propel	T106
Guard, Wrist Cylinder Rod	VW120	Machinery, Swing	F118
		Machinery Cab	W163
		Machinery Cab Handrall	W163
		Magnetic Switch	ZA426
		Magnetic Switch, Engine	QZ133, QZ134
		Main Hydraulic Pump	ZA423
		Motor, Propel	ZA428, ZA490
		Motor, Swing	F118
		Motor, Windshield Wiper	W164
		Muffler	Q167, Q168, Q179
H		O	
Hand Throttle	Q167, Q168	Oil Circulating Pump	ZA429, ZA430
Handle	M103	Oil Pressure Gauge	QZ133, QZ134
Handle Pins	JA161	Oil Strainer	ZA427, ZA489
Handrall, Machinery Cab	W163	Oil Switch	QZ133, QZ134
Handrall, Operator's Cab	W162	Oil Tank Filter	ZA427, ZA489
Heating & Piping	WA115, WA116	Oil Tank Hydraulic Piping	ZA427, ZA489
High Pressure Filter	ZA423	Oil Temperature Gauge	ZA425
Hoist Control Lever	ZA425	Operators Cab	W162
Hoist Control Valve	ZA423, ZA425	Operators Cab Handrall	W162
Horn	QZ133, QZ134	Operators Seat	S176
Hourmeter	QZ133, QZ134	Operating Levers	ZA425
Hydraulic Piping, Cab	ZA425		
Hydraulic Piping, Front End	ZA431	P	
Hydraulic Piping, Lower Works	ZA428, ZA490	Penetrators, Dipper	L111, L114
Hydraulic Piping, Oil Tank	ZA427, ZA489	Pilot Relief Valve	ZA425
Hydraulic Piping, Servo Control	ZA424	Pins, Boom Foot	JA161
Hydraulic Piping, Servo Control Pump	ZA429, ZA430	Pins, Boom Hoist Cylinder	JA161
Hydraulic Piping, Third Propel	ZA451	Pins, Dig Cylinder	JA161, M103
Hydraulic Piping, Upper Works	ZA423	Pins, Handle	JA161
Hydraulic Tank Cover	ZA427, ZA489	Pins, Wrist Cylinder	L111, L112
		Propel Brake	T106
		Propel Control Valve	ZA423, ZA425
		Propel Foot Control Valve	ZA425
		Propel Machinery	T106
		Propel Motor	ZA428, ZA490
		Propel Pedal Interlock Device	S180
		Pump, Air	ZA426
		Pump, Main Hydraulic	ZA423
		Pump, Oil Circulating	ZA429, ZA430
		Pump, Servo Control	ZA429, ZA430
		Pump, Swing	ZA423
		Pump Adapter, Transmission	QR151, QR152
I		R	
Idler Assembly with Recoil and Hydraulic Adjuster	BC110	Radiator & Oil Cooler	Q167, Q168, Q179
Ignition Switch	QZ133, QZ134	Rear End Casting	AB130
Insulation	W162, W163	Recoil Spring Kit	BC110
Interlock Device, Propel Pedal	S180	Return Line Filter	ZA423
		Revolving Frame	AB130
L			
Latch, Machinery Cab	W163		
Latch, Operators Cab	W162		
Lever, Dig Control	ZA425		
Lever, Foot Pedal	S176		
Lever, Hoist Control	ZA425		
Lever, Swing Control	ZA425		
Lever, Wrist Control	ZA425		
Levers, Boom	ZA425		
Levers, Operating	ZA425		
Links & Pins, Dipper	L111, L112		
Links & Pins, Wrist	L111, L112		
Lock, Swing	S177		
Logger Hydraulic Piping	ZA423		
Lower Roller Guard	BC362		
Lower Rollers	BC110		
Lower Works Hydraulic Piping	ZA428, ZA490		
Lubrication, Front End	YB107		
Lubrication Chart	Q167, Q168, Q179		

Component drawing parts are not listed above. To order such parts it is necessary to first locate the basic drawing illustrating the complete unit. The accompanying parts list will refer you to the proper component drawing behind the yellow "Component Drawings" divider.

### 325H ALPHABETICAL INDEX

R		U	
Right Angle Drive	T106	U-Joint	QR151, QR152
Roller Guard, Lower	BC362	Upper Works Hydraulic Piping	ZA423
Rollers, Lower	BC110		
Running Boards	AB130	V	
S		Valve, Boom Hoist Control	ZA423, ZA425
Safety Walk	YD112	Valve, Dig Control	ZA423, ZA425
Seat, Operators	S176	Valve, Disable	ZA425
Sender, Fuel Level	YE142	Valve, Flow Divider	ZA423
Servo Control Hydraulic Piping	ZA424	Valve, Foot Control	ZA425
Servo Control Pump Hydraulic Piping	ZA429, ZA430	Valve, Grapple Control	ZA423
Shoes, Track	BC110	Valve, Hoist Control	ZA423, ZA425
Shroud, Air	Q167, Q168, Q179	Valve, Pilot Relief	ZA425
Shuttle Valve	ZA425, ZA451	Valve, Propel Control	ZA423, ZA425
Side Cutters, Dipper	L111, L114	Valve, Propel Counterbalance	ZA428, ZA490
Slide-By Rear Window	W162	Valve, Propel Foot Control	ZA425
Solenoid Valve	ZA425	Valve, Shuttle	ZA425, ZA451
Sprocket, Drive Tumbler	T106	Valve, Solenoid	ZA425
Strainer, Oil	ZA427, ZA489	Valve, Swing Control	ZA425
Support, Engine	Q167, Q168, Q179	Valve, Third Propel Pedal Foot	ZA451
Swing Brake	F118	Valve, Wrist Control	ZA423, ZA425
Swing Circle	E127	Voltmeter, Engine	QZ133, QZ134
Swing Control Lever	ZA425	W	
Swing Control Valve	ZA425	Water Temperature Gauge	QZ133, QZ134
Swing Filter	ZA423	Window, Slide-By Rear	W162
Swing Gear Case	F118	Window Guard, Front	W164
Swing Lock	S177	Windows, Operators Cab	W162
Swing Machinery	F118	Windshield Washer	W164
Swing Motor	F118	Windshield Wiper	W164
Swing Pump	ZA423	Wrist Control Lever	ZA425
Swing Servo Cylinder	VSS118	Wrist Control Valve	ZA423, ZA425
Switch, Ignition	QZ133, QZ134	Wrist Cylinder	VW118
Switch, Magnetic	ZA426	Wrist Cylinder Pins	L111, L112
Switch, Oil	QZ133, QZ134	Wrist Cylinder Rod Guard	VW120
Swivel, Center	ZA422	Wrist Cylinder Support	ZA431
		Wrist Links & Pins	L111, L112
T			
Take-Up Tumbler	BC110		
Tank Cover, Hydraulic	ZA427, ZA489		
Tank, Fuel	YE142		
Teeth, Dipper	L111, L114		
Third Propel Hydraulic Piping	ZA451		
Throttle, Foot	S176		
Throttle, Hand	Q167, Q168		
Track Chain Assembly	BC110		
Track Shoes	BC110		
Transmission - Cummins	QR152		
Transmission - GM	QR151		
Transmission Pump Adapter	QR151, QR152		
Truck Frame	A127		

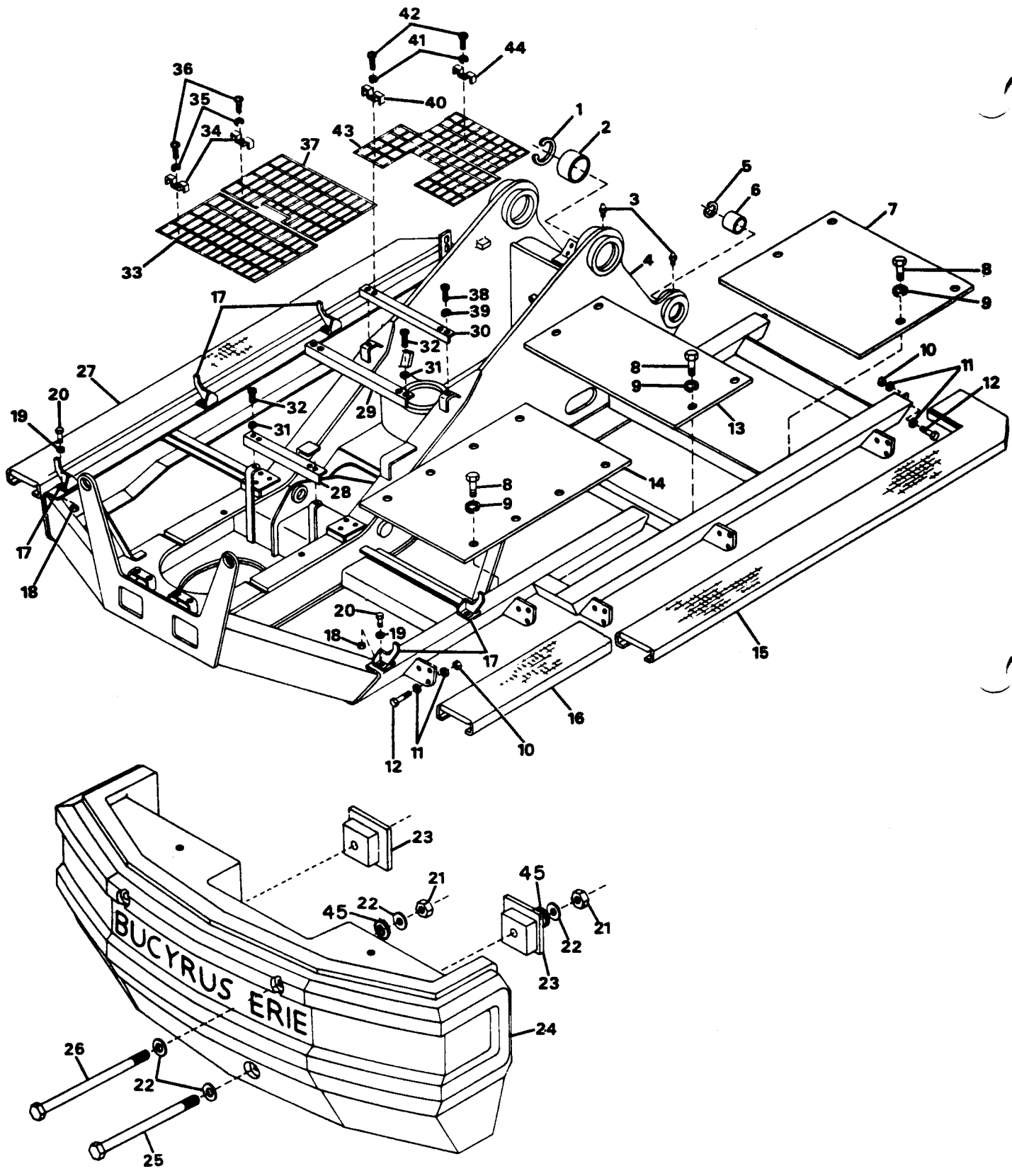
Component drawing parts are not listed above. To order such parts it is necessary to first locate the basic drawing illustrating the complete unit. The accompanying parts list will refer you to the proper component drawing behind the yellow "Component Drawings" divider.



WHEN ORDERING PARTS,  
ALWAYS FURNISH MODEL,  
SERIAL NUMBER,  
DRAWING NUMBER AND  
CATALOG REFERENCE NUMBER.







WHEN ORDERING PARTS,  
 ALWAYS FURNISH MODEL,  
 SERIAL NUMBER,  
 DRAWING NUMBER AND  
 CATALOG REFERENCE NUMBER.

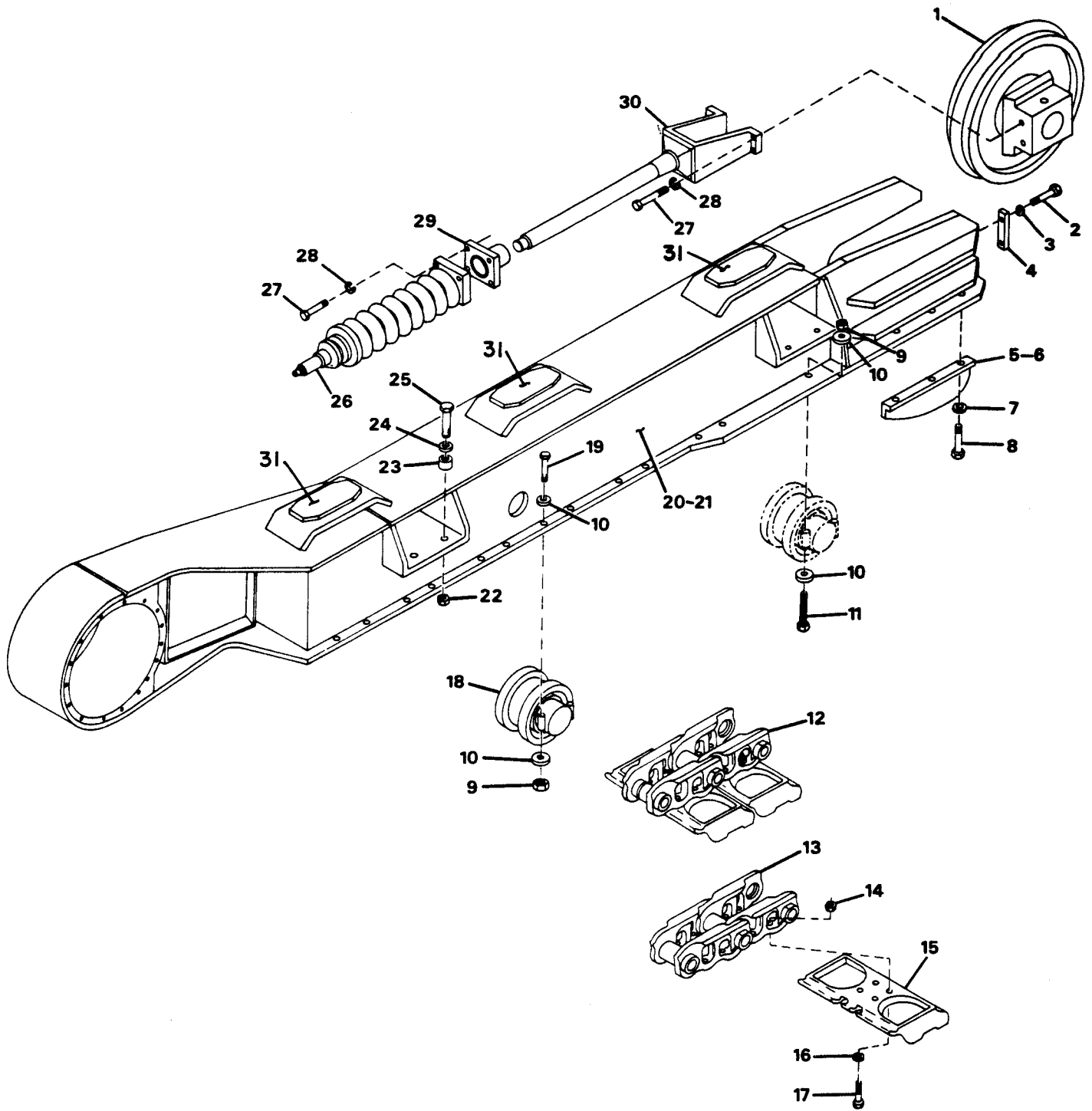
**BUCYRUS-ERIE**  
factory spec replacement parts



**PARTS LIST**

CAT REF	DESCRIPTION	SERIAL NO.		PART NO.	REPLACE OR VENDOR NO.	REQ.
		FROM	TO/INCL.			
	001 REVOLVING FRAME					
	DRAWING AB130	139363				
1	SNAP RING	139363		68118700		4
2	BUSHING	139363		26580204		2
3	LUBE FITTING 1/4	139363		57045010		4
4	REVOLVING FRAME	139363	139744	15017AB		1A
	NOTE-WHEN STOCK OF 15017AB IS DEPLETED USE FOLLOWING PARTS					
	REVOLVING FRAME			15043AB		1
	BAR			548896-04		1
	BAR			879422-04		1
	BAR			879422-05		1
	BAR			879422-08		1
4	REVOLVING FRAME	139817	140124	15043AB		1
4	REVOLVING FRAME	140530		15084AB		1
4	REVOLVING FRAME- LOGGER	139817		15058AB		1
5	SNAP RING	139363		68118640		4
6	BUSHING	139363		82076615		2
7	SHEET	139363		643067K1		1
8	PAN MACHINE SCREW- 3/8X3/4 NC	139363		03648240		16
9	LOCKWASHER 3/8	139363		03961300		16
10	LOCKNUT C 1/2 NC	139363		02786425		19
11	FLAT WASHER 1/2	139363		03951600		38
12	CAPSCREW 1/2X2 NC	139363		03285640		19
13	GRADE 5 DECK COVER	139363		746574-01		1 X
14	SHEET	139363		645278-01		1
15	OPERATORS RUNNING BOARD	139363		744320K21		1
16	RIGHT HAND RUNNING BOARD	139363		645277-01		1
17	DOOR LAND	139363		746564-01		6
18	LOCKNUT C 3/8 NC	139363		02786385		12
19	FLAT WASHER 3/8	139363		03951400		40
20	CAPSCREW 3/8X1-1/4 NC GRADE 5	139363		03279400		12
21	LOCKNUT C 1-1/4 NC	139363		02786605		4
22	FLAT WASHER 1-1/4	139363		03952350		8
23	MOUNTING BLOCK	139363		641653K21		2
24	REAR END CASTING	139363	139382	885252K1	887146-03	1D
24	REAR END CASTING	139490	140124	887146-03	883298-03	1D
24	REAR END CASTING	140530		883298-03		





WHEN ORDERING PARTS,  
ALWAYS FURNISH MODEL,  
SERIAL NUMBER,  
DRAWING NUMBER AND  
CATALOG REFERENCE NUMBER.

**BUCYRUS-ERIE**

factory spec replacement parts



**PARTS LIST**

CAT REF	DESCRIPTION	SERIAL NO.		PART NO.	REPLACE OR VENDOR NO.	REQ.
		FROM	TO/INCL.			
	001 CRAWLERS					
	DRAWING BC110	139363				
1	TAKE-UP TUMBLER- SEE DRAWING 82946238 FOR COMPONENTS	139363	139499	82946238		2
1	IDLER ASSEMBLY WITH RECOIL & HYDRAULIC ADJUSTER-SEE DRAWING 82973003 FOR COMPONENTS	139720		82973003		2
2	CAPSCREW 3/4X2-1/4 NC GRADE 5	139490		03294720		8
3	LOCKWASHER 3/4	139363		03961800		8
4	COVER	139363	139382	741361-06		4
4	COVER	139490		748823-05		4
5	RIGHT HAND RETAINER	139363		741342K21		2
6	LEFT HAND RETAINER	139363		640230K21		2
7	FLAT WASHER 5/8	139363		03951850		12
8	CAPSCREW 5/8X2 NC GRADE 5	139363		03291640		12
9	LOCKNUT C 3/4 NC	139363		02786490		56
10	FLAT WASHER 3/4	139363		03980254		120
11	CAPSCREW 3/4X4 NC GRADE 8	139363		03295285		8
12	TRACK CHAIN & SHOE ASSEMBLY	139720				
	NOTE-FOR A COMPLETE TRACK CHAIN & SHOE ASSEMBLY-26, 30 OR 36 INCH-SEE SEPARATE SECTIONS					
13	TRACK CHAIN ASSEMBLY- LESS SHOES-46 LINK SECTION-SEE DRAWING 82943016 FOR COMPONENTS	139363	139499	82943016	35000031	2D
13	TRACK CHAIN ASSEMBLY- LESS SHOES-46 LINK SECTION-SEE DRAWING 82942993 FOR COMPONENTS	139363	139499	82942993	35000031	2D
13	TRACK CHAIN ASSEMBLY- LESS SHOES-46 LINK SECTION-SEE DRAWING 10000000 FOR COMPONENTS	139720		35000031		2

**BUCYRUS-ERIE**<sup>®</sup>



**PARTS  
LIST**

factory spec replacement parts



CAT REF	DESCRIPTION	SERIAL NO.		PART NO.	REPLACE OR VENDOR NO.	REQ.
		FROM	TO/INCL.			
	001					
14	FULL NUT 3/4 NF	139363		82943033		368
15	30 INCH FLAT CAST SHOE	139363		826855-01		92
15	36 INCH FLAT CAST SHOE	139363		826189-01		92
16	FLAT WASHER 3/4	139363		03951950		368
17	CAPSCREW	139363		82044610		368
18	LOWER ROLLER ASSEMBLY SEE DRAWING 82946230	139363	139499	82946230	82811525	16D
18	FOR COMPONENTS LOWER ROLLER ASSEMBLY SEE DRAWING 82811525 FOR COMPONENTS	139720		82811525		16
19	CAPSCREW 3/4X6 NC GRADE 8	139363		03295940		56
20	RIGHT HAND CRAWLER FRAME	139363	139382	887028-01		1A
	NOTE-WHEN STOCK OF 887028-01 IS DEPLETED USE FOLLOWING PARTS RH CRAWLER FRAME			883164-01		1
	BC2 CAPSCREW 3/4X 2-1/4 NC GRADE 5			03294720		4
	BC3 LOCKWASHER 3/4 BC4 COVER			03961800 748823-05		4 2
20	RIGHT HAND CRAWLER FRAME	139490	139744	883164-01		1
20	RIGHT HAND CRAWLER FRAME	139817		883215-01	883284-01	1D
21	LEFT HAND CRAWLER FRAME	139363	139382	887028-02		1A
	NOTE-WHEN STOCK OF 887028-02 IS DEPLETED USE FOLLOWING PARTS LH CRAWLER FRAME			883164-02		1
	BC2 CAPSCREW 3/4X 2-1/4 NC GRADE 5			03294720		4
	BC3 LOCKWASHER 3/4 BC4 COVER			03961800 748823-05		4 2
21	LEFT HAND CRAWLER FRAME	139490	139744	883164-02		1
21	LEFT HAND CRAWLER FRAME	139817		883215-02	883284-02	1F

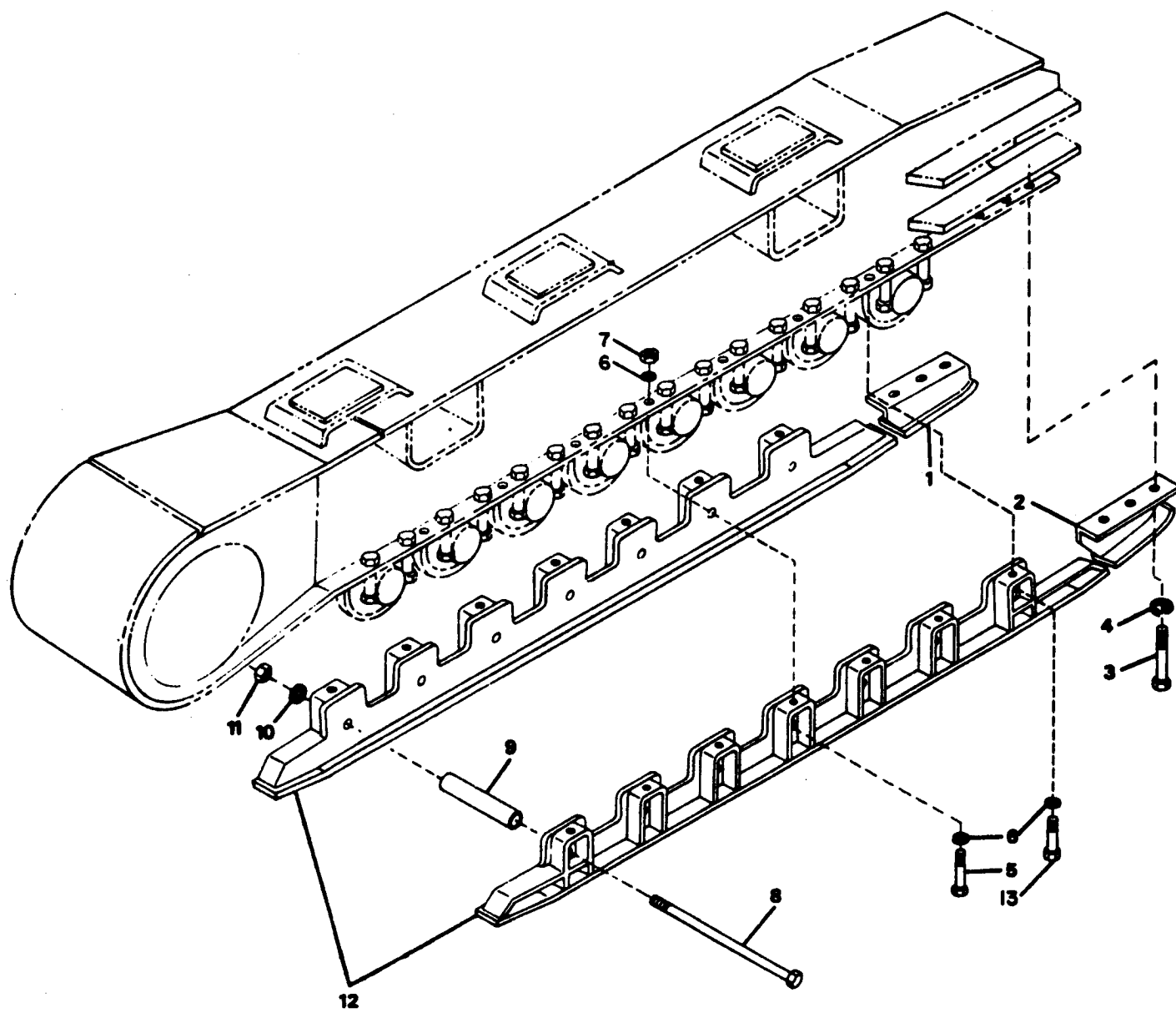






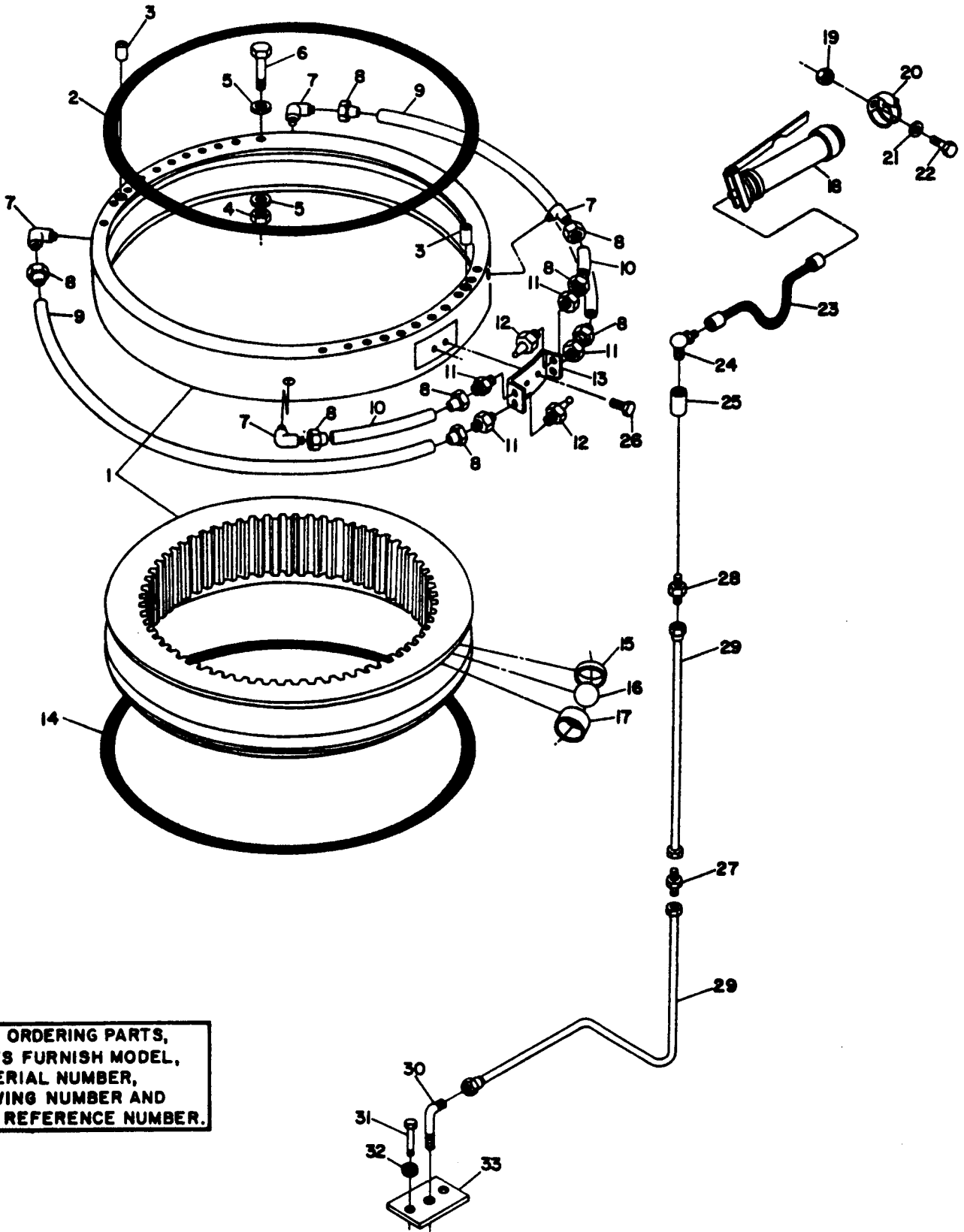






WHEN ORDERING PARTS,  
ALWAYS FURNISH MODEL,  
SERIAL NUMBER,  
DRAWING NUMBER AND  
CATALOG REFERENCE NUMBER.

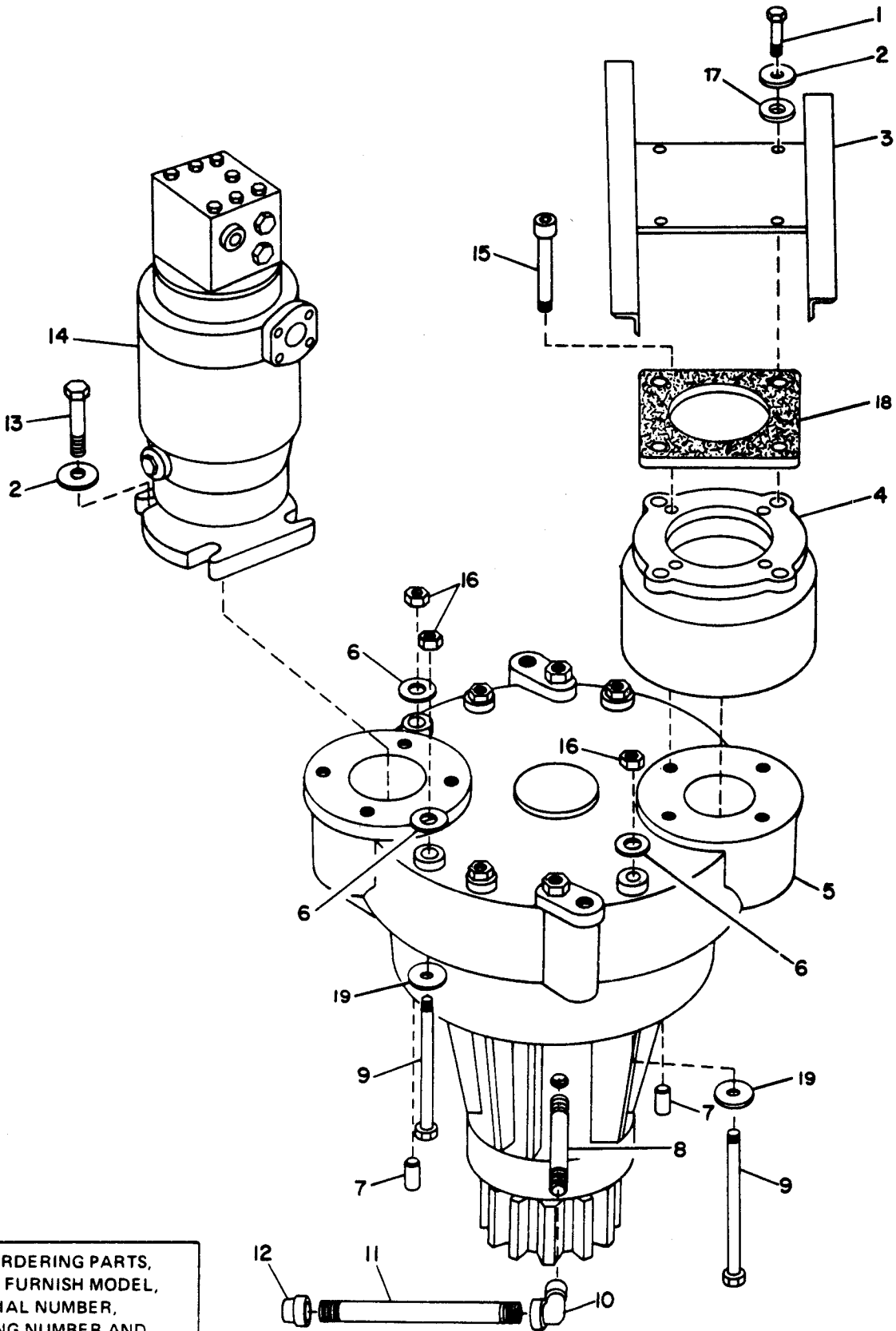




WHEN ORDERING PARTS,  
 ALWAYS FURNISH MODEL,  
 SERIAL NUMBER,  
 DRAWING NUMBER AND  
 CATALOG REFERENCE NUMBER.

**BUCRUS-ERIE** factory spec replacement parts  
**PARTS LIST**

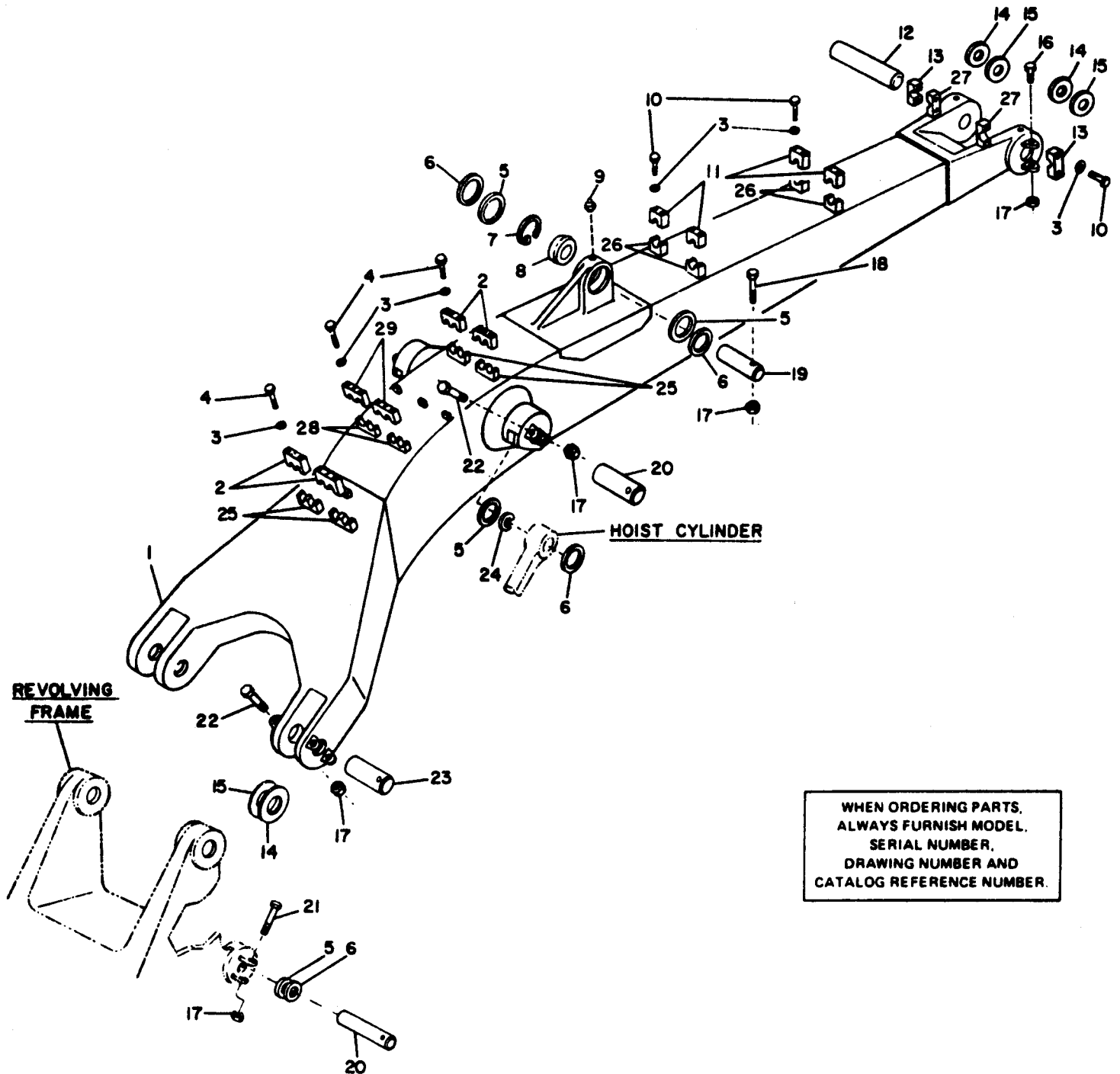
CAT REF	DESCRIPTION	SERIAL NO. FROM TO/INCL.	PART NO.	REPLACE OR VENDOR NO. REQ.
001	SWING CIRCLE			
	DRAWING	E127	139363	
1	1 OUTER RACE, SWING RACK & INNER BALL	139363 140124	12946E1	1
	RACE ASSEMBLY- INCLUDES ITEMS 2 THRU 17			
1	1 OUTER RACE, SWING RACK & INNER BALL	140530	12976E1	1
	RACE ASSEMBLY- INCLUDES ITEMS 2 THRU 17			
1	2 SEAL	139363 638374-05		1
3	3 DOWEL	139363 514772K1		2
4	4 LOCKNUT C 1 NC	139363 02786550		22
5	5 FLAT WASHER 1	139363 03952150		44
6	6 HEX BOLT 1X8-1/2 NC	139363 02617705		22
7	7 ELBOW	139363 57152260		4
8	8 NUT	139363 57194760		8
9	9 COPPER TUBE-SPECIFY LENGTH	139363 32356000		
10	10 COPPER TUBE-SPECIFY LENGTH	139363 32356000		
11	11 CONNECTOR	139363 57256510		4
12	12 LUBE FITTING 1/8	139363 57044510		4
13	13 BRACKET	139363 550306K21		1
14	14 SEAL	139363 638374-05		1
15	15 SPACER	139363 82866511		2
16	16 BALL	139363 87044600		64
17	17 SPACER	139363 82866510		62
18	18 GREASE GUN	139363 57292035		1
19	19 FULL NUT 3/8 NC-	139363 02709400		2
20	20 CLAMP	139363 64789505		1
21	21 LOCKWASHER 3/8	139363 03961302		2
22	22 SQUARE NECK BOLT	139363 03014255		2
	PLATED 3/8X1-1/4 NC-CADMIUM			
23	23 HOSE	139363 53004065		1
24	24 LUBE FITTING 1/8	139363 57044510		1
25	25 BULKHEAD ADAPTER	139363 78533148		1
26	26 DRIVE SCREW 1/4X1/2	139363 03566910		2
27	27 CONNECTOR	139363 57254585		1
28	28 CONNECTOR	139363 57115435		1
29	29 TUBE-SPECIFY LENGTH	139363 82945641		1
30	30 ELBOW	139363 57149332		2
31	31 CAPSCREW 3/8X1 NC-	139363 03279320		2
32	32 LOCKWASHER 3/8	139363 03961300		2
33	33 PLATE	139363 537642K1		1



WHEN ORDERING PARTS,  
ALWAYS FURNISH MODEL,  
SERIAL NUMBER,  
DRAWING NUMBER AND  
CATALOG REFERENCE NUMBER.







WHEN ORDERING PARTS,  
 ALWAYS FURNISH MODEL,  
 SERIAL NUMBER,  
 DRAWING NUMBER AND  
 CATALOG REFERENCE NUMBER.

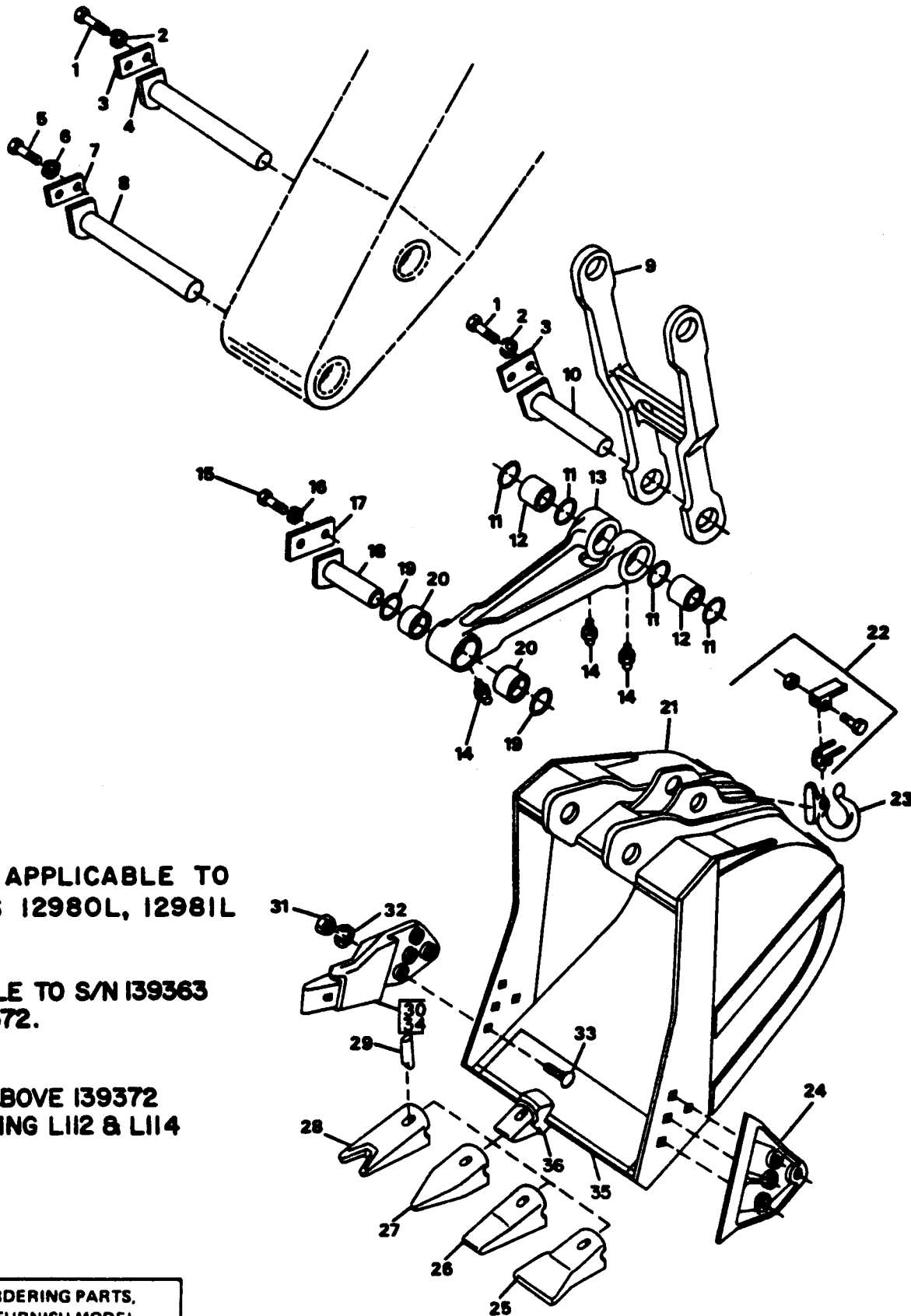
**BUCYRUS-ERIE**



**PARTS LIST**

factory spec replacement parts

CAT REF	DESCRIPTION	SERIAL NO.		PART NO.	REPLACE OR VENDOR NO.	REQ.
		FROM	TO/INCL.			
	001 BOOM					
	DRAWING JA161	139363				
1	BOOM COMPLETE	139363	139744	15177JA		1
1	BOOM COMPLETE	139817		15236JA		1
2	CLAMP	139363	139744	641182-01		4
3	LOCKWASHER 1/2	139363	139744	03961500		30
3	LOCKWASHER 1/2	139817		03961500		4
4	CAPSCREW 1/2X2 NC GRADE 5	139363	139744	03285640		18
5	SHIM-AS REQUIRED	139363		98900001		
6	SHIM-AS REQUIRED	139363		98900002		
7	SNAP RING	139363		68118670		1
8	BUSHING	139363		82076530		1
9	LUBE FITTING 1/4	139363		57045010		1
10	CAPSCREW 1/2X1-3/4 NC GRADE 5	139363	139744	03285560		12
10	CAPSCREW 1/2X1-3/4 NC GRADE 5	139817		03285560		4
11	CLAMP	139363	139744	640286-01		4
12	PIN	139363		743025K1		1
13	CLAMP	139363		640286-01		2
14	SHIM-AS REQUIRED	139363		98900003		
15	SHIM-AS REQUIRED	139363		98900004		
16	HEX BOLT 3/4X7 NC GRADE 8	139363		02614545		1
17	LOCKNUT C 3/4 NC	139363		02786485		8
18	CAPSCREW 3/4X6 NC GRADE 8	139363		03295940		1
19	PIN	139363		645236-01		1
20	PIN	139363		645234-01		4
21	CAPSCREW 3/4X5-1/2 NC GRADE 8	139363		03295765		4
22	HEX BOLT 3/4X6-1/2 NC GRADE 8	139363		02614505		2
23	PIN	139363		645235-01		2
24	SNAP RING	139363		68118640		2
25	CLAMP	139363	139744	641182-02		4
25	CLAMP	139817		82140472		8
26	CLAMP	139363	139744	640286-02		4
26	CLAMP	139817		82140472		4
27	CLAMP	139363		640286-02		2
28	CLAMP	139363	139744	641181-02		2
28	CLAMP	139817		82140081		4
29	CLAMP	139363	139744	641181-01		2



DIPPER- APPLICABLE TO  
SYMBOLS 12980L, 12981L

APPLICABLE TO S/N 139363  
THRU 139372.

FOR S/N ABOVE 139372  
SEE DRAWING L112 & L114

WHEN ORDERING PARTS,  
ALWAYS FURNISH MODEL,  
SERIAL NUMBER,  
DRAWING NUMBER AND  
CATALOG REFERENCE NUMBER.

**BUCYRUS-ERIE**

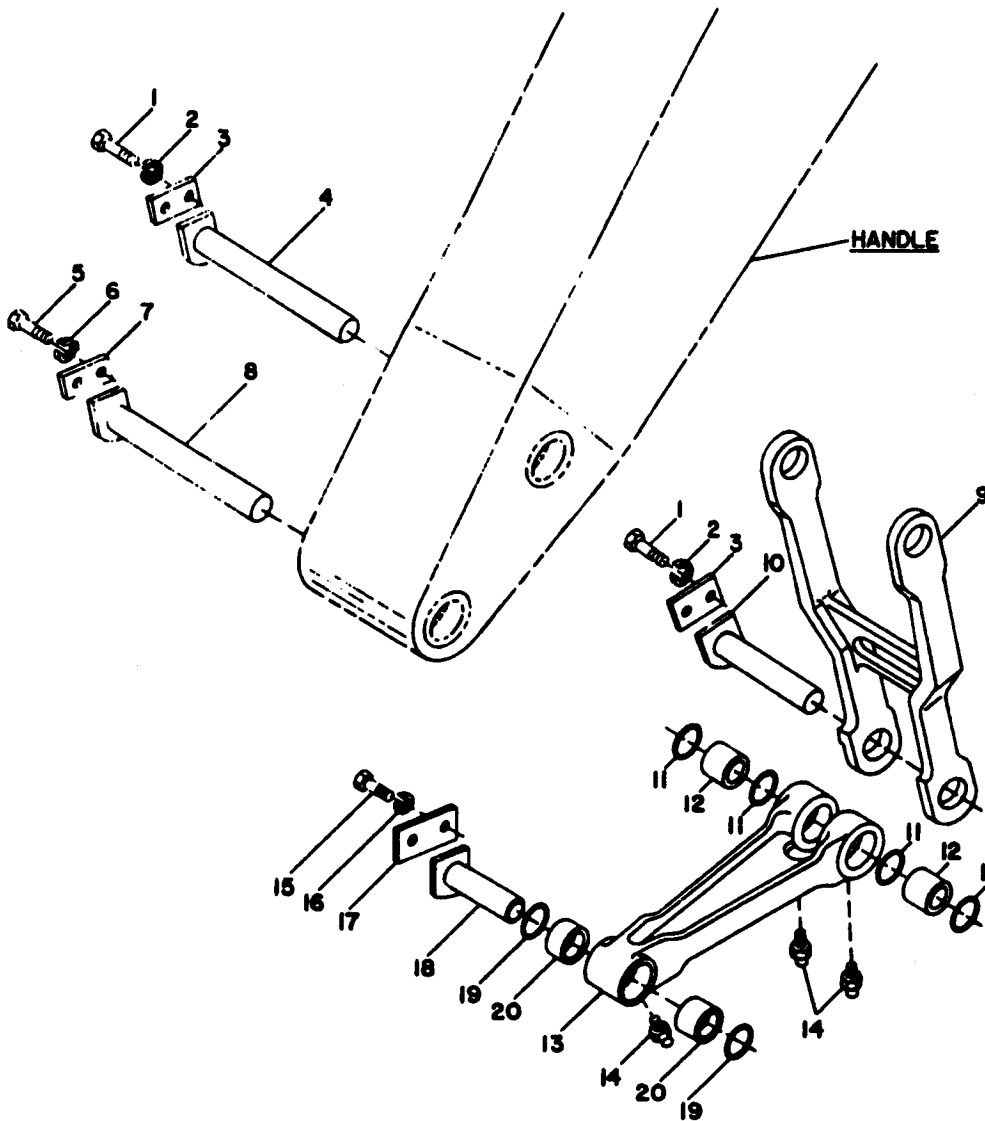


**PARTS LIST**

factory spec replacement parts

CAT REF	DESCRIPTION	SERIAL NO.		PART NO.	REPLACE OR VENDOR NO.	REQ.
		FROM	TO/INCL.			
	001 DIPPER, WRIST LINKS & PINS DRAWING L111	139363	139372			
1	CAPSCREW 1/2X1-1/4 NC GRADE 5	139363	139372	03285400		6
2	LOCKWASHER 1/2	139363	139372	03961500		6
3	KEEPER	139363	139372	537580K1		2
4	REAR LINK PIN	139363	139372	746494-01		1
5	CAPSCREW 3/4X1-1/2 NC GRADE 5	139363	139372	03294480		2
6	LOCKWASHER 3/4	139363	139372	03961800		2
7	KEEPER	139363	139372	545609K1		1
8	PIN	139363	139372	743240K21	750382-01	1D
9	REAR LINK	139363	139372	875362K1		1
10	FRONT LINK PIN	139363	139372	746493-01		1
11	OIL SEAL	139363	139372	72077705		4
12	BUSHING	139363	139372	548176K1		2
13	FRONT LINK ASSEMBLY- INCLUDES ITEMS 12 & 20	139363	139372	750092K51	839365K51	1D
14	LUBE FITTING 1/4	139363	139372	57045010		3 X
15	CAPSCREW 1/2X1-1/4 NC GRADE 5	139363	139372	03285400		2
16	LOCKWASHER 1/2	139363	139372	03961500		2
17	KEEPER	139363	139372	537580K1		1
18	PIN	139363	139372	645237-01		1
19	OIL SEAL	139363	139372	72174330		2
20	BUSHING	139363	139372	548191K1		2
21	DIPPER	12980L	ONLY	12980L		1
21	DIPPER	12981L	ONLY	12981L		1
22	SAFETY LATCH KIT	12980L	12981L	82037247		1
23	HOOK	12980L	12981L	638566K1		2
24	BLADE TYPE SIDE CUTTER	12981L	ONLY	703910-02		2 X
25	FLARE PENETRATOR- AS REQUIRED	12981L	ONLY	82942715		
26	STANDARD PENETRATOR- AS REQUIRED	12981L	ONLY	82734510		
27	SINGLE PENETRATOR- AS REQUIRED	12981L	ONLY	82734514		
28	TWIN PENETRATOR- AS REQUIRED	12981L	ONLY	82734513		
29	FLEX PIN-AS REQUIRED	12981L	ONLY	82666101		
30	RIGHT HAND REPLACE- ABLE POINT SIDE CUTTER	12981L	ONLY	734488K1		1
31	FULL NUT 1 NC	12981L	ONLY	02716050		8
32	LOCKWASHER 1	12981L	ONLY	03962000		8
33	PLOW BOLT 1X3-1/2 NC	12981L	ONLY	02385750		8



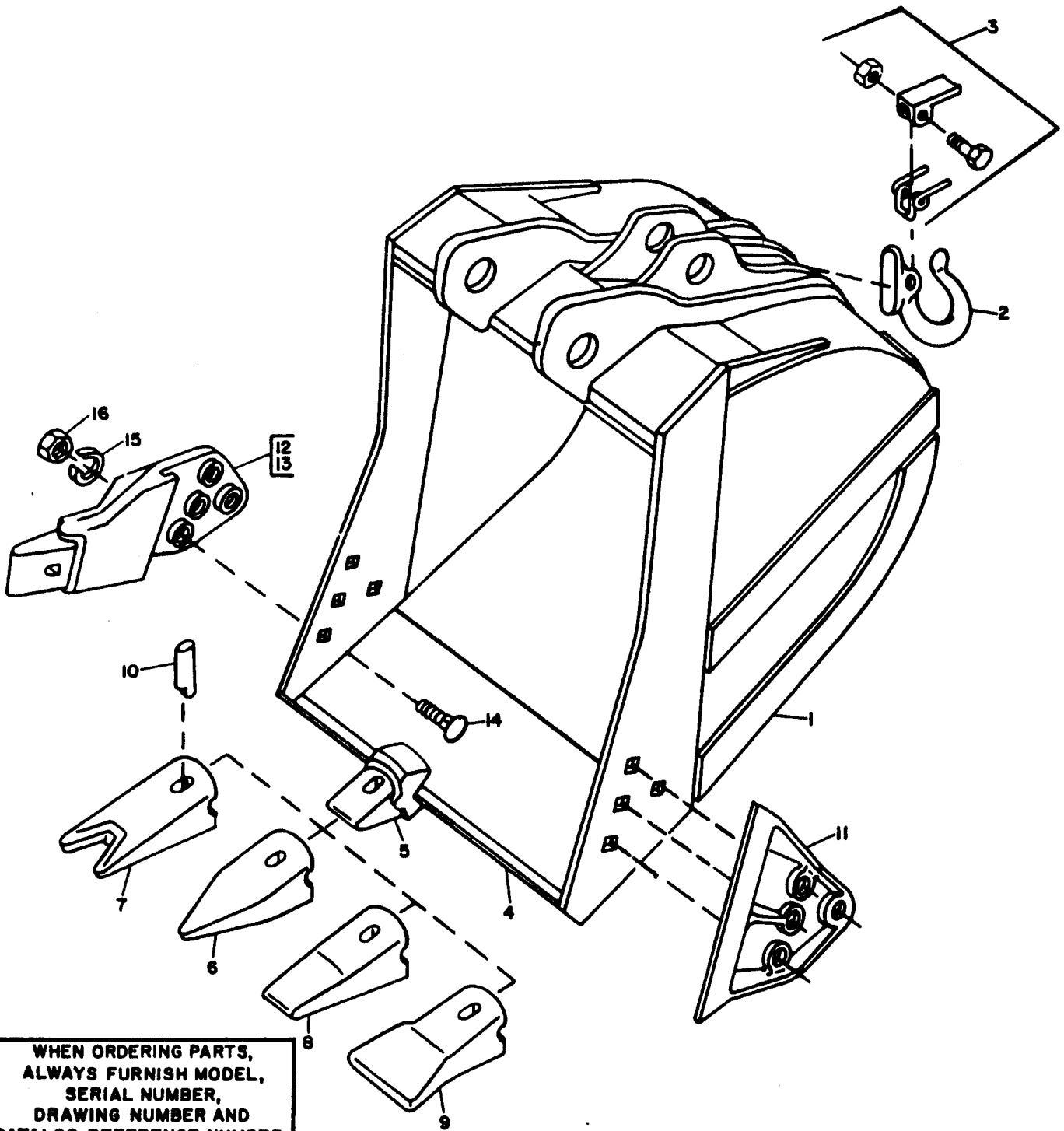


WHEN ORDERING PARTS,  
 ALWAYS FURNISH MODEL,  
 SERIAL NUMBER,  
 DRAWING NUMBER AND  
 CATALOG REFERENCE NUMBER.

APPLICABLE TO S/N 139373 & UP







WHEN ORDERING PARTS,  
ALWAYS FURNISH MODEL,  
SERIAL NUMBER,  
DRAWING NUMBER AND  
CATALOG REFERENCE NUMBER.

APPLICABLE TO SYMBOLS 12909L, 12980L, 12981L, 12996L, 12997L, 12998L,  
12999L, 15004L, 15005L

DIPPER WITH OR WITHOUT TEETH & ADAPTORS  
FOR BECO PENETRATORS

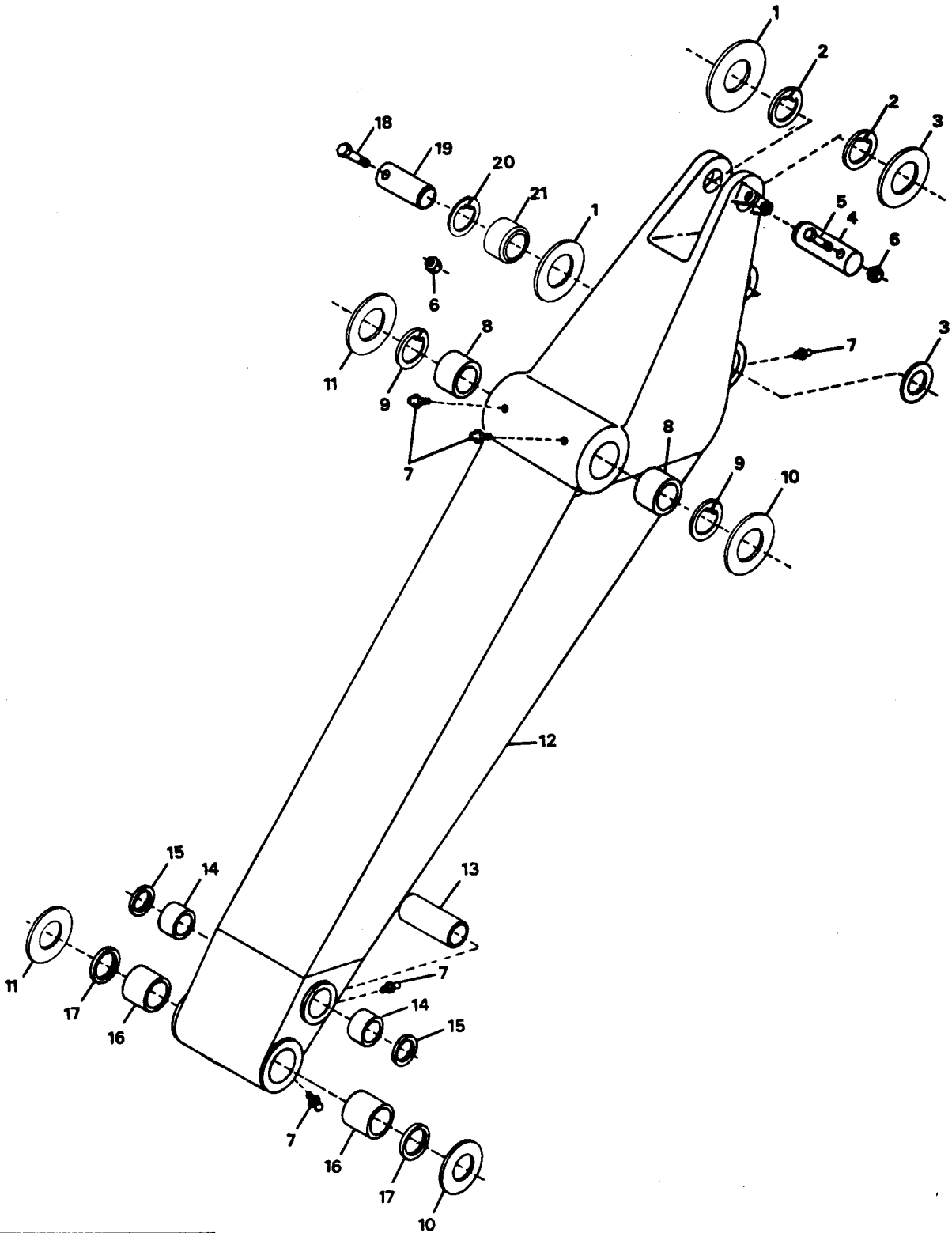








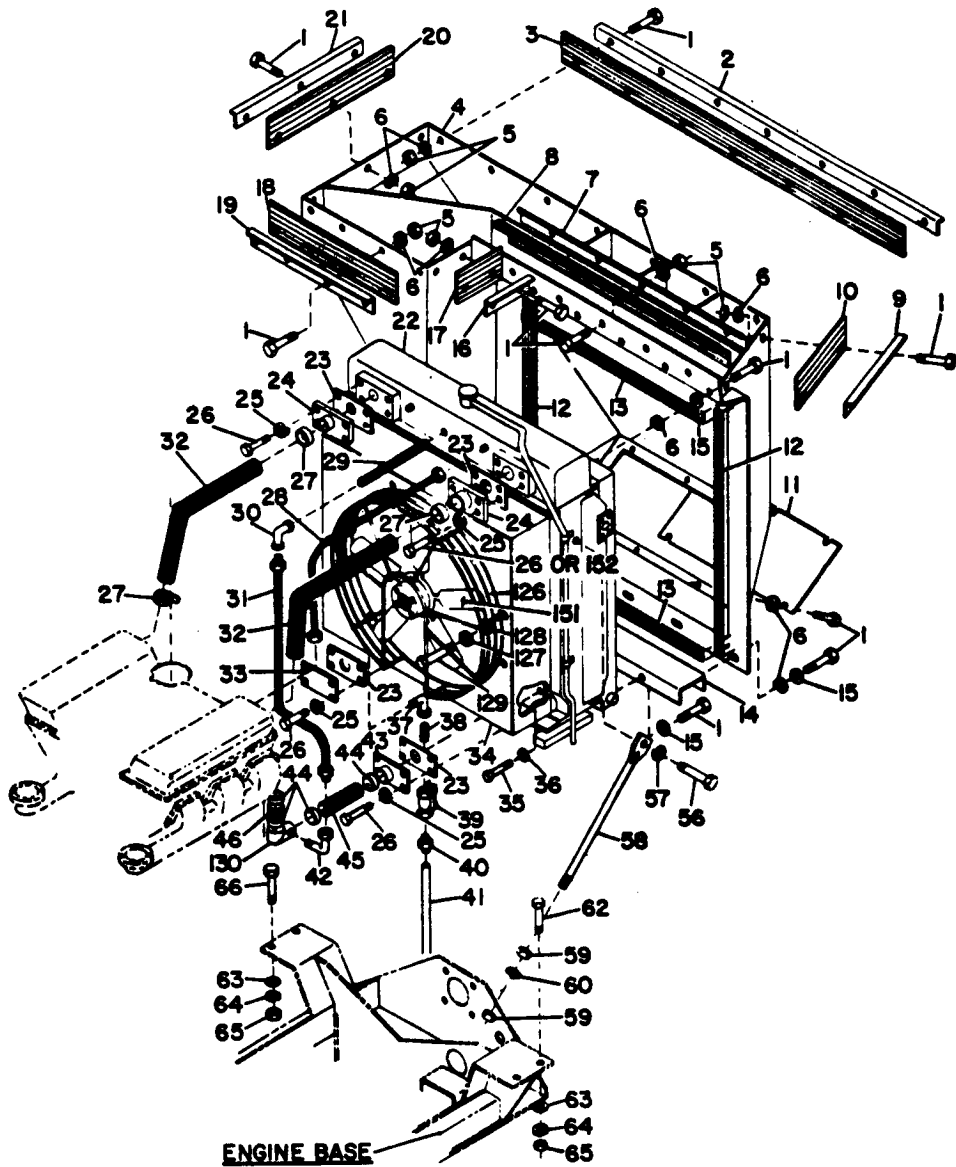




WHEN ORDERING PARTS,  
 ALWAYS FURNISH MODEL,  
 SERIAL NUMBER,  
 DRAWING NUMBER AND  
 CATALOG REFERENCE NUMBER.







WHEN ORDERING PARTS,  
 ALWAYS FURNISH MODEL,  
 SERIAL NUMBER,  
 DRAWING NUMBER AND  
 CATALOG REFERENCE NUMBER.

**GM6V-7IN ENGINE EQUIPMENT  
 RADIATOR & AIR SHROUD**

**BUCYRUS-ERIE**

factory spec replacement parts



**PARTS LIST**

CAT REF	DESCRIPTION	SERIAL NO.		PART NO.	REPLACE OR VENDOR NO.	REQ.
		FROM	TO/INCL.			
	001 GM 6V-71N ENGINE					
	EQUIPMENT-RADIATOR & AIR SHROUD					
	DRAWING Q167A	139363				
1	CAPSCREW 3/8X7/8 NC GRADE 5	139363		03279280		44
2	STRIP	139363		879099-05		1
3	RUBBER	139363		879099-15		1
4	AIR SHROUD	139363		879096K21		1
5	FULL NUT 3/8 NC	139363		02709150		18
6	LOCKWASHER 3/8	139363		03961300		44
7	STRIP	139363		879099-04		1
8	RUBBER	139363		879099-17		1
9	STRIP	139363		879099-08		1
10	RUBBER	139363		879099-13		1
11	AIR SHROUD DOOR	139363		643409K21		1
12	RUBBER	139363		879099-10		2
13	RUBBER	139363		879099-11		2
14	AIR SHROUD SUPPORT	139363		643408K21		1
15	FLAT WASHER 3/8	139363		03951400		13
16	STRIP	139363		879099-09		1
17	RUBBER	139363		879099-12		1
18	RUBBER	139363		879099-16		1
19	STRIP	139363		879099-06		1
20	RUBBER	139363		879099-14		1
21	STRIP	139363		879099-07		1
22	RADIATOR & OIL COOLER	139363	140124	66202022		1
	ASSEMBLY-SEE DRAWING 66202022 FOR					
	COMPONENTS					
22	RADIATOR & OIL COOLER	140530		66202031		1
	ASSEMBLY-SEE DRAWING 66202031 FOR					
	COMPONENTS					
23	GASKET	139363		50708017		4
24	UPPER RADIATOR CONNECTOR	139363	140124	628947K21		2
24	UPPER RADIATOR CONNECTOR	140530		641514K21		2
25	LOCKWASHER 3/8	139363		03961300		16
26	CAPSCREW 3/8X7/8 NC GRADE 2	139363	140124	03179280		16
26	CAPSCREW 3/8X7/8 NC GRADE 2	140530		03179280		8
27	CLAMP	139363		53270180		4
28	HOSE ASSEMBLY	139363	140124	53606620		1
29	NIPPLE	139363		20557900		1
30	ELBOW	139363	140124	20230000		1
31	HOSE ASSEMBLY	139363	140124	53627320		1

**BUCYRUS-ERIE**

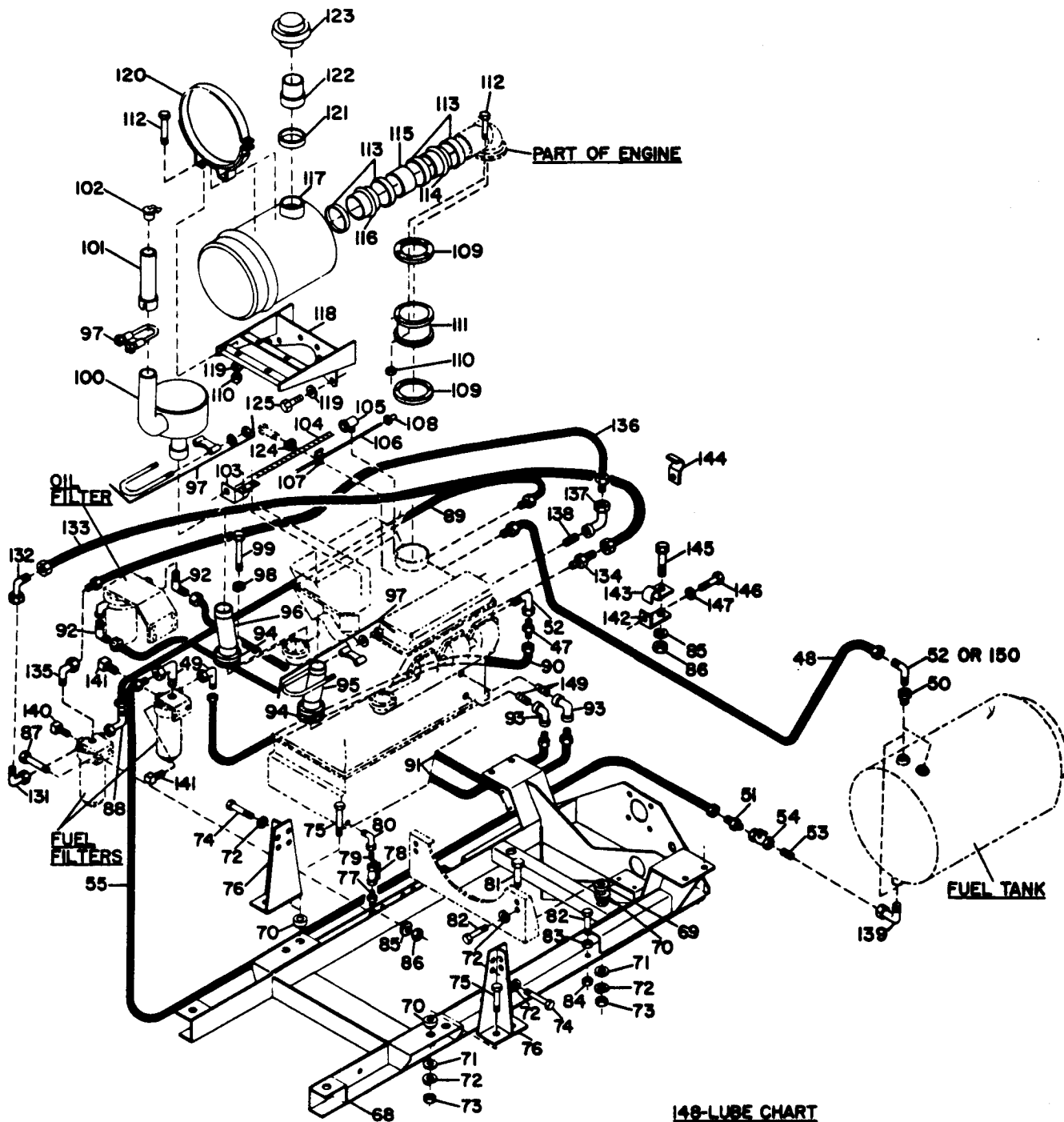


factory spec replacement parts



**PARTS LIST**

CAT REF	DESCRIPTION	SERIAL NO.		PART NO.	REPLACE OR VENDOR NO.	REQ.
		FROM	TO/INCL.			
	001					
32	HOSE 25 INCHES	139363		53153025		2
33	COVER	139363		545923K1		1
34	RADIATOR SHROUD	139363	140124	66202003		1
34	RADIATOR SHROUD	140530		66438073		1
35	CAPSCREW 3/8X1 NC	139363	140124	03279320		4
	GRADE 5					
36	LOCKWASHER 3/8	139363	140124	03961300		4
37	ELBOW	139363		20214000		1
38	NIPPLE	139363		20524900		1
39	STOP COCK	139363		79039000		1
40	CONNECTOR	139363		57120570		1
41	COPPER TUBE-SPECIFY LENGTH	139363		32356000		
42	ELBOW	139363	140124	20230750		1
43	LOWER RADIATOR CONNECTOR	139363		628944K21		1
44	CLAMP	139363		53269900		4
45	HOSE 12-1/4 INCHES	139363		53181070		1
46	HOSE 3-1/2 INCHES	139363		53181070		1
56	CAPSCREW 5/8X1-1/4 NC	139363	140124	03291400		2
	GRADE 5					X
57	LOCKWASHER 5/8	139363	140124	03961700		2
58	RADIATOR BRACE	139363		646355-01		2
59	FULL NUT 3/4 NC	139363		02714050		4
60	LOCKWASHER 3/4	139363		03961800		2
62	CAPSCREW 5/8X3 NC	139363		03291960		2
	GRADE 5					
63	FLAT WASHER 5/8	139363		03951800		4
64	LOCKWASHER 5/8	139363	140124	03961700		4
65	FULL NUT 5/8 NC	139363	140124	02713050		4
66	CAPSCREW 5/8X2-1/2 NC	139363		03291800		2
	GRADE 5					
126	FAN GUARD	139363	140124	748617-01		1
127	LOCKWASHER 1/4	139363	140124	03961010		4
128	FLAT WASHER 1/4	139363	140124	03951200		4
129	CAPSCREW 1/4X1 NC	139363	140124	03273320		4
	GRADE 5					
130	RADIATOR OUTLET ELBOW	139363		628960K21		1
151	FAN	140530		47109133		1
152	CAPSCREW 3/8X7/8 NC	140530		03279280		8
	GRADE 5					
165	FLAT WASHER 1/2	140060	140124	03951650		4



WHEN ORDERING PARTS,  
 ALWAYS FURNISH MODEL,  
 SERIAL NUMBER,  
 DRAWING NUMBER AND  
 CATALOG REFERENCE NUMBER.

148-LUBE CHART

GM6V-7IN ENGINE EQUIPMENT  
 MOUNTING & PIPING

**BUCYRUS-ERIE**



**PARTS LIST**

factory spec replacement parts

CAT REF	DESCRIPTION	SERIAL NO.		PART NO.	REPLACE OR VENDOR NO.	REQ.
		FROM	TO/INCL.			
	002 GM 6V-71N ENGINE					
	EQUIPMENT-MOUNTING & PIPING					
	DRAWING Q167B	139363				
47	CONNECTOR	139363		78560490		1
48	HOSE ASSEMBLY	139363		53796455		1
49	ELBOW	139363		78597320		2
50	BUSHING	139363		20017550		1
51	CONNECTOR	139363		78553920		1
52	ELBOW	139363	140124	20214000		2
52	ELBOW	140530		20214000		1
53	NIPPLE	139363		20536000		1
54	GLOBE VALVE	139363		79198000		1
55	HOSE ASSEMBLY	139363	140124	53787126		1
55	HOSE ASSEMBLY	140530		53795804		1
68	ENGINE BASE	139363	140124	879424-01		1
68	ENGINE BASE	140530		892412-01		1
69	SPACER	139363		548158K1		2
70	MOUNT	139363		82629247		6
71	WASHER	139363		521004K1		6
72	LOCKWASHER 5/8	139363		03961700		14
73	FULL NUT 5/8 NC	139363		02713050		6
74	CAPSCREW 5/8X1-3/4 NC	139363		03291560		8
75	GRADE 5 CAPSCREW 5/8X3-1/4 NC	139363		03292040		4
76	GRADE 5 FLYWHEEL HOUSING	139363		628894K21		2
77	SUPPORT BUSHING	139363		20019050		1
78	STOP COCK	139363		79039000		1
79	NIPPLE	139363		20524900		1
80	ELBOW	139363		20214000		1
81	CAPSCREW 5/8X5 NC	139363		03292600		2
82	GRADE 5 HEX BOLT 3/4X2-3/4 NC	139363		03294880		4
83	GRADE 5 JAM NUT 3/4 NC	139363		02714450		4
84	FULL NUT 3/4 NC	139363		02714050		4
85	LOCKWASHER 3/8	139363		03961300		9
86	FULL NUT 3/8 NC	139363		02709150		9
87	CAPSCREW 3/8X1-1/2 NC	139363		03279480		8
88	GRADE 5 ELBOW	139363		57063010		1
89	HOSE ASSEMBLY	139363		53627317		1
90	HOSE ASSEMBLY	139363		53787127		1
91	HOSE ASSEMBLY	139363		53628389		2
92	TUBE ELBOW	139363		78597730		2
93	PIPE ELBOW	139363		20238750		2 X
94	EXHAUST GASKET	139363		14380171		2

**BUCYRUS-ERIE**

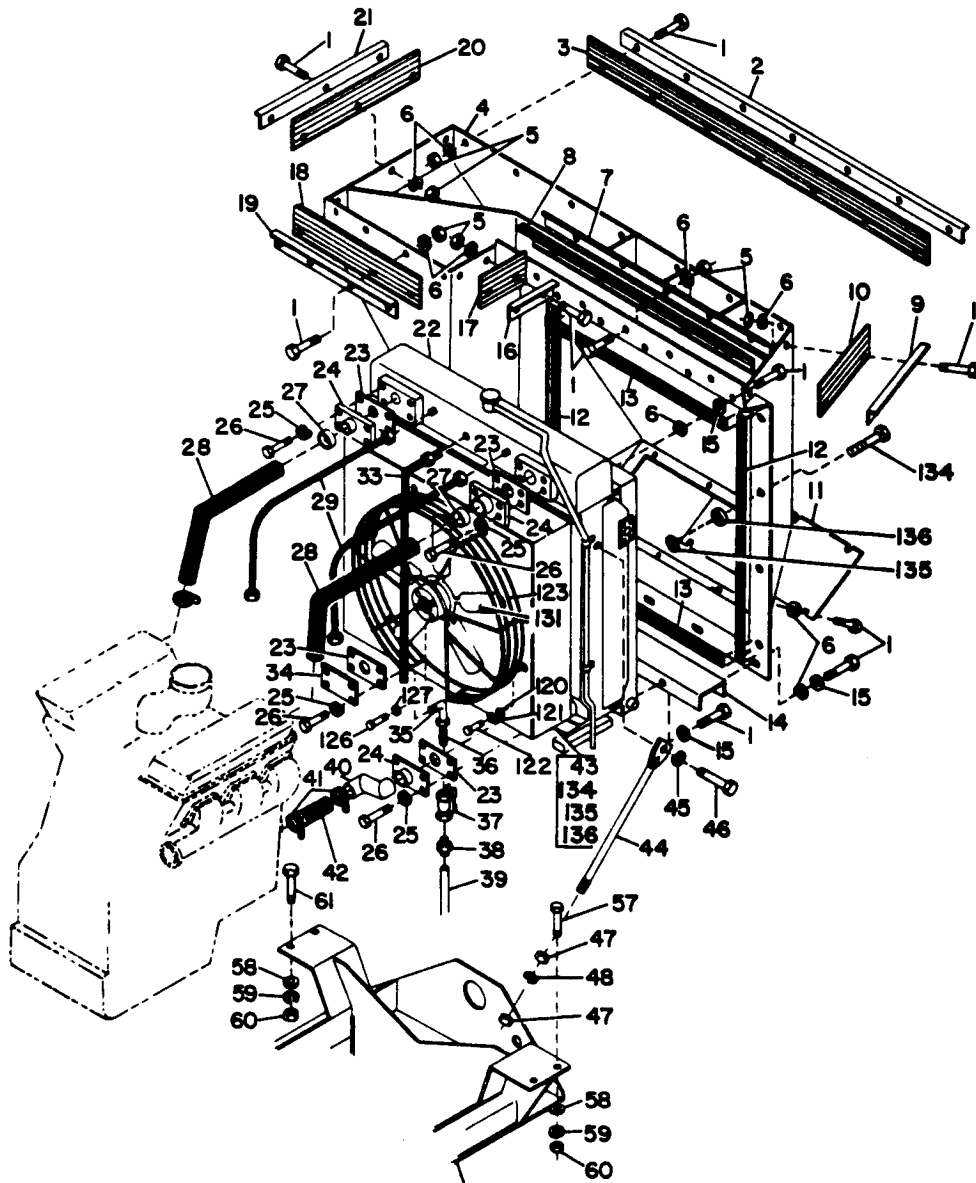


factory spec replacement parts

**PARTS LIST**

CAT REF	DESCRIPTION	SERIAL NO.		PART NO.	REPLACE OR VENDOR NO.	REQ.
		FROM	TO/INCL.			
	002					
95	RIGHT HAND EXHAUST	139363		741791K21		1
	PIPE					
96	LEFT HAND EXHAUST	139363		741792K21		1
	PIPE					
97	CLAMP	139363		82140510		4
98	LOCKWASHER 3/8	139363		03961300		8
99	CAPSCREW 3/8X1-1/2 NC	139363		03279480		8
	GRADE 5					
100	MUFFLER	139363		46651023		2
101	EXHAUST PIPE	139363	140124	82677502		2
101	EXHAUST PIPE	140530		82677225		2
102	RAINCAP	139363		82132062		2
103	CONTROL CABLE BRACKET	139363		645089-01		1
104	CONTROL CABLE	139363	140124	46324005		1
104	CONTROL CABLE	140530		46266218		1
105	BALL JOINT	139363		82571610		2
106	EMERGENCY STOP	139363		46325004		1
	CONTROL CABLE					
107	CLIP	139363		82154700		1
108	STOP SWIVEL	139363	140124	525751K1		1
108	WIRE STOP	140530		82893600		1
109	GASKET	139363		14380132		2
110	FULL NUT 3/8 NC	139363		02709150		10
111	AIR CLEANER EXTENSION	139363		643982-01		1
112	CAPSCREW 3/8X1-1/4 NC	139363		03279400		10
	GRADE 5					
113	CLAMP	139363		53271185		4
114	STRAIGHT HUMP	139363		645088-01		1
115	TUBE	139363		879410-07		1
116	STRAIGHT HUMP	139363		645088-02		1
117	AIR CLEANER-	139363		46140247		1
	SEE DRAWING 46140247 FOR COMPONENTS					
118	SUPPORT BRACKET	139363	140124	835253-01		1
118	AIR CLEANER SUPPORT	140530		839263-01		1
119	LOCKWASHER 3/8	139363		03961300		14
120	MOUNTING BAND	139363		46151451		2
121	CLAMP	139363		53271149		1
122	AIR EXTENSION	139363	140124	46669796		1
122	AIR EXTENSION	140530		46651032		1
123	RAIN CAP	139363		46151496		1
124	LOCKWASHER 1/4	139363		03961010		1
125	CAPSCREW 3/8X4-1/4 NC	139363		03329530		4
	GRADE 5					
131	ELBOW	139363		57062760		1
132	ELBOW	139363		78596320		1
133	HOSE ASSEMBLY	139363		53793731		1
134	CONNECTOR	139363		78553880		1
135	ELBOW	139363		78596310		1
136	HOSE ASSEMBLY	139363		53793732		1
137	ELBOW	139363		78596350		1





**ENGINE BASE**

**WHEN ORDERING PARTS,  
ALWAYS FURNISH MODEL,  
SERIAL NUMBER,  
DRAWING NUMBER AND  
CATALOG REFERENCE NUMBER.**

**CUMMINS V-903C-265 ENGINE EQUIPMENT-  
RADIATOR & AIR SHROUD**





# PARTS LIST

CAT REF	DESCRIPTION	SERIAL NO.		PART NO.	REPLACE OR VENDOR NO.	REQ.
		FROM	TO/INCL.			
	005 CUMMINS V-903C-265					
	ENGINE EQUIPMENT- RADIATOR & AIR SHROUD DRAWING Q168A	139363				
1	CAPSCREW 3/8X7/8 NC GRADE 5	139363		03279280		44
2	STRIP	139363		879099-05		1
3	RUBBER	139363		879099-15		1
4	AIR SHROUD	139363		879096K21		1
5	FULL NUT 3/8 NC	139363		02709150		18
6	LOCKWASHER 3/8	139363		03961300		44
7	STRIP	139363		879099-04		1
8	RUBBER	139363		879099-17		1
9	STRIP	139363		879099-08		1
10	RUBBER	139363		879099-13		1
11	AIR SHROUD DOOR	139363		643409K21		1
12	RUBBER	139363		879099-10		2
13	RUBBER	139363		879099-11		2
14	AIR SHROUD SUPPORT	139363		643408K21		1
15	FLAT WASHER 3/8	139363		03951400		13
16	STRIP	139363		879099-09		1
17	RUBBER	139363		879099-12		1
18	RUBBER	139363		879099-16		1
19	STRIP	139363		879099-06		1
20	RUBBER	139363		879099-14		1
21	STRIP	139363		879099-07		1
22	RADIATOR & OIL COOLER ASSEMBLY-SEE DRAWING 66202022 FOR COMPONENTS	139363	140084	66202022		1
22	RADIATOR & OIL COOLER ASSEMBLY-SEE DRAWING 66202031 FOR COMPONENTS	140100		66202031		1
23	GASKET	139363		50708017		4
24	UPPER RADIATOR CONNECTOR	139363	140084	628947K21		2
24	UPPER RADIATOR CONNECTOR	140100		641514K21		2
25	LOCKWASHER 3/8	139363		03961300		16
26	CAPSCREW 3/8X7/8 NC GRADE 5	139363		03279280		16
27	CLAMP	139363		53270180		4 X
28	HOSE 27 INCHES	139363		53153025		2
29	HOSE ASSEMBLY	139363		53613162		2 X
33	HOSE ASSEMBLY	139363		53625890		1
34	COVER	139363		545923K1		1
35	ELBOW	139363		20214000		2
36	NIPPLE	139363		20524900		2

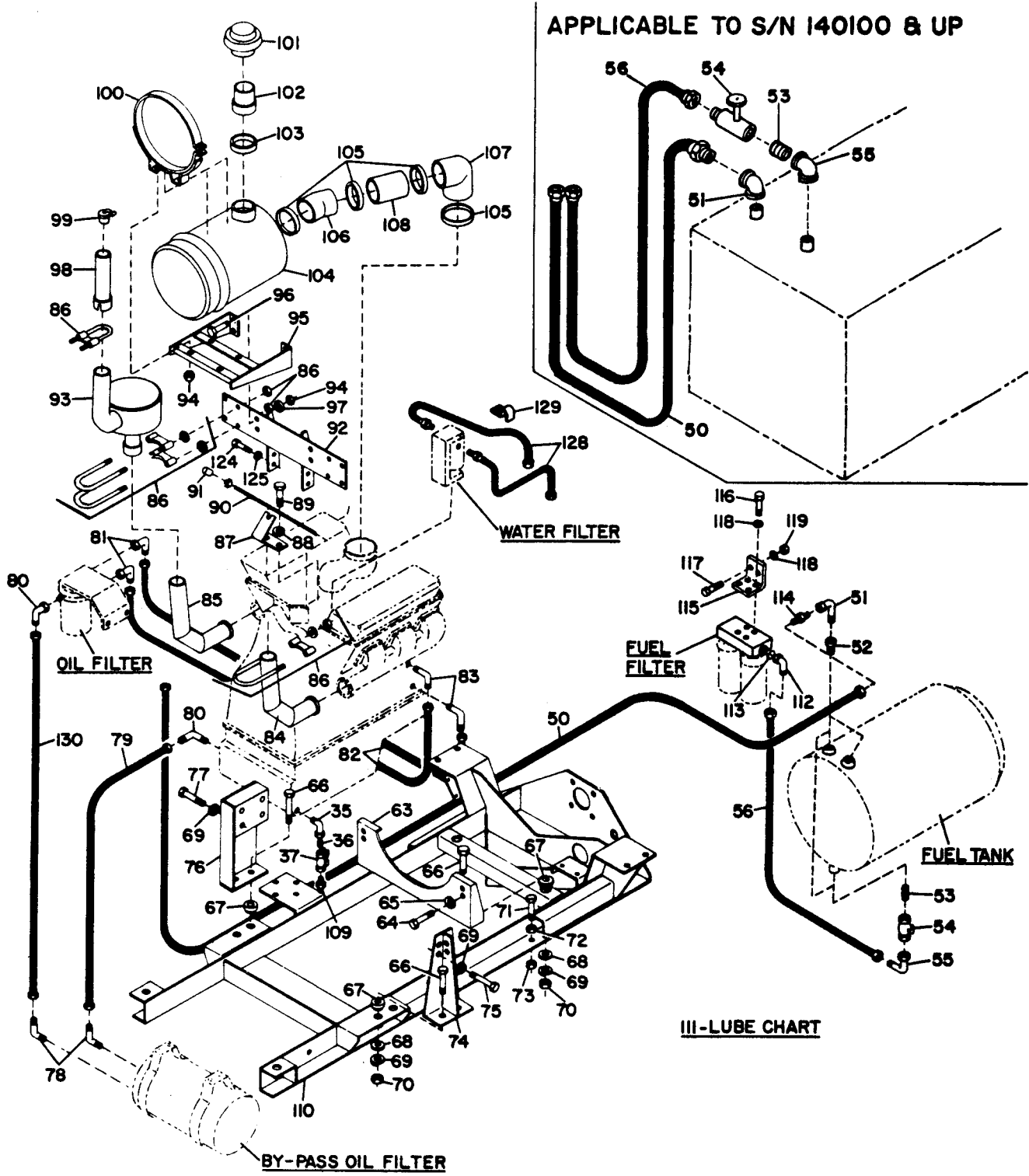
# BUCYRUS-ERIE<sup>®</sup>



## PARTS LIST

factory spec replacement parts

CAT REF	DESCRIPTION	SERIAL NO.		PART NO.	REPLACE OR VENDOR NO.	REQ.
		FROM	TO/INCL.			
	005					
37	STOP COCK	139363		79039000		2
38	CONNECTOR	139363		57120570		1
39	COPPER TUBE-SPECIFY LENGTH	139363		32356000		
40	LOWER RADIATOR	139363		640706K21		1
41	CONNECTOR CLAMP	139363		53269900		2
42	HOSE 2-3/4 INCHES	139363		53181070		1
43	RADIATOR SHROUD	139363	140084	66202002		1
43	RADIATOR SHROUD	140100		66438074		1
44	RADIATOR BRACE	139363		646355-01		2
45	LOCKWASHER 5/8	139363		03961700		2
46	CAPSCREW 5/8X1-1/4 NC	139363		03291400		2
47	GRADE 5 FULL NUT 3/4 NC	139363		02714050		4
48	LOCKWASHER 3/4	139363		03961800		2
57	CAPSCREW 5/8X2-1/2 NC	139363		03291800		2
58	GRADE 5 FLAT WASHER 5/8	139363		03951850		4
59	LOCKWASHER 5/8	139363		03961700		4
60	FULL NUT 5/8 NC	139363		02713050		4
61	CAPSCREW 5/8X3 NC	139363		03291960		2
	GRADE 5					X
120	FLAT WASHER 1/4	139363	140084	03951200		4
121	LOCKWASHER 1/4	139363	140084	03961010		4
122	CAPSCREW 1/4X1 NC	139363	140084	03273320		4
	GRADE 5					
123	FAN GUARD	139363	140084	748617-01		1
126	CAPSCREW 3/8X4 NC	139363		03279900		6
	GRADE 5					
127	LOCKWASHER 3/8	139363		03961300		6
131	FAN	140100		47109132		1
134	CAPSCREW 5/16X1 NC	140100		03276280		8
	GRADE 5					
135	LOCKWASHER 5/16	140100		03961210		8
136	PLAIN WASHER 5/16	140100		03951300		8



WHEN ORDERING PARTS,  
 ALWAYS FURNISH MODEL,  
 SERIAL NUMBER,  
 DRAWING NUMBER AND  
 CATALOG REFERENCE NUMBER.

**CUMMINS V-903C-265 ENGINE EQUIPMENT  
 MOUNTING & PIPING**

**BUCYRUS-ERIE**



**PARTS LIST**

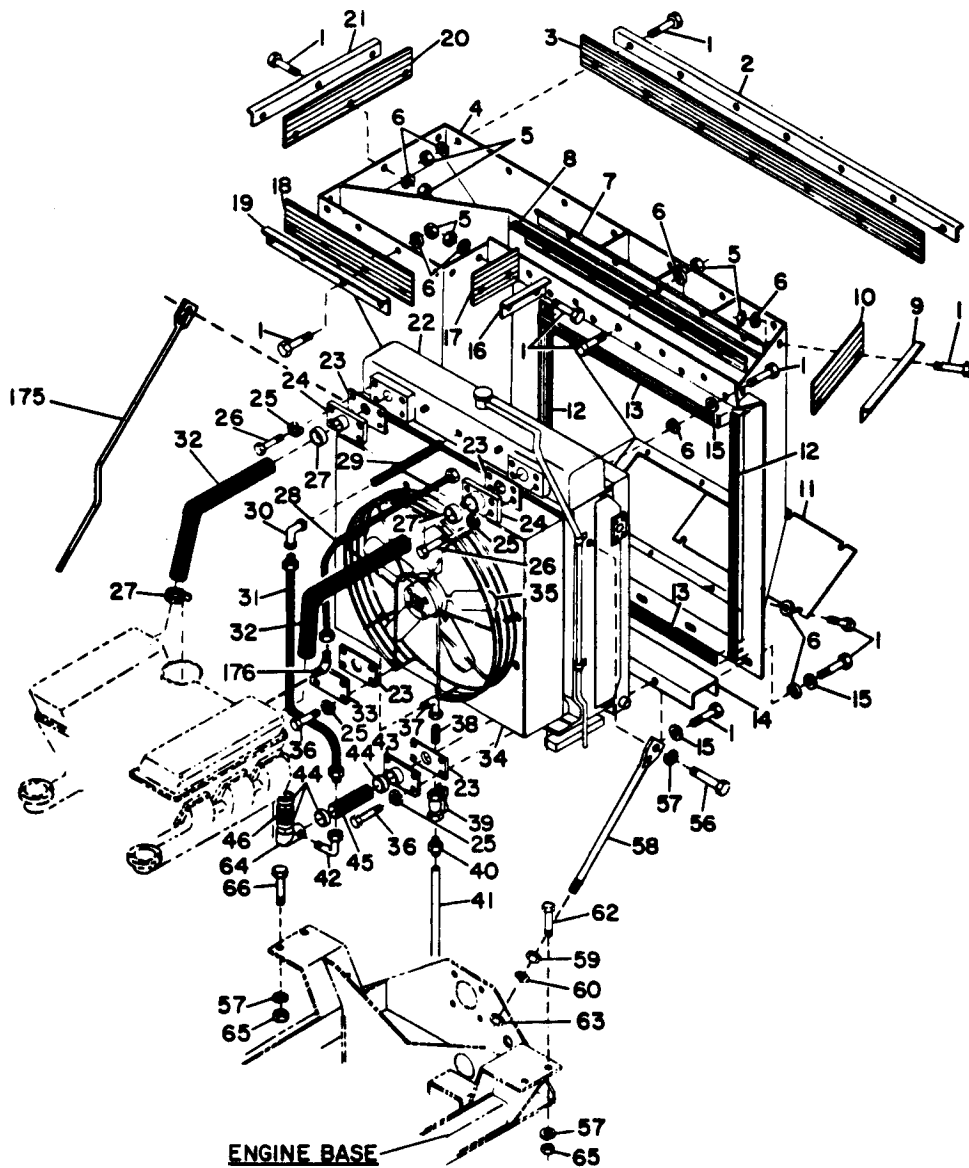
factory spec replacement parts

CAT REF	DESCRIPTION	SERIAL NO.		PART NO.	REPLACE OR VENDOR NO.	REQ.
		FROM	TO/INCL.			
	006 CUMMINS V-903C-265					
	ENGINE EQUIPMENT- MOUNTING & PIPING					
	DRAWING Q168B	139363				
50	HOSE ASSEMBLY	139363	140084	53796237		1
50	HOSE ASSEMBLY	140100		53628060		1
51	ELBOW	139363	140084	20214000		1
51	ELBOW	140100		20213500		1
52	BUSHING	139363		20017550		1
53	NIPPLE	139363		20536500		1
54	GLOBE VALVE	139363		79198000		1
55	ELBOW	139363	140084	20222250		1
55	ELBOW	140100		20221500		1
56	HOSE ASSEMBLY	139363	140084	53628053		1
56	HOSE ASSEMBLY	140100		53628039		1
63	FRONT SUPPORT	139363		741942K21		1
64	CAPSCREW 1/2X1-1/4 NC	139363		03285400		4
	GRADE 5					
65	LOCKWASHER 1/2	139363		03961500		4
66	CAPSCREW 5/8X3-1/2 NC	139363		03292120		6
	GRADE 5					
67	MOUNT	139363		82629247		6
68	WASHER	139363		521004K1		6
69	LOCKWASHER 5/8	139363		03961700		14
70	FULL NUT 5/8 NC	139363		02713050		6
71	HEX BOLT 3/4X2-3/4 NC	139363		03294880		4
	GRADE 5					
72	JAM NUT 3/4 NC	139363		02714450		4
73	FULL NUT 3/4 NC	139363		02714050		4
74	RIGHT HAND REAR SUPPORT	139363		736972K21		1
75	CAPSCREW 5/8X1-1/4 NC	139363		03291400		4
	GRADE 5					
76	LEFT HAND REAR SUPPORT	139363		736982K21		1
77	CAPSCREW 5/8X3-3/4 NC	139363		03292200		4
	GRADE 5					
78	ELBOW	139363		78956500		2
79	HOSE ASSEMBLY	139363		53628049		1
80	ELBOW	139363		20214000		2
81	ELBOW	139363		20230750		2
82	HOSE ASSEMBLY	139363		53628266		2
83	ADAPTER	139363		78554250		2
84	RIGHT HAND EXHAUST PIPE	139363		741879K21		1
85	LEFT HAND EXHAUST PIPE	139363		741878K21		1
86	CLAMP	139363		82140510		6
87	CONTROL BRACKET	139363	139372	646356-01		1



# PARTS LIST

CAT REF	DESCRIPTION	SERIAL NO.		PART NO.	REPLACE OR VENDOR NO.	REQ.
		FROM	TO/INCL.			
	006					
87	CONTROL BRACKET	139373		646675-01		1
88	LOCKWASHER 3/8	139363		03961300		2
89	CAPSCREW 3/8X1 NC	139363		03279320		2
	GRADE 5					
90	CONTROL CABLE	139363	139372	46324005		1
90	CONTROL CABLE	139373		46266218		1
91	BALL JOINT	139363	139372	82571610		2
91	BALL JOINT	139363		82571610		1
92	MUFFLER SUPPORT	139363		741877K21		1
93	MUFFLER	139363		46651003		2
94	FULL NUT 3/8 NC	139363		02709150		8
95	AIR CLEANER SUPPORT	139363	140084	645239-01		1
95	AIR CLEANER SUPPORT	140100		646645-01		1
96	CAPSCREW 3/8X1-1/4 NC	139363		03279400		8
	GRADE 5					
97	LOCKWASHER 3/8	139363		03961300		8
98	EXHAUST PIPE	139363	140084	82677502		2
98	EXHAUST PIPE	140100		82677225		1
99	RAINCAP	139363		82132062		2
100	MOUNTING BAND	139363		46151451		2
101	RAIN CAP	139363		46151496		1
102	AIR EXTENSION	139363	140084	46669796		1
102	AIR EXTENSION	140100		46651032		1
103	CLAMP	139363		53271149		1
104	AIR CLEANER-	139363		46140247		1
	SEE DRAWING 46140247 FOR COMPONENTS					
105	CLAMP	139363		53271185		4
106	ELBOW	139363		645238-01		1
107	ELBOW	139363		46163185		1
108	TUBE	139363		879483-05		1
109	BUSHING	139363		20017550		1
110	ENGINE BASE	139363	140084	879450-01		1
110	ENGINE BASE	140100		892413-01		1
111	LUBE CHART	139363		61350072		1
112	ELBOW	139363	140084	57144645		1
113	O-RING	139363	140084	68120865		1
114	CONNECTOR	139363	140084	48554090		1
115	FUEL FILTER BRACKET	139363	140084	645491-01		1
116	CAPSCREW 3/8X7/8 NC	139363	140084	03279280		4
	GRADE 5					
117	CAPSCREW 3/8X1-1/4 NC	139363	140084	03279400		2
	GRADE 5					
118	LOCKWASHER 3/8	139363	140084	03961300		6
119	FULL NUT 3/8 NC	139363	140084	02709150		2
124	CAPSCREW 3/8X1 NC	139363		03279320		4
	GRADE 5					
125	LOCKWASHER 3/8	139363		03961300		4
128	HOSE-45 INCHES	139363	140084	53020500		2
129	CLAMP	139363	140084	53268593		2
130	HOSE ASSEMBLY	139363		53628047		1



WHEN ORDERING PARTS,  
 ALWAYS FURNISH MODEL,  
 SERIAL NUMBER,  
 DRAWING NUMBER AND  
 CATALOG REFERENCE NUMBER.

GM 6V-71T ENGINE EQUIPMENT  
 RADIATOR & AIR SHROUD

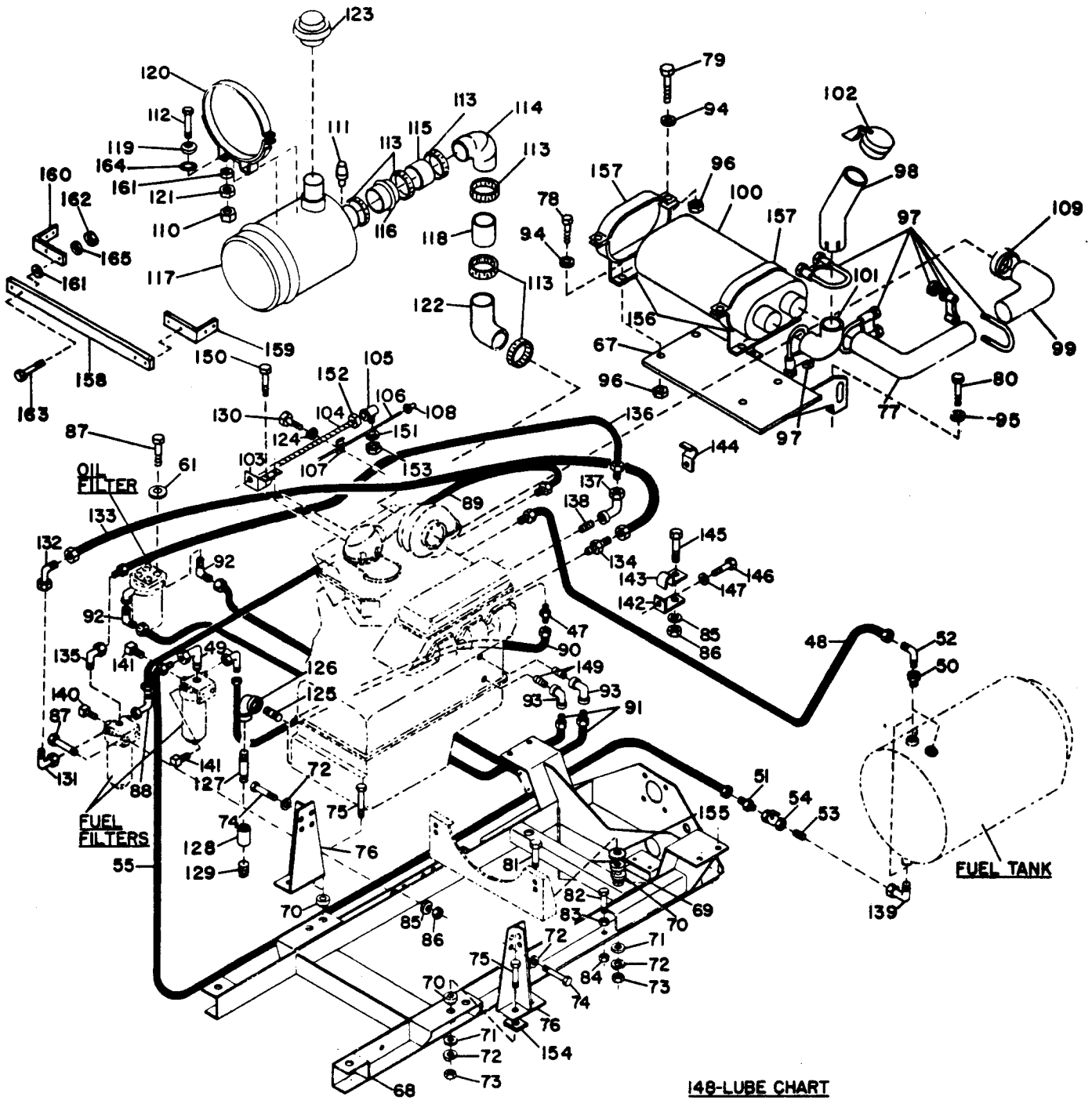
# BUCYRUS-ERIE PARTS LIST

factory spec replacement parts 

CAT REF	DESCRIPTION	SERIAL NO.		PART NO.	REPLACE OR VENDOR NO.	REQ.
		FROM	TO/INCL.			
	010 GM 6V-71T ENGINE					
	EQUIPMENT-RADIATOR & AIR SHROUD					
	DRAWING Q179A	140060				
1	CAPSCREW 3/8X7/8 NC GRADE 5	140060		03279280		44
2	STRIP	140060		879099-05		1
3	RUBBER	140060		879099-15		1
4	AIR SHROUD	140060		879096K21		1
5	FULL NUT 3/8 NC	140060		02709150		18
6	LOCKWASHER 3/8	140060		03961300		44
7	STRIP	140060		879099-04		1
8	RUBBER	140060		879099-17		1
9	STRIP	140060		879099-08		1
10	RUBBER	140060		879099-13		1
11	AIR SHROUD DOOR	140060		643409K21		1
12	RUBBER	140060		879099-10		2
13	RUBBER	140060		879099-11		2
14	AIR SHROUD SUPPORT	140060		643408K21		1
15	FLAT WASHER 3/8	140060		03951400		13
16	STRIP	140060		879099-09		1
17	RUBBER	140060		879099-12		1
18	RUBBER	140060		879099-16		1
19	STRIP	140060		879099-06		1
20	RUBBER	140060		879099-14		1
21	STRIP	140060		879099-07		1
22	RADIATOR & OIL COOLER	140060		66202031		1
	ASSEMBLY-SEE DRAWING 66202031 FOR					
	COMPONENTS					
23	GASKET	140060		50708017		4
24	UPPER RADIATOR CONNECTOR	140060		641514K21		2
25	LOCKWASHER 3/8	140060		03961300		16
26	CAPSCREW 3/8X7/8 NC GRADE 5	140060		03279280		8
27	CLAMP	140060		53270180		4
28	HOSE ASSEMBLY	140060		53612980		1 X
29	NIPPLE	140060		20557900		1
30	ELBOW	140060		20230000		1
31	HOSE ASSEMBLY	140060		53623270		1
32	HOSE 27-3/4 INCHES	140060		552921-01		2
33	COVER	140060		545923K1		1
34	RADIATOR SHROUD & FAN GUARD	140060		66438073		1
35	COOLING FAN	140060		47109133		1
36	CAPSCREW 3/8X1 NC GRADE 5	140060		03279320		8
37	ELBOW	140060		20214000		1







WHEN ORDERING PARTS,  
 ALWAYS FURNISH MODEL,  
 SERIAL NUMBER,  
 DRAWING NUMBER AND  
 CATALOG REFERENCE NUMBER.

GM6V-7IT ENGINE EQUIPMENT  
 MOUNTING & PIPING

# BUCYRUS-ERIE PARTS LIST

factory spec replacement parts 

CAT REF	DESCRIPTION	SERIAL NO.		PART NO.	REPLACE OR VENDOR NO.	REQ.
		FROM	TO/INCL.			
	011 GM 6V-71T ENGINE					
	EQUIPMENT-MOUNTING & PIPING					
	DRAWING Q179B	140060				
47	CONNECTOR	140060		78560490		1
48	HOSE ASSEMBLY	140060		53796455		1
49	ELBOW	140060		78597320		2
50	BUSHING	140060		20017550		1
51	CONNECTOR	140060		78553920		1
52	ELBOW	140060	140124	20214000		1
52	ELBOW	140530		20213500		1
53	NIPPLE	140060		20536000		1
54	GLOBE VALVE	140060		79198000		1
55	HOSE ASSEMBLY	140060	140124	53787126		1
55	HOSE ASSEMBLY	140530		53795804		1
61	FLAT WASHER 3/4	140060		03951900		4
67	MUFFLER CLAMP SUPPORT	140060		748798-01		1
68	ENGINE BASE	140060	140124	892412-01		1
68	ENGINE BASE	140530		879424-01		1
69	SPACER	140060		548158K1		2
70	MOUNT	140060		82629247		6
71	WASHER	140060		521004K1		6
72	LOCKWASHER 5/8	140060		03961700		14
73	FULL NUT 5/8 NC	140060		02713050		6
74	CAPSCREW 5/8X1-3/4 NC	140060		03291560		8
75	GRADE 5 CAPSCREW 5/8X3-1/4 NC	140060		03292040		4
76	GRADE 5 FLYWHEEL HOUSING	140060		628894K21		2
77	SUPPORT EXHAUST ELBOW	140060		646828-01		1
78	CAPSCREW 3/8X1 NC GRADE 5	140060		03279320		4
79	CAPSCREW 3/8X2 NC GRADE 5	140060		03279640		4
80	CAPSCREW 7/16X1 NC GRADE 5	140060		03282320		4
81	CAPSCREW 5/8X5 NC GRADE 5	140060		03292600		2
82	CAPSCREW 3/4X2-3/4 NC GRADE 5	140060		03294880		4
83	JAM NUT 3/4 NC	140060		02714450		4
84	FULL NUT 3/4 NC	140060		02714050		4
85	LOCKWASHER 3/8	140060		03961300		9
86	FULL NUT 3/8 NC	140060		02709150		9
87	CAPSCREW 3/8X1-1/4 NC GRADE 5	140060		03279400		8
88	ELBOW	140060		57063010		1
89	HOSE ASSEMBLY	140060		53627317		1

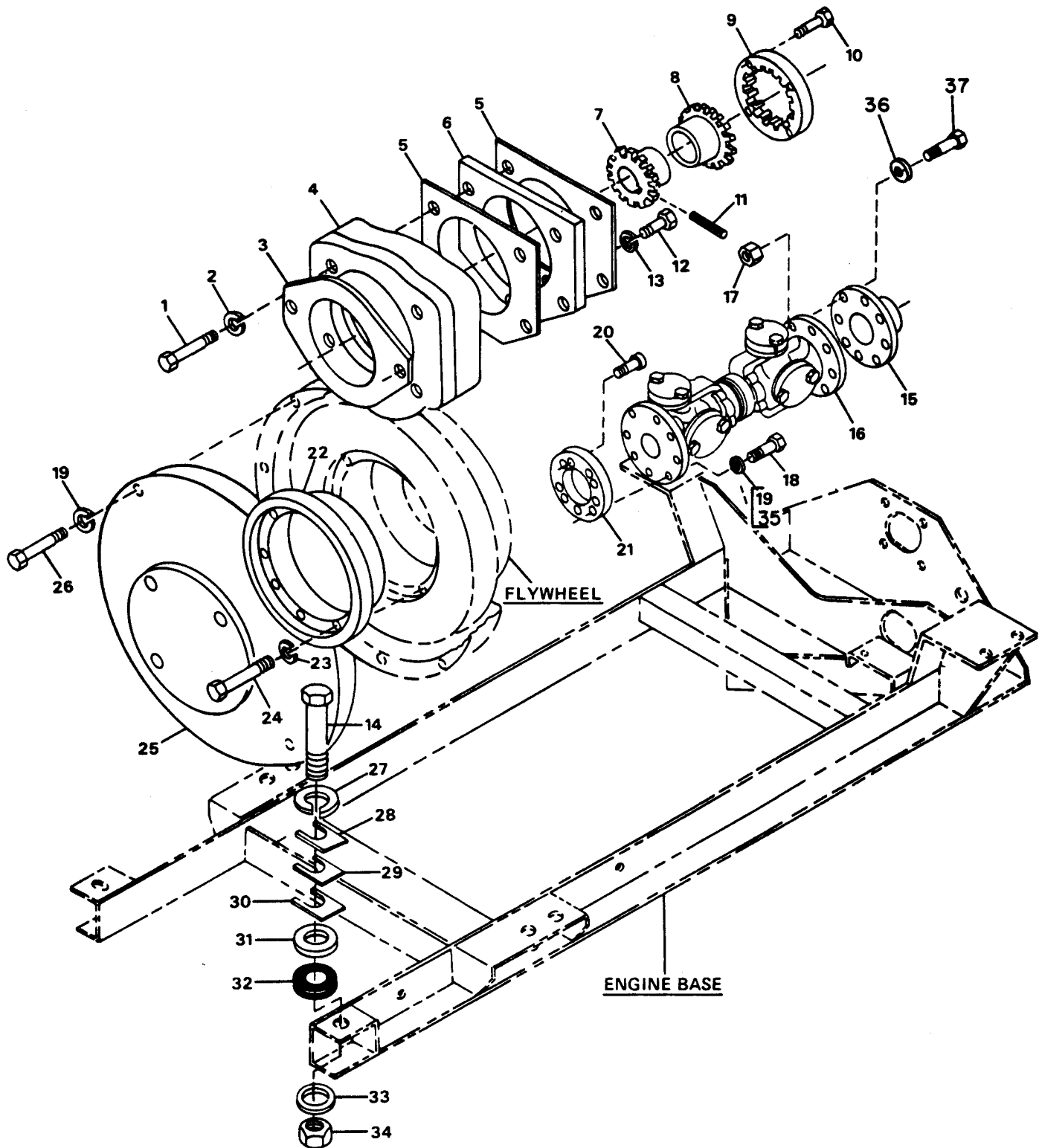
# BUCYRUS-ERIE® PARTS LIST

factory spec replacement parts



CAT REF	DESCRIPTION	SERIAL NO.		PART NO.	REPLACE OR VENDOR NO.	REQ.
		FROM	TO/INCL.			
	011					
90	HOSE ASSEMBLY	140060		53787127		1
91	HOSE ASSEMBLY	140060		53628389		2
92	TUBE ELBOW	140060		78597730		2
93	PIPE ELBOW	140060		20237750		2 X
94	LOCKWASHER 3/8	140060		03961300		8
95	LOCKWASHER 7/16	140060		03961410		4
96	FULL NUT 3/8	140060		02709150		8
97	CLAMP	140060		82140600		4
98	ELBOW	140060		20287271		1
99	EXHAUST ELBOW	140060		748793-01		1
100	MUFFLER	140060		46653365		1
101	EXHAUST ELBOW	140060		20278265		1 X
102	RAINCAP	140060		82132059		1
103	CONTROL CABLE BRACKET	140060		839272-01		1
104	GOVERNOR CONTROL	140060		46266218		1
	CABLE					
105	BALL JOINT	140060		82571610		1
106	EMERGENCY STOP CONTROL CABLE	140060		46325004		1
107	CLIP	140060		82154700		1
108	STOP SWIVEL	140060		82893600		1
109	COUPLING	140060		53270013		1
110	FULL NUT 7/16 NC	140060		02710050		4 y
111	AIR CLEANER INDICATOR	140060		46151959		1
112	CAPSCREW 7/16X1-3/4NC	140060		03282560		4
	GRADE 5					
113	CLAMP	140060		53271324		6
114	AIR INLET ELBOW	140060		46163187		1
115	AIR INLET TUBE	140060		552919-02		1
116	STRAIGHT HUMP	140060		46163199		1
117	AIR CLEANER-SEE DRAWING 46140229 FOR COMPONENTS	140060		46140229		1
	DRAWING 46140229 FOR COMPONENTS					
118	TUBE	140060		552919-01		1
119	FLAT WASHER 7/16	140060		03951500		4
120	MOUNTING BAND	140060		46151452		2
121	JAM NUT 7/16 NC	140060		02710150		4
122	REDUCING ELBOW	140060		82242730		1
123	AIR INLET HOOD	140060		46151506		1
124	LOCKWASHER 1/4	140060		03961010		1
125	NIPPLE	140060		20546900		1
126	ELBOW	140060		20298000		1
127	NIPPLE	140060		20538300		1
128	COUPLING	140060		20111930		1
129	PIPE PLUG	140060		20766620		1
130	CAPSCREW 1/4X1/2 NF GRADE 2	140060		03173160		1
131	ELBOW	140060		57062760		1
132	ELBOW	140060		78596320		1
133	HOSE ASSEMBLY	140060		53793731		1
134	CONNECTOR	140060		78553880		1





WHEN ORDERING PARTS,  
 ALWAYS FURNISH MODEL,  
 SERIAL NUMBER,  
 DRAWING NUMBER AND  
 CATALOG REFERENCE NUMBER.

FOR LEGEND  
 SEE REVERSE SIDE

**BUCYRUS-ERIE**<sup>®</sup>

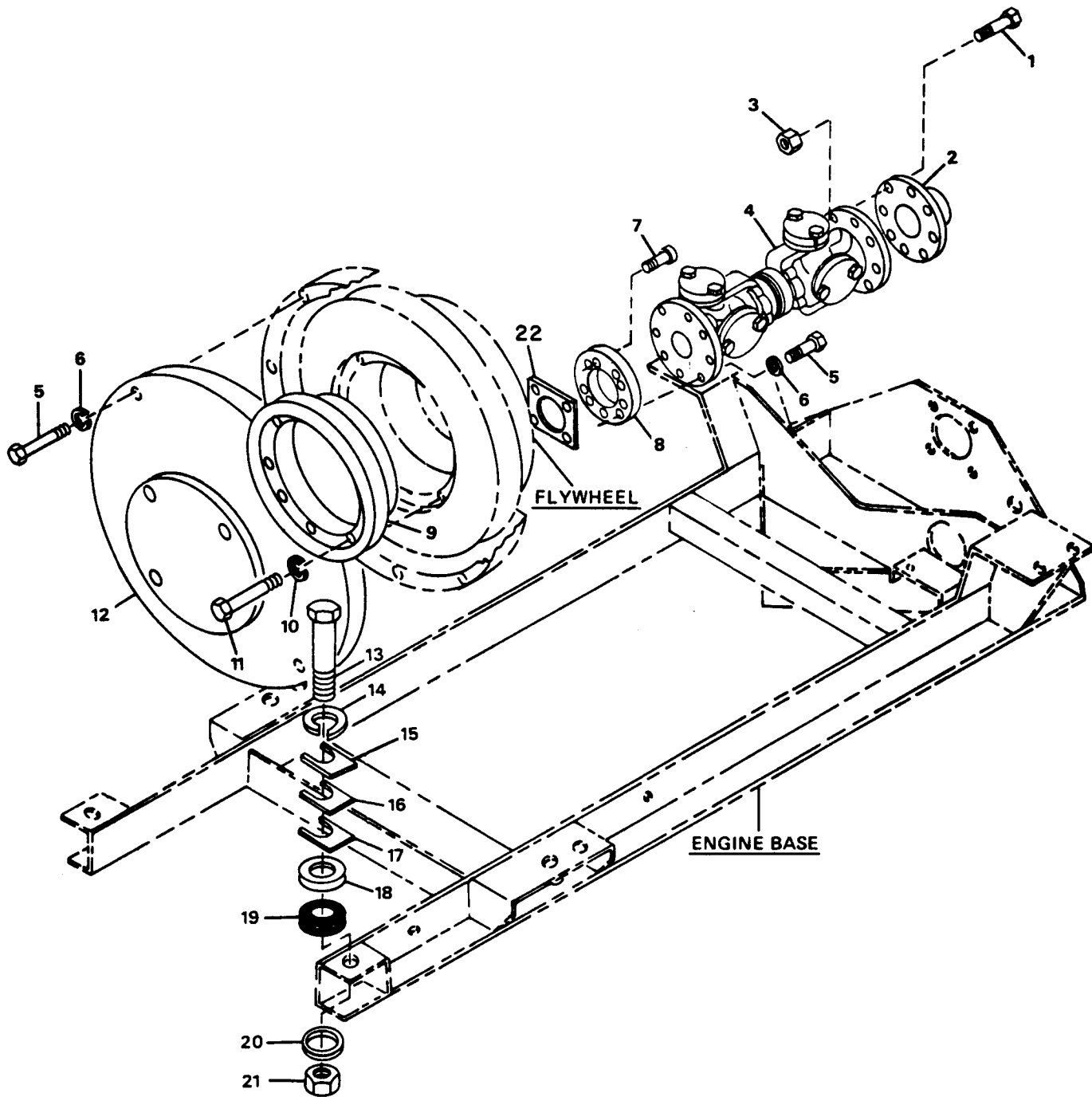
factory spec replacement parts



**PARTS LIST**

CAT REF	DESCRIPTION	SERIAL NO.		PART NO.	REPLACE OR VENDOR NO.	REQ.
		FROM	TO/INCL.			
	001 TRANSMISSION FOR GM ENGINE DRAWING QR151	139363				
1	CAPSCREW 1/2X1-1/2 NC GRADE 5	139363		03285480		6
2	LOCKWASHER 1/2	139363		03961500		6 X
3	GASKET	139363		14380281		1
4	ADAPTER	139363		14380282		1
5	GASKET	139363		14380038		2
6	SPACER	139363		638102K1		1
7	SPROCKET	139363		14380284		1
8	COUPLING	139363		14380286		1
9	DISC	139363		14381560		1
10	BOLT	139363		14380295		4
11	SPRING PIN	139363		82669730		1
12	CAPSCREW 7/16X1-1/2NC GRADE 5	139363		03282480		1
13	LOCKWASHER 7/16	139363		03961410		1
14	CAPSCREW 5/8X4-1/2 NC GRADE 5	139363		03292440		2
15	COMPANION FLANGE	139363		82282152		1
16	U-JOINT-SEE DRAWING 46810767 FOR COMPONENTS	139363		46810767		1
17	LOCKNUT C 1/2 NC	139363		02786425		4
18	CAPSCREW 7/16X3/4 NC GRADE 5	139363	140084	03282245		4
18	BOLT	140100		516988-26		4
19	LOCKWASHER 7/16	139363	140084	03961410		16
19	LOCKWASHER 7/16	140100		03961410		12
20	CAPSCREW 3/8X7/8 NC	139363	140084	03480722		6
20	CADMIUM PLATED CAPSCREW 3/8X7/8 NC	140100		03480722		5 X
21	CADMIUM PLATED CRANKSHAFT ADAPTER	139363	140084	545912K1		1
21	CRANKSHAFT ADAPTER	140100		552719-01		1
22	SPACER	139363		638430K1		1
23	LOCKWASHER 3/8	139363		03961300		8
24	CAPSCREW 3/8X2-1/2 NC GRADE 5	139363		03279720		8
25	PUMP MOUNTING ADAPTER SEE DRAWING 64789902 FOR COMPONENTS	139363		64789902		1
26	CAPSCREW 7/16X1-1/2NC GRADE 5	139363		03282480		12
27	LOCKWASHER 5/8	139363		03961700		2
28	SHIM .104	139363		518333-03		2
29	SHIM .059	139363		518333-02		2
30	SHIM .029	139363		518333-01		2

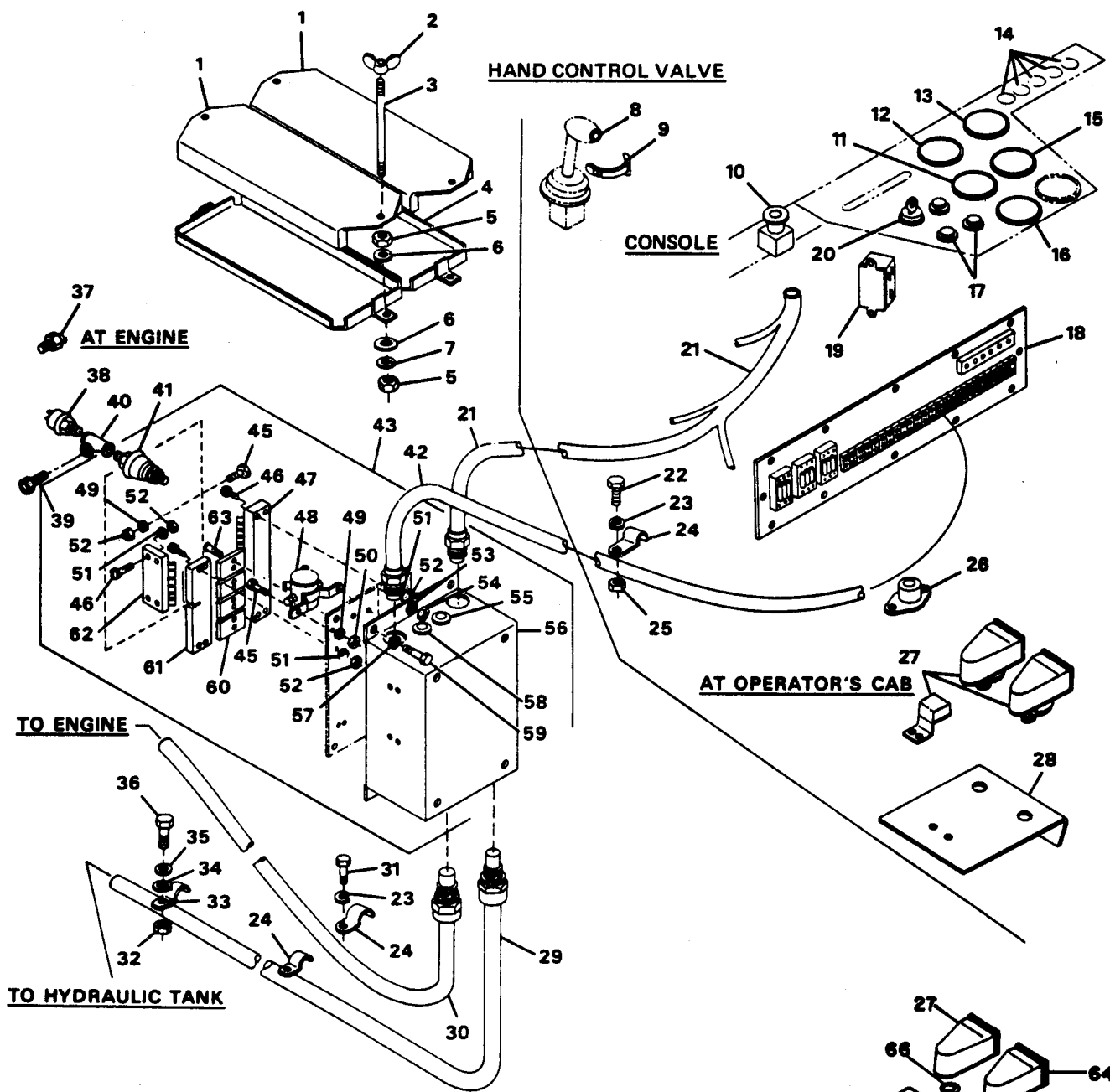




WHEN ORDERING PARTS,  
ALWAYS FURNISH MODEL,  
SERIAL NUMBER,  
DRAWING NUMBER AND  
CATALOG REFERENCE NUMBER.







WHEN ORDERING PARTS,  
 ALWAYS FURNISH MODEL,  
 SERIAL NUMBER,  
 DRAWING NUMBER AND  
 CATALOG REFERENCE NUMBER.

APPLICABLE TO S/N 140530 & UP

**BUCYRUS-ERIE**<sup>®</sup>



**PARTS LIST**

factory spec replacement parts

CAT REF	DESCRIPTION	SERIAL NO.		PART NO.	REPLACE OR VENDOR NO.	REQ.
		FROM	TO/INCL.			
	001 ELECTRIC STARTING FOR GM ENGINE DRAWING QZ133	139363				
1	BATTERY COVER	139363		619367K21		2
2	WING NUT 3/8 NC	139363		02790200		4
3	THREADED ROD	139363		82044720		4
4	BATTERY SUPPORT	139363		619366K21		2
5	FULL NUT 3/8 NC	139363		02709150		8
6	FLAT WASHER 3/8	139363		03951400		8
7	LOCKWASHER 3/8	139363		03961300		4
8	SWITCH-HORN OR HOIST	139363		12769120		2
9	CABLE TIE	139363		17448525		2
10	AIR DUMP SWITCH	139363		17433402		1
11	OIL PRESSURE GAUGE-DASH UNIT	139363	140124	82317644	82317288	1DX
11	OIL PRESSURE GAUGE-DASH	140530		82317288		1 X X
12	HOURLMETER	139363		46577067		1
13	FUEL GAUGE-DASH UNIT	139363	140124	82317642		1 X
13	FUEL GAUGE-DASH UNIT	140530		82302781		1 X
14	INDICATOR LIGHTS	139363		17317609		5
15	WATER TEMPERATURE GAUGE-DASH UNIT	139363	140124	82317641		1 X
15	WATER TEMPERATURE GAUGE-DASH UNIT	140530		82317282		1 X X
16	VOLTMETER	139363		46574371		1
17	STARTER SWITCH	139363		46859658		2
18	CONSOLE COVER STRIP	139363		744579-01		1
19	WARNING BUZZER	139363		17029626		1
20	IGNITION SWITCH	139363		46859259		1
21	WIRING HARNESS-OPERATORS CONSOLE	139363		16412270		1
22	CAPSCREW 3/8X1 NC GRADE 5	139363		03279320		2
23	LOCKWASHER 3/8	139363		03961300		9
24	CLAMP	139363		53268596		21
25	FULL NUT 3/8 NC	139363		02709150		2
26	SWING BRAKE SWITCH	139363		46859691		1
27	HORN ASSEMBLY	139363	140124	17272110		1A
	NOTE-WHEN STOCK OF 17272110 IS DEPLETED USE FOLLOWING PARTS					
	HORN			17270248		1
	64 HORN			17270251		1
	65 RELAY			12576255		1
	66 NUT			17270249		2
	TERMINAL			17443806		2

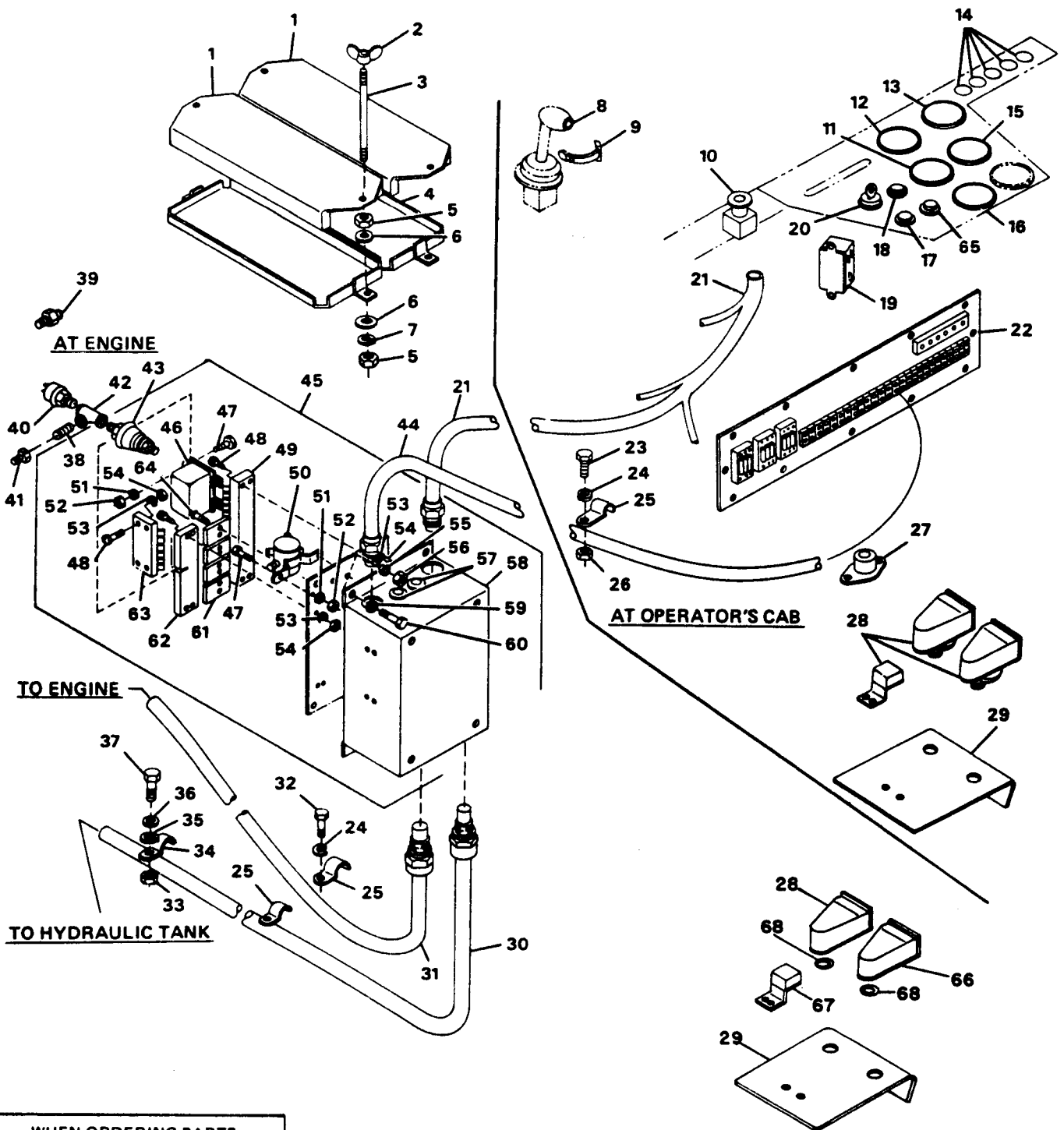
**BUCYRUS-ERIE**



**PARTS LIST**

factory spec replacement parts

CAT REF	DESCRIPTION	SERIAL NO.		PART NO.	REPLACE OR VENDOR NO.	REQ.
		FROM	TO/INCL.			
	001					
27	HORN	140530		17270248		1
28	HORN BRACKET	139363		643401K1		1
29	WIRING HARNESS-	139363		16412268		1
	HYDRAULIC RESERVOIR					
30	WIRING HARNESS-ENGINE	139363		16412265		1
31	CAPSCREW 3/8X5/8 NC GRADE 5	139363		03279200		7
32	FULL NUT 1/4 NC	139363		02707150		4
33	CLAMP	139363		82140020		1
34	CLAMP	139363		53268596		17
35	FLAT WASHER 1/4	139363		03951200		1
36	CAPSCREW 1/4X1 NC GRADE 2	139363		03173320		5
37	WATER TEMPERATURE GAUGE-ENGINE UNIT	139363	140124	82317571		1 X X
37	WATER TEMPERATURE GAUGE-ENGINE UNIT	140530		82317281		1 X X
38	OIL PRESSURE GAUGE- ENGINE UNIT	139363		82317643		1
39	BUSHING	139363		20018350		1
41	OIL PRESSURE SWITCH	139363		46821340		1
42	WIRING HARNESS- OPERATORS CONSOLE	139363		16412269		1
43	ELECTRICAL ENCLOSURE ASSEMBLY-INCLUDES	139363		835285-01		1
	ITEMS 45 THRU 63					X
45	SCREW 1/4X1/2 NF GRADE 2	139363		03223160		6
46	SCREW #10-32X5/8 NF	139363		03666110		12
47	TERMINAL BLOCK- 17 POST	139363		17058502		1
48	MAGNETIC SWITCH	139363		46859451		2
49	LOCKWASHER 1/4	139363		03961010		6
50	FULL NUT 1/4 NF	139363		02738550		6
51	LOCKWASHER #10	139363		03960900		12
52	NUT #10-32-CADMIUM PLATED	139363		02737570		12
53	LOCKWASHER #10	139363		03960610		8
54	NUT #8-32 NC-CADMIUM PLATED	139363		02704070		8
55	STARTER SWITCH	139363		46859658		1
56	ELECTRICAL ENCLOSURE	139363		835266-02		1
57	LOCKWASHER 1/4	139363		03961010		4
58	PUSH SWITCH	139363		46858365		1
59	CAPSCREW 1/4X1/2 NC GRADE 2	139363		03173160		4
60	FUSE BLOCK	139363		17056082		4
61	TERMINAL BLOCK-14 POST	139363		17058503		1
62	TERMINAL BLOCK-9 POST	139363		17059005		1
63	SCREW #8-32X1/2 NC	139363		03612090		8
64	HORN	140530		17270251		1
65	RELAY	140530		12576255		1
66	NUT	140530		17270249		2



WHEN ORDERING PARTS,  
ALWAYS FURNISH MODEL,  
SERIAL NUMBER,  
DRAWING NUMBER AND  
CATALOG REFERENCE NUMBER.

APPLICABLE TO S/N 140530 & UP

**ELECTRIC STARTING FOR CUMMINS  
ENGINE**

**BUCYRUS-ERIE**



**PARTS LIST**

factory spec replacement parts

CAT REF	DESCRIPTION	SERIAL NO.		PART NO.	REPLACE OR VENDOR NO.	REQ.
		FROM	TO/INCL.			
	005 ELECTRIC STARTING FOR CUMMINS ENGINE DRAWING QZ134	139363				
1	BATTERY COVER	139363		619367K21		2
2	WING NUT 3/8 NC	139363		02790200		4
3	THREADED ROD	139363		82044720		4
4	BATTERY SUPPORT	139363		619366K21		2
5	FULL NUT 3/8 NC	139363		02709150		8
6	FLAT WASHER 3/8	139363		03951400		6
7	LOCKWASHER 3/8	139363		03961300		4
8	SWITCH-HORN OR HOIST	139363		12769120		2
9	CABLE TIE	139363		17448525		3
10	AIR DUMP SWITCH	139363		17433402		1
11	OIL PRESSURE GAUGE-DASH UNIT	139363	140124	82317644	82317288	1DX
11	OIL PRESSURE GAUGE-DASH	140530		82317288		1 X X
12	HOURMETER	139363		46577067		1
13	FUEL GAUGE-DASH UNIT	139363	140124	82317642		1 X
13	FUEL GAUGE-DASH UNIT	140530		82302781		1 X
14	INDICATOR LIGHTS	139363		17317609		5
15	WATER TEMPERATURE GAUGE-DASH UNIT	139363		82317641		1 X
15	WATER TEMPERATURE GAUGE-DASH UNIT	140530		82317282		1 X X
16	VOLTMETER	139363		46574371		1
17	STARTER SWITCH	139363		46859658		2
18	BUTTON PLUG	139363		17392808		1
19	WARNING BUZZER	139363		17029626		1
20	IGNITION SWITCH	139363		46859259		1
21	WIRING HARNESS-	139363		16412270		1
22	OPERATORS CONSOLE CONSOLE COVER STRIP	139363		744579-01		1
23	CAPSCREW 3/8X1 NC GRADE 5	139363		03279320		2
24	LOCKWASHER 3/8	139363		03961300		9
25	CLAMP	139363		53268596		20
26	FULL NUT 3/8 NC	139363		02709150		2
27	SWING BRAKE SWITCH	139363		46859691		1
28	HORN ASSEMBLY	139363	140124	17272110		1A
NOTE-WHEN STOCK OF 17272110 IS DEPLETED USE FOLLOWING PARTS						
	HORN			17270248		1
	66 HORN			17270251		1
	67 RELAY			2576255		1
	68 NUT			17270249		2
	TERMINAL			17443806		2

**BUCYRUS-ERIE**<sup>®</sup>



BUCYRUS-ERIE

**PARTS LIST**

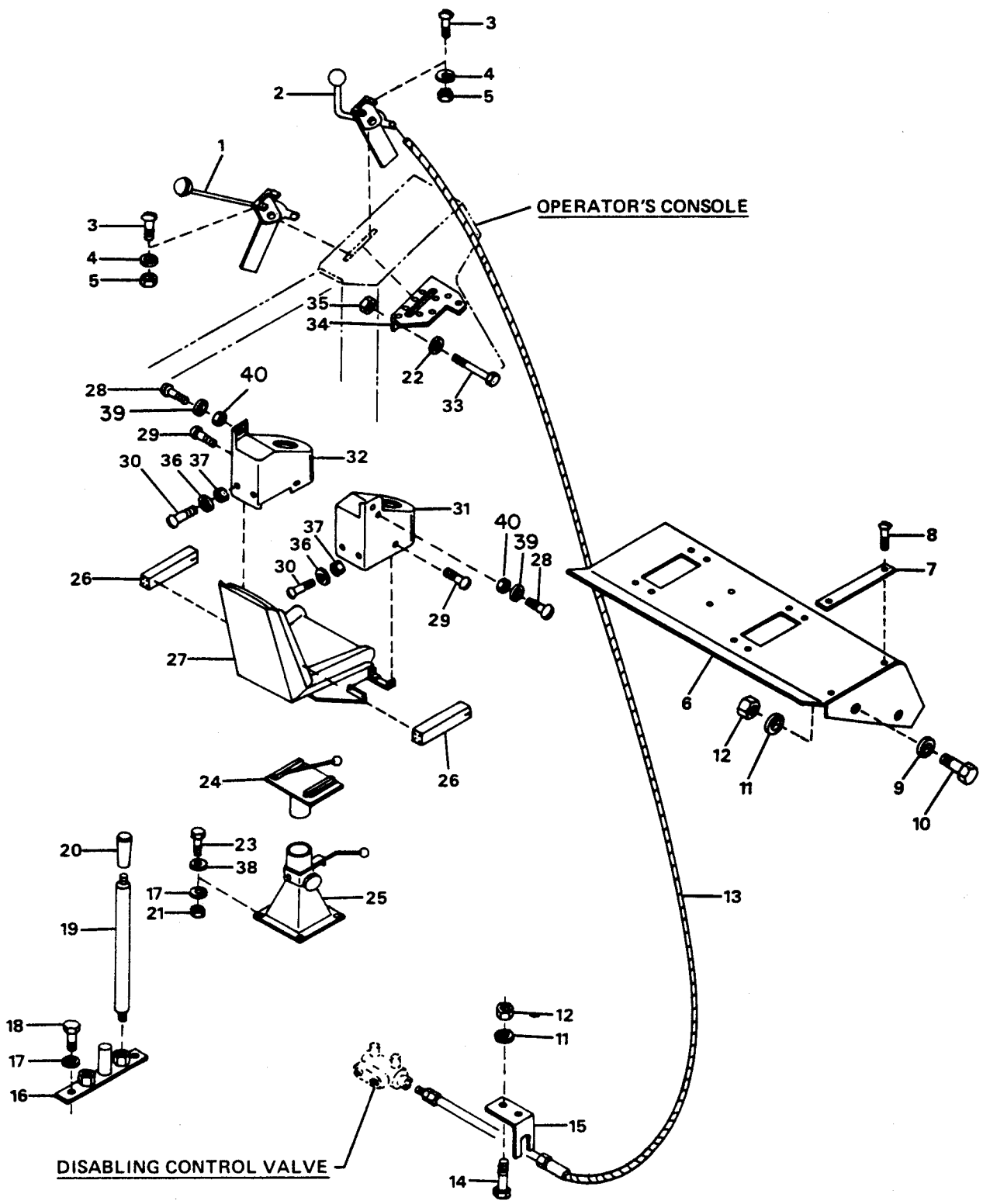
factory spec replacement parts



CAT REF	DESCRIPTION	SERIAL NO.		PART NO.	REPLACE OR VENDOR NO.	REQ.
		FROM	TO/INCL.			
28	005 HORN	140530		17270248		1
29	HORN BRACKET	139363		643401K1		1
30	WIRING HARNESS-	139363		16412268		1
31	HYDRAULIC RESERVOIR WIRING HARNESS-ENGINE	139363		16412265		1
32	CAPSCREW 3/8X5/8 NC GRADE 5	139363		03279200		7
33	FULL NUT 1/4 NC	139363		02707150		4
34	CLAMP	139363		82140020		1
35	LOCKWASHER 1/4	139363		03961010		5
36	FLAT WASHER 1/4	139363		03951200		1
37	CAPSCREW 1/4X1 NC GRADE 2	139363		03173320		5
38	NIPPLE	139363		20501420		1
39	WATER TEMPERATURE GAUGE-ENGINE UNIT	139363	140124	82317571		1 X
39	WATER TEMPERATURE GAUGE-ENGINE UNIT	140530		82317281		1 X
40	OIL PRESSURE GAUGE-ENGINE UNIT	139363		82317643		1 X
41	BUSHING	139363		20015340		1
42	TEE	139363		20810350		1
43	OIL PRESSURE SWITCH	139363		46821340		1
44	WIRING HARNESS-OPERATORS CONSOLE	139363		16412269		1
45	ELECTRICAL ENCLOSURE ASSEMBLY-INCLUDES	139363		835285-01		1
46	ITEMS 46 THRU 64 RELAY	139363		12576254		2 X
47	SCREW 1/4X1/2 NF GRADE 2	139363		03223160		6
48	SCREW #10-32X5/8 NF	139363		03666110		12
49	TERMINAL BLOCK	139363		17058502		1
50	MAGNETIC SWITCH	139363		46859451		1
51	LOCKWASHER 1/4	139363		03961010		6
52	FULL NUT 1/4 NF	139363		02738550		6
53	LOCKWASHER 10	139363		03960900		12
54	NUT #10-32 NC-CADMIUM PLATED	139363		02737570		12
55	LOCKWASHER #8	139363		03960610		8
56	NUT #8-32 NC-CADMIUM PLATED	139363		02704070		8
57	STARTER SWITCH	139363		46859658		2
58	ELECTRICAL ENCLOSURE	139363		835266-01		1
59	LOCKWASHER 1/4	139363		03961010		4
60	CAPSCREW 1/4X1/2 NC GRADE 2	139363		03173160		4
61	FUSE BLOCK	139363		17056082		4
62	TERMINAL BLOCK-14 POST	139363		17058503		1
63	TERMINAL BLOCK-9 POST	139363		17059005		1







WHEN ORDERING PARTS,  
 ALWAYS FURNISH MODEL,  
 SERIAL NUMBER,  
 DRAWING NUMBER AND  
 CATALOG REFERENCE NUMBER.

**BUCYRUS-ERIE**

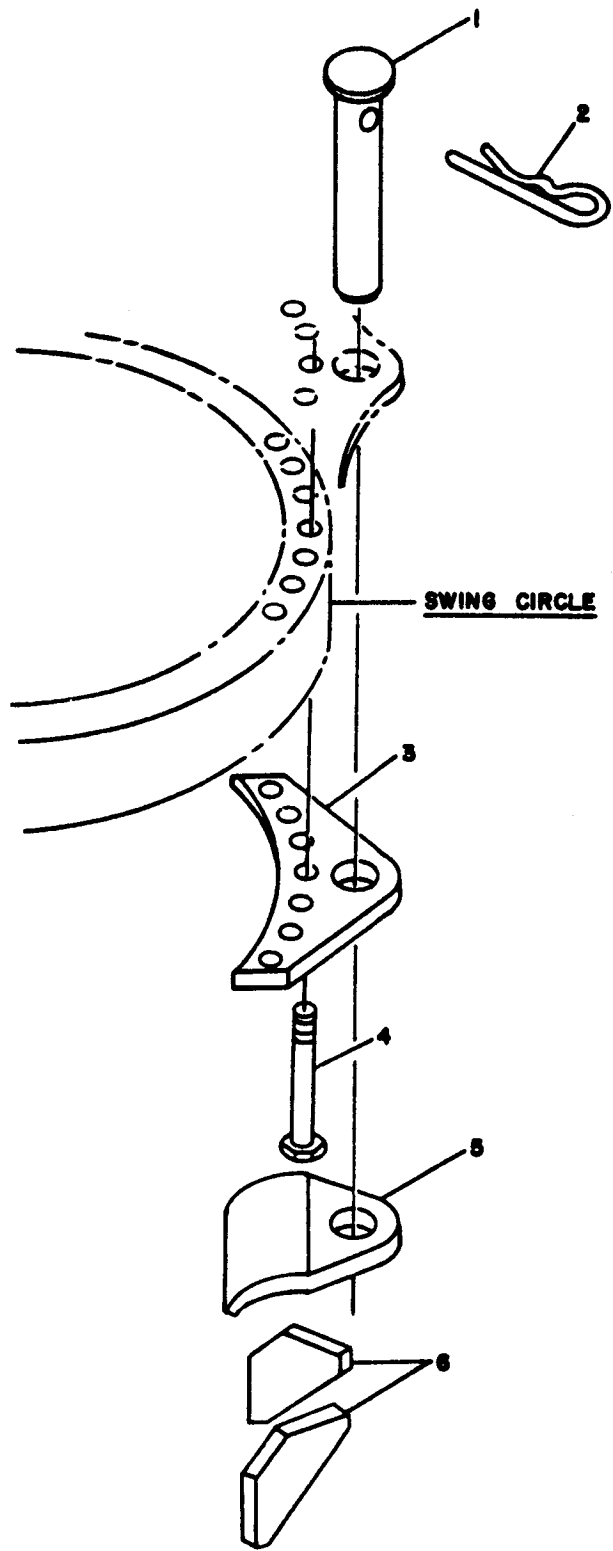


**PARTS LIST**

factory spec replacement parts

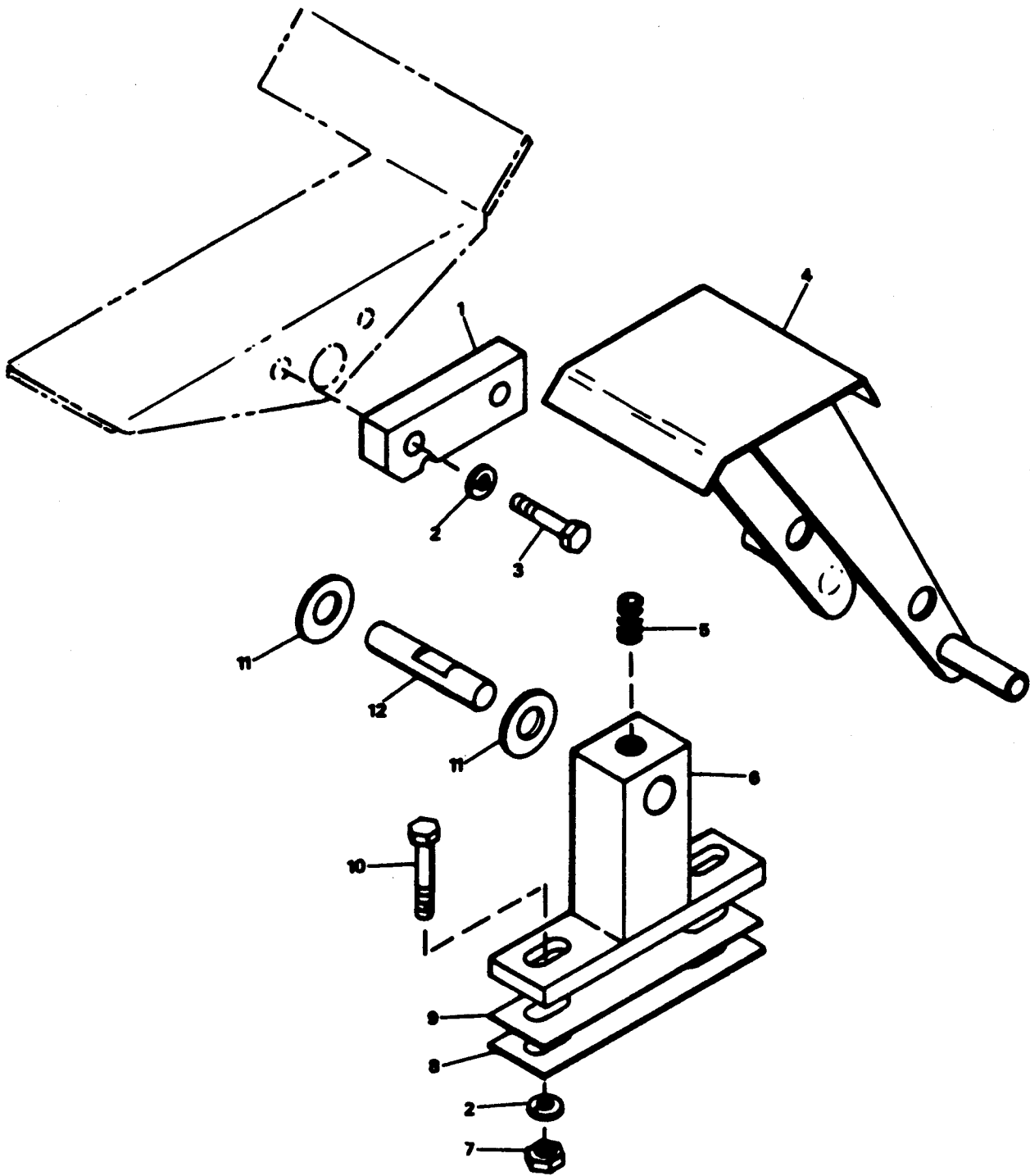
CAT REF	DESCRIPTION	SERIAL NO.		PART NO.	REPLACE OR VENDOR NO.	REQ.
		FROM	TO/INCL.			
	001 OPERATING LEVERS					
	DRAWING S176	139363				
1	THROTTLE CONTROL	139363		82165602		1
2	DISABLE CONTROL	139363		82165603		1
3	PAN MACHINE SCREW	139363		03642190		4
	10-24X1/2 NC-CADMIUM PLATED					
4	LOCKWASHER 10 CADMIUM PLATED	139363		03960770		4
5	NUT #10-24 NC-CADMIUM PLATED	139363		02705150		4
6	PROPEL CONTROL CONSOLE	139363		879012K21		1
7	STRIP	139363		548832K1		1
8	SELF-FORMING SCREW 7X3/8	139363		03896075		2
9	FLAT WASHER 1/4 CADMIUM PLATED	139363		03951220		4
10	CAPSCREW 1/4X1 NC GRADE 5 CADMIUM PLATED	139363		03273325		4
11	LOCKWASHER 1/4 CADMIUM PLATED	139363		03961011		6
12	FULL NUT 1/4 NC CADMIUM PLATED	139363		02707230		6
13	DISABLE CABLE	139363		46250024		1
14	CAPSCREW 1/4X3/4 NC GRADE 5 CADMIUM PLATED	139363		03273245		2
15	CABLE BRACKET	139363		548857K1	553260-01	1D
16	LATCH TOOL MOUNTING PLATE	139363		743717K21		1
17	LOCKWASHER 3/8 CADMIUM PLATED	139363		03961302		6
18	CAPSCREW 3/8X1/2 NC GRADE 2 CADMIUM PLATED	139363		03179190		2
19	FOOT PEDAL LEVER	139363		643130K1		2
20	TAPERED HANDLE	139363		82482755		2
21	FULL NUT 3/8 NC CADMIUM PLATED	139363		02709400		4
22	FLAT WASHER 3/8 CADMIUM PLATED	139363		03951400		3 X
23	CAPSCREW 3/8X1-1/4 NC GRADE 2 CADMIUM PLATED	139363		03179410		4
24	PLATE WITH ADJUSTERS	139363		82688550		1
25	SEAT PEDESTAL	139363	139744	82646302	82646299	1D
25	SEAT PEDESTAL	139817		82646299		1





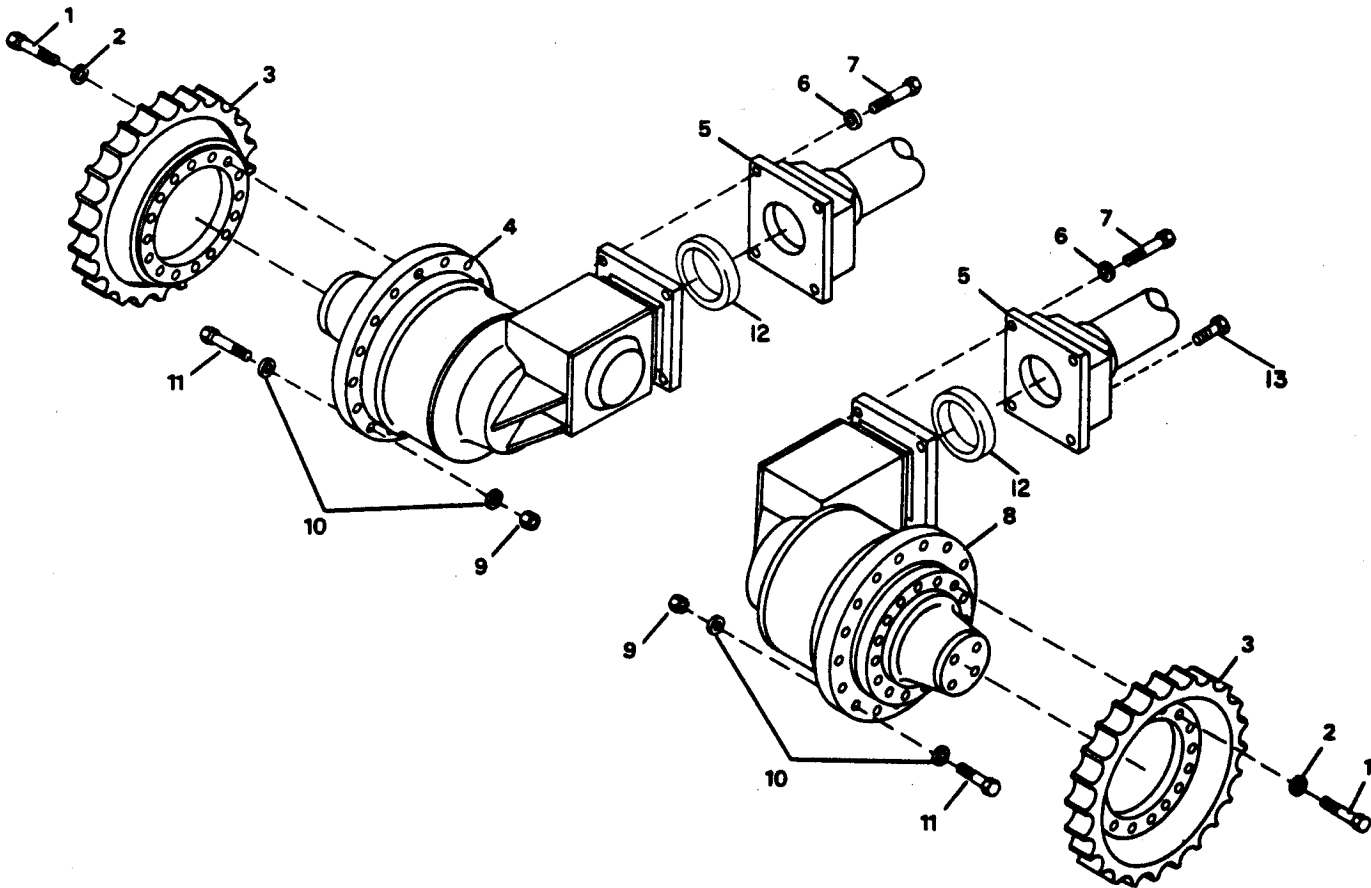
WHEN ORDERING PARTS,  
ALWAYS FURNISH MODEL,  
SERIAL NUMBER,  
DRAWING NUMBER AND  
CATALOG REFERENCE NUMBER.





WHEN ORDERING PARTS,  
ALWAYS FURNISH MODEL,  
SERIAL NUMBER,  
DRAWING NUMBER AND  
CATALOG REFERENCE NUMBER.

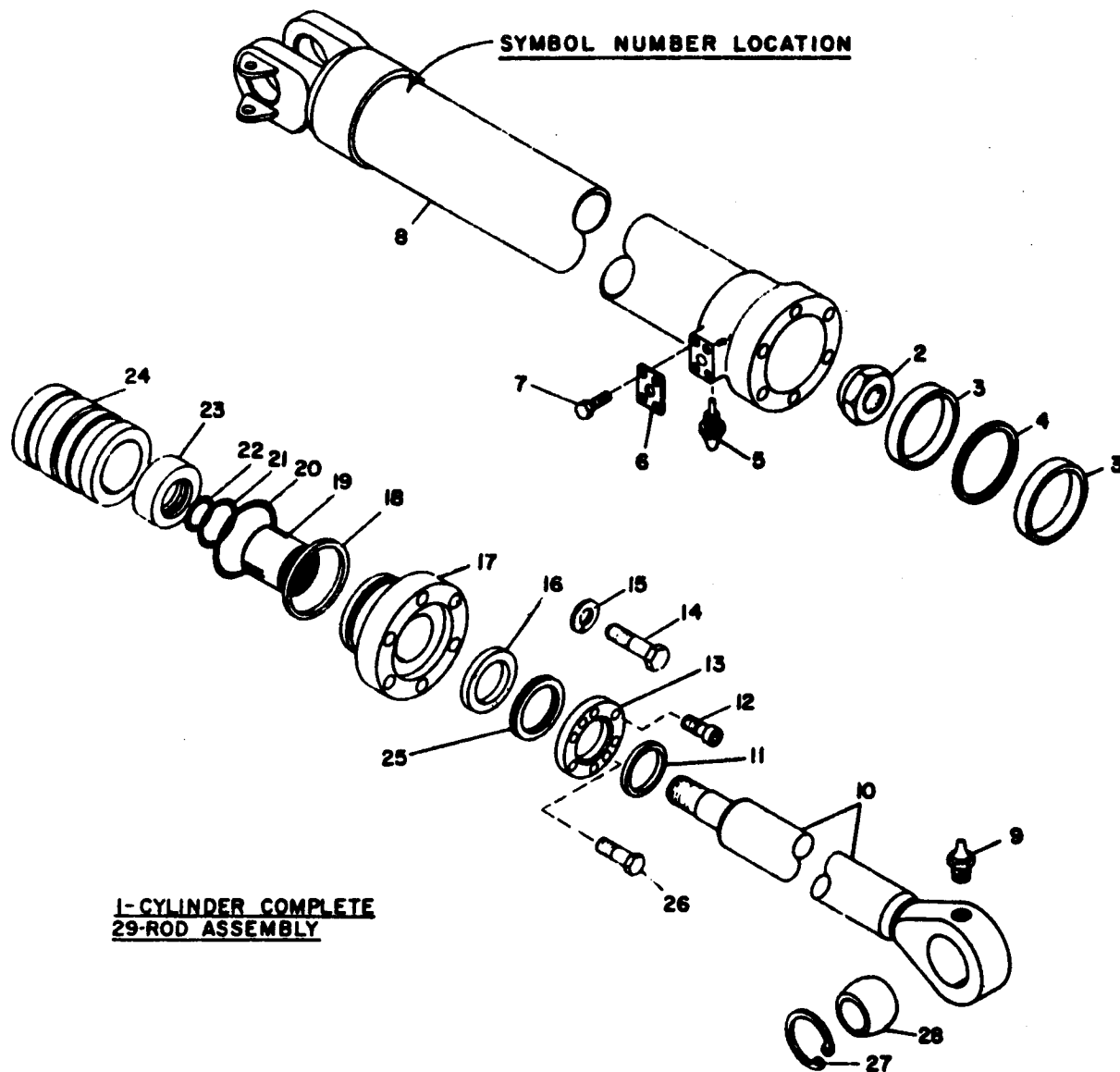




WHEN ORDERING PARTS,  
ALWAYS FURNISH MODEL,  
SERIAL NUMBER,  
DRAWING NUMBER AND  
CATALOG REFERENCE NUMBER.







WHEN ORDERING PARTS,  
ALWAYS FURNISH MODEL,  
SERIAL NUMBER,  
DRAWING NUMBER AND  
CATALOG REFERENCE NUMBER.

APPLICABLE TO SYMBOL 15083V, 15128V

**BUCYRUS-ERIE**

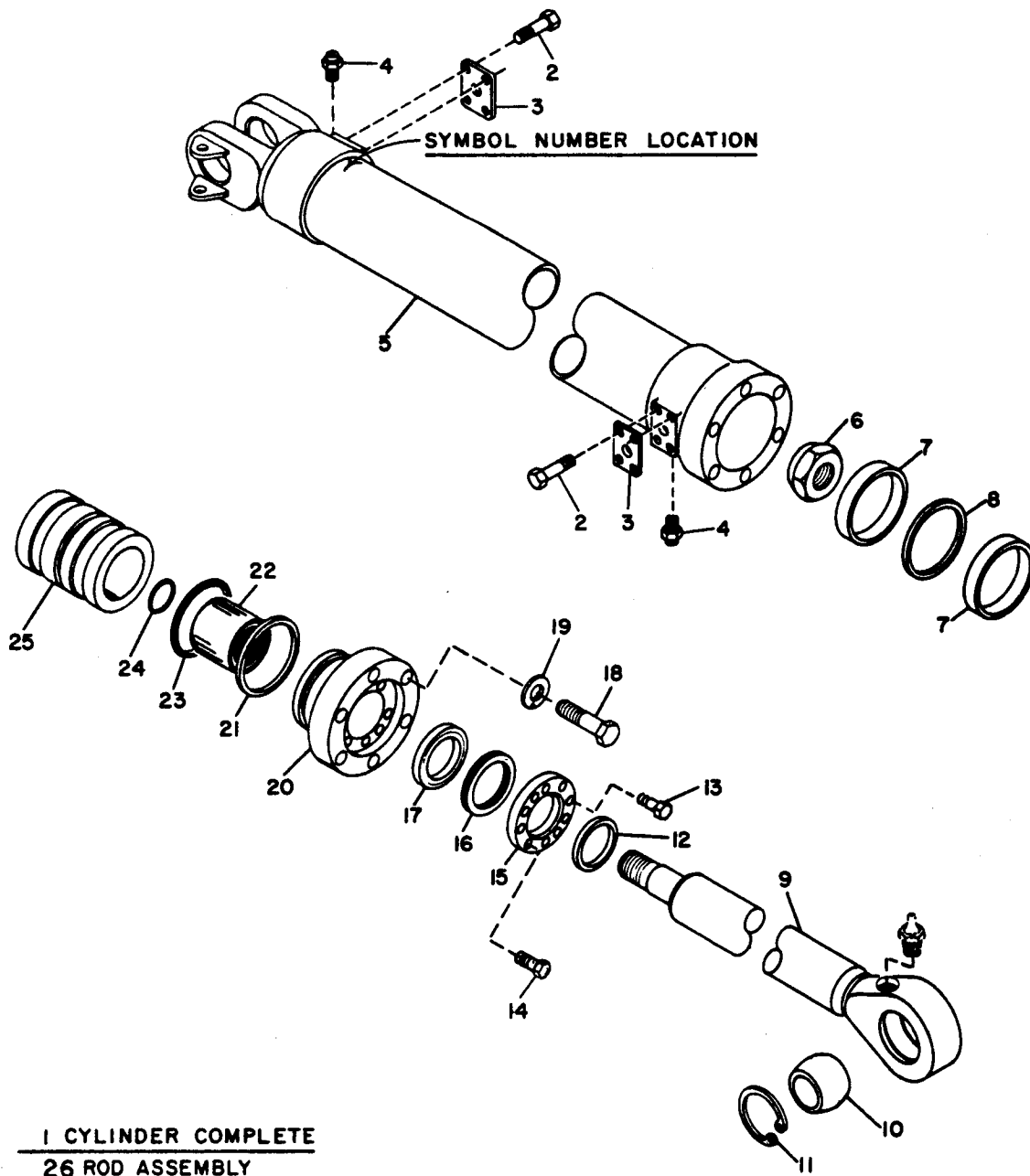


**PARTS LIST**

factory spec replacement parts



CAT REF	DESCRIPTION	SERIAL NO.		PART NO.	REPLACE OR VENDOR NO.	REQ.
		FROM	TO/INCL.			
	001 DIG CYLINDER					
	DRAWING VD111	15083V	15128V			
1	CYLINDER COMPLETE	15083V	ONLY	15083V		1
1	CYLINDER COMPLETE	15128V	ONLY	15128V		1
2	NUT-2-1/4 NC-NSI	15083V	15128V			
3	WEAR RING	15083V	15128V	68754231		2
4	PISTON SEAL	15083V	15128V	72080800		1
5	BLEEDER SCREW	15083V	ONLY	29045007		2
6	PLATE	15083V	15128V	537486K1		2
7	CAPSCREW-NSI	15083V	15128V			
8	HOUSING	15083V	15128V	833479K41		1
9	LUBE FITTING 1/4	15083V	15128V	57045010		1
10	ROD-NSI	15083V	15128V			
11	ROD WIPER-NSI	15083V	15128V			
12	CAPSCREW-NSI	15083V	15128V			
13	WIPER-NSI	15083V	15128V			
14	CAPSCREW 1X4 GRADE 8	15083V	15128V	03350585		6
15	LOCKWASHER 1	15083V	15128V	03962000		6
16	SPLIT SEAL	15083V	15128V	72042520		1
16	SOLID SEAL-NSI	15083V	ONLY			
17	GLAND-NSI	15083V	15128V			
18	BACK-UP WASHER	15083V	15128V	68145844		1
19	WEAR RING-NSI	15083V	15128V			
20	O-RING-NSI	15083V	15128V			
21	O-RING-NSI	15083V	15128V			
22	O-RING-NSI	15083V	15128V			
23	SPACER-NSI	15083V	15128V			
24	PISTON-NSI	15083V	15128V			
25	BEARING-NSI	15083V	15128V			
26	CAPSCREW-NSI	15083V	15128V			
27	SNAP RING	15083V	15128V	68118670		1
28	BUSHING	15083V	15128V	82076530		1
29	ROD ASSEMBLY-INCLUDES	15083V	ONLY	746054K51		1
	ITEMS 2,10 THRU 13, 16,17,19 & 21 THRU 28					
29	ROD ASSEMBLY-INCLUDES	15128V	ONLY	746998 K1		1
	ITEMS 2,10 THRU 13, 16,17,19 & 21 THRU 28					
	REPAIR KIT FOR 15083V & 15128V-INCLUDES ITEMS 3,4,11,16,18 THRU 22 & 25			62303415		



WHEN ORDERING PARTS,  
ALWAYS FURNISH MODEL,  
SERIAL NUMBER,  
DRAWING NUMBER AND  
CATALOG REFERENCE NUMBER.

APPLICABLE TO SYMBOLS 15080V, 15128V

# BUCYRUS-ERIE

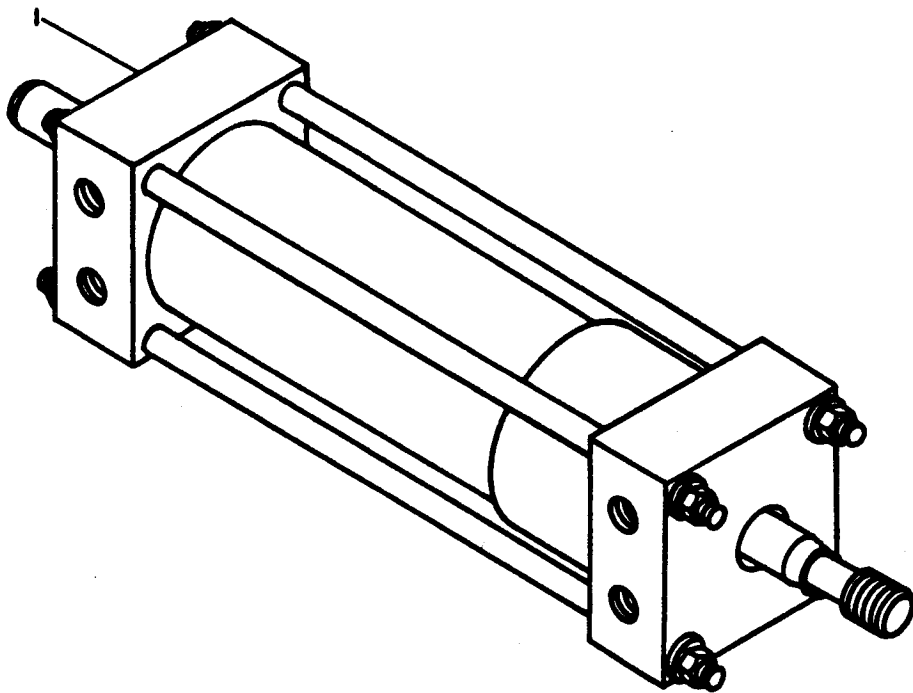
factory spec replacement parts



# PARTS LIST

CAT REF	DESCRIPTION	SERIAL NO.		PART NO.	REPLACE OR VENDOR NO.	REQ.
		FROM	TO/INCL.			
	001 HOIST CYLINDER DRAWING					
	VH118	15080V	15127V			
1	CYLINDER COMPLETE	15080V	ONLY	15080V		2
1	CYLINDER COMPLETE	15127V	ONLY	15127V		2
	<b>NOTE-QUANTITIES LISTED BELOW ARE FOR ONE CYLINDER</b>					
2	CAPSCREW 7/16X1 NC GRADE 8	15080V	15127V	03182320		4
3	PLATE	15080V	15127V	537486K1		2
4	BLEEDER VALVE	15080V	15127V	29045007		2
5	HOUSING	15080V	ONLY	833478K41		1A
	<b>NOTE-WHEN STOCK OF 833478K41 IS DEPLETED USE FOLLOWING PARTS</b>					
	HOUSING			835712-01		1
	GLAND			744699K1		1
5	HOUSING	15127V	ONLY	835712-01		1
6	LOCKNUT-NSI	15080V	15127V			
7	WEAR RING	15080V	15127V	68754232		2
8	PISTON SEAL	15080V	15127V	72080333		1
9	ROD-NSI	15080V	15127V			
10	BUSHING	15080V	15127V	82076615		1
11	SNAP RING	15080V	15127V	68118640		1
12	ROD WIPER SEAL-NSI	15080V	15127V			
13	CAPSCREW-NSI	15080V	15127V			
14	SOCKET HEAD SCREW-NSI	15080V	15127V			
15	WIPER-NSI	15080V	15127V			
16	BEARING-NSI	15080V	15127V			
17	SPLIT SEAL	15080V	15127V	72042519		1
17	SOLID SEAL-NSI	15080V	15127V			
18	SOCKET HEAD SCREW 7/8X3-3/4 NF GRADE 8	15080V	ONLY	03505400		6
18	CAPSCREW 7/8X3-3/4 NF GRADE 8	15127V	ONLY	03347465		6
19	LOCKWASHER 7/8	15080V	15127V	03961900		6
20	GLAND-NSI	15080V	ONLY			
20	GLAND-NSI	15127V	ONLY			
21	BACK-UP WASHER	15080V	15127V	68145551		1
22	WEAR RING-NSI	15080V	15127V			
23	O-RING	15080V	15127V	68758280		1

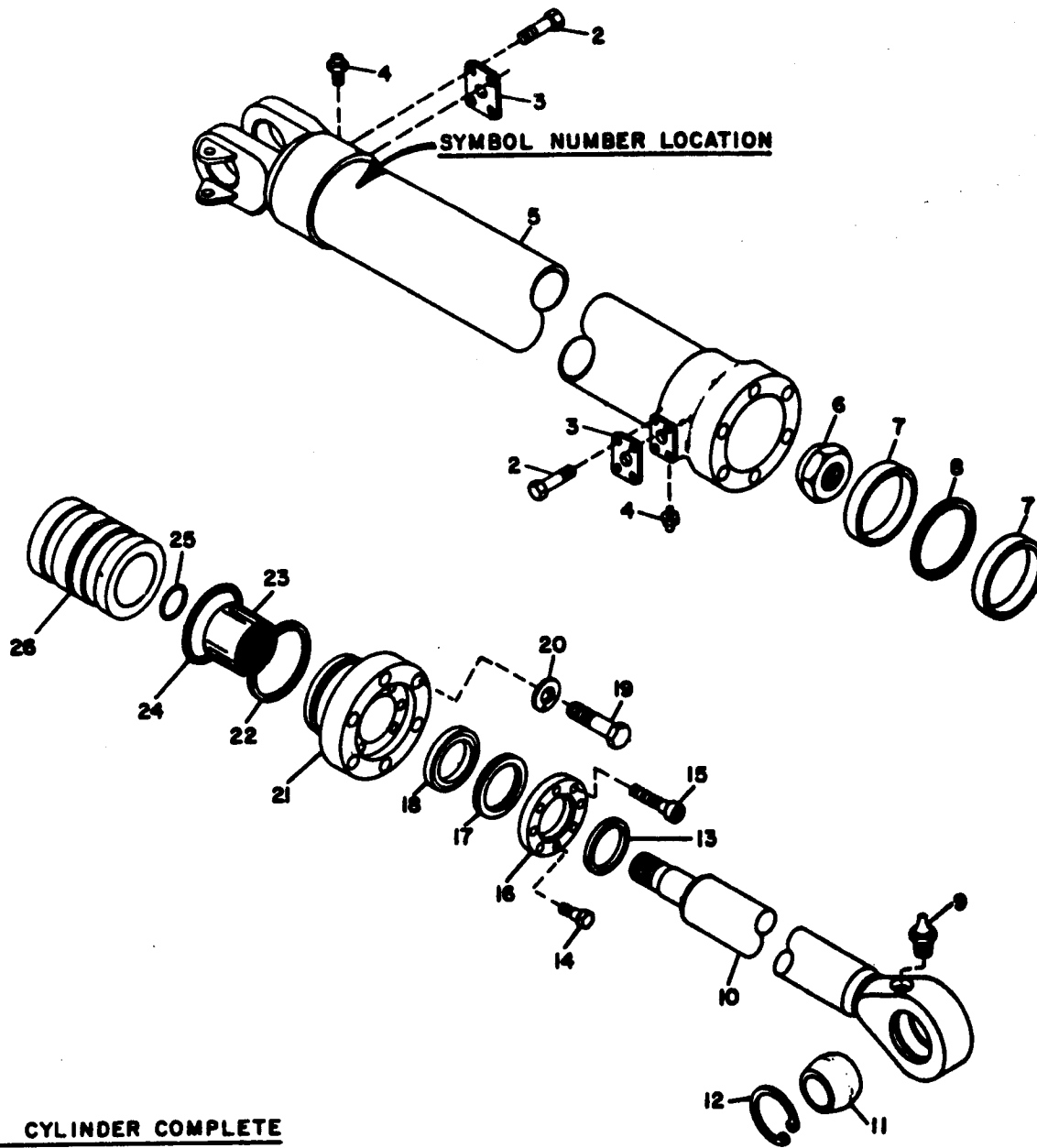




WHEN ORDERING PARTS,  
ALWAYS FURNISH MODEL,  
SERIAL NUMBER,  
DRAWING NUMBER AND  
CATALOG REFERENCE NUMBER.







1 CYLINDER COMPLETE  
27 ROD ASSEMBLY

APPLICABLE TO SYMBOLS 1508IV, 15129V

WHEN ORDERING PARTS,  
 ALWAYS FURNISH MODEL,  
 SERIAL NUMBER,  
 DRAWING NUMBER AND  
 CATALOG REFERENCE NUMBER.

# BUCYRUS-ERIE

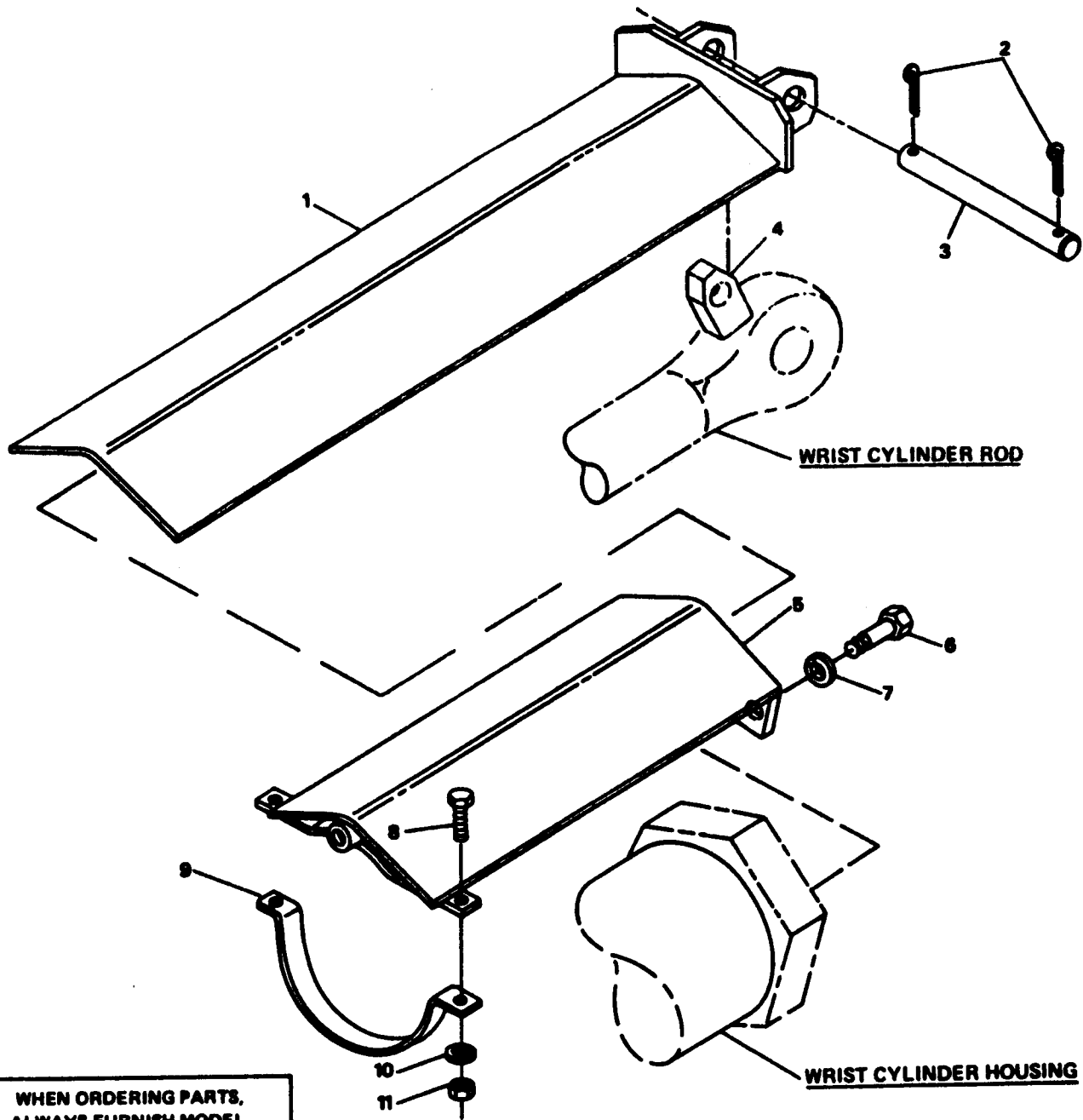
factory spec replacement parts



# PARTS LIST

CAT REF	DESCRIPTION	SERIAL NO.		PART NO.	REPLACE OR VENDOR NO.	REQ.
		FROM	TO/INCL.			
	001 WRIST CYLINDER					
	DRAWING VW118	15081V	15129V			
1	CYLINDER COMPLETE	15081V	ONLY	15081V		1
1	CYLINDER COMPLETE	15129V	ONLY	15129V		1
2	CAPSCREW 7/16X1 NC	15081V	15129V	03182320		4
	GRADE 2					
3	PLATE	15081V	15129V	537486K1		2
4	BLEEDER SCREW	15081V	15129V	29045007		2
5	HOUSING	15081V	ONLY	833478K41		1A
	NOTE-WHEN STOCK OF 833478K41 IS DEPLETED					X
	USE FOLLOWING PARTS					
	HOUSING			835712-01		1
	GLAND			744699K1		1
5	HOUSING	15129	ONLY	835712-01		1
6	LOCKNUT-NSI	15081V	15129V			
7	WEAR RING	15081V	15129V	68754232		2
8	PISTON SEAL RING	15081V	15129V	72080333		1
9	LUBE FITTING 1/4	15081V	15129V	57045010		1
10	ROD WIPER SEAL-NSI	15081V	15129V			
11	BUSHING	15081V	15129V	82076530		1
12	SNAP RING	15081V	15129V	68118670		1
13	ROD WIPER SEAL-NSI	15081V	15129V			
14	CAPSCREW-NSI	15081V	15129V			
15	SOCKET HEAD SCREW-NSI	15081V	15129V			
16	WIPER-NSI	15081V	15129V			
17	BEARING-NSI	15081V	15129V			
18	SPLIT SEAL	15081V	15129V	72042519		1
18	SOLID SEAL-NSI	15081V	15129V			
19	SOCKET HEAD SCREW	15081V	ONLY	03505400		6
	7/8X3-3/4 NF GRADE 8					
19	CAPSCREW 7/8X3-3/4 NF	15129V	ONLY	03347465		6
	GRADE 8					
20	LOCKWASHER 7/8	15081V	15129V	03961900		6
21	GLAND-NSI	15081V	ONLY			
21	GLAND-NSI	15129V	ONLY			
22	BACK-UP WASHER	15081V	ONLY	68145551		1
23	WEAR RING-NSI	15081V	ONLY			
24	O-RING	15081V	ONLY	68758280		1
25	O-RING-NSI	15081V	ONLY			
26	PISTON-NSI	15081V	ONLY			
26	PISTON-NSI	15129V	ONLY			
27	ROD ASSEMBLY-INCLUDES	15081V	ONLY	643719K51		1
	ITEMS 6,10 THRU 18, 21,23,25 & 26					



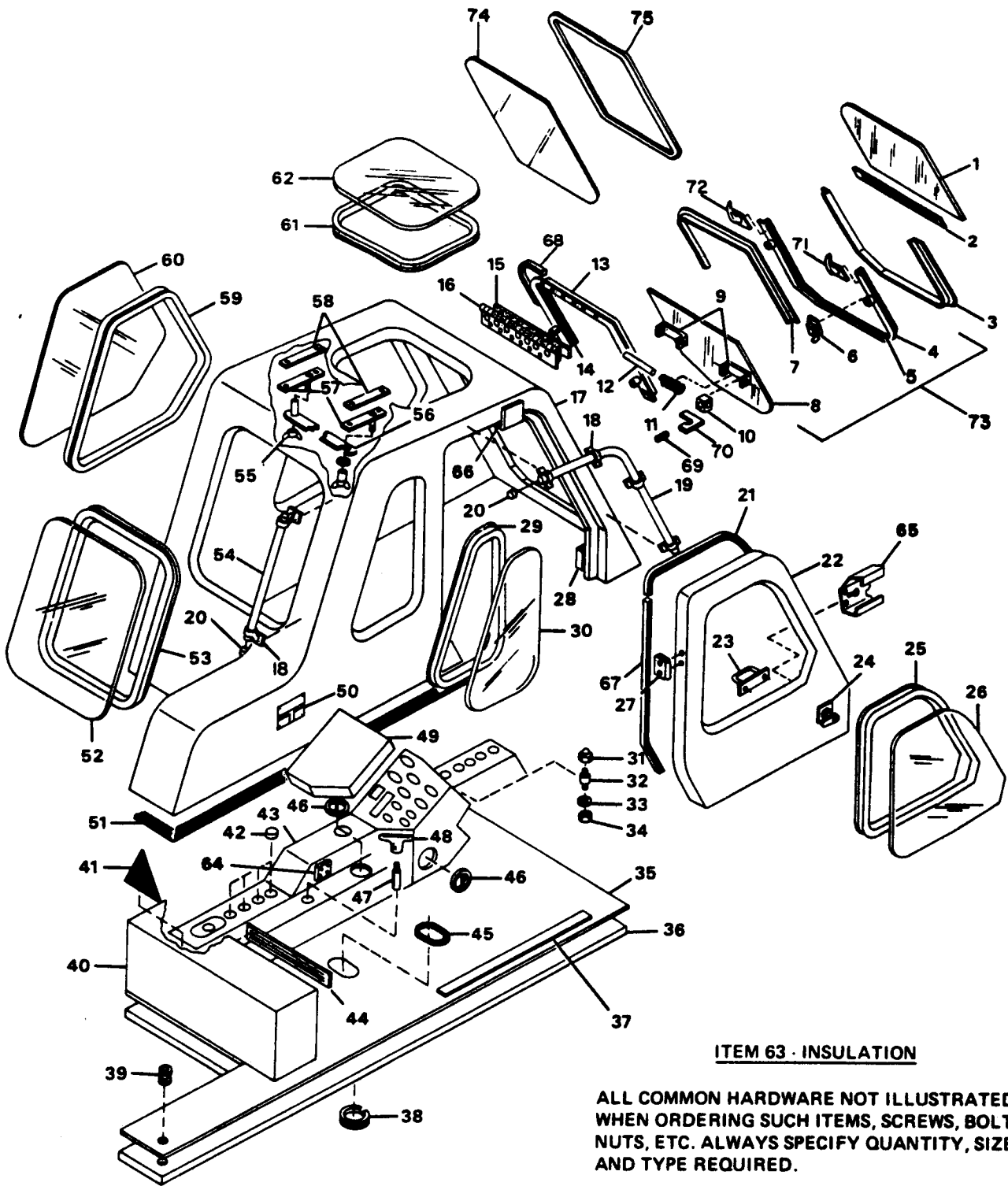


**WRIST CYLINDER ROD**

**WRIST CYLINDER HOUSING**

**WHEN ORDERING PARTS,  
ALWAYS FURNISH MODEL,  
SERIAL NUMBER,  
DRAWING NUMBER AND  
CATALOG REFERENCE NUMBER.**





**ITEM 63 - INSULATION**

ALL COMMON HARDWARE NOT ILLUSTRATED.  
 WHEN ORDERING SUCH ITEMS, SCREWS, BOLTS,  
 NUTS, ETC. ALWAYS SPECIFY QUANTITY, SIZE,  
 AND TYPE REQUIRED.

WHEN ORDERING PARTS,  
 ALWAYS FURNISH MODEL,  
 SERIAL NUMBER,  
 DRAWING NUMBER AND  
 CATALOG REFERENCE NUMBER.

# BUCYRUS-ERIE PARTS LIST

factory spec replacement parts

CAT REF	DESCRIPTION	SERIAL NO.		PART NO.	REPLACE OR VENDOR NO.	REQ.
		FROM	TO/INCL.			
	001 OPERATORS CAB DRAWING W162	139363				
1	TOP WINDOW	139363	139372	82391508		1A
	NOTE-WHEN STOCK OF 82391508 IS DEPLETED USE FOLLOWING PARTS TOP WINDOW 14 CHANNEL 90 INCHES			82391521 82137280		1 1
1	TOP WINDOW	139373		82391521		1
2	SEAL 27-1/4 INCHES	139363	139372	82258210		1
2	CHANNEL	139373		82137286		1
3	ANGLE	139363	139372	744495K1		1
4	BOTTOM WINDOW FRAME	139363	139372	744535K21		1A
	NOTE-WHEN STOCK OF 744535K21 IS DEPLETED USE FOLLOWING PARTS BOTTOM WINDOW FRAME 5 CHANNEL 80 INCHES			748053-01 82137281		1 1
4	BOTTOM WINDOW FRAME	139373		748053-01		1
5	SINGLE FELT CHANNEL-80 INCHES	139363		82137281		1
6	DRAW PULL CATCH	139363	139372	82132402		2A
	NOTE-WHEN STOCK OF 82132402 IS DEPLETED USE FOLLOWING PARTS 71 RIGHT HAND HANDLE ASSEMBLY 72 LEFT HAND HANDLE ASSEMBLY SPONGE RUBBER			82482763 82482764 879663-11		1 1 2
7	ANGLE	139363	139372	744494K1	879819-01	1D
7	ANGLE	139373		879819-01		1
8	BOTTOM WINDOW	139363	139372	82391509		1A
	NOTE-WHEN STOCK OF 82391509 IS DEPLETED USE FOLLOWING PARTS BOTTOM WINDOW CHANNEL			82391522 82137286		1 1

**BUCYRUS-ERIE**<sup>®</sup>

factory spec replacement parts

**PARTS  
LIST**

CAT REF	DESCRIPTION	SERIAL NO.		PART NO.	REPLACE OR VENDOR NO.	REQ.
		FROM	TO/INCL.			
	001					
8	BOTTOM WINDOW	139373		82391522		1
9	LATCH GUIDE	139363	139372	550099K1		2A
	NOTE-WHEN STOCK OF 550099K1 IS DEPLETED USE FOLLOWING PARTS					
	LATCH GUIDE			552396-01		2
	10 SLIDING LATCH			552395-01		2
	12 LATCH PIN			552397-01		2
	LATCH HANDLE			552398-01		2
	LOCK PLATE			552399-01		2
	SPRING			75003036		2
9	LATCH GUIDE	139373		552396-01		2
10	SLIDING LATCH	139363	139372	550098K1		2A
	NOTE-WHEN STOCK OF 550098K1 IS DEPLETED USE FOLLOWING PARTS					
	SLIDING LATCH			552395-01		2
	9 LATCH GUIDE			552396-01		2
	12 LATCH PIN			552397-01		2
	LATCH HANDLE			552398-01		2
	LOCK PLATE			552399-01		2
	SPRING			75003036		2
10	SLIDING LATCH	139373		552395-01		2
11	SPRING	139363	139372	75335003		2A
	NOTE-WHEN STOCK OF 75335003 IS DEPLETED USE FOLLOWING PARTS					
	SPRING			75003036		2
	9 LATCH GUIDE			552396-01		2
	10 SLIDING LATCH			552395-01		2
	12 LATCH PIN			552397-01		2
	LATCH HANDLE			552398-01		2
	LOCK PLATE			552399-01		2
11	SPRING	139373		75003040		2
12	LATCH PIN	139363	139372	517889-05		2A
	NOTE-WHEN STOCK OF 517889-05 IS DEPLETED USE FOLLOWING PARTS					
	LATCH PIN			552397-01		2
	9 LATCH GUIDE			552396-01		2



**BUCYRUS-ERIE**



**PARTS LIST**

factory spec replacement parts

CAT REF	DESCRIPTION	SERIAL NO.		PART NO.	REPLACE OR VENDOR NO.	REQ.
		FROM	TO/INCL.			
	001 10 SLIDING LATCH			552395-01		2
	LATCH HANDLE			552398-01		2
	LOCK PLATE			552399-01		2
	SPRING			75003036		2
12	LATCH PIN	139373		552397-01		2
13	TOP WINDOW FRAME	139363	139372	744536K21		1A
	NOTE-WHEN STOCK OF 744536K21 IS DEPLETED USE FOLLOWING PARTS					
	TOP WINDOW FRAME			748055-01		1
	14 CHANNEL 90 INCHES			82137280		1
	SPONGE RUBBER 13 FEET			82900078		1
13	TOP WINDOW FRAME	139373		748055-01		1
14	DOUBLE FELT CHANNEL-90 INCHES	139363		82137280		1
15	SPACER	139363		550166K1		1
16	FRONT WINDOW HINGE	139363		82510762		1
17	CAB	139363	139372	82130148		1A
	NOTE-WHEN STOCK OF 82130148 IS DEPLETED USE FOLLOWING PARTS					
	CAB			82130165		1
	63 INSULATION-SPECIFY LENGTH			11168012		
17	CAB	139373		82130165		1
18	HANDRAIL STANCHION	139363	139372	82892104		6
18	HANDRAIL STANCHION	139373		82892106		6
19	SIDE HANDRAIL	139363		643486K1		1AX
	NOTE-WHEN STOCK OF 643486K1 IS DEPLETED USE FOLLOWING PARTS					
	SIDE HANDRAIL			B001260-01		1 X
	END PLUG			82731107		2 X
20	END PLUG	139363	139372	82131877		4
20	END PLUG	139373		82731103		4
21	WEATHER STRIP 9 FEET	139363	139372	82899917		1
21	WEATHER STRIP-9 FEET	139373		82814282		1

**BUCYRUS-ERIE**



**PARTS LIST**

factory spec replacement parts

CAT REF	DESCRIPTION	SERIAL NO.		PART NO.	REPLACE OR VENDOR NO.	REQ.
		FROM	TO/INCL.			
22	001 DOOR	139363	139372	82299050		1A
	NOTE-WHEN STOCK OF 82299050 IS DEPLETED USE FOLLOWING PARTS					
	DOOR			82299066		1
	SPONGE RUBBER 9 FEET			82814282		1
22	DOOR	139373		82299066		1
23	INSIDE DOOR HANDLE	139363		82482760		1
24	LOCKING HANDLE PADDLE	139363	139372	82608615		1
24	LOCKING HANDLE PADDLE	139373		82608620		1
25	SELF-LOCKING CHANNEL-9 FEET 7 INCHES	139363		87735375		1
26	DOOR WINDOW	139363		82391505		1
27	DOOR HINGE	139363		82511313		1
28	STRIKER PLATE	139363	139372	550427K1		1
28	STRIKER PLATE	139373		552069-01	A001007-01	1DX
29	SELF-LOCKING CHANNEL-9 FEET	139363		87735375		1
30	RIGHT HAND SIDE WINDOW	139363		82391506		1
31	LOW CROWN ACORN NUT	139363		79368848		4
32	MOUNT	139363		82629251		4
33	LOCKWASHER 8-CADMIUM PLATED	139363		03960630		4
34	NUT #8-32 NC-CADMIUM PLATED	139363		02704070		6
35	FLOOR MATTING	139363		82815003		1
36	FLOOR PLATE	139363		885626K21		1
37	DOOR SEALING STRIP	139363		643129K1		1
38	U-CHANNEL-6-1/2	139363		82137400		2
39	MOUNT	139363	139372	82130091		6
39	MOUNT	139373		82130091		7
40	HEAT SHROUD	139363		82002544		1
41	TRIANGLE	139363	139372	82814850		1
42	PLUG	139363		17392803		4
43	CONTROL CONSOLE	139363		82002561		1
44	LOUVER & HOLDER ASSEMBLY	139363		57079310		1
45	U-CHANNEL 15 INCHES	139363		82814805		1
46	LOUVER	139363		82614430		2
47	TOOL LATCH	139363		638681K2		1
48	HANDLE	139363		82483135		1
49	CONTROL CONSOLE COVER	139363		82179003		1
50	DOOR HOLDER	139363		82521829		1
51	STRIP 16 FEET 3 INCHES	139363	139372	82814271		1
52	FIXED REAR WINDOW-STANDARD	139363		82394497		1

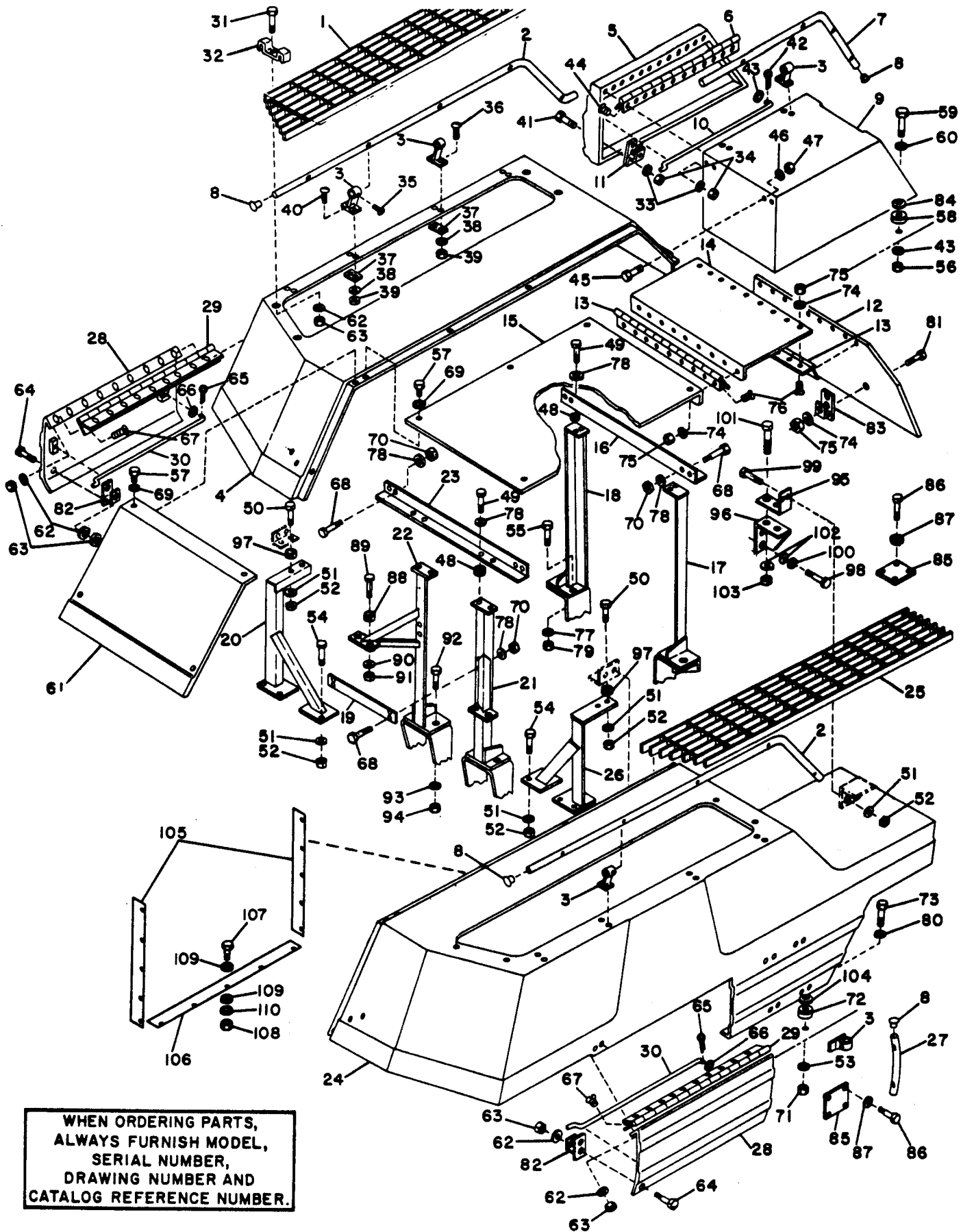
**BUCYRUS-ERIE**

factory spec replacement parts



**PARTS LIST**

CAT REF	DESCRIPTION	SERIAL NO.		PART NO.	REPLACE OR VENDOR NO.	REQ.
		FROM	TO/INCL.			
52	001 SLIDE-BY REAR WINDOW- OPTIONAL-SEE DRAWING 82976035 FOR COMPONENTS	139373		82976035		1
53	SELF-LOCKING CHANNEL- 9 FEET	139363		87735375		1
54	REAR HANDRAIL	139363		537721K1		1AX
	NOTE-WHEN STOCK OF 537721K1 IS DEPLETED USE FOLLOWING PARTS					X X
	REAR HANDRAIL			A001085-01		1 X
	END PLUG			82731107		2 X
55	NUT	139363		643868-01		1
56	BRACKET	139363		643866-01		1
57	BRACKET	139363		643867-01		2
58	BAR	139363	139372	550607-01		2
59	SELF-LOCKING CHANNEL- 11 FEET 3 INCHES	139363		87735375		1
60	LEFT HAND SIDE WINDOW	139363		82391507		1
61	SELF-LOCKING CHANNEL- 8 FEET 3 INCHES	139363		87735375		1
62	TOP WINDOW	139363		82397122		1
63	INSULATION-SPECIFY LENGTH	139363		11168012		
64	ACCESS PANEL	139373		82640483		1
65	DOOR LATCH COVER	139373		746844-01		1
66	STRIKER PLATE	139373		552081-01		1
67	RUBBER STRIP-SPECIFY LENGTH	139373		82900078		
68	RUBBER STRIP-SPECIFY LENGTH	139373		82900078		
69	LATCH HANDLE	139373		552398-01		2
70	LOCK PLATE	139373		552399-01		2
71	RIGHT HAND HANDLE ASSEMBLY	139373		82482763		1
72	LEFT HAND HANDLE ASSEMBLY	139373		82482764		1
73	BOTTOM FRONT WINDOW ASSEMBLY-INCLUDES ITEMS 4, 5, 7, & 8	139373		748053K51	748053K52	1
74	ONE PIECE FRONT WINDOW	140100	140124	82976031		1
74	ONE PIECE FRONT WINDOW	140530		82976046		1
75	CHANNEL-SPECIFY LENGTH	140100		87735375		





# PARTS LIST

CAT REF	DESCRIPTION	SERIAL NO.		PART NO.	REPLACE OR VENDOR NO.	REQ.
		FROM	TO/INCL.			
	005 MACHINERY CAB DRAWING W163	139363				
1	EXHAUST GRATING	139363		746134-01		1
2	HANDRAIL	139363		743297K1		2AX
	NOTE-WHEN STOCK OF 743297K1 IS DEPLETED USE FOLLOWING PARTS					X
	TOP HANDRAIL			C101354-01		2 X
	END PLUG			82731107		4 X
3	STANCHION	139363		82892106		19
4	LEFT HAND CAB PANEL	139363		887041-06	887041-02	1DX
5	TOOL BOX DOOR	139363		833035-01		1
6	TOOL BOX HINGE	139363		82511319		1
7	TOOL BOX HANDRAIL	139363		743296K1		1AX
	NOTE-WHEN STOCK OF 743296K1 IS DEPLETED USE FOLLOWING PARTS					X
	TOOL BOX HANDRAIL			C101352-01		1 X
	END PLUG			82731107		2 X
8	PLUG END	139363		82731103		10
9	TOOL BOX	139363		875511-01		1
9	TOOL BOX-LOGGER	140060		892362-02		1
10	DOOR BRACE	139363		643641K1		1
11	DRAW LATCH	139363		82600805		2
12	CENTER ACCESS BOTTOM DOOR	139363		746558-02		1
13	CENTER ACCESS DOOR HINGE	139363		82511295		2
14	CENTER ACCESS TOP DOOR	139363		746559-02		1
15	CAB TOP CENTER PANEL	139363		746429-02		1
16	CENTER SUPPORT ANGLE	139363		892329-14		1
17	RIGHT HAND CENTER BRACE	139363		750026-01		1
18	LEFT HAND CENTER BRACE	139363		750026-02		1
19	REAR BRACE	139363		879367-07		1
20	LEFT HAND SIDE BRACE	139363		645436-01		1
21	RIGHT HAND REAR BRACE	139363		839328-01		1
22	LEFT HAND REAR BRACE	139363		839328-02		1
23	REAR SUPPORT ANGLE	139363		892329-15		1

**BUCYRUS-ERIE**



**PARTS LIST**

factory spec replacement parts

CAT REF	DESCRIPTION	SERIAL NO.		PART NO.	REPLACE OR VENDOR NO.	REQ.
		FROM	TO/INCL.			
	005					
24	RIGHT HAND CAB PANEL	139363	140124	887040-05		1 X
24	R.H. CAB PANEL	140530		E001039-01		X
25	RADIATOR GRATING	139363		746133-01		1
26	RIGHT HAND SIDE BRACE	139363		645268-01		1
27	R.H. SIDE HANDRAIL	139363		537893K1		2AX
	NOTE: WHEN STOCK OF 537893K1 IS DEPLETED					X
	USE FOLLOWING PARTS					X
	R.H. SIDE HANDRAIL			A001118-01		1 X
	END PLUG			82731107		2 X
28	ACCESS DOOR	139363		746307-04		2
29	DOOR HINGE	139363		82511310		2
30	DOOR BRACE	139363		643643K1		2
31	MACHINE SCREW 1/4X1-1/2 NC GRADE 2-	139363		03646520		8
	CADMIUM PLATED					
32	RETAINING CLIP	139363		82621066		8
33	FLAT WASHER 1/4- CADMIUM PLATED	139363		03951220		25
34	LOCKNUT C 1/4 NC- CADMIUM PLATED	139363		02786346		25
35	SOCKET SET SCREW- 1/4X1/8 NC-CADMIUM PLATED	139363		03803100		19
36	SCREW #10-24X1-1/4	139363		03896170		36
37	MOUNTING BAR	139363		552846-01		19
38	LOCKWASHER #10- CADMIUM PLATED	139363		03960720		38
39	NUT #10-24 NC-CADMIUM PLATED	139363		02705150		38
40	SCREW #10-24X1-3/4	139363		03896175		2
41	CARRIAGE BOLT 1/4X1NC CADMIUM PLATED	139363		03008225		4
42	COTTER PIN 1/8X1	139363		03109480		1
43	FLAT WASHER 1/2- CADMIUM PLATED	139363		03951630		9
44	FLAT MACHINE SCREW 1/4-20X1-1/4 NC CADMIUM PLATED	139363		03614201		21 X
45	CAPSCREW 3/8X1-1/2 NC GRADE 5-CADMIUM PLATED	139363		03279485		4
46	FLAT WASHER 3/8- CADMIUM PLATED	139363		03951400		4 X
47	LOCKNUT C 1/4 NC- CADMIUM PLATED	139363		02786395		4
48	RUBBER WASHER	139363		82970353		8

**BUCYRUS-ERIE**

factory spec replacement parts



**PARTS LIST**

CAT REF	DESCRIPTION	SERIAL NO.		PART NO.	REPLACE OR VENDOR NO.	REQ.
		FROM	TO/INCL.			
	005					
49	CAPSCREW 3/8X1-3/8 NC GRADE 5-CADMIUM PLATED	139363		03279447		8
50	CAPSCREW 3/8X2-3/4 NC GRADE 5-CADMIUM PLATED	139363		03279765		4
51	FLAT WASHER 3/8- CADMIUM PLATED	139363		03951430		22
52	LOCKNUT C 3/8 NC- CADMIUM PLATED	139363		02786395		12
53	FLAT WASHER 1/2- CADMIUM PLATED	139363		03951630		8
54	CAPSCREW 3/8X1-3/4 NC GRADE 5-CADMIUM PLATED	139363		03279565		6
55	CAPSCREW 1/2X2 NC GRADE 5-CADMIUM PLATED	139363		03285645		4
56	LOCKNUT C 1/2 NC- CADMIUM PLATED	139363		02786426		4
57	CAPSCREW 3/8X1-3/4 NC CADMIUM PLATED	139363		03572157		10
58	MOUNT	139363		82130091		4
59	CAPSCREW 1/2X2-1/2 NC GRADE 5-CADMIUM PLATED	139363		03285805		4
60	SPECIAL FLAT WASHER- CADMIUM PLATED	139363		03951550		4
61	REAR CENTER CAB PANEL	139363		746428-02		1
62	FLAT WASHER 1/4- CADMIUM PLATED	139363		03951220		54
63	LOCKNUT C 1/4 NC- CADMIUM PLATED	139363		02786346		54
64	CARRIAGE BOLT 1/4X1NC CADMIUM PLATED	139363		03008225		8
65	COTTER PIN 1/8X1	139363		03109480		2
66	FLAT WASHER 1/2- CADMIUM PLATED	139363		03951630		2
67	MACHINE SCREW 1/4X1-1/4 NC	139363		03614201		38 X
68	CAPSCREW 3/8X1-1/2 NC GRADE 5-CADMIUM PLATED	139363		03279485		12
69	FLAT WASHER 3/8- CADMIUM PLATED	139363		03951430		14
70	LOCKNUT C 3/8 NC- CADMIUM PLATED	139363		02786395		12
71	LOCKNUT C 1/2 NC- CADMIUM PLATED	139363		02786426		4
72	MOUNT	139363		82130091		4
73	CAPSCREW 1/2X2-1/2 NC GRADE 5-CADMIUM PLATED	139363		03285805		4

**BUCYRUS-ERIE**



**PARTS LIST**

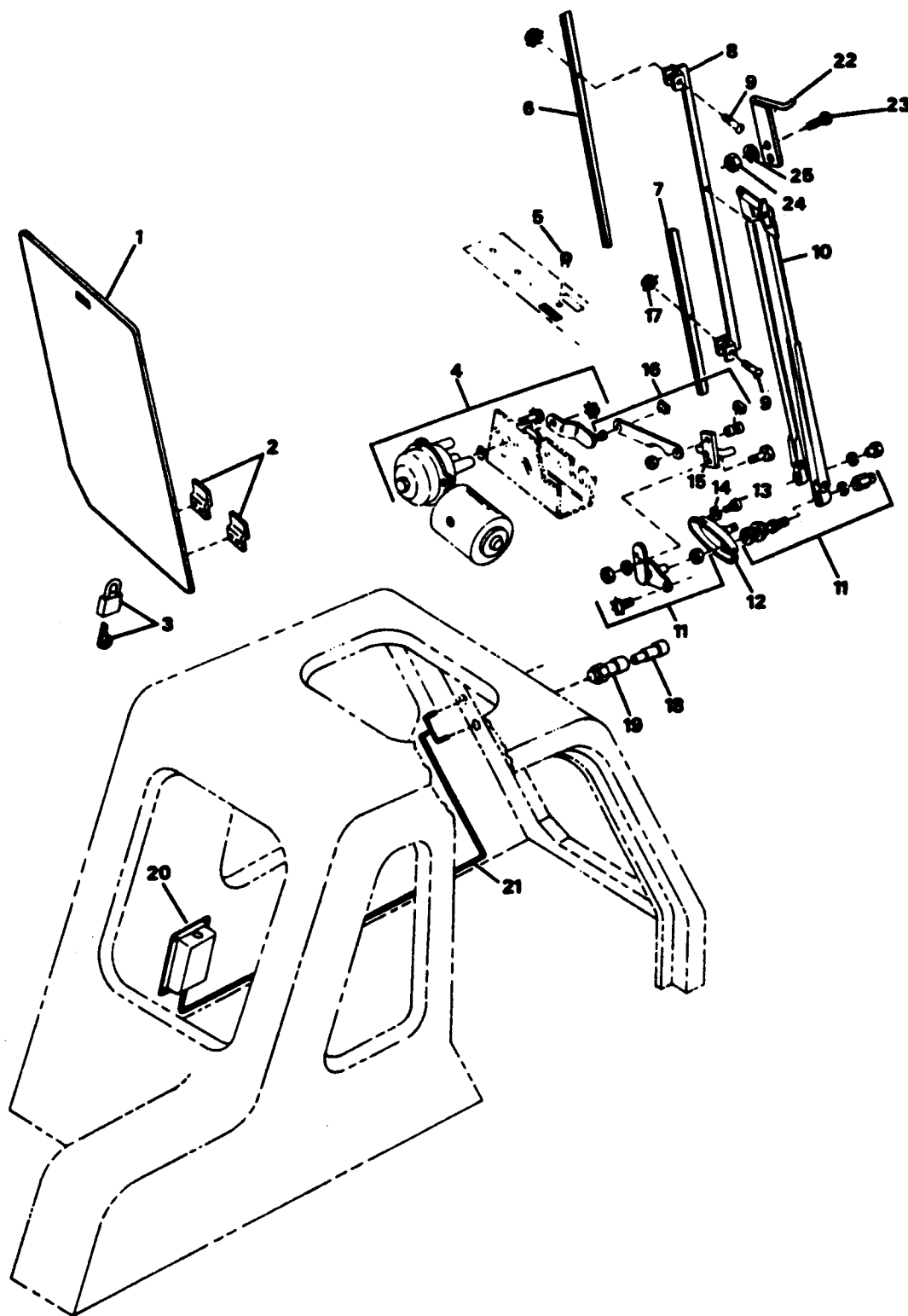
factory spec replacement parts



CAT REF	DESCRIPTION	SERIAL NO.		PART NO.	REPLACE OR VENDOR NO.	REQ.
		FROM	TO/INCL.			
	005					
74	FLAT WASHER 1/4- CADMIUM PLATED	139363		03951220		42
75	LOCKNUT C 1/4 NC- CADMIUM PLATED	139363		02786346		42
76	FLAT HEAD SCREW 1/4 X 1-1/4 CADMIUM PLATED	139363		03614200		38 X X X
77	FLAT WASHER 1/2- CADMIUM PLATED	139363		03951630		8
78	FLAT WASHER 3/8- CADMIUM PLATED	139363		03951430		28
79	LOCKNUT C 1/2 NC- CADMIUM PLATED	139363		02786426		4
80	SPECIAL FLAT WASHER- CADMIUM PLATED	139363		03951550		4
81	CARRIAGE BOLT 1/4X1NC CADMIUM PLATED	139363		03008225		4
82	DRAW LATCH	139363		82600805		4
83	DRAW LATCH	139363		82600805		2
84	FLAT WASHER 1-1/4- CADMIUM PLATED	139363		03952353		4
85	ACCESS HOLE COVER	139363		552881-01		2
86	CAPSCREW 3/8X1/2 NC- GRADE 5	139363		03279160		8
87	LOCKWASHER 3/8	139363		03961300		8
88	RUBBER WASHER	139363		82970353		4
89	CAPSCREW 3/8X2 NC- GRADE 5-CADMIUM PLATED	139363		03279645		4
90	FLAT WASHER 3/8 CADMIUM PLATED	139363		03951430		8
91	LOCKNUT C 3/8 NC- CADMIUM PLATED	139363		02786395		4
92	CAPSCREW 1/2X2 NC- GRADE 5-CADMIUM PLATED	139363		03285645		4
93	FLAT WASHER 1/2- CADMIUM PLATED	139363		03951630		8
94	LOCKNUT C 1/2 NC- CADMIUM PLATED	139363		02786426		4
95	SUPPORT BRACKET	139363		646750-01		1
96	SUPPORT BRACKET	139363		646751-01		1
97	RUBBER WASHER	139363		82970353		4
98	CAPSCREW 1/2X1 NC- GRADE 5-CADMIUM PLATED	139363		03285325		2
99	CAPSCREW 3/8X1-1/2 NC GRADE 5-CADMIUM PLATED	139363		03279485		2
100	LOCKWASHER 1/2- CADMIUM PLATED	139363		03961500		2



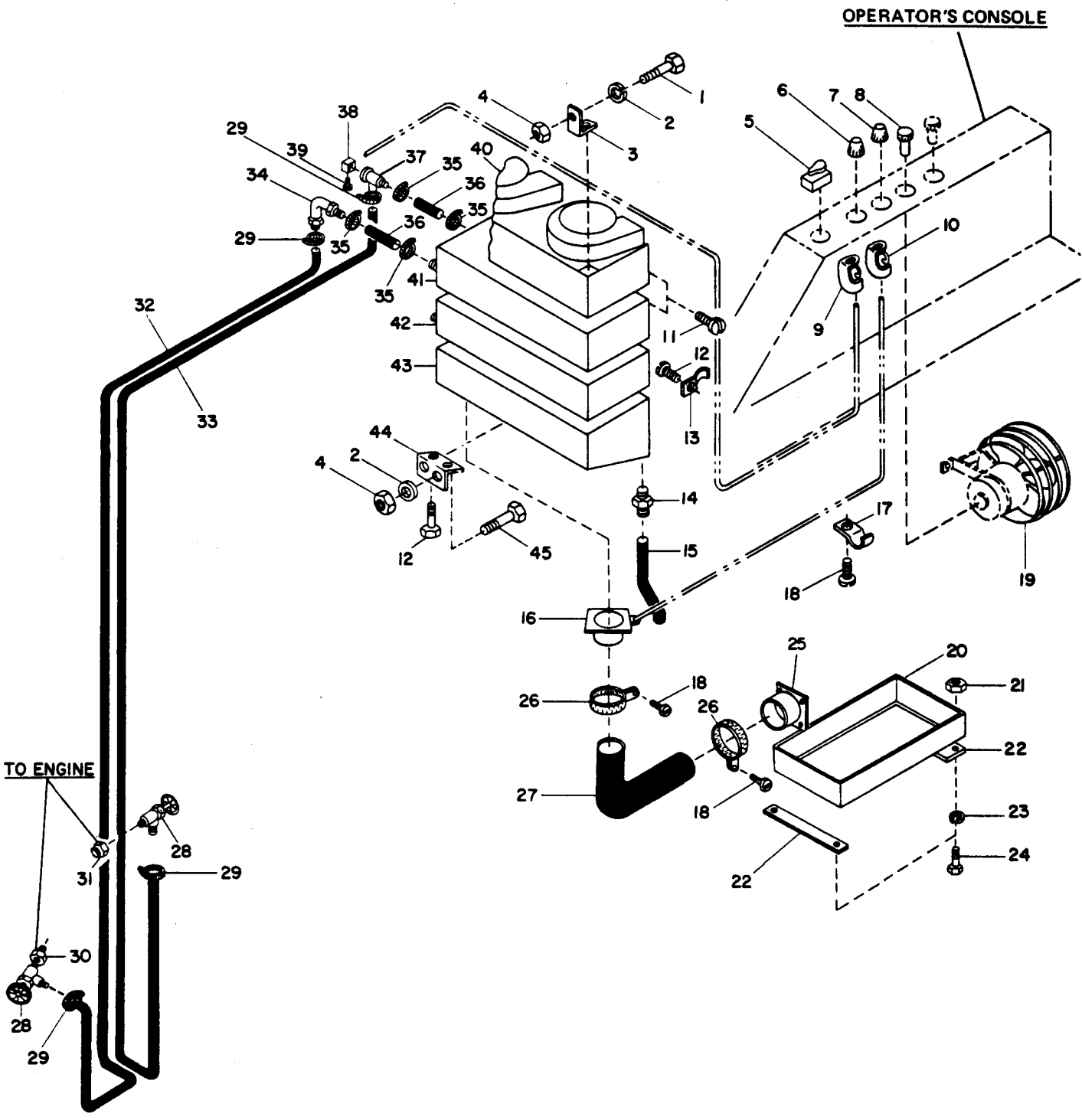




WHEN ORDERING PARTS,  
ALWAYS FURNISH MODEL,  
SERIAL NUMBER,  
DRAWING NUMBER AND  
CATALOG REFERENCE NUMBER.

**WINDSHIELD WIPER, WASHER  
AND FRONT WINDOW GUARD**





WHEN ORDERING PARTS,  
ALWAYS FURNISH MODEL,  
SERIAL NUMBER,  
DRAWING NUMBER AND  
CATALOG REFERENCE NUMBER.

**BUCYRUS-ERIE**

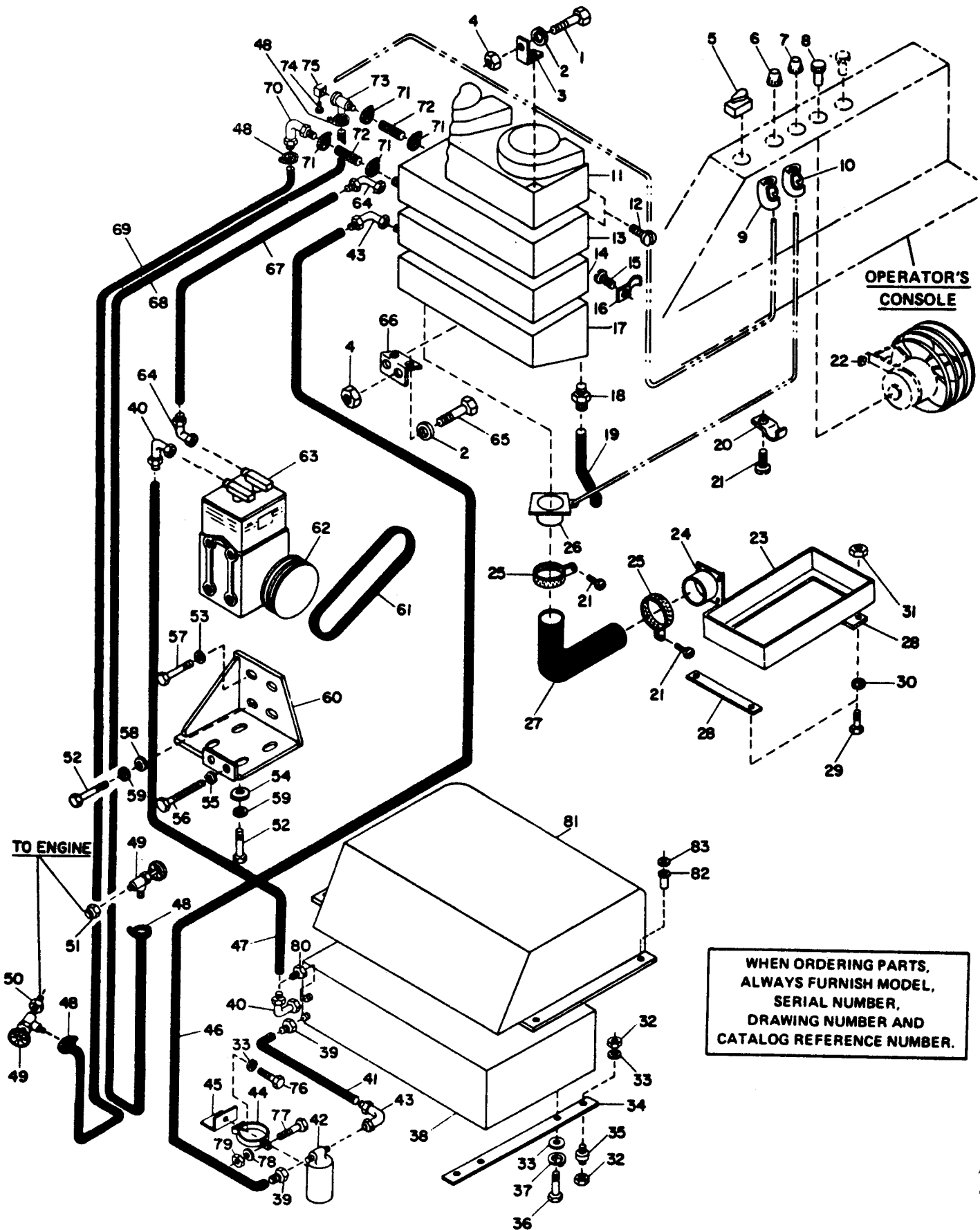


**PARTS LIST**

factory spec replacement parts

CAT REF	DESCRIPTION	SERIAL NO.		PART NO.	REPLACE OR VENDOR NO.	REQ.
		FROM	TO/INCL.			
	001 HEATER, DEFROSTER, FRESH AIR & PIPING DRAWING WA115	139363				
1	CAPSCREW 1/4X7/8 NC GRADE 2	139363		03173280		6
2	FLAT WASHER 1/4	139363		03951200		4
3	CLIP	139363		37140104		2
4	LOCKNUT C 1/4 NC	139363		02786345		4
5	ROTARY BLOWER SWITCH	139363		12774164		1
6	KNOB	139363		82593001		2
7	KNOB	139363		82593001		1
8	SWITCH	139363		46859692		1
9	CONVERTER CABLE	139363		46266060	46321776	1D
10	CONVERTER CABLE	139363		46266065	46321776	1D
11	SCREW 10X3/8	139363		37140102		15
12	SELF-TAP SCREW 7X1/2	139363		03891735		10
13	CLAMP	139363		82140015		2
14	CONNECTOR	139363		53275030		2
15	DRAIN HOSE	139363		53335060		2
16	DAMPER ASSEMBLY WITH ADAPTER	139363		82230375		1
17	CLAMP	139363		82140015		1
18	SELF-TAP SCREW 7X1/2	139363		03891735		6
19	DEFROSTER FAN	139363		47100774		1
20	AIR FILTER-COMPONENTS	139363		46163220		1
	NOT FURNISHED SEPARATELY					
21	FULL NUT 1/4 NC	139363		02707150		4
22	BRACKET	139363		548540K1		2
23	LOCKWASHER 1/4	139363		03961010		4
24	CAPSCREW 1/4X7/8 NC GRADE 2	139363		03173280		4
25	DAMPER ASSEMBLY WITH ADAPTER	139363		82230377		1
26	CLAMP	139363		82140016		2
27	DUCT	139363		82236253		1
28	VALVE	139363		79174375		2
29	CLAMP	139363		53266600		4
30	BUSHING-FOR GM	139363		20019050		1
31	BUSHING	139363		20017550		1
32	HOSE-18 FEET	139363		53040006		1
33	HOSE-12 FEET	139363		53040006		1
34	ELBOW	139363		537514K1		1
35	CLAMP	139363		53266600		4
36	HOSE	139363		53070006		2
37	VALVE	139363		79443475		1
38	HEATER CONTROL BLOCK	139363		550356K1		1
39	SCREW 6-32X3/8 NC	139363		03474480		1
40	BLOWER-SEE DRAWING 47079046 FOR COMPONENTS	139363		47079046		1





480 HEATER, DEFROSTER, FRESH AIR, AIR CONDITIONER & PIPING WA116



# PARTS LIST

CAT REF	DESCRIPTION	SERIAL NO.		PART NO.	REPLACE OR VENDOR NO.	REQ.
		FROM	TO/INCL.			
	005 HEATER, DEFROSTER, FRESH AIR, AIR CONDITIONER & PIPING DRAWING					
	WALL6	139363				
1	CAPSCREW 1/4X7/8 NC GRADE 2	139363		03173280		2
2	FLAT WASHER 1/4	139363		03951200		4
3	CLIP	139363		37140104		2
4	LOCKNUT C 1/4 NC	139363		02786345		4
5	ROTARY SWITCH	139363		12774164		1
6	KNOB	139363		82593001		1
7	KNOB	139363		82593001		1
8	RHEOSTAT SWITCH	139363		46859692		1
9	CONVERTER CABLE	139363		46266060	46321776	1D
10	CONVERTER CABLE	139363		46266065	46321776	1D
11	BLOWER-SEE DRAWING 47079046 FOR COMPONENTS	139363		47079046		1
12	SCREW 10X3/8	139363		37140102		15
13	HEATER	139363		12251616		1
14	EVAPORATOR	139363		82245864		1
15	SELF-TAPPING SCREW 7X1/2	139363		03891735		4
16	CLAMP	139363		82140015		1
17	DRAIN PAN	139363		87550502		1
18	CONNECTOR	139363		53275030		2
19	DRAIN HOSE	139363		53335060		2
20	CLAMP	139363		82140015		1
21	SELF-TAPPING SCREW 7X1/2	139363		03891735		6
22	DEFROSTER FAN	139363		47100774		1
23	AIR FILTER-COMPONENTS NOT FURNISHED SEPARATELY	139363		46163220		1
24	DAMPER ASSEMBLY WITH ADAPTER	139363		82230377		1
25	CLAMP	139363		82140016		2
26	DAMPER ASSEMBLY	139363		82230375		1
27	DUCT	139363		82236253		1
28	BRACKET	139363		548540K1		2
29	CAPSCREW 1/4X7/8 NC GRADE 2	139363		03173280		4
30	LOCKWASHER 1/4	139363		03961010		4
31	FULL NUT 1/4 NC	139363		02707150		4
32	FULL NUT 3/8 NC	139363	139382	02709150		8
33	FLAT WASHER 3/8	139363	139382	03951400		9
33	FLAT WASHER 3/8	139490		03951400		1
34	STRIP	139363	139382	550267K1		2
35	MOUNT	139363	139382	82629254		4

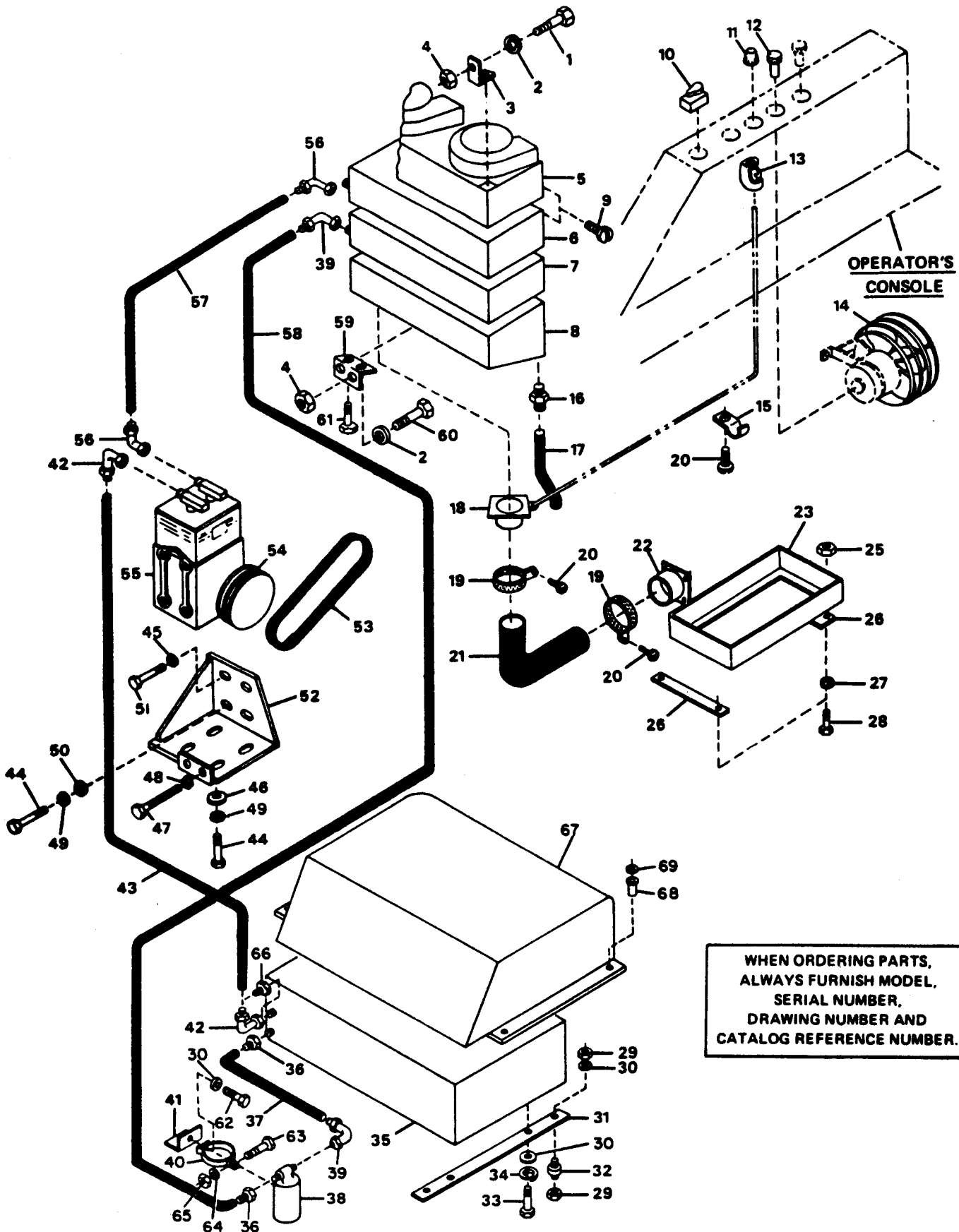


# BUCYRUS-ERIE PARTS LIST

factory spec replacement parts 

CAT REF	DESCRIPTION	SERIAL NO.		PART NO.	REPLACE OR VENDOR NO.	REQ.
		FROM	TO/INCL.			
	005					
36	CAPSCREW 3/8X1 NF	139363	139382	03329080		4
	GRADE 5					
37	LOCKWASHER 3/8	139363	139382	03961300		4
38	CONDENSER	139363	139382	82165861		1
38	CONDENSER	139490		82165862		1
39	FITTING	139363		53302914		2
40	ELBOW	139363	139382	53302926		2
40	ELBOW	139490		53302926		1
41	HOSE-9 INCHES	139363	139382	53017502		1
41	HOSE-17 FEET	139490		53017502		1
42	DRIER-RECEIVER	139363		82922114		1
43	ELBOW	139363		53302925		2
44	CLAMP	139363		82140027		1
45	BRACKET	139363		640088K1		1
46	HOSE-13 FEET	139363		53017502		1
47	HOSE-7 FEET-FOR CUMMINS	139363	139382	53025051		1
47	HOSE-24 FEET-FOR CUMMINS	139490		53025051		1
47	HOSE-3 FEET-FOR GM	139363	139382	53025051		1
47	HOSE-22 FEET-FOR GM	139490		53025051		1
48	CLAMP	139363		53266600		4
49	VALVE	139363		79174375		2
50	BUSHING-FOR GM	139363		20019050		1
51	BUSHING	139363		20017550		1
52	CAPSCREW 3/8X1 NC GRADE 5-FOR CUMMINS	139363		03279320		8
52	CAPSCREW 3/8X1 NC GRADE 5-FOR GM	139363		03279320		4
53	LOCKWASHER 7/16-FOR GM	139363		03961410		4
54	FLAT WASHER 3/8	139363		03951400		4
55	FULL NUT 3/8 NC	139363		02709150		2
56	CAPSCREW-FOR CUMMINS	139363		521373-02		2
56	CAPSCREW 3/8X2-1/2 NC GRADE 5-FOR GM	139363		03279720		2
57	CAPSCREW 7/16X1-1/4NC GRADE 2-FOR GM	139363		03182400		4
58	FLAT WASHER 3/8-FOR CUMMINS	139363		03951400		4
59	LOCKWASHER 3/8-FOR CUMMINS	139363		03961300		8
59	LOCKWASHER 3/8-FOR GM	139363		03961300		4
60	AIR COMPRESSOR BRACKET-FOR CUMMINS	139363		741166K21		1
60	AIR COMPRESSOR BRACKET-FOR GM	139363		743145K21		1
61	V-BELT-FOR CUMMINS	139363		27288128		1
61	V-BELT-FOR GM	139363		27273084		1
62	MAGNETIC CLUTCH ASSEMBLY-FOR CUMMINS	139363		37140002		1





# BUCYRUS-ERIE<sup>®</sup> PARTS LIST

factory spec replacement parts



CAT REF	DESCRIPTION	SERIAL NO.		PART NO.	REPLACE OR VENDOR NO.	REQ.
		FROM	TO/INCL.			
	010 AIR CONDITIONER, DEFROSTER, FRESH AIR & PIPING DRAWING WA117	139363				
1	CAPSCREW 1/4X7/8 NC GRADE 2	139363		03173280		2
2	FLAT WASHER 1/4	139363		03951200		4
3	UNIT CLIP	139363		37140104		2
4	LOCKNUT C 1/4 NC	139363		02786345		4
5	BLOWER-SEE DRAWING 47079046 FOR COMPONENTS	139363		47079046		1
6	MODULE SPACER	139363		37140106		1
7	EVAPORATOR	139363		82245864		1
8	DRAIN PAN	139363		87550502		1
9	SCREW #10X3/8	139363		37140102		15
10	ROTARY SWITCH	139363		12774164		1
11	KNOB	139363		82593001		1
12	RHEOSTAT SWITCH	139363		46859692		1
13	CONVERTER CABLE	139363		46266065	46321776	1D
14	DEFROSTER FAN	139363		47100774		1
15	CLAMP	139363		82140015		1
16	CONNECTOR	139363		53275030		2
17	DRAIN HOSE	139363		53335060		2
18	DAMPER ASSEMBLY WITH ADAPTER	139363		82230375		1
19	CLAMP	139363		82140016		2
20	SELF-TAP SCREW 7X1/2	139363		03891735		4
21	DUCT	139363		82236253		1
22	DAMPER ASSEMBLY WITH ADAPTER	139363		82230377		1
23	AIR FILTER-COMPONENTS NOT FURNISHED SEPARATELY	139363		46163220		1
25	FULL NUT 1/4 NC	139363		02707150		4
26	FILTER BRACKET	139363		537765K1		2
27	LOCKWASHER 1/4	139363		03961010		4
28	CAPSCREW 1/4X7/8 NC GRADE 2	139363		03173280		4
29	FULL NUT 3/8 NC	139363	139382	02709150		8
30	FLAT WASHER 3/8	139363	139382	03951400		9
30	FLAT WASHER 3/8	139490		03951400		1
31	STRIP	139363		550267K1		2
32	MOUNT	139363		82629254		4
33	CAPSCREW 3/8X1 NF GRADE 5	139363	139382	03329080		4 X
34	LOCKWASHER 3/8	139363	139382	03961300		4
35	CONDENSER	139363	139382	82165861		1
35	CONDENSER	139490		82165862		1

# BUCYRUS-ERIE

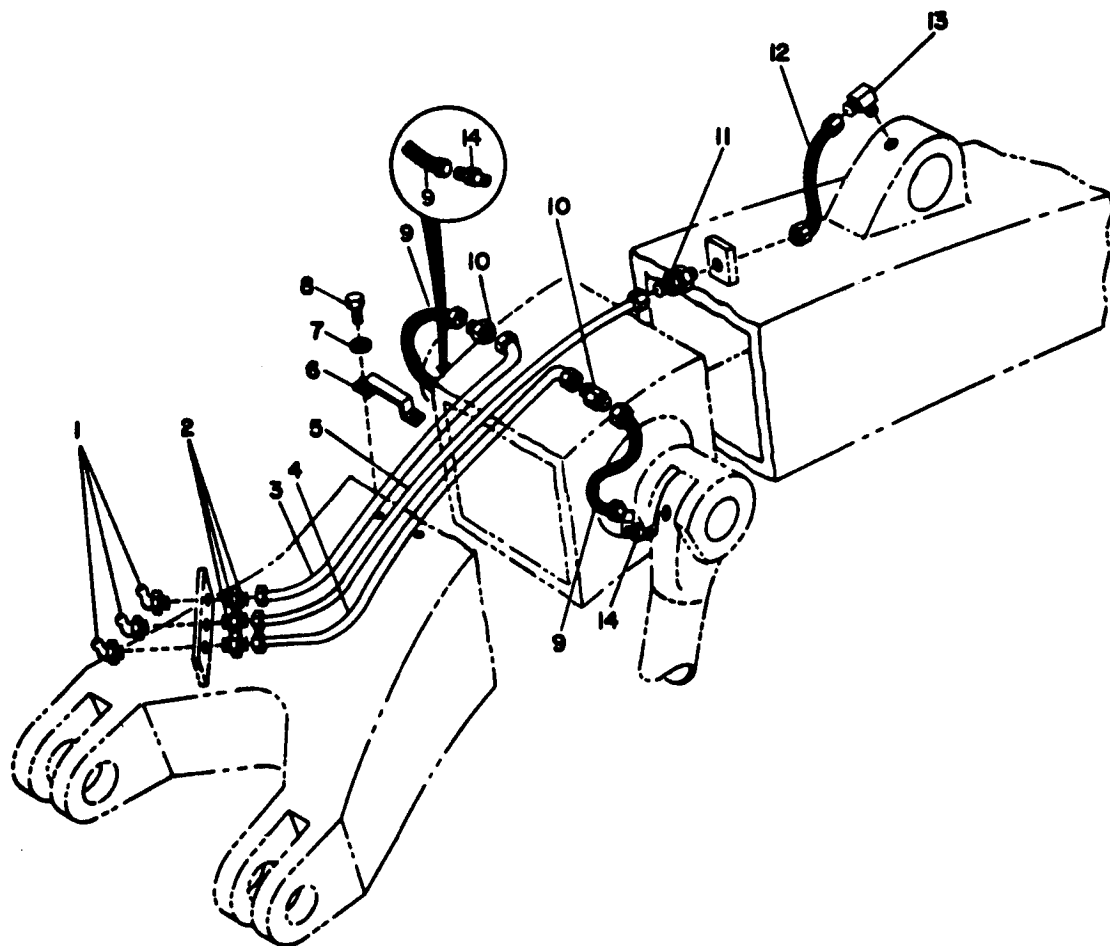


# PARTS LIST

factory spec replacement parts

CAT REF	DESCRIPTION	SERIAL NO.		PART NO.	REPLACE OR VENDOR NO.	REQ.
		FROM	TO/INCL.			
	010					
36	FITTING	139363		53302914		2
37	HOSE-9 INCHES	139363	139382	53017502		1
37	HOSE-17 FEET	139490		53017502		1
38	DRIER-RECEIVER	139363		82922114		1
39	ELBOW	139363		53302925		2
40	CLAMP	139363		82140027		1
41	BRACKET	139363		640088K1		1
42	ELBOW	139363	139382	53302926		2
42	ELBOW	139490		53302926		1
43	HOSE-7 FEET-FOR CUMMINS	139363	139382	53025051		1
43	HOSE-24 FEET-FOR CUMMINS	139490		53025051		1
43	HOSE-3 FEET-FOR GM	139363	139382	53025051		1
43	HOSE-22 FEET-FOR GM	139490		53025051		1
44	CAPSCREW 3/8X1 NC GRADE 5-FOR CUMMINS	139363		03279320		8
44	CAPSCREW 3/8X1 NC GRADE 5-FOR GM	139363		03279320		4
45	LOCKWASHER 7/16-FOR GM	139363		03961410		4
46	FLAT WASHER 3/8	139363		03951400		4
47	CAPSCREW-FOR CUMMINS	139363		521373-02		2
47	CAPSCREW 3/8X2-1/2 NC GRADE 5-FOR GM	139363		03279720		2
48	FULL NUT 3/8 NC	139363		02709150		2
49	LOCKWASHER 3/8-FOR CUMMINS	139363		03961300		8
49	LOCKWASHER 3/8-FOR GM	139363		03961300		4
50	FLAT WASHER 3/8-FOR CUMMINS	139363		03951400		4
51	CAPSCREW 7/16X1-1/4NC GRADE 2-FOR GM	139363		03182400		4
52	AIR COMPRESSOR BRACKET-FOR CUMMINS	139363		741166K21		1
52	AIR COMPRESSOR BRACKET-FOR GM	139363		743145K21		1
53	V-BELT-FOR CUMMINS	139363		27288128		1
53	V-BELT-FOR GM	139363		27273084		1
54	MAGNETIC CLUTCH ASSEMBLY-FOR CUMMINS	139363		37140002		1
54	MAGNETIC CLUTCH ASSEMBLY-FOR GM	139363		37140001		1
55	AIR CONDITIONER COMPRESSOR	139363		82163008		1
56	ELBOW	139363		53302927		2
57	HOSE-20 FEET-FOR CUMMINS	139363		53030052		1
57	HOSE-15 FEET-FOR GM	139363	139382	53030052		1
57	HOSE-18 FEET-FOR GM	139490		53030052		1
58	HOSE-13 FEET	139363		53017502		1

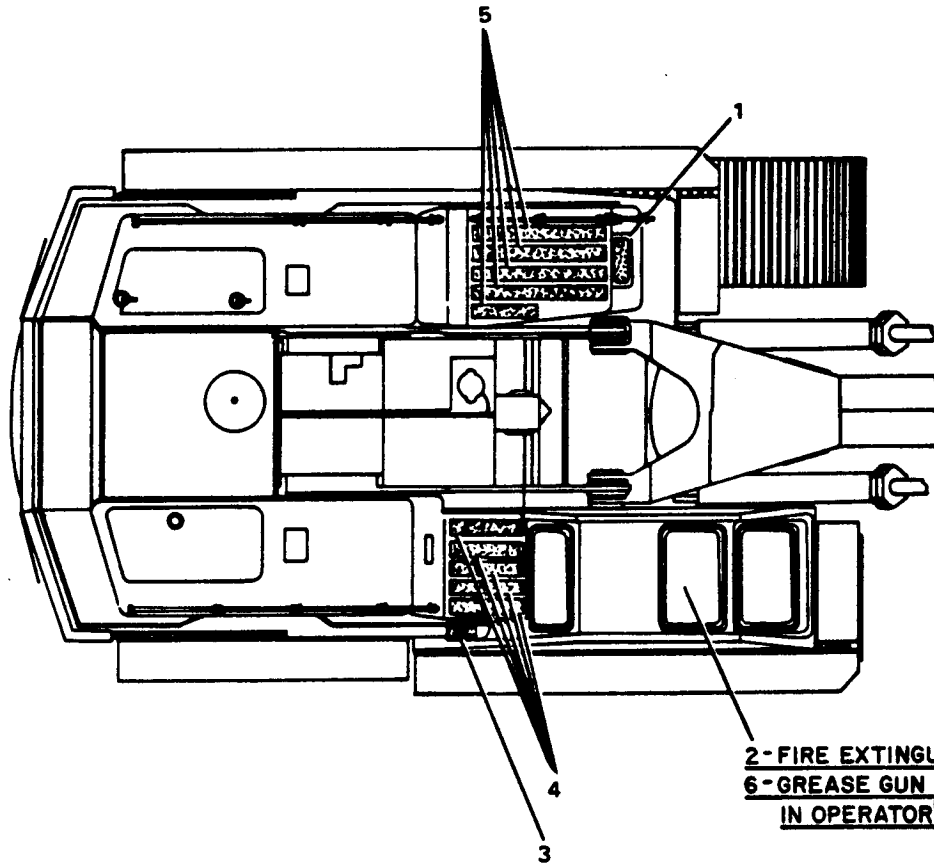




WHEN ORDERING PARTS,  
ALWAYS FURNISH MODEL,  
SERIAL NUMBER,  
DRAWING NUMBER AND  
CATALOG REFERENCE NUMBER.



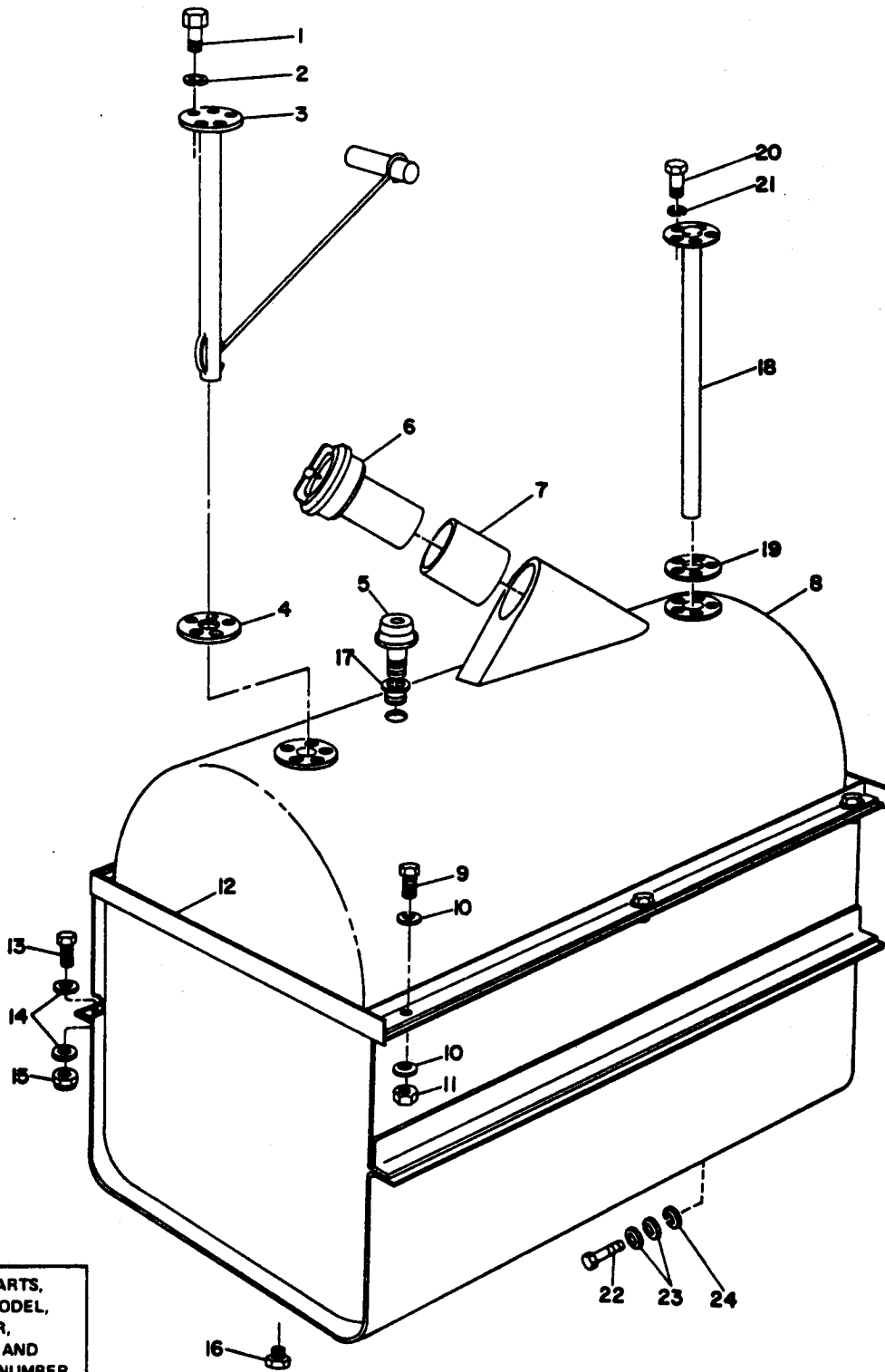




2 - FIRE EXTINGUISHER &  
6 - GREASE GUN HOSE ASSEMBLY  
IN OPERATOR'S CAB

WHEN ORDERING PARTS,  
 ALWAYS FURNISH MODEL,  
 SERIAL NUMBER,  
 DRAWING NUMBER AND  
 CATALOG REFERENCE NUMBER.





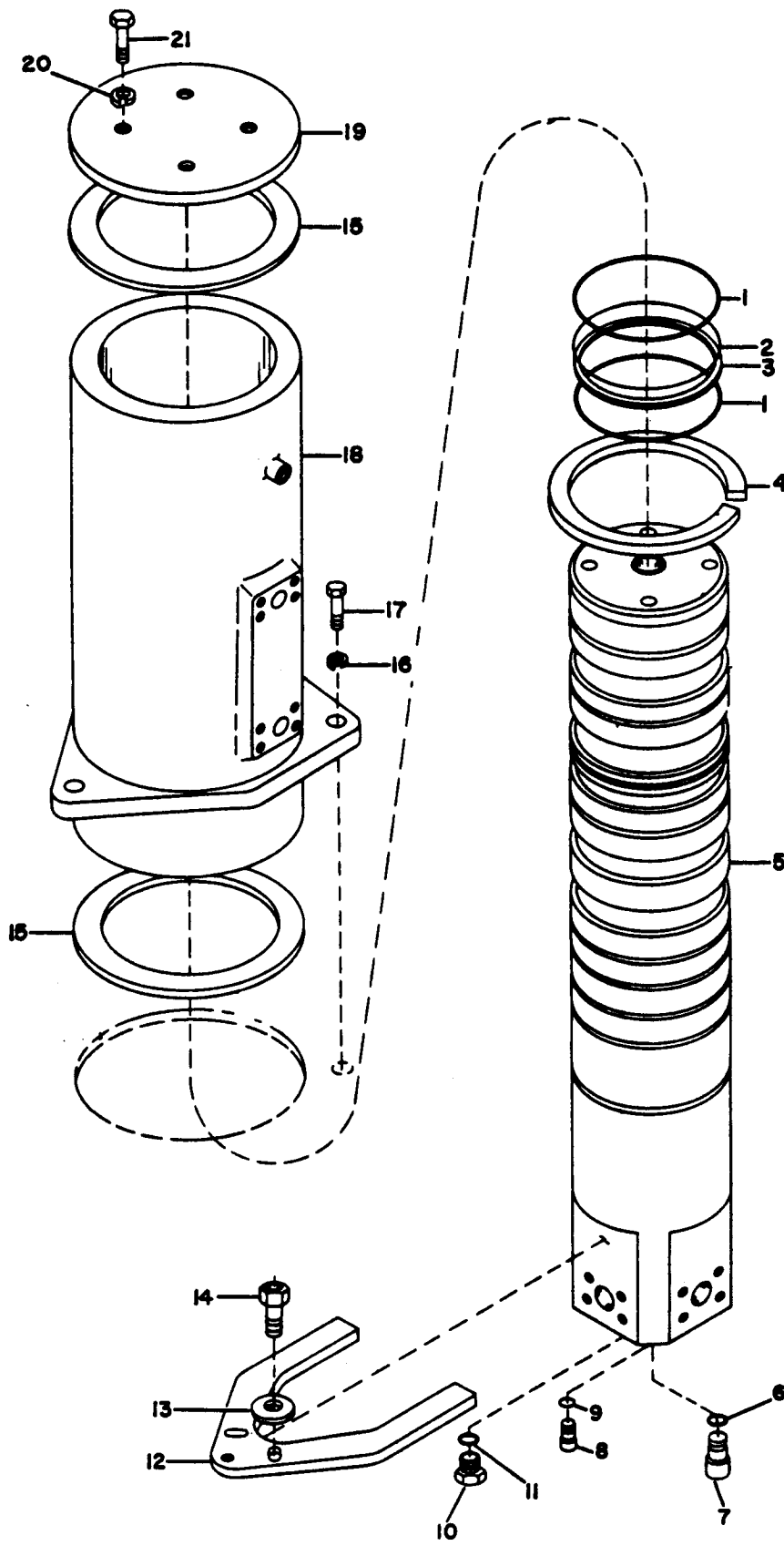
WHEN ORDERING PARTS,  
ALWAYS FURNISH MODEL,  
SERIAL NUMBER,  
DRAWING NUMBER AND  
CATALOG REFERENCE NUMBER.

# BUCYRUS-ERIE PARTS LIST

factory spec replacement parts

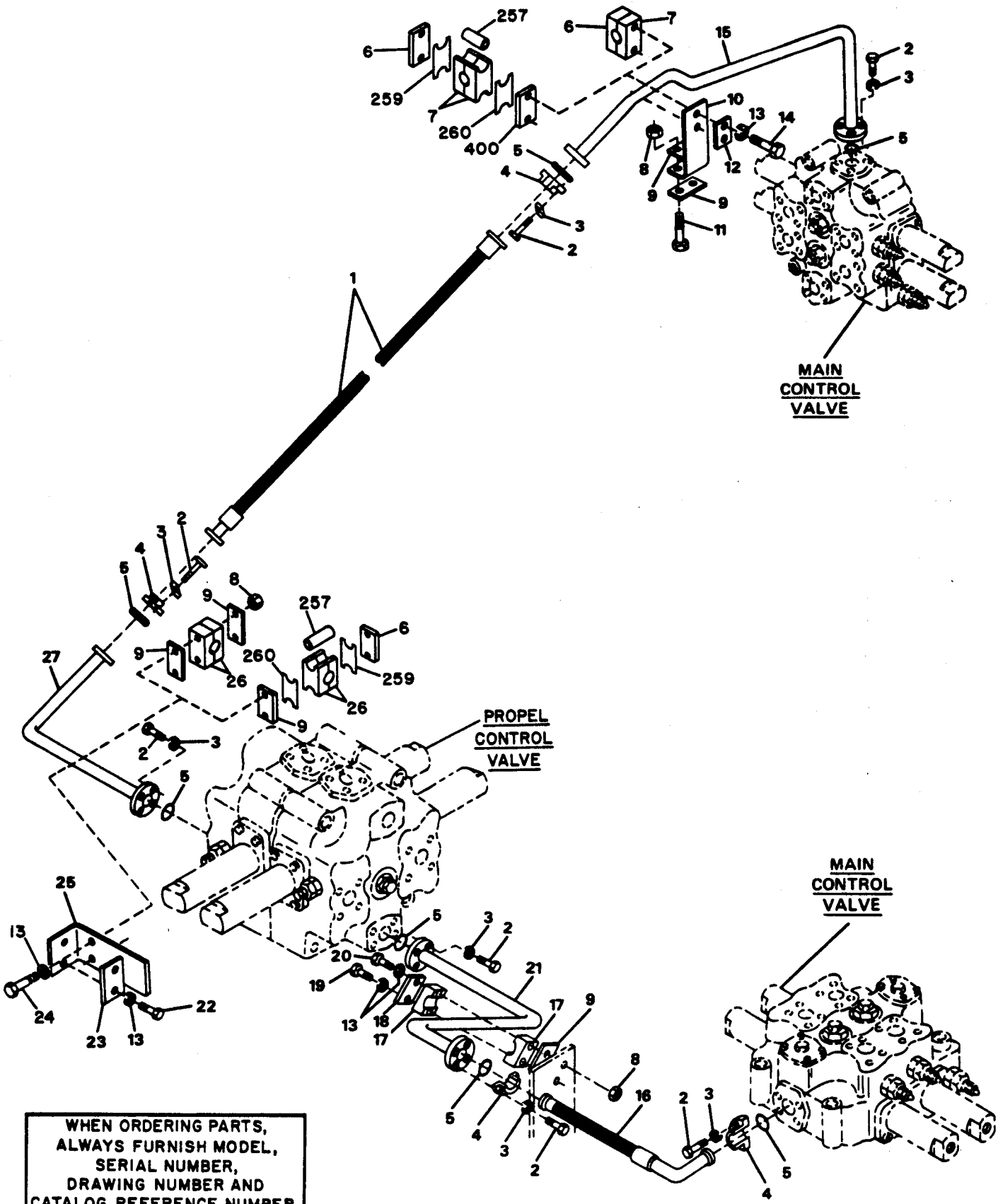
CAT REF	DESCRIPTION	SERIAL NO.		PART NO.	REPLACE OR VENDOR NO.	REQ.
		FROM	TO/INCL.			
	001 FUEL SUPPLY					
	DRAWING YE142	139363				
1	MACHINE SCREW 10-24X1/2	139363		03642160		5
2	LOCKWASHER #10	139363		03960900		5
3	FUEL LEVEL SENDER	139363	140124	82317278		1
3	FUEL GAUGE	140530		82300124		1
4	GASKET	139363		50703500		1
5	BREATHER	139363		29448245		1
6	CAP AND SCREEN	139363		82741010	82741011	1DX
7	NIPPLE	139363	140124	20662950		1
8	FUEL TANK	139363	139744	82922137		1A
	NOTE-WHEN STOCK OF 82922137 IS DEPLETED USE FOLLOWING PARTS					
	FUEL TANK			82922144		1
	18 SUCTION PIPE			646260-01		1
	19 GASKET			50703500		1
	20 MACHINE SCREW			03642240		5
	21 LOCKWASHER 10			03960900		5
8	FUEL TANK	139817		82922144		1A
	NOTE-WHEN STOCK OF 82922144 IS DEPLETED USE FOLLOWING PARTS					
	FUEL TANK			892959-21		1 X
	BAR			513761K1		3 X
	PIPE ELBOW			20213750		1
	PIPE ELBOW			20221750		1
	HOSE-FOR GM ONLY			53795804		1
	HOSE-FOR CUMMINS ONLY & DRAWING 892975			53628039		1
8	FUEL TANK	139817	140124	892959-01		1
8	FUEL TANK	140530		892958-01		1
9	CAPSCREW 3/8X1-1/2 NC GRADE 5	139363	140124	03279480		3
10	FLAT WASHER 3/8	139363	140124	03951400		6
11	LOCKNUT C 3/8 NC	139363	140124	02786385		3
12	MOUNT	139363	140124	879516-01		1
13	CAPSCREW 1/2X1-3/4 NC GRADE 5	139363	140124	03285560		3
13	CAPSCREW 1/2X1-1/4 NC GRADE 5	140530		03285400		2





**22-REPAIR KIT**





WHEN ORDERING PARTS,  
 ALWAYS FURNISH MODEL,  
 SERIAL NUMBER,  
 DRAWING NUMBER AND  
 CATALOG REFERENCE NUMBER.

STANDARD & LOGGER  
 HYDRAULICS-HIGH PRESSURE  
 FRONT END VALVES & SUPPLY LINES



# BUCYRUS-ERIE

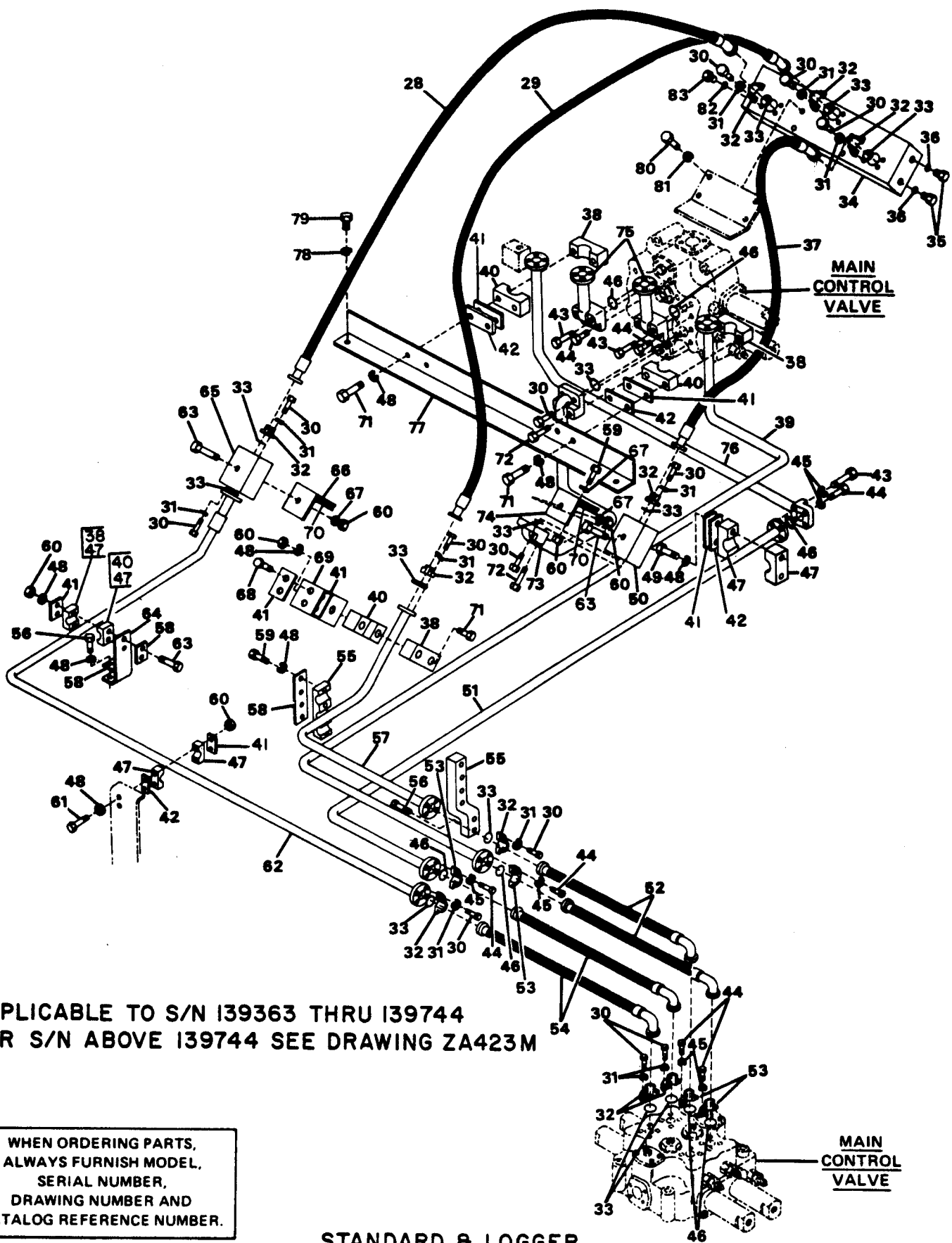
factory spec replacement parts



# PARTS LIST

CAT REF	DESCRIPTION	SERIAL NO.		PART NO.	REPLACE OR VENDOR NO.	REQ.
		FROM	TO/INCL.			
	002 HIGH PRESSURE					
	HYDRAULICS-STANDARD & LOGGER-FRONT END					X
	VALVES & SUPPLY LINES DRAWING ZA423A	139363				X
1	HOSE ASSEMBLY	139363	139744	53796310	53796404	1D
1	HOSE ASSEMBLY	139817		53796404		1
2	CAPSCREW 7/16X1-1/2NC GRADE 5	139363		03282480		28
3	BELLEVILLE WASHER 7/16	139363		03955002		28
4	HALF FLANGE	139363		20324986		8
5	O-RING	139363		68766270		7
6	CLAMP	139363	139744	641901-02		1
6	TAPPED BAR	139817		647649-11		2 X
7	CLAMP	139363	139744	641901-01		1
7	TUBE CUSHION CLAMP	139817		82210867		1 X
8	FULL NUT 1/2 NC	139363		02711050		5
9	SPACER	139363	139744	548359K1		4
9	BAR WASHER	139817		647650-11		1 X
10	BRACKET	139363	139744	645099-01		1
10	BRACKET	139817		645830-01		1 X
11	CAPSCREW 1/2X1-3/4 NC GRADE 5	139363		03285560		2
12	WASHER	139363		548058K1		1
13	LOCKWASHER 1/2	139363	139744	03961500		10
13	LOCKWASHER 3/8	139817		03961300		4 X
14	CAPSCREW 1/2X3 NC GRADE 5	139363	139744	03285960		2
14	CAPSCREW 3/8X3-1/2 NC GRADE 5	139817		03279840		2 X
15	TUBE ASSEMBLY	139363		78389197		1
16	HOSE ASSEMBLY	139363	139744	53794989	53796429	1D
16	HOSE ASSEMBLY	139817		53796429		1
17	CLAMP	139363		645156-01		1
18	SPACER	139363	139744	548360K1		1
19	CAPSCREW 1/2X2-1/2 NC GRADE 5	139363		03285800		1
20	CAPSCREW 1/2X4 NC GRADE 5	139363		03286280		1
21	TUBE ASSEMBLY	139363		78389196		1
22	CAPSCREW 1/2X1-1/4 NC GRADE 5	139363		03285400		2
23	WASHER	139363		548288K1		1
24	CAPSCREW 1/2X3-1/2 NC GRADE 5	139363	139744	03286120		2
24	CAPSCREW 3/8X3-1/2 NC GRADE 5	139817		03279840		2 X
						X





APPLICABLE TO S/N 139363 THRU 139744  
 FOR S/N ABOVE 139744 SEE DRAWING ZA423M

WHEN ORDERING PARTS,  
 ALWAYS FURNISH MODEL,  
 SERIAL NUMBER,  
 DRAWING NUMBER AND  
 CATALOG REFERENCE NUMBER.

STANDARD & LOGGER  
 HYDRAULICS-HIGH PRESSURE  
 HOIST, DIG & WRIST CIRCUIT

ZA423B

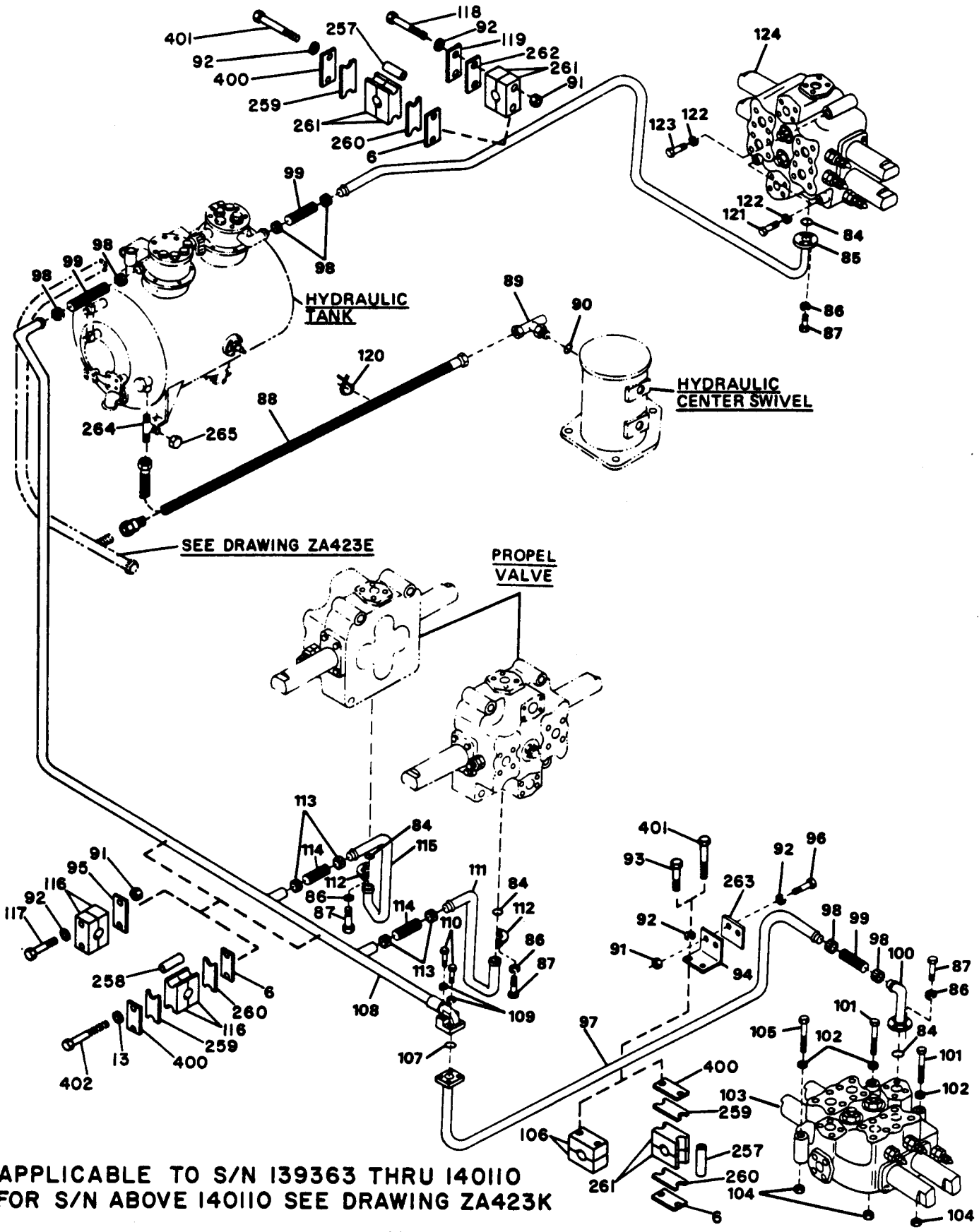
**BUCYRUS-ERIE**  
factory spec replacement parts



**PARTS LIST**

CAT REF	DESCRIPTION	SERIAL NO.		PART NO.	REPLACE OR VENDOR NO.	REQ.
		FROM	TO/INCL.			
	003 HIGH PRESSURE HYDRAULICS-STANDARD & LOGGER-HOIST DIG & WRIST CIRCUIT DRAWING					X X X
	ZA423B	139363				
28	HOSE ASSEMBLY	139363	139744	53794974	53796411	1D
29	HOSE ASSEMBLY	139363	139744	53794973	53796412	1D
30	CAPSCREW 7/16X1-1/2NC GRADE 5	139363	139744	03282480		48 X
31	BELLEVILLE WASHER 7/16	139363	139744	03955002		52 X
32	HALF FLANGE	139363	139744	20324986		22 X
33	O-RING	139363	139744	68766270		13 X
34	HEADER	139363	139744	835196-01		1 X
35	PLUG	139363	139744	78625950		2 X
36	O-RING	139363	139744	68124430		2 X
37	HOSE ASSEMBLY	139363	139744	53794972	53796410	1D
38	CLAMP	139363	139744	641901-01		2 X
39	TUBE ASSEMBLY	139363	139744	78389193		1 X
40	CLAMP	139363	139744	641901-02		3
41	BAR SPACER	139363	139744	548359K1		11
42	SPACER	139363	139744	548360K1		4
43	CAPSCREW 7/16X2-3/4NC GRADE 5	139363	139744	03282887		6 X
44	CAPSCREW 7/16X1-1/2NC GRADE 5	139363	139744	03282480		22 X
45	BELLEVILLE WASHER 7/16	139363	139744	03955002		28 X
46	O-RING	139363	139744	68766270		7 X
47	CLAMP	139363	139744	641902-01		10
48	LOCKWASHER 1/2	139363	139744	03961500		30
49	CAPSCREW 1/2X3-1/4 NC GRADE 5	139363	139744	03286040		2
50	CHECK VALVE	139363	139744	79300106	79491406	1D
51	TUBE ASSEMBLY	139363	139744	78389192		1 X
52	HOSE ASSEMBLY	139363	139744	53795847	53796408	2D
53	HALF FLANGE	139363	139744	20324986		8 X
54	HOSE ASSEMBLY	139363	139744	53795847	53796408	2D
55	CLAMP	139363	139744	835260-01		1 X
56	CAPSCREW 1/2X1-1/4 NC GRADE 5	139363	139744	03285400		4 X
57	TUBE ASSEMBLY	139363	139744	78389194		1 X
58	WASHER	139363	139744	548288K1		2 X
59	CAPSCREW 1/2X2 NC GRADE 5	139363	139744	03285640		8 X
60	FULL NUT 1/2 NC	139363	139744	02711050		14
61	CAPSCREW 1/2X4 NC GRADE 5	139363	139744	03286280		2
62	TUBE ASSEMBLY	139363	139744	78461121		1 X





APPLICABLE TO S/N 139363 THRU 140110  
 FOR S/N ABOVE 140110 SEE DRAWING ZA423K

**STANDARD ONLY  
 HYDRAULICS-HIGH PRESSURE  
 RETURN LINE TO TANK**

**BUCYRUS-ERIE**

factory spec replacement parts



**PARTS LIST**

CAT REF	DESCRIPTION	SERIAL NO.		PART NO.	REPLACE OR VENDOR NO.	REQ.
		FROM	TO/INCL.			
	004 HIGH PRESSURE					X
	HYDRAULICS-RETURN LINES TO TANK-					X
	STANDARD ONLY					X
	DRAWING                      ZA423C	139363	140110			X
6	TAPPED BAR	139817	140110	647649-11		4 X
13	LOCKWASHER	139817	140110	03961300		4 X
84	O-RING	139363	140110	68766270		4 X
85	TUBE ASSEMBLY	139363	139744	78461123		1
85	TUBE ASSEMBLY	139817	140110	78461140		1 X
86	BELLEVILLE WASHER	139363	140110	03955002		16 X
	7/16					
87	CAPSCREW 7/16X1-1/2NC	139363	140110	03282480		16 X
	GRADE 5					
88	HOSE	139363	139499	53796341		1
88	HOSE	139720	139744	53792084		1
88	HOSE	139817	140110	53792806		1 X
89	TEE	139363	140110	78638440		1 X
90	O-RING	139363	140110	68120820		1 X
91	FULL NUT 1/2 NC	139363	139744	02711050		12
91	FULL NUT 1/2 NC	139817	140110	02711050		2 X
92	LOCKWASHER 1/2	139363	139744	03961500		14
92	LOCKWASHER 1/2	139817	140110	03961500		4 X
93	CAPSCREW 1/2X3 NC	139363	139744	03285960		2
	GRADE 5					
94	BRACKET	139363	139744	552706-01		1
94	SUPPORT	139817	140110	645834-01		1 X
95	SPACER	139363	139744	548359K1		2
95	SPACER KIT 1/4 INCH	139817	140110	82866391		2 X
96	CAPSCREW 1/2X2 NC	139363	140110	03285640		2 X
	GRADE 5					
97	TUBE ASSEMBLY	139363	140110	78389202		1AX
	NOTE-WHEN STOCK OF 78389202 IS DEPLETED USE FOLLOWING PARTS					
	HOSE ASSEMBLY			53788946		1
	100 ADAPTER			78550255		1
98	CLAMP	139363	139744	53268700		6
98	CLAMP	139817	140110	53269118		6 X
99	HOSE 6 INCHES	139363	139744	545307-10		3
99	HOSE 6-1/2 INCHES	139817	140110	552492-01		3AX
100	BEADED INSERT	139363	140110	53342557		1AX
	NOTE-WHEN STOCK OF 53342557 IS DEPLETED USE FOLLOWING PARTS					
	ADAPTER			78550255		1

**BUCYRUS-ERIE****PARTS LIST**

factory spec replacement parts



CAT REF	DESCRIPTION	SERIAL NO.		PART NO.	REPLACE OR VENDOR NO.	REQ.
		FROM	TO/INCL.			
	004 97 HOSE ASSEMBLY			53788946		1
101	CAPSCREW 5/8X4-1/2 NC GRADE 5	139363	140110	03292440		2 X
102	PLAIN WASHER 5/8	139363	140110	03951800		3 X
103	WRIST & PRIMARY HOIST	139363	140110	79380946	79380992	1DX
	DIRECTIONAL CONTROL VALVE-SEE DRAWING 79380946 FOR COMPONENTS					
104	LOCKNUT 5/8 NC	139363	140110	02786465		3 X
105	CAPSCREW 5/8X3-1/4 NC GRADE 5	139363	140110	03292040		1 X
106	CLAMP	139363	139744	550900-01		1
106	CLAMP	139817	140110	82140468		1 X
107	O-RING	139363	140110	68136135		1 X
108	TUBE ASSEMBLY	139363	139744	78461122		1
108	TUBE ASSEMBLY	139817	140110	78461139		1 X
109	BELLEVILLE WASHER 1/2	139363	140110	03955003		4 X
110	CAPSCREW 1/2X1-1/2 NC GRADE 5	139363	140110	03285480		4 X
111	TUBE ASSEMBLY	139363	140110	78389199		1
112	HALF FLANGE	139363	140110	20324986		4 X
113	CLAMP	139363	139744	53268690		4
113	CLAMP	139817	140110	53268695		4 X
114	HOSE 6-1/2 INCHES	139363	139744	537866-05		2
114	HOSE 6 INCHES	139817	140110	552491-02		2 X
115	TUBE ASSEMBLY	139363		78389200		1
116	CLAMP	139363	139744	640469-01		4
116	CLAMP	139817		82210868		4 X
117	CAPSCREW 1/2X4 NC GRADE 5	139363	139744	03286280		4
118	CAPSCREW 1/2X4-1/2 NC GRADE 5	139363	139744	03286440		2
119	SPACER	139363	139744	548360K1		1
119	SPACER KIT 1/8 INCH	139817	140110	82866396		2 X
120	CABLE TIE	139363	140110	17448500		1 X
121	CAPSCREW 5/8X4 NC GRADE 5	139363	140110	03292280		2 X
122	LOCKWASHER 5/8	139363	140110	03961700		3 X
123	CAPSCREW 5/8X2-1/2 NC GRADE 5	139363	140110	03291800		1 X
124	DIG & AUXILIARY HOIST DIRECTIONAL CONTROL VALVE-SEE DRAWING 79380954 FOR COMPONENTS	139363	140110	79380954	79380991	1DX
257	TUBE SPACER	139817	140110	647651-12		4
258	TUBE SPACER	139817	140110	647651-13		4
259	SPACER 1/8	139817	140110	82866418		8 X





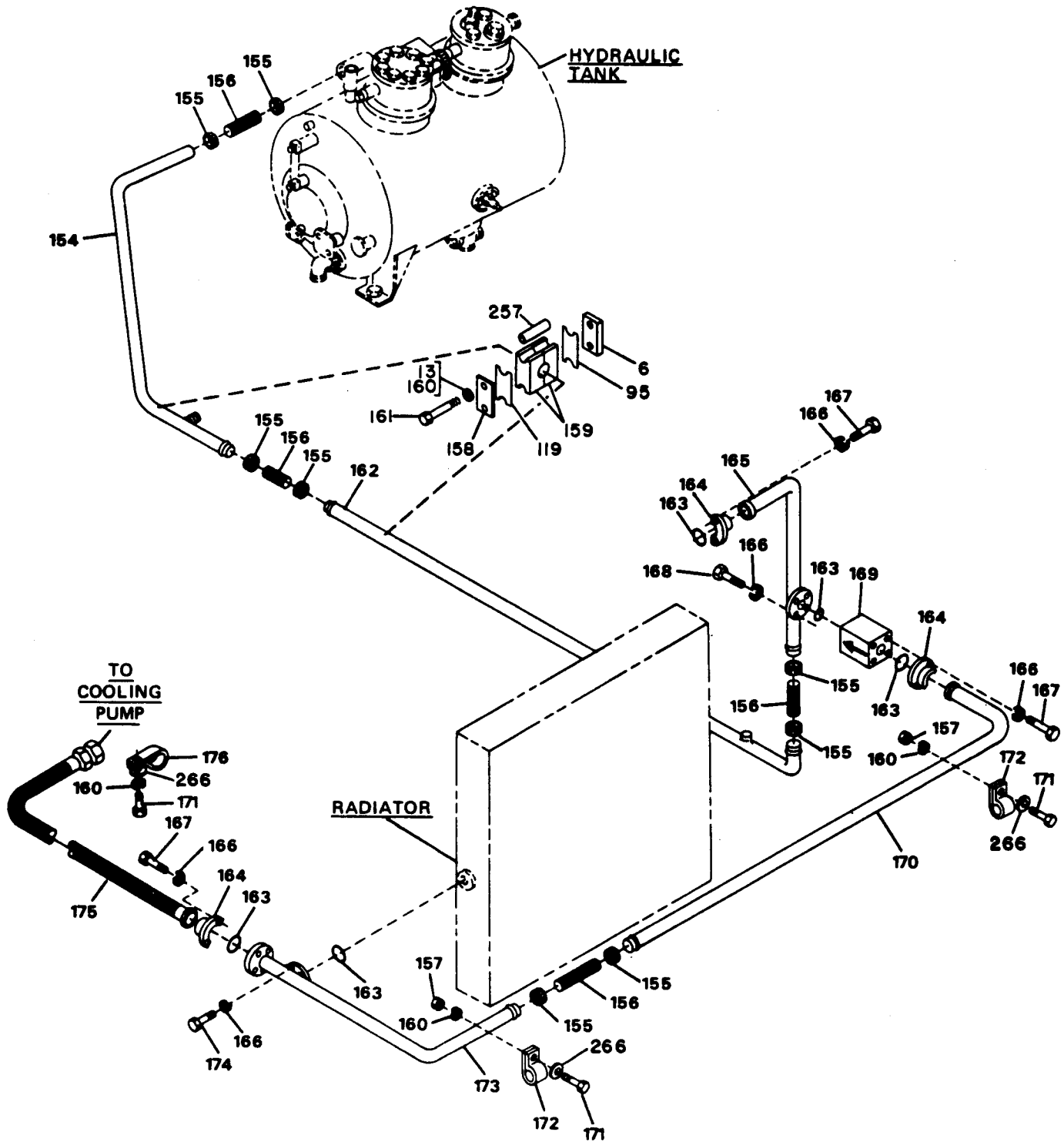


# BUCYRUS-ERIE PARTS LIST

factory spec replacement parts

CAT REF	DESCRIPTION	SERIAL NO.		PART NO.	REPLACE OR VENDOR NO.	REQ.
		FROM	TO/INCL.			
	005 HIGH PRESSURE HYDRAULICS-STANDARD & LOGGER-PROPEL VALVES & PROPEL CIRCUIT DRAWING                   ZA423D	139363				
6	TAPPED BAR	139817		647649-11		2 X
13	LOCKWASHER 3/8	139817		03961300		4 X
125	O-RING	139363		68766270		12
126	BELLEVILLE WASHER 1/2	139363		03955003		24
127	CAPSCREW 1/2X1-3/4 NC	139363		03285560		24
	GRADE 5					
128	TUBE ASSEMBLY	139363		78308277		2
129	HALF FLANGE	139363		53303627		8
130	HOSE ASSEMBLY	139363	139744	53796288	53796399	2D
130	HOSE ASSEMBLY	139817		53796399		2
131	GUARD	139363		548068K1		12
132	HOSE CLAMP-STANDARD	139363	139744	53269582		4 X
132	HOSE CLAMP-STANDARD	139817		53270180		4 X
132	HOSE CLAMP-LOGGER	140060	140124	53269582		4 X
132	HOSE CLAMP-LOGGER	140530		53270180		4 X
133	HOSE ASSEMBLY	139363	139744	53794913	53796400	2D
133	HOSE ASSEMBLY	139817		53796400		2
134	FULL NUT 1/2 NC	139363		02711050		4
135	LOCKWASHER 1/2	139363	139744	03961500		8
135	LOCKWASHER 1/2	139817		03961500		4
136	BRACKET	139363	139744	645152-01		2
136	BRACKET	139817		645831-01		2
137	CAPSCREW 1/2X1-1/4 NC	139363		03285400		4
	GRADE 5					
138	CAPSCREW 7/16X1-1/2NC	139363		03282480		24
	GRADE 5					X
139	WASHER	139363		548288K1		2
140	CLAMP	139363	139744	641902-01		4
140	TUBE CUSHION CLAMP	139817		82210867		4 X
141	SPACER	139363	139744	548359K1		2
141	SPACER 1/4 INCH	139817		82866419		2 X
142	CAPSCREW 1/2X3-1/2 NC	139363	139744	03286120		4
	GRADE 5					
142	CAPSCREW 3/8X3-1/2 NC	139817		03279840		4 X
	GRADE 5					X
143	BELLEVILLE WASHER 7/16	139363		03955002		24
144	TUBE ASSEMBLY	139363		78308276		2
145	HEX BOLT 5/8X8 NC	139363		02613160		2
	GRADE 5					
146	PLAIN WASHER 5/8	139363		03951800		4
147	HALF FLANGE	139363		20324986		8
148	CAP NUT	139363		78623400		2





WHEN ORDERING PARTS,  
 ALWAYS FURNISH MODEL,  
 SERIAL NUMBER,  
 DRAWING NUMBER AND  
 CATALOG REFERENCE NUMBER.

STANDARD & LOGGER  
 HYDRAULICS-HIGH PRESSURE COOLER CIRCUIT

**BUCYRUS-ERIE**

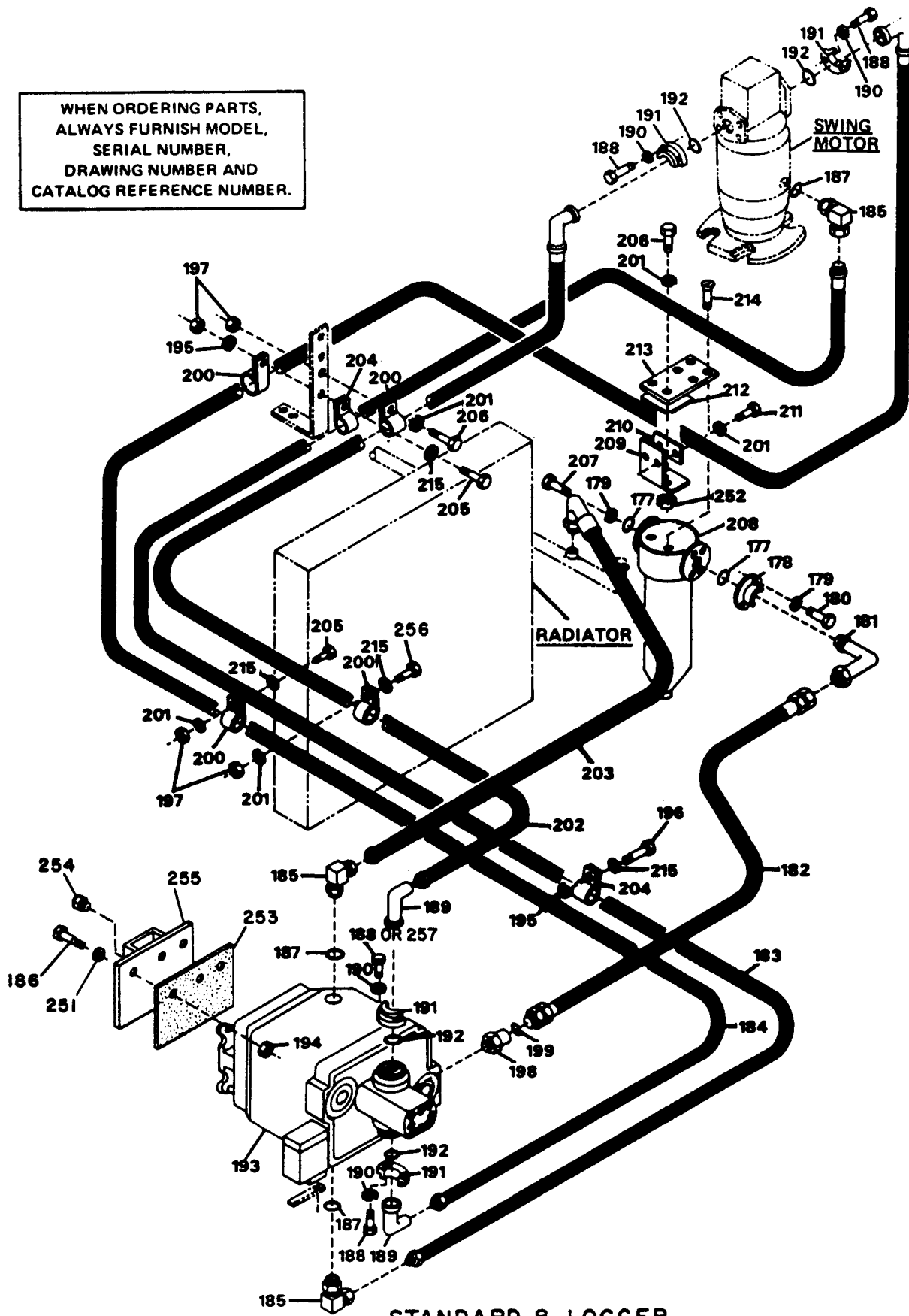
factory spec replacement parts



**PARTS LIST**

CAT REF	DESCRIPTION	SERIAL NO.		PART NO.	REPLACE OR VENDOR NO.	REQ.
		FROM	TO/INCL.			
	006 HIGH PRESSURE HYDRAULICS-STANDARD & LOGGER-COOLER					X X X
	CIRCUIT DRAWING                      ZA423E	139363				
6	TAPPED BAR	139817		647649-11		2 X
13	LOCKWASHER 3/8	139817		03961300		4 X
95	SPACER 1/4 INCH	139817		82866419		2 X
119	SPACER 1/8 INCH	139817		82866418		4 X
154	TUBE ASSEMBLY	139363	139744	78461124		1
154	TUBE ASSEMBLY	139817		78461141		1
155	CLAMP	139363		53268695		8
156	HOSE	139363	139744	537866-05		4
156	HOSE	139817		552491-02		4
157	FULL NUT 1/2 NC	139363		02711050		2
158	SPACER	139363	139744	548359K1		4
158	BAR WASHER 1/4 INCH	139817		647650-11		2 X
159	CLAMP	139363	139744	641901-01		4
159	TUBE CUSHION CLAMP	139817		82210867		2 X
160	LOCKWASHER 1/2	139363	139744	03961500		4
161	CAPSCREW 1/2X3-1/2 NC	139363	139744	03286120		4
161	GRADE 5 CAPSCREW 3/8X3-1/2 NC	139817		03279840		4 X
162	GRADE 5 TUBE ASSEMBLY	139363		78389201		1 X
163	O-RING	139363		68766270		5
164	HALF FLANGE	139363		20324986		6
165	TUBE ASSEMBLY	139363		78389029		1
166	BELLEVILLE WASHER 7/16	139363		03955002		20 X
167	CAPSCREW 7/16X1-1/2NC	139363		03282480		12
168	GRADE 5 CAPSCREW 7/16X1-1/2NC	139363		03482130		4
169	CADMIUM PLATED CHECK VALVE	139363	139744	79300105	79491402	1D X
169	CHECK VALVE	139817		79491402		1
170	TUBE ASSEMBLY	139363		78307905		1
171	CAPSCREW 1/2X1 NC GRADE 5	139363		03285320		4
172	CLAMP	139363		53268611		2
173	TUBE ASSEMBLY	139363		78307906		1
174	SOCKET HEAD SCREW- 7/16X1-1/4 NC	139363		03482125		4 X
175	HOSE	139363		53794105		1
176	CLAMP	139363		53268615		2
257	TUBE SPACER	139817		647651-12		4 X
266	FLAT WASHER 1/2	139363		03951600		4

WHEN ORDERING PARTS,  
ALWAYS FURNISH MODEL,  
SERIAL NUMBER,  
DRAWING NUMBER AND  
CATALOG REFERENCE NUMBER.



STANDARD & LOGGER  
HYDRAULIC UNIT-HIGH PRESSURE SWING  
CIRCUIT PUMP, FILTER, HOSES AND CLAMPS

**BUCYRUS-ERIE**



**PARTS LIST**

factory spec replacement parts

CAT REF	DESCRIPTION	SERIAL NO.		PART NO.	REPLACE OR VENDOR NO.	REQ.
		FROM	TO/INCL.			
	007 HIGH PRESSURE					
	HYDRAULICS-STANDARD LOGGER-SWING CIRCUIT, PUMP, FILTER, HOSES & CLAMPS					X X X X X
	DRAWING                   ZA423F	139363				X
177	O-RING	139363		68136135		2
178	HALF FLANGE	139363		53303629		2
179	BELLEVILLE WASHER 1/2	139363		03955003		8
180	CAPSCREW 1/2X1-1/2 NC GRADE 5	139363		03285480		4
181	BENT STEM ADAPTER	139363		78533128		1
182	HOSE	139363		53793582		1
183	HOSE	139363		53792090		1
184	HOSE ASSEMBLY	139363	139744	53794963		1A
	NOTE-WHEN STOCK OF 53794963 IS DEPLETED USE FOLLOWING PARTS HOSE ASSEMBLY			53796416		1
	188 CAPSCREW 7/16X 1-3/4 NC GRADE 5			03282560		4
	189 BENT STEM ADAPTER 190 BELLEVILLE WASHER 7/16			78533152 03955002		1 4
	191 HALF FLANGE			53303625		2
184	HOSE ASSEMBLY	139817		53796416		1
185	ELBOW	139363		57144645		3
186	CAPSCREW 9/16X2-1/4 NC GRADE 5	139363		03288435		4
187	O-RING	139363		68120970		3
188	CAPSCREW 7/16X1-3/4NC GRADE 5	139363	139744	03282560		16
188	CAPSCREW 7/16X1-3/4NC GRADE 5	139817	140124	03282560		24
188	CAPSCREW 7/16X1-3/4NC GRADE 5	140530		03282560		20
189	BENT STEM ADAPTER	139363	139744	53254311		2
189	BENT STEM ADAPTER	139817		78533152		2
190	BELLEVILLE WASHER 7/16	139363	139744	03955002		16
190	BELLEVILLE WASHER 7/16	139817		03955002		24
191	HALF FLANGE	139363	139744	53303625		8
191	HALF FLANGE	139817		53303625		12
192	O-RING	139363	139744	68135652		4



**BUCYRUS-ERIE**

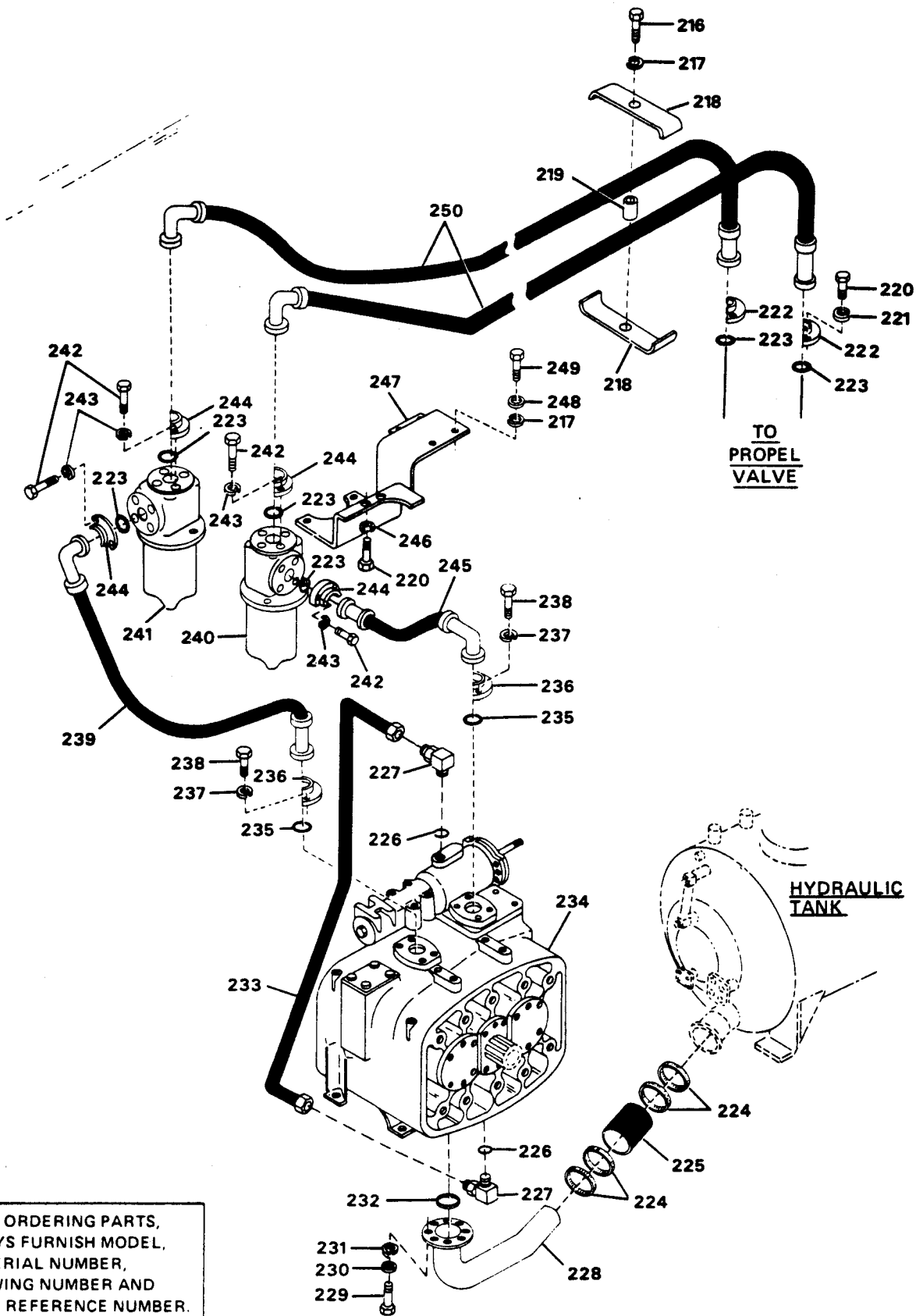


**PARTS LIST**

factory spec replacement parts

CAT REF	DESCRIPTION	SERIAL NO.		PART NO.	REPLACE OR VENDOR NO.	REQ.
		FROM	TO/INCL.			
192	007 O-RING	139817		68135652		6
193	SWING PUMP SEE DRAWING 64916036	139363	140124	64916036		1
193	FOR COMPONENTS SWING PUMP-SEE DRAWING 64916711 FOR COMPONENTS	140530		64916711		1
194	FULL NUT 9/16 NC	139363		02712050		4
195	LOCKWASHER 1/2	139363		03961500		5
196	CAPSCREW 1/2X1 NC GRADE 5	139363		03285320		2
197	FULL NUT 1/2 NC	139363		02711050		3
198	CONNECTOR	139363		78554268		1
199	O-RING	139363		68120970		1
200	CLAMP	139363	139744	53268601		4
200	CLAMP	139817		53268611		4
201	LOCKWASHER 1/2	139363		03961500		4
202	HOSE ASSEMBLY	139363	139744	53794960		1A
	NOTE-WHEN STOCK OF 53794960 IS DEPLETED USE FOLLOWING PARTS					
	HOSE ASSEMBLY			53796415		1
	188 CAPSCREW 7/16X 1-3/4 NC GRADE 5			03282560		4
	189 BENT STEM ADAPTER			78533152		1
	190 BELLEVILLE WASHER 7/16			03955002		4 X X
	191 HALF FLANGE			53303625		2
202	HOSE ASSEMBLY	139817		53796415		1
203	HOSE	139363		53792064		1
204	CLAMP	139363		53268627		2
205	CAPSCREW 1/2X2 NC GRADE 5	139363		03285640		2
206	CAPSCREW 1/2X2 NC GRADE 5	139363		03285640		2
207	SCREW 1/2X1-1/2 NC GRADE 8	139363		03483640		4
208	SWING FILTER-SEE DRAWING 46140225 FOR COMPONENTS	139363		46140225		1
209	BRACKET	139363		641506K1		1
210	WASHER	139363		548288K1		1
211	CAPSCREW 1/2X1-1/4 NC GRADE 5	139363		03285400		2
212	WASHER	139363		548058K1		2
213	BRACKET	139363		641485K1		1
214	SCREW 3/8X3/4 NC- CADMIUM PLATED	139363		03572140		4





WHEN ORDERING PARTS,  
ALWAYS FURNISH MODEL,  
SERIAL NUMBER,  
DRAWING NUMBER AND  
CATALOG REFERENCE NUMBER.

STANDARD & LOGGER  
HYDRAULIC UNIT-HIGH PRESSURE PUMP  
SUPPLY HOSES & FILTERS

ZA423-G

**BUCYRUS-ERIE**

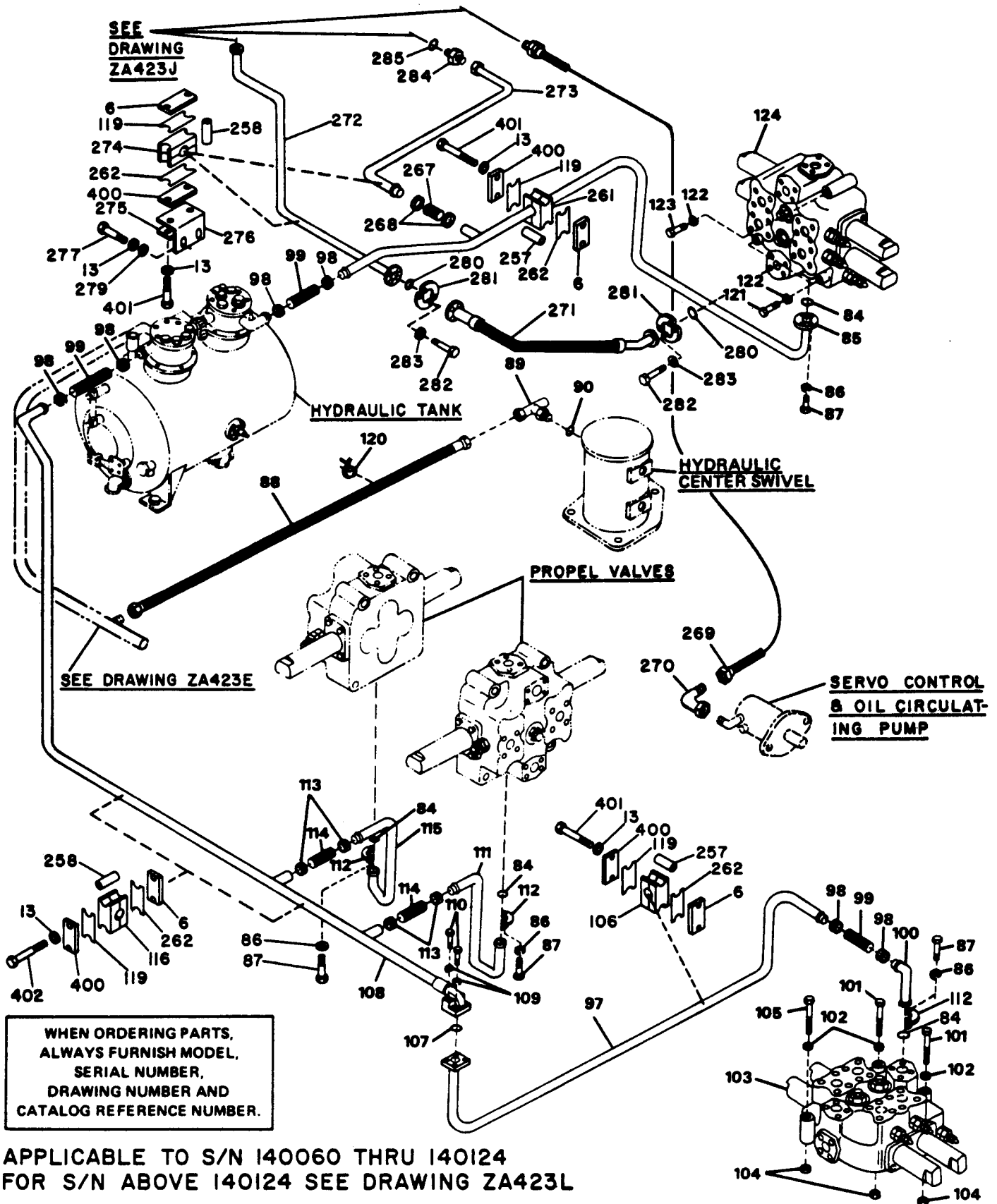
factory spec replacement parts



**PARTS LIST**

CAT REF	DESCRIPTION	SERIAL NO.		PART NO.	REPLACE OR VENDOR NO.	REQ.
		FROM	TO/INCL.			
	008 HIGH PRESSURE HYDRAULICS-STANDARD LOGGER-PUMP, SUPPLY HOSES & FILTERS DRAWING                   ZA423G	139363	139744	03286280		X X X X
216	CAPSCREW 1/2X4 NC GRADE 5	139363	139744	03286280		1
216	CAPSCREW 1/2X3-1/2 NC GRADE 5	139817		03286120		1
217	LOCKWASHER 1/2	139363		03961500		5
218	HOSE CLAMP	139363	139744	641609K1		2
218	HOSE CLAMP	139817		645990-01		2
219	SPACER	139363	139744	529810K1		1
220	CAPSCREW 7/16X1-1/2NC GRADE 5	139363		03282480		16
221	BELLEVILLE WASHER 7/16	139363		03955002		8
222	HALF FLANGE	139363		20324986		4
223	O-RING	139363		68766270		6
224	CLAMP	139363	140124	53271065		4
225	HOSE	139363	140124	537173-05		1
226	O-RING	139363		68120970		2
227	ELBOW	139363		57143700		2
228	SUCTION MANIFOLD	139363	140124	82621046		1
229	CAPSCREW M8X30 MM GRADE 8.8	139363	140124	03552001		8
230	FLAT WASHER 8MM	139363	140124	03990008		8
231	LOCKWASHER 8MM	139363	140124	03990001		8
232	O-RING	139363	140124	68145293		1
233	HOSE SEE DRAWING 64789947 FOR COMPONENTS	139363		53788158		1
235	O-RING	139363		68136135		2
236	HALF FLANGE	139363		20325237		4
237	BELLEVILLE WASHER 5/8	139363		03955004		8
238	CAPSCREW 5/8X2-1/4 NC GRADE 5	139363		03291720		8
239	HOSE	139363	139744	53794301	53796390	1D
239	HOSE ASSEMBLY	139817		53796390		1
240	HIGH PRESSURE FILTER ASSEMBLY WITH PRESSURE SWITCH-SEE DRAWING 46173217 FOR COMPONENTS	139363		46173217		1
241	HIGH PRESSURE FILTER ASSEMBLY-SEE DRAWING 46173216 FOR COMPONENTS	139363		46173216		1
242	CAPSCREW 1/2X1-3/4 NC GRADE 5	139363		03285560		16





SEE  
DRAWING  
ZA423J

HYDRAULIC TANK

HYDRAULIC CENTER SWIVEL

PROPEL VALVES

SERVO CONTROL & OIL CIRCULATING PUMP

SEE DRAWING ZA423E

WHEN ORDERING PARTS,  
ALWAYS FURNISH MODEL,  
SERIAL NUMBER,  
DRAWING NUMBER AND  
CATALOG REFERENCE NUMBER.

APPLICABLE TO S/N 140060 THRU 140124  
FOR S/N ABOVE 140124 SEE DRAWING ZA423L

LOGGER ONLY  
HYDRAULICS-HIGH PRESSURE  
RETURN LINE TO TANK

# BUCYRUS-ERIE



# PARTS LIST

factory spec replacement parts

CAT REF	DESCRIPTION	SERIAL NO.		PART NO.	REPLACE OR VENDOR NO.	REQ.
		FROM	TO/INCL.			
	009 HIGH PRESSURE HYDRAULICS-LOGGER DRAWING                   ZA423H	140060	140124			X X
6	TAPPED BAR	140060	140124	647649-11		6 X
13	LOCKWASHER 3/8	140060	140124	03961300		12 X
71	CAPSCREW 3/8X3-1/2 NC GRADE 5	140060	140124	03279840		2 X X
84	O-RING	140060	140124	68766270		4 X
85	TUBE ASSEMBLY	140060	140124	78461179		1 X
86	BELLEVILLE WASHER 7/16	140060	140124	03955002		16 X
87	CAPSCREW 7/16X1-1/2NC GRADE 5	140060	140124	03282480		16 X
88	HOSE ASSEMBLY	140060	140124	53792806		1 X
89	TEE	140060	140124	78638440		1 X
90	O-RING	140060	140124	68120820		1 X
91	FULL NUT 1/2 NC	140060	140124	02711050		2 X
92	LOCKWASHER 1/2	140060	140124	03961500		2 X
94	SUPPORT	140060	140124	647711-01		1 X
95	SPACER 1/4 INCH	140060	140124	82866419		3 X
96	CAPSCREW 1/2X2 NC GRADE 5	140060	140124	03285640		2 X
97	TUBE ASSEMBLY	140060	140124	78389202		1AX
	NOTE-WHEN STOCK OF 78389202 IS DEPLETED USE FOLLOWING PARTS					
	HOSE ASSEMBLY			53788946		1
	100 ADAPTER			78550255		1
98	CLAMP	140060	140124	53269118		6 X
99	HOSE 6-1/2 INCHES	140060	140124	552492-01		3AX
100	BEADED INSERT	140060	140124	53342557		1AX
	NOTE-WHEN STOCK OF 53342557 IS DEPLETED USE FOLLOWING PARTS					
	ADAPTER			78550255		1
	97 HOSE ASSEMBLY			53788946		1
101	CAPSCREW 5/8X4-1/2 NC GRADE 5	140060	140124	03292440		2 X
102	PLAIN WASHER 5/8	140060	140124	03951800		3 X
103	WRIST & PRIMARY HOIST DIRECTIONAL CONTROL VALVE-SEE DRAWING 79380946 FOR COMPONENTS	140060	140124	79380946	79380992	1DX

**BUCYRUS-ERIE**



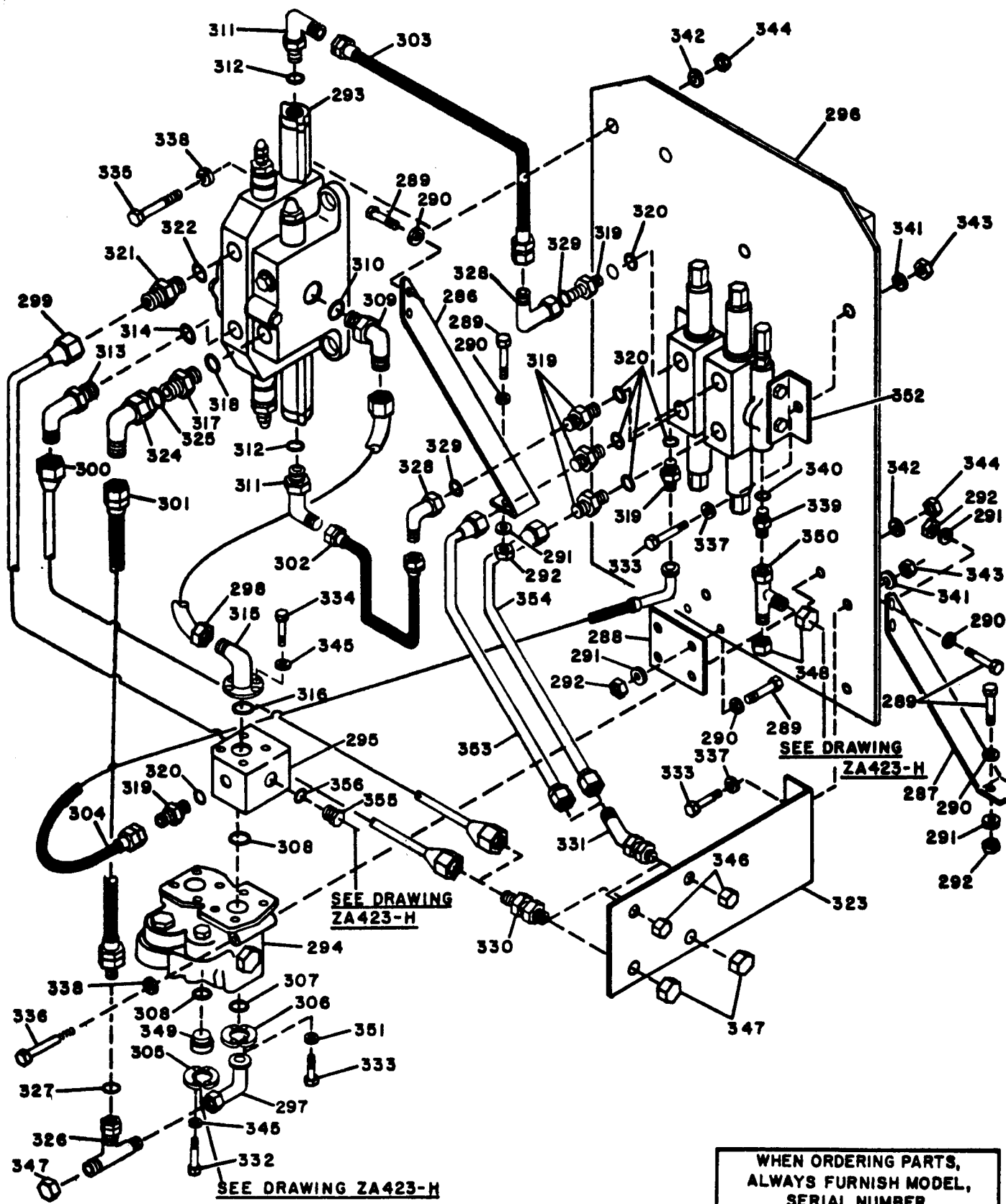
**PARTS LIST**

factory spec replacement parts

CAT REF	DESCRIPTION	SERIAL NO.		PART NO.	REPLACE OR VENDOR NO.	REQ.
		FROM	TO/INCL.			
	009					
104	LOCKNUT 5/8 NC	140060	140124	02786465		3 X
105	CAPSCREW 5/8X3-1/4 NC GRADE 5	140060	140124	03292040		1 X
106	TUBE CUSHION	140060	140124	82210868		1 X
107	O-RING	140060	140124	68136135		1 X
108	TUBE ASSEMBLY	140060	140124	78461139		1 X
109	BELLEVILLE WASHER 1/2	140060	140124	03955003		4 X
110	CAPSCREW 1/2X1-1/2 NC GRADE 5	140060	140124	03285480		4 X
111	TUBE ASSEMBLY	140060	140124	78389199		1 X
112	HALF FLANGE	140060	140124	20324986		4 X
113	CLAMP	140060	140124	53268695		4 X
114	HOSE-6 INCHES	140060	140124	552491-02		2 X
115	TUBE ASSEMBLY	140060	140124	78389200		1 X
116	TUBE CUSHION	140060	140124	82210868		2 X
119	SPACER 1/8 INCH	140060	140124	82866418		12 X
120	CABLE TIE	140060	140124	17448500		3 X
121	CAPSCREW 5/8X4 NC GRADE 5	140060	140124	03292280		2 X
122	LOCKWASHER 5/8	140060	140124	03961700		3 X
123	CAPSCREW 5/8X2-1/2 NC GRADE 5	140060	140124	03291800		1 X
124	DIG & AUXILIARY HOIST DIRECTIONAL CONTROL VALVE-SEE DRAWING 79380970 FOR COMPONENTS	140060	140124	79380970	647353-01	1 X
257	TUBE SPACER	140060	140124	647651-12		4 X
258	TUBE SPACER	140060	140124	647651-13		8 X
261	TUBE CUSHION	140060	140124	82210868		1 X
262	SPACER 1/4 INCH	140060	140124	82866419		6 X
263	SPACER	140060	140124	548359K1		1 X
267	HOSE-4-1/2 INCHES	140060	140124	537866-01		1 X
268	CLAMP	140060	140124	53268695		2 X
269	HOSE ASSEMBLY	140060	140124	53790223		1 X
270	ELBOW	140060	140124	78597367		1 X
271	HOSE ASSEMBLY	140060	140124	53791121		1 X
272	TUBE ASSEMBLY	140060	140124	78389515		1 X
273	TUBE ASSEMBLY	140060	140124	78308457		1 X
274	TUBE CUSHION CLAMP	140060	140124	82210867		2 X
275	SPACER	140060	140124	552408-03		2 X
276	BRACKET	140060	140124	647711-01		2 X
277	CAPSCREW 1/2X1-1/2 NC GRADE 5	140060	140124	03285480		4 X
278	LOCKWASHER 1/2	140060	140124	03961500		4 X
279	FLAT WASHER 1/2	140060	140124	03951600		4 X
280	O-RING	140060	140124	68766270		2 X
281	HALF FLANGE	140060	140124	20324986		4 X
282	CAPSCREW 7/16X1-1/2NC GRADE 5	140060	140124	03282480		8 X
283	BELLEVILLE WASHER 7/16	140060	140124	03955002		8 X







WHEN ORDERING PARTS,  
ALWAYS FURNISH MODEL,  
SERIAL NUMBER,  
DRAWING NUMBER AND  
CATALOG REFERENCE NUMBER.

LOGGER ONLY  
HYDRAULIC UNIT-HIGH PRESSURE  
GRAPPLE PIPING

**BUCYRUS-ERIE**  
factory spec replacement parts



**PARTS LIST**

CAT REF	DESCRIPTION	SERIAL NO.		PART NO.	REPLACE OR VENDOR NO.	REQ.
		FROM	TO/INCL.			
	010 HIGH PRESSURE HYDRAULICS-LOGGER ONLY-GRAPPLE PIPING DRAWING                   ZA423J	140060				X X X
286	LEFT HAND BRACKET	140060		646779-01		1
287	RIGHT HAND BRACKET	140060		646779-02		1
288	BAR	140060		552874-01		1
289	CAPSCREW 3/8X1-1/2 NC GRADE 5	140060		03279480		12
290	LOCKWASHER 3/8	140060		03961300		12
291	FLAT WASHER 3/8	140060		03951400		12
292	FULL NUT 3/8 NC	140060		02709150		12
293	GRAPPLE EXTEND & RETRACT CONTROL VALVE SEE DRAWING 79380932 FOR COMPONENTS	140060		79380932		1
294	FLOW DIVIDER VALVE- SEE DRAWING 79363971 FOR COMPONENTS	140060		79363971		1
295	MANIFOLD BLOCK	140060		746457-01		1
296	MOUNTING PLATE	140060		744586K21		1
297	TUBE ASSEMBLY	140060		78254179		1
298	TUBE ASSEMBLY	140060		78308164		1
299	TUBE ASSEMBLY	140060		78389116		1
300	TUBE ASSEMBLY	140060		78389117		1
301	HOSE ASSEMBLY	140060		53796186		1
302	HOSE ASSEMBLY	140060		53786961		1
303	HOSE ASSEMBLY	140060		53786974		1
304	HOSE ASSEMBLY	140060		53796206		1
305	HALF FLANGE	140060		53303626		2
306	HALF FLANGE	140060		53303620		2
307	O-RING	140060		68763200		1
308	O-RING	140060		68135745		2
309	ELBOW	140060		78597678		1
310	O-RING	140060		68120865		1
311	ELBOW	140060		57141250		2
312	O-RING	140060		68120797		2
313	ELBOW	140060		57144650		1
314	O-RING	140060		68120820		1
315	ELBOW	140060		78597680		1
316	O-RING	140060		68120865		1
317	CONNECTOR	140060		78554235		1
318	O-RING	140060		68120865		1
319	CONNECTOR	140060		78553833		6
320	O-RING	140060		68120797		6
321	CONNECTOR	140060		78554217		1
322	O-RING	140060		68120820		1
323	BULKHEAD	140060		643417K1		1
324	ELBOW	140060		78597679		1

**BUCYRUS-ERIE**

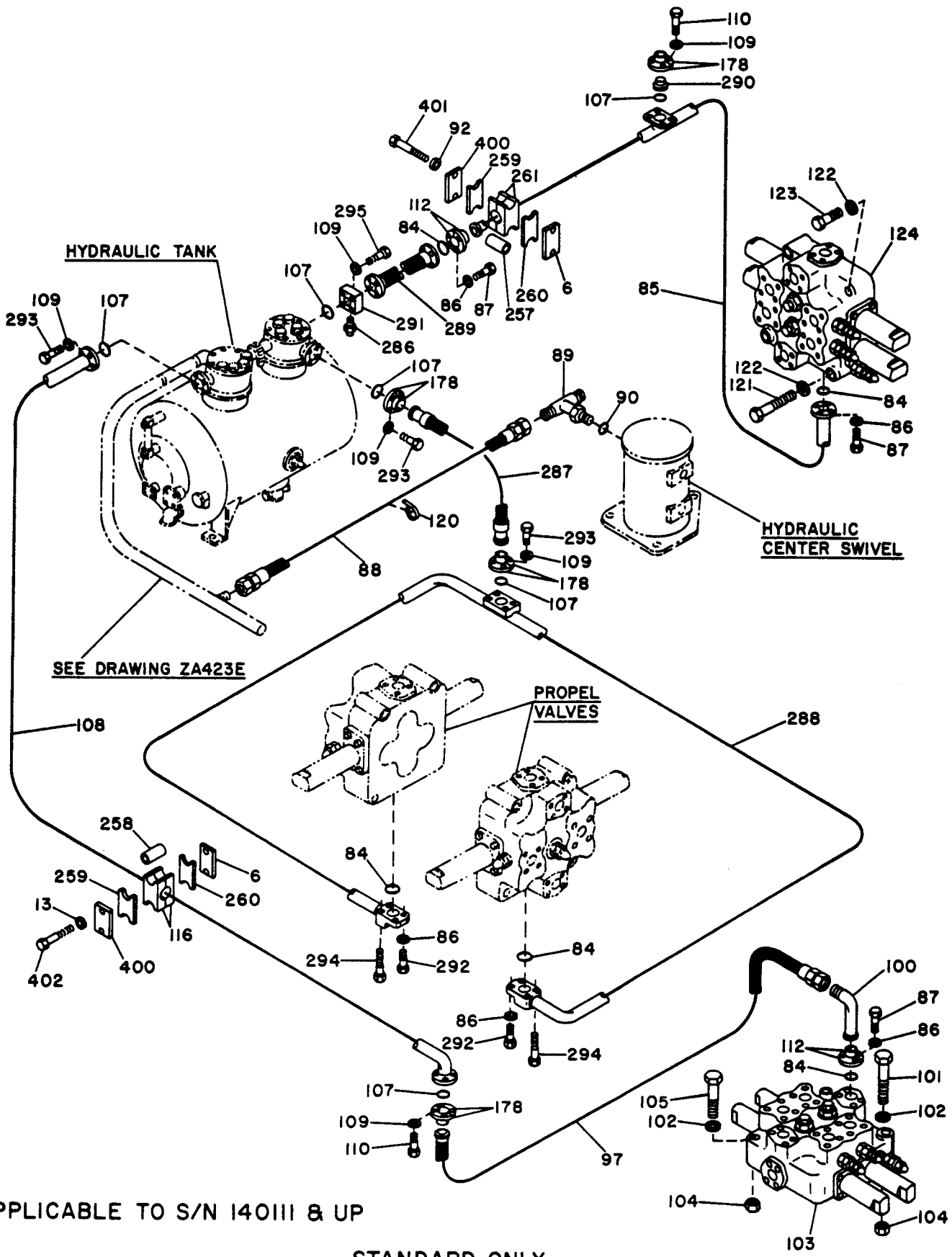


**PARTS LIST**

factory spec replacement parts



CAT REF	DESCRIPTION	SERIAL NO.		PART NO.	REPLACE OR VENDOR NO.	REQ.
		FROM	TO/INCL.			
	010					
325	O-RING	140060		68120865		1
326	TEE	140060		78638487		1
327	O-RING	140060		68120820		1
328	ELBOW	140060		78595880		2
329	O-RING	140060		68120797		2
330	BULKHEAD UNION	140060		78533490		2
331	BULKHEAD UNION	140060		78596375		2
332	CAPSCREW 7/16X1-1/2NC GRADE 5	140060		03282480		4
333	CAPSCREW 3/8X1-1/4 NC GRADE 5	140060		03279400		10
334	CAPSCREW 7/16X4 NC GRADE 5	140060		03283285		4
335	CAPSCREW 1/2X2 NC GRADE 5	140060		03285640		3
336	CAPSCREW 1/2X3 NC GRADE 5	140060		03285960		2
337	LOCKWASHER 3/8	140060		03961300		6
338	LOCKWASHER 1/2	140060		03961500		5
339	CONNECTOR	140060		78553906		1
340	O-RING	140060		68120797		1
341	FLAT WASHER 3/8	140060		03951400		6
342	FLAT WASHER 1/2	140060		03951600		5
343	FULL NUT 3/8 NC	140060		02709150		6
344	FULL NUT 1/2 NC	140060		02711050		5
345	BELLEVILLE WASHER 7/16	140060		03955002		8
346	CAP NUT	140060		78623400		2
347	CAP NUT	140060		78623600		3
348	CAP NUT	140060		78623520		2
349	PLUG	140060		53404789		1
350	TEE	140060		78640080		1
351	BELLEVILLE WASHER 3/8	140060		03955001		4
352	GRAPPLE OPEN, CLOSE & ROTATE CONTROL VALVE-SEE DRAWING 79364572 FOR COMPONENTS	140060		79364572		1
353	TUBE ASSEMBLY	140060		78308392		1
354	TUBE ASSEMBLY	140060		78308393		1
355	PLUG	140060		78629203		1
356	O-RING	140060		68120840		1



APPLICABLE TO S/N 140111 & UP

STANDARD ONLY  
 HYDRAULICS - HIGH PRESSURE  
 RETURN LINE TO TANK

**BUCYRUS-ERIE**

factory spec replacement parts



**PARTS LIST**

CAT REF	DESCRIPTION	SERIAL NO.		PART NO.	REPLACE OR VENDOR NO.	REQ.
		FROM	TO/INCL.			
	011 HIGH PRESSURE HYDRAULICS-RETURN LINES TO TANK- STANDARD ONLY DRAWING                      ZA423K	140111				X X X X
6	TAPPED BAR	140111		647649-11		3 X
13	LOCKWASHER	140111		03961300		4 X
84	O-RING	140111		68766270		5 X
85	TUBE ASSEMBLY	140111		78461525		1 X
86	BELLEVILLE WASHER 7/16	140111		03955002		16 X X
87	CAPSCREW 7/16X1-1/2 NC GRADE 5	140111		03282480		12 X X
88	HOSE ASSEMBLY	140111		53792806		1 X
89	TEE-INCLUDES ITEM 90	140111		78638440		1 X
90	O-RING	140111		68120820		1 X
92	LOCKWASHER 1/2	140111		03961500		2 X
97	HOSE ASSEMBLY	140111		53788946		1 X
100	ADAPTER	140111		78550255		1 X
101	CAPSCREW 5/8X4-1/2 NC GRADE 5	140111		03292440		2 X X
102	PLAIN WASHER 5/8	140111		03292440		3 X
103	WRIST & PRIMARY HOIST DIRECTIONAL CONTROL VALVE-SEE DRAWING 79380946 FOR COMPONENT PARTS	140111		79380946	79380992	1DX X X X X
103	WRIST & PRIMARY HOIST DIRECTIONAL CONTROL VALVE-SEE DRAWING 79380992 FOR COMPONENTS	140111		79380992		1 X X X X X
104	LOCKNUT 5/8	140111		02786465		3 X
105	CAPSCREW 5/8X3-1/4 NC GRADE 5	140111		03292040		1 X X
107	O-RING	140111		68136135		4 X
108	TUBE ASSEMBLY	140111		78389654		1 X
109	BELLEVILLE WASHER 1/2	140111		03955003		24 X
110	CAPSCREW 1/2X1-1/2 NC GRADE 5	140111		03285480		8 X X
112	HALF FLANGE	140111		20324986		4 X
116	TUBE CUSHION CLAMP	140111		82210868		2 X
120	CABLE TIE	140111		17448500		X
121	CAPSCREW 5/8X4 NC GRADE 5	140111		03292280		2 X X
122	LOCKWASHER 5/8	140111		03961700		3 X
123	CAPSCREW 5/8X2-1/2 NC GRADE 5	140111		03291800		1 X X
124	DIG & AUXILIARY HOIST DIRECTIONAL CONTROL VALVE-SEE DRAWING 79380954 FOR	140111		79380954		1 X X X X







**BUCYRUS-ERIE**  
factory spec replacement parts

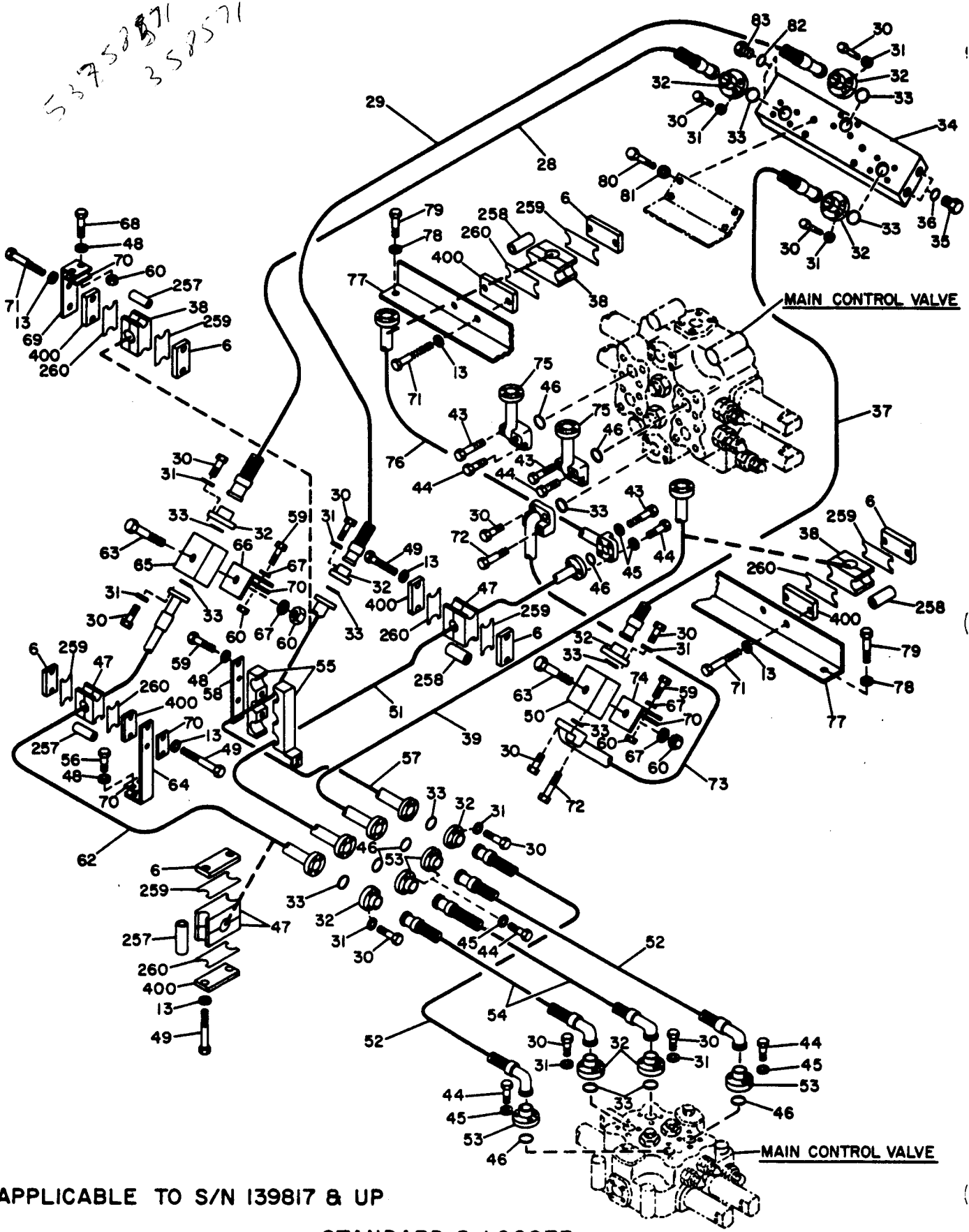


**PARTS LIST**

CAT REF	DESCRIPTION	SERIAL NO.		PART NO.	REPLACE OR VENDOR NO.	REQ.
		FROM	TO/INCL.			
	012 HIGH PRESSURE					X
	HYDRAULICS-RETURN LINES TO TANK					X
	LOGGER ONLY					X
	DRAWING ZA423L	140530				X
6	TAPPED BAR	140530		647649-11		6 X
13	LOCKWASHER 3/8	140530		03961300		12 X
23	HOSE ASSEMBLY	140530		53796564		1 X
31	TUBE ASSEMBLY	140530		78461526		1 X
35	TUBE ASSEMBLY	140530		78308498		1 X
84	O-RING	140530		68766270		5 X
85	TUBE ASSEMBLY	140530		78461525		1 X
86	BELLEVILLE WASHER	140530		03955002		16 X
	7/16					X
87	CAPSCREW 7/16X1-1/2 NC GRADE 5	140530		03282480		12 X
88	HOSE ASSEMBLY	140530		53792806		1 X
89	TEE	140530		78638440		1 X
90	O-RING	140530		68120820		1 X
94	BRACKET	140530		B001113-01		1 X
97	HOSE ASSEMBLY	140530		53788946		1 X
100	ADAPTER	140530		78550255		1 X
101	CAPSCREW 5/8X4-1/4 NC GRADE 5	140530		03292440		2 X
102	PLAIN WASHER 5/8	140530		03951800		3 X
103	WRIST & PRIMARY HOIST DIRECTIONAL CONTROL VALVE-SEE DRAWING 79380946 FOR COMPONENTS	140530		79380946		1 X
104	LOCKNUT 5/8 NC	140530		02786465		3 X
105	CAPSCREW 5/8X3-1/4 NC GRADE 5	140530		03292040		1 X
107	O-RING	140530		68136135		8 X
108	TUBE ASSEMBLY	140530		78389654		1 X
109	BELLEVILLE WASHER 1/2	140530		03955003		32 X
110	CAPSCREW 1/2X1-1/2 NC GRADE 5	140530		03285480		12 X
116	CUSHION CLAMP	140530		82210868		2 X
119	SPACER 1/8	140530		82866418		11 X
120	CABLE TIE	140530		17448500		1 X
121	CAPSCREW 5/8X4 NC GRADE 5	140530		03292280		2 X
122	LOCKWASHER 5/8	140530		03961700		3 X
123	CAPSCREW 5/8X2-1/2 NC GRADE 5	140530		03291800		1 X
124	DIG & AUXILIARY HOIST DIRECTIONAL CONTROL VALVE-SEE DRAWING 79380970 FOR COMPONENTS	140530		79380970	647353-01	1DX
						X
						X
						X



5375271  
352571



APPLICABLE TO S/N 139817 & UP

STANDARD & LOGGER  
HYDRAULICS-HIGH PRESSURE  
HOIST, DIG & WRIST CIRCUIT

# BUCYRUS-ERIE

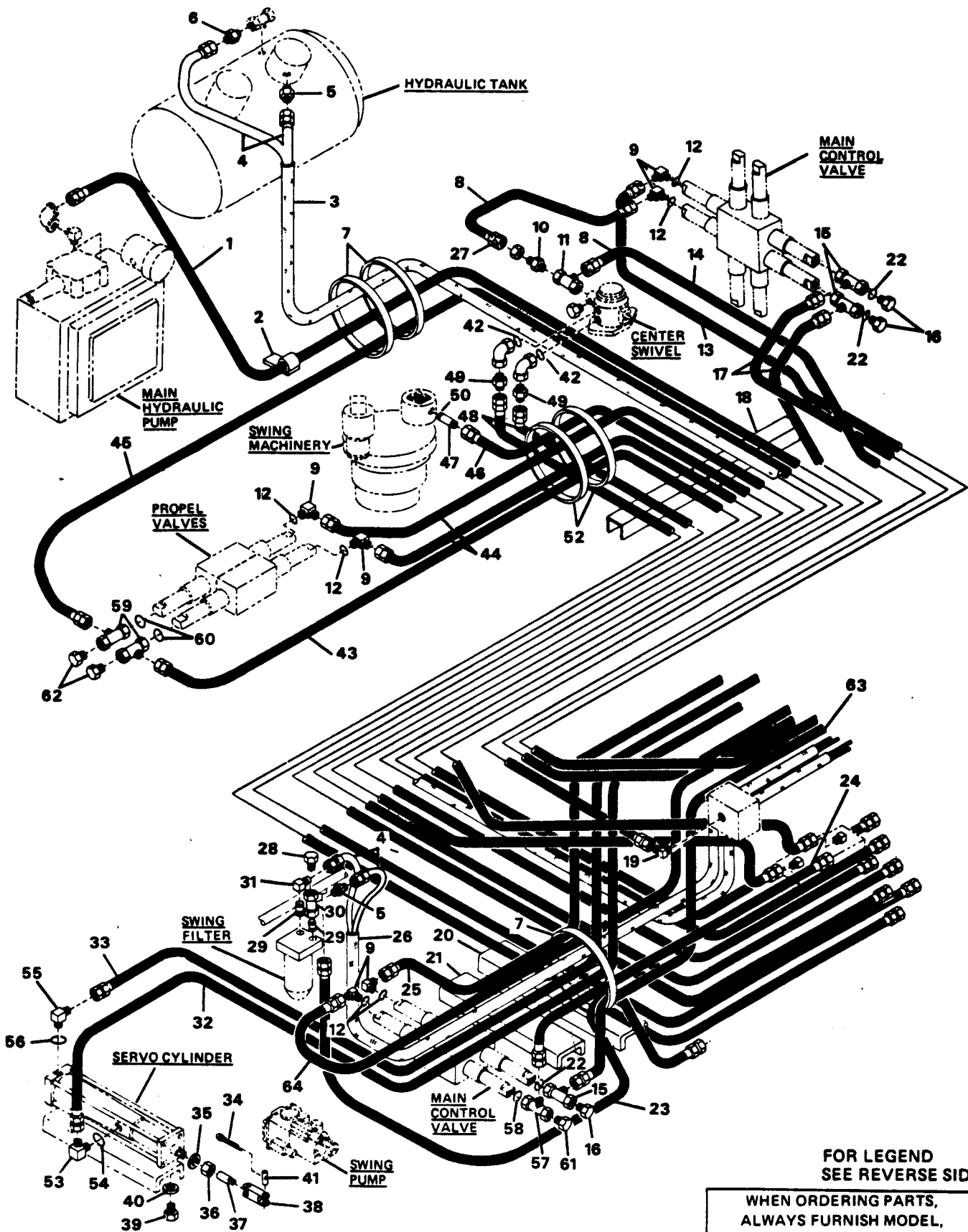


# PARTS LIST

factory spec replacement parts

CAT REF	DESCRIPTION	SERIAL NO.		PART NO.	REPLACE OR VENDOR NO.	REQ.
		FROM	TO/INCL.			
	013 HIGH PRESSURE HYDRAULICS-STANDARD & LOGGER-HOIST, DIG, & WRIST CIRCUIT DRAWING	ZA423M	139817			X X X X
6	TAPPED BAR		139817	647649-11		6 X
13	LOCKWASHER 3/8		139817	03961300		12 X
28	HOSE ASSEMBLY		139817	53796411		1 X
29	HOSE ASSEMBLY		139817	53796412		1 X
30	CAPSCREW 7/16 X 1-1/2 NC GRADE 5		139817	03282480		48 X X
31	BELLEVILLE WASHER 7/16		139817	03955002		44 X X
32	HALF FLANGE		139817	20324986		20 X
33	O-RING		139817	68766270		13 X
34	HEADER		139817	835196-01		1 X
35	PLUG		139817	78625950		2 X
36	O-RING		139817	68124430		2 X
37	HOSE ASSEMBLY		139817	53796410		1 X
38	TUBE CUSHION CLAMP		139817	82210867		6 X
39	TUBE ASSEMBLY		139817	78389193		1 X
43	CAPSCREW 7/16X2-3/4 NC-GRADE 5		139817	03282887		6 X X
44	CAPSCREW 7/16X1-1/2 GRADE 5		139817	03282480		22 X X
45	BELLEVILLE WASHER 7/16		139817	03955002		20 X X
46	O-RING		139817	68766270		3 X
47	TUBE CUSHION CLAMP		139817	82210867		1 X
48	LOCKWASHER 1/2		139817	03961500		8 X
50	CHECK VALVE		139817	79491406		1 X
51	TUBE ASSEMBLY		139817	78389192		1 X
52	HOSE ASSEMBLY		139817	53796408		2 X
53	HALF FLANGE		139817	20324986		8 X
54	HOSE ASSEMBLY		139817	53796408		2 X
55	CLAMP		139817	835260-01		1 X
56	CAPSCREW 1/2X1-1/4 NC GRADE 5		139817	03285400		2 X X
57	TUBE ASSEMBLY		139817	78389194		1 X
58	WASHER		139817	548288K1		1 X
59	CAPSCREW 1/2X2 NC GRADE 5		139817	03285640		8 X X
60	FULL NUT 1/2 NC		139817	02711050		8 X
62	TUBE ASSEMBLY		139817	78461121		1 X
63	CAPSCREW 1/2X3-1/2 NC GRADE 5		139817	03286120		2 X X
64	BRACKET		139817	645832-01		1 X
65	CHECK VALVE		139817	79491404		1 X
66	BRACKET		139817	645150-01		1 X





APPLICABLE TO S/N 139363 THRU 140124  
 FOR S/N ABOVE 140124 SEE DRAWING ZA491

FOR LEGEND  
 SEE REVERSE SIDE

WHEN ORDERING PARTS,  
 ALWAYS FURNISH MODEL,  
 SERIAL NUMBER,  
 DRAWING NUMBER AND  
 CATALOG REFERENCE NUMBER.

**BUCYRUS-ERIE**



**PARTS LIST**

factory spec replacement parts

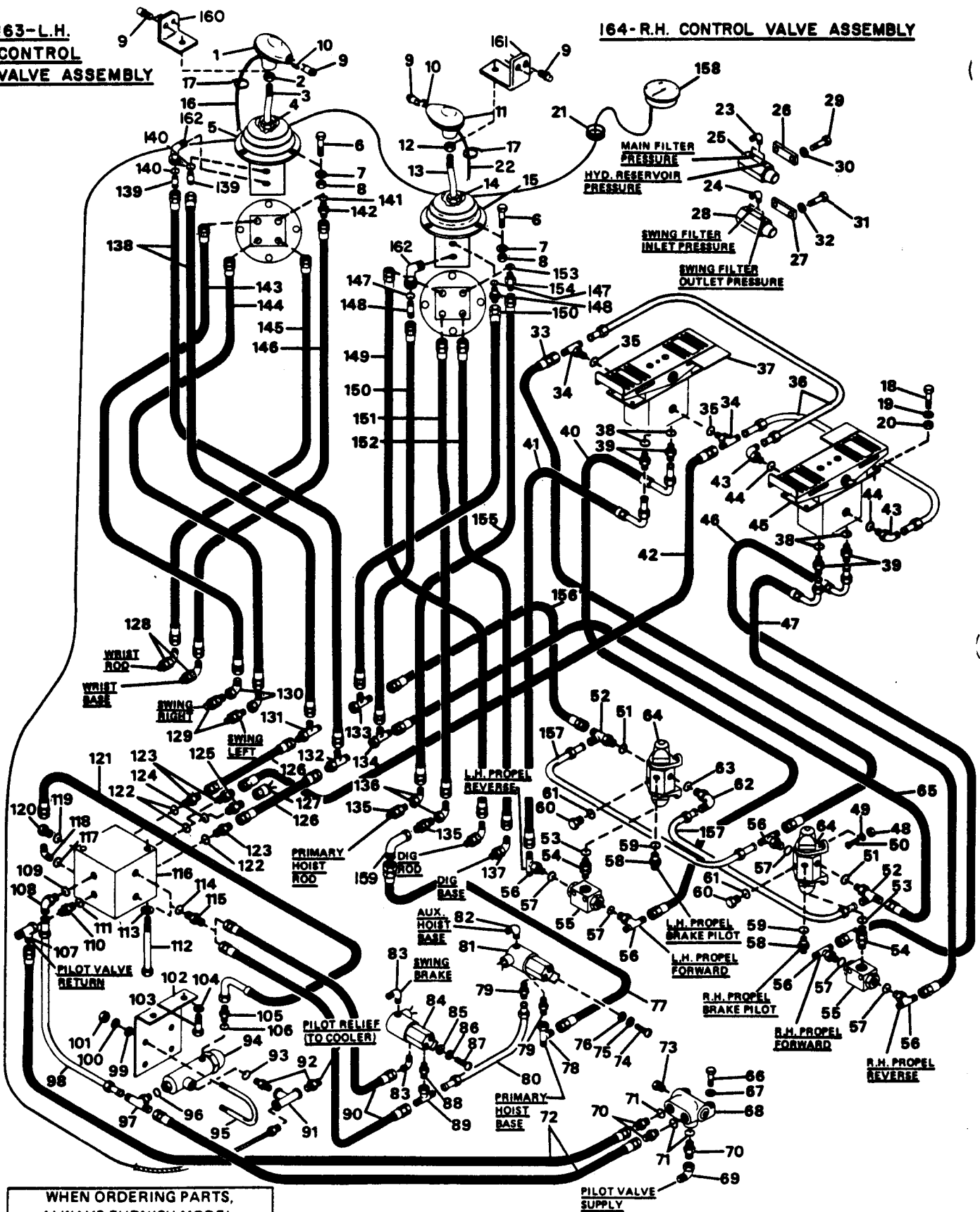
CAT REF	DESCRIPTION	SERIAL NO.		PART NO.	REPLACE OR VENDOR NO.	REQ.
		FROM	TO/INCL.			
	014 SERVO CONTROL					
	HYDRAULICS DRAWING                      ZA424	139363	140124			X
1	HOSE ASSEMBLY	139363	140124	53796353		1
2	CLAMP	139363	140124	53268627		1
3	LOOM-SPECIFY LENGTH	139363	140124	17330850		
4	TUBE-SPECIFY LENGTH	139363	140124	82945642		
5	CONNECTOR	139363	140124	57115435		2
6	CONNECTOR	139363	140124	57117205		1
7	CABLE TIE	139363	140124	17448500		3
8	HOSE ASSEMBLY	139363	140124	53796206		1
9	ELBOW	139363	140124	57141250		2
10	REDUCER	139363	140124	78533136		1
11	TEE	139363	140124	78638487		1
12	O-RING	139363	140124	68120797		3
13	HOSE ASSEMBLY	139363	140124	53794252		1
14	HOSE ASSEMBLY	139363	140124	53792560		1
15	TEE	139363	140124	78637865		3
16	CAP NUT	139363	140124	78623400		3
17	HOSE ASSEMBLY	139363	140124	53792855		2
18	U-CHANNEL	139363	140124	82137285		1
19	ELBOW	139363	140124	78597559		1
20	U-CHANNEL	139363	140124	82137284		1
21	U-CHANNEL	139363	140124	82137330		1
22	O-RING	139363	140124	68120797		3
23	HOSE ASSEMBLY	139363	140124	53792803		1
24	HOSE ASSEMBLY	139363	140124	53792844		1
25	HOSE ASSEMBLY	139363	140124	53787320		1
26	LOOM-SPECIFY LENGTH	139363	140124	17330850		
27	NUT	139363	140124	78623588		1
28	PLUG	139363	140124	20765420		1
29	NIPPLE	139363	140124	20500350		2
30	TEE	139363	140124	20810350		1
31	ELBOW	139363	140124	57143317		1
32	HOSE ASSEMBLY	139363	140124	53794257		1
33	HOSE ASSEMBLY	139363	140124	53794256		1
34	COTTER PIN 1/16X1/2	139363	140124	03103240		2
35	FLAT WASHER 1/4	139363	140124	03951200		2
36	FULL NUT 1/2 NF	139363	140124	02740550		1
37	YOKE	139363	140124	638786K1		1
38	LINK	139363	140124	537555K1		2
39	CAPSCREW 3/8X1 NC GRADE 5	139363	140124	03279320		4
40	LOCKWASHER 3/8	139363	140124	03961300		4
41	PIN	139363	140124	537379K1		2
42	O-RING	139363	140124	68124430		2
43	HOSE ASSEMBLY	139363	140124	53794258		1
44	HOSE ASSEMBLY	139363	140124	53787320		2
45	HOSE ASSEMBLY	139363	140124	53792848		1





**163-L.H.  
CONTROL  
VALVE ASSEMBLY**

**164-R.H. CONTROL VALVE ASSEMBLY**



WHEN ORDERING PARTS,  
ALWAYS FURNISH MODEL,  
SERIAL NUMBER,  
DRAWING NUMBER AND  
CATALOG REFERENCE NUMBER.

**BUCYRUS-ERIE**



**PARTS LIST**

factory spec replacement parts



CAT REF	DESCRIPTION	SERIAL NO.		PART NO.	REPLACE OR VENDOR NO.	REQ.
		FROM	TO/INCL.			
	016 CAB HYDRAULICS DRAWING ZA425	139363				X
1	LEFT HAND CONTROL KNOB	139363		82593005		1
2	JAM NUT 3/8 NF	139363		02739600		1
3	HANDLE	139363		643447K1		1
4	HEX NUT M14	139363		02810008		1
5	LEFT HAND WRIST & SWING CONTROL VALVE- SEE DRAWING 79434313 FOR COMPONENTS	139363	139744	79434313	79434317	1D
5	LEFT HAND WRIST & SWING CONTROL VALVE- SEE DRAWING 79434317 FOR COMPONENTS	139817		79434317		1
6	CAPSCREW 1/4X1 NC GRADE 5	139363		03273320		8
7	LOCKWASHER 1/4	139363		03961010		8
8	FULL NUT 1/4 NC	139363		02707150		8
9	PUSH BUTTON SWITCH	139363		12769120		2
9	PUSH BUTTON SWITCH- LOGGER	140060		12769120		6
10	TERMINAL	139363		17445823		4
11	RIGHT HAND CONTROL KNOB	139363		17295428		1
12	JAM NUT 3/8 NF	139363		02739600		1
13	HANDLE	139363		643447K1		1
14	HEX NUT M14	139363		02810008		1
15	RIGHT HAND DIG & HOIST CONTROL VALVE- SEE DRAWING 79434313 FOR COMPONENTS	139363	139744	79434313	79434317	1D
15	RIGHT HAND DIG & HOIST CONTROL VALVE- SEE DRAWING 79434317 FOR COMPONENTS	139817		79434317		1
16	CABLE 48 INCHES	139363		16231510		1
17	CABLE TIE	139363		17448481		2
18	CAPSCREW 5/16X1 NC GRADE 5	139363		03276320		8
19	LOCKWASHER 5/16	139363		03961210		8
20	FULL NUT 5/16 NC	139363		02708150		8
21	U-CHANNEL-6-1/4 INCHES	139363		82137400		1
22	CABLE 48 INCHES	139363		16231510		1
23	ELBOW	139363		57147315		2
24	ELBOW	139363		57147315		2
25	PRESSURE INDICATOR	139363		82540105		1
26	BAR	139363		548339K1		1

**BUCYRUS-ERIE**

factory spec replacement parts

**PARTS  
LIST**

CAT REF	DESCRIPTION	SERIAL NO.		PART NO.	REPLACE OR VENDOR NO.	REQ.
		FROM	TO/INCL.			
	016					
27	BAR	139363		548339K1		1
28	PRESSURE INDICATOR	139363		82540104		1
29	CAPSCREW 1/4X1 NC	139363		03273320		2
	GRADE 5					
30	LOCKWASHER 1/4	139363		03961010		2
31	CAPSCREW 1/4X1 NC	139363		03273320		2
	GRADE 5					
32	LOCKWASHER 1/4	139363		03961010		2
33	HOSE ASSEMBLY	139363		53792843		1
34	TEE	139363		78637857		2
35	O-RING	139363		68120797		2
36	TUBE ASSEMBLY	139363		78308113		2
37	LEFT HAND PROPEL FOOT	139363	139744	79434301		1A
	VALVE-SEE DRAWING 79434301 FOR COMPONENTS					
	NOTE-WHEN STOCK OF 79434301 IS DEPLETED USE FOLLOWING PARTS					
	LEFT HAND PROPEL FOOT VALVE			79434315		1
	HOSE ASSEMBLY			53796460		2
37	LEFT HAND PROPEL FOOT	139817		79434315		1
	VALVE-SEE DRAWING 79434315 FOR COMPONENTS					
38	O-RING	139363		68120797		4
39	CONNECTOR	139363		78553833		4
40	HOSE ASSEMBLY	139363		53796207		1
41	HOSE ASSEMBLY	139363		53796206		1
42	HOSE ASSEMBLY	139363		53792842		1
43	ELBOW	139363		57141250		2
44	O-RING	139363		68120797		2
45	RIGHT HAND PROPEL FOOT VALVE-SEE DRAWING 79434300 FOR COMPONENTS	139363	139744	79434300		1A
	NOTE-WHEN STOCK OF 79434300 IS DEPLETED USE FOLLOWING PARTS					
	RIGHT HAND PROPEL FOOT VALVE			79434314		1
	HOSE ASSEMBLY			53796460		3
	HOSE ASSEMBLY			53784022		1
45	RIGHT HAND PROPEL FOOT VALVE	139817		79434314		1

**BUCYRUS-ERIE**

factory spec replacement parts



**PARTS LIST**

CAT REF	DESCRIPTION	SERIAL NO.		PART NO.	REPLACE OR VENDOR NO.	REQ.
		FROM	TO/INCL.			
	016 SEE DRAWING 79434314					
	FOR COMPONENTS					X
46	HOSE ASSEMBLY	139363		53796207		1
47	HOSE ASSEMBLY	139363		53796206		1
48	FULL NUT #8	139363		02704070		8
49	LOCKWASHER #8	139363		03960610		8
50	SCREW #8-32 NC	139363		03640290		8
51	O-RING	139363		68120797		2
52	TEE	139363		78637865		2
53	O-RING	139363		68120797		2
54	UNION	139363		78649722		2
55	SHUTTLE VALVE- SEE DRAWING 79434809	139363		79434809		2
	FOR COMPONENTS					
56	TEE	139363		78637857		5
57	O-RING	139363		68120797		5
58	CHECK VALVE	139363		78553833		2 X
59	O-RING	139363		68120797		2
60	PLUG	139363		78625955		2
61	O-RING	139363		68120797		2
62	ELBOW	139363		57141250		1
63	O-RING	139363		68120797		1
64	PROPEL VALVE-SEE DRAWING 79175006 FOR COMPONENTS	139363		79175006		2
65	HOSE ASSEMBLY	139363		53796206		1
66	CAPSCREW 5/16X3/4 NC GRADE 5	139363		03276240		2
67	LOCKWASHER 5/16	139363		03961210		2
68	DISABLE VALVE-SEE DRAWING 79165010	139363		79165010		1
	FOR COMPONENTS					
69	ELBOW	139363		78597559		1
70	CONNECTOR	139363		78554218		3
71	O-RING	139363		68120800		3
72	HOSE ASSEMBLY	139363		53796131		2
73	ADAPTER SCREW	139363		548518K1		1
74	SCREW #10-32X5/8 NF	139363		03666110		2
75	LOCKWASHER #10	139363		03960900		2
76	FLAT WASHER #10	139363		03951000		2
77	HOSE ASSEMBLY	139363		53792852		1
78	TEE	139363		78637842		1
79	CONNECTOR	139363		78553780		2
80	TUBE ASSEMBLY	139363		78307868		1
81	DIG & HOIST SOLENOID VALVE SEE DRAWING 79441428	139363		79441428	79441434	1D
	FOR COMPONENTS					
81	DIG & HOIST SOLENOID VALVE-SEE DRAWING 79441434 FOR COMPONENTS	139363		79441434		1 X X X X

# BUCYRUS-ERIE



# PARTS LIST

factory spec replacement parts

CAT REF	DESCRIPTION	SERIAL NO.		PART NO.	REPLACE OR VENDOR NO.	REQ.
		FROM	TO/INCL.			
	016					
82	ELBOW	139363		78596290		1
83	ELBOW	139363		78596290		2
84	WRIST & SWING	139363		79441428	79441434	1D
	SOLENOID VALVE SEE DRAWING 79441428					
	FOR COMPONENTS					
84	WRIST & SWING	139363		79441434		1 X
	SOLENOID VALVE-SEE DRAWING 79441434					X
	FOR COMPONENTS					X
85	FLAT WASHER #10	139363		03951000		2
86	LOCKWASHER #10	139363		03960900		2
87	PAN MACHINE SCREW	139363		03666110		2
	10X5/8 NF					
88	CONNECTOR	139363		78553780		1
89	TEE	139363		78637840		1
90	HOSE ASSEMBLY	139363		53793899		2
91	TEE	139363		20820250		1
92	CONNECTOR	139363		78554160		2
93	O-RING	139363		68120820		1
94	PILOT RELIEF VALVE	139363	139372	79299833		1A
	SEE DRAWING 79299833 FOR COMPONENTS					
	NOTE-WHEN STOCK OF 79299833 IS DEPLETED					
	USE FOLLOWING PARTS					
	PILOT RELIEF VALVE			79299840		1
	105 CONNECTOR			78553780		1
94	PILOT RELIEF VALVE-	139373		79299840		1
	SEE DRAWING 79299840 FOR COMPONENTS					
95	U-BOLT	139363		638254-05		2
96	O-RING	139363		68120820		1
97	TEE	139363		78638440		1
98	TUBE ASSEMBLY	139363		78308085		1
99	FLAT WASHER 3/8	139363		03951400		4
100	LOCKWASHER 3/8	139363		03961300		4
101	FULL NUT 3/8 NC	139363		02709150		4
102	BRACKET	139363		641548K1		1
103	CAPSCREW 3/8X3/4 NC GRADE 5	139363		03279240		2
104	LOCKWASHER 3/8	139363		03961300		2
105	CONNECTOR	139363	139372	78553740		1
105	CONNECTOR	139373		79553780		1
107	TEE	139363		78638487		1
108	ELBOW	139363		57144650		1
109	O-RING	139363		68120820		1

# BUCYRUS-ERIE PARTS LIST

factory spec replacement parts 

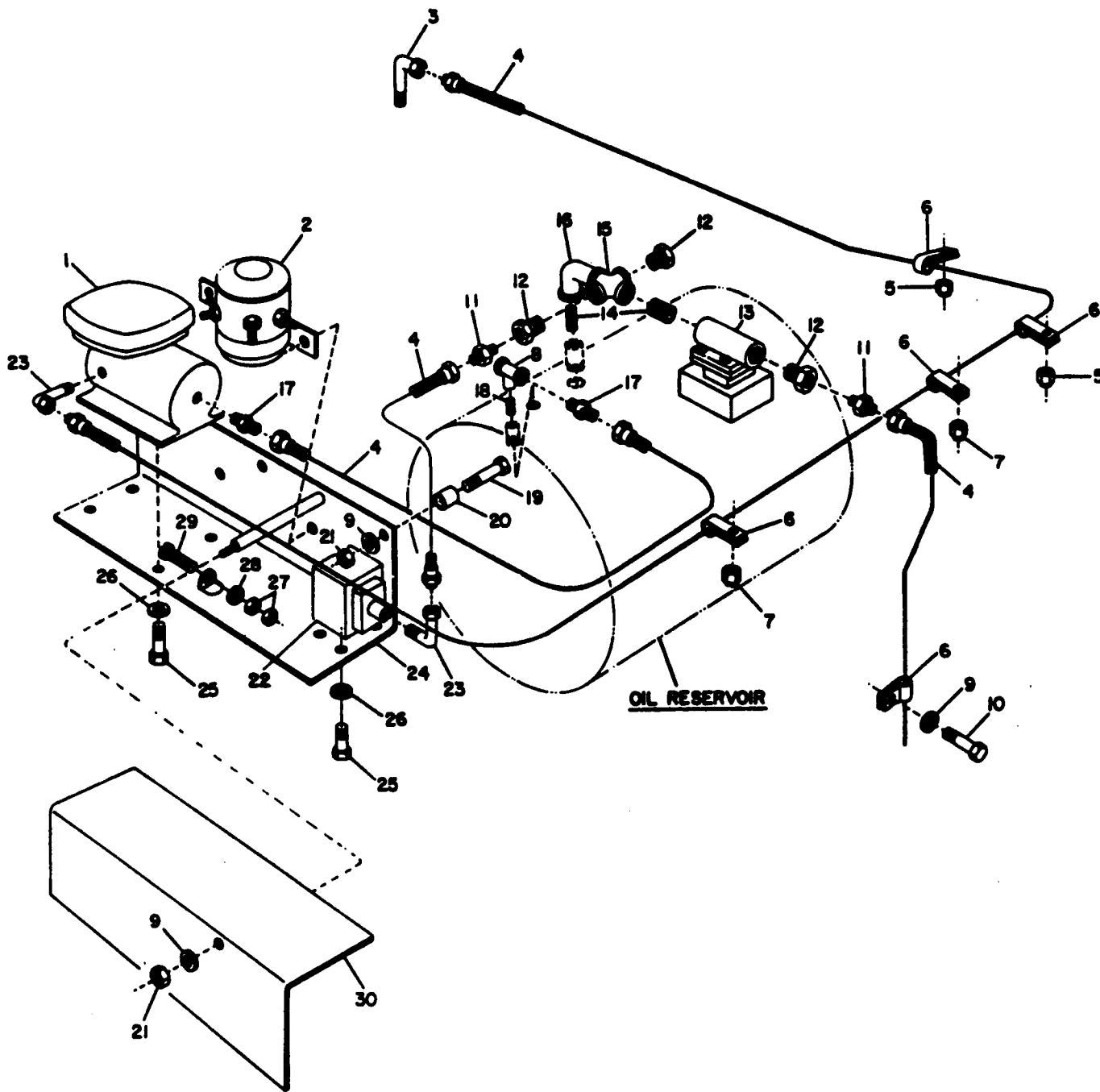
CAT REF	DESCRIPTION	SERIAL NO.		PART NO.	REPLACE OR VENDOR NO.	REQ.
		FROM	TO/INCL.			
	016					
110	CONNECTOR	139363		78554217		1
111	O-RING	139363		68120820		1
112	CAPSCREW 3/8X4-1/2 NC	139363		03280480		2
	GRADE 5					
113	LOCKWASHER 3/8	139363		03961300		2
114	O-RING	139363		68120797		2
115	ELBOW	139363		78595170		2
116	MANIFOLD	139363		741612K1		1
117	O-RING	139363		68120797		1
118	ELBOW	139363		57141250		1
119	O-RING	139363		68120797		1
120	PLUG	139363		78625955		1
121	HOSE ASSEMBLY	139363		53793169		1
122	O-RING	139363		68120797		3
123	CONNECTOR	139363		78553833		3
124	O-RING	139363		68120797		1
125	CONNECTOR	139363		78553657		1
126	HOSE ASSEMBLY	139363		53792852		2
127	GAUGE	139363		46821346		1
128	ELBOW	139363		78596380		2
129	UNION	139363		78649740		2
130	ELBOW	139363		78595880		2
131	TEE	139363		78637853		1
132	TEE	139363		78637853		1
133	TEE	139363		78637842		1
134	TEE	139363		78637842		1
135	CONNECTOR	139363		78649740		2
136	ELBOW	139363		78595880		3
137	ELBOW	139363		78596380		2
138	HOSE ASSEMBLY	139363		53792851		2
139	ELBOW	139363		57141250		2
140	O-RING	139363		68120797		2
141	O-RING	139363		68120797		4
142	CONNECTOR	139363		78553833		4
143	HOSE ASSEMBLY	139363		53792851		1
144	HOSE ASSEMBLY	139363		53792851		1
145	HOSE ASSEMBLY	139363		53792851		1
146	HOSE	139363		53792851		1
147	O-RING	139363		68120797		2
148	ELBOW	139363		57141250		2
149	HOSE ASSEMBLY	139363		53792851		1
150	HOSE ASSEMBLY	139363		53792851		2
151	HOSE ASSEMBLY	139363		53792851		1
152	HOSE ASSEMBLY	139363		53792851		1
153	O-RING	139363		68120797		4
154	CONNECTOR	139363		78553833		4
155	HOSE ASSEMBLY	139363		53792851		1
156	HOSE ASSEMBLY	139363		53796207		1
157	TUBE ASSEMBLY	139363		78307870		2
158	OIL TEMPERATURE GAUGE	139363		82302772		1
159	SWIVEL ELBOW	136674		78596440		1

# BUCRUS-ERIE PARTS LIST



factory spec replacement parts

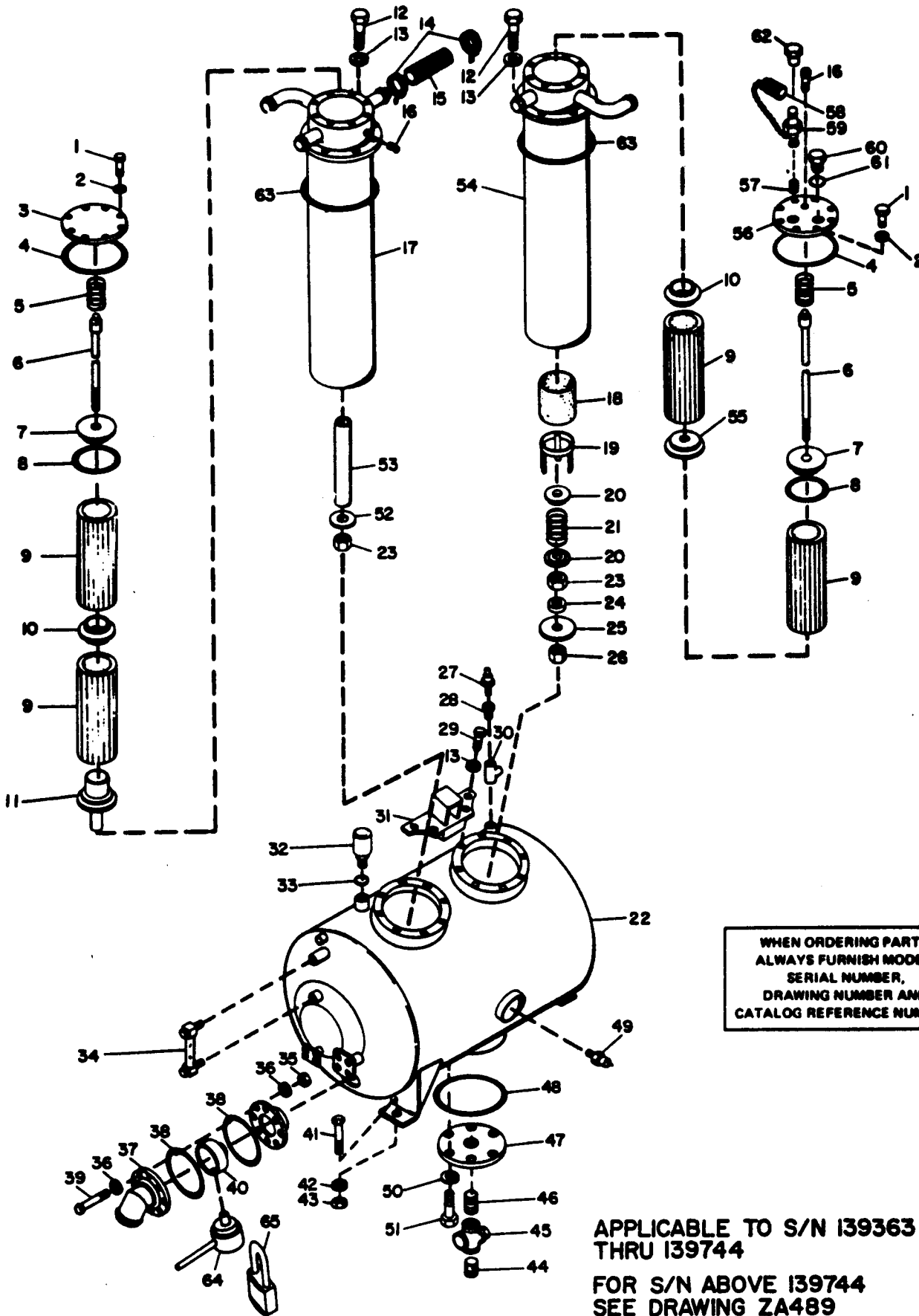
CAT REF	DESCRIPTION	SERIAL NO. FROM TO/INCL.	PART NO.	REPLACE OR VENDOR NO. REQ.
160	LEFT HAND BUTTON	140060	550269K1	1
161	RIGHT HAND BUTTON	140060	550268K1	1
162	SWIVEL ELBOW-STANDARD	139373	78596440	2
163	LEFT HAND WRIST & SWING CONTROL VALVE	139363 139744	744745K51	1D
	ASSEMBLY-INCLUDES ITEMS 1 THRU 5			
163	LEFT HAND WRIST & SWING CONTROL VALVE	139817	744745K52	1
	ASSEMBLY-INCLUDES ITEMS 1 THRU 5			
164	RIGHT HAND WRIST & HOIST CONTROL VALVE	139363 139744	744736K51	1D
	ASSEMBLY-INCLUDES ITEMS 11 THRU 15			
164	RIGHT HAND DIG & HOIST CONTROL VALVE	139817	744736K52	1
	ASSEMBLY-INCLUDES ITEMS 11 THRU 15			



**WHEN ORDERING PARTS,  
ALWAYS FURNISH MODEL,  
SERIAL NUMBER,  
DRAWING NUMBER AND  
CATALOG REFERENCE NUMBER.**







WHEN ORDERING PARTS,  
ALWAYS FURNISH MODEL,  
SERIAL NUMBER,  
DRAWING NUMBER AND  
CATALOG REFERENCE NUMBER.

APPLICABLE TO S/N 139363  
THRU 139744  
FOR S/N ABOVE 139744  
SEE DRAWING ZA489

# BUCYRUS-ERIE

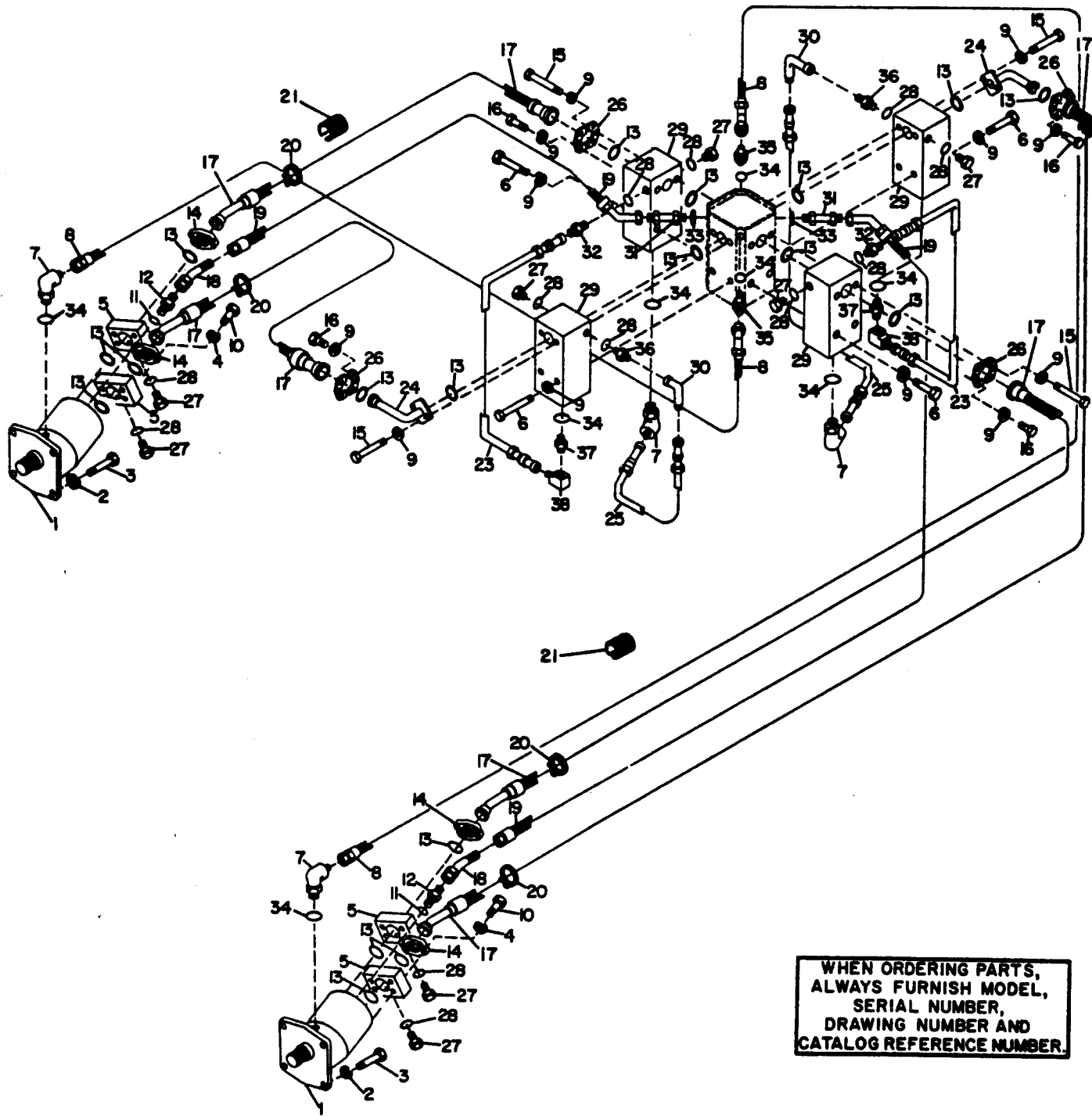
factory spec replacement parts



# PARTS LIST

CAT REF	DESCRIPTION	SERIAL NO.		PART NO.	REPLACE OR VENDOR NO.	REQ.
		FROM	TO/INCL.			
	025 HYDRAULIC OIL RESERVOIR DRAWING					
	ZA427	139363	139744			
1	CAPSCREW 1/4X1-1/4 NC GRADE 5	139363	139744	03273400		16
2	LOCKWASHER 1/4	139363	139744	03961010		16
3	FILTER COVER	139363	139744	550301K1		1
4	O-RING	139363	139744	50699337		2
5	SPRING	139363	139744	75003022		2
6	ROD	139363	139744	638963K21		2
7	FILTER CAP	139363	139744	640384K1		2
8	O-RING	139363	139744	68145840		2
9	FILTER ELEMENT	139363	139744	46110502		4
9	FILTER ELEMENT KIT- INCLUDES FOUR ELEMENTS 46110502, ONE SWING FILTER ELEMENT 46151420, & O-RINGS, GASKETS, & INSTRUCTIONS	139363	139744	904253K52		1 X X X X X X
10	SPACER	139363	139744	640385K1		2
11	STEM	139363	139744	741530K21		1
12	CAPSCREW 3/8X7/8 NC GRADE 5	139363	139744	03279280		12
13	LOCKWASHER 3/8	139363	139744	03961300		16
14	CLAMP	139363	139744	53268700		14
15	HOSE	139363	139744	545307-10		1
16	PLUG	139363	139744	20765300		2
17	LEFT HAND FILTER HOUSING	139363	139744	835556-02		1
18	STRAINER	139363	139744	82894802		1
19	STRAINER GUARD	139363	139744	82430301		1
20	VALVE CAP	139363	139744	537667K1		2
21	SPRING	139363	139744	75003023		1
22	TANK	139363	139744	879399-01		1
23	LOCKNUT C 1/2 NC	139363	139744	02786425		2
24	SEAL WASHER	139363	139744	68754199		1
25	STRAINER PLATE	139363	139744	548346K1		1
26	LOCKNUT C 1 NC	139363	139744	02786545		1
27	PRESSURE SWITCH	139363	139744	46821344		1
28	BUSHING	139363	139744	20015250		1
29	CAPSCREW 3/8X1-1/4 NC GRADE 5	139363	139744	03279400		4
30	TEE	139363	139744	20815570		1
31	BRACKET	139363	139744	746076-01		1
32	BREATHER VALVE	139363	139744	82057802		1
33	O-RING	139363	139744	68120820		1
34	SIGHT GLASS	139363	139744	82300109		1
35	FULL NUT 5/8 NC	139363	139744	02713050		8





WHEN ORDERING PARTS,  
ALWAYS FURNISH MODEL,  
SERIAL NUMBER,  
DRAWING NUMBER AND  
CATALOG REFERENCE NUMBER.

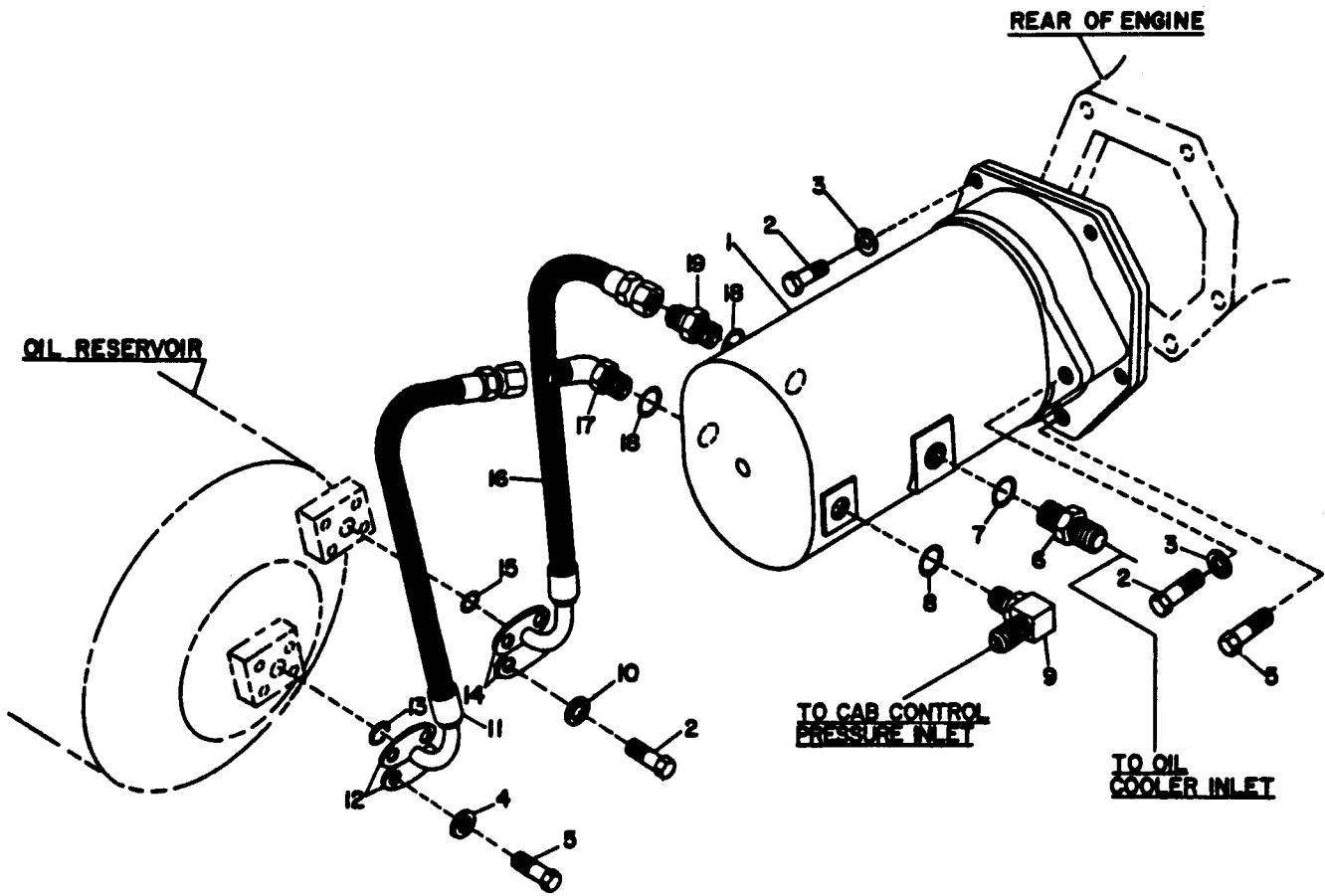
APPLICABLE TO S/N 139363 THRU 139744  
FOR S/N ABOVE 139744 SEE DRAWING ZA490

# BUCYRUS-ERIE PARTS LIST

factory spec replacement parts

CAT REF	DESCRIPTION	SERIAL NO.		PART NO.	REPLACE OR VENDOR NO.	REQ.
		FROM	TO/INCL.			
	030 LOWER WORKS HYDRAULIC DRAWING ZA428	139363	139744			X X
1	PROPEL MOTOR-SEE DRAWING 64312322 FOR COMPONENTS	139363	139744	64312322		2
2	LOCKWASHER M16	139363	139744	03990004		8
3	CAPSCREW M16X50MM GRADE 8.8	139363	139744	03552006		8
4	BELLEVILLE WASHER M14	139363	139744	03955006		16
5	BAR	139363	139744	645189-01		4
6	CAPSCREW 1/2X4-1/2 NC GRADE 5	139363	139744	03286440		8
7	ELBOW	139363	139744	57141250		4
8	HOSE ASSEMBLY	139363	139744	53796312		2
9	BELLEVILLE WASHER 1/2	139363	139744	03955003		32
10	CAPSCREW M14X70MM GRADE 8.8	139363	139744	03552023		16
11	O-RING	139363	139744	68120970		2
12	CONNECTOR	139363	139744	78554219		2
13	O-RING	139363	139744	68766270		18
14	HALF FLANGE	139363	139744	548451-01		8
15	CAPSCREW 1/2X5-1/2 NC GRADE 5	139363	139744	03286760		8
16	CAPSCREW 1/2X1-3/4 NC GRADE 5	139363	139744	03285560		16
17	HOSE ASSEMBLY	139363	139744	53796313		4
18	ELBOW	139363	139744	78597558		2
19	HOSE ASSEMBLY	139363	139744	53792067		2
20	CABLE TIE	139363	139744	17448500		4
21	HOSE-11 INCHES	139363	139744	537173-05		4
23	TUBE ASSEMBLY	139363	139744	78308182		2
24	TUBE ASSEMBLY	139363	139744	78308279		2
25	TUBE ASSEMBLY	139363	139744	78389133		2
26	HALF FLANGE	139363	139744	53303627		8
27	PLUG	139363	139744	78625950		8
28	O-RING	139363	139744	68124430		12
29	PROPEL COUNTERBALANCE VALVE-SEE DRAWING 79299835 FOR COMPONENTS	139363	139744	79299835	79299841	4D
29	PROPEL COUNTERBALANCE VALVE-SEE DRAWING 79299841 FOR COMPONENTS	139363	139744	79299841		4
30	ELBOW	139363	139744	78596345		2
31	CONNECTOR	139363	139744	78554225		2
32	CONNECTOR	139363	139744	78553740		2
33	O-RING	139363	139744	68120820		2
34	O-RING	139363	139744	68120797		8



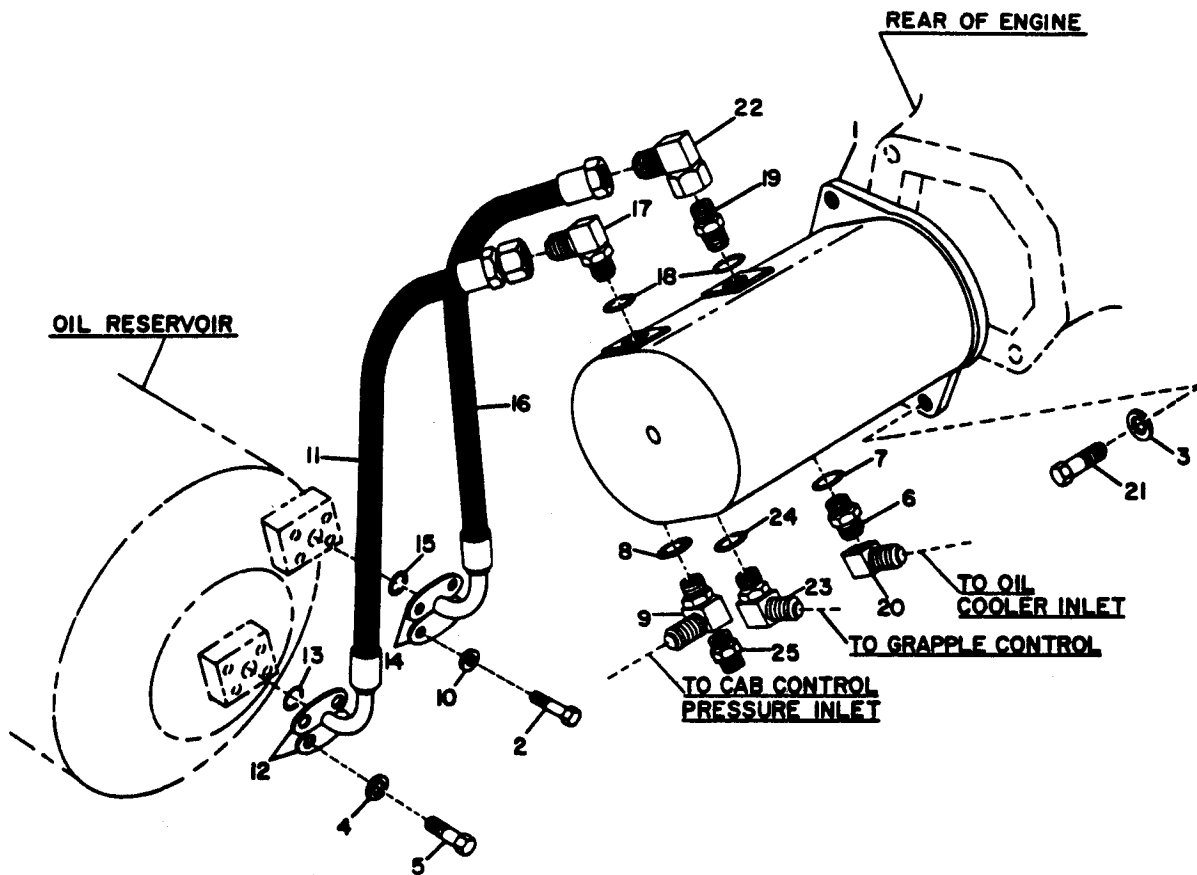


WHEN ORDERING PARTS,  
ALWAYS FURNISH MODEL,  
SERIAL NUMBER,  
DRAWING NUMBER AND  
CATALOG REFERENCE NUMBER.

**SERVO CONTROLS & OIL CIRCULATING PUMP-  
HYDRAULIC UNIT FOR GM ENGINE**







WHEN ORDERING PARTS,  
ALWAYS FURNISH MODEL,  
SERIAL NUMBER,  
DRAWING NUMBER AND  
CATALOG REFERENCE NUMBER.

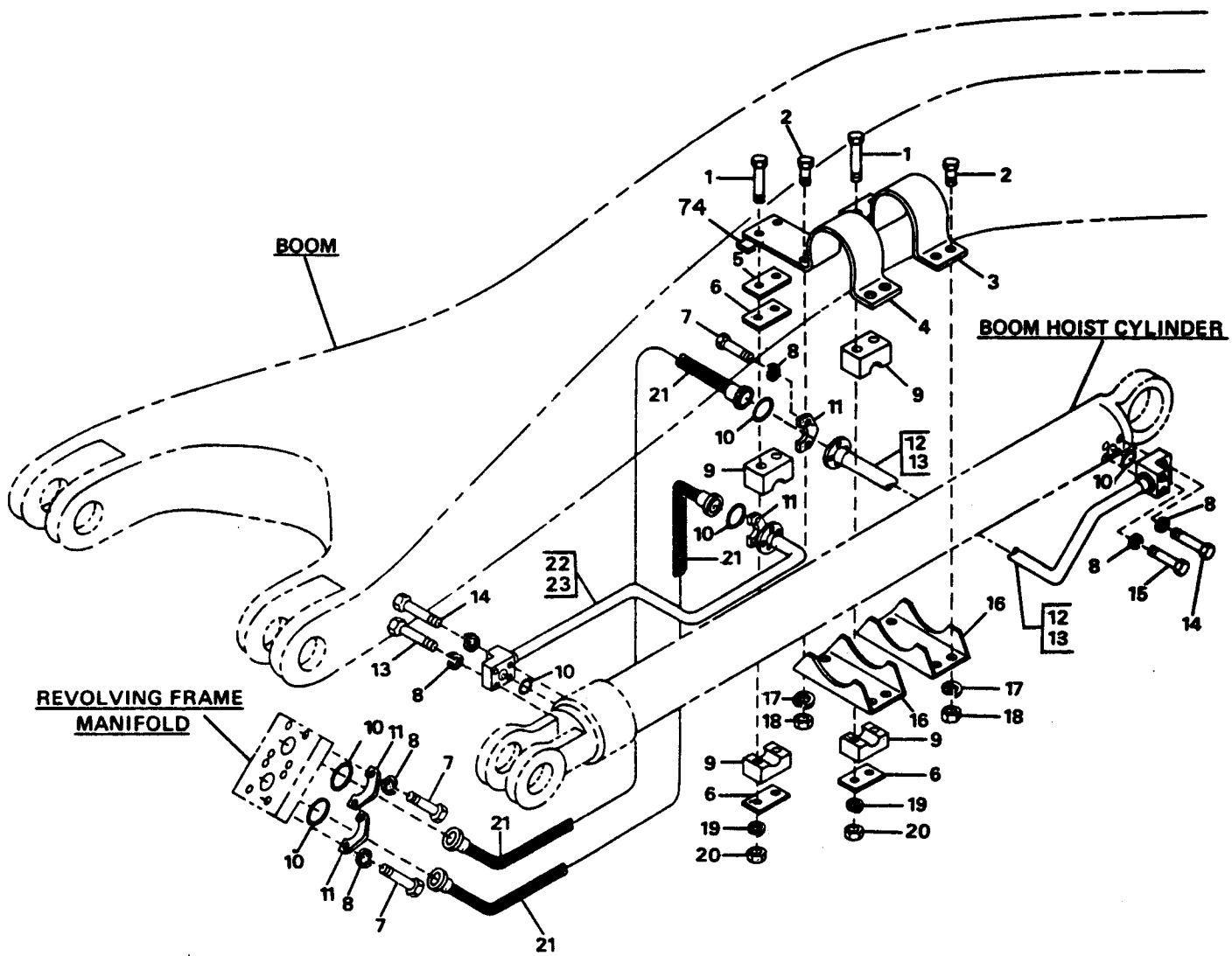
**BUCYRUS-ERIE**

factory spec replacement parts



**PARTS LIST**

CAT REF	DESCRIPTION	SERIAL NO.		PART NO.	REPLACE OR VENDOR NO.	REQ.
		FROM	TO/INCL.			
	040 SERVO CONTROLS & OIL CIRCULATING PUMP- HYDRAULICS FOR CUMMINS ENGINE DRAWING                   ZA430	139363				X
1	SERVO CONTROLS & OIL CIRCULATING PUMP-SEE DRAWING 64960106 FOR COMPONENTS	139363		64960106		1
1	SERVO CONTROLS & OIL CIRCULATING PUMP- LOGGER-SEE DRAWING 64960139 FOR COMPONENTS	139817		64960139		1
2	CAPSCREW 1/2X1-1/2 NC GRADE 5	139363		03285480		4 X
3	LOCKWASHER 1/2	139363		03961500		2
4	BELLEVILLE WASHER 7/16	139363		03955002		4
5	CAPSCREW 7/16X1-1/2NC GRADE 5	139363		03282480		4
6	ELBOW	139363		78597806		1
7	O-RING	139363		68120867		1
8	O-RING	139363		68120820		1
8	O-RING-LOGGER	139817		68120970		1
9	ELBOW	139363	140124	57144650		1
9	TEE	140530		78638038		1
9	ELBOW-LOGGER	139817	140124	57144645		1
9	TEE-LOGGER	140530		78638140		1
10	BELLEVILLE WASHER 1/2	139363		03955003		4
11	HOSE ASSEMBLY	139363		53795429		1
12	HALF FLANGE	139363		20324986		2
13	O-RING	139363		68766270		1
14	HALF FLANGE	139363		53303629		2
15	O-RING	139363		68136135		1
16	HOSE ASSEMBLY	139363		53795444		1
17	ELBOW	139363		78597950		1
18	O-RING	139363		68120840		2
19	CONNECTOR	139363		78530635		1
20	ELBOW	139363		78597787		1
21	CAPSCREW 1/2X1-1/4 NC GRADE 5-STANDARD	139363		03285400		2
21	CAPSCREW 1/2X1-1/4 NC GRADE 5-LOGGER	139817		03285400		6
22	ELBOW	139363		78598263		1
23	ELBOW-LOGGER	139817		57142950		1
24	O-RING-LOGGER	139817		68120800		1
25	ADAPTER-LOGGER	140530		78554211		1



WHEN ORDERING PARTS,  
ALWAYS FURNISH MODEL,  
SERIAL NUMBER,  
DRAWING NUMBER AND  
CATALOG REFERENCE NUMBER.

**STANDARD OR LONG HANDLE  
FRONT END HYDRAULIC UNIT  
HOIST CYLINDER PIPING**

**ZA431-A**

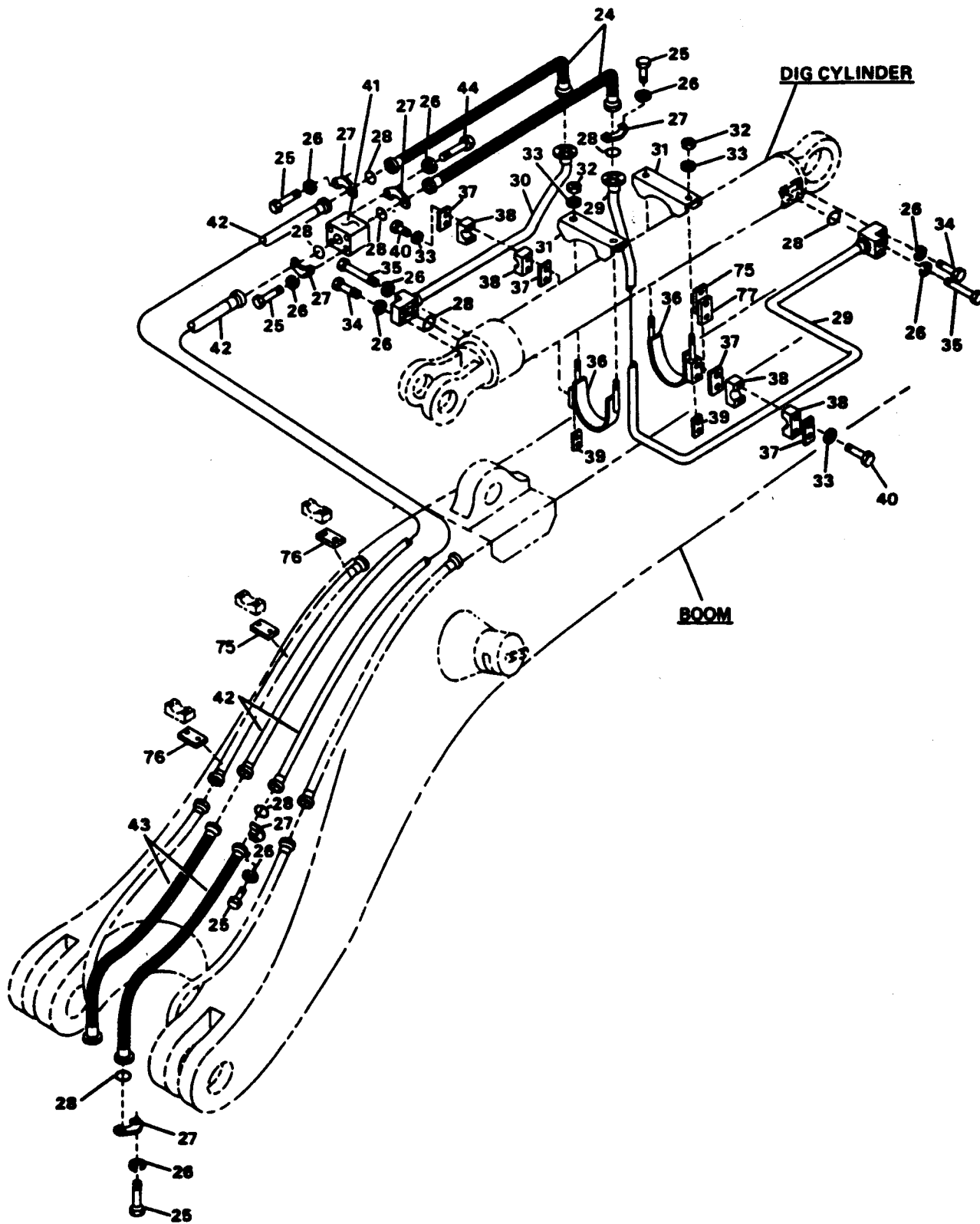
**BUCYRUS-ERIE**



**PARTS LIST**

factory spec replacement parts

CAT REF	DESCRIPTION	SERIAL NO.		PART NO.	REPLACE OR VENDOR NO.	REQ.
		FROM	TO/INCL.			
	045 FRONT END HYDRAULIC STANDARD OR LONG HANDLE-HOIST CYLINDER					X
	PIPING DRAWING                   ZA431A	139363				
1	CAPSCREW 1/2X4 NC GRADE 5	139363	139744	03286280		8
2	CAPSCREW 1/2X1-3/4 NC GRADE 5	139363		03285560		16
3	BRACKET	139363		743414K1		2
4	BRACKET	139363		743420K21		2
5	SPACER	139363	139744	548360K1		4
5	SPACER KIT	139817		82866391		4
6	SPACER	139363	139744	548359K1		8
6	SPACER KIT	139817		82866396		8
7	CAPSCREW 7/16X1-1/2NC GRADE 5	139363		03282480		32
8	BELLEVILLE WASHER 7/16	139363		03955002		48
9	CLAMP	139363	139744	640458-01		8
9	CLAMP	139817		82140469		4
10	O-RING	139363		68766270		12
11	HALF FLANGE	139363		20324986		16
12	RIGHT HAND TUBE ASSEMBLY	139363		78389208		1
13	LEFT HAND TUBE ASSEMBLY	139363		78389209		1
14	CAPSCREW 7/16X1-1/4NC GRADE 5	139363		03282400		8
15	CAPSCREW 7/16X2-1/2NC GRADE 5	139363		03282805		8
16	BRACKET	139363		641322K1		4
17	LOCKWASHER 1/2	139363		03961500		16
18	FULL NUT 1/2 NC	139363		02711050		16
19	LOCKWASHER 1/2	139363	139744	03961500		8
20	FULL NUT 1/2 NC	139363	139744	02711050		8
21	HOSE ASSEMBLY	139363	139744	53795016	53796426	4D
21	HOSE ASSEMBLY	139817		53796426		4
22	LEFT HAND TUBE ASSEMBLY	139363		78389207		1
23	RIGHT HAND TUBE ASSEMBLY	139363		78389206		1
74	SPACER	139817		552408-06		4

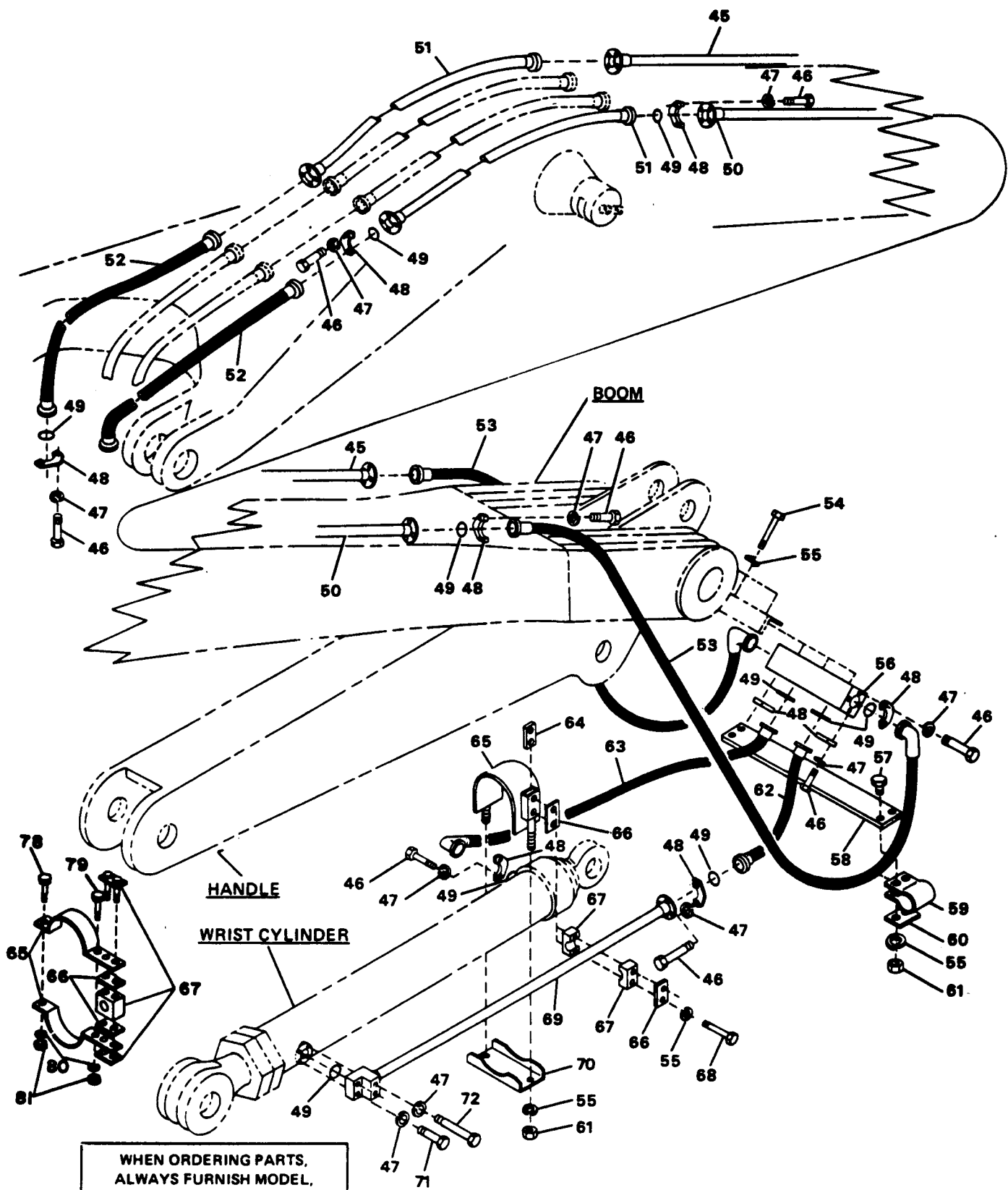


WHEN ORDERING PARTS,  
 ALWAYS FURNISH MODEL,  
 SERIAL NUMBER,  
 DRAWING NUMBER AND  
 CATALOG REFERENCE NUMBER.

STANDARD OR LONG HANDLE  
 FRONT END HYDRAULIC UNIT  
 DIG CYLINDER PIPING

ZA431-B





WHEN ORDERING PARTS,  
 ALWAYS FURNISH MODEL,  
 SERIAL NUMBER,  
 DRAWING NUMBER AND  
 CATALOG REFERENCE NUMBER.

**FRONT END HYDRAULIC UNIT  
 WRIST CYLINDER PIPING FOR STANDARD HANDLE ZA431-C**



**BUCYRUS-ERIE**

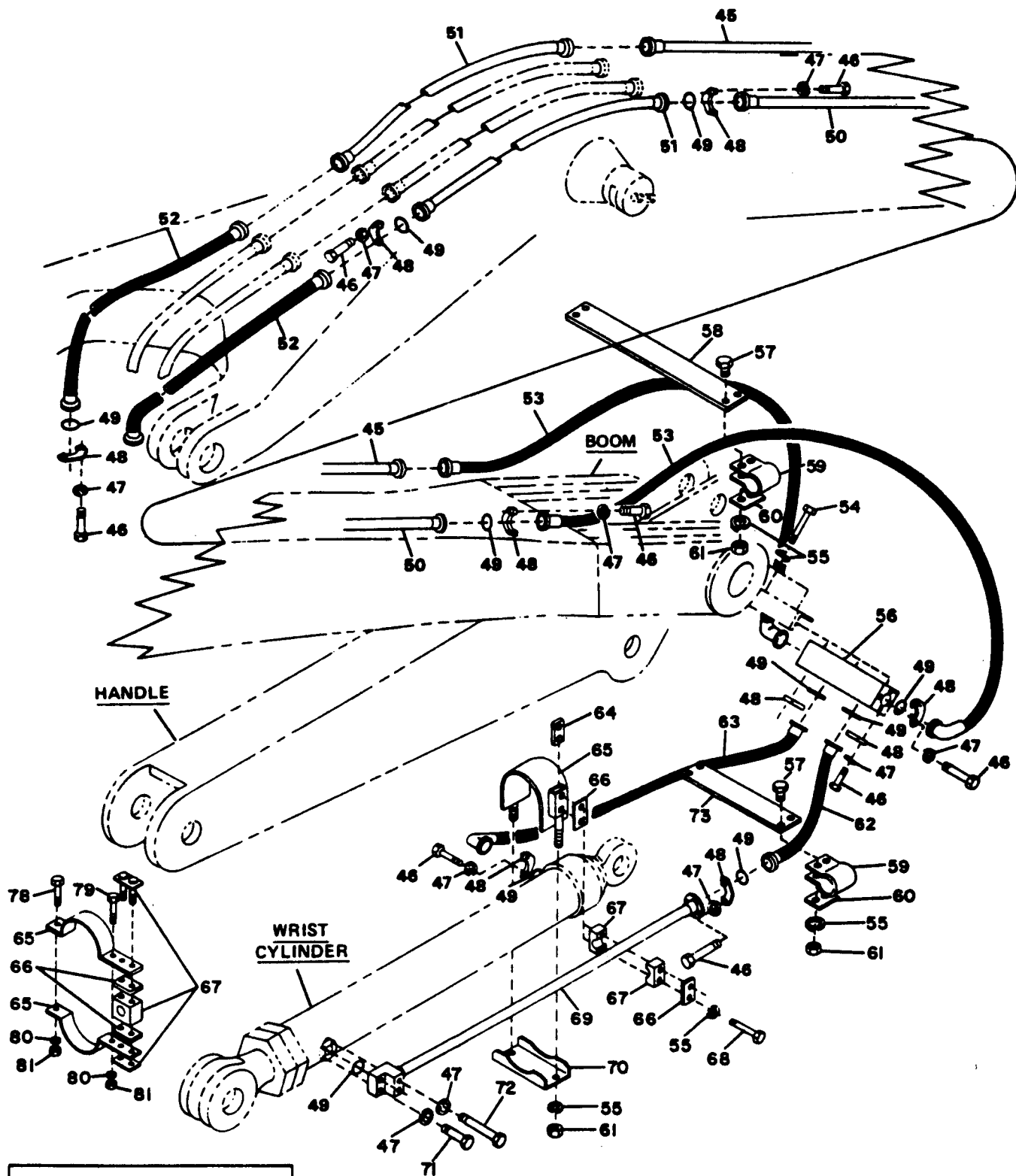


**PARTS LIST**

factory spec replacement parts

CAT REF	DESCRIPTION	SERIAL NO.		PART NO.	REPLACE OR VENDOR NO.	REQ.
		FROM	TO/INCL.			
	047 FRONT END HYDRAULIC STANDARD HANDLE WRIST CYLINDER PIPING DRAWING ZA431C	139363				X
45	TUBE ASSEMBLY	139363		78389203		1
46	CAPSCREW 7/16X2-1/2NC GRADE 5	139363		03282480		56
47	BELLEVILLE WASHER 7/16	139363		03955002		60
48	HALF FLANGE	139363		20324986		28
49	O-RING	139363		68766270		15
50	TUBE ASSEMBLY	139363		78389014		1
51	TUBE ASSEMBLY	139363		78389013		2
52	HOSE ASSEMBLY	139363	139744	53795204	53796405	2D
52	HOSE ASSEMBLY	139817		53796405		2
53	HOSE ASSEMBLY	139363	139744	53795216	53796437	2D
53	HOSE ASSEMBLY	139817		53796437		2
54	CAPSCREW 1/2X1 NC GRADE 5	139363		03285320		3
55	LOCKWASHER 1/2	139363	139744	03961500		11
55	LOCKWASHER 1/2	139817		03961500		7
56	MANIFOLD	139363		744309K1		1
57	CAPSCREW 1/2X2 NC GRADE 5	139363		03285640		4
58	BRACKET	139363		645310-01		1
59	BELTING	139363	139744	540540-01		2
59	BELTING	139817		540540-04		2
60	BAR SPACER	139363		540359K1		2
61	FULL NUT 1/2 NC	139363	139744	02711050		6
61	FULL NUT 1/2 NC	139817		02711050		4
62	HOSE ASSEMBLY	139363	139744	53795205	53796403	1D
62	HOSE ASSEMBLY	139817		53796403		1
63	HOSE ASSEMBLY	139363	139744	53795018	53796421	1D
63	HOSE ASSEMBLY	139817		53796421		1
64	BAR	139363	139744	548896-03		1
65	WRIST CYLINDER SUPPORT	139363	139744	744208K21		1
65	WRIST CYLINDER BRACKET	139817		646069-01		2
66	SPACER	139363	139744	548360K1		2
66	SPACER KIT	139817		82866396		2
67	CLAMP	139363	139744	640458-01		2
67	CLAMP	139817		82140469		1
68	CAPSCREW 1/2X3-3/4 NC GRADE 5	139363	139744	03286200		2
69	TUBE ASSEMBLY	139363		78308280		1
70	CLAMP	139363	139744	641890K1		1
71	CAPSCREW 7/16X1-1/4NC GRADE 5	139363		03282400		2





WHEN ORDERING PARTS,  
ALWAYS FURNISH MODEL,  
SERIAL NUMBER,  
DRAWING NUMBER AND  
CATALOG REFERENCE NUMBER.

**FRONT END HYDRAULIC UNIT  
WRIST CYLINDER PIPING FOR LONG HANDLE**

# BUCYRUS-ERIE

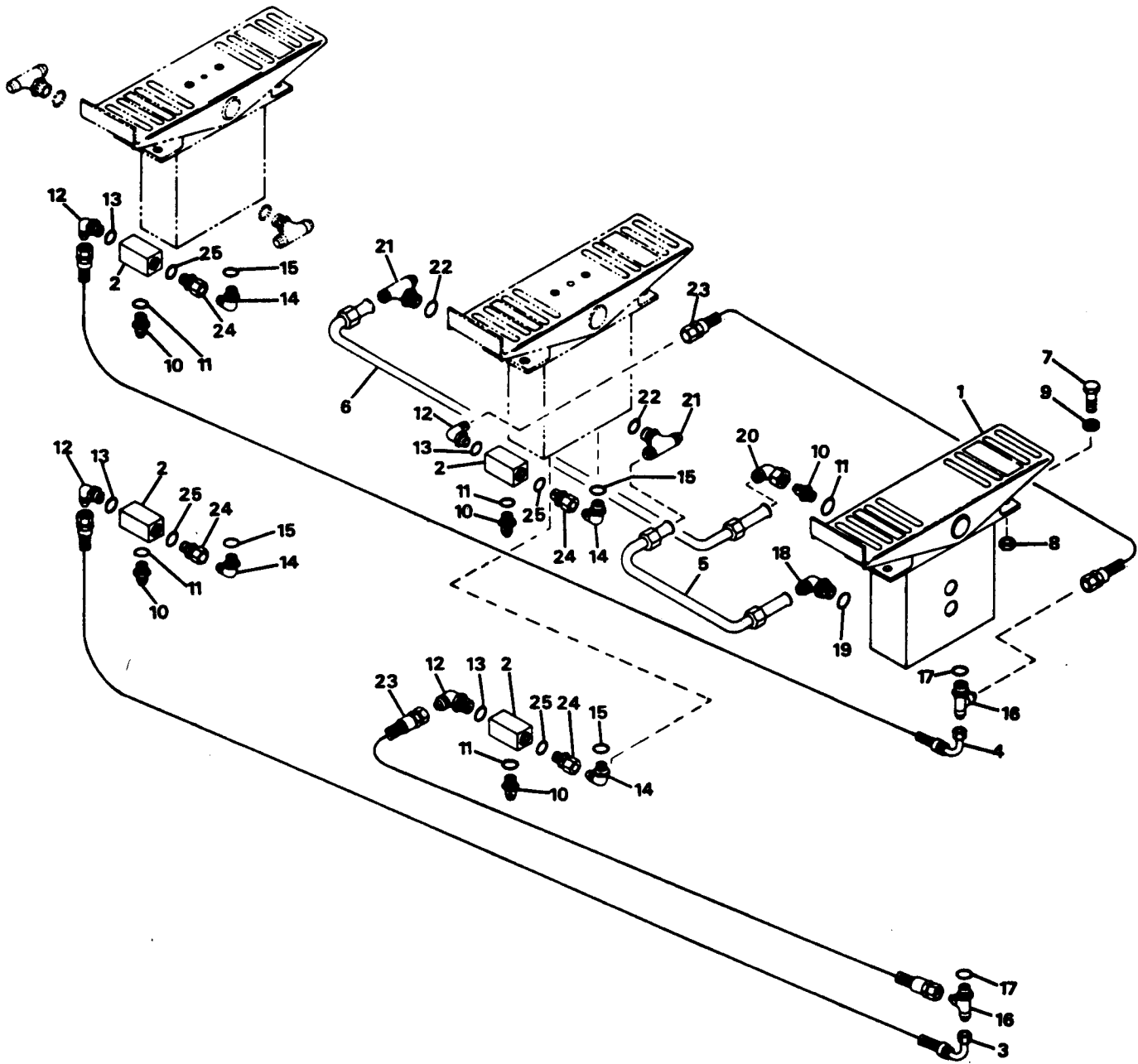


# PARTS LIST

factory spec replacement parts

CAT REF	DESCRIPTION	SERIAL NO.		PART NO.	REPLACE OR VENDOR NO.	REQ.
		FROM	TO/INCL.			
	048 FRONT END HYDRAULIC STANDARD HANDLE WRIST CYLINDER PIPING DRAWING                   ZA431D	139363				X
45	TUBE ASSEMBLY	139363		78389203		1
46	CAPSCREW 7/16X2-1/2NC GRADE 5	139363		03282480		56
47	BELLEVILLE WASHER 7/16	139363		03955002		60
48	HALF FLANGE	139363		20324986		28
49	O-RING	139363		68766270		15
50	TUBE ASSEMBLY	139363		78389014		1
51	TUBE ASSEMBLY	139363		78389013		2
52	HOSE ASSEMBLY	139363	139841	53795204	53796405	2D
52	HOSE ASSEMBLY	140060		53796405		2
53	HOSE ASSEMBLY	139363	139841	53795216	53796437	2D
53	HOSE ASSEMBLY	140060		53796437		2
54	CAPSCREW 1/2X1 NC GRADE 5	139363		03285320		3
55	LOCKWASHER 1/2	139363	139841	03961500		15
55	LOCKWASHER 1/2	140060		03961500		11
56	MANIFOLD	139363		744309K1		1
57	CAPSCREW 1/2X2 NC GRADE 5	139363		03285640		8
58	BRACKET	139363		645310-01		1
59	BELTING	139363	139841	540540-01		4
59	BELTING	140060		540540-04		4
60	BAR SPACER	139363		540359K1		4
61	FULL NUT 1/2 NC	139363	139841	02711050		10
61	FULL NUT 1/2 NC	140060		02711050		8
62	HOSE ASSEMBLY	139363	139841	53795206	53796406	1D
62	HOSE ASSEMBLY	140060		53796406		1
63	HOSE ASSEMBLY	139363	139841	53795024	53796425	1D
63	HOSE ASSEMBLY	140060		53796425		1
64	BAR	139363	139841	548896-03		1
65	WRIST CYLINDER SUPPORT	139363	139841	744208K21		1
65	WRIST CYLINDER BRACKET	140060		646069-01		2
66	SPACER	139363	139841	548360K1		2
66	SPACER KIT	140060		82866396		2
67	CLAMP	139363	139841	640458-01		2
67	CLAMP	140060		82140469		1
68	CAPSCREW 1/2X3-3/4 NC GRADE 5	139363	139841	03286200		2
69	TUBE ASSEMBLY	139363		78308280		1
70	CLAMP	139363	139841	641890K1		1
71	CAPSCREW 7/16X1-1/4NC GRADE 5	139363		03282400		2





FOR LEGEND  
SEE REVERSE SIDE

WHEN ORDERING PARTS,  
ALWAYS FURNISH MODEL,  
SERIAL NUMBER,  
DRAWING NUMBER AND  
CATALOG REFERENCE NUMBER.

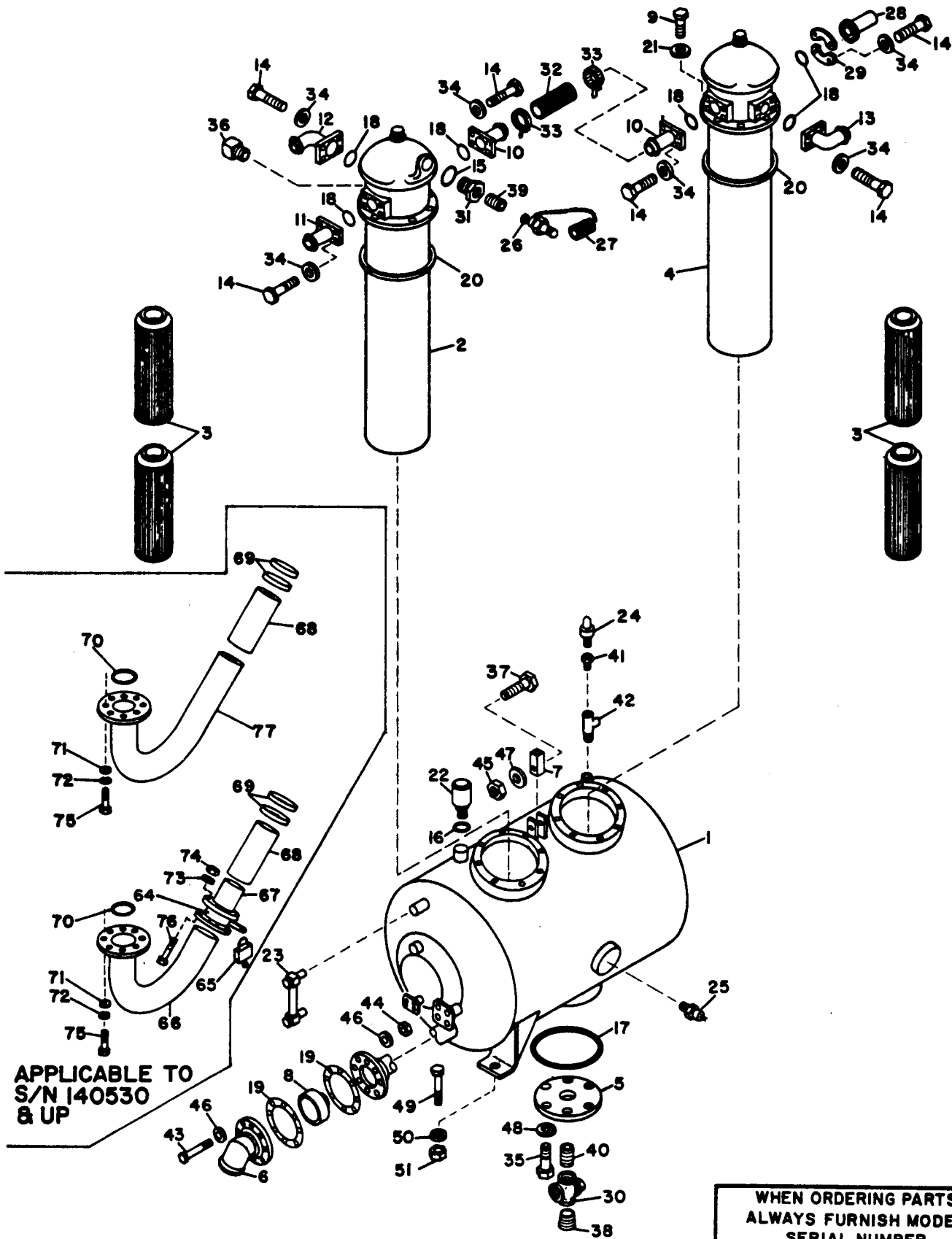
**BUCYRUS-ERIE**

factory spec replacement parts



**PARTS LIST**

CAT REF	DESCRIPTION	SERIAL NO.		PART NO.	REPLACE OR VENDOR NO.	REQ.
		FROM	TO/INCL.			
	060 HYDRAULICS FOR THIRD PROPEL PEDAL					X
	DRAWING ZA451	139363				X
1	THIRD PROPEL PEDAL FOOT VALVE-SEE DRAWING 79434302 FOR COMPONENTS	139363	139744	79434302		1A
	NOTE-WHEN STOCK OF 79434302 IS DEPLETED USE FOLLOWING PARTS THIRD PROPEL PEDAL FOOT VALVE HOSE ASSEMBLY HOSE ASSEMBLY					
				79434316		1
				53796460		1
				53784022		1
1	THIRD PROPEL PEDAL FOOT VALVE-SEE DRAWING 79434316 FOR COMPONENTS	139817		79434316		1
2	SHUTTLE VALVE- SEE DRAWING 79434809 FOR COMPONENTS	139363		79434809		4
3	HOSE ASSEMBLY	139363		53795924		1
4	HOSE ASSEMBLY	139363		53795924		1
5	TUBE ASSEMBLY	139363	139744	78308114		1
5	TUBE ASSEMBLY	139817		78307870		1
6	TUBE ASSEMBLY	139363		78308150		1
7	CAPSCREW 5/16X1 NC	139363		03276320		4
8	GRADE 5 FULL NUT 5/16 NC	139363		02708150		4
9	LOCKWASHER 5/16	139363		03961210		4
10	CONNECTOR	139363		78553883		5
11	O-RING	139363		68120797		5
12	ELBOW	139363		57141250		4
13	O-RING	139363		68120797		4
14	ELBOW	139363		57141250		4
15	O-RING	139363		68120797		4
16	TEE	139363		78637865		2
17	O-RING	139363		68120797		2
18	ELBOW	139363		57141250		1
19	O-RING	139363		68120797		1
20	ELBOW	139363		78595880		1
21	TEE	139363		78637857		2
22	O-RING	139363		68120797		2
23	HOSE ASSEMBLY	139363		53795923		2
24	UNION	139363		78649724		4
25	O-RING	139363		68120797		4



WHEN ORDERING PARTS,  
ALWAYS FURNISH MODEL,  
SERIAL NUMBER,  
DRAWING NUMBER AND  
CATALOG REFERENCE NUMBER.



**BUCYRUS-ERIE**

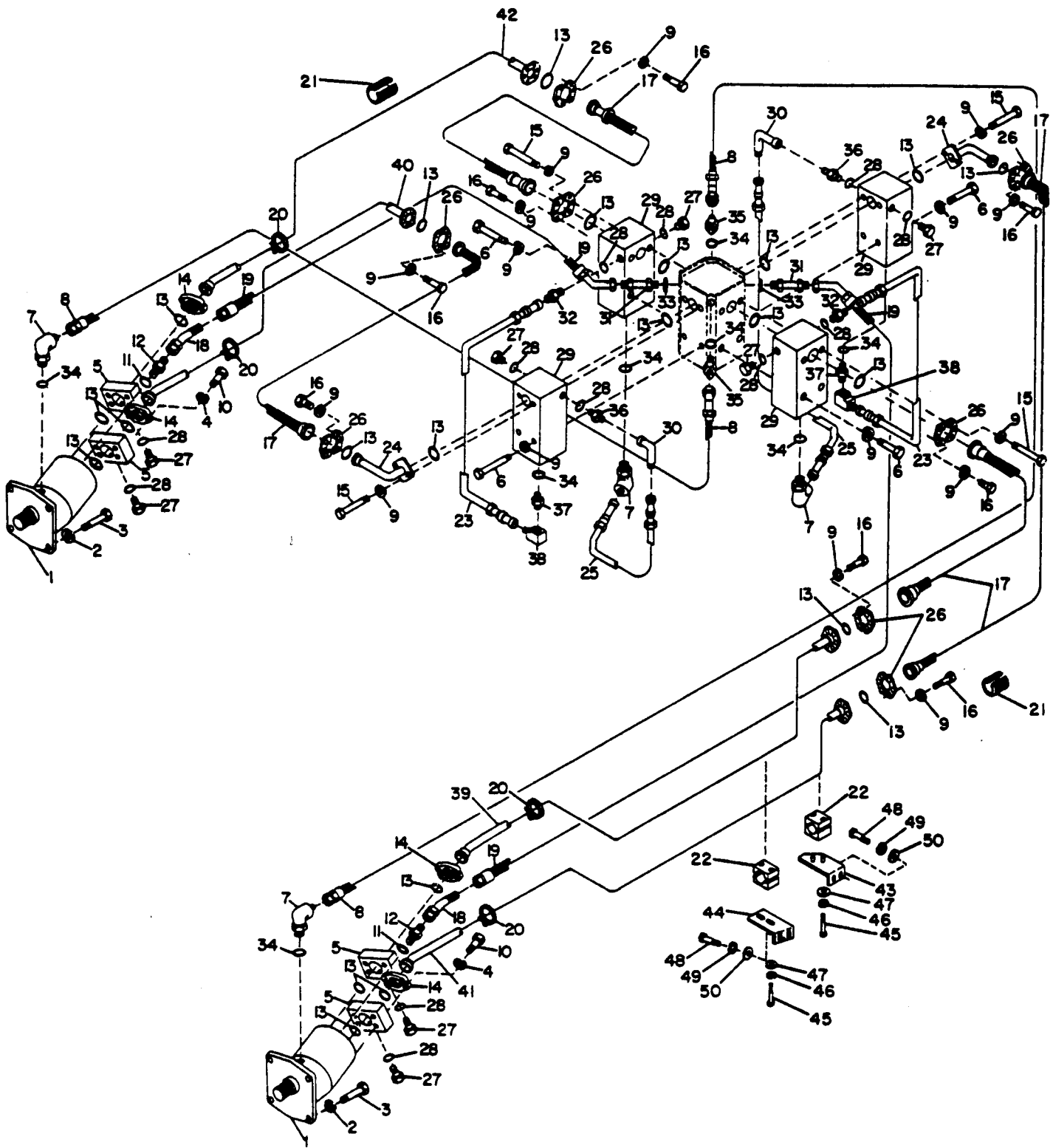
factory spec replacement parts



**PARTS LIST**

CAT REF	DESCRIPTION	SERIAL NO.		PART NO.	REPLACE OR VENDOR NO.	REQ.
		FROM	TO/INCL.			
	026 HYDRAULIC OIL RESERVOIR DRAWING ZA489	139817				
1	HYDRAULIC TANK	139817	140124	879952-01		1
1	HYDRAULIC TANK	140530		892425-01		1
2	FILTER ASSEMBLY SEE DRAWING 46140249	139817		46140249		1
3	FOR COMPONENTS FILTER ELEMENT	139817		46110502		4
3	FILTER ELEMENT KIT- INCLUDES FOUR ELEMENTS 46110502, ONE SWING FILTER ELEMENT 46151420 & O-RINGS, GASKETS & INSTRUCTIONS	139817		904253K52		1 X X X X X X
4	FILTER ASSEMBLY SEE DRAWING 46140253 FOR COMPONENTS	139817		46140253		1
5	COVER-PLATE	139817		645835-01		1
6	TUBE ASSEMBLY	139817	140124	78308272		1
7	BRACKET	139817		552485-01		1
8	SPACER	139817	140124	746406-01		1
9	CAPSCREW 3/8X1 NC GRADE 5	139817		03279320		16
10	BEADED INSERT	139817		53342580		2
11	BEADED INSERT	139817		53342521		1
12	BEADED INSERT	139817		53342581		1
13	BEADED INSERT	139817		53342526		1
14	CAPSCREW 1/2X1-1/4 NC GRADE 5	139817		03285400		24
15	O-RING	139817		68120840		1
16	O-RING	139817		68120820		1
17	O-RING	139817		68147810		1
18	O-RING	139817		68136135		6
19	GASKET	139817	140124	50699345		2
20	GASKET	139817		50699339		2
21	LOCKWASHER 3/8	139817		03961300		16
22	BREATHER VALVE	139817		82057802		1
23	SIGHT GLASS	139817		82300109		1
24	PRESSURE SWITCH	139817		46821344		1
25	LOW HYDRAULIC OIL LEVEL DETECTOR	139817		17182701		1
26	QUICK DISCONNECT COUPLING ASSEMBLY	139817		53276569		1
27	RUBBER CAP	139817		82131848		1
28	O-RING FLANGE SPUD	139817		78629230		1
29	HALF FLANGE	139817		53303629		2
30	STOP COCK	139817		79091437		1





APPLICABLE TO S/N 139817 & UP

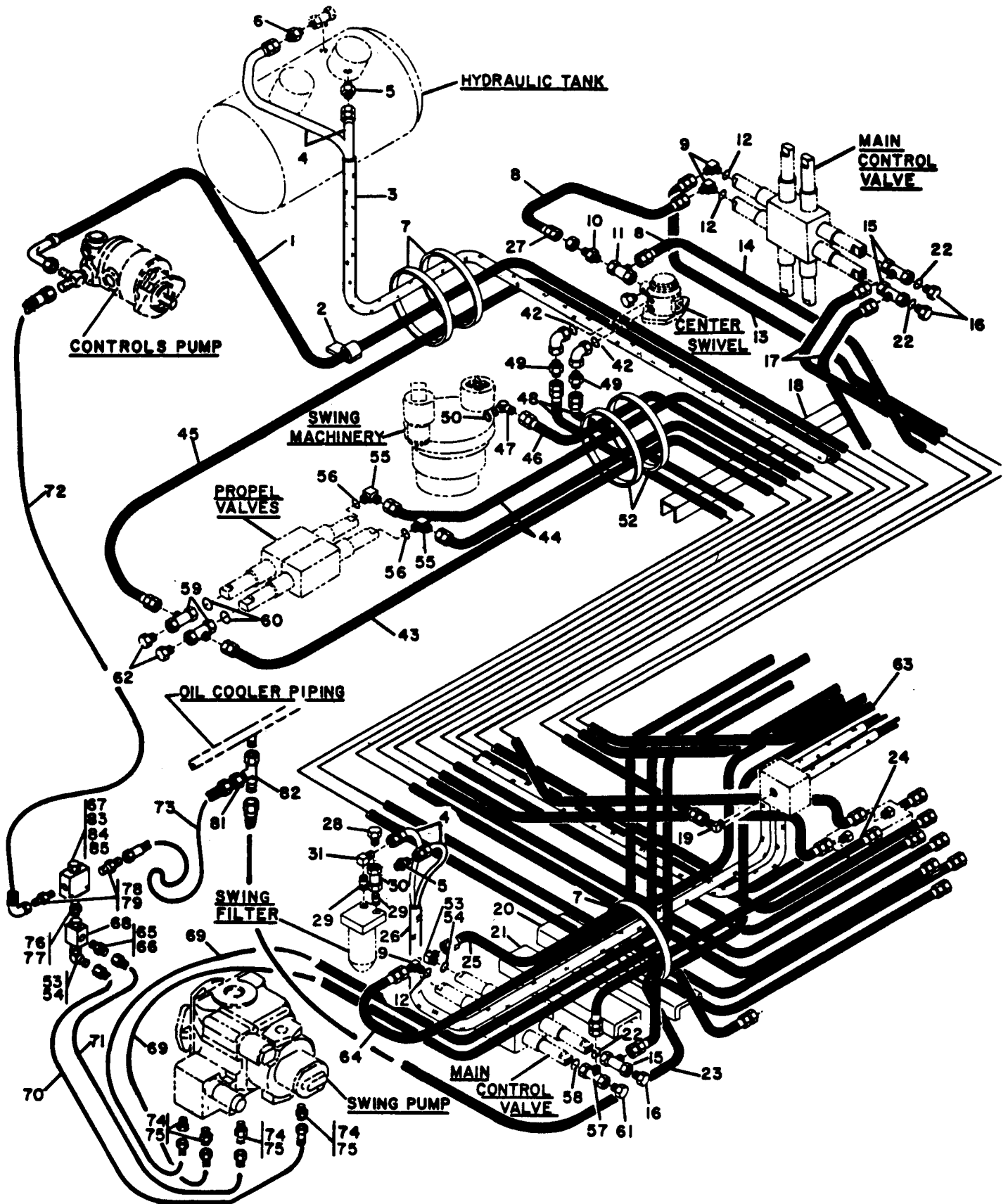
WHEN ORDERING PARTS,  
ALWAYS FURNISH MODEL,  
SERIAL NUMBER,  
DRAWING NUMBER AND  
CATALOG REFERENCE NUMBER.



# PARTS LIST

CAT REF	DESCRIPTION	SERIAL NO.		PART NO.	REPLACE OR VENDOR NO.	REQ.
		FROM	TO/INCL.			
	031 LOWER WORKS HYDRAULIC DRAWING 2A490	139817				X
1	PROPEL MOTOR SEE DRAWING 64312322 FOR COMPONENTS	139817		64312322		2
2	LOCKWASHER M16	139817		03990004		8
3	CAPSCREW M16X50MM GRADE 8.8	139817		03552006		8
4	BELLEVILLE WASHER M14	139817		03955006		16
5	BAR	139817		645189-01		4
6	CAPSCREW 1/2X4-1/2 NC GRADE 5	139817		03286440		8
7	ELBOW	139817		57141250		4
8	HOSE ASSEMBLY	139817		53796312		2
9	BELLEVILLE WASHER 1/2	139817		03955003		48
10	CAPSCREW M14X70MM GRADE 8.8	139817		03552023		16
11	O-RING	139817		68120970		2
12	CONNECTOR	139817		78554219		2
13	O-RING	139817		68766270		22
14	HALF FLANGE	139817		548451-01		8
15	CAPSCREW 1/2X5-1/2 NC GRADE 5	139817		03286760		8
16	CAPSCREW 1/2X1-3/4 NC GRADE 5	139817		03285560		32
17	HOSE ASSEMBLY	139817		53796489		4
18	ELBOW	139817		78597558		2
19	HOSE ASSEMBLY	139817		53792067		2
20	CABLE TIE	139817		17448500		4
21	HOSE	139817		537173-05		4
22	TUBE CLAMP	139817		82140066		4
23	TUBE ASSEMBLY	139817		78308182		2
24	TUBE ASSEMBLY	139817		78308279		2
25	TUBE ASSEMBLY	139817		78389133		2
26	HALF FLANGE	139817		53303627		16
27	PLUG	139817		78625950		8
28	O-RING	139817		68124430		12
29	PROPEL COUNTERBALANCE VALVE-SEE DRAWING 79299835 FOR COMPONENTS	139817	140060	79299835	79299841	4D
29	PROPEL COUNTERBALANCE VALVE-SEE DRAWING 79299841 FOR COMPONENTS	140061	140124	79299841		4
29	PROPEL COUNTERBALANCE VALVE-SEE DRAWING 79434799 FOR COMPONENTS	140530		79434799		4





APPLICABLE TO S/N 140530 & UP

**BUCYRUS-ERIE**



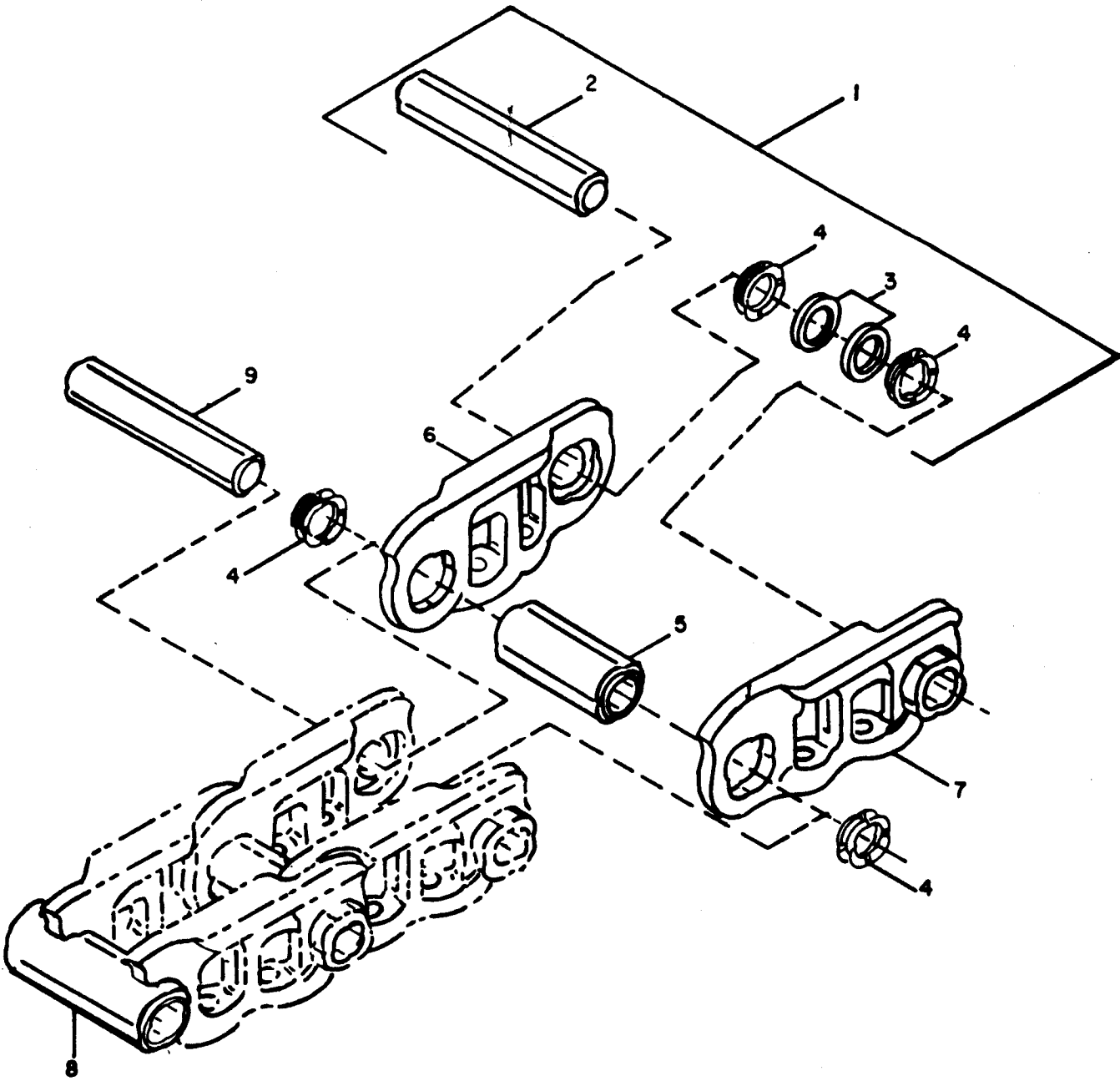
**PARTS LIST**

factory spec replacement parts

CAT REF	DESCRIPTION	SERIAL NO.		PART NO.	REPLACE OR VENDOR NO.	REQ.
		FROM	TO/INCL.			
	015 SERVO CONTROL					
	HYDRAULICS DRAWING                      ZA491	140530				X
1	HOSE ASSEMBLY	140530		53796353		1
2	CLAMP	140530		53268627		1
3	LOOM-SPECIFY LENGTH	140530		17330850		
4	TUBE-SPECIFY LENGTH	140530		82945642		
5	CONNECTOR	140530		57115435		2
6	CONNECTOR	140530		57117205		1
7	CABLE TIE	140530		17448500		3
8	HOSE ASSEMBLY	140530		53796206		1
9	ELBOW	140530		57141250		2
10	REDUCER	140530		78533136		1
11	TEE	140530		78638487		1
12	O-RING	140530		68120797		3
13	HOSE ASSEMBLY	140530		53794252		1
14	HOSE ASSEMBLY	140530		53792560		1
15	TEE	140530		78637865		3
16	CAP NUT	140530		78623400		3
17	HOSE ASSEMBLY	140530		53792855		2
18	U-CHANNEL	140530		82137285		1
19	ELBOW	140530		78597559		1
20	U-CHANNEL	140530		82137284		1
21	U-CHANNEL	140530		82137330		1
22	O-RING	140530		68120797		3
23	HOSE ASSEMBLY	140530		53792803		1
24	HOSE ASSEMBLY	140530		53792844		1
25	HOSE ASSEMBLY	140530		53787320		1
26	LOOM-SPECIFY LENGTH	140530		17330850		
27	NUT	140530		78623588		1
28	PLUG	140530		20765420		1
29	NIPPLE	140530		20500350		2
30	TEE	140530		20810350		1
31	ELBOW	140530		57143317		1
42	O-RING	140530		68124430		2
43	HOSE ASSEMBLY	140530		53794258		1
44	HOSE ASSEMBLY	140530		53787320		2
45	HOSE ASSEMBLY	140530		53792848		1
46	HOSE ASSEMBLY	140530		53793898		1
47	ELBOW	140530		78595345		1
48	HOSE ASSEMBLY	140530		53796210		2
49	CONNECTOR	140530		78553740		2
50	O-RING	140530		68124430		1
51	U-CHANNEL	140530		82137560		1
52	CABLE TIE	140530		17448500		2
53	ELBOW	140530		57141250		2
54	O-RING	140530		68120797		2
55	ELBOW	140530		57141250		2
56	O-RING	140530		68120797		2

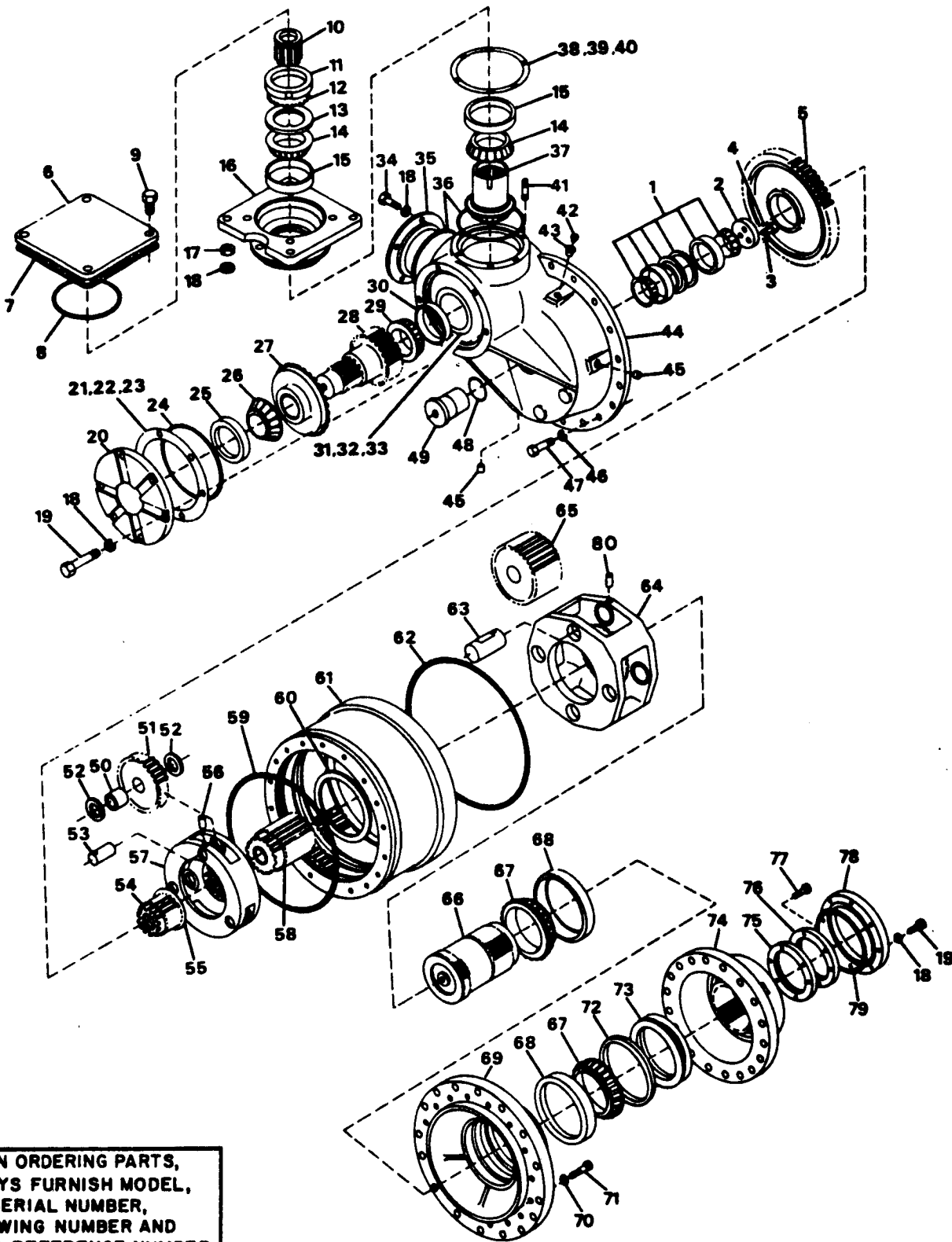






WHEN ORDERING PARTS,  
ALWAYS FURNISH MODEL,  
SERIAL NUMBER,  
DRAWING NUMBER AND  
CATALOG REFERENCE NUMBER.





WHEN ORDERING PARTS,  
ALWAYS FURNISH MODEL,  
SERIAL NUMBER,  
DRAWING NUMBER AND  
CATALOG REFERENCE NUMBER.

COMPONENTS FOR MODEL NUMBER P40TIR-8I-69356-1I ONLY



**PARTS LIST**

CAT REF	DESCRIPTION	SERIAL NO.		PART NO.	REPLACE OR VENDOR NO.	REQ.
		FROM	TO/INCL.			
	100 RIGHT HAND RIGHT ANGLE DRIVE MODEL NUMBER P40TIR-81-69356-11 COMPONENTS ONLY CATALOG REFERENCE NUMBER 8 DRAWING 12119456					
1	BEARING ASSEMBLY			62300560		1
2	CAP			62300561		1
3	CAPSCREW			62300562		1
4	LOCKWIRE			62300563		1
5	BULL GEAR			62300557		1
6	PROTECTOR			62300536		1
7	GASKET			62300533		1
8	O-RING			62300534		1
9	CAPSCREW			62300535		4
10	COUPLER			62300803		1
11	BEARING LOCKNUT			62300531		1
12	LOCKWASHER			62300532		1
13	WASHER			62300538		1
14	BEARING CONE			62300529		2
15	BEARING CUP			62300581		2
16	MOTOR ADAPTER			62300537		1
17	NUT			62300539		6
18	LOCKWASHER			62300506		18
19	CAPSCREW			62300507		12
20	COVER			62300548		1
21	SHIM-AS REQUIRED			62300550		
22	SHIM-AS REQUIRED			62300551		
23	SHIM-AS REQUIRED			62300552		
24	O-RING			62300549		1
25	BEARING CUP			62300547		1
26	BEARING CONE			62300546		1
27	BEVEL GEAR SET			62300530		1
28	SHAFT			62300545		1
29	BEARING CONE			62300564		1
30	BEARING CUP			62300571		1
31	SHIM-AS REQUIRED			62300554		
32	SHIM-AS REQUIRED			62300555		
33	SHIM-AS REQUIRED			62300556		
34	CAPSCREW			62300572		6
35	COVER			62300573		1
36	O-RING			62300543		2
37	BEVEL GEAR SET			62300530		1
38	SHIM-AS REQUIRED			62300540		
39	SHIM-AS REQUIRED			62300541		
40	SHIM-AS REQUIRED			62300542		
41	STUD			62300578		6

**BUCYRUS-ERIE**

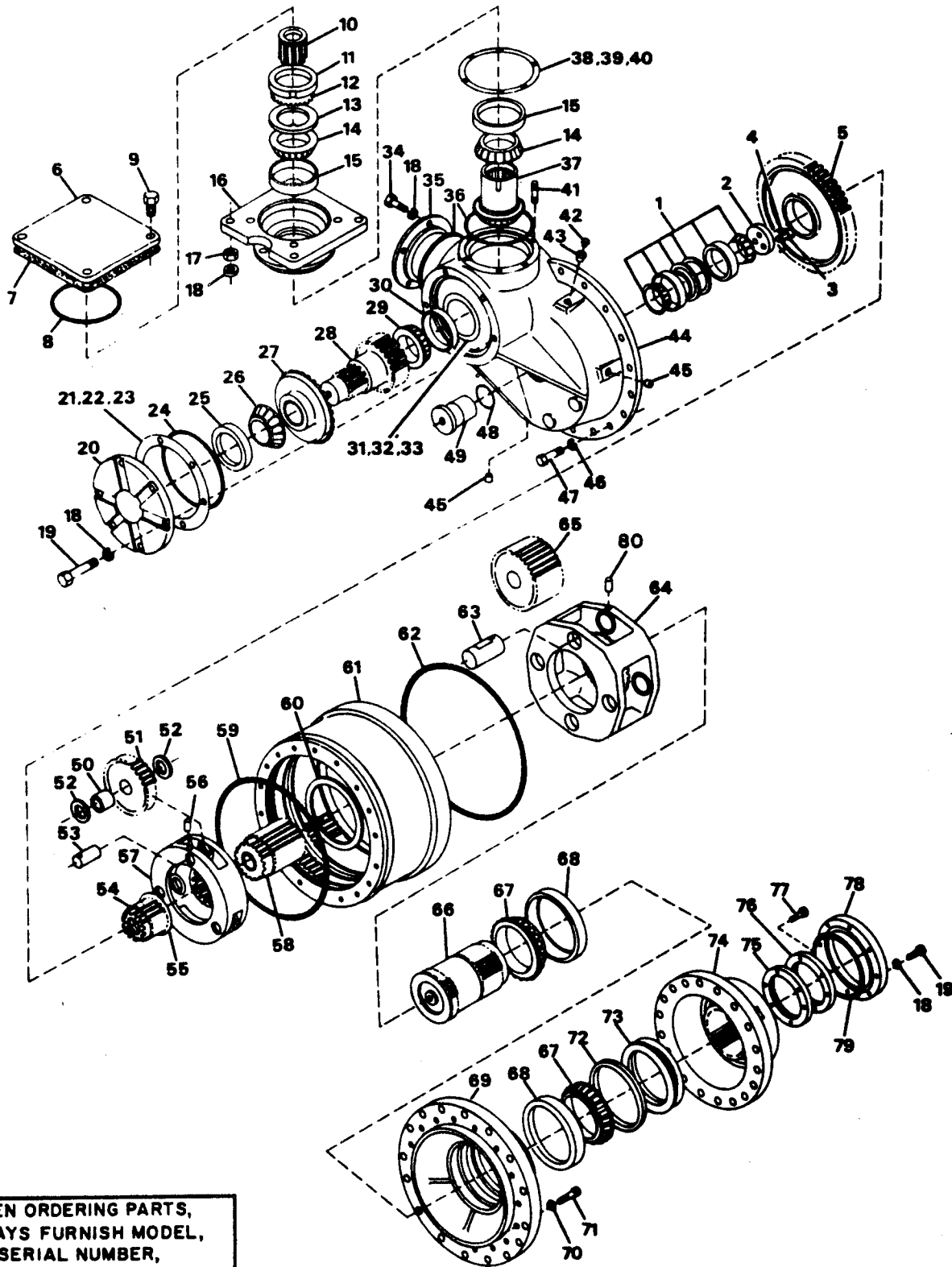


**PARTS LIST**

factory spec replacement parts



CAT REF	DESCRIPTION	SERIAL NO.		PART NO.	REPLACE OR VENDOR NO.	REQ.
		FROM	TO/INCL.			
	100					
42	BREATHER			62300575		1
43	BUSHING			62300576		1
44	MAIN HOUSING			62300553		1
45	MAGNETIC PLUG			62300577		2
46	LOCKWASHER			62300527		15
47	CAPSCREW			62300528		15
48	O-RING			62300558		1
49	SHAFT			62300559		1
50	BEARING			62300524		3
51	GEAR			62300525		3
52	THRUST RACE			62300523		6
53	PIN			62300522		3
54	GEAR			62300569		1
55	SNAP RING			62300568		1
56	ROLL PIN			62300515		3
57	CARRIER			62300570		1
58	GEAR			62300566		1
59	O-RING			62300519		1
60	CARRIER SPACER			62300567		1
61	RING GEAR			62300521		LAX
	NOTE-WHEN STOCK OF					X
	62300521 IS DEPLETED					Y
	USE FOLLOWING PARTS					X
	61-RING GEAR			62305896		1 X
	71-CAPSCREW			62304313		16 X
	70-FLAT WASHER			62300815		16 X
62	O-RING			62300519		1
63	PIN			62300518		4
64	CARRIER			62300565		1
65	GEAR			62300520		4
66	OUTPUT SHAFT			62300505		1
67	BEARING CONE			62300511		2
68	BEARING CUP			62300514		2
69	BEARING CARRIER			62300512		1
70	FLAT WASHER			62300815		16 X
71	CAPSCREW 3/4 X 2-3/4 NF GRADE 8			62304313		16 X X
73	SEAL ASSEMBLY			62300510		1
74	HUB			62300509		1
75	BEARING LOCKING NUT			62300802	62303399	1D
76	LOCKING NUT			62300801	62303399	1D
76	LOCKING NUT-USE ITEM 75					
77	CAPSCREW			62300800	62303398	6D
78	OUTPUT COVER			62300504		1
79	O-RING			62300508		1
80	ROLL PIN 5/16X1-3/8			62305819		2 X



WHEN ORDERING PARTS,  
 ALWAYS FURNISH MODEL,  
 SERIAL NUMBER,  
 DRAWING NUMBER AND  
 CATALOG REFERENCE NUMBER.

**COMPONENTS FOR MODEL NUMBER P40TIR-8I-69357-II ONLY**

**BUCYRUS-ERIE****PARTS LIST**

factory spec replacement parts

CAT REF	DESCRIPTION	SERIAL NO.		PART NO.	REPLACE OR VENDOR NO.	REQ.
		FROM	TO/INCL.			
	105 LEFT HAND RIGHT ANGLE					
	DRIVE-MODEL NUMBER P40TIR-81-69357-11					
	COMPONENTS ONLY CATALOG REFERENCE					
	NUMBER 4 DRAWING 12119457					
1	BEARING ASSEMBLY			62305431		1
2	CAP			62300561		1
3	CAPSCREW			62300562		1
4	LOCKWIRE			62300563		1
5	BULL GEAR			62300557		1
6	PROTECTOR			62300536		1
7	GASKET			62300533		1
8	O-RING			62300534		1
9	CAPSCREW			62300535		4
10	COUPLER			62300803		1 X
11	BEARING LOCKNUT			62300531		1
12	LOCKWASHER			62300532		1
13	WASHER			62300538		1
14	BEARING CONE			62300529		2 X
15	BEARING CUP			62300581		2
16	MOTOR ADAPTER			62300537		1
17	NUT			62300539		6
18	LOCKWASHER			62300506		18
19	CAPSCREW			62300507		12
20	COVER			62300548		1
21	SHIM-AS REQUIRED			62300550		
22	SHIM-AS REQUIRED			62300551		
23	SHIM-AS REQUIRED			62300552		
24	O-RING			62300549		1
25	BEARING CUP			62300547		1
26	BEARING CONE			62300546		1
27	BEVEL GEAR SET			62300530		1
28	SHAFT-RATIO 81:1			62300545		1
29	BEARING CONE			62300564		1
30	BEARING CUP			62300511		1
31	SHIM-AS REQUIRED			62305436		
32	SHIM-AS REQUIRED			62300555		
33	SHIM-AS REQUIRED			62300556		
34	CAPSCREW			62300512		6
35	COVER			62300573		1
36	O-RING			62300543		2
37	BEVEL GEAR SET			62300530		1
38	SHIM-AS REQUIRED			62300540		
39	SHIM-AS REQUIRED			62300541		
40	SHIM-AS REQUIRED			62300542		
41	STUD			62300578		6 X
42	BREATHER			62300575		1

**BUCYRUS-ERIE**

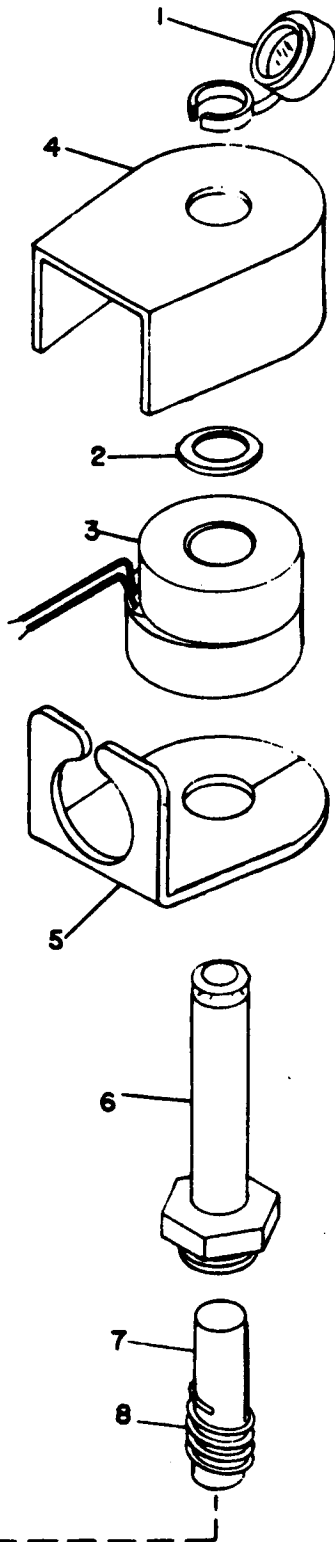
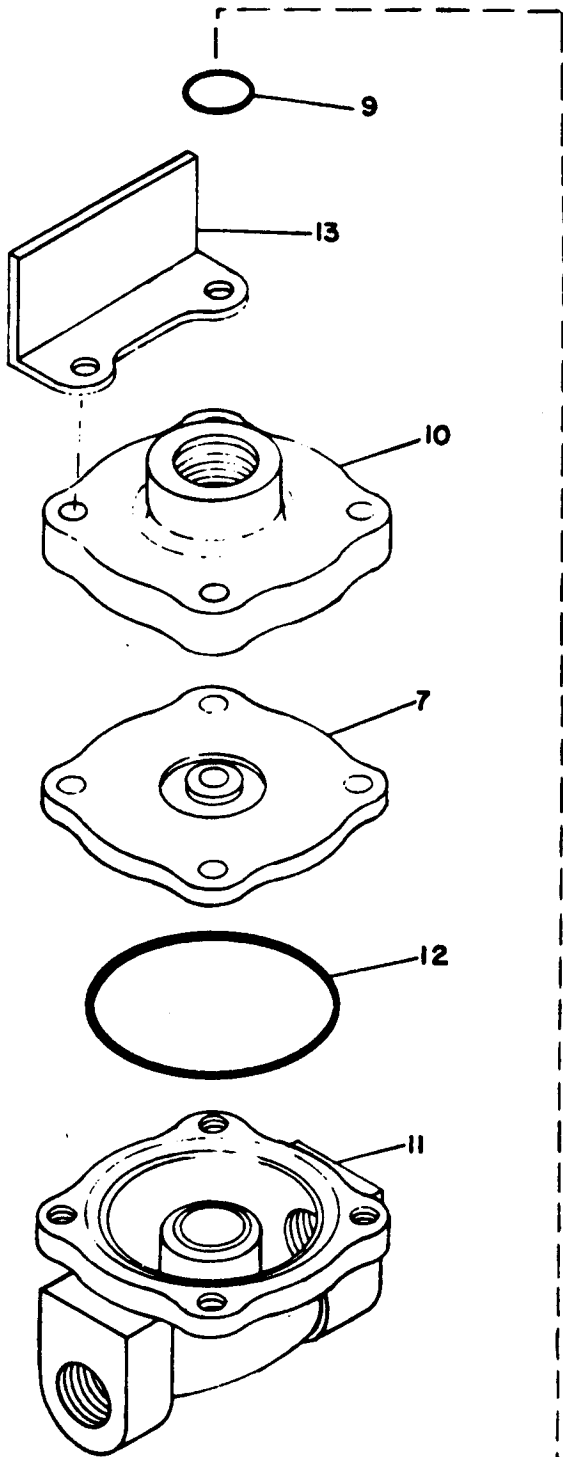


**PARTS LIST**

factory spec replacement parts

CAT REF	DESCRIPTION	SERIAL NO.		PART NO.	REPLACE OR VENDOR NO.	REQ.
		FROM	TO/INCL.			
	105					
43	BUSHING			62300576		1
44	MAIN HOUSING			62300553		1
45	MAGNETIC PLUG			62300577		2
46	LOCKWASHER			62300527		15
47	CAPSCREW			62300528		15
48	O-RING			62300558		1
49	SHAFT			62300559		1
50	BEARING			62300524		3
51	GEAR			62300525		3
52	THRUST RACE			62300523		6
53	PIN			62300522		3
54	GEAR			62300569		1
55	SNAP RING			62300568		1
56	ROLL PIN			62300515		3
57	CARRIER			62300570		1
58	GEAR			62300566		1
59	O-RING			62300519		1
60	CARRIER SPACER			62300567		1
61	RING GEAR			62300521		1AX
	NOTE-WHEN STOCK OF					X
	62300521 IS DEPLETED					X
	USE FOLLOWING PARTS					X
	61-RING GEAR			62305896		1 X
	70-FLAT WASHER			62300815		16 X
	71-CAPSCREW			62304313		16 X
62	O-RING			62300519		1
63	PIN			62300518		4
64	CARRIER			62300565		1
65	GEAR			62300520		4
66	OUTPUT SHAFT			62300505		1
67	BEARING CONE			62300511		2
68	BEARING CUP			62300514		2
69	BEARING CARRIER			62300512		1
70	STEEL WASHER			62300815		16 X
71	CAPSCREW 3/4 X 2-3/4			62304313		16 X
	NF GRADE 8					X
73	SEAL ASSEMBLY			62300510		1
74	HUB			62300509		1
75	BEARING LOCKING NUT			62300802	62303399	1D
76	LOCKING NUT			62300801	62303399	1D
76	75					
77	CAPSCREW			62300800	62303398	6D
78	OUTPUT COVER			62300504		1
79	O-RING			62300508		1
80	ROLL PIN 5/16X1-3/8			62305819		2 X





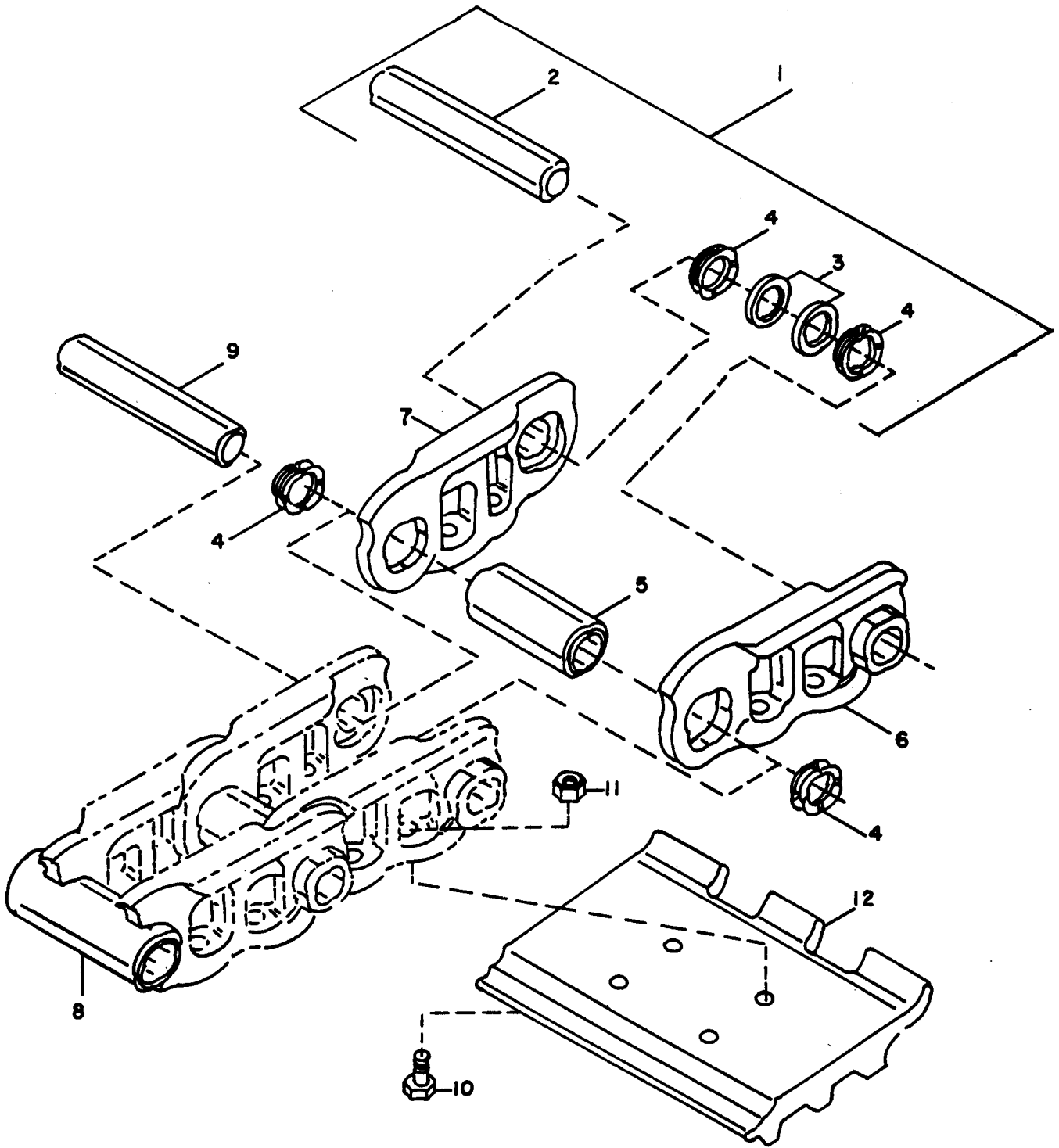
WHEN ORDERING PARTS,  
ALWAYS FURNISH MODEL,  
SERIAL NUMBER,  
DRAWING NUMBER AND  
CATALOG REFERENCE NUMBER.

# BUCYRUS-ERIE PARTS LIST

factory spec replacement parts



CAT REF	DESCRIPTION	SERIAL NO. FROM TO/INCL.	PART NO.	REPLACE OR VENDOR NO. REQ.
100	VALVE-MODEL NUMBER			
	GSHT8210C94V-12V			
	COMPONENTS ONLY			
	CATALOG REFERENCE			
	NUMBER 13			
	DRAWING			
	12970907			
1	CAP-NSI			
2	WASHER-NSI			
3	COIL		12084802	1
4	HOUSING SUB-ASSEMBLY-NSI			
5	PLATE-NSI			
6	SOLENOID BASE SUB-ASSEMBLY-NSI			
7	DIAPHRAGM-CORE ASSEMBLY-NSI			
8	ASSEMBLY-NSI			
9	SPRING-NSI			
9	GASKET-NSI			
10	BONNET-NSI			
11	BODY-NSI			
12	GASKET-NSI			
13	SCREW-NSI			
	SPARE PARTS KIT-		82582191	
	INCLUDES ITEMS 1, 7			
	THRU 9 & 12			

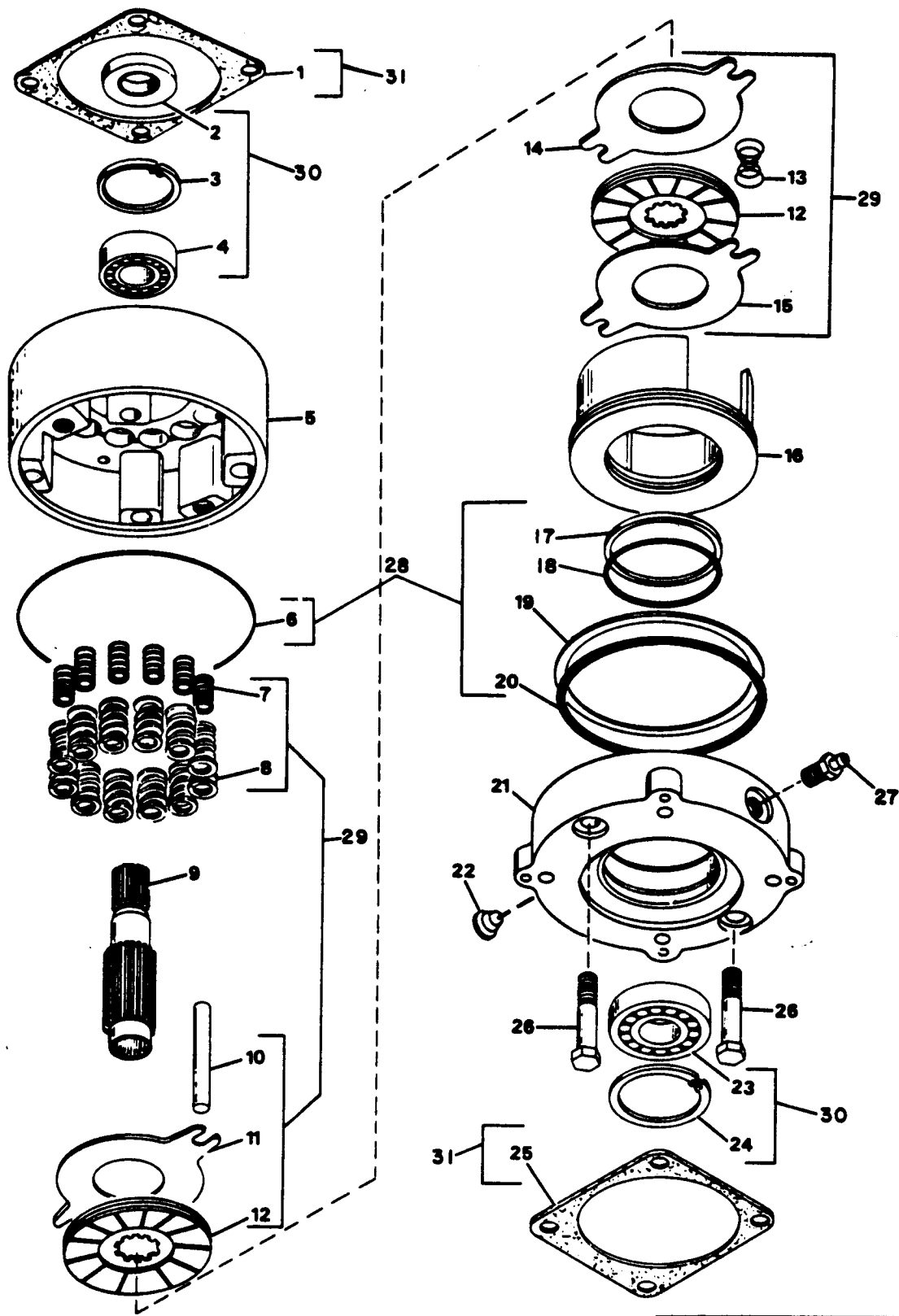


WHEN ORDERING PARTS,  
 ALWAYS FURNISH MODEL,  
 SERIAL NUMBER,  
 DRAWING NUMBER AND  
 CATALOG REFERENCE NUMBER.









**COMPONENTS FOR MODEL NUMBER 30100 ONLY**

WHEN ORDERING PARTS,  
ALWAYS FURNISH MODEL,  
SERIAL NUMBER,  
DRAWING NUMBER AND  
CATALOG REFERENCE NUMBER.

**BUCYRUS-ERIE**



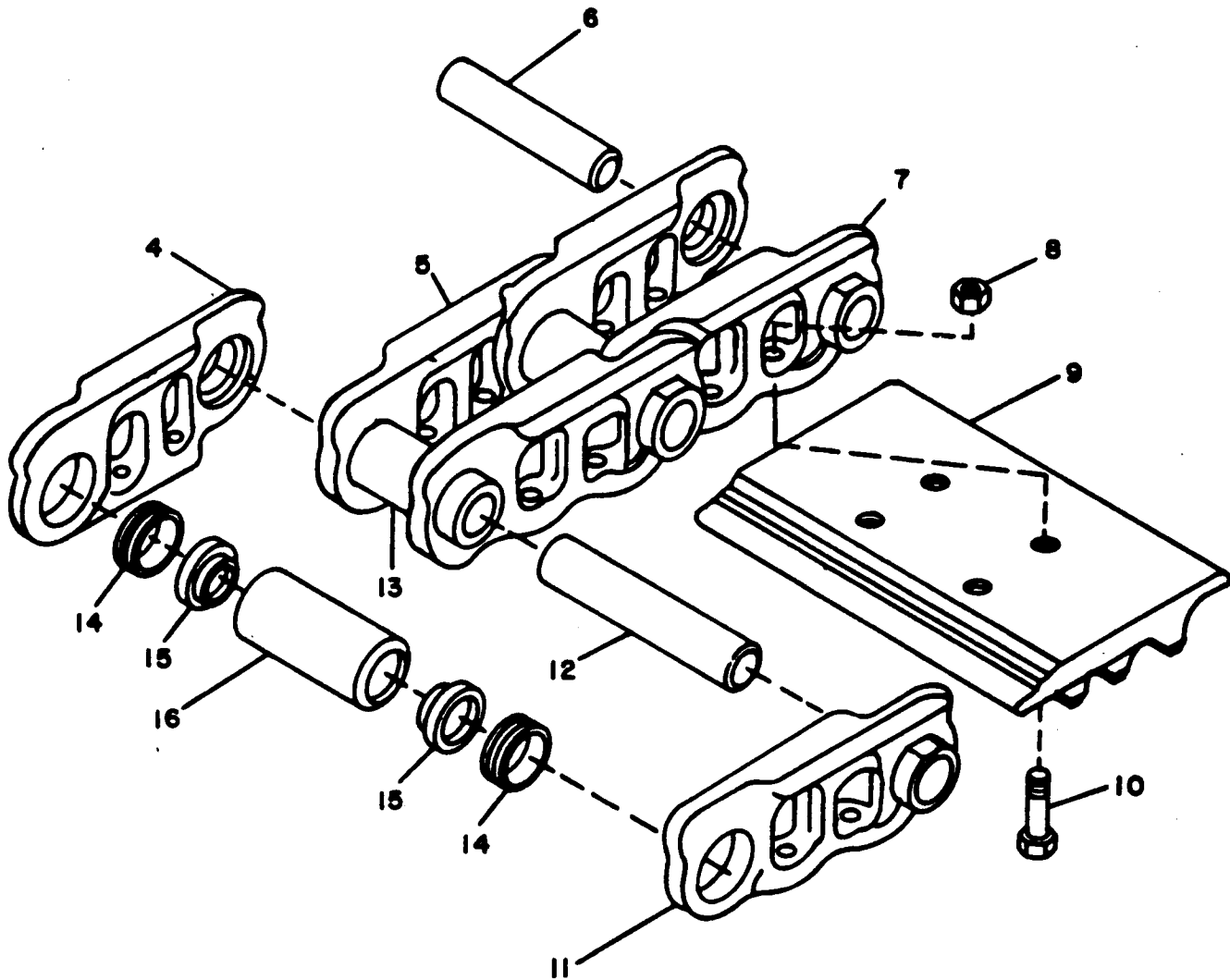
**PARTS LIST**

factory spec replacement parts

CAT REF	DESCRIPTION	SERIAL NO.		PART NO.	REPLACE OR VENDOR NO.	REQ.
		FROM	TO/INCL.			
	110 SWING BRAKE ASSEMBLY- MODEL NUMBER 30100 COMPONENTS ONLY CATALOG REFERENCE NUMBER 4 DRAWING 29028502					
1	GASKET			62305431		1 X
2	SEAL			62300066		1
3	RETAINING RING			82057528		1
4	BALL BEARING			82057527		1
5	HOUSING			62300067		1
6	O-RING			82057536		1
7	COMPRESSION SPRING			82057514		12
8	COMPRESSION SPRING			82057515		12
9	SPLINED SHAFT			62300068		1
10	TORQUE PIN			82057525		2
11	PRIMARY DISC			82057534		1
12	ROTATING DISC			52300069		5
13	COMPRESSION SPRING			62300070		10
14	STATIONARY DISC			62300071		4
15	SECONDARY DISC			62300072		1
16	PISTON			82057519		1
17	PACKING BACK-UP RING			82057523		1
18	O-RING			82057522		1
19	PACKING BACK-UP RING			82057521		1
20	O-RING			82057520		1
21	POWER PLATE			62300073		1
22	PLUG			62303403		1
23	BALL BEARING			62300075		1
24	RETAINING RING			62300076		1
25	GASKET			62300077		1
26	SPECIAL CAPSCREW			62303404		2
27	BLEEDER SCREW			62303405		1
28	O-RING KIT-INCLUDES ITEMS 6 & 17 THRU 20			62300079		1
29	STACK KIT-INCLUDES ITEMS 7, 8 & 10 THRU 15			62300080		1
30	BEARING KIT-INCLUDES ITEMS 2, 3, 4, 23 & 24			62303394		1
31	GASKET KIT-INCLUDES ITEMS 1 & 25			62305436		1 X

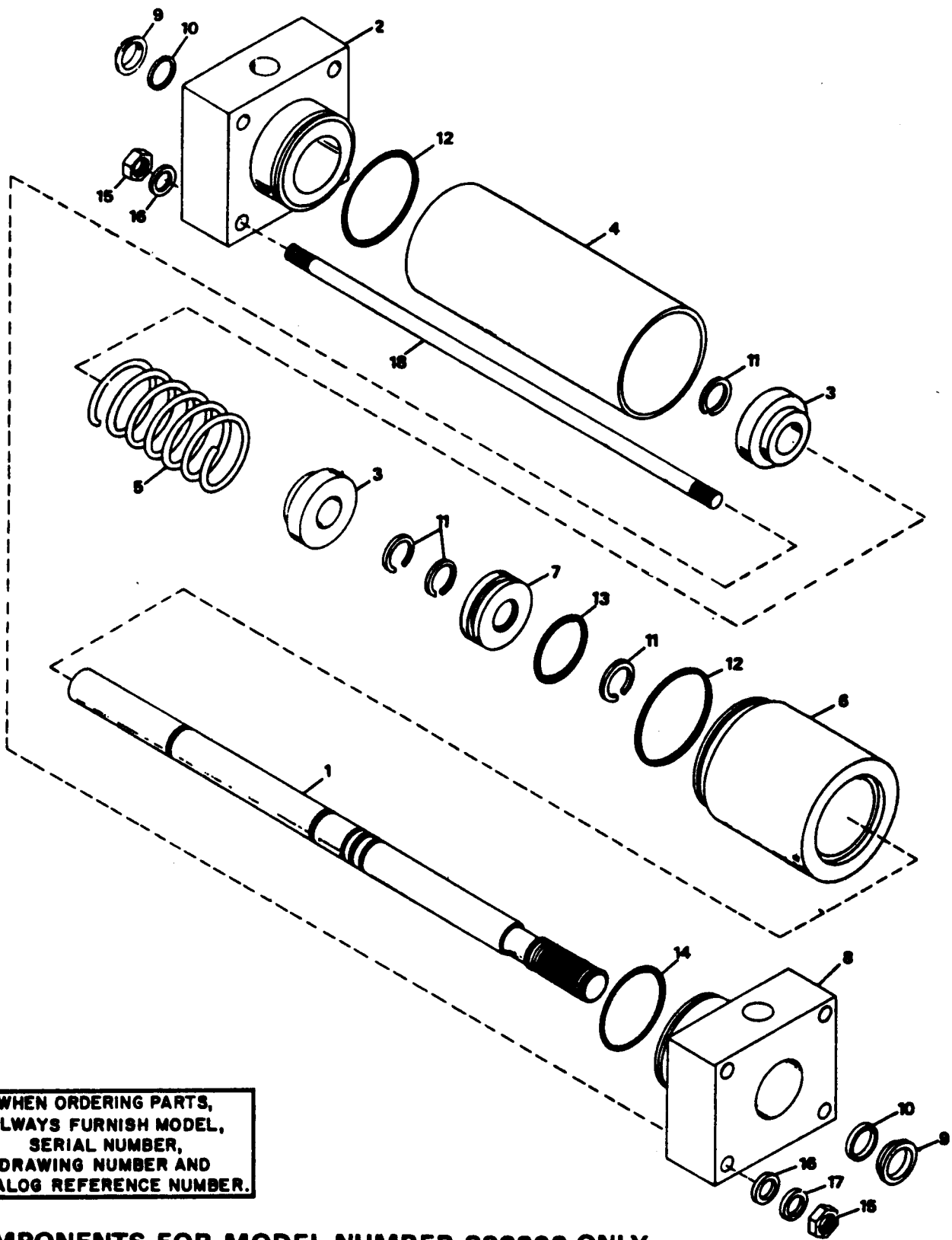


- 1- MASTER PIN ASSEMBLY
- 2- MASTER REPAIR LINK ASSEMBLY
- 3- CHAIN LINK ASSEMBLY



WHEN ORDERING PARTS,  
 ALWAYS FURNISH MODEL,  
 SERIAL NUMBER,  
 DRAWING NUMBER AND  
 CATALOG REFERENCE NUMBER.

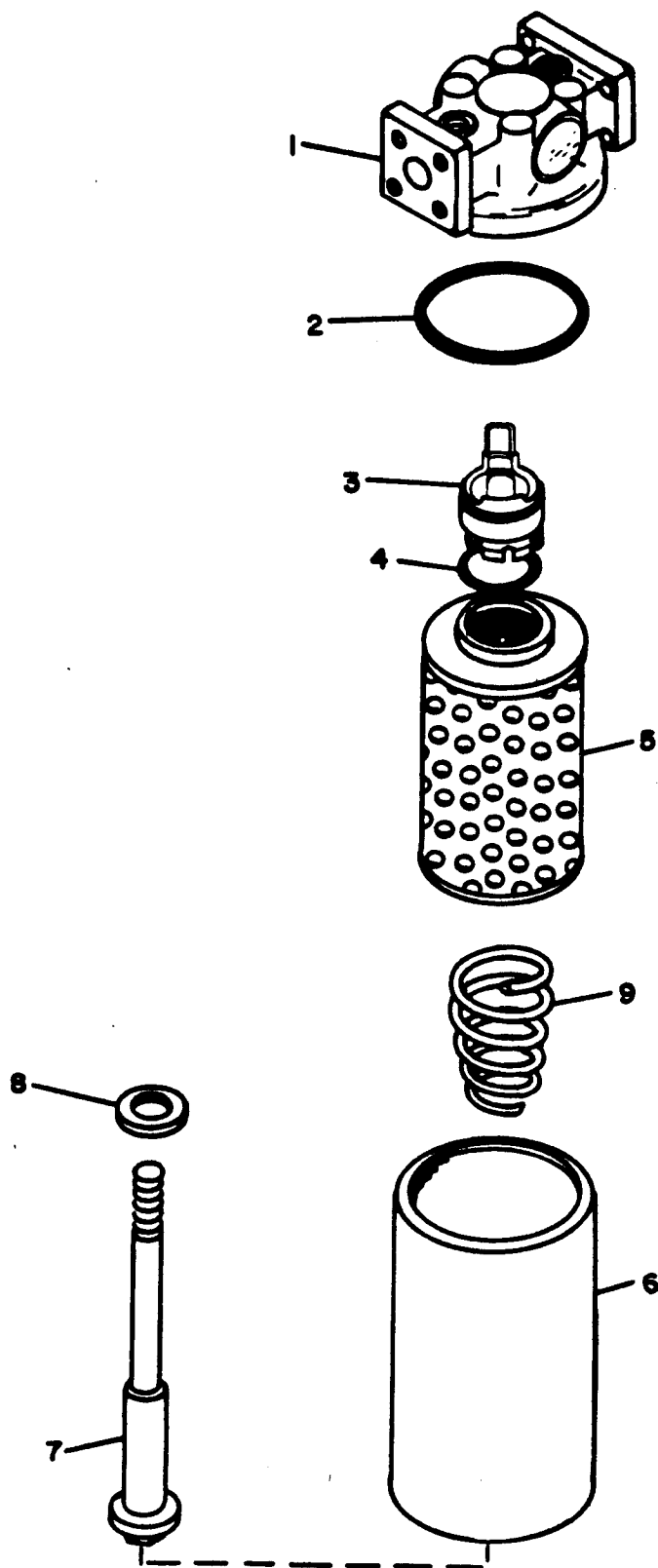




WHEN ORDERING PARTS,  
 ALWAYS FURNISH MODEL,  
 SERIAL NUMBER,  
 DRAWING NUMBER AND  
 CATALOG REFERENCE NUMBER.

COMPONENTS FOR MODEL NUMBER 833393 ONLY

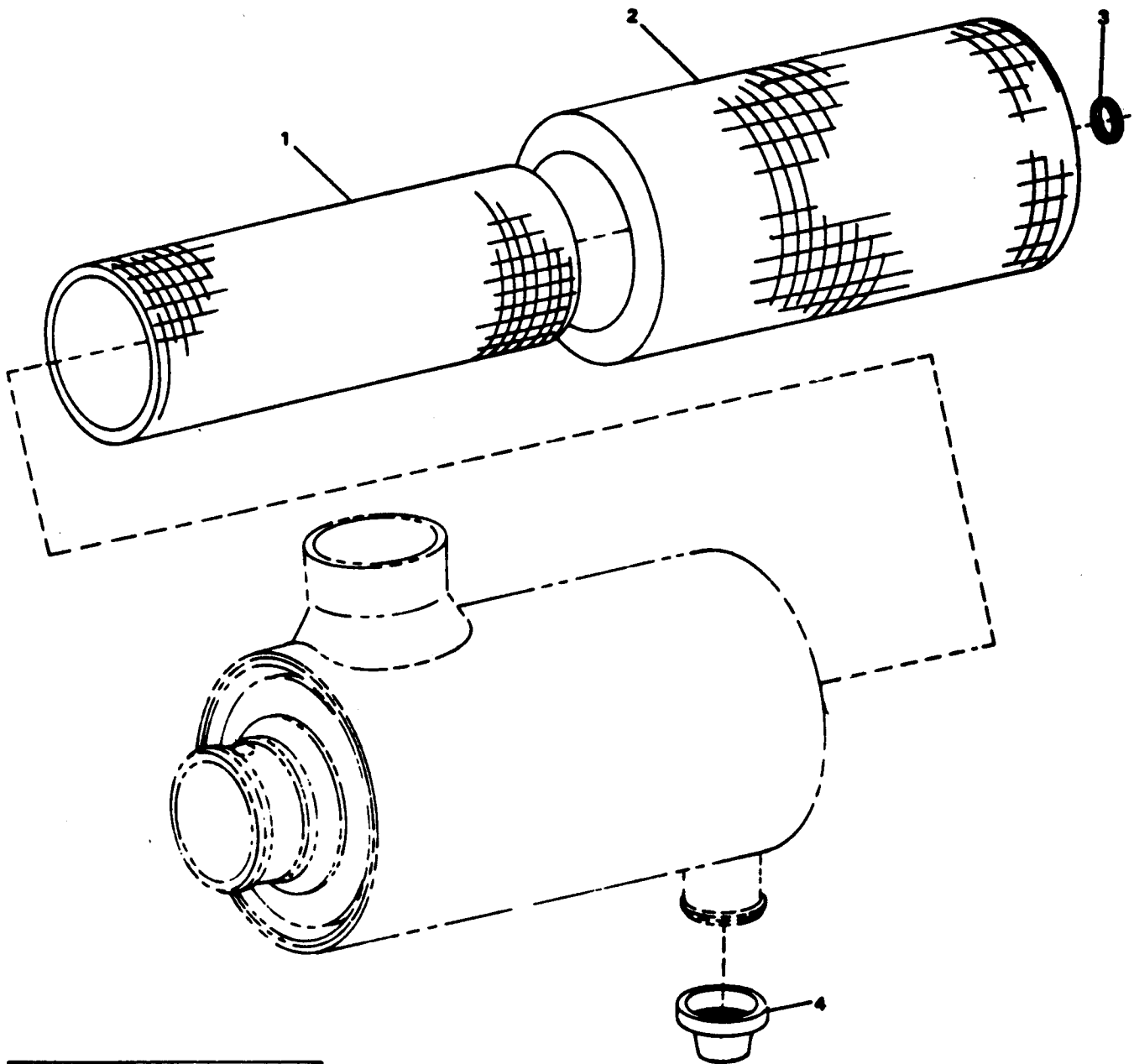




WHEN ORDERING PARTS,  
ALWAYS FURNISH MODEL,  
SERIAL NUMBER,  
DRAWING NUMBER AND  
CATALOG REFERENCE NUMBER.

COMPONENTS FOR MODEL NUMBER HZK05-0063 ONLY



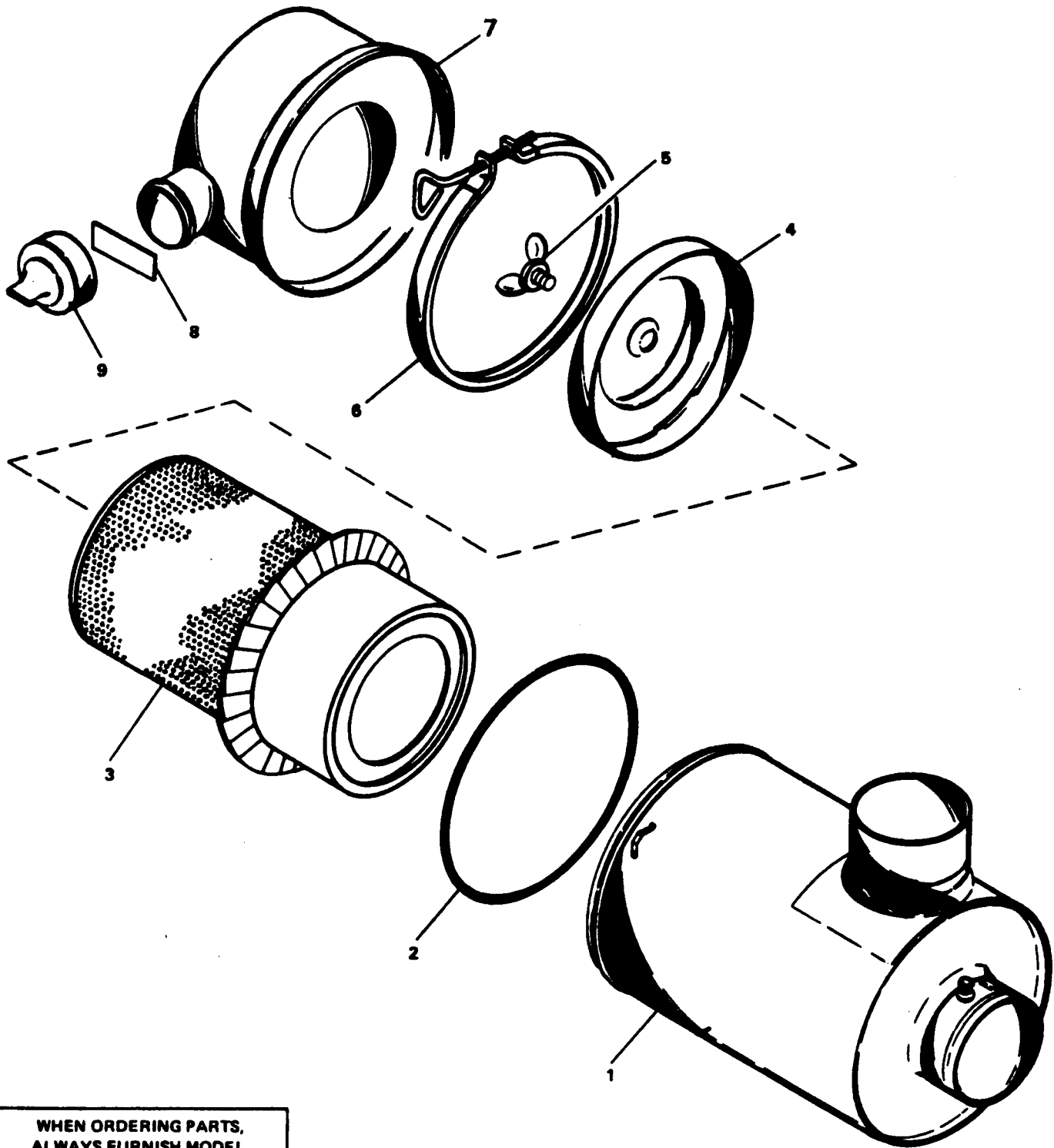


WHEN ORDERING PARTS,  
ALWAYS FURNISH MODEL,  
SERIAL NUMBER,  
DRAWING NUMBER AND  
CATALOG REFERENCE NUMBER.

**COMPONENTS FOR MODEL NUMBER FVG-16-0152 ONLY**



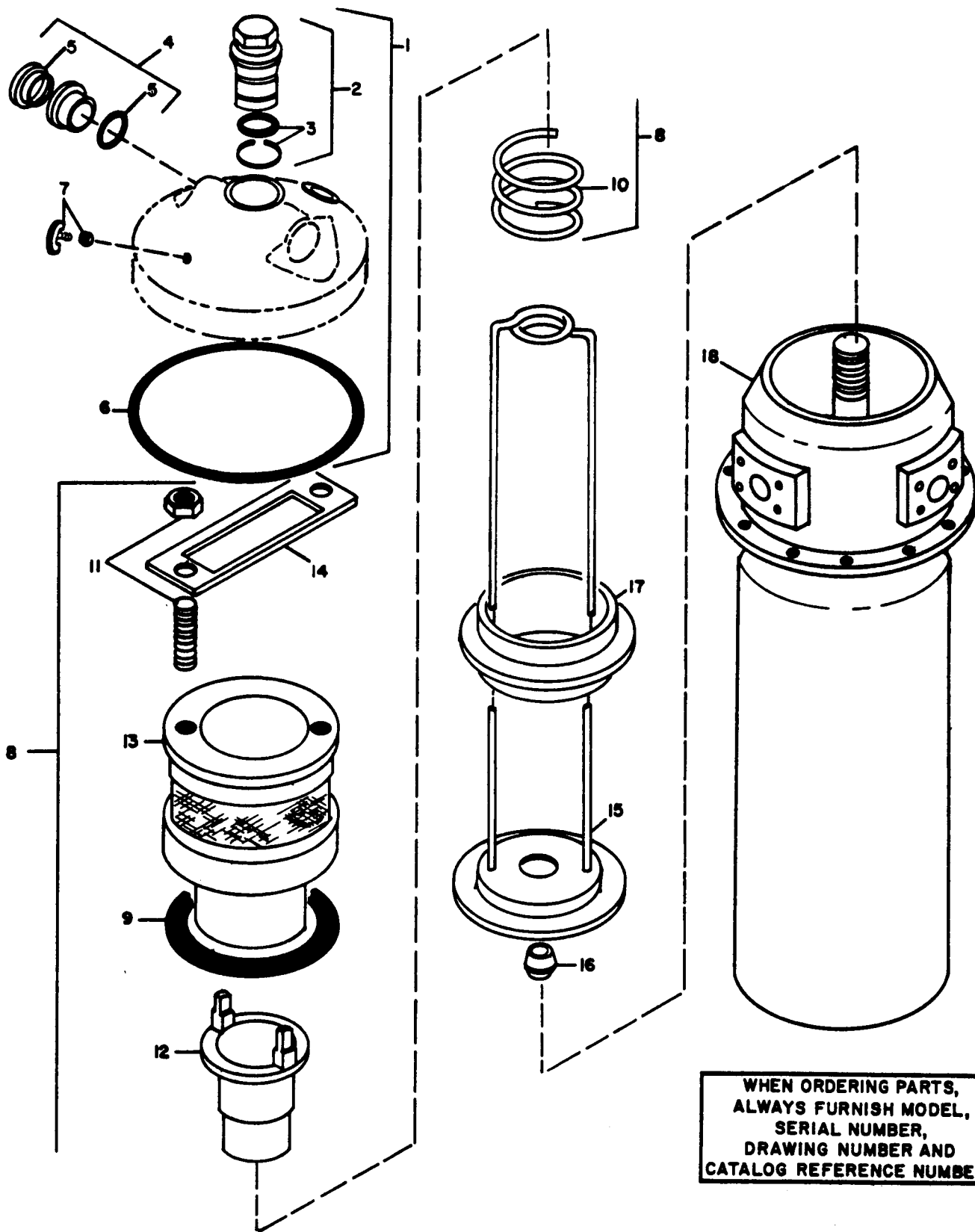




WHEN ORDERING PARTS,  
ALWAYS FURNISH MODEL,  
SERIAL NUMBER,  
DRAWING NUMBER AND  
CATALOG REFERENCE NUMBER.

**COMPONENTS FOR MODEL NUMBER FWGA14-0083 ONLY**

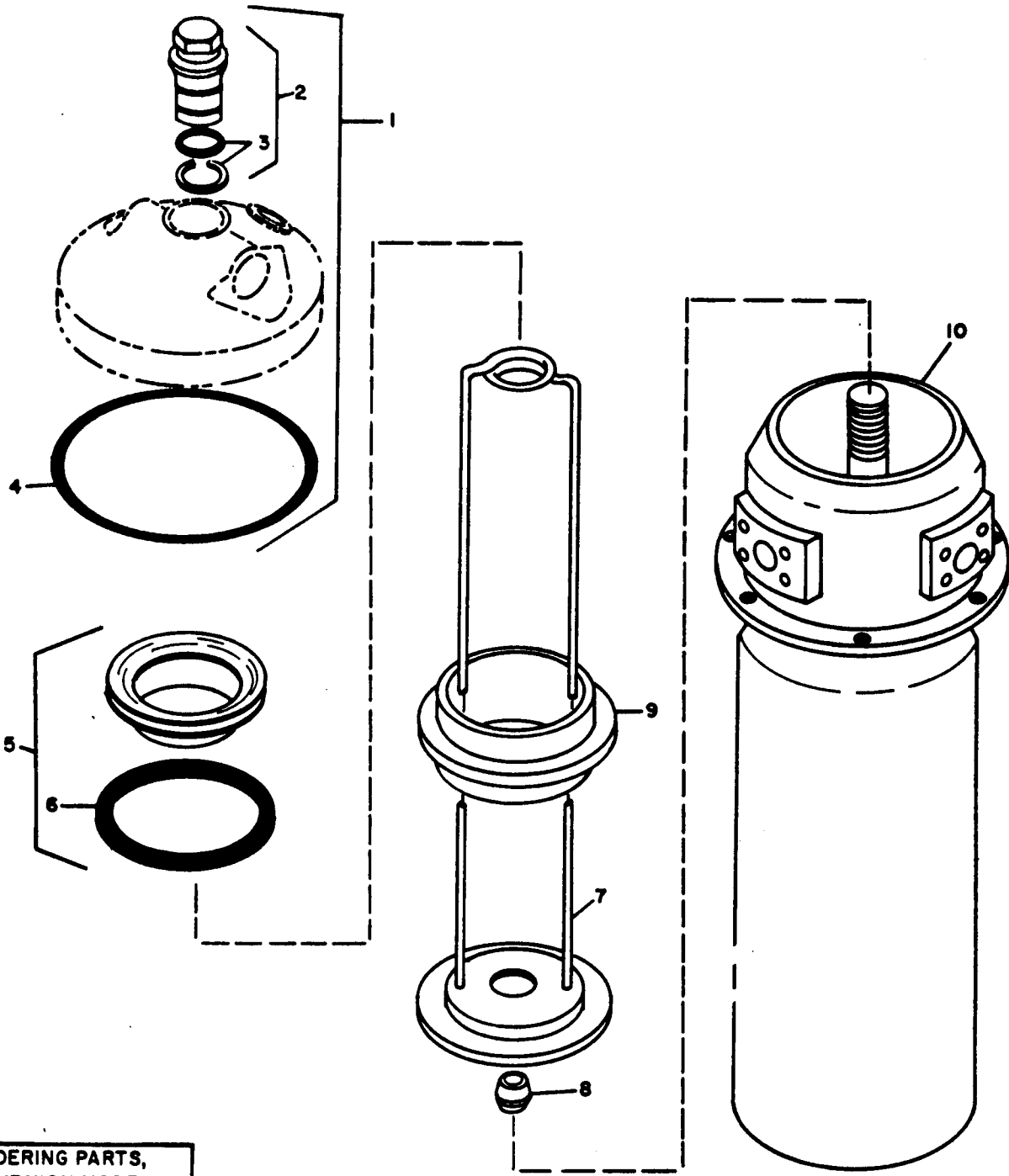




WHEN ORDERING PARTS,  
ALWAYS FURNISH MODEL,  
SERIAL NUMBER,  
DRAWING NUMBER AND  
CATALOG REFERENCE NUMBER.

COMPONENTS FOR MODEL NUMBER PI6-2200 ONLY

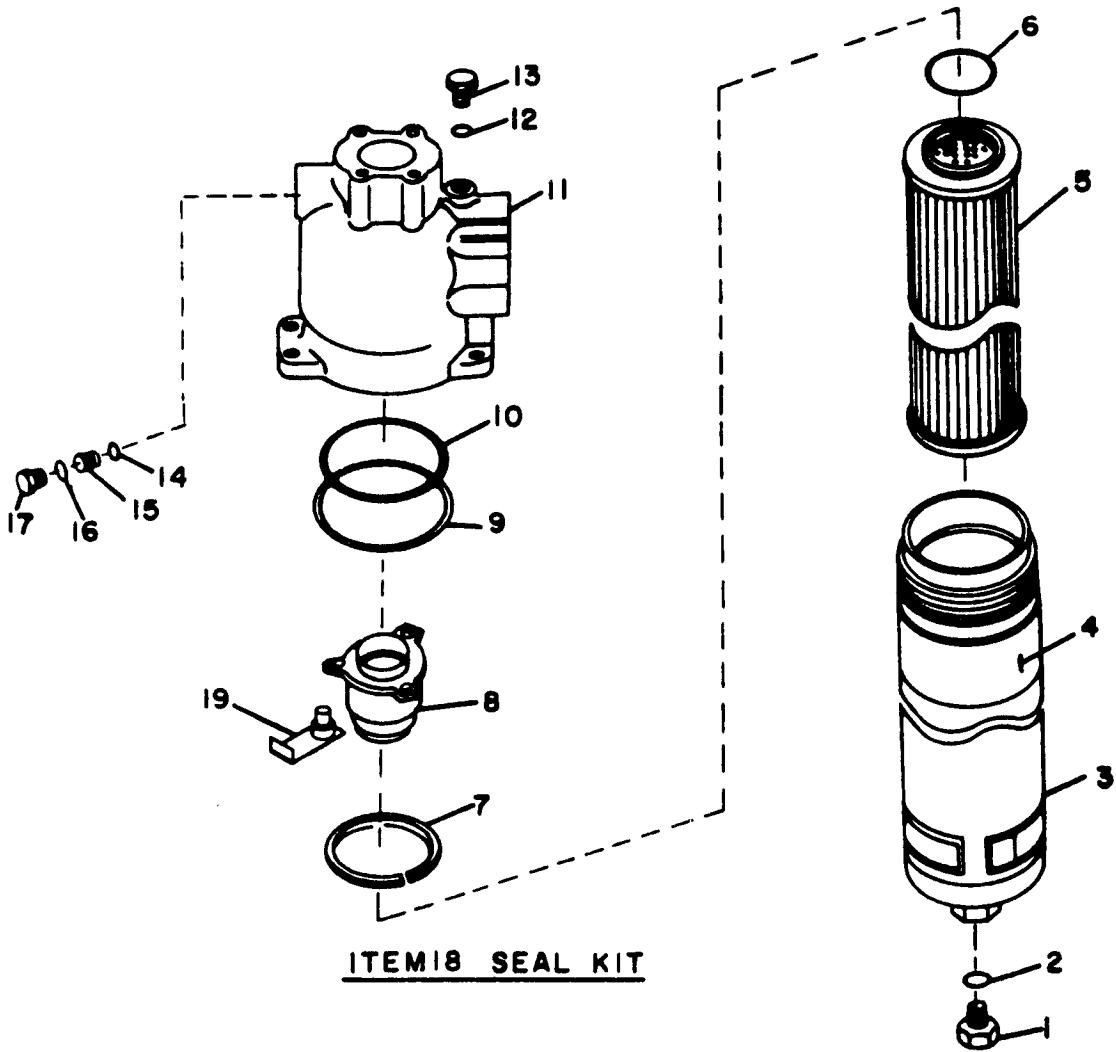




WHEN ORDERING PARTS,  
 ALWAYS FURNISH MODEL,  
 SERIAL NUMBER,  
 DRAWING NUMBER AND  
 CATALOG REFERENCE NUMBER.

COMPONENTS FOR MODEL NUMBER PI6-2416 ONLY



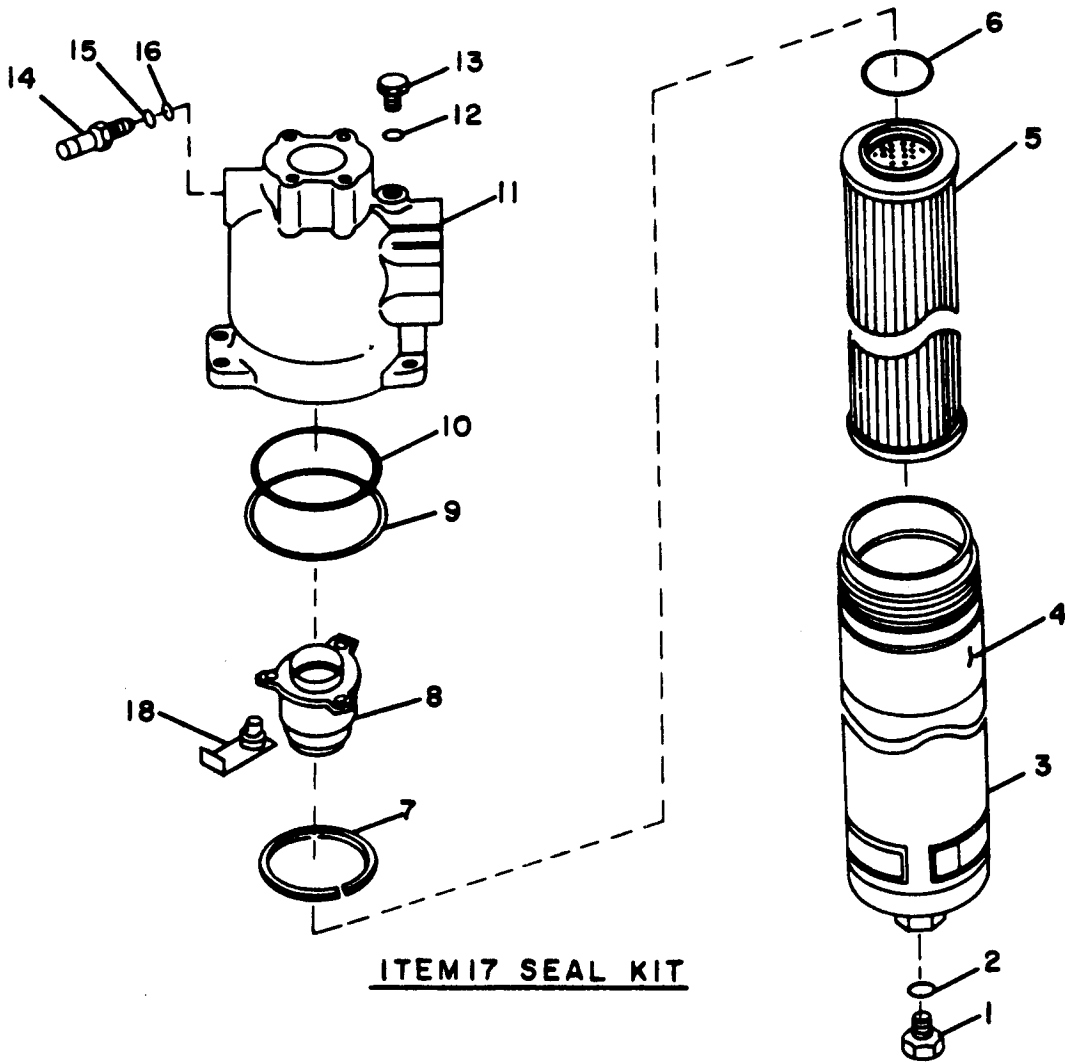


WHEN ORDERING PARTS,  
ALWAYS FURNISH MODEL,  
SERIAL NUMBER,  
DRAWING NUMBER AND  
CATALOG REFERENCE NUMBER.

**COMPONENTS FOR MODEL NUMBER HH9660E2OUTSBB00 ONLY**



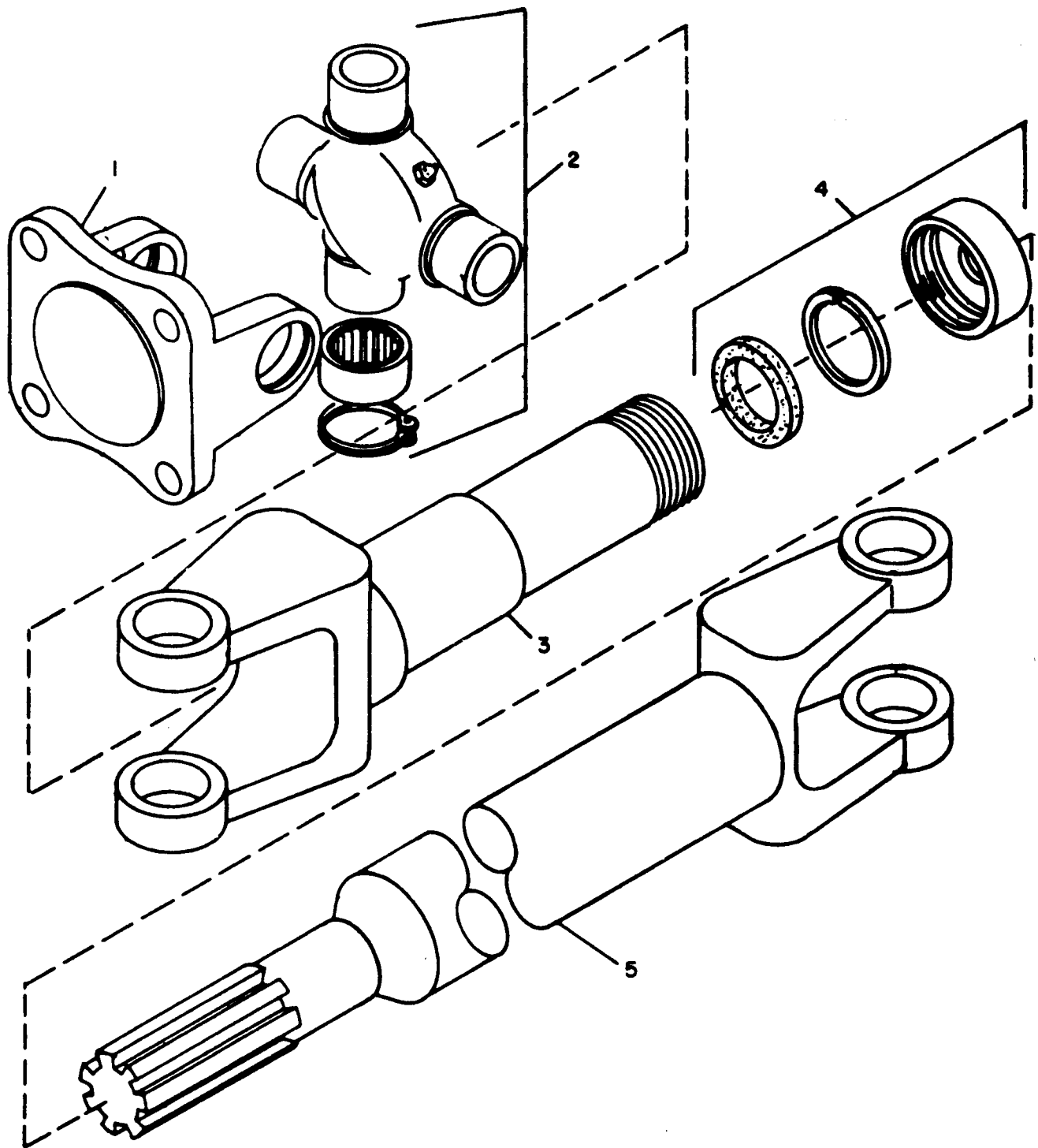




WHEN ORDERING PARTS,  
ALWAYS FURNISH MODEL,  
SERIAL NUMBER,  
DRAWING NUMBER AND  
CATALOG REFERENCE NUMBER.

COMPONENTS FOR MODEL NUMBER HH9660E2OUTSBS00 ONLY

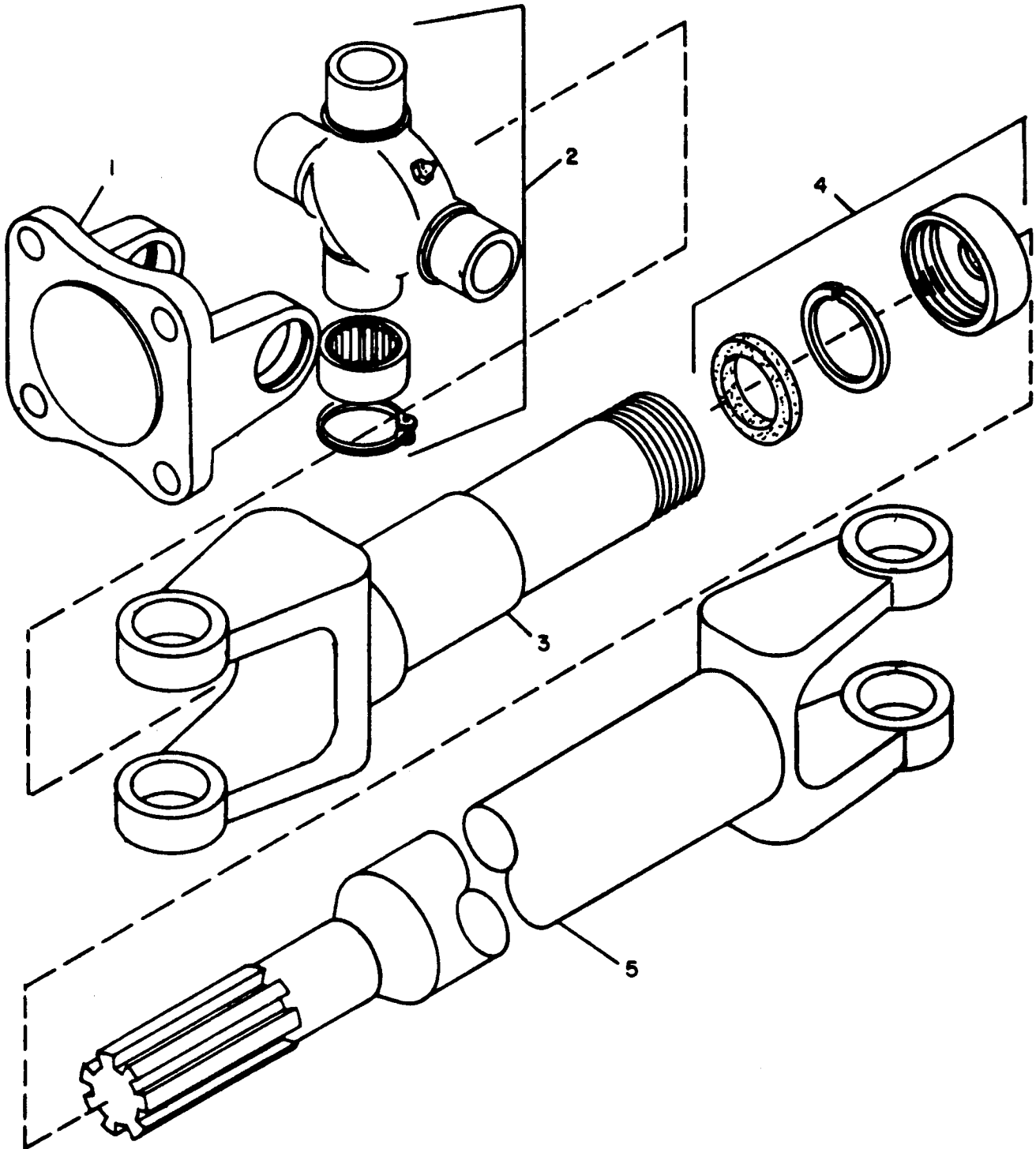




WHEN ORDERING PARTS,  
ALWAYS FURNISH MODEL,  
SERIAL NUMBER,  
DRAWING NUMBER AND  
CATALOG REFERENCE NUMBER

COMPONENTS FOR MODEL NUMBER 202925-0300 ONLY

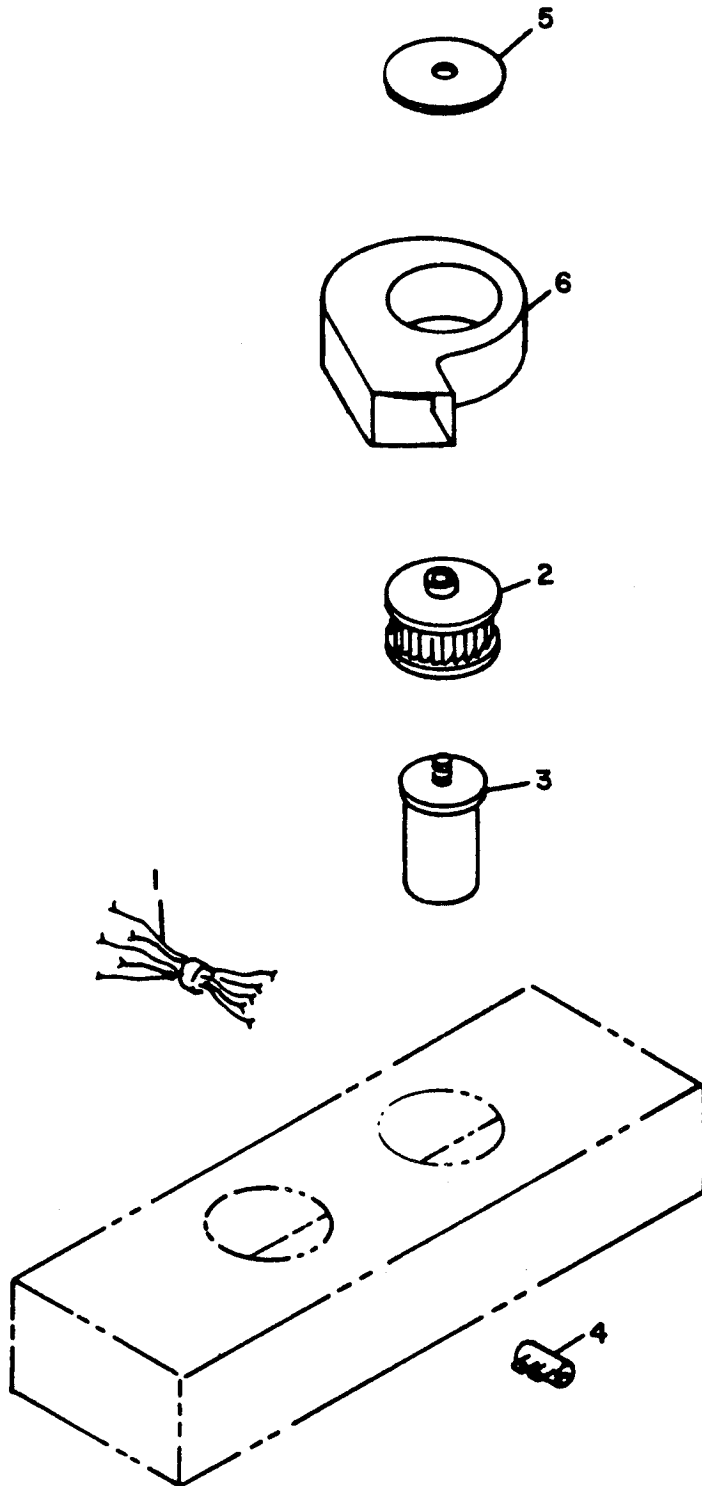




WHEN ORDERING PARTS,  
ALWAYS FURNISH MODEL,  
SERIAL NUMBER,  
DRAWING NUMBER AND  
CATALOG REFERENCE NUMBER.

COMPONENTS FOR MODEL NUMBER 202992-6 ONLY



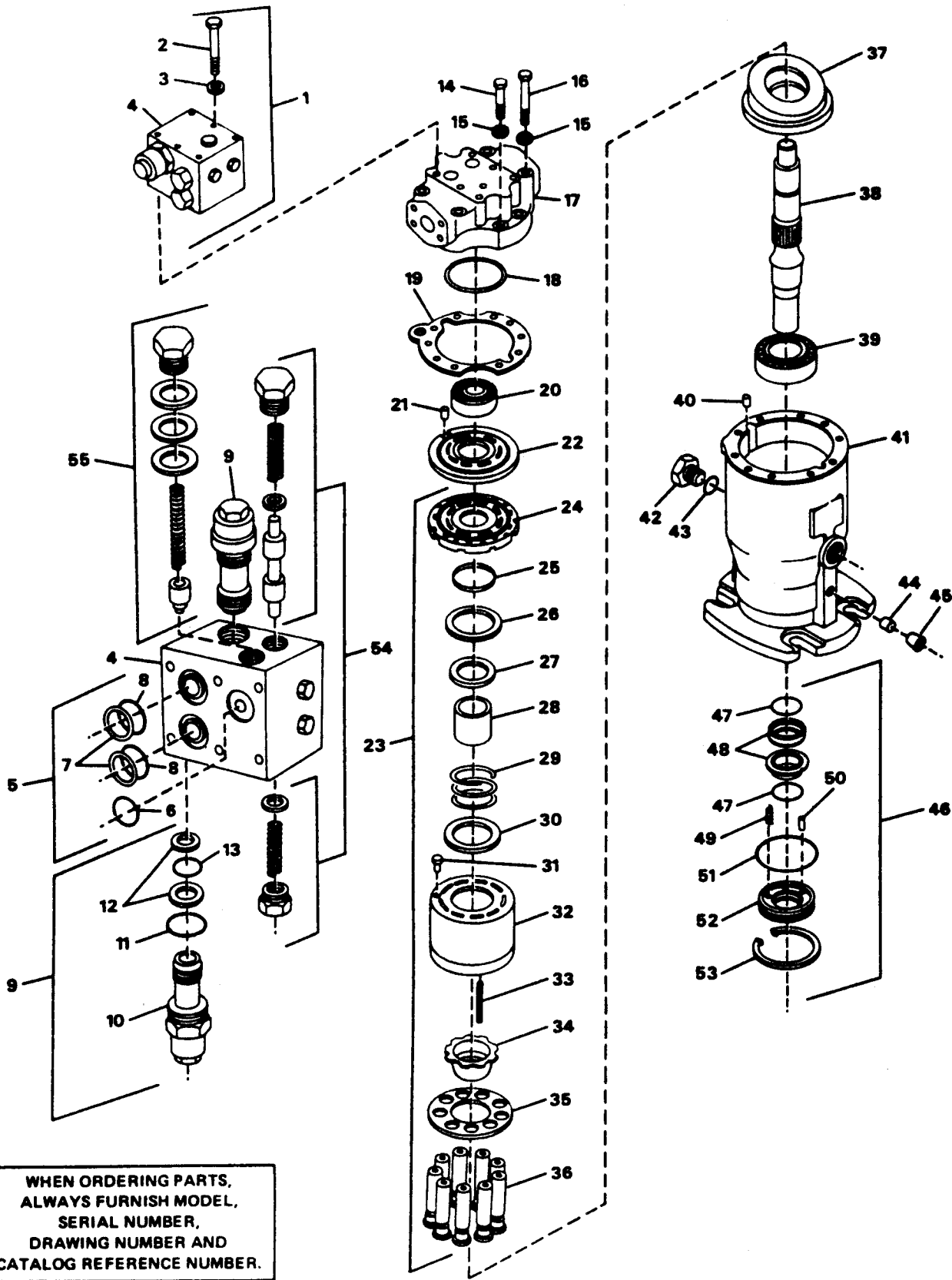


WHEN ORDERING PARTS,  
ALWAYS FURNISH MODEL,  
SERIAL NUMBER,  
DRAWING NUMBER AND  
CATALOG REFERENCE NUMBER.

COMPONENTS FOR MODEL NUMBER 4007D07G01 ONLY







WHEN ORDERING PARTS,  
ALWAYS FURNISH MODEL,  
SERIAL NUMBER,  
DRAWING NUMBER AND  
CATALOG REFERENCE NUMBER.

**COMPONENTS FOR MODEL NUMBER MF23-3055 ONLY**

**BUCYRUS-ERIE**

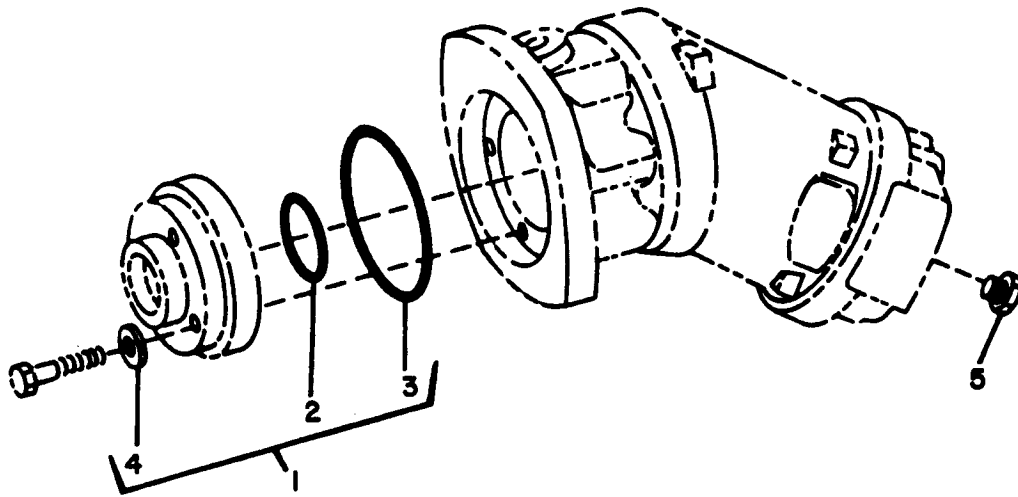


**PARTS LIST**

factory spec replacement parts

CAT REF	DESCRIPTION	SERIAL NO.		PART NO.	REPLACE OR VENDOR NO.	REQ.
		FROM	TO/INCL.			
	115 SWING MOTOR- MODEL NUMBER MF23-3055 COMPONENTS ONLY CATALOG REFERENCE NUMBER 14 DRAWING 64312296					
1	MANIFOLD VALVE KIT- INCLUDES ITEMS 2 THRU 14, 54 & 55			64916321		1
2	SCREW			03276964		6
3	WASHER			64916501		6
4	MANIFOLD VALVE			64916326		1
5	SEAL KIT-INCLUDES ITEMS 6 THRU 8			64916671		1
6	O-RING			68758270		1
7	BACK-UP RING			64916559		2
8	O-RING			68133507		2
9	RELIEF VALVE ASSEMBLY INCLUDES ITEMS 10 THRU 14			62300730		2
10	RELIEF VALVE-NSI					
11	O-RING			62300501		1
12	BACK-UP RING			62300502		2
13	O-RING			68139483		1
14	SCREW			03282725		4
15	PLAIN WASHER			03951459		8
16	SCREW			03283045		4
17	END CAP			62300089		1
18	SHIM-AS REQUIRED			64916636		
19	GASKET			64916629		1
20	BEARING			64916158		1
21	PIN			64916554		1
22	PLATE			64916638		1
23	CYLINDER BLOCK KIT- INCLUDES ITEMS 24 THRU 36			64916123		1
24	PLATE			64916634		1
25	PILOT			64916126		1
26	RETAINING RING			68110250		1
27	RETAINER			64916627		1
28	GUIDE			64916628		1
29	SPRING			64916121		1
30	SEAT			64916626		1
31	PIN			64916660		1
32	BLOCK			64916122		1
33	SPRING			64916124		6
34	GUIDE			64916631		1
35	RETAINER			64916632		1

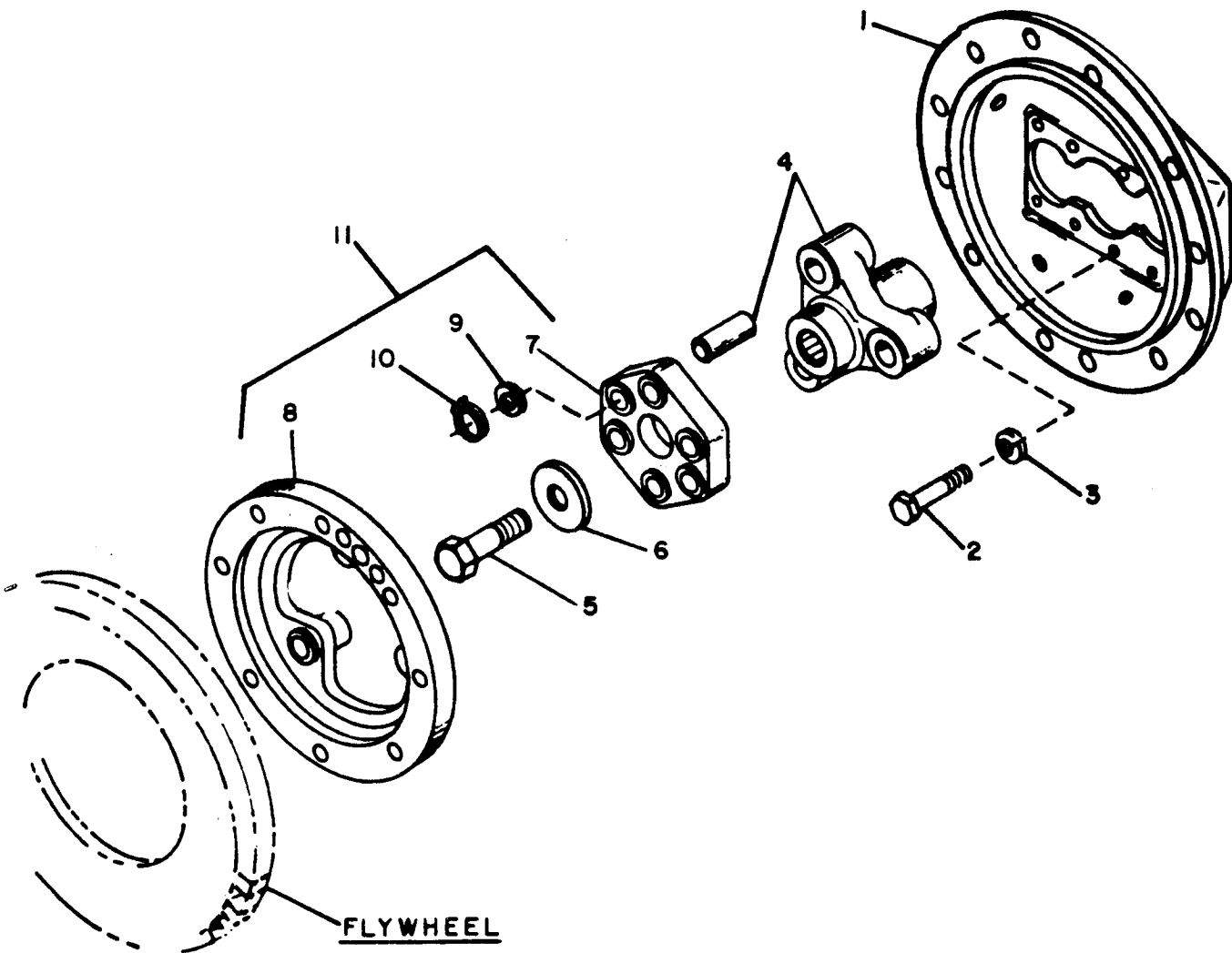




WHEN ORDERING PARTS,  
ALWAYS FURNISH MODEL,  
SERIAL NUMBER,  
DRAWING NUMBER AND  
CATALOG REFERENCE NUMBER.

COMPONENTS FOR MODEL NUMBER BMFI40TF ONLY



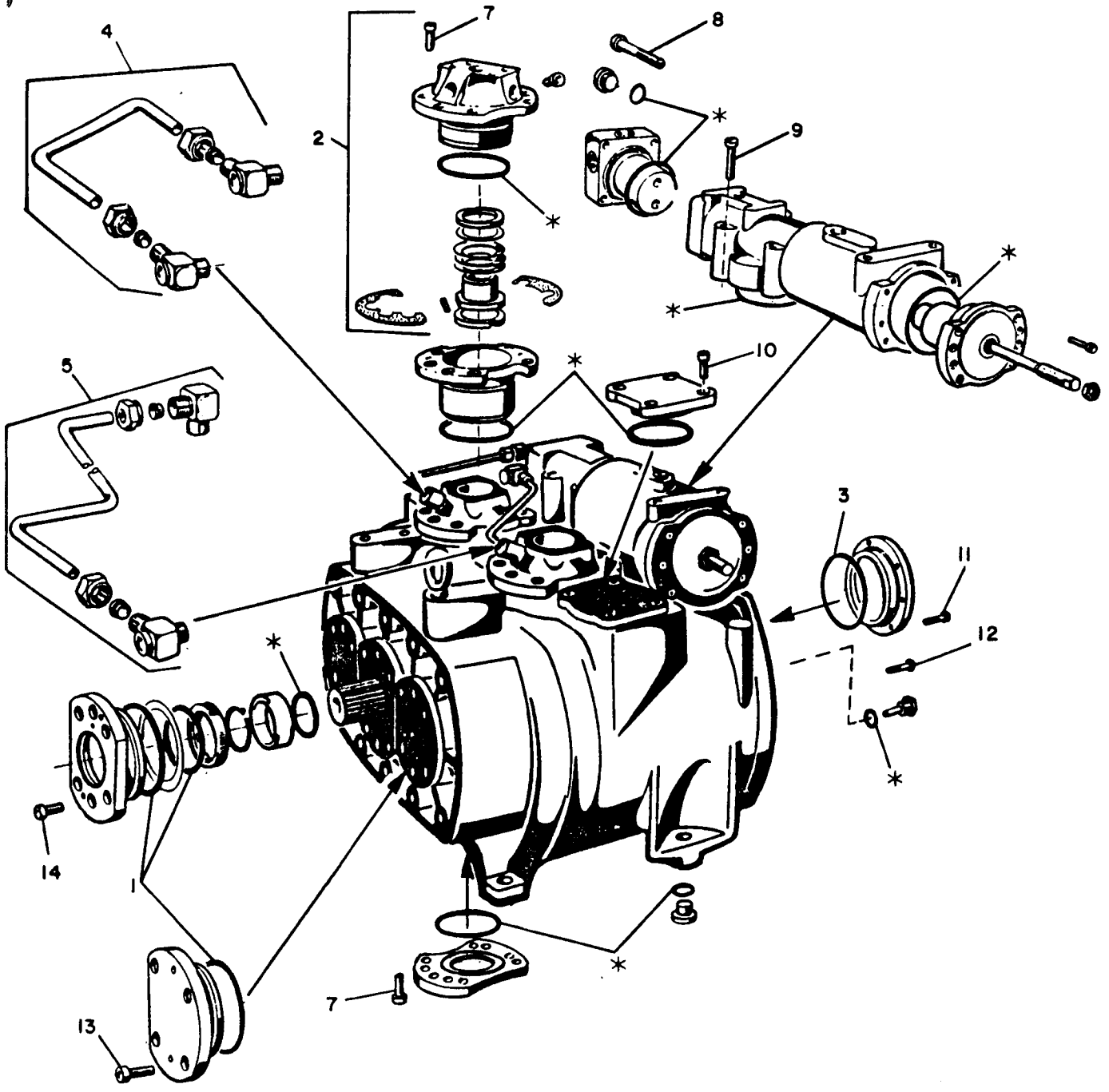


WHEN ORDERING PARTS,  
ALWAYS FURNISH MODEL,  
SERIAL NUMBER,  
DRAWING NUMBER AND  
CATALOG REFERENCE NUMBER.

**COMPONENTS FOR MODEL NUMBER 2PV-186 ONLY**



1-800-240-8359



\* ITEM 15-EXTERNAL SEAL KIT

COMPONENTS FOR MODEL NUMBER 2PVI86 ONLY

WHEN ORDERING PARTS,  
 ALWAYS FURNISH MODEL,  
 SERIAL NUMBER,  
 DRAWING NUMBER AND  
 CATALOG REFERENCE NUMBER.



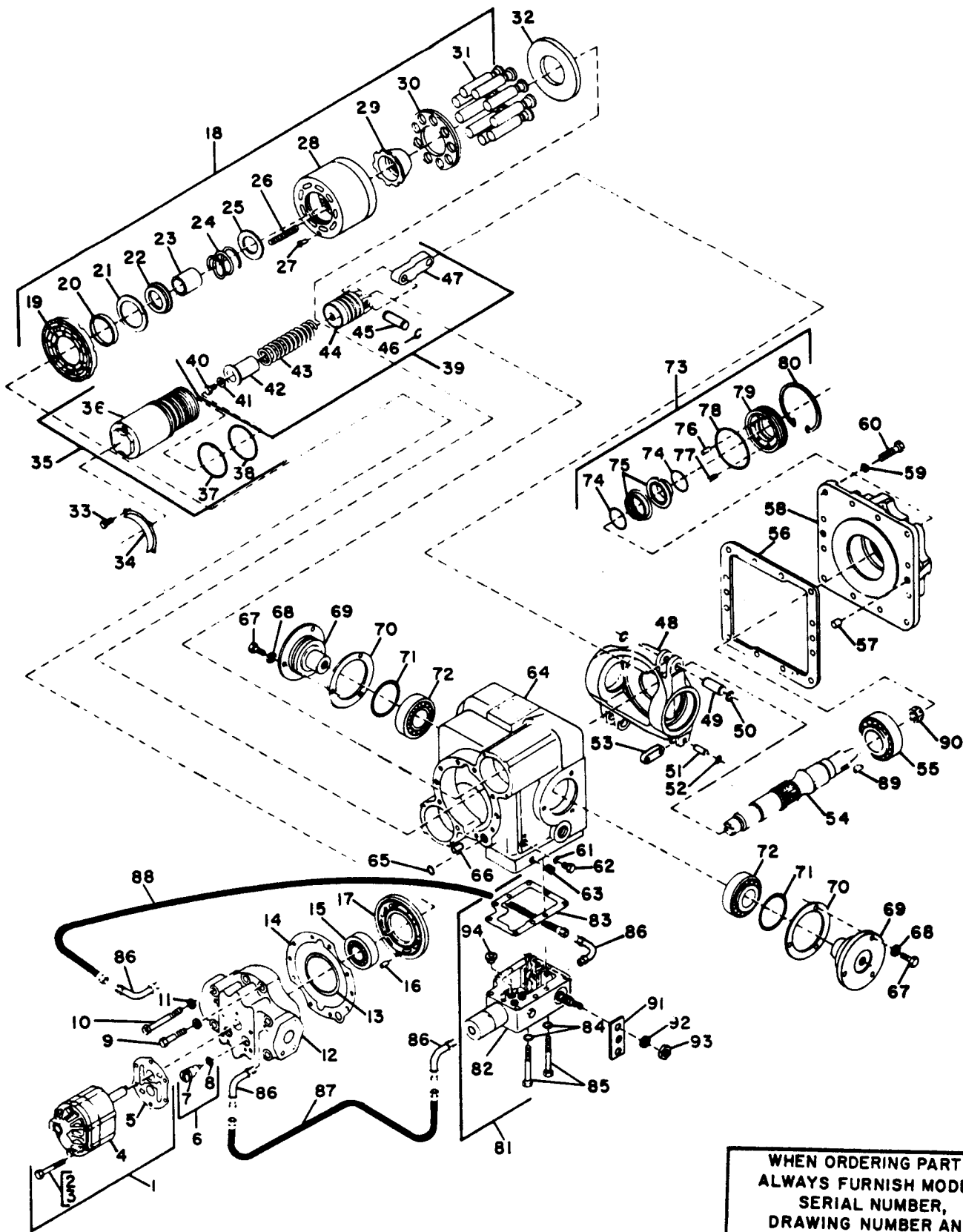
**BUCYRUS-ERIE**

factory spec replacement parts

**PARTS LIST**

CAT REF	DESCRIPTION	SERIAL NO.		PART NO.	REPLACE OR VENDOR NO.	REQ.
		FROM	TO/INCL.			
	127 MAIN HYDRAULIC PUMP- MODEL NUMBER 2PV186 COMPONENTS ONLY CATALOG REFERENCE NUMBER 234 DRAWING 64789947					
1	SHAFT SEAL KIT- INCLUDES SHAFT SEAL AND O-RINGS FOR REPLACING INPUT SHAFT SEAL AND DRIVE COVER SEALS-AS REQUIRED			62303407		
2	HIGH PRESSURE FLANGE REPLACEMENT KIT- INCLUDES FLANGE, BOLTS SEALS AND SHIMS FOR FLANGE REPLACEMENT- AS REQUIRED			62303408		
3	BACK COVER KIT- INCLUDES O-RING FOR P.T.O. FLANGE AND EXTRACTOR BOLT FOR DOWEL PINS- AS REQUIRED			62303409		
4	LEFT TUBE KIT- INCLUDES TUBE, BANJO FITTINGS, ORIFICES AND COPPER CRUSH RINGS-AS REQUIRED			82582215		
5	RIGHT TUBE KIT- INCLUDES TUBE, BANJO FITTINGS, ORIFICES AND COPPER CRUSH RINGS-AS REQUIRED			82582214		
7	BOLT			64789925		28
8	BOLT			64789923		4
9	BOLT			64789926		4
10	BOLT			64789924		8
11	CAPSCREW			64789919		6
12	CAPSCREW			64789920		28
13	BOLT			64789922		8
14	BOLT			64789922		6
15	EXTERNAL SEAL KIT- INCLUDES M22 CRUSH RINGS FOR CASE PLUGS, M12 PORT PLUGS, O-RINGS FOR HIGH PRESSURE FLANGES, REGULATOR BASE, END CAP & SPRING RETAIN- ING PLATE, AND 10MM BOLTS & NUTS FOR			62303410		





WHEN ORDERING PARTS,  
ALWAYS FURNISH MODEL,  
SERIAL NUMBER,  
DRAWING NUMBER AND  
CATALOG REFERENCE NUMBER.

COMPONENTS FOR MODEL NUMBER 22-2167 & 22-2221 ONLY

**BUCYRUS-ERIE**

factory spec replacement parts



**PARTS LIST**

CAT REF	DESCRIPTION	SERIAL NO.		PART NO.	REPLACE OR VENDOR NO.	REQ.
		FROM	TO/INCL.			
	128 SWING PUMP-MODEL NUMBERS 22-2167 & 22-2221					
	COMPONENTS ONLY CATALOG REFERENCE NUMBER 193 DRAWING 64916036					
1	CHARGE PUMP KIT- INCLUDES ITEMS 2 THRU 5			62300140		1
2	HEX SCREW			03273855		4
3	PLAIN WASHER			03951190		4
4	CHARGE PUMP-NSI					
5	CHARGE PUMP GASKET			64916692		1
6	CHECK VALVE KIT- INCLUDES ITEMS 7 & 8			64916682		2
7	CHECK VALVE			64916684		2
8	O-RING			68127990		2
9	CAPSCREW 3/8X2 NC GRADE 5			03279640		3 X
10	CAPSCREW 3/8X3 NC GRADE 5			03279800		5 X
11	PLAIN WASHER			03951359		8 X
12	PUMP END CAP			64916061		1
13	SHIM KIT			64916585		1
14	END CAP GASKET			64916574		1
15	REAR BEARING			64916095		1
16	PIN			64916554		1
17	PLATE			64916589		1
18	CYLINDER BLOCK KIT- INCLUDES ITEMS 19 THRU 31			64916064		1
19	BEARING PLATE			64916584		1
20	PILOT BEARING			64916054		1
21	RETAINING RING			62302959		1
22	SPRING RETAINER			64916569		1
23	SPRING GUIDE			64916565		1
24	SPRING			64916062		1
25	SPRING SEAT			64916568		1
26	RETAINER SPRING			64916065		6
27	PIN			64916660		1
28	CYLINDER BLOCK			64916063		1
29	GUIDE			64916578		1
30	RETAINER			64916503		1
31	PISTON			64916066		9
32	THRUST PLATE			64916581		1
33	SCREW			64916560		4
34	SLEEVE RETAINER			64916573		2
35	SERVO SLEEVE KIT- INCLUDES ITEMS 36 THRU 38			64916094		2

**BUCYRUS-ERIE**<sup>®</sup>



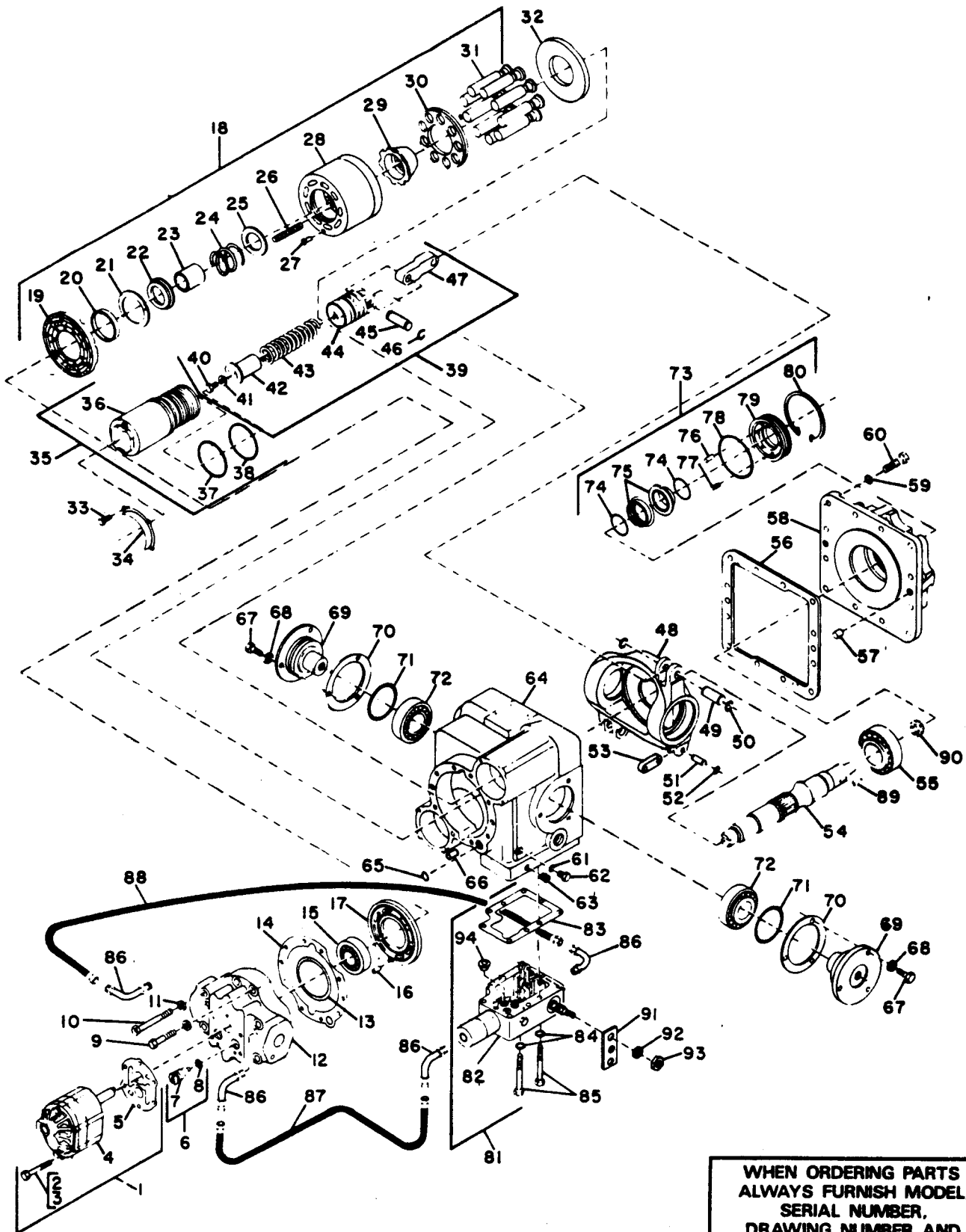
**PARTS  
LIST**

factory spec replacement parts



CAT REF	DESCRIPTION	SERIAL NO.		PART NO.	REPLACE OR VENDOR NO.	REQ.
		FROM	TO/INCL.			
	128					
36	SERVO SLEEVE			62301272		2
37	O-RING			68139053		2
38	O-RING			68139038		2
39	SERVO PISTON KIT- INCLUDES ITEMS 40			64916060		2
	THRU 47					
40	HEX SCREW			62301279		2
41	SPECIAL WASHER			62301281		2
42	SPRING GUIDE			64916577		2
43	SERVO SPRING			64916067		2
44	SERVO PISTON			64916058		2
45	PIN			64916558		2
46	RETAINING RING			68114200		4
47	SERVO LINK PIN			64916059		2
48	SWASH PLATE			64916579		1
49	PIN			64916252		2
50	RETAINING RING			68114200		4
51	PIN			64916557		1
52	RETAINING RING			64916053		2
53	CONTROL LINK			62302983		1
54	PUMP SHAFT			64916055		1
55	FRONT BEARING			64916096		1
56	FRONT COVER GASKET			64916575		1
57	PIN			64916556		2
58	FRONT COVER			64916572		1
59	PLAIN WASHER			03951359		12
60	CAPSCREW 3/8X1-1/4 NC			03279400		12 X
	GRADE 5					X
61	O-RING			68124430		1
62	PLUG			78625950		1
63	PLUG			20765435		1
64	HOUSING			62301273		1
65	O-RING			68126185		1
66	PIN			64916556		2
67	SCREW			03276240		6
68	PLAIN WASHER			03951359		6
69	TRUNNION			62300690		2
70	TRUNNION GASKET			64916567		2
71	O-RING			62300691		2
72	TRUNNION BEARING			64916097		2
73	SEAL KIT-INCLUDES			64916511		1
	ITEMS 74 THRU 80					
74	O-RING			68135758		2
75	SEAL KIT			64916262		1
76	GROVE PIN			82669505		1
77	SEAL SPRING			64916570		6
78	O-RING			68139500		1
79	SEAL RETAINER			64916563		1
80	RETAINING RING			68119342		1
81	CONTROL ASSEMBLY KIT- INCLUDES ITEMS 82			62302288		1
	THRU 85 & 91 THRU 94					





COMPONENTS FOR MODEL NUMBER 22-2243 ONLY

WHEN ORDERING PARTS  
ALWAYS FURNISH MODEL,  
SERIAL NUMBER,  
DRAWING NUMBER AND  
CATALOG REFERENCE NUMBER.

**BUCYRUS-ERIE**  
factory spec replacement parts



**PARTS LIST**

CAT REF	DESCRIPTION	SERIAL NO.		PART NO.	REPLACE OR VENDOR NO.	REQ.
		FROM	TO/INCL.			
	129 SWING PUMP					
	MODEL NUMBER 22-2243					
	COMPONENTS ONLY					
	CATALOG REFERENCE					
	NUMBER 193					
	DRAWING 64916711					
1	CHARGE PUMP KIT-			62300140		1
	INCLUDES ITEMS 2 THRU 5					
2	HEX SCREW			03273855		4
3	PLAIN WASHER			03951190		4
4	CHARGE PUMP-NSI					
5	CHARGE PUMP GASKET			64916692		1
6	CHECK VALVE KIT-			64916682		2
	INCLUDES ITEMS 7 & 8					
7	CHECK VALVE			64916684		2
8	O-RING			68127990		2
9	CAPSCREW 3/8X2 NC			03279640		3 X
	GRADE 5					X
10	CAPSCREW 3/8X3 NC			03279800		5 X
	GRADE 5					X
11	PLAIN WASHER			03951359		8
12	PUMP END CAP			64916061		1
13	SHIM KIT			62302980		1
14	END CAP GASKET			64916574		1
15	REAR BEARING			64916095		1
16	PIN			64916554		1
17	PLATE			64916589		1
18	CYLINDER BLOCK KIT-			62302985		1
	INCLUDES ITEMS 19					
	THRU 31					
19	BEARING PLATE			64916584		1
20	PILOT BEARING			64916054		1
21	RETAINING RING			62302959		1
22	SPRING RETAINER			64916569		1
23	SPRING GUIDE			64916565		1
24	SPRING			64196062		1
25	SPRING SEAT			64916568		1
26	RETAINER SPRING			64916065		6
27	PIN			64916660		1
28	CYLINDER BLOCK			64916063		1
29	GUIDE			64916578		1
30	RETAINER			64916503		1
31	PISTON KIT			62302971		3
32	THRUST PLATE			64916581		1
33	SCREW			64916560		4
34	SLEEVE RETAINER			64916573		2
35	SERVO SLEEVE KIT-			64916094		2
	INCLUDES ITEMS 36					
	THRU 38					



**BUCYRUS-ERIE**

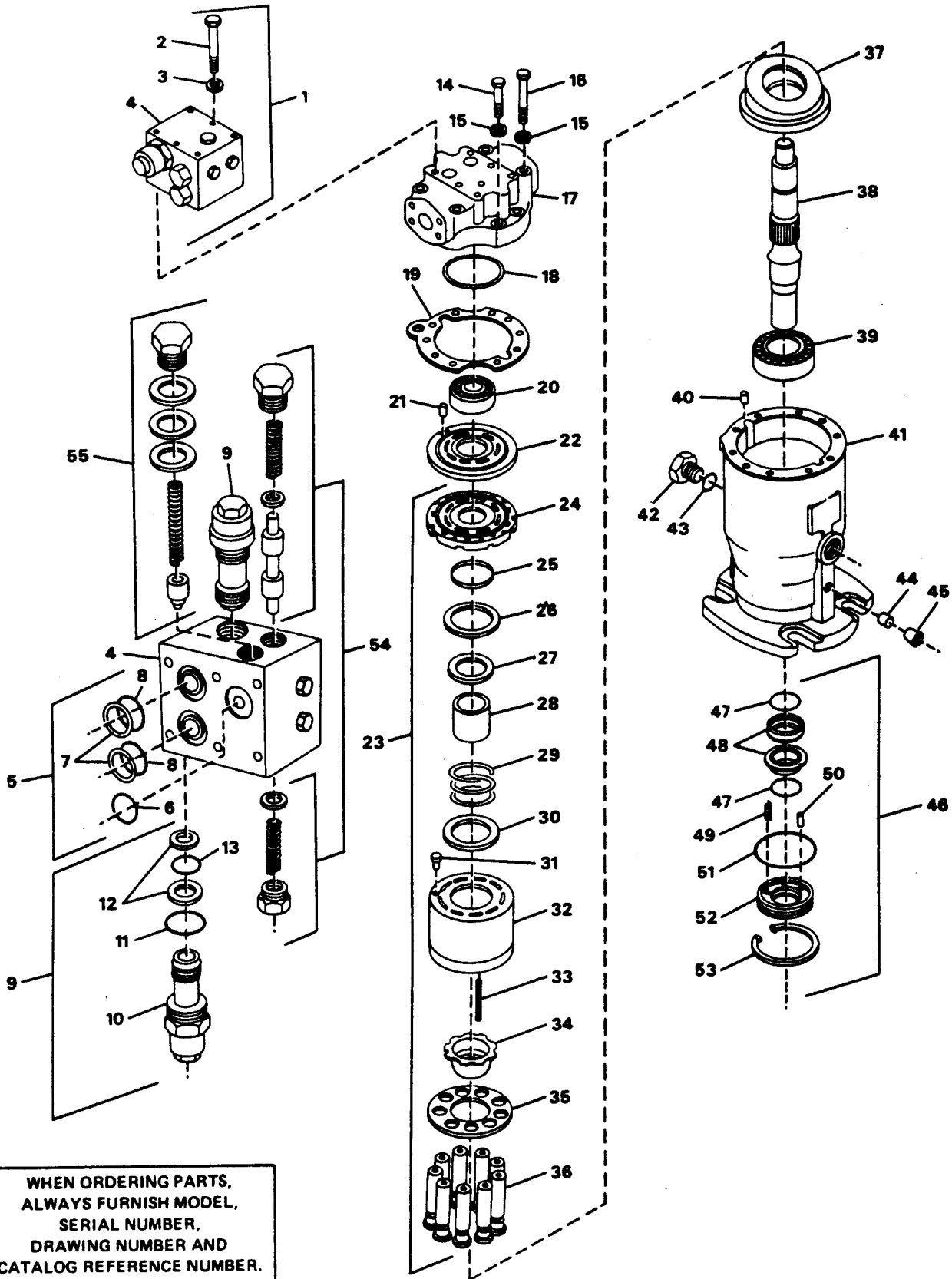


**PARTS LIST**

factory spec replacement parts

CAT REF	DESCRIPTION	SERIAL NO.		PART NO.	REPLACE OR VENDOR NO.	REQ.
		FROM	TO/INCL.			
	129					
36	SERVO SLEEVE			62301272		2
37	O-RING			68139053		2
38	O-RING			68139038		2
39	SERVO PISTON KIT- INCLUDES ITEMS 40			64916060		2
	THRU 47					
40	HEX SCREW			62301279		2
41	SPECIAL WASHER			62301281		2
42	SPRING GUIDE			64916577		2
43	SERVO SPRING			64916067		2
44	SERVO PISTON			64916058		2
45	PIN			64916558		2
46	RETAINING RING			68114200		4
47	SERVO LINK PIN			64916059		2
48	SWASH PLATE			64196579		1
49	PIN			64196252		2
50	RETAINING RING			68114200		4
51	PIN			64916557		1
52	RETAINING RING			64916053		2
53	CONTROL LINK			62302983		1
54	PUMP SHAFT			64916055		1
55	FRONT BEARING			64916096		1
56	FRONT COVER GASKET			64916575		1
57	PIN			64916556		2
58	FRONT COVER			64916572		1
59	PLAIN WASHER			03951359		12
60	CAPSCREW 3/8X1-1/4 NC			03279400		12 X
	GRADE 5					X
61	O-RING			68124430		1
62	PLUG			78625950		1
63	PLUG			20765435		1
64	HOUSING			62301273		1
65	O-RING			68126185		1
66	PIN			64916556		2
67	SCREW			03276240		6
68	PLAIN WASHER			03951359		6
69	TRUNNION			62300690		2
70	SHIM			62302979		2
71	O-RING			62300691		2
72	TRUNNION BEARING			64916097		2
73	SEAL KIT-INCLUDES			64916511		1
	ITEMS 74 THRU 80					
74	O-RING			68135758		2
75	SEAL KIT			64916262		1
76	GROOVE PIN			82669505		1
77	SEAL SPRING			64916570		6
78	O-RING			68139500		1
79	SEAL RETAINER			64916563		1
80	RETAINING RING			68119342		1
81	CONTROL ASSEMBLY KIT- INCLUDES ITEMS 82			62304466		1
	THRU 85 & 91 THRU 94					





WHEN ORDERING PARTS,  
ALWAYS FURNISH MODEL,  
SERIAL NUMBER,  
DRAWING NUMBER AND  
CATALOG REFERENCE NUMBER.

COMPONENTS FOR MODEL NUMBER 23-3117 ONLY

**BUCYRUS-ERIE**



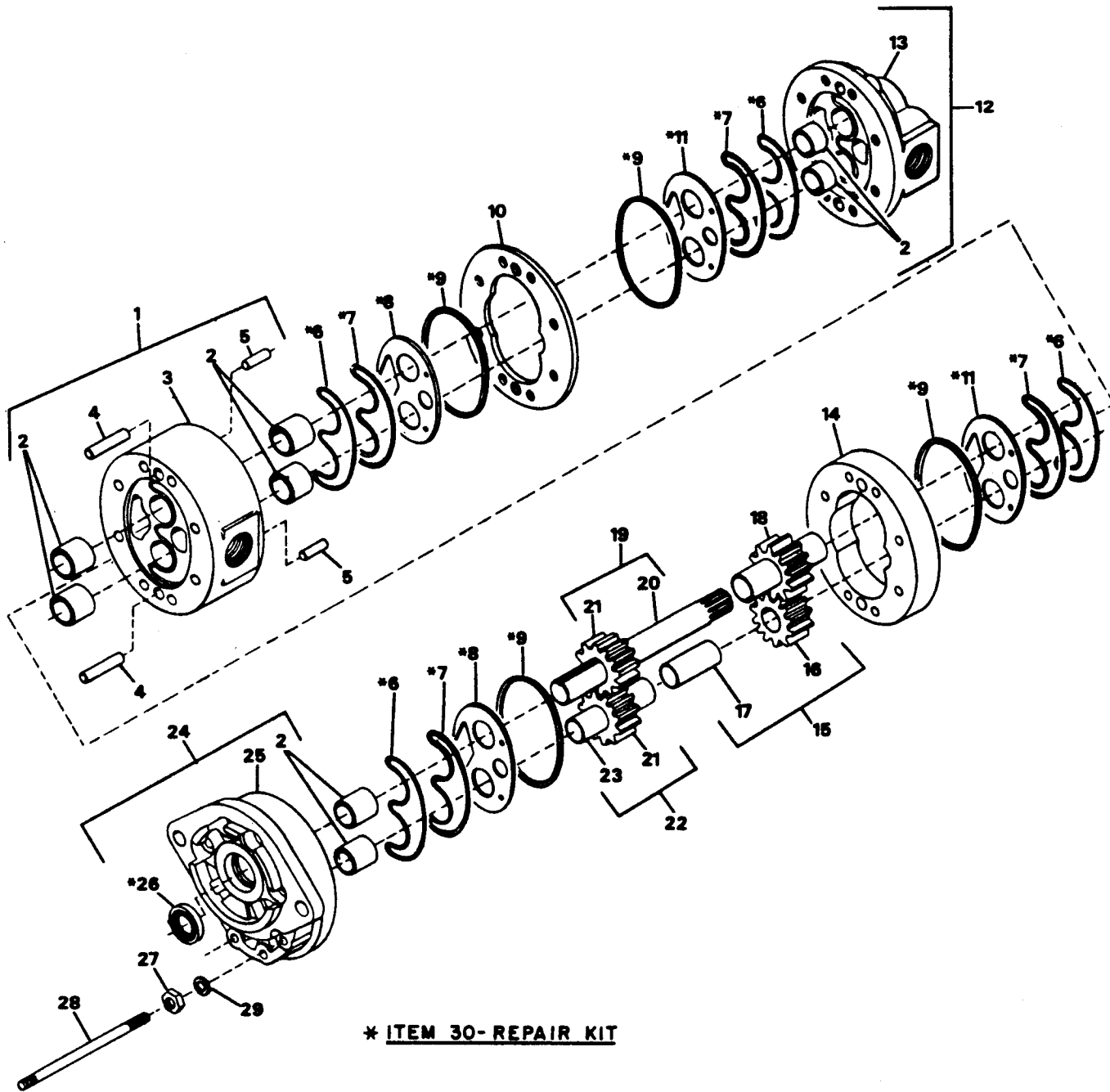
**PARTS LIST**

factory spec replacement parts



CAT REF	DESCRIPTION	SERIAL NO.		PART NO.	REPLACE OR VENDOR NO.	REQ.
		FROM	TO/INCL.			
	117 SWING MOTOR-MODEL NUMBER 23-3117 COMPONENTS ONLY CATALOG REFERENCE NUMBER 14 DRAWING 64917014					
1	MANIFOLD VALVE KIT- INCLUDES ITEMS 2 THRU 14, 54 & 55			82582220		1
2	SCREW			62304168		6
3	WASHER			64916501		6
4	MANIFOLD VALVE			64916326		1
5	SEAL KIT-INCLUDES ITEMS 6 THRU 8			64916671		1
6	O-RING			62304166		1
7	BACK-UP RING			64916559		2
8	O-RING			68133507		2
9	RELIEF VALVE ASSEMBLY INCLUDES ITEMS 10 THRU 14			62300730		2
10	RELIEF VALVE-NSI					
11	O-RING			62300501		1
12	BACK-UP RING			62300502		2
13	O-RING			62304167		1
14	SCREW			62304152		4
15	PLAIN WASHER			62304154		8
16	SCREW			62304153		4
17	END CAP			62304156		1
18	SHIM-AS REQUIRED			62304164		
19	GASKET			64916629		1
20	BEARING			64916158		1
21	PIN			64916554		1
22	PLATE			64916638		1
23	CYLINDER BLOCK KIT- INCLUDES ITEMS 24 THRU 36			62304465		1
24	PLATE			62304159		1
25	PILOT			64916126		1
26	RETAINING RING			62304158		1
27	RETAINER			64916627		1
28	GUIDE			64916628		1
29	SPRING			64916121		1
30	SEAT			64916626		1
31	PIN			64916660		1
32	BLOCK			64916122		1
33	SPRING			64916124		6
34	GUIDE			64916631		1
35	RETAINER			64916632		1
36	PISTON			62304161		9





**\* ITEM 30-REPAIR KIT**

WHEN ORDERING PARTS,  
ALWAYS FURNISH MODEL,  
SERIAL NUMBER,  
DRAWING NUMBER AND  
CATALOG REFERENCE NUMBER.

**COMPONENTS FOR MODEL NUMBER 9Y1DS6/1YD-RE ONLY**

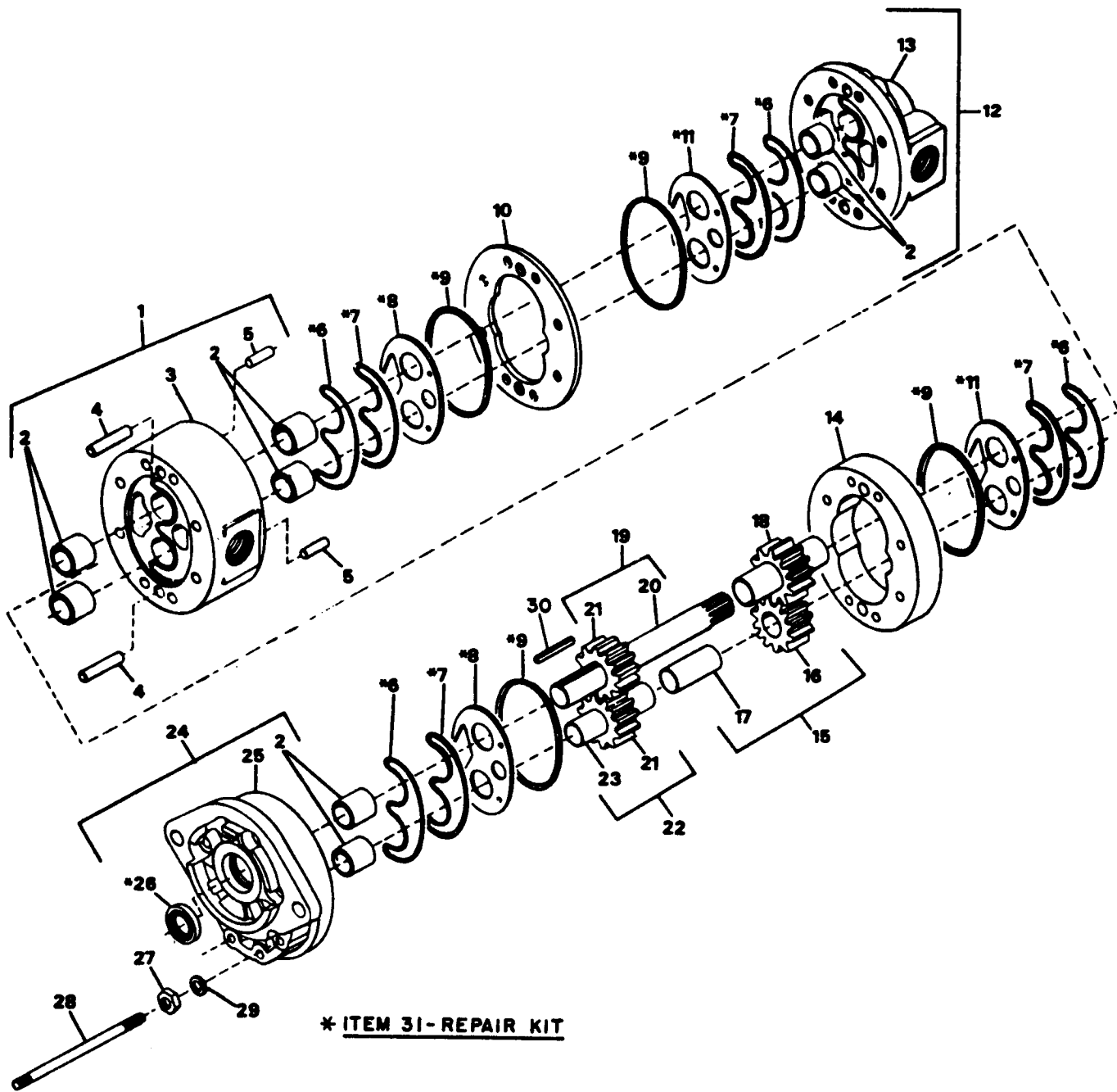
**BUCYRUS-ERIE**



**PARTS LIST**

factory spec replacement parts

CAT REF	DESCRIPTION	SERIAL NO.		PART NO.	REPLACE OR VENDOR NO.	REQ.
		FROM	TO/INCL.			
	130 SERVO PUMP-MODEL NUMBER 9YID56/1YD-RE COMPONENTS ONLY					
	CATALOG REFERENCE NUMBER 1					
	DRAWING 64960106					
1	PLATE ASSEMBLY-			82629118		1
	INCLUDES ITEMS 2 & 3					
2	NEEDLE BEARING			26963000		8
3	BEARING PLATE			64960008		1
4	DOWEL PIN			64960117		2
5	DOWEL PIN			64960116		2
6	SEAL			64960002		4
7	SEAL			64960003		4
8	WEAR PLATE			64960133		2
9	RING SEAL			64960004		4
10	GEAR PLATE			64960137		1
11	WEAR PLATE			64960134		2
12	COVER ASSEMBLY-			64960047		1
	INCLUDES ITEMS 2 & 13					
13	PUMP COVER			64960118		1
14	PLATE			64960136		1
15	SHAFT & GEAR			64960126		1
	ASSEMBLY-INCLUDES ITEMS 16 & 17					
16	GEAR			64960119		1
17	IDLER SHAFT			64960121		1
18	GEAR			64960128		1
19	DRIVE SHAFT ASSEMBLY-			64960124		1
	INCLUDES ITEMS 20 & 21					
20	DRIVE SHAFT			64960131		1
21	GEAR			64960120		2
22	IDLER SHAFT ASSEMBLY-			64960127		1
	INCLUDES ITEMS 21 & 23					
23	IDLER SHAFT			64960123		1
24	R H BODY ASSEMBLY-			64960130		1
	INCLUDES ITEMS 2, 25 & 26					
25	BODY			64960007		1
26	OIL SEAL			72220063		1
27	NUT			64960115		8
28	STUD			64960138		8
29	WASHER			64960114		8
30	REPAIR KIT-INCLUDES ITEMS 6 THRU 9, 11 & 26			64960135		1



WHEN ORDERING PARTS,  
ALWAYS FURNISH MODEL,  
SERIAL NUMBER,  
DRAWING NUMBER AND  
CATALOG REFERENCE NUMBER.

**COMPONENTS FOR MODEL NUMBER 9Y1DS6/1YD-ILE ONLY**

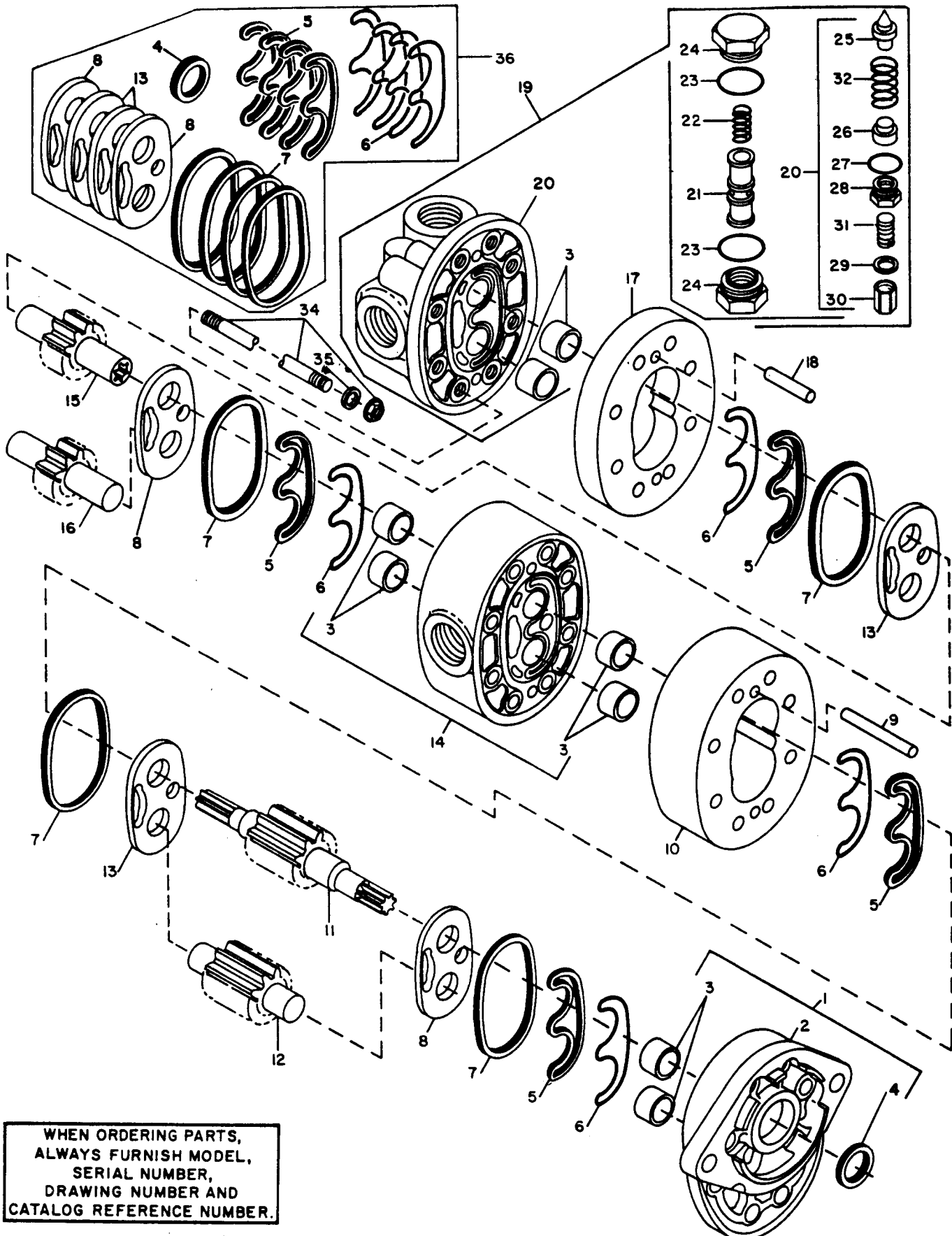


**BUCYRUS-ERIE**  
factory spec replacement parts



**PARTS LIST**

CAT REF	DESCRIPTION	SERIAL NO.		PART NO.	REPLACE OR VENDOR NO.	REQ.
		FROM	TO/INCL.			
	132 SERVO PUMP MODEL NUMBER 9YD1S6/1YD-1LE COMPONENTS ONLY CATALOG REFERENCE NUMBER 1 DRAWING 64960107					
1	PLATE ASSEMBLY- INCLUDES ITEMS 2 & 3			82629118		1
2	BEARING			26963000		8
3	PLATE			64960008		1
4	PIN			64960117		2
5	DOWEL			64960116		2
6	SEAL			64960003		4
7	SEAL			64960002		4
8	PLATE			64960133		2
9	SEAL			64960004		4
10	PLATE			64960137		1
11	PLATE			64960134		2
12	COVER ASSEMBLY- INCLUDES ITEMS 2 & 13			64960047		1
13	COVER			64960118		1
14	PLATE			64960136		1
15	SHAFT & GEAR ASSEMBLY INCLUDES ITEMS 16 & 17			64960126		1
16	GEAR			64960119		1
17	SHAFT			64960121		1
18	GEAR			64960128		1
19	SHAFT & GEAR ASSEMBLY INCLUDES ITEMS 20 & 21			64960125		1
20	SHAFT			64960132		1
21	GEAR			64960120		2
22	SHAFT ASSEMBLY- INCLUDES ITEMS 21 & 23			64960127		1
23	SHAFT			64960123		1
24	BODY ASSEMBLY- INCLUDES ITEMS 2, 25 & 26			82629117		1
25	BODY			64960129		1
26	SEAL			72220063		1
27	NUT			64960115		8
28	STUD			64960138		8
29	WASHER			64960114		8
30	KEY			64960113		1
31	REPAIR KIT-INCLUDES ITEMS 6 THRU 9, 11 & 26			64960135		1



WHEN ORDERING PARTS,  
ALWAYS FURNISH MODEL,  
SERIAL NUMBER,  
DRAWING NUMBER AND  
CATALOG REFERENCE NUMBER.

COMPONENTS FOR MODEL NUMBER 474YDB29AX/151YDXIOX4-2R ONLY  
RIGHT HAND PUMP

64960139

**BUCYRUS-ERIE**



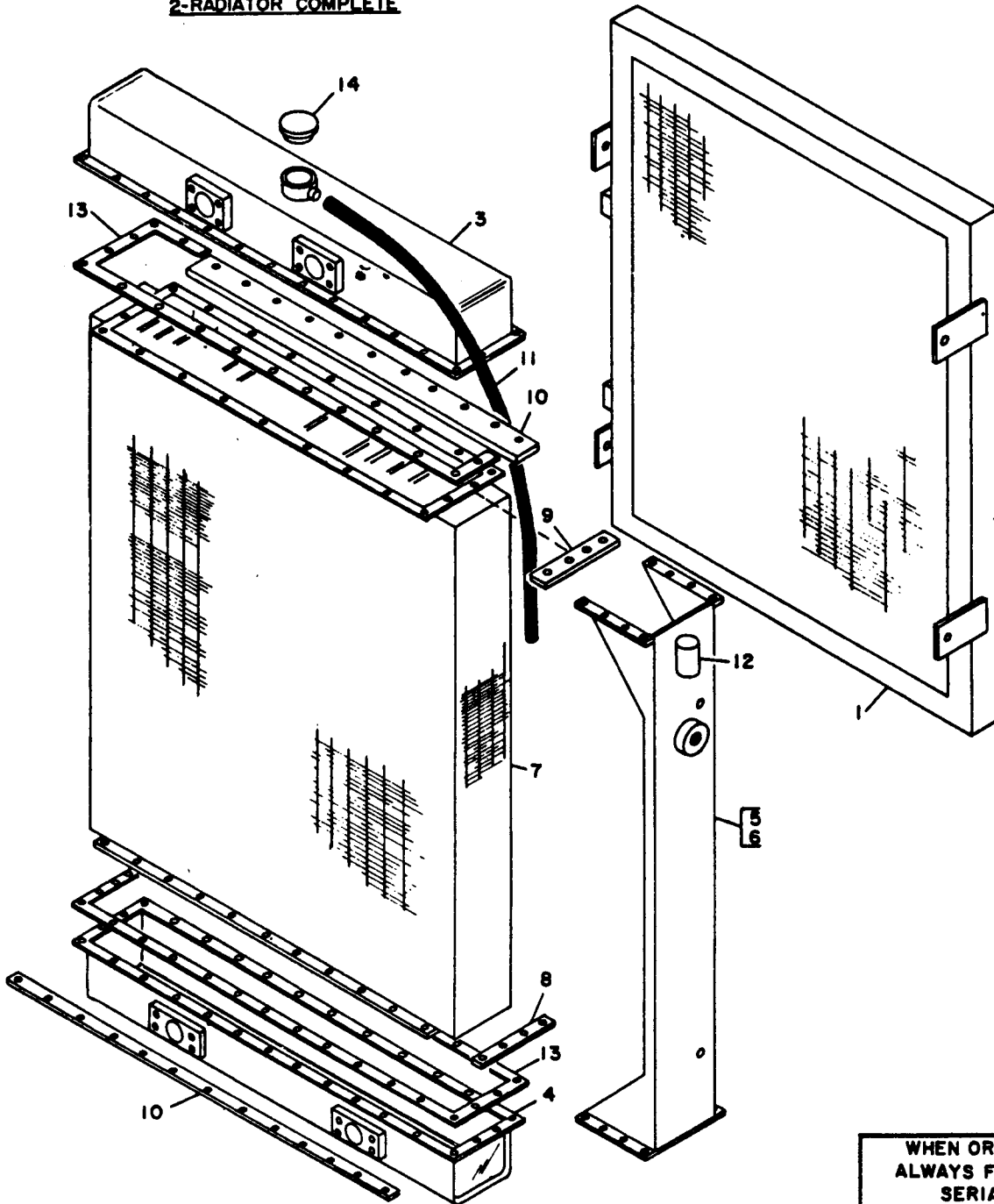
**PARTS LIST**

factory spec replacement parts

CAT REF	DESCRIPTION	SERIAL NO.		PART NO.	REPLACE OR VENDOR NO.	REQ.
		FROM	TO/INCL.			
	133 RIGHT HAND PUMP- MODEL NUMBER 474YDB29AX/ 151YDX10X4-2R COMPONENTS ONLY CATALOG REFERENCE NUMBER 1 DRAWING 64960139					
1	RIGHT HAND BODY ASSEMBLY-INCLUDES ITEMS 2 THRU 4			64960130		1
2	RIGHT HAND BODY-NSI					
3	NEEDLE BEARING			64960072		8
4	OIL SEAL			62301921		1
5	LOAD SEAL			64960002		4
6	PRE-LOAD SEAL			64960003		4
7	RING SEAL			64960004		4
8	WEAT PLATE			64960133		2
9	DOWEL PIN			62301922		2
10	GEAR PLATE			64960136		1
11	DRIVE SHAFT & GEAR ASSEMBLY			62301923		1
12	IDLER SHAFT & GEAR ASSEMBLY			62301924		1
13	WEAR PLATE			62005732		2
14	BEARING PLATE ASSEMBLY-INCLUDES ITEM 3			62301925		1
15	DRIVE GEAR			62301926		1
16	IDLER SHAFT & GEAR ASSEMBLY			62301927		1
17	GEAR PLATE			62005738		1
18	DOWEL			62005740		2
19	COVER ASSEMBLY- INCLUDES ITEMS 3 & 20 THRU 32			62301928		1
20	COVER ASSEMBLY WITH RELIEF VALVE SEAT & TUBE			62301929		1
21	PISTON			62301930		1
22	COMPRESSION SPRING			62301931		1
23	O-RING			62301932		2
24	PLUG			62301933		2
25	POPPET			62301934		1
26	SPRING GUIDE			62301935		1
27	O-RING			62301936		1
28	PLUG			62301937		1
29	GASKET			62301938		1
30	VALVE CAP			62301939		1



**2-RADIATOR COMPLETE**

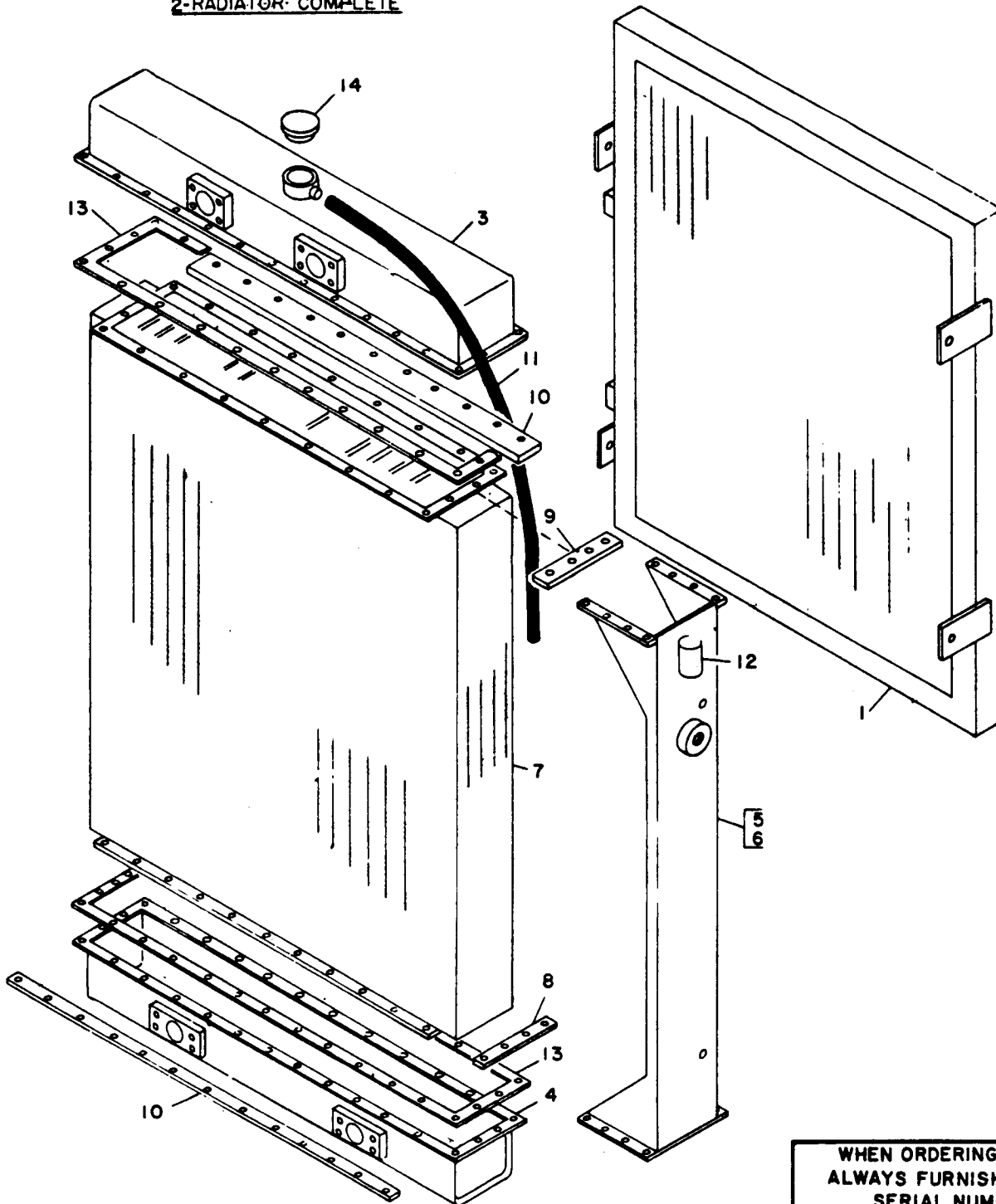


WHEN ORDERING PARTS,  
ALWAYS FURNISH MODEL,  
SERIAL NUMBER,  
DRAWING NUMBER AND  
CATALOG REFERENCE NUMBER.

COMPONENTS FOR MODEL NUMBER R08954B ONLY



2-RADIATOR COMPLETE

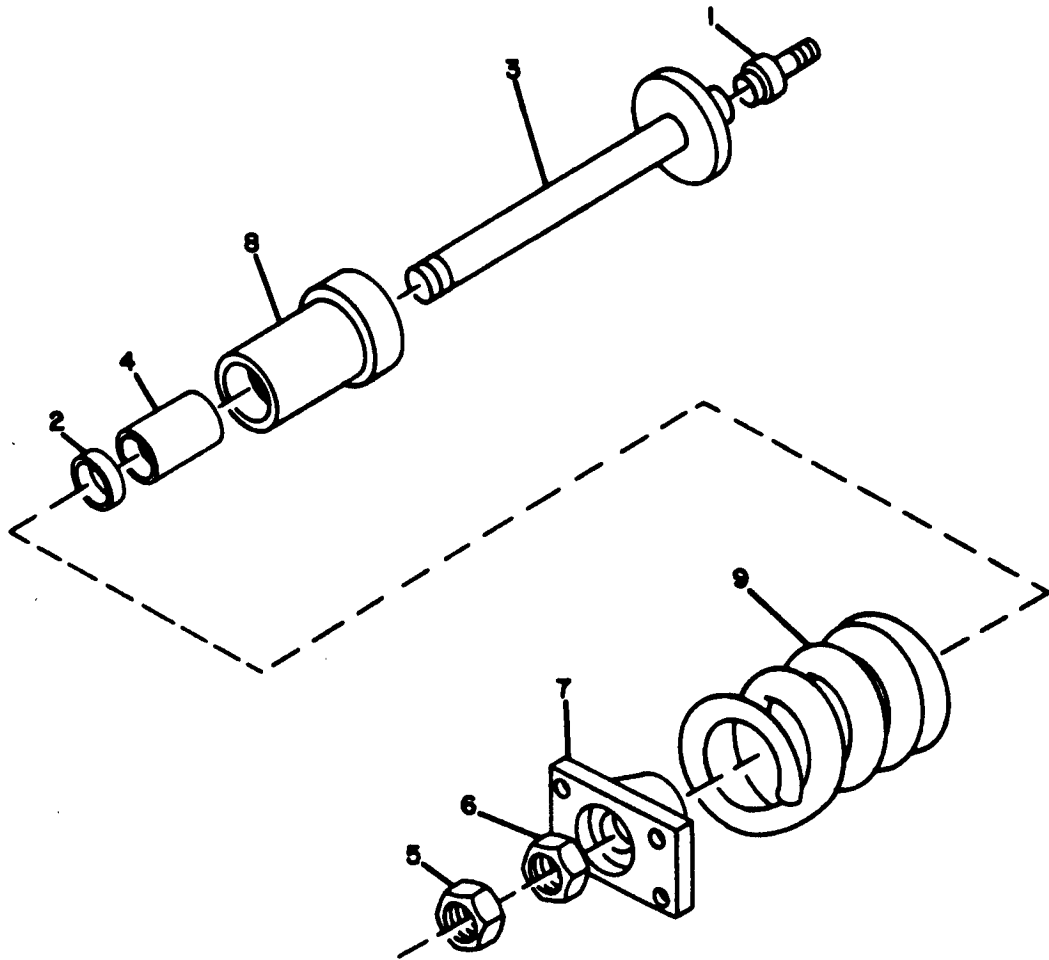


WHEN ORDERING PARTS,  
ALWAYS FURNISH MODEL,  
SERIAL NUMBER,  
DRAWING NUMBER AND  
CATALOG REFERENCE NUMBER.

COMPONENTS FOR MODEL NUMBER R09183 ONLY



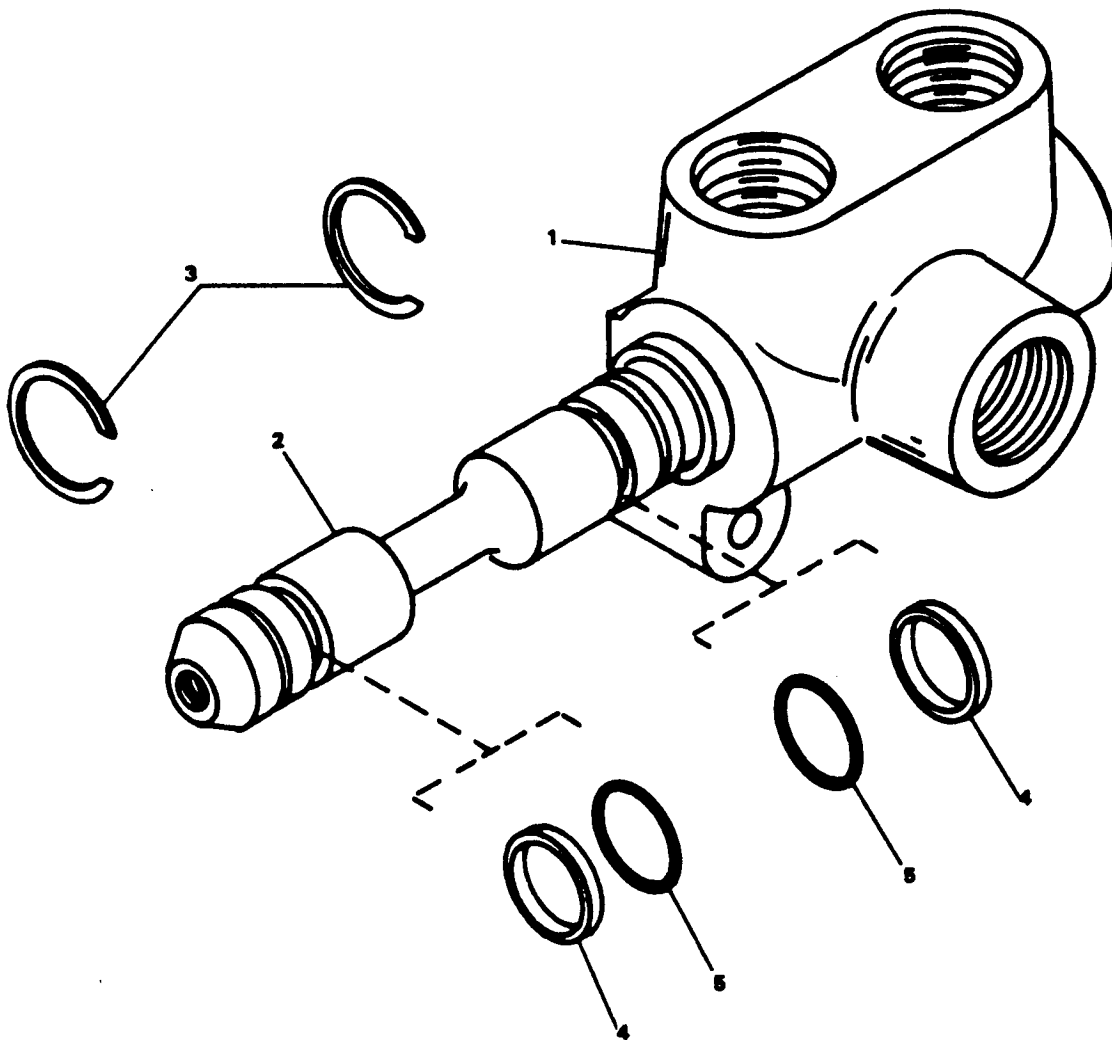




WHEN ORDERING PARTS,  
ALWAYS FURNISH MODEL,  
SERIAL NUMBER,  
DRAWING NUMBER AND  
CATALOG REFERENCE NUMBER.

COMPONENTS FOR MODEL NUMBER 8G5510A ONLY



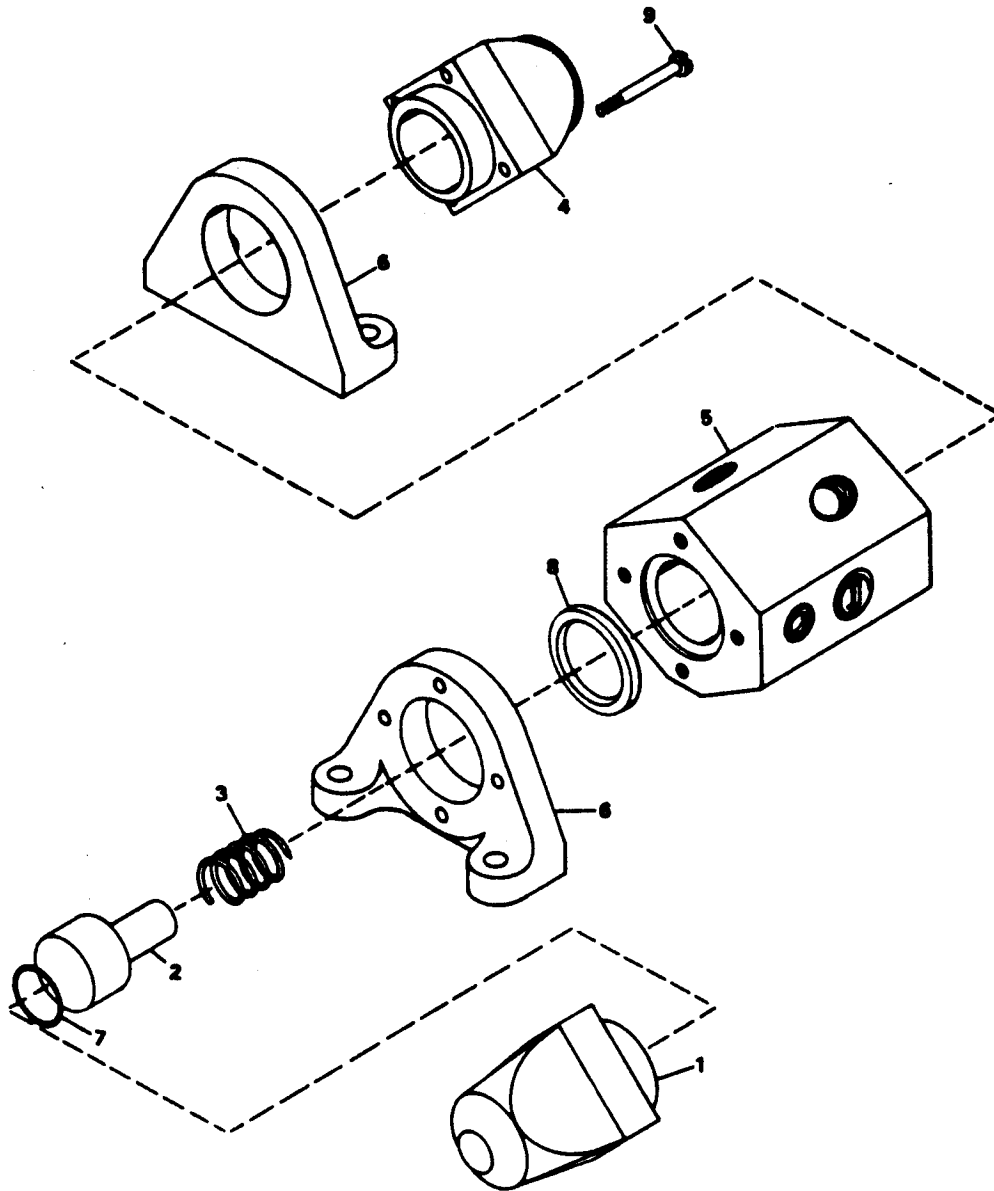


WHEN ORDERING PARTS,  
ALWAYS FURNISH MODEL,  
SERIAL NUMBER,  
DRAWING NUMBER AND  
CATALOG REFERENCE NUMBER.

**COMPONENTS FOR MODEL NUMBER SM8 ONLY**



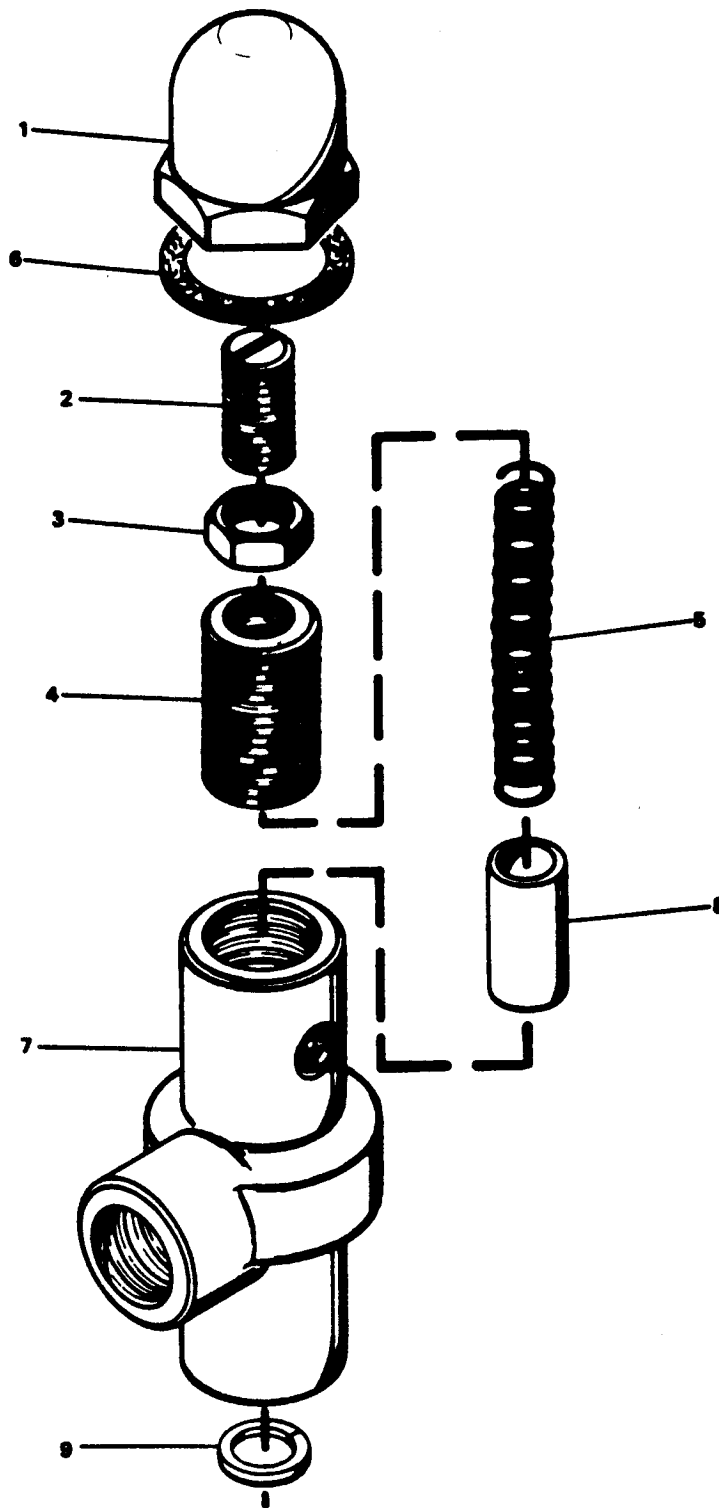
**10 - REPAIR KIT**



WHEN ORDERING PARTS,  
ALWAYS FURNISH MODEL,  
SERIAL NUMBER,  
DRAWING NUMBER AND  
CATALOG REFERENCE NUMBER.

**COMPONENTS FOR MODEL NUMBER 1520-506 ONLY**



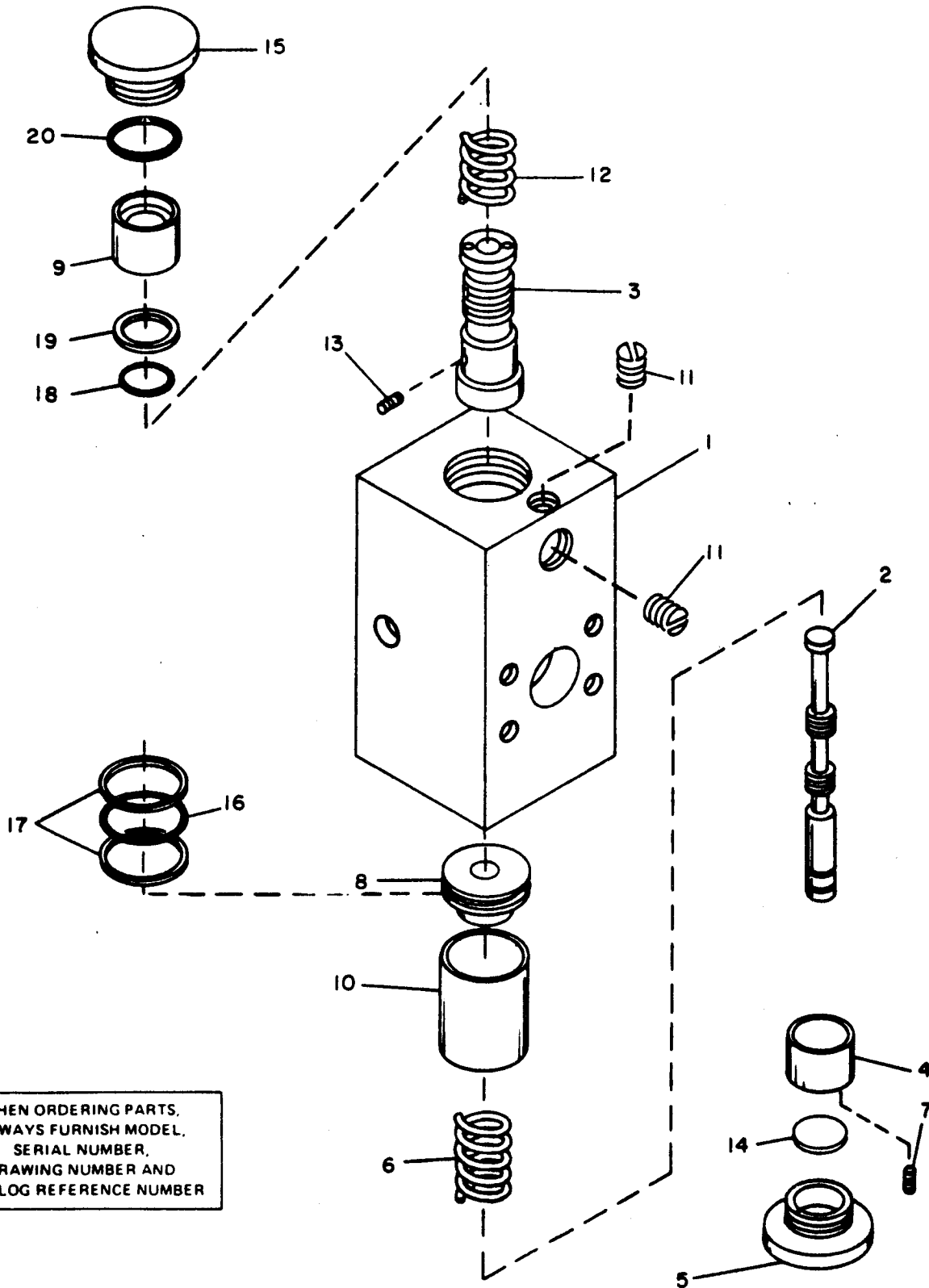


WHEN ORDERING PARTS,  
ALWAYS FURNISH MODEL,  
SERIAL NUMBER,  
DRAWING NUMBER AND  
CATALOG REFERENCE NUMBER.

**COMPONENTS FOR MODEL NUMBER SVJ-4041-1 ONLY**

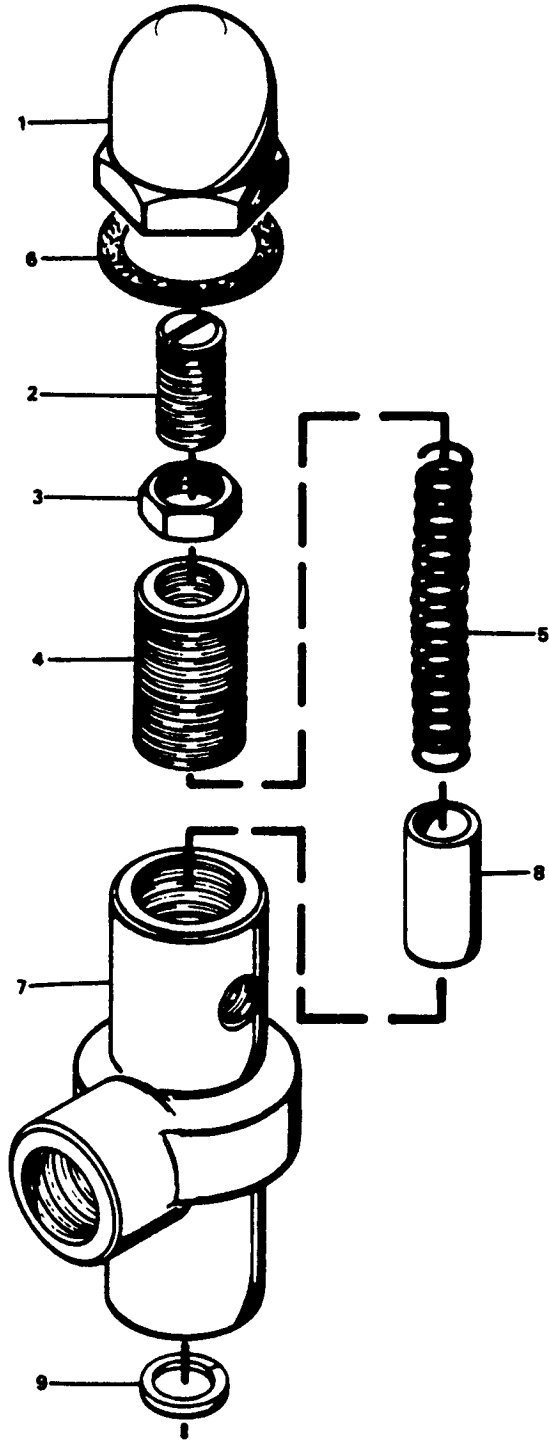






WHEN ORDERING PARTS,  
ALWAYS FURNISH MODEL,  
SERIAL NUMBER,  
DRAWING NUMBER AND  
CATALOG REFERENCE NUMBER

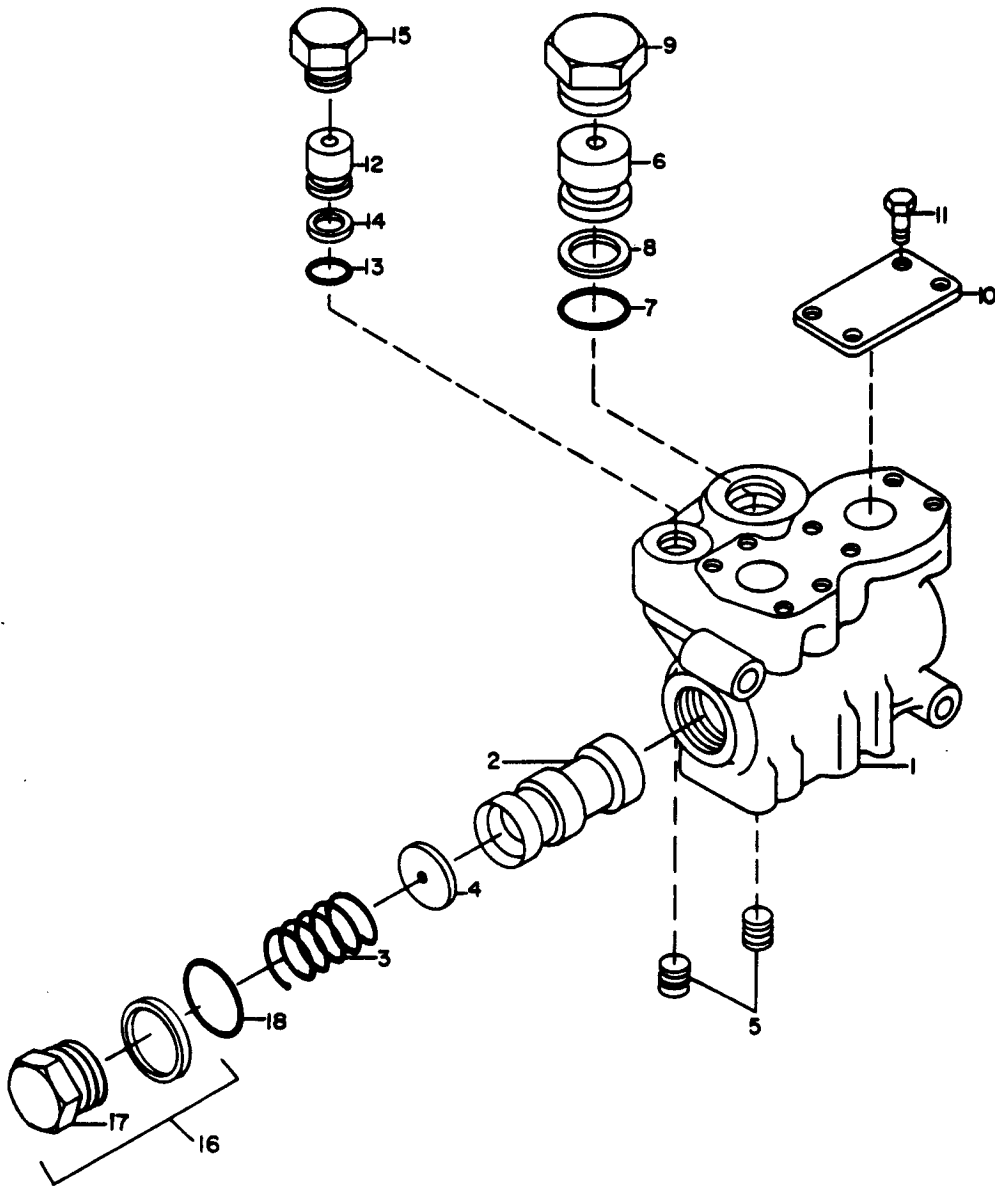




WHEN ORDERING PARTS,  
ALWAYS FURNISH MODEL,  
SERIAL NUMBER,  
DRAWING NUMBER AND  
CATALOG REFERENCE NUMBER.

**COMPONENTS FOR MODEL NUMBER SVJ-4041-2 ONLY**

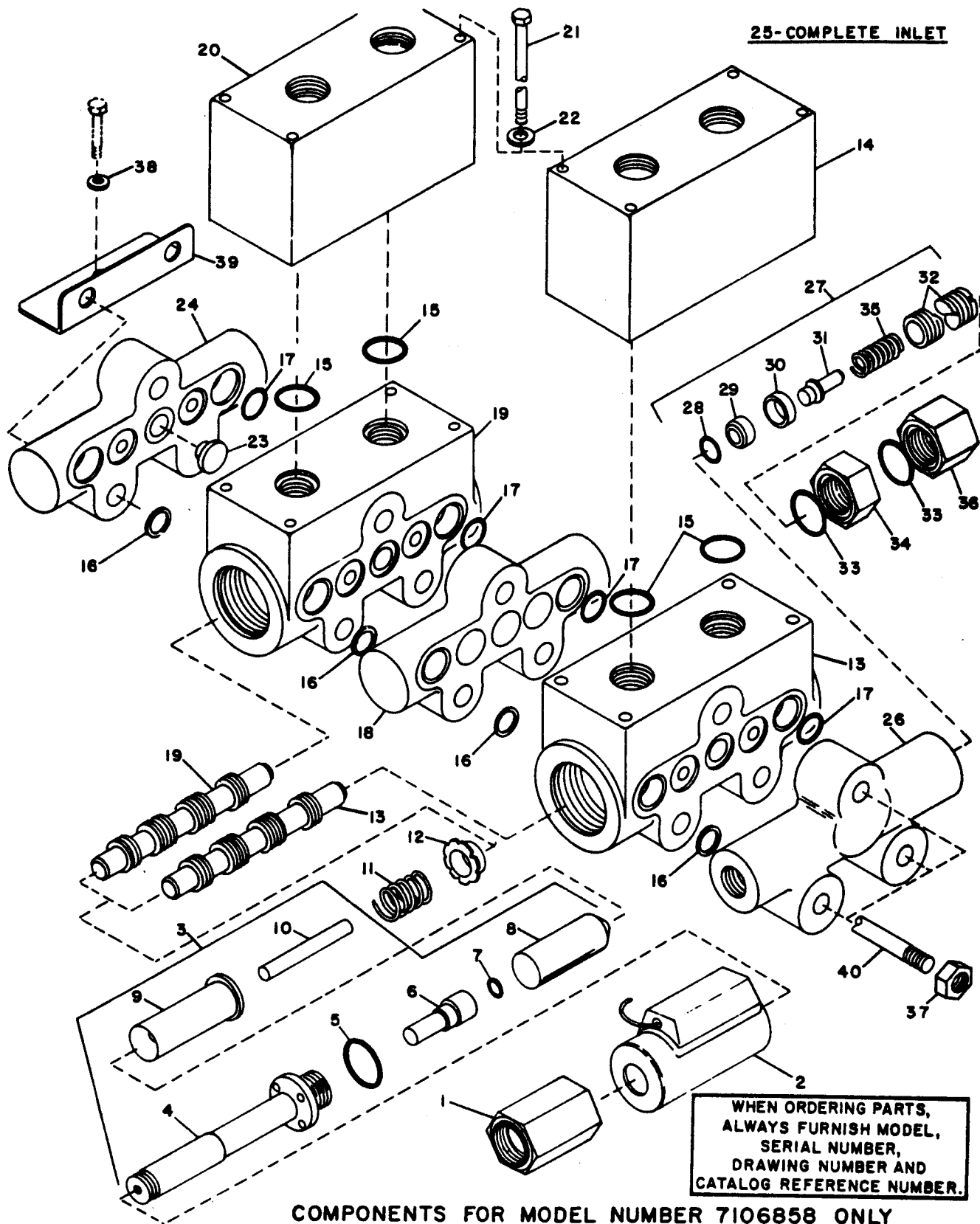




COMPONENTS FOR MODEL NUMBER 604-1146-001 ONLY

WHEN ORDERING PARTS,  
ALWAYS FURNISH MODEL,  
SERIAL NUMBER,  
DRAWING NUMBER AND  
CATALOG REFERENCE NUMBER.





# BUCYRUS-ERIE®



# PARTS LIST

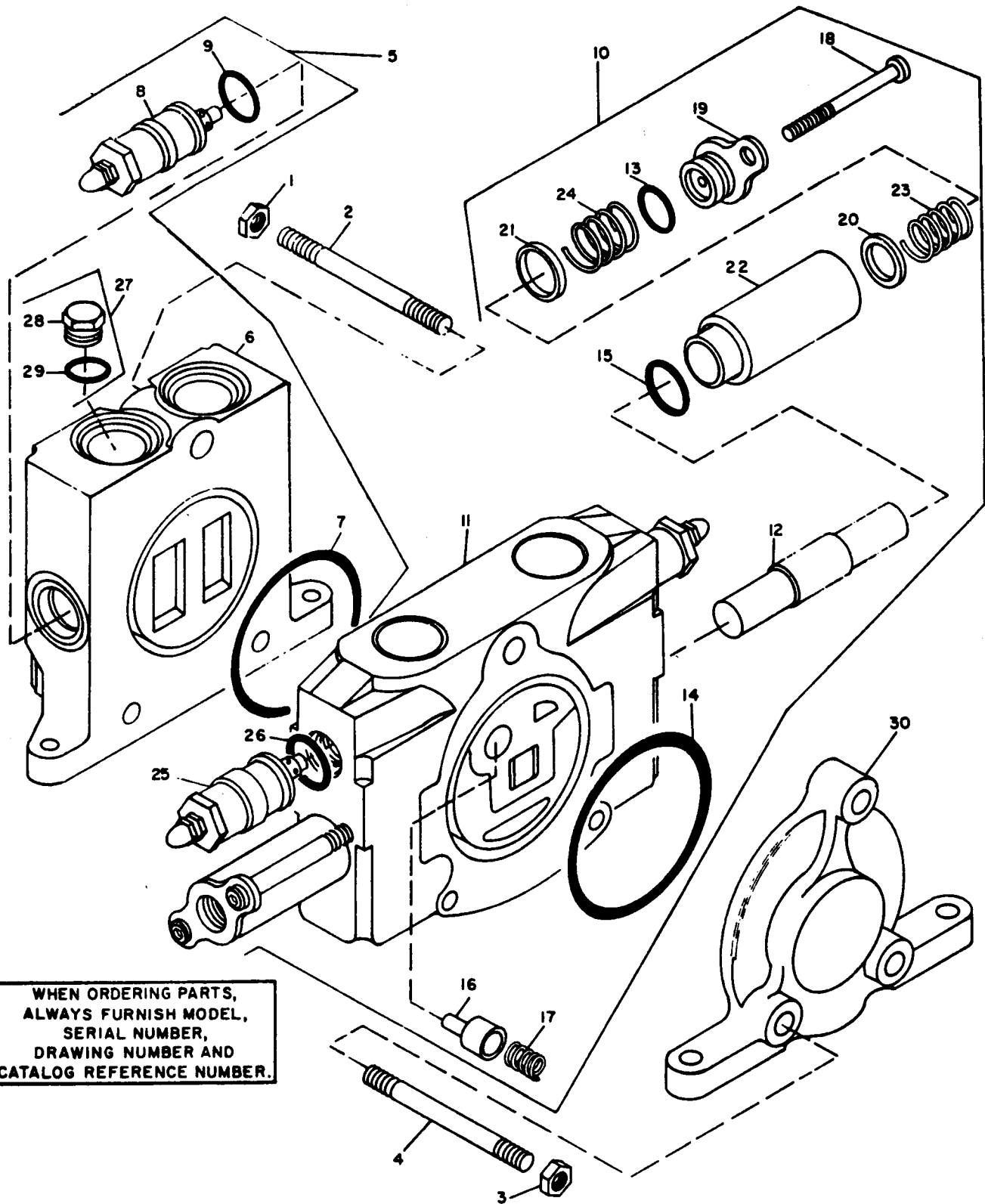
factory spec replacement parts



CAT REF	DESCRIPTION	SERIAL NO.		PART NO.	REPLACE OR VENDOR NO.	REQ.
		FROM	TO/INCL.			
	145					
	SOLENOID OPERATED					
	DIRECTIONAL CONTROL VALVE-					
	MODEL NUMBER 7106858					
	COMPONENTS ONLY					
	CATALOG REFERENCE					
	NUMBER 352					
	DRAWING 79364572					
1	NUT			62302564		4
2	COIL			62302584		4
3	TUBE KIT-INCLUDES			62302583		4
	ITEMS 4 THRU 10					
4	TUBE SUBASSEMBLY			62302565		4
5	O-RING			62302566		4
6	BUTTON			62302567		4
7	O-RING			62302568		4
8	PLUNGER			62302569		4
9	PLUG			62302570		4
10	PIN			62302571		4
11	SPRING			62302572		4
12	SPRING RETAINER			62302573		4
13	SPOOL & BODY-MATCHED SET			62302574		1
14	VALVE ATTACHMENT			62302575		1
15	O-RING			62302585		4
16	SHIM			62302576		12
17	O-RING			62302577		20
18	COLLECTOR PLATE			62302579		1
19	SPOOL & BODY-MATCHED SET			62302580		1
20	VALVE ATTACHMENT			62302581		1
21	CAPSCREW			62302586		8
22	WASHER			62302587		8
23	CLOSED CENTER PLUG			62302582		1
24	TANK SECTION			62302578		1
25	INLET SECTION WITH RELIEF VALVE			62302588		1
26	INLET BODY			62302590		1
27	MAJOR REPAIR KIT- INCLUDES ITEMS 28 THRU 36			62302589		1
28	O-RING			62302591		1
29	SEAT			62302592		1
30	RETAINER			62302593		1
31	POPPET			62302594		1
32	ADJUSTING SCREW			62302595		1
33	O-RING			62302596		2
34	JAM NUT			62302597		1
35	SPRING			62302598		1







WHEN ORDERING PARTS,  
ALWAYS FURNISH MODEL,  
SERIAL NUMBER,  
DRAWING NUMBER AND  
CATALOG REFERENCE NUMBER.

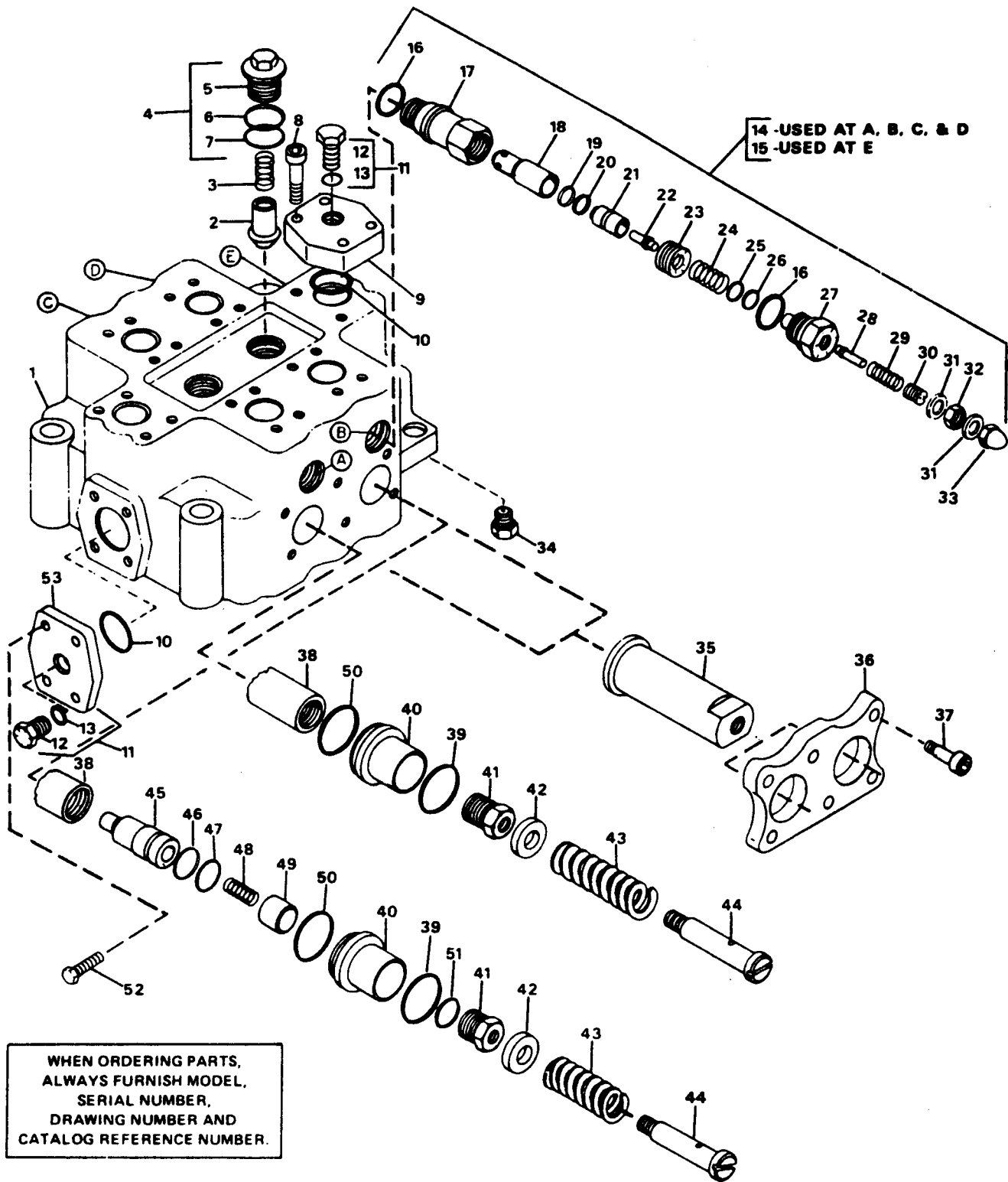
COMPONENTS FOR MODEL NUMBER 6000A16 ONLY

**BUCYRUS-ERIE****PARTS LIST**

factory spec replacement parts



CAT REF	DESCRIPTION	SERIAL NO.		PART NO.	REPLACE OR VENDOR NO.	REQ.
		FROM	TO/INCL.			
	146 GRAPPLE EXTEND & RETRACT CONTROL VALVE MODEL NUMBER 6000A16 COMPONENTS ONLY CATALOG REFERENCE NUMBER 293 DRAWING 79380932					
1	NUT			62301860		2
2	TIE ROD			62301862		1
3	NUT			62301863		4
4	TIE ROD			62301861		2
5	INLET SECTION SUB- ASSEMBLY-INCLUDES ITEMS 6 THRU 9			62301864		1
6	HOUSING			62301868		1
7	O-RING			62301869		1
8	MAIN RELIEF VALVE SUB ASSEMBLY-2500 PSI			79381345		1
9	O-RING			68120820		1
10	PLUNGER SECTION SUB- ASSEMBLY-INCLUDES ITEMS 11 THRU 26			62301865		1
11	HOUSING-NSI					
12	PLUNGER-NSI					
13	O-RING			62301870		2
14	O-RING			62301869		1
15	O-RING			79381080		2
16	POPPET			62301873		1
17	SPRING			62301874		1
18	CAPSCREW			62301873		4
19	CAP			62301876		2
20	WASHER			62301877		2
21	WASHER			62301878		2
22	BODY			62301879		2
23	SPRING			62301880		2
24	SPRING			62301881		2
25	PORT RELIEF VALVE SUB ASSEMBLY-2750 PSI			79381326		2
26	O-RING			68120820		2
27	PLUG SUB-ASSEMBLY- INCLUDES ITEMS 28 & 29			62301867		1
28	PLUG			62301883		1
29	O-RING			68120865		1
30	OUTLET SECTION			62301866		1



**COMPONENTS FOR MODEL NUMBER 7130B10 ONLY**

**BUCYRUS-ERIE**

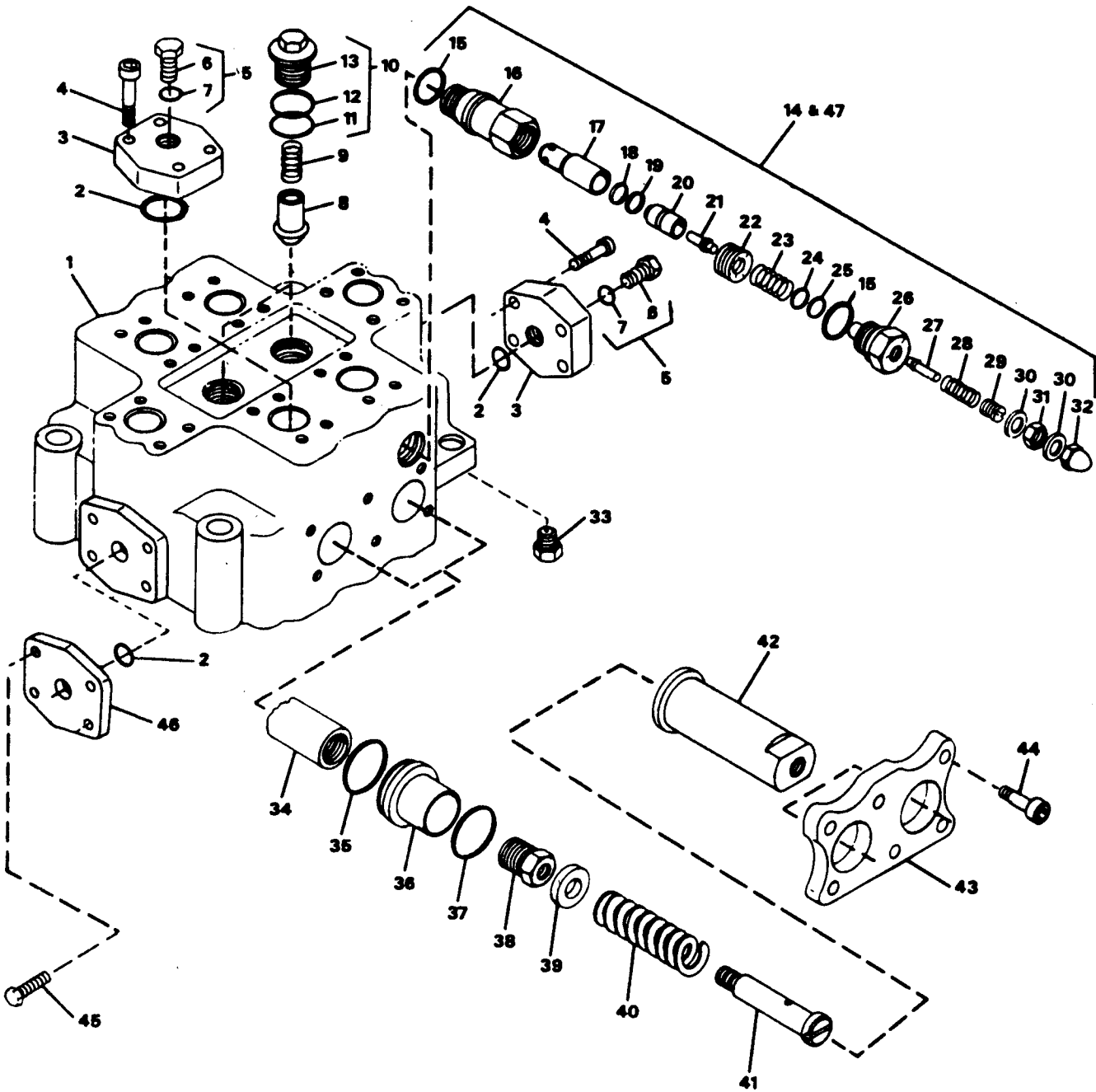
factory spec replacement parts



**PARTS LIST**

CAT REF	DESCRIPTION	SERIAL NO.		PART NO.	REPLACE OR VENDOR NO.	REQ.
		FROM	TO/INCL.			
	147 CONTROL VALVE					
	MODEL NUMBER 7130B10 COMPONENTS ONLY					
	CATALOG REFERENCE NUMBER 103					
	DRAWING 79380946					
1	HOUSING-NSI					
2	POPPET			79381183		2
3	SPRING			79381109		2
4	PLUG SUB-ASSEMBLY- INCLUDES ITEMS 5 THRU 7			79381801		2
5	PLUG			79381928		2
6	BACK-UP RING			79381399		2
7	O-RING			79381040		2
8	CAPSCREW			79381906		4
9	FLANGE CAP			79381903		1
10	O-RING			79381175		2
11	PLUG SUB-ASSEMBLY- INCLUDES ITEMS 12 & 13			79381701		2
12	PLUG			79381299		2
13	O-RING			79381300		2
14	PORT RELIEF VALVE ASSEMBLY-4000 PSI- INCLUDES ITEMS 16 THRU 33			79381944		4
15	MAIN RELIEF VALVE ASSEMBLY-3750 PSI- INCLUDES ITEMS 16 THRU 33			62301297		1
16	O-RING			79381312		10
17	CAP			79381937		5
18	POPPET			79381954		5
19	BACK-UP RING			79381408		5
20	O-RING			79381002		5
21	POPPET			79381951		5
22	PISTON			79381953		5
23	WASHER			79381544		30
24	SPRING			79381546		5
25	QUAD RING			79381955		5
26	BACK-UP RING			79381126		5
27	PLUG			79381547		5
28	POPPET			79381549		5
29	SPRING			79381929		5
30	SCREW			79381934		5
31	WASHER			79381369		10
32	NUT			79381371		5
33	ACORN NUT			79381372		5





WHEN ORDERING PARTS,  
 ALWAYS FURNISH MODEL,  
 SERIAL NUMBER,  
 DRAWING NUMBER AND  
 CATALOG REFERENCE NUMBER.

**COMPONENTS FOR MODEL NUMBER 7130B-18 ONLY**

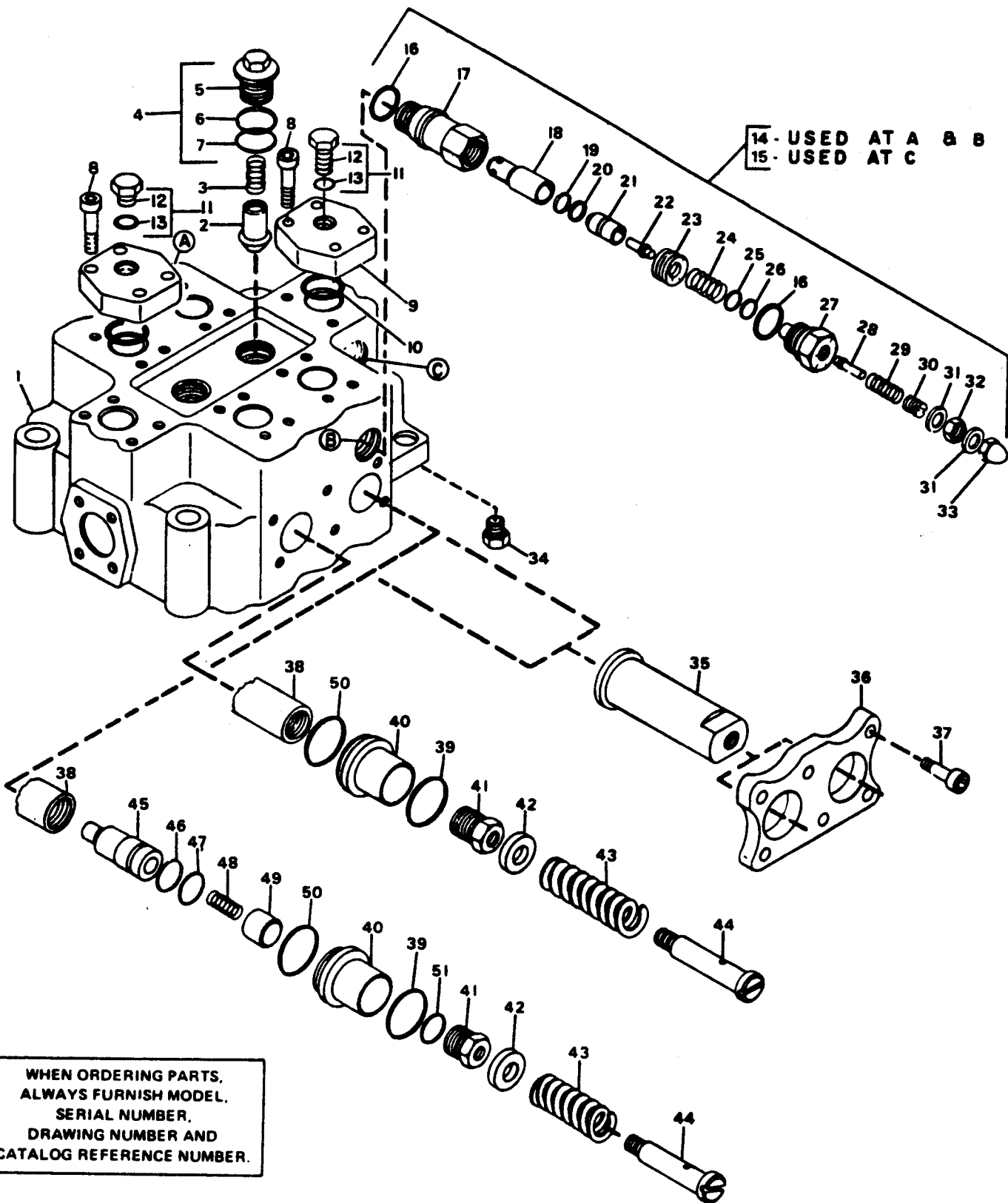
# BUCYRUS-ERIE PARTS LIST

factory spec replacement parts

CAT REF	DESCRIPTION	SERIAL NO.		PART NO.	REPLACE OR VENDOR NO.	REQ.
		FROM	TO/INCL.			
	148 CONTROL VALVE					
	MODEL NUMBER 7130B18 COMPONENTS ONLY					
	CATALOG REFERENCE NUMBER 124					
	DRAWING 79380954					
1	HOUSING-NSI					
2	O-RING			79381175		3
3	FLANGE CAP			79381903		2
4	CAPSCREW			79381906		8
5	PLUG SUB-ASSEMBLY-			79381701		2
	INCLUDES ITEMS 6 & 7					
6	PLUG			79381299		2
7	O-RING			79381300		2
8	POPPET			79381183		2
9	SPRING			79381109		2
10	PLUG SUB-ASSEMBLY-			79381801		2
	INCLUDES ITEMS 11 THRU 13					
11	O-RING			79381040		2
12	BACK-UP RING			79381399		2
13	PLUG			79381928		2
14	MAIN RELIEF VALVE SUB ASSEMBLY-3750 PSI-			62301297		1
	INCLUDES ITEMS 15 THRU 32					
15	O-RING			79381312		6
16	CAP			79381937		3
17	POPPET			79381954		3
18	BACK-UP RING			79381408		3
19	O-RING			79381002		3
20	POPPET			79381951		3
21	PISTON			79381953		3
22	WASHER			79381544		18
23	SPRING			79381546		3
24	QUAD RING			79381955		3
25	BACK-UP RING			79381126		3
26	PLUG			79381547		3
27	POPPET			79381549		3
28	SPRING			79381929		3
29	SCREW			79381934		3
30	WASHER			79381369		6
31	NUT			79381371		3
32	ACORN NUT			79381372		3
33	PIPE PLUG			79381241		2
34	PLUNGER-NSI					
35	O-RING			79381180		4
36	CAP RETAINER			79381920		4
37	O-RING			79381174		4







COMPONENTS FOR MODEL NUMBER 7130B27-L ONLY

**BUCYRUS-ERIE**

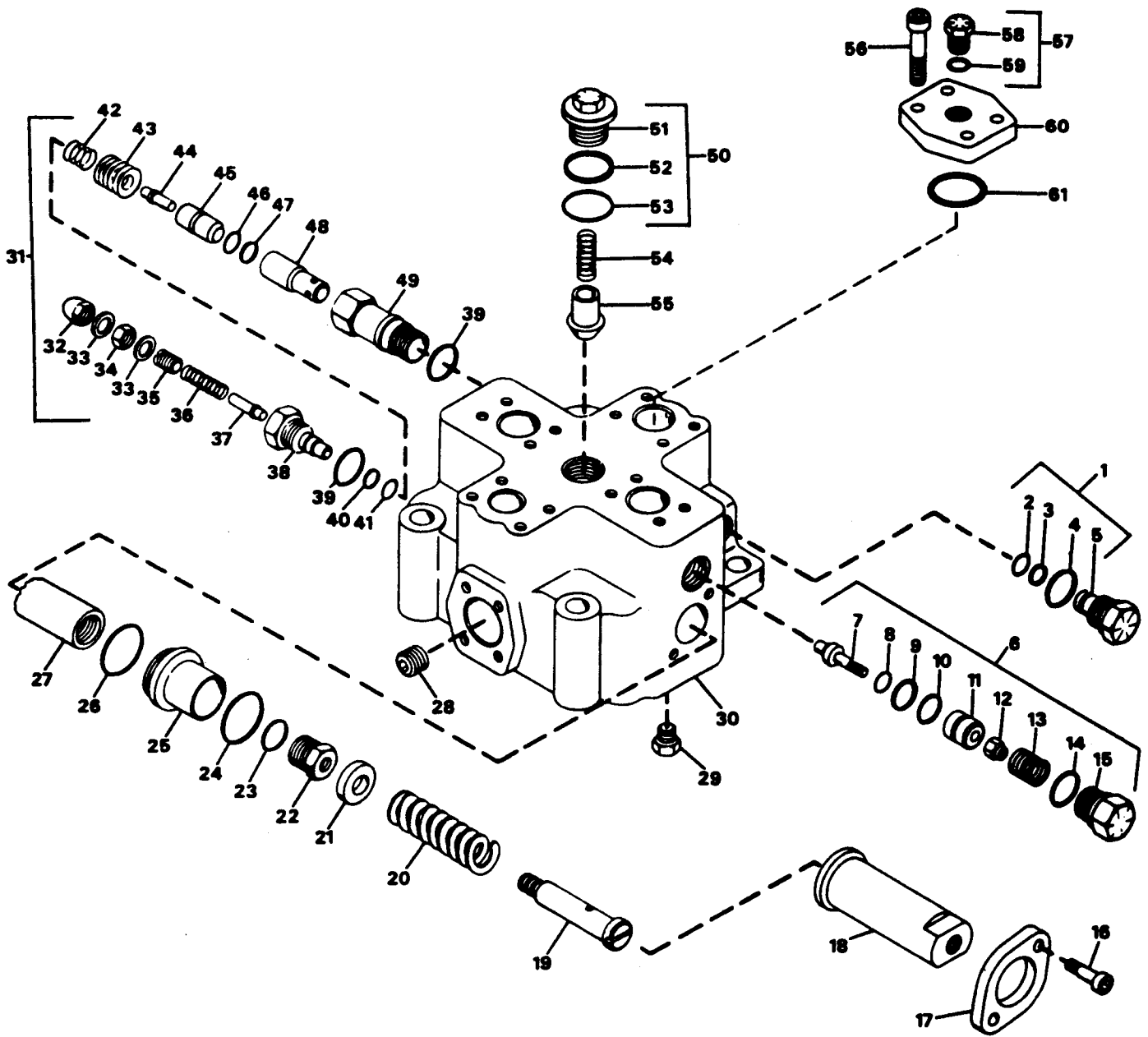


**PARTS LIST**

factory spec replacement parts

CAT REF	DESCRIPTION	SERIAL NO.		PART NO.	REPLACE OR VENDOR NO.	REQ.
		FROM	TO/INCL.			
	149 CONTROL VALVE					
	MODEL NUMBER 7130B27L					
	COMPONENTS ONLY					
	CATALOG REFERENCE					
	NUMBER 124					
	DRAWING 79380970					
1	HOUSING-NSI					
2	POPPET			79381183		2
3	SPRING			79381109		2
4	PLUG SUB-ASSEMBLY- INCLUDES ITEMS 5 THRU			79381801		2
7						
5	PLUG			79381928		2
6	BACK-UP RING			79381399		2
7	O-RING			79381040		2
8	CAPSCREW			79381906		2
9	FLANGE CAP			79381903		2
10	O-RING			79381175		2
11	PLUG SUB-ASSEMBLY- INCLUDES ITEMS 12 & 13			79381701		2
12	PLUG			79381299		1
13	O-RING			79381300		1
14	PORT RELIEF VALVE ASSEMBLY-4000 PSI- INCLUDES ITEMS 16 THRU 33			79381944		2
15	MAIN RELIEF VALVE ASSEMBLY-3750 PSI- INCLUDES ITEMS 16 THRU 33			62301295		1
16	O-RING			79381312		6
17	CAP			79381937		3
18	POPPET			79381954		3
19	BACK-UP RING			79381408		3
20	O-RING			79381002		3
21	POPPET			79381951		3
22	PISTON			79381953		3
23	WASHER			79381544		18
24	SPRING			79381546		3
25	QUAD RING			79381955		3
26	BACK-UP RING			79381126		3
27	PLUG			79381547		3
28	POPPET			79381549		3
29	SPRING			79381929		3
30	SCREW			79381934		3
31	WASHER			79381369		6
32	NUT			79381371		3
33	ACORN NUT			79381372		3





WHEN ORDERING PARTS,  
ALWAYS FURNISH MODEL,  
SERIAL NUMBER,  
DRAWING NUMBER AND  
CATALOG REFERENCE NUMBER.

**COMPONENTS FOR MODEL NUMBER 7130-A-6 ONLY**

**BUCYRUS-ERIE**<sup>®</sup>



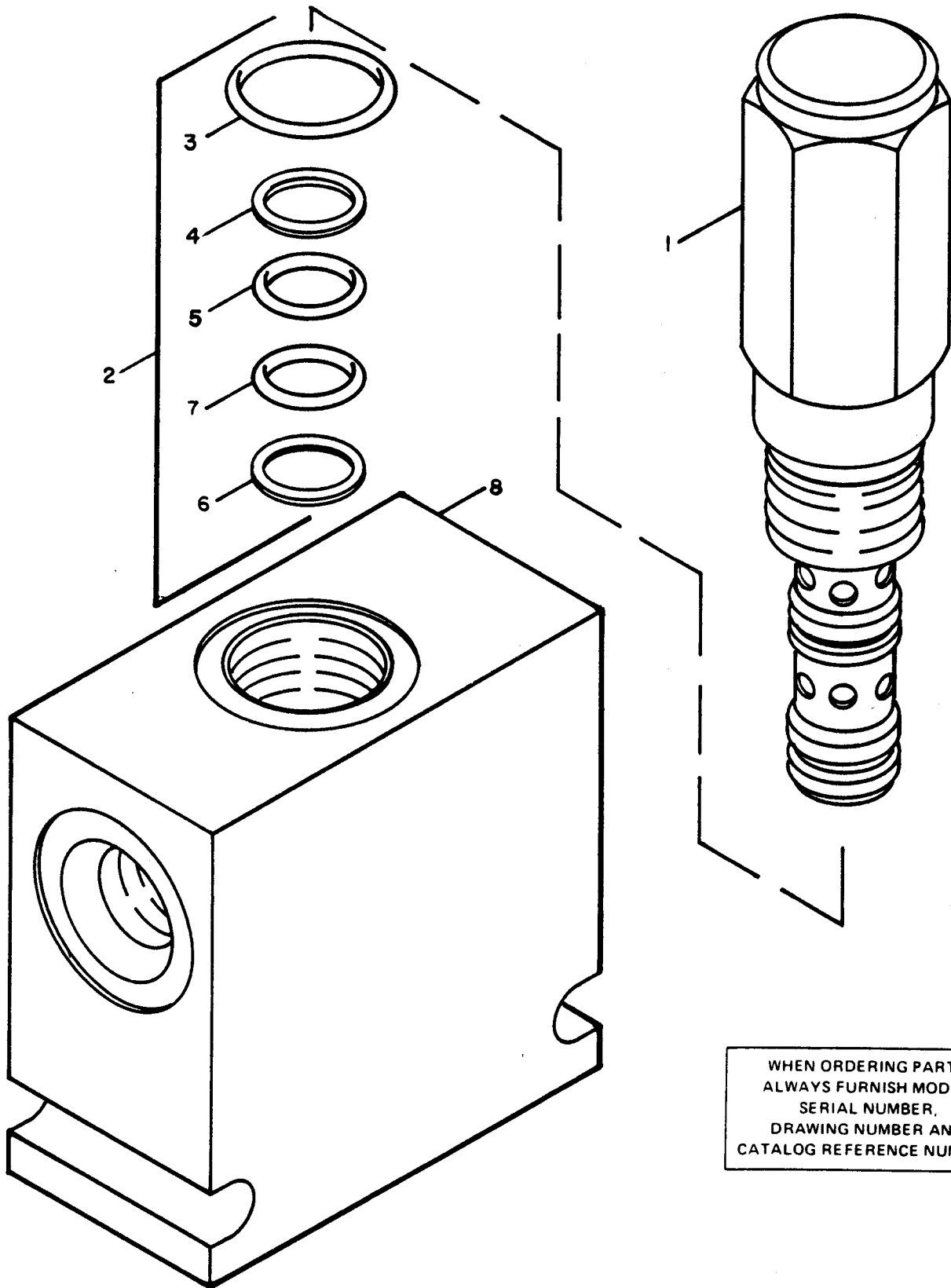
**PARTS LIST**

factory spec replacement parts



CAT REF	DESCRIPTION	SERIAL NO.		PART NO.	REPLACE OR VENDOR NO.	REQ.
		FROM	TO/INCL.			
	150 PROPEL DIRECTIONAL CONTROL VALVE MODEL NUMBER 7130A6 COMPONENTS ONLY CATALOG REFERENCE NUMBER 153 DRAWING 79381537					
1	SHUT-OFF SUB-ASSEMBLY INCLUDES ITEMS 2 THRU 5			79381540		1
2	O-RING			79381013		1
3	BACK-UP RING			79381543		1
4	O-RING			68120867		1
5	PLUG			79381542		1
6	ANTI-VOID SUB- ASSEMBLY-INCLUDES ITEMS 7 & 15			79381281		1
7	POPPET			79381309		1
8	O-RING			79381013		1
9	BACK-UP RING			79381126		1
10	O-RING			68133152		1
11	SPACER			79381308		1
12	NUT			79381310		1
13	SPRING			79381311		1
14	O-RING			68120867		1
15	PLUG			79381304		1
16	CAPSCREW			79381146		1
17	PLATE			79381915		2
18	CAP			79381919		2
19	SPRING RETAINER			79381918		2
20	SPRING			79381911		2
21	SPACER			79381921		2
22	PLUG			79381917		2
23	O-RING			79381125		2
24	O-RING			79381174		2
25	CAP RETAINER			79381920		2
26	O-RING			79381180		2
27	PLUNGER-NSI					
28	PLUG			20766990		1
29	PIPE PLUG			79381241		2
30	HOUSING-NSI					
31	MAIN RELIEF VALVE SUB ASSEMBLY-5000 PSI- INCLUDES ITEMS 32 THRU 49			79381945		1
32	ACORN NUT			79381372		1
33	WASHER			79381369		2
34	NUT			79381371		1
35	SCREW			79381934		1



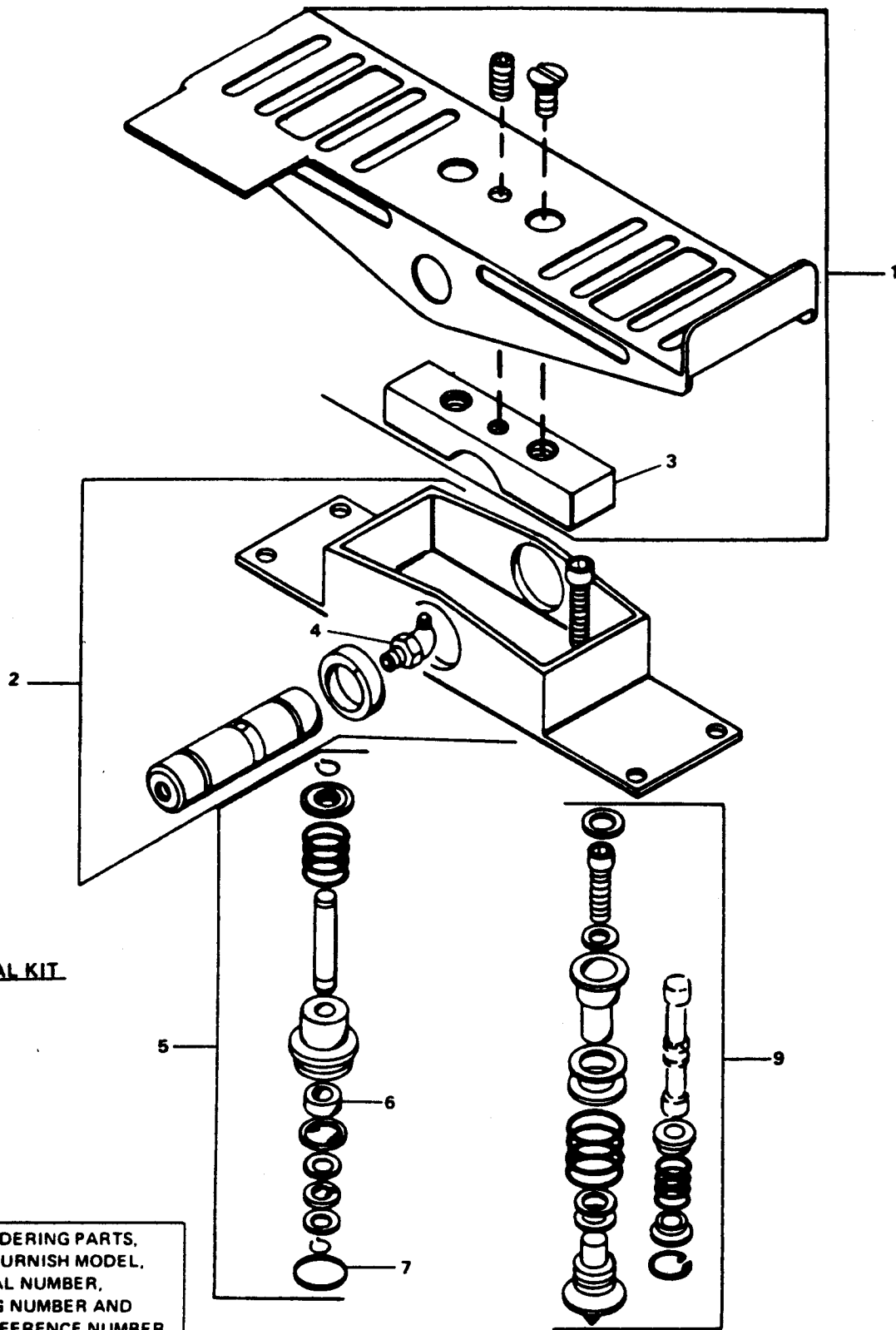


WHEN ORDERING PARTS,  
ALWAYS FURNISH MODEL,  
SERIAL NUMBER,  
DRAWING NUMBER AND  
CATALOG REFERENCE NUMBER.

COMPONENTS FOR MODEL NUMBER PRVI-10-F-6T-6 ONLY



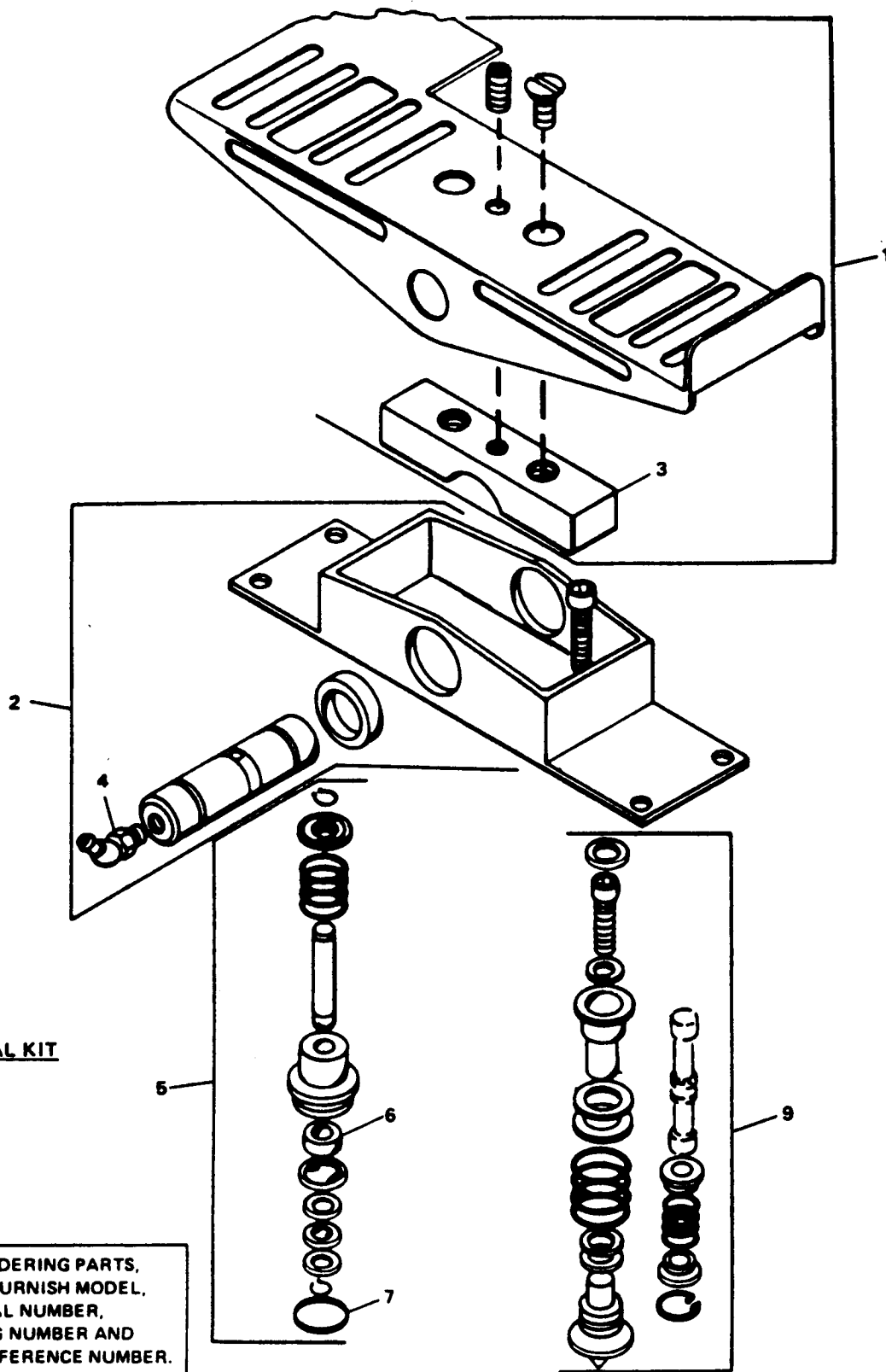




WHEN ORDERING PARTS,  
ALWAYS FURNISH MODEL,  
SERIAL NUMBER,  
DRAWING NUMBER AND  
CATALOG REFERENCE NUMBER.

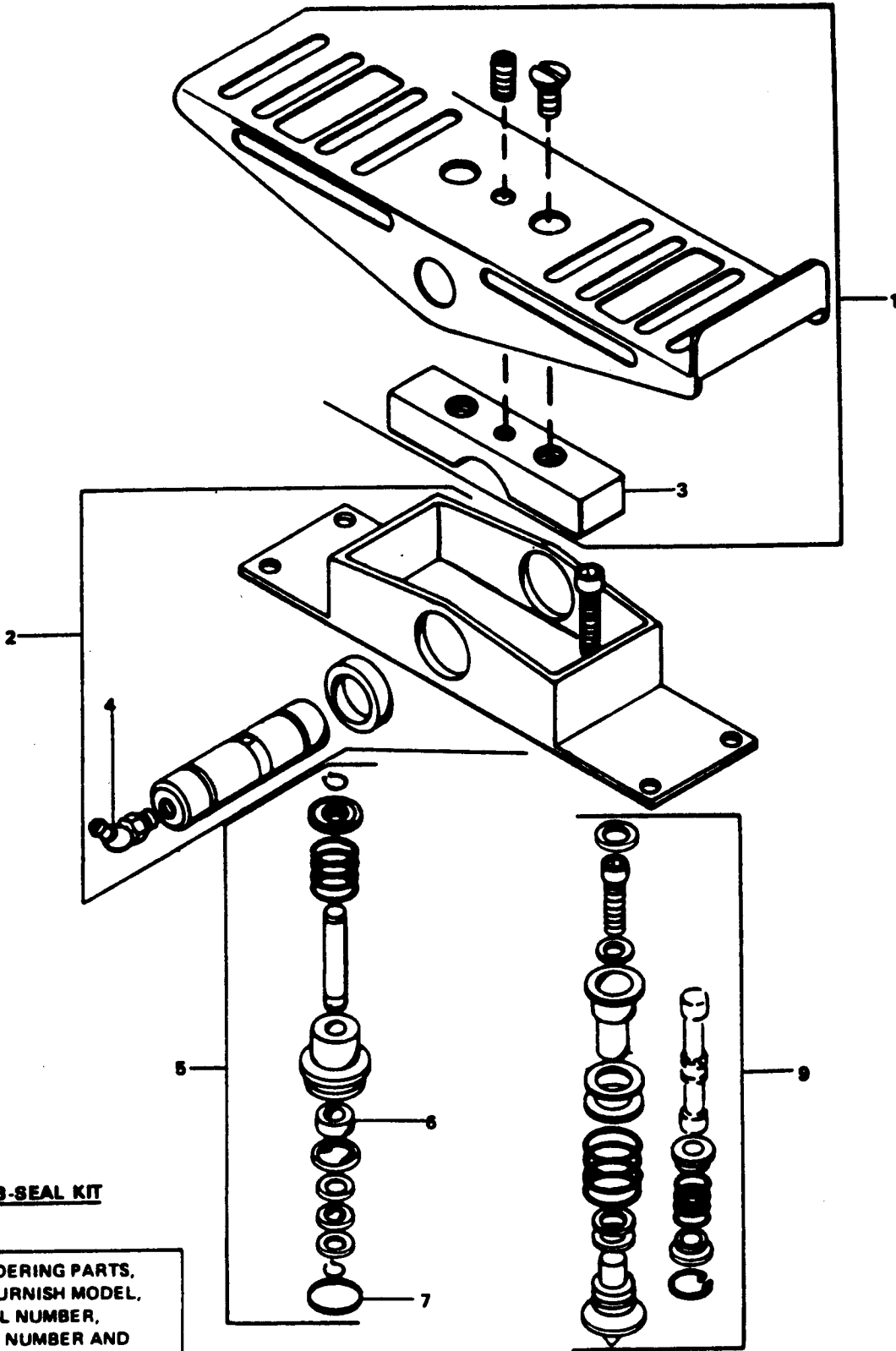
**COMPONENTS FOR MODEL NUMBER HVP03-169 ONLY**





**COMPONENTS FOR MODEL NUMBER HVP03-168 ONLY**



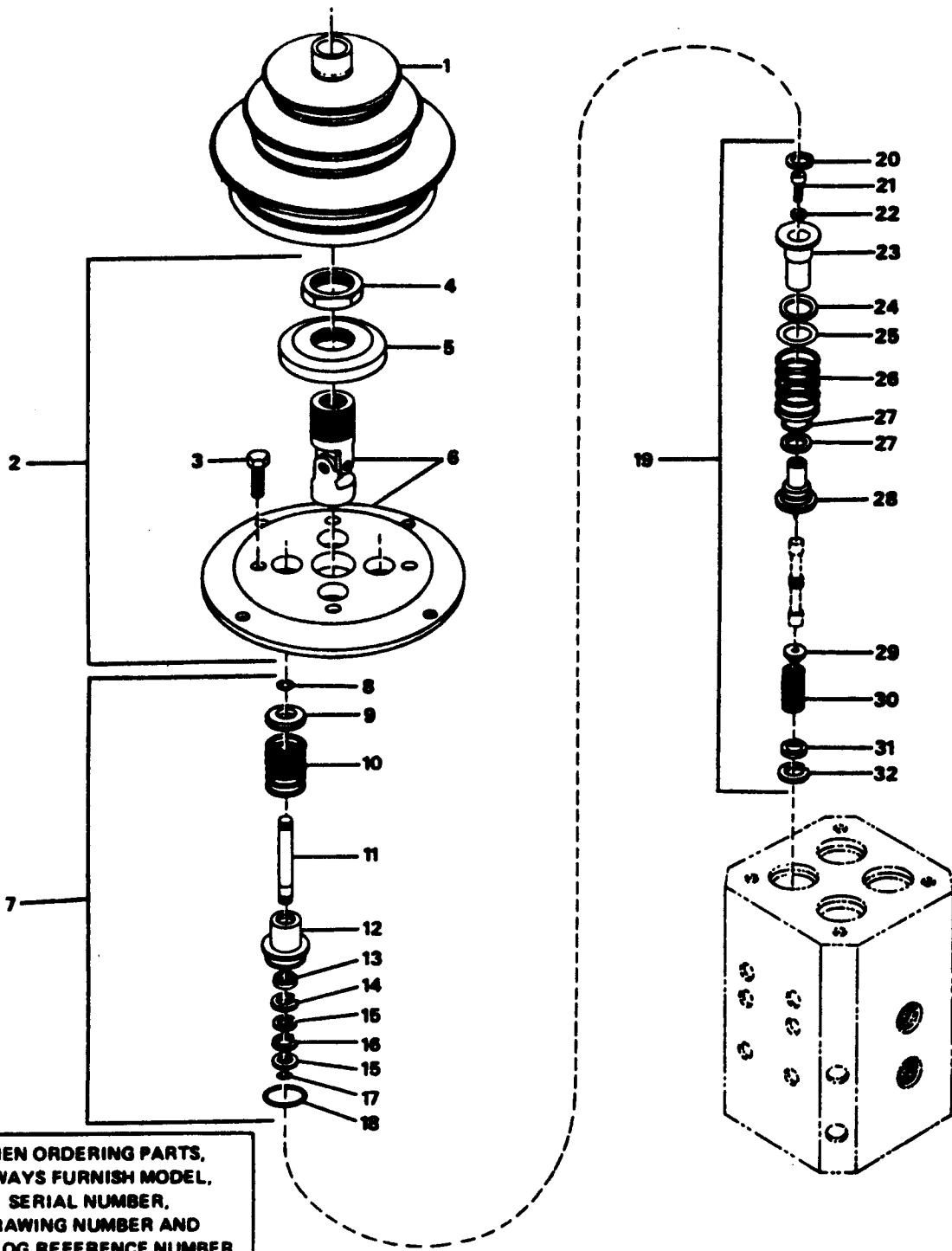


**8-SEAL KIT**

WHEN ORDERING PARTS,  
ALWAYS FURNISH MODEL,  
SERIAL NUMBER,  
DRAWING NUMBER AND  
CATALOG REFERENCE NUMBER.

**COMPONENTS FOR MODEL NUMBER HVPO3-002V ONLY**





WHEN ORDERING PARTS,  
ALWAYS FURNISH MODEL,  
SERIAL NUMBER,  
DRAWING NUMBER AND  
CATALOG REFERENCE NUMBER.

**COMPONENTS FOR MODEL NUMBER HVP03-014U ONLY**



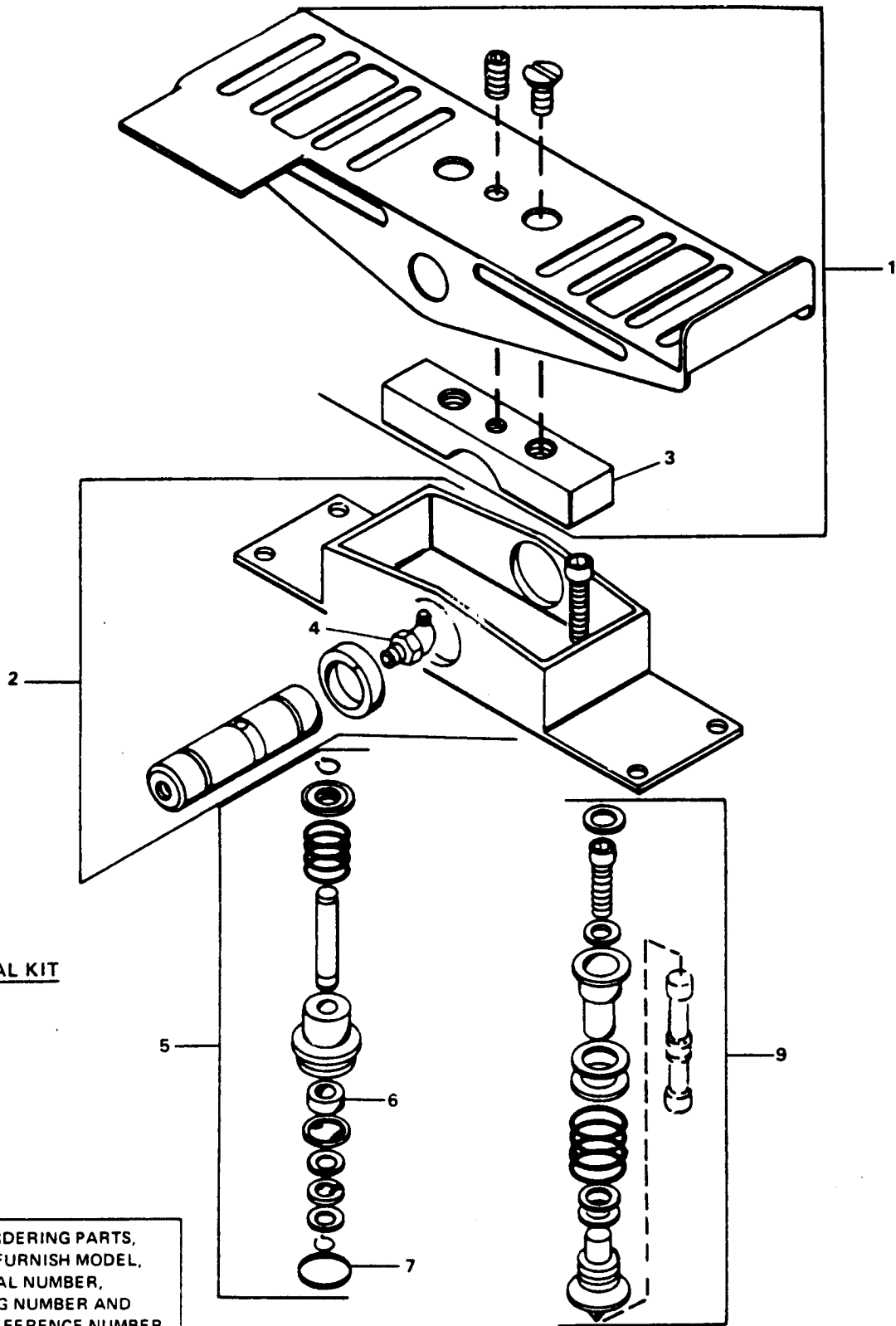
**BUCYRUS-ERIE**<sup>®</sup>



**PARTS LIST**

factory spec replacement parts

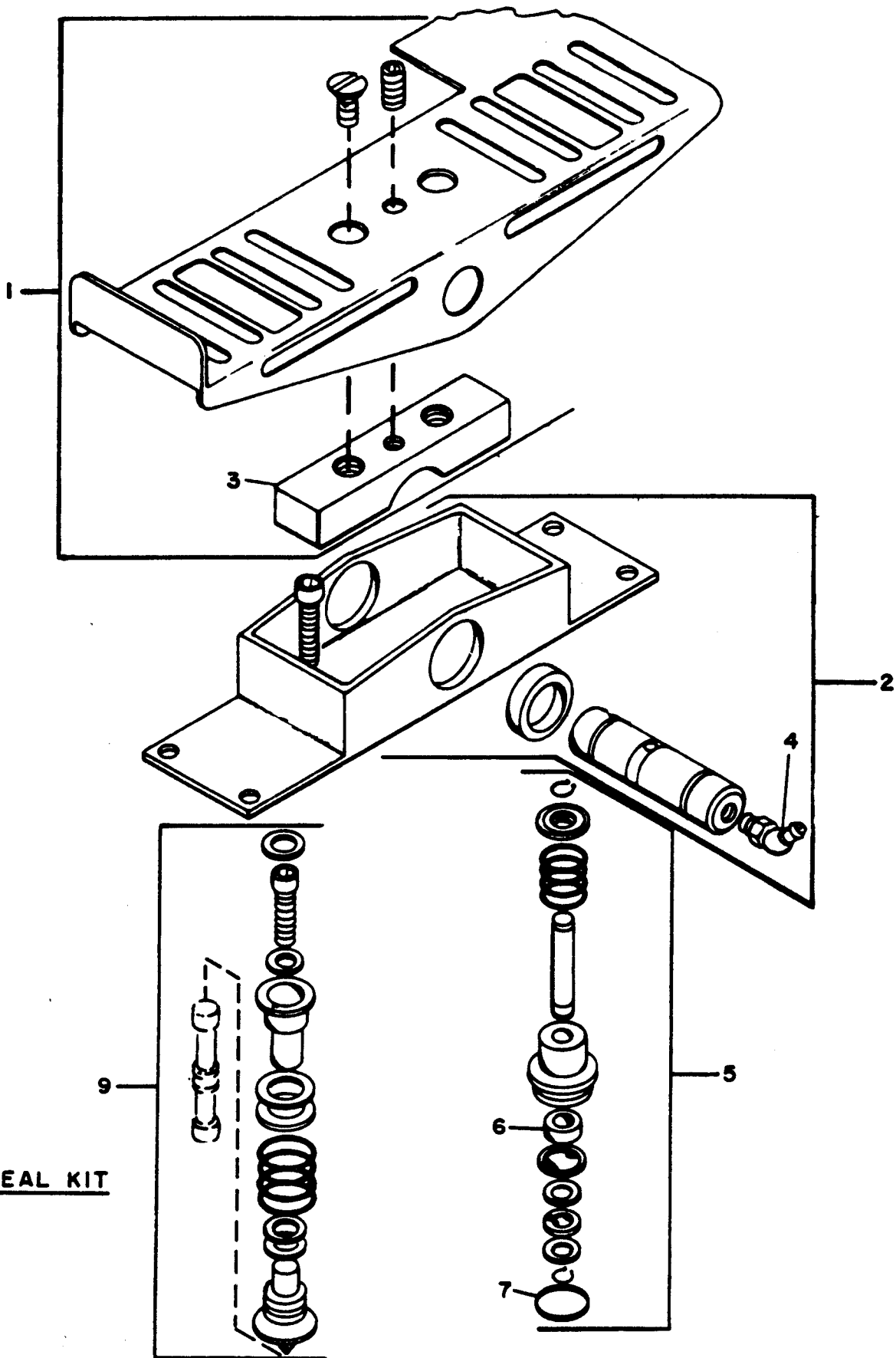
CAT REF	DESCRIPTION	SERIAL NO.		PART NO.	REPLACE OR VENDOR NO.	REQ.
		FROM	TO/INCL.			
	155 HAND CONTROL VALVE-					
	MODEL NUMBER HVP03-014U					
	COMPONENTS ONLY CATALOG REFERENCE					
	NUMBERS 5 & 15 DRAWING 79434313					
1	BELLOW			62300422		1
2	BASE & SWIVEL			62300423		1
	ASSEMBLY-INCLUDES ITEMS 3 THRU 6					
3	SCREW-NSI					
4	NUT-NSI					
5	PRESSURE DISC			62300424		1
6	MOUNTING PLATE WITH CARDAN JOINT-NSI					
7	GUIDE BUSHING & SPRING ASSEMBLY- INCLUDES ITEMS			62300425		4 X X X X
8	8 THRU 9 SNAP RING-NSI					
9	WASHER-NSI					
10	SPRING-NSI					
11	GUIDE STUD-NSI					
12	GUIDE BUSHING-NSI					
13	SEALING-NSI					
14	SNAP RING-NSI					
15	SPACER-NSI					
16	SNAP RING-NSI					
17	SNAP RING-NSI					
18	O-RING			79434308		4 X
19	INTERNAL SPRING ASSEMBLY-INCLUDES ITEMS 20 THRU 32			79434307		4 X
20	SCREW-NSI					
21	WASHER-NSI					
22	GUIDE-NSI					
23	SPACER-NSI					
24	SPRING-NSI					
25	SPACER-NSI					
26	SPRING-NSI					
27	SPACER-NSI					
28	SPRING GUIDE-NSI					
29	WASHER-NSI					
30	SPRING-NSI					
31	GUIDE WASHER-NSI					
32	SNAP RING-NSI					



WHEN ORDERING PARTS,  
ALWAYS FURNISH MODEL,  
SERIAL NUMBER,  
DRAWING NUMBER AND  
CATALOG REFERENCE NUMBER.

COMPONENTS FOR MODEL NUMBER HVPO3-118UA ONLY

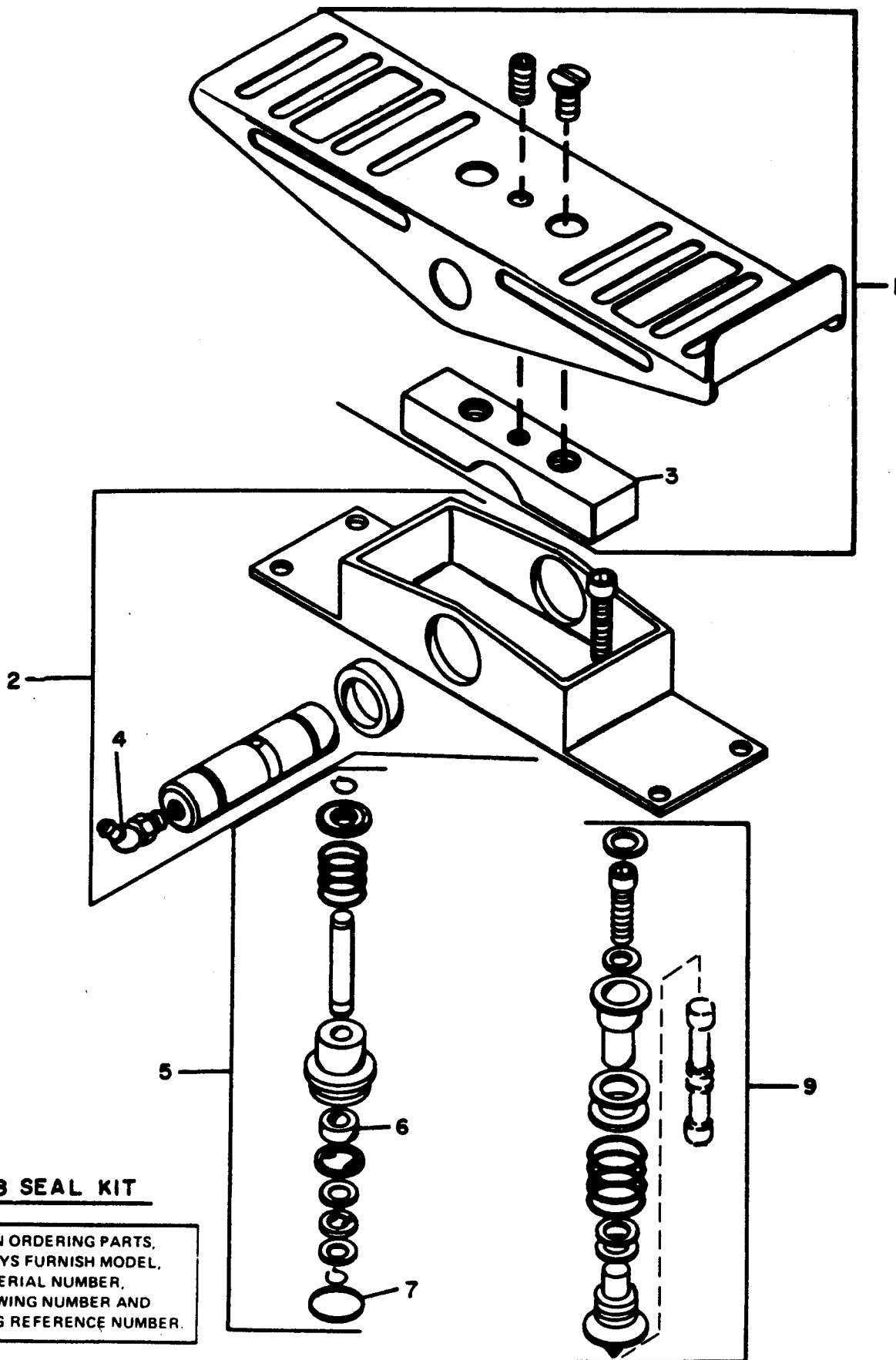




8 SEAL KIT

COMPONENTS FOR MODEL NUMBER HVPO3-118UA ONLY  
 FOOT VALVE



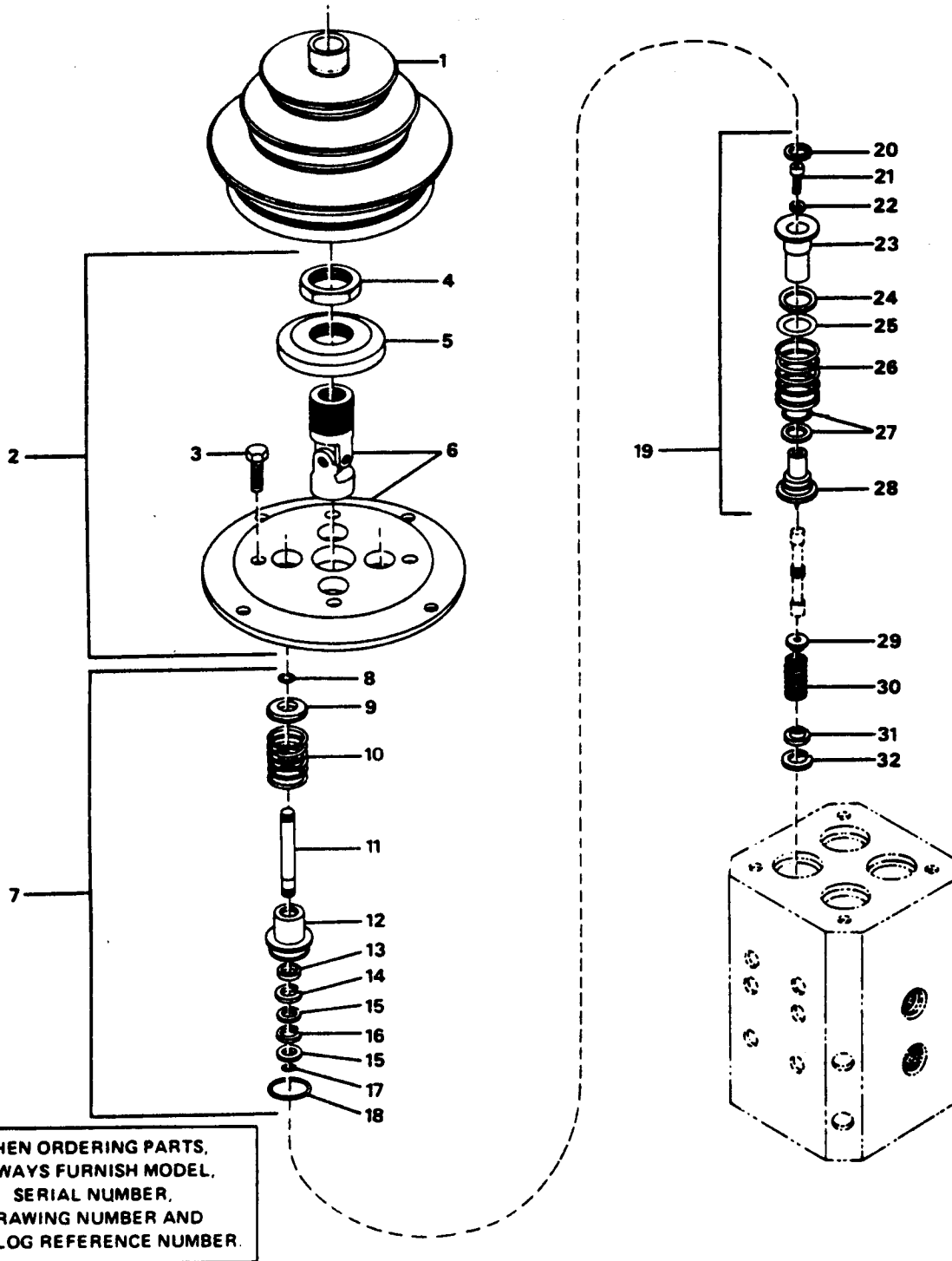


**8 SEAL KIT**

WHEN ORDERING PARTS,  
ALWAYS FURNISH MODEL,  
SERIAL NUMBER,  
DRAWING NUMBER AND  
CATALOG REFERENCE NUMBER.

COMPONENTS FOR MODEL NUMBER HVPO3-119UA ONLY





**COMPONENTS FOR MODEL NUMBER HVP03-014UA**



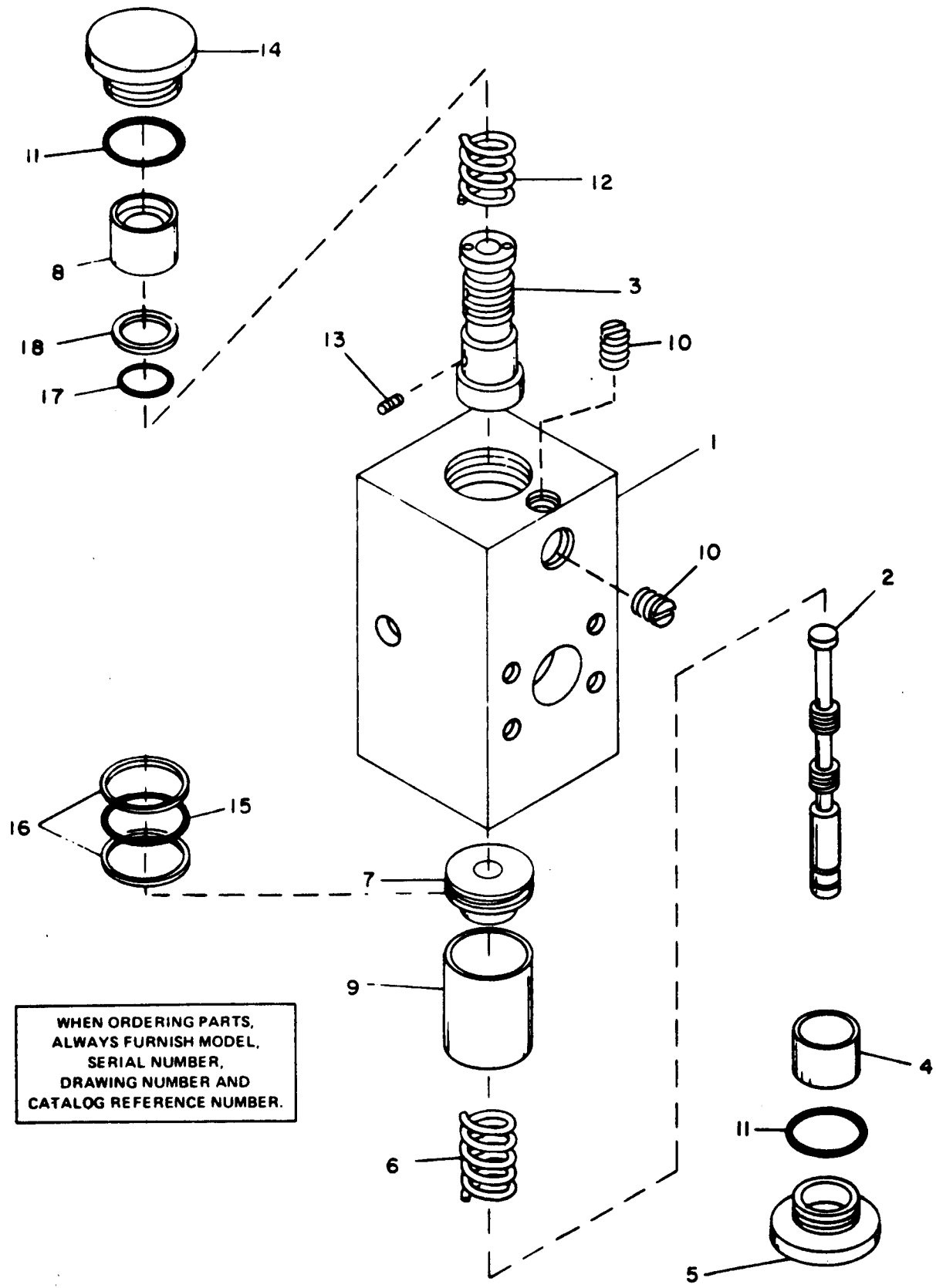
**BUCYRUS-ERIE**



**PARTS LIST**

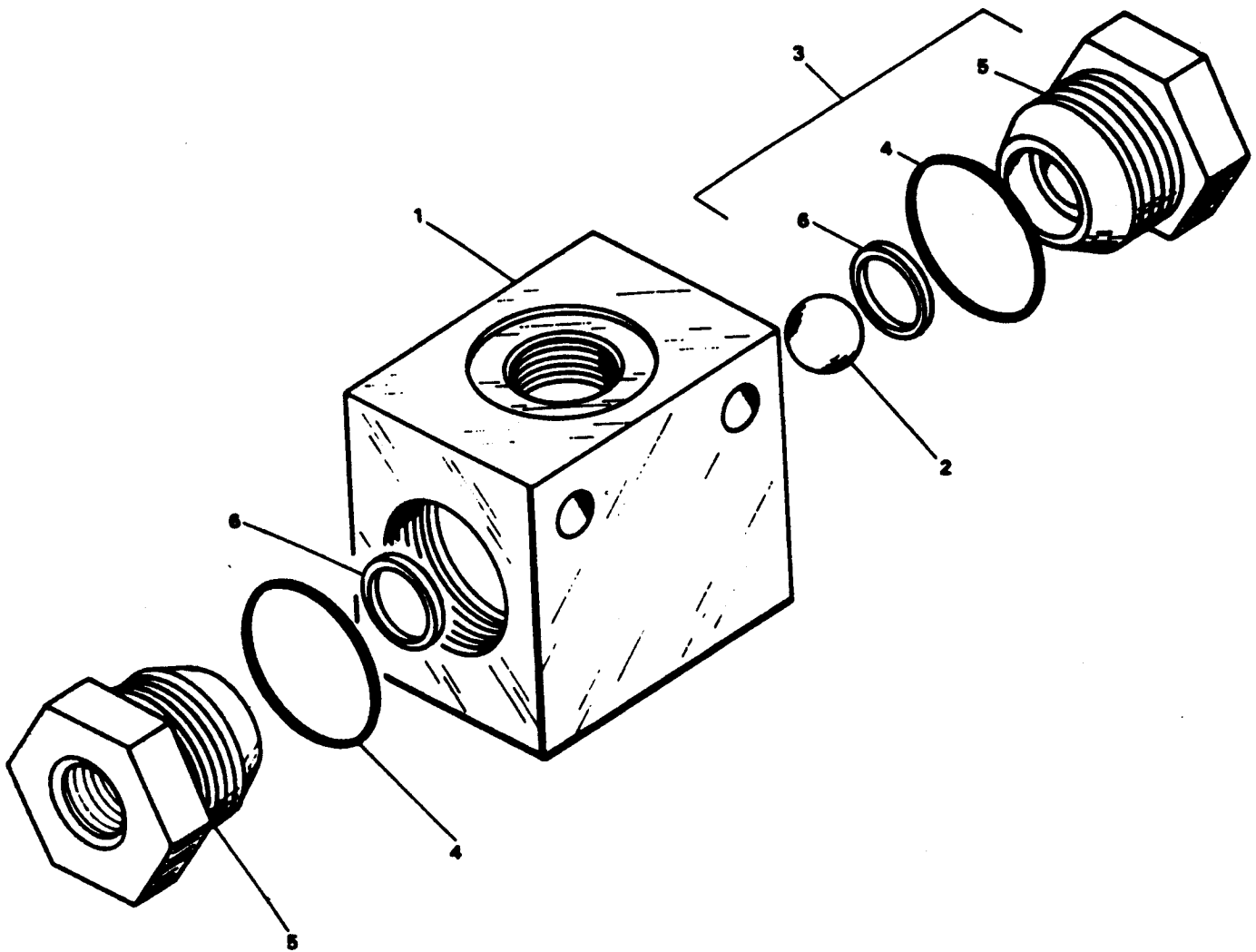
factory spec replacement parts

CAT REF	DESCRIPTION	SERIAL NO.		PART NO.	REPLACE OR VENDOR NO.	REQ.
		FROM	TO/INCL.			
	159 HAND CONTROL VALVE-					
	MODEL NUMBER HVP06-014UA					
	COMPONENTS ONLY CATALOG REFERENCE					
	NUMBERS 5 & 15 DRAWING 79434317					
1	BELLOWS			62300422		1 X
2	BASE & SWIVEL			62300423		1
	ASSEMBLY-INCLUDES ITEMS 3 THRU 6					
3	SCREW-NSI					
4	NUT-NSI					
5	PRESSURE DISC			62300424		1
6	MOUNTING PLATE WITH CARDAN JOINT-NSI					
7	GUIDE BUSHING & SPRING ASSEMBLY-			62300425		4 X
	INCLUDES ITEMS 8 THRU 18					X
8	SNAP RING-NSI					X
9	WASHER-NSI					
10	SPRING-NSI					
11	GUIDE STUD-NSI					
12	GUIDE BUSHING-NSI					
13	SEAL-NSI					X
14	SNAP RING-NSI					
15	SPACER-NSI					
16	SNAP RING-NSI					
17	SNAP RING-NSI					
18	O-RING			79434308		4 X
19	INTERNAL SPRING ASSEMBLY-INCLUDES			62303365		4 X
	ITEMS 20 THRU 28					X
20	WASHER-NSI					X
21	SCREW-NSI					X
22	GUIDE-NSI					
23	GUIDE BUSHING					X
24	SPRING-NSI					
25	SPACER-NSI					
26	SPRING-NSI					
27	SPACER-NSI					
28	SPRING GUIDE-NSI					
29	WASHER-NSI					
30	SPRING-NSI					
31	GUIDE WASHER-NSI					
32	SNAP RING-NSI					



WHEN ORDERING PARTS,  
 ALWAYS FURNISH MODEL,  
 SERIAL NUMBER,  
 DRAWING NUMBER AND  
 CATALOG REFERENCE NUMBER.

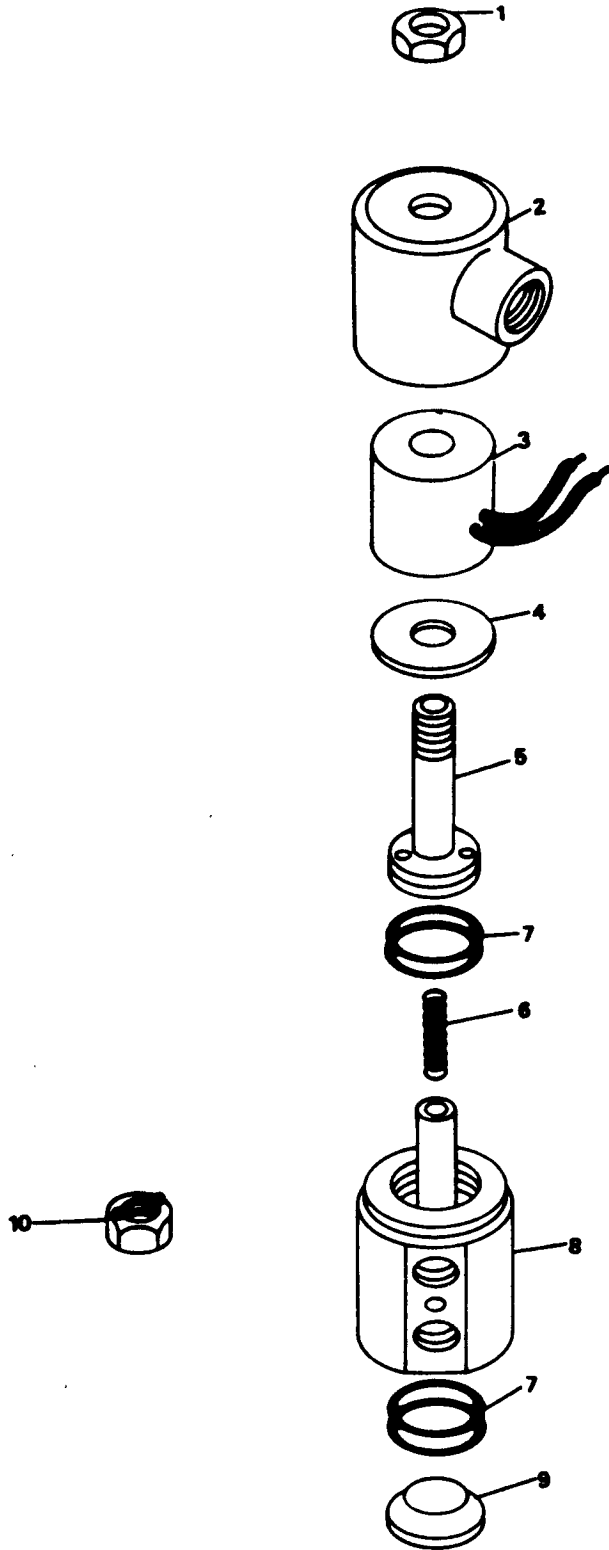




WHEN ORDERING PARTS,  
ALWAYS FURNISH MODEL,  
SERIAL NUMBER,  
DRAWING NUMBER AND  
CATALOG REFERENCE NUMBER.

**COMPONENTS FOR MODEL NUMBER 148-123 ONLY**

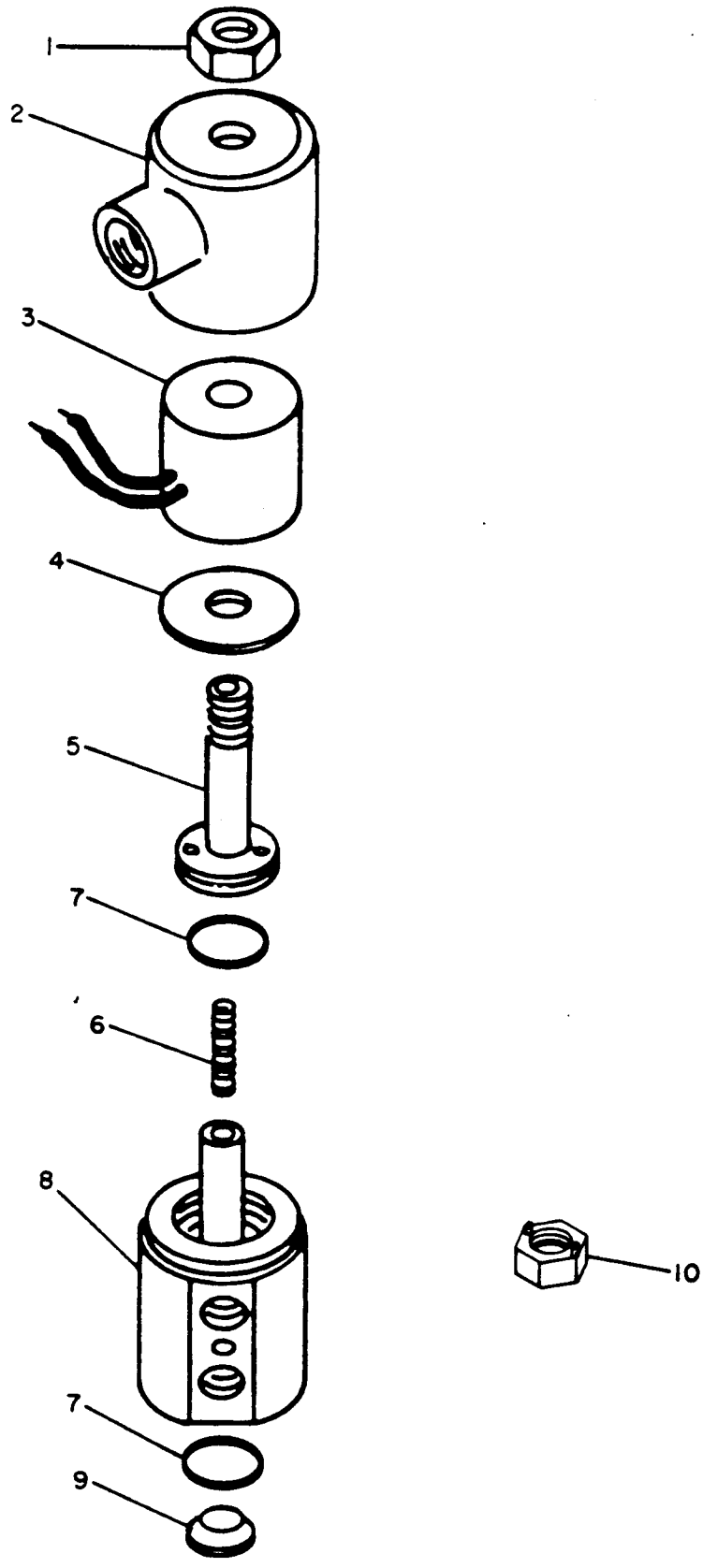




WHEN ORDERING PARTS,  
ALWAYS FURNISH MODEL,  
SERIAL NUMBER,  
DRAWING NUMBER AND  
CATALOG REFERENCE NUMBER.

COMPONENTS FOR MODEL  
NUMBER V136 LVI 1001-12VDC ONLY



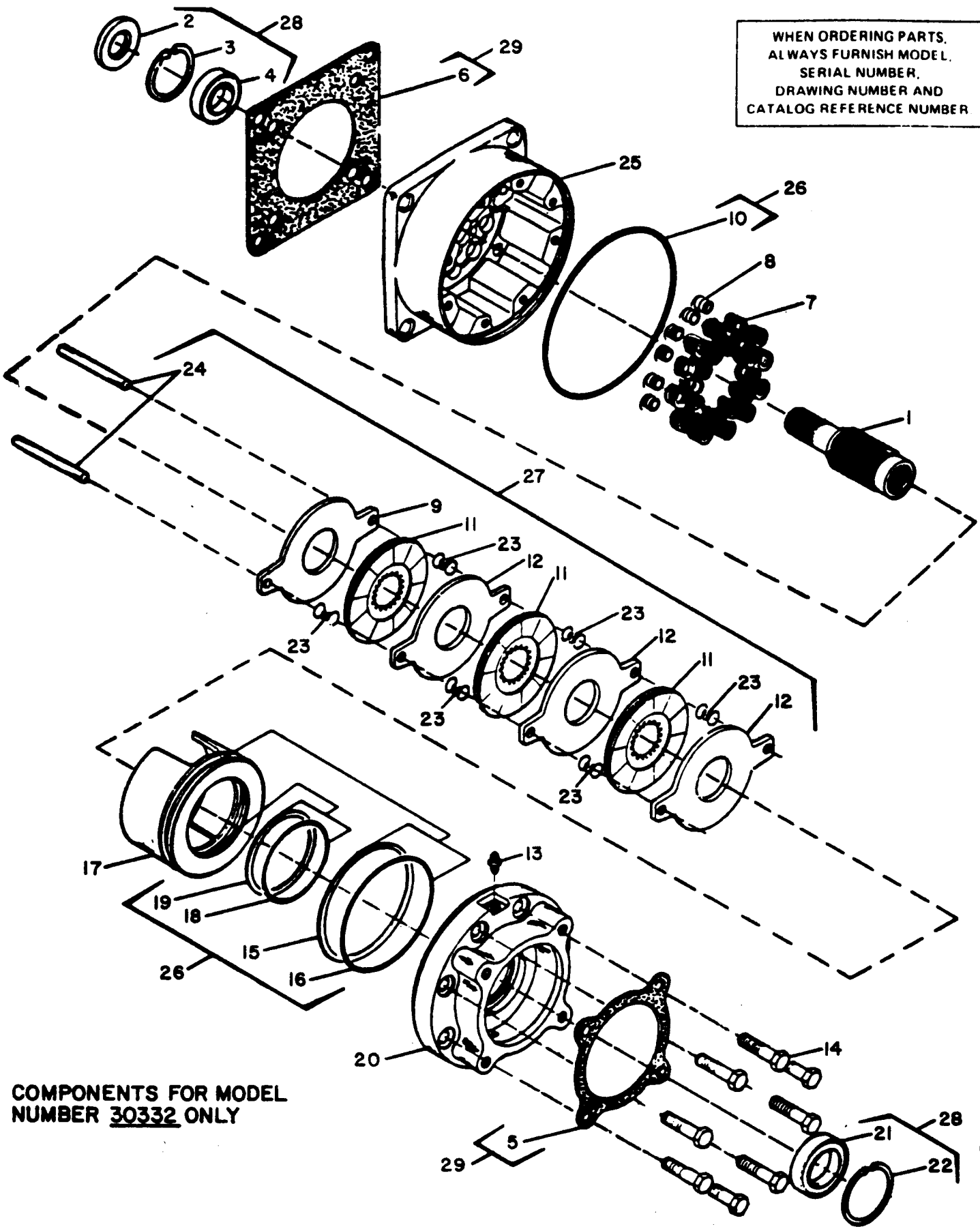


COMPONENTS FOR MODEL NUMBERS VI36-LBI-1001-12VDC & VI36-HBI-1001-12VDC ONLY



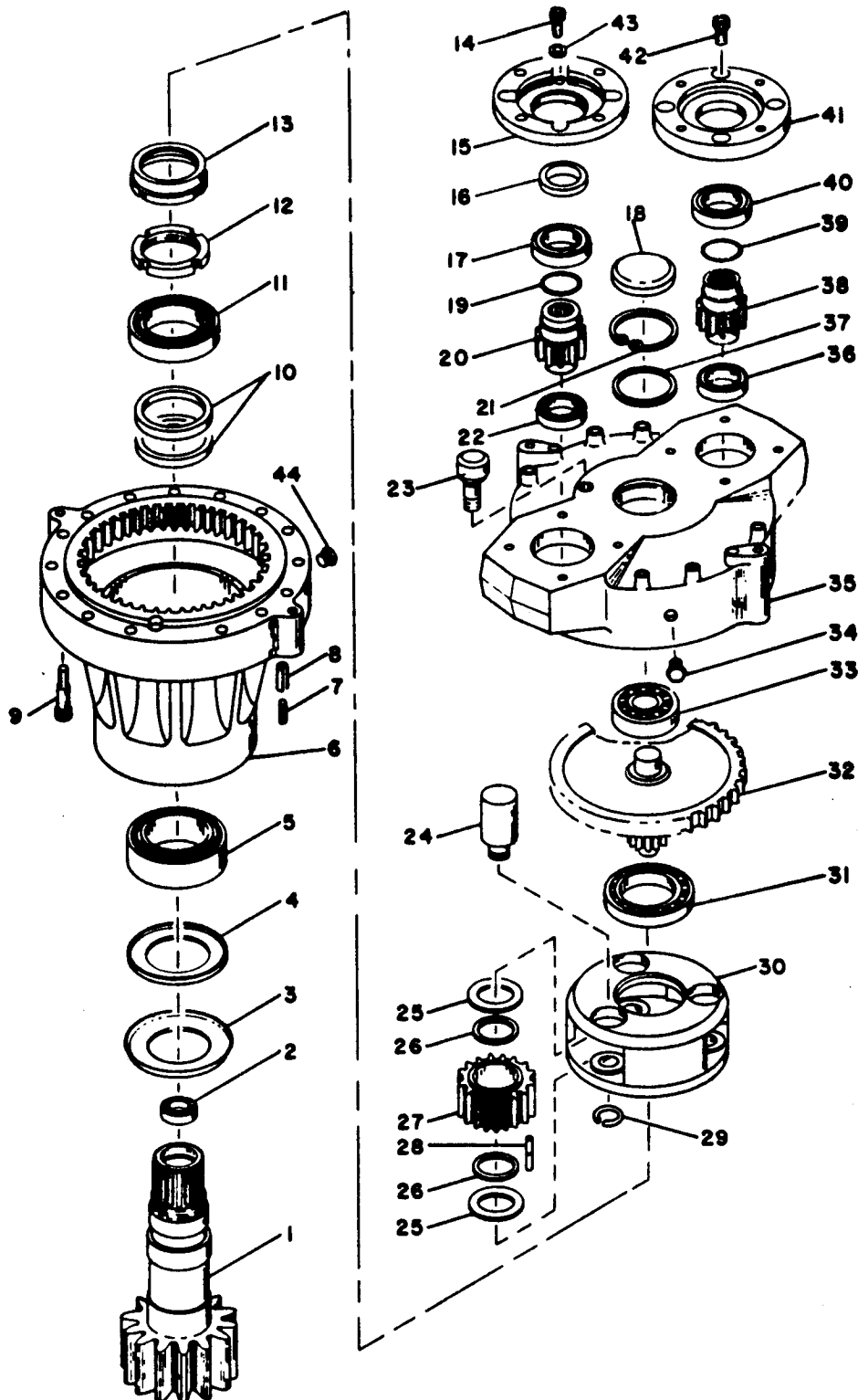


WHEN ORDERING PARTS,  
ALWAYS FURNISH MODEL,  
SERIAL NUMBER,  
DRAWING NUMBER AND  
CATALOG REFERENCE NUMBER



COMPONENTS FOR MODEL  
NUMBER 30332 ONLY





**COMPONENTS FOR MODEL NUMBER P4ST-DR6 ONLY**

**WHEN ORDERING PARTS,  
ALWAYS FURNISH MODEL,  
SERIAL NUMBER,  
DRAWING NUMBER AND  
CATALOG REFERENCE NUMBER.**

**BUCYRUS-ERIE**

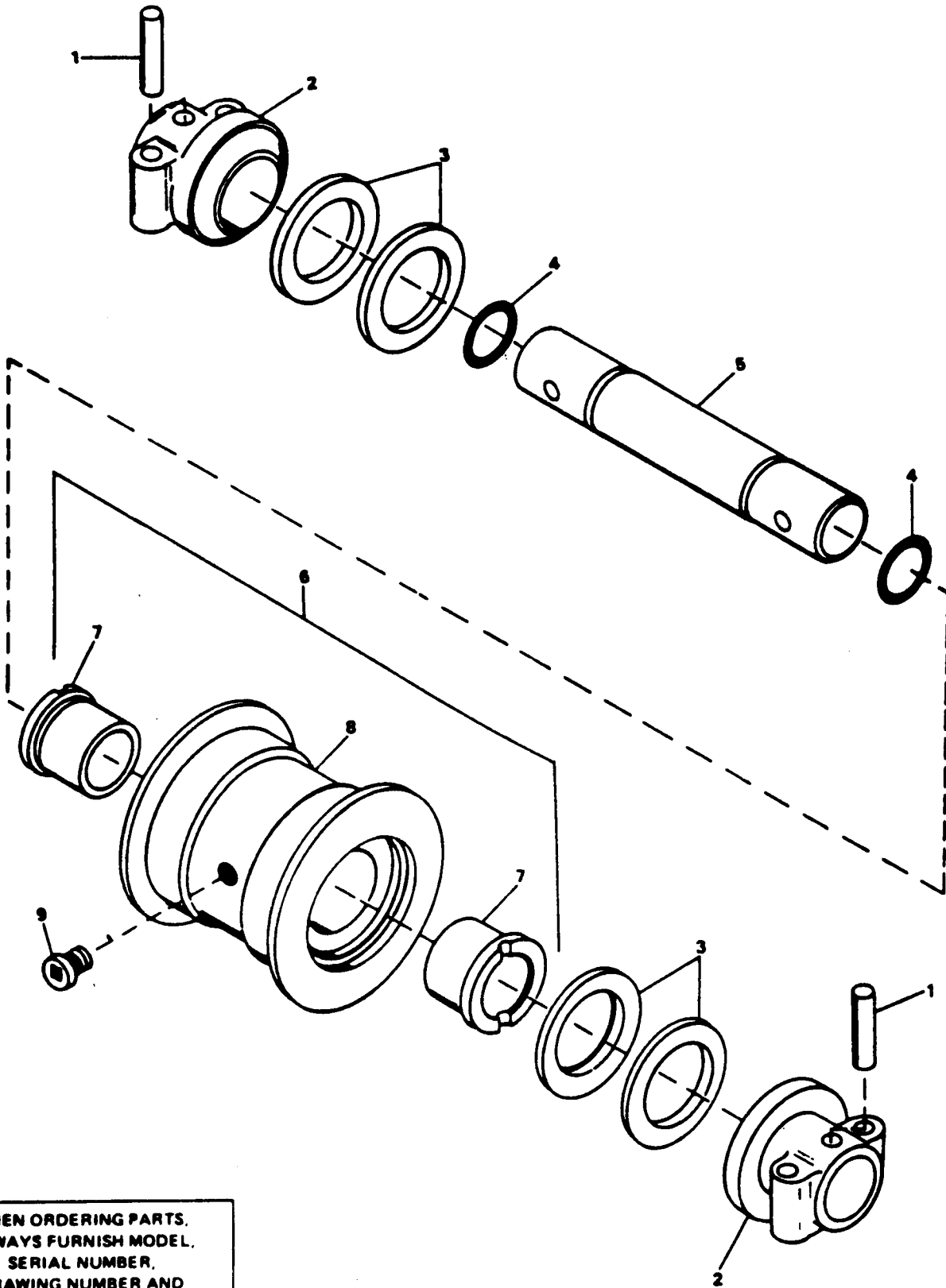


**PARTS LIST**

factory spec replacement parts

CAT REF	DESCRIPTION	SERIAL NO.		PART NO.	REPLACE OR VENDOR NO.	REQ.
		FROM	TO/INCL.			
	120					
	SWING DRIVE GEAR CASE					
	MODEL NUMBER P4ST-DR6					
	COMPONENTS ONLY					
	CATALOG REFERENCE					
	NUMBER 5					
	DRAWING 82330257					
1	OUTPUT SHAFT			62304581		1
2	BALL BEARING			62301048		1
3	COVER			62304582		1
4	NILOS RING			62304583		1
5	BEARING COMPLETE-			62304584		1
	INCLUDES INNER RACE & OUTER RACE					
6	HOUSING COMPLETE-			62304585		1
	INCLUDES HOUSING GEAR RING & DOWEL					
7	ROLL PIN			62301052		1
8	ROLL PIN			62301053		1
9	SOCKET HEAD CAPSCREW			62301359		16
10	OIL SEAL			62301055		2
11	BEARING COMPLETE-			62301129		1
	INCLUDES INNER RACE & OUTER RACE					
12	SLOTTED NUT			62301056		1
13	LOCK PLATE			62301057		1
14	HEX HEAD SCREW			62301102		6
15	BRAKE SPIDER			62301097		1
16	OIL SEAL			62301095		1
17	BEARING COMPLETE-			62301132		1
	INCLUDES INNER RACE & OUTER RACE					
18	COVER			62301078		1
19	SHIM 1.0MM			62301071		1
	NOTE-FOLLOWING SHIMS ARE OPTIONAL-SPECIFY SIZE & QUANTITY					
19	SHIM 0.5MM			62301072		
19	SHIM 0.4MM			62301073		
19	SHIM 0.3MM			62301074		
19	SHIM 0.2MM			62301075		
19	SHIM 0.1MM			62301076		
20	BRAKE SHAFT			62304586		1
21	CIRCLIP			62301077		1
22	BEARING COMPLETE-			62301130		1
	INCLUDES INNER RACE & OUTER RACE					
23	FILTER			62304587		1
24	PIN			62301060		3
25	THRUST WASHER			62301061		6





WHEN ORDERING PARTS,  
 ALWAYS FURNISH MODEL,  
 SERIAL NUMBER,  
 DRAWING NUMBER AND  
 CATALOG REFERENCE NUMBER.

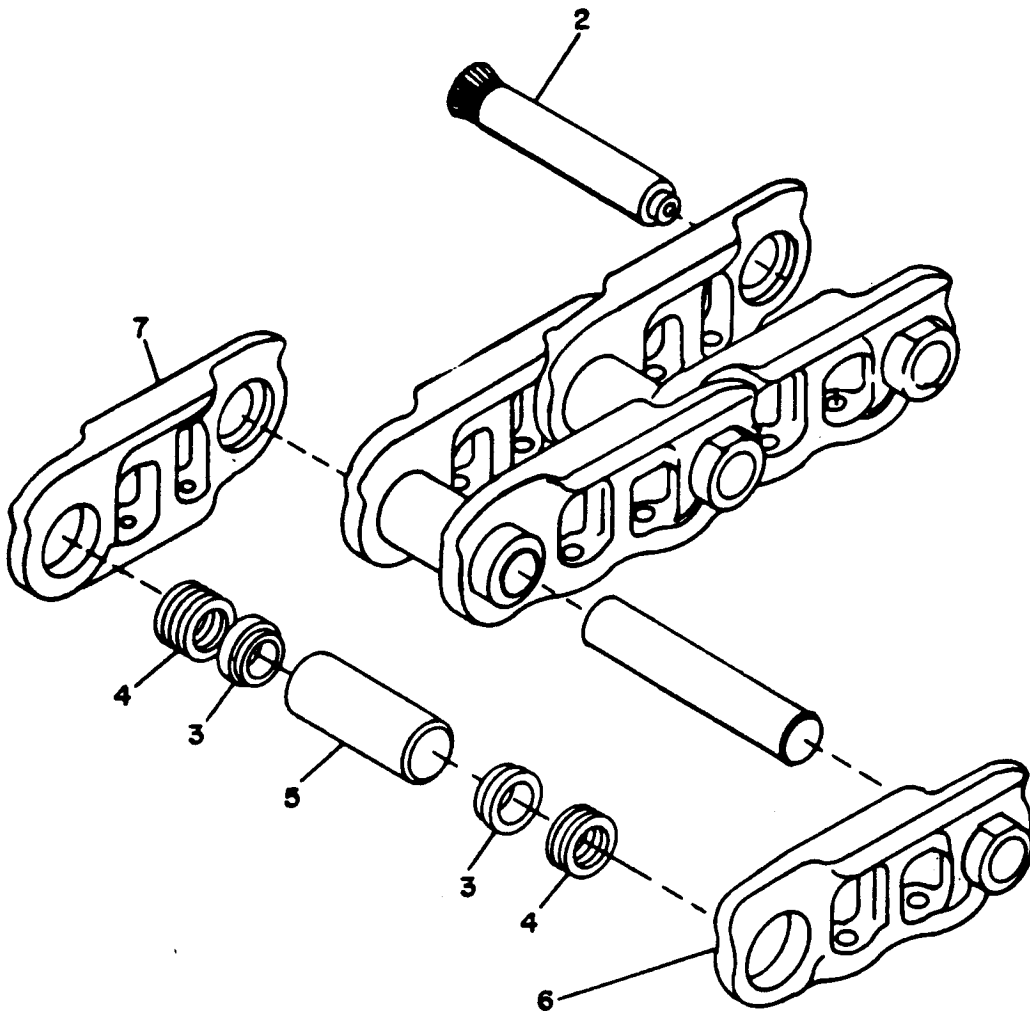
**COMPONENTS FOR MODEL NUMBER 29139 ONLY**





1- MASTER PIN ASSEMBLY

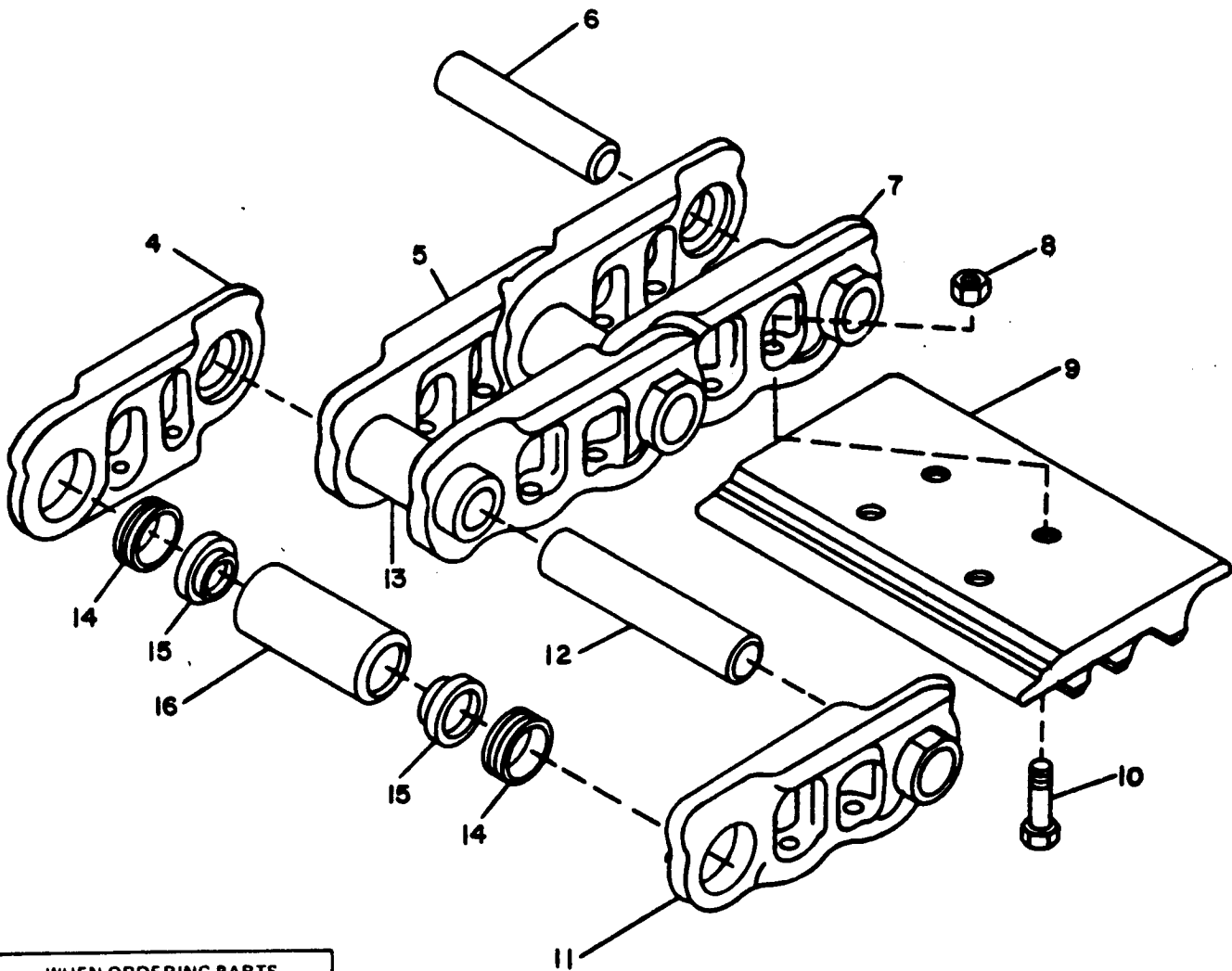
8- MASTER REPAIR LINK ASSEMBLY



WHEN ORDERING PARTS,  
ALWAYS FURNISH MODEL,  
SERIAL NUMBER,  
DRAWING NUMBER AND  
CATALOG REFERENCE NUMBER.



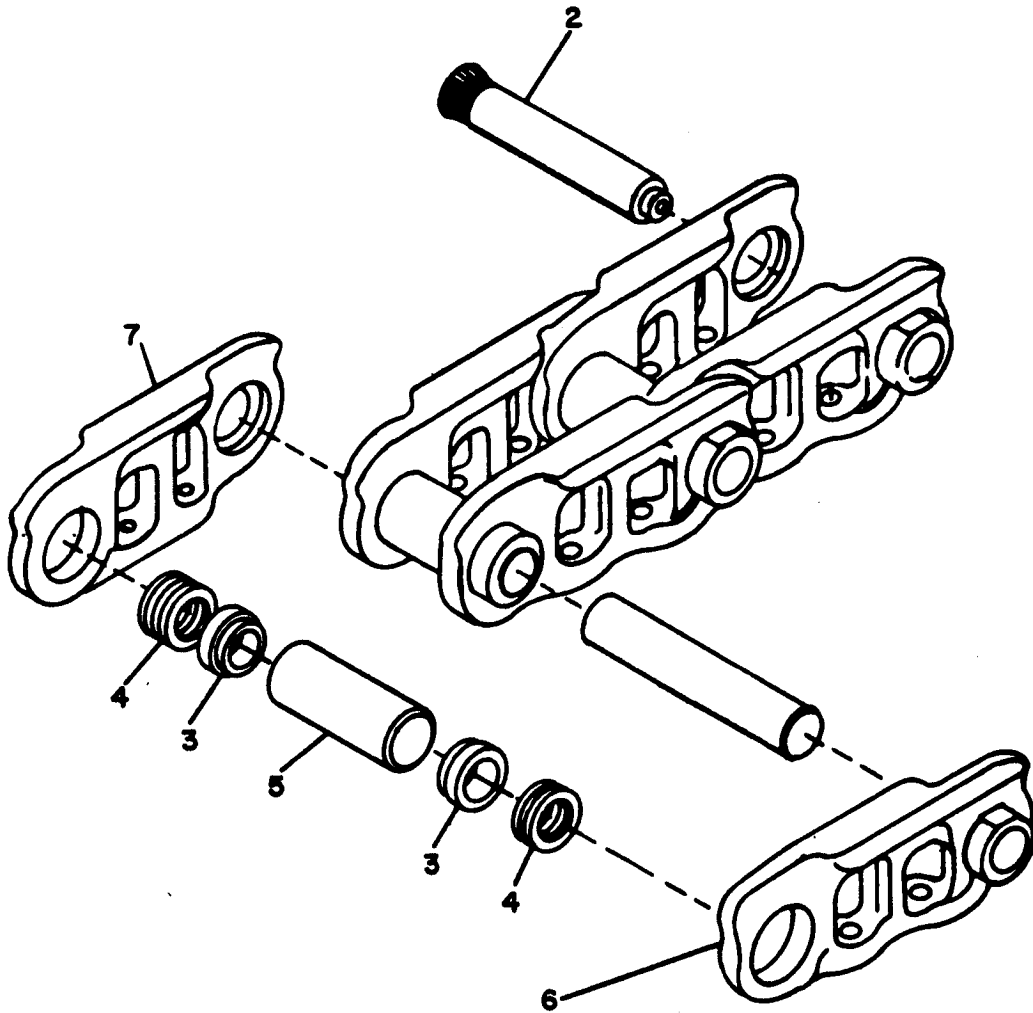
- 1-MASTER PIN ASSEMBLY
- 2-MASTER REPAIR LINK ASSEMBLY
- 3-CHAIN LINK ASSEMBLY



WHEN ORDERING PARTS,  
ALWAYS FURNISH MODEL,  
SERIAL NUMBER,  
DRAWING NUMBER AND  
CATALOG REFERENCE NUMBER.

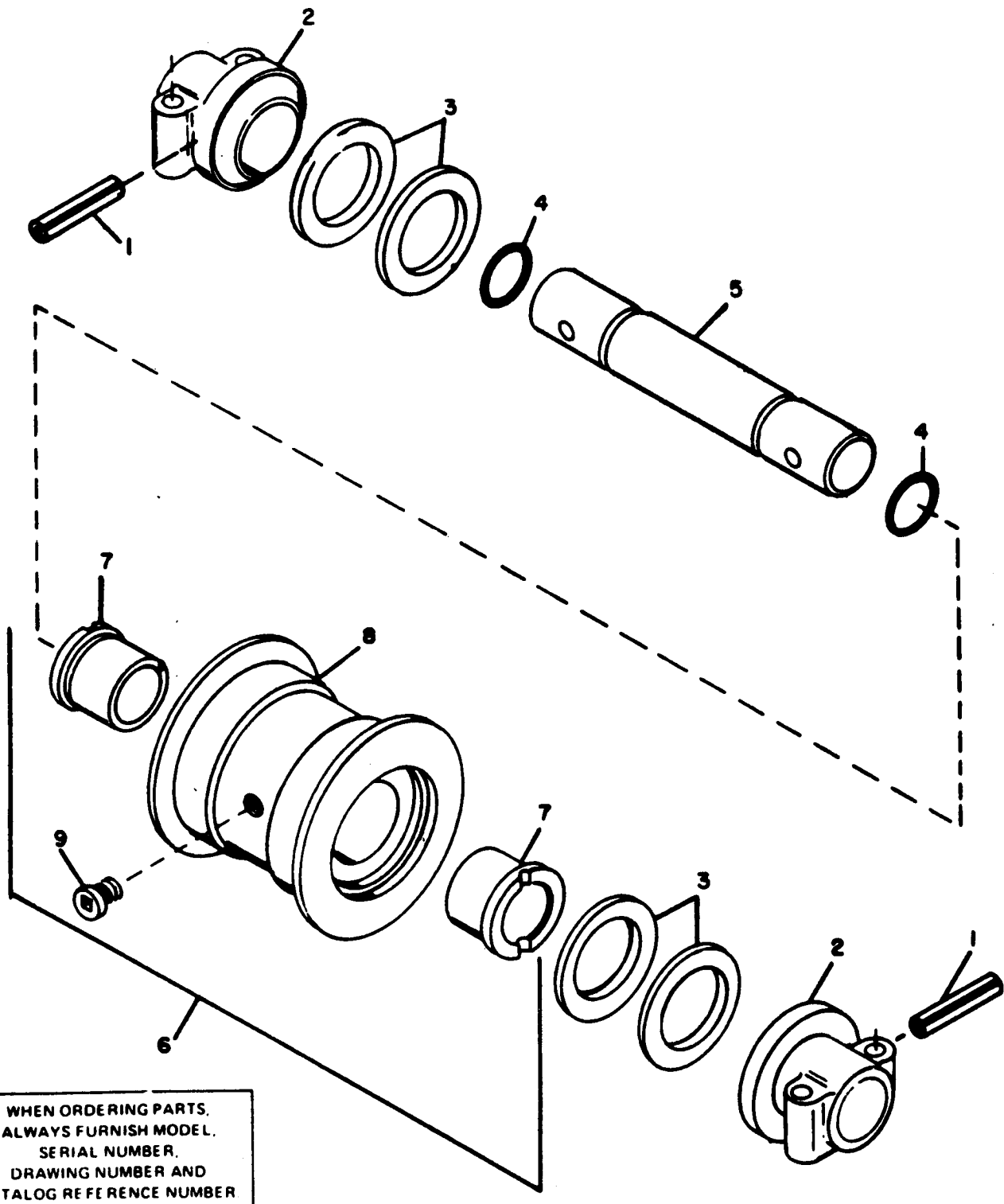


**I-MASTER REPAIR LINK ASSEMBLY**



WHEN ORDERING PARTS,  
ALWAYS FURNISH MODEL,  
SERIAL NUMBER,  
DRAWING NUMBER AND  
CATALOG REFERENCE NUMBER.



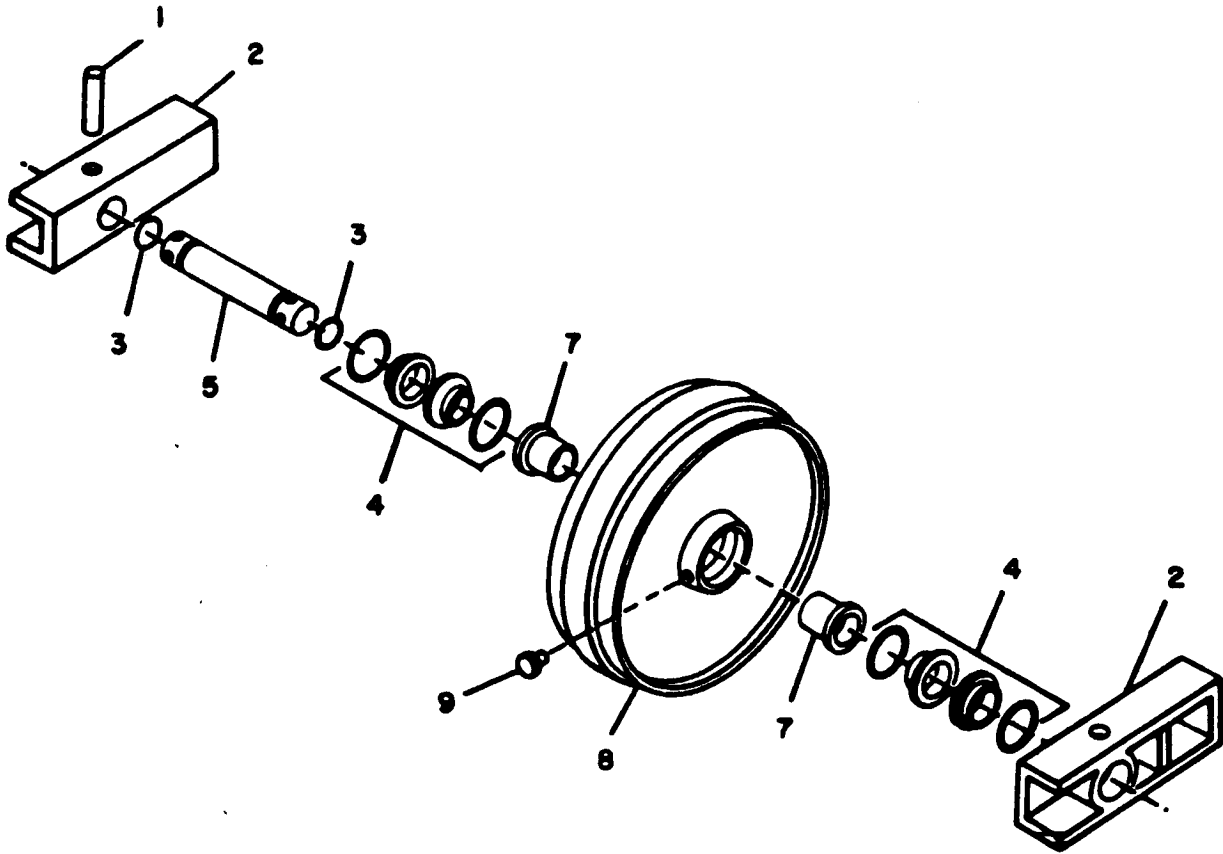


WHEN ORDERING PARTS,  
ALWAYS FURNISH MODEL,  
SERIAL NUMBER,  
DRAWING NUMBER AND  
CATALOG REFERENCE NUMBER

**COMPONENTS FOR MODEL NUMBER 8G5500 ONLY**





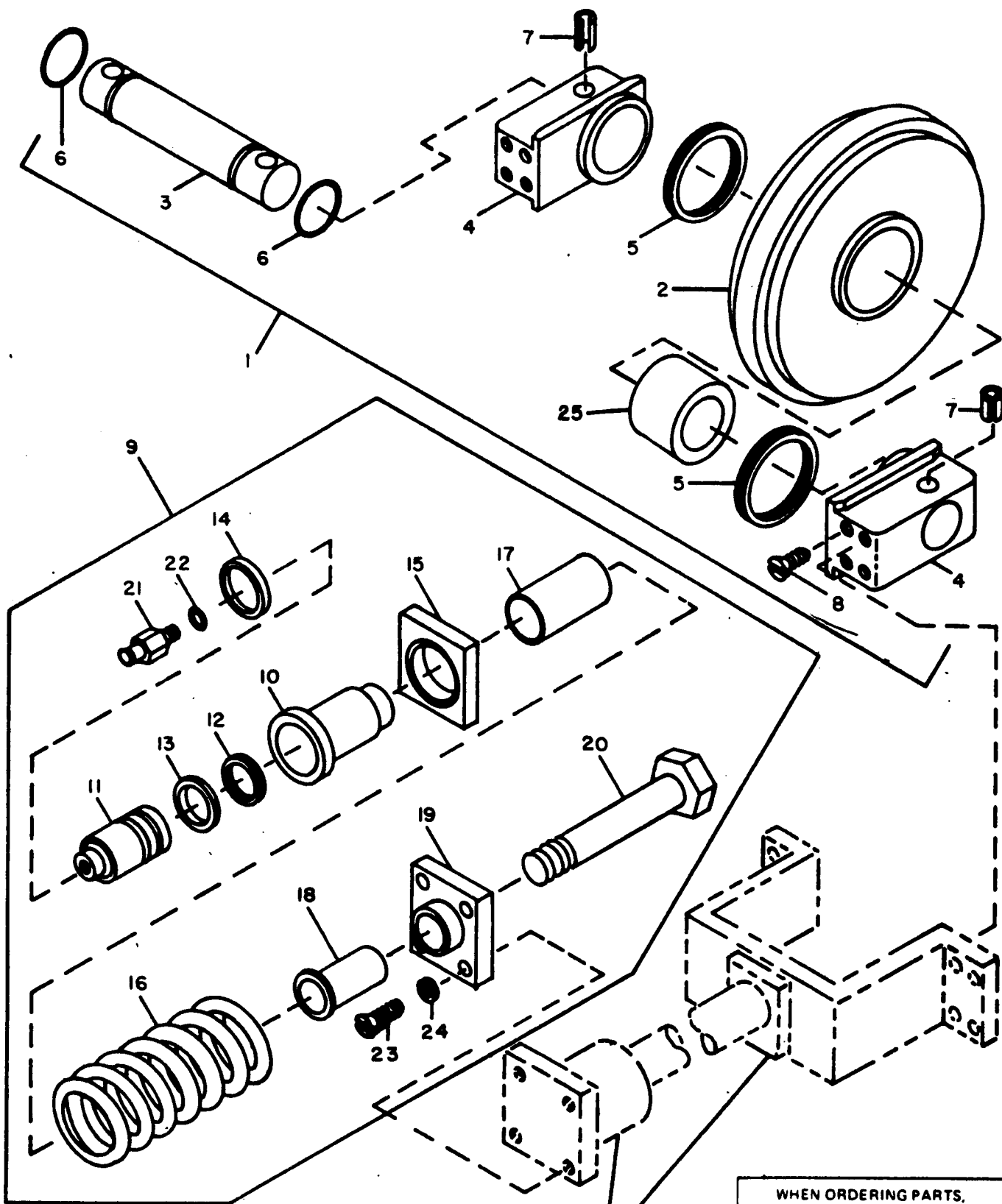


LH484

WHEN ORDERING PARTS,  
ALWAYS FURNISH MODEL,  
SERIAL NUMBER,  
DRAWING NUMBER AND  
CATALOG REFERENCE NUMBER.

COMPONENTS FOR MODEL NUMBER 8G5537 ONLY



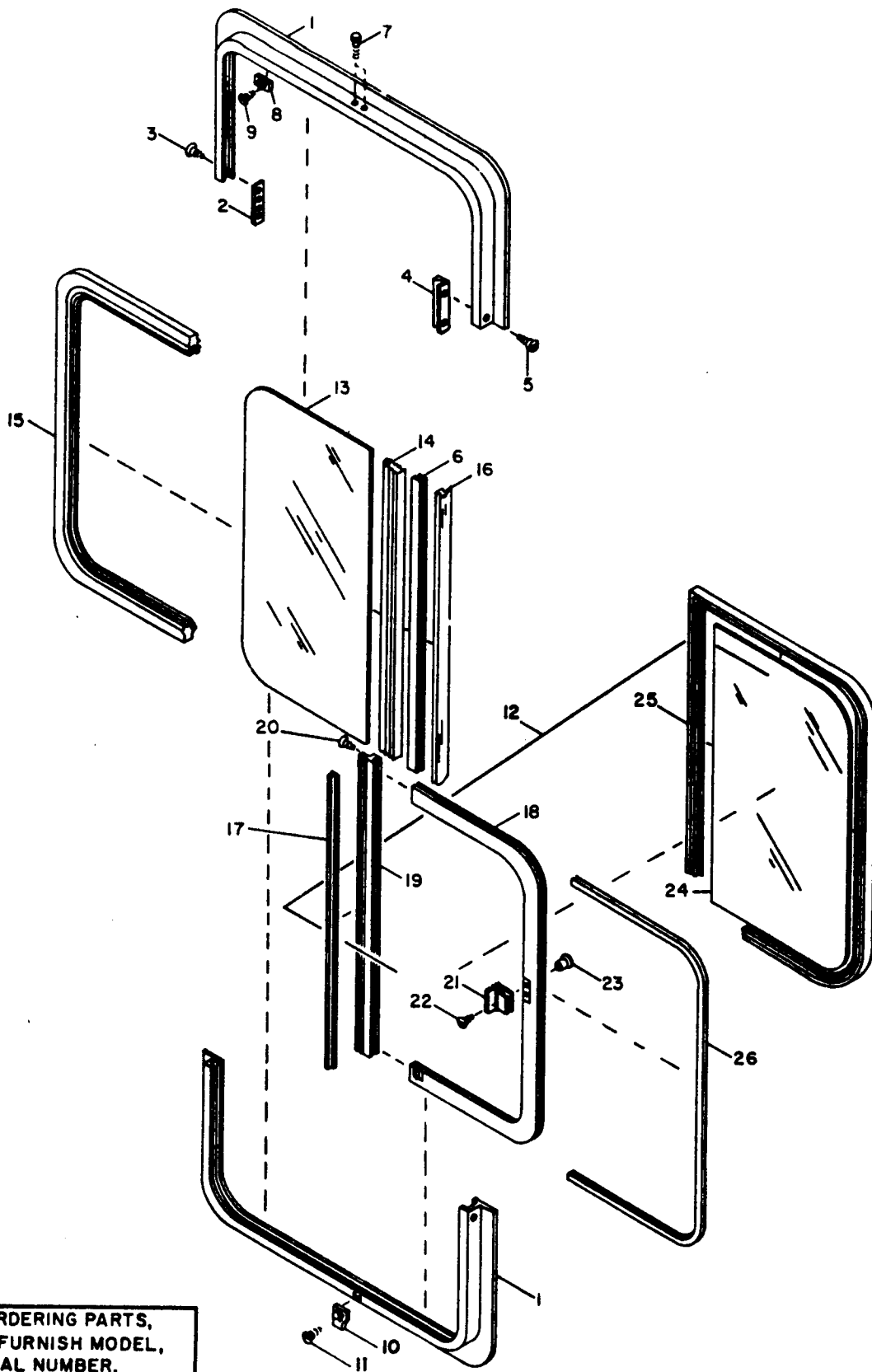


**ROD & YOKE ASSEMBLY**

**COMPONENTS FOR MODEL NUMBER 56377 ONLY**

WHEN ORDERING PARTS,  
ALWAYS FURNISH MODEL,  
SERIAL NUMBER,  
DRAWING NUMBER AND  
CATALOG REFERENCE NUMBER.





WHEN ORDERING PARTS,  
ALWAYS FURNISH MODEL,  
SERIAL NUMBER,  
DRAWING NUMBER AND  
CATALOG REFERENCE NUMBER.

COMPONENTS FOR MODEL NUMBER 250,233,234 ONLY  
SLIDE WINDOW

**BUCYRUS-ERIE**  
factory spec replacement parts



**PARTS LIST**

CAT REF	DESCRIPTION	SERIAL NO.		PART NO.	REPLACE OR VENDOR NO.	REQ.
		FROM	TO/INCL.			
	100 SLIDE-BY REAR WINDOW- MODEL NUMBER 250, 233, 234 COMPONENTS ONLY CATALOG REFERENCE NUMBER 52 DRAWING 82976035					
1	MAIN FRAME-NSI					
2	TIE BAR			62301900		1
3	SCREW			62301901		4
4	CATCH			62301902		1
5	SCREW			62301903		2
6	CENTER POST 24-31/32 INCHES-SPECIFY LENGTH					X
7	SCREW			62301904		2
8	SLIDE STOP			62301905		1
9	SCREW			62301906		1
10	FRICTION LOCK			62301907		1
11	SCREW			62301908		2
12	SLIDE FRAME ASSEMBLY- INCLUDES ITEMS 18 THRU 27			62301909		1
13	STA GLASS			62301910		1
14	VINYL CHANNEL CP 15 INCHES			62301911		1
15	VINYL CHANNEL STA 53 INCHES			62301912		1
16	WEATHERSEAL VINYL 25 INCHES			62301913		1
17	WEATHERSEAL 25 INCHES			62301914		1
18	SLIDE FRAME-NSI					
19	BACK BAR 203 EXT. 24-13/16 INCHES- SPECIFY LENGTH					
20	BACK BAR SCREW			62301915		2
21	LOCK ASSEMBLY			62301916		1
22	SCREW FOR LOCK			62302107		1
23	BARREL NUT			62301917		2
24	SLIDE GLASS			62302108		1
25	VINYL CHANNEL 75 INCHES			62302918		1
26	FLOCKED RUBBER 50 INCHES			62302919		1
27	WEATHERSEAL 26 INCHES			62301914		1

325H  
NUMERICAL INDEX

PART NUMBER	DRAWING NUMBER	PART NUMBER	DRAWING NUMBER	PART NUMBER	DRAWING NUMBER
02192101	BC362	02711050	ZA431A	02786465	ZA423D
02385750	L111	02711050	ZA431B	02786465	ZA423H
02385750	L114	02711050	ZA431C	02786465	ZA423K
02613255	F118	02711050	ZA431D	02786470	F118
02614505	JA161	02711150	ZA423J	02786485	JA161
02614545	JA161	02712050	ZA423F	02786485	M103
02617705	E127	02713050	Q167A	02786490	BC110
02617745	S177	02713050	Q167B	02786490	BC362
02621000	AB130	02713050	Q168A	02786490	T106
02621500	AB130	02713050	Q168B	02786520	BC110
02622800	AB130	02713050	Q179A	02786520	BC362
02622850	AB130	02713050	Q179B	02786545	ZA427
02704070	QZ133	02713050	QR151	02786548	BC110
02704070	QZ134	02713050	QR152	02786550	E127
02704070	W162	02713050	ZA489	02786605	AB130
02704070	ZA425	02714050	Q168A	02790200	QZ134
02704070	ZA426	02714050	Q168B	02810008	ZA425
02705150	S176	02714050	Q179B	03008225	W163
02705150	W163	02714450	Q167B	03014255	E127
02707150	QZ133	02714450	Q168B	03014255	S176
02707150	QZ134	02714450	Q179A	03103240	ZA424
02707150	W163	02714450	Q179B	03109480	W163
02707150	WA115	02716050	L114	03118720	VW120
02707150	WA116	02737570	QZ133	03173160	Q179B
02707150	WA117	02737570	QZ134	03173160	QZ133
02707150	ZA425	02738550	40004373	03173160	QZ134
02707230	S176	02738550	Q179B	03173160	YB107
02708150	ZA425	02738550	QZ133	03173160	ZA426
02708150	ZA451	02738550	QZ134	03173280	WA115
02708180	S176	02738650	Q179B	03173280	WA116
02709150	Q167A	02739600	ZA425	03173280	WA117
02709150	Q167B	02740550	ZA424	03173320	QZ133
02709150	Q168A	02786312	W164	03173320	QZ134
02709150	Q168B	02786330	ZA426	03173400	WA115
02709150	Q179B	02786345	W164	03173400	WA115
02709150	QZ133	02786345	WA115	03173400	WA117
02709150	QZ134	02786345	WA116	03179190	S176
02709150	S180	02786345	WA117	03179280	Q167A
02709150	WA116	02786345	ZA426	03179410	S176
02709150	WA117	02786345	ZA491	03179720	ZA426
02709150	ZA423J	02786346	W163	03182320	VH118
02709150	ZA425	02786385	AB130	03182320	VW118
02709400	E127	02786385	S176	03182400	WA116
02709400	S176	02786385	YE142	03219240	WA116
02710050	ZA431C	02786385	ZA426	03219240	WA117
02710050	ZA431D	02786395	W163	03223160	QZ133
02710150	Q179B	02786425	QR151	03223160	QZ134
02711050	VW120	02786425	QR152	03223400	W164
02711050	ZA423A	02786425	YE142	03273245	S176
02711050	ZA423B	02786425	ZA427	03273320	Q167A
02711050	ZA423C	02786425	ZA489	03273320	Q168A
02711050	ZA423D	02786426	W163	03273320	W163
02711050	ZA423F	02786430	Q179B	03273320	WA116
02711050	ZA423H	02786465	ZA423C	03273320	WA117

325H  
NUMERICAL INDEX

PART NUMBER	DRAWING NUMBER	PART NUMBER	DRAWING NUMBER	PART NUMBER	DRAWING NUMBER
03273320	ZA425	03279485	W163	03282560	Q179B
03273325	S176	03279565	W163	03282560	ZA423F
03273400	ZA427	03279640	64916036	03282725	64312296
03273680	ZA491	03279640	64916711	03282725	ZA431C
03273855	64916036	03279640	Q179B	03282725	ZA431D
03273855	64916711	03279645	W163	03282800	ZA423K
03276240	ZA425	03279720	QR151	03282800	ZA4231
03276240	64916036	03279720	QR152	03282805	ZA431A
03276240	64916711	03279720	WA116	03282805	ZA431B
03276280	Q168A	03279720	WA117	03282805	ZA431C
03276320	ZA425	03279765	W163	03282805	ZA431D
03276320	ZA451	03279800	64916036	03282885	ZA423F
03276964	64312296	03279800	64916711	03282887	ZA423B
03279160	W163	03279840	ZA423E	03282887	ZA423M
03279200	QZ133	03279840	ZA423H	03283045	64312296
03279200	QZ134	03279840	ZA423M	03283045	ZA431C
03279240	ZA425	03279900	Q168A	03283045	ZA431D
03270240	ZA426	03279900	ZA423C	03283285	ZA423J
03279280	Q167A	03279900	ZA423H	03283440	ZA431B
03279280	Q168A	03279900	ZA423K	03285240	Q167B
03279280	Q168B	03279900	ZA423L	03285240	Q179B
03279280	Q179A	03280480	ZA423C	03285320	YE142
03279280	ZA427	03280480	ZA423H	03285320	ZA423B
03279320	E127	03280480	ZA423K	03285320	ZA423E
03279320	Q167A	03280480	ZA423L	03285320	ZA423F
03279320	Q167B	03280480	ZA425	03285320	ZA423M
03279320	Q168B	03282245	QR151	03285320	ZA431C
03279320	Q179A	03282320	Q179B	03285320	ZA431D
03279320	Q179B	03282400	ZA423K	03285325	W163
03279320	QZ133	03282400	ZA431A	03285400	L111
03279320	QZ134	03282400	ZA431B	03285400	L112
03279320	WA116	03282400	ZA431C	03285400	Q168B
03279320	WA117	03282400	ZA431D	03285400	YE142
03279320	ZA424	03282400	ZA423L	03285400	ZA423A
03279320	ZA489	03282480	QR151	03285400	ZA423B
03279400	64916036	03282480	QR152	03285400	ZA423D
03279400	64916711	03282480	ZA423A	03285400	ZA423F
03279400	ABA130	03282480	ZA423B	03285400	ZA423G
03279400	Q167B	03282480	ZA423C	03285400	ZA423K
03279400	Z168B	03282480	ZA423D	03285400	ZA423L
03279400	Q179B	03282480	ZA423E	03285400	ZA423M
03279400	S180	03282480	ZA423G	03285400	ZA427
03279400	ZA422	03282480	ZA423H	03285400	ZA430
03279400	ZA423J	03282480	ZA423J	03285400	ZA489
03279400	ZA423L	03282480	ZA423K	03285400	ZA490
03279400	ZA427	03282480	ZA423L	03285480	QR151
03279400	ZA489	03282480	ZA423M	03285480	ZA423C
03279447	W163	03282480	ZA429	03285480	ZA423F
03279480	Q167B	03282480	ZA430	03285480	ZA423H
03279480	S180	03282480	ZA431A	03285480	ZA423K
03279480	YE142	03282480	ZA431B	03285480	ZA423L
03279480	ZA423A	03282480	ZA431C	03285480	ZA429
03279480	ZA423D	03282480	ZA431D	03285480	ZA430
03279480	ZA423J	03282480	ZA490	03285560	F118



325H  
NUMERICAL INDEX

PART NUMBER	DRAWING NUMBER	PART NUMBER	DRAWING NUMBER	PART NUMBER	DRAWING NUMBER
03285560	JA161	03291400	Q167A	03295605	T106
03285560	VW120	03291400	Q168A	03295765	JA161
03285560	YE142	03291400	Q168B	03295765	M103
03285560	ZA423A	03291400	Q179A	03295940	BC110
03285560	ZA423B	03291560	Q167B	03295940	JA161
03285560	ZA423D	03291560	Q179B	03295940	M103
03285560	ZA423G	03291640	BC110	03298605	BC110
03285560	ZA423M	03291640	BC362	03301582	BC110
03285560	ZA428	03291640	Q179A	03329080	WA116
03285560	ZA431A	03291720	BC110	03329080	WA117
03285560	ZA489	03291720	ZA423G	03329530	Q167B
03285560	ZA490	03291800	Q167A	03347400	T106
03285640	AB130	03291800	Q168A	03347465	VH118
03285640	ZA161	03291800	ZA423C	03347465	VW118
03285640	ZA423B	03291800	ZA423H	03347581	VW120
03285640	ZA423C	03291800	ZA423K	03350585	VD111
03285640	ZA423F	03291800	ZA423L	03474480	WA115
03285640	ZA423H	03291880	Q179A	03474480	WA116
03285640	ZA423J	03291960	Q168A	03480722	QR151
03285640	ZA423M	03292040	Q167B	03482125	ZA423E
03285640	ZA431C	03292040	Q179B	03482128	79380946
03285640	ZA431D	03292040	ZA423C	03482128	79380954
03285645	W163	03292040	ZA423D	03482130	ZA423E
03285720	ZA423K	03292040	ZA423H	03483510	ZA422
03278720	ZA423L	03292040	ZA423K	03483640	ZA423F
03285800	ZA423A	03292040	ZA423L	03484040	F118
03285805	W163	03292120	Q168B	03500670	QR152
03285960	ZA423A	03292200	Q168B	03505400	VH118
03285960	ZA423B	03292280	ZA423C	03505400	VW118
03285960	ZA423C	03292280	ZA423H	03552001	ZA423G
03285960	ZA423J	03292280	ZA423K	03552001	ZA489
03285960	ZA423M	03292280	ZA423L	03552004	F118
03286040	ZA423B	03292440	QR151	03552006	ZA428
03286120	ZA423A	03292440	QR152	03552006	ZA490
03286120	ZA423B	03292440	ZA423C	03552011	82811525
03286120	ZA423D	03292440	ZA423H	03552023	ZA428
03286120	ZA423E	03292440	ZA423K	03552023	ZA490
03286120	ZA423G	03292440	ZA423L	03566910	E127
03286120	ZA423M	03292600	Q167B	03572140	A127
03286200	ZA431B	03292600	Q179B	03572140	ZA423F
03286200	ZA431C	03292600	ZA489	03572157	W163
03286200	ZA431D	03292760	ZA427	03612090	QZ133
03286200	ZA489	03292760	ZA489	03612090	QZ134
03286280	ZA423A	03294480	BC362	03614200	W163
03286280	ZA423B	03294480	L111	03614201	W163
03286280	ZA423C	03294480	L112	03638220	W164
03286280	ZA423G	03294640	ZA422	03640290	ZA425
03286280	ZA431A	03294720	BC110	03642160	YE142
03286440	ZA423C	03294740	T106	03642190	S176
03286440	ZA428	03294880	Q167B	03642240	YE142
03286440	ZA490	03294880	Q168B	03646170	S176
03286520	Q179B	03294880	Q179B	03646220	S176
03286760	ZA428	03295120	BC362	03646240	AB130
03286760	ZA490	03295285	BC110	03646440	W164

325H  
NUMERICAL INDEX

PART NUMBER	DRAWING NUMBER	PART NUMBER	DRAWING NUMBER	PART NUMBER	DRAWING NUMBER
03646520	W163	03951400	ZA425	03955002	ZA423J
03648240	AB130	03951400	ZA426	03955002	ZA423K
03648405	S176	03951420	S176	03955002	ZA423L
03666110	QZ133	03951430	W163	03955002	ZA423M
03666110	QZ134	03951459	64312296	03955002	ZA429
03666110	ZA425	03951500	Q179B	03955002	ZA430
03786312	W164	03951500	ZA490	03955002	ZA431A
03786426	W163	03951550	W163	03955002	ZA431B
03786490	T106	03951600	AB130	03955002	ZA431C
03802347	79299835	03951600	S180	03955002	ZA431D
03802347	79299841	03951600	YE142	03955003	ZA423C
03802347	79434799	03951600	ZA422	03955003	ZA423D
03803100	W163	03951600	ZA423B	03955003	ZA423F
03812372	T106	03951600	ZA423E	03955003	ZA423G
03891735	WA115	03951600	ZA423F	03955003	ZA423H
03891735	WA116	03951600	ZA423G	03955003	ZA423K
03891735	WA117	03951600	ZA423J	03955003	ZA423L
03896075	S176	03951600	ZA423L	03955003	ZA428
03896170	W163	03951600	ZA423M	03955003	ZA429
03896175	W163	03951600	ZA427	03955003	ZA430
03942240	YE142	03951600	ZA489	03955003	ZA489
03950220	W164	03951600	ZA490	03955003	ZA490
03951000	ZA425	03951630	W163	03955004	ZA423G
03951190	64916036	03951650	F118	03955004	ZA427
03951190	64916711	03951650	Q167A	03955004	ZA489
03951200	40004373	03951650	Q179B	03955006	ZA428
03951200	Q167A	03951750	ZA423F	03955006	ZA490
03951200	Q168A	03951800	ZA423C	03960610	QZ133
03951200	QZ133	03951800	ZA423D	03960610	ZA134
03951200	QZ134	03951800	ZA423H	03960610	ZA425
03951200	W163	03951800	ZA423L	03960630	W162
03951200	WA115	03951850	BC110	03960720	W163
03951200	WA116	03951850	F118	03960770	S176
03951200	WA117	03951850	Q168A	03960900	QZ133
03951200	ZA424	03951900	Q179B	03960900	QZ134
03951200	ZA491	03951950	BC110	03960900	YE142
03951220	S176	03951950	BC362	03960900	ZA425
03951220	W163	03951950	T106	03960900	ZA426
03951300	Q168A	03952050	BC110	03961010	40004373
03951359	64916036	03952050	BC362	03961010	AB130
03951359	64916711	03952050	T106	03961010	Q167A
03951400	AB130	03952075	BC110	03961010	Q167B
03951400	Q167A	03952150	E127	03961010	Q168A
03951400	Q168A	03952350	AB130	03961010	Q179B
03951400	Q179A	03952353	W163	03961010	QZ133
03951400	QZ133	03955001	ZA423J	03961010	QZ134
03951400	QZ134	03955002	ZA423A	03961010	W163
03951400	S176	03955002	ZA423B	03961010	W164
03951400	W163	03955002	ZA423C	03961010	WA115
03951400	WA116	03955002	ZA423D	03961010	WA116
03951400	WA117	03955002	ZA423E	03961010	WA117
03951400	YE142	03955002	ZA423F	03961010	YB107
03951400	ZA423J	03955002	ZA423G	03961010	ZA425
03951400	ZA423L	03955002	ZA423H	03961010	ZA427

325H  
NUMERICAL INDEX

PART NUMBER	DRAWING NUMBER	PART NUMBER	DRAWING NUMBER	PART NUMBER	DRAWING NUMBER
03961011	S176	03961500	QR151	03990004	ZA428
03961210	Q168A	03961500	VW120	03990004	ZA490
03961210	ZA425	03961500	YE142	03990008	ZA423G
03961210	ZA451	03961500	ZA423A	03990008	ZA489
03961221	S176	03961500	ZA423B	03990011	QR151
03961300	AB130	03961500	ZA423C	11168012	W162
03961300	E127	03961500	ZA423D	12084802	12970907
03961300	Q167A	03961500	ZA423E	12119456	T106
03961300	Q167B	03961500	ZA423F	12119457	T106
03961300	Q168A	03961500	ZA423G	12251616	WA115
03961300	Q168B	03961500	ZA423H	12251616	WA116
03961300	Q179A	03961500	ZA423J	12576254	QZ134
03961300	Q179B	03961500	ZA423K	12576255	QZ133
03961300	QR151	03961500	ZA423M	12576255	QZ134
03961300	QR152	03961500	ZA429	12730016	ZA426
03961300	QZ133	03961500	ZA430	12765011	ZA426
03961300	QZ134	03961500	ZA431A	12769120	QZ133
03961300	S180	03961500	ZA431B	12769120	QZ134
03961300	W163	03961500	ZA431C	12769120	ZA425
03961300	WA116	03961500	ZA431D	12774164	WA115
03961300	WA117	03961500	ZA490	12774164	WA116
03961300	ZA422	03961700	BC110	12774164	WA117
03961300	ZA423A	03961700	BC362	12909L	L114
03961300	ZA423C	03961700	Q167A	12918M	M103
03961300	ZA423D	03961700	Q167B	12936M	M103
03961300	ZA423E	03961700	Q168A	12940A	A127
03961300	ZA423H	03961700	Q168B	12946E1	E127
03961300	ZA423J	03961700	Q179A	12950A	A127
03961300	ZA423K	03961700	Q179B	12970907	ZA426
03961300	ZA423L	03961700	QR151	12970947	ZA426
03961300	ZA423M	03961700	QR152	12976E1	E127
03961300	ZA424	03961700	ZA423C	12980L	L111
03961300	ZA425	03961700	ZA423H	12981L	L111
03961300	ZA427	03961700	ZA423K	12996L	L114
03961300	ZA489	03961700	ZA423L	12997L	L114
03961302	E127	03961800	BC110	12998L	L114
03961302	S176	03961800	L111	12999L	L114
03961410	Q179B	03961800	L112	14300064	10000000
03961410	QR151	03961800	Q167A	14300064	13000000
03961410	QR152	03961800	Q168A	14380038	QR151
03961410	WA116	03961800	Q179A	14380132	Q167B
03961410	WA117	03961800	ZA422	14380171	Q167B
03961410	ZA423B	03961900	VH118	14380281	QR151
03961410	ZA423G	03961900	VW118	14380282	QR151
03961410	ZA423M	03962000	L111	14380284	QR151
03961410	ZA431C	03962000	L114	14380286	QR151
03961410	ZA431D	03962000	VD111	14380295	QR151
03961410	ZA490	03964395	Q179B	14381560	QR151
03961500	JA161	03980252	VW120	15004L	L114
03961500	L111	03980254	BC110	15005L	L114
03961500	L112	03980254	T106	15017AB	AB130
03961500	Q167B	03980255	F118		
03961500	Q168B	03990001	ZA423G		
03961500	Q179B	03990001	ZA489		

325H  
NUMERICAL INDEX

PART NUMBER	DRAWING NUMBER	PART NUMBER	DRAWING NUMBER	PART NUMBER	DRAWING NUMBER
15043AB	AB130	17448500	ZA423C	20324986	ZA423A
15058AB	AB130	17448500	ZA423H	20324986	ZA423B
15080V	VH118	17448500	ZA423K	20324986	ZA423C
15081V	VW118	17448500	ZA423L	20324986	ZA423D
15083V	VD111	17448500	ZA424	20329486	ZA423E
15084AB	AB130	17448500	ZA428	20324986	ZA423G
15127V	VH118	17448500	ZA490	20324986	ZA423H
15128V	VD111	17448500	ZA491	20324986	ZA423K
15129V	VW118	17448500	ZA491	20324986	ZA423L
15177JA	JA161	17448525	QZ133	20324986	ZA423M
15236JA	JA161	17448525	QZ134	20324986	ZA429
16231510	ZA425	20015250	ZA427	20324986	ZA430
16412265	QZ133	20015250	ZA489	20324986	ZA431A
16412265	QZ134	20015340	QZ134	20324986	ZA431B
16412268	QZ133	20017150	YE142	20324986	ZA431C
16412268	QZ134	20017550	Q167B	20324986	ZA431D
16412269	QZ133	20017550	Q168B	20500350	ZA424
16412270	QZ133	20017550	Q179B	20500350	ZA491
16412270	QZ134	20017550	WA115	20501420	QZ134
16412296	QZ134	20017550	ZA426	20516350	Q167B
17029626	QZ133	20018350	QZ133	20516350	Q179B
17029629	QZ134	20019050	Q167B	20524900	Q167A
17056082	QZ133	20019050	WA115	20524900	Q167B
17056082	QZ134	20095550	F118	20524900	Q168A
17058502	QZ133	20111090	YE142	20526200	Q179A
17058502	QZ134	20111930	Q179B	20536000	Q167B
17058503	QZ133	20185200	ZA426	20536000	Q179B
17058503	QZ134	20213500	Q167B	20536500	Q168B
17059005	QZ133	20213500	Q168B	20537000	ZA426
17059005	QZ134	20213500	Q179B	20537050	ZA427
17182701	ZA427	20213750	YE142	20537050	ZA489
17182701	ZA489	20214000	Q167A	20538300	Q179B
17270248	QZ133	20214000	Q167B	20541400	F118
17270248	QZ134	20214000	Q168A	20546900	Q179B
17270249	QZ133	20214000	Q168B	20557900	Q167A
17270249	QZ134	20214000	Q179A	20559550	ZA489
17270251	QZ133	20214000	Q179B	20561500	Q179B
17270251	QZ134	20221500	F118	20562100	Q167B
17272110	QZ133	20221500	Q167B	20662950	YE142
17272110	QZ134	20221500	Q168B	20765155	79299835
17295428	ZA425	20221500	Q179B	20765155	79299841
17317609	QZ133	20221750	YE142	20765155	79434799
17317609	QZ134	20222250	Q167B	20765300	ZA427
17330850	ZA424	20222250	Q168B	20765300	ZA489
17330850	ZA491	20222250	Q179B	20765420	ZA424
17330850	ZA491	20222250	ZA426	20765420	ZA491
17392803	W162	20230000	Q167A	20765435	64312296
17392808	QZ134	20230750	Q167A	20765435	64916036
17433402	QZ133	20230750	Q168B	20765435	64916711
17433402	QZ134	20230750	Q179A	20765435	64917014
17443806	QZ133	20237750	Q179B	20765440	ZA423F
17443806	QZ134	20239750	Q167B	20765700	Q167B
17445823	ZA425	20278265	Q179B	20765700	Q179B
17448481	ZA425	20298000	Q179B	20766150	Q167B

325H  
NUMERICAL INDEX

PART NUMBER	DRAWING NUMBER	PART NUMBER	DRAWING NUMBER	PART NUMBER	DRAWING NUMBER
20766150	Q179B	37140001	WA116	46577067	QZ133
20766400	YE142	37140001	WA117	46577067	QZ134
20766600	YE142	37140002	WA116	46638028	W164
20766620	Q179B	37140002	WA117	46640003	W164
20766990	79381537	37140102	WA115	46640017	W164
20768000	ZA427	37140102	WA116	46651023	Q167B
20768000	ZA489	37140102	WA117	46651032	Q167B
20810350	QZ134	37140103	WA115	46651032	Q168B
20810350	ZA424	37140104	WA117	46653365	Q179B
20810350	ZA491	37140106	WA117	46669769	Q167B
20820250	ZA425	40004373	VSS102	46669769	Q168B
26580204	AB130	46110502	ZA427	46810767	QR151
26845350	82330257	46110502	ZA489	46810769	QR152
26963000	64960106	46140225	ZA423F	46815175	46810767
26963000	64960107	46140229	Q179B	46815577	46810767
27273084	WA116	46140247	Q167B	46815577	46810769
27273084	WA117	46140247	Q168B	46821340	QZ133
27288128	WA116	46140249	ZA489	46821340	QZ134
27288128	WA117	46140253	ZA489	46821346	ZA425
29028502	F118	46151451	Q167B	46859259	QZ133
29045007	VD111	46151451	Q168B	46859259	QZ134
29448245	YE142	46151452	Q179B	46859451	QZ133
32356000	E127	46151496	Q167B	46859451	QZ134
32356000	Q167A	46151496	Q168B	46859658	QZ133
32356000	Q168A	46151506	Q179B	46859658	QZ134
32356000	Q179A	46151959	Q179B	46859691	QZ133
34950500	35000016	46163185	Q168B	46859691	QZ134
34950500	82943007	46163187	Q179B	46859692	WA115
34950502	35000016	46163199	Q179B	46859692	WA116
34950503	35000016	46163220	WA115	46859692	WA117
34950503	82943007	46163220	WA116	47079046	WA115
34950505	35000016	46163220	WA117	47079046	WA116
34950505	82943007	46163294	46140247	47049046	WA117
34950507	35000016	46163505	46140247	47091801	47079046
34950507	82943007	46173216	ZA423G	47091803	47079046
34950508	35000016	46173217	ZA423G	47091804	47079046
34950508	82943007	46250024	S176	47091805	47079046
34950509	35000016	46266060	WA115	47091806	47079046
34950510	82943007	46266060	WA116	47091807	47079046
34950513	35000016	46266065	WA115	47100774	WA115
34950513	82943007	46266065	WA116	47100774	WA116
34950514	35000016	46266065	WA117	47100774	WA117
34950514	82943007	46266218	Q167B	47109132	Q168A
34950515	35000016	46266218	Q168B	47109133	Q167A
34950515	82943007	46266218	Q179B	47109133	Q179A
34950516	35000016	46321776	WA115	48554090	Q168B
34950516	82943007	46321776	WA116	50699328	F118
35000016	BC110	46321776	WA117	50699337	ZA427
35000031	35000016	46324005	Q167B	50699339	ZA427
35000031	82943007	46324005	Q168B	50699339	ZA489
35000031	BC110	46325004	Q167B	50699345	ZA489
35000033	BC110	46325004	Q179B	50699349	ZA423F
35000034	BC110	46574371	QZ133	50703500	YE142
35000035	BC110	46574371	QZ134	50708017	Q167A

325H  
NUMERICAL INDEX

PART NUMBER	DRAWING NUMBER	PART NUMBER	DRAWING NUMBER	PART NUMBER	DRAWING NUMBER
50708017	Q168A	53268596	QZ133	53303626	ZA423J
50708017	Q179A	53268596	QZ134	53303627	ZA423D
510769K1	Q179B	53268601	ZA423F	53303627	ZA423G
512687-10	F118	53268610	ZA426	53303627	ZA428
514772K1	82973003	53268611	ZA423E	53303627	ZA490
514772K1	E127	53268611	ZA423F	53303629	ZA423F
516988-02	QR151	53268615	ZA423E	53303629	ZA423K
516988-02	QR152	53268615	ZA423F	53303629	ZA423L
516988-04	QR152	53268627	ZA423F	53303629	ZA429
516988-26	QR151	53268627	ZA424	53303629	ZA430
517889-05	W162	53268627	ZA491	53303629	ZA489
518333-01	QR151	53268690	ZA423C	53335060	WA117
518333-01	QR152	53268690	ZA489	53335060	WA115
518333-02	QR151	53268695	ZA423C	53335060	WA116
518333-02	QR152	53268695	ZA423E	53342521	ZA489
518333-03	QR151	53268695	ZA423F	53342526	ZA489
518333-03	QR152	53268695	ZA423H	53342557	ZA423C
521004K1	Q167B	53268700	ZA423C	53342557	ZA423H
521004K1	Q168B	53268700	ZA427	53342580	ZA489
521004K1	Q179B	53269118	ZA423C	53342581	ZA489
521004K1	QR151	53269118	ZA423H	53404789	ZA423J
521004K1	QR152	53269582	ZA423D	53470801	YD112
521373-02	WA116	53269900	Q167A	53606620	Q167A
521373-02	WA117	53269900	Q168A	53612980	Q179A
521665-06	VW120	52369900	Q179A	53623270	Q179A
525751K1	Q167B	53270013	Q179B	53625890	Q168A
529810K1	ZA423G	53270180	Q167A	53627317	Q167B
53004065	82973003	53270180	Q168A	53627317	Q179B
53004065	E127	53270180	Q179A	53627320	Q167A
53017502	WA117	53270180	ZA423D	53268039	Q168B
53017502	WA116	53271065	ZA423G	53628039	YE142
53020500	Q168B	53271065	ZA489	53628049	Q168B
53025051	WA117	53271149	Q167B	53628053	Q168B
53025051	WA116	53271149	Q168B	53628060	Q168B
53030052	WA116	53271185	Q167B	53628266	Q168B
53040006	WA115	53271185	Q168B	53628389	Q167B
53040006	WA116	53271324	Q179B	53628389	Q179B
53070006	WA115	53275030	WA117	537171-01	ZA489
53080997	ZA489	53275030	WA115	537173-05	ZA423G
53153025	Q167A	53275030	WA116	537173-05	ZA428
53153025	Q168A	53276567	ZA427	537173-05	ZA490
53181070	Q167A	53276569	ZA427	537379K1	ZA424
53181070	Q168A	53276569	ZA489	537486K1	VD111
5321373-02	WA117	53276573	ZA427	537486K1	VH118
532491-02	ZA423F	53302914	WA117	537486K1	VW118
53254311	ZA423F	53302914	WA116	537514K1	WA115
53258594	Q179B	53302923	WA116	537514K1	WA116
53266335	Q167B	53302925	WA117	537520K1	79299835
53266335	Q179B	53302925	WA116	537520K1	79299841
53266600	WA115	53302926	WA117	537520K1	79434799
53266600	WA116	53302926	WA116	537555K1	ZA424
53268047	Q168B	53302927	WA116	537580K1	L111
53268593	Q168B	53303620	ZA423J	537580K1	L112
53268594	Q167B	53303625	ZA423F	537623K1	79299835

325H  
NUMERICAL INDEX

PART NUMBER	DRAWING NUMBER	PART NUMBER	DRAWING NUMBER	PART NUMBER	DRAWING NUMBER
537623K1	79299841	53792843	ZA425	53795804	Q179B
537623K1	79434799	53792844	ZA424	53795804	YE142
537624K1	79299835	53792844	ZA491	53795847	ZA423B
537624K1	79299841	53792846	ZA424	53795923	ZA451
537624K1	79434799	53792846	ZA491	53795924	ZA451
537642K1	82973003	53792848	ZA424	53796131	ZA425
537642K1	E127	53792848	ZA491	53796186	ZA423J
537667K1	ZA427	53792851	ZA425	53796206	ZA423J
537676-01	YD112	53792852	ZA425	53796206	ZA424
537676-11	YD112	53792855	ZA424	53796206	ZA425
537676-14	YD112	53792855	ZA491	53796206	ZA491
537676-15	YD112	53793582	ZA423F	53796207	ZA425
537721K1	W162	53793731	Q167B	53796210	ZA424
537765K1	WA117	53793731	Q179B	53796210	ZA491
53784022	ZA425	53793732	Q167B	53796237	Q168B
53784022	ZA451	53793898	ZA424	53796288	ZA423D
53784024	YB107	53793898	ZA491	53796310	ZA423A
537866-01	ZA423H	53793899	ZA425	53796311	ZA423G
537866-05	ZA423C	53794105	ZA423E	53796312	ZA428
537866-05	ZA423E	53794105	ZA423F	53796312	ZA490
537866-05	ZA423F	53794252	ZA424	53796313	ZA428
53786638	ZA491	53794252	ZA491	53796341	ZA423C
53786964	ZA491	53794256	ZA424	53796353	ZA424
53786974	ZA423J	53794256	ZA491	53796353	ZA491
53787126	Q167B	53794257	ZA424	53796390	ZA423G
53787126	Q179B	53794258	ZA424	53796392	ZA423G
53787127	Q167B	53794258	ZA491	53796399	ZA423D
53787127	Q179B	53794301	ZA423G	53696400	ZA423D
53787320	ZA424	53794312	ZA423K	53796401	ZA423G
53787320	ZA491	53794312	ZA423L	53796403	ZA431C
53788158	ZA423G	53794913	ZA423D	53796404	ZA423A
53788558	ZA491	53794960	ZA423F	53796405	ZA431B
53788946	ZA423C	53794963	ZA423F	53796405	ZA431C
53788946	ZA423H	53794972	ZA423B	53796405	ZA431D
53788946	ZA423K	53794973	ZA423B	53796406	ZA431D
537883K1	W163	53794974	ZA423B	53796408	ZA423M
53790223	ZA423L	53794989	ZA423A	53796410	ZA423M
53791121	ZA423H	53795016	ZA431A	53966411	ZA423M
53791121	ZA423L	53795016	ZA431B	53796412	ZA423M
53791223	ZA423H	53795018	ZA431C	53796415	ZA423F
53792064	ZA423F	53795024	ZA431D	53796416	ZA423F
53792067	ZA428	53795204	ZA431B	53796421	ZA431C
53792067	ZA490	53795204	ZA431C	53796425	ZA431D
53792084	ZA423C	53795204	ZA431D	53796426	ZA431A
53792090	ZA423F	53795205	ZA431C	53796426	ZA431B
53792560	ZA424	53795206	ZA431D	53796429	ZA423A
53792560	ZA491	53795216	ZA431C	53796437	ZA431C
53792803	ZA491	53795216	ZA431D	53796437	ZA431D
53792806	ZA423C	53795429	ZA430	53796455	Q167B
53792806	ZA423H	53795430	ZA429	53796455	Q179B
53792806	ZA423K	53795444	ZA430	53796460	ZA425
53792806	ZA423L	53795445	ZA429	53796460	ZA451
53792842	ZA425	53795803	ZA424	53796489	ZA490
53792843	YB107	53795804	Q167B	53796564	ZA423L

325H  
NUMERICAL INDEX

PART NUMBER	DRAWING NUMBER	PART NUMBER	DRAWING NUMBER	PART NUMBER	DRAWING NUMBER
53796569	ZA423K	548359K1	ZA423B	552397-01	W162
53966569	ZA423L	548359K1	ZA423C	552398-01	W162
53796970	ZA491	548359K1	ZA423D	552399-01	W162
53797732	Q179B	548359K1	ZA423E	552408-02	ZA431B
53884024	YB107	548359K1	ZA423H	552408-03	ZA423H
540359K1	ZA431C	548359K1	ZA431A	552408-03	ZA423L
540359K1	ZA431D	548360K1	ZA423A	552408-06	ZA431A
540540-01	ZA431C	548360K1	ZA423B	552408-06	ZA431B
540540-01	ZA431D	548360K1	ZA423C	552485-01	ZA489
540540-04	ZA431C	548360K1	ZA431A	552491-02	ZA423C
540540-04	ZA431D	548360K1	ZA431B	552491-02	ZA423E
540722K1	ZA423K	548360K1	ZA431C	552491-02	ZA423H
545261K1	Q179B	548360K1	ZA431D	552492-01	ZA423C
545261K1	QR151	548378K1	BC110	552492-01	ZA423H
545261K1	QR152	548449K1	A127	552505-01	VW120
545307-10	ZA423C	548450K1	M103	552578-01	Q167B
545307-10	ZA427	548451-01	ZA490	552578-01	Q179B
545609K1	L111	548518K1	ZA425	552607-01	T106
545609K1	L112	548540K1	WA115	552706-01	ZA423C
545855K1	79299835	548540K1	WA116	552719-01	QR151
545877K1	79299835	548660K1	79299835	552736-01	Q179B
545877K1	79299841	548660K1	79299841	552846-01	W163
545877K1	79434799	548660K1	79434799	552874-01	ZA423J
545880K1	79299835	548672K1	M103	552874-01	ZA423L
545912K1	QR151	548832K1	S176	552881-01	W163
545914K1	79299835	548838K1	W164	552893-01	BC110
545923K1	Q167A	548856K1	40004373	552918-01	ZA490
545923K1	Q168A	548857K1	S176	552919-01	Q179B
545923K1	Q179A	548868K1	S180	552919-02	Q179B
545960K1	40004373	548869K1	S180	552920-01	Q179A
545985K1	40004373	548896-03	ZA431B	552920-02	Q179A
548058K1	ZA423A	548896-03	ZA431C	552921-01	Q179A
548058K1	ZA423B	548896-03	ZA431D	553194-01	W164
548058K1	ZA423F	548896-04	AB130	553260-01	S176
548058K1	ZA423M	550098K1	W162	553313-01	79434799
548068K1	ZA423D	550126K1	W164	553314-01	79434799
548158K1	Q167B	550166K1	W162	55A79-01	L114
548158K1	Q179B	550267K1	WA116	57037202	82973003
548176K1	L111	550268K1	ZA425	57044510	82973003
548176K1	L112	550269K1	ZA425	57044510	E127
548191K1	L112	550300K1	ZA427	57045010	AB130
548196K1	79299835	550301K1	ZA427	57045010	JA161
548196K1	79299841	550306K21	E127	57045010	L111
548196K1	79434799	550350K1	WA115	57045010	L112
548197K1	79299835	550356K1	WA116	57045010	M103
548197K1	79299841	550427K1	W162	57045010	VD111
548278K21	AB130	550607-01	W162	57045010	VW118
548288K1	ZA423A	550884-01	ZA422	57046515	YB107
548288K1	ZA423B	550886-01	F118	57062760	Q167B
548288K1	ZA423D	550900-01	ZA423C	57062760	Q179B
548288K1	ZA423F	552069-01	W162	57063010	Q167B
548288K1	ZA423M	552081-01	W162	57063010	Q179A
548339K1	ZA425	552395-01	W162	57063010	Q179B
548346K1	ZA427	552396-01	W162	57079310	W162



**325H  
NUMERICAL INDEX**

<b>PART NUMBER</b>	<b>DRAWING NUMBER</b>	<b>PART NUMBER</b>	<b>DRAWING NUMBER</b>	<b>PART NUMBER</b>	<b>DRAWING NUMBER</b>
57099481	ZA489	62005733	64960139	62300423	79434313
57111552	ZA426	62005738	64960139	62300423	79434317
57115435	82973003	62300024	46140247	62300424	79434313
57115435	E127	62300025	46140247	62300424	79434317
57115435	ZA424	62300027	46142047	62300425	79434313
57115435	ZA491	62300066	29028502	62300425	79434317
57117205	ZA424	62300067	29028502	62300501	64312296
57117205	ZA491	62300068	29028502	62300501	64917014
57119863	ZA426	62300069	29028502	62300502	64312296
57120570	Q167A	62300070	29028502	62300502	64917014
57120570	Q168A	62300071	29028502	62300504	12119456
57120570	Q179A	62300072	29028502	62300504	12119457
57120815	ZA426	62300073	29028502	62300505	12119456
57141118	ZA423D	62300075	29028502	62300505	12119457
57141250	ZA423J	62300075	82057063	62300506	12119456
57141250	ZA424	62300076	29028502	62300506	12119457
57141250	ZA425	62300077	29028502	62300507	12119456
57141250	ZA428	62300079	29028502	62300507	12119457
57141250	ZA451	62300080	29028502	62300508	12119456
57141250	ZA490	62300089	64312296	62300508	12119457
57141250	ZA491	62300098	64916036	62300509	12119457
57142950	ZA430	62300098	64916711	62300510	12119456
57143317	ZA424	62300140	64916036	62300510	12119457
57143317	ZA491	62300140	64916711	62300511	12119456
57143700	ZA423G	62300144	64916036	62300511	12119457
57144645	Q168B	62300144	64916711	62300512	12119456
57144645	ZA430	62300183	46140247	62300512	12119457
57144650	ZA423J	62300185	46140247	62300514	12119456
57144650	ZA425	62300186	46140247	62300514	12119457
57144650	ZA429	62300329	79299833	62300515	12119456
57144650	ZA430	62300330	79299833	62300515	12119457
57147315	ZA425	62300330	79299840	62300516	12119456
57149332	82973003	62300331	79299833	62300516	12119457
57149332	E127	62300331	79299840	62300517	12119456
57152260	82973003	62300332	79299833	62300517	12119457
57152260	E127	62300332	79299840	62300518	12119456
57152583	ZA426	62300333	79299833	62300518	12119457
57194760	82973003	62300333	79299840	62300518	46173216
57194760	E127	62300334	79299833	62300518	46173216
57254585	82973003	62300334	79299840	62300518	46173217
57254585	E127	62300335	79299833	62300518	46173217
57256510	82973003	62300336	79299833	62300519	12119456
57256510	E127	62300336	79299840	62300519	12119457
57292035	82973003	62300337	79299833	62300520	12110456
57292035	E127	62300337	79299840	62300520	12119457
58637865	ZA424	62300389	79299840	62300521	12119456
61350071	Q167B	62300415	79380954	62300521	12119457
61350071	Q179B	62300419	79175006	62300522	12119456
61350072	Q168B	62300420	79434300	62300522	12119457
619366K21	QZ133	62300420	79434314	62300523	12110456
619366K21	QZ134	62300421	79434301	62300523	12119457
619367K21	QZ133	62300421	79434315	62300524	12119456
619367K21	QZ134	62300422	79434313	62300524	12119457
62005732	64960139	62300422	79434317	62300525	12110456

325H  
NUMERICAL INDEX

PART NUMBER	DRAWING NUMBER	PART NUMBER	DRAWING NUMBER	PART NUMBER	DRAWING NUMBER
62300525	12119457	62300555	12119457	62300590	46173216
62300527	12110456	62300556	12119456	62300590	46173217
62300527	12119457	62300556	12119457	62300591	46173216
62300528	12119456	62300557	12119456	62300591	46173217
62300528	12119457	62300557	12119457	62300592	46173216
62300529	12119456	62300558	12119456	62300592	46173217
62300529	12119457	62300558	12119457	62300593	46173216
62300530	12119456	62300559	12119456	62300593	46173217
62300530	12119457	62300559	12119457	62300594	46173216
62300531	12119456	62300560	12119456	62300594	46173217
62300531	12119457	62300561	12119456	62300595	46173216
62300532	12119456	62300561	12119457	62300595	46173217
62300532	12119457	62300562	12119456	62300596	46173216
62300533	12119456	62300562	12119457	62300596	46173217
62300533	12119457	62300563	12119456	62300597	46173216
62300534	12119456	62300563	12119457	62300597	46173217
62300534	12119457	62300564	12119456	62300598	46173216
62300535	12119456	62300564	12119457	62300598	46173217
62300535	12119457	62300565	12119456	62300599	46173216
62300536	12119456	62300565	12119457	62300599	46173217
62300536	12119457	62300566	12119456	62300600	46173217
62300537	12119456	62300566	12119457	62300618	82057063
62300537	12119457	62300567	12119456	62300619	82057063
62300538	12119456	62300567	12119457	62300623	82057063
62300538	12119457	62300568	12119456	62300624	82057063
62300539	12119456	62300568	12119457	62300627	82057063
62300539	12119457	62300569	12119456	62300628	82057063
62300540	12119456	62300569	12119457	62300629	82057063
62300540	12119457	62300570	12119456	62300630	82057063
62300541	12119456	62300570	12119457	62300680	82057063
62300541	12119457	62300571	12119456	62300683	82057063
62300542	12119456	62300572	12119456	62300684	82057063
62300542	12119457	62300573	12119456	62300687	46140229
62300543	12119456	62300573	12119457	62300688	46140229
62300543	12119457	62300575	12119456	62300690	64916036
62300545	12119456	62300575	12119457	62300690	64916711
62300545	12119457	62300576	12119456	62300691	64916036
62300546	12119456	62300576	12119457	62300691	64916711
62300546	12119457	62300577	12119456	62300708	46140247
62300547	12119456	62300577	12119457	62300730	64312296
62300547	12119457	62300578	12119456	62300730	64917014
62300548	12119456	62300578	12119457	62300779	82946230
62300548	12119457	62300581	12119456	62300779	82946238
62300549	12119456	62300581	12119457	62300780	82946238
62300549	12119457	62300584	46173216	62300781	82946230
62300550	12119456	62300584	46173217	62300781	82946238
62300550	12119457	62300585	46173216	62300782	82946230
62300551	12119456	62300585	46173217	62300782	82946238
62300551	12119457	62300586	46173216	62300784	82946230
62300552	12119456	62300586	46173217	62300784	82946238
62300552	12119457	62300587	46173216	62300785	82946230
62300553	12119456	62300587	46173217	62300785	82946238
62300553	12119457	62300588	46173216	62300786	82946238
62300555	12119456	62300588	46173217		

325H  
NUMERICAL INDEX

PART NUMBER	DRAWING NUMBER	PART NUMBER	DRAWING NUMBER	PART NUMBER	DRAWING NUMBER
62300787	82946230	62301130	82330257	62301512	10000000
62300791	82946230	62301132	82330257	62301512	13000000
62300791	82946238	62301258	46810767	62301512	35000016
62300794	82946230	62301262	46810796	62301512	82942993
62300800	12119456	62301263	46810796	62301512	82943007
62300800	12119457	62301264	46810796	62301512	82943016
62300801	12119456	62301265	46810796	62301513	10000000
62300801	12119457	62301272	64916036	62301513	13000000
62300802	12119456	62301272	64916711	62301513	35000016
62300802	12119457	62301273	64916036	62301513	82942993
62300803	12119456	62301273	64916711	62301513	82943007
62300803	12119457	62301279	64916036	62301513	82943016
62300815	12119456	62301279	64916711	62301514	13000000
62300815	12119457	62301281	64916036	62301514	35000016
62300835	64916036	62301281	64916711	62301514	82943007
62300835	64916711	62301295	79380970	62301515	35000016
62300944	46140229	62301297	79380946	62301515	82943007
62300945	46140229	62301297	79380954	62301525	13000000
62300958	75003031	62301298	79380946	62301525	35000016
62300959	75003031	62301298	79380970	62301526	82943007
62300960	75003031	62301359	82330257	62301534	13000000
62300961	75003031	62301366	82330257	62301539	10000000
62300962	75003031	62301378	82330257	62301539	13000000
62300963	75003031	62301398	82330257	62301539	35000016
62300964	75003031	62301399	82330257	62301539	82942993
62300965	75003031	62301406	82330257	62301539	82943007
62300966	75003031	62301494	82811525	62301539	82943016
62301048	82330257	62301496	82811525	62301543	79363971
62301052	82330257	62301497	82811525	62301544	79363971
62301053	82330257	62301497	82973003	62301545	79363971
62301055	82330257	62301498	82811525	62301546	79363971
62301056	82330257	62301499	82811525	62301547	79363971
62301057	82330257	62301500	82811525	62301548	79363971
62301058	82330257	62301507	13000000	62301549	79363971
62301060	82330257	62301507	35000016	62301550	79363971
62301061	82330257	62301507	82942993	62301551	79363971
62301062	82330257	62301507	82943007	62301552	79363971
62301063	82330257	62301507	82943016	62301553	79363971
62301064	82330257	62301508	10000000	62301554	79363971
62301065	82330257	62301508	13000000	62301555	79363971
62301069	82330257	62301509	10000000	62301556	79363971
62301071	82330257	62301509	13000000	62301557	79363971
62301072	82330257	62301510	10000000	62301558	79363971
62301073	82330257	62301510	13000000	62301559	79363971
62301074	82330257	62301510	35000016	62301560	79363971
62301075	82330257	62301510	82942993	62301561	79363971
62301077	82330257	62301510	82943007	62301630	64312322
62301078	82330257	62301510	82943016	62301744	82057063
62301083	82330257	62301511	10000000	62301747	82057063
62301084	82330257	62301511	13000000	62301859	79380970
62301085	82330257	62301511	35000016	62301860	79380932
62301086	82330257	62301511	82942993	62301861	79380932
62301095	82330257	62301511	82943007	62301862	79380932
62301097	82330257	62301511	82943016	62301863	79380932
62301102	82330257	62301511		62301864	79380932
62301129	82330257				

325H  
NUMERICAL INDEX

PART NUMBER	DRAWING NUMBER	PART NUMBER	DRAWING NUMBER	PART NUMBER	DRAWING NUMBER
62301865	79380932	62301944	64960139	62302558	46140253
62301866	79380932	62301945	64960139	62302563	46140253
62301867	79380932	62302087	82973003	62302564	79364572
62301867	79380932	62302088	82973003	62302565	79364572
62301869	79380932	62302089	82973003	62302566	79364572
62301870	79380932	62302090	82973003	62302567	79364572
62301873	79380932	62302091	82963003	62302568	79364572
62301874	79380932	62302093	82973003	62302569	79364572
62301876	79380932	62302094	82973003	62302570	79364572
62301877	79380932	62302095	82973003	62302571	79364572
62301878	79380932	62302096	82973003	62302572	79364572
62301879	79380932	62302097	82973003	62302573	79364572
62301880	79380932	62302098	82973003	62302574	79364572
62301881	79380932	62302099	82973003	62302575	79364572
62301883	79380932	62302100	82973003	62302576	79364572
62301900	82976035	62302101	82973003	62302577	79364572
62301901	82976035	62302102	82973003	62302578	79364572
62301902	82976035	62302103	82973003	62302579	79364572
62301903	82976035	62302104	82973003	62302580	79364572
62301904	82976035	62302105	82973003	62302581	79364572
62301905	82976035	62302107	82976035	62302582	79364572
62301906	82976035	62302108	82976035	62302583	79364572
62301907	82976035	62302286	64916036	62302584	79364572
62301908	82976035	62302287	64916036	62302585	79364572
62301909	82976035	62302288	64916036	62302586	79364572
62301910	82976035	62302368	46173216	62302587	79364572
62301911	82976035	62302368	46173216	62302588	79364572
62301912	82976035	62302368	46173217	62302589	79364572
62301913	82976035	62302368	46173217	62302590	79364572
62301914	82976035	62302536	46140249	62302591	79364572
62301915	82976035	62302537	46140249	62302592	79364572
62301916	82976035	62302537	46140253	62302593	79364572
62301917	82976035	62302538	46140249	62302594	79364572
62301921	64960139	62302538	46140253	62302595	79364572
62301922	64960139	62302539	46140249	62302596	79364572
62301923	64960139	62302540	46140249	62302597	79364572
62301924	64960139	62302541	46140249	62302598	79364572
62301925	64960139	62302541	46140253	62302599	79364572
62301926	64960139	62302542	46140249	62302600	79364572
62301927	64960139	62302543	46140249	62302601	79364572
62301928	64960139	62302544	46140249	62302602	79364572
62301929	64960139	62302544	46140253	62302603	79364572
62301930	64960139	62302545	46140249	62302918	82976035
62301931	64960139	62302546	46140249	62302919	82976035
62301932	64960139	62302547	46140249	62302929	64916036
62301933	64960139	62302548	46140249	62302929	64916711
62301934	64960139	62302549	46140249	62302959	64916036
62301935	64960139	62302550	46140249	62302959	64916711
62301936	64960139	62302550	46140253	62302972	64916711
62301937	64960139	62302551	46140249	62302980	64916711
62301938	64960139	62302551	46140253	62302982	64916711
62301939	64960139	62302552	46140249	62302983	64916036
62301940	64960139	62302552	46140253	62302983	64916711
62301942	64960139	62392553	46140249	62302985	64916711
62301943	64960139	62302554	46140253		

325H  
NUMERICAL INDEX

PART NUMBER	DRAWING NUMBER	PART NUMBER	DRAWING NUMBER	PART NUMBER	DRAWING NUMBER
62303127	79434215	62304583	82330257	640458-01	ZA431D
62303128	13000000	62304584	82330257	640469-01	ZA423C
62303136	79434215	62304585	82330257	640706K21	Q168A
62303365	79434314	62304586	82330257	640776K1	AB130
62303365	79434315	62304587	82330257	640777K1	AB130
62303365	79434316	62304588	82330257	641181-01	JA161
62303365	79434317	62304589	82330257	641181-02	JA161
62303394	29028502	62304590	82330257	641182-01	JA161
62303395	66202022	62304591	82330257	641182-02	JA161
62303396	66202022	62304592	82339257	64120840	ZA423B
62303396	66202031	62304593	82330257	64124430	ZA423B
62303397	66202022	62304628	79441434	641322K1	ZA431A
62303397	66202031	62305431	12119457	641514K21	Q167A
62303398	12119456	62305431	29028502	641514K21	Q168A
62303398	12119457	62305436	12119457	641514K21	Q179A
62303399	12119456	62305436	29028502	641548K1	ZA425
62303399	12119457	62305819	12119456	641609K1	ZA423G
62303402	82057063	62305819	12119457	641653K21	AB130
62303403	29028502	62305896	12119456	641817K1	40004373
62303404	29028502	62305896	12119457	641848K21	S180
62303405	29028502	628870K1	79299835	641863-01	S180
62303407	64789947	628870K1	79299841	641890K1	ZA431C
62303408	64789947	628870K1	79434799	641890K1	ZA431D
62303410	64789947	628894K21	Q167B	641901-01	ZA423A
62303414	VH118	628894K21	Q179B	641901-01	ZA423B
62303414	VH118	628944K21	Q167A	641901-01	ZA423E
62303414	VW118	628944K21	Q179A	641901-02	ZA423A
62303415	VD111	628947K21	Q167A	641901-02	ZA423B
62303424	46810767	628947K21	Q168A	641902-01	ZA423A
62303425	46810767	628960K21	Q167A	641902-01	ZA423B
62303429	64789902	628960K21	Q179A	641902-01	ZA423D
62303430	64789902	635800K21	Q179B	641986K1	ZA427
62303432	66202031	638102K1	QR151	643067K1	AB130
62303433	66202031	638254-05	ZA425	64312296	F118
62303887	64916711	638374-05	E127	64312322	ZA428
62303978	64916711	638430K1	QR151	64312322	ZA490
62304152	64917014	638430K1	QR152	643129K1	W162
62304153	64017014	638566K1	L111	643130K1	S176
62304154	64917014	638566K1	L114	643132K1	S176
62304156	64917014	638681K2	W162	643193K1	W164
62304158	64917014	638682K1	WA115	643268K1	ZA431B
62304159	64917014	638682K1	WA117	643401K1	QZ133
62304161	64917014	638786K1	ZA424	643401K1	QZ134
62304162	64917014	638963K21	ZA427	643401K21	QZ133
62304163	64917014	638998K1	S177	643408K21	Q167A
62304164	64917014	640088K1	WA116	643408K21	Q168A
62304166	64917014	640088K1	WA117	643408K21	Q179A
62304167	64917014	640230K21	BC110	643409K21	Q167A
62304168	64917014	640268-01	JA161	643409K21	Q168A
62304313	12119456	640286-02	JA161	643447K1	ZA425
62304313	12119457	640371K1	ZA422	643463K1	W163
62304447	64917014	640384K1	ZA427	643486K1	W162
62304465	64917014	640385K1	ZA427	643641K1	W163
62304466	64916711	640458-01	ZA431A	643717K51	VH118
62304581	82330257	640458-01	ZA431B	643719K51	VW118
62304582	82330257	640458-01	ZA431C	643866-01	W162

325H  
NUMERICAL INDEX

PART NUMBER	DRAWING NUMBER	PART NUMBER	DRAWING NUMBER	PART NUMBER	DRAWING NUMBER
643867-01	W162	646326-01	QR152	64789920	64789947
643868-01	W162	646355-01	Q167A	64789921	64789902
643982-01	Q167B	646355-01	Q168A	64789922	64789947
644341K1	ZA423J	646355-01	Q179A	64789923	64789947
645088-01	Q167B	646356-01	Q168B	64789924	64789947
645088-02	Q167B	646645-01	Q168B	64789925	64789947
645089-01	Q167B	646675-01	Q168B	64789926	64789947
645098-01	ZA423B	646750-01	W163	64789933	64789902
645099-01	ZA423A	646751-01	W163	64789934	64789902
645099-01	ZA423B	646779-01	ZA423J	64789935	64789902
645150-01	ZA423B	646779-02	ZA423J	64789947	ZA423G
645150-01	ZA423M	646828-01	Q179B	64789951	ZA423G
645151-01	ZA423B	646829-01	ZA490	64916036	ZA423F
645151-01	ZA423M	647353-01	ZA423H	64916053	64916036
645152-01	ZA423D	647649-11	ZA423A	64916053	64916711
645153-01	ZA423B	647649-11	ZA423C	64916054	64916036
645154-01	ZA423A	647649-11	ZA423D	64916054	64916711
645156-01	ZA423A	647649-11	ZA423E	64916055	64916036
645189-01	ZA428	647649-11	ZA423H	64916055	64916711
645189-01	ZA490	647649-11	ZA423K	64916058	64916036
645215-01	F118	647649-11	ZA423L	64916058	64916711
645234-01	JA161	647649-11	ZA423M	64916059	64916036
645234-01	M103	647650-11	ZA423A	64916059	64916711
645235-01	JA161	647650-11	ZA423C	64916060	64916036
645236-01	JA161	647650-11	ZA423D	64916060	64916711
645236-01	M103	647650-11	ZA423E	64916061	64916036
645237-01	L111	647650-11	ZA423H	64916061	64916711
645237-01	L112	647650-11	ZA423K	64916062	64916036
645238-01	Q168B	647650-11	ZA423L	64916062	64916711
645239-01	Q168B	647650-11	ZA423M	64916063	64916036
645268-01	W163	647651-12	ZA423A	64916063	64916711
645277-01	AB130	647651-12	ZA423C	64916064	64916036
645278-01	AB130	647651-12	ZA423D	64916065	64916036
645309-01	ZA431D	647651-12	ZA423E	64916065	64916711
645310-01	ZA431C	647651-12	ZA423H	64916066	64916036
645310-01	ZA431D	647651-12	ZA423K	64916067	64916036
645436-01	W163	647651-12	ZA423L	64916067	64916711
645491-01	Q168B	647651-12	ZA423M	64916094	64916036
645674K51	VH118	647651-13	ZA423C	64916094	64916711
645675K51	VW118	647651-13	ZA423H	64916095	64916036
645759-01	W164	647651-13	ZA423K	64916095	64916711
645829-01	ZA423M	647651-13	ZA423L	64916096	64916036
645830-01	ZA423A	647651-13	ZA423M	64916096	64916711
645830-01	ZA423M	64766270	ZA423B	64916097	64916036
645831-01	ZA423D	647711-01	ZA423H	64916097	64916711
645832-01	ZA423M	647823-01	Q179B	64916101	64916036
645833-01	ZA423A	64789505	E127	64916101	64916711
645834-01	ZA423C	64789902	QR151	64916106	64916036
645835-01	ZA427	64789902	QR152	64916106	64916711
645835-01	ZA489	64789914	64789902	64916121	64312296
645990-01	ZA423G	64789915	64312322	64916121	64917014
646069-01	ZA431C	64789917	64789902	64916122	64312296
646069-01	ZA431D	64789918	64789902	64916122	64917014
646260-01	YE142	64789919	64789947	64916123	64312296

325H  
NUMERICAL INDEX

PART NUMBER	DRAWING NUMBER	PART NUMBER	DRAWING NUMBER	PART NUMBER	DRAWING NUMBER
64916124	64312296	64916570	64917014	64916682	64916036
64916125	64312296	64916572	64916036	64916682	64916711
64916126	64312296	64916572	64916711	64916684	64916036
64916126	64917014	64916573	64916036	64916684	64916711
64916158	64312296	64916573	64916711	64916692	64916036
64916158	64917014	64916574	64916036	64916692	64916711
64916159	64312296	64916574	64916711	64917014	F118
64916159	64917014	64916575	64916036	64920270	ZA426
64916252	64916036	64916575	64916711	64960002	64960106
64916252	64916711	64916577	64916036	64960002	64960107
64916262	64916036	64916577	64916711	64960002	64960139
64916262	64916711	64916578	64916036	64960003	64960106
64916321	64312296	64916578	64916711	64960003	64960107
64916326	64312296	64916579	64916036	64960003	64960139
64916326	64917014	64916579	64916711	64960004	64960106
64916352	64916036	64916581	64916036	64960004	64960107
64916352	64916711	64916581	64916711	64960004	64960139
64916354	64916036	64916584	64916036	64960007	64960106
64916354	64916711	64916584	64916711	64960008	64960106
64916501	64312296	64916585	64916036	64960008	64960107
64916501	64917014	64916589	64916036	64960047	64960106
64916503	64916036	64916589	64916711	64960047	64960107
64916503	64916711	64916626	64312296	64960072	64960139
64916511	64916036	64916627	64312296	64960106	ZA430
64916511	64916711	64916627	64917014	64960107	ZA429
64916554	64312296	64916628	64312296	64960113	64960107
64916554	64916036	64916628	64917014	64960114	64960106
64916554	64916711	64916629	64312296	64960114	64960107
64916554	64917014	64916629	64917014	64960115	64960106
64916555	64312296	64916630	64312296	64960115	64960107
64916555	64917014	64916630	64917014	64960116	64960106
64916556	64312296	64916631	64312296	64960116	64960107
64916556	64916036	64916631	64917014	64960117	64960106
64916556	64916711	64916632	64312296	64960117	64960107
64916556	64917014	64916632	64917014	64960118	64960106
64916557	64916036	64916633	64312296	64960118	64960107
64916557	64916711	64916633	64917014	64960119	64960106
64916558	64916036	64916634	64312296	64960119	64960107
64916558	64916711	64916635	64312296	64960120	64960106
64916559	64312296	64916636	64312296	64960120	64960107
64916559	64917014	64916638	64312296	64960121	64960106
64916560	64916036	64916638	64917014	64960121	64960107
64916560	64916711	64916650	64312296	64960123	64960106
64916563	64916036	64916650	64917014	64960123	64960107
64916563	64916711	64916656	64312296	64960124	64960106
64916565	64916036	64916656	64917014	64960125	64960107
64916565	64916711	64916660	64312296	64960126	64960106
64916567	64916036	64916660	64916036	64960126	64960107
64916568	64916036	64916660	64916711	64960127	64960106
64916568	64916711	64916660	64917014	64960127	64960107
64916569	64916036	64916671	64312296	64960128	64960106
64916569	64916711	64916671	64917014	64960128	64960107
64916570	64312296	64916675	64312296	64960129	64960107
64916570	64916036	64916675	64917014	64960130	64960106

325H  
NUMERICAL INDEX

PART NUMBER	DRAWING NUMBER	PART NUMBER	DRAWING NUMBER	PART NUMBER	DRAWING NUMBER
64960130	64960139	68118670	VD111	68120970	ZA428
64960131	64960106	68118670	VW118	68120970	ZA430
64960132	64960107	68118700	AB130	68120970	ZA490
64960133	64960106	68118720	M103	68124430	64916036
64960133	64960107	68119342	64916036	68124430	64916711
64960134	64960106	68119342	64916711	68124430	79175006
64960134	64960107	68119734	64312296	68124430	ZA423D
64960135	64960106	68120481	ZA422	68124430	ZA423M
64960135	64960107	68120521	79165010	68124430	ZA424
64960136	64960106	68120639	40004373	68124430	ZA428
64960136	64060107	68120797	ZA422	68124430	ZA490
64960136	64960139	68120797	ZA423J	68124430	ZA491
64960137	64960106	68120797	ZA424	68126170	Q179B
64960137	64960107	68120797	ZA425	68126185	64916036
64960138	64960106	68120797	ZA428	68126185	64916711
64960138	64960107	68120797	ZA451	68127990	64916036
64960139	ZA430	68120797	ZA490	68127990	64916711
66202002	Q168A	68120797	ZA491	68132910	79165010
66202003	Q167A	68120800	ZA425	68133152	79381537
66202022	Q167A	68120800	ZA430	68133453	40004373
66202022	Q168A	68120820	79380932	68133507	64312296
66202028	66202022	68120820	ZA423C	68133507	64917014
66202031	Q167A	68120820	ZA432H	68135201	79299835
66202031	Q168A	68120820	ZA423J	68135201	79299841
66202031	Q179A	68120820	ZA423L	68135201	79434799
66203106	66202031	68120820	ZA425	68135610	40004373
66205103	66202022	68120820	ZA427	68135652	ZA423F
66205103	66202031	68120820	ZA428	68135745	ZA423J
66205104	66202022	68120820	ZA429	68135758	64916036
66205104	66202031	68120820	ZA430	68135758	64916711
66206101	66202022	68120820	ZA489	68136135	ZA423C
66206101	66202031	68120820	ZA490	68136135	ZA423G
66206102	66202022	68120840	79299835	68136135	ZA423H
66206102	66202031	68120840	79299841	68136135	ZA423K
66206103	66202022	68120840	79434799	68136135	ZA423L
66206103	66202031	68120840	ZA423H	68136135	ZA429
66206105	66202022	68120840	ZA423J	68136135	ZA430
66206105	66202031	68120840	ZA423M	68136135	ZA489
66206106	66202022	68120840	ZA429	68138854	64312296
66206107	66202022	68120840	ZA430	68138854	64917014
66206107	66202031	68120840	ZA489	68139038	64916036
66206129	66202022	68120865	79380932	68139038	64916711
66206129	66202031	68120865	Q168B	68139053	64916036
66438073	Q167A	68120865	ZA422	68139053	64916711
66438073	Q179A	68120865	ZA423J	68139483	64312296
66438074	Q168A	68120867	79381537	68139500	64916036
68100082	82973003	68120867	ZA422	68139501	64312296
68110250	64312296	68120867	ZA429	68145293	ZA423G
68114200	64916036	68120867	ZA430	68145551	VH118
68114200	64916711	68120875	ZA427	68145551	VW118
68118640	AB130	68120970	64312296	68145700	ZA422
68118640	JA161	68120970	79380970	68145840	ZA427
68118640	VH118	68120970	ZA423F	68145844	VD111
68118670	JA161	68120970	ZA432G	68146302	ZA422



325H  
NUMERICAL INDEX

PART NUMBER	DRAWING NUMBER	PART NUMBER	DRAWING NUMBER	PART NUMBER	DRAWING NUMBER
68147810	ZA427	72080333	VW118	744309K1	ZA431D
68147810	ZA489	72080800	VD111	744320K21	AB130
68711250	79165010	72174330	L111	744494K1	W162
68754199	ZA427	72220063	64960106	744495K1	W162
68754231	VD111	72220063	64960107	744535K21	W162
68754232	VH118	734488K1	L111	744536K21	W162
68754570	AB130	734488K1	L112	744573K21	ZA431B
68758280	VH118	734488K1	L114	744579-01	QZ133
68758280	VW118	734489K1	L111	744579-01	QZ134
68760790	79299835	734489K1	L112	744586K21	ZA423J
68760790	79299841	734489K1	L114	744699K1	VH118
68760790	79434799	736099K1	40004373	744699K1	VW118
68760800	ZA427	736100K1	40004373	744736K51	ZA425
68763200	ZA423J	736101K1	40004373	744736K52	ZA425
68764740	79299835	736824K1	ZA422	744745K51	ZA425
68764740	79299841	736972K21	Q168B	744745K52	ZA425
68764740	79434799	736982K21	Q168B	746020-01	L112
687650-11	ZA423H	741166K21	WA116	746054K51	VD111
68765300	79299835	741166K21	WA117	746076-01	ZA427
68765300	79299841	741342K21	BC110	746120-01	L111
68765300	79434799	741361-06	BC110	746120-01	L114
68765370	40004373	741530K21	ZA427	746133-01	W163
68766270	ZA423A	741533K1	ZA426	746134-01	W163
68766270	ZA423C	741612K1	ZA425	746307-04	W163
68766270	ZA423E	741791K21	Q167B	746358-02	S176
68766270	ZA423G	741792K21	Q167B	746359-02	S176
68766270	ZA423H	741877K21	Q168B	746406-01	ZA427
68766270	ZA423K	741878K21	Q168B	746406-01	ZA489
68766270	ZA423L	741879K21	Q168B	746428-02	W163
68766270	ZA423M	741942K21	Q168B	746429-02	W163
68766270	ZA428	741990K21	AB130	746445-01	AB130
68766270	ZA429	741991K21	AB130	746457-01	ZA423J
68766270	ZA430	743004K21	AB130	746493-01	L111
68766270	ZA431A	743025K1	JA161	746494-01	L111
68766270	ZA431B	743145K21	WA116	746558-02	W163
68766270	ZA431C	743145K21	WA117	746559-02	W163
68766270	ZA431D	743240K21	L111	746564-01	AB130
68766270	ZA490	743270-01	BC110	746574-01	AB130
68768550	ZA422	743296K1	W163	746844-01	W162
68799270	ZA423H	743297K1	W163	746899-01	L114
703910-02	L111	743414K1	ZA431A	746998K1	VD111
703910-02	L112	743420K21	ZA431A	748053-01	W162
703910-02	L114	743689K1	79299835	748053K51	W162
72042514	40004373	743689K1	79299841	748053K52	W162
72042515	40004373	743689K1	79434799	748055-01	W162
72042519	VH118	743691K1	79299835	748056-01	L114
72042519	VW118	743717K21	S176	748408-01	VW120
72042520	VD111	744009K21	W164	748566-01	QR152
72077320	M103	744081K21	S180	748617-01	Q167A
72077705	L111	744119K1	40004373	748617-01	Q168A
72077731	46173216	744172-02	ZA427	748767-01	ZA423F
72077731	46173217	744208K21	ZA431C	748793-01	Q179B
72079975	M103	744208K21	ZA431D	748798-01	Q179B
72080333	VH118	744309K1	ZA431C	748823-05	BC110

325H  
NUMERICAL INDEX

PART NUMBER	DRAWING NUMBER	PART NUMBER	DRAWING NUMBER	PART NUMBER	DRAWING NUMBER
750026-01	W163	78389022	YB107	78461139	ZA423H
750026-02	W163	78389023	YB107	78461140	ZA423C
75003022	ZA427	78389024	YB107	78461141	ZA423E
75003023	ZA427	78389029	ZA423E	78461179	ZA423H
75003031	BC110	78389116	ZA423J	78461184	ZA489
75003036	W162	78389117	ZA423J	78461525	ZA423K
75003040	W162	78389133	ZA428	78461525	ZA423L
750092K51	L111	78389133	ZA490	78461526	ZA423L
750147-01	W164	78389192	ZA423B	78530635	ZA430
750229-01	79299841	78389192	ZA423M	78533128	ZA423F
750229-01	79434799	78389193	ZA423B	78533136	ZA424
750259-01	BC110	78389193	ZA423M	78533136	ZA491
750382-01	L111	78389194	ZA423B	78533148	E127
750385-01	L114	78389194	ZA423M	78533152	ZA423F
75335003	W162	78389195	ZA423B	78533177	ZA423K
755258-01	Q179B	78389195	ZA423M	78533177	ZA423L
755258-04	Q179B	78389196	ZA423A	78533380	YB107
755258-05	Q179B	78389197	ZA423A	78533490	ZA423J
75751865	40004373	78389198	ZA423B	78533780	YB107
77109132	Q168A	78389198	ZA423M	78550255	ZA423C
78254197	ZA423J	78389199	ZA423C	78550255	ZA423H
78297367	ZA423H	78389199	ZA423H	78550255	ZA423K
78307868	ZA425	78389200	ZA423C	78550255	ZA423L
78307870	ZA425	78389200	ZA423H	78553657	ZA425
78307870	ZA451	78389201	ZA423E	78553658	ZA428
78307905	ZA423E	78389202	ZA423C	78553658	ZA490
78307906	ZA423E	78389202	ZA423H	78553740	ZA424
78308085	ZA425	78389203	ZA431C	78553740	ZA425
78308113	ZA425	78389203	ZA431D	78553740	ZA428
78308114	ZA451	78389204	ZA431B	78553740	ZA490
78308150	ZA451	78389205	ZA431B	78553740	ZA491
78308164	ZA423J	78389206	ZA431A	78553750	ZA428
78308182	ZA428	78389207	ZA431A	78553750	ZA490
78308182	ZA490	78389208	ZA431A	78553780	ZA425
78308272	ZA427	78389209	ZA431A	78553833	ZA423J
78308272	ZA489	78389515	ZA423H	78553833	ZA425
78308276	ZA423D	78389515	ZA423L	78553833	ZA428
78308277	ZA423D	78389522	ZA490	78553833	ZA490
78308278	ZA423A	78389523	ZA490	78553833	ZA491
78308279	ZA428	78389524	ZA490	78553880	Q167B
78308279	ZA490	78389525	ZA490	78553880	Q179B
78308280	ZA431C	78389527	ZA489	78553883	ZA451
78308280	ZA431D	78389652	ZA423K	78553906	ZA423J
78308392	ZA423J	78389652	ZA423L	78553906	ZA491
78308393	ZA423J	78389654	ZA423K	78553920	Q167B
78308347	ZA423H	78389654	ZA423L	78553920	Q179B
78308460	ZA489	78461120	ZA423B	78554160	ZA425
78308498	ZA423L	78461120	ZA423M	78554211	ZA430
78349740	YB107	78461121	ZA423B	78554211	ZA491
78389013	ZA431B	78461121	ZA423M	78554217	ZA423J
78389013	ZA431C	78461122	ZA423C	78554217	ZA425
78389013	ZA431D	78461123	ZA423C	78554218	ZA425
78389014	ZA431C	78461124	ZA423E	78554219	ZA428
78389014	ZA431D	78461139	ZA423C	78554219	ZA490

325H  
NUMERICAL INDEX

PART NUMBER	DRAWING NUMBER	PART NUMBER	DRAWING NUMBER	PART NUMBER	DRAWING NUMBER
78554225	ZA428	78623588	ZA491	79165010	ZA425
78554225	ZA490	78623600	ZA423C	79174375	WA115
78554235	ZA423J	78623600	ZA423J	79174375	WA116
78554250	Q168B	78625950	64916036	79175006	ZA425
78554268	ZA423F	78625950	64916711	79198000	Q167B
78554293	ZA423H	78625950	ZA423B	79198000	Q168B
78554778	ZA429	78625950	ZA423M	79198000	Q179B
78560490	Q167B	78625950	ZA428	79299833	ZA425
78560490	Q179B	78625950	ZA490	79299835	ZA428
78560635	ZA429	78625955	ZA425	79299835	ZA490
78595170	ZA425	78628027	ZA422	79299840	ZA425
78595345	ZA424	78628550	64312296	79299841	ZA428
78595345	ZA491	78628550	64917014	79299841	ZA490
78595880	ZA423J	78629123	ZA422	79299842	ZA423K
78595880	ZA425	78629203	ZA423B	79299842	ZA423L
78595880	ZA428	78629203	ZA423J	79300105	ZA423E
78595880	ZA451	78629203	ZA423M	79300106	ZA423B
78595880	ZA490	78629225	ZA427	79300136	ZA423B
78596290	ZA425	78629230	ZA489	79319607	79175006
78596310	Q179B	78637840	ZA425	79319615	79175006
78596320	Q167B	78637842	ZA425	79319616	79175006
78596320	Q179B	78637853	ZA425	79319617	79175006
78596320	YB107	78637857	ZA425	79319618	79175006
78596345	ZA428	78637857	ZA451	79319619	79175006
78596345	ZA490	78637865	ZA424	79319620	79175006
78596350	Q167B	78637865	ZA425	79319621	79175006
78596350	Q179B	78637865	ZA451	79363971	ZA423J
78596375	ZA423J	78637865	ZA491	79364572	ZA423J
78596380	ZA425	78638038	ZA429	79368848	W162
78596440	ZA425	78638038	ZA430	79380932	ZA423J
78597320	Q167B	78638440	ZA423C	79380946	ZA423C
78597320	Q179B	78638440	ZA423H	79380946	ZA423H
78597367	ZA423L	78638440	ZA423K	79380946	ZA423K
78597558	ZA428	78638440	ZA423L	79380946	ZA423L
78597558	ZA490	78638440	ZA425	79380954	ZA423C
78597559	ZA424	78638487	ZA423C	79380954	ZA423K
78597559	ZA425	78638487	ZA423J	79380970	ZA423H
78597559	ZA491	78638487	ZA424	79380970	ZA423L
78597678	ZA423J	78638487	ZA425	79380991	ZA423C
78597679	ZA423J	78638487	ZA491	79380992	ZA423C
78597680	ZA423J	78640080	ZA423J	79380992	ZA423H
78597730	Q167B	78649720	YB107	79380992	ZA423K
78597730	Q179B	78649722	ZA425	79380994	ZA423D
78597787	ZA430	78649722	ZA491	79381002	79380946
78597806	ZA430	78649724	ZA451	79381002	79380954
78597948	ZA429	78649740	ZA425	79381002	79380970
78597950	ZA430	78956500	Q168B	79381002	79381537
78598263	ZA430	79039000	Q167A	79381006	79380946
78623400	ZA423D	79039000	Q167B	79381006	79380970
78623400	ZA423J	79039000	Q168A	79381013	79381537
78623400	ZA424	79039000	Q179A	79381040	79380946
78623400	ZA491	79091437	ZA427	79381040	79380954
78623520	ZA423J	79091437	ZA489	79381040	79380970
78623588	ZA424	79146753	ZA431B	79381040	79381537

325H  
NUMERICAL INDEX

PART NUMBER	DRAWING NUMBER	PART NUMBER	DRAWING NUMBER	PART NUMBER	DRAWING NUMBER
79381055	79380954	79381312	79380946	79381801	79380954
79381080	79380932	79381312	79380954	79381801	79380970
79381109	79380946	79381312	79380970	79381801	79381537
79381109	79380954	79381312	79381537	79381901	79381537
79381109	79380970	79381326	79380932	79381903	79380946
79381109	79381537	79381345	79380932	79381903	79380954
79381125	79380946	79381369	79380946	79381903	79380970
79381125	79381537	79381369	79380954	79381903	79381537
79381126	79380946	79381369	79380970	79381906	79380946
79381126	79380954	79381369	79381537	79381906	79380954
79381126	79380970	79381371	79380946	79381906	79380970
79381126	79381537	79381371	79380954	79381906	79381537
79381146	79380946	79381371	79380970	79381911	79380946
79381146	79380954	79381371	79381537	79381911	79380954
79381146	79380970	79381372	79380946	79381911	79380970
79381146	79381537	79381372	79380954	79381911	79381537
79381152	79381537	79381372	79380970	79381912	79380946
79381161	79380946	79381372	79381537	79381912	79380954
79381161	79380970	79381399	79380946	79381912	79380970
79381163	79380946	79381399	79380954	79381915	79381537
79381163	79380970	79381399	79380970	79381917	79380946
79381174	79380946	79381399	79381537	79381917	79380954
79381174	79380954	79381408	79380946	79381917	79380970
79381174	79380970	79381408	79380954	79381917	79381537
79381174	79381537	79381408	79380970	79381918	79380946
79381175	79380946	79381408	79381537	79381918	79380954
79381175	79380954	79381532	79380946	79381918	79380970
79381175	79380970	79381537	ZA423D	79381918	79381537
79381175	79381537	79381540	79381537	79381919	79380946
79381180	79380946	79381542	79381537	79381919	79380954
79381180	79380954	79381543	79381537	79381919	79380970
79381180	79380970	79381544	79380946	79381919	79381537
79381180	79381537	79381544	79380954	79381920	79380946
79381183	79380946	79381544	79380970	79381920	79380954
79381183	79380954	79381544	79381537	79381920	79380970
79381183	79380970	79381546	79380946	79381920	79381537
79381241	79380946	79381546	79380954	79381921	79381537
79381241	79380954	79381546	79380970	79381927	79380954
79381241	79380970	79381546	79381537	79381928	79380946
79381241	79381537	79381547	79380946	79381928	79380954
79381271	79381537	79381547	79380954	79381928	79380970
79381299	79380946	79381547	79380970	79381928	79381537
79381299	79380954	79381547	79381537	79381929	79380946
79381299	79380970	79381549	79380946	79381929	79380970
79381299	79381537	79381549	79380954	79381929	79381537
79381300	79380946	79381549	79380970	79381934	79380946
79381300	79380954	79381549	79381537	79381934	79380954
79381300	79380970	79381553	79380946	79381934	79380970
79381300	79381537	79381553	79380970	79381934	79381537
79381304	79381537	79381701	79380946	79381937	79380946
79381308	79381537	79381701	79380954	79381937	79380954
79381309	79381537	79381701	79380970	79381937	79380970
79381310	79381537	79381701	79381537	79381937	79381537
79381311	79381537	79381801	79380946	79381944	79380946

325H  
NUMERICAL INDEX

PART NUMBER	DRAWING NUMBER	PART NUMBER	DRAWING NUMBER	PART NUMBER	DRAWING NUMBER
79381944	79380954	79434308	79434315	79441430	79441434
79381944	79380970	79434308	79434316	79441434	ZA425
79381945	79381537	79434308	79434317	79443475	WA115
79381951	79380946	79434309	79434300	79443475	WA116
79381951	79380954	79434309	79434301	79491402	ZA423E
79381951	79380970	79434309	79434302	79491404	ZA423M
79381951	79381537	79434309	79434314	79491405	ZA431B
79381953	79380946	79434309	79434315	79491406	ZA423M
79381953	79380954	79434309	79434316	79553780	ZA425
79381953	79380970	79434310	79434300	82001721	L111
79381953	79381537	79434310	79434301	82001721	L114
79381954	79380946	79434310	79434302	82001904	W164
79381954	79380954	79434310	79434314	82002544	W162
79381954	79380970	79434310	79434315	82002561	W162
79381954	79381537	79434310	79434316	82005607	W164
79381955	79380946	79434311	79434300	82005630	S176
79381955	79380954	79434311	79434301	82019741	W164
79381955	79380970	79434311	79434302	82019845	W164
79381955	79381537	79434311	79434314	82037247	L111
79415810	ZA427	79434311	79434315	82037247	L114
79415904	ZA489	79434311	79434316	82044610	BC110
79434215	ZA491	79434313	ZA425	82044720	QZ133
79434300	ZA425	79434314	ZA425	82044720	QZ134
79434301	ZA425	79434315	ZA425	82057063	T106
79434302	ZA451	79434316	ZA451	82057504	82057063
79434303	79434300	79434317	ZA425	82057510	82057063
79434303	79434301	79434799	ZA490	82057514	29028502
79434303	79434302	79434800	79434809	82057514	82057063
79434303	79434314	79434809	ZA425	82057515	29028502
79434303	79434315	79434809	ZA451	82057515	82056063
79434303	79434316	79434809	ZA491	82057516	82057063
79434304	79434300	79434810	79434809	82057519	29028502
79434304	79434301	79434811	79434809	82057520	29028502
79434304	79434302	79434812	79434809	82057521	29028502
79434304	79434314	79434813	79434809	82057522	29028502
79434304	79434315	79434814	79434809	82057523	29028502
79434304	79434316	79441420	79441428	82057525	29028502
79434305	79434302	79441420	79441434	82057527	29028502
79434305	79434316	79441421	79441428	82057528	29028502
79434306	79434300	79441421	79441434	82057534	29028502
79434306	79434301	79441422	79441428	82057536	29028502
79434306	79434302	79441422	79441434	82057545	82057063
79434306	79434314	79441423	79441428	82057546	82057063
79434306	79434315	79441423	79441434	82057547	82057063
79434306	79434316	79441424	79441428	82057548	82057063
79434307	79434300	79441424	79441434	82057802	ZA427
79434307	79434301	79441425	79441428	82057802	ZA489
79434307	79434302	79441425	79441434	82070511	82811525
79434307	79434313	79441426	79441428	82070511	82973003
79434308	79434300	79441426	79441434	82076530	VD111
79434308	79434301	79441428	ZA425	82076530	VW118
79434308	79434302	79441429	79441428	82076615	AB130
79434308	79434313	79441429	79441434	82076615	M103
79434308	79434314	79441430	79441428	82076615	VH 118

**325H  
NUMERICAL INDEX**

<b>PART NUMBER</b>	<b>DRAWING NUMBER</b>	<b>PART NUMBER</b>	<b>DRAWING NUMBER</b>	<b>PART NUMBER</b>	<b>DRAWING NUMBER</b>
82115750	YB107	82165862	WA116	82391505	W162
82130091	W163	82165862	WA117	82391506	W162
82130148	W162	82179003	W162	82391507	W162
82130165	W162	82210867	ZA423A	82391508	W162
82130391	W162	82210867	ZA423C	82391509	W162
82131848	ZA489	82210867	ZA423D	82391521	W162
82131877	W162	82210867	ZA423E	82391522	W162
82132059	Q179B	82210867	ZA423H	82394497	W162
82132062	Q167B	82210867	ZA423K	82397122	W162
82132062	Q168B	82210867	ZA423L	82430301	ZA427
82132402	W162	82210867	ZA423M	82482755	S176
82137280	W162	82210868	ZA423C	82482760	W162
82137281	W162	82210868	ZA423H	82482763	W162
82137284	ZA424	82210868	ZA423K	82482764	W162
82137284	ZA491	82210868	ZA423L	82483135	W162
82137285	ZA424	82230375	WA115	82510762	W162
82137285	ZA491	82230375	WA116	82511295	W163
82137286	W162	82230377	WA115	82511310	W163
82137330	ZA424	82230377	WA116	82511313	W162
82137330	ZA491	82230377	WA117	82511319	W163
82137400	W162	82236253	WA115	82521829	W162
82137400	ZA425	82236253	WA116	82540104	ZA425
82137560	ZA424	82236253	WA117	82540105	ZA425
82137560	ZA491	82242730	Q179B	82571610	Q167B
82140015	WA115	82245864	WA116	82571610	Q168B
82140015	WA116	82245864	WA117	82571610	Q179B
82140015	WA117	82246526	YD112	82582191	12970907
82140016	WA115	82258210	W162	82582214	64789947
82140016	WA116	82282152	QR151	82582215	64789947
82140016	WA117	82282152	QR152	82582220	64917014
82140020	QZ133	82282157	QR152	82593001	WA115
82140020	QZ134	82299066	W162	82593001	WA116
82140027	WA116	82300109	ZA427	82593001	WA117
82140027	WA117	82300109	ZA489	82593005	ZA425
82140066	ZA490	82300124	YE142	82600805	W163
82140081	JA161	82302781	QZ133	82608600	W164
82140468	ZA423C	82302781	QZ134	82608600	ZA427
82140469	ZA431A	82317278	YE142	82608600	ZA489
82140469	ZA431B	82317281	QZ133	82608615	W162
82140469	ZA431C	82317281	QZ134	82608620	W162
82140472	JA161	82317282	QZ133	82614430	W162
82140510	Q167B	82317282	QZ134	826189-01	BC110
82140510	Q168B	82317288	QZ133	82621046	ZA423G
82140600	Q179B	82317288	QZ134	82621066	AB130
82154700	Q167B	82317571	QZ133	82621066	W163
82154700	Q179B	82317571	QZ134	82629117	64960107
82163008	WA116	82317641	QZ133	82629118	64960106
82163008	WA117	82317641	QZ134	82629118	64960107
82165602	S176	82317642	QZ134	82629247	Q167B
82165603	S176	82317643	QZ133	82629247	Q179B
82165759	66202022	82317643	QZ134	82629247	QR152
82165759	66202031	82317644	QZ133	82629251	W162
82165861	WA116	82317644	QZ134	82629254	WA116
82165861	WA117	82330257	F118	82629254	WA117

325H  
NUMERICAL INDEX

PART NUMBER	DRAWING NUMBER	PART NUMBER	DRAWING NUMBER	PART NUMBER	DRAWING NUMBER
82640483	W162	82866419	ZA423A	833035-01	W163
82646299	S176	83866419	ZA423C	833478K41	VH118
82646302	S176	82866419	ZA423D	833478K41	VW118
826582K21	ZA426	82866419	ZA423E	833479K41	VD111
82666101	L111	82866419	ZA423H	835196-01	ZA423B
82666101	L114	82866419	ZA423K	835196-01	ZA423M
82669505	64312296	82866419	ZA423L	835253-01	Z167B
82669505	64916036	82866419	ZA423M	835260-01	ZA423B
82669505	64916711	82866510	E127	835262-02	ZA422
82669505	64917014	82866511	E127	835263-01	ZA422
82669730	QR151	82866691	ZA422	835266-01	QZ134
82676656	S177	82892104	W162	835266-02	QZ133
82677225	Q167B	82892106	W162	835285-01	QZ133
82677225	Q168B	82892106	W163	835285-01	QZ134
82677502	Q167B	83893600	Q167B	835556-01	ZA427
82677502	Q168B	82893600	Q179B	835556-02	ZA427
826885-01	BC110	82894802	ZA427	835631-07	BC362
82688550	S176	82899917	W162	835670-01	BC362
82731103	W162	82900078	W162	835674-01	BC362
82731103	W163	82922114	WA116	835674-02	BC362
82731106	QZ134	82922114	WA117	835712-01	VH118
82731107	W162	82922137	YE142	835712-01	VW118
82731107	W163	82922144	YE142	835883-01	VW120
82734510	L111	82942715	L111	835883-02	VW120
82734510	L114	82942715	L114	835957-01	WA116
82734513	L111	82942925	82973003	835957-01	WA117
82734513	L114	82942993	BC110	839263-01	Q167B
82734514	L111	82943007	BC110	839272-01	Q179B
82734514	L114	82943016	BC110	839328-01	W163
82741010	YE142	82943033	BC110	839365K51	L111
82741011	YE142	82943601	82943016	839774-01	L114
82811255	BC110	82943604	82943016	864906-02	S177
82814271	W162	82943605	82943016	864906-03	S177
83814282	W162	82943606	82943016	87044600	E127
82814805	W162	82943611	82943016	875362K1	L111
83814850	W162	82943612	82943016	875447-04	S177
83815003	W162	82943617	82943016	875458-01	T106
82831404	F118	82945600	W164	87550502	WA115
82834022	S176	82945641	E127	87550502	WA116
82845006	82973003	82945642	ZA424	87550502	WA117
82866391	ZA423C	82945642	ZA491	87735375	W162
82866391	ZA431A	82945667	ZA426	879012K21	S176
82866391	ZA431B	82946230	BC110	879096K21	Q167A
82866396	ZA423C	82946238	BC110	879096K21	Q168A
82866396	ZA431A	82979352	ZA426	879096K21	Q179A
82866396	ZA431B	82970353	W163	879099-04	Q167A
82866396	ZA431C	82970359	W164	879099-04	Q168A
82866418	ZA423C	82970360	W164	879099-04	Q179A
82866418	ZA423D	82973003	BC110	879099-05	Q167A
82866418	ZA423E	82974987	W164	879099-05	Q168A
82866418	ZA423H	82976031	W162	879099-05	Q179A
82866418	ZA423K	82976035	W162	879099-06	Q167A
82866418	ZA423L	82976046	W162	879099-06	Q168A
82866418	ZA423M	833014K21	BC110	879099-06	Q179A

325H  
NUMERICAL INDEX

PART NUMBER	DRAWING NUMBER	PART NUMBER	DRAWING NUMBER	PART NUMBER	DRAWING NUMBER
879099-07	Q167A	883299-03	AB130		
879099-07	Q168A	885252K1	AB130		
879099-07	Q179A	885626K21	W162		
879099-08	Q167A	887028-01	BC110		
879099-08	Q168A	887028-02	BC110		
879099-08	Q179A	887040-05	W163		
879099-09	Q167A	887041-02	W163		
879099-09	Q168A	887041-06	W163		
879099-09	Q179A	887146-03	AB130		
879099-10	Q167A	892329-14	W163		
879099-10	Q168A	892329-15	W163		
879099-10	Q179A	892362-02	W163		
879099-11	Q167A	892412-01	Q167B		
879099-11	Q168A	892412-01	Q179B		
879099-11	Q179A	892413-01	Q168B		
879099-12	Q167A	892425-01	ZA489		
879099-12	Q168A	892958-01	YE142		
879099-12	Q179A	892959-01	YE142		
879099-13	Q167A	892959-21	YE142		
879099-13	Q168A	904237K51	ZA422		
879099-13	Q179A	904253K52	ZA427		
879099-14	Q167A	904253K52	ZA489		
879099-14	Q168A	98900001	JA161		
879099-14	Q179A	98900001	M103		
879099-15	Q167A	98900002	JA161		
879099-15	Q168A	98900002	M103		
879099-15	Q179A	98900003	JA161		
879099-16	Q167A	98900003	M103		
879099-16	Q168A	98900004	JA161		
879099-16	Q179A	98900004	M103		
879099-17	Q167A	A001007-01	W162		
879099-17	Q168A	A001085-01	W162		
879099-17	Q179A	A001118-01	W163		
879399-01	ZA427	B001020-01	W163		
879410-07	Q167B	B001020-02	W163		
879422-04	AB130	B001113-01	ZA423L		
879822-05	AB130	B001260-01	W162		
879422-08	AB130	C101297-02	Q179A		
879424-01	Q167B	C101352-01	W163		
879424-01	Q179B	C101354-01	W163		
879450-01	Q168B	D001136-01	WA117		
879483-05	Q168B	E001039-01	W163		
879516-01	YE142				
879663-11	W162				
879819-01	W162				
879952-01	ZA489				
883163-03	AB130				
883164-01	BC110				
883164-02	BC110				
883215-01	BC110				
883215-02	BC110				
883284-01	BC110				
883284-02	BC110				
883298-03	AB130				