

BUCYRUS-ERIE

Parts List

Model 51B

Model 88B

Model 110T

145-3

Bucyrus-Erie Co.		Key Sheet		Model 51-B		Serial No. 112846	
Shipped To: West Coast Engine & Equipment Company Douglas, Arizona						Date Shipped 4-18-55	
	JA-Boom	M-Handle	L-Dipper		JA-Boom	DB-Bucket	
Shovel	22'-0"	18'-0"	E 2-FA	Dragline	60'		
Drag Shovel				Crane			
P-Podlock L-Side Cutters				Clamshell JR-Tagline			
BC-Mounting Standard Cats. 30"				Boom Susp. Sh., D/S - D/L, C/S, L/C, P/D		Continuous Continuous	
Q-Power Plant Buda-6DA970-#65674-Diesel-6 Cyl.-B/MD6931C						JA-Mast JA-Jib	
QR-Engine Clutch Torcon 17CK-2 #1458				Light Plant			

— Exceptions —

Ref.	Name	Part No.	Q	Ref.	Name	Part No.	Q
R	Spacer .020	272759	1				
R1569	Chain	3417053	1				
N1	Saddle block	N10765	1				
N8	Bolt	502924K51	2				
N10	Capscrew	510670K1	12				
N24	Wire lock	Not used	-				
L	Teeth Point	H & L #34	4				
	Adapter	H & L #142-C34	4				
	Flexpin	H & L #34	4				
	Key	H & L #K- 577	4				
L-41	Pin	295386-1	2				
L-42	Lock	02481400	2				
L-45	Pin	296415-1	2				
L-46	Lock	02451700	2				
L-47	Bushing	529081K1	4				
L-55	Bushing	295382-1	1				
L-56	Lock	02481150	2				
L-61	Back brace	900770K51	1				



Issued 4-18-55 Reissued ~~10/26/58~~ ~~11/18/60~~ ~~3/28/66~~ 9/20/66 HMC



GENERAL OFFICE: P.O. BOX 1144, MILWAUKEE, WIS 53201 • AREA CODE 414 762 0900

CLASS P

CATALOG REFERENCE 41465

ATTENTION: Parts Manager

SUBJECT: 51-B Parts List

Gentlemen:

New complete 51-B Parts List, Issue No.2,1965, replacing complete 51-B Parts List, Issue No.1,1965, is being transmitted herewith.

The design changes and replacements are designated by an "X" in the right hand margin following the items affected.

Please insert this new complete parts list in its proper place in your parts list binders and be sure to remove the complete replaced parts list.

Very truly yours,

BUCYRUS-ERIE COMPANY

H. M. Opitz
Supervisor of Parts Catalogs

HMO:ps



751/B



EXCAVATOR

MASTER PARTS LIST INSTRUCTION

10-B	38-B
14-B	51-B
15-B	54-B
20-B	61-B
22-B	71-B
25-B	72-B
30-B	88-B

It is the policy of Bucyrus-Erie Company to improve its products continually. Consequently in the course of time many parts have been redesigned so that all machines of the same model or size are not necessarily alike in all details. A later machine may have some parts that are substantially different from those of an earlier machine of the same model.

Because of the frequency of design changes it is impracticable to supply an owner with a list of parts by accurate parts numbers. To overcome this difficulty we adopted a reference number system for use in owners' parts catalogs. In this system a catalog reference which never changes is given to the name of a part.

In this Parts List the owners' catalog reference numbers, arranged in alphabetical and numerical order, are transposed into the correct parts numbers for each machine. Definitions and instructions for its proper use follows:

UNITS - For convenience of manufacture a machine is divided into units. A group of parts make up a unit and a group of units make up a machine. Each unit is identified by one or more letters such as A for Truck Frame, LR for Dipper Trip, etc. (see list of units page II). There are different front end equipments, etc., which are called "Variable Units". A Frames, Booms, Dippers and Dipper Handles are examples of variable units.

PART NUMBERS - A part number is a number or a combination of letters and numbers assigned to each part as it is designed. If at a later date the design is changed in any manner, or if the material of which it is made is changed it is given another part number. Consequently a part number identifies a definite design and a specific material with no variations. It is the only positive identification of a part and is the only number used at the factory for manufacturing and pricing.

CATALOG REFERENCE - A catalog reference is a combination of letters and numbers assigned to a unit of a machine and the name of a part used in the unit. Its only purpose is to identify the unit and the name of the part. A catalog reference does not change with a change of design. For example: reference BC1 is a track link in the crawler unit. The "BC" identifies the unit and the "1" identifies the name as a track link. There are several different designs of these track links and the part number has changed in each case but the catalog reference has not changed.

SERIAL NUMBERS - A serial number is a number assigned to an individual machine for the purpose of identification. All records are compiled and maintained under these numbers. On account of design changes it is necessary to work to serial numbers of machines as either the Key Sheet or the Parts List designates the correct part number for a given machine serial number.

KEY SHEET - The Key Sheet is a separate sheet containing a record of the variable units on an individual machine and, under "Exceptions" a list of parts which are different from those shown for the machine in the Parts List. Space is provided to record such changes as may be made from time to time in the field. Always consult the Key Sheet for the correct variable units and exceptions before using the Parts List.

PARTS LIST - The Parts List is a list of all catalog references with related part numbers and the serial numbers of machines on which the part numbers are used.

- Column 1 contains the catalog references.
- Column 2 contains the names of the parts and vendor's numbers.
- Column 3 contains the serial numbers of the machines to which the parts apply except in the cases of dippers and vendor's products. For these items column 3 contains the size and type of dipper, the vendor's specification, model or serial number instead of the serial number of the machine.
- Column 4 contains the parts numbers.
- Column 5 contains the numbers of parts required per unit.

HOW TO USE THE PARTS LIST - It is necessary to know the model and serial number of a machine and the catalog reference of a part before a part number can be accurately determined. With these factors known proceed as follows:

1. Refer to the Key Sheet.
2. If the catalog reference wanted is listed under Exceptions the correct part number is listed with it and it is not necessary to look any further.
3. If the catalog reference does not appear under Exceptions on the Key Sheet turn to the catalog reference in the Parts List and select the part number shown for the serial number of the machine.
Always be sure you have the correct variable unit heading.

On page II is a reproduction of the Key Sheet for 22-B machine number 122218. The examples following explain the method of using the Parts List.

**BUCYRUS-ERIE COMPANY EXCAVATOR PARTS LIST
INSTRUCTIONS**

SHIPPED TO: JOHN DOE & CO. Milwaukee, Wis.			MODEL 22-B CRAWLER TRANSIT	SERIAL NO. 118242 DATE SHIPPED 6-15-45			
FRONT END	BOOM	HANDLE	DIPPER OR BUCKET	ROPES	HOOK BLOCK OR TAGLINE		
SHOVEL	18'-0"	13'-6"	3/4 JD	4-PART			
HOE							
DRAGLINE							
CLAMSHELL							
CRANE							
JIB							
SIDE CUTTERS		PADLOCK		THIRD DRUM EQUIPMENT			
MOUNTING STANDARD CRAWLERS 26"				STANDARD PROPEL INDEPENDENT PROPEL LIGHT PLANT			
POWER PLANT International Harvester - UD525 - #4688BE52D - Diesel							
POWER TAKE-OFF Twin Disc SP114-P1 - #105933			TORQUE CONVERTER				
HOIST CONTROLLED LOWERING			MAST		SALES ORDER NUMBER		
— EXCEPTIONS —							
REFERENCE NUMBER	PART NAME	PART NUMBER TO BE FURNISHED	QUAN.	REFERENCE NUMBER	PART NAME	PART NUMBER TO BE FURNISHED	QUAN.
A16	Truck Frame	606958K21	1	R1361	Collar	Y7791-A	1
BR163	Shaft	1-X-14439	1	R1362	Washer	3- $\frac{1}{2}$ " I.D. 4- $\frac{1}{4}$ " O.D. x $\frac{3}{8}$ "	1
BR195	Shaft	3-X-11750	1				

SAMPLE

EXAMPLE 1 - Find the part number of Cat. Ref. A16 - Truck frame for the above machine.

A16 appears on the Key Sheet under Exceptions as part number 606958K21 which is the correct part number for this machine.

EXAMPLE 2 - Find the part number of Cat. Ref. AB130 - Housing Gasket.

As AB130 does not appear on the Key Sheet under Exceptions, turn to AB130 in the Parts List where the part number for all machines from 14156 and up is listed as 50231750.

EXAMPLE 3 - Find the part number of Cat. Ref. BC1 Track Link.

BC1 does not appear on the Key Sheet under Exceptions, and as this is a "Variable Unit" the Key Sheet shows it as "Standard Crawlers". Turn to BC1 under Standard

Crawlers where the track link is listed as 234464A for all machines from 104324 to 120231.

EXAMPLE 4 - Find the part number of L9 Dipper Door.

L9 does not appear on the Key Sheet under Exceptions and as this is a variable unit the Key Sheet shows it as 3/4 JD. Turn to L9 in the Parts List under "Dipper 3/4 JD" where the part number for all 3/4 JD dippers and up is 800597K22.

EXAMPLE 5 - Find the diameter, length and specifications for Cat. Ref. X1 Hoist Rope.

As X1 does not appear on the Key Sheet and the length of the boom is given as 18'-0" turn to X1 under "Shovel Ropes" where it is listed as 5/8"x80" #2. The first number is the diameter and the second is the length. The third, viz. #2, refers to a rope specification page where several makes and specifications are listed.

LIST OF UNITS

A - Truck frame
AB - Revolving frame
@ BA - Truck mounting
@ BC - Crawlers
BR - Steering machinery
@ C - A Frame
@ DB - Dragline bucket
F - Swing machinery
@ JA - Boom - Jib
@ JR - Boom machinery-Tagline

@ JX - Boom hoist
@ L - Dipper
@ LR - Dipper trip
@ M - Dipper handle
N - Saddle block
@ P - Padlock - Crane hook
@ Q - Engine accessories
@ QR - Transmission-Eng. clutch
@ QZ - Starting equipment
@ QZ - Battery lights

R - Main Machinery
S - Operating levers
T - Propelling machinery
W - Cab
@ X - Ropes
XA - Fairlead
@ YE - Fuel supply equipment
ZB - Light plant
ZJ - Pile driver
ZR - Collector rings

@ - Variable Units

HOW TO ORDER PARTS

- 1 Always give the MODEL and the SERIAL NUMBER of the machine.
- 2 The CATALOG REFERENCE, the PART NAME and the PART NUMBER.
- 3 The QUANTITY required.
- 4 The DESTINATION and METHOD of shipment.



PARTS LIST

ISSUE NO 2, 1965

BE-122

MODEL: 51-B

PAGE: 1- 1

CAT. REF.	PART NAME	SERIAL NO.		PART NO.	REQ.
		FROM	TO/INCL.		
	001				
A	TRUCK FRAME DRAWING 1A-350				
A	2 RACK & TRACK, 227902-A REPLACED BY A2 RACK 227902-A & A16 FRAME	45174	121815	227902A 711242K 1	1 1
	237209-A1 REPLACED BY			711245K 21	1
A	2 RACK & TRACK,	122055		711242K 1	1
A	14 STUD, FOUND. INCL. A254	45174		294012 1	20
A	16 FRAME, TRUCK	45175	88292	237209A	1
	237209-A REPLACED BY A16 FRAME, TRUCK			237209A 1	1
	SCREW, CAP 5/8X1 NC			03191320	16
A	16 FRAME, TRUCK	98048	121815	237209A 1	1
	237209-A1 REPLACED BY A2 RACK 227902-A & A16 FRAME			853009K 1	1
	237209-A1 REPLACED BY			711245K 21	1
A	16 FRAME, TRUCK	122055		711245K 21	1
A	17 BUSHING, RIGHT	45174		294150A	1
A	18 BUSHING, LEFT	45174		294149A	1
A	19 CAP, SHAFT	45174		269355A	2
A	21 STUD, CAP	45174		.294026 1	4
	NUT, FULL 1 1/2 NC			.02720100	4
	NUT, JAM 1 1/2 NC			.02720150	4
A	22 SHIM, BEARING	45174	115130	.294141 1	2
	SHIM, BEARING			.294151 2	2
	SHIM, BEARING			.294151 3	8
	1-2 & 3-294151 REPLACED BY			411693 1	1
A	22 SHIM, BEARING	115419		411693 1	8
A	23 BUSHING, SHAFT	45174		294145A	2
A	24 AXLE,	45174		227796A	2
A	40 BOLT, FOUND. INCL. NUTS	45174		901591K 51	4
A	48 BUSHING, SHAFT	45174		294209A	1
A	192 BUSHING, OILITE A-1901-2	45174		82090300	6
A	197 PLUG, SHEAR	45174		294142 1	4
A	254 NUT, LOCK 1 NC	45174		02786550	20



PARTS LIST

BE-122

MODEL: 51-B

PAGE: 2 -1

CAT. REF.	PART NAME	SERIAL NO.		PART NO.	REQ.
		FROM	TO/INCL.		
AB	001 REVOLVING FRAME DRAWINGS 1-AB-337 1-AB-348				
AB	2 CASTING, FRAME INCL. BUSHINGS	45174			
AB	3 CASTING, FRAME	45174			
AB	6 BUSHING, SHAFT	45174		55068AA	1
AB	7 BUSHING, CENTER	45174		294996A	1
AB	8 ROLLER INCL. AB9 & AB13	45174	62052	274171A	6
AB	8 ROLLER INCL. AB9 & AB13 6 CONE ROLLER	62581		901238K 51	6
AB	8 ROLLER, INCL. AB9 & AB13 8 CONE ROLLER	120292		901238K 51	8
AB	9 BUSHING, ROLLER ALWAYS INCL. AB13 WASHER	45174	62052	294252A	6
AB	9 BUSHING, ROLLER 6 CONE ROLLER ALWAYS INCL. AB13 WASHER	62581		400805A	6
AB	9 BUSHING, ROLLER 8 CONE ROLLER ALWAYS INCL. AB13 WASHER	120292		400805A	8
AB	10 FRAME, ROLLER 6 CONE ROLLER	45174		227823A	2
AB	10 FRAME, ROLLER 8 CONE ROLLER FRONT FRAME, ROLLER 8 CONE ROLLER REAR SEE AB175	120292		227823A	2
AB	11 PIN, ROLLER	45174		269399 1	4
AB	12 PIN, ROLLER 6 CONE ROLLER	45174		269401 1	2
AB	12 PIN, ROLLER 8 CONE ROLLER	120292		610017K 21	4
AB	13 WASHER, ROLLER ALWAYS INCL. AB9 BUSHING	45174	62052	294240A	6
AB	13 WASHER, ROLLER 6 CONE ROLLER ALWAYS INCL. AB9 BUSHING	62581		294240AA	6
AB	13 WASHER, ROLLER 8 CONE ROLLER ALWAYS INCL. AB9 BUSHING	120292		299511A	6
AB	14 PIN, FRAME 6 CONE ROLLER	45174		294241 1	2
AB	14 PIN, FRAME 8 CONE ROLLER FRONT PIN, FRAME 8 CONE ROLLER REAR SEE AB176	120292		294241 1	2
AB	22 BOLT, PIN 1 1/8X2 1/2 NC 6 CONE ROLLER	45174		02194600	16
AB	22 BOLT, PIN 1 1/8X2 1/2 NC 8 CONE ROLLER	120292		02194600	24
AB	29 BUSHING, SHAFT	45174	82363	294992A	1
AB	29 BUSHING, SHAFT	88235		404483A	1
AB	41 PIN, BOOM FOOT	45174	82363	295028 1	2
AB	41 PIN, BOOM FOOT	88235	107755	404708 1	2
AB	41 PIN, BOOM FOOT	109471		408035 1	2
AB	45 BUSHING, SHAFT	45174		Y 4297A 5	1
AB	46 BUSHING, SHAFT	45174		294055A	1
AB	50 BOLT, LONG INCL. NUTS	45174		901584K 51	2
AB	50 BOLT, SHORT INCL. NUTS	45174		901585K 51	2
AB	64 LOCK, PIN	45174		197623 20	2
AB	65 COVER, HOLE	45174		296844A	2
AB	66 WASHER,	45174		68766510	6
AB	67 PLATE, DECK REFER FACTORY	45174			



PARTS LIST

BE-122

MODEL: 51-B

PAGE: 2- 2

CAT. REF.	PART NAME	SERIAL NO.		PART NO.	REQ.
		FROM	TO/INCL.		
	001				
B 68	PLATE, DECK REFER FACTORY	45174			
B 70	BOARD, RUNNING REFER FACTORY	45174			
B 71	SUPPORT, BOARD	45174	82363	283534	1 6
B 71	SUPPORT, BOARD	88235	88292	.283534	1 1
	SUPPORT, BOARD			.218129	6 2
	SUPPORT, BOARD			.218129	7 1
	SUPPORT, BOARD			.218129	8 1
	SUPPORT, BOARD			.218129	9 1
B 71	SUPPORT, BOARD	98048		283534	1 6
B 73	PLATE, TIE	45174		295099	1 2
B 89	BUSHING, SHAFT	45174	112846	294236A	1 1
B 89	BUSHING, SHAFT	113705		279491A	1 1
B 107	SUPPORT, RIGHT ON SOME MACHINES REFER FACTORY				
B 108	STEP,	45174		266317	2 2
B 110	COUNTERWEIGHT, REFER FACTORY	45174			
B 111	BOLT, COUNTERWEIGHT REFER FACTORY	45174			
B 121	BUSHING, OILITE AA-1506-12	45174		82086536	2 2
B 122	BUSHING, OILITE A-1704	45174		82089050	10 2
B 123	SUPPORT, LEFT ON SOME MACHINES REFER FACTORY				
B 124	SUPPORT, BOARD	45174	82363	283534	2 6
B 124	SUPPORT, BOARD	88235	88292	.283534	2 2
	SUPPORT, BOARD			.218129	2 1
	SUPPORT, BOARD			.218129	3 2
	SUPPORT, BOARD			.218129	4 1
B 124	SUPPORT, BOARD	98048		283534	2 6
B 143	BUSHING, PIN NOT USED	45174	107755		
B 143	BUSHING, PIN	109471		529039K	1 4
B 162	COUNTERWEIGHT, REFER FACTORY	45174			
B 163	BOLT, COUNTERWEIGHT REFER FACTORY	45174			
B 166	COUNTERWEIGHT, REFER FACTORY	45174			
B 167	BOLT, COUNTERWEIGHT REFER FACTORY	45174			
B 168	BUSHING, SHAFT	45174		290715A	3 3
B 170	BEARING, RH OR LH 294302-A REPLACED BY AB170 BEARING RH AB171 BOLT, ROD NUT, FULL 1 NF NUT JAM 1 NF AB197 BEARING LH DRAWING 275544	45174	82363	294302A	2 2
170	BEARING, RH 232935-A REPLACED BY	88235	116039	232935A	1 1
170	BEARING, RH STANDARD PROPEL	117037		232935AA	1 1
170	BEARING, RH STANDARD PROPEL-3RD DRUM OR 3RD DRUM W/FAIRLEAD OR INDEPENDENT PROPEL-3RD DRUM OR 3RD DRUM W/FAIRLEAD	120292		232935AA 708668K	1 1
171	BOLT, BEARING INCL. NUTS	45174	82363	901408K	51 2
171	BOLT, BEARING SHORT INCL. NUTS STANDARD PROPEL	88235		901180K	51 2
171	BOLT, BEARING LONG INCL NUTS			901408K	51 2
171	BOLT, BEARING SHORT STANDARD PROPEL	120292		.514036K	21 2



PARTS LIST

BE-122

MODEL: 51-B

PAGE: 2-

CAT. REF.	PART NAME	SERIAL NO.		PART NO.	REQ.
		FROM	TO/INCL.		
	001				
AB 171	3RD DRUM OR 3RD DRUM W/FAIRLEAD OR INDEPENDENT PROPEL-3RD DRUM OR 3RD DRUM W/FAIRLEAD				
	NUT, LOCK 1 NF			.02769550	2
	BOLT, BRG LONG INCL NUTS STD PROPEL 3RD DRUM OR 3RD DRUM W/FAIRLEAD OR INDEPENDENT PROPEL-3RD DRUM OR 3RD DRUM W/FAIRLEAD			901408K 51	2
AB 172	COUNTERWEIGHT,	45174			
AB 173	SLEEVE, BEARING	45174		294697A	1
AB 175	FRAME, REAR ROLLER 8 CONE ROLLER	120292		708335K 1	2
AB 176	PIN, REAR FRAME 8 CONE ROLLER	120292		608751K 21	2
AB 197	BEARING, LH	88235	116039	232935B	1
	232935-B REPLACED BY			232935BA	1
AB 197	BEARING, LH STANDARD PROPEL	117037		232935BA	1
	BEARING, LH STANDARD PROPEL 3RD DRUM OR 3RD DRUM W/FAIRLEAD OR INDEPENDENT PROPEL-3RD DRUM OR 3RD DRUM W/FAIRLEAD			708669K 1	1
AB 271	COVER, TOP FRONT STANDARD PROPEL OR STANDARD PROPEL-3RD DRUM OR 3RD DRUM W/FAIRLEAD	45174		.229055 1	1
	SCREW, CAP 1/2X1 NC			.03185320	1
	WASHER, LOCK 1/2 IN.			.03961500	1
	NUT, FULL 1/2 NC			.02711050	1
	COVER, TOP FRONT INDEPENDENT PROPEL OR INDEPENDENT PROPEL W/FAIRLEAD OR 3RD DRUM OR 3RD DRUM W/FAIRLEAD			.708323K 1	1
	SCREW, CAP 1/2X1 NC			.03185320	1
	WASHER, LOCK 1/2 IN.			.03961500	1
	NUT, FULL 1/2 NC			.02711050	1
AB 272	COVER, TOP FRONT STANDARD PROPEL OR STANDARD PROPEL-3RD DRUM OR 3RD DRUM W/FAIRLEAD	45174		229055 4	1
	COVER, TOP FRONT INDEPENDENT PROPEL OR INDEPENDENT PROPEL W/FAIRLEAD			708326K 21	1
	COVER, TOP FRONT INDEPENDENT PROPEL 3RD DRUM W/FAIRLEAD			708318K 21	1
AB 273	SUPPORT, FRONT STANDARD PROPEL OR STANDARD PROPEL-3RD DRUM OR 3RD DRUM W/FAIRLEAD	45174		229052 1	1
AB 274	COVER, FRONT SIDE STANDARD PROPEL OR STANDARD PROPEL-3RD DRUM OR 3RD DRUM W/FAIRLEAD OR INDEPENDENT PROPEL OR INDEPENDENT PROPEL W/FAIRLEAD OR 3RD DRUM OR 3RD DRUM W/FAIRLEAD	45174		229052 4	1
AB 275	SUPPORT, LH FRONT INDEPENDENT PROPEL OR INDEPENDENT PROPEL W/FAIRLEAD OR 3RD DRUM OR 3RD DRUM W/FAIRLEAD	45174		608746K 21	1
AB 276	SUPPORT, FRONT SIDE INDEPENDENT PROPEL-3RD DRUM OR 3RD DRUM W/FAIRLEAD	45174		608745K 21	1



PARTS LIST

CAT. REF.	PART NAME	SERIAL NO.		PART NO.	REQ.
		FROM	TO/INCL.		
BC	001 CRAWLERS-STANDARD, LONG WIDE FLAT AND LONG WIDE TAPERED-VARIABLE UNIT DRAWINGS 1BC-347, 1-BC-348				
BC	1 LINK, TRACK 30 LINK-STANDARD 225723AA REPLACED BY LINK, TRACK 30 LINK-HEAVY DUTY LINK, TRACK 36 LINK 228300-AA REPLACED BY	45174		225723AA 804617K 1 804617K 1 228300AA 228300AC	68 68 68 68
BC	1 LINK, TRACK 36 LINK	75329		228300AC	68
BC	1 LINK, TRACK LONG WIDE FLAT LINK, TRACK LONG WIDE TAPERED	45174		228300AC 228300AC	86 86
BC	2 PIN, LINK 1 1/2 DIA. STANDARD PIN, LINK 1 1/2 DIA. LONG WIDE FLAT PIN, LINK 1 1/2 DIA. LONG WIDE TAPERED	45174		296472 1 296472 1 296472 1	136 172 172
BC	3 PIN, LINK 1/8 OVERSIZE BOLT, LOCK STANDARD BOLT, LOCK LONG WIDE FLAT BOLT, LOCK LONG WIDE TAPERED	45174		296472 2 02654500 02654500 02654500	136 172 172
BC	4 TUMBLER, DRIVING 227786 A REPLACED BY	45174	112846	227786A 227786AA	2 2
BC	4 TUMBLER, DRIVING	113705		227786AA	2
BC	5 BOLT, TUMBLER	45174		197622 23	2
BC	11 SHAFT, TUMBLER	45174	112846	269342 3	2
BC	11 SHAFT, TUMBLER	113705		279489 1	2
BC	13 TUMBLER, TAKE-UP INCL. BC14 269339-A REPLACED BY	45174	112846	269339A 901560K 51	2 2
BC	13 TUMBLER, TAKE-UP INCL. BC14	113705	122528	901560K 51	2
BC	13 TUMBLER, TAKE-UP INCL. BC14	122529		901560K 52	2
BC	14 BUSHING, TUMBLER TWO USED IN ONE TUMBLER 282726-A1 REPLACED BY	45174	122528	282726A 1 518111K 1 518111K 1	4 4 4
BC	14 BUSHING, TUMBLER	122529		518111K 1	4
BC	21 LOCK, NUT	45174		88405900	2
BC	22 SHAFT, TAKE-UP	45174		269347 1	2
BC	41 FRAME, STANDARD 2-215070 REPLACED BY	45174	117758	215070 2 801862 1	1 1
BC	41 FRAME, STANDARD	117759		801862 1	1
BC	41 FRAME, LONG WIDE FLAT 1-237238 REPLACED BY	45174	117534	237238 1 850624 1	1 1
BC	41 FRAME, LONG WIDE FLAT	117535		850624 1	1
BC	41 FRAME, LONG WIDE TAPERED 1-237238 REPLACED BY	45174	122528	237238 1 850624 1	1 1
BC	41 FRAME, LONG WIDE TAPERED	122529		850624 1	1
BC	42 FRAME, STANDARD 3-215070 REPLACED BY	45174	117758	215070 3 801862 2	1 1
BC	42 FRAME, STANDARD	117759		801862 2	1
BC	42 FRAME, LONG WIDE FLAT 2-237238 REPLACED BY	45174	117534	237238 2 850624 2	1 1
BC	42 FRAME, LONG WIDE FLAT	117535		850624 2	1
BC	42 FRAME, LONG WIDE TAPERED 2-237238 REPLACED BY	45174	122528	237238 2 850624 2	1 1

PARTS LIST

BE-122

MODEL: 51-B

PAGE: 3- 2

CAT. REF.	PART NAME	SERIAL NO.		PART NO.	REQ.
		FROM	TO/INCL.		
	001				
C 42	FRAME, LONG WIDE TAPERED	122529		850624 2	1
C 43	BUSHING, OUTER	45174	122528	294021A 5	2
	294021-A REPLACED BY			518109K 1	2
C 43	BUSHING, OUTER	122529		518109K 1	2
C 44	BUSHING, INNER	45174	112846	294125A	4
	294125-A REPLACED BY			294125B	4
C 44	BUSHING, INNER	113705	122528	294125A 1	4
	294125-A1 REPLACED BY			518110K 1	4
C 44	BUSHING, INNER	122529		518110K 1	4
C 55	SPROCKET, CHAIN	45174		227789A	2
C 56	BEARING, OUTSIDE INCL. BC43	45174		902546K 51	2
C 58	BEARING, INSIDE INCL. BC44	45174	112846	902547K 51	2
C 58	BEARING, INSIDE RH INCL. BC44	113705		900205K 51	1
	BEARING, INSIDE LH INCL. BC44			900206K 51	1
C 59	BOLT, BEARING 1 1/4X12 NC	45174		.02053700	8
	NUT, FULL 1 1/4 NC			.02718050	8
	NUT, JAM 1 1/4 NC			.02718200	8
C 62	BOLT, ADJUSTING INCL. BC112	45174		900675K 51	2
C 63	BOLT, SPROCKET	45174		197622 22	2
C 65	PIN, BOLT	45174		X14402 1	2
C 66	SHIELD, DUST	45174		269348A	4
C 67	BOLT, SHAFT 1 1/4X9 NC	45174		.02197640	4
	NUT, FULL 1 1/4 NC			.02718050	4
	NUT, JAM 1 1/4 NC			.02718200	4
C 68	ROLLER, LOWER INCL. BC69 STANDARD	45174	61079	269350A	12
	269350-A REPLACED BY			900671K 51	12
C 68	ROLLER, LOWER INCL. BC69 STANDARD	61678	122528	900671K 51	12
C 68	ROLLER, LOWER INCL. BC69 STANDARD	122529		900671K 52	12
C 68	ROLLER, LOWER INCL. BC69 LONG WIDE	45174	61542	269350A	16
	FLAT				
	269350-A REPLACED BY			900671K 51	16
C 68	ROLLER, LOWER INCL. BC69 LONG WIDE	62761	122528	900671K 51	16
	FLAT				
C 68	ROLLER, LOWER INCL. BC69 LONG WIDE	122529		900671K 52	16
	FLAT				
C 68	ROLLER, LOWER INCL. BC69 LONG WIDE	45174	122528	269350A	16
	TAPERED				
	269350-A REPLACED BY			900671K 51	16
C 68	ROLLER, LOWER INCL. BC69 LONG WIDE	122529		900671K 52	16
	TAPERED				
C 69	BUSHING, ROLLER TWO USED IN ONE	45174	122528	294152A	24
	ROLLER, STANDARD				
	294152-A REPLACED BY			518108K 1	24
C 69	BUSHING, ROLLER TWO USED IN ONE	122529		518108K 1	24
	ROLLER, STANDARD				
C 69	BUSHING, ROLLER TWO USED IN ONE	45174	122528	294152A	32
	ROLLER, LONG WIDE FLAT				
	294152-A REPLACED BY			518108K 1	32
C 69	BUSHING, ROLLER TWO USED IN ONE	122529		518108K 1	32
	ROLLER LONG WIDE FLAT				
C 69	BUSHING, ROLLER TWO USED IN ONE	45174	122528	294152A	32
	ROLLER LONG WIDE TAPERED				
	294152-A REPLACED BY			518108K 1	32
C 69	BUSHING, ROLLER TWO USED IN ONE	122529		518108K 1	32



PARTS LIST

ISSUE NO 2, 1965

BE-122

MODEL: 51-B

PAGE: 3-

CAT. REF.	PART NAME	SERIAL NO.		PART NO.	REQ.
		FROM	TO/INCL.		
	001				
BC 69	ROLLER LONG WIDE TAPERED				
BC 70	SHAFT, ROLLER STANDARD	45174		269352	1 12
	SHAFT, ROLLER LONG WIDE FLAT			269352	1 16
	SHAFT, ROLLER LONG WIDE TAPERED			269352	1 16
BC 71	SHIELD, DUST STANDARD	45174		269351A	24
	SHIELD, DUST LONG WIDE FLAT			269351A	32
	SHIELD, DUST LONG WIDE TAPERED			269351A	32
BC 72	U-BOLT SHAFT INCL. NUTS STANDARD	45174		900366K	51 24
	U-BOLT SHAFT INCL. NUTS LONG WIDE FLAT			900366K	51 32
	U-BOLT, SHAFT INCL. NUTS LONG WIDE TAPERED			901578K	51 32
BC 73	ROLLER, UPPER STANDARD	45174		266588A	4
	ROLLER, UPPER LONG WIDE FLAT			266588A	8
	ROLLER, UPPER LONG WIDE TAPERED			266588A	8
BC 75	SHAFT, ROLLER STANDARD	45174		289559	1 4
	SHAFT, ROLLER LONG WIDE FLAT			289559	1 8
	SHAFT, ROLLER LONG WIDE TAPERED			289559	1 8
BC 76	LOCK, SHAFT STANDARD	45174		197620	28 4
	LOCK, SHAFT LONG WIDE FLAT			197620	28 8
	LOCK, SHAFT LONG WIDE TAPERED			197620	28 8
BC 80	COLLAR, SPROCKET	45174		294134A	2
BC 112	NUT, TAKE UP	45174		X12963	1 2
BC 117	SCREW, CAP 5/8X2 1/2 NC	45174		.03191800	2
	NUT, FULL 5/8 NC			.02713050	2
	WASHER, LOCK 5/8 IN.			.03961700	2
BC 141	CHAIN, STANDARD JEFF. 1634A-40P	45174		34170760	2
	CHAIN, STANDARD CHAB 1204-40P			34170760	2
	CHAIN, LONG WIDE FLAT-JEFF 1634A-40P			34170860	2
	CHAIN, LONG WIDE FLAT CHAB 1204-50P			34170860	2
	CHAIN LONG WIDE TAPERED-JEFF 1634A-50P			34170860	2
	CHAIN, LONG WIDE TAPERED-CHAB. 1204-50P			34170860	2
BC 142	LINK, CHAIN STANDARD-JEFF 1634A	45174		34194000	80
	LINK, CHAIN STANDARD CHAB 1204			34194000	80
	LINK, CHAIN LONG WIDE FLAT-JEFF 1634A			34194000	100
	LINK, CHAIN LONG WIDE FLAT-CHAB 1204			34194000	100
	LINK, CHAIN LONG WIDE TAPERED-JEFF 1634A			34194000	100
	LINK, CHAIN LONG WIDE TAPERED-CHAB 1204			34194000	100
BC 144	LOCK, BOLT	45174		284322	1 4
BC 153	PIN, LINK INCL. BC180 STANDARD JEFF 1634A	45174		34194500	80
	PIN, LINK INCL. BC180 STANDARD CHAB 1204			34194500	80
	PIN, LINK INCL. BC180 LONG WIDE FLAT-JEFF 1634A			34194500	100
	PIN, LINK INCL. BC180 LONG WIDE FLAT-CHAB 1204			34194500	100

PARTS LIST

BE-122

MODEL: 51-B

PAGE: 3- 4

CAT. REF.	PART NAME	SERIAL NO.		PART NO.	REQ.
		FROM	TO/INCL.		
	001				
BC 153	PIN, LINK INCL. BC180 LONG WIDE TAPERED-JEFF 1634A			34194500	100
	PIN, LINK INCL. BC180 LONG WIDE TAPERED-CHAB 1204			34194500	100
BC 157	BAR, GUIDE	45174		294214	1 4
BC 159	BAR, GUIDE	45174		294214	2 4
BC 160	SPACER, TAKE-UP STANDARD	45174		.506199K	1 8
	SPACER, TAKE-UP STANDARD			.506200K	1 16
	SPACER, TAKE-UP STANDARD			.294213	1 16
	SPACER, TAKE-UP STANDARD			.294545	1 16
	SPACER, TAKE-UP LONG WIDE FLAT			.506199K	1 8
	SPACER, TAKE-UP LONG WIDE FLAT			.506200K	1 16
	SPACER, TAKE-UP LONG WIDE FLAT			.294213	1 16
	SPACER, TAKE-UP LONG WIDE FLAT			.294545	1 24
	SPACER, TAKE-UP LONG WIDE TAPERED			.506199K	1 8
	SPACER, TAKE-UP LONG WIDE TAPERED			.506200K	1 16
	SPACER, TAKE-UP LONG WIDE TAPERED			.294213	1 16
	SPACER, TAKE-UP LONG WIDE TAPERED			.294545	1 24
BC 162	SCREW, JACK INCL. BC163	45174		282680	1 2
BC 163	NUT, SCREW	45174		282679	1 2
BC 164	SLEEVE, SCREW STANDARD	45174		282685	1 1
	SLEEVE, SCREW LONG WIDE FLAT			282685	7 1
	SLEEVE, SCREW LONG WIDE TAPERED			282685	7 1
BC 166	STUD, LOADING DEVICE INCL. NUT	45174		901343K	51 8
BC 167	RETAINER, FRAME	45174		294165	1 4
BC 168	SCREW, CAP STANDARD	45174	122528	289928	1 8
BC 168	SCREW, CAP STANDARD	122529		289928	1 4
BC 168	SCREW, CAP LONG WIDE FLAT	45174		289928	1 8
	SCREW, CAP LONG WIDE TAPERED			289928	1 8
BC 169	BOLT, AXLE STANDARD 30 IN. LINK	45174	122528	510359K	1 4
BC 169	BOLT, AXLE STANDARD 30 IN. LINK	122529		510360K	1 4
BC 169	BOLT, AXLE STANDARD 36 IN. LINK	45174		510360K	1 4
	BOLT, AXLE LONG WIDE FLAT			510360K	1 4
	BOLT, AXLE LONG WIDE TAPERED			510360K	1 4
BC 170	SPACER, CAPSCREW STANDARD 30 IN. LINK NOT USED	45174	122528		
BC 170	SPACER, CAPSCREW STANDARD 30 IN. LINK	122529		529540K	1 4
	529540K1 REPLACED BY			529592K	1 4
BC 170	SPACER, CAPSCREW STANDARD 36 IN. LINK	45174		529540K	1 4
	529540K1 REPLACED BY			529592K	1 4
	SPACER, CAPSCREW LONG WIDE FLAT			529592K	1 4
	SPACER, CAPSCREW LONG WIDE TAPERED			529592K	1 4
C 171	LOCK, BOLT USE BC144	45174			
C 174	GUARD, DIRT STANDARD 30 IN. LINK	45174	121815	294169	1 8
C 174	GUARD, DIRT STANDARD 30 IN. LINK	122055		294622	1 8
C 174	GUARD, DIRT STANDARD 36 IN. LINK	45174		294622	1 8
	GUARD, DIRT LONG WIDE FLAT			294622	1 8
	GUARD, DIRT LONG WIDE TAPERED			294622	1 8
C 175	SCREW, CAP STANDARD 30 IN. LINK	45174		.03185400	8
	1/2X1 1/4 NC				
	NUT, FULL 1/2 NC			.02711050	8
	WASHER, LOCK 1/2 IN.			.03961500	8



PARTS LIST

BE-122

MODEL: 51-B

PAGE: 4 - 1

CAT. REF.	PART NAME	SERIAL NO.		PART NO.	REQ.
		FROM	TO/INCL.		
BR	001 STEERING MACHINERY-DRAWING 1-BR-328				
BR	9 ROD, STEERING INCL. BR244	45174		617071K 51	1
BR	10 ROD, STEERING INCL. BR254	45174		269400 1	1
BR	75 SHAFT, SHIFTER	45174		294168 1	1
BR	76 SHAFT, SHIFTER	45174		294163 1	1
BR	77 COLLAR, SHAFT	45174		Y 171A 2	6
BR	93 SCREW, DOWEL	45174		282665 1	2
BR	99 SHAFT, INTERMEDIATE	45174		294166 1	1
BR	100 LEVER, INTERMEDIATE	45174		290142A 1	1
BR	101 BUSHING, LEVER	45174		500117K 1	3
BR	102 KEY, LEVER NO. 28 WOODRUFF	45174		54306250 6	6
BR	104 LEVER, ROD	45174		289782A 1	1
BR	106 END, ROD	45174		500509K 1	1
BR	107 END, ROD	45174		500538K 1	2
BR	108 ROD, REACH	45174		189515 44	1
BR	109 ROD, REACH	45174		189515 27	1
BR	110 SHIFTER, CLUTCH	45174		269369A 2	2
BR	111 SHOE, SHIFTER	45174		500303K 1	4
BR	112 PIN, SHOE	45174		282969 1	4
BR	114 LOCK, CLUTCH	45174		294158 1	2
BR	117 LEVER, TENSION INCL. BR101	45174		901566K 51	1
BR	118 LEVER, TENSION INCL. BR101	45174		901567K 51	1
BR	124 PIN, END	45174		500519K 1	3
BR	125 SPRING,	45174		75744590 1	1
BR	126 TURNBUCKLE,	45174		82948500 1	1
BR	174 SCREW, CAP 3/4X4 3/4 NC	45174		.03195520 1	1
	NUT, FULL 3/4 NC			.02714050 1	1
	WASHER, LOCK 3/4 IN.			.03961800 1	1
BR	175 END, ROD INCL. BR101	45174		901574K 51	1
BR	176 END, ROD	45174		290144 1	1
BR	244 BUSHING, PIN	45174		520635K 1	2
BR	251 RETAINER, LOCK	45174		197621 15	2
BR	254 BUSHING, PIN	45174		283004 1	2
BR	256 SPACER, BOLT	45174		290142 3	1
BR	257 PLATE, LOCK	45174		290143 1	1
BR	258 BALL, PLATE 1 1/8 IN. STEEL	45174		87044300 1	1



PARTS LIST

CAT. REF.	PART NAME	SERIAL NO.		PART NO.	REQ.
		FROM	TO/INCL.		
	001				
C	A FRAME-STANDARD DRAWING 1C-335				
C	1 SHEAVE,SUSPENSION INCL.C51	45174		901545K 51	4
C	3 PIN,SHEAVE	45174		296497 1	2
C	7 LEG,FRONT	45174	121618	227836 1	1
C	7 LEG,FRONT	121808		709892K 21	1
C	8 LEG,BACK	45174	15428	294288 1	2
C	8 LEG,BACK	116030		601567K 1	2
C	36 LOCK,PIN	45174		197621 5	2
C	38 LOCK,PIN	45174		197620 7	4
C	39 SHEAVE,HOIST INCL.C52	45174		901544K 51	2
C	44 YOKE,A-FRAME INCL.C180	45174	69320	270561 1	1
	1-270561 REPLACED BY				
	C44 YOKE INCL.C180			901558K 51	1
	C77 ANCHOR,ROPE			400028A	1
	C85 BOLT,DOWEL			400030 1	1
C	44 YOKE,A-FRAME INCL.C180	69321	88292	901558K 51	1
C	44 YOKE,A-FRAME INCL.C180	98048		901559K 51	1
C	51 BUSHING,SHEAVE	45174		294291A	4
C	52 BUSHING,SHEAVE	45174		294281A	2
C	55 PIN,LEG	45174		294283 1	1
C	56 SCREW,CAP 5/8X2 1/4 NC	45174		.03191720	1
	NUT,FULL 5/8 NC			.02713250	1
	WASHER,LOCK 5/8 IN.			.03961700	1
C	57 PIN,LEG	45174		294693 1	1
C	59 PIN,FOOT	45174		294287 2	1
C	61 PIN,FOOT	45174		294287 1	1
C	69 PIN,A-FRAME	45174		294292 1	1
C	70 SPACER,PIN	45174	88292	281669A 3	1
C	70 SPACER,PIN	98048		281669A 5	1
C	77 ANCHOR,ROPE	45174	88292	400028A	1
C	77 ANCHOR,ROPE	98048		275629 1	1
C	85 BOLT,DOWEL NOT USED	45174	69320		
C	85 BOLT,DOWEL	69321		400030 1	1
C	93 BOLT,PIN	45174		197623 12	2
C	107 BRACE,GUARD	45174		269425 8	1
C	111 SCREW,CAP 1/2X1 1/4 NC	45174		.03185400	6
	NUT,FULL 1/2 NC			.02711050	6
	SCREW,CAP 1/2X1 NC			.03185320	2
	WASHER,LOCK 1/2 IN.			.03961500	8
C	116 GUARD,SHEAVE	45174		269425 1	2
C	132 GUARD,SHEAVE	45174		296495 1	1
C	133 GUARD,SHEAVE	45174		296496 1	1
C	148 WEDGE,SOCKET 3/4 IN.	45174		526462K 1	1
C	180 BUSHING,YOKE	45174		528503K 1	2
C	190 SOCKET,ROPE	45174		527032K 1	1
C	191 PIN,SOCKET	45174		526030K 1	1



PARTS LIST

ISSUE NO 2, 1965

BE-122

MODEL: 51-B

PAGE: 5- 2

CAT. REF.	PART NAME	SERIAL NO.		PART NO.	REQ.
		FROM	TO/INCL.		
C	008 HOE AUXILIARY A-FRAME-VARIABLE				
C	008 UNIT DRAWINGS 1C-353,1-JA-396				
C	121 PIN,HEAD	45174		274869 1	1
C	122 LOCK,PIN	45174		403401 1	2
C	123 SHEAVE,HOIST INCL.C124	45174		901568K 51	2
C	124 BUSHING,SHEAVE	45174		403350A	2
C	125 SHEAVE,SUSPENSION INCL.C184	45174		901549K 51	4
C	128 PIN,FOOT	45174		404846 1	2
C	129 LOCK,PIN	45174		197620 14	2
C	131 SCREW,CAP 3/4X1 1/2 NC	45174		03194480	2
C	179 A-FRAME,AUX.	45174		218079 1	1
C	184 BUSHING,SHEAVE	45174		528506K 1	4
C	210 BEARING RH,	45174		275661A	1
C	211 BEARING LH,	45174		275661B	1
C	213 SPACER,SHEAVE	45174		403798A	2
C	216 A-FRAME AUX.COMPL,	45174		8298C	1
C	316 BOLT,ANCHOR-LONG INCL.NUTS	45174		.901590K 51	2
	BOLT,ANCHOR-SHORT			.403602 1	2
	NUT,FULL 1 NF			.02743050	2
	NUT,JAM 1 NF			.02743100	2



PARTS LIST

BE-122

MODEL: 51-B

PAGE: 6 -1

CAT. REF.	PART NAME	SERIAL NO.		PART NO.	REQ.
		FROM	TO/INCL.		
F	001 SWING MACHINERY DRAWING 1-QR-403				
F	1 PINION, RACK 269512-A REPLACED BY	45174	50302	269512A 711248K	1 1
F	1 PINION, RACK 1&2-271656 REPLACED BY	55487	121815	271656 711248K	1 1
F	1 PINION, RACK	122055		711248K	1
F	2 SHAFT, SWING	45174	112846	269354	1
F	2 SHAFT, SWING 1-250785 REPLACED BY	113705	116034	250785	1
	F2 SHAFT, SWING			701824K	2
F	2 SHAFT, SWING	116035		701824K	2
F	3 SCREW, CAP	45174	116034	282248	1
F	3 SCREW, CAP	116035		501990K	1
F	4 CLUTCH, JAW 1-269357 REPLACED BY	45174	116039	269357 200837	1 1
F	4 CLUTCH, JAW	117037	118274	602907	1
F	4 CLUTCH, JAW	118756		604902K	1
F	6 RETAINER,	45174		514125K	1
F	11 GEAR, SWING	45174		269366A	1
F	13 WASHER, & SEAL	45174	112846	269368A	1
F	13 WASHER & SEAL, NOT USED	113705			
F	250 WIRE, LOCK 16-8 IN.	45174		84280000	1
F	255 DOWEL, WASHER	45174	112846	269368	1
F	255 DOWEL, WASHER NOT USED	113705			
F	495 HUB, GEAR INCL. F496	45174	112846	900306K	51
F	495 HUB, GEAR INCL. F496 901536K51 REPLACED BY	113705	116039	901536K	51
				901536K	52
F	495 HUB, GEAR INCL. F496	117037		901536K	52
F	496 BUSHING, HUB	45174	112846	294227A	1
F	496 BUSHING, HUB	113705		514126K	1
F	497 BOLT, HUB	45174		290165	1



PARTS LIST

CAT. REF.	PART NAME	SERIAL NO.		PART NO.	REQ.
		FROM	TO/INCL.		
JA	001 SHOVEL BOOM, VARIABLE UNIT DRAWING 1-JA-378				
JA	1 BOOM, BARE REFER FACTORY	45174			
JA	5 BUSHING, SHAFT	45174		294906A	2
JA	68 BLOCK, BUMPER	45174	120301	267452	4
JA	68 BLOCK, BUMPER	121615		516626K	1
JA	164 BAR, SUPPORT	45174	120301	267452	2
JA	164 BAR, SUPPORT	121615		613014K	1
JA	165 SCREW, CAP 1/2X5 1/2 NC	45174	120301	.03186760	4
	NUT, FULL 1/2 NC			.02711050	4
	WASHER, LOCK 1/2 IN.			.03961500	4
	BOLT, BAR 5/8X2 NC			.03191640	4
	NUT, FULL 5/8 NC			.02713050	4
	WASHER, LOCK 5/8 IN.			.03961700	4
JA	165 SCREW, CAP 1/2X1 NF	121615		.03235320	8
	WASHER, LOCK 1/2 IN.			.03961500	8
JA	324 BUSHING, FOOT	45174		294905	1
JA	325 BRACKET, DRUM	45174		228107	6
JA	326 BRACKET, DRUM	45174		228107	7
JA	327 SCREW, CAP 3/4X2 1/4 NC	45174		.03194720	6
	NUT, FULL 3/4 NC			.02714050	6
	WASHER, LOCK 3/4 IN.			.03961800	6
JA	002 DRAGLINE, CLAMSHELL AND CRANE BOOM -VARIABLE UNIT DRAWING 1-JA-376				
JA	23 BOOM, BARE SPECIFY LENGTH	45174			
JA	24 SECTION, UPPER STANDARD	45174	112845	6665JA	1
JA	24 SECTION, UPPER STANDARD	112846		8018JA	1
JA	24 SECTION, UPPER TRI-TEN	118761		11038JA	1
JA	26 SECTION, CENTER 10 FT. STANDARD	45174	112845	6652JA	
JA	26 SECTION, CENTER 10 FT. STANDARD	112846		8022JA	
	SECTION, CENTER 10 FT. STANDARD			10768JA	
JA	26 SECTION, CENTER 10 FT. TRI-TEN	118761		11039JA	
JA	28 SECTION, LOWER STANDARD	45174	82360	9791JA	1
JA	28 SECTION, LOWER STANDARD	82361	88292	8439JA	1
JA	28 SECTION, LOWER STANDARD	98048	112845	9791JA	1
JA	28 SECTION, LOWER STANDARD	112846	118765	8019JA	1
JA	28 SECTION, LOWER STANDARD	119117		10764JA	1
JA	28 SECTION, LOWER TRI-TEN	118761		11037JA	1
JA	29 BUSHING, LOWER BOOM STANDARD	119117		511720K	1
JA	29 BUSHING, LOWER BOOM TRI-TEN	118761		511720K	1
JA	78 SECTION, CENTER 15 FT STANDARD	45174	112845	6418JA	1
JA	78 SECTION, CENTER 15 FT STANDARD	112846			
	NOT USED				
JA	78 SECTION, CENTER 15 FT TRI-TEN	118761			
	NOT USED				
JA	79 SECTION, CENTER 20 FT. STANDARD	45174	112845	6654JA	
JA	79 SECTION, CENTER 20 FT. STANDARD	112846		8023JA	



PARTS LIST

BE-122

MODEL: 51-B

PAGE: 7- 2

CAT. REF.	PART NAME	SERIAL NO.		PART NO.	REQ.
		FROM	TO/INCL.		
	002				
79	SECTION,CENTER 20 FT. STANDARD			10769JA	
79	SECTION CENTER 20 FT. TRI-TEN	118761		11040JA	
154	SCREW,CAP FOR 1 SPLICE 7/8X3 1/4NF	45174		.03347380	8
	NUT,FULL 7/8 NF			.02742550	8
	NUT,JAM 7/8 NF			.02742650	8
	SCREW,CAP FOR 1 SPLICE 7/8X3 3/4NF			.03347460	4
	NUT,FULL 7/8 NF			.02742550	4
	NUT,JAM 7/8 NF			.02742650	4
212	GUARD,ROPE FOR 1 SPLICE	45174	112845	.292307	1
212	BOLT, 1/2X4 3/4 NC			.02015950	2
212	GUARD,ROPE FOR 1 SPLICE	112846		.410984	1
212	SCREW,CAP 1/2X4 3/4 NC			.03186520	2
	WASHER,CUT 1/2 IN.			.03951600	2
	WASHER,LOCK 1/2 IN.			.03961500	2
	NUT,FULL 1/2 NC			.02711050	2
213	WASHER,CLAMP	45174		283642	1
239	GUARD,ROPE	45174		.285561	1
239	SCREW,CAP 1/2X4 1/2 NC			.03186440	2
	WASHER,CUT 1/2 IN.			.03951600	2
	WASHER,LOCK 1/2 IN.			.03961500	2
	NUT,FULL 1/2 NC			.02711050	2
243	INDICATOR,ANGLE	45174		82541500	* 1
244	POINTER,INDICATOR	45174	82360	82541600	* 1
244	POINTER,INDICATOR	82361	88292	404702A	* 1
244	POINTER,INDICATOR	98048		82541600	* 1
245	PIN,PIVOT	45174		197117	2* 1
246	BOLT,PIVOT INCL.NUT	45174	82360	900921K 51	* 1
246	BOLT,PIVOT	82361	88292	.404703	1* 1
246	NUT,FULL 3/8 NC			.02709150	* 1
246	BOLT,PIVOT INCL.NUT	98048		900921K 51	* 1
328	SPREADER,POINT	45174	112845	266535	4 1
328	SPREADER,POINT NOT USED	112846			
329	BOLT,SPREADER 3/4X2 1/4 NC	45174	112845	.02025500	4
	NUT,FULL 3/4 NC			.02714050	4
329	BOLT,SPREADER NOT USED	112846			
447	BOLT,PHIL.M 3/8X1 NF	45174		.03725160	* 3
	WASHER,LOCK 3/8 IN.			.03961300	* 3
448	WASHER,CUT 3/8 IN.	45174		.03958500	* 3
449	BEARING,INDIACTOR NOT USED	45174	82360		
449	BEARING,INDICATOR FAF.200PP	82361	88292	26114100	1
449	BEARING,INDICATOR NOT USED	98048			
NOTE	. AVAILABLE AS A KIT TO PART NUMBER 903150K51		0		00-



PARTS LIST

BE-122

MODEL: 51-B

PAGE: 7- 3

CAT. REF.	PART NAME	SERIAL NO.		PART NO.	REQ.
		FROM	TO/INCL.		
	003				
JA	HOE BOOM-VARIABLE UNIT-DRAWINGS 1-JA-396, -1-JA-425				
JA	90 BOOM, BARE INCL. JA186 REFER FACTORY	45174			
JA	186 BUSHING, PIN	45174	119126	529035K 1	2
JA	186 BUSHING, PIN	120292		511720K 1	2
JA	253 BLOCK, BUMPER	45174	122590	297848 1	1
JA	253 BLOCK, BUMPER	122766		516602K 1	1
JA	254 PLATE, BUMPER	45174	122590	297846 1	1
JA	254 PLATE, BUMPER	122766		516603K 1	1
JA	255 BOLT, BUMPER 5/8X13 NC	45174		.02190050	2
	NUT, FULL 5/8 NC			.02713050	2
	WASHER, LOCK 5/8 IN.			.03961700	2
	004				
JA	CRANE BOOM JIB-VARIABLE UNIT- DRAWING 1-JA-394				
JA	241 PIN, FOOT REPLACES FOOT PIN AB41 WHEN JIB IS USED	45174		291203 1	2
JA	257 MAST	45174		226339 1	1
JA	276 SECTION, UPPER	45174		8097JA 1	1
	SECTION, UPPER			10595JA 1	1
JA	277 SECTION, LOWER	45174		8295JA 1	1
	SECTION, LOWER			10772JA 1	1
JA	278 SECTION, CENTER 5 FT.	45174		8058JA 1	1
	SECTION, CENTER 5 FT.			10596JA 1	1
JA	279 SECTION, CENTER 10 FT.	45174		8059JA 1	1
	SECTION, CENTER 10 FT.			10774JA 1	1
JA	280 SECTION, CENTER 15 FT.	45174		8060JA 1	1
	SECTION, CENTER 15 FT.			10775JA 1	1
JA	281 SCREW, CAP 1/2X2 1/4 NF	45174		.03235720	4
	NUT, FULL 1/2 NF			.02740550	4
	NUT, JAM 1/2 NF			.02740700	4
	SCREW, CAP 1/2X1 3/4 NF			.03235560	8
	NUT, FULL 1/2 NF			.02740550	8
	NUT, JAM 1/2 NF			.02740700	8
JA	283 ANCHOR, GUY	45174		291773 1	2
JA	284 SCREW, CAP 1X3 NS	45174		.02223370	4
	NUT, FULL 1 NS			.02743050	4
	WASHER, LOCK 1 IN.			.03962000	4
JA	285 BOLT, CLAMP 7/8X8 3/4 NC	45174		.02191870	2
	NUT, FULL 7/8 NC			.02715100	2
	WASHER, LOCK 7/8 IN.			.03961900	2
JA	286 SPACER, BOLT	45174		214245 14	2

PARTS LIST

BE-122

MODEL: 51-B

PAGE: 7- 4

CAT. REF.	PART NAME	SERIAL NO.		PART NO.	REQ.
		FROM	TO/INCL.		
	005				
JA	CRANE BOOM STOP-VARIABLE UNIT- DRAWING 1-JA-409				
JA	301 SECTION, LOWER	45174		233276 1	2
JA	303 SECTION, UPPER STANDARD BOOM	45174		233276 3	2
JA	303 SECTION, UPPER TRI-TEN BOOM	118761		607757K 21	2
JA	307 SECTION, CENTER	45174		233276 2	2
JA	397 PIN, HINGE	45174		198792 1	2
JA	398 TIE, CROSS	45174		233276 5	1
JA	399 PIN, RETAINER	45174		195695 1	2
JA	401 LUG, SUPPORT	45174		233276 4	2
JA	402 SCREW, CAP 5/8X2 1/4 NC	45174		.03191720	4
	NUT, FULL 5/8 NC			.02713050	4
	WASHER, LOCK 5/8 IN.			.03961700	4
JA	403 PIN, FOOT	45174		91056 5	2
JA	404 STOP COMPLETE, STANDARD BOOM	45174	112845	7873JA	1
JA	404 STOP COMPLETE, STANDARD BOOM	112846		8354JA	1
	STOP COMPLETE, STANDARD BOOM			10771JA	1
JA	404 STOP, COMPLETE TRI-TEN BOOM	118761		11068JA	1
	006				
JA	MAST, VARIABLE UNIT-DWG. 1-JA-376 1-JA-393, 1-JA-416				
JA	334 MAST,	45174	101126	229103 1	1
JA	334 MAST,	103524	112433	229103 5	1
JA	334 MAST,	112842	112590	250793 1	1
JA	334 MAST,	122766		713009K 21	1
JA	335 PIN, SHEAVE	45174	128181	269877 1	1
JA	335 PIN, SHEAVE	123446		713604K 1	1
JA	336 LOCK, PIN	45174	119126	197621 20	1
	20-197621 REPLACED BY			514531K 1	1
JA	336 LOCK, PIN	123446		514531K 1	2
JA	337 RETAINER, YOKE	45174		197621 6	2
JA	338 YOKE, SHEAVE	45174		271135 1	2
JA	339 PIN, YOKE	45174		297325 1	2
JA	340 LOCK, PIN	45174		197620 15	2
JA	341 PIN, SUPPORT	45174		294456 1	1
JA	342 RETAINER, PIN	45174		198622 20	2
JA	343 WASHER, PIN	45174		182505 2	2
JA	344 BOLT, RETAINER	45174		197623 20	2
JA	345 SUPPORT, MAST	45174	101126	269889 1	1
JA	345 SUPPORT, MAST	103524		279415 1	1
JA	346 SCREW, CAP 3/4X1 1/2 NC	45174		.03194480	4
	NUT, FULL 3/4 NC			.02714050	4
	WASHER, LOCK 3/4 IN.			.03961800	4
JA	347 LINK, CARRYING	45174		297322 1	2
JA	348 PIN, LINK	45174		297269 1	2
JA	581 SPACER, MAST NOT USED	45174	123181		
JA	581 SPACER, MAST	123446		518944K 1	2



PARTS LIST

BE-122

MODEL: 51-B

PAGE: 8 -1

CAT. REF.	PART NAME	SERIAL NO.		PART NO.	REQ.
		FROM	TO/INCL.		
JR	001 SHOVEL BOOM MACHINERY-VARIABLE UNIT-DRAWING 1-JR-395				
JR	1 SHAFT, SHIPPER	45174	69321	269508	1 1
JR	1 SHAFT, SHIPPER	69324		273170	1 1
JR	4 DRUM, SHAFT INCL. JR284 269501-A REPLACED BY JR4 DRUM INCL. JR284	45174	69321	269501A	1 1
	JR769 SHEAVE			901551K	51 1
JR	4 DRUM, SHAFT INCL. JR284	69324		269505A	1 1
JR	5 WEDGE, ANCHOR 1 IN.	45174		901550K	51 1
JR	8 SHEAVE, POINT INCL. JR9 901547K51 REPLACED BY	45174	123450	526466K	1 3
JR	8 SHEAVE, POINT INCL JR9			901547K	51 2
JR	8 SHEAVE, POINT INCL JR9	125300		611346K	51 2
JR	9 BUSHING, SHEAVE	45174		613346K	51 2
JR	10 WASHER, SHEAVE	45174		294351A	2 2
JR	11 PIN, SHEAVE	45174		36768B	1 2
	269524-1 REPLACED BY			269524	2 1
JR	13 GUARD, ROPE	45174		294418	1 2
JR	14 BOLT, GUARD	45174		197621	28 2
JR	20 SHEAVE, SUSPENSION INCL. JR620	45174		901548K	51 4
JR	284 BUSHING, DRUM TWO USED IN ONE DRUM	45174	69321	294432A	2 2
JR	284 BUSHING, DRUM TWO USED IN ONE DRUM	69324		400003A	2 2
JR	541 DRUM, CROWD INCL. JR542	45174	114035	215108A	1 1
JR	541 DRUM, CROWD INCL. JR542	114036	121618	901531K	51 1
	215108-A & 901531K51 REPLACED BY DRUM INCL. JR542			805455K	51 1
JR	541 DRUM, CROWD INCL. JR542	121808		805455K	51 1
JR	542 BUSHING, DRUM TWO USED IN ONE DRUM	45174	114035	294331A	2 2
JR	542 BUSHING, DRUM TWO USED IN ONE DRUM	114036		411614A	2 2
JR	543 SHAFT, DRUM	45174		294330	1 1
JR	572 GUARD, ROPE	45174		269493	1 1
JR	620 BUSHING, SHEAVE	45174		294385A	4 4
JR	769 SHEAVE, ROPE	45174	69321	269505A	1 1
JR	769 SHEAVE, ROPE	69324		269505A	1 1
JR	775 SPACER, SHEAVE	45174		294352A	1 1



PARTS LIST

BE-122

MODEL: 51-B

PAGE: 8- 2

CAT. REF.	PART NAME	SERIAL NO.		PART NO.	REQ.
		FROM	TO/INCL.		
JR	002 DRAGLINE, CLAMSHELL AND CRANE BOOM MACHINERY-VARIABLE UNIT DRAWINGS 1-JA-377, -1-JR-392				
JR	21 SHEAVE, POINT INCL. JR22 DRAGLINE SHEAVE, POINT INCL. JR22 CLAMSHELL AND CRANE SHEAVE, POINT INCL. JR22 CRANE- TRIPLE, SHEAVE	45174		900256K 51 900256K 51 607646K 51	1 2 3
JR	22 BUSHING, SHEAVE DRAGLINE BUSHING, SHEAVE CLAMSHELL AND CRANE BUSHING, SHEAVE CRANE-TRIPLE SHEAVE	45174		289413A 289413A 510796K 1	1 2 3
JR	23 PIN, POINT	45174		269881 1	1
JR	24 LOCK, PIN	45174		197621 28	2
JR	25 SPACER, SHEAVE DRAGLINE	45174		529570K 1	2
JR	26 SHEAVE, SUSPENSION INCL. JR253	45174		901548K 51	4
JR	30 GUIDE, ROPE DRAGLINE, CLAMSHELL & CRANE GUIDE, ROPE CRANE-TRIPLE SHEAVE	45174		266465A 607647K 1	2
JR	31 BOLT, GUIDE NUT, FULL 1 1/4 NC	45174		.281511 27 .02718050	2 2
JR	38 GUIDE, ROPE CLAMSHELL AND CRANE GUIDE, ROPE CRANE-TRIPLE SHEAVE	45174		266467A 607645K 21	1 2
JR	91 GUARD, ROPE	45174		294418 1	2
JR	93 LOCK, GUARD	45174		197621 28	2
JR	94 GUARD, ROPE DRAGLINE, CLAMSHELL AND CRANE	45174	119126	289500 1	1
JR	94 GUARD, ROPE DRAGLINE, CLAMSHELL AND CRANE	120292		607644K 21	1
JR	94 GUARD, ROPE CRANE-TRIPLE SHEAVE	45174		607644K 21	1
JR	95 SCREW, CAP 3/4X1 3/4. NC NUT, FULL 3/4 NC	45174		.03194560 .02714050	4 4
JR	217 SPACER, GUIDE DRAGLINE	45174		529569K 1	4
JR	253 BUSHING, SHEAVE	45174		294385A	4



PARTS LIST

ISSUE NO 2, 1965

BE-122

MODEL: 51-B

PAGE: 8- 3

CAT. REF.	PART NAME	SERIAL NO.		PART NO.	REQ.
		FROM	TO/INCL.		
JR	003 HOE BOOM MACHINERY-VARIABLE UNIT DRAWINGS 1-JA-396,1-JR-433,1M-341				
JR	359 SHEAVE, GUIDE INCL. JR360	45174		901023K 51	2
JR	360 BUSHING, SHEAVE	45174		403351A	2
JR	361 PIN, SHEAVE	45174		274845 1	1
JR	362 GUARD, ROPE	45174		274844 1	2
JR	363 SCREW, CAP SEE JR364	45174	119126		
JR	363 SCREW, CAP 3/4X1 3/4 NC	120292		03194560	4
JR	364 SCREW, CAP 3/4X1 3/4 NC	45174	119126	03194560	10
JR	364 SCREW, CAP 3/4X1 3/4 NC	120292		03194560	6
JR	365 PIN, HINGE	45174		274815 1	1
JR	366 SCREW, CAP 3/4X1 1/2 NC	45174		.03194480	4
	WASHER, LOCK 3/4 IN.			.03961800	4
JR	529 WASHER, SHEAVE	45174		404731A	2
JR	532 ROLLER, GUIDE INCL. JR987	45174		901529K 51	1
JR	533 PIN, ROLLER	45174		403482 1	1
JR	536 WASHER, PIN	45174		84520C 1	2
JR	822 SCREW, CAP 3/4X1 3/4 NC	45174		.03194560	1
	WASHER, LOCK 3/4 IN.			.03961800	1
JR	823 RETAINER, PIN	45174		404028 1	4
JR	987 BUSHING, ROLLER	45174		528530K 1	2
JR	1187 RETAINER, PIN	45174		274844 4	1
JR	1198 SHEAVE, DEFLECTOR INCL. JR1199	120292		706920K 51	2
JR	1199 BUSHING, SHEAVE	120292		510913K 1	2
JR	1200 PIN, SHEAVE	120292		607767K 1	1
JR	1201 BOLT, EYE	120292		.400930 1	1
	SCREW, CAP 1/2X1 1/4 NF			.03235400	1
	PLATE, LOCK			.503332K 1	1
JR	1534 RETINER, PIN	120292		294448 1	2
JR	1535 SCREW, CAP 1/2X1 NF	120292		.03235320	4
	WASHER, LOCK 1/2 IN.			.03961500	4
JR	004 TAGLINE RUDDOMATIC MODEL 648 VARIABLE UNIT-DRAWING 1-JR-394				
JR	46 TUBE ASSEMBLY, R40	45174			
JR	147 BRACKET, FAIRLEAD	45174		289648 2	1
JR	148 BOLT, BRACKET 5/8X2 NC	45174		.02020250	1
	NUT, FULL 5/8 NC			.02713050	1
JR	150 BUSHING, OILITE AA-1506-6	45174		82086530	1
JR	720 TAGLINE COMPLETE, INCL. JR147, 148	45174		8140JR	1
	150, 724, 728, 729, 773, 774, 778 & 779				
	TAGLINE COMPLETE, LESS JR147, 148				1
	150, 724, 728, 729, 773, 774, 778 & 779				
	6-48				
JR	722 BEARING, TUBE R27	45174			1
JR	723 HOUSING, TUBE R39	45174			1
JR	724 YOKE, SHEAVE	45174		503073K 21	1
JR	725 WHEEL, ROPE R26	45174			1



PARTS LIST

ISSUE NO 2, 1965

BE-122

MODEL: 51-B

PAGE: 8- 4

CAT. REF.	PART NAME	SERIAL NO.		PART NO.	REQ.
		FROM	TO/INCL.		
	004				
JR 726	SPRING, R38	45174		82921750	1
JR 727	ROPE, TAGLINE FOR 6-48	45174			1
JR 728	SHEAVE, FAIRLEAD INCL. JR150	45174		500871K 51	1
JR 729	PIN, SHEAVE	45174		500503K 1	1
JR 772	U-BOLT, SUPPORT FOR 6-48	45174			1
JR 773	BRACKET, ANCHOR	45174		289244 1	4
JR 774	BOLT, BRACKET 5/8X5 1/2 NC	45174		.02021150	3
	NUT, FULL 5/8 NC			.02713050	3
JR 778	U-BOLT, YOKE INCL. NUTS	45174		503071K 51	1
JR 779	BAR, CLAMP	45174		289648 1	1
	005				
JR	TAGLINE-RUDOMATIC MODEL 1248				
	VARIABLE UNIT-DRAWING 1-JR-397				
JR 147	BRACKET, FAIRLEAD	45174		289648 2	1
JR 148	SCREW, CAP 5/8X2 NC	45174		.03191640	1
	NUT, FULL 5/8 NC			.02713050	1
	WASHER, LOCK 5/8 IN.			.03961700	1
JR 150	BUSHING, OILITE AA-1506-6	45174		82086530	1
JR 720	TAGLINE COMPLETE, INCL. JR147, 148, 150, 724, 728, 729, 773, 774, 778 & 779	45174		8209JR	1
	TAGLINE COMPLETE, INCL. JR147, 148, 150, 724, 728, 729, 773, 774, 778 & 779			10766JR	1
	TAGLINE COMPLETE, LESS JR147, 148 12-48			82921500	1
JR 721	TUBE, ASSEMBLY 28-29-35-36	45174			1
JR 722	BEARING, TUBE 27	45174		82921664	1
JR 723	HOUSING, TUBE 24-39	45174			2
JR 724	YOKE, SHEAVE	45174		503073K 21	1
JR 725	WHEEL, ROPE 26	45174		82921633	1
JR 726	SPRING, 38	45174		82921770	1
JR 727	ROPE, TAGLINE FOR 12-48	45174			1
JR 728	SHEAVE FAIRLEAD INCL, JR150	45174		500871K 51	1
JR 729	PIN, SHEAVE	45174		500503K 1	1
JR 772	U-BOLT, SUPPORT	45174		289231 3	4
JR 773	BRACKET, ANCHOR	45174		.404611 1	2
	BRACKET, ANCHOR			.404610 1	2
JR 778	U-BOLT, YOKE INCL. NUTS	45174		503071K 51	1
JR 779	BAR, CLAMP	45174		289648 1	1
JR 806	TUBE ASSEMBLY, 28-35-36-63	45174			1
JR 807	BEARING, TUBE 61	45174			1
JR 808	SPRING, TUBE 62	45174		82921820	1
JR 809	GEAR, DRUM 64	45174			1
JR 810	GEAR, SECONDARY 60	45174			1
JR 811	DOG, RATCHET 65	45174			1



PARTS LIST

BE-122

MODEL: 51-B

PAGE: 8-

CAT. REF.	PART NAME	SERIAL NO.		PART NO.	REQ.
		FROM	TO/INCL.		
JR	006 JIB MACHINERY-OFFSET JIB-VARIABLE UNIT-DRAWINGS 1-JA-361,1-JA394				
JR 658	SHEAVE, POINT INCL. JR659	45174		900988K 51	1
JR 659	BUSHING, SHEAVE	45174		290906A	1
JR 660	PIN, SHEAVE	45174		288003 1	1
JR 661	GUARD, SHEAVE	45174		265070A	2
JR 662	SHEAVE, ROPE	45174		Y 2448AG	2
JR 663	PIN, SHEAVE	45174		X 7098 1	2
JR 664	LINK, ROPE DOUBLE LUG	45174		267430 1	1
JR 665	PIN, LINK	45174		85244 5	1
JR 730	LINK, ROPE SINGLE LUG	45174		275408 1	1
JR 731	SHEAVE DEFLECTING INCL. JR732	45174		901019K 51	1
JR 732	BUSHING, SHEAVE	45174		500298K 1	1
JR 733	PIN, SHEAVE	45174		288975 1	1
JR 740	PIN, FOOT	45174		X10217 1	2
JR 742	LOCK, PIN	45174		288010 2	1
JR 743	LINK, ANCHOR	45174		288002 1	2
JR 744	LOCK, RETAINER	45174		288010 1	2
JR 745	LOCK, PIN	45174		X 5533 1	1
JR	007 BOOM MACHINERY-THIRD DRUM-VARIABLE UNIT-DRAWING 1-JR-423				
JR 1271	JIB, OFFSET RH	45174		800198 1	1
JR 1272	JIB, OFFSET LH	45174		800198 2	1
JR 1273	PIN, ANCHOR	45174		.412210 1	2
	PIN, COTTER 3/8X2 1/2 IN.			.03125200	4
JR 1274	PIN, ANCHOR	45174		.410528 1	2
	PIN, COTTER 3/8X2 1/2 IN.			.03125200	4
JR 1275	SHEAVE, JIB INCL. JR1276	45174		900988K 51	1
JR 1276	BUSHING, SHEAVE	45174		290906A	1
JR 1277	PIN, SHEAVE	45174		412209 1	1
JR 1278	BOLT, PIN	45174		.197621 12	1
	PIN, COTTER 3/16X1 1/4 IN.			.03115600	1
JR 1279	GUARD, SHEAVE	45174		265070A	2
JR 1280	GUIDE, ROPE	45174		800198 15	1
JR 1281	BOLT, GUIDE & GUARD 3/4X11 1/2 NC	45174		.02191060	3
	WASHER, LOCK 3/4 IN.			.03961800	3
	NUT, FULL 3/4 NC			.02714050	3
JR 1282	BRACKET, SHEAVE	45174		219441 1	1
JR 1283	SHIELD, BRACKET	45174		219441 6	1
JR 1284	SCREW, CAP 5/8X1 NC	45174		.03191320	4
	WASHER, LOCK 5/8 IN.			.03961700	4
JR 1285	BOLT, BRACKET 1/2X9 1/2 NC	45174		.02188350	2
	WASHER, LOCK 1/2 IN.			.03961500	2
	NUT, FULL 1/2 NC			.02711050	2
JR 1286	SHEAVE, BRACKET INCL. JR1287	45174		900988K 51	1
JR 1287	BUSHING, SHEAVE	45174		290906A	1
JR 1288	PIN, SHEAVE	45174		410339 1	1

PARTS LIST

BE-122

MODEL: 51-B

PAGE: 8- 6



CAT. REF.	PART NAME	SERIAL NO.		PART NO.	REQ.
		FROM	TO/INCL.		
	007				
JR 1289	BOLT, PIN	45174		.197621 3	1
	PIN, COTTER 3/16X1 1/4 IN.			.03115600	1
JR 1293	BRACKET, ROPE 50 & 60 FT. BOOM	45174		279241 1	1
	BRACKET, ROPE 70 & 80 FT. BOOM			279241 1	2
	BRACKET, ROPE 90 & 100 FT. BOOM			279241 1	3
	BRACKET, ROPE 110 FT. BOOM			279241 1	4
JR 1294	SPACER, BRACKET 50 & 60 FT. BOOM	45174		279241 7	1
	SPACER, BRACKET 70 & 80 FT. BOOM			279241 7	2
	SPACER, BRACKET 90 & 100 FT. BOOM			279241 7	3
	SPACER, BRACKET 110 FT. BOOM			279241 7	4
JR 1295	SCREW, CAP 5/8X3 1/2 50 & 60 FT BM	45174		.03192120	2
	SCREW, CAP 5/8X3 1/4 NC			.03192040	1
	NUT, FULL 5/8 NC			.02713050	1
	SCREW, CAP 5/8X3 1/2 70 & 80 FT BM			.03192120	4
	SCREW, CAP 5/8X3 1/4 NC			.03192040	2
	NUT, FULL 5/8 NC			.02713050	6
	SCREW, CAP 5/8X3 1/2 90&100 FT BM			.03192120	6
	SCREW, CAP 5/8X3 1/4 NC			.03192040	3
	NUT, FULL 5/8 NC			.02713050	9
	SCREW, CAP 5/8X3 1/2 110 FT BOOM			.03192120	8
	SCREW, CAP 5/8X3 1/4 NC			.03192040	4
	NUT, FULL 5/8 NC			.02713050	12
JR 1296	SHEAVE, BRACKET 50 & 60 FT. BOOM	45174		500805K 1	1
	SHEAVE, BRACKET 70 & 80 FT. BOOM			500805K 1	2
	SHEAVE, BRACKET 90 & 100 FT. BOOM			500805K 1	3
	SHEAVE, BRACKET 110 FT. BOOM			500805K 1	4
JR 1297	BUSHING, OILITE A-1514-4	45174		82087550	1
	50 & 60 FT BOOM				
	BUSHING, OILITE A-1514-4			82087550	2
	70 & 80 FT BOOM				
	BUSHING, OILITE A-1514-4			82087550	3
	90 & 100 FT BOOM				
	BUSHING, OILITE A-1514-4			82087550	4
	110 FT BOOM				
JR 1298	PIN, SHEAVE 50 & 60 FT. BOOM	45174		.410340 1	1
	PIN, COTTER 5/16X1 3/4 IN.			.03121840	1
	PIN, SHEAVE 70 & 80 FT. BOOM			.410340 1	2
	PIN, COTTER 5/16X1 3/4 IN.			.03121840	2
	PIN, SHEAVE 90 & 100 FT. BOOM			.410340 1	3
	PIN, COTTER 5/16X1 3/4 IN.			.03121840	3
	PIN, SHEAVE 110 FT. BOOM			.410340 1	4
	PIN, COTTER 5/16X1 3/4 IN.			.03121840	4
JR 1299	WASHER, BRACKET 50 & 60 FT. BOOM	45174		411518 1	1
	WASHER, BRACKET 70 & 80 FT. BOOM			411518 1	2
	WASHER, BRACKET 90 & 100 FT. BOOM			411518 1	3
	WASHER, BRACKET 110 FT. BOOM			411518 1	4



PARTS LIST

CAT. REF.	PART NAME	SERIAL NO.		PART NO.	REQ.
		FROM	TO/INCL.		
	001				
JX	POWER BOOM HOIST DRAWINGS 1-JX-353 1-JX-357, 1-JX-358, 1-JX-359				
JX	1 DRUM, HOIST	45174		215167A	1
JX	2 WEDGE, ANCHOR 3/4 IN.	45174		526462K	1
JX	3 SHAFT, DRUM	45174	82363	269607	1
JX	3 SHAFT, DRUM	88235		275586	1
	275886-1 REPLACED BY			275886	2
JX	6 WHEEL, WORM	45174	50302	269600A	1
	269600-A REPLACED BY				
	JX3 SHAFT			275586	1
	JX6 WHEEL			269600AB	1
JX	6 WHEEL, WORM	55487	82363	269600AA	1
	269600-AA REPLACED BY				
	JX3 SHAFT			275586	1
	JX6 WHEEL			269600AB	1
JX	6 WHEEL, WORM	88235		269600AB	1
JX	13 BEARING, TIMKEN CONE 495	45174		26755950	1
	BEARING, TIMKEN CUP 493			26755930	1
JX	14 SHAFT, WORM	45174		49417010	1
JX	18 BEARING, TIMKEN CONE 9385 CUP 9321	45174		26783750	1
JX	39 BAND, BRAKE INCL. JX40, BOLT, NUT & WASHER	45174		600078K	51
JX	40 LINING KIT INCL JX41	45174		501335K	51
JX	41 RIVET, BRASS NO. 6AX5/8	45174		69044720	20
JX	42 SPRING, BRAKE	45174		75730000	1
JX	45 LEVER, CAM	45174		269679A	1
JX	52 KEY, DRUM	45174		X10452	39
JX	53 KEY, WHEEL	45174	82363	X10452	37
JX	53 KEY, WHEEL NOT USED	88235			
JX	63 PIN, ROD	45174		177140	1
JX	64 PIN, ANCHOR INCL. NUT & WASHER	45174		901583K	51
JX	69 RETAINER, WHEEL	45174		183896	1
JX	70 SCREW, CAP	45174		180093	1
JX	80 LOCK, SHAFT	45174		197621	28
JX	95 END, ROD	45174		500509K	1
JX	96 END, ROD	45174		500538K	1
JX	127 PINION, BEVEL	45174		269629A	1
JX	129 RETAINER, PINION	45174		187459	1
JX	130 SCREW, CAP	45174		X-6801	5
JX	131 KEY, PINION	45174		X13036	28
JX	173 CASE, GEAR	45174	60438	215169A	1
	215169-A REPLACED BY				
	JX173 CASE, GEAR			215169AA	1
	JX174 COVER			227985A	1
	JX384 PIN			401791	1
	BOLT, FIN 3/4X3 NC			02152400	4
	BOLT, FIN			523010K	1
JX	173 CASE, GEAR	60442	65981	215169A	1
	215169-A1 REPLACED BY				
	JX173 CASE, GEAR			215169AA	1
	JX174 COVER			227985A	1
	JX384 PIN			401791	1

PARTS LIST

BE-122

MODEL: 51-B

PAGE: 9- 2

CAT. REF.	PART NAME	SERIAL NO.		PART NO.	REQ.
		FROM	TO/INCL.		
	011				
JX 173	BOLT, FIN 3/4X3 NC			02152400	4
	BOLT, FIN			523010K 1	1
JX 173	CASE, GEAR	69320		215169AA	1
JX 174	COVER, CASE	45174		227985A	1
JX 186	PAWL, RATCHET	45174		294808 1	1
JX 187	PIN, PAWL	45174		294807 1	1
JX 197	ROD, SPRING INCL. NUTS	45174		901563K 51	1
JX 233	WASHER, SPRING	45174		500508K 1	1
JX 237	SHAFT, CLUTCH	45174	103350	269640 1	1
	1-269640 REPLACED BY				
	JX237 SHAFT			278415 1	1
	DRAWING 278412 INFORM CUSTOMER TO				
	CUT 5/16 IN. OFF SPROCKET AND KEY				
	AS SHOWN ON DRAWING 278412				
JX 237	SHAFT, CLUTCH	107752		278415 1	1
JX 238	SPROCKET, SHAFT	45174	103350	269639 1	1
	1-269639 REPLACED BY				
	JX238 SPROCKET			278412 1	
	DRAWING 278415 INFORM CUSTOMER TO				
	CUT 5/16 IN. OFF SHAFT AND KEY AS				
	SHOWN ON DRAWING 278415				
JX 238	SPROCKET, SHAFT	107752		278412 1	1
JX 239	KEY, SPROCKET	45174	103350	X10452 40	1
JX 239	KEY, SPROCKET	107752		X10452 41	1
JX 240	HOUSING, CLUTCH	45174		227910A	1
JX 241	BEARING, FAFNIR 215W OR	45174		26124200	2
	BEARING, MRC 215M OR			26124200	2
	BEARING, SKF 215A OR			26124200	2
	BEARING, BCA 1215			26124200	2
JX 242	HOUSING, BRAKE	45174		227911A	1
JX 243	DRIVER, CLUTCH	45174		Y 8578B 2	2
JX 245	KEY, DRIVER	45174		X11002 6	2
JX 246	PINION, BEVEL	45174		269630A	2
JX 247	KEY, PINION	45174		X10452 36	2
JX 248	BEARING, FAFNIR 215WD OR	45174		26124300	1
	BEARING, MRC 215AZ OR			26124300	1
	BEARING, BCA 1215S			26124300	1
JX 249	BEARING, FAFNIR 215W OR	45174		26124200	1
	BEARING, MRC 215M OR			26124200	1
	BEARING, SKF 215A OR			26124200	1
	BEARING, BCA 1215			26124200	1
JX 250	HOUSING, BEARING	45174		228008A	1
JX 251	SCREW, CAP 3/4X3 NC	45174		.03194960	4
	NUT, FULL 3/4 NC			.02714050	4
	WASHER, LOCK 3/4 IN.			.03961800	4
JX 252	RETAINER, BEARING	45174		294715A	1
JX 253	SCREW, CAP 1/2X2 1/4 NC	45174		.03185720	4
	NUT, FULL 1/2 NC			.02711050	4
	WASHER, LOCK 1/2 IN.			.03961500	4
JX 254	SPACER, SHAFT	45174		294687 1	1
JX 255	RETAINER, SHAFT	45174		283974 1	2
JX 256	SCREW, CAP	45174		187676 1	4
JX 257	SPACER, BEARING	45174		294678 1	2
JX 267	BOLT, FINISHED	45174		.521576K 1	4



PARTS LIST

ISSUE NO 2, 1965

BE-122

MODEL: 51-B

PAGE: 9-

CAT. REF.	PART NAME	SERIAL NO.		PART NO.	REQ.
		FROM	TO/INCL.		
	001				
JX 267	NUT, FULL 3/4 NF WASHER, LOCK 3/4 IN.			.02742050 .03961800	4 4
JX 269	BAND, CLUTCH INCL. JX270 700123K51 REPLACED BY JX269 BAND INCL. JX270	45174	118765	700123K 51 56505340	2 1
JX 269	BAND, CLUTCH INCL. JX270	119117	119126	705042K 51	2
JX 269	BAND, CLUTCH INCL. JX270	120242		56505340	2
JX 270	LINING, KIT INCL. JX271	45174	118765	500269K 51	2
JX 270	LINING KIT, INCL. JX271	119117		507885K 51	2
JX 271	RIVET, SOLID NO. 6AX3/4	45174	118765	69044750	42
JX 271	RIVET, TUBULAR 10X1/2 IN.	119117		69069460	62
JX 273	CRANK, BELL	45174		600080K 1	2
JX 275	LEVER, TOGGLE INCL. JX518	45174		600021K 21	2
JX 277	BUSHING, LEVER	45174		82125770	2
JX 279	LINK, TOGGLE	45174		500215K 1	4
JX 280	BUSHING, PIN	45174		82125800	4
JX 281	PIN, LINK	45174		500228K 1	4
JX 282	YOKE, TOGGLE INCL. JX283	45174		600075K 51	2
JX 283	BUSHING, YOKE	45174		500247K 1	2
JX 285	RETAINER, LEVER	45174		500226K 1	2
JX 286	SCREW, CAP 3/8X3/4 NC WASHER, LOCK 3/8 IN.	45174		.03179240 .03961300	2 2
JX 289	BOLT, ADJUSTING INCL. NUTS	45174		900318K 51	2
JX 290	SCREW, CAP 3/4X4 1/2 NC NUT, FULL 3/4 NC WASHER, LOCK 3/4 IN.	45174		.03195440 .02714050 .03961800	1 1 1
JX 291	SLEEVE, SLIDING	45174		277435A	2
JX 307	SPRING, RELEASE	45174		75730040	1
JX 312	BOLT, ADJUSTING INCL. NUTS	45174	75332	500522K 21	1
JX 312	BOLT, ADJUSTING INCL. NUTS	78110		503827K 51	1
JX 340	BEARING, FAF. 215WD OR BEARING, MRC 215AZ OR BEARING, BCA 1215S	45174		26124300 26124300 26124300	2 2 2
JX 346	CHAIN, DRIVE ASA 100 92 LINKS	45174		34542500	1
JX 348	LINK, ROLLER ASA 100	45174		34670000	46
JX 349	LINK, PIN ASA 100	45174		34669750	46
JX 361	PIN, ROLLER	45174		294723 1	1
JX 364	SHAFT, CAM	45174		294720 1	1
JX 365	STUD, BALL INCL. NUT	45174		505136K 51	2
JX 384	SHAFT, LEVER	45174	65981	294722 1	1
JX 384	SHAFT, LEVER	69320		401791 1	1
JX 385	CRANK, BELL INCL. BUSHING	45174		900284K 51	1
JX 386	ROD, REACH	45174		294717 1	1
JX 401	ROD, REACH	45174		189515 17	1
JX 403	PIN, ROD INCL. NUT & WASHER	45174		500519K 51	2
JX 405	PIN, BOLT	45174		X 6721 2	1
JX 435	LINK, OFFSET INCL. JX436 & JX542 ASA 100	45174		34669500 34669500	1 1
JX 436	PIN, OFFSET LINK INCL. JX542 ASA 100	45174		34670500	1
JX 501	PIN, COTTER 5/16X1 3/4 IN.	45174		03121840	2
JX 506	GUARD, DRUM	45174		270119 1	1
JX 507	GUARD, CLUTCH GUARD, CLUTCH	45174		.229084 1 .270901 1	1 1
JX 516	SPRING, LEVER	45174		75728420	2



PARTS LIST

ISSUE NO 2, 1965

BE-122

MODEL: 51-B

PAGE: 9- 4

CAT. REF.	PART NAME	SERIAL NO.		PART NO.	REQ.
		FROM	TO/INCL.		
	001				
JX 517	BOLT, SPRING	45174		500253K 1	2
JX 518	STUD, BALL	45174		500245K 1	2
JX 519	BOLT, DRIVER INCL. NUTS	45174		500252K 51	2
JX 522	LINK, END SET 2	45174		82608400	8
JX 523	PIN, END	45174		500239K 1	2
JX 526	COLLAR, SHIFTER INCL. BOLTS, NUTS & WASHERS	45174		600076K 51	2
JX 527	GUIDE, BAND	45174	69324	X14703 1	2
JX 527	GUIDE, BAND	75328		600071K 21	2
JX 528	SCREW, CAP 3/8X5/8 NC WASHER, LOCK 3/8 IN.	45174		.03179200 .03961300	4 4
JX 529	SCREW, CAP NOT USED	45174	65981		
JX 529	SCREW, CAP 3/8X1 NC NUT, JAM 3/8 NC	69320		.03179320 .02709250	2 2
JX 530	LEVER, SHAFT	45174		294725A	1
JX 531	LEVER, ROLLER INCL. BUSHING BOLT, NUT & WASHER	45174		600189K 51	1
JX 532	PIN, ROLLER INCL. NUT & WASHER	45174		900319K 51	2
JX 533	ROLLER, CAM	45174		82813600	3
JX 534	CAM, CLUTCH	45174		500552K 1	2
JX 535	BOLT, FINISHED NUT, FULL 5/8 NF WASHER, LOCK 5/8 IN.	45174		.521275K 1 .02741550 .03961700	4 4 4
JX 536	LEVER, SHIFTER	45174		268765A 1	2
JX 537	SCREW, SHIFTER	45174		500126K 1	4
JX 538	PIN, FULCRUM	45174		294719 1	3
JX 540	BRACKET, LEVER	45174		266441AA	1
JX 541	BOLT, FINISHED NUT, FULL 5/8 NC	45174		.521353K 1 .02713050	2 2
JX 542	LOCK, PIN ASA 100	45174			1
JX 543	BUSHING, LINK	45174		500217K 1	4
JX 544	PIN, COTTER 3/16X1 1/4	45174		03115600	2
JX 547	RETAINER, PAWL	45174		500143K 1	1
JX 548	LOCK, PIN	45174		X 3047 1	1
JX 549	WIRE, LOCK NO. 16X7 IN.	45174		84280000	1
JX 556	LEVER, ROLLER	45174		268774A 1	1
JX 561	BUSHING, PIN	45174		500117K 1	3
JX 562	KEY, LEVER ASA 811	45174		54304750	2
JX 563	PIN, COTTER 3/16X2	45174		03115960	2
JX 564	BRACKET, BEARING INCL. JX565 & JX566	45174		269622A	1
JX 565	CAP, BEARING	45174		295033A	1
JX 566	STUD, CAP NUT, FULL 3/4 NC NUT, JAM 3/4 NC	45174		.194935 17 .02714050 .02714450	2 2 2
JX 567	BOLT, FINISHED 3/4X2 1/2 NC NUT, FULL 3/4 NF WASHER, LOCK 3/4 IN.	45174		.521564K 1 .02742050 .03961800	4 4 4
JX 568	CARRIER, BEARING	45174		295035A	1
JX 569	COVER, BEARING	45174		294743 1	1
JX 570	GASKET, COVER	45174		50528500	1
JX 571	GASKET, COVER	45174		50529000	1
JX 572	SCREW, CAP 1/2X1 1/4 NC SCREW, CAP 1/2X1 3/4 NC SCREW, CAP 1/2X3 NC	45174		.03185400 .03185560 .03185960	5 4 2



PARTS LIST

ISSUE NO 2, 1965

BE-122

MODEL: 51-B

PAGE: 9-

CAT. REF.	PART NAME	SERIAL NO.		PART NO.	REQ.
		FROM	TO/INCL.		
	001				
JX 572	SCREW,CAP 1/2X1 1/2 NC			.03185480	2
	WASHER,LOCK 1/2 IN.			.03961500	13
JX 573	COVER,CASE	45174		269611A	1
JX 574	GASKET,COVER	45174		50526000	1
JX 575	SCREW,CAP 5/8X5 1/2 NC	45174		.03192760	5
	NUT,FULL 5/8 NC			.02713050	5
	SCREW,CAP 5/8X4 3/4 NC			.03192520	4
	SCREW,CAP 5/8X2 NC			.03191640	3
	WASHER,LOCK 5/8 IN.			.03961700	12
JX 576	COVER,SIDE	45174		294326 1	1
JX 577	GASKET,COVER	45174		50515000	1
JX 578	SCREW,CAP 1/2X1 1/4 NC	45174		.03185400	8
	WASHER,LOCK 1/2 IN.			.03961500	8
JX 579	COVER,INSPECTION	45174		270526 1	1
JX 580	PLUG,SHEAR	45174	118765	294698 1	1
JX 580	PLUG,SHEAR NOT USED	119117			
JX 581	RETAINER,BEARING	45174		293756 1	1
JX 582	SCREW,CAP 1X2 1/2 NC	45174		.03200800	4
	WASHER,LOCK 1IN.			.03962000	4
JX 583	SHIM,BEARING	45174		.293755 1	6
	SHIM,BEARING			.293755 2	6
	SHIM, BEARING			.293755 3	2
JX 584	WIRE,LOCK NO.16X7 IN.	45174		84280000	1
JX 585	WIRE,LOCK NO.16X8 IN.	45174		84280000	2
JX 586	WASHER, PIN	45174		X10086 1	3
JX 587	RETAINER, CRANK	45174		X 9937 1	1
JX 588	COLLAR,SHAFT	45174		294657A	1
JX 589	BOLT,FOUNDATION 1X3 1/2 NC	45174		.02192760	4
	NUT,FULL 1 NC			.02716050	4
	NUT,JAM 1 NC.			.02716200	4



PARTS LIST

ISSUE NO 2, 1965

BE-122

MODEL: 51-B

PAGE: 10 - 1

CAT. REF.	PART NAME	SERIAL NO.		PART NO.	REQ.
		FROM	TO/INCL.		
L	001 SHOVEL DIPPER 2 YARD VARIABLE UNIT DRAWINGS 1-L-365, 1-L-385 E2-F, F1, F2, FA, FA1				
L	1 DIPPER COMP INCL ALL L ITEMS	IS0200F		IS 0200FA1	1
L	6 TOOTH, DIPPER	IS0200F		113474	5
L	8 DOOR, DIPPER COMPLETE INCL. LATCH, LEVER, & CHAIN REFER FACTORY	IS0200F			
L	9 DOOR, DIPPER INCL. L28	IS0200F	IS0200F2	225827	1
L	9 DOOR, DIPPER INCL. L28	IS0200FA		902545K	51
L	10 GUIDE, LATCH	IS0200F	IS0200F2	263598A	1
L	10 GUIDE, LATCH INTEGRAL WITH DOOR	IS0200FA			
L	11 GUIDE, LATCH	IS0200F	IS0200F2	263610A	1
L	11 GUIDE, LATCH INTEGRAL WITH DOOR	IS0200FA			
L	12 BOLT, FULCRUM INCL. NUT & WASHERS	IS0200F		900220K	51
L	13 PIN, FULCRUM INCL. NUT	IS0200F		900139K	51
L	13 900139K51 REPLACED BY	IS0200F		506719K	51
L	14 BAR, LATCH	IS0200F		288818	1
L	15 PIN, BAR INCL. NUT 900139K51 REPLACED BY	IS0200F		900139K	51
L	18 LEVER, LATCH	IS0200F		285519	1
L	19 PIN, CLEVIS	IS0200F		407828	1
L	21 CHAIN, COMPLETE, CHAIN 41 LINK	IS0200F		288847	6
L	21 CHAIN, 3 LINK	IS0200F		X10914	13
L	21 13-X10914 REPLACED BY	IS0200F		500547K	21
L	22 CLEVIS, INCL. L19 7/8 NO. 294	IS0200F		82843750	1
L	26 HINGE, RIGHT INCL. L28	IS0200F	IS0200F2	901537K	51
L	26 HINGE, RIGHT INTEGRAL WITH DOOR	IS0200FA			
L	27 HINGE, LEFT INCL. L28	IS0200F	IS0200F2	901537K	51
L	27 HINGE, LEFT INTEGRAL WITH DOOR	IS0200FA			
L	28 BUSHING, HINGE	IS0200F		529023K	1
L	32 LATCH KEEPER, INCL. L33	IS0200F		89460000	1
L	33 INSERT, LATCH KEEPER TS-29	IS0200F		89092500	1
L	34 RIVET, CTSK. HD. 7/8X4 1/8	IS0200F		.02914500	2
	RIVET, CTSK. HD. 7/8X4 1/2			.02914560	2
	RIVET, CTSK. HD. 7/8X6 1/2			.02914760	3
L	38 PIN, FRAME	IS0200F		295385	1
L	39 BOLT, PIN	IS0200F		02484520	2
L	40 BUSHING, PIN	IS0200F		529150K	1
L	41 PIN, BRACE	IS0200F		295386	1
L	42 BOLT, PIN	IS0200F		02481400	2
L	43 BUSHING, PIN	IS0200F		529018K	1
L	45 PIN, HINGE	IS0200F		296415	1
L	46 BOLT, PIN	IS0200F		02481400	2
L	47 BUSHING, PIN	IS0200F		529018K	1
L	49 PIN, END	IS0200F		295383	1
L	50 BOLT, PIN	IS0200F		02481150	4
L	51 BUSHING, PIN	IS0200F		529018K	1
L	55 PIN, BRACE	IS0200F		295382	1
L	56 BOLT, PIN	IS0200F		02481150	2
L	57 SHIM, TOOTH	IS0200F		.184370	1
	SHIM, TOOTH			.184370	2



PARTS LIST

ISSUE NO 2, 1965

BE-122

MODEL: 51-B

PAGE: 10- 2

CAT. REF.	PART NAME	SERIAL NO.		PART NO.	REQ.
		FROM	TO/INCL.		
	001				
L 58	WEDGE, TOOTH	1S0200F		271196 1	1
L 61	BRACE, BACK INCL. L314 & L315	1S0200F		900770K 51	1
L 65	PIN, CHAIN INCL. NUT 900139K51	1S0200F		900139K 51	1
	900139K51 REPLACED BY			506719K 51	1
L 78	PIN, COTTER 5/8X5	1S0200F		03132400	4
L 80	BOWL, DIPPER	1S0200F	1S0200FA	215310 10	1
L 80	BOWL, DIPPER	0200FA1		215310 11	1
L 81	LIP, DIPPER REFER FACTORY	1S0200F			
L 84	BAND, HEEL	1S0200F		215310 5	2
L 85	BAND, HEEL	1S0200F		215310 5	2
L 96	BUMPER, DOOR	1S0200F		82063700	1
L 97	SCREW, CAP 3/4X1 1/2 N	1S0200F		03194480	2
L 110	BAR, WEARING	1S0200F		401723 1	3
L 112	PLATE, DOOR	1S0200F	1S0200F2	225827 6	1
L 112	PLATE, DOOR INTEGRAL WITH DOOR	1S0200FA			
L 113	WASHER, PIN	1S0200F		511743K 1	12
L 238	WASHER, PIN	1S0200F		68765540	8
L 314	BUSHING, BRACE	1S0200F		529021K 1	2
L 315	BUSHING, BRACE	1S0200F		529018K 1	2
	002				
L	SHOVEL DIPPER 2-1/2 YARD, 2-1/2-L DRAWING 1-L-417				
L 1	DIPPER COMP INCL L4 THRU L409	1S0250L		1S 0250L	1
L 4	ADAPTER, TOOTH 267726	1S0250L			4
L 8	DOOR & HINGE, INCL. L9, L26 & L28	1S0250L			1
L 9	DOOR, DIPPER 266160	1S0250L			1
L 13	PIN, LEVER REF. 5	1S0250L			1
	PIN, COTTER 1/2X3 1/2 IN.			03128680	1
L 14	BAR, LATCH 241929	1S0250L			1
L 15	PIN, LEVER REF. 3	1S0250L			1
	PIN, COTTER 1/2X2 IN.			03127960	1
L 16	WASHER, BAR 244440	1S0250L			6
L 17	ROLLER, BAR LBR-1-4	1S0250L			4
L 18	LEVER, LATCH 259628	1S0250L			1
	PIN, COTTER 1/2X4 1/2			03129160	1
L 19	PIN, CLEVIS	1S0250L		.407828 1	2
L 19	PIN, COTTER 1/4X1-1/2 IN	1S0250L		.03118720	2
L 21	CHAIN COMPLETE,	1S0250L			
	CHAIN 41 LINK			288847 6	1
L 21	CHAIN, 3 LINK	1S0250L		X10914 13	1
L 21	13-X10914 REPLACED BY	1S0250L		500547K 21	1
L 22	SHAKLE, CHAIN	1S0250L		82843750	2
L 26	HINGE, DOOR INCL. L28	1S0250L			1
L 28	BUSHING, HINGE 259701	1S0250L			2
L 31	PLUG, BACK 254024	1S0250L			4
	PLUG, BACK 252281				2
L 33	INSERT, KEEPER 242374	1S0250L			1
L 38	PIN, HOIST	1S0250L			2
L 39	BOLT, PIN 7/8X7 1/2 NC	1S0250L		.02191820	2
	NUT, FULL 7/8 NC			.02715100	2

PARTS LIST

BE-122

MODEL: 51-B

PAGE: 10- 4

CAT. REF.	PART NAME	SERIAL NO.		PART NO.	REQ.
		FROM	TO/INCL.		
	003 SHOVEL DIPPER 2-1/2 YARD, 2-1/2-N DRAWINGS 1-L-421, 1-L-428				
1	DIPPER COMP INCL L4 THRU L91 L110 THRU L238 & L314 THRU L363	IS0250N		IS 0250	1
4	ADAPTER, POINT	IS0250N		700541K	1 4
6	TOOTH, ONE PIECE SHARP	IS0250N		700165K	1 4
8	DOOR, INCL. L9 & L28	IS0250N		804871K	52 1
9	DOOR, DIPPER	IS0250N		804871K	2 1
12	BOLT, ADJUSTING INCL. NUT & WASHERS	IS0250N		900220K	51 1
13	PIN, LATCH INCL. NUT	IS0250N		506719K	1 1
14	BAR, LEVER	IS0250N		288818	2 1
15	BOLT, LATCH BAR INCL. NUT	IS0250N		506719K	1 1
16	WASHER, CUT 1 1/2 IN.	IS0250N		03952500	13
18	LEVER, LATCH	IS0250N		403243	1 1
19	RIVET, SHACKLE	IS0250N		407828	1 1
21	CHAIN COMPLETE, CHAIN 47 LINK	IS0250N		288847	10 1
21	CHAIN, 3 LINK	IS0250N		X10914	13 1
21	13-X10914 REPLACED BY	IS0250N		500547K	21 1
22	SHACKLE, CHAIN	IS0250N		82843750	1
28	BUSHING, PIN	IS0250N		529023K	1 2
33	INSERT, LATCH KEEPER	IS0250N		289013	1 1
38	PIN, HOIST	IS0250N		512467K	1 2
39	BOLT, PIN	IS0250N		02451500	2
40	BUSHING, BACK	IS0250N		512639K	1 4
41	PIN, LOWER	IS0250N		512469K	1 2
42	BOLT, PIN 3/4X6 1/2 NC NUT, JAM 3/4 NC WASHER, LOCK 3/4 IN.	IS0250N		.02190820 .02714450 .03961800	2 2 2
45	PIN, HINGE	IS0250N		512468K	2 2
46	BOLT, PIN 3/4X6 1/2 NC NUT, JAM 3/4 IN. WASHER, LOCK 3/4 IN.	IS0250N		.02190820 .02714450 .03961800	2 2 2
47	BUSHING, BACK	IS0250N		512637K	1 8
48	BUSHING, BACK	IS0250N		512638K	1 4
49	PIN, HANDLE	IS0250N		512466K	1 2
50	BOLT, PIN	IS0250N		02448470	2
51	BUSHING, PIN	IS0250N		512637K	1 4
52	BUSHING, PIN	IS0250N		512638K	1 2
55	PIN, UPPER	IS0250N		515749K	1 1
56	BOLT, PIN	IS0250N		02451470	2
61	BRACE, BACK 55 1/2 DEG. RAKE BRACE, BACK 60 DEG. RAKE	IS0250N		614505K 609143K	21 1 22 1
65	BOLT, ANCHOR INCL. NUT	IS0250N		506719K	1 1
74	BUSHING, BACK	IS0250N		512640K	1 2
78	WEDGE, TOOTH	IS0250N		500733K	1 4
80	BODY, INCL. L233 & L235	IS0250N		804856K	41 1
90	WASHER, PIN	IS0250N		511743K	1 4
91	WASHER, LOCK	IS0250N		511743K	1 4
96	SNUBBER, COMPLETE INCL. L299 THRU L313, L368, L369 & L472	IS0250N			1
110	GUIDE, LATCH BAR	IS0250N		401723	1 3



PARTS LIST

ISSUE NO 2, 1965

BE-122

MODEL: 51-B

PAGE: 10-

CAT. REF.	PART NAME	SERIAL NO.		PART NO.	REQ.
		FROM	TO/INCL.		
	003				
L 113	WASHER, PIN	1S0250N		511743K 1	4
L 233	BODY, BACK INCL. L40, L47, L74 & L314	1S0250N		804854K 21	1
L 235	FRONT, BODY	1S0250N		804852K 1	1
L 238	WASHER, PIN	1S0250N		68765540	8
L 299	HOUSING, BRAKE	1S0250N		292585A 2	2
L 300	BOLT, HOUSING	1S0250N		.521582K 1	8
L 300	521582K1 REPLACED BY SCREW, CAP 3/4X3 1/2 NF	1S0250N		.03245120	8
L 300	NUT, FULL 3/4 NF	1S0250N		.02742050	8
L 301	WASHER, LOCK 3/4 IN.			.03961800	8
L 301	BAND COMPLETE, INCL. L302, L303 & L304	1S0250N		900668K 51	2
L 302	LINING KIT, INCL. L303	1S0250N		901517K 51	2
L 303	RIVET, LINING 6AX7/8 IN.	1S0250N		69044800	52
L 304	BUSHING, PIN	1S0250N		292592 1	4
L 305	PIN, ANCHOR	1S0250N		.292589 1	2
L 306	PIN, COTTER 5/16X2 IN.			.03121960	4
L 306	LINK, SNUBBER INCL. L307	1S0250N		516902K 51	4
L 307	BUSHING, LINK	1S0250N		292593 1	8
L 308	PIN, ANCHOR	1S0250N		.292590 2	2
L 309	PIN, COTTER 5/16X2 IN.			.03121960	4
L 309	BOLT, EYE INCL. NUTS	1S0250N		901323K 51	2
L 310	SPRING, SNUBBER	1S0250N		75140010	2
L 311	WASHER, SEAT	1S0250N		183438 1	2
L 313	PIN, END	1S0250N		X 9055 2	2
L 314	BUSHING, BACK	1S0250N		529021K 1	2
L 315	BUSHING, BACK	1S0250N		529059K 1	2
L 342	POINT, TOOTH REGULAR	1S0250N		700568K 2	4
L 343	POINT, TOOTH ROCK			700179K 2	4
L 343	POINT, TOOTH SHARP			700569K 2	4
L 343	WEDGE, POINT	1S0250N		49342350	4
L 361	BAR, SPRING	1S0250N		75675201	4
L 362	RETAINER, BAR	1S0250N		400264 1	2
L 363	SCREW, CAP 3/4X2 1/2 NF	1S0250N		.03244800	4
L 363	NUT, FULL 3/4 NF			.02742050	4
L 363	WASHER, LOCK 3/4 NF			.03961800	4
L 368	SPAGER, LINK	1S0250N		529730K 1	2
L 369	SCREW, CAP 3/4X6 NF	1S0250N		.03245920	2
L 369	NUT, FULL 3/4 NF			.02742050	2
L 369	WASHER, LOCK 3/4 IN.			.03961800	2
L 472	ANCHOR, LINK	1S0250N		614544K 21	2



PARTS LIST

BE-122

MODEL: 51-B

PAGE: 10- 6

CAT. REF.	PART NAME	SERIAL NO.		PART NO.	REQ.
		FROM	TO/INCL.		
	004 HOE DIPPER 2 YARD E2J DRAWING 1-L-386				
L	150 DIPPER COMP INCL ALL L ITEMS	IH0200J		IH 0200	1
L	151 TOOTH, DIPPER	IH0200J		X 6844	3 5
	3-X6844 REPLACED BY			X 6844	4 1
L	152 PIN, COTTER 1/2X3 1/2	IH0200J		03128680	5
L	153 SHIM, DIPPER	IH0200J		X 6869	1 5
L	154 CUTTER, SIDE BLADE TYPE-66 IN.	IH0200J		233041A	1
	CUTTER, SIDE PICK POINT TYPE-66 IN.			250523A	1
L	155 CUTTER, SIDE PICK POINT TYPE-66 IN.	IH0200J		250523B	1
	CUTTER, SIDE FAN TYPE-68 IN.			233407B	1
L	156 BOLT, CUTTER 1 1/4X5 NC	IH0200J		.02051600	12
L	154 CUTTER, SIDE FAN TYPE-68 IN.	IH0200J		233407A	1
L	155 CUTTER, SIDE BLADE TYPE-66 IN	IH0200J		233041B	1
L	156 NUT, FULL 1 1/4 NC	IH0200J		.02718050	12
L	157 BODY, DIPPER REFER FACTORY	IH0200J			
L	176 BRACE, BACK	IH0200J		275683	1 2
L	177 PIN, BRACE	IH0200J		403452	1 2
L	178 PIN, BRACE	IH0200J		404769	1 1
L	181 PIN, END	IH0200J		404683	1 1
L	291 LIP, DIPPER REFER FACTORY	IH0200J			
L	292 BUSHING, PIN	IH0200J		529038K	1 2
L	294 WEDGE, TOOTH	IH0100J		X 2321	1 1
	005 HOE DIPPER 2-1/2 YARD IH0250A DRAWING 1-L-433				
L	150 DIPPER COMP INCL L151 THRU L443	IH0250A		IH 0250A	1
L	151 TOOTH, DIPPER REGULAR	IH0250-A		703894K	1 5
	TOOTH, DIPPER SHARP			700165K	1 5
L	151 TOOTHE, DIPPER PICK	IH0250-A		700375K	1 5
L	152 WEDGE, TOOTH OR ADAPTER	IH0250-A		500733K	1 5
L	154 CUTTER, RH SIDE	IH0250-A		716778K	1 1
L	155 CUTTER, LH SIDE	IH0250-A		716779K	1 1
L	156 BOLT, CUTTER 1 1/4X4 1/2 NC	IH0250-A		.02196920	12
	NUT, FULL 1 1/4 NC			.02718050	12
	WASHER, LOCK 1 1/4 IN.			.03962210	12
L	157 BODY, DIPPER INCL. L291, L292 & L443	IH0250-A		806314K	42 1
L	176 BRACE, PITCH	IH0250-A		612758K	21 2
L	177 PIN, LOWER	IH0250-A		517091K	2 2
L	178 PIN, UPPER	IH0250-A		517092K	2 1
L	179 PIN, CLEVIS	IH0250-A		286576	3 2
L	180 DOWEL, PIN	IH0250A		X 6787	1 2
L	181 PIN, HANDLE	IH0250-A		404683	1 1
L	182 BOLT, PIN	IH0250-A		02448500	2
L	222 BOLT, PIN	IH0250-A		02448850	2
L	223 BOLT, PIN	IH0250-A		02448500	2
L	291 LIP, DIPPER	IH0250-A		853210K	1 1
L	292 BUSHING, PIN	IH0250-A		529038K	1 4

PARTS LIST

BE-122

MODEL: 51-B

PAGE: 10-

CAT. REF.	PART NAME	SERIAL NO.		PART NO.	REQ.
		FROM	TO/INCL.		
	005				
L 370	ADAPTER, TOOTH	1H0250-A		700541K 1	5
L 373	CLEVIS, DIPPER	1H0250-A		612759K 1	2
L 376	POINT, TOOTH REGULAR	1H0250-A		700568K 2	5
	POINT, TOOTH FLARED			805660K 1	5
	POINT, TOOTH SHARP			700569K 2	5
	POINT, TOOTH ROCK			700179K 2	5
L 377	WEDGE, POINT	1H0250-A		49342350	5
L 393	CUTTER, RH PICK POINT W/O TEETH	1H0250-A		716780K 1	1
	CUTTER, RH PICK POINT W/TEETH			712182K 2	2
L 394	CUTTER, LH PICK POINT W/O TEETH	1H0250-A		716781K 1	1
	CUTTER, LH PICK POINT W/TEETH			712183K 2	2
L 395	BOLT, CUTTER 1 1/4X4 1/2 NC	1H0250-A		.02196920	12
	W/O TEETH				
	NUT, FULL 1 1/4 NC			.02718050	12
	WASHER, LOCK 1 1/4 IN.			.03962210	12
	BOLT, CUTTER 1 1/4X4 NC W/TEETH			.02196840	14
	NUT, FULL 1 1/4 NC			.02718050	14
	WASHER, LOCK 1 1/4 IN.			.03962210	14
L 396	TOOTH, SIDE CUTTER	1H0250-A		700568K 2	4
L 397	WEDGE, TOOTH	1H0250-A		49342350	4
L 443	BEAM, BACK	1H0250-A		613662K 1	1
	006				
	HOE DIPPER 3 YARD IH0300A				
	DRAWING 1-L-422				
L 150	DIPPER COMP INCL L15 THRU L468	IH0300A		IH 0300A	1
L 151	POINT, TOOTH REGULAR	1H0300-A		700568K 2	6
	POINT, TOOTH ROCK			700179K 2	6
	POINT, TOOTH SHARP			700569K 2	6
L 152	WEDGE, POINT	1H0300-A		49342350	6
L 157	BODY COMPLETE, INCL. L291, L292, L370, L371, L372 & L392	1H0300-A		805678K 41	1
L 176	BRACE, PITCH	1H0300-A		612669K 1	2
L 177	PIN, BRACE	1H0300-A		503922K 1	2
L 178	PIN, HANDLE	1H0300-A		404769 1	1
L 179	PIN, SHACKLE	1H0300-A		286576 3	2
L 180	DOWEL, PIN	IH0300A		X 6787 1	4
L 181	PIN, HANDLE	1H0300-A		404683 1	1
L 182	BOLT, PIN	1H0300-A		02448500	2
L 222	BOLT, PIN	1H0300-A		02442400	4
L 223	BOLT, PIN	1H0300-A		02445400	2
L 291	LIP, DIPPER	1H0300-A		711970K 1	1
L 292	BUSHING, PIN	1H0300-A		529038K 1	4
L 370	ADAPTER, CENTER	1H0300-A		612641K 1	4
L 371	ADAPTER, RIGHT	1H0300-A		612642K 1	1
L 372	ADAPTER, LEFT	1H0300-A		612643K 1	1
L 373	SHACKLE, DIPPER	1H0300-A		612759K 1	2
L 374	SPREADER, PADLOCK	1H0300-A		711238K 1	2
L 375	PIN, SHAKLE	1H0300-A		286576 3	2
L 392	ARCH, DIPPER	1H0300-A		711971A	1
L 405	BUSHING, PIN	1H0300-A		529102K 1	2

PARTS LIST

CAT. REF.	PART NAME	SERIAL NO.		PART NO.	REQ.
		FROM	TO/INCL.		
LR	001 DIPPER TRIP SHOVEL - DRAWINGS 1-JA-378, 1-LR-315, 1-LR-316, 1-R-599				
LR	2 LEVER, DUMP INCL. LR148	45174		609847K 51	1
LR	65 ROD, REACH INCL. NUTS & WASHERS	45174		901561K 51	1
LR	66 END, ROD	45174		49110510	2
LR	67 PIN, ROD END	45174		49117010	4
LR	69 CRANK, BELL INCL. BOLT NUT & WASHER	45174		500716K 51	2
LR	88 LEVER, RATCHET INCL. LR219, BOLT, NUT, & WASHER	45174		600038K 51	1
LR	89 COLLAR, RATCHET	45174		227816A	1
LR	92 SLEEVE, RATCHET	45174		269389 1	1
LR	93 KEY, SLEEVE NO. 28 WOODRUFF	45174		54306250	2
LR	96 GUARD,	45174		267488 1	1
LR	97 LEVER, HAND	45174	49697	296650 1	1
LR	97 LEVER, HAND	55845		298628 1	1
LR	103 SPRING, LEVER	45174		75729950	1
LR	104 BRACKET, SPRING	45174		296470 1	1
LR	107 ROD, REACH	45174		286694 5	1
LR	116 PIN, LEVER	45174		514388K 1	1
LR	117 SPRING, LEVER	45174		609850K 21	1
LR	120 BOLT, SQ. HD	45174		514384K 1	1
LR	121 PIN, ANCHOR	45174		514383K 1	1
LR	148 BUSHING, LEVER	45174		514387K 1	1
LR	164 BRACKET, LEVER	45174		609849K 21	1
LR	171 SHEAVE, INCL. LR256	45174	75331	500871K 51	3
LR	171 SHEAVE, INCL. LR256	75332		500871K 51	2
LR	172 PIN, SHEAVE	45174		500503K 1	2
LR	192 SHAFT, LEVER	45174		296649 1	1
LR	196 SCREW, CAP 3/4 X 1 1/2 NC	45174		03194480	2
LR	202 BRACKET, SHEAVE	45174		226442A	1
LR	203 SCREW, CAP 1/2 X 1 1/2 NC	45174		03185480	3
	NUT, FULL 1/2 NC			02711050	3
	WASHER, LOCK 1/2 IN.			03961500	3
LR	209 BRACKET, SHEAVE	45174		600185K 1	1
LR	210 SCREW, CAP 1/2 X 1 1/2 NC	45174		03185480	4
	NUT, FULL 1/2 NC			02711050	4
	WASHER, LOCK 1/2 IN.			03961500	4
LR	219 BUSHING, LEVER	45174		500116K 1	1
LR	220 SHOE, SHIFTER	45174		500303K 1	2
LR	221 RETAINER, SHEAVE	45174		500115K 1	1
LR	222 SCREW, CAP	45174		500283K 1	2
LR	251 PIN, LEVER	45174		500114K 1	1
LR	252 SHIFTER, LEVER	45174		500291K 51	1
LR	253 SHAFT, SHIFTER	45174		296651 1	1
LR	254 PIN, SHOE	45174		500292K 1	2
LR	256 BUSHING, OILITE A-1514-A	45174	75331	82087550	3
LR	256 BUSHING, OILITE A-1514-A	75332		82087550	2
	257 FRAME, SHEAVE	45174		291422BA	1
	261 PIN, SHEAVE	45174	75331	297377 1	1
LR	261 PIN, SHEAVE	75332		500061K 1	1
LR	265 BOLT, ADJ. INCL. LR281 & NUTS	45174		500113K 51	1
LR	266 SOCKET, ROPE 3/8 IN.	45174		526576K 1	1



PARTS LIST

ISSUE NO 2, 1965

BE-122

MODEL: 51-B

PAGE: 12 -1

CAT. REF.	PART NAME	SERIAL NO.		PART NO.	REQ.
		FROM	TO/INCL.		
M	001 SHOVEL DIPPER HANDLE - 18 FEET DRAWINGS 1-JA-378, 1-M-337				
M	1 HANDLE COMPLETE, INCL. M54 THRU M130	45174	114038	8294M	1
M	1 HANDLE COMPLETE, INCL. M54 THRU M130	114039	118274	8301M	1
M	1 HANDLE COMPLETE, INCL. M54 THRU M130	118756	121615	8350M	1
M	1 HANDLE, COMPLETE INCL. M54 THRU M130	121616	121815	10766M	1
M	1 HANDLE, COMPLETE INCL. M54 THRU M130	122055		11043M	1
M	54 END CASTING, INCL. M55 & M82	45174	114038	215141A	1
	215141-A1 REPLACED BY				
	M54 END CASTING			215141AB	1
	M122 BOLT 5/8X8 NC			.02021750	1
	NUT, FULL 5/8 NC			.02713050	1
	PLATE			251344	7
	DRAWING 251343 INSTRUCT CUSTOMER TO WELD BACK UP PLATES 7-251344 ONTO HANDLE END CASTING				4
M	54 END CASTING INCL. M55 & M82	114039		215141AB	1
M	55 BUSHING, END	45174	114038	529023K	1
M	55 BUSHING, END	114039		529021K	1
M	75 ANCHOR, ROPE	45174	49697	229523	1
	1-229523 REPLACED BY			215138AA	1
M	75 ANCHOR, ROPE	55845		215138AA	1
M	77 PIN, ANCHOR	45174		294480	1
M	78 LOCK, PIN	45174		197620	27
M	82 BUSHING, PIN	45174		529024K	1
M	112 DRUM, ROPE	45174		227917A	1
M	113 SHAFT, DRUM	45174		609652K	21
M	114 PAWL, DRUM	45174		709896K	1
M	115 PAWL, DRUM	45174		709897K	1
M	116 PIN, PAWL	45174		514218K	1
M	117 SPACER, PIN	45174		514217K	1
M	118 PIN, COTTER 1/2X3 1/2 IN.	45174		03128680	1
M	119 SPRING, PAWL	45174	121815	75744670	1
	75744670 REPLACED BY			75745800	1
M	119 SPRING, PAWL	122055		75745800	1
M	120 SCREW, LOCK	45174		514216K	1
M	121 GUARD, DIRT	45174		270547	1
M	122 BOLT, GUARD	45174	69321	.297493	1
	NUT, FULL 5/8 NC			.02713050	1
M	122 BOLT, GUARD 5/8X8 NC	69324		.02189550	1
	NUT, FULL 5/8 NC			.02713050	1
	WASHER, LOCK 5/8 IN.			.03961700	1
M	130 HANDLE, BARE INCL. M54, M55 & M82	45174	114038	227922	9
M	130 HANDLE, BARE INCL. M54, M55 & M82	114039	118274	251343	1
M	130 HANDLE, BARE INCL. M54, M55 & M82	118756	121815	705208K	52
M	130 HANDLE, BARE INCL. M54, M55 & M82	122055		711129K	22

PARTS LIST

BE-122

MODEL: 51-B

PAGE: 12- 2



CAT. REF.	PART NAME	SERIAL NO.		PART NO.	REQ.
		FROM	TO/INCL.		
	002 HOE DIPPER HANDLE -- DRAWINGS 1-L-386, 1-M-341				
M 150	HANDLE AND HOIST LINK COMPLETE, INCL.M151 THRU M188	45174		8298M	1
	HANDLE AND HOIST LINK COMPLETE, INCL.M151 THRU M188			10765M	1
M 151	SHEAVE, LINK INCL.M152	45174		900137K 51	1
M 152	BUSHING, SHEAVE	45174		403352A	1
M 153	PIN, SHEAVE	45174		403993	1
M 154	GUARD, ROPE	45174		.232573	7
	SCREW, CAP 3/4X2 NC			.03194640	4
	WASHER, LOCK 3/4 IN.			.03961800	4
M 158	LOCK, PIN	45174		403401	1
M 160	BUSHING, PIN	45174		528513K	1
M 162	SCREW, CAP 3/4X1 1/2 NC	45174		.03194480	2
	WASHER, LOCK 3/4 IN.			.03961800	2
M 163	LINK, HOIST INCL.M164	45174		232573	1
M 164	BUSHING, LINK	45174		405081A	2
M 165	PIN, LINK	45174		404682	1
M 166	BOLT, LOCK	45174		403401	1
M 167	SCREW, CAP 3/4X1 1/2 NC	45174		.03194480	2
	WASHER, LOCK 3/4 IN.			.03961800	2
M 181	BLOCK, BUMPER	45174		82065250	1
M 183	SCREW, CAP 3/4X1-3/4 NC	45174		.03194560	2
	WASHER, LOCK 3/4 IN.			.03961800	2
M 184	ANCHOR, ROPE	45174		403994	1
M 188	HANDLE, DIPPER	45174		218085	1
M 189	BLOCK, BUMPER	45174		82065000	1
	82065000 REPLACED BY			82065568	1
M 190	SCREW, CAP 3/4X1 3/4. NC	45174		.03194560	4
	WASHER, LOCK 3/4 IN.			.03961800	4



PARTS LIST

ISSUE NO 2, 1965

BE-122

MODEL: 51-B

PAGE: 13 -1

CAT. REF.	PART NAME	SERIAL NO.		PART NO.	REQ.
		FROM	TO/INCL.		
	001				
N	SHOVEL SADDLE BLOCK-DRAWINGS 1-JR-393, 1-JR-395				
N	1 SADDLE BLOCK COMPLETE, INCL. N8 THRU N24	45174	116034	8310N	1
	8310-N REPLACED BY SADDLE BLOCK COMPLETE, INCL. N8 THRU N24			8315N 10763N	1 1
N	1 SADDLE BLOCK COMPLETE, INCL. N8 THRU N24	116035	120301	8315N	1
	SADDLE BLOCK COMPLETE, INCL. N8 THRU N24			10763N	1
N	1 SADDLE, BLOCK COMPLETE, INCL. N8 THRU N24	121615	121815	10765N	1
N	1 SADDLE, BLOCK COMPLETE INCL. N8 THRU N24	122055		10766N	1
N	8 BOLT, FIN 1 1/4 X 9 1/4 NF	45174	56511	.02569680	2
	NUT, FULL 1 1/4 NF			.02744050	2
	NUT, JAM 1 1/4 NF			.02744150	2
N	8 BOLT, CLAMP INCL. NUT & WASHER	57066	116034	901246K 51	2
N	8 BOLT, CLAMP INCL. NUTS	116035	121815	502924K 51	2
N	8 BOLT, CLAMP NOT USED	122055			
N	9 PLATE, WEARING	45174		514296K 1	6
N	10 SCREW, CAP	45174	120301	295636 1	12
N	10 SCREW, CAP	121615		510670K 1	12
N	11 SHIM, PLATE	45174	75332	400301 1	12
N	11 SHIM, PLATE	78110		400540 1	6
	SHIM, PLATE			400540 1	12
N	22 DOWEL,	45174		290931 1	2
N	23 SCREW, SET SQ. HD. OVAL PT. 1X6 NC	45174		03779450	2
N	24 WIRE, LOCK 16 GA. X 14 IN.	45174	120301	84280000	6
N	24 WASHER, LOCK 1 1/4 IN.	121615		03962210	12
N	25 PLUG,	45174	75332	400091 1	12
N	25 PLUG, NOT USED	78110			



PARTS LIST

ISSUE NO: 2, 1965

BE-122

MODEL: 51-B

PAGE: 14 -1

CAT. REF.	PART NAME	SERIAL NO.		PART NO.	REQ.
		FROM	TO/INCL.		
	001				
P	SHOVEL PADLOCK - DRAWINGS 1-L-365, 1-P-342				
P	1 PADLOCK COMPLETE, INCL. P2 THRU P8	45174		10765P	1
P	2 SHEAVE, PADLOCK INCL. P3 901234K51 REPLACED BY	45174	122062	901234K 51	1
P	2 SHEAVE, PADLOCK INCL. P3	122527		612461K 51	1
P	3 BUSHING, SHEAVE	45174		283726A	1
P	5 PIN, SHEAVE	45174		297528 1	1
P	6 BOLT, BLANK	45174		197621 10	1
P	7 FRAME, PADLOCK INCL. P8 228176-AB REPLACED BY	45174		228176AB	1
P	8 BUSHING, FRAME	45174		901534K 51 529035K 1	1 2
P	002 CRANE HOOK-VARIABLE UNIT-DRAWING 1-P-321				
	NOTE WE MUST HAVE SERIAL NUMBER OF HOOK BEFORE CORRECT PARTS CAN BE FURNISHED		0		00-
P	9 SWIVEL HOOK SHEAVE BLOCK COMPLETE,				
P	10 SHEAVE, INCL. P11				
P	11 BUSHING, SHEAVE				
P	12 PIN, SHEAVE				
P	13 HOOK, INCL. P76				
P	16 BLOCK BEARING				
P	17 COLLAR, HOOK W/PIN				
P	18 WEIGHT, CHEEK				
P	22 BOLT, CHEEK				
P	23 SPACER,				
P	29 HOOK, JIB				
P	31 SOCKET, ROPE 3/4 IN.	45174		526816K 1	1
P	32 WEDGE, SOCKET 3/4 IN.	45174		526462K 1	1
P	33 PIN, SOCKET	45174		193695 1	1
P	45 LINK, 20 TON BLOCK LINK, 25 TON BLOCK & HEAVIER	45174		290615 1 290609 1	1 1
P	47 PIN, LINK	45174			
P	76 HANGER, HOOK	45174			
P	77 PIN, HANGER	45174			
P	78 HANGER, HOOK	45174			
P	79 WEIGHT, HOOK	45174		292098A	1
P	142 COLLAR, HOOK	45174			
P	143 BLOCK, BEARING	45174			

**PARTS LIST**

BE-122

MODEL: 51-B

PAGE: 14- 2

CAT. REF.	PART NAME	SERIAL NO.		PART NO.	REQ.
		FROM	TO/INCL.		
	003				
P	CRANE HOOK VARIABLE UNIT-DRAWING 1-P-325				
P	29 HOOK	45174		82532550	1
P	31 SOCKET, ROPE 3/4 IN.	45174		527033K 1	1
P	32 WEDGE, SOCKET 3/4 IN.	45174		526462K 1	1
P	33 PIN, SUSPENSION	45174		.526183K 1	2
	PIN, COTTER 3/8X2 1/2 IN.			.03125200	2
P	78 BAR, SUSPENSION	45174		511571K 1	2
P	79 WEIGHT	45174		292098A	1
P	219 LATCH, SAFETY	45174			1
	004				
P	CRANE HOOK BLOCK 14IN. SINGLE SHEAVE 5 TON CAPACITY-VARIABLE UNIT DRAWING 1-P-323 230048				
	NOTE WHEN ORDERING PARTS ALWAYS GIVE SERIAL NUMBER OF BLOCK AND NUMBER REQUIRED.		0		00-
P	9 BLOCK COMPLETE, INCL. P10 THRU P164 - AH&D CO. 230048				1
P	10 SHEAVE, INCL. BEARING AH&D CO. CS-24622-BP				
P	11 BEARING, SHEAVE-AH&D CO. 20269-AM				
P	12 AXLE, SHEAVE-AH&D CO. F-4500				
P	13 HOOK, AH&D CO. 55350-A				
P	16 BLOCK, BEARING-AH&D CO. K-3028				
P	17 COLLAR, HOOK-AH&D CO B-7375-A				
P	96 PLATE, SIDE-AH&D CO. K-3029-30				
P	164 RING, AXLE-AH&D CO. RST-237				



PARTS LIST

ISSUE NO 2, 1965

BE-122

MODEL: 51-B

PAGE: 14- 2

CAT. REF.	PART NAME	SERIAL NO.		PART NO.	REQ.
		FROM	TO/INCL.		
	005				
P	CRANE HOOK BLOCK 14IN.SINGLE SHEAVE 10TON CAPACITY-VARIABLE UNIT DRAWING 1-P-323 230050				
	NOTE WHEN ORDERING PARTS ALWAYS GIVE SERIAL NUMBER OF BLOCK AND NUMBER REQUIRED		0		00-
P	9 BLOCK,COMPLETE INCL.P10 THRU P164 AH&D CO. 230050			82023450	1
P	10 SHEAVE,INCL.BEARING AH&D CO. CS- 24622-BP				
P	11 BEARING,SHEAVE-AH&D CO. 20269-AM				
P	12 AXLE,SHEAVE-AH&D CO. K-3032				
P	13 HOOK,AH&D CO. 55350-B				
P	16 BLOCK,BEARING-AH&D CO. K-3034				
P	17 COLLAR,HOOK-AH&D CO. F-3190-A				
P	95 PLATE,SIDE-AH&D CO. K-3035-36				
P	163 WASHER,SHEAVE-AH&D CO. D-6811-BT				
P	164 RING,AXLE-AH&D CO. RST-237				
	006				
P	CRANE HOOK BLOCK 18IN.SINGLE SHEAVE 20 TON CAPACITY-VARIABLE UNIT DRAWING 1-P-323 230080				
	NOTE WHEN ORDERING PARTS ALWAYS GIVE SERIAL NUMBER OF BLOCKS AND NUMBER REQUIRED.		0		00-
P	9 BLOCK COMPLETE,INCL.P10 THRU P164 AH&D CO.-230080			82024600	1
P	10 SHEAVE,INCL.BEARING AH&D CO. CS-23605-F				
P	11 BEARING,SHEAVE-AH&D CO. 20279-CG				
P	12 AXLE,SHEAVE-AH&D CO. K-3108				
P	13 HOOK,AH&D CO. 55350-D				
P	16 BLOCK,BEARING-AH&D CO. K3110				
P	17 COLLAR,HOOK-AH&D CO. F-3190-D				
P	95 PLATE,SIDE-AH&D CO. K-3111-12				
P	163 WASHER,SHEAVE-AH&D CO. D-6811-BY				
P	164 RING,AXLE-AH&D CO. RST-334				



PARTS LIST

ISSUE NO 2, 1965

BE-122

MODEL: 51-B

PAGE: 14- 4

CAT. REF.	PART NAME	SERIAL NO.		PART NO.	REQ.
		FROM	TO/INCL.		
	007				
P	CRANE HOOK BLOCK 20IN.SINGLE SHEAVE 25 TON CAPACITY-VARIABLE UNIT DRAWING 1-P-323 230090				
	NOTE WHEN ORDERING PARTS ALWAYS GIVE SERIAL NUMBER OF BLOCK AND NUMBER REQUIRED.		0		00-
P	9 BLOCK COMPLETE,INCL.P10 THRU P164 AH&D CO. 230090			82025280	1
	82025280 REPLACED BY BLOCK-MCKISSICK CB-970			82025560	1
P	10 SHEAVE,INCL.BEARING AH&D CO. CS-24799-Z				
P	11 BEARING,SHEAVE-AH&D CO. 20279-AT				
P	12 AXLE,SHEAVE-AH&D CO. K-3130				
P	13 HOOK,AH&D CO. 55350-E				
P	16 BLOCK,BEARING-AH&D CO. K-3132				
P	17 COLLAR,HOOK-AH&D CO. B-7375-Q				
P	95 PLATE,SIDE-AH&D CO. K-3133-34				
P	163 WASHER,SHEAVE-AH&D CO. D16811-CB				
P	164 RING,AXLE-AH&D CO. RST-425				
	008				
P	CRANE HOOK BLOCK 20IN.SINGLE SHEAVE 25 TON CAPACITY VARIABLE UNIT DRAWING 1-P-331 CB-970				
P	9 BLOCK COMPLETE,INCL.P10 THRU P193 MCKISSICK CB-970			82025560	1
P	10 SHEAVE. 20341-8				1
P	12 PIN,SHEAVE 20341-7				1
P	13 HOOK,SWIVEL 20341-12				1
P	14 NUT,HOOK 20341-14				1
P	15 WASHER,FILLER 20341-16				1
P	95 PLATE,SIDE 20341-1				1
	LOOP,DEAD END 20341-19				1
P	132 BUSHING,SHEAVE 20341-9				1
P	155 CASE,SWIVEL 20341-6				1
P	156 BOLT,LOWER 20341-4				2
P	161 SPACER,BOLT 20341-3				2
P	162 SPACER,BOLT 20341-5				2
P	174 PLATE,SIDE W/O DEAD END LOOP 20341-1				1
P	175 LOCK,PLATE ASSY. 20341-11				2
P	185 WASHER,THRUST 20341-13				1
P	190 SEAL,GREASE 20341-18				1
P	192 BUSHING, HOOK				1
P	193 KEY,HOOK 20341-15				1



PARTS LIST

ISSUE NO 2, 1965

BE-122

MODEL: 51-B

PAGE: 14- 5

CAT. REF.	PART NAME	SERIAL NO.		PART NO.	REQ.
		FROM	TO/INCL.		
P	009 CRANE HOOK BLOCK 20IN. SINGLE SHEAVE 25 TON CAPACITY VARIABLE UNIT DRAWING 1-P-334 FIG.341				
P	9 BLOCK COMPLETE, INCL. P10 THRU P193 MCKISSICK FIG.341			82025561	1
P	10 SHEAVE, 20341-8				1
P	12 PIN, SHEAVE 20341-7				1
P	13 HOOK, SWIVEL 20341-12				1
P	14 NUT, HOOK 20341-14				1
P	15 WASHER, ADAPTER 20341-16				1
P	95 PLATE, SIDE 20341-1 LOOP, DEAD END 20341-19				1
P	132 BUSHING, SHEAVE 20341-9				1
P	155 CASE, SWIVEL 20341-6				1
P	156 BOLT, LOWER 20341-4				2
P	161 SPACER, BOLT 20341-3				2
P	162 SPACER, BOLT 20341-5				2
P	163 WASHER, THRUST 20341-10				2
P	174 PLATE, SIDE WITHOUT DEAD END LOOP 20341-1				1
P	175 LOCK PLATE ASSY. 20341-11				2
P	185 WASHER, THRUST 20341-13				1
P	190 SEAL, GREASE 20341-18				1
P	192 BUSHING, HOOK 20341-17				1
P	193 KEY, HOOK 20341-15				1
	010				
P	CRANE HOOK BLOCK 14IN. DOUBLE SHEAVE 10 TON CAPACITY-VARIABLE UNIT DRAWING 1-P-323 230054				
	NOTE WHEN ORDERING PARTS ALWAYS GIVE SERIAL NUMBER OF BLOCK AND NUMBER REQUIRED.		0		00-
P	9 BLOCK COMPLETE, INCL. P10 THRU P164 AH&D CO. 230054			82023470	1
P	10 SHEAVE, INCL. BEARING AH&D CO. CS-24622-BP				
P	11 BEARING SHEAVE-AH&D CO. 20269-AM				
P	12 AXLE, SHEAVE-AH&D CO. F-4514				
P	13 HOOK, AH&D CO. 55350-B				
P	16 BLOCK, BEARING - AH&D CO. K-3041				
P	17 COLLAR, HOOK AH&D CO. B-7375-B			82037700	
P	95 PLATE, SIDE-AH&D CO. K-3042-43				
P	164 RING, AXLE - AH&D CO. RST-237				



PARTS LIST

ISSUE NO 2, 1965

BE-122

MODEL: 51-B

PAGE: 14- 6

CAT. REF.	PART NAME	SERIAL NO.		PART NO.	REQ.
		FROM	TO/INCL.		
	011 CRANE HOOK BLOCK 16IN.DOUBLE SHEAVE 20 TON CAPACITY VARIABLE UNIT DRAWING 1-P-323 230070				
NOTE	WHEN ORDERING PARTS ALWAYS GIVE SERIAL NUMBER OF BLOCK AND NUMBER REQUIRED.		0		00-
9	BLOCK COMPLETE, INCL. P10 THRU P164 AH&D CO. 230070			82024500	1
10	SHEAVE, INCL. BEARING AH&D CO. CS-24641-CC				
11	BEARING, SHEAVE-AH&D CO. 20279-CG				
12	AXLE, SHEAVE-AH&D CO. F-3081				
13	HOOK, AH&D CO. 55350-D				
16	BLOCK, BEARING-AH&D CO. K-3083				
17	COLLAR, HOOK-AH&D CO. B-7375-D				
95	PLATE, SIDE-AH&D CO. K-3084-85				
163	WASHER, SHEAVE-AH&D CO. D-6811-BW				
164	RING, AXLE, AH&D CO. RST-334				
	012 CRANE HOOK BLOCK 18IN.DOUBLE SHEAVE 25 TON CAPACITY-VARIABLE UNIT DRAWING 1-P-323 230084				
NOTE	WHEN ORDERING PARTS ALWAYS GIVE SERIAL NUMBER OF BLOCK AND NUMBER REQUIRED.		0		00-
9	BLOCK COMPLETE, INCL. P10 THRU P164 AH&D CO. 230084			82025230	1
10	SHEAVE, INCL. BEARING AH&D CO. CS-23605-F				
11	BEARING, SHEAVE-AH&D CO. 20279-CG				
12	AXLE, SHEAVE-AH&D CO. K-3120				
13	HOOK, AH&D CO. 55350-E				
16	BLOCK, BEARING-AH&D CO. K-3122				
17	COLLAR, HOOK - AH&D CO. B-7375-E				
95	PLATE, SIDE-AH&D CO. K-3123-24				
163	WASHER, SHEAVE-AH&D CO. D-6811-BV				
164	RING, AXLE-AH&D CO. RST-334				



PARTS LIST

ISSUE NO 2, 1965

BE-122

MODEL: 51-B

PAGE: 14- 7

CAT. REF.	PART NAME	SERIAL NO.		PART NO.	REQ.
		FROM	TO/INCL.		
	013				
P	CRANE HOOK BLOCK-20IN.DOUBLE SHEAVE 30 TON CAPACITY-VARIABLE				
	013				
P	UNIT DRAWING 1-P-323 230094				
	NOTE WHEN ORDERING PARTS ALWAYS GIVE SERIAL NUMBER OF BLOCK AND NUMBER REQUIRED		0		00-
P	9 BLOCK COMPLETE, INCL. P10 THRU P164 AH&D CO. 230094			82025950	1
P	10 SHEAVE, INCL. BEARING AH&D CO. CS-24799-Z				
P	11 BEARING, SHAVE-AH&D CO. 20279-AT				
P	12 AXLE, SHEAVE-AH&D CO. F-4567				
P	13 HOOK, AH&D CO. 61425-Q				
P	16 BLOCK, BEARING - AH&D CO. K-3138				
P	17 COLLAR, HOOK-AH&D CO. B-7375-E				
P	95 PLATE, SIDE-AH&D CO. K-3139-40				
P	164 RING, AXLE-AH&D CO. RST-425				
	014				
P	CRANE HOOK BLOCK 24IN.DOUBLE SHEAVE 40 TON CAPACITY-VARIABLE UNIT DRAWING 1-P-323 230110				
	NOTE WHEN ORDERING PARTS ALWAYS GIVE SERIAL NUMBER OF BLOCK AND NUMBER REQUIRED		0		00-
P	9 BLOCK COMPLETE, INCL. P9 THRU P164 AH&D CO. 230110			82026250	1
P	10 SHEAVE, INCL. BEARING AH&D CO. CS-24701-BZ				
P	11 BEARING, SHEAVE-AH&D CO. 20279-AT				
P	12 AXLE, SHEAVE-AH&D CO. F-4577				
P	13 HOOK, AH&D CO. 55350-H				
P	16 BLOCK, BEARING-AH&D CO. K-3168				
P	17 COLLAR, HOOK-AH&D CO. B-7375-T				
P	95 PLATE, SIDE-AH&D CO. F-7120-21				
P	164 RING, AXLE-AH&D CO. RST-425				



PARTS LIST

ISSUE NO 2, 1965

BE-122

MODEL: 51-B

PAGE: 14- 8

CAT. REF.	PART NAME	SERIAL NO.		PART NO.	REQ.
		FROM	TO/INCL.		
	015				
P	CRANE HOOK BLOCK 18IN.DOUBLE SHEAVE 40 TON CAPACITY-VARIABLE UNIT DRAWING 1-P-335 FIG.332				
P	9 HOOK BLOCK COMPLETE, INCL.P10 THRU P193-MCKISSICK FIG.332			82026512	1
P	10 SHEAVE, 18332-8				2
P	12 PIN, SHEAVE 18332-7				1
P	13 HOOK, SWIVEL 18332-12				1
P	14 NUT, HOOK 18332-14				1
P	15 WASHER, ADAPTER 18332-16				1
P	20 BOLT, BECKET 18332-21				1
P	21 SPACER, BOLT 18332-22				1
P	132 BEARING, ROLLER 18332-9				2
P	155 CASE, SWIVEL 18332-6				1
P	156 BOLT, LOWER 18332-4				2
P	161 BOLT, SPACER 18332-3				2
P	162 SPACER, BOLT 18332-5				4
P	163 WASHER, THRUST 18332-10				4
P	171 PLATE, CENTER 18332-2				1
P	174 PLATE, SIDE 18332-1				2
P	175 NUT, PIN 18332-11				2
P	185 WASHER, THRUST 18332-13				1
P	186 BECKET, 18332-19				1
P	190 SEAL, GREASE 18332-18				1
P	192 BUSHING, HOOK 18332-17				1
P	193 KEY, HOOK 18332-15				1
P	219 LATCH, SAFELY				1
	016				
P	CRANE HOOK BLOCK 14 IN. TRIPLE SHEAVE 25 TON CAPACITY-VARIABLE UNIT DRAWING 1-P-323 230063				
	NOTE WHEN ORDERING PARTS ALWAYS GIVE SERIAL NUMBER OF BLOCK AND NUMBER REQUIRED.		0		00-
P	9 BOLCK COMPLETE, INCL.P9 THRU P168 AH&D CO. 230063			82025200	1
P	10 SHEAVE, INCL.BEARING AH&D CO. CS-24622-BV				
P	11 BEARING, SHEAVE-AH&D CO. 133RMS682				
P	12 AXLE, SHEAVE-AH&D CO. F-4505				
P	13 HOOK, AH&D CO. 55350-E				
P	16 BLOCK, BEARING-AH&D CO. K-3070				
P	17 COLLAR, HOOK-AH&D CO. B-7375-Q				
P	95 PLATE, SIDE-AH&D CO. K-3072-73				
P	97 BEARING, THRUST-AH&D CO. T-302				
P	164 RING, AXLE - AH&D CO. RST-237				

PARTS LIST

CAT. REF.	PART NAME	SERIAL NO.		PART NO.	REQ.
		FROM	TO/INCL.		
	016				
P 168	WASHER, RETAINING-AH&D CO. D-9895				
	017				
P	CRANE HOOK BLOCK 16IN. TRIPLE SHEAVE 25 TON CAPACITY-VARIABLE UNIT DRAWING 1-P-323 230072				
	NOTE WHEN ORDERING PARTS ALWAYS GIVE SERIAL NUMBER OF BLOCK AND NUMBER REQUIRED.		0		00-
P 9	BLOCK COMPLETE, INCL. P10 THRU P164 AH&D CO. 230072			82025220	1
P 10	SHEAVE, INCL. BEARING AH&D CO. CS-24641-CC				1
P 11	BEARING, SHEAVE-AH&D CO. 20279-CG				
P 12	AXLE, SHEAVE-AH&D CO. F-4530				
P 13	HOOK, AH&D CO. 55350-E				
P 16	BLOCK, BEARING-AH&D CO. K-3087				
P 17	COLLAR, HOOK-AH&D CO. B-7375-Q				
P 95	PLATE, SIDE-AH&D CO. K-3088-89				
P 164	RING, AXLE-AH&D CO. RST-334				
	018				
P	CRANE HOOK BLOCK 24IN. TRIPLE SHEAVE 50 TON CAPACITY-VARIABLE UNIT DRAWING 1-P-327 FIG. 343				
P 9	HOOK BLOCK COMP, INCL. P10 THRU P193-MCKISSICK FIG. 343			82027200	1
P 10	SHEAVE 24343-8				3
P 12	PIN, SHEAVE 24343-7				1
P 13	HOOK, SWIVEL 24343-12				1
P 21	NUT, HOOK 24343-14				1
P 95	PLATE, SIDE WITH DEAD END 24343-1				1
P 132	BEARING, ROLLER 24343-9A				3
P 155	CASE, SWIVEL 24343-6				1
P 156	BOLT, LOWER 24343-4				2
P 161	BOLT, SPACER 24343-3				2
P 162	SPACER, BOLT 24343-5				6
P 163	WASHER, THRUST 24343-10				6
P 171	PLATE, CENTER 24343-2				2
P 174	PLATE, SIDE W/O DEAD END 24343-1				1
P 175	LOCK, PIN 24343-11				2
P 185	BEARING, THRUST 24343-13A				1
P 190	SEAL, BEARING 24343-18				1
P 192	BUSHING, HOOK 24343-17				1
P 193	KEY, HOOK 24343-15				1



PARTS LIST

ISSUE NO 2, 1965

BE-122

MODEL: 51-B

PAGE: 14- 10

CAT. REF.	PART NAME	SERIAL NO.		PART NO.	REQ.
		FROM	TO/INCL.		
	019				
P	HOE PADLOCK--VARIABLE UNIT--DRAWING 1-L-386, 1-P-336				
P	50 PADLOCK, COMPLETE	45174		10766P	1
P	57 FRAME, PADLOCK	45174	121815	217583 30	1
P	57 FRAME, PADLOCK	122055		806439K 21	1
P	58 SHEAVE, PADLOCK INCL. P61	45174		900137K 51	1
P	59 PIN, SHEAVE	45174		403380 1	1
P	61 BUSHING, SHEAVE	45174		403352A	1
P	66 SCREW, CAP 3/4X2 NC WASHER, LOCK 3/4 IN.	45174	121815	.03194640	6
P	66 SCREW, CAP 3/4X1 3/4 NF WASHER, LOCK 3/4 IN.	122055		.03244560 .03961800	6 6
P	67 BLOCK, GUIDE 2 HALVES	45174		227657A	4
P	68 BOLT, BLOCK 3/4X7 NC	45174		.02190850	4
P	69 NUT, LOCK 3/4 NC SHACKLE, PADLOCK	45174		.02770450 274758A	4 2
P	70 PIN, SHACKLE	45174		403379 1	2
P	71 SHACKLE, DIPPER	45174		286576 3	2
P	72 BOLT, PIN	45174		02475460	2
P	73 DOWEL, PIN	45174		X 6787 1	2
P	74 SPACER, FRAME	45174		529756K 1	2
P	75 BOLT, SPACER 3/4X7 NC	45174		.02190850	2
	NUT, LOCK 3/4 NC			.02770450	2



PARTS LIST

ISSUE NO 2, 1965

BE-122

MODEL: 51-B

PAGE: 15 -1

CAT. REF.	PART NAME	SERIAL NO.		PART NO.	REQ.
		FROM	TO/INCL.		
	001				
Q	BUDA GAS ENGINE MODEL 8M01290-VARIABLE UNIT-DRAWING 1-Q-425				
Q	82 BASE, ENGINE	45174		218084 1	1
Q	87 HOSE, EXHAUST RW89	45174			1
Q	88 ELBOW, EXHAUST 3 1/2X90 DEGREE	45174		20281500	1
Q	133 MUFFLER, DON. M-90017	45174			1
Q	138 BATTERY, WILLARD DSR-1D-270	45174			1
Q	144 CONTROL, CHOKE 18 FT	45174		R 1848 48	1
Q	145 CONTROL, THROTTLE	45174		404767 1	1
Q	152 BOLT, FIN. 7/8X4 NC	45174		.	2
	NUT, FULL 7/8 NC			.02715100	2
	NUT, JAM 7/8 NC			.02715350	2
	BOLT, FIN. 7/8X3 NC			.	6
	NUT, FULL 7/8 NC			.02715100	6
	NUT, JAM 7/8 NC			.02715350	6
Q	157 FLANGE, EXHAUST	45174		404862 1	1
Q	173 JOINT, BALL 1/4 SAE	45174		82571450	1
Q	242 COVER, BATTERY	45174		404847 1	1
Q	244 SUPPORT, MUFFLER	45174		404865 1	1
Q	367 SCREW, CAP INCL. NUTS	45174		500183K 51	1
Q	368 BOLT, ADJ.-LH	45174		404748 1	1
Q	494 SUPPORT, BATTERY	45174		233140 1	1
Q	496 JACK, SCREW-RH	45174		600066K 1	1
Q	497 SCREW, CAP-RH 1X2 NC	45174		03200640	2
Q	498 STUD, FOUND.	45174		401030 3	4
Q	657 LEVER, SHAFT	45174		404757 1	1
Q	723 BOLT, BATTERY	45174		298570 1	4
Q	774 SEAL, OIL	45174		475316A	1
Q	849 JACK, SCREW	45174		285382A	1
Q	850 SCREW, CAP-LH 5/8X2 1/2 NC	45174		03191800	4
	002				
Q	BUDA ENGINE MODEL 6DCB1742-VARIABLE UNIT-DRAWINGS 1-Q-426 1-Q-427				
Q	3 CORE, RAD. 784	45174	88292		1
Q	3 CORE, RAD. 783	98048			1
Q	11 RAD. COMPL.-PERFEX R6272C	45174	88292	66214010	1
Q	11 RAD. COMPL.-PERFEX R6272B	98048		66213760	1
Q	12 SHROUD, RAD. FAN A-6-120	45174			1
Q	44 BELT, FAN SEE ENG. CAT	45174			
Q	49 TANK, RAD. G1465	45174			1
Q	51 TANK, RAD. G523	45174			1
Q	53 FRAME, RAD. G5825	45174			1
Q	54 FRAME, RAD G5824	45174			1
Q	55 SUPPORT, RAD.	45174		287513 1	1
Q	56 PAD, SUPPORT	45174		285591 1	2
Q	57 BRACE, RAD.	45174		297086 1	1
Q	58 BRACE, RAD.	45174		286390 1	1



PARTS LIST

ISSUE NO 2, 1965

BE-122

MODEL: 51-B

PAGE: 15- 2

CAT. REF.	PART NAME	SERIAL NO.		PART NO.	REQ.
		FROM	TO/INCL.		
	002				
59	BRACKET, BRACE	45174		294653	1
60	BRACKET, BRACE	45174		297087	1
61	CONNECTION, INLET	45174		273698A	1
62	GASKET, INLET	45174		50201000	1
63	HOSE, 3 1/2 IN. 1DX6 IN.	45174		53201010	2
64	CLAMP, HOSE WITTEK	45174		53271410	4
65	CONNECTION, OUTLET	45174		270926A	1
66	GASKET, OUTLET	45174		50583000	1
76	BRACKET, INSTRU.	45174	107755	267270	1
76	BRACKET, INSTR.	109472		409457	1
87	PIPE, EXHAUST	45174	88292	405377	1
87	PIPE, EXHAUST	98048		290964	1
88	ELBOW, PIPE 4X90 DEG.	45174	88292	20286250	1
88	ELBOW, PIPE NOT USED	98048	112015		
88	PLATE, ADAPTER	112429	116034	279587	1
88	PLATE, ADAPTER	116035		601429K	21
100	BOLT, FOUND 3/4X6 NC	45174		.02026400	2
	NUT, FULL 3/4 NC			.02714050	2
101	SPRING, BOLT	45174		75409010	2
105	GAUGE, OIL-MARSH 100LBS. PRESS	45174		82317150	1
120	SUPPORT, FRONT	45174		218251B	1
121	SUPPORT, REAR	45174		218251B	1
126	CONNECTION, OUTLET	45174		297706A	1
127	GASKET, OUTLET	45174		50580000	1
128	SCREW, CAP 1/2X1 1/4 NC	45174		03185400	4
129	SCREW, CAP	45174		273698	1
130	SCREW, CAP 1/2X1 1/4 NC	45174		03185400	2
131	BOLT, FOUND 3/4X4 NC	45174		.02025950	2
	NUT, FULL 3/4 NC			.02714050	2
133	MUFFLER, DONALDSON 1047A6	45174	48292	46652000	1
133	TRAP, RAIN	98048		603245K	21
138	BATTERY, WILLARD-EX HR-1-100	45174	88292	17027300	2
138	BATTERY, WILLARD-DOM. HW-1-100	98048		17027750	1
	BATTERY, WILLARD-EX. HR-1-100			17027300	1
152	BOLT, FOUND 3/4X2 1/4 NC	45174		.02025500	12
	NUT, FULL 3/4 NC			.02714050	12
	BOLT, FOUND 3/4X2 1/4 NF			.02142220	8
	NUT, FULL 3/4 NF			.02742050	8
189	BODY, THERM-BUDA DE13388	45174			1
190	GASKET, BODY-BUDA DE13386	45174			1
192	THERMOSTAT, BUDA DE63280	45174			1
242	COVER, BATTERY	45174	88292	276162	1
242	COVER, BATTERY	98048		276245	1
244	SUPPORT, MUFFLER	45174	88292	405378	1
244	SUPPORT, MUFFLER NOT USED	98048			
367	SCREW, ADJ.	98048		405320	1
402	SUPPORT, BRACKET	45174	107755	286396	1
402	SUPPORT, BRACKET	109472		409456	1
403	MOUNTING, RUBBER	45174	107755	285678	1
403	MOUNTING, RUBBER NOT USED	109472			
443	GUARD, FAN	45174		228732	1
449	INDICATOR, HEAT-STE. WAR. S-98450	45174		82540750	1
494	SUPPORT, BATTERY	45174	88292	405487	1
494	SUPPORT, BATTERY	98048		405642	1



PARTS LIST

ISSUE NO 2, 1965

BE-122

MODEL: 51-B

PAGE: 15- 3

CAT. REF.	PART NAME	SERIAL NO.		PART NO.	REQ.
		FROM	TO/INCL.		
	002				
Q 495	BUMPER, BATTERY	45174		82058900	4
Q 496	JACK, SCREW	45174		405298A	2
Q 497	SCREW, CAP 5/8X2 1/4 NC	45174		03191720	8
Q 498	STUD, FOUNDATION	45174		401030	4
Q 499	DOWEL, SUPPORT	45174		218251	3
Q 500	GAUGE, OIL-ROCH OPC OLBS. TO 100LBS	45174		82315150	1
Q 580	SPRING, BRACE	45174		75363010	2
Q 613	GASKET, IND.	45174		50008250	1
Q 646	TUBE, OVERFLOW REFER FACTORY	45174			
Q 657	LEVER, SHAFT INCL. BOLT, NUT & WASHER	45174	113709	900135K 51	1
Q 657	LEVER, SHAFT SEE S708	114034			
Q 723	BOLT, BATTERY	45174		298570	7
Q 740	BOARD, BOTTOM	45174	88292	405488	1
Q 740	BOARD, BOTTOM	98048		405641	1
Q 802	PIPE, SPACER	45174		405321	1
Q 852	WASHER, CORE REFER FACTORY	45174			2
Q 853	VALVE, PRESSURE REFER FACTORY	45174			
Q 854	GASKET, VALVE REFER FACTORY	45174			
Q 855	REFLECTOR, AIR	45174		233415	1
Q 856	BOLT, REFLECTOR 3/8X1 1/4 NC	45174		02006800	2
Q 857	FLANGE, ADAPTER	45174		297630	1
	003				
	BUDA DIESEL ENGINE-MODEL 6DA970 W/TORQUE CONVERTER VARIABLE UNIT DRAWING 1-Q-444				
Q 74	COCK, DRAIN-IMP. 49E 1/4 IN.	45174		79027000	1
Q 82	BASE, ENGINE	45174	109475	218831	1
Q 82	BASE, ENGINE	110339		701108K 41	1
Q 87	PIPE, EXHAUST-CHI. MET. RW89	45174	109475		1
Q 87	PIPE, EXHAUST	110339	112846	278458	1
Q 87	PIPE, EXHAUST	113705		279553	1
Q 88	ADAPTER, PIPE NOT USED	45174	109475		
Q 88	ADAPTER, PIPE	110339		250211	1
Q 133	MUFFLER, DON. 1047A7	45174	109474	46652050	1
Q 133	MUFFLER, DON. MO1201	110339	112846	46653350	1
Q 133	MUFFLER, DON. 1047A9	113705		46652070	1
Q 138	BATTERY, WILLARD 3-3D-315 OR BATTERY, WILLARD HDD-3D	45174	107752	17026550	4
Q 138	BATTERY, WILLARD 3-3D-315 BATTERY, WILLARD HHD-3D	109471		17026550	4
Q 152	BOLT, FOUND 3/4X3 NC NUT, FULL 3/4 NC	45174	109475	.02025750 .02714050	10 10
Q 242	COVER, BATTERY	45174	107752	275826	1
Q 242	COVER, BATTERY	109471		234822	6
Q 244	SUPPORT, MUFFLER	45174	112846	.277818	1
Q 244	SUPPORT, MUFFLER			.410140	1
Q 244	SUPPORT, MUFFLER	113705		.279554	1
Q 244	SUPPORT, MUFFLER			.279555	1
Q 367	SCREW, ADJ. NUT, FULL 1-1X4 NF	45174	109475	.407749 .02744050	1 2



PARTS LIST

ISSUE NO 2, 1965

BE-122

MODEL: 51-B

PAGE: 15- 4

CAT. REF.	PART NAME	SERIAL NO.		PART NO.	REQ.
		FROM	TO/INCL.		
	003				
Q 367	SCREW, ADJ. NUT, FULL 1 1/4 NF	110339		.409118 1 .02744050	2 2
Q 496	BEARING, SCREW	45174	109475	405298A	2
Q 496	BEARING, SCREW	110339		409119A	2
Q 497	SCREW, CAP 5/8X2 1/4 NC	45174		03191720	8
Q 498	STUD, FOUND	45174		.401030 3	4
	NUT, FULL 1 1/4 NF			.02744050	4
Q 500	GAUGE, OIL-ROCH OPC	45174		82315150	1
Q 657	LEVER, CLUTCH	45174	109475	407790 1	1
Q 657	LEVER, CLUTCH	110339	115428	409082 1	1
Q 657	LEVER, CLUTCH FURN. W/ T.CONV.	116030			
Q 723	BOLT, BATTERY	45174	107752	X11239 6	5
Q 723	BOLT, BATTERY	109471		X 9355 13	5
Q 740	BOARD, BOTTOM	45174	107752	233181 1	1
Q 740	BOARD, BOTTOM	109471		234822 1	1
Q 872	COCK, DRAIN-CRANE. 324 1/2	45174			1
Q 873	GOV. DRIVE ASSY.-TORCON USE QR1307	45174			
	004				
	CATERPILLAR DIESEL ENGINE MODELS D337, D337F-WITH TORQUE CONVERTER VARIABLE UNIT DRAWINGS 1-Q-452, 1-Q-455, 1-Q-475 1-Q-476				
Q 77	PANEL, INSTRUMENT	120292	120301	607839K 1	1
Q 77	PANEL, INSTRUMENT	121615		609493K 1	1
Q 82	BASE, ENGINE REFER FACTORY	45174			
Q 87	PIPE, EXHAUST	45174	114767	200196 1	1
Q 87	PIPE, EXHAUST	114768	118765	601299K 21	1
Q 87	PIPE, EXHAUST	119117	120301	607042K 21	1
Q 87	PIPE, EXHAUST	121615		609331K 21	1
Q 88	ADAPTER, PIPE	45174	114767	250211 1	1
Q 88	ADAPTER, PIPE NOT USED	114768			
Q 105	GAUGE, ROCH. OPC 0 DEG. 100 DEG.	45174	119126	82315150	1
Q 105	GAUGE, AC 1506 251	120292		82317350	1
Q 111	SCREW, CAP 3/4X1 3/4 NC	45174	114767	03194560	4
Q 111	SCREW, CAP FURN. W/ ENGINE	114768			
Q 133	MUFFLER, DON. MO1201	45174	114767	46653350	1
Q 133	MUFFLER, NOT USED	114768			
Q 138	BATTERY, WILLARD-DOMESTIC HW4-153	45174	119126	17027800	1
	BATTERY, WILLARD-DOMESTIC HDD-4			17027800	1
	17027800 REPLACED BY CW-4H-160			17028450	1
Q 138	BATTERY, DOMESTIC CW-4H-160	120292		17028450	1
Q 138	BATTERY, WILLARD-EXPORT HW4-153	45174	119126	17027650	1
	BATTERY, WILLARD-EXPORT HDD-4			17027650	1
	17027650 REPLACED BY CW-4H-160			17028460	1
Q 138	BATTERY, WILLARD, EXPORT CW-4H-160	120292		17028460	1
Q 152	SCREW, CAP 5/8X1 3/4 NC	45174	114767	.03191560	8
	SCREW, CAP 3/4X1 1/2 NC			.03194480	3
Q 152	SCREW, CAP 5/8X2 1/4 NF	114768	120301	03241720	8
Q 152	SCREW, CAP 5/8X3 NF	121615		03241960	8
Q 196	GAUGE, FUEL NOT USED	45174	120301		



PARTS LIST

ISSUE NO 2, 1965

BE-122

MODEL: 51-B

PAGE: 15- 5

CAT. REF.	PART NAME	SERIAL NO.		PART NO.	REQ.
		FROM	TO/INCL.		
	004				
Q 196	GAUGE, FUEL-AC GG13101	121615		82317270	1
Q 242	COVER, BATTERY	45174	119126	265967 4	1
	4-265967 REPLACED BY			609414K 21	1
Q 242	COVER, BATTERY	120292		609414K 21	1
Q 244	SUPPORT, MUFFLER	45174	114767	.412020 1	1
	SUPPORT, MUFFLER			.412021 1	1
Q 244	SUPPORT, MUFFLER	114768	120301	601298K 21	1
Q 244	PLATE, ADAPTER	121615		804588K 21	1
Q 249	SUPPORT, ENGINE	45174	114767	412023 1	2
Q 249	SUPPORT, ENGINE NOT USED	114768			
Q 367	SCREW, ADJUSTING	45174	114767	408228 1	2
Q 367	STUD, ADJUSTING	114768	122530	502914K 1	2
Q 367	JACK, ADJUSTING	122587		614279K 21	1
Q 368	SCREW, ADJUSTING	122587		514176K 1	2
Q 449	GAUGE, TEMPERATURE-AC 1512015	120292		82317550	1
Q 454	PIPE, EXHAUST	45174	114767	200308 1	1
Q 454	PIPE, EXHAUST	114768	118765	501654K 21	1
Q 454	PIPE, EXHAUST	119117	120301	502916K 1	1
Q 454	PIPE, EXHAUST	121615		608891K 21	1
Q 493	COCK, DRAIN NOT USED	45174	114767		
Q 493	COCK, DRAIN-CRANE 320 1/2-1/4 IN.	114768		79076000	1
Q 494	BOARD, SUPPORT	45174		295116 1	1
Q 495	BUMPER, RUBBER	45174		82058900	4
Q 496	BEARING, SCREW	45174	122530	409119A	2
Q 496	BEARING, SCREW NOT USED	122587			
Q 497	SCREW, CAP 5/8X2 1/4 NC	45174	120301	03191720	8
Q 497	SCREW, CAP 5/8X2 1/2 NC	121615	122530	03191800	8
Q 497	SCREW, CAP NOT USED	122587			
Q 498	STUD, FOUNDATION	45174	120301	401030 3	4
Q 498	STUD, FOUNDATION	121615	122530	401030 4	4
Q 498	STUD, FOUNDATION	122587		401030 6	4
Q 500	GAUGE, OIL PRESSURE-AC 1508740	121615		82317440	1
Q 522	SCREW, CAP 3/8X1 1/4 NC	45174	114767	03179420	12
Q 522	SCREW, CAP 7/16X1 1/4 NC	114768		03182400	12
Q 525	SCREW, CAP 1/2X1 1/4 NC	45174	114767	03185400	6
Q 525	SCREW, CAP 1/2X2 NC	114768		03185640	8
Q 657	LEVER, CLUTCH	45174	114038	412032 1	1
Q 657	LEVER, CLUTCH USE S708	114039			
Q 692	COVER, PIPE	45174	114767	408269 1	1
Q 692	COVER, PIPE NOT USED	114768	120301		
Q 692	COVER, PIPE	121615		511624K 1	1
Q 723	BOLT, BATTERY INCL NUTS	45174		901445K 51	2
Q 740	BOARD, BOTTOM	45174	119126	265967 1	1
	1-265967 REPLACED BY			609413K 21	1
Q 740	BOARD, BOTTOM	120292		609413K 21	1
Q 849	SCREW, ADJUSTING	122587		614279K 21	1
Q 872	COCK, DRAIN NOT USED	45174	114767		
Q 872	COCK, DRAIN-CRANE 320 1/2-1/4 IN.	114768		79076000	1
Q 874	BAR, SUPPORT	45174	114767	200197 1	1
Q 874	BAR, SUPPORT	114768	118765	701573K 21	1
Q 874	BAR, SUPPORT SEE QR1298	119117			
Q 875	SCREW, CAP 3/4X1 3/4 NC	45174	114767	03194560	4
Q 875	BOLT, BAR	114768	118765	.521915K 1	2
	NUT, FULL 7/8 NF			.02742550	2

PARTS LIST

BE-122

MODEL: 51-B

PAGE: 15- 6

CAT. REF.	PART NAME	SERIAL NO.		PART NO.	REQ.
		FROM	TO/INCL.		
	004				
875	NUT, JAM 7/8 NF			.02742650	2
	SCREW, CAP 7/8X3 3/4 NF			.03248200	2
	NUT, FULL 7/8 NF			.02742550	2
	NUT, JAM 7/8 NF			.02742650	2
875	BOLT, BAR SEE QR1299	119117			
876	DOWEL, BAR	45174	114767	410939 1	2
876	DOWEL, BAR NOT USED	114768			
927	CARTRIDGE, FILTER NOT USED	45174	114767		
927	CARTRIDGE, FILTER-DELUXE 314702CU	114768		46133100	1
1013	CAP, WEATHER	119117	120301	82132030	1
1013	CAP, RAIN-WATERLOO 200	121615		82131860	1
1014	SWITCH, PRESSURE-AC 1506713	114768		46821100	1
1024	GAUGE, OIL PRESSURE-AC OG1509319	121615		82317455	1
1025	GAUGE, OIL PRESSURE-AC OG1509320	121615		82317457	1
1026	GAUGE, TEMPERATURE-AC TG10187	120292	120301	82317200	1
1026	GAUGE, TEMPERATURE-AC 1514297	121615		82317585	1
1027	GAUGE, OIL PRESSURE-AC 1508803	121615		82317180	1
1028	GAUGE, OIL PRESSURE-AC 1506191	120292	120301	82317330	1
1029	CAP, RAIN-WATERLOO 612	121615		82131890	1
	005				
	CATERPILLAR DIESEL ENGINE MODEL D17000-VARIABLE UNIT DRAWINGS 1-Q-373, 1-Q-374				
56	PAD, SUPPORT	45174		295094 1	2
57	BRACE, RADIATOR	45174	58112	295406 1	2
57	BRACE, RADIATOR	60442		.299153 1	1
	BRACE, RADIATOR			.299154 1	1
59	BRACKET, BRACE	45174		295407 1	1
87	PIPE, EXHAUST	45174		295100 1	1
100	SCREW, CAP 3/4X1 3/4 NC	45174		03194560	4
105	GAUGE, OIL-ROCHESTER OPC	45174		82315150	1
111	BOLT, FIN 3/4X3 NF	45174		.02552600	2
	NUT, FULL 3/4 NF			.02742050	2
	STUD, SUPPORT			.284189 1	4
119	ANCHOR, BRACE FRONT	45174	58112	.283447 4	1
	ANCHOR, BRACE REAR			.283447 5	1
119	ANCHOR, BRACE	60442		299151 1	1
133	MUFFLER,	45174		296656 1	1
138	BATTERY, DOM-WILLARD HW-4-153	45174		17027800	1
	BATTERY, DOM-WILLARD HDD-4			17027800	1
	17027800 REPLACED BY CW-4H-160			17628450	1
	BATTERY, EXPORT-WILLARD HR-4-153			17027810	1
	BATTERY, EXPORT-WILLARD HHD-4			17027810	1
	17027810 REPLACED BY CW-4H-160			17028455	1
139	SUPPORT, RAD.	45174	58112	228130 1	1
139	SUPPORT, RAD.	60442	75332	227573 1	1
139	SUPPORT, RAD.	78110		232770 1	1
149	LINE, OIL GAUGE REFER FACTORY	45174			
152	SCREW, CAP 3/4X2 3/4 NC	45174	75332	.03194880	12
	SCREW, CAP 5/8X2 NC			.03191640	4



PARTS LIST

ISSUE NO 2, 1965

BE-122

MODEL: 51-B

PAGE: 15- 7

CAT. REF.	PART NAME	SERIAL NO.		PART NO.	REQ.
		FROM	TO/INCL.		
	005				
Q 152	SCREW,CAP 3/4X2 3/4 NC	78110		03194880	12
Q 242	COVER,BATTERY	45174		265967 4	1
	4-265967 REPLACED BY			609414K 21	1
Q 244	COLLAR,PIPE	45174		283815 1	1
Q 247	SUPPORT,ENGINE	45174		228128A	1
Q 249	SUPPORT,ENGINE	45174		263194AA	1
Q 367	SCREW,ADJ.INCL.NUTS	45174		500183K 51	2
Q 454	PIPE,EXHAUST	45174		297315 1	1
Q 494	BOARD,SUPPORT	45174		295116 1	1
Q 495	BUMPER,RUBBER	45174		82058900	4
Q 496	JACK,SCREW	45174		600066K 1	2
Q 497	BOLT,JACK 1X3 NC	45174		02038300	4
Q 657	LEVER,SHAFT	45174		296662 1	1
Q 740	BOARD,BOTTOM	45174		265967 1	1
	1-265967 REPLACED BY			609413K 21	1
	006				
Q	GENERAL MOTORS DIESEL ENGINE-TYPE 6-110-MODEL 62307-RD-VARIABLE UNIT DRAWING 1-Q-497				
Q 74	COCK, DRAIN CRANE 252	45174		79039000	1
Q 77	BRACKET,INSTRUMENT	45174		615765K 1	1
Q 82	BASE,ENGINE	45174		854587K 21	1
Q 87	PIPE,EXHAUST	45174		607501K 21	1
Q 88	ADAPTER,EXHAUST	45174		713601K 21	1
Q 105	GAUGE,OIL PRESSURE-AC 1506251	45174		82317350	1
Q 133	MUFFLER,DON. MO-1201	45174		46653350	2
Q 148	SWITCH,STARTER-DR 1996027	45174		46859650	1
Q 152	SCREW,CAP 7/8X4 1/4 NF	45174		.03248440	4
	NUT,FULL 7/8 NF			.02742550	4
	WASHER,LOCK 7/8 IN.			.03961900	4
Q 196	GAUGE,FUEL-AC GG13101	45174		82317270	1
Q 244	ADAPTER,ROOF	45174		806136K 21	1
Q 368	SCREW,ADJUSTING	45174		514176K 1	2
Q 493	COCK,STOP-CRANE 320 1/2-3/4 IN.	45174		79076000	1
Q 496	JACK,ADJUSTING	45174		614279K 21	2
Q 498	STUD,FOUNDATION	45174		401030 4	4
Q 500	GAUGE,OIL PRESSURE-AC 1508741	45174		82317450	1
Q 655	SUPPORT,MUFFLER	45174		.607615K 21	1
	SUPPORT,MUFFLER			.607616K 21	1
Q 656	SCREW,CAP 3/8X1 NF	45174		03229320	8
Q 762	CLAMP,KING 600	45174		53271180	2
Q 877	HOSE,INLET	45174		53627531	1
Q 884	CLAMP,SUPPORT	45174		510769K 1	4
Q 885	SCREW,CAP 3/8X1 1/2 NF	45174		.03229480	6
	NUT,FULL 3/8 NF			.02739550	6
	WASHER,LOCK 3/8 IN.			.03961300	6
Q 886	CLAMP,MAREMONT X-51	45174		82140550	2
Q 909	COCK,STOP-CRANE 320 1/2-3/4 IN.	45174		79076000	1
Q 913	GAUGE,OIL TEMP.-AC 1513611	45174		82317260	1
Q 915	GAUGE,OIL TEMP-AC 1512015	45174		82317550	1



PARTS LIST

ISSUE NO 2, 1965

BE-122

MODEL: 51-B

PAGE: 15- 8

CAT. REF.	PART NAME	SERIAL NO.		PART NO.	REQ.
		FROM	TO/INCL.		
	006				
Q 1003	HOSE, OUTLET	45174		53627518	1
Q 1014	SWITCH, OIL PRESSURE-AC 1506713	45174		46821100	1
Q 1019	HOSE, EXHAUST	45174		53213000	1
Q 1024	GAUGE, CLUTCH PRESSURE-SW 353-P	45174		82317154	1
Q 1025	GAGE, CLUTCH PRESSURE-SW 309-F	45174		82302806	1
Q 1048	HOSE, SUPPLY	45174		53627516	1
Q 1080	COVER, RADIATOR	45174		607801K 21	1
Q 1081	BUSHING, DOWEL	45174		520214K 1	2
Q 1082	HOSE, DRAIN 1/4 I.D.X42 IN.	45174		53013000	1
Q 1083	HOSE, DRAIN 1/4 I.D.X54 IN.	45174		53013000	1
Q 1084	HOSE, DRAIN 1/4 I.D.X36 IN.	45174		53013000	1
Q 1085	CLAMP, HOSE	45174		53265760	3
Q 1086	HOSE, TANK TO ENGINE	45174		53624840	1
Q 1087	HOSE, BY-PASS	45174		53627517	1
	007				
Q	ENGINE CLUTCH TWIN DISC B118PS VARIABLE UNIT-DRAWING 1-Q-373 CLUTCH SPECIFICATION NUMBERS 20267, 23171				
Q 502	CLUTCH ASSY, REFER FACTORY	20267			
Q 503	PLATE, DRIVING 5658	20267		37769750	1
Q 506	HUB & BACK PLATE, Z-7258-Q	20267		37802000	1
Q 507	PLATE, FLOATING 7259A	20267		37802250	1
Q 508	SPRING, RELEASE 113B18	20267		37632500	6
Q 509	YOKE, ASSY INCL. Q510 THRU Q515 A19	20267		37610500	1
Q 510	YOKE, ADJUSTING 5088	20267			1
Q 511	LEVER, 4953	20267		37750500	4
Q 512	SPRING, LEVER 5676B	20267		37770250	4
Q 513	PIN, LEVER 2128A	20267		37705250	4
Q 514	PIN, LOCK 114B18	20267		37636500	1
Q 515	SPRING, PIN 113	20267		37631000	1
Q 516	SLEEVE ASSY, INCL. Q517 THRU Q520 S5	20267		37610000	1
Q 517	SLEEVE, SLIDING 3391	20267		37730890	1
Q 518	COLLAR, SLEEVE 117B18	20267		37643500	1
Q 519	LINK, LEVER 1345	20267		37683500	8
Q 520	PIN, LINK 121B18	20267		37650000	8
Q 521	HOUSING, CLUTCH 8585C	20267			1
Q 522	SCREW, CAP 5/8X1 1/2 NC	20267		.03191480	15
	SCREW, CAP 1/2X1 1/2 NC			.03185480	3
Q 524	RING, DRIVING 6924	20267		37795000	1
Q 525	SCREW, CAP	20267		189871 5	6
Q 526	SHAFT, CLUTCH A5285E	20267			1
Q 527	NUT, SHAFT 1442	20267		37686000	1
Q 528	LOCK, NUT A1590	20267		37689500	1
Q 529	BEARING, TIMKEN 594 CONE 592A CUP	20267		26758700	2
Q 530	HOUSING, BEARING A5194A	20267		37756500	1
Q 531	SCREW, CAP 1/2X2 NC	20267		03185640	6
Q 531	SCREW, CAP 1/2X2 NC	23171		.03185640	4
	SCREW, CAP 1/2X1 3/4 NC			.03185560	2
Q 532	LOCK, BEARING A2622L	20267		37716080	1



PARTS LIST

ISSUE NO 2, 1965

BE-122

MODEL: 51-B

PAGE: 15- 9

CAT. REF.	PART NAME	SERIAL NO.		PART NO.	REQ.
		FROM	TO/INCL.		
	007				
Q 533	RETAINER, BEARING A3308	20267		37728750	1
Q 533	RETAINER, BEARING A3308A	23171		37728800	1
Q 534	LOCK, RETAINER A1983	20267		37701000	1
Q 535	SCREW, CAP M354	20267			1
Q 536	BEARING, MRC 5309F	20267		37760500	1
Q 537	KEY, CLUTCH M635	20267		37669300	1
Q 538	YOKE, SHIFTER 5270	20267		37759750	1
Q 539	KEY, YOKE NO.15 WOODRUFF	20267		54303250	1
Q 540	SHAFT, CLUTCH 1580	20267		37689050	1
Q 541	KEY, LEVER NO.15 WOODRUFF	20267		54303250	1
Q 542	COVER, HOLE 3204	20267			1
Q 544	SCREW, CAP 1/4X1 NC	20267		03173320	2
Q 545	HOSE, LUB. A1663A	20267		37692250	1
Q 665	GASKET, COVER A3112A	20267			1
Q 690	WIRE, LOCK NO.12X2 FT.2 IN	20267		84200000	3
Q 699	BUSHING, SHAFT A1807	20267			1
Q 700	BUSHING, SHAFT A1808	20267			1
Q 701	POWER TAKE-OFF COMPLETE, REFER	20267			1
	FACTORY				
Q 774	SEAL, OIL NOT USED	20267			
Q 774	SEAL, OIL M446	23171		72325900	1
	008				
Q	ENGINE CLUTCH TWIN DISC B118P0 & B118P00-VARIABLE UNIT-DRAWING				
	1-Q-431 CLUTCH SPECIFICATION NO. 23858, 24281				
Q 502	CLUTCH ASSY, REFER FACTORY	23858			
Q 503	PLATE, DRIVING 5658	23858		37769750	1
Q 506	HUB & BACK PLATE, Z-7258-Q	23858		37802000	1
Q 507	PLATE, FLOATING 7259A	23858		37802250	1
Q 508	SPRING, RELEASE 113B18	23858		37632500	6
Q 509	YOKE ASSY, INCL.Q510 THRU Q515 A192	23858		37659400	1
Q 510	YOKE, ADJUSTING 5088	23858			1
Q 511	LEVER, A3863C	23858		37737870	4
Q 513	PIN, LEVER 106B18	23858		37621500	4
Q 514	PIN, LOCK 114B18	23858		37636500	1
Q 515	SPRING, PIN 113	23858		37631000	1
Q 516	SLEEVE ASSY, INCL.Q517 THRU Q520	23858		37668150	1
	S566				
Q 517	SLEEVE, SLIDING 3391	23858		37730890	1
Q 518	COLLAR, SLEEVE 117B18	23858		37643500	1
Q 519	LINK, LEVER 1345	23858		37683500	8
Q 520	PIN, LINK 121B18	23858		37650000	8
Q 521	HOUSING, CLUTCH 8721	23858			1
Q 521	HOUSING, CLUTCH 8722	24281			1
Q 522	SCREW, CAP 1/2X1 1/2 NC	23858		03185480	16
Q 524	RING, DRIVING 6924	23858		37795000	1
Q 525	SCREW, CAP	23858		189871	5 6
Q 526	SHAFT, CLUTCH A5191BL	23858			1
Q 526	SHAFT, CLUTCH A5191Y	24281		37756250	1



PARTS LIST

ISSUE NO 2, 1965

BE-122

MODEL: 51-B

PAGE: 15- 10

CAT. REF.	PART NAME	SERIAL NO.		PART NO.	REQ.
		FROM	TO/INCL.		
	008				
Q 527	NUT, SHAFT 1442	23858		37686000	1
Q 528	LOCK, NUT A1590	23858		37689500	1
Q 529	BEARING, TIMKEN 594 CONE 592A CUP	23858		26758700	2
Q 530	HOUSING, BEARING A5194A	23858		37756500	1
Q 531	SCREW, CAP 1/2X2 NC	23858		.03185640	4
	SCREW, CAP 1/2X1 3/4 NC			.03185560	2
Q 532	LOCK, BEARING A2622L	23858		37716080	1
Q 533	RETAINER, BEARING A3308A	23858		37728800	1
Q 534	LOCK, RETAINER A1983	23858		37701000	1
Q 535	SCREW, CAP M354	23858			1
Q 536	BEARING, MRC 5209F	23858			1
Q 536	BEARING, SKF 22309	24281		26700600	1
Q 537	KEY, CLUTCH M635	23858		37669300	1
Q 538	YOKE, SHIFTER 5270	23858		37759750	1
Q 539	KEY, YOKE NO.15 WOODRUFF	23858		54303250	2
Q 540	SHAFT, CLUTCH 1580	23858		37689050	1
Q 541	KEY, LEVER NO.15 WOODRUFF	23858		54303250	1
Q 542	COVER, HOLE 3204	23858			1
	COVER, HOLE 3204-A				1
Q 544	SCREW, CAP 1/4X1 NC	23858		03173320	4
Q 545	HOSE, LUB. A1663	23858		37692000	1
Q 546	RETAINER, INNER NOT USED	23858			
Q 546	RETAINER, INNER	24281		288066	1
Q 547	RING, OUTER NOT USED	23858			
Q 547	RING, INCL. SEAL & RIVETS	24281		900275K 51	1
Q 548	SCREW, CAP NOT USED	23858			
Q 548	SCREW, CAP 5/16X3/4 NC	24281		03176240	3
Q 549	LOCK, CAP SCREW NOT USED	23858			
Q 549	LOCK, CAP SCREW	24281		288073	1
Q 560	SEAL, OIL NOT USED	23858			
Q 560	SEAL, OIL	24281		68538150	1
Q 665	GASKET, COVER A3112A	23858			1
Q 690	WIRE, LOCK NO 12X2 FT 2 IN	23858		84200000	3
Q 701	POWER, TAKE-OFF COMPLETE, REFER FACTORY	23858			
Q 774	SEAL, OIL M446	23858		37666960	1



PARTS LIST

ISSUE NO 2, 1965

BE-122

MODEL: 51-B

PAGE: 16 -1

CAT. REF.	PART NAME	SERIAL NO.		PART NO.	REQ.
		FROM	TO/INCL.		
	001				
QR	TRANSMISSION-DRAWINGS 1-Q-497, 1-QR-403, 1-QR-406, 1-QR-407, 1-QR-429, 1-QR-430, 1-QR-441, 1-R-599 1-R-600, 1-S-474				
QR	61 SHAFT, CLUTCH	45174		269382 1	1
QR	62 SPROCKET, SHAFT FOR				
QR	62 BUDA GAS ENGINE	45174		82882250	1
	BUDA DIESEL ENGINE			82882400	1
	CAT DIESEL ENGINE W/O TORQUE CONV.			82879600	1
	CAT. DIESEL ENGINE W/TORQUE CONV.			82882430	1
QR	62 CAT. DIESEL ENGINE W/TORQUE CONV.	121615	121815	82889710	1
QR	62 CAT. DIESEL ENGINE W/TORQUE CONV.	122055		82870021	1
QR	62 GENERAL MOTORS DIESEL	123446			1
QR	146 FRAME, TRANS	45174	109474	215235AA	1
QR	146 FRAME, TRANS	109475	121815	215235AB	1
QR	146 FRAME, TRANS	122055		806440K 1	1
QR	148 PLUG, SHEER	45174		294815 1	1
QR	158 BOLT, FIN.	45174		.02560810	1
	SCREW, CAP 1 1/8X4 NC			.03304280	7
	NUT, FULL 1 1/8 NC			.02717050	8
	NUT, JAM 1 1/8 NC			.02717200	8
QR	161 BEARING, DE 22218	45174	119126		1
	DE22218 REPLACED BY SKF 22218			26697950	1
QR	161 BEARING, -SKF 22218	120292		26697950	1
QR	162 RETAINER, BEARING	45174		294238A	1
QR	166 DOWEL, RETAINER	45174		283199 1	2
QR	167 SHAFT, HORIZONTAL	45174		268388 1	1
QR	168 SPROCKET, SHAFT FOR				
QR	168 BUDA 6DA970 ENG.	45174	121815	233026 1	1
	BUDA 6DCB1742 ENG.			227812 1	1
	CAT. D337 & D337F ENGINE			233026 1	1
	CAT. D17000 ENG.			227812 1	1
QR	168 SPROCKET, SHAFT	122055		711163K 21	1
QR	172 PINION, HOIST	45174		269386 1	1
QR	173 KEY, PINION	45174		X10452 33	1
QR	174 DRIVER, CLUTCH	45174		2278008	1
QR	175 KEY, DRIVER	45174		X13036 27	2
QR	176 DRIVER, CLUTCH	45174		227800A	1
QR	178 PINION, BEVEL	45174	122769	269402A	2
	269402-A REPLACED BY			614052K 1	2
QR	178 PINION, BEVEL	123178		614052K 1	2
QR	190 HOUSING, CLUTCH	45174		215079A	2
QR	208 SHAFT, TRANS	45174		269395 1	1
QR	209 GEAR, SHAFT	45174		227825A	1
QR	211 PINION, SHAFT	45174		269356 1	1
QR	212 BEARING, N.D. 5516	45174		26508000	1
QR	213 BEARING, TIMKEN NA71450 71751D	45174		26823650	1
QR	217 RETAINER, BEARING	45174		294124A	1
QR	221 CASE, GEAR INCL. QR222 & QR1318	45174	121618	215074AA	1
QR	221 CASE, GEAR INCL. QR222 & QR1318	121808		804741K 1	1
QR	222 COVER, CASE INCL. QR221	45174		227802A	1
QR	226 GASKET, COVER	45174		50534000	2



PARTS LIST

ISSUE NO 2, 1965

BE-122

MODEL: 51-B

PAGE: 16- 2

CAT. REF.	PART NAME	SERIAL NO.		PART NO.	REQ.
		FROM	TO/INCL.		
	001				
QR 227	BOLT, COVER 1 1/8X10 1/2 NC	45174		.02195820	4
	NUT, FULL 1 1/8 NC			.02717050	4
	NUT, JAM 1 1/8 NC			.02717200	4
	STUD, COVER			.284095 4	2
	NUT, FULL 1 NC			.02716050	2
	NUT, JAM 1 NC			.02716300	2
QR 228	SCREW, CAP 5/8X2 NC	45174		.03191640	12
	WASHER, LOCK 5/8 IN.			.03961700	12
QR 230	BOLT, FINISHED 1X3 3/4 NF	45174		.02557500	2
	NUT, FULL 1 NF			.02743050	2
	NUT, JAM 1 NF			.02743100	2
	BOLT, FINISHED 1X3 1/2 NF			.02557400	4
	NUT, FULL 1 NF			.02743050	4
	NUT, JAM 1 NF			.02743100	4
	BOLT, FINISHED 1 1/8X3 3/4 NF			.02560750	1
	NUT, FULL 1 1/8 NF			.02743650	1
	NUT, JAM 1 1/8 NF			.02743700	1
QR 234	CRANK, BELL	45174		294178A	2
QR 236	BUSHING, YOKE	45174		520661K 1	2
QR 237	YOKE, TOGGLE INCL. QR236	45174		900070K 51	2
QR 241	PIN, FULCRUM	45174		294305 1	2
QR 243	LINK, TOGGLE INCL. QR998	45174		901573K 51	4
QR 246	BUSHING, PIN	45174		500665K 1	4
QR 247	PIN, LINK	45174		510799K 1	4
QR 248	BUSHING, LINK	45174		520633K 1	4
QR 249	BAND, CLUTCH INCL. QR250	45174	119126	227818 1	2
	1-227818 REPLACED BY QR249 BAND INCL QR250			56505070	1
QR 249	BAND, CLUTCH INCL. QR250	120292		706792K 51	2
QR 250	LINING KIT, INCL. QR251	45174	117542	900112K 51	2
QR 250	LINING, KIT	117755	119126	900445K 51	2
QR 250	LINING KIT,	120292		510691K 51	2
QR 251	RIVET, SOLID NO. 6AX3/4	45174	119126	69044750	116
QR 251	RIVET, TUBULAR 10X17/32 IN.	120292		69069470	128
QR 253	PIN, ANCHOR	45174		294305 1	2
QR 254	BOLT, ADJ. INCL. NUTS	45174		900079K 51	2
QR 257	SCREW, GUIDE INCL. NUTS	45174		900067K 51	6
QR 291	RETAINER, BEARING	45174		294132A	1
QR 297	CAP, BEARING	45174	109474	296487A	1
QR 297	CAP, BEARING	109475		277602A	1
QR 298	BOLT, CAP INCL. NUTS	45174	109474	900172K 51	2
QR 298	BOLT, CAP	109475		.294699 12	2
	NUT, FULL 1 1/2 NF			.02745100	2
QR 300	BOLT, FINISHED	45174		.521281K 1	16
	NUT, FULL 5/8 NF			.02741550	16
	WASHER, LOCK 5/8 IN.			.03961700	16
QR 305	LEVER, TOGGLE	45174	50302	269376A	2
QR 305	LEVER, TOGGLE	55487		269376AA	2
QR 307	BUSHING, LEVER	45174		82111000	2
QR 308	SPRING, LEVER	45174		75206010	2
QR 309	BOLT, SPRING	45174		289769 1	2
QR 321	PIN, END	45174		293123 1	2
QR 337	RETAINER, BEARING	45174		294234A	1
QR 341	BEARING, DE22219	45174	119126		1



PARTS LIST

BE-122

MODEL: 51-B

CAT. REF.	PART NAME	SERIAL NO.		PART NO.	REQ.
		FROM	TO/INCL.		
	001				
QR 341	DE22219 REPLACED BY SKF 22219			26698000	1
QR 341	BEARING,SKF 22219	120292		26698000	1
QR 348	RETAINER, SPROCKET	45174		520629K 1	1
QR 349	SCREW,CAP	45174		187320 2	2
QR 367	BEARING,FAFNIR 128W	45174		26109550	2
QR 372	SLEEVE SLIDING INCL.QR1114	45174		901532K 51	2
QR 375	COLLAR,SHIFTER INCL.BOLTS,NUTS & WASHERS	45174		900403K 51	2
QR 491	SEAL,OIL-CHI.RAW. 6255-K	45174		72108250	2
QR 529	CHAIN,DRIVE INCL.QR1057 & QR1076	45174		34547100	1
	ASA NO.100-3 BUDA GAS ENG. 182 LINKS				
	CHAIN,DRIVE INCL.QR1057 & QR1076 ASA NO.100-3 BUDA DIESEL ENG. W/O TORQUE CONV. 170 LINKS			34546250	1
QR 529	CHAIN,DRIVE INCL.QR1057 & QR1076	45074	115428	34547130	1
	ASA NO.100-3 BUDA DIESEL ENG. W/TORQUE CONV. 184 LINKS				
QR 529	CHAIN,DRIVE INCL.QR1057 & QR1076	116030		.34545500	1
	ASA NO.100-3 BUDA DIESEL ENG. W/TORQUE CONV. 166 PITCHES				
	CHAIN,DRIVE INCL.QR1057 & QR1076			.34672280	1
	ASA NO.100-3 BUDA DIESEL ENG. W/TORQUE CONV. 18 PITCHES				
QR 529	CHAIN,DRIVE INCL.QR1057 & QR1076	45174		34545500	1
	ASA NO.100-3 CAT.DIESEL ENG. W/O TORQUE CONV. 166 LINKS				
	CHAIN,DRIVE INCL.QR1057 & QR1076			.34545500	1
	ASA NO.100-3 CAT.DIESEL ENG. W/TORQUE CONV. 166 LINKS				
	CHAIN,DRIVE INCL.QR1057 & QR1076			.34672280	1
	ASA NO.100-3 CAT.DIESEL ENG. W/TORQUE CONV. 18 LINKS				
QR 529	CHAIN,DRIVE INCL.QR1057 & QR1076	121615	121815	.34545500	1
	ASA NO.100-3 CAT.DIESEL ENG. W/ TORQUE CONV. 166 LINKS				
	CHAIN,DRIVE INCL.QR1057 & QR1076			.34672260	1
	ASA NO.100-3 CAT.DIESEL ENG. W/TORQUE CONV. 16 LINKS				
QR 529	CHAIN,DRIVE INCL.QR1057 & QR1076	122055		34535195	1
	CAT.DIESEL ENG.W/TORQUE CONV. ASA NO.80-4 228 LINKS				
QR 529	CHAIN,DRIVE INCL.QR1057 & QR1076	123446		34535195	1
	GENERAL MOTORS DIESEL ASA NO.80-4 228 LINKS				
QR 534	KEY SPROCKET, BUDA GAS ENG.	45174		298829 25	1
	KEY,SPROCKET BUDA DIESEL ENG. W/O TORQUE CONV.			276034 2	1
	KEY,SPROCKET BUDA DIESEL ENG. W/TORQUE CONV.			298830 14	1
	KEY SPROCKET CAT.DIESEL ENG. W/O TORQUE CONV.			298829 25	1
	KEY,SPROCKET CAT.DIESEL ENG. W/TORQUE CONV.			298830 15	1

PARTS LIST

BE-122

MODEL: 51-B

PAGE: 16- 4

CAT. REF.	PART NAME	SERIAL NO.		PART NO.	REQ.
		FROM	TO/INCL.		
	001				
R 534	KEY, SPROCKET CAT. DIESEL ENG. W/TORQUE CONV.	121615		298829 14	1
R 534	KEY, SPROCKET GENERAL MOTORS DIESEL 3/4 IN.	123446			1
R 547	RING, SEAL-J.M. 9209	45174		72025000	2
R 580	SEAL, OIL-CHI. RAW. 5754-MI	45174		72105500	2
R 632	CASE, CHAIN	45174	82363	215201 1	1
R 632	CASE, CHAIN	88235	88281	218106 1	1
R 632	CASE, CHAIN	88282	103530	218258 1	1
R 632	CASE, CHAIN	107752		218815 1	1
R 633	COVER, CASE	45174	82363	215202 1	1
R 633	COVER, CASE	88235	88281	218107 1	1
R 633	COVER, CASE	88282	103530	218259 1	1
R 633	COVER, CASE	107752		218816 1	1
R 634	SUPPORT, CASE	45174	82363	294736 1	1
R 634	SUPPORT, CASE	88235	88281	275715 1	1
R 634	SUPPORT, CASE	88282	103530	294736 1	1
R 634	SUPPORT, CASE	107752	120301	.277776 1	1
R 634	SUPPORT, CASE			.277776 2	1
R 634	SUPPORT, CASE	121615		514016K 1	1
R 635	BOLT, SUPPORT 3/4X2 NC NUT, FULL 3/4 NC	45174	103530	.02025400	4
R 635	SCREW, CAP 3/4X1 1/2 NF	107752		.02714050	4
R 636	SCREW, CAP 1/2X1 3/4 NC NUT, FULL 1/2 NC	45174		03244480	2
R 645	BOLT, EYE INCL NUT	45174		.03185560	4
R 667	SPRING, RELEASE	45174		.02711050	4
R 741	LOCK, PIN	45174		901016K 51	1
R 771	BEARING, FAFNIR 122W	45174		75744700	8
R 775	SPACER, BEARING	45174		500523K 1	4
R 775	SPACER, BEARING	45174	121815	26107450	2
R 788	LINK, END	122055		294235A	1
R 847	GUIDE, BAND	45174		516500K 1	1
R 848	SCREW, CAP	45174		294179 1	4
R 862	BOLT, INCL. NUTS	45174		227805A	1
R 866	RETAINER, PINION	45174		411398 1	4
R 867	SCREW, CAP	45174		511545K 1	8
R 868	WIRE, LOCK 12X12 IN.	45174		511616K 1	1
R 869	NUT, LOCK-FAFNIR N16	45174		189871 6	2
R 870	WASHER, LOCK-FAFNIR W16	45174		84200000	1
R 871	COVER, INSPECTION	45174		26243850	2
R 872	GASKET, COVER	45174		26244100	2
R 873	SCREW, CAP 1/2X1 NC	45174		291266 1	1
R 876	SLEEVE, PINION	45174		50472000	2
R 878	BEARING, FAFNIR 216W OR BEARING, MRC 216M OR BEARING, SKF 216A OR BEARING, BCA 1216	45174		03185320	8
R 980	KEY, PINION	45174		227806A	2
R 981	RETAINER, BEARING	45174	118274	26125100	2
R 981	294175-A REPLACED BY RETAINER, BEARING	118756		26125100	2
R 982	GASKET, RETAINER	45174		26125100	2
R 983	RING, SNAP-FAFNIR 212G	45174		26125100	2
				X10452 25	2
				294175A	2
				507390K 1	2
				507390K 1	2
				50518500	2
				26259600	2

CAT. REF.	PART NAME	SERIAL NO.		PART NO.	REQ.
		FROM	TO/INCL.		
	001				
QR 984	COUPLING, FLEX-POOLE	45174	113709	39328250	1
QR 984	COUPLING, FLEX-POOLE	114034	114767	39329630	1
QR 984	COUPLING, FLEX-POOLE	114768	116039	39328250	1
QR 984	COUPLING, FLEX-POOLE	117037	121815	39329630	1
	39329630 REPLACED BY				
	QR984 COUPLING-AMERIGEAR GL-103			39017026	1
	QR1606 SPACER			516501K	1
	QR775 SPACER			516500K	1
	QR988 BOLT 5/8X6 NF			.03242920	8
	WASHER, LOCK 5/8 IN.			.03961700	8
	NUT, FULL 5/8 NF			.02741550	8
	QR1079 SPACER			516499K	1
	QR1112 KEY			516498K	1
QR 984	COUPLING, AMERIGEAR F-103	122055		902925K 51	1
QR 985	HUB, COUPLING FOR QR984	45174	113709		2
QR 985	HUB, COUPLING-POOLE CB-10375	114034	114767		2
QR 985	HUB, COUPLING FOR QR984	114768	121815		
QR 985	HUB, COUPLING	122055		39017428	2
QR 986	SLEEVE, MALE FOR QR984	45174	113709		1
QR 986	SLEEVE, MALE-POOLE CB-10374	114034	114767		1
QR 986	SLEEVE, MALE FOR QR984	114768			1
QR 987	SLEEVE, FEMALE FOR QR984	45174	113709		1
QR 987	SLEEVE, FEMALE-POOLE CB-10374	114034	114767		1
QR 987	SLEEVE, FEMALE FOR QR984	114768			1
QR 988	BOLT, SLEEVE FOR QR984	45174	113709		8
QR 988	BOLT, SLEEVE 3/4X3 1/4 NC	114034	114767	02025800	8
QR 988	BOLT, SLEEVE FOR QR984	114768	121815	02513100	8
QR 988	BOLT, SLEEVE 5/8X6 NF	122055		.03242920	8
	NUT, FULL 5/8 NF			.02741550	8
	WASHER, LOCK 5/8 IN.			.03961700	8
QR 989	KEY, COUPLING	45174		X13036 14	1
QR 990	BOLT, DRIVER	45174		900382K 51	2
	900382K51 REPLACED BY			902709K 51	2
QR 991	RETAINER, PIN	45174		293124 1	2
QR 992	STUD, BALL INCL. NUT & WASHER	45174		900128K 51	2
QR 993	WASHER, SPRING	45174		X12722 1	2
QR 998	BUSHING, PIN	45174		500682K 1	4
QR 1000	CAP, BEARING	45174		294895A	1
QR 1001	BOLT, CAP INCL. NUTS	45174		901582K 51	2
QR 1003	CAP, BEARING	45174		294843A	1
QR 1004	BOLT, CAP	45174		294699 5	2
QR 1009	BUSHING, SHAFT-OILITE A1704	45174		82089050	2
QR 1010	BUSHING, SHAFT	45174		Y 6709A	1
QR 1011	RETAINER, SEAL BUDA GAS ENG.	45174		271445 1	1
	RETAINER, SEAL BUDA DIESEL ENG. W/ O TORQUE CONV.			276136 1	1
	RETAINER, SEAL BUDA DIESEL ENG. W/ TORQUE CONV.			234601 1	1
	RETAINER, SEAL CAT. DIESEL ENG. W/O TORQUE CONV.			269691 1	1
QR 1011	RETAINER, SEAL CAT. DIESEL ENG. W/O TORQUE CONV.	55487		271445 1	1
QR 1011	RETAINER, SEAL CAT. DIESEL ENG. W/TORQUE CONV.	45174	114767	234601 1	1



PARTS LIST

ISSUE NO 2, 1965

BE-122

MODEL: 51-B

PAGE: 16- 6

CAT. REF.	PART NAME	SERIAL NO.		PART NO.	REQ.
		FROM	TO/INCL.		
	001				
QR 1011	RETAINER, SEAL CAT. DIESEL ENG. W/TORQUE CONV. NOT USED	114768			
QR 1012	SCREW, CAP 1/2X1 3/4 BUDA GAS ENG	45174		03185560	5
	SCREW, CAP 1/2X2 NC BUDA DIESEL ENG W/O TORQUE CONVERTER			.03185640	4
	SCREW, CAP 1/2X1 3/4 NC BUDA DIESEL ENG W/O TORQUE CONVERTER			.03185560	3
	SCREW, CAP BUDA DIESEL ENG W/TORQUE CONVERTER			X 6801 8	6
	SCREW, CAP 1/2X1 3/4 NC CAT DIESEL ENG W/O TORQUE CONVERTER			03185560	5
	SCREW, CAP CAT DIESEL ENG W/TORQUE CONVERTER			X 6801 8	6
QR 1012	SCREW, CAP CAT DIESEL ENG W/TORQUE CONVERTER	121615		506882K 1	6
QR 1012	SCREW, CAP 1/2X2 NF GMC DIESEL	123446		03235640	8
QR 1013	PACKING, RETAINER BUDA GAS ENG. 7/16X2 FT.	45174		82169150	1
	PACKING, RETAINER BUDA DIESEL ENG. W/O TORQUE CONV. 7/16X2 FT.			82169150	1
	PACKING, RETAINER BUDA DIESEL ENG. W/TORQUE CONV.			50655600	1
	PACKING, RETAINER, CAT. DIESEL ENG. W/O TORQUE CONV. 7/16X2 FT.			82169150	1
	PACKING, RETAINER CAT. DIESEL ENG. W/TORQUE CONV.			50655600	1
QR 1013	PACKING, RETAINER CAT. DIESEL ENG. W/TORQUE CONV.	121615	122530	50706940	1
QR 1013	PACKING, RETAINER CAT. DIESEL ENG. W/TORQUE CONV.	122587		50707306	1
QR 1013	PACKING, RETAINER GENERAL MOTORS DIESEL	123446		68146050	1
QR 1014	GASKET, RETAINER BUDA GAS ENG.	45174		50527500	1
	GASKET, RETAINER BUDA DIESEL ENG. W/O TORQUE CONV. 1/16X15X20 IN.			60313500	1
	GASKET, RETAINER, BUDA DIESEL ENG. W/TORQUE CONV.			50673110	1
	GASKET, RETAINER, CAT. DIESEL ENG. W/O TORQUE CONV.			50527500	1
	GASKET, RETAINER CAT DIESEL ENG. W/TORQUE CONV.			50673110	1
QR 1014	SEAL, O-RING CAT. DIESEL ENG. W/ TORQUE CONV.	121615		72633570	1
QR 1014	SEAL, O-RING GENERAL MOTORS DIESEL	123446		72633570	1
QR 1015	FILLER, RETAINER BUDA GAS ENG.	45174		267368 1	1
	FILLER, RETAINER BUDA DIESEL ENG. W/O TORQUE CONV.			405438 1	1
QR 1015	FILLER, RETAINER BUDA DIESEL ENG. W/O TORQUE CONV, NOT USED	110337			
QR 1015	FILLER, RETAINER BUDA DIESEL ENG. W/TORQUE CONV. NOT USED	45174			
	FILLER, RETAINER CAT. DIESEL ENG. W/O TORQUE CONV.			294739 1	1
R 1015	FILLER, RETAINER CAT. DIESEL ENG.	55487	103526	267368 1	1



PARTS LIST

ISSUE NO 2, 1965

BE-122

MODEL: 51-B

PAGE: 16-

CAT. REF.	PART NAME	SERIAL NO.		PART NO.	REQ.
		FROM	TO/INCL.		
	001				
QR 1015	W/O TORQUE CONV.				
QR 1015	FILLER,RETAINER CAT.DIESEL ENG.	111015			
	W/O TORQUE CONV. NOT USED				
QR 1015	FILLER,RETAINER CAT.DIESEL ENG. W/	45174			
	TORQUE CONV. NOT USED				
QR 1016	BAR.,BOLTING BUDA GAS ENG.	45174		294738	1 1
	BAR,BOLTING BUDA DIESEL ENG.				
	NOT USED				
	BAR,BOLTING CAT.DIESEL ENG.W/O			294738	1 1
	TORQUE CONV.				
	BAR,BOLTING CAT.DIESEL ENG. W/			277729	1 1
	TORQUE CONV.				
QR 1016	BAR,BOLTING CAT.DIESEL ENG. W/	121615			
	TORQUE CONV. NOT USED				
QR 1016	BAR,BOLTING GENERAL MOTORS DIESEL	123446		714898K 21	1
QR 1017	BAR,BOLTING BUDA GAS ENG.	45174		294738 2	1
	BAR,BOLTING BUDA DIESEL ENG.				
	NOT USED				
	BAR,BOLTING CAT.DIESEL ENG.			294738 2	1
QR 1019	SUPPORT,CASE NOT USED	45174			
QR 1047	GUIDE,BAND	45174		227805B	1
QR 1056	LINK,ROLLER ASA NO.100-3	45174	121815	34668000	
QR 1056	LINK,POLLER ASA NO 80	122055		34662000	
QR 1057	LINK,CONN. ASA NO.100-3	45174	121815	34671700	
QR 1057	LINK,CONN. ASA NO. 80-4	122055		34665500	
QR 1059	SCREW,CAP 3/4X1 1/2 NC FOR ENG	45174		03194480	2
	W/O TORQUE CONVERTER				
	SCREW,CAP 3/4X2 NC FOR ENG W/			03194640	2
	TORQUE CONVERTER				
QR 1059	SCREW,CAP 1/2X2 1/2 NF FOR ENG	121615		03235800	2
	W/TORQUE CONVERTER				
QR 1067	COVER,RETAINER CAT.DIESEL ENG.-	45174	46300	294737 1	1
	COVER,RETAINER BUDA GAS ENG.			295563 1	1
	COVER,RETAINER BUDA DIESEL ENG.			276137 1	1
	D17000				
QR 1067	COVER,RETAINER CAT.DIESEL ENG.-	55487		295563 1	1
	D17000				
QR 1068	SCREW,CAP 3/8X3/4 NC BUDA GAS ENG	45174		03179240	8
	SCREW,CAP 1/2X1 NC BUDA DIESEL ENG			03185320	4
	SCREW,CAP 3/8X5/8 NC CAT DIESEL			03179200	6
	ENG D17000				
QR 1068	SCREW,CAP 3/8X3/4 NC CAT DIESEL	55487		03179240	8
	ENG D17000				
QR 1074	LINK,INSERT ASA NO.100-3	45174	121815		
QR 1074	LINK,INSERT ASA NO. 80 -4	122055			
QR 1076	LOCK,LINK PIN ASA NO.100-3	45174	121815		
QR 1076	LOCK,LINK PIN ASA NO.80-4	122055			
QR 1077	RETAINER,SEAL	45174		294176A	2
QR 1078	RETAINER,BEARING	45174		294210A	2
QR 1079	SPACER,COUPLING	45174	116039	294193AA	1
QR 1079	SPACER,COUPLING	117037	121815	503501K 1	1
QR 1079	SPACER,COUPLING	122055		516499K 1	1
QR 1100	WIRE,LOCK 12X8	45174		84200000	1
QR 1102	GASKET,RETAINER	45174		50638500	1



PARTS LIST

ISSUE NO 2, 1965

BE-122

MODEL: 51-B

PAGE: 16- 8

CAT. REF.	PART NAME	SERIAL NO.		PART NO.	REQ.
		FROM	TO/INCL.		
	001				
QR 1103	SCREW,CAP 1/2X1 NC	45174		03185320	4
QR 1104	WASHER, SPRING	45174		508941K 1	8
QR 1105	PIN, BOLT	45174		500203K 1	8
QR 1106	COVER, HOLE	45174	109474	290407 1	1
QR 1106	COVER, HOLE 6-218819 REPLACED BY	109475	118765	218819 6 514000K 1	1 1
QR 1106	COVER, HOLE	119117		514000K 1	1
QR 1107	GASKET, COVER 50457500 REPLACED BY	45174	118765	50457500 50706860	1 1
QR 1107	GASKET, COVER	119117		50706860	1
QR 1108	SCREW, CAP 1/2X3/4 NC	45174	118765	03185240	2
QR 1108	SCREW, CAP 1/2X1 1/8 NF	119117		03235360	4
QR 1109	BRACKET, BEARING	45174		228073 2	1
QR 1110	BOLT, FIN. NUT, FULL 1 1/4 NF NUT, JAM 1 1/4 NF	45174		.501266K 1 .02744050 .02744150	6 6 6
QR 1111	SCREW, CAP NOT USED	45174			
QR 1112	KEY, COUPLING	45174	121815	296429 1	1
QR 1112	KEY, COUPLING	122055		516498K 1	1
QR 1113	GASKET, COUPLING FOR QR984	45174	113709		2
QR 1113	GASKET, COUPLING CS-1755	114034	116039		2
QR 1113	GASKET, COUPLING FOR QR984	117037			2
QR 1114	INSERT, SLEEVE NOT USED	45174	50302		
QR 1114	INSERT, SLEEVE	55487		295605 1	8
QR 1136	RING, SEAL FOR QR984	45174			2
QR 1175	CASE, CHAIN	45174	114767	234640 1*	1
QR 1175	CASE, CHAIN	114768	120301	701572K 21*	1
QR 1175	CASE, CHAIN	121615		804693K 21*	1
QR 1176	BOLT, CASE 1/2X1 3/4 NC NUT, FULL 1/2 NC	45174	114767	.02015200 * .02711050 *	24 24
QR 1176	SCREW, CAP 1/2X2 NF NUT, FULL 1/2 NF	114768	120301	.03235640 * .02740550 *	24 24
QR 1176	WASHER, LOCK 1/2 SCREW, CAP 1/2X2 NF	121615		.03961500 * .03235640 *	24 22
QR 1176	NUT, FULL 1/2 NF WASHER, LOCK 1/2			.02740550 * .03961500 *	22 22
QR 1177	GASKET, CASE	45174		50321350 *	1
QR 1178	COVER, SIDE	45174	120301	275700 1*	1
QR 1178	COVER, SIDE	121615		514001K 1*	1
QR 1179	GASKET, COVER	45174	120301	50592500 *	1
QR 1179	SEAL, O-RING	121615		72633570 *	1
QR 1180	SCREW, CAP	45174	120301	286986 4*	10
QR 1180	SCREW, CAP 1/2X1 1/4 NF WASHER, LOCK 1/2	121615		.03235400 * .03961500 *	3 3
QR 1189	COVER, INSPECTION	45174		291258 1	1
QR 1269	SPROCKET, SHAFT	45174	120301	82888700 *	1
QR 1269	SPROCKET, SHAFT NOT USED	121615			
QR 1270	SCREW, CAP 1-297790 REPLACED BY	45174	118765	.297790 1* 510860K 1*	3 6
QR 1270	SCREW, CAP	119117	120301	510860K 1*	6
QR 1270	SCREW, CAP NOT USED	121615			
QR 1271	SPROCKET, DRIVE	45174	120301	82888900 *	1
QR 1271	SPROCKET, DRIVE NOT USED	121615			
QR 1272	KEY, SPROCKET NO.405	45174	120301	54301000 *	1



PARTS LIST

ISSUE NO 2, 1965

BE-122

MODEL: 51-B

PAGE: 16- 9

CAT. REF.	PART NAME	SERIAL NO.		PART NO.	REQ.
		FROM	TO/INCL.		
	001				
QR 1272	KEY, SPROCKET NOT USED	121615			
QR 1273	GASKET, SPROCKET	45174	120301	50656000	* 1
QR 1273	GASKET, SPROCKET NOT USED	121615			
QR 1274	SCREW, CAP 1/2X1 3/4 NF	45174	120301	.03235560	* 2
	NUT, FULL 1/2 NF			.02740550	* 2
QR 1274	SCREW, CAP NOT USED	121615			
QR 1275	CHAIN, DRIVE ASA NO.41 80 LINKS	45174	120301	34501850	* 1
QR 1275	CHAIN, DRIVE NOT USED	121615			
QR 1276	LINK, CONN. ASA NO.41	45174	120301	34620650	*
QR 1276	LINK, CONN. NOT USED	121615			
QR 1277	LINK, ROLLER ASA NO.41	45174	120301	34620500	*
QR 1277	LINK, ROLLER NOT USED	121615			
QR 1294	BOLT, COVER SEE QR636	45174			
QR 1295	SCREW, CAP 1/2X3/4 NC	45174	120301	.03185240	* 14
	WASHER, LOCK 1/2			.03961500	* 14
QR 1295	SCREW, CAP 1/2X 3/4 NF	121615		.03235240	* 6
	WASHER, LOCK 1/2			.03961500	* 6
QR 1296	SHIM, SUPPORT NOT USED	45174			
QR 1297	GASKET, HOUSING NOT USED	45174			
QR 1298	SUPPORT, CONVERTER SEE Q874	45174	118765		
QR 1298	SUPPORT, CONVERTER	119117	120301	701573K 21	1
QR 1298	SUPPORT, CONVERTER	121615		708650K 21	1
QR 1298	SUPPORT, CONVERTER CAT, ENGINE	122557		713171K 21	1
QR 1298	SUPPORT, CONVERTER GENERAL MOTORS	123446		611297K 1	1
	DIESEL				
QR 1299	BOLT, BAR SEE Q876	45174	118765		
QR 1299	BOLT, BAR	119117	120301	.521915K 1	2
	NUT, FULL 7/8 NF			.02742550	2
	NUT, JAM 7/8 NF			.02742650	2
	SCREW, CAP 7/8X3 3/4 NF			.03248200	2
	NUT, FULL 7/8 NF			.02742550	2
	NUT, JAM 7/8 NF			.02742650	2
QR 1299	BOLT, BAR	121615		.514047K 1	1
	NUT, FULL 1 1/4 NF			.02744050	1
	NUT, JAM 1 1/4 NF			.02744150	1
	BOLT, BAR			.514017K 1	4
	NUT, LOCK 3/4 NF			.02769450	4
	WASHER, BOLT			.506003K 1	8
QR 1299	BOLT, BAR CAT. DIESEL ENG. W/TORQUE CONV.	122587		.522270K 1	4
	SHIM			.518287 1	4
	SHIM			.518287 2	4
	NUT, FULL 1 IN. NC			.02716050	4
	NUT, JAM 1 IN. NC			.02716200	4
	WIRE, LOCK 12X42			.84200000	1
QR 1299	SCREW, CAP 1/2X2 NF GMC DIESEL	123446		03235640	3
QR 1300	CABLE, DRIVE FOR BUDA ENG DE68089	45174			1
	CABLE, DRIVE FOR CAT. ENGINE			46811630	* 1
QR 1300	CABLE, DRIVE FOR CAT. ENGINE	114768	120301	46811650	* 1
QR 1300	CABLE, DRIVE FOR CAT. ENGINE	121615	121815	46812414	* 1
QR 1300	CABLE, DRIVE FOR CAT. ENGINE	122055	122530	46812411	* 1
QR 1300	CABLE, DRIVE FOR CAT. ENGINE	122587		46812415	* 1
QR 1300	CABLE, DRIVE FOR GEN. MOTORS ENG.	123446		46811600	* 1
QR 1307	DRIVE, GOV. ASSY. TORCON INCL. QR1272,	45174	120301	46335190	* 1



PARTS LIST

ISSUE NO 2, 1965

BE-122

MODEL: 51-B

PAGE: 16- 10

CAT. REF.	PART NAME	SERIAL NO.		PART NO.	REQ.
		FROM	TO/INCL.		
	001				
QR 1307	1308 THRU 1313 11885				
QR 1307	DRIVE ASSY, NOT USED	121615			
QR 1308	BODY,DRIVE 11708	45174	120301	46335190 46335150	* 1
QR 1308	BODY,DRIVE NOT USED	121615			
QR 1309	SHAFT, 211886 214033	45174	120301		* 1
QR 1309	SHAFT,NOT USED	121615			
QR 1310	NUT, 1009-6	45174	120301	46333320	* 1
QR 1310	NUT, NOT USED	121615			
QR 1311	BEARING,BALL 1007-7	45174	120301	46333250	* 1
QR 1311	BEARING,BALL NOT USED	121615			
QR 1312	BEARING,BALL 1007-10	45174	120301	46333260	* 1
QR 1312	BEARING,BALL NOT USED	121615			
QR 1313	RING,SNAP 1000-8	45174	120301		* 1
QR 1313	RING,SNAP NOT USED	121615			
QR 1318	PIN,FULCRUM	114034		412224	1* 1
QR 1606	SPACER,COUPLING NOT USED	45174	121815		
QR 1606	SPACER,COUPLING	122055		516501K	1* 1
QR 1607	DOWEL,SUPPORT FOR GEN.MOTORS ENG.	123446		410939	1* 2
QR 1608	TANK,OIL FOR GEN.MOTORS ENG.	123446		82929762	* 1
QR 1609	SCREEN,TANK ALLISON 6750266	123446		46327316	* 1
	FOR GMC ENGINE				
QR 1610	GASKET,SCREEN FOR GMC ENG	123446		50707412	* 1
QR 1611	BRACKET,FILTER 5127767 GMC ENGINE	123446		14380185	* 1
QR 1612	FILTER,LINE 5123379 GMC ENGINE	123446		14380180	* 1

PARTS LIST

CAT. REF.	PART NAME	SERIAL NO.		PART NO.	REQ.
		FROM	TO/INCL.		
	001				
R	MAIN MACHINERY-DRAWINGS 1-R-589, 1-R-590, 1-R-599, 1-R-600, 1-R-601, 1-R-602, 1-R-691				
R	1 BAND, CLUTCH INCL. R4	45174	111019	901229K 51	2
R	1 BAND, CLUTCH INCL. R4 1-250330 REPLACED BY	112011	117765	250330 1 902911K 51	2 1
R	1 BAND, CLUTCH INCL. R4 704381K51 REPLACED BY	118265	121616	704381K 51 902911K 51	2 2
R	1 BAND, CLUTCH INCL. R4	121617		902911K 51	2
R	4 LINING KIT, FOR R1 INCL R5 900111K51 REPLACED BY CUSTOMER TO DRILL THREE EXTRA HOLES IN BAND TO FIT LINING FOR BEST RESULTS	45174	111019	900111K 51 506892K 51	2 2
R	4 LINING KIT, FOR R1 INCL R5 294187-2 REPLACED BY CUSTOMER TO DRILL THREE EXTRA HOLES IN BAND TO FIT LINING FOR BEST RESULTS	112011	117765	294187 2 506892K 51	2 2
R	4 LINING KIT, FOR R1 INCL R5	118265	121616	506892K 51	2
R	4 BLOCK, BRAKE BLOCK, BRAKE	121617		.506892K 1 .294188 2	4 12
R	5 RIVET, SOLID NO. 6AX3/4 RIVET, SOLID NO. 6AX1-1/8	45174	111019	.69044750 .69044910	152 8
R	5 RIVET, SOLID NO. 6AX3/4	112011	117765	69044750	160
R	5 RIVET, SOLID NO. 6AX3/4	118265		69044750	172
R	6 BOLT, ADJ. INCL. NUTS	45174		901245K 51	2
R	12 PIN, END	45174		294172 1	2
R	13 PIN, ANCHOR	45174		294172 1	2
R	14 BAND, BRAKE INCL. R15 & R1478	45174	121815	901256K 51	2
R	14 BAND, BRAKE INCL. R15 56505480 REPLACED BY	122055	123450	56505480 56505481	2 2
R	14 BAND, BRAKE INCL R15	125300		56505481	2
R	15 LINING KIT, FOR R14 INCL. R16	45174	121815	901518K 51	2
R	15 LINING KIT, FOR R14 INCL. R16 516582K51 REPLACED BY	122055	123450	516582K 51 520259K 61	2 2
R	15 LINING KIT, FOR R14 INCL R16	125300		520259K 61	2
R	16 RIVET, BRASS NO. 6AX3/4	45174	121815	69044750	128
R	16 RIVET, TUBULAR NO. 8X9/16 IN.	122055	123450	69063050	188
R	16 RIVET, TUBULAR NO. 8X5/8 IN	125300		69063090	188
R	20 PIN, LINK	45174		170974 1	2
R	30 BOLT, ADJUSTING INCL. NUTS	45174		900383K 51	2
R	31 SPRING, SUSPENSION	45174		75744640	4
R	32 WASHER, SPRING	45174		514138K 1	4
R	34 SCREW, CAP 5/8X1-3/4 NC NUT, FULL 5/8 NC WASHER, LOCK 5/8 IN.	45174		.03191560 .02713050 .03961700	4 4 4
R	35 LOCK, PIN	45174		500523K 1	4
R	66 GEAR, HOIST INCL R288 & R2407	45174	103530	227810AA 1	1
R	66 GEAR, HOIST INCL. R288 & R2407	107752		227810AC	1
R	67 KEY, GEAR	45174		511546K 1	2
R	68 DRIVER, CLUTCH INCL. R70 & R288	45174	111019	227798AA	1



PARTS LIST

ISSUE NO 2, 1965

BE-122

MODEL: 51-B

PAGE: 18- 2

CAT. REF.	PART NAME	SERIAL NO.		PART NO.	REQ.
		FROM	TO/INCL.		
	001				
R 68	DRIVER, CLUTCH INCL.R70 & R288 219245-A REPLACED BY	112011	122062	219245A 853025K 1	1 1
R 68	DRIVER, CLUTCH INCL.R70 & R288	122527		853025K 1	1
R 69	KEY, DRIVER	45174		X10452 34	2
R 70	BOLT, DRIVER INCL.NUTS	45174	111019	901562K 51	2
R 70	BOLT, DRIVER INCL.NUTS	112011		409509 1	2
R 72	SCREW, GUIDE INCL.NUTS	45174	111019	900637K 51	4
R 72	SCREW, GUIDE	112011		.411262 1	8
R 73	NUT, FULL 3/4 NC SHAFT, HOIST	45174	75332	.02714050 215665 2	16 1
	2-215665 REPLACED BY R73 SHAFT			218808 2	1
	R280 RETAINER			277760 1	1
	R1409 SPACER			407693 1	2
	R2406 SPACER			403796 1	1
	R3278 SPACER			407692 1	1
R 73	SHAFT, HOIST 1-217751 REPLACED BY	78110	103520	217751 1	1
	R73 SHAFT			218808 2	1
	R280 RETAINER			277760 1	1
	R1409 SPACER			407693 1	1
	R3278 SPACER			407692 1	1
R 73	SHAFT, HOIST	107752		239476 1	1
R 74	HOUSING, CLUTCH	45174		215064AB 2	2
R 78	WEDGE, ANCHOR 1 IN.	45174		526466K 1	1
R 83	DRUM,HOIST 22-1/2 PD OR	45174	121815	8292R 1	1
	DRUM,HOIST 22-1/2 PD			10769R 1	1
	8292-R OR 10769-R REPLACED BY			11180R 1	1
R 83	DRUM, HOIST 22-1/2-P.D.	122055		11180R 1	1
R 83	DRUM, HOIST 24-P.D. OR	45174		8296R 1	1
	DRUM, HOIST 24-P.D.			10771R 1	1
	10771R REPLACED BY			11395R 1	1
R 84	BOLT, FIN.SL.CTSK.HD. 7/8X3-1/2 NF	45174		.02603680 1	1
	NUT, FULL 7/8 NF			.02742550 1	1
	WASHER, LOCK 7/8 IN.			.03961900 1	1
	BOLT, FIN.			.521909K 1	7
	NUT, FULL 7/8 NF			.02742550 7	7
	WASHER, LOCK 7/8 IN.			.03961900 7	7
R 87	FRAME,SIDE INCL.R268,R269,R290, R1840 & R2473	45174	65981	215103AA 1	1
	215103-AA REPLACED BY R87 FRAME			215103AC 1	1
	R274 COLLAR			400489 1	1
	R279 SCREW, CAP 5/8X5-1/4 NF			03242680 6	6
	R2479 GASKET			50630000 1	1
R 87	FRAME,SIDE INCL.R268,R269,R290 R1840,R2473 & R3560	69320	121815	215103AC 1	1
R 87	FRAME,SIDE INCL.R268,R269,R290 R1840,R2473 & R3560	122055		806441K 1	1
R 94	BOLT, FINISHED	45174		.522628K 1	1
	SCREW, CAP 1-1/8X4 NC			.03304280 6	6
	NUT, FULL 1-1/8 NC			.02717050 7	7
	NUT, JAM 1-1/8 NC			.02717200 7	7
175	DRUM,LEFT-LH GROOVE DL HOIST CS	45174	122590	8293R 1	1



PARTS LIST

ISSUE NO 2, 1965

BE-122

MODEL: 51-B

PAGE: 18- 3

CAT. REF.	PART NAME	SERIAL NO.		PART NO.	REQ.
		FROM	TO/INCL.		
	001				
R 175	HOLDING, CR AUX. HOIST 24IN. P.D. OR DRUM, LEFT-LH GROOVE DL HOIST CS			10770R	1
	HOLDING, CR AUX. HOIST 24IN. P.D. 10770-R REPLACED BY			11393R	1
R 175	DRUM, LEFT-LH GROOVE DL HOIST CS HOLDING, CR AUX. HOIST 24IN. P.D.	122766		11393R	1
R 176	BOLT, FIN. SL. CTSK. HD. 7/8X3-1/2 NF NUT, FULL 7/8 NF	45174		.02603680 .02742550	1 1
	WASHER, LOCK 7/8 IN. BOLT, FINISHED			.03961900 .521909K	1 7
	NUT, FULL 7/8 NF WASHER, LOCK 7/8 IN.			.02742550 .03961900	7 7
R 180	WEDGE, ANCHOR 7/8 IN.	45174		526464K	1
R 182	WEDGE, ANCHOR USE R78	45174			1
R 183	DRUM, RIGHT USE R83	45174			
R 184	BOLT, USE R84	45174			
R 208	SHAFT, DRIVE	45174	82363	269440	1
R 208	SHAFT, DRIVE	88235		275561	1
R 212	HOUSING, CLUTCH	45174		227856A	1
R 217	PINION, DRIVE	45174		269441	1
R 222	BUSHING, BEARING	45174	112844	294055AA	1
R 222	BUSHING, BEARING	112845		411475A	1
R 228	BUSHING, BEARING	45174		294055AA	1
R 251	SCREW, GUIDE INCL. NUTS	45174		900067K	51
R 268	CAP, BEARING REFER. FACTORY	45174			2
R 269	BOLT, CAP INCL. NUTS	45174		900140K	51
R 272	BEARING, SKF 22220	45174		26698050	1
R 273	BEARING, SKF 22226	45174	103530	26698550	1
R 273	BEARING, SKF 22228	107772		26698750	1
R 274	COLLAR, RET.	45174	65981	296485	1
R 274	COLLAR, RET.	69320		400489	1
R 275	RETAINER, BEARING FOR USE ONLY	45174		294218A	1
	WHEN DIPPER TRIP NOT MOUNTED ON SHAFT				
R 276	WASHER, RETAINER	45174		500087K	1
R 277	SCREW, CAP	45174		X 6801	5
R 278	COVER, BEARING FOR USE ONLY WHEN DIPPER TRIP NOT MOUNTED ON SHAFT	45174		294219A	1
R 279	SCREW, CAP 5/8X5-1/4 NF	45174		03242680	6
R 280	COLLAR, RET.	45174	98057	270556	1
R 280	COLLAR, RET.	101118	103530	277760	1
R 280	COLLAR, RET.	107752		277601	1
R 281	COLLAR, RET.	45174	103530	270555A	1
R 281	COLLAR, RET.	107752		277600A	1
R 284	SCREW, CAP 5/8X5-1/4 NF	45174		03242680	6
R 286	BOOSTER, CLUTCH	45174	111019	227738AA	1
R 286	BOOSTER, CLUTCH	112011		250331A	1
R 287	BOOSTER, CLUTCH	45174	111019	227738BA	1
R 287	BOOSTER, CLUTCH	112011		250331B	1
R 288	BUSHING, PIN	45174		297535A	4
R 289	PLUG, SHEAR	45174		294815	1
R 290	BUSHING, SHAFT	45174		294814A	2
R 292	GUIDE, BAND	45174		295540	1
R 296	SCREW, SET SQ. HD. OVAL PT.	45174		.03770210	1



PARTS LIST

ISSUE NO 2, 1965

BE-122

MODEL: 51-B

PAGE: 18- 4

CAT. REF.	PART NAME	SERIAL NO.		PART NO.	REQ.
		FROM	TO/INCL.		
	001				
R 296	5/8X4-1/2 NC NUT, FULL 5/8 NC			.02713050	1
R 316	PIN, ANCHOR	45174	65981	294990	1 2
R 316	PIN, ANCHOR	69320	121815	401765	1 2
R 316	PIN, ANCHOR	122055		516605K	1 2
R 325	SPRING, BOOSTER	45174	111019	75519010	2
	75519010 REPLACED BY SPRING, INCL.ENDS			903002K	51 2
R 325	SPRING, BOOSTER NOT USED	112011			
R 329	PIN, LINK	45174		294133	1 2
R 331	LINK, BOOSTER INCL.R332	45174	111019	901572K	51 2
R 331	LINK, BOOSTER INCL.R332	112011		900300K	51 2
R 332	BUSHING, LINK	45174		282549	1 4
R 333	PIN, LINK	45174		294785	1 2
R 334	CRANK, BELL INCL.R288	45174	111019	902534K	51 1
R 334	CRANK, BELL INCL.R288	112011		901564K	51 1
R 335	CRANK, BELL INCL.R288	45174	111019	902535K	51 1
R 335	CRANK, BELL INCL.R288	112011		901565K	51 1
R 336	PIN, FULCRUM	45174		294171	1 2
R 340	RETAINER, SHAFT	45174		185579	1 1
R 341	SCREW, CAP	45174		X 7079	1 2
R 357	BEARING, SHAFT INCL.R228	45174	120301	237222AA	1
	237222-AA REPLACED BY R357 BEARING INCL.R222 & R228			901535K	51 1
	R358 BOLT			02667000	4
	NUT, FULL 1-1/4 NF			.02744050	4
	SCREW, CAP			.03350200	4
	SCREW, CAP 1-1/4X3-3/4 NF			.03356680	3
	SCREW, CAP			.03356360	1
357	BEARING, SHAFT INCL.R222 & R228	121615		901535K	51 1
358	SCREW, CAP 1-1/4X3-3/4 NF	45174	82363	.03356680	7
	NUT, FULL 1-1/4 NF			.02744050	7
	SCREW, CAP			.03350200	4
	NUT, FULL 1 NF			.02743050	4
	SCREW, CAP			.03356360	1
	NUT, FULL 1-1/4 NF			.02744050	1
358	BOLT, FOUND.	88235		.02667000	4
	NUT, FULL 1-1/4 NF			.02744050	4
	NUT, JAM 1-1/4 NF			.02744150	4
	SCREW, CAP 1-1/4X3-3/4 NF			.03356680	3
	NUT, FULL 1-1/4 NF			.02744050	3
	SCREW, CAP 1X2-3/4 NS			.03350200	4
	SCREW, CAP 1-1/4X2-3/4 NF			.03356360	1
	NUT, FULL 1-1/4 NF			.02744050	1
375	GASKET, COLLAR	45174		50521000	2
376	GASKET, COLLAR	45174	103530	50553500	1
376	GASKET, COLLAR	107752		50672400	1
384	BRACKET, GUIDE	45174	115130	269819	1 1
384	BRACKET, GUIDE	115419		601142K	21 1
385	BRACKET, SCREW	45174		295009R	1 1
387	ANCHOR, SUSP.	45174		295544	1 1
388	BOLT, ADJ.	45174		295543	1 2
390	BRACKET, GUIDE	45174		269819	2 1
391	BRACKET, SCREW	45174		295009L	1 1



PARTS LIST

ISSUE NO 2, 1965

BE-122

MODEL: 51-B

PAGE: 18- 5

CAT. REF.	PART NAME	SERIAL NO.		PART NO.	REQ.
		FROM	TO/INCL.		
	001				
R 393	ANCHOR, SUSP.	45174		295544 2	1
R 398	NUT, BOLT.	45174		190450 1	4
R 468	LOCK, PIN	45174	65981	197620 15	4
R 468	LOCK, PIN	69320	121815	401766 1	2
R 468	LOCK, PIN NOT USED	122055			
R 488	SCREW, CAP 5/8X1-1/2 NC	45174		03191480	4
R 492	LINK, BAND	45174	121815	295010 1	2
R 492	LINK, BAND NOT USED	122055			
R 493	PIN, LINK	45174		199650 1	2
R 497	DRIVER, CLUTCH	45174	111019	227798BA	1
R 497	DRIVER, CLUTCH	112011	122062	219245B	1
	219245-B REPLACED BY			853026K 1	1
R 497	DRIVER, CLUTCH	122527		853026K 1	1
R 605	SPROCKET, TAKE-UP INCL.R606	45174		900697K 51	1
R 606	BUSHING, SPROCKET	45174		528427K 1	1
R 607	SHAFT, SPROCKET	45174		289790 1	1
R 633	LINK, END	45174		297536 1	4
R 643	LINING, BOOSTER 2 HALVES	45174	117542	30136120	2
	30136120 REPLACED BY			30136130	2
R 643	LINING, BOOSTER 2 HALVES	117755		30136130	2
R 730	RIM, GEAR 2 HALVES INCL. STUDS, NUTS & WASHERS	45174		900330K 51	1
R 731	BOLT, RIM INCL.NUT & WASHER	45174		510488K 1	8
R 732	DRIVER, CLUTCH	45174		226047AA	1
R 733	KEY, DRIVER	45174		X13036 21	1
R 734	CRANK, BELL	45174		264083A 1	1
R 736	YOKE, TOGGLE INCL.R1548	45174		900119K 51	1
R 738	PIN, FULCRUM	45174		293123 1	1
R 739	LINK, TOGGLE INCL.R2421	45174		900892K 51	2
R 740	PIN, LINK	45174		500657K 1	2
R 741	BAND, CLUTCH INCL.R742 1-272166 REPLACED BY	45174	118274	272166 1	1
	R741 BAND, OR			704316K 61	1
	R741 BAND			704316K 51	1
R 741	BAND, CLUTCH INCL.R742	118756		704316K 51	1
R 742	LINING KIT, FOR R741 294318-1 REPLACED BY	45174	118274	294318 2	6
R 742	BLOCK, BRAKE	118756	119126	602135K 51	1
	BLOCK, BRAKE			294318 2	4
	BLOCK, BRAKE			506938K 1	2
R 742	LINING KIT, FOR R741	120292		602135K 51	1
R 743	RIVET, SOLID NO.6AX3/4 IN.	45174	118274	69044750	36
R 743	RIVET, SOLID NO.6AX7/8 IN.	118756		69044800	44
R 744	PIN, ANCHOR	45174		293117 1	1
R 745	BOLT, ADJUSTING	45174		49345830	1
R 749	SCREW, GUIDE INCL.NUT	45174		901169K 51	1
R 751	COLLAR, SHIFTER INCL.BOLTS,NUTS WASHERS	45174		900403K 51	1
R 752	SLEEVE, SLIDING	45174	49697	900548K 51 Y-8083AB-	1
R 752	SLEEVE, SLIDING INCL.R2478	55845		900548K 51	1
R 753	LEVER, TOGGLE	45174		269319A	1
R 755	SPRING, LEVER	45174		75744620	1
R 756	BOLT, SPRING	45174		X12721 1	1
R 764	GEAR, CLUTCH	45174		294321A	1
R 944	SPRING, NOT USED	45174	111019		



PARTS LIST

ISSUE NO 2, 1965

BE-122

MODEL: 51-B

PAGE: 18- 6

CAT. REF.	PART NAME	SERIAL NO.		PART NO.	REQ.
		FROM	TO/INCL.		
	001				
R 944	SPRING,	112011		75701450	2
R 945	BOLT, EYE NOT USED	45174	111019		
R 945	BOLT, EYE	112011		409508 1	2
R 950	SLEEVE, SLIDING	45174	111019	269336AA	2
R 950	SLEEVE, SLIDING	112011		278724A	2
R 1385	SPROCKET & GEAR, INCL.R1512	45174		901230K 51	1
R 1407	BEARING,TIMKEN NA67787-67720 26819600 REPLACED BY	45174	114769	26819600	2
	R1407 BEARING-TIMKEN 67787-67720 R2405 SPACER			26819550 501243K 1	2
R 1407	BEARING, TIMKEN 67787-67720	115126		26819550	2
R 1408	SEPARATOR, BRG,	45174		269324A	2
R 1409	SPACER, BEARING NOT USED	45174	98057		
R 1409	SPACER, BEARING	101118	114769	407693 1	2
R 1409	SPACER, BEARING	115126		501244K 1	2
R 1475	WASHER, SPRING NOT USED	45174	110341		
R 1475	WASHER,SPRING 2 ADDITIONAL SEATS FURNISHED W/CLAMHELL	111015		409455A	2
R 1477	SCREW, CAP 1/2X1 NC	45174		03185320	4
R 1478	PIN, JOINT	45174		505712K 1	4
R 1512	BUSHING, GEAR	45174		294332A	2
R 1516	KEY, HOUSING	45174		X10452 11	1
R 1518	BEARING,FAFNIR 120-WD2	45174		26107050	2
R 1519	COLLAR, SHAFT	45174		293634A	1
R 1542	BUSHING, LINK	45174		520663K 1	2
R 1548	BUSHING, YOKE	45174		520661K 1	1
R 1559	YOKE, TAKE-UP	45174		290829 1	1
R 1560	PIN, FULCRUM	45174		293698 1	1
R 1561	SCREW,ADJ.INCL.NUT & COTTER PIN	45174		901577K 51	2
R 1562	PIN, SCREW	45174		X11462 1	2
R 1563	PIN, END	45174		293117 1	1
R 1566	BUSHING, PIN	45174		500665K 1	2
R 1569	CHAIN COMP,JEFF 1630A 58 LINKS FOR SHOVEL ONLY	45174	118274	34170260	1
	34170260 REOL BY 1631A 58 LINKS			34170530	1
R 1569	CHAIN COMP,JEFF 1631A 58 LINKS FOR SHOVEL ONLY	118756		34170530	1
R 1570	LINK,ROLLER JEFF 1630A FOR SH.ONLY	45174	118274	34192000	
R 1570	LINK,ROLLER JEFF 1631A FOR SH.ONLY	118756		34193520	
R 1571	PIN,LINK INCL R2338-JEFF 1630A FOR SHOVEL ONLY	45174	118274	34200000	
R 1571	PIN,LINK INCL R2338-JEFF 1631A FOR SHOVEL ONLY	118756		34193560	
R 1575	COLLAR, SHIFTER INCL.BOLTS, NUTS & WASHERS	45174		901598K 51	2
R 1799	GUIDE BAND	45174		291229 1	2
R 1806	GUIDE, BAND	45174	111019	267200 1	1
R 1806	GUIDE, BAND SEE R2687	112011			
R 1807	SCREW, CAP 3/4X2 NC	45174	111019	03194640	4
R 1807	SCREW, CAP	112011		.411261 1	4
	WIRE, 12GA.X1FT.8IN.			.84200000	2
R 1808	SHAFT, DRIVE	45174		293635 1	1
R 1813	SCREW, CAP	45174		X 7079 1	2
R 1828	SCREW, CAP 1/2X1-1/4 NC	45174		03185400	1



PARTS LIST

ISSUE NO 2, 1965

BE-122

MODEL: 51-B

PAGE: 18- 7

CAT. REF.	PART NAME	SERIAL NO.		PART NO.	REQ.
		FROM	TO/INCL.		
	001				
R 1834	SCREW, CAP NOT USED	45174	111019		
R 1834	SCREW, CAP 3/4X1 NC	112011		03194320	2
R 1838	ABSORBER, SHOCK	45174		82001360	2
R 1840	BUSHING, OILITE A-1704	45174		82089050	2
R 1847	LINK, END ONE LINK CONSISTS OF 2 PIECES, 2 LINKS USED	45174		293109	1 2
	1-293109 REPLACED BY			403468	1 4
R 1848	BOLT, DRIVER INCL. NUTS	45174		902709K 51	1
R 1849	STUD, BALL INCL. NUTS	45174		900128K 51	1
R 1955	BUSHING, LEVER	45174		82110100	1
R 1956	WASHER, SPRING	45174		X12722	1 1
R 1957	LOCK, PIN	45174		500523K	1 2
R 2099	SCREW, CAP 1/2X2 NC	45174		.03185640	4
	NUT, FULL 1/2 NC			.02711050	4
	WASHER, LOCK 1/2 IN.			.03961500	4
R 2203	ANCHOR, SUSP.	45174		291231	1 2
R 2327	RETAINER, PIN	45174		293124	1 1
R 2328	GUIDE, BAND	45174		268531A	2 1
R 2329	SCREW, CAP	45174		189871	7 2
R 2330	SPRING, RELEASE	45174		75495100	2
R 2331	BOLT, ADJ. INCL. NUTS	45174		900132K 51	2
R 2332	PIN, BOLT	45174		500203K	1 2
R 2333	WASHER, SPRING	45174		508941K	1 2
R 2335	SCREW, CAP 1/2X1 NC	45174		03185320	2
R 2337	LINK, PIN INCL R2338 JEFF 1630A FOR SHOVEL ONLY	45174	118274	34192500	
R 2337	LINK, PIN INCL R2338 JEFF 1631A FOR SHOVEL ONLY	118756		34193540	
R 2338	LOCK, PIN JEFF 1630A FOR SH. ONLY	45174	118274	34191500	
R 2338	LOCK, PIN JEFF 1631A FOR SH. ONLY	118756			
R 2339	GUIDE, BAND	45174	111019	267200	2 1
R 2339	GUIDE, BAND SEE R2687	112011			
R 2400	BEARING, TIMKEN NA67790-67720 26819800 REPLACED BY	45174	114769	26819800	2
	R2400 BEARING-TIMKEN 67790-67720			26819750	1
	R1409 SPACER			501244K	1 1
R 2400	BEARING, TIMKEN 67790-67720	115126		26819750	2
R 2401	CARRIER, BRG. ON FIRST REPLACEMENT	45174	50302	294112A	2
	ALWAYS INCLUDE 8 R2402 CAP SCREW AND 1 12X16 IN. LOCKWIRE.				
R 2401	CARRIER, BRG.	55487		294112A	2
R 2402	SCREW, CAP	45174		189871	1 16
R 2403	SHIM, BEARING	45174		.296525	1 6
	SHIM, BEARING			.296525	2 6
	SHIM, BEARING			.296525	3 2
R 2404	SEAL, OIL CHIC. RAW. 926724-K OR	45174		72430900	2
	SEAL, OIL NATIONAL 55120			72430900	2
R 2405	SPACER, BEARING	45174	114769	294114	1 2
R 2405	SPACER, BEARING	115126		501243K	1 2
R 2406	SPACER, BEARING	45174	75332	296481	1 1
R 2406	SPACER, BEARING	78110	103530	403796	1 1
R 2406	SPACER, BEARING	107752		407472	1 1
R 2407	BOLT, GEAR INCL. NUTS	45174		901326K 51	2
R 2408	SCREW, DOWEL	45174		293466	1 2



PARTS LIST

ISSUE NO 2, 1965

BE-122

MODEL: 51-B

PAGE: 18- 8

CAT. REF.	PART NAME	SERIAL NO.		PART NO.	REQ.
		FROM	TO/INCL.		
	001				
R 2410	SCREW, CAP	45174		.296131 1	6
	SCREW, CAP			.296131 2	2
R 2411	RETAINER, LINING	45174		296185 1	8
R 2412	SCREW, CAP 1/2X3/4 NC	45174		03185240	16
R 2413	ANCHOR, SPRING	45174	111019	401772 1	1
R 2413	ANCHOR, SPRING NOT USED	112011			
R 2414	ANCHOR, SPRING	45174	111019	401773 1	1
R 2414	ANCHOR, SPRING NOT USED	112011			
R 2415	SCREW, DOWEL	45174		280872 1	2
R 2416	SCREW, CAP 1/2X1-1/2 NC	45174		.03185480	4
	NUT, FULL 1/2 NC			.02711050	4
	WASHER, LOCK 1/2 IN.			.03961500	4
	WASHER, CUT 1/2 IN.			.03951600	4
R 2417	PIN, BOLT	45174		514143K 1	4
R 2418	BOLT, COLLAR INCL.NUT	45174		901137K 51	1
R 2419	WIRE, LOCK NO.12X8IN.	45174		84200000	1
R 2420	WIRE, LOCK NO.12X20IN.	45174		84200000	1
R 2421	BUSHING, PIN	45174		500682K 1	2
R 2422	SCREW, CAP 5/8X2 NC	45174		.03191640	4
	NUT, FULL 5/8 NC			.02713050	4
	WASHER, LOCK 5/8 IN.			.03961700	4
R 2423	WIRE, LOCK NO.12X10IN.	45174		84200000	1
R 2425	SCREW, GUIDE	45174	111019	.296616 1	2
	NUT, FULL 1 NF			.02743050	2
R 2425	SCREW, GUIDE NOT USED	112011			
R 2470	SPRING, CLUTCH FOR CS. ONLY	45174	110341	75107010	1
R 2470	SPRING, CLUTCH FOR CS. ONLY	111015		75700710	1
R 2471	BOLT, SPRING FOR C/S ONLY	45174	110341	501071K 1	1
R 2471	BOLT, SPRING INCL.NUTS FOR CS.ONLY	111015		406728 1	1
R 2472	ANCHOR, SPRING FOR CS. ONLY	45174	110341	296595 1	1
R 2472	ANCHOR, SPRING FOR CS.ONLY NOT USED	111015			
R 2473	BUSHING, OILITE A2605-4	45174		82093900	1
R 2474	GASKET, COLLAR	45174	103530	50556000	1
R 2474	GASKET, COLLAR	107752		50672200	1
R 2478	INSERT, SLEEVE NOT USED	45174	49697		
R 2478	INSERT, SLEEVE	55845		296823 1	4
R 2479	GASKET, RETAINER NOT USED	45174	65981		
R 2479	GASKET, RETAINER	69320		50630000	1
R 2687	GUIDE, BAND NOT USED	45174	111019		
R 2687	GUIDE, BAND	112011		250328A	2
R 2881	SPRING, RELEASE NOT USED	45174	111019		
R 2881	SPRING, RELEASE	112011		75744700	6
R 2882	BOLT, EYE NOT USED	45174	111019		
R 2882	BOLT, EYE	112011		511545K 1	6
R 2896	PIN, BOLT NOT USED	45174	111019		
R 2896	PIN, BOLT	112011		406722 1	2
R 3211	GUIDE, NOT USED	45174	111019		
R 3211	GUIDE,	112011		409511 1	2
R 3212	SCREW, CAP NOT USED	45174	111019		
R 3212	SCREW, CAP 1/2X1-1/4 NC	112011		03185400	4
R 3274	PIN, BOLT NOT USED	45174	111019		
R 3274	PIN, BOLT	112011		500203K 1	6
R 3275	WASHER, SPRING NOT USED	45174	111019		
R 3275	WASHER, SPRING	112011		508941K 1	12



PARTS LIST

ISSUE NO 2, 1965

BE-122

MODEL: 51-B

PAGE: 18-9

CAT. REF.	PART NAME	SERIAL NO.		PART NO.	REQ.
		FROM	TO/INCL.		
	001				
R 3278	SPACER, INNER NOT USED	45174	98057		
R 3278	SPACER, INNER	101118	103530	407692	1 1
R 3278	SPACER, INNER	107752		407471	1 1
R 3560	PIN, FULCRUM	114034		412224	1 1
R 3575	BOLT, CLAMP	45174		289711	1 2
R 3583	LINK, DEAD END NOT USED	45174	121815		
R 3583	LINK, DEAD END	122055		613024K	1 2
R 3587	SCREW, CAP NOT USED	45174	121815		
R 3587	SCREW, CAP 1/2X2 NF	122055		.03235640	2
	NUT, JAM 1/2 NF			.02740550	2
R 3588	PIN, LINK NOT USED	45174	121815		
R 3588	PIN, LINK	122055		516577K	1 2
R 3987	BOLT, PIN NOT USED	45174	121815		
R 3987	BOLT, PIN	122055		507833K	1 2
R 3988	END, ROD NOT USED	45174	121815		
R 3988	END, ROD	122055		510893K	1 2
	002				
R	THIRD DRUM MACHINERY-VARIABLE UNIT				
	DRAWINGS 1-R-705, 1-R-707, 1-R-726				
	1-R-727				
R 3591	DRUM & SPROCKET	121615		707104K	21 1
R 3597	RING, RETAINER 5100-237	121615		68120220	2
R 3599	BRACKET, SUPPORT	121615		804104K	21 1
R 3600	BEARING, BRACKET	121615		26121280	2
R 3608	PIN, SUPPORT NOT USED ON DL OR CS, LC W/MAST COMB.	121615		294456	1 1
R 3609	SPACER, PIN	121615		511475K	1 1
R 3610	HOUSING, BRAKE	121615		250650A	1
R 3611	BAND COMPLET, INCL. R3612 & R3613	121615			1
	BAND, LIVE END			804592K	51 1
	BAND, DEAD END			804593K	51 1
R 3612	LINING, BAND LIVE END	121615		608678K	1 1
	LINING, BAND DEAD END			608679K	1 1
R 3613	RIVET, TUBULAR LIVE END 10X15/32	121615		69069430	32
	RIVET, TUBULAR DEAD END 10X15/32			69069430	12
R 3614	BOLT, ADJ.	121615		.410401	1 1
	NUT, FULL 7/8 NC			.02715100	1
	NUT, JAM 7/8 NC			.02715350	1
R 3615	SPRING, BOLT	121615		75728230	1
R 3616	SPACER, BOLT	121615		529712K	1 1
R 3617	SPRING, SUSPENSION	121615		75744640	1
R 3618	BOLT, EYE	121615		.409717	1 1
	NUT, JAM 5/8 NC			.02713250	2
	NUT, FULL 5/8 NC			.02713050	1
R 3619	WASHER, SPRING	121615		514138K	1 1
R 3620	NUT, BOLT	121615		190450	1 1
R 3621	SCREW, CAP 5/8X2 3/4 NF	121615		.03241880	8
	WASHER, LOCK 5/8			.03961700	8
	NUT, FULL 5/8 NF			.02741550	8
R 3622	PIN, ANCHOR	121615		.409931	2 1



PARTS LIST

ISSUE NO 2, 1965

BE-122

MODEL: 51-B

PAGE: 18- 10

CAT. REF.	PART NAME	SERIAL NO.		PART NO.	REQ.
		FROM	TO/INCL.		
	002				
R 3622	PIN, COTTER 1/8X1			.03109480	1
R 3623	SPROCKET, SHAFT	121615		708251K 1	1
R 3624	KEY, SPROCKET	121615		511451K 1	1
R 3625	SHAFT, CLUTCH	121615		708253K 1	1
R 3627	BEARING, FAFNIR 218-W OR	121615		26127100	2
	BEARING, MRC 218-M OR			26127100	2
	BEARING, ND 1218 OR			26127100	2
	BEARING, SKF 218-A OR			26127100	2
	BEARING, BCA 1218			26127100	2
R 3628	SCREW, CAP 3/4X2 NF	121615		.03244640	4
	WASHER, LOCK 3/4			.03961800	4
R 3629	RETAINER, SPROCKET	121615		410161 1	1
R 3630	SCREW, CAP	121615		.501793K 1	2
	WIRE, LOCK 16X7			.84280000	1
R 3633	HOUSING, CLUTCH	121615		708252K 1	1
R 3634	BEARING, FAFNIR 216-W OR	121615		26125100	2
	BEARING, MRC 216-M OR			26125100	2
	BEARING, SKF 216-A OR			26125100	2
	BEARING, BCA 1216			26125100	2
3635	PINION, SHAFT	121615		410756A	1
3636	KEY, PINION	121615		298828 9	1
3637	SPACER, SHAFT	121615		511231K 1	1
3638	KEY, CLUTCH	121615		X11002 5	1
3639	CHAIN, DRIVE-REX 3120-83P	121615		34036250	1
3642	BAND COMPLETE, INCL. R3643 & R3644	121615		900546K 52	1
3643	LINING, BAND	121615		602113K 1	1
3644	RIVET, BRASS 6AX 3/4	121615		69044750	38
3645	DRIVER, RIGHT HAND	121615		213195A	1
3646	SLEEVE, SHIFTER	121615		224743A	1
3647	YOKE, TOGGLE INCL. R3648	121615		900564K 51	1
3648	BUSHING, YOKE	121615		500247K 1	1
3649	LINK, TOGGLE	121615		286563A	2
3650	LEVER, TOGGLE INCL. R3655	121615		901449K 51	1
3651	BELL CRANK, CLUTCH	121615		264823A	1
3652	GUIDE, BAND	121615		264826A	1
3653	BUSHING, LINK	121615		82125800	2
3654	LINK, END	121615		82607000	2
3655	STUD, BALL	121615		500245K 1	1
3656	PIN, LINK	121615		500228K 1	2
3657	BUSHING, PIN	121615		500217K 1	2
3658	PIN, ANCHOR	121615		286568 1	1
3659	RETAINER, PIN	121615		286564 1	1
3660	PIN, FULCRUM	121615		286569 1	1
3661	SCREW, CAP 3/8X3/4 NC	121615		.03179240	2
	WASHER, LOCK 3/8			.03961300	2
3662	PIN, END	121615		286567 1	1
3663	BUSHING, LEVER	121615		82125770	1
3664	BOLT, EYE	121615		.286566 1	1
	NUT,			.02804600	1
	NUT,			.02804590	1
3665	BOLT, GUIDE INCL. NUT	121615		901458K 51	2
3666	SPRING, LEVER	121615		75728420	1
3667	BOLT, SPRING	121615		500253K 1	1
3668	SCREW, CAP 5/8X1 1/2 NF	121615		.03241480	2



PARTS LIST

ISSUE NO 2, 1965

BE-122

MODEL: 51-B

PAGE: 18- 1

CAT. REF.	PART NAME	SERIAL NO.		PART NO.	REQ.
		FROM	TO/INCL.		
	002				
R 3668	WASHER, LOCK 5/8			.03961700	2
R 3669	BOLT, DRIVER INCL. NUTS	121615		900227K 51	1
R 3670	COLLAR, SHIFTER INCL. CAPSCREWS, NUTS, & WASHERS	121615		900547K 51	1
R 3747	HOUSING, RH BEARING	121615		707118K 1	1
R 3748	HOUSING, LH BEARING	121615		708472K 1	1
R 3749	BEARING, BRACKET	121615		511130K 1	2
R 3750	SHIM, BEARING	121615		511129K 1	12
R 3751	SPACER, PIN USED W/FAIRLEAD ONLY	121615		511131K 1	1
R 3752	SUPPORT, LH BEARING	121615		608898K 21	1
R 3753	SUPPORT, RH BEARING	121615		608698K 21	1
R 3754	SPACER, SHAFT	121615		511232K 1	2
R 3755	SPACER, SHAFT	121615		511233K 1	1
R 3756	SPACER, SHAFT	121615		608697K 1	1
R 3757	RETAINER, BEARING	121615		608696K 1	1
R 3758	SCREW, CAP 3/8X1 NF	121615		.03229320	4
	WASHER, LOCK 3/8			.03961300	4
R 3759	RING, BEARING 62-16AV	121615		68105100	2
R 3760	RING, BEARING 62-18AV	121615		68105150	4
R 3761	RING, RETAINER 5000-433	121615		68118610	2
R 3763	GUARD, OUTER	121615		250923 1	1
R 3764	SCREW, CAP 1/2X1 NC	121615		.03185320	2
	WASHER, LOCK 1/2			.03961500	2
	SCREW, CAP 1/2X1 1/4 NC			.03185400	4
	WASHER, LOCK 1/2			.03961500	4
	NUT, FULL 1/2 NC			.02711050	4
	SCREW, CAP 3/8X1 NC			.03179320	2
	WASHER, LOCK 3/8			.03961300	2
	NUT, FULL 3/8 NC			.02709150	2
R 3765	GUARD, OUTER	121615		270265 1	1
R 3766	GUARD, PINION	121615		250922 1	1
R 3767	SCREW, CAP 3/4X6 NF	121615		.03245920	4
	WASHER, LOCK 3/4			.03961800	4
R 3768	TROUGH, DIRT IND. PROPEL W/FAIRLEAD	121615		708315K 21	1
	TROUGH, DIRT STD. PROPEL W/3RD DRUM & FAIRLEAD OR IND. PROPEL W/3RD DRUM & FAIRLEAD PLUS 608991-1			.708315K 21	1
R 3769	TROUGH, DIRT	121615		608744K 1	1
R 3770	SCREW, CAP 1/2X1 NF	121615		.03235320	6
	WASHER, LOCK 1/2			.03961500	6
	NUT, FULL 1/2 NF			.02740550	6



PARTS LIST

ISSUE NO 2, 1965

BE-122

MODEL: 51-B

PAGE: 19 -1

CAT. REF.	PART NAME	SERIAL NO.		PART NO.	REQ.
		FROM	TO/INCL.		
	001				
S	OPERATING LEVERS-DRAWINGS 1-S-427 1-S-428, 1-S-429, 1-S-430, 1-S-431, 1-S-432, 1-S-433, 1-S-434, 1-S-491, 1-S-493, 1-S-494, 1-S-495, 1-S-496, 1-S-497, 1-S-498, 1-S-499, 1-S-500, 1-S-501				
S	1 LEVER, HAND INCL. S220 & S1398	45174		294232	1
S	16 LEVER, HAND	45174		295032	1
S	17 QUADRANT, CLUTCH	45174		294442	1
S	18 ROD, REACH	45174		295039	1
S	20 SHAFT, LEVER	45174		295037	1
S	22 ROD, REACH	45174		189515	3
S	23 LEVER, INCL. S220, CAPSCREW, NUT & WASHER,	45174		901586K	51
S	88 SHAFT, LEVER	45174		294225	1
S	92 SHAFT, LEVER	45174		294109	1
S	93 COLLAR, SHAFT	45174		Y 171A	6
S	114 SEAT, OPERATOR-MILSCO 793	45174	119126	82836150	1
	82836150 REPLACED BY				1
	S114 SEAT, MILSCO F924			82837100	1
	S116 STAND,			601699K	22
	S1684 LOCK			503451K	21
	S1684 SCREW, CAP 1X3 3/4 NC			03201200	1
	S1684 WASHER, LOCK			03962000	1
	S1684 NUT, JAM 1 NC			02716200	1
	S1685 SCREW, CAP 5/8X1 3/4 NF			03241560	1
	S1685 NUT, LOCK 5/8 NF			02769400	1
S	114 SEAT, OPERATOR-MILSCO F1180	120292	121815	82837350	1
	82837350 REPLACED BY F924			82837100	1
S	114 SEAT, OPERATOR-MILSCO F924	122055	123450	82837100	1
S	114 SEAT, OPERATOR-MILSCO D852	125300		82837055	1
	CUSHION, SEAT FOR MILSCO D852			82838830	1
	SCREW, CAP 5/8X1 3/4 NF			03241560	2
	NUT, LOCK 5/8 NF			02769400	2
S	115 SUPPORT, SEAT	45174	119126	.X10614	1
	SUPPORT, SEAT			.X10616	1
S	115 SUPPORT, SEAT NOT USED	120292			
S	116 STAND, SEAT	45174	119126	500777K	21
S	116 STAND, SEAT	120292		601699K	22
S	117 LOCK, LEVER	45174		267104A	2
S	118 BEARING, INCL. BOLTS NUTS & WASHERS	45174		902704K	51
S	125 QUADRANT & SUPPORT	45174	82363	215252	1
S	125 QUADRANT & SUPPORT	88235	88281	215252	17
S	125 QUADRANT & SUPPORT SEE ENG. CONTROL	88282			1
S	158 LEVER, FOOT INCL. S220 & S1436	45174	115130	901569K	51
S	158 LEVER, FOOT INCL. S220 & S1436	115419		601291K	21
S	159 ROD, REACH	45174	115130	.189611	17
	NUT, FULL 7/8 NC			.02715100	1
S	159 ROD, REACH	115419		.189611	21
	NUT, FULL 7/8 NC			.02715100	1
S	162 LEVER, INCL. S220. BOLT, NUT & WASHER	45174		901579K	51
S	163 LEVER, SLEEVE INCL. S220	45174		901539K	51



PARTS LIST

ISSUE NO 2, 1965

BE-122

MODEL: 51-B

PAGE: 19- 2

CAT. REF.	PART NAME	SERIAL NO.		PART NO.	REQ.
		FROM	TO/INCL.		
	001				
S 164	LEVER, BRAKE INCL. S286	45174		901542K 51	1
S 165	LEVER, FOOT INCL. S220 & S1436	45174	115130	901570K 51	1
S 165	LEVER, FOOT INCL. S220 & S1436	115419		601292K 21	1
S 166	ROD, REACH	45174	115130	.189515 6	1
	NUT, FULL 7/8 NC			.02715100	1
S 166	ROD, REACH	115419		.189611 22	1
	NUT, FULL 7/8 NC			.02715100	1
S 168	SHAFT, BRAKE	45174		294217 1	1
S 171	LEVER, BRAKE INCL. S286	45174		901541K 51	1
S 205	HANDLE, LATCH	45174		507043K 1	2
S 207	SPRING, LATCH	45174		75745770	2
S 213	HANDLE,	45174		500894K 1	2
	500894K1 REPLACED BY			521142K 1	2
S 216	SPRING, HANDLE	45174		75730960	3
S 217	END, ROD	45174	115130	500509K 1	9
S 217	END, ROD	115419		.500509K 1	5
	END, ROD			.501704K 1	4
S 218	END, ROD	45174		500538K 1	15
S 219	PIN, END	45174		500519K 1	28
	PIN, END WHEN USED WITH S700 TOGGLE			X 9055 3	2
	LINK				
S 220	BUSHING, LEVER	45174		500117K 1	36
S 225	LEVER, HAND INCL. S220	45174		901557K 51	1
S 275	BRACKET, LEVER INCL. S1398	45174		901587K 51	1
S 280	LEVER, HAND INCL. S220	45174	119126	294503 1	1
S 280	LEVER, HAND INCL. S220	120292		604523K 21	1
S 286	BUSHING, LEVER	45174		295043 1	4
S 292	PAD, LEVER	45174		600206K 1	2
S 294	SPRING,	45174		75744680	2
S 298	LEVER, INCL. BALL	45174	119126	500565K 51	2
	500565K51 REPLACED BY			404504 1	2
S 298	LEVER, INCL. BALL	121292		404504 1	2
S 304	SPRING, LOCK	45174		75730170	3
S 306	PIN, ANCHOR	45174		500560K 1	6
S 310	ROD, REACH	45174	116039	295039 7	1
S 310	ROD, REACH	117037		.505947K 21	1
	NUT, FULL 7/8 NC			.02715100	1
S 311	CRANK, BELL INCL. S220, S1288, S1310	45174	116039	901581K 51	1
S 311	CRANK, BELL INCL. S220 & S1310	117037		505820K 1	1
S 312	PIN, CRANK	45174		296461 1	1
S 315	ROD, REACH	45174		295040 1	1
S 316	LEVER, INCL. S220, BOLT NUT & LW	45174		900635K 51	1
S 317	PIN, FULCRUM	45174		290395 1	2
S 318	LEVER, SHIFTER INCL. S1310	45174		901555K 51	2
S 319	BRACKET, RIGHT INCL. S1310 & S1398	45174		901533K 51	1
S 320	BEARING,	45174		288255 1	2
S 321	LEVER, HAND	45174		267453 1	1
S 322	QUADRANT,	45174		284757 1	2
S 325	ROD, REACH	45174		283349 12	1
S 336	LEVER, INCL. BOLT, NUT & LW	45174		294613A	1
S 337	SHOE, BRAKE INCL S338 & S339	45174		900311K 51	1
S 338	LINING, KIT	45174		901382K 51	1
S 339	RIVET, BRASS NO. 6A1 1/8	45174		69044910	12
S 340	PIN, SHOE	45174		199909 1	1



PARTS LIST

ISSUE NO 2, 1965

BE-122

MODEL: 51-B

PAGE: 19-

CAT. REF.	PART NAME	SERIAL NO.		PART NO.	REQ.
		FROM	TO/INCL.		
	001				
S 342	PIN, FULCRUM	45174		172328 1	1
S 344	LEVER, HAND	45174	119126	295690 1	1
S 344	LEVER, HAND	120292		604329K 21	1
S 346	ROD, REACH	45174	50302	.189611 9	1
	NUT, FULL 7/8 NC			.02715100	1
S 346	ROD, REACH	55487		.271739 1	1
	NUT, FULL 7/8 NC			.02715100	1
S 348	SHAFT, LEVER	45174		294507 1	1
S 352	PIN,	45174		293720 1	1
S 353	LINK, TOGGLE INCL. S220	45174		901580K 51	1
S 354	END, ROD	45174		189614A 2	1
S 356	SPRING, LEVER	45174		75744690	1
S 357	ROD, REACH	45174		189611 14	1
S 358	STOP, TOGGLE	45174		296068 1	1
S 362	LEVER, HAND	45174	119126	290645 1	1
S 362	LEVER, HAND	120292		604327K 21	1
S 365	SHAFT, LEVER	45174		283045 1	1
S 367	LEVER, INCL. S220, BOLT, NUT & LW	45174		290643A	3
S 368	ROD, REACH	45174		.283365 6	1
	NUT, FULL 7/8 NC			.02715100	1
S 370	SHAFT, LEVER	45174		270603 1	1
S 373	ROD, REACH	45174		.296073 1	1
	NUT, FULL 3/4 NC			.02714050	1
S 375	PIN, TOGGLE	45174		X 6721 2	2
S 385	ROD, REACH	45174		.189515 3	1
	NUT, FULL 7/8 NC			.02715100	1
S 423	BOLT, SPRING	45174		296070 1	1
S 424	PIN,	45174		296072 1	1
S 440	BOLT, ADJUSTING	45174		291312 1	1
S 441	BOLT, ADJ. INCL. NUTS	45174		901089K 51	1
S 450	BEARING, INCL. S1398, BOLTS NUTS & WASHERS	45174		901589K 51	2
S 468	SHAFT, LEVER	45174		267479 1	1
S 469	PIN, SPRING	45174		500561K 1	3
S 471	LEVER, ROLLER	45174		295042 1	2
S 472	ROD, REACH	45174		.189611 13	1
	NUT, FULL 7/8 NC			.02715100	1
S 509	ROD, REACH	45174		.189611 16	1
	NUT, FULL 7/8 NC			.02715100	1
S 510	LEVER, INCL. S220, BOLT, NUT & LW	45174		901543K 51	1
S 514	COLLAR, SHAFT	45174		294260A	1
S 525	BEARING, INCL. S1326	45174		901342K 51	1
S 530	LEVER, INCL. S220, BOLT, NUT & LW	45174		293480A 1	1
S 531	ROD, REACH	45174		.189611 19	1
	NUT, FULL 7/8 NC			.02715100	1
S 532	LEVER, INCL. S220	45174		901341K 51	1
S 546	BEARING, LEFT INCL. S1398	45174		294297A	1
S 693	SHAFT, LEVER	45174		296652 1	1
S 694	SHAFT, LEVER	45174		294517 1	1
S 695	ROD, REACH	45174		.189611 18	1
	NUT, FULL 7/8 NC			.02715100	1
S 698	LEVER, HAND	45174		49147010	1
S 699	ROD, REACH	45174		296230 1	1
S 700	LINK, TOGGLE	45174		404407 1	1



PARTS LIST

ISSUE NO 2, 1965

BE-122

MODEL: 51-B

PAGE: 19- 4

CAT. REF.	PART NAME	SERIAL NO.		PART NO.	REQ.
		FROM	TO/INCL.		
	001				
S	701 LEVER, TOGGLE	45174		270426A	1
S	702 DOG, LOCKING	45174		230735A	1
S	703 SHAFT, LOCK	45174		270445	1
S	743 CRANK, BELL	45174		270659	1
S	744 GUIDE, ROPE	45174		295640	1
S	776 WASHER	45174		X10086	1
S	781 SCREW, SHIFTER	45174		296124	1
S	900 LEVER, SHIFTER INCL. S1436, BOLTS, NUTS & WASHERS	45174		901232K 51	2
S	908 END, ROD	45174		49110510	3
S	909 PIN, END	45174		49117010	4
S	973 PIN, END	45174		49118510	2
S	1018 END, ROD	45174		49113510	1
S	1061 LINK, LATCH	45174		507121K 1	2
S	1105 CAM,	45174		269573	1
S	1106 ROLLER, CAM	45174		82813600	2
S	1108 PIN, ROLLER INCL. NUT & WASHER	45174		900319K 51	2
S	1114 LEVER, STEERING INCL. BOLT, NUT & LW	45174		901237K 51	1
S	1115 SHAFT, LEVER	45174		294216	1
S	1116 BEARING, LEFT INCL. S1132 & S1461	45174		901553K 51	1
S	1117 SCREW, LEVER	45174		282761	1
S	1118 SHAFT, LEVER	45174	50302	290973	1
S	1118 SHAFT, LEVER	55487		298596	1
S	1120 SHAFT & LEVER,	45174		296233	1
S	1121 PIN, FULCRUM	45174		293472	1
S	1122 SHAFT, LEVER	45174		294616	1
S	1123 ROD, REACH	45174		283360	11
S	1124 LEVER, INCL. BOLT NUT & LW	45174		269585A	1
S	1130 LEVER, HAND INCL. BOLT, NUT & LW	45174		282935	1
S	1131 LEVER, INCL. S220 & S1132	45174		294243A	1
S	1132 BUSHING, OILITE AA-2304-1	45174		82092231	6
S	1134 LEVER, LOCK INCL. BOLT, NUT & LW	45174		901236K 51	1
S	1221 SCREW, SHIFTER	45174		500126K	1
S	1286 LEVER, PAWL INCL. BOLT, NUT & LW	45174		294614A	1
S	1288 STUD, BALL INCL. NUT & WASHER	45174		505136K 51	4
S	1289 ROD, LATCH	45174		285331	1
S	1291 LINK, LATCH EACH LINK CONSIST OF 2 PIECES, 2 LINKS USED	45174		283178	1
S	1298 LEVER, INCL. S220, BOLT, NUT & LW	45174		293568A	1
S	1299 LEVER, INCL. S220, CAPSCREW, NUT & WASHER	45174		901179K 51	1
S	1300 BRACKET, LINK	45174		293583A	1
S	1301 BRACKET, LINK	45174		289523A	1
S	1302 END, ROD	45174		282803A	1
S	1303 END, ROD INCL. S1304 1-293574 REPLACED BY	45174	63803	293574	1
S	1303 END, ROD INCL. S1304	69320		901178K 51	2
S	1304 BUSHING, END	45174		901178K 51	1
S	1306 SEAT, SPRING NOT USED	45174	50302	283004	1
S	1306 SEAT, SPRING	55487		296069	1
S	1307 BRACKET, LEFT INCL. S1310 & S1398	45174		901554K 51	1
S	1308 SHAFT, LEVER	45174		294615	1
S	1310 BUSHING, OILITE AA-1506-12	45174		82086536	10
S	1320 SLEEVE, SPRING	45174		296071	1



PARTS LIST

ISSUE NO 2, 1965

BE-122

MODEL: 51-B

PAGE: 19-

CAT. REF.		SERIAL NO.		PART NO.	REQ.
		FROM	TO/INCL.		
	001				
S 1325	SCREW,CAP 5/8X2 1/4 NC	45174		03191720	1
S 1326	BUSHING, BEARING	45174		Y 6790A	1
S 1328	PUSH PULL UNIT, TRU LAY SWIVEL TYPE 1/4 IN. ARMORED STRAND 3 IN. TRAVEL 14 FT. LONG	45174	88281	46316500	1
S 1328	PUSH PULL UNIT,SEE ENG.CONTROLS	88282			
S 1370	ROD,LATCH	45174		293390	1
S 1371	BRACKET,QUADRANT	45174		268782	1
S 1396	LEVER,INCL.S220,CAPSCREW,NUT & WASHER	45174		900698K	51
S 1397	BRACKET,BEARING INCL. S1132 &S1398	45174		901546K	51
S 1398	BUSHING,OILITE A1704	45174		82089050	9
S 1408	SHAFT,LEVER	45174		294233	1
S 1409	SPACER,SHAFT-SHORT	45174		529750K	1
	SPACER,SHAFT-LONG			529751K	1
S 1410	LEVER,INCL.S220,BOLT ,NUT & LW	45174		294525A	1
S 1411	LEVER,INCL.S220, & S1132	45174		901575K	51
S 1412	ROD,REACH	45174		.189515	17
	NUT,FULL 7/8 NC			.02715100	1
S 1413	BEARING,RIGHT INCL. S1132	45174		901552K	51
S 1420	BOLT,ADJ. INCL. S220 1-296226 REPLACED BY	45174	119126	296226	1
				901181K	51
S 1420	BOLT,ADJ. INCL. S220	120292		901181K	51
S 1423	BRACKET,LEVER	45174		228674	1
S 1424	SOCKET,STUD 14SA18A2	45174		49069010	2
S 1425	NUT,SLEEVE	45174	63803	293572	1
S 1425	NUT, SLEEVE	69320		401533	1
S 1426	SHAFT,LEVER	45174		294533	1
S 1427	LEVER,INCL.S1288,CAPSCREW,NUT & LW	45174		293570A	2
S 1428	LEVER,INCL. CAPSCREW,NUT & WASHER	45174		901130K	51
S 1429	SHAFT,LEVER	45174		294747	1
S 1430	LEVER,INCL.BOLT,NUT & LW	45174		269826A	1
S 1431	END, ROD	45174		Y 4313A	6
S 1432	LOCK,PIN	45174		285368	1
S 1433	BOLT,FINISHED	45174		.521275K	1
	NUT,FULL 5/8 NF			.02741550	4
	WASHER,LOCK 5/8			.03961700	4
S 1435	CRANK,BELL INCL.S220,BOLT,NUT & LW	45174		290623A	1
S 1436	BUSHING,OILITE A1704-2	45174		82089150	8
S 1440	COLLAR, SHAFT	45174		Y 4409A	1
S 1442	EXTENSION,LEVER FOR CLAMSHELL ONLY WITH EQUAL SIZE DRUMS	45174		296017	1
S 1443	BEARING,INCL. COTTER PIN & NUTS	45174		901588K	51
S 1444	LINK ASSY,INCL S356,S423,S1306 S1320, S1445 & S1446	45174		901110K	51
S 1445	END,LINK INCL. S220	45174		901110K	61
S 1446	END,LINK INCL. S1447	45174		901153K	51
S 1447	BUSHING,END	45174		296125	1
S 1448	LEVER,INCL.S220 CAPSCREW & WASHER 900628K51 REPLACED BY	45174	113709	900628K	51
				900692K	51
S 1448	LEVER,INCL. S220,CAPSCREW & WASHER	114034		900692K	51
S 1449	QUADRANT.,LOCK	45174		49271010	1
S 1460	END,ROD	45174		282803A	1
S 1461	BUSHING,OILITE A2605-4	45174		82093900	2



PARTS LIST

ISSUE NO 2, 1965

BE-122

MODEL: 51-B

PAGE: 19- 6

CAT. REF.	PART NAME	SERIAL NO.		PART NO.	REQ.
		FROM	TO/INCL.		
	001				
S 1462	END, ROD	45174		293133A	3
S 1684	SCREW, CAP NOT USED	45174	119126		1
S 1684	SCREW, CAP 1X3 3/4 NC	120292		.03201200	1
	WASHER, LOCK 1			.03962000	1
	NUT, JAM 1 NC			.02716200	1
	002				
S	OPERATING LEVERS-TWO SPEED- INDEPENDENT PROPEL-VARIABLE UNIT DRAWING 1S-423,1-S-502,1-S-503				
S 9	LEVER, HAND SEE MAIN OPER.LEVERS	45174	120301		
S 27	LEVER, HAND	45174	120301	298628	1
S 29	ROD, REACH	45174	120301	189515	4
S 30	LEVER, ROLLER INCL.S220 & S1310	45174	120301	269778	1
S 31	SHAFT, LEVER	45174	120301	294636	1
S 32	ROD, REACH	45174	120301	283365	7
S 35	PIN, CRANK	45174	120301	294922	1
S 41	LEVER, SHIFTER INCL.BOLT,NUT,WASHER	45174	120301	901556K	51
S 42	PIN, FULCRUM	45174	120301	294634	1
S 43	BRACKET, INCL.S1310	45174	120301	269604A	1
S 213	HANDLE, SEE MAIN OPER.LEVERS	45174	120301		
S 216	SPRING,HANDLE SEE MAIN OPER.LEVERS	45174	120301		
S 217	END, ROD	45174	118761	500509K	1
S 217	END, ROD	118762	120301	500509K	1
S 218	END, ROD	45174	118716	500538K	1
S 218	END, ROD	118762	120301	500538K	1
S 219	PIN, END INCL.NUT & WASHERS	45174	118761	500519K	51
S 219	PIN, END INCL.NUT & WASHERS	118762	120301	500519K	51
S 220	BUSHING,	45174	118761	500117K	1
S 220	BUSHING,	118762	120301	500117K	1
S 464	PIN, FULCRUM	45174	120301	290395	1
S 465	BRACKET,INCL.S1301	45174	120301	269603A	1
S 471	LEVER, ROLLER	45174	120301	290861	1
S 661	CRANK, BELL INCL.S220 & S1310	45174	118761	297796A	1
S 661	CRANK, BELL INCL.S220 & S1310	118762	120301	604931K	21
S 662	BRACKET, CRANK	45174	120301	269777A	1
S 719	LEVER, SHIFTER INCL.S1310	45174	120301	269598A	1
S 776	WASHER	45174	118761	X10086	1
S 776	WASHER	118762	120301	X10086	1
S 909	PIN, END	45174	118761	49117010	2
S 909	PIN, END	118762	120301	49117010	1
S 923	END, ROD	45174	118761	Y 4313A	7
S 923	END, ROD	118762	120301	Y 4313A	7
S 1106	ROLLER, CAM	45174	120301	82813600	2
S 1108	PIN,ROLLER INCL.NUT & WASHER	45174	120301	900319K	51
S 1138	LEVER,INCL.S220,BOLT,NUT & WASHER	45174	120301	294920A	1
S 1139	SHAFT, LEVER	45174	120301	294633	1
S 1221	SCREW, SHIFTER	45174	120301	500126K	1
S 1310	BUSHING, OILITE A-1514	45174	120301	82086650	10
S 1398	BUSHING, SEE MAIN OPER.LEVERS	45174	120301		
S 1433	BOLT, FIN.	45174	120301	521275K	1


PARTS LIST

BE-122

MODEL: 51-B

PAGE: 19- 8

CAT. REF.	PART NAME	SERIAL NO.		PART NO.	REQ.
		FROM	TO/INCL.		
	003				
S	OPERATING LEVERS-SINGLE SPEED INDEPENDENT PROPEL AND THIRD DRUM- VARIABLE UNIT-DRAWINGS 1-S-483, 1-S-484,1-S-526,1-S-527				
S	27 LEVER, HAND INCL.S1398	121615		608683K 21	1
S	213 HANDLE, LEVER	121615		500894K 1	1
S	216 SPRING, HANDLE	121615		75730960	1
S	709 END, YOKE	121615		49110510	1
S	909 PIN ASSY,	121615		49117010	2
S	1398 BUSHING, OILITE A-1704	121615		82089050	2
S	1793 BRACKET, LEVER	121615		707098K 1	1
S	1794 SCREW, CAP 3/4X1-3/4 NC	121615		.03194560	3
	WASHER, LOCK 3/4 IN.			.03961800	3
S	1795 BRACKET, LEVER	121615		707099K 1	1
S	1796 SCREW, CAP 5/8X3 NF	121615		.03241960	4
	WASHER, LOCK 5/8 IN.			.03961700	4
	NUT, FULL 5/8 NF			.02741550	4
S	1797 SCREW,SQ.HD.CP.SET 1/2X2-1/4 NC	121615		.03763090	1
	NUT, JAM 1/2 NC			.02711250	1
S	1798 SCREW,SQ.HD.CP.SET 1/2X2-1/4 NC	121615		.03763090	1
	NUT, JAM 1/2 NC			.02711250	1
S	1799 LEVER, CAM	121615		.411958A	1
	SCREW, CAP 5/8X3 NF			.03241960	1
	WASHER, LOCK 5/8 IN.			.03961700	1
	NUT, FULL 5/8 NF			.02741550	1
S	1800 LEVER,CAM INCL.CAPSCREW,NUT,WASHER	121615		901154K 51	1
S	1801 SHAFT, LEVER	121615		513917K 1	1
S	1802 KEY,LEVER & YOKE ASA811	121615		54304750	4
S	1803 SHAFT, LEVER	121615		294634 1	1
S	1804 YOKE,SHIFTER INCL.CAPSCREW, NUT & WASHER	121615		901556K 51	2
S	1805 CAM, CLUTCH	121615		269743 1	2
S	1806 LEVER,ROLLER INCL.S1809 & S1812	121615		200155 1	1
S	1807 LEVER,ROLLER INCL.S1809 & S1812	121615		900619K 51	1
S	1808 PIN, FULCRUM	121615		.511382K 1	2
	PIN, COTTER 5/16X2 IN.			.03121960	2
S	1809 BUSHING, LEVER	121615		82125570	2
S	1810 PIN, LEVER	121615		.82813600	2
	WASHER, LOCK 3/8 IN.			.03961300	2
	NUT, FULL 3/8 NF			.02739550	2
S	1811 ROLLER, CAM	121615		900319K 51	2
S	1812 BUSHING,OILITE A-1514	121615		82086750	10
S	1813 ROD, REACH	121615		.189515 38	1
	NUT, FULL 7/8 NC			.02715100	1
S	1814 END, ROD	121615		500538K 1	2
S	1815 ROD, REACH	121615		.189515 38	1
	NUT, FULL 7/8 NC			.02715100	1
S	1816 END, ROD INCL.S1817	121615		411981A	2
S	1817 BUSHING, END	121615		82125570	2
S	1818 ARM, PIVOT INCL.S1812	121615		608607K 1	1
S	1819 PIN, ARM	121615		411957 1	1
S	1820 PIN, FULCRUM	121615		.511372K 1	1



PARTS LIST

ISSUE NO 2, 1965

BE-122

MODEL: 51-B

PAGE: 19-

CAT. REF.	PART NAME	SERIAL NO.		PART NO.	REQ.
		FROM	TO/INCL.		
	003				
S 1820	PIN, COTTER 5/16X2 IN.			.03121960	1
S 1821	PIN, END INCL.NUT & WASHERS	121615		500519K 51	2
S 1822	ROD, REACH	121615		608682K 21	1
S 1824	STUD, BALL INCL.NUT & WASHER	121615		505136K 51	1
S 1825	BRACKET, ARM	121615		608799K 1	1
S 1826	SCREW, CAP 3/4X2 NF	121615		.03244640	2
	WASHER, LOCK 3/4 IN.			.03961800	2
S 1827	PIN, FULCRUM	121615		.412057 1	1
	PIN, COTTER 3/8X2-1/2 IN.			.03125200	2
S 1828	ARM, SHIFTER	121615		804093K 1	1
S 1829	PIN, ARM	121615		.500292K 1	2
	WASHER, LOCK			.03961800	2
S 1830	SHOE, CLUTCH	121615		500303K 1	2
S 1831	STUD,BALL INCL.NUT & WASHER	121615		505136K 51	1
S 1832	ROD, REACH	121615		.608680K 21	1
	NUT, FULL 1/2 NF			.02740550	1
S 1833	LEVER, HAND	121615		298628 1	1
S 1834	SHAFT, LEVER	121615		279460 1	1
S 1835	BEARING, SHAFT	121615		410411 1	2
S 1836	LINK, LEVER	121615		410471 1	2
S 1837	PIN, LINK	121615		.410417 1	2
	PIN, COTTER 3/16X1-1/4 IN.			.03115600	4
S 1838	LEVER, SHAFT	121615		.410396A	1
	KEY, SAE28			.54306250	1
	SCREW, CAP 5/8X2-1/2 NC			.03191800	1
	WASHER, LOCK 5/8 IN.			.03961700	1
S 1839	LINK, LEVER	121615		608684K 21	1
S 1840	PIN, LINK	121615		.410417 1	2
	PIN, COTTER 3/16X1-1/4 IN.			.03115600	4
S 1841	SHAFT,	121615		708239K 21	1
S 1842	LEVER, SHAFT	121615		.410397A	1
	KEY, SAE28			.54306250	1
	SCREW, CAP 5/8X3-1/4 NC			.03192040	1
	WASHER, LOCK 5/8 IN.			.03961700	1
	NUT, FULL 5/8 NC			.02713050	1
S 1843	STUD,BALL INCL.NUT & WASHER	121615		505136K 51	1
S 1844	BRACKET, BEARING	121615		219551A	1
S 1845	SCREW, CAP 5/8X2 NF	121615		.03241640	5
	WASHER, LOCK 5/8 IN.			.03961700	5
S 1846	LOCK, LEVER	121615		410698 1	1
S 1847	LEVER, BRAKE	121615		.279226 2	1
	NUT, JAM 5/8 NC			.02713250	1
S 1848	END, ROD	121615		410479 1	1
S 1849	PIN, END	121615		.410481 1	1
	PIN, COTTER 1/8X1 IN.			.03109480	2
S 1850	HANDLE, LEVER	121615		279226 1	1
S 1851	PIN, HANDLE	121615		279226 3	1
S 1852	LEVER, FOOT	121615		.219917 1	1
	PIN, COTTER 3/8X3IN.			.03125440	1
1853	SCREW, CAP 1/2X1-1/4 NC	121615		.03185400	1
	NUT, JAM 1/2 NC			.02711250	1
S 1854	LEVER, BRAKE	121615		219917 2	1
S 1855	LINK, LOCK	121615		410696 1	2
S 1856	PIN, FULCRUM	121615		.410417 1	1



PARTS LIST

ISSUE NO 2, 1965

BE-122

MODEL: 51-B

PAGE: 19- 10

CAT. REF.	PART NAME	SERIAL NO.		PART NO.	REQ.
		FROM	TO/INCL.		
	003				
S 1856	PIN, COTTER 3/16X1-1/4 IN.			.03115600	2
S 1857	LINK, LEVER	121615		219917 13	2
S 1858	PIN, LINK	121615		501004K 1	2
S 1859	SHAFT, BRAKE INCL.S1862	121615		.279455 1	1
	KEY, SHAFT SAE28			.54306250	1
S 1860	LEVER, SHAFT	121615		.410395A	1
	SCREW, CAP 5/8X2 NC			.03191640	1
	WASHER, LOCK 5/8 IN.			.03961700	1
S 1861	BUSHING, LEVER NOT USED	121615			
S 1862	BUSHING, SHAFT	121615		82125570	1
S 1863	SPRING, LEVER	121615		75728350	1
S 1864	SCREW, CAP 1/2X2 NC	121615		.03185640	1
	NUT, JAM 1/2 NC			.02711250	2
S 1865	WASHER, SPACER	121615		501013K 1	2
S 1866	PIN, LIVE END	121615		.410423 1	1
	PIN, COTTER 1/4X2 IN.			.03118960	2
S 1867	PIN, DEAD END	121615		.410425 1	1
	PIN, COTTER 5/16X2 IN.			.03121960	2
S 1869	BELL CRANK,	121615	122769	511107K 1	1
S 1869	BELL CRANK,	123178		614159K 1	1
S 1870	BRACKET, BELL CRANK	121615		708240K 21	1
S 1871	SCREW, CAP 5/8X2 NF	121615		.03241640	4
	WASHER, LOCK 5/8 IN.			.03961700	4
S 1872	PIN, FULCRUM	121615		511203K 1	1
S 1873	STUD,BALL INCL.NUT & WASHER	121615		505136K 51	2
S 1875	ROD, REACH	121615		608681K 21	1
S 2081	BOLT, EYE	121615		500523K 1	1
S 2082	BUSHING, OILITE A-1514	121615		82086750	2
S 2083	SCREW, CAP 1/2X1 NF	121615		.03235320	1
	WASHER, LOCK 1/2 IN.			.03961500	1
S 2084	BOLT, CAM	121615		.521275K 1	4
	WASHER, LOCK 5/8 IN.			.03961700	4
	NUT, FULL 5/8 NF			.02741550	4
S 2085	SCREW,SQ.HD.CP.SET 1/2X2-1/4 NC	121615		.03763090	1
	NUT, JAM 1/2 NC			.02711250	1



PARTS LIST

ISSUE NO 2, 1965

BE-122

MODEL: 51-B

PAGE: 19- 1

CAT. REF.	PART NAME	SERIAL NO.		PART NO.	REQ.
		FROM	TO/INCL.		
	004				
S	OPERATING LEVERS-STANDARD PROPEL VARIABLE UNIT-DRAWINGS 1-S-431, 1-S-501				
S	9 LEVER, HAND SEE MAIN OPER. LEVERS	45174	120301		
S	11 ROD, REACH	45174	120301	189611	1
S	13 SHAFT, LEVER	45174	120301	294208	1
S	213 HANDLE, SEE MAIN OPER. LEVERS	45174	120301		
S	216 SPRING, HANDLE SEE MAIN OPER. LEVERS	45174	120301		
S	217 END, ROD	45174	120301	500509K	1
S	218 END, ROD	45174	120301	500538K	1
S	219 PIN, END	45174	120301	500519K	1
S	220 BUSHING,	45174	120301	500117K	1
S	223 SHOE, LEVER	45174	120301	500303K	1
S	224 PIN, SHOE	45174	120301	291296	1
S	268 SHIFTER, CLUTCH INCL. BOLT, NUT & LW	45174	120301	269531AA	2
S	271 PIN, SHOE	45174	120301	500292K	1
S	556 LEVER,	45174	120301	294201A	1
S	697 COLLAR, SHAFT	45174	120301	290579A	1
S	1327 HOSE W/FITTINGS,	45174	120301	53619870	2
S	1398 BUSHING, SEE MAIN OPER. LEVERS	45174	120301		
	005				
S	OPERATING LEVERS-THIRD DRUM- STANDARD PROPEL-VARIABLE UNIT DRAWINGS 1-S-483, 1-S-484, 1-S-525				
S	1795 BRACKET, SHIFTER	121615		250900A	1
S	1796 SCREW, CAP 5/8X2 1/2 NC	121615		.03191800	4
	WASHER, LOCK 5/8			.03961700	4
	NUT, FULL 5/8 NC			.02713050	4
S	1801 SHAFT, YOKE	121615		279473	1
S	1804 YOKE, SHIFTER	121615		.279472A	1
	SCREW, SHIFTER			.500126K	1
S	1814 END, ROD	121615		500509K	1
S	1822 ROD, REACH	121615		.283369	11
	NUT, FULL			.02715100	2
S	1833 LEVER, HAND	121615		298628	1
S	1834 SHAFT, LEVER	121615		279460	1
S	1835 BEARING, SHAFT	121615		410411	1
S	1836 LINK, LEVER	121615		410471	1
S	1837 PIN, LINK	121615		.410417	1
	PIN, COTTER 3/16X1 1/4			.03115600	4
S	1838 LEVER, SHAFT	121615		.410396A	1
	KEY, SHAFT SAE 28			.54306250	1
	SCREW, CAP 5/8X2 1/2 NC			.03191800	1
	WASHER, LOCK 5/8			.03961700	1
S	1839 LINK., LEVER	121615		608684K	21
S	1840 PIN, LINK	121615		.410417	1
	PIN, COTTER 3/16X1 1/4			.03115600	4
S	1841 SHAFT,	121615		708239K	21

PARTS LIST

CAT. REF.	PART NAME	SERIAL NO.		PART NO.	REQ.
		FROM	TO/INCL.		
	005				
S 1842	LEVER, SHAFT	121615		.410397A	1
	KEY, SHAFT SAE 28			.54306250	1
	SCREW, CAP 5/8X3 1/4 NC			.03192040	1
	WASHER, LOCK 5/8			.03961700	1
	NUT, FULL 5/8 NC			.02713050	1
S 1843	STUD, BALL INCL. NUT & WASHER	121615		505136K 51	1
S 1844	BRACKET, BEARING	121615		219551A	1
S 1845	SCREW, CAP 5/8X2 NF	121615		.03241640	5
	WASHER, LOCK 5/8			.03961700	5
S 1846	LOCK, LEVER	121615		410698 1	1
S 1847	LEVER, BRAKE	121615		.279226 2	1
	NUT, JAM 5/8 NC			.02713250	1
S 1848	END, ROD	121615		410479 1	1
S 1849	PIN, END	121615		.410481 1	1
	PIN, COTTER 1/8X1			.03109480	2
S 1850	HANDLE, LEVER	121615		279226 1	1
S 1851	PIN, HANDLE	121615		279226 3	1
S 1852	LEVER, FOOT	121615		.219917 1	1
	PIN, COTTER 3/8 X3			.03125440	1
S 1853	SCREW, CAP 1/2X1-1/4 NC	121615		.03185400	1
	NUT, JAM 1/2 NC			.02711250	1
S 1854	LEVER, BRAKE	121615		219917 2	1
S 1855	LINK, LOCK	121615		410696 1	2
S 1856	PIN, FULCRUM	121615		.410417 1	1
	PIN, COTTER 3/16X1 1/4			.03115600	2
S 1857	LINK, LEVER	121615		219917 13	2
S 1858	PIN, LINK	121615		501004K 1	2
S 1859	SHAFT, BRAKE INCL. S1862	121615		.279455 1	1
	KEY, SHAFT SAE 28			.54306250	1
S 1860	LEVER, SHAFT	121615		.410395A	1
	SCREW, CAP 5/8X2 NC			.03191640	1
	WASHER, LOCK 5/8			.03961700	1
S 1861	BUSHING, LEVER NOT USED	121615			
S 1862	BUSHING, SHAFT	121615		82125570	1
S 1863	SPRING, LEVER	121615		75728350	1
S 1864	SCREW, CAP 1/2X2 NC	121615		.03185640	1
	NUT, JAM 1/2 NC			.02711250	2
S 1865	WASHER, SPACER	121615		501013K 1	2
S 1866	PIN, LIVE END	121615		.410423 1	1
	PIN, COTTER 1/4 X2			.03118960	2
S 1867	PIN, DEAD END	121615		.410425 1	1
	PIN, COTTER 5/16X2			.03121960	2
S 1868	PIN, END	121615		500519K 1	2
S 1869	BELL, CRANK	121615		410697A	1
S 1870	BRACKET, BELL CRANK	121615		279461 1	1
S 1871	SCREW, CAP 5/8X1 1/2 NF	121615		.03241480	3
	WASHER, LOCK 5/8			.03961700	3
S 1873	STUD, BALL INCL. NUT & WASHER	121615		505136K 51	1
S 1874	ROD, REACH	121615		.410700 1	1
	ROD, REACH			.410700 4	1



PARTS LIST

ISSUE NO 2, 1965

BE-122

MODEL: 51-B

PAGE: 19- 12

CAT. REF.	PART NAME	SERIAL NO.		PART NO.	REQ.
		FROM	TO/INCL.		
	006				
S	OPERATING LEVERS-BACKHAUL CLUTCH-VARIABLE UNIT-DRAWING 1-S-492				
S	317 PIN,FULCRUM	45174		290395 1	1
S	318 LEVER,SHIFTER INCL. S1310	45174		267260B	1
S	471 LEVER,ROLLER	45174	69321	290861 1	1
S	471 LEVER,ROLLER INCL. BARS,BOLT & WASHER	69324		900081K 51	1
S	566 LEVER,INCL. BOLT,NUT & LW	45174		294951A	1
S	569 LEVER,INCL.BOLT,NUT & LW	45174	69321	294951A 1	1
S	569 LEVER,INCL. BOLT,NUT & LW	69324		294951A 2	1
S	659 SHAFT,LEVER	45174		294959 1	1
S	660 BRACKET,INCL. S1310	45174		269791A	1
S	776 WASHER	45174		X10086 1	1
S	1105 CAM,	45174		267261 1	1
S	1106 ROLLER,CAM	45174		82813600	1
S	1108 PIN,ROLLER INCL. NUT & WASHER	45174		900319K 51	1
S	1221 SCREW,SHIFTER	45174		500126K 1	2
S	1288 STUD,BALL INCL. NUT & WASHER	45174		505136K 51	2
S	1310 BUSHING,OILITE A-1514	45174		82086536	4
S	1433 BOLT,FINISHED	45174		521275K 1	2
S	1434 NUT,SLEEVE	45174		296956 1	1
S	1438 SOCKET,STUD L14-SG-18-A12	45174		49069010	1
S	1439 SOCKET,STUD L14-SG-20-A11	45174		49070260	1
	007				
S	ENGINE CONTROLS FOR BUDA GAS ENGINE MODEL 8MO-1290-BUDA DIESEL ENGINE MODEL 6DCB-1742-VARIABLE UNIT-DRAWINGS 1S-435,1-S-474				
S	1 LEVER, HAND INCL.S220 & S1398	114034		200353 1	1
S	4 ROD, REACH NOT USED	45174	113709		
S	4 ROD, REACH	114034		412230 1	1
S	5 CRANK, BELL INCL.S1766 NOT USED	45174	113709		
S	5 CRANK, BELL INCL.S1766	114034		412221A	1
S	6 SHAFT, LEVER NOT USED	45174	113709		
S	6 SHAFT, LEVER INCL.KEY	114034		412223 1	1
S	7 ROD, REACH NOT USED	45174	113709		
S	7 ROD, REACH	114034		412227 1	1
S	8 LEVER, FRONT NOT USED	45174	113709		
S	8 LEVER, FRONT INCL.KEY	114034		412217A	1
S	120 LEVER, HAND	114034		Y 8115AC 2	1
S	121 LATCH, LEVER	114034		500420K 1	1
S	122 SPRING, LEVER	114034		75728980	1
S	123 QUADRANT,	114034		49341410	1
S	125 QUADRANT AND SUPPORT SEE OPER. LEVERS	45174	88281		
S	125 QUADRANT AND SUPPORT,	88282		706977K 21	1
S	133 SUPPORT, REAR	45174		297091 1	1
S	213 HANDLE,	45174		500894K 1	1



PARTS LIST

ISSUE NO 2, 1965

BE-122

MODEL: 51-B

PAGE: 19- 14

CAT. REF.	PART NAME	SERIAL NO.		PART NO.	REQ.
		FROM	TO/INCL.		
	007				
S 216	SPRING, HANDLE	45174		75730960	1
S 217	END, ROD	114034		500509K 1	1
S 218	END, ROD	114034		500538K 1	1
S 219	PIN, END	114034		500519K 1	2
S 220	BUSHING, LEVER	114034		500117K 1	2
S 395	PIN, FULCRUM	45174		405303 1	1
S 589	LEVER, SHAFT NOT USED	45174	113709		
S 589	LEVER, SHAFT	114034		412217A 1	1
S 706	ROD, REACH NOT USED	45174	113709		
S 706	ROD, REACH	114034		412226 1	1
S 708	LEVER, CLUTCH NOT USED	45174	113709		
S 708	LEVER, CLUTCH	114034		200351A	1
S 768	END, ROD 2708-4A	45174	113709	49108510	2
S 768	END, ROD NOT USED	114034			
S 769	PIN, END 2708-1/2-4A	45174	113709	49116510	2
S 769	PIN, END NOT USED	114034			
S 1277	PUSH PULL UNIT, TRU LAY SWIVEL ENDS 1/8 ARMORED STRAND 4IN. TRAVEL 12FT. 6IN. LONG	45174		46314600	1
S 1278	END, YOKE 2708-2A	45174		49107510	4
S 1279	PIN, END 2708-1/2-2A	45174		29115510	4
S 1287	BEARING, SHAFT NOT USED	45174	113709		
S 1287	BEARING, SHAFT	114034		412220A	2
S 1288	STUD, BALL NOT USED	45174	113709		
S 1288	STUD, BALL INCL. NUT & WASHER	114034		505136K 51	6
S 1328	PUSH PULL UNIT, SEE OPER. LEVERS	45174	88281		
S 1328	PUSH PULL UNIT, TRU LAY SWIVEL TYPE 1/4 IN. ARMORED STRAND 4IN. TRAVEL 14FT. LONG.	88282	113709	46316800	1
S 1328	PUSH PULL UNIT, NOT USED	114034			
S 1368	END, ROD	45174		297090 1	1
S 1369	PIN, END	45174		500856K 1	2
S 1380	LEVER, STOP	45174		297092 1	1
S 1382	LEVER,	45174		229488 1	1
S 1385	BRACKET, SUPPORT	45174	113709	296958 1	1
S 1385	BRACKET, SUPPORT NOT USED	114034			
S 1398	BUSHING, DILITE A1704	45174		82089050	2
S 1459	ROD, REACH	45174		297094 1	1
S 1465	SPRING, LEVER	45174		75638010	1
S 1466	ROD, REACH	45174		296543 1	1
S 1467	END, ROD	45174		296605 1	1
S 1468	PIN, END NOT USED	45174	88292		
S 1468	PIN, END 2708-1/2-2A	98048		49115510	2
S 1764	ROD, REACH NOT USED	45174	113709		
S 1764	ROD, REACH	114034		412229 1	1
S 1765	CRANK, BELL NOT USED	45174	113709		
S 1765	CRANK, BELL INCL. S220 & S1767	114034		412222A	1
S 1766	BUSHING, CRANK NOT USED	45174	113709		
S 1766	BUSHING, CRANK A1319-8	114034		82085900	1
S 1767	BUSHING, CRANK NOT USED	45174	113709		
S 1767	BUSHING, CRANK A1319-8	114034		82085900	1



PARTS LIST

ISSUE NO 2, 1965

BE-122

MODEL: 51-B

PAGE: 19- 15

CAT. REF.	PART NAME	SERIAL NO.		PART NO.	REQ.
		FROM	TO/INCL.		
	008				
S	ENGINE CONTROLS FOR BUDA DIESEL ENGINE MODEL 6DA-970-WITH TORQUE CONVERTER VARIABLE UNIT-DRAWINGS 1-S-453, 1-S-474				
S	1 LEVER, HAND INCL.S1398	45174	113709	294221	1 1
S	1 LEVER, HAND INCL.S220 & S1398	114034		200353	1 1
S	4 ROD, REACH NOT USED	45174	113709		
S	4 ROD, REACH	114034		412230	1 1
S	5 CRANK, BELL NOT USED	45174	113709		
S	5 CRANK, BELL INCL.S1766	114034		412221A	1 1
S	6 SHAFT, LEVER NOT USED	45174	113709		
S	6 SHAFT, LEVER INCL.KEY	114034		412223	1 1
S	7 ROD, REACH NOT USED	45174	113709		
S	7 ROD, REACH	114034		412227	1 1
S	8 LEVER, FRONT NOT USED	45174	113709		
S	8 LEVER, FRONT INCL.KEY	114034		412217A	1 1
S	120 LEVER, HAND	45174		Y 8115AC	3 1
S	121 LATCH, LEVER	45174		500420K	1 1
S	122 SPRING, LEVER	45174		75728980	1 1
S	123 RATCHET, LEVER	45174		49341410	1 1
S	124 BOLT, RATCHET 3/8X3 NC NUT, FULL 3/8 NC	45174		.02007350 .02709150	2 2
S	125 QUADRANT AND SUPPORT SEE OPER. LEVERS.	45174	88281		
S	125 QUADRANT, AND SUPPORT	88282		706977K	21 1
S	133 SUPPORT,	88282		277853	1 1
S	213 HANDLE,	45174		500894K	1 1
S	216 SPRING, HANDLE	45174		75730960	1 1
S	217 END, ROD	114034		500509K	1 1
S	218 END, ROD	114034		500538K	1 1
S	219 PIN, END	114034		500519K	1 2
S	220 BUSHING, LEVER	114034		500117K	1 2
S	395 PIN, FULCRUM	45174		406865	1 1
S	589 LEVER, REAR NOT USED	45174	113709		
S	589 LEVER, REAR	114034		412219A	1 1
S	706 ROD, REACH NOT USED	45174	113709		
S	706 ROD, REACH	114034		412226	1 1
S	708 LEVER, CLUTCH NOT USED	45174	113709		
S	708 LEVER, CLUTCH	114034		200351A	1 1
S	768 END, ROD 2708-4A	45174	113709	49108510	2 2
S	768 END, ROD NOT USED	114034			
S	769 PIN, END 2708-1/2-4A	45174	113709	49116510	2 2
S	769 PIN, END NOT USED	114034			
S	896 BALL AND SOCKET, 1/4 SAE	45174		82571450	1 1
S	1277 PUSH PULL UNIT,TRU LAY SWIVEL TYPE 1/8 ARONRED STRAND 4IN.TRAVEL 15FT. LONG	45174		46317750	1 1
S	1278 END, YOKE 2708-2A	45174		49107510	1 1
S	1279 PIN, END 2708-1/2-2A	45174		49115510	1 1
S	1287 BEARING, SHAFT NOT USED	45174	113709		
S	1287 BEARING, SHAFT	114034		412220A	2 2
S	1288 STUD, BALL NOT USED	45174	113709		



PARTS LIST

ISSUE NO 2, 1965

BE-122

MODEL: 51-B

PAGE: 19- 16

CAT. REF.	PART NAME	SERIAL NO.		PART NO.	REQ.
		FROM	TO/INCL.		
	008				
S 1288	STUD, BALL INCL.NUT & WASHER	114034		505136K 51	6
S 1328	PUSH PULL UNIT,SEE OPER.LEVERS	45174	88281		
S 1328	PUSH PULL UNIT,TRU LAY SWIVEL TYPE 1/4IN.ARMORED STRAND 4IN. TRAVEL 14FT. LONG	88282	113709	46316800	1
S 1328	PUSH PULL UNIT, NOT USED	114034			
S 1385	BRACKET, SUPPORT	45174	113709	296958	1 1
S 1385	BRACKET, SUPPORT NOT USED	114034			
S 1398	BUSHING, LEVER A-1704	45174		82089050	2
S 1764	ROD, REACH NOT USED	45174	113709		
S 1764	ROD, REACH	114034		412228	1 1
S 1765	CRANK, BELL NOT USED	45174	113709		
S 1765	CRANK,BELL INCL.S220 & S1767	114034		412222A	1
S 1766	BUSHING, CRANK NOT USED	45174	113709		1
S 1766	BUSHING, CRANK A-1319-8	114034		82085900	1
S 1767	BUSHING, CRANK NOT USED	45174	113709		1
S 1767	BUSHING, CRANK A-1319-8	114034		82085900	1
	009				
S	ENGINE CONTROLS FOR CATERPILLAR DIESEL ENGINE MODELS D-337,D337-F WITH TORQUE CONVERTER-VARIABLE UNIT,DRAWINGS 1-S-434,1-S-453, 1-S-474, 1-S-477				
S 1	LEVER,HAND INCL.S1398	45174	114038	294221	1 1
S 1	LEVER,HAND INCL.S220 & S1398	114039	120301	200353	1 1
S 4	ROD, REACH NOT USED	45174	114038		
S 4	ROD, REACH	114039	120301	412230	1 1
S 5	CRANK, BELL NOT USED	45174	114038		
S 5	CRANK, BELL INCL.S1766	114039	120301	412221A	1
S 6	SHAFT, LEVER NOT USED	45174	114038		
S 6	SHAFT, LEVER INCL.KEY	114039	120301	412223	1 1
S 7	ROD, REACH NOT USED	45174	114038		
S 7	ROD, REACH	114039	120301	412227	1 1
S 8	LEVER, FRONT NOT USED	45174	114038		
S 8	LEVER, FRONT INCL. KEY	114039	120301	412217A	1
S 120	LEVER, HAND	45174	119126	Y 8115AC 3	1
S 120	LEVER, HAND	120292	120301	Y 8115AC 6	1
S 121	LEVER, HAND	45174	120301	500420K	1 1
S 122	SPRING, LEVER	45174	120301	75728980	1
S 123	RATCHET, LEVER	45174	120301	49341410	1
S 124	SCREW, CAP 3/8X2 NC	45174	120301	03179640	2
S 125	QUADRANT & SUPPORT,	45174	120301	706977K 21	1
S 133	SUPPORT,	45174	114767	412435	1 1
S 133	SUPPORT,	114768	119126	503880K	1 1
S 133	SUPPORT,	120292	120301	608939K	1 1
S 213	HANDLE,	45174	120301	500894K	1 1
S 216	SPRING, HANDLE	45174	120301	75730960	1
S 217	END, ROD	114039	120301	500509K	1 1
S 218	END, ROD	114039	120301	500538K	1 1
S 219	PIN, END	114039	120301	500519K	1 2



PARTS LIST

ISSUE NO 2, 1965

BE-122

MODEL: 51-B

PAGE: 19- 1

CAT. REF.	PART NAME	SERIAL NO.		PART NO.	REQ.
		FROM	TO/INCL.		
	009				
S 220	BUSHING, LEVER	114039	120301	500117K 1	2
S 395	PIN, FULCRUM	45174	120301	406865 1	1
S 589	LEVER, REAR NOT USED	45174	114038		
S 589	LEVER, REAR	114039	120301	501247K 21	1
S 706	ROD, REACH NOT USED	45174	114038		
S 706	ROD, REACH	114039	120301	412226 1	1
S 708	LEVER, CLUTCH SEE Q657	45174	114038		
S 708	LEVER, CLUTCH	114039	120301	600558K 21	1
S 768	END, ROD	45174	114038	49108510	2
S 768	END, ROD NOT USED	114039	120301		
S 769	PIN, END	45174	114038	49116510	2
S 769	PIN, END NOT USED	114039	120301		
S 1277	PUSH PULL UNIT, TRU LAY SWIVEL TYPE 3/16 IN. ARMORED STRAND 3 IN. TRAVEL 21 FT. 6 IN. LONG	45174	120301	46321870	1
S 1278	END, YOKE	45174	120301	49108010	2
S 1279	PIN, END	45174	120301	49116010	2
S 1287	BEARING, SHAFT NOT USED	45174	114038		
S 1287	BEARING, SHAFT	114039	120301	412220A	2
S 1288	STUD, BALL NOT USED	45174	114038		
S 1288	STUD, BALL INCL. NUT & WASHER	114039	120301	505136K 51	6
S 1328	PUSH PULL UNIT SEE OPER. LEVERS	45174	88281		
S 1328	PUSH PULL UNIT, TRU LAY SWIVEL TYPE 1/4 IN. ARMORED STRAND 4 IN. TRAVEL 14 FT. LONG	88282	114038	46316800	1
S 1328	PUSH PULL UNIT, NOT USED	114039	120301		
S 1398	BUSHING, LEVER A-1704	45174	120301	82089050	2
S 1764	ROD, REACH NOT USED	45174	114038		
S 1764	ROD, REACH	114039	120301	600373K 21	1
S 1765	CRANK, BELL NOT USED	45174	114038		
S 1765	CRANK, BELL INCL. S220 & S1767	114039	120301	412222A	1
S 1766	BUSHING, CRANK NOT USED	45174	114038		
S 1766	BUSHING, CRANK A-1319-8	114039	120301	82085900	1
S 1767	BUSHING, CRANK NOT USED	45174	114038		
S 1767	BUSHING, CRANK A-1319-8	114039	120301	82085900	1
	NOTE FOR ENGINE CONTROLS FOR MACHINES 121615 & UP SEE SEPARATE SECTION		0		00-



PARTS LIST

ISSUE NO 2, 1965

BE-122

MODEL: 51-B

PAGE: 19- 18

CAT. REF.	PART NAME	SERIAL NO.		PART NO.	REQ.
		FROM	TO/INCL.		
	010				
	ENGINE CONTROLS FOR CATERPILLAR DIESEL ENGINE MODEL D-337-F WITH TORQUE CONVERTER-VARIABLE UNIT- DRAWINGS 1-S-528,1-S-529,1-S-530				
10	SUPPORT,HAND THROTTLE	121615		609378K 21	1
125	QUADRANT & SUPPORT,	121615		708685K 21	1
2002	LEVER,THROTTLE TO ENG.GOV.	121615		609374K 21	1
	LEVER,THROTTLE TO OUTPUT SHAFT			608863K 21	1
2003	KNOB,LEVER BLACK	121615		82594250	1
	KNOB,LEVER RED			82594255	1
2004	DISC,LEVER	121615		42081460	2
2005	STUD,LEVER	121615		514092K 1	1
2006	NUT,LOCK 1/2 NF	121615		02769300	2
2007	WASHER,CUT 1/2	121615		03951600	4
2008	SPRING,LEVER	121615		75746000	2
2009	CONTROL,THROTTLE 1/8X24 FT.	121615		46321920	1
2010	JOINT,BALL AT OPER.STAND SS-1002	121615		82571610	3
	JOINT,BALL AT ENGINE SS-1002			82571610	1
2040	CONTROL,GOV. 1/8X24 FT.	121615		46321920	1
2041	BRACKET,MOUNTING	121615		609317K 1	1
2045	BRACKET,MOUNTING	121615		608813K 21	1
2051	LEVER,CONTORL	121615		608800K 21	1
2087	LEVER,SHIFTER	121615		516475K 1	2
2088	BRACKET,LEVER	121615		612424K 21	1
2089	BRACKET,SUPPORT	121615	122530	612425K 21	1
2089	BRACKET,SUPPORT	122587		713487K 1	1
2090	SPACER,LEVER	121615		529703K 1	1
2091	SPACER,LEVER	121615		529704K 1	1
2092	CONTROL,CLUTCH 1/8X 24 FT.	121615		46321919	1
2093	SCREW,CAP 3/8X1 1/2 NF	121615		.03229480	1
	NUT, LOCK 3/8 NF			.02769200	1
2094	END,CABLE	121615		516474K 1	1
	011				
	ENGINE CONTROLS-FOR CATERPILLAR DIESEL ENGINE MODEL D17000- VARIABLE UNIT DRAWINGS 1-Q-374				
1	LEVER,HAND INCL. S1398	45174		294221 1	1
125	QUADRANT & SUPPORT SEE OPER.LEVERS	45174	88281		
125	QUADRANT & SUPPORT,	88282		233393 1	1
213	HANDLE.,	45174		500894K 1	1
216	SPRING,HANDLE	45174		75730960	1
768	END,ROD 2708-4A	45174		49108510	2
769	PIN,END 2708 1/2 -4A	45174		49116510	2
1277	PUSH PULL UNIT,TRU LAY SWIVEL TYPE	45174		46320750	1
	1/8 ARMORED STRAND 4 IN.TRAVEL 18 FT. LONG				
1278	END,ROD 2708-2A	45174		49107510	1
1279	PIN,END 2708 1/2 -2A	45174		49115510	1



PARTS LIST

CAT. REF.	PART NAME	SERIAL NO.		PART NO.	REQ.
		FROM	TO/INCL.		
	011				
S 1328	PUSH PULL UNIT,SEE OPER.LEVERS	45174	80281		
S 1328	PUSH PULL UNIT,TRU LAY SWIVEL	88282		46316800	1
	TYPE 1/4 IN.ARMORED STRAND 4 IN. TRAVEL 14 FT. LONG				
S 1385	BRACKET,SUPPORT	45174		296958	1
S 1398	BUSHING,OILITE A1704	45174		82089050	2
S 1463	PIN,END 2708 1/2 -3A	45174		49116010	1
S 1464	END,ROD	45174		295310	1
	BRACKET,LEVER			296830	1
	BRACKET,SUPPORT			296236	1
S 1464	BRACKET,SUPPORT	75328		403093	1
S 1464	BOLT, BRACKET 3/8X1-1/4 NC	45174	69324	.02006800	2
	NUT,FULL 3/8 NC			.02709150	2
S 1464	BOLT,BRACKET NOT USED	75328			
S 1464	U-BOLT,SUPPORT INCL. NUTS & WASHERS	45174		500718K 51	2
	012				
S	ENGINE CONTROLS-FOR GENERAL MOTORS DIESEL ENGINE-MODEL 62307-RD- VARIABLE UNIT-DRAWINGS 1-S-474, 1-S-528,1-S-572				
S 1	LEVER,HAND INCL. S1398	45174		200353	1
S 4	ROD,REACH	45174		412230	1
S 5	BELL CRANK INCL.S1766	45174		412221A	1
S 6	SHAFT,LEVER INCL. KEY	45174		412223	1
S 7	ROD,REACH	45174		412227	1
S 8	LEVER,FRONT INCL. KEY	45174		412217A	1
S 10	SUPPORT,THROTTLE	45174		608842K 21	1
S 125	QUADRANT & SUPPORT,	45174		708685K 21	1
S 213	HANDLE,	45174		500894K 1	1
S 216	SPRING,HANDLE	45174		75730960	1
S 217	END,ROD	45174		500509K 1	1
S 218	END,ROD	45174		500538K 1	1
S 219	PIN, END	45174		500519K 1	2
S 220	BUSHING,LEVER	45174		82125570	2
S 589	LEVER,SHAFT	45174		501247K 21	1
S 706	ROD,REACH	45174		412226	1
S 708	LEVER,CLUTCH	45174		615768K 21	1
S 1277	PUSH-PULL UNIT, SEE S2009	45174			
S 1287	BEARING,SHAFT	45174		412220A	2
S 1288	STUD,BALL INCL.NUT & WASHER	45174		505136K 51	6
S 1398	BUSHING,LEVER A-1704	45174		82089050	2
S 1764	ROD,REACH	45174		600373K 21	1
S 1765	BELL,CRANK ,INCL. S220 & S1767	45174		412222A	1
S 1766	BUSHING,CRANK A-1319-8	45174		82085900	1
S 1767	BUSHING,CRANK A-1319-8	45174		82085900	1
S 2002	LEVER,THROTTLE TO ENG.GOV. LEVER,THROTTLE TO OUTPUT SHAFT	45174		608864K 21 608863K 21	1 1
S 2003	KNOB,LEVER BLACK KNOB,LEVER RED	45174		82594250 82594255	1 1



PARTS LIST

ISSUE NO 2, 1965

BE-122

MODEL: 51-B

PAGE: 20 -1

CAT. REF.	PART NAME	SERIAL NO.		PART NO.	REQ.
		FROM	TO/INCL.		
	001				
T	PROPELLING MACHINERY-DRAWING 1-T-363				
T	4 RETAINER, PINION	45174	112846	290020 1	1
T	4 RETAINER, PINION	113705		406454 1	1
T	5 SCREW, CAP	45174	112846	520731K 1	3
T	5 SCREW, CAP	113705		410981 1	3
T	9 WASHER, PINION	45174		290336A 1	1
T	10 PINION, SHAFT	35174		269333A 1	1
T	11 SHAFT & GEAR, INCL. T41 1-269327 REPLACED BY	45174	65981	269327 1	1
	T11 SHAFT & GEAR, INCL. T41 T395 PAWL,			901538K 52	1
	T480 PAWL,			603255K 21	1
T	11 SHAFT & GEAR, INCL. T41	69320		603167K 1	1
T	36 GUARD, CLUTCH	45174		901538K 51	1
T	38 SHAFT, CLUTCH	45174		269396 1	2
T	41 BUSHING, CLUTCH	45174		269328 1	2
T	42 CLUTCH, SLIDING	45174		528508K 1	2
T	44 SPROCKET, DRIVING	45174		269329A 2	2
T	45 COLLAR-CLAMP INCL. BOLTS, NUTS & WASHERS	45174		269334A 2	2
T	46 RETAINER, SPROCKET	45174		901571K 51	2
T	47 SCREW, CAP	45174		187613 1	2
T	48 WIRE, LOCK 12X12	45174		500015K 1	4
T	87 PIN, CRANK	45174		84200000 2	2
T	93 END, ROD	45174	65981	290032 1	1
T	93 END, ROD SEE T394	69320		49110510 3	3
T	102 SCREW, DOWEL	45174			
T	111 CASE, GEAR	45174		290035 1	1
T	131 BEARING, PIN INCL. T638	45174		227822 1	1
T	139 SPROCKET, DRIVING SEE T44	45174		900649K 51	1
T	142 WIRE, LOCK 1/16X15	45174	112846		
T	142 WIRE, LOCK 12 GA. X12	45174		84020000 1	1
T	199 PACKING, FELT 3/8X1 1/4X10 FT. 6 IN.	113705		84200000 1	1
T	307 WASHER, & SEAL,	45174		82263900 1	1
T	386 ROD, CENTER	45174		269380A 1	1
T	387 ROD, CENTER	45174		294250 1	1
T	388 CRANK, BELL	45174		282758 1	1
T	391 LEVER, PAWL	45174		269360A 1	1
T	392 LEVER, PAWL	45174		269361 1	1
T	394 ROD, REACH	45174	65981	269362 1	1
T	394 ROD, REACH	69320	116039	294161 1	1
	1-294161 & 1-402031 REPLACED BY T394 ROD, REACH			402031 1	1
	END, PIN,			602145K 21	1
	SCREW, CAP NUT, JAM 1/2 NF			49110510 1	1
T	394 ROD, REACH	117037		49117010 2	2
T	395 PAWL, FRONT	45174	65981	504172K 1	1
T	395 PAWL, FRONT	69320	117038	02740700 2	2
	1-294157 & 1-273917 REPLACED BY			602145K 21	1



PARTS LIST

ISSUE NO 2, 1965

BE-122

MODEL: 51-B

PAGE: 20- 2

CAT. REF.	PART NAME	SERIAL NO.		PART NO.	REQ.
		FROM	TO/INCL.		
	001				
T 395	PAWL, FRONT	117039		603255K 21	1
T 396	PIN, PAWL	45174		296459 1	1
T 397	LOCK, PIN	45174		197621 7	4
T 480	PAWL, REAR	45174	65981	294156 1	1
T 480	PAWL, REAR 1-294156 & 2-273917 REPLACED BY	69320	117038	272917 2 603167K 1	1 1
T 480	PAWL, REAR	117039	0	603167K 1	1
T 481	ROD, REACH	45174	65981	294674 1	1
T 481	ROD, REACH 1-402032 REPLACED BY	69320	88292	402032 1	1
	T481 ROD, REACH PIN,			405966 1 .405964 1	1 1
	NUT, FULL 7/8 NC			.02715100	1
T 481	ROD, REACH	98048		405966 1	1
T 482	PIN, END	45174		49117010	3
T 561	WASHER, PIN	45174		68188250	4
T 634	LEVER, PAWL	45174		294162AA	1
T 635	PIN, LEVER	45174		174899 1	1
T 636	BEARING, PIN	45174		290036 1	1
T 637	SCREW, CAP 5/8X1 1/2 NC	45174		03191480	2
T 638	BUSHING, OILITE A-1901	45174	88292	82090200	2
T 638	BUSHING, OILITE AA-1904-2	98048		82090465	2
T 639	SCREW, SET SQ. HD. DOG. PT. 3/4X2 NC NUT, JAM 3/4 NC	45174		.03771980 .02714450	2 2
T 640	PIN, ROD	45174		405964 1	1
T 641	COVER, LOCK	45174		227997 1	2
T 642	DOWEL, WASHER	45174		269380 1	1
	002				
	PROPELLING MACHINERY-STANDARD PROPEL-VARIABLE UNIT-DRAWING 1-T-363				
T 1	SHAFT, PROPEL 1-269390 REPLACED BY T1 SHAFT	45174	112846	269390 1	1
	SHIM			200048 1	1
	T5 SCREW, CAP			74389952	5
	T4 WASHER			410981 1	3
	T142 WIRE, LOCK 12GA.X12 IN.			406454 1 84200000	1 1
T 1	SHAFT, PROPEL SHIM, AS REQ.	113705		.200048 1 74389952	1 5
6	GEAR, SHAFT INCL.T7	45174	119126	901540K 51	1
6	GEAR, SHAFT INCL.T7	120292		706111K 51	1
7	BUSHING, GEAR	45174		294197A	1
8	CLUTCH, SHAFT	45174		269372AA	1
502	SHOE, CLUTCH INCL.T503	45174	119126	901339K 51	1
502	SHOE, CLUTCH INL. T503 NOT USED	120292			
503	LINING KIT, FOR T502 INCL.T504	45174	119126	901005K 51	1
503	LINING KIT, NOT USED	120292			
504	RIVET, BRASS NO.5X1-1/4	45174	119126	69042010	68
504	RIVET, BRASS NOT USED	120292			



PARTS LIST

ISSUE NO 2, 1965

BE-122

MODEL: 51-B

PAGE: 20- 3

CAT. REF.	PART NAME	SERIAL NO.		PART NO.	REQ.
		FROM	TO/INCL.		
	002				
T 505	RETAINER, SHOE	45174	119126	294207 1	2
T 505	RETAINER, SHOE NOT USED	120292			
T 506	SCREW, CAP 5/8X1-1/4 NC	45174	119126	03191400	10
T 506	SCREW, CAP NOT USED	120292			
T 507	PIN, SHOE	45174	119126	285647 1	1
T 507	PIN, SHOE NOT USED	120292			
T 508	SCREW, ADJ.	45174	119126	294199 1	1
T 508	SCREW, ADJ. NOT USED	120292			
T 509	PIN, SCREW	45174	119126	294198 1	1
T 509	PIN, SCREW NOT USED	120292			
T 510	PIN, SCREW	45174	119126	294198 2	1
T 510	PIN, SCREW NOT USED	120292			
T 511	LOCK, SCREW	45174	119126	294200 1	1
T 511	LOCK, SCREW NOT USED	120292			
	003				
T	PROPELLING MACHINERY-INDEPENDENT				
	PROPEL-VARIABLE UNIT-DRAWINGS				
	1-QR-403, 1-T-365, 1-T-366, 1-T-367,				
	1-T-368, 1-T-371, 1-T-372, 1-T-374,				
	1-T-377, 1-T-378,				
T 1	SHAFT, PROPEL	45174	112846	269589 1	1
	1-269589 REPLACED BY				
	T1 SHAFT			614103K 1	1
	T4 WASHER			406454 1	1
	T5 SCREW CAP			410981 1	3
	T142 WIRE, LOCK 12GA.X12IN.			84200000 1	1
T 1	SHAFT, PROPEL	113705	120301	200051 1	1
	1-200051 REPLACED BY			614103K 1	1
T 1	SHAFT, PROPEL	121615		614103K 1	1
T 5	SCREW, CAP NOT USED	45174	120301		
T 5	SCREW, CAP	121615		187676 1	2
T 6	GEAR, SHAFT	45174	120301	269588A 1	1
T 6	GEAR, SHAFT	121615		707097K 1	1
T 93	END, ROD	45174	120301	49110510 1	3
T 93	END, ROD NOT USED	121615			
T 142	WIRE, LOCK NOT USED	45174	120301		
T 142	WIRE, LOCK 12X9 IN.	121615		84200000 1	1
T 177	SHAFT, HORIZONTAL	45174	120301	269561 1	1
T 177	SHAFT, HORIZONTAL	121615	122769	200182 1	1
	1-200182 REPLACED BY			614102K 1	1
T 177	SHAFT, HORIZONTAL	123178		614102K 1	1
T 181	PINION, BEVEL INCL.T182	45174	120301	900983K 51	2
T 181	PINION, BEVEL	121615		251460A 1	1
T 182	BUSHING, PINION	45174	120301	294513A 2	2
T 182	BUSHING, PINION NOT USED	121615			
T 184	CLUTCH,	45174	120301	269559A 1	1
T 184	CLUTCH, NOT USED	121615			
T 208	DRIVER, CLUTCH	45174		226047AA 1	1
T 244	CASE, GEAR	45174	120301	215191A 1	1
T 244	CASE, GEAR	121615		852063K 1	1



PARTS LIST

ISSUE NO 2, 1965

BE-122

MODEL: 51-B

PAGE: 20- 4

CAT. REF.	PART NAME	SERIAL NO.		PART NO.	REQ.
		FROM	TO/INCL.		
	003				
T 245	COVER, CASE	45174	120301	227968A	1
T 245	COVER, CASE	121615		219893A	1
T 246	GASKET, COVER	45174	120301	50524500	2
T 246	GASKET, COVER	121615		50690260	2
T 247	SCREW, CAP 3/4X3-1/4 NC	45174		.03195040	4
	WASHER, LOCK 3/4 IN.			.03961800	4
	NUT, FULL 3/4 NC			.02714050	4
	SCREW, CAP 3/4X2 NC			.03194640	2
	WASHER, LOCK 3/4 IN.			.03961800	2
	SCREW, CAP 1-1/4X2-1/2 NC			.03256800	4
	WASHER, LOCK 1-1/4 IN.			.03962210	4
T 248	BOLT, FOUNDATION 1-1/4X4-1/4 NF	45174	120301	.02154430	2
	NUT, FULL 1-1/4 NF			.02744050	2
	NUT, JAM 1-1/4 NF			.02744150	2
	SCREW, CAP 1X2-3/4 NF			.03250880	2
T 248	BOLT, FOUNDATION	121615		.523004K 1	2
	NUT, LOCK 1-1/4 NC			.02770660	2
	SCREW, CAP 1X2-1/2 NS			.03250800	1
	WASHER, LOCK 1 IN.			.03962000	1
T 249	SHAFT, VERTICAL	45174	120301	294548 1	1
T 249	SHAFT, VERTICAL	121615	122769	411984 1	1
	1-411984 REPLACED BY			518704K 1	1
T 249	SHAFT, VERTICAL	123178		518704K 1	1
T 250	BUSHING, SHAFT	45174		520294K 1	1
T 251	BUSHING, SHAFT	45174		294642A	1
T 252	GEAR, BEVEL	45174	120301	227936A	1
T 252	GEAR, BEVEL	121615		251462A	1
T 253	KEY, GEAR	45174	120301	X13036 34	1
T 253	KEY, GEAR	121615		X13036 50	1
T 254	PINION, SHAFT	45174	120301	294547A	1
T 254	PINION, SHAFT	121615		608685K 1	1
T 257	SHIFTER, CLUTCH	45174	120301	Y 7563A	1
T 257	YOKE, SHIFTER	121615		200176A	1
T 258	KEY, LEVER SAE 28	45174		54306250	2
T 259	SHOE, SHIFTER	45174		Y 2702A 1	2
T 260	PIN, SHOE	45174		X12191 1	2
T 261	SHAFT, SHIFTER	45174	120301	294635 1	1
T 261	SHAFT, SHIFTER	121615		411983 1	1
T 262	LEVER, SHAFT INCL. BOLT, NUT & WASHER	45174	120301	294924A 1	1
T 262	LEVER, SHAFT	121615		.200153A	1
	SCREW, CAP 5/8X3 1/4 NF			.03242040	1
	WASHER, LOCK 5/8			.03961700	1
	NUT, FULL 5/8 NF			.02741550	1
T 271	WASHER, LOCK 1/2	45174		.03961500	8
T 265	BUSHING, OILITE A-1704	45174		82089050	2
T 268	BOLT, EYE	45174		49011010	1
T 269	COVER, INSPECTION	45174	120301	294599 1	1
T 269	COVER, INSPECTION	121615		411987 1	1
T 270	GASKET, COVER	45174	120301	50531500	1
T 270	GASKET, COVER	121615		50690010	1
T 271	SCREW, CAP 1/2X1 NC	45174		.03185320	8
	WASHER, LOCK 1/2			.03961500	8
T 272	SEAL, OIL-PERF. 675516	45174		72375200	1
T 273	BEARING, FAFNIR 220WD OR	45174		26129300	1



PARTS LIST

ISSUE NO 2, 1965

BE-122

MODEL: 51-B

PAGE: 20-5

CAT. REF.	PART NAME	SERIAL NO.		PART NO.	REQ.
		FROM	TO/INCL.		
	003				
T 273	BEARING, ND 7220 OR BEARING, SKF 220AZ OR BEARING, BCA 1220S			26129300 26129300 26129300	1 1 1
T 276	BEARING, LEFT NOT USED	45174	120301		
T 276	BEARING, FAFNIR 218WD OR BEARING, MRC 218MF OR BEARING, ND 7218 OR BEARING, SKF 218AZ OR BEARING, BCA 1218S	121615		26127200 26127200 26127200 26127200 26127200	1 1 1 1 1
T 286	GEAR, LOW SPEED	45174	120301	269537A	1
T 286	GEAR, LOW SPEED	121615		707101K	1
T 290	SEAL, OIL 525330A	45174	120301	72334550	1
T 290	SEAL, OIL 5504	121615		72104180	2
T 299	RETAINER, BEARING	45174	120301	294554A	1
T 299	RETAINER, BEARING NOT USED	121615			
T 300	RETAINER, BEARING	45174	120301	294539A	1
T 300	COVER, RIGHT	121615		412061	1
T 301	SLEEVE, SLIDING	45174		90054K51EY-8083AB	2
T 302	BAND, CLUTCH INCL. T303	45174	78112	269444	1
T 302	BAND, CLUTCH INCL. T303	78113	111019	272166	1
T 302	BAND, CLUTCH INCL. LINING 2-294318 BAND, CLUTCH INCL. LINING 602135K1	112011	120301	900260K 900260K	51 52
T 302	BAND, CLUTCH INCL. T303	121615		900260K	52
T 303	LINING, KIT, FOR T302 INCL. T304 2-294318 REPLACED BY	45174	117542	294318	2
T 303	LINING, KIT FOR T302 INCL. T304	117755		602135K 602135K	1 51
T 304	RIVET, BRASS 6X3/4	45174		69044750	72
T 310	HOUSING, CLUTCH	45174	120301	227856A	2
T 310	HOSUING, CLUTCH	121615		804092K	1
T 328	LINK, TOGGLE INCL. T686	45174		900892K	51
T 329	PIN, LINK	45174		500657K	1
T 330	BELL, CRANK	45174		264083A	1
T 332	PIN, FULCRUM	45174		293117	1
T 333	BUSHING, LEVER	45174		82110100	2
T 335	LINK, END	45174		403468	1
T 336	PIN, END	45174		293123	1
T 338	BOLT, ADJ. INCL. NUTS	45174		900082K	51
T 345	PIN, ANCHOR	45174	111019	293117	1
T 345	PIN, ANCHOR PIN, COTTER 5/16X2	112011		.412112 .03121960	1 4
	SPRING, EXTENSION			.75728350	2
T 351	RETAINER, PIN PIN, COTTER 1/8X 5/8	45174		.293124 .03109260	1 2
T 481	ROD, REACH	45174	120301	294674	1
T 481	ROD, REACH NOT USED	121615			
T 482	PIN, END	45174	120301	49117010	3
T 482	PIN, END NOT USED	121615			
T 638	BUSHING, OILITE AA1904 2	45174	120301	82090465	2
T 638	BUSHING, NOT USED	121615			
T 641	COVER, LOCK	45174	120301	227997	1
T 641	COVER, LOCK NOT USED	121615			
T 643	GASKET, RETAINER	45174	120301	50525000	2
T 643	GASKET, RETAINER	121615		50690210	1
T 644	SCREW, CAP	45174	120301	03291480	12



PARTS LIST

BE-122

MODEL: 51-B

PAGE: 20- 6

CAT. REF.	PART NAME	SERIAL NO.		PART NO.	REQ.
		FROM	TO/INCL.		
	003				
T 644	SCREW, CAP 1/2X1 NC	121615		.03185320	6
	WASHER, LOCK			.03961500	6
T 645	SLEEVE, PINION	45174	120301	294523A	2
T 645	SLEEVE, PINION NOT USED	121615			
T 646	COLLAR, CLAMP INCL. BOLTS, NUT, WASHER	45174	120301	900776K 51	1
T 646	COLLAR, CLAMP NOT USED	121615			
T 647	COUPLING, SHAFT	45174	120301	294510 1	1
T 647	COUPLING, SHAFT NOT USED	121615			
T 648	RETAINER, SHAFT TWO PIECES	45174	120301	294512 1	1
T 648	RETAINER, SHAFT NOT USED	121615			
T 649	BRACKET, BEARING REFER FACTORY	45174			
T 650	CAP, BEARING REFER FACTORY	45174			
T 651	STUD, CAP INCL. NUTS	45174	120301	901093K 51	2
T 651	STUD, CAP	121615		.284095 8	2
T 652	NUT, LOCK 1 NC			.02770550	2
	BOLT, FOUNDATION 1-1/4X4-1/4 NF	45174	120301	.02563700	2
	NUT, FULL 1-1/4 NF			.02744050	2
	NUT, JAM 1-1/4 NF			.02744150	2
	BOLT, FOUNDATION 1X3-1/4 NF			.02557300	6
	NUT, FULL 1 NF			.02743050	6
	NUT, JAM 1 NF			.02743100	6
	SCREW, CAP 1X2-1/2 NS			.03250800	2
T 652	SCREW, CAP 1-1/4X2 3/4 NF			.03256880	1
	BOLT, FOUNDATION	121615		.523004K 1	2
	NUT, LOCK 1-1/4 NC			.02770660	2
	BOLT, FOUNDATION			.522246K 1	6
	NUT, LOCK 1 NC			.02770550	6
	SCREW, CAP 1X2-1/2 NS			.03250800	2
	WASHER, LOCK 1 IN.			.03962000	2
	SCREW, CAP 1-1/4X2-3/4 NF			.03256880	1
	WASHER, LOCK 1-1/4 IN.			.03962300	1
T 653	BOLT, DOWEL	45174	120301	189881 1	1
T 653	BOLT, DOWEL NOT USED	121615			
T 654	SHAFT, CLUTCH	45174	120301	269567 1	1
T 654	SHAFT, CLUTCH	121615		804519K 2	1
T 655	PINION, HIGH SPEED	45174	120301	294602A	1
T 655	PINION, HIGH SPEED	121615		608676K 1	1
T 657	SPACER,	45174	120301	294562 1	1
T 657	SPACER, NOT USED	121615			
T 659	SHAFT, CLUTCH	45174	120301	269566 1	1
T 659	SHAFT, CLUTCH NOT USED	121615			
T 660	PINION, CLUTCH	45174	120301	294493A	1
T 660	PINION, CLUTCH	121615		608673K 1	1
T 661	PINION, LOW SPEED	45174	120301	294579A	1
T 661	PINION, LOW SPEED	121615		608675K 1	1
T 662	KEY, PINION	45174	120301	X13036 21	1
T 662	KEY, PINION	121615		511281K 1	1
T 664	SPACER,	45174	120301	294562 1	1
T 664	SPACER,	121615		511201K 1	2
T 665	SPACER, BEARING	45174	120301	294564A	1
T 665	SPACER, BEARING NOT USED	121615			
T 666	KEY, DRIVER	45174	120301	X13036 21	2
T 666	KEY, DRIVER	121615		X13036 45	2
T 667	KEY, PINION	45174	120301	X10452 11	2

PARTS LIST

CAT. REF.	PART NAME	SERIAL NO.		PART NO.	REQ.
		FROM	TO/INCL.		
	003				
T 667	KEY, PINION FOR T655	121615		511319K 1	1
	KEY, PINION FOR T660			511320K 1	1
T 668	BEARING, FAFNIR 220WD OR	45174		26129300	2
	BEARING, ND 7220 OR			26129300	2
	BEARING, SKF 220AZ OR			26129300	2
	BEARING, BCA 1220 S			26129300	2
T 669	BEARING, FAFNIR 120WD2 OR	45174	120301	26107050	2
	BEARING, MRC 120 MF			26107050	2
T 669	BEARING, FAFNIR 120WD2 OR	121615		26107050	4
	BEARING, MRC 120 MF			26107050	4
T 670	BOLT, DRIVER INCL.NUTS	45174		902709K 51	2
T 671	SCREW, GUIDE INCL.NUTS	45174		900067K 51	4
T 672	BUSHING, LINK	45174		520663K 1	4
T 673	YOKE, TOGGLE INCL T674, BOLT, NUTS &	45174		900119K 51	2
	WASHER				
T 674	BUSHING, YOKE	45174		520661K 1	2
T 675	LEVER, TOGGLE INCL.T333	45174		269319A	2
T 676	SPRING, LEVER	45174		75744620	2
T 677	BOLT, SPRING	45174		X12721 1	2
T 678	STUD, BALL	45174		287358 1	2
T 679	BUSHING, PIN	45174		500665K 1	4
T 680	GUIDE, BAND	45174	120301	268531A 2	2
T 680	GUIDE, BAND RH	121615		.268531A 2	1
	GUIDE, BAND LH			.268531B 3	1
T 681	SCREW, CAP	45174		.189871 7	4
	WIRE, LOCK 12X16 IN.			.84200000	2
T 682	SCREW, CAP 1/2X1 NC	45174		.03185320	4
	WASHER, LOCK 1/2 IN.			.03961500	4
T 683	COLLAR, SHIFTER INCL.BOLTS, NUTS & WASHERS	45174		900403K 51	2
T 684	LOCK, CLUTCH	45174	116039	296576 1	1
T 684	LOCK, CLUTCH	117037		410690 1	1
T 685	SCREW, CAP 5/8X1 NC	45174	116039	03191320	1
T 685	SCREW, CAP	117037	120301	187676 1	1
T 685	SCREW, CAP	121615		.187676 1	3
	WIRE, LOCK 12X9 IN.			.84200000	1
T 686	BUSHING, PIN	45174		500682K 1	4
T 687	WASHER, SPRING	45174		X12722 1	2
T 688	BOLT, EYE	45174		500523K 1	4
T 689	SPRING, RELEASE	45174		75744700	4
T 690	BOLT, ADJ. INCL.NUTS	45174		511545K 1	4
T 691	PIN, BOLT	45174		500203K 1	4
T 692	WASHER, SPRING	45174		511544K 1	4
T 693	SCREW, GUIDE INCL.NUT	45174		901169K 51	2
T 831	LINK, END	112011		200265 1	2
T 832	SCREW, CAP 1/2X1-1/2 NC	112011		.03185480	2
	NUT, JAM 1/2 NC			.02711250	2
T 833	PIN, ANCHOR	112011		293117 1	2
T 835	SEAL, OIL 573H421	121615		72078700	2
T 836	HOUSING, CLUTCH	121615		804091K 1	1
T 837	JACKSHAFT,	121615		608672K 2	1
T 838	KEY, LEFT	121615		511326K 1	1
	KEY, RIGHT			511327K 1	1
T 839	BEARING, FAFNIR 220WD OR	121615		26129300	2



PARTS LIST

ISSUE NO 2, 1965

BE-122

MODEL: 51-B

PAGE: 20- 8

CAT. REF.	PART NAME	SERIAL NO.		PART NO.	REQ.
		FROM	TO/INCL.		
	003				
T 839	BEARING, ND 7220 OR BEARING, SKF 220 AZ OR			26129300 26129300	2 2
T 840	BEARING, BCA 1220S SEAL, OIL 573H421	121615		26129300 72078700	2 2
T 841	PINION, LEFT	121615		608677K 1	1
T 842	PINION, RIGHT	121615		608674K 1	1
T 843	BOLT, ROD 1X6 NC NUT, LOCK 1 NC	121615		.02193160 .02770550	2 2
T 844	BOLT, ROD 1X6 NC NUT, LOCK 1 NC	121615		.02193160 .02770550	2 2
T 845	BRACKET, PIPE	121615		608658K 21	1
T 846	SCREW, CAP 5/8X1 NC WASHER, LOCK 5/8 IN.	121615		.03241320 .03961700	2 2
T 847	GUARD, SHAFT GUARD, OUTER	121615		.708228K 21 .608846K 21	1 1
T 848	SCREW, CAP 1/2X1-1/2 NF WASHER, LOCK 1/2 IN. NUT, FULL 1/2 NF	121615		.03235480 .03961500 .02740550	2 2 2
T 849	DRIVER, LH	121615		804136K 1	1
T 850	CAP, BEARING	121615		411959A	1
T 851	BOLT, CAP 1X6 NC NUT, LOCK 1 NC	121615		.02193160 .02770550	2 2
T 852	RETAINER, GEAR	121615		287064 1	1
T 853	SCREW, CAP WIRE, LOCK 14X8 IN.	121615		.292468 1 .84260000	1 1
T 854	KEY, GEAR	121615		298831 25	1
T 855	SUPPORT, BAND	121615		608810K 21	1
T 856	SCREW, CAP 1/2X1-1/4 NF WASHER, LOCK 1/2 IN.	121615		.03235400 .03961500	2 2
T 857	SHAFT, HORIZONTAL 1-251459 REPLACED BY	121615		251459 1 713381K 1	1 1
T 858	BEARING, FAGNIR 216WD OR BEARING, SKF 216 AZ OR BEARING, BCA 1216S	121615		26125150 26125150 26125150	2 2 2
T 859	SEAL, OIL 625420	121615		72365140	1
T 860	RING, SNAP 5100-300	121615		68120350	1
T 861	SPACER, SHAFT	121615		511202K 1	1
T 862	SPACER, BEARING	121615		411963 1	1
T 863	PINION, INCL. T864	121615		902879K 51	1
T 864	BUSHING, PINION	121615		411964A	1
T 865	SPROCKET, SHAFT	121615		708241K 1	1
T 866	CLUTCH, JAW	121615		200177A	1
T 867	CLUTCH, JAW	121615		200151A	1
T 868	CHAIN, DRIVE-REX 3120 90P	121615		34036470	1
T 869	LINK, CONNECTING-REX 3120	121615			1
T 870	RETAINER, PIN-REX 3120	121615			2
T 878	BOLT, ROD NUT, FULL 5/8 NF	121615		.511395K 1 .02741550	1 4
T 879	RING, RETAINING 5000-625	121615		68118700	4
T 882	DOWEL, BRACKET	121615		511433K 1	4
T 883	SPACER, CAP	121615		608845K 1	4
T 884	BRACKET, GUARD	121615		511184K 1	1



PARTS LIST

BE-122

MODEL: 51-B

PAGE: 21- 2

CAT. REF.	PART NAME	SERIAL NO.		PART NO.	REQ.
		FROM	TO/INCL.		
	002				
X	DRAGLINE, CLAMSHELL & CRANE ROPES CONTINUOUS SUSPENSION-VARIABLE UNIT DRAWINGS 1-JA-377, 1-X-375, 1-S-376, 1-X-377				
	NOTE SEE ROPE SPECIFICATIONS		0		00-
X	8 ROPE, DRAGLINE HOIST 50 FT. BOOM LG.	45174		18282000	1
	7/8X 120 FT. NO.1 ROPE, DRAGLINE HOIST 55FT BOOM LG.			18283000	1
	7/8X130 FT. NO1 ROPE, DRAGLINE HOIST 60 FT. BOOM LG.			18284020	1
	7/8 X140 FT. NO.1 ROPE, DRAGLINE HOIST 65 FT. BOOM LG.			18285030	1
	7/8X 150 FT. NO.1 ROPE, DRAGLINE HOIST 70 FT. BOOM LG.			18286020	1
	7/8X160 FT. NO.1 ROPE, DRAGLINE HOIST 75 FT. BOOM LG.			18287020	1
	7/8X 170 FT. NO.1 ROPE, DRAGLINE HOIST 80 FT. BOOM LG.			18288020	1
	7/8X180 FT. NO.1 ROPE, DRAGLINE HOIST 85 FT. BOOM LG.			18289020	1
	7/8X 190 FT. NO.1 ROPE, DRAGLINE HOIST 90 FT. BOOM LG.			18290010	1
	7/8X200 FT. NO.1 ROPE, DRAGLINE HOIST 95 FT BOOM LG.			18290220	1
	7/8X210 FT. NO.1 ROPE, DRAGLINE HOIST 100FT. BOOM LG.			18290420	1
X	9 ROPE, DRAGLINE DRAG 50FT. BOOM LG.	45174		18307520	1
	1X75 FT. ROPE, DRAGLINE DRAG 55 FT. BOOM LG.				1
	1X80 FT. ROPE, DRAGLINE DRAG 60 FT. BOOM LG.				1
	1 X85 FT. ROPE, DRAGLINE DRAG 65 FT. BOOM LG.				1
	1X90 FT. ROPE, DRAGLINE DRAG 70 FT. BOOM LG.			18309520	1
	1X95 FT. ROPE, DRAGLINE DRAG 75 FT. BOOM LG.			18310020	1
	1X100 FT. ROPE, DRAGLINE DRAG 80 FT. BOOM LG.				1
	1X105 FT. ROPE, DRAGLINE DRAG 85 FT. BOOM LG.				1
	1X110 FT. ROPE, DRAGLINE DRAG 90 FT. BOOM LG.			18311530	1
	1X115 FT. ROPE, DRAGLINE DRAG 95 FT. BOOM LG.				1
	1X120 FT. ROPE, DRAGLINE DRAG 100FT. BOOM LG.			18312520	1
X	10 ROPE, CLAMSHELL HOLDING 50 FT. BOOM	45174		18282000	1



PARTS LIST

ISSUE NO 2, 1965

BE-122

MODEL: 51-B

PAGE: 21-

CAT. REF.	PART NAME	SERIAL NO.		PART NO.	REQ.
		FROM	TO/INCL.		
	002				
X 10	LG. 7/8X120 FT. NO.1 ROPE, CLAMSHELL HOLDING 55 FT. BOOM			18283000	1
	LG. 7/8X130 FT. NO.1 ROPE, CLAMSHELL HOLDING 60 FT. BOOM			18284020	1
	LG. 7/8X140 FT. NO.1 ROPE, CLAMSHELL HOLDING 65 FT. BOOM			18285030	1
	LG. 7/8X150 FT. NO.1 ROPE, CLAMSHELL HOLDING 70 FT. BOOM			18286020	1
	LG. 7/8X160 FT. NO.1 ROPE, CLAMSHELL HOLDING 75 FT. BOOM			18287020	1
	7/8X170 FT. NO.1 ROPE, CLAMSHELL HOLDING 80 FT. BOOM			18288020	1
	LG. 7/8X180 FT. NO.1 ROPE, CLAMSHELL HOLDING 85 FT. BOOM			18289020	1
	LG. 7/8X190 FT. NO.1 ROPE, CLAMSHELL HOLDING 90 FT. BOOM			18290010	1
	7/8X200 FT. NO.1 ROPE, CLAMSHELL HOLDING 95 FT. BOOM			18290220	1
	7/8X210 FT. NO.1 ROPE, CLAMSHELL HOLDING 100 FT. BOOM			18290420	1
X 11	LG. 7/8X220 FT. NO.1 ROPE, CLAMSHELL CLOSING 50 FT. BOOM	45174		18285030	1
	LG. 7/8X150 FT. NO.1 ROPE, CLAMSHELL CLOSING 55 FT. BOOM			18286020	1
	LG. 7/8X160 FT. NO.1 ROPE, CLAMSHELL CLOSING 60 FT. BOOM			18287020	1
	LG. 7/8X170 FT. NO.1 ROPE, CLAMSHELL CLOSING 65 FT. BOOM			18288020	1
	LG. 7/8X180 FT. NO.1 ROPE, CLAMSHELL CLOSING 70 FT. BOOM			18289020	1
	7/8X190 FT. NO.1 ROPE, CLAMSHELL CLOSING 75 FT. BOOM			18290010	1
	LG. 7/8X200 FT. NO.1 ROPE, CLAMSHELL CLOSING 80 FT. BOOM			18290220	1
	LG. 7/8 X210 FT. NO.1 ROPE, CLAMSHELL CLOSING 85 FT. BOOM			18290420	1
X 11	LG. 7/8 X220 FT. NO.1 ROPE, CLAMSHELL CLOSING 90 FT. BOOM	45147		18290620	1
X 11	LG. 7/8X230 FT. NO.1 ROPE, CLAMSHELL CLOSING 95 FT. BOOM	45174			1
	LG. 7/8X240 FT. NO.1 ROPE, CLAMSHELL CLOSING 100 FT. BOOM				1
X 13	LG. 7/8X250 FT. NO.1 ROPE, CR. HOIST FOR 2-PART HOIST	45174		18287020	1
	50 FT. BOOM LGTH. 7/8X170 FT. NO.1 ROPE, CR. HOIST FOR 2-PART HOIST			18289020	1
	55 FT. BOOM LGTH. 7/8X190 FT. NO.1 ROPE, CR. HOIST FOR 2-PART HOIST			18290010	1
	60 FT. BOOM LGTH. 7/8X200 FT. NO.1 ROPE, CR. HOIST FOR 2-PART HOIST			18290420	1
	65 FT. BOOM LGTH. 7/8X220 FT. NO.1 ROPE, CR. HOIST FOR 2-PART HOIST			18290620	1
	70 FT. BOOM LGTH. 7/8X230 FT. NO.1 ROPE, CR. HOIST FOR 2-PART HOIST				1

PARTS LIST

BE-122

MODEL: 51-B

PAGE: 21- 4

CAT. REF.	PART NAME	SERIAL NO.		PART NO.	REQ.
		FROM	TO/INCL.		
	002				
X 13	75FT. BOOM LGTH. 7/8X250FT. NO.1 ROPE, CR. HOIST FOR 2-PART HOIST			18290930	1
	80FT. BOOM LGTH. 7/8X260FT. NO.1 ROPE, CR. HOIST FOR 2-PART HOIST				1
	85FT. BOOM LGTH. 7/8X280FT. NO.1 ROPE, CR. HOIST FOR 2-PART HOIST			18291320	1
	90FT. BOOM LGTH. 7/8X290FT. NO.1 ROPE, CR. HOIST FOR 2-PART HOIST				1
	95FT. BOOM LGTH. 7/8X310FT. NO.1 ROPE, CR. HOIST FOR 2-PART HOIST				1
	100FT. BOOM LGTH. 7/8X320FT. NO.1 ROPE, CR. HOIST FOR 2-PART HOIST				1
	105FT. BOOM LGTH. 7/8X340FT. NO.1 ROPE, CR. HOIST FOR 2-PART HOIST			18291930	1
	110FT. BOOM LGTH. 7/8X350FT. NO.1 ROPE, CR. HOIST FOR 2-PART HOIST				1
	115FT. BOOM LGTH. 7/8X370FT. NO.1 ROPE, CR. HOIST FOR 2-PART HOIST			18292220	1
	120FT. BOOM LGTH. 7/8X380FT. NO.1 ROPE, CR. HOIST FOR 2-PART HOIST				1
	125FT. BOOM LGTH. 7/8X400FT. ROPE, CR. HOIST FOR 2-PART HOIST				1
	130FT. BOOM LGTH. 7/8X410FT. ROPE, CR. HOIST FOR 2-PART HOIST				1
	135FT. BOOM LGTH. 7/8X430 FT. ROPE, CR. HOIST FOR 2-PART HOIST			18292770	1
	140FT. BOOM LGTH. 7/8X440FT. ROPE, CR. HOIST FOR 3-PART HOIST			18290620	1
	50FT. BOOM LGTH. 7/8X230FT. NO.1 ROPE, CR. HOIST FOR 3-PART HOIST				1
	55FT. BOOM LGTH. 7/8X250FT. NO.1 ROPE, CR. HOIST FOR 3-PART HOIST				1
	60FT. BOOM LGTH. 7/8X270FT. NO.1 ROPE, CR. HOIST FOR 3-PART HOIST			18291320	1
	65FT. BOOM LGTH. 7/8X290FT. NO.1 ROPE, CR. HOIST FOR 3-PART HOIST				1
	70FT. BOOM LGTH. 7/8X310FT. NO.1 ROPE, CR. HOIST FOR 3-PART HOIST			18291820	1
	75FT. BOOM LGTH. 7/8X330FT. NO.1 ROPE, CR. HOIST FOR 3-PART HOIST			18291930	1
	80FT. BOOM LGTH. 7/8X350FT. NO.1 ROPE, CR. HOIST FOR 3-PART HOIST				1
	85FT. BOOM LGTH. 7/8X370FT. NO.1 ROPE, CR. HOIST FOR 3-PART HOIST			18292220	1
	90FT. BOOM LGTH. 7/8X390FT. NO.1 ROPE, CR. HOIST FOR 3-PART HOIST				1
	95FT. BOOM LGTH. 7/8X410FT. NO.1 ROPE, CR. HOIST FOR 3-PART HOIST			18292530	1
	100FT. BOOM LGTH. 7/8X420FT. NO.1 ROPE, CR. HOIST FOR 3-PART HOIST			18292770	1
	105FT. BOOM LGTH. 7/8X440FT. NO.1 ROPE, CR. HOIST FOR 3-PART HOIST			18292950	1
	110FT. BOOM LGTH. 7/8X460FT. NO.1 ROPE, CR. HOIST FOR 3-PART HOIST			18293120	1



PARTS LIST

ISSUE NO 2, 1965

BE-122

MODEL: 51-B

PAGE: 21- 5

CAT. REF.	PART NAME	SERIAL NO.		PART NO.	REQ.
		FROM	TO/INCL.		
	002				
X 13	115FT. BOOM LGTH. 7/8X480FT. NO.1 ROPE, CR. HOIST FOR 3-PART HOIST				1
	120FT. BOOM LGTH. 7/8X500FT. NO.1 ROPE, CR. HOIST FOR 4-PART HOIST				1
	50FT. BOOM LGTH. 7/8X280FT. NO.1 ROPE, CR. HOIST FOR 4-PART HOIST			18291450	1
	55FT. BOOM LGTH. 7/8X300FT. NO.1 ROPE, CR. HOIST FOR 4-PART HOIST			18291820	1
	60FT. BOOM LGTH. 7/8X330FT. NO.1 ROPE, CR. HOIST FOR 4-PART HOIST			18291930	1
	65FT. BOOM LGTH. 7/8X350FT. NO.1 ROPE, CR. HOIST FOR 4-PART HOIST			18292220	1
	70FT. BOOM LGTH. 7/8X380FT. NO.1 ROPE, CR. HOIST FOR 4-PART HOIST				1
	75FT. BOOM LGTH. 7/8X400FT. NO.1 ROPE, CR. HOIST FOR 4-PART HOIST				1
	80FT. BOOM LGTH. 7/8X430 FT. NO.1 ROPE, CR. HOIST FOR 4-PART HOIST			18292820	1
	85FT. BOOM LGTH. 7/8X450FT. NO.1 ROPE, CR. HOIST FOR 4-PART HOIST			18293120	1
	90FT. BOOM LGTH. 7/8X480FT. NO.1 ROPE, CR. HOIST FOR 4-PART HOIST				1
	95FT. BOOM LGTH. 7/8X500FT. NO.1 ROPE, CR. HOIST FOR 4-PART HOIST				1
	100FT. BOOM LGTH. 7/8X530FT. NO.1 ROPE, CR. HOIST FOR 4-PART HOIST				1
	105FT. BOOM LGTH. 7/8X550FT. NO.1 ROPE, CR. HOIST FOR 4-PART HOIST				1
	110FT. BOOM LGTH. 7/8X580FT. NO.1 ROPE, CR. HOIST FOR 4-PART HOIST			18293820	1
	115FT. BOOM LGTH. 7/8X600FT. NO.1 ROPE, CR. HOIST FOR 4-PART HOIST			18293970	1
	120FT. BOOM LGTH. 7/8X630 FT. NO.1 ROPE, CR. HOIST FOR 5-PART HOIST			18291820	1
	50FT. BOOM LGTH. 7/8X330FT. NO.1 ROPE, CR. HOIST FOR 5-PART HOIST			18292010	1
	55FT. BOOM LGTH. 7/8X360FT. NO.1 ROPE, CR. HOIST FOR 5-PART HOIST			18292220	1
	60FT. BOOM LGTH. 7/8X390FT. NO.1 ROPE, CR. HOIST FOR 5-PART HOIST			18292530	1
	65FT. BOOM LGTH. 7/8X420FT. NO.1 ROPE, CR. HOIST FOR 5-PART HOIST			18292820	1
	70FT. BOOM LGTH. 7/8X450FT. NO.1 ROPE, CR. HOIST FOR 5-PART HOIST			18293120	1
	75FT. BOOM LGTH. 7/8X480FT. NO.1 ROPE, CR. HOIST FOR 5-PART HOIST			18293370	1
	80FT. BOOM LGTH. 7/8X510FT. NO.1 ROPE, CR. HOIST FOR 5-PART HOIST			18293520	1
	85FT. BOOM LGTH. 7/8X540FT. NO.1 ROPE, CR. HOIST FOR 5-PART HOIST			18293670	1
	90FT. BOOM LGTH. 7/8X570FT. NO.1 ROPE, CR. HOIST FOR 5-PART HOIST			18293820	1
	95FT. BOOM LGTH. 7/8X600FT. NO.1 ROPE, CR. HOIST FOR 5-PART HOIST			18293970	1



PARTS LIST

ISSUE NO 2, 1965

BE-122

MODEL: 51-B

PAGE: 21- 6

CAT. REF.	PART NAME	SERIAL NO.		PART NO.	REQ.
		FROM	TO/INCL.		
	003				
X 13	100FT. BOOM LGTH. 7/8X630FT. NO.1 ROPE, CR. HOIST FOR 5-PART HOIST				1
	105FT. BOOM LGTH. 7/8X650FT. NO.1 ROPE, CR. HOIST FOR 5-PART HOIST			18294370	1
	110FT. BOOM LGTH. 7/8X690FT. NO.1 ROPE, CR. HOIST FOR 5-PART HOIST				1
	115FT. BOOM LGTH. 7/8X720FT. NO.1 ROPE, CR. HOIST FOR 5-PART HOIST				1
	120FT. BOOM LGTH. 7/8X750FT. NO.1 ROPE, CR. HOIST FOR 6-PART HOIST				1
	50FT. BOOM LGTH. 7/8X380FT. NO.1 ROPE, CR. HOIST FOR 6-PART HOIST			18292530	1
	55FT. BOOM LGTH. 7/8X420FT. NO.1 ROPE, CR. HOIST FOR 6-PART HOIST			18292820	1
	60FT. BOOM LGTH. 7/8X450FT. NO.1 ROPE, CR. HOIST FOR 6-PART HOIST				1
	65FT. BOOM LGTH. 7/8X490FT. NO.1 ROPE, CR. HOIST FOR 6-PART HOIST				1
	70FT. BOOM LGTH. 7/8X520FT. NO.1 ROPE, CR. HOIST FOR 6-PART HOIST			18293620	1
	75FT. BOOM LGTH. 7/8X560FT. NO.1 ROPE, CR. HOIST FOR 6-PART HOIST				1
	80FT. BOOM LGTH. 7/8X590FT. NO.1 ROPE, CR. HOIST FOR 6-PART HOIST			18293970	1
	85FT. BOOM LGTH. 7/8X630FT. NO.1 ROPE, CR. HOIST FOR 6-PART HOIST				1
	90FT. BOOM LGTH. 7/8X660FT. NO.1 ROPE, CR. HOIST FOR 6-PART HOIST				1
	95FT. BOOM LGTH. 7/8X700FT. NO.1 ROPE, CR. HOIST FOR 6-PART HOIST				1
	100FT. BOOM LGTH. 7/8X730FT. NO.1 ROPE, CR. HOIST FOR 6-PART HOIST				1
	105FT. BOOM LGTH. 7/8X770FT. NO.1 ROPE, CR. HOIST FOR 6-PART HOIST				1
	110FT. BOOM LGTH. 7/8X800FT. NO.1 ROPE, CR. HOIST FOR 6-PART HOIST				1
	115FT. BOOM LGTH. ROPE, CR. HOIST FOR 6-PART HOIST				1
	120FT. BOOM LGTH				1
14	ROPE, SUSPENSION 50 FT. BOOM LG. 3/4X520 FT.	45174		18260040	1
	ROPE, SUSPENSION 55 FT. BOOM LG. 3/4X560 FT.				1
	ROPE, SUSPENSION 60 FT. BOOM 3/4X600 FT.			18260440	1
	ROPE, SUSPENSION 65 FT. BOOM LG. 3/4X 640 FT.			18260730	1
	ROPE, SUSPENSION 70 FT. BOOM LG. 3/4X 680 FT.			18260940	1
37	CLIP., ROPE 7/8	45174		82149650	3
56	SOCKET, ROPE 7/8	45174		526825K	1 1
57	WEDGE, SOCKET 7/8	45174		526464K	1 1
58	PIN, SOCKET	45174		526185K	1 1



PARTS LIST

ISSUE NO 2, 1965

BE-122

MODEL: 51-B

PAGE: 21- 7

CAT. REF.	PART NAME	SERIAL NO.		PART NO.	REQ.
		FROM	TO/INCL.		
	004				
X	HOE ROPES-CONTINUOUS SUSPENSION VARIABLE UNIT-DRAWINGS 1-L-386, 1-M-341, 1-X-360,1-X-385				
	NOTE SEE ROPE SPECIFICATIONS		0		00-
X	69 ROPE,HOIST 7/8X160 FT.NO.2	45174		18286000	1
X	70 ROPE,DRAG 1 IN. X100 FT.NO .2	45174		18310020	1
X	72 ROPE,SUSPENSION 3/4X230 FT. NO.1	45174		18257395	1
X	73 SOCKET,ROPE 7/8	45174		526826K 1	1
X	74 WEDGE,SOCKET 7/8	45174		526464K 1	1
X	75 PIN, SOCKET	45174		404802 1	1
X	76 SOCKET,ROPE 1 IN.	45174		526838K 1	1
X	77 WEDGE,SOCKET 1 IN.	45174		526466K 1	1
X	144 PIN,SOCKET	45174		526195K 1	1
X	146 WEDGE,SOCKET SEE C-148	45174			
X	285 WASHER,PIN	45174		198692 1	2
	005				
X	JIB ROPES-VARIABLE UNIT-DRAWINGS				
	005				
X	1-JA-361, 1-JA-394				
	NOTE SEE ROPE SPECIFICATIONS		0		00-
X	20 ROPE,UPPER GUY 15 FT.JIB 7/8X38 FT.-6 IN.NO.2	45174		18273820	1
	ROPE,UPPER GUY 20 FT.JIB 7/8X47 FT.-6 IN. NO.2			18274850	1
	ROPE,UPPER GUY 25 FT.JIB 7/8X57 FT. NO.2			18275700	1
	ROPE,UPPER GUY 30FT. JIB 7/8X66FT.9IN. NO.2			18296650	1
X	25 ROPE,LOWER GUY 7/8X45 FT.-4IN.NO.2	45174			1
X	48 SOCKET,ROPE 15,20 & 25 FT.JIB 7/8	45174		526822K 1	6
	SOCKET,ROPE 30 FT.JIB 7/8			526822K 1	5
X	49 WEDGE,SOCKET 15,20 & 25 FT.JIB 7/8	45174		526464K 1	6
	WEDGE,SOCKET 30 FT. JIB 7/8			526464K 1	5
X	50 PIN,SOCKET 15,20 & 25 FT.JIB	45174		526035K 1	6
	PIN,SOCKET 30 FT.JIB			526035K 1	5
X	208 SOCKET,ROPE 15.,20 & 25 FT.JIB 7/8	45174		526524K 1	2
	SOCKET,ROPE 30 FT.JIB 7/8			526524K 1	1
	209 ROPE,LOWER GUY 15 FT.JIB 30 DEG.& 60 DEG. ANGLE 7/8X9FT.-4IN.NO.2	45174		18270950	1
	ROPE,LOWER GUY 20, & 25 FT.JIB 15 DEG. & 30 DEG.ANGLE 7/8X5FT.-11 IN. NO. 2			18270740	1



PARTS LIST

ISSUE NO 2, 1965

BE-122

MODEL: 51-B

PAGE: 21- 8

CAT. REF.	PART NAME	SERIAL NO.		PART NO.	REQ.
		FROM	TO/INCL.		
	005				
X 209	ROPE, LOWER GUY 30 FT. JIB 15 DEG. ANGLE 7/8X5 FT.-11IN. NO.2			18270740	1
X 210	ROPE, GUY 1/2X12 IN NO 2	45174		18151250	2
X 211	SOCKET, ROPE 1/2	45174		526794K 1	2
X 212	WEDGE, SOCKET 1/2	45174		526458K 1	2
X 213	PIN, SOCKET	45174		199387 1	2
X 214	CLIP, ROPE 1/2	45174		82147450	6
X 215	ROPE, JIB HOOK 45 FT. BOOM LG. W/ 15 FT. JIB 3/4X140 FT. NO.1	45174		18254020	1
	ROPE, JIB HOOK 45 FT. BOOM LG. W/ 20 FT. JIB 3/4X150FT. NO.1			18255020	1
	ROPE, JIB HOOK 45 FT. BOOM LG. W/ 25 FT. JIB 3/4X160 FT. NO.1			18255380	1
	ROPE, JIB HOOK 45 FT. BOOM LG. W/ 30 FT. JIB 3/4X170 FT. NO.1			18255820	1
	ROPE, JIB HOOK 50FT. BOOM LGTH. W/ 15FT. JIB 3/4X150FT. NO.1			18255020	1
	ROPE, JIB HOOK 50FT. BOOM LGTH. W/ 20FT. JIB 3/4X160FT. NO.1			18255380	1
	ROPE, JIB HOOK 50 FT BOOM LGTH W/ 25FT. JIB 3/4X170FT. NO.1			18255820	1
	ROPE, JIB HOOK 50FT. BOOM LGHT. W/ 30FT. JIB 3/4X180FT. NO.1			18256270	1
	ROPE, JIB HOOK 55FT. BOOM LGTH. W/ 15FT. JIB 3/4X160FT. NO. 1			18255380	1
	ROPE, JIB HOOK 55FT. BOOM LGTH. W/ 20FT. JIB 3/4X170FT. NO.1			18255820	1
	ROPE, JIB HOOK 55FT. BOOM LGTH. W/ 25FT. JIB 3/4X180FT. NO. 1			18256270	1
	ROPE, JIB HOOK 55FT. BOOM LGTH. W/ 30FT. JIB 3/4X190FT. NO.1			18256670	1
	ROPE, HIB HOOK 60FT. BOOM LGTH. W/ 15FT. JIB 3/4X170FT. NO.1			18255820	1
	ROPE, HIB HOOK 60FT. BOOM LGTH. W/ 20FT. JIB 3/4X180FT. NO.1			18256270	1
	ROPE, HIB HOOK 60FT. BOOM LGTH. W/ 25FT. JIB 3/4X190FT. NO.1			18256670	1
	ROPE, HIB HOOK 60FT. BOOM LGTH. W/ 30FT. JIB 3/4X200FT. NO.1			18257050	1
	ROPE, HIB HOOK 65FT. BOOM LGTH W/ 15FT. JIB 3/4X180FT. NO.1			18256270	1
	ROPE, HIB HOOK 65FT. BOOM LGTH. W/ 20FT. JIB 3/4X190FT. NO.1			18256670	1
	ROPE, HIB HOOK 65FT. BOOM LGTH. W/ 25FT. JIB 3/4X200FT. NO.1			18257050	1
	ROPE, HIB HOOK 65FT. BOOM LGTH. W/ 30FT. JIB 3/4X210FT. NO.1			18257250	1
	ROPE, HIB HOOK 70FT. BOOM LGTH. W/ 15FT. JIB 3/4X190FT. NO.1			18256670	1
	ROPE, HIB HOOK 70FT. BOOM LGHT. W/ 20FT. JIB 3/4X200FT. NO.1			18257050	1
	ROPE, HIB HOOK 70FT. BOOM LGHT. W/ 25FT. JIB 3/4X210FT. NO.1			18257250	1
	ROPE, HIB HOOK 70FT. BOOM LGHT. W/ 30FT. JIB 3/4X220FT. NO.1			18257350	1



PARTS LIST

BE-122

MODEL: 51-B

PAGE: 21-9

CAT. REF.	PART NAME	SERIAL NO.		PART NO.	REQ.
		FROM	TO/INCL.		
	006				
X 215	30FT. JIB 3/4X220FT. NO.1				
	ROPE, HIB HOOK 75FT.BOOM LGHT. W/			18257050	1
	15FT. JIB 3/4X200FT. NO.1				
	ROPE, HIB HOOK 75FT.BOOM LGTH. W/			18257250	1
	20FT. JIB 3/4X210 NO.1				
	ROPE, HIB HOOK 75FT. BOOM LGHT. W/			18257350	1
	25FT. JIB 3/4X220FT. NO.1				
	ROPE, HIB HOOK 75FT.BOOM LGTH. W/			18257390	1
	30FT. JIB 3/4X230FT. NO.1				
	ROPE, HIB HOOK 80FT.BOOM LGHT. W/			18257250	1
	15FT. JIB 3/4X210FT NO.1				
	ROPE, HIB HOOK 80FT.BOOM LGTH. W/			18257350	1
	20FT. JIB 3/4X220FT. NO.1				
	ROPE, HIB HOOK 80FT.BOOM LGTH. W/			18257390	1
	25FT. JIB 3/4X230FT. NO.1				
	ROPE, HIB HOOK 80FT.BOOM LGTH. W/			18257520	1
	30FT. JIB 3/4X240FT. NO.1				
	ROPE, JIB HOOK 85FT BOOM LGTH W/			18257520	1
	15FT. JIB 3/4X220FT. NO.1				
	ROPE, HIB HOOK 85FT.BOOM LGTH. W/			18257390	1
	20FT. JIB 3/4X230FT. NO.1				
	ROPE, HIB HOOK 85FT.BOOM LGTHCW/			18257520	1
	25FT. JIB 3/4X240FT. NO.1				
	ROPE, HIB HOOK 85FT.BOOM LGTH.W/			18257630	1
	30FT. JIB 3/4X250FT. NO.1				
	ROPE, HIB HOOK 90FT.BOOM LGHT. W/			18257390	1
	15FT. JIB 3/4X230FT. NO.1				
	ROPE, HIB HOOK 90FT.BOOM LGHT. W/			18257520	1
	20FT. JIB 3/4X240FT. NO.1				
	ROPE, HIB HOOK 90FT. BOOM LGHT.W/			18257630	1
	25FT. JIB 3/4X250FT. NO.1				
	ROPE, HIB HOOK 90FT. BOOM LGHT.W/			18257800	1
	30FT. JIB 3/4X260FT. NO.1				
	ROPE, JIB HOOK 95 FT BOOM LGTH W/			18257520	1
	15FT. JIB 3/4X240FT. NO.1				
	ROPE, HIB HOOK 95FT.BOOM LGTH. W/			18257630	1
	20FT. JIB 3/4X250FT. NO.1				
	ROPE, HIB HOOK 95FT. BOOM LGTH.W/			18257800	1
	25FT. JIB 3/4X260FT. NO.1				
	ROPE, HIB HOOK 95FT.BOOM LGTH. W/			18257940	1
	30FT. JIB 3/4X270FT. NO.1				
	ROPE, HIB HOOK 100FT.BOOM LGTH.W/			18257630	1
	15FT. JIB 3/4X250FT. NO.1				
	ROPE, HIB HOOK 100FT.BOOM LGTH.W/			18257800	1
	20FT. JIB 3/4X260FT. NO.1				
	ROPE, HIB HOOK 100FT.BOOM LGTH.W/			18257940	1
	25FT. JIB 3/4X270FT. NO.1				
	ROPE, HIB HOOK 100FT. BOOM LGHT.W/			18258000	1
	30FT. JIB 3/4X280FT. NO.1				
	ROPE, HIB HOOK 110FT.BOOM LGTH.W/			18257800	1
	15FT. JIB 3/4X260FT. NO.1				
	ROPE, HIB HOOK 110FT.BOOM LGTH.W/			18257940	1
	20FT. JIB 3/4X270FT. NO.1				
	ROPE, HIB HOOK 110FT.BOOM LGTH.W/			18258000	1



PARTS LIST

ISSUE NO 2, 1965

BE-122

MODEL: 51-B

PAGE: 21- 10

CAT. REF.	PART NAME	SERIAL NO.		PART NO.	REQ.
		FROM	TO/INCL.		
	007				
X 215	25FT. JIB 3/4X280FT. NO.1 ROPE, HIB HOOK 110FT. BOOM LGTH.W/			18258120	1
	30FT. JIB 3/4X290FT. NO.1 ROPE, HIB HOOK 120FT. BOOM LGTH.W/			18257940	1
	15FT. JIB 3/4X270FT. NO.1 ROPE, HIB HOOK 120FT. BOOM LGHT.W/			18258000	1
	20FT. JIB 3/4X280FT. NO.1 ROPE, HIB HOOK 120FT. BOOM LGHT.W/			18258120	1
	25FT. JIB 3/4X290FT. NO.1 ROPE, HIB HOOK 120FT. BOOM LGTH.W/			18258220	1
	30FT. JIB 3/4X300FT. NO.1 ROPE, HIB HOOK 130FT. BOOM LGTH.W/			18258000	1
	15FT. JIB 3/4X280FT. NO.1 ROPE, HIB HOOK 130FT. BOOM LGHT.W/			18258120	1
	20FT. JIB 3/4X290FT. NO.1 ROPE, HIB HOOK 130FT. BOOM LGHT.W/			18258220	1
	25FT. JIB 3/4X300FT. NO.1 ROPE, HIB HOOK 130FT. BOOM LGTH.W/			18258470	1
	30FT. JIB 3/4X310FT. NO.1 ROPE, HIB HOOK 140FT. BOOM LGHT.W/			18258120	1
	15FT. JIB 3/4X290FT. NO.1 ROPE, HIB HOOK 140FT. BOOM LGHT.W/			18258220	1
	20FT. JIB 3/4X300FT. NO.1 ROPE, HIB HOOK 140FT. BOOM LGTH.W/			18258470	1
	25FT. JIB 3/4X310FT. NO.1 ROPE, HIB HOOK 140FT. BOOM LGTH.W/			18258500	1
K 216	30FT. JIB 3/4X320FT. NO.1 CLIP, ROPE 3/4 IN.	45174		82149050	1
	008 PLAIN TYPE PENDANT -SUSPENSION ROPES AND FITTINGS-VARIABLE UNIT DRAWING 1-X-362				
K 14	ROPE, TACKLE 3/4X270FT. NO.1	45174		18257990	1
K 61	ROPE, PENDANT SPECIFY LGTH. REFER FACTORY	45174			
K 125	PIN, SHEAVE	45174		295149	1 2
K 126	DOWEL, PIN	45174		282740	1 2
K 129	YOKE, SHEAVE	45174		271135	1 2
K 131	SPREADER, YOKE	45174		295133	1 1
K 160	LOCK, SPREADER	45174		197621	6 2
K 191	PIN, YOKE	45174		297325	1 2
K 218	PIN, SOCKET REFER FACTORY	45174			
K 219	LINK, ANCHOR INCL.X220 1-297321 REPLACED BY X219 LINK INCL.X220 X221 RETAINER	45174	120301	297321	1 2
				297321	1 2
				411414	1 2
K 219	LINK, ANCHOR 15IN. LINK LINK, ANCHOR 7IN. LINK	121615		279910	1 2
				609498K	1 2
K 220	BUSHING, LINK	45174	120301	294385A	2
K 220	BUSHING, LINK	121615		411413A	2

PARTS LIST

CAT. REF.	PART NAME	SERIAL NO.		PART NO.	REQ.
		FROM	TO/INCL.		
	008				
X 221	RETAINER, LINK	45174	120301	295173 1	2
X 221	RETAINER, LINK	121615		411414 1	2
X 223	LOCK, PIN	45174		197620 15	2
	009				
X	MAST TYPE PENDANT SUSPENSION ROPES AND FITTINGS-VARIABLE UNIT-DRAWING 1-X-378				
X 14	ROPE, TACKLE 8 PART 3/4X270FT. NO.1	45174		18257990	1
	ROPE, TACKLE 12 PART 5/8X375FT. NO.1				1
X 61	ROPE, PENDANT SPECIFY LENGTH	45174			
X 218	PIN, SOCKET REFER FACTORY	45174			
X 219	LINK, ANCHOR INCL. X220	45174		900801K 51	2
X 220	BUSHING, LINK	45174	112842	294385A	2
X 220	BUSHING, LINK	112846		411413A	2
X 221	RETAINER, LINK	45174		295173 1	2
X 240	SPACER, UPPER	45174		271741 1	1
X 241	SPACER, LOWER TWO USED ON BOOMS 85FT. AND LONGER	45174		271742 1	1
	010				
X	INTERMEDIATE SUSPENSION ROPE AND FITTINGS-VARIABLE UNIT-DRAWING 1-X-378				
	NOTE SEE ROPE SPECIFICATION		0		00-
X 242	ROPE, GUY 5/8X66FT.-3-1/2IN. NO.1	45174		18216620	1
X 243	SHEAVE, ROPE	45174		265392AA 1	1
X 244	PIN, SHEAVE	45174		299527 1	1
X 245	RETAINER, PIN	45174		298894 1	1
X 246	YOKE, SHEAVE	45174		299530 1	1
X 247	SPACER, ROPE	45174	121815	299529 1	2
X 247	SPACER, ROPE	122055		510663K 1	2
X 248	GUARD, ROPE	45174		299521 1	1
X 249	ANCHOR, ROPE	45174	121815	299528 1	1
X 249	ANCHOR, ROPE	122055		607458K 21	1
X 250	ANCHOR, ROPE	45174	121815	299528 2	1
X 250	ANCHOR, ROPE	122055		607459K 21	1
X 251	SOCKET, ROPE 5/8 IN.	45174		526804K 1	1
X 252	WEDGE, SOCKET 5/8 IN.	45174		526460K 1	1
X 253	PIN, SOCKET	45174		299522 1	1
X 254	TURNBUCKLE, ROPE 1IN.X12IN. ONE CLEVIS END W/1 IN. PIN & ONE OVAL EYE END	45174		82952150	1
X 255	THIMBLE, ROPE 5/8 IN	45174		82936900	1
X 256	CLIP, ROPE 5/8 IN	45174		82148450	1

PARTS LIST

CAT. REF.	PART NAME	SERIAL NO.		PART NO.	REQ.
		FROM	TO/INCL.		
	001				
XA	FAIRLEAD-DRAWINGS 1-XA-311,1-XA313				
XA	1 FAIRLEAD COMPLETE, OR	45174		9975XA	1
	FAIRLEAD COMPLETE, OR			10763XA	1
	FAIRLEAD COMPLETE, OR			. 10785XA	1
	FAIRLEAD COMPLETE,			. 10786XA	1
XA	2 SHEAVE, FAIRLEAD	45174	69322	269514AA	2
XA	2 SHEAVE, FAIRLEAD	69323		269514AB	2
XA	5 PIN, SHEAVE	45174	69322	290694	1 2
XA	5 PIN, SHEAVE	69323	88292	273087	1 2
XA	5 PIN, SHEAVE	98048		276740	1 2
XA	6 BUSHING & COVER,	45174	69322	290693A	4
XA	6 BUSHING & COVER, NOT USED	69323			
XA	9 SCREW, CAP 5/8X1 1/4 NC	45174	69322	03191400	16
XA	9 SCREW, CAP 5/8X1 1/4 NC	69323		03191400	8
XA	10 KEY, SHEAVE NO.28 WOODRUFF	45174	69322	54306250	2
XA	10 KEY, SHEAVE NOT USED	69323			
XA	22 FRAME, FAIRLEAD	45174	69322	227905AA	1
XA	22 FRAME, FAIRLEAD	69323	78111	227905AA	1 1
XA	22 FRAME, FAIRLEAD	78112		227905AB	1
XA	33 PLATE, GUIDE	45174	101126	269515AB	2
	269515-AB REPLACED, WHEN BOTH PLATES ARE ORDERED BY WHEN ONE PLATE ORDERED SUPPLY 269515-AB			277207A	2
XA	33 PLATE, GUIDE	103522		277207A	2
XA	35 BOLT, PLATE 7/8X7 3/4 NC	45174		.02191830	2
	NUT, FULL 7/8 NC			.02715100	2
	WASHER, LOCK 7/8			.03961900	2
XA	36 SCREW, CAP 7/8X2 1/2 NC	45174		.03197800	6
	WASHER, LOCK 7/8			.03961900	6
XA	42 BRACKET, SUPPORT	45174		226224A	1 1
XA	48 BOLT, ADJ.	45174	117535	290874	1 1
XA	48 BOLT, ADJ. INCL NUTS & CAPS	117536		504094K	51 1
XA	73 SPACER, PIN	45174		529547K	1 1
XA	76 PIN, SUPPORT - SEE JA341	45174			
XA	77 RETAINER, PIN - SEE JA342	45174			
XA	80 BEARING, TIMKEN CUP 543114- CONE 543085	45174		26865900	2
XA	81 SHIM, SET 7	45174		901084K	51 1
XA	82 COVER, BEARING	45174		267182A	1
XA	83 SCREW, CAP 5/8X1 1/2 NC	45174		.03191480	6
	WASHER, LOCK 5/8			.03961700	6
XA	84 WASHER, PIN - SEE JA343	45174			
XA	85 SPACER, BOLT	45174		529568K	1 1
XA	86 SPACER, PIN	45174		529546K	1 1
XA	87 BEARING, SHEAVE NOT USED	45174	69322		
XA	87 BEARING, FAFNIR 212WD	69323		26121450	4
XA	88 RETAINER, BEARING NOT USED	45174	69322		
XA	88 RETAINER, BEARING	69323		400875A	1 4
XA	89 BOLT, RETAINER NOT USED	45174	69322		
XA	89 SCREW, CAP 1/2X3 1/2 NC	69323		.03186120	8
	NUT, JAM 1/2 NC			.02711250	8



PARTS LIST

ISSUE NO 2, 1965

BE-122

MODEL: 51-B

PAGE: 23 -1

CAT. REF.	PART NAME	SERIAL NO.		PART NO.	REQ.
		FROM	TO/INCL.		
	001				
YE	FUEL SUPPLY EQUIPMENT-FOR BUDA GAS ENGINE MODEL 8MO-2190 VARIABLE UNIT DRAWING 1-Q-425				
YE	1 TANK, FUEL	45174		215117 1	1
YE	2 PIPE, SUCTION	45174		X 3419 21	1
YE	7 COVER, TANK	45174		287102 1	1
YE	14 GAUGE, ROCH 7Q572	45174		82304000	1
YE	20 GASKET, COVER	45174		50582000	3
YE	17 ELEMENT, FILTER 12984	45174		46192500	2
YE	21 COVER, TANK	45174		287101 1	1
YE	24 PUMP, ROTARY - DEM. RR-4078 1/2	45174		64070300	1
YE	25 HOSE, SUCTION	45174		53613450	1
YE	26 HOSE, DISCHARGE	45174		404388 2	1
YE	29 NOZZLE, HOSE	45174		502184K 21	1
YE	30 STRAINER, NOZZLE INCL W/YE29	45174			
YE	31 SUPPORT, PUMP	45174		276606 1	1
YE	41 FILTER, FUEL-PUR.G-17-J-71	45174		46191350	1
YE	63 COVER, TANK	45174		283806 1	1
YE	65 BOLT, SUPPORT 3/4X2 1/4 NC NUT, FULL 3/4 NC	45174		.02025500 .02714050	4 4
YE	68 SCREW, CAP 3/8X1 1/2 NC SCREW, CAP 3/8X1 1/4 NC	45174		.03179480 .03179420	12 6
	002				
YE	FUEL SUPPLY EQUIPMENT FOR BUDA DIESEL ENGINE-MODEL 6DA970- WITH TORQUE CONVERTER-VARIABLE UNIT DRAWING 1-Q-444				
YE	1 TANK, FUEL	45174		215117 1	1
YE	2 PIPE, SUCTION	45174		X 3419 16	1
YE	7 COVER, TANK	45174		287102 1	1
YE	14 GAUGE, ROCH. 7Q572	45174		82304000	1
YE	17 ELEMENT, FILTER 12984	45174		46192500	2
YE	20 GASKET, COVER	45174		50582000	3
YE	21 COVER, TANK	45174		287101 1	1
YE	24 PUMP, ROTARY - DEM. RR-4078 1/2	45174		64070300	1
YE	25 HOSE, SUCTION	45174		53613450	1
YE	26 HOSE, DISCHARGE	45174		53072510	1
YE	29 NOZZLE, HOSE	45174		502184K 21	1
YE	30 STRAINER, NOZZLE INCLUDED WITH YE29	45174			
YE	31 SUPPORT, PUMP	45174		277837 1	1
YE	37 VALVE, CHECK - CRANE 1/4-24	45174		79157500	1
YE	41 FILTER, FUEL - PUR G-17-J-71	45174		46191350	1
YE	51 TUBING, VENT 3/8X5 1/2 NC	45174		32356000	1
YE	63 COVER, TANK	45174		283806 1	1
YE	65 BOLT, SUPPORT 3/4X2 1/4 NC NUT, FULL 3/4 NC	45174		.02025500 .02714050	4 4
YE	67 SUPPORT, FILTER	45174		405010 1	1
YE	68 SCREW, CAP 3/8X1 1/2 NC	45174		.03179480	12



PARTS LIST

BE-122

MODEL: 51-B

PAGE: 23- 2

CAT. REF.	PART NAME	SERIAL NO.		PART NO.	REQ.
		FROM	TO/INCL.		
	002				
YE 68	SCREW, CAP 3/8X1 1/4 NC			.03179420	6
	003				
YE	FUEL SUPPLY EQUIPMENT FOR BUDA DIESEL ENGINE MODEL 6DCB-1742-VARIABLE UNIT-DRAWING 1-Q-426				
YE 1	TANK, FUEL	45174		215117 1	1
YE 2	PIPE, SUCTION	45174		X 3419 16	1
YE 7	COVER, TANK	45174		287102 1	1
YE 14	GAUGE, ROCH. 7Q572	45174		82304000	1
YE 17	ELEMENT, FILTER 12984	45174		46192500	1
YE 20	GASKET, COVER	45174		50582000	3
YE 21	COVER, TANK	45174		287101 1	1
YE 24	PUMP, ROTARY - DEM. RR-4078 1/2	45174		64070300	1
YE 25	HOSE, SUCTION	45174		53613450	1
YE 26	HOSE, DISCHARGE	45174		53072510	1
YE 29	NOZZLE, HOSE	45174		502184K 1	1
YE 30	STRAINER, NOZZLE INCL W/YE29	45174			
YE 31	SUPPORT, PUMP	45174		406778 1	1
YE 41	FILTER, FUEL - PUR. G-17-J-71	45174		46191350	1
YE 63	COVER, TANK	45174		283806 1	1
YE 65	BOLT, SUPPORT 3/4X2 1/4 NC	45174		.02025500	4
	NUT, FULL 3/4 NC			.02714050	4
YE 68	SCREW, CAP 3/8X1 1/2 NC	45174		.03179480	12
	SCREW, CAP 3/8X1 1/4 NC			.03179420	6
	004				
YE	FUEL SUPPLY EQUIPMENT FOR CATERPILLAR DIESEL ENGINE-MODELS D-337,D337-F-WITH TORQUE CONVERTER DRAWINGS 1-Q-453,1-Q-455,1-YE-110				
YE 1	TANK, FUEL	45174		215117 1	1
YE 2	PIPE, SUCTION	45174	119126	408166 1	1
YE 2	PIPE, SUCTION	120292		510400K 1	1
YE 6	COCK, STOP - CRANE 3/4-320 1/2	45174		79076000	1
YE 7	COVER,	45174	119126	408165 1	1
YE 7	COVER,	120292	120301	607308K 21	1
YE 7	COVER,	121615		609490K 21	1
YE 14	GAUGE, ROCH. 7-Q572	45174	120301	82304000	1
YE 14	GAUGE, AC 1518686	121615		82317640	1
YE 16	STRAINER, FUEL NOT USED	45174	120301		
YE 16	STRAINER, FUEL	121615		82897610	1
YE 20	GASKET, COVER	45174		50582000	3
YE 21	COVER,	45174	120301	408164 1	1
YE 21	COVER,	121615		289306 1	1
YE 37	VALVE, CHECK - CRANE 3/8-24	45174		79169100	1
YE 51	PIPE, VENT 3/8X5 1/2	45174	119126	32356000	1
YE 51	PIPE, VENT 3/8X42	120292	120301	32356000	1



PARTS LIST

ISSUE NO 2, 1965

BE-122

MODEL: 51-B

PAGE: 23- 3

CAT. REF.	PART NAME	SERIAL NO.		PART NO.	REQ.
		FROM	TO/INCL.		
	004				
YE 51	BREATHER, VENT - DON. S-183	121615		46140330	1
YE 63	COVER,	45174	119126	283806 1	1
YE 63	COVER,	120292	120301	510262K 1	1
YE 63	COVER,	121615		609492K 21	1
YE 65	SCREW, CAP 3/4X2 1/4 NC	45174		.03194720	4
	NUT, FULL 3/4 NC			.02714050	4
	WASHER, LOCK 3/4			.03961800	4
YE 66	PIPE, RETURN NOT USED	45174	119126		
YE 66	PIPE RETURN	120292		510401K 1	1
YE 68	SCREW, CAP 3/8X1 1/4 NC	45174	119126	.03179420	6
	SCREW, CAP 3/8X1 3/4 NC			.03179560	12
	WASHER, LOCK 3/8			.03961300	18
YE 68	SCREW, CAP 3/8X1 3/4 NC	120292	120301	.03179560	18
	WASHER, LOCK 3/8			.03961300	18
YE 68	SCREW, CAP 3/8X1 3/4 NC	121615		.03179560	12
	WASHER, LOCK 3/8			.03961300	12
	SCREW, CAP 3/8X1 1/4 NC			.03179420	6
	WASHER, LOCK 3/8			.03961300	6
YE 87	HOSE, RETURN NOT USED	45174	119126		
YE 87	HOSE, RETURN	120292		53624350	1
YE 101	ELBOW, PIPE 2X90 DEGREES	45174	120301	26263000	1
YE 101	ELBOW, PIPE 2X90 DEGREES	121615		20263000	2
YE 103	CAP, PIPE NOT USED	45174	119126		
YE 103	CAP, PIPE - MOELLER 4055	120292		82131910	1
YE 104	HOSE, SUCTION NOT USED	45174	119126		
YE 104	HOSE, SUCTION	120292		53624350	1
	005				
YE	FUEL SUPPLY EQUIPMENT FOR				
	CATERPILLAR DIESEL ENGINE MODEL				
	D17000-VARIABLE UNIT-DRAWINGS				
	1-Q-374				
YE 1	TANK, FUEL	45174		215117 1	1
YE 2	PIPE, SUCTION	45174		X 3419 16	1
YE 3	TUBING, COPPER 1/2ODX36	45174		32359000	1
YE 6	COCK, DRAIN 3/4	45174			1
YE 7	COVER, TANK	45174		287102 1	1
YE 14	GAUGE, ROCH. 7Q572	45174		82304000	1
YE 17	ELEMENT, FILTER 12984	45174		46192500	2
YE 20	GASKET, COVER	45174		50582000	3
YE 21	COVER, TANK	45174		287101 1	1
YE 24	PUMP, ROTARY - GOULD 297-3	45174	60438		1
YE 24	PUMP, ROTARY - DEM. RR-4078 1/2	60442		64070300	1
YE 25	HOSE, SUCTION	45174		53613450	1
YE 26	HOSE, DISCHARGE	45174		404388 2	1
YE 29	NOZZLE, HOSE	45174		502184K 21	1
YE 30	STRAINER, NOZZLE INCL W/YE29	45174			
YE 31	SUPPORT, PUMP	45174	60438	Y 4951A	1
YE 31	SUPPORT, PUMP	60442	69324	400239 1	1
YE 31	SUPPORT, PUMP	75328		403094 1	1
YE 32	BRACKET, SUPPORT	45174	55804	289688 1	1



PARTS LIST

ISSUE NO 2, 1965

BE-122

MODEL: 51-B

PAGE: 23- 4

CAT. REF.	PART NAME	SERIAL NO.		PART NO.	REQ.
		FROM	TO/INCL.		
	005				
YE 32	BRACKET, SUPPORT	55845		299048	1
YE 37	VALVE, CHECK - CRANE 1/4-20	45174		79156000	1
YE 41	FILTER, FUEL - PUR. G-17-J-71	45174		46191350	1
YE 51	TUBING, VENT 1/4ODX5 1/2	45174		32353000	1
YE 63	COVER, TANK	45174		283806	1
YE 65	BOLT, SUPPORT 3/4X2 1/4 NC	45174		.02025500	4
	NUT, FULL 3/4 NC			.02714050	4
YE 66	TUBING, RETURN 1/4ODX28	45174		32353000	1
YE 67	SUPPORT, FILTER	45174		289687	1
YE 68	SCREW, CAP 3/8X1 1/2 NC	45174		.03179480	12
	SCREW, CAP 3/8X1 1/4 NC			.03179420	6
	006				
YE	FUEL SUPPLY EQUIPMENT FOR GENERAL MOTORS 6-110 ENGINE-VARIABLE UNIT DRAWING I-YE-III				
YE 1	TANK, FUEL	45174		.215117	1
	PLUG, PIPE 3/4 IN.			.20766850	1
YE 2	PIPE, SUCTION	45174		510429K	1
YE 6	COCK, STOP-CR. 3/4IN.-320-1/2	45174		79076000	1
YE 7	COVER, FILLER	45174		609490K	21
YE 14	GAUGE, FUEL-AC 1518686	45174		82317640	1
YE 15	GASKET, COVER	45174		50582000	3
YE 16	STRAINER, FUEL	45174		82897610	1
YE 21	COVER, RETURN	45174		609492K	21
YE 37	VALVE, CHECK-CR. 3/8IN-24	45174		79169100	1
YE 51	BREATHER, AIR-DON. S183	45174		46140330	1
YE 63	COVER, SUCTION	45174		283806	1
YE 66	PIPE, RETURN	45174		510401K	1
YE 68	SCREW, CAP 3/8X1-3/4 NC	45174		.03179560	12
	SCREW, CAP 3/8X1-1/4 NC			.03179420	6
	WASHER, LOCK 3/8 IN.			.03961300	18
YE 87	HOSE, RETURN	45174		53624080	1
YE 101	ELBOW, PIPE 2X90 DEGREE	45174		.20263250	1
	ELBOW, PIPE 2X90 DEGREE			.20263000	1
YE 102	NIPPLE, PIPE	45174		512698	2
YE 103	CAP, PIPE-MOELLER 4055	45174		82131910	1
YE 104	HOSE, SUCTION	45174		53624080	1
YE 110	NIPPLE, PIPE	45174		511133K	1



PARTS LIST

ISSUE NO. 01, 1970

MODEL 888

PAGE 1-- 1

DATE 040770

CAT. REF.	DESCRIPTION	SERIAL NO.		PART NO.	REPLACE OR VENDOR NO.	REQ.
		FROM	TO/INCL.			
	001					
A	TRUCK FRAME DRAWING A707	52320				
A	2 RACK, SWING	52320	ONLY	225974AC		1 X
A	2 RACK, SWING	77377	77380	225974AC 1		1
A	2 RACK, SWING	78941	127288	225974AC		1 X
A	2 RACK, SWING	127460		721160K 1		1 X
A	4 BUSHING, LOWER PROPEL SHAFT	52320		297318A		2
A	14 STUD, SWING RACK	52320	127288	902892K 51		24 X
A	14 CAPSCREW, SWING RACK	127460		03307080		24 X
A	16 FRAME, TRUCK	52320				R
A	18 CAP, BEARING	127460	128493	612117K 1		2 X
A	19 CAP, BEARING	52320	ONLY	270844A		2 X
A	19 CAP, BEARING	77377	127288	270844AA		2 X
A	19 CAP, BEARING	128788		623127K 1		2 X
A	21 BOLT, BEARING CAP	52320	ONLY	296870 1		4 X
A	21 NUT, FULL 1 3/4 NC	52320	ONLY	02746050		4 X
A	21 NUT, JAM 1 3/4 NC	52320	ONLY	02746100		4 X
A	21 STUD, BEARING CAP	77377	128493	402300 1		4 X
A	21 NUT, FULL 1 3/4 NC	77377	128493	02746050		4 X
A	21 NUT, JAM 1 3/4 NC	77377	128493	02746100		4 X
A	21 STUD, CAP	128788		289115 1		4 X
A	21 NUT, FULL 1-3/4 NC	128788		02746050		4 X
A	21 NUT, JAM 1-3/4 NC	128788		02746100		4 X
A	22 SHIM SET, CAP	52320	127288	74280500		2 X
A	22 SHIM SET, CAP	127460	128493	74390035		4 X
A	22 SHIM SET, CAP	128788		74390035		2 X
A	24 AXLE, STD & LONG CATS	52320	124631	215887A		2
A	24 AXLE, STD & LONG CATS	124632		218651AA	813601K 1	2DX
A	24 AXLE, LG & 54IN. CATS	52320	124631	218651AA	813601K 1	2DX
A	24 AXLE, LG & 54IN. CATS	124846		808756K 1		2 X
A	27 BUSHING, OUTER	52320		295907AA		2
A	28 BUSHING, INNER	52320		295903AA		2
A	36 WASHER, RETAINER	52320		297420 1		4
A	39 SCREW, RETAINER CAP	52320		297421 1		8
A	40 BOLT, STANDARD & LONG FRAME AXLE	52320		902895K 51		4
A	40 BOLT, LONG WIDE FRAME AXLE	124846		903570K 51		4 X
A	41 BOLT, AXLE	52320		901970K 51		4
A	44 PLATE, SCREW LOCK	52320		297422 1		4
A	48 BUSHING, LOWER	52320		282716A 2		1
A	58 COVER, INSPECTION	77377		402363 1		2
A	157 WASHER, FELT	77377		402362 1		2
A	196 PIN, BOLT	52320		296869 1		4
A	197 PLUG, SHEAR	52320		296083 1		4
A	254 NUT, LOCK	52320	123527	405463 1		24
A	255 NUT, LOCK	52320		299143 1		4
A	256 BOLT, LOCK	52320		197621 30		4
A	258 PIN, CUTTER 3/16X1 1/4	52320		03115600		4
A	290 BOLT, HOOK	77377		181904 1		6



PARTS LIST

ISSUE NO. 01, 1970

MODEL 888

PAGE 1- 2

DATE 040770

CAT. REF.	DESCRIPTION	SERIAL NO.		PART NO.	REPLACE OR VENDOR NO.	REQ.
		FROM	TO/INCL.			
	001					
A 290	NUT, FULL 3/8 NC	77377		02709150		6
A 290	NUT, JAM 3/8 NC	77377		02709250		6



PARTS LIST

ISSUE NO. 01, 1970

MODEL 88H

PAGE 2- 1

DATE 040770

CAT. REF.	DESCRIPTION	SERIAL NO.		PART NO.	REPLACE OR VENDOR NO.	REQ.
		FROM	TO/INCL.			
	001					
AB	REVOLVING FRAME DWG. A707, AB702, AB709, F708					
AB 2	FRAME, REVOLVING	52320				R
AB 3	CASTING, REAR	52320				R
AB 5	BUSHING, LOWER	52320		296175A		1
AB 7	BUSHING, CENTER	52320	ONLY	297018A		1 X
AB 7	BUSHING, CENTER	77377		402565A		1
AB 8	ROLLER, CONE INCLUDES AB9 & AB13	52320	130185	901321K 51	531677K 51	120 X
AB 9	BUSHING, ROLLER	52320		297008A		12
AB 10	FRAME, ROLLER	52320		215965A		4
AB 11	PIN, ROLLER	52320		706978K 21		8
AB 13	WASHER, ROLLER	52320		297007A		12
AB 14	PIN, FRONT FRAME	52320		804035K 21		2
AB 22	CAPSCREW 1 X 2 1/2 NC	52320		02192600		48 X
AB 22	LOCKWASHER 1	52320		03962000		48
AB 29	BUSHING, UPPER	52320		296175A 1		1
AB 41	PIN, BOOM FOOT RH SEE JA51 OR JA241	52320	124845			
AB 41	PIN, BOOM FOOT	124846		612428K 1		1 X
AB 45	BUSHING, OUTER	52320		297025A		1
AB 45	BUSHING, CENTER	52320		297024A		1
AB 47	COVER, INSPECTION	52320		291266 1		1
AB 48	CAPSCREW 1/2 X 1 NC	52320		03185320		4
AB 48	LOCKWASHER 1/2	52320		03961500		4
AB 64	BOLT, BLANK SEE JA 242 OR JA54	52320	124845			
AB 64	BOLT, BLANK	124846		297704 1		2
AB 64	PIN, COTTER 1/4 X 2	124846		03118960		2
AB 66	WASHER, PIN SEE JA440 OR JA219	52320	124845			
AB 66	WASHER, PIN	124846		299316 1		8
AB 66	WASHER, PIN	124846		299316 2		2
AB 67	DECK PLATE, RH	52320				R
AB 68	DECK PLATE, LH	52320				R
AB 70	BOARD, RUNNING	52320				R
AB 71	SUPPORT, RUNNING BOARD	52320	ONLY	283534 1		5 X
AB 71	SUPPORT, RUNNING BOARD	77377		232062 2		4
AB 72	TIE BAR, RUNNING BOARD	113641		X11166 1		1
AB 73	SUPPORT, JOINT	52320	ONLY	283534 2		1 X
AB 73	SUPPORT, JOINT	77377		232062 1		1
AB 74	TIE BAR, RUNNING BOARD	52320		297841 1		1
AB 84	BOLT, ROD	52320		298017 1		4
AB 84	NUT, FULL 2 1/2 NC	52320		02726100		4
AB 84	NUT, JAM 2 1/2 NC	52320		02726150		4
AB 85	PLUG, SHEAR	52320	ONLY	298664 1		2 X
AB 85	PLUG, SHEAR	77377		297591 1		2
AB 89	BUSHING, UPPER	52320		296170A		1
AB 93	SCREW, DOWEL	52320		298121 1		1
AB 93	LOCKWASHER 1	52320		03962000		1
AB 105	SUPPORT, RH REAR	52320		268288 1		1



PARTS LIST

ISSUE NO. 01, 1970

MODEL 88B

PAGE 2- 2

DATE 040770

CAT. REF.	DESCRIPTION	SERIAL NO.		PART NO.	REPLACE OR VENDOR NO.	REQ.
		FROM	TO/INCL.			
	001					
AB 106	SUPPORT, LH REAR	52320		268288 2		1
AB 107	SUPPORT, RH CENTER	52320	93743	232062 3		1
	REAR					
AB 107	SUPPORT, RH CENTER	112748	121322	600840K 21		1
	REAR					
AB 107	SUPPORT, RH CENTER	121323		604975K 21		1
	REAR					
AB 108	STEP, LH DECK PLATE	52320		268294 3		1
AB 108	CAPSCREW 5/8 X 1 NC	52320		03191320		4
AB 108	NUT, FULL 5/8 NC	52320		02713050		4
AB 109	LOCKWASHER 5/8	52320		03961700		4
AB 109	STEP, RH DECK PLATE	52320	120716	268294 1		1
AB 109	CAPSCREW 5/8 X 2 NC	52320	120716	03191640		4
AB 109	NUT, FULL 5/8 NC	52320	120716	02713050		4
AB 109	LOCKWASHER 5/8	52320	120716	03961700		4
AB 109	STEP, RH DECK PLATE	120953		709866K 21		1
AB 109	CAPSCREW 5/8 X 2 NC	120953		03191640		4
AB 109	NUT, FULL 5/8 NC	120953		02713050		4
AB 109	LOCKWASHER 5/8	120953		03961700		4
AB 123	SUPPORT, LH CENTER	52320	93743	232062 4		1
	REAR					
AB 123	SUPPORT, LH CENTER	112748	121322	600841K 21		1
	REAR					
AB 123	SUPPORT, LH CENTER	121323		604976K 21		1
	REAR					
AB 124	SUPPORT, RUNNING BOARD	52320	ONLY	283534 2		5 X
AB 124	SUPPORT, RUNNING BOARD	77377		232062 2		5
AB 143	BUSHING, BOOM FOOT PIN	105477		507565K 1		4
AB 164	EXTENSION, RH REAR	52320				R
AB 165	EXTENSION, LH REAR	52320				R
AB 170	BEARING, RH FOR DRAGLINE & STRIPPING SHOVEL	52320	ONLY	271258A		1 X
AB 170	BEARING, RH FOR DRAGLINE & STRIPPING SHOVEL	77377	123774	271258A 2		1
AB 170	BEARING, RH FOR DRAGLINE & STRIPPING SHOVEL	124179		617020K 1		1
AB 170	BEARING, RH FOR SHOVEL	52320	ONLY	271258A		1 X
AB 170	BEARING, RH FOR SHOVEL	77380	93743	274761A		1
AB 170	BEARING, RH FOR SHOVEL	105476	123774	271258A 2		1
AB 170	BEARING, RH FOR SHOVEL	124179		617020K 1		1
AB 171	BOLT, BEARING	52320	122452	603067K 51		4
AB 171	BOLT, ROD	122453	123774	611247K 51		4
AB 171	SPACER	122453	123774	507238K 1		4
AB 171	BOLT, ROD	124179		617015K 51		4
AB 171	SPACER	124179		520555K 1		4
AB 174	RAILING, REAR	52320				2
AB 176	PIN, REAR FRAME	52320		804034K 21		2
AB 178	BUSHING, UPPER	52320	ONLY	402441A		1 X
AB 178	BUSHING, UPPER	77377	93743	297026A		1
AB 178	BUSHING, UPPER	105477	105479	407143A		1
AB 178	BUSHING, UPPER	112748		409426A		1



PARTS LIST

ISSUE NO. 01, 1970

MODEL 88B PAGE 2- 3
 DATE 040770

CAT. REF.	DESCRIPTION	SERIAL NO.		PART NO.	REPLACE OR VENDOR NO.	REQ.
		FROM	TO/INCL.			
	001					
AB 179	GASKET, COVER	52320		50472000		1
AB 180	BUSHING, LOWER	52320		289494A		1
AB 181	RETAINER, GREASE	52320		290882	1	1
AB 182	CAPSCREW 1/2X1 1/2 NC	52320		03185480		2
AB 182	LOCKWASHER 1/2	52320		03961500		2
AB 184	BOARDS, REAR RUNNING	52320				R
AB 197	BEARING, LH FOR DRAGLINE & STRIPPING SHOVEL	52320	ONLY	271258A		1 X
AB 197	BEARING, LH FOR DRAGLINE & STRIPPING SHOVEL	77377	123774	271258A	1	1
AB 197	BEARING, LH FOR DRAGLINE & STRIPPING SHOVEL	124179		617019K	1	1
AB 197	BEARING, LH FOR SHOVEL	52320	ONLY	271258A		1 X
AB 197	BEARING, LH FOR SHOVEL	77380	93743	271258A	2	1
AB 197	BEARING, LH FOR SHOVEL	105476	123774	278131A		1
AB 197	BEARING, LH FOR SHOVEL	124179		617017K	1	1
AB 198	RAILING, BOARD	52320				R
AB 199	BEARING, RH SEE AB170	52320				
AB 200	RAIL & GUARD, REAR	52320				R
AB 201	RAILING, REAR	52320				R
AB 208	PIN, BOOM FOOT LH	124846		612428K	1	1
AB 215	BUSHING, OUTER WITH INDEPENDENT BOOM HOIST ONLY	52320		297025A		1
AB 216	BEARING, RH SEE AB170	52320				
AB 217	BEARING, LH SEE AB197	52320				



PARTS LIST

ISSUE NO. 01, 1970

MODEL 88B

PAGE 3- 1

DATE 040770

CAT. REF.	DESCRIPTION	SERIAL NO.		PART NO.	REPLACE OR VENDOR NO.	REQ.
		FROM	TO/INCL.			
	001					
BC	STANDARD CRAWLERS DRAWING BC701					
BC 1	LINK, CRAWLER 36 IN. CLEATED	77380		237666AB		72
BC 1	LINK, CRAWLER 45 IN. CLEATED	77380		237643AB		72
BC 2	PIN, LINK	77380		298608 1		144
BC 3	LOCK, LINK PIN	77380		02654650		144
BC 3	PIN, COTTER 1/4X1 1/4	77380		03118600		144
BC 4	TUMBLER, DRIVE	77380	124630	216238AA		2
BC 4	TUMBLER, DRIVE	124632		216238AA 1		2
BC 9	KEY, TUMBLER	77380	120954	X10452 35		4
BC 9	KEY, TUMBLER	120955		411995 1		4
BC 11	SHAFT, DRIVE TUMBLER	77380	113640	270373 1		2
BC 11	SHAFT, DRIVE TUMBLER	113641	124630	250699 1		2
BC 11	SHAFT, DRIVE TUMBLER	124632		250918 1		2
BC 13	TUMBLER, TAKE-UP	77380		229689AA		2
BC 22	SHAFT, TAKE-UP TUMBLER	77380		270374 1	270374 3	2D
BC 41	FRAME, RH	77380		236481 3		1
BC 42	FRAME, LH	77380		236481 4		1 X
BC 43	BUSHING, OUTER	77380	124630	296043AA		2
BC 43	BUSHING, OUTER	124632		406982AA		2
BC 44	BUSHING, INNER	77380	113640	296044AA		4
BC 44	BUSHING, INNER	113641	124630	296044AA 1		4
BC 44	BUSHING, INNER	124632		406983AA 1		4
BC 55	SPROCKET, PROPEL	77380	113640	231623A		2
BC 55	SPROCKET, PROPEL	113641	124630	231623AB		2
BC 55	SPROCKET, PROPEL	124632		231623AA 1		2
BC 56	BEARING, OUTER	77380	124630	270347AA		2
BC 56	BEARING, OUTER	124632	126978	218652A		2AX
	NOTE-WHEN STOCK OF 218652A IS DEPLETED USE FOLLOWING PARTS BC56 BEARING, OUTER RH BC162 SCREW, JACK OR BC56 BEARING, OUTER LH BC162 SCREW, JACK			810193K 51 525922K 51 810194K 51 525922K 51		1 1 1 1
BC 56	BEARING, OUTER RH INCLUDES BC43	127281		810193K 51		1 X
BC 56	BEARING, OUTER LH INCLUDES BC43	127281		810194K 51		1 X
BC 58	BEARING, INNER	77380	113640	270346AA		2
BC 58	BEARING, INNER	113641	124630	270346AA 1		2
BC 58	BEARING, INNER	124632	125492	218656A 1		2AX
	NOTE-WHEN STOCK OF					



PARTS LIST

ISSUE NO. 01, 1970

MODEL 888

PAGE 3- 2

DATE 040770

CAT. REF.	DESCRIPTION	SERIAL NO.		PART NO.	REPLACE OR VENDOR NO.	REQ.
		FROM	TO/INCL.			
	001					
	218656A1 IS EXHAUSTED USE FOLLOWING PARTS					
	BC58 BEARING, INNER RH OR			809342K 52		1
	BC58 BEARING, INNER LH			809343K 52		1
BC 58	BEARING, INNER RH	125667		809342K 52		1
	INCLUDES BC44					
BC 58	BEARING, INNER LH	125667		809343K 52		1
	INCLUDES BC44					
BC 61	BOLT, EYE	77380		619015K 22		2
BC 61	NUT, FULL 2 NC	77380		02724150		2
BC 61	NUT, JAM 2 NC	77380		02724300		2
BC 63	COLLAR, SPROCKET	77380		296105A		2
BC 64	BOLT, COLLAR 7/8X8 NC	77380		02191840		4
BC 64	NUT, FULL 7/8 NC	77380		02715100		4
BC 64	LOCKWASHER 7/8	77380		03961900		4
BC 65	PIN, EYE BOLT	77380		403034 1		2
BC 68	ROLLER, LOWER	52320	112751	510852K 51		14
	INCLUDES BC69					
BC 68	ROLLER, LOWER	112752		901285K 52		14
	INCLUDES BC69					
BC 69	BUSHING, ROLLER	77380		296058AA		28
BC 70	SHAFT, ROLLER	77380		296057 1		14
BC 71	SHIELD, ROLLER DUST	77380		229271A		28
BC 72	BOLT, SHAFT 1X6 1/2 NC	77380		02193240		56
BC 73	ROLLER, UPPER	77380		296060A		8
BC 75	SHAFT, UPPER ROLLER	77380	125492	296061 1		4AX
BC 75	SHAFT, UPPER ROLLER	125667	125795	618377K 1		4AX
	NOTE-WHEN STOCK OF 296061-1 AND 618377K1 IS DEPLETED FURNISH THE FOLLOWING PARTS					
	BC75 SHAFT			623936K 1		4
	BC172 RETAINER			531613K 1		8
	BC173 CAPSCREW			03179420		16
	BC173 LOCKWASHER			03961300		16
BC 75	SHAFT, UPPER ROLLER	128940		623936K 1		4 X
BC 76	DOWEL, SHAFT	77380		296104 1		4
BC 112	NUT, EYE BOLT	77380		287206 1		2
BC 141	CHAIN COMPLETE 36 P	77380		34165010	1601-A	2V
BC 142	LINK, CHAIN AS REQ.	77380		34184250	1601A	V
BC 153	PIN, LINK AS REQ.	77380		34184300	1601A	V
BC 157	GUIDE, SPACER	77380		296113 1		10
BC 158	BOLT, GUIDE	77380		197620 30		2
BC 158	PIN, CUTTER 3/16X1 1/4	77380		03115600		2
BC 160	SPACER, TAKE-UP 1/4	77380		402571 1		24
BC 160	SPACER, TAKE-UP 1 1/4	77380		402571 2		6
BC 160	SPACER, TAKE-UP 1 1/2	77380		402571 3		14



PARTS LIST

ISSUE NO. 01, 1970

MODEL 88B

PAGE 3- 3

DATE 040770

CAT. REF.	DESCRIPTION	SERIAL NO.		PART NO.	REPLACE OR VENDOR NO.	REQ.
		FROM	TO/INCL.			
	001					
BC 162	SCREW, JACK INCLUDES BC163	77380	126978	902721K 51		2 X
BC 162	SCREW, JACK INCLUDES BC163	127281		525922K 51		2 X
BC 163	NUT, SCREW	77380		282679 1		2
BC 164	SLEEVE, SCREW	77380		296116 1		2
BC 172	RETAINER, ROLLER	77380	125492	289108 1		8
BC 172	SPACER, ROLLER	125667	125795	514404K 1		8 X
BC 172	RETAINER, PLATE	128940		531613K 1		8 X
BC 173	CAPSCREW 3/4 X 5 NC	77380	125492	03195600		8
BC 173	NUT, FULL 3/4 NC	77380	125492	02714050		8
BC 173	LOCKWASHER 3/4	77380	125492	03961800		8
BC 173	RING, SNAP-TRUARC	125667	125795	68120240	5100-250	8VX
BC 173	CAPSCREW 3/8X1-1/4 NC	128940		03179420		16 X
BC 173	LOCKWASHER 3/8	128940		03961300		16 X
BC 180	LOCK, LINK PIN AS REQ	77380		34184500	1601A	V
BC 181	BOLT, INNER GUIDE 5/8 X 3 1/2	77380		02404670		4
BC 182	SPACER, TAKE-UP 1/4	77380		401432 1		8
BC 182	SPACER, TAKE-UP 1 1/4	77380		401432 2		2
BC 182	SPACER, TAKE-UP 1 1/2	77380		401432 3		6
BC 186	CAPSCREW 1/2X5 1/2 NC	77380		03186760		29
BC 186	NUT, FULL 1/2 NC	77380		02711050		29
BC 186	LOCKWASHER 1/2	77380		03961500		29
BC 190	BEARING, SHAFT INCLUDES BC333	77380	125996	901269K 51		4AX
	NOTE-WHEN STOCK OF 901269K51 IS DEPLETED USE FOLLOWING PARTS					
	BC190 BEARING, RH			810191K 52		2
	BC162 JACK SCREW OR			525922K 51		2
	BC190 BEARING, LH			810192K 52		2
	BC162 JACK SCREW			525922K 51		2
BC 190	INCLUDES BC333 BEARING, RH	126087		810191K 52		2 X
BC 190	INCLUDES BC333 BEARING, LH	126087		810192K 52		2 X
BC 191	BOLT, SPACER	77380		197620 30		4
BC 191	PIN, COTTER 3/16X1 1/4	77380		03115600		4
BC 192	WASHER, EYE BOLT	77380		514157K 1		2
BC 223	BOLT, SPACER	77380		197620 31		4
BC 333	BUSHING, BEARING	77380		296043AA		4
BC 334	NUT, BOLT LOCK 1 NC	77380		02770550	02786550	56D
367	LOCK, SPACER	77380		406710 1		6



PARTS LIST

ISSUE NO. 01, 1970

MODEL 88B
DATE 040770

PAGE 3- 4

CAT. REF.	DESCRIPTION	SERIAL NO.		PART NO.	REPLACE OR VENDOR NO.	REQ.
		FROM	TO/INCL.			
	002					
BC	OVERSIZED CRAWLERS DRAWING BC702					
BC 1	LINK, CRAWLER 36 IN. CLEATED	52320		237666AB		88
BC 1	LINK, CRAWLER 45 IN. CLEATED	52320		237643AB		88
BC 1	LINK, CRAWLER 54 IN. CLEATED	52320		239372A		88
BC 2	PIN, LINK	52320		298608 1		176
BC 3	LOCK, LINK PIN	52320		182205 1	02654650	176DX
BC 3	PIN, COTTER 1/4X1 1/4	52320		03118600		176
BC 4	TUMBLER, DRIVE 36 IN. OR 45 IN.	52320		216238AA		2
BC 4	TUMBLER, DRIVE FOR 54 IN.	52320		216238AB		2
BC 9	KEY, TUMBLER	52320	105479	X10452 35		4
BC 9	KEY, TUMBLER	112749		411995 1		4
BC 11	SHAFT, DRIVE TUMBLER FOR 36 IN OR 45 IN	52320	105479	270373 1		2
BC 11	SHAFT, DRIVE TUMBLER FOR 36 IN OR 45 IN	112749		250699 1		2
BC 11	SHAFT, DRIVE TUMBLER FOR 36 IN OR 45 IN	52320	105479	234215 1		2
BC 11	SHAFT, DRIVE TUMBLER FOR 54 IN	112749		250918 1		2
BC 13	TUMBLER, TAKE-UP	52320		229689AA		2
BC 22	SHAFT, TAKE-UP TUMBLER	52320		270374 1	270374 3	2D
BC 41	FRAME, RH	52320		237800 3		1
BC 42	FRAME, LH	52320		237800 4		1
BC 43	BUSHING, OUTER FOR 36 IN OR 45 IN	52320		296043AA		2
BC 43	BUSHING, OUTER FOR 54 IN	52320		406982AA		2
BC 44	BUSHING, INNER FOR 36 IN OR 45 IN	52320	105479	296044AA		4
BC 44	BUSHING, INNER FOR 36 IN OR 45 IN	112749		296044AA 1		4
BC 44	BUSHING, INNER FOR 36 IN OR 45 IN	52320	105479	406983AA		4
BC 44	BUSHING, INNER FOR 54 IN	112749		406983AA 1		4
BC 55	SPROCKET, PROPEL FOR 36 IN OR 45 IN	52320	105479	231623A		2
BC 55	SPROCKET, PROPEL FOR 36 IN OR 45 IN	112749		231623AB		2
BC 55	SPROCKET, PROPEL FOR 36 IN OR 45 IN	52320	105479	231623AA		2
BC 55	SPROCKET, PROPEL FOR 54 IN	112749		231623AA 1		2
BC 56	BEARING, OUTER FOR 36 IN OR 45 IN	52320		270347AA		2 X
BC 56	BEARING, OUTER	52320	126978	218652A		2AX



PARTS LIST

ISSUE NO. 01, 1970

MODEL 888

PAGE 3- 5

DATE 040770

CAT. REF.	DESCRIPTION	SERIAL NO.		PART NO.	REPLACE OR VENDOR NO.	REQ.
		FROM	TO/INCL.			
	002					
	FOR 54 IN					
	NOTE-WHEN STOCK OF					
	218652A IS DEPLETED					
	USE FOLLOWING PARTS					
	BC56 BEARING, OUTER RH			810193K 51		1
	BC162 SCREW, JACK			525922K 1		1
	OR					
	BC56 BEARING, OUTER LH			810194K 51		1
	BC162 SCREW, JACK			525922K 1		1
BC 56	BEARING, OUTER RH	127281		810193K 51		1 X
	INCLUDES BC43					
BC 56	BEARING, OUTER LH	127281		810194K 51		1 X
	INCLUDES BC43					
BC 58	BEARING, INNER FOR	52320	105479	270346AA		2 X
	36 OR 45 IN. PADS					
BC 58	BEARING, INNER FOR	112749		270346AA 1		2 X
	36 OR 45 IN. PADS					
BC 58	BEARING, INNER FOR	52320	105479	218656A		2AX
	54 IN. PADS					
BC 58	BEARING, INNER FOR	112749	125492	218656A 1		2AX
	54 IN. PADS					
	NOTE-WHEN STOCK OF					
	218656A OR 218656A1					
	IS DEPLETED REPLACE					
	WITH FOLLOWING PARTS					
	BC58 BEARING, INNER RH			809342K 52		1
	OR					
	BC58 BEARING, INNER LH			809343K 52		1
BC 58	BEARING, INNER RH 54IN	125667		809342K 52		1 X
	INCLUDES BC44					
BC 58	BEARING, INNER LH 54IN	125667		809343K 52		1 X
	INCLUDES BC44					
BC 61	BOLT, EYE	52320		619015K 22		2
BC 61	NUT, FULL 2 NC	52320		02724150		2
BC 61	NUT, JAM 2 NC	52320		02724300		2 X
BC 63	COLLAR, SPROCKET	52320		296105A		2
BC 64	BOLT, COLLAR 7/8 X8 NC	52320		02191840		4
BC 64	NUT, FULL 7/8 NC	52320		02715100		4
BC 64	LOCKWASHER 7/8	52320		03961900		4
BC 65	PIN, EYE BOLT	52320	77379	193695 1		2
BC 65	PIN, EYE BOLT	78941		403034 1		2
BC 68	ROLLER, LOWER	52320	112751	510852K 51		18
	INCLUDES BC69					
BC 68	ROLLER, LOWER	112752		901285K 52		18
	INCLUDES BC69					
BC 69	BUSHING, ROLLER	52320		296058AA		36



PARTS LIST

ISSUE NO. 01, 1970

MODEL 88B

PAGE 3- 6

DATE 040770

CAT. REF.	DESCRIPTION	SERIAL NO.		PART NO.	REPLACE OR VENDOR NO.	REQ.
		FROM	TO/INCL.			
	002					
BC 70	SHAFT, ROLLER	52320		296057 1		18
BC 71	SHIELD, ROLLER DUST	52320		229271A		36
BC 72	BOLT, SHAFT 1X6 NC	52320		02193160		72
BC 73	ROLLER, UPPER	52320		296060A		16
BC 75	SHAFT, UPPER ROLLER	77380	125492	296061 1		8AX
BC 75	SHAFT, UPPER ROLLER	125667	125795	618377K 1		8AX
	NOTE-WHEN STOCK OF 296061-1 & 618377K1 IS DEPLETED FURNISH THE FOLLOWING PARTS					
	BC75 SHAFT, ROLLER			623936K 1		1
	BC172 RETAINER, PLATE			531613K 1		2
	BC173 CAPSCREW			03179420		4
	BC173 LOCKWASHER			03961300		4
BC 75	SHAFT, UPPER ROLLER	128940		623936K 1		8 X
BC 76	DOWEL, SHAFT	52320		296104 1		8
BC 112	NUT, EYE BOLT	52320		287206 1		2
BC 141	CHAIN COMPLETE 36 P	52320		34165010	1601-A	2V
BC 142	LINK, CHAIN-AS REQD	52320		34184250	1601 A	
BC 153	PIN, LINK AS REQ.	52320		34184300	1601-A	
BC 157	GUIDE, SPACER	52320		296113 1	514153K 1	10DX
BC 158	BOLT, GUIDE	52320		197620 30		2
BC 158	PIN, COTTER 3/16X1 1/4	52320		03115600		2
BC 160	SPACER, TAKE-UP 1/4	52320		402571 1		
BC 160	SPACER, TAKE-UP 1 1/4	52320		402571 2		
BC 160	SPACER, TAKE-UP 1 1/2	52320		402571 3		
BC 162	SCREW, JACK INCLUDES BC163	52320	127288	902721K 51		2 X
BC 162	SCREW, JACK INCLUDES BC163	52320	128944	525922K 51	902721K 51	2DX
BC 163	NUT, SCREW	52320		282679 1		2
BC 164	SLEEVE, SCREW	52320	105479	296116 5		1
BC 164	SLEEVE, SCREW	112749		411756 1		2
BC 172	RETAINER, ROLLER	52320	124180	289108 1		16 X
BC 172	SPACER, ROLLER SHAFT	124407	128795	514404K 1		8 X
BC 172	RETAINER, PLATE	128940		531613K 1		8 X
BC 173	CAPSCREW 3/4 X 5 NC	52320	124180	03195600		16 X
BC 173	NUT, FULL 3/4 NC	52320	124180	02714050		16 X
BC 173	LOCKWASHER 3/4	52320	124180	03961800		16 X
BC 173	SNAP, RING	124407	128795	68120240		8 X
BC 173	CAPSCREW 3/8X1-1/4 NC	128940		03179420		16 X
BC 173	LOCKWASHER 3/8	128940		03961300		16 X
BC 180	LOCK, LINK PIN AS REQ.	52320		34184500	1601-A	V
BC 181	BOLT, INNER GUIDE	52320	ONLY	197620 30		2
BC 181	BOLT, INNER GUIDE	77377		02404670		4
BC 182	5/8 X 3 1/2 SPACER, TAKE-UP 1/4	52320		401432 1		8
BC 182	SPACER, TAKE-UP 1 1/4	52320		401432 2		6
BC 182	SPACER, TAKE-UP 1 1/2	52320		401432 3		2



PARTS LIST

ISSUE NO. 01, 1970

MODEL 888

PAGE 3- 7

DATE 040770

CAT. REF.	DESCRIPTION	SERIAL NO.		PART NO.	REPLACE OR VENDOR NO.	REQ.
		FROM	TO/INCL.			
	002					
BC 186	CAPSCREW 1/2X5 1/2 NC	52320		03186760		34
BC 186	NUT, FULL 1/2 NC	52320		02711050		34
BC 186	LOCKWASHER 1/2	52320		03961500		34
BC 190	BEARING, SHAFT	52320	ONLY	270348A		4 X
BC 190	BEARING, SHAFT INCLUDES BC333	77377	125996	901269K 51		4A X
	NOTE-WHEN STOCK OF 901269K51 IS DEPLETED USE FOLLOWING PARTS BC190 BEARING, RH			810191K 52		1
	OR BC190 BEARING, LH			810192K 52		1
	BC162 JACK SCREW			902721K 51		2
	INCLUDES BC333					
BC 190	BEARING, SHAFT RH INCLUDES BC333	126087		810191K 52		2 X
BC 190	BEARING, SHAFT LH	126087		810192K 52		2 X
BC 191	BOLT, SPACER	52320	ONLY	197620 29		4 X
BC 191	BOLT, SPACER	77377		197620 30		4
BC 191	PIN, COTTER 3/16X1 1/4	77377		03115600		4
BC 192	WASHER, EYE BOLT	52320		297636A		4
BC 223	BOLT, SPACER	77377		197620 31		4
BC 333	BUSHING, SPACER	52320		296043AA		4
BC 334	NUT, LOCK 1 NC	52320		02786550		72
BC 367	LOCK, SPACER	52320		406710 1		6



PARTS LIST

ISSUE NO. 01, 1970

MODEL 88B

PAGE 3- 8

DATE 040770

CAT. REF.	DESCRIPTION	SERIAL NO.		PART NO.	REPLACE OR VENDOR NO.	REQ.
		FROM	TO/INCL.			
	003					
BC	SWAMP CRAWLERS DRAWING BC707					
BC 1	LINK, CRAWLER 45 IN CLEATED	112750		237643AA	237643AB	92DX
BC 1	LINK, CRAWLER 54 IN CLEATED	112750		239372A		92
BC 2	PIN, LINK	112750		298608	1	184
BC 3	LOCK, LINK PIN	112750		182205	1	02654650 184DX
BC 3	PIN, COTTER 1/4X1 1/4	112750		03118600		184
BC 4	TUMBLER, DRIVE	112750	124634	216238AB		2
BC 4	TUMBLER, DRIVE	124848		216238AA	1	2
BC 9	KEY, TUMBLER	112750		411995	1	4
BC 11	SHAFT, DRIVE TUMBLER	112750		250918	1	2
BC 13	TUMBLER, TAKE-UP	112750		229689AA		2
BC 22	SHAFT, TAKE-UP TUMBLER	112750		270374	1	270374 3 2DX
BC 41	FRAME, RH	112750	124634	101835	1	1
BC 41	FRAME, RH	124848		101835	3	1
BC 42	FRAME, LH	112750	124634	101835	2	1
BC 42	FRAME, LH	124848		101835	4	1
BC 43	BUSHING, OUTER	112750		406982AA		2
BC 44	BUSHING, INNER	112750		406983AA	1	4
BC 55	SPROCKET, PROPEL	112750		231623AA	1	2
BC 56	BEARING, OUTER	112750	126978	218652A		2AX
	NOTE-WHEN STOCK OF 218652A IS DEPLETED USE FOLLOWING PARTS					
	BC56 BEARING, OUTER RH			810193K	51	1
	BC162 SCREW, JACK			902721K	51	1
	OR					
	BC56 BEARING, OUTER LH			810194K	51	1
	BC162 SCREW, JACK			902721K	51	1
BC 56	BEARING, OUTER RH	127281		810193K	51	1 X
	INCLUDES BC43					
BC 56	BEARING, OUTER LH	127281		810194K	51	1 X
	INCLUDES BC43					
BC 58	BEARING, INNER LH & RH	112750	125492	218656A	1	2AX
	NOTE-WHEN STOCK OF 218656A1 IS DEPLETED USE FOLLOWING PARTS					
	BC58 BEARING, INNER RH			809342K	52	1
	OR					
	BC58 BEARING, INNER LH			809342K	52	1
BC 58	BEARING, INNER RH	125667		809342K	52	1 X
	INCLUDES BC44					



PARTS LIST

ISSUE NO. 01, 1970

MODEL 88B

PAGE 3- 9

DATE 040770

CAT. REF.	DESCRIPTION	SERIAL NO.		PART NO.	REPLACE OR VENDOR NO.	REQ.
		FROM	TO/INCL.			
	003					
BC 58	BEARING, INNER LH INCLUDES BC44	125667		809343K 52		1 X
BC 61	BOLT, EYE	112750		296112 4	619015K 22	2DX
BC 61	NUT, FULL 2 NC	112750		02724150		2
BC 61	NUT, JAM 2 NC	112750		02724300		2
BC 63	COLLAR, SPROCKET	112750		296105A		2
BC 64	BOLT, COLLAR 7/8X8 NC	112750		02191840		4
BC 64	NUT, FULL 7/8 NC	112750		02715100		4
BC 64	LOCKWASHER 7/8	112750		03961900		4
BC 65	PIN, EYE BOLT	112750		403034 1		2
BC 65	PIN, COTTER 3/8X2 1/4	112750		03125080		4
BC 68	ROLLER, LOWER	112750	112751	510852K 51		20
	INCLUDES BC69					
BC 68	ROLLER, LOWER	112752		901285K 52		20 X
	INCLUDES BC69					
BC 69	BUSHING, ROLLER	112750		296058AA		40
BC 70	SHAFT, LOWER ROLLER	112750		296057 1		20
BC 71	SHIELD, ROLLER DUST	112750		229271A		40
BC 72	BOLT, SHAFT 1 X 7 NC W/O FILLER BRG.	112750		02193320		80
BC 72	NUT, FULL 1 NC	112750		02716050		80
BC 72	NUT, JAM 1 NC	112750		02716200		80
BC 72	BOLT, SHAFT 1X12 NC W/FILLER BRG.	112750		02193960		80
BC 72	NUT, FULL 1 NC	112750		02716050		80
BC 72	NUT, JAM 1 NC	112750		02716200		80
BC 73	ROLLER, UPPER	112750		296060A		16
BC 75	SHAFT, UPPER ROLLER	112750	125492	296061 1		4AX
BC 75	SHAFT, UPPER ROLLER	125667	125795	618377K 1		8AX
	NOTE-WHEN STOCK OF 296061-1 & 618377K1 IS DEPLETED FURNISH THE FOLLOWING PARTS					
	BC75 SHAFT, ROLLER			623936K 1		1
	BC172 RETAINER, PLATE			531613K 1		2
	BC173 CAPSCREW			03179420		4
	BC173 LOCKWASHER			03961300		4
BC 75	SHAFT, UPPER ROLLER	128940		623936K 1		8 X
BC 76	DOWEL, SHAFT	112750		296104 1		8
BC 112	NUT, EYE BOLT	112750		287206 1		2
BC 141	CHAIN COMPLETE-47 P	112750		34166110	1601-A	2V
BC 142	LINK, CHAIN AS REQ.	112750		34184250	1601-A	V
BC 153	PIN, LINK-AS REQUIRED	112750		34184300	1601-A	V
BC 157	GUIDE, SPACER	112750		296113 1		10
BC 158	BOLT, GUIDE	112750		197620 30		2
BC 158	PIN, COTTER 3/16X1 1/4	112750		03115600		2
BC 160	SPACER, TAKE-UP 1/4	112750		402571 1		30
BC 160	SPACER, TAKE-UP 1 1/4	112750		402571 2		12
BC 160	SPACER, TAKE-UP 1 1/2	112750		402571 3		16
BC 162	SCREW, JACK	112750	127288	902721K 51		2 X



PARTS LIST

ISSUE NO. 01, 1970

MODEL 88B PAGE 3- 10
DATE 040770

CAT. REF.	DESCRIPTION	SERIAL NO.		PART NO.	REPLACE OR VENDOR NO.	REQ.
		FROM	TO/INCL.			
	003					
	INCLUDES BC163					
	INCLUDES BC163					
BC 162	SCREW, JACK	112750		902721K 51		2 X
BC 163	NUT, SCREW	112750		282679 1		2
BC 164	SLEEVE, SCREW	112750	124634	411756 1		1
BC 164	SLEEVE, SCREW	124848		617116K 21		1
BC 172	RETAINER, ROLLER	112750	124180	289108 1		16
BC 172	COLLAR, ROLLER SHAFT	124407	128795	514404K 1		16 X
BC 172	RETAINER, PLATE	128940		531613K 1		16 X
BC 172	RING, SNAP	124407		68120240		16
BC 173	CAPSCREW 3/4 X 5 NC	112750	124180	03195600		16
BC 173	NUT, FULL 3/4 NC	112750	124180	02714050		16
BC 173	LOCKWASHER 3/4	112750	124180	03961800		16
BC 173	RING, SNAP	124407	128795	68120240		16 X
BC 173	CAPSCREW 3/8X1-1/4 NC	128940		03179420		32 X
BC 173	LOCKWASHER 3/8	128940		03961300		32 X
BC 180	LOCK, LINK PIN AS REQ	112750		34184500		X
BC 181	BOLT, INNER GUIDE	112750		02404670		4
	5/8 X 3 1/2					
BC 182	SPACER, TAKE-UP 1/4	112750		401432 1		14
BC 182	SPACER, TAKE-UP 1 1/4	112750		401432 2		2
BC 182	SPACER, TAKE-UP 1 1/2	112750		401432 3		4
BC 186	CAPSCREW 1/2X5 1/2 NC	112750		03186760		35
BC 186	NUT, FULL 1/2 NC	112750		02711050		35
BC 186	LOCKWASHER 1/2	112750		03961500		35
BC 187	BEARING, CENTER FILLER	112750		251355A		8
BC 188	BOLT, BEARING TIE	112750		411601 1		12
BC 188	NUT, FULL 1 1/2 NC	112750		02745100		24
BC 188	NUT, JAM 1 1/2 NC	112750		02745150		24
BC 190	BEARING, SHAFT	112750	126978	901269K 51		4AX
	INCLUDES BC333					
	NOTE-WHEN STOCK OF					
	901269K51 IS DEPLETED					
	USE FOLLOWING PARTS					
	BC190 BEARING, RH			810191K 52		2
	OR					
	BC190 BEARING, LH			810192K 52		2
BC 190	BEARING, RH	127281		810191K 52		2 X
	INCLUDES BC333					
BC 190	BEARING, LH	127281		810192K 52		2 X
	INCLUDES BC333					
BC 191	BOLT, GUIDE	112750		197620 30		4
BC 191	PIN, COTTER 3/16X1 1/4	112750		03115600		4
BC 192	WASHER, EYE BOLT	112750		297636A		4
BC 223	BOLT, LOCK	112750		197620 31		4
BC 333	BUSHING, BEARING	112750		296043AA		4
BC 367	LOCK, SPACER	112750		406710 1		6
BC 368	BEARING, END FILLER	112750		219815A		8



PARTS LIST

ISSUE NO. 01, 1970

MODEL 88B

PAGE 4- 1

DATE 040770

CAT. REF.	DESCRIPTION	SERIAL NO.		PART NO.	REPLACE OR VENDOR NO.	REQ.
		FROM	TO/INCL.			
	001					
C	LOWERABLE HIGH & LOW A-FRAME DWG.C702,C703 C722, C723					
C 2	SHEAVE, DEFLECTING	52320		298914A		1
C 8	LEG, UPPER BACK FOR HIGH A-FRAME	52320	130145	216319 1		1 X
C 8	LEG, UPPER BACK FOR HIGH A-FRAME	130181		722624K 21		1 X
C 8	LEG, UPPER BACK FOR LOW A-FRAME	52320	130145	229822 1		1 X
C 8	LEG, UPPER BACK FOR LOW A-FRAME	130181		722617K 21		1 X
C 11	PIN, LEG FOOT	52320		298814 1		2
C 12	BRACE, CENTER	52320	130145	291006 1		1 X
C 12	NUT, FULL 1-1/2 NC	52320		02720100		1 X
C 13	CLEVIS, RH THREAD #4 1 1/2 IN S-153-A	52320		82143845		1 X
C 14	CLEVIS, LH THREAD #4 1 1/2 IN S-153-A	52320		82143850		1 X
C 17	BOLT, SHEAVE PIN	52320	130145	197621 5		1 X
C 20	TIE, BACK LEG CROSS	52320	130145	213950 2		1 X
C 20	TIE, BACK LEG CROSS	130181		813331K 21		1 X
C 26	BRACE, LOWER FOR HIGH A-FRAME	52320	ONLY	213955 1		1 X
C 26	BRACE, LOWER FOR HIGH A-FRAME	77377		231768 1		1
C 26	BRACE, LOWER FOR LOW A-FRAME	52320	130145	231769 1		1 X
C 26	BRACE, LOWER FOR LOW A-FRAME	130181		722593K 21		1 X
C 27	PIN, BRACE FRONT	77377		402895 1		2
C 28	PIN, BRACE REAR	52320		291080 1		3
C 29	LEG, LOWER BACK	52320	130145	271841 1		2 X
C 29	LEG, LOWER BACK	130181		722680K 21		X
C 30	PIN, LH UPPER	52320		298855 1		1
C 31	BOLT, UPPER PIN	52320		197622 3		2
C 32	PIN, BACK LEG FOOT	52320	93743	298856 1		2
C 32	PIN, BACK LEG FOOT	105476		406999 1		2
C 33	CAPSCREW, 3/4 X 2 NC	52320	93743	03194640		2
C 33	LOCKWASHER 3/4	52320	93743	03961800		2
C 33	CAPSCREW SEE C60&C63	105476				
C 36	BOLT, FOOT PIN	52320	130145	197622 3		4 X
C 36	BOLT, FOOT PIN	130181		197622 3		2 X
C 37	PIN, CLEVIS	52320		281943 1		2
C 46	BRACE, UPPER FOR HIGH A-FRAME	52320		216325 1		1
C 46	BRACE, UPPER FOR LOW A-FRAME	52320	130145	229277 1		1 X
C 47	BOLT, BRACE 1 1/2 X 4 1/2 NC	52320	130145	02623220		4 X
C 47	NUT, FULL 1 1/2 NC	52320	130145	02720100		4 X
C 47	NUT, JAM 1 1/2 NC	52320	130145	02720150		4 X



PARTS LIST

ISSUE NO. 01, 1970

MODEL DATE 88B PAGE 4- 2
040770

CAT. REF.	DESCRIPTION	SERIAL NO.		PART NO.	REPLACE OR VENDOR NO.	REQ.
		FROM	TO/INCL.			
	001					
C 47	BOLT, BRACE 1 1/4X7 NC	52320	130145	02201320		2 X
C 47	NUT, FULL 1 1/4 NC	52320	130145	02718050		2 X
C 47	NUT, JAM 1 1/4 NC	52320	130145	02718200		2 X
C 50	WASHER, UPPER PIN	52320	121022	506927K 1		8
C 50	WASHER, UPPER PIN	121325	130145	68763670		8 X
C 50	WASHER, UPPER PIN	130181		68763670		4 X
C 55	PIN, UPPER RH	52320		291010 1		1
C 60	BOLT, PIN EYE	105476		407000 1		2
C 66	PIN, UPPER	52320	130145	298814 1		2 X
C 66	PIN, UPPER	130181		531708K 1		2 X
C 80	PIN, BRACE FOOT	52320		298857 1		2
C 91	BRACE, BACK LEG	52320	130145	271840 1		1 X
C 91	BRACE, BACK LEG	130181	131209	623915K 21	729101K 21	10 X
C 91	BRACE, BACK LEG	131430		729101K 21		1 X
C 136	SPREADER, FRONT LEG	52320	130145	217438 26		1 X
C 136	SPREADER, FRONT LEG	130181		623906K 21		1 X
C 137	BOLT, UPPER 1 1/2 X 11 NF	52320		02201880		1
C 137	NUT, FULL 1-1/2 NF	52320		02745100		1
C 137	NUT, JAM 1-1/2 NF	52320		02745150		1
C 138	PIN, BRACE LOWER	52320		X 9674 1		1
C 173	SHEAVE, YOKE	52320	130145	217824A		2 X
C 174	PIN, SHEAVE	52320	130145	196501 1		2
C 189	PLATFORM, FRONT LEG	52320		402721 1		2
C 189	BOLT, CARRIAGE 1/2 X 2 3/4 NC	52320		03017550		8
C 189	NUT, FULL 1/2 NC	52320		02711050		8
C 189	LOCKWASHER 1/2	52320		03961500		8
C 206	LEG, UPPER BACK SEE C8	52320				
C 229	WASHER, UPPER BOLT	52320		193312 1		1
C 230	BOLT, FOOT PIN	52320		197619 8		2
C 231	BOLT, CLEVIS PIN	52320		197619 8		4
C 231	PIN, COTTER 1/8X7/8	52320		03109420		4 X
C 232	LOCK, FRONT PIN	52320		298173 1		2
C 233	CAPSCREW 5/8X1 1/4 NC	52320		03191400		4
C 233	LOCKWASHER 5/8	52320		03961700		4
C 234	BOLT, REAR PIN	52320		197620 15		6
C 235	PIN, LOWER	52320		298855 1		2
C 236	BOLT, LOWER PIN	52320		197622 3		4
C 237	COLLAR, RETAINING	52320	130145	293743 1		4 X
C 238	BOLT, COLLAR	52320	130145	197622 20		4 X
C 238	BOLT, LOCK	130181		517299K 1		4 X
C 238	PIN, COTTER 1/4X1-1/2	130181		03118720		4 X
C 239	LEG, FRONT UP RH	52320	ONLY	216306 1		1 X
C 239	FOR HIGH A-FRAME LEG, FRONT UP RH	77377	130145	238700 2		1 X
C 239	FOR HIGH A-FRAME LEG, FRONT UPPER RIGHT	130181		813342K 21		1 X
C 239	HAND FOR HIGH A-FRAME LEG, FRONT UP RH	52320	130145	217438 2		1 X
C 239	FOR LOW A-FRAME LEG, FRONT UPPER RIGHT	130181		813344K 21		1 X
C 240	HAND FOR LOW A-FRAME LEG, FRONT UP LH	52320	ONLY	216306 2		1 X



PARTS LIST

ISSUE NO. 01, 1970

MODEL 88B
DATE 040770

PAGE 4- 3

CAT. REF.	DESCRIPTION	SERIAL NO.		PART NO.	REPLACE OR VENDOR NO.	REQ.
		FROM	TO/INCL.			
	001					
C 240	FOR HIGH A-FRAME LEG, FRONT UP LH	77377	78943	238700 1		1
C 240	FOR HIGH A-FRAME LEG, FRONT UP LH	78944	130145	238700 30		1 X
C 240	FOR HIGH A-FRAME LEG, FRONT UPPER LEFT	130181		813343K 21		1 X
C 240	HAND FOR HIGH A-FRAME LEG, FRONT UP LH	52320	130145	217438 1		1 X
C 240	FOR LOW A-FRAME LEG, FRONT UPPER LEFT	130181		813345K 21		1 X
C 241	HAND FOR LOW A-FRAME BOLT, SPREADER	52320		03194640		4
C 241	3/4 X 2 NC NUT, FULL 3/4 NC	52320		02714050		4
C 241	LOCKWASHER 3/4	52320		03961800		4 X
C 241	BOLT, SPREADER	52320		03200800		6
C 241	1 X 2 1/2 NC NUT, FULL 1 NC	52320		02716050		6
C 241	LOCKWASHER 1	52320		03962000		6 X
C 242	PIN, LEG HINGE	52320	ONLY	298172 1		2 X
C 242	PIN, LEG HINGE	77377		402894 1		2
C 243	LOCK, HINGE PIN	52320		298173 1		2
C 244	CAPSCREW 5/8X1 1/4 NC	52320		03191400		4
C 244	LOCKWASHER 5/8	52320		03961700		4
C 245	LEG, FRONT LOW RH FOR HIGH A-FRAME	52320	ONLY	216306 22		1 X
C 245	LEG, FRONT LOW RH FOR HIGH A-FRAME	77377	130145	216306 3		1 X
C 245	LEG, FRONT LOW RH FOR LOW A-FRAME	52320	130145	217438 4		1 X
C 245	LEG, FRONT LOW RIGHT HAND FOR LOW A-FRAME	130181		813336K 21		1 X
C 246	LEG, FRONT LOW LH FOR HIGH A-FRAME	52320	ONLY	238700 4		1 X
C 246	LEG, FRONT LOW LH FOR HIGH A-FRAME	77377		238700 7		1
C 246	LEG, FRONT LOW RH FOR LOW A-FRAME	52320	130145	217438 4		1 X
C 246	LEG, FRONT LOW LEFT HAND FOR LOW A-FRAME	130181		813336K 21		1 X
C 247	SHEAVE, HALF	52320		266480AA		1
C 247	SHEAVE, HALF	52320		266480AA 1		1 X
C 248	BOLT, SHEAVE 3/4X5 NF	52320		03245600		2
C 248	NUT, FULL 3/4 NF	52320		02742050		2
C 248	NUT, JAM 3/4 NF	52320		02742100		2
C 249	SHEAVE, HALF	52320	130145	271823A		1 X
C 249	SHEAVE, HALF	52320	130145	271823A 1		1 X
C 250	BOLT, SHEAVE	52320	130145	521329K 1		2 X
C 250	CAPSCREW 5/8X4-1/2 NF	52320	130145	03242440		2 X
C 250	NUT, FULL 5/8 NF	52320	130145	02741550		4 X
C 250	NUT, JAM 5/8 NF	52320	130145	02741650		8 X
C 251	SHEAVE, DEFLECTING	52320	130145	299682A		1 X
C 252	PIN, SHEAVE	52320	130145	X14402 1		1 X
C 253	WASHER, SHEAVE PIN	52320		03953300		1



PARTS LIST

ISSUE NO. 01, 1970

MODEL 88B

PAGE 4-

4

DATE 040770

CAT. REF.	DESCRIPTION	SERIAL NO.		PART NO.	REPLACE OR VENDOR NO.	REQ.
		FROM	TO/INCL.			
	001					
C 255	YOKE, SHEAVE	52320	130145	271855 1		1 X
C 256	GUARD, YOKE ROPE	52320	130145	271855 7		2 X
C 257	BOLT, GUARD 3/4X6 NC	52320	130145	03195920		2 X
C 257	NUT, FULL 3/4 NC	52320	130145	02714050		2 X
C 257	NUT, JAM 3/4 NC	52320	130145	02714450		2 X
C 258	SOCKET, ROPE	52320	130145	526799K 1	526028K 1	10X
C 259	WEDGE, ROPE SOCKET	52320	130145	526460K 1		1 X
C 260	PIN, ROPE SOCKET	52320	130145	526175K 1		1 X
C 261	CLIP, ROPE 5/8	52320	130145	82148450		1 X
C 262	LINK, EQUALIZING	52320	130145	298889 1		1 X
C 263	THIMBLE, ROPE	52320	130145	298890 1		1 X
C 264	PIN, ROPE THIMBLE	52320	130145	199798 2		1 X
C 265	YOKE, ROPE THIMBLE	52320	ONLY	229785A		1 X
C 265	YOKE, ROPE THIMBLE	77377	130145	229785AA		1 X
C 266	PIN, YOKE	52320	130145	196501 1		1 X
C 267	SOCKET, ROPE	52320	130145	526812K 1		2 X
C 268	WEDGE, ROPE SOCKET	52320	130145	526462K 1		2 X
C 269	PIN, ROPE SOCKET	52320	130145	526180K 1		2 X
C 270	CLIP, ROPE 3/4	52320	130145	82149050		2 X
C 271	ANCHOR, BRAKE	52320	130145	268998 1		2 X
C 271	FOR HIGH A-FRAME ANCHOR, BRAKE	52320	130145	268999 1		2 X
C 272	FOR LOW A-FRAME CAPSCREW 5/8X1-1/4 NC	52320	130145	03191400		4 X
C 272	LOCKWASHER 5/8	52320	130145	03961700		4 X
C 273	BOLT, EYE	52320		297720 1	521160 6	20X
C 273	FOR HIGH A-FRAME BOLT, EYE-LOWERABLE	52320	130145	901407K 51	629801K 51	20X
C 275	LOW A-FRAME ROPE, LOWERING	52320		18217020		1 X
C 275	FOR HIGH A-FRAME ROPE, LOWERING	52320	130145	18215020		1 X
C 276	FOR LOW A-FRAME 5/8 X 50 FT. ROPE, SLING	52320		18242320		1 X
C 276	FOR HIGH A-FRAME 3/4 X 23 FT. ROPE, SLING	52320	130145	18240720		1 X
C 277	ANCHOR, SLING FOR HIGH A-FRAME	52320		293736 1		2
C 277	ANCHOR, SLING FOR LOW A-FRAME	52320	130145	293736 2		2 X
C 278	BRACE, CARRYING FOR HIGH A-FRAME DL	52320	ONLY	292601 1		2 X
C 278	BRACE, CARRYING FOR HIGH A-FRAME DL	77377		402940 1		2
C 278	BRACE, CARRYING FOR HIGH A-FRAME SH	52320		298038 1		2
C 278	BRACE, CARRYING FOR HIGH A-FRAME SH	77377		402941 1		2
C 278	BRACE, CARRYING FOR LOW A-FRAME	52320	130145	402939 1		2 X



PARTS LIST

ISSUE NO. 01, 1970

MODEL 88B

PAGE 4- 5

DATE 040770

CAT. REF.	DESCRIPTION	SERIAL NO.		PART NO.	REPLACE OR VENDOR NO.	REQ.
		FROM	TO/INCL.			
	001					
C 279	BOLT, BRACE 1 1/4X7 NC	52320	130145	02201320		4 X
C 279	NUT, FULL 1-1/4 NC	52320	130145	02718050		4 X
C 279	NUT, JAM 1-1/4 NC	52320	130145	02718200		4 X
C 280	BRACE, CARRYING DL	52320				
	SEE C278					
C 281	BOLT, BRACE SEE C279	52320				
C 282	ROPE, LOWERING	52320				
	SEE C275					
C 283	ROPE, SLING SEE C276	52320				
C 284	ANCHOR, SLING SEE C277	52320				
C 285	BRACE, CARRYING SH	52320				
	SEE C278					
C 286	BOLT, BRACE SEE C279	52320				
C 287	ANCHOR, BRAKE SEE C271	52320				
C 288	SCREW, CAP SEE C272	52320				
C 289	BOLT, EYE SEE C273	52320				
C 291	LEG, FRONT UPPER RH	52320				
	SEE C 239					
C 292	LEG, FRONT UPPER LH	52320				
	SEE C240					
C 293	TIE, UPPER	52320	ONLY	216306 17		1 X
C 293	TIE, UPPER	77377	130145	231775 16		1 X
C 293	TIE, UPPER	130181		722634 22		1 X
C 294	BRACE, CROSS	52320	ONLY	216306 16		2 X
C 294	FILLER	52320	ONLY	216306 18		1 X
C 294	BRACE, CROSS	77377	130145	231775 17		2 X
C 294	BRACE, CROSS	130181		722634 21		2 X
C 294	FILLER	77377	130145	231775 27		1 X
C 294	FILLER	130181		722634 23		1 X
C 295	BOLT 3/4 X 2 NC	52320		03194640		12
C 295	BOLT 3/4 X 2 1/2 NC	52320		03194800		1
C 295	NUT, FULL 3/4 NC	52320		02714050		13
C 295	LOCKWASHER 3/4	52320		03961800		13
C 296	LEG, FRONT LOWER RH	52320				
	SEE C 245					
C 297	LEG, FRONT LOWER LH	52320				
	SEE C 246					
C 298	BRACE, UPPER SEE C46	52320				
C 299	BOLT, BRACE SEE C47	52320				
C 300	BRACE, LOWER SEE C26	52320				
C 301	SCREW, SET	52320	130145	03194560		2 X
	3/4 X 1 3/4 NC					
C 301	NUT, JAM 3/4 NC	52320	130145	02714450		2 X
C 307	CAPSCREW 3/4 X 2 NC	52320		03194640		2
C 307	NUT, FULL 3/4 NC	52320		02714050		2
C 307	LOCKWASHER 3/4	52320		03961800		2
C 364	CAPSCREW 5/8X2 NC	105476		03191640		2 X
C 364	LOCKWASHER 5/8	105476		03961700		2 X
599	WASHER	130181		516508K 1		4 X



PARTS LIST

ISSUE NO. 01, 1970

MODEL 88B

PAGE 4- 6

DATE 040770

CAT. REF.	DESCRIPTION	SERIAL NO.		PART NO.	REPLACE OR VENDOR NO.	REQ.
		FROM	TO/INCL.			
	002					
C	RIGID HIGH & LOW A-FRAME DWG.C708,C709					
C 11	PIN, FRONT LEG FOOT	112748	130145	298814 1		2 X
C 26	BRACE, RH	112748	130145	404523 1		1 X
	FOR HIGH A-FRAME					
C 26	BRACE, RH	112748	130145	404422 1		1 X
	FOR LOW A-FRAME					
C 28	BOLT, BRACE	112748	130145	03185480		8 X
	1/2 X 1 1/2 NC					
C 28	NUT, FULL 1/2 NC	112748	130145	02711050		8 X
C 28	LOCKWASHER 1/2	112748	130145	03961500		8 X
C 30	PIN, UPPER LH	112748	130145	298855 1		1 X
C 31	BOLT, UPPER PIN	112748	130145	197622 3		2 X
C 31	PIN, COTTER 1/4X1 1/2	112748	130145	03118720		2 X
C 32	PIN, BACK LEG FOOT	112748	130145	406999 1		2 X
C 36	BOLT, FOOT PIN	112748	130145	197622 3		4 X
C 36	PIN, COTTER 1/4X1 1/2	112748	130145	03118720		4 X
C 50	WASHER, UPPER PIN	112748	130145	68763670		8 X
C 53	LEG, BACK LOWER RH	112748	130145	275523 1		1 X
C 54	LEG, BACK LOWER LH	112748	130145	275523 2		1 X
C 55	PIN, UPPER RH	112748	130145	291010 1		1 X
C 60	BOLT, PIN EYE	112748	130145	407000 1		2 X
C 65	LEG, UPPER BACK FOR HIGH A-FRAME	112748	130145	218040 1		1 X
C 65	LEG, UPPER BACK FOR LOW A-FRAME	112748	130145	232907 1		1 X
C 66	PIN, UPPER	112748	130145	299162 1		2 X
C 67	BOLT, UPPER PIN	112748	130145	197623 9		4 X
C 67	PIN, COTTER 1/4X1 3/4	112748	130145	03118840		4 X
C 78	LEG, FRONT RH	112748	113642	238500 2		1 X
	FOR HIGH A-FRAME					
C 78	LEG, FRONT RH	116268	130145	850419K 21		1 X
	FOR HIGH A-FRAME					
C 78	LEG, FRONT RH	112748	130145	218010 2		1 X
	FOR LOW A-FRAME					
C 79	LEG, FRONT LH	112748	113642	238500 1		1 X
	FOR HIGH A-FRAME					
C 79	LEG, FRONT LH	116268	130145	850420K 21		1 X
	FOR HIGH A-FRAME					
C 79	LEG, FRONT LH	112748	130145	218010 1		1 X
	FOR LOW A-FRAME					
C 91	BRACE, LOWER BACK LEG	112748	130145	275554 1		1 X
C 136	SPREADER, FRONT LEG HIGH A-FRAME	112748	130145	231775 16		1 X
C 136	SPREADER, FRONT LEG FOR LOW A-FRAME	112748	130145	217438 26		1 X
C 137	BOLT, BRACE 1 1/2 X 11 NF	112748	130145	02201880		1 X
C 137	NUT, FULL 1 1/2 NC	112748	130145	02720100		1 X
C 137	NUT, JAM 1 1/2 NC	112748	130145	02720150		1 X
C 138	PIN, LOWER	112748	130145	X 9674 1		1 X
C 164	BRACE, RH	112748	130145	275516 1		1 X



PARTS LIST

ISSUE NO. 01, 1970

MODEL 88B

PAGE 4- 7

DATE 040770

CAT. REF.	DESCRIPTION	SERIAL NO.		PART NO.	REPLACE OR VENDOR NO.	REQ.
		FROM	TO/INCL.			
	002					
C 165	BRACE, LH	112748	130145	275521 1		1 X
C 163	PIN, BRACE	112748	130145	298857 1		2 X
C 170	CAPSCREW 3/4 X 2 NC	112748	130145	03194640		2 X
C 170	LOCKWASHER 3/4	112748	130145	03961800		2 X
C 189	PLATFORM, FRONT LEG	112748	130145	402721 1		2 X
C 206	LEG, UPPER BACK	112748	130145			X
	SEE C65					
C 207	LEG, FRONT RH SEE C78	112748	130145			X
C 208	LEG, FRONT LH SEE C79	112748	130145			X
C 229	WASHER, UPPER BOLT	112748	130145	193312 1		1 X
C 230	BOLT, FOOT PIN	112748	130145	197619 8		2 X
C 230	PIN, COTTER 1/8 X 1	112748	130145	03109480		2 X
C 241	BOLT, SPREADER 1 X 3 1/2 NC	112748	130145	03200800		6 X
C 241	NUT, FULL 1 NC	112748	130145	02716050		6 X
C 241	LOCKWASHER 1	112748	130145	03962000		6 X
C 241	BOLT 3/4 X 2 NC	112748	130145	03194640		4 X
C 241	NUT, FULL 3/4 NC	112748	130145	02714050		4 X
C 241	LOCKWASHER 3/4	112748	130145	03961800		4 X
C 271	ANCHOR, BRAKE	112748	130145	268998 1		2 X
	FOR HIGH A-FRAME					
C 271	ANCHOR, BRAKE	112748	130145	268999 1		2 X
	FOR LOW A-FRAME					
C 272	CAPSCREW 5/8X1 1/4 NC	112748	130145	03191400		4 X
C 272	LOCKWASHER 5/8	112748	130145	03961700		4 X
C 273	BOLT, EYE-HIGH A-FRAME	112748	130145	297720 1	521160 6	20 X
C 273	BOLT, EYE-LOW A-FRAME	112748	130145	297721 1	629801K 51	20 X
C 287	ANCHOR, BRAKE SEE C271	112748	130145			X
C 288	SCREW, CAP SEE C272	112748	130145			X
C 289	BOLT, EYE SEE C273	112748	130145			X
C 337	BRACE, CROSS	112748	130145	231775 17		2 X
C 337	FILLER	112748	130145	231775 27		1 X
C 338	BOLT, BRACE 3/4X2 NC	112748	130145	03194640		12 X
C 338	BOLT, BRACE 3/4 X 2 1/2 NC	112748	130145	03194800		1 X
C 338	NUT, FULL 3/4 NC	112748	130145	02714050		13 X
C 338	LOCKWASHER 3/4	112748	130145	03961800		13 X
C 363	BOLT, BRACE 5/8 X 1 1/2 NC	112748	130145	03191480		4 X
C 363	NUT, FULL 5/8 NC	112748	130145	02713050		4 X
C 363	LOCKWASHER 5/8	112748	130145	03961700		4 X
C 364	CAPSCREW 5/8 X 2 NC	112748	130145	03191640		2 X
C 364	LOCKWASHER 5/8	112748	130145	03961700		2 X
C 365	BOLT, CARRIAGE 1/2 X 2 3/4 NC	112748	130145	03017550		8 X
C 365	NUT, FULL 1/2 NC	112748	130145	02711050		8 X
C 365	LOCKWASHER 1/2	112748	130145	03961500		8 X
C 366	BRACE, RH SEE C26	112748	130145			X
C 367	BRACE, RH SEE C369	112748	130145			X
C 368	BOLT, BRACE SEE C28	112748	130145			X
C 369	BRACE, LH FOR HIGH A-FRAME	112748	130145	404523 2		1 X
C 369	BRACE, LH FOR LOW A-FRAME	112748	130145	404422 2		1 X



PARTS LIST

ISSUE NO. 01, 1970

MODEL 88B

PAGE 4- 8

DATE 040770

CAT. REF.	DESCRIPTION	SERIAL NO.		PART NO.	REPLACE OR VENDOR NO.	REQ.
		FROM	TO/INCL.			
	003					
C	A-FRAME YOKE & SUSPENSION SHEAVE					
	DWG. C702, C703, C708 C709					
C	1 SHEAVE, YOKE	52320		271330A	903562K 51	4D
C	3 PIN, YOKE SHEAVE	52320		297763 1		2
C	5 CAPSCREW 3/4X1 3/4 NC	52320		03194560		2
C	5 LOCKWASHER 3/4	52320		03961800		2
C	39 SHEAVE, SUSPENSION INCLUDES C52	52320		902891K 51		2
C	44 YOKE, SUSPENSION	52320	79926	216026 1		1
C	44 YOKE, SUSPENSION	93740	93743	216026 11		1
C	44 YOKE, SUSPENSION	105476		216026 14		1
C	45 PIN, ROPE SOCKET	52320		526185K 1		1
C	45 FOR SHOVEL & DRAGLINE PIN, ROPE SOCKET	52320		X 7606 1		1
C	51 FOR STRIPPING SHOVEL BUSHING, YOKE SHEAVE	52320		297761A		4
C	52 BUSHING, SUSP. SHEAVE	52320		297760A		2
C	68 SPACER, YOKE SHEAVE	52320		297764A		2
C	69 PIN, A-FRAME HEAD FOR SHOVEL & DRAGLINE	52320		271332 1		1
C	69 PIN, A-FRAME HEAD FOR STRIPPING SHOVEL	52320		231624 1	231624 2	1D
C	87 COLLAR, PIN RETAINING	52320		402544A		4
C	88 BOLT, COLLAR	52320		197623 8		4
C	93 BOLT, HEAD PIN	52320		197623 14		2
C	116 GUARD, SUSP. SHEAVE	105476		277176 1		1
C	117 CAPSCREW 1/2X1 1/4 NC	105476		03185400		2
C	117 LOCKWASHER 1/2	105476		03961500		2 X
C	148 WEDGE, ROPE SOCKET	52320		526464K 1		1
C	180 BUSHING, YOKE	52320		297759A		2 X
C	190 SOCKET, ROPE	52320		526825K 1		1
C	191 PIN, ROPE SOCKET	52320				
C	254 SEE C45 BOLT, SPACER	52320		197621 24		2
C	302 PIN, A-FRAME HEAD SEE C69	52320				
C	303 BOLT, HEAD PIN SEE C93	52320				
C	304 WASHER, SHEAVE	52320		231594 4		1
C	305 GUARD, OUTER ROPE	52320		231594 1		1
C	305 BLOCK	52320		231594 6		1
C	305 BLOCK	52320		231594 7		1
C	305 BOLT 1/2 X 4 NC	52320		03186280		4
C	305 NUT, FULL 1/2 NC	52320		02711050		4
C	305 NUT, JAM 1/2 NC	52320		02711250		4
C	305 WASHER, PLAIN 1/2	52320		03951600		4
C	306 GUARD, INNER ROPE	52320		231594 10		1
C	306 BLOCK	52320		231594 6		1
C	306 BLOCK	52320		231594 7		1
C	306 BOLT 1/2 X 4 NC	52320		03186280		8
C	306 NUT, FULL 1/2 NC	52320		02711050		8



PARTS LIST

ISSUE NO. 01, 1970

MODEL 88B

PAGE 4-9

DATE 040770

CAT. REF.	DESCRIPTION	SERIAL NO.		PART NO.	REPLACE OR VENDOR NO.	REQ.
		FROM	TO/INCL.			
	003					
C 306	NUT, JAM 1/2 NC	52320		02711250		8
C 306	WASHER, PLAIN 1/2	52320		03951600		8
C 309	BOLT, SOCKET, PIN	52320		197619 6		2



PARTS LIST

ISSUE NO. 01, 1970

MODEL 888

PAGE 5- 1

DATE 040770

CAT. REF.	DESCRIPTION	SERIAL NO.		PART NO.	REPLACE OR VENDOR NO.	REQ.
		FROM	TO/INCL.			
	001					
F	SWING MACHINERY DRAWING F708					
F 1	PINION, SWING RACK	52320	112751	270408A 2		1
F 1	PINION, SWING RACK	113639		200096 2		1
F 2	SHAFT, VERTICAL SWING	52320		229408 3		1
F 3	CAPSCREW 7/8X1 3/4 NC	52320		03197560		1
F 3	LOCKWASHER 7/8	52320		03961900		1
F 4	CLUTCH, JAW	52320		270394A		1
F 7	RETAINER, VERT. SHAFT	52320	ONLY	296178 1		1 X
F 7	RETAINER, VERT. SHAFT	77377	126092	902324K 51	296178 2	1DX
F 7	INCLUDES F244 RETAINER, VERT. SHAFT	126410		521154K 1		1 X
F 8	COLLAR ASSY INCLUDES F595	52320		901394K 51		1
F 11	GEAR, VERT. SWING SHAFT	52320	125266	270403AA		1
F 11	GEAR, VERT. SWING SHAFT	125487		270403AB		1
F 13	WASHER, THRUST	52320		262809A 2		1
F 165	CAPSCREW 1 X 3 NC	52320		03200960		2
F 165	LOCKWASHER 1	52320		03962000		2
F 244	WASHER, THRUST	52320	126092	524430K 1		1 X
F 244	WASHER, THRUST	126410		521155K 1		1 X
F 495	HUB, GEAR	52320		901338K 51		1
F 496	INCLUDES F496 BUSHING, HUB	52320		296170A 1		1
F 497	BOLT, HUB	52320		296161 1		12
F 497	NUT, FULL 1-1/8 NF	52320		02743650		12
F 497	LOCKWASHER 1-1/8	52320		03962110		12
F 545	GASKET, RETAINER	52320	ONLY	298582 1		1 X
F 545	GASKET, RETAINER	77377		298582 2		1
F 546	HOUSING, BRAKE	52320	126092	270367A		1 X
F 546	HOUSING, BRAKE	126410		270367A 1		1
F 547	RETAINER, HOUSING	52320	ONLY	296080 1		1 X
F 547	RETAINER, HOUSING	77377	126092	402718 1		1 X
F 547	RETAINER, HOUSING	126410		521166K 1		1 X
F 548	SCREW, RETAINER CAP	52320	ONLY	184637 1		3 X
F 548	SCREW, RETAINER CAP	77377		X 7079 1		3
F 549	SHOE, BRAKE INCLUDES F551	52320		902528K 51	902528K 52	2DX
F 550	LINING, SHOE INCLUDES F551	52320		901968K 51	901968K 52	2DX
F 551	RIVET 6AX3/4	52320		69044750		32 X
F 552	PIN, SHOE	52320		289788 1		2
F 553	LEVER, SHOE	52320		271156A		2
F 554	PIN, FULCRUM	52320		289787 1		2
F 555	CAPSCREW 1/2X1 3/4 NC	52320		03185560		2
F 555	NUT, JAM 1/2 NC	52320		02711250		2 X
F 556	GUIDE, RH	52320	ONLY	297406 1		1 X
F 556	GUIDE, RH	77377		274338 2		1
F 557	GUIDE, LH	52320	ONLY	297406 2		1 X
F 557	GUIDE, LH	77377		274338 1		1
F 558	CAPSCREW 1/2X1 1/4 NC	52320		03185400		4
F 558	LOCKWASHER 1/2	52320		03961500		4



PARTS LIST

ISSUE NO. 01, 1970

MODEL 88B

PAGE 5- 2

DATE 040770

CAT. REF.	DESCRIPTION	SERIAL NO.		PART NO.	REPLACE OR VENDOR NO.	REQ.
		FROM	TO/INCL.			
	001					
F 559	SUPPORT, GUIDE	52320	ONLY	297388 1		1 X
F 559	SUPPORT, GUIDE	77377		274337 1		1
F 560	CAPSCREW 1/2X1 1/2 NC	52320		03185480		4
F 560	LOCKWASHER 1/2	52320		03961500		4
F 561	ROD, REACH	52320		297417 1		1
F 561	NUT, FULL 3/4 NF	52320		02742050		1
F 562	PIN, ROD END	52320		49119510		2
F 563	YOKE, SHIFTER	52320		229427A 1	902881K 51	1DX
F 564	KEY, YOKE & LEVER	52320		54306250		2 X
F 565	SCREW, SHIFTER	52320		500292K 1		1
F 565	LOCKWASHER 3/4	52320		03961800		1
F 565	SCREW, SHIFTER	52320		291296 1		1
F 566	LOCKWASHER 3/4	52320		03961800		1
F 567	LEVER, SHIFTER	52320		271117A		1
F 567	CAPSCREW 5/8X3 1/4 NC	52320		03192040		1
F 567	NUT, FULL 5/8 NC	52320		02713050		1
F 567	LOCKWASHER 5/8	52320		03961700		1
F 568	BUSHING, LEVER	52320		500117K 1		1
F 569	SHAFT, LEVER	52320		297236 1		1
F 570	COLLAR, SHAFT	52320	120305	188398 1		1
F 570	SCREW, SET 1/2 X1	52320	120305	03762490		1
F 570	COLLAR, SHAFT	120713		500537K 1		1
F 570	SCREW, SET 1/2 X1	120713		03762490		1
F 571	END, REACH ROD	52320	125266	297231AA 2		1
F 571	END, REACH ROD	125487		511543K 1		1
F 572	PIN, ROD END	52320		500519K 51		1 X
F 595	CAPSCREW 5/8X3 1/4 NC	52320		03192040		2
F 595	NUT, FULL 5/8 NC	52320		02713050		2
F 595	LOCKWASHER 5/8	52320		03961700		2
F 596	COVER, DIL HOLE	77377		82179550		1
F 597	PIN, ANCHOR	52320	125266	298376 1		1
F 597	PIN, COTTER 3/16X1 1/4	52320	125266	03115600		2
F 597	PIN, ANCHOR	125487		517372K 1		1
F 597	PIN, COTTER 1/8 X1	125487		03109480		2

CAT. REF.	DESCRIPTION	SERIAL NO.	TO/INCL.	PART NO.	REPLACE OR VENDOR NO.	REQ.
JA	SHOVEL ROOM					
JA	DRAWING J4702, J4711					
JA	BOOM COMPLETE	77380				R
JA	2 BOOM, BARE	77380				R
JA	18 PLATFORM, BOOM	112748				R
JA	30 BLOCK, ROPE PROTECTING	77380	93743	273405		1
JA	30 BLOCK, ROPE PROTECTING	112748				1
JA	51 PIN, RH BOOM FOOT	77380	124846	272058		1
JA	51 PIN, RH BOOM FOOT	112748				1
JA	52 PIN, LH BOOM FOOT	77380	120955	297703		1
JA	52 PIN, LH BOOM FOOT	120956	124846	612428K		1
JA	52 PIN, LH BOOM FOOT	124847				
JA	54 BOLT, FOOT PIN	77380	124846	297704		2
JA	54 PIN, COTTER 1/4 X2	77380	124846	03118960		2
JA	54 BOLT, FOOT PIN	124847				
JA	67 BUSHING, BOOM FOOT	77380				
JA	67 BUSHING, BOOM FOOT	292248	93743	273405		2
JA	68 BLOCK, LOWER BUMPER	77380	93743	273405		8
JA	68 BLOCK, LOWER BUMPER	112748				2
JA	68 BLOCK, LOWER BUMPER	227074				2
JA	164 SUPPORT, BUMPER	77380	93743	231711		2
JA	164 SUPPORT, BUMPER	112748	129767	279552		2
JA	164 SUPPORT, BUMPER	130141				1
JA	165 BOLT, CHANNEL	77380		03195120		8
JA	165 NUT, FULL 3/4 NC	77380		02714050		8
JA	165 NUT, JAW 3/4 NC	77380		02714450		8
JA	219 WASHER, FOOT PIN	77380	124846	299316		8
JA	219 WASHER, FOOT PIN	77380	124846	299316		8
JA	219 WASHER, FOOT PIN	124847				2
JA	SEE AB66					
JA	421 BLOCK, UPPER BUMPER	77380	93743	227074		1
JA	421 BLOCK, UPPER BUMPER	112748				2
JA	422 BOLT, ROD	77380		298961		2
JA	422 NUT, FULL 3/4 NC	77380		02714050		4
JA	422 NUT, JAW 3/4 NC	77380		02714450		4
JA	423 COVER, BLOCK	77380		269393		2
JA	424 RAILING, HAND	77380	93743	228612		1
JA	424 RAILING, HAND	112748	126976	234994		1
JA	425 CAPSCREW 3/4 X1 3/4 NC	77380		03194560		4
JA	425 NUT, FULL 3/4 NC	77380		02714050		4
JA	425 LOCKWASHER 3/4	77380		03961800		4
JA	517 BUSHING, INNER	112748	126976	402133A		4
JA	518 BUSHING, OUTER	112748	126976	408613A		1
JA	519 CAPSCREW 3/4 X1 1/4 NC	112748		03194400		4
JA	519 NUT, FULL 3/4 NC	112748		02714050		4
JA	519 LOCKWASHER 3/4	112748		03961800		4
JA	520 U-BOLT, ANCHOR	112748	129767	83680 62		2
JA	520 NUT, FULL 1/2 NC	112748	129767	02711050		4
JA	520 NUT, JAW 1/2 NC	112748	129767	02711250		4

PARTS LIST

ISSUE NO. 01, 1970
 MODEL 888
 DATE 040770
 PAGE 6-
 1





PARTS LIST

ISSUE NO. 01, 1970
 MODEL 88B PAGE 6- 2
 DATE 040770

CAT. REF.	DESCRIPTION	SERIAL NO.		PART NO.	REPLACE OR VENDOR NO.	REQ.
		FROM	TO/INCL.			
	002					
JA	STRIPPING SHOVEL BOOM DRAWING JA703, JA722					
JA 51	PIN, BOOM FOOT RH	52320		272058 1		1
JA 52	PIN, BOOM FOOT LH	52320		297703 1		1
JA 54	BOLT, FOOT PIN	52320		297704 1		2
JA 54	PIN, COTTER 1/4X2	52320		03118960		2
JA 67	BUSHING, BOOM FOOT	52320	93741	292248 1		2
JA 67	BUSHING, BOOM FOOT	124849		410768 1		2
JA 219	WASHER, FOOT PIN	52320		299316 1		8
JA 219	WASHER, FOOT PIN	52320		229316 2		2
JA 243	INDICATOR, ANGLE	52320		82541500		1 X
JA 244	POINTER, INDICATOR	52320		82541600		1 X
JA 245	PIN, PIVOT	52320		197117 2		1
JA 246	BOLT, PIVOT	52320		197117 1		1
JA 246	NUT, FULL 3/8 NC	52320		02709100		1
JA 246	LOCKWASHER 3/8	52320		03961300		1
JA 246	WASHER, LEAD 3/8	52320		03958500		1 X
JA 247	BOOM, BARE	52320				R
JA 251	BLOCK, LOWER BUMPER 1 SET-AS REQUIRED	52320	ONLY	274269 1		X
JA 251	BLOCK, LOWER BUMPER 1 SET-AS REQUIRED	52320	ONLY	274269 2		X
JA 251	BLOCK, LOWER BUMPER 1 SET-AS REQUIRED	52320	ONLY	274269 3		X
JA 251	BLOCK, LOWER BUMPER 1 SET-AS REQUIRED	52320	ONLY	274269 4		X
JA 251	BLOCK, LOWER BUMPER	77377	93741	403485 1		2
JA 251	BLOCK, LOWER BUMPER	77377	93741	274269 2		
JA 251	1 EACH BLOCK, LOWER BUMPER	77377	93741	274269 3		
JA 251	1 EACH BLOCK, LOWER BUMPER	124849		276419 1		7
JA 251	BLOCK, LOWER BUMPER	124849		276419 2		1
JA 252	BOLT, HEX. 3/4 X 8 NC	52320		02190900		
JA 252	AS REQUIRED BOLT, CARRIAGE	52320		03024600		
JA 252	3/4 X 8 NC AS REQ. NUT, FULL 3/4 NC	52320		02714050		
JA 252	AS REQUIRED NUT, JAM 3/4 NC	52320		02714450		
JA 370	BLOCK, ROPE PROTECTING	77377	93741	403485 2		
JA 370	1 SET-AS REQUIRED BLOCK, ROPE PROTECTING	77377	93741	403485 3		
JA 370	1 SET-AS REQUIRED BLOCK, ROPE PROTECTING	77377	93741	403485 4		
JA 370	1 SET-AS REQUIRED BLOCK, ROPE PROTECTING	124849		411448 2		
JA 370	1 SET-AS REQUIRED BLOCK, ROPE PROTECTING	124849		411448 3		
JA 370	1 SET-AS REQUIRED BLOCK, ROPE PROTECTING	124849		411448 4		



PARTS LIST

ISSUE NO. 01, 1970

MODEL 888 PAGE 6- 3

DATE 040770

CAT. REF.	DESCRIPTION	SERIAL NO.		PART NO.	REPLACE OR VENDOR NO.	REQ.
		FROM	TO/INCL.			
	002					
JA 372	1 SET-AS REQUIRED BLOCK, UPPER BUMPER	52320	93741	274269 5		
JA 372	1 SET-AS REQUIRED BLOCK, UPPER BUMPER	52320	93741	274269 6		
JA 372	1 SET-AS REQUIRED BLOCK, UPPER BUMPER	124849		411448 1		2
JA 373	BOLT, BLOCK	52320		298961 1		4
JA 373	NUT, FULL 3/4 NC	52320		02714050		4
JA 373	NUT, JAM 3/4 NC	52320		02714450		4
JA 426	SUPPRT, BLOCK AS REQ.	52320		402636 1		
JA 427	SCREW, LAG 3/4X4 AS REQUIRED	52320				
JA 428	BUSHING, TRIP LOWER SHAFT	52320		198294 13		2
JA 429	LADDER	52320				R
JA 430	RAILING, LADDER	52320				R
JA 431	PLATFORM, POINT	52320				R
JA 432	RAILING, PLATFORM	52320				R
JA 433	BUOM COMPLETE	52320				R
JA 447	SCREW, PHILLIPS 3/8 X 1 NF	52320		03725160		3
JA 447	NUT, FULL 3/8 NF	52320		02739550		3
JA 447	LOCKWASHER 3/8	52320		03961300		3
JA 448	WASHER, LEAD 3/8	52320		03958500		3
JA 566	RETAINER, BLOCK	124849		233598 1		2
JA 567	BOLT, RETAINER 3/4 X 2 3/4 NC	124849		03194880		8
JA 567	NUT, JAM 3/4 NC	124849		02714050		8
JA 568	SUPPORT, RH	124849		276368R 1		1
JA 569	SUPPORT, LH	124849		276368L 1		1
JA 570	BOLT, SUPPORT 3/4X2 NC	124849		03194640		8
JA 570	LOCKWASHER 3/4	124849		03961800		8
JA 571	BRACE, WIDE	124849		276420 2		1
JA 572	BRACE, NARROW	124849		276420 1		1
JA 573	BOLT, BRACE 3/4X2 NC	124849		03194640		10
JA 573	LOCKWASHER 3/4	124849		03961800		10
JA 574	LADDER, PLATFORM	124849		219566 11		1
JA 575	BUSHING, YOKE PIN	124849		402467A		2
	NOTE-ITEMS 243 THRU 246, 447 & 448 ARE AVAILABLE AS A KIT.			903150K 52		



PARTS LIST

ISSUE NO. 01, 1970

MODEL 88B

PAGE 6- 4

DATE 040770

CAT. REF.	DESCRIPTION	SERIAL NO.		PART NO.	REPLACE OR VENDOR NO.	REQ.
		FROM	TO/INCL.			
	003					
JA	DRAGLINE, CLAMSHELL & CRANE BOOM STD & HD					
	DRAWINGS JA704, JA710, JA739 & JA772					
JA 23	BOOM COMPLETE	78941				R
JA 24	SECTION, UPPER 30 FT.	78941	93741	9118JA		1
JA 24	SECTION, UPPER 30 FT.	105476	121020	9563JA		1
JA 24	SECTION, UPPER 30 FT.	121023	121563	10796JA		1
JA 24	SECTION, UPPER 30 FT.	122054		11189JA	11828JA	1DX
JA 26	SECTION, INTERM 10 FT	78941	121020	9116JA		1
JA 26	SECTION, INTERM 10 FT	121322	121563	10797JA		1
JA 26	SECTION, INTERM 10 FT	122054		11191JA	11830JA	1DX
JA 28	SECTION, LOWER 40FT.	78941	121023	9117JA		1
JA 28	SECTION, LOWER 40FT.	121322	121563	10795JA		1
JA 28	SECTION, LOWER 40FT.	122054	122565	11188JA	11380JA	1DX
JA 28	SECTION, LOWER 40FT.	122642	124846	11380JA	11641JA	1DX
JA 28	SECTION, LOWER 40FT.	124847		11641JA	11827JA	1DX
JA 29	BUSHING, BOOM FOOT	122054		516491K 1		2
JA 79	SECTION, INTER 20 FT	78941	121020	9115JA		1
JA 79	SECTION, INTERM 20 FT	121322	121563	10798JA		1 X
JA 79	SECTION, INTERM 20 FT	122054		11190JA	11829JA	1DX
JA 154	BOLT, SPLICE 5-5/8 LG	78941		506340K 1		8
JA 154	BOLT, SPLICE 6-3/8 LG	78941		506341K 1		4 X
JA 154	NUT, FULL 1-1/8 NF	78941		02743650		12 X
JA 154	NUT, JAM 1-1/8 NF	78941		02743700		12 X
	NOTE-ABOVE BOLTS ARE FOR UPPER SECT. ONLY					
JA 212	TIMBER, LOWER	78941		298807 1		1
JA 213	CLAMP, TIMBER	78941		298808 1		2
JA 214	BOLT, CLAMP 1/2X6 NC	78941		03186920		2
JA 214	NUT, FULL 1/2 NC	78941		02711050		2
JA 214	LOCKWASHER 1/2	78941		03961500		2
JA 214	WASHER, PLAIN 1/2	78941		03951600		2
JA 215	GUARD, ROPE	78941		403321 1		1
JA 239	TIMBER, UPPER	78941		403078 1		1
JA 241	PIN, BOOM FOOT	78941	121563	297703 1		2
JA 241	PIN, BOOM FOOT	122054	124846	612428K 1		2
JA 241	PIN, BOOM FOOT	124848				
JA 242	SEE AB41 & AB208 BOLT, FOOT PIN	78941	124846	297704 1		2
JA 242	BOLT, FOOT PIN SEE AB64	124848				
JA 243	INDICATOR, ANGLE	78941		82541500		1
JA 244	POINTER, INDICATOR	78941		82541600		1
JA 245	PIN, PIVOT	78941		197117 2		1
JA 246	BOLT, PIVOT	78941		197117 1		1
JA 246	NUT, FULL 3/8 NC	78941		02709100		1
JA 246	LOCKWASHER 3/8	78941		03761300		1



PARTS LIST

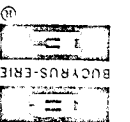
ISSUE NO. 01, 1970

MODEL 88B

PAGE 6- 5

DATE 040770

CAT. REF.	DESCRIPTION	SERIAL NO.		PART NO.	REPLACE OR VENDOR NO.	REQ.
		FROM	TO/INCL.			
	COB					
JA 246	WASHER, LEAD 3/8	78941		03958500		1
JA 310	TIMBER, MIDDLE	78941		403322 1		1
JA 328	SPREADER, POINT	78941		298789 1		1
JA 329	BOLT, SPREADER 5/8 X 1 1/2 NC	78941		03191480		4
JA 329	NUT, FULL 5/8 NC	78941		02713050		4
JA 329	LOCKWASHER 5/8	78941		03961700		4
JA 334	MAST	128940	131315	11637JA	12556JA	1D X
JA 334	MAST	132296		12556JA		1 X
JA 336	BOLT, TEE HEAD	128940		523678 3		2 X
JA 342	BOLT, TEE HEAD	128940		523678 2		2 X
JA 440	WASHER, FOOT PIN	78941	124846	299316 1		8
JA 440	WASHER, FOOT PIN	78941	124846	299316 2		2
JA 440	WASHER, FOOT PIN	124848				
JA 441	SEE AB66 BOLT, GUARD	78941		03185880		2
JA 441	1/2 X 2 3/4 NC NUT, FULL 1/2 NC	78941		02711050		2
JA 441	LOCKWASHER 1/2	78941		03961500		2
JA 442	J-BOLT, GUARD	78941		83680 62		2
JA 442	NUT, FULL 1/2 NC	78941		02711050		4
JA 442	LOCKWASHER 1/2	78941		03961500		4
JA 443	SUPPORT, GUARD	78941	121563	403319 1		2
JA 443	SUPPORT, GUARD	122054		518244K 1		2
JA 444	FILLER, SPLICE	78941	121563	403320 1		2
JA 444	FILLER, SPLICE	122054		518245K 1		2
JA 445	BOLT, SPLICE 5-3/8 LG	78941		506338K 1		8 X
JA 445	BOLT, SPLICE 6-1/8 LG	78941		506339K 1		4 X
JA 445	NUT, FULL 1-1/8 NF	78941		02743650		12 X
JA 445	NUT, JAM 1-1/8 NF	78941		02743700		12 X
	NOTE-ABOVE BOLTS ARE ONE SPLICE FOR CENTER SECTIONS ONLY					
JA 447	SCREW, PHILLIPS 3/8 X 1 NF	78941		03725160		3
JA 447	NUT, FULL 3/8 NF	78941		02709100		3
JA 447	LOCKWASHER 3/8	78941		03961300		3
JA 448	WASHER, LEAD 3/8	78941		03958500		3 X
JA 830	PIN, FOOT	128940		520875K 1		2 X
JA 979	PIN, COTTER 1/4X1-3/4	128940		03118840		2 X
JA 980	PIN, COTTER 1/4X1-3/4	128940		03118840		2 X
	NOTE-ITEMS 243 THRU 246, J47 & 448 ARE AVAILABLE AS A KIT.			903150K 52		



PARTS LIST

ISSUE NO. 01, 1970

MODEL 888

PAGE 7-

1

DATE 040770

CAT. REF.	DESCRIPTION	SERIAL NO.	TO/INCL.	PART NO.	REPLACE OR VENDOR NO.	REQ.
JR	SHOVEL BOOM MACHINERY					
	001					
JR	DMG. J4702, J4711, R725, R746					
JR	1 SHAFT, SHIPPER	77380	93743	231394	1	1
JR	1 SHAFT, SHIPPER	112748		234998	1	1
JR	4 DRUM, SHIPPER SHAFT	112748		902913K 51	1	1
JR	INCLUDES JR284					
JR	5 WEDGE, CROWD DRUM	77380	124633	526472K 1	1	4
JR	5 WEDGE, CROWD DRUM	124847		520587K 1	1	4
JR	8 SHEAVE, POINT	77380	93743	230026A		2
JR	8 SHEAVE, POINT	112748		903157K 51		2
JR	9 BUSHING, SHEAVE	77380		404297A		4
JR	11 PIN, POINT SHEAVE	77380	93743	231393	1	1
JR	11 PIN, POINT SHEAVE	112748	125266	234978	1	1
JR	11 PIN, POINT SHEAVE	125487		718028K 1	1	1
JR	11 SPACER	125487		525635K 1	1	2
JR	13 GUARD, ROPE	77380	93743	268200	1	2
JR	13 GUARD, ROPE	112748	125266	278207	1	2
JR	13 GUARD, ROPE	125487		619017K 21	10	2
JR	14 BOLT, ROPE GUARD	77380	125266	197625	10	2
JR	14 PIN, COTTER 5/16X2	77380	125266	03121960		2
JR	14 PIN, ROPE GUARD	125487	126976	522230	6	2
JR	14 PIN, COTTER 5/16X2	125487	126976	03121960		2
JR	284 BUSHING, DRUM	112748		408612A		2
JR	541 DRUM, CROWD SEE JR973	77380				
JR	542 BUSHING, DRUM OR HUB	77380		297778A		2
JR	543 SHAFT, CROWD DRUM	77380		611364K 1	1	2
JR	544 WASHER, THRUST NYLON	124847		68766343		1
JR	572 GUARD, RH ROPE	77380	93743	268201	1	2
JR	572 GUARD, RH ROPE	112748	126976	278206	1	1
JR	572 GUARD, ROPE	126977		621583K 21		1
JR	620 BUSHING, SHEAVE	77380		294659A		4
JR	623 SHEAVE, OUTER	77380		271804A	1	2DX
JR	624 SHEAVE, INNER	77380		271834A		2DX
JR	769 SHEAVE, DIPPER TRIP	77380	93743	231477A		1
JR	769 SHEAVE, DIPPER TRIP	112748		234997A		1
JR	775 SPACER, SHEAVE	112748	126976	278205A		1
JR	775 SPACER, SHEAVE	126977		278205A	1	1
JR	776 GUARD, LH ROPE	77380	93743	268201	2	1
JR	776 GUARD, LH ROPE	112748	126976	278206	2	1
JR	777 CAPSCREW 5/8 X1 3/4 NC	77380	93743	03191560		8
JR	777 LOCKWASHER 5/8	77380	93743	03961700		8
JR	777 CAPSCREW 3/4 X2 NC	112748	126976	03194640		8
JR	777 LOCKWASHER 3/4	112748	126976	03961800		8
JR	838 U-BOLT, SUPPORT	77380	93743	83680	62	2
JR	838 NUT, FULL 1/2 NC	77380	93743	02711050		4
JR	838 LOCKWASHER 1/2	77380	93743	03961500		4
JR	838 U-BOLT, SUPPORT	112748				
JR	839 KEY, SHAFT	77380	123774	298831	10	1
JR	839 KEY, SHAFT	124181		298831	7	1



PARTS LIST

ISSUE NO. 01, 1970

MODEL 88B PAGE 7- 2

DATE 040770

CAT. REF.	DESCRIPTION	SERIAL NO.		PART NO.	REPLACE OR VENDOR NO.	REQ.
		FROM	TO/INCL.			
	001					
JR 840	BRACKET, SHAFT	77380	78944	293673 1		2
JR 840	BRACKET, SHAFT	79925		405811 1		2
JR 841	BOLT, BRACKET 5/8X2 NC	77380	93743	03191640		8
JR 841	LOCKWASHER 5/8	77380	93743	03961700		8
JR 841	BOLT, BRACKET SEE JR1196	112748				
JR 842	SHEAVE, RH	77380	93743	231475A		1
JR 842	SHEAVE, RH SEE JR4	112748				
JR 843	SHEAVE, LH	77380	93743	231476A		1
JR 843	SHEAVE, LH SEE JR4	112748				
JR 844	BUSHING, SHEAVE	77380	93743	402236A		2
JR 844	BUSHING, SHEAVE SEE JR284	112748				
JR 845	WASHER, INNER THRUST	77380	93743	402237A		2
JR 845	WASHER, RH THRUST	77380	93743	292679A		1
JR 847	WASHER, LH THRUST	77380	93743	292680A		1
JR 848	LOCK, SHIPPER SHAFT	77380	93743	403080 1		2
JR 848	LOCK, SHIPPER SHAFT	112748		408709 1		2
JR 849	CAPSCREW, LOCK	77380	93743	293350 1		4
JR 849	CAPSCREW, LOCK	112748		293350 2		4
JR 940	WASHER, THRUST	112748		408614A		2
JR 970	HUB, DRUM	112749	113640	218955A		1AX
JR 970	HUB, DRUM	113641	116270	701815 3		1
JR 970	HUB, DRUM	116650	122566	218955AA		1AX
JR 970	HUB, DRUM	122642	124846	807064K 1		1AX
	NOTE-AN IMPROVED HUB AND DRUM IS AVAILABLE TO REPLACE EARLY TYPE FURNISH FOLLOWING PTS					
	JR970 HUB W/BUSHINGS			618156K 51		1
	JR544 THRUST WASHER			68766343		2
	JR973 DRUM, CROWD			717050K 21		1
	JR974 RETAINER			403358 1		1
	JR5 WEDGE			520587K 1		4
	FITTING, LUBE			57043760		6
JR 970	HUB, DRUM	124847		618156K 51		1 X
JR 971	INCLUDES JR542 PIN, HUB LOCK	77380		403408 1		1
JR 972	BOLT, PULLING 3/4X7 NC	77380		02190850		1
JR 973	BARREL, DRUM	77380	93743	217546A		1 X
JR 973	BARREL, DRUM	112748	113640	218938A		1AX
JR 973	BARREL, DRUM	113641	116270	701815 1		1AX
JR 973	BARREL, DRUM	116650	119864	218938AA		1AX
JR 973	BARREL, DRUM	119940	122455	218938AB		1A
JR 973	BARREL, DRUM	122487	124180	218938AC		1A
JR 973	BARREL, DRUM	124181	124846	218938AD		1AX
	NOTE-AN IMPROVED DRUM AND HUB IS AVAILABLE					



PARTS LIST

ISSUE NO. 01, 1970

MODEL 88B

PAGE 7- 3

DATE 040770

CAT. REF.	DESCRIPTION	SERIAL NO.		PART NO.	REPLACE OR VENDOR NO.	REQ.
		FROM	TO/INCL.			
	001					
	TO REPLACE EARLY TYPE FURNISH FOLLOWING PTS					
	JR5 WEDGE			520587K 1		4
	JR544 WASHER, THRUST			68766343		2
	JR970 HUB W/BUSHING			618156K 51		1
	JR973 DRUM, BARREL			717050K 21		1
	JR974 RETAINER			403358 1		1
	FITTING, LUBE			57043760		6
JR 973	BARREL, DRUM	124847		717050K 21		1 X
JR 974	RETAINER, BARREL	77380		403358 1		1
JR 975	CAPSCREW 1/2X1 1/4 NC	77380		03185400		6
JR 975	LOCKWASHER 1/2	77380		03961500		6
JR 976	PAWL, BARREL	77380	113640	403354AA		3
JR 976	PAWL, BARREL	113641		403354AA 1		3
JR 977	PIN, PAWL	77380	124846	403355 1		3
JR 977	PIN, PAWL	124847		520584K 1		3
JR 978	BOLT, EYE	77380	119864	401945 1		3
JR 978	BOLT, EYE	119940		503296K 1		3
JR 979	CAPSCREW 1/2X1 1/2 NC	77380		03185480		3
JR 979	LOCKWASHER 1/2	77380		03961500		3
JR 980	SPRING, PAWL	77380		75745800		3
JR 981	SEAT, SPRING	77380		511542K 1		6
JR 982	BOLT, EYE	77380		403358 1	629420K 21	3DX
JR 983	PIN, EYE BOLT	77380		403357 1		3
JR 984	WASHER, PIN	77380		403357 2		6
JR 985	PIN, PAWL LOCKING	77380	93743	403799 1		1
JR 985	PIN, PAWL LOCKING	112748		408408 1		1
JR 986	BOLT, PIN EYE	77380	93743	X11899 1		1
JR 986	BOLT, PIN EYE	112748		403474 2		1
JR 987	CAPSCREW 1/2X1 1/2 NC	77380	93743	03185480		1
JR 987	LOCKWASHER 1/2	77380	93743	03961500		1
JR 987	CAPSCREW 1/4X3/4 NC	112748		03173240		1
JR 987	LOCKWASHER 1/4	112748		03961010		1
JR 1188	RIM, SHEAVE	112748	126976	278208A		1
JR 1189	BOLT, RIM	112748	126976	522240K 51		6
JR 1190	HUB, SHEAVE	112748	126976	278306A		1
JR 1191	KEY, HUB - WOODRUFF	112748	126976	54308250		1
JR 1192	SHAFT, SHEAVE	112748	126976	278209 1		1
JR 1192	SHAFT, SHEAVE	126977		612144K 21		1
JR 1193	SHAFT, RETAINER	112748	126976	408794 1		1
JR 1193	SHAFT, RETAINER	126977		514756K 1		1
JR 1194	CAPSCREW, RETAINER	112748	126976	295805 1	500015K 1	3D
JR 1194	CAPSCREW, RETAINER	126977		500015K 1		5
JR 1195	GUARD, ROPE	112748		722774K 21		1 X
JR 1196	CAPSCREW 5/8X2 1/2 NC	112748		03191800		8
JR 1196	NUT, FULL 5/8 NC	112748		02713050		8
JR 1196	LOCKWASHER 5/8	112748		03961700		8
JR 2040	SHEAVE	126977		721073K 51		1
	INCLUDES JR2042					
JR 2041	WASHER	126977		68766154		2
JR 2042	BUSHING	126977		514758K 1		1
JR 2043	CAPSCREW 1/2X1-3/4 NC	126977		03185560		4



PARTS LIST

ISSUE NO. 01, 1970

MODEL 88B

PAGE 7-4

DATE 040770

CAT. REF.	DESCRIPTION	SERIAL NO.		PART NO.	REPLACE OR VENDOR NO.	REQ.
		FROM	TO/INCL.			
	001					
JR 2043	LOCKWASHER 1/2	126977		03961500		4



PARTS LIST

ISSUE NO. 01, 1970

MODEL 888 PAGE 7- 5
DATE 040770

CAT. REF.	DESCRIPTION	SERIAL NO.		PART NO.	REPLACE OR VENDOR NO.	REQ.
		FROM	TO/INCL.			
	002					
JR	STRIPPING SHOVEL BOOM MACHINERY DWG. JA703					
	JA722, R723, R725					
JR 5	WEDGE, DRUM	52320		526472K 1		4
JR 541	DRUM, CROWD	52320	93741	237910A		1
JR 541	DRUM, CROWD	120715		251192 1		1
JR 542	BUSHING, DRUM	52320		297778A		2
JR 544	WASHER, THRUST	127847		68766343		2
JR 630	SHAFT, SHIPPER	52320	93741	231474 1		1
JR 630	SHAFT, SHIPPER	120715		250764 1		1
JR 631	SHEAVE, RH	52320	93741	231475A		1
JR 631	SHEAVE, RH	120715		250737A 1		1
JR 632	BUSHING, SHEAVE	52320	93741	402236A		2
JR 632	BUSHING, SHEAVE	120715		410496A		2
JR 633	WASHER, INNER THRUST	52320		402237A		2
JR 635	LOCK, SHAFT	52320	93741	402235 1		2
JR 635	LOCK, SHAFT	120715		408709 1		2
JR 637	CAPSCREW, LOCK	52320		293350 2		8
JR 638	SHEAVE, POINT	52320	93741	217603A		2
JR 638	SHEAVE, POINT	120715		250760A		4
JR 639	BUSHING, SHEAVE	52320	93741	402325A		2
JR 639	BUSHING, SHEAVE	120715		410541A		4
JR 640	WASHER, THRUST	120715		179115A		2
JR 641	PIN, SHEAVE	52320	93741	231533 1		1
JR 641	PIN, SHEAVE	120715		279619 1		2
JR 642	COLLAR, RETAINING	52320	93741	402369 1		2
JR 643	BOLT, COLLAR	52320	93741	296152 1		2
JR 643	NUT, FULL 1 1/4 NC	52320	93741	02718050		2
JR 643	NUT, JAM 1 1/4 NC	52320	93741	02718200		2
JR 644	YOKE, SHEAVE	52320	93741	217317 1		1
JR 644	YOKE, SHEAVE	120715		219585 1		1
JR 645	SHEAVE, UOKE	52320		271804A 1		8
JR 646	BUSHING, SHEAVE	52320		294659A		8
JR 647	PIN, SHEAVE	52320		231570 1		2
JR 648	CAPSCREW 3/4X1 1/4 NC	52320		03194720		2
JR 648	LOCKWASHER 3/4	52320		03961800		2
JR 649	WASHER, SHEAVE	52320		402464 1		2
JR 652	GUARD, ROPE	52320	ONLY	274153 1		2
JR 652	GUARD, ROPE	77377	93741	274805 1		2
JR 652	GUARD, ROPE	120715		279480 1		2
JR 654	CAPSCREW 3/4X1 3/4 NC	52320		03194560		8
JR 654	LOCKWASHER 3/4	52320		03961800		8
JR 840	BRACKET, SHAFT	52320	93741	403922 1		2
JR 840	BRACKET, SHAFT	120715		405811 1		2
JR 841	CAPSCREW 5/8 X 2 NC	52320		03191640		8
JR 841	LOCKWASHER 5/8	52320		03961700		8
JR 845	WASHER, THRUST	52320		292680A		1
JR 954	SHAFT, CROWD DRUM	52320	124180	274602 1		1A
	NOTE-WHEN STOCK OF 274602-1 IS DEPLETED					



PARTS LIST

ISSUE NO. 01, 1970

MODEL 88B
DATE 040770

PAGE 7- 6

CAT. REF.	DESCRIPTION	SERIAL NO.		PART NO.	REPLACE OR VENDOR NO.	REQ.
		FROM	TO/INCL.			
	002					
	USE FOLLOWING PARTS					
	JR954 SHAFT, DRWD. DRUM			611364K 1		1
	JR955 KEY			298831 7		1
JR 954	SHAFT, CROWD DRUM	124181		611364K 1		1 K
JR 955	KEY, SHAFT	52320	124180	298831 10		1 K
JR 955	KEY, SHAFT	124181		298831 7		1 K
JR 956	SHEAVE, LH	52320	93741	231476A	901261K 51	10K
JR 956	SHEAVE, LH	120715		250737A		1
JR 957	SHEAVE, DIPPER TRIP	52320		231477A		1
JR 958	PIN, YOKE	52320	93741	274380 1		2
JR 958	PIN, YOKE	120715		279505 1		2
JR 959	CAPSCREW 5/8X1 1/4 NC	52320		03191400		2
JR 959	LOCKWASHER 5/8	52320		03961700		2
JR 960	BUSHING, PIN	52320	93741	402467A		2
JR 960	BUSHING, PIN SEE JA575	120715				
JR 961	COLLAR, RETAINING	52320		402465 1		2
JR 962	BOLT, COLLAR	52320		197623 16		2
JR 963	SPRING, LOAD BALANCING	52320		298731 1		1
JR 964	RETAINER, SPRING	52320		402487A		1
JR 965	ROD, SPRING	52320		274161 1		1
JR 965	NUT, FULL 1 NC	52320		02716050		1
JR 965	NUT, JAM 1 NC	52320		02716200		1
JR 966	PIN, SPRING ROD	52320		261213 12		1
JR 1230	BOLT, SHEAVE PIN	120715		197625 3		2
JR 1230	PIN, COTTER 5/16X2	120715		03121960		2
JR 1260	GUARD, ROPE	120715		250948A		2
JR 1261	CAPSCREW 3/4X1 3/4 NC	120715		03194560		4
JR 1261	LOCKWASHER 3/4	120715		03961800		4
JR 1262	SHEAVE, HOIST	120715		250960A		2
JR 1263	BUSHING, SHEAVE	120715		407206A		2
JR 1264	PIN, SHEAVE	120715		279526 1		2
JR 1265	CAPSCREW 3/4X1 3/4 NC	120715		03194720		2
JR 1265	LOCKWASHER 3/4	120715		03961800		2
JR 1266	GUARD, RH UPPER	120715		219584 1		1
JR 1267	GUARD, LH UPPER	120715		219584 2		1
JR 1268	GUARD, RH LOWER	120715		219584 3		1
JR 1269	GUARD, LH LOWER	120715		219584 4		1
JR 1270	CAPSCREW 5/8X1 NC	120715		03191320		32
JR 1270	LOCKWASHER 5/8	120715		03961700		32



PARTS LIST

ISSUE NO. 01, 1970

MODEL 88B

PAGE 7- 7

DATE 040770

CAT. REF.	DESCRIPTION	SERIAL NO.		PART NO.	REPLACE OR VENDOR NO.	REQ.
		FROM	TO/INCL.			
	003					
JR	DRAGLINE BOOM MACHINERY					
	DWG. JA704, JR748					
JR 21	SHEAVE, POINT 30IN.	78941	121325	229768A		1A X
	NOTE-WHEN STOCK OF 229768A IS DEPLETED USE FOLLOWING PARTS					
	JR21 SHEAVE, POINT			707087K 1		1
	JR1386 SNAP RING			68107200		2
JR 21	SHEAVE, POINT 30IN.	121426	126978	707087K 1		1 X
JR 21	SHEAVE, POINT 48IN.	127284	128492	619117 3		1A X
	NOTE-WHEN STOCK OF 619117-3 IS DEPLETED USE FOLLOWING PARTS					
	JR21 SHEAVE, 48IN.			625265K 21		1
	JR625 BEARING			26705254		2
	JR692 SPACER			533177K 1		1
	JR967 SHIELD			82854565		2
	JR1386 SNAP RING			68118728		2
JR 21	SHEAVE, POINT 48IN.	129765		625265K 21		1 X
JR 23	PIN, SHEAVE	78941	121325	271806 1	271806 2	1D
JR 23	PIN, SHEAVE	121426		607835K 1		1 X
JR 25	SPACER, OUTER	78941		298790 1		2
JR 26	SHEAVE, SUSP.	78941		902893K 61		4
	INCLUDES JR253					
JR 30	GUIDE, OUTER ROPE	78941	127288	229767A		2 X
JR 30	GUIDE, ROPE RH LOWER	127460		810143 1		1 X
JR 30	GUIDE, ROPE LH LOWER	127460		810143 2		1 X
JR 30	SHIM, LONG AS REQ.	127460		525806K 1		X
JR 30	SHIM, SHORT AS REQ.	127460		525807K 1		X
JR 31	CAPSCREW 3/4X1-3/4 NC	78941	127288	03194560		10 X
JR 31	LOCKWASHER 3/4	78941	127288	03961800		10 X
JR 31	CAPSCREW 3/4X1-1/2 NC	127460		03194480		10 X
JR 31	LOCKWASHER 3/4	127460		03961800		10 X
JR 31	NUT, FULL 3/4 NC	127460		02714050		10 X
JR 31	WASHER, PLAIN 3/4	127460		03951900		10 X
JR 38	SPACER, ROPE GUIDE	127460		515186 19		4 X
JR 39	BOLT, ROD	127460		525481 5		4 X
JR 39	NUT, FULL 1 NC	127460		02716050		4 X
JR 39	LOCKWASHER 1	127460		03962000		4 X
JR 91	GUARD, ROPE	78941		271808 1		2
JR 93	BOLT, GUARD 5/8X7 NC	78941		02189450		2 X
JR 93	BOLT, GUARD 5/8X6 NC	78941		03192920		2
JR 93	NUT, JAM 5/8 NC	78941		02713250		6 X



PARTS LIST

ISSUE NO. 01, 1970

MODEL 88B PAGE 7- 8

DATE 040770

CAT. REF.	DESCRIPTION	SERIAL NO.		PART NO.	REPLACE OR VENDOR NO.	REQ.
		FROM	TO/INCL.			
	003					
JR 94	GUARD, ROPE	78941	127288	271814 1		1 X
JR 94	GUARD, ROPE UPPER	127460		619122 1		1 X
JR 94	SUPPORT, GUARD	127460		612086 1		2 X
JR 95	CAPSCREW 3/4X1 1/4 NC	78941	127288	03194400		4 X
JR 95	CAPSCREW 3/4X1-1/2 NC	127460		03194480		4 X
JR 95	CAPSCREW 3/4X2 NC	127460		03194640		4 X
JR 95	NUT, FULL 3/4 NC	127460		02714050		4 X
JR 95	LOCKWASHER 3/4	78941		03961800		4
JR 215	GUARD, UPPER ROPE	78941	127288	271800A		1 X
JR 216	CAPSCREW 5/8X2 NC	78941	127288	03191640		2 X
JR 216	LOCKWASHER 5/8	78941	127288	03961700		2 X
JR 253	BUSHING, SHEAVE	78941		510987K 1		4
JR 625	BEARING, SHEAVE	78941	128493	26704750		2AX
	NOTE-WHEN STOCK OF 26704750 IS DEPLETED USE FOLLOWING PARTS					
	JR625 BEARING			26705254		2
	JR697 SHIELD			82854565		2
	JR1386 SNAP RING			68118728		2
	ALTERATION DWG.722913					3
	CUSTOMER MUST ALTER 48 IN. POINT SHEAVE & SPACER PER DWG.722913 ABOVE FOR 48IN.SHEAVE ONLY					
JR 625	BEARING, SHEAVE	128788		26705254	SKF 23124	2VX
JR 692	SPACER, INNER	78941	128493	298865 1		1 X
JR 692	SPACER, INNER	128788		533177K 1		1 X
JR 697	SHIELD, BEARING	78941	128493	72094000	3219-A	VX
JR 697	SHIELD, BEARING	128788		82854565		2 X
JR 1386	RING, SNAP-EATON	121426	128493	68107200	220	2VX
JR 1386	RING, SNAP INTERNAL	128788		68118728	5000-775	2VX



PARTS LIST

ISSUE NO. 01, 1970

MODEL 88B

PAGE 7- 9

DATE 040770

CAT. REF.	DESCRIPTION	SERIAL NO.		PART NO.	REPLACE OR VENDOR NO.	REQ.
		FROM	TO/INCL.			
	004					
JR	CLAMSHELL & CRANE BOOM MACHINERY					
	DWG. JA710, X702					
JR 23	PIN, SHEAVE	105476	121325	271806 1	271806 2	1DX
JR 23	PIN, SHEAVE	121426		607835K 1		1 X
JR 25	SPACER, OUTER	105476	121325	298790 1		2 X
JR 25	SPACER, OUTER	121426		298790 1		4 X
JR 26	SHEAVE, SUSP.	105476		902893K 61		4
	INCLUDES JR253					
JR 30	GUIDE, OUTER ROPE	105476		229767A		2
JR 31	CAPSCREW 3/4X1 3/4 NC	105476		03194560		10
JR 31	LOCKWASHER 3/4	105476		03961800		10
JR 38	GUIDE, CENTER ROPE	105476		233529A		1
JR 39	BOLT, GUIDE	105476		514540 1		2 X
JR 91	GUARD, ROPE	105476		271808 1		2
JR 93	BOLT, GUARD 5/8X7 NC	105476		02189450		2
JR 93	BOLT, GUARD 5/8X6 NC	105476		03192920		2
JR 93	NUT, JAM 5/8 NC	105476		02713250		8
JR 94	GUARD, ROPE	105476		271814 1		1
JR 95	CAPSCREW 3/4X1 1/4 NC	105476		03194400		4
JR 95	LOCKWASHER 3/4	105476		03961800		4
JR 112	SPACER, CENTER	105476		405817 1		1
JR 253	BUSHING, SHEAVE	105476		510987K 1		4
JR 298	SHEAVE, POINT	105476	121325	229768AA		2AX
	NOTE-WHEN STOCK OF 229768AA IS DEPLETED					
	USE FOLLOWING PARTS					
	JR298 SHEAVE, POINT			707084K 1		2
	JR1386 SNAP RING			68107200		4
JR 298	SHEAVE, POINT	121426		707084K 1		2 X
JR 625	BEARING, SHEAVE	105476		26704750	23024	4V
JR 719	SPACER, BEARING	105476		405818 1		2
JR 967	SHIELD, BEARING	105476		72094000	3219-A	4V
JR 1386	RING, SNAP	121426		68107200		4 X



PARTS LIST

ISSUE NO. 01, 1970

MODEL 88B

PAGE 7- 10

DATE 040770

CAT. REF.	DESCRIPTION	SERIAL NO.		PART NO.	REPLACE OR VENDOR NO.	REQ.
		FROM	TO/INCL.			
	005					
JR	JIB MACHINERY DRAWING JA716					
JR 658	SHEAVE, POINT	124936		267292A		1
JR 659	BUSHING, SHEAVE	124936		290906A		1
JR 660	PIN, SHEAVE	124936		288003 1		1
JR 661	GUARD, SHEAVE	124936		265070A		2
JR 662	SHEAVE, SUSP. INCLUDES JR1635	124936		612300K 51		2 X
JR 663	PIN, SHEAVE	124936		516335K 1		2
JR 663	PIN, COTTER 1/2 X4	124936		03128920		2
JR 664	YOKE, REAR	124936		612301K 21		1
JR 665	PIN, YOKE	124936		524411K 1		1
JR 665	PIN, COTTER 1/2X3	124936		03128440		2
JR 668	ANCHOR, LOWER	124936		291100 1		2
JR 669	BOLT, ANCHOR	124936		197621 16		4
JR 669	PIN, COTTER 3/16X1 1/4	124936		03115600		4
JR 730	YOKE, FRONT	124936		612302K 21		1
JR 731	SHEAVE, DEFLECTION	124936		617182K 51		1 X
JR 732	INCLUDES JR732 BUSHING, SHEAVE	124936		500298K 1	510889K 1	10X
JR 733	PIN, SHEAVE	124936		288975 1		1
JR 740	PIN, MAST FOOT	124936		X10217 1		2
JR 740	PIN, COTTER 1/2X3	124936		03128440		4
JR 742	BOLT, POINT SHEAVE PIN	124936		288010 2		1
JR 742	PIN, COTTER 5/16X1 1/2	124936		03121720		1
JR 743	LINK, UPPER	124936		288002 1		1
JR 744	BOLT, LINK RETAINER	124936		288010 1		2
JR 744	PIN, COTTER 5/16X1 1/2	124936		03121720		2
JR 745	BOLT, SHEAVE PIN	124936		X 5533 1		1
JR 745	PIN, COTTER 3/16X1	124936		03115480		1
JR 1220	PIN, BOOM FOOT	124936		524412K 1		2
JR 1221	CAPSCREW 3/4X5 3/4 NC	124936		03195840		2
JR 1221	NUT, FULL 3/4 NC	124936		02714050		2
JR 1221	NUT, JAM 3/4 NC	124936		02714450		2
JR 1635	BUSHING, SHEAVE	124936		500729K 1		2



PARTS LIST

ISSUE NO. 01, 1970

MODEL 88B

PAGE 7- 11

DATE 040770

CAT. REF.	DESCRIPTION	SERIAL NO.		PART NO.	REPLACE OR VENDOR NO.	REQ.
		FROM	TO/INCL.			
	006					
JR	TAGLINE DWG. JR-711					
JR 147	BRACKET, FAIRLEAD	105476		277276 5		1
JR 148	BOLT, BRACKET 5/8X7 NC	105476		02189450		1
JR 148	BOLT, BRACKET 5/8X2 NC	105476		03191640		1
JR 148	LOCKWASHER 5/8	105476		03961700		2
JR 150	BUSHING, SHEAVE	105476		290709 5		1
JR 720	TAGLINE COMPLETE RUDDOMATIC	105476		277280 1	18-48	1V
JR 725	WHEEL, ROPE	105476			70-30	1V
JR 727	ROPE, TAGLINE	105476				1
JR 728	SHEAVE, FAIRLEAD	105476		282325A 1	500871K 51	1DX
JR 729	PIN, SHEAVE	105476		181690 1		1
JR 729	PIN, COTTER 5/16X2 1/2	105476		03122200		2
JR 771	BLOCK, SUPPORT	105476		277277 1		1
JR 771	BLOCK	105476		277277 2		1
JR 772	U-BOLT, SUPPORT	105476		407134 1		1
JR 772	NUT, FULL 3/4 NC	105476		02714050		2
JR 772	NUT, JAM 3/4 NC	105476		02714450		2
JR 773	PLATE, ANCHOR	105476		277276 1		1
JR 773	PLATE, ANCHOR	105476		277276 2		2
JR 773	PLATE, ANCHOR	105476		277276 3		2
JR 774	BOLT, PLATE	105476		02189700		8
JR 774	5/8 X 9 1/2 NC LOCKWASHER 5/8	105476		03961700		8
JR 778	U-BOLT, YOKE	105476		285019 1		1
JR 778	NUT, FULL 3/4 NC	105476		02714050		4
JR 779	CLAMP, BRACKET	105476		277276 6		1
JR 811	DOG, RATCHET	105476			40	1V
JR 1167	BARREL, CENTER	105476			119	1V
JR 1168	SPRING, BARREL	105476			90-LH	1V
JR 1169	BEARING, BARREL	105476			107	1V
JR 1170	PROPELLER, BARREL	105476			29	1V
JR 1171	SHAFT, BARREL	105476			49	1V
JR 1172	GEAR WITH HUB	105476			62	1V
JR 1173	BARREL SHAFT ASSY INCL. JR1169, JR1170,	105476			66	1V
JR 1174	JR1171, JR1182 & TUBE BARREL, OUTSIDE NO. 1	105476			121	1V
JR 1175	BARREL, OUTSIDE NO. 2	105476			123	1V
JR 1176	SPRING, BARREL	105476			98	2V
JR 1177	BEARING, BARREL	105476			38	2V
JR 1178	PROPELLER, BARREL	105476			39	2V
JR 1179	SHAFT, BARREL	105476			115	2V
JR 1180	GEAR, BARREL	105476			64	2V
JR 1181	BARREL SHAFT ASSY INCL. JR1177, JR1178,	105476			40	2V
JR 1182	JR1179, JR1182 & TUBE BUSHING, CENTER & OUTSIDE	105476			28	3V
JR 1183	SEAL, OIL	105476			72	3V
JR 1184	GASKET, HEAD	105476			73	3V
JR 1185	PLATE, MAIN END	105476				1



PARTS LIST

ISSUE NO. 01, 1970

MODEL 88B

PAGE 8- 1

DATE 040770

CAT. REF.	DESCRIPTION	SERIAL NO.		PART NO.	REPLACE OR VENDOR NO.	REQ.
		FROM	TO/INCL.			
	001					
JX	STANDARD BOOM HOIST DRAWING JX707					
JX	1 DRUM, HOIST	52320		215508A		1
JX	2 WEDGE, ROPE	52320		526464K 1		1
JX	3 SHAFT, DRUM	52320		270493 1		1
JX	6 WHEEL, WORM	52320		270492A		1
JX	14 SHAFT, WORM	52320		270491 1	270491 2	1DX
JX	18 BEARING, SHAFT TIMKEN	52320		26752250	T-302-W	1V
JX	27 COLLAR, LOWER	52320		289110 1		1
JX	28 DRUM, BRAKE	52320		270495A		1
JX	29 KEY, DRUM	52320		X13036 23		1
JX	39 BAND, BRAKE	52320		901257K 51	901257K 52	1DX
	INCLUDES JX40 & JX41 INCLUDES JX40 & JX41					
JX	40 LINING, BAND INCLUDES JX41	52320		901597K 51	901597K 52	1DX
JX	41 RIVET, LINING	52320		69044720		17
JX	42 SPRING, BRAKE	52320		75563010		1
JX	43 NUT, SLEEVE	52320		297116 1		2
JX	52 KEY, DRUM	52320		X13036 39		1
JX	57 SUPPORT, BRAKE	52320	121022	228714A		1
JX	57 SUPPORT, BRAKE	121023		710020K 1		1
JX	58 GASKET, SUPPORT	52320		297121 1		1
JX	59 CAPSCREW 3/4X3 1/2 NC	52320		03195120		6
JX	59 LOCKWASHER 3/4	52320		03961800		6
JX	60 RETAINER, DRUM	52320		293612 1		1
JX	64 PIN, ANCHOR	52320		297457 1		1
JX	65 SCREW, GUIDE 1/2X2 NC	52320	121022	03763010		4
JX	65 NUT, JAM 1/2 NC	52320	121022	02711250		4
JX	65 SCREW, GUIDE 1/2X2 NC	121023		03763010		2
JX	65 SCREW, GUIDE 1/2 X 2 1/4 NC	121023		03763130		2
JX	65 NUT, JAM 1/2 NC	121023		02711250		4
JX	69 RETAINER, WHEEL	52320		187613 1		1
JX	70 CAPSCREW, RETAINER	52320		283562 2		2
JX	71 BUSHING, LEVER	52320		500117K 1		2
JX	81 CLUTCH, JAW	52320		270494A		1
JX	84 YOKE, SHIFTER	52320		297408A		1
JX	110 SHAFT, YOKE	52320		297119 1		1
JX	113 ROD, REACH	52320	120953	282917 5		1
JX	113 ROD, REACH	120954		282917 19		1
JX	124 RING, OIL SEAL	52320		72198450	55014	1V
JX	126 BUSHING, LOWER	52320		296974A		1
JX	145 BRACKET, SHAFT	52320		271162A		1
JX	146 CAPSCREW 5/8X1 3/4 NC	52320		03191560		4
JX	146 LOCKWASHER 5/8	52320		03961700		4
JX	148 SHOE, YOKE	52320		500303K 1		2
JX	149 PIN, SHOE	52320		282969 1		2
JX	150 LEVER, SHAFT	52320		297111A		1
JX	156 SUPPORT, BAND	52320	121022	296408 1		3
JX	156 SUPPORT, BAND	121023		296408 1		2
JX	156 SUPPORT, BAND	121023		514368K 1		1



PARTS LIST

ISSUE NO. 01, 1970

MODEL 88B PAGE 8- 2
DATE 040770

CAT. REF.	DESCRIPTION	SERIAL NO.		PART NO.	REPLACE OR VENDOR NO.	REQ.
		FROM	TO/INCL.			
	001					
JX 233	SEAT, SPRING	52320		297114 1		1
JX 368	BOLT, SHAFT	52320		03185560		1
JX 368	1/2 X 1 3/4 NC LOCKWASHER 1/2	52320		03961500		1
JX 384	SHAFT, LEVER	52320		297427 1		1
JX 387	LEVER, CLUTCH & BRAKE	52320		270968A		1
JX 402	END, REACH ROD	52320		297231AA		2
JX 403	PIN, ROD END	52320		500519K 51		2
JX 562	KEY, LEVER & YOKE	52320		54304750		2 X
JX 573	COVER, LOWER	52320		215904A		1
JX 574	GASKET, COVER	52320		297033 1		1
JX 575	CAPSCREW 3/4X2 1/2 NC	52320		03194800		13
JX 575	CAPSCREW 3/4X3 1/2 NC	52320		03195120		1
JX 575	LOCKWASHER 3/4	52320		03961800		14
JX 576	COVER, INNER	52320		521157K 1		1
JX 577	GASKET, COVER	52320		297363 1		1
JX 578	BOLT, ROD	52320		521156 1		1
JX 578	LOCKWASHER 5/8	52320		03961700		1
JX 579	COVER, OUTER NOT USED	52320				
JX 581	COLLAR, RETAINING	52320		297361 1		1
JX 582	BOLT, COLLAR 3/4X4 NF	52320		03245280		2
JX 582	LOCKWASHER 3/4	52320		03961800		2
JX 621	CAPSCREW 1/2X1 NC	52320		03185320		2
JX 621	LOCKWASHER 1/2	52320		03961500		2
JX 622	CAPSCREW 1/2X1 NC	52320		03185320		1
JX 622	LOCKWASHER 1/2	52320		03961500		1
JX 623	WASHER, ANCHOR PIN	52320		X10335 1		1
JX 624	COLLAR, SPRING	52320		297115 1		1
JX 625	SLEEVE, ADJ.	52320		297113 1		1
JX 626	PIN, FULCRUM	52320		297112 1		1
JX 627	SPRING, SHIFTER	52320		75218010		1
JX 628	SEAT, UPPER SPRING	52320		X 8092 1		1
JX 629	SEAT, LOWER SPRING	52320		271171A		1
JX 630	PIN, FULCRUM	52320		297830 1		1
JX 669	BOLT, LEVER 5/8X3 NC	52320		03191960		2
JX 669	LOCKWASHER 5/8	52320		03961700		2



PARTS LIST

ISSUE NO. 01, 1970

MODEL 88B PAGE 8- 3
DATE 040770

CAT. REF.	DESCRIPTION	SERIAL NO.		PART NO.	REPLACE OR VENDOR NO.	REQ.
		FROM	TO/INCL.			
	002					
JX	INDEPENDENT BOOM HOIST DWG. JX711, JX712					
JX 1	DRUM, HOIST	105476		215508A		1
JX 2	WEDGE, ROPE	105476		526464K 1		1
JX 3	SHAFT, DRUM	105476		234210 1		1
JX 4	CAPSCREW, RETAINER	105476		184637 1		4
JX 16	RETAINER, SPROCKET	105476		401452 1		2
JX 39	BAND, BRAKE INCLUDES JX40, JX41, JX290	105476		901263K 51	901263K 52	10X
JX 40	LINING, BAND	105476	121020	406899 1	902532K 52	20X
JX 40	LINING, BAND	121562		56016000		2
JX 41	RIVET 6AX5/8	105476		69044720		36 X
JX 42	SPRING, BRAKE	105476		75426010		1 X
JX 43	NUT, SLEEVE	105476		406841 1		1
JX 45	LEVER, BRAKE	105476		277065A		1
JX 47	PIN, FULCRUM	105476		X 7953 1		1
JX 52	KEY, DRUM	105476		X13036 39		1
JX 62	END, SPRING ROD	105476		406843 1		2
JX 63	PIN, ROD END	105476		406938 1		2
JX 64	PIN, ANCHOR	105476		406891 1		1
JX 65	CAPSCREW 5/8X2 NC	105476		03191640		1
JX 65	NUT, JAM 5/8 NC	105476		02713250		1
JX 71	BUSHING, PIN	105476		406840 1		1
JX 101	SHAFT, INTERMEDIATE	105476		234178 1	234178 2	1DX
JX 102	GEAR, SHAFT	105476		234176A		1
JX 105	BRACKET, BEARING	105476		239382 1		1
JX 106	BUSHING, RH	105476		406927A		1
JX 107	BUSHING, LH	105476		406928A		1
JX 108	STUD, BRACKET	105476		406997 1		3
JX 108	CAPSCREW 1X3 1/2 NF	105476		03350620		9
JX 108	NUT, FULL 1 NF	105476		02743050		12
JX 108	NUT, JAM 1 NF	105476		02743100		12
JX 109	SPACER, SHAFT	105476		406929A		1
JX 186	PAWL, RATCHET	105476		277093A		1
JX 187	PIN, PAWL	105476		406894 1		1
JX 188	SPRING, PAWL	105476		75601010		1 X
JX 197	ROD, SPRING	105476		405236 11		1
JX 197	NUT, FULL 5/8 NF	105476		02741550		1
JX 197	NUT, JAM 5/8 NF	105476		02741650		1
JX 233	SEAT, SPRING	105476		X15597 2		1
JX 234	BUSHING, FULCRUM PIN	105476	121020	290709 14		1
JX 234	BUSHING, FULCRUM PIN	121562		82048550		1
JX 237	SHAFT, CLUTCH	105476		234136 1		1
JX 238	SPROCKET, DRIVEN	105476		234160 1	234160 2	1DX
JX 242	HOUSING, CLUTCH	105476		234162A		2
JX 244	DRIVER, CLUTCH	105476		218677B		2
JX 245	KEY, DRIVER & HOUSING	105476		298828 5		5
JX 248	BEARING, LH FAFNIR	105476		26120400	214WD	1V
JX 254	SPACER, BEARING	105476		406889 1		2
JX 269	BAND, CLUTCH	105476		234182 1	902527K 52	2DX



PARTS LIST

ISSUE NO. 01, 1970

MODEL 88B PAGE 8- 4
DATE 040770

CAT. REF.	DESCRIPTION	SERIAL NO.		PART NO.	REPLACE OR VENDOR NO.	REQ.
		FROM	TO/INCL.			
	002					
JX 270	LINING, CLUTCH BAND INCLUDES JX271	105476		902533K 51	902533K 52	2DX
JX 271	RIVET 6AX3/4	105476		69044750		64 X
JX 272	CAPSCREW 3/4X4 NC	105476		03195280		2
JX 272	NUT, JAM 3/4 NC	105476		02714450		2
JX 273	BELLCRANK, CLUTCH	105476		277134A		2
JX 289	BOLT, EYE	105476		406937 1	540201K 1	2DX
JX 289	NUT, SPECIAL	105476		500220K 1		2
JX 289	NUT, FULL 1/2 NC	105476		02711050		2
JX 290	BOLT, HOINT	105476		521257K 1		2
JX 290	5/8 X 1 3/4 NF NUT, FULL 5/8 NF	105476		02741550		2
JX 290	LOCKWASHER 5/8	105476		03961700		2
JX 312	BOLT, EYE	105476		629421K 21		1 X
JX 327	SPROCKET, DRIVING	105476		277096 1		1
JX 334	SPROCKET, DRIVEN	105476		234177A		1
JX 335	SPROCKET, DRIVING	105476		277132 1		1
JX 345	SPROCKET, DURM SHAFT	105476		234209A		1
JX 346	CHAIN COMPLETE SINGLE STRAND	105476		34553100	140	1V
JX 347	CHAIN COMPLETE TRIPLE STRAND	105476		34554200	140	1V
JX 348	LINK, ROLLER AS REQUIRED	105476			140	
JX 349	LINK, CONNECTING AS REQUIRED	105476			140	V
JX 350	LINK, CONNECTING AS REQUIRED	105476			140	V
JX 352	BUSHING, FULCRUM PIN	105476	121020	406945 1		2
JX 352	BUSHING, FULCRUM PIN	121562		82077950		2
JX 376	SPRING, SUSPENSION	105476		75744640		1 X
JX 377	SEAT, SPRING	105476		190546 1		1
JX 378	BOLT, EYE	105476		190451 1		1
JX 378	NUT, FULL 5/8 NC	105476		02713050		1
JX 378	NUT, JAM 5/8 NC	105476		02713250		2
JX 379	NUT, EYE BOLT	105476		190450 1		1
JX 380	BRACKET, SUSPENSION	105476		277099 1		1
JX 381	CAPSCREW 1/2X1 1/2 NC	105476		03185480		2
JX 381	NUT, FULL 1/2 NC	105476		02711050		2
JX 381	LOCKWASHER 1/2	105476		03961500		2
JX 396	RETAINER, SHAFT	105476		284191 2		1
JX 410	CAPSCREW	105476	121020	234182 9		2
JX 410	LOCKWASHER 5/8	105476	121020	03961700		2
JX 410	WASHER, PLAIN 5/8	105476	121020	03951800		2
JX 410	CAPSCREW 5/8X1 NC	121562		03191320		2
JX 410	LOCKWASHER 5/8	121562		03961700		2
JX 410	WASHER, PLAIN 5/8	121562		03951800		2
JX 435	LINK, OFFSET-AS REQ.	105476			140	V
JX 436	PIN, LINK AS REQ.	105476			140	
JX 439	PIN, ANCHOR	105476		406944 1		4
JX 444	CAPSCREW 1/4X5/8 NC	105476		03173200		5
JX 444	LOCKWASHER 1/4	105476		03961010		5
JX 501	BOLT, EYE	105476		403474 2		6
JX 502	CAPSCREW 1/4X3/4 NC	105476		03173240		6



PARTS LIST

ISSUE NO. 01, 1970

MODEL 888

PAGE 8- 5

DATE 040770

CAT. REF.	DESCRIPTION	SERIAL NO.		PART NO.	REPLACE OR VENDOR NO.	REQ.
		FROM	TO/INCL.			
	002					
JX 502	LOCKWASHER 1/4	105476		03961010		6
JX 516	SPRING, RELEASE	105476		75702400		2 X
JX 517	ROD, SPRING	105476		277215 1		2
JX 517	NUT, FULL 1/2 NC	105476		02711050		2
JX 517	NUT, JAM 1/2 NC	105476		02711250		2
JX 522	LINK, LIVE END	105476		406936 1		4
JX 523	PIN, LINK	105476		406943 1		2
JX 527	BRACKET, GUIDE	105476		277203 2		2
JX 528	CAPSCREW 5/8X1 1/2 NC	105476		03191480		4
JX 528	LOCKWASHER 5/8	105476		03961700		4
JX 529	CAPSCREW	105476		406939 1		4
JX 529	NUT, JAM 5/8 NC	105476		02713250		4
JX 635	RETAINER, SPROCKET	105476		189276 1		1
JX 636	CAPSCREW	105476		184637 1		1
JX 683	BOLT, EYE	105476		298894 1		1
JX 684	CAPSCREW 1/2X1 1/2 NC	105476		03185480		1
JX 684	LOCKWASHER 1/2	105476		03961500		1
JX 685	BRACKET, PAWL PIN	105476		277092 1		1
JX 686	BOLT, BRACKET	105476		522336K 1		2
JX 686	BOLT, BRACKET	105476		522300K 1		2
JX 686	NUT, FULL 1 IN. NC	105476		02716050		4
JX 686	NUT, JAM 1 IN. NC	105476		02716200		4
JX 687	SEAT, SPRING	105476		407297 1		1
JX 688	SCREW, ADJ.	105476		407296 1		1
JX 688	NUT, JAM 1/2 NC	105476		02711250		1
JX 689	BRACKET, SCREW	105476		407295 1		1
JX 690	CAPSCREW 3/8X1 NC	105476		03179320		2
JX 690	LOCKWASHER 3/8	105476		03961300		2
JX 691	END, ROD	105476		406892 1		1
JX 692	PIN, ROD END	105476		500519K 51		1 X
JX 693	PIN, ANCHOR	105476		406893 1		1
JX 693	PIN, COTTER 1/8X1 3/4	105476		03109840		1
JX 694	BEARING, RH FAFNIR	105476		26123250	210-W	1V
JX 695	HOUSING, RH BEARING	105476		277097A		1
JX 696	HOUSING, LH BEARING	105476		277066A		1
JX 697	PLUG, SHEAR	105476		406845 1		2
JX 698	BOLT, HOUSING 7/8X4 NC	105476		03198280		4
JX 698	NUT, FULL 7/8 NC	105476		02715100		4
JX 698	NUT, JAM 7/8 NC	105476		02715350		4
JX 699	RETAINER, BEARING	105476		406890 1		1
JX 700	GASKET, RETAINER	105476		406901 1		1
JX 701	CAPSCREW 1/2X1 1/4 NC	105476		03185400		4
JX 701	LOCKWASHER 1/2	105476		03961500		4
JX 702	PINION, SHAFT	105476		234161A		1
JX 703	BEARING, RH FAFNIR	105476		26121350	212-WD	1V
JX 704	BEARING, LH FAFNIR	105476		26123250	214-WD	1V
JX 705	BEARING, RH FAFNIR	105476		26122350	213-WD	1V
JX 706	BEARING, LH FAFNIR	105476		26121350	212-WD	1V
JX 707	SEAL, OIL	105476		72322650	449316	2V
JX 712	SEAT, SPRING	105476		407128 1		2
JX 713	PIN, ANCHOR	105476		X10085 1		2
JX 713	PIN, COTTER 1/8X1	105476		03109480		4
JX 714	LINK, CONNECTING	105476		406935 1		4
JX 715	BOLT, LINK	105476		520768K 1		4



PARTS LIST

ISSUE NO. 01, 1970

MODEL 88B

PAGE 8- 6

DATE 040770

CAT. REF.	DESCRIPTION	SERIAL NO.		PART NO.	REPLACE OR VENDOR NO.	REQ.
		FROM	TO/INCL.			
	002					
JX 715	NUT, FULL 1/2 NC	105476		02711050		4
JX 715	LOCKWASHER 1/2	105476		03961500		4
JX 716	PIN, PUSH ROD	105476		187212 1		2
JX 716	PIN, COTTER 1/8X1	105476		03109480		4
JX 717	PIN, ANCHOR	105476		407121 1		2
JX 717	PIN, COTTER 1/8X2	105476		03109960		2
JX 718	PIN, LIVE END	105476		406938 1		1
JX 719	BOLT, EYE	105476		403474 2		5
JX 720	PIN, ANCHOR	105476		407121 1		1
JX 720	PIN, COTTER 1/8X2	105476		03109960		1
JX 721	SUPPORT, SUSPENSION	105476		277098 1		1
JX 722	CAPSCREW 3/4X1 1/4 NC	105476		03194400		2
JX 722	LOCKWASHER 3/4	105476		03961800		2
JX 723	PIN, EYE BOLT	105476		514143K 1		1
JX 723	PIN, COTTER 1/8X1	105476		03109480		1
JX 724	CHAIN COMPLETE	105476		34553300	140	1V
JX 725	SINGLE STRAND LINK, ROLLER	105476			140	V
JX 726	AS REQUIRED LINK, CONNECTING	105476			140	V
JX 727	AS REQUIRED LINK, OFFSET	105476			140	V
JX 728	AS REQUIRED PIN, LINK	105476			140	V
JX 729	AS REQUIRED BOLT, STOP	105476		407296 2		1
JX 729	NUT, JAM 1/2 NC	105476		02711250		1



PARTS LIST

ISSUE NO. 01, 1970

MODEL 88B

PAGE 9- 1

DATE 040770

CAT. REF.	DESCRIPTION	SERIAL NO.		PART NO.	REPLACE OR VENDOR NO.	REQ.
		FROM	TO/INCL.			
	001					
L	STRIPPING SHOVEL DIPPER DWG. L702, L715, L724, P717 308					
L	124 DIPPER COMPLETE	0300U		0300U		1
L	124 DIPPER COMPLETE	0300UA		0300UA		1
L	124 DIPPER COMPLETE	0300UA1		0300UA1		1
L	124 DIPPER COMPLETE	0300UB		0300UB		1
L	129 BODY COMPLETE	0300U				R
L	131 INSERT, LATCH KEEPER	0300U	0300UA1	289418 1		1
L	131 INSERT, LATCH KEEPER	0300UB		289396 1		1
L	135 BUSHING, LINK PIN	0300U		298470U		2
L	136 BOLT, BODY 1X3-1/4 NC	0300U		03201040		10
L	136 NUT, FULL 1 NC	0300U		02716050		10
L	136 LOCKWASHER 1	0300U		03962000		10
L	137 DOOR COMPLETE	0300U				R
L	138 DOOR, DIPPER	0300U		217254AA		1
L	142 BUSHING, HINGE	0300U		529059K 1		2
L	143 PIN, HINGE	0300U		402782 1		2
L	147 BAR, WEARING	0300U		402193 1		3
L	148 LATCH, DOOR	0300U		402799 1		1
L	239 BOLT, SEAT RETAINER	0300U		02478290		1
L	240 PIN, LATCH	0300U		285419 1		3
L	240 NUT, SLOTTED 1	0300U		02781120		3
L	241 LEVER, LATCH	0300U		402194 1	514691K 21	10
L	243 BOLT, FULCRUM	0300U		402249 1		1
L	243 NUT, SLOTTED 1-3/4 NC	0300U		02781700		1
L	243 WASHER, PLAIN 1 3/4	0300U		03952700		10
L	245 CHAIN COMPLETE	0300U		265731 9		1
L	245 CHAIN COMPLETE	0300U		265731 13		1
L	245 CHAIN COMPLETE	0300UA		265731 9		1
L	245 CHAIN COMPLETE	0300UA		273471 1		1
L	252 SPRING, LATCH	0300U		402483 1		1
L	253 SEAT, SPRING FRONT	0300U		274383 4		1
L	254 SEAT, SPRING REAR	0300U		274383 1		1
L	299 HOUSING, BRAKE	0300U		292585A 2		1
L	300 BOLT, HOUSING	0300U		521594K 1		1
L	301 BAND, BRAKE	0300U		900668K 51	718311K 52	10
	INCLUDES L302, L303, L304					
L	302 LINING, BAND INCLUDES L303	0300U		901517K 51	619322K 51	10
L	303 RIVET 6AX7/8	0300U		69044750		25 X
L	304 BUSHING, PIN	0300U		292592 1		2
L	305 PIN, ANCHOR	0300U		292589 1		1
L	306 LINK, SNUBBER	0300U		402800 1		2
L	307 BUSHING, LINK	0300U		292593 1		4
L	308 PIN, ANCHOR	0300U		292590 2		1
L	309 BOLT, SPRING	0300U		901323K 51		2
L	310 SPRING, SNUBBER	0300U		X 5185 1		2
L	311 SEAT, SPRING	0300U		183433 1		1
L	312 BUSHING, PIN	0300U		292593 2		2



PARTS LIST

ISSUE NO. 01, 1970

MODEL 88B PAGE 9- 2
DATE 040770

CAT. REF.	DESCRIPTION	SERIAL NO.		PART NO.	REPLACE OR VENDOR NO.	REQ.
		FROM	TO/INCL.			
	001					
L 313	PIN, CONNECTING	0300U		X 9055 2		1
L 332	POINT, TOOTH	0300U		230550A		4
L 332	POINT, TOOTH	0300UA		232127AA		4
L 332	POINT, TOOTH	0300UA1 0300UB		232127AB		4
L 333	WEDGE, TOOTH POINT	0300U		400387A		4
L 333	WEDGE, TOOTH POINT	0300UA		403951A		4
L 334	RIVET, INSERT 7/8 X 5 1/4	0300U		02914680		2
L 335	FRONT, DIPPER	0300U		217061AB		1
L 335	FRONT, DIPPER	0300UA		217061AD		1
L 335	FRONT, DIPPER	0300UA1		217061AD 1		1
L 335	FRONT, DIPPER	0300UB		217061AF		1
L 336	RETAINER, PIN	0300UA		403441 1		1
L 337	BOLT, RETAINER 3/4 X 3 NC	0300UA		03194960		2
L 337	NUT, FULL 3/4 NC	0300UA		02714050		2
L 337	LOCKWASHER 3/4	0300UA		03961800		2
L 378	SNUBBER COMPLETE	0300U				1
	INCL. L299 THRU L311 & L313					
	NOTE-DIPPER 3U HAS TWO SNUBBERS, THEREFORE DOUBLE THE QUANTITIES OF THE ITEMS FOR SNUBBERS ON DIPPER 3U.					



PARTS LIST

ISSUE NO. 01, 1970

MODEL 838 PAGE 9- 3
DATE 040770

CAT. REF.	DESCRIPTION	SERIAL NO.		PART NO.	REPLACE OR VENDOR NO.	REQ.
		FROM	TO/INCL.			
	002					
L	SHOVEL DIPPER 3W DWG. L724					
L	1 DIPPER COMPLETE			0300W		1
L	2 POINT, TOOTH			89141500	88393	4V
L	5 BOLT, POINT 1 1/4 X 9 1/2 NC			02197720		8
L	5 NUT, FULL 1 1/4 NC			02718050		8
L	3 DOOR, COMPLETE					R
L	9 DOOR, DIPPER AMSCO				267676	1V
L	13 PIN, LEVER AMSCO				31171	2V
L	13 PIN, COTTER 3/8X3 1/2			03125680		2
L	14 LATCH, DOOR AMSCO				266946	1V
L	16 WASHER, LATCH AMSCO				157159	8V
L	18 LEVER, LATCH AMSCO				157161	1V
L	19 BOLT, CLEVIS			02025950		1
L	19 NUT, FULL 3/4 NC			02714050		1
L	19 LOCKWASHER 3/4 NC			03961800		1
L	21 CHAIN COMPLETE			267316 1		1
L	21 CHAIN COMPLETE			267316 9		1
L	22 CLEVIS, CHAIN			181911 2		
L	28 HINGE, DOOR AMSCO				267677	2V
L	30 BUSHING, HINGE AMSCO				157162	2V
L	30 FRONT, DIPPER AMSCO				266090	1V
L	31 RIVET, FRONT			02864800		24
L	31 RIVET, FRONT			02864880		6
L	33 INSERT, LATCH KEEPER				TS-81	1V
L	35 BACK, DIPPER INCL. L43, L47, L51, & L117				267675	1V
L	38 PIN, PADLOCK			408412 1	619468K 51	10
L	39 BOLT, PIN			02478160		1
L	41 PIN, BRACE AMSCO				246923	2V
L	42 PIN, COTTER			03131920		2
L	43 BUSHING, BRACE PIN				50093	4V
L	45 PIN, HINGE-AMSCO				262468	2V
L	46 PIN, COTTER			03131680		2
L	47 BUSHING, HINGE PIN				160582	4V
L	49 PIN, HANDLE END-AMSCO				246923	2V
L	50 PIN, COTTER			03131920		2
L	51 BUSHING, END PIN				150093	4V
L	55 PIN, BRACE			290921 1		1
L	56 BOLT, BRACE PIN			02481200		2
L	61 BRACE, PITCH			229658A 1		1
L	72 BAIL, DIPPER-AMSCO				267686	1V
L	73 PIN, BAIL AMSCO				240117	2V
L	75 PIN, COTTER			03135400		2
L	81 LIP, DIPPER-AMSCO				230642	1V
L	82 WEDGE, LIP AMSCO			89088050	LW-8	4V
L	83 U-BOLT, LIP-AMSCO				UB-25	2V
L	83 NUT, JAM 1 1/2 NC			02720150		4
L	84 BAND, HELL INCL. L33				266091	1V
L	90 COLLAR, HINGE PIN				H 243432	2V



PARTS LIST

ISSUE NO. 01, 1970

MODEL 88B PAGE 9- 4

DATE 040770

CAT. REF.	DESCRIPTION	SERIAL NO.		PART NO.	REPLACE OR VENDOR NO.	REQ
		FROM	TO/INCL.			
	002					
L 91	COLLAR, BRACE PIN				K 243436	2V
L 113	COLLAR, END PIN				K 243436	2V
L 117	BUSHING, BAIL PIN				160580	2V
L 238	WASHER, PADLOCK PIN			408412 3		1
L 314	BUSHING, BRACE			529061K 1		4
L 323	PIN, DOOR-AMSCO				157189	4V
L 324	PIN, COTTER			03131440		4
L 353	RIVET, HEEL BAND					3
	1 X 7 1/2					
L 353	RIVET, HEEL BAND 1X7			02866800		13
L 353	RIVET, HEEL BAND			02866760		8
	1 X 6 1/2					
L 353	RIVET, HEEL BAND 1X6			02866720		2
L 355	COLLAR, DOOR PIN				M 243430	4V
L 379	STIRRUP, LEVER AMSCO				266945	1V



PARTS LIST

ISSUE NO. 01, 1970

MODEL 88B

PAGE 9- 5

DATE 040770

CAT. REF.	DESCRIPTION	SERIAL NO.		PART NO.	REPLACE OR VENDOR NO.	REQ.
		FROM	TO/INCL.			
	003					
L	SHOVEL DIPPER DWG. L706, L715					
	0350R1, 0350R2, 0350R3					
L 1	DIPPER COMPLETE	0350R1		0350R1		1
L 1	DIPPER COMPLETE	0350R2		0350R2		1
L 1	DIPPER COMPLETE	0350R3		0350R3		1
L 4	ADAPTER, TOOTH	0350R1		225794A		4
L 6	TOOTH, DIPPER	0350R1		260702 5		4
L 8	DOOR, COMPLETE	0350R1				R
L 9	DOOR DIPPER	0350R1				R
L 10	GUIDE, LATCH FRONT	0350R1		264078A 1		1
L 11	GUIDE, LATCH REAR	0350R1		264079A 1		1
L 12	BOLT, FULCRUM	0350R1		900843K 51		1
L 13	BOLT, HEX	0350R1		901251K 51		3
L 14	LATCH, DOOR	0350R1		286252 1	527177 1	1D
L 18	LEVER, LATCH	0350R1		298782 1		1
L 18	SPACER	0350R1		298782 3		1
L 19	BOLT, CLEVIS 3/4X4 NC	0350R1		03195280		1
L 19	NUT, FULL 3/4 NC	0350R1		02714050		1
L 19	LOCKWASHER 3/4	0350R1		03961800		1
21	CHAIN COMP,	0350R1		267316 1		1
21	CHAIN COMP,	0350R1		267316 9		1
L 22	CLEVIS, CHAIN	0350R1		181911 2		1
L 26	HINGER, DOOR	0350R1		271810AA 1		2
L 28	BUSHING, HINGE	0350R1		298600A		2
L 30	FRONT, DIPPER	0350R1				R
L 32	KEEPER, LATCH	0350R1		271602A		1
L 33	INSERT, KEEPER	0350R1		289396 1		1
L 34	RIVET, KEEPER 1X5	0350R1		02866640		2
L 34	RIVET, KEEPER 1X5-5/8	0350R1				4
L 34	RIVET, KEEPER 1X8-3/8	0350R1				4
L 35	BACK, DIPPER	0350R1		807963K 21		1
L 38	PIN, PADLOCK	0350R2		408412 1	619468K 51	1D
L 39	BOLT, PADLOCK PIN	0350R2		02478160		1
L 41	PIN, BRACE	0350R1		298460 1		2
L 42	BOLT, BRACE PIN	0350R1		02481200		4
L 43	BUSHING, BRACE PIN	0350R1		529039K 1		4
L 45	PIN, HINGE	0350R1		290723 1		2
L 45	BOLT, HINGE PIN	0350R1		02481370		2
L 47	BUSHING, HINGE PIN	0350R1		529019K 1		4
L 49	PIN, HANDLE END	0350R1		298521 1		2
L 49	PIN, HANDLE END	0350R2		408477 1		2
L 50	BOLT, END PIN	0350R1		02481200		4
L 51	BUSHING, END PIN	0350R1		529039K 1		4
L 55	PIN, BRACE	0350R1		290921 1		1
L 56	BOLT, BRACE PIN	0350R1		02481200		2
L 57	SHIM, TOOTH	0350R1		199188 1		4
L 57	SHIM, TOOTH	0350R1		199188 2		8
L 61	BRACE, BACK	0350R1		605185K 2	612091 2	1D
L 72	BAIL, DIPPER	0350R1		228933AA		1
L 72	BAIL, DIPPER	0350R2		218959A		1
L 73	PIN, BAIL	0350R1		298458 1		2



PARTS LIST

ISSUE NO. 01, 1970

MODEL 88B

PAGE 9- 6

DATE 040770

CAT. REF.	DESCRIPTION	SERIAL NO.		PART NO.	REPLACE OR VENDOR NO.	REQ.
		FROM	TO/INCL.			
	003					
L 73	PIN, BAIL	0350R2		298458 4		2
L 74	BUSHING, BAIL PIN	0350R1		298470B		4 X
L 75	BOLT, BAIL PIN	0350R1		02481250		2
L 78	BOLT, TOOTH LOCK 3/4X5	0350R1		02448500		4
L 80	BODY COMPLETE	0350R1				R
L 81	LIP, DIPPER	0350R1		237884A		1
L 84	BAND, HEEL	0350R1		216305 4		2
L 96	SNUBBER COMPLETE	0350R1				R
L 110	BAR, WEARING	0350R1		298783 1		3
L 112	PLATE, REINFORCING	0350R1		229772 3		1
L 113	WASHER, END PIN	0350R1		68765540		2
L 113	WASHER, END PIN	0350R1		68765550		2
L 117	BUSHING, BAIL PIN	0350R1		298470A		2
L 238	WASHER, PADLOCK PIN	0350R2		408412 3		1
L 250	BUSHING, LINK PIN	0350R1		529098K 1		2
L 251	PLATE, WEARING	0350R1		216305 5		1
L 299	HOUSING, BRAKE	0350R1		292585A 2		2
L 300	BOLT, HOUSING	0350R1		521582K 1	03245120	8D
L 301	BAND, BRAKE	0350R1		900668K 51	718311K 52	2DX
	INCLUDES L302, L303,					
	L304					
L 302	LINING, BAND	0350R1		901517K 51	619322K 51	2D
	INCLUDES L303					
L 303	RIVET 6AX7/8	0350R1		69044750		50
L 304	BUSHING, PIN	0350R1		292592 1		4
L 305	PIN, ANCHOR	0350R1		292589 1		2
L 306	LINK, SNUBBER	0350R1		407303 1	516902K 61	4D
L 307	BUSHING, LINK	0350R1		292593 1		8
L 308	PIN, ANCHOR	0350R1		292590 2		2
L 309	BOLT, SPRING	0350R1		901323K 51		2
L 310	SPRING, SNUBBER	0350R1		75140010		2 X
L 311	SEAT, SPRING	0350R1		183438 1		2
L 312	BUSHING, ANCHOR PIN	0350R1		292593 2		2
L 313	PIN, CONNECTING	0350R1		X 9055 2		2
L 314	BUSHING, BRACE	0350R1		529061K 1		4
L 332	LINK, CHAIN	0350R1		298782 2		1
L 339	WASHER, HINGE PIN	0350R1		511743K 1		4
L 339	WASHER, HINGE PIN	0350R1		507438K 1		4
L 342	POINT, TOOTH-AMSCO	0350R1			3TD1	4V
L 343	PIN, TOOTH POINT	0350R1			TP8	4V
L 368	SPACER, LINK	0350R1		529730K 1		1
L 369	BOLT, SPACER 3/4X6 NC	0350R1		03195920		1
L 369	NUT, FULL 3/4 NC	0350R1		02714050		1
L 369	LOCKWASHER 3/4	0350R1		03961800		1
	NOTE-DIPPER 0350R1					
	HAS ONLY ONE SNUBBER,					
	THEREFORE USE ONLY					
	HALF THE QUANTITY					
	SHOWN FOR ITEMS L299					
	THRU L313 FOR DIPPER					
	0350R1					



PARTS LIST

ISSUE NO. 01, 1970

MODEL 88B PAGE 9- 7
DATE 040770

CAT. REF.	DESCRIPTION	SERIAL NO.		PART NO.	REPLACE OR VENDOR NO.	REQ.
		FROM	TO/INCL.			
	004					
L	SHOVEL DIPPER DWG. L703 0400UA, 0400UB, 0400UC					
L 1	DIPPER COMPLETE	0400UA		0400UA		1
L 1	DIPPER COMPLETE	0400UB		0400UB		1
L 1	DIPPER COMPLETE	0400UC		0400UC		1
L 2	POINT, TOOTH	0400UA		232127AA		4
L 2	POINT, TOOTH	0400UB	0400UC	232127AB		4
L 3	WEDGE, TOOTH POINT	0400UA		403951A		4
L 3	WEDGE, TOOTH POINT	0400UB	0400UC	275925 4		4
L 8	DOOR, COMPLETE	0400UA				R
L 9	DOOR, DIPPER	0400UA		217443A		1
L 12	BOLT, FULCRUM	0400UA		900843K 51		1
L 13	BOLT, LEVER	0400UA		901251K 51		3
L 14	LATCH, DOOR	0400UA		286252 1	527177 1	1D
L 18	LEVER, LATCH	0400UA		400395 1	514692K 21	1D
L 19	BOLT, CLEVIS 3/4X4 NC	0400UA		03195280		1
L 19	NUT, FULL 3/4 NC	0400UA		02714050		1
L 19	LOCKWASHER 3/4	0400UA		03961800		1
L 21	CHAIN COMPLETE	0400UA		267316 1		1
L 21	CHAIN COMPLETE	0400UA		267316 9		1
L 22	CLEVIS, CHAIN	0400UA		181911 2		1
L 28	BUSHING, HINGE	0400UA		529087K 1		2
L 30	FRONT, DIPPER	0400UA		217442AA		1
L 30	FRONT, DIPPER	0400UB		217442AB		1
L 30	FRONT, DIPPER	0400UC		217442AC		1
L 33	INSERT, KEEPER	0400UA	0400UC	289418 1		1
L 33	INSERT, KEEPER	0400UB		289396 1		1
L 36	RIVET, BACK 7/8X2.3/4	0400UA		02914280		4
L 41	PIN, BRACE	0400UA		402930 1		2
L 42	BOLT, BRACE PIN	0400UA		02478480		2
L 43	BUSHING, BRACE PIN	0400UA		S 55 205		4
L 45	PIN, HINGE	0400UA		402929 1		2
L 46	BOLT, HINGE PIN	0400UA		02478230		4
L 47	BUSHING, HINGE PIN	0400UA		529029K 1		4
L 49	PIN, HANDLE END	0400UA		196675 2		2
L 50	BOLT, END PIN	0400UA		02481200		4
L 51	BUSHING, END PIN	0400UA		529040K 1		4
L 55	PIN, BRACE	0400UA		290921 1		1
L 56	BOLT, BRACE PIN	0400UA		02481200		2
L 61	BRACE, BACK	0400UA		704995K 2	612092K 51	1D
L 61	BRACE, BACK	0400UA		612092K 51	612092 1	1DX
L 72	BAIL, DIPPER	0400UA		231731A		1
L 73	PIN, BAIL	0400UA		298458 4		2
L 74	BUSHING, BAIL PIN	0400UA		298470B		4 X
L 75	BOLT, BAIL PIN	0400UA		02481250		2
L 80	BODY, COMPLETE	0400UA				R
L 96	SNUBBER, R.H. ASSY	0400UA				R
L 101	BACK, UPPER	0400UA	0400UC	231779A		1
L 101	BACK, UPPER	0400UB		231779AA		1
L 102	BACK, LOWER	0400UA		231780 1		1
L 102	BACK, LOWER	0400UB		233675 1		1



PARTS LIST

ISSUE NO. 01, 1970

MODEL 88B

PAGE 9- 8

DATE 040770

CAT. REF.	DESCRIPTION	SERIAL NO.		PART NO.	REPLACE OR VENDOR NO.	REQ.
		FROM	TO/INCL.			
	004					
L 102	BACK, LOWER	0400UC		231780 3		1
L 110	BAR, WEARING	0400UA		400760 1		3
L 113	WASHER, END PIN	0400UA		68765540		2
L 113	WASHER, END PIN	0400UA		68765550		2
L 117	BUSHING, BAIL PIN	0400UA		298470A		2
L 250	BUSHING, LINK PIN	0400UA		529093K 1		2
L 302	DISC, FRICTION	0400UA		400866 1		4
L 303	RIVET 5X1-3/4	0400UA		69044010		32VX
L 306	LINK, SNUBBER	0400UA		400869A		2
L 307	BUSHING, LINK	0400UA		529007K 1		2
L 308	BOLT, ANCHOR	0400UA		405588 9		2
L 308	NUT, SLOTTED 1-3/4 NC	0400UA		02781700		2
L 308	NUT, JAM 1-3/4 NC	0400UA		02722250		2
L 309	BOLT, SPRING	0400UA		400870 1		2
L 309	NUT, FULL 1-1/2 NC	0400UA		02720100		2
L 309	NUT, JAM 1-1/2 NC	0400UA		02720150		2
L 310	SPRING, SNUBBER	0400UA		400868 1		2
L 311	PLATE, PRESSURE	0400UA		400867A		2
L 314	BUSHING, BRACE	0400UA		529061K 1		4
L 321	RIVET, INSERT	0400UA	0400UC	02914520		2
L 322	7/8 X 4 1/4 LINK, CHAIN	0400UA		400396 1		1
L 325	PLATE, DISC	0400UA		273604 3		2
L 326	BUSHING, LINK PIN	0400UA		529008K 1		2
L 327	BUSHING, PLATE	0400UA		529089K 1		2
L 328	PIN, LINK	0400UA		405623 1		2
L 329	SUPPORT, RH	0400UA		273604R 1		1
L 330	SUPPORT, LH	0400UA		273604L 1		1
L 331	BOLT, SUPPORT 1 1/4 X 5 1/2 NC	0400UA		02197080		2
L 331	BOLT, SUPPORT 1 1/4 X 11 NC	0400UA		02197880		2
L 331	NUT, FULL 1 1/4 NC	0400UA		02718050		4
L 331	LOCKWASHER 1 1/4	0400UA		03962210		4
L 338	BUSHING, ANCHOR PIN	0400UA		529008K 1		4
L 347	L.H. SNUBBER COMP.	0400UA				R
L 354	KEY, TOOTH POINT	0400UB	0400UC	406040A		4



PARTS LIST

ISSUE NO. 01, 1970

MODEL 88B PAGE 9- 9

DATE 040770

CAT. REF.	DESCRIPTION	SERIAL NO.		PART NO.	REPLACE OR VENDOR NO.	REQ.
		FROM	TO/INCL.			
	005					
L	SHOVEL DIPPER DWG. L707, L710 0400V					
	0400VA, 0400VA1, 0400VC 0400V1, 0400VCA, 0400VD 0400VE					
L	1 DIPPER COMPLETE	0400V		0400V		1
L	1 DIPPER COMPLETE	0400VA		0400VA		1
L	1 DIPPER COMPLETE	0400VA1		0400VA1		1
L	1 DIPPER COMPLETE	0400VC		0400VC		1
L	1 DIPPER COMPLETE	0400VCA		0400VCA		1
L	1 DIPPER COMPLETE	0400VD		0400VD		1
L	1 DIPPER COMPLETE	0400VE		0400VE		1
L	4 ADAPTER, TOOTH SEE KEY SHEET	0400V				
L	5 TOOTH, DIPPER SEE KEY SHEET	0400V				
L	8 DOOR COMPLETE	0400V				R
L	9 DOOR, DIPPER	0400V				R
L	10 GUIDE, LATCH FRONT	0400V	0400V1	264078A 1		1
L	11 GUIDE, LATCH REAR	0400V	0400V1	264079A 1		1
L	12 BOLT, FULCRUM	0400V		900843K 51		1
L	13 BOLT, LEVER	0400V		901251K 51		3
L	14 LATCH, DOOR	0400V	0400VCA	286252 1	527177 1	1D
L	14 LATCH, DOOR	0400VD		506631K 1	527177 1	1D
L	18 LEVER, LATCH	0400V	0400V1	298782 1		1
L	18 SPACER	0400V	0400V1	298782 3		1
L	18 LEVER, LATCH	0400VA	0400VA1	400395 1	514692K 21	1D
L	18 LEVER, LATCH	0400VD	0400VE	400395 1		1
L	19 BOLT, CLEVIS 3/4X4 NC	0400V		03195280		1
L	19 NUT, FULL 3/4 NC	0400V		02714050		1
L	19 LOCKWASHER 3/4	0400V		03961800		1
L	21 CHAIN COMP.	0400V		267316 1		1
L	21 CHAIN COMP.	0400V		267316 9		1
L	22 CLEVIS, CHAIN	0400V		181911 2		1
L	26 HINGE, DOOR	0400V	0400V1	271810AA		2
L	28 BUSHING, HINGE	0400V	0400V1	298600A		2
L	28 BUSHING, HINGE	0400VA	0400VE	529133K 1		2
L	30 FRONT, UPPER	0400V	0400VCA	218742A		1
L	30 FRONT, UPPER	0400VD		89339900		1
L	33 INSERT, KEEPER	0400V		289395 1		1
L	35 BACK, DIPPER	0400V				R
L	33 PIN, PADLOCK	0400VA	0400VE	408412 1	619468K 51	1DX
L	39 BOLT, PADLOCK PIN	0400VA	0400VA1	02478160		1
L	39 BOLT, PADLOCK PIN	0400VC	0400VCA	02478160		1
L	39 BOLT, PADLOCK PIN	0400VD		02448350		1
L	41 PIN, BRACE	0400V		298460 1		2
L	42 BOLT, BRACE PIN	0400V	0400VD	02481400		2
L	42 BOLT, BRACE PIN	0400VE		02451800		2
L	43 BUSHING, BRACE PIN	0400V		529039K 1		4
L	45 PIN, HINGE	0400V		290723 1		2
L	46 BOLT, HINGE PIN	0400V		02481400		2
L	47 BUSHING, HINGE	0400V	0400VE	529019K 1		4



PARTS LIST

ISSUE NO. 01, 1970

MODEL 88B

PAGE 9- 10

DATE 040770

CAT. REF.	DESCRIPTION	SERIAL NO.		PART NO.	REPLACE OR VENDOR NO.	REQ.
		FROM	TO/INCL.			
	005					
L 49	PIN, HANDLE END	0400V		298521 1		2
L 49	PIN, HANDLE END	0400VA		408477 1		2
L 50	BOLT, END PIN	0400V		02481200		2
L 51	BUSHING, END PIN	0400V		529039K 1		4
L 55	PIN, BRACE	0400V		290921 1		1
L 56	BOLT, BRACE PIN	0400V	0400VD	02481200		2
L 56	BOLT, BRACE PIN	0400VE		02451470		2
L 59	PLATE, RH SIDE	0400V				R
L 60	PLATE, LH SIDE	0400V				R
L 61	BRACE, BACK	0400V	0400V1	901259K 51	612091 2	10X
	INCLUDES L314					
L 61	BRACE, BACK	0400V	0400VD	612091 2		1 X
L 61	BRACE, BACK	0400VE	0400VE	704995K 2		1 X
L 61	BRACE, BACK-SPECIAL	0400VCA	0400VCA	610380K 51		1 X
	INCLUDES L314					
L 72	BAIL, DIPPER	0400V	0400V1	228983AA		1 X
L 72	BAIL, DIPPER	0400VA		809686K 51		1 X
	INCLUDES L74					
L 73	PIN BAIL	0400V		298458 1		2
L 73	PIN BAIL	0400VA		298458 4		2
L 74	BUSHING, BAIL PIN	0400V	0400VCA	298470B		4
L 74	BUSHING, BAIL PIN	0400VD		89537750		4
L 75	BOLT, BAIL PIN	0400V	0400VCA	02481250		2
L 75	BOLT, BAIL PIN	0400VD		02451520		2
L 78	PIN, TOOTH LOCK	0400V				
	SEE KEY SHEET					
L 80	BODY COMPLETE	0400V				R
L 96	SNUBBER COMPLETE	0400V				R
L 110	BAR, WEARING	0400V	0400V1	298783 1		3
L 110	BAR, WEARING	0400VA	0400VE	400760 1		3 X
L 112	PLATE, REINFORCING	0400V				R
L 113	WASHER, END PIN	0400V		68765540		2
L 113	WASHER, END PIN	0400V		68765550		2
L 117	BUSHING, BAIL PIN	0400V		298470A		2
L 238	WASHER, PADLOCK PIN	0400VA	0400VE	408412 3		1 X
L 250	BUSHING, LINK PIN	0400V	0400VE	529098K 1		2 X
L 299	HOUSING, BRAKE	0400V		292585A 2		2
L 300	BOLT, HOUSING	0400V		521582K 1		8
L 300	NUT, FULL 3/4 NF	0400V		02742050		8
L 300	NUT, JAM 3/4 NF	0400V		02742100	03245120	8D
L 301	BAND, BRAKE	0400V		900668K 51	718311K 52	2DX
	INCLUDES L302, L303,					
	L304					
L 302	LINING, BAND	0400V		901517K 51	619322K 51	2D
	INCLUDES L303					
L 303	RIVET 6X7/8	0400V		69044750		50 X
L 304	BUSHING, ANCHOR PIN	0400V		292592 1		4
L 305	PIN, ANCHOR	0400V		292589 1		2
L 306	LINK, SNUBBER	0400V	0400VD	901296K 51		4
	INCLUDES L307					
L 306	LINK, SNUBBER	0400VE		516902K 61		4 X
	INCLUDES L307					
L 307	BUSHING, LINK	0400V		292593 1		8
L 308	PIN, ANCHOR	0400V		292590 2		2



PARTS LIST

ISSUE NO. 01, 1970

MODEL 888

PAGE 9- 11

DATE 040770

CAT. REF.	DESCRIPTION	SERIAL NO.		PART NO.	REPLACE OR VENDOR NO.	REQ.
		FROM	TO/INCL.			
	005					
L 309	BOLT, SPRING	0400V		901323K 51		2
L 310	SPRING, SNUBBER	0400V	0400VCA	X 5185 1		2 X
L 310	SPRING, SNUBBER	0400VD		75140010		2 X
L 311	SEAT, SPRING	0400V		183438 1		2
L 312	BUSHING, ANCHOR PIN	0400V		292593 2		2
L 313	PIN, CONNECTING	0400V	0400VCA	X 9055 2		2
L 313	PIN, CONNECTING	0400VD		407582 2		2
L 314	BUSHING FOR BRACE	0400V		529061K 1		4
	L61, 901259K51, 704995K2 & 610380K51					
L 314	BUSHING FOR BRACE L61, 717641K1 FOR 3	0400VD		524505 3		4
	IN PIN					
L 314	BUSHING FOR BRACE L61, 717641K1 FOR 4	0400VD		523886 3		4
	IN PIN					
L 322	LINK, CHAIN	0400V	0400V1	298782 2		1
L 322	LINK, CHAIN	0400VA	0400VE	400396 1		1 X
L 339	WASHER, HINGE PIN	0400V		511743K 1		4
L 339	WASHER, HINGE PIN	0400V		507438K 1		4
L 342	POINT, TOOTH SEE KEY SHEET	0400V				
L 343	WEDGE, TOOTH POINT SEE KEY SHEET	0400V				
L 368	SPACER, LINK	0400V		529730K 1		2
L 369	BOLT, SPACER 3/4X6 NC	0400V		03245920		2
L 369	NUT, FULL 3/4 NC	0400V		02714050		2
L 369	LOCKWASHER 3/4	0400V		03961800		2
	NOTE-DIPPER 0400V & 0400V1 HAVE ONLY ONE SNUBBER, THEREFORE USE ONLY HALF THE QUANTITY SHOWN FOR THE ITEMS FOR DIPPERS 0400V & 0400V1					



PARTS LIST

ISSUE NO. 01, 1970

MODEL 88B PAGE 9- 12

DATE 040770

CAT. REF.	DESCRIPTION	SERIAL NO.		PART NO.	REPLACE OR VENDOR NO.	REQ.
		FROM	TO/INCL.			
	006					
L	STRIPPING SHOVEL DIPPER IS0400A					
	DRAWING L716					
L 4	ADAPTER, TOOTH FOR TOOTH 700571K2			850024K 1		4
L 4	ADAPTER, TOOTH FOR TOOTH 700570K2			850024K 1		4
L 4	ADAPTER, TOOTH FOR TOOTH 89457850			89457250	89091035	4DX
L 4	ADAPTER, TOOTH FOR TOOTH 89091137			89091035	S-151-2	4VX
L 6	TOOTH, 1 PC.			89443900	263526	4V
L 73	PIN, BAIL LUG			402783 1		2
L 75	BOLT, BLANK 7/8X5 1/2			02451550		2
L 78	WEDGE, TOOTH FOR TOOTH 700571K2			519282K 2		4
L 78	WEDGE, TOOTH FOR TOOTH 700570K2			519282K 2		4
L 78	WEDGE, TOOTH FOR TOOTH 89457850			89096480		4
L 78	WEDGE, TOOTH FOR TOOTH 89443900			519282K 2		4
L 124	DIPPER COMPLETE FOR STRIPPING SHOVEL			IS 0400A		1 X
L 129	BODY, DIPPER			806393K 42		1
L 131	INSERT, LATCH KEEPER			289396 1		1
L 135	BUSHING, LINK PIN			298470D		2
L 136	BOLT, HEX HD. 1 X 3 1/4 NC			02192720		6
L 136	BOLT, HEX HD. 1X3 NC			02192680		2
L 136	BOLT, HEX HD. 1 X 4 1/2 NC			02192920		2
L 136	NUT, LOCK 1 NC			02765550		10
L 137	DOOR COMPLETE					R
L 138	DOOR, DIPPER			806391K 1		1
L 142	BUSHING, HINGE			529059K 1		2
L 143	PIN, HINGE			402782 1		2
L 147	BAR, WEARING			402193 1		3
L 148	LATCH, DOOR			402799 1		1
L 239	BOLT, BLANK 3/4XK 1/4			02448520		1
L 240	BOLT, LATCH & LEVER			506719K 51		3 X
L 241	LEVER, LATCH			402194 1	514691K 21	1DX
L 243	BOLT, ADJ.			506718K 51		1 X
L 245	CHAIN, DUMP			273471 9		1
L 245	CHAIN, DUMP			273471 1		1
L 252	SPRING, LATCH			75676010		1
L 253	SEAT, SPRING FRONT			274383 4		1
L 254	SEAT, SPRING REAR			274383 1		1
L 299	HOUSING, BRAKE			292585A 2		2
L 300	BOLT, HOUSING			521582K 1	03245120	8D
L 300	NUT, FULL 3/4 NF			02742050		8
L 300	LOCKWASHER 3/4			03961800		8



PARTS LIST

ISSUE NO. 01, 1970

MODEL 88B

PAGE 9- 13

DATE 040770

CAT. REF.	DESCRIPTION	SERIAL NO.		PART NO.	REPLACE OR VENDOR NO.	REQ.
		FROM	TO/INCL.			
	006					
L 301	BRAKE BAND INCLUDES L302,L303, L304			900668K 51	718311K 52	2DX
L 302	LINING, BAND INCLUDES L303			901517K 51	619322K 51	2D
L 303	RIVET 6AX7/8			69044750		32 X
L 304	BUSHING, PIN			292592 1		4
L 305	PIN, ANCHOR			292589 1		2
L 305	PIN, COTTER 5/16X2			03121960		2
L 306	LINK, SNUBBER			402800 1		4
L 307	BUSHING, LINK			292593 1		8
L 308	PIN, ANCHOR			292590 2		2
L 308	PIN, COTTER 5/16X2			03121960		2
L 309	BOLT, EYE			901323K 51		2
L 310	SPRING, SNUBBER			75140010		2
L 311	SEAT, SPRING			183438 1		2
L 312	BUSHING, PIN			292593 2		2
L 313	PIN, CONNECTING			407582 2		2
L 313	PIN, COTTER 3/16X1 3/4			03115840		4
L 332	POINT TOOTH SEE L6 & L342					
L 333	WEDGE, TOOTH SEE L78					
L 335	FRONT, DIPPER			89952441		1
L 342	POINT, TOOTH ROCK			700571K 2		4
L 342	POINT, TOOTH REGULAR			700570K 2		4
L 342	POINT, TOOTH SIMPLEX			89457850	89091137	4DX
L 343	WEDGE, TOOTH FOR TOOTH 700571K2			501028K 2		4
L 343	WEDGE, TOOTH FOR TOOTH 700570K2			501028K 2		4
L 343	WEDGE, TOOTH FOR TOOTH 89457850			89457300	89089909	4DX
L 343	WEDGE, TOOTH FOR TOOTH 89091137			89089909	PS-151	4VX
L 378	SNUBBER COMPLETE					R
L 432	LUG, BAIL RH			806389K 1		1
L 433	LUG, BAIL LH			806390K 1		1
L 438	LOCK, RUBBER AMSCO			89087690	89087718	4DX



PARTS LIST

ISSUE NO. 01, 1970

MODEL 88B

PAGE 9- 14

DATE 040770

CAT. REF.	DESCRIPTION	SERIAL NO.		PART NO.	REPLACE OR VENDOR NO.	REQ.
		FROM	TO/INCL.			
	007					
L	SHOVEL DIPPER DWG. L710, 1S0400D, 1S0400E					
L	1 DIPPER COMPLETE	1S0400D				R
L	4 ADAPTER	1S0400D		89468175	89091040	4DX
	FOR TOOTH 716444K3 OR 89457852					
L	4 ADAPTER	1S0400D		89091040	S-151-23	4VX
	FOR TOOTH 89091137 OR 89091155					
L	4 ADAPTER	1S0400D		808945K 2		4 X
	FOR TOOTH 716444K1 OR 716425K3					
L	6 TOOTH, 1 PIECE AMSCO	1S0400D		89443750	263429	4VX
L	6 TOOTH, 1 PC. STANDARD	1S0400D		704825K 2		4 X
L	8 DOOR COMPLETE	1S0400D				RX
L	9 DOOR, BARE	1S0400D		219558 3		1
L	12 BOLT, ADJUSTING	1S0400D		281151 1	900843K 51	10X
L	12 NUT, SLOTTED 1 3/4 NC	1S0400D		02781700		1
L	12 PIN, COTTER 3/8X3 1/2	1S0400D		03125680		1
L	12 WASHER, PLAIN 1 3/4	1S0400D		03952700		12
L	13 BOLT, LEVER	1S0400D		513686 13		3
L	13 NUT, SLOTTED 1 NC	1S0400D		02781120		3
L	13 PIN, COTTER 3/16X2 1/2	1S0400D		03116200		3
L	14 BAR, LATCH	1S0400D		527177 1		1
L	18 LEVER, LATCH	1S0400D		514692K 21		1 X
L	19 BOLT, NOT USED	1S0400D				
L	21 CHAIN, LONG	1S0400D		267316 10		1
L	21 CHAIN, SHORT	1S0400D		267316 9		1
L	22 CLEVIS, NOT USED	1S0400D				
L	28 BUSHING, HINGE	1S0400D		529133K 1		2
L	30 FRONT, DIPPER	1S0400D		89339900		1
L	33 INSERT, KEEPER	1S0400D		289396 1		1
L	35 BACK, DIPPER	1S0400D ONLY		804968K 22		1 X
L	35 BACK, DIPPER	1S0400E		809658K 21		1
L	38 PIN, PADLOCK INCLUDES L238	1S0400D		619468K 51		1
L	41 PIN, BRACE	1S0400D ONLY		298460 2		2 X
L	41 PIN, BRACE	1S0400E		523883K 1		2
L	42 BOLT, BLANK 7/8X8	1S0400D ONLY		02451800		2 X
L	42 BOLT, HEX 1X9 NC	1S0400E		02193640		2
L	42 NUT, JAM 1 NC	1S0400E		02716200		4
L	43 BUSHING, PIN	1S0400D ONLY		524505 1		4 X
L	43 BUSHING, PIN	1S0400E		523886 1		4
L	45 PIN, HINGE	1S0400D ONLY		525047K 1		2 X
L	45 PIN, HINGE	1S0400E		525107K 1		2
L	45 BOLT, BLANK 7/8X7 1/2	1S0400D ONLY		02451750		2
L	46 BOLT, HEX 7/8X7 NC	1S0400E		02191800		2
L	46 NUT, JAM 7/8 NC	1S0400E		02715350		4
L	47 BUSHING, HINGE	1S0400D		529019K 1		4
L	49 PIN, HANDLE	1S0400D		617877K 21		2
L	50 COLLAR	1S0400D		523888K 1		2
L	50 BOLT, HEX HD	1S0400D		02195320		2



PARTS LIST

ISSUE NO. 01, 1970

MODEL 88B

PAGE 9- 15

DATE 040770

CAT. REF.	DESCRIPTION	SERIAL NO.		PART NO.	REPLACE OR VENDOR NO.	REQ.
		FROM	TO/INCL.			
	007					
L 50	1 1/8 X 7 NC NUT, JAM 1 1/8 NC	1S0400D		02717200		4
L 51	BUSHING, PIN	1S0400D	ONLY	524505 1		4 X
L 51	BUSHING, PIN	1S0400E		523886 2		4
L 55	PIN, BRACE	1S0400D	ONLY	290921 2		1 X
L 55	PIN, BRACE	1S0400E		617876K 1		1
L 56	BOLT, BLANK 7/8X4 3/4	1S0400D	ONLY	02451470		2 X
L 56	COLLAR	1S0400E		523888K 1		2
L 56	BOLT, HEX 1 1/8X7 NC	1S0400E		02195320		2
L 56	NUT, JAM 1 1/8 NC	1S0400E		02717200		4
L 61	BRACE, PITCH	1S0400D	ONLY	612091 2		1 X
L 61	BRACE, PITCH	1S0400E		612091 1		1
L 72	BAIL, DIPPER	1S0400D	ONLY	809686K 1		1 X
L 72	BAIL, DIPPER	1S0400E		717664K 1		1
L 73	PIN, BAIL	1S0400D	ONLY	298458 4		2 X
L 73	PIN, BAIL	1S0400E		613877K 21		2
L 74	BUSHING, BAIL PIN	1S0400D	ONLY	523887 1		4 X
L 74	BUSHING, BAIL PIN	1S0400E		89685411		4
L 75	BOLT, TEE 7/8 X 5 1/4	1S0400D	ONLY	02451520		2 X
L 75	COLLAR	1S0400E		523888K 1		2
L 75	BOLT, HEX 1 1/8X7 NC	1S0400E		02195320		2
L 75	NUT, JAM 1 1/8 NC	1S0400E		02717200		4
	78 WEDGE, TOOTH	1S0400D		519283K 2		4
	80 BODY, DIPPER	1S0400D	ONLY	802736K 42		1 X
L 80	BODY, DIPPER	1S0400E		809659K 41		1
L 96	SNUBBER COMPLETE	1S0400D				RX
	INCL. L299 THRU L311, L313, L368, L369					
L 110	GUIDE, LATCH	1S0400D		400760 1		3
L 113	WASHER, PIN	1S0400D		525048K 1		2
L 113	WASHER, PIN	1S0400D		529049K 1		2
L 117	BUSHING, BAIL PIN	1S0400D	ONLY	523887 2		2 X
L 117	BUSHING, BAIL PIN	1S0400E		89685410		2
L 238	BAR, PIN	1S0400D		525934K 1		1
L 299	HOUSING, BRAKE	1S0400D		292585A 2		2
L 300	BOLT, HOUSING	1S0400D		521582K 1	03245120	8D
L 300	NUT, FULL 3/4 NF	1S0400D		02742050		8
L 300	LOCKWASHER 3/4	1S0400D		03961800		8 X
L 301	BAND COMPLETE	1S0400D		900668K 51	718311K 52	2D X
	INCLUDES L302, L303, L304					
L 302	LINING, BAND	1S0400D		901517K 51	619322K 51	2D
	INCLUDES L303					
L 303	RIVET 6AX7/8	1S0400D		69044750		52 X
L 304	BUSHING, PIN	1S0400D		292592 1		4
L 305	PIN, ANCHOR	1S0400D		292589 1		2
L 305	PIN, COTTER 5/16X2	1S0400D		03121960		4
L 306	LINK, SNUBBER	1S0400D		516902K 51		4
L 307	BUSHING, LINK	1S0400D		292593 1		8
L 308	PIN, ANCHOR	1S0400D		292590 2		2
L 308	PIN, COTTER 5/16X2	1S0400D		03121960		4
L 309	BOLT, SPRING	1S0400D		901323K 51		2
L 310	SPRING, SNUBBER	1S0400D		75140010		2
L 311	WASHER, SPRING	1S0400D		183438 1		2



PARTS LIST

ISSUE NO. 01, 1970

MODEL 88B

PAGE 9- 16

DATE 040770

CAT. REF.	DESCRIPTION	SERIAL NO.		PART NO.	REPLACE OR VENDOR NO.	REQ.
		FROM	TO/INCL.			
	007					
L 312	BUSHING, PIN	1S0400D		292593 2		2
L 313	PIN, CONNECTING	1S0400D		407582 2		2
L 313	PIN, COTTER 3/16X1 3/4	1S0400D		03115720		4
L 314	BUSHING, BRAKE FOR 3 IN. PIN	1S0400D	ONLY	524505 3		4 X
L 314	BUSHING, BRACE FOR 4 IN. PIN	1S0400E		523886 3		4
L 339	WASHER, HINGE PIN	1S0400D		511743K 1		4
L 339	WASHER, HINGE PIN	1S0400D		507438K 1		4
L 342	TOOTH, SIMPLEX	1S0400D		89457850	89091137	40X
L 342	TOOTH, ROCK SIMPLEX	1S0400D		89457852	89091155	40X
L 342	TOOTH, STANDARD	1S0400D		716444K 3		4 X
L 342	TOOTH, ROCK WITH CAP	1S0400D		716425K 3		4 X
L 343	WEDGE, FOR TOOTH WITHOUT CAP	1S0400D		89457300	89089909	40X
L 343	WEDGE, FOR TOOTH WITH CAP	1S0400D		524701K 1	528331K 1	40X
L 369	SPACER, LINK	1S0400D		529730K 1		2
L 369	CAPSCREW 3/4X6 NF	1S0400D		03245920		2
L 369	NUT, FULL 3/4 NF	1S0400D		02742050		2
L 369	LOCKWASHER 3/4	1S0400D		03961800		2
L 414	CAP, ADAPTER	1S0400D		617586K 1		1
L 438	LOCK, TOOTH-AMSCO OR	1S0400D		89087690	89087718	40X
L 438	LOCK, TOOTH-STD	1S0400D		82733057		4



PARTS LIST

ISSUE NO. 01, 1970

MODEL 88B

PAGE 9- 17

DATE 040770

CAT. REF.	DESCRIPTION	SERIAL NO.		PART NO.	REPLACE OR VENDOR NO.	REQ.
		FROM	TO/INCL.			
	008					
L	SHOVEL DIPPER - DWGS. L751, L752, L759					
	IS0500A, IS0500AA, IS0500AB, IS0500AC, IS0500AD, IS0500AE, IS0500AF					
L	1 DIPPER COMPLETE					RK
L	4 ADAPTER-AMSCO	IS0500A	ONLY	89457250	89091035	5DX
L	4 ADAPTER AMSCO ALL	IS0500AA	IS0500AF	89468175	89091040	5DX
L	4 ADAPTER BECO ALL	IS0500AA	IS0500AC	808945K 1	808945K 2	5DX
L	6 TOOTH, 1PC BECO REG.	IS0500A	ONLY	712971K 1		5 X
L	6 TOOTH, 1PC AMSCO	IS0500A	IS0500A	89443900	1M-11494	5VX
L	6 TOOTH, 1PC BECO REG	IS0500AA	IS0500AF	704825K 2		5 X
L	6 TOOTH, 1PC AMSCO	IS0500AA	IS0500AF	89443750	1M-11147	5VX
L	8 DOOR COMPLETE	IS0500A	IS0500AF			RK
L	9 DOOR ASSEMBLY	IS0500A	IS0500AB	853147K 52	861396K 51	10X
	INCLUDES L28 & L312					
L	9 DOOR ASSEMBLY	IS0500A	IS0500AB	861396K 51	861495K 21	10X
	INCLUDES L28 & L312					
L	9 DOOR	IS0500AC	IS0500AE	856423K 1	856423K 2	10X
	9 DOOR	IS0500AF	ONLY	813890 7		1 X
L	12 BOLT, ADJUSTING	IS0500A	IS0500AF	519607K 21		1 X
L	12 NUT, SLOTTED 1-3/4 NC	IS0500A	IS0500AF	02781700		1 X
L	12 PIN, COTTER 3/8X3 1/2	IS0500A	IS0500AF	03125680		1 X
L	12 WASHER, PLAIN 1 3/4	IS0500A	IS0500AF	03952700		12 X
L	13 BOLT, LEVER	IS0500A	IS0500AF	901251K 51		3 X
L	14 LATCH, DOOR	IS0500A	IS0500AC	411926 1	527177 3	10X
L	14 LATCH, DOOR	IS0500AD	IS0500AF	527177 3		1 X
L	18 LEVER, LATCH	IS0500A	IS0500AB	400395 1	514692K 21	10X
L	18 LEVER, LATCH	IS0500AC	IS0500AF	514692K 21		1 X
L	21 CHAIN COMPLETE INCL. L435 THRU L437	IS0500A	IS0500AF			1 X
L	22 CLEVIS, CHAIN	IS0500A	IS0500AF	181911 2		1 X
L	28 BUSHING, HINGE PIN	IS0500A	IS0500AB	529142K 1		2 X
L	28 BUSHING, HINGE PIN	IS0500AC	IS0500AF	523885 2		1 X
L	30 FRONT, DIPPER	IS0500A	ONLY	89952470		1 X
L	30 FRONT, DIPPER	IS0500AA	ONLY	89952460		1 X
L	30 FRONT, DIPPER	IS0500AB	IS0500AF	89952492		1 X
L	33 INSERT, KEEPER	IS0500AF	ONLY	289418 1		1 X
L	38 PIN, BAIL	IS0500A	IS0500AC	408412 1	619468K 51	10X
L	38 PIN, BAIL INCLUDES L238	IS0500AD	IS0500AF	619468K 51		1 X
L	39 BOLT, BAIL PIN	IS0500A	IS0500AC	02448350		1 X
L	39 BOLT, BAIL PIN	IS0500AD	IS0500AF	02451520		2 X
L	41 PIN, BRACE SEE L45	IS0500A	IS0500AB			X
L	41 PIN, BRACE	IS0500AC	IS0500AF	524510K 1		2 X
L	42 BOLT, PIN IX9 NC	IS0500AC	IS0500AF	02193640		2 X
L	42 NUT, JAM 1 NC	IS0500AC	IS0500AF	02716200		4 X
L	43 BUSHING, BRACE PIN	IS0500AC	IS0500AF	524505 1		4 X
L	45 PIN, HINGE	IS0500A	IS0500AB	516825K 1	516825K 2	20X
L	45 PIN, HINGE	IS0500AC	IS0500AF	523894K 1		2 X
L	46 BOLT, HINGE PIN	IS0500A	IS0500AB	02454850		2



PARTS LIST

ISSUE NO. 01, 1970

MODEL 888
DATE 040770

PAGE 9- 18

CAT. REF.	DESCRIPTION	SERIAL NO.		PART NO.	REPLACE OR VENDOR NO.	REQ.
		FROM	TO/INCL.			
	008					
L 46	BOLT, PIN 1X8 NC	1S0500AC	IS0500AF	02193480		2 X
L 46	NUT, JAM 1 NC	1S0500AC	IS0500AF	02716200		4 X
L 47	BUSHING, HINGE PIN	IS0500AC	IS0500AF	523885 1		4 X
L 49	PIN, HANDLE END	1S0500A	IS0500AB	516326K 1		2
L 49	PIN, HANDLE END	1S0500AC	IS0500AF	617970K 21		2 X
L 50	BOLT, END PIN 1X8 1/2	1S0500A	IS0500AB	02454850		2
L 50	COLLAR, END PIN	1S0500AC	IS0500AF	524509K 1		2 X
L 50	BOLT, HEX 1 1/8X6 NC	1S0500AC	IS0500AF	02195160		2 X
L 50	NUT, JAM 1 1/8 NC	1S0500AC	IS0500AF	02717200		4 X
L 51	BUSHING, HANDLE PIN	IS0500AC	IS0500AF	524505 2		4 X
L 55	PIN, BRACE	1S0500A	IS0500AF	290921 2		1 X
L 56	BOLT, BRACE PIN	1S0500A	IS0500AF	02451470		2 X
L 61	T-HEAD 7/8X4-3/4 BRACE, BACK	IS0500A	IS0500AB	712001K 53	612092 1	1DX
L 61	INCLUDES L314 & L315 BRACE, BACK	IS0500AC	IS0500AD	716859K 1	612090 2	1DX
L 61	BRACE, BACK	IS0500AE	IS0500AF	612090 2		1 X
	NOTE-WHEN REPLACING 712001K53 ON IS0500AB DIPPER ONLY, FURNISH THE FOLLOWING PARTS BAR FOR ALTERATION DRAWING TO ALTER DOOR			612098 1 612098		2 2
L 72	RAIL, DIPPER INCLUDES L74	1S0500A	IS0500AB	806222K 51	806222K 52	1DX
L 72	RAIL, DIPPER INCLUDES L74	IS0500AC	IS0500AF	806222K 52	806222K 61	1DX
L 73	PIN, BAIL	1S0500A	IS0500AF	298458 4		2 X
L 74	BUSHING, BAIL PIN	1S0500A	IS0500AB	298470B		4 X
L 74	BUSHING, BAIL PIN	1S0500AC	IS0500AF	523887 1		2 X
L 75	BOLT, T-HD 7/8X5-1/4	1S0500A	IS0500AF	02451520		2 X
L 78	WEDGE, ADAPTER OR 1 PIECE TOOTH	1S0500A	IS0500AF	519283K 2		5 X
L 80	BODY COMP.	IS0500A	ONLY	853145K 41		1 X
L 80	BODY COMP.	IS0500AA	ONLY	853145K 42		1 X
L 80	BODY COMP.	IS0500AB	ONLY	855553K 41		1 X
L 80	BODY COMP.	IS0500AC	ONLY	856504K 41		1 X
L 80	BODY COMP.	IS0500AD	ONLY	856504K 42		1 X
L 80	BODY COMP.	IS0500AE	ONLY	856504K 43		1 X
L 80	BODY COMP.	IS0500AF	ONLY	861389 2		1 X
L 90	WASHER, HINGE PIN	1S0500A	IS0500AF	68765540		6 X
L 90	WASHER, HINGE PIN	1S0500A	IS0500AF	68765550		4 X
L 96	SNUBBER COMPLETE SEE L299 THRU L313, L368 & L 369	1S0500A	IS0500AF			2 X
L 110	GUIDE, LATCH	1S0500A	IS0500AF	400760 1		3
L 113	WASHER, END PIN	1S0500A	IS0500AB	68765540		2
L 113	WASHER, END PIN	1S0500A	IS0500AB	68765550		2
L 113	WASHER, END PIN	1S0500AC	IS0500AF	68765550		4 X
L 117	BUSHING, BAIL PIN	1S0500A	IS0500AF	298470A		2 X



PARTS LIST

ISSUE NO. 01, 1970

MODEL 888 PAGE 9- 19

DATE 040770

CAT. REF.	DESCRIPTION	SERIAL NO.		PART NO.	REPLACE OR VENDOR NO.	REQ.
		FROM	TO/INCL.			
	008					
L 117	BUSHING, BAIL PIN	IS0500AC	IS0500AF	523892 2		2 X
L 238	WASHER, BAIL PIN	IS0500A	IS0500AC	408412 3		1 X
L 238	WASHER, BAIL PIN	IS0500AD	IS0500AF	525934K 1		1 X
L 299	HOUSING, BRAKE	IS0500A		292585A 2		2
L 300	BOLT, HOUSING	IS0500A	IS0500AB	521582K 1	03245120	80X
L 300	CAPSCREW 3/4X3-1/2 NF	IS0500AC	IS0500AF	03245120		8 X
L 300	NUT, FULL 3/4 NF	IS0500A		02742050		8
L 300	LOCKWASHER 3/4	IS0500A		03961800		8 X
L 301	BAND, BRAKE	IS0500A	IS0500AC	900668K 51	718311K 52	20X
	INCLUDES L302,L303, L304					
L 301	BAND, BRAKE	IS0500AD		718311K 52		2 X
	INCLUDES L302,L303, L304					
L 302	LINING KIT	IS0500A	IS0500AC	901517K 51	619322K 51	20X
	INCLUDES L303					
L 302	LINING KIT	IS0500AD	IS0500AF	619322K 51		2 X
	INCLUDES L303					
L 303	RIVET,LINING 6A X 7/8	IS0500A	IS0500AC	69044800		52 X
L 303	RIVET,LINING 6A X 3/4	IS0500AD	IS0500AF	69044750		50 X
L 304	BUSHING, ANCHOR PIN	IS0500A	IS0500AF	292592 1		4 X
L 305	PIN, ANCHOR	IS0500A	IS0500AF	292589 1		2 X
L 306	LINK, SNUBBER	IS0500A	IS0500AB	516902K 61		4 X
	INCLUDES L307					
L 306	LINK, SNUBBER	IS0500AC	IS0500AF	523960K 51		4 X
	INCLUDES L307					
L 307	BUSHING, LINK	IS0500A	IS0500AF	292593 1		8 X
L 308	PIN, ANCHOR	IS0500A	IS0500AF	292590 2		2 X
L 308	PIN, COTTER 5/16X2	IS0500A	IS0500AF	03121960		4 X
L 309	BOLT, SPRING EYE	IS0500A	IS0500AF	901323K 51		2 X
L 310	SPRING, SNUBBER	IS0500A	IS0500AF	75140010		2 X
L 311	SEAT, SPRING	IS0500A	IS0500AF	183438 1		2 X
L 312	BUSHING, LINK PIN	IS0500A	IS0500AF	292593 2		2 X
L 313	PIN, LIVE END	IS0500A	IS0500AF	407582 2		2 X
L 313	PIN,COTTER 3/16X1 3/4	IS0500A	IS0500AF	03115840		2 X
L 314	BUSHING, BRACE	IS0500A	IS0500AB	529061K 1		2 X
L 314	BUSHING, BRACE	IS0500AC	IS0500AF	524505 3		2 X
L 315	BUSHING, BRACE	IS0500A	IS0500AB	529061K 1		2
L 315	BUSHING, BRACE	IS0500AC	IS0500AF	524505 3		2 X
L 321	RIVET 7/8X4-1/4 CTSK	IS0500A	IS0500AB	02914520		2 X
L 321	RIVET 7/8X5 CTSK.	IS0500AC	IS0500AF	02914640		2 X
L 342	POINT-AMSCO SIMPLEX	IS0500A	IS0500AF	89457850	89091137	50X
L 342	POINT-AMSCO ROCK	IS0500A	IS0500AF	89457852	89091155	50X
L 342	POINT-BECO REGULAR	IS0500AA	ONLY	716444K 2	716444K 3	50X
L 342	POINT-BECO REGULAR	IS0500AB	IS0500AF	716444K 3		5 X
L 342	POINT-BECO ROCK	IS0500AA	ONLY	716425K 2	716425K 3	50X
L 342	POINT-BECO ROCK	IS0500AB	IS0500AF	716425K 3		5 X
L 343	PIN,TOOTH POINT AMSCO	IS0500A	IS0500AF	89457300	89089909	50X
L 343	PIN,TOOTH POINT BECO	IS0500AA	ONLY	532172K 1		5 X
L 343	PIN,TOOTH POINT BECO	IS0500AB	IS0500AF	624862K 2		5AX
	NOTE-WHEN STOCK OF 624862K2 IS DEPLETED					



PARTS LIST

ISSUE NO. 01, 1970

MODEL 88B

PAGE 9- 20

DATE 040770

CAT. REF.	DESCRIPTION	SERIAL NO.		PART NO.	REPLACE OR VENDOR NO.	REQ.
		FROM	TO/INCL.			
	008					
	USE FOLLOWING PARTS					
	L438 PLUG, RUBBER			82733057		5
	L343 KEY			532172K 1		5
L 343	PLUG, RUBBER	IS0500AB	IS0500AF	82733057		5 X
L 343	KEY	IS0500AB	IS0500AF	532172K 1		5 X
L 360	WASHER, PLAIN 1 3/4	IS0500A	IS0500AF	03952700		X
L 368	SPACER, LINK	IS0500A	IS0500AF	529730K 1		2 X
L 369	CAPSCREW 3/4X6 NF	IS0500A	IS0500AF	03245920		2 X
L 369	NUT, FULL 3/4 NF	IS0500A	IS0500AF	02742050		2 X
L 369	LOCKWASHER 3/4	IS0500A	IS0500AF	03961800		2 X
L 414	CAP, ADAPTER	IS0500A	IS0500AF	617586K 1		5 X
L 432	LUG, BAIL RH	IS0500A	IS0500AA	806220K 1		1
L 432	LUG, BAIL RH	IS0500AB	IS0500AF	808494K 1		1 X
L 433	LUG, BAIL LH	IS0500A	IS0500AA	806221K 1		1
L 433	LUG, BAIL LH	IS0500AB	IS0500AF	808495K 1		1 X
L 435	CHAIN, DOOR TRIP	IS0500A	IS0500AF	516883K 21		1 X
L 436	CHAIN, SHORT TRIP	IS0500A	IS0500AF	267316 9		1 X
L 437	CHAIN, LONG TRIP	IS0500A	IS0500AF	181911 5		1 X
L 438	LOCK, RUBBER AMSCO	IS0500A	IS0500AF	89087690	GB 32222	5VK
L 438	LOCK, RUBBER BECO	IS0500AA	IS0500AF	82733057		5 X
L 444	LEVER, TRIP CHAIN	IS0500A	IS0500AF	612660K 21		1
L 445	PIN, LEVER UPPER	IS0500A	IS0500AF	503916K 2		1
L 445	PIN, COTTER 5/16X2	IS0500A	IS0500AF	03121960		2 X
L 446	PIN, LEVER LOWER	IS0500A	IS0500AF	516882K 1		1 X
L 446	PIN, COTTER 1/4X1 1/2	IS0500A	IS0500AF	03118720		2 X



PARTS LIST

ISSUE NO. 01, 1970

MODEL 88B PAGE 9- 21

DATE 040770

CAT. REF.	DESCRIPTION	SERIAL NO.		PART NO.	REPLACE OR VENDOR NO.	REQ.
		FROM	TO/INCL.			
	C09					
L	SHOVEL DIPPER DWG. L753 1S0500B					
L	1 DIPPER COMPLETE			1S 0500B		1
L	5 TOOTH, DIPPER					5
L	8 DOOR COMPLETE					1
L	9 DOOR, DIPPER				CD-8571	1V
L	10 GUIDE, LATCH W/RIVETS NO. 3				D-7988	1V
L	11 GUIDE, LATCH W/RIVETS NO. 3					1
L	13 PIN, LEVER PIVOT W/SCREWS & NUTS NO.20				A-14046-D	1V
L	14 LATCH, DOOR				T-1946	1V
L	15 PIN, LATCH W/SCREW & NUT NO. 20				A-14046-D	1V
L	18 LEVER, LATCH NO. 2				D-7587	1V
L	19 BOLT, CLEVIS			296295 30		1
L	19 NUT, SLOTTED 3/4 NC			02780920		1
L	19 PIN, COTTER 1/8X2 1/2			03110200		1 X
L	21 CHAIN COMPLETE					1
L	22 INCL. L435 THRU L437 CLEVIS, CHAIN			181911 2		1
L	26 HINGE, DOOR INCL. L323				T-1010D	2V
L	28 BUSHING, HINGE				T-22	2V
L	30 FRONT, DIPPER				T-1104-C	1V
L	31 RIVET, FRONT 1X3 1/2					24
L	31 RIVET, FRONT 1X4 3/4					40
L	33 INSERT, KEEPER				S-5105-B	1V
L	38 PIN, PADLOCK NO. 1				CA-23793	1V
L	39 PIN, LOCK W/WASHER & COTTER PIN NO. 4				CA-23793	1V
L	40 BUSHING, BAIL PIN				T-37	2V
L	41 PIN, BOTTOM INCL. L42 & SCREW NO. 15				A-15798	2V
L	42 COLLAR, PIN NO. 12				A-14122	2V
L	43 BUSHING, BOTTOM				T-48	6V
L	49 PIN, TOP INCL. L50 & L113 NO. 14				A-15798	2V
L	50 COLLAR, PIN NO. 12				A-14122	2V
L	51 BUSHING, TOP				T-48	4V
L	55 PIN, PITCH BRACE			290921 2		1 X
L	56 BOLT, BRACE PIN 7/8 X 4 3/4			02451470		2
L	61 BRACE, BACK INCLUDES L314 & L315			712001K 53	612091 2	10 X
L	72 BAIL, DIPPER				CE-8037-3	1V
L	73 PIN, BAIL W/COTTER PIN NO. 4				CA-23554	2V
L	78 KEY, TOOTH				58-1K	5V



PARTS LIST

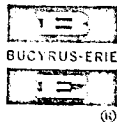
ISSUE NO. 01, 1970

MODEL 88B

PAGE 9- 22

DATE 040770

CAT. REF.	DESCRIPTION	SERIAL NO.		PART NO.	REPLACE OR VENDOR NO.	REQ.
		FROM	TO/INCL.			
	009					
L 96	LEFT SNUBBER ASSY INCL. L302, L303, L309 THRU L311, L325, L328 & L457 NO. 2				CD-9526	1V
L 111	BEARING, LATCH NO. 30				CA-15701-1	2V
L 113	CAPSCREW W/NUT 5/8 X 5 1/2					2
L 153	PLUG, TOOTH POINT				7	5V
L 302	DISC, LINING NO. 1				B-8166	4V
L 303	RIVET, DISC 1/4 X 1 5/8					24
L 305	ACTUATOR, LH ASSEMBLY INCL. L448 THRU L456 NO. 2				CA-23576	1V
L 309	BOLT, PIVOT W/JAM NUT					2
L 310	SPRING, SNUBBER NO. 1				B-7927	2V
L 311	WASHER, SPRING NO. 28				A-6247A	2V
L 314	BUSHING, BRACE			529061K 1		2
L 315	BUSHING, BRACE			529061K 1		2
L 321	RIVET, INSERT 1X4 1/2					2
L 323	BOLT, PLOW 1/4X4 NO.3					2
L 325	PLATE, DRIVE NO. 1				BC-11631	2V
L 328	PIN, ACTUATOR NO. 63				A-15798-3	2V
L 328	COLLAR NO. 12				A-14122	2V
L 328	LOCK, W/LOCK NUT 5/8 X 5 1/2					2
L 347	RIGHT SNUBBER ASSY INCL L302, L303, L309 THRU L311, L325, L328 L457 NO. 1				CD-9526	1V
L 408	CUSHION, HINGE NO. 1				CA-23236	2V
L 411	POINT, TOOTH				R-7	5V
L 412	PIN, POINT NO. 7					5
L 413	ADAPTER, TOOTH				C-58-ACR-7	5V
L 419	TANG, KEY				58-T	5V
L 428	LINK, ECCENTRIC NO. 1				B-7585	1V
L 429	ECCENTRIC, DOOR				S-7752	1V
L 430	PIN, ECCENTRIC W/SCREW & NUT NO. 20				A-14043	1V
L 435	CHAIN, DOOR TRIP			516883K 21		1
L 436	CHAIN, SHORT TRIP			267316 9		1
L 437	CHAIN, LONG TRIP			181911 5		1
L 444	LEVER, CHAIN NO. 1				CB-11878	1V
L 445	PIN, LEVER W/WASHER & COTTER PIN NO. 3				A-4610	1V
L 446	PIN, LUG W/WASHER & COTTER PIN NO. 2				A-14039	1V
L 447	ACTUATOR, RIGHT ASSY INCL. L449 THRU L456 NO. 1				CA-23576	1V
L 448	BRACKET, RH NO. 1				CA-23544	1V
L 449	BRACKET, LH NO. 2				CA-23544	1V
L 450	BUSHING, LINK NO. 16				A-16696	2V
L 451	BUSHING, LINK NO. 16				A-16696	2V



PARTS LIST

ISSUE NO. 01, 1970

MODEL 88B

PAGE 9- 23

DATE 040770

CAT. REF.	DESCRIPTION	SERIAL NO.		PART NO.	REPLACE OR VENDOR NO.	REQ.
		FROM	TO/INCL.			
	009					
L 452	PIN,CONNECTING NO. 12				A-14122	2V
L 454	SCREW, PIN W/LOCK NUT 5/8 X 5 1/2					2
L 455	SCREW, BRACKET W/LOCK 5/8 X 5 1/2					6
L 456	LINK, ACTUATOR NO. 2				CB-11660	2V
L 457	HOUSING, SPRING NO. 1				CB-11663	2V



PARTS LIST

ISSUE NO. 01, 1970

MODEL 88B

PAGE 9- 24

DATE 040770

CAT. REF.	DESCRIPTION	SERIAL NO.		PART NO.	REPLACE OR VENDOR NO.	REQ.
		FROM	TO/INCL.			
	010					
L	SHOVEL DIPPER WITH 4 IN. PINS IS0500F, IS0500FA, IS0500FB, IS0500FC - DWG. L-752 AND L-759					
L 1	DIPPER COMPLETE	IS0500F ONLY		IS 0500F	IS0500FC	10X
L 1	DIPPER COMPLETE	IS0500FA ONLY		IS 0500FA	IS0500FC	10X
L 1	DIPPER COMPLETE	IS0500FB ONLY		IS 0500FB	IS0500FC	10X
L 1	DIPPER COMPLETE	IS0500FC ONLY		IS 0500FC		1 X
L 4	ADAPTER-AMSCO	IS0500F IS0500FC		89468175	89091040	50X
L 4	ADAPTER-BECO W/O CAP	IS0500F IS0500FC		808944K 1		5 X
L 4	ADAPTER-BECO CAP TYPE	IS0500F IS0500FC		808945K 1	808945K 2	50X
L 4	ADAPTER-H & L	IS0500F IS0500FC		82C01767	T183WPP-35	5VX
L 6	TOOTH 1 PC BECO REG.	IS0500F IS0500FC		704825K 2		5 X
L 6	TOOTH 1 PC AMSCO	IS0500F IS0500FC			1M-11147	5VX
L 8	DOOR COMPLETE	IS0500F IS0500FC				EX
L 9	DOOR, BARE	IS0500F IS0500FB		856423K 2		1 X
L 9	DOOR, BARE W/BUSHINGS	IS0500FC ONLY		813890 7		1 X
L 12	BOLT, ADJUSTING	IS0500F IS0500FC		519607K 21		1 X
L 12	NUT, SLOTTED 1-3/4 NC	IS0500F IS0500FC		02781700		1 X
L 12	PIN, COTTER 3/8X3-1/2	IS0500F IS0500FC		03125680		1 X
L 13	BOLT, LEVER	IS0500F ONLY		198449 11	901251K 51	30
L 13	BOLT, LEVER	IS0500FA IS0500FC		513696 13		3 X
L 14	BAR, LATCH	IS0500F ONLY		411926 2	527100 3	10X
L 14	BAR, LATCH	IS0500FA IS0500FA		527100 3		1 X
L 14	BAR, LATCH	IS0500FB IS0500FC		527177 3		1 X
L 18	LEVER, LATCH BAR	IS0500F ONLY		400395 1	514692K 21	10X
L 18	LEVER, LATCH BAR	IS0500FA IS0500FC		514692K 21		1 X
L 19	BOLT, CLEVIS SEE L13	IS0500F IS0500FC				X
L 21	CHAIN, COMPLETE-SEE L435, L436 & L437	IS0500F IS0500FC				X
L 22	CLEVIS, CHAIN	IS0500F IS0500FC		181911 2		1 X
L 28	BUSHING, HINGE PIN	IS0500F IS0500FC		523885 2		2 X
L 30	FRONT, DIPPER	IS0500F IS0500FC		89952492		1 X
L 33	INSERT, LATCH KEEPER	IS0500F IS0500FC		289418 1		1 X
L 38	PIN, PADLOCK	IS0500F IS0500FA		408412 1	619468K 51	10X
L 38	PIN, PADLOCK	IS0500FB IS0500FC		619468K 51		1 X
L 39	INCLUDES L238 BOLT, LOCK T-HEAD	IS0500F ONLY		02448350		1 X
L 39	BOLT, LOCK T-HEAD	IS0500FA IS0500FC		02454800		2 X
L 41	PIN, BRACE	IS0500F IS0500FC		523883K 1		2 X
L 42	BOLT, BRACE PIN 1X9 NC	IS0500F IS0500FC		02193640		2 X
L 42	NUT, JAM 1 NC	IS0500F IS0500FC		02716200		4 X
L 43	BUSHING, BRACE	IS0500F IS0500FC		523886 1		4 X
L 45	PIN, HINGE	IS0500F IS0500FC		523894K 1		2
L 46	BOLT, PIN LOCK 1X8 NC	IS0500F IS0500FC		02193480		2
L 46	NUT, JAM 1 NC	IS0500F IS0500FC		02716200		4
L 47	BUSHING, HINGE PIN	IS0500F IS0500FC		523885 1		4 X
L 49	PIN, HANDLE END	IS0500F IS0500FC		617877K 21		2 X
L 50	BOLT, HANDLE PIN LOCK HEX 1-1/8X7 NC	IS0500F IS0500FC		02195320		2 X



PARTS LIST

ISSUE NO. 01, 1970

MODEL 88B

PAGE 9- 25

DATE 040770

CAT. REF.	DESCRIPTION	SERIAL NO.		PART NO.	REPLACE OR VENDOR NO.	REQ.
		FROM	TO/INCL.			
	010					
L 50	NUT, JAM 1-1/8 NC	IS0500F	IS0500FC	02717200		4 X
L 51	BUSHING, HANDLE PIN	IS0500F	IS0500FC	523885 2		4 X
L 55	PIN, BRACE UPPER	IS0500F	IS0500FC	617876K 1		1 X
L 56	COLLAR, PIN	IS0500F	IS0500FC	523888K 1		2 X
L 56	BOLT, PIN LOCK HEX 1-1/8X7 NC	IS0500F	IS0500FC	02195320		2 X
L 56	NUT, JAM 1-1/8 NC	IS0500F	IS0500FC	02717200		4 X
L 61	BRACE, BACK	IS0500F	IS0500FB	716859K 1	612090 1	10X
L 61	BRACE, BACK	IS0500FC	ONLY	612090 1		1 X
L 72	BAIL, DIPPER	IS0500F	IS0500FC	806222K 52	806222K 53	10X
	INCLUDES L74					
L 73	PIN, BAIL	IS0500F	IS0500FA	523884K 1		2 X
L 73	PIN, BAIL	IS0500FB	IS0500FC	623981K 21		2 X
L 74	BUSHING, BAIL PIN	IS0500F	IS0500FC	89685411		4 X
L 75	BOLT, BAIL PIN LOCK HEX 1-1/8X7 NC	IS0500F	IS0500FC	02195320		2 X
L 75	NUT, JAM 1-1/8 NC	IS0500F	IS0500FC	02717200		4 X
L 78	WEDGE, ADAPTER	IS0500F	IS0500FC	519283K 2		5 X
L 80	BODY	IS0500F	ONLY	856504K 41	856504K 42	10X
L 80	BODY	IS0500FA	ONLY	856504K 42	856504K 43	10X
L 80	BODY	IS0500FB	ONLY	856504K 43		1 X
L 80	BODY	IS0500FC	ONLY	861389 1		1 X
90	WASHER, HINGE PIN	IS0500F	IS0500FC	68765540		6 X
90	WASHER, HINGE PIN	IS0500F	IS0500FC	68765550		4 X
L 96	SNUBBER COMPLETE-SEE ITEMS L299 THRU L313,	IS0500F	IS0500FC			X
	L368 AND L369					
L 110	GUIDE, LATCH BAR	IS0500F	IS0500FC	400760 1		3 X
L 113	WASHER, HANDLE PIN	IS0500F	IS0500FC	518112K 1		4 X
L 117	BUSHING, BAIL PIN	IS0500F	IS0500FC	523892 2		2 X
L 299	HOUSING, BRAKE	IS0500F	IS0500FC	292585A 2		2 X
L 300	BOLT, BRAKE HOUSING	IS0500F	IS0500FA	521582K 1	03245120	80X
L 301	BAND, BRAKE INCLUDES L302, L303,	IS0500F	ONLY	900668K 51	718311K 52	20X
	L304					
L 301	BAND, BRAKE INCLUDES L302, L303, L304	IS0500FA	IS0500FC	718311K 52		2 X
L 302	LINING KIT INCLUDES L303	IS0500F	ONLY	901517K 51	619322K 51	20X
L 302	LINING KIT INCLUDES L303	IS0500FA	IS0500FC	619322K 51		2 X
L 303	RIVET 6A X 7/8	IS0500F	ONLY	69044300		52 X
L 303	RIVET 6A X 3/4	IS0500FA	IS0500FC	69044750		50 X
L 304	BUSHING, ANCHOR PIN	IS0500F	IS0500FC	292592 1		4 X
L 305	PIN, ANCHOR	IS0500F	IS0500FC	292589 1		2 X
L 305	PIN, COTTER 5/16X2	IS0500F	IS0500FC	03121960		4 X
L 306	LINK, SNUBBER	IS0500F	IS0500FC	523960K 51		4 X
	INCLUDES L307					
L 307	BUSHING, LINK	IS0500F	IS0500FC	292593 1		8 X
L 308	PIN, ANCHOR	IS0500F	IS0500FC	292590 1		2 X
L 308	PIN, COTTER 5/16X2	IS0500F	IS0500FC	03121960		4 X
L 309	BOLT, EYE	IS0500F	IS0500FC	901323K 51		2 X
L 310	SPRING, SNUBBER	IS0500F	IS0500FC	75140010		2 X



PARTS LIST

ISSUE NO. 01, 1970

MODEL 88B

PAGE 9- 26

DATE 040770

CAT. REF.	DESCRIPTION	SERIAL NO.		PART NO.	REPLACE OR VENDOR NO.	REQ.
		FROM	TO/INCL.			
	010					
L 311	SEAT, SPRING	IS0500F	IS0500FC	183438 1		2 X
L 312	BUSHING, LINK PIN	IS0500F	IS0500FC	292593 2		2 X
L 313	PIN, LIVE END	IS0500F	IS0500FC	407582 2		2 X
L 313	PIN, COTTER 3/16X1-3/4	IS0500F	IS0500FC	03115840		4 X
L 314	BUSHING, BRACE LOWER	IS0500F	IS0500FC	523886 3		2 X
L 315	BUSHING, BRACE UPPER	IS0500F	IS0500FC	523886 3		2 X
L 321	RIVET, INSERT 7/8X5	IS0500F	IS0500FC	02914640		2 X
L 342	POINT, AMSCO REG.	IS0500F	IS0500FC	89457850	89091137	5DX
L 342	POINT, AMSCO ROCK	IS0500F	IS0500FC	89457852	89091155	5DX
L 342	POINT, BECO REG. REV.	IS0500F	IS0500FB	716444K 2	716444K 3	5DX
L 342	POINT, BECO REG. REV.	IS0500FC	ONLY	716444K 3		5 X
L 342	POINT, BECO ROCK REV.	IS0500F	IS0500FB	716425K 2	716425K 3	5DX
L 342	POINT, BECO ROCK REV.	IS0500FC	ONLY	716425K 3		5 X
L 343	PIN, POINT AMSCO	IS0500F	IS0500FC	89457300	89089909	5DX
L 343	PIN, POINT BECO	IS0500F	IS0500FB	532172K 1		5 X
L 343	PIN, POINT BECO	IS0500FC	ONLY	624862K 2		5AX
	NOTE-WHEN STOCK OF 624862K2 IS DEPLETED USE FOLLOWING PARTS					
	L438 PLUG, RUBBER			82733057		5
	L343 KEY			532172K 1		5
L 360	WASHER ADJ. BOLT	IS0500F	IS0500FC	03952700		20 X
L 368	SPACER, LINK	IS0500F	IS0500FC	529730K 1		2 X
L 369	CAPSCREW 3/4X6 NF	IS0500F	IS0500FC	03245920		2 X
L 369	NUT, FULL 3/4 NF	IS0500F	IS0500FC	02742050		2 X
L 369	LOCKWASHER 3/4	IS0500F	IS0500FC	03961800		2 X
L 414	CAP, ADAPTER	IS0500F	IS0500FC	617586K 1		5 X
L 432	LUB, BAIL RH	IS0500FC	ONLY	625454 3		1 X
L 432	FILLER, RH	IS0500FC	ONLY	625454 4		1 X
L 433	LUG, BAIL LH	IS0500FC	ONLY	625454 3		1 X
L 433	FILLER, LH	IS0500FC	ONLY	625454 4		1 X
L 435	CHAIN, TRIP LOWER	IS0500F	IS0500FC	181911 5		1 X
L 436	CHAIN, TRIP UPPER	IS0500F	IS0500FC	267316 9		1 X
L 437	CHAIN, TRIP CENTER	IS0500F	IS0500FC	516883K 21		1 X
L 438	LOCK, POINT AMSCO	IS0500F	IS0500FB	89087690	GB-3222	5VX
L 438	LOCK, POINT AMSCO	IS0500FC		89087718	LS-151	5VX
L 444	LEVER, TRIP CHAIN	IS0500F	IS0500FC	612660K 21		1 X
L 445	PIN, LEVER UPPER	IS0500F	IS0500FC	503916K 2		1 X
L 445	PIN, COTTER 5/16X2	IS0500F	IS0500FC	03121960		2 X
L 446	PIN, LEVER LOWER	IS0500F	IS0500FC	516882K 1		1 X
L 446	PIN, COTTER 1/4X1-1/2	IS0500F	IS0500FC	03118720		2 X



PARTS LIST

ISSUE NO. 01, 1970

MODEL 888 PAGE 9- 27

DATE 040770

CAT. REF.	DESCRIPTION	SERIAL NO.		PART NO.	REPLACE OR VENDOR NO.	REQ.
		FROM	TO/INCL.			
	011					
L	SHOVEL DIPPER 5 YD IS0500K & IS0500KA WITH 4IN. HANDLE PINS DWG. L752, L902 & L903					
L	1 DIPPER COMPLETE	IS0500K		IS 0500K	IS0500KA	1DX
L	4 ADAPTER, TOOTH AMSCO	IS0500K		89468175	89091040	5DX
L	4 ADAPTER, TOOTH H&L	IS0500K		82001767	T183WPP-35	5VX
L	4 ADAPTER, TOOTH BECO	IS0500K		808945K 2		5 X
L	6 TOOTH 1 PC AMSCO	IS0500K		89443750	GA-29081	5VX
L	6 TOOTH 1 PC BECO REG	IS0500K		704825K 2		5 X
L	3 DOOR COMPLETE	IS0500K				RK
L	9 DOOR, BARE W/O L28	IS0500K	ONLY	856423K 2	813890 7	1DX
L	9 DOOR, BARE W/O L28	IS0500KA		852903K 1		1 X
L	12 BOLT, ADJUSTING	IS0500K		519607K 21		1 X
L	12 NUT, SLOTTED 1-3/4 NC	IS0500K		02781700		1 X
L	12 PIN, COTTER 3/8X1-1/2	IS0500K		03125680		1 X
L	13 BOLT, LEVER	IS0500K		901251K 51		3 X
L	14 BAR, LATCH	IS0500K		527177 3		1 X
L	18 LEVER, LATCH BAR	IS0500K		514692K 21		1 X
L	19 BOLT, CLEVIS-SEE L13	IS0500K				X
L	21 CHAIN, TRIP-SEE L435, L436 & L437	IS0500K				X
L	22 CLEVIS, CHAIN	IS0500K		181911 2		1 X
L	28 BUSHING, HINGE PIN	IS0500K		523885 2		2 X
L	30 FRONT, DIPPER	IS0500K		89952492		1 X
L	33 INSERT, LATCH KEEPER	IS0500K		289418 1		1 X
L	41 PIN, BRACE	IS0500K		523883K 1		2 X
L	42 BOLT, BRACE PIN 1X9NC	IS0500K		02193640		2 X
L	42 NUT, JAM 1 NC	IS0500K		02716200		4 X
L	43 BUSHING, BRACE PIN	IS0500K		523886 1		4 X
L	45 PIN, HINGE	IS0500K		523894K 1		2 X
L	46 BOLT, HINGE PIN 1X8NC	IS0500K		02193480		2 X
L	46 NUT, JAM 1 NC	IS0500K		02716200		4 X
L	47 BUSHING, HINGE PIN	IS0500K		523885 1		4 X
L	49 PIN, HANDLE END	IS0500K		617877K 21		2 X
L	50 COLLAR, HANDLE PIN	IS0500K		523888K 1		2 X
L	50 BOLT, LOCK HEX 1-1/8X7	IS0500K		02195320		2 X
L	50 NUT, JAM 1-1/8 NC	IS0500K		02717200		4 X
L	51 BUSHING, HANDLE PIN	IS0500K		523886 2		4 X
L	55 PIN, BRACE UPPER	IS0500K		617876K 1		1 X
L	56 COLLAR, BRACE PIN	IS0500K		523889K 1		2 X
L	56 BOLT, BRACE PIN	IS0500K		02451470		2 X
L	56 NUT, JAM 1-1/8 NC	IS0500K		02717200		4 X
L	61 BRACE, BACK W/BUSHING	IS0500K		612090 1		1 X
L	73 PIN, BAIL OR PADLOCK	IS0500K		617877K 21		2 X
L	74 BUSHING-SEE PADLOCK	IS0500K				X
L	75 BOLT, PADLOCK PIN	IS0500K		02195320		2 X
L	75 NUT, JAM 1-1/8 NC	IS0500K		02717200		4 X
L	75 COLLAR, PADLOCK PIN	IS0500K		523889K 1		2 X
L	78 WEDGE, 1 PC TOOTH OR ADAPTER	IS0500K		519233K 2		5 X
L	80 BODY COMPLETE W/BUSH.	IS0500K	ONLY	861390K 41		1 X



PARTS LIST

ISSUE NO. 01, 1970

MODEL 88B

PAGE 9- 28

DATE 040770

CAT. REF.	DESCRIPTION	SERIAL NO.		PART NO.	REPLACE OR VENDOR NO.	REQ.
		FROM	TO/INCL.			
	011					
L 80	BODY COMPLETE w/BUSH.	IS0500KA		852907K 41		1 X
L 90	WASHER, HINGE PIN	IS0500K		68765540		6 X
L 90	WASHER, HINGE PIN	IS0500K		68765550		4 X
L 96	SNUBBER BAND TYPE-SEE	IS0500K ONLY				X
	L299 THRU L313, L368 AND L369					
L 96	SNUBBER COMPLETE RH DISC TYPE-INCLUDES	IS0500KA				X
	L302, L303, L309, L310, L311, L325, L328, L448-					
	SEE DWG. L902					
L 110	GUIDE, LATCH	IS0500K		400760 1		3 X
L 113	WASHER, END PIN	IS0500K		518112K 1		4 X
L 117	BUSHING, PADLOCK PIN	IS0500K		523892 3		4 X
L 299	HOUSING, BRAKE	IS0500K ONLY		292585A 2		2 X
L 300	CAPSCREW 3/4X3-1/2 NF	IS0500K ONLY		03245120		8 X
L 300	LOCKWASHER 3/4	IS0500K ONLY		03961800		8 X
L 301	BAND, BRAKE	IS0500K ONLY		718311K 52		2 X
	INCLUDES L302, L303, L304					
L 302	LINING KIT INCLUDES L303	IS0500K ONLY		619322K 51		2 X
L 302	LINING, FRICTION DISC	IS0500KA		400866 1		4 X
L 303	RIVET 6A X 3/4	IS0500K ONLY		69044750		50 X
L 303	RIVET #5 X 1-3/4	IS0500KA		69044010		32 X
L 304	BUSHING, ANCHOR PIN	IS0500K ONLY		292592 1		4 X
L 305	PIN, ANCHOR	IS0500K ONLY		292589 1		2 X
L 306	LINK, SNUBBER	IS0500K ONLY		523960K 51		4 X
	INCLUDES L307					
L 307	BUSHING, LINK	IS0500K ONLY		292593 1		8 X
L 308	PIN, ANCHOR	IS0500K ONLY		292590 2		2 X
L 308	PIN, COTTER 5/16X2	IS0500K ONLY		03121960		4 X
L 309	BOLT, SPRING EYE	IS0500K ONLY		901323K 51		2 X
L 309	BOLT, PIVOT	IS0500KA		400870 1		2 X
L 310	SPRING, SNUBBER	IS0500K ONLY		75140010		2 X
L 310	SPRING, SNUBBER	IS0500KA		75668010		2 X
L 311	SEAT, SPRING	IS0500K ONLY		183438 1		2 X
L 311	PLATE, PRESSURE	IS0500KA		400867		2 X
L 312	BUSHING, LINK PIN	IS0500K ONLY		292593 2		2 X
L 313	PIN, LIVE END	IS0500K ONLY		407582 2		2 X
L 313	PIN, COTTER 3/16X1-3/4	IS0500K ONLY		03115840		2 X
L 314	BUSHING, BRACE LOWER	IS0500K		523886 3		2 X
L 315	BUSHING, BRACE UPPER	IS0500K		523886 3		2 X
L 321	RIVET, INSERT	IS0500K		02914640		2 X
L 325	PLATE, FRICTION DISC	IS0500KA		273604 3		2 X
L 328	PIN, LINK UPPER	IS0500KA		507736K 1		2 X
L 342	POINT, AMSCO REG	IS0500K		89457850	89091137	50X
L 342	POINT, AMSCO ROCK	IS0500K		89457852	89091155	50X
L 342	POINT, H&L REG.	IS0500K		82734326	35	5V
L 342	POINT, BECO REG.	IS0500K		716444K 3		5 X
L 342	POINT, BECO ROCK	IS0500K		716425K 3		5 X
L 343	PIN, POINT AMSCO	IS0500K		89457300	89089909	50X
L 343	PIN, POINT H & L	IS0500K		82666026	35	5VX
L 343	PIN, POINT BECO	IS0500K		624862K 2		5AX



PARTS LIST

ISSUE NO. 01, 1970

MODEL 88B PAGE 9- 29
DATE 040770

CAT. REF.	DESCRIPTION	SERIAL NO.		PART NO.	REPLACE OR VENDOR NO.	REQ.
		FROM	TO/INCL.			
	011					
	NOTE-WHEN STOCK OF 624862K2 IS DEPLETED					
	USE FOLLOWING PARTS					
	L438 PLUG, RUBBER			82733057		5
	L343 KEY			532172K 1		5
L 343	KEY	IS0500K		532172K 1		5
L 347	SNUBBER COMPLETE LH DISC TYPE-INCLUDES	IS0500KA				
	L425, L449, L452, L455, L456, L457, L471-SEE					
	DWG. L902					
L 360	WASHER, PLAIN 1-3/4	IS0500K		03952700		20
L 360	SPACER, LINK	IS0500K ONLY		529730K 1		2
L 360	CAPSCREW 3/4X6 NF	IS0500K ONLY		03245920		2
L 369	NUT, FULL 3/4 NF	IS0500K ONLY		02742050		2
L 369	LOCKWASHER 3/4	IS0500K ONLY		03961800		2
L 414	CAP, ADAPTER	IS0500K		617536K 1		5
L 425	BUSHING, LINK PIN	IS0500KA		529003K 1		2
L 435	CHAIN, DOOR TRIP	IS0500K		516883K 21		1
L 435	CHAIN, TRIP SHORT	IS0500K		267316 9		1
L 437	CHAIN, TRIP LONG	IS0500K		181911 5		1
L 433	LOCK, POINT AMSCO	IS0500K ONLY		89087690	GB-32222	5V
L 438	PLUG, RUBBER-AMSCO	IS0500KA		89087718	LS-151	5V
L 438	LOCK, POINT H & L	IS0500K		82580149	K-974	5V
L 438	LOCK, POINT BECO	IS0500K		535069K 2		5A
	NOTE-WHEN STOCK OF 535069K2 IS DEPLETED					
	USE FOLLOWING PARTS					
	L438 PLUG, RUBBER			82733057		5
	L343 KEY			532172K 1		5
L 438	KEY	IS0500K		532172K 1		5
L 444	LEVER, TRIP CHAIN	IS0500K		612660K 21		1
L 445	PIN, LEVER ANCHOR	IS0500K		503915K 2		1
L 445	PIN, COTTER 5/16X2	IS0500K		03121960		2
L 445	PIN, LEVER TO CLEVIS	IS0500K		516882K 1		1
L 446	PIN, COTTER 1/4X1-1/2	IS0500K		03118720		2
L 448	SUPPORT, SNUBBER RH	IS0500KA		273604 1R		1
L 449	SUPPORT, SNUBBER LH	IS0500KA		273604 1L		1
L 452	PIN, LINK LOWER	IS0500KA		405583 9		2
L 452	NUT, SLOTTED 1-3/4 NC	IS0500KA		02781700		2
L 452	PIN, COTTER 3/8X3-1/2	IS0500KA		03125630		2
L 455	BOLT, HEX 1-1/4X9 NC	IS0500KA		02197640		2
L 455	BOLT, HEX 1-1/4X3-3/4C	IS0500KA		02196800		2
L 455	NUT, FULL 1-1/4 NC	IS0500KA		02718050		4
L 455	NUT, JAM 1-1/4 NC	IS0500KA		02718200		2
L 455	LOCKWASHER 1-1/4	IS0500KA		03962210		2
L 456	LINK, SNUBBER RH	IS0500KA		625764 1		1
L 456	LINK, SNUBBER LH	IS0500KA		625764 2		1



PARTS LIST

ISSUE NO. 01, 1970

MODEL 88B

PAGE 9- 30

DATE 040770

CAT. REF.	DESCRIPTION	SERIAL NO.		PART NO.	REPLACE OR VENDOR NO.	REQ.
		FROM	TO/INCL.			
	011					
L 457	GUARD, SPRING	IS0500KA		512084K 1		2 X
L 471	BUSHING, PIVOT	IS0500KA		529089K 1		2 X

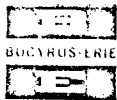


PARTS LIST

ISSUE NO. 01, 1970

MODEL 88B PAGE 9- 31
DATE 040770

CAT. REF.	DESCRIPTION	SERIAL NO.		PART NO.	REPLACE OR VENDOR NO.	REQ.
		FROM	TO/INCL.			
	012					
L	SHOVEL DIPPER 5-1/2YD ISO550B & ISO550BA WITH 4IN.HANDLE PINS DWGS.L752, L902 &L903					
L	1 DIPPER COMPLETE	ISO550B		IS 0550B	ISC550BA	1DX
L	4 ADAPTER, TOOTH AMSCO	ISO550B		89468175	89091040	5DX
L	4 ADAPTER, TOOTH H & L	ISO550B		82001767	T183WPP-35	5VX
L	4 ADAPTER, TOOTH BECO	ISO550B		808945K 2		5 X
L	5 TOOTH 1 PC AMSCO	ISO550B		89443750	GA 29081	5VX
L	6 TOOTH 1 PC BECO REG	ISO550B		704825K 2		5 X
L	8 DOOR COMPLETE	ISO550B				RX
L	9 DOOR, BARE	ISO550B	ONLY	861345K 1		1 X
L	9 DOOR, BARE	ISO550BA		861494K 1		1 X
L	12 BOLT, ADJUSTING	ISO550B		519607K 21		1 X
L	12 NUT, SLOTTED 1-3/4 NC	ISO550B		02781700		1 X
L	12 PIN, COTTER 3/8X1-1/2	ISO550B		03125680		1 X
L	13 BOLT, LEVER	ISO550B		901251K 51		3 X
L	14 BAR, LATCH	ISO550B		527177 5		1 X
L	18 LEVER, LATCH BAR	ISO550B		514692K 21		1 X
L	19 BOLT, CHAIN SEE L13	ISO550B				X
L	21 CHAIN, TRIP SEE L435, L436 AND L437	ISO550B				X
L	22 CLEVIS, TRIP CHAIN	ISO550B		181911 2		1 X
L	28 BUSHING, HINGE PIN	ISO550B		523885 2		2 X
L	30 FRONT, DIPPER	ISO550B		89952492		1 X
L	33 INSERT, LATCH KEEPER	ISO550B		289418 1		1 X
L	41 PIN, BRACE LOWER	ISO550B		523883K 1		2 X
L	42 BOLT, PIN 1X9 NC	ISO550B		02193640		2 X
L	42 NUT, JAM 1 NC	ISO550B		02716200		4 X
L	43 BUSHING, BRACE PIN	ISO550B		523885 1		4 X
L	45 PIN, HINGE	ISO550B		523894K 1		2 X
L	46 BOLT, PIN 1X8 NC	ISO550B		02193480		2 X
L	46 NUT, JAM 1 NC	ISO550B		02716200		4 X
L	47 BUSHING, HINGE PIN	ISO550B		523885 1		4 X
L	49 PIN, HANDLE	ISO550B		617877K 21		2 X
L	50 COLLAR, HANDLE PIN	ISO550B		523883K 1		2 X
L	50 BOLT, PIN 1-1/8X7 NC	ISO550B		02195320		2 X
L	50 NUT, JAM 1-1/8 NC	ISO550B		02717200		4 X
L	51 BUSHING, HANDLE PIN	ISO550B		523886 2		4 X
L	55 PIN, BRACE UPPER	ISO550B		617876K 1		1 X
L	55 COLLAR, BRACE PIN	ISO550B		523888K 1		2 X
L	56 BOLT, HEX 1-1/8X7 NC	ISO550B		02195320		2 X
L	56 NUT, JAM 1-1/8 NC	ISO550B		02717200		4 X
L	61 BRACE, BACK W/BUSHINGS	ISO550B		612090 1		1 X
L	73 PIN, PADLOCK	ISO550B		617877K 21		2 X
L	75 COLLAR, PADLOCK PIN	ISO550B		523883K 1		2 X
L	75 BOLT, PIN 1-1/8X7 NC	ISO550B		02195320		2 X
L	75 NUT, JAM 1-1/8 NC	ISO550B		02717200		4 X
L	78 WEDGE, 1 PC TOOTH OR ADAPTER	ISO550B		519283K 2		5 X
L	80 BODY COMPLETE W/BUSH.	ISO550B	ONLY	861368K 41		1 X
L	80 BODY COMPLETE W/BUSH.	ISO550B		861498K 41		1 X



PARTS LIST

ISSUE NO. 01, 1970

MODEL 888

PAGE 9- 32

DATE 040770

CAT. REF.	DESCRIPTION	SERIAL NO.		PART NO.	REPLACE OR VENDOR NO.	REQ.
		FROM	TO/INCL.			
	012					
L 90	WASHER, HINGE PIN	IS0550B		68765540		6 X
L 90	WASHER, HINGE PIN	IS0550B		68765550		4 X
L 95	SNUBBER, BAND TYPE INCLUDES L299 THRU L313, L368, L369-SEE DWG. L752	IS0550B	ONLY			X
L 96	SNUBBER COMPLETE RH DISC TYPE-INCLUDES L302, L303, L309, L310, L311, L325, L328, L448- SEE DWG. L902 SEE DWG. L902	IS0550BA				X
L 110	GUIDE, LATCH UPPER	IS0550B		400760	1	1 X
L 110	GUIDE, LATCH LOWER	IS0550B		524921	2	2 X
L 113	WASHER, HANDLE PIN	IS0550B		518112K	1	4 X
L 117	BUSHING, PADLOCK PIN	IS0550B		523892	3	4 X
L 299	HOUSING, BRAKE	IS0550B	ONLY	292585A	2	2 X
L 300	CAPSCREW 3/4X3-1/2 NF	IS0550B	ONLY	03245120		8 X
L 300	LOCKWASHER 3/4	IS0550B	ONLY	03961800		8 X
L 301	BAND ASSY, SNUBBER INCLUDES L302, L303, L304	IS0550B	ONLY	718311K	52	2 X
L 302	LINING KIT INCLUDES L303	IS0550B	ONLY	619322K	51	2 X
L 302	LINING, FRICTION DISC	IS0550BA		400866	1	4 X
L 303	RIVET, 6A X 3/4 TUBLR	IS0550B	ONLY	69044750		50 X
L 303	RIVET, DISC #5X1-3/4	IS0550BA		69044010		32 X
L 304	BUSHING, ANCHOR PIN	IS0550B	ONLY	292592	1	4 X
L 305	PIN, LINK, UPPER	IS0550B	ONLY	292589	1	2 X
L 306	LINK, SNUBBER INCLUDES L307	IS0550B	ONLY	523960K	51	4 X
L 307	BUSHING, LINK	IS0550B	ONLY	292593	1	8 X
L 308	PIN, LINK LOWER	IS0550B	ONLY	292590	3	2 X
L 308	PIN, COTTER 5/16X2	IS0550B	ONLY	03121960		4 X
L 309	BOLT, SPRING EYE	IS0550B	ONLY	901323K	51	2 X
L 309	BOLT, PIVOT	IS0550BA		400870	1	2 X
L 310	SPRING, SNUBBER	IS0550B	ONLY	75140010		2 X
L 310	SPRING, SNUBBER	IS0550BA		75668010		2 X
L 311	SEAT, SPRING	IS0550B	ONLY	183438	1	2 X
L 311	PLATE, PRESSURE	IS0550BA		400867		2 X
L 312	BUSHING, LINK PIN	IS0550B	ONLY	292593	2	2 X
L 313	PIN, EYE BOLT ANCHOR	IS0550B	ONLY	407582	2	2 X
L 313	PIN, COTTER 3/16X1-3/4	IS0550B	ONLY	03115840		4 X
L 314	BUSHING, BRACE LOWER	IS0550B		524505	3	2 X
L 315	BUSHING, BRACE UPPER	IS0550B		524505	3	2 X
L 321	RIVET, INSERT	IS0550B		02914640		2 X
L 325	PLATE, FRICTION DISC	IS0550BA		273604	3	2 X
L 329	PIN, LINK UPPER	IS0550BA		507736K	1	2 X
L 342	POINT, AMSCD REG.	IS0550B		89457850		89091137
L 342	POINT, AMSCD ROCK	IS0550B		89457852		89091155
L 342	POINT, H & L REG.	IS0550B		82734326		35
L 342	POINT, BECO REG.	IS0550B		716444K	3	5 X
L 342	POINT, BECO ROCK	IS0550B		716425K	3	5 X
L 343	PIN, POINT AMSCD	IS0550B		89457300		89089909



PARTS LIST

ISSUE NO. 01, 1970

MODEL 88B

PAGE 9- 33

DATE 040770

CAT. REF.	DESCRIPTION	SERIAL NO.		PART NO.	REPLACE OR VENDOR NO.	REQ.
		FROM	TO/INCL.			
	012					
L 343	PIN, POINT H & L	IS0550B		82666026	35	5V
L 343	PIN, POINT BECO	IS0550B		624862K 2		5A
	NOTE-WHEN STOCK OF 624862K2 IS DEPLETED					
	USE FOLLOWING PARTS					
	L438 PLUG, RUBBER			82733057		5
	L343 KEY			532172K 1		5
L 343	KEY	IS0550B		532172K 1		5
L 347	SNUBBER COMPLETE LH DISC TYPE-INCLUDES L425, L449, L452, L455, L456, L457, L471-SEE DWG. L902	IS0550BA				
L 360	WASHER, PLAIN 1-3/4	IS0550B		03952700		20
L 368	SPACER, LINK	IS0550B ONLY		529730K 1		2
L 369	CAPSCREW 3/4X6 NF	IS0550B ONLY		03245920		2
L 369	NUT, FULL 3/4 NF	IS0550B ONLY		02742050		2
L 369	LOCKWASHER 3/4	IS0550B ONLY		03961800		2
414	CAP, ADAPTER	IS0550B		617586K 1		5
425	BUSHING, LINK PIN	IS0550BA		529008K 1		2
L 435	CHAIN, DOOR TRIP	IS0550B		516883K 21		1
L 435	CHAIN, TRIP SHORT	IS0550B		267316 9		1
L 437	CHAIN, TRIP LONG	IS0550B		181911 5		1
L 438	LOCK, POINT AMSCO	IS0550B		89087690	CB-32222	5V
L 438	LOCK, POINT H & L	IS0550B		82580149	K-974	5V
L 438	LOCK, POINT BECO	IS0550B		535069K 2		5A
	NOTE-WHEN STOCK OF 535069K2 IS DEPLETED					
	USE FOLLOWING PARTS					
	L438 PLUG, RUBBER			82733057		5
	L343 KEY			532172K 1		5
L 438	PLUG, RUBBER	IS0550B		82733057		5
L 438	PLUG, RUBBER-AMSCO	IS0550BA		89087718	LS-151	5V
L 444	LEVER, TRIP CHAIN	IS0550B		612660K 21		1
L 445	PIN, LEVER ANCHOR	IS0550B		503916K 2		1
L 445	BOLT, HEX 1-1/4X9 NC	IS0550BA		02197640		2
L 445	PIN, COTTER 5/16X2	IS0550B		03121960		2
L 445	BOLT, HEX 1-1/4X3-3/4	IS0550BA		02196800		2
L 445	NUT, FULL 1-1/4 NC	IS0550BA		02718050		4
L 445	NUT, JAM 1-1/4 NC	IS0550BA		02718200		2
L 445	LOCKWASHER 1-1/4	IS0550BA		03962210		2
L 445	PIN, LEVER TO CLEVIS	IS0550B		516882K 1		1
L 446	PIN, COTTER 1/4X1-1/2	IS0550B		03118720		2
L 448	SUPPORT, SNUBBER RH	IS0550BA		273604 1R		1
L 449	SUPPORT, SNUBBER LH	IS0550BA		273604 1L		1
L 452	PIN, LINK LOWER	IS0550BA		405588 9		2



PARTS LIST

ISSUE NO. 01, 1970

MODEL 88B

PAGE 10- 1

DATE 040770

CAT. REF.	DESCRIPTION	SERIAL NO.		PART NO.	REPLACE OR VENDOR NO.	REQ.
		FROM	TO/INCL.			
	001					
LR	SHOVEL DIPPER TRIP DWG. LR701, LR703 AND LR 708					
LR 2	LEVER, DUMP	77380	93743	403134 1		1
LR 2	LEVER, DUMP	112748		250175 1	901264K 51	10X
LR 60	U-BOLT, ANCHOR	112748		X10143 1		2
LR 66	END, ROD	77380	128944	511543K 1		2 X
LR 66	NUT, FULL 1/2 NC	77380	128944	02711050		2 X
LR 67	PIN, ROD END	77380	128944	500519K 51		2 X
LR 92	SLEEVE, RATCHET	77380	128944	272562 1		1 X
LR 93	KEY, SLEEVE	77380	128944	X13036 49		1 X
LR 96	GUARD	77380	128944	231822 1		1 X
LR 96	SPACER	77380	128944	231822 6		1 X
LR 96	CAPSCREW 1/2X1 3/4 NC	77380	128944	03185560		3 X
LR 96	BOLT, ROD 1/2X8 NC	77380	128944	02188200		1 X
LR 96	NUT, FULL 1/2 NC	77380	128944	02711050		4 X
LR 96	LOCKWASHER 1/2	77380	128944	03961500		4 X
LR 116	PIN, LEVER	77380		194589 1		1
LR 117	SPRING, LEVER	77380		609850K 21		1
LR 121	PIN, ANCHOR	77380	93743	X 9728 1		3
LR 121	PIN, COTTER 3/16X1 1/4	77380	93743	03115600		6
LR 121	PIN, ANCHOR	112748		X 9728 1		2
LR 121	PIN, COTTER 3/16X1 1/2	112748		03115720		4
LR 148	BUSHING, LEVER	77380	93743	198294 4		1
LR 148	BUSHING, LEVER	112748	121020	198294 2		1
LR 148	BUSHING, LEVER	121021		82105220		1
LR 150	GEAR, RATCHET INCLUDES LR327	77380	128944	902883K 51		1 X
LR 157	LEVER, SHIFTER	77380	128944	274819 1		1 X
LR 153	PIN, FULCRUM	77380	128944	299940 1		1 X
LR 164	BRACKET, LEVER	112748		250176 1		1
LR 171	SHEAVE, REAR	77380	128944	230066A		1 X
LR 172	PIN, SHEAVE	77380	128944	299169 1		1 X
LR 196	CAPSCREW 3/4X1 3/4 NC	112748		03194560		2
LR 196	LOCKWASHER 3/4	112748		03961800		2
LR 209	BRACKET, SHEAVE	77380	128944	231793 1		1 X
LR 210	CAPSCREW 3/4X2 1/2 NC	77380	128944	03194900		4 X
LR 210	LOCKWASHER 3/4	77380	128944	03961800		4 X
LR 216	BOLT, ANCHOR	77380		514384K 1		1
LR 216	NUT, JAM 5/8 NF	77380		02741650		1
LR 221	RETAINER, SLEEVE	77380	128944	299941 1		1 X
LR 222	CAPSCREW 1/2X1 1/4 NC	77380	128944	03185400		3 X
LR 222	LOCKWASHER 1/2	77380	128944	03961500		3 X
LR 248	YUKE, U-BOLT	112748	128944	406503 1		1 X
LR 256	BUSHING, SHEAVE	77380	128944	82091450		2 X
LR 257	FRAME, SHEAVE	77830		272024AA		1
LR 259	PIN, YOKE	112748	128944	406504 1		1 X
LR 261	PIN, SHEAVE	77380	79925	31744 124		1
LR 261	PIN, SHEAVE	79926	93743	404327 1		1
LR 261	PIN, SHEAVE	112748		409193 1		1
LR 264	GUARD, ROPE	77380	128944	403192 1		1 X
LR 264	CAPSCREW 1/2X1 NC	77380	128944	02185320		1 X



PARTS LIST

ISSUE NO. 01, 1970

MODEL 88B

PAGE 10- 2

DATE 040770

CAT. REF.	DESCRIPTION	SERIAL NO.		PART NO.	REPLACE OR VENDOR NO.	REQ.
		FROM	TO/INCL.			
	001					
LR 264	LOCKWASHER 1/2	77380	128944	03961500		1 X
LR 265	ANCHOR, ROPE	77380	128944	901287K 51		1 X
	INCLUDES LR326					
LR 266	SOCKET, ROPE	77380	128944	526576K 1		1 X
LR 267	WEDGE, SOCKET	77380	128944	299076A		1 X
LR 269	LEVER, DUMP SEE LR2	77380				
LR 271	PIN, LEVER SEE LR116	77380				
LR 272	BOLT, LEVER PIN	77380				
	SEE LR351					
LR 288	BOLT, SHEAVE PIN	77380	128944	197446 21		1 X
LR 289	BRACKET, SHAFT	77380	93743	223599A		2
LR 289	BRACKET, SHAFT	112748		278456A		2
LR 290	CAPSCREW 5/8X1 3/4 NC	77380		03191560		8
LR 290	LOCKWASHER 5/8	77380		03961700		8
LR 291	LEVER, TRIP	77380	93743	278774A		1
LR 291	LEVER, TRIP	112748	128944	903338K 51		1 X
	INCLUDES LR293					
LR 291	LEVER, TRIP	129763		722963K 21		1 X
LR 292	KEY, LEVER WOODRUFF	77380		54306250		2 X
LR 293	CAPSCREW 5/8X3 NC	77380		03191960		2
LR 293	NUT, FULL 5/8 NC	77380		02713050		2
LR 293	LOCKWASHER 5/8	77380		03961700		2
LR 294	CAPSCREW 1/2X2 1/4 NC	77380	128944	03185720		1
LR 294	NUT, JAM 1/2 NC	77380	128944	02711250		1
LR 317	SHAFT, CRANK & PINION	77380	128944	274460 1		1 X
LR 317	PIN, COTTER 3/8X2 1/2	77380	128944	03125200		2 X
LR 318	WASHER, RETAINER	77380	128944	190126 1		1 X
LR 319	PINION, SHAFT	77380	125996	271303 1	271303 2	10
LR 319	PINION, SHAFT	126087	128944	271303 2		1 X
LR 320	WASHER, PIN	77380	128944	X 6753 1		1 X
LR 321	HOUSING, PINION & CRANK	77380	128944	217459 1	902880K 51	10 X
LR 322	BOLT, HOUSING	77380	128944	522306K 1		1 X
LR 322	NUT, FULL 1 NF	77380	128944	02743050		1 X
LR 322	LOCKWASHER 1	77380	128944	03962000		1 X
LR 324	BUSHING, RH	77380	128944	297698A		1 X
LR 325	BUSHING, LH	77380	128944	297697A		1 X
LR 326	BUSHING, ANCHOR	77380	128944	Y 7996A		1 X
LR 327	BUSHING, GEAR	77380	128944	299915A		1 X
LR 328	BUSHING, LEVER	77380	128944	500117K 1		2 X
LR 329	CAPSCREW 3/8X1 NC	77380	128944	03179320		1 X
LR 329	LOCKWASHER 3/8	77380	128944	03961300		1 X
LR 332	SHOE, LEVER	77380	128944	403420A		2 X
LR 333	PIN, SHOE	77380	128944	403419 1		2 X
LR 334	SPRING, LEVER	77380	128944	75650010		1 X
LR 335	ROD, SPRING	77380	128944	403418 1		1 X
LR 335	NUT, FULL 1/2 NC	77380	128944	02711050		3 X
LR 335	WASHER, PLAIN 1/2	77380	128944	03951600		1 X
LR 336	CLAMP, ROPE	77380	128944	229200 1		1 X
LR 337	CAPSCREW 1/2X1 1/2 NC	77380	128944	03185480		2
LR 337	NUT, FULL 1/2 NC	77380	128944	02711050		2 X
LR 337	LOCKWASHER 1/2	77380	128944	03961500		2 X
LR 338	SHEAVE, FOOT PIN	77380	128944	900157K 51		1 X
	INCLUDES LR 2					



PARTS LIST

ISSUE NO. 01, 1970

MODEL 88B

PAGE 10-3

DATE 040770

CAT. REF.	DESCRIPTION	SERIAL NO.		PART NO.	REPLACE OR VENDOR NO.	REQ.
		FROM	TO/INCL.			
	001					
LR 339	BUSHING, SHEAVE	77380	128944	82091450		1 X
LR 340	GUARD, ROPE	77380	128944	272053 5		1 X
LR 341	BOLT, GUARD	77380	128944	197446 21		1 X
LR 342	SHEAVE, DEFLECTION	77380	79925	273329A	900157K 51	2DX
LR 342	SHEAVE, DEFLECTION INCLUDES LR343	79926		900157K 61		2 X
LR 343	BUSHING, SHEAVE	77380	79925	82091450		2 X
LR 343	BUSHING, SHEAVE	79926		401965A		2
LR 344	BOLT, PIN	77380	79925	197446 22		1
LR 344	BOLT, PIN - SEE LR349	79926				
LR 345	BUSHING, LEVER	77380	93743	282549 1		1
LR 345	BUSHING, TRIP LEVER	129763		500117K 1		1 X
LR 346	FRAME, SHAFT SEE LR257	77380				
LR 348	PIN, SHEAVE SEE LR261	77380				
LR 349	BAR, PIN LOCK	77380	79925			
LR 349	LOCK PIN	79926		402312 1		1
LR 350	CAPSCREW 1/4X3/4 NC	79926		03173240		2
LR 350	LOCKWASHER 1/4	79926		03961010		2
LR 351	BOLT, PIN EYE	77380	93743	403353 1		1
LR 351	BOLT, PIN EYE	112748		400930 1		1
LR 352	CAPSCREW 1/2X1 1/4 NC	77380		03185400		1
LR 352	LOCKWASHER 1/2	77380		03961500		1
LR 353	LEVER, TRIP SEE LR291	77380				
LR 373	SHAFT, LEVER	112748	128944	278493 1		1 X
LR 373	SHAFT, LEVER	129763		625337K 1		1 X
LR 376	EYE BOLT, PIN LOCKING	112748	128944	403474 1		1 X
LR 377	CAPSCREW 1/4X3/4 NC	112748	128944	03173240		1 X
LR 377	LOCKWASHER 1/4	112748	128944	03961010		1 X
LR 391	SPRING, RETURN	129763		609850K 21		1 X
LR 392	BOLT, SPRING ADJ.	129763		514334K 1		1 X
LR 392	NUT, JAM 5/8 NF	129763		02741650		1 X
LR 393	PIN, SPRING ANCHOR	129763		518343K 1		1 X
LR 395	COTTER PIN 3/16X1-1/2	129763		03115720		2 X



PARTS LIST

ISSUE NO. 01, 1970

MODEL 888

PAGE 10- 4

DATE 040770

CAT. REF.	DESCRIPTION	SERIAL NO.		PART NO.	REPLACE OR VENDOR NO.	REQ.
		FROM	TO/INCL.			
	002					
LR	STRIPPING SHOVEL DIPPER TRIP					
	DRAWING LR701, LR705					
LR 2	LEVER, DUMP INCL LR148	52320				
	SEE LR269					
LR 66	END, ROD	52320		511543K 1		2
LR 66	NUT, FULL 1/2 NC	52320		02711050		2
LR 67	PIN, ROD END	52320		500519K 51		2
LR 92	SLEEVE, RATCHET	52320		272562 1		1
LR 93	KEY, SLEEVE	52320		X13036 49		1
LR 96	GUARD, GEAR & PINION	52320		231822 1		1
LR 96	SPACER	52320		231822 6		1
LR 96	CAPSCREW 1/2X1 3/4 NC	52320		03185560		3
LR 96	BOLT, ROD 1/2X8 NC	52320		02188200		1
LR 96	NUT, FULL 1/2 NC	52320		02711050		4
LR 96	LOCKWASHER 1/2	52320		03961500		4
LR 116	PIN, LEVER SEE LR271	52320				
LR 117	SPRING, LEVER	52320		609850K 21		1
LR 121	PIN, ANCHOR	52320		X 9728 1		3
LR 121	PIN, COTTER 3/16X1 1/4	52320		03115600		6
LR 148	BUSHING, LEVER	52320		198294 4		1
LR 150	GEAR, RATCHET	52320	ONLY	230403A		1
LR 150	GEAR, RATCHET	77377		230403AA	902883K 51	10X
LR 157	LEVER, SHIFTER	52320	ONLY	272566 1		1 X
LR 157	LEVER, SHIFTER	77377		274819 1		1
LR 158	PIN, FULCRUM	52320		299940 1		1
LR 171	SHEAVE, REAR	52320		230066A		1
LR 172	PIN, SHEAVE	52320		299169 1		1
LR 209	BRACKET, SHEAVE	52320	ONLY	229294 1		1 X
LR 209	BRACKET, SHEAVE	77377		231793 1		1
LR 210	CAPSCREW 3/4XI 1/2 NC	52320		03194800		4
LR 210	LOCKWASHER 3/4	52320		03961800		4
LR 216	BOLT, ANCHOR	52320		514384K 1		1
LR 216	NUT, JAM 5/8 NF	52320		02741650		1
LR 221	RETAINER, SLEEVE	52320		299941 1		1
LR 222	CAPSCREW 1/2X1 1/4 NC	52320		03185400		3
LR 222	LOCKWASHER 1/2	52320		03961500		3
LR 256	BUSHING, SHEAVE	52320	128944	82091450		2 X
LR 257	FRAME, SHEAVE SEE LR346	52320				
LR 261	PIN, SHEAVE SEE LR348	52320				
LR 264	GUARD, ROPE	77377		403192 1		1
LR 264	CAPSCREW 1/2X1 NC	77377		03185320		1
LR 264	LOCKWASHER 1/2	77377		03961500		1
LR 265	ANCHOR, ROPE	52320		901287K 51		1 X
LR 266	INCLUDES LR326 SOCKET, ROPE	52320		526576K 1		1
LR 267	WEDGE, SOCKET	52320	ONLY	299076 1		1 X
LR 267	WEDGE, SOCKET	77377		299076A		1
LR 269	LEVER, DUMP	52320		403134 6		1
LR 271	PIN, LEVER	52320		402792 1		1



PARTS LIST

ISSUE NO. 01, 1970

MODEL 88B

PAGE 10- 5

DATE 040770

CAT. REF.	DESCRIPTION	SERIAL NO.		PART NO.	REPLACE OR VENDOR NO.	REQ.
		FROM	TO/INCL.			
	002					
LR 272	BOLT, LEVER PIN	52320		198511 34		1
LR 288	BOLT, SHEAVE PIN	52320		197446 21		1
LR 291	LEVER, TRIP SEE LR353	52320				
LR 292	KEY, LEVER WOODRUFF	52320		54306250		1 X
LR 293	CAPSCREW 5/8X3 NC	52320		03191960		2
LR 293	NUT, FULL 5/8 NC	52320		02713050		2
LR 293	LOCKWASHER 5/8	52320		03961700		2
LR 294	CAPSCREW 1/2X2 1/4 NC	52320		03185720		1
LR 294	NUT, JAM 1/2 NC	52320		02711250		1
LR 317	SHAFT, CRANK & PINION	52320	ONLY	271306 1		1 X
LR 317	PIN, CUTTER 3/8X2 1/2	52320	ONLY	03125200		2 X
LR 317	SHAFT, CRANK & PINION	77377		274460 1		1
LR 317	PIN, CUTTER 3/8X2 1/2	77377		03125200		2
LR 318	WASHER, RETAINER	52320		190126 1		1
LR 319	PINION, SHAFT	52320		271303 1	271303 3	1 D
LR 320	WASHER, PIN	52320		X 6753 1		1
LR 321	HOUSING, PINION	52320	ONLY	216595 1		1 X
LR 321	HOUSING, PINION	77377		217459 1		1
LR 322	BOLT, HOUSING 1X7 NF	52320	ONLY	522336K 1		1 X
LR 322	NUT, FULL 1 NF	52320	ONLY	02743050		1 X
LR 322	LOCKWASHER 1	52320	ONLY	03962000		1 X
LR 322	BOLT, HOUSING	77377		522306K 1		1
LR 322	1X5 3/4 NF					
LR 322	LOCKWASHER 1	77377		03962000		1
LR 324	BUSHING, RH	52320		297698A		1
LR 325	BUSHING, LH	52320		297697A		1
LR 326	BUSHING, ANCHOR	52320		Y 7996A		1
LR 327	BUSHING, GEAR	52320		299915A		1
LR 328	BUSHING, LEVER	52320		500117K 1		2 X
LR 329	CAPSCREW 3/8X1 NC	52320		03179320		1
LR 329	LOCKWASHER 3/8	52320		03961300		1
LR 330	BRACKET, LEVER	52320		272565 1		1
LR 331	CAPSCREW 5/8X1 1/2 NC	52320		03191480		2
LR 331	NUT, FULL 5/8 NC	52320		02713050		2
LR 331	LOCKWASHER 5/8	52320		03961700		2
LR 332	SHOE, LEVER	52320	ONLY	Y 2973A 1		2 X
LR 332	SHOE, LEVER	77377		403420A		2
LR 333	PIN, SHOE	52320	ONLY	X13288 1		2 X
LR 333	PIN, SHOE	77377		403419 1		2
LR 334	SPRING, LEVER	52320	ONLY	X 8079 1		1 X
LR 334	SPRING, LEVER	77377		299354 1		1
LR 335	ROD, SPRING	77377		403418 1		1
LR 335	NUT, FULL 1/2 NC	77377		02711050		3
LR 335	WASHER, PLAIN 1/2	77377		03951600		1
LR 335	CLAMP, ROPE	52320		299200 1		1
LR 337	CAPSCREW 1/2X1 1/2 NC	52320		03185480		2
LR 337	NUT, FULL 1/2 NC	52320		02711050		2
LR 337	LOCKWASHER 1/2	52320		03961500		2
LR 338	SHEAVE, FOOT PIN	52320	ONLY	199368AB 1		1 X
LR 338	SHEAVE, FOOT PIN	77377		273329A	900157K 51	1 D X
LR 339	BUSHING, SHEAVE	52320		82091450		1 X
LR 340	GUARD, ROPE	52320	ONLY	272053 1		1 X
LR 340	GUARD, ROPE	77377		272053 5		1
LR 341	BOLT, GUARD	52320	ONLY	197446 22		1 X



PARTS LIST

ISSUE NO. 01, 1970

MODEL 88B

PAGE 11- 1

DATE 040770

CAT. REF.	DESCRIPTION	SERIAL NO.		PART NO.	REPLACE OR VENDOR NO.	REQ.
		FROM	TO/INCL.			
	001					
M	SHUVEL DIPPER HANDLE DWG. M700, JA711					
M	1 HANDLE COMPLETE	77380				R
M	54 END, HANDLE	77380				R
M	55 BUSHING, END PIN	77380	125115	529061K 1		2 X
M	55 BUSHING, END PIN	125261		520560K 1		2
M	75 ANCHOR, ROPE	77380	93743	277070 1		1
M	75 ANCHOR, ROPE	112748		239674A		1
M	77 PIN, ANCHOR	112748		408857 1		1
M	78 BOLT, ANCHOR PIN	112748		285107 14		1
M	78 WASHER, PLAIN 7/8	112748		03952000		1
M	78 PIN, COTTER 1/4x1 1/2	112748		03118720		1
M	82 BUSHING, BRACE PIN	77380	125115	529039K 1		4
M	82 BUSHING, BRACE PIN	125261		520559K 1		4
M	83 SPRING, LEAF	77380		75187010		4
M	84 COVER, SPRING	77380		290881 1		2
M	85 CAPSCREW 3/4x3 NC	77380		03194960		4
M	85 NUT, FULL 3/4 NC	77380		02714050		4
M	85 LOCKWASHER 3/4	77380		03961800		4
M	97 GUARD, ROPE	77380	93743	403378 1		2
M	98 CAPSCREW 3/4x5 1/2 NC	77380	93743	03195760		2
M	98 NUT, FULL 3/4 NC	77380	93743	02714050		2
M	98 LOCKWASHER 3/4	77380	93743	03961800		2
M	103 LOCK, END CAP	77380	93743	402618 1		1
M	104 CAPSCREW	77380	93743	282248 1		2
M	112 DRUM, TAKE-UP	77380				
	SEE JR973					
M	113 SHAFT, DRUM SEE JR543	77380				
M	114 PAWL, UPPER SEE JR976	77380				
M	115 PAWL, LOWER SEE JR976	77380				
M	116 PIN, PAWL - SEE JR977	77380				
M	119 SPRING, PAWL	77380				
	SEE JR980					
M	130 TUBE, HANDLE	77380				R
M	140 TUBE & END CASTING	77380				R
M	201 SOCKET, ROPE	112748		250184A	903543K 51	1D
M	202 BUSHING, SOCKET	112748		529148K 1		2
M	203 WEDGE, SOCKET	112748		278405A		1
M	204 BUSHING, SOCKET PIN	112748		529148K 1		2
M	205 PIN, SOCKET	112748		409096 1		1
M	206 BOLT, SOCKET PIN 5/8 X 3 3/4	112748		02475390		1



PARTS LIST

ISSUE NO. 01, 1970

MODEL 88B

PAGE 11- 2

DATE 040770

CAT. REF.	DESCRIPTION	SERIAL NO.		PART NO.	REPLACE OR VENDOR NO.	REQ.
		FROM	TO/INCL.			
	002					
M	STRIPPING SHOVEL DIPPER HANDLE DWG. L702, L716					
M 97	GUARD, RUPE	124849		410841 1		2
M 98	BOLT, GUARD 3/4x9 NC	124849		02190950		2
M 98	NUT, FULL 3/4 NC	124849		02714050		2
M 98	LOCKWASHER 3/4	124849		03961800		2
M 101	HANDLE COMPLETE	52320				R
M 102	CAP, END	52320	93741	277070 1		1
M 102	CAP, END	124849		239933 1		1
M 103	LOCK, END CAP	52320	93741	402618 1		1
M 104	CAPSCREW	52320	93741	282248 1		2
M 105	BOLT, GUARD 3/4 X 4 1/4 NC	52320	93741	03195360		2
M 105	LOCKWASHER 3/4	52320	93741	03961800		2
M 109	SPRING, LEAF	52320		75187010		4
M 110	COVER, SPRING	52320		274384 1		1
M 111	CAPSCREW 1/2X1 1/4 NC	52320		03185400		2
M 111	LOCKWASHER 1/2	52320		03961500		2
M 132	BOLT, ASSEMBLY	52320		903291K 51		2
M 224	BEARING, END CAP	124849		279253 1		1
M 225	BUSHING, OUTER	124849		410511A		1
M 226	BUSHING, INNER	124849		279250A		1
M 227	BOLT, END CAP	124849		279251 1		1
M 227	NUT, FULL 2 1/2 NC	124849		02726100		1
M 227	NUT, JAM 2 1/2 NC	124849		02726150		1
M 228	SEPARATOR, BOLT	124849		410704A		2
M 229	HANDLE, BARE DIPPER	124849				R



PARTS LIST

ISSUE NO. 01, 1970

MODEL 885

PAGE 12- 1

DATE 040770

CAT. REF.	DESCRIPTION	SERIAL NO.		PART NO.	REPLACE OR VENDOR NO.	REQ.
		FROM	TO/INCL.			
	001					
N	SADDLE BLOCK DWG. JA702, JA703, JA722					
N	1 SADDLE BLOCK COMPLETE	52320				R 1
N	3 SADDLE BLOCK FOR SHOVEL	93741		239650A		1
N	3 SADDLE BLOCK	52320	93743	238612 1		1 K
N	3 SADDLE BLOCK FOR STRIPPING SHOVEL	120715		250924 1		1
N	5 BUSHING, SADDLE BLOCK FOR SHOVEL	93741		408707A		2.
N	5 BUSHING, SADDLE BLOCK FOR STRIPPING SHOVEL	52320	93743	297113A		2
N	5 BUSHING, SADDLE BLOCK FOR STRIPPING SHOVEL	120715		250924A		2
N	9 PLATE, WEARING FOR SHOVEL	93741		408706A		6
N	9 PLATE, WEARING FOR STRIPPING SHOVEL	52320		402463A		12
N	10 CAPSCREW FOR SHOVEL	93741	120034	408708 1		12
	10 CAPSCREW FOR SHOVEL	120302		511128K 1		12
	10 CAPSCREW	52320		297781 1		24
N	11 SHIM, WEARING PLATE FOR STRIPPING SHOVEL	93741		505594K 1		6
N	11 SHIM, WEARING PLATE FOR SHOVEL	93741		505595K 1		12
N	11 SHIM, WEARING PLATE FOR SHOVEL	52320		402543 1		12
N	11 SHIM, WEARING PLATE FOR STRIPPING SHOVEL	52320		402543 2		12
N	11 SHIM, WEARING PLATE FOR STRIPPING SHOVEL	52320		402543 3		12
N	17 SADDLE BLOCK COMPLETE	52320				
N	18 SADDLE BLOCK SEE N3	52320				



PARTS LIST

ISSUE NO. 01, 1970

MODEL 88B

PAGE 13- 1

DATE 040770

CAT. REF.	DESCRIPTION	SERIAL NO.		PART NO.	REPLACE OR VENDOR NO.	REQ.
		FROM	TO/INCL.			
	001					
P	SHOVEL PADLOCK DWGS. L703,L706,L707,L710 L715,L724,P717 & P732					
P 1	PADLOCK COMPLETE	77380				R
P 2	SHEAVE, PADLOCK INCLUDES P3	112748	124182	601822K 52		1 X
P 2	SHEAVE, PADLOCK INCLUDES P3	124402		617043K 51		1 X
P 3	BUSHING, SHEAVE	112748		408656A		2
P 5	PIN, SHEAVE	112748	116269	278171 1		1
P 5	PIN, SHEAVE	116650	124182	503592K 1		1 X
P 5	PIN, SHEAVE	124402		521039K 21		1 X
P 6	BOLT, SHEAVE PIN	112748	116269	240182 12		1
P 6	PIN, COTTER 3/8X2	112748	116269	03124960		1
P 6	BOLT, SHEAVE PIN	116650	124182	503602K 1		1 X
P 6	PIN, COTTER 1/4X1 3/4	116650	124182	03118840		1 X
P 6	COLLAR, SHEAVE PIN	124402	126415	520557K 1		1 X
P 6	COLLAR, SHEAVE PIN	126570	128944	525879K 1		1 X
P 6	COLLAR, SHEAVE PIN	129763		531688K 21		1 X
P 6	BOLT, HEX 1X6-1/2 NC	124402		03193240		1 X
6	LOCKNUT, 1 NC	124402		02765550		1 X
7	FRAME, PADLOCK	112748	116269	239627A		1
P 7	FRAME, PADLOCK	116650	124182	239627AA		1 X
P 7	FRAME, PADLOCK	124402	126416	617042K 21		1 X
P 7	FRAME, PADLOCK	126570	128944	612171K 21		1 X
P 7	FRAME, PADLOCK	129763		625354K 21		1 X
P 24	LINK, PADLOCK	77380	93743	271664A		2
P 25	BUSHING, UPPER	77380	93743	298468C		2
P 26	PIN, LINK	77380	93743	298521 1		2
P 27	BOLT, LINK PIN	77380	93743	198511 11		4
P 116	BUSHING, LOWER	77380	93743	529039K 1		4
P 117	SOCKET, ROPE	77380	93742	233352AA		2
P 117	SOCKET, ROPE	93743	93743	218075A		2 X
P 118	BUSHING, SOCKET	77380	93743	529198K 1		4
P 119	WEDGE, SOCKET	77380	78944	402897A		2
P 119	WEDGE, SOCKET	79925	93742	276385A		2
P 119	WEDGE, SOCKET	93743	93743	277294A		2 X
P 120	PIN, SOCKET	77380	93743	298225 1		2
P 121	BOLT, SOCKET PIN	77380	93743	198511 11		2
P 146	CAPSCREW 1X2 1/2 NC	112748	116269	03200800		1
P 146	LOCKWASHER 1	112748	116269	03962000		1
P 166	SPRING, LEAF	112748	116269	402220 1		4
P 167	SPACER, SPRING	112748	116269	240182 10		2
P 245	GUARD, ROPE	124402	126415	714985K 21		1 X
P 245	GUARD, ROPE	126570		718360K 21		1 X
P 247	CAPSCREW 5/8X1 NC	124402	126415	03191320		4 X
P 247	LOCKWASHER 5/8	124402	126415	03961700		4 X
P 247	CAPSCREW 1X1-1/2 NC	126570		03200480		4 X
P 247	LOCKWASHER 1	126570		03962000		4 X



PARTS LIST

ISSUE NO. 01, 1970

MODEL 88B

PAGE 13- 2

DATE 040770

CAT. REF.	DESCRIPTION	SERIAL NO.		PART NO.	REPLACE OR VENDOR NO.	REQ.
		FROM	TO/INCL.			
	002					
P	STRIPPING SHOVEL PADLOCK DWG. L702, L716					
P 36	FRAME, RH	120715		240023A		1
P 37	PIN, FRAME	120715		411057 1		2
P 38	BOLT, PIN EYE	120715		408453 1		2
P 39	SHEAVE, PADLOCK	120715		279636A		2
P 40	BUSHING, SHEAVE	120715		410797A		4
P 41	PIN, SHEAVE	120715		279500 1		2
P 42	BOLT, PIN EYE	120715		408453 1		2
P 43	CAPSCREW 1/2X2 1/2 NC	120715		03200800		2
P 43	LOCKWASHER 1	120715		03962000		2
P 65	CAPSCREW 1X2 1/2 NC	120715		03200800		2
P 65	LOCKWASHER 1	120715		03962000		2
P 90	LINK, RH & LH	52320	93741	274321A		2
P 90	LINK, RH	120715		251304A		1
P 91	PIN, LINK	52320	93741	402784 1		2
P 91	PIN, LINK	120715		505182K 1		2
P 92	BOLT, LINK PIN	52320	93741	198511 39		2
P 92	BOLT, LINK PIN	120715		197623 9		2
P 92	PIN, COTTER 1/4X1 3/4	120715		03118840		2
P 93	BUSHING, LINK UPPER	52320	93741	298468C		2
P 93	BUSHING, LINK UPPER	120715		298470D		2
P 94	FRAME, LH	120715		240023B		1
P 96	BUSHING, LINK LOWER	52320	93741	529039K 1		4
P 96	BUSHING, LINK LOWER	120715		298470B		4
P 117	SOCKET, ROPE	52320	93741	233352AA		2
P 118	BUSHING, SOCKET	52320	93741	529198K 1		4
P 119	WEDGE, SOCKET	52320	93741	402897A		2
P 120	PIN, SOCKET	52320	93741	298225 1		2
P 121	BOLT, SOCKET PIN	52320	93741	198511 11		2
P 122	LINK, LOWER	52320	93741	274304A		2
P 123	BUSHING, LINK UPPER	52320	93741	529038K 1		2
P 124	BUSHING, LINK LOWER	52320	93741	298470C		4
P 125	PIN, LOWER LINK	52320	93741	402783 1		2
P 126	BOLT, LINK PIN	52320	93741	198511 10		2
P 127	PADLOCK COMPLETE	52320				R
P 169	LINK, LH	120715		251304B		1
P 170	BUSHING, FRAME PIN	120715		298470B		4



PARTS LIST

ISSUE NO. 01, 1970

MODEL 88B

PAGE 13- 3

DATE 040770

CAT. REF.	DESCRIPTION	SERIAL NO.		PART NO.	REPLACE OR VENDOR NO.	REQ.
		FROM	TO/INCL.			
	003					
P	HOOK BLOCK MCKISSICK NO. 341-30T DWG. P721					
P	9 HOOK BLOCK COMPLETE			82027650	341	1V
P	10 SHEAVE				24341-8	1V
P	12 PIN, CENTER				24341-7	1V
P	13 HOOK, SWIVEL				24341-12	1V
P	14 NUT, HOOK				24341-14	1V
P	14 KEY, NUT				24341-15	1V
P	15 WASHER, HOOK				24341-13	1V
P	95 PLATE, SIDE				24341-1	1V
P	132 BEARING, ROLLER				24341-9	1V
P	145 LINK, DEAD END			277387 1		1 X
P	146 PIN, LINK			407287 1		1 X
P	146 PIN, COTTER 1/2X3 1/2			03128680		2 X
P	155 CASE, SWIVEL				24341-6	1V
P	155 WASHER, FILLER				24341-16	1V
P	155 BUSHING, HOOK				24341-17	1V
P	156 BOLT, LOWER				24341-4	2V
P	161 BOLT, SPACER				24341-3	2V
P	162 SPACER				24341-5	2V
P	163 WASHER, THRUST				24341-10	2V
P	174 PLATE, SIDE				24341-1	1V
P	175 PLATE, LOCK				24341-11	2V



PARTS LIST

ISSUE NO. 01, 1970

MODEL 88B

PAGE 14- 1

DATE 040770

CAT. REF.	DESCRIPTION	SERIAL NO.		PART NO.	REPLACE OR VENDOR NO.	REQ.
		FROM	TO/INCL.			
	001					
Q	DIESEL ENGINE MOUNTING DWG. Q717					
	BUDA 8DAS-1290					
Q	74 COCK, DRAIN	112748	118304	79070500		1
Q	82 BASE, ENGINE	112748	118304	101789	1	1
Q	87 PIPE, EXHAUST	112748	118304	279550	1	1
Q	88 ADAPTER, MUFFLER	112748	118304	234992	1	1
Q	133 MUFFLER, DONALDSON	112748	118304	46653350	MO1201	2V
Q	167 LEVER, HAND	112748	118304	297819A	1	1
Q	167 WASHER, PLAIN 3/4	112748	118304	03951900		1
Q	167 PIN, COTTER 3/16X1 1/4	112748	118304	03115600		1
Q	168 SPRING, LATCH	112748	118304	X13883	1	1
Q	169 ROD, LATCH	112748	118304	293883	1	1
Q	171 CONTROL, PUSH-PULL	112748	118304	46321760		1
Q	171 NUT, JAM 1/4 NF	112748	118304	02738550		2
Q	367 BOLT, ADJUSTING	112748	118304	408654	1	1
Q	367 NUT, FULL 1-1/4 NF	112748	118304	02744050		3
Q	367 NUT, JAM 1-1/4 NF	112748	118304	02744150		3
Q	368 BOLT, ADJUSTING	112748	118304	410871	1	1
Q	368 NUT, FULL 1-1/4 NF	112748	118304	02744050		3
Q	368 NUT, JAM 1-1/4 NF	112748	118304	02744150		3
Q	454 PIPE, EXHAUST	112748	118304	200202	1	1
Q	454 PIPE, EXHAUST	112748	118304	412035	1	1
Q	493 COCK, DRAIN	112748	118304	79088500		1
Q	496 BEARING, ADJ. BOLT	112748	118304	298077A		2
Q	497 CAPSCREW 5/8X2 NC	112748	118304	03191640		8
Q	497 LOCKWASHER 5/8	112748	118304	03961700		8
Q	498 STUD, FOUNDATION	112748	118304	298293	1	4
Q	498 NUT, FULL 1-1/4 NF.	112748	118304	02744050		4
Q	498 NUT, JAM 1-1/4 NF	112748	118304	02744150		4
Q	498 WASHER, PLAIN 1 1/4	112748	118304	03952300		4
Q	500 GAUGE, OIL PRESSURE	112748	118304	82315150	82317647	10
Q	522 CAPSCREW 1/2X1 1/2 NC	112748	118304	03185480		16
Q	522 LOCKWASHER 1/2	112748	118304	03961500		16
Q	525 CAPSCREW 1/2X2 NC	112748	118304	03185640		8
Q	525 LOCKWASHER 1/2	112748	118304	03961500		8
Q	631 END, ROD	112748	118304	49107510		1
Q	632 PIN, ROD END	112748	118304	49115510		1
Q	655 SUPPORT, MUFFLER	112748	118304	278253	1	2
Q	656 CAPSCREW 3/8X1 NC	112748	118304	03179320		8
Q	656 LOCKWASHER 3/8	112748	118304	03961300		8
Q	657 LEVER, HAND	112748	118304	279607	1	1
Q	733 JOINT, BALL	112748	118304	82571450		1
Q	733 NUT, JAM 1/4 NF	112748	118304	02738550		1
Q	797 RATCHET, LEVER	112748	118304	293884	1	1
Q	798 CAPSCREW 3/8X3 3/4 NC	112748	118304	03180200		1
Q	798 CAPSCREW 3/8X1 NC	112748	118304	03179320		1
Q	798 NUT, FULL 3/8 NC	112748	118304	02709150		2
Q	798 LOCKWASHER 3/8	112748	118304	03961300		2
Q	799 BRACKET, ANCHOR	112748	118304	408684	1	1
Q	800 CAPSCREW 5/16X1 NF	112748	118304	03226320		2
Q	800 NUT, FULL 5/16 NF	112748	118304	02739050		2



PARTS LIST

ISSUE NO. 01, 1970

MODEL 88B

PAGE 14- 2

DATE 040770

CAT. REF.	DESCRIPTION	SERIAL NO.		PART NO.	REPLACE OR VENDOR NO.	REQ.
		FROM	TO/INCL.			
	001					
Q 800	LOCKWASHER 5/16	112748	118304	03961210		2
Q 872	COCK, STOP	112748	118304	79088500		1
Q 874	SUPPORT, CONVERTER	112748	ONLY	251828 1		1 X
Q 874	SUPPORT, CONVERTER	112749	118304	279503 1		1
Q 875	BOLT, SUPPORT 1X14 NC	112748	118304	02194120		2 X
Q 875	NUT, FULL 1 NC	112748	118304	02716050		2 X
Q 875	LOCKWASHER 1	112748	118304	03962000		2 X
Q 875	BOLT, SUPPORT	112748	118304	522257K 1		4 X
Q 875	NUT, FULL 1 NF	112748	118304	02743050		4 X
Q 875	LOCKWASHER 1	112748	118304	03962000		4 X
Q 875	CAPSCREW 3/4X2 NC	112749	118304	03194640		4
Q 875	NUT, FULL 3/4 NC	112749	118304	02714050		4
Q 875	LOCKWASHER 3/4	112749	118304	03961800		4
Q 876	DOWEL, SMALL	112749	118304	279503 3		2
Q 883	CAPSCREW 1/2X2 1/2 NC	112748	118304	03185800		1
Q 883	LOCKWASHER 1/2	112748	118304	03961500		1
Q 884	STRAP, CLAMPING	112748	118304	278258 2		4
Q 885	CAPSCREW 3/8X2 NC	112748	118304	03179640		6
Q 885	NUT, FULL 3/8 NC	112748	118304	02709150		6
Q 885	LOCKWASHER 3/8	112748	118304	03961300		6
Q 886	CLAMP, PIPE MAREMONT	112748	118304	82140550	X-51	2V
Q 887	PIN, ROD END	112748	118304	408680 1		1
Q 888	BOLT, PIN EYE	112748	118304	403474 2		1
Q 889	CAPSCREW 1/4 X 3/4 NC	112748	118304	03173240		1
Q 889	LOCKWASHER 1/4	112748	118304	03961010		1
Q 890	PIN, CYLINDER ANCHOR	112748	118304	408681 1		1
Q 890	PIN, COTTER 1/8 X 2	112748	118304	03109960		1
Q 917	BOLT, ADJ. SEE ZA786	112748	118304			
Q 918	BOLT, FOUNDATION SEE ZA785	112748	118304			
Q 919	BUSHING, ANCHOR PIN	112748	118304	X 9290 1		1
Q 920	CAPSCREW 1/2X2 NC	112748	118304	03185640		8
Q 920	LOCKWASHER 1/2	112748	118304	03961500		8
Q 921	BRACKET, ANCHOR	112748	118304			
	SEE Q923					
Q 922	CAPSCREW SEE Q924	112748	118304			
Q 923	SUPPORT, FILTER	112748	118304	251521 1		1
Q 924	CAPSCREW 1/2X1 NC	112748	118304	03185320		3
Q 924	LOCKWASHER 1/2	112748	118304	03961500		3
Q 925	PIPE, EXHAUST	112748	118304	279549 1		1
Q 928	DEFLECTOR, EXHASUT	112748	118304	501543K 21		2
Q 929	CAPSCREW 3/8X1 1/2 NF	112748	118304	03229480		2
Q 929	NUT, FULL 3/8 NF	112748	118304	02739550		2
Q 929	LOCKWASHER 3/8	112748	118304	03961300		2
Q 1004	CONVERTER ASSY SEE VENDOR CATALOG	112748	118304			

3



PARTS LIST

ISSUE NO. 01, 1970

MODEL 88B

PAGE 14- 3

DATE 040770

CAT. REF.	DESCRIPTION	SERIAL NO.		PART NO.	REPLACE OR VENDOR NO.	REQ.
		FROM	TO/INCL.			
	002					
Q	DIESEL ENGINE MOUNT. DWG. Q735, Q742					
	CAT. D343 TAC					
Q 74	COCK, DRAIN	123311		79076000		1
Q 82	BASE, ENGINE	123311		L30729 1		1
Q 87	PIPE, EXHAUST	123311		L30729 28		1
Q 152	CAPSCREW 5/8X2 NF	123311		03241640		4
Q 152	NUT, FULL 5/8 NF	123311		02741550		4
Q 152	LOCKWASHER 5/8	123311		03961700		4
Q 244	ADAPTER, CAB	123311		806134K 21		1
Q 367	BOLT, ADJUSTING	123311		503148K 1		1
Q 367	NUT, FULL 1 1/4 NF	123311		02744050		5
Q 367	NUT, JAM 1 1/4 NF	123311		02744150		2
Q 368	BOLT, ADJUSTING	123311		503148K 1		1
Q 368	NUT, FULL 1 1/4 NF	123311		02744050		4
Q 368	NUT, JAM 1 1/4 NF	123311		02744150		2
Q 493	COCK, DRAIN	123311		79076000		1
Q 493	BEARING, ADJ BOLT	123311		298077A		2
Q 497	CAPSCREW 5/8X2 NC	123311		03191640		8
Q 497	LOCKWASHER 5/8	123311		03961700		8
Q 498	STUD, FOUNDATION	123311		520010K 1		4
Q 498	NUT, FULL 1 1/4 NF	123311		02744050		4
Q 498	NUT, JAM 1 1/4 NF	123311		02744150		4
Q 872	COCK, DRAIN	123311		79076000		1
Q 877	HOSE, CONVERTER TO PUMP	123311		53627531		1
Q 879	DOWEL, SUPPORT	123311		410939 1		2
Q 1003	HOSE, TANK TO COOLER	123311		53627516		1
Q 1013	CAP, WEATHER	123311		82131890		1
Q 1043	HOSE, FILTER TO CONVERTER	123311		53627005		1
Q 1081	BUSHING, DOWEL	123311		520214K 1		2
Q 1086	HOSE, CONVERTER TO TANK	123311		53624840		1
Q 1087	HOSE, FILTER TO COOLER	123311		53624250		1



PARTS LIST

ISSUE NO. 01, 1970

MODEL 88B

PAGE 14- 4

DATE 040770

CAT. REF.	DESCRIPTION	SERIAL NO.		PART NO.	REPLACE OR VENDOR NO.	REQ.
		FROM	TO/INCL.			
	003					
Q	DIESEL ENGINE MOUNTING CAT D375 DWGS. Q716,Q718,Q719					
Q	57 BRACE, RADIATOR	113639	121560	503329K 1		2
Q	57 NUT, FULL 3/4 NF	113639	121560	02742050		8
Q	57 LOCKWASHER 3/4	113639	121560	03961800		8
Q	57 WASHER, PLAIN 3/4	113639	121560	03951900		8
Q	59 BRACKET, FRONT BRACE	113639	121560	503335K 1		1
Q	60 BRACKET, REAR BRACE	113639	121560	503334K 1		1
Q	74 COCK, DRAIN	113639	121560	79087000		1
Q	82 BASE, ENGINE	113639	121560	850206K 21		1
Q	87 PIPE, EXHAUST RH	113639	113639	701322K 21		1 X
Q	87 PIPE, EXHAUST RH FURNISHED W/ENGINE	116651	121560			
Q	88 ADAPTER, MUFFLER	113639	ONLY	234992 1		1 X
Q	96 ENGINE, STARTING	113639	ONLY	13461850		1 X
Q	96 WISCONSIN VF4 ENGINE, STARTING	116651	ONLY	13075400		1 X
Q	96 WISCONSIN F-140 ENGINE, STARTING	117374	121560	13461850		1
Q	133 MUFFLER, DONALDSON	113639	ONLY	46653350	MO-1201	2V
Q	133 CAP, WEATHER	116651	ONLY	82943160	5168P1	2V X
Q	133 STRIP, COVE	116651	ONLY	504763 1		2 X
Q	133 CAP, WEATHER	117374	121560	82132030		1
Q	133 PIPE, EXHAUST	117374	121560	604700K 21		1
Q	152 BOLT, FOUNDATION 3/4 X 8 NF	113639	121560	02026850		10
Q	152 NUT, FULL 3/4 NF	113639	121560	02742050		10
Q	152 LOCKWASHER 3/4	113639	121560	03961800		10
Q	152 WASHER, BEVEL 3/4	113639	121560	03972550		10
Q	167 LEVER, HAND	113639	121560	297819A 1		1
Q	168 SPRING, LATCH	113639	121560	X13883 1		1
Q	169 ROD, LATCH	113639	121560	293883 1		1
Q	171 CONTROL, PUSH-PULL	113639	121560	46321760		1
Q	171 NUT, JAM 1/4 NF	113639	121560	02738550		2
Q	367 BOLT, ADJUSTING	113639	121560	408654 1		1
Q	367 NUT, FULL 1 1/4 NF	113639	121560	02744050		3
Q	367 NUT, JAM 1 1/4 NF	113639	121560	02744150		3
Q	368 BOLT, ADJUSTING	113639	121560	502228K 1		1
Q	368 NUT, FULL 1 1/4 NF	113639	121560	02744050		3
Q	368 NUT, JAM 1 1/4 NF	113639	121560	02744150		3
Q	454 PIPE, EXHAUST	113639	116270	701600K 21		1 X
Q	454 PIPE, EXHAUST	116651	121560	603096K 21		1
Q	459 PIN, YOKE END	113639	121560	49115510		2
Q	471 END, YOKE	113639	121560	49107510		2
Q	496 BEARING, ADJ BOLT	113639	121560	298077A		2
Q	497 CAPSCREW 5/8X2 NC	113639	121560	03191640		4
Q	497 LOCKWASHER 5/8	113639	121560	03961700		4
Q	498 STUD, FOUNDATION	113639	121560	298293 1		4
Q	498 NUT, FULL 1 1/4 NF	113639	121560	02744050		4
Q	498 NUT, JAM 1 1/4 NF	113639	121560	02744150		4



PARTS LIST

ISSUE NO. 01, 1970

MODEL 88B

PAGE 14- 5

DATE 040770

CAT. REF.	DESCRIPTION	SERIAL NO.		PART NO.	REPLACE OR VENDOR NO.	REQ.
		FROM	TO/INCL.			
	003					
Q 498	WASHER, PLAIN 1 1/4	113639	121560	03952300		4
Q 500	GAUGE, DIL PRESSURE	113639	121560	82315150	82317647	10
Q 502	ENGINE, CLUTCH ASSY INCL. Q503 THRU Q512, Q537, Q979 THRU Q985& Q987 THRU Q990	113639	121560		EH-121	1V
Q 503	PLATE, DRIVING	113639	121560		6971W	1V
Q 506	PLATE, HUB & BACK	113639	121560		ZA6057R	1V
Q 507	PLATE, FLOATING	113639	121560		A6063	1V
Q 508	SPRING, RELEASE	113639	121560		A2705H	4V
Q 510	RING, ADJUSTING	113639	121560		6929	1V
Q 511	LEVER	113639	121560		A3069	4V
Q 513	PIN, LEVER	113639	121560		A1658	4V
Q 513	PIN, COTTER	113639	121560		M2050AB	8V
Q 514	PIN, LOCK	113639	121560		A1652	8V
Q 515	SPRING, LOCK PIN	113639	121560		A1659	1V
Q 517	SLEEVE, CONE	113639	121560		A5513	1V
Q 518	COLLAR ASSEMBLY	113639	121560		X5627	1V
Q 521	HOUSING, CLUTCH	113639	121560		9237	1V
Q 522	CAPSCREW 1/2X1 1/2 NC	113639	121560	03185480		16
Q 522	LOCKWASHER 1/2	113639	121560	03961500		16
Q 524	RING, DRIVING	113639	121560		6758	1V
Q 525	CAPSCREW 5/8X1 1/2 NC	113639	121560	03191480		8
Q 525	LOCKWASHER 5/8	113639	121560	03961700		8
Q 526	SHAFT, CLUTCH	113639	121560		A6279E	1V
Q 527	NUT, HUB	113639	121560		A2470A	1V
Q 528	LOCKWASHER	113639	121560		A2999	1V
Q 529	BEARING, SHAFT	113639	121560		M1381	2V X
Q 530	CAPSCREW	113639	121560		8990	1V
Q 531	CAPSCREW	113639	121560		M2006AK	6V
Q 531	LOCKWASHER	113639	121560		M2047AE	6V
Q 533	RETAINER, BEARING	113639	121560		A5585A	1V
Q 534	LOCK, RETAINER	113639	121560		A2472	1V
Q 535	CAPSCREW	113639	121560		M2002G	1V
Q 535	LOCKWASHER	113639	121560		M2046S	1V
Q 536	BEARING, PILOT	113639	121560		M2156	1V
Q 537	KEY, HUB	113639	121560		M2035BA	1V
Q 538	YOKE, THROWOUT	113639	121560		A5486	1V
Q 538	CAPSCREW	113639	121560		M2004W	2V
Q 538	LOCKWASHER	113639	121560		M2046AA	1V
Q 539	KEY, YOKE	113639	121560		M2022AA	2V
Q 540	SHAFT, OPERATING	113639	121560		A3633B	1V
Q 541	KEY, LEVER WOODRUFF	113639	121560	54310450		1 X
Q 542	COVER, HAND HOLE	113639	121560		3204	1V
Q 543	COVER, HAND HOLE	113639	121560		3204A	1V
Q 544	CAPSCREW	113639	121560		M2000H	4V
Q 544	LOCKWASHER	113639	121560		M2047G	4V
Q 545	HOSE, LUBRICATING	113639	121560		A1663	1V
Q 621	SUPPORT, ENGINE	113639	ONLY	701287K 21		1 X
Q 621	SUPPORT, ENGINE	116651	ONLY	702962K 21		1 X
Q 621	SUPPORT, ENGINE	117374	121560	701287K 21		1
Q 622	HOSE, INLET 1 1/2X48	116651	ONLY	53105910		1 X
Q 623	CLAMP, HOSE - MARMAN	116651	ONLY	53271260	820-14	4V X
Q 624	HOSE, OUTLET 1 1/2X12	116651	ONLY	53105910		1 X



PARTS LIST

ISSUE NO. 01, 1970

MODEL 888

PAGE 14- 6

DATE 040770

CAT. REF.	DESCRIPTION	SERIAL NO.		PART NO.	REPLACE OR VENDOR NO.	REQ.
		FROM	TO/INCL.			
	003					
Q 655	SUPPORT, MUFFLER	113639	ONLY	278258 1		2 X
Q 656	CAPSCREW 3/8X1 NC	113639	ONLY	03179320		8 X
Q 656	LOCKWASHER 3/8	113639	ONLY	03961300		8 X
Q 657	LEVER, HAND	113639	118305	701556K 21		1
Q 657	LEVER, HAND	121429	121560	704708K 21		1
Q 665	GASKET, COVER	113639	121560		A3112A	2V
Q 692	COVER & ELBOW, ROOF	113639	121560	412497 1		1
Q 692	COVER & ELBOW, ROOF	113639	121560	701600 3		1
Q 701	POWER TAKE-OFF COMP SPEC. NO. 26401	113639	121560	37210200	EH-121	1V
Q 760	CLAMP, PIPE MAREMONT	113639	121560	82140350		8
Q 774	SEAL, OIL	113639	121560		M2192	1V
Q 797	RATCHET, LEVER	113639	121560	293884 1		1
Q 798	CAPSCREW 3/8X3 3/4 NC	113639	121560	03180200		1
Q 798	CAPSCREW 3/8X1 NC	113639	121560	03179320		1
Q 798	NUT, FULL 3/8 NC	113639	121560	02709150		2
Q 798	LOCKWASHER 3/8	113639	121560	03961300		2
Q 799	BRACKET, ANCHOR	113639	121560	408684 1		2
Q 800	CAPSCREW 5/16X1 NF	113639	121560	03226320		4
Q 800	NUT, FULL 5/16 NF	113639	121560	02739050		4
Q 800	LOCKWASHER 5/16	113639	121560	03961210		4
Q 874	SUPPORT, CLUTCH	113639	121560	701276K 21		1
Q 875	BOLT, SUPPORT	113639	121560	522257K 1		4
Q 875	BOLT, HEX 1X3 3/4 NC	113639	121560	02192800		2
Q 875	NUT, FULL 1 NC	113639	121560	02716050		6
Q 875	LOCKWASHER 1	113639	121560	03962000		6
Q 883	CAPSCREW 1/2X2 3/4 NF	113639	121560	03235880		1
Q 883	NUT, FULL 1/2 NF	113639	121560	02740550		1
Q 883	LOCKWASHER 1/2	113639	121560	03961500		1
Q 884	STRAP, CLAMPING	113639	ONLY	278258 2		4 X
Q 885	CAPSCREW 3/8X2 NC	113639	ONLY	03179640		6 X
Q 885	LOCKWASHER 3/8	113639	ONLY	03961300		6 X
Q 886	CLAMP, PIPE MAREMONT	113639	ONLY	82140550	X-51	2V X
Q 887	PIN, ROD END	113639	121560	408680 1		1
Q 888	BOLT, PIN EYE	113639	121560	403474 1		1
Q 889	CAPSCREW 1/4X3/4 NF	113639	121560	03223240		1
Q 889	LOCKWASHER 1/4	113639	121560	03961010		1
Q 890	PIN, CYLINDER ANCHOR	113639	121560			
	SEE ZA969					
Q 919	BUSHING, ANCHOR PIN	113639	121560	X 9290 1		1
Q 925	PIPE, EXHAUST LH	113639	ONLY	701317K 21		1 X
Q 925	PIPE, EXHAUST LH	116651	121560			
	FURN. W/ENGINE					
Q 928	DEFLECTOR, EXHAUST	113639	ONLY	501543K 21		2 X
Q 929	CAPSCREW 3/8X1 1/2 NF	113639	ONLY	03229480		2 X
Q 929	NUT, FULL 3/8 NF	113639	ONLY	02739550		2 X
Q 929	LOCKWASHER 3/8	113639	ONLY	03961300		2 X
Q 953	V-BELT, ENGINE 1 SET	113639	ONLY	27288420	56.8	V
Q 953	V-BELT, ENGINE 1 SET	116651	ONLY	27288340	8-53	V
Q 953	V-BELT, ENGINE 1 SET	117374	121560	27288420	56.8	V
Q 954	PULLEY, BELT	113639	ONLY	601025K 1		1 X
Q 954	PULLEY, BELT	116651	ONLY			1 X
	FURNISHED W/ENGINE					
Q 954	PULLEY, BELT	117374	121560	601025K 1		1



PARTS LIST

ISSUE NO. 01, 1970

MODEL 83B

PAGE 14- 7

DATE 040770

CAT. REF.	DESCRIPTION	SERIAL NO.		PART NO.	REPLACE OR VENDOR NO.	REQ.
		FROM	TO/INCL.			
	003					
Q 955	KEY, PULLEY	113639	ONLY	54061750		1 X
Q 955	KEY, PULLEY	116651	ONLY			1 X
	FURNISHED W/ENGINE					
Q 955	KEY, PULLFY	117374	121560	54061750		1
Q 956	GUARD, BELT	113639	ONLY	801205K 21		1 X
Q 956	GUARD, BELT	116651	ONLY	702963K 21		1 X
Q 956	GUARD, BELT	117374	121560	801205K 21		1
Q 957	BRACKET, GUARD	113639	121560	502996K 1		1
Q 958	CAPSCREW 3/8X1 NF	113639	121560	03229320		6
Q 958	NUT, FULL 3/8 NF	113639	121560	02739550		6
Q 958	LOCKWASHER 3/8	113639	121560	03961300		6
Q 959	CAPSCREW 3/4X2 1/4 NF	113639	121560	03244720		4
Q 959	NUT, FULL 3/4 NF	113639	121560	02742050		4
Q 959	LOCKWASHER 3/4	113639	121560	03961800		4
Q 960	PIPE, EXHAUST	113639	ONLY	701600 2		1 X
Q 960	PIPE, EXHAUST	116651	121560	19257250		1
Q 961	PIPE, EXHAUST	113639	121560	701600 4		2
Q 962	ELBOW, EXHAUST PIPE	113639	121560	82241300		1
Q 979	BEARING, NEEDLE	113639	121560		M130	8V
Q 980	ROLLER, LEVER	113639	121560		A1566	4V
Q 981	PIN, ROLLER	113639	121560		1822	4V
Q 981	PIN, COTTER	113639	121560		M2050J	4V
Q 982	RING, SNAP	113639	121560		M523	7V
Q 982	RING, CONE	113639	121560		A3063	1V
Q 984	PIN, LOCK	113639	121560		A1778	2V
Q 985	RING, SNAP	113639	121560		A1781	1V
Q 986	KEY, SLEEVE	113639	121560		M2045W	1V
Q 987	RING, PRESSURE	113639	121560		6931C	1V
Q 988	PIN, PILOT	113639	121560		A2082	2V
Q 989	CLIP, RETAINING	113639	121560		A1701A	2V
Q 990	SCREW, CAP	113639	121560		M2001H	4V
Q 990	LOCKWASHER	113639	121560		M2047N	4V
Q 991	CAPSCREW 1/2X1 3/4 NF	113639	ONLY	03235560		8 X
Q 991	NUT, FULL 1/2 NF	113639	ONLY	02740550		8 X
Q 991	LOCKWASHER 1/2	113639	ONLY	03961500		8 X
Q 991	WASHER, PLAIN 1/2	113639	ONLY	03951600		8 X
Q 991	CAPSCREW 1/2X2 1/2 NF	116651	ONLY	03235800		2 X
Q 991	NUT, FULL 1/2 NF	116651	ONLY	02740550		2 X
Q 991	LOCKWASHER 1/2	116651	ONLY	03961500		2 X
Q 991	WASHER, PLAIN 1/2	116651	ONLY	03951600		2 X
Q 991	CAPSCREW 1/2X1 3/4 NF	117374	121560	03235560		8
Q 991	NUT, FULL 1/2 NF	117374	121560	02740550		8
Q 991	LOCKWASHER 1/2	117374	121560	03961500		8
Q 991	WASHER, PLAIN 1/2	117374	121560	03951600		8
Q 992	FILLER, BEARING	113639	121560	502229K 1		1
Q 993	CAPSCREW 5/8X2 1/2 NC	113639	121560	03191800		4
Q 993	LOCKWASHER 5/8	113639	121560	03961700		4
Q 994	BRACKET, ENGINE	116651	ONLY	702967K 21		1 X
Q 995	CAPSCREW 1/2X2 1/4 NF	116651	ONLY	03235720		2 X
Q 995	NUT, FULL 1/2 NF	116651	ONLY	02740550		2 X
Q 995	LOCKWASHER 1/2	116651	ONLY	03961500		2 X
Q 995	WASHER, PLAIN 1/2	116651	ONLY	03951600		2 X
Q 996	TANK, FUEL	116651	ONLY	505498K 1		1 X
Q 997	BAND, MOUNTING	116651	ONLY	46161000	P-2351	2V X



PARTS LIST

ISSUE NO. 01, 1970

MODEL 88B

PAGE 14-

8

DATE 040770

CAT. REF.	DESCRIPTION	SERIAL NO.		PART NO.	REPLACE OR VENDOR NO.	REQ.
		FROM	TO/INCL.			
	003					
Q 998	SUPPORT, TANK	116651	ONLY	603174K 21		1 X
Q 999	CAPSCREW 5/16X3/4 NF	116651	ONLY	03226250		4 X
Q 999	NUT, FULL 5/16 NF	116651	ONLY	02739050		4 X
Q 999	LOCKWASHER 5/16	116651	ONLY	03961210		4 X
Q 1000	FILTER, FUEL	116651	ONLY	46111000	854103	1V X
Q 1001	COVER, HOUSING	116651	ONLY	505349K 1		1 X
Q 1002	CAPSCREW 3/8X3/4 NF	116651	ONLY	03229240		4 X
Q 1002	LOCKWASHER 3/8	116651	ONLY	03961300		4 X



PARTS LIST

ISSUE NO. 01, 1970

MODEL 888

PAGE 14- 9

DATE 040770

CAT. REF.	DESCRIPTION	SERIAL NO.		PART NO.	REPLACE OR VENDOR NO.	REQ.
		FROM	TO/INCL.			
	004					
Q	DIESEL ENGINE MOUNTING DWG. Q711, Q712, Q736, Q737, Q742 CUMMINS VT-12					
Q	3 CORE RADIATOR FOR Q11	113640				
Q	8 GASKET, CORE FOR Q11	113640				
Q	11 RADIATOR, COMP. PERFEX	113640	119940	66227150	R7010	1V
Q	11 RADIATOR COMP, GENERAL	120302	120955	66053000	992	1V
Q	11 RADIATOR COMP, PERFEX	121426	122489	66227150	R7010	1V
Q	11 RADIATOR COMP, PERFEX	122563	122770	66227160	R7010A	1V
Q	11 RADIATOR COMP. PERFEX	123769		66227175	66227182	10
	NOTE-ON FIRST REPLACE -MENT ONLY, FURNISH 2 PRINTS 623905 TO MAKE NECESSARY MODIFICATIONS.					
Q	12 SHROUD, FAN FOR Q11	113640				
Q	49 TANK, TOP FOR Q11	113640				
Q	51 TANK, BOTTOM FOR Q11	113640				
Q	53 CHANNEL, FRONT SIDE FOR Q11	113640				
Q	54 CHANNEL, REAR SIDE FOR Q11	113640				
Q	56 SHIM, RADIATOR	113640		502875K 1		1
Q	56 SHIM, RADIATOR	113640		502876K 1		1
Q	57 BRACE, FRONT	113640	119447	701315K 21		1
Q	57 BRACE, FRONT	119940		609797K 1		1
Q	58 BRACE, REAR	113640	119447	701316K 21		1
Q	58 BRACE, REAR	119940		609797K 1		1
Q	61 PIPE, INLET	113640	123769			R
Q	61 PIPE, INLET	124630		511089K 1		2
Q	61 ELBOW	124630		20263000		4
Q	61 NIPPLE	124630		20609450		2
Q	62 GASKET, INLET PIPE	113640	122770	412546 1		1
Q	63 HOSE, INLET	113640	119940	53166510		2
Q	63 HOSE, INLET	120302		53162010		2
Q	64 CLAMP, HOSE	113640	122489	53271300		4
Q	64 CLAMP, HOSE	122563		53269580		4
Q	65 FLANGE, OUTLET PIPE	113640	122770	412543 1		1
Q	66 GASKET, FLANGE	113640	122770	412545 1		1
Q	69 HOSE, OUTLET	113640	122770	53201510		1
Q	69 HOSE, OUTLET 4 FT.	123769		53192550		1
Q	70 CLAMP, HOSE	120302	121426	53162010		2
Q	70 CLAMP, HOSE	122453	122489	53271300		2
Q	70 CLAMP, HOSE	122563	122770	53270210		2
Q	70 CLAMP, HOSE	123769		53269900		2
Q	71 CAP, RADIATOR FOR Q11	113640				X
Q	74 COCK, DRAIN	113640	119940	79070500		1



PARTS LIST

ISSUE NO. 01, 1970

MODEL 88B

PAGE 14- 10

DATE 040770

CAT. REF.	DESCRIPTION	SERIAL NO.		PART NO.	REPLACE OR VENDOR NO.	REQ.
		FROM	TO/INCL.			
	004					
74	COCK, DRAIN	120302		79039000		1
82	BASE, ENGINE	113640	119447	240306 1		1
82	BASE, ENGINE	119940	122563	852072K 21		1
82	BASE, ENGINE	122770	123769	854581K 21		1
82	BASE, ENGINE	124630		854557K 21		1
87	PIPE, RH EXHAUST	113640	118773	601383K 22		1 X
87	PIPE, RH EXHAUST	119003	119940	607091K 21		1
87	PIPE, RH EXHAUST	120302		708214K 21		1
88	ADAPTER, MUFFLER	122453	122770	707126K 21		1
92	FLANGE, WATER PUMP	123769		615098K 21		1
93	GASKET, FLANGE	123769		520024K 1		1
94	CAPSCREW 3/8X1 NC	123769		03179320		4
94	LOCKWASHER 3/8	123769		03961300		4
96	ENGINE, STARTING SEE	113640				
	VENDOR CATALOG					
100	CAPSCREW 5/8X1-3/4 NC	113640		03191560		3 X
100	CAPSCREW 5/8X2-1/2 NC	113640		03191800		3
100	NUT, FULL 5/8 NC	113640		02713050		3
100	LOCKWASHER 5/8	113640		03961700		6
105	GAUGE, OIL PRESSURE	120302		82317350		1
106	FILTER, OIL	122453		46179005		1
119	BRACKET, SUPPORT	122453		514334K 1		2
129	CAPSCREW 1/2X1-3/4 NC	113640	122770	03185560		8
129	LOCKWASHER 1/2	113640	122770	03961500		8
130	CAPSCREW 1/2X1-3/4 NC	113640	122770	03185560		4
130	LOCKWASHER 1/2	113640	122770	03961500		4
152	CAPSCREW 3/4X4 NC	113640		03195280		8
152	NUT, FULL 3/4 NC	113640		02714050		8
152	NUT, JAM 3/4 NC	113640		02714450		8
167	LEVER, HAND	113640	119940	297819A 1		1
167	WASHER, PLAIN 3/4	113640	119940	03951900		1
167	PIN, CUTTER 3/16X1-1/4	113640	119940	03115600		1
168	SPRING, LATCH	113640	119940	75212010		1
169	ROD, LATCH	113640	119940	293883 1		1
171	CONTROL, PUSH-PULL	113640	119940	46321760		1
171	NUT, JAM 1/4 NF	113640	119940	02738550		2
173	JOINT, BALL	113640	119940	82571600		1
173	NUT, JAM 1/4 NF	113640	119940	02738550		1
173	LOCKWASHER 1/4	113640	119940	03961010		1
213	LEVER, CONTROL	113640	119940	412312 1		1
213	BOLT	113640	119940	02002150		1
213	LOCKWASHER 1/4	113640	119940	03961010		1
218	ELEMENT, FILTER FOR Q106	122453				
244	ADAPTER, EXHAUST PIPE	120302		804145K 21		1
367	BOLT, ADJUSTING	113640	119940	408654 1		1
367	NUT, FULL 1-1/4 NF	113640	119940	02744050		3
367	NUT, JAM 1-1/4 NF	113640	119940	02744150		3
367	BOLT, ADJUSTING	120302		609789K 21		1
367	NUT, FULL 1-1/4 NF	120302		02744050		3
367	NUT, JAM 1-1/4 NF	120302		02744150		3
368	BOLT, ADJUSTING	113640		410871 1		1
368	NUT, FULL 1-1/4 NF	113640		02744050		3
368	NUT, JAM 1-1/4 NF	113640		02744150		3



PARTS LIST

ISSUE NO. 01, 1970

MODEL 88B

PAGE 14- 11

DATE 040770

CAT. REF.	DESCRIPTION	SERIAL NO.		PART NO.	REPLACE OR VENDOR NO.	REQ.
		FROM	TO/INCL.			
	004					
Q	443 GUARD, FAN FOR Q11	113640				
Q	448 SWITCH, IGNITION-CLUM	119940		46849250	13895	1V
Q	454 PIPE, EXHAUST	113640	119940	251836 1		1
Q	454 PIPE, EXHAUST	120302		707128K 21		1
Q	459 PIN, YOKE END	113640	119940	49115510		1
Q	471 END, YOKE	113640	119940	49107510		1
Q	493 COCK, STOP	113640		79088500		1
Q	496 BEARING, ADJ. BOLT	113640		298077A		2
Q	497 CAPSCREW 5/8X2 NC	113640		03191640		8
Q	497 LOCKWASHER 5/8	113640		03961700		8
Q	498 STUD, FOUNDATION	113640		298293 1		4
Q	498 WASHER 1-1/4	113640		03952300		4
Q	498 NUT, FULL 1-1/4 NF	113640		02744050		4
Q	498 NUT, JAM 1-1/4 NF	113640		02744150		4
Q	500 GAUGE, OIL PRESSURE	113640	119940	82315150	82317647	10
Q	500 GAUGE, OIL PRESSURE	120302				
	SEE Q1010					
Q	522 CAPSCREW 1/2X1-1/2 NC	113640	119940	03185480		16
Q	522 LOCKWASHER 1/2	113640	119940	03961500		16
Q	522 CAPSCREW SEE QR1336	120302				
Q	525 CAPSCREW 1/2X2 NC	113640	119940	03185640		8
Q	525 LOCKWASHER 1/2	113640	119940	03961500		8
Q	525 CAPSCREW SEE QR1337	120302				
Q	621 SUPPORT, ENGINE	113640		251826 1		1
Q	646 TUBE, OVERFLOW FOR Q11	113640				
Q	657 LEVER, HAND	113640	119940	200606 1		1
Q	692 COVER & ELBOW, ROOF	113640	119940	412497 1		1
Q	692 COVER & ELBOW, ROOF	113640	119940	251836 4		1
Q	760 CLAMP, PIPE	113640	119940	82140350		1
Q	762 CLAMP, PIPE	119003	119940	82140550		4
Q	797 RATCHET, LEVER	113640	119940	293884 1		1
Q	798 BOLT, RATCHET	113640	119940	02007500		1
Q	798 BOLT	113640	119940	02006750		1
Q	798 NUT, FULL 3/8 NC	113640	119940	02709150		2
Q	798 LOCKWASHER 3/8	113640	119940	03961300		2
Q	799 BRACKET, ANCHOR	113640	119940	408684 1		1
Q	800 BOLT, BRACKET	113640	119940	02003800		2
Q	800 NUT, FULL 3/8 NC	113640	119940	02709150		2
Q	800 LOCKWASHER 3/8	113640	119940	03961300		2
Q	852 WASHER, CORE LONG	113640	119940			
	FOR Q11					
Q	872 COCK, DRAIN	113640	123769	79088500		1
Q	874 SUPPORT, CONVERTER	113640	119940	251828 1		1
Q	875 BOLT, SUPPORT	113640	119940	02557480		4
Q	875 BOLT	113640	119940	02038450		2
Q	875 NUT, FULL	113640	119940	02716050		2
Q	875 NUT, FULL	113640	119940	02743050		4
Q	875 LOCKWASHER	113640	119940	03962000		6
Q	877 HOSE, COOLER INLET	120302	123769	53524320		1
Q	877 HOSE, COOLER INLET	124630		53627531		1
Q	877 DWEL. SUPPORT	124630		410939 1		2
Q	886 CLAMP, PIPE	122453		82140480		4
Q	887 PIN, ROD END	113640	119447	408680 1		1
Q	888 BOLT, PIN EYE	113640	119447	403474 2		1



PARTS LIST

ISSUE NO. 01, 1970

MODEL 88B

PAGE 14- 12

DATE 040770

CAT. REF.	DESCRIPTION	SERIAL NO.		PART NO.	REPLACE OR VENDOR NO.	REQ.
		FROM	TO/INCL.			
	004					
Q 889	CAPSCREW 1/4x3/4 NC	113640	119447	03173240		1
Q 889	LOCKWASHER 1/4	113640	119447	03961010		1
Q 890	PIN, ANCHOR	113640	119447	408681	1	1
Q 890	PIN, COTTER 1/8X2	113640	119447	03109960		1
Q 909	COCK, DRAIN	124630		79076000		1
Q 913	GAUGE, OIL TEMP.	113640	127566	82317260		1 X
Q 913	GAUGE, OIL TEMPERATURE	127884		82302816		1 X
Q 914	GAUGE, OIL PRESSURE	113640	123769	82317180		1
Q 914	GAUGE, OIL PRESSURE	124630		82317457		1
Q 915	GAUGE, OIL TEMP.	113640	127566	82317550		1 X
Q 915	GAUGE, OIL TEMPERATURE	127884		82302930		1 X
Q 916	GAUGE, OIL PRESSURE	113640	123769	82317350		1
Q 916	GAUGE, OIL PRESSURE	124630		82317455		1
Q 919	BUSHING, CYLINDER PIN	113640		X 9290	1	2
Q 921	BRACKET, ANCHOR	113640	119447	251829	1	1
Q 922	CAPSCREW 3/8X3/4 NC	113640	119447	03179240		2
Q 922	LOCKWASHER 3/8	113640	119447	03961300		2
Q 925	PIPE, LH EXHAUST	113640				2
	SEE Q87					
Q 928	DEFLECTOR, EXHAUST	113640		601468K	21	2
Q 929	CAPSCREW 3/8X1-1/2 NF	113640		03229480		2
Q 929	NUT, FULL 3/8 NF	113640		02739550		2
Q 929	LOCKWASHER 3/8	113640		03961300		2
Q 952	BRACE, GUARD	113640		601169K	1	1
Q 953	V-BELT, ENGINE 1 SET	113640		27275050	A51	1V
Q 954	PULLEY, BELT	113640		200689	1	1
Q 955	KEY, PULLEY	113640		54061750		1
Q 956	GUARD, BELT	113640		800521	1	1
Q 957	BRACKET, GUARD	113640		200718	1	1
Q 958	CAPSCREW 3/8X1 NC	113640		03179320		2
Q 958	CAPSCREW 3/8X3/4 NC	113640		03179240		2
Q 958	NUT, FULL 3/8 NC	113640		02709150		4
Q 958	LOCKWASHER 3/8	113640		03961300		4
Q 959	CAPSCREW 3/4X2-1/2 NF	113640		03244800		4
Q 959	NUT, FULL 3/4 NF	113640		02742050		4
Q 959	LOCKWASHER 3/4	113640		03961800		4
Q 959	CAPSCREW 1/2X1-3/4 NF	113640		03235560		8
Q 959	NUT, FULL 1/2 NF	113640		02740550		8
Q 959	LOCKWASHER 1/2	113640		03961500		8
Q 959	WASHER, PLAIN 1/2	113640		03951600		8
Q 960	PIPE, EXHAUST SEE Q454					X
Q 961	PIPE, EXHAUST SEE Q454					X
Q 962	PIPE, EXHAUST SEE Q454					X
Q 963	TANK, CENTER FOR Q11	113640				
Q 969	BOLT, TANK FOR Q11	113640				
Q 970	WASHER, CAP FOR Q11	113640				
Q 971	GUSSET, CORNER FOR Q11	113640				
Q 972	BOLT, GUSSET FOR Q11	113640				
Q 973	WASHER, CORE SHORT FOR Q11	113640				
Q 974	BOLT, WASHER FOR Q11	113640				
Q 975	BOLT, TANK FOR Q11	113640				
Q 976	SCREW, SET FOR Q11	113640				
Q 977	BOLT, CHANNEL FOR Q11	113640				



PARTS LIST

ISSUE NO. 01, 1970

MODEL 88B PAGE 14- 13

DATE 040770

CAT. REF.	DESCRIPTION	SERIAL NO.		PART NO.	REPLACE OR VENDOR NO.	REQ.
		FROM	TO/INCL.			
	U04					
Q 1003	HOSE, COOLER OUTLET	120302	123769	53625590		1
Q 1003	HOSE, COOLER OUTLET	124630		53627003		1
Q 1004	CONVERTER COMP, SEE VENDOR CATALOG	113640				
Q 1008	PIPE, EXHAUST	119003	119940	82677250		2
Q 1010	GAUGE, OIL PRESSURE	119940	127566	82317450		1 X
Q 1010	GAUGE, OIL PRESSURE	127884		82302802		1 X
Q 1011	GAUGE, FUEL	119940	127566	82317270		1 X
Q 1011	GAUGE, FUEL	127884		82302787		1 X
Q 1013	CAP, WEATHER	119940		82132120		2
Q 1015	GAUGE, OIL PRESSURE	127884		82317153		1 X
Q 1019	HOSE, FLEXIBLE	120302		53209980		2
Q 1020	VALVE, CHECK	120302	123769	79230500		1
Q 1023	ELBOW, EXHAUST PIPE	120302		608636K 21		1
Q 1024	GAUGE, CLUTCH PRESSURE	127884		82317154		1 X
Q 1025	GAUGE, CLUTCH PRESSURE	127884		82302806		1 X
Q 1029	CAP, WEATHER	120302		82131860		1
Q 1048	HOSE, FILTER TO CONVERTER	124630		53627007		1
Q 1081	BUSHING, DWEL	124630		520333K 1		2
Q 1086	HOSE, CONVERTER TO TANK	124630		53624840		1
1087	HOSE, FILTER TO COOLER	124630		53627005		1



PARTS LIST

ISSUE NO. 01, 1970

MODEL 88B

PAGE 14- 14

DATE 040770

CAT. REF.	DESCRIPTION	SERIAL NO.		PART NO.	REPLACE OR VENDOR NO.	REQ.
		FROM	TO/INCL.			
	005					
Q	DIESEL ENGINE MOUNTING DRAWINGS					
	Q737, Q742, Q1008 AND Q1009 CUMMINS V12-525					
Q	3 CORE ASSY, RADIATOR	125109	127891		T-1541	1VX
Q	3 CORE ASSY, RADIATOR	128118			T-1927	1VX
Q	8 GASKET, CORE FOR Q11	125109			G-24028	6VX
Q	11 RADIATOR COMP, PERFEX	125109	127891	66227175	7701A	1VX
Q	11 RADIATOR COMPLETE	128118		66227182	R8225	1VX
Q	12 SHROUD, FAN FOR Q11	125109	127891		A6-1592	1VX
Q	12 SHROUD ASSY	128118			A6-1878	1VX
Q	49 TANK ASSY, TOP FOR Q11	125109	127891		A1-1744	1VX
Q	49 TANK ASSY, TOP FOR Q11	128118			A1-2590	1VX
Q	51 TANK ASSY, BOTTOM	125109	127891		A2-1658	1VX
Q	51 TANK ASSY, BOTTOM	128118			A2-2453	1VX
Q	53 CHANNEL, FRONT	125109	127891		A19-813	1VX
Q	53 CHANNEL, FRONT	128118			A19-1553	1VX
Q	54 CHANNEL, REAR	125109	127891		A19-812	1VX
Q	54 CHANNEL, REAR	128118			A19-1552	1VX
Q	56 SHIM, RADIATOR	125109		502875K 1		1
Q	56 SHIM, RADIATOR	125109		502876K 1		1
Q	57 BRACE, LH OR FRONT	125109		614797K 21		1
Q	58 BRACE, RH OR REAR	125109		611152K 21		1
Q	61 PIPE, INLET	125109		511089K 1		2
Q	61 ELBOW, PIPE 2 IN.	125109		20263000		4 X
Q	61 NIPPLE, PIPE 2X5	125109		20609450		2 X
Q	63 HOSE, INLET 2-3/8 ID X5	125109		53162016		2
Q	64 CLAMP, HOSE	125109		53269580		4
Q	69 HOSE, LOWER 3 ID X .36	125109		53192550	4684AD	1VX
Q	70 CLAMP, HOSE	125109		53269900		2
Q	71 CAP, RADIATOR FOR Q11	125109			Q 13577	1VX
Q	74 COCK, DRAIN	125109		79039000		1
Q	82 BASE, ENGINE	125109	127891	854577K 21		1 X
Q	82 BASE, ENGINE	128118	131209	861012K 21		1 X
Q	82 BASE, ENGINE	131430		861546K 21		1 X
Q	87 PIPE, EXHAUST	125109		608633K 21		2 X
Q	88 ADAPTER, MUFFLER	125109		707126K 21		1
Q	92 FLANGE, WATER PUMP	125109		615098K 21		1
Q	93 GASKET, FLANGE	125109		520024K 1		1
Q	94 SCREW, CAP 3/8X1 NC	125109		03179320		4
Q	94 LOCKWASHER 3/8	125109		03961300		4
Q	96 ENGINE, STARTING	125109				
	SEE VENDOR CATALOG					
Q	100 CAPSCREW 5/8X1-3/4 NC	125109		03191560		3
Q	100 CAPSCREW 5/8X2-1/2 NC	125109		03191800		3
Q	100 NUT, FULL 5/8 NC	125109		02713050		3
Q	100 LOCKWASHER 5/8	125109		03961700		6
Q	105 GAUGE, OIL PRESSURE	125109		82317350		1
Q	106 FILTER, OIL	125109		46179005		1
Q	133 MUFFLER	125109		46653350		2
Q	152 CAPSCREW 3/4X4 NC	125109		03195280		8
Q	152 NUT, FULL 3/4 NC	125109		02714050		8



PARTS LIST

ISSUE NO. 01, 1979

MODEL 888

PAGE 14- 25

DATE 040770

CAT. REF.	DESCRIPTION	SERIAL NO.		PART NO.	REPLACE OR VENDOR NO.	REQ.
		FROM	TO/INCL.			
	005					
Q 192	NUT, JAM 3/4 NC	125109		02714450		2
Q 218	ELEMENT, FILTER	125109				
	FOR Q106					
Q 244	ADAPTER, EXHAUST PIPE	125109	127891	804144K 21		1
Q 244	PLATE, ADAPTER	125113		811312K 21		1
Q 367	BOLT, ADJUSTING	125109		609739K 21		1
Q 367	NUT, FULL 1-1/4 NF	125109		02744050		3
Q 367	NUT, JAM 1-1/4 NF	125109		02744150		3
Q 368	BOLT, ADJUSTING	125109		410871 1		1
Q 368	NUT, FULL 1-1/4 NF	125109		02744050		3
Q 368	NUT, JAM 1-1/4 NF	125109		02744150		3
Q 443	SHARD, FAN FOR Q11	125109	127891		A11-639	1V
Q 443	SHARD, FAN FOR Q11	128118			A11-840	1V
Q 448	SWITCH, IGNITION-CLUM	125109		46349250	13095	1V
Q 454	PIPE, EXHAUST	125109		707128K 21		1
Q 493	COCK, STOP	125109		79088500		1
Q 496	BEARING, ADJ. BOLT	125109		295077A		2
Q 497	CAPSCREW 5/8X2 NC	125109		03191540		8
Q 497	LOCK WASHER 5/8	125109		03961700		8
Q 498	STUD, FOUNDATION	125109	131209	298293 1		4
Q 498	STUD, FOUNDATION	131430		921139 1		4
Q 498	WASHER 1-1/4	125109		03952300		4
Q 498	NUT, FULL 1-1/4 NF	125109		02744050		4
Q 498	NUT, JAM 1-1/4 NF	125109		02744150		4
Q 621	SUPPORT, ENGINE	125109		251826 1		1
Q 640	ROSE, OVERFLD. FOR Q11	125109			0 59709	1V
Q 655	SUPPORT, MUFFLER RH	125109		278258 1		1
Q 655	SUPPORT, MUFFLER LH	125109		607615K 21		1
Q 656	CAPSCREW 3/8X1 NF	125109		03229320		8
Q 656	NUT, FULL 3/8 NF	125109		02739550		8
Q 656	LOCK WASHER 3/8	125109		03961300		8
Q 760	CLAMP, PIPE	125109		82140350		1
Q 762	CLAMP, EXHAUST PIPE	125109		82140550		2
Q 852	WASHER, CORE LONG	125109	127891		0 40999	4V
	FOR Q11					
Q 852	WASHER, CORE LONG	128118			0 87495	4V
Q 877	HOSE, CONV. OIL TANK	125109		53627531		1
Q 879	BUNEL, SUPPORT	125109		410937 1		2
Q 884	STRAP, CLAMPING	125109		278258 2		4
Q 885	CAPSCREW 3/8X2 NF	125109		03229640		6
Q 885	NUT, FULL 3/8 NF	125109		02739550		6
Q 885	LOCK WASHER 3/8	125109		03961300		6
Q 885	CLAMP, PIPE	125109		82140550		4
Q 909	COCK, DRAIN	125109		79076000		1
Q 913	GAUGE, OIL TEMP.	125109	127566	82317260		1
Q 913	GAUGE, OIL TEMPERATURE	127884		82302810		1
Q 914	GAUGE, OIL PRESSURE	125109		82317457		1
Q 915	GAUGE, OIL TEMPERATURE	125109	127566	82317550		1
Q 915	GAUGE, OIL TEMPERATURE	127884		82302930		1
Q 915	GAUGE, OIL PRESSURE	125109		82317455		1
Q 917	WASHER, CYLINDER PIN	125109		X 9290 1		2
Q 923	REFLECTOR, EXHAUST	125109	127891	501543K 21		2
Q 929	CAPSCREW 3/8X1-1/2 NF	125109		03229480		2
Q 929	NUT, FULL 3/8 NF	125109		02739550		2



PARTS LIST

ISSUE NO. 01, 1970

MODEL 88B

PAGE 14- 16

DATE 040770

CAT. REF.	DESCRIPTION	SERIAL NO.		PART NO.	REPLACE OR VENDOR NO.	REQ.
		FROM	TO/INCL.			
	005					
Q 929	LOCKWASHER 3/8	125109		03961300		2
Q 952	BRACE, GUARD	125109		601169K 1		1
Q 953	V-BELT, ENGINE 1 SET	125109		27275050	A51	1V
Q 954	PULLEY, BELT	125109		200689 1		1
Q 955	KEY, PULLEY	125109		54061750		1
Q 956	GUARD, BELT	125109		800521 1		1
Q 957	BRACKET, GUARD	125109		200718 1		1
Q 958	CAPSCREW 3/8X1 NC	125109		03179320		2
Q 958	CAPSCREW 3/8X3/4 NC	125109		03179240		2
Q 958	NUT, FULL 3/8 NC	125109		02709150		4
Q 958	LOCKWASHER 3/8	125109		03961300		4
Q 959	CAPSCREW 3/4X2-1/2 NF	125109		03244800		4
Q 959	NUT, FULL 3/4 NF	125109		02742050		4
Q 959	LOCKWASHER 3/4	125109		03961800		4
Q 959	CAPSCREW 1/2X1-3/4 NF	125109		03235560		8
Q 959	NUT, FULL 1/2 NF	125109		02740550		8
Q 959	LOCKWASHER 1/2	125109		03961500		8
Q 959	WASHER, PLAIN 1/2	125109		03951600		8
Q 971	GUSSET, CORNER FOR Q11	125109	127891		A15-1078	4VX
Q 971	GUSSET ASSY RH	128118			A15-8743	2VX
Q 971	GUSSET ASSY LH	128118			A15-8744	2VX
Q 972	CAPSCREW 5/16X7/8 NC	125109			G-2032	8VX
Q 972	LOCKWASHER 5/16	125109		03961210		8
Q 973	WASHER CORE SHORT	125109	127891		G-41000	4V
Q 973	WASHER, CORE SHORT	128118			G-87496	4VX
Q 974	CAPSCREW 5/16X1 NC	125109	127891	03176320	G-2023	88VX
Q 974	LOCKWASHER 5/16	125109	127891	03961210	G-2009	88VX
Q 974	NUT, FULL 5/16 NC	125109	127891	02708150	G-2004	88VX
Q 974	CAPSCREW 5/16X1 NC	128118		03176320	G-2023	72VX
Q 974	LOCKWASHER 5/16	128118		03961210	G-2009	72VX
Q 974	NUT, FULL 5/16 NC	128118		02708150	G-2004	72VX
Q 976	SCREW, SET FOR Q11	125109	127891		G-2395	2VX
Q 976	SET SCREW	128118			G-2256	2VX
Q 976	NUT, JAM 3/8 NC	125109		02709250		2VX
Q 977	BOLT, CHANNEL FOR Q11	125109		03185320	G-2053	28VX
Q 977	LOCKWASHER 1/2	125109		03961500	G-2002	28VX
Q 1003	HOSE, COOLER OUTLET	125109		53627003		1
Q 1004	CONVERTOR, ALLISON	125109		46327030	TCD-845	1VX
Q 1010	GAUGE, OIL PRESSURE	125109	127566	82317450		1 X
Q 1010	GAUGE, OIL PRESSURE	127884		82302802		1 X
Q 1011	GAUGE, FUEL	125109	127566	82317270		1 X
Q 1011	GAUGE, FUEL	127884		82302787		1 X
Q 1015	GAUGE, OIL PRESSURE	127884		82317153		1 X
Q 1023	ELBOW, EXHAUST PIPE	125109		608636K 21		1
Q 1024	GAUGE, CLUTCH PRESSURE	127884		82317154		1 X
Q 1025	GAUGE, CLUTCH PRESSURE	127884		82302806		1 X
Q 1029	CAP, WEATHER	125109	127891	82131860		1 X
Q 1029	CAP, WEATHER	128118		82132044		1 X
Q 1048	HOSE, FILTER TO CONVERTER	125109		53627007		1
Q 1081	BUSHING, DOWEL	125109		520333K 1		2
Q 1086	HOSE, CONVERTER TO TANK	125109		53624840		1
Q 1087	HOSE, FILTER TO COOLER	125109		53627005		1



PARTS LIST

ISSUE NO. 01, 1970

MODEL 88B

PAGE 14- 17

DATE 040770

CAT. REF.	DESCRIPTION	SERIAL NO.		PART NO.	REPLACE OR VENDOR NO.	REQ.
		FROM	TO/INCL.			
	005					
Q 1176	ASPIRATOR	128118				
Q 1177	SUPPRT, ASPIRATOR	128118		527283K 1	C-12487	2V X
Q 1178	COVER & PIPE	128118		621706K 21		2 X
Q 1179	CLAMP, PIPE	128118		82140450	X-18	2V X
Q 1184	SUPPORT, OIL DRAIN	125109		412563 1		1 X
Q 1185	J-BOLT, PIPE	125109		263203 25		1 X
Q 1185	NUT, FULL 3/8 NC	125109		02709150		2 X
Q 1185	LOCKWASHER 3/8	125109		03961300		2 X
Q 1186	CAPSCREW 3/8X3/4 NC	125109		03179240		2 X
Q 1186	LOCKWASHER 3/8	125109		03961300		2 X
Q 1187	LINE, OIL 3/8X7FT.	125109		32360500		1 X
Q 1188	LINE, OIL 3/8X8FT.	125109		32360500		1 X
Q 1190	CONNECTOR, TUBING	125109		57122495		4 X



PARTS LIST

ISSUE NO. 01, 1970

MODEL 88B

PAGE 14- 18

DATE 040770

CAT. REF.	DESCRIPTION	SERIAL NO.		PART NO.	REPLACE OR VENDOR NO.	REQ.
		FROM	TO/INCL.			
	006					
Q	DIESEL ENGINE MOUNTING DWG.Q-711, Q-712,Q-736,Q-742 CUMMINS NVH12,NVH4501					
Q	3 CORE, RADIATOR FOR Q11	113641				
Q	8 GASKET, CORE FOR Q11	113641				
Q	11 RADIATOR COMPLETE	113641	ONLY	66203510	R7057	1V X
Q	11 RADIATOR COMPLETE	113642	120035	66227150	R7010	1V
Q	11 RADIATOR COMPLETE	120303	ONLY		R992A	1V X
Q	11 RADIATOR COMPLETE	120304	121020	66053000	R992	1V
Q	11 RADIATOR COMPLETE	121021	122490	66227150	R7010	1V
Q	11 RADIATOR COMPLETE	122564	122773	66227160	R7010A	1V
Q	11 RADIATOR COMPLETE	123312	124182	66227170	R7701	1V
Q	11 RADIATOR COMPLETE	124403		66227175	R7701A	1V
Q	12 SHROUD, FAN FOR Q11	113641				
Q	49 TANK, TOP FOR Q11	113641				
Q	51 TANK, BOTTOM FOR Q11	113641				
Q	53 CHANNEL, FRONT SIDE FOR Q11	113641				
Q	54 CHANNEL, REAR SIDE Q11	113641				
Q	56 SHIM, RADIATOR	113641		502875K 1		1
Q	56 SHIM, RADIATOR	113641		502876K 1		1
Q	57 BRACE, FRONT	113641	ONLY	702039K 21		1 X
Q	57 BRACE, FRONT	113642	122490	701315K 21		1
Q	57 BRACE, FRONT	122564		614797K 21		1
Q	58 BRACE, REAR	113641	ONLY	702038K 21		1 X
Q	58 BRACE, REAR	113642	122490	701316K 21		1
Q	58 BRACE, REAR	122564		611152K 21		1
Q	61 PIPE, RADIATOR INLET	113641				R
Q	62 GASKET, INLET PIPE	113641	122773	412546 1		2
Q	63 HOSE, RADIATOR INLET	113641	119943	53166510		2
Q	63 HOSE, RADIATOR INLET	120032		53162010		2
Q	64 CLAMP, HOSE AS REQ.	113641	122490	53271300		
Q	64 CLAMP, HOSE	122564		53269580		4
Q	65 FLANGE, OUTLET PIPE	113641	122645	412543 1		1
Q	65 FLANGE, OUTLET PIPE	122771	122773	615097K 21		1
Q	66 GASKET, FLANGE	113641	122773	412545 1		1
Q	69 HOSE, OUTLET 4	113641	122645	53201510		1
Q	69 HOSE, OUTLET 45	122771	122773	53192550		1
Q	69 HOSE, OUTLET 36	123312		53192550		1
Q	70 CLAMP, HOSE	120032	122053	53162010		2
Q	70 CLAMP, HOSE	122452	122645	53271300		2
Q	70 CLAMP, HOSE	122771		53269900		2
Q	71 CAP, RADIATOR FOR Q11	113641				
Q	74 COCK, DRAIN	113641	119943	79070500		1
Q	74 COCK, DRAIN	120032		79039000		1
Q	82 BASE, ENGINE	113641	ONLY	850408K 41		1
Q	82 BASE, ENGINE	113642	118306	240306 1		1
Q	82 BASE, ENGINE	119941	124182	852072K 21		1
Q	82 BASE, ENGINE	124403		854556K 21		1
Q	87 PIPE, EXHAUST RH	113641	119943	251693 1		1



PARTS LIST

ISSUE NO. 01, 1970

MODEL 88B

PAGE 14- 19

DATE 040770

CAT. REF.	DESCRIPTION	SERIAL NO.		PART NO.	REPLACE OR VENDOR NO.	REQ.
		FROM	TO/INCL.			
	005					
Q	87 PIPE, EXHAUST RH	120032		608633K 21		2
Q	88 ADAPTER, MUFFLER	113641	119943	234992 1		1
Q	88 ADAPTER, MUFFLER	120032		707126K 21		1
Q	92 FLANGE, WATER PUMP	122771		615093K 21		1
Q	93 GASKET, FLANGE	122771		520024K 1		1
Q	94 CAPSCREW 5/8X1 NC	122771		03179320		4
Q	94 LOCKWASHER 3/8	122771		03961300		4
Q	96 ENGINE, STARTING	113641				
	SEE VENDOR CATALOG					
Q	100 CAPSCREW 5/8X1 3/4 NC	113641		03191560		3
Q	100 CAPSCREW 5/8X2 1/2 NC	113641		03191800		3
Q	100 NUT, FULL 5/8 NC	113641		02713050		3
Q	100 LOCKWASHER 5/8	113641		03961700		6
Q	105 GAUGE, OIL PRESSURE	120032		82317350		1 X
Q	106 FILTER, OIL	122452		46179005		1
Q	119 BRACKET, SUPPORT	120032	123314	514334K 1		2
Q	129 CAPSCREW 1/2X1 3/4 NC	113641	122773	03185560		8
Q	129 LOCKWASHER 1/2	113641	122773	03961500		8
Q	130 CAPSCREW 1/2X1 3/4 NC	113641	122773	03185560		4
Q	130 LOCKWASHER 1/2	113641	122773	03961500		4
Q	133 MUFFLER, DONALDSON	113641		46653350	M01201	2V
Q	152 CAPSCREW 3/4X4 NC	113641		03195280		8
	152 NUT, FULL 3/4 NC	113641		02714050		8
	152 NUT, JAM 3/4 NC	113641		02714450		8
Q	167 LEVER, HAND	113641	119943	297819A 1		1
Q	167 WASHER, PLAIN 3/4	113641	119943	03951900		1
Q	167 PIN, COTTER 3/16X1 1/4	113641	119943	03115600		1
Q	169 SPRING, LATCH	113641	119943	75212010		1
Q	169 ROD, LATCH	113641	119943	293883 1		1
Q	171 CONTROL, PUSH-PULL	113641	119943	46321760		1
Q	171 NUT, JAM 1/4 NF	113641	119943	02738550		2
Q	173 JOINT, BALL	113641	119943	62571600		1
Q	173 NUT, JAM 1/4 NF	113641	119943	02738550		1
Q	173 LOCKWASHER 1/4	113641	119943	03961010		1
Q	213 LEVER, CONTROL	113641	119943	412312 1		1
Q	213 CAPSCREW	113641	119943	02002150		1
Q	213 LOCKWASHER 1/4	113641	119943	03961010		1
Q	218 ELEMENT, FILTER	122452				
	FOR Q106					
Q	244 ADAPTER, EXHAUST PIPE	120032		804144K 21		1
Q	367 BOLT, ADJUSTING	113641	119943	408654 1		1
Q	367 NUT, FULL 1 1/4 NF	113641	119943	02744050		3
Q	367 NUT, JAM 1 1/4 NF	113641	119943	02744150		3
Q	367 BOLT, ADJUSTING	120032		609780K 21		1
Q	367 NUT, FULL 1 1/4 NF	120032		02744050		3
Q	367 NUT, JAM 1 1/4 NF	120032		02744150		3
Q	368 BOLT, ADJUSTING	113641		410871 1		1
Q	368 NUT, FULL 1-1/4 NF	113641		02744050		3
Q	368 NUT, JAM 1-1/4 NF	113641		02744150		3
Q	443 GUARD, FAN FOR Q11	113641				
Q	443 SWITCH, IGNITION CLUM	119941		46849250	13895	1V
Q	454 PIPE, EXHAUST	113641	119943	251835 1		1
Q	454 PIPE, EXHAUST	120032		707123K 21		1
Q	454 PIN, YOKE END	113641	119943	49115510		1



PARTS LIST

ISSUE NO. 01, 1970

MODEL 88B

PAGE 14- 20

DATE 040770

CAT. REF.	DESCRIPTION	SERIAL NO.		PART NO.	REPLACE OR VENDOR NO.	REQ.
		FROM	TO/INCL.			
	006					
Q 471	END, YOKE	113641	119943	49107510		1
Q 493	STOP, COCK-CRANE 3/4	113641		79088500	324-1/2	1VX
Q 496	BEARING, ADJ. BOLT	113641		298077A		2
Q 497	CAPSCREW 5/8X2 NC	113641		03191640		8
Q 497	LOCKWASHER 5/8	113641		03961700		8
Q 498	STUD, FOUNDATION	113641		298293	1	4
Q 498	WASHER, PLAIN 1 1/4	113641		03952300		5
Q 498	NUT, FULL 1-1/4 NF	113641		02744050		4
Q 498	NUT, JAM 1-1/4 NF	113641		02744150		4
Q 500	GAUGE, OIL PRESSURE	113641	119943	82316150		1
Q 500	GAUGE, OIL PRESSURE SEE Q1010	120032				
Q 522	CAPSCREW 1/2X1 1/2 NC	113641	119943	03185480		16
Q 522	LOCKWASHER 1/2	113641	119943	03961500		16
Q 522	CAPSCREW SEE QR1336	120032				
Q 525	CAPSCREW 1/2X2 NC	113641	119943	03185640		8
Q 525	LOCKWASHER 1/2	113641	119943	03961500		8
Q 525	CAPSCREW SEE QR1337	120032				
Q 621	SUPPORT, ENGINE	113641		251826	1	1
Q 646	TUBE, OVERFLOW FOR Q11	113641				
Q 655	SUPPORT, MUFFLER	113641	119943	278258	1	2
Q 655	SUPPORT, MUFFLER	120032		278258	1	1
Q 655	SUPPORT, MUFFLER	120032		607615K	21	1
Q 655	CAPSCREW 3/8X1 NF	113641		03229320		8
Q 655	NUT, FULL 3/8 NF	113641		02739550		8
Q 655	LOCKWASHER 3/8	113641		03961300		8
Q 657	LEVER, HAND	113641	119943	200606	1	1
Q 692	COVER & ELBOW, ROOF	113641	119943	412497	1	1
Q 692	COVER & ELBOW, ROOF	113641	119943	251836	4	1
Q 760	CLAMP, PIPE-MAREMONT	113641		82140350	X-8	1V
Q 762	CLAMP, PIPE SEE Q886	113641				
Q 797	LATCHET, LEVER	113641	119943	293884	1	1
Q 798	CAPSCREW 3/8X3-3/4	113641	119943	02007500		1
Q 798	CAPSCREW 3/8X1	113641	119943	02006750		1
Q 798	LOCKWASHER 3/8	113641	119943	03961300		2
Q 798	NUT, FULL 3/8 NC	113641	119943	02709150		2
Q 799	BRACKET, ANCHOR	113641	119943	408684	1	1
Q 800	BOLT, BRACKET	113641	119943	02003800		2
	5/16 X 1-1/2 NC					
Q 800	NUT, FULL 5/16 NC	113641	119943	02708150		2
Q 800	LOCKWASHER 5/16	113641	119943	03961210		2
Q 852	WASHER, CORE LONG	113641				
	FOR Q11					
Q 872	COCK, STOP	113641	123314	79088500		1
Q 874	SUPPORT, CONVERTER	113641	119943	251828	1	1
Q 875	BOLT, SUPPORT	113641	119943	02557480		4
	1X3-3/4 NC					
Q 875	BOLT, SUPPORT	113641	119943	02038450		2
Q 875	NUT, FULL 1 NC	113641	119943	02716050		4
Q 875	NUT, FULL 1 NF	113641	119943	02743050		2
Q 875	LOCKWASHER 1	113641	119943	03962000		6
Q 877	ROSE, COOLER INLET	120032	123314	53624320		1
Q 877	ROSE, COOLER INLET	123524		53627531		1
Q 879	DUXEL, SUPPORT	123524		410939	1	2



PARTS LIST

ISSUE NO. 01, 1970

MODEL 88B

PAGE 14- 21

DATE 040770

CAT. REF.	DESCRIPTION	SERIAL NO.		PART NO.	REPLACE OR VENDOR NO.	REQ.
		FROM	TO/INCL.			
	006					
Q 883	BOLT, CLAMPING	113641	119943	02015350		1
Q 883	NUT, FULL 1/2 NC	113641	119943	02711050		1
Q 883	LOCKWASHER 1/2	113641	119943	03961500		1
Q 884	STRAP, CLAMPING	113641		278258 2		4
Q 885	CAPSCREW 3/8X2 NF	113641		03229640		6
Q 885	NUT, FULL 3/8 NF	113641		02739550		6
Q 885	LOCKWASHER 3/8	113641		03961300		6
Q 886	CLAMP, PIPE-MAREMONT	113641		82140550	X-51	4V
Q 889	CAPSCREW 1/4X3/4 NC	113641	119943	03173240		1
Q 889	LOCKWASHER 1/4	113641	119943	03961010		1
Q 889	PIN, COTTER 1/8X2	113641	119943	03109960		1
Q 890	PIN, ANCHOR	113641	119943	408681 1		1
Q 913	GAUGE, OIL TEMP.	118306		82317260		1
Q 914	GAUGE, OIL PRESSURE	118306	123314	82317180		1
Q 914	GAUGE, OIL PRESSURE	123524		82317457		1
Q 915	GAUGE, OIL TEMP.	118306		82317550		1
Q 916	GAUGE, OIL PRESSURE	118306	123314	82317350		1
Q 916	GAUGE, OIL PRESSURE	123524		82317455		1
Q 919	BUSHING, CYLINDER PIN	113641	124182	X 9290 1		2
Q 921	BRACKET, ANCHOR	113641	119943	251829 1		1
Q 922	CAPSCREW 3/8X3/4 NC	113641	119943	03179240		2
Q 922	LOCKWASHER 3/8	113641	119943	03961300		2
Q 925	PIPE, EXHAUST LH	113641	119943	251692 1		1
Q 925	PIPE, EXHAUST LH	120032				
	SEE Q87					
Q 928	DEFLECTOR, EXHAUST	113641		501543K 21		2
Q 929	CAPSCREW 3/8X1-1/2 NF	113641		03229480		2
Q 929	NUT, FULL 3/8 NF	113641		02739550		2
Q 929	LOCKWASHER 3/8	113641		03961300		2
Q 952	BRACE, GUARD	113641		601169K 1		1
Q 953	V-BELT, 1 SET	113641		27275050	A51	1V
Q 954	PULLEY, BELT	113641		200689 1		1
Q 955	KEY, PULLEY	113641		54061750		1
Q 956	GUARD, BELT	113641		800521 1		1
Q 957	BRACKET, GUARD	113641		200713 1		1
Q 958	CAPSCREW 3/8X1 NC	113641		03179320		2
Q 958	CAPSCREW 3/8X3/4 NC	113641		03179240		2
Q 958	NUT, FULL 3/8 NC	113641		02709150		4
Q 958	LOCKWASHER 3/8	113641		03961300		4
Q 959	CAPSCREW 3/4X2-1/2 NF	113641		03244300		4
Q 959	NUT, FULL 3/4 NF	113641		02740550		4
Q 959	LOCKWASHER 3/4	113641		03961800		4
Q 959	CAPSCREW 1/2X1-3/4 NF	113641		03235560		8
Q 959	NUT, FULL 1/2 NF	113641		02740550		8
Q 959	LOCKWASHER 1/2	113641		03961500		8
Q 959	WASHER, PLAIN 1/2	113641		03951600		8
Q 960	PIPE, EXHAUST	113641	119943	251836 5		1
Q 960	PIPE, EXHAUST SEE Q454	120032				
Q 961	PIPE, EXHAUST	113641	119943	251836 7		1
Q 961	PIPE, EXHAUST SEE Q454	120032				
Q 962	PIPE, EXHAUST	113641	119943	82241300		1
Q 962	PIPE, EXHAUST SEE Q454	120032				
Q 968	TANK, CENTER FOR Q11	113641				
Q 969	BOLT, COKE FOR Q11	113641				



PARTS LIST

ISSUE NO. 01, 1970

MODEL 838

PAGE 14- 27

DATE 040770

CAT. REF.	DESCRIPTION	SERIAL NO.		PART NO.	REPLACE OR VENDOR NO.	REQ.
		FROM	TO/INCL.			
	006					
1 970	WASHER, CAP FOR #11	113641				
1 971	WASHER, CORNER FOR #11	113641				
1 972	WHEEL, WASHER FOR #11	113641				
1 973	WASHER, WHEEL SHAFT FOR #11	113641				
1 974	WHEEL, WASHER FOR #11	113641				
1 975	WHEEL, TRACK FOR #11	113641				
1 976	WASHER, SET FOR #11	113641				
1 977	WHEEL, LOWER END FOR #11	113641				
1 1003	WHEEL, COOLER OUTLET	113641	123314	53625590		1
1 1008	WHEEL, COOLER OUTLET	123524		53627003		1
1 1009	WHEEL, COOLER	113641				
1 1009	SEE YELLOW CATALOG					
1 1009	WHEEL, COOLER, FROST	118306		82468150		1
1 1009	WHEEL, WATER TANK	118306		82317250		1
1 1007	WHEEL, COOLER	118306		66577190		1
1 1010	WHEEL, OIL PRESSURE	119941		82317450		1
1 1011	WHEEL, FROST	119941		82317270		1
1 1013	WHEEL, BEATER	120032	122490	82131360		2
1 1013	WHEEL, BEATER	122564	123314	82132120		2
1 1019	WHEEL, FLEXIBLE	122564	122773	53209980		2
1 1020	WHEEL, CHUCK	120032	123314	79230500		1
1 1021	WHEEL, EXHAUST PIPE	120032		6086368 21		1
1 1029	WHEEL, BEATER	122452		82131360		1
1 1046	WHEEL, FILTER	123524		53627007		1
1 1046	WHEEL, CONVERTER					
1 1046	WHEELING, DOME	123524		5203338 1		2
1 1046	WHEEL, CONVERTER	123524		53624340		1
	WHEEL, FILTER					
1 1077	WHEEL, FILTER TO COOLER	123524		53627005		1



PARTS LIST

ISSUE NO. 01, 1970

MODEL 88B

PAGE 14- 23

DATE 040770

CAT. REF.	DESCRIPTION	SERIAL NO.		PART NO.	REPLACE OR VENDOR NO.	REQ.
		FROM	TO/INCL.			
	007					
Q	DIESEL ENGINE MOUNTING DWG. Q-700					
	Q-703 CUMMINS LI-600, LRI-600					
Q	3 CORE, RADIATOR	52320	105479	66365100	66360510	1D
Q	8 GASKET, CORE	52320	105479		G-24028	5V
Q	11 RADIATOR COMP, PERFEX	52320	93742	66225260	R-6437	1V
Q	11 RADIATOR COMP, PERFEX	105476	105479	66225280	R-6437-B	1V
Q	12 SHROUD, FAN	52320	105479		A6-650	1V
Q	25 FAN BLADE ASSY.	52320	105479			
	SEE ENGINE CATALOG					
Q	49 TANK, TOP	52320	93742		G-1466	1V
Q	49 TANK, TOP	105476	105479		G-1541	1V
Q	51 TANK, BOTTOM	52320	93742		G-525	1V
Q	51 TANK, BOTTOM	105476	105479		G-584	1V
Q	53 MEMBER, FRONT SIDE	52320	105479		A4-487	1V
Q	54 MEMBER, REAR SIDE	52320	105479		A3-487	1V
Q	55 SUPPORT, RADIATOR	52320	ONLY	298076	1	1 X
Q	55 SUPPORT, RADIATOR	77377	93742	402553	1	1
Q	55 SUPPORT, RADIATOR	105476	105479	276856	1	1
Q	56 PAD, SUPPORT	52320	105479	285591	1	2
Q	57 BRACE, FRONT	52320	105479	299135	1	1
Q	58 BRACE, REAR	52320	105479	299134	1	1
Q	59 BRACKET, BRACE	52320	105479	299136	1	1
Q	60 BRACKET, BRACE	52320	105479	299137	1	1
Q	61 ELBOW, INLET	52320	105479	298341	1	1
Q	63 HOSE, RADIATOR 2-7/8X6	52320	ONLY			2 X
Q	63 HOSE, RADIATOR 2-7/8X9-174	77377	105479			2
Q	64 CLAMP, HOSE	52320	ONLY	X12298	1	4 X
Q	64 CLAMP, HOSE WITTEK	77377	105479		GM.	4V
Q	65 FLANGE, BULLET	105476	105479	406472	1	2
Q	66 BASKET, FLANGE	105476	105479	406473	1	2
Q	71 PLUG, FILLER PIPE 2-1/2	52320	105479			1
Q	100 BOLT, FOUNDATION 3/4X6 NC	52320	105479	03195920		2
Q	100 NUT, FULL 3/4 NC	52320	105479	02714050		2
Q	100 NUT, JAM 3/4 NC	52320	105479	02714450		2
Q	100 WASHER, PLAIN 3/4	52320	105479	03951900		2
Q	101 SPRING, BOLT	52320	105479	188099	1	2
Q	110 SPACER, SUPPORT	52320	79926	217335	33	1
Q	110 SPACER, SUPPORT	93740	105479	405839	2	1
Q	111 BOLT, SPACER ROD	52320	105479	297252	2	1
Q	120 SUPPORT, FRONT	52320	ONLY	216116	1	1 X
Q	120 SUPPORT, FRONT	77377	79926	217335	1	1
Q	120 SUPPORT, FRONT	93740	105479	218328	1	1
Q	121 SUPPORT, REAR	52320	ONLY	216116	2	1 X
Q	121 SUPPORT, REAR	77377	79926	217335	2	1
Q	121 SUPPORT, REAR	93740	105479	218328	2	1
Q	131 BOLT, FOUNDATION 3/4X4 NC	52320	105479	03195280		?



PARTS LIST

ISSUE NO. 01, 1970

MODEL 88B

PAGE 14- 24

DATE 040770

CAT. REF.	DESCRIPTION	SERIAL NO.		PART NO.	REPLACE OR VENDOR NO.	REQ
		FROM	TO/INCL.			
	007					
Q 131	NUT, FULL 3/4 NC	52320	105479	02714050		2
Q 131	NUT, JAM 3/4 NC	52320	105479	02714450		2
Q 133	MUFFLER, EXHAUST	52320	105479	298337	1	1
Q 152	BOLT, FOUNDATION	52320	105479	02192000		6
	3/4X12 NC					
Q 152	BOLT, ROD	52320	105479	402551	1	2
Q 152	NUT, FULL 3/4 NC	52320	105479	02714050		8
Q 152	NUT, JAM 3/4 NC	52320	105479	02714450		8
Q 152	PIN, COTTER 3/16X1	52320	105479	03115480		2
Q 152	CAPSCREW 5/8X1-3/4 NC	52320	105479	03191560		8
Q 152	LOCKWASHER 5/8	52320	105479	03961700		8
Q 167	LEVER, HAND	52320	105479	297819A		1
Q 168	SPRING, LATCH	52320	105479	X13883	1	1
Q 169	ROD, LATCH	52320	105479	293883	1	1
Q 171	CONTROL, PUSH-PULL	52320	105479	46321760		1
Q 171	NUT, JAM 5/16 NF	52320	105479	02739100		2
Q 367	BOLT, ADJUSTING	52320	105479	298078	1	2
Q 367	NUT, FULL 1-1/4 NF	52320	105479	02744050		8
Q 367	NUT, JAM 1-1/4 NF	52320	105479	02744150		6
Q 443	GUARD, FAN	52320	105479			R
Q 496	BEARING, ADJ. BOLT	52320	105479	298077A		2
Q 497	CAPSCREW 5/8X2 NC	52320	105479	03191640		8
Q 497	LOCKWASHER 5/8	52320	105479	03961700		8
Q 498	STUD, FOUNDATION	52320	105479	298293	1	4
Q 498	NUT, FULL 1-1/4 NF	52320	105479	02744050		4
Q 498	NUT, JAM 1-1/4 NF	52320	105479	02744150		4
Q 498	WASHER, PLAIN 1-1/4	52320	105479	03952300		4
Q 499	PIN, SUPPORT DOWEL	52320	79926	298366	1	2
Q 500	GAUGE, OIL PRESSURE	52320	105479	82315150	82317647	1D
Q 522	CAPSCREW 1/2X1-1/2 NC	52320	105479	03185480		16
Q 522	LOCKWASHER 1/2	52320	105479	03961500		16
Q 525	CAPSCREW 1/2X1-1/4 NC	52320	105479	03185400		8
Q 525	LOCKWASHER 1/2	52320	105479	03961500		8
Q 631	END, ROD	52320	105479	49107510	2708-3A	1VX
Q 632	PIN, ROD END	52320	105479	49115510		1 X
Q 646	TUBE, OVERFLOW	52320	105479		G-23719	1V
Q 733	JOINT, BALL 5/16 TYPE A	52320	105479	82571600		1 X
Q 797	RATCHET, LEVER	52320	105479	293884	1	1
Q 798	CAPSCREW 3/8X3-3/4 NC	52320	105479	03180200		1
Q 798	CAPSCREW 3/8X1 NC	52320	105479	03179320		1
Q 798	NUT, FULL 3/8 NC	52320	105479	02709150		2
Q 798	LOCKWASHER 3/8	52320	105479	03961300		2
Q 799	BRACKET, ANCHOR	52320	105479	402898	1	2
Q 800	CAPSCREW 5/16X1 NF	52320	105479	03226320		4
Q 800	LOCKWASHER 5/16	52320	105479	03961210		4
Q 801	SUPPORT, BRACKET	52320		402904	1	1
Q 802	SPACER, ROD BOLT	52320	79926	298078	2	2
Q 802	SPACER, ROD BOLT	52320	79926	298078	3	2
Q 802	SPACER, ROD BOLT	93740	105479	405839	1	2
Q 802	SPACER, ROD BOLT	93740	105479	298078	3	2
Q 803	BRACKET, ENGINE	52320	105479	298074	1	2
Q 804	BOLT, FOUND. 3/4X3 NC	52320	105479	03194960		6
Q 804	NUT, FULL 3/4 NC	52320	105479	02714050		6



PARTS LIST

ISSUE NO. 01, 1970

MODEL 88B

PAGE 14- 25

DATE 040770

CAT. REF.	DESCRIPTION	SERIAL NO.		PART NO.	REPLACE OR VENDOR NO.	REQ.
		FROM	TO/INCL.			
	007					
Q 804	LOCKWASHER 3/4	52320	105479	03961800		6
Q 805	POWER TAKE-OFF COMP, NO. 12236 INCL. Q806 THRU Q845-FAWICK	52320	105479		16 CB 500	1V
Q 806	HOUSING	52320	105479		12345	1V
Q 807	BOLT, EYE	52320	105479		SD39X6	1V
Q 808	PLUG, HOUSING	52320	105479		200059	1V
Q 809	SCREEN, GUARD	52320	105479		11291	4V
Q 810	SCREEN, GUARD	52320	105479		11290	6V
Q 811	BEARING, ROLLER	52320	105479		SD135X3	1V
Q 812	RING, SNAP	52320	105479	37332700	11707	1VX
Q 813	RING, SNAP	52320	105479	37325870	SD140X2	1VX
Q 814	SEAL, OIL	52320	105479	37332010	11284	1VX
Q 815	BEARING, ROLLER	52320	105479	37325370	SD136X3	1VX
Q 816	RING, SNAP	52320	105479	37325770	SD138X2	1VX
Q 817	RING, SNAP	52320	105479	37325820	SD139X2	1VX
Q 818	SEAL, OIL	52320	105479	37332000	11283	1VX
Q 819	CLUTCH ELEMENT ASSY. INCL. Q820 THRU Q827	52320	105479	37035000		1
Q 820	TUBE & RIM ASSY, 11189, 8518, INCL. Q821, Q822, Q823	52320	105479		SD67X12	1V
Q 821	ELBOW ASSY	52320	105479		SD92X6	1V
Q 822	TUBE & RING	52320	105479		8518	1V
Q 823	GASKET, AIR CONNECTION	52320	105479	37308000	SD72X11	1VX
Q 824	CLUTCH SHOE ASSY	52320	105479		9694	10V
Q 825	PIN, SHOE	52320	105479		9716	20VX
Q 826	WIRE, PIN LOCK	52320	105479		SD66X11	20V
Q 827	SHIELD, SHOE CAVITY	52320	105479		200064	10V
Q 828	CAPSCREW	52320	105479		SD1X407	8V
Q 828	NUT, HEX.	52320	105479		SD45X7	8V
Q 828	LOCKWASHER	52320	105479		SD68X13	8V
Q 829	BOLT, SHOULDER	52320	105479		11288ND	2V
Q 829	NUT, HEX.	52320	105479		SD45X8	2V
Q 829	LOCKWASHER	52320	105479		SD68X8	2V
Q 830	CARRIER, CLUTCH	52320	105479		11080	1V
Q 831	CAPSCREW	52320	105479		SD1X407	8V
Q 831	LOCKWASHER	52320	105479		SD68X13	8V
Q 832	TUBE, AIR CONN.	52320	105479	37331900	11179	1VX
Q 833	ELBOW, TUBE	52320	105479	37309330	SD92X4	1VX
Q 834	NIPPLE & CONNECTOR ASSY	52320	105479	37331960	11276	1VX
Q 835	HUB, RUBBER	52320	105479	37317650	SD122X6	1VX
Q 836	GROMMET, RUBBER	52320	105479	37331970	11277ND	1VX
Q 837	HUB, CLUTCH	52320	105479	37331835	11006	1V
Q 838	SHAFT, CLUTCH	52320	105479		12346	1V
Q 839	NUT, LOCK	52320	105479	37361450	200530	1VX
Q 840	SCREW, SET	52320	105479		SD37X204D	1V
Q 841	GIL FLINGER ASSY.	52320	105479		11559	1V
Q 842	DRUM, CLUTCH	52320	105479		11071	1V
Q 843	ROTOR SEAL, SIZE A	52320	105479	72063260	SD129X2	1VX
Q 844	GASKET, SEAL	52320	105479		SD82X10	1V
Q 845	CONNECTION, HOSE	52320	105479		SD250X3	1V
Q 852	WASHER, CURF	52320	105479		G-21129	1V



PARTS LIST

ISSUE NO. 01, 1970

MODEL 88B

PAGE 14- 27

DATE 040770

CAT. REF.	DESCRIPTION	SERIAL NO.		PART NO.	REPLACE OR VENDOR NO.	REQ.
		FROM	TO/INCL.			
	CO8					
Q	DIESEL ENGINE MOUNTING DWG. Q-737, Q742, Q1010, Q1011 GM12V-71					
Q	57 BRACE, FRONT	125113		619327K 21		1 X
Q	58 BRACE, REAR	125113		619327K 21		1 X
Q	63 HOSE, RADIATOR 2-1/2 IDX3-1/2	125113		53166510		2
Q	63 HOSE, RADIATOR 2-1/2 IDX4-3/4	125113		53166510		2
Q	64 CLAMP, HOSE	125113		53271410		8
Q	65 SPACER, FLANGE	125113		525711K 1		1
Q	66 GASKET, SPACER	125113		50707591		2
Q	74 COCK, DRAIN-CR.	125113		79039000	225-3/8	1V X
Q	78 CLEANER, DONALDSON	125113		46143967	SBG14-0270	2V
Q	82 BASE, ENGINE	125113	131484	857113K 21		1 X
Q	82 BASE, ENGINE	131511	131515	861544K 21		1 X
Q	82 BASE, ENGINE	132296		866145K 21		1 X
Q	87 PIPE, EXHAUST	125113		717282K 21		2
Q	88 ADAPTER, EXHAUST	125113		717280K 21		1
Q	98 HOSE, AIR 8-VORTEX	125113		53213750	43K500	2V
Q	99 CLAMP, HOSE-MARMAN	125113		53271320	820-20	4V
Q	111 CAPSCREW 5/8X1-3/4 NC	125113		03191400		2
Q	111 LOCKWASHER 5/8	125113		03961700		8 X
Q	130 CAPSCREW 7/16X3-1/2NC	125113		03183120		4 X
Q	130 LOCKWASHER 7/16	125113		03961410		4
Q	133 MUFFLER, DONALDSON	125113		46653350	M01201	2V
Q	142 SUPPORT, AIR CLEANER	125113		717294K 21		1
Q	152 CAPSCREW 5/8X2 NC	125113		03191640		4 X
Q	152 CAPSCREW 5/8X2-3/4 NC	125113		03191880		2
Q	244 ADAPTER, PLATE	125113		717278K 21		1
Q	248 SUPPORT, ENGINE	125113		618476K 21		1
Q	249 SUPPORT, ENGINE	125113		618476K 21		1
Q	367 BOLT, ROD	125113		502228K 1		1
Q	367 NUT, FULL 1-1/4 NC	125113		02744050		3
Q	367 NUT, JAM 1-1/4 NC	125113		02744150		3
Q	368 BOLT, ROD	125113		502228K 1		1
Q	368 NUT, FULL 1-1/4 NC	125113		02744050		3
Q	368 NUT, JAM 1-1/4 NC	125113		02744150		3
Q	448 SWITCH, IGNITION-CLUM	125113		46859650	16947	1V
Q	449 GAUGE, WATER TEMP.-SW	125113		82302930	362-X	1V
Q	493 COCK, DRAIN-CR.	125113		79075000	250-3/4	1V X
Q	496 BEARING, ADJ. BOLT	125113		298077A		2
Q	497 CAPSCREW 5/8X2 NC	125113		03191640		8
Q	497 LOCKWASHER 5/8	125113		03961700		8
Q	498 STUD, FOUNDATION	125113		521139 1		4
Q	498 NUT, FULL 1-1/4 NC	125113		02744050		4
Q	498 NUT, JAM 1/4 NC	125113		02744150		4
Q	498 WASHER, PLAIN 1-1/4	125113		03952300		4
Q	620 BAND, MOUNTING-DUN.	125113		46151451	AAHDS-350	4V
Q	655 SUPPORT, MUFFLER	125113		278258 1		1
Q	655 SUPPORT, MUFFLER	125113		607615K 21		1
Q	656 CAPSCREW 3/8X1 NF	125113		03229320		8



PARTS LIST

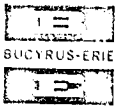
ISSUE NO. 01, 1970

MODEL 88B

PAGE 14- 28

DATE 040770

CAT. REF.	DESCRIPTION	SERIAL NO.		PART NO.	REPLACE OR VENDOR NO.	REQ.
		FROM	TO/INCL.			
	008					
Q 656	NUT, FULL 3/8 NF	125113		02739550		8
Q 656	LOCKWASHER 3/8	125113		03961300		8
Q 877	HOSE ASSY,	125113		53627531		1
Q 879	DOWEL, SUPPORT	125113	131515	410939	1	2 X
Q 879	DOWEL, SUPPORT	132296		540343K	1	2 X
Q 884	STRAP, CLAMPING	125113		278258	2	4
Q 885	CAPSCREW 3/8X2 NF	125113		03229640		6
Q 885	NUT, FULL 3/8 NF	125113		02739550		6
Q 885	LOCKWASHER 3/8	125113		03961300		6
Q 886	CLAMP, PIPE-MAREMONT	125113		82140550	X-51	4V
Q 909	COCK, CR.	125113		79076000	320-1/2	1V X
Q 913	GAUGE, OIL TEMP.-DASH	125113		82302816	311-AX	1V
Q 914	GAUGE, OIL PRESS.ENG.	125113		82302804	309-E	1V
Q 915	GAUGE, OIL TEMP.-ENG.	125113		82302930	362-X	1V
Q 916	GAUGE, OIL PRESS.ENG.	125113		82317153	353-K	1V
Q 919	BUSHING, CYLINDER PIN	125113		X 9290	1	2
Q 928	DEFLECTOR, EXHAUST	125113		501543K	21	2
Q 929	CAPSCREW 3/8X1-3/4 NC	125113		03179560		2
Q 929	NUT, FULL 3/8 NC	125113		02709100		2
Q 929	LOCKWASHER 3/8	125113		03961300		2
Q 1010	GAUGE, OIL PRESS.DASH	125113		82302802		1 X
Q 1011	GAUGE, FUEL DASH	125113		82302787	304-B	1V
Q 1014	SWITCH, OIL PRESS.-	125113		82316305	M1-670	1V
Q 1015	GAUGE, OIL PRESS.ENG.	125113		82317153		1
Q 1024	GAUGE, CLUTCH PRES.ENG	125113		82317154	353-P	1V
Q 1025	GAUGE, CLUTCH PR.DASH	125113		82302806		1 X
Q 1048	HOSE ASSEMBLY	125113		53625210		1 X
Q 1081	BUSHING, DOWEL	125113	131515	520333K	1	2 X
Q 1081	BUSHING, DOWEL	132296		540342K	1	2 X
Q 1098	SPACER, FAN	125113		525746K	1	1
Q 1106	PULLEY, CRANKSHAFT	125113		718020K	1	1



PARTS LIST

ISSUE NO. 01, 1970
 MODEL 88B PAGE 14- 29
 DATE 040770

CAT. REF.	DESCRIPTION	SERIAL NO.		PART NO.	REPLACE OR VENDOR NO.	REQ.
		FROM	TO/INCL.			
	010					
Q	RADIATOR ASSEMBLY PERFEX R8225 Q11 DRAWING 0739					
Q	1 TANK, TOP				A1-2590	1VX
Q	2 TANK, BOTTOM				A2-2453	1VX
Q	3 CORE ASSEMBLY				T-1927	1VX
Q	4 GASKET				G-24026	6VX
Q	5 CHANNEL, RH SIDE				A19-1552	1VX
Q	6 CHANNEL, LH SIDE				A19-1553	1VX
Q	7 GUSSET, RH				A15-8743	2VX
Q	8 GUSSET, LH				A15-8744	2VX
Q	9 SHROUD ASSEMBLY				A6-1878	1VX
Q	10 FAN GUARD ASSEMBLY				A11-840	1VX
Q	11 CAP				G-13577	1VX
Q	12 SCREW, SET				G-2256	2VX
Q	12 NUT, JAM				G-2090	2VX
Q	13 ROD, CROSS				G-87494	2VX
Q	14 NUT, JAM				G-2882	8VX
Q	15 U-BOLT				G-68120	1VX
Q	15 U-BOLT				G-68121	1VX
Q	16 WASHER, LONG				G-87495	4VX
Q	17 WASHER, SHORT				G-87496	4VX
Q	18 CAPSCREW				G-2053	28VX
Q	19 CAPSCREW				G-2023	72VX
Q	21 CAPSCREW				G-2032	8VX



PARTS LIST

ISSUE NO. 01, 1970

MODEL 88B

PAGE 15- 1

DATE 040770

CAT. REF.	DESCRIPTION	SERIAL NO.		PART NO.	REPLACE OR VENDOR NO.	REQ.
		FROM	TO/INCL.			
	001					
QR	TRANSMISSION-DRAWINGS Q742, QR700, QR701, QR702, QR705, QR706, QR707, QR708, QR711					
QR 61	SHAFT, CLUTCH	52320	122645	270963 4		1A
QR 61	SHAFT, CLUTCH	122770	125266	853858K 1		1A
	NOTE-WHEN STOCK OF 270963-4 OR 853858K1 IS DEPLETED, USE FOLLOWING PARTS					
	QR61 SHAFT, CLUTCH ZA723 UNION, ROTATING			857121K 1 82961590		1 1
QR 61	SHAFT, CLUTCH	125487		857121K 1		1
QR 62	SPROCKET, DRIVE	52320	ONLY	82882490		1 X
QR 62	FOR BUDA 8DAS-1290 SPROCKET, DRIVE	52320	ONLY	82870019		1 X
QR 62	FOR CAT. D343 SPROCKET, DRIVE	52320	ONLY	82881800		1 X
QR 62	FOR CAT. D375 SPROCKET, DRIVE	52320	ONLY	273316 1		1 X
QR 62	FOR CUMMINS LR 1600 SPROCKET, DRIVE	113640	119943	82882490		1
QR 62	FOR CUMMINS NVH & VT SPROCKET, DRIVE	120032	121563	82882490		1
QR 62	FOR CUMMINS NVH & VT SPROCKET DRIVE	122051	123314	82870032		1
QR 62	FOR CUMMINS NVH & VT SPROCKET, DRIVE	123524	125266	82870067		1
QR 62	FOR CUMMINS NVH & VT SPROCKET, DRIVE	125487		82870099		1 X
QR 62	FOR CUMMINS NVH & VT SPROCKET, DRIVE	125113	125266	82870019		1 X
QR 62	FOR GM 12V-71 SPROCKET, DRIVE	125489		82870100		1
QR 146	FRAME, TRANSMISSION	52320	93743	237496AA		1
QR 146	FRAME, TRANSMISSION	105476	ONLY	237496AB		1 X
QR 146	FRAME, TRANSMISSION	105477	124851	237496AB 1		1
QR 146	FRAME, TRANSMISSION	124932		237496AB 2		1
QR 148	PLUG, SHEAR	52320		404097 1		1
QR 158	CAPSCREW	52320	124851	03307285		15
QR 158	NUT, FULL 1-1/4 NF	52320	124851	02744050		15
QR 158	NUT, JAM 1-1/4 NF	52320	124851	02744150		15
QR 158	CAPSCREW	124932		03357280		15
QR 158	NUT, FULL 1-1/4 NF	124932		02744050		15
QR 158	LOCKWASHER 1-1/4	124932		03962210		15 X
QR 161	BEARING, LH FAFNIR	52320	129767	26131100	222WD	2V X
QR 161	BEARING, LH	130141		26453410		2 X



PARTS LIST

ISSUE NO. 01, 1970

MODEL 88B

PAGE 15- 2

DATE 040770

CAT. REF.	DESCRIPTION	SERIAL NO.		PART NO.	REPLACE OR VENDOR NO.	REQ.
		FROM	TO/INCL.			
	001					
QR 162	RETAINER, BEARING	52320		296214A		1
QR 163	GASKET, RETAINER	52320		297944 1		2
QR 164	CAPSCREW 5/8X1-1/2 NC	52320		03191480		12
QR 164	LOCKWASHER	52320		03961700		12
QR 167	SHAFT, TRANSMISSION FOR STD. B. H.	116267	129767	271317 1		1 X
QR 167	SHAFT, TRANSMISSION FOR STD. B.H.	130141		625727K 1		1 X
QR 167	SHAFT, TRANSMISSION FOR IND. B. H.	116268	129767	234159 1		1 X
QR 167	SHAFT, TRANSMISSION FOR IND. B.H.	130141		725346K 1		1 X
QR 168	SPROCKET, SHAFT	52320	121563	228697A		1
QR 168	SPROCKET, SHAFT	122051	125266	711215K 1		1
QR 168	SPROCKET, SHAFT	125487		717160K 1		1
QR 169	KEY, SPROCKET	52320		X13036 37	298831 29	1DX
QR 172	PINION, HOIST	52320		295971 3		1
QR 173	KEY, PINION	52320		X13036 37	298831 29	1DX
QR 174	DRIVER, CLUTCH	52320		217478A		1
QR 175	KEY, DRIVER	52320		298831 29		1
QR 178	PINION, BEVEL	52320	131209	228719A 1		1 X
QR 178	PINION, BEVEL	131430		729599K 1		2 X
QR 190	HOUSING, CLUTCH	52320		228694AB		2
QR 208	SHAFT, VERTICAL	52320		270486 1	270486 2	1DX
QR 209	GEAR, BEVEL	52320	131209	228722A 1		1AX
	NOTE-WHEN STOCK OF 228722A1 IS DEPLETED FURNISH FOLLOWING PARTS					
	QR209 GEAR, BEVEL			729575K 1		1
	QR178 PINION, BEVEL			729599K 1		1
QR 209	GEAR, BEVEL	131430		729575K 1		1 X
QR 211	PINION, SHAFT	52320		270487 3		1
QR 212	BEARING, UPPER-ROLLWAY	52320		26643300	MUC-5218	1V
QR 213	BEARING, LOWER-TIMKEN	52320		26841100	00-95000	1V
QR 217	RETAINER, BEARING	52320		296385A		1
QR 218	CAPSCREW	52320		286986 1		6
QR 220	RING, SNAP-RELIANCE	52320		68109000	18	1V
QR 221	CASE, GEAR	52320		237487AB		1
QR 222	COVER, CASE	52320		228707A		1
QR 226	GASKET, COVER	52320		50565580		2
QR 227	BOLT, COVER 1-1/4X8 NC	52320		03197480		2
QR 227	STUD	52320		403181 1		2
QR 227	BOLT, ROD	52320		291901 7		2
QR 227	NUT, FULL 1-1/4 NC	52320		02718050		4
QR 227	NUT, JAM 1-1/4 NC	52320		02718200		4
QR 227	PIN, COTTER 5/16X3	52320		03122440		2
QR 228	CAPSCREW 5/8X2 NC	52320		03191640		12
QR 228	LOCKWASHER 5/8	52320		03961700		12
QR 230	STUD, FOUNDATION	52320		410960 1		9



PARTS LIST

ISSUE NO. 01, 1970

MODEL 888

PAGE 15- 3

DATE 040770

CAT. REF.	DESCRIPTION	SERIAL NO.		PART NO.	REPLACE OR VENDOR NO.	REQ.
		FROM	TO/INCL.			
	001					
QR 230	BOLT	52320		02662000		1
QR 230	NUT, FULL 1-1/8 NF	52320		02743650		10
QR 230	NUT, JAM 1-1/8 NF	52320		02743700		10
QR 234	BELLCRANK, CLUTCH	52320		271568AB		4
QR 235	BUSHING, BELLCRANK	52320		283426 1		16
QR 241	PIN, FULCRUM	52320		298330 1		4
QR 249	SHOE, CLUTCH INCLUDES QR250, QR251, QR1198	52320		901348K 51	901348K 53	4D
QR 250	LINING, SHOE INCLUDES QR251	52320	122050	902526K 51		4
QR 250	LINING, SHOE INCLUDES QR251	122051	123774	516661K 51	902526K 51	4DX
QR 250	LINING, SHOE INCLUDES QR251	123775		902526K 51		4
QR 251	SCREW, MACHINE	52320		03948032		80
QR 251	NUT, FULL 3/8 NF	52320		02739550		80
QR 251	NUT, JAM 3/8 NF	52320		02739600		80
QR 302	BOLT, HOUSING	52320		521564K 1		16
QR 302	NUT, FULL 3/4 NF	52320		02742050		16
QR 302	LOCKWASHER 3/4	52320		03951800		16
QR 308	SPRING, BELLCRANK	52320		75615010		4
QR 309	BOLT, SPRING	52320		406470 1	901115K 51	4DX
QR 309	NUT, FULL 5/8 NC	52320		02713050		4
QR 309	NUT, JAM 5/8 NC	52320		02713250		8
QR 309	WASHER, PLAIN 5/8	52320		03951800		4
QR 325	HOUSING, BEARING	52320	93743	270422A	270422AA	1D
QR 325	HOUSING, BEARING	105476	124851	270422AA		1 X
QR 325	HOUSING, BEARING	124932	129767	270422AA 1		1 X
QR 325	HOUSING, BEARING	130141		625731K 1		1 X
QR 331	SPROCKET, DRIVE	117377	117378	82891350		1
QR 331	SPROCKET, DRIVE	122054		82891424		1
QR 332	KEY, SPROCKET	117377		506002K 1		1
QR 333	HOUSING, BEARING	52320	124851	270427A		1
QR 333	HOUSING, BEARING	124932		270427A 1		1
QR 334	BOLT, HOUSING	52320	124851	03307285		4
QR 334	NUT, FULL 1-1/4 NF	52320	124851	02744050		4
QR 334	NUT, JAM 1-1/4 NF	52320	124851	02744150		4
QR 334	BOLT, HOUSING	124932		03335890		4
QR 334	NUT, FULL 1-1/2 NF	124932		02745100		4 X
QR 334	NUT, JAM 1-1/2 NF	124932		02745150		4 X
QR 337	RETAINER, BEARING	52320		296206A		1
QR 366	BEARING, SHAFT ND	52320		26130450	1221	2V
QR 392	PIN, SHOE	52320		298330 1		4
QR 491	SEAL, OIL-NATIONAL	52320		72159700	55072	2V
QR 529	CHAIN COMPLETE, FOR BUDA 8DAS-1290 174P ASA100-5	52320	121563	34547000		1
QR 529	CHAIN COMPLETE, FOR BUDA 8DAS-1290 232P ASA80-6	122051	125266	34535402		1
QR 529	CHAIN COMPLETE, FOR CAT. D343 & D375 174P ASA100-5	52320	121563	34547000		1



PARTS LIST

ISSUE NO. 01, 1970

MODEL 88B

PAGE 15-

4

DATE 040770

CAT. REF.	DESCRIPTION	SERIAL NO.		PART NO.	REPLACE OR VENDOR NO.	REQ.
		FROM	TO/INCL.			
	001					
QR 529	CHAIN COMPLETE, FOR CAT.D343 & D375	122051	125266	34535402		1
QR 529	232P ASA80-6 CHAIN COMPLETE, FOR CUMMINS LR. NVH & VT SERIES ASA100-5	52320	113640	34547000		1
QR 529	174P CHAIN COMPLETE, FOR CUMMINS LR, NVH & VT SERIES 172P	113641	121563	34546750		1
QR 529	ASA100-5 CHAIN COMPLETE FOR CUMMINS LR, NVH & VT SERIES 232P	122051	125266	34535402		1
QR 529	ASA80-6 CHAIN COMPLETE, FOR 1 MOTOR ELECTRIC 184P ASA100-5	117377	117378	34547250		1
QR 529	CHAIN COMPLETE FOR 1 MOTOR ELECTRIC	122054		34536051		1
QR 529	251P ASA80-6 CHAIN COMPLETE, FOR ALL TYPES ENG. 232P ASA80-5	125487		34535400		1
QR 534	KEY, SPROCKET FOR BUDA 8DAS-1290	52320		408702 1		1
QR 534	KEY, SPROCKET FOR CAT.D343 & D375	52320				
QR 534	SEE CONVERTER CATALOG KEY, SPROCKET	52320		298087 1		1
QR 534	FOR CUMMINS LR1-600 KEY, SPROCKET	52320	123314	408702 1		1
QR 534	FOR CUMMINS NVH & VT KEY, SPROCKET	123524		298831 25		1
QR 534	FOR CUMMINS NVH & VT KEY, SPROCKET FOR GM 12V-71	125113		298831 25		1 X
QR 546	RING, OIL SEAL-C/R	52320		72143250	5089	2V
QR 580	RING, OIL SEAL-SIRVENE	52320		72238010	76364MI	2V X
QR 632	CASE, FRONT CHAIN	52320	121563	216043 1		1
QR 632	CASE, FRONT CHAIN	122051		806433K 21		1
QR 633	COVER, CASE	52320	121563	216042 1		1
QR 633	COVER, CASE	122051		806435K 21		1
QR 634	SUPPORT, CASE	52320	121563	297842 1		4
QR 634	SUPPORT, CASE	122051		516580K 1		1
QR 634	SUPPORT, CASE	122051		521075K 1		1
QR 634	SUPPORT, CASE	122051		521076 1		1
QR 634	SUPPORT, CASE	122051		521076 2		1
QR 635	CAPSCREW 3/4X2 NC AS REQ.	52320		03194640		
QR 635	NUT, FULL 3/4 NC AS REQ.	52320		02714050		
QR 635	LOCKWASHER 3/4 AS REQ.	52320		03961800		



PARTS LIST

ISSUE NO. 01, 1970

MODEL 88B

PAGE 15- 5

DATE 040770

CAT. REF.	DESCRIPTION	SERIAL NO.		PART NO.	REPLACE OR VENDOR NO.	REQ.
		FROM	TO/INCL.			
	001					
QR 636	CAPSCREW 1/2X1-3/4 NC	52320	124407	03185560		2
QR 636	LOCKWASHER 1/2	52320	124407	03961500		2
QR 636	CAPSCREW 1/2X1-1/8 NF	124629		03235360		2
QR 636	NUT, FULL 1/2 NF	124629		02740550		2
QR 636	LOCKWASHER 1/2	124629		03961500		2
QR 645	BOLT, EYE	52320	124851	49011010		1
QR 667	SPRING, RELEASE	52320		75152010		4
QR 668	BOLT, SPRING	52320		403007 1		4
QR 668	NUT, FULL 7/8 NC	52320		02715100		4
QR 668	NUT, JAM 7/8 NC	52320		02715350		8
QR 741	BOLT, EYE	52320		500523K 1		12
QR 770	BEARING, INNER-FAFNIR	52320		26108750	126W	2V
QR 775	SPACER, BEARING FOR STD. BOOM HOIST	52320	122490	299110 1		1
QR 775	SPACER, BEARING FOR STD. BOOM HOIST	122563		518190K 1		1
QR 775	SPACER, BEARING FOR IND. BOOM HOIST	116268		406887 1		1
QR 862	NUT, SLEEVE	52320		298294 1		4
QR 866	RETAINER, PINION	52320		283431 1		1
QR 867	CAPSCREW	52320		286986 1		3
QR 871	COVER, INSPECTION	52320	118086	291258 1		1
QR 871	COVER, INSPECTION SEE QR1189	118087				
QR 872	GASKET, COVER	52320		50472000		2
QR 873	CAPSCREW 1/2X1 NC	52320		03185320		8
QR 873	LOCKWASHER 1/2	52320		03961500		8
QR 875	SLEEVE, PINION	52320		215846A		2
QR 877	BEARING, OUTER-FAFNIR	52320		26111350	134W	2V
QR 980	KEY, PINION	52320		X13036 40		2
QR 981	RETAINER, BEARING	52320		615880K 1		2
QR 982	GASKET, RETAINER	52320		296383 1		2
QR 983	RING, SNAP-RELIANCE	52320		68108500	15	2V
QR 984	FLEXIBLE COUPLING CMP	52320	113642	39328900		1AX
	NOTE-FOR MACHINES WITH STD. BOOM HOIST ORDER FOLLOWING WHEN 39017081 IS ORDERED FOR 39328900 COUPLING			39017081		1
	QR775 SPACER			518190K 1		1
	QR1079 SPACER			713110K 1		1
	NOTE-FOR MACHINES WITH IND. BOOM HOIST ORDER FOLLOWING WHEN 39017081 IS ORDERED FOR 39328900 COUPLING			39017081		1
	QR1079 SPACER			713109K 1		1
	QR1606 SPACER			518189K 1		1



PARTS LIST

ISSUE NO. 01, 1970

MODEL 88B

PAGE 15- 6

DATE 040770

CAT. REF.	DESCRIPTION	SERIAL NO.		PART NO.	REPLACE OR VENDOR NO.	REQ.
		FROM	TO/INCL.			
	001					
QR 984	FLEXIBLE COUP. COMP.	116267	122490	39329640		1
QR 984	FLEXIBLE COUP. COMP.	122563	125266	39017081	GL103-1/2	1V X
	AMERI-GEAR					
QR 984	FLEXIBLE COUP. COMP.	125487		39017081	F103-1/2	1V X
	AMERI-GEAR					
QR 985	HUB, COUPLING	52320		39017426		2
	FOR GL-103-1/2					
QR 985	HUB, COUPLING	52320		39017437		2
	FOR F-103-1/2					
QR 985	HUB, COUPLING	116267	122490	39331120		1 X
	FOR #4					
QR 986	SLEEVE, MALE	52320		39017421		1
	FOR GL-103-1/2					
QR 986	SLEEVE, MALE	52320		39017418		1
	FOR F-103-1/2					
QR 986	SLEEVE, MALE	116267	122490	39333120		1 X
	FOR #4					
QR 987	SLEEVE, FEMALE	52320		39017422		1
	FOR GL-103-1/2					
QR 987	SLEEVE, FEMALE	52320		39017419		1
	FOR F-103-1/2					
QR 987	SLEEVE, FEMALE	116267	122490	39334120		1 X
	FOR #4					
QR 988	BOLT, SLEEVE FOR QR984	52320				
QR 989	KEY, HUB	52320		297717 2		1
QR 990	BOLT, DRIVER	52320		02195160		2
	1-1/8X6 NC					
QR 990	NUT, FULL 1-1/8 NC	52320		02717050		2
QR 990	NUT, JAN 1-1/8 NC	52320		02717200		2
QR 993	SEAT, SPRING	52320		299358 1		4
QR 1011	COVER, SPRCKET	112749	112571	234995 1		1
	FOR BUDA 8DAS-1290					
QR 1011	COVER, SPRCKET	113639				
	FOR BUDA 8DAS-1290					
	SEE Q874 & Q875					
QR 1011	COVER, SPRCKET	113639	121560			
	FOR CAT. D343 & D375					
	SEE Q874 & Q875					
QR 1011	COVER, SPRCKET	123311		L30717 1		1
	FOR CAT D343A&D375					
QR 1011	COVER, SPRCKET	52320		229467 1		1
	FOR CUMMINS LR1-500					
QR 1011	CLAMP	52320		229467 4		1
QR 1011	BOLT	52320		298176 1		2
QR 1011	COVER, SPRCKET	113640	123314			
	FOR CUMMINS NVH & VT					
	SEE Q874 & Q875					
QR 1011	COVER, SPRCKET	123524		714429K 21		1
	FOR CUMMINS NVH & VT					
QR 1011	COVER, SPRCKET	125113		714513K 21		1
	FOR GM 12V-71					
QR 1012	CAPSCREW	52320		X 6801 10		6
	FOR BUDA 8DAS-1290					
QR 1012	CAPSCREW	52320		502877K 1		6



PARTS LIST

ISSUE NO. 01, 1970

MODEL 88B

PAGE 15- 7

DATE 040770

CAT. REF.	DESCRIPTION	SERIAL NO.		PART NO.	REPLACE OR VENDOR NO.	REQ.
		FROM	TO/INCL.			
	001					
QR 1012	FOR CAT. D375 CAPSCREW FOR CAT.	123311		03229480		4
QR 1012	D343 3/8X1-1/2NF NUT, FULL 3/8 NF	123311		02739550		4
QR 1012	LOCKWASHER 3/8	123311		03961300		4
QR 1012	CAPSCREW	52320	ONLY	187676 6		6 X
QR 1012	FOR CUMMINS LR1-600 CAPSCREW	77377	105479	187676 7		6
QR 1012	FOR CUMMINS LR1-600 CAPSCREW FOR	52320	119943	X 6801 10		6
QR 1012	CUMMINS NVH & VT CAPSCREW FOR	120032	123314	03185560		6
QR 1012	CUMMINS NVH & VT CAPSCREW FOR	123524		03179480		4 X
QR 1012	CUMMINS NVH & VT CAPSCREW	125113		03179480		4
	FOR GM 12V-71 3/8X1-1/2 NC					
QR 1012	NUT, FULL 3/8 NC	125113		02709150		4
QR 1012	LOCKWASHER 3/8	125113		03961300		4
QR 1013	GASKET, COVER FOR BUDA 8DAS-1290	52320		50655600		1
QR 1013	GASKET, COVER FOR CAT. D375	52320		502013K 1		1
QR 1013	GASKET, COVER FOR CAT D343	123311		L30717 6		1
QR 1013	GASKET, COVER FOR CUMMINS LR1-600	52320		298051 1		1
QR 1013	GASKET, COVER FOR CUMMINS NVH & VT	113640	119943	50655600		1
QR 1013	GASKET, COVER FOR CUMMINS NVH & VT	120032	123314	50655600		1
QR 1013	GASKET, COVER FOR CUMMINS NVH & VT	123524		82168310		1
	SERIES BUNA .275X27-1/2 LG.					
QR 1013	SEAL, OIL FOR GM 12V-71	125113		72633528		2
QR 1014	GASKET, COVER FOR BUDA 8DAS-1290	52320		50678410		2
QR 1014	GASKET, COVER FOR CAT. D375	52320		502012K 1		1
QR 1014	GASKET, COVER FOR CAT. D343	123311		50678410		1
QR 1014	GASKET, COVER FOR CUMMINS LR1-600	52320		298057 1		1
QR 1014	GASKET, COVER FOR CUMMINS NVH & VT	113640	119943	50678410		2
QR 1014	GASKET, COVER FOR CUMMINS NVH & VT	120032		50678410		2
QR 1016	RETAINER, COVER FOR BUDA 8DAS-1290	112748		412485 1		1
QR 1016	RETAINER, COVER FOR BUDA 8DAS-1290	112749	112751			1



PARTS LIST

ISSUE NO. 01, 1970

MODEL 88B

PAGE 15- 8

DATE 040770

CAT. REF.	DESCRIPTION	SERIAL NO.		PART NO.	REPLACE OR VENDOR NO.	REQ
		FROM	TO/INCL.			
	001					
QR 1016	RETAINER, COVER FOR BUDA 8DAS-1290	117373		412485 1		1
QR 1016	RETAINER, COVER FOR CAT D343	123311		L30717 5		1
QR 1016	RETAINER, COVER FOR CUMMINS LRI-600	52320				
	SEE QR1067					
QR 1016	RETAINER, COVER FOR CUMMINS NVH & VT	113640	123314	412485 1		1
QR 1016	RETAINER, COVER FOR CUMMINS NVH & VT	123524		520927K 1		2
QR 1018	BRACE, SIDE	52320		277659 1		1
QR 1018	NUT, FULL 7/8 NC	52320		02715100		2
QR 1018	NUT, JAM 7/8 NC	52320		02715350		2
QR 1028	BASE, MOTOR	117377		802172K 21		1
QR 1029	BOLT, FOUNDATION	117377		523009K 1		2
QR 1029	STUD	117377		504426K 1		4
QR 1029	NUT, LOCK	117377		02770660		6
QR 1044	CAPSCREW 1X6 NC	117377		03201600		4
QR 1044	NUT, LOCK 1 NC	117377		02770550		4
QR 1044	WASHER, PLAIN 1	117377		03952100		4
QR 1056	LINK, ROLLER FOR QR529	122051		34662535		4
QR 1057	LINK, CONNECTING FOR QR529	122051		34667125		
QR 1059	CAPSCREW 3/4X1-1/2 NC	52320	121563	03194480		4
QR 1059	CAPSCREW	52320	121563	187676 1		4
QR 1059	LOCKWASHER 3/4	52320	121563	03961800		8
QR 1067	RETAINER, COVER FOR CUMMINS LRI-600	52320		271391 2		1
QR 1068	CAPSCREW FOR BUDA 8DAS-1290	112749	112751	286986 2		6
QR 1068	WASHER, PLAIN	112749	112751	412072 1		6
QR 1068	WASHER, LEAD	112749	112751	03958700		6
QR 1068	CAPSCREW FOR BUDA 8DAS-1290	117373		286986 3		6
QR 1068	WASHER, PLAIN	117373		412072 1		6
QR 1068	WASHER, LEAD	117373		03958700		6
QR 1068	CAPSCREW FOR CAT.D375	113639		502874K 1		6
QR 1068	WASHER, PLAIN	113639		412072 1		6
QR 1068	WASHER, LEAD	113639		03958700		6
QR 1068	CAPSCREW FOR CAT.D343	123311		286986 2		6
QR 1068	WASHER, PLAIN	123311		412072 1		6
QR 1068	WASHER, LEAD	123311		03958700		6
QR 1068	CAPSCREW FOR CUMMINS LRI-600	52320		286986 3		6
QR 1068	WASHER, PLAIN	52320		412072 1		6
QR 1068	WASHER, LEAD	52320		03958700		6
QR 1068	CAPSCREW FOR CUMMINS NVH & VT	113640	119934	286986 3		6
QR 1068	WASHER, PLAIN	113640	119934	412072 1		6
QR 1068	WASHER, LEAD	113640	119934	03958700		6
QR 1068	CAPSCREW FOR CUMMINS NVH & VT	120032	123314	03291560		6
QR 1068	WASHER PLAIN	20032	123314	02951600		6



PARTS LIST

ISSUE NO. 01, 1970

MODEL 88B PAGE 15- 9
DATE 040770

CAT. REF.	DESCRIPTION	SERIAL NO.		PART NO.	REPLACE OR VENDOR NO.	REQ.
		FROM	TO/INCL.			
	001					
QR 1068	WASHER, LEAD	120032	123314	03958700		6
QR 1068	CAPSCREW	123524		286986 2		6
	FOR CUMMINS NVH & VT					
QR 1068	WASHER, PLAIN	123524		412072 1		6
QR 1075	PIN, LOCK FOR QR529	122051		34667540		
QR 1078	RETAINER, BEARING	52320		615806K 1		2
QR 1079	SPACER, COUPLING FOR STD. BOOM HOIST	52320	113639	270957A		1
QR 1079	SPACER, COUPLING FOR STD. BOOM HOIST	116267	122490	601526K 21		1
QR 1079	SPACER, COUPLING FOR STD. BOOM HOIST	122553		713110K 1		1
QR 1079	SPACER, COUPLING FOR IND. BOOM HOIST	116268	118087	277094A		1
QR 1079	SPACER, COUPLING FOR IND. BOOM HOIST	118770	122565	601524K 21		1
QR 1079	SPACER, COUPLING FOR IND. BOOM HOIST	123769		713109K 1		1
QR 1103	CAPSCREW 1/2X1 NC	52320		03185320		12
QR 1103	LOCKWASHER 1/2	52320		03961500		12
QR 1105	PIN, ROD END	52320		500519K 51		4
QR 1106	COVER, OIL HOLE	52320	124407	290407 1		1
QR 1106	COVER, OIL HOLE	124629		514000K 1		1
QR 1107	GASKET, COVER	52320	124407	50457500		1
QR 1107	GASKET, COVER	124629		50706860		1
QR 1108	CAPSCREW 1/2X3/4 NC	52320		03185240		2
QR 1108	LOCKWASHER 1/2	52320		03961500		2
QR 1112	KEY, HUB	52320		297717 1		1
	FOR STD. BOOM HOIST					
QR 1112	KEY, HUB	116268		406838 1		1
	FOR IND. BOOM HOIST					
QR 1113	GASKET, COUPLING	52320		39017425		
	FOR QR984					
QR 1136	RING, OIL SEAL	52320		39017412		2
QR 1167	DEFLECTOR, OIL	52320	ONLY	273446 1		1
QR 1167	DEFLECTOR, OIL	77377	93743	274142 1		1
QR 1167	DEFLECTOR, OIL	105476	105479	277068 1		1
QR 1168	GASKET, DEFLECTOR	77377	105479	298051 2		1
QR 1169	CONNECTOR, AIR HOSE	52320	105479	298099 1		1
QR 1170	CAPSCREW 1/2X1-1/4 NC	52320		03185400		2
QR 1170	LOCKWASHER 1/2	52320		03961500		2
QR 1171	GASKET, SIDE	52320		50591000		1
QR 1172	COVER, SIDE	52320		525703K 1		1
QR 1173	GASKET, COVER	52320	123314	50351500		1
QR 1173	GASKET, COVER	123524		50656000		1
QR 1174	CAPSCREW 1/2X1 NC	52320		03185320		6
QR 1174	LOCKWASHER 1/2	52320		03961500		6
QR 1175	CASE, CHAIN REAR	52320	105479	229444 1		1
QR 1175	CASE, CHAIN REAR	112748		219101 1		1
QR 1175	CASE, REAR CHAIN-	113639		800891K 21		1
	FOR CAT. D375					
QR 1175	CASE, REAR CHAIN-	125113		809387K 21		1
	FOR 3M 12V-71					
QR 1176	CAPSCREW 5/8X2 NC	52320	105479	03191640		16



PARTS LIST

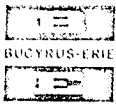
ISSUE NO. 01, 1970

MODEL 88B

PAGE 15- 10

DATE 040770

CAT. REF.	DESCRIPTION	SERIAL NO.		PART NO.	REPLACE OR VENDOR NO.	REQ.
		FROM	TO/INCL.			
	001					
QR 1176	NUT, FULL 5/8 NC	52320	105479	02713050		16
QR 1176	LOCKWASHER 5/8	52320	105479	03961700		16
QR 1177	GASKET, REAR CASE	52320		50313000		1
QR 1178	COVER, SIDE	52320	105479	229470 6		1
QR 1178	COVER, SIDE	112748		278261 1		1
QR 1178	COVER, SIDE	113639		601181K 21		1
QR 1178	FOR CAT.D375 COVER, SIDE-	125113		518864K 1		1
QR 1179	FOR GM 12V-71 GASKET, COVER	52320	105479	50592500		1
QR 1179	GASKET, COVER	112748		50678270		1
QR 1179	GASKET-CORD 27-1/2	125113		82168310		1 X
QR 1180	FOR GM 12V71 CAPSCREW	52320		03185240		
QR 1180	1/2X3/4 NC AS REQ. LOCKWASHER 1/2 AS REQ	52320		03961500		
QR 1182	PLUG, SHEAR	52320		297959 1		2
QR 1183	BOLT, SPROCKET	52320		296353 1		1
QR 1183	NUT, FULL 1-3/4 NF	52320		02746050		1
QR 1183	NUT, JAM 1-3/4 NF	52320		02746100		1
QR 1184	RETAINER, SEAL RING	77377		402814 1	521058K 1	2D
QR 1185	CAPSCREW 3/8X3/4 NC	77377		03179240		16
QR 1185	LOCKWASHER 3/8	77377		03961300		16
QR 1186	BOLT, RETAINER	52320		521293K 1		4
QR 1186	LOCKWASHER 5/8	52320		03961700		4
QR 1187	GASKET, RETAINER	52320		289880 1		1
QR 1188	PLUG, REDUCER	52320	123314	507997K 1		1
QR 1188	PLUG, REDUCER	123524		518837K 1		1
QR 1189	COVER, INSPECTION	52320		291258 1		1
QR 1190	RETAINER, BEARING	52320		521009K 1		1
QR 1191	CAPSCREW	52320		286986 1		2
QR 1192	SHIM, SET - TIMKEN	52320		26909450	K23805	3V
QR 1192	SHIM, SET - TIMKEN	52320		26909650	K23807	3V
QR 1192	SHIM, SET - TIMKEN	52320		26909900	K23820	3V
QR 1193	ANCHOR, BELLCRANK	52320		231856A		4
QR 1194	CAPSCREW	52320		192468 1		4
QR 1194	CAPSCREW	52320		192468 6		8
QR 1194	WASHER, PLAIN 1/2	52320		03951600		12
QR 1195	SCREW, SET 3/4X3-1/2 NC	52320		03772730		4
QR 1195	NUT, FULL 3/4 NC	52320		02714050		4
QR 1196	SEAT, SPRING	52320		403015 1		4
QR 1197	END, ROD	52320		501704K 1		4
QR 1198	BUSHING, END PIN	52320		500117K 1		4
QR 1199	SLEEVE, SPRING	52320		274509 1		4
QR 1200	CYLINDER ASSY.	52320		903499K 51		1 X
	INCLUDES QR1201, QR1213,QR1215,QR1223					
	NOTE-REPAIR KIT CON- SISTS OF ITEMS QR1203 THRU QR1207, QR1212, QR1218, QR1219					



PARTS LIST

ISSUE NO. 01, 1970

MODEL 88B

PAGE 15- 11

DATE 040770

CAT. REF.	DESCRIPTION	SERIAL NO.		PART NO.	REPLACE OR VENDOR NO.	REQ.
		FROM	TO/INCL.			
	001					
QR 1201	CYLINDER	52320		229580A		4
QR 1202	END COVER,	52320		29328790	220879	4VX
	INCL. R1203-BW					
QR 1203	BUSHING, GUIDE-BW	52320		29258870	213887	4V
QR 1204	OILER, FELT-BW	52320		29258810	213881	4V
QR 1205	WASHER, OILER-BW	52320		29258820	213882	4V
QR 1206	WASHER, OILER-BW	52320		29258800	213880	4V
QR 1207	RING, RETAINING-BW	52320		29258830	213883	4V
QR 1208	COVER, BREATHER-BW	52320		29243690	212369	4VX
QR 1209	HAIR, BREATHER	52320		40733250		4
	FOR QR1202					
QR 1210	SCREEN, BREATHER-BW	52320		29161450	204145	4VX
QR 1211	CAPSCREW 3/8X1 NC	52320		03179320		16
QR 1211	LOCKWASHER 3/8	52320		03961300		16
QR 1212	GASKET, COVER-BW	52320		29258840	213884	4V
QR 1213	ROD, PUSH	52320		521047K 1		4
QR 1213	NUT, JAM 3/4 NF	52320		02742100		4
QR 1214	RETAINER, ROD-BW	52320		29258710	213871	4V
QR 1215	GUIDE, PISTON	52320		510313K 1		4
QR 1216	NUT, LOCK-BW	52320		29258740	213874	4V
QR 1217	PISTON ASSY,-BW	52320		29258690	213869	4V
QR 1218	OILER, FELT-BW	52320		29258780	213878	4V
QR 1219	CUP, PISTON-BW	52320		29258750	213875	4V
QR 1220	WASHER, CUP-BW	52320		29258760	213876	4V
QR 1221	NUT, PISTON-BW	52320		29258770	213877	4V
QR 1222	SHIM, GUIDE-BW	52320		29258730	213873	4V
QR 1223	END, ROD	52320		900229K 51	521030K 51	4DX
	INCLUDES QR1224					
QR 1224	BUSHING, ROD END	52320		298310 1		8
QR 1225	PIN, ROD END	52320		298315 1		4
QR 1226	BOLT, ANCHOR	52320		521275K 1		4
QR 1226	STUD	52320		02695200		4
QR 1226	NUT, FULL 5/8 NF	52320		02741550		8
QR 1226	NUT, JAM 5/8 NF	52320		02741650		8
QR 1228	SHOE, BRAKE	52320		271647A	901272K 51	1DX
QR 1228	SHOE, BRAKE	52320		901272K 51	901272K 52	1DX
	INCLUDES QR1229,					
	QR1230					
QR 1229	LINING, SHOE	52320		271647 1	902529K 51	1DX
QR 1229	LINING, SHOE	52320		902529K 51	902529K 52	1DX
	INCLUDES QR1230					
QR 1230	RIVET 6AX1-1/8	52320		69044910		14 X
QR 1231	PIN, SHOE	52320		199909 1		1
QR 1231	PIN, COTTER 1/4X1 3/4	52320		03118840		1
QR 1232	LEVER, BRAKE	52320		271646A		1
QR 1233	PIN, FULCRUM	52320		171607 1		1
QR 1233	PIN, COTTER 1/4X1 3/4	52320		03118840		1
QR 1234	BRACKET, LEVER	52320		228993A		1
QR 1235	BOLT, BRACKET	52320		523004K 1		2
QR 1235	NUT, FULL 1-1/4 NC	52320		02718050		2
QR 1235	NUT, JAM 1-1/4 NC	52320		02718200		2
QR 1235	BOLT, BRACKET	52320		03257280		2



PARTS LIST

ISSUE NO. 01, 1970

MODEL 88B

PAGE 15- 12

DATE 040770

CAT. REF.	DESCRIPTION	SERIAL NO.		PART NO.	REPLACE OR VENDOR NO.	REQ.
		FROM	TO/INCL.			
	001					
QR 1235	1 1/4 X 4 NF NUT, FULL 1 1/4 NF	52320		02744050		2
QR 1235	NUT, JAM 1 1/4 NF	52320		02744150		2
QR 1236	SCREW, SET 7/8X 6	52320		03776930		1
QR 1236	NUT, JAM 7/8	52320		02715350		1
QR 1237	BRACKET, CHAMBER	52320		271645 1		1
QR 1238	CAPSCREW 3/4 X 3 NC	52320		03194960		4
QR 1238	NUT, FULL 3/4 NC	52320		02714050		4
QR 1238	LOCKWASHER 3/4	52320		03961800		4
QR 1239	SPRING, BRAKE	52320		75643010		1
QR 1240	SEAT & ROD, SPRING	52320		271643 1		1
QR 1240	NUT, JAM 5/8 NC	52320		02713250		2
QR 1241	NUT, ADJUSTING	52320		298492 1		2
QR 1242	PIN, FULCRUM	52320		298491 1		1
QR 1243	ROD, SPRING	52320		271644 1		2
QR 1243	NUT, FULL 3/4 NC	52320		02714050		2
QR 1243	NUT, JAM 3/4 NC	52320		02714450		2
QR 1244	GEAR, DRIVE	52320		271239A		1
QR 1245	CAPSCREW 7/8X4 1/2 NF	52320	125672	03248440		4
QR 1245	NUT, FULL 7/8 NF	52320	125672	02742550		4
QR 1245	NUT, JAM 7/8 NF	52320	125672	02742650		4
QR 1245	CAPSCREW 7/8X4 1/2 NF	125991		03347580		4
QR 1245	NUT, FULL 7/8NF	125991		02742550		4
QR 1245	NUT, JAM 7/8NF	125991		02742650		4
QR 1246	SHAFT, DRIVE	52320		270485 1	270485 2	10
QR 1247	BEARING, UPPER FAFNIR	52320		26120450	210WD	1V
QR 1248	RETAINER, BEARING	52320		296398 1		1
QR 1249	GASKET, RETAINER	52320		297625 1		1
QR 1250	CAPSCREW 1/2X1 NC	52320		03185320		3
QR 1251	PINION, SHAFT	52320		296386 1		1
QR 1252	RING, SNAP RELIANCE	52320		68108000	13	1V
QR 1253	BEARING, LOWER FAFNIR	52320		26124300	215WD	1V
QR 1254	SEAL, OIL NATIONAL	52320		72198200	55012	1V
QR 1255	RETAINER, SEAL	52320		270489A		1
QR 1256	GASKET, RETAINER	52320		297626 1		1
QR 1257	CAPSCREW	52320		03291400		4
QR 1258	CLUTCH, JAW	52320		615891K 1		1
QR 1259	KEY, CLUTCH	52320		X13036 13		1
QR 1260	RETAINER, CLUTCH	52320		293612 1		1
QR 1261	CAPSCREW	52320		03185320		2
QR 1262	CASE, DRIVE SHAFT	52320		229098A		1
QR 1263	GASKET, CASE	52320		50565650		1
QR 1264	CAPSCREW 3/4X2 NC	52320		03194640		14
QR 1264	CAPSCREW 3/4X6 NC	52320		03195920		2
QR 1264	LOCKWASHER 3/4	52320		03961800		16
QR 1265	DOWEL, CASE	52320		297054 1		2
QR 1266	CAPSCREW 3/4X5 NC	77377		03195600		1
QR 1266	NUT, FULL 3/4 NC	77377		02714050		1
QR 1266	NUT, JAM 3/4 NC	77377		02714450		1
QR 1267	WASHER, SHEAR PLUG	52320		176902 4		1
QR 1269	SPROCKET, DRIVE FOR BUDA 8DAS1290 &	112748		82888950		1 X
QR 1270	CUMMINS NVH & VT CAPSCREW	11274		510860K 1		6



PARTS LIST

ISSUE NO. 01, 1970

MODEL 88B

PAGE 15- 13

DATE 040770

CAT. REF.	DESCRIPTION	SERIAL NO.		PART NO.	REPLACE OR VENDOR NO.	REQ.
		FROM	TO/INCL.			
	001					
QR 1270	FOR BUDA 8DAS-1290 CAPSCREW	113640	119943	510860K 1		6
QR 1270	FOR CUMMINS NVH & VT CAPSCREW	120032	123314	03173160		6
QR 1270	FOR CUMMINS NVH & VT CAPSCREW	123524		297790 1		6
QR 1271	FOR CUMMINS NVH & VT SPROCKET, DRIVEN	112748		82888900		1 X
	FOR BUDA 8DAS1290 & CUMMINS NVH & VT					
QR 1272	KEY, SPROCKET FOR CUMMINS & BUDA	112748	119943	54301000		1 X
QR 1273	GASKET, DRIVE ASSY FOR BUDA & CUMMINS	112748	123314	50656000		1 X
QR 1274	CAPSCREW 1/2X1 3/4 NC	112748		03185560		2 X
QR 1274	NUT, JAM 1/2 NC	112748		02711250		2 X
QR 1274	WASHER, PLAIN 1/2	112748		05951600		2 X
QR 1275	CHAIN COMPLETE	112748		34501900	65	1V
QR 1276	LINK, CONNECTING FOR QR1275 AS REQD.	112748		34658250		
QR 1277	LINK, ROLLER FOR QR1275 AS REQD.	112748		34658350		
QR 1278	WASHER, SEALING	52320	122645	68714250		1
QR 1279	RETAINER, WASHER	52320	79926	405354 1		1
QR 1279	RETAINER, WASHER	93740	122645	405635 1		1
QR 1288	COVER, SIDE	105476		234805A		1
QR 1289	GASKET, COVER	105476		50565650		1
QR 1290	CAPSCREW 3/4X2 NC	105476		03194640		16
QR 1290	LOCKWASHER 3/4	105476		03961800		16
QR 1291	DNJEL, COVER	105476		297054 1		2
QR 1292	SPROCKET, DRIVE	105476		277095 1		1
QR 1296	SHIM, SUPPORT	117377	117378	290661 1		2
QR 1296	SHIM, SUPPORT	117377	117378	290661 2		2
QR 1296	SHIM, SUPPORT	117377	117378	290661 3		2
QR 1298	SUPPORT, CONVERTER FOR CUMMINS	120032	123314	251828 1		1
QR 1298	SUPPORT, CONVERTER FOR CUMMINS	123524		714428 1		1
QR 1298	SUPPORT, CONVERTER FOR CAT D343	123311		L30729 25		1
QR 1298	SUPPORT, CONVERTER FOR GM 12V-71	125113	131434	714512 1		1 X
QR 1298	SUPPORT, CONVERTER FOR GM 12V-71	131511	131515	725840K 1		1 X
QR 1298	SUPPORT, CONVERTER FOR GM 12V-71	132296		731403K 1		1 X
QR 1299	CAPSCREW FOR CUMMINS	120032	123314	522264K 1		6
QR 1299	NUT, FULL 1 NC	120032	123314	02716050		6
QR 1299	LOCKWASHER 1	120032	123314	03962000		6
QR 1299	CAPSCREW	123524		03235640		11
	FOR CUMMINS 1/2X2 NF					
QR 1299	NUT, FULL 1/2 NF	123524		02740550		11
QR 1299	LOCKWASHER 1/2	123524		03961500		11
QR 1299	CAPSCREW	123311		03235640		12



PARTS LIST

ISSUE NO. 01, 1970

MODEL 88B

PAGE 15- 14

DATE 040770

CAT. REF.	DESCRIPTION	SERIAL NO.		PART NO.	REPLACE OR VENDOR NO.	REQ.
		FROM	TO/INCL.			
	001					
QR 1299	FOR CAT. D343 1/2X2NF NUT, FULL 1/2 NF	123311		02740550		12
QR 1299	LOCKWASHER 1/2	123311		03961500		12
QR 1300	CABLE, DRIVE	120032	123314	46811620		1
QR 1300	FOR CUMMINS CABLE, DRIVE	123524		46811671		1
QR 1300	FOR CUMMINS CABLE, DRIVE	123311		46811600		1
QR 1307	FOR CAT. D343 DRIVE ASSY	112748		46348500	46335190	1DX
QR 1308	FOR BUDA & CUMMINS BODY, FOR QR1307	112748				
QR 1309	SHAFT, FOR QR1307	112748				
QR 1310	NUT, FOR QR1307	112748				
QR 1311	BEARING, FOR QR1307	112748				
QR 1312	BEARING, FOR QR1307	112748				
QR 1313	RING, SNAP FOR QR1307	112748				
QR 1320	PLUG, PIPE	117377	122054	20771450		1
QR 1321	SEAL, OIL	117377	122054	703251K 1		1
QR 1322	CAPSCREW	117377	122054	506006K 1		8
QR 1323	GASKET, SEAL	117377	122054	50705500		1
QR 1324	RETAINER, SEAL	117377	122054	703250K 1		1
QR 1325	CAPSCREW	117377	122054	506004K 1		6
QR 1326	WASHER, CAP SCREW	117377	122054	506003K 1		6
QR 1327	GASKET, RETAINER	117377	122054	50705650		1
QR 1328	SCREW, ADJUSTING	117377	122054	504425K 1		4
QR 1328	NUT, JAM	117377	122054	02742650		4
QR 1329	SUPPORT, CASE	117377	117378	506014K 1		1
QR 1329	SUPPORT, CASE	122054		518828K 1		1
QR 1330	CAPSCREW	117377		03244480		2
QR 1330	LOCKWASHER 3/4	117377		03961800		2
QR 1331	CAPSCREW	117377		03244960		2
QR 1331	LOCKWASHER 3/4	117377		03961800		2
QR 1336	CAPSCREW 1/2X1 1/2 NC	120032	123314	03185480		16
QR 1336	LOCKWASHER 1/2	120032	123314	03961500		16
QR 1336	CAPSCREW 1/2X2 NF	123524		03235640		16
QR 1336	LOCKWASHER 1/2	123524		03961500		16
QR 1337	CAPSCREW 1/2X2 NC	120032	123314	03185640		8
QR 1337	LOCKWASHER 1/2	120032	123314	03961500		8
QR 1338	CARTRIDGE, FILTER	120032		46133100		1
QR 1606	SPACER, OUTER	123769		518189K 1		1
QR 1608	TANK, OIL FOR CAT. D343	123311		82929762		1
QR 1608	TANK, OIL FOR CUMMINS NVH & VT	123524	125266	82929762		1 X
QR 1608	TANK, OIL FOR CUMMINS NVH & VT	125487		813085K 21		1 X
QR 1608	TANK, OIL FOR GM 12V-71	125113		82929762		1
QR 1609	SCREEN, FILTER FOR CAT. D343	123311		46327316		1
QR 1609	SCREEN, FILTER FOR CUMMINS NVH & VT	123524		46327316		1
QR 1609	SCREEN, FILTER FOR GM 12V-71	125113		46327316		1



PARTS LIST

ISSUE NO. 01, 1970

MODEL 88B

PAGE 15- 15

DATE 040770

CAT. REF.	DESCRIPTION	SERIAL NO.		PART NO.	REPLACE OR VENDOR NO.	REQ.
		FROM	TO/INCL.			
	001					
QR 1610	GASKET, SCREEN FOR CAT. D343	123311		50707412		1
QR 1610	GASKET, SCREEN FOR CUMMINS NVH & VT	123524		50707412		1
QR 1610	GASKET, SCREEN FOR GM 12V-71	125113		50707412		1
QR 1611	BRACKET, FILTER FOR CAT. D343	123311		14380185		1
QR 1611	BRACKET, FILTER FOR CUMMINS NVH & VT	123524		14380185		1
QR 1612	FILTER, CONVERTER FOR CAT. D343	123311		14380180		1
QR 1612	FILTER, CONVERTER FOR CUMMINS NVH & VT	123524		14380180		1
QR 1614	BRACKET, TANK FOR CAT. D343	123311		615741K 1		1
QR 1614	BRACKET, TANK FOR CAT. D343	123311		615742K 1		1
QR 1614	BRACKET, TANK FOR CUMMINS NVH & VT	123524	124182	615741K 1		1
QR 1614	BRACKET, TANK FOR CUMMINS NVH & VT	123524	124182	615742K 1		1
QR 1614	BRACKET, TANK FOR GM 12V-71	125113		615741K 1		2
QR 1615	CAP & DIPSTICK	125487		623342K 21		1 X
QR 1679	O-RING, RETAINER	124180		68141400		2



PARTS LIST

ISSUE NO. 01, 1970

MODEL 88B PAGE 16- 1
DATE 040770

CAT. REF.	DESCRIPTION	SERIAL NO.		PART NO.	REPLACE OR VENDOR NO.	REQ.
		FROM	TO/INCL.			
	001					
R	MAIN MACHINERY DWGS. R721,R722,R723,R725, R726,R735,R736,R746, 101631					
R	1 CLUTCH BAND COMP.	52320	122455	801285K 21	804796K 51	20X
R	1 CLUTCH BAND COMP. INCLUDES R4,R5,R16 & R2879	122487		804796K 51	804796K 61	20X
R	1 CLUTCH BAND, HALF	52320		804796K 61	804796K 62	40X
R	4 LINING, BAND INCLUDES R5	52320	122455	509862K 51	540289K 52	40X
R	4 LINING, BAND-HALF INCLUDES R5	122487		516658K 51	540289K 52	40X
R	5 RIVET, LINING	52320	122455	69040510		200 X
R	5 RIVET, LINING	122487		69063130		8 X
R	5 RIVET, LINING	122487		69063105		212 X
R	12 PIN, FULCRUM	52320		408605 1		6
R	14 BAND, HALF BRAKE	52320	125115	900689K 61		1AX
R	14 BAND, HALF BRAKE	52320	125115	900689K 62		1AX
	NOTE-WHEN STOCK OF 900689K61 & 900689K62 IS DEPLETED USE FOLLOWING PARTS					
	BAND, HALF BRAKE			807819K 71		1
	BAND, HALF BRAKE			807818K 51		1
	NOTE-ON FIRST REPLACE -MENT ONLY, FURNISH R13 HARDWARE KIT.			903555K 51		1
R	14 BRAKE BAND COMPLETE	125261		807819K 52		1AX
	NOTE-WHEN STOCK OF 807819K52 IS DEPLETED USE FOLLOWING PARTS					
	BAND, HALF BRAKE			807819K 71		1
	BAND, HALF BRAKE			807818K 51		1
	NOTE-FOR SHOVEL AND STRIPPER, SEE R-2903 FOR L.H. BAND					
	NOTE-FOR DRACLIN AND L/CRANE, USE 2 OF R-2903 FOR RH & LH					



PARTS LIST

ISSUE NO. 01, 1970

MODEL 888

PAGE 16- 2

DATE 040770

CAT. REF.	DESCRIPTION	SERIAL NO.		PART NO.	REPLACE OR VENDOR NO.	REQ.
		FROM	TO/INCL.			
	001					
R 15	LINING, HALF BAND-1/2 INCLUDES R16	52320	122455	902531K 51		4
R 15	LINING, HALF BAND-3/4 INCLUDES R16	122487	125115	516669K 51		2 X
R 15	LINING, HALF INCLUDES R16	125261		520977K 51		4
R 16	RIVET 6AX7/8	52320	122455	69044800		120 X
R 16	RIVET 8X1-1/16	122487		69063100		96 X
R 18	SCREW, ADJUSTING	52320	125115	514133K 1		2 X
R 18	SCREW, ADJUSTING	125261		615923 1	903555K 51	10
R 30	BOLT, EYE	52320		297720 2	521160 4	30
R 30	NUT, FULL 5/8 NC	52320		02713050		3
R 30	NUT, JAM 5/8 NC	52320		02713250		6
R 31	SPRING, SUSPENSION	52320		75744640		8
R 33	ANCHOR, UPPER	52320	130145	284994 1		2 X
R 33	ANCHOR, UPPER	130181		623840K 21		4 X
R 34	CAPSCREW 1/2X1-3/4 NC	52320		03185560		4
R 34	LOCKWASHER 1/2	52320		03961500		4
R 35	LOCK, END & LEVER PIN	52320		298457 3		6
R 66	GEAR, HOIST	52320		901330K 52		1
	INCLUDES R2477					
R 67	KEY, GEAR	52320		X13036 43		2
R 68	DRIVER, CLUTCH	52320	ONLY	237622AB		1
R 68	DRIVER, CLUTCH	77377	78944	276041 1		1
R 68	DRIVER, CLUTCH	79923	79926	276664 1		1
R 68	DRIVER, CLUTCH	93740	93743	237622AB 1	854110K 51	1DX
R 68	DRIVER, CLUTCH INCLUDES R70	93740	93743	854110K 51		1AX
	NOTE-WHEN STOCK OF 237622AB1 & 854110K51 IS DEPLETED, USE FOLLOWING PARTS					
	R68 DRIVER, CLUTCH			857183K 51		1
	R2425 BOLT, ADJUSTING			521077K 1		2
	SHOE			521078K 1		2
R 68	DRIVER, CLUTCH	105476	122566	901401K 51	854110K 51	1DX
R 68	DRIVER, CLUTCH INCLUDES R70	122642	126409	854110K 51		1AX
	NOTE-WHEN STOCK OF 854110K51 IS DEPLETED USE FOLLOWING PARTS					
	R68 DRIVER, CLUTCH			857183K 51		1
	R2425 BOLT, ADJUSTING			521077K 1		2
	SHOE			521078K 1		2
R 68	DRIVER, CLUTCH INCLUDES R70	126410		857183K 51		1 X



PARTS LIST

ISSUE NO. 01, 1970

MODEL 88B PAGE 16- 3
DATE 040770

CAT. REF.	DESCRIPTION	SERIAL NO.		PART NO.	REPLACE OR VENDOR NO.	REQ.
		FROM	TO/INCL.			
	001					
R 70	BOLT, CLAMPING	52320		903113K 51	615871K 21	2D
R 70	NUT, FULL 2 NF	52320		02747050		2
R 70	NUT, JAM 2 NF	52320		02747100		2
R 72	BOLT, GUIDE	52320		296025 1		2
R 73	SHAFT, HOIST-SHOVEL	52320	79926	101579 5		1
R 73	SHAFT, HOIST-SHOVEL	93740	105479	101690 5		1
R 73	SHAFT, HOIST-SHOVEL	112748	128493	101795 1	901596K 51	1DX
R 73	SHAFT, HOIST-SHOVEL	129763		882084K 1		1 X
R 73	SHAFT, HOIST-COAL STRIPPER	52320		901596K 51		1 X
R 74	HOUSING, BRAKE RH	52320	125113	701226K 3		1AX
	NOTE-WHEN STOCK OF 701226K3 IS DEPLETED USE FOLLOWING PARTS					
	R74 HOUSING			701226K 4		1
	R189 CAPSCREW 1X4-1/4 NC			02617180		16
	R189 NUT, FULL 1 NC			02716050		16
	R189 NUT, JAM 1 NC			02716200		16
R 74	HOUSING, BRAKE RIGHT OR LEFT HAND	125261		701226K 4		2 X
R 75	HOUSING, BRAKE LH	52320	105479	703511K 1		1
R 75	HOUSING, BRAKE LH SEE R74	112748				
R 78	WEDGE, ROPE	112748		526474K 1		1
R 83	DRUM, HOIST	77380	93743	238716 9		1
R 83	DRUM, HOIST	112748	112751	239661AA		1 X
R 83	DRUM, HOIST	113640	116269	600778K 21		1
R 83	DRUM, HOIST	116650		850124K 3	11486R	1DX
R 84	BOLT, DRUM 1-1/4X3-3/4 NF	112748	121020	02563500		8
R 84	NUT, FULL 1-1/4 NF	112748	121020	02744050		8
R 84	LOCKWASHER 1/4	112748	121020	03962210		8
R 84	BOLT, DRUM 1-1/4X4 NC	121021		02196840		8
R 84	NUT, FULL 1-1/4 NC	121021		02718050		8
R 84	LOCKWASHER 1-1/4	121021		03962210		8
R 87	FRAME, RH SIDE	52320	105476	236700AB		1
R 87	FRAME, RH SIDE	105477	128493	236700AB 1		1 X
R 87	FRAME, RH SIDE	129763		861356K 1		1 X
R 94	BOLT, FOUNDATION 1-1/4X5 NF	52320		03357280		14
R 94	NUT, FULL 1-1/4 NF	52320		02744050		14
R 94	NUT, JAM 1-1/4 NF	52320		02744150		14
R 167	DRUM, HOIST OR HOLDING	78941	105479	215504A		1
R 167	DRUM, HOIST OR HOLDING	117376	122565	219486A	11384R	1DX
R 167	DRUM, HOIST OR HOLDING	122566	124937	807019K 1	11384R	1DX
R 167	DRUM, HOIST DRAGLINE	125108	126575	11711R	11711R	1DX
R 167	DRUM, HOLDING OR	125108		11384R		1 X
R 168	CRANE HOIST BOLT, DRUM	120715		522991K 1	02196760	8DX



PARTS LIST

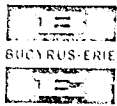
ISSUE NO. 01, 1970

MODEL 888

PAGE 16- 4

DATE 040770

CAT. REF.	DESCRIPTION	SERIAL NO.		PART NO.	REPLACE OR VENDOR NO.	REQ.
		FROM	TO/INCL.			
	001					
	FOR SH & STRIPPING SH					
R 168	NUT, FULL 1-1/4 NC	120715		02718050		8
R 168	LOCKWASHER 1-1/4	120715		03962210		8
R 168	BOLT, DRUM	78941		02196760		8
	FOR DL.CS.& CR.1-1/4X 3-1/2 NC					
R 168	NUT, FULL 1-1/4 NC	78941		02718050		8
R 168	LOCKWASHER, 1-1/4	78941		03962210		8
R 169	DRUM, HOIST	78941	105479	807045 1		1
R 169	DRUM, HOIST	112749	122565	215507A8	11385R	10X
R 169	DRUM, HOIST	122566	124937	807018K 1	11385R	10X
R 169	DRUM, DRAG	125108	126575	11795R	11795R	10X
R 169	DRUM, DRAG	130889		11385R		1 X
R 169	DRUM, HOIST CRANE	125108	130657	11505R		1 X
R 169	DRUM, HOIST CRANE	130889		11385R		1 X
R 170	BOLT, DRUM	78941		02196760		8
	1-1/4X3-1/2 NC					
R 170	NUT, FULL 1-1/4 NC	78941		02718050		8
R 170	LOCKWASHER 1-1/4	78941		03962210		8
R 172	WEDGE, ROPE 1	78941		526466K 1		1
R 172	WEDGE, ROPE 1-1/4	78941		526470K 1		1
R 174	WEDGE, ROPE 1-1/8	78941		526468K 1		1
R 174	WEDGE, ROPE 1-1/4	78941		526470K 1		1
R 174	WEDGE, ROPE 1-3/8	78941		524219K 1		1
R 177	DRUM, CLOSING	105476	117375	807044K 1		1 X
R 177	DRUM, CLOSING	117376		11385R		1 X
R 187	SLEEVE, RH DRUM	52320	79926	215961AB 1		1
R 187	SLEEVE, RH DRUM	93740	105479	215961AD 1		1
R 187	SLEEVE, RH DRUM	112748	127566	239901AA		1 X
R 187	SLEEVE, RH DRUM	127884		239901AB		1 X
R 188	SLEEVE, LH DRUM	52320	79926	215949AA		1
R 188	SLEEVE, LH DRUM	93740	105479	215949AC		1
R 188	SLEEVE, LH DRUM	112748	127566	239901AA 1		1 X
R 188	SLEEVE, LH DRUM	127884		239901AB 1		1 X
R 189	CAPSCREW	52320	79926	262249 107		12
R 189	NUT, FULL 1 NF	52320	79926	02743050		12
R 189	NUT, JAM 1 NF	52320	79926	02743100		12
R 189	CAPSCREW	93740	105479	408161 1		16
R 189	NUT, JAM 1 NC	93740	105479	02716200		16
R 189	CAPSCREW 1X3-3/4 NC	112748	125113	03301200		320X
R 189	CAPSCREW 1X4-1/4 NC	125261		02617180		32 X
R 189	NUT, FULL 1 NC	112748	126409	02716050		32
R 189	NUT, JAM 1 NC	112748	126409	02716200		32
R 189	BOLT, HEX 1X4 1/4 NC	126410		02617180		32
R 189	NUT, FULL 1 NC	126410		02716050		32
R 189	NUT, JAM 1 NC	126410		02716200		32
R 190	CAPSCREW	52320	79926	405851 2		8
R 190	NUT, FULL 1-1/4 NF	52320	79926	02744050		8
R 190	LOCKWASHER 1-1/4	52320	79926	03962210		8
R 190	CAPSCREW	93740	105479	405851 1		8
R 190	CAPSCREW	93740	105479	405861 1		8
R 190	NUT, FULL 1-1/4 NF	93740	105479	02744050		16
R 190	LOCKWASHER 1-1/4	93740	105479	03962210		16
R 190	CAPSCREW SEE R189	112748				



PARTS LIST

ISSUE NO. 01, 1970

MODEL 88B

PAGE 16-

5

DATE 040770

CAT. REF.	DESCRIPTION	SERIAL NO.		PART NO.	REPLACE OR VENDOR NO.	REQ.
		FROM	TO/INCL.			
	001					
R 272	BEARING, RH-SKF	52320		26698750	22228	1V
R 273	BEARING, LH-SKF	52320		26699350	22236	1V
R 274	RETAINER, INNER RH	52320		274414 1		1
R 275	SPACER, RH BEARING	78941	128493	297597A		1 X
R 275	SPACER, RIGHT HAND	129763		533276K 1		1 X
R 277	CAPSCREW	52320	120305	289135 3		4
R 277	CAPSCREW	120713		513685 2		4
R 278	COVER, RH BEARING	78941		269641 1		1
R 279	CAPSCREW 3/8X3/4 NC	78941		03179240		5
R 279	LOCKWASHER 3/8	78941		03961300		5
R 280	RETAINER, INNER LH	52320		229684AA		1
R 281	RETAINER, OUTER LH	52320		296087AA		1
R 282	CAPSCREW	52320	126409	289135 5		6
R 282	CAPSCREW	126410		513685 3		6
R 288	BUSHING, FULCRUM PIN	52320		298455A		4
R 289	PLUG, SHEAR	52320	126409	619076K 21		1
R 289	PLUG, SHEAR	126410		719706K 21		1
R 297	PIN, ANCHOR SEE R2693	52320	78943			
R 297	PIN, ANCHOR SEE R3568 & R3569	120715				
R 334	BELLCRANK INCLUDES R288	52320		903295K 51		2
389	BOLT, EYE	52320		521160 2		1 X
389	NUT, FULL 5/8 NC	52320		02713050		1
R 389	NUT, JAM 5/8 NC	52320		02713250		2 X
R 393	ANCHOR, SUSPENSION	52320		267386 1		1
R 395	BOLT, EYE	52320	126409	521160 4		4
R 395	BOLT, EYE	126410		521160 8		1
R 395	NUT, FULL 5/8 NC	52320		02713050		1
R 395	NUT, JAM 5/8 NC	52320		02713250		2 X
R 398	NUT, ADJUSTING	52320	126409	190450 1		8
R 398	NUT, JAM 5/8 NC	126410		02713250		16
R 398	NUT, FULL 5/8 NC	126410		02713050		16
R 447	BUSHING, DRUM	52320	93743	271600A		2
R 497	DRIVER, CLUTCH	52320	ONLY	237622BB		1 X
R 497	DRIVER, CLUTCH	77377	78944	276041 2		1
R 497	DRIVER, CLUTCH	79923	79926	276664 2		1
R 497	DRIVER, CLUTCH	93740	93743	237622BB 1	854111K 51	1D
R 497	DRIVER, CLUTCH INCLUDES R70	93740	93743	854111K 51		1A
	NOTE-WHEN STOCK OF 854111K51 IS DEPLETED USE FOLLOWING PARTS					
	R497 DRIVER, CLUTCH			857184K 51		1
	R2425 BOLT, ADJUSTING SHOE			521077K 1		2
				521078K 1		2
R 497	DRIVER, CLUTCH INCLUDES R70	105476	122566	901402K 51	854111K 51	1D
R 497	DRIVER, CLUTCH INCLUDES R70	122642	126409	854111K 51		1A X



PARTS LIST

ISSUE NO. 01, 1970

MODEL 888 PAGE 16- 6

DATE 040770

CAT. REF.	DESCRIPTION	SERIAL NO.		PART NO.	REPLACE OR VENDOR NO.	REQ.
		FROM	TO/INCL.			
	001					
	NOTE-WHEN STOCK OF 854111K51 IS DEPLETED					
	USE FOLLOWING PARTS					
	R497 DRIVER, CLUTCH			857184K 51		1
	R2425 BOLT, ADJUSTING SHOE			521077K 1		2
				521078K 1		2
R 497	DRIVER, CLUTCH INCLUDES R70	126410		857184K 51		1 X
R 502	HOUSING, BRAKE LH	52320	105479	703517K 1		1
R 502	HOUSING, BRAKE LH	112748				
	SEE R74					
R 520	WASHER, RETAINER	112749		298680 1		1
R 521	CAPSCREW 1/2X1-1/4 NC	112749		03185400		3
R 521	LOCKWASHER 1/2	112749		03961500		3
R 538	KEY, DRIVER	52320		X13036 44		4
R 944	SPRING, RELEASE	52320		75576010		2
R 945	BOLT, EYE	52320		296042 1	901284K 51	20X
R 945	BOLT, EYE	52320		901284K 51	629499K 51	20X
R 952	HOUSING, RH BEARING	52320	105476	229630AA		1
R 952	HOUSING, RH BEARING	105477		229630AA 1		1
R 953	HOUSING, LH BEARING	52320	105476	228624AA		1
R 953	HOUSING, LH BEARING	105477		228624AA 1		1
R 955	BOLT, ROD	52320	105476	297271 2		4
R 955	NUT, FULL 1-3/4 NF	52320	105476	02746050		8
R 955	NUT, JAM 1-3/4 NF	52320	105476	02746100		8
R 955	PIN, COTTER 3/8X2-1/2	52320	105476	03125200		4
R 955	BOLT, ROD	105477		278681 1		4
R 955	NUT, FULL 2 NF	105477		02747050		8
R 955	NUT, JAM 2 NF	105477		02747100		8
R 955	PIN, COTTER 3/8X3	105477		03125440		4
R 1355	SEAT, SPRING	52320		514138K 1		8 X
R 1407	BEARING, OUTER	52320	79926	26837050	9378793125	2V
R 1407	TIMKEN CONE & CUP BEARING, OUTER	93740		26837800	9382593125	2V
R 1409	TIMKEN CONE & CUP SPACER, INNER BEARING	112748		410445A		2
R 1475	SEAT, SPRING	52320		289513 1		2
R 1477	CAPSCREW 1/2X1 NC	52320		03185320		14
R 1477	LOCKWASHER 1/2	52320		03961500		14
R 1501	PLUG, SHEAR	52320		402968 1		2
R 1799	GUIDE, REAR	52320		287642 1		2
R 1958	ANCHOR, SUSPENSION	52320	ONLY	267385 1		1 X
R 1958	ANCHOR, SUSPENSION	77377	127891	274571 1	619160K 1	10X
R 1958	ANCHOR, SUSPENSION	128118		621927K 1		1 X
R 1958	SPACER	128118		527450K 1		1 X
R 2099	CAPSCREW 1/2X2-1/4 NC	52320	126409	03185720		4
R 2099	CAPSCREW 1/2X1 1/2 NC	126410		03185480		4
R 2099	NUT, FULL 1/2 NC	52320		02711050		4
R 2099	LOCKWASHER 1/2	52320		03961500		4
R 2188	LOCK, FULCRUM PIN	52320		298457 3		2
R 2188	LOCK, FULCRUM PIN	77377		404124 1		2
R 2190	END, RH THREAD	52320	125115	514134K 1		2



PARTS LIST

ISSUE NO. 01, 1970

MODEL 88B

PAGE 16- 7

DATE 040770

CAT. REF.	DESCRIPTION	SERIAL NO.		PART NO.	REPLACE OR VENDOR NO.	REQ.
		FROM	TO/INCL.			
	001					
R 2190	END, RH THREAD	125261		520969K 1		2
R 2191	END, LH THREAD	52320	125115	514135K 1		2
R 2191	END, LH THREAD	125261		520970K 1		2
R 2192	PIN, END	52320		514141K 1		4
R 2193	GUIDE, BAND JOINT	52320	125115	508627K 1		2
R 2193	GUIDE, BAND JOINT	125261		521114 1		2
R 2194	CAPSCREW 1/2X4-1/2 NC	52320	125115	03186440		2
R 2194	NUT, FULL 1/2 NC	52320	125115	02711050		2
R 2194	LOCKWASHER 1/2	52320	125115	03961500		2
R 2194	CAPSCREW 1/2X4-1/2 NF	125261		03236440		2
R 2194	NUT, FULL 1/2 NF	125261		02740550		2
R 2194	LOCKWASHER 1/2	125261		03961500		2
R 2195	SPACER, GUIDE	52320		501291K 1		4
R 2196	SCREW, LOCK	52320	125115	514162K 1		2
R 2196	SCREW, LOCK	125261		03762740		2
R 2199	CAPSCREW 3/4X1-1/2 NC	52320		03194480		4 X
R 2199	LOCKWASHER 3/4	52320		03961800		4
R 2202	BOLT, EYE	52320		267384 1		1
R 2202	NUT, FULL 5/8 NC	52320		02713050		1
R 2202	NUT, JAM 5/8 NC	52320		02713250		1
R 2203	ANCHOR, SUSPENSION	52320	130145	228031 1		1 X
R 2203	ANCHOR, SUSPENSION	130181		722627K 21		1 X
2400	BEARING, OUTER TIMKEN CONE & CUP	52320	79926	26837300	9380093125	2V
R 2400	BEARING, OUTER TIMKEN CONE & CUP	93740	105479	26837800	9382593125	2V
R 2400	BEARING, OUTER TIMKEN CONE & CUP	112748		26842650	9690096140	2V
R 2404	SEAL, OIL-C/R	52320		72038000	72261260	2DX
R 2405	SPACER, OUTER BEARING	52320	79926	231819A		2
R 2405	SPACER, OUTER BEARING	93740	105479	231819A 1		2
R 2405	SPACER, OUTER BEARING	112748		410444A		2
R 2417	PIN, EYE BOLT	52320		409931 2		8
R 2417	PIN, COTTER 1/8X2	52320		03109960		1
R 2417	PIN, COTTER 1/8X7/8	52320		03109420		7
R 2425	BOLT, GUIDE	52320	126409	901281K 51		4 X
R 2425	INCLUDES R2880 BOLT, ADJ.	126410		521077K 1		2
R 2474	GASKET, RETAINER 18 IN. X 18 IN.	52320	126409	60302500		2
R 2474	GASKET, VELLUMOID	126410		402969 1		2
R 2477	BOLT, ROD	52320		298544 1		2
R 2477	NUT, FULL 1-1/2 NF	52320		02745100		2
R 2477	NUT, JAM 1-1/2 NF	52320		02745150		2
R 2479	GASKET, RETAINER 16 IN. X 16 IN.	52320		60302500		2
R 2690	DRUM, HOIST	52320	78943	238857 1		1
R 2690	DRUM, HOIST	120715		240043A		1
R 2690	DRUM, HOIST	120715		240043AA		1
R 2693	U-BOLT, ROPE ANCHOR	77380	93743	402339 1		4
R 2693	FOR SHOVEL NUT, FULL 7/8 NC	77380	93743	02715100		8
R 2693	NUT, JAM 7/8	77380	93743	02715350		8
R 2693	U-BOLT, ROPE ANCHOR	52320	78943	402339 1		3



PARTS LIST

ISSUE NO. 01, 1970

MODEL 888

PAGE 16- 8

DATE 040770

CAT. REF.	DESCRIPTION	SERIAL NO.		PART NO.	REPLACE OR VENDOR NO.	REQ.
		FROM	TO/INCL.			
	001					
	FOR STRIPPING SHOVEL					
R 2693	NUT, FULL 7/8 NC	52320	78943	02715100		6
R 2693	NUT, JAM 7/8 NC	52320	78943	02715350		6
R 2693	U-BOLT, ROPE ANCHOR	120715				
	SEE R3568 & R3569					
R 2861	DOWEL, BUSHING	52320	93743	298390 1		8
R 2862	SCREW, MACHINE 3/4 X 1 1/4 NC	52320	93743	03394130		4
R 2863	BOLT, DRUM FOR STRIPPING SHOVEL	52320	78943	02564200		4
	1 1/4 X 5 1/2 NF					
R 2863	BOLT, DRUM	52320	78943	02563700		4
	1 1/4 X 4 1/4 NF					
R 2863	NUT, FULL 1 1/4 NF	52320	78943	02744050		8
R 2863	NUT, JAM 1 1/4 NF	52320	78943	02744150		8
R 2863	BOLT, DRUM FOR SHOVEL	77380	93743	02564200		4
	1 1/4 X 5 1/2 NF					
R 2863	BOLT, DRUM	77380	93743	02563700		4
	1 1/4 X 4 1/4 NF					
R 2863	NUT, FULL 1 1/4 NF	77380	93743	02744050		8
R 2863	NUT, JAM 1 1/4 NF	77380	93743	02744150		8
R 2863	BOLT, DRUM FOR SHOVEL	112748	116269	408817 1		2
R 2863	NUT, JAM 1 3/4 NC	112748	116269	02722250		2
R 2863	SPACER	112748	116269	408818 1		2
R 2863	BOLT, DRUM FOR SHOVEL	116650		524492K 1		2
R 2863	NUT, JAM 1 3/4 NC	116650		02722250		2
R 2863	SPACER	116650		408818 1		2
R 2863	BOLT, DRUM	120715				
	FOR STRIPPING SHOVEL					
	SEE R3450					
R 2864	COVER, DRUM	77380	79926	400389 1		3
R 2864	COVER, DRUM	93740	93743	405699 1		3
R 2865	COVER, DRUM	77380	79926	400389 2		1
R 2865	COVER, DRUM	93740	93743	405699 2		1
R 2866	CAPSCREW 1/2X3/4 NC	52320	93743	03185240		16
R 2866	LOCKWASHER 1/2	52320	93743	03961500		16
R 2868	BOLT, DRUM 1X4-1/2 NF	78941	105479	03251440		2
R 2868	NUT, FULL 1 NF	78941	105479	02743050		2
R 2868	LOCKWASHER 1	78941	105479	03962000		2
R 2871	ADAPTER, SEAL	52320		608948K 1		2
R 2872	GASKET, ADAPTER	52320		50009250		2
R 2873	NUT, LOCK	52320		402827 1		2
R 2874	CLAMP, NUT	52320		524441K 1		2
R 2875	CAPSCREW 1/2X1 1/4 NC	52320		03185400		4
R 2875	LOCKWASHER 1/2	52320		03961500		4
R 2876	CAPSCREW	52320	105479	297954 1		16
R 2876	LOCKWASHER 1	52320	105479	03962000		16
R 2876	CAPSCREW SEE R189	112748				
R 2877	RING, STABILIZING	52320		26711500	SR-3630	1V
R 2878	SPACER, OUTER	52320		402967 1	521082K 1	10X
R 2879	PIN, BAND JOINT	52320		199387 1		6
R 2879	PIN, COTTER 1/4X1 3/4	52320		03118840		6
R 2880	NUT, SPECIAL	52320		296026 1		12
R 2881	SPRING, RELEASE	52320		75569010		8



PARTS LIST

ISSUE NO. 01, 1970

MODEL 88B

PAGE 16- 9

DATE 040770

CAT. REF.	DESCRIPTION	SERIAL NO.		PART NO.	REPLACE OR VENDOR NO.	REQ.
		FROM	TO/INCL.			
	001					
R 2882	BOLT, SPRING	52320		901282K 51		8
R 2883	END, PISTON ROD	52320	79926	402913A		2
R 2883	NUT, JAM 1/2 NC	52320	79926	02711250		2
R 2883	END, PISTON ROD	93740		402913AA		2
R 2883	NUT, JAM 5/8 NF	93740		02741650		2
R 2884	PIN, ROD END	52320		402920 1		2
R 2884	NUT, JAM 5/8 NF	52320		02741650		2
R 2885	BUSHING, END PIN	52320		500117K 1		2
R 2886	LEVER, CYLINDER INCLUDES R2885, R2888,	52320		902887K 51		2
	R2892					
R 2887	PIN, FULCRUM	52320		296035 1		2
R 2888	BUSHING, FULCRUM PIN	52320		296010A		2
R 2889	ROD, CONNECTING	52320		527435K 51		2
	INCLUDES R2890					
R 2890	NUT, SPECIAL	52320		296040 1		4
R 2891	PIN, ANCHOR	52320		296039 1		2
R 2891	PIN, COTTER 1/4X3	52320	127891	03119440		2 X
R 2891	PIN, COTTER 1/4X4	128118		03119920		2 X
R 2892	BUSHING, ANCHOR PIN	52320		295604 1		4
R 2893	PIN, FULCRUM	52320		289479 1		2
R 2894	BEARING, PIN	52320		296007A		4
	2895 CAPSCREW 3/8X1 NF	52320		03229320		16
	2895 LOCKWASHER 3/8	52320		03961300		16
R 2896	PIN, ANCHOR	52320		175977 3		2
R 2896	PIN, COTTER 1/4X1 3/4	52320		03118840		2
R 2903	BAND, HALF BRAKE	52320	125115	900689K 51		1AX
R 2903	BAND, HALF BRAKE	52320	125115	900689K 52		1AX
	NOTE--WHEN STOCK OF 900689K51 & 900689K52 IS DEPLETED USE FOLLOWING PARTS					
	BAND, BRAKE HALF			807819K 71		1
	BAND, BRAKE HALF			807820K 51		1
	NOTE--ON FIRST REPLACE -MENT ONLY, FURNISH R18 HARDWARE KIT.			903555K 51		1
R 2903	BRAKE BAND COMPLETE	125261		807819K 61		1A
	NOTE--WHEN STOCK OF 807819K61 IS DEPLETED USE FOLLOWING PARTS					
	BAND, HALF BRAKE			807819K 71		1
	BAND, HALF BRAKE			807820K 51		1
	NOTE--FOR DL, CS, CR,					



PARTS LIST

ISSUE NO. 01, 1970

MODEL 88B

PAGE 16- 10

DATE 040770

CAT. REF.	DESCRIPTION	SERIAL NO.		PART NO.	REPLACE OR VENDOR NO.	REQ.
		FROM	TO/INCL.			
	001					
	MACHINES INCREASE ABOVE QUANTITY FROM 1 TO 2					
R 2904	BUSHING, END PIN	52320		X10917 5		2
R 2905	GUIDE, BAND JOINT	52320	125115	605784K 21		2
R 2905	GUIDE, BAND JOINT	125261		521114 2		2
R 2906	BRACKET, ANCHOR	52320	130145	403143 1		2 X
R 2906	BRACKET, ANCHOR	130181		531711K 1		2 X
R 2907	CAPSCREW 1/2X1 1/4 NC	52320		03185400		6
R 2907	LOCKWASHER 1/2	52320		03961500		6
R 2908	ANCHOR, SUSPENSION	52320	105479	271705 1		1
R 2908	ANCHOR, SUSPENSION	112748		278699 1		1
R 2909	CAPSCREW 3/4X1 3/4 NC	52320	127891	03194560		2 X
R 2909	CAPSCREW 3/4X4-1/2 NC	128118		03195440		2 X
R 2909	CAPSCREW	127884		03195440		2 X
R 2910	CAPSCREW 3/8X1 3/4 NC	52320		03191560		2
R 2910	NUT, FULL 5/8 NC	52320		02713050		2
R 2910	LOCKWASHER 5/8	52320		03961700		2
R 2911	PIN, LIVE END	52320		298221 1		2
R 2912	BOLT, PIN EYE	52320		298894 1		2
R 2913	CAPSCREW 1/2X1 1/4 NC	52320		03185400		2
R 2913	LOCKWASHER 1/2	52320		03961500		2
R 2914	LEVER, BRAKE	52320		265698A		2
R 2915	BUSHING, LEVER	52320		298469 1		4
R 2916	PIN, FULCRUM	52320		298060 1		2
R 2917	BOLT, PIN EYE	52320		298894 1		2
R 2918	CAPSCREW 1/2X1 1/4 NC	52320		03185400		2
R 2918	LOCKWASHER 1/2	52320		03961500		2
R 2919	END, ROD FOR SH & STRIPPING SH	52320	93742	403217A	901295K 51	1D
R 2919	END, ROD FOR SH & STRIPPING SH	93743	113641	298963 1	903528K 51	1D
R 2919	END, ROD FOR SH & STRIPPING SH	116267		403217A	901295K 51	1D
R 2919	END, ROD FOR DL, CS, DR.	78941		403217A	901295K 51	1D
R 2920	END, ROD	52320	93742	298963 2	901114K 51	1D
R 2920	END, ROD	52320	93742	901114K 51		1
R 2920	END, ROD	93743	120953	298963 1	903528K 51	1D
R 2920	END, ROD	93743	120953	903528K 51	629583K 51	1DX
	INCLUDES R2922					
R 2920	END, ROD	120955		298963 2	901114K 51	1D
R 2921	END, ROD FOR SH. & STRIPPING, SHOVEL	52320	93742	298963 2	901114K 51	1D
R 2921	END, ROD FOR SHOVEL & STRIPPING SHOVEL	93743		298963 1	903528K 51	1D
R 2921	END, ROD FOR SHOVEL & STRIPPING SHOVEL	93743		903528K 51	629583K 51	1D
	INCLUDES R2922					
	NOTE FOR SH. & DL.					



PARTS LIST

ISSUE NO. 01, 1970

MODEL 88B

PAGE 16- 11

DATE 040770

CAT. REF.	DESCRIPTION	SERIAL NO.		PART NO.	REPLACE OR VENDOR NO.	REQ.
		FROM	TO/INCL.			
	001					
	COMBINATION INCREASE QUANTITY FROM 1 TO 2					
R 2921	END, ROD FOR DL, CS&CR	78941		298963 1	903528K 51	1D
R 2921	END, ROD FOR DL, CS&CR	78941		903528K 51	629583K 51	1DX
	INCLUDES R2922					
	NOTE FOR SH. DL.					
	COMBINATION INCREASE QUANTITY FROM 1 TO 2					
R 2922	BUSHING, ROD END PIN	52320		282549 1		2
	NOTE FOR SH. & DL.					
	COMBINATION INCREASE FROM 2 TO 3					
2923	PIN, ROD END	52320		297724 1		3
2924	CAPSCREW 3/8X1 NC	52320		03179320		3
R 2924	LOCKWASHER 3/8	52320		03961300		3
R 2925	SUPPORT, CYLINDER	52320	77926	228065 1		1
R 2925	SUPPORT, CYLINDER	93740	126409	228065 16		1
R 2925	SUPPORT, CYLINDER	126410		718137K 21		1
R 2926	CAPSCREW	52320		03356980		5
R 2926	NUT, FULL 1-1/4 NF	52320		02744050		5
R 2926	NUT, JAM 1-1/4 NF	52320		02744150		5
R 2927	SUPPORT, LH	78941	93741	227075 1		1
R 2927	SUPPORT, LH	105476		227075 17		1
R 2928	CAPSCREW	78941		03356980		4
R 2928	1-1/4X4-1/2 NF NUT, FULL 1-1/4 NF	78941		02744050		4
R 2928	NUT, JAM 1 1/4 NF	78941		02744150		4
R 2929	PIN, ANCHOR	52320		297738 1		1
R 2930	BOLT, PIN EYE	52320		500523K 1		1
R 2931	PIN, CYLINDER ANCHOR	52320		296723 1		1 X
R 2932	CAPSCREW 1/2X3/4 NC	52320		03185240		1
R 2932	LOCKWASHER 1/2	52320		03961500		1
R 2933	PIN, ANCHOR	52320		297738 1		1
R 2935	SPRING, RELEASE	52320		75681010		2
R 2936	SEAT, SPRING	52320		403252 1		3
R 2937	ROD, SPRING	52320		403253 1		3
R 2937	NUT, FULL 5/8 NC	52320		02713050		8
R 2938	END, SPRING ROD	52320		615867K 21		3
R 2939	PIN, ROD END	52320		81255 1		3
R 2939	PIN, COTTER 3/16X1-1/4	52320		03115600		6
R 2940	LEVER, RH LOCK	52320		271529A		1
R 2941	LEVER, LH LOCK	52320		271529B		2
R 2942	PIN, FULCRUM	52320		297723 1		3
R 2943	BUSHING, PIN-OILITE	52320		82086530	AA 1560-6	6V



PARTS LIST

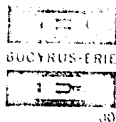
ISSUE NO. 01, 1970

MODEL 88B

PAGE 16- 12

DATE 040770

CAT. REF.	DESCRIPTION	SERIAL NO.		PART NO.	REPLACE OR VENDOR NO.	REQ.
		FROM	TO/INCL.			
	001					
R 2944	BOLT, PIN EYE	52320		500523K 1		3
R 2945	CAPSCREW 1/2X1 NC	52320		03185320		3
R 2945	LOCKWASHER 1/2	52320		03961500		3
R 2946	SPRING, LOCK	52320		75751318		3
R 2947	BOLT, ROD	52320		902877K 51		3
R 2948	END, ROD	52320	122455	501728K 1		3
R 2948	END, ROD	122487		501732K 1		3
R 2949	PIN, ROD END	52320		500519K 51		3 X
R 2950	BUSHING, END PIN	52320		500117K 1		3
R 2951	ROD, COMPRESSION	52320		298210 1		6
R 2951	NUT, FULL 5/8 NC	52320		02713050		18
R 2952	WASHER, ROD	52320		297722A		6
R 2953	SEAT, LOWER	52320		298212 1		3
R 2954	BRACKET, CHAMBER	52320		271530 1		1
R 2955	CAPSCREW 3/4X1-1/2 NC	52320		03194480		4
R 2955	LOCKWASHER 3/4	52320		03961800		4
R 2956	BOLT, EYE	78941		298968 1		1
R 2957	LEVER, BRAKE	52320		271531AA		1
R 2958	BUSHING, LEVER	52320		298469 1		2
R 2959	PIN, FULCRUM	52320		298059 1		1
R 2959	PIN, COTTER 1/2X3-1/2	52320		03128680		1
R 2960	WASHER, PLAIN 2-1/2	52320		03953100		1
R 2961	BOLT, PIN EYE	52320		298894 1		1
R 2962	CAPSCREW 1/2X1-1/4 NC	52320		03185400		1
R 2962	LOCKWASHER 1/2	52320		03961500		1
R 2963	END, ROD	52320		901289K 52		1
	INCLUDES R2964					
R 2964	BUSHING, ROD END	52320		500117K 1		1
R 2965	PIN, ROD END	52320		903298K 51		1 X
R 2966	BOLT, ROD	52320		297376 1		1
R 2966	NUT, JAM 1 NC	52320		02743100		2
R 2967	WASHER, CENTERING	52320		290714A		1
R 2968	NUT, WASHER	52320		298222 1		1
R 2969	END, ROD	52320		406508 1		1
R 2970	PIN, ROD	52320		X13389 1		1
R 2971	SPRING, RELEASE	52320		75388010		1
R 2972	SEAT, SPRING	52320		405271 1		2
R 2973	BOLT, EYE	52320	130185	298209 1		1 X
R 2973	BOLT, EYE	130400		629419K 21		1 X
R 2973	NUT, JAM 5/8 NC	52320		02713250		2 X
R 2974	PIN, EYE BOLT	52320		179067 1		1
R 2974	PIN, COTTER 3/16X1-1/4	52320		03115600		2
R 2975	SPROCKET, CHAIN	52320	93743	229505AB		1
R 2975	SPROCKET, CHAIN	112748		234298A		1
R 2976	BOLT, SPROCKET	52320	93743	400369 2		16
R 2976	NUT, FULL 1 NF	52320	93743	02743050		16
R 2976	NUT, JAM 1 NF	52320	93743	02743100		16
R 2976	BOLT, SPROCKET	112748		410434 1		16
R 2976	NUT, FULL 1 NF	112748		02743050		16
R 2976	NUT, JAM 1 NF	112748		02743100		16
R 2977	CHAIN COMP-JEFF 60P	52320	93743		1631A	1V
R 2977	CHAIN COMP-JEFF 54P	112748		34170570	1632A	1V
R 2978	LINK, ROLLER FOR R2977	52320		34193800		X
	AS REQD.					



PARTS LIST

ISSUE NO. 01, 1970

MODEL 88B PAGE 16- 13

DATE 040770

CAT. REF.	DESCRIPTION	SERIAL NO.		PART NO.	REPLACE OR VENDOR NO.	REQ.
		FROM	TO/INCL.			
	001					
R 2979	LINK, PIN FOR R2977 AS REQD.	52320		34193850		X
R 2980	LOCK, PIN LINK FOR R2977 AS REQD.	52320		34193750		X
R 2981	O-RING	52320	79926	68147510	S-7-71	4V X
R 2981	O-RING	93740	105479	68147650	S-7-72	4V X
R 2982	HOUSING, DIFFERENTIAL	52320	78944	215928AB		1
R 2982	HOUSING, DIFFERENTIAL	79925	79926	215928AB 1		1
R 2982	HOUSING, DIFFERENTIAL	93740	93743	215928AD		1
R 2983	COVER, HOUSING	52320	93743	229216AD		4
R 2984	CAPSCREW 3/8X1-3/4 NC	52320	93743	03179560		8
R 2984	LOCKWASHER 3/8	52320	93743	03961300		8 X
R 2985	GASKET, COVER	52320	ONLY	299381 1		4 X
R 2985	GASKET, COVER	77377	79926	404840 1		4
R 2985	GASKET, COVER	93740	93743	405029 1		4
R 2986	GASKET, COVER	52320	93743	298183 1		2
R 2987	CAPSCREW	52320	79926	X11771 1		16
R 2987	CAPSCREW	93740	93743	X11771 4		16
R 2988	SEAL, OIL C/R	52320	93743		DA-18625-D	2V
R 2989	BEARING, HOUSING CONE	52320	79926		67985	2V
R 2989	BEARING, HOUSING CUP	52320	79926		67920	2V
R 2989	BEARING, HOUSING CONE	93740	93743		LM-742745	2V
R 2989	BEARING, HOUSING CUP	93740	93743		LM-742710	2V
R 2990	SPACER, BEARING	52320	79926	402971 1		2
R 2990	SPACER, BEARING	93740	93743	406039 1		2
R 2991	GEAR, BEVEL	52320	93743	219306 1		2
R 2992	CAPSCREW	52320	93743	298096 3		24
R 2993	PINION, BEVEL	52320	93743	231812 3		4
R 2994	KEY, PINION-WOODRUFF	52320	93743		28	4V
R 2995	PIN, PINION	52320	79926	275669 1		4
R 2995	PIN, PINION	93740	93743	276619 1		4
R 2996	BEARING, INNER CONE	52320	79926		4595	4V
R 2996	BEARING, INNER CUP	52320	79926		4535	4V
R 2996	BEARING, INNER CONE	93740	93743		6280	4V
R 2996	BEARING, INNER CUP	93740	93743		6220	4V
R 2997	BEARING, OUTER CONE	52320	79926		65500	4V
R 2997	BEARING, OUTER CUP	52320	79926		65237	4V
R 2997	BEARING, OUTER CONE	93740	93743		65500	4V
R 2997	BEARING, OUTER CUP	93740	93743		65212	4V
R 2998	COVER, THRUST	52320	78944	231626AB		3
R 2998	COVER, THRUST	79925	93743	231626AC		3
R 2999	COVER, THRUST	52320	78944	231626AB 1		1
R 2999	COVER, THRUST	79925	93743	231626AC 1		1
R 3000	CAPSCREW	52320	ONLY	401098 3		32 X
R 3000	NUT, FULL 1/2 NC	52320	ONLY	02711050		32 X
R 3000	NUT, JAM 1/2 NC	52320	ONLY	02711250		32 X
R 3000	CAPSCREW	77377	78944	404789 1		32
R 3000	NUT, FULL 1/2 NC	77377	78944	02711050		32
R 3000	NUT, JAM 1/2 NC	77377	78944	02711250		32
R 3000	CAPSCREW	79925	93743	405126 1		32
R 3000	NUT, FULL 1/2 NC	79925	93743	02711050		32
R 3000	NUT, JAM 1/2 NC	79925	93243	02711250		32
R 3001	GASKET, COVER	52320	93742	400360 1		4
R 3002	SHIM, COVER	52320	93743	403043 1		4



PARTS LIST

ISSUE NO. 01, 1970

MODEL 88B

PAGE 16- 14

DATE 040770

CAT. REF.	DESCRIPTION	SERIAL NO.		PART NO.	REPLACE OR VENDOR NO.	REQ.
		FROM	TO/INCL.			
	001					
R 3003	PLUG, MAGNETIC PIPE 3/4	52320	93743	20767250		4 X
R 3004	BODY, CHECK VALVE	52320	93743	232006 1		1
R 3004	PIN, COTTER 1/8X1-1/4	52320	93743	03109600		1
R 3005	BALL, VALVE 9/16 DIA.	52320	93743	87042750		1 X
R 3006	PLUNGER & GASKET, VALVE-ALEMITE	52320	93743		G-309705	1V
R 3007	TUBE, VENT	77380	93743	277641 1		1
R 3008	TUBE, VENT	52320	78943	277642 1		1
R 3009	PLUG, VENT TUBE	78942	93741	232006 4		1
R 3010	PIN, ANCHOR	52320		X 9055 2		1
R 3010	PIN, COTTER 3/16X1-1/4	52320		03115600		2
R 3011	BOLT, PIN EYE	52320		500523K 1		1
R 3012	CAPSCREW 1/2X1 NC	52320		03185320		1
R 3012	LOCKWASHER 1/2	52320		03961500		1
R 3013	CAPSCREW 1/2X1-1/2 NC	52320		03185480		1
R 3013	NUT, FULL 1/2 NC	52320		02711050		1
R 3013	LOCKWASHER 1/2	52320		03961500		1
R 3014	CAPSCREW 1/2X1-1/2 NC	78941		03185480		1
R 3014	NUT, FULL 1/2 NC	78941		02711050		1
R 3014	LOCKWASHER 1/2	78941		03961500		1
R 3016	PLUG, SHEAR	52320		176902 4		1
R 3017	CLUTCH BAND COMP. INCLUDES R3018 THRU R3021	52320		901216K 51	901216K 52	10
R 3018	LINING, BAND INCLUDES R3019	52320		902543K 51	902543K 52	20X
R 3019	RIVET 6AX7/8	52320		69044800		120 X
R 3020	GUIDE, BAND	52320		298889 1		1
R 3021	CAPSCREW 3/4X1 NC	52320		03194320		2
R 3021	LOCKWASHER 3/4	52320		03961800		2
R 3022	GUIDE, BAND	52320		196443 1		1
R 3023	CAPSCREW 5/8X2-1/2 NC	52320		03191800		2
R 3023	LOCKWASHER 5/8	52320		03961700		2
R 3023	WASHER, PLAIN 5/8	52320		03951800		2
R 3024	ROD, ANCHOR	52320		298037 1		1
R 3024	NUT, JAM 1-3/4 NC	52320		02746100		2
R 3025	NUT, ROD	52320		298039 1		1
R 3026	WASHER, CENTERING	52320		298041A		1
R 3027	SPRING, ROD	52320		75455010		1
R 3028	END, ROD	52320		291076A		1
R 3029	PIN, ANCHOR	52320		298036 1		1
R 3030	BOLT, PIN EYE	52320		298894 1		1
R 3031	CAPSCREW 1/2X1-1/4 NC	52320		03185400		1
R 3031	LOCKWASHER 1/2	52320		03961500		1
R 3032	BRACKET, ANCHOR	52320	ONLY	229542A		1 X
R 3032	BRACKET, ANCHOR	77377		217520A		1
R 3033	STUD, BRACKET	77377		298293 1		3
R 3033	CAPSCREW 1-1/4X4-1/2 NF	77377		03356980		1
R 3033	NUT, FULL 1-1/4 NF	77377		02744050		4
R 3033	NUT, JAM 1-1/4 NF	77377		02744150		4
R 3034	PIN, LIVE END	52320		283427 1		1
R 3034	PIN, COTTER 1/16X2	52320		03121960		1

PARTS LIST

ISSUE NO. 01, 1970

MODEL 88B

PAGE 16- 15

DATE 040770

CAT. REF.	DESCRIPTION	SERIAL NO.		PART NO.	REPLACE OR VENDOR NO.	REQ.
		FROM	TO/INCL.			
	001					
R 3035	BUSHING, LIVE END	52320		283426 1		1
R 3036	BELLCRANK, BAND	52320		271470A		1
R 3037	PIN, FULCRUM	52320		298035 1		1
R 3038	BOLT, PIN EYE	52320		298894 1		1
R 3039	CAPSCREW 1/2X1-1/4 NC	52320		03185400		1
R 3039	LOCKWASHER 1/2	52320		03961500		1
R 3040	BUSHING, PIN-OILITE	52320		82089450	A-1704-15	2V
R 3041	SCREW, SET 1/2X5 NC	52320		03764450		1
R 3041	NUT, JAM 1/2 NC	52320		02711250		1
R 3042	SPRING, RELEASE	52320		75377010		1
R 3043	SEAT, FRONT	52320	ONLY	298054 1		1 X
R 3043	SEAT, FRONT	77377		402807 1		1
R 3044	SEAT, REAR	52320	ONLY	298058 1		1 X
R 3044	SEAT, REAR	77377		402806 1		1
R 3045	ROD, SPRING	52320		298056 1		1
R 3045	NUT, JAM 1-1/2 NC	52320		02711250		2
R 3046	PIN, ROD	52320		49117010		1
R 3047	END, ROD	52320	79926	297231AA		1
R 3047	NUT, JAM 1/2 NC	52320	79926	02711250		1
R 3047	END, ROD	93740		297231AA 4		1
R 3047	NUT, JAM 5/8 NF	93740		02741650		1
R 3048	PIN, ROD END	52320		500519K 51		1
R 3049	BUSHING, ROD END	52320		500117K 1		1
R 3050	ANCHOR, SUSPENSION	52320		227824 1		1
R 3051	SPRING, ANCHOR	52320		75744640		2
R 3052	SEAT, SPRING	52320		190546 1		2
R 3053	BOLT, EYE	52320		297720 3	521160 3	2D
R 3053	NUT, FULL 5/8 NC	52320		02713050		2
R 3053	NUT, JAM 5/8 NC	52320		02713250		4
R 3054	NUT, EYE BOLT	52320		190450 1		2
R 3055	RIVET, EYE BOLT	52320		296089 1		2
R 3055	PIN, COTTER 1/8X7/8	52320		03109420		2
R 3056	PINION, SUN	52320	123774	265643 5		1
R 3056	PINION, SUN	124181		714988K 1		1
R 3057	PINION, CLUTCH SHAFT	52320		265634AA		1
R 3058	RETAINER, PINION	52320		190092 1		1
R 3059	CAPSCREW	52320		184637 1		2
R 3060	BEARING, LH	52320	122564	215666A		1
R 3060	BEARING, LH	122565		806547K 1		1
R 3061	CAP, BEARING	52320	122564	285636A		1
R 3061	CAP, BEARING	122565		518274K 1		1
R 3062	SHIM, CAP 1/16 AS REQ	52320		518236 5		1 X
R 3062	SHIM, CAP 1/8 AS REQ.	52320		518236 6		1 X
R 3063	STUD, CAP	52320		298879 1		2
R 3063	NUT, FULL 1-1/4 NF	52320		02744050		4
R 3063	NUT, JAM 1-1/4 NF	52320		02744150		4
R 3064	BUSHING, LH	52320	122564	518271K 1		1
R 3064	BUSHING, LH	122565	123774	518272K 1		1
R 3064	BUSHING, LH	124181		520562K 1		1
R 3065	CAPSCREW	52320		03356980		7
R 3065	1-1/4X4-1/2 NF					
R 3065	NUT, FULL 1-1/4 NF	52320		02744050		7
R 3065	NUT, JAM 1-1/4 NF	52320		02744150		7
R 3066	BEARING, RH-SKF	52320		26701100	22314	1V



PARTS LIST

ISSUE NO. 01, 1970

MODEL 88B

PAGE 16- 16

DATE 040770

CAT. REF.	DESCRIPTION	SERIAL NO.		PART NO.	REPLACE OR VENDOR NO.	REQ.
		FROM	TO/INCL.			
	001					
R 3067	HOUSING, CLUTCH	52320		228947A		1
R 3068	HUB, HOUSING	52320		228946A		1
R 3069	BOLT, GEAR	52320		522264K 1		8
R 3069	NUT, FULL 1 NC	52320		02716050		8
R 3069	LOCKWASHER 1	52320		03962000		8
R 3070	BEARING, OUTER CONE	52320		26807430	48393	1V
R 3070	BEARING, OUTER-CUP	52320		26807430	48320	1V
R 3071	RETAINER, BEARING	52320	124406	289056A		1
R 3071	RETAINER, BEARING	124629		617190K 1		1
R 3072	CAPSCREW 5/8X1-1/2 NC	52320		03191480		6
R 3072	LOCKWASHER 5/8	52320		03961700		6
R 3073	SHIM, BEARING	52320		289062 1	26907000	DX
R 3073	.005 AS REQ. SHIM, BEARING	52320		289062 2	26907200	DX
R 3073	.007 AS REQ. SHIM, BEARING	52320		289062 3	26907450	DX
R 3074	.020 AS REQ SPACER, BEARING	52320		298237 1		
R 3075	BEARING, INNER	52320		26830900	8258782950	1VX
R 3076	RING, STABILIZING	52320		298238 1		1
R 3077	SPACER, INNER	52320		298243 1		1
R 3078	RETAINER, BEARING	52320		298204A		1
R 3079	CAPSCREW	52320		184637 1		6
R 3080	GASKET, RETAINER	52320		60302500		1
R 3081	13 IN. X 13 IN. GEAR, RING	52320		228949AC		1
R 3082	SHAFT, DRIVE	52320		228973 1	228973 2	1DX
R 3083	SPIDER, GEAR	52320		223528AA		1
R 3084	PINION, PLANET INCLUDES R3085	52320		900062K 52		3
R 3085	BUSHING, PINION	52320		298245A		3
R 3086	PIN, PINION	52320	125260	289124 1		3 X
R 3086	PIN, PINION	125261		289124 3		3 X
R 3087	BOLT, PIN EYE	52320	113641	296041 1		3
R 3087	BOLT, PIN EYE	116267	125260	601991K 21		3 X
R 3087	BOLT, PIN EYE	125261		524462K 1		3 X
R 3088	CAPSCREW 1/2X1-1/4 NC	52320		03185400		3
R 3088	LOCKWASHER 1/2	52320		03961500		3
R 3089	BEARING, DRIVE SHAFT	52320	120953	237895A		1
R 3089	BEARING, DRIVE SHAFT	120955		853083K 1		1
R 3090	CAP, BEARING	52320	122564	297847A		1
R 3090	CAP, BEARING	122565		518273K 1		1
R 3091	SHIM, CAP 1/16 AS REQ	52320		518236 5		X
R 3091	SHIM, CAP 1/8 AS REQ.	52320		518236 6		X
R 3092	BOLT, ROD	52320		294699 9		2
R 3092	NUT, FULL 1-1/4 NF	52320		02744050		6
R 3092	NUT, JAM 1-1/4 NF	52320		02744150		6
R 3092	NUT, LOCK 1-1/4 NF	52320		02788090		6
R 3093	BUSHING, BEARING	52320	122564	518269K 1		1
R 3093	BUSHING, BEARING	122565		518270K 1		1
R 3094	STUD, BEARING	52320		298293 1		9
R 3094	CAPSCREW	52320		03356980		5
R 3094	1-1/4X4-1/2 NF NUT, FULL 1-1/4 NF	52320		02744050		14



PARTS LIST

ISSUE NO. 01, 1970

MODEL 88B

PAGE 16- 17

DATE 040770

CAT. REF.	DESCRIPTION	SERIAL NO.		PART NO.	REPLACE OR VENDOR NO.	REQ.
		FROM	TO/INCL.			
	001					
R 3094	NUT, JAM 1-1/4 NF	52320		02744150		14
R 3095	BUSHING, DRIVE SHAFT	52320		297854A		1
R 3096	SPROCKET, CHAIN	52320		271428A		1
R 3097	SPACER, SPROCKET	52320		289086A		1
R 3098	BOLT, SPACER 5/8X9-1/4 NC	52320		02189670		1
R 3098	NUT, LOCK 5/8 NC	52320		02765400		1
R 3098	PIN, COTTER 1/8X1-3/4	52320		03109840		1
R 3099	CROWD CHAIN COMP, 44P	52320		34175900	1651AA	1V
R 3100	LINK, ROLLER FOR R3099	52320		34205020	1651AA	V
R 3101	AS REQD. LINK, PIN FOR R3099	52320		34205040	1651AA	V
R 3102	AS REQD. LOCK, LINK PIN	52320		34205080	1651AA	V
R 3103	FOR R3099 AS REQD. SPROCKET, TAKE-UP	52320		903180K 51		1
R 3104	INCLUDES R3104 BUSHING, SPROCKET	52320		528562K 1		1
R 3105	SHAFT, SPROCKET	52320		297920 1		1
R 3106	YOKE, SPROCKET	52320		229486AA		1
R 3107	SCREW, ADJUSTING	52320		271406 1	901270K 21	2DX
R 3107	NUT, FULL 2 NC	52320		02724150		2
R 3107	PIN, COTTER 1/2X3	52320		03128440		2
R 3108	PIN, YOKE SCREW	52320		297922 1		1
R 3109	SPROCKET, CHAIN	52320	93743	273105A		1
R 3109	SPROCKET, CHAIN	112748		277333A		1
R 3110	RETAINER, SPROCKET	52320		189957 1		1
R 3111	CAPSCREW	52320		184637 1		2
R 3112	SPROCKET, TAKE-UP	52320	93743	271432A		1
R 3112	SPROCKET, TAKE-UP	112748		277322A 1		1
R 3113	BUSHING, SPROCKET	52320	93743	528509K 1		1
R 3113	BUSHING, SPROCKET	112748		411066A		1
R 3114	SHAFT, SPROCKET	52320		297931 1		1
R 3114	NUT, JAM 2 NF	52320		02747100		2
R 3115	WASHER, SHAFT	52320		297942 1		1
R 3116	YOKE, SPROCKET	52320		229487A		1
R 3117	PIN, FULCRUM	52320		297930 1		1
R 3118	BOLT, FULCRUM PIN	52320		197621 29		1
R 3118	PIN, COTTER 3/16X1-1/4	52320		03115600		1
R 3119	SCREW, ADJUSTING	52320	128493	271426 1		1 X
R 3119	NUT, JAM 2 NC	52320	128493	02724300		1 X
R 3119	PIN, ADJ.	129763		623811K 21		1 X
R 3119	PIN	129763		531697K 1		1 X
R 3119	SPACER	129763		531696K 1		1 X
R 3119	NUT	129763		02744150		1 X
R 3120	NUT, SCREW	52320		297927 1		1
R 3121	PIN, SCREW	52320		297921 1		1
R 3122	BOLT, SCREW PIN	52320		197620 15		1
R 3122	PIN, COTTER 3/16X1-1/4	52320		03115600		1
R 3123	WASHER, PIN 2-1/2	52320		03953100		1
R 3124	PIN, FULCRUM	52320		297929 1		1
R 3125	KEY, SHAFT-WOODRUFF	52320		54309250		1 X
R 3126	PLUG, SLEEVE CORK	52320		82175550		8
R 3127	SHIM, GEAR	52320	93743	404564 1		2



PARTS LIST

ISSUE NO. 01, 1970

MODEL 888

PAGE 16- 18

DATE 040770

CAT. REF.	DESCRIPTION	SERIAL NO.		PART NO.	REPLACE OR VENDOR NO.	REQ
		FROM	TO/INCL.			
	001					
R 3128	CAPSCREW 3/4X1 NC	52320		03194320		2
R 3128	LOCKWASHER 3/4	52320		03964850		2
R 3130	SPACER, BEARING	52320	78944	404674 1		4
R 3131	RETAINER, SEAL	77377	79926	275782 1		2
R 3131	RETAINER, SEAL	93740	93743	275832 1		2
R 3132	CAPSCREW 3/8X3/4 NC	77377	79926	03179240		24
R 3132	LOCKWASHER 3/8	77377	79926	03961300		24
R 3132	CAPSCREW	93740	93743	405028 1		24
R 3133	CAPSCREW 1/2X2-3/4 NC	77380	93743	03185880		2
R 3134	CAPSCREW 1/2X6 NC	52320	77379	03186920		2
R 3134	CAPSCREW 1/2X5-1/2 NC	78943		03186760		2
R 3135	RETAINER, INNER	112748		279210A		2
R 3136	CAPSCREW 1/2X1-1/2 NC	112748		03185480		12
R 3136	LOCKWASHER 1/2	112748		03961500		12
R 3137	GASKET, RETAINER 18 IN. X 18 IN.	112748	126409	60302500		2
R 3137	GASKET, VELLUMOID	126410		411592 1		2
R 3138	RETAINER, OUTER RIGHT HAND	112748		269374A		1
R 3139	COVER, HOUSING	78941	105479	402763 1		4
R 3140	CAPSCREW	78941	105479	400359 4		32
R 3141	GASKET, COVER	78941	105479	400360 1		4
R 3142	PIN, LH FULCRUM	77377		405389 1		1
R 3153	BOLT, PLUG HANDLING 1/4X7 NC	78941	105479	403304 2		1
R 3154	CAPSCREW 5/16X7/8 NC	77377		03176280		6
R 3154	LOCKWASHER 5/16	77377		03961210		6
R 3155	BRACKET, VALVE	93740		276667 6		2
R 3156	CAPSCREW 3/8X3/4 NC	93740		03179240		4
R 3156	LOCKWASHER 3/8	93740		03961300		4
R 3261	WASHER, HOUSING SCREW	105476	105479	407116 1		16
R 3261	WASHER, HOUSING SCREW	112748		407116 1		32
R 3276	PIN, CHAIN LINK FOR R2977 AS REQD.	52320		34193700		X
R 3277	PIN, CHAIN LINK FOR R3099 AS REQD.	52320		34205060		X
R 3450	BOLT, DRUM	120715		522345K 1		2
R 3450	NUT, FULL 1 NC	120715		02716050		2
R 3450	LOCKWASHER 1	120715		03962000		2
R 3565	SIDE, CHAIN FOR R3099 AS REQD.	52320				
R 3566	WASHER, CLAMP	77377		411177 1		4
R 3568	CLAMP, LONG	77377		411175 1		2
R 3568	NUT, FULL 1-1/4 NC	77377		02718050		4
R 3568	NUT, JAM 1-1/4 NC	77377		02718200		4
R 3569	CLAMP, SHORT	120715		411176 1		2
R 3569	NUT, FULL 1-1/4 NC	120715		02718050		4
R 3569	NUT, JAM 1-1/4 NC	120715		02718200		4
R 3570	WEDGE, ROPE	113640		526460K 1		1
R 4751	SPACER, PINION	124181	124406	520563K 1		1
R 4751	SPACER, PINION	124629		520887K 1		1
R 4752	KEY, SPACER	124181	124406	03192520		2
R 4752	NUT, LOCK	124181	124406	02765400		2
R 4752	KEY, SPACER	124629		54300500		1



PARTS LIST

ISSUE NO. 01, 1970

MODEL 88B

PAGE 17- 1

DATE 040770

CAT. REF.	DESCRIPTION	SERIAL NO.		PART NO.	REPLACE OR VENDOR NO.	REQ.
		FROM	TO/INCL.			
	001					
S	OPERATING LEVERS ENGINE GOVERNOR DWG. S-714, S-715, S-716					
S 121	LATCH, LEVER	120033	120035	500420K 1		1
S 122	SPRING, LATCH	120033	120035	75728980		1
S 123	RATCHET, LEVER	120033	120035	49341410		1
S 124	CAPSCREW 3/8X1 NC	120033	120035	03179320		1
S 124	CAPSCREW 3/8X3-3/4 NC	120033	120035	03180200		1
S 124	NUT, FULL 3/8 NC	120033	120035	02709150		2
S 124	LOCKWASHER 3/8	120033	120035	03961300		2
S 124	SPACER	120033	120035	529702K 1		1
S 1277	CONTROL, GOVERNOR FOR CUMMINS & CAT. D343A	120033	120035	46321760		1
S 1277	NUT, FULL 1/4 NF	120033	120035	02738550		1
S 1277	NUT, JAM 1/4 NF	120033	120035	02738650		2
S 1277	CONTROL, GOVERNOR FOR CUMMINS & CAT. D343A	120302		46321920		1
S 1277	NUT, FULL 1/4 NF	120302		02738550		2
S 1277	CONTROL, GOVERNOR FOR GM 12V-71	125113		46321990		1
1277	NUT, FULL 1/4 NF	125113		02738550		1
1463	PIN, YOKE	120033	120035	49115510		1
S 1799	END, YOKE	120033	120035	49107510		1
S 2002	LEVER, RH HAND	120033	120035	297819A 1		1
S 2002	LEVER, RH HAND	120302		608866K 21		1
S 2003	KNOB, BLACK	120302		82594250		1
S 2003	KNOB, RED	120302		82594255		1
S 2004	DISC, FRICTION	120302		42081460		2
S 2006	NUT, LOCK 1/2 NF	120302		02769300		2
S 2007	WASHER, LEVER 1/2	120302		03951600		4
S 2008	SPRING, LEVER	120302		75746000		2
S 2010	JOINT, BALL 1/4 SAE	120033	120035	82571600		1
S 2010	WASHER, LOCK 1/4	120033	120035	03961010		1
S 2010	JOINT, BALL-SUPERIOR	120302		82571610	SS-1002	4V
S 2010	NUT, FULL 1/4 NF	120302		02738550		4
S 2010	LOCKWASHER 1/4	120302		03961010		4
S 2013	BRACKET, CONTROL FOR CUMMINS	120033	120035	251829 1		1
S 2013	BRACKET, CONTROL FOR CUMMINS	120302	122455	608927K 21		1
S 2013	BRACKET, CONTROL FOR CUMMINS	122487		614146K 21		1
S 2013	BRACKET, CONTROL SEE ENG.CAT.FOR CAT.D343A	123311				
S 2013	BRACKET, CONTROL-ENG. GOVERNOR FOR GM	125113		619269K 21		1
	12V-71 ALSO SEE S2045 FOR CONV GOV.					
S 2039	CONTROL BRACKET LEVER, GOVERNOR FOR CUMMINS	120033	120035	412312 1		1
S 2039	CAPSCREW 1/4X1-1/4 NC	120033	120035	03173400		1



PARTS LIST

ISSUE NO. 01, 1970

MODEL 88B

PAGE 17- 2

DATE 040770

CAT. REF.	DESCRIPTION	SERIAL NO.		PART NO.	REPLACE OR VENDOR NO.	REQ.
		FROM	TO/INCL.			
	001					
S 2039	NUT, FULL 1/4 NC	120033	120035	02707150		1
S 2039	LOCKWASHER 1/4	120033	120035	03961010		1
S 2039	LEVER, GOVERNOR FOR CUMMINS	120302	122455	608921K 21		1
S 2039	CAPSCREW 1/4X1-1/2 NF	120302	122455	03223480		1
S 2039	NUT, FULL 1/4 NF	120302	122455	02738550		1
S 2039	LOCKWASHER 1/4	120302	122455	03961010		1
S 2039	LEVER, GOVERNOR FOR CUMMINS	122487		614018K 21		1
S 2039	CAPSCREW 3/8X1-1/2 NF	122487		03229480		1
S 2039	NUT, FULL 3/8 NF	122487		02739550		1
S 2039	LOCKWASHER 3/8	122487		03961300		1
S 2039	LEVER, GOVERNOR SEE ENG. CAT. FOR	123311				
S 2040	CAT.D343A & GM 12V-71 CONTROL, GOVERNOR	120302		46321920		1
S 2040	FOR CUMMINS&CAT D343A NUT, FULL 1/4 NF	120302		02738550		2
S 2040	CONTROL, GOVERNOR FOR GM 12V-71	125113		46321990		1
S 2040	NUT, FULL 1/4 NF	125113		02738550		2
S 2041	BRACKET, CONTROL	120033				
S 2042	SEE S2013 CAPSCREW FOR CUMMINS	120033	120035	03179240		2
S 2042	3/8X3/4 NC LOCKWASHER 3/8	120033	120035	03961300		2
S 2042	CAPSCREW FOR CUMMINS 1/2X1 NC	120302	122455	03185320		2
S 2042	LOCKWASHER 1/2	120302	122455	03961500		2
S 2042	CAPSCREW FOR CUMMINS 1/2X1 NF	122487		03235320		2
S 2042	LOCKWASHER 1/2	122487		03961500		2
S 2042	CAPSCREW W/ENG.FOR CAT.D343A & GM 12V-71	123311				
S 2045	BRACKET, CONTROL FOR GM 12V-71	125113		619328K 21		1 X
S 2049	BRACKET, THROTTLE FOR CUMMINS&CAT.D343A	120033	120035	408684 1		1
S 2049	CAPSCREW 5/16X1-1/2NC	120033	120035	03176480		2
S 2049	NUT, FULL 5/16 NC	120033	120035	02708150		2
S 2049	LOCKWASHER 5/16	120033	120035	03961210		2
S 2049	BRACKET, THROTTLE FOR CUMMINS&CAT.D343A	120302		708442K 21		1
S 2049	CAPSCREW 3/8X1-1/2 NC	120302		03725240		2
S 2049	NUT, FULL 3/8 NC	120302		02709250		2
S 2049	LOCKWASHER 3/8	120302		03961300		2
S 2049	BRACKET, THROTTLE FOR GM 12V-71	125113		718318K 21		1
S 2049	CAPSCREW 3/8X1-1/2 NC	125113		03725240		2
S 2049	NUT, FULL 3/8 NC	125113		02709250		2
S 2049	LOCKWASHER 3/8	125113		03961300		2
S 2051	LEVER, GOVERNOR FOR CUMMINS	120302	122455	609377K 21		1
S 2051	LEVER, GOVERNOR	122487		614018K 21		1



PARTS LIST

ISSUE NO. 01, 1970

MODEL 888 PAGE 17- 3
DATE 040770

CAT. REF.	DESCRIPTION	SERIAL NO.		PART NO.	REPLACE OR VENDOR NO.	REQ.
		FROM	TO/INCL.			
	001					
S 2051	FOR CUMMINS LEVER, GOVERNOR	123311				
	W/ENG. FOR CAT. D343A & GM 12V-71					
S 2059	LEVER, LH HAND	120302		608937K 21		1



PARTS LIST

ISSUE NO. 01, 1970

MODEL 88B

PAGE 18- 1

DATE 040770

CAT. REF.	DESCRIPTION	SERIAL NO.		PART NO.	REPLACE OR VENDOR NO.	REQ.
		FROM	TO/INCL.			
	001					
T	PROPELLING MACHINERY DWG.A-707					
T	1 SHAFT, VERTICAL	52320		270317 1	903235K 53	10
T	1 SHIM	52320		74389952		4
T	1 BUSHING, SHAFT	126410	127467	82129659		2
T	1 BUSHING, SHAFT	127559		82129659		1
T	4 RETAINER, PINION	52320		282731 1		1
T	5 CAPSCREW	52320		410981 1		3
T	6 PINION, VERTICAL SHAFT	52320		296028A		1
T	9 WASHER, THRUST	52320		34780C 5		1
T	10 PINION, BEVEL	52320		270130A		1
T	11 SHAFT, LOWER	52320		231522 1	722988K 1	1DX
T	16 GEAR, BEVEL	52320		270192A		1
T	29 SHAFT, DRIVE	52320		267498 1		2
T	30 GEAR, DRIVE SHAFT	52320		229288A		2
T	37 KEY, GEAR	52320		520651 38		1
T	42 CLUTCH, SLIDING	52320	ONLY	270275A		2 X
T	42 CLUTCH, SLIDING	77377		270275 1		2
T	44 SPROCKET, DRIVE	52320	120305	270263A		2
T	44 SPROCKET, DRIVE	120713		270263A 1		2
T	46 RETAINER, SPROCKET	52320	120305	293918 1		2
T	46 RETAINER, SPROCKET	120713		521012K 1		2
T	47 CAPSCREW	52320		283562 3		8
T	103 GEAR, IDLER SHAFT	52320		270349AA		1
T	106 BEARING, IDLER SHAFT	52320		215865AA		1
T	109 SHAFT, IDLER	52320		289493 1		1
T	110 CAPSCREW 3/4X2 NC	52320		03194640		14
T	110 LOCKWASHER 3/4	52320		03961800		14
T	111 CASE, LOWER GEAR	52320		228608 1		1
T	118 HOUSING, BRAKE	52320		902889K 51		2
T	159 SPACER, SHAFT	52320		295618A		1
T	199 STRIP, FELT - 15 FT.	52320		82263900		1
T	200 CAPSCREW 5/8X1-1/2 NC	52320		03191480		22
T	200 LOCKWASHER 5/8	52320		03961700		22
T	221 COLLAR, SHIFTER	52320		902537K 51		2 X
T	222 SCREW, SHIFTER	52320		295745 1		4
T	222 LOCKWASHER 7/8	52320		03961900		4
T	223 YOKE, SHIFTER	52320		270290A		2
T	694 RETAINER, GEAR	52320		115905 2		2
T	695 BUSHING, BEARING	52320		289494A 1		1
T	696 BUSHING, SHIFTER SHAFT	52320	ONLY	290709 5		4 X
T	696 BUSHING, SHIFTER SHAFT	77377	120305	290709 5		2
T	696 BUSHING, SHIFTER SHAFT	120713		82086530		2
T	697 COVER, SHAFT	52320		296053 1		1
T	698 CAPSCREW 5/8X1 NC	52320		03191320		3
T	698 LOCKWASHER 5/8	52320		03961700		3
T	699 COLLAR, SHIFTER	52320		901394K 51		1
T	700 YOKE, SHIFTER	52320	ONLY	299799 1		1 X
T	700 YOKE, SHIFTER INCLUDES T712	77377		902890K 51		1



PARTS LIST

ISSUE NO. 01, 1970

MODEL 88B

PAGE 18- 2

DATE 040770

CAT. REF.	DESCRIPTION	SERIAL NO.		PART NO.	REPLACE OR VENDOR NO.	REQ.
		FROM	TO/INCL.			
	001					
T 701	SCREW, SET 3/4X3-3/4NC	52320		03772850		1
T 701	NUT, JAM 3/4 NC	52320		02714450		1
T 702	SCREW, SET 1/2X1-1/2	52320		03762730		1
T 703	SCREW, SHIFTER	52320		500292K 1		1
T 703	LOCKWASHER 3/4	52320		03961800		1
T 704	SCREW, SHIFTER	52320		285816 1		1
T 704	LOCKWASHER 3/4	52320		03961800		1
T 705	BELLCRANK, SHIFTER	52320		297234A		1
T 706	BUSHING, BELLCRANK	52320	120305	82087550		2
T 706	BUSHING, BELLCRANK	120713		82086530		2
T 707	SHAFT, LEVER	52320	ONLY	297235 1		1 X
T 707	PIN, COTTER 3/8X2-1/2	52320	ONLY	03125200		1 X
T 707	SHAFT, LEVER	77377		402445 1		1
T 707	PIN, COTTER 3/8X2-1/2	77377		03125200		1
T 708	ROD, REACH	52320		189515 48		1 X
T 708	NUT, FULL 7/8 NC	52320		02715100		1
T 709	END, REACH ROD-RH THREAD	52320		500509K 1		1
T 710	END, REACH ROD-LH THREAD	52320		500538K 1		1
T 711	PIN, ROD END	52320		500519K 51		3
T 712	BUSHING, END PIN	52320		500117K 1		3
T 713	END, REACH ROD	52320		501732K 1	501731K 1	1
T 713	NUT, JAM 5/8 NF	52320		02741650		1
T 714	BUSHING, OUTER	52320		295967A		2
T 715	BUSHING, INNER	52320		295970A		2
T 716	SPRING, SETTING	52320		75573010		2
T 717	SEAT, SPRING	52320	ONLY	289312 1		2 X
T 717	SEAT, SPRING	77377		402366 1		2
T 718	CAPSCREW	52320		540149K 1		4 X
T 719	SHAFT, LEVER	52320		296097 1		2
T 720	BEARING, SHAFT	52320		296101 1		2
T 720	NUT, FULL 1-1/2 NC	52320		02720100		2
T 720	LOCKWASHER 1-1/2	52320		03962410		2
T 721	BUSHING, BEARING	52320		82089300		4
T 722	BRACKET, RH	52320		270375 2		1
T 722	NUT, FULL 1-1/2 NC	52320		02720100		1
T 722	LOCKWASHER 1-1/2	52320		03962410		1
T 723	BRACKET, LH	52320		270375 1		1
T 723	NUT, FULL 1-1/2 NC	52320		02720100		1
T 723	LOCKWASHER 1-1/2	52320		03962410		1
T 724	LEVER, CHAMBER	52320		296106 1		2
T 725	KEY, LEVER	52320		54306250		4
T 726	CAPSCREW 1/2X4-1/4 NC	52320		03186360		4
T 726	NUT, FULL 1/2 NC	52320		02711050		4
T 726	LOCKWASHER 1/2	52320		03961500		4
T 727	ARM, BRAKE	52320		270294A	903581K 51	4DX
T 728	LINING, ARM	52320		30135250	30135252	8D
T 729	SCREW, MACHINE 1/4X2-3/4 NF	52320		03668440		20
T 729	SCREW, MACHINE 1/4X2 NF	52320		03668320		24
T 729	NUT, LOCK 1/4 NF	52320		02787600		44 X
T 729	WASHER, PLAIN 1/4	52320		03951200		88



PARTS LIST

ISSUE NO. 01, 1970

MODEL 88B PAGE 18- 3
DATE 040770

CAT. REF.	DESCRIPTION	SERIAL NO.		PART NO.	REPLACE OR VENDOR NO.	REQ.
		FROM	TO/INCL.			
	001					
T 730	PIN, FULCRUM	52320		297276 1		4
T 731	LOCK, FULCRUM PIN	52320		500731K 1		4
T 731	PIN, COTTER 3/16X1-1/4	52320		03115600		4
T 732	BOLT, EYE	52320	122054	289311 1		2
T 732	NUT, FULL 3/4 NC	52320	122054	02714050		4
T 732	BOLT, EYE	122452		289311 1		2
T 732	NUT, SPECIAL	122452		518054K 1		2
T 732	NUT, JAM 3/4 NC	122452		02714450		2
T 733	PIN, EYE BOLT	52320		180144 1		2
T 733	PIN, COTTER 3/16X2	52320		03115960		2
T 734	SUPPORT, EYE BOLT	52320	77376	296128 1		2
T 734	SUPPORT, EYE BOLT	77377	122054	402359 1		2
T 734	SUPPORT, EYE BOLT	122452		518107K 1		2
T 735	CAPSCREW 3/4X3-1/2 NC	52320		03195120		4
T 735	NUT, FULL 3/4 NC	52320		02714050		4
T 735	LOCKWASHER 3/4	52320		03961800		4
T 736	SPRING, OUTER	52320		75572010		2 X
T 737	SPRING, INNER	52320		75751319		2
T 738	SEAT, SPRING	52320		289291 1		2
T 739	ROD, SPRING	52320		901362K 51	608904K 51	20
T 740	NUT, SLEEVE	52320		295932 1		2
T 741	PIN, FULCRUM	52320		295772 1		4
	742 END, CYLINDER YOKE	52320		49281000		2
	742 NUT, JAM 3/4 NF	52320		02742100		2
T 743	PIN, YOKE END	52320		49119510		4
T 771	CAPSCREW 5/8X3-1/4 NC	52320		03192040		2
T 771	NUT, FULL 5/8 NC	52320		02713050		2
T 771	LOCKWASHER 5/8	52320		03961700		2
T 772	PIN, COTTER 3/8X2-1/2	52320		03125200		1
T 773	CAPSCREW 3/8X1-1/4 NC	52320		03179420		1
T 773	LOCKWASHER 3/8 NC	52320		03961300		1
T 773	WASHER, PLAIN	52320		03951400		1
T 774	CAPSCREW 3/4X3-1/2 NC	52320		03195120		2
T 774	NUT, FULL 3/4 NC	52320		02714050		2
T 774	LOCKWASHER 3/4	52320		03961800		2
T 775	CAPSCREW 5/8X4 NC	52320		03192280		2
T 775	NUT, FULL 5/8 NC	52320		02713050		2
T 775	LOCKWASHER 5/8	52320		03961700		2
T 776	COVER, UPPER CENTER	52320				R
T 777	ROD, REACH	52320		273703 4		1A X
	NOTE-WHEN STOCK OF 273703-4 IS DEPLETED USE FOLLOWING PARTS					
	ROD, REACH			621660 2		1
	NUT, FULL 3/4 NC			02714050		1
T 777	ROD, REACH	52320		621660 2		1
T 777	NUT, FULL 3/4 NC	52320		02714050		1
T 778	SLEEVE, ROD	52320		273703 1	621661K 21	10
T 779	END, REACH ROD	52320		273703 5	621660K 21	10
T 800	PIN, ROD END	52320		91056 26		2



PARTS LIST

ISSUE NO. 01, 1970

MODEL 88B PAGE 20- 1
DATE 040770

CAT. REF.	DESCRIPTION	SERIAL NO.		PART NO.	REPLACE OR VENDOR NO.	REQ.
		FROM	TO/INCL.			
	001					
X	PENDANT SUSPENSION-WITHOUT MAST					
	DRAWING X-702					
X 125	PIN, SHEAVE	119445		607837K 1		2
X 126	DOWEL, SHEAVE PIN	119445		282740 1		2
X 129	YOKE, SHEAVE	119445		706975K 21		2
X 131	SPREADER, YOKE	119445		510986K 1		1
X 160	BOLT, SPREADER	119445		197621 6		2
X 160	PIN, COTTER 3/16X1-1/4	119445		03115600		2
X 191	PIN, YOKE	119445		510996K 2		2
X 219	LINK, ANCHOR	119445		607838K 21		2
X 220	BUSHING, LINK	119445		82095380		2
X 221	RETAINER, LINK	119445		510988K 1		2
X 222	BOLT, RETAINER	119445		02189450		2
X 223	BOLT, YOKE PIN	119445		503759K 1		2
X 223	PIN, COTTER 3/16X1-1/4	119445		03115600		2



PARTS LIST

ISSUE NO. 01, 1970

MODEL 88B

PAGE 20-

3

DATE 040770

CAT. REF.	DESCRIPTION	SERIAL NO.		PART NO.	REPLACE OR VENDOR NO.	REQ.
		FROM	TO/INCL.			
	003					
X	SHOVEL, ROPES-FOR MACHINES 120715 AND UP SEE ROPE TABULATION SECTION DWG. JA-711					
X	1 ROPE, HOIST 1-3/8X160 FT.	77380	93742			1
X	1 ROPE, HOIST 1-1/2X160 FT.	93743	120714			1
X	2 ROPE, RETRACT 1-3/8X92 FT.6	77380	93743			1
X	2 ROPE, RETRACT 1-3/8X42 FT.6	112748	120714			1
X	3 ROPE, BOOM SUSP. 7/8X390 FT.-6X19 REGULAR LAY-RIGHT LAY HEMP CENTER	77380	120714			1
X	59 ROPE, CROWD 1-3/8X86 FT.3	77380	93743			1
X	59 ROPE, CROWD 1-3/8X80 FT.	112748	120714			1
	157 ROPE, TRIP 1/2X35 FT.6 8X19 REGULAR LAY- RIGHT LAY-HEMP CENTER	77380	120714			1
X	158 THIMBLE, ROPE 1/2	77380	93743	82936400		1 X
X	159 CLIP, ROPE 1/2	77380	93743	82147450		3
X	230 ROPE, TRIP OPER. 1/2X22 FT. 6-8X19 REGULAR LAY-RIGHT LAY HEMP CENTER	77380	120714			1
X	236 WEDGE, ANCHOR	77380	120714	526458K 1		1
X	238 SOCKET, ROPE SEE X273	77380	120714			
X	239 PIN, SOCKET SEE X269	77380	120714			
X	268 ANCHOR, ROPE	77380	120714	275448 2		1
X	268 NUT, FULL 1/2 NC	77380	120714	02711050		6
X	269 PIN, ANCHOR	77380	79926	404291 1		1
X	269 PIN, ANCHOR	93740	93743	406504 1		1
X	271 BOLT, EYE	77380	93743	403474 1		1
X	272 CAPSCREW 1/4X5/8 NC	77380	79926	03173200		1
X	272 LOCKWASHER 1/4	77380	79926	03961010		1
X	272 CAPSCREW 1/4X3/4 NC	93740	93743	03173240		1
X	272 LOCKWASHER 1/4	93740	93743	03961010		1
X	273 SOCKET, ROPE	77380	120714	526576K 1		1
X	274 WEDGE, SOCKET	77380	120714	299076A		1
X	276 YOKE, ANCHOR	93740	93743	406503 1		1



PARTS LIST

ISSUE NO. 01, 1970

MODEL 888

PAGE 20- 4

DATE 040770

CAT. REF.	DESCRIPTION	SERIAL NO.		PART NO.	REPLACE OR VENDOR NO.	REQ.
		FROM	TO/INCL.			
	004					
X	STRIPPING SHOVEL ROPES DWG. X701- FOR MACHINES 78944 AND UP SEE ROPE TABULATION SECTION					
X 158	THIMBLE, ROPE 1/2	52320	78943	82936400		1 X
X 159	CLIP, ROPE 1/2	52320	78943	82147450		3 X
X 161	ROPE, HOIST 1-3/8X235 FT.	52320	78943			1
X 165	ROPE, CROWD 1-3/8X114 FT.	52320	78943			1
X 166	ROPE, RETRACT 1-3/8X61 FT.	52320	78943			1
X 167	SOCKET, ROPE	52320	78943	526868K 1		2
X 168	WEDGE, SOCKET 1-3/8	52320	78943	526472K 1		2
X 169	PIN, SOCKET	52320	78943	402817 1		2
X 171	ROPE, BOOM SUSPENSION 7/8X560 FT.-6X19 REGULAR LAY-RIGHT LAY HEMP CENTER	52320	78943	18293620		1 X
X 231	ROPE, TRIP OPERATING 1/2X35 FT.-8X19 REGULAR LAY-RIGHT LAY HEMP CENTER	52320	78943	18153540		1
X 232	ROPE, TRIP 1/2X45 FT	52320	78943			1
X 238	SOCKET, ROPE SEE X273	52320	78943			
X 239	PIN, SOCKET SEE X269	52320	78943			
X 268	ANCHOR, ROPE	52320	78943	275448 2	902884K 51	10 X
X 269	PIN, ANCHOR	52320	78943	404291 1		1
X 270	BOLT, PIN BLANK	52320	78943	198511 12		2
X 271	BOLT, EYE	52320	78943	403474 1		1
X 272	CAPSCREW 1/4X5/8 NC	52320	78943	03173200		1
X 272	LOCKWASHER 1/4	52320	78943	03961010		1
X 273	SOCKET, ROPE 1/2	52320	78943	526576K 1		1
X 274	WEDGE, SOCKET	52320	78943	299076A		1



PARTS LIST

ISSUE NO. 01, 1970

MODEL 888

PAGE 20- 5

DATE 040770

CAT. REF.	DESCRIPTION	SERIAL NO.		PART NO.	REPLACE OR VENDOR NO.	REQ.
		FROM	TO/INCL.			
	005					
X	DRAGLINE ROPES FOR MACHINES 118773 AND UP SEE ROPE TABULATION SECTION DWG. JA-704					
X	8 ROPE, HOIST 80FT. BOOM 1-1/8X196 FT. 6X19 REGULAR LAY RIGHT LAY HEMP CENTER	78941	118772			1
X	8 ROPE, HOIST 90FT. BOOM 1-1/8X218 FT. 6X19 REGULAR LAY RIGHT LAY HEMP CENTER	78941	118772			1
X	8 ROPE, HOIST 100FT. BOOM 1-1/8X240 FT. 6X19 REGULAR LAY RIGHT LAY HEMP CENTER	78941	118772			1
X	8 ROPE, HOIST 110FT. BOOM 1-1/8X262 FT. 6X19 REGULAR LAY RIGHT LAY HEMP CENTER	78941	118772			1
	9 ROPE, DRAG 80FT. BOOM 1-1/4X110 FT. 6X19 LANG LAY RIGHT LAY 1WRC	78941	118772			1
X	9 ROPE, DRAG 90FT. BOOM 1-1/4X120 FT. 6X19 LANG LAY RIGHT LAY 1WRC	78941	118772			1
X	9 ROPE, DRAG 100FT. BOOM 1-1/4X140 FT. 6X19 LANG LAY RIGHT LAY 1WRC	78941	118772			1
X	9 ROPE, DRAG 110FT. BOOM 1-1/4X150 FT. 6X19 LANG LAY RIGHT LAY 1WRC	78941	118772			1
X	14 ROPE, SUSP. 80FT. BOOM 7/8X830 FT. 6X19 REGULAR LAY RIGHT LAY HEMP CENTER	78941	118772			1
X	14 ROPE, SUSP. 90FT. BOOM 7/8X905 FT. 6X19 REGULAR LAY RIGHT LAY HEMP CENTER	78941	118772			1
X	14 ROPE, SUSP. 100FT. BOOM 7/8X980 FT. 6X19 REGULAR LAY RIGHT LAY HEMP CENTER	78941	118772			1
X	14 ROPE, SUSP. 110FT. BOOM 7/8X1060 FT. 6X19 REGULAR LAY RIGHT LAY HEMP CENTER	78941	118772			1



PARTS LIST

ISSUE NO. 01, 1970

MODEL 88B

PAGE 20- 6

DATE 040770

CAT. REF.	DESCRIPTION	SERIAL NO.		PART NO.	REPLACE OR VENDOR NO.	REQ.
		FROM	TO/INCL.			
	006					
X	CLAMSHELL ROPES- FOR MACHINES 118771 AND UP SEE ROPE TABULATION SECTION DWG. JA-710					
X 10	ROPE, HOLD. 80FT. BOOM 1-1/8X180 FT. 6X19 REGULAR LAY RIGHT LAY HEMP CENTER	112751	118770			1
X 10	ROPE, HOLD. 100FT. BOOM 1-1/8X220 FT. 6X19 REGULAR LAY RIGHT LAY HEMP CENTER	112751	118770			1
X 10	ROPE, HOLD. 110FT. BOOM 1-1/8X245 FT. 6X19 REGULAR LAY RIGHT LAY HEMP CENTER	112751	118770			1
X 11	ROPE, CLOS. 80FT. BOOM 1-1/8X250 FT. 6X19 REGULAR LAY RIGHT LAY HEMP CENTER	112751	118770			1
X 11	ROPE, CLOS. 100FT. BOOM 1-1/8X290 FT. 6X19 REGULAR LAY RIGHT LAY HEMP CENTER	112751	118770			1
X 11	ROPE, CLOS. 110FT. BOOM 1-1/8X310FT. 6X19 REGULAR LAY RIGHT LAY HEMP CENTER	112751	118770			1
X 14	ROPE, SUSP. 80FT. BOOM 7/8X830 FT. 6X19 REGULAR LAY RIGHT LAY HEMP CENTER	112751	118770			1
X 14	ROPE, SUSP. 100FT. BOOM 7/8X980 FT. 6X19 REGULAR LAY RIGHT LAY HEMP CENTER	112751	118770			1
X 14	ROPE, SUSP. 110FT. BOOM 7/8X1060FT. 6X19 REGULAR LAY RIGHT LAY HEMP CENTER	112751	118770			1

C

Q



PARTS LIST

ISSUE NO. 01, 1970

MODEL 88B

PAGE 20- 8

DATE 040770

CAT. REF.	DESCRIPTION	SERIAL NO.		PART NO.	REPLACE OR VENDOR NO.	REQ.
		FROM	TO/INCL.			
	008					
X	EQUALIZED PENDANT SUSPENSION-MAST TYPE					
	DRAWING X409	128788				
X 125	PIN	128788	131434	625319K 1		1 X
X 125	PIN	131511		629490K 1		1 X
X 126	END, ROD	128788		516200K 1		2 X
X 129	BRIDLE, PENDANT	128788	131434	813586K 21		2 X
X 129	BRIDLE, PENDANT	131513		810152K 21		2 X
X 222	BOLT 5/8X7 NC	128788		02189450		2 X
X 315	SHEAVE ASSEMBLY	128788		903562K 51		4 X
	INCLUDES X-316					
X 316	BUSHING	128788		297761A		4 X
X 319	SPACER	128788		524048K 1		2 X
X 347	SPACER	131511		536560 2		1 X
X 394	LINK, PENDANT	128788		721293K 21		4 X
X 395	PIN	128788		533250K 1		8 X
X 396	SOCKET	128788		701897K 1		4 X
X 397	WEDGE	128788		501372K 1		4 X
X 398	PIN	128788		510865K 1		4 X
X 399	BOLT, TEE	128788		503759K 1		8 X
X 399	PIN, COTTER	128788		03115600		4 X
X 400	ROPE, PENDANT-SPECIFY LENGTH	128788		18363025		2 X
X 401	SHEAVE ASSEMBLY--	128788		722942K 51		2 X
	INCLUDES X402					
X 402	BUSHING, SHEAVE	128788		533239K 1		2 X
X 403	GUARD, SHEAVE	128788		722951K 21		2 X
X 404	LINK, PENDANT	128788		625320K 21		4 X
X 405	LINK, YOKE	131511		629481K 21		2 X
X 406	CAPSCREW 5/8X6 NC	128788		03192920		2 X
X 407	NUT, JAM 5/8 NC	128788		02713250		4 X
X 408	PIN, COTTER 3/16X1-1/4	128788		03115600		8 X
X 410	NUT, JAM 5/8 NC	128788		02713250		4 X
X 411	CAPSCREW 1/2X1-1/2 NC	128788		03185480		2 X
X 412	LOCKWASHER 1/2	128788		03961500		2 X
X 413	PIN, COTTER 1/8X1	128788		03109480		2 X
X 414	PIN	131511		533256K 1		2 X
X 415	BOLT, TEE	131511		503759K 1		2 X
X 416	PIN, COTTER 3/16X1-1/4	131511		03115600		2 X
X 417	BOLT, TEE	128788	131434	508486K 1		2 X



PARTS LIST

ISSUE NO. 01, 1970

MODEL 88B

PAGE 20- 9

DATE 040770

CAT. REF.	DESCRIPTION	SERIAL NO.		PART NO.	REPLACE OR VENDOR NO.	REQ.
		FROM	TO/INCL.			
	009					
X	MULTIPLE PENDANT SUSPENSION MAST TYPE DRAWING X410	128788				
X	61 PENDANTS-REFER ROPE DRAWING 725993					X
X	125 PIN	128788		629490K 1		1 X
X	126 END, ROD	128788		516200K 1		2 X
X	129 BRIDLE, PENDANT	128788		810152K 21		2 X
X	219 LINK, PENDANT	128788		607838K 21		2 X
X	220 BUSHING	128788		82095380		2 X
X	221 COLLAR	128788		510988K 1		2 X
X	222 BOLT 5/8X7 NC	128788		02189450		2 X
X	315 SHEAVE ASSEMBLY- INCLUDES X316	128788		903562K 51		4 X
X	316 BUSHING, SHEAVE	128788		297761A		4 X
X	319 SPACER	128788		524048K 1		2 X
X	347 SPACER	128788		536560 2		1 X
X	394 LINK, PENDANT	128788		721293K 21		4 X
X	395 PIN, SUSPENSION	128788		533250K 1		4 X
X	399 BOLT, TEE	128788		503759K 1		4 X
	408 PIN, COTTER 3/16X1-1/4	128788		03115600		4 X
	410 NUT, JAM 5/8 NC	128788		02713250		4 X
X	411 CAPSCREW 1/2X1-1/2 NC	128788		03185480		2 X
X	412 LOCKWASHER 1/2	128788		03961500		2 X
X	414 PIN	128788		533256K 1		2 X
X	415 BOLT, TEE	128788		503759K 1		2 X
X	416 PIN, COTTER 3/16X1-1/4	128788		03115600		2 X



PARTS LIST

ISSUE NO. 01, 1970

MODEL 88B

PAGE 21- 1

DATE 040770

CAT. REF.	DESCRIPTION	SERIAL NO.		PART NO.	REPLACE OR VENDOR NO.	REQ.
		FROM	TO/INCL.			
	001					
XA	FAIRLEAD DWG.XA-704					
XA 1	FAIRLEAD COMP.	78941	123526	10793XA		1
XA 1	FAIRLEAD COMP.	124179		10794XA		1
XA 2	SHEAVE, FAIRLEAD	78941		611370K 1		2
XA 5	PIN, SHEAVE	78941		403399 1		2
XA 6	BUSHING, & COVER, PIN	78941		297613AA		4
XA 9	CAPSCREW 3/4X1-1/2 NF	78941		03244480		24
XA 9	LOCKWASHER 3/4	78941		03961800		24
XA 10	KEY, SHEAVE-WOODRUFF	78941		54309250		2 X
XA 22	FRAME, FAIRLEAD	78941		216161AA	806132K 51	10 X
XA 33	PLATE, GUIDE	78941	123526	217585A		2
XA 35	BOLT, PLATE 1X12 NC	78941	123526	02193960		2
XA 35	NUT, FULL 1 NC	78941	123526	02716050		2
XA 35	NUT, JAM 1 NC	78941	123526	02716200		2
XA 36	CAPSCREW 1X2-1/2 NC	78941		03200800		2
XA 36	LOCKWASHER 1	78941		03962000		2
XA 42	BRACKET, FAIRLEAD	78941		215972A		1
XA 48	BOLT, ADJUSTING	78941		501052K 51		1
XA 76	PIN, BRACKET	78941		271259 1		1
XA 77	BOLT, BRACKET PIN	78941		197622 2		2
77	PIN, COTTER 1/4X1-1/2	78941		03118720		2
80	BEARING, FRAME	78941		26832650	8411584155	2V X
XA 81	SHIM, BEARING	78941		297615 1		3
XA 81	SHIM, BEARING	78941		297615 2		3
XA 81	SHIM, BEARING	78941		297615 3		1
XA 82	COVER, BEARING	78941		229267A		1
XA 83	CAPSCREW 5/8X1-1/2 NF	78941		03241480		6
XA 83	LOCKWASHER 5/8	78941		03961700		6
XA 136	ROLLER, GUIDE	124179		611333K 21		2
XA 138	BEARING, ROLLER	124179		26122155		4
XA 140	RETAINER, BEARING	124179		520386K 1		4
XA 141	BOLT, RETAINER	124179		02200760		4
XA 141	1-1/2X3-1/2 NC LOCKWASHER 1-1/2	124179		03962410		4
XA 152	PIN, SPRING	124179		82670090		4
	NOTE-CONVERSION KIT TO CHANGE FROM BUSHING TYPE TO ROLLER TYPE FAIRLEAD			903551K 51		1



PARTS LIST

ISSUE NO. 01, 1970

MODEL 88B

PAGE 22- 1

DATE 040770

CAT. REF.	DESCRIPTION	SERIAL NO.		PART NO.	REPLACE OR VENDOR NO.	REQ.
		FROM	TO/INCL.			
	001					
YE	FUEL SUPPLY DWG.Q-714 FOR BUDA 8DAS-1290					
YE 1	TANK, FUEL	52320	112751	216176 1		1
YE 1	TANK, FUEL	113639		216176 11		1
YE 2	PIPE, SUCTION	112748		402596 1		1
YE 6	COCK, STOP-CR.	112748		79088500	324-1/2	1VX
YE 7	COVER, TANK	112748		298306 1		1
YE 14	GAUGE, FUEL	112748		82304750		1
YE 15	GASKET, COVER	112748		297803 1		3
YE 21	COVER, TANK	112748		402591 1		1
YE 51	PIPE, VENT	112748		X 9242 3		1
YE 63	COVER, TANK	112748		408220 1		1
YE 65	CAPSCREW 3/4X3-3/4 NC	52320	112751	03195200		6
YE 65	NUT, FULL 3/4 NC	52320	112751	02714050		6
YE 65	NUT, JAM 3/4	52320	112751	02714450		6
YE 65	CAPSCREW 3/4X2-1/2 NF	113639		03244800		6
YE 65	LOCKWASHER 3/4	113639		03961800		6
YE 65	WASHER, PLAIN 3/4	113639		03951900		6
YE 68	CAPSCREW 3/8X1-3/4 NC	112748		03179560		12
YE 68	LOCKWASHER 3/8	112748		03961300		12
YE 77	CAPSCREW 3/8X1-3/4 NC	112748		03179560		6
YE 77	LOCKWASHER 3/8	112748		03961300		6
YE 78	HOSE, SUCTION LINE	112748		53032510		1



PARTS LIST

ISSUE NO. 01, 1970

MODEL 88B PAGE 22- 2
DATE 040770

CAT. REF.	DESCRIPTION	SERIAL NO.		PART NO.	REPLACE OR VENDOR NO.	REQ.
		FROM	TO/INCL.			
	002					
YE	FUEL SUPPLY DWG.Q-733 FOR CAT.D343 & D375					
YE 1	TANK, FUEL	52320	112751	216176 1		1
YE 1	TANK, FUEL	113639		216176 11		1
YE 2	PIPE, SUCTION	113639	116270	402596 1		1 X
YE 2	PIPE, SUCTION	116651	118305	402596 1		2
YE 2	PIPE, SUCTION	123311		402596 1		1
YE 2	PIPE, SUCTION	123311		519093K 1		1
YE 5	CAP, FILTER-MOELLER	123311		82131910	4055	1V
YE 6	COCK, STOP-CR.	113639		79088500	324-1/2	1V X
YE 6	COCK, STOP-CR.	116651		79076000	320-1/2	1V X
YE 7	COVER, TANK	113639		412477 1		1
YE 7	COVER, TANK	116651		511298K 1		1
YE 14	GAUGE, FUEL	113639		82304750		1
YE 14	GAUGE, FUEL SEE YE90	116651				
YE 15	GASKET, COVER	113639		50582000		3
YE 16	STRAINER, FUEL	123311		82897610		1
YE 21	COVER, TANK	113639		601547K 21		1
YE 21	COVER, TANK	116651		603161K 21		1
YE 37	VALVE, CHECK-CR.	123311		79169165	24	1V
YE 51	TUBE, VENT 3/8X5-1/2	113639	118305	32356000		1
YE 63	COVER, TANK	113639	118305	283806 1		1
YE 63	COVER, TANK	123311		607308K 21		1
YE 68	CAPSCREW 3/8X1-3/4 NC	113639		03179560		18
YE 68	LOCKWASHER 3/8	113639		03961300		18
YE 77	CAPSCREW SEE YE68	113639				
YE 78	HOSE, SUCTION LINE	113639	118305	53477300		1
YE 78	HOSE, SUCTION LINE	123311		53624350		1
YE 89	GAUGE, FUEL-AC	116651	118305	82317630	1516939	1V
YE 90	GAUGE, FUEL-AC	116651	118305	82317600	1516751	1V
YE 90	GAUGE, FUEL-AC	123311		82317640	1518686	1V
YE 91	GAUGE, OIL-AC	116651	118305	46821100	1506713	1V
YE 94	BRACKET, GAUGE	116651	118305	506153K 1		1
YE 95	CAPSCREW 5/16X3/4 NF	116651	118305	03226250		2
YE 95	NUT, FULL 5/16 NF	116651	118305	02739050		2
YE 95	LOCKWASHER 5/16	116651	118305	03961210		2



PARTS LIST

ISSUE NO. 01, 1970

MODEL 88B

PAGE 22- 3

DATE 040770

CAT. REF.	DESCRIPTION	SERIAL NO.		PART NO.	REPLACE OR VENDOR NO.	REQ.
		FROM	TO/INCL.			
	003					
YE	FUEL SUPPLY DWG.Q-702 FOR CUMMINS LRI-600					
YE 1	TANK, FUEL	52320	112751	216176 1		1
YE 1	TANK, FUEL	113639		216176 11		1
YE 2	PIPE, SUCTION	52320		X 3419 18		1
YE 2	PIPE, SUCTION	77377		402596 1		1
YE 6	COCK, STOP-CR.	52320		79088500	324-1/2	1VX
YE 7	COVER, TANK	52320		298306 1		1
YE 14	GAUGE, FUEL	52320		82304750		1
YE 15	GASKET, COVER	52320		297803 1		3
YE 21	COVER, TANK	52320	ONLY	287101 1		1 X
YE 21	COVER, TANK	77377		402591 1		1
YE 51	PIPE, VENT	52320		X 9242 3		1
YE 63	COVER, TANK	52320		283806 1		1
YE 65	CAPSCREW 3/4X3-3/4 NC	52320	112751	03195200		6
YE 65	NUT, FULL 3/4 NC	52320	112751	02714050		6
YE 65	NUT, JAM 3/4	52320	112751	02714450		6
YE 65	CAPSCREW 3/4X2-1/2 NF	113639		03244800		6
YE 65	LOCKWASHER 3/4	113639		03961800		6
YE 65	WASHER, PLAIN 3/4	113639		03951900		6
68	CAPSCREW 3/8X1-3/4 NC	52320		03179560		12
68	LOCKWASHER 3/8	52320		03961300		12
YE 77	CAPSCREW 3/8X1-3/4 NC	52320		03179560		6
YE 77	LOCKWASHER 3/8	52320		03961300		6
YE 78	HOSE, SUCTION LINE	52320		53032510		1



PARTS LIST

ISSUE NO. 01, 1970

MODEL 88B

PAGE 22- 4

DATE 040770

CAT. REF.	DESCRIPTION	SERIAL NO.		PART NO.	REPLACE OR VENDOR NO.	REQ.
		FROM	TO/INCL.			
	004					
YE	FUEL SUPPLY DWG.Q-711 Q-720, Q-726, Q-733 FOR CUMMINS NVH & VT SERIES					
YE 1	TANK, FUEL	52320	112751	216176 1		1
YE 1	TANK, FUEL	113639		216176 11		1
YE 2	PIPE, SUCTION	113640	121023	402596 1		1
YE 2	PIPE, SUCTION	121322	121428	519093K 1		1
YE 2	PIPE, SUCTION	121429	121560	402596 1		1
YE 2	PIPE, SUCTION	121561		519093K 1		1
YE 5	CAP, FILLER-MOELLER	119940		82131910	4055	1V
YE 6	COCK, STOP-CR.	113640	118306	79088500	324-1/2	1VX
YE 6	COCK, STOP-CR.	118307		79076000	320-1/2	1VX
YE 7	COVER, TANK	113640	118306	412477 1		1
YE 7	COVER, TANK	118307	119864	510261K 1		1
YE 7	COVER, TANK	119940	121023	511298K 1		1
YE 7	COVER, TANK	121322		514324K 1		1
YE 14	GAUGE, FUEL	113640	119864	82304750		1
YE 14	GAUGE, FUEL SEE YE90	119940				
YE 15	GASKET, COVER	113640		50582000		3
YE 16	STRAINER, FUEL	119940	127891	82897610		1
YE 16	STRAINER, FUEL	128118		82897613		1
YE 21	COVER, TANK	113640	118306	412479 1		1
YE 21	COVER, TANK	118307	119864	607027K 21		1
YE 21	COVER, TANK	119940		603161K 21		1
YE 37	VALVE, CHECK-CR.	113640	119864	79184500	24	1V
YE 37	VALVE, CHECK-CR.	119940	121023	79187500	29	1V
YE 37	VALVE, CHECK-CR.	121322		79184500	24	1V
YE 51	TUBE, VENT 3/8X5-1/2	113640	118306	32356000		1
YE 51	TUBE, VENT 5/8X45	119940	121023	32362000		1
YE 51	BREATHER, AIR	121322		29448245	232846	1VX
YE 63	COVER, TANK	113640	118306	412478 1		1
YE 63	COVER, TANK	118307	119864	510048K 1		1
YE 63	COVER, TANK	119940	121023	607308K 21		1
YE 63	COVER, TANK	121322		610209K 21		1
YE 64	CLAMP, HOSE	119940	121023	53628010		3
YE 65	CAPSCREW 3/4X3-3/4 NC	52320	112751	03195200		6
YE 65	NUT, FULL 3/4 NC	52320	112751	02714050		6
YE 65	NUT, JAM 3/4 NC	52320	112751	02714450		6
YE 65	CAPSCREW 3/4X2-1/2 NF	113639		03244800		6
YE 65	LOCKWASHER 3/4	113639		03961800		6
YE 65	WASHER, PLAIN 3/4	113639		03951900		6
YE 68	CAPSCREW 3/8X1-3/4 NC	113640		03179560		18
YE 68	LOCKWASHER 3/8	113640		03961300		18
YE 77	CAPSCREW SEE YE68	113640				
YE 78	HOSE, SUCTION LINE	113640	119864	53476700		1
YE 78	HOSE, SUCTION LINE	119940	121428	53625999		1
YE 78	HOSE, SUCTION LINE	121429	121560	53477300		1
YE 78	HOSE, SUCTION LINE	121561		53625999		1
YE 87	HOSE, EXCESS	113640	119864	53476570		1
YE 87	RETURN LINE HOSE, EXCESS	119940		53625800		1



PARTS LIST

ISSUE NO. 01, 1970

MODEL 88B
DATE 040770

PAGE 22- 5

CAT. REF.	DESCRIPTION	SERIAL NO.		PART NO.	REPLACE OR VENDOR NO.	REQ.
		FROM	TO/INCL.			
	004					
	RETURN LINE					
YE 88	HOSE, RETURN LINE	113640	119864	53476500		1
YE 88	HOSE, RETURN LINE	119940		53625810		1
YE 90	GAUGE, FUEL-AC	119940	127891	82317600	1516751	1VX
YE 90	GAUGE, FUEL-SW	128118		82317156	EX-41478	1VX



PARTS LIST

ISSUE NO. 01, 1970

MODEL 888

PAGE 22- 6

DATE 040770

CAT. REF.	DESCRIPTION	SERIAL NO.		PART NO.	REPLACE OR VENDOR NO.	REQ.
		FROM	TO/INCL.			
	005					
YE	FUEL SUPPLY DWG. Q-733 FOR GM12V-71					
YE 1	TANK, FUEL	125113		216176 11		1
YE 2	PIPE, SUCTION	125113		402596 1		1
YE 5	CAP, FILLER-MOELLER	125113		82131910	4055	1V
YE 6	COCK, DRAIN-CR.	125113		79076000	320-1/2	1VX
YE 7	COVER, TANK	125113		511298K 1		1
YE 15	GASKET, COVER	125113		50700120		3
YE 16	STRAINER, FUEL	125113		82897610		1
YE 21	COVER, TANK	125113		609491K 21		1
YE 37	VALVE, CHECK 1/2 CR.	125113		79184500	24	1V
YE 51	BREATHER, DONALDSON	125113		46140330	S-183	1V
YE 63	COVER, TANK	125113		607308K 21		1
YE 65	CAPSCREW 3/4X2-1/2 NF	125113		03244800		6
YE 65	LOCKWASHER 3/4	125113		03961800		6
YE 65	WASHER, PLAIN 3/4	125113		03951900		6
YE 68	CAPSCREW 3/8X1-3/4 NC	125113		03179560		18
YE 68	LOCKWASHER 3/8	125113		03961300		18
YE 78	HOSE, SUCTION	125113		53625730		1
YE 87	HOSE, INJECTION	125113		53625740		1
YE 90	GAUGE, FUEL	125113		82317156	EX-41478	1V
YE 91	GASKET, FUEL GAUGE	125113		50703500		



PARTS LIST

ISSUE NO. 01, 1970

MODEL 88B

PAGE 22- 7

DATE 040770

CAT. REF.	DESCRIPTION	SERIAL NO.		PART NO.	REPLACE OR VENDOR NO.	REQ.
		FROM	TO/INCL.			
	006					
YE	FUEL TRANSFER PUMP DWG. Q-702, Q-711, Q-714 Q-720, Q-726, Q-727					
YE 17	ELEMENT, FILTER FOR YE41	52320		46192500		1 X
YE 24	PUMP COMP, DEMING	52320		64070300	RR4078-1/2	1VX
YE 25	HOSE, SUCTION 1X12FT.	52320		53078010		1
YE 26	HOSE, DISCHARGE	52320	118773	53521850		1
YE 26	HOSE, DISCHARGE	119004		53521880		1
YE 29	NOZZLE, HOSE	52320		502184K 21		1
YE 30	STRAINER, NOZZLE FOR YE29	52320				1
YE 31	SUPPORT, PUMP & FILTER FOR CUMMINS LR1-600	52320	105479	271589 1		1
YE 31	SUPPORT, PUMP & FILTER FOR BUDA 8DAS-1290	112748	118304	200006 1		1
YE 31	SUPPORT, PUMP & FILTER FOR CUMMINS NVH & VT	113640	116268	200680 1		1
YE 31	SUPPORT, PUMP & FILTER FOR CUMMINS NVH & VT	116269	118773	702861K 21		1
YE 31	SUPPORT, PUMP & FILTER FOR CAT. D375	113639		702861K 21		1
YE 31	SUPPORT, PUMP & FILTER FOR CAT. D375	116651	118305	601737K 21		1
YE 31	SUPPORT, PUMP & FILTER FOR ALL ENG.	119004	122565	702861K 21		1
YE 31	SUPPORT, PUMP & FILTER FOR ALL ENG.	122566		608653K 21		1
YE 41	FILTER, COMP. INCL. YE17 PUROLATOR	52320	121020	46191350	G-17J-71	1V
YE 70	CAPSCREW 1/2X1-1/2 NC	52320	105479	03185480		4
YE 70	LOCKWASHER 1/2	52320	105479	03961500		4
YE 70	CAPSCREW SEE YE76 & YE81	112748				
YE 76	CAPSCREW FOR BUDA 8DAS-1290 1/2X3-1/2NC	112748	118304	03186120		2
YE 76	LOCKWASHER 1/2	112748	118304	03961500		2
YE 76	CAPSCREW FOR CUMMINS NVH & VT SERIES SEE YE81	113640	118773			
YE 76	CAPSCREW FOR CAT. D375 1/2X2-1/2 NF	116651	118305	03235800		2
YE 76	NUT, FULL 1/2 NF	116651	118305	02740550		2
YE 76	LOCKWASHER 1/2	116651	118305	03961500		2
YE 76	WASHER, PLAIN 1/2	116651	118305	03951600		2
YE 76	CAPSCREW FOR ALL ENG. 1/2X2-1/2 NF	119004	122565	03235800		2
YE 76	NUT, FULL 1/2 NF	119004	122565	02740550		2
YE 76	LOCKWASHER 1/2	119004	122565	03961500		2
YE 76	CAPSCREW FOR ALL ENG. SEE YE81	122566				
YE 81	CAPSCREW FOR BUDA	112748	118304	03185800		2



PARTS LIST

ISSUE NO. 01, 1970

MODEL 88B

PAGE 23- 1

DATE 040770

CAT. REF.	DESCRIPTION	SERIAL NO.		PART NO.	REPLACE OR VENDOR NO.	REQ.
		FROM	TO/INCL.			
	001					
ZA	AIR CONTROL-DRAWINGS JX711, JX712, ZA700, ZA701, ZA721, ZA780, ZA781 ZA782, ZA786, ZA787, ZA788, ZA789, ZA858, ZA859, ZA860, ZA924, ZA7012, ZA245, ZA730, ZA744, ZA776, ZA777					
ZA 20	TANK, AIR-WAB 16IN.X38	52320	105479			2
ZA 20	TANK, AIR	112748		82929740	82930120	2DX
ZA 177	GAUGE, PRESSURE-MARSH	52320		82300150	0-160	1V
ZA 178	LUBRICATOR-FILTER	52320	105479	57406170	30-41-66	1V
ZA 178	LUBRICATOR-FILTER	112748	120035	57406210	57406310	1D
ZA 178	LUBRICATOR-FILTER SEE DWG. ZA807	120302	124407	57406310		1AX
	NOTE-WHEN STOCK OF 57406310 IS DEPLETED USE FOLLOWING PARTS ZA178 LUBE-FILTER SHORTEN AIR LINE IF NECESSARY TO FIT.			57410040		1
ZA 178	LUBRICATOR-FILTER SEE DWG. ZA906	124629		57410040	3044-1/2	1V
ZA 285	STRAP, TANK	52320	93743	271567 1		4
ZA 285	NUT, FULL 1/2 NC	52320	93743	02711050		8
ZA 285	NUT, JAM 1/2 NC	52320	93743	02711250		8
ZA 285	STRAP, TANK	105476		276333 1		4
ZA 286	SWIVEL JOINT COMP. INCLUDES ZA287 THRU ZA308	52320	128124	902530K 51		1 X
ZA 287	PACKING, SWIVEL	52320	128124	60093750	A1-11419	8VX
ZA 288	SPACER, PACKING	52320	128124	297655A		4 X
ZA 289	WASHER, PACKING	52320	128124	297656 1		7 X
ZA 290	RING, SNAP-TRUARC	52320	128124	68117500	5000-262	4VX
ZA 291	BODY, SWIVEL	52320		229275AA		1
ZA 292	COVER, UPPER	52320		297652A		1
ZA 293	CAPSCREW 3/8X1 NC	52320		03179320		6
ZA 293	LOCKWASHER 3/8	52320		03961300		6
ZA 294	COVER, LOWER	52320		297651A		1
ZA 295	CAPSCREW 3/8X1-3/4 NC	52320		03179560		6
ZA 295	LOCKWASHER 3/8	52320		03961300		6
ZA 296	SPINDLE, UPPER	52320		275945 1		1
ZA 297	DOWEL, SPINDLE	52320		275945 3		1
ZA 298	COLLAR, RETAINING	52320		297654A		1
ZA 299	SPINDLE, LOWER	52320		605664K 21		1
ZA 300	CAPSCREW 3/8X1-3/4 NC	52320		03179560		6
ZA 300	LOCKWASHER 3/8	52320		03961300		6
ZA 301	GASKET, CONNECTION	52320		510879K 1		1
ZA 302	RETAINER, UPPER	52320		271385 1		1



PARTS LIST

ISSUE NO. 01, 1970

MODEL 888

PAGE 23- 2

DATE 040770

CAT. REF.	DESCRIPTION	SERIAL NO.		PART NO.	REPLACE OR VENDOR NO.	REQ.
		FROM	TO/INCL.			
	001					
ZA 303	BOLT, RETAINER 3/4X10 NC	52320		02190990		2
ZA 303	CAPSCREW 3/4X1-1/2 NC	52320		03194480		1
ZA 303	LOCKWASHER 3/4	52320		03961800		3
ZA 304	SPACER, BOLT	52320		271385 8		1
ZA 305	WASHER, FELT	52320		68705600		1
ZA 306	SUPPORT, LOWER	52320	78944	296110 1		1
ZA 306	SUPPORT, LOWER	79923		405173 1		1
ZA 307	CAPSCREW 1/2X4 NC	52320		03186280		1
ZA 307	NUT, FULL 1/2 NC	52320		02711050		1
ZA 307	NUT, JAM 1/2 NC	52320		02711250		1
ZA 308	CAPSCREW 3/4X3-1/4	52320		03195040		2
ZA 308	LOCKWASHER 3/4	52320		03961800		2
ZA 309	SEAT, OPERATORS-MILSCO	52320			1891	1V
ZA 309	SEAT, OPERATORS-MILSCO	77377	105479		1791	1V
ZA 309	SEAT, OPERATORS-AMER.	112748	112750		EX-2367-LD	1V
ZA 309	SEAT, OPERATORS-AMER.	113639	120035		0-4920-L	1V
ZA 309	SEAT, OPERATORS-AMER.	120302		82834100	67026440LH	1V
ZA 312	BRACKET, LOCATING	77377	105479	274790 1		1
ZA 313	CAPSCREW 5/8X4-1/2 NC	77377	105479	03192440		1
ZA 313	NUT, FULL 5/8 NC	77377	105479	02713050		1
ZA 313	NUT, JAM 5/8 NC	77377	105479	02713250		1
ZA 314	BRACKET, TILTING	52320	ONLY	X10614 1		1
ZA 314	BRACKET, TILTING	77377	105479	274790 5		1
ZA 315	CAPSCREW 5/8X3-3/4 NC	52320	105479	03192200		2
ZA 315	NUT, FULL 5/8 NC	52320	105479	02713050		2
ZA 315	NUT, JAM 5/8 NC	52320	105479	02713250		2
ZA 316	SUPPORT, UPPER	52320	105479	X10616 1		1
ZA 317	BOLT, ADJUSTING 5/8X3-3/4 NC	52320	105479	03192200		1
ZA 317	NUT, JAM 5/8 NC	52320	105479	02713250		2
ZA 318	STAND, LOWER	52320	ONLY	X10615 1		1
ZA 318	STAND, LOWER	77377	77380	275208 1		1
ZA 318	STAND, LOWER	78941	78944	275208 8		1
ZA 319	CAPSCREW 5/8X1-3/4 NC	52320	105479	03191560		2
ZA 319	LOCKWASHER 5/8	52320	105479	03961700		2
ZA 319	CAPSCREW 1/4X1 NF	112748	120035	03223320		6
ZA 319	NUT, FULL 1/4 NF	112748	120035	02738550		6
ZA 319	LOCKWASHER 1/4	112748	120035	03961010		6
ZA 319	CAPSCREW 5/16X1 NF	120302		03226320		6
ZA 319	NUT, FULL 5/16 NF	120302		02739050		6
ZA 319	LOCKWASHER 5/16	120302		03961210		6
ZA 320	VALVE, AIR SEE DWG. ZA702	52320	93743	79420400		1A
	NOTE-WHEN STOCK OF 79420400 IS DEPLETED USE FOLLOWING PARTS ZA320 POPPET VALVE			79421300		1
	ADAPTER, MOUNTING			718121 1		1
	CAPSCREW 5/16X3/4 NF			03223240		7
	NUT, FULL 5/16 NF			02739050		7
	LOCKWASHER 5/16			03961110		7



PARTS LIST

ISSUE NO. 01, 1970

MODEL
DATE

88B

PAGE 23- 3

040770

CAT. REF.	DESCRIPTION	SERIAL NO.		PART NO.	REPLACE OR VENDOR NO.	REQ.
		FROM	TO/INCL.			
	001					
ZA 320	VALVE, POPPET FOR PTO SEE DWG. ZA746	105476	130894	79420900	N-2447-U	1VX
ZA 350	VALVE, TREADLE SEE DWG. ZA703	52320	93743	29322140	29292810	2D
ZA 350	VALVE, TREADLE SEE DWG. ZA703	105476	113642	29292810	29400750	2DX
ZA 350	VALVE, TREADLE SEE DWG. ZA703	116267	126092	29400750		2 X
ZA 350	VALVE, TREADLE-BWAAB SEE DWG. ZA703	126410	130894	29388360	79434715	2DX
ZA 350	VALVE, TREADLE MIDLAND SEE DWG. ZA703	126410	130894	29388360	79434715	2DX
ZA 350	VALVE, TREADLE WILLIAMS	131205		79434715	WM-353-E	2VX
	SEE DRAWING 79434715 FOR COMPONENT PARTS					
ZA 366	TREADLE, FOOT INCLUDES ZA367, ZA368	52320	126092	713638K 51		2
ZA 366	PIN, COTTER 1/16X1-1/2	52320	126092	03103720		2
ZA 367	BUSHING, PIN-BW	52320	126092	29221920	210192	4V
ZA 368	PIN, STOP-BW	52320	126092	29221900	210190	2V
ZA 370	PIN, TREADLE-BW	52320	126092	29221960	210196	2V
ZA 370	PIN, COTTER-BW	52320			203017	2V
ZA 371	ROLLER, TREADLE-BW	52320		29230260	211026	2V
ZA 372	PIN, ROLLER-BW	52320	126092	29221940	210194	2V
ZA 373	SPRING, TREADLE-BW	52320	126092	29221950	210195	2V
ZA 386	VALVE, DOUBLE ACTING POPPET ASSY.	52320	130894	79421250	N-2447-E	3VX
	SEE DWG. ZA704					
ZA 386	VALVE, PILOTAIR WESTINGHOUSE AIR BRAKE COMPANY	131205		29043380	P59335	2VX
	SEE DRAWING ZA3869- ZA3900 FOR COMPONENT PARTS					
ZA 390	VALVE, DOUBLE ACTING POPPET ASSY. SEE DWG. ZA705	52320	130894	79420790	N-2447-D	2VX
ZA 390	VALVE, PILOTAIR-WEST- INGHOUSE AIR BRAKE SEE DRAWING ZA6114- ZA6145 FOR COMPONENT PARTS	131205		29039315	P54427-1	2VX
	NOTE MACHINES W/STD. BOOM HOIST USE 3 VALVES INSTEAD OF 2					
ZA 412	VALVE SINGLE AIR SEE DWG. ZA706	52320	122490	79422800	N-3508	1V
ZA 412	VALVE, FLEXAIR SEE DWG. ZA888	122563		29038920	1D-BD-1	1V



PARTS LIST

ISSUE NO. 01, 1970

MODEL 888

PAGE 23- 4

DATE 040770

CAT. REF.	DESCRIPTION	SERIAL NO.		PART NO.	REPLACE OR VENDOR NO.	REQ.
		FROM	TO/INCL.			
	001					
ZA 413	VALVE SINGLE AIR SEE DWG. ZA706	78941	79924	79422400	N-3507	1VX
ZA 413	VALVE SINGLE AIR SEE DWG. ZA706	105476	123526	79422950	N-3605	1V
ZA 413	VALVE, FLEXAIR SEE DWG. ZA888	124179		29038920	1D-BD-1	1V
ZA 414	VALVE, DUPLEX AIR SEE DWG. ZA773	52320	93743	79421600	N-3505	1V
ZA 414	VALVE DUPLEX AIR SEE DWG. ZA773	112748	122490	79421610	N-3505-A	1V
ZA 414	VALVE FLEXAIR SEE DWG. ZA888	122563		29038920		1V
ZA 415	VALVE DOUBLE AIR ASSY SEE DWG. ZA772	52320	93743	79422000	N-3506	1VX
ZA 415	VALVE DOUBLE AIR ASSY SEE DWG. ZA772	105476	122490	79422900	79422970	1DX
ZA 415	VALVE FLEXAIR WAB SEE DWG. ZA888	122563		29038995	1A-BD-0	1V
ZA 486	VALVE, QUICK RELEASE SEE DWG. ZA708	52320	79926	79423200	29364170	D
ZA 486	VALVE, QUICK RELEASE SEE DWG. ZA708	93740	122407	29364170	29418590	DX
ZA 486	VALVE, QUICK RELEASE SEE DWG. ZA907	122452		29418590	29364170	
	NOTE-ORDER ABOVE VALVES AS REQUIRED.					
ZA 498	VALVE, QUICK RELEASE SEE DWG. ZA709	52320	79926	79361500	11671	3VX
ZA 498	VALVE - USE ZA486	93740				
ZA 500	VALVE, QUICK RELEASE SEE DWG. ZA709	52320	79926	79362250	11672	2VX
ZA 500	VALVE - USE ZA486	93740				
ZA 513	CYLINDER, SWING SHIFT SEE DWG. ZA710	52320	126409	40005000		1AX
	NOTE-WHEN STOCK OF 40005000 IS DEPLETED USE FOLLOWING PARTS ZA513 CYLINDER			29039150		1
	PIN			517372K	1	1
	PIN, COTTER 1/8X1			03109480		2
	END, ROD			511543K	1	1
	HOSE ASSY			53599390		1
	ELBOW			57062760		2
	PRINT 718095					2
ZA 513	CYLINDER, SWING SHIFT SEE DWG. ZA5000	126410		29039150	P53341	1V



PARTS LIST

ISSUE NO. 01, 1970

MODEL 88B

PAGE 23- 5

DATE 040770

CAT. REF.	DESCRIPTION	SERIAL NO.		PART NO.	REPLACE OR VENDOR NO.	REQ.
		FROM	TO/INCL.			
	001					
ZA 529	CYLINDER, PROPEL SHIFT SEE DWG. ZA711	52320	130145	40008000		1A
	NOTE-WHEN STOCK OF 40008000 IS DEPLETED					
	USE FOLLOWING PARTS ZA529 CYLINDER			29040225		1
	BUSHING			20016595		2
ZA 529	CYLINDER, PROPEL SHIFT	130181		29040225	P57297	1V
	SEE DWG. ZA739					
ZA 545	CYLINDER, SWING BRAKE	52320		40014000	N-3390	1V
	SEE DWG. ZA712					
ZA 563	CYLINDER, HOIST CLUTCH	52320		40016000	N-3155-F	2V
	SEE DWG. ZA713					
ZA 568	CYLINDER, CROWD CLUTCH	52320		40017000	N-3155-G	1V
	SEE DWG. ZA713					
ZA 590	CYLINDER, STEERING BRK	52320		40019000	N-3446	2V
	FOR STD. CRAWLERS SEE DWG. ZA714					
590	CYLINDER, STEERING BRK FOR SWAMP CRAWLERS W/ AIR ASSIST BRAKES SEE DWG. ZA756	52320		40018920	40018945	2DX
ZA 591	BOOT, PISTON ROD	52320		40752450	C-2372	2V
ZA 592	CYLINDER, LH HOIST	52320	116268	40019000	N-3446	1V
	SHAFT BRAKE SEE DWG. ZA714					
ZA 592	CYLINDER - USE ZA632	116269				
ZA 611	CYLINDER, RH BRAKE	52320	123526	40010000	N-3509	1V
	FOR DRAGLINE SEE DWG. ZA715					
ZA 611	CYLINDER, RH BRAKE FOR DRAGLINE	124179		40010120	N-3819	1V
	SEE DWG. ZA830					
ZA 611	CYLINDER, RH BRAKE	52320		40015000	N-3391	1V
	FOR SHOVEL SEE DWG. ZA716					
ZA 632	CYLINDER, LH BRAKE FOR ALL MACHINES	116269		40015000	N-3391	1V
	SEE DWG. ZA716					
ZA 651	BRAKE CHAMBER FOR STEERING JAW CLUTCHES SEE DWG. ZA717	52320	122054	29276460	29491737	2DX
ZA 664	BRAKE CHAMBER FOR SWING SHOE BRAKE	52320		29348290	29490086	1DX
	SEE DWG. ZA718					
ZA 673	BRAKE CHAMBER FOR	52320	122453	29346130	29490085	1DX
	BOOM HOIST JAW CLUTCH SEE DWG. ZA719					
ZA 673	BRAKE CHAMBER FOR BOOM HOIST JAW CLUTCH	122454		29490085	275085	1V



PARTS LIST

ISSUE NO. 01, 1970

MODEL 888 PAGE 23- 6
DATE 040770

CAT. REF.	DESCRIPTION	SERIAL NO.		PART NO.	REPLACE OR VENDOR NO.	REQ.
		FROM	TO/INCL.			
	001					
ZA 677	SEE DWG. ZA889 BRAKE CHAMBER FOR DIPPER TRIP SEE DWG. ZA774	52320	122453	29362250	29419940	1DX
ZA 677	BRAKE CHAMBER FOR DIPPER TRIP	122454	128944	29419940	299994	1VX
ZA 685	SEE DWG. ZA880 BRAKE CHAMBER FOR MAIN BRAKE SAFETY SEE DWG. ZA887	52320		29362270	29490179	2DX
ZA 699	HOSE, CLUTCH LH	52320		53606010		1
ZA 700	HOSE, PROPEL PINION SHIFTER CYLINDER IN.	52320	130145	53599360		1
ZA 700	HOSE, PROPEL PINION SHIFTER CYLINDER IN	130181		53628240		1
ZA 701	HOSE, PROPEL PINION SHIFTER CYLINDER OUT	52320	130145	53599340		1
ZA 701	HOSE, PROPEL PINION SHIFTER CYLINDER OUT	130181		53628239		1
ZA 702	HOSE, LH HOIST SHAFT	52320		53606060		1
ZA 703	HOSE	52320	130894	53606030		1 X
ZA 703	HOSE	131205		53627319		1 V
ZA 704	HOSE, LH BRAKE CYL.	52320	130894	53565910		1 X
ZA 704	HOSE	131205		53606110		1 X
ZA 705	HOSE, RH BRAKE CYL.	52320	93743	53606110		1
ZA 705	HOSE, RH BRAKE CYL.	112748		53565910		1
ZA 706	HOSE, BRAKE SAFETY	52320	79926	410242 5		2
ZA 706	HOSE, BRAKE SAFETY	93740		53566450		2
ZA 707	HOSE, STEERING BRAKE	52320		53606210		2
ZA 708	HOSE, SWING SHIFTER	52320		53599370		1
ZA 709	HOSE, SWING SHIFTER	52320	126092	53599360		1
ZA 709	HOSE	126410	130894	53599390		1 X
ZA 709	HOSE	131205		53599360		1 X
ZA 710	HOSE, SWING LOCK SET	52320		53606220		1
ZA 711	HOSE, SWING LOCK REL.	52320		53606230		1
ZA 712	HOSE, SHOE BRAKE	52320		53599370		1
ZA 713	HOSE, CLEAN-UP	52320	120035	406088 1		1
ZA 713	HOSE, CLEAN-UP	120302		53606100		1
ZA 714	BLOW-GUN, CLEAN-UP	52320		57297760	30215	1V
ZA 715	HOSE, RETRACT BRAKE	52320	79926	410243 2		1
ZA 715	HOSE, RETRACT BRAKE	93740	126092	53606120		1
ZA 715	HOSE, RETRACT BRAKE	126410		53606137		1
ZA 721	VALVE, SAFETY RELEASE	52320		29107360	184766	1V
ZA 722	HORN, AIR	52320	79926		531596	1V
ZA 722	AIR HORN	93740		17271750	223585	1V
ZA 723	ROTORSEAL	52320	118307	72085200	8D	1V
ZA 723	ROTORSEAL	118707	124407	72063270	8D	1V
ZA 723	ROTORSEAL	124629	125266	72063280	8D	1V
ZA 723	UNION, ROTATING SEE DWG. ZA952	125487		82961590	1595	1
ZA 724	WASHER, SEAL	52320	125266	37308150	SD72X20	1V
ZA 725	GROMMET, SEAL	52320	125266	68758250	72979470	1D
ZA 726	ROTORSEAL	52320	125266	72063260	B2	2V

PARTS LIST

ISSUE NO. 01, 1970

MODEL 88B

PAGE 23-

7



DATE 040770

CAT. REF.	DESCRIPTION	SERIAL NO.		PART NO.	REPLACE OR VENDOR NO.	REQ.
		FROM	TO/INCL.			
	001					
	NOTE FOR MACHINES W/INDEPENDENT BOOM					
	HOIST, INCREASE QNTY. FROM 2 TO 4.					
ZA 726	UNION, ROTATING SEE DWG. ZA952	125487		82961543	15-3	2V
ZA 727	WASHER, SEAL	52320	125266		SD82X10	2V
	NOTE FOR MACHINES W/INDEPENDENT BOOM					
	HOIST, INCREASE QNTY. FROM 2 TO 4					
ZA 728	CAPSCREW	52320	122645		AD29X205	4V
ZA 728	CAPSCREW	122770	125266	03480720		4
ZA 729	ADAPTER, UNION	52320	122645		10621	1V
ZA 729	ADAPTER, UNION	122770	125266	608729K 1		1
ZA 729	PIN, ROLL	122770	125266	82669670		2
ZA 730	CAPSCREW	52320	122645		AD30X3	6V
ZA 730	CAPSCREW	122770	125266	03479080		4
ZA 733	HOSE, MAIN CLUTCH CYL	52320		53566410		2
ZA 753	CYLINDER, RETRACT	93740		40018910	N-3556-C	1V
ZA 767	BRAKE SHOVEL ONLY SUPPORT, LEVER ROD	93740		406388 1		1
ZA 768	CAPSCREW 7/16X3/4 NC	93740				1
ZA 768	LOCKWASHER	93740			1222	1V
ZA 769	VALVE, AIR CONTROL FOR IND. BOOM HOIST	105476	122490	79422870	N-3603	1V
ZA 769	SEE DWG. ZA745 VALVE, AIR CONTROL FOR IND. BOOM HOIST SEE DWG. ZA888	122563		29039030	1E-BD-1	1V
ZA 770	BRACKET, MOUNTING	105476	122490		N-11205	1V
ZA 771	COVER, VALVE	105476	122490		N-20207-A	1V
ZA 772	COVER, VALVE	52320	122490		N-2560	1V
ZA 782	EXTENSION, HAND LEVER	112751	120716	278637 1		2
ZA 782	BAR	112751	120716	278637 5		2
ZA 782	CAPSCREW 3/8X1 NC	112751	120716	03179320		4
ZA 782	LOCKWASHER 3/8	112751	120716	03961300		4
ZA 782	EXTENSION, HAND LEVER	122054	124845	604375K 21		2
ZA 787	SPACER, SEAT	112748	112750	250794 1		1
ZA 787	SPACER, SEAT	113639		251603 1		1
ZA 788	CAPSCREW 1/2X1-1/2 NC	112748		03185480		4
ZA 788	LOCKWASHER 1/2	112748		03961500		4
ZA 788	WASHER, PLAIN 1/2	112748		03951600		8
ZA 791	VALVE, SINGLE ACTING	105476		79421300	N-2448-F	1V
	POPPET MIDLAND MACH. W/IND. B.H.					
ZA 803	SEE DWG. ZA771 BLOCK, FRONT	77377	93743	271567 5		2



PARTS LIST

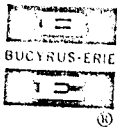
ISSUE NO. 01, 1970

MODEL 888

PAGE 23- 8

DATE 040770

CAT. REF.	DESCRIPTION	SERIAL NO.		PART NO.	REPLACE OR VENDOR NO.	REQ.
		FROM	TO/INCL.			
	001					
ZA 803	BLOCK, FRONT	105476		276333 6		2
ZA 804	BLOCK, REAR	77377	93743	271567 7		2
ZA 804	BLOCK, REAR	105476		276333 7		2
ZA 805	STRIP, FELT 13-5/8	77377		82266850		4
ZA 806	BOLT, LONG ROD	105476		406895 4		4
ZA 806	NUT, FULL 1/2 NC	105476		02711050		4
ZA 806	NUT, JAM 1/2 NC	105476		02711250		4
ZA 807	BOLT, SHORT ROD	105476		406895 2		4
ZA 807	NUT, FULL 1/2 NC	105476		02711050		4
ZA 807	NUT, JAM 1/2 NC	105476		02711250		4
ZA 808	COCK, DRAIN 1/2	52320		29064200		2
ZA 813	HOSE, CLUTCH CYLINDER	116268		53566420		2
ZA 814	HOSE, ROTOR SEAL	116268		53606070		2
ZA 815	HOSE, RELEASING	116268		53566410		1
	FOR MACH W/IND. BOOM HOIST					
ZA 817	HOSE, RH REVERSING CLUTCH	52320		53622370		1
ZA 817	HOSE, STEERING BRAKE USE ZA844					
ZA 818	HOSE, RELEASING	93740	126092	53606130		1 X
ZA 818	HOSE, RELEASING	126410		53606120		1
ZA 819	HOSE, BRAKE FOR DL.	78941	126092	53606110		1
ZA 820	HOSE, RIGHT HAND-CRANE	78941	126092	53612990		1
ZA 820	DRAGLINE-CLAMSHELL HOSE, RIGHT HAND-CRANE	131205		53627347		1 X
ZA 821	DRAGLINE-CLAMSHELL PULLEY, COMP DRIVE	78941	122053	603504K 1		1
ZA 821	PULLEY, COMP DRIVE	122054		613477K 1		1
ZA 822	KEY, PULLEY	117377		506000K 1		1
ZA 823	BASE, COMPRESSOR	117377	117380	506015K 1		1
ZA 823	BASE, COMPRESSOR	122054		518288K 1		1
ZA 824	ROD, TIE	117377	117380	503562K 1		1
ZA 824	NUT, FULL 7/8 NC	117377	117380	02715100		2
ZA 824	LOCKWASHER 7/8	117377	117380	03961900		1
ZA 824	ROD, TIE	122054		614084K 21		1
ZA 824	NUT, FULL 7/8 NC	122054		02715100		2
ZA 824	LOCKWASHER 7/8	122054		03961900		1
ZA 829	CYLINDER, RATCHET PAWL DISENGAGING	105476		40013770	N3369C	1VX
	SEE DWG. ZA777					
ZA 832	VALVE, SHUT-OFF NEEDLE	112748		79174780		2 X
ZA 833	COCK, SHUT-OFF	131205		79075000		1 X
ZA 835	VALVE, GLOBE	131205		79177000	407	1VX
	LUNKENHEIMER					
ZA 868	HOSE	129763		53627345		1 X
ZA 869	HOSE	129763	130894	53627344		1 X
ZA 869	HOSE	131205		53627311		1 X
ZA 870	HOSE	129763		53627345		1 X
ZA 912	VALVE, MOISTURE DRAIN	131205		79172250		1 X
	SEE DRAWING ZA1900					
ZA 975	VALVE, DOUBLE CHECK	119863		29415210	29491892	1DX
	SEE DWG. ZA861					
ZA 1210	HOSE	11205		53606000		1 X



PARTS LIST

ISSUE NO. 01, 1970

MODEL 88B

PAGE 23- 9

DATE 040770

CAT. REF.	DESCRIPTION	SERIAL NO.		PART NO.	REPLACE OR VENDOR NO.	REQ.
		FROM	TO/INCL.			
	001					
ZA 1217	REGULATOR, AIR SEE DRAWING ZA808	129763		82802840		1 X
ZA 1225	HOSE	131205		53599370		1 X
ZA 1226	HOSE	131205		53606273		1 X
ZA 1234	HOSE	131205		53599340		1 X
ZA 1251	HOSE	131205		53627317		1 X
ZA 1320	HOSE	131205		53606273		1 X
ZA 1890	FILTER, LUBRICATOR	131205		57410040	30400X04.5	1V X
	ARROW SEE DRAWING ZA906					
ZA 1891	VALVE, QUICK RELEASE AIR BWAAB FOR SH. & STRIP. SH. INCREASE QUANTITY FROM 6 TO 9	124629		29418590	229859	6V
	SEE DWG. ZA907					
ZA 2041	PIN	129763		504431K 1		1 X
ZA 2042	END, REACH ROD	129763		514044K 1		1 X
ZA 2043	PIN	129763		500519K 51		1 X
ZA 2198	CYLINDER, BRAKE RELEASING	105476		40013770	N3396C	2V X
	SEE DWG. ZA777					
ZA 2199	CYLINDER, CLUTCH SETTING SEE DWG. ZA776	105476		40013750	N3369B	2V X
ZA 5844	HOSE	131205		53627320		1 X
ZA 5845	HOSE	131205		53612990		1 X
ZA 5846	HOSE	131205		53627320		1 X
ZA 5847	HOSE	131205		53627320		1 X
ZA 5848	HOSE	131205		53612990		1 X
ZA 5849	HOSE	131205		53627320		1 X
ZA 5850	HOSE	131205		53627320		1 X
ZA 5851	VALVE, SHUT-OFF	131205		79174500		1 X
ZA 5852	HOSE	131205		53613400		1 X
ZA 5853	HOSE	131205		53606135		1 X
ZA 5854	HOSE	131205		53606130		1 X
ZA 5855	HOSE	131205		53606130		1 X
ZA 5856	HOSE	131205		53606120		1 X
ZA 5857	HOSE	131205		53622440		1 X
ZA 5858	HOSE	131205		53612990		1 X
ZA 5859	HOSE	131205		53627320		2 X
ZA 5860	HOSE	131205		53612990		1 X
ZA 5861	HOSE	131205		53627320		1 X
ZA 5862	HOSE	131205		53627320		1 X
ZA 5863	HOSE	131205		53625130		1 X
ZA 5864	HOSE	131205		53612990		1 X
ZA 5865	HOSE	131205		53627320		1 X
ZA 5933	HOSE	131205		53627320		1 X
5934	HOSE	131205		53612990		1 X
ZA 5935	BRACKET, POSITIVE LOCK	131205		625812K 21		1 X
ZA 5938	BRACKET, AIR REGULATOR	129763		234894 12		1 X
ZA 5939	HOSE	131205		53627342		1 X



PARTS LIST

ISSUE NO. 01, 1970

MODEL 88B

PAGE 23- 10

DATE 040770

CAT. REF.	DESCRIPTION	SERIAL NO.		PART NO.	REPLACE OR VENDOR NO.	REQ.
		FROM	TO/INCL.			
	002					
ZA	AIR SYSTEM BUDA DWGS. Q717, ZA700, ZA789 ZA860					
ZA 694	HOSE, DISCHARGE	52320	125115	53615190		1
ZA 695	HOSE, UNLOADER	52320	125115	53605810		1
ZA 696	HOSE, SUCTION 2-3/4	52320	105479	53081010		1 X
ZA 696	HOSE, SUCTION 2-1/2	112748	125115	53131510		1 X
ZA 697	CLAMP, HOSE	52320	105479	53271260	820-14	2V
ZA 697	CLAMP, HOSE	112748	125115	53271270	820-15	2V
ZA 716	COMPRESSOR, AIR	52320	125115	82163300	ADK	1V
ZA 717	FILTER, AIR	52320	125115	46120230	FV 143 GK	1V
ZA 718	VALVE, UNLOADER	52320	125115		15-AUX525	1V
ZA 719	BELT, COMPRESSOR	52320	125115	27293500	C-81 GATES	2V
ZA 720	ANTI-FREEZER	52320	125115	29059290	88939	1V
	SEE DWG. ZA875					
ZA 783	SUPPORT, COMPRESSOR	52320	125115	250546 1		1
ZA 784	CAPSCREW, SUPPORT	52320	125115	03194720		4
ZA 784	LOCKWASHER 3/4	52320	125115	03961800		4
ZA 785	CAPSCREW 1/2X2-1/4 NC	52320	125115	03185720		4
ZA 785	LOCKWASHER 1/2	52320	125115	03961500		4
ZA 785	FLATWASHER 1/2	52320	125115	03951600		4
ZA 786	BOLT, ADJUSTING	52320	125115	402921 2		2
ZA 786	NUT, JAM 1/2 NF	52320	125115	02740700		2
ZA 790	GUARD, COMPRESSOR	52320	125115	219786 1		1
ZA 800	CAPSCREW 3/8X1-1/4 NC	52320	125115	03179400		4
ZA 800	LOCKWASHER 3/8	52320	125115	03961300		4
ZA 801	HOSE, DISENGAGING	52320	125115	53599310		1
ZA 802	HOSE, ENGAGING	52320	125115	53599320		1
ZA 809	BRACKET, ANTI-FREEZER	52320	125115	410268 1		1
ZA 810	U-BOLT, LARGE	52320	125115	403110 1		1
ZA 810	NUT, FULL 3/8 NC	52320	125115	02709150		2
ZA 810	LOCKWASHER 3/8	52320	125115	03961300		2
ZA 810	FLATWASHER 3/8	52320	125115	03951400		2
ZA 811	U-BOLT, SMALL	52320	125115	505927K 1		2
ZA 811	NUT, FULL 3/8 NF	52320	125115	02739550		4
ZA 811	LOCKWASHER 3/8	52320	125115	03961300		4
ZA 811	FLATWASHER 3/8	52320	125115	03951400		4
ZA 968	CYLINDER, AIR PTO	52320	125115	40007750	N-3377	1V
	SEE DWG. ZA759					
ZA 969	PIN, ANCHOR	52320	125115	408681 1		1
ZA 969	COTTER PIN 3/8X2	52320	125115	03109960		1

PARTS LIST

ISSUE NO. 01, 1970

MODEL 88B

PAGE 23- 11

DATE 040770



PART. REF.	DESCRIPTION	SERIAL NO.		PART NO.	REPLACE OR VENDOR NO.	REQ.
		FROM	TO/INCL.			
	003					
ZA	AIR SYSTEM CAT D375 DWGS. Q717, ZA700 ZA789 AND ZA860					
ZA 694	HOSE, DISCHARGE	52320	123311	53615190		1
ZA 695	HOSE, UNLOADER	52320	123311	53605810		1
ZA 696	HOSE, SUCTION 2-3/4	52320	105479	53081010		1 X
ZA 696	HOSE, SUCTION 2-1/2	112748	123311	53131510		1 X
ZA 716	COMPRESSOR, AIR	52320	123311	82163300	ADK	1V
ZA 717	FILTER, AIR	52320	123311	46120230	FV-83 SGK	1V
ZA 718	VALVE, UNLOADER	52320	123311		15 AUX 525	1V
ZA 719	BELT, SET OF TWO	52320	123311	27296600	C90 GATES	1V
ZA 720	ANTI-FREEZER	52320	123311	29059290	A-88939	1V
	SEE DWG. ZA875					
ZA 783	SUPPORT, COMPRESSOR	52320	123311	701294K 21		1
ZA 784	BOLT, SUPPORT	52320	123311	03244720		4
ZA 784	NUT, FULL 3/4 NF	52320	123311	02742050		4
ZA 784	LOCKWASHER 3/4	52320	123311	03961800		4
ZA 785	CAPSCREW 1/2X2-1/4 NF	52320	123311	03235720		4
ZA 785	NUT, FULL 1/2 NF	52320	123311	02740550		4
ZA 785	LOCKWASHER 1/2	52320	123311	03961500		4
ZA 786	BOLT, ADJUSTING	52320	123311	402921 1		2
ZA 786	NUT, JAM 1/2 NC	52320	123311	02740700		2
ZA 790	GUARD, COMPRESSOR	52320	123311	219786 1		1
ZA 800	BOLT, GUARD	52320	123311	03179400		4
ZA 800	LOCKWASHER 3/8	52320	123311	03961300		4
ZA 800	BOLT, BRACE	52320	123311	03229480		1
ZA 800	WASHER, BEVEL 3/8	52320	123311	03972300		1
ZA 801	HOSE, DISENGAGING	52320	123311	53599330		1
ZA 802	HOSE, ENGAGING	52320	123311	53599350		1
ZA 809	BRACKET, ANTI-FREEZER	52320	117380	601160K 1		1
ZA 809	BRACKET, ANTI-FREEZER	118086	123311	505938K 1		1
ZA 810	U-BOLT, LARGE	52320	123311	403110 1		1
ZA 810	NUT, FULL 3/8 NC	52320	123311	02709150		2
ZA 810	LOCKWASHER 3/8 NC	52320	123311	03961300		2
ZA 810	FLATWASHER 3/8	52320	123311	03951400		2
ZA 811	U-BOLT, SMALL	52320	123311	505927K 1		2
ZA 811	NUT, FULL 3/8 NF	52320	123311	02739550		4
ZA 811	LOCKWASHER 3/8	52320	123311	03961300		4
ZA 811	FLATWASHER 3/8	52320	123311	03951400		4
ZA 968	CYLINDER, AIR PTO	52320	123311	40007750	N-3377	1V
	SEE DWG. ZA759					
ZA 969	PIN, ANCHOR	52320	123311	408681 1		1
ZA 969	PIN, COTTER 3/8X2	52320	123311	03109960		1



PARTS LIST

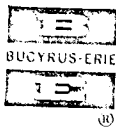
ISSUE NO. 01, 1970

MODEL 88B

PAGE 23- 12

DATE 040770

CAT. REF.	DESCRIPTION	SERIAL NO.		PART NO.	REPLACE OR VENDOR NO.	REQ.
		FROM	TO/INCL.			
	004					
ZA	AIR SYSTEM - CUMMINS NVH-12 AND VT-12					
	DRAWINGS ZA246, ZA859, ZA924 & ZA7013					
ZA 320	VALVE, POWER TAKE-OFF PILOTAIR-WESTINGHOUSE	131205		29043420	P59339	1V X
	AIR BRAKE SEE DRAWING ZA3041- ZA3071 FOR COMPONENT PARTS					
ZA 694	HOSE, DISCHARGE	120032	120035	53599310		1
ZA 694	HOSE, DISCHARGE	120302	127000	53613219		1
ZA 695	HOSE, UNLOADER	120032	120035	53599320		2
ZA 695	HOSE, UNLOADER	120302	127000	53605810		2
ZA 696	HOSE, SUCTION 3-1/2 FOR NVH-12	120302	127000	53131510		1 X
ZA 696	HOSE, SUCTION VT-12	122770	127000	53131050		1
ZA 696	HOSE, SUCTION 3-1/2 FOR VT-12	120302	121563	53131510		1 X
ZA 696	HOSE, SUCTION VT-12	122051	122563	53126010		1
ZA 697	CLAMP, HOSE	120302	127000	53271270	820-15	2
ZA 716	COMPRESSOR, AIR NVH	113640	121023	82165130	7-1/2 C2	1V
ZA 716	COMPRESSOR, AIR NVH	121322	127000	82165132	7-1/2 C2	1V
ZA 716	COMPRESSOR, AIR VT-12	113640	121023	82165130	7-1/2 C2	1V
ZA 716	COMPRESSOR, AIR VT-12	121322	122563	82165132	7-1/2 C2	1V
ZA 716	COMPRESSOR, AIR VT-12	122770	130894	82165135	10-62	1V X
ZA 716	COMPRESSOR, AIR VT-12	131205		82165138	EY	1V X
ZA 717	FILTER, AIR	113640	127000	46120230	FV-83S-GK	1V
ZA 718	VALVE, UNLOADER	113640	127000			R
ZA 719	BELT SET, COMPRESSOR	113640	120035	27288450	8-60	1V
ZA 719	BELT SET, COMPRESSOR	120302	121023	27288470	8-60	1V
ZA 719	BELT SET, COMPRESSOR	121322	121563	27288242	8-48	1V
ZA 719	BELT SET, COMPRESSOR	122051	130894	27288440	8-60	1V X
ZA 719	BELT SET, COMPRESSOR	131205		27288506	8-64	1V X
ZA 720	ANTI-FREEZER SEE DWG. ZA875	113640	127000	29059290	88939	1V
ZA 783	SUPPORT, COMPRSR NVH	113640	121023	251827 1		1
ZA 783	SUPPORT, COMPRSR NVH	121322	121563	710023K 21		1
ZA 783	SUPPORT, COMPRSR NVH	122051	127000	713021K 21		1
ZA 783	SUPPORT, COMPRSR VT12	113640	121023	251827 1		1
ZA 783	SUPPORT, COMPRSR VT12	121322	121563	710023K 21		1
ZA 783	SUPPORT, COMPRSR VT12	122051	122563	713021K 21		1
ZA 783	SUPPORT, COMPRSR VT12	122770	130894	714813K 21		1 X
ZA 783	SUPPORT, COMPRESSOR VT12	131205		729356K 21		1 X
ZA 784	CAPSCREW, SUPPORT	113640	121023	03194720		4
ZA 784	LOCKWASHER 3/4	113640	121023	03961800		4
ZA 784	CAPSCREW, SUPPORT	121322	122563	03244560		4
ZA 784	CAPSCREW, SUPPORT	122770	127000	03244640		4
ZA 784	LOCKNUT 3/4 NF	122770	127000	02769450		4
ZA 785	CAPSCREW, COMP. BASE	113640	121563	03191880		4
ZA 785	CAPSCREW, COMP. BASE	122051	122563	03191880		2



PARTS LIST

ISSUE NO. 01, 1970

MODEL 888

PAGE 23- 13

DATE 040770

CAT. REF.	DESCRIPTION	SERIAL NO.		PART NO.	REPLACE OR VENDOR NO.	REQ.
		FROM	TO/INCL.			
	004					
ZA 785	CAPSCREW, COMP. BASE	122770	127000	03241720		2
ZA 785	NUT, FULL 5/8 NC	113640	122563	02713050		4
ZA 785	NUT, FULL 5/8 NF	122770	127000	02741550		4
ZA 785	LOCKWASHER 5/8	113640	127000	03961700		4
ZA 785	FLATWASHER 5/8	113640	127000	03951800		4
ZA 786	BOLT, ADJUSTING	113640	121563	402921 3		2
ZA 786	NUT, JAM 1/2 NC	113640	121563	02711250		2
ZA 786	LOCKWASHER 1/2	113640	121563	03961500		2
ZA 786	BOLT, ADJUSTING	122051	127000	520901K 1		2
ZA 786	LOCKWASHER 1/2	122051	127000	03961500		2
ZA 786	FLATWASHER 1/2	122051	127000	03951600		2
ZA 790	GUARD, COMPRESSOR	113640	121023	800512 1		1
ZA 790	GUARD, COMPRESSOR	121322	121563	710021K 21		1
ZA 790	GUARD, COMPRESSOR NVH	122051	127000	713028K 21		1
ZA 790	GUARD, COMPRESSOR VT	122051	122563	713028K 21		1
ZA 790	GUARD, COMPRESSOR VT	122770	127000	806105K 21		1
ZA 800	CAPSCREW 3/8X3/4 NC	113640	127000	03179240		3
ZA 800	LOCKWASHER 3/8	113640	127000	03961300		3
ZA 800	FLATWASHER 3/8	113640	127000	03951400		3
ZA 801	HOSE, DISENGAGING	113640	127000	53599310		1
ZA 802	HOSE, ENGAGING	113640	127000	53599320		1
ZA 809	BRACKET, ANTIFREEZER	113640	121023	601160K 21		1
809	BRACKET, ANTIFREEZER	121322	121563	610293K 21		1
ZA 809	BRACKET, ANTIFREEZER	122051	122563	613230K 21		1
ZA 809	BRACKET, ANTIFREEZER FOR VT12 ENGINES ONLY	122770	127000	611265K 21		1
ZA 810	U-BOLT LARGE	113640	127000	403110 1		1
ZA 810	NUT, FULL 3/8 NC	113640	127000	02709150		2
ZA 810	LOCKWASHER 3/8	113640	127000	03961300		2
ZA 810	FLATWASHER 3/8	113640	127000	03951400		2
ZA 811	U-BOLT, SMALL	113640	127000	505927K 1		2
ZA 811	NUT, FULL 3/8 NF	113640	127000	02739550		4
ZA 811	LOCKWASHER 3/8	113640	127000	03961300		4
ZA 811	FLATWASHER 3/8	113640	127000	03951400		4
ZA 834	VALVE, CHECK-CRANE	122720		79212000	31	1VX
ZA 968	CYLINDER, PTO	120302	127000	40007750	N-3377	1V
	SEE DWG. ZA759					
ZA 969	PIN, CYLINDER ANCHOR	120302	127000	408681 1		1
ZA 969	PIN, COTTER 3/8X2	120302	127000	03109960		1
ZA 970	LEVER, CYLINDER	120302	122454	408679A		1
ZA 970	LEVER, CYLINDER	122455	127000	200606 1		1
ZA 971	PIN, LEVER	120302	127000	408680 1		1
ZA 972	BOLT, EYE PIN LOCK	120302	127000	403474 2		1
ZA 973	CAPSCREW 1/4X3/4 NC	120302	127000	03173240		1
ZA 973	LOCKWASHER 1/4	120302	127000	03961010		1
ZA 974	CAPSCREW 1/2X2-1/2 NF	120302	127000	03235800		1
ZA 974	NUT, FULL 1/2 NF	120302	127000	02740550		1
974	LOCKWASHER 1/2	120302	127000	03961500		1
ZA 1174	SCREW, ANCHOR ADJ.	122051	127000	613209K 21		2
ZA 1174	NUT, FULL 5/8 NF	122051	127000	02741550		2
ZA 1174	LOCKWASHER 5/8	122051	127000	03961700		2
ZA 1174	FLATWASHER 5/8	122051	127000	03951800		2
ZA 1949	CYLINDER, SNUBBER	122455	127000	40007750	N-3377	1V
ZA 1950	PIN, ANCHOR	122455	127000	408681 1		1



PARTS LIST

ISSUE NO. 01, 1970
 MODEL 88B PAGE 23-14
 DATE 040770

CAT. REF.	DESCRIPTION	SERIAL NO.		PART NO.	REPLACE OR VENDOR NO.	REQ.
		FROM	TO/INCL.			
	004					
ZA 1950	PIN, COTTER 3/8X2	122455	127000	03109960		1
ZA 1951	LEVER, CYLINDER	122455	127000	408679A		1
ZA 1952	CAPSCREW 1/2X2-1/2 NF	122455	127000	03235800		1
ZA 1952	NUT, FULL 1/2 NF	122455	127000	02740550		1
ZA 1952	LOCKWASHER 1/2	122455	127000	03961500		1
ZA 1953	PIN, LEVER	122455	127000	408680	1	1
ZA 1954	EYEBOLT, PIN LOCK	122455	127000	403474	2	1
ZA 1955	CAPSCREW 1/4X3/4 NC	122455	127000	03173240		1
ZA 1955	LOCKWASHER 1/4	122455	127000	03961010		1
ZA 1956	VALVE, FLOW REG.	122455	127000	29039087	P-53025-1	1V
ZA 5936	HOSE, VALVE TO MANIFOLD	131205		53612990		1 X
ZA 5937	HOSE, VALVE TO HEADER	131205		53627320		2 X



PARTS LIST

ISSUE NO. 01, 1970

MODEL 88B

PAGE 23- 15

DATE 040770

CAT. REF.	DESCRIPTION	SERIAL NO.		PART NO.	REPLACE OR VENDOR NO.	REQ.
		FROM	TO/INCL.			
	005					
ZA	AIR SYSTEM - CUMMINS V12-525 DRAWINGS Q1008, ZA246, ZA859, ZA924 & ZA7013					
ZA 694	HOSE, DISCHARGE	125108		53613219		1
ZA 695	HOSE, UNLOADER	125108		53605810		2
ZA 696	HOSE, AIR CLEANER	125108	126414	53131050		1
ZA 696	HOSE, AIR CLEANER 3	126415		53131510		1 X
ZA 697	CLAMP, HOSE	125108		53271270	820-15	2V
ZA 716	COMPRESSOR, AIR	125108		82165135	10-C2	1V
ZA 717	FILTER, AIR	125108		46120230	FV-83-SGK	1V
ZA 718	VALVE, UNLOADER	125108				R
ZA 719	BELT SET OF 2	125108		27288440		1
ZA 720	ANTI-FREEZER	125108		29059290	A88939	1V
	SEE DWG. ZA875					
ZA 783	SUPPORT, COMPRESSOR	125108		714813K 21		1
ZA 784	CAPSCREW 3/4X2 NF	125108		03244640		4
ZA 784	LOCKNUT 3/4 NF	125108		02769450		4
ZA 785	CAPSCREW 5/8X2-1/4 NF	125108		03241720		2
ZA 785	NUT, FULL 5/8 NF	125108		02741550		2
785	LOCKWASHER 5/8	125108		03961700		2
ZA 785	FLATWASHER 5/8	125108		03951800		2
ZA 786	BOLT, ADJUSTING	125108		520901K 1		2
ZA 790	GUARD, BELT	125108		806105K 21		1
ZA 800	CAPSCREW 1/2X1 NF	125108		03235320		2
ZA 800	LOCKWASHER 1/2	125108		03961500		2
ZA 800	FLATWASHER 1/2	125108		03951600		2
ZA 801	HOSE, DISENGAGING	125108		53599310		1
ZA 802	HOSE, ENGAGING	125108		53599320		1
ZA 809	BRACKET, ANTI-FREEZER	125108	126414	611265K 21		1
ZA 809	BRACKET, ANTI-FREEZER	126415		718224K 21		1
ZA 810	U-BOLT, LARGE	125108		403110 1		1
ZA 810	NUT, FULL 3/8 NC	125108		02709150		2
ZA 810	LOCKWASHER 3/8	125108		03961300		2
ZA 810	FLATWASHER 3/8	125108		03951400		2
ZA 811	U-BOLT, SMALL	125108		505927K 1		2
ZA 811	NUT, FULL 3/8 NF	125108		02739550		4
ZA 811	LOCKWASHER 3/8	125108		03961300		4
ZA 811	FLATWASHER 3/8	125108		03951400		4
ZA 834	VALVE, CHECK-CRANE	125108		79212000	31	1V X
ZA 968	CYLINDER, AIR PTO SEE DWG. ZA759	125108		40007750	N-3377	1V
ZA 969	PIN, CYLINDER ANCHOR	125108		408681 1		1
ZA 969	PIN, COTTER 3/8X2	125108		03109960		1
ZA 970	LEVER, CYLINDER	125108		200606 1		1
971	PIN, LEVER	125108		408680 1		1
972	EYE BOLT, PIN LOCKING	125108		403474 2		1
ZA 973	CAPSCREW 1/4X3/4 NC	125108		03173240		1
ZA 973	LOCKWASHER 1/4	125108		03961010		1
ZA 974	CAPSCREW 1/2X2-1/2 NF	125108		03235800		1
ZA 974	NUT, FULL 1/2 NF	125108		02740550		1
ZA 974	LOCKWASHER 1/2	125108		03961500		1



PARTS LIST

ISSUE NO. 01, 1970

MODEL 88B

PAGE 23- 16

DATE 040770

CAT. REF.	DESCRIPTION	SERIAL NO.		PART NO.	REPLACE OR VENDOR NO.	REQ.
		FROM	TO/INCL.			
	005					
ZA 1174	SCREW, ANCHOR & ADJ.	125108		613209K 21		2
ZA 1174	NUT, FULL 5/8 NF	125108		02741550		2
ZA 1174	LOCKWASHER 5/8	125108		03961700		2
ZA 1174	FLATWASHER 5/8	125108		03951800		2
ZA 1949	CYLINDER, SNUBBER SEE DWG. ZA759	125108		40007750	N-3377	1V
ZA 1950	PIN, ANCHOR	125108		408681 1		1
ZA 1950	PIN, COTTER 3/8X2	125108		03109960		1
ZA 1951	LEVER, CYLINDER	125108		408679A		1
ZA 1952	CAPSCREW 1/2X2-1/2 NF	125108		03235800		1
ZA 1952	NUT, FULL 1/2 NF	125108		02740550		1
ZA 1952	LOCKWASHER 1/2	125108		03961500		1
ZA 1953	PIN, LEVER	125108		408680 1		1
ZA 1954	EYEBOLT, PIN LOCK	125108		403474 2		1
ZA 1955	CAPSCREW 1/4X3/4 NC	125108		03173240		1
ZA 1955	LOCKWASHER 1/4	125108		03961010		1
ZA 1956	VALVE, FLOW REG.	125108		29039087	P-53025-1	1V
ZA 2186	BOLT, OUTER SUPPORT	125108		511551K 1		2
ZA 2186	NUT, FULL 1 NS	125108		02743050		2



PARTS LIST

ISSUE NO. 01, 1970

MODEL 88B

PAGE 23- 17

DATE 040770

CAT. REF.	DESCRIPTION	SERIAL NO.		PART NO.	REPLACE OR VENDOR NO.	REQ.
		FROM	TO/INCL.			
	006					
ZA	AIR SYSTEM GMC 12V71 DRAWINGS Q1010, ZA246 & ZA924					
ZA 694	HOSE, DISCHARGE	125108	130894	53613219		1 X
ZA 694	HOSE, DISCHARGE	131205		53613218		1 X
ZA 695	HOSE, UNLOADER VALVE	125108	130894	53605810		2 X
ZA 695	HOSE, MOISTURE EJECTOR OR UNLOADER	131205		53627354		2 X
ZA 696	HOSE, INTAKE 3	125108		53131510		1 X
ZA 697	CLAMP, HOSE	125108		53271270	820-15	2V
ZA 716	COMPRESSOR, AIR	125108	130894	82165135	10-C2	1VX
ZA 716	COMPRESSOR, AIR	131205		82165138	EY	1VX
ZA 717	CLEANER, INTAKE AIR	125108		46120230	FV-83-SGK	1V
ZA 718	VALVE, UNLOADER	125108				R
ZA 719	BELT SET OF 2	125108	130894	27288710	B83 GDYR	1VX
ZA 719	BELT-SET OF 2	131205		27288751	B-85	1VX
ZA 720	ANTI-FREEZER SEE DWG. ZA875	125108		29059290	A-88939	1V
ZA 783	SUPPORT, COMPRESSOR	125108		717283K 22		1
ZA 784	CAPSCREW 5/8X1-1/4 NC	125108		03191560		2
ZA 784	CAPSCREW 5/8X2 NC	125108		03191640		2
ZA 784	NUT, FULL 5/8 NC	125108		02713050		2
ZA 784	LOCKWASHER 5/8	125108		03961700		4
ZA 785	CAPSCREW 5/8X2-3/4 NC	125108		03191880		2
ZA 785	NUT, FULL 5/8 NC	125108		02713050		2
ZA 785	LOCKWASHER 5/8	125108		03961700		2
ZA 785	FLATWASHER 5/8	125108		03951800		2
ZA 786	SCREW, ADJUSTING	125108		520901K 1		2
ZA 786	NUT, JAM 1/2 NC	125108		02711250		2
ZA 786	LOCKWASHER 1/2	125108		03961500		2
ZA 786	FLATWASHER 1/2	125108		03951600		2
ZA 790	GUARD, BELT	125108		717276K 21		1
ZA 800	CAPSCREW 3/8X1-1/4 NC	125108		03179400		3
ZA 800	LOCKWASHER 3/8	125108		03961300		3
ZA 800	WASHER, BEVEL 3/8	125108		03972300		2
ZA 800	NUT, FULL 3/8 NC	125108		02709100		1
ZA 801	HOSE, DISENGAGING	125108		53599310		1
ZA 802	HOSE, ENGAGING	125108		53599320		1
ZA 809	BRACKET, ANTIFREEZER	125108		718224K 21		1
ZA 810	U-BOLT, LARGE 3/8 NC	125108		403110 1		1
ZA 810	NUT, FULL 3/8 NC	125108		02709150		2
ZA 810	LOCKWASHER 3/8	125108		03961300		2
ZA 810	FLATWASHER 3/8	125108		03951400		2
ZA 811	U-BOLT, SMALL 3/8 NF	125108		505927K 1		2
ZA 811	NUT, FULL 3/8 NF	125108		02739550		4
ZA 811	LOCKWASHER 3/8	125108		03961300		4
ZA 811	FLATWASHER 3/8	125108		03951400		4
ZA 834	VALVE, CHECK-CRANE	125108		79212000	31	1VX
ZA 968	CYLINDER, AIR PTO SEE DWG. ZA759	125108		40007750	N-3377	1V
ZA 969	PIN, ANCHOR	125108		408681 1		1
ZA 969	PIN, COTTER 1/8X2	125108		03109960		1



PARTS LIST

ISSUE NO. 01, 1970
 MODEL 888 PAGE 23- 18
 DATE 040770

CAT. REF.	DESCRIPTION	SERIAL NO.		PART NO.	REPLACE OR VENDOR NO.	REQ.
		FROM	TO/INCL.			
	006					
ZA 970	LEVER, CLUTCH CYL.	125108		408679A		1
ZA 971	PIN, LEVER	125108		408680	1	1
ZA 972	EYE BOLT, PIN LOCK	125108		403474	2	1
ZA 973	CAPSCREW 1/4X3/4 NC	125108		03173240		1
ZA 973	LOCKWASHER 1/4	125108		03961010		1
ZA 974	CAPSCREW 1/2X2-1/2 NF	125108		03235800		1
ZA 974	NUT, FULL 1/2 NF	125108		02740550		1
ZA 974	LOCKWASHER 1/2	125108		03961500		1
ZA 1174	SCREW, ANCHOR & ADJ.	125108		613209K	21	2
ZA 1174	NUT, FULL 5/8 NF	125108		02741550		2
ZA 1174	LOCKWASHER 5/8	125108		03961700		2
ZA 1174	FLATWASHER 5/8	125108		03951800		2
ZA 1949	CYLINDER, SNUBBER SEE DWG. ZA759	125108		40007750	N-3377	1V
ZA 1950	PIN, ANCHOR	125108		408681	1	1
ZA 1950	PIN, COTTER 1/8X2	125108		03109960		1
ZA 1951	LEVER, CYLINDER	125108		408679A		1
ZA 1952	CAPSCREW 1/2X2-1/2 NF	125108		03235800		1
ZA 1952	NUT, FULL 1/2 NF	125108		02740550		1
ZA 1952	LOCKWASHER 1/2	125108		03961500		1
ZA 1953	PIN, LEVER	125108		408680	1	1
ZA 1954	EYE BOLT, PIN LOCK	125108		403474	2	1
ZA 1955	CAPSCREW 1/4X3/4 NC	125108		03173240		1
ZA 1955	LOCKWASHER 1/4	125108		03961010		1
ZA 1956	VALVE, FLOW REGULATOR	125108		29039087	P-53025-1	1V



PARTS LIST

ISSUE NO. 01, 1970

MODEL 88B

PAGE 23- 19

DATE 040770

CAT. REF.	DESCRIPTION	SERIAL NO.		PART NO.	REPLACE OR VENDOR NO.	REQ.
		FROM	TO/INCL.			
	007					
ZA	HAND CONTROL AIR VALVE ZA320-DWG.					
	ZA702 FOR POWER TAKE-OFF					
ZA 320	VALVE COMP.			79420400	N-2310-C	1V
ZA 321	BODY, VALVE				N-2237	1V
ZA 321	PLUG				7-X-11	1V
ZA 321	PLUG				7-X-14	1V
ZA 322	CAPSCREW				3-X-176	6V
ZA 322	NUT				2-X-303	6V
ZA 322	LOCKWASHER				4-X-11	6V
ZA 323	GUIDE, INLET VALVE			40754850	N-10157-A	1V
ZA 324	SPRING, INLET VALVE			79425620	N-1942	1V
ZA 325	COVER, INLET VALVE				N-10153-C	1V
ZA 326	CAPSCREW				3-X-1027	4V
ZA 326	LOCKWASHER				4-X-11	4V
ZA 327	GASKET, COVER			79426880	N-10155	1V
ZA 328	RETAINER ASSY,			40751620	N-1941	1V
ZA 329	NUT, RETAINER				2-X-5501	1V
ZA 330	DIAPHRAGM, VALVE			79425580	N-1938	1V
331	PLATE, DIAPHRAGM				N-10025	2V
ZA 332	SPRING, RELEASE			79425590	N-1939	1V
ZA 333	GUIDE, DIAPHRAGM				N-10268	1V
ZA 334	NUT, GUIDE				2-X-39	1V
ZA 335	WASHER, GUIDE				4-X-2137	1V
ZA 336	SHIM, GUIDE 1 SET				4-X-2136	V
ZA 337	SPRING, COMPENSATION			79427000	N-10267	1V
ZA 338	COVER ASSEMBLY				C11785	1V
	INCLUDES ZA339 THRU ZA341					
ZA 339	RING, SEAL				C-11768	1V
ZA 340	RETAINER, RING				N-10409	1V
ZA 341	BUSHING, COVER				C-11784	1V
ZA 342	CAM ASSY, INCL. ZA343				C-11816-B	1V
	NOT AVAILABLE					
ZA 343	BUSHING, CAM				C-11815	1V
ZA 344	WASHER, THRUST				N-10380	1V
ZA 345	FOLLOWER, CAM				N-10271	1V
ZA 346	HANDLE, VALVE				N-12145	1V
ZA 347	SCREW, RETAINING				C-10389	1V
ZA 348	WASHER, SCREW				4-X-2127	1V
ZA 349	KNOB, HANDLE			82593500	C-12101	1V
ZA 475	LUCKWASHER				4-X-40	4V
	NOTE ZA323, ZA324, ZA327, ZA328, ZA330, ZA339, ZA340, ZA341					
	AVAILABLE AS A SERVICE REPAIR KIT					
	RN-10-C					



PARTS LIST

ISSUE NO. 01, 1970

MODEL 888

PAGE 23- 20

DATE 040770

CAT. REF.	DESCRIPTION	SERIAL NO.		PART NO.	REPLACE OR VENDOR NO.	REQ.
		FROM	TO/INCL.			
	008					
ZA	TREADLE TYPE AIR VALVE BW NUMBER					
	228075 ZA350 DWG. ZA703 FOR RH & LH MAIN BRAKES					
ZA 350	VALVE COMPLETE			29400750	228075	1V
ZA 351	DIAPHRAGM ASSY			29283780	216378	1V
ZA 352	SEAT, VALVE			29220621	210071	1V
ZA 353	PLUG, SEAT LOCK			29220624	210074	1V
ZA 354	DIAPHRAGM			29221550	210155	2V
ZA 355	SEAT, SPRING				210072	1V
ZA 356	SHIM, SPRING 1 SET				210076	V
ZA 357	TUBE, VALVE				210073	1V
ZA 358	GUIDE, VALVE				210075	1V
ZA 359	SPRING, GRADUATING			29222090	210209	1V
ZA 360	CAGE, SPRING				210059	1V
ZA 361	SEAL, OIL			29220570	210057	2V
ZA 362	BUTTON, CAGE			29222760	210276	1V
ZA 363	BOOT, CAGE			29220610	210061	1V
ZA 364	PLATE, MOUNTING				211337	1V
ZA 365	OILER, BALL TYPE				232502	1V
ZA 369	SCREW, ADJUSTING				233000	1V
ZA 369	NUT, LOCK				202961	1V
ZA 374	PLATE, FILLING				210187	1V
ZA 375	COVER, VALVE				210056	1V
ZA 376	SCREW, FLAT HEAD				210064	6V
ZA 377	SPRING, VALVE			29247010	212701	1V
ZA 378	GROMMET, VALVE			29220390	210039	1V
ZA 379	INLET VALVE ASSY			29369430	224943	1V
ZA 380	SHIM, VALVE .010 1 SET				204541	V
ZA 380	SHIM, VALVE .0031 1 SET				204542	V
ZA 381	GROMMET, VALVE			29255160	213516	1V
ZA 382	BODY ASSY, INCL. ZA383				216283	1V
ZA 383	STUD				210049	3V
ZA 383	NUT				203147	3V
ZA 383	LOCKWASHER				202981	3V
ZA 384	CAPSCREW				211693	6V
ZA 384	NUT				203145	6V
ZA 384	LOCKWASHER				202982	6V
ZA 385	ELBOW, BODY				210040	1V



PARTS LIST

ISSUE NO. 01, 1970

MODEL 88B

PAGE 23- 21

DATE 040770

CAT. REF.	DESCRIPTION	SERIAL NO.		PART NO.	REPLACE OR VENDOR NO.	REQ.
		FROM	TO/INCL.			
	009					
ZA	TREADLE TYPE AIR VALVE BW NUMBER					
	217281 ZA350 DWG. ZA703 FOR RH & LH MAIN BRAKES					
ZA 350	VALVE COMPLETE			29292810	217281	1V
ZA 351	DIAPHRAGM ASSY.			29283780	216378	1V
ZA 352	SEAT, VALVE			29220621	210071	1V
ZA 353	PLUG, SEAT LOCK			29220624	210074	1V
ZA 354	DIAPHRAGM			29221550	210155	2V
ZA 355	SEAT, SPRING				210072	1V
ZA 356	SHIM, SPRING 1 SET				210076	V
ZA 357	TUBE, VALVE				210073	1V
ZA 358	GUIDE, VALVE				210075	1V
ZA 359	SPRING, GRADUATING			29222090	210209	1V
ZA 360	CAGE, APRING				210059	1V
ZA 361	SEAL, OIL			29220570	210057	2
ZA 362	BUTTON, CAGE			29222760	210276	1V
ZA 363	BOOT, CAGE			29220610	210061	1V
ZA 364	PLATE, MOUNTING				21337	1V
ZA 365	OILER, BALL TYPE				232502	1V
ZA 369	SCREW, ADJUSTING				202846	1V
ZA 369	NUT, LOCK				202961	1V
ZA 374	PLATE, FILLING				210187	1V
ZA 375	COVER, VALVE				210056	1V
ZA 376	SCREW, FLAT HEAD			29247010	210064	6V
ZA 377	SPRING, VALVE				212701	1V
ZA 378	GROMMET, VALVE			29220390	210039	1V
ZA 379	INLET, VALVE ASSY.			29282810	29369430	1D
ZA 380	SHIM, VALVE .010 1 SET				204541	V
ZA 380	SHIM, VALVE .0031 1SET				204542	V
ZA 381	GROMMET, VALVE				210180	1V
ZA 382	BODY, ASSY. INCL. ZA383				216527	1V
ZA 383	STUD				210049	3V
ZA 383	NUT				203147	3V
ZA 383	LOCKWASHER				202981	3V
ZA 384	CAPSCREW				210058	6V
ZA 384	NUT				203145	6V
ZA 384	LOCKWASHER				203574	6V
ZA 385	ELBOW, BODY				210040	1V



PARTS LIST

ISSUE NO. 01, 1970

MODEL 88B

PAGE 23- 22

DATE 040770

CAT. REF.	DESCRIPTION	SERIAL NO.		PART NO.	REPLACE OR VENDOR NO.	REQ.
		FROM	TO/INCL			
	010					
ZA	TREADLE TYPE AIR VALVE BW NUMBER					
	220213 ZA-350 DWG. ZA703 FOR RH & LH					
	MAIN BRAKES					
ZA 350	VALVE COMPLETE			29322140	220213	1V
ZA 351	DIAPHRAGM ASSY.			29283780	216378	1V
ZA 352	SEAT, VALVE			29220621	210071	1V
ZA 353	PLUG, SEAT LOCK			29220624	210074	1V
ZA 354	DIAPHRAGM			29221550	210155	2V
ZA 355	SEAT, SPRING				210072	1V
ZA 356	SHIM, SPRING 1 SET				210076	V
ZA 357	TUBE, VALVE				210073	1V
ZA 358	GUIDE, VALVE				210075	1V
ZA 359	SPRING, GRADIATING			29222090	210209	1V
ZA 360	CAGE, SPRING				210059	1V
ZA 361	SEAL, OIL			29220570	210057	2V
ZA 362	BUTTON, CAGE			29222760	210276	1V
ZA 363	BOOT, CAGE			29220610	210061	1V
ZA 364	PLATE, MOUNTING				211337	1V
ZA 365	OILER, BALL TYPE				232502	1V
ZA 369	SCREW, ADJUSTING				233000	1V
ZA 369	NUT, LOCK				202961	1V
ZA 374	PLATE, FILLING				210187	1V
ZA 375	COVER, VALVE				210056	1V
ZA 376	SCREW, FLAT HEAD			29247010	210064	6V
ZA 377	SPRING, VALVE				212701	1V
ZA 378	GROMMET, VALVE			29220390	210039	1V
ZA 379	INLET, VALVE ASSY.			29282810	29369430	10
ZA 380	SHIM, VALVE .010 1 SET				204541	V
ZA 380	SHIM, VALVE .0031 1SET				204542	V
ZA 381	GROMMET, VALVE			29255160	213516	1V
ZA 382	BODY ASSY, INCL. ZA383				216283	1V
ZA 383	STUD				210049	3V
ZA 383	NUT				203147	3V
ZA 383	LOCKWASHER				202981	3V
ZA 384	CAPSCREW				210058	6V
ZA 384	NUT				203145	6V
ZA 384	LOCKWASHER				202982	6V
ZA 385	ELBOW, BODY				212362	1V



PARTS LIST

ISSUE NO. 01, 1970

MODEL 88B

PAGE 23- 23

DATE 040770

CAT. REF.	DESCRIPTION	SERIAL NO.		PART NO.	REPLACE OR VENDOR NO.	REQ.
		FROM	TO/INCL.			
	011					
ZA	DOUBLE ACTING POPPET VALVE ZA-386 DWG.					
	ZA704 FOR PROPEL PINION SHIFTER & SWING & STEERING JAW CLUTCHES & POWER TAKE-OFF					
ZA 386	VALVE COMP, MIDLAND			79421250	N-2247-E	1V
ZA 387	CAM, OPERATING			79427790	N-10849	1V
ZA 388	WASHER, CAM			79424750	4-X-21	1V
ZA 389	BRACKET, MOUNTING				N-10850-C	1V
ZA 394	BODY, UPPER HALF			79427520	N-10797-A	2V
ZA 395	SEAL, PLUNGER			79427800	N-10919-C	2V
ZA 396	PLUNGER ASSY.			79427600	N-10801	2V
ZA 397	SPRING, RETURN			79427560	N-10800-A	2V
ZA 398	WASHER, PLUNGER			79425900	4-X-2166	2V
ZA 399	RING, LOCK			79426820	C-10074	2V
ZA 400	SEAL & RETAINER ASSY.			79428800	C-11472-A	2V
ZA 401	BODY, LOWER HALF			79427530	N-10798	2V
ZA 402	SPRING, RETURN			79427850	N-10923	2V
ZA 403	WASHER, PLAIN			79424900	4-X-291	2V
ZA 404	MANIFOLD			79427820	N-10900	1V
ZA 405	CAPSCREW				3-X-1065	8V
ZA 405	LOCKWASHER				4-X-40	8V
ZA 406	GASKET, MANIFOLD			79427700	N-10805	4V
ZA 407	CAPSCREW				3-X-177	6V
ZA 407	LOCKWASHER				4-X-40	6V
ZA 408	SLEEVE, CAM			79427500	N-10770-X	1V
ZA 409	CAPSCREW				3-X-124	1V
ZA 409	NUT				2-X-30	1V
ZA 409	LOCKWASHER				4-X-14	1V
ZA 410	KNOB, HANDLE			82593500	C-12101	1V
ZA 411	LEVER, HANDLE				14-X-1023	1V
ZA 411	NUT				2-X-343	1V
	NOTE ZA395, ZA400, ZA402, ZA406, AVAILABLE AS A SERVICE REPAIR KIT RN-18-A			79425070		1



PARTS LIST

ISSUE NO. 01, 1970

MODEL 888

PAGE 23- 24

DATE 040770

CAT. REF.	DESCRIPTION	SERIAL NO.		PART NO.	REPLACE OR VENDOR NO.	REQ.
		FROM	TO/INCL			
	012					
ZA	DOUBLE ACTING POPPET VALVE ZA390 DWG.					
	ZA705 FOR TRANSMISSION SHOE					
	BRAKE STD. BOOM HOIST STEERING BRAKES &					
	MAIN BRAKE SAFETY LOCKS					
ZA 390	VALVE COMPLETE			79420790	N-2447-D	1V
ZA 391	COVER, OPERATING				N-2732	1V
ZA 392	WASHER, COVER				4-C-2245	1V
ZA 393	BRACKET, MOUNTING				N-10850-B	1V
ZA 394	BODY, UPPER HALF			79427520	N-10797-A	2V
ZA 395	SEAL, PLUNGER			79427800	N-10919-C	2V
ZA 396	PLUNGER, ASSY.			79427600	N-10801	2V
ZA 397	SPRING, RETURN			79427560	N-10800-A	2V
ZA 400	SEAL & RETAINER ASSY.			79428800	C-11472-A	2V
ZA 401	BODY, LOWER HALF			79427530	N-10798	2V
ZA 402	SPRING, RETURN			79427850	N-10923	2V
ZA 403	WASHER, PLAIN			79424900	4-X-290	2V
ZA 404	MANIFOLD			79427820	N-10900	1V
ZA 405	CAPSCREW				3-X-1065	8V
ZA 405	LOCKWASHER				4-X-40	8V
ZA 406	GASKET, MANIFOLD			79427700	N-10805	4V
ZA 407	CAPSCREW				3-X-177	6V
ZA 407	LOCKWASHER				4-X-40	6V
ZA 408	SLEEVE, COVER			79427500	N-10770-C	1V
ZA 409	CAPSCREW				3-X-124	1V
ZA 409	NUT				2-X-30	1V
ZA 409	LOCKWASHER				4-X-14	1V
ZA 410	KNOB, HANDLE			82593500	C-12101	1V
ZA 411	LEVER, HANDLE				14-X-1023	1V
ZA 411	NUT				2-X-343	1V
	ZA395, ZA400, ZA402, ZA406, AVAILABLE AS A SERVICE REPAIR KIT			79425070		1
	RN-18-A					



PARTS LIST

ISSUE NO. 01, 1970

MODEL 88B

PAGE 23- 25

DATE 040770

CAT. REF.	DESCRIPTION	SERIAL NO.		PART NO.	REPLACE OR VENDOR NO.	REQ.
		FROM	TO/INCL.			
	013					
ZA	SINGLE AIR VALVE W/POPPET VALVE ZA412					
	DWG. ZA706 - HOIST SHAFT LEFT. CLUTCH & HORN OR WHISTLE					
ZA 412	VALVE COMP.			79422800	N-3508	1V
ZA 416	BODY, VALVE			79426380	N-2657-B	1V
ZA 416	PLUG, PIPE				7-X-15	2V
ZA 417	RETAINER, ABSORBER			40758140	N-11461	1V
ZA 418	BUSHING, ABSORBER			40757800	N-11353	1V
	SEE KIT 1					
ZA 419	CUP, PUSH ROD			79427750	N-10843-B	1V
ZA 420	COVER, INLET VALVE			79427920	N-10947-E	1V
ZA 421	COVER, BODY				N-10947-D	1V
ZA 422	CAPSCREW				3-X-1027	4V
ZA 422	LOCKWASHER				4-X-11	4V
ZA 425	YOKE & TRUNNION			79426180	N-2568-B	1V
ZA 426	TRUNNION, PUSH ROD			79426150	N-2563-A	1V
ZA 426	PIN, COTTER				6-X-117	2V
ZA 429	POPPET VALVE ASSY.			79420770	N-2446-F	1V
ZA 430	STUD				14-X-1031	6V
ZA 430	NUT				2-X-203	6V
ZA 430	LOCKWASHER				4-X-11	6V
ZA 431	YOKE, CONTROL			79428350	N-11204	1V
ZA 432	SPRING, RETURN			79428330	N-11201	1V
ZA 433	SCREW, TRUNNION			79424690	3-X-1070	2V
ZA 434	SPACER, SCREW			79428340	N-11202	2V
ZA 435	SHAFT, PUSH ROD			79428240	N-11190-A	2V
ZA 436	ROD, PUSH			79428250	N-11191	2V
ZA 436	NUT				2-X-30	2V
ZA 437	PIN, TRUNNION			79428650	N-11372	1V
ZA 438	SPRING, RETURN			40759000	N-12407	1V
ZA 439	BRACKET, ASSY.			79426260	N-2614	1V
ZA 439	SCREW, SET			40722280	3-X-225	1V
ZA 440	STUD				14-X-1031	2V
ZA 440	NUT				2-X-303	2V
ZA 440	LOCKWASHER				4-X-11	2V
ZA 441	GASKET, BRACKET			79428390	N-11208	2V
ZA 442	HANDLE ASSY.			40757770	N-11318	1V
ZA 444	SCREW, COVER			79424670	3-X-334	4V
ZA 444	LOCKWASHER			79424745	4-X-15	4V
ZA 445	CAP, SLIDING			79426155	N-2564-A	1V
ZA 446	SPRING, TENSION			79429200	C-11927-A	1V
ZA 447	CUP, WASHER			79428280	N-11194	1V
ZA 448	SPRING ASSY.			79427740	N-10842-J	1V
ZA 449	ROD, OPERATING			79427750	N-10843-B	1V
ZA 450	CUP, RETAINER			40756430	N-10845-A	1V X
ZA 451	SPRING			40751500	N-1936-G	1V
ZA 452	SCREW, SPRING			79427760	N-10844	1V
ZA 452	LOCKWASHER				4-X-11	1V
ZA 453	WASHER, THRIST			79426000	4-X-2194	1V
ZA 454	PISTON ASSY.			79428550	N-11349-B	1V



PARTS LIST

ISSUE NO. 01, 1970

MODEL 88B PAGE 23- 26
DATE 040770

CAT. REF.	DESCRIPTION	SERIAL NO.		PART NO.	REPLACE OR VENDOR NO.	REQ.
		FROM	TO/INCL.			
	013					
ZA 455	SEE KIT 1 WASHER, SUPPORT			79428290	N-11198	1V
ZA 456	SEE KIT 1 SEAL, PISTON			79428310	N-11199	1V
ZA 457	SEE KIT 1 WASHER, SEAL			79428450	N-11322	1V
ZA 458	SEE KIT 1 RING, EXPANDER			79430850	N-12805	1V
ZA 459	SEE KIT 1 NUT, RETAINER			79428320	N-11200-B	1V
ZA 460	SEE KIT 1 SPRING, RELEASE			79428300	N-11195A	1V
ZA 461	SEE KIT 1 VALVE & CAGE ASSY.			40757700	N-11087-A	1V
ZA 462	SEE KIT 1 VALVE & RETAINER ASSY			40751650	N-1941-C	1V
ZA 463	SEE KIT 1 DISC, ASSY, SEE KIT 1			79427940	N-10949	1V
ZA 464	CAGE, INLET VALVE SEE KIT 1			79427910	N-10946-A	1V
ZA 465	SPRING, SEE KIT 1			79428200	N-11162-A	1V
ZA 466	NUT, STOP SEE KIT 1				2-X-5501	1V
ZA 467	GASKET, COVER SEE KIT 1			79427950	N-10952-A	3
ZA 468	BODY, UPPER HALF			79427520	N-10797-A	1V
ZA 469	SEAL, PLUNGER			79427800	N-10919-C	1V
ZA 470	SEE KIT 2 PLUNGER ASSY,			79427600	N-10801	1V
ZA 471	SPRING, RETURN			79427560	N-10800-A	1V
ZA 472	WASHER, PLUNGER			79425900	4-X-2166	1V
ZA 473	RING, LOCK			79426820	C-10074	1V
ZA 474	BODY, LOWER HALF			79427530	N-10798	1V
ZA 475	CAPSCREW				3-X-1065	4V
ZA 475	LOCKWASHER				4-X-40	4V
ZA 476	GASKET, CAP SEE KIT 2			79427700	N-10805	2V
ZA 477	SEAL & RETAINER ASSY.			79428800	C-11472-A	1V
ZA 478	SEE KIT 2 SPRING, RETURN			79427850	N-10923	1V
ZA 479	SEE KIT 2 CAP, END				N-10806-B	1V
ZA 480	SLEEVE, ANCHOR			79430910	N-12811	1V
ZA 481	BOOT, CHAMBER			79427130	N-10499	1V
ZA 482	SEE KIT 2 BRACKET, OPERATING			79429480	N-12124	1V
ZA 482	SCREW, SET			40722280	3-X-225	1V
ZA 483	SCREW, SET			79424650	3-X-230	1V
ZA 483	NUT, JAM				2-X-200	1V
ZA 484	BRACKET, MOUNTING				N-11205A	1V
ZA 485	SCREW, SUPPORT			79424680	3-X-411	4
ZA 485	LOCKWASHER				4-X-40	4VX
ZA 772	COVER, VALVE			79426100	N-2560-C	1VX
	SERVICE REPAIR KIT			79425150	RN-23-G	1V



PARTS LIST

ISSUE NO. 01, 1970

MODEL 88B

PAGE 23- 28

DATE 040770

CAT. REF.	DESCRIPTION	SERIAL NO.		PART NO.	REPLACE OR VENDOR NO.	REQ.
		FROM	TO/INCL.			
	014					
ZA	SINGLE AIR VALVE MIDLAND N-3507 ZA413					
	DWG. ZA706 - HOIST SHAFT RIGHT CLUTCH					
	DRAGLINE ONLY					
ZA 413	SINGLE AIR VALVE			79422400	N-3507	1V
ZA 416	BODY ASSY.			79426380	N-2657-B	1V
ZA 416	PLUG, PIPE				7-X-15	2V
ZA 417	RETAINER, ABSORBER			40758140	N-11461	1V
ZA 418	BUSHING, ABSORBER			40757800	N-11353	1V
ZA 419	CUP, ROD			79427750	N-10843-B	1V
ZA 420	COVER, VALVE			79427920	N-10947-E	1V
ZA 421	COVER, BODY				N-10947-D	1V
ZA 422	CAPSCREW				3-X-1027	4V
ZA 422	LOCKWASHER				4-X-11	4V
ZA 427	YOKE & TRUNNION			79426190	N-2568-C	1VX
ZA 428	TRUNNION, PUSH ROD			79426140	N-2563	1VX
ZA 428	PIN, COTTER				6-X-117	2VX
ZA 430	STUD				14-X-1031	4V
ZA 430	NUT				2-X-203	4V
ZA 430	LOCKWASHER				4-X-11	4V
ZA 431	YOKE, CONTROL			79428350	N-11204	1V
ZA 432	SPRING, RETURN			79428330	N-11201	1V
ZA 433	SCREW, TRUNNION			79424690	3-X-1070	2V
ZA 434	SPACER, SCREW			79428340	N-11202	2V
ZA 435	SHAFT, PUSH ROD			79428240	N-11190-A	2V
ZA 436	ROD, PUSH			79428250	N-11191	2V
ZA 436	NUT				2-X-30	2V
ZA 437	PIN, TRUNNION			79428650	N-11372	1V
ZA 438	SPRING, RETURN			40759000	N-12407	1V
ZA 439	BRACKET, ASSY.			79426260	N-2614	1V
ZA 439	SCREW, SET			40722280	3-X-225	1V
ZA 440	STUD				14-X-1031	2V
ZA 440	NUT				2-X-303	2V
ZA 440	LOCKWASHER				4-X-11	2V
ZA 441	GASKET, BRACKET			79428390	N-11208	2V
ZA 442	HANDLE ASSY.			40757770	N-11318	1V
ZA 444	SCREW, COVER			79424670	3-X-334	4V
ZA 444	LOCKWASHER			79424745	4-X-15	4V
ZA 445	CAP, SLIDING			79426155	N-2564-A	1V
ZA 446	SPRING, TENSION			79429200	C-11927-A	1V
ZA 447	WASHER, CUP			79428280	N-11194	1V
ZA 448	SPRING ASSY.			79427740	N-10842-J	1V
ZA 449	CUP, ROD			79427750	N-10843-B	1V
ZA 450	CUP, RETAINER			40756430	N-10845-A	1V
ZA 451	SPRING			40751500	N-1936-G	1V
ZA 452	SCREW,			79427760	N-10844	1V
ZA 452	LOCKWASHER				4-X-11	1V
ZA 453	WASHER, THRUST			79426000	4-X-2194	1V
ZA 454	PISTON ASSY.			79428550	N-11349-B	1V
ZA 455	WASHER, SUPPORT			79428290	N-11198	1V
ZA 456	SEAL, PISTON			79428310	N-11199	1V



PARTS LIST

ISSUE NO. 01, 1970

MODEL

888

PAGE 23- 30

DATE

040770

CAT. REF.	DESCRIPTION	SERIAL NO.		PART NO.	REPLACE OR VENDOR NO.	REQ.
		FROM	TO/INCL.			
	015					
ZA	SINGLE AIR VALVE MIDLAND N-3605 ZA413					
	DWG. ZA706 - HOIST SHAFT RIGHT CLUTCH DRAGLINE ONLY					
ZA 413	VALVE COMP.-MIDLAND			79422950	N-3605	1V
ZA 416	BODY ASSY.			79426380	N-2657-B	1V
ZA 416	BODY, VALVE				N-3288	1V
ZA 417	RETAINER				N-11461	1V
ZA 418	BUSHING			40757800	N-11353	1V
ZA 419	CUP, ROD			79427750	N-10843-B	1V
ZA 420	COVER, VALVE			79427920	N-10947-E	1V
ZA 421	COVER, BODY				N-10947-D	1V
ZA 422	NUT, STUD				2-X-303	4V
ZA 422	LOCKWASHER				4-X-11	4V
ZA 427	YOKE & TRUNNION ASSY.			79426190		1
ZA 428	TRUNNION, PUSH ROD			79426140	N-2563	1V
ZA 430	STUD, CAP				14-X-1031	4V
ZA 430	NUT, STUD				2-X-303	4V
ZA 430	LOCKWASHER				4-X-11	4V
ZA 431	YOKE, CONTROL			79428350	N-11204	1V
ZA 432	SPRING, YOKE			79428330	N-11201	1V
ZA 433	SCREW, TRUNNION			79424690	3-X-1070	2V
ZA 434	BUSHING, SCREW			79428340	N-11202	2V
ZA 435	SHAFT, PUSH ROD			79428240	N-11190-A	2V
ZA 436	PUSH ROD			79428250	N-11191	2V
ZA 436	NUT, ROD				2-X-30	2V
ZA 437	PIN, TRUNNION			79428650	N-11372	1V
ZA 438	SPRING, TRUNNION			40759000	N-12407	2V
ZA 439	BRACKET ASSY.			79426260	N-2614	1V
ZA 439	BRACKET				N-2561	1V
ZA 440	STUD, BRACKET				14-X-1031	2V
ZA 440	NUT, STUD				2-X-303	2V
ZA 440	LOCKWASHER				4-X-11	2V
ZA 441	GASKET, TRUNNION			79428390	N-11208	2V
ZA 442	HANDLE, VALVE			40757770	N-11318	1V
ZA 443	COVER, VALVE			79421400	N-2560	1V
ZA 444	SCREW, COVER			79424670	3-X-334	4V
ZA 444	LOCKWASHER			79424745	4-X-15	4V
ZA 445	CAP, SLIDING			79426155	N-2564-A	1V
ZA 446	SPRING, CAP			79429200	C-11927-A	1V
ZA 447	WASHER, CUP			79428280	N-11194	1V
ZA 448	SPRING ASSY.			79427740	N-10842-J	1V
ZA 449	CUP, ROD			79427750	N-10843-B	1V
ZA 450	CUP, RETAINER			40756430	N-10845-A	1V
ZA 451	SPRING			40751500	N-1936-G	1V
ZA 452	SCREW, SPRING			79427760	N-10844	1V
ZA 452	LOCKWASHER				4-X-11	1V
ZA 453	WASHER, THRUST			79426000	4-X-2194	1V
ZA 454	PISTON ASSY.			79428550	N-11349-B	1V
ZA 455	WASHER, SUPPORT			79428290	N-11198	1V
ZA 456	CUP, PISTON			79428310	N-11199	1V



PARTS LIST

ISSUE NO. 01, 1970

MODEL 88B PAGE 23- 32
DATE 040770

CAT. REF.	DESCRIPTION	SERIAL NO.		PART NO.	REPLACE OR VENDOR NO.	REQ.
		FROM	TO/INCL.			
	016					
ZA	DUPLEX AIR VALVE W/POPPET VALVE ZA414					
	DWG. ZA773 - CROWD & RETRACT CLUTCHES & DIPPER TRIP					
ZA 414	VALVE COMP. MIDLAND			79421600	N-3505	1V
ZA 420	CAP ASSY			79426250	N-2613	1V
ZA 420	PIPE PLUG				7-X-12	1V
ZA 420	CAP, VALVE				N-2562	1V
ZA 423	BODY ASSY			79426370	N-2657	1V
ZA 423	PIPE PLUG				7-X-12	1V
ZA 423	BODY, VALVE				N-3288	1V
ZA 425	YOKE & TRUNNION ASSY.			79426180	N-2568-B	1V
ZA 426	TRUNNION, PUSH-ROD			79426150	N-2563-A	1V
ZA 429	POPPET VALVE ASSY.			79420770	N-2446-F	1V
ZA 430	STUD, CAP				14-X-1031	8V
ZA 430	NUT, STUD				2-X-303	8V
ZA 430	LOCKWASHER				4-X-11	8V
ZA 431	YOKE, CONTROL			79428350	N-11204	1V
ZA 432	SPRING, YOKE			79428330	N-11201	1V
ZA 433	SCREW, TRUNNION			79424690	3-X-1070	2V
ZA 434	BUSHING, SCREW			79428340	N-11202	2V
ZA 435	SHAFT, PUSH-ROD			79428240	N-11190-A	2V
ZA 436	PUSH-ROD			79428250	N-11191	2V
ZA 436	NUT, PUSH-ROD				2-X-30	2V
ZA 437	PIN, TRUNNION			79428650	N-11372	1V
ZA 438	SPRING, TRUNNION			40759000	N-12407	2V
ZA 439	BRACKET ASSY, INCL.			79426260	N-2614	1V
ZA 439	PIPE, PLUG				7-X-12	1V
ZA 439	BRACKET				N-2561	1V
ZA 440	STUD, BRACKET				14-X-1031	4V
ZA 440	NUT, STUD				2-X-303	4V
ZA 440	LOCKWASHER				4-X-11	4V
ZA 441	GASKET, TRUNNION			79428390	N-11208	2V
	SEE KIT 1					
ZA 442	HANDLE, VALVE			40757770	N-11318	1V
ZA 443	COVER, VALVE			79426100	N-2560-C	1V
ZA 444	SCREW, COVER			79424670	3-X-334	4V
ZA 444	LOCKWASHER			79424745	4-X-15	4V
ZA 445	CAP, SLIDING			79426155	N-2564-A	1V
ZA 446	SPRING, CAP			79429200	C-11927-A	1V
ZA 447	WASHER, CUP			79428280	N-11194	1V
ZA 448	SPRING ASSY.			79427740	N-10842-J	2V
ZA 449	CUP, ROD			79427750	N-10843-B	2V
ZA 450	CUP, RETAINER			40756430	N-10845-A	2V
ZA 451	SPRING			40751500	N-1936-G	2V
ZA 452	SCREW, SPRING			79427760	N-10844	2V
ZA 452	LOCKWASHER				4-X-11	2V
ZA 453	WASHER, THRUST			79426000	4-X-2194	2V
ZA 454	PISTON ASSY SEE KIT 1			79428550	N-11349-B	2V
ZA 455	WASHER, SUPPORT SEE KIT 1			79428290	N-11198	2V



PARTS LIST

ISSUE NO. 01, 1970

MODEL 88B

PAGE 23- 33

DATE 040770

CAT. REF.	DESCRIPTION	SERIAL NO.		PART NO.	REPLACE OR VENDOR NO.	REQ.
		FROM	TO/INCL.			
	016					
ZA 456	CUP, PISTON SEE KIT 1			79428310	N-11199	2V
ZA 457	WASHER, PISTON			79428450	N-11322	2V
	SEE KIT 1					
ZA 458	RING, EXPANDER			79430850	N-12805	2V
	SEE KIT 1					
ZA 459	NUT, RETAINER			79428320	N-11200-B	2V
	SEE KIT 1					
ZA 460	SPRING, RELEASE			79428300	N-11195A	2V
	SEE KIT 1					
ZA 461	CAGE ASSY, SEE KIT 1			40757700	N-11087-A	2V
ZA 462	RETAINER, VALVE			40751650	N-1941-C	2V
	SEE KIT 1					
ZA 463	DISC, VALVE SEE KIT 1			79427940	N-10949	2V
ZA 464	CAGE, VALVE SEE KIT 1			79427910	N-10946-A	2V
ZA 465	SPRING, VALVE			79428200	N-11162-A	2V
	SEE KIT 1					
ZA 466	NUT, STOP SEE KIT 1				2-X-5501	2V
ZA 467	GASKET, CAP SEE KIT 1			79427950	N-10952-A	4V
ZA 468	BODY, UPPER			79427520	N-10797-A	1V
ZA 469	SEAL, PLUNGER			79427800	N-10919-C	1V
	SEE KIT 2					
ZA 470	PLUNGER, ASSY.			79427600	N-10801	1V
ZA 471	SPRING, RETURN			79427560	N-10800-A	1V
ZA 472	WASHER, PLUNGER			79425900	4-X-2166	1V
ZA 473	RING, LOCK			79426820	C-10074	1V
ZA 474	BODY, LOWER			79427530	N-10798	1V
ZA 475	SCREW, BODY				3-X-1065	4V
ZA 475	LOCKWASHER				4-X-40	4V
ZA 476	GASKET, CAP SEE KIT 2			79427700	N-10805	2V
ZA 477	RETAINER ASSY.			79428800	C-11472-A	1V
ZA 477	SEE KIT 2					
ZA 478	SPRING, RETURN			79427850	N-10923	1V
	SEE KIT 2					
ZA 479	CAP, END				N-10806-B	1V
ZA 480	SLEEVE, BOOT			79430910	N-12811	1V
ZA 481	BOOT, VALVE SEE KIT 2			79427130	N-10499	1V
ZA 482	BRACKET, VALVE			79429480	N-12124	1V
ZA 483	SCREW, SET			79424650	3-X-230	1V
ZA 483	NUT, JAM				2-X-200	1V
ZA 484	BRACKET, MOUNTING			79428360	N-11205	1V
ZA 485	SCREW, BRACKET				3-X-411	4V
ZA 485	LOCKWASHER				4-X-40	4V
ZA 1467	PISTON, CONTROL VALVE				N-1937-C	2V
	SEE KIT 1					
ZA 1468	SCREW, SET			40722280	3-X-225	1V
	NOTE ZA441, ZA454, ZA455 THRU ZA467, ZA1467 AVAILABLE AS A SERVICE REPAIR KIT RN-23-D			79425147		1



PARTS LIST

ISSUE NO. 01, 1970

MODEL 888

PAGE 23- 36

DATE 040770

CAT. REF.	DESCRIPTION	SERIAL NO.		PART NO.	REPLACE OR VENDOR NO.	REQ.
		FROM	TO/INCL.			
	018					
ZA	QUICK RELEASE VALVE BW NUMBER 224417					
	ZA486 DWG. ZA708 FOR ALL LOCATIONS					
ZA 486	VALVE COMP.			29364170	224417	1V
ZA 487	KIT, REPAIR INCL. ZA488 THRU ZA493					
ZA 488	SEAT, SPRING			29145870	202587	1V
ZA 489	DIAPHRAGM				237925	1VX
ZA 493	SPRING			29145880	202588	1V
ZA 494	BODY			29449190	234072	1V
ZA 495	COVER				281756	1VX
ZA 766	RING, SEALING				242837	1VX



PARTS LIST

CAT. REF.	DESCRIPTION	SERIAL NO.		PART NO.	REPLACE OR VENDOR NO.	REQ.
		FROM	TO/INCL.			
	019					
ZA	QUICK RELEASE VALVE ZA498 DWG. ZA709 FOR ALL LOCATIONS					
ZA 498	VALVE COMP,-FAWICK			79361500	11671	1V
ZA 501	KIT, REPLACEMENT 3/8			79361550	11671	1V
ZA 502	CAP, HOUSING				10767	1V
ZA 503	GASKET, CAP				11999	1V
ZA 504	RING, INLET				11146	1V
ZA 505	SPRING, PLUNGER				11149	1V
ZA 506	PLUNGER & GROMMET				11147	1V



PARTS LIST

ISSUE NO. 01, 1970

MODEL 88B

PAGE 23- 39

DATE 040770

CAT. REF.	DESCRIPTION	SERIAL NO.		PART NO.	REPLACE OR VENDOR NO.	REQ.
		FROM	TO/INCL.			
	021					
ZA	DOUBLE ACT. CYLINDER ZA513 DWG. ZA710 FOR SWING JAW CLUTCH					
ZA 513	CYLINDER COMP, -WAB			40005000	516548	1V
ZA 514	BODY				519443	1V
ZA 515	GASKET			29766170	516187	1V
ZA 516	PISTON & ROD COMP.			29769440	519444	1V
ZA 517	ROD, PISTON			29769450	519445	1V
ZA 517	PIN, COTTER				522771	1V
ZA 518	NUT, ROD				524091	1V
ZA 519	WASHER, ROD			29770330	520143	1V
ZA 520	PISTON			29769360	519301	1V
ZA 521	FOLLOWER, PISTON			29769350	519300	2V
ZA 522	CUP, PACKING			29766130	516183	2V
ZA 523	PACKING, ROD			29766160	516186	1V
ZA 524	SHIM, PACKING			29769320	519292	1V
ZA 525	HEAD			29769410	519441	1V
ZA 526	BOLT				524021	4V
ZA 526	NUT				500492	4V
ZA 527	COVER				519293	1V
528	CAPSCREW				524569	4V
	SERVICE KIT			57406190	30-41-100S	1V



PARTS LIST

ISSUE NO. 01, 1970

MODEL 888

PAGE 23- 40

DATE 040770

CAT. REF.	DESCRIPTION	SERIAL NO.		PART NO.	REPLACE OR VENDOR NO.	REQ.
		FROM	TO/INCL.			
	022					
ZA	DOUBLE ACT. CYLINDER ZA529 DWG. ZA711 FOR PROPELLING PINION SHIFTER					
ZA 529	CYLINDER COMP, -WAB			40008000	519369	1V
ZA 530	BODY				519448	1V
ZA 531	GASKET			29767270	517277	1V
ZA 532	PISTON & ROD COMP.			29769560	519456	1V
ZA 533	ROD, PISTON			29769500	519450	1V
ZA 533	NUT				524092	1V
ZA 533	PIN, COTTER				85187	1V
ZA 534	NUT, ROD				524092	1V
ZA 535	WASHER, ROD			29045940	65514	1V
ZA 536	PISTON			29769528	519452	1V
ZA 537	FOLLOWER PISTON			29769530	519453	2V
ZA 538	CUP, PACKING			29767140	517094	2V
ZA 539	PACKING, ROD			29766310	516301	1V
ZA 540	SHIM, PACKING			29769460	519446	4V
ZA 541	HEAD			29769540	519454	1V
ZA 542	BOLT				525629	4V
ZA 542	NUT				2220	4V
ZA 543	COVER				519455	1V
ZA 544	CAPSCREW				524569	1V



PARTS LIST

ISSUE NO. 01, 1970

MODEL 88B

PAGE 23- 41

DATE 040770

CAT. REF.	DESCRIPTION	SERIAL NO.		PART NO.	REPLACE OR VENDOR NO.	REQ.
		FROM	TO/INCL.			
	023					
ZA	DOUBLE ACT. CYLINDER ZA545 DWG. ZA712 FOR SWING LOCK BRAKE					
ZA 545	CYLINDER COMP.			40014000	N-3390	1V
ZA 546	SHELL			40753165	N-2730	1V
ZA 547	O-RING			40758207	N-11728-K	1V
ZA 548	PLATE, TRUNNION				N-2450	1V
ZA 549	STUD				14-X-1068	8V
ZA 549	NUT				2-X-30	16V
ZA 549	LOCKWASHER				4-X-14	16V
ZA 550	COVER ASSY.			40752500	N-2453	1V
ZA 551	SEAL, COVER			40756400	N-10813	1V
ZA 552	WASHER, FELT			40724000	4-X-334	1V
ZA 553	WASHER, COVER			40724900	4-X-2171	1V
ZA 554	RING, SNAP			40756410	N-10814	1V
ZA 555	PISTON ROD COMP, INCL. ZA556 THRU ZA561					1
ZA 556	ROD, PISTON			40756350	N-10810-B	1V
ZA 557	NUT, ROD			40721250	2-S-211	1V
ZA 558	CUP, PISTON			40755210	N-10213	2V
ZA 559	PLATE, BACKING			40755230	N-10214-A	2V
ZA 560	PLATE, SPACER			40757850	N-11369	2VX
ZA 561	PLATE, INTERMEDIATE			40756320	40756370	1D
ZA 562	BOOT, ROD			40752450	C-2372	1VX
	SERVICE REPAIR KIT INCLUDES ZA547, ZA551, ZA552, ZA554, ZA556, ZA558 & ZA562			40735020	RN-16-AF	1V



PARTS LIST

ISSUE NO. 01, 1970

MODEL 88B PAGE 23- 42
DATE 040770

CAT. REF.	DESCRIPTION	SERIAL NO.		PART NO.	REPLACE OR VENDOR NO.	REQ.
		FROM	TO/INCL.			
	024					
ZA	STUD MOUNTED CYLINDER ZA563 DWG. ZA713					
	HOIST SHAFT RIGHT & LEFT CLUTCHES					
ZA 563	CYLINDER COMP.			40016000	N-3155-F	1VX
ZA 564	COVER ASSY			40755355	N-10248-A	1VX
ZA 565	STUD, COVER				14-X-194	4VX
ZA 566	PISTON & ROD ASSY					1 X
	INCL. ZA567 & ZA575 THRU ZA587					
ZA 567	ROD. & BALL ASSY			40758500	N-12102	1VX
ZA 573	BUSHING, COVER			40751700	N-1950	1VX
ZA 574	SHELL			40752300	N-2300	2VX
ZA 574	NUT				2-X-30	16VX
ZA 574	LOCKWASHER				4-X-14	16VX
ZA 575	PACKING, HAIR			82975750	20-X-14	1VX
ZA 576	SPRING, RETAINER			40751150	N-1881	1VX
ZA 577	RING, BEARING			40758600	N-12103	1VX
ZA 578	STEM, PISTON			40755500	N-10390	1VX
ZA 579	PLUG, STEM			40755250	N-10215	1VX
ZA 580	WASHER, PLUG 1 SET			40724700	4-X-2084	
ZA 581	PISTON			40755200	N-10212	1VX
ZA 582	PIN, LOCK			40728250	10X-230	1VX
ZA 583	SCREW, SET			40722250	3-X-211	1VX
ZA 584	RING, SNAP			40751100	N-1877	1VX
ZA 585	CUP, PISTON			40755210	N-10213	1VX
ZA 586	SPRING, EXPANDER			40759500	N-12697-A	1VX
ZA 587	PLATE, BACKING			40760000	N-12807	1VX
ZA 588	SPRING, RETURN			40755350	N-10243-A	1VX
ZA 589	BOOT, ROD			40752450	C-2372	1VX
	NOTE-ZA573, ZA580, ZA585, ZA589, AVAILABLE AS A SERVICE REPAIR KIT RN-16-G			40735480		1



PARTS LIST

ISSUE NO. 01, 1970

MODEL 888 PAGE 23- 43
DATE 040770

CAT. REF.	DESCRIPTION	SERIAL NO.		PART NO.	REPLACE OR VENDOR NO.	REQ.
		FROM	TO/INCL.			
	025					
ZA	STUD MOUNTED CYLINDER ZA568 DWG. ZA713					
	SHOVEL & STRIPPING SHOVEL CROWD CLUTCH					
ZA 568	CYLINDER COMP.			40017000	N-3155-G	1V
ZA 569	COVER ASSY.			79426981	N-10248-B	1V
ZA 570	STUD, COVER				14-X-1079	1V
ZA 571	PISTON & ROD ASSY.					1
	INCL. ZA572 & ZA575 THRU ZA587					
ZA 572	ROD & BALL ASSY			40748550	N-12102-A	1VX
ZA 573	BUSHING, COVER			40751700	N-1950	1VX
ZA 574	SHELL			40752300	N-2300	2V
ZA 574	NUT				2-X-30	16V
ZA 574	LOCKWASHER				4-X-14	16V
ZA 575	PACKING, HAIR			82975750	20-X-14	1V
ZA 576	SPRING, RETAINER			40751150	N-1881	1V
ZA 577	RING, BEARING			40758600	N-12103	1V
ZA 578	STEM, PISTON			40755500	N-10390	1V
ZA 579	PLUG, STEM			40755250	N-10215	1V
ZA 580	WASHER, PLUG, 1 SET			40724700	4-X-2084	V
ZA 581	PISTON			40755200	N-10212	1V
ZA 582	PIN, LOCK			40728250	10-X-230	1V
ZA 583	SCREW, SET			40722250	3-X-211	1V
ZA 584	RING, SNAP			40751100	N-1877	1V
ZA 585	CUP, PISTON			40755210	N-10213	1V
ZA 586	SPRING, EXPANDER			40759500	N-12697-A	1V
ZA 587	PLATE, BACKING			40760000	N-12807	1V
ZA 588	SPRING, RETURN			40755350	N-10243-A	1V
ZA 589	BOOT, ROD			40752450	C-2372	1V
	NOTE ZA573, ZA580, ZA585, ZA589, AVAILABLE AS A SERVICE REPAIR KIT RN-16-G			40735480		1



PARTS LIST

ISSUE NO. 01, 1970

MODEL 888

PAGE 23- 44

DATE 040770

CAT. REF.	DESCRIPTION	SERIAL NO.		PART NO.	REPLACE OR VENDOR NO.	REQ.
		FROM	TO/INCL.			
	026					
ZA	TRUNNION MOUNTED CYLINDER ZA590, ZA592					
	DWG. ZA714 FOR RIGHT AND LEFT STEERING BRAKES & SHOVEL LEFT MAIN BRAKE & RETRACT BRAKE					
ZA 590	CYLINDER COMP			40019000	N-3446	1V
ZA 591	BOOT, ROD			40752450	C-2372	1V
ZA 592	CYLINDER COMPLETE			40019000	N-3446	1VX
ZA 593	CYLINDER			40753590	N-2859	1V
ZA 593	PLUG, PIPE				7-X-16	1V
ZA 594	COVER, TRUNNION			40753580	N-2856	1V
ZA 595	COVER ASSY.			40753582	N-2857-A	1V
ZA 596	WASHER, FELT			40724000	4-X-334	1V
ZA 597	WASHER, RETAINING			40724900	4-X-2171	1V
ZA 598	RING, SNAP			40756410	N-10814	1VX
ZA 599	BREATHER			40748800	N-1120	1V
ZA 600	PISTON & ROD ASSY, INCL.ZA601 THRU ZA609					1
ZA 601	ROD, PISTON INCL.ZA602			40758400	N-11974	1V
ZA 602	NUT, ROD			40721250	2-X-211	1V
ZA 603	WASHER, ROD			40725250	4-X-2309	1VX
ZA 604	PISTON			40758320	N-11971-B	1VX
ZA 605	CUP, PISTON			40758350	N-11972	1V
ZA 606	RING, EXPANDER			40760250	N-12851	1V
ZA 607	RETAINER, CUP			40758280	N-11973-A	1VX
ZA 608	CAPSCREW			03176280		6 X
ZA 608	LOCKWASHER			40723758	4-X-60	6VX
ZA 609	WASHER, FELT			40756435	N-10848-AG	1V
ZA 610	STUD			40730250	14-X-1010	8V
ZA 610	NUT			40723725	2-X-32	16V
ZA 610	LOCKWASHER			40721005	4-X-18	16V
	NOTE ZA596, ZA598, ZA601, ZA603, ZA605, ZA609 AVAILABLE AS A SERVICE REPAIR KIT RN-16-AG			40735022		1



PARTS LIST

ISSUE NO. 01, 1970

MODEL 88B PAGE 23- 45
DATE 040770

CAT. REF.	DESCRIPTION	SERIAL NO.		PART NO.	REPLACE OR VENDOR NO.	REQ.
		FROM	TO/INCL.			
	027					
ZA	TRUNNION MOUNTED CYLINDER ZA632 DWG.					
	ZA716 FOR LEFT MAIN BRAKE, SHOVEL RIGHT MAIN BRAKE DRAGLINE LEFT MAIN BRAKE					
ZA 632	CYLINDER COMP			40015000	N-3391	1V
ZA 633	CYLINDER			40753165	N-2730	1V
ZA 633	PLUG, PIPE				7-X-16	1V
ZA 634	O-RING			40758207	N-11728-K	1V
ZA 635	STUD				14-X-1068	8V
ZA 635	NUT				2-X-30	16V
ZA 635	LOCKWASHER				4-X-14	16V
ZA 636	PLATE, TRUNNION				N-2450	1V
ZA 637	COVER ASSY.			40752500	N-2453	1V
ZA 638	WASHER, FELT			40724000	4-X-334	1V
ZA 639	WASHER, RETAINING			40724900	4-X-2171	1V
ZA 640	RING, SNAP			40756410	N-10814	1VX
ZA 641	BREATHER			40748800	N-1120	1V
ZA 642	PISTON & ROD ASSY, INCL. ZA643 THRU ZA649			40756345	N-10809-D	1VX
ZA 643	ROD, PISTON			40756350	N-10810-B	1VX
ZA 644	NUT, ROD			40721250	2-X-211	1V
ZA 645	SPACER, ROD				4-X-2200	1V
ZA 646	CUP, PISTON			40755210	N-10213	1V
ZA 647	PLATE, SPACER			40757850	N-11369	1VX
ZA 648	PLATE, BACKING			40755230	N-10214-A	1V
ZA 649	PLATE, INTERMEDIATE			40756370	N-10811	3VX
ZA 650	BOOT, ROD			40752450	C-2372	1V
	NOTE ZA634, ZA638, ZA640, ZA643, ZA646, ZA650, AVAILABLE AS A SERVICE REPAIR KIT RN-16-AE			40735010		1



PARTS LIST

ISSUE NO. 01, 1970

MODEL 88B PAGE 23- 46
DATE 040770

CAT. REF.	DESCRIPTION	SERIAL NO.		PART NO.	REPLACE OR VENDOR NO.	REQ.
		FROM	TO/INCL.			
	028					
ZA	BRAKE CHAMBER ZA651 DWG. ZA717 - RIGHT & LEFT STEERING JAW CLUTCHES					
ZA 651	CHAMBER COMP. BWAAB			29276460	215646	1V
ZA 652	PLATE, PRESSURE				202883	1V
ZA 653	CAPSCREW				203151	12V
ZA 653	NUT				214151	12V
ZA 654	DIAPHRAGM			29120140	200014	1V
ZA 655	SPRING, PUSH ROD			29247470	212747	1V
ZA 656	ROD, PUSH				215358	1V
ZA 657	NUT, ROD				203575	1V
ZA 658	YOKE, ROD INCL. ZA659			29179480	205948	1VX
ZA 659	PIN, YOKE FOR ZA658					1
ZA 660	SEAL, SCRAPER			29268470	214847	1V
ZA 661	SPRING, SEAL			29268420	214842	1V
ZA 662	PLATE, NON-PRESSURE INCL. ZA663				220008	1V
ZA 663	STUD			29151081	203199	2V
ZA 663	NUT			29147530	203005	2V
ZA 663	LOCKWASHER			29147509	202984	2V



PARTS LIST

ISSUE NO. 01, 1970

MODEL 88B PAGE 23- 47
DATE 040770

CAT. REF.	DESCRIPTION	SERIAL NO.		PART NO.	REPLACE OR VENDOR NO.	REQ.
		FROM	TO/INCL.			
	029					
ZA	BRAKE CHAMBER ZA664					
	DWG. ZA718 FOR					
	TRANSMISSION SHOE					
	BRAKE					
ZA 664	CHAMBER COMP. BWAAB			29348290	222829	1V
ZA 665	PLATE, PRESSURE				210812	1V
ZA 666	CAPSCREW				203151	16V
ZA 666	NUT				214151	16V
ZA 667	DIAPHRAGM			29132710	201271	1V
ZA 668	SPRING, PUSH ROD			29245500	212550	1V
ZA 669	ROD, PUSH			29299890	217989	1V X
ZA 670	SEAL, SCRAPER			29268470	214847	1V
ZA 671	SPRING, SEAL			29268460	214846	1V
ZA 672	PLATE, NON-PRESSURE				217843	1V
	INCL. BOLT, NUT, & LOCKWASHER					



PARTS LIST

ISSUE NO. 01, 1970
 MODEL 888 PAGE 23- 48
 DATE 040770

CAT. REF.	DESCRIPTION	SERIAL NO.		PART NO.	REPLACE OR VENDOR NO.	REQ.
		FROM	TO/INCL.			
	030					
ZA	BRAKE CHAMBER ZA673 DWG. ZA719 FOR BOOM HOIST JAW CLUTCH					
ZA 673	CHAMBER COMP. BWAAB			29346130	222613	1V
ZA 674	PLATE, NON-PRESSURE INCL. ZA675				202937	1V
ZA 675	STUD				210751	2V
ZA 675	NUT			29147530	203005	2VX
ZA 675	LOCKWASHER			29147509	202984	2VX
ZA 676	ROD, PUSH				220896	1VX
ZA 681	SPRING, ROD			29250430	213043	1V
ZA 682	DIAPHRAGM			29147250	202725	1V
ZA 683	PLATE, PRESSURE				203039	1V
ZA 684	CAPSCREW				203146	10V
ZA 684	NUT				214150	10V



PARTS LIST

ISSUE NO. 01, 1970

MODEL 88B PAGE 23- 49
DATE 040770

CAT. REF.	DESCRIPTION	SERIAL NO.		PART NO.	REPLACE OR VENDOR NO.	REQ.
		FROM	TO/INCL.			
	031					
ZA	TRUNNION MOUNTED CYLINDER ZA739, ZA740 DWG. ZA725 FOR RIGHT & LEFT STEERING BRAKES & SHOVEL RETRACT BRAKES					
ZA 591	BOLT, ROD			40752450	C-2372	1V
ZA 596	WASHER, FELT			40724000	4-X-334	1V
ZA 597	WASHER, RETAINING			40724900	4-X-2171	1V
ZA 598	RING, SNAP				N-10814	1V
ZA 599	BREATHER			40748800	N-1120	1V
ZA 600	PISTON & ROD ASSY, INCL. ZA601 THRU ZA609					1
ZA 601	PISTON, ROD			40758400	N-11974	1V
ZA 602	NUT, ROD			40721250	2-X-211	1V
ZA 603	WASHER, COPPER			40725250	4-X-2309	1V
ZA 604	PISTON			40758320	N-11971-8	1V
ZA 605	CUP, PISTON			40758350	N-11972	1V
ZA 606	RING, EXPANDER			40760250	N-12851	1V
ZA 607	RETAINER, CUP			40758370	N-11973-A	1V
ZA 608	CAPSCREW			40722750	3-X-1089	6V
ZA 608	LOCKWASHER			79424745	4-X-15	6V
ZA 609	WASHER, FELT			40756435	N-10848-H	1V
ZA 734	CYLINDER				N-11984	1V
ZA 734	PLUG, PIPE				7-X-16	1V
ZA 735	COVER, TRUNNION				N-2727	1V
ZA 736	COVER, END INCL ZA596 THRU ZA598				N-2728	1V
ZA 737	STUD				14-X-1003	8V
ZA 737	NUT				2-X-30	16V
ZA 737	LOCKWASHER				4-X-14	16V
ZA 739	CYLINDER COMP, INCL.				N-3353	1V
	ZA591, ZA596 THRU ZA609, ZA734 THRU ZA737 FOR RIGHT & LEFT STEERING BRAKES					
ZA 740	CYLINDER COMP, INCL ZA591, ZA596 THRU ZA609, ZA734 THRU ZA737 FOR SHOVEL RETRACT BRAKE				N-3353	1V



PARTS LIST

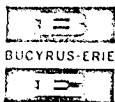
ISSUE NO. 01, 1970

MODEL 88B

PAGE 23- 50

DATE 040770

CAT. REF.	DESCRIPTION	SERIAL NO.		PART NO.	REPLACE OR VENDOR NO.	REQ.
		FROM	TO/INCL.			
	032					
ZA	TRUNNION MOUNTED CYLINDER ZA753 DWG.					
	ZA738 FOR SHOVEL RETRACT BRAKE					
ZA 593	CYLINDER			40753590	N-2859	1V
ZA 593	PLUG, PIPE				7-X-16	1V
ZA 594	COVER, TRUNNION			40753580		1
ZA 596	WASHER, FELT			40724000	4-X-334	1V
ZA 597	WASHER, RETAINING			40724900	4-X-2171	1V
ZA 598	RING, SNAP			40756410	N-10814	1V
ZA 601	ROD, PISTON			40758400	N-11974	1V
ZA 602	NUT, ROD			40721250	2-X-211	1V
ZA 603	WASHER, COPPER			40725250	4-X-2309	1V
ZA 605	CUP, PISTON			40758350	N-11972	2V
ZA 606	RING, EXPANDER			40760250	N-12851	2V
ZA 607	RETAINER, CUP			40758370	N-11973-A	1V
ZA 609	WASHER, FELT			40756435	N-10848-H	2VX
ZA 610	STUD			40730250	14-X-1010	4V
ZA 610	NUT			40723725	3-X-32	8V
ZA 610	LOCKWASHER			40721005	4-X-18	8V
ZA 753	CYLINDER COMPLETE			40018910	N-3556-C	1V
ZA 754	COVER, END			40753582	N-2857-A	1V
ZA 755	SEAL, COVER			40756400	N-10813	1V
ZA 756	PISTON & ROD, INCL					1
	ZA601 THRU ZA603, ZA605 THRU ZA607, ZA609, ZA757 THRU ZA759					
ZA 757	PISTON			40758340	N-11971-A	1V
ZA 758	PLATE, INTERMEDIATE			40761000	N-13122	1V
ZA 759	CAPSCREW			40722200	3-X-117	6V
ZA 759	LOCKWASHER			79424745	4-X-15	6V
ZA 760	SPRING, RETURN			40769800	XN-20089	1V
ZA 761	SEAT, SPRING				N-13123	1V
ZA 762	GASKET, CYLINDER				N-11980	1V
ZA 789	O-RING, COVER			40758180	N-11728-BM	1V
	NOTE ZA596, ZA605, ZA609, ZA755, ZA789, AVAILABLE AS A SERVICE REPAIR KIT RN-16-AU			40735150		1



PARTS LIST

ISSUE NO. 01, 1970

MODEL 88B PAGE 23- 51
DATE 040770

CAT. REF.	DESCRIPTION	SERIAL NO.		PART NO.	REPLACE OR VENDOR NO.	REQ.
		FROM	TO/INCL.			
	033					
ZA	TRUNNION MOUNTED CYLINDER ZA611 DWG.					
	ZA715 FOR RIGHT MAIN BRAKE ON DRAGLINE					
ZA 611	CYLINDER COMPLETE			40010000	N-3509	1V
ZA 612	BODY			40769750	N-20003	1V
ZA 613	COVER ASSY.			40750600	N-1664	1V
ZA 614	BEARING, COVER			40756750	N-10967	1V
ZA 615	WASHER, FELT			40723950	4-X-316	1V
ZA 616	WASHER, RETAINING			40724490	4-X-2023	1V
ZA 617	RING, SNAP			40750580	N-1662	1V
ZA 618	SCREW, COVER			40722420	3-X-336	11V
ZA 619	BREATHER			40754460	C-10066	1V
ZA 620	PACKING, HAIR			40733250	20-X-12	1V
ZA 621	BAFFLE			40754570	C-10067	1V
ZA 622	PISTON & ROD ASSY,					1
	INCL ZA623 THRU ZA630					
ZA 623	ROD,PISTON INCL ZA624			40758030	N-11441-A	1VX
ZA 624	NUT, ROD			40721000	2-X-29	1V
ZA 625	WASHER, COPPER			40724500	4-X-2024	1V
ZA 626	CUP, PISTON			40757900	N-11373-A	1V
ZA 627	PLATE, BACKING			40758000	N-11437	1VX
ZA 628	RING, FELT			40756450	N-10848-E	1VX
ZA 629	SPACER, PISTON			40725100	4-X-2246	1V
ZA 630	PLATE, INTERMEDIATE			40755950	N-10564	1V
ZA 631	BOOT, ROD			40747900	C-256	1V



PARTS LIST

ISSUE NO. 01, 1970

MODEL 88B

PAGE 23- 52

DATE 040770

CAT. REF.	DESCRIPTION	SERIAL NO.		PART NO.	REPLACE OR VENDOR NO.	REQ.
		FROM	TO/INCL.			
	034					
ZA	DUPLEX AIR VALVE ZA769 DWG. ZA745					
	IND. BOOM HOIST CLUTCH SETTING, BRAKE RELEASING & PAWL DISENGAGING					
ZA 423	BODY ASSY.			79426370	N-2657	1V
ZA 423	PLUG, PIPE				7-X-15	1V
ZA 424	CAP, BODY			79426250	N-2613	1V
ZA 425	YOKE & TRUNNION			79426180	N-2568-B	1V
ZA 426	TRUNNION, ROD				N-2563-A	1V
ZA 426	PIN, COTTER				6-X-117	2V
ZA 429	POPPET VALVE ASSY.			79420770	N-2446-E	1V
ZA 430	STUD				14-X-1031	8V
ZA 430	NUT				2-X-203	8V
ZA 430	LOCKWASHER				4-X-11	8V
ZA 431	YOKE, CONTROL			79428350	N-11204	1V
ZA 432	SPRING, RETURN			79428330	N-11201	1V
ZA 433	SCREW, TRUNNION			79424690	3-X-1070	2V
ZA 434	SPACER, SCREW			79428340	N-11202	2V
ZA 435	SHAFT, ROD			79428240	N-11190-A	2
ZA 436	ROD, REACH			79428250	N-11191	2V
ZA 436	NUT				2-X-30	2V
ZA 437	PIN, TRUNNION			79428650	N-11372	1V
ZA 438	SPRING, RETURN			40759000	N-12407	1V
ZA 439	BRACKET, TRUNNION			79426260	N-2614	1V
ZA 439	SCREW, SET			40722280	3-X-225	1V
ZA 440	STUD				14-X-1031	2V
ZA 440	NUT				2-X-303	2V
ZA 440	LOCKWASHER				4-X-11	2V
ZA 441	GASKET, BRACKET			79428390	N-11208	2V
ZA 442	HANDLE ASSY.			40757770	N-11318	1V
ZA 444	SCREW, COVER			79424670	3-X-334	4V
ZA 444	LOCKWASHER			79424745	4-X-15	4V
ZA 445	CAP, SLIDING			79426155	N-2564-A	1V
ZA 446	SPRING, TENSION			79429200	C-11927-A	1V
ZA 447	WASHER, CUP			79428280	N-11194	1V
ZA 448	SPRING ASSY.			79427740	N-10842-J	2V
ZA 449	CUP, ROD			79427750	N-10843-B	2V
ZA 450	CUP, RETAINER			40756430	N-10845-A	2V
ZA 451	SPRING			40751500	NP1936-G	2V
ZA 452	SCREW, SPRING			79427760	N-10844	2V
ZA 452	LOCKWASHER				4-X-11	2V
ZA 453	WASHER, THRUST			79426000	4-X-2194	2V
ZA 454	PISTON ASSEMBLY			79428550	N-11349-B	2V
ZA 455	WASHER, SUPPORT			79428290	N-11198	2V
ZA 456	SEAL, PISTON			79428310	N-11199	2V
ZA 457	WASHER, SEAL			79428450	N-11322	2V
ZA 458	RING, EXPANDER			79430850	N-12805	2V
ZA 459	NUT, RETAINER			79428320	N-11200-B	2V
ZA 460	SPRING, VALVE			79428300	N-11195-A	2V
ZA 461	VALVE & CAGE ASSY.			40757700	N-11087-A	2V



PARTS LIST

ISSUE NO. 01, 1970

MODEL 888

PAGE 23- 53

DATE 040770

CAT. REF.	DESCRIPTION	SERIAL NO.		PART NO.	REPLACE OR VENDOR NO.	REQ.
		FROM	TO/INCL.			
	034					
ZA 462	VALVE & RETAINER ASSY			40751650	N-1941-C	2V
ZA 463	DISC, INLET VALVE			79427940	N-10949	2V
ZA 464	CAGE			79427910	N-10946-A	2V
ZA 465	SPRING			79428200	N-11162-A	2V
ZA 466	NUT, STOP				2-X-5501	2V
ZA 467	GASKET, COVER			79427950	N-10952-A	4V
ZA 468	BODY, UPPER HALF			79427520	N-10797-A	1V
ZA 469	SEAL, PLUNGER			79427800	N-10919-C	1V
ZA 470	PLUNGER ASSY.			79427600	N-10801	1V
ZA 471	SPRING, RETURN			79427550	N-10800	1V
ZA 472	WASHER, PLUNGER			79425900	4-X-2166	1V
ZA 473	RING, LOCK			79426820	C-10074	1V
ZA 474	BODY, LOWER HALF			79427530	N-10798	1V
ZA 475	CAPSCREW				3-X-1065	4V
ZA 475	LOCKWASHER				4-X-40	4V
ZA 476	GASKET			79427700	N-10805	2V
ZA 477	SEAL & RETAINER			79428800	C-11472-A	1V
ZA 478	SPRING, RETURN			79427850	N-10923	1V
ZA 479	CAP, END				N-10806-B	1V
ZA 480	SLEEVE, ANCHOR			79430910	N-12811	1V
ZA 481	BOOT, CHAMBER			79427130	N-10499	1V
ZA 482	BRACKET, VALVE			79429480	N-12124	1V
ZA 482	SCREW, SET			40722280	3-X-225	1V
ZA 483	SCREW, SET			79424650	3-X-230	1V
ZA 483	NUT, JAM				2-X-200	1V
ZA 485	SCREW			79424680	3-X-411	4V
ZA 485	LOCKWASHER				4-X-40	4V
ZA 769	VALVE COMPLETE			79422870	N-3603	1V
ZA 770	BRACKET, MOUNTING			79428360	N-11205	1V
ZA 771	COVER, VALVE			79424500	N-20207-A	1V
	NOTE ZA441, ZA454, THRU ZA467, AVAILABLE AS A SERVICE REPAIR KIT RN-23-D			79425147		1
	NOTE ZA469, ZA476, ZA477, ZA478, ZA481, AVAILABLE AS A SERVICE REPAIR KIT RN-18-B			79425080		1



PARTS LIST

ISSUE NO. 01, 1970

MODEL 88B
DATE 040770

PAGE 23- 54

CAT. REF.	DESCRIPTION	SERIAL NO.		PART NO.	REPLACE OR VENDOR NO.	REQ.
		FROM	TO/INCL.			
	035					
ZA	POPPET VALVE ZA320 DWG. ZA746 FOR ENGINE POWER TAKE-OFF CONTROL					
ZA 320	VALVE COMPLETE			79420900	N-2447-U	1V
ZA 1404	PLUNGER ASSY.			79427600	N-10801	2V
ZA 1405	SPRING, PLUNGER			79427560	N-10800-A	2V
ZA 1406	WASHER, PLUNGER			79425900	4-X-2166	2V
ZA 1407	RING, LOCK			79426820	C-10074	2V
ZA 1408	SEAL & RETAINER			79428800	C-11472-A	2V
ZA 1409	BODY, LOWER			79427530	N-10798	2V
ZA 1410	SPRING, SEAL			79427850	N-10923	2V
ZA 1411	WASHER, SPRING			79424900	4-X-291	2V
ZA 1412	MANIFOLD			79427820	N-10900	1V
ZA 1413	CAPSCREW				3-X-1065	8V
ZA 1413	LOCKWASHER				4-X-40	8V
ZA 1414	CAPSCREW				3-X-177	8V
ZA 1414	LOCKWASHER				4-X-40	8V
ZA 1415	GASKET, BODY			79427700	N-10805	4V
ZA 1416	BODY, UPPER			79427520	N-10797-A	2V
ZA 1417	SEAL, BODY			79427800	N-10919-C	2V
ZA 1418	KNOB, LEVER			82593500	C-12101	1V
ZA 1419	ROD, LEVER				14-X-1023	1V
ZA 1419	NUT, LOCK				2-X-343	1V
ZA 1420	BRACKET, MOUNTING				N-20059-A	1V
ZA 1421	LEVER, VALVE				N-12965-A	1V
ZA 1422	PIN, LEVER				N-12966	1V
ZA 1423	RING, SNAP			79425200	51-X-14	2V
	NOTE ZA1408, ZA1410, ZA1415, ZA1417			79425070		1
	AVAILABLE AS A SERVICE REPAIR KIT RN-18-A					



PARTS LIST

ISSUE NO. 01, 1970

MODEL 88B PAGE 23- 55
 DATE 040770

CAT. REF.	DESCRIPTION	SERIAL NO.		PART NO.	REPLACE OR VENDOR NO.	REQ.
		FROM	TO/INCL.			
	036					
ZA	ROTATING DOUBLE UNION DEUBLIN 1595-ZA723 DWG. ZA952					
ZA	1 ROTATING DOUBLE UNION COMP.-DEUBLIN			82961590	1595	1VX
ZA	2 ROTOR, RIGHT HAND			82961755	1595-15	1V
ZA	3 PLUG, PIPE				1595-16	1V
ZA	4 HOUSING				1595-4	1V
ZA	5 O-RING			82961749	1595-9	1V
ZA	6 RETAINER				1595-6	1V
ZA	7 RING, SNAP				2200-6	1V
ZA	8 BEARING, BALL			82961751	1595-11	1V
ZA	9 RING, SNAP				2200-9	1V
ZA	10 O-RING			82961748	1595-8	3V
ZA	11 COVER, O-RING			82961747	1595-7	1V
ZA	12 CAP				1595-5	1V
ZA	13 BEARING, BRONZE			82961750	1595-10	1V
ZA	14 PLATE, NAME				1595-14	1V
ZA	15 SCREW, PLATE					2
ZA	16 CAPSCREW				1595-13	3V



PARTS LIST

ISSUE NO. 01, 1970

MODEL 888 PAGE 23- 56
DATE 040770

CAT. REF.	DESCRIPTION	SERIAL NO.		PART NO.	REPLACE OR VENDOR NO.	REQ.
		FROM	TO/INCL.			
	037					
ZA	RELAY VALVE-MIDLAND N-2458 ZA-916, DRAWING ZA750					
ZA 916	VALVE COMPLETE- MIDLAND			79421320	N-2458	1VX
ZA 1361	NUT, VALVE				2-X-5501	1VX
ZA 1362	GUIDE ASSEMBLY SEE KIT A			40754850		1 X
ZA 1363	SPRING, VALVE SEE KITA			79425620		1 X
ZA 1364	COVER, VALVE				N-10153	1VX
ZA 1365	CAPSCREW				3-X-1027	4VX
ZA 1366	LOCKWASHER				4-X-11	4VX
ZA 1367	GASKET, COVER			79426880		1 X
ZA 1368	DIAPHRAGM, VALVE SEE KIT A			40754150		1 X
ZA 1369	PLATE, DIAPHRAGM			79427480		2 X
ZA 1370	SPRING, DIAPHRAGM SEE KIT A			79427900		1 X
ZA 1371	COVER, DIAPHRAGM			79426860		1 X
ZA 1372	PLUNGER, VALVE			79427730		1 X
ZA 1373	NUT, PLUNGER				2-X-39	1 X
ZA 1374	SEAL, BLOCK SEE KIT A			79430100		1 X
ZA 1375	RETAINER, SEAL SEE KIT A			79433730		1 X
ZA 1376	BODY, VALVE				N-2237	1VX
ZA 1377	GASKET, BODY			79429650		1 X
ZA 1378	PLUG, SHIPPING				8-X-32	1VX
ZA 1379	BODY, VALVE				N-10835	1VX
ZA 1380	PLUG, SHIPPING				8-X-39	3VX
ZA 1381	CAPSCREW				3-X-1041	4VX
ZA 1382	NUT, CAPSCREW				2-X-303	4VX
ZA 1383	LOCKWASHER				4-X-11	4VX
ZA 1384	CAPSCREW				3-X-1060	2VX
ZA 1385	NUT, CAPSCREW				2-X-303	2VX
ZA 1386	LOCKWASHER				4-X-11	2VX
ZA 1387	BRACKET, MOUNTING				C-12181	1VX
ZA 1388	RETAINER ASSEMBLY SEE KIT A			40751620		1 X
	SERVICE REPAIR KIT A- INCLUDES ZA1362, ZA1363, ZA1368, ZA1370, ZA1374, ZA1375, ZA1388			79425100	RN20	1V



PARTS LIST

ISSUE NO. 01, 1970

MODEL 88B PAGE 23- 57
DATE 040770

CAT. REF.	DESCRIPTION	SERIAL NO.		PART NO.	REPLACE OR VENDOR NO.	REQ.
		FROM	TO/INCL.			
	038					
ZA	SINGLE ACTING POPPET VALVE ZA791 DWG. ZA771 FOR TRANSMISSION SHOE BRAKE WITH INDEPENDENT BOOM HOIST					
ZA 387	CAM, OPERATING			79427790	N-10849	1V
ZA 388	WASHER, CAM			79424750	4-X-21	1V
ZA 393	BRACKET, MOUNTING				N-10850-B	1V
ZA 395	SEAL, PLUNGER			79427800	N-10919-C	1V
ZA 396	PLUNGER, VALVE			79427600	N-10801	1V
ZA 398	WASHER, PLUNGER			79425900	4-X-2166	1V
ZA 399	RING, LOCK			79426820	C-10074	1V
ZA 400	SEAL & RETAINER			79428800	C-1147A-2	1V
ZA 402	SPRING, RETURN			79427850	N-10923	1V
ZA 405	CAPSCREW				3-X-1065	4V
ZA 405	LOCKWASHER				4-X-40	4V
ZA 406	GASKET, MANIFOLD			79427700	N-10805	2V
ZA 407	CAPSCREW				3-X-177	3V
ZA 407	LOCKWASHER				4-X-40	3V
ZA 408	SLEEVE, CAM			79427500	N-10770-C	1V
ZA 409	CAPSCREW				3-X-124	1V
ZA 409	NUT				2-X-30	1V
ZA 409	LOCKWASHER				4-X-14	1V
ZA 410	KNOB, HANDLE			82593500	C-12101	1V
ZA 791	VALVE COMP, MIDLAND			79421300	N-2448-F	1V
ZA 792	BODY, UPPER HALF INCL ZA395, ZA398, ZA399				N-10797-A	1V
ZA 793	SPRING, RETURN			79427560	N-10800-A	1V
ZA 794	BODY, LOWER HALF				N-10798-A	1V
ZA 795	CAP, END				N-10806	1V
ZA 796	ROD, LEVER				N-12631-A	1V
ZA 796	NUT				2-X-343	1V
	NOTE ZA395, ZA400, ZA402, ZA406, AVAILABLE AS A SERVICE REPAIR KIT RN-18			79425060		1



PARTS LIST

ISSUE NO. 01, 1970

MODEL 88B

PAGE 23- 58

DATE 040770

CAT. REF.	DESCRIPTION	SERIAL NO.		PART NO.	REPLACE OR VENDOR NO.	REQ
		FROM	TO/INCL.			
	039					
ZA	DUPLEX AIR VALVE MIDLAND N-3604 ZA415					
	DWG. ZA772 - RIGHT & LEFT TRANSMISSION REVERSE CLUTCHES					
ZA 415	VALVE COMP, MIDLAND			79422900	79422970	1DX
ZA 423	BODY ASSY.			79426370	N-2657	1V
ZA 423	PIPE PLUG				7-X-12	1V
ZA 423	BODY, VALVE				N-3288	1V
ZA 424	CAP ASSY, INCL			79426250	N-2613	1V
ZA 424	PIPE PLUG				7-X-12	1V
ZA 424	CAP, VALVE				N-2562	1V
ZA 427	YOKE & TRUNNION ASSY.			79426190	N-2568-C	1V
ZA 428	TRUNNION, PUSHROD			79426140	N-2563	1V
ZA 430	STUD, CAP				14-X-1031	8V
ZA 430	NUT, STUD				2-X-303	8V
ZA 430	LOCKWASHER				4-X-11	8V
ZA 431	YOKE, CONTROL			79428350	N-11204	1V
ZA 432	SPRING, YOKE			79428330	N-11201	1V
ZA 433	SCREW, TRUNNION			79424690	3-X-1070	2V
ZA 434	BUSHING, SCREW			79428340	N-11202	2V
ZA 435	SHAFT, PUSH-ROD			79428240	N-11190-A	2V
ZA 436	PUSH-ROD			79428250	N-11191	2V
ZA 436	NUT, PUSH-ROD				2-X-30	2V
ZA 437	PIN, TRUNNION			79428650	N-11372	1V
ZA 438	SPRING, TRUNNION			40759000	N-12407	2V
ZA 439	BRACKET, ASSY.			79426260	N-2614	1V
ZA 439	PIPE PLUG				7-X-12	1V
ZA 439	BRACKET				N-2561	1V
ZA 440	STUD, BRACKET				14-X-1031	2V
ZA 440	NUT, STUD				2-X-303	2V
ZA 440	LOCKWASHER				4-X-11	2V
ZA 441	GASKET, TRUNNION			79428390	N-11208	2V
ZA 442	HANDLE, VALVE			40757770	N-11318	1V
ZA 444	SCREW, COVER			79424670	3-X-334	4V
ZA 444	LOCKWASHER			79424745	4-X-15	4V
ZA 445	CAP, SLIDING			79426155	N-2564-A	1V
ZA 446	SPRING, CAP			79429200	C-11927-A	1V
ZA 447	WASHER, CUP			79428280	N-11194	1V
ZA 448	SPRING ASSY.			79427740	N-10842-J	2V
ZA 449	CUP, ROD			79427750	N-10843-B	2V
ZA 450	CUP, RETAINER			40756430	N-10845-A	2V
ZA 451	SPRING			40751500	N-1936-G	2V
ZA 452	SCREW, SPRING			79427760	N-10844	2V
ZA 452	LOCKWASHER				4-X-11	2V
ZA 453	WASHER, THRUST			79426000	4-X-2194	2V
ZA 454	PISTON ASSY.			79428550	N-11349-B	2V
ZA 455	WASHER, SUPPORT			79428290	N-11198	2V
ZA 456	CUP, PISTON			79428310	N-11199	2V
ZA 457	WASHER, PISTON			79428450	N-11322	2V
ZA 458	RING, EXPANDER			79430850	N-12805	2V
ZA 459	NUT, RETAINER			79428320	N-11200-B	2V



PARTS LIST

ISSUE NO. 01, 1970

MODEL 88B

PAGE 23- 60

DATE 040770

CAT. REF.	DESCRIPTION	SERIAL NO.		PART NO.	REPLACE OR VENDOR NO.	REQ.
		FROM	TO/INCL.			
	040					
ZA	DUPLEX AIR VALVE MIDLAND N-3506 ZA415					
	DWG. ZA772 - RIGHT & LEFT TRANSMISSION REVERSE CLUTCHES					
ZA 415	VALVE COMP, MIDLAND			79422000	N-3506	1VX
ZA 423	BODY ASSY, INCL.ZA430			79426370	N-2657	1V
ZA 423	PIPE PLUG				7-X-12	1V
ZA 423	BODY, VALVE				N-3288	1V
ZA 424	CAP ASSY.			79426250	N-2613	1V
ZA 424	PIPE PLUG				7-X-12	1V
ZA 424	CAP, VALVE				N-2562	1V
ZA 427	YOKE & TRUNNION ASSY.			79426190	N-2568-C	1V
ZA 428	TRUNNION, PUSH-ROD			79426140	N-2563	1V
ZA 430	STUD, CAP				14-X-1031	8V
ZA 430	NUT, STUD				2-X-303	8V
ZA 430	LOCKWASHER				4-X-11	8V
ZA 431	YOKE, CONTROL			79428350	N-11204	1V
ZA 432	SPRING, YOKE			79428330	N-11201	1V
ZA 433	SCREW, TRUNNION			79424690	3-X-1070	2V
ZA 434	BUSHING, SCREW			79428340	N-11202	2V
ZA 435	SHAFT, PUSH-ROD			79428240	N-11190-A	2V
ZA 436	PUSH-ROD			79428250	N-11191	2V
ZA 436	NUT, PUSH-ROD				2-X-30	2V
ZA 437	PIN, TRUNNION			79428650	N-11372	1V
ZA 438	SPRING, TRUNNION			40759000	N-12407	2V
ZA 439	BRACKET ASSY.			79426260	N-2614	1V
ZA 439	PIPE PLUG				7-X-12	1V
ZA 439	BRACKET				N-2561	1V
ZA 440	STUD, BRACKET				14-X-1031	2V
ZA 440	NUT, STUD				2-X-303	2V
ZA 440	LOCKWASHER				4-X-11	2V
ZA 441	GASKET, TRUNNION			79428390	N-11208	2V
ZA 442	HANDLE, VALVE			40757770	N-11318	1V
ZA 444	SCREW, COVER			79424670	3-X-334	4V
ZA 444	LOCKWASHER			79424745	4-X-15	4V
ZA 445	CAP, SLIDING			79426155	N-2564-A	1V
ZA 446	SPRING, CAP			79429200	C-11927-A	1V
ZA 447	WASHER, CUP			79428280	N-11194	1V
ZA 448	SPRING ASSY.			79427740	N-10842-J	2V
ZA 449	CUP, ROD			79427750	N-10843-B	2VX
ZA 450	CUP, RETAINER			40756430	N-10845-A	2V
ZA 451	SPRING			40751500	N-1936-G	2V
ZA 452	SCREW, SPRING			79427760	N-10844	2V
ZA 452	LOCKWASHER				4-X-11	2V
ZA 453	WASHER, THRUST			79426000	4-X-2194	2V
ZA 454	PISTON ASSY.			79428550	N-11349-B	2V
ZA 455	WASHER, SUPPORT			79428290	N-11198	2V
ZA 456	CUP, PISTON			79428310	N-11199	2V
ZA 457	WASHER, PISTON			79428450	N-11322	2V
ZA 458	RING, EXPANDER			79430850	N-12805	2V
ZA 459	NUT, RETAINER			79430320	N-11200-B	2V



PARTS LIST

ISSUE NO. 01, 1970

MODEL 88B

PAGE 23- 61

DATE 040770

CAT. REF.	DESCRIPTION	SERIAL NO.		PART NO.	REPLACE OR VENDOR NO.	REQ.
		FROM	TO/INCL.			
	040					
ZA 460	SPRING, RELEASE			79428300	N-11195-A	2V
ZA 461	CAGE, ASSY.			40757700	N-11087-A	2V
ZA 462	RETAINER, VALVE			40751650	N-1941-C	2V
ZA 463	DISC, VALVE			79427940	N-10949	2V
ZA 464	CAGE, VALVE			79427910	N-10946-A	2V
ZA 465	SPRING, VALVE			79428200	N-11162-A	2V
ZA 466	NUT, STOP				2-X-5501	2V
ZA 467	GASKET, CAP			79427950	N-10952-A	4V
ZA 772	COVER, VALVE			79421400	N-2560	1V
	NOTE ZA441, ZA454 THRU ZA465, ZA467 AVAILABLE AS A SERVICE REPAIR KIT RN-23-D			79425147		1



PARTS LIST

ISSUE NO. 01, 1970

MODEL 88B PAGE 23- 62
DATE 040770

CAT. REF.	DESCRIPTION	SERIAL NO.		PART NO.	REPLACE OR VENDOR NO.	REQ.
		FROM	TO/INCL.			
	041					
ZA	DUPLEX AIR VALVE W/POPPET VALVE					
	MIDLAND N-3505A ZA414 DWG. ZA773 - CROWD & RETRACT CLUTCHES & DIPPER TRIP					
ZA 414	VALVE COMP, MIDLAND			79421610	N-3505A	1V
ZA 420	COVER, VALVE				N-10947-E	2V
ZA 423	BODY ASSY.			79426370		1
ZA 423	PIPE PLUG				7-X-12	1V
ZA 423	BODY, VALVE				N-3288	1V
ZA 425	YOKE & TRUNNION ASSY.			79426180		1
ZA 426	TRUNNION, PUSH-ROD			79426150	N-2563-A	1V
ZA 429	POPPET VALVE ASSY.			79420770	N-2446-E	1V
ZA 430	STUD, CAP				14-X-1031	8V
ZA 430	NUT, STUD				2-X-303	8V
ZA 430	LOCKWASHER				4-X-11	8V
ZA 431	YOKE, CONTROL			79428350	N-11204	1V
ZA 432	SPRING, YOKE			79428330	N-11201	1V
ZA 433	SCREW, TRUNNION			79424690	3-X-1070	2V
ZA 434	BUSHING, SCREW			79428340	N-11202	2
ZA 435	SHAFT, PUSH-ROD			79428240	N-11190-A	2V
ZA 436	PUSH-ROD			79428250	N-11191	2V
ZA 436	NUT, PUSH-ROD				2-X-30	2V
ZA 437	PIN, TRUNNION			79428650	N-11372	1V
ZA 438	SPRING, TRUNNION			40759000	N-12407	2V
ZA 439	BRACKET ASSY.			79426260	N-2614	1V
ZA 439	PIPE PLUG				7-X-12	1V
ZA 439	BRACKET				N-2561	1V
ZA 440	STUD, BRACKET				14-X-1031	4V
ZA 440	NUT, STUD				2-X-303	4V
ZA 440	LOCKWASHER				4-X-11	4V
ZA 441	GASKET, TRUNNION			79428390	N-11208	2V
ZA 441	SEE KIT 1					
ZA 442	HANDLE VALVE			40757770	N-11318	1V
ZA 443	COVER, VALVE			79426100	N-2560-C	1V
ZA 444	SCREW, COVER			79424670	3-X-334	4V
ZA 444	LOCKWASHER			79424745	4-X-15	4V
ZA 445	CAP, SLIDING			79426155	N-2564-A	1V
ZA 446	SPRING, CAP			79429200	C-11927-A	1V
ZA 447	WASHER, CUP			79428280	N-11194	1V
ZA 448	SPRING, ASSY.			79427740	N-10842-J	2V
ZA 449	CUP, ROD			79427750	N-10843-B	2V
ZA 450	CUP, RETAINER			40756430	N-10845-A	2V
ZA 451	SPRING			40751500	N-1936-G	2V
ZA 452	SCREW, SPRING			79427760	N-10844	2V
ZA 452	LOCKWASHER				4-X-11	2
ZA 453	WASHER, THRUST			79426000	4-X-2194	2V
ZA 454	PISTON ASSY, SEE KIT 1			79428550	N-11349-B	2V
ZA 455	WASHER, SUPPORT			79428290	N-11198	2V
	SEE KIT 1					
ZA 456	CUP, PISTON SEE KIT 1			79428290	N-11199	2V



PARTS LIST

ISSUE NO. 01, 1970

MODEL 88B

PAGE 23- 63

DATE 040770

CAT. REF.	DESCRIPTION	SERIAL NO.		PART NO.	REPLACE OR VENDOR NO.	REQ.
		FROM	TO/INCL.			
	041					
ZA 457	WASHER, PISTON SEE KIT 1			79428450	N-11322	2V
ZA 458	RING, EXPANDER SEE KIT 1			79430850	N-12805	2V
ZA 459	NUT, RETAINER SEE KIT 1			79428320	N-11200-B	2V
ZA 460	SPRING, RELEASE SEE KIT 1			79428300	N-11195A	2V
ZA 461	CAGE, ASSY, SEE KIT 1			40757700	N-11087-A	2V
ZA 462	RETAINER, VALVE SEE KIT 1			40751650	N-1941-C	2V
ZA 463	DISC, VALVE SEE KIT 1			79427940	N-10949	2V
ZA 464	CAGE, VALVE SEE KIT 1			79427910	N-10946-A	2V
ZA 465	SPRING, VALVE SEE KIT 1			79428200	N-11162-A	2V
ZA 466	NUT, STOP SEE KIT 1				2-X-5501	2V
ZA 467	GASKET, CAP SEE KIT 1			79427950	N-10952-A	4V
ZA 468	BODY, UPPER			79427520	N-10797-A	1V
ZA 469	SEAL, PLUNGER SEE KIT 2			79427800	N-10919-C	1V
ZA 470	PLUNGER ASSY.			79427600	N-10801	1V
ZA 471	SPRING, RETURN			79427550	N-10800	1V
ZA 472	WASHER, PLUNGER			79425900	4-X-2166	1V
ZA 473	RING, LOCK			79426820	C-10074	1V
ZA 474	BODY, LOWER			79427530	N-10798	1V
ZA 475	SCREW, BODY				3-X-1065	4V
ZA 475	LOCKWASHER				4-X-40	4V
ZA 476	GASKET, CAP SEE KIT 2			79427700	N-10805	2V
ZA 477	RETAINER ASSY. SEE KIT 2			79428800	C-11472-A	1V
ZA 478	SPRING, RETURN SEE KIT 2			79427850	N-10923	1V
ZA 479	CAP, END				N-10806	1V
ZA 480	SLEEVE, BOOT			79430910	N-12811	1V
ZA 481	BOOT, VALVE SEE KIT 2			79427130	N-10499	1V
ZA 482	BRACKET, VALVE			79429480	N-12124	1V
ZA 483	SCREW, SET			79424650	3-X-230	1V
ZA 483	NUT, JAM				2-X-200	1V
ZA 484	BRACKET, MOUNTING				N-11205-A	1V
ZA 485	SCREW, BRACKET				3-X-411	4VX
ZA 485	LOCKWASHER				4-X-40	4VX
ZA 1467	PISTON				N1937C	1VX
ZA 1468	SCREW, SET				3-X-225	1VX
	NOTE-ZA441, ZA454 THRU ZA467 AVAILABLE AS A SERVICE REPAIR KIT			79425147	RN-23-D	1V
	NOTE-ZA469, ZA476 THRU ZA478, ZA481 AVAILABLE AS A SERVICE REPAIR KIT			79425080	RN-18-B	1V



PARTS LIST

ISSUE NO. 01, 1970
MODEL 888 PAGE 23- 64
DATE 040770

CAT. REF.	DESCRIPTION	SERIAL NO.		PART NO.	REPLACE OR VENDOR NO.	REQ.
		FROM	TO/INCL.			
	042					
ZA	BRAKE CHAMBER ZA677 DWG. ZA774 - SHOVEL DIPPER TRIP					
ZA 677	CHAMBER COMP, -BWAAB			29362250	224225	1V
ZA 678	PLATE, NON-PRESSURE INCL. ZA679				202937	1V
ZA 679	STUD			29151081	203199	2V
ZA 679	NUT			29147530	203005	2V
ZA 679	LOCKWASHER			29147509	202984	2V
ZA 680	ROD, REACH			29274480	215448	1V
ZA 681	SPRING, ROD			29250430	213043	1V
ZA 682	DIAPHRAGM			29147250	202725	1V
ZA 683	PLATE, PRESSURE				203039	1V
ZA 684	CAPSCREW				203146	10V
ZA 684	NUT				214150	10V



PARTS LIST

ISSUE NO. 01, 1970

MODEL 888

PAGE 23- 65

DATE 040770

CAT. REF.	DESCRIPTION	SERIAL NO.		PART NO.	REPLACE OR VENDOR NO.	REQ.
		FROM	TO/INCL.			
	043					
ZA	VITALIZER NORRGREN 83-DB-B4 ZA178 DWG. ZA807					
ZA	1 VITALIZER COMP.			57406310	83-DB-B4	1V
ZA	2 FILTER, AIR COMP.				30-AE-4	1V
ZA	3 BOWL, ASSY.			46197600	22B4-52A	1V
ZA	4 DEFLECTOR				30AE14-4	1V
ZA	5 COCK, DRAIN			57430040	22B4-62	1V
ZA	6 FILTER				30AE17-4	1V
ZA	7 GASKET				30AE13	1V
ZA	8 GASKET			57430250	0-41-L23C	1VX
ZA	9 O-RING			57430030	20AA85	1V
ZA	10 CLAMP ASSY. INCL. ITEMS 11 THRU 18			57430160	30AE16-4	1VX
ZA	11 BALL, CHAIN				33AJ17	1V
ZA	12 RETAINER, CLIP				30AE28-4	1V
ZA	13 INCL. CHAIN SCREW, DRIVE				20AE75	1V
ZA	14 PIN, SWIVEL NOT FURN. SEP.				30AE21	1V
ZA	15 RETAINER, CHAIN				33AJ18	1V
ZA	16 RING, HALF NOT FURN. SEP.				30AE15-4	1V
ZA	17 RING, HALF INCL. RETAINER NOT FURNISHED SEPAR-				30AE26-4	1V
ZA	18 ATELY SPRING				30AE19	1V
ZA	19 RING, RETAINING				30AE12	1V
ZA	20 SCREW, FILTER				30AE07-4	1V
ZA	21 LOCKWASHER				62AX4-54	1V
ZA	22 LUBRICATOR COMP.			57405850	30-41-4L	1V
ZA	23 BOWL, INCL. ITEM 24			57430360	10,299	1V
ZA	24 COCK, DRAIN			57430365	22B4-62	1V
ZA	25 DOME, FEED			57430290	10,216	1VX
ZA	26 GASKET, PLUG				11,314	2V
ZA	27 GASKET, RING			57430250	0-41-L23C	1VX
ZA	28 GASKET, DOME			57430349	10,298	1V
ZA	29 GASKET, RESERVOIR			46197700	0-41-L23	1V
ZA	30 O-RING			57430043	8G-25H	1V
ZA	31 O-RING				10,255	1V
ZA	32 PLUG, DIFFUSION				10AA22	1V
ZA	33 PLUG				10,244	1V
ZA	34 PLUG, ASSY.				400-L9	1V
ZA	35 INCL. ITEM 26 RING, CLAMP				0-41-L2A	1V
ZA	36 RING, CLAMP				10,217	1V
ZA	37 SCREW, ADJ. INCL. O-RING				10,221	1V
ZA	38 SCREW				0-41-L35	6V
ZA	39 TUBE, DRIP				10,223	1V
ZA	40 TUBE, SYPHON				20-40-L3A	1V
ZA	41 WASHER, SPRING				10,239	1V



PARTS LIST

ISSUE NO. 01, 1970

MODEL 888
DATE 040770

PAGE 23- 66

CAT. REF.	DESCRIPTION	SERIAL NO.		PART NO.	REPLACE OR VENDOR NO.	REQ.
		FROM	TO/INCL.			
	044					
ZA	TRUNNION MOUNTED CYLINDER ZA611 DWG.					
	ZA830 FOR RH MAIN BRAKE ON DRAGLINE					
ZA 611	CYLINDER COMP.			40010120	N-3819	1V
ZA 612	BODY, CYLINDER			40769750	N-20003	1V
ZA 613	COVER			40750600	N-1664	1V
ZA 614	BUSHING, COVER			40756750	N-10967	1V
ZA 615	WASHER, COVER			40723950	4-X-316	1V
ZA 616	WASHER, RETAINING			40724490	4-X-2023	1V
ZA 617	RING, SNAP			40750580	N-1662	1V
ZA 618	SCREW, COVER				3-X-308	8V
ZA 618	WIRE, LOCK				C-10003	1V
ZA 619	BREATHER			40754460	C-10066	1V
ZA 620	PACKING, HAIR			40733250	20-X-12	1V
ZA 621	BAFFLE, BREATHER			40754570	C-10067	1V
ZA 623	ROD, PISTON				N-11441-A	1V
ZA 624	NUT, PISTON			40721000	2-X-29	1V
ZA 626	CUP, PISTON				N-12696	1V
ZA 627	PLATE, PRESSURE				N-12563-G	1V
ZA 628	RING, FELT				N-10848-E	1V
ZA 630	PLATE, PISTON			40755950	N-10564	1V
ZA 631	BOOT, PISTON ROD			40747900	C-256	1V
ZA 906	PISTON CUP EXPANDER				N-12697	1V
ZA 907	O-RING, PLATE				N-11728-C	1V
ZA 908	SCREW, BAFFLE				22-X-10812	3V
	NOTE ZA615 THRU ZA618 ZA620, ZA626, ZA628, ZA631, ZA906 THRU ZA908 AVAILABLE AS A SERVICE REPAIR KIT			40735350	RN-16-BJ	1V

C

C

a



PARTS LIST

ISSUE NO. 01, 1970

MODEL 88B

PAGE 23- 67

DATE 040770

CAT. REF.	DESCRIPTION	SERIAL NO.		PART NO.	REPLACE OR VENDOR NO.	REQ.
		FROM	TO/INCL.			
	046					
ZA	DIPPER TRIP CYLINDER WESTINGHOUSE AIR BRAKE COMPONENT PARTS ONLY CATALOG REFERENCE NUMBER ZA1291 PART NUMBER 29011840 DRAWING ZA5941-ZA5971					
ZA 5941	CAPSCREW					4 X
ZA 5942	LOCKWASHER					4 X
ZA 5943	PLATE, RETAINER					4 X
ZA 5944	KIT, ROD CARTRIDGE WITH ROD BEARING				P106896-1	1VX
ZA 5945	KIT, ROD CARTRIDGE LESS ROD BEARING				P106896	1VX
ZA 5946	BEARING, ROD SERVICED ONLY IN KIT ZA5944					X
ZA 5947	WIPER, ROD SERVICED IN KITS ZA5944-ZA5945					X
ZA 5948	PACKING, U-ROD SERVICED IN KITS ZA5944-ZA5945					X
ZA 5949	O-RING, PISTON ROD SERVICED IN KITS ZA5944-ZA5945					X
ZA 5950	NUT, TIE ROD LOCK					4 X
ZA 5951	HEAD					1 X
ZA 5952	SCREW, DRIVE					2 X
ZA 5953	COVER, EXACTAJUST					1 X
ZA 5954	VALVE, EXACTAJUST NEEDLE & CHECK INCLUDES ZA5955					1 X
ZA 5955	O-RING, NEEDLE VALVE SERVICED IN KIT ZA5971					X
ZA 5956	O-RING, END COVER SERVICED IN KIT ZA5971					X
ZA 5957	RING, HEAD CUSHION RETAINING					1 X
ZA 5958	SEAL, HEAD CUSHION				P57306	1VX
ZA 5959	NUT, PISTON BEARING RETAINING					1 X
ZA 5960	BEARING, PISTON					1 X
ZA 5961	SEAL, PISTON-SERVICED IN KIT ZA5971					X
ZA 5962	O-RING, PISTON BEARING SERVICED IN KIT ZA5971					X
ZA 5963	BUSHING, HEAD CUSHION					1 X
ZA 5964	O-RING, HEAD CUSHION BUSHING-INCLUDED WITH					X



PARTS LIST

ISSUE NO. 01, 1970

MODEL 88B

PAGE 23- 68

DATE 040770

CAT. REF.	DESCRIPTION	SERIAL NO.		PART NO.	REPLACE OR VENDOR NO.	REQ.
		FROM	TO/INCL.			
	046					
ZA 5965	KIT ZA5944 OR ZA5945					1 X
	ROD, FEMALE PISTON					1 X
ZA 5966	ADAPTER, MALE PISTON					1 X
	ROD					1 X
ZA 5967	TUBE, CYLINDER					4 X
ZA 5968	ROD, TIE					1 X
ZA 5969	CAP					1 X
ZA 5970	BREATHER					1 X
ZA 5971	KIT, PISTON AND TUBE					1 X
	SEAL INCLUDES ZA5955,					
	ZA5956, ZA5961 AND					
	ZA5962 WHICH ARE ONLY					
	AVAILABLE IN KIT FORM					



PARTS LIST

ISSUE NO. 01, 1970
 MODEL 888 PAGE 23- 70
 DATE 040770

CAT. REF.	DESCRIPTION	SERIAL NO.		PART NO.	REPLACE OR VENDOR NO.	REQ.
		FROM	TO/INCL.			
	049					
ZA	BRAKE CHAMBER ZA664 DWG. ZA882					
	FOR TRANSMISSION SHOE BRAKE.					
ZA 664	CHAMBER COMP. BWAAB			29490086	275086	1V
ZA 665	PLATE, PRESSURE				225735	1V
ZA 666	RING, CLAMPING			29397034	227743	1V X
ZA 667	DIAPHRAGM			29449319	234189	1V
ZA 668	SPRING, PUSH ROD			29449322	234192	1V
ZA 669	ROD, PUSH			29490088	275088	1V
ZA 670	SEAL, SCRAPER			29242640	212264	1V
ZA 672	PLATE, NON-PRESSURE INCL. BOLT, NUT & WASHER				275090	1V



PARTS LIST

ISSUE NO. 01, 1970

MODEL 88B

PAGE 23- 71

DATE 040770

CAT. REF.	DESCRIPTION	SERIAL NO.		PART NO.	REPLACE OR VENDOR NO.	REQ.
		FROM	TO/INCL.			
	050					
ZA	BRAKE CHAMBER ZA685 DWG. ZA887 FOR RIGHT & LEFT MAIN BRAKE SAFETY LOCKS					
ZA 685	CHAMBER COMPLETE			29362270	227689	1VX
ZA 686	PLATE, PRESSURE				210890	1VX
ZA 687	RING, CLAMPING INCLUDES BOLT & NUT				231393	1VX
ZA 688	DIAPHRAGM				210816	1VX
ZA 689	SPRING, ROD				212738	1VX
ZA 690	ROD, PUSH				220630	1VX
ZA 693	PLATE, NON-PRESSURE INCLUDES BOLT, NUT & WASHER				223718	1VX



PARTS LIST

ISSUE NO. 01, 1970

MODEL 888 PAGE 23- 72
DATE 040770

CAT. REF.	DESCRIPTION	SERIAL NO.		PART NO.	REPLACE OR VENDOR NO.	REQ
		FROM	TO/INCL.			
	051					
ZA	BRAKE CHAMBER ZA685 DWG. ZA887 - RIGHT & LEFT MAIN BRAKE SAFETY LOCKS					
ZA 685	CHAMBER COMP.-BWAAB			29490179	275179	1V
ZA 686	PLATE, PRESSURE				225644	1V
ZA 687	RING, CLAMPING INCL. BOLT & NUT				227746	1V
ZA 688	DIAPHRAGM			29449221	234101	1V
ZA 689	SPRING, ROD				234131	1V
ZA 690	ROD, PUSH			29490180	275180	1VX
ZA 693	PLATE, NON-PRESSURE INCL. BOLT, NUT & WASHER				224518	1V



PARTS LIST

ISSUE NO. 01, 1970
 MODEL 88B PAGE 23- 73
 DATE 040770

CAT. REF.	DESCRIPTION	SERIAL NO.		PART NO.	REPLACE OR VENDOR NO.	REQ.
		FROM	TO/INCL.			
	052					
ZA	FLEXAIR VALVE - WEST- INGHOUSE AIR BRAKE					
	1A-BD-0 P52772-9090 ZA415 DWG. ZA888					
ZA	1 BODY				P52884-3	1VX
ZA	2 HOUSING			29039101	P53126	1VX
ZA	3 CAPSCREW 5/16X3-1/4NC				P49832-8	3VX
ZA	4 LOCKWASHER 5/16				P49866-10	3VX
ZA	5 BUSHING			29039206	P53382	1VX
ZA	6 PIN, ROLL				P49803-25	1VX
ZA	7 SHAFT				P52899	1VX
ZA	8 PIN, ROLL			29036017	P49803-2	1VX
ZA	9 LEVER ASSEMBLY				P53151-2	1VX
ZA	10 SCREW, SET			29036048	P49828-3	2VX
ZA	12 NUT				P49903-16	2VX
ZA	13 PIN				P49877-18	1VX
ZA	14 GASKET			29039565	P55388	1VX
ZA	15 COVER			29039116	P53153-3	1VX
ZA	16 SCREW			29036066	P49856-19	4VX
ZA	17 LOCKWASHER			29036118	P49898	4VX
ZA	18 LATCH			29039109	P53141-2	1VX
ZA	19 SPACER				P58584	1VX
ZA	20 COVER			29039111	P53143	1VX
ZA	21 SPRING				P55681	1VX
ZA	22 NUT			29039105	P53134	1VX
ZA	23 O-RING				P49623-12	2VX
ZA	24 WASHER				P49804-17	2VX
ZA	25 SPRING			29780130	539113	2VX
ZA	26 O-RING				P49623-114	2VX
ZA	27 SPACER			29040595	P58471	4VX
ZA	28 PLUNGER			29039346	P54669	2VX
ZA	29 O-RING				P49708-123	2VX
ZA	30 SEAT			29014630	P5074	2VX
ZA	31 RING, SNAP			29036102	P49882-5	2VX
ZA	32 SPRING			29039068	P52889	2VX
ZA	33 SEAT, FLAT-OBSOLETE			29014610	P5073	2VX
ZA	33 SEAT, ROUND-CURRENT			29014745	P5137	2VX
ZA	34 CLIP				P59672	2VX
ZA	35 O-RING				P49708-216	2VX
ZA	36 SPRING ASSEMBLY			29039248	P540600200	2VX
	INCLUDES ITEMS 33,34, 35					
ZA	37 CAP			29039074	P52896	2VX
ZA	38 HANDLE			29039073	P52894-1	1VX
ZA	39 PIN			29039350	P54686	1VX
ZA	40 CLIP			29039348	P54685	1VX
ZA	59 PLUG				P58408	1VX
ZA	60 O-RING			29035900	P49708-115	1VX
ZA	61 RING, SNAP				P49882-38	1VX
ZA	62 SEAL				P5163	1VX
ZA	63 VALVE COMPLETE INCLUDES ITEMS 1 THRU					X



PARTS LIST

ISSUE NO. 01, 1970

MODEL 88B PAGE 23- 74
 DATE 040770

CAT. REF.	DESCRIPTION	SERIAL NO.		PART NO.	REPLACE OR VENDOR NO.	REQ.
		FROM	TO/INCL.			
	052					
	62					
	MINOR REPAIR KIT A FOR CAVITIES 1 OR 2 INCLUDES ITEMS 10,12, 23,25,26,28,29,30,32, 33,34,35,37			29039221	P53460-1	1V
	DETENT KIT B INCLUDES ITEMS 13,18			29039217	P53460-2	1V
	COMMON PARTS KIT C INCLUDES ITEMS 5,6,8, 14			29039218	P53460-3	1V
	MAJOR REPAIR KIT F FOR CAVITIES 1 AND 2 INCLUDES 2 EACH OF KIT A, AND 1 EACH OF KITS B AND C				P59301-2	1V



PARTS LIST

ISSUE NO. 01, 1970

MODEL 88B
DATE 040770

PAGE 23- 75

CAT. REF.	DESCRIPTION	SERIAL NO.		PART NO.	REPLACE OR VENDOR NO.	REQ.
		FROM	TO/INCL.			
	053					
ZA	FLEXAIR VALVE - WEST- INGHOUSE AIR BRAKE					
	1D-BD-1 P52735-9090 ZA412, ZA413, ZA414					
	DWG. ZA888					
ZA	1 BODY				P52884-3	1VX
ZA	2 HOUSING			29039101	P53126	1VX
ZA	3 CAPSCREW 5/16X3-1/4NC				P49832-8	3VX
ZA	4 LOCKWASHER 5/16				P49866-10	3VX
ZA	5 BUSHING			29039206	P53382	1VX
ZA	6 PIN, ROLL				P49803-25	1VX
ZA	7 SHAFT				P52899	1VX
ZA	8 PIN, ROLL			29036017	P49803-2	1VX
ZA	9 LEVER ASSEMBLY				P53151-2	1VX
ZA	10 SCREW, SET			29036048	P49828-3	2VX
ZA	12 NUT				P49903-16	2VX
ZA	13 PIN				P49877-18	1VX
ZA	14 GASKET			29039565	P55388	1VX
ZA	15 COVER			29039113	P53153	1VX
ZA	16 SCREW			29036066	P49856-19	4VX
ZA	17 LOCKWASHER			29036118	P49898	4VX
ZA	18 LATCH			29039109	P53141-2	1VX
ZA	19 SPACER				P58584	1VX
ZA	20 COVER			29039111	P53143	1VX
ZA	21 SPRING				P55681	1VX
ZA	22 NUT			29039105	P53134	1VX
ZA	23 O-RING				P49623-12	2VX
ZA	24 WASHER				P49807-17	2VX
ZA	25 SPRING			29780130	539113	2VX
ZA	26 O-RING				P49623-114	2VX
ZA	27 SPACER			29040595	P58471	4VX
ZA	28 PLUNGER			29039346	P54669	2VX
ZA	29 O-RING			29035905	P49708-123	2VX
ZA	30 SEAT			29014630	P5074	2VX
ZA	31 RING, SNAP			29036102	P49882-5	2VX
ZA	32 SPRING			29039068	P52889	2VX
ZA	33 SEAT, FLAT-OBSOLETE			29014610	P5073	2VX
ZA	33 SEAT, ROUND-CURRENT			29014745	P5137	2VX
ZA	34 CLIP				P59672	2VX
ZA	35 O-RING				P49708-216	2VX
ZA	36 SPRING ASSEMBLY INCLUDES ITEMS 33,34, 35			29039248	P540600200	2VX
ZA	37 CAP			29039074	P52896	2VX
ZA	38 HANDLE			29039073	P52894-1	1VX
ZA	39 PIN			29039350	P54686	1VX
ZA	40 CLIP			29039348	P54685	1VX
ZA	45 SUPPLY VALVE ASSEMBLY				P55099	1VX
ZA	46 O-RING			29035900	P49708-115	1VX
ZA	47 SEAT			29039253	P54145	1VX
ZA	48 SPRING			29039252	P54144	1VX
ZA	49 O-RING				P49708-11	1VX



PARTS LIST

ISSUE NO. 01, 1970

MODEL 88B

PAGE 23- 76

DATE 040770

CAT. REF.	DESCRIPTION	SERIAL NO.		PART NO.	REPLACE OR VENDOR NO.	REQ.
		FROM	TO/INCL.			
	053					
ZA 50	PLUNGER				P54146-1	1VX
ZA 51	GUIDE			29039267	P54147	1VX
ZA 52	O-RING				P49708-116	1VX
ZA 54	SHIM				P53455-2	1VX
ZA 55	SPRING			29039103	P53132	1VX
ZA 56	GUIDE			29039102	P53131	1VX
ZA 57	RING, SNAP				P49882-37	1VX
ZA 58	EXTENSION				P55374	1VX
ZA 63	VALVE COMPLETE INCLUDES ITEMS 1 THRU 58			29038920		1 X
	MINOR REPAIR KIT A FOR CAVITIES 1 OR 2 INCLUDES ITEMS 10, 12, 23, 25, 26, 28, 29, 30, 32, 33, 34, 35, 37			29039221	P53460-1	1V
	DETENT KIT B INCLUDES ITEMS 13, 18			29039217	P53460-2	1V
	COMMON PARTS KIT C INCLUDES ITEMS 5, 6, 8, 14			29039218	P53460-3	1V
	CONVERSION KIT E FOR CAVITY 3 TO CURRENT STYLE-INCLUDES ITEMS 10, 12, 45, 46, 47, 48, 49, 50, 52, 54, 58, 61				P59300	1V
	MAJOR REPAIR AND CON- VERSION KIT H TO CUR- RENT STYLE FOR CAV- ITIES 1, 2, 3-INCLUDES 2 EACH OF KIT A, 1 EACH OF KITS B, C, E				P59301-10	1V



PARTS LIST

ISSUE NO. 01, 1970

MODEL 88B

PAGE 23- 77

DATE 040770

CAT. REF.	DESCRIPTION	SERIAL NO.		PART NO.	REPLACE OR VENDOR NO.	REQ.
		FROM	TO/INCL.			
	054					
ZA	FLEXAIR VALVE - WEST- INGHOUSE AIR BRAKE					
	1E-BD-1 P52783-9090 ZA769 DWG. ZA888					
ZA	1 BODY				P52884-3	1VX
ZA	2 HOUSING			29039101	P53126	1VX
ZA	3 CAPSCREW 5/16X3-1/4NC				P49832-8	3VX
ZA	4 LOCKWASHER 5/16				P49866-10	3VX
ZA	5 BUSHING			29039206	P53382	1VX
ZA	6 PIN, ROLL				P49803-25	1VX
ZA	7 SHAFT				P52899	1VX
ZA	8 PIN, ROLL			29036017	P49803-2	1VX
ZA	9 LEVER ASSEMBLY				P53151-2	1VX
ZA	10 SCREW, SET			29036048	P49828-3	2VX
ZA	12 NUT				P49903-16	2VX
ZA	13 PIN				P49877-18	1VX
ZA	14 GASKET			29039565	P55388	1VX
ZA	15 COVER				P53153-1	1VX
ZA	16 SCREW			29036066	P49856-19	4VX
ZA	17 LOCKWASHER			29036118	P49898	4VX
ZA	18 LATCH			29039109	P53141-2	1VX
ZA	19 SPACER				P58584	1VX
ZA	20 COVER			29039111	P53143	1VX
ZA	21 SPRING				P55681	1VX
ZA	22 NUT			29039105	P53134	1VX
ZA	23 O-RING				P49623-12	2VX
ZA	24 WASHER				P49804-17	2VX
ZA	25 SPRING			29780130	539113	2VX
ZA	26 O-RING				P49623-114	2VX
ZA	27 SPACER			29040595	P58471	4VX
ZA	28 PLUNGER			29039346	P54669	2VX
ZA	29 O-RING				P49708-123	2VX
ZA	30 SEAT			29014630	P5074	2VX
ZA	31 RING, SNAP			29036102	P49882-5	2VX
ZA	32 SPRING			29039068	P52889	2VX
ZA	33 SEAT, FLAT-OBSOLETE			29014610	P5073	2VX
ZA	33 SEAT, ROUND-CURRENT			29014745	P5137	2VX
ZA	34 CLIP				P49672	2VX
ZA	35 O-RING				P49708-216	2VX
ZA	36 SPRING ASSEMBLY			29039248	P540600200	2VX
	INCLUDES ITEMS 33,34, 35					
ZA	37 CAP			29039074	P52896	2VX
ZA	38 HANDLE			29039073	P52894-1	1VX
ZA	39 PIN			29039350	P54686	1VX
ZA	40 CLIP			29039348	P54685	1VX
ZA	45 SUPPLY VALVE ASSEMBLY				P55099	1VX
ZA	46 O-RING			29035900	P49708-115	1VX
ZA	47 SEAT			29039253	P54145	1VX
ZA	48 SPRING			29039252	P54144	1VX
ZA	49 O-RING				P49708-11	1VX
ZA	50 PLUNGER				P54146-1	1VX



PARTS LIST

ISSUE NO. 01, 1970

MODEL 88B

PAGE 23- 78

DATE 040770

CAT. REF.	DESCRIPTION	SERIAL NO.		PART NO.	REPLACE OR VENDOR NO.	REQ.
		FROM	TO/INCL.			
	054					
ZA 51	GUIDE			29039267	P54147	1VX
ZA 52	O-RING				P49708-116	1VX
ZA 54	SHIM				P53455-2	1VX
ZA 55	SPRING			29039103	P53132	1VX
ZA 56	GUIDE			29039102	P53131	1VX
ZA 57	RING, SNAP				P49882-37	1VX
ZA 58	EXTENSION				P55374	1VX
ZA 63	VALVE COMPLETE			29039030		1 X
	INCLUDES ITEMS 1 THRU 58					
	MINOR REPAIR KIT A FOR CAVITIES 1 OR 2			29039221	P53460-1	1V
	INCLUDES ITEMS 10,12, 23,25,26,28,29,30,32, 33,34,35,37					
	DETENT KIT B			29039217	P53460-2	1V
	INCLUDES ITEMS 13,18					
	COMMON PARTS KIT C			29039218	P53460-3	1V
	INCLUDES ITEMS 5,6,8, 14					
	CONVERSION KIT E FOR CAVITY 3 TO CURRENT				P59300	1V
	STYLE-INCLUDES ITEMS 10,12,45,46,47,48,49, 50,52,54,58,61					
	MAJOR REPAIR AND CONVERSION KIT H TO CURRENT STYLE-FOR CAVITIES 1,2,3-INCLUDES 2 EACH OF KIT A, 1 EACH OF KITS B,C,E				P59301-10	1V



PARTS LIST

ISSUE NO. 01, 1970

MODEL 888 PAGE 23- 80
DATE 040770

CAT. REF.	DESCRIPTION	SERIAL NO.		PART NO.	REPLACE OR VENDOR NO.	REQ.
		FROM	TO/INCL.			
	056					
ZA	FILTER LUBRICATOR ZA1890 DWG. ZA906					
ZA 1	FILTER-LUB. COMPLETE			57410040	3040-0X04	1V
ZA 2	FILTER COMP. INCL			57412268	3104-1/2	1VX
	ITEMS 3 THRU 14					
ZA 3	HEAD, FILTER			57412349	34032	1VX
ZA 4	O-RING, BOWL			57412273	3340	1VX
ZA 5	BAFFLE, LOUVER			57412338	33110	1VX
ZA 6	SHROUD			57412342	33130	1VX
ZA 7	GASKET, UPPER			57412326	33080	1VX
ZA 8	ELEMENT, FILTER			57412314	33040	1VX
ZA 9	GASKET, LOWER			57412330	33090	1VX
ZA 10	BAFFLE, ELEMENT			57412334	33100	1VX
ZA 11	SCREW, ELEMENT			57412320	33060	1VX
ZA 12	BOWL, FILTER INCLUDES ZA13			57412305	33012	1VX
ZA 13	COCK, DRAIN				3102-7	1VX
ZA 14	NUT, RING			57412309	33022	1VX
ZA 15	LUBRICATOR COMPLETE INCL ITEMS 16 THRU 25			57412285	4104-1&2	1VX
ZA 16	HEAD ASSY.			57412370	44032	1VX
ZA 17	O-RING, BOWL			57412273	3340	1VX
ZA 18	O-RING, ELEMENT			57412250	1120	1VX
ZA 19	NUT, LOCK			57412276	43405	1VX
ZA 20	ELEMENT ASSY.			57412365	4103-4	1VX
ZA 21	BOWL, LUBRICATOR			57412305	3103-1	1VX
	INCLUDES ZA22					
ZA 22	COCK, DRAIN				3102-7	1VX
ZA 23	NUT, RING			57412309	33022	1VX
ZA 24	PLUG, FILTER			57412360	43070	1VX
ZA 25	O-RING, PLUG			57412250	1120	1VX



PARTS LIST

ISSUE NO. 01, 1970
MODEL 888 **PAGE 23- 81**
DATE 040770

CAT. REF.	DESCRIPTION	SERIAL NO.		PART NO.	REPLACE OR VENDOR NO.	REQ.
		FROM	TO/INCL.			
	057					
ZA	QUICK RELEASE VALVE					
	ZA486,ZA1891					
	DWG. ZA907					
ZA 1	VALVE COMP, BWAAB			29418590	229859	1V
ZA 2	BODY				240004	1V
ZA 3	COVER				240005	1V
ZA 4	RING, SEALING				242837	1VX
ZA 5	DIAPHRAGM			29461505	240011	1V
ZA 6	SCREW				240012	4V



PARTS LIST

ISSUE NO. 01, 1970
 MODEL 88B PAGE 23- 83
 DATE 040770

CAT. REF.	DESCRIPTION	SERIAL NO.		PART NO.	REPLACE OR VENDOR NO.	REQ.
		FROM	TO/INCL.			
	059					
ZA	TREADLE TYPE AIR VALVE-MIDLAND					
	ZA350 DWG. ZA703 FOR RH & LH MAIN BRAKES					
ZA	1 TREADLE VALVE COMP.			29388360		1 X
ZA	2 SPACER, BUMPER				4X-2498	VX
ZA	3 BUMPER				N14991-A	1VX
ZA	4 PAD, TREADLE				N20660	1VX
ZA	5 TREADLE ASSY				N20659	1VX
ZA	6 LOCKWASHER				4-X-46	3VX
ZA	7 CAPSCREW				3-X-1022	3VX
ZA	8 BOOT				N-14990	1VX
ZA	9 LINK ASSY				N-15114	1VX
ZA	10 PIN, LINK				5-X-1028	1VX
ZA	11 PIN, COTTER				6-X-11	2VX
ZA	12 PIN, TREADLE				5-X-1066	1VX
ZA	13 PLATE, MOUNTING				N20656	1VX
ZA	14 SERVICE REPAIR KIT				PN-10-AT	1VX



PARTS LIST

ISSUE NO. 01, 1970

MODEL 88B PAGE 23- 84
DATE 040770

CAT. REF.	DESCRIPTION	SERIAL NO.		PART NO.	REPLACE OR VENDOR NO.	REQ.
		FROM	TO/INCL.			
	060					
ZA	BRAKE VALVE-BWAAB ZA350 DWG. ZA703					
ZA	1 VALVE COMP			29388360		1 X
ZA	2 NUT, INLET				236975	1VX
ZA	3 GROMMET				230878	1VX
ZA	4 GUIDE, VALVE				237008	1VX
ZA	5 VALVE ASSY				226828	1VX
ZA	6 BODY, VALVE				236969	1VX
ZA	7 SCREEN, FILTER				211126	1VX
ZA	8 SCREW				236990	2VX
ZA	9 GROMMET				214447	1VX
ZA	10 SPRING, RETURN				235829	1VX
ZA	11 GROMMET				230978	1VX
ZA	12 PISTON & SPRING ASSY				226833	1VX
	INCL. ITEMS 13 THRU 18					
ZA	13 PISTON				236976	1VX
ZA	14 SPRING				236977	1VX
ZA	15 SEAT, SPRING				236978	1VX
ZA	16 WASHER				204235	1VX
ZA	17 LOCKWASHER				235800	1VX
ZA	18 CAPSCREW				212122	1VX
ZA	19 PLATE, MOUNTING				236979	1VX
ZA	20 CAPSCREW				202979	3VX
ZA	21 LOCKWASHER				202982	3VX
ZA	22 BUTTON, STOP				236980	1VX
ZA	23 PLUNGER				236981	1VX
ZA	24 BOOT				236982	1VX
ZA	25 TREADLE ASSY				226834	1VX
	INCL. ITEMS 26 THRU 29					
ZA	26 BODY, TREADLE				226835	1VX
ZA	27 ROLLER				236288	1VX
ZA	28 PIN, ROLLER				238474	1VX
ZA	29 PIN, COTTER				210492	1VX
ZA	30 PIN, FULCRUM				238888	1VX
ZA	31 PIN, ROLL				235212	1VX



PARTS LIST

ISSUE NO. 01, 1970
 MODEL 88B PAGE 23- 85
 DATE 040770

CAT. REF.	DESCRIPTION	SERIAL NO.		PART NO.	REPLACE OR VENDOR NO.	REQ.
		FROM	TO/INCL.			
	061					
ZA	DOUBLE ACT. CYLINDER WAB ZA529 DWG. ZA739 FOR PROPEL PINION SHIFTER					
ZA	1 CYLINDER COMP			29040225	P572970060	1VX
ZA	2 WASHER				P49898-2	8VX
ZA	3 HEAD W/NEEDLE VALVE				P57482-6	1VX
ZA	4 RING, ROD BRG. RET.				P49704-6	1VX
ZA	5 BEARING, ROD				P58383	1VX
ZA	6 RING, SEAL				P49729-9	1VX
ZA	7 KIT, CUSHION INCL. 7A & 7B				P58694	1VX
	A RING				P49882-12	1V
	B CUSHION, SEAT				P57306	1V
ZA	8 O-RING				P49708-42	2VX
ZA	9 FOLLOWER, PISTON				P57302	2VX
ZA	10 CUP, PACKING				P5194-3	2VX
ZA	11 PISTON				P50047-8	1VX
ZA	12 O-RING				P49708-18	1VX
ZA	13 TUBE				P57480	1VX
ZA	14 NUT, RETAINING				P57480-1	1VX
ZA	15 CAPSCREW				P57195-4	4VX
ZA	16 CAP W/NEEDLE VALVE				57482-7	1VX
ZA	17 NUT, JAM				P49903-24	1VX
ZA	18 SCREW				P57195-5	4VX
ZA	19 ROD, PISTON				P573010000	1VX



PARTS LIST

ISSUE NO. 01, 1970

MODEL 88B

PAGE 23- 86

DATE 040770

CAT. REF.	DESCRIPTION	SERIAL NO.		PART NO.	REPLACE OR VENDOR NO.	REQ
		FROM	TO/INCL.			
	062					
ZA	DOUBLE ACTING CYLINDER-WESTINGHOUSE					
	AIR BRAKE P53341					
	ZA513-DRAWING ZA5001					
ZA	1 CYLINDER COMPLETE			29039150	P53341	1VX
	INCLUDES ITEMS 2 THRU 18					
ZA	2 A BODY				P53352	1VX
ZA	3 CAPSCREW			29036066	P49856-19	4VX
ZA	4 LOCKWASHER			29036118	P49898	4VX
ZA	5 NUT				P49923-12	1VX
ZA	6 FOLLOWER				P53361	2VX
ZA	7 O-RING			29035878	P49708-12	2VX
ZA	8 CUP			29014737	P5121	2VX
ZA	9 PISTON			29039202	P53360	1VX
ZA	11 O-RING			29035883	P49708-232	1VX
ZA	12 A ROD, MALE PISTON			29039187	P53356	1VX
ZA	13 SCREW			29035935	P49731	4VX
ZA	14 WASHER			29036051	P49829-6	1VX
ZA	15 WIPER			29035870	P49708-114	1VX
ZA	16 BEARING			29039214	P53497	1VX
ZA	17 PACKING			29035930	P49729-12	1VX
ZA	18 HEAD			29039199	P53354	1VX
	REPAIR KIT			29041711	P59161	1V
	INCLUDES ITEMS 7,8, 11,15,16,17					



PARTS LIST

ISSUE NO. 01, 1970

MODEL 888

PAGE 23- 87

DATE 040770

CAT. REF.	DESCRIPTION	SERIAL NO.		PART NO.	REPLACE OR VENDOR NO.	REQ.
		FROM	TO/INCL.			
	063					
ZA	ANTI-FREEZER WABCO 88939 ZA720 DWG. ZA875					
ZA 1	ANTI-FREEZER COMPLETE			29059290	88939	1VX
ZA 2	WICK ASSEMBLY				P58404	1VX
ZA 3	FILLER CAP NUT & ROD ASSEMBLY				P58393	1VX
ZA 4	PLUG, DRAIN				P58402	1VX
ZA 5	BODY				550863	1VX



PARTS LIST

ISSUE NO. 01, 1970

MODEL 888
DATE 040770

PAGE 23- 88

CAT. REF.	DESCRIPTION	SERIAL NO.		PART NO.	REPLACE OR VENDOR NO.	REQ.
		FROM	TO/INCL.			
	064					
ZA	CYLINDER-MIDLAND N-3377 ZA-968, DWG. ZA759					
ZA 968	CYLINDER COMP.MIDLAND			40007750		1 X
ZA 1439	ROD, PISTON			40758280		1 X
ZA 1440	BUSHING, ROD			40758700		1 X
ZA 1441	COVER, END				N-2714	1VX
ZA 1442	SEAL, COVER			40751030		1 X
ZA 1443	PLATE, CUP			40758260		2 X
ZA 1444	CUP, PISTON			40759380		2 X
ZA 1445	PLATE, SEPARATOR			40758300		1 X
ZA 1446	NUT, ROD			40722300		1 X
ZA 1447	WASHER, ROD			40724800		1 X
ZA 1448	BODY, CYLINDER				N-11825	1VX
ZA 1449	GASKET, CYLINDER			40758250		2 X
ZA 1450	COVER, TRUNNION				N-2712	1VX
ZA 1451	STUD, COVER				14-X-1063	4VX
ZA 1451	NUT, STUD				2-X-30	4VX
ZA 1451	LOCKWASHER				4-X-14	4VX
	NOTE-ZA1439,ZA1442, ZA1444,ZA1447,ZA1449 AVAILABLE AS SERVICE REPAIR KIT RN-16-K			40735500		



PARTS LIST

ISSUE NO. 01, 1970

MODEL 88B

PAGE 23- 89

DATE 040770

CAT. REF.	DESCRIPTION	SERIAL NO.		PART NO.	REPLACE OR VENDOR NO.	REQ.
		FROM	TO/INCL.			
	065					
ZA	CYLINDER-MIDLAND N-3556-D ZA-590, DWG. ZA756					
ZA 590	CYLINDER COMP. MIDLAND			40018920	N3556D	1VX
ZA 593	CYLINDER			40753590	N2859	1VX
ZA 593	PLUG, PIPE				7-X-16	1VX
ZA 594	COVER, TRUNNION			40753580	N2856	1VX
ZA 596	WASHER, COVER			40724000	4X334	1VX
ZA 597	WASHER, RETAINING			40724900	4X2171	1VX
ZA 598	RING, SNAP			40756410	N10814	1VX
ZA 601	ROD, PISTON			40758420	N11974C	1VX
ZA 602	NUT, PISTON			40721250	2X211	1VX
ZA 605	CUP, PISTON			40758350	N11972	2VX
ZA 606	RING, EXPANDER			40760250	N12851	2VX
ZA 607	RETAINER, CUP			40758370	N11973A	1VX
ZA 609	WASHER, FELT			40756480	N10848H	2VX
ZA 610	STUD, COVER			40730250	14X1010	4VX
ZA 610	LOCKWASHER				4-X-18	8VX
ZA 610	NUT, STUD				2-X-32	8VX
ZA 754	COVER, END			40753582	N2857A	1VX
ZA 754	PLUG, PIPE				7-X-16	1VX
ZA 755	SEAL, COVER			40756400	N10813	1VX
ZA 757	PISTON			40758340	N11971A	1VX
ZA 758	PLATE, CUP			40761000	N13122	1VX
ZA 759	CAPSCREW			40722200	3X17	6VX
ZA 759	LOCKWASHER			79424745	4X15	6VX
ZA 789	GASKET, O-RING			40758180	N11728BN	1VX
ZA 1342	O-RING, PISTON			40758170	N11728BR	1VX
ZA 1343	BOOT, ROD			40752450	C2372	1VX
	KIT-ZA596,ZA605,ZA609 ZA755,ZA789,ZA1342 AVAILABLE AS SERVICE REPAIR KIT RN-16-BN			40735300		



PARTS LIST

ISSUE NO. 01, 1970

MODEL 888
DATE 040770

PAGE 23 90

CAT. REF.	DESCRIPTION	SERIAL NO.		PART NO.	REPLACE OR VENDOR NO.	REQ.
		FROM	TO/INCL.			
	066					
ZA	VITALIZER-NORGREN 30-41-6L ZA178					
	DWG. ZA770					
ZA 1	LUBRICATOR COMP.			57406170		1 X
ZA 2	BODY				10,253	1VX
ZA 3	PLUG ASSY				400-L9	2VX
ZA 4	GASKET, PLUG				11,314	2VX
ZA 5	GASKET, RESERVOIR			46197700		1 X
ZA 6	GASKET, RING				0-41-L23C	1VX
ZA 7	RING, CLAMP				0-41-L2A	1VX
ZA 8	SCREW				0-41-L35	6VX
ZA 9	BOWL				10,226	1VX
ZA 10	TUBE, SYPHON				0-41-L3	1VX
ZA 11	DOME, FEED				10,216	1VX
ZA 12	RING, CLAMP				10,217	1VX
ZA 13	TUBE, DROP				10,223	1VX
ZA 14	O-RING				10,225	1VX
ZA 15	SCREW, ADJ.				10,221	1VX
ZA 16	O-RING			57430043		1 X
ZA 17	O-RING				10,255	1VX
ZA 18	PLUG				10,249	1VX
ZA 19	WASHER, SPRING				10,239	1VX
ZA 20	PLUG, DIFFUSION				11,340	1VX



PARTS LIST

ISSUE NO. 01, 1970

MODEL 88B PAGE 23- 91
DATE 040770

CAT. REF.	DESCRIPTION	SERIAL NO.		PART NO.	REPLACE OR VENDOR NO.	REQ.
		FROM	TO/INCL.			
	067					
ZA	BRAKE CHAMBER-MIDLAND N36012D ZA651 DWG. ZA881					
ZA	1 CHAMBER COMP.			29380510		1 X
ZA	2 NUT				N-13368	2VX
ZA	3 NUT				2-X-312	1VX
ZA	4 SPRING				N-13364	1VX
ZA	5 CLAMP				N-20170	2VX
ZA	6 THREAD PROTECTOR				8-X-41	1VX
ZA	7 DIAPHRAGM				N-20168	1VX
ZA	8 PIPE PLUG				7-X-11	1VX
ZA	9 CLEVIS PIN				5-X-151	1VX
ZA	10 COTTER PIN				6-X-102	1VX
ZA	11 YOKE				N-10447	1VX
ZA	12 NUT				2-X-131	2VX
ZA	13 LOCKWASHER				4-X-19	2VX
ZA	14 PUSH ROD ASSY				N-14091-AH	1VX
ZA	15 BODY ASSY				N-15713-A	1VX
ZA	16 COVER ASSY				N-13362-A	1VX
ZA	17 BOLT				N-13367	1VX



PARTS LIST

ISSUE NO. 01, 1970

MODEL 88B

PAGE 23- 92

DATE 040770

CAT. REF.	DESCRIPTION	SERIAL NO.		PART NO.	REPLACE OR VENDOR NO.	REQ
		FROM	TO/INCL.			
	068					
ZA	PILOTAIR VALVE-WEST- INGHOUSE AIR BRAKE COMPONENT PARTS ONLY CATALOG REFERENCE NUMBER ZA386 PART NUMBER 29043380 DRAWING ZA3869-ZA3900					
ZA 3869	SCREW				P495260003	1VX
ZA 3870	WASHER				P498980007	1VX
ZA 3871	NAMEPLATE				P49408	1VX
ZA 3872	KNOB				P57662	1VX
ZA 3873	HANDLE				P59312	1VX
ZA 3874	PLUG				P499580008	1VX
ZA 3875	HUB				P539311	1VX
ZA 3876	WASHER				P498040039	2VX
ZA 3877	SHAFT				P593130001	1VX
ZA 3878	RING				P498570007	1VX
ZA 3879	CAM				P59080	2VX
ZA 3880	SPACER				P494100001	1VX
ZA 3881	SPRING				P59308	1VX
ZA 3882	DETENT				P59304	1VX
ZA 3883	DETENT				P59303	1VX
ZA 3884	PIN				P498770033	1VX
ZA 3885	FOLLOWER				P59370	2VX
ZA 3886	HOUSING				P592960001	1VX
ZA 3887	SCREW				P498610003	2VX
ZA 3888	WASHER				P498980005	2VX
ZA 3889	FLANGE			29039321	P54463	1VX
ZA 3890	GUIDE			29039267	P54147	1VX
ZA 3891	O-RING				P497080116	1VX
ZA 3892	PLUNGER			29039266	P541460001	1VX
ZA 3893	O-RING			29776580	P497080011	1VX
ZA 3894	SPRING			29039252	P54144	1VX
ZA 3895	SEAT			29039253	P54145	1VX
ZA 3896	O-RING			29035900	P497080115	1VX
ZA 3897	SUPPLY VALVE ASSEMBLY				P554290001	1VX
ZA 3898	SCREW				P498350022	2VX
ZA 3899	WASHER				P498660001	2VX
ZA 3900	BODY				P59297	1VX
	MINOR REPAIR KIT INCLUDES ITEMS ZA3891 ZA3893 THRU ZA3897				P554740001	1V
	MAJOR REPAIR KIT INCLUDES ITEMS ZA3890 THRU ZA3897				P55474	1V



PARTS LIST

ISSUE NO. 01, 1970

MODEL 88B PAGE 23- 93
DATE 040770

CAT. REF.	DESCRIPTION	SERIAL NO.		PART NO.	REPLACE OR VENDOR NO.	REQ.
		FROM	TO/INCL.			
	069					
ZA	PILOTAIR VALVE-WEST- INGHOUSE AIR BRAKE					
	COMPONENT PARTS ONLY CATALOG REFERENCE					
	NUMBER ZA320					
	PART NUMBER 29043420					
	DRAWING ZA3041-ZA3071					
ZA 3041	WASHER 10				P498980007	1VX
ZA 3042	PLATE, NAME				P49408	1VX
ZA 3043	KNOB				P57662	1VX
ZA 3044	HANDLE				P59312	1VX
ZA 3045	PLUG				P499580008	1VX
ZA 3046	HUB				P59311	1VX
ZA 3047	WASHER				P498040039	2VX
ZA 3048	SHAFT				P593130001	1VX
ZA 3049	RING				P498570007	1VX
ZA 3050	CAM				P59080	2VX
ZA 3051	SPACER				P494100001	1VX
ZA 3052	SCREW 10X3/8				P495260003	1VX
ZA 3053	ARBOR				P59307	2VX
ZA 3054	PIN				P498770033	1VX
ZA 3055	FOLLOWER				P59370	2VX
ZA 3056	HOUSING				P592960001	1VX
ZA 3057	SPRING				P59306	1VX
ZA 3058	SCREW 6X3/8			03730240		4 X
ZA 3059	WASHER 6				P498980005	4VX
ZA 3060	FLANGE				P54463	2VX
ZA 3061	GUIDE			29039267	P54147	2VX
ZA 3062	O-RING				P497080116	2VX
ZA 3063	PLUNGER				P541460001	2VX
ZA 3064	O-RING				P497080011	2VX
ZA 3065	SPRING			29039252	P54144	2VX
ZA 3066	SEAT			29039253	P54145	2VX
ZA 3067	O-RING				P497080115	2VX
ZA 3068	SUPPLY VALVE ASSEMBLY				P554290001	2VX
ZA 3069	SCREW 10X7/8				P498350022	2VX
ZA 3070	LOCKWASHER 10				P498660007	2VX
ZA 3071	BODY				P59297	1VX
	MINOR REPAIR KIT INCLUDES ITEMS ZA3062 ZA3064 THRU ZA3068			29039596	P554740001	1V
	MAJOR REPAIR KIT INCLUDES ITEMS ZA3061 THRU ZA3068			29039595	P55474	1V



PARTS LIST

ISSUE NO. 01, 1970

MODEL 888 PAGE 23- 94
DATE 040770

CAT. REF.	DESCRIPTION	SERIAL NO.		PART NO.	REPLACE OR VENDOR NO.	REQ.
		FROM	TO/INCL.			
	070					
ZA	PILOT AIR VALVE WESTINGHOUSE AIR BRAKE COMPONENT PARTS ONLY					
	CATALOG REFERENCE NUMBER ZA390					
	PART NUMBER 29039315 DRAWING ZA6114-ZA6145					
ZA 6114	SCREW				P495260003	1VX
ZA 6115	WASHER				P498980007	1VX
ZA 6116	NAMEPLATE				P49408	1VX
ZA 6117	KNOB				P57662	1VX
ZA 6118	HANDLE				P59312	1VX
ZA 6119	PLUG				P499580008	1VX
ZA 6120	HUB				P59311	1VX
ZA 6121	WASHER				P498040039	2VX
ZA 6122	SHAFT				P593130001	1VX
ZA 6123	RING				P498570007	1VX
ZA 6124	CAM				P59080	2VX
ZA 6125	SPACER				P494100001	1VX
ZA 6126	SPRING				P59308	1VX
ZA 6127	DETENT				P59305	1VX
ZA 6128	DETENT				P59303	1VX
ZA 6129	PIN				P498770033	1VX
ZA 6130	FOLLOWER				P59370	2VX
ZA 6131	HOUSING				P592960001	1VX
ZA 6132	SCREW				P498610003	2VX
ZA 6133	WASHER				P498980005	2VX
ZA 6134	FLANGE			29039321	P54463	1VX
ZA 6135	GUIDE			29039267	P54147	1VX
ZA 6136	O-RING				P497080116	1VX
ZA 6137	PLUNGER			29039266	P541460001	1VX
ZA 6138	O-RING			29776580	P497080011	1VX
ZA 6139	SPRING			29039252	P54144	1VX
ZA 6140	SEAT			29039253	P54145	1VX
ZA 6141	O-RING			29035900	P497080115	1VX
ZA 6142	SUPPLY VALVE ASSEMBLY				P554290001	1VX
ZA 6143	SCREW				P498350022	2VX
ZA 6144	WASHER				P498660001	2VX
ZA 6145	BODY				P59297	1VX
	MINOR REPAIR KIT INCLUDES ITEMS ZA6136 ZA6138 THRU ZA6142				P554740001	1V
	MAJOR REPAIR KIT INCLUDES ITEMS ZA6135 THRU ZA6142				P55474	1V



PARTS LIST

ISSUE NO. 01, 1970
MODEL 88B PAGE 23- 95
DATE 040770

CAT. REF.	DESCRIPTION	SERIAL NO.		PART NO.	REPLACE OR VENDOR NO.	REQ.
		FROM	TO/INCL.			
071						
ZA	DIPPER TRIP AIR CONTROL					
	DRAWINGS LR708 & ZA247	129763	129763			
ZA 868	HOSE	129763		53627345		1 X
ZA 869	HOSE	129763		53627311		1 X
ZA 870	HOSE	129763		53627345		1 X
ZA 916	VALVE, AIR RELAY	129763		79421320	N-2458	1V X
ZA 1291	MIDLAND-DRAWING ZA750 CYLINDER, DIPPER TRIP	129763		29011840	P103732	1V X
	WESTINGHOUSE AIR BRAKE-SEE DRAWING ZA5941-ZA5971					
ZA 2041	PIN	129763		504431K 1		1 X
ZA 2042	END, REACH ROD	129763		514044K 1		1 X
ZA 2043	PIN	129763		500519K 51		1 X
ZA 5939	HOSE	129763		53627342		1 X



PARTS LIST

ISSUE NO. 01, 1970
 MODEL 88B PAGE 23- 96
 DATE 040770

CAT. REF.	DESCRIPTION	SERIAL NO.		PART NO.	REPLACE OR VENDOR NO.	REQ.
		FROM	TO/INCL.			
	072					
ZA	MOISTURE DRAIN VALVE NORTHINGTON					
	CATALOG REFERENCE NUMBER ZA912					
	DRAWING ZA1900					
ZA 2	BODY, VALVE				594	1VX
ZA 3	CAP, ACTIVATING END				595	1VX
ZA 4	BOLT				605	1VX
ZA 5	WASHER				597	1VX
ZA 6	PISTON, LARGE				598	1VX
ZA 7	WASHER, BACK-UP				606	1VX
ZA 8	SPRING			75004755		1 K
ZA 9	SPACER, GUIDE				603	1VX
ZA 10	WASHER, BACK-UP				300	1VX
ZA 11	PISTON, SMALL				599	1VX
ZA 12	WASHER, CUP				601	1VX
ZA 13	NUT, LOCK				604	1VX
ZA 14	CAP, DISCHARGE				596	1VX
ZA 912	MOISTURE DRAIN VALVE COMPLETE			79472250	5421	1VX



PARTS LIST

ISSUE NO. 01, 1970

MODEL 88B
DATE 040770

PAGE 23- 97

CAT. REF.	DESCRIPTION	SERIAL NO.		PART NO.	REPLACE OR VENDOR NO.	REQ.
		FROM	TO/INCL.			
	073					
ZA	RELAY VALVE-MIDLAND N-2458 ZA-916, DRAWING ZA750					
ZA 916	VALVE COMPLETE			79421320		1 X
ZA 1361	NUT, VALVE				2-X-5501	1V X
ZA 1362	GUIDE ASSEMBLY SEE KIT A			40754850		1 X
ZA 1363	SPRING, VALVE SEE KITA			79425620		1 X
ZA 1364	COVER, VALVE				N-10153	1V X
ZA 1365	CAPSCREW				3-X-1027	4V X
ZA 1366	LOCKWASHER				4-X-11	4V X
ZA 1367	GASKET, COVER			79426880		1 X
ZA 1368	DIAPHRAGM, VALVE SEE KIT A			40754150		1 X
ZA 1369	PLATE, DIAPHRAGM			79427480		2 X
ZA 1370	SPRING, DIAPHRAGM SEE KIT A			79427900		1 X
ZA 1371	COVER, DIAPHRAGM			79426860		1 X
ZA 1372	PLUNGER, VALVE			79427730		1 X
ZA 1373	NUT, PLUNGER				2-X-39	1V X
ZA 1374	SEAL, BLOCK SEE KIT A			79430100		1 X
ZA 1375	RETAINER, SEAL SEE KIT A			79433730		1 X
ZA 1376	BODY, VALVE				N-2237	1V X
ZA 1377	GASKET, BODY			79429650		1 X
ZA 1378	PLUG, SHIPPING				8-X-32	1V X
ZA 1379	BODY, VALVE				N-10835	1V X
ZA 1380	PLUG, SHIPPING				8-X-39	3V X
ZA 1381	CAPSCREW				3-X-1041	4V X
ZA 1382	NUT, CAPSCREW				2-X-303	4V X
ZA 1383	LOCKWASHER				4-X-11	4V X
ZA 1384	CAPSCREW				3-X-1060	2V X
ZA 1385	NUT, CAPSCREW				2-X-303	2V X
ZA 1386	LOCKWASHER				4-X-11	2V X
ZA 1387	BRACKET, MOUNTING				C-12181	1V X
ZA 1388	RETAINER ASSEMBLY SEE KIT A			40751620		1 X
	SERVICE KIT A INCLUDES ZA1362, ZA1363, ZA1368, ZA1370, ZA1374, ZA1375, ZA1388			79425100		1



PARTS LIST

ISSUE NO. 01, 1970

MODEL 88B

PAGE 23- 98

DATE 040770

CAT. REF.	DESCRIPTION		SERIAL NO.		PART NO.	REPLACE OR VENDOR NO.	REQ.
			FROM	TO/INCL.			
	074						
ZA	TREADLE BRAKE VALVE WILLIAMS-WM-353E						
	ZA350 DRAWING 79434715						
ZA	1	CONTROL UNIT				WM-352-A	1VX
ZA	2	PIN, PUSH ROD				2371	1VX
ZA	3	BOOT, DUST				2372	1VX
ZA	4	PLATE, MOUNTING				2373	1VX
ZA	5	PIN, TREADLE				2374	1VX
ZA	6	COVER, TREADLE				2376	1VX
ZA	7	SPRING, INNER				2784	1VX
ZA	8	SPRING, OUTER				2785	1VX
ZA	9	SPRING, RUBBER				2783	1VX
ZA	10	CAP, SPRING				2786	1VX
ZA	11	ROD, PUSH				2385	1VX
ZA	12	SPACER				2478	1VX
ZA	13	CAPSCREW				3 W 215	1VX
ZA	14	CAPSCREW				3 W 54	1VX
ZA	15	LOCKWASHER				4 W 99	2VX
ZA	16	PIN, COTTER				6 W 1	4VX
ZA	17	NUT				2 W 15	2VX
ZA	18	STUD				2994	1VX
ZA	19	NUT, ADJUSTING				2995	1VX
ZA	20	TREADLE				2896	1VX
ZA	21	KIT, CARTRIDGE REPAIR				R1979	1VX
ZA	22	KIT, REPAIR INCLUDES				R353	1VX
		ITEMS 1,3 & 10					



PARTS LIST

ISSUE NO. 01, 1970

MODEL 88B

PAGE 24- 1

DATE 040770

CAT. REF.	DESCRIPTION	SERIAL NO.		PART NO.	REPLACE OR VENDOR NO.	REQ.
		FROM	TO/INCL.			
	001					
ZR	COLLECTOR RINGS DWG. ZR-702					
ZR 1	RING, INSIDE REAR HALF	117377		703048 5		1
ZR 1	RING, INSIDE FRONT HALF	117377		703048 6		1
ZR 2	RING, CENTER REAR HALF	117377		703048 3		1
ZR 2	RING, CENTER FRONT HALF	117377		703048 4		1
ZR 3	RING, OUTSIDE REAR HALF	117377		703048 1		1
ZR 3	RING, OUTSIDE FRONT HALF	117377		703048 2		1
ZR 4	SHOE ASSY, INCL ZR5, ZR7, ZA30, THRU ZA34 & ZR49	117377	117380			3
ZR 4	SHOE ASSY, INCL ZR5, ZR7, ZR30 THRU ZR34 & ZR49	122054				6
ZR 5	SHOE, RING	117377	117380	111918AB		3
ZR 5	SHOE, RING	122054		111918AB		6
ZR 7	SPRING, SHOE	117377	117380	75369010		3
ZR 7	SPRING, SHOE	122054		75369010		6
ZR 11	INSULATOR, RING	117377		17284550		16
ZR 20	GRIP, CABLE	117377	117380	17251500		1
ZR 20	GRIP, CABLE	122054		17251502		1
ZR 21	ROPE, SUSPENSION	117377		18090010		
ZR 22	THIMBLE, ROPE	117377		82936150		
ZR 23	BOLT, EYE	117377	117380	180935 1		2
ZR 23	NUT, FULL 3/4 NC	117377	117380	02714050		2
ZR 23	NUT, JAM 3/4 NF	117377	117380	02714450		2
ZR 23	WASHER, PLAIN 3/4	117377	117380	03951900		4
ZR 24	CLIP, ROPE	117377		82146450		2
ZR 25	CABLE, 8 FT.	117377		16402750		1
ZR 30	SUPPORT, SHOE	117377	117380	602033K 1		3
ZR 30	SUPPORT, SHOE	122054		602033K 1		6
ZR 31	CAPSCREW 1/2X1 1/4 NC	117377	117380	03185400		3
ZR 31	NUT, FULL 1/2 NC	117377	117380	02711050		3
ZR 31	LOCKWASHER 1/2	117377	117380	03961500		3
ZR 31	CAPSCREW 1/2X1 1/4 NC	122054		03185400		6
ZR 31	NUT, FULL 1/2 NC	122054		02711050		6
ZR 31	LOCKWASHER 1/2	122054		03961500		6
ZR 32	PIN, GUIDE	117377	117380	504825K 1		6
ZR 32	PIN, COTTER 1/8X2	117377	117380	03109960		6
ZR 32	PIN, GUIDE	122054		504825K 1		12
ZR 32	PIN, COTTER 1/8X2	122054		03109960		12
ZR 33	CONNECTOR, SHOE	117377	117380	17144550		3
ZR 33	CONNECTOR, SHOE	122054		17144550		6
ZR 34	CAPSCREW 1/2X3/4 NC	117377	117380	03185240		3
ZR 34	NUT, FULL 1/2 NC	117377	117380	02711050		3
ZR 34	WASHER, 1/2	117377	117380	03951600		3 X



PARTS LIST

ISSUE NO. 01, 1970

MODEL 88B

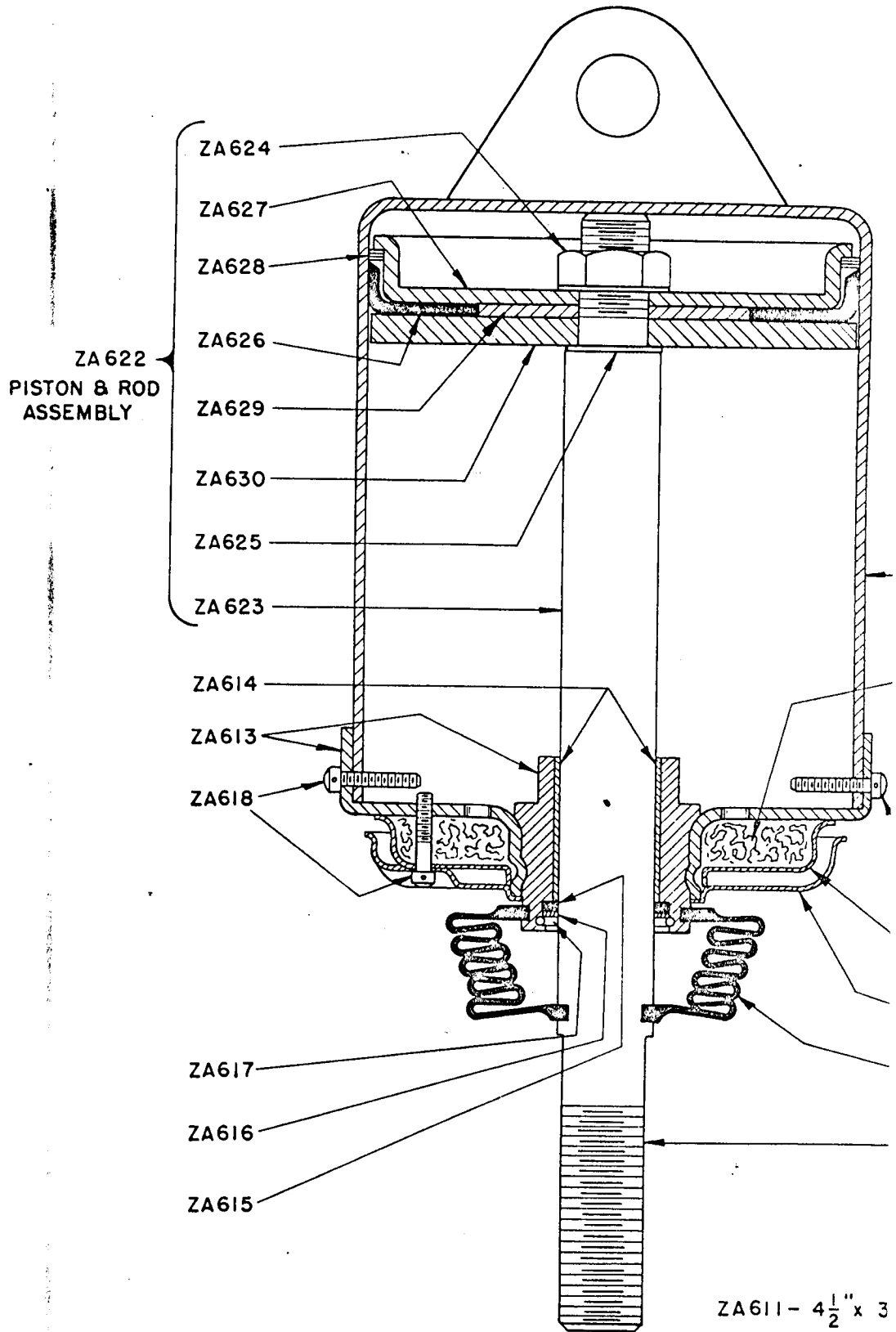
PAGE 24- 2

DATE 040770

CAT. REF.	DESCRIPTION	SERIAL NO.		PART NO.	REPLACE OR VENDOR NO.	REQ.
		FROM	TO/INCL.			
	001					
ZR 34	LOCKWASHER 1/2	117377	117380	03961500		3
ZR 34	CAPSCREW 1/2X3/4 NC	122054		03185240		6
ZR 34	NUT, FULL 1/2 NC	122054		02711050		6
ZR 34	LOCKWASHER 1/2	122054		03961500		6
ZR 35	CAPSCREW 1/2XI NC	117377		03185320		16
ZR 35	LOCKWASHER 1/2	117377		03961500		16
ZR 36	STUD, INSULATOR	117377	117380	02679500		14
ZR 36	STUD, INSULATOR	122054		190598 10		14
ZR 36	LOCKWASHER 3/4	122054		03961800		14
ZR 37	CAPSCREW 1/2XI 1/4 NF	117377		03235720		6
ZR 37	LOCKWASHER 1/2	117377		03961500		6
ZR 49	STUD, INSULATOR	117377	117380	190598 1		3
ZR 49	NUT, FULL 1/2 NC	117377	117380	02711050		6
ZR 49	WASHER, 1/2	117377	117380	03951800		6
ZR 49	WASHER, PLAIN 1/2	117377	177380	03961500		3
ZR 49	STUD, INSULATOR	122054		190598 1		6
ZR 49	STUD	122054		190598 5		6
ZR 49	NUT, FULL 1/2 NC	122054		02711050		6
ZR 56	CAPSCREW 3/8-16X1 3/4 NC	117377		03615280		3
ZR 56	NUT, FULL 3/8 NC	117377		02709150		3
ZR 56	LOCKWASHER 3/8	117377		03961300		3
ZR 56	WASHER, PLAIN 3/8	117377		03951400		3
ZR 91	INSULATOR	117377	117380	17284500		6
ZR 91	INSULATOR	122054		17284500		12
ZR 92	SPACER, INSULATOR	117377		412349 3		2
ZR 93	COLLECTOR RING ASSY	117377		703048K 21		1

DUAL CROWD SHOVEL DIPPER
AND PADLOCK

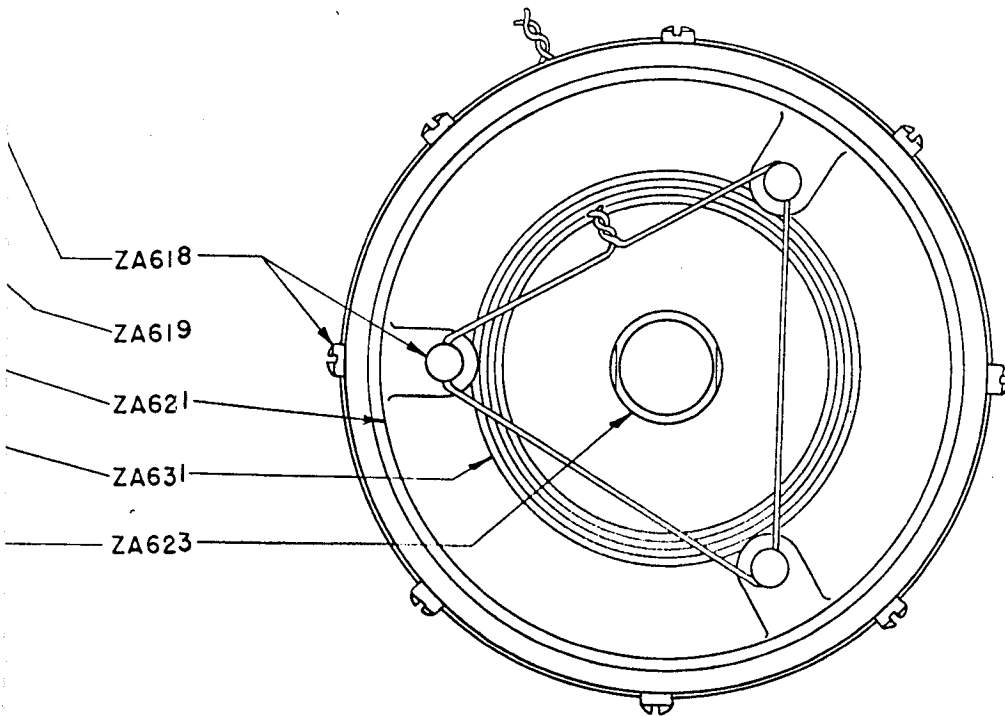
Ref. No.	Name of Part	Ref. No.	Name of Part
L1	Dual crowd shovel dipper complete-Includes L8 to L339 and full set of teeth (specify whether one piece or two piece teeth wanted)	L96	Set-Right & Left dipper snubber assemblies- Includes L299 to L311 & L313
L4	Dipper tooth adapter	L103	Bail & padlock bumper tube
L6	Dipper tooth (one piece)	L104	Bail & padlock bumper tube blank bolt
L8	Dipper door assembly complete-Includes L9 to L28, L45, L46, L110, L112, L322 & L339	L110	Dipper latch guide wearing bar
L9	Dipper door casting-Includes L28, L112 & L312	L112	Dipper door reinforcing plate
L12	Latch lever fulcrum bolt & washers	L113	Dipper handle end pin washers
L13	Latch lever, & chain link bar bolt	L117	Dipper bail pin bushing (in body)
L14	Dipper latch bar	L238	Padlock frame pin washer
L18	Dipper latch lever	L299	Dipper snubber brake housing
L19	Dipper dump chain clevis bolt	L300	Dipper snubber brake housing bolt
L21	Dipper dump chain complete	L301	Snubber brake band - Includes L302 & L304
L22	Dipper dump chain clevis	L302	Snubber brake band lining - Includes L303
L28	Dipper door hinge bushing (in door)	L303	Snubber brake band anchor pin
L30	Dipper front casting - Includes L33	L304	Snubber brake band anchor pin
L33	Dipper latch keeper insert	L305	Snubber brake band anchor pin
L35	Dipper back with side plates assembled-Includes L43, L47, L51 & L117	L306	Dipper snubber link - Includes L307
L38	Padlock frame pin	L307	Dipper snubber link bushing
L39	Padlock frame pin blank bolt	L308	Dipper snubber link anchor pin
L41	Dipper back brace pin	L309	Dipper snubber spring bolt
L42	Dipper back brace pin blank bolt	L310	Dipper snubber spring
L43	Dipper back brace pin bushing (in body)	L311	Dipper snubber spring bolt
L45	Dipper door hinge pin	L312	Dipper snubber spring bolt spring seat
L46	Dipper door hinge pin blank bolt	L313	Dipper snubber link anchor pin bushing
L47	Dipper door hinge pin bushing (in body)	L314	Snubber spring bolt band connection pin
L49	Dipper handle end pin	L322	Dipper back brace bushing (in back brace)
L50	Dipper handle end pin blank bolt	L339	Dipper dump chain link bar
L51	Dipper handle end pin bushing (in body)	L342	Dipper door hinge pin washer
L55	Dipper handle back brace pin	L343	Dipper tooth tip
L56	Dipper handle end back brace pin blank bolt	L368	Dipper tooth tip clamp
L61	Dipper back brace - Includes L314	L369	Dipper snubber link spacer
L72	Dipper bail - Includes L74	L414	Dipper snubber link spacer bolt
L73	Dipper bail pin	L438	Cap, tooth adapter
L74	Dipper bail pin bushing (in bail)	P1	Lock, tooth point rubber
L75	Dipper bail pin blank bolt	P2	Dual crowd shovel dipper padlock complete- Includes P2 to P7 & P146
L78	Dipper tooth lock pin	P3	Padlock sheave - Includes P3
L80	Dipper body-Includes L30 to L35, L43, L47 to L51, L103, L104, L113 & L117	P4	Padlock sheave bushing
		P5	Padlock sheave pin
		P6	Padlock sheave pin eye bolt
		P7	Padlock frame
		P146	Padlock sheave pin eye bolt capscrew
		P166	Padlock bumper spring leaf
		P167	Padlock bumper spring leaf spacer (on same machines)



Ref. No.	No. Used	Name of Part
ZA611	1	4-1/2"x3-25/32" trunnion mounted cylinder assembly complete-Includes ZA612 to ZA631
ZA612	1	Cylinder body
ZA613	1	Cylinder cover assembly-Includes ZA614
ZA614	1	Cylinder cover bearing
ZA615	1	Cylinder cover felt washer
ZA616	1	Cylinder cover felt washer retaining washer
ZA617	1	Cylinder cover felt washer retaining washer snap ring
ZA618	11	Cylinder cover screws
ZA619	1	Cylinder cover breather
ZA620	1	Cylinder cover breather hair packing
ZA621	1	Cylinder cover breather baffle
ZA622	1	Piston & rod assembly complete-Includes ZA623 to ZA630
ZA623	1	Piston rod assembly-Includes ZA624
ZA624	1	Piston rod nut
ZA625	1	Piston rod copper washer
ZA626	1	Piston cup
ZA627	1	Piston backing plate
ZA628	1	Piston felt ring
ZA629	1	Piston spacer
ZA630	1	Piston intermediate plate
ZA631	1	Piston rod boot

— ZA612

— ZA620

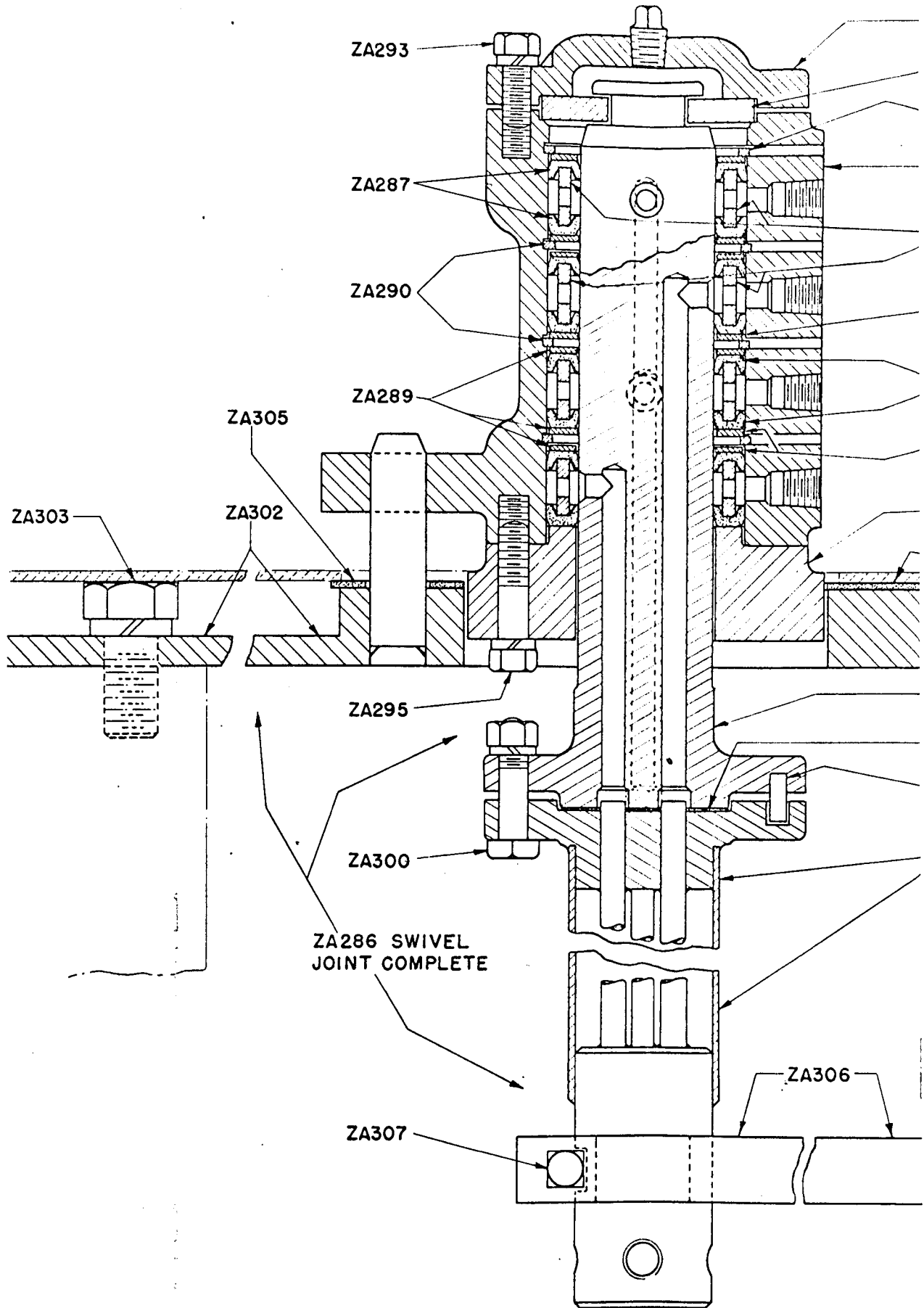


25"
32" CYLINDER ASSEMBLY
COMPLETE

CYLINDER

8863

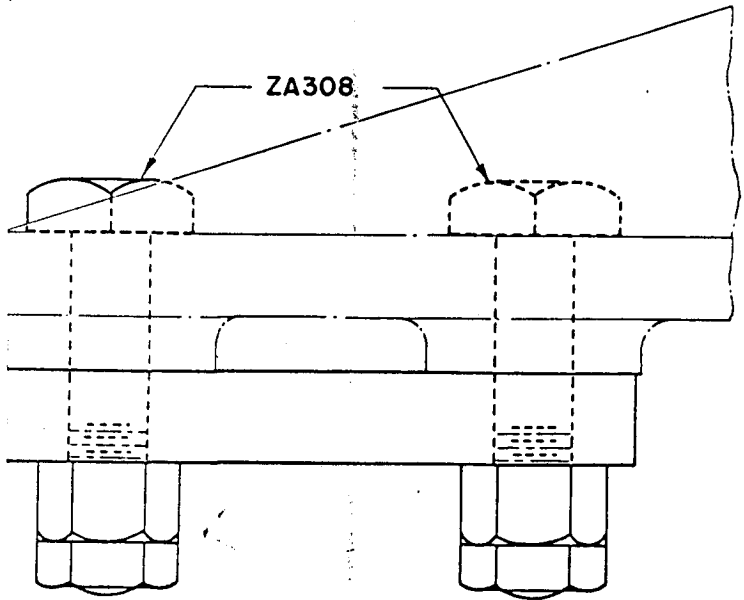
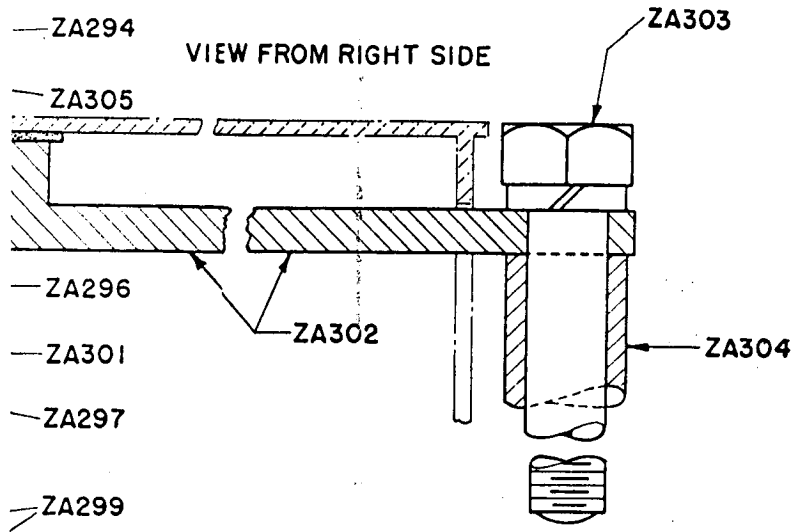
ZA715



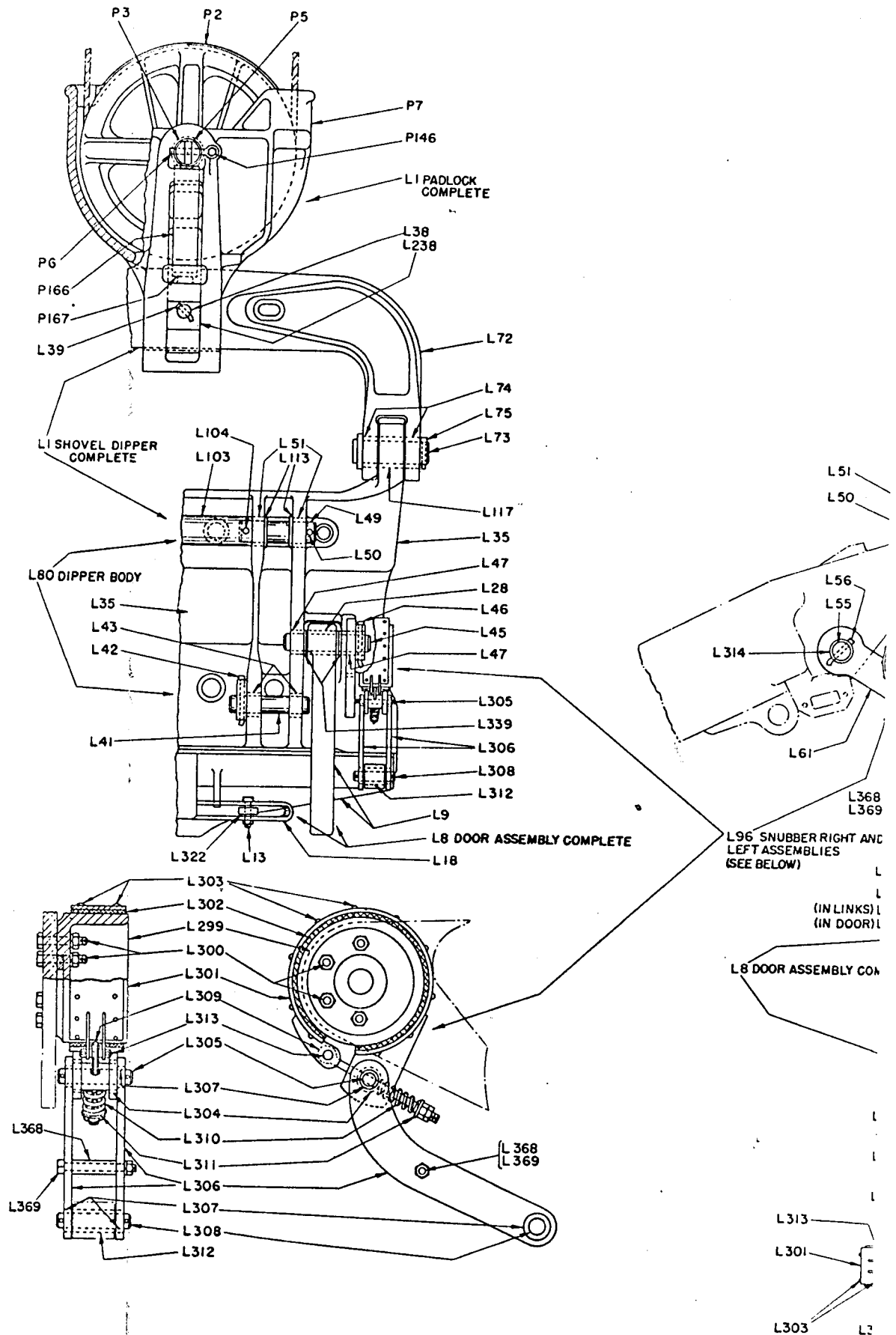
VIEW FROM REAR

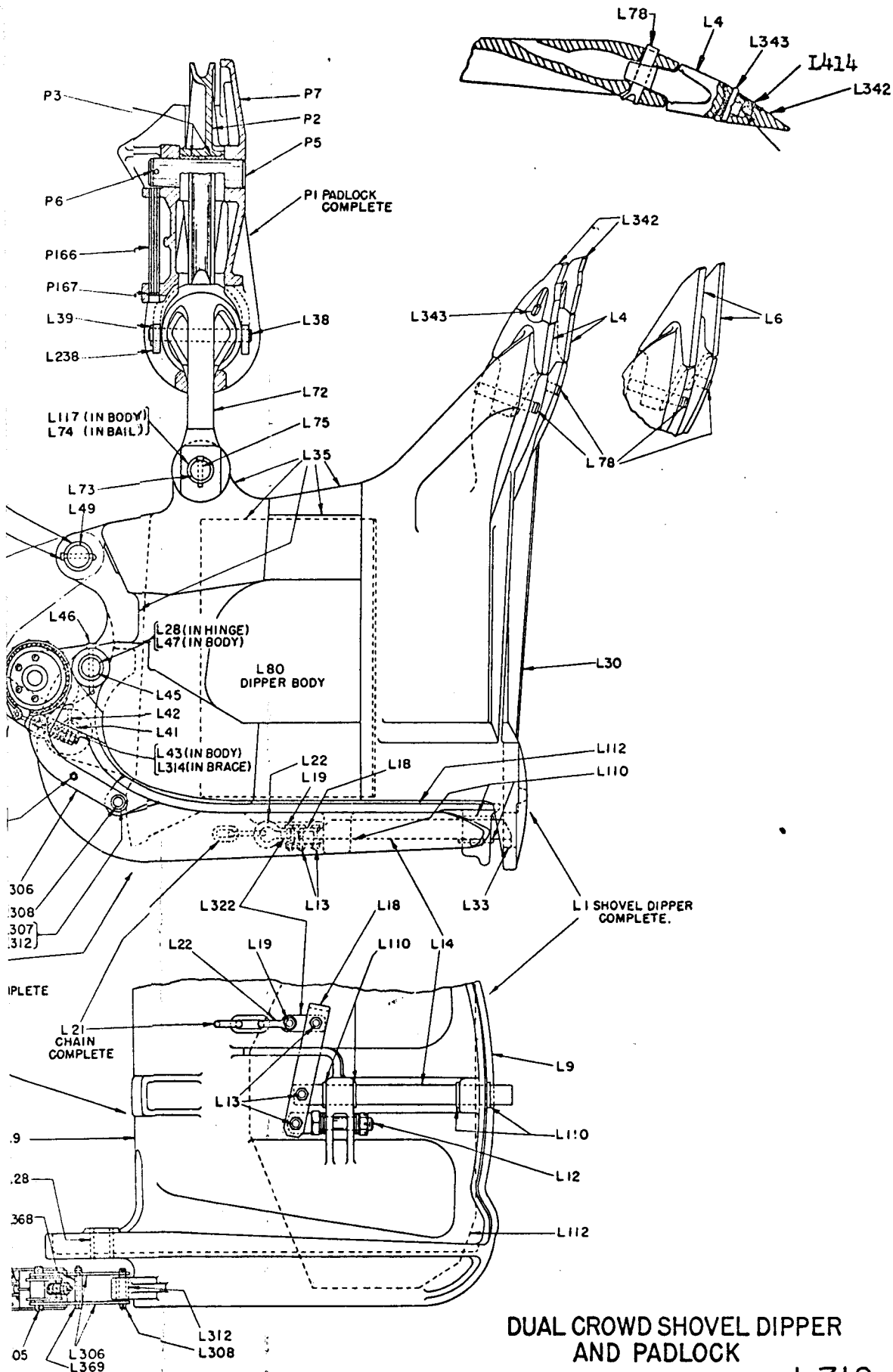
- ZA292
- ZA298
- ZA290
- ZA291
- ZA291
- ZA288
- ZA289
- ZA289
- ZA287
- ZA289

Ref. No.	No. Used	Name of Part
ZA 286	1	Swivel joint complete - Includes ZA287 to ZA308
ZA 287	8	Swivel joint packing
ZA 288	4	Swivel joint packing spacer
ZA 289	7	Swivel joint packing washer
ZA 290	4	Swivel joint packing retaining ring
ZA 291	1	Swivel joint body
ZA 292	1	Swivel joint body upper cover with pipe plug
ZA 293	6	Swivel joint body upper cover cap screw
ZA 294	1	Swivel joint body lower cover
ZA 295	6	Swivel joint body lower cover cap screw
ZA 296	1	Swivel joint upper spindle
ZA 297	1	Swivel joint upper spindle dowel
ZA 298	1	Upper spindle split retaining collar
ZA 299	1	Swivel joint lower spindle
ZA 300	6	Swivel joint spindle connection bolt
ZA 301	1	Swivel joint spindle connection gasket
ZA 302	1	Swivel joint upper retainer
ZA 303	3	Upper retainer cap screws & bolt
ZA 304	1	Upper retainer bolt pipe spacer
ZA 305	1	Swivel joint upper retainer felt washer
ZA 306	1	Swivel joint lower support bar
ZA 307	1	Lower support bar clamping bolt
ZA 308	2	Swivel joint lower support bar bolt



SWIVEL JOINT
THRU CENTER OF ROTATION ZA721



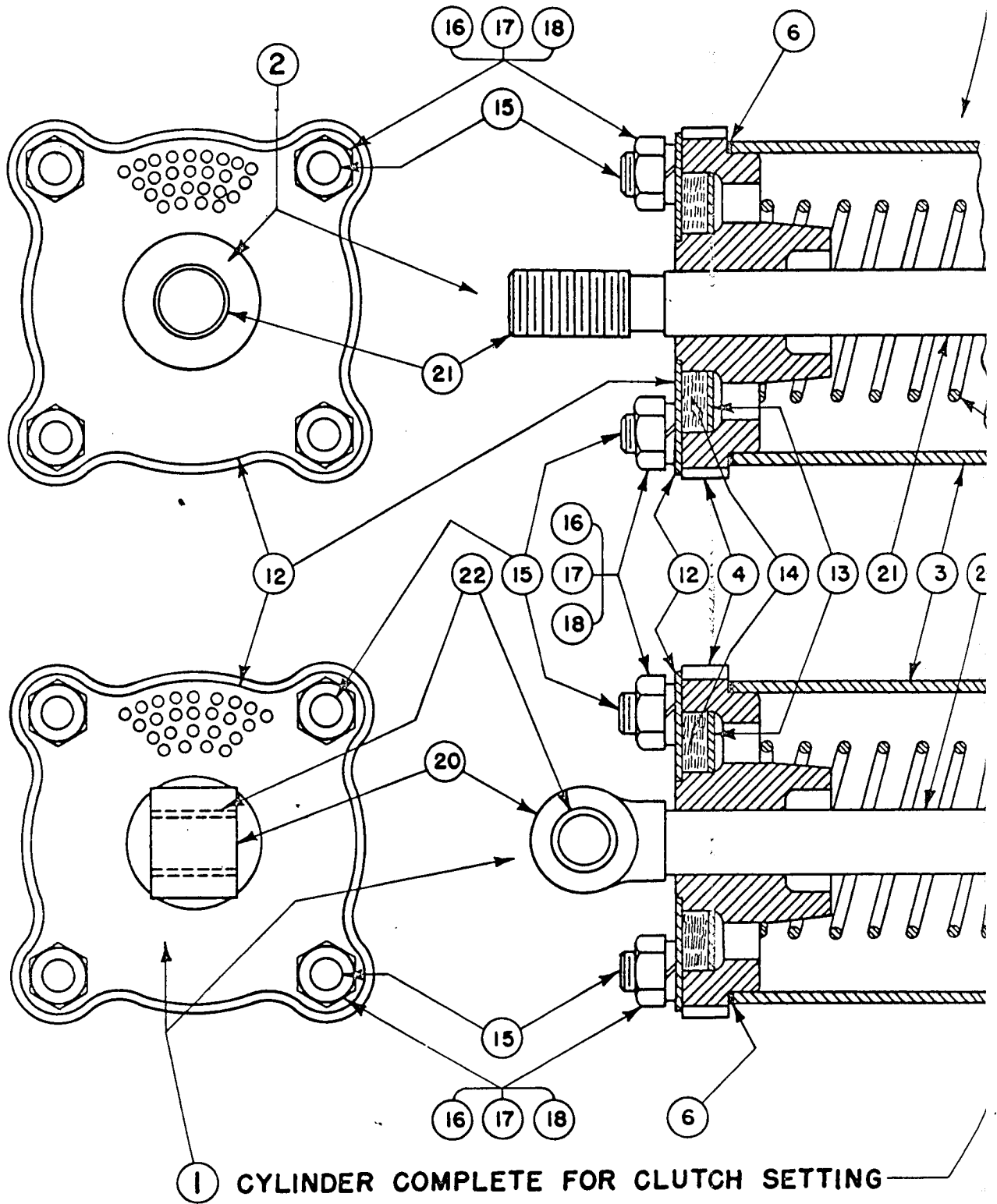


DUAL CROWD SHOVEL DIPPER AND PADLOCK

REVISED APR. 1965

L710

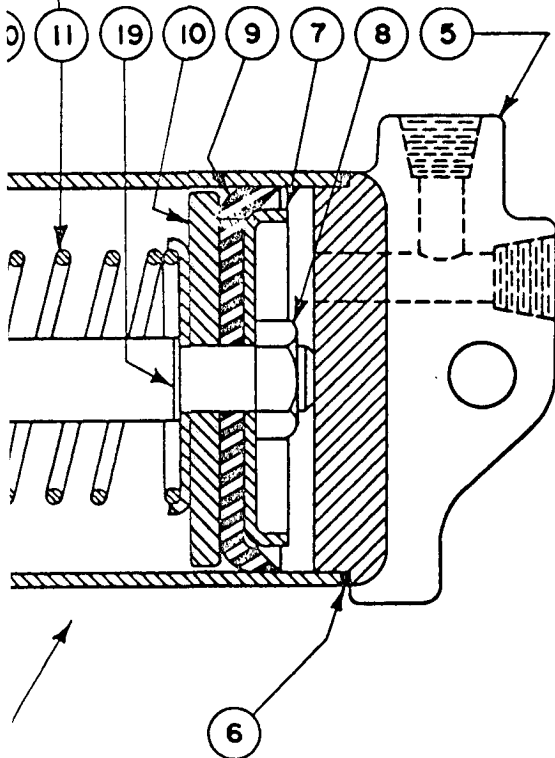
CYLINDER COMPLETE FOR BRAKE RELEASING & PAWL DISENGAGING



Item No.	Part No.	No. Used	Name of Part
1.	Air Power, Inc. AP-3042	2	2-3/4"x2-3/4" Trunnion mounted cylinder complete for clutch setting
2.	Air Power, Inc. AP-3041	2	2-3/4"x2-3/4" Trunnion mounted cylinder complete for brake releasing & drum shaft sprocket ratchet pawl disengaging
3.	AP-1119	1	Cylinder
4.	AP-1204	1	End cover-front
5.	AP-2083	1	End cover-rear
6.	AP-1120	2	End cover gasket
7.	AP-1122	1	Piston cup plate
8.	Std.	1	1/2-20 Jam nut
9.	AP-1123	1	Piston cup
10.	AP-1127	1	Piston plate assembly
11.	AP-1130	1	Piston return spring
12.	AP-1131	1	Breather screen-outer
13.	AP-1132	1	Breather screen-inner
14.	AP-1133	1	Breather felt
15.	AP-1125	4	Cylinder stud
16.	Std.	4	3/8-24 Nut
17.	Std.	4	3/8 Lockwasher
18.	AP-1126	4	Stud washer
19.	AP-1110	1	Piston rod washer
20.	AP-1121	1	Piston rod (for AP-3042 cylinder only)
21.	AP-1203	1	Piston rod (for AP-3041 cylinder only)
22.	AP-1111	1	Piston rod bushing (for AP-3042 cylinder only)

NOTE: The material covered by items No. 3 to 22 is sufficient to make one complete cylinder, either AP-3042 or AP-3041. Items No. 3 to 19 are common on all four cylinders. Items No. 20, 21 and 22 are special as indicated.

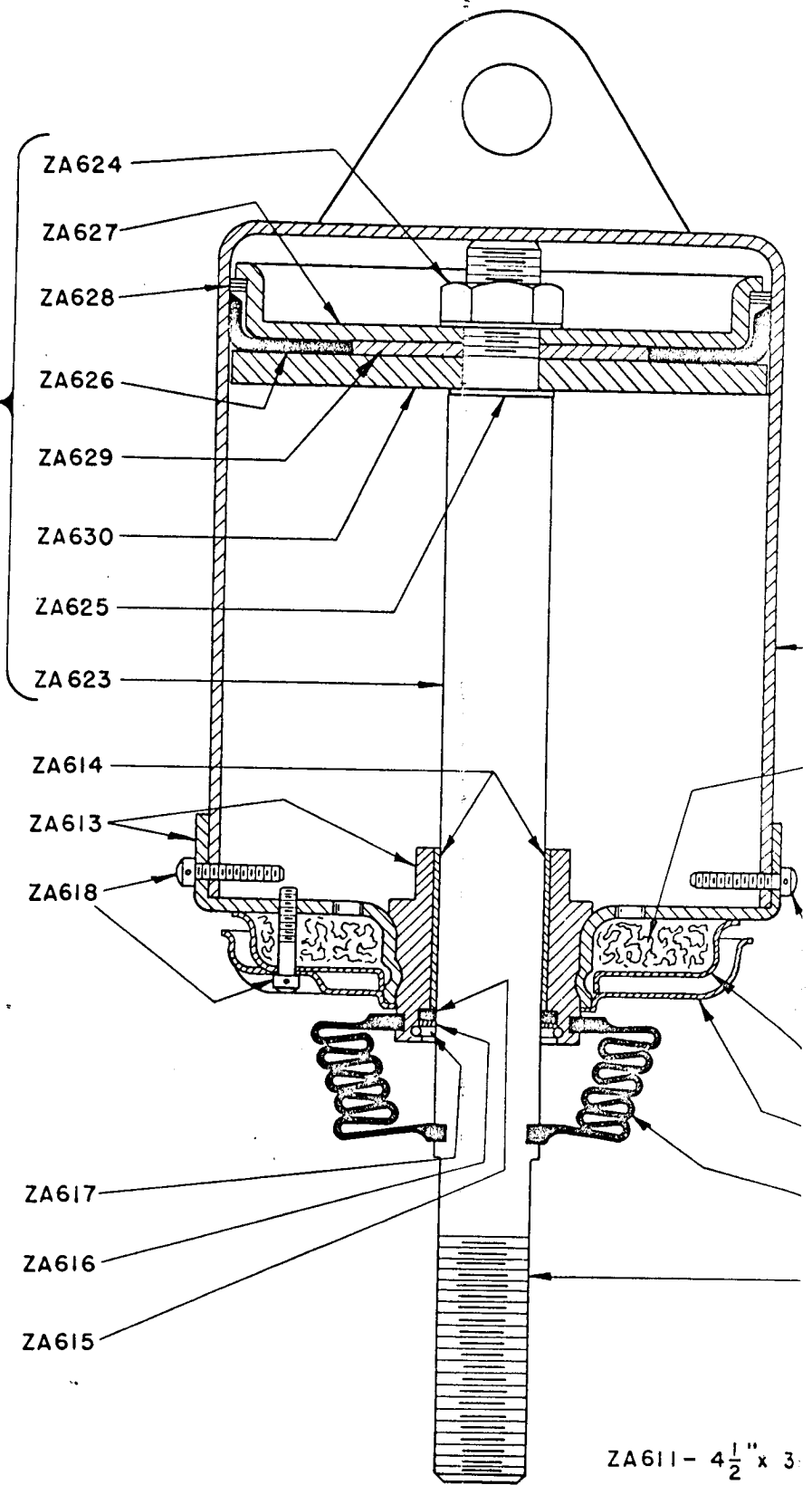
Care should be taken when ordering end covers in items No. 4 and 5. The cylinders are mounted in three different ways, either vertically or horizontally, with the front head toward the top when operating the clutches or toward the front when operating the pawls, and toward the rear when operating the brake.



2-3/4 X 2-3/4 TRUNNION MOUNTED CYLINDERS FOR
 INDEPENDENT BOOM HOIST CLUTCH SETTING,
 BRAKE RELEASING & PAWL DISENGAGING.

ZA744

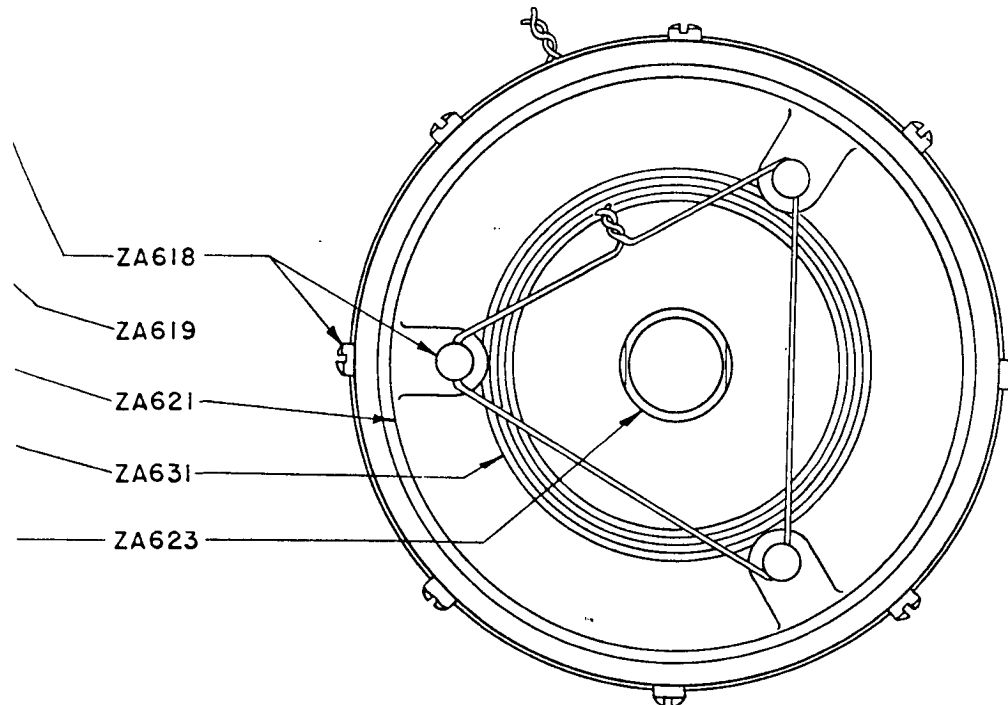
ZA 622
PISTON & ROD
ASSEMBLY



Ref. No.	No. Used	Name of Part
ZA611	1	4-1/2"x3-25/32" trunnion mounted cylinder assembly complete-Includes ZA612 to ZA631
ZA612	1	Cylinder body
ZA613	1	Cylinder cover assembly-Includes ZA614
ZA614	1	Cylinder cover bearing
ZA615	1	Cylinder cover felt washer
ZA616	1	Cylinder cover felt washer retaining washer
ZA617	1	Cylinder cover felt washer retaining washer snap ring
ZA618	11	Cylinder cover screws
ZA619	1	Cylinder cover breather
ZA620	1	Cylinder cover breather hair packing
ZA621	1	Cylinder cover breather baffle
ZA622	1	Piston & rod assembly complete-Includes ZA623 to ZA630
ZA623	1	Piston rod assembly-Includes ZA624
ZA624	1	Piston rod nut
ZA625	1	Piston rod copper washer
ZA626	1	Piston cup
ZA627	1	Piston backing plate
ZA628	1	Piston felt ring
ZA629	1	Piston spacer
ZA630	1	Piston intermediate plate
ZA631	1	Piston rod boot

— ZA612

— ZA620

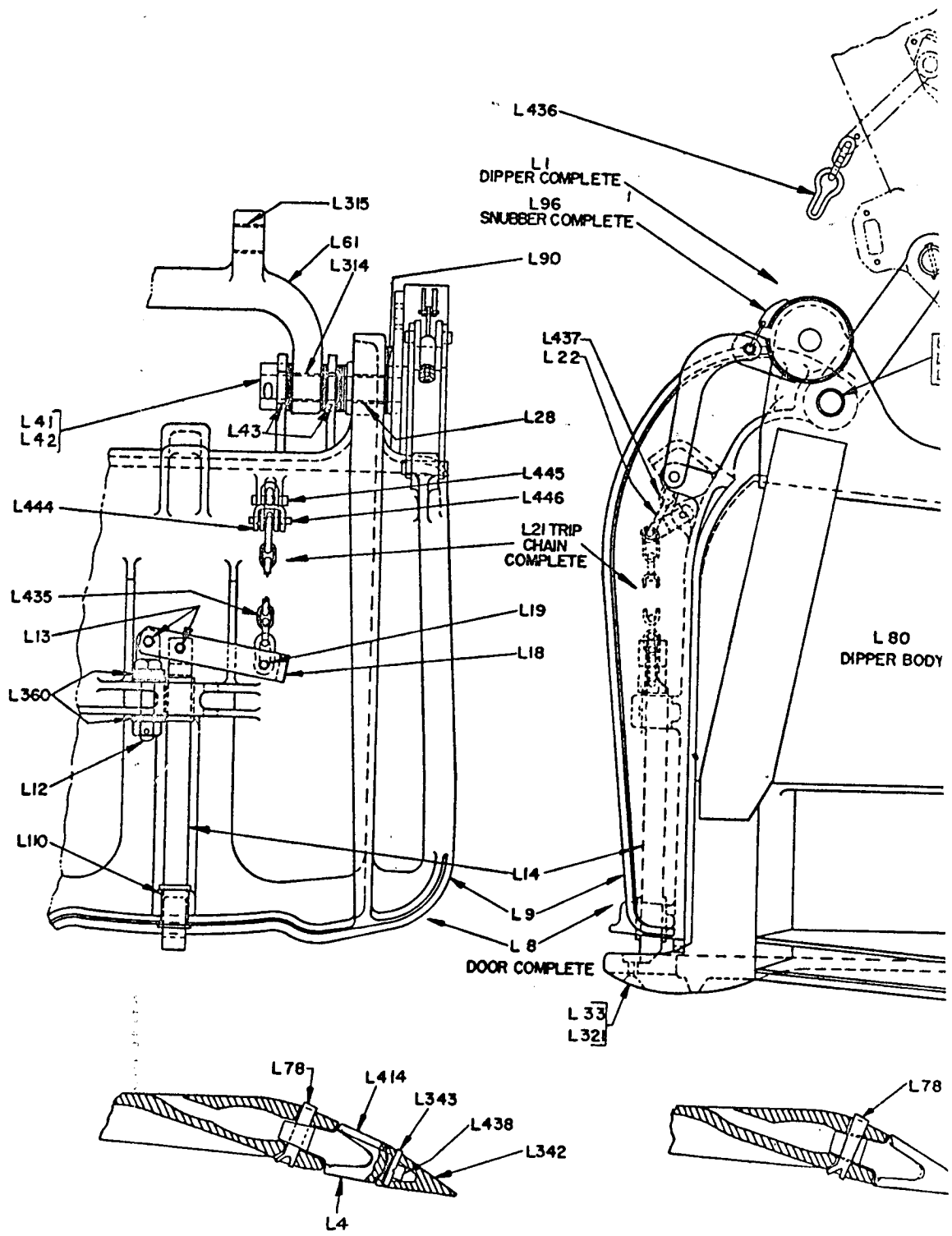


25"
32" CYLINDER ASSEMBLY
COMPLETE

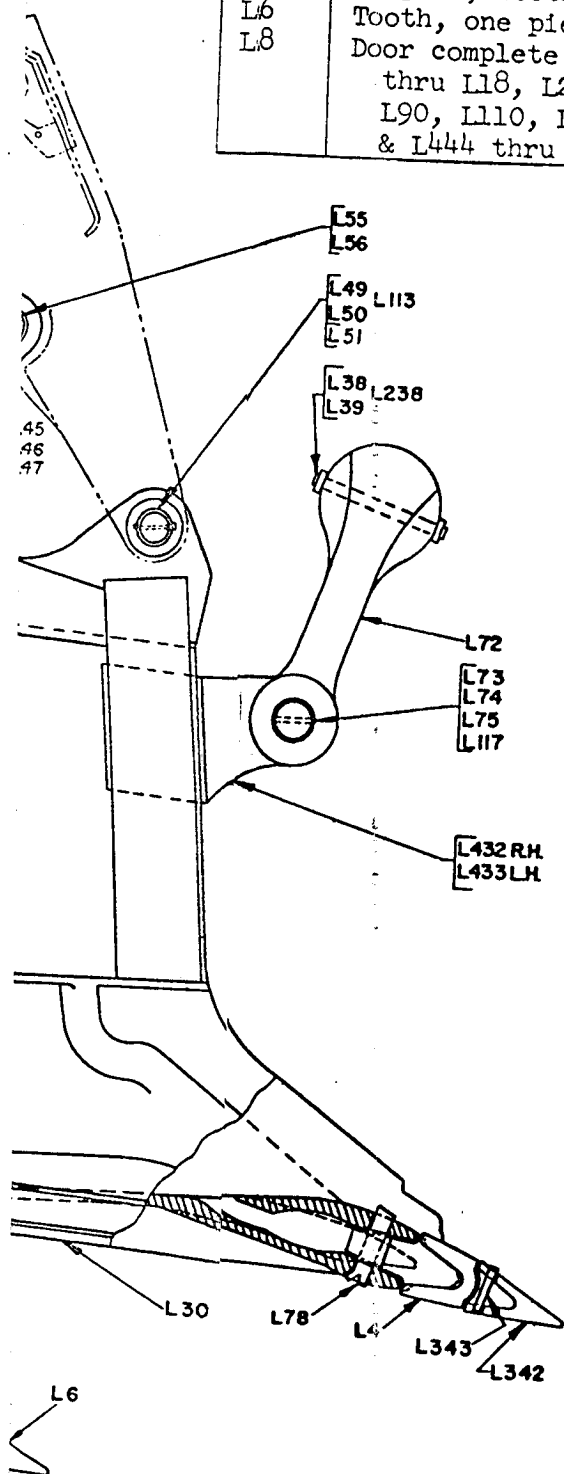
CYLINDER

88B

ZA740



Ref. No.	Name of Part	Ref. No.	Name of Part
L1	Dipper complete incl. L4 thru L446	L9	Door incl. L28 & L312
L4	Adapter, tooth	L12	Bolt, adjusting
L6	Tooth, one piece	L13	Bolt, lever
L8	Door complete incl. L12 thru L18, L28, L45, L90, L110, L360, L435 & L444 thru L446	L14	Latch, door
		L18	Lever, latch
		L19	Bolt, clevis
		L21	Chain complete incl. L435 thru L437
		L22	Clevis, chain
		L28	Bushing, door
		L30	Front, dipper
		L33	Insert incl. L321
		L38	Pin, bail upper
		L39	Bolt, pin
		L41	Pin, brace lower
		L42	Bolt, pin
		L43	Bushing, brace pin
		L45	Pin, hinge
		L46	Bolt, pin
		L47	Bushing, hinge pin
		L49	Pin, handle
		L50	Collar & bolt
		L51	Bushing, handle pin
		L55	Pin, brace upper
		L56	Collar & bolt
		L61	Brace, pitch incl. L314 & L315
		L72	Bail incl. L74
		L73	Pin, bail lower
		L74	Bushing, bail
		L75	Collar and bolt
		L78	Wedge, tooth
		L80	Body complete incl. L30, L33, L43, L47, L51, L117, L432 & L433
		L90	Washer, hinge pin
		L96	Snubber complete
		L110	Guide, latch
		L113	Washer, handle pin
		L117	Bushing, bail pin
		L238	Washer, bail pin
		L314	Bushing, brace upper
		L315	Bushing, brace lower
		L321	Rivet, insert
		L342	Point, tooth
		L343	Pin, tooth point
		L360	Washer, bolt
		L414	Cap, adapter
		L435	Chain, door
		L436	Chain, short
		L437	Chain, long
		L438	Lock, point pin
		L444	Lever, chain
		L445	Pin, lever upper
		L446	Pin, lever lower



SHOVEL DIPPER L759

NOTE: ALWAYS GIVE NAME I
WHEN ORDERING PART

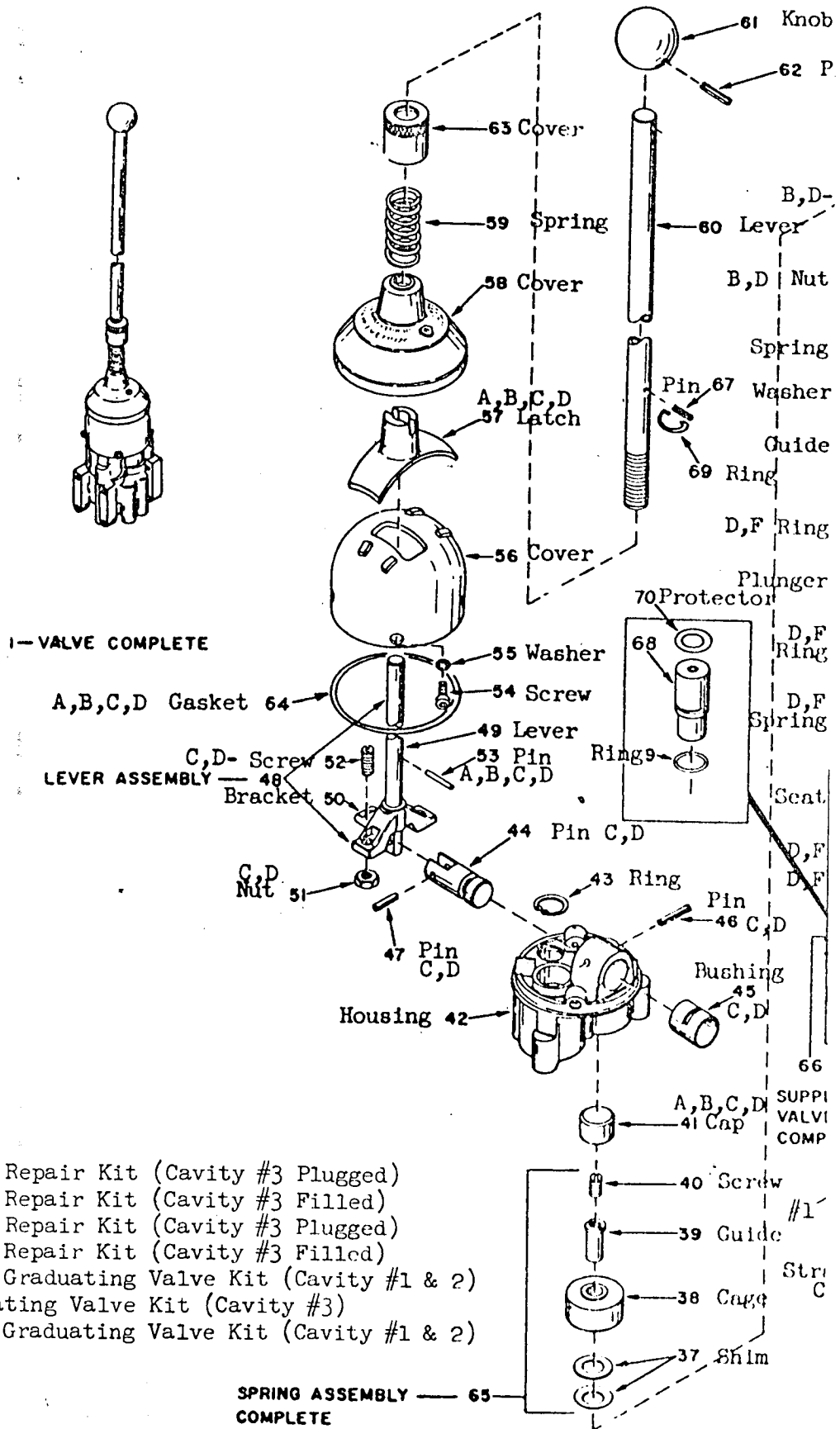
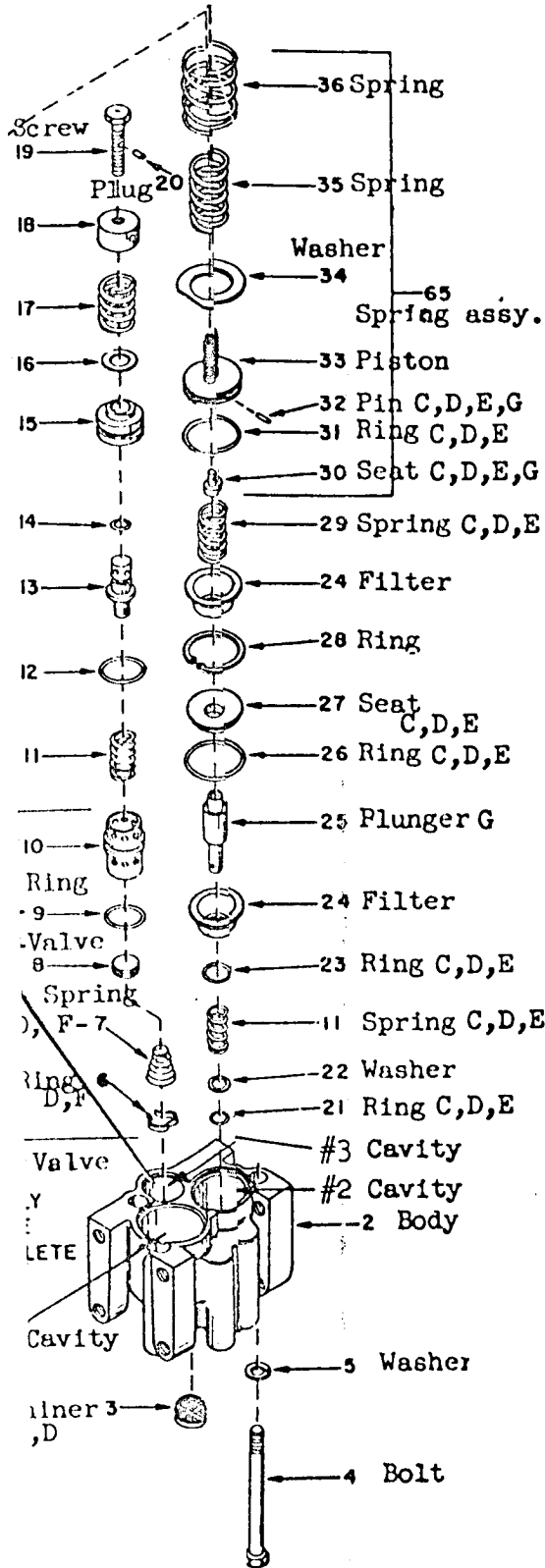


PLATE READING
S.

In



ITEM NO. TO CODE REFERENCE LIST			
NO.	CODE	NO.	CODE
1	ZA412, ZA413	36	ZA1051
	ZA414, ZA415	37	ZA1052
	ZA1016	38	ZA1053
2	ZA1017	39	ZA1054
3	ZA1018	40	ZA1055
4	ZA1019	41	ZA1056
5	ZA1020	42	ZA1057
6	ZA1021	43	ZA1058
7	ZA1022	44	ZA1059
8	ZA1023	45	ZA1060
9	ZA1024	46	ZA1061
10	ZA1025	47	ZA1062
11	ZA1026	48	ZA1063
12	ZA1027	49	ZA1064
13	ZA1028	50	ZA1065
14	ZA1029	51	ZA1066
15	ZA1030	52	ZA1067
16	ZA1031	53	ZA1068
17	ZA1032	54	ZA1069
18	ZA1033	55	ZA1070
19	ZA1034	56	ZA1071
20	ZA1035	57	ZA1072
21	ZA1037	58	ZA1073
22	ZA1036	59	ZA1074
23	ZA1038	60	ZA1075
24	ZA1039	61	ZA1076
25	ZA1040	62	ZA1077
26	ZA1041	63	ZA1078
27	ZA1042	64	
28	ZA1043	65	ZA1080
29	ZA1044	66	ZA1081
30	ZA1045	67	ZA1149
31	ZA1046	68	ZA1314
32	ZA1047	69	
33	ZA1048	70	
34	ZA1049	A or B	ZA1568
35	ZA1050	C, D or E	ZA1569



FLEXAIR VALVE
88B DWG. ZA888
REVISED JUNE, 1964

TRANSMIS

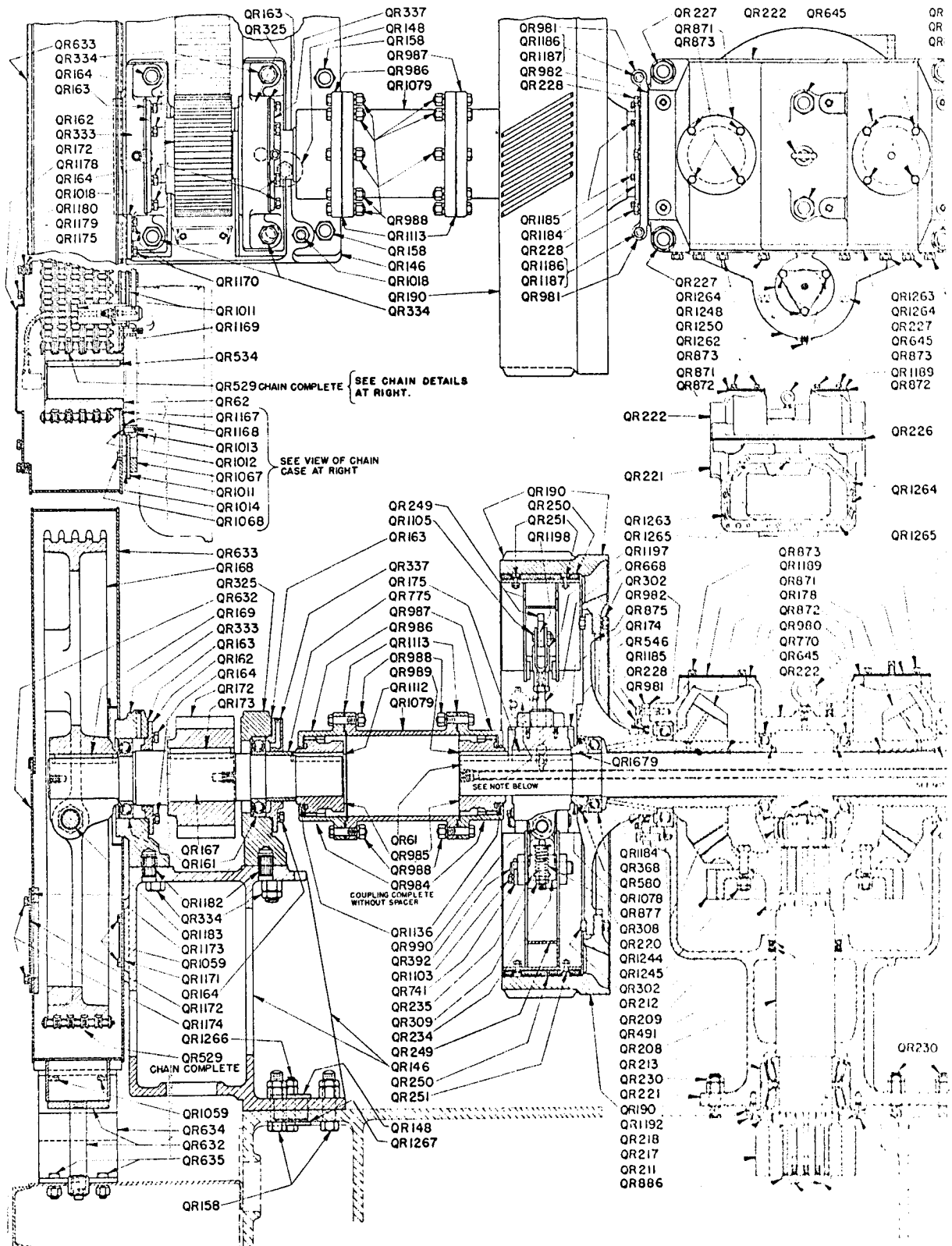
Ref. No.	No. Used	Name of Part	Ref. No.	No. Used	
QR61	1	Transmission clutch shaft	QR635	4	Chain
QR62	1	Engine clutch shaft sprocket	QR636	2	Chain
QR146	1	Transmission frame	QR645	1	Gear
QR148	1	Transmission frame shear plug	QR667	4	Clutc
QR158	15	Trans. frame foundation cap screw	QR668	4	Clutc
QR161	2	Trans. shaft left ball bearing	QR741	12	Bell
QR162	1	Trans. shaft left bearing oil retainer	QR770	2	Bevel
QR163	2	Bearing or oil retainer gasket	QR775	1	Trans.
QR164	12	Bearing or oil retainer cap screw	QR866	1	Verti
QR167	1	Transmission shaft	QR867	3	Pinio
QR168	1	Transmission shaft sprocket-Incl. QR1183	QR871	1	Gear
QR169	1	Transmission shaft sprocket key	QR872	2	Gear
QR172	1	Transmission shaft hoist pinion	QR873	8	Gear
QR173	1	Transmission shaft hoist pinion key	QR875	2	Rever
QR174	2	Clutch driver-Includes QR990 & QR1226	QR877	2	Bevel
QR175	2	Clutch driver key	QR980	2	Rever
QR178	2	Clutch shaft bevel pinion	QR981	4	Pinio
QR190	2	Clutch housing			halv
QR208	1	Vertical transmission shaft	QR982	2	Sleev
QR209	1	Vertical shaft bevel gear	QR983	2	Sleev
QR211	1	Vertical shaft pinion	QR984	1	Flexi
QR212	1	Vertical shaft upper roller bearing			QR98
QR213	1	Vertical shaft lower roller bearing	QR985	2	Flexi
QR217	1	Lower bearing retainer	QR986	1	Flexi
QR218	6	Bearing retainer cap screw	QR987	1	Flexi
QR220	1	Upper bearing snap ring	QR988	16	Flexi
QR221	1	Gear case -Incl. QR222, QR226, QR227 & QR645*	QR989	1	Clutc
QR222	1	Gear case cover	QR990	2	Rever
		* THE GEAR CASE QR221 WITH COVER QR222 AND GASKETS	QR993	4	Clutc
		QR226 ARE FITTED & BOLTED TOGETHER BEFORE FINAL	QR1011	1	Chain
		BORING AND MACHINING, WHICH IS DONE TO VERY CLOSE	QR1012	6	Engin
		TOLERANCES. THEREFORE, THIS GEAR CASE AND COVER	QR1013	1	Engin
		WILL NOT BE FURNISHED SEPARATELY.	QR1014	1	Engin
QR226	2	Gear case cover gasket	QR1018	1	Chain
QR227	6	Gear case cover bolts, studs & rod bolts	QR1056		Drive
QR228	12	Outer bearing retainer cap screw			furn
QR230	10	Gear case foundation studs & bolt			ber
QR234	4	Reverse clutch bell crank-Includes QR235	QR1057		Drive
QR235	16	Reverse clutch bell crank bushing	QR1059	8	Chain
QR241	4	Clutch bell crank fulcrum pin	QR1067	1	Engin
QR249	4	Reverse clutch shoe-Incl. QR250 & QR1198	QR1068	6	Engin
QR250		Reverse clutch shoe lining-one per each of	QR1076		Drive
		four shoes, or lining blocks-three per	QR1078	2	Clutc
		each of four shoes-includes QR251 (specify	QR1079	1	Flexi
		if one or three piece lining wanted)	QR1103	12	Pin l
QR251	80	Clutch shoe lining machine screw	QR1105	4	Shoe
QR302	16	Reverse clutch housing bolt	QR1106	1	Chain
QR308	4	Reverse clutch bell crank spring	QR1107	1	Chain
QR309	4	Reverse clutch bell crank spring bolt	QR1108	2	Chain
QR325	1	Trans. shaft right bearing housing	QR1112	1	Trans
QR333	1	Trans. shaft left bearing housing	QR1113	2	Flexi
QR334	4	Trans. shaft bearing housing bolt	QR1136	2	Flexi
QR337	1	Trans. shaft right bearing retainer	QR1167	1	Engin
QR368	2	Clutch shaft ball bearing	QR1168	1	Oil de
QR392	4	Bell crank clutch shoe pin	QR1169	1	Engin
QR491	2	Vertical shaft oil seal ring	QR1170	2	Chain
QR529	1	Transmission drive chain complete	QR1171	1	Front
QR534	1	Engine clutch shaft sprocket key	QR1172	1	Front
QR546	2	Bevel pinion sleeve oil seal ring	QR1173	1	Front
QR580	2	Clutch shaft bearing oil seal ring	QR1174	6	Front
QR632	1	Transmission drive front chain case	QR1175	1	Rear
QR633	1	Trans. drive front chain case cover	QR1176	16	Rear
QR634	4	Chain case support bars (upper and lower	QR1177	1	Rear
		pieces, must be welded together in field	QR1178	1	Rear
		to suit).	QR1179	1	Rear
			QR1180	14	Rear

QR700

Revised April, 1967

ION FOR STANDARD BOOM HOIST

Name of Part	Ref. No.	No. Used	Name of Part
case support bar bolt	QR1182	2	Trans. shaft bearing housing shear plug
case cover bolt	QR1183	1	Transmission shaft sprocket bolt
case cover eye bolt	QR1184	2	Pinion sleeve oil seal ring retainer
shoe release spring	QR1185	16	Oil seal ring retainer cap screw
shoe release spring bolt	QR1186	4	Outer bearing retainer bolt
crank pin locking eye bolt	QR1187	4	Outer bearing retainer gasket
pinion sleeve inner ball bearing	QR1188	1	Clutch shaft air reducer plug
shaft right bearing spacer	QR1189	1	Gear case inspection cover (Breather)
al shaft pinion retainer	QR1190	1	Vertical shaft upper bearing retainer
retainer cap screw	QR1191	2	Upper bearing retainer cap screw
case inspection cover (plain)	QR1192	7	Lower bearing retainer shims
case inspection cover gasket	QR1193	4	Reverse clutch bell crank anchor
case inspection cover cap screw	QR1194	12	Clutch bell crank anchor cap screw
clutch bevel pinion sleeve	QR1195	2	Clutch bell crank stop set screw
pinion sleeve outer ball bearing	QR1196	4	Clutch shoe release spring seat
clutch bevel pinion key	QR1197	4	Shoe release spring rod end
sleeve outer bearing retainer (2	QR1198	4	Release spring rod end pin bushing
s each) Includes QR1186 & QR1187	QR1199	4	Clutch shoe release spring sleeve
outer bearing retainer gasket	QR1200	4	Reverse clutch cylinder assembly complete- Includes QR1201 to QR1224 (See separate drawing)
inner bearing snap ring			
coupling without spacer-Includes			
to QR988, QR1113 & QR1136	QR1223	4	Piston rod end - Includes QR1224
coupling hub	QR1224	8	Piston rod end bushing
coupling male sleeve	QR1225	4	Piston rod end pin
coupling female sleeve	QR1226	8	Clutch cylinder anchor bolts & studs
coupling sleeve bolt	QR1228	1	Brake shoe - Includes QR1229
shaft coupling hub key	QR1229	1	Brake shoe lining - Includes QR1230
clutch driver bolt	QR1230	14	Brake shoe lining rivet
bell crank spring seat	QR1231	1	Brake shoe pin
case engine clutch cover	QR1232	1	Brake lever
sprocket cover capscrew	QR1233	1	Brake lever fulcrum pin
sprocket cover small gasket	QR1234	1	Brake lever bracket
sprocket cover large gasket	QR1235	4	Brake lever bracket bolt
case brace	QR1236	1	Brake lever stop set screw
chain roller link (5 links will be	QR1237	1	Brake release chamber bracket
ished per each pitch. Specify num-	QR1238	4	Brake release chamber bracket bolt
of pitches wanted).	QR1239	1	Brake spring
chain connecting link	QR1240	1	Brake spring seat & rod
case foundation cap screw	QR1241	2	Brake spring rod adjusting nut
sprocket cover retainer	QR1242	1	Brake spring rod fulcrum pin
sprocket cover retainer capscrew	QR1243	2	Brake spring compression rod
chain link pin lock	QR1244	1	Vert. shaft boom hoist drive gear
shaft bearing retainer	QR1245	4	Vert. shaft boom hoist drive gear bolt
coupling spacer	QR1246	1	Boom hoist drive shaft
locking eye bolt cap screw	QR1247	1	Drive shaft upper ball bearing
release spring rod end pin	QR1248	1	Drive shaft upper bearing retainer
case oil hole cover	QR1249	1	Upper bearing retainer gasket
case oil hole cover gasket	QR1250	3	Upper bearing retainer cap screw
case oil hole cover cap screw	QR1251	1	Boom hoist drive shaft pinion
mission shaft coupling hub key	QR1252	1	Boom hoist drive shaft pinion snap ring
coupling gasket	QR1253	1	Drive shaft lower ball bearing
coupling oil seal ring	QR1254	1	Boom hoist drive shaft oil seal ring
clutch shaft oil deflector	QR1255	1	Bearing & oil seal retainer
deflector gasket	QR1256	1	Bearing & oil seal retainer gasket
clutch air hose connector	QR1257	4	Bearing & oil seal retainer cap screw
case brace cap screw	QR1258	1	Boom hoist drive shaft jaw clutch
chain case side bolting gasket	QR1259	1	Boom hoist drive shaft jaw clutch key
chain case side cover	QR1260	1	Drive shaft jaw clutch retainer
chain case side cover gasket	QR1261	2	Jaw clutch retainer cap screw
chain case side cover cap screw	QR1262	1	Boom hoist drive shaft case
chain case	QR1263	1	Boom hoist drive shaft case gasket
chain case bolt	QR1264	16	Boom hoist drive shaft case cap screw
chain case gasket	QR1265	2	Boom hoist drive shaft case dowel
chain case side cover	QR1266	1	Transmission frame shear plug bolt
chain case side cover gasket	QR1267	1	Transmission frame shear plug washer
chain case side cover cap screw	QR1679	1	Transmission shaft O-Ring



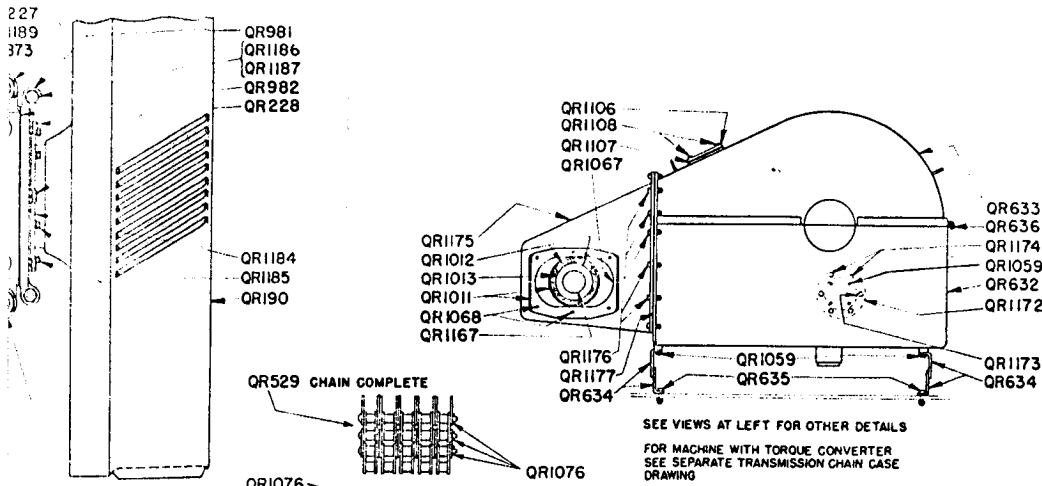
SEE CHAIN DETAILS AT RIGHT.

SEE VIEW OF CHAIN CASE AT RIGHT

NOTE: SEE AIR UNITS ARRANGEMENT DRAWING, AND DRAWINGS FOR QUICK AIR VALVE, ROTOR SEAL AND INLET SIDE DRAPE CHAMBER

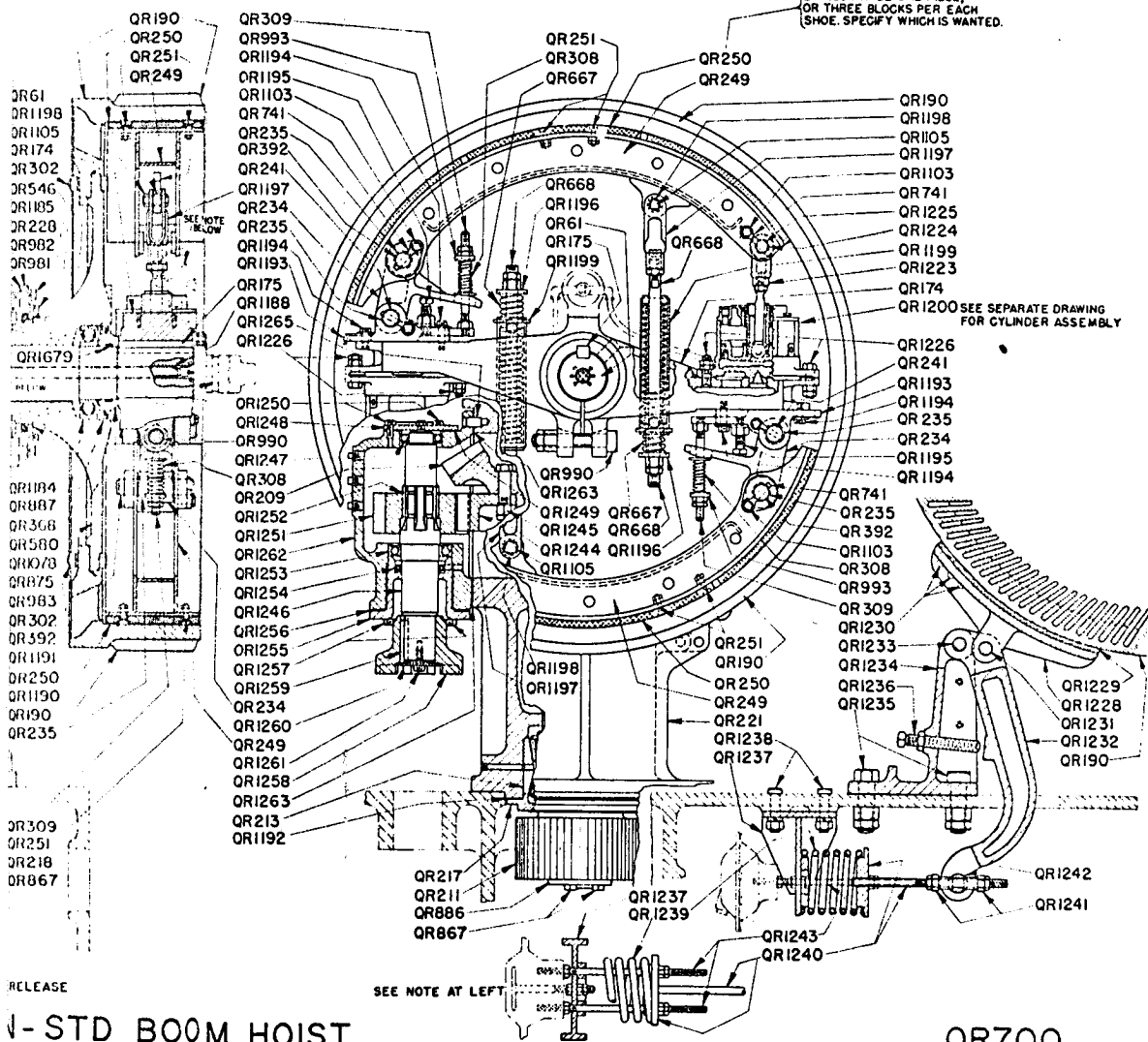
REISSUED 467

TRANSMISSION



FOR SPOTTING LOCATION OF CONNECTING LINK, THIS LINK SHOULD BE ASSEMBLED SO THAT SPLIT PINS ARE OPPOSITE TO THOSE IN CHAIN PROPER.

LININGS MAY BE ONE PIECE, OR THREE BLOCKS PER EACH SHOE. SPECIFY WHICH IS WANTED.



RELEASE
STD BOOM HOIST

QR700

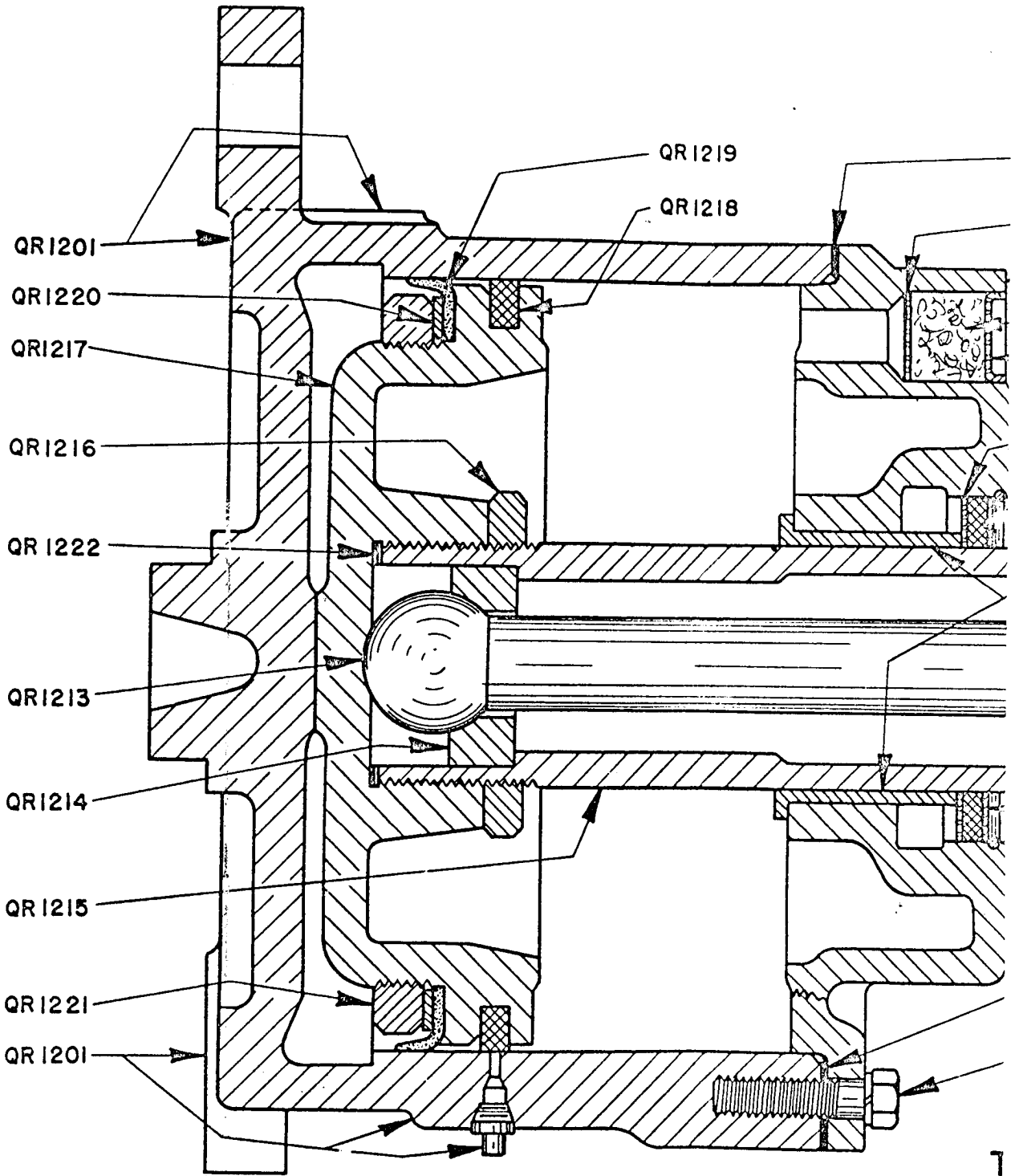
TRANSMISSIO

Ref. No.	No. Used	Name of Part	Ref. No.	No. Used	Name of Part
QR61	1	Transmission clutch shaft	QR635	4	Chain ca
QR62	1	Engine clutch shaft sprocket	QR636	2	Chain ca
QR146	1	Transmission frame	QR645	1	Gear cas
QR148	1	Transmission frame shear plug	QR667	4	Clutch s
QR158	15	Trans. frame foundation cap screw	QR668	4	Clutch s
QR161	2	Trans. shaft left ball bearing	QR741	12	Bell cra
QR162	1	Trans. shaft left bearing oil retainer	QR770	2	Bevel pi
QR163	2	Bearing or oil retainer gasket	QR775	1	Trans. s
QR164	12	Bearing or oil retainer cap screw	QR866	1	Vertical
QR167	1	Transmission shaft	QR867	3	Pinion r
QR168	1	Transmission shaft sprocket-Incl. QR1183	QR871	1	Gear cas
QR169	1	Transmission shaft sprocket key	QR872	2	Gear cas
QR172	1	Transmission shaft hoist pinion	QR873	8	Gear cas
QR173	1	Transmission shaft hoist pinion key	QR875	2	Reverse
QR174	2	Clutch driver-Includes QR990 & QR1226	QR877	2	Bevel pi
QR175	2	Clutch driver key	QR980	2	Reverse
QR178	2	Clutch shaft bevel pinion	QR981	4	Pinion s
QR190	2	Clutch housing			halves
QR208	1	Vertical transmission shaft	QR982	2	Sleeve o
QR209	1	Vertical shaft bevel gear	QR983	2	Sleeve i
QR211	1	Vertical shaft pinion	QR984	1	Flexible
QR212	1	Vertical shaft upper roller bearing			QR985 t
QR213	1	Vertical shaft lower roller bearing	QR985	2	Flexible
QR217	1	Lower bearing retainer	QR986	1	Flexible
QR218	6	Bearing retainer cap screw	QR987	1	Flexible
QR220	1	Upper bearing snap ring	QR988	16	Flexible
QR221	1	Gear case-Incl. QR222, QR226, QR227 & QR645*	QR989	1	Clutch s
QR222	1	Gear case cover*	QR990	2	Reverse
* THE GEAR CASE QR221 WITH COVER QR222 AND GASKETS QR226 ARE FITTED & BOLTED TOGETHER BEFORE FINAL BORING AND MACHINING, WHICH IS DONE TO VERY CLOSE TOLERANCES. THEREFORE, THIS GEAR CASE AND COVER WILL NOT BE FURNISHED SEPARATELY.			QR993	4	Clutch b
QR226	2	Gear case cover gasket	QR1011	4	Chain ca
QR227	6	Gear case cover bolts, studs & rod bolts	QR1012	6	Engine s
QR228	12	Outer bearing retainer cap screw	QR1013	1	Engine s
QR230	10	Gear case foundation studs & bolt	QR1014	1	Engine s
QR234	4	Reverse clutch bell crank-Includes QR235	QR1018	1	Chain ca
QR235	16	Reverse clutch bell crank bushing	QR1056		Drive ch
QR241	4	Clutch bell crank fulcrum pin			furnish
QR249	4	Reverse clutch shoe-Incl. QR250 & QR1198	QR1057		ber of
QR250		Reverse clutch shoe lining-one per each of four shoes, or lining blocks-three per each of four shoes-includes QR251 (specify if one or three piece lining wanted)	QR1059	8	Drive ch
QR251	80	Clutch shoe lining machine screw	QR1067	1	Chain ca
QR302	16	Reverse clutch housing bolt	QR1068	6	Engine s
QR308	4	Reverse clutch bell crank spring	QR1076	6	Engine s
QR309	4	Reverse clutch bell crank spring bolt	QR1078	2	Drive ch
QR325	1	Trans. shaft right bearing housing	QR1078	2	Clutch s
QR333	1	Trans. shaft left bearing housing	QR1079	1	Flexible
QR334	4	Trans. shaft bearing housing bolt	QR1103	12	Pin lock
QR337	1	Trans. shaft right bearing retainer	QR1105	4	Shoe rel
QR368	2	Clutch shaft ball bearing	QR1106	1	Chain cas
QR392	4	Bell crank clutch shoe pin	QR1107	1	Chain cas
QR491	2	Vertical shaft oil seal ring	QR1108	2	Chain cas
QR529	1	Transmission drive chain complete	QR1112	1	Transmiss
QR534	1	Engine clutch shaft sprocket key	QR1113	2	Flexible
QR546	2	Bevel pinion sleeve oil seal ring	QR1136	2	Flexible
QR580	2	Clutch shaft bearing oil seal ring	QR1167	1	Engine cl
QR632	1	Transmission drive front chain case	QR1168	1	Oil defle
QR633	1	Trans. drive front chain case cover	QR1169	1	Engine cl
QR634	4	Chain case support bars (upper and lower pieces, must be welded together in field to suit).	QR1170	2	Chain cas
			QR1171	1	Front cha
			QR1172	1	Front cha
			QR1173	1	Front cha
			QR1174	6	Front cha
			QR1175	1	Rear chai
			QR1176	16	Rear chai
			QR1177	1	Rear chai
			QR1178	1	Rear chai
			QR1179	1	Rear chai
			QR1180	14	Rear chai

QR700
Revised April, 1967

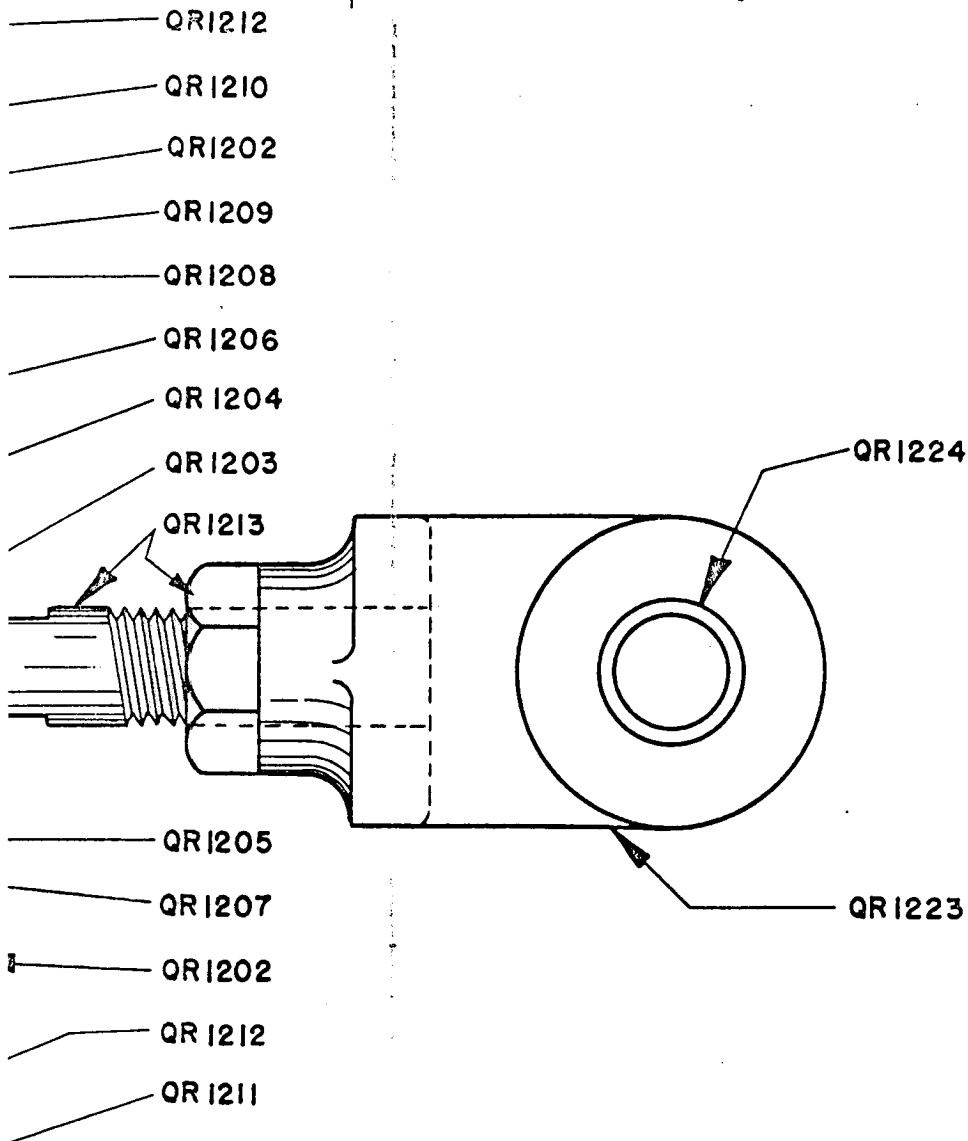
N FOR STANDARD BOOM HOIST

Name of Part	Ref. No.	No. Used	Name of Part
se support bar bolt	QR1182	2	Trans. shaft bearing housing shear plug
se cover bolt	QR1183	1	Transmission shaft sprocket bolt
se cover eye bolt	QR1184	2	Pinion sleeve oil seal ring retainer
hoe release spring	QR1185	16	Oil seal ring retainer cap screw
hoe release spring bolt	QR1186	4	Outer bearing retainer bolt
nk pin locking eye bolt	QR1187	4	Outer bearing retainer gasket
nion sleeve inner ball bearing	QR1188	1	Clutch shaft air reducer plug
haft right bearing spacer	QR1189	1	Gear case inspection cover (Breather)
shaft pinion retainer	QR1190	1	Vertical shaft upper bearing retainer
retainer cap screw	QR1191	1	Lower bearing retainer cap screw
e inspection cover (pin)	QR1192	7	Lower bearing retainer shim
e inspection cover gasket	QR1193	7	Reverse clutch bell crank anchor
e inspection cover cap screw	QR1194	12	Clutch bell crank anchor cap screw
clutch bevel pinion sleeve	QR1195	2	Clutch bell crank stop set screw
nion sleeve outer ball bearing	QR1196	4	Clutch shoe release spring seat
clutch bevel pinion key	QR1197	4	Shoe release spring rod end
leeve outer bearing retainer (2 each) Includes QR1186 & QR1187	QR1198	4	Release spring rod end pin bushing
uter bearing retainer gasket	QR1199	4	Clutch shoe release spring sleeve
ner bearing snap ring	QR1200	4	Reverse clutch cylinder assembly complete - Includes QR1201 to QR1224 (See separate drawing)
coupling without spacer-Includes QR988, QR1113 & QR1136	QR1223	4	Piston rod end - Includes QR1224
coupling hub	QR1224	8	Piston rod end bushing
coupling male sleeve	QR1225	4	Piston rod end pin
coupling female sleeve	QR1226	8	Clutch cylinder anchor bolts & studs
coupling sleeve bolt	QR1228	1	Brake shoe - Includes QR1229
haft coupling hub key	QR1229	1	Brake shoe lining - Includes QR1230
clutch driver bolt	QR1230	14	Brake shoe lining rivet
ell crank spring seat	QR1231	1	Brake shoe pin
se engine clutch cover	QR1232	1	Brake lever
procket cover capscrew	QR1233	1	Brake lever fulcrum pin
procket cover small gasket	QR1234	1	Brake lever bracket
procket cover large gasket	QR1235	4	Brake lever bracket bolt
se brace	QR1236	1	Brake lever stop set screw
ain roller link (5 links will be ed per each pitch. Specify num-pitches wanted).	QR1237	1	Brake release chamber bracket
ain connecting link	QR1238	4	Brake release chamber bracket bolt
se foundation cap screw	QR1239	1	Brake spring
procket cover retainer	QR1240	1	Brake spring seat & rod
procket cover retainer capscrew	QR1241	2	Brake spring rod adjusting nut
in link pin lock	QR1242	1	Brake spring rod fulcrum pin
haft bearing retainer	QR1243	2	Brake spring compression rod
coupling spacer	QR1244	1	Vert. shaft boom hoist drive gear
ng eye bolt cap screw	QR1245	4	Vert. shaft boom hoist drive gear bolt
ase spring rod end pin	QR1246	1	Boom hoist drive shaft
se oil hole cover	QR1247	1	Drive shaft upper ball bearing
se oil hole cover gasket	QR1248	1	Drive shaft upper bearing retainer
se oil hole cover cap screw	QR1249	1	Upper bearing retainer gasket
nion shaft coupling hub key	QR1250	3	Upper bearing retainer cap screw
coupling gasket	QR1251	1	Boom hoist drive shaft pinion
coupling oil seal ring	QR1252	1	Boom hoist drive shaft pinion snap ring
utch shaft oil deflector	QR1253	1	Drive shaft lower ball bearing
ctor gasket	QR1254	1	Boom hoist drive shaft oil seal ring
utch air hose connector	QR1255	1	Bearing & oil seal retainer
e brace cap screw	QR1256	1	Bearing & oil seal retainer gasket
in case side bolting gasket	QR1257	4	Bearing & oil seal retainer cap screw
in case side cover	QR1258	1	Boom hoist drive shaft jaw clutch
in case side cover gasket	QR1259	1	Boom hoist drive shaft jaw clutch key
in case side cover cap screw	QR1260	1	Drive shaft jaw clutch retainer
n case	QR1261	2	Jaw clutch retainer cap screw
n case bolt	QR1262	1	Boom hoist drive shaft case
n case gasket	QR1263	1	Boom hoist drive shaft case gasket
n case side cover	QR1264	16	Boom hoist drive shaft case cap screw
n case side cover gasket	QR1265	2	Boom hoist drive shaft case dowel
n case side cover cap screw	QR1266	1	Transmission frame shear plug bolt
	QR1267	1	Transmission frame shear plug washer
	QR1679	1	Transmission shaft O-Ring

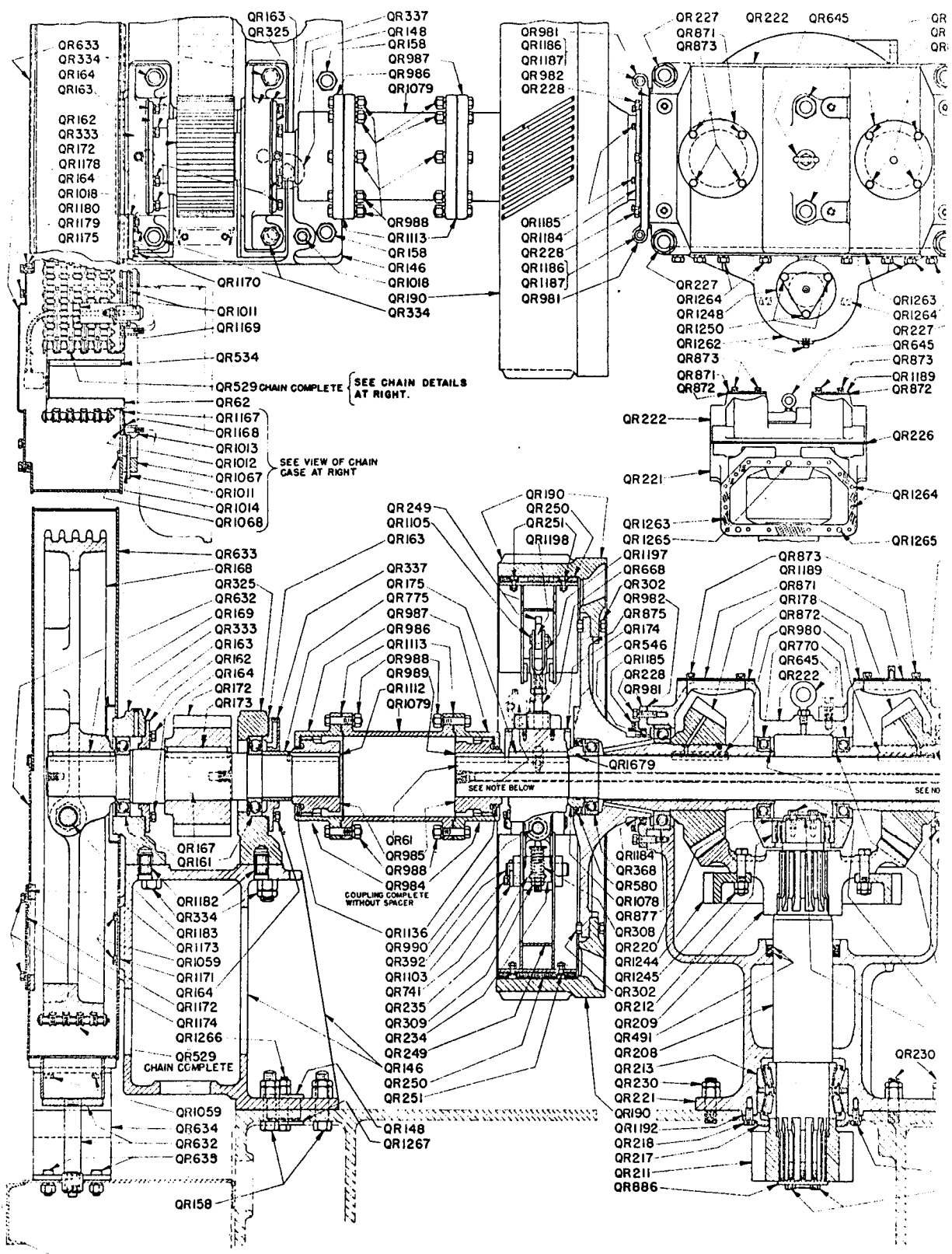


QR1200 CYLINDER COMPLETE

Ref. No.	No. Used	Name of Part
QR1200	4	Reverse clutch cylinder assembly complete - Includes QR1201 to QR1224
QR1201	4	Cylinder - Includes pipe plugs
QR1202	4	End cover assembly complete - Incl. QR1203 to QR1210
QR1203	4	End cover piston guide bushing
QR1204	4	End cover felt oiler
QR1205	4	End cover felt oiler washer (plain)
QR1206	4	End cover felt oiler washer (perforated)
QR1207	4	End cover felt oiler retaining ring
QR1208	4	End cover breather cover
QR1209	4	End cover breather curled hair
QR1210	4	End cover breather screen
QR1211	16	End cover cap screw
QR1212	4	End cover gasket
QR1213	4	Piston push rod & nut
QR1214	4	Piston push rod retainer
QR1215	4	Piston guide - Includes QR1216
QR1216	4	Piston guide lock nut
QR1217	4	Piston assembly - Incl. QR1218 to QR1222
QR1218	4	Piston felt oiler
QR1219	4	Piston cup
QR1220	4	Piston cup washer
QR1221	4	Piston nut
QR1222	4	Piston guide shims
QR1223	4	Piston rod end - Includes QR1224
QR1224	4	Piston rod end bushing



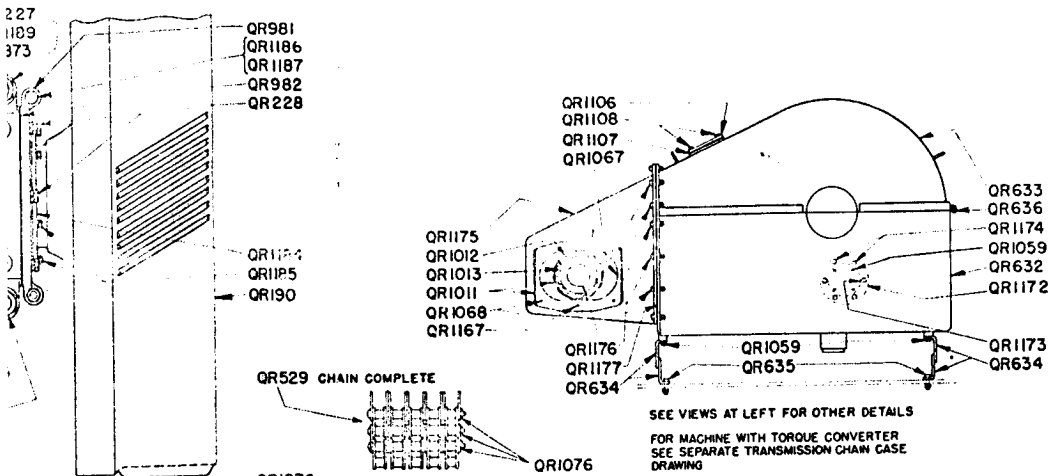
**CYLINDER ASSEMBLY
ANSMISSION REVERSE CLUTCH QR 701**



REISSUED 467

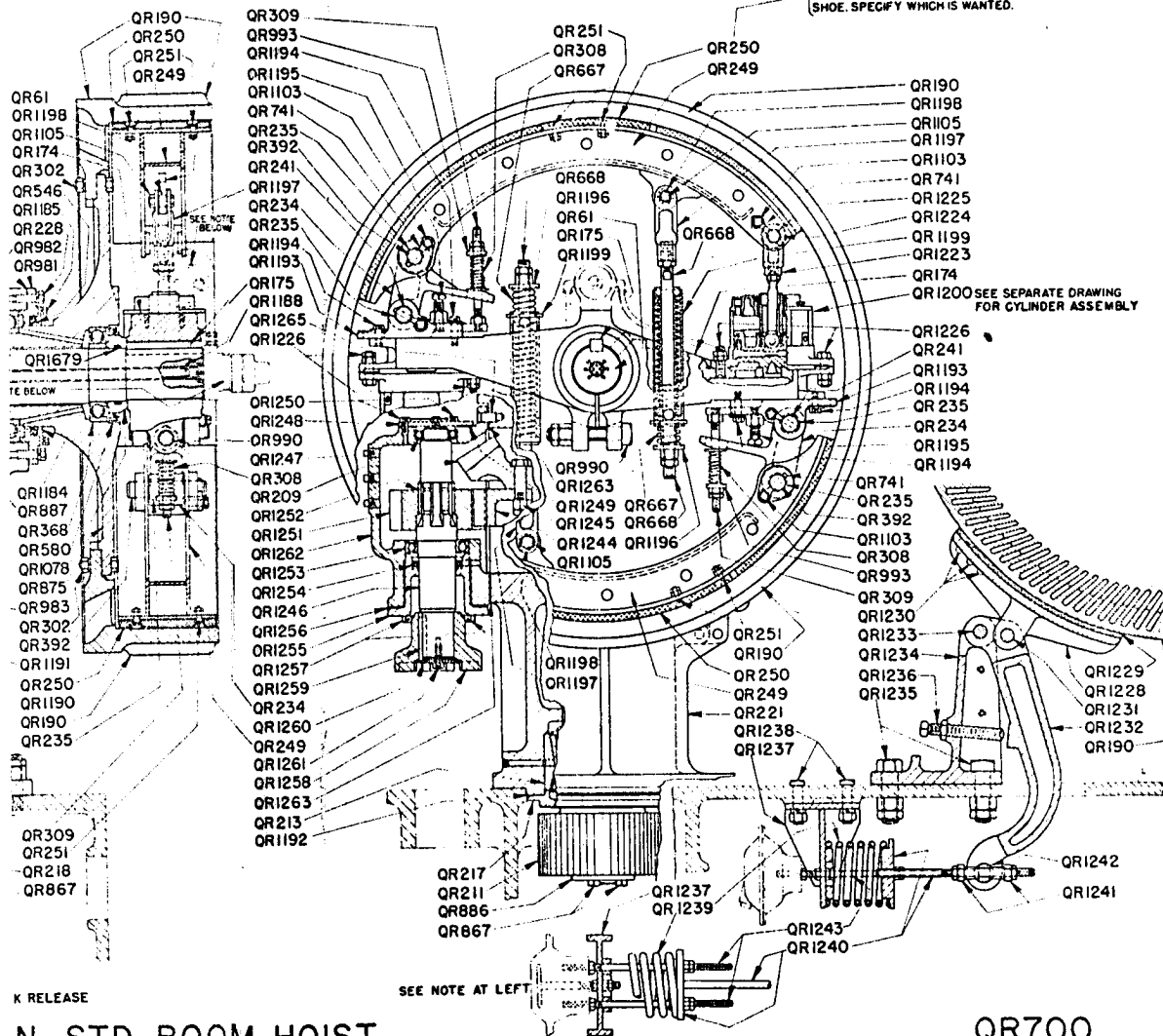
NOTE: SEE AIR UNITS ARRANGEMENT DRAWING, AND DRAWINGS FOR QUICK AIR VALVE, ROTOR SEAL AND BRAKE SHOE BRAKE CHAMBER.

TRANSMISSIC



FOR SPOTTING LOCATION OF CONNECTING LINK, THIS LINK SHOULD BE ASSEMBLED SO THAT SPLIT PINS ARE OPPOSITE TO THOSE IN CHAIN PROPER.

LININGS MAY BE ONE PIECE, OR THREE BLOCKS PER EACH SHOE. SPECIFY WHICH IS WANTED.



K RELEASE

N-STD BOOM HOIST

QR700



BUCYRUS-ERIE



BUCYRUS-ERIE COMPANY / BOX 479 / EVANSVILLE, INDIANA 47703 / 812-422-3241

CLASS P
CATALOG REFERENCE 10/66

ATTENTION: Parts Manager

SUBJECT: Parts List for Model 110-T

Gentlemen:

Please find enclosed a complete new Parts List for Model 110-T.

A new format has been adopted which necessitates your attention be called to the following:

1. An asterisk in the part number field indicates "REFER FACTORY". All items so marked must be referred to the Evansville Parts Sales Department for interpreting.
2. A new feature is the replacement or vendor number.
3. The letters A, D, or V appearing to the immediate right of the requirement indicate -
 - A - additional items required (refer to note immediately following replaced part for all parts necessary for complete replacement)
 - D - direct replacement (one part for one part)
 - V - vendors number
4. The letter X appearing at the far right of a line indicates a change.

Please remove complete Parts List, Issue No. 2, 1965 and replace with complete Parts List, Issue No. 1, 1966.

Very truly yours,

BUCYRUS - ERIE COMPANY

J. E. Robertson
Parts Catalog Department
Construction Machinery Division



CHY:ce

Enclosure





EXCAVATOR

MASTER PARTS LIST INSTRUCTION

10-B	38-B
14-B	51-B
15-B	54-B
20-B	61-B
22-B	71-B
25-B	72-B
30-B	88-B

It is the policy of Bucyrus-Erie Company to improve its products continually. Consequently in the course of time many parts have been redesigned so that all machines of the same model or size are not necessarily alike in all details. A later machine may have some parts that are substantially different from those of an earlier machine of the same model.

Because of the frequency of design changes it is impracticable to supply an owner with a list of parts by accurate parts numbers. To overcome this difficulty we adopted a reference number system for use in owners' parts catalogs. In this system a catalog reference which never changes is given to the name of a part.

In this Parts List the owners' catalog reference numbers, arranged in alphabetical and numerical order, are transposed into the correct parts numbers for each machine. Definitions and instructions for its proper use follows:

UNITS - For convenience of manufacture a machine is divided into units. A group of parts make up a unit and a group of units make up a machine. Each unit is identified by one or more letters such as A for Truck Frame, LR for Dipper Trip, etc. (see list of units page II). There are different front end equipments, etc., which are called "Variable Units". A Frames, Booms, Dippers and Dipper Handles are examples of variable units.

PART NUMBERS - A part number is a number or a combination of letters and numbers assigned to each part as it is designed. If at a later date the design is changed in any manner, or if the material of which it is made is changed it is given another part number. Consequently a part number identifies a definite design and a specific material with no variations. It is the only positive identification of a part and is the only number used at the factory for manufacturing and pricing.

CATALOG REFERENCE - A catalog reference is a combination of letters and numbers assigned to a unit of a machine and the name of a part used in the unit. Its only purpose is to identify the unit and the name of the part. A catalog reference does not change with a change of design. For example: reference BC1 is a track link in the crawler unit. The "BC" identifies the unit and the "1" identifies the name as a track link. There are several different designs of these track links and the part number has changed in each case but the catalog reference has not changed.

SERIAL NUMBERS - A serial number is a number assigned to an individual machine for the purpose of identification. All records are compiled and maintained under these numbers. On account of design changes it is necessary to work to serial numbers of machines as either the Key Sheet or the Parts List designates the correct part number for a given machine serial number.

KEY SHEET - The Key Sheet is a separate sheet containing a record of the variable units on an individual machine and, under "Exceptions" a list of parts which are different from those shown for the machine in the Parts List. Space is provided to record such changes as may be made from time to time in the field. Always consult the Key Sheet for the correct variable units and exceptions before using the Parts List.

PARTS LIST - The Parts List is a list of all catalog references with related part numbers and the serial numbers of machines on which the part numbers are used.

- Column 1 contains the catalog references.
- Column 2 contains the names of the parts and vendor's numbers.
- Column 3 contains the serial numbers of the machines to which the parts apply except in the cases of dippers and vendor's products. For these items column 3 contains the size and type of dipper, the vendor's specification, model or serial number instead of the serial number of the machine.
- Column 4 contains the parts numbers.
- Column 5 contains the numbers of parts required per unit.

HOW TO USE THE PARTS LIST - It is necessary to know the model and serial number of a machine and the catalog reference of a part before a part number can be accurately determined. With these factors known proceed as follows:

1. Refer to the Key Sheet.
2. If the catalog reference wanted is listed under Exceptions the correct part number is listed with it and it is not necessary to look any further.
3. If the catalog reference does not appear under Exceptions on the Key Sheet turn to the catalog reference in the Parts List and select the part number shown for the serial number of the machine.
Always be sure you have the correct variable unit heading.

On page II is a reproduction of the Key Sheet for 22-B machine number 122218. The examples following explain the method of using the Parts List.

**BUCYRUS-ERIE COMPANY EXCAVATOR PARTS LIST
INSTRUCTIONS**

SHIPPED TO: JOHN DOE & CO. Milwaukee, Wis.			MODEL 22-B	SERIAL NO. 118242			
			CRAWLER TRANSIT	DATE SHIPPED 6-15-45			
FRONT END	BOOM	HANDLE	DIPPER OR BUCKET	ROPES	HOOK BLOCK OR TAGLINE		
SHOVEL	18'-0"	13'-6"	3/4 JD	4-PART			
HOE							
DRAGLINE							
CLAMSHELL							
CRANE							
JIB							
SIDE CUTTERS		PADLOCK	THIRD DRUM EQUIPMENT				
MOUNTING STANDARD CRAWLERS 26"				STANDARD PROPEL INDEPENDENT PROPEL LIGHT PLANT			
POWER PLANT International Harvester - UD525 - #4688BE52D - Diesel							
POWER TAKE-OFF Twin Disc SP114-P1 - #105933			TORQUE CONVERTER				
HOIST CONTROLLED LOWERING			MAST	SALES ORDER NUMBER			
- EXCEPTIONS -							
REFERENCE NUMBER	PART NAME	PART NUMBER TO BE FURNISHED	QUAN.	REFERENCE NUMBER	PART NAME	PART NUMBER TO BE FURNISHED	QUAN.
A16	Truck Frame	606958K21	1	R1361	Collar	Y7791-A	1
BR163	Shaft	1-X-14439	1	R1362	Washer	3- $\frac{1}{2}$ " I.D.	
BR195	Shaft	3-X-11750	1			4- $\frac{1}{4}$ " O.D. x $\frac{3}{8}$ "	1

SAMPLE

EXAMPLE 1 - Find the part number of Cat. Ref. A16 - Truck frame for the above machine.

A16 appears on the Key Sheet under Exceptions as part number 606958K21 which is the correct part number for this machine.

EXAMPLE 2 - Find the part number of Cat. Ref. AB130 - Housing Gasket.

As AB130 does not appear on the Key Sheet under Exceptions, turn to AB130 in the Parts List where the part number for all machines from 14156 and up is listed as 50231750.

EXAMPLE 3 - Find the part number of Cat. Ref. BC1 Track Link.

BC1 does not appear on the Key Sheet under Exceptions, and as this is a "Variable Unit" the Key Sheet shows it as "Standard Crawlers". Turn to BC1 under Standard

Crawlers where the track link is listed as 234464A for all machines from 104324 to 120231.

EXAMPLE 4 - Find the part number of L9 Dipper Door.

L9 does not appear on the Key Sheet under Exceptions and as this is a variable unit the Key Sheet shows it as 3/4 JD. Turn to L9 in the Parts List under "Dipper 3/4 JD" where the part number for all 3/4 JD dippers and up is 800597K22.

EXAMPLE 5 - Find the diameter, length and specifications for Cat. Ref. X1 Hoist Rope.

As X1 does not appear on the Key Sheet and the length of the boom is given as 18'-0" turn to X1 under "Shovel Ropes" where it is listed as 5/8"x80' #2. The first number is the diameter and the second is the length. The third, viz. #2, refers to a rope specification page where several makes and specifications are listed.

LIST OF UNITS

- | | | |
|------------------------------|--------------------------------|-----------------------------|
| A - Truck frame | @JX - Boom hoist | R - Main Machinery |
| AB - Revolving frame | @L - Dipper | S - Operating levers |
| @BA - Truck mounting | @LR - Dipper trip | T - Propelling machinery |
| @BC - Crawlers | @M - Dipper handle | W - Cab |
| BR - Steering machinery | N - Saddle block | @X - Ropes |
| @C - A Frame | @P - Padlock - Crane hook | XA - Fairlead |
| @DB - Dragline bucket | @Q - Engine accessories | @YE - Fuel supply equipment |
| F - Swing machinery | @QR - Transmission-Eng. clutch | ZB - Light plant |
| @JA - Boom - Jib | @QZ - Starting equipment | ZJ - Pile driver |
| @JR - Boom machinery-Tagline | @QZ - Battery lights | ZR - Collector rings |

@ - Variable Units

HOW TO ORDER PARTS

- 1 Always give the **MODEL** and the **SERIAL NUMBER** of the machine.
- 2 The **CATALOG REFERENCE**, the **PART NAME** and the **PART NUMBER**.
- 3 The **QUANTITY** required.
- 4 The **DESTINATION** and **METHOD** of shipment.



PARTS LIST

102666

ISSUE NO 1, 1966

MODEL 110T

PAGE: 2- 1

CAT. REF.	PART NAME	SERIAL NO.		PART NO.	REPLACE OR VENDOR NO.	REQ.
		FROM	TO/INCL.			
	001					
BA	CARRIER-DWGS. BA-710 THRU BA-727,ZBA100, ZBA201 THRU ZBA208, ZBA300 THRU ZBA303, ZBA400,ZBA500 THRU ZBA503,ZBA600,ZBA601, ZBA602,ZBA650,ZBA700, ZBA701,ZBA800,ZBA900					
BA 171	TANK,OIL	125310		.611420K 21		1
BA 171	CAPSCREW 3/8X1 NF	125310		.03229320		4
BA 171	NUT,LOCK 3/8 NF	125310		.02769200		4
BA 172	FILTER,AIR - VICKETS	125310		46211125	125351	1V
BA 173	SCREEN W/GASKET-ALSN.	125310		46327316	6750266	1V
BA 174	DYNASEAL	125310		.72001145	110-3/8	6V
BA 174	CAPSCREW 3/8X1 NF	125310		.03229320		6
BA 174	LOCKWASHER 3/8	125310		.03961300		6
BA 175	HOSE ASSY	125310		53611824		1
BA 176	FILTER, VICKERS	125310		46210040	OFM-101	1V
	DWG. ZBA-204					
BA 177	VALVE, VICKERS	125310		79448121		1
BA 178	HOSE 1X2FT.8	125310		.53062541		1
BA 178	COUPLING, IMP. AC	125310		.53276595	16-16PR	2V
BA 179	HOSE 1X7FT.1-1/2	125310		.53062541		1
BA 179	COUPLING, IMP. AC	125310		.53276595	16-16PR	2V
BA 180	HOSE 1X3FT.2-1/2	125310		.53062541		1
BA 180	COUPLING, IMP. AC	125310		.53276595	16-16PR	2V
BA 181	HOSE 3/4X3FT.5	125310		.53004060		1
BA 181	COUPLING, IMP.	125310		.53276590	BB12-12NJ	2V
BA 181	UNION, EASTMAN	125310		.53463400	60SA16X16	2V
BA 182	HOSE 3/4X12FT.7	125310		.53004060		1
BA 182	COUPLING, IMP.	125310		.53276590	BB12-12NJ	2V
BA 182	UNION, EASTMAN	125310		.53463400	60SA16X16	2V
BA 183	HOSE 1/2X11FT.11-3/4	125310		.53030260		2
BA 183	COUPLING, IMP.	125310		.53276565	BB06-08NJ	4V
BA 184	HOSE 1/2X4FT.3-1/4	125310		.53030260		1
BA 184	COUPLING, IMP.	125310		.53276565	BB06-08NJ	2V
BA 185	HOSE 1/2X3FT.4-1/4	125310		.53030260		1
BA 185	COUPLING, IMP.	125310		.53276565	BB06-08NJ	2V
BA 186	HOSE 3/8X18	125310		.53023544		1
BA 186	COUPLING, IMP.	125310		.53276585	BB08-10NJ	2V
BA 187	HOSE 3/8X18	125310		.53023544		1
BA 187	COUPLING, IMP.	125310		.53276585	BB08-10NJ	2V
BA 188	HOSE 3/8X8FT.10-1/2	125310		.53023544		1
BA 188	COUPLING, IMP.	125310		.53276585	BB08-10NJ	2V
BA 189	HOSE 3/8X8FT.1-1/2	125310		.53023544		1
BA 189	COUPLING, IMP.	125310		.53276585	BB08-10NJ	2V
BA 190	VALVE, HANNIFIN DWG. ZBA209	125310		79310375	VDP12	1V
BA 191	VALVE, GARRISON DWG.ZBA600	125310		79368400	G21TL	1V
BA 192	CYLINDER, GARRISON DWG. ZBA601	125310		40008005	277	2V



PARTS LIST

102666

ISSUE NO 1, 1966

MODEL 110T

PAGE: 2- 2

CAT. REF.	PART NAME	SERIAL NO.		PART NO.	REPLACE OR VENDOR NO.	REQ.
		FROM	TO/INCL.			
	001					
BA 193	PUMP, VICKERS DWG. ZBA205	125310		64944660		1
BA 194	CYLINDER, HANNIFIN DWG. ZBA700	125310		40005190	35977	4V
BA 195	CYLINDER, HANNIFIN DWG. ZBA701	125310		40019425	36386	4VX
BA 196	HOSE ASSY	125310		53479775		8
BA 197	HOSE ASSY	125310		53479765		4
BA 198	HOSE	125310		.715196 5		16
BA 198	COUPLING	125310		.53276575		16
BA 198	COUPLING	125310		.53276550		16
BA 199	HOSE 5/16X2FT.3	125310		.53017505		8
BA 199	COUPLING, IMP.	125310		.53276523	BT05-04MB	8V
BA 199	COUPLING, IMP.	125310		.53276545	BT05-06RA	8V
BA 200	HOSE 5/16X10FT.	125310		.53017505		2
BA 200	COUPLING, IMP.	125310		.53276523	BT05-04MB	4V
BA 201	HOSE, 5/16X11FT.	125310		.53017505		2
BA 201	COUPLING, IMP.	125310		.53276523	BT05-04MB	4V
BA 202	HOSE, 5/16X8 FT. 2IN.	125310		.53017505		1
BA 202	COUPLING, IMP.	125310		.53276523	BT05-04MB	1V
BA 202	COUPLING, IMP.	125310		.53276575	BT05-06NJ	1V
BA 203	HOSE, 5/16X8 FT. 4 IN.	125310		.53017505		1
BA 203	COUPLING, IMP.	125310		.53276523	BT05-04MB	1V
BA 203	COUPLING, IMP.	125310		.53276575	BT05-06NJ	1V
BA 204	HOSE, 5/16X9 FT. 2 IN.	125310		.53017505		1
BA 204	COUPLING, IMP.	125310		.53276523	BT05-04MB	1V
BA 204	COUPLING, IMP.	125310		.53276575	BT05-06NJ	1V
BA 205	HOSE, 5/16X9 FT. 6 IN.	125310		.53017505		1
BA 205	COUPLING, IMP.	125310		.53276523	BT05-04MB	1V
BA 205	COUPLING, IMP.	125310		.53276575	BT05-06NJ	1V
BA 206	HOSE, 5/16X8 FT. 9 IN.	125310		.53017505		1
BA 206	COUPLING, IMP.	125310		.53276523	BT05-04MB	1V
BA 206	COUPLING, IMP.	125310		.53276575	BT05-06NJ	1V
BA 207	HOSE 5/16X8FT.10	125310		.53017505		1
BA 207	COUPLING, IMP.	125310		.53276523	BT05-04MB	1V
BA 207	COUPLING, IMP.	125310		.53276575	BT05-06NJ	1V
BA 208	HOSE, 5/16X9 FT. 2 IN.	125310		.53017505		1
BA 208	COUPLING, IMP.	125310		.53276523	BT05-04MB	1V
BA 208	COUPLING, IMP.	125310		.53276575	BT05-06NJ	1V
BA 209	HOSE, 5/16X8 FT. 4 IN.	125310		.53017505		1
BA 209	COUPLING, IMP.	125310		.53276523	BT05-04MB	1V
BA 209	COUPLING, IMP.	125310		.53276575	BT05-06NJ	1V
BA 210	HOSE, 5/16X10 FT.	125310		.53017505		1
BA 210	COUPLING, IMP.	125310		.53276523	BT05-04MB	1V
BA 210	COUPLING, IMP.	125310		.53276575	BT05-06NJ	1V
BA 211	HOSE, 5/16X9 FT. 6IN.	125310		.53017505		1
BA 211	COUPLING, IMP.	125310		.53276523	BT05-04MB	1V
BA 211	COUPLING, IMP.	125310		.53276575	BT05-06NJ	1V
BA 212	HOSE, 5/16X10 FT.	125310		.53017505		1
BA 212	COUPLING, IMP.	125310		.53276523	BT05-06NJ	1V
BA 212	COUPLING, IMP. BT05-06N	125310		.53276575		1
BA 213	HOSE, 5/16X9 FT. 6 IN.	125310		.53017505		1
BA 213	COUPLING, IMP.	125310		.53276523	BT05-04MB	1V
BA 213	COUPLING, IMP.	125310		.53276575	BT05-06NJ	1V



PARTS LIST

102666

ISSUE NO 1, 1966

MODEL 110T

PAGE: 2- 3

CAT. REF.	PART NAME	SERIAL NO.		PART NO.	REPLACE OR VENDOR NO.	REQ.
		FROM	TO/INCL.			
	001					
BA 214	BODY ASSY-BRUNING	125310		53259870	SM251	16V
BA 215	HOSE ASSY-BRUNING	125310		53385502	SM252	16V
BA 216	BODY ASSY-BRUNING	125310		53259875	SM371	8V
BA 217	HOSE ASSY-BRUNING	125310		53385507	SM372	8V
BA 218	VALVE - BWAAB DWG. ZBA201	125310		29417750	229666	1V
BA 219	VALVE - BWAAB DWG. ZBA202	125310		29490102	275102	1V
BA 220	VALVE, BRAKE - BERG DWG. ZBA207	125310		79319525	1755	1V
BA 221	VALVE - BWAAB DWG. ZBA203	125310		29417290	229620	1V
BA 222	VALVE - BWAAB DWG. ZBA203	125310		29491749	277140	1V
BA 223	VALVE - BWAAB DWG. ZBA203	125310		29417290	229620	1V
BA 224	VALVE, CHECK BWAAB	125310		29415210	229521	1V
BA 225	INDICATOR - BWAAB DWG. ZBA203	125310		29407500	228750	1V
BA 226	SWITCH, LIGHT - BWAAB	125310		29380721	226262	1V
BA 227	GAUGE, PRESS. FWD.	125310		82302913	196969	1V X
BA 228	WIPERKIT, TRICO	125310		82975285	B30804-3	1V
BA 229	RESERVOIR - BWAAB	125310		29276600	225125	2V
BA 230	BRACKET - BWAAB	125310		29333990	221399	4V
BA 231	COCK, SHUT-OFF LUNK.	125310		79021000	1179	2V
BA 232	VALVE, SAFETY WAB	125310		29107360	184766	1V
BA 233	VALVE, CHECK BWAAB	125310		29397008	227717	1V
BA 234	VALVE, AIR BWAAB	125310		29331920	221192	1V
BA 235	VALVE, BWAAB DWG. ZBA200	125310		29415050	229505	1V
BA 236	BUZZER - BWAAB	125310		29328360	220836	1V
BA 237	VALVE, BWAAB DWG. ZBA201	125310		29412200	275146	1V
BA 238	VALVE, RELEASE BWAAB	125310		29418590	229859	2V
BA 239	COCK, CUT-OUT BWAAB	125310		29170860	205086	1V
BA 240	VALVE, BWAAB	125310		29396800	227661	1V
BA 241	HITCH, HOLLAND DWG. ZBA800	125310		82524610	T650	1V
BA 242	HOSE, 7/16X32 IN.	125310		.53003850		2
BA 242	CONNECTOR - BWAAB	125310		.29296040	217604	4V
BA 243	HOSE, 3/8X 32 IN.	125310		.53020535		2
BA 243	COUPLING, IMP.	125310		.53276526	AB06-04MB	4V
BA 244	HOSE, 3/8X30 IN.	125310		.53020535		4
BA 244	COUPLING, IMP.	125310		.53276526	AB06-04MB	8V
BA 245	CHAMBER ASSY-BERG DWG. ZBA208	125310		82135100	1788-B	4V
BA 245	82135100 REPLACED BY	125310		0		4
BA 246	VALVE, EJCT. NOT USED	125310				
BA 247	WHEEL, STEERING ROSS	125310		21405485	404708	1V X
BA 248	COLUMN ASSY ROSS	125310		21404950		1 X
BA 249	GEAR, STEERING-ROSS DWG. ZBA602	125310		21405025	TE-71	1V X
BA 250	ARM, PITMAN	125310		21405490		1 X
BA 251	LINK, DRAG	125310		717151 1		1



PARTS LIST

102666

ISSUE NO 1, 1966

MODEL 110T

PAGE: 2- 4

CAT. REF.	PART NAME	SERIAL NO.		PART NO.	REPLACE OR VENDOR NO.	REQ.
		FROM	TO/INCL.			
	001					
BA 252	SPIDER & BEARING ASSY	125310		46814195	114-2101	1V
BA 253	YOKE	125310		46815353	10519J	1V
BA 254	CAPSCREW	125310		.516249K 1		4
BA 254	WIRE, LOCK 16X15	125310		.84280000		1
BA 254	LOCKWASHER 3/8	125310		.03961300		4
BA 255	BALL, SOCKET	125310		717151 10		1
BA 256	LINK, DRAG	125310		717151 5		1
BA 257	SOCKET, BALL	125310		717150 12		1
BA 258	ARM, STEERING FRONT	125310		717150 7		1
BA 259	ARM, STEERING REAR	125310		717150 1		1
BA 260	BUSHING, ARM	125310		528505K 1		4
BA 261	PIN, ARM	125310		717151 15		2
BA 262	CAPSCREW 1/2X1 NF	125310		.03235320		2
BA 262	LOCKWASHER 1/2	125310		.03961500		2
BA 263	STUD	125310		.82906468		6
BA 263	NUT, SLOTTED 7/8 NF	125310		.02784000		6
BA 263	PIN, COTTER 1/8X2	125310		.03109960		6
BA 264	LINK, DRAG LOWER	125310		82605860	36227	2V
BA 265	SOCKET, BALL	125310		82865558	230	2V
BA 266	PIN	125310		.717150 13		2
BA 266	PIN, COTTER 3/16X1-1/4	125310		.03115600		4
BA 267	CONTROL, FULLER	125310		51286240		1 X
	DWG. ZBA500					
BA 268	CAPSCREW 3/8X2-3/4 NF	125310		.03229880		4
BA 268	NUT, LOCK 3/8 NF	125310		.02787700		4
BA 269	ROD, REACH	125310		.618279K 21		1
BA 269	NUT, FULL 1/2 NF	125310		.02740550		1
BA 270	ROD, REACH	125310		.618278K 21		1
BA 270	NUT, FULL 1/2 NF	125310		.02740550		1
BA 271	END, YOKE	125310		49110510		2
BA 272	PIN, YOKE	125310		49117010		4
BA 273	LEVER, CH	125310		49134515	2731-H1	4V X
BA 274	KEY - ASA	125310		54302750	608	4V
BA 275	ROD, SHIFTER	125310		524354K 1		1
BA 276	ROD, SHIFTER	125310		524353K 1		1
BA 277	COLLAR	125310		524193K 1		4
BA 278	SCREW, SH CP SET 1/2X1/2 NC	125310		.03809250		4
BA 278	NUT, FULL 1/2 NC	125310		.02711050		4
BA 279	LINK	125310		717128 9		1
BA 280	LINK	125310		717128 10		1
BA 281	BOLT, SHOULDER	125310		.524355K 1		4
BA 281	NUT, LOCK 1/2 NF	125310		.02787800		4
BA 282	SUPPORT, ROD	125310		717128 1		1
BA 283	BRACKET	125310		717128 12		1
BA 284	CAPSCREW 1/2X1 NF	125310		.03235320		2
BA 284	NUT, LOCK 1/2 NF	125310		.02787800		2
BA 285	PEDAL, FOOT	125310		809235 8		1
BA 286	LEVER, PEDAL	125310		809235 1		1
BA 287	BUSHING, LEVER	125310		528532K 1		2
BA 288	CAPSCREW 3/8X1-1/2 NF	125310		.03229480		3
BA 288	NUT, LOCK 3/8 NF	125310		.02787700		3
BA 289	BRACKET	125310		809235 20		1
BA 290	CAPSCREW 1/2X1-1/4 NF	125310		.03235400		4



PARTS LIST

102666

ISSUE NO 1, 1966

MODEL 110T

PAGE: 2- 5

CAT. REF.	PART NAME	SERIAL NO.		PART NO.	REPLACE OR VENDOR NO.	REQ.
		FROM	TO/INCL.			
	001					
BA 290	NUT, LOCK 1/2 NF	125310		.02769300		4
BA 291	PIN	125310		809235 15		1
BA 292	CAPSCREW 1/4X7/8 NF	125310		.03223780		1
BA 292	NUT, LOCK 1/4 NF	125310		.02787600		1
BA 293	SPRING	125310		75728350		1
BA 294	SPACER	125310		717128 11		1
BA 295	CYLINDER - WAGNER DWG. ZBA650	125310		29023590	FE-22963	1VX
BA 296	END, YOKE	125310		.509642K 1		1
BA 296	NUT, JAM 3/8 NF	125310		.02739600		1
BA 297	PIN ASSY	125310		49117010		1
BA 298	CAPSCREW 5/16X1-1/4NF	125310		.03226400		4
BA 298	NUT, LOCK 5/16 NF	125310		.02787650		4
BA 299	PAD, PEDAL	125310		0		1
BA 300	PIN	125310		.524182K 1		1
BA 300	NUT, JAM 3/8 NF	125310		.02739600		2
BA 301	CYL., FWD-DWG. ZBA650	125310		37338571	10876383	1VX
BA 302	CAPSCREW 3/8X1-1/4 NF	125310		.03229400		4
BA 302	LOCKWASHER 3/8	125310		.03961300		4
BA 302	NUT, FULL 3/8 NF	125310		.02739550		4
BA 303	GASKET, CYL.-FWD	125310		37338545	305627	1VX
BA 304	BRACKET, CYL.-FWD	125310		37338536	305473	1VX
BA 305	CAPSCREW 1/2X6 NC	125310		82830370		1 X
BA 305	NUT, FULL 1/2 NC	125310		.02711050		1
BA 306	LEVER, RELEASE-FWD	125310		37338535	305472	1VX
BA 307	SPRING, RETURN-FWD	125310		37338552	309443	1VX
BA 308	SHAFT, RELEASE-FWD	125310		37338525	305431	1VX
BA 309	END, ROD	125310		524157K 1		1
BA 310	SPACER, FWD	125310		37338537	305474	1VX
BA 311	BRACKET, STOP-FWD	125310		37338559	310652	1VX
BA 312	PIN, YOKE	125310		49117020		1
BA 313	CONNECTOR, WAGNER	125310		29012400	FC2678	1VX
BA 314	GASKET, WAGNER	125310		29011690	FC1243	1VX
BA 315	BOLT, WAGNER	125310		29011330	FC673	1VX
BA 316	HOSE, WAGNER	125310		53004925	FC5433	1VX
BA 317	HOUSING, OUTRIGGER	125310		856069K 21		2
BA 318	ROLLER	125310		524143K 1		4
BA 319	BUSHING	125310		524142K 1		8
BA 320	PIN	125310		618093K 21		4
BA 321	CAPSCREW 3/4X1-1/2 NF	125310		.03244480		4
BA 321	LOCKWASHER 3/4	125310		.03961800		4
BA 322	PIN	125310		618094K 21		4
BA 323	CAPSCREW 1/2X7/8 NF	125310		.03235280		4
BA 323	LOCKWASHER 1/2	125310		.03961500		4
BA 324	BEAM, OUTRIGGER	125310		856080K 21		4
BA 325	PIN	125310		618095K 21		4
BA 326	CAPSCREW	125310				4
BA 326	LOCKWASHER	125310				4
BA 327	CAPSCREW 1X3 NC	125310		.02616980		16
BA 327	LOCKWASHER 1	125310		.03962000		16
BA 328	GUARD	125310		618091K 21		4
BA 329	CAPSCREW 1/2X1 NF	125310		.03235320		24
BA 329	LOCKWASHER 1/2	125310		.03961500		24
BA 329	WASHER, CUT 1/2	125310		.03951600		24



PARTS LIST

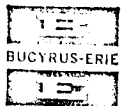
102666

ISSUE NO 1, 1966

MODEL 110T

PAGE: 2- 6

CAT. REF.	PART NAME	SERIAL NO.		PART NO.	REPLACE OR VENDOR NO.	REQ.
		FROM	TO/INCL.			
	001					
BA 330	PIN	125310		.524141K 1		8
BA 330	PIN,COTTER 1/2X5	125310		.03129400		16
BA 331	FLOAT, ALUMINUM-FWD	125310				4
BA 332	ROD,PULL	125310		618269K 21		6
BA 333	SPRING	125310		75731030		12
BA 334	COLLAR,SET	125310		524240K 1		12
BA 335	SCREW,SQ.HD CP SET 1/4X1/2 NC	125310		03750250		12
BA 336	BALL,1-3/8 DIA.	125310		82593300		12
BA 337	PIN	125310		.506981K 1		6
BA 337	WASHER,CUT 1/4	125310		.03951200		12
BA 337	PIN,COTTER 1/16X 3/4	125310		.03103360		12
BA 338	BAR	125310		618270 4		2
BA 339	CAPSCREW 3/8X1 NF	125310		03229320		4
BA 340	ARM	125310		809263 29		1
BA 341	ARM	125310		809263 1		1
BA 342	ARM	125310		809263 15		1
BA 343	ARM	125310		809263 36		1
BA 344	ARM	125310		809263 8		1
BA 345	ARM	125310		809263 22		1
BA 346	PIN	125310		.618269 6		1
BA 346	NUT,LOCK 5/16 NF	125310		.02787650		2
BA 347	PIN ASSY	125310		.49116010		6
BA 347	PIN,COTTER 3/32X 5/8	125310		.03106300		6
BA 347	WASHER,CUT 3/8	125310		.03951400		12
BA 348	GUARD	125310		717119K 21		2
BA 349	BRACKET	125310		618270K 21		2
BA 350	CAPSCREW 3/8X3-3/4 NF	125310		.03230200		3
BA 350	CAPSCREW 3/8X1 NF	125310		.03229320		11
BA 350	NUT,FULL 3/8 NF	125310		.02739550		11
BA 350	LOCKWASHER 3/8	125310		.03961300		14
BA 351	BEARING,BALL	125310		26137300		1
BA 352	PIPE, EXHAUST	125310		714546 1		1 X
BA 353	PIPE, EXHAUST	125310		714564 4		1 X
BA 354	CLAMP, MAREMONT	125310		82140550	X 51	2V
BA 355	MUFFLER, NELSON	125310		46669740	T6833	1V
BA 356	BRACKET	125310		717088 1		1
BA 357	CAPSCREW 3/8X3 NF	125310		.03229960		2
BA 357	WASHER,CUT 3/8	125310		.03951400		2
BA 357	NUT,LOCK 3/8 NF	125310		.02787700		2
BA 358	SPRING	125310		75728970		2
BA 359	PIPE, TAIL	125310		714546 10		1 X
BA 360	SUPPORT	125310		717088 11		1
BA 361	CLEANER,AIR FRN.W/ENG	125310				
BA 362	HOSE-GATES 4X28	125310		53211210		1
BA 363	CLAMP,HOSE	125310		53270920		2
BA 364	FLANGE ASSY NOT USED	125310				
BA 365	ELBOW, FRAM	125310		.46170120	1262	1V
BA 365	CAPSCREW 5/16X5/8 NC	125310		.03176200		6
BA 365	LOCKWASHER 5/16	125310		.03961210		6
BA 366	STRAP, FRAM	125310		.46170130	9387	2V
BA 366	BACKING	125310		.524369K 1		2
BA 366	CAPSCREW 3/8X1 NF	125310		.03229320		8
BA 366	LOCKWASHER 3/8	125310		.03961300		8



PARTS LIST

102666

ISSUE NO 1, 1966

MODEL 110T

PAGE: 2- 7

CAT. REF.	PART NAME	SERIAL NO.		PART NO.	REPLACE OR VENDOR NO.	REQ.
		FROM	TO/INCL.			
	001					
BA 367	SUPPORT, REAR	125310		717133 6		1
BA 368	SUPPORT, REAR	125310		717133 18		1
BA 369	CAPSCREW 5/8X5 NF	125310		.03242600		2
BA 369	NUT, LOCK 5/8 NF	125310		.02787830		2
BA 370	SUPPORT	125310		717133 11		2
BA 371	CAPSCREW 5/8X4 NF	125310		.03242280		4
BA 371	NUT, LOCK 5/8 NF	125310		.02787830		4
BA 372	INSULATOR, TOP-FWD	125310		21393061	85373	4V
BA 373	INSULATOR, BOTTOM-FWD	125310		21393062	85373	4V
BA 374	SLEEVE, GWD	125310		21393937	801459	4V
BA 375	SHIELD, FWD	125310		21393875	304318	4V
BA 376	WASHER, FWD	125310		21393941	801472	4V
BA 377	ADAPTER, SHAFT	125310		618303K 1		1
BA 378	CAPSCREW 1/2X2-1/2 NF	125310		.03235800		6
BA 378	LOCKWASHER 1/2	125310		.03961500		6
BA 379	SUPPORT, FRONT	125310		618304K 21		1
BA 380	BOLT, SUPPORT, 5/8X8 NC	125310		.02189550		2
BA 380	WASHER, CUT 5/8	125310		.03951850		2
BA 380	NUT, LOCK 5/8 NC	125310		.02786470		2
BA 381	SPRING	125310		75749760		2
BA 382	SUPPORT, PUMP	125310		717133 13		1
BA 383	CAPSCREW 1/2X1-1/2 NF	125310		.03235480		4
BA 383	NUT, LOCK 1/2 NF	125310		.02787800		4
BA 384	CAPSCREW 3/8X1-1/2 NF	125310		.03229480		2
BA 384	NUT, LOCK 3/8 NF	125310		.02787700		2
BA 385	SHAFT, MECHANICS	125310		46810780	2A-18265-2	1V
BA 386	CAPSCREW 3/8X1 NF	125310		.03229320		4
BA 386	LOCKWASHER 3/8	125310		.03961300		4
BA 387	RADIATOR, YOUNG	125310		66252650	194088	1V
BA 388	CAPSCREW 1/2X4 NF	125310		.03236300		2
BA 388	WASHER, CUT 1/2	125310		.03951600		4
BA 388	NUT, LOCK 1/2 NF	125310		.02787800		2
BA 389	SPRING	125310		75749760		2
BA 390	HOSE, DAYFLEX 2X15-1/4	125310		53135725		1
BA 391	CONNECTOR, RADIATOR	125310		L30648 21		1
BA 392	HOSE, DAYFLEX 2-1/4X20	125310		53151541		1
BA 393	CONNECTOR, RADIATOR	125310		L30648 22		1
BA 394	CLAMP, AERO-SEAL	125310		53270180	QS100-M40	4V
BA 395	COCK, STOP-CRANE 3/8	125310		79039000	225	1V
BA 396	COVER	125310		L30648 11		2
BA 397	GASKET	125310		50253375		4
BA 398	CAPSCREW 7/16X1-1/4	125310		.03182400		8
BA 398	LOCKWASHER 7/16	125310		.03961410		8
BA 399	SUPPORT	125310		524162K 1		2
BA 400	CAPSCREW 3/8X1 NF	125310		.03229320		4
BA 400	NUT, LOCK 3/8	125310		.02769200		4
BA 401	SHROUD, UPPER	125310		524161K 1		1
BA 402	SHROUD, LOWER	125310		715183K 21		1
BA 403	CAPSCREW 3/8X7/8 NC	125310		.03229280		8
BA 403	NUT, FULL 3/8 NC	125310		.02739550		8
BA 403	LOCKWASHER 3/8	125310		.03961300		8
BA 403	CAPSCREW 1/4X1/2 NC	125310		.03223160		2
BA 403	NUT, FULL 1/4 NC	125310		.02738550		2
BA 403	LOCKWASHER 1/4	125310		.03961010		2



PARTS LIST

102666

ISSUE NO

1, 1966

MODEL

110T

PAGE:

2- 8

CAT. REF.	PART NAME	SERIAL NO.		PART NO.	REPLACE OR VENDOR NO.	REQ.
		FROM	TO/INCL.			
	001					
404	HOSE, AIR 1/2X 24	125310		53030500		1
405	CLAMP, HOSE	125310		53270180		2
406	HOSE 3/16X40	125310		.53009910		1
406	FITTING, AEROQUIP	125310		.53302939	412-2-4	1V
406	FITTING, AEROQUIP	125310		.53302920	401-4	1V
407	HOSE 3/16X48	125310		.53009910		1
407	FITTING, AEROQUIP	125310		.53302939	412-2-4	1V
407	FITTING, AEROQUIP	125310		.53302920	401-4	1V
408	BATTERY - WILLARD	125310		17026800	HDD-8D	2V
409	AMMETER - SW	125310		46577130	359-AA	1VX
410	SENDING UNIT - SW	125310		82302860	353-R	1V
411	GAUGE, PRESS. - SW	125310		82302790	306-A	1VX
412	SENDING UNIT - SW	125310		82302930	362-X	1V
413	GAUGE, TEMP - SW	125310		82302820	311-C	1VX
414	GAUGE, FUEL - SW	125310		82302783	301-B	1VX
415	HOSE ASSY	125310		53627282		1
416	TANK, FUEL-MICH FLEET	125310		82922215		1 X
417	BRACKET, MICH. FLEET	125310		.82054970		2 X
417	CAPSCREW 1/2X1-1/4 NF	125310		.03235400		12
417	NUT, LOCK 1/2 NF	125310		.02769300		12
418	STRAP, MICH. FLEET	125310		.82898175		2 X
418	CAPSCREW 1/2X1 NF	125310		.03235320		2
418	NUT, LOCK 1/2 NF	125310		.02769300		2
418	NUT, FULL 5/8 NF	125310		.02741550		4
419	SWITCH, SIGNAL-STAT	125310		17435138	900-12V	1V
420	SWITCH, SIMMER-DR	125310		46859690	1997032	1V
421	SWITCH, LIGHT-DR	125310		.46859600	1995060	1V
421	KNOB, DR	125310		.17295525	1990675	1V
421	BUSHING, DR	125310		.17094740	1910441	1V
422	SWITCH, DR	125310		46859250	116563	1V
423	HORN ASSY, DR	125310		17272250	1917556	1V
424	LIGHT, PILOT-COLE	125310		17318861	PL-1-12V	1V
425	LAMP, SIGNAL-SPARTON	125310		17318173	7205-12V	2V
426	LAMP, SIGNAL-SPARTON	125310		17318175	7206-12V	2V
427	LIGHT, PLATE-DIETZ	125310		17318192	104-12V	1V
428	LIGHT, RED-ARROW	125310		17318152	47R12-12V	4V
429	LIGHT, AMBER-ARROW	125310		17318142	47A12-12V	6V
430	LAMP ASSY-INNER	125310		17318105	5949793	2
431	LAMP ASSY-OUTER	125310		17318106	5949794	2V
432	PIN	125310		524252K 1		2
433	COLLAR	125310		881004 61		4
434	STUD, COLLAR	125310		.881004 62		8
434	NUT, LOCK	125310		.02787990		8
435	RETAINER	125310		881037 98		2
436	CAPSCREW 5/8X1-1/4 NF	125310		.03241400		4
436	LOCKWASHER 5/8	125310		.03861700		4
437	BOGIE SET-CLARK DWGS. ABZ300 THRU 303	125310				1
438	TRANSMISSION, FULLER DWG. ZBA501	125310		51283100	3-H-92	1VX
439	YOKE, MECHANICS	125310		46815325	9513-J	1VX
440	YOKE, MECHANICS	125310		46815227	7407-J	1VX
441	GEAR, DRIVE - SW	125310		82866745	447520	1VX
442	GEAR, DRIVEN - SW	125310		82866746	448811	1VX



PARTS LIST

102666

ISSUE NO 1, 1966

MODEL 110T

PAGE: 2- 9

CAT. REF.	PART NAME	SERIAL NO.		PART NO.	REPLACE OR VENDOR NO.	REQ.
		FROM	TO/INCL.			
	001					
BA 443	BUSHING - SW	125310		82866725	1870	1VX
BA 444	SLEEVE - SW	125310		82866755	75744	1VX
BA 445	ADAPTER - SW	125310		82866710	666-B	1VX
BA 446	SHAFT, FLEXIBAL - SW	125310		82866749	446035270	1VX
BA 447	SUPPORT, FRONT	125310		618276 5		1
BA 448	SUPPORT, REAR	125310		618276K 21		1
BA 449	BRACKET, NOT USED	125310				
BA 450	CAPSCREW 3/4X2-1/2 NF	125310		.03244800		2
BA 450	NUT, LOCK 3/4 NF	125310		.02769450		2
BA 451	CAPSCREW 5/8X3 NF	125310		.03241960		6
BA 451	NUT, LOCK 5/8 NF	125310		.02787830		6
BA 452	MOUNTING, LORD	125310		82630310	J6256-22	6VX
BA 453	WASHER, CUT 5/8	125310		03951800		6
BA 454	TRANS., FULLER-DWGS.-	125310			4A86	1V
BA 455	ZBA502, ZBA503 YOKE, MECHANICS	125310		46815325	9513J	1VX
BA 456	CAPSCREW 3/8X1-1/2 NC	125310		03279480		12
BA 456	LOCKWASHER 3/8	125310		03961300		12
BA 457	CLUTCH, LIPE ROLLWAY DWG. ZBA900	125310		37132665	14-2DPB	1VX
BA 458	CAPSCREW 3/8X7/8 NC	125310		.03279280		12
BA 458	LOCKWASHER 3/8	125310		.03961300		12
BA 459	TIRE & TUBE 14.00X24-20 PLY	125310				12
BA 460	RIM, GOODYEAR	125310		67051910	1024MD	12VX
BA 461	SPACER, DUAL-GOODYEAR	125310		67107025	SB5124M	4VX
BA 462	CLAMP, GOODYEAR	125310		67102750	CL1258	40VX
BA 463	EXT., VALVE-SHRADER	125310		77472655	7442	4V
BA 464	SHAFT, DRIVE-MECHANICS	125310		.46810763	2A17508-1	1VX
BA 464	CAPSCREW 1/2X1-5/16NF	125310		.46814193		4 X
BA 464	CAPSCREW 7/16X1-1/16	125310		.46814180		4 X
BA 464	WIRE, LOCK-MECHANICS	125310		.46814198	6633J	4VX
BA 465	SHAFT, DRIVE-MECHANICS	125310		.46810768	2A17513-2	1VX
BA 465	CAPSCREW 1/2X1-5/16NF	125310		.46814193		4
BA 465	CAPSCREW 7/16X1-1/16	125310		.46814180		4 X
BA 465	PLATE, LOCK-MECHANICS	125310		.46814150	3551-J	4VX
BA 466	SHAFT, DRIVE-MECHANICS	125310		.46810770	2S-17516-1	1VX
BA 466	PIN, COTTER 1/8X3	125310		03110440		1
BA 467	YOKE, MECHANICS	125310		.46815215	8948J	1VX
BA 467	PLATE, LOCK-MECHANICS	125310		.46814150	3551J	2VX
BA 467	CAPSCREW 7/16X1-1/16	125310		.46814140		4 X
BA 468	KEY, MECHANICS	125310		54450515	7536J	1VX
BA 469	NUT, SLOTTED 1-1/2 NF	125310		82636160		1 X
BA 470	BLOCK, PILLOW-FAFNIR	125310		26102760	RAS2-7/16	1VX
BA 471	CAPSCREW 5/8X4 NF	125310		.03242280		2
BA 471	NUT, LOCK 5/8 NF	125310		.02787830		2
BA 471	WASHER, CUT 5/8	125310		.03951800		4
BA 472	SUPPORT	125310		524401K 1		1
BA 473	CAPSCREW 5/8X3 NF	125310		.03241960		1
BA 473	NUT, LOCK 5/8 NF	125310		.0278730		1
BA 473	WASHER, CUT 5/8	125310		.03951800		1
BA 474	MOUNTING, LORD	125310		82630310	J6265-22	3VX
BA 475	SHAFT, DRIVE-MECHANICS	125310		46810765	2A17508-3	1V
BA 476	BEAM, HANGER	125310		717058K 21		4



PARTS LIST

102666

ISSUE NO 1, 1966

MODEL 110T

PAGE: 2- 10

CAT. REF.	PART NAME	SERIAL NO.		PART NO.	REPLACE OR VENDOR NO.	REQ.
		FROM	TO/INCL.			
	001					
477	BEAM ASSY-HENDERSON	125310			AA7600-66	2V
478	ROD ASSY-HENDERSON	125310			AA7387	2V
479	BUSH., ASSY HENDERSON	125310			BA6966	4V
480	STUD, HENDERSON	125310			BE3350	4V
480	NUT, HENDERSON	125310			AE11778	8V
480	PIN, COTTER-HENDERSON	125310			AE17800-2	8V
481	ADAPTER ASSY-HENDERS.				AE17780-1	4V
482	BOLT, ADAPT. & HENDERSON				AE-11216-7	4V
482	NUT, BOLT-HENDERSON				AE17700-15	4V
483	WASHER, THRUST HENDRS.				AE3416	8V
484	WASHER, FEET-HENDERSON				AE5000	8V
485	RETAINER, HENDERSON				AE4992	8V
486	SPRING, HENDERSON				AE4059	8V
490	SPEEDOMETER, SW			82866701	565-GK	1VX
491	AXLE, FRONT-ROCKWELL STD. DWG. ZBA100			23131025	FU-930	2VX
492	WHEEL, DAYTON	125310		67245405	F8423-NA2S	4VX
493	BEAM ASSY-HENDERSON	125310			AA7500-192	2V
494	BUSHING ASSY HEND.	125310			BE10366	2V
495	BUSHING ASSY HEND.	125310			BA10363	4V
496	TUBE, END-HENDERSON	125310			BE10372	4V
497	NUT, TUBE-HENDERSON	125310			AE10371	8V
498	TORQUE ROD ASSY HEND.	125310			AA9885-3	4V
499	NUT, LOCKING-HENDERSON	125310			AE7673	4V
500	BRACKET, RH	125310		806174 1		2
501	BRACKET, LH	125310		806174 2		2
502	COLLAR, CLAMP	125310		881004 61		4
503	STUD, COLLAR	125310		881004 62		8
503	NUT, LOCK 1 NS	125310		.02787990		8
504	PEDAL, FOOT-FORD COTT	125310		.14379173	9735-A	1V
504	CAPSCREW 1/4X3/4 NF	125310		.03223240		2
504	LOCKWASHER 1/4	125310		.03961010		2
505	ROD, FWD	125310		21393930	702973	1V
506	SHAFT, FWD	125310		21393932	702975	1V
507	LEVER, CONTROL-FWD	125310		21393040	59	2V
508	LEVER, PICK-UP-FWD	125310		21393065	92245	1V
509	SWIVEL, THRUTTLE-FWD	125310		.21393058	16272	1V
509	SCREW, MACH. 8-36X1/2NF	125310		.03665080		1
509	WASHER, SEIVEL-FWD	125310		.21393047	6942	1V
510	STUD, LEVER-FWD	125310		21393053	13659	1V
511	BRACKET, SHAFT-FWD	125310		21393050	13652	2V
512	SPRING, ACCELER.-FWD	125310		21393045	1774	1V
513	ROD, REACH	125310		.615883K 21		1
513	CAPSCREW 1/4X1 NF	125310		.03223320		4
513	NUT, FULL 1/4 NF	125310		.02738550		4
514	JOINT, BALL	125310		82571610	SS1002	3V
515	CONTROL, THROTTLE	125310		46312550		1
516	CONTROL, CHOKE	125310		46271950		1



PARTS LIST

102666

ISSUE NO 1, 1966

MODEL 110T

PAGE: 3- 1

CAT. REF.	PART NAME	SERIAL NO.		PART NO.	REPLACE OR VENDOR NO.	REQ.
		FROM	TO/INCL.			
	001					
C	A-FRAME-DWG.C-720					
C 7	LEG, FRONT UPPER	125310		857029 1		1
C 11	PIN, LOCK	125310		618146K 21		2
C 39	SHEAVE	125310		714905K 1		6
C 52	BEARING, MCGILL	125310		26451058	GR-64-RSS	6V
C 55	PIN	125310		.520432K 1		2
C 55	PIN, COTTER 1/2X3-1/2	125310		.03128680		4
C 63	CAPSCREW 3/4X1-1/4 NC	125310		.03194400		2
C 63	LOCKWASHER 3/4	125310		.03961800		2
C 69	PIN	125310		520440K 1		1
C 81	CAPSCREW 1/2X1-1/4 NF	125310		.03235400		4
C 81	LOCKWASHER 1/2	125310		.03961500		4
C 93	PLATE, LOCK	125310		520441K 1		2
C 235	PIN	125310		.520431K 1		2
C 235	PIN, COTTER 1/2X3-1/2	125310		.03128680		4
C 242	PIN	125310		524319K 1		1
C 244	BOLT, TEE	125310		.517300K 1		2
C 244	PIN, COTTER 1/4X1-3/4	125310		.03118840		2
C 296	LEG, FRONT LOWER	125310	125313	855033 24		1
C 296	LEG, FRONT LOWER	125643		857029 24		1
C 339	LEG, REAR	125310		857030 27		2
C 340	PIN	125310		.520436K 1		2
C 340	PIN, COTTER 1/2X4	125310		.03128920		4
C 341	PIN	125310		.524035K 1		2
C 341	PIN, COTTER 1/2X4	125310		.03128920		4
C 455	SHEAVE, INCL.C456	125310		714935K 51		2
C 456	BUSHING	125310		520444K 1		2
C 524	ROLLER	125310		520479K 1		2
C 525	PIN	125310		520442K 1		1
C 526	ROLLER	125310		520430K 1		21
C 527	PIN	125310		.520427K 1		1
C 527	PIN, COTTER 1/4X1-3/4	125310		.03118840		2
C 528	BUSHING	125310		82128540		21
C 529	WASHER	125310		68754204		2
C 530	SOCKET, WEDGE 3/4	125310		526813K 1		1
C 531	WEDGE, SOCKET 3/4	125310		526462K 1		1
C 532	PIN	125310		.517156K 1		1
C 532	PIN, COTTER 3/8X2-1/2	125310		.03125200		2
C 533	END, ROD	125310		513999K 1		2
C 534	WASHER	125310		68766409		8



PARTS LIST

102666

ISSUE NO 1, 1966

MODEL 110T

PAGE: 5- 1

CAT. REF.	PART NAME	SERIAL NO.		PART NO.	REPLACE OR VENDOR NO.	REQ.
		FROM	TO/INCL.			
	001					
F	SWING MACHINERY - DWGS.F727, R815					
F	1 PINION	125310		714821K 1		1
F	2 SHAFT	125310		714820K 1		1
F	7 RETAINER	125310		520300K 1		1
F	11 GEAR	125310		611268K 1		1
F	121 BAND, DEAD END	125310		809322K 51		2
F	122 BAND, LIVE END	125310		809322K 61		2
F	123 LINING KIT	125310		618332K 51		2
F	124 LINING KIT	125310		618332K 51		2
F	125 RIVET	125310		69069510	10X19/32	136V
F	126 RIVET SEE F125	125310				
F	132 BOLT, 3/4X11 NC	125310		.02191040		2
F	132 NUT, JAM 3/4 NC	125310		.02714450		2
F	132 NUT, FULL 3/4 NC	125310		.02714050		2
F	144 PIN	125310		.512825K 1		2
F	144 PIN, COTTER 3/16X1-1/4	125310		.03115600		2
F	165 CAPSCREW 5/8X1-1/4 NC	125310		03291400		6
F	250 LOCK, SCREW	125310		520367K 1		1
F	315 BUSHING	125310		520303K 1		1
F	389 LOCK, SCREW	125310		500346K 1		1
F	496 BUSHING	125310		611267K 1		1
F	547 WASHER	125310		520304K 1		1
F	684 LEVER, LIVE END	125310		717159 1		1
F	687 PIN, LIVE END	125310		524116K 1		1
F	696 BRACKET	125310		717157 1		1
F	700 LEVER, LIVE END	125310		717159 1		1
F	701 ROD, ADJ.	125310		.717158 5		1
F	701 NUT, ADJ.	125310		.717158 6		2
F	701 LOCKWASHER 1/2	125310		.03961500		1
F	701 NUT, FULL 1/2 NF	125310		.02740550		1
F	708 PIN, LIVE END	125310		524115K 1		1
F	709 PIN, DEAD END	125310		618065K 21		1
F	710 SPACER	125310		717158 2		1
F	711 SPACER	125310		717158 1		2
F	712 LEVER, LIVE END	125310		717159 8		2
F	713 KEY	125310		298826 5		4
F	714 CAPSCREW 3/8X1 NF	125310		.03229320		2
F	714 LOCKWASHER 3/8	125310		.03961300		2
F	715 CAPSCREW 5/8X3-1/2 NC	125310		.03192120		4
F	715 NUT, FULL 5/8 NC	125310		.02713050		4
F	715 LOCKWASHER 5/8	125310		.03961700		4
F	716 PIN, LIVE END	125310		.717158 4		1
F	716 PIN, COTTER 5/16X2	125310		.03121960		2
F	717 PIN, LIVE END	125310		.717158 3		1
F	717 PIN, COTTER 5/16X2	125310		.03121960		2
F	718 CAPSCREW 1/2X2 NF	125310		.03235640		2
F	718 NUT, FULL 1/2 NF	125310		.02740550		2
F	719 SPACER	125310		510828K 1		2
F	720 SPACER	125310		501648K 1		8
F	721 GUIDE	125310	127175	717157 6		1 X
F	721 GUIDE	127176		612193 1		2 X



PARTS LIST

102666

ISSUE NO 1, 1966

MODEL 110T

PAGE: 8- 1

CAT. REF.	PART NAME	SERIAL NO.		PART NO.	REPLACE OR VENDOR NO.	REQ.
		FROM	TO/INCL.			
	001					
JR	BOOM MACH.--DWGS.MR768 JR769, JR770, JR772					
JR 21	SHEAVE	125310		612376K 1		6
JR 22	BEARING, FAFNIR	125310		26127300	218WNP	12V
JR 23	PIN, POINT	125310		611368K 1		1
JR 25	SPACER	125310		516402K 1		8
JR 26	SHEAVE	125310		714905K 1		2
JR 66	SPACER	125310		520406K 1		2
JR 93	BOLT	125310		.506697K 1		2
JR 93	PIN, COTTER 1/4X1-1/2	125310		.03118720		2
JR 253	BEARING, MCGILL	125310		26451058	GR-64-RSS	2V
JR 303	BRIDLE	125310		717106K 21		1
JR 304	PIN	125310		524332K 1		2
JR 305	PLATE, LOCK	125310		520485K 1		2
JR 340	ANCHOR, ROPE	125310		611369K 21		1
JR 619	PIN	125310		.524333K 1		2
JR 619	PIN, COTTER 5/16X2-1/4	125310		.03122080		4
JR 738	PIN	125310		.524330K 1		2
JR 738	PIN, COTTER 1/2X4	125310		.03128920		4
JR 1386	RING, RETAINING	125310		68118700	5000-625	12V
JR 1393	WASHER	125310		68766409		4
JR 1552	CAPSCREW 1/2X1-1/4	125310		.03185400		4
JR 1552	LOCKWASHER 1/2	125310		.03961500		4
JR 1597	SUPPORT	125310		714981 11		
JR 1603	GUIDE, ROPE	125310		611424K 22		
JR 1604	CAPSCREW 3/4X1-3/4 NF	125310		.03244560		
JR 1604	NUT, FULL 3/4 NF	125310		.02742050		
JR 1604	NUT, JAM 3/4 NF	125310		.02742100		
JR 1605	ROLLER	125310		714981 1		
JR 1606	BEARING, FAFNIR	125310		26101793	85MS-C1	V
JR 1607	CAPSCREW 1/2X1-1/4 NF	125310		.03235400		
JR 1607	LOCKWASHER 1/2	125310		.03961500		
JR 1875	ROLLER	125310		520543K 1		1
JR 1876	CAPSCREW 1/2X2 NF	125310		.03235640		2
JR 1876	WASHER, CUT 1/2	125310		.03951600		2
JR 1876	LOCKWASHER 1/2	125310		.03961500		2
JR 1876	NUT, FULL 1/2 NF	125310		.02740550		2
JR 1888	SUPPORT	125310		714981 6		
JR 1957	PIN	125310		520489K 1		2
JR 1958	SHEAVE	125310		714905K 1		6
JR 1959	BEARING, MCGILL	125310		26451058	GR-64-RSS	6V
JR 1960	BRIDLE	125310		809302K 21		1
JR 1961	WASHER	125310		68766409		8
JR 1962	PIN	125310		524331K 1		2
JR 1963	PIN	125310		520490K 1		1
JR 1964	PLATE, LOCK	125310		520845K 1		2
JR 1965	CAPSCREW 1/2X1-1/4 NC	125310		.03185400		4
JR 1965	LOCKWASHER 1/2	125310		.03961500		4
JR 2027	TUBE	125310		714974 6		1
JR 2028	BOLT	125310		.510787K 1		2
JR 2028	PIN, COTTER 1/8X1	125310		.03109480		2
JR 2029	GUIDE, ROPE	125310		714973K 21		1



PARTS LIST

102666

ISSUE NO 1, 1966

MODEL 110T

PAGE: 8- 3

CAT. REF.	PART NAME	SERIAL NO.		PART NO.	REPLACE OR VENDOR NO.	REQ.
		FROM	TO/INCL.			
	002					
JR	JIB MACH.-DWG.JA-752					
JR 644	YOKE	125310		612302K 21		1
JR 658	SHEAVE, POINT	125310		710090K 1		1
JR 659	BEARING, FAFNIR	125310		26120230	210P	1V
JR 660	SHAFT, POINT	125310		618134K 1		1
JR 662	SHEAVE, ROPE	125310		612300K 51		2
	INCL. JR1635					
JR 663	PIN, SHEAVE	125310		516335K 1		2
JR 664	YOKE	127176		612302K 21		1
JR 665	PIN	125310		524341K 1		1
JR 730	YOKE	125310		612301K 21		1
JR 731	SHEAVE	125310		618237K 1		1
JR 732	BEARING, MCGILL	125310		26450790	GR-40-RSS	1V
JR 733	PIN	125310		615035K 21		1
JR 740	PIN	125310		.520516K 1		2
JR 740	PIN, COTTER 1/2X3	125310		.03128440		4
JR 745	CAPSCREW 3/8X5/8 NF	125310		.03229200		1
JR 745	LOCKWASHER 3/8	125310		.03961300		1
JR 764	ROPE, 1/2X15 FT.	125310		18150020		2
JR 766	CLIP, ROPE 1/2	125310		82147450		12
JR 1627	WASHER	125310		68766143		2
JR 1628	SPACER, SHEAVE	125310		514449K 1		2
JR 1629	RING, SNAP	125310		68118530	5000-354	2V
JR 1635	BUSHING, SHEAVE	125310		500729K 1		2
JR 1640	BOLT	125310		.516337K 1		2
JR 1640	PIN, COTTER 3/16X1-1/4	125310		.03115600		2
JR 1648	LINK	125310		714969K 21		2
JR 1649	BOLT	125310		.521316 3		2
JR 1649	PIN, COTTER 1/8X 3/4	125310		.03109360		2
JR 1650	BOLT	125310		.505659K 1		1
JR 1650	PIN, COTTER 1/8X 3/4	125310		.03109360		1
JR 2012	WASHER	125310		520503K 1		2
JR 2013	TURNBUCKLE ,5/8 TO 12	125310		82989860		2
JR 2014	BRACKET	125310		L30816 11		2
JR 2015	PIN	125310		.520247K 1		2
JR 2015	PIN, COTTER 5/16X1-1/4	125310		.03121600		4
JR 2016	PIN	125310		.515982K 1		2
JR 2016	PIN, COTTER 3/16X1-1/4	125310		.03115600		4
JR 2017	ARM, UPPER	125310		L30816 6		2
JR 2018	PIN	125310		.520247K 1		2
JR 2018	PIN, COTTER 5/16X1-1/4	125310		.03121600		4
JR 2019	BOLT	125310		.519304K 1		2
JR 2019	PIN, COTTER 1/4X1-1/4	125310		.03118600		2
JR 2020	ARM, LOWER	125310		L30816 1		2
JR 2021	PIN	125310		.526170K 1		2
JR 2021	PIN, COTTER 1/4X1-3/4	125310		.03118840		4
JR 2022	ROLLER	125310		.714981 1		1
JR 2022	CAPSCREW 1/2X1-1/4 NF	125310		.03235400		8
JR 2022	LOCKWASHER 1/2	125310		.03961500		8
JR 2023	BEARING, FAFNIR	125310		26101793	85MS-C1	2V
JR 2024	SUPPORT	125310		.619145 2		1
JR 2024	CAPSCREW 3/4X2-1/4 NC	125310		.03194720		4



PARTS LIST

102666

ISSUE NO 1, 1966
MODEL 110T

PAGE: 8- 8

CAT. REF.	PART NAME	SERIAL NO.		PART NO.	REPLACE OR VENDOR NO.	REQ.
		FROM	TO/INCL.			
	006					
JR	HAMMERHEAD BOOM POINT 15 & 50T COMB.					
	DWG. JR-771					
JR 21	SHEAVE, POINT- 15 TON	125310		612376K 1		2
JR 21	SHEAVE, POINT 50 TON	125310		612376K 1		4
JR 22	BEARING, FAFNIR 15 TON	125310		26127300	218WNP	4V
JR 22	BEARING, FAFNIR 50 TON	125310		26127300	218WNP	8V
JR 23	PIN, SHEAVE	125310		520413K 1		2
JR 320	PIN, SHEAVE	125310		520417K 1		2
JR 692	SPACER, PIN 15 TON	125310		516402K 1		4
JR 692	SPACER, PIN 50 TON	125310		516402K 1		2
JR 1386	RING, RET. 15 TON	125310		68118700	5000-625	4V
JR 1386	RING, RET. 50 TON	125310		68118700	5000-625	8V
JR 1645	BRACKET, SHEAVE	125310		806157K 21		1
JR 1646	PIN, BRACKET	125310		520415K 1		2
JR 1983	BRACKET, SHEAVE	125310		855022K 21		1
JR 1984	BOLT, ROD	125310		.611421K 21		2
JR 1984	LOCKWASHER 1/2	125310		.03961500		2
JR 1984	NUT, FULL 1/2 NF	125310		.02740550		2
JR 1985	SPACER, SHEAVE	125310		516211 5		2
JR 1986	PIN, BRACKET	125310		520416K 1		2
JR 1987	SPACER, PIN	125310		520414K 1		2
JR 1988	LOCK, PIN 15 TON	125310		516404K 1		2
JR 1988	LOCK, PIN 50 TON	125310		516404K 1		2
JR 1989	CAPSCREW 15T 3/8X1 NF	125310		.03229320		4
JR 1989	LOCKWASHER 3/8	125310		.03961300		4
JR 1989	CAPSCREW 50T 3/8X1 NF	125310		.03229320		4
JR 1989	LOCKWASHER 3/8	125310		.03961300		4
JR 1990	SPACER, PIN	125310		611372K 21		2
JR 1991	CAPSCREW 1/2X2-1/4 NF	125310		.03235720		4
JR 1991	LOCKWASHER 1/2	125310		.03961500		4
JR 1991	NUT, FULL 1/2 NF	125310		.02740550		4
JR 1992	SPACER, SHEAVE	125310		520406K 1		2
JR 1993	ANCHOR, ROPE	125310		611369K 21		1
JR 1994	CAPSCREW 1/2X4-1/2 NF	125310		.03236440		2
JR 1994	LOCKWASHER 1/2	125310		.03961500		2
JR 1994	NUT, FULL 1/2 NF	125310		.02740550		2
JR 1995	SPACER, BRACKET	125310		516211 4		2



PARTS LIST

102666

ISSUE NO 1, 1966

MODEL 110T

PAGE: 9- 2

CAT. REF.	PART NAME	SERIAL NO.		PART NO.	REPLACE OR VENDOR NO.	REQ.
		FROM	TO/INCL.			
	002					
JX	JIB HOIST POWER LOWERING - DWG.JX-727					
JX 1232	SHAFT	125310		710911K 1		1 X
JX 1233	ADAPTER, SHAFT	125310		527240K 1		1 X
JX 1234	SCREW, FLAT MACH. 5/16X2 NC	125310				3 X
JX 1235	SPACER, SHAFT	125310		527242K 1		1 X
JX 1236	SPACER, SHAFT	125310		527241K 1		1 X
JX 1237	KEY, SHAFT	125310		298828 7		4 X
JX 1238	COUPLING	125310		714810K 1		1 X
JX 1239	CAPSCREW 5/8X3-1/2 NF	125310		.03242120		8 X
JX 1239	NUT, LOCK 5/8 NF	125310		.02769400		8 X
JX 1240	HOUSING, BEARING	125310		714781K 2		1 X
JX 1241	CAPSCREW 3/4X3-3/4 NF	125310		.03344420		2 X
JX 1241	NUT, LOCK 3/4 NF	125310		.02769450		2 X
JX 1242	SPROCKET, CHAIN	125310		714527K 1		1 X
JX 1243	SPROCKET, CHAIN	125310		714535K 1		1 X
JX 1244	CAPSCREW 5/8X1-1/2 NC	125310		.03191480		10 X
JX 1244	LOCKWASHER 5/8	125310		.03961700		10 X
JX 1245	GUARD	125310		621714K 1		1 X
JX 1246	CAPSCREW 3/8X3/4 NC	125310		.03179240		10 X
JX 1246	LOCKWASHER 3/8	125310		.03961300		10 X
JX 1247	HOUSING, CLUTCH	125310		714780K 1		1 X
JX 1248	BOLT, HOUSING	125310		.521268K 1		6 X
JX 1248	NUT, LOCK 5/8 NF	125310		.02769400		6
JX 1249	PAWL	125310		714525K 1		1 X
JX 1250	BEARING, SHAFT	125310		26122350		1 X
JX 1251	BEARING, SHAFT	125310		26122350		2 X
JX 1252	CHAIN COMP - ASA	125310		34549370	120-76P	1VX
JX 1253	LINK, CONNECTING ASA	125310			120	1VX
JX 1254	O-RING	125310		68130480	AN-6227-11	1VX
JX 1255	O-RING	125310		68135000	6227-19	1VX
JX 1256	BRACKET, BEARING	125310		718114K 21		1 X
JX 1257	CAPSCREW 3/4X1-3/4 NC	125310		.03194560		4 X
JX 1257	LOCKWASHER 3/4	125310		.03961800		4 X
JX 1258	ROD, SPRING	125310		527259K 1		1 X
JX 1259	PIN	125310		504339K 1		1 X
JX 1260	END, ROD	125310		525824 1		1 X
JX 1261	PIN, INCL. NUT & WASHER	125310		500519K 51		1 X
JX 1262	PIN	125310		621725K 21		1 X
JX 1263	CAPSCREW 1/2X1 NC	125310		.03185320		1 X
JX 1263	LOCKWASHER 1/2	125310		.03961500		1 X
JX 1264	END, ROD	125310		511211K 1		1 X
JX 1265	PIN	125310		527260K 1		1 X
JX 1266	SPRING	125310		75750680		1 X
JX 1267	WASHER, SPRING	125310		511542K 1		1 X
JX 1268	DRIVER, CLUTCH	125310		806102K 1		1 X
JX 1269	CAPSCREW 3/4X4 NF	125310		.03245280		1 X
JX 1269	NUT, LOCK 3/4 NF	125310		.02769450		1 X
JX 1270	LINK	125310		510126K 1		1 X
JX 1271	CAPSCREW 3/8X1 NF	125310		.03229320		1 X
JX 1271	NUT, JAM 3/8 NF	125310		.02739600		1 X



PARTS LIST

102666

ISSUE NO 1, 1966

MODEL 110T

PAGE: 11- 1

CAT. REF.	PART NAME	SERIAL NO.		PART NO.	REPLACE OR VENDOR NO.	REQ.
		FROM	TO/INCL.			
	001					
Q	CUMMINS DIESEL ENGINE MODEL HRF-6-1P-					
	DRAWING Q743					
Q 82	BASE, ENGINE	125310		806156K 21		1
Q 87	PIPE, EXHAUST	125310		612135K 21		1
Q 105	GAUGE, PRESS. - SW	125310		82317153	353K	1V
Q 133	MUFFLER, NELSON	125310		46669765	T8284	1V
Q 138	BATTERY, WILLARD-WET	125310		17026800	HDD-8D	2V
Q 138	BATTERY, WILLARD-DRY	125310		17026200	HDD-8D	2V
Q 152	CAPSCREW 7/8X3-3/4 NF	125310		.03248200		2
Q 152	CAPSCREW 7/8X2-3/4 NF	125310		.03247880		2
Q 152	WASHER, CUT 7/8	125310		.03952000		4
Q 152	NUT, LOCK 7/8 NF	125310		.02769500		4
Q 196	GAUGE, FUEL - SW	125310		82302787	3048	1V
Q 242	COVER, BATTERY	125310		607363K 1		1
Q 244	COVER, ROOF	125310		.612122K 21		1
Q 244	CAPSCREW 3/8X7/8 NF	125310		.03229280		4
Q 244	LOCKWASHER 3/8	125310		.03961300		4
Q 244	WASHER, CUT 3/8	125310		.03951400		4
Q 367	CAPSCREW INCL. NUTS	125310		500183K 51		2
Q 494	BOTTOM, BATTERY	125310		506449K 1		1
Q 496	BRACKET	125310		600066K 1		2
Q 497	CAPSCREW 1X3 NS	125310		.03250960		4
Q 497	LOCKWASHER 1	125310		.06962000		2
Q 497	NUT, LOCK 1 NS	125310		.02769550		2
Q 498	CAPSCREW 1X3-3/4 NS	125310		.03251200		4
Q 498	NUT, FULL 1 NS	125310		.02743050		4
Q 498	NUT, JAM 1 NS	125310		.02743100		4
Q 500	GAUGE, PRESS. - SW	125310		82302802	309D	1V
Q 655	COVER, EXHAUST	125310		612123K 21		1
Q 723	BOLT, ROD	125310		.506450K 1		2
Q 723	WASHER, CUT 3/8	125310		.03951400		4
Q 723	LOCKWASHER 3/8	125310		.03961300		3
Q 723	NUT, WING 3/8 NC	125310		.02790200		2
Q 723	NUT, JAM 3/8 NC	125310		.02709250		2
Q 723	NUT, FULL 3/8 NC	125310		.02709150		2
Q 757	FRAME, BATTERY	125310		704035K 21		1
Q 762	CLAMP, MAREMONT	125310		82140550	X51	2V
Q 913	GAUGE, TEMP. SW	125310		82302816	311AX	1V
Q 914	GAUGE, PRESS. - SW	125310		82302804	309E	1V
Q 915	GAUGE, TEMP. - SW	125310		82302930	362X	1V
Q 916	GAUGE, PRESS. - SW	125310		82317153	353K	1V
Q 1013	CAP, RAIN-WATERLOO	125310		82132120	500	1V
Q 1014	GAUGE, PRESS. NOT USED	125310				
Q 1045	PLUG, BUTTON	125310		14380043		1
Q 1048	HOSE ASSY	125310		53627005		2
Q 1051	PANEL, INSTRUMENT	125310		618116K 1		1
Q 1052	CAPSCREW 1/2X2 NF	125310		.03235640		4
Q 1052	LOCKWASHER 1/2	125310		.03961500		4
Q 1052	NUT, FULL 1/2 NF	125310		.02740550		4
Q 1053	SEPARATOR, BATTERY	125310		.506448K 1		1
Q 1053	CAPSCREW 1/4X2-1/2 NF	125310		.03223800		2



PARTS LIST

102666

ISSUE NO 1, 1966

MODEL 110T

PAGE: 12- 1

CAT. REF.	PART NAME	SERIAL NO.		PART NO.	REPLACE OR VENDOR NO.	REQ.
		FROM	TO/INCL.			
	001					
QR	TRANSMISSION-DWGS.- QR714, QR715, QR716, QR717, QR718					
QR 61	SHAFT	125310		854582K 1		1
QR 62	SPROCKET	125310		82870037		1
QR 74	CAPSCREW 3/8X1-1/4 NC	125310		.03179420		12
QR 74	LOCKWASHER 3/8	125310		.03961300		12
QR 102	CAPSCREW 7/16X1-1/4NC	125310		.03182400		12
QR 102	LOCKWASHER 7/16	125310		.03961410		12
QR 110	BEARING - MRC	125310		26425875	306SZZC	1V
QR 127	LEVER, TWIN DISC.	125310		37807550	8215-B	1V
QR 161	BEARING - SKF	125310		26123250	6214Z	1V
QR 162	RETAINER	125310		520276K 1		1
QR 164	CAPSCREW 1/2X1 NF	125310		.504372K 1		6
QR 164	WIRE, LOCK 16 GA.X22	125310		.84280000		1
QR 166	PLUG, SHEAR	125310		520655K 1		2
QR 167	SHAFT	125310		611229K 1		1
QR 168	SPROCKET	125310		806109K 1		1
QR 172	PINION	125310		700053K 4		1
QR 174	DRIVER, CLUTCH	125310		807122K 1		2
QR 175	KEY	125310		518846 1		2
QR 178	PINION, BEVEL	125310		714825K 1		2
QR 190	HOUSING, CLUTCH	125310		714828K 3		2
QR 208	SHAFT & BEARING	125310		714827K 1		1
QR 209	GEAR, BEVEL	125310		714826K 1		1
QR 212	BEARING, TIMKEN-CONE	125310		26762450	760	1V
QR 212	BEARING, TIMKEN-CUP	125310		26762450	752	1V
QR 213	BEARING, TIMKEN-CONE	125310		26762200	759	1V
QR 213	BEARING, TIMKEN-CUP	125310		26762200	752	1V
QR 228	CAPSCREW	125310		.508757K 1		6
QR 228	WIRE, LOCK 16 GA.X26	125310		.84280000		1
QR 234	LEVER, CLUTCH	125310		618273K 21		2
QR 235	BUSHING, OILITE	125310		82086525	S1506-3	6V
QR 249	CLUTCH SHOE COMP.	125310		710088K 71		4
QR 250	INCL.QR250, QR251 LINING KIT, INCL.QR251	125310		524006K 51		4
QR 251	RIVET 10X17/32	125310		69069470		108
QR 291	RETAINER	125310		520362K 1		1
QR 302	BOLT, HOUSING	125310		.521268K 1		12
QR 302	NUT, LOCK 5/8 NF	125310		.02769400		12
QR 308	SPRING	125310		75750613		4
QR 309	PIN, SPRING	125310		.514461K 1		4
QR 309	PIN, COTTER 1/8X1	125310		.03109480		8
QR 321	PIN, CLUTCH	125310		602194K 23		4
QR 333	RETAINER	125310		611230K 1		1
QR 337	RETAINER	125310		611276K 1		1
QR 341	BEARING, FAFNIR	125310		26148160	318WD	1V
QR 348	RETAINER	125310		500142K 1		1
QR 349	CAPSCREW	125310		.504372K 1		2
QR 349	WIRE, LOCK 16 GA.X10	125310		.84280000		1
QR 392	PIN, SHOE	125310		607863K 22		4
QR 529	CHAIN, ROLLER - ASA	125310		34508450	50-6 228-P	1V



PARTS LIST

102666

ISSUE NO 1, 1966

MODEL 110T

PAGE: 12- 2

CAT. REF.	PART NAME	SERIAL NO.		PART NO.	REPLACE OR VENDOR NO.	REQ.
		FROM	TO/INCL.			
	001					
QR 547	SEAL, OIL-CR	125310		72354950	575420	2V
QR 580	SEAL, OIL-CR	125310		72354950	575420	2V
QR 741	ROD, END	125310		.511009K 2		4
QR 741	NUT, JAM 3/4 NF	125310		.02742100		4
QR 741	NUT, FULL 3/4 NF	125310		.02742050		8
QR 770	BEARING, TIMKEN TDO	125310		26809045	5240052637	1V
QR 775	CONE SPACER X15-52400 SPACER	125310		611231 5		1
QR 782	BLOCK, PILLOW	125310		504179K 1		8
QR 866	RETAINER	125310		520366K 1		1
QR 869	NUT, LOCK-TIMKEN	125310		26883600	TAN17	2V
QR 870	LOCKWASHER-TIMKEN	125310		26884968	TW117	1V
QR 878	BEARING, TIMKEN	125310		26809018	5239352638	2V
QR 982	GASKET	125310		50707404		1
QR 984	COUPLING-AMERIGEAR	125310		39016905	GE 102	1V
QR 990	CAPSCREW 7/8X3-1/2 NF	125310		.03347420		2
QR 990	NUT, LOCK 7/8 NF	125310		.02769500		2
QR 1012	CAPSCREW	125310		.514747 1		4
QR 1012	WIRE, LOCK 18GA.X26	125310		.84300000		1
QR 1068	CAPSCREW 1/2X1-1/2 NF	125310		.03235480		3
QR 1068	LOCKWASHER 1/2	125310		.03961500		3
QR 1068	WASHER, PLAIN 1/2	125310		.03951600		3
QR 1073	SPACER	125310		611288 3		2
QR 1074	CHAIN, ROLLER - ASA	125310		34508175	50-6 8-P	1V
QR 1077	RETAINER	125310		611272K 1		1
QR 1103	CAPSCREW 1/2X3/4 NF	125310		.03235240		12
QR 1103	LOCKWASHER 1/2	125310		.03961500		12
QR 1105	CAPSCREW 3/8X3/4 NF	125310		.03229240		4
QR 1105	LOCKWASHER 3/8	125310		.03961300		4
QR 1106	PLATE, INSPECTION	125310		514000K 1		1
QR 1107	GASKET	125310		50706860		1
QR 1108	CAPSCREW 1/2X1 NF	125310		.03235320		4
QR 1108	LOCKWASHER 1/2	125310		.03961500		4
QR 1112	KEY	125310		298828 6		2
QR 1175	CASE, CHAIN REAR	125310		810824K 21		1 X
QR 1177	GASKET, CASE	125310		810823 12		1 X
QR 1178	COVER	125310		514001K 1		1
QR 1179	SEAL, OIL	125310		72633570		2
QR 1195	CAPSCREW	125310		.511102K 1		4
QR 1195	NUT, JAM 1/2 NF	125310		.02740700		4
QR 1226	PIN, CYL.	125310		.504208K 2		2
QR 1226	PIN, COTTER 3/16X1-1/4	125310		.03115600		4
QR 1295	CAPSCREW 1/2X3/4 NF	125310		.03235240		6
QR 1295	LOCKWASHER 1/2	125310		.03961500		6
QR 1298	SUPPORT, CONVERTER	125310		612121K 21		1
QR 1300	SHAFT	125310		46812411		1
QR 1344	CAPSCREW 1/2X2-1/2 NF	125310		.03235800		1
QR 1344	NUT, FULL 1/2 NF	125310		.02740550		1
QR 1344	LOCKWASHER 1/2	125310		.03961500		1
QR 1586	LEVER, CLUTCH	125310		714993K 1		2
QR 1587	LEVER, CLUTCH	125310		714961K 1		2
QR 1588	PIN, LEVER	125310		609962K 22		2
QR 1589	BUSHING, OILITE	125310		82086525	S-1506-3	12V
QR 1590	PIN, CYL.	125310		607864K 22		2



PARTS LIST

102666

ISSUE NO 1, 1966

MODEL 110T

PAGE: 12- 3

CAT. REF.	PART NAME	SERIAL NO.		PART NO.	REPLACE OR VENDOR NO.	REQ.
		FROM	TO/INCL.			
	001					
QR 1591	CAPSCREW 1/2X3/4 NF	125310		.03235240		2
QR 1591	LOCKWASHER 1/2	125310		.03961500		2
QR 1593	BUSHING, OILITE	125310		82082200	S-800-3	4V
QR 1638	SPRING	125310		75740020		2
QR 1640	ROD, END	125310		614760K 1		2
QR 1641	PIN	125310		.514107K 1		2
QR 1641	WASHER, PLAIN 1/2	125310		.03951600		4
QR 1641	PIN, COTTER 1/8X1	125310		.03109480		4
QR 1642	PIN, ROLL	125310		82670050		2
QR 1643	CYLINDER	125310		614759K 21		1
QR 1644	PIN, DRIVER	125310		614763K 21		2
QR 1645	CAPSCREW 1/2X1 NF	125310		.03235320		2
QR 1645	LOCKWASHER 1/2	125310		.03961500		2
QR 1646	PIN, LEVER	125310		607863K 22		2
QR 1647	LEVER, CLUTCH	125310		714960K 1		2
QR 1648	LINK, DEAD END	125310		609929K 1		2
QR 1650	PIN, LEVER	125310		504178K 2		4
QR 1651	BUSHING, LEVER	125310		82128590		8
QR 1652	CAPSCREW 1/2X3/4 NF	125310		.03235240		2
QR 1652	LOCKWASHER 1/2	125310		.03961500		2
QR 1653	PIN, LEVER	125310		511010K 1		2
QR 1654	PIN, LINK	125310		607862K 22		2
QR 1655	CAPSCREW 1/2X1 NF	125310		.03235320		2
QR 1655	LOCKWASHER 1/2	125310		.03961500		2
QR 1656	PIN, LEVER	125310		609959K 22		2
QR 1657	RETAINER, SPRING	125310		518923K 1		2
QR 1658	CONVERTER, TORQUE-TD SPEC. 97154	125310		46328402	6-C01504-1	1V
QR 1660	CLAMP, AEROQUIP	125310		.53268593	900729-3	1V
QR 1660	CAPSCREW 1/4X3/4 NC	125310		.03173240		1
QR 1660	NUT, FULL 1/4 NC.	125310		.02707300		1
QR 1660	LOCKWASHER 1/4	125310		.03961010		1
QR 1680	HOUSING, BEARING RH	125310		610057K 1		1
QR 1681	COVER, BEARING	125310		520334K 1		1
QR 1682	CAPSCREW 3/8X1 NF	125310		.03229320		4
QR 1682	LOCKWASHER 3/8	125310		.03961500		4
QR 1683	CAPSCREW 1-1/8X4-1/2	125310		.524189K 1		2
QR 1683	LOCKWASHER 1-1/8	125310		.03962110		2
QR 1684	SEAL, GARLOCK	125310		82588310	71B-7525	1V
QR 1685	SHIM, PACK	125310		520449K 1		2
QR 1686	BEARING, FAFNIR	125310		26125150	216WD	1V
QR 1687	RETAINER	125310		516229K 1		1
QR 1688	CAPSCREW	125310		.516249K 1		4
QR 1688	WIRE, LOCK 16GA.X10	125310		.84280000		1
QR 1689	SPACER	125310		611288 1		2
QR 1690	SHIM, PACK.	125310		520359K 1		2
QR 1691	BEARING, TIMKEN	125310		26809008	5239352618	2V
QR 1692	SPACER	125310		611288 2		1
QR 1693	SPACER	125310		611288 5		1
QR 1694	NUT, LOCK-TIMKEN	125310		.26883950	TAN18	1V
QR 1694	LOCKWASHER - TIMKEN	125310		.26884960	TW118	1V
QR 1695	CAPSCREW 3/4X3 NF	125310		.03244960		8
QR 1695	NUT, FULL 3/4 NF	125310		.02742050		16
QR 1696	GASKET	125310		50225000		1



PARTS LIST

102666

ISSUE NO 1, 1966

MODEL 110T

PAGE: 12- 4

CAT. REF.	PART NAME	SERIAL NO.		PART NO.	REPLACE OR VENDOR NO.	REQ.
		FROM	TO/INCL.			
	001					
QR 1697	CAPSCREW 1-1/8X4-1/2	125310		.03353418		2
QR 1697	LOCKWASHER 1-1/8	125310		.03962110		2
QR 1699	HOUSING, CLUTCH	125310		714780K 1		2 X
QR 1700	SPROCKET	125310		714843K 1		1
QR 1701	BOLT, HEX. HD.	125310		.521268K 1		12
QR 1701	NUT, LOCK 5/8 NF	125310		.02769400		12
QR 1702	GEAR, HALF MICRO SWING	125310		806108K 1		2
QR 1703	BOLT, HEX. HD.	125310		.521275K 1		4
QR 1703	NUT, LOCK 5/8 NF	125310		.02769400		4
QR 1704	SPROCKET	125310		714789K 1		1
QR 1705	BOLT, HEX. HD.	125310		.521287K 1		6
QR 1705	NUT, LOCK 5/8 NF	125310		.02769400		6
QR 1706	BEARING, AKF	125310		26706950	6213Z	4V
QR 1707	BUSHING	125310	125313	500124K 1		3
QR 1707	BUSHING	125643		500124K 1		2
QR 1708	SPROCKET	125310	125313	611242K 1		1
QR 1708	SPROCKET	125643		618307K 1		1
QR 1709	PINION	125310	125313	L30635 1		1
QR 1709	PINION	125643		618306K 1		1
QR 1710	CHAIN, ROLLER - ASA	125310		34549800	120-106P	1V
QR 1711	SHAFT	125310	125313	715163K 1		1
QR 1711	SHAFT	125643		717147K 1		1
QR 1712	RETAINER	125310	125313	520419K 1		1
QR 1712	RETAINER	125643		500142K 1		2
QR 1713	CAPSCREW 1/2X1 NF	125310	125313	.03235320		2
QR 1713	LOCKWASHER 1/2	125310	125313	.03961500		2
QR 1713	CAPSCREW 1/2X1 NF	125643		.03235320		4
QR 1713	LOCKWASHER 1/2	125643		.03961500		4
QR 1714	YOKE, TAKE-UP	125310		715157K 21		1
QR 1715	PIN	125310		L30705 12		1
QR 1716	PIN	125310		L30705 17		1
QR 1717	RETAINER	125310		L30705 18		1
QR 1718	CAPSCREW 1/2X1 NF	125310		.03235320		3
QR 1718	LOCKWASHER 1/2	125310		.03961500		3
QR 1719	SPROCKET	125310		L30705 19		1
QR 1720	BUSHING	125310		528419K 1		1
QR 1721	KEY, WOODRUFF - ASA	125310		54305250	812	1V
QR 1722	YOKE, END	125310		49344900		1
QR 1723	PIN ASSY	125310		49119510		1
QR 1724	NUT, FULL 3/4 NF	125310		02742050		1
QR 1725	DRIVER, CLUTCH	125310		806102K 1		1
QR 1726	LEVER, RH	125310		706327K 1		1
QR 1727	LINK	125310		510126K 1		2
QR 1728	BOLT, EYE	125310		510700K 1		2
QR 1729	PIN	125310		617006K 22		1 X
QR 1730	BRACKET, RH	125310		706330K 2		1
QR 1731	PIN	125310		617005K 21		1
QR 1732	KEY	125310		298828 7		2
QR 1733	NUT, SPECIAL	125310		500220K 1		2
QR 1734	PIN	125310		.504339K 1		2
QR 1734	PIN, COTTER 1/8X1	125310		.03109480		4
QR 1735	BRACKET, LH	125310		713360K 1		1
QR 1736	LEVER	125310		713362K 1		1
QR 1737	PIN	125310		607137K 21		1



PARTS LIST

102666

ISSUE NO 1, 1966

MODEL 110T

PAGE: 12- 5

CAT. REF.	PART NAME	SERIAL NO.		PART NO.	REPLACE OR VENDOR NO.	REQ.
		FROM	TO/INCL.			
	001					
QR 1738	PIN	125310				
QR 1739	CAPSCREW 3/4X4-1/2 NF	125310		607140K 21		1
QR 1740	CAPSCREW 5/8X1-1/4 NF	125310		.03245360		2
QR 1740	LOCKWASHER 5/8	125310		.03241400		4
QR 1741	CAPSCREW 1/2X1-1/4 NF	125310		.03961700		4
QR 1741	NUT, JAM 1/2 NF	125310		.03235400		2
QR 1742	CAPSCREW 3/8X1/2 NF	125310		.02740700		2
QR 1742	LOCKWASHER 3/8	125310		.03229160		4
QR 1743	CAPSCREW 3/8X1 NF	125310		.03961300		4
QR 1743	NUT, JAM 3/8	125310		.03229320		2
QR 1744	NUT, LOCK 1/2 NF	125310		.02739600		2
QR 1745	CLUTCH BAND COMP	125310		02769300		2
	INCL. QR1746			700813K 54		2
QR 1746	LINING KIT, INC. QR1747	125310				
QR 1747	RIVET	125310		507286K 61		2
QR 1748	BUSHING, OILITE	125310		69048000	7X7/16	80V
QR 1749	SLEEVE	125310		82084030	1111-1	2V
QR 1750	PIN	125310		510254K 1		2
QR 1751	LINK	125310		510224K 1		4
QR 1752	PIN	125310		501461K 1		4
QR 1752	PIN, COTTER 1/8X1-3/4	125310		.510264K 1		2
QR 1753	SUPPORT, SPRING REL.	125310		.03109840		2
QR 1754	PIN	125310		618154K 21		2
QR 1754	PIN, COTTER 1/8X 3/4	125310		.500203K 1		2
QR 1755	BOLT, EYE	125310		.03109360		4
QR 1755	NUT, JAM 3/8NC	125310		.500202K 1		2
QR 1756	SPRING	125310		.02709250		2
QR 1757	WASHER, SPRING	125310		75744700		2
QR 1758	CAPSCREW 1/2X1 NC	125310		508941K 1		2
QR 1758	NUT, JAM 1/2 NC	125310		.03185320		2
QR 1759	BRACKET	125310		.02711250		2
QR 1759	BOLT, HEX. HD. 1X5-3/4NC	125310		.L30682 1		1
QR 1759	LOCKWASHER	125310		.02193120		1
QR 1760	CAPSCREW 3/4X1-3/4 NC	125310		.03962000		1
QR 1760	NUT, FULL 3/4 NC	125310		.03244560		2
QR 1760	LOCKWASHER 3/4	125310		.02742050		2
QR 1760	BOLT, HEX. HD. 1X2-1/2NC	125310		.03961800		2
QR 1760	BOLT, HEX. HD. 1X6 NC	125310		.02192600		3
QR 1760	NUT, FULL 1 NC	125310		.02193160		7
QR 1760	LOCKWASHER	125310		.02716050		8
QR 1761	CAPSCREW	125310		.03962000		10
QR 1761	WIRE, LOCK 16 GA. X35	125310		.506005K 1		6
QR 1762	SCREW, DP SET	125310		.84280000		1
	1/2X2-3/4 NC			.03763330		1
QR 1762	NUT, JAM 1/2 NC	125310		.02711250		1
QR 1763	SPACER	125310		611231 4		1
QR 1764	SHAFT	125310	125313	611228K 1		1
QR 1764	SHAFT	125643		615902K 1		1
QR 1765	HOUSING, BEARING	125310		.714781K 2		1
QR 1765	CAPSCREW 3/4X4-3/4 NF	125310		.03245360		2
QR 1765	NUT, LOCK 3/4 NF	125310		.02769450		2
QR 1766	BEARING, SKF	125310		26122350	6213Z	4V
QR 1767	PLUG	125310		520418K 1		2
QR 1768	SPACER	125310		611231 2		1



PARTS LIST

102666

ISSUE NO 1, 1966

MODEL 110T

PAGE: 12- 6

CAT. REF.	PART NAME	SERIAL NO.		PART NO.	REPLACE OR VENDOR NO.	REQ.
		FROM	TO/INCL.			
	001					
QR 1769	HOUSING, CLUTCH	125310		714780K 1		1
QR 1770	DRIVER, CLUTCH	125310		806102K 1		1
QR 1771	PIN	125310		607140K 21		1
QR 1772	KEY	125310		298828 7		1
QR 1773	BOLT, HEX. HD.	125310		.521268K 1		6
QR 1773	NUT, LOCK 5/8 NF	125310		.02769400		6
QR 1774	SPROCKET	125310		714779K 1		1
QR 1775	SPACER	125310		611231 3		1
QR 1776	BUSHING, 1/4X 1/8	125310		20015350		1
QR 1777	RETAINER	125310	125313	611231 1		1
QR 1777	RETAINER, NOT USED	125643				
QR 1778	CAPSCREW	125310	125313	.504727K 1		3
QR 1778	WIRE, LOCK 16 GA X 5	125310	125313	.84280000		1
QR 1778	CAPSCREW NOT USED	125643				
QR 1779	CHAIN, ROLLER - ASA	125310		34549375	120 76-P	1V
QR 1780	LEVER	125310		706327K 1		1
QR 1781	PIN	125310		607137K 21		1
QR 1782	CAPSCREW 3/8X1/2 NF	125310		.03229160		2
QR 1782	LOCKWASHER 3/8	125310		.03961300		2
QR 1783	PIN	125310		.510264K 1		1
QR 1783	PIN, COTTER 1/8X1-3/4	125310		.03109840		1
QR 1784	BRACKET	125310		706330K 2		1
QR 1785	PIN	125310		.504339K 1	510263K1	1
QR 1785	PIN, COTTER 1/8X1	125310		.03109480		2
QR 1786	CAPSCREW 5/8X1-1/4 NF	125310		.03241400		2
QR 1786	LOCKWASHER 5/8	125310		.03961700		2
QR 1787	CAPSCREW 1/2X1-1/4 NF	125310		.03235400		1
QR 1787	NUT, JAM 1/2 NF	125310		.02740700		1
QR 1788	CAPSCREW 3/4X4-1/2 NF	125310		.03245360		1
QR 1789	LINK	125310		510126K 1		1
QR 1790	CAPSCREW 3/8X1 NF	125310		.03229320		1
QR 1790	NUT, JAM 3/8 NF	125310		.02739600		1
QR 1791	PIN	125310		510224K 1		2
QR 1792	BUSHING, OILITE	125310		82084030	1111-1	1V
QR 1793	LINK	125310		501461K 1		2
QR 1794	BOLT, EYE INCL. NUTS	125310		.510700K 51		1
QR 1795	SLEEVE	125310		510254K 1		1
QR 1796	SUPPORT, SPRING	125310		618154K 1		1
QR 1797	SPRING	125310		75744700		1
QR 1798	BOLT, EYE	125310		.500202K 1		1
QR 1798	NUT, JAM	125310		.02709250		1
QR 1799	WASHER, SPRING	125310		508941K 1		1
QR 1800	PIN	125310		.500203K 1		1
QR 1800	PIN, COTTER 1/8X3/4	125310		.03109360		2
QR 1801	CAPSCREW 1/2X1 NC	125310		.03185320		1
QR 1801	NUT, JAM 1/2 NC	125310		.02711250		1
QR 1802	CLUTCH BAND COMP. INCL. QR1803, QR1804	125310		700813K 53		1
QR 1803	LINING KIT INCL. QR-1804	125310		507286K 61		1
QR 1804	RIVET	125310		69048000	7X7/16	40V
QR 1809	SHROUD, RH	125310		.L30772 1		1
QR 1809	CAPSCREW 1/2X1 NF	125310		.03235320		2
QR 1809	LOCKWASHER 1/2	125310		.03961500		2



PARTS LIST

102666

ISSUE NO 1, 1966

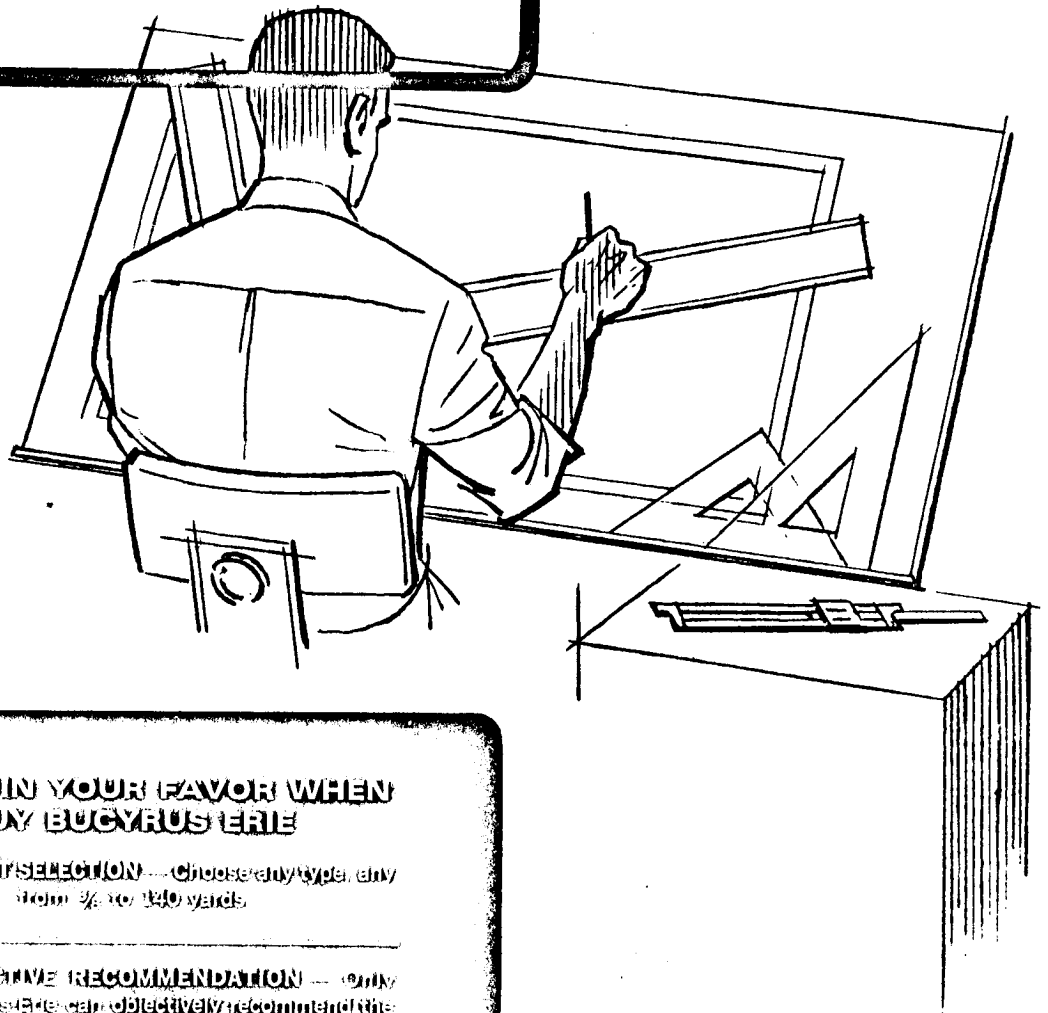
MODEL 110T

PAGE: 12- 7

CAT. REF.	PART NAME	SERIAL NO.		PART NO.	REPLACE OR VENDOR NO.	REQ.
		FROM	TO/INCL.			
	001					
QR 1809	CAPSCREW 1/4X7/8 NF	125310		.03223280		3
QR 1809	NUT, LOCK 1/4 NF	125310		.02769100		3
QR 1810	SHROUD, LH	125310		.L30772 7		1
QR 1810	SHROUD, LH	125310		.L30772 19		1
QR 1810	CAPSCREW 3/8X1 NF	125310		.03229320		3
QR 1810	NUT, LOCK 3/8 NF	125310		.02769200		3
QR 1811	BAR	125310		.L30772 21		1
QR 1811	BAR	125310		.L30772 22		1
QR 1811	BAR	125310		.L30772 23		1
QR 1811	CAPSCREW 1/4X5/8 NF	125310		.03223200		4
QR 1811	LOCKWASHER 1/4	125310		.03961010		4
QR 1812	CLAMP	125310		.L30772 18		2
QR 1812	FELT	125310		.82253900		1
QR 1812	CAPSCREW 1/4X5/8 NF	125310		.03223200		4
QR 1812	LOCKWASHER 1/4	125310		.03961010		4
QR 1812	NUT, FULL 1/4 NF	125310		.02738550		4
QR 1813	HOUSING, BEARING	125310	125313	.714781K 2		1
QR 1813	CAPSCREW 3/4X4-3/4 NF	125310	125313	.03245360		2
QR 1813	NUT, LOCK 3/4 NF	125310	125313	.02769450		2
QR 1813	HOUSING, BEARING	125643		.714528K 1		1
QR 1813	CAPSCREW 3/4X4-3/4 NF	125643		.03245360		2
QR 1813	NUT, LOCK 3/4 NF	125643		.02769450		2
QR 1814	GEAR	125310		714829K 1		1
QR 1815	RETAINER	125310	125313	.524119K 1		1
QR 1815	RETAINER, NOT USED	125643				
QR 1816	SHIFTER	125310	125313	618067K 1		1
QR 1816	SHIFTER, NOT USED	125643				
QR 1817	SPRING	125310	125313	75751550		1
QR 1817	SPRING, NOT USED	125643				
QR 1818	RETAINER	125310	125313	524118K 1		1
QR 1818	RETAINER, NOT USED	125643				
QR 1819	CAPSCREW 1/2X1-1/2 NF	125310	125313	.03235480		2
QR 1819	LOCKWASHER 1/2	125310	125313	.03961500		2
QR 1819	CAPSCREW NOT USED	125643				
QR 1820	SUPPORT	125310	125313	524117K 1		1
QR 1820	SUPPORT, NOT USED	125643				
QR 1821	BOLT, ROD	125310	125313	.520354 1		4
QR 1821	NUT, LOCK 1/2 NF	125310	125313	.02787800		4
QR 1821	NUT, JAM 1/2 NF	125310	125313	.02740700		4
QR 1821	BOLT, ROD NOT USED	125643				
QR 1822	BEARING, FAFNIR	125310		26129300	220WD	1V
QR 1823	HOUSING, BEARING	125310		714830K 1		1
QR 1824	SPACER	125310		611288 4		1

THE FUTURE AND YOU

B-E engineers and technicians are constantly looking for new methods and way to "improve the best." As a result, faster and better machines are being planned and developed at this very moment by Bucyrus-Erie. You can be sure, when you operate a new B-E machine, that you're using the very latest in excavating equipment on the market today.



FACTS IN YOUR FAVOR WHEN YOU BUY BUCYRUS-ERIE

- 1 **WIDEST SELECTION** — Choose any type, any size — from $\frac{1}{2}$ to 140 yards.
- 2 **OBJECTIVE RECOMMENDATION** — Only Bucyrus-Erie can objectively recommend the best machine for your job — we make decisions.
- 3 **PROVED ACCEPTANCE** — More Bucyrus-Erie machines are working around the world than any other make.



PARTS LIST

102666

ISSUE NO 1, 1966

MODEL 110T

PAGE: 13- 1

CAT. REF.	PART NAME	SERIAL NO.		PART NO.	REPLACE OR VENDOR NO.	REQ.
		FROM	TO/INCL.			
	001					
R	MAIN MACHINERY-DWGS.- R810,R811, R 12,R813, R815,R816,R817,R818					
R	1 CLUTCH SHOE COMP.	125310		710088K 71		2
R	4 INCL. R4, R5 LINING KIT, INCL. R5	125310		524006K 51		2
R	5 RIVET	125310		69069470	10X17/32	54V
R	6 ROD, END	125310		.511009K 2		2
R	6 NUT, JAM 3/4 NF	125310		.02742100		2
R	6 NUT, FULL 3/4 NF	125310		.02742050		4
R	12 PIN, SHOE	125310		607863K 22		2
R	13 PIN, CLUTCH	125310		602194K 23		2
R	34 CAPSCREW 1/2X7/8 NC	125310		.03185280		4
R	34 LOCKWASHER 1/2	125310		.03961500		4
R	66 GEAR	125310		700049K 4		1
R	67 KEY	125310		298831 25		1
R	68 DRIVER, CLUTCH	125310		714790K 1		1
R	69 KEY	125310		298831 23		2
R	70 BOLT, 1X4-3/4 NC	125310		.02617260		3
R	70 NUT, LOCK 1 NC	125310		.02786550		3
R	73 SHAFT	125310		857016K 1		1
R	74 HOUSING, CLUTCH	125310		852400K 1		2
R	78 WEDGE, 3/4	125310		526460K 1		1
R	83 DRUM, BOOM HOIST	125310		854299K 2		1
R	168 BOLT	125310		.504145K 1		8
R	168 NUT, LOCK 5/8 NF	125310		.02769400		8
R	175 LAGGING, DRUM MAIN HOI	125310		854297K 3		1
R	176 BOLT	125310		.520302K 1		8
R	176 NUT, LOCK 5/8 NF.	125310		.02769400		8
R	178 CAPSCREW	125310		.504145K 1		8
R	178 NUT, LOCK 5/8 NF	125310		.02769400		8
R	180 WEDGE, ROPE 3/4	125310		526462K 1		1
R	182 WEDGE, ROPE 3/4	125310		526462K 1		1
R	183 LAGGING, DRUM AUX. HOIS	125310		.854595K 3		1
R	183 RETAINER	125310		.520384K 1		2
R	183 CAPSCREW 1/2X1-1/2 NF	125310		.03235480		4
R	183 LOCKWASHER 1/2	125310		.03961500		4
R	184 CAPSCREW 5/8X1-1/2 NF	125310		.03241480		8
R	184 LOCKWASHER 5/8	125310		.03961700		8
R	268 HOUSING, BEARING RH	125310		.717051K 1		1
R	268 STUD	125310		.618369 1		2
R	268 NUT, JAM 1-1/4 NC	125310		.02718200		2
R	268 NUT, FULL 1-1/4 NC	125310		.02718050		2
R	272 BEARING, FAFNIR	125310		26131100	222WD	1V
R	273 BEARING, FAFNIR	125310		26131100	222WD	1V
R	276 RETAINER	125310		524236K 1		1
R	277 CAPSCREW 1/2X1 NF	125310		.03235320		2
R	277 WIRE, LOCK 1/16X7	125310		.84020000		2
R	278 COVER, BEARING RH	125310		514826K 1	514862K1	1
R	279 CAPSCREW 3/8X1 NF	125310		.03229320		4
R	279 LOCKWASHER 3/8	125310		.03961300		4
R	295 GUIDE, POST	125310		.717158 8		2



PARTS LIST

102666

ISSUE NO 1, 1966

MODEL 110T

PAGE: 13- 2

CAT. REF.	PART NAME	SERIAL NO.		PART NO.	REPLACE OR VENDOR NO.	REQ.
		FROM	TO/INCL.			
	001					
295	NUT, JAM 3/4 NC	125310		.02714450		2
296	CAPSCREW	125310		.500373K 1		2
296	NUT, FULL 3/4 NC	125310		.02711050		2
306	BAND, LIVE END	125310		711276K 52		2
308	INCL.KIT 507989K52 RIVET	125310		69069470	10X17/32	172V
309	BAND, DEAD END INCL.KIT 902908K51	125310		711277K 52		2
310	LINING KIT, LIVE END	125310		.507989K 52		2
310	LINING KIT, DEAD END	125310		.902908K 51		2
312	BOLT, 1X10 NC	125310		.02193800		1
312	NUT, JAM 1 NC	125310		.02716200		1
312	NUT, FULL 1 NC	125310		.02716050		1
313	SPRING	125310		75728230		2
314	SPACER	125310		529828K 1		2
334	LEVER, CLUTCH	125310		714961K 1		1
336	PIN, LINK	125310		607862K 22		1
375	GASKET	125310		50225000		1
462	LEVER	125310		L30653 1		1
493	PIN	125310		L30653 10		1
497	DRIVER, CLUTCH	125310		714790K 1		1
507	HOUSING, CLUTCH	125310		850004K 4		1
520	RETAINER	125310		516229K 1		1
521	CAPSCREW	125310		.516249K 1		4
521	WIRE, LOCK 16 GA.X10	125310		.84200000		1
537	DRIVER, CLUTCH	125310		714790K 1		1
538	KEY	125310		298831 23		1
540	KEY	125310		298831 25		1
541	DRIVER, CLUTCH	125310		807122K 1		1
542	KEY	125310		518846 1		1
633	LEVER, CLUTCH	125310		618273K 21		1
634	PIN, LEVER	125310		607863K 22		1
941	LEVER, CLUTCH	125310		714960K 1		1
944	SPRING	125310		75740020		1
952	HOUSING, BEARING RH	125310		.610057K 1		1
952	STUD	125310		.618369 2		1
952	NUT, JAM 1-1/8 NC	125310		.02717200		1
952	NUT, FULL 1 -1/8 NC	125310		.02717050		1
953	HOUSING, BEARING LH	125310		.714791K 1		2
953	STUD	125310		.618369 1		4
953	NUT, JAM 1-1/4 NC	125310		.02718200		4
953	NUT, FULL 1-1/4 NC	125310		.02718050		4
959	BEARING, SKF	125310		26706960	6220Z	1V
960	BEARING, FAFNIR	125310		26108050	124WD	2V
963	SPACER	125310		500090K 1		1
965	DOWEL	125310		520507K 1		2
967	SHAFT	125310		809213K 1		1
970	COVER, FRONT SHAFT	125310		618167K 1		1
979	SPACER	125310		500090K 1		1
1407	BEARING, FAFNIR	125310		26108050	124WD	4V
1477	CAPSCREW 3/8X3/4 NF	125310		.03229240		2
1477	LOCKWASHER 3/8	125310		.03961300		2
1498	BEARING, FAFNIR	125310		26131100	222WD	1V
1501	PLUG	125310		500089K 1		3



PARTS LIST

102666

ISSUE NO 1, 1966

MODEL 110T

PAGE: 13- 3

CAT. REF.	PART NAME	SERIAL NO.		PART NO.	REPLACE OR VENDOR NO.	REQ.
		FROM	TO/INCL.			
	001					
R 1799	GUIDE	125310		520443K 1		1
R 1822	GUIDE	125310		524233K 1		1
R 1823	CAPSCREW 1/2X1-1/4 NC	125310		.03185400		2
R 1823	NUT, FULL 1/2 NC	125310		.02711050		2
R 1823	LOCKWASHER 1/2	125310		.03961500		2
R 1996	BEARING, FAFNIR	125310		26218750	9124KD	1V
R 2089	SPROCKET	125310		714800K 1		1
R 2188	CAPSCREW 1/2X1 NF	125310		03235320		1
R 2203	SUPPORT	125310		524231K 1		1
R 2205	GEAR	125310		700049K 4		1
R 2310	SPROCKET	125310		714801K 21		1
R 2694	BOLT	125310		.504145K 1		8
R 2694	NUT, LOCK 5/8 NF	125310		.02769400		8
R 2871	ADAPTER	125310		608948K 1		1
R 2872	GASKET	125310		50009250		1
R 3213	LINK, DEAD END	125310		609929K 1		1
R 3214	CAPSCREW	125310		.511102K 1		1
R 3214	NUT, JAM 1/2 NF	125310		.02740700		1
R 3491	PIN, CYL.	125310		.504208K 2		1
R 3491	PIN, COTTER 3/16X1-1/4	125310		.03115600		2
R 3591	DRUM, THIRD	125310		806088K 3		1
R 3592	WEDGE, ROPE 5/8	125310		526458K 1		1
R 3612	LINING KIT, LIVE END	125310		.514502K 51		1
R 3612	LINING KIT, DEAD END	125310		.514501K 51		1
R 3613	RIVET	125310		69069470	10X17/32	71V
R 3616	SPACER	125310		529726K 1		1
R 3839	BUSHING, OILITE	125310		82086525	S1506-3	3V
R 3840	SPRING	125310		75750613		2
R 3841	PIN, SPRING	125310		.514461K 1		2
R 3841	PIN, COTTER 1/8X1	125310		.03109480		4
R 3842	CAPSCREW 1/2X3/4 NF	125310		.03235240		2
R 3842	LOCKWASHER 1/2	125310		.03961500		2
R 3843	BLOCK, PILLOW	125310		504179K 1		4
R 3844	CAPSCREW	125310		.511102K 1		1
R 3844	NUT, JAM 1/2 NF	125310		.02740700		1
R 3845	PIN, LEVER	125310		511010K 1		1
R 3846	LEVER, CLUTCH	125310		714993K 1		1
R 3847	PIN, LEVER	125310		609959K 22		1
R 3848	CAPSCREW 1/2X3/4 NF	125310		.03235240		1
R 3848	LOCKWASHER 1/2	125310		.03961500		1
R 3849	BUSHING, OILITE	125310		82086525	S-1506-0	6V
R 3850	BUSHING, LEVER	125310		82128590		4
R 3852	BUSHING, OILITE	125310		82082200	S-800-3	2V
R 3853	PIN, LEVER	125310		609962K 22		1
R 3854	CAPSCREW 1/2X3/4 NF	125310		.03235240		1
R 3854	LOCKWASHER 1/2	125310		.03961500		1
R 3856	BUSHING	125310		82128590		12
R 3857	PIN, LEVER	125310		504178K 2		2
R 3858	CAPSCREW 1/2X3/4 NF	125310		.03235240		1
R 3858	LOCKWASHER 1/2	125310		.03961500		1
R 3859	PIN, CYL.	125310		607864K 22		1
R 3860	CAPSCREW 1/2X3/4 NF	125310		.03235240		1
R 3860	LOCKWASHER 1/2	125310		.03961500		1
R 3979	CYLINDER	125310		614759K 21		1



PARTS LIST

102666

ISSUE NO 1, 1966

MODEL 110T

PAGE: 13- 4

CAT. REF.	PART NAME	SERIAL NO.		PART NO.	REPLACE OR VENDOR NO.	REQ.
		FROM	TO/INCL.			
	001					
R 3980	ROD, END	125310		614760K 21		1
R 3981	PIN	125310		.514107K 1		1
R 3981	PIN, COTTER 1/8X1	125310		.03109480		2
R 3981	WASHER PLAIN 1/2	125310		.03951650		2
R 3983	RETAINER	125310		518923K 1		1
R 3984	PIN, ROLL	125310		82670050		1
R 3985	PIN, CLUTCH	125310		614763K 21		1
R 3986	CAPSCREW 1/2X1 NF	125310		.03235320		1
R 3986	LOCKWASHER 1/2	125310		.03961500		1
R 4252	SEAL, CR	125310		72079250	625HD5	1V
R 4253	SEAL, GARLOCK	125310		82588310	71B-7525	1V
R 4263	PIN	125310		.516656K 1		2
R 4264	LINK, DEAD END	125310		516676K 2		2
R 4265	PIN	125310		L30653 12		2
R 4266	CAPSCREW 1/2X1 NF	125310		.03235320		1
R 4266	CAPSCREW 1/2X1-1/2 NF	125310		.03235480		1
R 4266	LOCKWASHER 1/2	125310		.03961500		2
R 4267	PIN	125310		L30653 10		1
R 4337	BOLT, 1X10 NC	125310	125313	.02040700		1
R 4337	NUT, JAM 1 NC	125310	125313	.02716200		1
R 4337	NUT, FULL 1 NC	125310	125313	.02716050		1
R 4337	BOLT, 1X10 1/2 NC	125643		.02193840		1
R 4337	NUT, JAM 1 NC	125643		.02716200		1
R 4337	NUT, FULL 1 NC	125643		.02716050		1
R 4338	SPRING	125310		75728230		1
R 4698	SPACER	125310		518752K 1		1
R 4721	BOLT, 7/8X3-1/2 NF	125310		.03347420		1
R 4721	NUT, LOCK 7/8 NF	125310		.02769500		1
R 4722	LEVER	125310		718003K 21		3
R 4723	LEVER	125310		714499K 21		3
R 4724	PIN	125310		504178K 2		6
R 4726	BLOCK, PILLOW	125310		504179K 1		12
R 4727	YOKE, END	125310		.49344900		6
R 4727	NUT, FULL 3/4 NF	125310		.02742050		12
R 4728	PIN	125310		.504208K 2		12
R 4728	PIN, COTTER 3/16X1-1/4	125310		.03115600		24
R 4729	BUSHING, OILITE	125310		82082200	S-800-3	6V
R 4730	BUSHING, OILITE	125310		82088170	S-1600-10	6V
R 4731	PIN	125310		602160K 22		6
R 4732	CAPSCREW 1/2X3/4 NF	125310		.03235240		12
R 4732	LOCKWASHER 1/2	125310		.03961500		12
R 4733	ANCHOR	125310		619007K 21		6
R 4734	CAPSCREW 1/2X1-1/2 NF	125310		.03235480		18
R 4734	WASHER	125310		.504217K 1		18
R 4734	LOCKWASHER 1/2	125310		.03961500		18
R 4735	PIN	125310		504199K 2		12
R 4736	BUSHING, OILITE	125310		82088100	S-1600-2	12V
R 4737	LINK	125310	125313	602155K 1	619000K 21	6A
	NOTE-ORDER FOLLOWING WHEN 619000K21 IS ORDERED FOR 602155K1 R4737 LINK			619000K 21		6



PARTS LIST

ISSUE NO 1, 1966
MODEL 110T
PAGE: 13- 5

102666

CAT. REF.	PART NAME	SERIAL NO.		PART NO.	REPLACE OR VENDOR NO.	REQ.
		FROM	TO/INCL.			
	001					
	R4738 LOCK			525603K 1		6
R 4737	LINK	125310	125313	619000K 21		6
R 4737	LINK	125643		619000K 21		6
R 4738	LOCK	125310	125313	504238K 1		6
R 4738	LOCK	125643		525603K 1		6
R 4739	SCREW, ADJ.	125310		504268K 1		6
R 4739	NUT, JAM 1/2 NF	125310		.02740700		6
R 4740	SHOE COMP.	125310		801588K 71		6
R 4741	LINING KIT, INCL. R4748	125310		510335K 51		6
R 4743	PIN	125310		504254K 1		6
R 4743	PIN, COTTER 1/8X1	125310		.03109480		12
R 4744	PIN	125310		602194K 23		3
R 4745	CAPSCREW 3/8X7/8 NF	125310		.03229280		6
R 4745	LOCKWASHER 3/8	125310		.03961300		6
R 4746	SPRING	125310		75704170		6
R 4747	PIN	125310		602194K 23		3
R 4748	CAPSCREW	125310		.03948032		108
R 4748	NUT, JAM 3/8 NF	125310		.02739600		108
R 4748	NUT, FULL 3/8 NF	125310		.02739550		108
R 4749	SEAL, CR	125310		72079250	625HD5	1V
R 4750	SEAL, GARLOCK	125310		82588310	71B-7525	1V
R 4799	CAPSCREW 1/2X1-1/4 NC	125310		.03185400		2
R 4799	NUT, FULL 1/2 NC	125310		.02711050		2
R 4799	LOCKWASHER 1/2	125310		.03961500		2
R 4800	BRAKE, LIVE END INCL. KIT 514502K51	125310	125313	710134K 52		1
R 4800	BRAKE, LIVE END INCL. KIT 514502K51	125643		718118K 51		1
R 4801	BRAKE, DEAD END INCL. KIT 514501K51	125310	125313	710135K 52		1
R 4801	BRAKE, DEAD END INCL. KIT 514501K51	125643		718119K 51		1
R 4802	PIN	125310	125313	L30670 4		1
R 4802	PIN	125643		L30943 18		1
R 4803	PIN	125310	125313	175977 3		1
R 4803	PIN	125643		L30943 6		1
R 4805	LEVER	125310	125313	L30670 1		1
R 4805	LEVER	125643		L30943 15		1
R 4806	ROD, PUSH	125310	125313	.L30653 7		1
R 4806	NUT, FULL 5/8 NF	125310	125313	.02741550		1
R 4806	NUT, JAM 1 1/4 NF	125310	125313	.02744150		1
R 4806	ROD, PUSH	125643		.L30943 19		1
R 4806	NUT, FULL 5/8 NF	125643		.02741550		1
R 4806	NUT, JAM 1 1/4 NF	125643		.02744150		1
R 4807	SPRING, GUIDE	125310		L30653 4		1
R 4808	SPRING	125310		75576010		1
R 4809	NUT	125310		296026 1		1
R 4810	LINK	125310	125313	504114K 1		1
R 4810	LINK	125643		L30943 7		1
R 4811	PIN	125310	125313	.524160K 21		1
R 4811	PIN, COTTER 1/4X1 3/4	125310	125313	.03118840		2
R 4811	PIN	125643		L30943 10		1



PARTS LIST

102666

ISSUE NO 1, 1966

MODEL 110T

PAGE: 13- 6

CAT. REF.	PART NAME	SERIAL NO.		PART NO.	REPLACE OR VENDOR NO.	REQ.
		FROM	TO/INCL.			
	001					
R 4812	PIN	125310	125313	L30670 1		1
R 4812	PIN	125643		L30943 18		1
R 4829	ROD, END	125310		L30653 11		2
R 4830	CAPSCREW 3/8X3/4 NF	125310		.03229240		2
R 4830	LOCKWASHER 3/8	125310		.03961300		2
R 4831	ROD, PUSH	125310		L30653 7		1
R 4832	SPRING	125310		75576010		1
R 4833	SPRING, GUIDE	125310		L30653 4		1
R 4834	NUT	125310		296026 1		1
R 4835	SUPPORT	125310		524232K 1		1
R 4836	GUIDE	125310		.717158 8		1
R 4836	NUT, FULL 3/4 NC	125310		.02714050		1
R 4837	CAPSCREW	125310		.500373K 1		1
R 4837	NUT, FULL 1/2 NC	125310		.02711050		1
R 4838	ROD, END	125310		L30653 11		1
R 4839	ROD, END	125310		L30653 11		1
R 4840	CAPSCREW 3/8X1 NF	125310	125313	.03229320		2
R 4840	LOCKWASHER 3/8	125310	125313	.03961300		2
R 4840	CAPSCREW NOT USED	125643				
R 4841	SPACER	125310	125313	515184 9		1
R 4841	SPACER NOT USED	125643				
R 4842	CAPSCREW 1/2X1-1/2 NF	125310	125313	.03235480		1
R 4842	LOCKWASHER 1/2	125310	125313	.03961500		1
R 4842	CAPSCREW 1/2X1 NF	125643		.03185320		1
R 4842	LOCKWASHER 1/2	125643		.03961500		1
R 4843	GUIDE	125310		520443K 1		1
R 4844	SUPPORT	125310		524230K 1		1
R 4845	CAPSCREW 1/2X7/8 NC	125310		.03185280		4
R 4845	LOCKWASHER 1/2	125310		.03961500		4
R 4846	CAPSCREW 1/2X1-1/4 NC	125310		.03185400		2
R 4846	NUT, FULL 1/2 NC	125310		.02711050		2
R 4846	LOCKWASHER 1/2	125310		.03961500		2
R 4847	BAND, LIVE END INCL. KIT 507989K52	125310		711276K 52		1
R 4848	LINING KIT, LIVE END	125310		.507989K 52		1
R 4848	LINING KIT, DEAD END	125310		.902908K 51		1
R 4849	BAND, DEAD END INCL. KI	125310		711277K 52		1
R 4850	PIN	125310		516656K 1		1
R 4851	RIVET	125310		69069470	10X17/32	86V
R 4852	POST	125310		.717158 8		1
R 4852	NUT, JAM 3/4 NC	125310		.02714450		1
R 4853	CAPSCREW	125310		.500373K 1		1
R 4853	NUT, FULL 1/2 NC	125310		.02711050		1
R 4854	BOLT, 1X9 NC	125310		.02193640		3
R 4854	NUT, JAM 1 NC	125310		.02716200		3
R 4854	NUT, FULL 1 NC	125310		.02716050		3
R 4855	SPRING	125310		75728230		1
R 4856	SPACER	125310		529828K 1		1
R 4857	GUIDE	125310		524234K 1		1
R 4858	SUPPORT	125310		524232K 1		1
R 4859	CAPSCREW 1/2X1-1/4 NC	125310		.03185400		2
R 4859	NUT, FULL 1/2 NC	125310		.02711050		2
R 4859	LOCKWASHER 1/2	125310		.03961500		2
R 4860	LINK, DEAD END	125310		516676K 2		1



PARTS LIST

102666

ISSUE NO 1, 1966

MODEL 110T

PAGE: 13- 7

CAT. REF.	PART NAME	SERIAL NO.		PART NO.	REPLACE OR VENDOR NO.	REQ.
		FROM	TO/INCL.			
	001					
R 4861	PIN	125310		L30653 12		1
R 4862	CAPSCREW 1/2X1-1/2 NF	125310		.03235480		1
R 4862	LOCKWASHER 1/2	125310		.03961500		1
R 4863	SUPPORT, GUARD	126333		618126K 21		1
R 4867	BEARING, FAFNIR	125310		26125150	216WD	1V
R 4868	CAPSCREW 1/2X1 NF	125310		.03235320		4
R 4868	LOCKWASHER 1/2	125310		.03961500		4
R 4869	GASKET	125310		524237K 1		1
R 4870	PLUG	125310		X15513		1
R 4871	END, ROD NOT USED	125310	125313			1
R 4871	END, ROD	125643		L30653 11		1
R 4872	CAPSCREW NOT USED	125310	125313			1
R 4872	CAPSCREW 3/8X3/4 NF	125643		.03229240		1
R 4872	LOCKWASHER 3/8	125643		.03961300		1
R 4873	CONTROL, 13FT.-TRU-LAY	125310		46315750	0-900	1V
R 4874	BRACKET	125310		L30792 23		1
R 4875	JOINT	125310		.82571610		1
R 4875	NUT, FULL 1/4 NF	125310		.02738550		1
R 4876	BEARING	125310	125313	L30792 6		1
R 4876	BEARING	125643		618302K 21		1
R 4877	BUSHING, OILITE	125310		82083500	AB-1022	2V
R 4878	SHAFT	125310		L30792 23		1
R 4879	KNOB	125310		82594250		1
R 4880	CAPSCREW 3/8X2 NF	125310		.03229640		1
R 4880	NUT, LOCK 3/8 NF	125310		.02769200		1
R 4881	BEARING	125310		618169K 21		1
R 4882	BUSHING, OILITE	125310		82083500	AB-1022	2V
R 4883	PIN	125310		.524241K 1		1
R 4883	NUT, FULL 7/16 NF	125310		.02740050		1
R 4883	WASHER, PLAIN 7/16	125310		.03951500		1
R 4883	LOCKWASHER 7/16	125310		.03961410		1
R 4884	PIN	125310		.L31107 16		2
R 4884	PIN, COTTER 1/8X1-1/2	125310		.03109720		2
R 4885	WHEEL, SEARS	125310		67289075	8748	1V
R 4886	CAPSCREW 3/8X1-1/8 NC	125310		.03179360		1
R 4886	NUT, JAM 3/8 NC	125310		.02709250		1
R 4887	SUPPORT	125310		L31107 1		1
R 4888	CAPSCREW 1/2X1 NF	125310		.03235320		2
R 4888	WASHER, PLAIN 1/2	125310		.03951600		2
R 4888	LOCKWASHER 1/2	125310		.03961500		2
R 4889	SHAFT	125310		46811672		1
R 4891	SPROCKET	125310		525872K 1		1
R 4892	BUSHING, OILITE	125310		82089520	AA-1708-2	1V
R 4893	PIN	125310		619372K 21		1
R 4894	LEVER	125310		619374K 21		1
R 4895	PIN	125310		.525871K 1		1
R 4895	PIN, COTTER 3/16X1-1/2	125310		.03115720		1
R 4896	BRACKET	125310	125313	L31481 4		1
R 4896	BRACKET	125643		.619377K 21		1
R 4896	CAPSCREW 1/2X1-1/4 NC	125643		.03185400		2
R 4896	LOCKWASHER 1/2	125643		.03961500		2
R 4897	END, ROD	125310		.525873K 1		1
R 4897	NUT, FULL 3/4 NC	125310		.02714050		1
R 4897	NUT, JAM 3/4 NC	125310		.02714450		1



PARTS LIST

102666

ISSUE NO 1, 1966

MODEL 110T

PAGE: 13- 8

CAT. REF.	PART NAME	SERIAL NO.		PART NO.	REPLACE OR VENDOR NO.	REQ.
		FROM	TO/INCL.			
	001					
4898	PIN	125310		.525870K 1		1
4898	PIN,COTTER 3/16X1-1/2	125310		.03115720		2
4899	SHAFT	125310		714834K 1		1
4900	SHAFT	125310		714833K 1		1
4901	BEARING, SKF	125310		26684550	313Z	1V
4902	RETAINER	125310		611231 1		1
4903	CAPSCREW	125310		504727K 1		3
4904	CARRIER, BEARING	125310		714808K 1		1
4905	CAPSCREW	125310		.506005K 1		6
4905	WIRE, LOCK 16 GA.X33	125310		.84280000		1
4906	COUPLING	125310		714810K 1		1
4907	CAPSCREW 5/8X3-1/2 NF	125310		.03242120		8
4907	NUT, LOCK 5/8 NF	125310		.02769400		8
4908	BEARING, SKF	125310		26684550	313Z	1V
4909	HOUSING, BEARING	125310		806106K 21		1
4910	TUBE	125310		611273 1		1
4911	RETAINER	125310		611273 2		1
4912	PIN	125310		524184K 1		1
4913	END, ROD	125310		49093420		1
4914	CAPSCREW 1/4X5/8 NF	125310		.03223200		1
4914	LOCKWASHER 1/4	125310		.03961010		1
4915	CAPSCREW 3/4X1-3/4 NC	125310		.03194560		2
4915	LOCKWASHER 3/4	125310		.03961800		2
4916	BEARING, FAFNIR	125310		26146850	316WD	1V
4917	RETAINER, BEARING	125310		611266K 1		1
4918	CAPSCREW 1/2X3-1/2 NF	125310		.03236120		6
4918	LOCKWASHER 1/2	125310		.03961500		6
4919	COVER, BEARING	125310		714819K 1		1
4920	CAPSCREW 1/2X1-1/4 NF	125310		.506005K 1		6
4920	WIRE, LOCK 16 GA.X33	125310		.84280000		6
4921	GEAR	125310		714824K 1		1
4922	RETAINER	125310		504343K 1		1
4923	CAPSCREW	125310		504727K 1		6
4924	KEY	125310		298828 7		1
4925	KEY	125310		298828 7		1
4926	KEY	125310		298828 38		1
4927	SPROCKET	125310	125313	.806104K 1		1
4927	SPROCKET	125310	125313	.618071K 22		1
4927	SPROCKET	125643		806104K 1		2
4928	BEARING, SKF	125310		26706950	6213Z	2V
4929	BEARING, ND	125310		26481516	73-L-16	2V
4930	CHAIN - ASA	125310		34558500	160-60 P	2V
4931	HOUSING, CLUTCH	125310		714780K 1		2
4932	BOLT, SPROCKET	125310		.521268K 1		12
4932	NUT, LOCK 5/8 NF	125310		.02769400		12
4933	DRIVER, CLUTCH	125310		806102K 1		2
4934	CAPSCREW 3/4X4-1/4 NF	125310		.03245360		2
4934	NUT, LOCK 3/4 NF	125310		.02769450		2
4935	LEVER	125310		713362K 1		1
4936	PIN	125310		617006K 22		1 X
4937	BRACKET	125310		713360K 1		1
4938	PIN	125310		617005K 21		1
4939	LEVER	125310		706327K 1		1
4940	PIN	125310		607137K 21		1



PARTS LIST

ISSUE NO 1, 1966

102666

MODEL 110T

PAGE: 14- 1

CAT. REF.	PART NAME	SERIAL NO.		PART NO.	REPLACE OR VENDOR NO.	REQ.
		FROM	TO/INCL.			
	001					
S	OPERATING LEVERS-DWG. R811, R815, S721					
S 92	SHAFT	125310		500558K 1		1
S 114	SEAT, MILSCO	125310		82837070	D887	1V
S 116	STAND	125310		601699K 22		1
S 158	LEVER, FOOT	125310		700134K 21		1
S 159	ROD, REACH	125310		.L30803 24		1
S 159	NUT, FULL 5/8 NF	125310		.02741550		1
S 162	LEVER INCL. S2106	125310		600039K 51	603298K 51	1D
S 162	LEVER INCL. S2106	125310		603298K 51		1
S 163	SLEEVE	125310		618239K 21		1
S 164	LEVER, INCL. S2098	125310		600040K 51		1
S 165	LEVER, FOOT	125310		700135K 21		1
S 168	SHAFT	125310		L30803 3		1
S 171	LEVER	125310		L30803 11		1
S 292	TREADLE, FOOT	125310		600206K 1		1
S 293	BOLT, ADJ. INCL. NUTS	125310		500559K 51		2
S 294	SPRING, EXTENSION	125310		75728350		2
S 298	ROD, SHAFT INCL. S2111	125310		.500565K 51		1
S 298	WASHER, CUT 3/8	125310		.03951400		1
S 298	PIN, COTTER 1/8X 3/4	125310		.03109360		1
S 304	SPRING	125310		75730170		2
S 306	PIN	125310		500560K 1		4
S 365	SHAFT	125310		607969K 1		1
S 468	SHAFT, LEVER	125310		611153K 21		1
S 469	PIN	125310		.500561K 1		2
S 469	PIN, COTTER 1/8X1-1/4	125310		.03109600		2
S 519	LOCK	125310		600207K 1		1
S 520	LOCK	125310		600207K 1		1
S 525	BRACKET	125310		L30803 3		1
S 528	ROD, REACH	125310		L30803 21		1
S 530	LEVER INCL. S2098	125310		600039K 51	603298K 51	1D
S 530	LEVER INCL. S2098	125310		603298K 51		1
S 531	ROD, REACH	125310		L30803 27		1
S 693	SHAFT	125310		L30803 2		1
S 694	SHAFT	125310		L30803 1		1
S 695	ROD, REACH	125310		L30803 27		1
S 697	SPACER	125310		529563K 1		1
S 973	PIN ASSY	125310		49118510		10
S 1018	END, YOKE	125310		49113510		2
S 1110	BRACKET	125310		500562K 1		1
S 1207	LEVER, INCL S2254	125310		600039K 51		1
S 1684	CAPSCREW 1X3-3/4 NC	125310		.02192800		1
S 1684	NUT, JAM 1 NC	125310		.02716200		1
S 1684	LOCKWASHER 1	125310		.03962000		1
S 1685	CAPSCREW 5/8X1-3/4 NF	125310		.03241560		2
S 1685	NUT, LOCK 5/8 NF	125310		.02769400		2
S 1719	CAPSCREW 5/8X1-1/2 NF	125310		.03241480		4
S 1719	LOCKWASHER 5/8	125310		.03961700		4
S 1781	ROD, REACH	125310		L30803 30		2
S 2097	CAPSCREW 1/2X1-1/4 NF	125310		.03235400		1
S 2097	LOCKWASHER 1/2	125310		.03961500		1



PARTS LIST

102666

ISSUE NO 1, 1966

MODEL 110T

PAGE: 14- 2

CAT. REF.	PART NAME	SERIAL NO.		PART NO.	REPLACE OR VENDOR NO.	REQ.
		FROM	TO/INCL.			
	001					
S 2098	CAPSCREW 1/2X2-1/2 NC	125310		.03185800		2
S 2098	NUT, FULL 1/2 NC	125310		.02711050		2
S 2098	LOCKWASHER 1/2	125310		.03961500		2
S 2099	CAPSCREW 3/8X1-1/2 NF	125310		.03229480		4
S 2099	LOCKWASHER 3/8	125310		.03961300		4
S 2099	NUT, FULL 3/8 NF	125310		.02739550		4
S 2100	KEY	125310		L30803 19		1
S 2106	CAPSCREW 1/2X2-1/2 NC	125310		.03185800		1
S 2106	NUT, FULL 1/2 NC	125310		.02711050		1
S 2106	LOCKWASHER 1/2	125310		.03961500		1
S 2108	CAPSCREW 3/8X1-1/4 NC	125310		.03179420		4
S 2108	LOCKWASHER 3/8	125310		.03961300		4
S 2108	NUT, FULL 3/8 NC	125310		.02709150		4
S 2109	SPACER	125310		524410K 1		1
S 2111	KNOB, HANDLE	125310		82017750	M80AX	1V
S 2126	BRACKET	125310		500563K 1		1
S 2254	CAPSCREW 1/2X2-1/2 NC	125310		.03185800		2
S 2254	NUT, FULL 1/2 NC	125310		.02711050		2
S 2254	LOCKWASHER 1/2	125310		.03961500		2
S 2255	LEVER, INCL. S2254	125310		600040K 51		1
S 2267	LEVER, INCL S2268	125310		600039K 51		1
S 2268	CAPSCREW 1/2X2-1/2 NC	125310		.03185800		1
S 2268	NUT, FULL 1/2 NC	125310		.02711050		1
S 2268	LOCKWASHER 1/2	125310		.03961500		1
S 2877	LEVER	125310		L30803 14		1
S 2878	PIN, BRAKE	125310		618112K 21		1
S 2879	CAPSCREW 1/4X1 NC	125310		.03173320		1
S 2879	LOCKWASHER 1/4	125310		.03961010		1
S 2880	LEVER	125310		L30803 14		1
S 2881	PIN, BRAKE	125310		618112K 21		1
S 2882	CAPSCREW 1/4X1 NC	125310		.03173320		1
S 2882	LOCKWASHER 1/4	125310		.03961010		1
S 2883	SPACER	125310		L30803 4		1
S 2884	RING, RETAINING	125310		68119850	5100-137	1V
S 2885	KEY, ASA	125310		54304750	811	5V
S 2886	RING, RETAINING	125310		68120240	5100-250	1V
S 2887	SPACER	125310		L30803 18		1
S 2888	BRACKET	125310		.524216K 1		1
S 2888	CAPSCREW 3/8X1 NF	125310		.03229320		2
S 2888	NUT, LOCK 3/8 NF	125310		.02769200		2
S 2889	YOKE	125310	125313	.82991010	RA13-250-1,	1V
S 2889	CONTROL	125310	125313	.46310855		1
S 2889	CONTROL	125643		46310735		1
S 2890	RETAINER	125310		524413K 1		1
S 2891	BRACKET, GUIDE	125310	125313	.L30804 1		1
S 2891	PIN	125310	125313	.L30804 11		1
S 2891	PIN, ANCHOR	125310	125313	.L30804 21		2
S 2891	PIN, COTTER 1/2X3 1/2	125310	125313	.03128680		4
S 2891	CAPSCREW 1/4X1-3/4 NF	125310	125313	.03223560		1
S 2891	NUT, LOCK 1/4 NF	125310	125313	.02769100		1
S 2891	PIN	125643		618329 4		1
S 2892	BRACKET	125310	125313	L30804 6		2
S 2892	BRACKET	125643		618329 1		2
S 2893	END, ROD	125310		49094520		1



PARTS LIST

102666

ISSUE NO 1, 1966

MODEL 110T

PAGE: 14- 4

CAT. REF.	PART NAME	SERIAL NO.		PART NO.	REPLACE OR VENDOR NO.	REQ.
		FROM	TO/INCL.			
	002					
S	HAND & FOOT THROTTLE FOR CUMMINS HRF-6-1P-					
	DWGS. S722, S723, S724, S725					
S	1278 CAPSCREW 1/4X1-1/4 NF	125310		.03222300		2
S	1278 NUT, FULL 1/4 NF	125310		.02738550		2
S	1465 SPRING	125310		75638010		1
S	2002 LEVER, HAND	125310		609364 21		1
S	2003 KNOB, ARM-RED	125310		.82594255		1
S	2003 KNOB, ARM-BLACK	125310		.82594250		1
S	2004 DISC	125310		42081460		2
S	2005 CAPSCREW 1/2X3-3/4 NF	125310		03236200		1
S	2006 NUT, LOCK 1/2 NF	125310		02769300		1
S	2007 WASHER, CUT 1/2	125310		03951600		4
S	2008 SPRING	125310		75746000		2
S	2009 CONTROL, 18 FT.	125310		.46320700		2
S	2009 NUT, FULL 1/4 NF	125310		.02738550		4
S	2010 JOINT, BALL	125310		.82571610	SS1002	1V
	FOOT THROTTLE					
S	2010 NUT, FULL 1/4 NF	125310		.02738550		1
S	2010 LOCKWASHER 1/4	125310		.03961010		1
S	2010 JOINT, BALL-ENGINE	125310		.507904K 2		3
S	2010 JOINT, BALL-ENGINE	125310		.82571610	SS1002	1V
S	2010 NUT, FULL 1/4 NF	125310		.02738550		7
S	2010 LOCKWASHER 1/4	125310		.03961010		4
S	2010 JOINT, BALL-OPER. STAND	125310		.82571610	SS1002	2V
S	2010 NUT, FULL 1/4 NF	125310		.02738550		2
S	2010 LOCKWASHER 1/4	125310		.03961010		2
S	2018 BRACKET, THROTTLE	125310		709940K 21		1
S	2019 CAPSCREW 3/4X4-1/4 NF	125310		.03245360		1
S	2019 NUT, LOCK 3/4 NF	125310		.02769450		1
S	2020 PIN, ARM	125310		609724K 1		1
S	2023 CAPSCREW SET 1/2X5/8	125310		03809310		2
S	2024 ARM, CABLE	125310		609725K 21		1
S	2026 BUSHING, PIN	125310		82128540		2
S	2027 WASHER, PIN	125310		514286K 1		2
S	2029 PEDAL, FOOT	125310		709941K 1		1
S	2031 SCREW, DP SET 3/8X2 NC	125310		.03756980		1
S	2031 NUT, JAM 3/8 NC	125310		.02709250		2
S	2032 SPRING	125310		75745770		1
S	2033 BOLT, EYE	125310		.49004760		1
S	2033 NUT, FULL 1/4 NC	125310		.02707150		2
S	2034 BRACKET	125310		609727K 1		1
S	2035 CAPSCREW 1/4X3/4 NF	125310		.03223240		2
S	2035 NUT, LOCK 1/4 NF	125310		.02769100		2
S	2039 LEVER, GOVERNOR	125310		.614209K 21		1
S	2039 CAPSCREW 3/8X1-1/2 NF	125310		.03229480		1
S	2039 NUT, FULL 3/8 NF	125310		.02739550		1
S	2039 LOCKWASHER 3/8	125310		.03961300		1
S	2040 CONTROL, 14 FT.	125310		.46316240		1
S	2040 NUT, FULL 1/4 NF	125310		.02738550		2
S	2041 BRACKET	125310		611363K 21		1



PARTS LIST

102666

ISSUE NO 1, 1966

MODEL 110T

PAGE: 17- 1

CAT. REF.	PART NAME	SERIAL NO.		PART NO.	REPLACE OR VENDOR NO.	REQ.
		FROM	TO/INCL.			
	001					
ZA	AIR CONTROLS-DRAWINGS ZA925, ZA926, ZA927, ZA928, ZA933, ZA934, ZA935, ZA942, ZA943, ZA945, ZA946, ZA947, ZA948, ZA949, ZA950					
ZA 20	TANK, AIR	125310		82930130		2
ZA 178	LUBRICATOR, ARROW	125310		57410040		1
ZA 285	STRAP, SUPPORT	125310	125313	602454K 22		2
ZA 285	STRAP, SUPPORT	125643		.524278 1		2
ZA 285	STRIP, FELT	125643		.524278 2		4
ZA 285	STRIP, FELT	125643		.524278 3		2
ZA 412	VALVE, AIR DWG. ZA-934 WITH STANDARD HANDLE	125310	125313	29039030	P527839090	1V
ZA 412	VALVE, AIR DWG. ZA-934 W/ADJUSTABLE HANDLE	125643		29039628	P556959090	1V
ZA 413	VALVE, AIR DWG. ZA-934 WITH STANDARD HANDLE	125310	125313	29038900	P527354545	1V
ZA 413	VALVE, AIR DWG. ZA-934 W/ADJUSTABLE HANDLE	125643		29039627	P556944545	1V
ZA 414	VALVE, AIR-DWG. ZA-934 WITH STANDARD HANDLE	125310	125313	29038980	P527724545	1V
ZA 414	VALVE, AIR-DWG. ZA-934 W/ADJUSTABLE HANDLE	125643		29039625	P556934545	1V
ZA 486	VALVE, RELEASE	125310		29364170		7
ZA 545	ACTUATOR, BRAKE DWG. ZA-933	125310		29490520	273787	1V
ZA 563	CYLINDER, AIR DWG. ZA-948	125310		29039635	P55701-1	2V
ZA 699	HOSE ASSY.	125310		53627322		1
ZA 702	HOSE ASSY	125310		53627344		1
ZA 704	HOSE ASSY	125310		53566410		1
ZA 713	HOSE ASSY	125310		53622460		1
ZA 714	GUN, BLOW-KELLOG	125310		57297760	30215	1V
ZA 721	VALVE, SAFETY-WAB	125310		29107360	184766	1V
ZA 722	HORN, AIR-BWAAB	125310		17271750	223585	1V
ZA 733	HOSE ASSY	125310		53622400		2
ZA 769	VALVE, AIR-DWG. ZA934 WITH STANDARD HANDLE	125310	125313	29038980	P527724545	1V
ZA 769	VALVE, AIR-DWG. ZA-934 W/ADJUSTABLE HANDLE	125643		29039625	P556934545	1V
ZA 807	CAPSCREW 1/2X1-3/4 NF	125310		.03235560		4
ZA 807	LOCKWASHER 1/2	125310		.03961500		2
ZA 807	NUT, LOCK 1/2 NF	125310		.02769300		2
ZA 829	CYLINDER, AIR DWG. ZA-946	125310		29039170	P53343	1V
ZA 830	CHAMBER, BRAKE DWG. ZA-950	125310		29019750	P16019	1V
ZA 835	VALVE, SHUT-OFF LINK.	125310		79177000	407	1V
ZA 921	COCK, SHUT-OFF LUNK.	125310		79021000	1179	1V
ZA 922	COCK, DRAIN-WAB	125310		29064200	99080	2V
ZA 975	VALVE, CHECK-BWAAB	125310		29415210	229521	2V



PARTS LIST

102666

ISSUE NO 1, 1966

MODEL 110T

PAGE: 17- 2

CAT. REF.	PART NAME	SERIAL NO.		PART NO.	REPLACE OR VENDOR NO.	REQ.
		FROM	TO/INCL.			
	001					
ZA 1102	UNION, SINGLE DWG. ZA-942	125310		82961543	15-3	1V
ZA 1181	HOSE ASSY	125310		53622440		1
ZA 1182	VALVE, HAND DWG. ZA935	125310		79423075	N3984B	1V
ZA 1195	STAND, VALVE	125310		717040K 41		1
ZA 1196	CAPSCREW 5/8X1-1/2 NF	125310		.03241480		4
ZA 1196	NUT, LOCK 5/8 NF	125310		.02769400		2
ZA 1196	LOCKWASHER 5/8	125310		.03961700		4
ZA 1196	WASHER, CUT 5/8	125310		.03951800		2
ZA 1197	COVER, FRONT	125310		518828K 1		1
ZA 1198	SCREW, MACH. 1/4X1/2NF	125310		.03668070		2
ZA 1198	LOCKWASHER 1/4	125310		.03961010		2
ZA 1199	COVER, REAR	125310		518827K 1		1
ZA 1200	SCREW, MACH. 1/4X1/2NF	125310		.03668070		4
ZA 1200	LOCKWASHER 1/4	125310		.03961010		4
ZA 1201	CAPSCREW 1/4X5/8 NC	125310		.03173200		2
ZA 1201	WASHER, CUT 1/4	125310		.03951200		2
ZA 1201	LOCKWASHER 1/4	125310		.03961010		2
ZA 1216	CAPSCREW 3/8X3/4 NF	125310		.03229240		12
ZA 1216	LOCKWASHER 3/8	125310		.03961300		12
ZA 1217	REGULATOR, NORGREN	125310		82802830	20-AG-X-3G	1V
ZA 1226	HOSE ASSEMBLY	125310	125313	53627342		1
ZA 1226	HOSE ASSEMBLY	125643		53606240		1
ZA 1227	HOSE ASSEMBLY	125310		53622440		1
ZA 1234	HOSE ASSEMBLY	125313	125313	53627342		1
ZA 1234	HOSE ASSEMBLY	125643		53606240		1
ZA 1235	HOSE ASSEMBLY	125310		53622440		1
ZA 1252	HOSE ASSEMBLY	125310		53606240		1
ZA 1253	HOSE ASSEMBLY	125310		53622440		1
ZA 1262	HOSE ASSEMBLY	125310		53622440		1
ZA 1263	HOSE ASSEMBLY	125310		53622450		1
ZA 1264	HOSE ASSEMBLY	125310		53627320		1
ZA 1269	HOSE ASSEMBLY	125310		53622510		1
ZA 1283	VALVE, DRAIN-WORTH.	125310		79172250	5421	1V
ZA 1292	HOSE ASSY	125310		53622440		1
ZA 1298	COCK, SHUT-OFF-CRANE	125310		79070400	250-1/2	1V
ZA 1317	GAUGE, AIR-MARSH	125310		82300150	1	1V
ZA 1320	HOSE ASSEMBLY	125310		53627322		1
ZA 1321	HOSE ASSEMBLY	125310		53606120		1
ZA 1454	HOSE ASSEMBLY	125310		53626595		1
ZA 1462	COVER, SIDE	125310		518826K 1		1
ZA 1463	SCREW, MACH. 1/4X1/2 NF	125310		03668070		5
ZA 1463	LOCKWASHER 1/4	125310		.03961010		5
ZA 1463	NUT, FULL 1/4 NF	125310		.02738550		5
ZA 1495	PIPE	125310	125313	.518737K 1		4
ZA 1495	NUT	125310	125313	.518738K 1		4
ZA 1495	PIN, SPRING	125310	125313	.82670060		4
ZA 1495	PIN, SPRING	125310	125313	.82669990		4
ZA 1495	PIPE, NOT USED	125643				
ZA 1612	CYLINDER, AIR-WAB DWG. ZA-946	125310	125313	29039190	P53345	2V
ZA 1612	CYLINDER, AIR-MID DWG. ZA-945	125643		40010100	N-3817	2V
ZA 1613	HOSE, ASSEMBLY	125310		53627319		1



PARTS LIST

102666

ISSUE NO 1, 1966

MODEL 110T

PAGE: 17- 3

CAT. REF.	PART NAME	SERIAL NO.		PART NO.	REPLACE OR VENDOR NO.	REQ.
		FROM	TO/INCL.			
	001					
ZA 1614	UNION, SINGLE DWG. ZA-942	125310		82961543	15-3	1V
ZA 1615	HOSE ASSEMBLY	125310		53627344		1
ZA 1616	CYLINDER, AIR-MID DWG. ZA-947	125310	125313	40013810	N3369E	1V
ZA 1616	CYLINDER, AIR-MID DWG. ZA-947	125643		40004690	N30055	1V
ZA 1617	HOSE ASSEMBLY	125310		53622390		1
ZA 1618	UNION, SINGLE DWG. ZA-943	125310		82961570	1300-23	1V
ZA 1735	CYLINDER, AIR-WAB DWG. ZA-946	125310	125313	29039190	P53345	2V
ZA 1735	CYLINDER, AIR-MID DWG. ZA-945	125643		40010100	N-3817	4V
ZA 1736	HOSE ASSY	125310	125313	53627319		2
ZA 1736	HOSE ASSY	125643		53622400		2
ZA 1737	HOSE ASSY	125310		53612980		2
ZA 1738	UNION, SINGLE DWG. ZA-942	125310		82961543	15-3	1V
ZA 1740	UNION, SINGLE DWG. ZA-942	125310		82961543	15-3	1V
ZA 1741	ADAPTER	125310		L30652 49		1
ZA 1742	END, ROD	125310		49097010		6
ZA 1743	PIN, SPRING	125310	125313	82670410		6
ZA 1743	PIN, SPRING	125643		82670190		6
ZA 1744	BUSHING, OILITE	125310		82082200	S-800-3	6V
ZA 1752	CAPSCREW 1/4X1 NF	125310		.03223320		2
ZA 1752	NUT, LOCK 1/4 NF	125310		.02769100		2
ZA 1870	HOSE ASSY	125310		53622400		1
ZA 1871	UNION, SINGLE DWG. ZA-942	125310		82961543	15-3	1V
ZA 1872	HOSE ASSY	125310		53627324		1
ZA 1873	HOSE ASSY	125310		53612980		1
ZA 1874	VALVE, AIR DWG. ZA934	125310	125313	29039030	P527839090	1V
ZA 1874	WITH STANDARD HANDLE VALVE, AIR DWG. ZA-934	125643		29039628	P556959090	1V
ZA 1875	W/ADJUSTABLE HANDLE HOSE ASSY	125310		53627342		1
ZA 1876	HOSE ASSY	125310		53612980		1
ZA 1879	BRACKET	125310		520450K 1		2
ZA 1880	CAPSCREW 1/4X3/4 NF	125310		.03223240		2
ZA 1880	NUT, LOCK 1/4 NF	125310		.02769100		2
ZA 1964	CHAMBER, BRAKE DWG. ZA-950	125310		29019750	P16019	1V
ZA 1966	COVER	125310		524195K 1		1
ZA 1967	COVER	125310		524194K 1		1
ZA 1968	HOSE ASSY	125310		53627311		1
ZA 1969	HOSE ASSY	125310		53627311		1
ZA 1970	UNION, SINGLE DWG. ZA-942	125310		82961543	15-3	1V
ZA 1971	ADAPTER	125310		L30652 49		1
ZA 1972	HOSE ASSY	125310		53622440		1
ZA 1973	HOSE ASSY	125310	125313	53627347		1
ZA 1973	HOSE ASSY	125643		53613400		1



PARTS LIST

102666

ISSUE NO 1, 1966

MODEL 110T

PAGE: 17- 6

CAT. REF.	PART NAME	SERIAL NO.		PART NO.	REPLACE OR VENDOR NO.	REQ.
		FROM	TO/INCL.			
	003					
ZA	AIR CONTROLS - BOOM HOIST LIMIT CONTROL-					
	DWGS. ZA-932, ZA937, ZA938, ZA939					
A 486	VALVE, RELEASE-BWAAB	125310		29418590	229859	1V
A 1648	ROD, PUSH	125310		607705K 21		1
A 1649	SPRING	125310		75728960		1
A 1650	WASHER, CUT 3/8	125310		03951400		2
A 1651	BAR	125310		.717108 2		1
A 1651	BAR	125310		.717108 3		1
A 1651	PIPE	125310		.717108 4		1
A 1653	VALVE, PILOTAIR-WAB	125310		29039090	2-C1-1A	1V
	DWG. ZA-937					
A 1655	STRIP	125310		717108 1		1
A 1656	CAPSCREW 3/8X1 NC	125310		.03179320		2
A 1656	NUT, FLANGE 3/8	125310		.02764520		2
A 1657	VALVE, PILOTAIR-WAB	125310		29010100	PD2320011	1V
	DWG. ZA-938					
A 1659	BRACKET	125310		621570K 1		1 X
A 1660	CAPSCREW NOT USED	125310				
A 1661	VALVE, PUSH-PULL	125310		79368500	616-1-C	1V
	DWG. ZA-939					
A 1905	HOSE ASSY	125310		53620850		1
A 1906	HOSE ASSY	125310		53620850		1
A 1907	HOSE ASSY	125310		53620860		1
A 1908	HOSE ASSY	125310		53620850		1
A 1981	WHISTLE - WAB	125310		29776260	531596	1V
A 1982	HOSE ASSY	125310		53625080		2



PARTS LIST

102666

ISSUE NO 1, 1966

MODEL 110T

PAGE: 17- 9

CAT. REF.	PART NAME	SERIAL NO.		PART NO.	REPLACE OR VENDOR NO.	REQ.
		FROM	TO/INCL.			
	006					
ZA	FLEXAIR VALVE-WAB- P52735-4545, P55694- 4545-ZA413-DWG.ZA-934					
ZA 1	VALVE COMP.STD.HANDLE INCL.ITEMS 2 THRU 70			29038900	P527354545	1V
ZA 1	VALVE COMP.ADJ.HANDLE INCL.ITEMS 2 THRU 70			29039627	P556944545	1V
ZA 2	BODY, VALVE			29039065	P52884	1V
ZA 3	STRAINER			29039120	P53211	1V
ZA 4	BOLT				P49832-8	3V
ZA 5	LOCKWASHER				515370	3V
ZA 6	RING, RETAINING			29780128	539111	1V
ZA 7	SPRING, VALVE			29780150	539115	1V
ZA 8	VALVE, CHECK			29014520	P5034	1V
ZA 9	RING, PACKING			29771980	523734	1V
ZA 10	SEAT			29780129	539112	1V
ZA 11	SPRING			29780130	539113	3V
ZA 12	RING, PACKING			29772640	524614	1V
ZA 13	PLUNGER, VALVE			29780140	539114	1V
ZA 14	RING, PACKING			29776580	532268	1V
ZA 15	GUIDE, PLUNGER			29780155	539116	1V
ZA 16	WASHER			29036034	P49804-18	1V
ZA 17	SPRING, RETURN				P54874	1V
ZA 18	NUT				P53131-1	1V
ZA 19	SCREW, ADJ.			29039106	P53133-1	1V
ZA 20	PLUG NOT USED					
ZA 21	RING, PACKING			29772620	224612	2V
ZA 22	WASHER			29036033	P49804-17	2V
ZA 23	RING, PACKING			29772890	524935	2V
ZA 24	FILTER			29039080	P52946	4V
ZA 25	PLUNGER, VALVE INCL.REF.30 FL.SEAT			29039070	P52891	2V
	P5037 REF.32 RIVET P49276					
ZA 25	PLUNGER, VALVE INCL.REF.30 RD.SEAT			29039346	P54669	2V
	P5137, REF.32 RIVET P49276					
ZA 26	RING, PACKING			29035905	P49708-123	2V
ZA 27	SEAT, VALVE			29014630	P5074	2V
ZA 28	RING, RETAINING			29036102	P49882-5	2V
ZA 29	SPRING			29039068	P52889	2V
ZA 30	SEAT, VALVE INCL. W/ITEM 65					
ZA 31	RING, PACKING INCL. W/ITEM 65					
ZA 32	PIN INCL.W/ITEM 65					
ZA 33	PISTON INCL.W/ITEM 65					
ZA 34	WASHER, STOP INCL. W/ITEM 65					
ZA 35	SPRING, GRADUATING INCL. W/ITEM 65					



PARTS LIST

102666

ISSUE NO

1, 1966

MODEL

110T

PAGE:

17- 10

CAT. REF.	PART NAME	SERIAL NO.		PART NO.	REPLACE OR VENDOR NO.	REQ.
		FROM	TO/INCL.			
	006					
ZA 36	SPRING, LEVER RETURN INCL. W/ITEM 65					
ZA 37	SHIM, INCL. W/ITEM 65					
ZA 38	CAGE, SPRING INCL. W/ITEM 65					
ZA 39	GUIDE, PISTON INCL. W/ITEM 65					
ZA 40	SCREW, ADJ. INCL. W/ITEM 65					
ZA 41	CAP, ADJ. INCL. W/ITEM 65				P52896	2V
ZA 42	HOUSING, SPRING			29039101	P53126	1V
ZA 43	RING, RETAINING				548499	1V
ZA 44	PIN				P52899	1V
ZA 44	PIN, P52899 SEE KIT D			0		1
ZA 45	BUSHING			29039206	P53382	1V
ZA 46	PIN			29793285	560566	1V
ZA 47	PIN			29036017	P49803-2	1V
ZA 48	LEVER ASSY INCL. 44, 47, 49, 50			29039127	P53336-3	1V
ZA 49	LEVER INCL. W/ITEM 48					
ZA 50	BRACKET INCL. W/ITEM 48					
A 51	NUT			29771321	522417	2V
A 52	SCREW			29036048	P49828-3	2V
A 53	PIN			29036097	P49877-5	1V
A 54	SCREW			29036066	P49856-19	4V
A 55	LOCKWASHER			29036118	P49898	4V
A 56	COVER			29039113	P53153	1V
A 57	LATCH			29039610	P53141	1V
A 58	COVER, LATCH			29039111	P53143	1V
A 59	SPRING, LATCH			29039110	P53146	1V
A 60	LEVER, STD. HANDLE			29039073	P52894-1	1V
A 60	LEVER, ADJ. HANDLE					1
A 61	KNOB			29038891	P52721	1V
A 62	PIN			29793182	553772	1V
A 63	COVER, SPRING			29039105	P53134	1V
A 64	GASKET, COVER				P55388	2V
A 65	SPRING ASSY			29039244	P540600000	2V
A 66	INCL. ITEMS 30 THRU 40 VALVE, SUPPLY			29893080	850890	1V
A 67	INCL. ITEMS 6 THRU 10 PIN, LEVER			29039350	P54686	1V
A 68	PLUG NOT USED					
A 69	RING, RETAINING			29039348	P54685	1V
A 70	PROTECTOR, DIRT NOT USED					
	KIT B-MINOR REPAIR KIT, CAVITY 3 FILLED			29039208	P53463	1V
	INCL. ITEMS 18, 19, 41, 53, 57 & 64					



PARTS LIST

102666

ISSUE NO 1, 1966

MODEL 110T

PAGE: 17- 12

CAT. REF.	PART NAME	SERIAL NO.		PART NO.	REPLACE OR VENDOR NO.	REQ.
		FROM	TO/INCL.			
	007					
ZA	FLEXAIR VALVE-WAB-P52772-4545, P55693-4545-ZA414, ZA769 DRAWING ZA-934					
ZA	1 VALVE COMP.STD.HANDLE INCL.ITEMS 2 THRU 70			29038980	P527724545	1V
ZA	1 VALVE COMP.ADJ.HANDLE INCL.ITEMS 2 THRU 70			29039625	P556934545	1V
ZA	2 BODY, VALVE			29039065	P52884	1V
ZA	3 STRAINER			29039120	P53211	1V
ZA	4 BOLT				P49832-8	3V
ZA	5 LOCKWASHER				515370	3V
ZA	6 RING, RET. NOT USED					
ZA	7 SPRING, VALVE NOT USED					
ZA	8 VALVE, CHECK NOT USED					
ZA	9 RING, PACKING			29771980	523734	1V
ZA	10 SEAT NOT USED					
ZA	11 SPRING			29780130	539113	2V
ZA	12 RING, PACKING NOT USED					
ZA	13 PLUNG., VALVE NOT USED					
ZA	14 RING, PACKING NOT USED					
ZA	15 GUIDE, PLUNG. NOT USED					
ZA	16 WASHER NOT USED					
ZA	17 SPRING, RETURN					
ZA	18 NOT USED					
ZA	18 NUT NOT USED					
ZA	19 SCREW, ADJ. NOT USED					
ZA	20 PLUG NOT USED					
ZA	21 RING, PACKING			29772620	524612	2V
ZA	22 WASHER			29036033	P49807-17	2V
ZA	23 RING, PACKING			29772890	524935	2V
ZA	24 FILTER			29039080	P52946	4V
ZA	25 PLUNGER, VALVE INCL. REF. 30			29039072	P52891	2V
	FLAT SEAT			29039072	P5037	2V
	REF.32 RIVET P49276					
ZA	25 PLUNGER, VALVE INCL. REF 30			29039346	P54669	2V
	ROUND SEAT P5137, REF.32 RIVET P49276					
A	26 RING, PACKING			29035905		2
A	27 SEAT, VALVE			29014630	P5074	2V
A	28 RING, RETAINING			29036102	P49882-5	2V
A	29 SPRING			29039068	P52889	2V
A	30 SEAT, VALVE INCL. W/ITEM 65					
A	31 RING, PACKING INCL. W/ITEM 65					
A	32 PIN INCL. W/ITEM 65					
A	33 PISTON INCL. W/ITEM 65					
A	34 WASHER, STOP INCL. W/ITEM 65					



PARTS LIST

ISSUE NO 1, 1966
 MODEL 110T
 PAGE: 17- 13

102666

CAT. REF.	PART NAME	SERIAL NO.		PART NO.	REPLACE OR VENDOR NO.	REQ.
		FROM	TO/INCL.			
	007					
ZA 35	SPRING, GRADUATING INCL.W/ITEM 65					
ZA 36	SPRING, LEVER RETURN INCL.W/ITEM 65					
ZA 37	SHIM INCL.W/ITEM 65					
ZA 38	CAGE, SPRING INCL.W/ITEM 65					
ZA 39	GUIDE, PISTON INCL.W/ITEM 65					
ZA 40	SCREW, ADJ. INCL.W/ITEM 65					
ZA 41	CAP ADJ.				P52896	2V
ZA 42	HOUSING, SPRING			29039101	P53126	1V
ZA 43	RING, RET. NOT USED					
ZA 44	PIN				P52899	1V
ZA 45	BUSHING			29039206	P53382	1V
ZA 46	PIN			29793285	560566	1V
ZA 47	PIN			29036017	P49803-2	1V
ZA 48	LEVER, OPERATING INCL. 44,47,49 & 50			29039127	P53336-3	1V
ZA 49	LEVER INCL.W/ITEM 48					
ZA 50	BRACKET					
ZA 50	INCL. W/ITEM 48					
ZA 51	NUT			29771321	522417	2V
ZA 52	SCREW			29036048	P49828-3	2V
ZA 53	PIN			29036097	P49877-5	1V
ZA 54	SCREW			29036066	P49856-19	4V
ZA 55	LOCKWASHER			29036118	P49898	4V
ZA 56	COVER			29039116	P53153-3	1V
ZA 57	LATCH			29039610	P53141	1V
ZA 58	COVER, LATCH			29039111	P53143	1V
ZA 59	SPRING, LATCH			29039110	P53146	1V
ZA 60	LEVER, STD.HANDLE			29039073	P52894-1	1V
ZA 60	LEVER, ADJ.HANDLE					1
ZA 61	KNOB			29038891	P52721	1V
ZA 62	PIN			29793182	553772	1V
ZA 63	COVER, SPRING			29039105	P53134	1V
ZA 64	GASKET, COVER				P55388	2V
ZA 64	SPRING ASSY INCL.ITEMS 30 THRU 40			29039244	P540600000	2V
ZA 66	VALVE, SUPPLY NOT USED					
ZA 67	PIN, LEVER			29039350	P54686	1V
ZA 68	PLUG				P51618	1V
ZA 69	RING, RETAINING			29039348	P54685	1V
ZA 70	PROTECTOR, DIRT				P5163	1V
	KIT A-MINOR REPAIR			29039207	P53462	1V
	KIT, CAVITY 3 PLUGGED INCL. 41,53,57 & 64					
	KIT C-MAJOR REPAIR KIT, CAVITY 3 PLUGGED			29039209	P53464	1V



PARTS LIST

102666

ISSUE NO 1, 1966

MODEL 110T

PAGE: 17- 15

CAT. REF.	PART NAME	SERIAL NO.		PART NO.	REPLACE OR VENDOR NO.	REQ.
		FROM	TO/INCL.			
	008					
ZA	FLEXAIR VALVE WAB P52783-9090, P55695- 9090-ZA412, ZA1874 DRAWING ZA934					
ZA 1	VALVE COMP. STD. HANDLE INCL. ITEMS 2 THRU 70			29039030	P527839090	1V
ZA 1	VALVE COMP. ADJ. HANDLE INCL. ITEMS 2 THRU 70			29039628	P556959090	1V
ZA 2	BODY, VALVE			29039065	P52884	1V
ZA 3	STRAINER			29039120	P53211	1V
ZA 4	BOLT				P49832-8	3V
ZA 5	LOCKWASHER				515370	3V
ZA 6	RING, RETAINING			29780128	53911	1V
ZA 7	SPRING, VALVE			29780150	539115	1V
ZA 8	VALVE, CHECK			29014520	P5034	1V
ZA 9	RING, PACKING			29771980	523734	1V
ZA 10	SEAT			29780129	539112	1V
ZA 11	SPRING			29780130	539113	3V
ZA 12	RING, PACKING			29772640	524614	1V
ZA 13	PLUNGER, VALVE			29780140	539114	1V
ZA 14	RING, PACKING			29776580	532268	1V
ZA 15	GUIDE, PLUNGER			29780155	539116	1V
ZA 16	WASHER			29036034	P49804-18	1V
ZA 17	SPRING, RETURN				P52947	1V
ZA 18	NUT			29039106	P53131-1	1V
ZA 19	SCREW, ADJ.				P53133-2	1V
ZA 20	PLUG NOT USED					
ZA 21	RING, PACKING			29772620	524612	2V
ZA 22	WASHER			29036033	P49804-17	2V
ZA 23	RING, PACKING			29772890	524935	2V
ZA 24	FILTER			29039080	P52946	4V
ZA 25	PLUNGER, VALVE			29039070	P52891	2V
	INCL. REF. 30 FL. SEAT P5037-REF. 32 RIVET P49276					
ZA 25	PLUNGER, VALVE			29039346	P54669	2V
	INCL. REF. 30 ROUND SEAT P5137					
	REF. 32 RIVET P49276					
ZA 26	RING, PACKING			29035905	P49708-123	2V
ZA 27	SEAT, VALVE			29014630	P5074	2V
ZA 28	RING, RETAINING			29036102	P49882-5	2V
ZA 29	SPRING			29039068	P52889	2V
ZA 30	SEAT, VALVE					
ZA 31	INCL. W/ITEM 65 RING, PACKING					
ZA 32	INCL. W/ITEM 65 PIN INCL. W/ITEM 65					
ZA 33	PISTON INCL. W/ITEM 65					
ZA 34	WASHER, STOP					
ZA 35	INCL. W/ITEM 65 SPRING, GRADUATING					



PARTS LIST

102666

ISSUE NO 1, 1966

MODEL 110T

PAGE: 17- 16

CAT. REF.	PART NAME	SERIAL NO.		PART NO.	REPLACE OR VENDOR NO.	REQ.
		FROM	TO/INCL.			
	008					
A 36	INCL.W/ITEM 65 SPRING, LEVER					
A 37	INCL.W/ITEM 65 SHIM INCL.W/ITEM 65					
A 38	CAGE, SPRING INCL.W/ITEM 65					
A 39	GUIDE, PISTON INCL.W/ITEM 65					
A 40	SCREW, ADJ. INCL.W/ITEM 65					
A 41	CAP, ADJ.				P52896	2V
A 42	HOUSING, SPRING			29039101	P53126	1V
A 43	RING, RETAINING				548499	1V
A 44	PIN				P52899	1V
A 45	BUSHING			29039206	P53382	1V
A 46	PIN			29793285	560566	1V
A 47	PIN			29036017	P49803-2	1V
A 48	LEVER, OPERATING			29039127	P53336-3	1V
A 49	INCL.44,47,49 & 50 LEVER INCL.W/ITEM 48					
A 50	BRACKET INCL.W/ITEM 48					
A 51	NUT			29771321	522417	2V
A 52	SCREW			29036048	P49828-3	2V
A 53	PIN			29036097	P49877-5	1V
A 54	SCREW			29036066	P49856-19	4V
A 55	LOCKWASHER			29036118	P49898	4V
A 56	COVER			29039114	P53153-1	1V
A 57	LATCH			29039610	P53141	1V
A 58	COVER, LATCH			29039111	P53143	1V
A 59	SPRING, LATCH			29039110	P53146	1V
A 60	LEVER, STD.HANDLE			29039073	P52894-1	1V
A 60	LEVER, ADJ. HANDLE					1
A 61	KNOB, LEVER			29038891	P52721	1V
A 62	PIN			29793182	553772	1V
A 63	COVER, SPRING			29039105	P53134	1V
A 64	GASKET, COVER				P55388	2V
A 65	SPRING ASSY			29039248	P540600200	2V
A 66	INCL.ITEMS 30 THRU 40 VALVE, SUPPLY			29893080	850890	1V
A 67	INCL.ITEMS 6 THRU 10 PIN, LEVER			29039350	P54686	1V
A 68	PLUG NOT USED					
A 69	RING, RETAINING			29039348	P54685	1V
A 70	PROTECTOR, DIRT NOT USED					
	KIT B-MINOR REPAIR KIT, CAVITY 3 FILLED			29039208	P53463	1V
	INCL.ITEMS 18,19,41, 53,57 & 64					



PARTS LIST

102666

ISSUE NO 1, 1966

MODEL 110T

PAGE: 17- 18

CAT. REF.	PART NAME	SERIAL NO.		PART NO.	REPLACE OR VENDOR NO.	REQ.
		FROM	TO/INCL.			
	009					
	HAND CONTROL VALVE- MIDLAND N-3984B - ZA1182-DWG. ZA-935					
1	VALVE COMP.-MIDLAND			79423075	N-3984-B	1V
	INCL.ITEMS 2 THRU 41					
2	HANDLE				N-15660-B	1V
3	NUT				2-X-64	1V
4	WASHER				4-X-11	1V
5	SHAFT				N-15638	1V
6	NUT, STOP				2-X-5505	1V
7	TAG, NAME				100510	1V
8	AIR CONTROL VALVE				N-3990	1V
	COMP INCL.9 THRU 41					
9	COVER				N-20814-A	1V
10	STUD				14-X-1172	4V
11	NUT				2-X-64	4V
12	LOCKWASHER				4-X-11	4V
13	PLUNGER, FRICTION				N-15626	1V
14	SPRING				C-13375	1V
15	SCREW, SET				3-X-210	1V
16	CAM				N-15624	1V
17	PLUNGER, BEARING			79433831	N-15627	1VX
18	SPACER AS REQ.				4-X-2454	V
19	PISTON ASSY				N-15628	1V
	INCL.ITEMS 20 THRU 25					
20	RING, RETAINING			79425225	51-X-402	1VX
21	PLUNGER			79425225	N-15644-A	1V
22	SHIM AS REQ.			79426066	4-X-2462	V
23	SPRING			79433833	N-15643	1V
24	SHIM AS REQ.			79426063	4-X-2453	V
25	BODY, PISTON				N-20816-A	1V
26	BLOCK, VEE				N-12571-BR	1V
27	O-RING			79428841	N-11728-N	1V
28	SPRING			79433829	N-15622	1VX
29	BODY				N-20813-A	1V
30	SCREEN, FILTER			79433809	N-15595-A	1V
31	WASHER, FELT				4-X-372	1V
32	SCREEN, FILTER			79433811	N-15596-A	1V
33	RING, SNAP			79433801	N-15200-F	1V
34	O-RING			79428838	N-11728-DV	2V
35	VALVE CAGE ASSY INCL.ITEMS 36 THRU 40				100164	V
36	CAGE, VALVE				200009-A	V
37	PISTON & SHAFT			79433828	N-15621	1VX
38	SPRING			79433827	N-15620	1V
39	PISTON			79433825	N-15617	1V
40	NUT				2-X-5515	1V
41	COVER, INLET				200010-A	1V



PARTS LIST

102666

ISSUE NO 1, 1966

MODEL 110T

PAGE: 17- 24

CAT. REF.	PART NAME	SERIAL NO.		PART NO.	REPLACE OR VENDOR NO.	REQ.
		FROM	TO/INCL.			
	015					
ZA	COMPRESSOR GOVERNOR BWAAB 227540 - ZA1288 - DWG.ZA-941					
ZA 1	GOVERNOR COMP.-BWAAB INCL.2 THRU 36 TYPE D			29395400	227540	1V
ZA 2	VALVE BODY ASSY INCL.ITEMS 3 THRU 5				224334	1V
ZA 3	BODY, VALVE				233957	1V
ZA 4	BUSHING, GUIDE				233474	1V
ZA 5	GROMMET			29440680	232068	1V
ZA 6	SHIM .010				212670	V
ZA 6	SHIM .003				233958	V
ZA 7	GROMMET			29449070	233959	1V
ZA 8	SEAT, VALVE				233960	1V
ZA 9	VALVE, EXHAUST				234699	1V
ZA 10	SPRING, VALVE				233477	1V
ZA 11	SPRING, RETAINING				212609	1V
ZA 12	RING, SEALING			29452580	237018	1V
ZA 13	CAP, VALVE BODY				233489	1V
ZA 14	SPRING, STEM				210002	1V
ZA 15	STEM, EXHAUST				233481	1V
ZA 16	DIAPHRAGM & STEM ASSY INCL.ITEMS 17 THRU 22				227542	1V
ZA 17	NUT				233704	1V
ZA 18	FOLLOWER, DIAPHRAGM				233963	1V
ZA 19	DIAPHRAGM			29449100	233964	1V
ZA 20	STEM, DIAPHRAGM				237826	1V
ZA 21	PIN, COTTER				203372	1V
ZA 22	GROMMET				230175	1V
ZA 23	SPRING, SETTING				234899	1V
ZA 24	SEAT, SPRING				233488	1V
ZA 25	NUT, ADJ.				235377	1V
ZA 26	PIN, COTTER				234695	1V
ZA 27	RING, SEALING			29452580	237018	1V
ZA 28	CAP, SPRING CAGE				233489	1V
ZA 29	CAGE, SPRING				237828	1V
ZA 30	PLUG, PIPE				233410	1V
ZA 31	PLUG, PIPE				233410	1V
ZA 32	FILTER			29448700	233490	2V
ZA 33	WASHER			29448850	233695	2V
ZA 34	RING, SEALING			29452660	237056	2V
ZA 35	CAP, STRAINER				233491	2V
ZA 36	CAPSCREW				237447	4V



PARTS LIST

ISSUE NO 1, 1966
 MODEL 110T PAGE: 17- 30

102666

CAT. REF.	PART NAME	SERIAL NO.		PART NO.	REPLACE OR VENDOR NO.	REQ.
		FROM	TO/INCL.			
	021					
ZA	AIR CYLINDER - WAB P53343 - ZA829- DRAWING ZA-946					
ZA 1	AIR CYLINDER COMP.WAB			29039170	P53343	1V
ZA 2	BODY,CYL. INCL.ITEM 3				P53353-1	1V
ZA 3	PLUG, PIPE				520379	2V
ZA 4	SCREW			29036066	P49856-19	4V
ZA 5	LOCKWASHER			29036118	P49898	4V
ZA 6	NUT, FLEXLOCK			29036042	P49819	1V
ZA 7	FOLLOWER, PISTON			29039204	P53361-1	1V
ZA 8	CUP, PACKING			29014738	P5122	1V
ZA 9	RING, PACKING			29772620	524612	1V
ZA 10	PISTON			29039203	P53360-1	1V
ZA 11	SPRING, RETURN				P53362	1V
ZA 12	ROD, PISTON				P53356-1	1V
ZA 13	RING, PACKING			29035910	P49708-232	1V
ZA 14	HEAD, STUFFING BOX				P53354	1V
ZA 15	GUIDE, ROD			29039214	P53497	1V
ZA 16	RING, PACKING			29772890	524935	1V
ZA 17	WASHER, SHIM			29036051	P49829-6	1V
ZA 18	SCREW			29035935	P49731	4V
ZA 19	FILTER				P54364	1V
ZA 20	ROD,PISTON-SEE ZA12					
ZA 21	BOLT, EYE NOT USED					
ZA 22	PIN,COTTER NOT USED					



PARTS LIST

102666

ISSUE NO 1, 1966

MODEL 110T

PAGE: 17- 31

CAT. REF.	PART NAME	SERIAL NO.		PART NO.	REPLACE OR VENDOR NO.	REQ.
		FROM	TO/INCL.			
	022					
ZA	AIR CYLINDER-MIDLAND N-3369-E-ZA1616,1975, ZA1983-DRAWING ZA-947					
ZA 1	AIR CYLINDER COMP.MID INCL.ITEMS 2 THRU 22			40013810	N-3369-E	1V
ZA 2	CYLINDER, AIR				N-14129-A	1V
ZA 3	COVER, REAR				N-2700-B	1V
ZA 4	O-RING, COVER			40758200	N-11728-BV	1V
ZA 5	PISTON			40762250	N-14126-A	1V
ZA 6	FELT, PISTON			40756500	N-10848-Y	1V
ZA 7	O-RING, SHAFT			40758190	N-11728-BP	1V
ZA 8	CUP, PISTON			40762300	N-14127	1V
ZA 9	PLATE, PISTON				N-11721-A	1V
ZA 10	SPRING, EXPANDER			40759550	N-12697-G	1V
ZA 11	WASHER, RETAINER				4-X2397	1V
ZA 12	COVER, FRONT				N-2701-D	1V
ZA 13	WASHER, FELT			40724040	4-X356	1V
ZA 14	SCREEN, INNER BREATHER				N-11719	1V
ZA 15	ROD ASSY				N-14341	1V
ZA 16	NUT, STOP			40722350	2-X5504	1V
ZA 17	STUD				14-X1144	4V
ZA 18	NUT, STUD				2-X30	4V
ZA 19	LOCKWASHER				4-X-14	4V
ZA 20	SPRING, PISTON RETURN				N-13565-A	1V
ZA 21	SCREEN, OUTER BREATHER				N-11720	1V
ZA 22	WASHER, PLAIN				4-X2047	4V
	NOTE-ITEMS 4,6,7 & 8 ARE AVAILABLE AS A SERVICE REPAIR KIT			40735200	RN-16-AY	1V



PARTS LIST

102666

ISSUE NO 1, 1966

MODEL 110T

PAGE: 17- 32

CAT. REF.	PART NAME	SERIAL NO.		PART NO.	REPLACE OR VENDOR NO.	REQ.
		FROM	TO/INCL.			
	023					
ZA	AIR CYLINDER-MIDLAND N-30055-ZA1616,ZA1975 ZA1983-DRAWING ZA-947					
A 1	AIR CYLINDER COMP.MID INCL.ITEMS 2 THRU 24			40004690	N-30055	1V
A 2	CYLINDER, AIR				101523	1V
A 3	COVER, REAR				N-2700-B	1V
A 4	O-RING, COVER			40758200	N-11728-BV	1V
A 5	PISTON				N-14333-A	1V
A 6	FELT, PISTON				N-10848-AB	1V
A 7	O-RING, SHAFT				N-11728-F	1V
A 8	CUP, PISTON				N-13497-C	1V
A 9	WASHER				N-14472-B	1V
A 10	SPRING, EXPANDER				N-12697-J	1V
A 11	WASHER NOT USED					
A 12	COVER, FRONT				N-2701-D	1V
A 13	FILTER				600667-E	1V
A 14	SCREEN, BREATHER				N-11719	1V
A 15	ROD ASSY				N-14341	1V
A 16	NUT, STOP			40722350	2-X5504	1V
A 17	STUD				14-X1144	4V
A 18	NUT, STUD				2-X-30	4V
A 19	LOCKWASHER				4-X-14	4V
A 20	SPRING, RETURN				600399-AF	1V
A 21	SCREEN, BREATHER				N-11720	1V
A 22	WASHER				4-X2047	4V
A 23	SLEEVE				101524	2V
A 24	O-RING				N-11728-GR	1V
	NOTE-ITEMS 4,6,7 & 8 ARE AVAILABLE AS A SERVICE REPAIR KIT.				RN-16-DW	1V



PARTS LIST

102666

ISSUE NO 1, 1966

MODEL 110T

PAGE: 18- 1

CAT. REF.	PART NAME	SERIAL NO.		PART NO.	REPLACE OR VENDOR NO.	REQ.
		FROM	TO/INCL.			
	001					
ZBA	NON-DRIVING FRONT AXLE-ROCKWELL STD.					
	FU-930 - BA491 DRAWING ZBA-100					
ZBA 1	AXLE COMP. INCL. ITEMS 2 THRU 74			23131025	FU-930	1V
ZBA 2	CENTER AXLE ASSY				A3100R2878	1V
ZBA 3	SCREW, STOP				26X115	2V
ZBA 3	NUT, SCREW				1227Z26	2V
ZBA 4	STEERING ASSY				A3111Q1109	2V
ZBA 5	BUSHING				1225F318	4V
ZBA 6	STUD, SPIDER				4X1031	8V
ZBA 7	PIN				3101Y77	2V
ZBA 7	PIN, COTTER				K2420	2V
ZBA 8	BUSHING				1225E317	2V
ZBA 9	WASHER				1229T1112	2V
ZBA 10	NUT				1227F136	2V
ZBA 11	SPACER 115-1244-P-900					
ZBA 11	SPACER 120-1244-P-901					
ZBA 11	SPACER 130-1244-R-902					
ZBA 11	SPACER 140-1244-S-903					
ZBA 11	SPACER 145-1244-T-904					
ZBA 11	SPACER 150-1244-U-905					
ZBA 12	BEARING, THRUST				T208	2V
ZBA 13	ARM, RH UPPER				3133G1477	1V
ZBA 13	13A ARM, LH UPPER				3133N1574	1V
ZBA 14	BALL				2910-B-28	1V
ZBA 15	NUT				1827-G-137	1V
ZBA 15	WASHER				1244X336	1V
ZBA 15	PIN, COTTER				K2518	1V
ZBA 16	CAPSCREW				1199C1823	8V
ZBA 16	WIRE, LOCK				LW1622	2V
ZBA 17	CAPSCREW				S-11013	4V
ZBA 17	LOCKWASHER				WA110	4V
ZBA 18	SHIM, THIN				2203C809	3V
ZBA 18	SHIM, MED.				2203D810	2V
ZBA 18	SHIM, THICK				2203E811	1V
ZBA 19	TUBE & END ASSY				A3102F2658	1V
ZBA 20	TUBE & END BARE				3102F2658	V
ZBA 21	END ASSY, RH				A3144V178	1V
ZBA 22	END, BARE				3144V178	1V
ZBA 23	END ASSY, LH				A3144U177	1V
ZBA 24	END, BARE				3144U177	1V
ZBA 25	BALL				2910V22	2V
ZBA 26	BUSHING				1225D212	4V
ZBA 27	LOCK				1254R44	2V
ZBA 28	SCREW, LOCK				10X271	2V
ZBA 28	LOCKWASHER				WA47	2V
ZBA 29	NUT, BALL				1227E213	2V
ZBA 29	PIN, COTTER				K2420	2V
ZBA 30	COVER, END				1907-D-4	2V
ZBA 30	PLUG				P32	2V



PARTS LIST

102666

ISSUE NO 1, 1966

MODEL 110T

PAGE: 18- 2

CAT. REF.	PART NAME	SERIAL NO.		PART NO.	REPLACE OR VENDOR NO.	REQ.
		FROM	TO/INCL.			
	001					
ZBA 31	SHIM .003				2803T1918	2V
ZBA 31	SHIM .005				2803L688	6V
ZBA 31	SHIM .010				2803M689	2V
ZBA 31	SHIM .020				2803N690	2V
ZBA 32	CAPSCREW				S278-E	12V
ZBA 32	WIRE, LOCK				LW161	2V
ZBA 33	BOLT, CLAMP				S11029	4V
ZBA 33	NUT, BOLT				N110	4V
ZBA 33	LOCKWASHER				WA110	4V
ZBA 34	OIL SEAL ASSY				A1808V178	2V
ZBA 35	ARM, RH LOWER				3133J920	1V
ZBA 36	ARM, LH LOWER				3133K921	1V
ZBA 37	CAPSCREW				1199C1823	8V
ZBA 37	WIRE, LOCK				LW1622	2V
ZBA 38	BRACKET ASSY				A329911134	1V
ZBA 39	BRACKET ASSY				A3299Q1135	1V
ZBA 40	BEARING, NEEDLE				1288K63	2V
ZBA 41	FELT, SEAL				5X420	4V
ZBA 42	WASHER				1229L818	4V
ZBA 43	RETAINER				1205D342	4V
ZBA 44	LEVER ASSY-BWAAB				22806	2V
ZBA 45	ROTOCHAMBER - BWAAB				222574	2V
	DWG. ZBA-206					
ZBA 46	SEAL ASSY, LH				A3211U1061	1V
ZBA 47	SEAL ASSY, RH				A3211V1062	1V
ZBA 48	SHOE & LINING ASSY				A13722E317	2V
ZBA 49	SHOE & LINING ASSY				A23722E317	2V
ZBA 50	LINING KIT				2000M247	1V
ZBA 51	RIVET				RV31010	96V
ZBA 52	BUSHING				1225J218	8V
ZBA 53	PIN, ANCHOR				1259Q121	4V
ZBA 54	FELT				5X191	8V
ZBA 55	RETAINER				1205W205	8V
ZBA 56	SPRING				1218W23	8V
ZBA 57	SCREW, LOCK				S266D	4V
ZBA 57	WIRE, LOCK				11725	4V
ZBA 58	BEARING				1228Z156	4V
ZBA 59	FELT				5X420	4V
ZBA 60	WASHER				1229L818	4V
ZBA 61	RETAINER				1205D342	4V
ZBA 62	RING, SNAP				1229Z1118	2V
ZBA 63	WASHER				1229A781	4V
ZBA 64	RING, SNAP				1229B1120	2V
ZBA 65	CAMSHAFT & COLLAR AY				A2210G2373	1V
ZBA 66	CAMSHAFT & COLLAR AY				A2210H2374	1V
ZBA 67	COLLAR				1199K505	2V
ZBA 68	WASHER				1229J1076	2V
ZBA 69	SPACER, INNER				1244C913	2V
ZBA 70	CONE, INNER				HH221449	2V
ZBA 71	CONE, OUTER				749	2V
ZBA 72	NUT, ADJUSTING				1227A547	2V
ZBA 73	RING, LOCK				1229V48	2V
ZBA 74	NUT, JAM				1227P328	2V



PARTS LIST 102666

ISSUE NO 1, 1966

MODEL 110T

PAGE: 18- 6

CAT. REF.	PART NAME	SERIAL NO.		PART NO.	REPLACE OR VENDOR NO.	REQ.
		FROM	TO/INCL.			
	005					
ZBA	RELAY VALVE - BWAAB 275146 - BA237					
	DRAWING ZBA-201					
ZBA 1	RELAY VALVE COMP.				275146	1V
ZBA 2	INCL.2-20 TYPE R-5 BODY				239570	1V
ZBA 3	GUIDE, DIAPHRAGM				239575	1V
ZBA 4	DIAPHRAGM				240372	1V
ZBA 5	WASHER				232850	6V
ZBA 6	CAPSCREW				230788	6V
ZBA 7	COVER				239597	1V
ZBA 8	RING, DIAPHRAGM				240373	1V
ZBA 9	DIAPHRAGM, EXHAUST				239942	1V
ZBA 10	WASHER, DIAPHARGM				239943	1V
ZBA 11	SCREW, MACHINE				237275	1V
ZBA 11	LOCKWASHER					1
ZBA 12	VALVE & CAP ASSY				229596	1V
ZBA 13	VALVE, INLET				239881	1V
ZBA 14	RING, RETAINING				239712	1V
ZBA 15	GROMMET				239745	1V
ZBA 16	SPRING				239573	1V
ZBA 17	GROMMET				239743	1V
ZBA 18	CAP, VALVE GUIDE				238571	1V
ZBA 19	PIPE, PLUG				230576	1V
ZBA 20	SCREW, MACHINE				237275	4V
ZBA 20	LOCKWASHER					4



PARTS LIST

102666

ISSUE NO 1, 1966

MODEL 110T

PAGE: 18- 7

CAT. REF.	PART NAME	SERIAL NO.		PART NO.	REPLACE OR VENDOR NO.	REQ.
		FROM	TO/INCL.			
	006					
ZBA	BRAKE VALVE - BWAAB 275102 - BA219					
	DRAWING ZBA202					
ZBA 1	VALVE COMP. TYPE E-2			29490102	275102	1V
ZBA 2	INCL. ITEMS 2 THRU 15 BASIC VALVE COMP				229500	1V
ZBA 3	INCL. ITEMS 16 THRU 37 TREADLE ASSY				226834	1V
ZBA 4	TREADLE				226835	1V
ZBA 5	ROLLER				236288	1V
ZBA 6	BUTTON, STOP				236980	1V
ZBA 7	LOCKWASHER				202982	3V
ZBA 8	CAPSCREW				202979	3V
ZBA 9	PIN, ROLL				235212	1V
ZBA 10	PIN, FULCRUM				238888	1V
ZBA 11	PIN, ROLLER				238474	1V
ZBA 12	PIN, COTTER				210492	1V
ZBA 13	PLUNGER				236981	1V
ZBA 14	BOOT				236982	1V
ZBA 15	PLATE, MOUNTING				236979	1V
ZBA 16	BODY				239632	1V
ZBA 17	SPRING, PISTON RETURN				235829	1V
ZBA 18	RING, RETAINING				239740	1V
ZBA 19	GROMMET				239643	1V
ZBA 20	RETAINER				239668	1V
ZBA 21	PISTON ASSY				229499	1V
ZBA 22	CAPSCREW				239640	1V
ZBA 23	WASHER				239713	1V
ZBA 24	SEAT, SPRING				239634	1V
ZBA 25	SPRING, RUBBER				239600	1V
ZBA 26	PISTON				239631	1V
ZBA 27	VALVE ASSY				229502	1V
ZBA 28	WASHER				239685	1V
ZBA 29	SPRING, VALVE				239627	1V
ZBA 30	VALVE, INLET & EXHAUST				239979	1V
ZBA 31	GROMMET				239136	1V
ZBA 32	SEAT, CHECK VALVE				239630	1V
ZBA 33	GROMMET				239645	1V
ZBA 34	DIAPHRAGM				239615	1V
ZBA 35	WASHER, DIAPHRAGM				239708	1V
ZBA 36	SCREW, MACHINE				239714	1V
ZBA 36	LOCKWASHER					1
ZBA 37	SPRING, PRELOAD				239737	1V



PARTS LIST

102666

ISSUE NO 1, 1966

MODEL 110T

PAGE: 18- 11

CAT. REF.	PART NAME	SERIAL NO.		PART NO.	REPLACE OR VENDOR NO.	REQ.
		FROM	TO/INCL.			
	010					
ZBA	HYDRAULIC PUMP-VICKER V210-11W-1C-12-S63-					
	BA193-DRAWING ZBA205					
ZBA 1	PUMP COMP.			64944660		1
	INCL.ITEMS 2 THRU 24					
ZBA 2	BODY			64948260	119375	1V
ZBA 3	COVER				129343	1V
ZBA 4	SCREEN				183584	1V
ZBA 5	PLUG				113000	1V
ZBA 6	RING, SNAP				155023	1V
ZBA 7	PLUG NOT USED					
ZBA 8	VALVE				232794	1V
ZBA 9	SPRING				155086	1V
ZBA 10	PLUG				7077	2V
ZBA 11	SPRING			64949500	114139	1V
ZBA 12	PLATE, PRESSURE				209902	1V
ZBA 13	O-RING				237325	2V
ZBA 14	RING				218320	1V
ZBA 15	ROTOR				215043	1V
ZBA 16	VANE KIT				922568	1V
ZBA 17	PIN				16662	1V
ZBA 18	BEARING			64947800	1703	1V
ZBA 19	SEAL				229236	1V
ZBA 20	SHAFT			64948280	116644	1V
ZBA 21	KEY			64947980	5881	1V
ZBA 22	BEARING			64948160	98574	1V
ZBA 23	RING, SNAP			64949300	109975	1V
ZBA 24	SCREW				131486	4V
	NOTE-ITEMS 13 & 19 AVAILABLE ONLY AS A SEAL KIT				922732	1V
	NOTE-ITEMS 13,14,15 & 16 AVAILABLE ONLY AS A CARTRIDGE KIT.				912063	1V



PARTS LIST

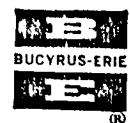
102666

ISSUE NO 1, 1966

MODEL 110T

PAGE: 18- 12

CAT. REF.	PART NAME	SERIAL NO.		PART NO.	REPLACE OR VENDOR NO.	REQ.
		FROM	TO/INCL.			
	011					
ZBA	ROTOCHAMBER - BWAAB 222574-ZBA100 ITEM 45					
	DRAWING ZBA-206					
ZBA 1	ROTOCHAMBER COMP.				222574	1V
	INCL. ITEMS 2 THRU 23					
ZBA 2	CAPSCREW				231826	4V
ZBA 3	LOCKWASHER				201504	4V
ZBA 4	NUT				203145	6V
ZBA 5	LOCKWASHER				202982	6V
ZBA 6	BODY				231515	1V
ZBA 7	CLAMP, OUTER				222249	1V
ZBA 8	CLAMP, INNER				222247	1V
ZBA 9	DIAPHRAGM				231516	1V
ZBA 10	GUIDE, DIAPHRAGM				231518	1V
ZBA 11	ROD ASSY				222575	1V
ZBA 12	LOCKWASHER				202981	6V
ZBA 13	NUT				203147	6V
ZBA 14	SPRING				231522	1V
ZBA 15	COVER				222250	1V
ZBA 16	STUD				230675	2V
ZBA 17	LOCKWASHER				202986	2V
ZBA 18	NUT				204781	2V
ZBA 19	BOOT				231609	1V
ZBA 20	NUT, LOCK				201438	1V
ZBA 21	YOKE ASSY				205948	1V
ZBA 22	BOLT				231512	6V
ZBA 23	BOLT				231474	6V



PARTS LIST

102666

ISSUE NO 1, 1966

MODEL 110T

PAGE: 18- 14

CAT. REF.	PART NAME	SERIAL NO.		PART NO.	REPLACE OR VENDOR NO.	REQ.
		FROM	TO/INCL.			
	013					
ZBA	SHUR BRAKE CHAMBER BERG 1788-A & 1788-B- BA245-DRAWING ZBA-208					
ZBA 1	CHAMBER COMP.			82135100	1788-B	1V
ZBA 2	INCL. ITEMS 2 THRU 58 SCREW				175129	4V
ZBA 3	BUSHING				175128	1V
ZBA 4	PLUNGER				175113	1V
ZBA 5	CAP				175128-1	1V
ZBA 6	PIN FOR 1788-A NOT USED					
ZBA 6	PIN FOR 1788-B				175181	1V
ZBA 7	BAR, CROSS				177607	1V
ZBA 8	NUT FOR 1788-A NOT USED					
ZBA 8	NUT FOR 1788-B				175180	1V
ZBA 9	SUB ASSY FOR 1788-A NOT USED					
ZBA 9	SUB ASSY FOR 1788-B				175831	1V
ZBA 10	COVER ASSY FOR 1788-A				175702	1V
ZBA 10	COVER ASSY FOR 1788-B				178855B	1V
ZBA 11	SPRING				175822	1V
ZBA 12	RING, RH				175714-A	1V
ZBA 13	RING, LH				175714-B	1V
ZBA 14	CYLINDER				175701	1V
ZBA 15	BOOT ASSY				175760	1V
ZBA 16	O-RING				175715	1V
ZBA 17	HANDLE W/O STOP				177602	1V
ZBA 18	NUT, PISTON FOR 1788-A NOT USED					
ZBA 18	NUT, PISTON FOR 1788-B				175186	1V
ZBA 19	PISTON FOR 1788-A				175703	1V
ZBA 19	PISTON FOR 1788-B				175787	1V
ZBA 20	SHAFT FOR 1788-A				175705	1V
ZBA 20	SHAFT FOR 1788-B				175788	1V
ZBA 21	BOLT FOR 1788-A				175707	1V
ZBA 21	BOLT FOR 1788-B				175782	1V
ZBA 22	SCREW				175149	1V
ZBA 23	O-RING				175126	1V
ZBA 24	O-RING				175125	1V
ZBA 25	DIAPHRAGM				1836	1V
ZBA 26	CLAMP, BAND				193613	2V
ZBA 27	ROD, PUSH				193806	1V
ZBA 28	SPRING				193807	1V
ZBA 29	HOUSING FOR 1788-A				193805	1V
ZBA 29	HOUSING FOR 1788-B				193805A	1V
ZBA 30	LOCKWASHER				193008	2V
ZBA 31	NUT				193009	2V
ZBA 32	YOKE 1/2				194001-4	1V
ZBA 32	YOKE 5/8				194001-5	1V
ZBA 33	PIN, COTTER				194002	1V
ZBA 34	PIN 1/2 YOKE				194003-4	1V



PARTS LIST

ISSUE NO 1, 1966
 MODEL 110T
 PAGE: 18- 15

102666

CAT. REF.	PART NAME	SERIAL NO.		PART NO.	REPLACE OR VENDOR NO.	REQ.
		FROM	TO/INCL.			
	013					
ZBA 34	PIN 5/8 YOKE				194003-5	1V
ZBA 35	BOLT				193003	2V
ZBA 36	NUT				S225831	2V
ZBA 37	O-RING FOR 1788-A				175124	1V
ZBA 37	O-RING FOR 1788-B				155105	1V
ZBA 38	NUT, JAM				193012	1V
ZBA 39	WASHER				194010	2V
ZBA 40	RING, SNAP				175175	1V
ZBA 41	WASHER FOR 1788-A					
	NOT USED					
ZBA 41	WASHER FOR 1788-B				175190	1V
ZBA 42	SPRING				175196	1V
ZBA 43	PLUG, PIPE				143933	2V
ZBA 44	RIVET				177606	2V
ZBA 45	SPRING				177604	2V
ZBA 46	HANDLE W/STOP				177602A	1V
ZBA 47	SPRING AY FOR 1788-A					
	NOT USED					
ZBA 47	SPRING AY FOR 1788-B				178893	1V
ZBA 48	ADAPTER, SPRING					
	NOT USED					
ZBA 49	RING FOR 1788-A					
	NOT USED					
ZBA 49	RING FOR 1788-B				175777	1V
ZBA 50	RING FOR 1788-A				175150A	1V
ZBA 50	RING FOR 1788-B					
	NOT USED					
ZBA 51	PLATE FOR 1788-A				175706	4V
ZBA 51	PLATE FOR 1788-B					
	NOT USED					
ZBA 52	SCREW FOR 1788-A				175123	12V
ZBA 52	SCREW FOR 1788-B					
	NOT USED					
ZBA 53	WASHER FOR 1788-A				175108	1V
ZBA 53	WASHER FOR 1788-B					
	NOT USED					
ZBA 54	WASHER FOR 1788-A				175104	1V
ZBA 54	WASHER FOR 1788-B					
	NOT USED					
ZBA 55	WASHER FOR 1788-A				175147	1V
ZBA 55	WASHER FOR 1788-B					
	NOT USED					
ZBA 56	PIN FOR 1788-A				175148	1V
ZBA 56	PIN FOR 1788-B					
	NOT USED					
ZBA 57	NUT FOR 1788-A				175112-1	1V
ZBA 57	NUT FOR 1788-B					
	NOT USED					
ZBA 58	PIN FOR 1788-A				177701	1V
ZBA 58	PIN FOR 1788-B					
	NOT USED					



PARTS LIST

ISSUE NO 1, 1966
 MODEL 110T
 PAGE: 18- 16

102666

CAT. REF.	PART NAME	SERIAL NO.		PART NO.	REPLACE OR VENDOR NO.	REQ.
		FROM	TO/INCL.			
	014					
ZBA	HYDRAULIC CONTROL VALVE-PARKER HANNIFIN					
	VDP-12 BA190 DWG. ZBA-209					
ZBA 1	VALVE COMP. INCL. ITEMS 2 THRU 39			79310375	VDP-12	1V
ZBA 2	BODY				1652622660	1V
ZBA 3	CAP, SPOOL				1652552920	6V
ZBA 4	SPACER, SPRING				1652552939	6V
ZBA 5	RING, SNAP				56X146	6V
ZBA 6	SPRING, CENTERING				1652552944	6V
ZBA 7	SPACER, SPOOL				1652562354	6V
ZBA 8	RETAINER, RING				1652552945	6V
ZBA 9	O-RING				211647741	6V
ZBA 10	SEAL ASSY				1652592687	6V
ZBA 11	O-RING				211647741	6V
ZBA 12	RETAINER, RING				1652552479	6V
ZBA 13	WIPER				1652552537	6V
ZBA 14	PLATE, RETAINER				1652552922	6V
ZBA 15	SPOOL				1652562092	2V
ZBA 16	SPOOL				1652622662	4V
ZBA 17	SCREW & WASHER				100X73	6V
ZBA 18	VALVE, RELIEF				1652592644	1V
ZBA 19	NUT, ACORN				37X5	1V
ZBA 20	STAT-O-SEAL				103X4	1V
ZBA 21	NUT, JAM				17X36	1V
ZBA 22	CAP, VALVE				1661592096	1V
ZBA 23	SCREW, ADJUSTING				27X374	1V
ZBA 24	O-RING, CAP				3-8-19-071	1V
ZBA 25	SPRING, PLINGER				1652582007	1V
ZBA 26	PLUNGER, PILOT				1652562392	1V
ZBA 27	WASHER, BACK-UP				1661592525	1V
ZBA 28	O-RING, CAP				21547741	1V
ZBA 29	SEAL, PILOT				1661582515	1V
ZBA 30	SPRING, POPPET				1661592099	1V
ZBA 31	POPPET ASSEMBLY				1661592193	1V
ZBA 32	SEAL, VALVE				1661592098	1V
ZBA 33	O-RING, PLUG				31019071	1V
ZBA 34	PLUG, VALVE				10HP50N-S	1V
ZBA 35	VALVE, CHECK				1652562095	6V
ZBA 36	CAP, VALVE				1652552923	6V
ZBA 37	O-RING, CAP				21649031	6V
ZBA 38	SPRING, VALVE				1652552435	6V
ZBA 39	POPPET, VALVE				1652552819	6V



PARTS LIST

102666

ISSUE NO 1, 1966

MODEL 110T

PAGE: 18- 17

CAT. REF.	PART NAME	SERIAL NO.		PART NO.	REPLACE OR VENDOR NO.	REQ.
		FROM	TO/INCL.			
	070					
ZBA	BOGIE DRIVE ASSY CLARK EQUIPMENT CO.					
	BA437-DRAWING ZBA-300					
ZBA 1	HUB & DRUM ASSY				3523P4356	2V
	DWG. ZBA-302					
ZBA 2	RING, SNAP				224025	2V
ZBA 3	GEAR, SUN				109050	2V
ZBA 4	NUT, SPINDLE END				110559	2V
ZBA 5	NUT, SPINDLE END				110559	2V
ZBA 6	LOCK, END NUT				110560	2V
ZBA 7	STUD				111896	20V
ZBA 8	COVER, BRAKE DUST				105477	2V
ZBA 9	SPACER, COVER				655673	8V
ZBA 10	SCREW, COVER				1C-632C	4V
ZBA 10	10A, SCREW, COVER				1C-636C	4V
ZBA 10	10B, LOCKWASHER				4E-06	8V
ZBA 10	10C, PLATE, REINFORCING				112695	2V
ZBA 11	SHAFT, AXLE				112011	2V
ZBA 12	NUT, STUD				106998	20V
ZBA 17	BUSHING, SPIDER				107739	2V
ZBA 17	17A, WASHER, RETAINER				107736	2V
ZBA 20	PLUG, HOUSING FILLER				11F-12	1V
ZBA 21	BRACKET & BUSHING AY RH FRD AXLE INCL. 21D				112731	1V
ZBA 21	21A, BRACKET & BUSHING ASSY, LH RRD AXLE INCL. 21D				112731	1V
ZBA 21	21B, BRACKET & BUSHING ASSY LH FRD AXLE INCL. 21D				109062	1V
ZBA 21	21C, BRACKET & BUSHING ASSY, RH RRD AXLE INCL. 21D				109062	1V
ZBA 21	21D, BUSHING, BRACKET				108658	2V
ZBA 21	21E, SPACER, BRACKET				600853	4V
ZBA 22	LOCKWASHER				4E-12	4V
ZBA 23	BOLT, BRACKET				1C-1260C	4V
ZBA 24	BOLT, BRACKET				109068	2V
ZBA 32	BREATHER ASSY				103452	1V
ZBA 33	33A PLUG, EXT				12F-204	1V
ZBA 33	HOUSING ASSY				112004	1V
ZBA 35	RING, SNAP				224032	2V
ZBA 36	ADJUSTER, SLACK				108476	2V
ZBA 37	PLUG, DRAIN				11F-12	1V
ZBA 41	FITTING, GREASE				10-H25	2V
ZBA 43	NUT, FLANGE				101223	1V
ZBA 44	WASHER, NUT				101224	1V
ZBA 45	FLANGE, OUTPUT SHAFT				109041	1V
ZBA 46	RETAINER, OIL SEAL				109071	1V
ZBA 47	BEARING, OUTPUT SHAFT				731740	1V
ZBA 48	GASKET, RETAINER				109072	1V
ZBA 49	SEAL, SHAFT OIL				109070	11V



PARTS LIST

102666

ISSUE NO 1, 1966

MODEL 110T

PAGE: 18- 18

CAT. REF.	PART NAME	SERIAL NO.		PART NO.	REPLACE OR VENDOR NO.	REQ.
		FROM	TO/INCL.			
	070					
ZBA 50	LOCKWASHER				4E-07	6V
ZBA 51	CAPSCREW				1C-718C	6V
ZBA 54	HOUSING ASSY INCL. ITEM 33A.				112001	1V
ZBA 57	DIFFERENTIAL & CARRIER ASSY, FRD				112543	1V
ZBA 57	AXLE DWG. ZBA301 57A, DIFFERENTIAL & CARRIER ASSY RRD AXLE DWG. ZBA-301				112544	1V
ZBA 58	STUD, HOUSING				112587	10V
ZBA 58	58A, STUD, HOUSING				112588	4V
ZBA 58	58B, DOWEL, STUD				112295	3V
ZBA 58	58C, NUT, STUD				64D-09	14V
ZBA 59	LOCKWASHER				106547	14V
ZBA 60	SHAFT, OUTPUT				109069	1V
ZBA 60	60B, RING, SHAFT SNAP				224075	1V
ZBA 60	60C, SHIELD, DUST				101222	1V
ZBA 61	SEALER, PERAMTEX				2	V
ZBA 62	NUT, STUD				106998	20V
ZBA 63	WASHER, STUD				104412	20V
ZBA 64	END, SPINDLE				112030	2V
ZBA 65	COVER, DUST				108477	2V
ZBA 66	BRAKE ASSY-DWG. ZBA303				112732	2V
ZBA 67	WASHER, RETAINING				107010	2V
ZBA 68	O-RING, CAM SHAFT				25K-60124	2V
ZBA 69	WASHER, THRUST				107735	2V
ZBA 70	SHAFT, CAM 1H-FRD AXLE				112096	1V
ZBA 70	73A, SHAFT, CAM 1H-RRD AXLE				112095	1V
ZBA 70	73B, SHAFT, CAM RH-RRD AXLE				112096	1V
ZBA 70	73C, SHAFT, CAM RH-FRD AXLE				112095	1V
ZBA 71	RETAINER, GREASE				11E-135	2V
ZBA 72	RING, RETAINER SNAP				660516	2V
ZBA 73	WASHER, RETAINER				107736	2V
	NOTE-A, FRD-33000-9- FRONT REAR DRIVE AXLE ASSY, INCL. ITEMS 1 THRU 12, 17, 17A, 20, 21, 21B, 21D, 21E, 22, 23, 24, 32, 33A, 35, 36, 37, 41, 43 THRU 51, 54, 57 THRU 70 70C, 72 & 73 - CLARK				131291	1V
	NOTE-B, RRD-33000-1- REAR REAR DRIVE AXLE ASSY, INCL. ITEMS 1 THRU 12, 17, 17A, 20, 21A 21C, 21D, 21E, 22, 23, 24,				131292	1V



PARTS LIST

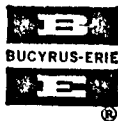
102666

ISSUE NO 1, 1966

MODEL 110T

PAGE: 18- 20

CAT. REF.	PART NAME	SERIAL NO.		PART NO.	REPLACE OR VENDOR NO.	REQ.
		FROM	TO/INCL.			
	071					
ZBA	DIFFERENTIAL & CARRIER ASSY-CLARK EQUIPMENT CO. BA437 DRAWING ZBA301					
ZBA 1	CAPSCREW				4C-1628C	1V
ZBA 2	WIRE, LOCK					1
ZBA 3	FLANGE, COMPANION				109044	1V
ZBA 3	3A, FLANGE, COMPANION				109125	1V
ZBA 4	WASHER, INPUT SHAFT				110119	1V
ZBA 5	CAPSCREW				1C-822C	8V
ZBA 6	LOCKWASHER				4E-08	8V
ZBA 7	RETAINER, OIL SEAL				109042	1V
ZBA 8	GASKET, RETAINER				109043	1V
ZBA 9	SEAL, SHAFT OIL				111481	1V
ZBA 10	BEARING, OUTER				730000	1V
ZBA 11	BOLT, LONG				1C-932C	8V
ZBA 11	11A, CAPSCREW-SHORT				1C-924C	4V
ZBA 12	DIFFERENTIAL CARRIER.				112581	1V
	CAP & COVER ASSY INCL. 11 THRU 12B, 22, 23, 39, 40, 41 & 48					
ZBA 12	12A, GASKET, GEAR COVER				109034	1V
ZBA 12	12B, DOWEL, COVER				106923	2V
ZBA 13	PIN, COTTER				1F-740	1V
ZBA 14	GEAR, SHAFT DROP				109040	1V
ZBA 15	CAPSCREW				3C-1024C	7V
ZBA 16	SHAFT, INPUT				110098	1V
ZBA 17	BEARING, SHAFT INNER				730000	1V
ZBA 18	RING, RETAINER				223852	1V
ZBA 19	NUT, THRUST SCREW				8D-18	1V
ZBA 20	LOCK, SCREW NUT				101227	1V
ZBA 21	SCREW, THRUST				108872	1V
ZBA 22	LOCKWASHER				4E-09	12V
ZBA 23	NUT, COVER BOLT				1D-09	8V
ZBA 24	BOLT, CASE				111353	8V
ZBA 25	NUT, GEAR BOLT				104168	12V
ZBA 26	DIFFERENTIAL CASE KIT INCL. ITEMS 26 & 37				815391	1V
ZBA 27	RING GEAR & PINION SET INCL. ITEMS 27 & 28				815328	1V
ZBA 28	GEAR, RING-PART OF 27					
ZBA 29	BOLT, RING GEAR				101196	12V
ZBA 30	BEARING, INNER PINION				743263	1V
ZBA 31	WASHER, GEAR THRUST				111352	4V
ZBA 33	GEAR, PINION				101201	4V
ZBA 34	SPIDER, DIFFERENTIAL				101203	1V
ZBA 35	GEAR, SIDE				106206	2V
ZBA 36	WASHER, GEAR THRUST				101205	2V
ZBA 37	CASE, PART OF ITEM 26					
ZBA 38	NUT, CASE BOLT				110523	8V
ZBA 39	CAPSCREW				101210	4V
ZBA 40	WASHER				11658	4V



PARTS LIST

102666

ISSUE NO 1, 1966

MODEL 110T

PAGE: 18- 22

CAT. REF.	PART NAME	SERIAL NO.		PART NO.	REPLACE OR VENDOR NO.	REQ.
		FROM	TO/INCL.			
	072					
ZBA	HUB & DRUM ASSY-CLARK EQUIP.CO. BA-437					
	DRAWING ZBA302					
ZBA 1	CAPSCREW				1C-720C	12V
ZBA 2	LOCKWASHER				4E-07	12V
ZBA 3	CAP ASSY INCL.ITEM 4				111970	2V
ZBA 4	WASHER, THRUST CAP				106455	2V
ZBA 5	GASKET, PERMATEX				2	V
ZBA 6	SHAFT, PLANET PINION				106349	6V
ZBA 7	BALL, SHAFT				10J-12	6V
ZBA 8	CAPSCREW				100970	8V
ZBA 9	WASHER				106762	20V
ZBA 10	SPACER, PINION ROLLER				106352	6V
ZBA 11	ROLLER, PINION				106351	348V
ZBA 12	PINION, PLANET				109088	6V
ZBA 13	WASHER, THRUST				106350	12V
ZBA 14	GEAR, INTERNAL				106059	2V
ZBA 15	HUB, INTERNAL GEAR				112027	2V
ZBA 16	CONE, BEARING OUTER				1300428	2V
ZBA 17	CUP, BEARING OUTER				791554	2V
ZBA 18	STUD, WHEEL				110036	12V
ZBA 19	HUB & CUP ASSY				112031	2V
	INCL.ITEMS 17 & 21					
ZBA 20	DRUM, BRAKE				110348	2V
ZBA 21	CUP, INNER				658994	2V
ZBA 22	CONE, INNER				658979	2V
ZBA 23	SEAL, HUB OIL				112029	2V
ZBA 24	BOLT, BRAKE DRUM				110349	24V
ZBA 25	WASHER, BOLT				104412	24V
ZBA 26	PLUG, OIL LEVEL				11F-12	4V
ZBA 27	CLAMP, WHEEL				107660	24V
ZBA 28	NUT, WHEEL STUD				360398	24V
ZBA 29	SCREW, INTERNAL GEAR				106880	16V
ZBA 30	GASKET, PERMATEX				2	V
ZBA 31	CARRIER, PLANET				106347	2V
ZBA 32	SCREW, PULLER HOLE				1C-808C	4V
ZBA 33	LOCKWASHER				3E-08	4V
	NOTE-A, HUB & DRUM ASSY, INCL. ITEMS 1-33				3523P4356	2V
	NOTE-B, WHEEL HUB & DRUM ASSY, INCL. ITEMS 18, 19, 20, 24, 25, 27 & 28				112633	2V
	NOTE-C, PLANET CARRIER ASSY, INCL. ITEMS 6, 7, 10 THRU 13 & 31				106346	2V



PARTS LIST

ISSUE NO 1, 1966
MODEL 110T PAGE: 18- 26

102666

CAT. REF.	PART NAME	SERIAL NO.		PART NO.	REPLACE OR VENDOR NO.	REQ.
		FROM	TO/INCL.			
	086					
ZBA	AUXILIARY TRANS.- FULLER 3H-92 5962- BA438-DRAWING ZBA501					
ZBA 1	AUXILIARY TRANS. COMP			51283100	3H92 5962	1VX
ZBA 2	INCL. ITEMS 2 THRU 70 CASE & STUD ASSY				C-875	V
	INCL. 1-BEARING HSG. & STUD ASSY, A-1450, 2- PAD, MOUNTING 4514, 2- WASHER, PAD 4516, 1- SLEEVE 4618, 1-BUSHING SPEEDOMETER 7992, 1- PIN, COTTER 1/8X1-3/4					
ZBA 3	MAINSHAFT GEAR & BUSHING ASSY INCL.- GEAR, INTER. 7400,				A-1262	1V
ZBA 4	BUSHING, GEAR 7629 MAINSHAFT GEAR & BUSHING ASSY, INCL. BUSHING, GEAR 7629					
ZBA 5	GEAR, LOW SPEED 11226 SPRING, FINDER				1064	2V
ZBA 6	GASKET, COVER				1684	1V
ZBA 7	WIRE, LOCK				1819	1V
ZBA 8	END, EYE ROD				1884	2V
ZBA 9	COVER, PTO				2840	1V
ZBA 10	THIMBLE, YOKE BAR				2939	2V
ZBA 11	SCREW, SHIFTING YOKE				3220	2V
ZBA 12	GASKET, CASE COVER				3803	1V
ZBA 13	GASKET, BEARING COVER				3830	1V
ZBA 14	COVER, FINDER SPRING				3837	1V
ZBA 15	WASHER, SPEEDOMETER				5946	1V
ZBA 16	GEAR RING, COUNTERSHAFT				6218	1V
ZBA 17	SNAP SPACER, REAR BEARING				7371	1V
ZBA 18	GEAR, DRIVE				7373	1V
ZBA 19	SLEEVE, REDUCTION GEAR				7386	1V
ZBA 20	WASHER, LOW SPEED GEAR				7387	1V
ZBA 21	WASHER, OVERDRIVE				7388	1V
ZBA 22	GEAR REAR WASHER, OVERDRIVE				7403	1V
ZBA 23	GEAR FRONT GASKET, BEARING COVER				7394	1V
ZBA 24	SCREW, SPRING TENSION				7409	1V
ZBA 25	CLUTCH, LOW SPEED SLID				7428	1V
ZBA 26	RETAINER, REAR BEARING				7454	1V
ZBA 27	COVER, FRONT BEARING				7456	1V
ZBA 28	SEAL, OIL				7512	2V
ZBA 29	VALVE, BREATHER				7935	1V
ZBA 30	SPACER, YOKE BAR				8640	1V
ZBA 31	SPACER, LOW SPEED				8641	1V



PARTS LIST

102666

ISSUE NO 1, 1966

MODEL 110T

PAGE: 18- 27

CAT. REF.	PART NAME	SERIAL NO.		PART NO.	REPLACE OR VENDOR NO.	REQ.
		FROM	TO/INCL.			
	086					
ZBA 32	YOKE BAR BAR, SPEED YOKE				8644	1V
ZBA 33	BAR, LOW SPEED YOKE				8645	1V
ZBA 34	SEAL, OIL				8932	2V
ZBA 35	GASKET, BEAR. HOUSING				8957	1V
ZBA 36	SPACER, GEAR BEARING				8959	1V
ZBA 37	COVER, CASE				9573	1V
ZBA 38	SLEEVE, OVERDRIVE GEAR				11508	1V
ZBA 39	NUT, ELASTIC STOP				12128	2V
ZBA 40	GEAR, INTERMEDIATE				12290	1V
ZBA 41	CLUTCH, SLIDING				13080	1V
ZBA 42	MAINSHAFT				13293	1V
ZBA 43	GEAR, MAIN DRIVE				13298	1V
ZBA 44	KEY, WASHER				13343	1V
ZBA 45	BRACKET, SUPPORT				13442	1V
ZBA 46	SPACER, GEAR				13775	1V
ZBA 47	COUNTERSHAFT W/GEAR				13778	1V
ZBA 48	YOKE, SHIFTING				13857	1V
ZBA 49	YOKE, SPEED SHIFTING				13858	1V
ZBA 50	NAME PLATE				57229	1V
ZBA 51	NUT, JAM 7/16 NF					2
ZBA 52	LOCKWASHER 3/8					6
ZBA 53	LOCKWASHER 1/2					4
ZBA 54	KEY, WOODRUFF				404	2V
ZBA 55	KEY, GEAR WOODRUFF				V	2V
ZBA 56	CAPSCREW 1/2X1					2
ZBA 57	CAPSCREW 5/16X1/2					2
ZBA 58	CAPSCREW 3/8X1					12
ZBA 59	CAPSCREW 3/8X5/8					6
ZBA 60	CAPSCREW 1/2X1					4
ZBA 61	PLUG, PIPE 3/4					1
ZBA 62	PLUG, PIPE 1-1/4					1
ZBA 63	SCREW, NAME PLATE NO. 7X5/16					2
ZBA 64	BALL, STEEL 1/2					3
ZBA 65	BEARING, BALL				212MF	1V
ZBA 66	BEARING, BALL MRC			26139640	308M	1V
ZBA 67	BEARING, BALL MRC			26142250	311M	1V
ZBA 68	BEARING, BALL				311MG	1V
ZBA 69	BEARING, BALL				313MG	1V
ZBA 70	BEARING, BALL MRC			26144950	314M	1V



PARTS LIST

102666

ISSUE NO 1, 1966

MODEL 110T

PAGE: 18- 28

CAT. REF.	PART NAME	SERIAL NO.		PART NO.	REPLACE OR VENDOR NO.	REQ.
		FROM	TO/INCL.			
	087					
ZBA	TRANSMISSION-FULLER 4-A-86-BA454					
	DRAWING ZBA-502					
ZBA 1	TRANSMISSION COMP.				4-A-86	1V
ZBA 2	INCL. ITEMS 2 THRU 88 CASE & CLUTCH HOUSING ASSY, INCL. HOUSING 12736 NO. 2 CASE 5840, SHAFT 1983, PLUG 2237, PLUG 2401, GEAR 6162, BUSHING 7992				C-566	1V
ZBA 3	OIL PIPE ASSY				A-615	1V
	INCL. NIPPLE 3230, ELBOW 3231, COUPLING 3233, PIPE 6085					
ZBA 4	GEAR & BUSHING ASSY					1
	INCL. GEAR 5844 & BUSHING 5845-A-627					
ZBA 5	GEAR & BUSHING ASSY INCL. GEAR 5846 &					1
	BUSHING 5847-A-628					
ZBA 6	GEAR & BUSHING ASSY					1
	INCL. GEAR 5848 & BUSHING 5849-A-629					
ZBA 7	YOKE ASSY				A-1027	1V
ZBA 8	SPRING, FINDER				1064	3V
ZBA 9	COVER, HOLE				1565	1V
ZBA 10	PIN, INTERLOCK CROSS				1634	1V
ZBA 11	LOCK, IDLER SHAFT				1638	1V
ZBA 12	GASKET, HOUSING				1642	1V
ZBA 13	GASKET, PTO COVER				1648	2V
ZBA 14	WIRE, LOCK				1819	1V
ZBA 15	THIMBLE, OIL RETAINING				1929	1V
ZBA 16	COVER, FINDER SPRING				1941	1V
ZBA 17	COVER, PTO				2840	2V
ZBA 18	THIMBLE, YOKE BAR HOLE				2947	3V
ZBA 19	SCREW, SHIFTING YOKE				3220	3V
ZBA 20	SHAFT, PEDAL				4416	1V
ZBA 21	SPRING, TENSION				4425	2V
ZBA 22	SPACER, YOKE BAR				5313	1V
ZBA 23	SHAFT, REVERSE IDLER				5330	1V
ZBA 24	SHAFT, DRIVE GEAR & CLUTCH				5842	1V
ZBA 25	GEAR, COUNTERSHAFT				5843	1V
ZBA 26	HOUSING, SHIFTING BAR				5850	1V
ZBA 27	COVER, FRONT BEARING				5851	1V
ZBA 28	YOKE, 3RD & 4TH SHIFT.				5853	1V
ZBA 29	YOKE, 1ST & 2ND SHIFT.				5854	1V
ZBA 30	BAR, 3RD & 4TH YOKE				5856	1V
ZBA 31	BAR, 1ST & 2ND YOKE				5857	1V
ZBA 32	BAR, REVERSE YOKE				5858	1V
ZBA 33	GEAR, COUNTERSHAFT 3RD				5861	1V



PARTS LIST

ISSUE NO 1, 1966
MODEL 110T
PAGE: 18- 29

CAT. REF.	PART NAME	SERIAL NO.		PART NO.	REPLACE OR VENDOR NO.	REQ.
		FROM	TO/INCL.			
	087					
ZBA 34	GEAR, COUNTERSHAFT 2ND				5862	1V
ZBA 35	GEAR, 1ST SLIDING				5863	1V
ZBA 36	GEAR 1ST & REVERSE				5864	1V
ZBA 37	GEAR, REVERSE IDLER				5865	1V
ZBA 38	WASHER, MAINSHAFT 2ND GEAR				5866	1V
ZBA 39	WASHER, SHAFT 3RD GEAR FRONT				5868	1V
ZBA 40	KEY, MAINSHAFT WASHER				5869	1V
ZBA 41	NUT, REAR BEARING				5871	1V
ZBA 42	COVER, REAR BEARING				5872	1V
ZBA 43	RING, COUNTERSHAFT				5873	1V
	SNAP					
ZBA 44	GEAR, COUNTERSHAFT PTO				5876	1V
ZBA 45	GASKET, REAR BEARING COVER				5877	1V
ZBA 46	GASKET, HOUSING				5878	1V
ZBA 47	PLUG, EXPANSION				5879	3V
ZBA 48	SPACER, IDLER BEARING				5880	1V
ZBA 49	WASHER, SPEEDOMETER GEAR				5946	1V
ZBA 50	HOUSING, COVER & SPEEDOMETER				6157	1V
ZBA 51	GASKET, REAR BEARING COVER				6158	1V
ZBA 52	SPACER, 3RD YOKE BAR				6790	1V
ZBA 53	SPACER, 4RD YOKE BAR				6791	1V
ZBA 54	SPACER, 1ST YOKE BAR				6792	1V
ZBA 55	SPACER, REVERSE YOKE BAR				6793	1V
ZBA 56	SLEEVE, MAINSHAFT 3RD GEAR				7710	1V
ZBA 57	NUT, DRIVE GEAR BEAR.				8062	1V
ZBA 58	WASHER, /RD GEAR REAR				8895	1V
ZBA 59	GASKET, FRONT BEARING				10182	1V
ZBA 60	NUT, MAINSHAFT STOP				12128	1V
ZBA 61	CARRIER, CLUTCH BEAR.				12964	1V
ZBA 62	CLUTCH, MAINSHAFT SLID				13079	1V
ZBA 63	MAINSHAFT				13292	1V
ZBA 64	YOKE, REVERSE SHIFTING				13861	1V
ZBA 65	NAME PLATE				57035	1V
ZBA 66	LOCKWASHER 3/8					2
ZBA 67	LOCKWASHER 3/8					12
ZBA 68	KEY, GEAR SLEEVE--WDRF.				404	1V
ZBA 69	KEY, REL. YOKE--WOODRUFF				607	1V
ZBA 70	KEY, GEAR--WOODRUFF				1217	4V
ZBA 71	CAPSCREW 5/16X1/2					4
ZBA 72	CAPSCREW 3/8X1					13
ZBA 73	CAPSCREW 3/8X1-1/2					2
ZBA 74	CAPSCREW 3/8X1-1/4					10
ZBA 75	CAPSCREW 3/8X5/8					12
ZBA 76	CAPSCREW 3/8X1-1/2					2
ZBA 77	PLUG, PIPE 3/4					1
ZBA 78	PLUG, PIPE 1-1/4					1



PARTS LIST

ISSUE NO 1, 1966

MODEL 110T

PAGE: 18- 31

102666

CAT. REF.	PART NAME	SERIAL NO.		PART NO.	REPLACE OR VENDOR NO.	REQ.
		FROM	TO/INCL.			
	088					
ZBA	RC CONTROL--FULLER BA454-DWG.ZBA-503					
ZBA 1	CONTROL COMP. INCL.ITEMS 2 THRU 43				RC	1V
ZBA 2	BALL, GEAR SHIFT LEVER				1075	1V
ZBA 3	PLATE, CONTROL COVER				7462	1V
ZBA 4	TOP GASKET, TOP PLATE				7463	1V
ZBA 5	WIRE, LOCK				1819	1V
ZBA 6	PIN, LEVER PIVOT				2271	1V
ZBA 7	SPRING, SHIFT LEVER				2536	1V
ZBA 8	WASHER, SHIFT LEVER				2538	1V
ZBA 9	SPRING, BALL JOINT				4553	2V
ZBA 10	LEVER, INNER SHIFT				6276	1V
ZBA 11	LEVER, OUTER SHIFT				4598	1V
ZBA 12	COVER, CONTROL				10314	1V
ZBA 13	SOCKET, BALL JOINT				4601	2V
ZBA 14	PLUG, BALL JOINT				4602	2V
ZBA 15	BRACKET, SELECT. SHAFT				4603	1V
ZBA 16	BUSHING, SELECT. SHAFT				4606	2V
ZBA 17	SEAT, BALL JOINT				4607	4V
ZBA 18	WASHER, SHAFT FELT				4608	2V
ZBA 19	HOUSING, SHIFT LEVER				4609	1V
ZBA 20	SHIFT, SHIFTING				11217	1V
ZBA 21	SPRING, FINDER				5549	1V
ZBA 22	LEVER, GEAR SHIFT				8394	1V
ZBA 23	BOOT, SHIFT LEVER				10427	1V
ZBA 24	YOKE, SELECTOR				11248	2V
ZBA 25	COVER, CAPSCREW				11323	1V
ZBA 26	NUT, PIVOT PIN 5/16 NF					1
ZBA 27	NUT, SHIFT LEVER BOLT 3/8 NF					3
ZBA 28	NUT, JOINT SOCKET JAM 7/8					2
ZBA 29	LOCKWASHER 5/16					1
ZBA 30	LOCKWASHER 3/8					4
ZBA 31	PIN, COTTER 3/32X1					1
ZBA 32	PIN, COTTER 1/8X1-3/4					2
ZBA 33	KEY, YOKE TO SHAFT WOODRUFF				607	2V
ZBA 34	BOLT, YOKE 3/8X1-3/4					2
ZBA 35	BOLT, SHIFTER LEVER 3/8X2					1
ZBA 36	BOLT, SHIFTER LEVER 3/8X1-3/4					1
ZBA 37	CAPSCREW 3/8X1					6
ZBA 38	CAPSCREW 3/8X1					1
ZBA 39	PLUG, PIPE 3/8					1
ZBA 40	BALL, SPRING STEEL 1/2					1
ZBA 41	CAPSCREW 5/16X1/2					4
ZBA 42	ROD, REACH			615884	1	1
ZBA 43	ROD, REACH			615884	5	1



PARTS LIST

102666

ISSUE NO 1, 1966

MODEL 110T

PAGE: 18- 32

CAT. REF.	PART NAME	SERIAL NO.		PART NO.	REPLACE OR VENDOR NO.	REQ.
		FROM	TO/INCL.			
	090					
ZBA	POWER STEERING VALVE- GARRISON G21TL-BA191 DRAWING ZBA600					
ZBA 1	CAPSCREW 1/2X2-3/4					1
ZBA 1	LOCKWASHER 1/2					1
ZBA 1	NUT, FULL 1/2					1
ZBA 2	CLAMP, ADAPTER				2143	1V
ZBA 3	ADAPTER TYPE 3				36211	1V
ZBA 4	RING, LOCK				2144	1V
ZBA 5	NUT, FLEXLOC				32394	2V
ZBA 6	WASHER				2131	1V
ZBA 7	SEAL, O-RING				32496	2V
ZBA 8	RING, REACTION				2164	2V
ZBA 9	RING, RETAINER				2167	2V
ZBA 10	RING, DP				2182	1V
ZBA 11	GLAND				2168	1V
ZBA 12	SEAL, O-RING				32119	2V
ZBA 13	PISTON				2163	1V
ZBA 14	SEAL, O-RING				32116	2V
ZBA 15	BODY				2101	1V
ZBA 16	CLAMP, DUST SHIELD				103	2V
ZBA 17	SHIELD, DUST				186	1V
ZBA 18	HOUSING, VALVE				TL-2130	1V
ZBA 19	RING, RETAINING				2132	1V
ZBA 20	SOCKET, BALL				2103	1V
ZBA 21	BEARING, BALL SOCKET				2104	1V
ZBA 22	SEAT, BALL				2105	2V
ZBA 23	SPRING				147	1V
ZBA 24	WASHER, PLUG				2107	1V
ZBA 25	PLUG, BALL SOCKET				2106	1V
ZBA 26	LOCK, BALL SOCKET PLUG				2108	1V
ZBA 27	PIN, COTTER 1/8 DIA.					1
ZBA 28	PLUG, END				2135	1V
ZBA 29	FITTING, LUBE				32016	1V
	NOTE-POWER STEERING VALVE COMP. INCL. ITEMS 1 THRU 29 SERVICE REPAIR KIT W/SEALS, 2199.7			79368400	G21TL	1V



PARTS LIST

ISSUE NO 1, 1966

MODEL 110T

PAGE: 18- 34

102666

CAT. REF.	PART NAME	SERIAL NO.		PART NO.	REPLACE OR VENDOR NO.	REQ.
		FROM	TO/INCL.			
	095					
ZBA	STEERING GEAR-ROSS TE71-BA249-DWG.ZBA602					
ZBA 1	STEERING GEAR COMP. INCL.ITEMS 2 THRU 23			21405025	TE71	1VX
ZBA 2	HOUSING				TE71204350	1V
ZBA 3	PLUG, PIPE 1/2					1
ZBA 4	BUSHING				070011	2V
ZBA 5	SEAL, OIL				032165	1V
ZBA 6	COVER, SIDE				TE715017	1V
ZBA 7	GASKET, COVER				TE719001	1V
ZBA 8	CAPSCREW 5/8X1-7/8					3
ZBA 8	CAPSCREW 5/8X2					2
ZBA 8	NUT 5/8					5
ZBA 8	WASHER, CUT				028336	10V
ZBA 9	SCREW, ADJUSTING				021065	1V
ZBA 10	NUT, LOCK				025031	1V
ZBA 11	SHAFT, LEVER				TE71400885	1V
ZBA 12	BEARING ASSY				044964	2V
ZBA 13	NUT 1-1/4					1
ZBA 14	LOCKWASHER 1-1/4					1
ZBA 15	CAM				TE713092	1V
ZBA 16	CUP, BALL				400054	2V
ZBA 17	BALL				400015	28V
ZBA 18	CONE, BALL				400055	2V
ZBA 19	RING, RETAINING				401076	2V
ZBA 20	COVER				T716006	1V
ZBA 21	SHIM .002				033059	V
ZBA 21	SHIM .003				033060	V
ZBA 21	SHIM .010				033061	V
ZBA 22	CAPSCREW 3/8X1-1/8					2
ZBA 22	CAPSCREW 3/8X1-5/8					2
ZBA 22	WASHER, CUT				028333	6V
ZBA 22	NUT 3/8					2
ZBA 23	PLUG				402173	1V

CAT. REF.	PART NAME	SERIAL NO'S	PART NO.	REQ.
-----------	-----------	-------------	----------	------

X - Jib Ropes - Drawing 809293

HOIST ROPE				DWG JA752			
75 TON		100 TON		75 TON		100 TON	
LINE NUMBER	BOOM LENGTH	JIB LENGTH	ROPE LENGTH	LINE NUMBER	BOOM LENGTH	JIB LENGTH	ROPE LENGTH
37	20	260	390	158	20	390	
38	30	280	420	159	30	420	
39	40	300	450	160	40	450	
40	50	320	480	161	50	480	
41	60	340	510	162	60	510	
42				163			
49	20	300	450	170	20	450	
50	30	320	480	171	30	480	
51	40	340	510	172	40	510	
52	50	360	540	173	50	540	
53	60	380	570	174	60	570	
54				175			
55	20	320	480	176	20	480	
56	30	340	510	177	30	510	
57	40	360	540	178	40	540	
58	50	380	570	179	50	570	
59	60	400	600	180	60	600	
60				181			
61	20	340	510	182	20	510	
62	30	360	540	183	30	540	
63	40	380	570	184	40	570	
64	50	400	600	185	50	600	
65	60	420	630	186	60	630	
66				187			
67	20	360	540	188	20	540	
68	30	380	570	189	30	570	
69	40	400	600	190	40	600	
70	50	420	630	191	50	630	
71	60	440	660	192	60	660	
72				193			
73	20	380	570	194	20	570	
74	30	400	600	195	30	600	
75	40	420	630	196	40	630	
76	50	440	660	197	50	660	
77	60	460	690	198	60	690	
78				199			
79	20	400	600	200	20	600	
80	30	420	630	201	30	630	
81	40	440	660	202	40	660	
82	50	460	690	203	50	690	
83	60	480	720	204	60	720	
84				205			
85	20	420	630	206	20	630	
86	30	440	660	207	30	660	
87	40	460	690	208	40	690	
88	50	480	720	209	50	720	
89	60	500	750	210	60	750	
90				211			
91	20	440	660	212	20	660	
92	30	460	690	213	30	690	
93	40	480	720	214	40	720	
94	50	500	750	215	50	750	
95	60	520	780	216	60	780	
96				217			
97	20	460	690	218	20	690	
98	30	480	720	219	30	720	
99	40	500	750	220	40	750	
100	50	520	780	221	50	780	

PENDANTS		PENDANTS	
DWG JA752		DWG JA752	
GRAGED PENDANT'S WIRE ROPE 2 1/2" DIA. X 25 FILLER WIRE RIGHT REGULAR LAY, EXTRA IMPROVED PLOW STEEL, PRE-FORMED IN RC BREAKING STRENGTH 79,600* BOTH ENDS OPEN SWAGED SOCKET SK 6069 BECO F 591-21 OR EQUIVALENT WITH TWO (1) STANDARD 1 5/8" DIA. PIN HOLES IN SAME PLANE PENDANT LENGTH TO BE MEASURED FROM CENTER LINE TO CENTERLINE OF PIN HOLES UNDER LOAD OF 33% CATALOG BREAKING STRENGTH OF ROPE WITH A TOLERANCE OF PLUS 1/4" MINUS 1/4" LENGTH TO BE SHOWN ON METAL TAGS PAINT STRIPE AT EACH END TO REVEAL TWIST. LENGTH STAMPED ON ONE END FITTING SWAGES ARE TO BE PROTECTED WITH LUBRICANT.	SWAGED PENDANT'S WIRE ROPE 2 1/2" DIA. X 25 FILLER WIRE, RIGHT REGULAR LAY, EXTRA IMPROVED PLOW STEEL, PRE-FORMED IN RC BREAKING STRENGTH 79,600* ONE END CLOSED SWAGED SOCKET SK 6069 BECO F 591-21 OR EQUIVALENT WITH ONE (1) STANDARD 1 5/8" DIA. PIN. OTHER END OPEN SWAGED SOCKET SK 6069 BECO F 591-21 OR EQUIVALENT PIN HOLES IN SAME PLANE PENDANT LENGTH TO BE MEASURED FROM CENTERLINE TO CENTERLINE OF PIN HOLES UNDER LOAD OF 33% CATALOG BREAKING STRENGTH OF WIRE ROPE WITH A TOLERANCE OF PLUS 1/4" MINUS 1/4" LENGTH TO BE SHOWN ON METAL TAGS. PAINT STRIPE AT EACH END TO REVEAL TWIST. LENGTH STAMPED ON ONE END FITTING SWAGES ARE TO BE PROTECTED WITH LUBRICANT.		



ACCOUNT NO	JIB ANGLE BELOW BOOM	UPPER PENDANTS							LOWER PENDANTS						
		LINE NO	JIB LENGTH	40.9°	42.8°	44.7°	46.6°	48.5°	50.4°	52.3°	54.2°	56.1°	58.0°		
15843970	0°	1													
15843308	15°	2	20												
15840500	30°	3	30												
15840864	45°	4	40												
15841270	60°	5	50												
15841855	75°	6	60												
15843250	90°	7													
15843445	105°	8													
15843550	120°	9													

- NOTE #1
ONE-WIRE ROPE G X 25 FILLER WIRE RIGHT REGULAR LAY, EXTRA IMPROVED PLOW STEEL, INDEPENDENT WIRE ROPE CENTER, PRE-FORMED ENDS TAPED TO 50 1820. A/C 18240030
- NOTE #2
NONE (1) PART LINE MAY BE USED WITH ALL COMBINATIONS, THAT IS UP TO AND INCLUDING 200' BOOM + 50' JIB WITH HOOK RAISED TO MAXIMUM POSITION.
- NOTE #3
THE ABOVE TABULATIONS ARE FOR JIB HOIST ROPE LENGTHS REEVED ON THE AUX. OR MAIN HOIST DRUM.
- NOTE #4
* EXCEEDS AUX. DRUM CAPACITY WHEN POWER LOWERING SPROCKET IS INSTALLED AND HOOK IS RAISED TO TOP.
- NOTE #5
** EXCEEDS AUX. DRUM CAPACITY WHEN POWER LOWERING SPROCKET IS NOT USED AND HOOK IS RAISED TO TOP.

NOTE #5
FOR 2 PART LINE, FURNISH THE FOLLOWING FOR ROPE ANCHOR ON JIB:
 X225 1- SOCKET, WEDGE OPEN ROPE SK 526B18K1
 X226 1- WEDGE, ROPE SOCKET SK 526A12K1
 X227 { 1- PIN, 1/2" DIA. SK 508037K1
 1- PIN, COTTER 1/2" X 2 1/2" SK 03125200

CAT. REF.	PART NAME	SERIAL NO'S	PART NO.	REQ.
-----------	-----------	-------------	----------	------

X - Hoist Ropes - Drawing 856010 - Continued

CRANE - 9 PART HOIST DWG. X719

LINE	BOOM LENGTH	ROPE LENGTH	SEE I PART HOIST	% SOCKET, WEDGE OPEN ROPE	1/4" HOLE, 1/2" J.O.	WEDGE, ROPE SOCKET No.	PIN, R.D. 1/2" x 4/8"	PIN, R.D. 1/2" x 4/8"	ROPE ACCT. NUMBER
161	40	470'				52642KI 5D3510B			526180KI 5D3012A
162	50	4570'							
163	60	420'							
164	70	370'							
165	80	320'							
166	90	270'							
167	100	220'							
168	110	170'							
169	120	120'							
170	130	70'							
171	140	20'							
172	150								
173	160								
174	170								
175	180								
176	190								
177	200								
178	210								
179	220								
180	230								
181	240								
182	250								
183	260								
184	270								
185	280								
186	290								
187	300								
188	310								
189	320								
190	330								
191	340								
192	350								
193	360								
194	370								
195	380								
196	390								
197	400								
198	410								
199	420								
200	430								
201	440								
202	450								
203	460								
204	470								
205	480								
206	490								
207	500								
208	510								
209	520								
210	530								
211	540								
212	550								
213	560								
214	570								
215	580								
216	590								
217	600								
218	610								
219	620								
220	630								
221	640								
222	650								
223	660								
224	670								
225	680								
226	690								
227	700								
228	710								
229	720								
230	730								
231	740								
232	750								
233	760								
234	770								
235	780								
236	790								
237	800								
238	810								
239	820								
240	830								
241	840								
242	850								
243	860								
244	870								
245	880								
246	890								
247	900								
248	910								
249	920								
250	930								
251	940								
252	950								
253	960								
254	970								
255	980								
256	990								
257	1000								
258	1010								
259	1020								
260	1030								
261	1040								
262	1050								
263	1060								
264	1070								
265	1080								
266	1090								
267	1100								
268	1110								
269	1120								
270	1130								
271	1140								
272	1150								
273	1160								
274	1170								
275	1180								
276	1190								
277	1200								
278	1210								
279	1220								
280	1230								
281	1240								
282	1250								
283	1260								
284	1270								
285	1280								
286	1290								
287	1300								
288	1310								
289	1320								
290	1330								
291	1340								
292	1350								
293	1360								
294	1370								
295	1380								
296	1390								
297	1400								
298	1410								
299	1420								
300	1430								
301	1440								
302	1450								
303	1460								
304	1470								
305	1480								
306	1490								
307	1500								
308	1510								
309	1520								
310	1530								
311	1540								
312	1550								
313	1560								
314	1570								
315	1580								
316	1590								
317	1600								
318	1610								
319	1620								
320	1630								
321	1640								
322	1650								
323	1660								
324	1670								
325	1680								
326	1690								
327	1700								
328	1710								
329	1720								
330	1730								
331	1740								
332	1750								
333	1760								
334	1770								
335	1780								
336	1790								
337	1800								
338	1810								
339	1820								
340	1830								
341	1840								
342	1850								
343	1860								
344	1870								
345	1880								
346	1890								
347	1900								
348	1910								
349	1920								
350	1930								
351	1940								
352	1950								
353	1960								
354	1970								
355	1980								
356	1990								
357	2000								
358	2010								
359	2020								
360	2030								
361	2040								
362	2050								
363	2060								
364	2070								
365	2080								
366	2090								
367	2100								
368	2110								
369	2120								
370	2130								
371	2140								
372	2150								
373	2160								
374	2170								
375	2180								
376	2190								
377	2200								
378	2210								
379	2220								

CAT. REF.	PART NAME	SERIAL NO'S	PART NO.	REQ.
-----------	-----------	-------------	----------	------

X - Hoist Ropes - Drawing 856010 - Continued

LINE	BOOM LENGTH	ROPE LENGTH		ONE WIRE ROPE 5/8" DIA. 6 X 25 FILLER WIRE, RIGHT REGULAR LAY, EXTRA IMPROVED PLOW STEEL, I.W.R.C., PREFORMED ENDS TAPED TO SD1820	3/8" SOCKET WEDGE OPEN ROPE 526807KI SD3510B 1 1/4" HOLE, 1 3/8" J.O.	WEDGE, ROPE SOCKET 5/8" 526460KI SD3510B	PIN, RD. 1 1/2" X 4 1/2" 526180KI SD3012A	ROPE ACC'T. NUMBER	PIN, COTTER 3/8" 03125200
		1-PART	2-PART						
301	40	110'	160'	1	1	1			2
302	50	130'	190'	1	1	1			2
303	60	150'	220'	1	1	1			2
304	70	170'	250'	1	1	1			2
305	80	190'	280'	1	1	1			2
306	90	210'	310'	1	1	1			2
307	100	230'	340'	1	1	1			2
308	110	250'	370'	1	1	1			2
309	120	270'	400'	1	1	1			2
310	130	290'	430'	1	1	1			2
311	140	310'	460'	1	1	1			2
312	150	330'	490'	1	1	1			2
313	160	350'	520'	1	1	1			2
314	170	370'	550'	1	1	1			2
315	180	390'	580'	1	1	1			2
316	190	410'	610'	1	1	1			2
317	200	430'	640'	1	1	1			2
318	210	450'	670'	1	1	1			2
319	220	470'	700'	1	1	1			2
320									

NOTE 1.

1 OR 2 PART LINE CAN BE REEVED FROM AUXILIARY HOIST DRUM OR MAIN HOIST DRUM OVER BOOM POINT, OVER THREE SHEAVE OR SINGLE SHEAVE HAMMERHEAD FOR BOOM LENGTHS UP TO AND INCLUDING 220'.

* ROPE LENGTHS SHOWN EXCEED AUXILIARY HOIST DRUM CAPACITY WITH POWER LOWERING SPROCKET INSTALLED.

** ROPE LENGTHS SHOWN EXCEED AUXILIARY HOIST DRUM CAPACITY WITHOUT POWER LOWERING SPROCKET INSTALLED.

*** NO ROPE LENGTHS SHOWN AS THEY ARE BEYOND THE CAPACITY OF THE MAIN HOIST DRUM.

NOTE 2.

† ALL ROPE LENGTHS FOR 50' AND 70' BOOMS ARE FOR LOT 1 ONLY

NOTE 3.

FOR LOADS OVER 201,600 LBS. USE HOIST ROPE AS FOLLOWS:
WIRE ROPE 7/8" DIA., 6 X 25 FILLER WIRE, RIGHT REGULAR LAY, IMPROVED PLOW STEEL, I.W.R.C., PREFORMED, ENDS TAPED TO SD1820

FURNISH ONE SET OF MATERIAL TO SUIT ABOVE 7/8" DIA. ROPE AS FOLLOWS:
1- 7/8" SOCKET, WEDGE OPEN ROPE - 527041KI, SD3510B - 1 1/4" HOLE, 1 3/8" J.O.
1- WEDGE, ROPE SOCKET 7/8" - 526464KI
1- PIN, RD. 1 1/2" X 4 1/2" - 5D135LKI



BUCYRUS-ERIE COMPANY / BOX 479 / EVANSVILLE, INDIANA 47703 / 812-422-3241

CLASS P

CATALOG REFERENCE 72765

ATTENTION: Parts Manager

SUBJECT: 88-B Parts Catalog

Gentlemen:

Transmitted herewith is 88-B Catalog Drawing S-715 for insertion in your 88-B Parts Catalog.

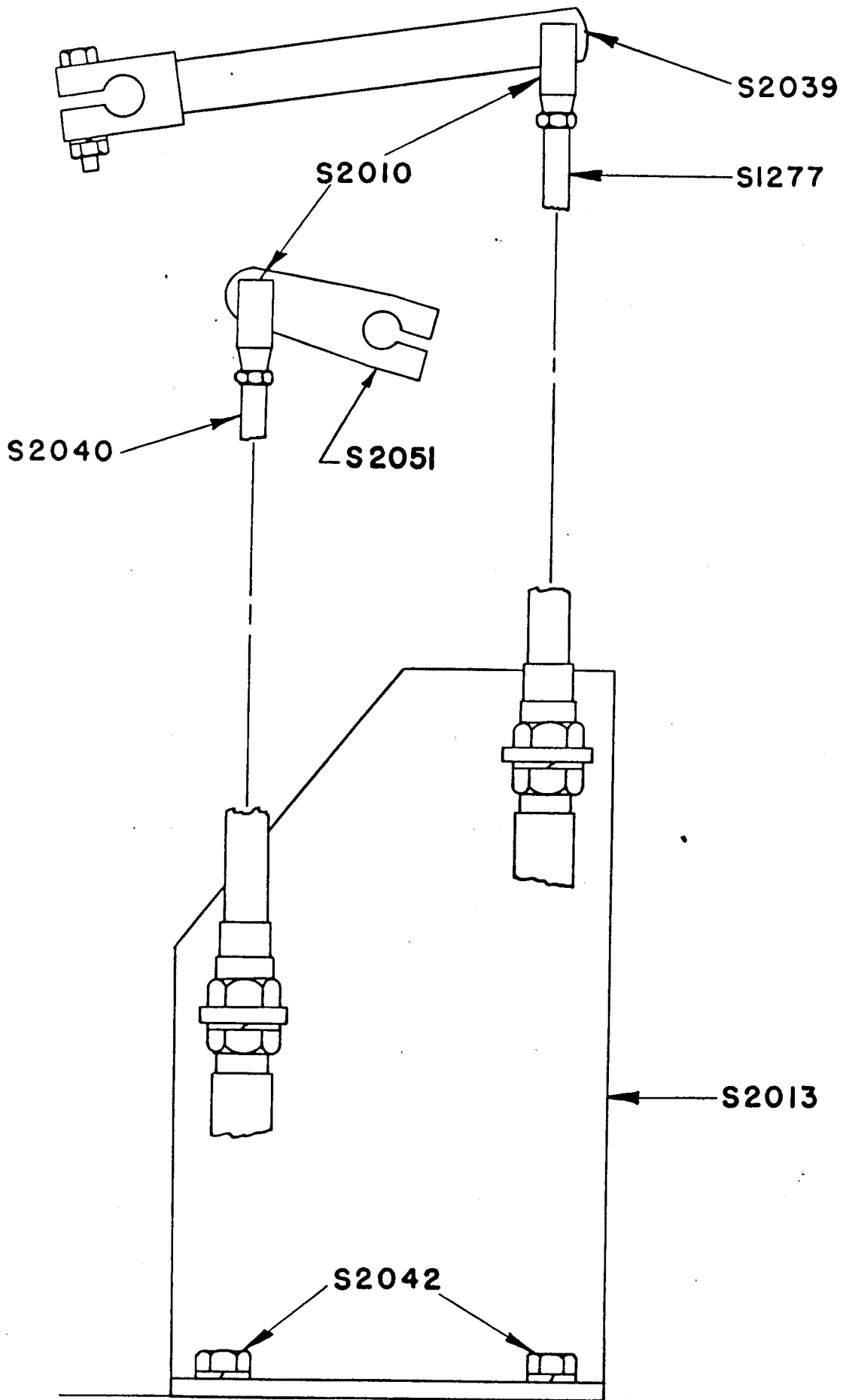
Very truly yours,

BUCYRUS - ERIE COMPANY

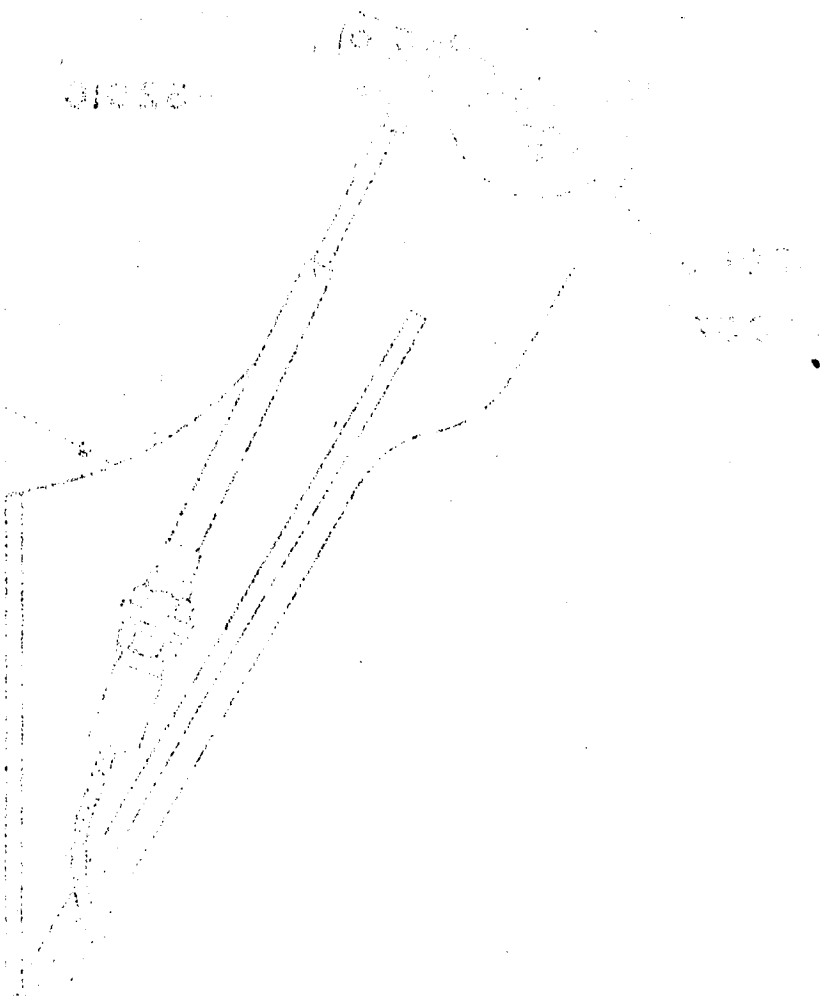
C. H. Yates, Supervisor
Evansville Parts Catalog

CHY:ce



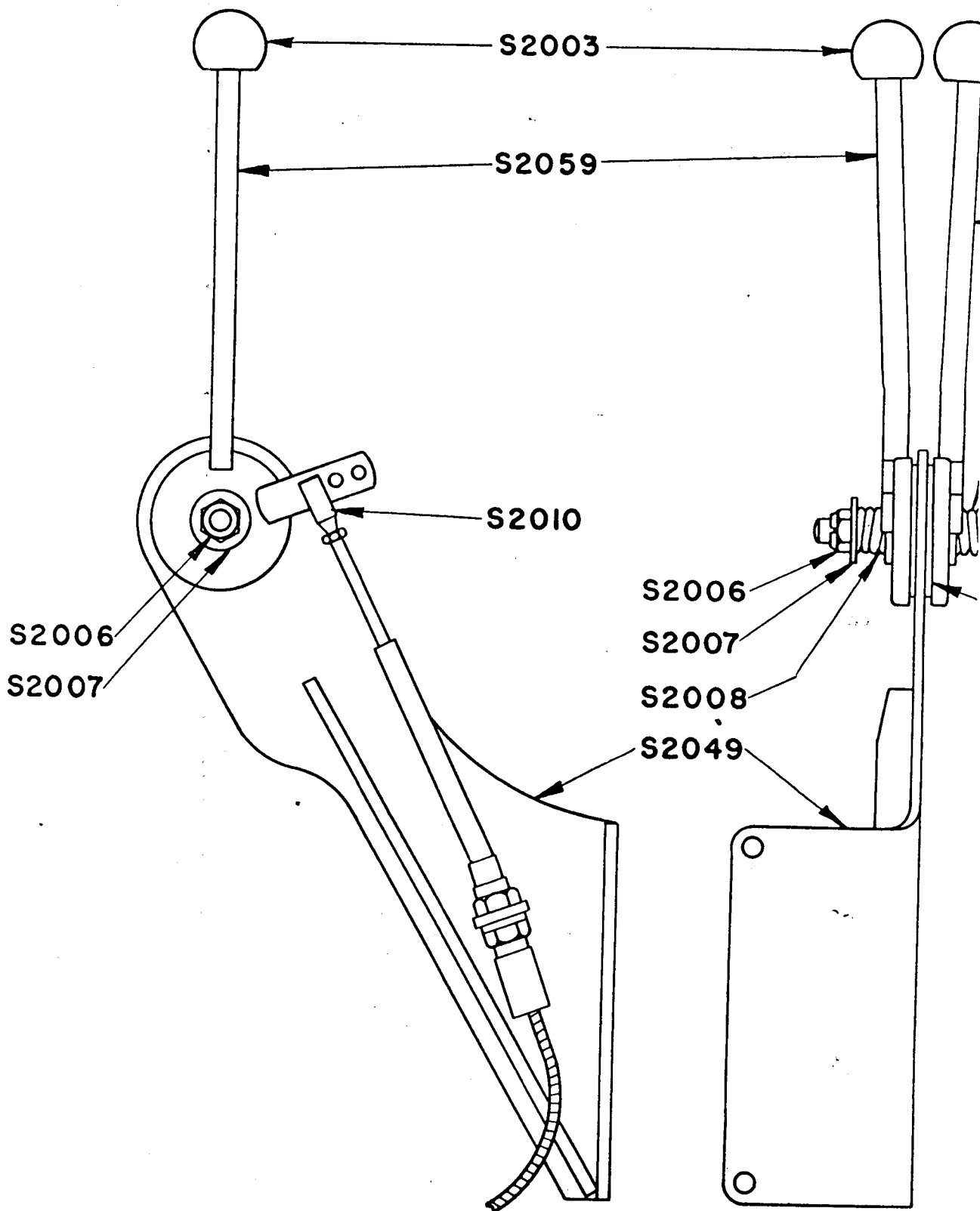


REF. NO.	NAME OF PART
S1277	CABLE, ENGINE GOVERNOR
S2010	JOINT, CONTROL BALL
S2013	BRACKET, ENGINE CONTROL
S2039	LEVER, ENGINE GOVERNOR
S2040	CABLE, CONVERTER GOVERNOR
S2042	CAPSCREW, CONTROL BRACKET
S2051	LEVER, CONVERTER GOVERNOR



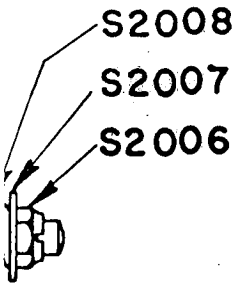
**GOVERNOR CONTROLS
AT ENGINE S715**

REVISED JULY, 1965



Ref. No.	No. Used	Name of Part
S2002	1	Lever, engine governor hand
S2003	2	Knob, hand lever
S2004	2	Disc, hand lever
S2006	2	Lock nut, hand lever
S2007	2	Washer, hand lever
S2008	2	Spring, hand lever
S2010	2	Joint, control ball
S2049	1	Bracket, hand lever
S2059	1	Lever, converter governor hand

← S2002



— S2004

OPERATORS GOVERNOR
CONTROLS S 716



BUCYRUS-ERIE COMPANY / BOX 479 / EVANSVILLE, INDIANA 47703 / 812-422-3241

CLASS P

CATALOG REFERENCE 8665

ATTENTION: Parts Manager

SUBJECT: 88-B Parts Catalog

Gentlemen:

Transmitted herewith is revised 88-B Catalog Drawing Q-733 for insertion in your 88-B Parts Catalog.

Please remove Q-733 and replace with REVISED Q-733 dated August, 1965.

Very truly yours,

BUCYRUS - ERIE COMPANY

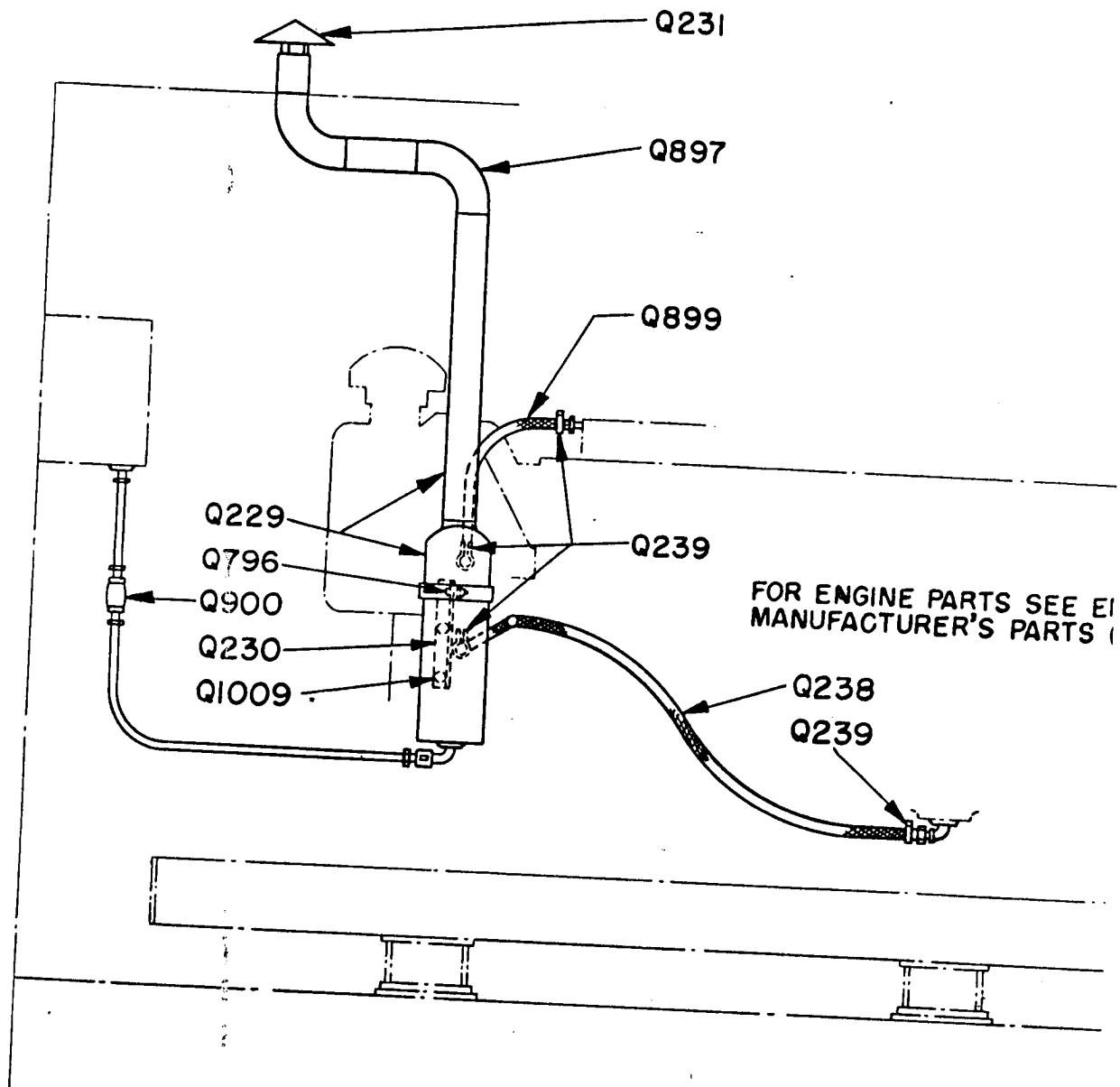
C. H. Yates, Supervisor
Evansville Parts Catalog

CHY:ce

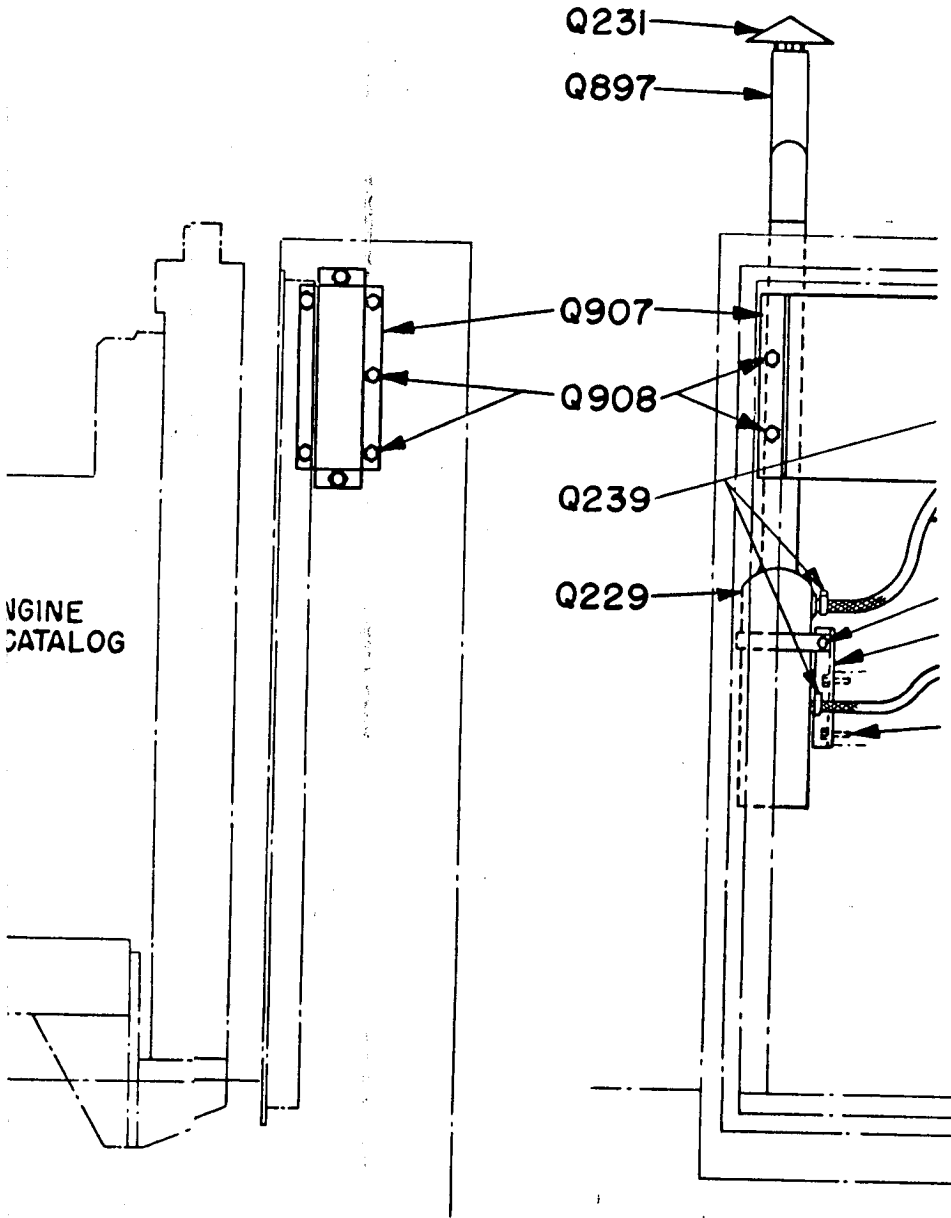


NOTE:

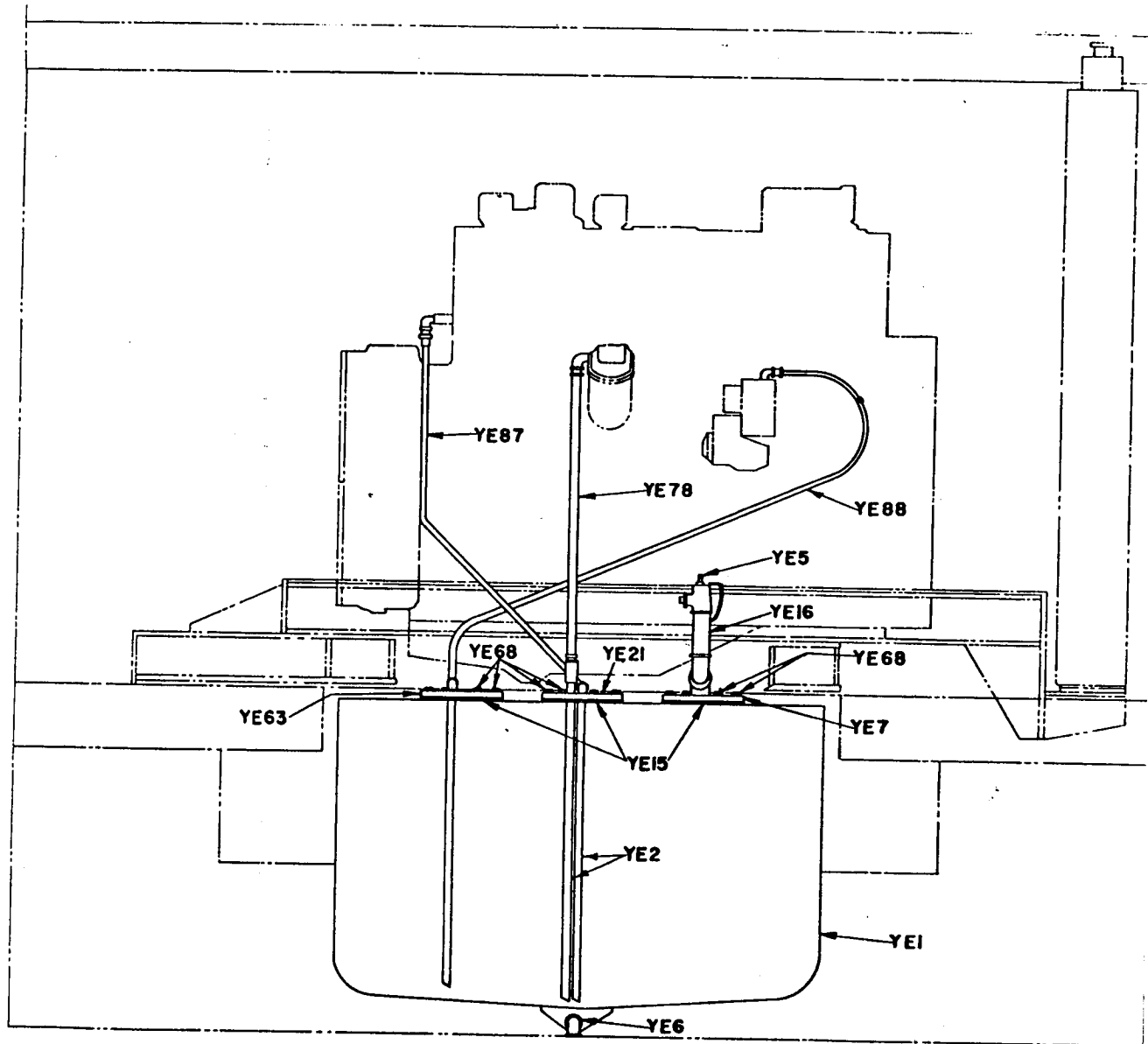
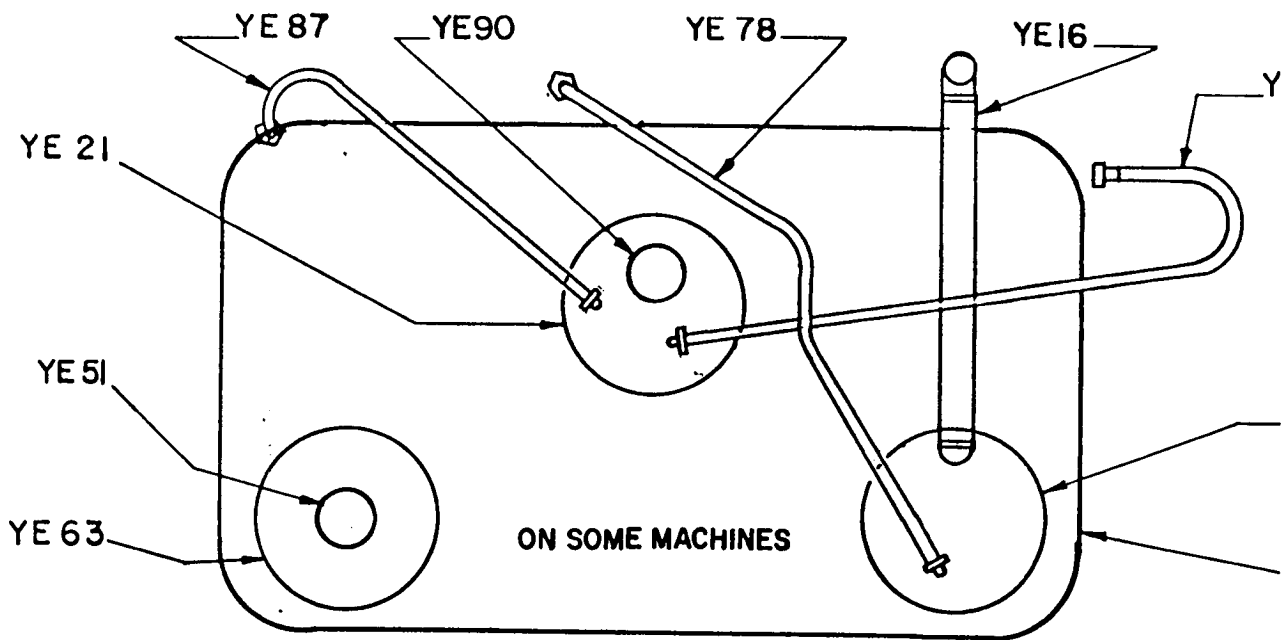
ALL PIPING AND FITTINGS NOT NUMBERED ON THIS DRAWING
MUST BE ORDERED BY DESCRIPTION, OR BY MARKING THIS
DRAWING TO SHOW PARTS WANTED AND WE WILL THEN
PROVIDE A REPLACEMENT DRAWING



Ref. No.	No. Used	Name of Part
Q229	1	Water heater - includes eight feet of stove pipe
Q230	1	Water heater support
Q231	1	Smoke pipe hood
Q238	1	Water heater long hose
Q239	4	Water heater hose clamp
Q796	1	Water heater clamping screw
Q897	1 set	Water heater stove pipe - includes Q231, straight sections & elbows
Q899	1	Water heater short hose
Q900	1	Gas regulator
Q907	1	Cab heater
Q908	9	Cab heater screw
Q1009	2	Water heater support capscrew



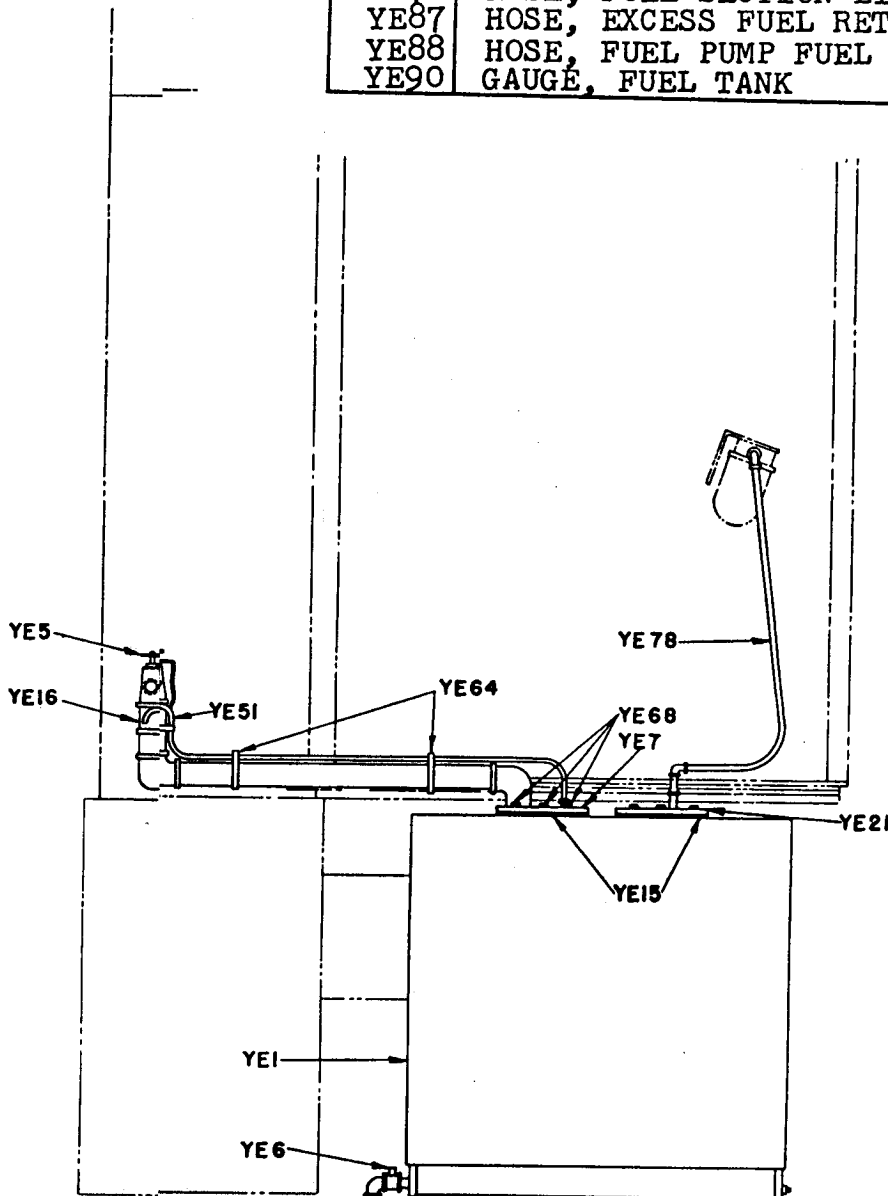
WATER HEATER & CAB HEATER
 DWG. NO. **Q728**



REF. NO.	NAME OF PART
YE1	TANK WITH PIPE PLUGS
YE2	PIPE, SUCTION
YE5	CAP, FILLER
YE6	COCK, DRAIN STOP
YE7	COVER, (FILLER)
YE15	GASKET, COVER -
YE16	STRAINER, OIL COMPLETE
YE21	COVER, (SUCTION)
YE37	VALVE, VERTICAL CHECK
YE51	PIPE, VENT BREATHER (ON SOME MACHINES)
YE63	COVER (CLEANOUT)
YE64	CLAMP, PIPE HOSE
YE68	CAPSCREW, TANK COVER
YE78	HOSE, FUEL SECTION LINE
YE87	HOSE, EXCESS FUEL RETURN
YE88	HOSE, FUEL PUMP FUEL RETURN
YE90	GAUGE, FUEL TANK

YE 7

YE 1



MAIN FUEL TANK
AND HOSES Q733

REVISED AUGUST, 1965



BUCYRUS-ERIE



BUCYRUS-ERIE COMPANY / BOX 479 / EVANSVILLE, INDIANA 47703 / 812-422-3241

CLASS P

CATALOG REFERENCE 72965

ATTENTION: Parts Manager

SUBJECT: 110-T Parts Catalog

Gentlemen:

Transmitted herewith is new 110-T Catalog Drawing P-730 for insertion in your 110-T Parts Catalog.

Very truly yours,

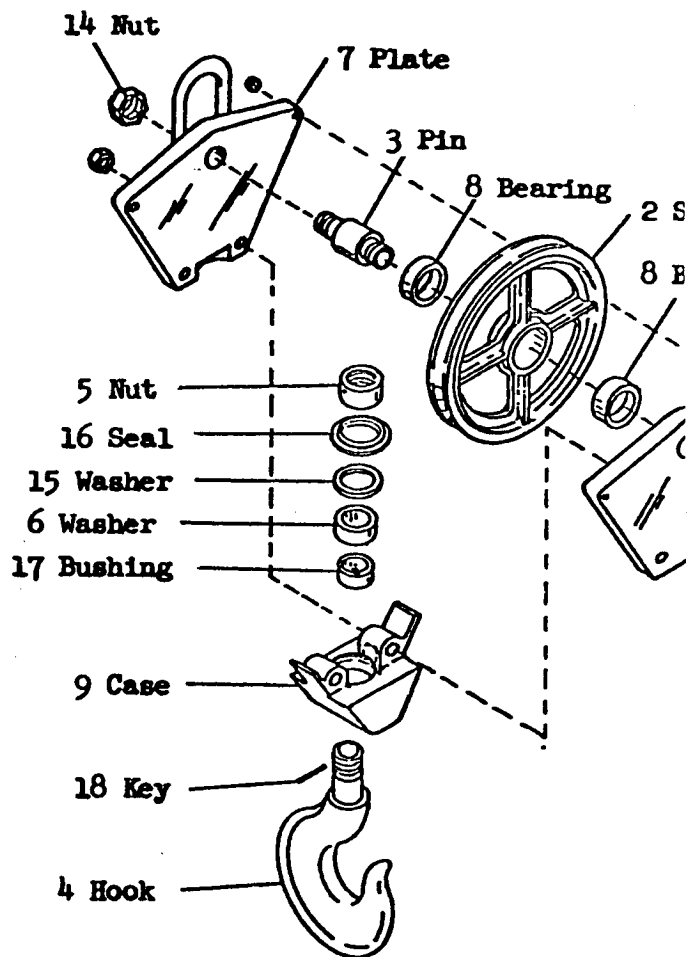
BUCYRUS - ERIE COMPANY

C. H. Yates, Supervisor
Evansville Parts Catalog

CHY:ce



**NOTE: WHEN ORDERING PARTS ALWAYS
GIVE NAME PLATE READING**



heave

earing

12 Spacer

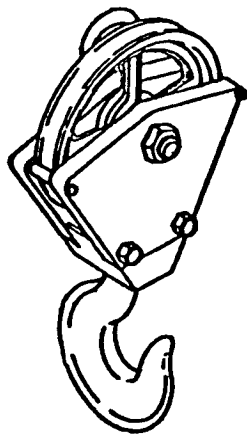
13 Plate

11 Bolt

14 Nut

10 Bolt

1 HOOK BLOCK COMPLETE



SINGLE SHEAVE HOOKBLOCK P731



BUCYRUS-ERIE



BUCYRUS-ERIE COMPANY / BOX 479 / EVANSVILLE, INDIANA 47703 / 812-422-3241

CLASS P

CATALOG REFERENCE 8565

ATTENTION: Parts Manager

SUBJECT: 110-T Parts Catalog

Gentlemen:

Transmitted herewith is new 110-T Catalog Drawing P-731 for insertion in your 110-T Parts Catalog.

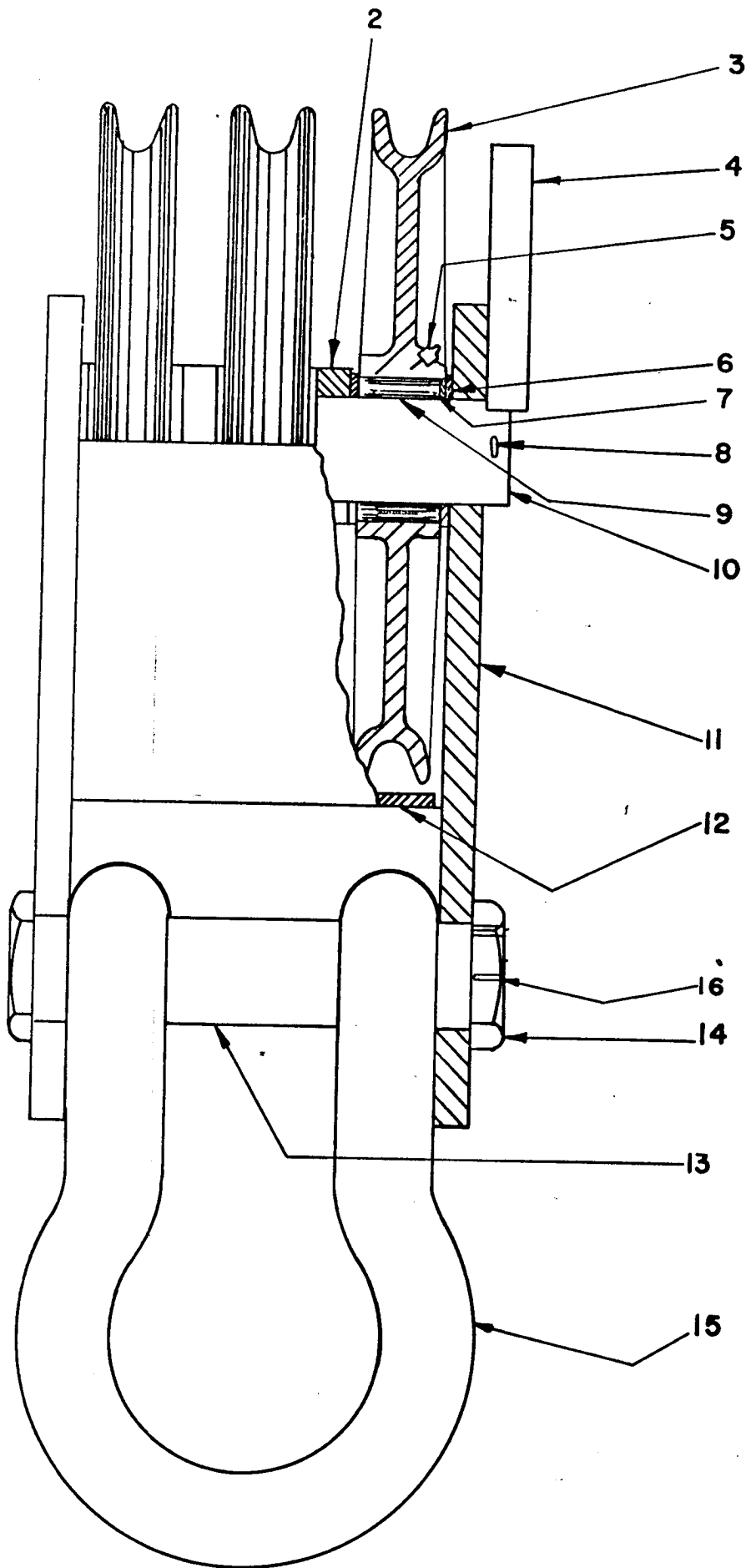
Very truly yours,

BUCYRUS - ERIE COMPANY

C. H. Yates, Supervisor
Evansville Parts Catalog

CHY:ce





NOTE: WHEN OR ALWAYS G READING.

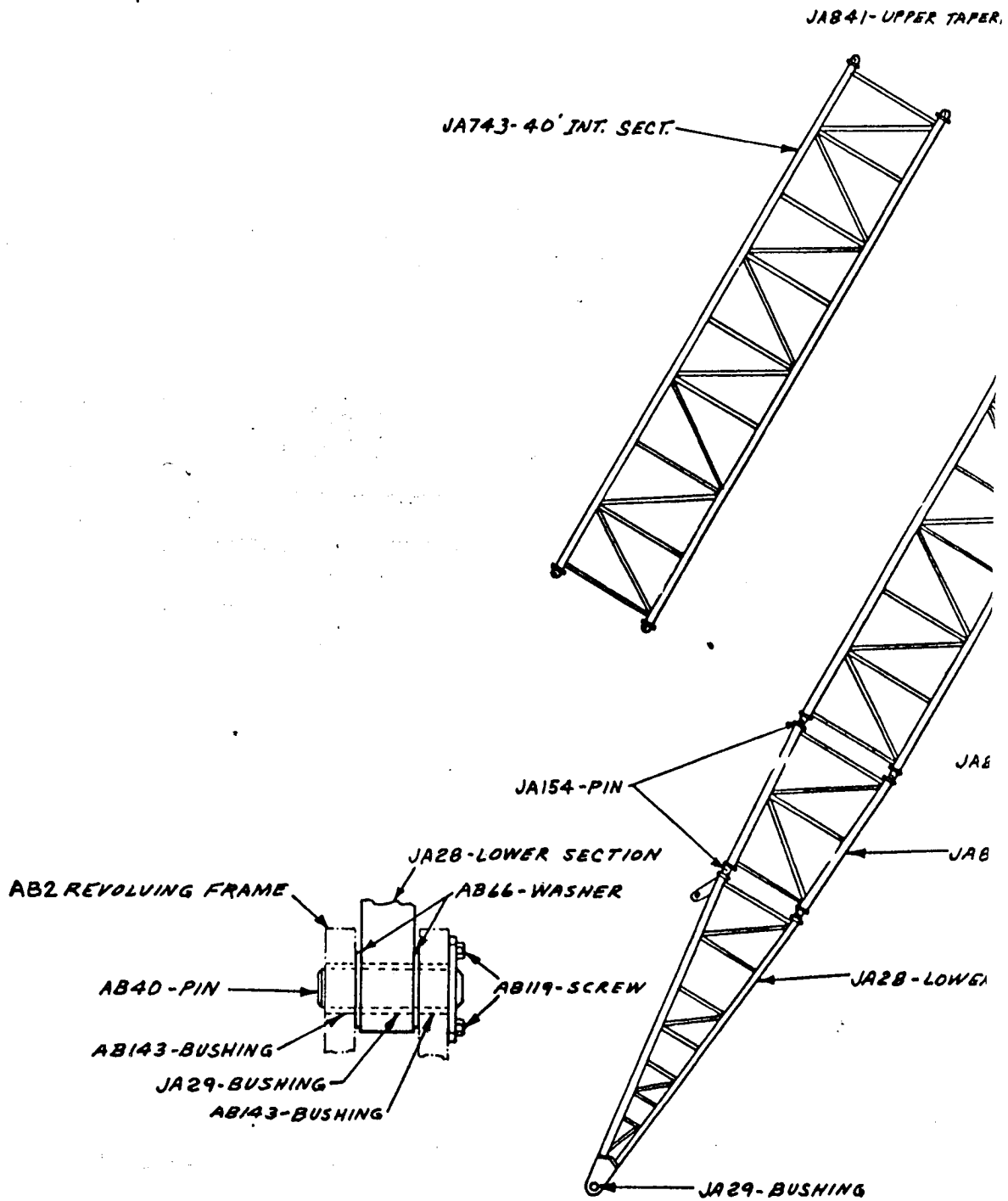
1- HIGH-LIFT COMPLETE

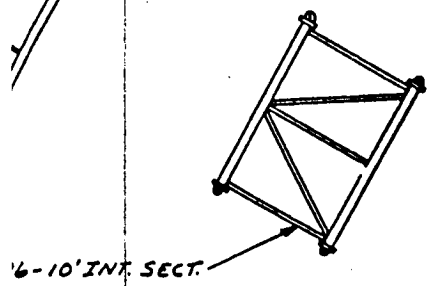
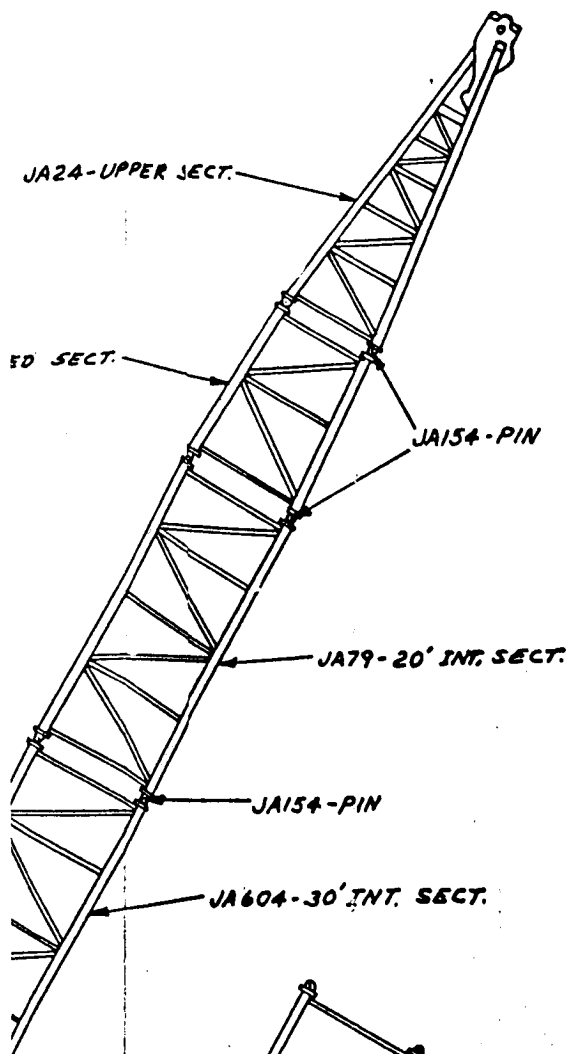
DERING PARTS
IVE NAME PLATE

ITEM NO.	NAME OF PART
1	HIGH LIFT COMPLETE
2	SPACER (INNER)
3	SHEAVE
4	BECKETT
5	FITTING, GREASE
6	SPACER (OUTER)
7	RETAINER
8	PIN, COTTER
9	BUSHING, ROLLER
10	PIN, SHEAVE
11	PLATE, SIDE
12	GUARD, SHEAVE
13	PIN, BOLTED
14	NUT
15	SHACKLE
16	SCREW, SET

60 TON HOOK BLOCK
COMPLETE

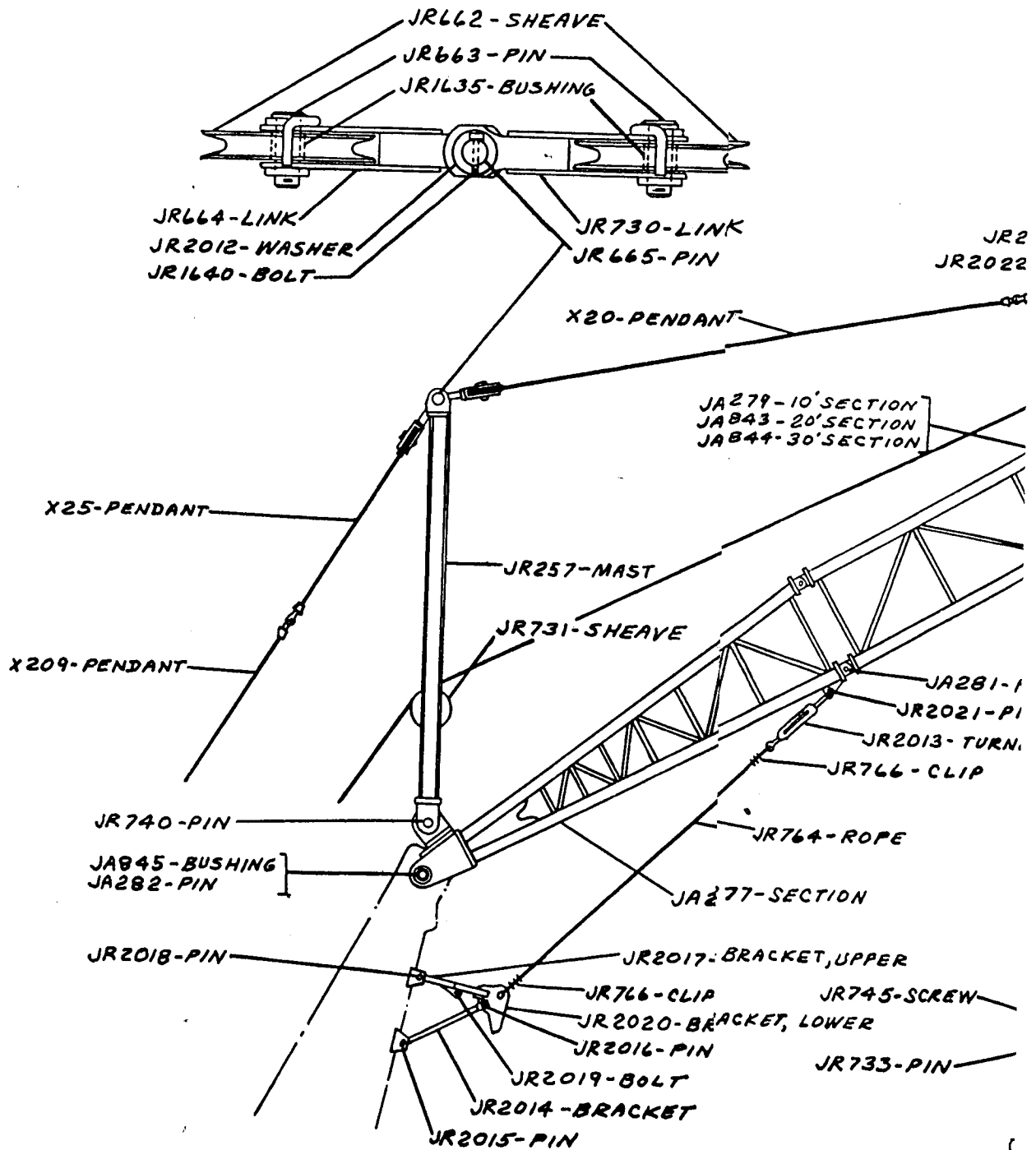
P730

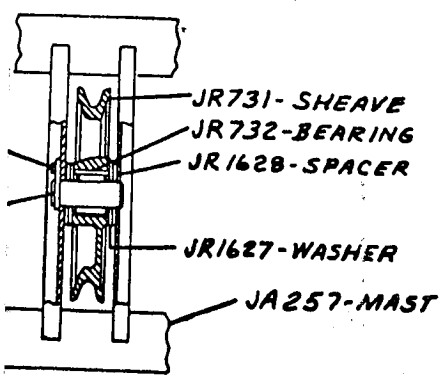
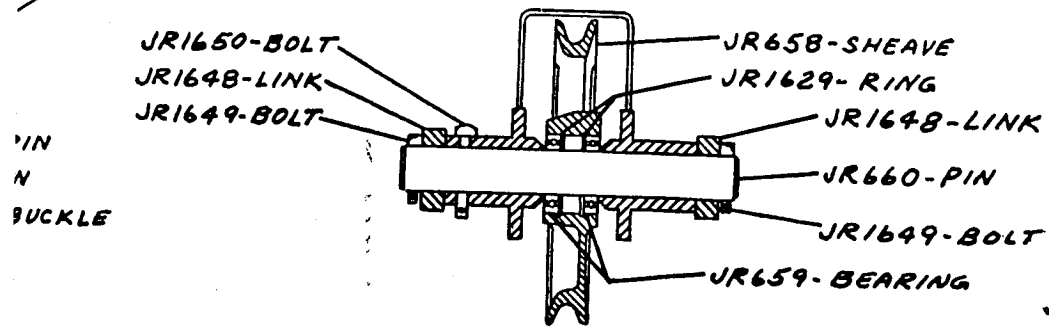
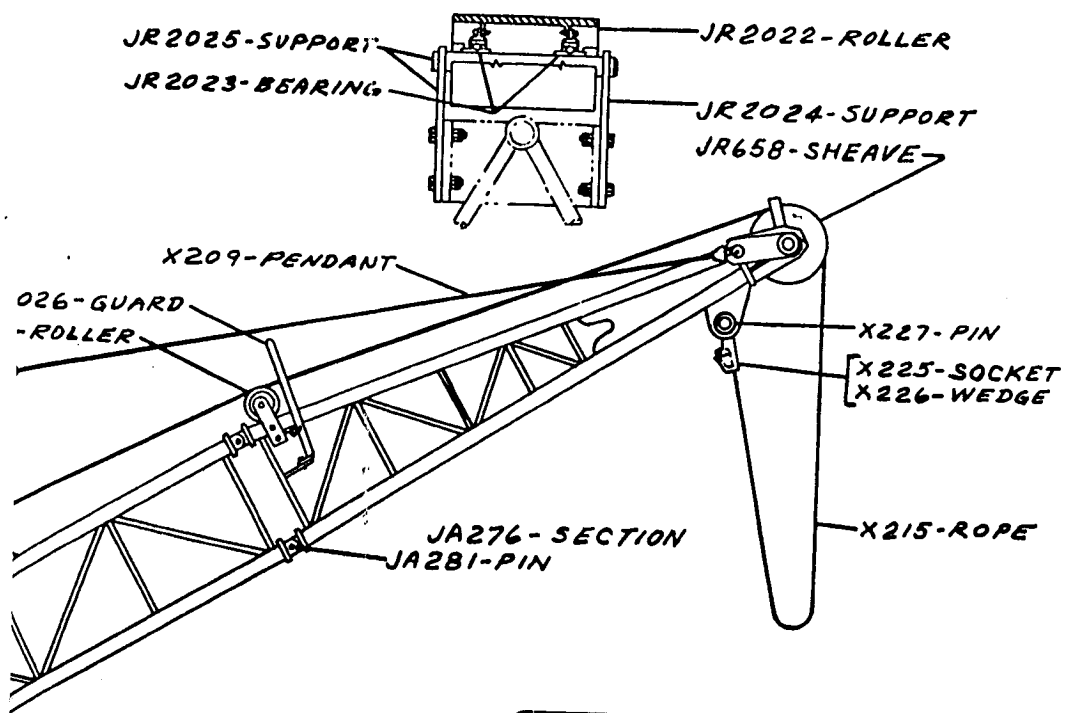




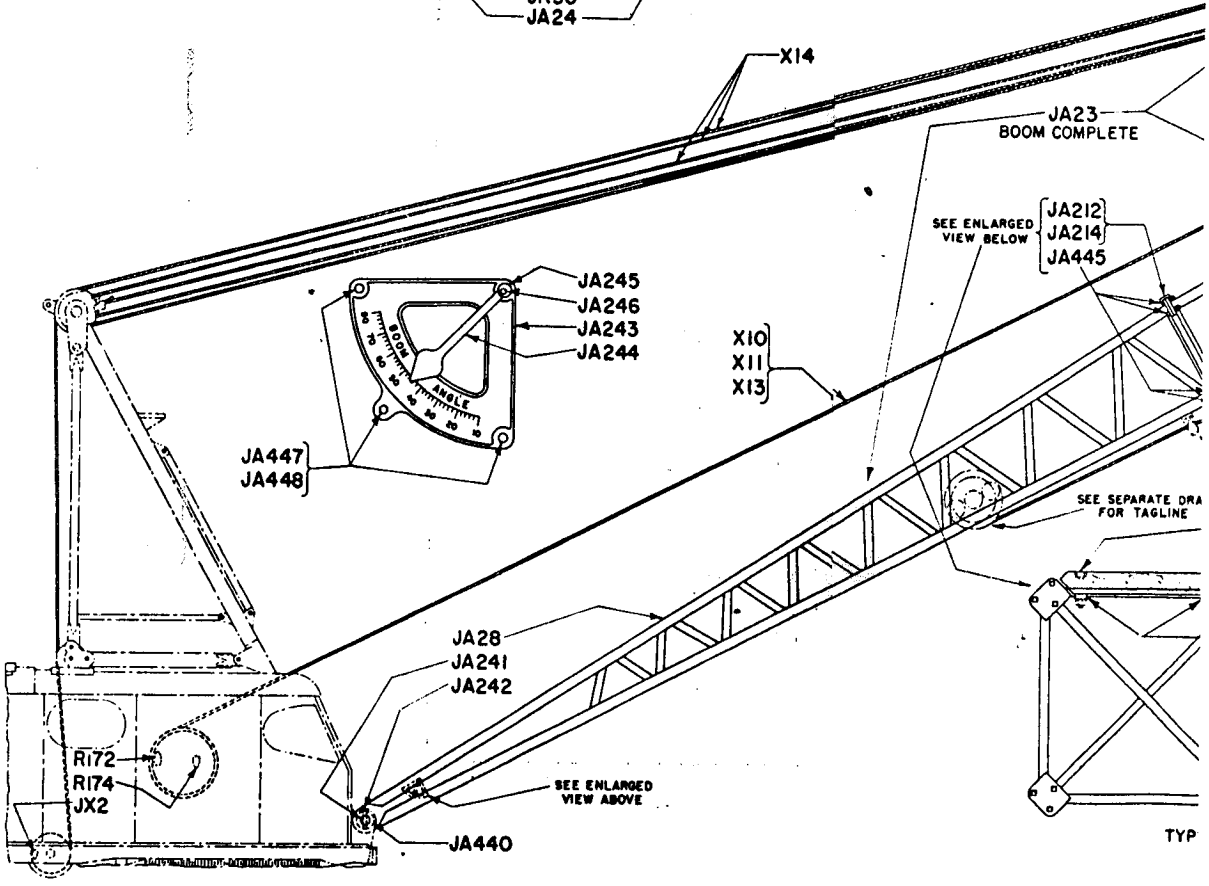
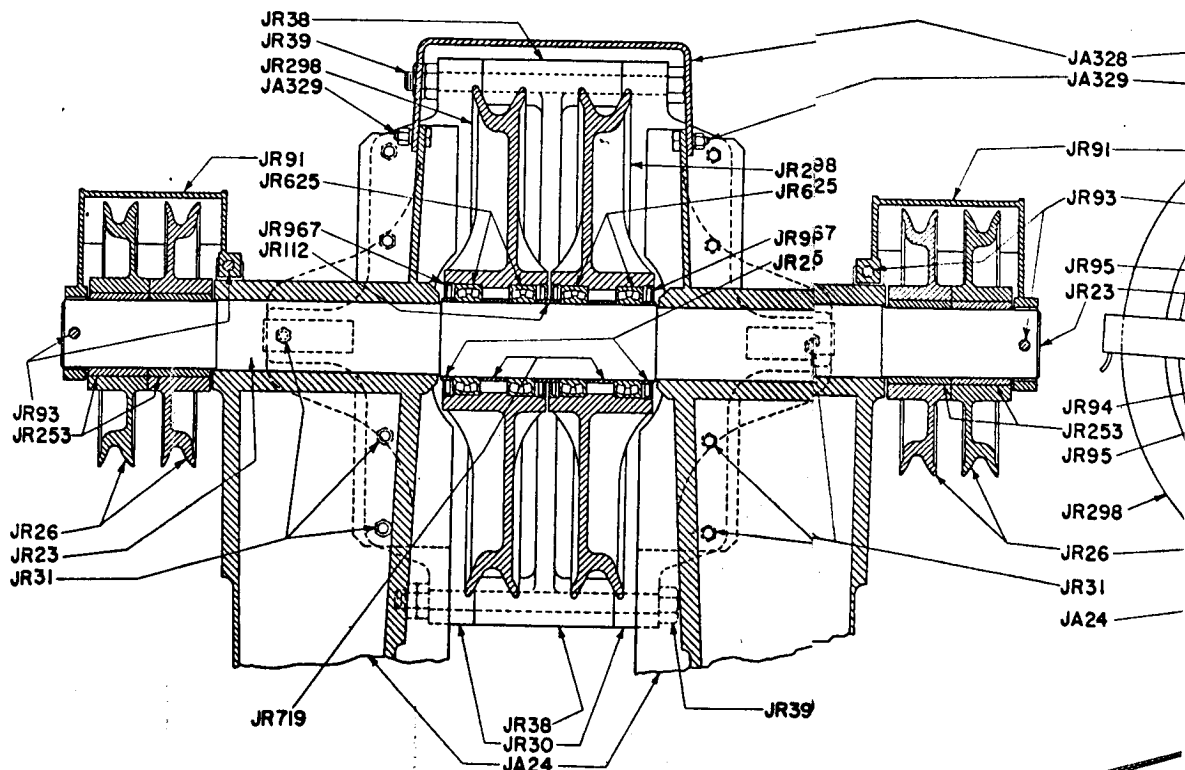
42-LOWER TAPERED SECT.

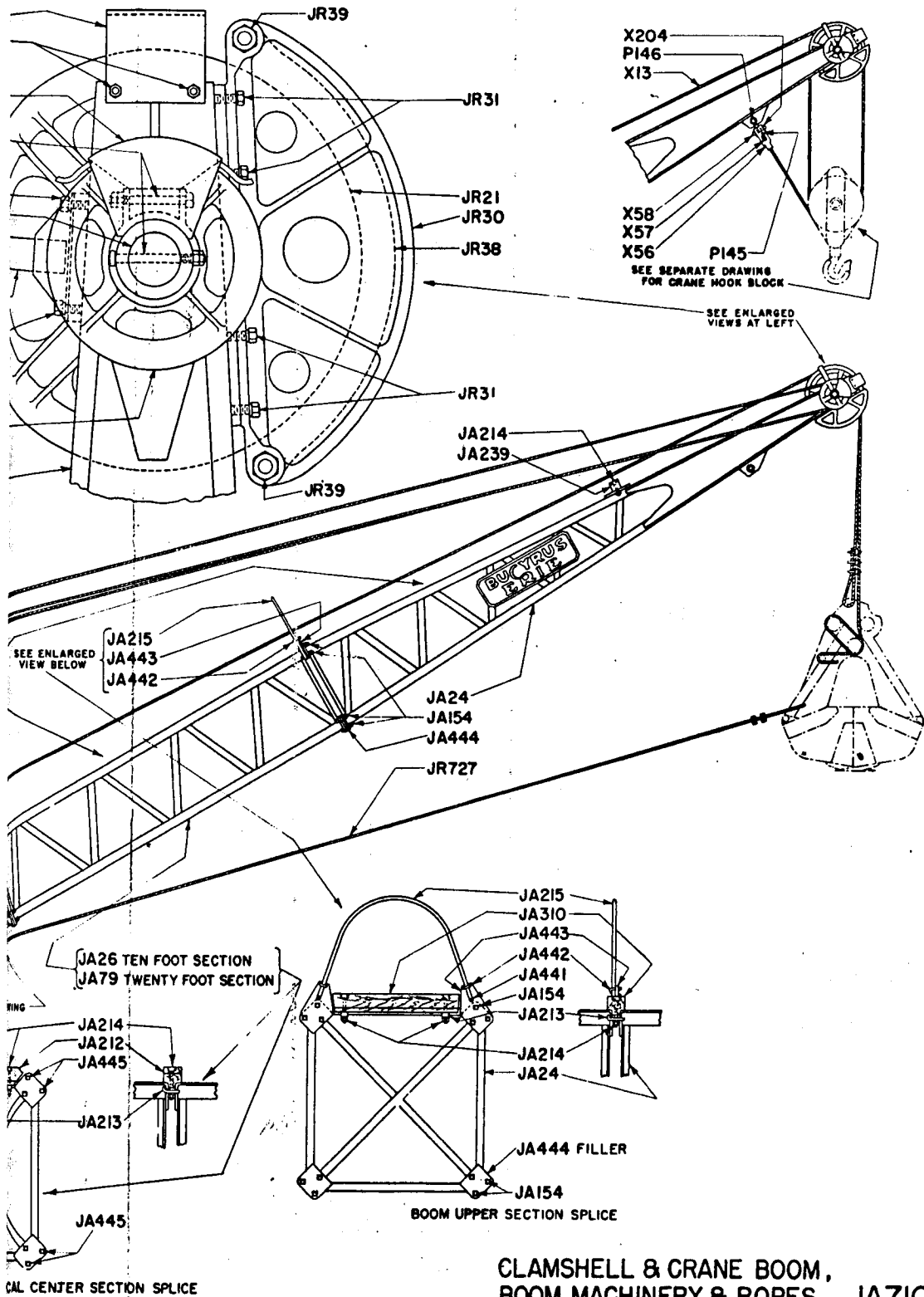
SECTION





BOOM JIB
 JA752





CLAMSHELL & CRANE BOOM,
 BOOM MACHINERY & ROPES JA710

REF. NO.	DESCRIPTION	REF. NO.	DESCRIPTION
JA1	Boom Complete-Includes JA2 to JA520	JR1190	Hub
JA2	Boom, Bare-Includes JA67, JA517 and JA518 Platform	JR1191	Key
JA18	Rope Protecting Block	JR1192	Shaft
JA30	Boom Foot Pin R.H.	JR1193	Washer, Retaining
JA51	Boom Foot Pin L.H.	JR1194	Capscrew
JA52	Bolt	JR2040	Sheave
JA54	Bushing	JR2041	Washer
JA67	Bumper Block	JR2042	Bushing
JA68	Support	JR2043	Capscrew
JA164	Bolt	M1	Handle Complete-Includes M54 to M206
JA165	Washer	M54	Handle End Casting Includes M55, M82 and M204
JA219	Bumper Block	M55	Bushing
JA421	Rod Bolt	M75	Rope Anchor-Includes X236 Pin
JA422	Cover	M77	
JA423	Railing	M78	Bolt and Washer
JA424	Capscrew	M82	Bushing
JA425	Bushing	M83	Leaf, Spring
JA517	Bushing	M84	Cover
JA518	Capscrew	M85	Bolt
JA519	U-Bolt	M130	Dipper Handle Square Structural Member Only
JA520	Shipper Shaft	M146	Handle, Bare-Includes M54 and M130
JR1	Drum-Includes JR284	M201	Rope Socket-Includes M202 and M203
JR4	Wedge	M202	Bushing
JR5	Sheave-Includes JR9	M203	Wedge
JR8	Bushing	M204	Bushing
JR9	Pin	M205	Pin
JR11	Guard	M206	Bolt
JR13	Bolt	N1	Saddle Block-Includes N3 to N10
JR14	Bushing	N3	Saddle Block-Includes N5
JR284	Guard	N5	Bushing
JR572	Bushing	N9	Wearing Plate
JR620	Sheave-Includes JR620	N10	Capscrew
JR623	Sheave-Includes JR620	X1	Hoist Rope
JR624	Sheave	X2	Back Haul Rope
JR769	Spacer	X3	Boom Suspension Rope
JR775	Guard	X59	Crowd Rope
JR776	Capscrew	X236	Wedge
JR777	Lock		
JR848	Capscrew		
JR849	Washer, Thrust		
JR940	Rim, Sheave		
JR1188	Bolt		
JR1189			