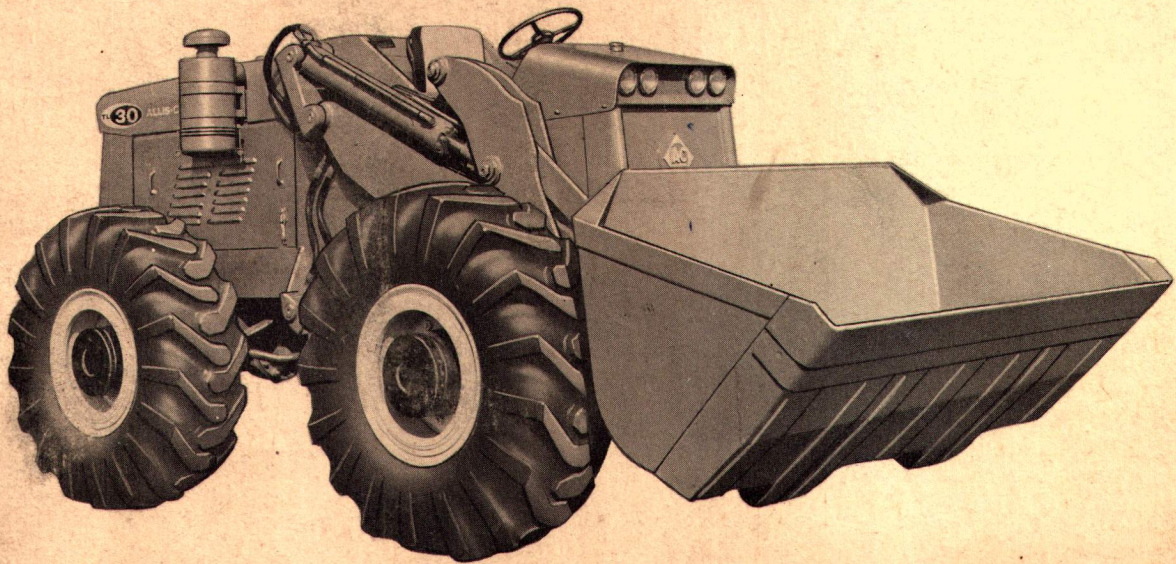


1800
500

PARTS LIST



TRACTOR LOADER



ALLIS-CHALMERS MFG. CO.

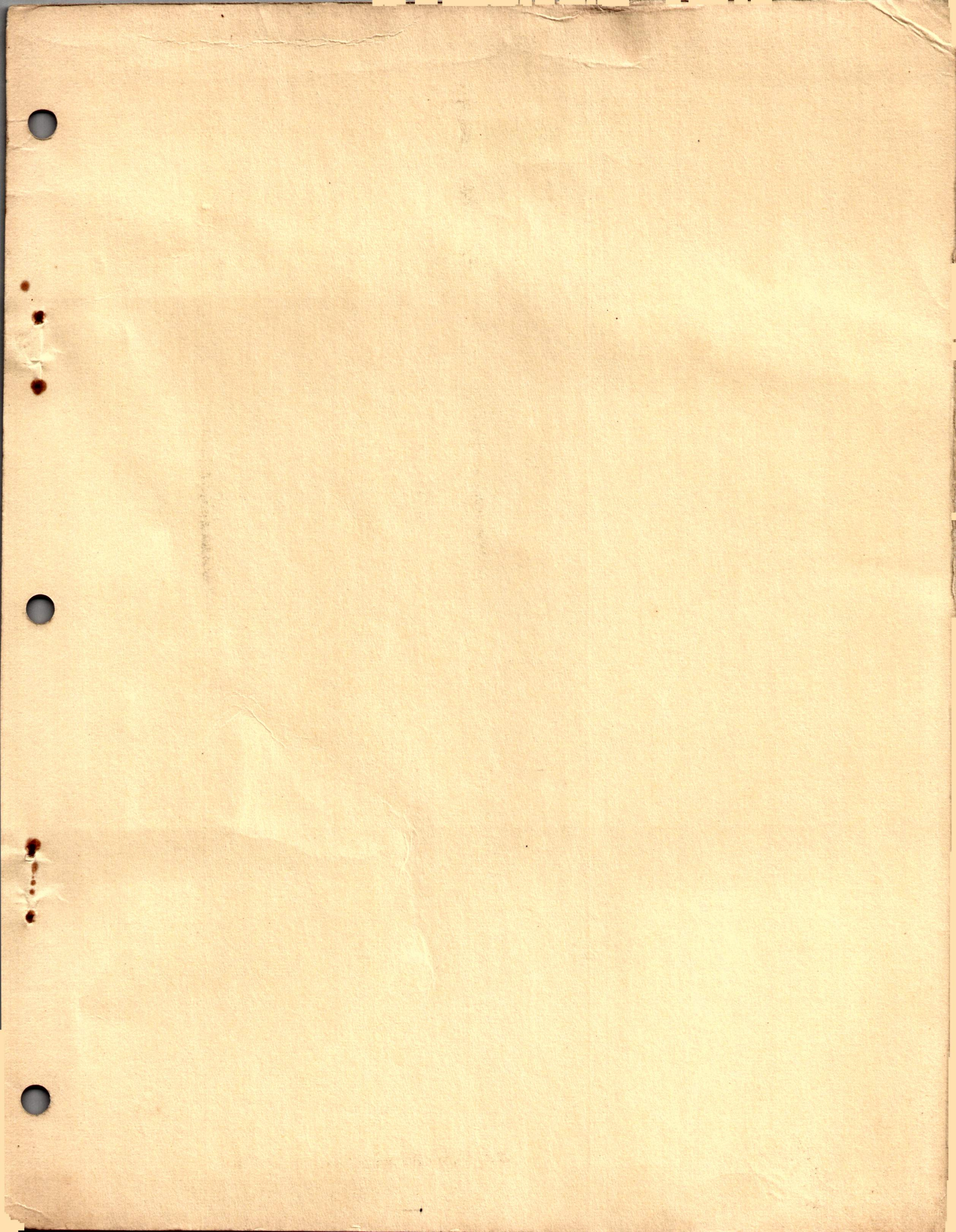
MILWAUKEE, WISCONSIN, U. S. A.

LITHO IN U. S. A.

Price \$1.50

303343
(10-65)

Supersedes (8-63) Issue



MODEL IDENTIFICATION

The symbol listed below is stamped in front of the model serial number on each unit.

MODEL SYMBOL	ENGINE MODEL	DESCRIPTION
TL30D	11000	26,320 pound four wheel drive front end loader with Turbocharged Diesel powered engine, equipped with, power shift transmission, torque converter, power steering, planetary axles and power brakes.

RECORD YOUR SERIAL NUMBERS BELOW

TRACTOR SERIAL NO. _____

ENGINE SERIAL NO. _____

TRANSMISSION SERIAL NO. _____

AXLE SERIAL NO. _____

SERIAL NUMBER LOCATIONS

LOADER SERIAL NO: On plate attached to the left rear face of the seat frame in the operator's compartment.

ENGINE SERIAL NO: On plate attached to the right hand side of the engine block above starting motor.

TRANSMISSION SERIAL NO: On plate attached to the left side of the transmission housing.

AXLE SERIAL NO: On plate attached to the axle housing.

ALLIS-CHALMERS WARRANTY

"ALLIS-CHALMERS MANUFACTURING COMPANY warrants that it will repair F.O.B. its factory, or furnish without charge F.O.B. its factory, a similar part to replace any material in its machinery which within six months, or 1500 hours of use, whichever occurs first, (except six months on utility wheel tractors sold for non-farm use) after the date of delivery by the Dealer, is proven to the satisfaction of the Company to have been defective at the time it was delivered, provided that all parts claimed defective shall be returned properly identified to the Company's factory, charges prepaid.

"This warranty is the only warranty, express, implied or statutory, upon which said machinery is purchased. No other warranty has been made or exists either expressly, or by implication, all statutory and implied warranties being hereby expressly waived and excluded from this transaction, and the Company's liability in connection with this transaction is expressly limited to the repair or replacement of defective parts, all other damages, statutory or otherwise, being hereby expressly waived.

"This warranty applies only to new and unused machinery, which after shipment from the factory of the Company, has not been altered, changed, repaired or treated in any manner whatsoever. No warranty of any kind, statutory, implied, or otherwise, shall apply to trade accessories, attachments, tools, or implements not manufactured by the Company, though sold or operated with the Company's machinery, or to second-hand machinery, or to new and unused machinery, which, after shipment from the factory of the Company, has been altered, changed, repaired, or treated in any manner whatsoever.

"No representative of the Company has authority to change this warranty or this contract in any manner whatsoever, and no attempt to repair or promise to repair or improve the machinery covered by this contract by any representative of the Company shall waive any consideration of the contract or change or extend this warranty in any manner whatsoever.

"Allied or Companion equipment not manufactured by the Company is covered only by the standard warranty of the manufacturer of such allied or companion equipment though sold or operated with the Company's machinery."

IMPORTANT

The terms "right" and "left" used throughout this parts list are determined by facing the direction of forward travel. However, the engine is mounted unconventionally with the flywheel toward the front of the machine. Therefore, engine parts designated as "front" and "rear" are so termed with the flywheel being the front of the engine.

Attaching parts such as bolts, nuts, rivets, screws, washers, etc. are indented immediately following the parts which they attach.

All parts marked with a "□" preceding the description are listed in the front of the parts list under "PACKAGED PARTS". Each part number is listed in it's respective kit.

INSTRUCTIONS FOR ORDERING PARTS

ALWAYS GIVE THE MODEL AND ENGINE SERIAL NUMBER.

To obtain parts promptly, give part name and part number.

Give post office address, town, county and state where parts are to be shipped. Also specify whether material is to be shipped by freight, express or parcel post.

Order parts from the dealer covering the local territory.

Confirm all telephone or telegraph orders in writing.

Parts for standard motor accessories such as generators and starting motors should be ordered from authorized Service Stations maintained by manufacturers of these units throughout the country.

No credit will be allowed on parts unless they are returned to the dealer from whom they were purchased; from there they will be returned, at the customer's expense, to the factory for inspection.

Unless claims for shortages or errors are made immediately upon receipt of goods, they will not be considered.

When broken goods are received, a full description of the damage should be made by the carrier agent on the freight bill. If this description is insisted upon, full damage can always be collected from the transportation company.

No responsibility is assumed for delay or damage to merchandise while in transit. Our responsibility ceases upon delivery of shipment of the transportation company from whom a receipt is received showing that shipment was in good condition when delivered to them; therefore, claims (if any) should be filed with the transportation company and not with Allis-Chalmers Manufacturing Company.

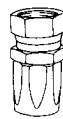
The right is reserved to change the construction or material of any parts where it seems desirable to do so, without incurring the obligation of installing such changes on units already delivered.

ALPHABETICAL INDEX

Air Applicator Valve	168	Engine Control Group	48
Air Brake Control and Lines	165	Exhaust Manifold	50
Air Chamber Assembly (Steering Axle)	161	Fan	56
Air Chamber Parts (Rigid Axle)	139	Filters	
Air Cleaner	86, 88	Engine Oil	34
Alcohol Injector	169	Fuel	36
Axle and Support	129	Hydraulic Tank	237
Backfiller Blade	247	Transmission Oil	121
Battery and Support	198, 201	Filter Assembly, transmission	121
Brake Assembly (Rigid Axle).	141	Filter Parts (Hyd. Tank)	237
Brake Parts (Steering Axle)	162	Flywheel and Housing	20
Bucket	246	Forward and Reverse Range Planetaries and	
Cab and Wiper Group	257	Clutches	105
Charging Oil Pump	99	Frame Group	191
Clutch Cut-off Valve and Lines	125	Front Piping Group	267
Compressor	58, 61	Fuel Filter	36
Compressor Crankcase	66, 68	Fuel Injection Return Lines	45
Compressor Cylinder Block	63, 64	Fuel System Group	46
Compressor Cylinder Head	70	Fuel Tank	47
Control Group	268	Generator	217
Control Valve Parts	239, 243	Governor (Compressor)	72, 74
Converter Pump, Gears and Shaft	96	Heater and Defroster Group	255
Cowl and Floor Plates Group.	188	High and Low Range Planetaries and	
Crane Hook	248	Clutches	109
Crankshaft	18	Hood and Side Panel Group	190
Cylinders		Housing and Cover (Hyd. Tank)	233
Dump	225	Housing Group (Rigid Axle)	138
Lift	227	Housing Group (Steering Axle)	148
Power Steering	181	Hydraulic Cylinder and Piping	223
Pulpwood	265	Hydraulic Pump and Piping	219
Cylinder Block	13	Hydraulic Pump Assembly	221
Cylinder Head	23	Hydraulic Tank and Controls	229
Differential Carrier Assy. (Rigid Axle)	133	Hydraulic Tank and Valve Assembly	231
Differential Carrier Assy. (Stg. Axle)	145	Hydro-Pneumatic Accumulator	252
Discharge Tube Assy. (Hyd. Tank)	235	Injection Nozzle and Lines	41
Drawbar and Counterweight Group	193	Injection Nozzle Holder Assembly	42, 43
Drive Shaft Group	126	Injection Pump	38
Dump Cylinder Parts	225	Instrument Panel and Gauges	203, 207
Engine and Mounting.	10	Intake Manifold	50

ALPHABETICAL INDEX

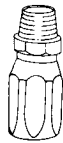
Intermediate Range Clutch	107	Seat Group	197
Ladder and Guard Group	192	Selector Valve	111
Lift Cylinder Parts	227	Shaft and Hub (Rigid Axle)	137
Lift Fork	249	Shaft and Hub (Steering Axle)	151, 157
Lights and Wiring	211, 215	Starter	218
Light Assembly	213	Starting Fluid Primer	251
Linkage Group	195	Steering Cylinder Assembly	181
Lube Oil Filter and Lines	33	Steering Gear Assembly	179
Main Pressure Regulating Valve	101, 102	Tail Light	209
Oil Cooler	29	Timing Gear Housing	17
Oil Filter Assembly, engine	34	Tires	173
Oil Pan	25	Torque Converter Housing	95
Oil Pump	31	Transfer Gear and Output Shaft	112
Oil Pump Drive Gears	100	Transfer Gear Housing	114
Oil Strainer and Magnet (Hyd. Tank).	235	Transmission and Supports	93
Painting and Marking	245	Transmission Assembly Parts	94
Parking Brake Assembly	115	Transmission Control and Rear Axle Disconnect	123
Parking Brake Control Group	116	Trans. Filter, Cooling and Filler Lines.	119
Piston and Connecting Rod	15	Turbocharger	76, 79
Planetary and Clutch Housing	103	Turbocharger Assembly	81, 85
Power Steering Linkage	175	Universal Joint Assembly	127, 128
Power Stg. Pump and Piping Group	185	Valves	
Power Steering Pump Parts	183	Air Applicator	168
Pressure Tank and Lines	171	Brake Quick Release	167
Pulpwood Cylinder Assembly	265	Clutch Cut-off	125
Pulpwood Cylinder and Piping Group	261	Engine Oil Pressure	14
Pulpwood Tong and Frame Group	259	Exhaust	23
Pumps		Hydraulic Control	239, 243
Engine Oil	31	Hydraulic Relief	234
Fuel Injection	38	Intake	23
Hydraulic Oil	221	Steering Gear	180
Power Steering	183	Transmission Regulating	101, 102
Transmission Charging Oil	99	Transmission Selector	111
Water	55	Valve Assembly (Hyd. Tank).	234
Quick Release Valve	167	Valve Operating Mechanism	26
Radiator Group	90	Water Outlet Manifold	51, 53
Radiator Support	92	Water Pump	55
Rock Fork	250	Wheel Group	173
Safety Valve Assembly (Hyd. Tank)	234		



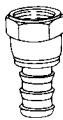
TYPE A



TYPE B



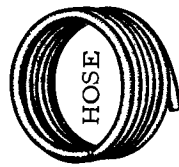
TYPE C



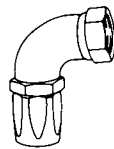
TYPE D



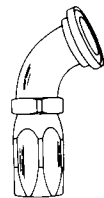
NIPPLE



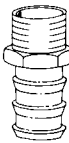
HOSE



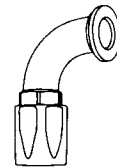
TYPE E



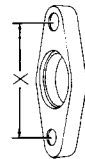
TYPE F



TYPE H



TYPE I



FLANGE

HOSE PARTS

NOTE: Refer to right hand column for identity of interchangeable crimped-type hose (fittings not re-usable). Assembly number shown in left hand column indicates available replacement hose assembly with re-usable components; where no assembly number is listed, hose assembly is not available from factory but may be constructed in the field from data indicated.

HOSE ASSEMBLY NO. (See NOTE)	BULK HOSE (25' roll)	HOSE LENGTH (inches)	NIPPLE (#1 end)		NIPPLE (#2 end)		SOCKET (both ends)	NIPPLE FLANGE		CRIMPED-TYPE HOSE (See NOTE)
			Including SOCKET	NIPPLE only	Including SOCKET	NIPPLE only		Part No.	Dim	
3029494	919156	22-3/4	920850	920303	A	920850	920303	A	919076	
3029526	920221	24-1/2	920852	920344	A	920860	919279	B	919281	
3029872	921335	28-3/4	921336		*	921336		*		
3029873	920720	20-1/2	920805		A	920801		C		
3032206	920720	5	920828		*	920828		*		
3034502	919474	10-1/4	920851	921046	A	920839	919816	B	919469	
3034714	920794	26	920944	920978	A	920944	920978	A	920972	
3034715	920794	21	920944	920978	A	920944	920978	A	920972	
3034716	920794	14	920944	920978	A	920944	920978	A	920972	

PACKAGED PARTS

PACKAGE NO.	DESCRIPTION	
-----	DRIVE RING KIT (See CONVERTER PUMP GEARS AND SHAFT)	
-----	ELEMENT KIT, filter (See TRANSMISSION FILTER)	
-----	ELEMENT KIT, filter (See OIL FILTER, AIR FILTER AND BREATHER)	
-----	LINING KIT (See PARKING BRAKE ASSEMBLY)	
-----	LINING KIT (See BRAKE ASSEMBLY, rigid axle)	
-----	LINING KIT (See BRAKE ASSEMBLY, steering axle)	
-----	REPAIR KIT (See DUMP CYLINDER)	
-----	REPAIR KIT (See LIFT CYLINDER)	
-----	REPAIR KIT (See PULPWOOD CYLINDER)	
-----	REPAIR KIT (See STEERING CYLINDER)	
-----	RING KIT (See PISTON AND CONNECTING ROD)	
-----	SPRING AND ROLLER KIT (See CONVERTER PUMP GEARS AND SHAFT)	
3022040	SPACER KIT	
	1	3022446 SPACER (.259" thick)
	1	3022447 SPACER (.260" thick)
	1	3022448 SPACER (.261" thick)
	1	3022449 SPACER (.262" thick)
	1	3022450 SPACER (.263" thick)
	1	3022451 SPACER (.264" thick)
3022041	SPACER KIT	
	1	3022452 SPACER (.270" thick)
	1	3022453 SPACER (.276" thick)
	1	3022454 SPACER (.282" thick)
	1	3022455 SPACER (.288" thick)
	1	3022456 SPACER (.294" thick)
3033697	SEAL AND GASKET KIT, transmission	
	1	3021006 GASKET
	2	3021007 GASKET (Not used- Discard)
	1	3021011 GASKET
	3	3021053 SEAL
	1	3021058 O-RING
	2	3021065 SEAL
	1	3021080 GASKET
	1	3021088 GASKET
	1	3021108 GASKET
	1	3021111 GASKET
	1	3021114 GASKET
	1	3021115 GASKET
	1	3021117 GASKET
	4	3021121 RING
	1	3021125 GASKET (Used prior to transmission serial #23564)
	1	3021138 SEAL (Not used- Discard)
	1	3021144 GASKET
	1	3021190 GASKET (Not used- Discard)
	1	3021206 GASKET
	2	3021221 RING
	1	3021233 RING
	1	3026156 SEAL
	1	3027011 SEAL
	Kit 3033697 (Continued)	

PACKAGED PARTS

PACKAGE NO.

DESCRIPTION

3033697

SEAL AND GASKET KIT, transmission (Continued)

1	3027012	RING, seal
1	3027016	RING, seal
1	3029949	WASHER (First type)
1	3033062	GASKET
2	3033065	RING
2	3033081	GASKET (Discard one)
1	3034224	GASKET, valve assembly
1	3035845	SEAL (Not used- Discard)
1	3035861	GASKET (Effective with transmission serial #23564)
1	3039422	SEAL (Not used- Discard)
1	3039426	WASHER (Second type)
3	3042138	SEAL AND EXPANDER KIT
4	3042146	SEAL AND EXPANDER KIT
1	3041247	SEAL AND EXPANDER KIT

4336577

GASKET KIT, intermediate, cylinder block

2	035249	GASKET, oil drain plug (Discard- Not used)
2	4113897	GASKET, oil regulating valve nut
1	4253106	O-RING, oil filter
1	4336897	O-RING, flywheel housing to crankcase
1	4253818	O-RING, (Discard- Not used)
1	4253929	O-RING, fan drive (Discard- Not used)
1	4254624	O-RING, camshaft hole plug
1	4335056	GASKET, water pump volute
3	4335577	GASKET, oil filter hose
1	4335578	GASKET, oil filter hose
1	4335712	GASKET, cover plate
1	4336345	GASKET, cover plate
1	4346169	GASKET, oil pipe
2	4346441	GASKET, oil pipe (Discard- Not used)
1	4346456	GASKET, water inlet elbow
1	4346744	GASKET, water pump
1	4347031	GASKET, water by-pass flange
1	4347120	GASKET, oil filler hole cover
1	4348136	GASKET, timing gear housing
1	4348126	GASKET, timing gear cover
1	4348184	GASKET, oil cooler water outlet
1	4348185	GASKET, oil cooler water inlet
2	4348215	GASKET, oil pipe
1	4348218	GASKET, oil pipe
1	4349011	GASKET, cover plate
1	4362458	GASKET, oil pump cover (Discard- Not used)
1	4371289	GASKET, oil pan cover (Discard- Not used)
2	4373069	GASKET, oil pan cover (Discard- Not used)

4337975

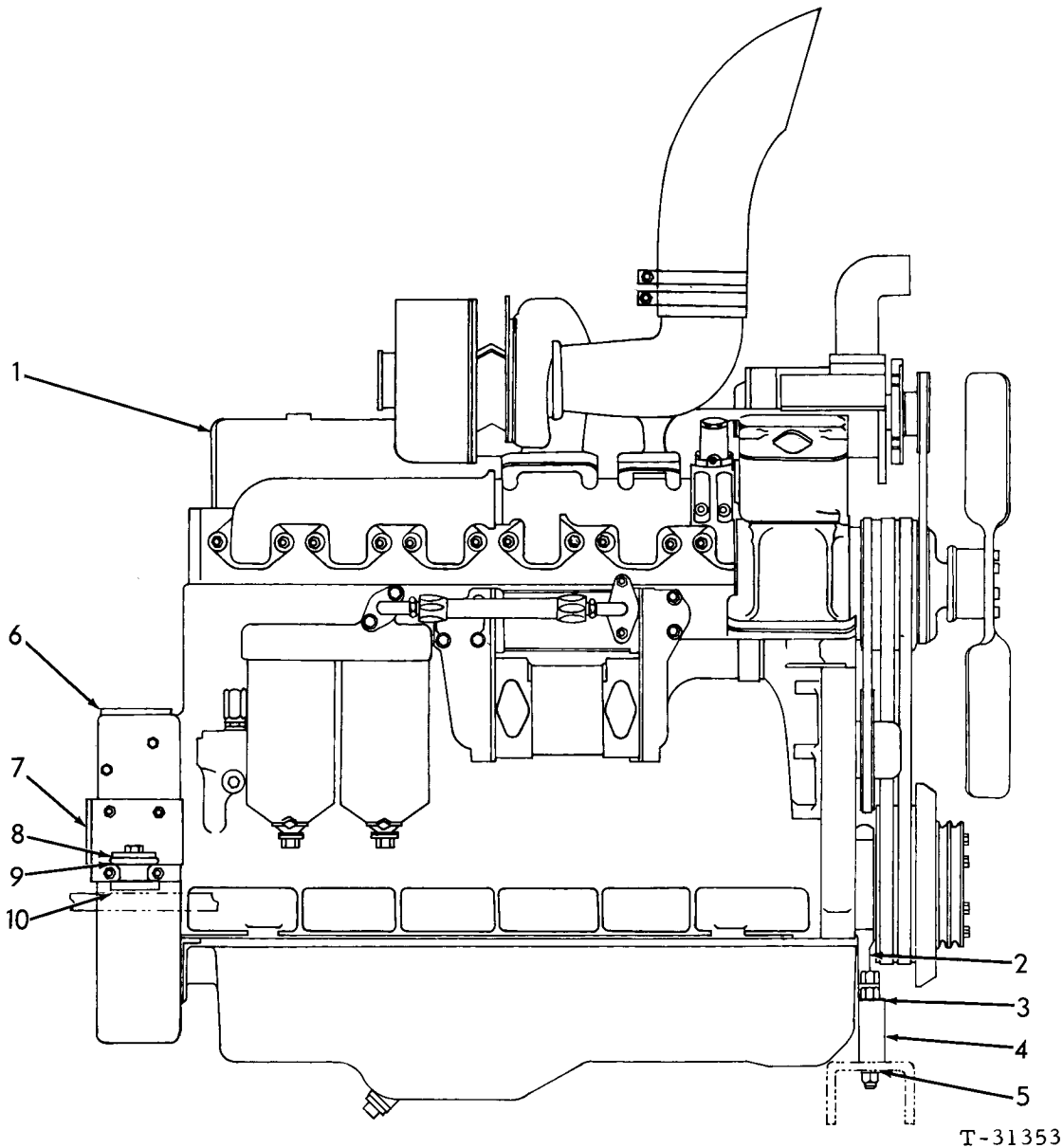
PISTON AND SLEEVE KIT

2	4255465	RETAINER, piston pin
1	4336512	PISTON
1	4336578	RING SET, piston
1	4337395	PIN, piston
1	4337971	SLEEVE, cylinder
2	4337972	RING, sealing, cylinder sleeve

4354291

GASKET KIT, cylinder head

4	4252796	O-RING
4	4254294	O-RING, water by-pass tube
2	4336148	GASKET, rocker cover
4	4336182	GASKET, water manifold
1	4336263	GASKET, thermostat housing
1	4336266	GASKET, engine water outlet elbow
2	4337764	GASKET, valve lifter cover
6	4348063	GASKET, exhaust manifold
2	4348133	GASKET, breather tube (Discard- Not used)
1	4354295	GASKET, front cylinder head
1	4354294	GASKET, rear cylinder head
6	4378031	GASKET, injection nozzle
6	4346138	GASKET, intake manifold



ENGINE AND MOUNTING

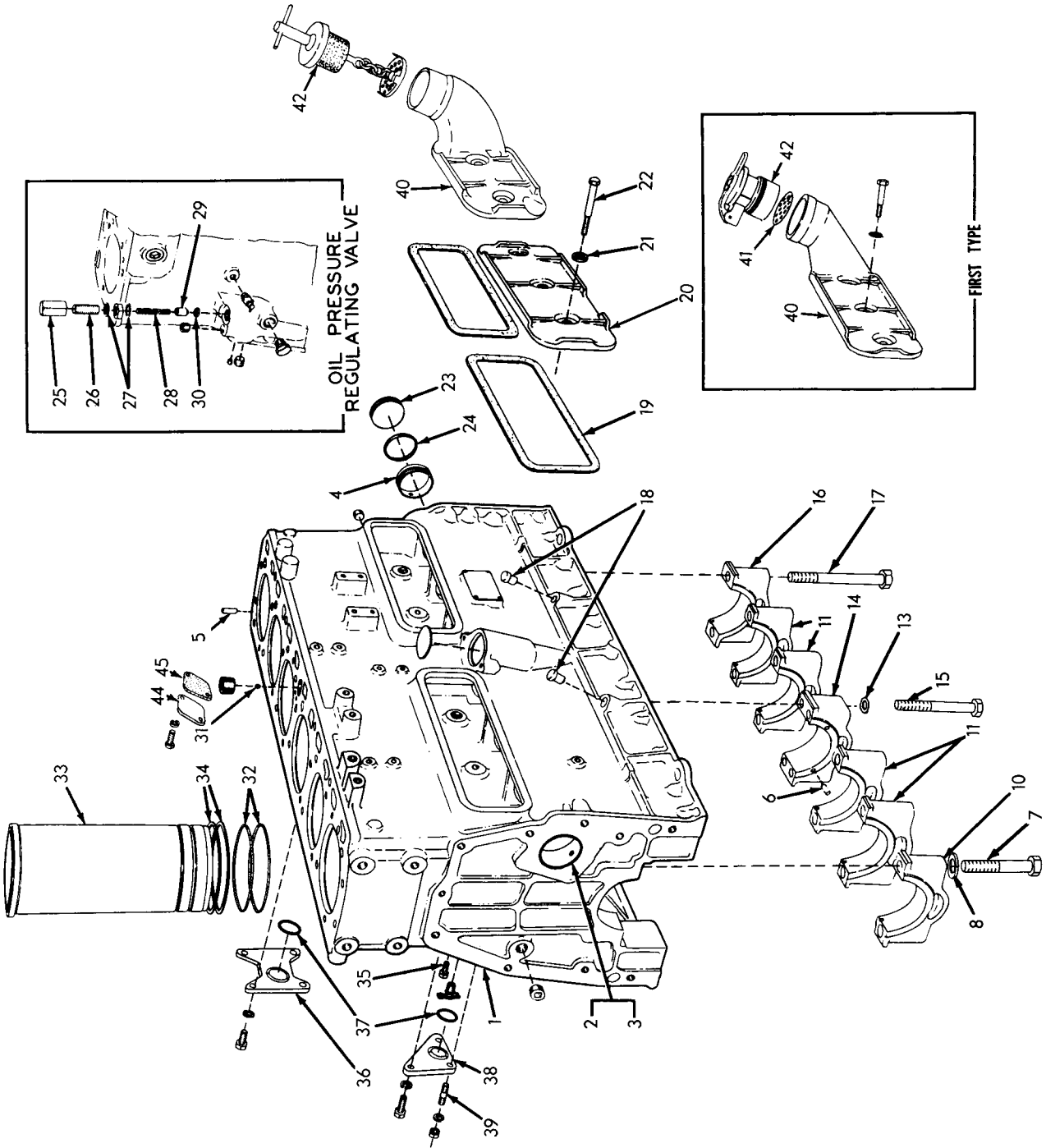
T-31353

ITEM	PART NO.	QTY.	DESCRIPTION
1	4337078	1	ENGINE ASSEMBLY (Less air cleaner, fan, starter, but includes generator, oil and fuel filters.) (Used prior to engine serial #11-10524)
	4339523	1	ENGINE ASSEMBLY (Less air cleaner, fan, starter, but includes generator, oil and fuel filters (Effective with engine serial #11-10524)
2	-----	1	BRACKET, engine mounting (See timing gear housing)
	916414	2	CAPSCREW, 5/8" NF x 5-3/4"
	921139	2	NUT, safety, 5/8" NF

(Continued)

ENGINE AND MOUNTING (Continued)

ITEM	PART NO.	QTY.	DESCRIPTION
3	3026620	-	SHIM (1/16" thick. Use as req'd)
	3026730	-	SHIM (.015" thick. Use as req'd)
4	3029608	1	BAR, engine support, rear
5	916413	2	CAPSCREW, 5/8" NF x 5-1/4"
	3026289	2	WASHER, plain
	921139	2	NUT, safety, 5/8" NF
6	-----	1	BRACKET, solenoid mounting (See FLYWHEEL AND HOUSING)
	915809	2	CAPSCREW, 5/16" NC x 3/4"
	904205	2	LOCKWASHER, 5/16"
7	3027090	2	BRACKET, engine mounting, front
	916311	2	CAPSCREW, 1/2" NC x 1-1/4"
	916313	2	CAPSCREW, 1/2" NC x 1-3/4"
	916321	4	CAPSCREW, 1/2" NC x 4-1/2"
	904208	8	LOCKWASHER, 1/2"
	916409	2	CAPSCREW, 5/8" NF x 3-1/4"
	904209	2	LOCKWASHER, 5/8"
8	3026949	2	WASHER
9	3026969	2	MOUNT, rubber
10	3027853	-	SHIM (1/16" thick. Use as req'd)
	3027854	-	SHIM (1/8" thick. Use as req'd)



CYLINDER BLOCK

ITEM	PART NO.	QTY.	DESCRIPTION
1	4338151	1	BLOCK ASSEMBLY (Includes items 2 thru 18, 30, 31, 35 thru 39 and hardware indented below)
	910017	1	PLUG, expansion, 2-3/8" diam.
	919134	2	PLUG, pipe, hex-hd., 1/8" NPT
	920333	2	PLUG, pipe, hex-hd., 3/8" NPT
	920416	1	PLUG, pipe, hex-hd., 1/2" NPT
	904223	2	PLUG, pipe, ctsk-hd., 1/2" NPT
	918888	1	PLUG, pipe, ctsk-hd., 1" NPT (Used in service replacement block only)
	918851	1	PLUG, pipe, 3/4" NPT
	912415	2	COCK, drain, 1/4" NPT
2	{ 4346100	1	BEARING, camshaft, rear (standard size)
	{ 4347416	1	BEARING, camshaft, rear (.010" undersize)
3	{ 4346099	2	BEARING, camshaft, intermediate (standard size)
	{ 4347419	2	BEARING, camshaft, intermediate (.010" undersize)
4	{ 4346108	1	BEARING, camshaft, front (standard size)
	{ 4347413	1	BEARING, camshaft, front (.010" undersize)
5	4336432	4	PIN, dowel, cylinder head
6	-----	4	PIN, dowel, crankshaft thrust flange (See CRANKSHAFT)
7	{ 4348829	2	STUD, rear main bearing (3/4" diam., 5-1/2" long) (Used prior to engine serial #11-10064)
	{ 4339037	2	CAPSCREW, rear main bearing (Effective with engine serial #11-10064)
8	4354175	12	WASHER, lock, main bearing
9	4346191	12	NUT, main bearing stud (3/4" NF) (Used prior to engine serial #11-10064) (Not illustrated)
10	4349630	1	*CAP, rear main bearing
11	4349632	4	*CAP, intermediate main bearing
12	4346322	4	NUT, center main bearing stud (5/8" NF) (Used prior to engine serial #11-10064) (Not illustrated)
13	{ 4346323	2	PLATE, locking, center main bearing (Used prior to engine serial #11-11188)
	{ 4389910	4	WASHER, locking, center main bearing (Effective with engine serial #11-11188)
14	4349629	1	*CAP, center main bearing
15	{ 4348831	4	STUD, center main bearing (5/8" diam.) (Used prior to engine serial #11-10064)
	{ 4339038	4	CAPSCREW, center main bearing (Effective with engine serial #11-10064)
16	4349631	1	*CAP, front main bearing
17	{ 4348830	10	STUD, front and intermediate main bearings (3/4" diam., 5-7/8" long) (Used prior to engine serial #11-10064)
	{ 4339036	10	CAPSCREW, front and intermediate main bearings (Effective with engine serial #11-10064)

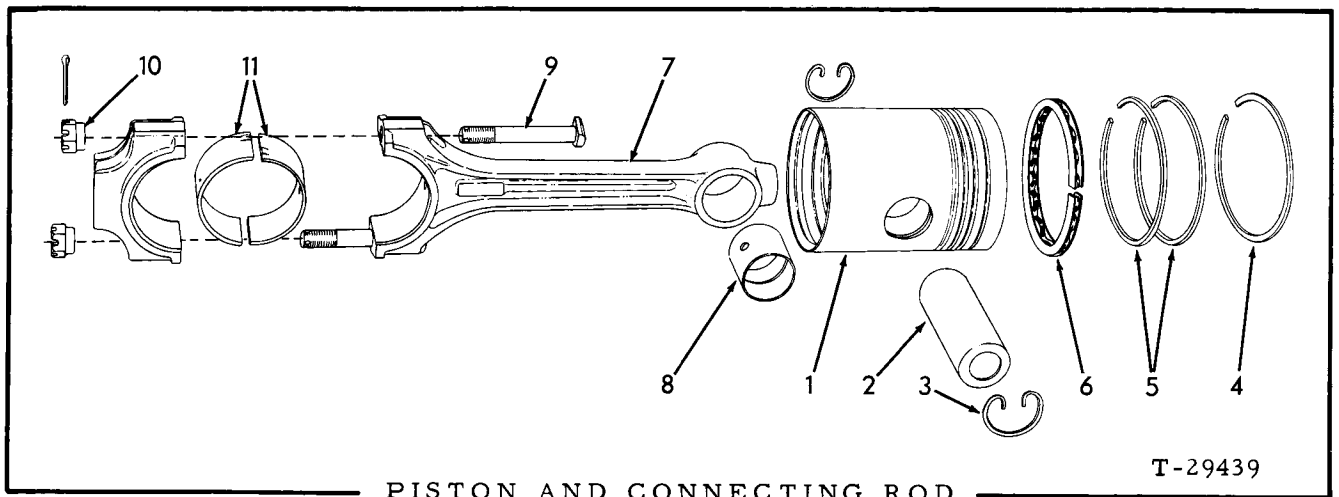
(Continued)

CYLINDER BLOCK (Continued)

ITEM	PART NO.	QTY.	DESCRIPTION
18	4362338	2	PLUG, crankcase
19	4337764	2	□GASKET, valve lifter cover
20	4335453	1	COVER, valve lifter
21	4335456	6	WASHER, valve lifter cover bolt
22	4335455	6	BOLT, valve lifter cover
23	4335534	1	PLUG, camshaft hole
24	4254624	1	□O-RING, camshaft hole plug
25	-----	1	NUT, cap, oil pressure regulating valve (Prior to engine serial #11-10154 order item 26)
26	4389058	1	SCREW, oil pressure regulating valve
	910847	1	NUT, jam, 3/4" NF
27	4113897	2	□GASKET, regulating valve nut (Used prior to engine serial #11-10154)
28	4660358	1	SPRING, oil pressure regulating valve
29	4500230	1	PISTON, oil pressure regulating valve
30	4347465	1	INSERT, oil pressure regulating valve seat
31	4347061	1	RESTRICTOR, oil passage
32	{ 4346184	12	□RING, packing, cylinder sleeve (Used prior to engine #117699)
		12	□RING, packing, cylinder sleeve (Effective with engine #117699)
33	4337971	6	□SLEEVE, cylinder (Used prior to engine #117699 also order 4337972 RING)
34	{ 4348857	-	SHIM, cylinder sleeve (.005" thick)
		-	SHIM, cylinder sleeve (.010" thick)
		-	SHIM, cylinder sleeve (.015" thick)
		-	SHIM, cylinder sleeve (.020" thick)
			(Use as req'd when re-machining cylinder blocks)
35	4335777	2	CAPSCREW, crankcase pad (3/8" NC x 3/4" Nylok)
			NOTE: Items listed below are furnished only with service replacement cylinder block and are not original equipment.
36	4335369	1	PLATE, cover, oil gallery hole, upper
	903638	4	CAPSCREW, 1/2" NC x 1-1/4"
	904208	4	LOCKWASHER, 1/2"
37	4253106	2	O-RING, oil gallery hole cover plates
38	4335782	1	PLATE, cover oil gallery hole, lower
	915666	1	CAPSCREW, 1/2" NC x 1-3/8"
39	4506946	2	STUD
	904208	3	LOCKWASHER, 1/2"
	910195	2	NUT, 1/2" NF
40	{ 4335454	1	COVER, valve lifter (Used prior to engine serial #11-10080)
		1	COVER, valve lifter (Effective with engine serial #11-10080)
41	4335022	1	STRAINER, oil filler (Used prior to engine serial #11-10080)
42	{ 4366461	1	CAP ASSEMBLY, oil filler (Serviced only as a unit) (Used prior to engine serial #11-10080)
		1	CLOSURE ASSEMBLY, oil filler (Serviced only as a unit) (Effective with engine serial #11-10080)
43	4379291	1	PLATE ASSEMBLY, oil filler (Not illustrated)

*Replacement bearing caps are semi-finished and must be line-bored after installing.

□(Also see PACKAGED PARTS)



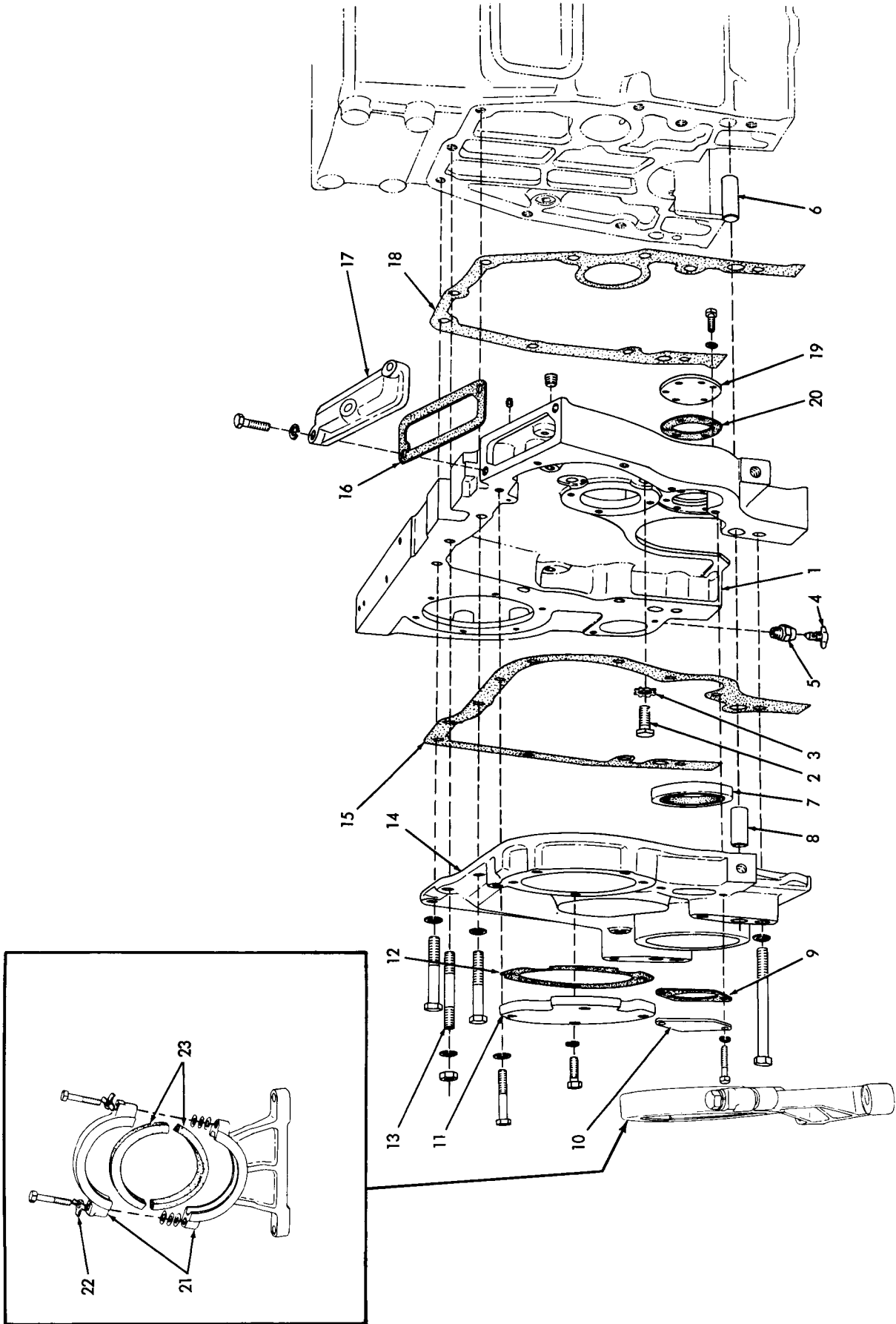
PISTON AND CONNECTING ROD

T-29439

ITEM	PART NO.	QTY.	DESCRIPTION
1	4336512	6	□PISTON
2	4337395	6	□PIN, piston
3	4255465	12	□RETAINER, piston pin
4	4347458	6	RING, compression (top groove)
5	4347235	12	RING, compression
6	4336559	6	RING, oil control
7	4354181	6	ROD ASSEMBLY, connecting (Includes item 8 thru 10)
8	4339017	6	BUSHING, connecting rod
9	4354179	12	BOLT, connecting rod
10	4354180	12	NUT, connecting rod bolt
	900806	12	PIN, cotter, 1/8" x 1" (Used prior to engine serial #11-10645)
11	4337701	12	BEARING, connecting rod (Standard size)
	4337702	12	BEARING, connecting rod (.010" undersize)
	4337703	12	BEARING, connecting rod (.020" undersize)
	4337704	12	BEARING, connecting rod (.030" undersize)
	4337705	12	BEARING, connecting rod (.040" undersize)
-	4336578	1	□RING SET, piston (Consists of items 4 thru 6)

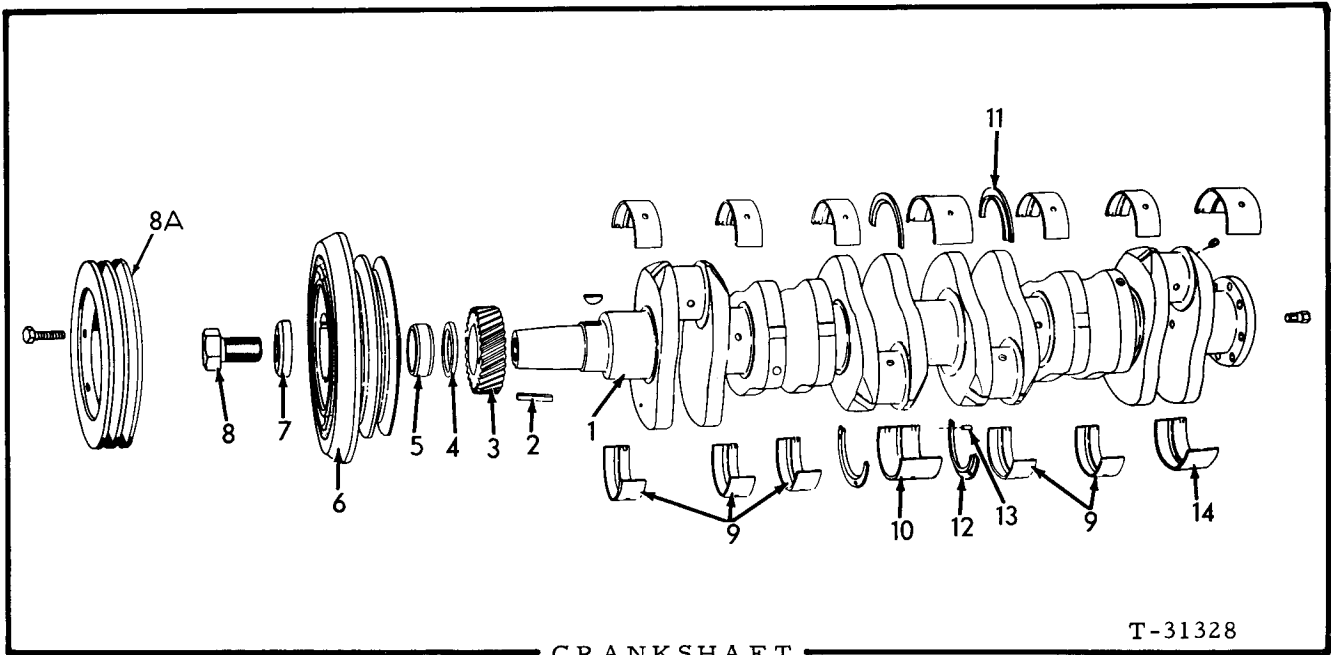
□(Also see Packaged Parts)

TIMING GEAR HOUSING



TIMING GEAR HOUSING

ITEM	PART NO.	QTY.	DESCRIPTION
1	4337228	1	HOUSING, timing gear
	919134	1	PLUG, pipe, hex-hd., 1/8"NPT
	917970	1	PLUG, pipe, hex-socket, 1/2"NPT
2	4004054	3	CAPSCREW, 1/2"NC x 1-1/16"
3	4253490	3	WASHER
4	201671	1	COCK, drain, 3/8"NPT (Includes item 5)
5	209359	1	□STEM, drain cock
6	4346246	2	PIN, dowel, timing gear housing
7	4338507	1	SEAL, oil, crankshaft
8	4348107	2	PIN, dowel, timing gear cover
9	4335712	1	□GASKET, cover plate
10	4335711	1	PLATE, timing gear cover
11	4348310	1	PLATE, cover, injection pump driving gear
	916269	4	CAPSCREW, 3/8"NC x 7/8"
	904206	4	LOCKWASHER, 3/8"
12	4349011	1	□GASKET, cover plate
13	4335371	1	STUD, timing gear housing
	904208	1	LOCKWASHER, 1/2"
	910195	1	NUT, 1/2"NF
14	4337281	1	COVER ASSEMBLY, timing gear housing (Includes item 8)
	915969	3	CAPSCREW, 1/2"NC x 3"
	903782	1	CAPSCREW, 1/2"NC x 3-1/2"
	910257	1	CAPSCREW, 1/2"NC x 4-3/4", (Two used prior to engine #113670)
	921299	1	CAPSCREW, 1/2"NC x 4", (Effective w/engine #113670)
	915635	3	CAPSCREW, 3/8"NC x 1-7/8"
	916274	2	CAPSCREW, 3/8"NC x 2-1/4"
	904208	6	LOCKWASHER, 1/2"
	904206	5	LOCKWASHER, 3/8"
15	4348126	1	□GASKET, timing gear housing cover
16	4347120	1	□GASKET, oil filler hole cover
17	4336524	1	COVER, timing hole
	919225	2	CAPSCREW, 3/8"NC x 1-3/8"
	904206	2	LOCKWASHER, 3/8"
18	4348136	1	□GASKET, timing gear housing
19	4336346	1	COVER, timing gear housing
	916277	6	CAPSCREW, 5/16"NC x 5/8"
	917330	6	WASHER, plain, copper, 5/16"
20	4336345	1	□GASKET, housing cover
21	4335067	1	BRACKET, engine mounting (Includes cap)
	4254891	2	CAPSCREW, 1/2"NC x 2-1/2"
	916009	10	WASHER, plain (1/32" thick. Use as req'd)
22	4335550	2	LOCKWASHER
23	4336491	2	LINER, engine mounting bracket
			□(Also see PACKAGED PARTS)

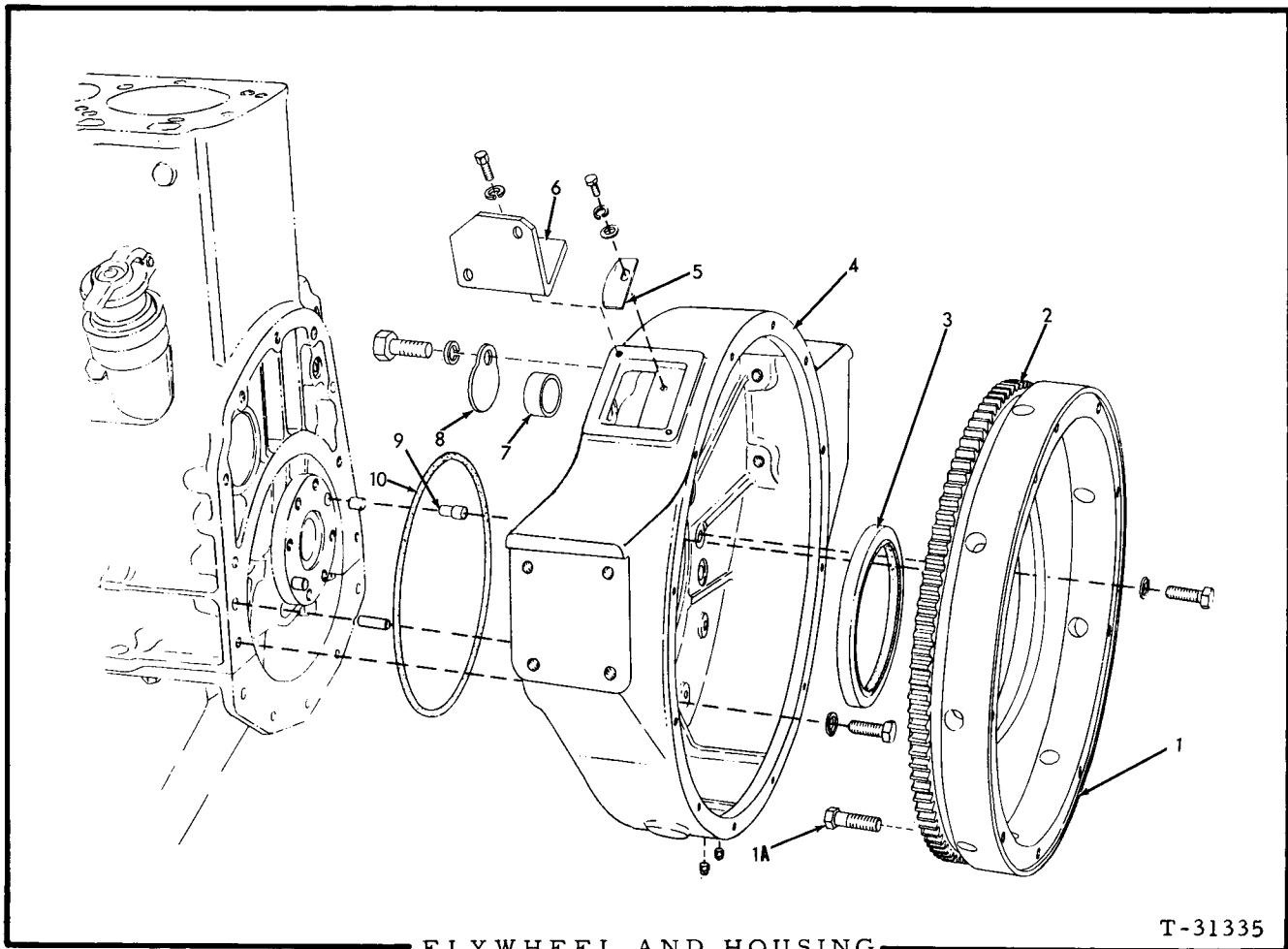


ITEM	PART NO.	QTY.	DESCRIPTION
1	4337718	1	CRANKSHAFT ASSEMBLY (Includes PLUGS indented below)
	917673	6	PLUG, pipe, hex-socket, 1/8"NPT (Prior to engine serial #117176 order 10 bearing 4337710, 2 bearings 4337665, 12 bearings 4337701, 2 flange 4337683 and 2 flange 4337687)
	919840	1	PLUG, pipe, hex-hd., 1/4"NPT
2	4003490	1	KEY, crankshaft pulley
3	4337060	1	GEAR, crankshaft
	905127	1	KEY, "B" woodruff, 5/16" x 1"
4	4374391	1	SPACER, rear oil seal sleeve (first type)
5	4374390	1	SLEEVE, rear oil seal (first type)
6	4347815	1	PULLEY, crankshaft
7	4371503	1	WASHER, crankshaft pulley bolt
8	4347897	1	CAPSCREW, crankshaft pulley
8a	3026190	1	PULLEY, drive, power steering pump
	916316	6	CAPSCREW, 1/2"NC x 2-1/2"
	904208	6	LOCKWASHER, 1/2"
9	4337710	10	BEARING, rear and intermediate main (standard size)
	4337711	10	BEARING, rear and intermediate main (.010" undersize)
	4337712	10	BEARING, rear and intermediate main (.020" undersize)
	4337713	10	BEARING, rear and intermediate main (.030" undersize)
	4337714	10	BEARING, rear and intermediate main (.040" undersize)

(Continued)

CRANKSHAFT (Continued)

ITEM	PART NO.	QTY.	DESCRIPTION
10	4337735	1	BEARING KIT, center main (Standard size)
	4337736	1	BEARING KIT, center main (.010" undersize)
	4337737	1	BEARING KIT, center main (.020" undersize)
	4337738	1	BEARING KIT, center main (.030" undersize)
	4337739	1	BEARING KIT, center main (.040" undersize)
NOTE: Each Bearing Kit listed above includes upper and lower bearings, set of standard thrust flanges and dowel pins.			
11	4337683	2	FLANGE, thrust, center main, upper (Standard size)
	4337684	2	FLANGE, thrust, center main, upper (.005" oversize)
	4337685	2	FLANGE, thrust, center main, upper (.010" oversize)
	4337686	2	FLANGE, thrust, center main, upper (.015" oversize)
12	4337687	2	FLANGE, thrust, center main, lower (Standard size)
	4337688	2	FLANGE, thrust, center main, lower (.005" oversize)
	4337689	2	FLANGE, thrust, center main, lower (.010" oversize)
	4337690	2	FLANGE, thrust, center main, lower (.015" oversize)
13	4250898	4	PIN, dowel, thrust flange
14	4337698	2	BEARING, front main (Standard size)
	4337699	2	BEARING, front main (.010" undersize)
	4337700	2	BEARING, front main (.020" undersize)
	4337715	2	BEARING, front main (.030" undersize)
	4337716	2	BEARING, front main (.040" undersize)



FLYWHEEL AND HOUSING

T-31335

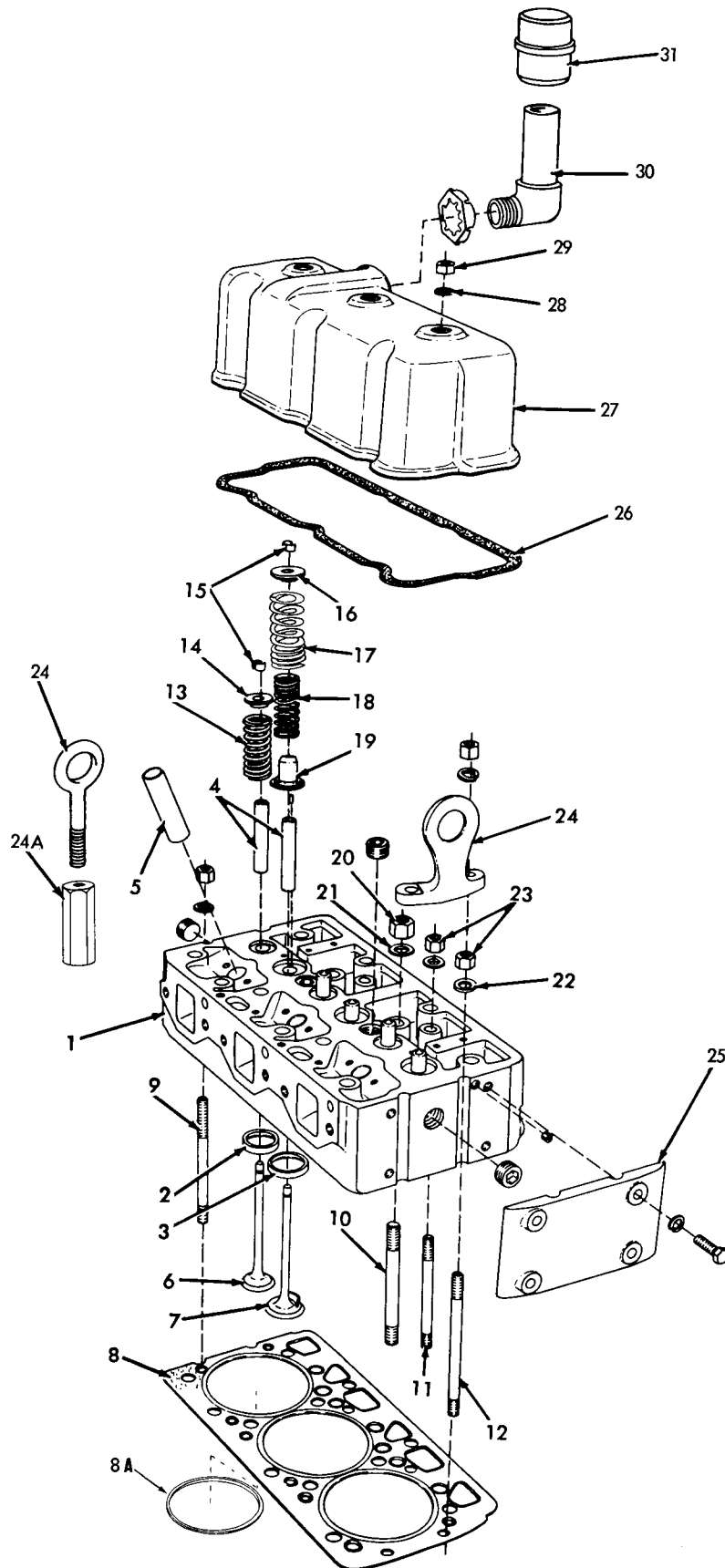
USAGE: * Used prior to engine serial #11-10524
 ** Effective with engine serial #11-10524

ITEM	PART NO.	QTY.	DESCRIPTION
		* **	
1	4338558	1 -	FLYWHEEL ASSEMBLY (Includes item 2)
	4339527	- 1	FLYWHEEL ASSEMBLY (Includes item 2)
1A	4255343	6 6	BOLT, lock (Special)
	3041448	- 8	BOLT, place, 3/8" NF x 2" (Flywheel to disk assembly)
	904208	6 -	LOCKWASHER, 1/2" (Used prior to engine serial #11-10012)
2	4336426	1 1	GEAR, ring
3	4338219	1 1	SEAL, oil crankshaft, front end

(Continued)

FLYWHEEL AND HOUSING (Continued)

ITEM	PART NO.	QTY.	DESCRIPTION
		* **	
4	{ 4336427	1	- HOUSING, flywheel
		-	1 HOUSING ASSEMBLY, flywheel (Includes item 7)
	917021	1	- PIN, dowel, 1/2" x 1"
	919840	2	2 PLUG, pipe, 1/4" NPT
	916311	9	9 CAPSCREW, 1/2" NC x 1-1/4"
	904208	9	9 LOCKWASHER, 1/2"
5	4336429	1	1 POINTER, timing
	915809	1	1 CAPSCREW, 5/16" NC x 3/4"
	904205	1	1 LOCKWASHER, 5/16"
	910335	1	1 WASHER, plain, SAE std., 5/16"
6	3031536	1	1 BRACKET, solenoid mounting (See Engine and Mounting)
7	4338091	-	1 TUBE
8	4255155	-	1 COVER, access hole
	916284	-	1 CAPSCREW, 1/4" NC x 1/2"
	904204	-	1 LOCKWASHER, 1/4"
9	4500300	2	2 DOWEL, flywheel to crankshaft
10	4336897	1	1 O-RING, sealing, flywheel housing to crankcase
11	4336778	1	- STRIP, timing (Used with engine serial #113674 thru 11-10012) (Not illustrated) □(See PACKAGED PARTS)



CYLINDER HEAD

T-31352

CYLINDER HEAD

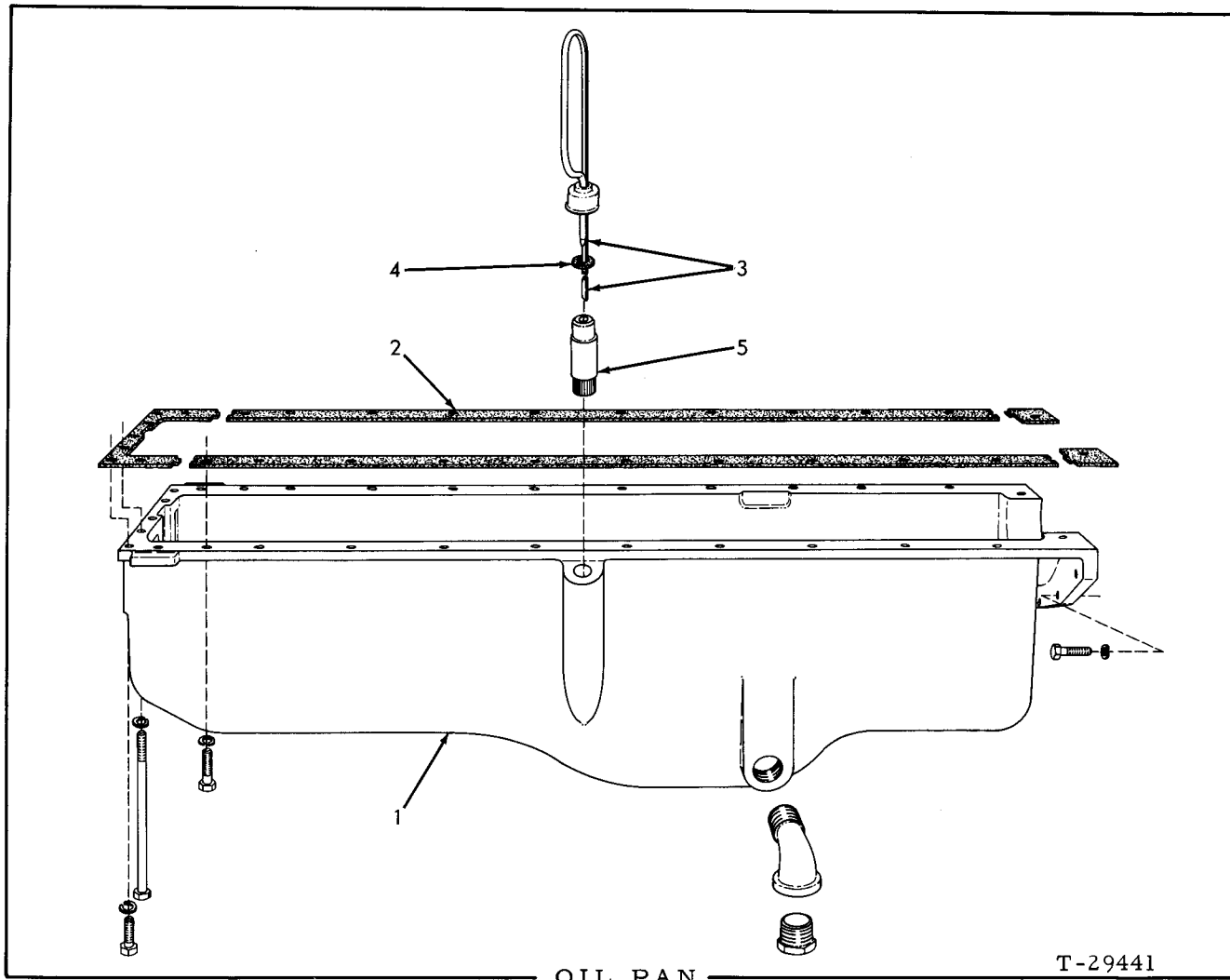
ITEM	PART NO.	QTY.	DESCRIPTION
1	4339548	2	HEAD ASSEMBLY, cylinder (Includes items 2 thru 5 and hardware indented below)
	917673	4	PLUG, pipe, hex-socket, 1/8" NPT
	920340	8	PLUG, pipe, hex-socket, 3/4" NPT
	917560	6	PIN, dowel, 3/16" x 3/8" (Intake valve locator)
2	4336419	6	INSERT, exhaust valve seat (std.) (Used prior to engine serial #11-10371)
	4336602	6	INSERT, exhaust valve seat (.005" oversize) (Used prior to engine serial #11-10371)
	4339547	6	INSERT, exhaust valve seat (std.) (Effective with engine serial #11-10371)
	4339625	6	INSERT, exhaust valve seat (.005" oversize) (Effective with engine serial #11-10371)
3	4336418	6	INSERT, intake valve seat (std.) (Used prior to engine serial #11-10371)
	4336601	6	INSERT, intake valve seat (.005" oversize) (Used prior to engine serial #11-10371)
	4339546	6	INSERT, intake valve seat (std.) (Effective with engine serial #11-10371)
	4339624	6	INSERT, intake valve seat (.005" oversize) (Effective with engine serial #11-10371)
4	4336586	12	GUIDE, valve stem
5	4336157	6	SLEEVE, injection nozzle
6	4336128	6	VALVE, exhaust
7	4336127	6	VALVE, intake
8	4338388	1	GASKET, cylinder head, front (shown) (Used prior to engine serial #11-11144)
	4354295	1	GASKET, cylinder head, front (shown) (Effective with engine serial #11-11144)
	4338389	1	GASKET, cylinder head, rear (Used prior to engine serial #11-11144)
	4354294	1	GASKET, cylinder head, rear (Effective with engine serial #11-11144)
8A	4339848	6	RING, fire (Effective with engine serial #11-11144)
9	4339499	4	STUD, cylinder head (1/2" x 7")
10	4339505	24	STUD, cylinder head (5/8" x 6-1/2")
11	4339498	4	STUD, cylinder head (1/2" x 6-1/8")

(Continued)

CYLINDER HEAD (Continued)

ITEM	PART NO.	QTY.	DESCRIPTION
12	4339497	2	STUD, cylinder head (1/2" x 7-3/4")
13	4336131	6	SPRING, exhaust valve
14	4343799	6	RETAINER, exhaust valve spring
15	4376497	24	LOCK, valve spring retainer (half only)
16	4336153	6	RETAINER, intake valve spring
17	4336129	6	SPRING, intake valve, outer
18	4336130	6	SPRING, intake valve, inner
19	4336758	6	LOCATOR, intake valve
20	4366780	20	NUT, cylinder head stud (5/8" NF)
	4338445	4	NUT, safety, 3/8" NF (First and last stud, push rod side)
21	4389910	24	WASHER, cylinder head nut (for 5/8" stud)
22	4372864	14	WASHER, cylinder head nut (f/1/2" stud)
23	4366781	14	NUT, cylinder head stud (1/2" NF)
24	4347619	1	EYE, engine lifting (rear) (shown)
	4336444	1	EYE, engine lifting (front) (opposite)
24 A	4366782	1	NUT, cylinder head and lifting eye (front) (5/8" NF, high type)
25	4336178	2	PLATE, end
	916191	8	CAPSCREW, 7/16" NC x 1-1/2"
	904207	8	LOCKWASHER, 7/16"
26	4336148	2	□GASKET, rocker cover
27	4337113	2	COVER, rocker
28	4376749	6	WASHER, sealing, rocker cover nut
29	4375937	6	NUT, rocker cover
30	4336592	2	ELBOW ASSEMBLY, breather
	911334	2	NUT, locking
31	4514000	2	CAP, breather

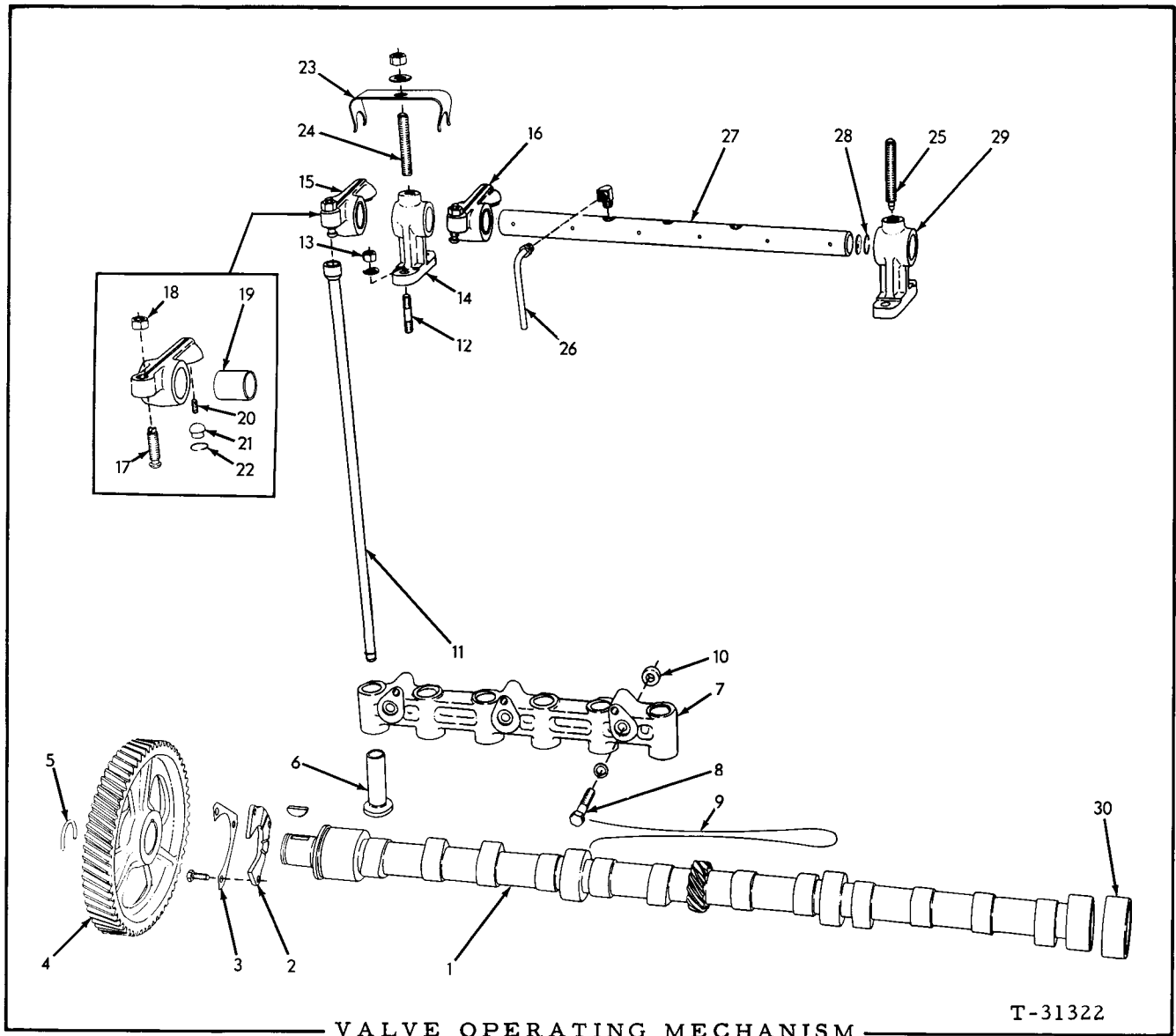
□(Also see PACKAGED PARTS)



OIL PAN

T-29441

ITEM	PART NO.	QTY.	DESCRIPTION
1	4336406	1	PAN, oil
	901726	1	ELBOW, street, 90°1"NPT
	921073	1	PLUG, pipe, hex-hd., 1"NPT
	910211	29	CAPSCREW, 3/8"NC x 1-1/8"
	903772	2	CAPSCREW, 5/16"NC x 1"
	917869	3	CAPSCREW, 5/16"NC x 6-1/2"
	904206	29	LOCKWASHER, 3/8"
	904205	5	LOCKWASHER, 5/16"
2	4347543	1	GASKET SET, oil pan (5 pieces)
3	4337071	1	GAUGE, oil level
4	4506607	1	SEAL, oil level gauge
5	4349037	1	ADAPTOR, oil level gauge



VALVE OPERATING MECHANISM

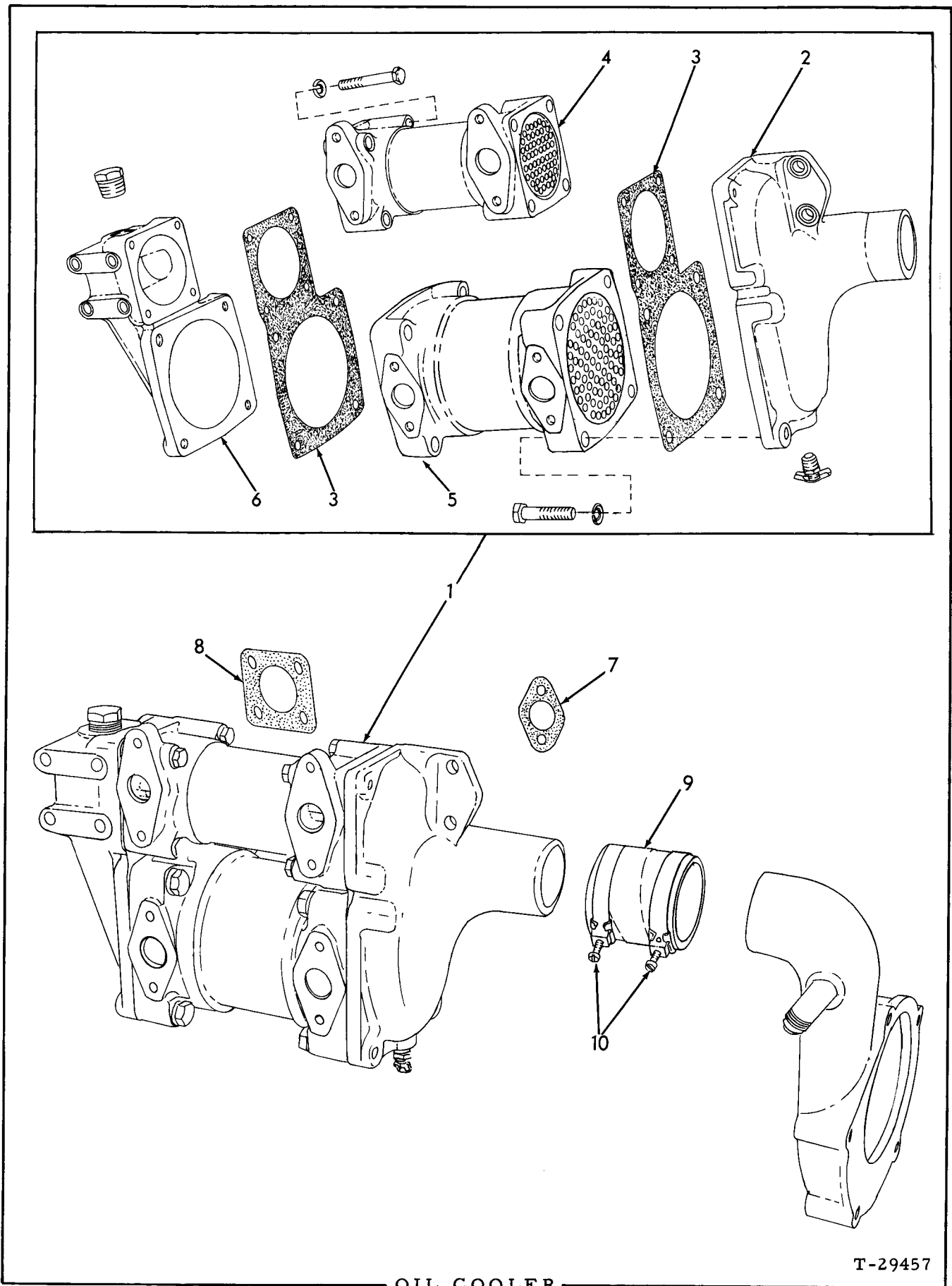
T-31322

ITEM	PART NO.	QTY.	DESCRIPTION
1	4337723	1	CAMSHAFT
	905126	1	KEY, #5 woodruff, 1/4" x 1"
2	4349257	1	COLLAR, camshaft thrust
	916277	3	CAPSCREW, 5/16"NC x 5/8"
3	4025391	1	PLATE, capscrew locking
4	4337045	1	GEAR, camshaft
5	4346307	1	RING, snap, gear retaining
6	4338299	12	LIFTER, valve

(Continued)

VALVE OPERATING MECHANISM (Continued)

ITEM	PART NO.	QTY.	DESCRIPTION
7	4347511	2	BRACKET, valve lifter
8	4335548	6	CAPSCREW, 3/8"NC x 1-7/8"
	904206	6	LOCKWASHER, 3/8"
9	4335547	2	WIRE, locking
10	4347832	4	DOWEL, hollow, valve lifter bracket
11	4336234	12	ROD, push
12	4506946	12	STUD, rocker shaft bracket
	904206	12	LOCKWASHER, 3/8"
13	4348440	12	NUT, heat-treated, 3/8"NF
14	4336143	4	BRACKET, rocker shaft, end
15	4337478	6	ARM ASSEMBLY, rocker, intake valve (Includes items 17 thru 22)
16	4337479	6	ARM ASSEMBLY, rocker, exhaust valve (Includes items 17 thru 22)
17	4336646	12	SCREW, valve lash adjustment
18	4348440	12	NUT, valve lash adjustment screw
19	4660369	12	BUSHING, rocker arm
20	4364422	12	WICK, oiling, rocker ball
21	4379305	12	BALL, rocker arm
22	4385480	12	RING, rocker arm ball
23	4338143	6	CLIP, spring, rocker arm retaining
	910919	6	WASHER, plain, SAE std., 7/16"
	910986	6	NUT, 7/16"NF
24	4348129	4	STUD, rocker cover (2-5/8" long)
25	4348130	2	SCREW, rocker shaft retaining (3" long, dog-pt.)
26	4349157	2	LINE ASSEMBLY, rocker shaft overflow (Includes nut)
	913039	2	ELBOW, inverted flare, 90°, 1/4" tube, 1/8"NPT male
27	4336145	2	SHAFT ASSEMBLY, rocker arm (Includes 910002 PLUGS and item 28)
	910002	4	PLUG, expansion, 3/4" diam.
28	4254363	4	RING, snap, rocker shaft
29	4336142	2	BRACKET, rocker shaft, center
30	-----	-	BEARING, camshaft (See CYLINDER BLOCK)

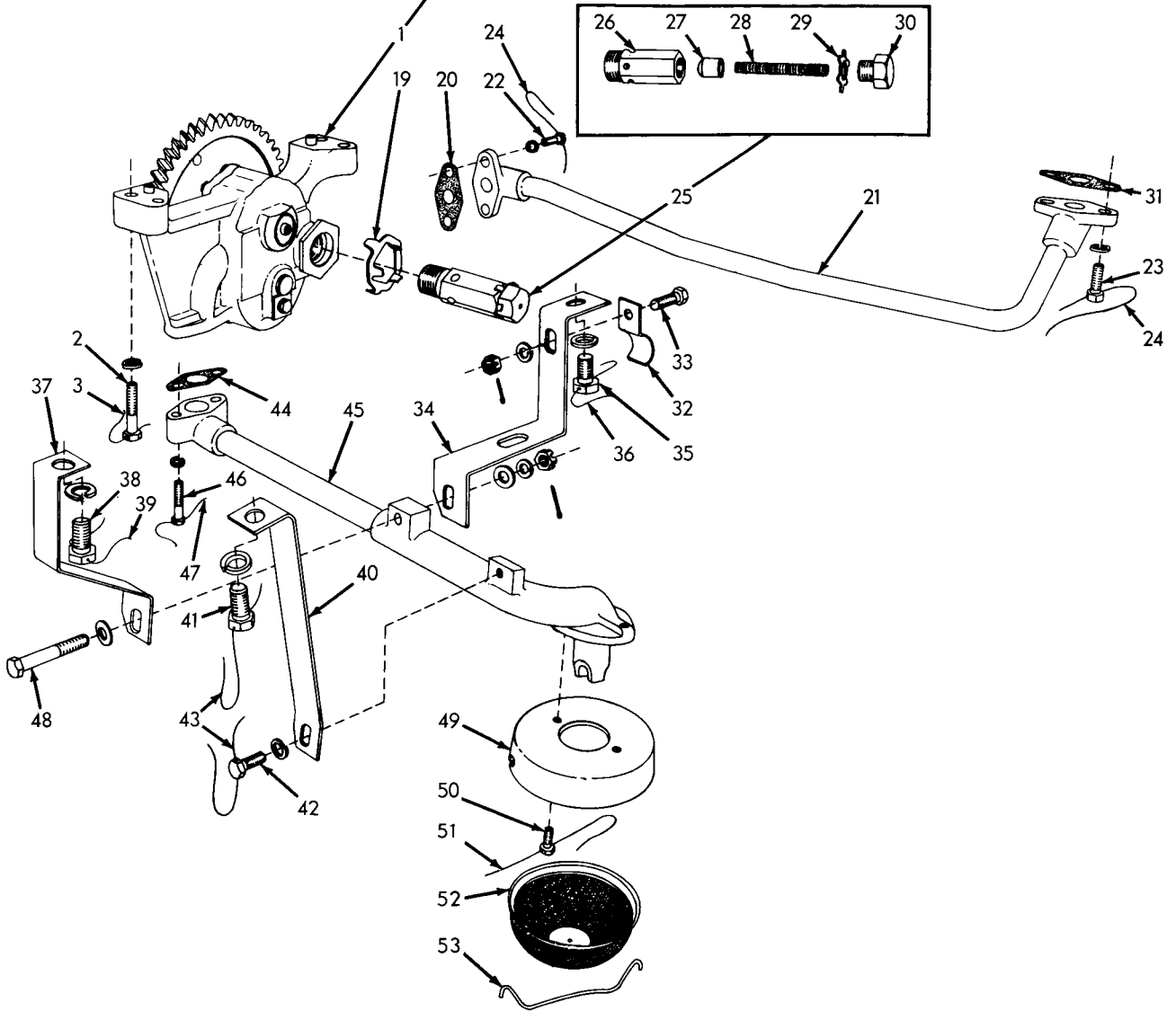
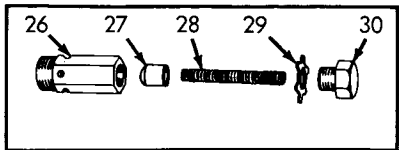
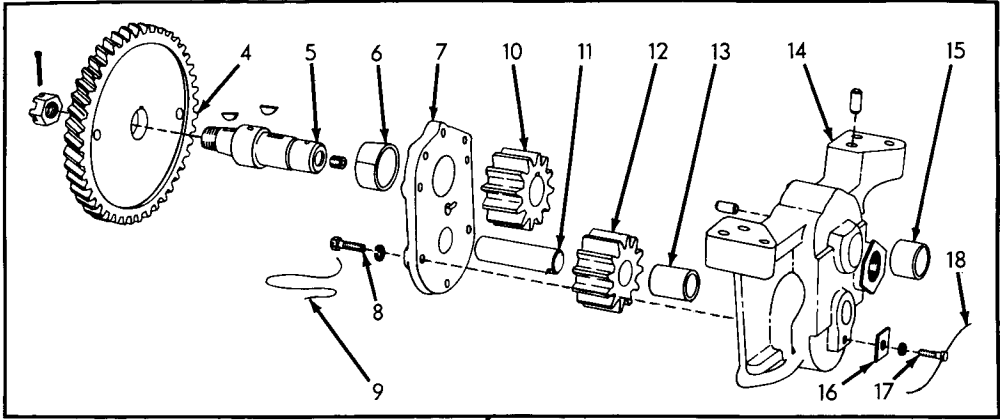


OIL COOLER

T-29457

OIL COOLER (Engine and Torque Converter)

ITEM	PART NO.	QTY.	DESCRIPTION
1	4335638	1	COOLER ASSEMBLY, engine and torque converter oil (Consists of items 2 thru 6)
	916271	2	CAPSCREW, 3/8" NC x 1-1/4"
	918778	2	CAPSCREW, 3/8" NC x 4-3/4" (4 used prior to engine serial #11-10658)
	919293	2	CAPSCREW, 3/8" NC x 5" (Effective with engine serial #11-10658)
	904206	6	LOCKWASHER, 3/8"
2	4347539	1	CONNECTION, water inlet
	912415	1	COCK, drain, 1/4" NPT
3	4335668	2	GASKET, oil cooler
4	4336596	1	COOLER, engine oil
	903635	8	CAPSCREW, 3/8" NC x 2-1/2"
	904206	8	LOCKWASHER, 3/8"
5	4354395	1	COOLER, torque converter oil
	903641	8	CAPSCREW, 1/2" NC x 2-1/4"
	904208	8	LOCKWASHER, 1/2"
6	4335639	1	CONNECTION, water outlet
	920525	1	PLUG, pipe, hex-hd., 3/4" NPT
7	4348185	1	<input type="checkbox"/> GASKET, shimming, water inlet connection
8	4348184	1	<input type="checkbox"/> GASKET, water outlet connection to block
9	4506737	1	HOSE, water pump to cooler
10	4253922	2	CLAMP, hose, adjustable
			<input type="checkbox"/> (Also see PACKAGED PARTS)



OIL PUMP

T-29442

OIL PUMP

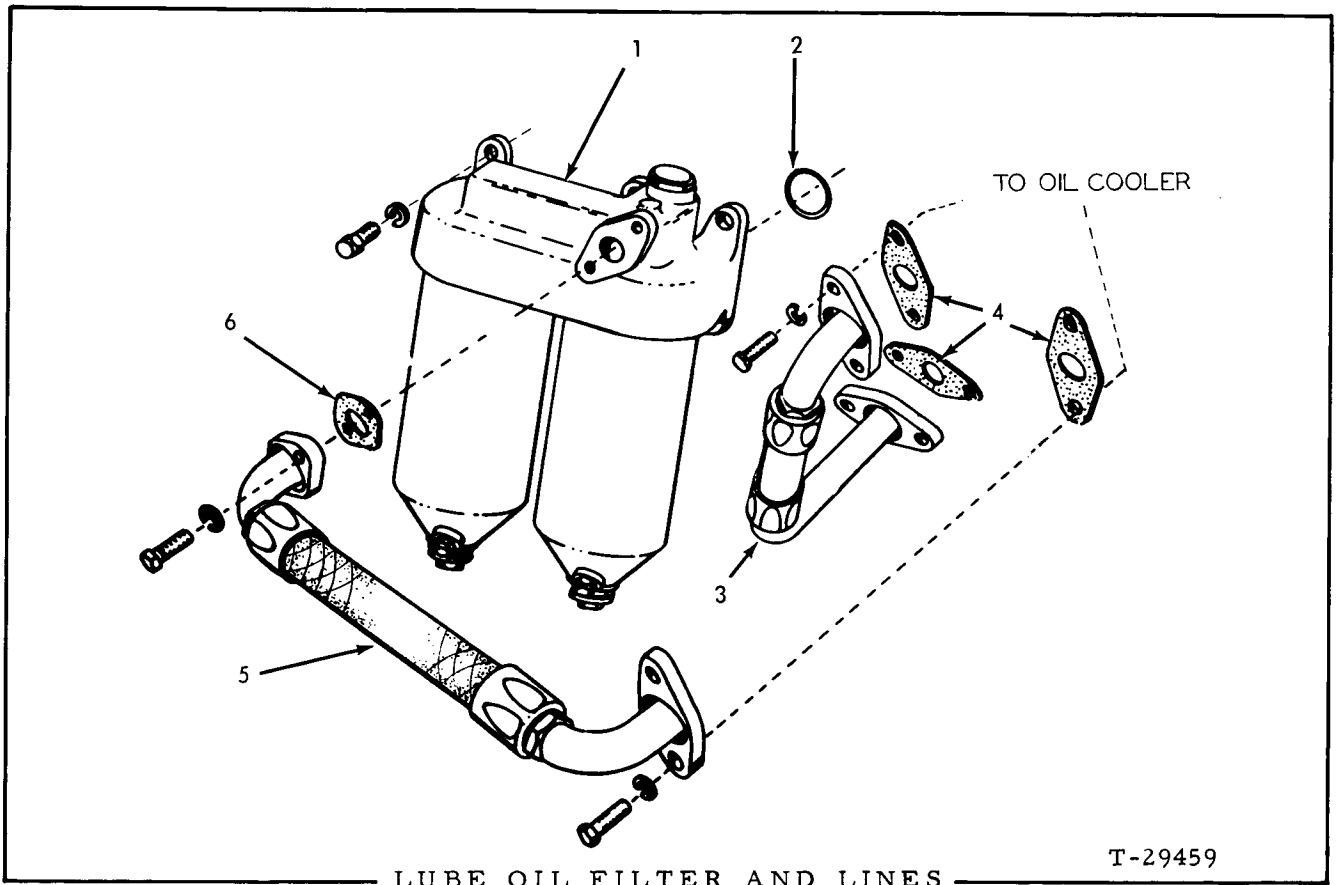
ITEM	PART NO.	QTY.	DESCRIPTION
1	4337059	1	PUMP ASSEMBLY (Consists of items 4 thru 18)
2	4348692	4	CAPSCREW, drilled-hd., 3/8"NC x 1-3/4"
	904206	4	LOCKWASHER, 3/8"
3	4348691	2	WIRE, locking, #18 x 6"
4	4337047	1	GEAR, driving
5	4348894	1	SHAFT, upper
	910224	2	KEY, #6 woodruff, 5/32" x 5/8"
	912840	1	NUT, slotted, 5/8"NF
	900807	1	PIN, cotter, 1/8" x 1-1/4"
	917673	1	PLUG, pipe, ctsk., hex-socket, 1/8"NPT
6	4347659	1	BUSHING, pump cover
7	4348044	1	COVER ASSEMBLY (Includes item 6)
8	4875601	6	CAPSCREW, drilled-hd., 1/4"NC x 7/8"
	904204	6	LOCKWASHER, 1/4"
9	4348691	3	WIRE, locking
10	4348883	1	GEAR, upper
11	4348038	1	SHAFT, lower
12	4348891	1	GEAR ASSEMBLY, lower (Includes item 13)
13	4348083	1	BUSHING, lower gear
14	4348885	1	HOUSING ASSEMBLY, (Includes item 15 and dowel PINS indented below)
	917554	1	PIN, dowel, 1/4" x 1/2"
	917546	2	PIN, dowel, 3/8" x 5/8"
15	4348303	1	BUSHING, pump housing
16	4348020	1	RETAINER, lower shaft
17	4349378	1	CAPSCREW, drilled-hd., 1/4"NC x 1/2"
	904204	1	LOCKWASHER, 1/4"
18	4348769	1	WIRE, locking, #18 x 4"
19	4347938	1	LOCK, pressure relief valve body
20	4348215	1	□GASKET, discharge pipe to pump
21	4335382	1	PIPE, discharge
22	4320227	2	CAPSCREW, drilled-hd., 5/16"NC x 7/8"
	904205	2	LOCKWASHER, 5/16"
23	4346483	2	CAPSCREW, drilled-hd., 3/8"NC x 1-1/4"
	904206	2	LOCKWASHER, 3/8"
24	4509035	2	WIRE, locking, #18 x 10"
25	4339204	1	VALVE ASSEMBLY, oil pressure relief (Includes items 26 thru 30)
26	-----	1	BODY, pressure relief valve (Not serviced separately)
27	-----	1	PISTON, pressure relief valve (Not serviced separately)
28	{ 4373672	1	SPRING, pressure relief valve (Used prior to engine serial #11-10178)
	{ 4339193	1	SPRING, pressure relief valve (Effective with engine serial #11-10178)

(Continued)

OIL PUMP (Continued)

ITEM	PART NO.	QTY.	DESCRIPTION
29	4374564	1	WASHER, locking, relief valve cap
30	4386525	1	CAP, pressure relief valve (Used prior to engine serial #11-10178)
	4339195	1	CAP, pressure relief valve (Effective with engine serial #11-10178)
31	4346169	1	□ GASKET, discharge pipe to crankcase
32	4347572	1	CLAMP, discharge pipe
33	4335152	1	CAPSCREW, drilled end, 3/8"NC x 3/4"
	904206	1	LOCKWASHER, 3/8"
	914773	1	NUT, slotted, 3/8"NC
	900802	1	PIN, cotter, 3/32" x 1"
34	4336386	1	BRACKET, suction pipe supporting, left
35	4375812	1	CAPSCREW, drilled-hd., 1/2"NC x 1"
	904208	1	LOCKWASHER, 1/2"
36	4348691	1	WIRE, locking, #18 x 6"
37	4336384	1	BRACKET, suction pipe supporting, right front
38	4375812	1	CAPSCREW, drilled-hd., 1/2"NC x 1"
	904208	1	LOCKWASHER, 1/2"
39	4348691	1	WIRE, locking, #18 x 6"
40	4336385	1	BRACKET, suction pipe supporting, right rear
41	4375812	1	CAPSCREW, drilled-hd., 1/2"NC x 1"
	904208	1	LOCKWASHER, 1/2"
42	4369110	1	CAPSCREW, drilled-hd., 3/8"
	904206	1	LOCKWASHER, 3/8"
43	4348691	2	WIRE, locking, #18 x 6"
44	4348218	1	□ GASKET, suction pipe to pressure pump
45	4336381	1	PIPE, suction
46	4349375	2	CAPSCREW, drilled-hd., 5/16"NC x 1-5/8"
	904205	2	LOCKWASHER, 5/16"
47	4509035	1	WIRE, locking, #18 x 10"
48	4335153	1	CAPSCREW, drilled end, 3/8"NC x 2-1/4"
	912597	1	WASHER, plain
	904206	1	LOCKWASHER, 3/8"
	914773	1	NUT, slotted, 3/8"NC
	900802	1	PIN, cotter, 3/32" x 1"
49	4348684	1	COVER, oil screen
50	4374129	2	CAPSCREW
	904205	2	LOCKWASHER, 5/16"
51	4509035	1	WIRE, locking, #18 x 10"
52	4348683	1	SCREEN, oil
53	4348682	1	RETAINER, oil screen

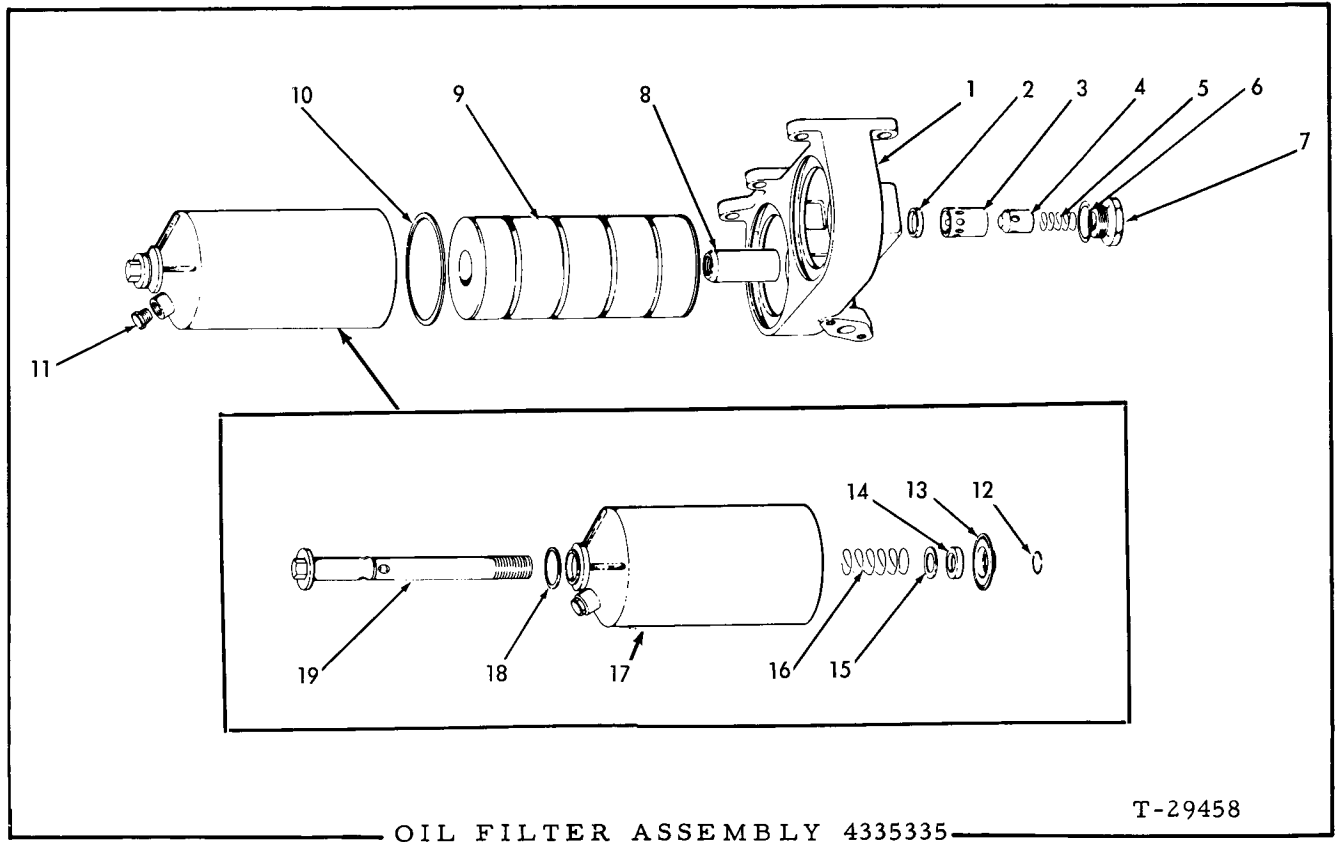
□ (Also see PACKAGED PARTS)



LUBE OIL FILTER AND LINES

T-29459

ITEM	PART NO.	QTY.	DESCRIPTION
1	4335335	1	FILTER ASSEMBLY (See page 34 for parts)
	919230	6	CAPSCREW, 1/2"NC x 1-3/8"
	904208	6	LOCKWASHER, 1/2"
2	4253106	1	O-RING
3	4335566	1	HOSE ASSEMBLY, oil cooler to crankcase (See page 6 for parts)
	919224	4	CAPSCREW, 3/8"NC x 1-1/8"
	904206	4	LOCKWASHER, 3/8"
4	4335577	3	GASKET, oil hose
5	4335567	1	HOSE ASSEMBLY, oil filter to cooler (See page 6 for parts)
	919224	4	CAPSCREW, 3/8"NC x 1-1/8"
	904206	4	LOCKWASHER, 3/8"
6	4335578	1	GASKET, hose to filter
			(Also see PACKAGED PARTS)



OIL FILTER ASSEMBLY 4335335

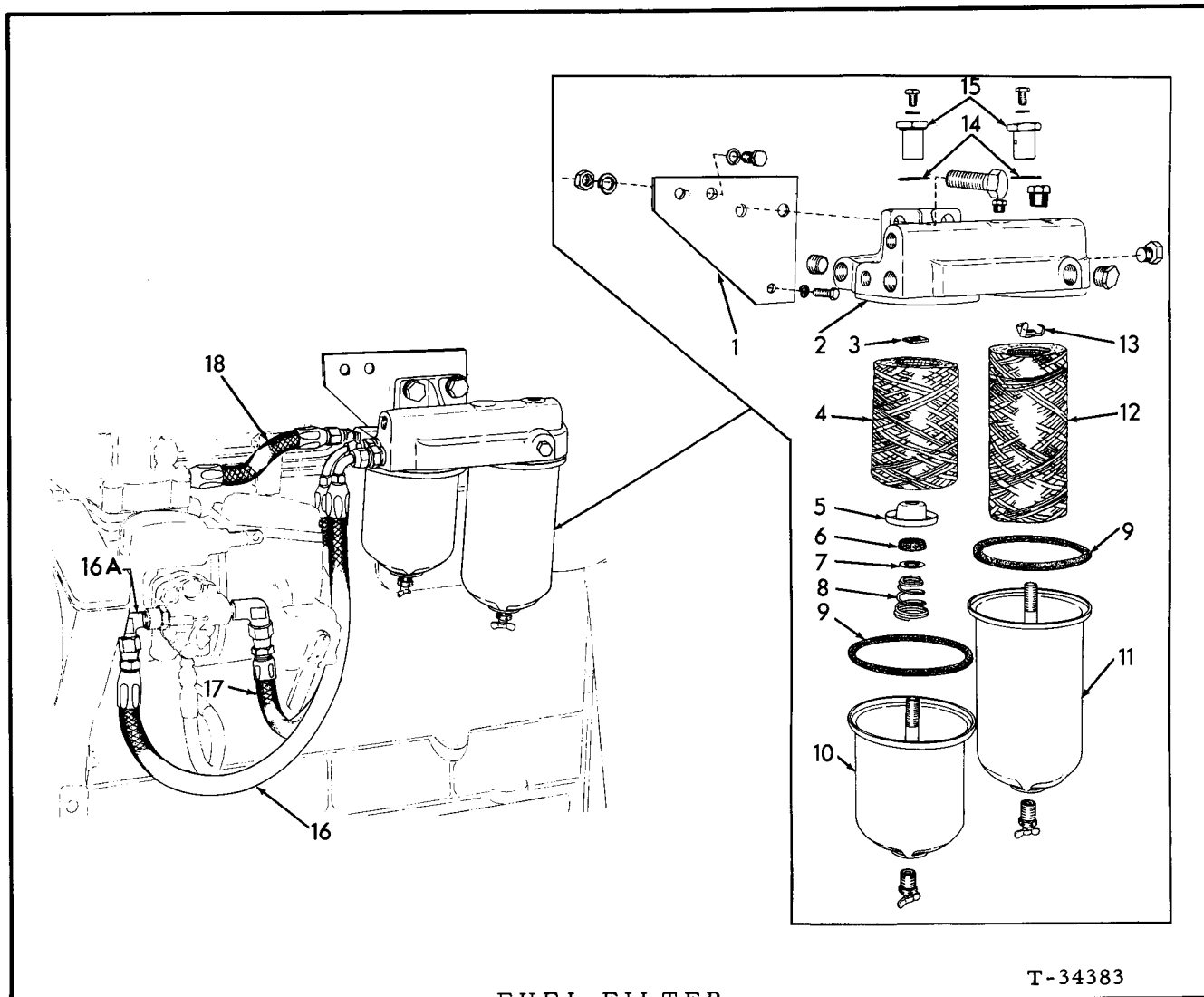
T-29458

ITEM	PART NO.	QTY.	DESCRIPTION
NOTE: See page 33 for listing of complete Assembly			
1	4335336	1	HEAD ASSEMBLY, filter (Includes items 2 thru 8)
2	4373614	1	SEAT, relief valve piston
3	4373612	1	SLEEVE, relief valve piston
4	4373613	1	PISTON, relief valve
5	4335666	1	SPRING, relief valve piston
6	4253751	1	GASKET, relief valve cap
7	4373610	1	CAP, relief valve
8	4371443	2	ADAPTER, center bolt
9	4371021	2	ELEMENT KIT, oil filter (Includes item #10)
10	4372325	2	GASKET, oil filter body
11	918951	2	PLUG, hex-hd.
12	4253195	2	RING, snap, filter center bolt
13	4348269	2	ADAPTER, filter element

(Continued)

OIL FILTER ASSEMBLY 4335335 (Continued)

ITEM	PART NO.	QTY.	DESCRIPTION
14	4348270	2	SEAL, filter element
15	4348268	2	WASHER, filter element seal
16	4371036	2	SPRING, filter element
17	4335352	2	BODY, oil filter
18	4041103	2	GASKET, filter center bolt
19	4374735	2	BOLT, center



FUEL FILTER

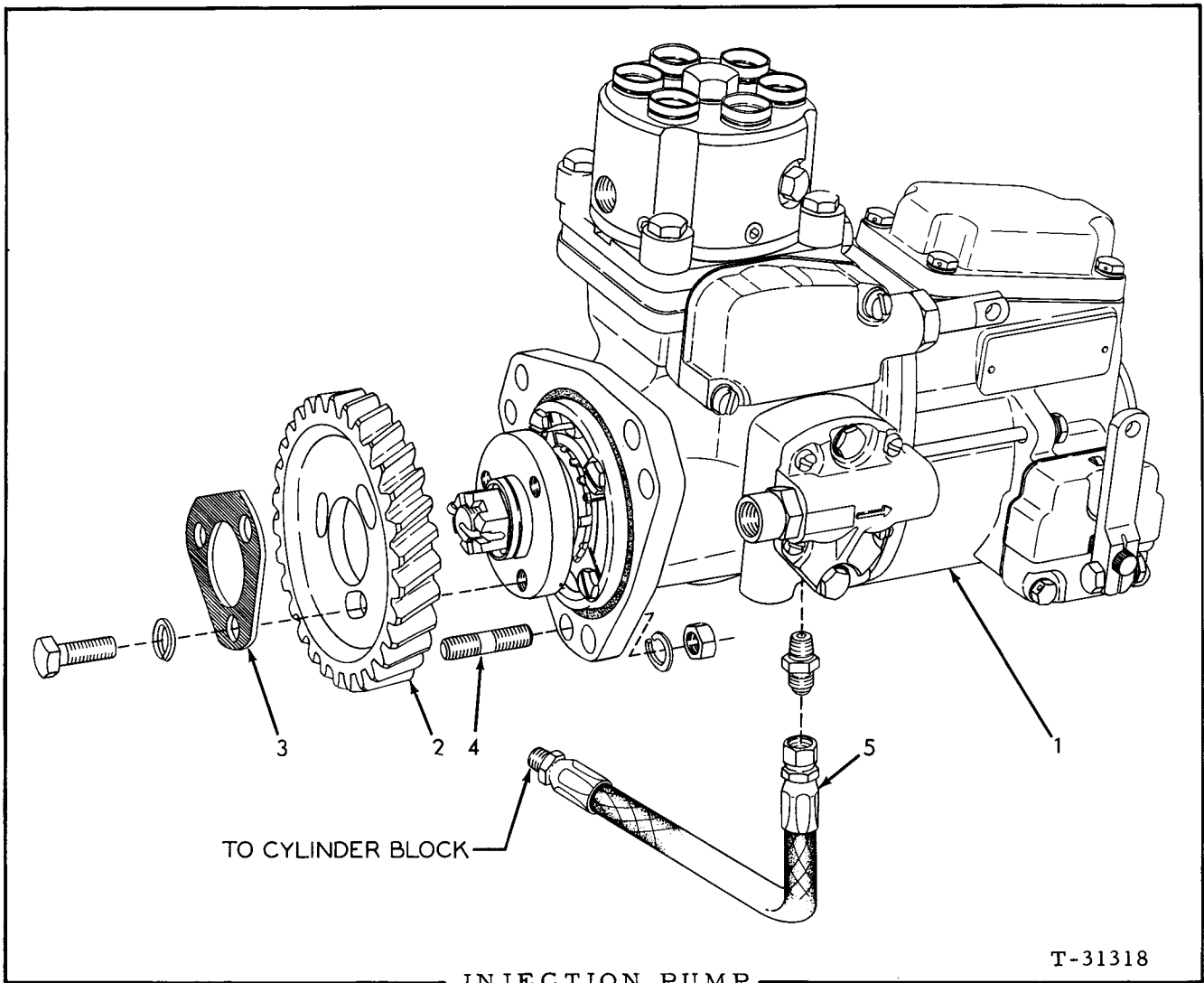
T-34383

ITEM	PART NO.	QTY.	DESCRIPTION
1	4336589	1	BRACKET, filter mounting
	903630	2	CAPSCREW, 3/8" NC x 1"
	904206	2	LOCKWASHER, 3/8"
	903771	2	CAPSCREW, 5/16" NC x 7/8"
	904205	2	LOCKWASHER, 5/16"
2	4389051	1	HEAD ASSEMBLY (Includes plugs indented below)
	919134	2	PLUG, pipe, 1/8" NPT
	919840	1	PLUG, pipe, 1/4" NPT (Used prior to engine serial #11-10395)
	920333	2	PLUG, pipe, 3/8" NPT (1 used prior to engine serial #11-10395)
	918887	2	PLUG, pipe, hex-socket, 3/8" NPT
	915666	2	CAPSCREW, 1/2" NC x 1-3/8"
	904208	2	LOCKWASHER, 1/2"
	910325	2	NUT, 1/2" NC

(Continued)

FUEL FILTER (Continued)

ITEM	PART NO.	QTY.	DESCRIPTION
3	639370	1	GUIDE, element centering, second stage filter
4	639214	1	ELEMENT KIT, second stage filter (Includes items 6, 7 and 9)
5	065584	1	PLATE, element seating, second stage filter
6	-----	1	GASKET, element seat plate (Furnished only as part of item 4)
7	-----	1	WASHER, seating plate gasket (Furnished only as part of item 4)
8	065585	1	SPRING, second stage filter
9	043130	2	GASKET, filter shell
10	065582	1	SHELL, second stage filter
	915433	1	COCK, drain, 1/4" NPT
11	4347791	1	SHELL, first stage filter
	915433	1	COCK, drain, 1/4" NPT
12	4055563	1	ELEMENT KIT, first stage filter (Includes item 9)
13	4051485	1	GUIDE, element centering, first stage filter
14	065579	2	GASKET, shell retaining nut
15	4051483	2	NUT, shell retaining (Used prior to engine #11-10395)
		2	NUT, shell retaining (Effective with engine #11-10395)
	919288	2	CAPSCREW, 1/4" NC x 3/8"
	914686	2	WASHER, plain, copper, 1/4" I. D.
16	4335898	1	HOSE ASSEMBLY, first stage filter to transfer pump (See page 6 for parts)
	919172	1	CONNECTOR, flare type, 3/8" tube, 3/8" NPT male
16A	4337251	1	ELBOW, transfer pump discharge
17	4335935	1	HOSE ASSEMBLY, transfer pump to second stage filter (See page 6 for parts)
	919062	1	CONNECTOR, flare type, 3/8" tube, 1/4" NPT male (2 used prior to engine #11-10395)
	919172	1	CONNECTOR, flare type, 3/8" tube, 3/8" NPT male (Effective with engine #11-10395)
	918374	1	ELBOW, street, 90°, brass, 1/4" NPT
18	4335897	1	HOSE ASSEMBLY, filter to injection pump (See page 6 for parts)
	919172	1	CONNECTOR, flare type, 3/8" tube, 3/8" NPT male

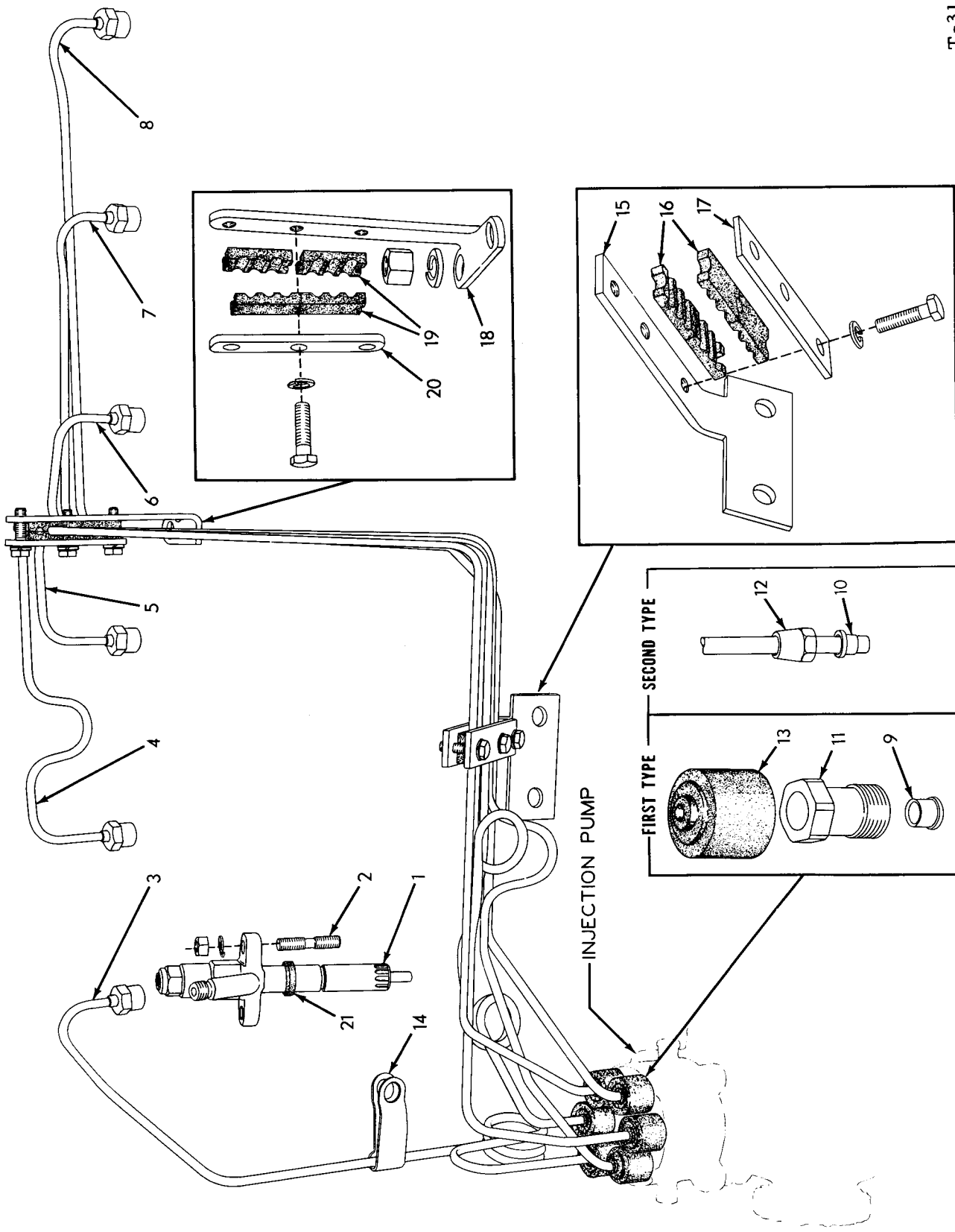


INJECTION PUMP

T-31318

ITEM	PART NO.	QTY.	DESCRIPTION
1	4354210	1	PUMP ASSEMBLY, fuel injection (See your Allis-Chalmers dealer for service)
2	4337061	1	GEAR, injection pump drive
	916382	3	CAPSCREW, 3/8"NF x 7/8"
3	4347836	1	WASHER, serrated, injection pump drive gear
4	4346347	3	STUD, injection pump attaching
	904206	3	LOCKWASHER, 3/8"
	910123	3	NUT, 3/8"NF
5	4335557	1	HOSE ASSEMBLY, cylinder block to injection pump (See page 6 for parts)
	919171	1	CONNECTOR, flare type, 1/4" tube, 1/8"NPT male

MEMO



INJECTION NOZZLE AND LINES

INJECTION NOZZLE AND LINES

* Engines prior to serial No. 118588
 ** Engines serial No. 118588 thru 120678
 *** Engines serial No. 120679 and up

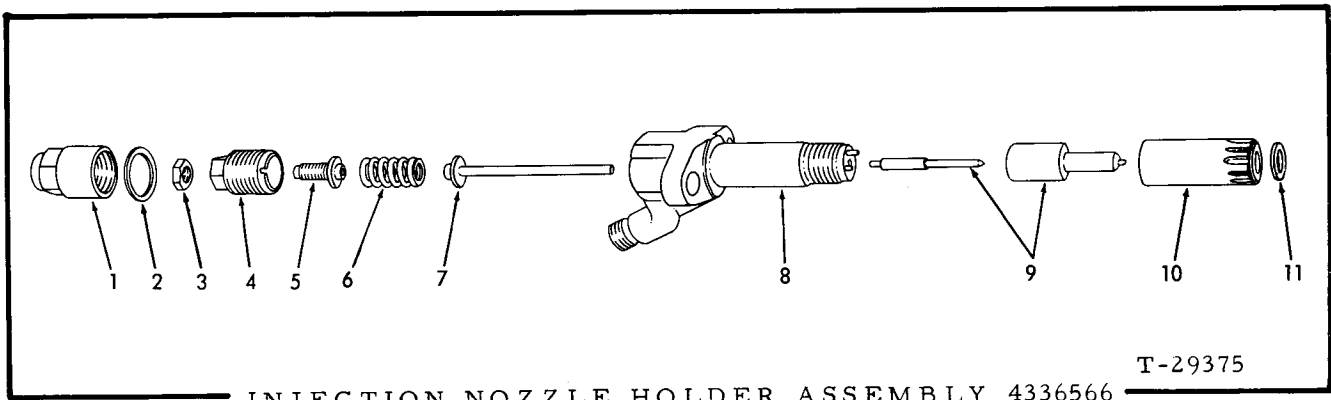
ITEM	PART NO.	QUANTITY			DESCRIPTION
		*	**	***	
1	4336566	6	6	-	HOLDER ASSEMBLY, injection nozzle (See page 42 for parts) (Used prior to engine serial #118347)
	4380654	6	6	6	
2	4336209	12	12	12	STUD, injection nozzle holder
	910123	12	12	12	NUT, 3/8" NF
	904206	12	12	12	LOCKWASHER, 3/8"
3	-----	1	-	-	TUBE ASSEMBLY, fuel injection (#1 cylinder)
	4337805	-	1	-	TUBE ASSEMBLY, fuel injection (#1 cylinder)
	4338428	-	-	1	TUBE ASSEMBLY, fuel injection (#1 cylinder)
4	-----	1	-	-	TUBE ASSEMBLY, fuel injection (#2 cylinder)
	4337806	-	1	-	TUBE ASSEMBLY, fuel injection (#2 cylinder)
	4338429	-	-	1	TUBE ASSEMBLY, fuel injection (#2 cylinder)
5	-----	1	-	-	TUBE ASSEMBLY, fuel injection (#3 cylinder)
	4337807	-	1	-	TUBE ASSEMBLY, fuel injection (#3 cylinder)
	4338430	-	-	1	TUBE ASSEMBLY, fuel injection (#3 cylinder)
6	-----	1	-	-	TUBE ASSEMBLY, fuel injection (#4 cylinder)
	4337808	-	1	-	TUBE ASSEMBLY, fuel injection (#4 cylinder)
	4338431	-	-	1	TUBE ASSEMBLY, fuel injection (#4 cylinder)
7	-----	1	-	-	TUBE ASSEMBLY, fuel injection (#5 cylinder)
	4337809	-	1	-	TUBE ASSEMBLY, fuel injection (#5 cylinder)
	4338432	-	-	1	TUBE ASSEMBLY, fuel injection (#5 cylinder)
8	-----	1	-	-	TUBE ASSEMBLY, fuel injection (#6 cylinder)
	4337810	-	1	-	TUBE ASSEMBLY, fuel injection (#6 cylinder)
	4338433	-	-	1	TUBE ASSEMBLY, fuel injection (#6 cylinder)

NOTE: Each Tube Assembly listed above includes Nut and Sleeve for the upper end. Where part No. is not listed, order the corresponding Tube Assembly of later design and include with each 1 SLEEVE 4501149, 1 SLEEVE 4054096, 1 NUT 4504409 and 1 FITTING 4054095. When replacing entire set of tubes (items 3 thru 8 for engines prior to serial No. 120679, order latest type as listed above.

(Continued)

INJECTION NOZZLES AND LINES (Continued)

ITEM	PART NO.	QUANTITY			DESCRIPTION
		*	**	***	
9	4052556	6	-	-	SLEEVE, injection tube, lower end
10	4501149	-	6	6	SLEEVE, injection tube, lower end
11	4052555	6	-	-	FITTING, injection tube, lower end
12	4504409	-	6	6	NUT, injection tube, lower end
13	4053156	6	-	-	CAP, injection tube fitting (rubber)
14	4339207	1	1	1	CLIP, fuel injection tube (#1 cylinder)
15	4336530	1	1	1	BRACKET, tube supporting, lower
16	4336532	2	2	2	SPACER, injection tubes, lower
17	4336531	1	1	1	PLATE, clamping, injection tubes, lower
	903772	3	3	3	CAPSCREW, 5/16" NC x 1"
	904205	3	3	3	LOCKWASHER, 5/16"
18	4336249	1	1	1	BRACKET, tube supporting, upper
19	4507359	4	4	4	SPACER, injection tubes, upper
20	4336250	1	1	1	CLAMP, injection tubes, upper
	914670	3	3	3	CAPSCREW, 5/16" NC x 1-1/8"
	904205	3	3	3	LOCKWASHER 5/16"
21	4337031	6	6	6	SHIELD, dirt



INJECTION NOZZLE HOLDER ASSEMBLY 4336566

USAGE: Used prior to engine serial #118347

ITEM	PART NUMBER	QTY.	DESCRIPTION
------	-------------	------	-------------

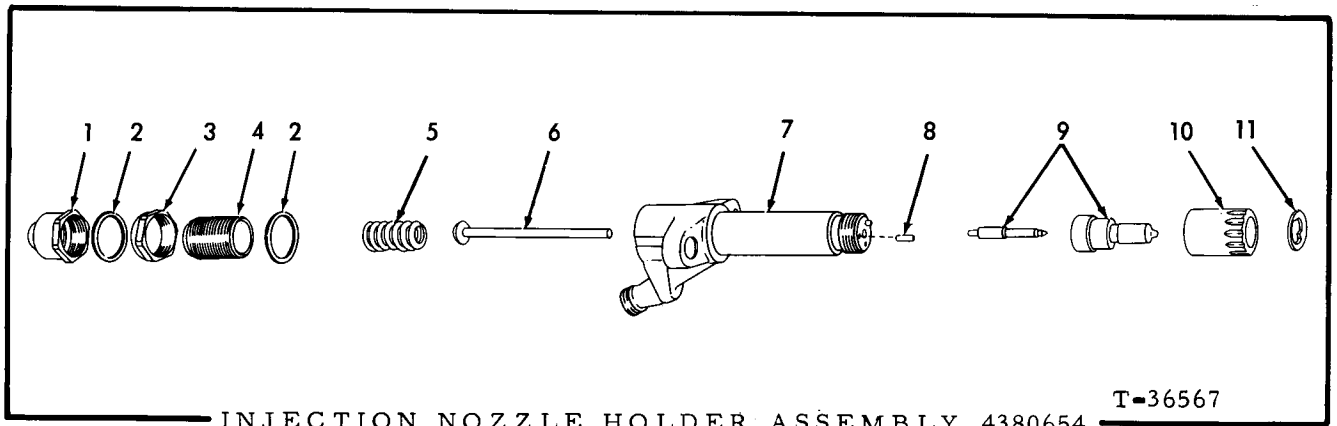
NOTE: See page 41 for listing of complete Assembly.
Quantities indicated are for one (1) assembly only.

1	4052715	1	CAP, protecting
2	4049282	1	GASKET, protecting cap
3	4050523	1	NUT, adjusting screw
4	4050520	1	NUT, spindle retaining

(Continued)

INJECTION NOZZLE HOLDER ASSEMBLY 4336566 (Continued)

ITEM	PART NO.	QTY.	DESCRIPTION
5	4051839	1	SCREW, adjusting
6	4050519	1	SPRING, nozzle spindle
7	4052714	1	SPINDLE ASSEMBLY (Serviced only as a unit)
8	-----	1	BODY (Not serviced separately)
9	4380685	1	NOZZLE ASSEMBLY, injection (Includes item 11)
10	4050516	1	NUT, nozzle retaining
11	4378031	1	□GASKET, nozzle holder

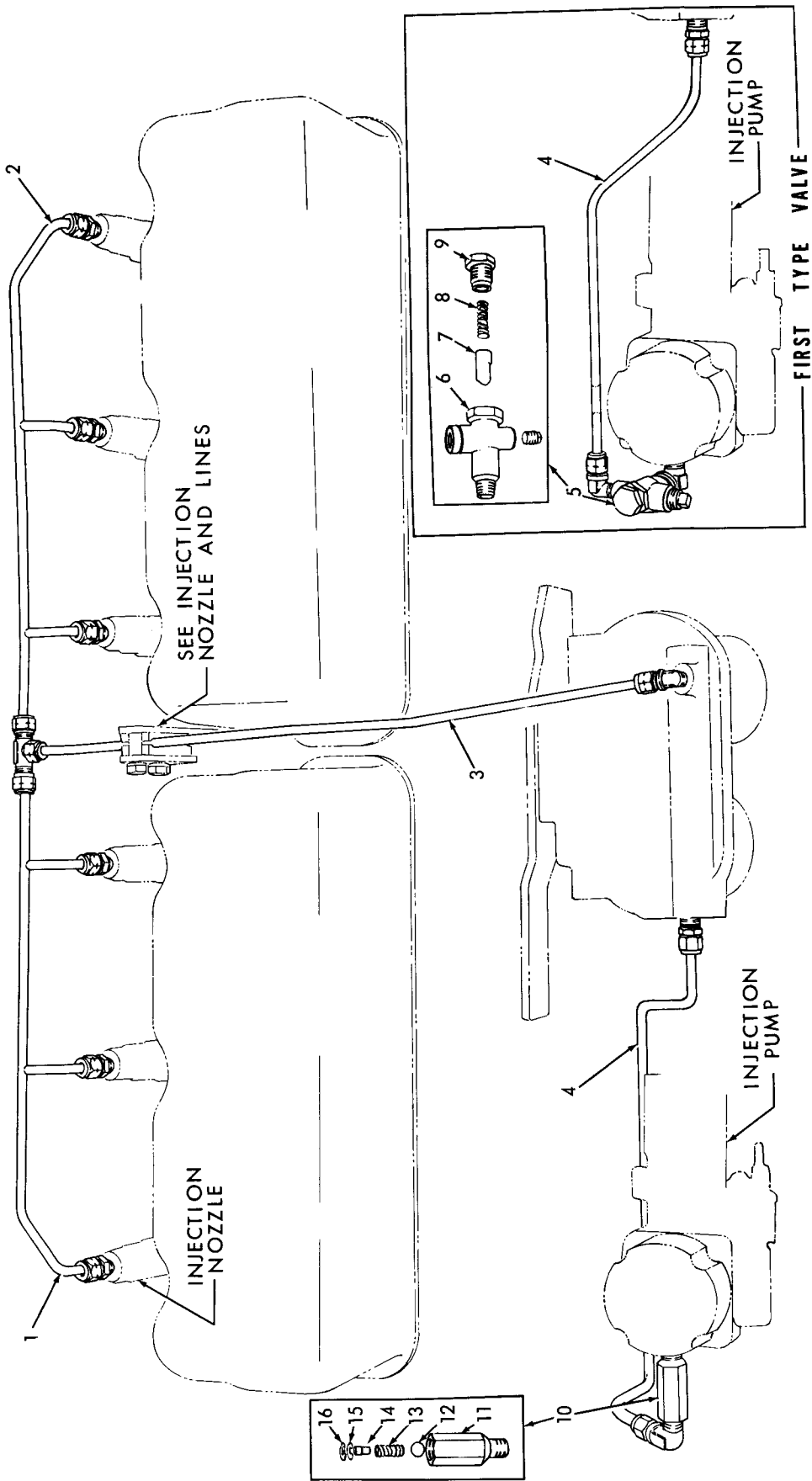


INJECTION NOZZLE HOLDER ASSEMBLY 4380654

T-36567

USAGE: Effective with engine serial #118347

ITEM	PART NO.	QTY.	DESCRIPTION
NOTE: See page 41 for listing of complete Assembly. Quantities indicated are for one (1) Holder Assembly only.			
1	4378032	1	NUT, cap
2	4511243	2	GASKET, cap nut
3	4511213	1	NUT, locking
4	4378033	1	SCREW, adjusting
5	4380652	1	SPRING
6	4380656	1	SPINDLE, nozzle holder
7	-----	1	BODY (Not serviced separately)
8	922943	2	PIN, nozzle locating
9	4380651	1	NOZZLE ASSEMBLY (Includes item 11)
10	4380662	1	NUT, nozzle retaining
11	4378031	1	□GASKET, nozzle holder
□(Also see PACKAGED PARTS)			



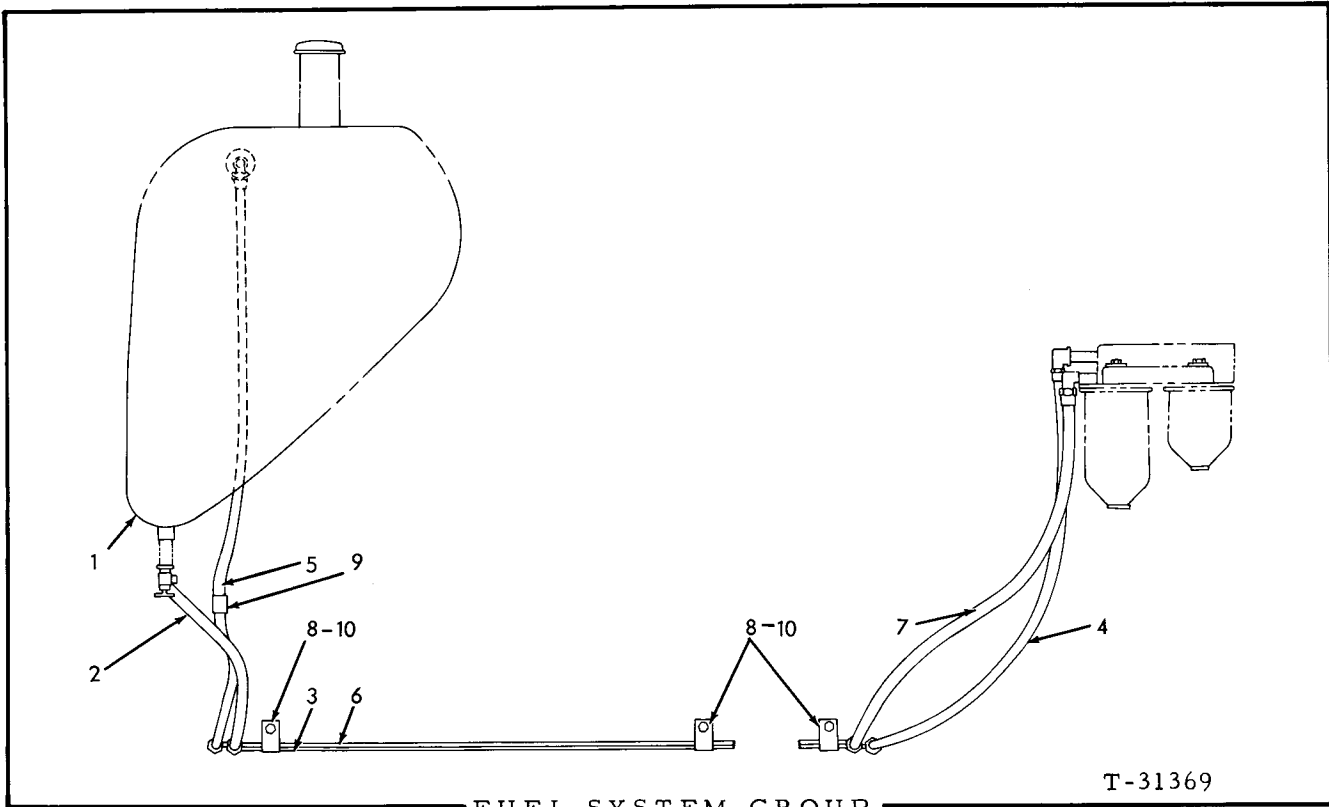
T-34442

FUEL INJECTION RETURN LINES

FUEL INJECTION RETURN LINES

USAGE: * Engines prior to serial no. #117262
 ** Engines serial no. #117262 and up

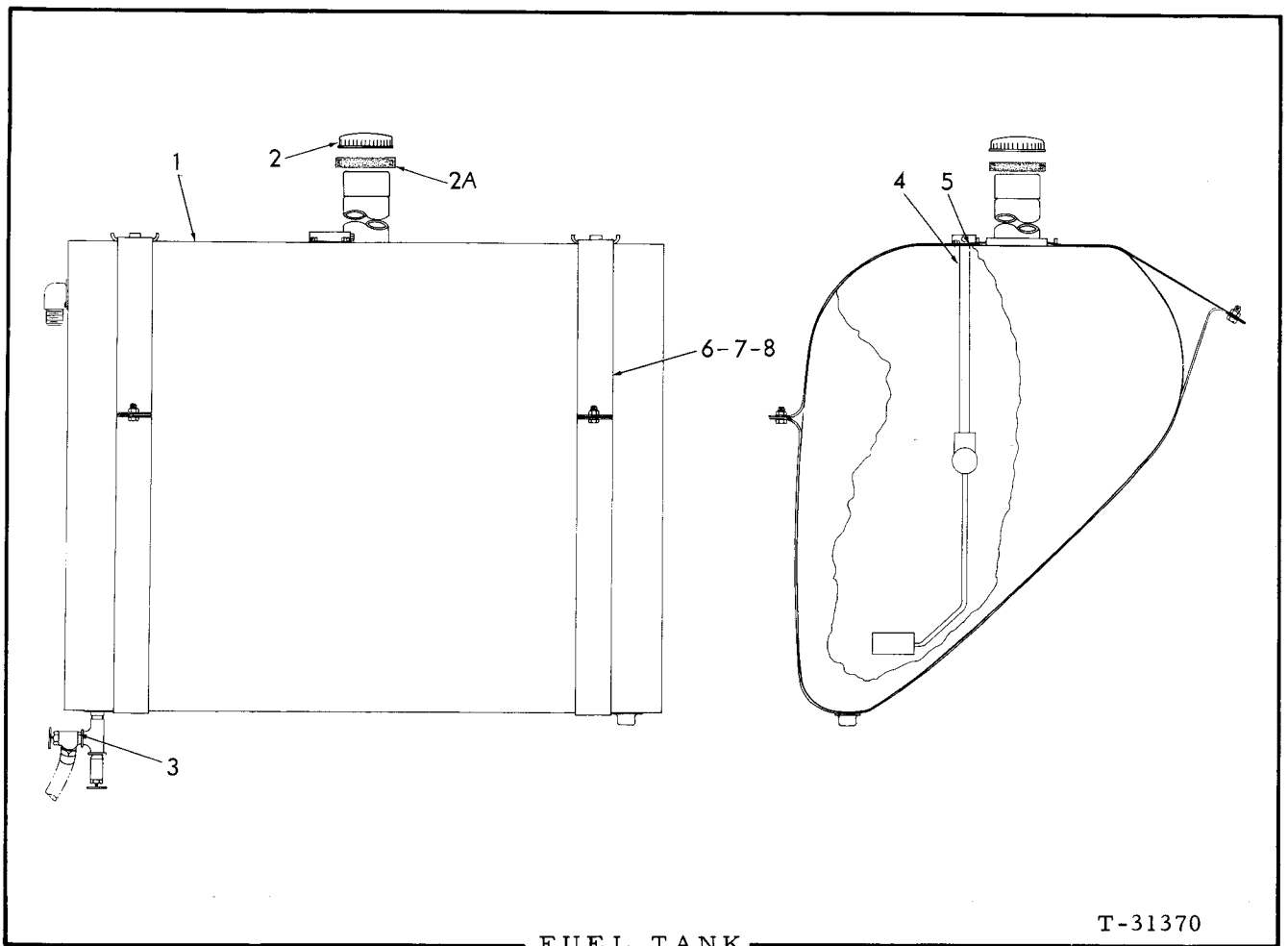
ITEM	PART NO.	QTY.	DESCRIPTION
1	4336546	1 1	MANIFOLD ASSEMBLY, rear (Includes NUTS and SLEEVES indented below)
	917809	4 4	NUT, imperial, 1/4" tube
	917806	4 4	SLEEVE, imperial, 1/4" tube
	919800	3 3	CONNECTOR, imperial, 1/4" tube, 1/8" NPT male
2	4336547	1 1	MANIFOLD ASSEMBLY, front (Includes NUTS and SLEEVES indented below)
	917809	4 4	NUT, imperial, 1/4" tube
	917806	4 4	SLEEVE, imperial, 1/4" tube
	919800	3 3	CONNECTOR, imperial, 1/4" tube, 1/8" NPT male
3	4336687	1 1	TUBE ASSEMBLY, manifold to filter (Includes NUTS and SLEEVES indented below) (Used prior to engine serial #120679)
	4338463	- -	TUBE ASSEMBLY, manifold to filter (Includes NUTS and SLEEVES below) (Effective with engine serial #120679)
	917809	2 2	NUT, imperial, 1/4" tube
	917806	2 2	SLEEVE, imperial, 1/4" tube
	919797	1 1	TEE, union, imperial, 1/4" tube
	919481	1 1	ELBOW, imperial, 1/4" tube, 1/4" NPT male
4	4336549	1 -	TUBE ASSEMBLY, pump to filter (Includes NUTS and SLEEVES indented below)
	919040	1 -	ELBOW, imperial, 1/4" tube, 1/8" NPT male
	4337223	- 1	TUBE ASSEMBLY, pump to filter (Includes NUTS and SLEEVES indented below)
	919481	- 1	ELBOW, imperial, 1/4" tube, 1/4" NPT male
	917809	2 2	NUT, imperial, 1/4" tube
	917806	2 2	SLEEVE, imperial, 1/4" tube
	920242	1 1	CONNECTOR, imperial, 1/4" tube, 1/8" NPT male
5	4505556	1 -	VALVE ASSEMBLY, pressure relief (Consists of items 6 thru 9)
	917008	1 -	ELBOW, street, brass, 90°, 1/4" NPT
6	-----	1 -	BODY, relief valve (Not serviced, order 4505556)
	901651	1 -	PLUG, pipe, 1/8" NPT
7	4041015	1 -	VALVE, pressure relief
8	4050685	1 -	SPRING, pressure relief valve
9	4051304	1 -	SCREW, pressure relief valve
10	4337015	- 1	VALVE ASSEMBLY, pressure relief (Consists of items 11 thru 16)
11	-----	- 1	BODY, relief valve (Not serviced, order 4337015)
12	4337022	- 1	BALL, relief valve
13	4337023	- 1	SPRING, relief valve
14	4337019	- 1	STOP, relief valve
15	4255017	- 1	RING, relief valve stop
16	4255020	- 1	RING, snap, relief valve



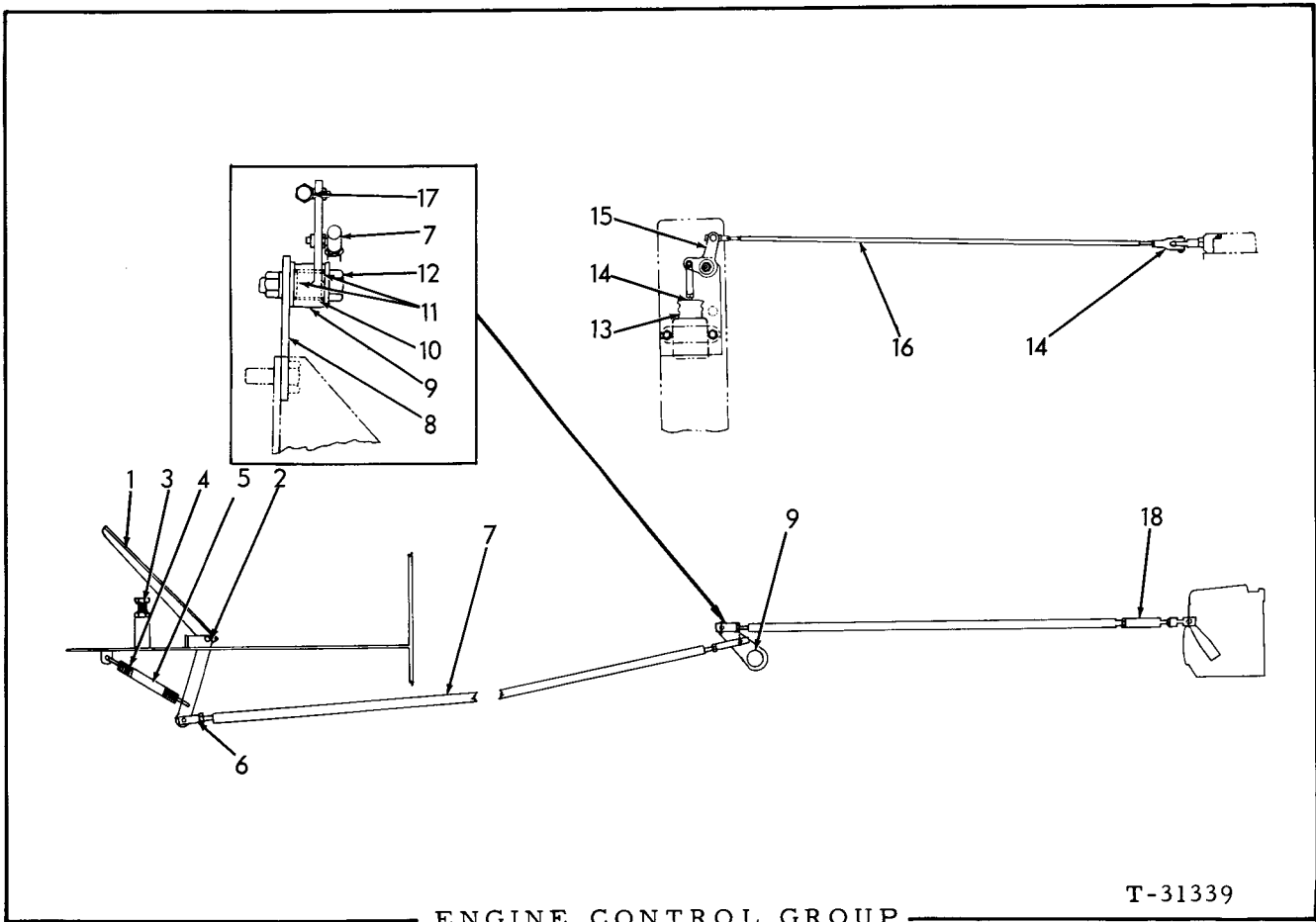
FUEL SYSTEM GROUP

T-31369

ITEM	PART NO.	QTY.	DESCRIPTION
1	-----	1	TANK, fuel (See page 47)
2	3041978	1	HOSE ASSEMBLY, suction, tank end (Crimped type)
3	3029889	1	TUBE ASSEMBLY, suction (Includes NUTS) (Serviced only as a unit)
4	3040742	1	HOSE ASSEMBLY, suction, fuel filter end (Crimped type)
	917750	1	ELBOW, 90°, flare type, 3/8" tube, 3/8" NPT male
5	3041877	1	HOSE ASSEMBLY, return, tank end (Crimped type)
6	3029892	1	TUBE ASSEMBLY, return (Includes NUTS) (Serviced only as a unit)
7	3040740	1	HOSE ASSEMBLY, return, fuel filter end (Crimped type)
	916235	1	ELBOW, 90°, 1/4" tube, 1/4" NPT female
	901478	1	NIPPLE, pipe, 1/4" NPT x 7/8" (U/P to loader #845)
	901480	1	NIPPLE, pipe, 1/4" NPT x 2" (Effective w/loader #845)
8	3031163	3	CLIP, tube supporting (3/8" Dia.)
	916381	3	CAPSCREW, 3/8" NF x 3/4"
	904206	3	LOCKWASHER, 3/8"
9	3006816	1	CLIP, hose supporting
10	3002737	3	CLIP, tube supporting (1/4" Dia.)



ITEM	PART NO.	QTY.	DESCRIPTION
1	3033167	1	TANK, fuel (Includes item 2)
	910161	1	ELBOW, flared type, 90°, 1/4" tube, 1/8"NPT
	913938	1	TEE, pipe, 1/4"NPT
	901653	1	PLUG, pipe, 3/8"NPT
2	300353Q	1	CAP, fuel tank
2A	3034799	1	GROMMET, fuel tank, vibration
3	3024067	2	COCK, fuel shut-off
4	3018626	1	GAUGE UNIT, fuel tank
	900558	5	SCREW, machine, #10 NF x 1-1/2"
	904203	5	LOCKWASHER, #10
5	3020293	1	GASKET, fuel gauge unit
6	{ 3011860	2	STRIP, packing (top)
	{ 3024053	2	STRIP, packing (bottom)
7	{ 3033209	2	STRAP, tank supporting (top)
	{ 3024068	2	STRAP, tank supporting (bottom)
	916383	4	CAPSCREW, 3/8"NF x 1-1/2"
	904206	4	LOCKWASHER, 3/8"
8	911041	4	NUT, 3/8"NF
	3005227	4	WASHER, square

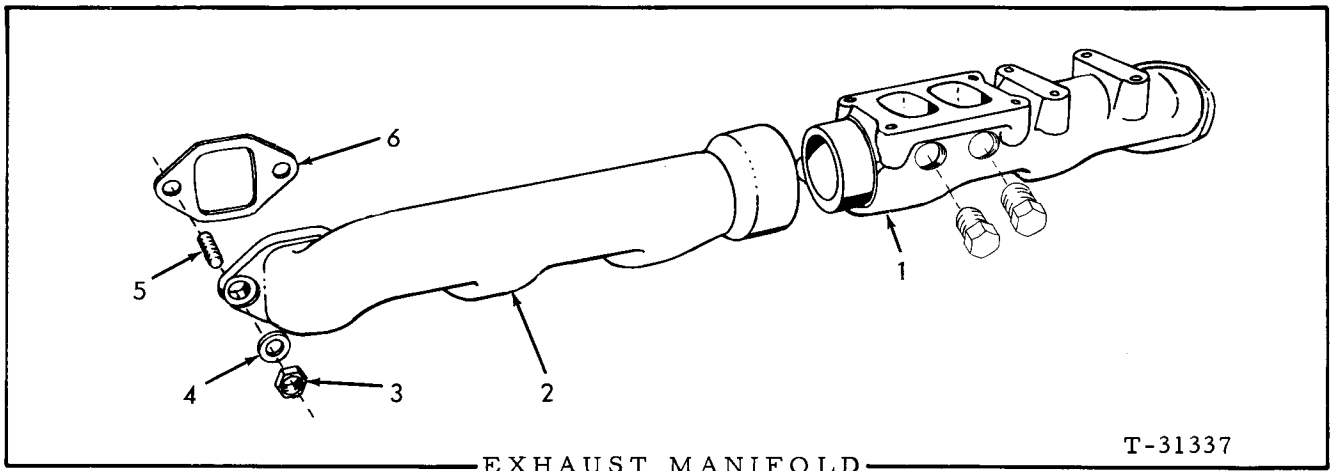


ITEM	PART NO.	QTY.	DESCRIPTION
1	3021664	1	PEDAL, accelerator
2	3021696	1	PIN, pivot, accelerator
	904001	2	PIN, cotter, 3/32" x 1/2"
3	913105	1	CAPSCREW, accelerator stop, 1/2"NF x 1-1/2"
	913177	1	NUT, jam, 1/2"NF
4	3014226	1	SPRING, accelerator return
5	3021657	1	ROD, accelerator spring
6	3021360	4	JOINT, ball, control
	904204	4	LOCKWASHER, 1/4"
	911040	8	NUT, 1/4"NF
7	3035885	1	PIPE ASSEMBLY, engine control (Includes PIPE and STUD) (Serviced only as a unit)
8	3032029	1	PLATE, support, bell crank (See ENGINE and MOUNTING for fasteners)
9	3029615	1	CRANK ASSEMBLY, bell (Includes items 10 & 11)

(Continued)

ENGINE CONTROL GROUP (Continued)

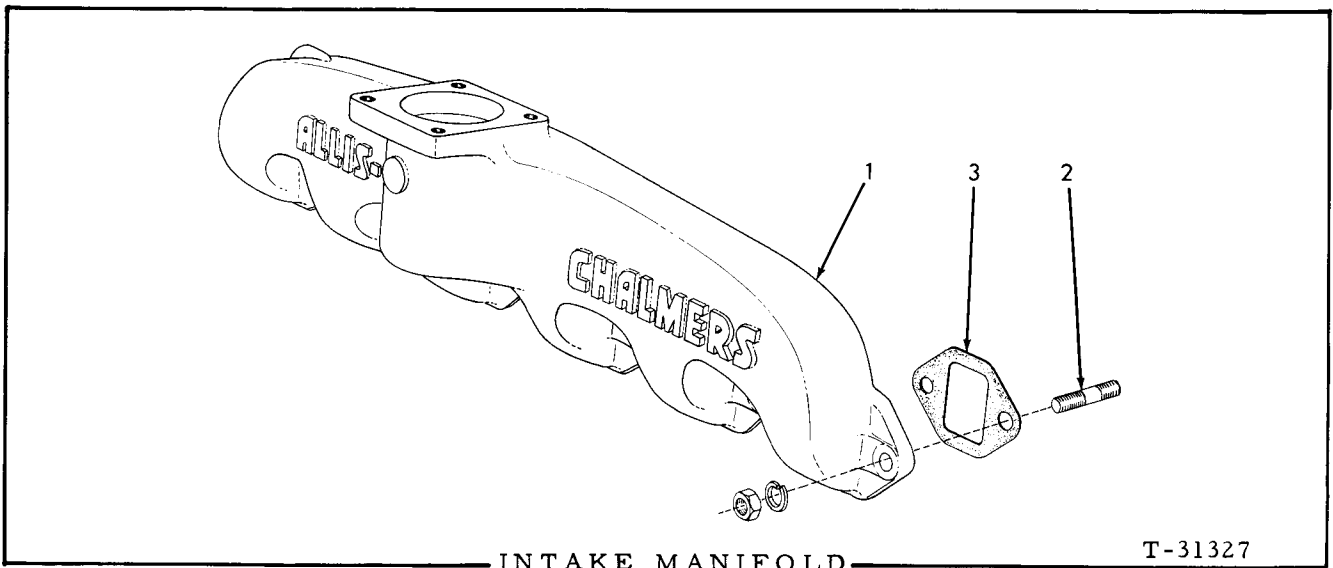
ITEM	PART NUMBER	QTY.	DESCRIPTION
10	3005955	1	BEARING (Lettered end must face pressing tool)
11	3005957	2	SEAL (Install with lips toward outside)
12	3032021	1	SHAFT, bell crank (threaded)
	910255	2	WASHER plain, SAE std., 3/4"
	904208	1	LOCKWASHER, 1/2"
	911043	1	NUT, 1/2"NF
13	3031545	1	BOOT, dirt protector
14	917662	2	END, yoke, solenoid control
	917644	2	PIN, yoke
	900970	2	PIN, cotter, 1/16" x 1/2"
	911040	2	NUT, 1/4"NF
15	3037871	1	CRANK ASSEMBLY, bell (Serviced only as a unit)
	904206	1	LOCKWASHER, 3/8"
	911041	1	NUT, 3/8"NF
16	3031534	1	ROD, solenoid control
17	3036232	1	PIPE ASSEMBLY, engine control (Includes PIPE and STUD) serviced only as a unit
18	3029769	1	JOINT, ball, engine control pipe
	904204	1	LOCKWASHER, 1/4"
	911040	2	NUT, 1/4"NF



EXHAUST MANIFOLD

T-31337

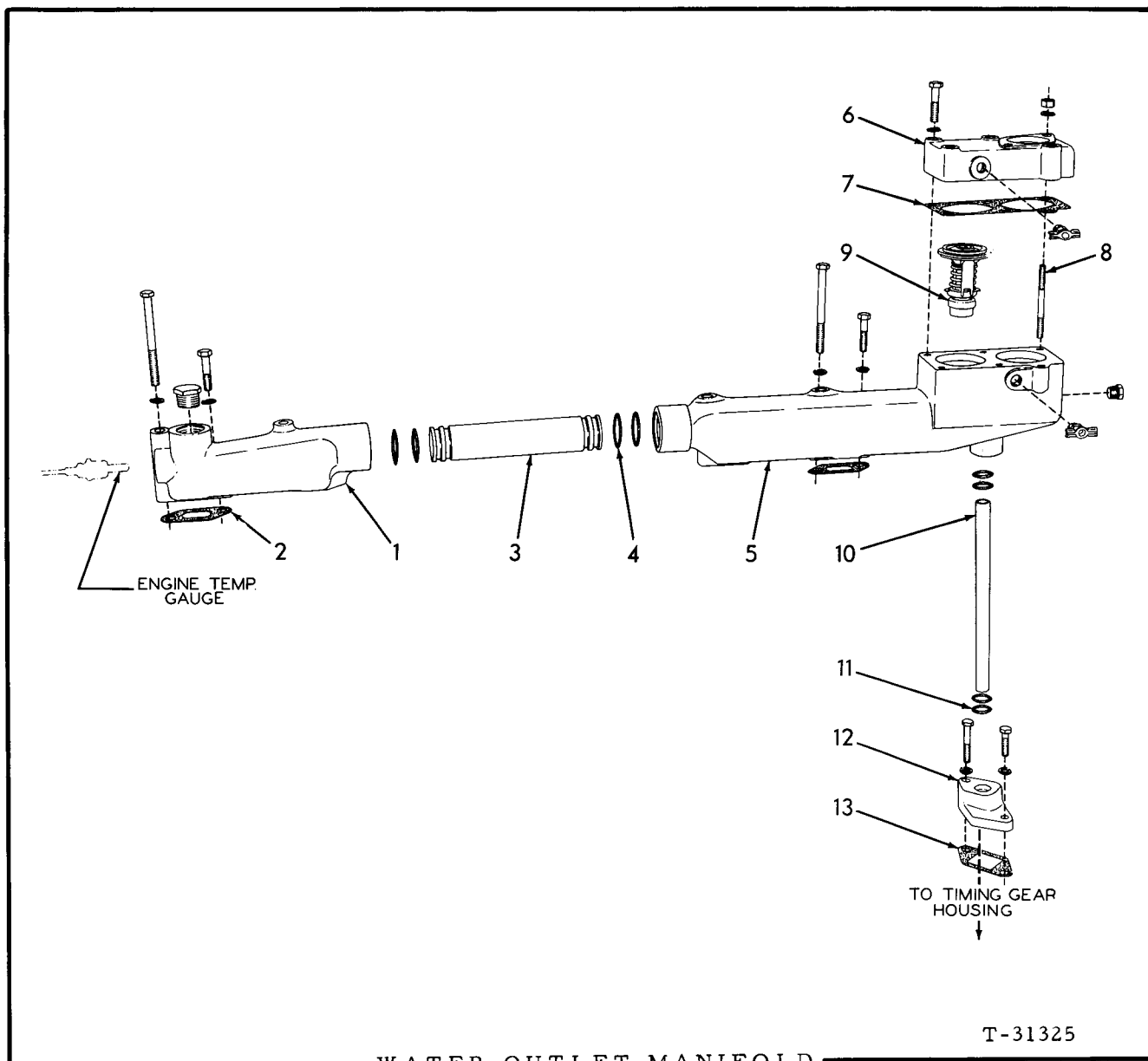
ITEM	PART NO.	QTY.	DESCRIPTION
1	4339511	1	MANIFOLD, exhaust, rear (Prior to engine serial #11-10147 also order 2 PLUGS 919840)
	919840	2	PLUG, pipe, hex-hd., 1/4" NPT (Effective with engine serial #11-10147)
2	4335623	1	MANIFOLD, exhaust, front
3	4253270	12	NUT, manifold stud
4	4371107	12	WASHER, plain, stud nut
5	4346208	12	STUD, exhaust manifold
6	4338511	6	□GASKET, exhaust manifold



INTAKE MANIFOLD

T-31327

ITEM	PART NO.	QTY.	DESCRIPTION
1	4336454	1	MANIFOLD, intake
2	4346208	12	STUD, exhaust manifold
	904208	12	LOCKWASHER, 1/2"
	910325	12	NUT, 1/2"NC
3	4346138	6	□GASKET, intake manifold □(Also see PACKAGED PARTS)



WATER OUTLET MANIFOLD

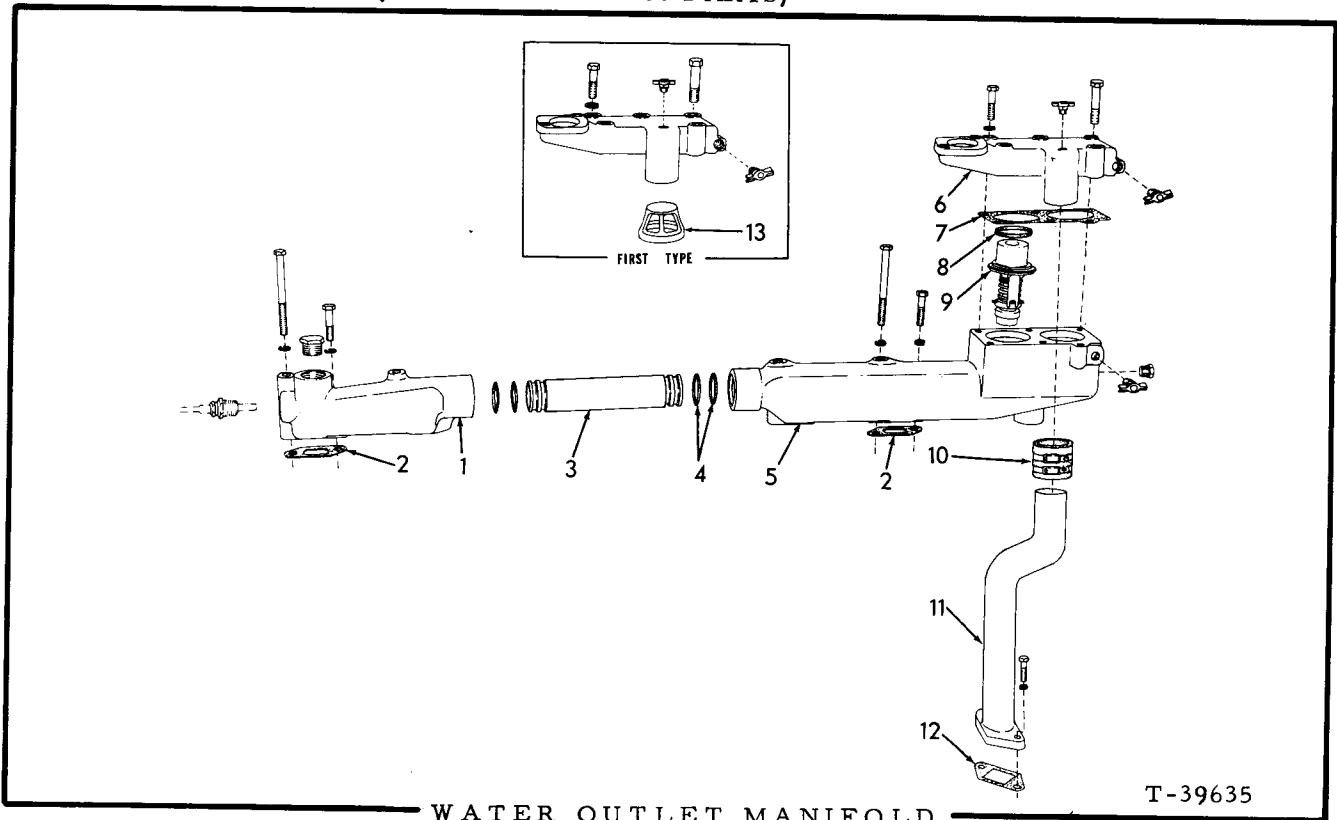
USAGE: Used prior to engine serial #124119

ITEM	PART NUMBER	QTY.	DESCRIPTION
1	4336506	1	MANIFOLD, water outlet, front
	920525	1	PLUG, pipe, hex-hd., 3/4"NPT
	903632	2	CAPSCREW, 3/8"NC x 1-1/2"
	906696	2	CAPSCREW, 3/8" NC x 3-3/4"
	904206	4	LOCKWASHER, 3/8"
2	4336182	4	□ GASKET, water manifold
3	4336156	1	TUBE, water manifold connecting
4	4252796	4	□ O-RING, water manifold connecting tube

(Continued)

WATER OUTLET MANIFOLD (Continued)

ITEM	PART NO.	QTY.	DESCRIPTION
5	4336260	1	MANIFOLD, water outlet, rear
	920333	1	PLUG, pipe, hex-hd., 3/8"NPT
	903632	2	CAPSCREW, 3/8"NC x 1-1/2"
	906696	2	CAPSCREW, 3/8"NC x 3-3/4"
	904206	4	LOCKWASHER, 3/8"
	912415	1	COCK, T-handle, 1/4"NPT (air venting)
6	4336264	1	HOUSING, thermostat
	912415	1	COCK, T-handle, 1/4"NPT (air venting)
	904281	4	CAPSCREW, 3/8"NC x 1-1/4"
	904206	4	LOCKWASHER, 3/8"
7	4336263	1	□GASKET, thermostat housing
8	4336261	2	STUD, thermostat housing
	910123	2	NUT, 3/8"NF
	904206	2	LOCKWASHER, 3/8"
9	4379916	1	THERMOSTAT (170°)
	4378269	1	THERMOSTAT (180°)
10	4336268	1	TUBE, water by-pass
11	923574	4	□O-RING, water by-pass tube
12	4336267	1	FLANGE, water by-pass
	910211	1	CAPSCREW, 3/8"NC x 1-1/8"
	903634	1	CAPSCREW, 3/8"NC x 2"
	904206	2	LOCKWASHER, 3/8"
13	4347031	1	□GASKET, water by-pass pipe □ (Also see PACKAGED PARTS)



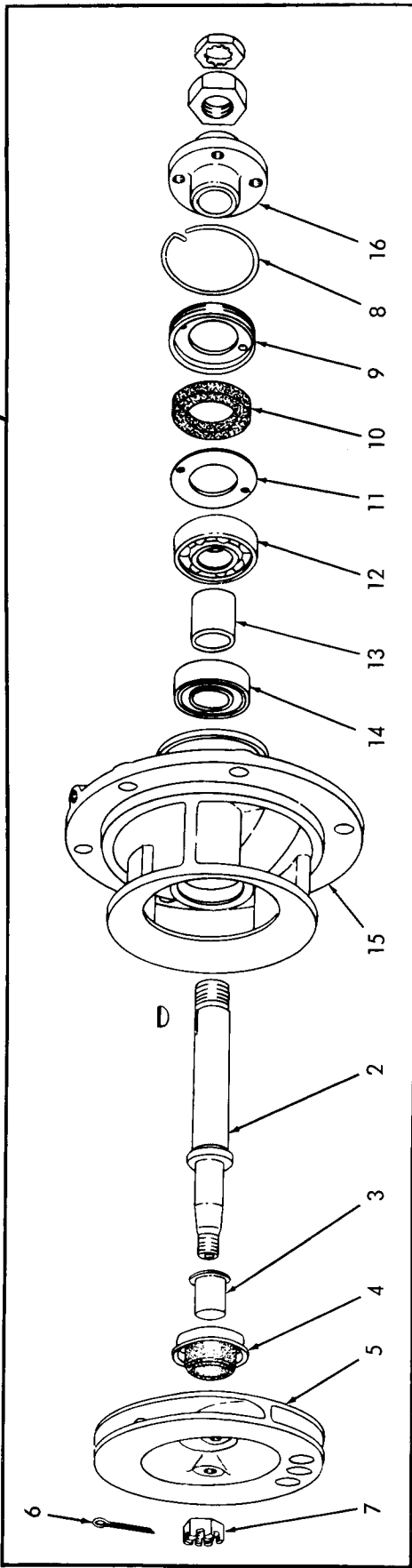
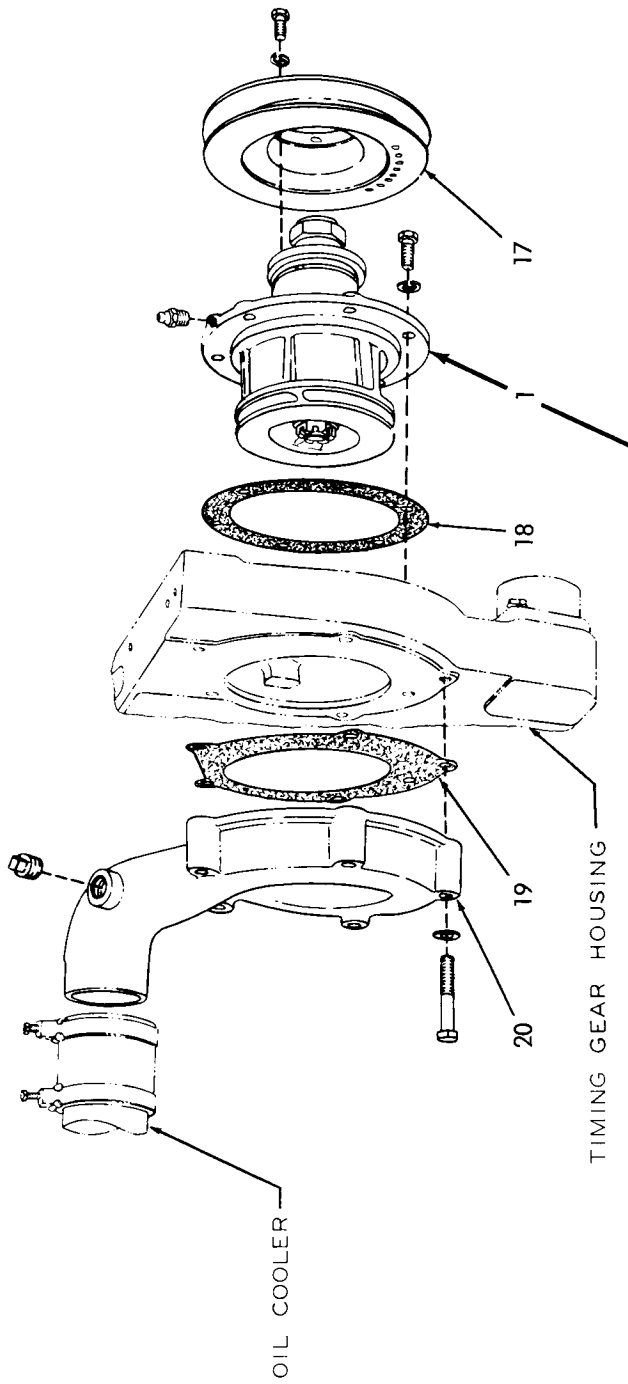
WATER OUTLET MANIFOLD

T-39635

WATER OUTLET MANIFOLD

USAGE: Effective with engine serial #124119

ITEM	PART NO.	QTY.	DESCRIPTION
1	4336506	1	MANIFOLD, water outlet, front
	920525	1	PLUG, pipe, hex-hd., 3/4" NPT
	914847	2	CAPSCREW, 3/8" NC x 1-1/2"
	916275	2	CAPSCREW, 3/8" NC x 3-3/4"
	904206	4	LOCKWASHER, 3/8"
2	4336182	4	□GASKET, water manifold
3	4336156	1	TUBE, water manifold connecting
4	4252796	4	□O-RING, water manifold connecting tube
5	4338243	1	MANIFOLD, water outlet, rear
	914847	2	CAPSCREW, 3/8" NC x 1-1/2"
	916275	2	CAPSCREW, 3/8" NC x 3-3/4"
	904206	4	LOCKWASHER, 3/8"
	912415	1	COCK, T-handle, 1/4" NPT (air venting)
6	4338266	1	HOUSING ASSEMBLY, thermostat (Includes inserts and item 8 and 13)
	912415	2	COCK, T-handle, 1/4" NPT (air venting) (1 used prior to engine serial #11-10011)
	906695	6	CAPSCREW, 3/8" NC x 3-1/4"
	904206	6	LOCKWASHER, 3/8"
7	4336263	1	□GASKET, thermostat housing
8	4317554	2	SEAL, thermostat
9	4314562	2	THERMOSTAT (180°)
10	4337602	1	HOSE, water by-pass pipe
	4255012	2	CLAMP, hose
11	4338242	1	PIPE, water by-pass
	919224	2	CAPSCREW, 3/8" NC x 1-1/8"
	904206	2	LOCKWASHER, 3/8"
12	4347031	1	□GASKET, water by-pass pipe
13	4317553	2	BUSHING, thermostat housing (First type)
			□(Also see PACKAGED PARTS)



T-29440

WATER PUMP

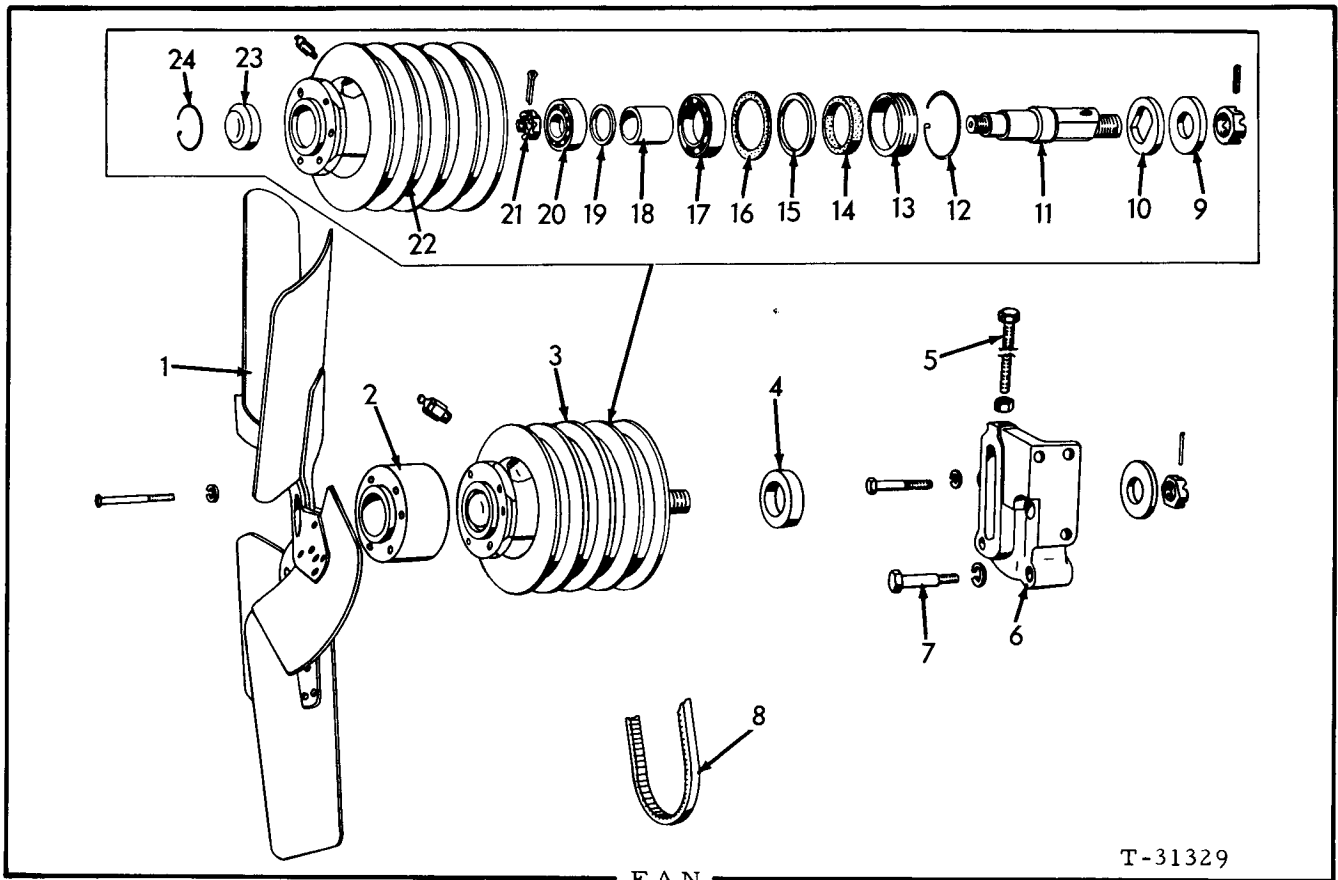
WATER PUMP

ITEM PART NO. QTY. DESCRIPTION

NOTE: See GENERATOR for listing of driving belt.

1	4338662	1	PUMP ASSEMBLY (Consists of items 2 thru 16)
	914465	1	FITTING, lubricating, straight, 1/8"NPT
	916271	6	CAPSCREW, 3/8"NC x 1"
	904206	6	LOCKWASHER, 3/8"
2	4348757	1	SHAFT ASSEMBLY (Includes item 3)
	905121	1	KEY, #5 woodruff, 1/8" x 5/8"
3	4507084	1	FLINGER, water
4	4507091	1	SEAL ASSEMBLY (Serviced only as a unit)
5	4339103	1	IMPELLER ASSEMBLY (Includes ceramic insert)
6	4041097	1	PIN, cotter, impeller nut
7	4375686	1	NUT, impeller retaining
8	4371707	1	LOCKWIRE, sealing washer retainer
9	4335320	1	RETAINER, sealing washer
10	4348825	1	WASHER, sealing
11	4044209	1	WASHER, retaining
12	4044210	1	BEARING, ball, rear
13	4044211	1	SPACER, bearing
14	4044212	1	BEARING, ball, front
15	4338663	1	BODY, water pump
16	4335808	1	FLANGE, driving pulley
	910847	1	NUT, 3/4"NF
	917680	1	NUT, Pal locking, 3/4"NF
17	4335809	1	PULLEY, driving
	916206	4	CAPSCREW, 5/16"NF x 7/8"
	904205	4	LOCKWASHER, 5/16"
18	4346744	1	□GASKET, water pump
19	4335056	1	□GASKET, water pump volute
20	4349953	1	VOLUTE
	920131	1	PLUG, pipe, 3/8"NPT
	916274	5	CAPSCREW, 3/8"NC x 2-1/4"
	904206	5	LOCKWASHER, 3/8"

□(Also see PACKAGED PARTS)

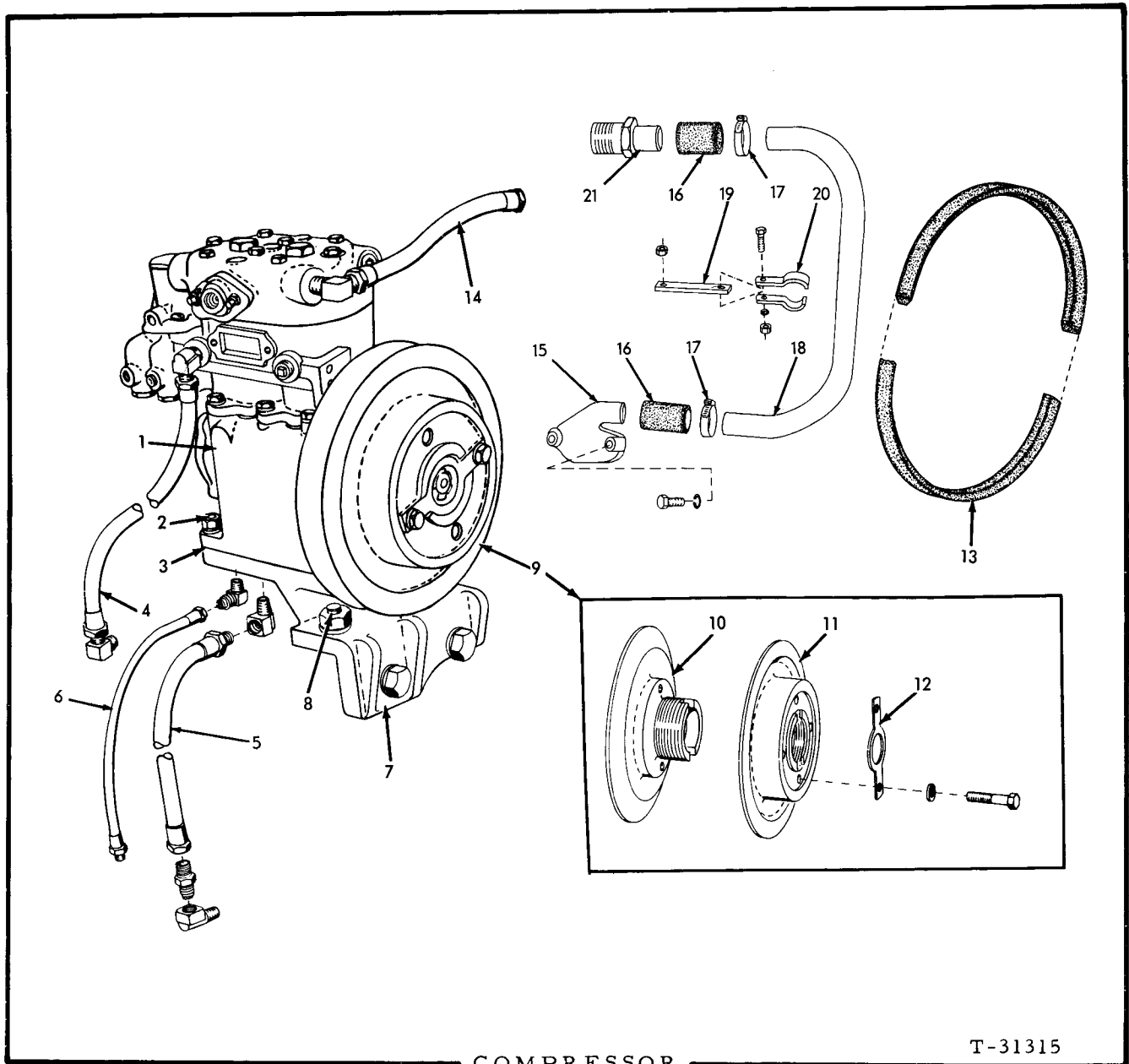


ITEM	PART NO.	QTY.	DESCRIPTION
1	3028520	1	FAN, cooling (pusher)
	3026059	1	FAN, cooling (suction)
	915990	6	CAPSCREW, 3/8" NC x 2-3/4"
	904206	6	LOCKWASHER, 3/8"
2	4349117	1	SPACER, fan
3	4339464	1	HUB ASSEMBLY, fan (Includes items 9 thru 24)
	911174	1	NUT, slotted (Used prior to engine serial #11-10126)
	4339459	1	NUT, safety (Effective with engine serial #11-10126)
	915946	1	PIN, roll (Used prior to engine serial #11-10126)
4	4347781	1	SPACER, fan hub
5	4252241	1	SCREW, fan belt adjustment
6	4336777	1	BRACKET, fan mounting
	916317	3	CAPSCREW, 1/2" NC x 2-3/4"
	904208	3	LOCKWASHER, 1/2"
7	915969	1	CAPSCREW, 1/2" NC x 3"
	913432	1	WASHER, heavy, 17/32"
8	4335846	2	BELT, fan

(Continued)

FAN (Continued)

ITEM	PART NO.	QTY.	DESCRIPTION
9	4371703	1	WASHER, plain, spindle clamping, front (Used prior to engine serial #11-10126)
10	4056232	1	WASHER, plain, spindle clamping, rear
11	4056068	1	SPINDLE
12	4371707	1	LOCKWIRE, fan hub
13	4040386	1	RETAINER, spindle sealing washer
14	4040385	1	WASHER, spindle sealing (cork)
15	4040384	1	WASHER, retaining, rear bearing
16	4640976	1	GASKET, bearing retaining washer
17	4253863	1	BEARING, ball, front
18	4040383	1	SPACER, spindle bearings
19	4640978	1	WASHER, spacing, rear bearing
20	4253862	1	BEARING, ball rear
21	4348502	1	NUT, spindle
	911064	1	PIN, cotter
22	-----	1	HUB, fan (Not Serviced. Order item 3)
	914465	2	FITTING, lubricating, st., 1/8"NPT
23	088561	1	CAP, hub
24	4042081	1	RING, snap, cap retaining



COMPRESSOR

T-31315

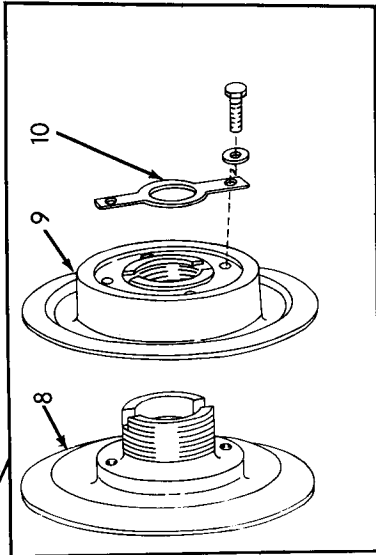
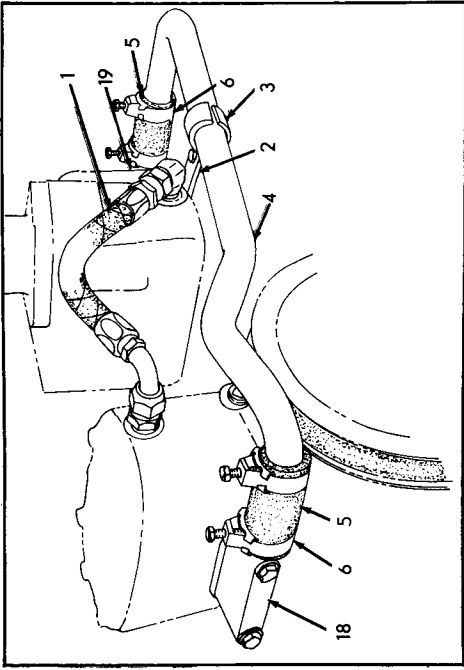
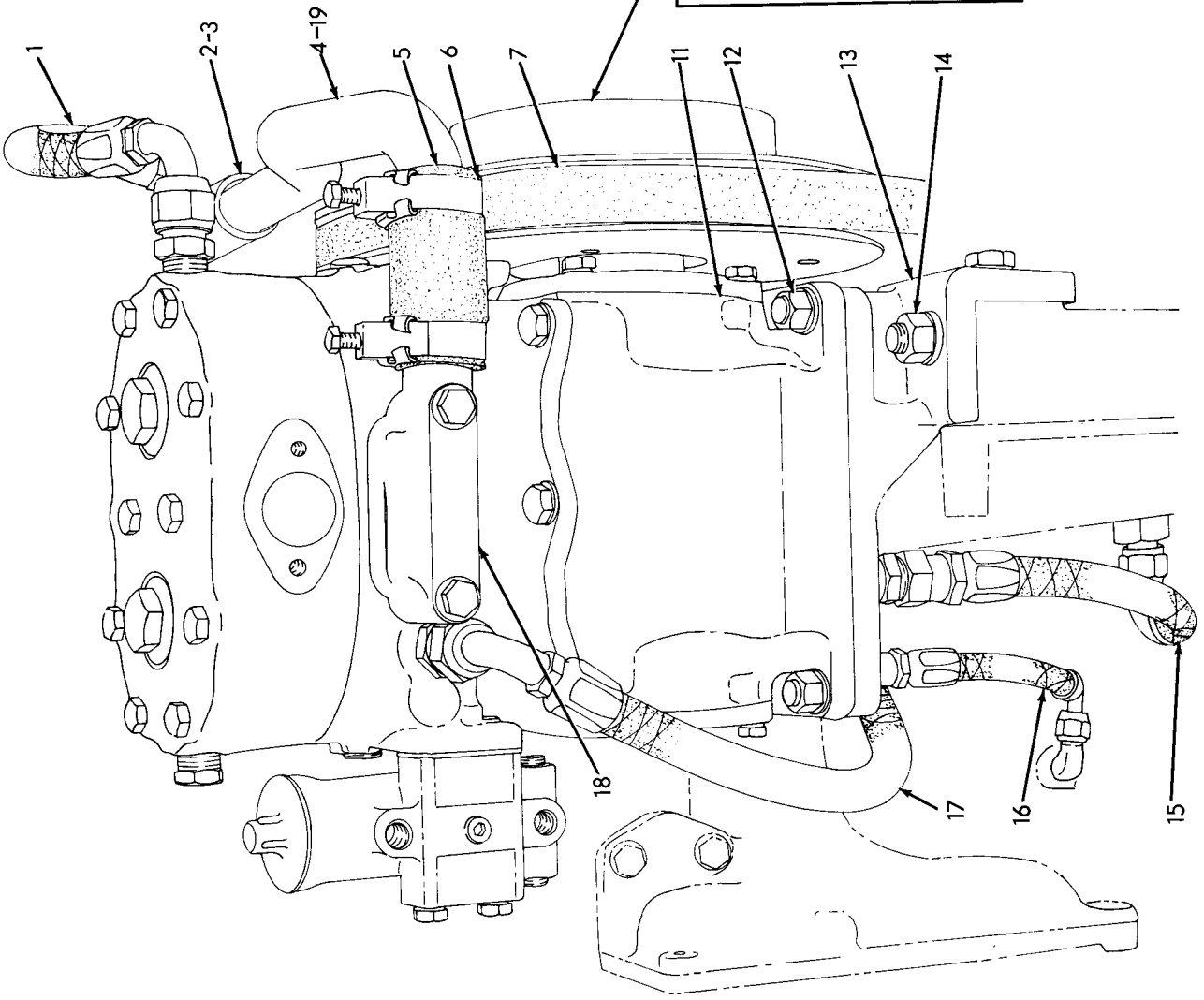
USAGE: Used prior to engine serial #118581

ITEM	PART NO.	QTY.	DESCRIPTION
1	4337491	1	COMPRESSOR ASSEMBLY, Air (See pages 63, 66, 68, 70, and 72 for parts)
2	4347855	4	STUD, compressor mounting
	910986	4	NUT, 7/16" NF
	904207	4	LOCKWASHER, 7/16"
3	4040305	1	GASKET, base
4	4338311	1	HOSE ASSEMBLY, water, volute to compressor (See page 6 for parts)
	919206	1	ELBOW, male, 1/2" tube, 3/8" tapered thread
	919063	1	CONNECTOR, 1/2" tube, 3/8" tapered thread

(Continued)

COMPRESSOR (Continued)

ITEM	PART NUMBER	QTY.	DESCRIPTION
5	4335731	1	HOSE ASSEMBLY, oil (crankcase to bracket)
	921251	1	CONNECTOR,
	901502	1	NIPPLE, 1/2" x 2"
	919063	1	CONNECTOR, male, 1/2" tube, 3/8" tapered thread
6	4338314	1	HOSE ASSEMBLY, oil drain (bracket to gear housing)
	919767	1	ELBOW, male, 5/16" tube, 1/8" tapered thread
	919766	1	CONNECTOR, male, 5/16" tube, 1/8" tapered thread
7	4347714	1	BRACKET, air compressor
	915666	2	CAPSCREW, 1/2"NC x 1-3/8"
	904208	2	LOCKWASHER, 1/2"
8	4347722	2	STUD, bracket mounting
	910195	2	NUT, 1/2"NF
	904208	2	LOCKWASHER, 1/2"
	914499	1	CAPSCREW, 3/8"NC x 1-5/8"
9	4347993	1	PULLEY ASSEMBLY, adjustable (Includes items #10 thru #12)
	900807	1	PIN, cotter, 1/8" x 1/4"
10	4347994	1	PULLEY, stationary half
11	4347681	1	PULLEY, adjustable half
12	4346724	1	PLATE, pulley locking
	903634	2	CAPSCREW, 3/8"NC x 2"
	904206	2	LOCKWASHER, 3/8"
13	4640285	1	BELT, compressor drive
14	4338313	1	HOSE ASSEMBLY, water (compressor to water outlet manifold)
	919206	1	ELBOW, male, 1/2" tube, 3/8" tapered thread
	919063	1	CONNECTOR, male, 1/2" tube, 3/8" tapered thread
15	4347996	1	ADAPTER, air compressor inlet
	917135	2	CAPSCREW, 5/16"NC x 1-5/8"
	904205	2	LOCKWASHER, 5/16"
16	4356232	2	HOSE, 1" I. D. x 2-3/4" long
17	4253452	4	CLAMP, 1-7/16"
18	4347995	1	TUBE, air inlet
19	4336174	1	BRACKET, air inlet tube
	910195	1	NUT, 1/2"NF
20	4347724	1	CLAMP
	905656	1	CAPSCREW, 1/4"NC x 5/8"
	904204	1	LOCKWASHER, 1/4"
	910880	1	NUT, 1/4"NC
21	4347921	1	ADAPTER, street, air inlet manifold



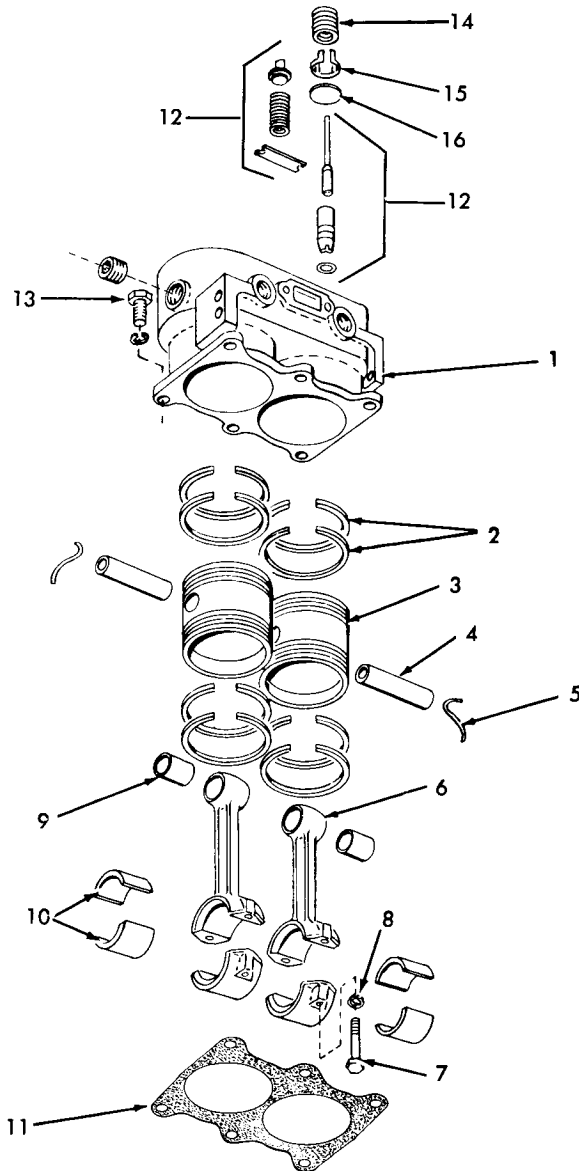
COMPRESSOR

USAGE: Effective with engine serial #118581

ITEM	PART NO.	QTY.	DESCRIPTION
1	4338313	1	HOSE ASSEMBLY, compressor to water outlet manifold (See page 6 for parts)
	919063	1	CONNECTOR, male, 1/2" tube, 3/8" tapered thread
	919206	1	ELBOW, male, 1/2" tube, 3/8" tapered thread
2	4336174	1	BRACKET, air inlet tube
	910195	1	NUT, 1/2" NF
3	4347724	1	CLAMP, air inlet tube (2 halves)
	905656	1	CAPSCREW, 1/4" NC x 5/8"
	904204	1	LOCKWASHER, 1/4"
	910880	1	NUT, 1/4" NC
4	4338284	1	TUBE, air inlet
5	4356232	2	HOSE, 1" I. D. x 2-3/4" long
6	4253452	4	CLAMP, 1-7/16"
7	4640285	1	BELT, drive, compressor
8	4347994	1	PULLEY, stationary half
9	4347681	1	PULLEY, adjustable half
	900807	1	PIN, cotter, 1/8" x 1/4"
10	4346724	1	PLATE, locking, pulley
	903634	2	CAPSCREW, 3/8" NC x 2"
	904206	2	LOCKWASHER, 3/8"
11	4339481	1	COMPRESSOR ASSEMBLY, air (See pages 64, 68, 71 and 74 for parts)
12	4347855	4	STUD, compressor mounting
	910986	4	NUT, 7/16" NF
	904207	4	LOCKWASHER, 7/16"
13	4347703	1	BRACKET, air compressor
	915666	2	CAPSCREW, 1/2" NC x 1-3/8"
	904208	2	LOCKWASHER, 1/2"
14	4347722	2	STUD, bracket mounting
	910195	2	NUT, 1/2" NF
	904208	2	LOCKWASHER, 1/2"
	914499	1	CAPSCREW, 3/8" NC x 1-5/8"
15	4335731	1	HOSE ASSEMBLY, oil drain (bracket to gear housing) (See page 6 for parts)
	921251	1	CONNECTOR, female, 1/2" tube, 1/2" tapered thread
	901502	1	NIPPLE, pipe, 1/2" x 2"
	919063	1	CONNECTOR, male, 1/2" tube, 3/8" tapered thread
16	4338314	1	HOSE ASSEMBLY, oil (crankcase to bracket) (See page 6 for parts)
	919767	1	ELBOW, male, 5/16" tube, 1/8" tapered thread
	919766	1	CONNECTOR, male, 5/16" tube, 1/8" tapered thread

COMPRESSOR (Continued)

ITEM	PART NO.	QTY.	DESCRIPTION
17	4338312	1	HOSE ASSEMBLY, water, volute to compressor (See page 6 for parts)
	919206	1	ELBOW, male, 1/2" tube, 3/8" tapered thread
	919063	1	CONNECTOR, 1/2" tube, 3/8" tapered thread
18	4338174	1	ADAPTER, inlet, compressor
	903774	2	CAPSCREW, 5/16" NC x 2"
	917330	2	WASHER, plain, 5/16" (copper)
19	4347921	1	ADAPTER, street, air inlet manifold



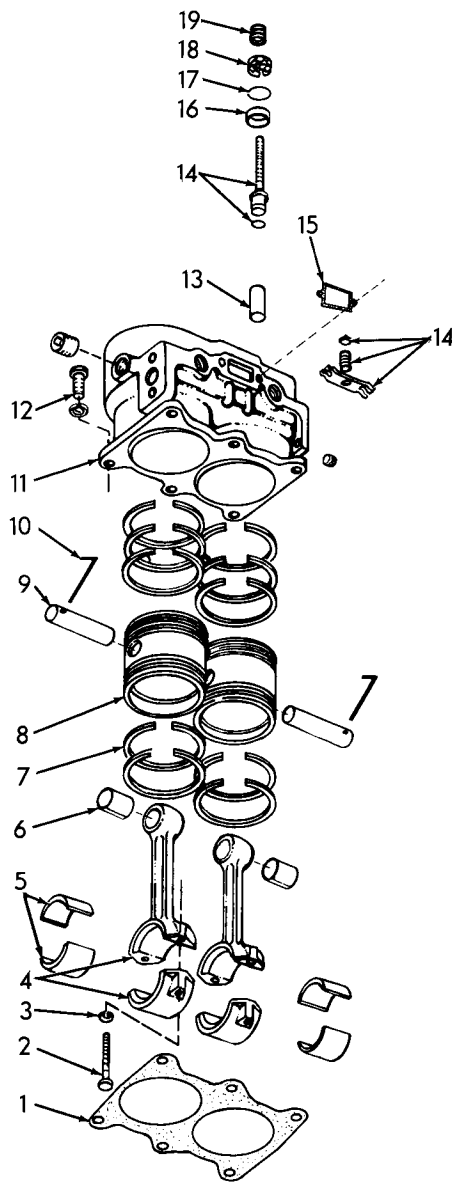
COMPRESSOR CYLINDER BLOCK

T-31333

COMPRESSOR CYLINDER BLOCK

USAGE: Used prior to engine serial #118581

ITEM	PART NO.	QTY.	DESCRIPTION
1	4053195	1	BLOCK ASSEMBLY, compressor cylinder (Includes PLUGS)
	901653	4	PLUG, pipe, sq.-hd., 3/8"
2	4049262	2	RING SET, piston
3	4053358	2	PISTON ASSEMBLY, (Includes item 4) (Aluminum)
4	4049261	2	PIN, piston
5	4040340	2	WIRE, lock, piston
6	4056426	2	ROD ASSEMBLY, connecting (Includes CAP and items 7 thru 9) (Aluminum)
7	4053356	4	BOLT, connecting rod cap
8	4053298	4	LOCKWASHER
9	4040501	2	BUSHING, connecting rod
10	4053357	4	BEARING, connecting rod
11	4040494	1	GASKET, cylinder block
12	4053295	1	UNLOADER VALVE KIT (Includes One SPRING SADDLE, One UNLOADER SPRING, One SPRING SEAT, Two UNLOADER PLUNGERS, Two UNLOADER PISTONS & Two PLUNGER GUIDES-(Not Serviced Separately) & 1 - 4040341 GASKET
13	4053193	6	CAPSCREW, cylinder block
	904206	6	LOCKWASHER
14	4040336	2	SPRING, inlet valve
15	4052124	2	GUIDE, inlet valve
16	4040335	2	VALVE, inlet
17	4040330	2	SEAT, inlet valve (Not Illustrated)
18	4053235	1	COCK, drain(Not Illustrated)



COMPRESSOR CYLINDER BLOCK
(12 Cubic ft. capacity)

T-37751

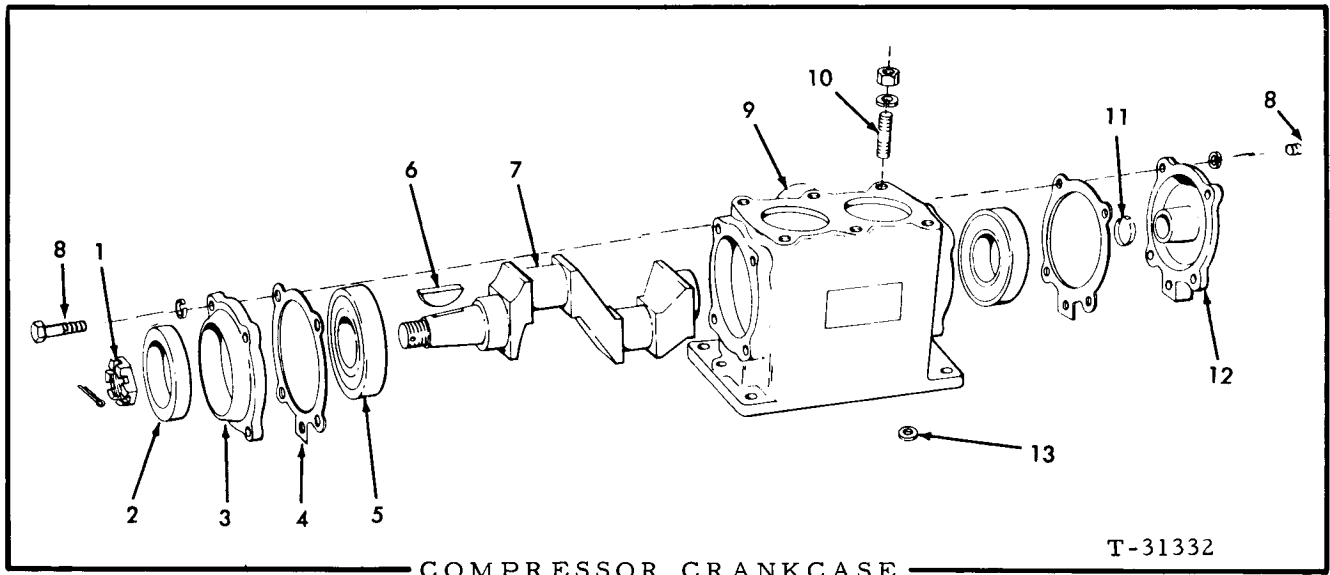
USAGE: Effective with engine serial #118581.

ITEM	PART NO.	QTY.	DESCRIPTION
1	4040321	1	GASKET, cylinder block
2	4053356	4	BOLT, connecting rod
3	4053298	4	LOCKWASHER, connecting rod bolt
4	4056425	2	ROD ASSEMBLY, connecting (Includes cap and items 2, 3 and 6)

(Continued)

COMPRESSOR CYLINDER BLOCK (Continued)

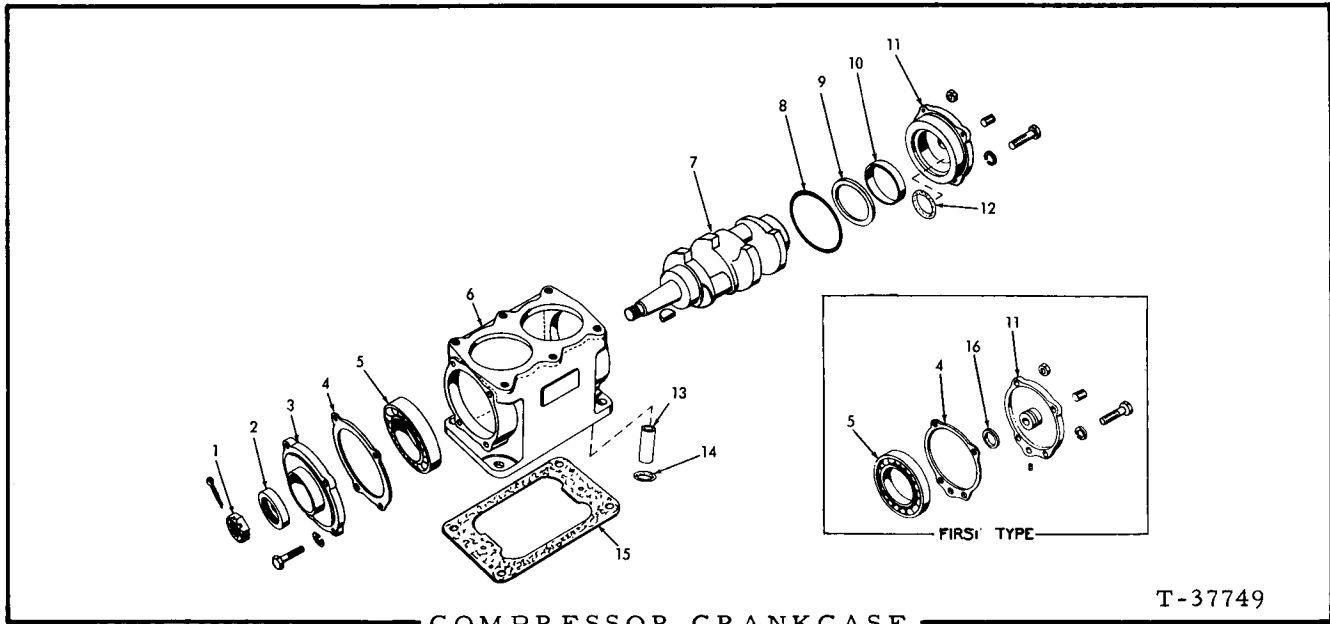
ITEM	PART NO.	QTY.	DESCRIPTION
5	4053595	4	BEARING, connecting rod
6	4056353	2	BUSHING, wrist pin
7	4052940	1	RING SET, piston (Includes ten compression rings)
8	4052939	2	PISTON ASSEMBLY (Includes item 9)
9	4040339	2	PIN, wrist (std.)
	4054437	-	PIN, wrist (.005" oversize. Use as required)
10	4040340	2	WIRE, locking, wrist pin
11	4050453	1	BLOCK ASSEMBLY, cylinder (Includes items 12 and 16)
	918887	3	PLUG, pipe, ctsk., 3/8" NPT
	901652	1	PLUG, pipe, 1/4" NPT
	920333	1	PLUG, pipe, 3/8" NPT
12	4050462	6	CAPSCREW, cylinder block to crankcase
	904206	6	LOCKWASHER, 3/8"
13	4050454	2	BUSHING, unloader bore (Std.)
	4054439	-	BUSHING, unloader bore (.006" oversize. Use as required)
14	4041515	1	VALVE KIT, unloader (Includes one spring saddle, one unloader spring, one spring seat, two unloader plungers, two unloader piston assembly, two guides (Not serviced separately) and 1 GASKET 4040341)
15	4040341	1	GASKET, unloader valve
16	4040330	2	SEAT, inlet valve
17	4040335	2	VALVE, inlet
18	4052124	2	GUIDE, inlet valve
19	4040336	2	SPRING, inlet valve



USAGE: Used prior to engine serial #118581

ITEM	PART NO.	QTY.	DESCRIPTION
1	4040549	1	NUT, slotted hex., crankshaft
	904004	1	PIN, cotter, 1/8 x 2-1/2"
2	4040306	1	SEAL, oil
3	4040515	1	COVER, front end
4	4040514	2	GASKET, end cover
5	4049259	2	BEARING, ball
6	910545	1	KEY, woodruff
7	4040499	1	CRANKSHAFT
8	4050464	8	CAPSCREW, end cover
	904205	8	LOCKWASHER, 5/16
9	4053198	1	CRANKCASE, compressor
10	-----	4	STUD, compressor mounting (See Compressor Mounting Parts)
11	4040299	1	RING, oil seal
12	4040516	1	COVER, rear end
	4040550	1	PLUG, pipe, socket-hd. (Not Illustrated)
13	4040539	1	GASKET, oil seal

MEMO



COMPRESSOR CRANKCASE

T-37749

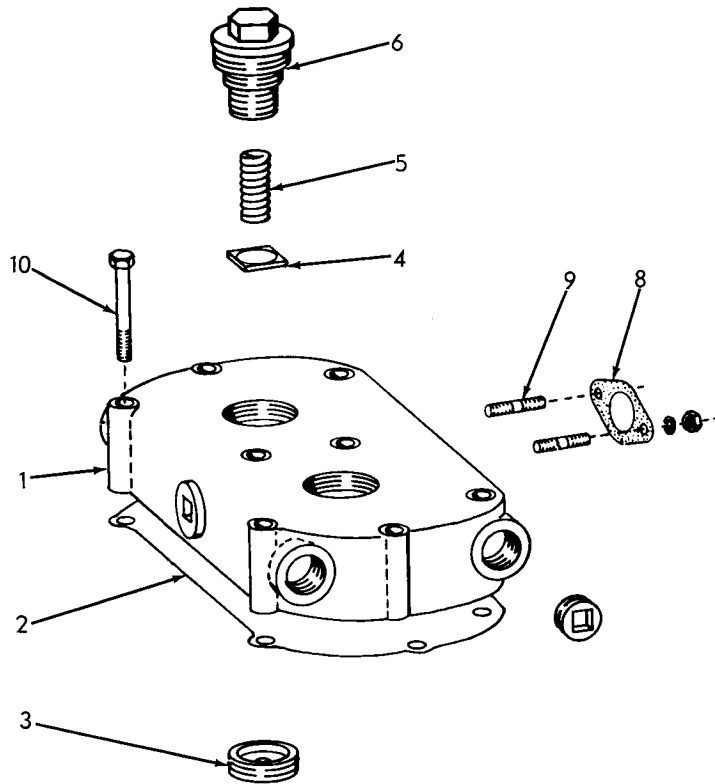
USAGE: * Used engine serial #118581 thru #11-10490 including #11-10646 and #11-10649
 ** Effective with engine serial #11-10490, excluding #11-10646 and #11-10649

ITEM	PART NO.	QTY.		DESCRIPTION
		*	**	
1	4040351	1	1	NUT, slotted hex., crankshaft
	904004	1	1	PIN, cotter, 1/8" x 2-1/2"
	910545	1	1	KEY, hi-pro., 1/4" x 1"
2	4040306	1	1	SEAL, oil, front
3	4040300	1	1	COVER, front end
	4050464	4	4	CAPSCREW, front end
	904205	4	4	LOCKWASHER, 5/16"
4	4040323	2	1	GASKET, end cover
5	4254151	2	1	BEARING, ball
6	4051038	1	1	CRANKCASE ASSEMBLY (Includes item 13)
7	4055526	1	1	CRANKSHAFT (For initial installation also order 1 NUT 4040351)
8	4055527	-	1	RING, end cover
9	4055528	-	1	WASHER, thrust
10	4055558	-	1	BEARING, crankshaft

(Continued)

COMPRESSOR CRANKCASE (Continued)

ITEM	PART NO.	QTY. * **	DESCRIPTION
11	4040643	1 -	COVER, rear
	4050464	4 -	CAPSCREW, cover
	904205	4 -	LOCKWASHER, 5/16"
	4055529	- 1	COVER, rear (Includes item 10)
	4055557	- 4	CAPSCREW, cover
	904205	- 4	LOCKWASHER, 5/16"
	4040550	1 1	PLUG, pipe, socket hd.
	919134	1 1	PLUG, pipe, hex-hd., 1/8" NPT
12	4055556	- 1	O-RING, sealing
13	4047564	1 1	TUBE, oil
14	4040539	1 1	GASKET, oil seal
15	4040305	1 1	GASKET, base
16	4040299	1 -	RING, oil seal

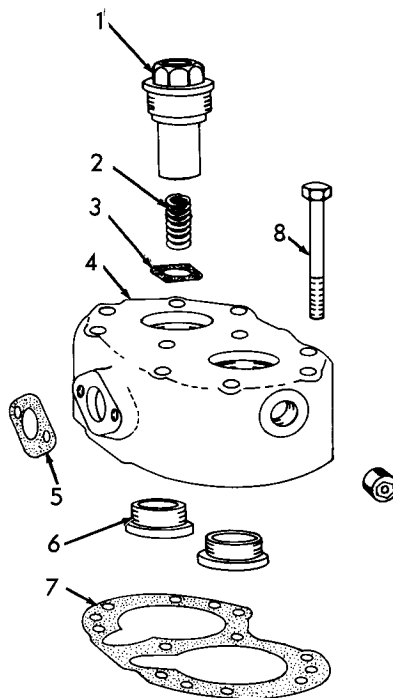


COMPRESSOR CYLINDER HEAD

T-31334

USAGE: Used prior to engine serial #118581

ITEM	PART NO.	QTY.	DESCRIPTION
1	4049255	1	BODY ASSEMBLY, cylinder head (Includes items 3 and 7)
	901653	3	PLUG, pipe, 3/8" sq. hd.
2	4049264	1	GASKET, cylinder head
3	4049256	2	SEAT, discharge valve
4	4040522	2	VALVE, discharge
5	4040303	2	SPRING, discharge valve
6	4040523	2	NUT, cap, discharge valve
7	-----	2	STOP, unloader valve (Not Illustrated) (First Type) (Replace with Valve Kit 4053295)
8	4040302	1	GASKET, cylinder head fitting
9	4049265	2	STUD
	910233	2	NUT, 5/16"NF
	4053191	2	LOCKWASHER
10	4049258	8	STUD, cylinder head (First Type)
		8	NUT, 5/16"NF
	4053197	8	CAPSCREW, cylinder head (Second Type)

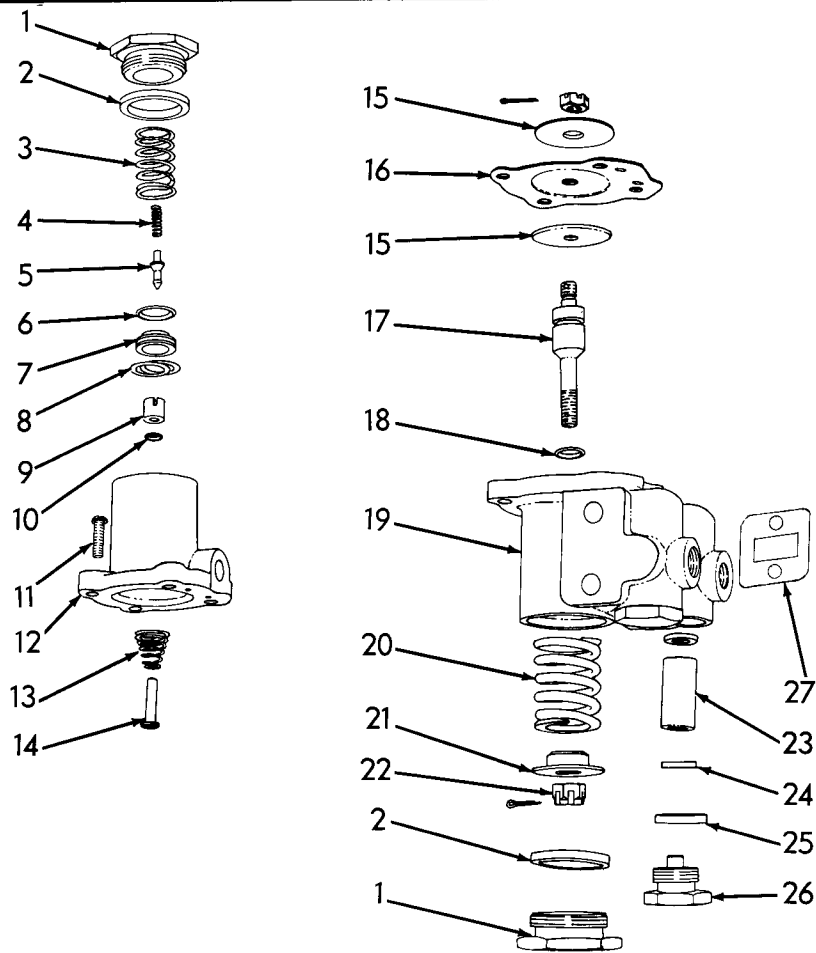


T-37750

COMPRESSOR CYLINDER HEAD
(12 Cubic ft. capacity)

USAGE: Effective with Engine #118581.

ITEM	PART NUMBER	QTY.	DESCRIPTION	PACKAGE NUMBER
1	4040343	2	CAPNUT, discharge valve	
2	4040303	2	SPRING, discharge valve	
3	4040315	2	VALVE, discharge	
4	4040342	1	HEAD ASSEMBLY, cylinder (Includes 2 SEAT 4054434, 2 INSERT 4054435 and item 6) PLUG, pipe, 3/8" NPT	
	920333	2		
	4054434	2		SEAT, inlet valve spring (Not illustrated)
	4054435	2	INSERT, inlet valve spring (Not illustrated)	
5	4040302	1	GASKET, fitting	
6	4050467	2	SEAT, discharge valve	
7	4050466	1	GASKET, cylinder head	
8	4050468	10	CAPSCREW (Special)	



T-29455

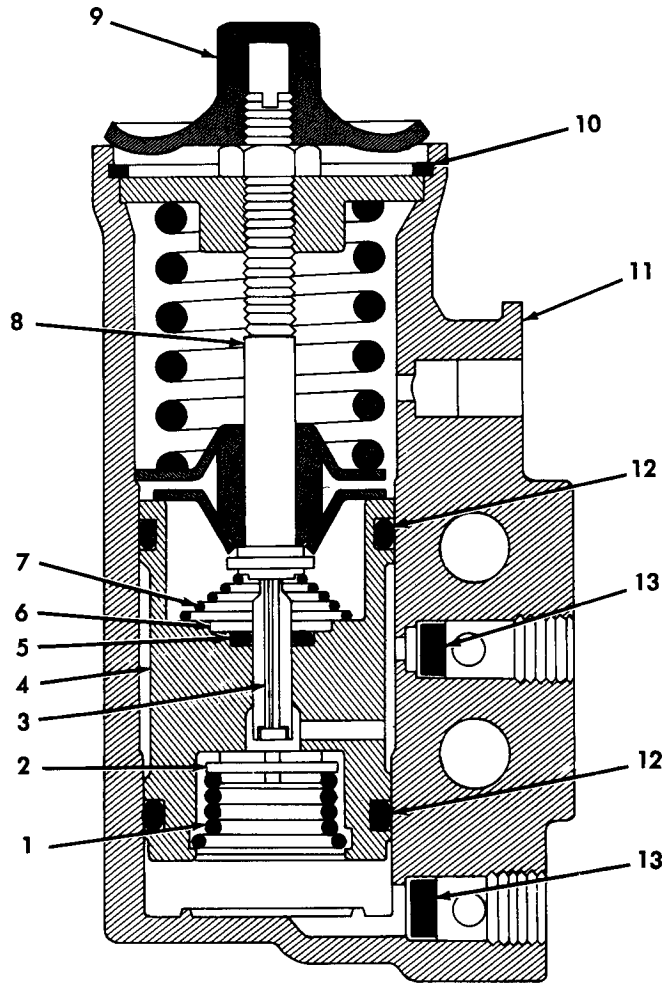
GOVERNOR (Compressor)
 USAGE: Used prior to engine serial #118581

ITEM	PART NO.	QTY.	DESCRIPTION
-	4053830	1	GOVERNOR ASSEMBLY, compressor, 7-1/4 Cu. ft. capacity (Includes items 1 thru 26)
	4040353	2	CAPSCREW
	4050463	2	LOCKWASHER
1	4040770	2	CAP
2	4040786	2	RING, sealing
3	4040761	1	SPRING, seat retaining
4	4040767	1	SPRING, inlet valve
5	4040778	1	VALVE, inlet-exhaust
6	4040868	1	GROMMET
7	4040776	1	SEAT, inlet valve

(Continued)

GOVERNOR (Compressor) (Continued)

ITEM	PART NO.	QTY.	DESCRIPTION
8	4040762	*	SHIM (* use as required)
	4040775	*	SHIM (* use as required)
9	4040766	1	BUSHING, guide
10	4040841	1	GROMMET, exhaust stem
11	4041337	4	CAPSCREW, 1/4" NC
12	4041334	1	BODY ASSEMBLY, valve (Includes BODY and items 9 & 10)
	4040774	1	BODY, valve
13	4054000	1	SPRING, exhaust stem
14	4052239	1	STEM, exhaust
15	4040777	2	FOLLOWER, upper and lower
16	4040869	1	DIAPHRAGM
17	4054438	1	STEM ASSEMBLY, diaphragm (Includes STEM & items 15, 16, 18)
	4040780	1	STEM, diaphragm
	917101 900800	1 1	NUT, hex., slotted, 1/4" - 28 thin PIN, cotter, 1/16" x 3/4"
18	4040870	1	GROMMET, diaphragm stem
19	4040785	1	CAGE, spring
	901652	2	PLUG, pipe, 1/8"
20	4040779	1	SPRING, pressure setting
21	4040769	1	SEAT, spring
22	917358	1	NUT, hex., slotted, 1/4" - 28
	904020	1	PIN, cotter, 1/16" x 1"
23	4040771	2	FILTER
24	4040773	2	WASHER, rubber
25	4040787	2	RING, sealing
26	4040772	2	CAP, filter
27	4040345	1	GASKET, governor



T-36633

GOVERNOR (Compressor)
(12 cu. ft. capacity)

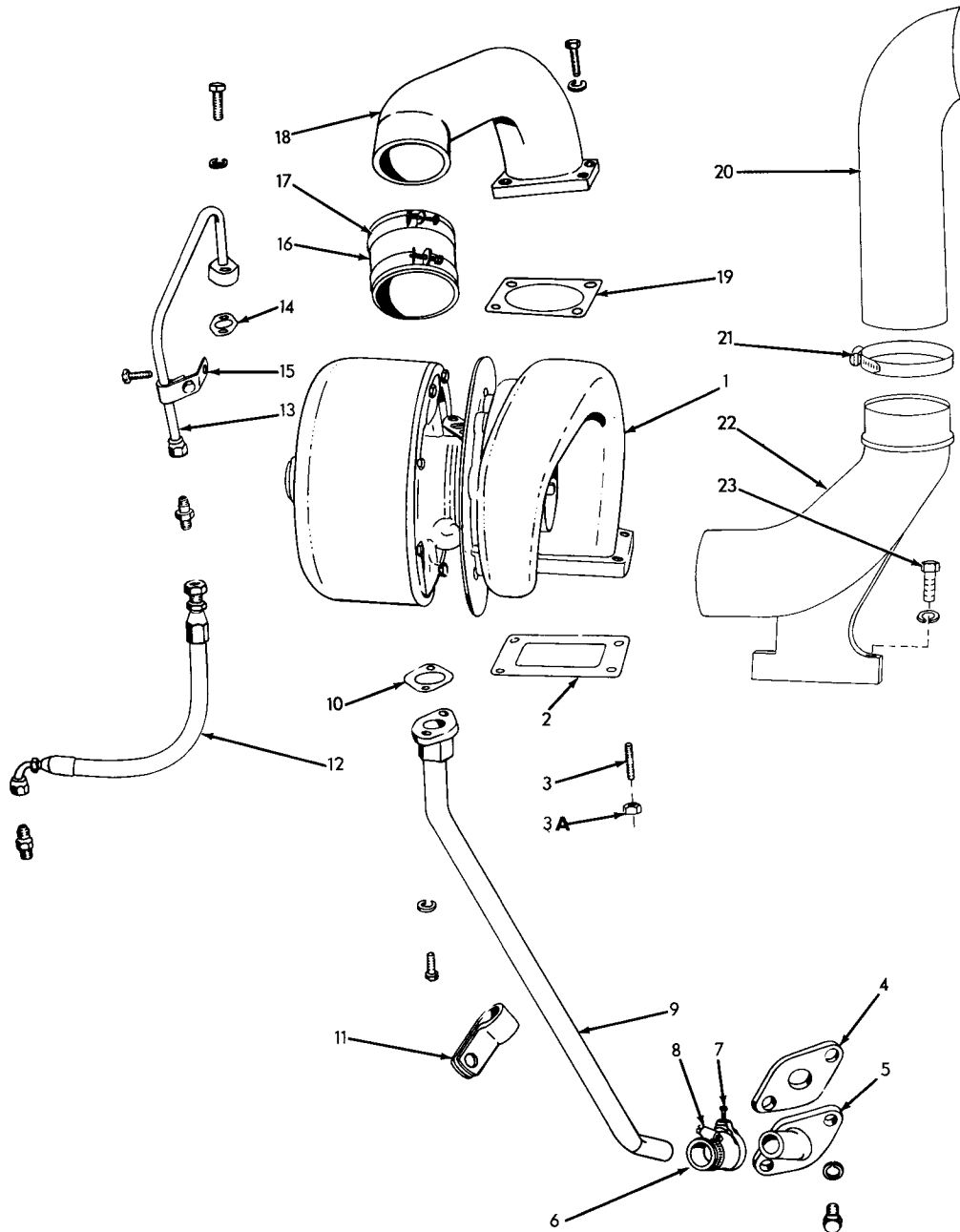
USAGE: Effective with engine serial #118581

ITEM	PART NO.	QTY.	DESCRIPTION
-	4055284	1	GOVERNOR ASSEMBLY, air compressor (Includes items 1 thru 13)
	4055341	2	CAPSCREW (Special)
	904205	2	LOCKWASHER, 5/16"
1	4055272	1	SPRING, valve
2	4055273	1	VALVE
3	4055278	1	STEM, exhaust
4	4055274	1	PISTON ASSEMBLY (Includes items 5 and 6)
5	4054151	1	GROMMET, piston (inner)

(Continued)

GOVERNOR (Compressor) (Continued)
(12 cu. ft. capacity)

ITEM	PART NUMBER	QTY.	DESCRIPTION	PACKAGE NUMBER
6	4055275	1	WASHER, piston	
7	4055279	1	SPRING, exhaust stem	
8	4055276	1	SCREW and SPRING ASSEMBLY, adjusting (Includes screw, nut, spring, guide and seats) (Serviced only as a unit)	
9	4055277	1	COVER, governor	
10	4055280	1	RING, retaining	
11	4055281 917673	1 4	BODY ASSEMBLY, governor (Includes item 13) PLUG, pipe, ctsk-hd., 1/8"	
12	4055283	2	GROMMET, piston (outer)	
13	4055282	2	FILTER, body	
14	4040345	1	GASKET, governor mounting (Not illustrated)	



TURBOCHARGER

T-31330

USAGE: Used prior to engine serial #118581

ITEM PART NO. QTY. DESCRIPTION

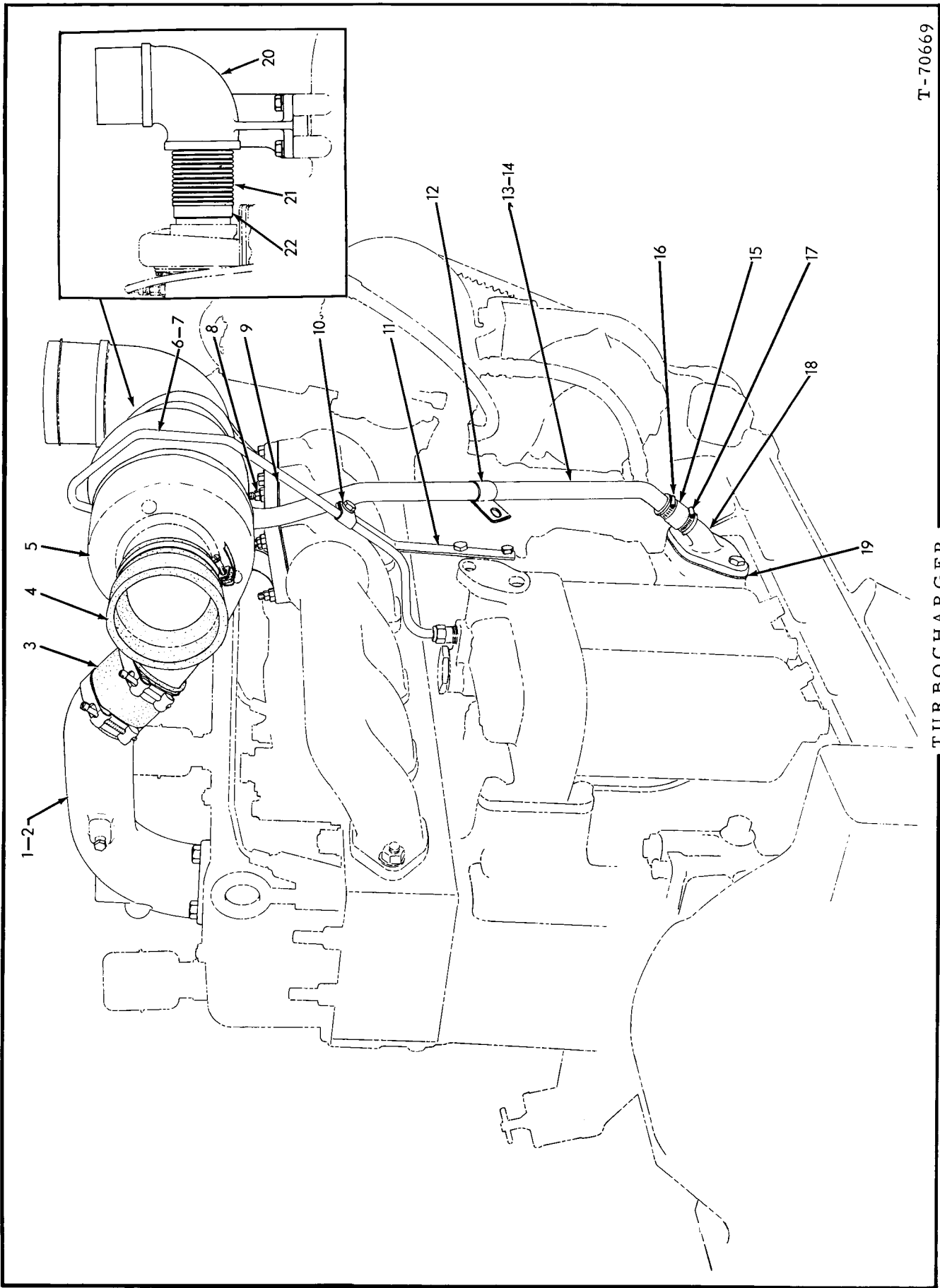
1	4337474	1	TURBOCHARGER ASSEMBLY (Refer to page 81 for parts)
2	4336558	1	GASKET, turbocharger
3	4337558	4	STUD, turbocharger mounting
	904206	4	LOCKWASHER, 3/8"
3A	4385387	4	NUT, 3/8"NC (Stainless)

(Continued)

TURBOCHARGER (Continued)

ITEM	PART NO.	QTY.	DESCRIPTION
4	4336436	1	□GASKET, oil tube flange
5	4337114	1	FLANGE, oil tube
	903638	2	CAPSCREW, 1/2"NC x 1-1/4"
	904208	2	LOCKWASHER, 1/2"
6	4379723	1	ADAPTOR, rubber (Oil tube to flange)
7	4254968	1	CLAMP, adaptor, 1-7/16" I. D.
8	4254991	1	CLAMP, adaptor, 1-3/16" I. D.
9	4336615	1	TUBE ASSEMBLY, turbocharger oil drain
	916271	2	CAPSCREW, 3/8"NC x 1"
	904206	2	LOCKWASHER, 3/8"
10	4335649	1	□GASKET, oil drain tube
11	4336620	1	CLAMP, oil drain tube
12	4335731	1	HOSE ASSEMBLY, turbocharger oil (See page 6 for parts)
	919066	1	UNION, flared 1/2" O. D. tube
	919063	1	CONNECTOR, male, 1/2" O. D. tube, 3/8"NPT
13	4338222	1	TUBE ASSEMBLY, oil
	910211	2	CAPSCREW, 3/8"NC x 1-1/8" { (Used prior to engine
	904206	2	LOCKWASHER, 3/8" { serial #118729)
	914847	2	CAPSCREW, 3/8"NC x 1-1/2" (Effective w/engine No. 118729)
14	4335647	1	□GASKET, oil tube
15	4338223	1	CLAMP, oil tube
	901172	1	SCREW, #10 x 1/2"
	904203	1	LOCKWASHER, #10
	901310	1	NUT, #10
16	4013450	1	HOSE, turbocharger elbow
17	4255347	2	CLAMP, elbow hose
18	4339585	1	ELBOW, turbocharger to manifold
	915666	4	CAPSCREW, 1/2"NC x 1-3/8"
	904208	4	LOCKWASHER, 1/2"
19	4349193	1	□GASKET, turbocharger elbow
20	3031711	1	TUBE, exhaust
21	3031715	2	CLAMP, tube
	916272	2	CAPSCREW 3/8"NC x 1-1/4"
	904206	2	LOCKWASHER, 3/8"
	917258	2	NUT, 3/8"NC (brass)
22	4336919	1	DIFFUSER, exhaust outlet
23	4255003	4	CAPSCREW, 3/8"NC x 1-1/4" (stainless)
	904206	4	LOCKWASHER, 3/8"
24	4336756	1	CONNECTOR, air inlet } (Not illustrated, see
	919791	1	CLAMP, adjustable } Air Cleaner)

□(Also see PACKAGED PARTS)



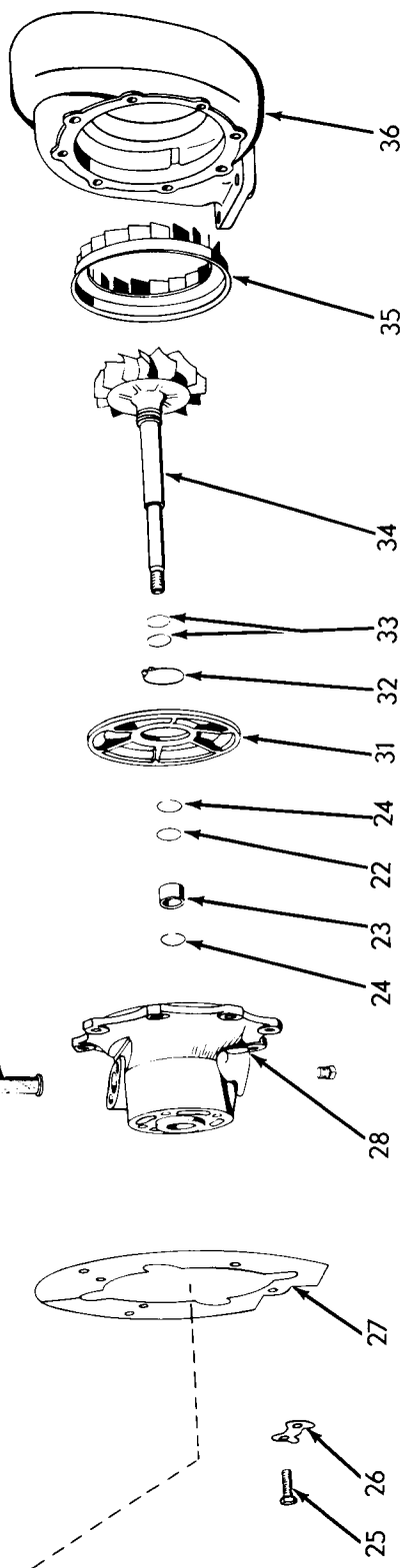
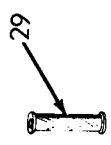
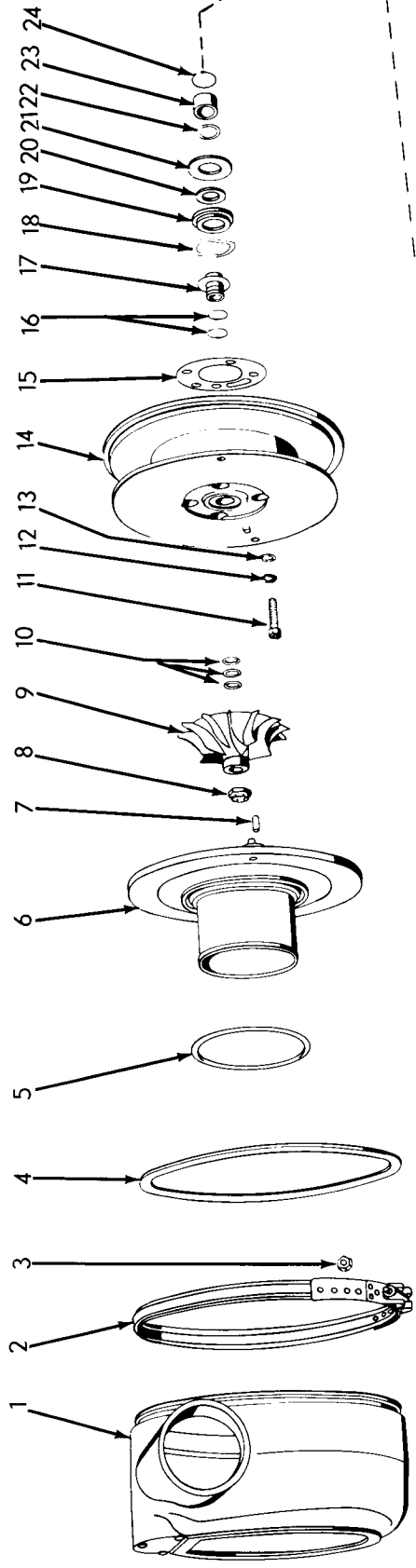
T-70669

TURBOCHARGER

TURBOCHARGER

USAGE: Effective with engine serial #11-10658

ITEM	PART NO.	QTY.	DESCRIPTION
1	4339585	1	ELBOW, air discharge
	919230	4	CAPSCREW, 1/2" NC x 1-3/8"
	904208	4	LOCKWASHER, 1/2"
2	4349193	1	GASKET, air discharge elbow
3	4386591	1	HOSE, air discharge elbow
	4255347	2	CLAMP, hose
4	4336756	1	CONNECTOR, inlet, 4"
	919791	1	CLAMP, hose
5	4339212	1	TURBOCHARGER ASSEMBLY (See page 85 for parts)
6	4339838	1	TUBE ASSEMBLY, oil feed (Includes SLEEVE and NUT indented below)
	917807	1	SLEEVE, sealastic, 3/8" tube
	917810	1	NUT, sealastic, 3/8" tube
	920700	1	CONNECTOR, sealastic, 3/8" tube, 3/8" NPT male
	916269	2	CAPSCREW, 3/8" NC x 7/8"
	904206	2	LOCKWASHER, 3/8"
7	4339533	1	GASKET, oil feed tube
8	4339535	4	STUD, turbocharger mounting
	4385387	4	NUT, stainless, 3/8" NC
	913544	4	WASHER, plain, 3/8"
9	4336558	1	GASKET, turbocharger mounting
10	4337590	1	CLAMP, oil tube
	911169	1	CAPSCREW, 5/16" NF x 5/8"
	904205	1	LOCKWASHER, 5/16"
11	4339722	1	SUPPORT, clamp
	-----	-	CAPSCREW, 3/8" NC x 5" } For Fastners see
	-----	-	LOCKWASHER, 3/8" } OIL COOLER
12	4336620	1	CLAMP, oil drain, tube (For fastners see LUBE OIL FILTER AND LINES)
13	4339721	1	TUBE, oil drain
	916269	2	CAPSCREW, 3/8" NC x 7/8"
	904206	2	LOCKWASHER, 3/8"
14	4339532	1	GASKET, oil drain tube
15	4379723	1	ADAPTER, rubber (Oil tube to flange)
16	4254991	1	CLAMP, adapter, 1-3/16" I. D.
17	4254968	1	CLAMP, adapter, 1-7/16" I. D.
18	4337114	1	FLANGE, oil drain line
	919230	2	CAPSCREW, 1/2" NC x 1-3/8"
	904208	2	LOCKWASHER, 1/2"
19	4336436	1	GASKET, oil drain flange
20	4339516	1	DIFFUSER, exhaust
	4255003	4	CAPSCREW, stainless steel, 3/8" NC x 1-1/4"
	904206	4	LOCKWASHER, 3/8"
21	4339520	1	HOSE, exhaust outlet (metal)
22	4339521	1	ADAPTER, exhaust outlet hose
23	4339827	-	GASKET KIT (Consists of items 2, 7, 9 and 14) (Not Illustrated)



T-31331

TURBOCHARGER ASSEMBLY 4337474

TURBOCHARGER ASSEMBLY 4337474

USAGE: Used prior to engine serial #11-10658

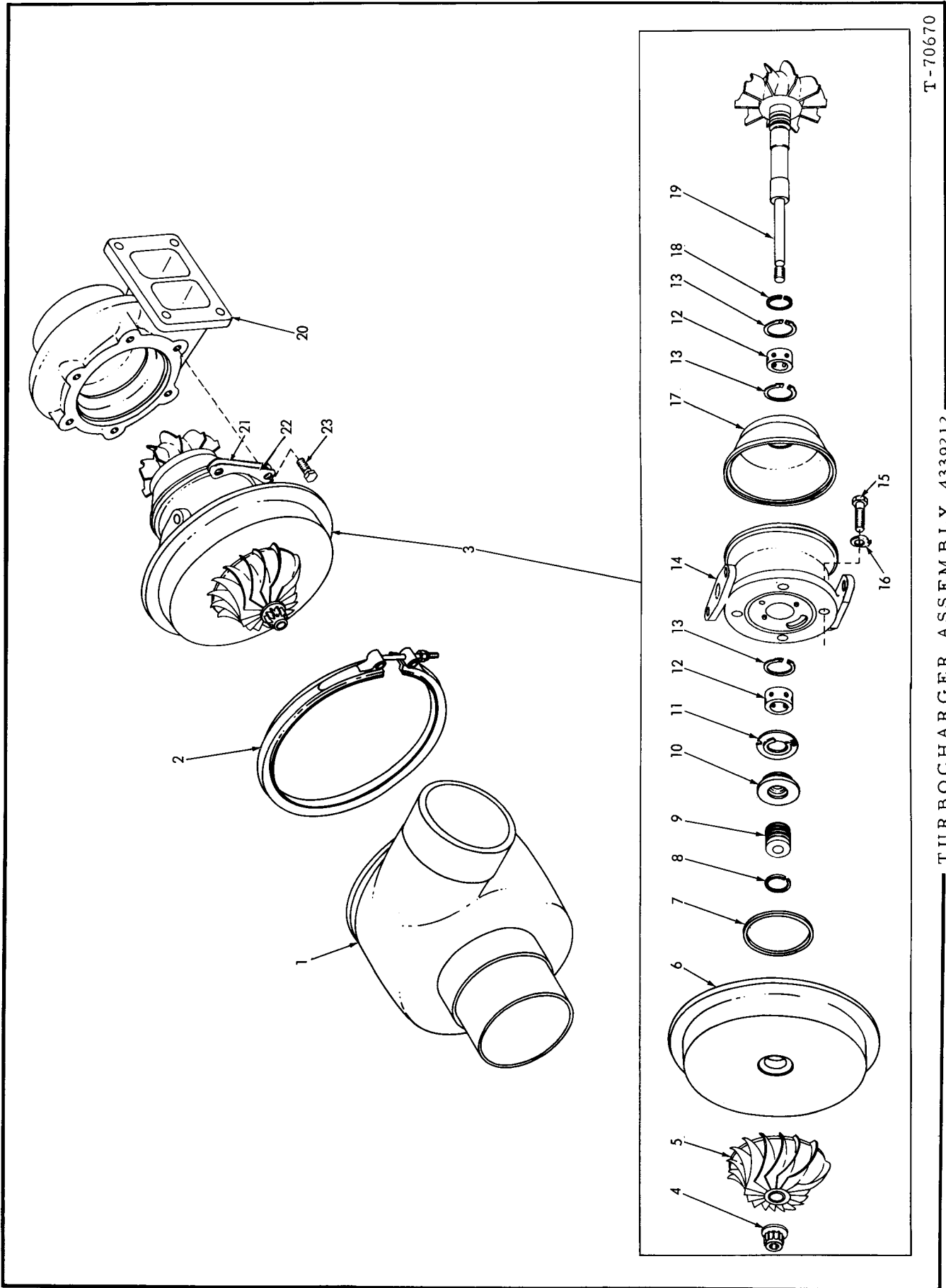
ITEM	PART NO.	QTY.	DESCRIPTION
-	4053598	1	NOTE: See page 76 for listing of complete assembly CORE ASSEMBLY (Includes items 4, 10 thru 16, 18, 19, 21 thru 26, 28 thru 34)
1	4052974	1	COVER, compressor
2	4053010	1	"V" CLAMP ASSEMBLY, cover (Includes item 3)
3	4053412	1	NUT, clamp
4	4052977	1	GASKET, compressor (Large)
5	4052975	1	O-RING
6	4053032	1	EXTENSION ASSEMBLY, compressor (Includes item 7)
7	4053413	2	DOWEL, shoulder
8	4052994	1	LOCKNUT, compressor wheel
9	-----	1	WHEEL, compressor (Not serviced - order item 34)
10	4052990	-	} SHIM, .002" Use as required
	4052991	-	
	4052992	-	
11	4040369	4	CAPSCREW, socket head
12	4053006	4	LOCKWASHER
13	4053007	4	WASHER, plain
14	4053597	1	HOUSING ASSEMBLY, compressor (Includes BUSHING & TUBE) (Serviced only as a unit)
15	4052979	1	GASKET
16	4052987	2	RING, piston
17	4053426	1	SLEEVE, flinger
18	4052989	1	SPRING
19	4053428	1	WASHER, thrust (flanged)
20	4053427	1	RING, thrust
21	4053429	1	WASHER, thrust
22	4053601	2	WASHER, thrust, bearing
23	4053600	2	BEARING, sleeve
24	4053602	3	RING, snap, bearing
25	4053008	8	CAPSCREW

(Continued)

TURBOCHARGER ASSEMBLY 4337474 (Continued)

ITEM	PART NO.	QTY.	DESCRIPTION
26	4053009	4	LOCKPLATE
27	4052997	1	SHIELD, external
28	4053599	1	HOUSING ASSEMBLY, bearing
	910230	1	PLUG, pipe
29	4053000	1	FILTER (Strainer assembly)
30	4052999	1	WIRE, snap
31	4053431	1	PLATE, back, nozzle
32	4053003	1	RING, retaining
33	4052988	2	RING, piston
34	4056136	1	ROTOR ASSEMBLY (Includes WHEEL, SHAFT and items 8, 9, 17, & 20)
35	4053744	1	RING ASSEMBLY, nozzle
36	4053005	1	HOUSING, turbine

MEMO



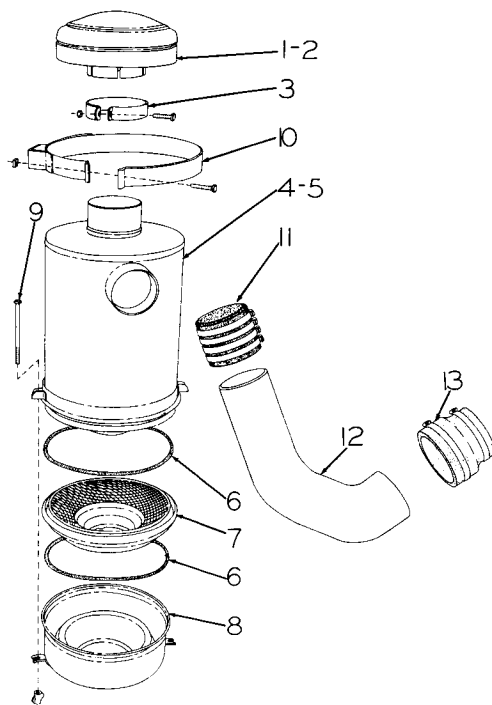
T-70670

TURBOCHARGER ASSEMBLY 4339212

TURBOCHARGER ASSEMBLY 4339212

USAGE: Effective with engine serial #11-10658

ITEM	PART NO.	QTY.	DESCRIPTION
			NOTE: See page 79 for listing of complete Assembly.
1	4056303	1	HOUSING ASSEMBLY, compressor (Includes impeller shroud and locating pin)
2	4056302	1	COUPLING, compressor housing
3	4056285	1	HOUSING ASSEMBLY, center (Consists of items 4 thru 19)
4	4056291	1	LOCKNUT, impeller retaining
5	4056290	1	IMPELLER, compressor
6	4056292	1	BACKPLATE ASSEMBLY (Includes thrust washer and orifice pin)
7	4056300	1	RING, end plate sealing
8	4055195	1	RING, sealing, turbine wheel shaft, compressor end
9	4056289	1	SPACER, thrust
10	4056288	1	COLLAR, thrust
11	4056294	1	BEARING, thrust
12	4056295	2	BEARING, turbine wheel
13	4056296	3	RING, snap, bearing retaining
14	4056286	1	HOUSING ASSEMBLY, center (Includes dowels)
15	4181061	4	BOLT, backplate attaching
16	4056298	4	LOCKPLATE, back plate attaching bolt
17	4056293	1	SHROUD, heat, turbine end
18	4056297	1	RING, sealing, turbine wheel shaft, exhaust end
19	4056287	1	WHEEL, turbine
20	4056301	1	HOUSING, turbine
21	4056306	3	PLATE, clamp, center housing
22	4056305	3	LOCKPLATE, clamp plate bolt
23	4056314	6	BOLT, clamp plate (3/8" NC x 5/8")



AIR CLEANER

T-31316

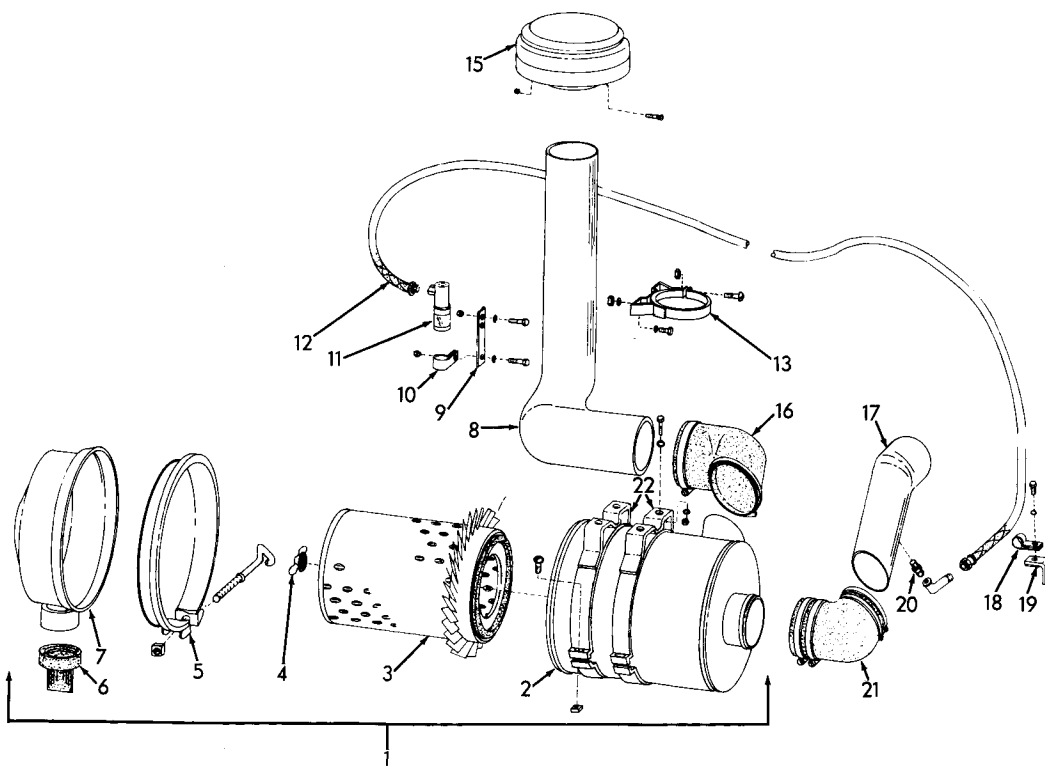
USAGE: Used prior to loader #774

ITEM	PART NO.	QTY.	DESCRIPTION	
1	3029214	1	CAP ASSEMBLY, air cleaner (Includes 1 BOLT 912105 and 1 NUT 910981)	
3	-----	1	CLAMP, air hood (Not serviced, order 3029214)	
	912105	1	BOLT, square-hd., 5/16" NC x 1-1/2"	
	910981	1	NUT, 5/16" NC	
4	3031219	1	CLEANER ASSEMBLY, air (Consists of items 5 and 9)	
5	-----	1	BODY (Serviced separately)	
6	3031743	2	RING, sealing, oil cup and tray	
7	3031744	1	TRAY, oil	
8	3031745	1	CUP, oil	
9	{ 921197	2	BOLT, oil cup retaining (5/16" NC x 4-1/2")	
	{ 910335	2		WASHER, plain, SAE std., 5/16"
	{ 3024943	2		NUT, wing

(Continued)

AIR CLEANER (Continued)

ITEM	PART NO.	QTY.	DESCRIPTION
10	3029216	2	BAND ASSEMBLY, air cleaner mounting (Includes 1 SCREW 903764 and 1 NUT 910292)
	903764	2	SCREW, machine, 5/16" NC x 1-1/2"
	910292	2	NUT, square, 5/16" NC
	916225	4	CAPSCREW, 3/8" NC x 1"
	911115	4	WASHER, plain, 3/8"
	904206	4	LOCKWASHER, 3/8"
	911041	4	NUT, 3/8" NF
11	3026415	1	HOSE, air cleaner
	921916	4	CLAMP, hose, adjustable
12	3029819	1	TUBE, air cleaner
13	4336756	1	CONNECTOR, air inlet (Turbocharger to tube 3029819)
	919791	1	CLAMP
	921916	1	CLAMP, adjustable (3-13/16" to 4-3/4")



AIR CLEANER

T-39704

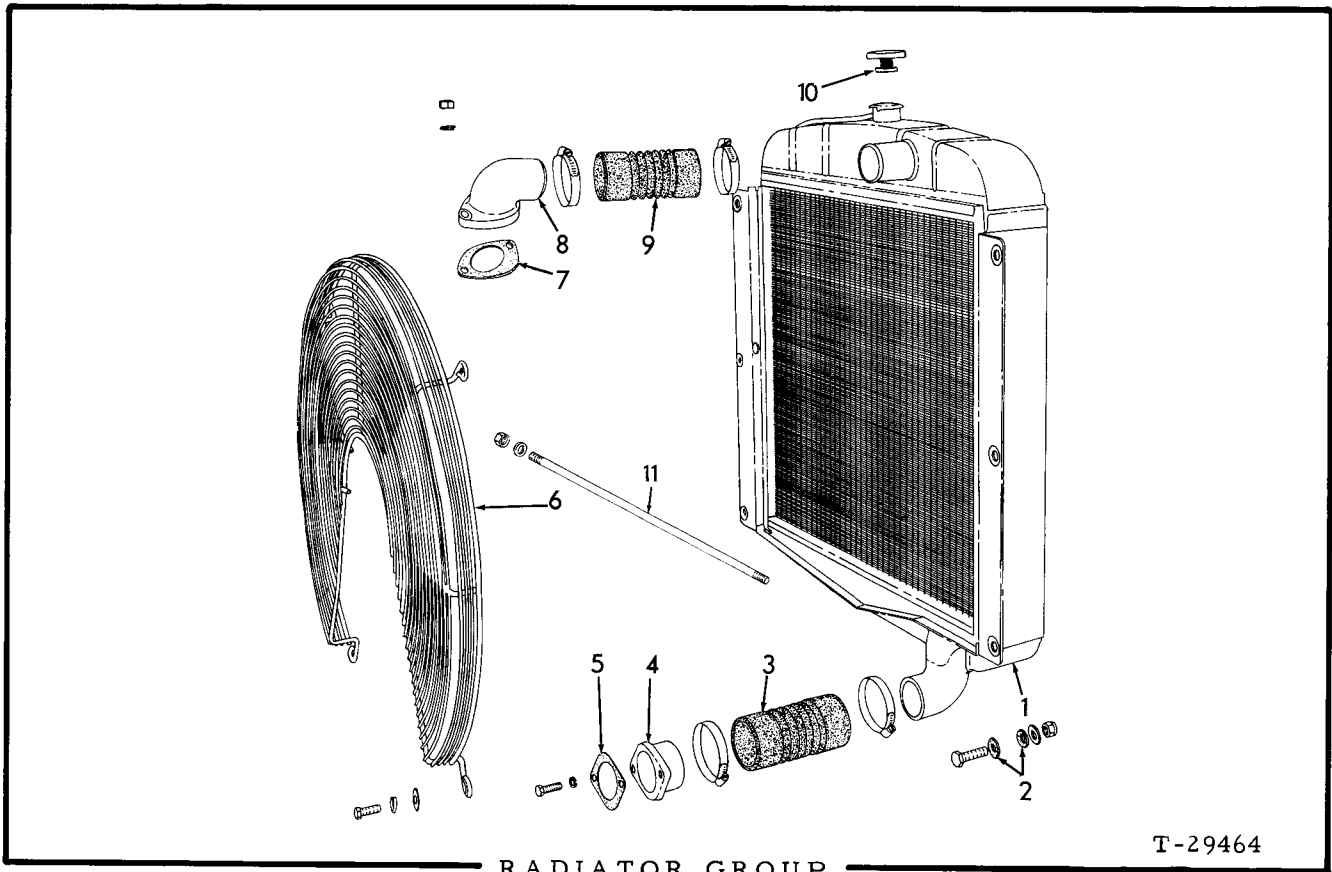
USAGE: Effective with loader #774

ITEM	PART NO.	QTY.	DESCRIPTION
1	3039681	1	CLEANER ASSEMBLY, air (Includes items 2 thru 7)
2	-----	1	BODY, air cleaner (Not serviced, order 3039681)
3	3040631	1	ELEMENT, air cleaner
4	239517	1	NUT ASSEMBLY, element (Includes GASKET)(Serviced only as a unit)
5	3040634	1	CLAMP ASSEMBLY, cup retainer (Includes BOLT)
6	3042943	1	VALVE, dust
7	3040635	1	CUP, air cleaner
8	3039686	1	TUBE, air intake
9	3038684	1	STRAP, air cleaner clip
	916225	2	CAPSCREW, 3/8" NF x 1"
	904206	2	LOCKWASHER, 3/8"
	911041	2	NUT, 3/8" NF

(Continued)

AIR CLEANER (Continued)

ITEM	PART NO.	QTY.	DESCRIPTION
10	3038519	1	CLIP, hose supporting
	916381	1	CAPSCREW, 3/8" NF x 3/4"
	904206	1	LOCKWASHER, 3/8"
	911041	1	NUT, 3/8" NF
11	3038662	1	INDICATOR, air cleaner
12	3042581	1	HOSE ASSEMBLY, air indicator (crimp-type) (Serviced only as a unit)
	919249	1	ELBOW, 90°, flare type, 1/4" tube, 1/8" NPT
13	3041618	1	CLAMP ASSEMBLY, intake tube (Includes 1 SCREW 900579 and 1 NUT 912660)
	900579	1	SCREW, machine, 1/4" NC x 1-1/2"
	912660	1	NUT, 1/4" NC
	916381	2	CAPSCREW, 3/8" NF x 3/4"
	911115	2	WASHER, plain, SAE std., 3/8"
	904206	2	LOCKWASHER, 3/8"
	911041	2	NUT, 3/8" NF
15	3029214	1	CAP ASSEMBLY, air cleaner
16	3039689	1	ELBOW, air inlet tube
	921917	2	CLAMP, adjustable (4-5/8" to 5-1/2")
17	3039692	1	TUBE, air outlet
	921916	1	CLAMP, adjustable (3-13/16" to 4-3/4")
18	3014716	1	CLIP, hose supporting
	916381	1	CAPSCREW, 3/8" NF x 3/4"
	904206	1	LOCKWASHER, 3/8"
19	3028828	1	BRACKET, hose clip
	916381	1	CAPSCREW, 3/8" NF x 3/4"
	904206	1	LOCKWASHER, 3/8"
20	3038547	1	FITTING, filter
21	3038683	1	ELBOW, air outlet tube
	921916	4	CLAMP, adjustable (3-13/16" to 4-3/4")
22	3029216	2	BRACKET ASSEMBLY, mounting, air cleaner (Includes 1 SCREW 903764 and 1 NUT 910292)
	903764	2	SCREW, machine, 5/16" NC x 1-1/2"
	910292	2	NUT, square, 5/16" NC
	916225	4	CAPSCREW, 3/8" NF x 1"
	911115	4	WASHER, plain, SAE std., 3/8"
	904206	4	LOCKWASHER, 3/8"
	911041	4	NUT, 3/8" NF



RADIATOR GROUP

T-29464

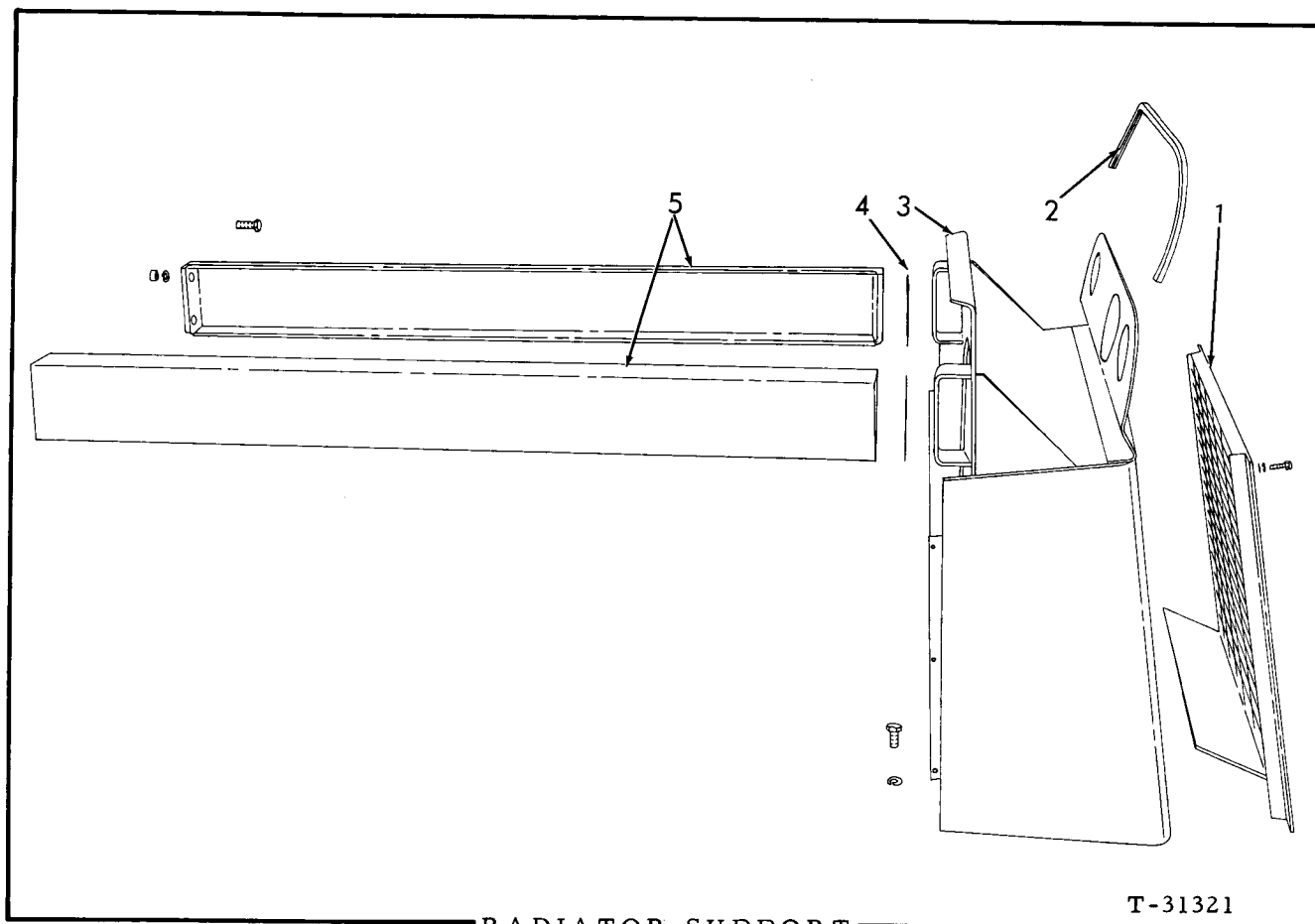
* Used prior to engine #124119.
 ** Effective with engine #124119.

ITEM	PART NO.	QTY.		DESCRIPTION
		*	**	
1	3031157	1	1	RADIATOR ASSEMBLY (Includes item 10 and 11)
	913105	6	6	CAPSCREW, 1/2" NF x 1-1/2"
2	3020841	12	12	WASHER (rubber)
	910244	6	6	WASHER, plain, SAE std., 1/2"
	914487	6	6	LOCKNUT, 1/2" NF
	3026170	6	6	WASHER, spacer
3	3044863	1	1	HOSE, radiator outlet
	921914	2	2	CLAMP, adjustable, 2-5/16" to 3-1/4" diam.
4	4347003	1	1	PIPE, flange, engine water inlet
	916271	2	2	CAPSCREW, 3/8" NC x 1"
	904206	2	2	LOCKWASHER, 3/8"
5	4346456	1	1	GASKET, pipe, water inlet
6	3031615	1	1	GUARD, fan
	916225	4	4	CAPSCREW, 3/8" NF x 1"
	904206	4	4	LOCKWASHER, 3/8"
	911115	4	4	WASHER, plain, SAE std., 3/8"
7	4336266	1	-	GASKET, elbow, engine water outlet
		-	1	GASKET, elbow, engine water outlet

(Continued)

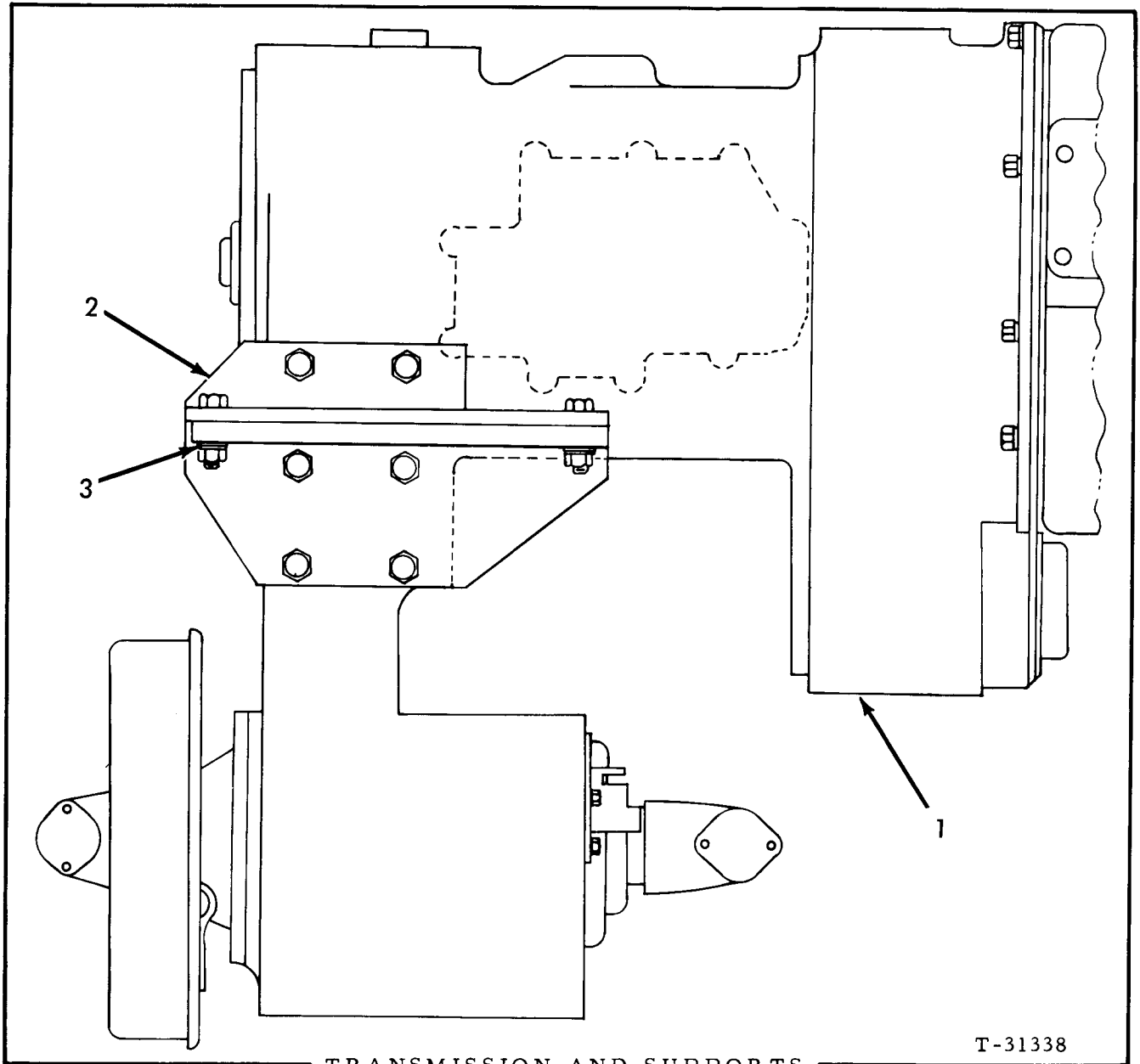
RADIATOR GROUP (Continued)

ITEM	PART NO.	QTY.	DESCRIPTION
8	4337538	1	ELBOW, engine water outlet
	-----	2	STUD
	-----	2	LOCKWASHER, 3/8" NF
	-----	2	NUT, 3/8" NF
} (See WATER OUTLET MANIFOLD GROUP)			
	4335451	- 1	ELBOW, engine water outlet
	913877	- 1	CAPSCREW, 7/16" NC x 1-1/8"
	903780	- 1	CAPSCREW, 7/16" NC x 3"
	904207	- 2	LOCKWASHER, 7/16"
9	3026352	1 1	HOSE, radiator inlet
	921914	2 2	CLAMP, adjustable, 2-5/16" to 3-1/4" diam.
10	3007198	1 1	CAP, radiator
11	3041137	1 1	ROD, dampener
	911114	4 4	WASHER, plain, SAE std., 1/4"
	916590	4 4	LOCKNUT, 1/4" NF



ITEM	PART NO.	QTY.	DESCRIPTION
1	3029862	1	GRILL, radiator
	916225	6	CAPSCREW, 3/8" NF x 1"
	904206	6	LOCKWASHER, 3/8"
	911115	6	WASHER, plain, SAE std., 3/8"
2	-----	1	STRIP, rubber, hood vibration protector (46 inches of Part No. 3035068) (See Note)
3	3029570	1	SUPPORT, radiator
	916405	4	CAPSCREW, 5/8" NF x 1-1/2"
	904209	4	LOCKWASHER, 5/8"
4	3031067	-	SHIM, side brace (.059" thick. Use as req'd)
5	3029524	1	BRACE, left, radiator support
	3029525	1	BRACE, right, radiator support (Used prior to loader #774)
	3039318	1	BRACE, right, radiator support (Effective with loader #774)
	916028	8	CAPSCREW, 1/2" NF x 1-3/4"
	904208	8	LOCKWASHER, 1/2"
	911043	8	NUT, 1/2" NF

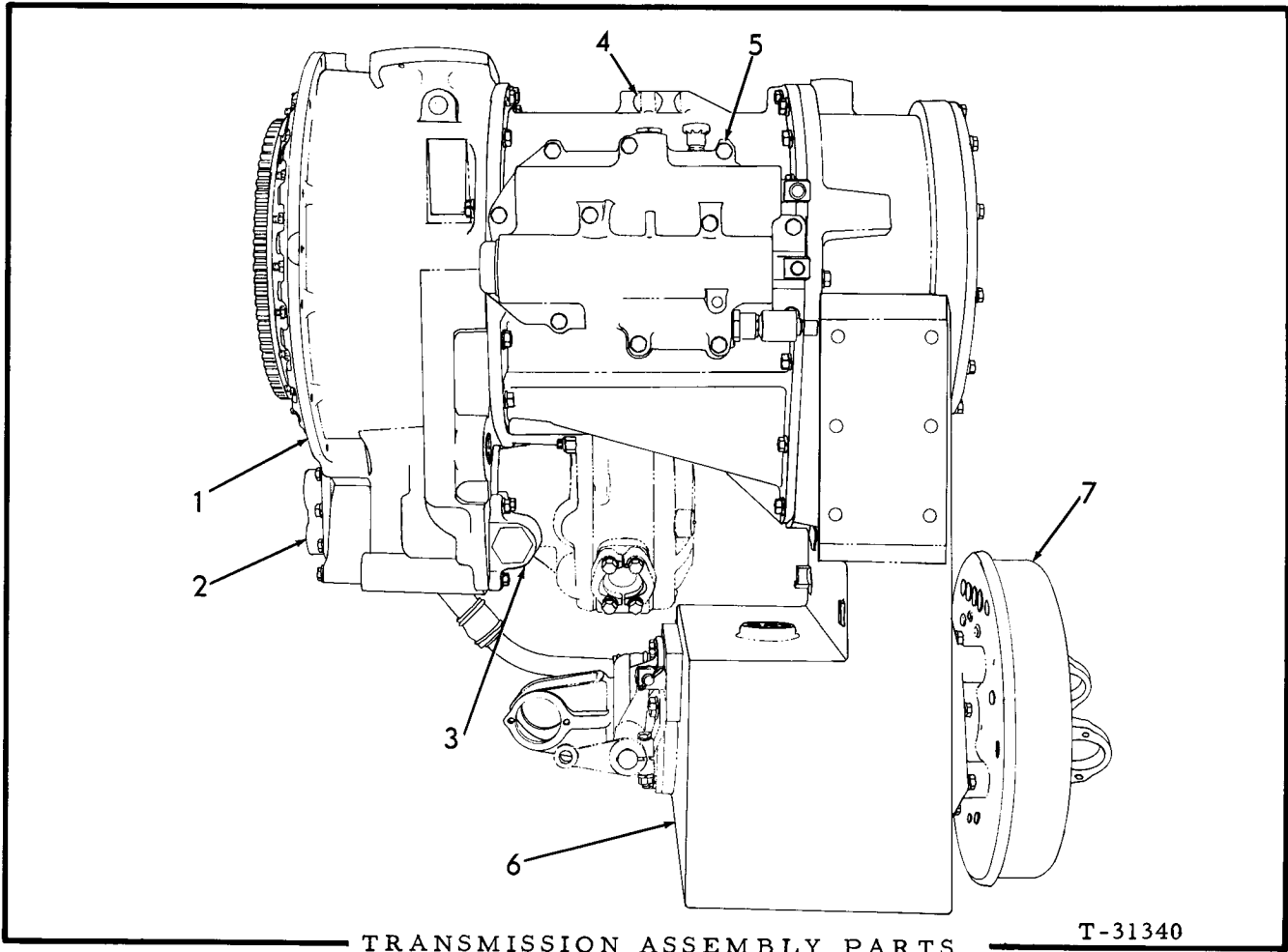
NOTE: The factory will finish 25 foot rolls of rubber strip.
The dealer will finish cut length or 25 foot rolls.



TRANSMISSION AND SUPPORTS

T-31338

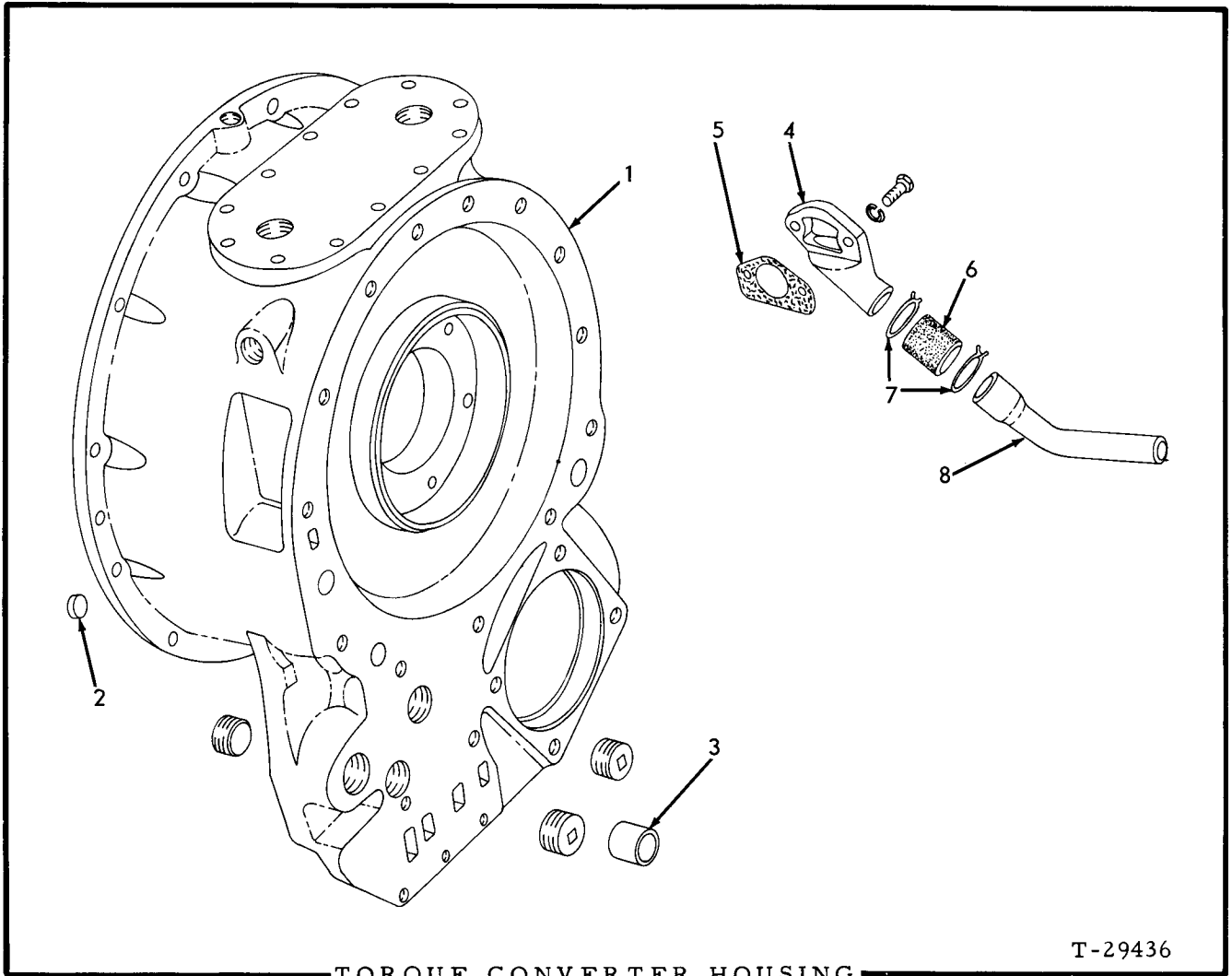
ITEM	PART NO.	QTY.	DESCRIPTION	
1	3031255	1	TRANSMISSION ASSEMBLY (Used prior to loader #865 including #874) (See page 94 for parts)	
	3041302	1	TRANSMISSION ASSEMBLY (Effective with loader #865 excluding #874) (See page 94 for parts)	
	913828	12	CAPSCREW, 5/8" NC x 1-1/2"	} Transmission to bracket Transmission to engine
	904209	12	LOCKWASHER, 5/8"	
	916272	12	CAPSCREW, 3/8" NC x 1-1/4"	
	904206	12	LOCKWASHER, 3/8"	
2	3024365	1	BRACKET, transmission support, left	
	3024366	1	BRACKET, transmission support, right	
3	915788	4	CAPSCREW, 5/8" NF x 2-1/4"	
	3026289	4	WASHER, plain	
	921139	4	NUT, safety, 5/8" NF	



TRANSMISSION ASSEMBLY PARTS

T-31340

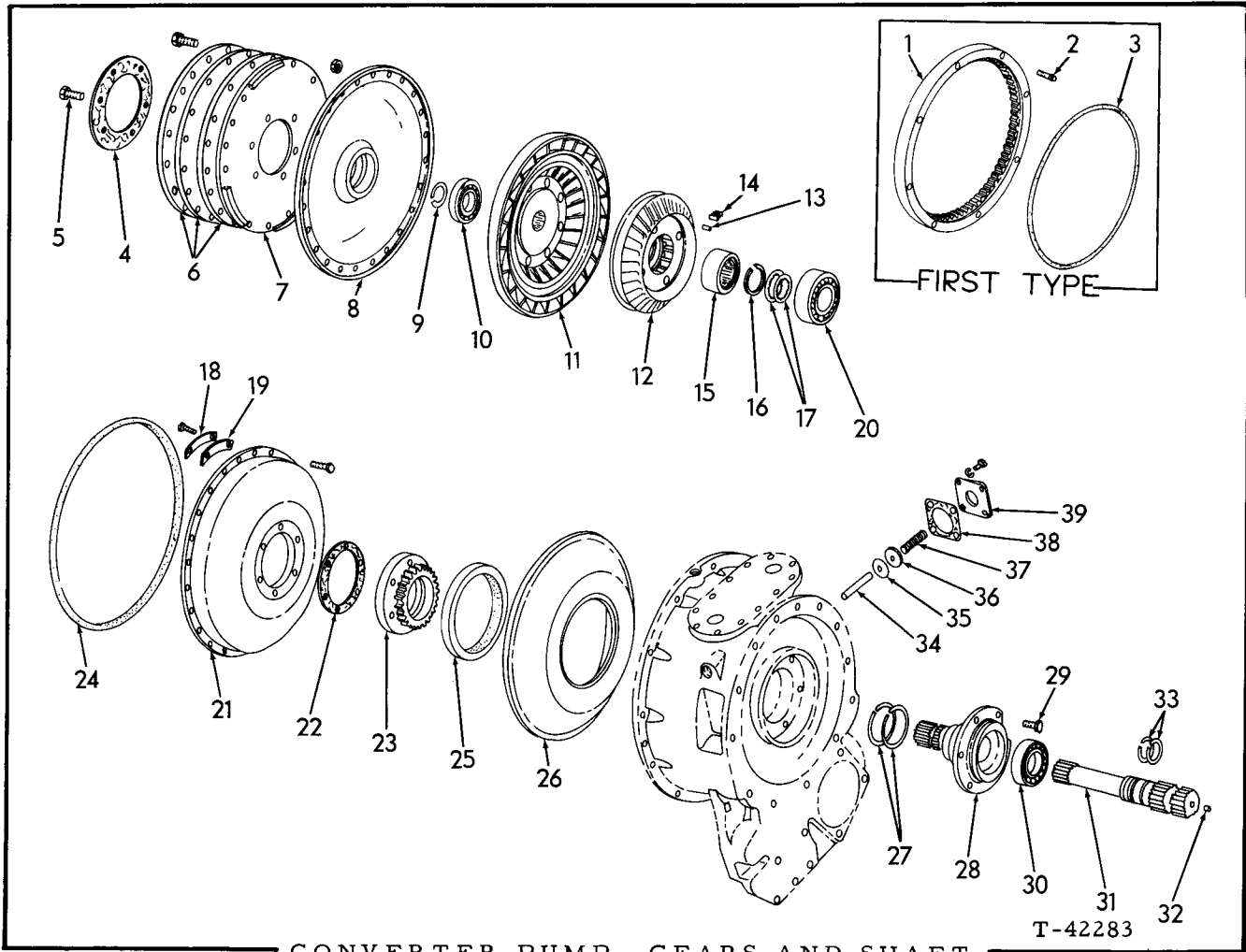
ITEM	PART NO.	QTY.	DESCRIPTION
1	-----	-	TORQUE CONVERTER GROUPING
	-----	-	HOUSING (See page 95 for parts)
	-----	-	DRAIN, converter (See page 95 for parts)
	-----	-	PRESSURE REGULATING VALVE (See page 98 for parts)
	-----	-	CONVERTER PUMP, gears and shaft (See page 96 for parts)
2	-----	-	OIL PUMP, transmission charging (See page 99 for parts)
	-----	-	DRIVE GEARS, oil pump (See page 100 for parts)
3	-----	-	REGULATING VALVE, main pressure (See page 101 for parts)
4	-----	-	PLANETARIES & CLUTCHES GROUPING
	-----	-	HOUSING (See page 103 for parts)
	-----	-	FORWARD & REVERSE (See page 105 for parts)
	-----	-	INTERMEDIATE (See page 107 for parts)
	-----	-	HIGH & LOW (See page 109 for parts)
5	-----	-	SELECTOR VALVE (See page 111 for parts)
6	-----	-	TRANSFER GEAR GROUPING
	-----	-	HOUSING (See page 114 for parts)
	-----	-	TRANSFER GEARS (See page 112 for parts)
	-----	-	OUTPUT SHAFTS (See page 112 for parts)
7	3021728	-	BRAKE ASSEMBLY, parking (See page 115 for parts)
	3033691	8	CAPSCREW, 3/8" NF x 3/4" (Brake drum)
	904206	8	LOCKWASHER, 3/8"
	913827	3	CAPSCREW, 5/8" NC x 1-1/4 (Backing plate)
	904209	3	LOCKWASHER, 5/8"



TORQUE CONVERTER HOUSING

T-29436

ITEM	PART NO.	QTY.	DESCRIPTION
1	3025970	1	HOUSING ASSEMBLY, converter (Includes one housing & seven plugs)(serviced only as a unit)
2	3021158	1	PLUG, expansion, oil drain
3	3025687	1	TUBE, oil transfer
4	3021162	1	FLANGE, converter drain
	914847	2	CAPSCREW, 3/8"NC x 1-1/2"
	904206	2	LOCKWASHER, 3/8"
5	3021206	1	□GASKET, flange
6	3021161	1	HOSE, converter drain tube
7	3021034	2	CLAMP, hose
8	3021163	1	TUBE, converter drain



ITEM	PART NO.	QTY.	DESCRIPTION
1	3039938	1	RING, converter drive (Used prior to loader #865 including #874)
2	922820	8	CAPSCREW, 3/8" NF x 1-1/4" (Used prior to loader #865 including #874)
3	3027016	1	□O-RING, rear, converter pump (Used prior to loader #865 including #874)
4	3041453	1	PLATE, flex disk (Effective with loader #865 excluding #874)
5	3041456	6	CAPSCREW (Special) (Effective with loader #865 excluding #874)
6	3041454	3	DISK, flexible (Effective with loader #865 excluding #874)
7	3041455	1	DISK ASSEMBLY, flexible (Serviced only as a unit) (Effective with loader #865 excluding #874)
8	3027014	1	COVER, rear converter pump (Used prior to loader #865 including #874)
	3041459	1	COVER ASSEMBLY, torque converter (Includes PLUG) (Serviced only as a unit) (Effective with loader #865 excluding #874)

(Continued)

CONVERTER PUMP, GEARS AND SHAFT (Continued)

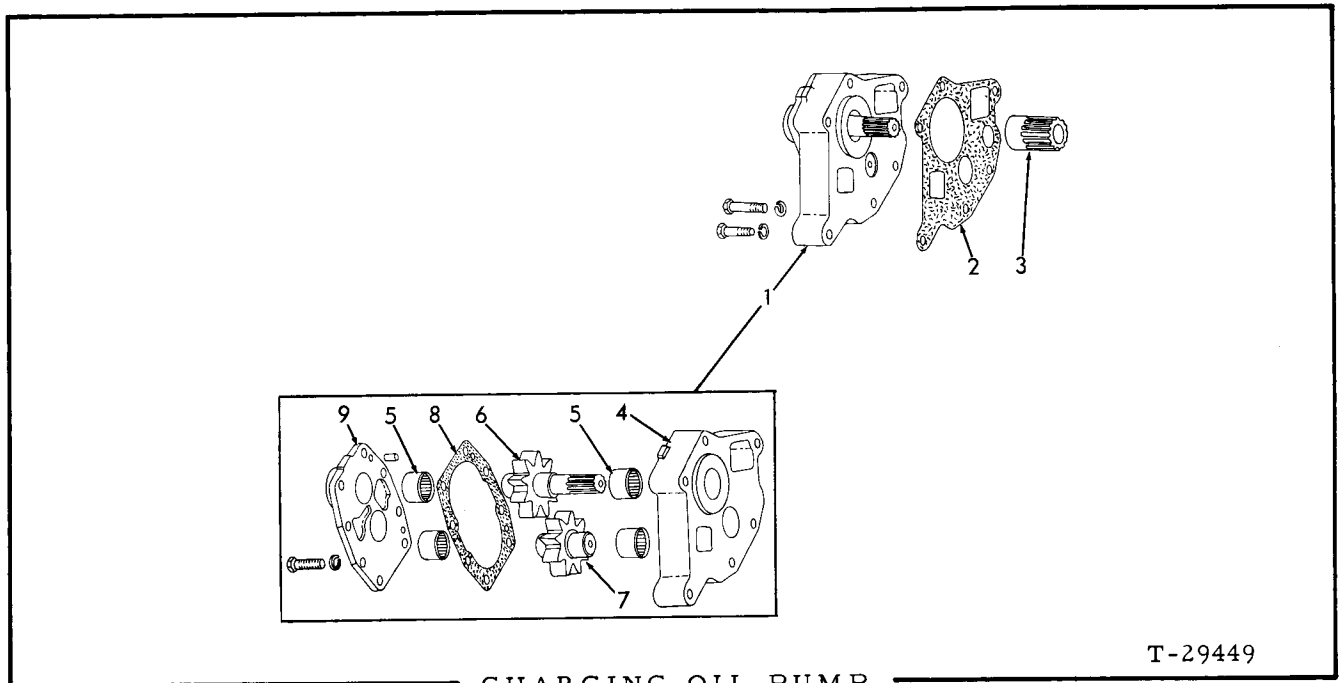
ITEM	PART NO.	QTY.	DESCRIPTION
9	3033048	1	RING, snap, converter shaft
10	3033049	1	BEARING, ball, rear converter cover
11	3033050	1	TURBINE, converter pump
12	3043851	1	STATOR, freewheel (Prior to loader #767 also order 10 ROLLER 3043854 and 10 SPRING 3043852)
13	3033052	10	□ ROLLER, freewheel stator (Used prior to loader #767)
	3043854	10	□ ROLLER, freewheel stator (Effective with loader #767)
14	3033053	10	□ SPRING, freewheel roller (Used prior to loader #767)
	3043852	10	□ SPRING, freewheel roller (Effective with loader #767)
15	3043938	1	RACE, roller, stator
16	3021087	1	RING, snap, converter ground sleeve
17	3033056	2	SPACER, roller race
18	3033057	3	STRIP, tab lock
19	3033058	3	RETAINER, bearing, converter pump
	3033055	6	CAPSCREW (Special)
20	3033059	1	BEARING, ball, converter pump
21	3033060	1	PUMP ASSEMBLY, converter (Includes 24 CAPSCREW 3033044)
	3033044	24	CAPSCREW, 5/16" NF x 1"
	3021041	24	NUT, 5/16" NF
22	3033062	1	□ GASKET, drive gear
23	3033063	1	GEAR, drive, hydraulic oil pump
24	3027012	1	□ O-RING, converter sealing
25	3027011	1	□ SEAL, oil, converter pump
26	3027010	1	DIAPHRAGM, oil retaining
27	3021221	2	□ RING, seal, hook type, ground sleeve
28	3033064	1	SLEEVE, converter ground
29	3021223	6	CAPSCREW, 3/8" NC x 7/8"
30	042847	1	BEARING, ball, converter shaft
31	3036644	1	SHAFT ASSEMBLY, converter (Includes item 32)
32	3033067	1	PLUG, lube (first type)
	3033705	1	PLUG, lube (second type)
33	3033065	2	□ RING, seal, hook type, converter shaft

(Continued)

CONVERTER PUMP, GEARS AND SHAFT (Continued)

ITEM	PART NO.	QTY.	DESCRIPTION
34	3021081	1	PIN, pressure regulator valve
35	3029949	1	□WASHER, seal, pressure regulator valve (First type)
	3039426	1	□WASHER, seal, pressure regulator valve (Second type)
36	3038871	1	VALVE, pressure regulator (Also order 1 WASHER 3039426)
37	3021068	1	SPRING, pressure regulator valve
38	3021080	1	□GASKET, cover, pressure regulator valve
39	3021160	1	COVER, pressure regulator valve
	915408	4	CAPSCREW, 3/8" NC x 3/4"
	904206	4	LOCKWASHER, 3/8"
-	3040005	1	RING KIT, drive (Consists of items 1 thru 3) (Used prior to loader #865 including #874)
-	3033698	1	SPRING AND ROLLER KIT (Consists of items 13 and 14)(Used prior to loader #767)
	3046183	1	SPRING AND ROLLER KIT (Consists of items 13 and 14) (Effective with loader #767)

□(Also see PACKAGED PARTS)

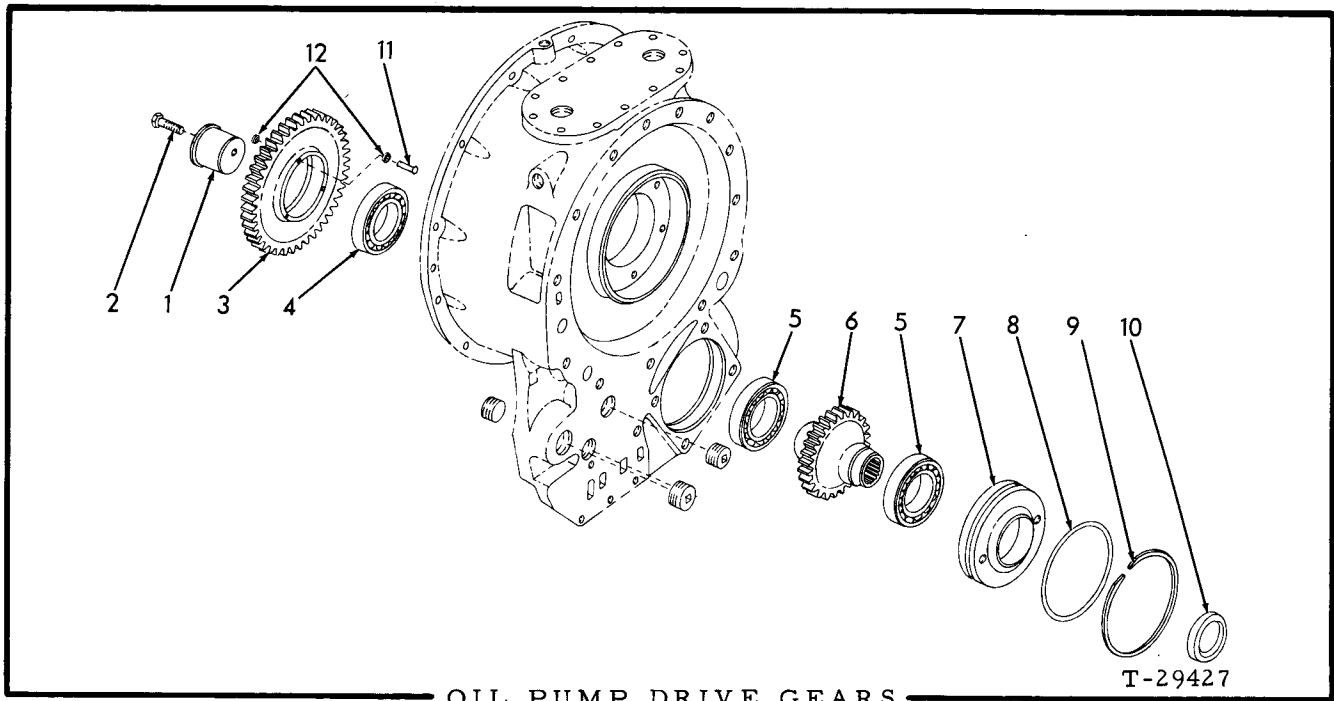


T-29449

CHARGING OIL PUMP

ITEM	PART NO.	QTY.	DESCRIPTION
1	3021105	1	PUMP ASSEMBLY, transmission oil (Includes items 4 thru 9)
	916274	2	CAPSCREW, 3/8" NC x 2-1/4"
	915990	4	CAPSCREW, 3/8" NC x 2-3/4"
	904206	6	LOCKWASHER, 3/8"
2	3021088	1	□GASKET, oil pump
3	3021089	1	COUPLING, oil pump drive
4	3021142	1	BODY ASSEMBLY, oil pump (Includes 2 BEARING 051513)
5	051513	4	BEARING, drive gear
6	3021103	1	GEAR, pump drive
7	3021102	1	GEAR, pump driven
8	3021144	1	□GASKET, pump cover
9	3021098	1	COVER ASSEMBLY, oil pump (Includes two dowel pins and 2 BEARING 051513)
	916271	4	CAPSCREW, 3/8" NC x 1"
	904206	4	LOCKWASHER, 3/8"

□ (Also see PACKAGED PARTS)

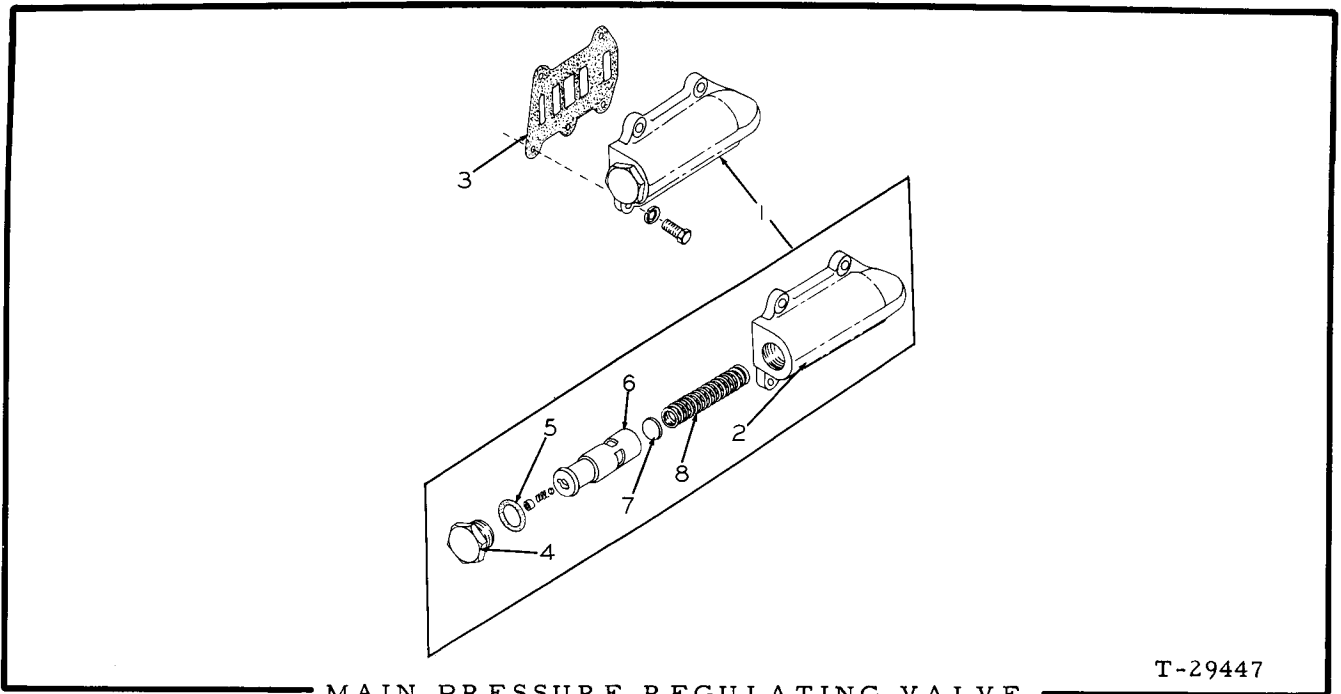


OIL PUMP DRIVE GEARS

T-29427

ITEM	PART NO.	QTY.	DESCRIPTION
1	3021179	1	SPINDLE, idler, pump drive
2	3021224	1	CAPSCREW, 7/16"NC x 1-3/4"
3	3039320	1	GEAR ASSEMBLY, pump drive (Includes items 4, 11 and 12)
4	{ 054073	1	BEARING, ball pump drive gear (First type)
	{ 200130	1	BEARING, ball pump drive gear (Second type)
5	042847	2	BEARING, ball drive gear
6	3021244	1	GEAR, pump drive
7	3021245	1	RETAINER, bearing
8	3021233	1	□O-RING, retainer
9	3021203	1	RING, snap, retainer
10	3026156	1	□SEAL, lip type, retainer
11	{ 3036648	3	RIVET, drive gear (First type)
	{ 3039321	3	RIVET, drive gear (Second type)
12	3039322	6	WASHER, drive gear

□(Also see PACKAGED PARTS)



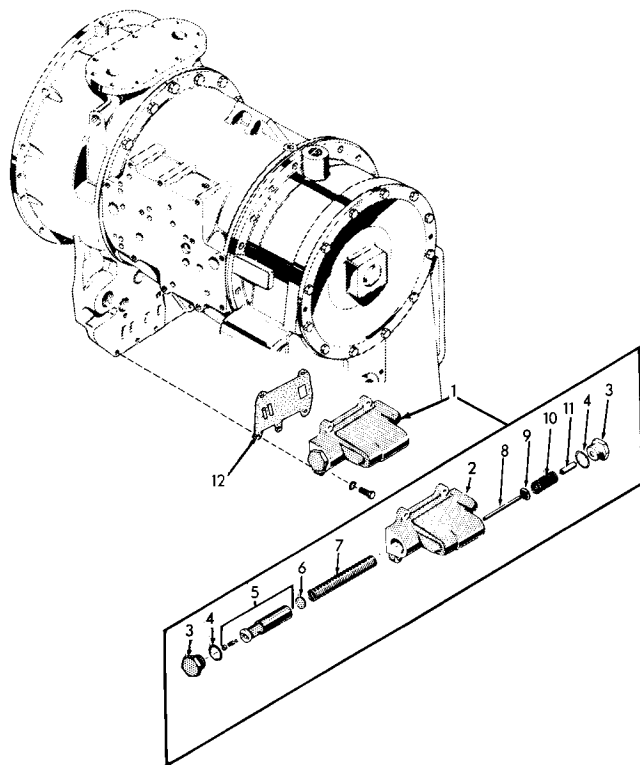
T-29447

MAIN PRESSURE REGULATING VALVE

USAGE: Used prior to transmission No. 21354.

ITEM	PART NO.	QTY.	DESCRIPTION
1	3034591	1	VALVE ASSEMBLY, main pressure regulating (Includes items 2 and 4 thru 8)
	915228	5	CAPSCREW, 3/8" NF x 1-1/4"
	904206	5	LOCKWASHER, 3/8"
2	3021177	1	BODY, pressure regulating
3	3021111	1	□GASKET, valve
4	3021093	1	PLUG, valve retaining
5	3021011	1	□GASKET, plug
6	3028858	1	VALVE ASSEMBLY, pressure regulating valve (Includes one spring, retainer and ball) (Serviced only as a unit)
7	3027991	-	SHIM, pressure regulating valve
8	3033097	1	SPRING, valve return

□(Also see PACKAGED PARTS)



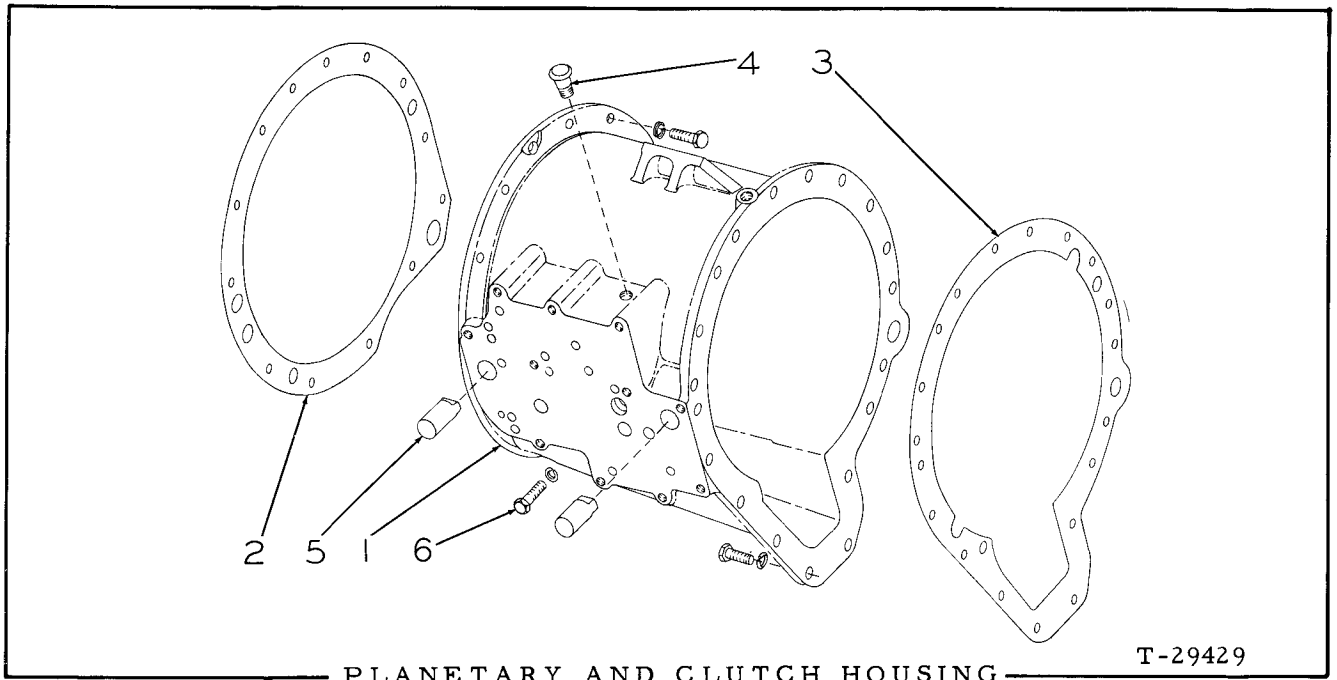
T-32564

MAIN PRESSURE REGULATING VALVE

USAGE: Effective with Transmission #21354.

ITEM	PART NO.	QTY.	DESCRIPTION
1	3034591	1	VALVE ASSEMBLY, pressure regulating (Includes items 2 thru 11)
	916272	5	CAPSCREW, 3/8" NC x 1-1/4"
	904206	5	LOCKWASHER, 3/8"
2	3034592	1	BODY, pressure regulating
3	3021093	2	PLUG, valve, retaining
4	3021011	2	□GASKET, plug
5	3034593	1	VALVE ASSEMBLY, pressure regulating (Includes RETAINER, SPRING, BALL and VALVE) (Serviced only as a unit)
6	3027991	-	SHIM, pressure regulating valve (Use as req'd)
7	3033097	1	SPRING, valve return
8	3034602	1	PIN, valve guide
9	3034601	1	VALVE
10	3034600	1	SPRING
11	3034599	1	TUBE
12	3021111	1	□GASKET, valve

□(Also see PACKAGED PARTS)



PLANETARY AND CLUTCH HOUSING

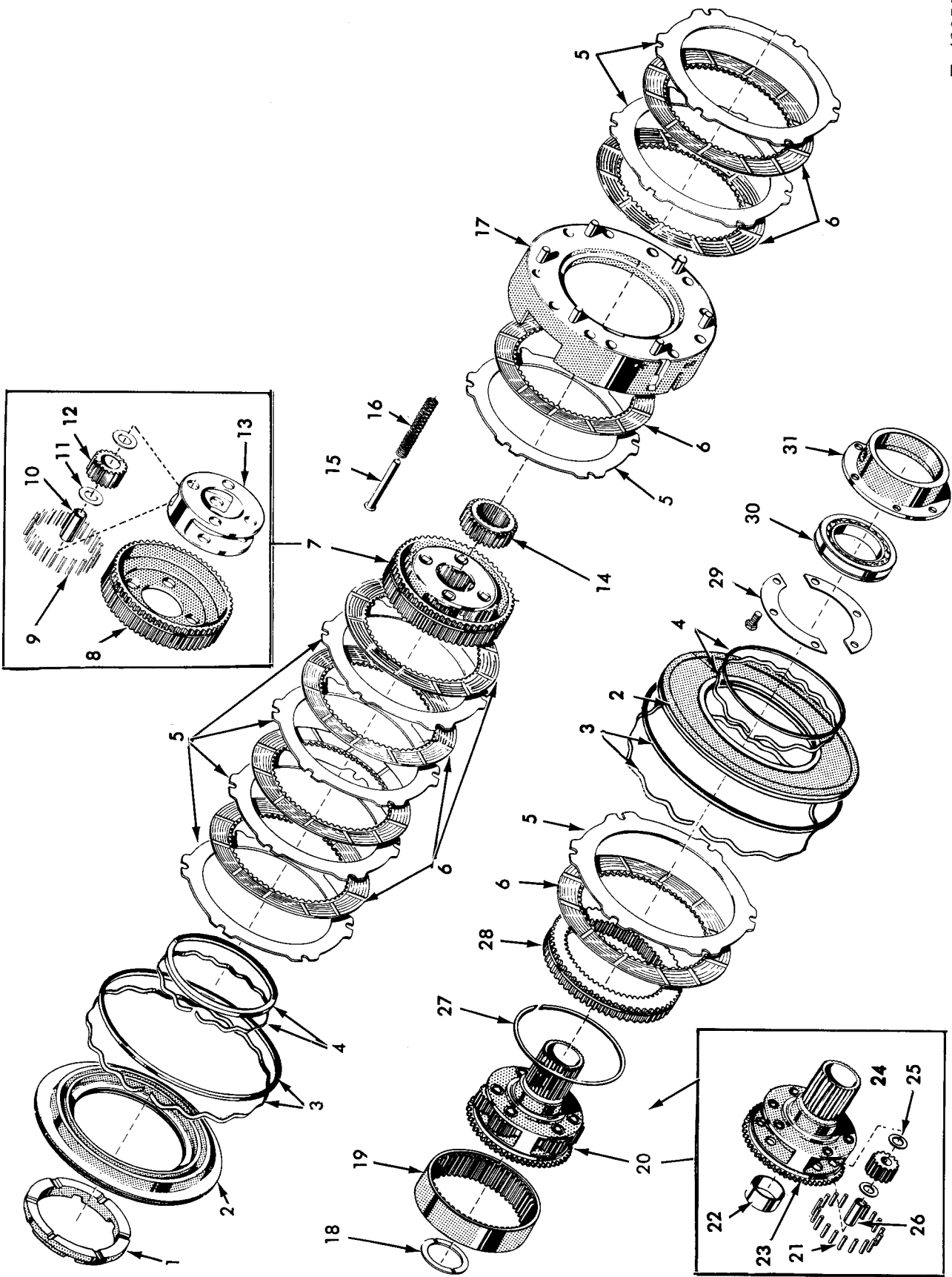
T-29429

ITEM PART NO. QTY. DESCRIPTION

1	3021194	1	HOUSING, planetaries and clutches
	920649	31	CAPSCREW, 7/16"NC x 1-1/4"
	904207	31	LOCKWASHER, 7/16"
2	3021108	1	□GASKET, housing, rear
3	3021115	1	□GASKET, housing, front
4	3021062	1	BREATHER, transmission
5	3021241	2	PIN, low and high range clutch anchor
6	3033682	1	CAPSCREW, 3/8"NC x 1-1/2", high range piston and piston hsg. retaining
	904206	1	LOCKWASHER, 3/8"

□(Also see PACKAGED PARTS)

FORWARD AND REVERSE RANGE PLANETARIES AND CLUTCHES



FORWARD AND REVERSE RANGE PLANETARIES AND CLUTCHES

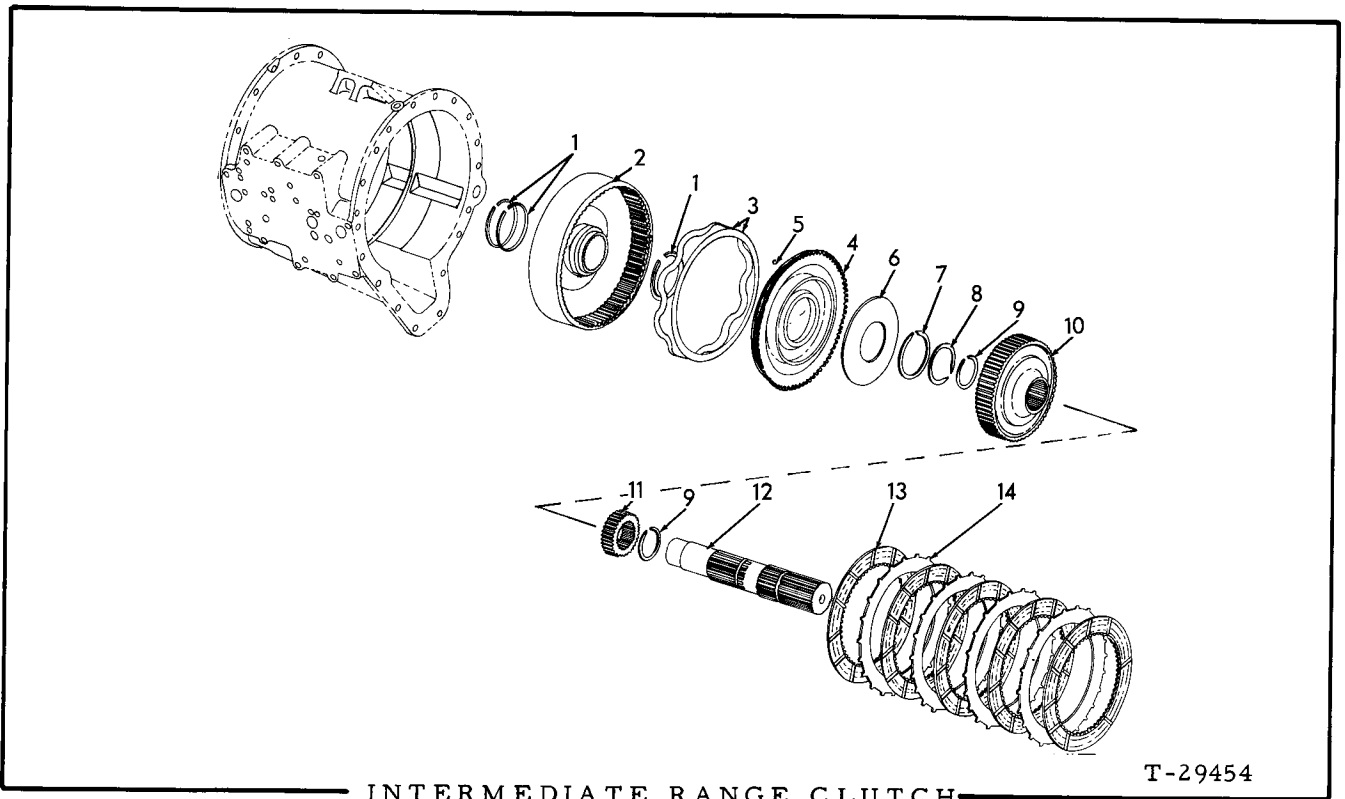
ITEM	PART NO.	QTY.	DESCRIPTION
1	3021216	1	SPACER, thrust
2	3021214	2	PISTON, clutch apply
3	3042146	2	□SEAL KIT, outer, clutch apply piston (Includes expander)
4	3042138	2	□SEAL KIT, inner, clutch apply piston (Includes expander)
5	3021191	8	PLATE, external splined clutch
6	3021215	8	PLATE, internal splined clutch
7	3021218	1	CARRIER ASSEMBLY, reverse planetary (Includes one carrier and items 8 thru 13)
8	3021217	1	HUB, reverse planetary
9	3021051	88	ROLLER, planetary pinion
10	3021097	4	PIN, planetary spindle
11	3021092	8	WASHER, pinion thrust
12	3021249	1	PINION, planetary (Matched set, consisting of 4 PINIONS)
13	-----	1	CARRIER, planetary (Not serviced, order 3021218)
14	3033069	1	GEAR, sun, forward range
15	3021036	12	PIN, spring guide
16	3032981	12	SPRING, piston return (Used prior to Transmission serial #32910) (For complete set order 3041678)
	3041678	12	SPRING, piston return (Effective with Transmission serial #32910)
17	3021242	1	ANCHOR, clutch, reverse range
18	3021123	1	WASHER, thrust
19	3021104	1	GEAR, ring, reverse range
20	3033070	1	CARRIER ASSEMBLY, forward planetary (Includes items 21 thru 26)
21	3021074	120	ROLLER, planetary pinion
22	3021119	1	BUSHING, carrier
23	-----	1	CARRIER, planetary (Not serviced, order 3033070)
24	3021250	1	PINION, planetary (Matched set, consist of 4 PINIONS)
25	3021073	12	WASHER, pinion thrust
26	3021072	6	PIN, planetary spindle

□(Also see PACKAGED PARTS)

(Continued)

FORWARD AND REVERSE RANGE PLANETARIES AND CLUTCHES (Continued)

ITEM	PART NO.	QTY.	DESCRIPTION
27	3021079	1	RING, snap, forward range ring gear
28	3021213	1	GEAR, ring, forward range
29	3021100	2	RETAINER, bearing
	3021223	4	CAPSCREW, 3/8" NC x 7/8"
30	3021049	1	BEARING, ball, forward planetary carrier
31	3021095	1	HUB, oil transfer

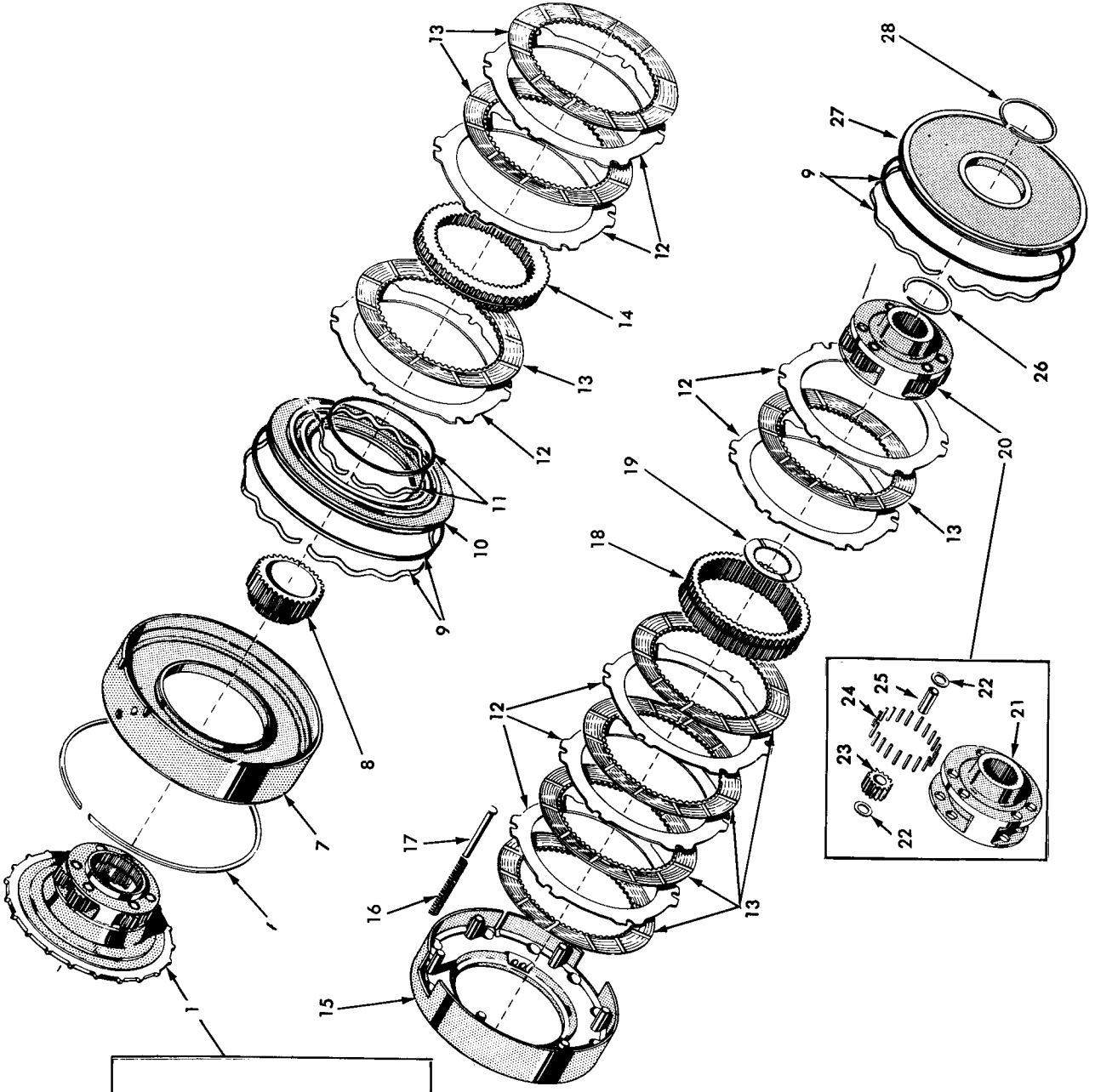


T-29454

INTERMEDIATE RANGE CLUTCH

ITEM	PART NO.	QTY.	DESCRIPTION
1	3021121	3	□RING, seal (hook-type)
2	3044118	1	DRUM ASSEMBLY, clutch (63 teeth)
3	3042147	1	□SEAL KIT, piston outer (Includes expander)
4	3033072	1	PISTON ASSEMBLY, clutch apply (Includes item 5)
5	3021225	2	BALL, piston
6	3021186	1	SPRING, piston return
7	3021057	1	RING, snap, spring retaining
8	3021055	1	RING, snap, drum retaining
9	3021069	2	RING, snap, hub and gear retaining
10	3021182	1	HUB, clutch
11	3021071	1	GEAR, sun, high range
12	3033073	1	SHAFT, transmission main
13	3021215	5	PLATE, clutch, internal
14	3021193	4	PLATE, clutch, external

□(Also see PACKAGED PARTS)

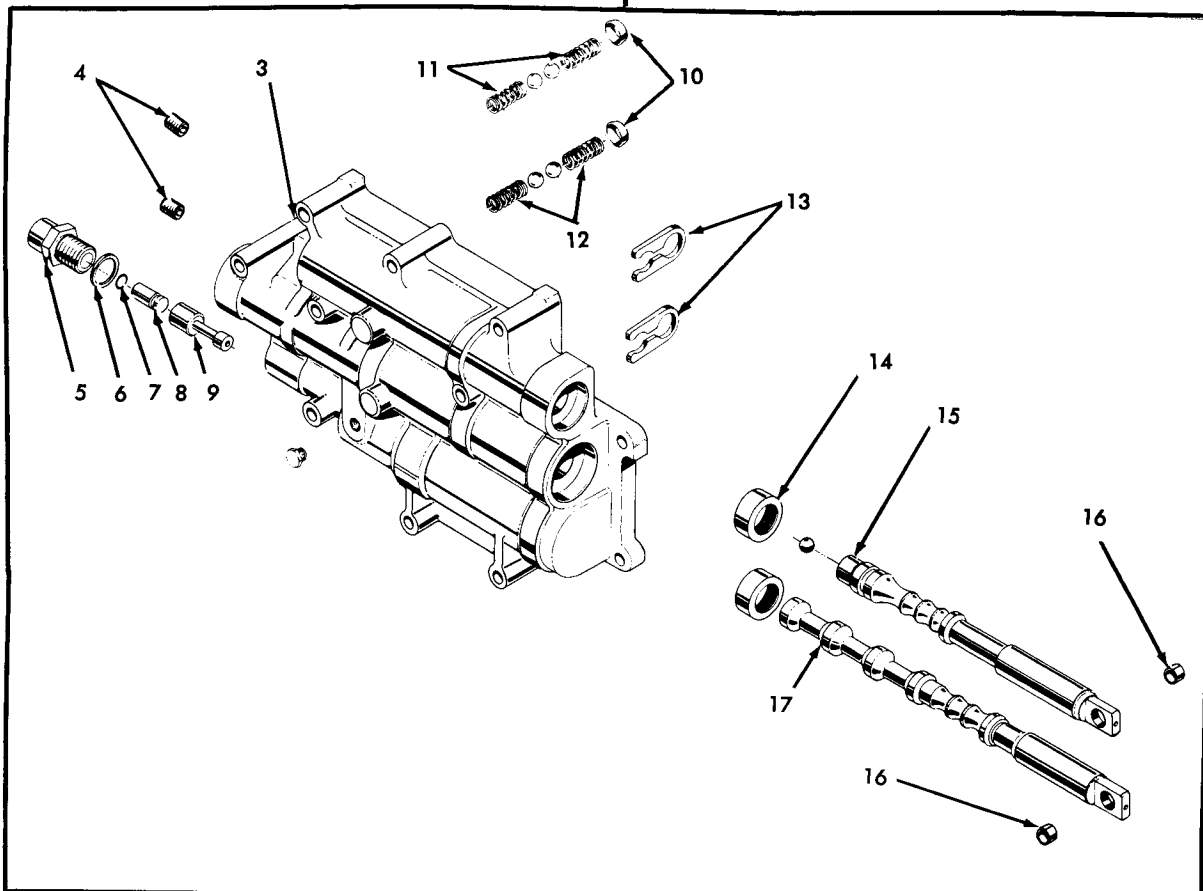
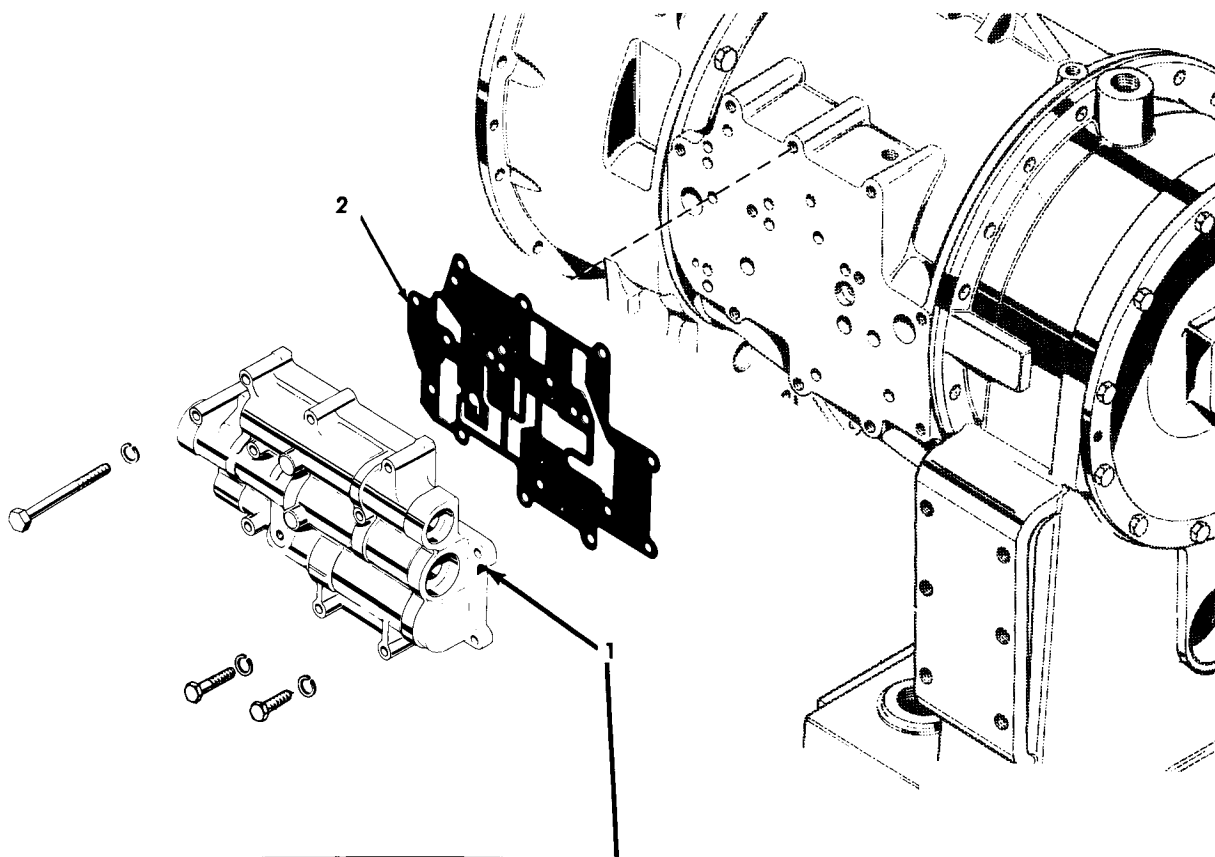


HIGH AND LOW RANGE PLANETARIES AND CLUTCHES

HIGH AND LOW RANGE PLANETARIES AND CLUTCHES

ITEM	PART NO.	QTY.	DESCRIPTION
1	3021198	1	CARRIER ASSEMBLY, high range (Includes one CARRIER items 2, 3, 4 and 5)
2	3021074	120	ROLLER, planetary pinion
3	3021072	6	PIN, planetary pinion
4	3021073	12	WASHER, pinion thrust
5	3021250	1	PINION, planetary carrier (Consist of matched set of 6 PINIONS)
6	3021124	1	RING, snap, carrier return
7	3021178	1	HOUSING, piston, high range
8	3021175	1	GEAR, sun, low range
9	3042146	2	□SEAL KIT, piston outer (Includes expander)
10	3021176	1	PISTON, clutch, high range
11	3042138	1	□SEAL KIT, piston inner (Includes expander)
12	3021191	8	PLATE, clutch, external splined
13	3021215	8	PLATE, clutch, internal splined
14	3021213	1	GEAR, ring, high range planetary
15	3021242	1	ANCHOR, clutch, high and low range
16	3032981	12	SPRING, piston return (Used prior to Transmission serial #32910) (For complete set order 3041678)
	3041678	12	
17	3021036	12	PIN, spring guide
18	3021195	1	GEAR, ring, low range planetary
19	3033074	1	WASHER, thrust
20	3033075	1	CARRIER ASSEMBLY, low range planetary (Includes items 21 thru 25)
21	-----	1	CARRIER (Not serviced, order 3033075)
22	3033076	12	WASHER, pinion thrust
23	3033077	1	PINION, low range planetary (Consist of matched set of 6 PINIONS)
24	3021051	96	ROLLER, planetary pinion
25	3033078	6	PIN, planetary pinion
26	3021055	1	RING, snap, carrier retainer
27	3021183	1	PISTON, low range planetary
28	3021121	1	□RING, hook type, piston inner

□(Also see PACKAGED PARTS)



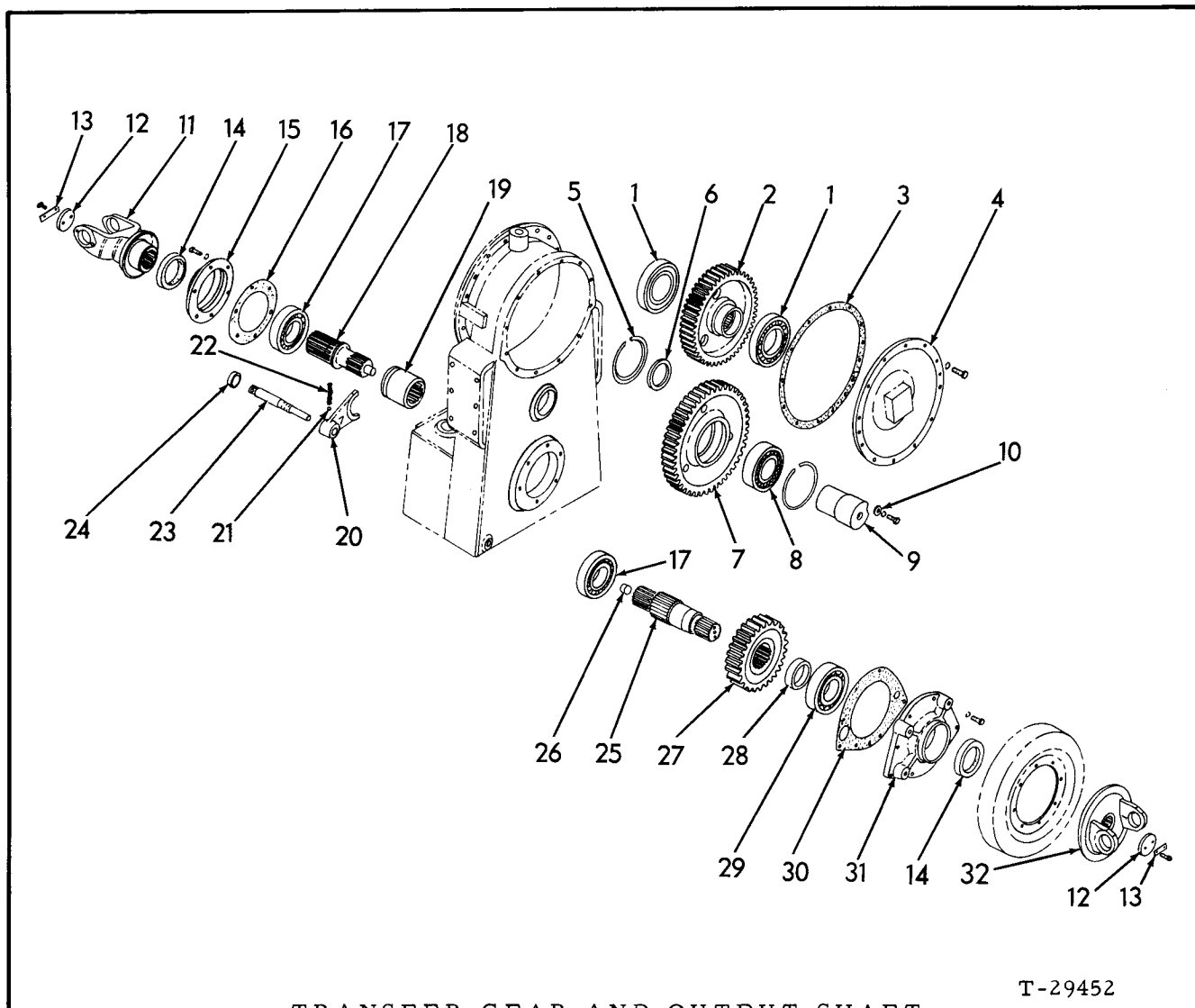
SELECTOR VALVE

T-32528

SELECTOR VALVE

ITEM	PART NO.	QTY.	DESCRIPTION
1	3036646	1	VALVE ASSEMBLY, transmission selector (Includes items 3 thru 17)
	916272	2	CAPSCREW, 3/8" NC x 1-1/4"
	912069	6	CAPSCREW, 3/8" NC x 2-1/2"
	919015	3	CAPSCREW, 3/8" NC x 3-1/2"
	904206	11	LOCKWASHER, 3/8"
2	3034224	1	□GASKET, valve assembly
3	-----	1	BODY, selector valve
4	3034218	2	PLUG
5	3033692	1	PLUG, cut-off valve
6	3021006	1	□GASKET, cut-off valve plug
7	3021058	1	□O-RING, cut-off plug
8	3031846	1	PLUG, cut-off valve
	3031847	1	CUP
9	3034217	1	VALVE, cut-off
10	3034219	2	RETAINER, detent spring
11	3034220	4	SPRING, detent, range and forward and reverse (Used prior to loader #192)
	917579	4	BALL, detent (Used prior to loader #192)
	3036649	1	SPRING, detent, range selector (Red coils) (Effective with loader #192)
	917581	2	BALL, detent (Effective with loader #192)
12	3036650	2	SPRING, detent, forward and reverse (Yellow coils) (Effective with loader #192)
	917581	2	BALL, detent (Effective with loader #192)
13	3034221	2	STOP, valve
14	3021053	2	□SEAL, plunger assembly
15	3034222	1	PLUNGER ASSEMBLY, range selector (Includes BALL and item 16)
16	3021248	2	BUSHING
17	3034223	1	PLUNGER ASSEMBLY, forward and reverse (Includes item 16)

□(Also see PACKAGED PARTS)



T-29452

TRANSFER GEAR AND OUTPUT SHAFT

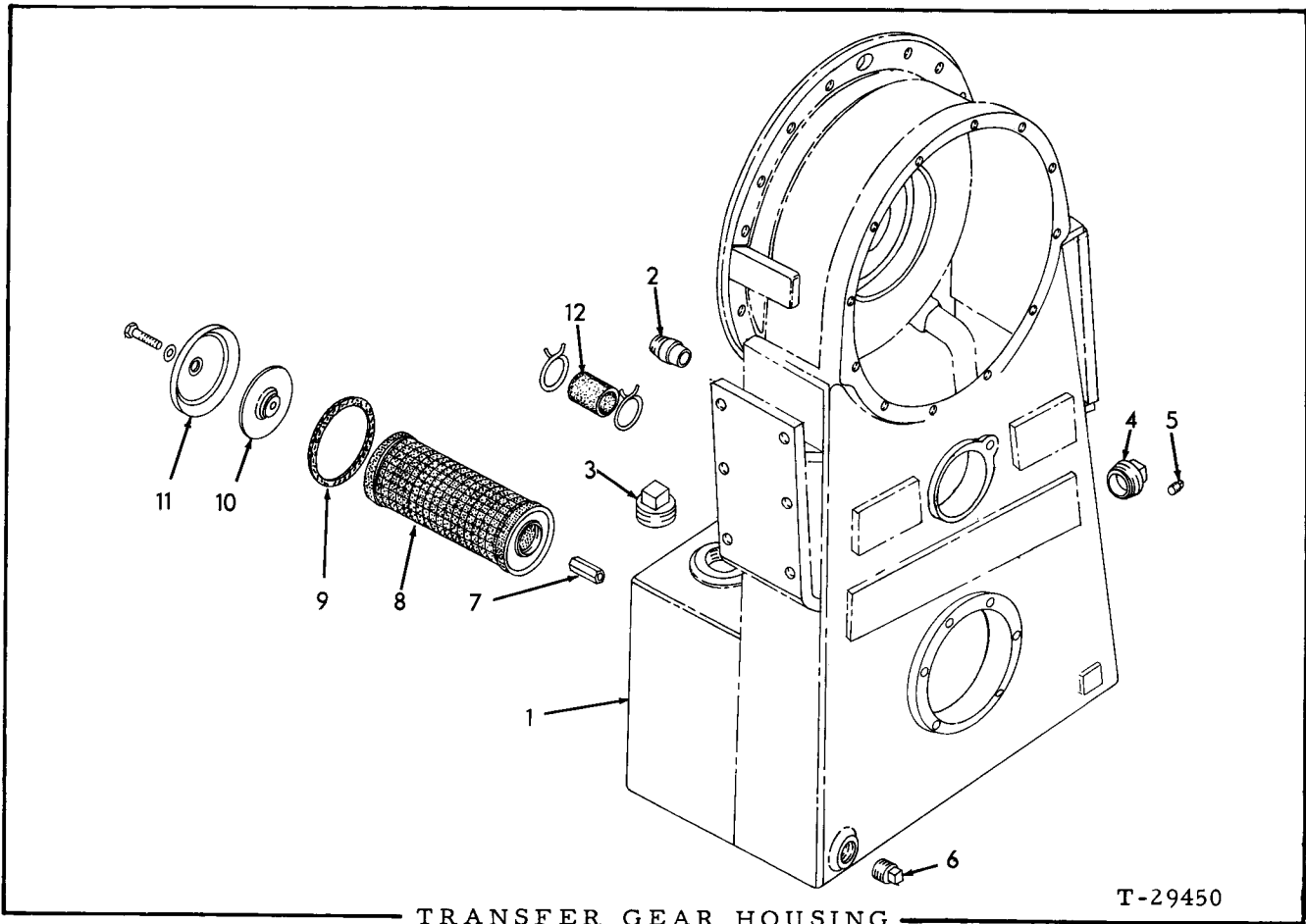
ITEM	PART NO.	QTY.	DESCRIPTION
1	042975	2	BEARING, ball
2	3033086	1	GEAR, transfer drive
3	3021114	1	□GASKET, transfer drive gear cover
4	3021113	1	COVER, transfer drive gear
	919224	12	CAPSCREW, 3/8" NC x 1-1/8"
	904206	12	LOCKWASHER, 3/8"
5	3021060	1	RING, snap, idler gear bearing retaining (2 Used prior to loader #872)
6	3021200	1	SPACER, idler gear bearing (Used prior to loader #872)
	3042877	2	SPACER, idler gear bearing (Effective with loader #872)

(Continued)

TRANSFER GEAR AND OUTPUT SHAFT (Continued)

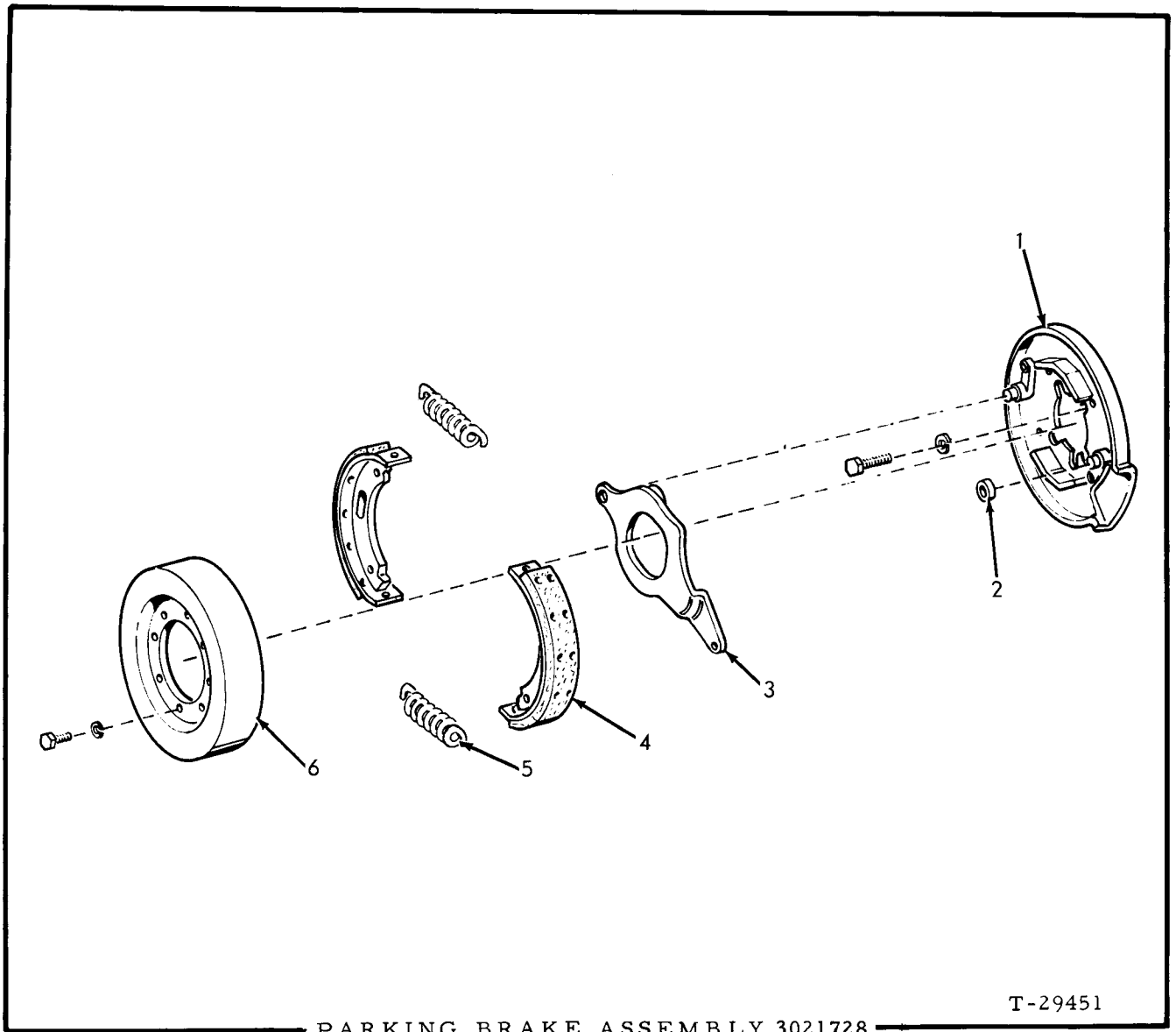
ITEM	PART NO.	QTY.	DESCRIPTION
7	3042875	1	GEAR, idler (Prior to loader #872 also order 2 BEARING 3042878, 2 SPACER 3042877 and 1 SPINDLE 3042876)
8	3021219	1	BEARING, ball, idler gear (Used prior to loader #872)
	3042878	2	BEARING (Effective with loader #872)
9	3021201	1	SPINDLE, idler gear (Used prior to loader #872)
	3042876	1	SPINDLE, idler gear (Effective with loader #872)
10	916222	1	CAPSCREW, 7/16" NC x 7/8"
	904207	1	LOCKWASHER, 7/16"
	3021197	1	WASHER, plain
11	3021561	1	YOKE, rear output
12	3021226	2	WASHER, flange retainer
	3033689	4	CAPSCREW, 3/8" NF x 1-1/8"
13	3021228	2	STRIP, locking
14	3021065	2	□SEAL, oil, flange and yoke
15	3021159	1	RETAINER, bearing, rear output
	916271	6	CAPSCREW, 3/8" NC x 1"
	904206	6	LOCKWASHER, 3/8"
16	3021117	1	□GASKET, bearing retainer
17	3012089	2	BEARING, ball, front and rear output shaft
18	3021126	1	SHAFT, rear output
19	3021127	1	COUPLING, shaft, rear output
20	3035863	1	FORK, shifter, transmission
21	915905	2	BALL, detent
22	3021129	1	SPRING, detent
23	3035864	1	SHAFT, shifter fork
24	3021053	1	□SEAL, shaft
25	3021202	1	SHAFT ASSEMBLY, front output (Includes item 26)
26	3021094	1	BUSHING, shaft
27	3021173	1	GEAR, driven
28	3021209	1	SPACER, driven gear
29	3021048	1	BEARING, ball, front shaft
30	3021125	1	□GASKET, retainer, front bearing (Used prior to transmission #23564)
	3035861	1	□GASKET, retainer, front bearing (Effective with transmission #23564)
31	3021180	1	RETAINER, front bearing (Used prior to trans. #23564)
	919225	8	CAPSCREW, 3/8" NC x 1-3/8"
	904206	8	LOCKWASHER, 3/8"
31	3035862	1	RETAINER, front bearing (Effective with trans. #23564)
	919230	6	CAPSCREW, 1/2" NC x 1-3/8"
	904208	6	LOCKWASHER, 1/2"
32	3021560	1	YOKE, front output

□(Also see PACKAGED PARTS)



ITEM	PART NO.	QTY.	DESCRIPTION
1	3036323	1	HOUSING, transfer gear (Used prior to trans. #23080)
	3036322	1	HOUSING, transfer gear (Effective with trans. #23080)
2	3033084	1	NIPPLE
3	912770	1	PLUG, pipe, 1-1/2" NPT
4	917885	1	PLUG, oil filler
5	919840	1	PLUG, 1/4" NPT, sq. hd., oil level check
	918374	1	ELBOW, 90°
6	3021038	1	PLUG, sump drain
	921500	1	PLUG, pipe, 1-1/4" NPT
7	3033083	1	COUPLING, oil screen
8	3033082	1	SCREEN, oil
9	3033081	1	□GASKET, oil screen cover
10	3033080	1	RETAINER, oil screen
11	3033079	1	COVER, oil screen
	916393	1	CAPSCREW, 5/16" NF x 1-1/2"
	917330	1	WASHER, 11/32" (copper)
12	3021148	1	HOSE, converter housing drain
	3021035	2	CLAMP, hose

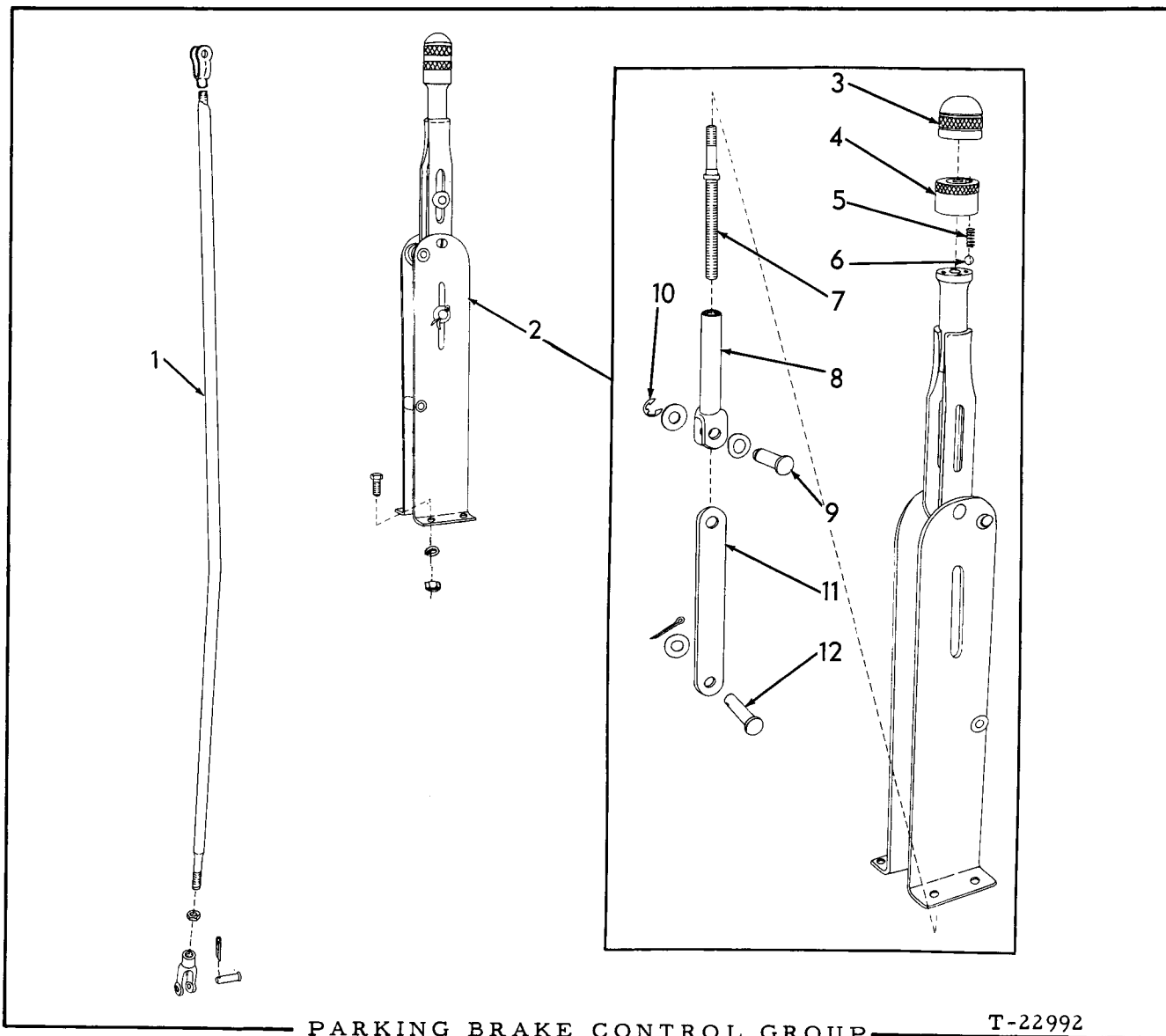
□(Also see PACKAGED PARTS)



PARKING BRAKE ASSEMBLY 3021728

T-29451

ITEM	PART NO.	QTY.	DESCRIPTION
NOTE: See page 94 for listing of complete Assembly.			
1	3022157	1	PLATE, backing
2	3022154	1	ROLLER, shoe guide
3	3022155	1	LEVER, cam, operating
4	3022153	2	SHOE ASSEMBLY, brake (Includes lining & rivets) (Serviced only as a unit)
	-----	2	□ LINING (Not serviced separately)
	3031167	28	□ RIVET
5	3022152	2	SPRING, brake shoe return
6	3022156	1	DRUM, brake
-	3028982	1	LINING KIT, brake (Consists of 2 lining and 28 rivets)
□(Also see PACKAGED PARTS)			



PARKING BRAKE CONTROL GROUP

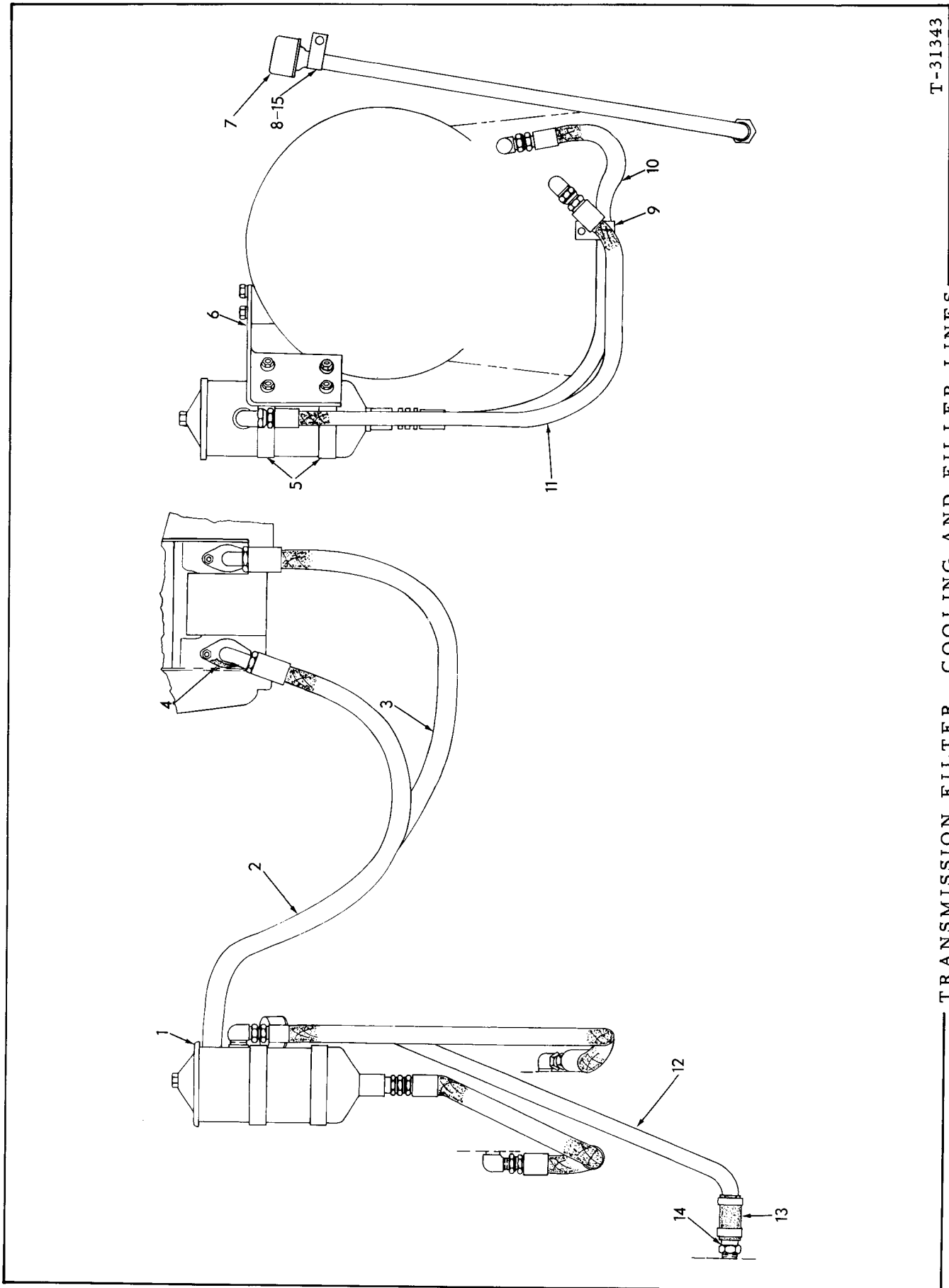
T-22992

ITEM	PART NO.	QTY.	DESCRIPTION
-	3021728	1	BRAKE ASSEMBLY, parking (See page 115)
1	3031543	1	ROD, parking brake control
	911048	1	NUT, jam, 3/8"NF
	917664	1	YOKE, end, upper, adjustable, 3/8"NF
	917663	1	YOKE, end, bottom, adjustable, 5/16"NF
	910980	1	NUT, jam, 5/16"NF
	917646	1	PIN, yoke, 3/8" x 1"
	900942	1	PIN, cotter, 3/32" x 5/8"
2	3020591	1	LEVER ASSEMBLY, parking brake (Includes items 3 thru 12)
	915430	4	CAPSCREW, 5/16"NF x 3/4"
	904205	4	LOCKWASHER, 5/16"
	913636	4	NUT, 5/16"NF

(Continued)

PARKING BRAKE CONTROL GROUP (Continued)

ITEM	PART NO.	QTY.	DESCRIPTION
3	3021920	1	CAP, adjusting, parking brake lining
4	3021921	1	KNOB, adjusting
5	3021922	1	SPRING, adjusting cap
6	3021923	1	BALL, spring
7	3021924	1	ROD, adjusting
8	3021928	1	TUBE, adjusting
9	3021925	1	PIN, adjusting rod
	910335	1	WASHER, plain, SAE std., 5/16"
10	3021926	1	RING, pin retaining
11	3021927	1	LINK, adjusting and control
12	3021929	1	PIN
	910335	1	WASHER, plain, SAE std., 5/16"
	900802	1	PIN, cotter, 3/32" x 1"



T-31343

TRANSMISSION FILTER, COOLING AND FILLER LINES

TRANSMISSION FILTER, COOLING AND FILLER LINES

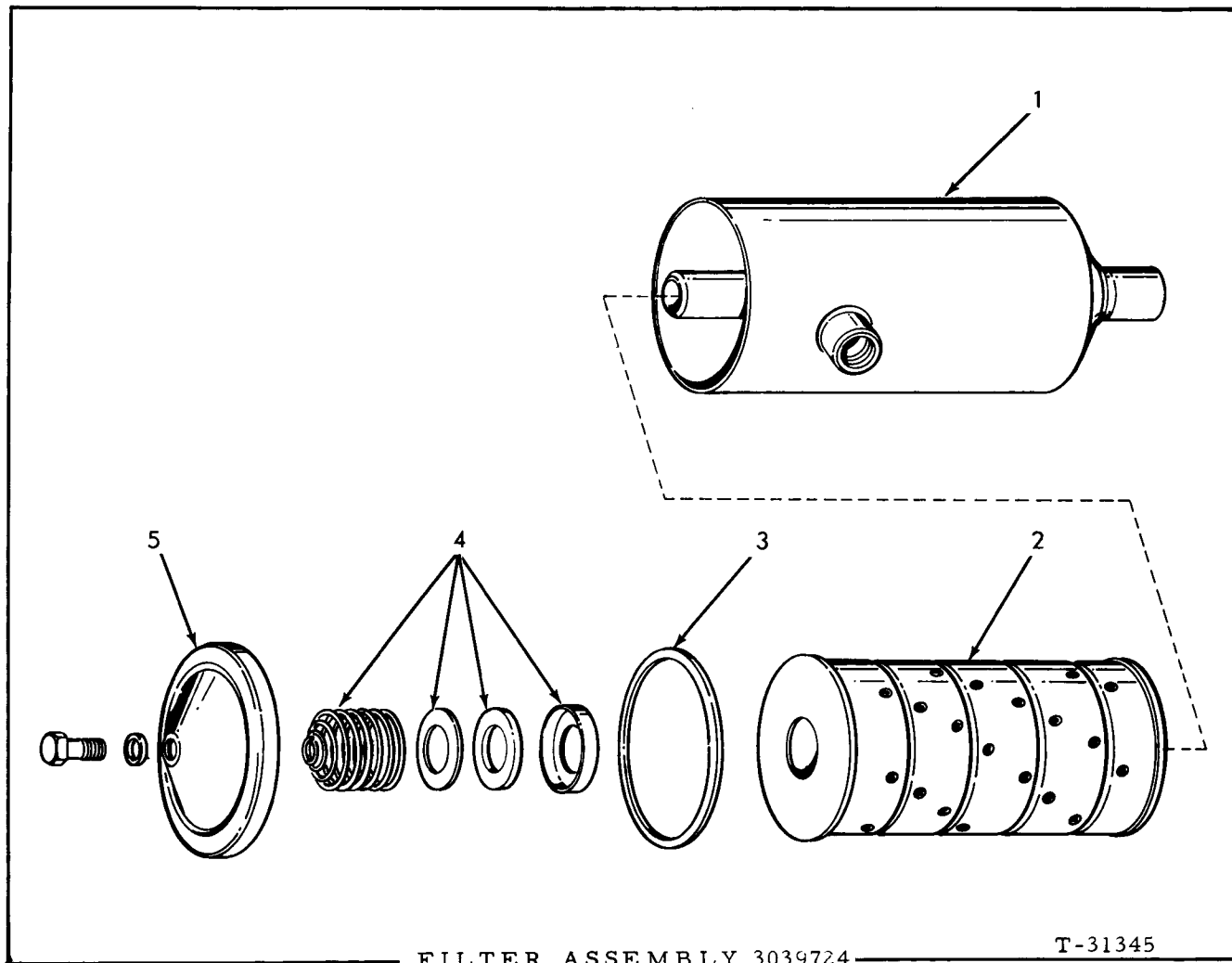
USAGE: * Used prior to loader #632
 ** Effective with loader #632

ITEM	PART NO.	QTY. * **	DESCRIPTION
1	3039724	1 1	FILTER ASSEMBLY, transmission (See page 121 for parts)
2	3041452	1 1	HOSE ASSEMBLY, transmission cooling (Crimped-type) (Serviced only as a unit)
	916271	2 2	CAPSCREW, 3/8" NC x 1"
	904206	2 2	LOCKWASHER, 3/8"
	919216	1 1	ELBOW, 90°, flare type, 1" tube, 3/4" NPT
3	3041451	1 1	HOSE ASSEMBLY, transmission cooling (Crimped-type) (Serviced only as a unit)
	916271	2 2	CAPSCREW, 3/8" NC x 1"
	904206	2 2	LOCKWASHER, 3/8"
	919216	1 1	ELBOW, 90°, flare type, 1" tube, 3/4" NPT
4	4378871	2 2	GASKET, hose assembly to oil cooler
5	3038445	2 2	BRACKET ASSEMBLY, mounting, filter (Includes 1 SCREW 900579 and 1 NUT 912660)
	900579	2 2	SCREW, machine, 1/4" NC x 1-1/2"
	912660	2 2	NUT, 1/4" NC
	911170	4 4	CAPSCREW, 5/16" NC x 1-1/4" (First type)
	915430	4 4	CAPSCREW, 5/16" NC x 3/4" (Second type)
	910335	4 4	WASHER, plain, SAE std., 5/16"
	904205	4 4	LOCKWASHER, 5/16"
	913636	4 4	NUT, 5/16" NC
6	{ 3029821	1 1	BRACKET, mounting, filter (First type)
		1 1	BRACKET, mounting, filter (Second type)
	915809	2 2	CAPSCREW, 5/16" NC x 3/4"
	904205	2 2	LOCKWASHER, 5/16"
7	3007775	- 1	BREATHER, transmission
8	{ 3015405	1 -	CLIP, tube supporting, filler
		3001131	- 1
	916381	1 1	CAPSCREW, 3/8" NF x 3/4"
	904206	1 1	LOCKWASHER, 3/8"
	911041	1 1	NUT, 3/8" NF
9	3001437	- 1	CLIP, hose supporting
10	{ 3031030	1 -	TUBE ASSEMBLY, filter
		3038668	- 1
	919269	2 2	ELBOW, 90°, flare type, 3/4" tube, 3/4" NPT
	919342	1 1	ADAPTER, flare type, 3/4" tube, 3/4" NPT

(Continued)

TRANSMISSION FILTER, COOLING AND FILLER LINES (Continued)

ITEM	PART NO.	QTY. * **	DESCRIPTION
11	3031053	1 -	TUBE ASSEMBLY, filter to transmission
	3038668	- 1	HOSE ASSEMBLY, filter to transmission (Crimped type) (Serviced only as a unit)
	922318	1 1	ELBOW, 90°, flare type, 3/4" tube, 1" NPT
12	3038636	1 -	TUBE, filler, transmission
	913230	1 -	NIPPLE, pipe, 3/4" NPT x 1-1/2"
	917511	1 -	COUPLING, pipe, reducing, 1" to 3/4" NPT
	905263	1 -	PLUG, pipe, 1" NPT
	921911	1 -	CLAMP, adjustable (11/16" to 1-1/4")
	3041552	- 1	TUBE, filler, transmission
13	3029812	1 1	HOSE, connecting, filler tube
	921911	2 2	CLAMP, adjustable (11/16" to 1-1/4")
14	3032178	1 1	ADAPTER, filler tube
	901844	1 1	BUSHING, pipe, reducing, 1-1/4" to 3/4" NPT
15	3003878	1 1	SHIM (1/8" thick. Use as req'd) (Used prior to loader #778)



FILTER ASSEMBLY 3039724

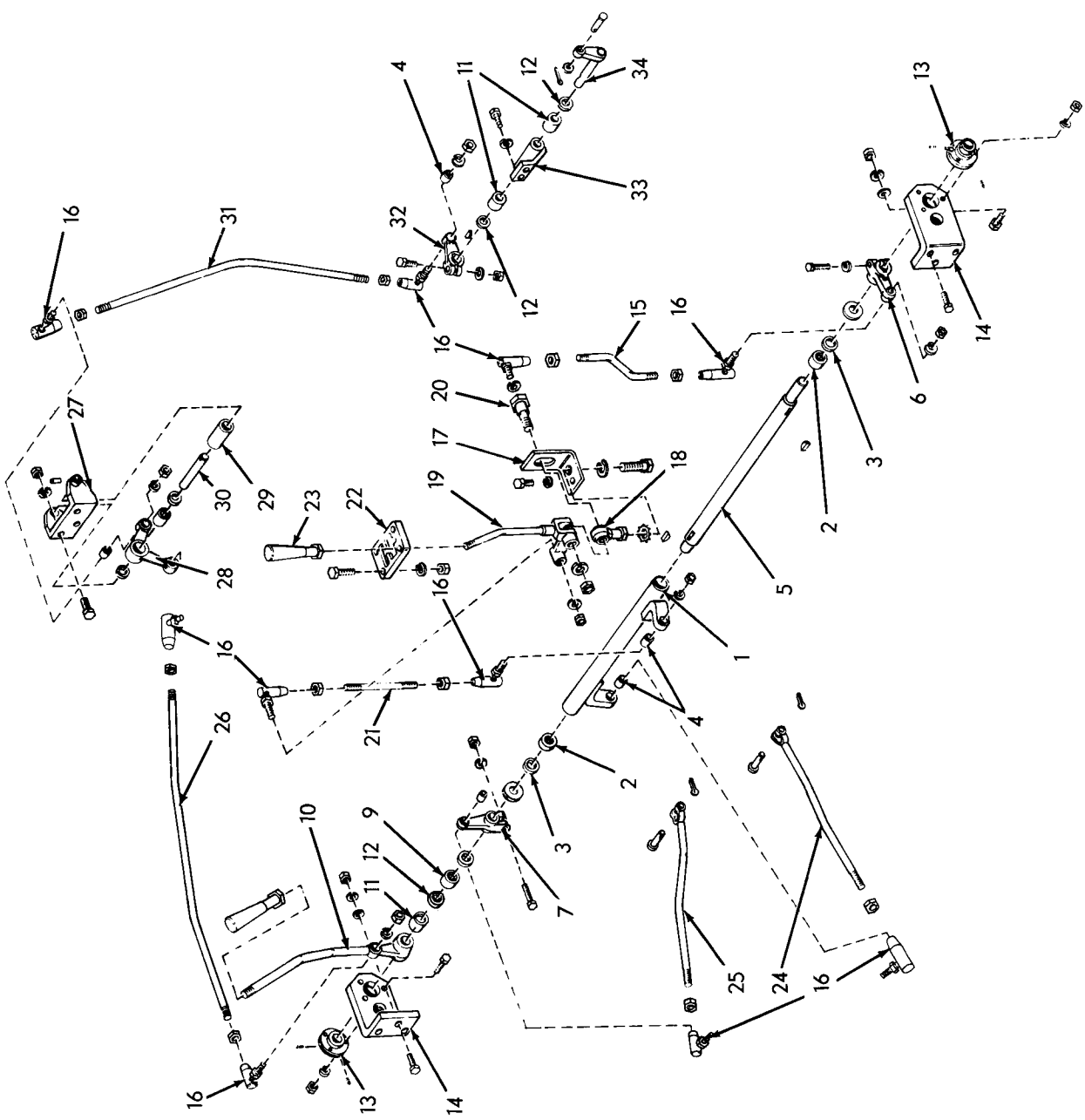
T-31345

ITEM PART NO. QTY. DESCRIPTION

NOTE: See page 119 for listing of complete Assembly.

1	3021944	1	BODY, filter
2	-----	1	CARTRIDGE, filter
3	3021942	1	GASKET, filter cartridge
4	3021948	1	SPRING ASSEMBLY (Includes SPRING,RETAINER, WASHER and GASKET)(Serviced only as a unit)
5	3021851	1	COVER ASSEMBLY, filter (Includes item 4 and hardware indented below)
	914875	1	CAPSCREW, 1/2"NF x 1"
	908191	1	WASHER, plain, copper, 1/2"
-	4371021	1	ELEMENT KIT (Consist of items 2 and 3)

TRANSMISSION CONTROL AND REAR AXLE DISCONNECT



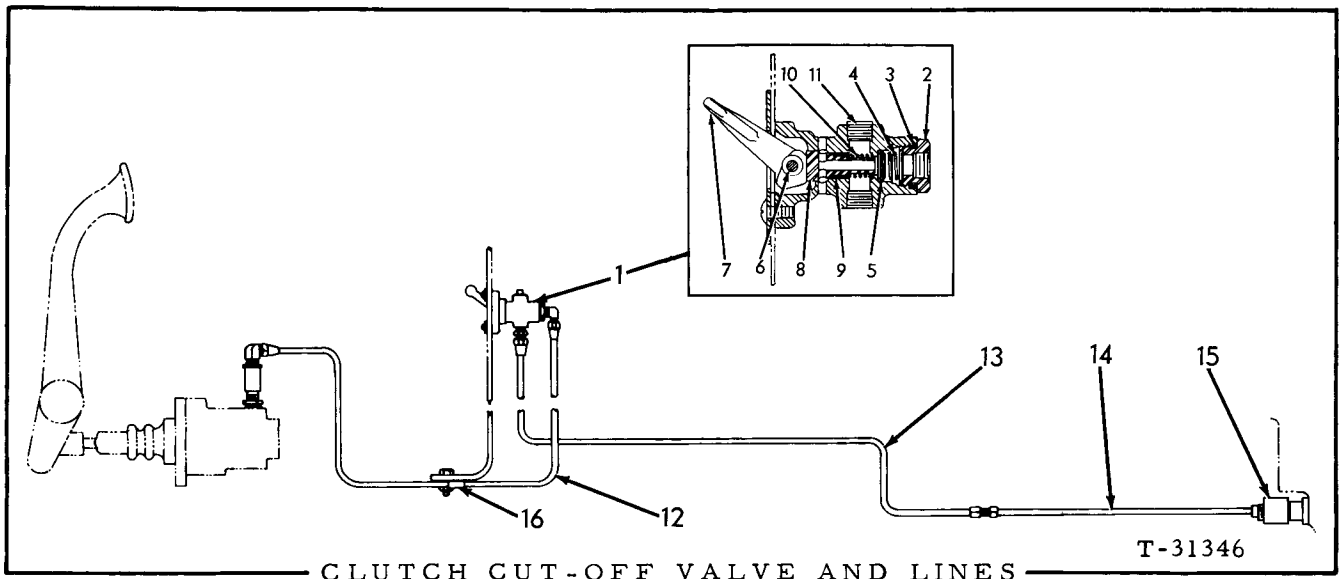
TRANSMISSION CONTROL AND REAR AXLE DISCONNECT

ITEM	PART NO.	QTY.	DESCRIPTION
1	3020833	1	LEVER ASSEMBLY, cross over speed selector (Includes two each items 2, 3 and 4)
2	604925	2	BEARING (Lettered end must face pressing tool)
3	3005895	2	SEAL (Install with lip toward outside)
4	3013909	5	BUSHING
5	3020825	1	SHAFT, transmission control
	911159	2	WASHER, plain, SAE std., 1"
	905126	2	KEY, #15 woodruff, 1/4" x 1"
6	3005749	1	LEVER, control, forward and reverse selector, left side
	916273	1	CAPSCREW, 3/8" NC x 1-3/4"
	904206	1	LOCKWASHER, 3/8"
7	3043001	1	LEVER, control, forward and reverse selector, right side
	916385	1	CAPSCREW, 3/8" NF x 2"
	904206	1	LOCKWASHER, 3/8"
	911041	1	NUT, 3/8" NF
8	3001785	1	WASHER, special
9	3020886	1	SPACER, lever
10	3024402	1	LEVER ASSEMBLY, rear axle disconnect (Includes two each items 11 and 12)
11	3005955	5	BEARING (Lettered end must face pressing tool)
12	3005957	6	SEAL (Install with lip toward outside)
13	3031767	2	BEARING ASSEMBLY, control shaft (Each includes 2 SETSCREW 911712)
	911712	4	SETSCREW, skt-hd., cup point, 1/4" NC x 3/8"
	916401	6	CAPSCREW, 1/4" NF x 1"
	904204	6	LOCKWASHER, 1/4"
	911040	6	NUT, 1/4" NF
14	3022858	2	BRACKET, support, cross over lever
	915228	6	CAPSCREW, 3/8" NF x 1-1/4"
	911115	6	WASHER, plain, SAE std., 3/8"
	904206	6	LOCKWASHER, 3/8"
	911041	6	NUT, 3/8" NF
15	3022847	1	ROD, control, forward and reverse selector
16	3039764	10	JOINT, ball
	913177	19	NUT, jam, 1/2" NF
	904208	9	LOCKWASHER, 1/2"
17	3020964	1	BRACKET, support, transmission control lever
	916381	1	CAPSCREW, 3/8" NF x 3/4"
	904206	1	LOCKWASHER, 3/8"

(Continued)

TRANSMISSION CONTROL AND REAR AXLE DISCONNECT (Continued)

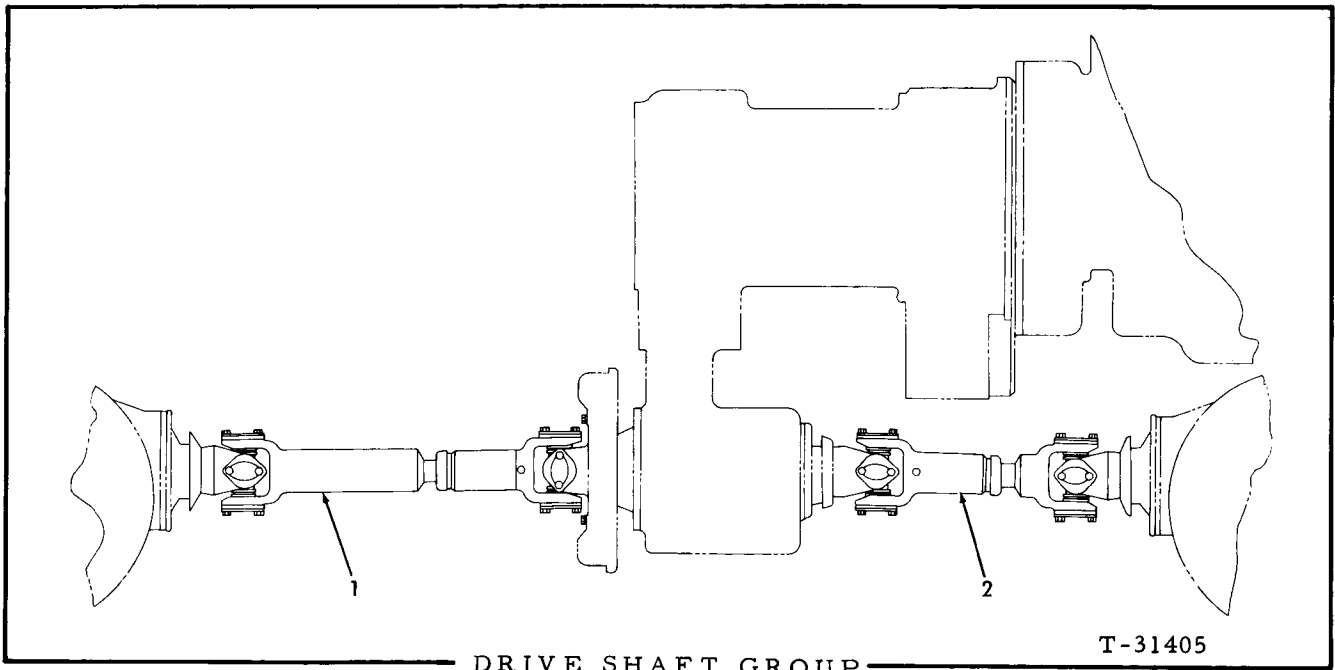
ITEM	PART NO.	QTY.	DESCRIPTION
18	3018142	1	BEARING, rod end
	910543	1	LOCKWASHER, external tooth, 5/8"
	915788	1	CAPSCREW, 5/8" NF x 2-1/4"
	904209	1	LOCKWASHER, 5/8"
19	3041971	1	LEVER, control, speed and direction
20	3020874	1	PIN, lever attaching
	904208	1	LOCKWASHER, 1/2"
	904209	1	LOCKWASHER, 5/8"
	911049	1	NUT, jam, 5/8" NF
21	3022846	1	ROD, control, speed selector
22	3023252	1	PLATE, transmission control
	911170	4	CAPSCREW, 5/16" NF x 1-1/4"
	904205	4	LOCKWASHER, 5/16"
	913636	4	NUT, 5/16" NF
23	3021682	1	GRIP, control lever
24	3029849	1	ROD, speed selector
	3001565	1	PIN, yoke
	900806	1	PIN, cotter, 1/8" x 1"
25	3029851	1	ROD, forward and reverse selector
	3001565	1	PIN, yoke
	900806	1	PIN, cotter, 1/8" x 1"
26	3029854	1	ROD, rear axle disconnect
27	3017118	1	BRACKET, support, disconnect rod
	916225	3	CAPSCREW, 3/8" NF x 1"
	904206	3	LOCKWASHER, 3/8"
28	3012505	1	CRANK ASSEMBLY, bell (Includes two each item 4, 12 and one item 11)
29	3021471	1	SPACER, bell crank
30	3017119	1	SHAFT, bell crank
	916937	1	PIN, roll, 1/4" x 1-1/4"
31	3035067	1	ROD, rear axle disconnect
32	3012171	1	LEVER ASSEMBLY, disconnect rod (Includes one item 4)
	916385	1	CAPSCREW, 3/8" NF x 2"
	904206	1	LOCKWASHER, 3/8"
	911041	1	NUT, 3/8" NF
	905122	1	KEY, #7 woodruff, 1/8" x 3/4"
33	3036061	1	BRACKET ASSEMBLY, lever support (Includes two each items 11 and 12)
	916269	2	CAPSCREW, 3/8" NC x 7/8"
	904206	2	LOCKWASHER, 3/8"
34	3022857	1	LEVER, selector valve plunger
	3001565	1	PIN, yoke, SAE std., 1/2"
	910244	1	WASHER, plain, SAE std., 1/2"
	900806	1	PIN, cotter, 1/8" x 1"



CLUTCH CUT-OFF VALVE AND LINES

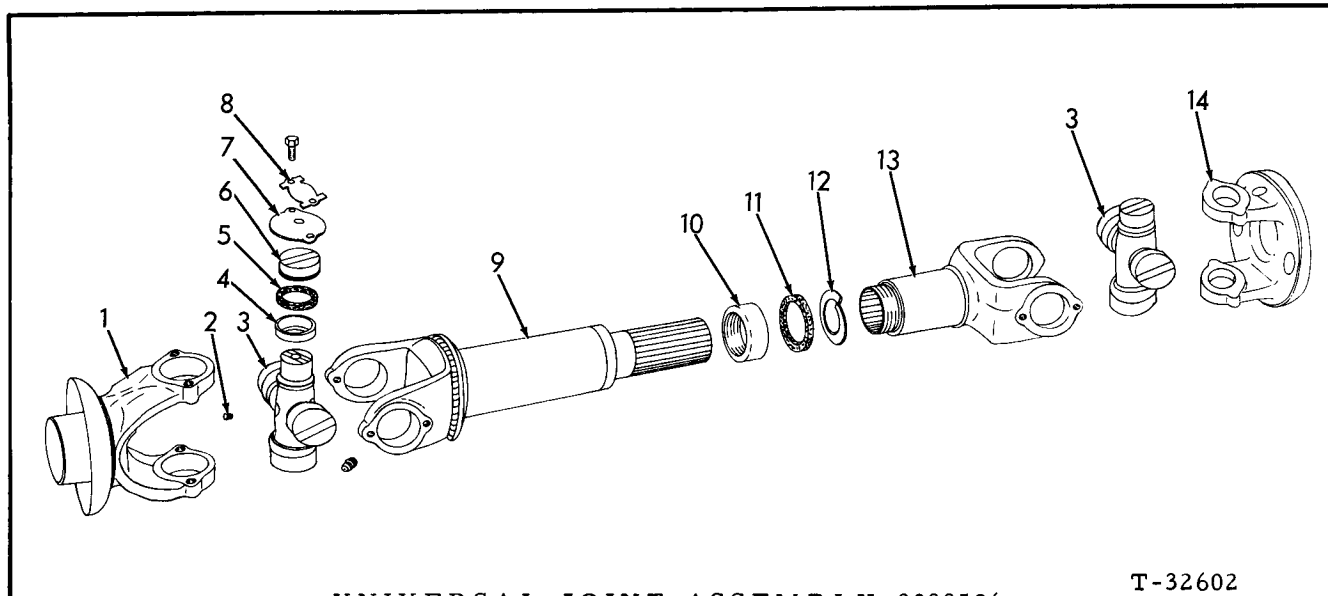
T-31346

ITEM	PART NO.	QTY.	DESCRIPTION
1	3031610	1	VALVE ASSEMBLY (Includes items 2 thru 11)
	921181	2	SCREW, #10 x 1/2"
	917503	1	BUSHING, reducer, 1/2" to 1/4"
	921104	1	TEE, pipe, 1/4"
2	3033334	1	CUP
3	3033335	1	RING, sealing
4	3033336	1	SPRING, valve
5	3033337	1	VALVE, check
6	3033338	1	PIN, lever pivot
7	3033339	1	LEVER
8	3033340	1	PLUNGER
9	923559	1	O-RING, plunger
10	3033342	1	SPRING
11	910231	1	PLUG, pipe, 1/8" NPT, ctsk-head
12	3031573	1	TUBE, clutch cut-off valve (front)
	914627	2	NUT (comp. type) 1/4" tube
	911435	2	SLEEVE, 1/4" tube
	921185	1	ELBOW, 90°, 1/4" pipe to 1/4" tube (Air Valve End)
	911017	1	ELBOW, 90°, 1/8" pipe to 1/4" tube (Clutch cut-off valve end)
13	3033907	1	TUBE, clutch cut-off valve (center)
	914628	1	UNION, 1/4" tube
	914627	2	NUT (comp. type) 1/4" tube
	911435	2	SLEEVE, 1/4" tube
14	3033908	1	TUBE, clutch cut-off valve (rear)
	914627	2	NUT (comp. type) 1/4" tube
	911435	2	SLEEVE, 1/4" tube
	911017	1	ELBOW, 90°, 1/8" pipe to 1/4" tube (Used prior to loader #774)
	921185	1	ELBOW, 90°, 1/4" pipe to 1/4" tube (Effective with loader #774)
15	3041850	1	CYLINDER, air, clutch cut-off (Prior to loader #774, also order 921185)
16	3021516	1	CLIP, tube clutch cut-off (See PRESSURE TANK group for fasteners)



DRIVE SHAFT GROUP

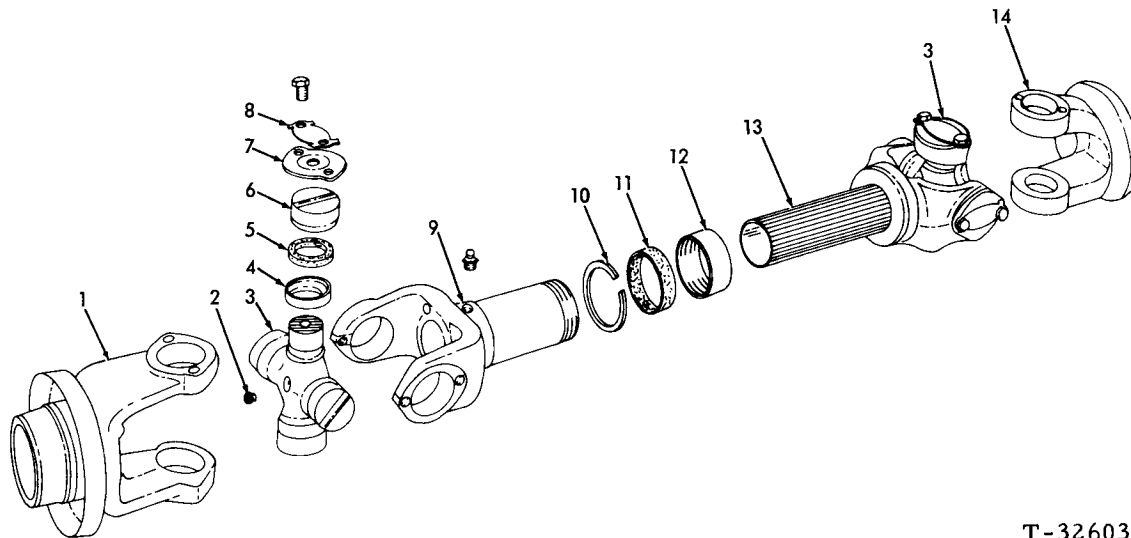
ITEM	PART NO.	QTY.	DESCRIPTION
1	3033596	1	UNIVERSAL JOINT ASSEMBLY, front (See page 127 for parts)
	914465	1	FITTING, lubricating, straight, 1/8" NPT
2	3026691	1	UNIVERSAL JOINT ASSEMBLY, rear (See page 128 for parts)
	914465	1	FITTING, lubricating, straight, 1/8" NPT



UNIVERSAL JOINT ASSEMBLY 3033596
(Front Axle to Transmission)

T-32602

ITEM	PART NO.	QTY.	DESCRIPTION
NOTE: See page 126 for listing of complete Assembly.			
1	3032782	1	YOKE (Includes SLINGER)
2	3013807	2	VALVE, relief
3	3021862 915276	2 2	CROSS ASSEMBLY (Includes items 2 and 4 thru 6) FITTING, lubricating, 90°, 1/8" NPT
4	3022001	8	RETAINER, bearing
5	3022002	8	WASHER, cork
6	3021999	8	CUP ASSEMBLY, bearing (Includes needle bearing, retainer and cap) (Serviced only as a unit)
7	3021863	8	PLATE, cover
8	3021861 920623	8 16	PLATE, locking CAPSCREW, 5/16" NF x 1/2"
9	3031566	1	YOKE, axle end
10	3021867	1	CAP, dust
11	3032378	1	WASHER, felt, dust cap
12	3032377	1	WASHER, metal, dust cap
13	3021864	1	YOKE, transmission end
14	3021560	1	YOKE, flange, transmission end

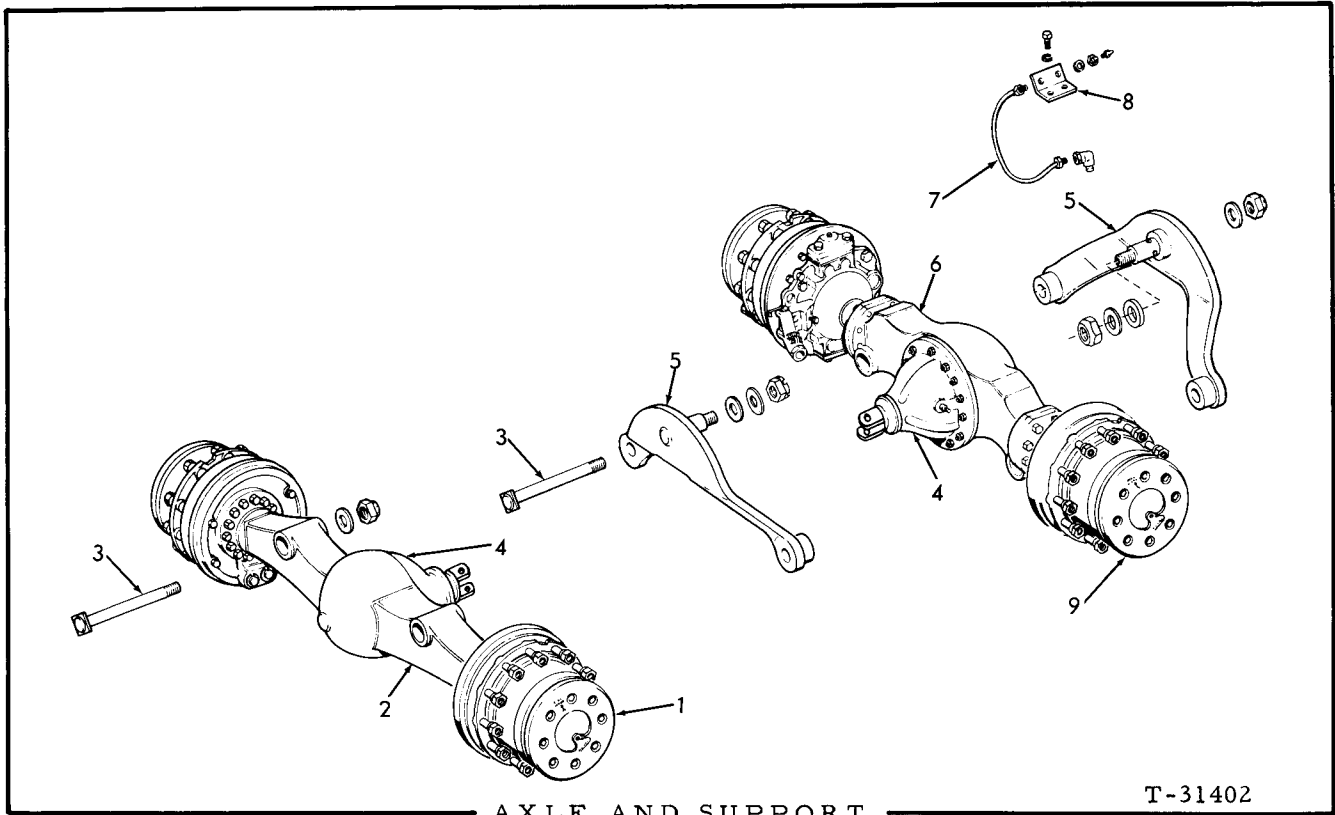


T-32603

UNIVERSAL JOINT ASSEMBLY 3026691
(Rear Axle to Transmission)

ITEM	PART NO.	QTY.	DESCRIPTION
NOTE: See page 126 for listing of complete Assembly.			
1	3021561	1	YOKE, end
2	3013807	2	VALVE, relief
3	3021862 915276	2 2	CROSS ASSEMBLY (Includes item 2 and 4 thru 6) FITTING, lubricating, 90°, 1/8" NPT
4	3022001	8	RETAINER, bearing
5	3022002	8	WASHER, cork
6	3021999	8	CUP ASSEMBLY, bearing (Includes needle bearing, retainer and cap) (Serviced only as a unit)
7	3021863	8	PLATE, cover
8	3021861 920623	8 16	PLATE, locking CAPSCREW, 5/16" NF x 1/2"
9	3021864	1	YOKE, slip
10	3032377	1	WASHER, metal, dust cap
11	3032378	1	WASHER, felt, dust cap
12	3021867	1	CAP, dust
13	3026689	1	YOKE, end
14	3022045	1	YOKE (Includes SLINGER)

MEMO



AXLE AND SUPPORT

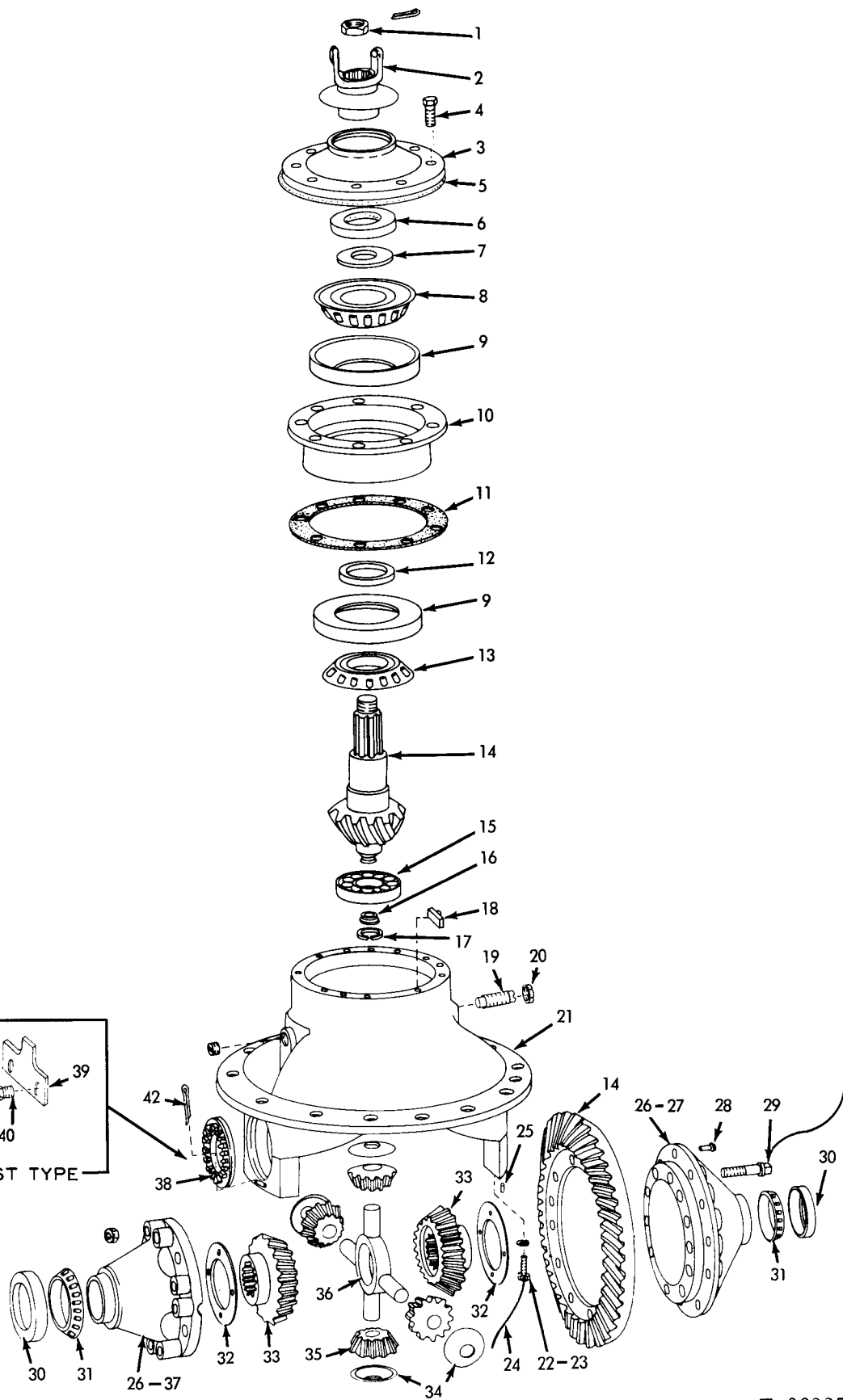
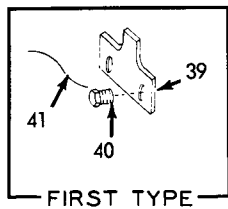
T-31402

ITEM	PART NO.	QTY.	DESCRIPTION
-	3031356	1	AXLE ASSEMBLY, rigid (See pages 133 thru 142 for parts)
-	3031355	1	AXLE ASSEMBLY, steering (See pages 145 thru 163 for parts)
-	915275	2	FITTING, lubricating, 65°, 1/8" NPT
1	-----	1	SHAFT AND HUB, rigid axle (See page 137 for parts)
2	-----	1	HOUSING ASSEMBLY, rigid axle (See page 138 for parts)
3	3036937	4	PIN, axle connecting (Prior to loader #606, also order 917778 NUT for initial installation)
	3013046	4	WASHER, plain
	917778	4	NUT, safety, 1-1/2" NF
	901345	4	PIN, cotter, 1/4" x 2-1/2"
4	3036704	1	DIFFERENTIAL CARRIER ASSEMBLY, rigid axle (See page 133 for parts)
	3035506	1	DIFFERENTIAL CARRIER ASSEMBLY, steering axle (Used prior to loader #830) (See page 145 for parts)
	3042683	1	DIFFERENTIAL CARRIER ASSEMBLY, steering axle (Effective with loader #830) (See page 145 for parts)

(Continued)

AXLE AND SUPPORT (Continued)

ITEM	PART NO.	QTY.	DESCRIPTION
5	3029151	2	SUPPORT, axle (Includes PIN)
	3042688	2	WASHER
	3043902	2	SHIM (.010" thick. Use as req'd)
	3017556	2	NUT, locking
6	-----	1	HOUSING ASSEMBLY, steering axle (See page 148 for parts)
7	3019807	2	TUBE ASSEMBLY, flexible, lubricating
	904209	2	LOCKWASHER, 5/8"
	911049	2	NUT, jam, 5/8" NF
	914463	2	ELBOW, 90°, 1/8" NPT
	914465	2	FITTING, lubricating, straight, 1/8" NPT
8	3020813	1	PLATE, mounting, flexible tube
	916225	2	CAPSCREW, 3/8" NF x 1"
	904206	2	LOCKWASHER, 3/8"
9	-----	-	SHAFT AND HUB, steering axle (See page 151 or 157 for parts)



T-38227

DIFFERENTIAL CARRIER ASSEMBLY 3036704
(Rigid Axle)

DIFFERENTIAL CARRIER ASSEMBLY 3036704
(Rigid Axle)

ITEM	PART NO.	QTY.	DESCRIPTION
			NOTE: See page 129 for listing of complete Assembly.
1	3032918	1	NUT, yoke assembly
	904003	1	PIN, cotter, 1/8" x 2-1/4"
2	3032782	1	YOKE ASSEMBLY (Includes slinger) (Serviced only as a unit)
3	3032789	1	COVER ASSEMBLY, bearing cage (Includes item 6)
4	3022110	8	CAPSCREW (Special)
5	3032916	1	GASKET, cover, bearing cage
6	3022043	1	SEAL, oil, cover assembly
7	3032917	1	WASHER, bearing
8	3032924	1	CONE, outer (Also order bearing cup) (Used prior to loader #203)
	3036712	1	CONE, outer (Also order bearing cup) (Effective with loader #203)
9	3032922	2	CUP (Also order bearing cone) (Used prior to loader #203)
	182440	2	CUP (Also order bearing cone) (Effective with loader #203)
10	3032921	1	CAGE ASSEMBLY (Includes 2 CUP 3032922) (Used prior to loader #203)
	3036710	1	CAGE ASSEMBLY (Includes 2 CUP 182440) (Effective with loader #203)
11	3032908	1	SHIM, bearing cage (.003" thick. Use as required)
	3032794	1	SHIM, bearing cage (.005" thick. Use as required)
	3032795	3	SHIM, bearing cage (.010" thick. Use as required)
12	3032925	1	SPACER (.248" thick. Use as required)
	3032926	1	SPACER (.249" thick. Use as required)
	3032927	1	SPACER (.250" thick. Use as required)
	3032928	1	SPACER (.251" thick. Use as required)
	3032929	1	SPACER (.252" thick. Use as required)
	3032930	1	SPACER (.253" thick. Use as required)
	3032931	1	SPACER (.259" thick. Use as required)
	3032932	1	SPACER (.265" thick. Use as required)
	3032933	1	SPACER (.271" thick. Use as required)
	3032934	1	SPACER (.277" thick. Use as required)
	3032935	1	SPACER (.283" thick. Use as required)

(Continued)

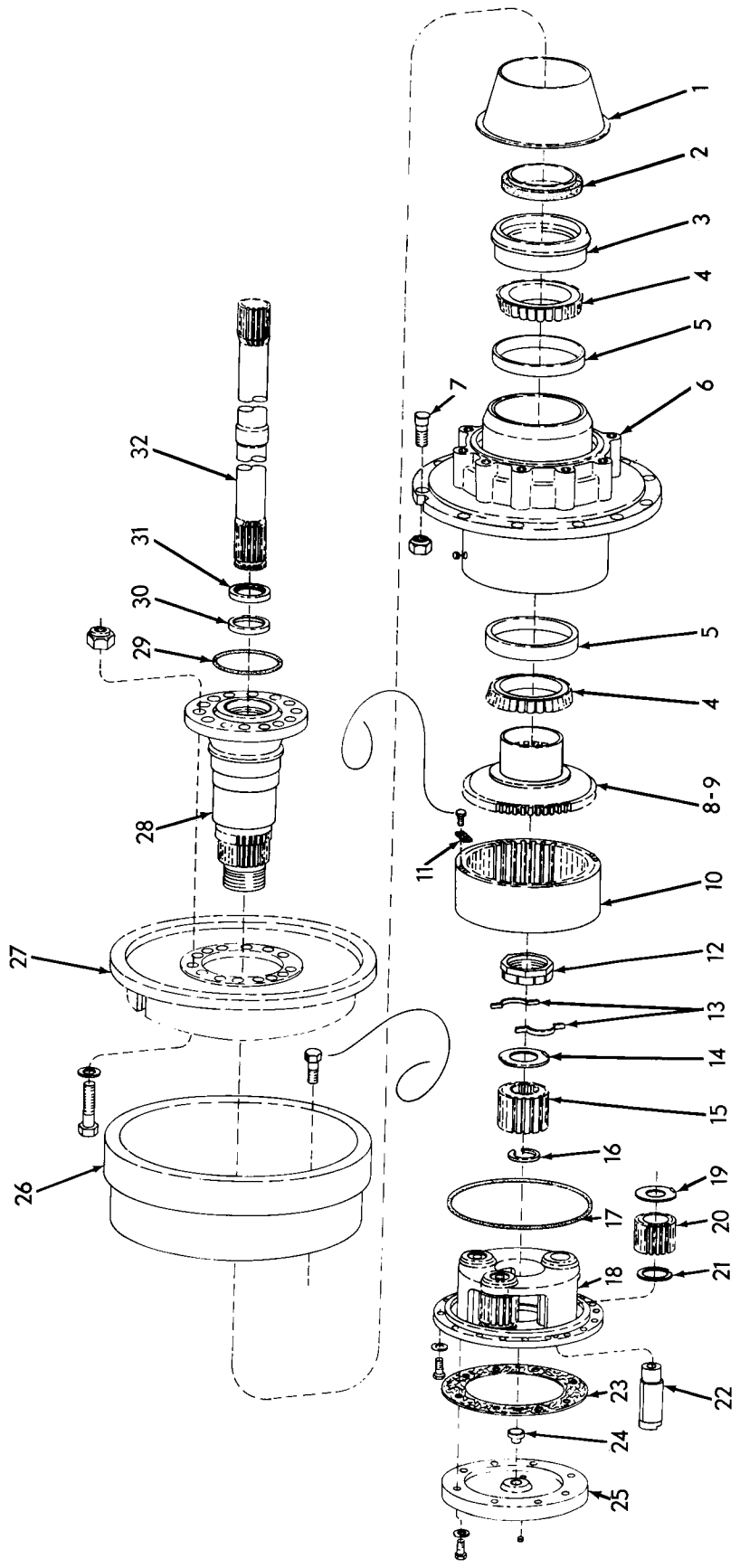
DIFFERENTIAL CARRIER ASSEMBLY 3036704 (Continued)
(Rigid Axle)

ITEM	PART NO.	QTY.	DESCRIPTION
13	3032923	1	CONE, inner (Also order bearing cup) (Used prior to loader #203)
	3036711	1	CONE, inner(Also order bearing cup) (Effective with loader #203)
14	3032791	1	GEAR ASSEMBLY, drive (Includes drive pinion-matched set) (Serviced only as a unit)
15	3032937	1	BEARING, drive pinion
16	3032938	1	RETAINER, bearing, drive pinion
17	076961	1	RING, locking, bearing retainer
18	3022054	1	BLOCK, thrust, adjusting
19	3022111	1	SCREW, adjusting, block
20	3022112	1	NUT, adjusting screw
21	3036705	1	CARRIER ASSEMBLY (Includes 2 PIN 3043369 and items 22, 23 and 25)
22	3032919	4	CAPSCREW (Special) 1" NS x 5-3/4" (Used prior to loader #203)
	3036708	4	CAPSCREW (Special) 7/8" NS x 5-1/2" (Effective with loader #203)
23	3032920	4	WASHER (Special) 1" (Used prior to loader #203)
	3036709	4	WASHER (Special) 7/8" (Effective with loader #203)
24	3001085	2	WIRE, locking, 16 Ga. x 17"
	904224	1	PLUG, pipe, countersunk, 3/4" NPT
25	3022314	4	PIN, dowel, differential cap
26	3036707	1	DIFFERENTIAL CARRIER ASSEMBLY (Includes 1 CASE ASSEMBLY 3032787 and items 29, and 32 thru 36)
	3032787	1	CASE ASSEMBLY, differential (Includes items 27 and 37) (Serviced only as a unit)
27	-----	1	CASE, flange half (Not serviced, order 3032787)
28	3032936	12	RIVET, case to ring gear
29	3038204	4	BOLT, differential case, short
	3038205	8	BOLT, differential case, long
	3038206	12	WASHER, differential bolt
	3036714	12	NUT, differential bolt
	3007380	4	WIRE, locking, 16 Ga. x 12"
30	3032792	2	CUP, bearing (Also order BEARING CONE)
31	3032914	2	CONE, bearing (Also order BEARING CUP)
32	3024221	2	WASHER, thrust, side gear

(Continued)

DIFFERENTIAL CARRIER ASSEMBLY 3036704 (Continued)
(Rigid Axle)

ITEM	PART NO.	QTY.	DESCRIPTION
33	3032910	2	GEAR, side, differential
34	3024219	4	WASHER, thrust, pinion
35	3032909	4	PINION, differential
36	3032911	1	SPIDER, pinion
37	-----	1	CASE, plain half (Not serviced, order 3032787)
38	3032793	2	RING, adjusting, bearing
39	3022049	2	LOCK, adjusting ring (First type)
40	3022107	4	CAPSCREW, adjusting ring (First type)
41	3022108	2	WIRE, locking (First type)
42	3037174	2	PIN, cotter, adjusting ring (Second type)
	3043369	2	PIN, cotter (Heavy duty) (Third type)



T-31357

SHAFT AND HUB
(Rigid Axle)

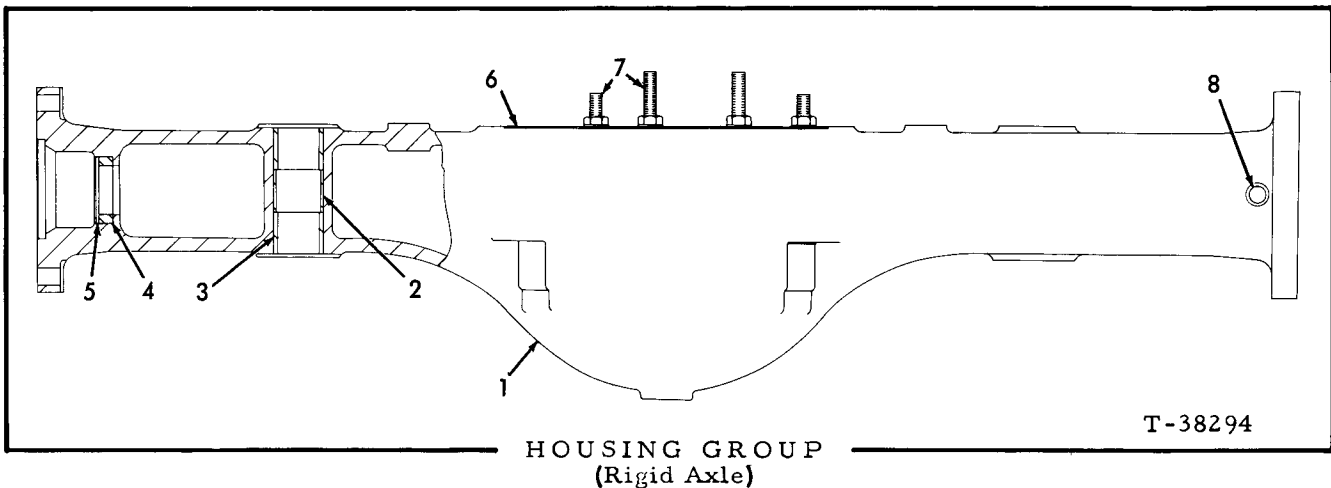
SHAFT AND HUB
(Rigid Axle)

ITEM	PART NO.	QTY.	DESCRIPTION
1	3032710	2	SLINGER, oil
2	3044125	2	SEAL, oil
3	3044124	2	RETAINER AND SEAL ASSEMBLY, oil (Includes item 2)
4	3032692	4	CONE, bearing (Order both CUP and CONE)
5	3032693	4	CUP, bearing (Order both CUP and CONE)
6	3032694	2	HUB ASSEMBLY, wheel (Includes item 5)
	3022116	2	PLUG, oil drain
7	3022121	24	STUD, wheel
	3007152	24	NUT, wheel
8	3032707	2	HUB, ring gear (Includes item 9)
9	-----	2	SLEEVE, hub, ring gear (Not serviced, order 3032707)
10	3032705	2	GEAR, ring (52 teeth)
11	3032069	8	LOCK
	3022117	16	CAPSCREW (Special)
	3022108	8	WIRE, locking, #16 Ga. x 6"
12	3022122	2	NUT, ring gear hub
13	3022077	4	RETAINER, locking, nut
14	3032699	2	WASHER, sun gear
15	3032706	2	GEAR, sun
16	3032701	2	RING, snap
17	3036692	2	O-RING, hub to spider
18	3032709	2	SPIDER
	3022110	60	CAPSCREW, 1/2"
	904208	60	LOCKWASHER, 1/2"
19	{ 3022072	6	WASHER, inner, thrust (Used prior to loader #733)
	{ 3040365	6	WASHER, inner, thrust (Effective with loader #733)
20	3032704	6	GEAR, pinion
21	3022071	6	WASHER, thrust
22	3040364	6	SHAFT, pinion (Prior to loader #733, also order 1 WASHER 3040365)
23	3022079	2	GASKET, cover
24	3022076	2	BUTTON, thrust

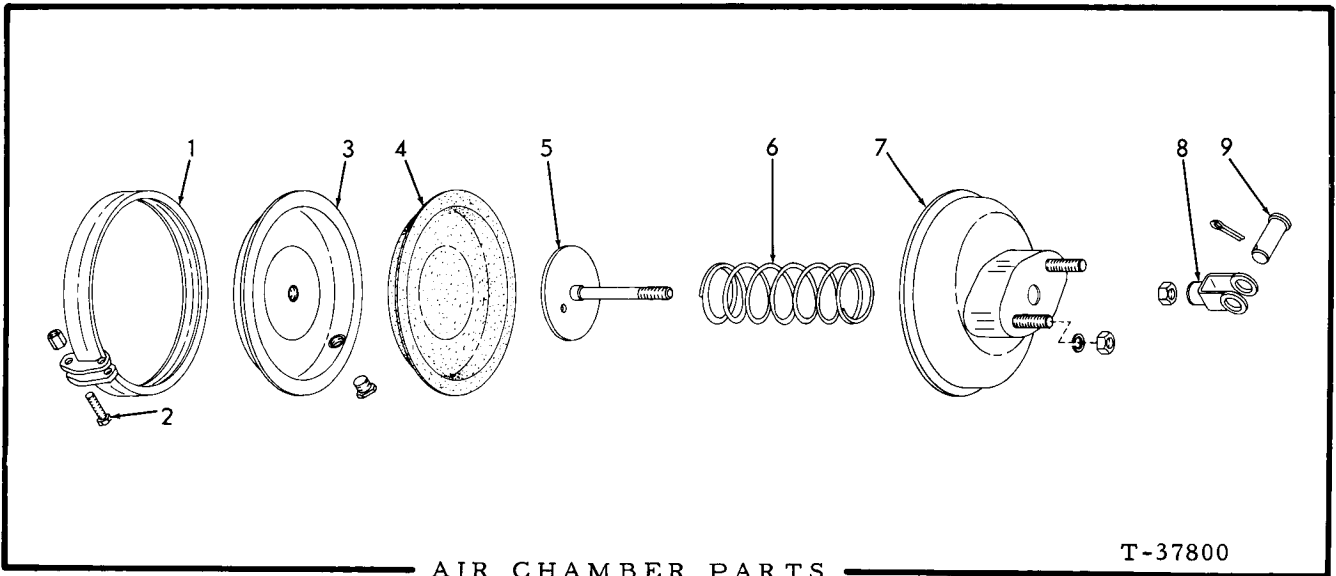
(Continued)

SHAFT AND HUB (Continued)
(Rigid Axle)

ITEM	PART NO.	QTY.	DESCRIPTION
25	3034059	2	COVER ASSEMBLY, end (Includes item 24)
	3031582	16	CAPSCREW, 7/16" NC x 1-1/8"
	907070	2	PLUG, oil level, steel, ctsk., 1/4"
	904207	16	LOCKWASHER, 7/16"
26	3032690	2	DRUM, brake
	3026068	24	CAPSCREW, 5/8" NC x 1-1/2"
	3024892	2	WIRE, locking, #16 Ga. x 50"
27	-----	2	BRAKE ASSEMBLY (See page 141 for parts)
	3032691	28	BOLT
	3032700	28	WASHER
	3028397	28	NUT
28	3032708	2	SPINDLE, wheel
29	923590	2	O-RING, wheel spindle
30	3032698	2	RETAINER, oil seal
31	3032695	2	SEAL, oil, shaft
32	3032689	2	SHAFT, drive



ITEM	PART NO.	QTY.	DESCRIPTION
1	3032688	1	HOUSING ASSEMBLY, axle (Includes 1 PLUG 901667, 1 PLUG 907072, and items 2, 3 and 7)
	901667	1	PLUG, pipe, countersunk, 1-1/4" NPT
	907072	1	PLUG, pipe, 1-1/4" NPT
2	3021840	2	SPACER, axle housing
3	3021833	4	BUSHING, axle housing
4	-----	2	SEAL, oil axle shaft (See SHAFT AND HUB GROUP)
5	-----	2	RETAINER, oil seal (See SHAFT AND HUB GROUP)
6	3032687	1	GASKET, differential assembly
7	{ 3022115	4	STUD, long
	3022114	10	STUD, short
	3028047	14	NUT (Special)
8	3007145	3	BREATHER, axle housing



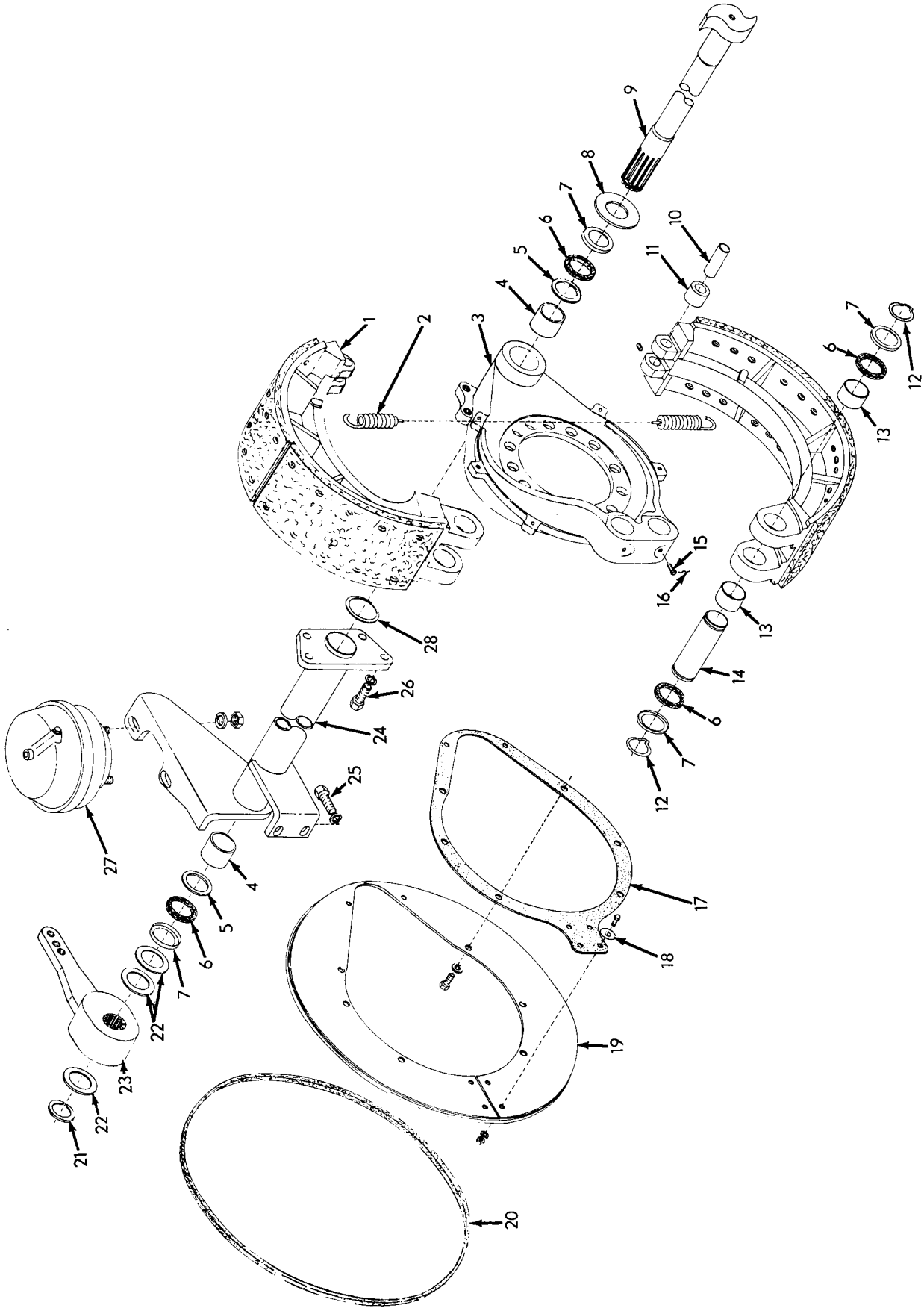
AIR CHAMBER PARTS
(Rigid Axle)

T-37800

USAGE: * 3032721 Air Chamber Assembly (Used prior to loader #601)

** 3037813 Air Chamber Assembly (Effective with loader #601)

ITEM	PART NO.	QTY. * **	DESCRIPTION
NOTE: See page 142 for listing of complete Assembly. Quantities indicated are for one (1) Chamber only.			
1	3036729	1 1	CLAMP ASSEMBLY, ring (Includes 2 BOLT 3036736, and 2 NUT 922795)
2	3036736	2 2	BOLT (Special)
	922795	2 2	NUT, 5/6" NF
3	3036731	1 1	PLATE, pressure
	919840	1 1	PLUG, pipe, 1/4" NPT
4	3036730	1 1	DIAPHRAGM, brake chamber
5	3036733	1 -	ROD, push
	3039516	- 1	ROD, push
	911049	1 1	NUT, 5/8" NF
6	3036732	1 1	SPRING
7	3036734	1 1	PLATE, non-pressure
	904209	2 2	LOCKWASHER, 5/8"
	911049	2 2	NUT, 5/8" NF
8	3039515	- 1	YOKE ASSEMBLY (Includes item 9)
9	3038856	- 1	PIN, yoke
	900806	- 1	PIN, cotter, 1/8" x 1"



BRAKE ASSEMBLY
(Rigid Axle)

BRAKE ASSEMBLY
(Rigid Axle)

* Used prior to Loader #601
** Effective with Loader #601

ITEM	PART NO.	QTY.	DESCRIPTION
		* **	
NOTE: Quantities indicated are for one (1) Brake Assembly only.			
1	3032719	2 -	SHOE ASSEMBLY, brake (Includes 2 lining, 24 rivet 918627 and 2 bushing 3008338)
	3037814	- 2	SHOE ASSEMBLY, brake (Includes 2 lining, 24 rivet 918627, 1 setscrew 903835 and items 10, 11 and 13)
	3033355	1 1	LINING KIT, brake shoe (Consists of 4 lining and 56 rivet 918627)
	918627	48 48	RIVET, 1/4" x 5/8"
	903835	- 2	SETSCREW, hex-socket, cup-point, 1/4" NC x 3/8"
2	3008326	2 2	SPRING, shoe return
3	3032718	1 1	SPIDER ASSEMBLY, brake (Includes items 4 thru 7)
4	3015681	2 2	BUSHING (nylon)
5	3008335	2 2	WASHER, back-up, felt
6	3008334	6 6	SEAL, felt
7	3008333	6 6	RETAINER, seal, felt
8	3032724	1 1	WASHER, camshaft, cam end
9	3032723	1 1	CAMSHAFT, left
	3032733	1 1	CAMSHAFT, right
10	3037816	- 2	PIN, roller, camshaft
11	3008327	- 2	ROLLER, camshaft
12	3008317	4 4	RING, lock, anchor pin retaining
13	3008338	4 4	BUSHING, brake shoe
14	3008337	2 2	PIN, anchor
15	3032728	2 2	CAPSCREW, drilled-hd., 3/8" NC x 5/8"
16	3032729	2 -	WIRE, locking
	3007380	- 2	WIRE, locking, 16 Ga. x 12"
17	3032714	1 1	SEAL, dust shield (rubber)
18	914330	6 6	CAPSCREW, 1/4" NF x 5/8"
	3032712	6 6	WASHER, plain (special)
	904204	6 6	LOCKWASHER, 1/4"
	911040	6 6	NUT, 1/4" NF

(Continued)

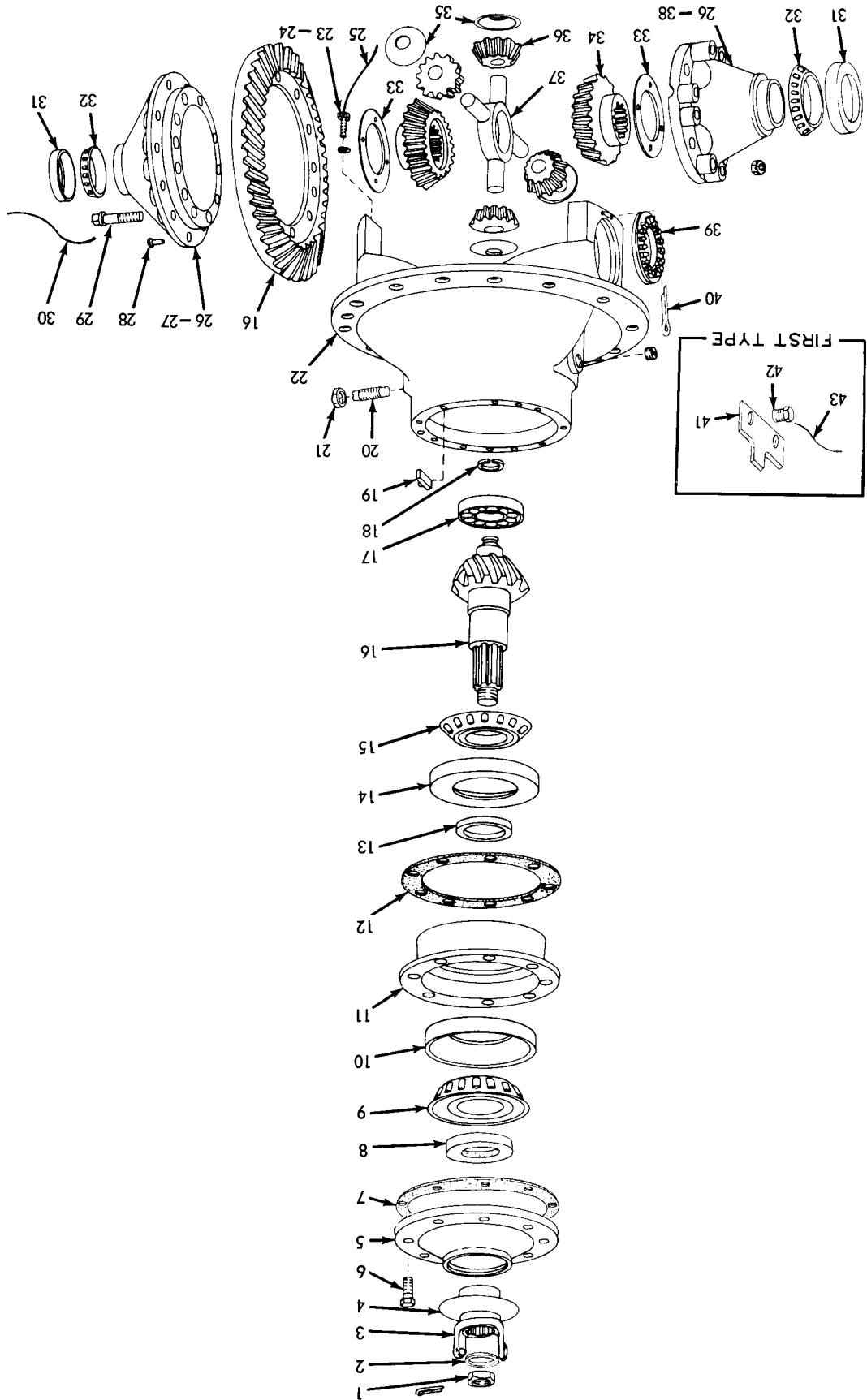
BRAKE ASSEMBLY (Continued)
(Rigid Axle)

ITEM	PART NO.	QTY.		DESCRIPTION
		*	**	
19	3032713	1	1	SHIELD ASSEMBLY, dust (Includes items 17, 18 and 20)
	915408	6	6	CAPSCREW, 3/8" NC x 3/4"
	904206	6	6	LOCKWASHER, 3/8"
20	3032711	1	1	SEAL, dust shield (felt)
21	3032725	1	1	RING, snap
22	3015687	6	6	WASHER, spacing (Use as required)
23	3032722	1	1	ADJUSTER ASSEMBLY, slack (Serviced only as a unit)
24	3032720	1	1	BRACKET ASSEMBLY, left (Includes items 4 thru 7)
	3032734	1	1	BRACKET ASSEMBLY, right (Includes items 4 thru 7)
25	3014597	2	2	CAPSCREW (Special) 1/2" NC x 1-1/4"
26	3014456	4	4	CAPSCREW (Special) 1/2" NC x 1-1/2"
	904208	6	6	LOCKWASHER, 1/2"
27	3032721	1	-	CHAMBER ASSEMBLY, air (See page 139 for parts)
	3037813	-	1	CHAMBER ASSEMBLY, air (See page 139 for parts)
28	3032726	1	1	GASKET, bracket, camshaft
29	3032730	1	-	YOKE, chamber (Not Illustrated)
	3032731	1	-	PIN, yoke
	904209	1	-	LOCKWASHER, 5/8"
	900806	1	-	PIN, cotter, 1/8" x 1"

MEMO

DIFFERENTIAL CARRIER ASSEMBLY PARTS

T-38300



DIFFERENTIAL CARRIER ASSEMBLY PARTS
(Steering Axle)

USAGE: * Differential Carrier Assembly 3035506 (Used prior to loader #830)
 ** Differential Carrier Assembly 3042683 (Effective with loader #830)

ITEM	PART NO.	QTY.	DESCRIPTION
		* **	
NOTE: See page 129 for listing of complete Assembly.			
1	3014403	1 1	NUT, yoke assembly
2	3022056	1 1	WASHER, plain
	904002	1 1	PIN, cotter, 1/8" x 2"
3	3022045	1 1	YOKE ASSEMBLY (Includes item 4)
4	3014543	1 1	SLINGER, yoke assembly
5	3022042	1 1	COVER ASSEMBLY, bearing cage (Includes item 8)
	904224	1 1	PLUG, pipe, ctsk.-head., 3/4" NPT (oil level)
6	3022110	8 8	CAPSCREW (Special)
7	3022055	1 1	GASKET, cover, bearing cage
8	3022043	1 1	SEAL, oil, cover assembly
9	059934	1 1	CONE, bearing, outer (Also order bearing cup)
10	3022037	1 1	CUP, bearing, outer (Also order bearing cone)
11	3033030	1 1	CAGE ASSEMBLY, pinion bearing (Includes items 10 and 14)
12	3022053	- -	SHIM, bearing cage (.003" thick. Use as req'd)
	3022050	- -	SHIM, bearing cage (.005" thick. Use as req'd)
	3022051	- -	SHIM, bearing cage (.010" thick. Use as req'd)
	3022052	- -	SHIM, bearing cage (.020" thick. Use as req'd)
13	3022446	1 1	□SPACER (.259" thick. Use as req'd)
	3022447	1 1	□SPACER (.260" thick. Use as req'd)
	3022448	1 1	□SPACER (.261" thick. Use as req'd)
	3022449	1 1	□SPACER (.262" thick. Use as req'd)
	3022450	1 1	□SPACER (.263" thick. Use as req'd)
	3022451	1 1	□SPACER (.264" thick. Use as req'd)
	3022452	1 1	□SPACER (.270" thick. Use as req'd)
	3022453	1 1	□SPACER (.276" thick. Use as req'd)
	3022454	1 1	□SPACER (.282" thick. Use as req'd)
	3022455	1 1	□SPACER (.288" thick. Use as req'd)
	3022456	1 1	□SPACER (.294" thick. Use as req'd)
14	3022036	1 1	CUP, bearing, inner (Also order bearing cone)

(Continued)

DIFFERENTIAL CARRIER ASSEMBLY PARTS (Continued)

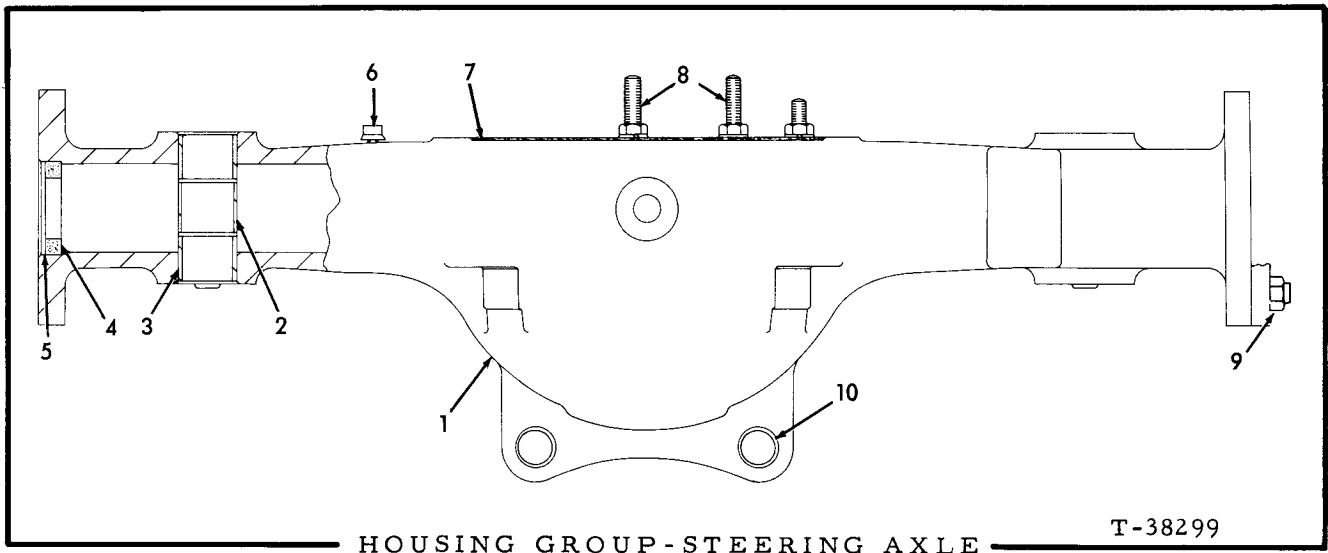
ITEM	PART NO.	QTY.		DESCRIPTION
		*	**	
15	3022038	1	1	CONE, bearing, inner (Also order bearing cup)
16	3035509	1	1	GEAR ASSEMBLY, drive (Includes drive pinion matched set) (Serviced only as a unit)
17	3022162	1	1	BEARING, drive pinion
18	3033029	1	1	RING, locking, bearing
19	3022054	1	1	BLOCK, thrust, adjusting
20	3022111	1	1	SCREW, adjusting, block
21	3022112	1	1	NUT, adjusting screw
22	3022024	1	1	CARRIER ASSEMBLY (Includes items 23 and 24)
23	3022105	4	4	CAPSCREW (Special)
24	3032989	4	4	WASHER (Special)
25	3022109	2	2	WIRE, locking, #16 Ga.
26	3042684	1	1	GEAR ASSEMBLY, differential drive (Includes 1 DIFFERENTIAL ASSEMBLY 3042331 and items 16 and 28)
	3042331	1	1	DIFFERENTIAL ASSEMBLY (Includes 1 CASE ASSEMBLY 3042511 and items 29, 30 and 33 thru 37)
	3042511	1	1	CASE ASSEMBLY, differential (Serviced only as a unit) (Prior to loader #830 also order 4 BOLT 3042328 and 8 BOLT 3042327)
27	-----	-	-	CASE, flange half (Not serviced, order case assembly)
28	3022034	12	12	RIVET, case to ring gear
29	3022102	4	-	BOLT, differential case, short
	3042328	-	4	BOLT, differential case, short
	3022101	8	-	BOLT, differential case, long
	3042327	-	8	BOLT, differential case, long
30	917360	12	-	NUT, 1/2" NF
	3007380	6	-	WIRE, locking, #16 Ga. x 12"
	3027634	-	1	WIRE, locking, #16 Ga. x 30"
	3022108	-	4	WIRE, locking, #16 Ga. x 6"
31	3022047	2	2	CUP, bearing (Also order bearing cone)
32	3022028	2	2	CONE, bearing (Also order bearing cup)
33	3022397	2	2	WASHER, thrust, side gear
34	3022030	2	2	GEAR, side, differential

(Continued)

DIFFERENTIAL CARRIER ASSEMBLY PARTS (Continued)

ITEM	PART NO.	QTY.		DESCRIPTION
		*	**	
35	3022029	4	4	WASHER, thrust, pinion
36	3022032	4	4	PINION, differential
37	3022031	1	1	SPIDER, pinion
38	-----	1	1	CASE, plain half (Not serviced, order case assembly)
39	3022048	2	2	RING, adjusting, bearing
40	3037174	2	2	PIN, cotter, adjusting ring
41	3022049	2	-	LOCK, adjusting ring (First type)
42	3022107	2	-	CAPSCREW (Special) (First type)
43	3022108	2	-	WIRE, locking, #16 Ga. x 6" (First type)
44	3022314	2	-	PIN, differential bearing cap (Not illustrated)

□(Also see PACKAGED PARTS)

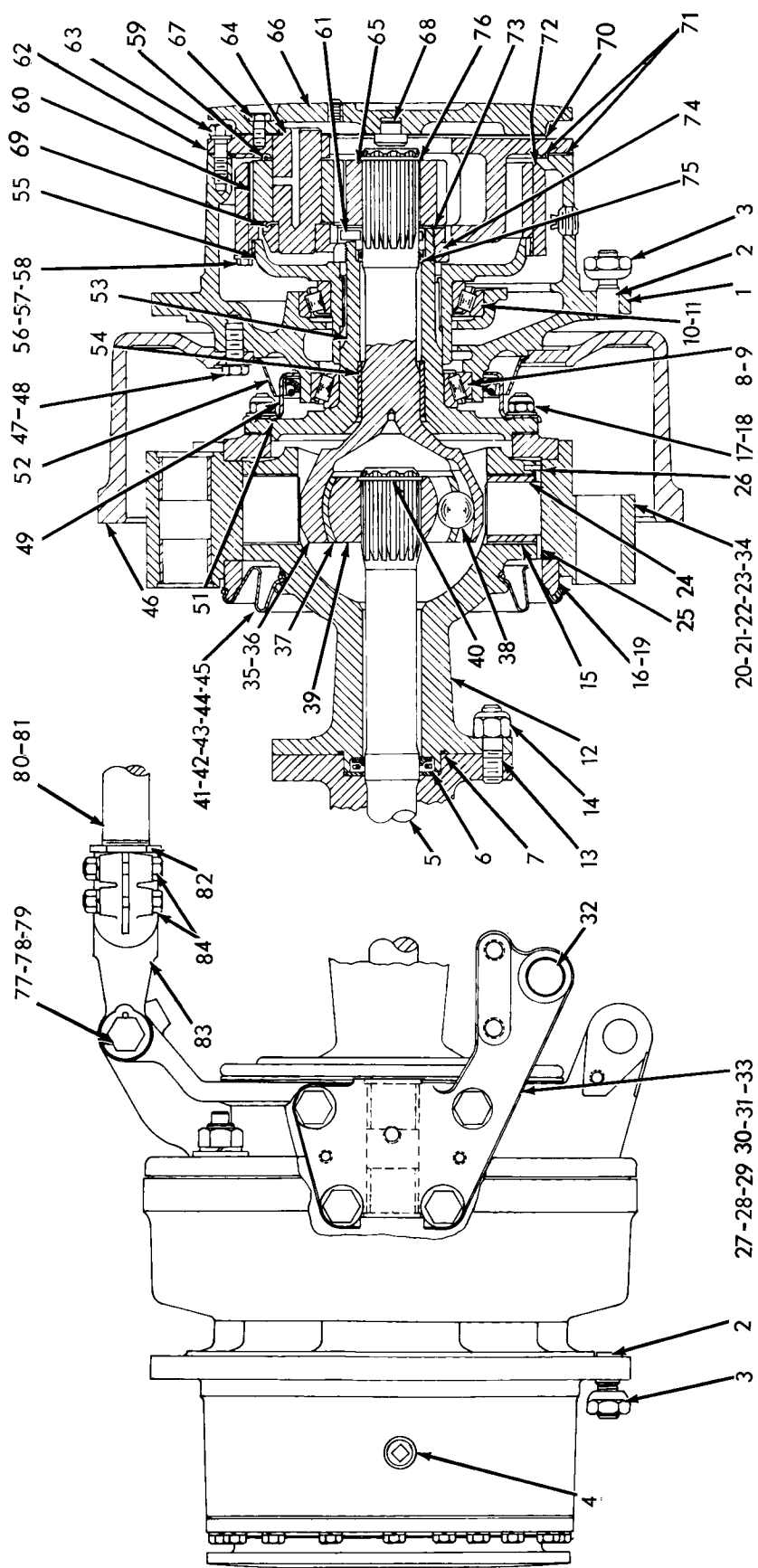


HOUSING GROUP-STEERING AXLE

T-38299

ITEM	PART NO.	QTY.	DESCRIPTION
1	3032738	1	HOUSING ASSEMBLY, axle (Includes 1 PLUG 901667, 4 STUD 3026069, 10 STUD 3022114, 16 STUD 3027646 and items 2, 3 and 10)
	904224	1	PLUG, pipe, ctsk., 3/4" NPT (Oil filler)
	901667	1	PLUG, pipe, ctsk., 1-1/4" NPT
	902214	2	SCREW, puller, 1/2" NC x 1-1/4"
	910325	2	NUT, jam, 1/2" NC
2	3021840	2	SPACER, axle housing
3	3021833	4	BUSHING, axle housing
4	-----	2	SEAL, oil, axle shaft (See SHAFT AND HUB GROUP)
5	-----	2	RETAINER, oil seal (See SHAFT AND HUB GROUP)
6	3007145	1	BREATHER, oil, differential
7	3041275	1	GASKET, differential assembly
8	3026069	4	STUD, long, 5/8" NF
	3022114	10	STUD, short, 5/8" NF
	904209	14	LOCKWASHER, 5/8"
	3014555	14	NUT, 5/8" NF
9	3027646	16	STUD, axle shaft
	-----	16	NUT (See SHAFT AND HUB GROUP)
10	3029485	4	BUSHING, housing (power steering cylinder)

MEMO



T-31358

SHAFT AND HUB
(Steering Axle)

SHAFT AND HUB
(Steering Axle)

USAGE: Used prior to loader #761

ITEM	PART NO.	QTY.	DESCRIPTION
1	3027653	2	HUB ASSEMBLY (Includes item 8 and 1 CUP 3022061)(Used prior to loader #405, excluding #250, 251 and 252)
	3037213	2	HUB ASSEMBLY (Includes item 8 and 1 CUP 606896)(Effective with loader #405, including #250, 251 and 252)
2	3022121	24	STUD
3	3007152	24	NUT
4	3022116	2	PLUG, magnetic, oil driin
5	3032744	2	SHAFT, drive
6	3022285	2	SEAL, oil, axle shaft
7	4253822	2	SEAL
8	3027649	2	CUP
9	3027648	2	CONE
			(Order both cup and cone)
10	3022061	2	CUP (First type)
	606896	2	CUP (Second type)
			(Order both cup and cone)
11	3022064	2	CONE
12	3027664	2	SOCKET ASSEMBLY, trunnion (Includes item 15)
13	3027646	16	STUD, trunnion socket to housing
14	3028413	16	NUT, locking
	904223	2	PLUG, pipe, ctsk., 1/2" NPT
15	3027656	4	BUSHING
16	3032747	2	KNUCKLE ASSEMBLY, left and right (Includes one inner and one companion flange, 12 STUD 3026086 and item 19)
17	3026086	24	STUD
	3037232	24	WASHER
18	3024643	24	NUT, locking, 9/16" NF
19	3022295	2	BUSHING

(Continued)

SHAFT AND HUB (continued)
(Steering Axle)

ITEM	PART NO.	QTY.	DESCRIPTION
20	3032746	2	CAP ASSEMBLY, lower (Includes 1 ANCHOR PIN 3032754 1 SNAP RING 3032755 and 1 SLEEVE 3032743 (See BRAKE ASSEMBLY) (Used prior to loader #405 excluding #250, 251 and 252)
	3037215	2	CAP ASSEMBLY, lower (Includes 1 ANCHOR PIN 3032754 1 SNAP RING 3032755 and 1 SLEEVE 3032743 (See BRAKE ASSEMBLY) (Used with loader #405 thru #600 including #250, 251 and 252)
	3039052	2	CAP ASSEMBLY, lower (Includes 1 ANCHOR PIN 3032754 1 SNAP RING 3032755 and 1 SLEEVE 3032743 (See BRAKE ASSEMBLY) (Effective with loader #601 and up)
21	3032739	4	CAPSCREW (inner)
22	3032742	4	CAPSCREW (outer)
23	3007380	4	WIRE, locking
24	3032743	2	SLEEVE
25	3032752	2	WASHER ASSEMBLY, stg., knk., brg., thrust (Includes item 26) (Used prior to loader #695)
	3039742	2	WASHER, thrust, stg., knk., brg. (Effective with loader #695)
26	3032751	2	PIN, dowel, thrust washer (Used prior to loader #695)
	3039077	2	PIN, roll, thrust washer (Effective with loader #695)
27	3032749	1	ARM ASSEMBLY, steering, left (Includes items 32 and 33)
28	3032750	1	ARM ASSEMBLY, steering, right (Includes item 32 and 33)
29	3032740	2	CAPSCREW (inner)
30	3032741	2	CAPSCREW (inner)
	3032742	4	CAPSCREW (outer) (Used prior to loader #601)
	3039092	4	CAPSCREW (outer) (Used with loader # 601 thru 694)
	3039881	4	CAPSCREW (outer) (Effective with loader #694)
31	3007380	4	WIRE, locking
32	3032757	4	BUSHING, steering arm
33	3027657	2	SLEEVE, steering arm
34	3027660	-	SHIM (.003" thick, use as req'd)
	3027661	-	SHIM (.005" thick, use as req'd)
	3027662	-	SHIM (.020" thick, use as req'd)
35	3029162	2	JOINT ASSEMBLY, universal, outer (Includes items 36 thru 40)
36	3031068	2	RACE, OUTER
37	3022289	2	CAGE
38	3022290	12	BALL
39	3022291	2	RACE, inner
40	3022292	2	RING, snap

(Continued)

SHAFT AND HUB (Continued)
(Steering Axle)

ITEM	PART NO.	QTY.	DESCRIPTION
41	3027665	2	BOOT, spindle (Snap type)
	3042711	2	BOOT, spindle (Solid type)
42	3027666	2	CLAMP ASSEMBLY, boot, inner (Includes nut)
43	3027667	2	CLAMP ASSEMBLY, boot, outer (Includes nut)
44	3027659	4	SLEEVE, clamp
45	3029212	4	NUT, clamp
46	3032745	2	DRUM, brake
47	3026068	38	CAPSCREW, 5/8" NC x 1-1/2"
48	3024892	2	WIRE, locking, #16 Ga. x 50" long
49	3037214	2	RETAINER ASSEMBLY (Service only as a unit) (Used loader #405 thru 600, 695 and up, including #250, 251 and 252)
	3027655	2	RETAINER ASSEMBLY (Includes seal) (Serviced only as a unit) (Used prior to loader #405, excluding #250, 251 and 252, and used with loaders #601 thru 694)
51	3026085	2	O-RING, sealing
52	3022306	2	SLINGER, oil
53	3027669	2	SPINDLE ASSEMBLY, steering (Includes item 54)
54	3022301	2	BUSHING, steering knuckle
55	3022086	2	HUB ASSEMBLY, planetary ring gear (Includes bearing sleeve) (Serviced only as a unit)
56	3022117	16	CAPSCREW
57	3022069	8	LOCK
58	3022108	8	WIRE, locking
59	3022071	6	WASHER, outer
60	3022084	6	GEAR, pinion
61	3022077	4	RETAINER
62	3026076	2	SPIDER
63	3022110	32	CAPSCREW, 1/2" NF x 1-5/8"
	904208	32	LOCKWASHER, 1/2"
64	3040493	6	SHAFT (Prior to loader #750, also order WASHER 3040365)
65	3022083	2	GEAR, planetary sun (20 teeth)
66	3034059	2	COVER ASSEMBLY (Includes item 68)
67	3031582	16	CAPSCREW, spider cover
	904207	16	LOCKWASHER, 7/16"
	907070	2	PLUG, planetary, oil level, ctsk., 1/4" sq.
68	3022076	2	BUTTON, thrust
69	3040365	6	WASHER, inner (Prior to loader #750, also order SHAFT 3040493)
70	3022079	2	GASKET, cover

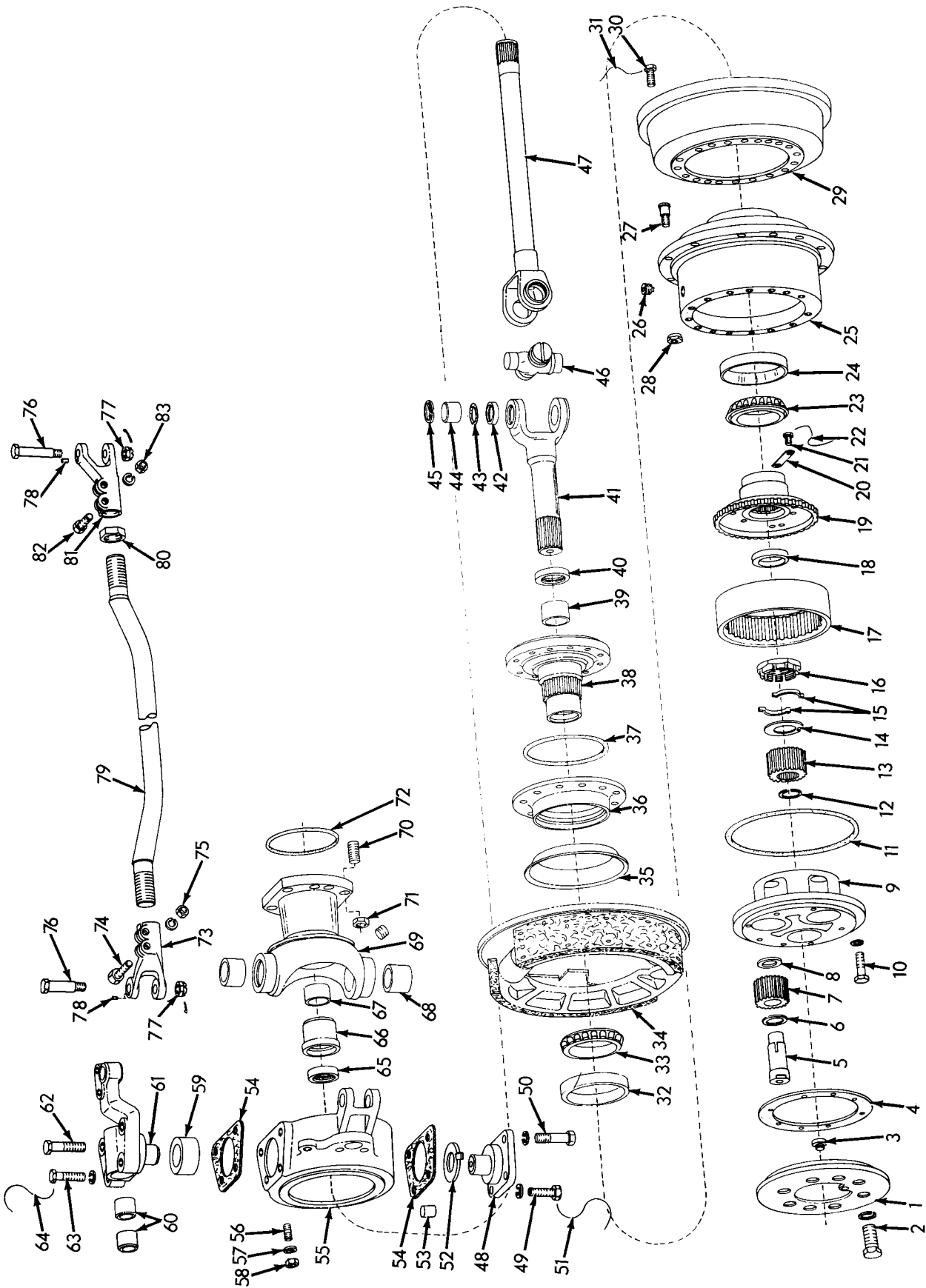
(Continued)

SHAFT AND HUB (Continued)
(Steering Axle)

ITEM	PART NO.	QTY.	DESCRIPTION
71	3026072	2	GASKET, spider (First type)
	3036692	2	O-RING, spider (Second type)
72	3022082	2	GEAR, planetary ring (52teeth)
73	3022070	2	WASHER
74	3022122	2	NUT
75	3022308	2	SEAL, oil drive joint
76	3022074	2	RING, snap
77	3014584	2	BOLT, tie rod yoke
78	3014581	2	NUT, tie rod bolt
79	3014580	2	PIN
	900808	2	PIN, cotter, 1/8" x 1-1/2"
80	3032748	1	ROD ASSEMBLY, tie (Includes items 81 thru 84) and 2 PIN 3014580)
81	3032756	1	ROD, tie
82	3014577	1	NUT, locking
83	3014578	1	YOKE, left
	3014579	1	YOKE, right
84	3014602	4	CAPSCREW, 1/2" NF x 2-3/4"
	904208	4	LOCKWASHER, 1/2"
	3032979	4	NUT, 1/2" NF
85	3032753	2	BLOCK, steering knuckle stop (Not illustrated)

MEMO

SHAFT AND HUB
(Steering Axle)



SHAFT AND HUB
(Steering Axle)

USAGE: Effective with loader #761

ITEM	PART NO.	QTY.	DESCRIPTION
1	3034059	2	COVER ASSEMBLY, planetary gear spider (Includes item 3)
2	3031582	16	CAPSCREW (Special) (7/16" NC x 1-1/8")
	904207	16	LOCKWASHER, 7/16"
	907070	2	PLUG, pipe, ctsk., 1/4" NPT
3	3022076	2	BUTTON, thrust
4	3022079	2	GASKET, cover
5	3040493	6	SHAFT, planetary pinion
6	3022071	6	WASHER, thrust, planetary gear (outer)
7	3022084	6	GEAR, pinion
8	3040365	6	WASHER, thrust, planetary gear
9	3026076	2	SPIDER, planetary gear
10	3022110	32	CAPSCREW (Special) (1/2" NF x 1-5/8")
	904208	32	LOCKWASHER, 1/2"
11	3036692	2	O-RING, spider
12	3022074	2	RING, snap, sun gear
13	3022083	2	GEAR, sun, planetary
14	3022070	2	WASHER, sun gear, planetary
15	3022077	4	RETAINER, hub bearing nut
16	3022122	2	NUT, hub bearing
17	3022082	2	GEAR, ring, planetary
18	-----	2	SLEEVE, hub (Not serviced, order 3022086)
19	3022086	2	HUB ASSEMBLY, ring gear (Includes item 18)
20	3022069	8	LOCK, ring gear
21	3022117	16	CAPSCREW, drilled-hd., (3/8" NC x 3/4")
22	3022108	8	WIRE, locking, 16 Ga. x 6"
23	3022064	2	CONE, bearing, hub, outer
24	3022061	2	CUP, bearing, outer
25	3037213	2	HUB ASSEMBLY (Includes items 24 and 32)
26	3022116	2	PLUG, oil drain, magnetic
27	3022121	24	STUD, wheel attaching
28	3007152	24	NUT, wheel

(Continued)

SHAFT AND HUB (Continued)
(Steering Axle)

ITEM	PART NO.	QTY.	DESCRIPTION
29	3032745	2	DRUM, brake
30	3026068	38	CAPSCREW, drilled-hd. (5/8" NC x 1-1/2")
31	3024892	2	WIRE, locking, 16 Ga. x 50"
32	3027649	2	CUP, bearing, inner
33	3027648	2	CONE, bearing, inner
34	-----	2	BRAKE ASSEMBLY, left and right (See page 162 for parts)
35	3022306	2	SLINGER, oil
36	3037214	2	RETAINER ASSEMBLY, seal (Includes oil seal) (Serviced only as a unit)
37	3026085	2	O-RING, oil seal retainer
38	3040924	2	SPINDLE ASSEMBLY, steering knuckle (Includes items 39 and 40)
39	3041011	2	BUSHING, spindle assembly
40	3041010	2	SEAL, oil, spindle assembly
-	3041173	2	JOINT ASSEMBLY, universal (Includes items 41 thru 47)
41	3041236	2	SHAFT, drive, outer
42	-----	8	RETAINER, oil seal, universal joint (Not serviced, order 3044617)
43	923813	8	O-RING
44	-----	8	BEARING, needle (Not serviced, order 3044617)
45	3041242	8	RING, retaining, bearing
46	3044617	2	CROSS ASSEMBLY, center (Includes 1 FITTING 915275 and items 42 thru 45)
	915275	2	FITTING, lubricating, 65°, 1/8" NPT
47	3042074	2	SHAFT, drive, inner
48	3041252	2	CAP, steering knuckle, lower
49	3032742	4	CAPSCREW, outer (3/4" NF x 3-7/8")
50	3032739	4	CAPSCREW, inner (7/8" NF x 2")
51	3007380	4	WIRE, locking, 16 Ga. x 12"
52	3040928	2	WASHER, thrust, steering knuckle bearing, lower
53	3022295	2	BUSHING, tie rod bolt
54	3027660	-	SHIM, knuckle cap (.003" thick. Use as required)
	3027661	-	SHIM, knuckle cap (.005" thick. Use as required)
	3027662	-	SHIM, knuckle cap (.020" thick. Use as required)

(Continued)

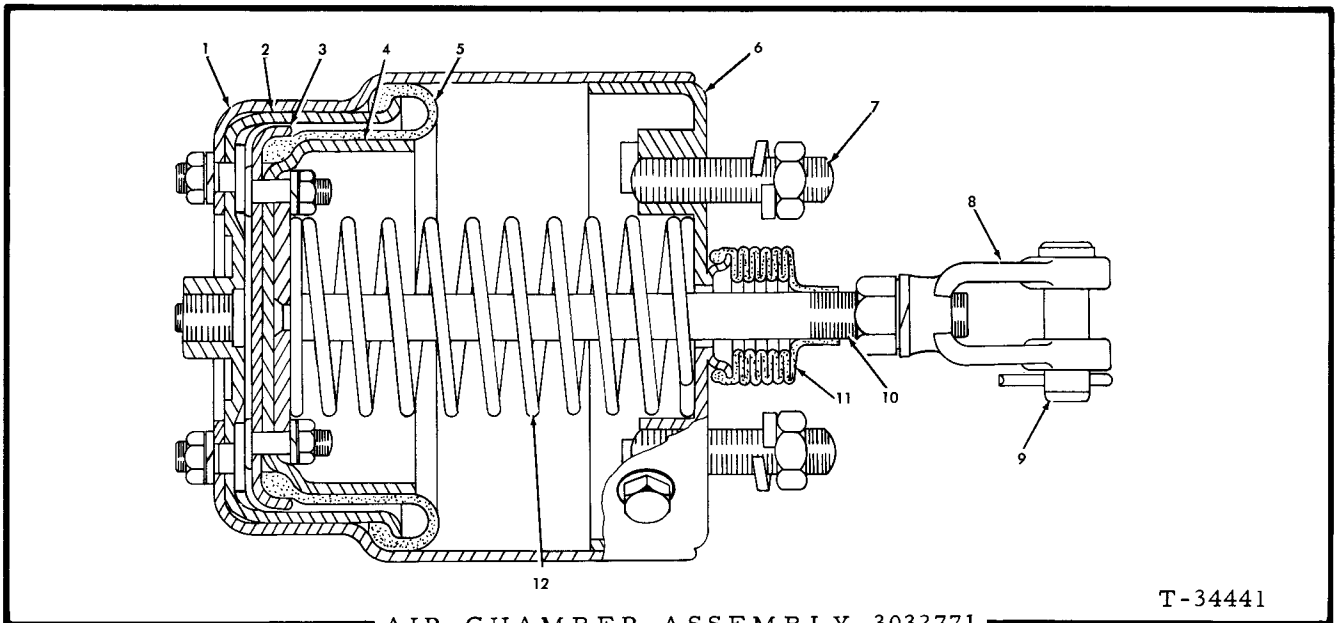
SHAFT AND HUB (Continued)
(Steering Axle)

ITEM	PART NO.	QTY.	DESCRIPTION
55	3032747	2	KNUCKLE ASSEMBLY, steering, left and right (Includes items 53 and 56)
56	3026086	24	STUD, flange assembly
57	3032523	24	WASHER, plain
58	3024643	24	NUT, locking, 9/16" NF
59	3027657	2	SLEEVE, steering arm
60	3032757	4	BUSHING, steering arm
61	{ 3032749	1	ARM ASSEMBLY, steering, left (Includes items 59 and 60)
	{ 3032750	1	ARM ASSEMBLY, steering, right (Includes items 59 and 60)
62	{ 3032740	2	CAPSCREW, inner, right cap (7/8" NC x 2-3/4")
	{ 3032741	2	CAPSCREW, inner, left cap (7/8" NC x 3-3/4")
63	3039881	4	CAPSCREW, outer, left and right cap
64	3007380	4	WIRE, locking, 16 Ga. x 12"
65	3040923	2	SEAL, oil, retainer assembly
66	3040921	2	RETAINER ASSEMBLY, socket assembly (Includes items 65 and 67)
67	3040922	2	BUSHING, retainer assembly
68	3027656	4	BUSHING, trunnion socket
69	3041879	2	SOCKET ASSEMBLY, trunnion (Includes items 66 and 68)
70	-----	16	STUD, socket to housing
71	3028413	16	NUT, safety
	904224	2	PLUG, pipe, ctsk., 3/4" NPT (First type)
	901666	4	PLUG, pipe, ctsk., 1" NPT (Second type)
72	4253822	2	O-RING, trunnion socket
73	3014578	1	YOKE, left, tie rod
74	3014602	2	CAPSCREW, 1/2" NF x 2-3/4"
	904208	2	LOCKWASHER, 1/2"
75	3032979	2	NUT, 1/2" NF
76	3014584	2	BOLT, yoke, tie rod
77	3014581	2	NUT, yoke bolt
	900808	2	PIN, cotter, 1/8" x 1-1/2"

(Continued)

SHAFT AND HUB (Continued)
(Steering Axle)

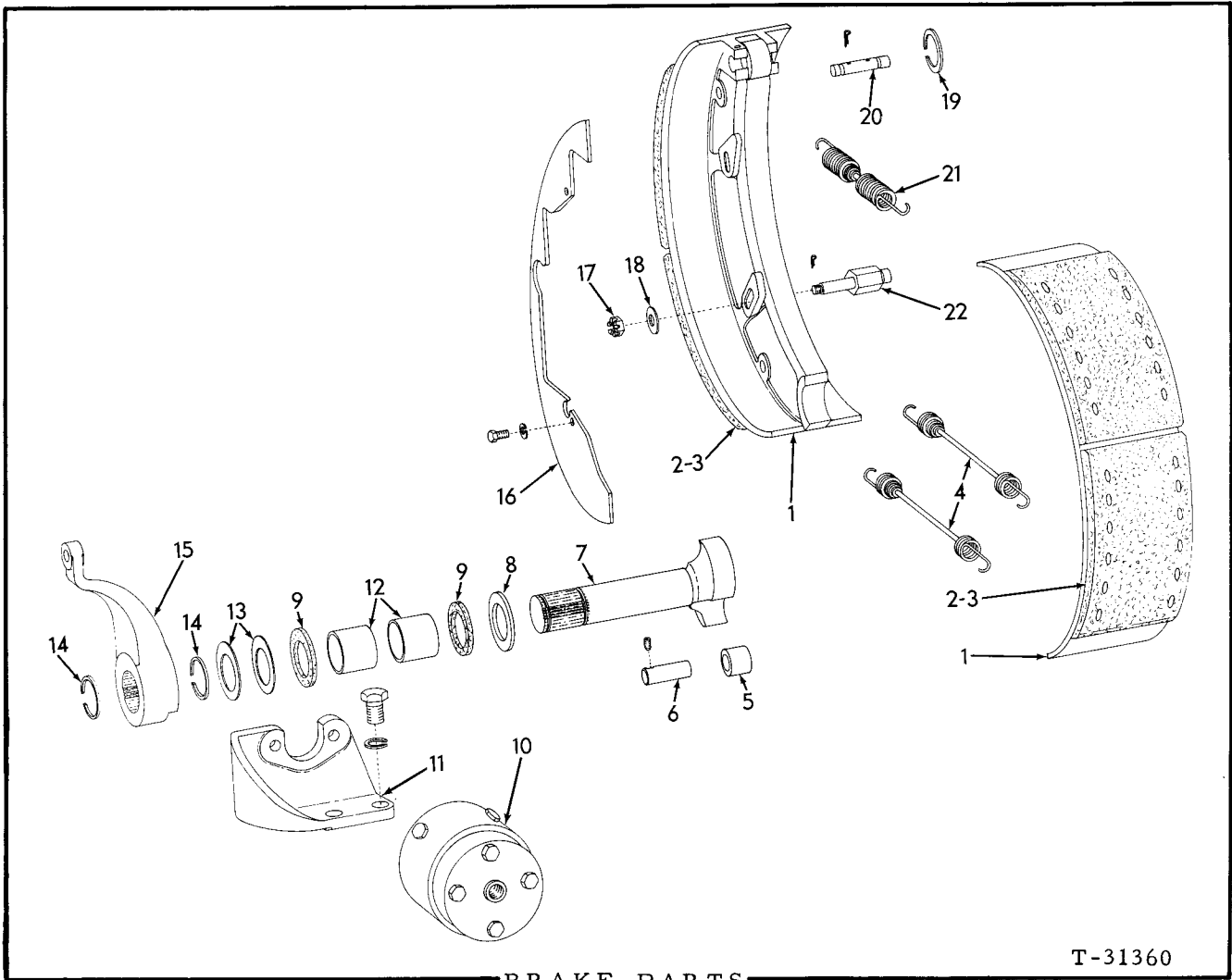
ITEM	PART NO.	QTY.	DESCRIPTION
78	3014580	2	PIN, lock, tie rod bolt
-	3032748	1	ROD ASSEMBLY, tie (Includes items 77 thru 79 and 82 thru 87)
79	3032756	1	ROD, tie
80	3014577	1	NUT, locking
81	3014579	1	YOKE, right
82	3014602	2	CAPSCREW, 1/2" NF x 2-3/4"
	904208	2	LOCKWASHER, 1/2"
83	3032979	2	NUT, 1/2" NF



AIR CHAMBER ASSEMBLY 3032771
(Steering Axle)

T-34441

ITEM	PART NO.	QTY.	DESCRIPTION
NOTE: See page 163 for listing of complete Assembly. Quantities listed are for one (1) Chamber only.			
1	171791	1	BODY, chamber
2	171794	1	CLAMP, outer diaphragm
	904205	4	LOCKWASHER, 5/16"
	913636	4	NUT, 5/16" NF
3	171792	1	CLAMP, inner diaphragm
	904204	4	LOCKWASHER, 1/4"
	911040	4	NUT, 1/4" NF
4	171793	1	GUIDE, diaphragm
5	171778	1	DIAPHARGM, brake chamber
6	171796	1	COVER, brake chamber
	922173	4	CAPSCREW, 5/16" NF x 9/16"
	906959	4	LOCKWASHER, 5/16"
7	171797	2	STUD
	904208	2	LOCKWASHER, 1/2"
	913830	2	NUT, 1/2" NF
8	3036728	1	YOKE ASSEMBLY, adjusting (Includes item 9)
9	3036800	1	PIN, yoke
	900806	1	PIN, cotter, 1/8" x 1"
10	3036722	1	ROD, push
	913830	1	NUT, 1/2" NF
11	171779	1	BOOT, push rod protecting
12	3036723	1	SPRING



T-31360

BRAKE PARTS
(Steering Axle)

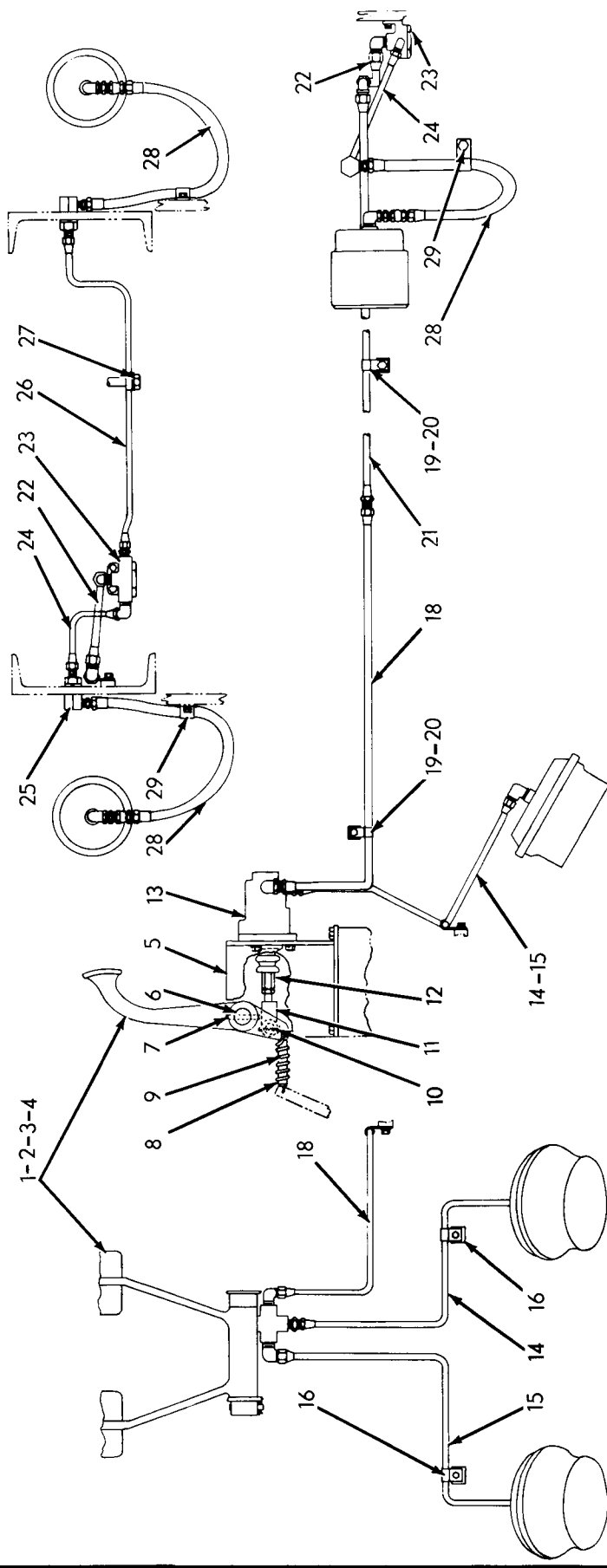
USAGE: * Used prior to loader #601
 ** Effective with loader #601

ITEM	PART NO.	QTY.		DESCRIPTION
		*	**	
NOTE: Quantities indicated are for one (1) Brake only.				
1	3032760	2	-	SHOE ASSEMBLY, brake (Includes items 2, 3 and 17)
	3039097	-	2	SHOE ASSEMBLY, brake (Includes items 2, 3, 5, 6 and 17)
2	-----	4	4	LINING, brake (See item 3)
	918627	48	48	RIVET, 1/4" x 5/8"
3	3033045	1	1	LINING KIT (Includes 8 lining and 104 rivets) (This kit provides parts for one (1) axle)
4	3032763	2	2	SPRING, return, brake shoe
5	3008327	-	2	ROLLER, cam, brake shoe

(Continued)

BRAKE PARTS (Continued)
(Steering Axle)

ITEM	PART NO.	QTY.		DESCRIPTION
		*	**	
6	3037816	-	2	PIN, brake shoe (cam end)
	903835	-	2	SCREW, set, socket-hd., 1/4" x 3/8"
7	3032769	1	1	CAMSHAFT, left
	3032768	1	1	CAMSHAFT, right
8	3034023	-	1	WASHER, spacer, camshaft
9	3008330	2	2	SEAL, camshaft (felt)
10	3032771	1	1	CHAMBER ASSEMBLY, air (See page 161 for parts)
11	3032773	1	1	BRACKET ASSEMBLY, air chamber, left
	3032774	1	1	BRACKET ASSEMBLY, air chamber, right
	3036690	2	2	CAPSCREW, 5/8"
	904209	2	2	LOCKWASHER, 5/8"
12	3032757	2	2	BUSHING, camshaft
13	3028653	-	-	WASHER, spacer (Use as req'd)
14	3032770	2	2	RING, snap, camshaft lever
15	3032772	1	1	LEVER, camshaft
16	3032758	1	1	SHIELD, dust, left
	3032759	1	1	SHIELD, dust, right
	915408	4	4	CAPSCREW, 3/8" NC x 3/4"
	904206	4	4	LOCKWASHER, 3/8"
17	3032445	4	4	NUT, guide pin
18	3032776	8	8	WASHER, guide pin
19	3032766	1	1	RING, snap, shoe return
20	3032761	4	4	PIN, roller
	916241	8	8	PIN, cotter, 5/32" x 1-1/8"
21	3032764	1	1	SPRING, return, brake shoe
22	3032775	4	4	PIN, guide, brake shoe
	900802	4	4	PIN, cotter, 3/32" x 1"
23	3032754	1	-	PIN, anchor (Not illustrated)
	3028653	2	-	WASHER, anchor pin
	-----	-	1	PIN, anchor (See shaft and hub)
24	3032755	1	-	RING, snap, anchor pin (Not illustrated)



T-31361

AIR BRAKE CONTROL AND LINES

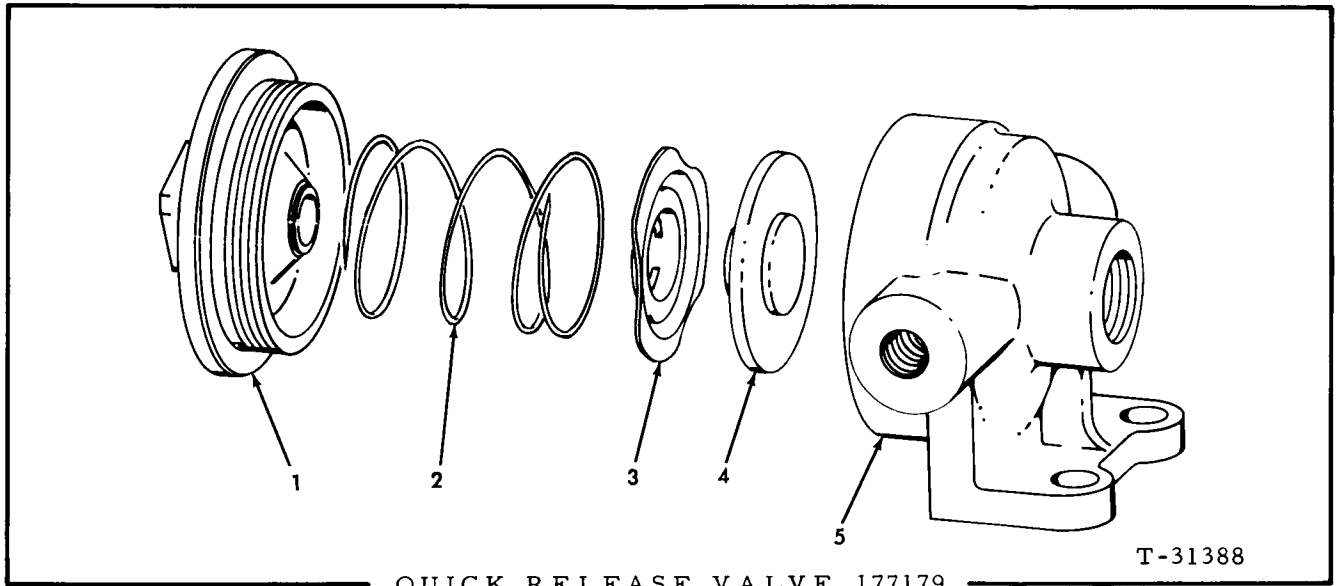
AIR BRAKE CONTROL AND LINES

ITEM	PART NO.	QTY.	DESCRIPTION
1	3020446	1	LEVER ASSEMBLY, brake (Includes item 2, 3 and 4)
2	604925	2	BEARING, brake lever (Lettered end must face pressing tool)
3	3005895	2	SEAL (Install with lips toward outside)
4	3012649	1	BUSHING, brake lever
5	3022968	1	BRACKET, brake lever support
	919190	4	CAPSCREW, 1/2"NF x 1-3/8"
	904208	4	LOCKWASHER, 1/2"
	911043	4	NUT, 1/2"NF
6	3020410	1	PIN, pivot, brake lever
7	3001916	1	PIN, lock
	900806	1	PIN, cotter, 1/8" x 1"
8	3015533	1	ROD, brake lever spring
9	3007818	1	SPRING, return, brake lever
10	917649	1	PIN, yoke
	900806	1	PIN, cotter, 1/8" x 1"
11	3031036	1	YOKE
	913223	1	NUT, jam, 9/16"NF
12	3029962	1	ROD, push
13	3029958	1	VALVE ASSEMBLY, air applicator (See page 168 for parts)
	916271	3	CAPSCREW, 3/8"NC x 1"
	904206	3	LOCKWASHER, 3/8"
	901783	1	PLUG, pipe, 1/4"NPT
	921183	1	CONNECTOR, 1/2" pipe to 3/8" tube (left front brake chamber line)
	921187	1	ELBOW, 90°, 1/2" pipe to 3/8" tube (right front brake chamber line)
	921186	1	ELBOW, 90°, 1/2" pipe to 1/2" tube (rear brake chamber line)
	917503	1	BUSHING, 1/2" to 1/4" pipe
	921104	1	TEE, 1/4" pipe (for stop light switch)
14	3031946	1	TUBE, left front brake chamber
	921190	2	NUT (comp. type) 3/8" tube
	912588	2	SLEEVE, 3/8" tube
	915279	1	ELBOW, 1/4" pipe to 3/8" tube
15	3031945	1	TUBE, right front brake chamber
	921190	2	NUT (comp. type) 3/8" tube
	912588	2	SLEEVE, 3/8" tube
	915279	1	ELBOW, 1/4" pipe to 3/8" tube

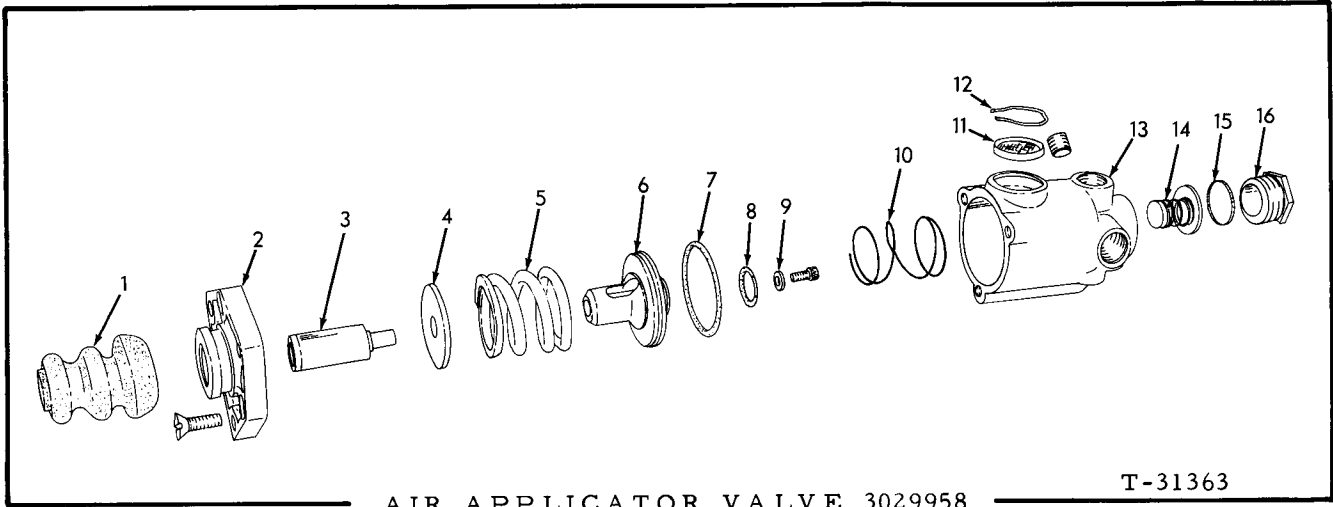
(Continued)

AIR BRAKE CONTROL AND LINES (Continued)

ITEM	PART NO.	QTY.	DESCRIPTION
16	3014897	2	CLAMP
	911115	2	WASHER, plain, SAE std., 3/8"
	916381	2	CAPSCREW, 3/8"NF x 3/4"
	904206	2	LOCKWASHER, 3/8"
18	3029864	1	TUBE, rear brake chambers
	921189	2	NUT (comp. type) 1/2" tube
	912793	2	SLEEVE, 1/2" tube
	919503	1	UNION, 1/2" tube
19	3024932	4	CLIP, tube
	916381	4	CAPSCREW, 3/8"NF x 3/4"
	904206	4	LOCKWASHER, 3/8"
20	3014716	8	CLIP (Refer to POWER STEERING LINES for fasteners)
21	3029847	1	TUBE, rear brake chambers
	921189	2	NUT (comp. type) 1/2" tube
	912793	2	SLEEVE, 1/2" tube
	919511	1	ELBOW, 90°, 1/2" tube
22	3029625	1	TUBE, rear brake chambers
	921189	2	NUT (comp. type) 1/2" tube
	912793	2	SLEEVE, 1/2" tube
	917370	1	ELBOW, 90°, 3/8" pipe to 1/2" tube
23	177179	1	VALVE, quick release, rear brake chambers (See page 167 for parts)
	915430	2	CAPSCREW, 5/16"NF x 3/4"
	904205	2	LOCKWASHER, 5/16"
	919498	1	CONNECTOR, 3/8" pipe to 3/8" tube
24	3029835	1	TUBE, left rear brake chamber
	921190	2	NUT (comp. type) 3/8" tube
	912588	2	SLEEVE, 3/8" tube
	921188	1	ELBOW, 90°, 3/8" pipe to 3/8" tube
25	3029834	2	ADAPTER, left and right
	904209	2	LOCKWASHER, 5/8"
	911044	2	NUT, 5/8"NF
26	3029841	1	TUBE, right rear brake chamber
	921190	2	NUT (comp. type) 3/8" tube
	912588	2	SLEEVE, 3/8" tube
27	3029843	1	CLIP, tube, right rear brake chamber (See ENGINE AND SUPPORT for fasteners)
28	3040965	2	HOSE ASSEMBLY, left and right brake chamber (See page 6 for parts)
	921129	2	ADAPTER, 3/4", 1/4" pipe
	917008	2	ELBOW, street, 1/4"NPT
29	3001131	2	CLIP, left and right brake chamber hose
	916381	2	CAPSCREW, 3/8"NF x 3/4"
	904206	2	LOCKWASHER, 3/8"



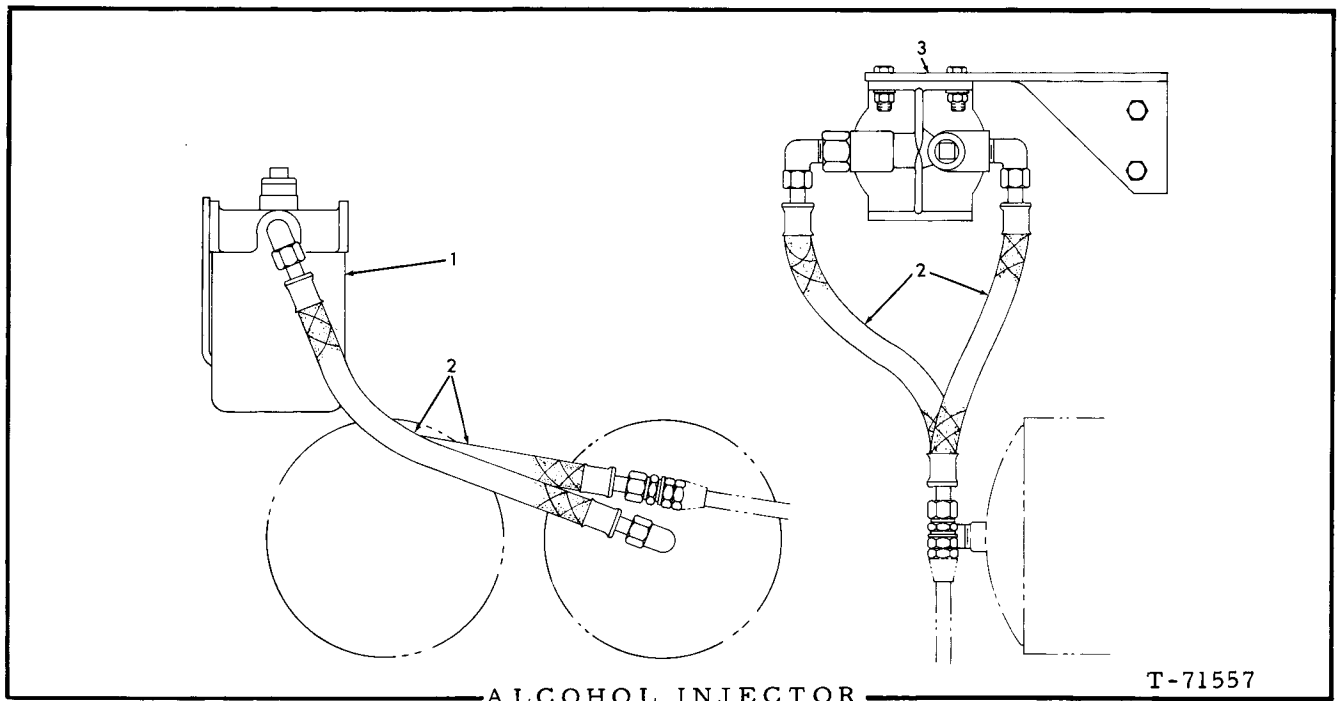
ITEM	PART NO.	QTY.	DESCRIPTION
			NOTE: See page 166 for listing of complete Assembly.
1	177320	1	COVER
2	177321	1	SPRING
3	177322	1	SEAT, spring
4	177324	1	DIAPHRAGM
5	177323	1	BODY



AIR APPLICATOR VALVE 3029958

T-31363

ITEM	PART NO.	QTY.	DESCRIPTION
NOTE: See page 165 for listing of complete Assembly.			
1	3032504	1	BOOT, protector, stem
2	3032497	1	FLANGE, valve cover
	903730	3	SCREW, machine, 5/16" NC x 1"
3	3032491	1	STEM, metering spring
4	3032494	1	RETAINER, spring
5	3032495	1	SPRING, metering
6	3032492	1	PISTON, metering
	921315	1	CAPSCREW, socket-hd., 1/4" NC x 1/2"
7	923580	1	O-RING, piston (2-5/8" O. D.)
8	3032502	1	O-RING, piston (1" O. D.)
9	3032515	1	WASHER
10	3032500	1	SPRING
11	3032506	1	FILTER, air
12	3032505	1	WIRE, retaining, filter
13	3032496	1	BODY, valve
14	3032498	1	VALVE ASSEMBLY (Serviced only as a unit)
15	3032501	1	O-RING, cap
16	3032499	1	CAP, valve assembly

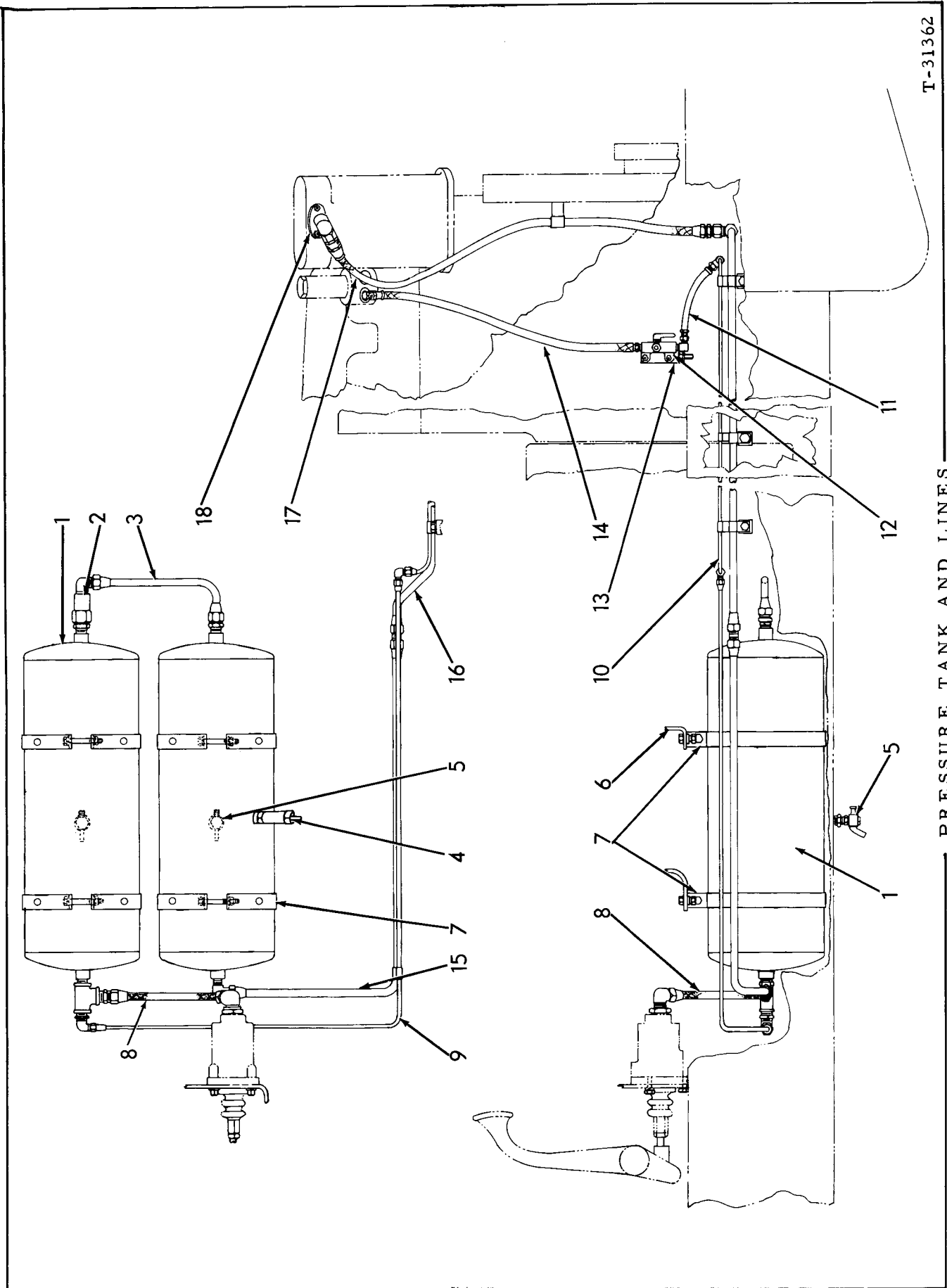


ALCOHOL INJECTOR

T-71557

USAGE: Special equipment

ITEM	PART NO.	QTY.	DESCRIPTION
1	3042801	1	INJECTOR ASSEMBLY, alcohol
	916225	2	CAPSCREW, 3/8" NF x 1"
	904206	2	LOCKWASHER, 3/8"
	911041	2	NUT, 3/8" NF
	921446	1	PLUG, button
2	3042794	2	HOSE ASSEMBLY, injector to tank (Crimped type) (Serviced only as a unit)
	912793	4	SLEEVE, compression, 1/2" tube
	912799	4	NUT, compression, 1/2" tube
	921186	2	ELBOW, 90°, compression, 1/2" tube, 1/2" NPT
	919503	1	UNION, compression, 1/2" tube
3	3042790	1	BRACKET, mounting, injector
	916225	1	CAPSCREW, 3/8" NF x 1"
	915228	1	CAPSCREW, 3/8" NF x 1-1/4"
	904206	2	LOCKWASHER, 3/8"
	911041	2	NUT, 3/8" NF



T-31362

— PRESSURE TANK AND LINES —

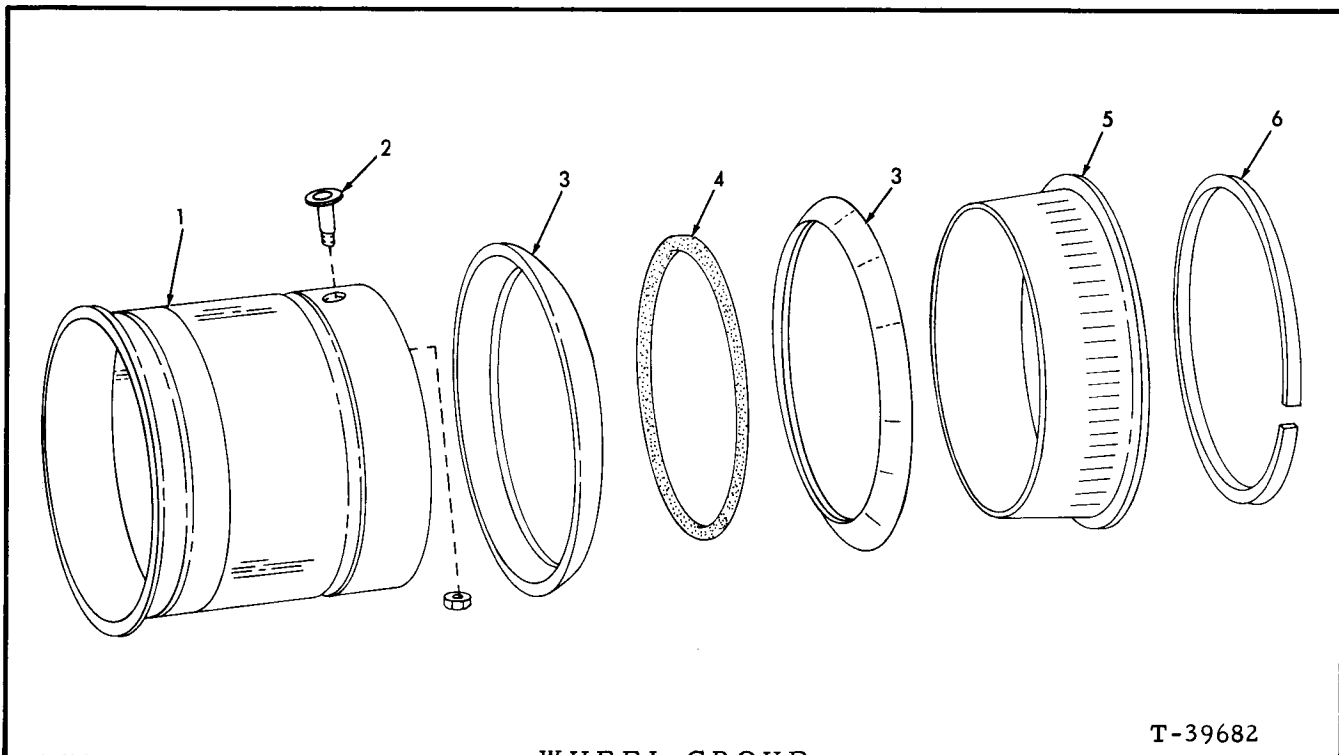
PRESSURE TANK AND LINES

ITEM	PART NO.	QTY.	DESCRIPTION
1	3031608	2	TANK, pressure, air brake
	921186	2	ELBOW, pipe 90°, 1/2" to 1/2" tube
	921184	1	CONNECTOR, pipe, 1/2" tube
	917412	1	NIPPLE, close, 1/2" NPT x 1-1/8"
	901810	1	TEE, pipe, 1/2" NPT
	917503	1	BUSHING, pipe reducing, 1/2" NPT to 1/4" NPT
	921185	1	ELBOW, pipe, 90°, 1/4" to 1/4" tube
	917351	1	BUSHING, pipe, 3/8" NPT x 1/4" NPT
2	3031609	1	VALVE, check (Serviced only as a unit)
3	3029867	1	TUBE, pressure tank cross over line
	921189	2	NUT (comp. type) 1/2" tube
	912793	2	SLEEVE, 1/2" tube
4	160425	1	VALVE, safety, pressure tank (Serviced only as a unit)
5	3029259	2	COCK, drain, 1/4" NPT
6	3029966	1	PLATE, formed, pressure tank support
	916381	2	CAPSCREW, 3/8" NF x 3/4"
	904206	2	LOCKWASHER, 3/8"
	916225	8	CAPSCREW, 3/8" NF x 1"
	911115	8	WASHER, plain, SAE std., 3/8"
	904206	8	LOCKWASHER, 3/8"
	911041	8	NUT, 3/8" NF
	7	3029817	4
916387		4	CAPSCREW, 3/8" NF x 2-1/2"
911115		4	WASHER, plain, SAE std., 3/8"
913528		4	NUT, lock, 3/8" NF
-----		1	TUBE (air valve to pressure tank) (First type) (For service, order HOSE ASSEMBLY 3034502)
8	921189	2	NUT (comp. type) 1/2" tube
	912793	2	SLEEVE, 1/2" tube
	921186	1	ELBOW, 90°, 1/2" pipe to 1/2" tube (air valve end)
	3034502	1	HOSE ASSEMBLY (Second type) (See page 6 for parts)
9	3029938	1	TUBE (Governor line)
	914627	2	NUT (comp. type) 1/4" tube
	911435	2	SLEEVE, 1/4" tube
	921185	1	ELBOW, 90°, 1/4" pipe to 1/4" tube
10	3029941	1	TUBE (Governor line)
	914627	2	NUT (comp. type) 1/4" tube
	911435	2	SLEEVE, 1/4" tube
	917312	2	ELBOW, 90°, 1/4" tube
11	3032206	1	HOSE ASSEMBLY (See page 6 for parts)
	911437	2	NUT (comp. type) 1/4"
	911435	2	SLEEVE, 1/4" tube
12	3032207	1	VALVE, air supply (Serviced only as a unit)
	912626	2	CAPSCREW, 1/4" NF x 7/8"
	904204	2	LOCKWASHER, 1/4"
	911040	2	NUT, 1/4" NF
	921185	1	ELBOW, 90°, 1/4" pipe to 1/4" tube

(Continued)

PRESSURE TANK AND LINES (Continued)

ITEM	PART NO.	QTY.	DESCRIPTION
13	3032208	1	BRACKET, support, air, supply valve
	916381	1	CAPSCREW, 3/8"NF x 3/4"
	904206	1	LOCKWASHER, 3/8"
14	3029873	1	HOSE ASSEMBLY (See page 6 for parts)
	910161	1	ELBOW, 90°, 1/8" pipe to 7/16"
15	3029951	1	TUBE (Compressor line)
	921189	2	NUT (comp. type) 1/2" tube
	912793	2	SLEEVE, 1/2" tube
	919503	1	UNION, 1/2" tube
16	3029942	1	TUBE (Compressor line)
	921189	2	NUT (comp. type) 1/2" tube
	912793	2	SLEEVE, 1/2" tube
	919511	1	ELBOW, 90°, 1/2" tube
17	3029872	1	HOSE ASSEMBLY (See page 6 for parts)
	921186	1	ELBOW, 90°, 1/2" pipe to 1/2" tube
	3006816	1	CLIP
18	3029930	1	ADAPTER



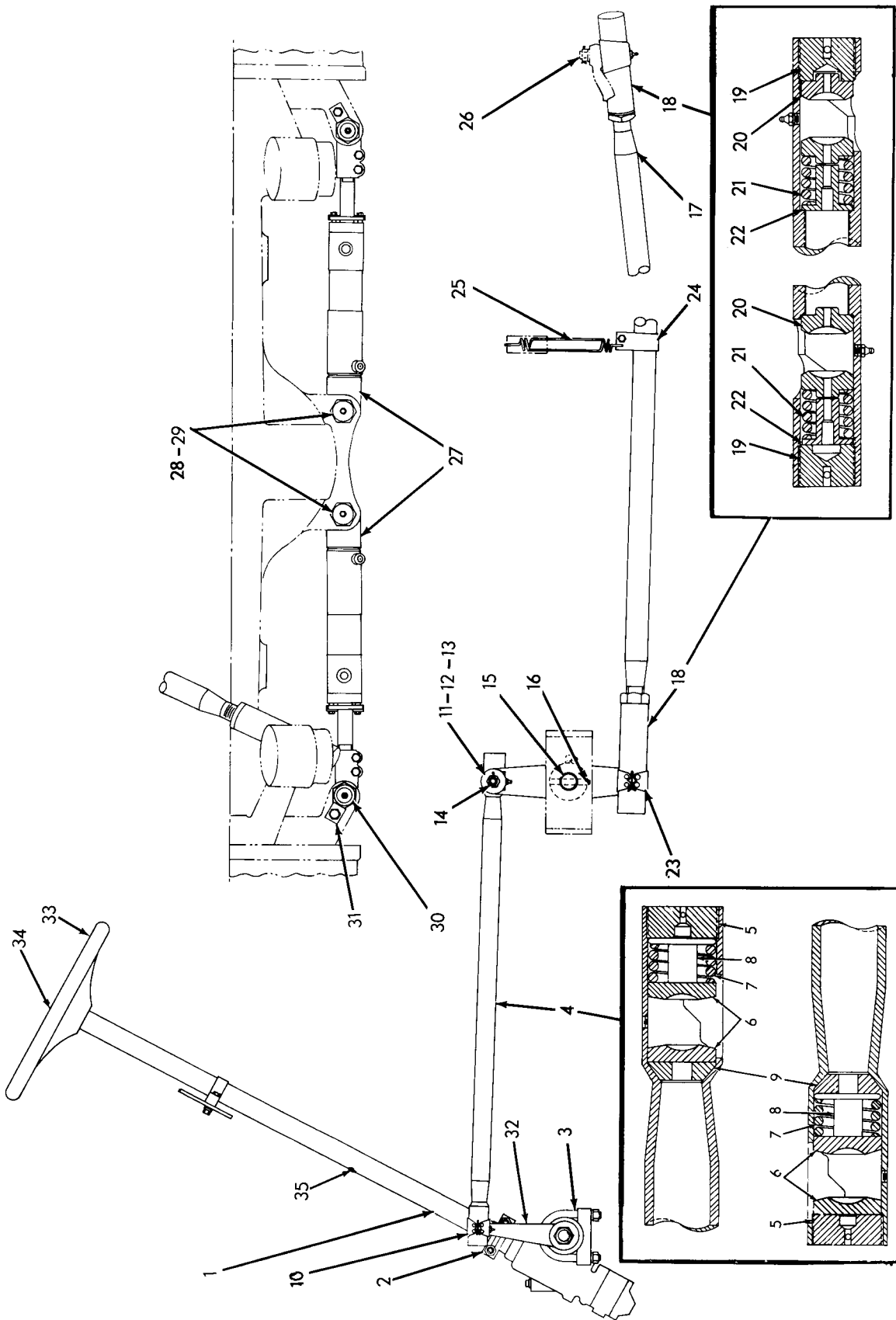
WHEEL GROUP
(5 Piece Rim)

T-39682

ITEM	PART NO.	QTY.	DESCRIPTION
NOTE: Quantities indicated are for one (1) wheel assembly only.			
1	3029970	1	WHEEL ASSEMBLY (Accommodates 18.00 x 25 tires) (Includes items 3, 5 and 6)
	3033310	1	WHEEL ASSEMBLY (Accommodates 23.5 x 25 tires) (Includes items 3, 5 and 6)
2	3027705	1	VALVE ASSEMBLY (Serviced only as a unit)
3	3029971	2	RING, retaining, tire
4	3027549	1	O-RING, sealing
5	3024128	1	BAND, supporting
6	3024127	1	RING, locking

T I R E S
(Not Illustrated)

ITEM	PART NO.	QTY.	DESCRIPTION
-	-----	-	TIRE, tubeless (18.00 x 25 - 12 ply.)
-	-----	-	TIRE, tubeless (18.00 x 25 - 20 ply.)
-	-----	-	TIRE, tubeless (23.5 x 25 - 12 ply.)
-	-----	-	TIRE, tubeless (23.5 x 25 - 16 ply.)



POWER STEERING LINKAGE

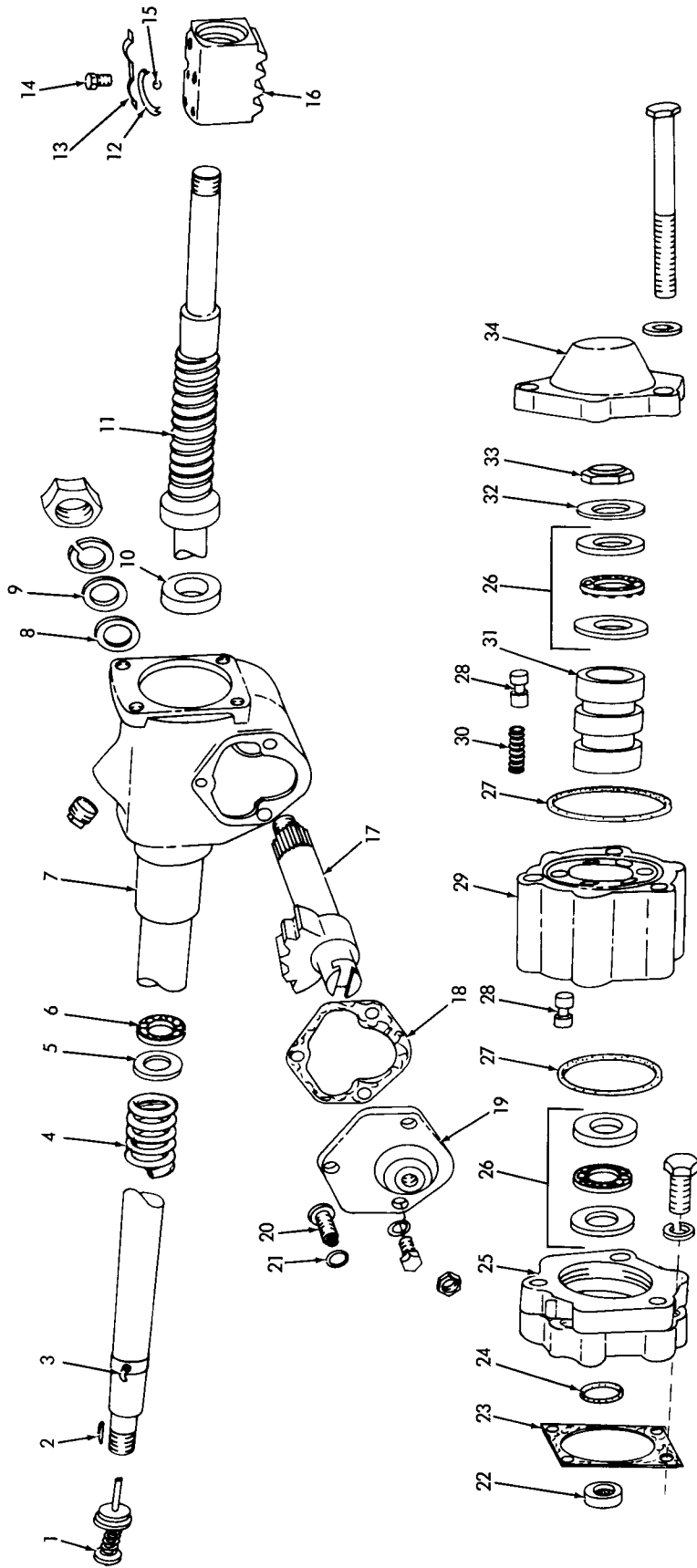
ITEM	PART NO.	QTY.	DESCRIPTION
1	3029702	1	GEAR ASSEMBLY, steering (See page 179 for parts)
2	3005026	1	"U" BOLT
	3005017	1	"U" BLOCK
	904208	2	LOCKWASHER, 1/2"
	911043	2	NUT, 1/2" NF
3	3005024	1	"U" BOLT
	3005023	1	BLOCK, clamp
	904209	2	LOCKWASHER, 5/8"
	911044	2	NUT, 5/8" NF
4	3010303	1	LINK ASSEMBLY, drag, front (Includes items 5 thru 9)
	914465	2	FITTING, lubricating, st., 1/8" NPT
5	3005219	2	PLUG, threaded
6	3005220	4	BEARING
7	3005221	2	SPRING
8	3017076	2	SPACER
9	3005223	2	SEAT
10	3032266	2	COVER, dust (1-1/4") (Used prior to loader #871)
11	3029766	1	ARM ASSEMBLY, steering (Includes items 12 and 13)
	915276	1	FITTING, lubricating, 90°, 1/8" NPT
12	3010241	2	BEARING
13	3010242	2	SEAL
14	3020848	1	STUD, ball, steering arm
	911100	1	WASHER, plain, SAE std., 5/8"
	912840	1	NUT, slotted, 5/8" NF
	900808	1	PIN, cotter, 1/8" x 1-1/2"
15	3010489	1	PIN, steering arm pivot
16	3001621	1	PIN, locking
	900806	1	PIN, cotter, 1/8" x 1"
17	3029544	1	LINK ASSEMBLY, drag, rear (Includes one BAR 3029332 and item 18)
	3029332	1	BAR, drag link
18	3020518	1	SOCKET ASSEMBLY, rear
	3020519	1	SOCKET ASSEMBLY, front
	910910	2	PIN, cotter, 7/32" x 3"
	911207	2	NUT, jam, 1-1/2" NF
	915276	2	FITTING, lubricating, 90°, 1/8" NPT
19	3021811	2	PLUG, threaded
20	3021812	4	BEARING
21	3021813	2	SPRING

(Continued)

POWER STEERING LINKAGE (Continued)

ITEM	PART NO.	QTY.	DESCRIPTION
22	3021814	2	BUMPER
23	3032233	2	COVER, dust (Used prior to loader #871)
24	3025486	1	CLAMP, drag link
	916381	1	CAPSCREW, 3/8" NF x 3/4"
	904206	1	LOCKWASHER, 3/8"
	911041	1	NUT, 3/8" NF
25	3025378	1	SPRING, support, drag link
26	3020847	2	STUD, ball
	911116	2	WASHER, plain, SAE std., 7/8"
	914029	2	NUT, 7/8" NF
	900808	2	PIN, cotter, 1/8" x 1-1/2"
27	3029518	1	CYLINDER ASSEMBLY, left, steering } (See page 181 for parts)
	3029519	1	
28	3029496	2	PIN, anchor, cylinder
	911159	2	WASHER, plain, SAE std., 1"
	919109	2	NUT, locking, 1" NS
	914465	2	FITTING, lubricating, st., 1/8" NPT
29	3029590	2	WASHER
30	3029496	2	PIN, anchor, cylinder
	911159	2	WASHER, plain, SAE std., 1"
	919109	2	NUT, locking, 1" NS
	914465	2	FITTING, lubricating, st., 1/8" NPT
31	3029473	2	PLATE, locking
	913249	2	CAPSCREW, 1/2" NF x 1-1/4"
	904208	2	LOCKWASHER, 1/2"
32	3006589	1	ARM, pitman
33	3023001	1	WHEEL, steering
	3006574	1	NUT, steering wheel
34	3006592	1	BUTTON ASSEMBLY, horn (Includes one ring, rubber washer, brass cup, insulator washer and spring) (Serviced only as a unit)
	912307	4	SCREW, machine, round-head, #8 x 1/2"
35	3006590	1	CONNECTOR ASSEMBLY, horn (Includes screw and lock plate, serviced only as a unit)
	3003850	2	SCREW, machine, self tapping, #10 x 1/4"





T-31367

STEERING GEAR ASSEMBLY 3029702

STEERING GEAR ASSEMBLY 3029702

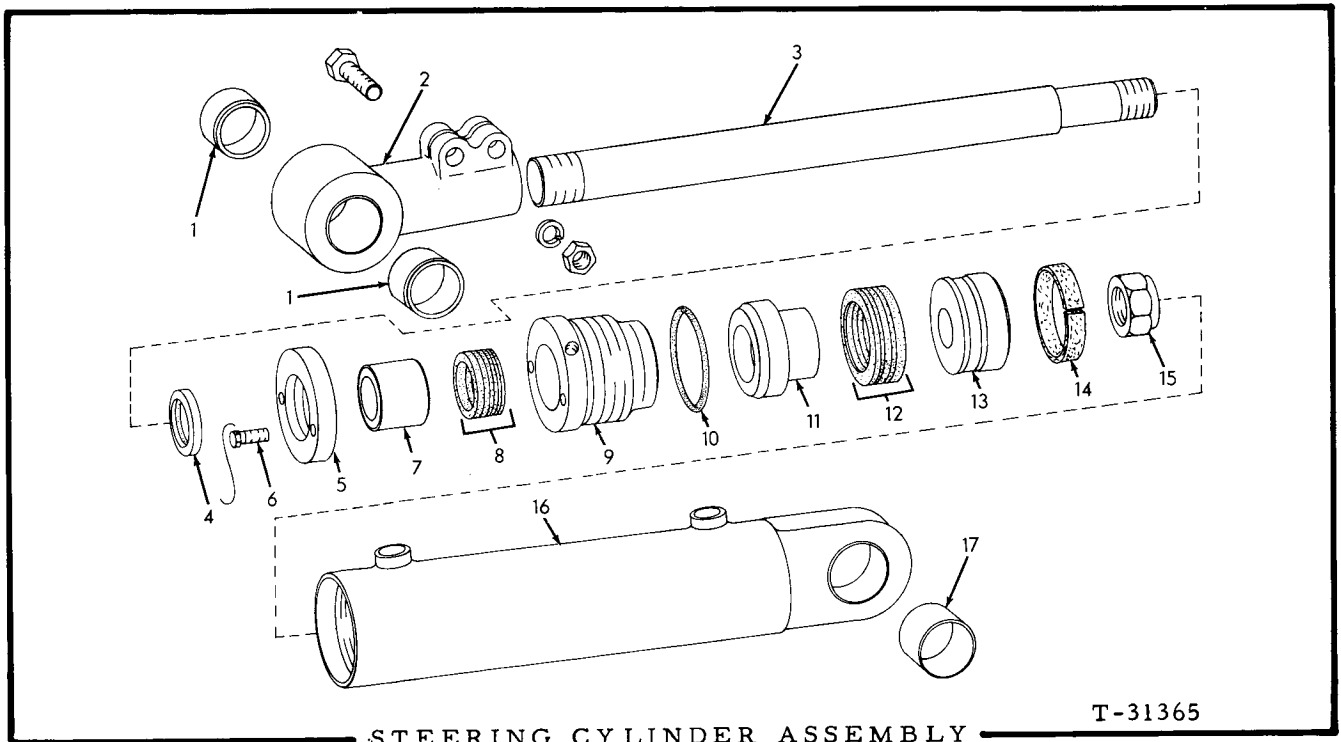
ITEM	PART NO.	QTY.	DESCRIPTION
			NOTE: See page 175 for listing of complete Assembly.
1	3006601	1	TERMINAL ASSEMBLY, horn (Includes terminal, spring, and two insulating washers) (Serviced only as a unit)
2	3006583	1	KEY, locking, steering wheel
3	3032596	1	CONTACT ASSEMBLY, horn cable (Includes cable and contact) (Serviced only as a unit)
4	3006582	1	SPRING
5	3011659	1	WASHER
6	3006580	1	BEARING ASSEMBLY (Serviced only as a unit)
7	3032559	1	HOUSING ASSEMBLY, steering gear (Includes items 8 and 10)
	905261	1	PLUG, pipe, 1/2" NPT
8	3006614	2	BUSHING
9	3006585	1	SEAL, pitman shaft
10	3011654	1	BEARING
11	3032566	1	SHAFT ASSEMBLY (Includes items 12 thru 16)
12	3006598	4	GUIDE, ball return
13	3006599	1	CLAMP, ball return guide
14	3003933	3	BOLT ASSEMBLY
15	3006597	106	BALL, nut guide
16	-----	1	NUT, ball guide (Not serviced, order #3032566)
17	3006586	1	GEAR, pitman shaft
	906908	1	NUT, jam, 3/4" NF
	904369	1	LOCKWASHER, 3/4"
18	3003901	1	GASKET, side cover
19	3003882	1	COVER ASSEMBLY, lash adjuster (Includes bushing) (Serviced only as a unit)
	915408	3	CAPSCREW, 3/8" NC x 3/4"
	904206	3	LOCKWASHER, 3/8"
20	3003896	1	ADJUSTER, lash
	910876	1	NUT, jam, 7/16" NF
21	3003883	1	SHIM (.063" thick) (Use as req'd)
	3003884	1	SHIM (.065" thick) (Use as req'd)
	3003885	1	SHIM (.067" thick) (Use as req'd)
	3003886	1	SHIM (.069" thick) (Use as req'd)

(Select one)

(Continued)

STEERING GEAR ASSEMBLY 3029702

ITEM	PART NO.	QTY.	DESCRIPTION
22	3016721	1	BEARING, needle
23	3006577	1	GASKET, adapter
24	923649	1	O-RING, sealing
25	3020125	1	ADAPTER ASSEMBLY (Includes items 22 and 24)
	919228	4	CAPSCREW, 7/16" NC x 1-1/8"
	904207	4	LOCKWASHER, 7/16"
26	3011651	2	BEARING ASSEMBLY, thrust (Serviced only as a unit)
27	923582	2	O-RING, sealing
28	3032564	6	PLUNGER, centering, valve
29	3032560	1	VALVE ASSEMBLY, power steering gear (Includes items 28, 30 and 31)
30	3032565	3	VALVE, centering
31	-----	1	SPOOL (Not serviced, order #3032560)
32	3032595	1	SPRING, washer type
33	3011664	1	NUT, locking, worm bearing adjusting
34	3020124	1	COVER, valve end
	919015	3	CAPSCREW, 3/8" NC x 3-1/2"
	904206	3	LOCKWASHER, 3/8"



STEERING CYLINDER ASSEMBLY

T-31365

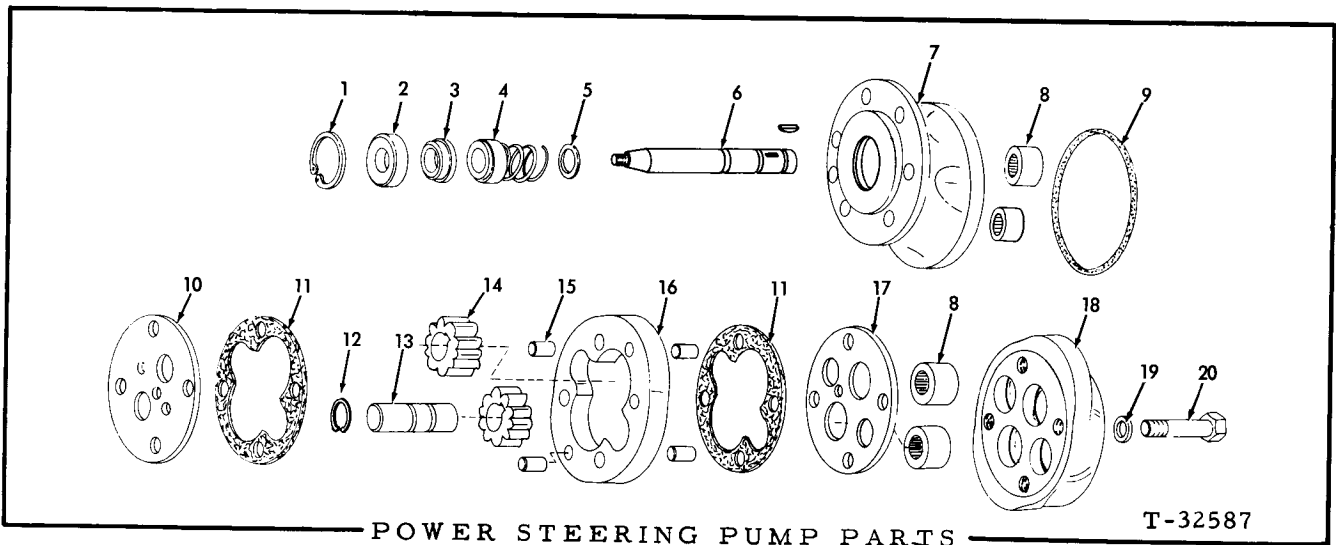
* 3029518 CYLINDER ASSEMBLY, left
 ** 3029519 CYLINDER ASSEMBLY, right

ITEM	PART NO.	QTY.		DESCRIPTION
		*	**	
1	3029485	2	2	BUSHING, rod end
2	3029469	1	1	END ASSEMBLY, rod (Includes item 1)
	916421	2	2	CAPSCREW, 1/2" NF x 2-1/2"
	904208	2	2	LOCKWASHER, 1/2"
	911043	2	2	NUT, 1/2" NF
3	3029384	1	1	ROD, piston
4	3003714	1	1	RING, wiper, piston rod
5	3003715	1	1	PLATE, end
6	3003710	2	2	CAPSCREW, 5/16" NF x 1"
	-----	-	-	LOCKWIRE, #16 Ga (Use 20" of part #910549)
7	3003716	1	1	BUSHING, rod packing
8	3003609	1	1	PACKING SET, rod.
9	3003717	1	1	HEAD, cylinder
10	4254624	1	1	O-RING, cylinder head
11	3003726	1	1	PISTON, front
12	3003727	1	1	PACKING SET, piston
13	3003732	1	1	PISTON, rear
14	3003733	1	1	RING, bearing, piston

(Continued)

STEERING CYLINDER ASSEMBLY (Continued)

ITEM	PART NO.	QTY.		DESCRIPTION
		*	**	
15	914488	1	1	NUT, locking, 7/8" NF
16	3032053	1	-	TUBE ASSEMBLY, cylinder, left
		-	1	TUBE ASSEMBLY, cylinder, right
17	3029042	1	1	BUSHING, to cylinder
-	3040370	1	1	REPAIR KIT, cylinder (Consists of items 4, 7, 8, 10, 12 and 14)



POWER STEERING PUMP PARTS

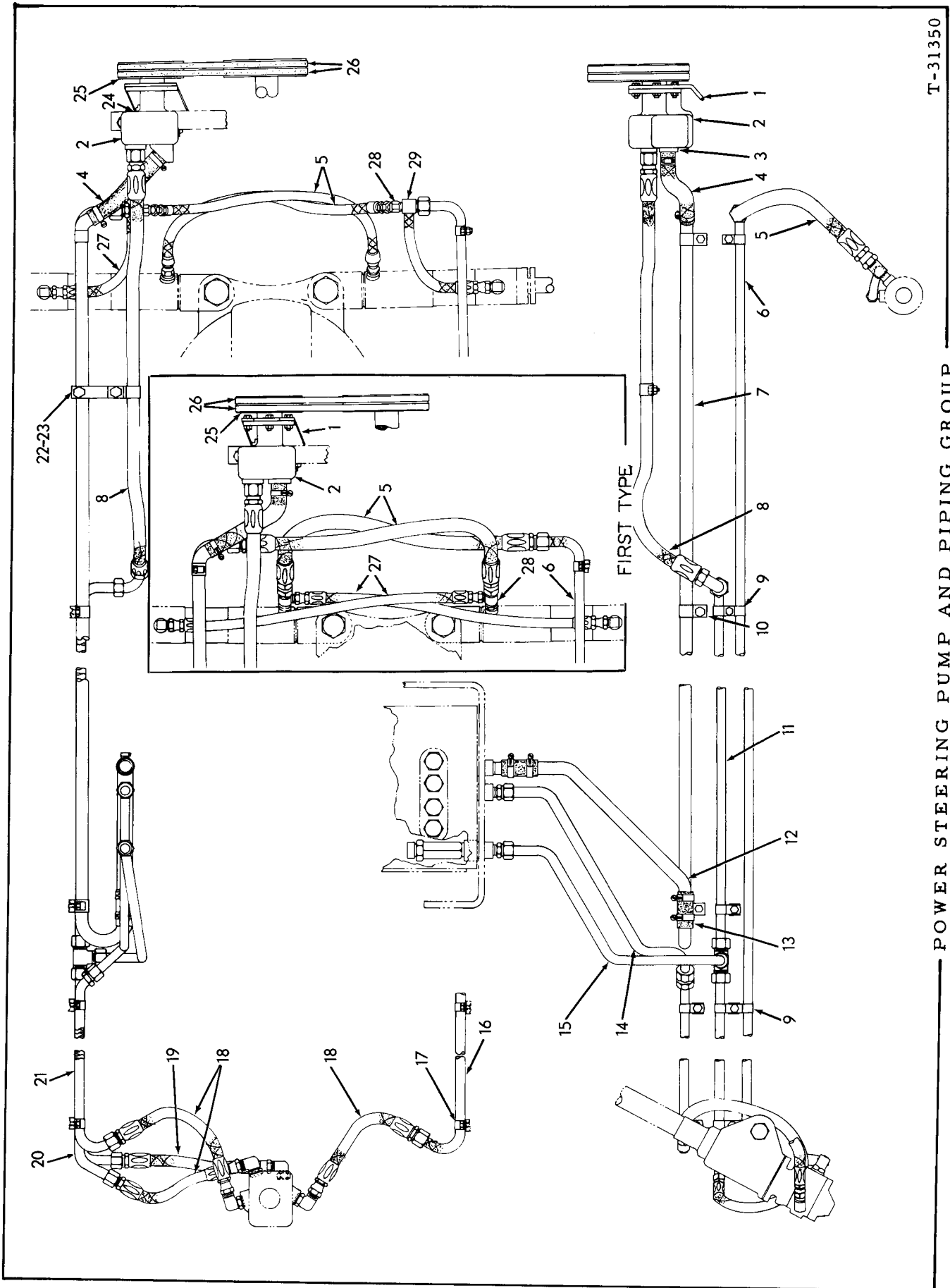
T-32587

POWER STEERING PUMP PARTS

USAGE: * 3032489 PUMP ASSEMBLY (Used prior to loader #692)
 ** 3038419 PUMP ASSEMBLY (Effective with loader #692)

ITEM	PART NO.	QTY.		DESCRIPTION
		*	**	
				NOTE: See page 185 for listing of complete Assembly.
1	3015649	1	1	RING, snap, drive shaft bearing
2	3015650	1	1	BEARING, ball, drive shaft
3	3015651	1	1	SEAT, seal
4	078201	1	1	SEAL ASSEMBLY (Serviced only as a unit)
5	3015887	1	1	WASHER (Special)
6	3032599	1	-	SHAFT, drive
	916024	1	-	KEY, square, 3/16" x 3/16" x 1-1/4"
	3038417	-	1	SHAFT, drive (tapered shaft)
	905119	-	1	KEY, woodruff, 1/8" x 1/2"
	905121	1	1	KEY, #5 woodruff, 1/8" x 5/8"
7	3015665	1	1	COVER, adapter
8	3015654	4	4	BEARING, needle
9	923587	2	2	O-RING, housing to cover
10	3015656	1	1	PLATE, wear
11	3015666	-	-	GASKET, shimming (.001" thick. Use as req'd)
	3015667	-	-	GASKET, shimming (.002" thick. Use as req'd)
12	3015653	5	5	RING, snap
13	3032602	1	1	SHAFT, driven
14	3032601	2	2	GEAR, drive and driven shaft
15	3015658	4	4	PIN, dowel, housing to cover
16	3032600	1	1	HOUSING, pump
17	3015657	1	1	PLATE, wear
18	3015662	1	1	COVER, end
19	078206	4	4	WASHER (Special)
20	3032603	4	4	CAPSCREW, 7/16" NF x 3"

POWER STEERING PUMP AND PIPING GROUP



POWER STEERING PUMP AND PIPING GROUP

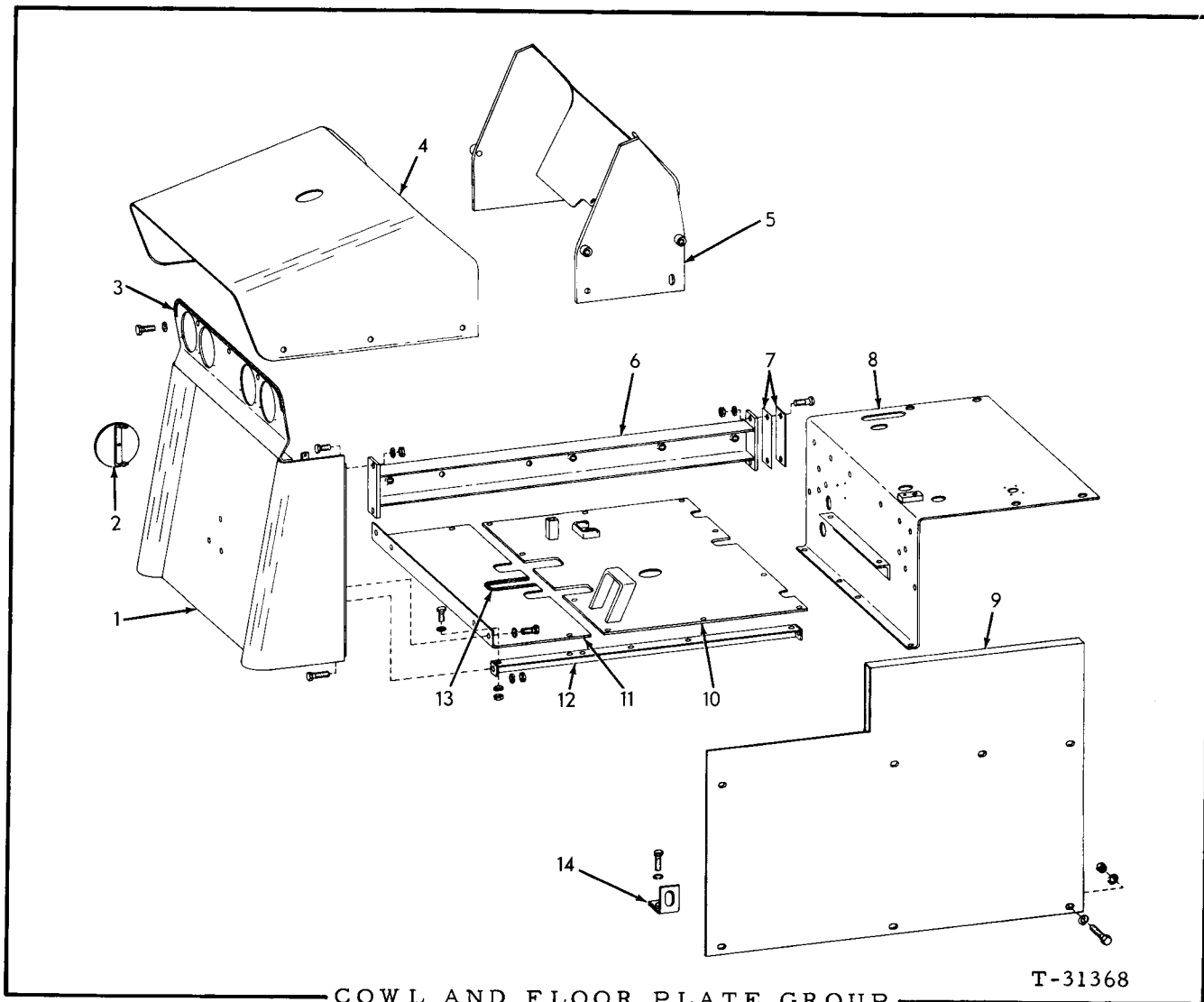
ITEM	PART NO.	QTY.	DESCRIPTION
1	3036751	1	BRACKET, pump mounting
	916421	2	CAPSCREW, 1/2" NF x 2-1/2"
	910244	1	WASHER, plain, SAE std., 1/2"
	904208	2	LOCKWASHER, 1/2"
	911043	2	NUT, 1/2" NF
2	3032489	1	PUMP ASSEMBLY, power steering (See page 183 for parts) (Used prior to loader #692)
	3038419	1	PUMP ASSEMBLY, power steering (See page 183 for parts) (Effective with loader #692)
	915228	6	CAPSCREW, 3/8" NF x 1-1/4"
	911115	1	WASHER, plain, SAE std., 3/8"
	904206	6	LOCKWASHER, 3/8"
	911041	6	NUT, 3/8" NF
	913528	1	NUT, safety, 3/8" NF
3	3032178	1	NIPPLE (Used prior to loader #824)
	3039951	1	CONNECTOR, hose, 45° (Effective with loader #824)
4	3029752	1	HOSE, suction line tube (Used prior to loader #824)
	3041515	1	HOSE, suction line tube (Effective with loader #824)
5	922660	2	CLAMP, adjustable (13/16" to 1-1/2")
	3029526	2	HOSE ASSEMBLY, to left and right steering cylinder (Used prior to loader #706) (See page 6 for parts)
	3042298	2	HOSE ASSEMBLY, to left and right steering cylinder (Effective with loader #706) (Crimped type) (Serviced only as a unit)
6	3029738	1	TUBE ASSEMBLY, right side
7	3029748	1	TUBE, suction line to pump
8	3042290	1	HOSE ASSEMBLY, pressure line to pump (Crimped type) (Serviced only as a unit)
	919342	1	CONNECTOR, flare type, 3/4" tube, 3/4" NPT male
9	3040889	6	CLIP, tube supporting
	915408	3	CAPSCREW, 3/8" NC x 3/4"
	904206	3	LOCKWASHER, 3/8"
10	3011248	4	CLIP, tube supporting
	916381	4	CAPSCREW, 3/8" NF x 3/4"
	904206	4	LOCKWASHER, 3/8"
11	3029745	1	TUBE ASSEMBLY, pressure line, rear
12	3029750	1	TUBE, suction line to tank
	919847	1	NIPPLE, pipe, 3/4" NPT x 2-1/2"
13	3029812	2	HOSE, suction line tube
	922660	4	CLAMP, adjustable (13/16" to 1-1/2")

(Continued)

POWER STEERING PUMP AND PIPING GROUP (Continued)

ITEM	PART NO.	QTY.	DESCRIPTION
14	3029728	1	TUBE ASSEMBLY, return line, rear
	919342	1	CONNECTOR, flare type, 3/4" tube, 3/4" NPT male
15	3029730	1	TUBE ASSEMBLY, pressure relief to tank
	919342	1	CONNECTOR, flare type, 3/4" tube, 3/4" NPT male
16	3029742	1	TUBE ASSEMBLY, left side
17	3016304	9	CLIP, tube supporting
	916381	9	CAPSCREW, 3/8" NF x 3/4"
	904206	9	LOCKWASHER, 3/8"
18	3042291	3	HOSE ASSEMBLY, pressure, return and left steering cylinder (Crimped type) (Serviced only as a unit)
	921327	2	ELBOW, adjustable, 90°, pressure and return lines
	921350	1	ELBOW, adjustable, 90°, steering cylinder line
	921205	2	O-RING, gasket, pressure and return lines
	921349	1	O-RING, gasket, steering cylinder lines
19	3042299	1	HOSE ASSEMBLY, right steering cylinder line (Crimped type) (Serviced only as a unit)
	921350	1	ELBOW, 90°, adjustable
	921349	1	O-RING, gasket
20	3029744	1	TUBE ASSEMBLY, pressure line, front
	919520	1	TEE, flare type, 3/4" tube
21	3029743	1	TUBE ASSEMBLY
22	3003878	1	SHIM (1/8" thick)
23	3013907	1	CLIP, tube supporting
	916381	2	CAPSCREW, 3/8" NF x 3/4"
	904206	2	LOCKWASHER, 3/8"
	911041	1	NUT, 3/8" NF
24	3040888	-	SHIM, pump aligning (.065" thick. Use as req'd)
25	3038003	1	PULLEY ASSEMBLY, pump (Includes 1 SETSCREW 905564) (Used prior to loader #692)
	905564	1	SETSCREW, 5/16" NC x 3/8"
	3036835	1	PULLEY, pump (Effective with loader #692)
26	913528	1	NUT, safety, 3/8" NF
	3029700	1	BELT SET, power steering pump (Consists of two belts)
27	3029494	2	HOSE ASSEMBLY, steering cylinder cross over line (See page 6 for parts) (Used prior to loader #706)
	3041014	2	HOSE ASSEMBLY, steering cylinder cross over line (Crimped type) (Serviced only as a unit) (Effective with loader #706)
	919206	2	ELBOW, flare type, 1/2" tube, 3/8" NPT male
28	3024375	2	ELBOW, swivel, 45°
29	3029396	2	TEE, cross over line (Used prior to loader #706)
	3039718	2	TEE (Effective with loader #706)

MEMO



COWL AND FLOOR PLATE GROUP

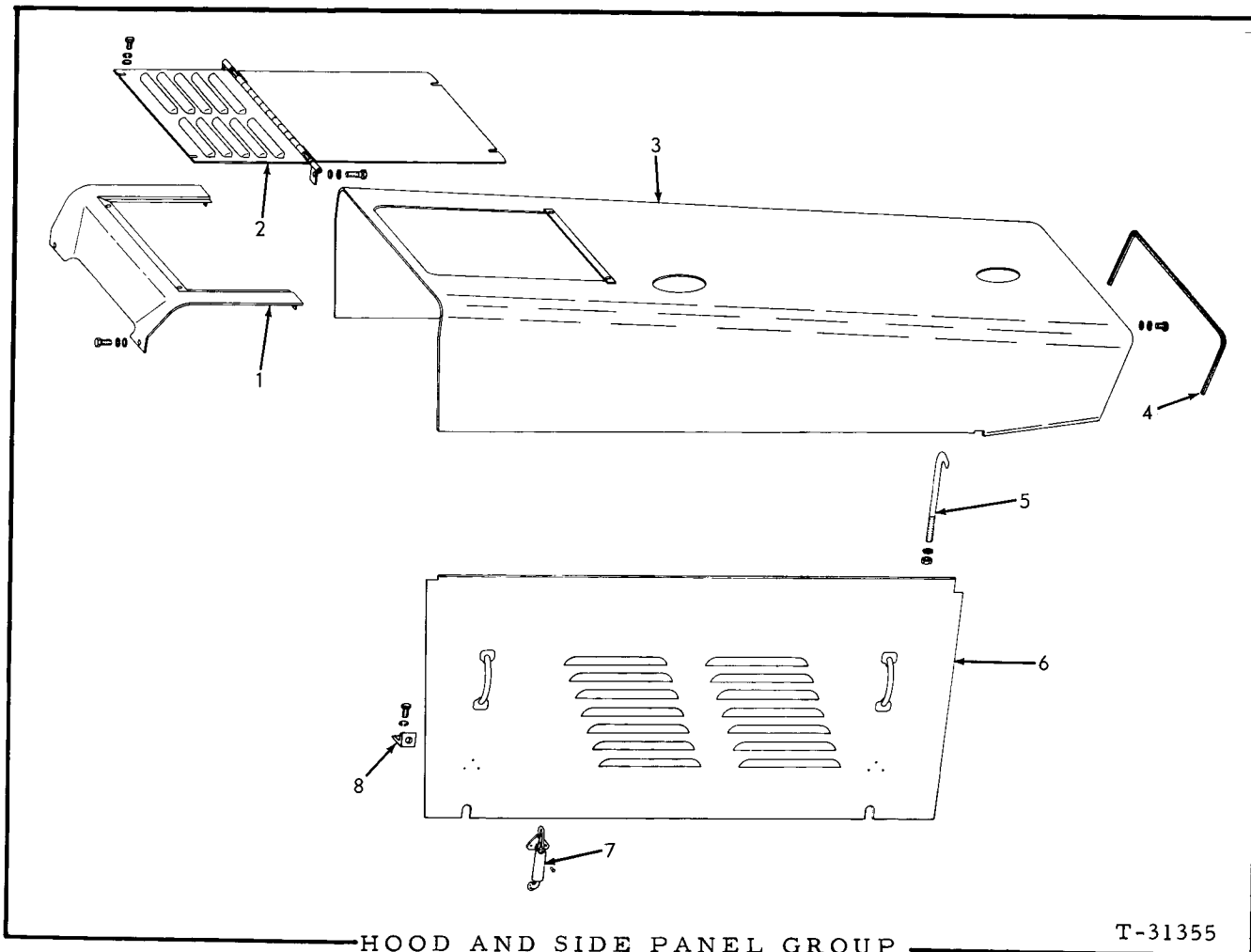
ITEM	PART NO.	QTY.	DESCRIPTION
1	3026316	1	COWL, front
	913249	6	CAPSCREW, 1/2" NF x 1-1/4"
	904208	6	LOCKWASHER, 1/2"
	911043	6	NUT, 1/2" NF
2	3024079	1	COVER, access, fuel tank shut-off
3	-----	1	STRIP, rubber, front (Use 45-3/4" of part #3035068) (See note)
4	3024346	1	COWL
	916225	9	CAPSCREW, 3/8" NF x 1"
	906960	9	LOCKWASHER, internal tooth, 3/8"
5	3024347	1	BRACE, cowl
	913249	4	CAPSCREW, 1/2" NF x 1-1/4"
	910244	2	WASHER, plain, SAE std., 1/2"
	904208	4	LOCKWASHER, 1/2"
	911043	4	NUT, 1/2" NF

(Continued)

COWL AND FLOOR PLATE GROUP (Continued)

ITEM	PART NO.	QTY.	DESCRIPTION
6	3031937	2	CHANNEL, left and right
	916028	4	CAPSCREW, 1/2" NF x 1-3/4", front
	915779	4	CAPSCREW, 1/2" NF x 2", rear
	904208	8	LOCKWASHER, 1/2"
	911043	8	NUT, 1/2" NF
7	3020476	1	SHIM (1/32" thick. Use as req'd)
	3022139	1	SHIM (1/8" thick. Use as req'd)
8	3029822	1	PLATE, support, seat and floor plate
	914875	2	CAPSCREW, 1/2" NF x 1"
	913105	4	CAPSCREW, 1/2" NF x 1-1/2" (front)
	910244	10	WASHER, plain, SAE std., 1/2"
	904208	6	LOCKWASHER, 1/2"
9	911043	4	NUT, 1/2" NF
	3031843	1	PLATE, left
9	3031844	1	PLATE, right
	916381	10	CAPSCREW, 3/8" NF x 3/4"
	916386	4	CAPSCREW, 3/8" NF x 2"
	904206	4	LOCKWASHER, 3/8"
	911115	10	WASHER, plain, SAE std., 3/8"
	911041	4	NUT, 3/8" NF
10	3031509	1	PLATE, rear floor
	916225	12	CAPSCREW, 3/8" NF x 1"
	911115	12	WASHER, plain, SAE std., 3/8"
	904206	12	LOCKWASHER, 3/8"
	911041	10	NUT, 3/8" NF
11	3031507	1	PLATE, front floor
	916381	4	CAPSCREW, 3/8" NF x 3/4" (front)
	916225	2	CAPSCREW, 3/8" NF x 1" (rear)
	904206	6	LOCKWASHER, 3/8"
	911115	2	WASHER, plain, SAE std., 3/8"
	911041	2	NUT, 3/8" NF
12	3020579	1	SUPPORT, floor plate, left
	3020580	1	SUPPORT, floor plate, right
	915225	2	CAPSCREW, 3/8" NF x 1" (rear)
	916228	2	CAPSCREW, 3/8" NF x 1-1/4" (front)
	904206	4	LOCKWASHER, 3/8"
12	911041	4	NUT, 3/8" NF
	-----	1	STRIP, rubber, front floor plate (Use 5" of part no. 3035068) (See note)
14	3028828	6	BRACKET, plate attaching
	916225	6	CAPSCREW, 3/8" NF x 1"
	904206	6	LOCKWASHER, 3/8"

NOTE: The factory will furnish 25 foot rolls of rubber strip. Dealer will furnish cut length or 25 foot rolls.



HOOD AND SIDE PANEL GROUP

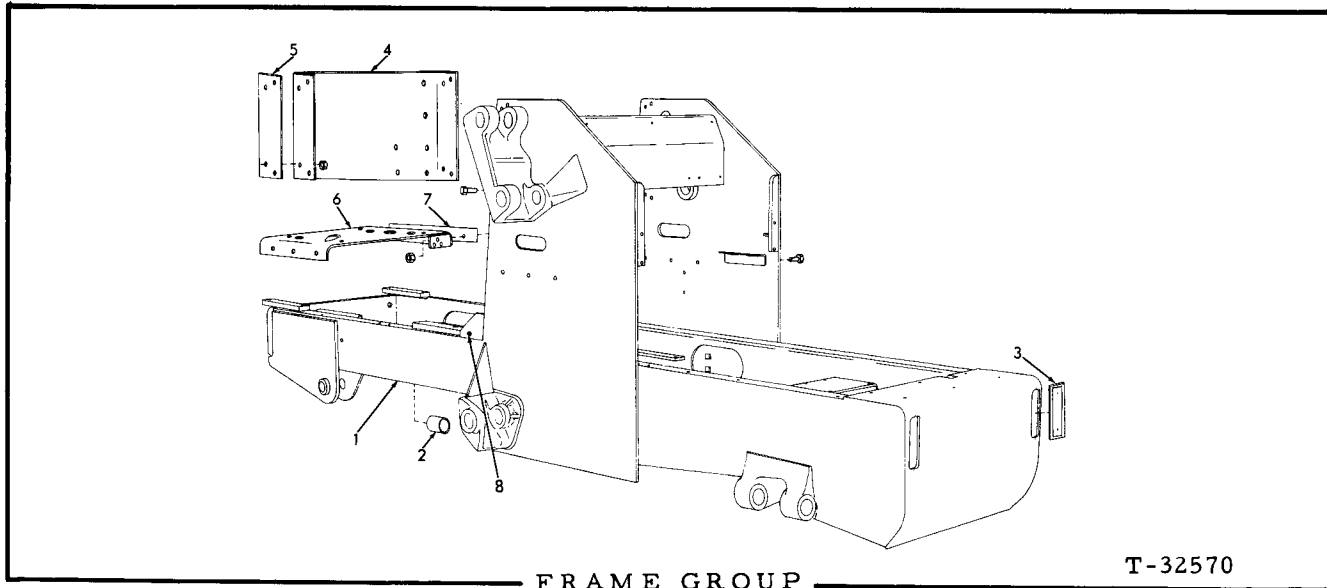
T-31355

ITEM	PART NO.	QTY.	DESCRIPTION
1	3029273	1	PLATE
	916381	4	CAPSCREW, 3/8" NF x 3/4"
	904206	4	LOCKWASHER, 3/8"
	911115	4	WASHER, plain, SAE std., 3/8"
2	3022146	1	COVER ASSEMBLY, hinged, hyd. tank and battery (Serviced only as a unit)
	920612	4	CAPSCREW, 3/8" NF x 1/2"
	904206	4	LOCKWASHER, 3/8"
	911115	4	WASHER, plain, SAE std., 3/8"
3	3029429	1	HOOD (Used prior to loader #774)
	3039671	1	HOOD (Effective with loader #774)
	916225	8	CAPSCREW, 3/8" NF x 1"
	904206	8	LOCKWASHER, 3/8"
	911115	8	WASHER, plain, SAE std., 3/8"
			(To Frame)
4	-----	1	STRIP, rubber, vibration (46" of part no. 3035068)
5	3032286	4	BOLT, hook, hood
	911993	4	WASHER, plain, heavy, 7/16"
	918308	4	NUT, safety, 3/8" NC
6	3029370	1	PANEL ASSEMBLY, left side
	3029371	1	PANEL ASSEMBLY, right side

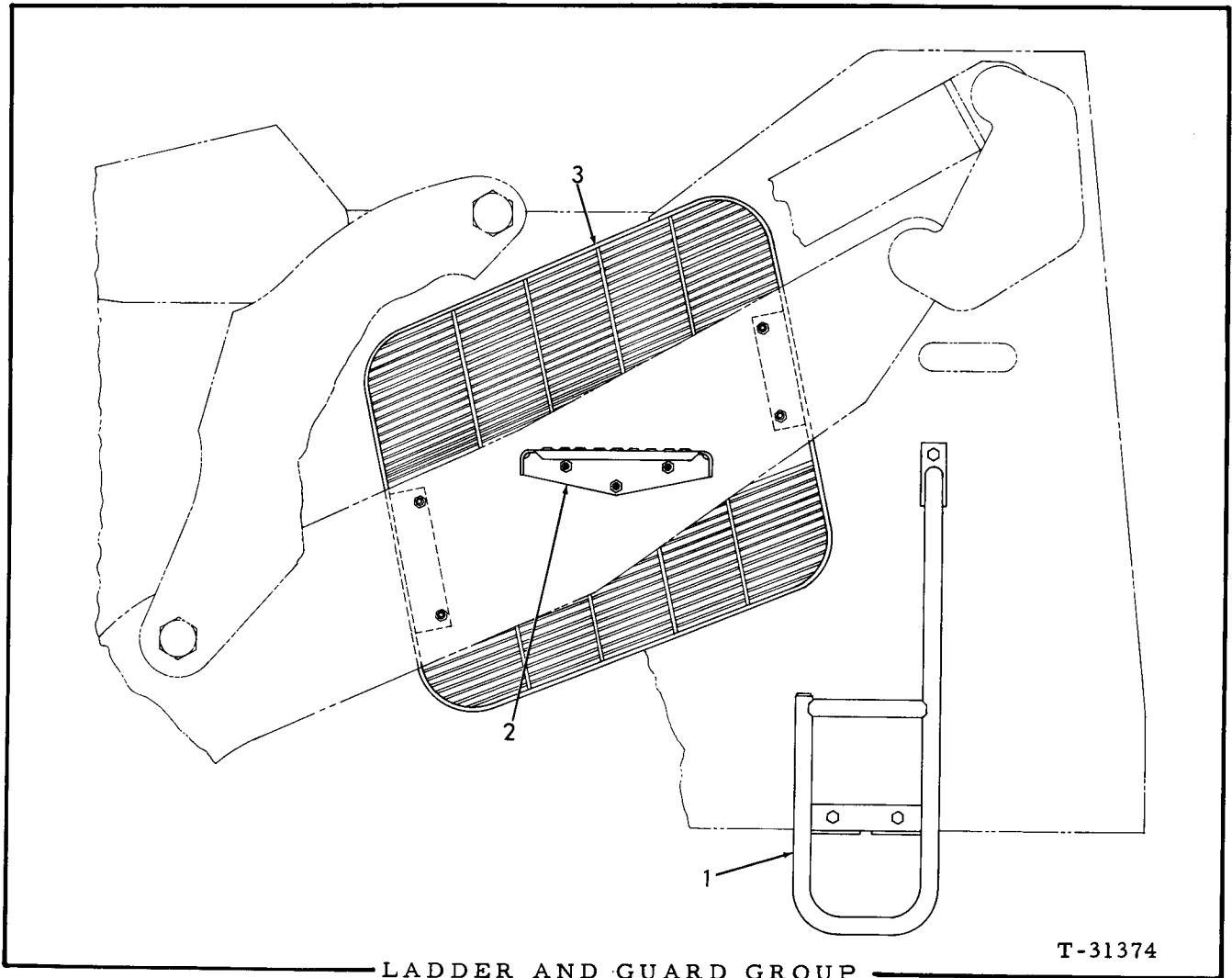
(Continued)

HOOD AND SIDE PANEL GROUP (Continued)

ITEM	PART NO.	QTY.	DESCRIPTION
7	3010478	4	FASTENER, panel
	900764	12	RIVETS, flat head, 3/16" x 1/2"
8	3021383	2	BRACKET, side panel attaching
	916381	2	CAPSCREW, 3/8" NF x 3/4"
	904206	2	LOCKWASHER, 3/8"



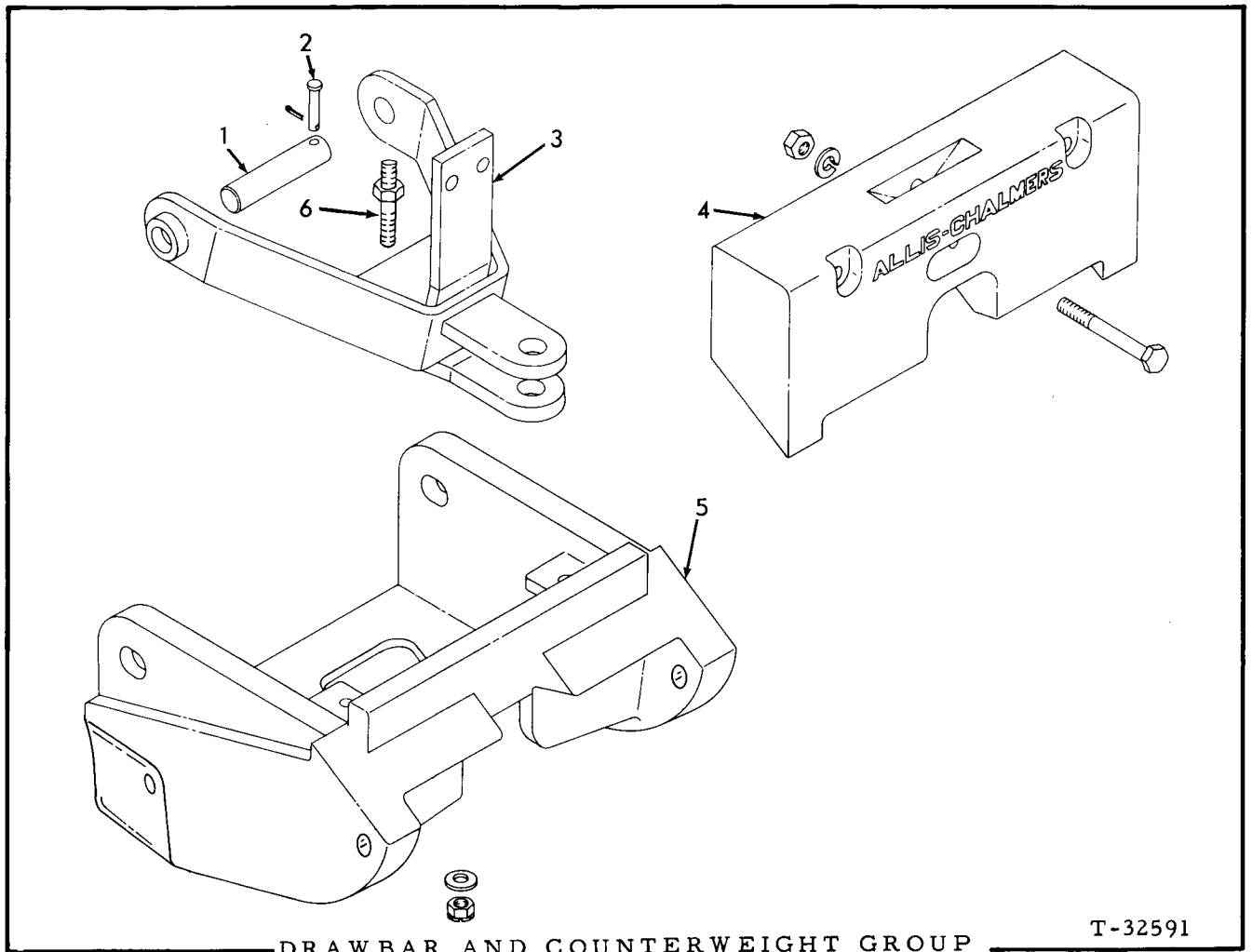
ITEM	PART NO.	QTY.	DESCRIPTION
1	3029440	1	FRAME, main (Includes 2 BUSHING 3022231)
2	3022231	2	BUSHING, axle support
3	3029598	2	COVER, inspection
4	3029764	1	PLATE, support
	916021	8	CAPSCREW, 5/8" NF x 2"
	916589	8	LOCKNUT, 5/8" NF
5	3029968	-	SHIM (.0598" thick. Use as req'd)
6	3029601	1	PLATE, support
	916021	6	CAPSCREW, 5/8" NF x 2"
	916589	6	LOCKNUT, 5/8" NF
7	3023033	-	SHIM (.0598" thick. Use as req'd)
8	3021584	6	GROMMET



LADDER AND GUARD GROUP

T-31374

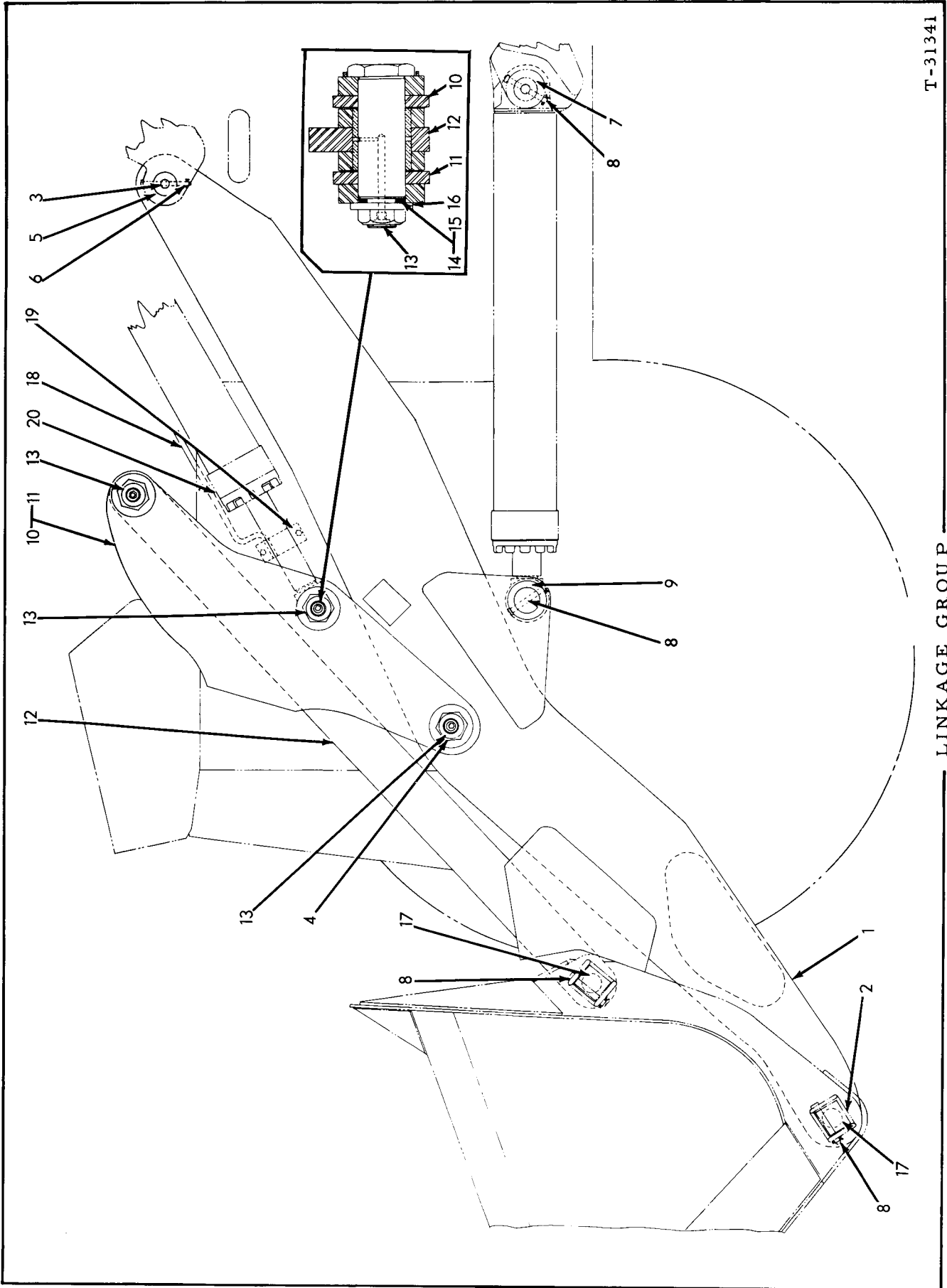
ITEM	PART NO.	QTY.	DESCRIPTION
1	3032302	1	LADDER
	915779	4	CAPSCREW, 1/2" NF x 2"
	904208	4	LOCKWASHER, 1/2"
	911043	4	NUT, 1/2" NF
	920558	1	PLUG, button
2	3022540	1	STEP
	915335	3	CAPSCREW, 1/2" NF x 3-1/4"
	904208	3	LOCKWASHER, 1/2"
	911043	3	NUT, 1/2" NF
3	3033042	1	GUARD, left
		1	GUARD, right
	915335	8	CAPSCREW, 1/2" NF x 3-1/4"
	904208	8	LOCKWASHER, 1/2"
	910244	8	WASHER, plain, SAE std., 1/2"
	911043	8	NUT, 1/2" NF



DRAWBAR AND COUNTERWEIGHT GROUP

T-32591

ITEM	PART NO.	QTY.	DESCRIPTION
1	3020851	2	PIN, drawbar attaching
2	3001622	2	PIN, locking
	900806	2	PIN, cotter, 1/8" x 1"
3	3020483	1	DRAWBAR
4	3029755	1	COUNTERWEIGHT, upper casting
	920628	4	CAPSCREW, 1" NF x 10"
	910916	4	LOCKWASHER, 1"
	911047	4	NUT, 1" NF
5	3031881	1	COUNTERWEIGHT, lower casting
6	3031897	2	STUD, cwt., attaching
	917777	2	NUT, safety, 1" NF
	3002532	4	WASHER, plain

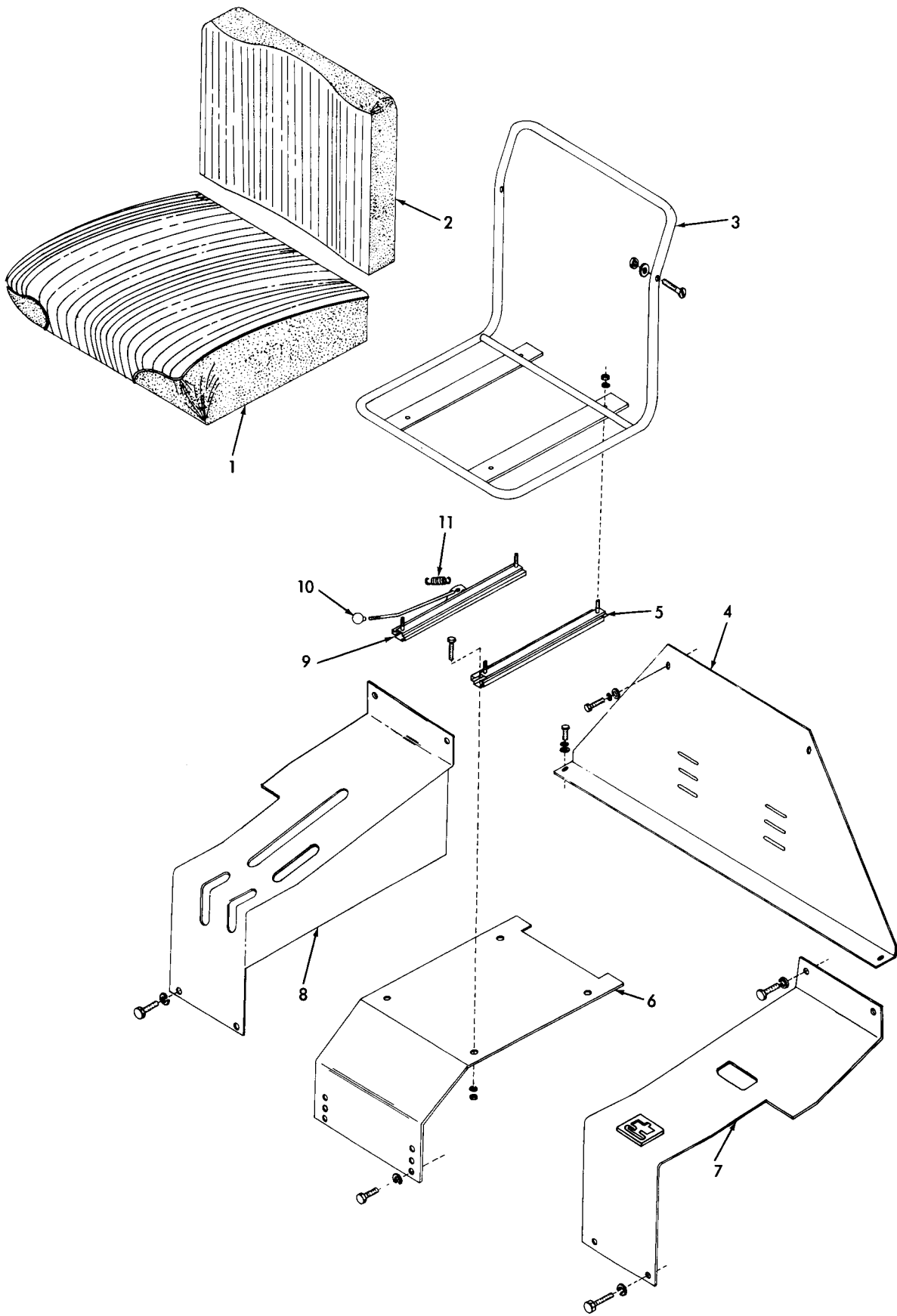


T-31341

LINKAGE GROUP

LINKAGE GROUP

ITEM	PART NO.	QTY.	DESCRIPTION
1	3028950	1	BOOM ASSEMBLY (Includes 4 BUSHING 3001066, 2 BUSHING 3020677, and 2 BUSHING 3020678)
	3039535	1	BOOM ASSEMBLY (Long-special equipment) (Includes 4 BUSHING 3001066, 2 BUSHING 3020677, and 2 BUSHING 3020678)
2	3001066	8	BUSHING
3	3020677	2	BUSHING
4	3020678	4	BUSHING
			} Upper
5	3032609	2	PIN, boom pivot
	914465	2	FITTING, lubricating, 1/8" NPT
6	3013568	4	PIN, locking
	911440	4	PIN, cotter, 3/16" x 1-1/8"
7	3020179	4	PIN, lift and dump cylinders
	914465	4	FITTING, lubricating, 1/8" NPT
8	3011625	8	PIN, locking
	911440	8	PIN, cotter, 3/16" x 1-1/8"
9	3020178	2	PIN, lift cylinder to boom
	914465	2	FITTING, lubricating, 1/8" NPT
10	3028991	1	LINK, cross, left side, inner link
	3028992	1	LINK, cross, right side, inner link
11	3028993	1	LINK, cross, left side, outer link
	3028994	1	LINK, cross, right side, outer link
12	3028996	2	LINK ASSEMBLY, dump (Each includes two item 2 and one item 4)
	3039544	2	LINK ASSEMBLY, dump (Long-special equipment) (Each includes 2 BUSHING 3001066 and 1 BUSHING 3020678)
13	3020175	6	PIN
	917835	6	NUT, locking, 1-1/2" NF
	914465	6	FITTING, lubricating, st., 1/8" NPT
14	3021340	-	WASHER (.0359" thick. Use as req'd)
15	3018616	-	WASHER (.0598" thick. Use as req'd)
16	3001559	6	WASHER, 3/8" thick
17	3020172	4	PIN
	914465	4	FITTING, lubricating, st., 1/8" NPT
18	3022763	1	ROD, indicator, bucket level
19	3022762	1	PLATE, rod attaching
	916225	2	CAPSCREW, 3/8" NF x 1"
	904206	2	LOCKWASHER, 3/8"
	911041	2	NUT, 3/8" NF
20	3023281	2	TAPE, bucket leveling

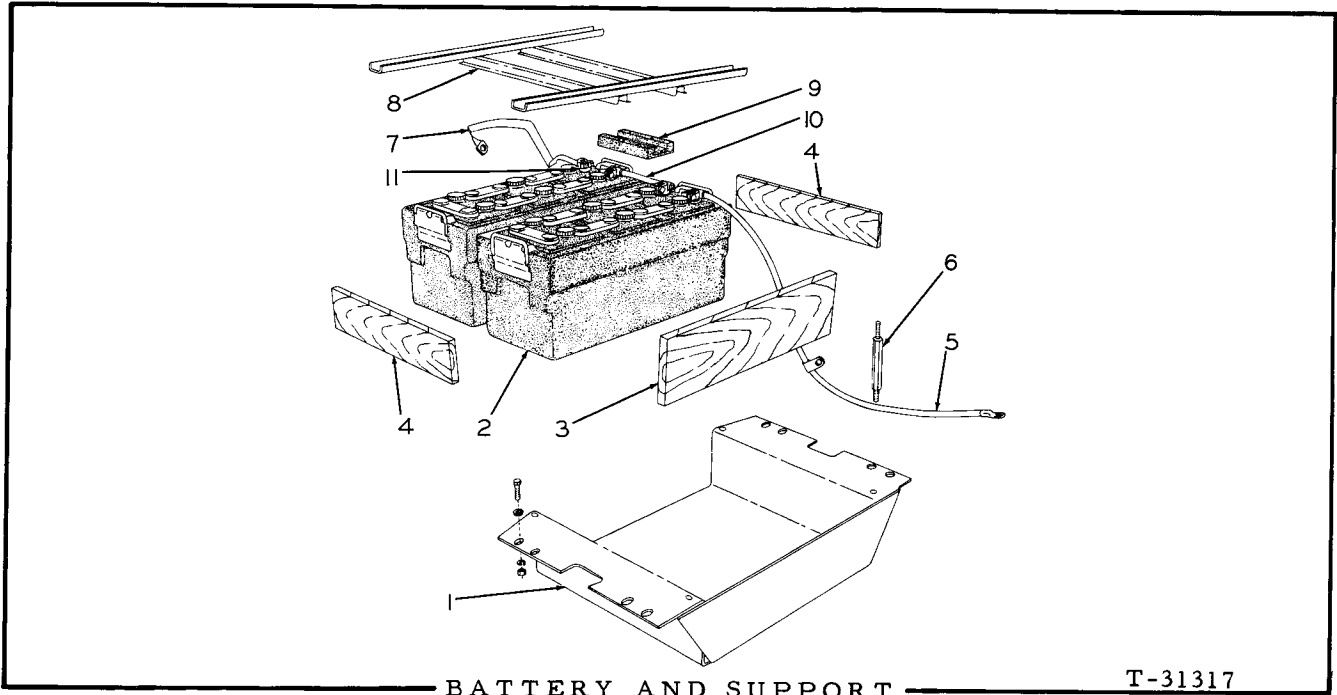


SEAT GROUP

T-71554

SEAT GROUP

ITEM	PART NO.	QTY.	DESCRIPTION
-	3027990	1	SEAT ASSEMBLY (Includes 4 CAPSCREW 911170, 4 LOCKWASHER 904205, 4 NUT 913636 and items 1 thru 3, 5, 9 and 11)
	911170	4	CAPSCREW, 5/16" NF x 1-1/4"
	910335	8	WASHER, plain, SAE std., 5/16"
	904205	4	LOCKWASHER, 5/16"
	913636	4	NUT, 5/16" NF
1	3027989	1	CUSHION, seat
2	3027987	1	CUSHION, back
	914113	2	SCREW, flathead, 1/4" NF x 1-1/2"
	900816	2	WASHER, plain, U.S. std., 1/4"
	911040	2	NUT, 1/4" NF
3	3027993	1	FRAME, seat
4	3039039	1	PLATE, heat deflector
	916381	2	CAPSCREW, 3/8" NF x 3/4"
	904206	2	LOCKWASHER, 3/8"
	911115	2	WASHER, plain, SAE std., 3/8"
5	3021815	1	TRACK ASSEMBLY, left (Serviced only as a unit)
	904205	2	LOCKWASHER, 5/16"
	913636	2	NUT, 5/16" NF
6	3039030	1	PLATE, mounting seat
	913249	2	CAPSCREW, 1/2" NF x 1 -1/4"
	904208	2	LOCKWASHER, 1/2"
7	3031877	1	PLATE, left side
	916381	4	CAPSCREW, 3/8" NF x 3/4"
	904206	4	LOCKWASHER, 3/8"
8	3031878	1	PLATE, right side
	916381	4	CAPSCREW, 3/8" NF x 3/4"
	904206	4	LOCKWASHER, 3/8"
9	3021816	1	TRACK ASSEMBLY, right (Includes adjusting lever)
	904205	2	LOCKWASHER, 5/16"
	913636	2	NUT, 5/16" NF
10	3008130	1	KNOB, adjusting arm
11	3021817	1	SPRING, adjusting arm



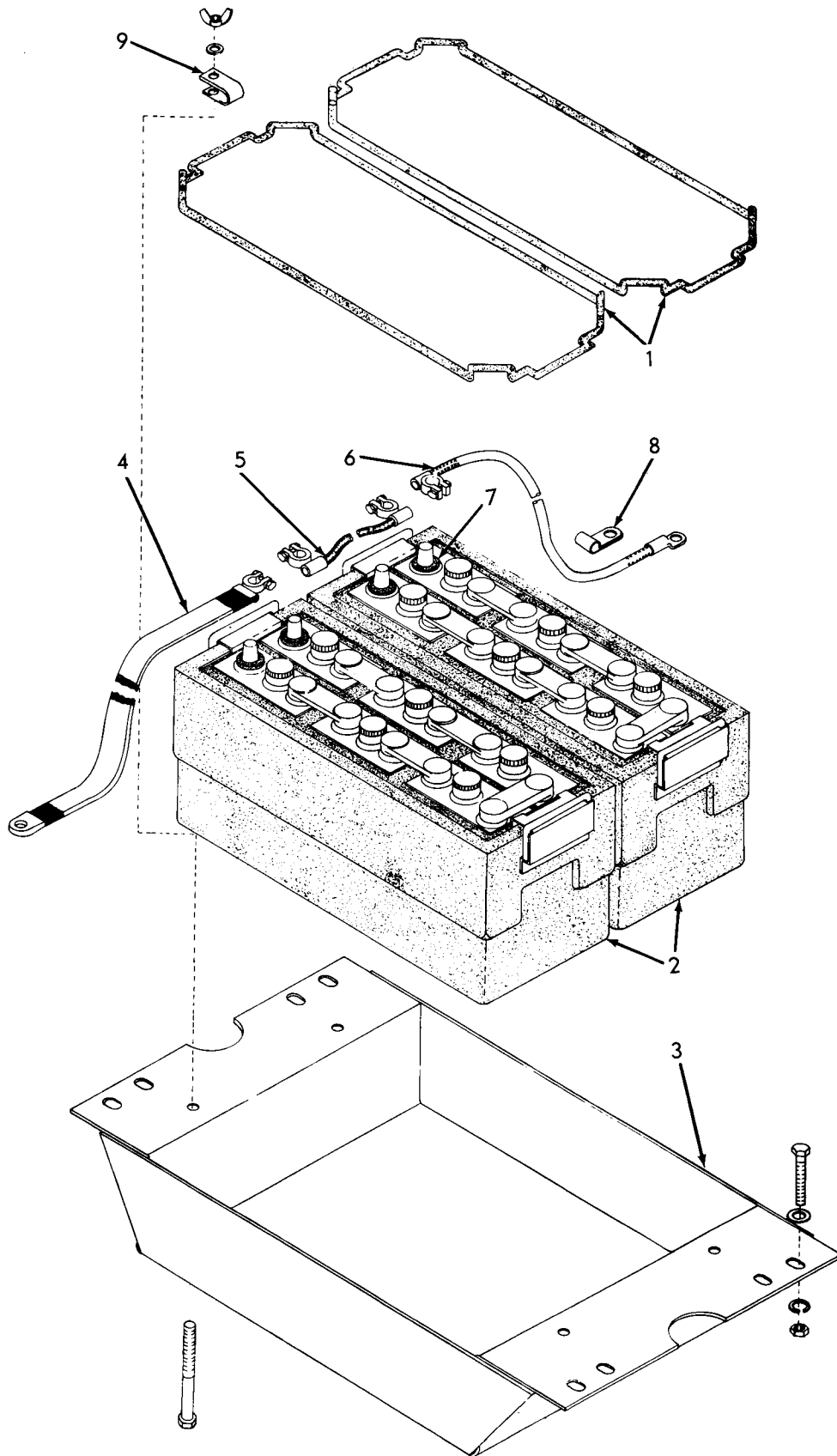
BATTERY AND SUPPORT

T-31317

USAGE: Used prior to loader #891

ITEM	PART NO.	QTY.	DESCRIPTION
1	3029698	1	SUPPORT, battery
	915228	8	CAPSCREW, 3/8" NF x 1-1/4"
	911993	8	WASHER, plain, 11 Ga.
	904206	8	LOCKWASHER, 3/8"
	911041	8	NUT, 3/8" NF
2	{ -----	2	BATTERY (Obtain locally) (Auto Lite #M-1198-C4)
	{ -----	2	BATTERY (Obtain locally) (Electric Storage Battery Co., Exide 4D-1133H)
3	{ 3029603	1	SPACER, middle
	{ 3022885	2	SPACER, front and rear
			} (Use with Electric Storage Battery)
4	{ 3029624	2	SPACER, left and right
	{ 3020674	1	INSULATOR (Not Illustrated)
5	{ 3026666	1	CABLE, battery (to starter) (38" long) (Used prior to loader #434)
	{ 3036102	1	CABLE, battery (to starter) (45" long) (Eff. with loader #434)
6	3032198	4	STUD, battery hold-down
	911041	4	NUT, 3/8" NF
	904206	4	LOCKWASHER, 3/8"
7	3031733	1	STRAP, battery ground
8	3029671	1	HOLD-DOWN ASSEMBLY, battery (Includes item 9)
9	3020627	4	STRAP, hold-down (rubber)
10	3020733	1	CABLE, battery connecting (6" long)
11	3008046	4	WASHER (felt)

MEMO



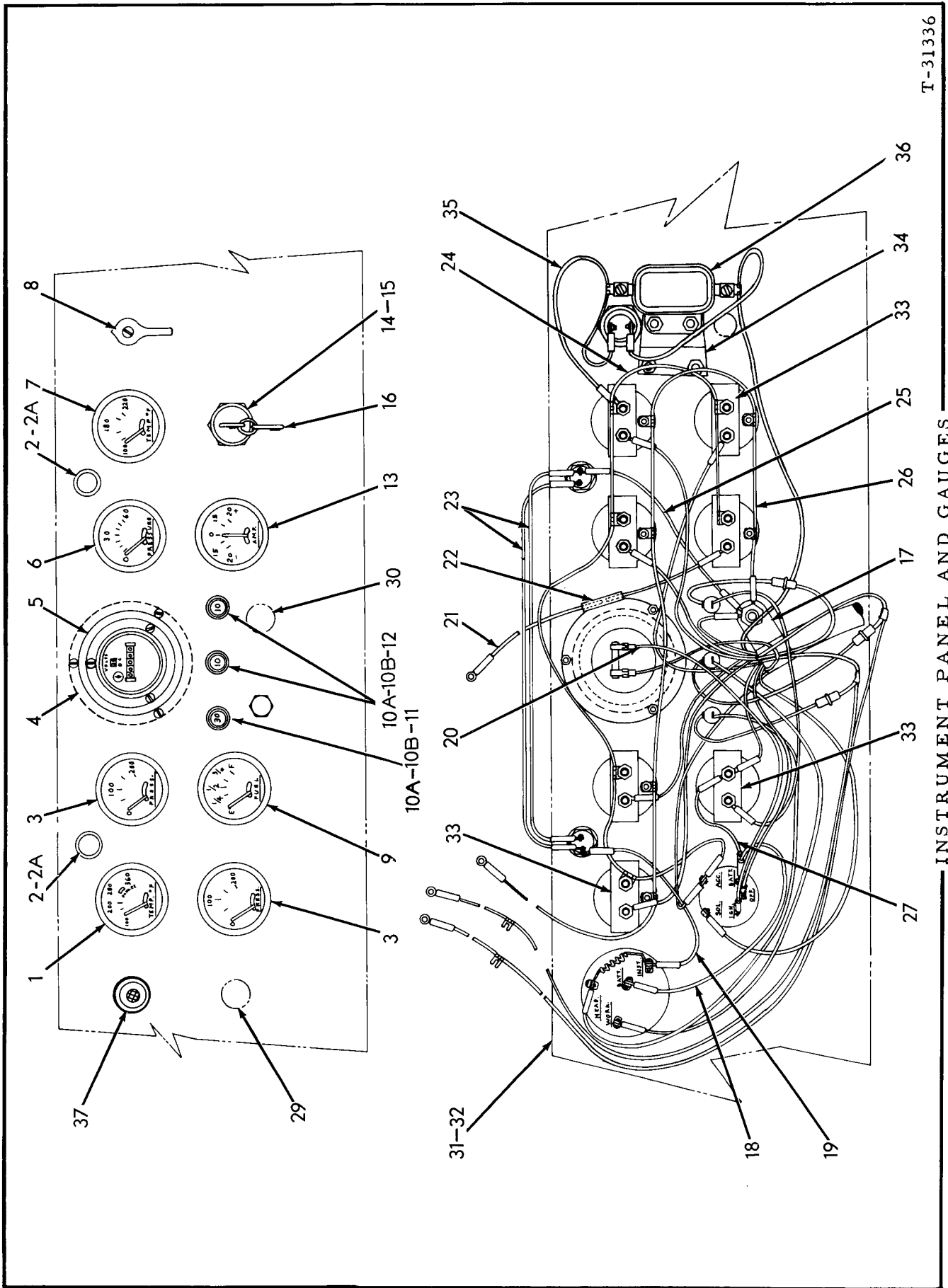
BATTERY AND SUPPORT

T-71545

BATTERY AND SUPPORT

USAGE: Effective with loader #891

ITEM	PART NO.	QTY.	DESCRIPTION
1	3040785	2	HOLD-DOWN, battery
2	-----	2	BATTERY, storage (Auto-Lite #M-1198-C4) (Not serviced, obtain locally)
	-----	2	BATTERY, storage (Electric Storage Battery Co., Exide #4D-1133H) (Not serviced, obtain locally)
3	3041977	1	SUPPORT, battery
	915228	8	CAPSCREW, 3/8" NF x 1-1/4"
	911115	8	WASHER, plain, SAE std., 3/8"
	904206	8	LOCKWASHER, 3/8"
	911041	8	NUT, 3/8" NF
4	3031733	1	STRAP, ground, battery
5	3020733	1	CABLE, connecting, battery (6" long)
6	3036102	1	CABLE, battery (to starter) (45" long)
7	3008046	4	WASHER, felt
8	-----	-	See LIGHTS AND WIRING
9	3041586	4	CLIP, battery hold-down
	916034	4	BOLT, carriage, 5/16" NC x 3-1/2"
	910335	4	WASHER, plain, SAE std., 5/16"
	915016	4	NUT, 5/16" NC



T-31336

INSTRUMENT PANEL AND GAUGES

INSTRUMENT PANEL AND GAUGES

USAGE: Used prior to loader #434

ITEM	PART NO.	QTY.	DESCRIPTION
1	3028417	1	GAUGE ASSEMBLY, temperature (Includes item 33 and hardware indented below)
	904203	2	LOCKWASHER, #10
	917415	2	NUT, #10 NF
	906964	2	LOCKWASHER, #8
	917385	2	NUT, #8 NC
2	3021334	2	LIGHT ASSEMBLY, panel (with Bulb-incandescent, bayonet type, 17 amp., 24 volt) (Includes item 2A)
2A	3037183	2	SHIELD, LIGHT
3	3029884	2	GAUGE ASSEMBLY, pressure, transmission oil and brakes (Includes item 33 and hardware indented below)
	904203	6	LOCKWASHER, #10
	917415	6	NUT, #10 NF
	906964	4	LOCKWASHER, #8
	917385	4	NUT, #8 NC
4	3019107	1	DAMPNER, hour meter vibration
	903752	3	SCREW, #6 NC x 1/2"
	906963	3	LOCKWASHER, #6
	901309	3	NUT, #6 NC
5	3042816	1	METER, hour (24 volt)
	918210	3	SCREW ASSEMBLY, #6 x 1/2"(Includes LOCKWASHER)
6	3037902	1	GAUGE ASSEMBLY, engine oil pressure (Includes item 33 and hardware indented below)
	904203	2	LOCKWASHER #10
	917415	2	NUT, #10 NF
	906964	2	LOCKWASHER #8
	917385	2	NUT, #8 NC
7	3037901	1	GAUGE ASSEMBLY, engine water (Includes item 33 and hardware indented below)
	904203	2	LOCKWASHER, #10
	917415	2	NUT, #10 NF
	906964	2	LOCKWASHER #8
	917385	2	NUT, #8 NC
8	3031735	1	SWITCH, light
9	3028419	1	GAUGE ASSEMBLY, fuel (Includes item 33 and hardware indented below)
	904203	3	LOCKWASHER #10
	917415	3	NUT, #10 NF
	906964	2	LOCKWASHER, #8
	917385	2	NUT, #8 NC
10	3041718	3	HOLDER ASSEMBLY, fuse (Includes items 10A & 10B)
10A	3039683	3	KNOB ASSEMBLY
10B	3039684	3	NUT
11	3031783	1	FUSE (30 amp.)
12	3031782	2	FUSE (10 amp.)

(Continued)

INSTRUMENT PANEL AND GAUGES (Continued)

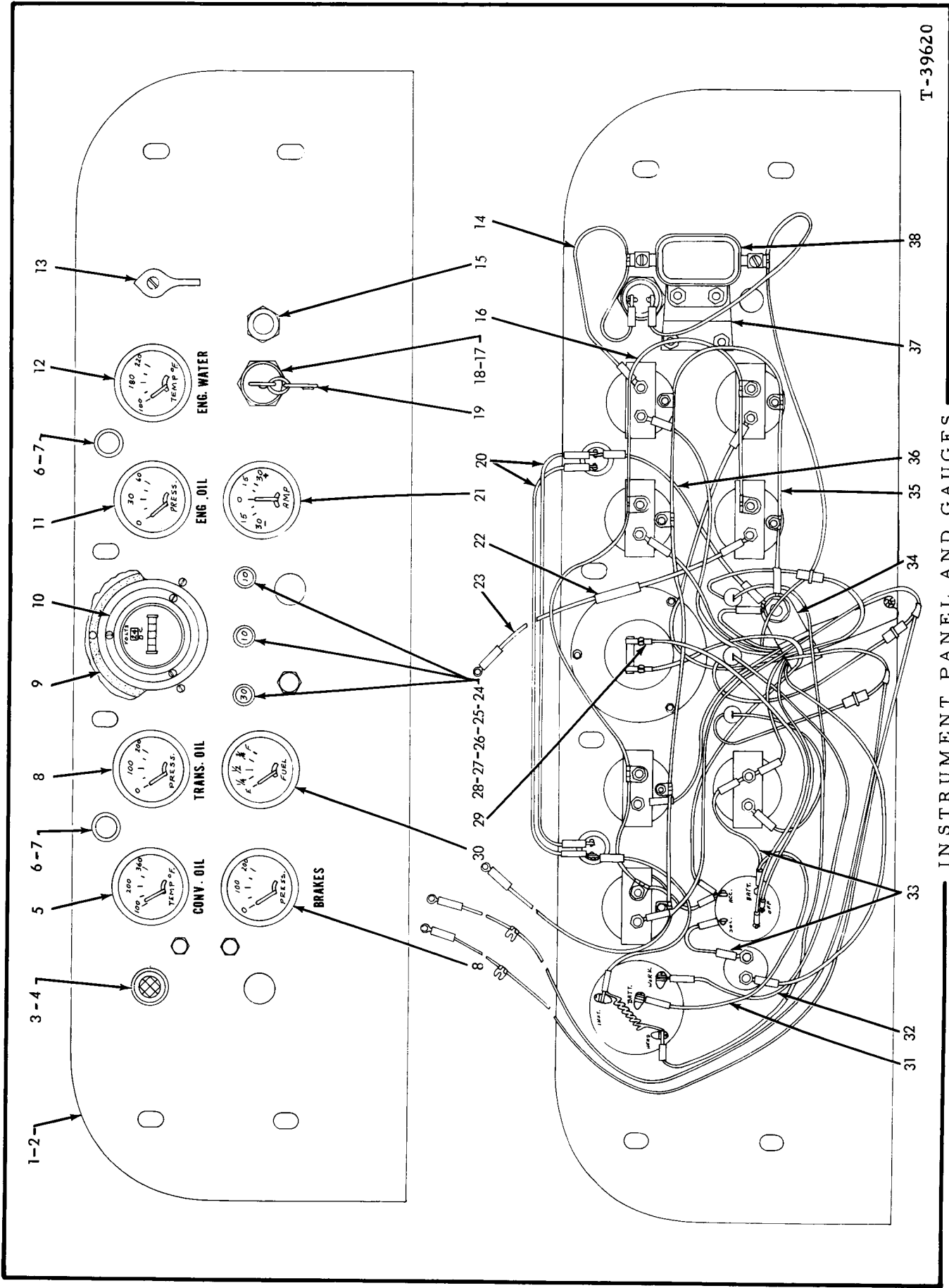
ITEM	PART NO.	QTY.	DESCRIPTION
13	3020761	1	AMMETER ASSEMBLY (Includes item 33 and hardware indented below)
	904203	4	LOCKWASHER, #10
	917415	4	NUT, #10 NF
14	3037877	1	SWITCH ASSEMBLY, ignition (Includes items 15 and 16 and hardware indented below)
	912731	4	SCREW, machine, #8 NC x 5/16"
15	3024437	1	NUT, ring
16	3024438	1	KEY, ignition
17	3011632	1	CLIP
	916381	1	CAPSCREW, 3/8" NF x 3/4"
	906960	1	LOCKWASHER, 3/8", internal tooth
	911041	1	NUT, 3/8" NF
18	3018639	1	WIRE ASSEMBLY
19	3021331	1	WIRE ASSEMBLY
20	3032248	1	WIRE ASSEMBLY
21	3022475	2	WIRE ASSEMBLY
22	3022476	1	CONNECTOR
23	3018643	2	WIRE ASSEMBLY
24	3031780	1	WIRE ASSEMBLY
25	3021333	2	WIRE ASSEMBLY
26	3031781	1	WIRE ASSEMBLY
27	3037904	2	WIRE ASSEMBLY
28	922491	1	PLUG, button (Not Illustrated)
29	921113	1	PLUG, button
30	922493	1	PLUG, button
31	3029866	1	PANEL, instrument
	916381	5	CAPSCREW, 3/8" NF x 3/4"
	904206	5	LOCKWASHER, 3/8"
	911115	5	WASHER, plain, 3/8"
32	-----	-	RUBBER STRIP (Use 50" of part no. 3035068)
33	3017048	6	STRAP, mounting

(Continued)

INSTRUMENT PANEL AND GAUGES (Continued)

ITEM	PART NO.	QTY.	DESCRIPTION
34	3034565	1	BRACKET, buzzer mounting
	914630	4	CAPSCREW 1/4" NF x 3/4"
	904204	4	LOCKWASHER 1/4"
	911040	4	NUT 1/4" NF
35	3034589	1	WIRE ASSEMBLY, air pressure sender to buzzer and light
36	3034250	1	BUZZER, warning
37	3034558	1	LIGHT ASSEMBLY, warning (with bulb- incandescent double contact, bayonet base type, 25 amp., 24 volt)

} (Effective with loader
205)



T-39620

INSTRUMENT PANEL AND GAUGES

INSTRUMENT PANEL AND GAUGES

USAGE: Effective with loader #434

ITEM	PART NO.	QTY.	DESCRIPTION
1	3029866	1	PANEL, instrument
	916381	5	CAPSCREW, 3/8" NF x 3/4"
	904206	5	LOCKWASHER, 3/8"
	911115	5	WASHER, plain, 3/8"
	921113	1	PLUG, button
	922493	1	PLUG, button
2	-----	-	STRIP, rubber (50" of Part #3035068) (See Note)
3	3034558	1	LIGHT ASSEMBLY, warning (Includes item 4 and 1 LENS 3044614)
	3044614	1	LENS, warning light
4	3034566	1	BULB, incandescent, double contact, bayonet type, 25 amp.
5	3028417	1	GAUGE ASSEMBLY, temperature (Includes mounting strap)
6	3021334	2	LIGHT ASSEMBLY, panel (With bulb, incandescent, bayonet type, 17 amp., 24 volt (Includes item 7)
7	3037183	2	SHIELD, light
8	3029884	2	GAUGE ASSEMBLY, pressure, transmission oil and brakes (Includes mounting strap)
9	3019107	1	DAMPNER, hour meter vibration
	903752	3	SCREW, #6 NC x 1/2"
	906963	3	LOCKWASHER, #6
10	3042812	1	METER, hour (See warranty note)
	903752	3	SCREW, machine, #6 NC x 1/2"
	906963	3	LOCKWASHER, #6
	901309	3	NUT, #6 NC
11	3037902	1	GAUGE ASSEMBLY, engine oil pressure (Includes mounting strap)
12	3037901	1	GAUGE ASSEMBLY, engine water (Includes mounting strap)
13	3031735	1	SWITCH ASSEMBLY, light (Serviced only as a unit)
14	3034589	1	WIRE ASSEMBLY (Includes terminals)
15	3004909	1	SWITCH, starter (push button)
16	3031780	1	WIRE ASSEMBLY (Includes terminals)
17	3037877	1	SWITCH ASSEMBLY, ignition (Includes items 18 and 19)
	912731	4	SCREW, machine, #8 NC x 5/16"
18	3024437	1	NUT, ring
19	3024438	1	KEY, ignition
20	3018643	2	WIRE ASSEMBLY (Includes terminals)

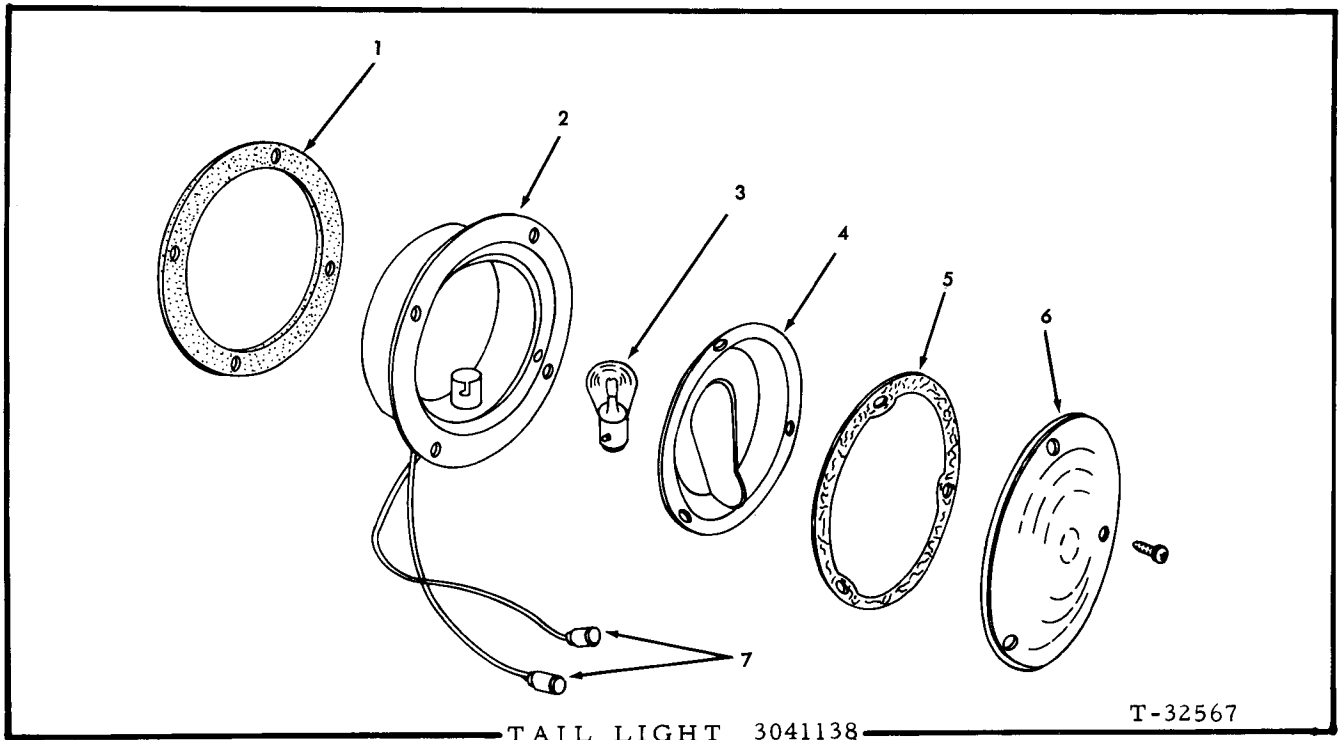
(Continued)

INSTRUMENT PANEL AND GAUGES (Continued)

ITEM	PART NO.	QTY.	DESCRIPTION
21	3020761	1	AMMETER ASSEMBLY (Includes mounting strap)
22	3022476	1	CONNECTOR
23	3022475	2	WIRE ASSEMBLY (Includes terminals)
24	3041718	3	HOLDER ASSEMBLY, fuse (Includes items 25 and 26)
25	3039683	3	KNOB ASSEMBLY, fuse holder (Serviced only as a unit)
26	3039684	3	NUT, fuse holder
27	3031783	1	FUSE (30 amp.)
28	3031782	2	FUSE (10 amp.)
29	3032248	1	WIRE ASSEMBLY (Includes terminals)
30	3028419	1	GAUGE ASSEMBLY, fuel (Includes mounting strap)
31	3018639	1	WIRE ASSEMBLY (Includes terminals)
32	3021331	1	WIRE ASSEMBLY (Includes terminals)
33	3037904	2	WIRE ASSEMBLY (Includes terminals)
34	3011632	1	CLIP
	916381	1	CAPSCREW, 3/8" NF x 3/4"
	906960	1	LOCKWASHER, 3/8", int. tooth
	911041	1	NUT, 3/8" NF
35	3031781	1	WIRE ASSEMBLY (Includes terminals)
36	3021333	1	WIRE ASSEMBLY (Includes terminals)
37	3034565	1	BRACKET, buzzer mounting
	916400	4	CAPSCREW, 1/4" NF x 3/4"
	904204	4	LOCKWASHER, 1/4"
	911040	4	NUT, 1/4" NF
38	3034250	1	BUZZER, warning

NOTE: The factory will furnish 25 foot rolls of rubber strip. Dealer will furnish cut length or 25 foot rolls.

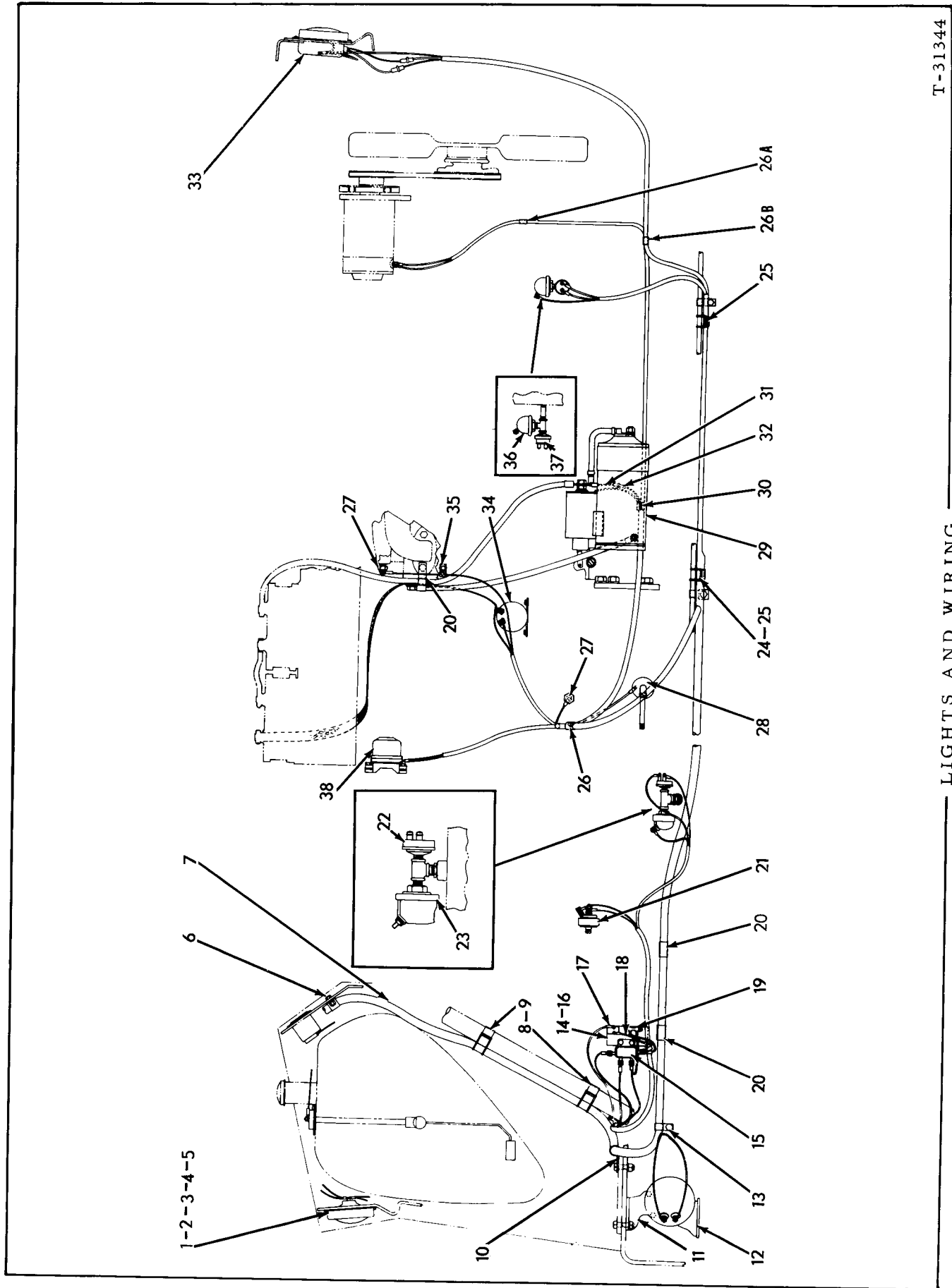
NOTE: Meter carries manufacturer's warranty and in case of failure should be returned direct to John W. Hobbs Corporation, Springfield, Illinois for repairs.



TAIL LIGHT 3041138

T-32567

ITEM	PART NO.	QTY.	DESCRIPTION
			NOTE: See page 212 and 216 for listing of complete Assembly.
1	3036239	1	GASKET, mounting
2	-----	1	BODY ASSEMBLY (Not serviced separately)
3	3039643	1	BULB (24 volt) (GE #1662)
4	3036242	1	REFLECTOR, tail light
5	3036241	1	GASKET, lens
6	3036240 904953	1 3	LENS, tail light (red glass) SCREW, machine, #6 NC x 1/2", rd. -hd.
7	3029808	2	CONTACT



T-31344

LIGHTS AND WIRING

LIGHTS AND WIRING

USAGE: Used prior to loader #434

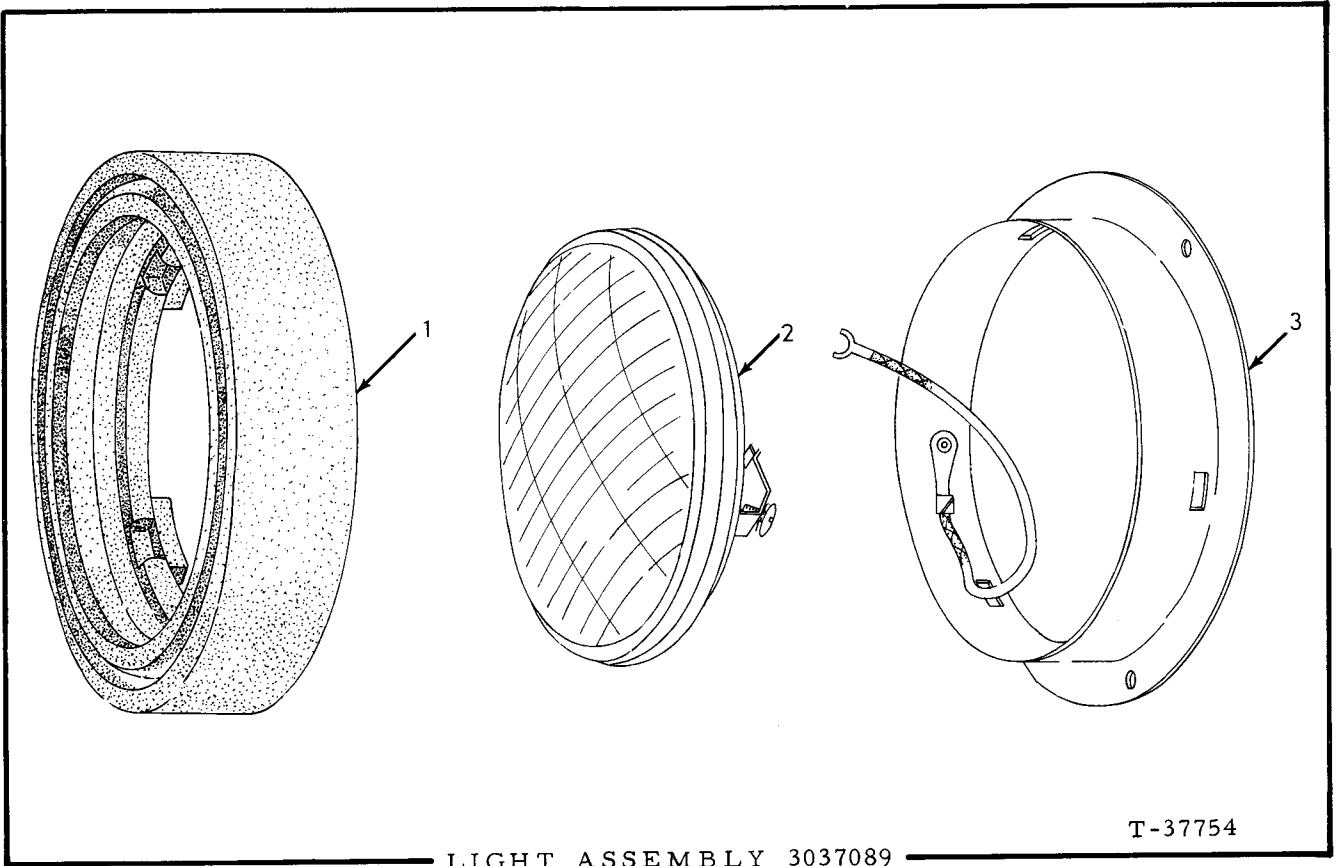
ITEM	PART NO.	QTY.	DESCRIPTION
1	-----	6	LIGHT ASSEMBLY, sealed beam (Includes items
	917763	18	2 thru 5 and three 917763)(Order Light Assembly 3037089) SCREW, machine, #8 NC x 3/8", self tapping
2	3027106	6	RIM
3	3027198	6	ELEMENT, sealed beam
4	3027107	18	SUPPORT, lamp
5	3027108	18	ABSORBER, shock
6	3011632	1	CLIP
	916381	1	CAPSCREW, 3/8" NF x 3/4" } Also see INSTRU-
	906960	1	LOCKWASHER, Int. Tooth, 3/8" } MENTS AND PANEL
	911041	1	NUT, 3/8"NF }
7	{ 3031791	1	HARNESS, wiring (Used prior to TL-30D #205)
	3034585	1	HARNESS, wiring (Effective with TL-30D# 205)
8	3031789	2	CLIP
9	3031787	2	BINDER
10	3026376	1	CLIP (See COWL AND FLOOR PLATES GROUP for fasteners)
11	3041200	1	BRACKET (See COWL AND FLOOR PLATE GROUP for fasteners)
12	3041290	1	HORN
	904204	2	LOCKWASHER, 1/4"
	911040	2	NUT, 1/4" NF
13	3011632	1	CLIP
	916381	1	CAPSCREW, 3/8" NF x 3/4"
	904206	1	LOCKWASHER, 3/8"
14	3032809	1	FLASHER ASSEMBLY (Includes items 15 thru 19) (for fasteners see BRAKE CONTROL GROUP)
15	3032805	1	RELAY
	920637	2	CAPSCREW, 1/4" NF x 1/2"
	904204	2	LOCKWASHER, 1/4"
	911040	2	NUT, 1/4" NF
16	3032807	1	BRACKET
17	3032804	1	FLASHER
18	3032808	1	WIRE ASSEMBLY
19	3032803	1	RESISTOR
	921365	2	SCREW, self tapping, #4 x 1/2"
20	3023414	2	CLIP (for fasteners see BRAKE CONTROL AND INTAKE MANIFOLD)

(Used prior to loader #205)

(Continued)

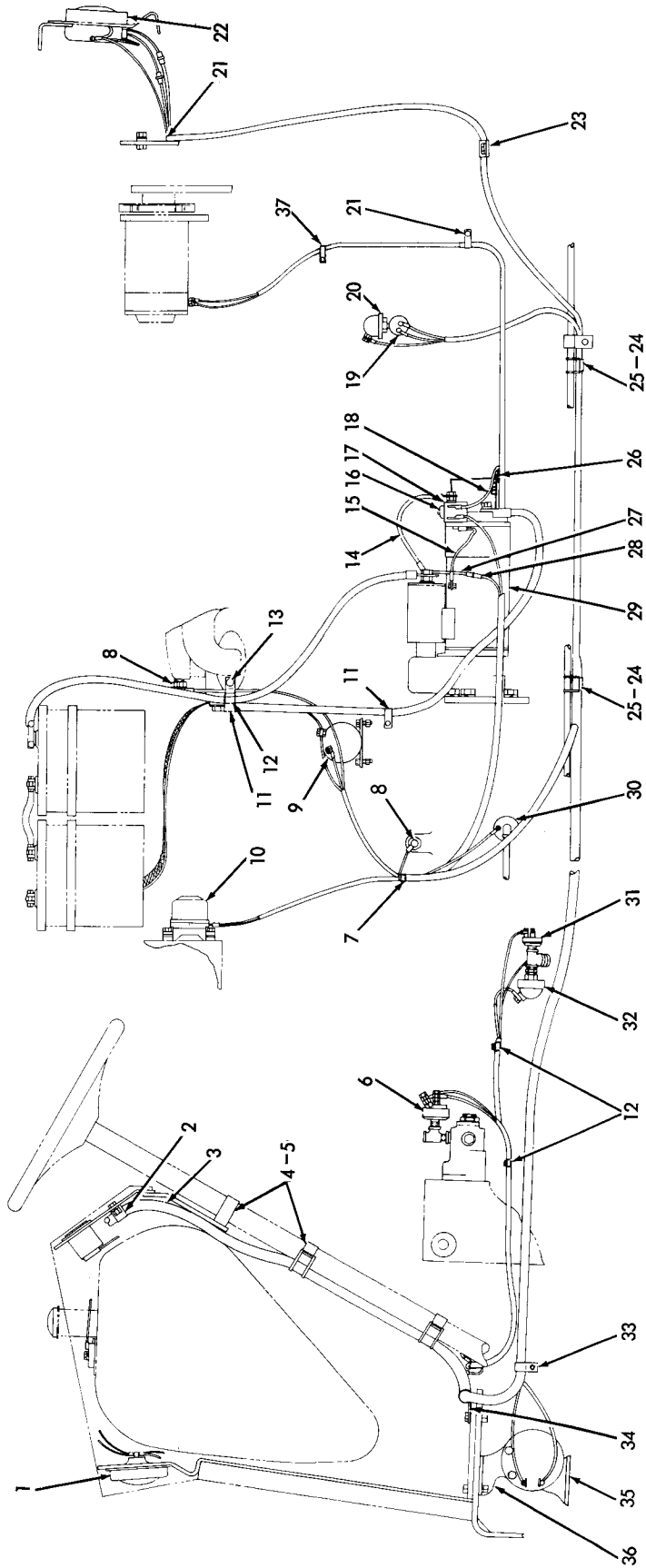
LIGHTS AND WIRING (Continued)

ITEM	PART NO.	QTY.	DESCRIPTION
21	3031667	1	SWITCH, stop light
22	3031668	1	SWITCH, low pressure
	917391	1	TEE
	917495	1	NIPPLE, close (Brass)
	917352	1	BUSHING, reducing, 3/8" to 1/8"
23	3031669	1	SENDER, pressure
24	3031790	3	CLIP
25	3031788	3	BINDER
26	3014716	3	CLIP
26a	3024932	2	CLIP
26b	3037429	1	CLIP
27	3020768	2	SENDER, temperature
28	3031669	1	SENDER, pressure
	901676	1	ELBOW, pipe, 90°, 1/8" NPT
	901472	1	NIPPLE, 1/4" NPT
	901825	1	BUSHING, pipe, 1/4" to 1/8"
29	-----	1	MOTOR, starting (See page 218)
30	3014716	1	CLIP
	916381	1	CAPSCREW, 3/8" NF x 3/4"
	904206	1	LOCKWASHER, 3/8"
31	3023545	1	WIRE ASSEMBLY
32	3032004	1	FUSE (30 amp.)
33	3041138	1	LIGHT ASSEMBLY, tail (See page 209 for parts)
34	3031544	1	SOLENOID
	916400	2	CAPSCREW, 1/4" NF x 3/4"
	904204	2	LOCKWASHER, 1/4"
	911040	2	NUT, 1/4" NF
35	3002737	1	CLIP (See cylinder head for fastener)
36	3037762	1	SENDER, pressure
	901702	1	TEE
	901469	1	NIPPLE, 1/8" NPT x 2"
37	3009981	1	SWITCH, pressure
38	3026317	1	REGULATOR, voltage
	916402	4	CAPSCREW, 1/4" NF x 1-1/2"
	904204	4	LOCKWASHER, 1/4"
	911040	4	NUT, 1/4" NF



LIGHT ASSEMBLY 3037089

ITEM	PART NO.	QTY.	DESCRIPTION
NOTE: See page 215 for listing of complete Assembly. Quantities listed are for one (1) Light only.			
1	3037092	1	RETAINER, element
2	3027198	1	ELEMENT, sealed beam
3	3037091	1	FRAME, light assembly (Includes self tapping screw)



T-39623

LIGHTS AND WIRING

LIGHTS AND WIRING

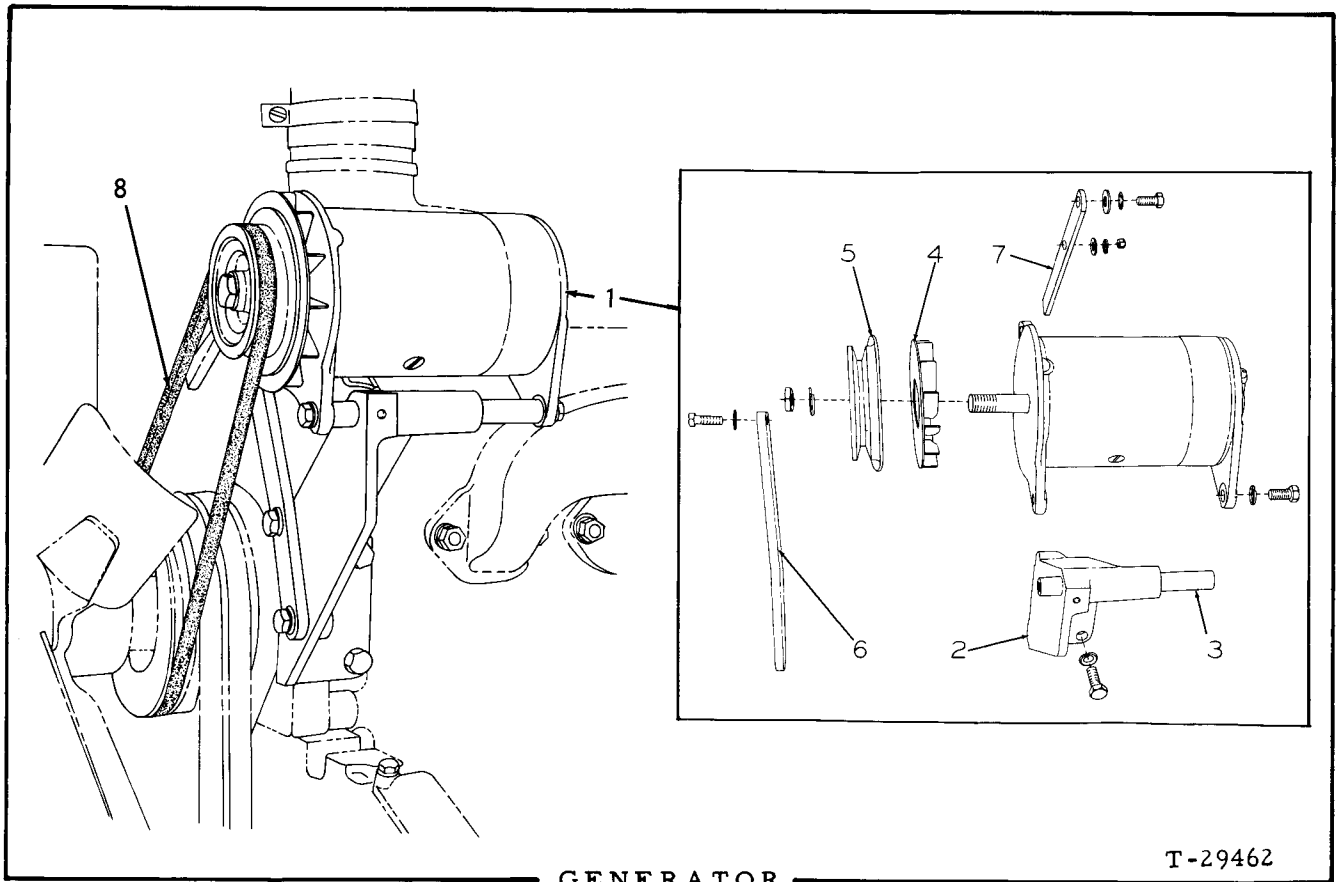
USAGE: Effective with loader #434

ITEM	PART NO.	QTY.	DESCRIPTION
1	3037089	6	LIGHT ASSEMBLY, sealed beam (See page 213 for parts)
2	3011632	1	CLIP
	916381	1	CAPSCREW, 3/8" NF x 3/4"
	906960	1	LOCKWASHER, int. tooth, 3/8"
	911041	1	NUT, 3/8" NF
3	3034585	1	HARNESS, wiring
4	3031789	2	CLIP
5	3031787	2	BINDER
6	3031667	1	SWITCH, stop light
7	3023414	2	CLIP (See transmission support for fasteners)
8	3020768	2	SENDER, temperature
9	3031544	1	SOLENOID
	916400	2	CAPSCREW, 1/4" NF x 3/4"
	904204	2	LOCKWASHER, 1/4"
	911040	2	NUT, 1/4" NF
10	3026317	1	REGULATOR, voltage
	916402	4	CAPSCREW, 1/4" NF x 1-1/2"
	904204	4	LOCKWASHER, 1/4"
	911040	4	NUT, 1/4" NF
11	3014716	2	CLIP
	916381	1	CAPSCREW, 3/8" NF x 3/4"
	904206	1	LOCKWASHER, 3/8"
12	3023414	2	CLIP (For fasteners see INTAKE MANIFOLD AND BRAKE CONTROL)
13	3024932	1	CLIP (See CYLINDER HEAD for fastener)
14	3035498	1	WIRE ASSEMBLY (Includes terminals)
15	3033393	1	WIRE ASSEMBLY (Includes terminals)
16	4513207	1	SWITCH, solenoid
	916400	2	CAPSCREW, 1/4" NF x 3/4"
	904204	2	LOCKWASHER, 1/4"
	911040	2	NUT, 1/4" NF
17	3035499	1	BRACKET, solenoid switch mounting
	916225	2	CAPSCREW, 3/8" NF x 1"
	906960	1	LOCKWASHER, internal tooth, 3/8"
	911115	2	WASHER, plain, SAE std., 3/8"
18	3021333	1	WIRE ASSEMBLY (Includes terminals)
19	3009981	1	SWITCH, pressure (hour meter)

(Continued)

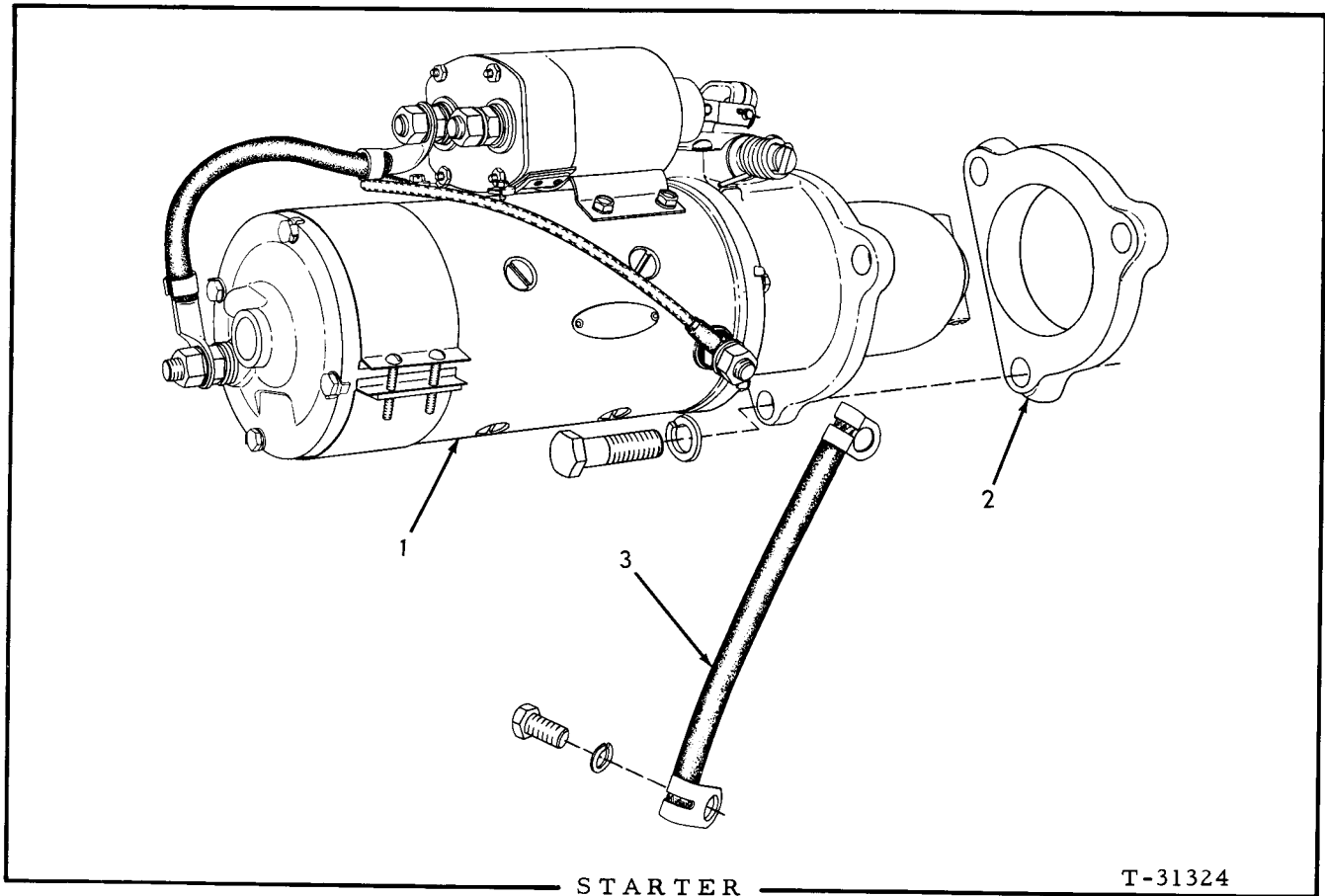
LIGHTS AND WIRING (Continued)

ITEM	PART NO.	QTY.	DESCRIPTION
20	3037762	1	SENDER, pressure, engine oil
	914630	1	CROSS, 1/8" NPT
	901469	1	NIPPLE, 1/8" NPT x 2"
21	3024932	2	CLIP
	916309	1	CAPSCREW, 1/2" NC x 3/4"
	911115	1	WASHER, plain, SAE std., 3/8"
	904208	1	LOCKWASHER, 1/2"
22	3041138	1	LIGHT ASSEMBLY, tail (See page 209 for parts)
	917441	4	SCREW, machine, #8 NC x 1/2"
	906964	4	LOCKWASHER, #8
	907154	4	NUT, #8 NC
23	3037429	1	CLIP (See radiator and support group for fasteners)
24	3031790	3	CLIP, wire supporting
25	3031788	3	BINDER, clip
26	3002529	1	CLIP, wire supporting
27	3023545	1	WIRE ASSEMBLY (Includes terminals)
28	3032004	1	FUSE (30 amp.) (slow blow)
29	-----	1	MOTOR, starting (See page 218)
30	3031669	1	SENDER, pressure
	901676	1	ELBOW, pipe, 90°, 1/8" NPT
	901472	1	NIPPLE, 1/8" NPT x 3-1/2" } (Used prior to loader #638)
	904273	1	NIPPLE, pipe, 1/8" x 1" (Effective with loader #638)
	901825	1	BUSHING, pipe, 1/4" to 1/8" (Used prior to loader #638)
	901763	1	COUPLING, pipe, 1/8" NPT (Effective with loader #638)
31	3031668	1	SWITCH, low pressure
	917391	1	TEE, pipe, 1/8" NPT
	920215	1	NIPPLE, pipe, 1/8" NPT
	917352	1	BUSHING, reducing, 3/8" to 1/8"
32	3031669	1	SENDER, pressure
33	3011632	1	CLIP, wire mounting
	916381	1	CAPSCREW, 3/8" NF x 3/4"
	904206	1	LOCKWASHER, 3/8"
34	3026376	3	CLIP, wiring harness (See floor plates group for fasteners)
35	3042960	1	HORN ASSEMBLY (Serviced only as a unit)
	904204	2	LOCKWASHER, 1/4" } (First type)
	911040	2	NUT, 1/4" NF
	3042966	1	NUT, 7/8" (Second type)
36	3041200	1	BRACKET, horn (First type)
	3042959	1	BRACKET, mounting, horn (Second type)
	913249	1	CAPSCREW, 1/2" NF x 1-1/4"
	904208	1	LOCKWASHER, 1/2"
	911043	1	NUT, 1/2" NF
37	3024932	1	CLIP, wire supporting
	915308	1	CAPSCREW, 3/8" NC x 3/4"
	904206	1	LOCKWASHER, 3/8"
	911115	1	WASHER, plain, SAE std., 3/8"



GENERATOR

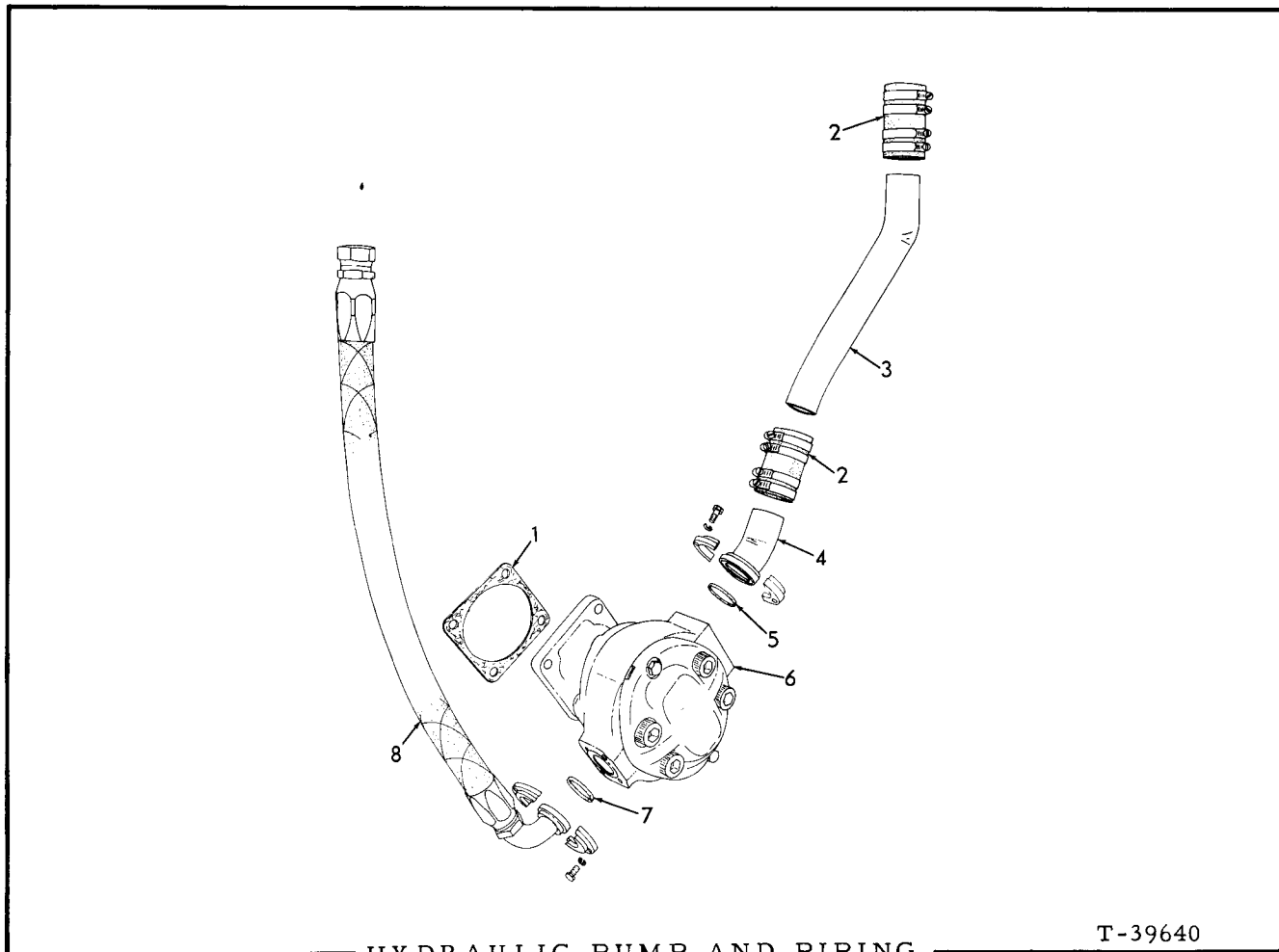
ITEM	PART NO.	QTY.	DESCRIPTION
1	4347982	1	GENERATOR (Includes key, nut and washer for pulley) (DELCO-REMY #1105988. Order service parts from local United Motor Service agency)
	904706	2	CAPSCREW, 7/16"NC x 1-1/4"
	904207	2	LOCKWASHER, 7/16"
2	4337888	1	BRACKET, generator mounting
	915987	3	CAPSCREW, 1/2"NC x 1-1/2"
	904208	3	LOCKWASHER, 1/2"
	902871	1	SCREW, locking, 3/8"NC x 1/2", hex.-socket
3	4374627	1	SPACER, generator bracket
4	4502638	1	FAN, generator cooling
5	4336804	1	PULLEY
6	4336873	1	BRACE, generator adjusting support
	916310	1	CAPSCREW, 1/2"NC x 1"
	919224	1	CAPSCREW 3/8" NC x 1-1/8"
	904208	2	LOCKWASHER, 1/2"
7	4336795	1	BRACE, generator adjusting
	916271	2	CAPSCREW, 3/8"NC x 1"
	900817	1	WASHER, plain, U. S. std., 3/8"
	904206	2	LOCKWASHER, 3/8"
	910324	2	NUT, 3/8"NC
8	4613571	1	BELT, generator



STARTER

T-31324

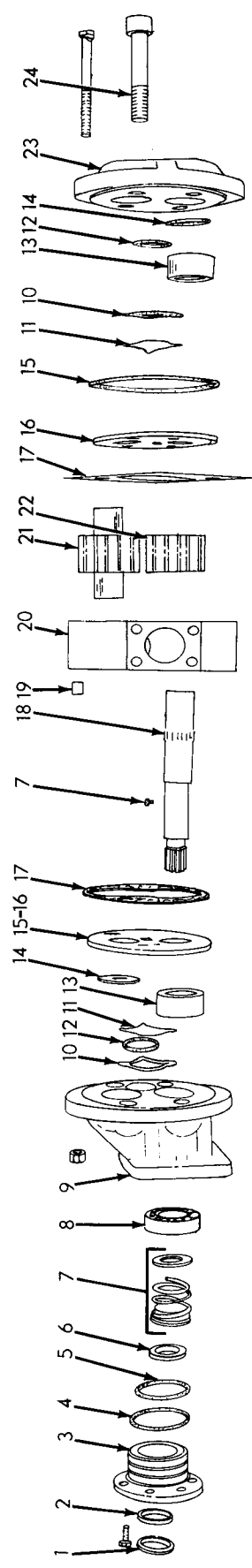
ITEM	PART NO.	QTY.	DESCRIPTION
1	4387529	1	MOTOR, starting (Used prior to loader #638)
	4387600	1	MOTOR, starting (Delco-Remy #1113855) (Order parts from Local United Motors Service Agency) (Effective with loader #638)
	915963	3	CAPSCREW, 5/8" NC x 2-1/4"
	904209	3	LOCKWASHER, 5/8"
2	4346320	1	ADAPTER, starting motor
3	3031737	1	CABLE, starter to ground
	-----	1	CAPSCREW
	-----	1	LOCKWASHER } (See Cylinder Head Group)



HYDRAULIC PUMP AND PIPING

T-39640

ITEM	PART NO.	QTY.	DESCRIPTION
1	3023917	1	GASKET, pump mounting
2	3020955 921913	2 8	HOSE, 2" I. D. x 4" CLAMP, hose, adjustable (1-13/16" to 2-3/4")
3	3029826	1	TUBE
4	3033862 921558 916311 904208	1 2 4 4	ADAPTER FLANGE, split (half) (2") CAPSCREW, 1/2" NC x 1-1/4" LOCKWASHER, 1/2"
5	3003438	1	O-RING, sealing
6	3033353 915987 904208	1 4 4	PUMP ASSEMBLY, hydraulic (See page 221 for parts) CAPSCREW, 1/2" NC x 1-1/2" LOCKWASHER, 1/2"
7	923664	1	O-RING, sealing
8	3040712 921117 916197 904207	1 2 4 4	HOSE ASSEMBLY, pressure line (Crimped type) (Serviced only as a unit) FLANGE, split (half) (2-5/16") CAPSCREW, 7/16" NC x 1-1/4" LOCKWASHER, 7/16"

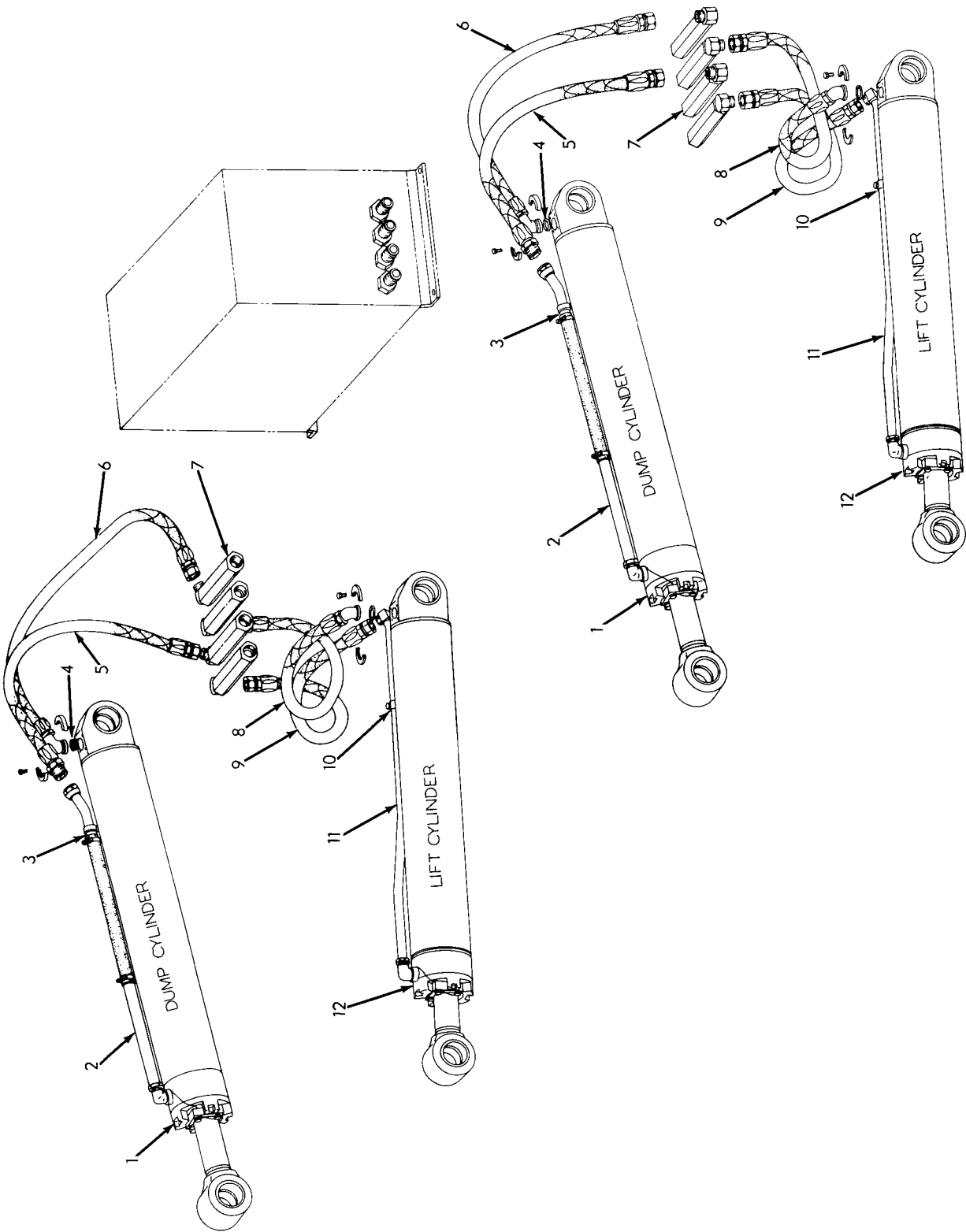


T-34401

HYDRAULIC PUMP ASSEMBLY 3033353

HYDRAULIC PUMP ASSEMBLY 3033353

ITEM	PART NO.	QTY.	DESCRIPTION
			NOTE: See page 219 for listing of complete Assembly.
1	3033357	1	SEAL, retainer
2	3033358	1	SEAL, retainer, low pressure
3	3033360	1	RETAINER, seal assembly
	3033370	6	CAPSCREW (Special)
4	923585	1	O-RING, retainer
5	923584	1	O-RING, retainer
6	3033356	1	SEAT ASSEMBLY (Serviced only as a unit)
7	3023871	1	SEAL ASSEMBLY (Serviced only as a unit)
8	3011878	1	BEARING, ball
9	3042043	1	ADAPTER ASSEMBLY (Includes 1 PIN 916169 and items 13 and 19)
	916169	1	PIN, roll, 3/16" x 3/4"
10	3023858	2	RING, cover
11	3033369	2	RING, back-up
12	923578	2	O-RING, front and rear (Used prior to approximately March 1963)
13	3033933	4	BEARING, adapter
14	3011884	2	WASHER, thrust
15	3011905	2	O-RING, sealing
16	606360	2	PLATE, wear
17	3023860	2	GASKET
18	3033364	1	SHAFT, drive
19	3024417	4	SLEEVE, front and rear
20	3033361	1	HOUSING, pump mounting
21	3033366	1	GEAR, driven
22	3033365	1	GEAR, drive
23	3042042	1	COVER ASSEMBLY, end (Includes 1 PIN 916169 and items 13, 14 and 19)
	920604	2	CAPSCREW, 1/2" NF x 5-1/4"
	919058	2	NUT, 1/2" NF
24	606383	4	CAPSCREW (Special) skt.-hd.
	916169	1	PIN, roll, 3/16" x 3/4"

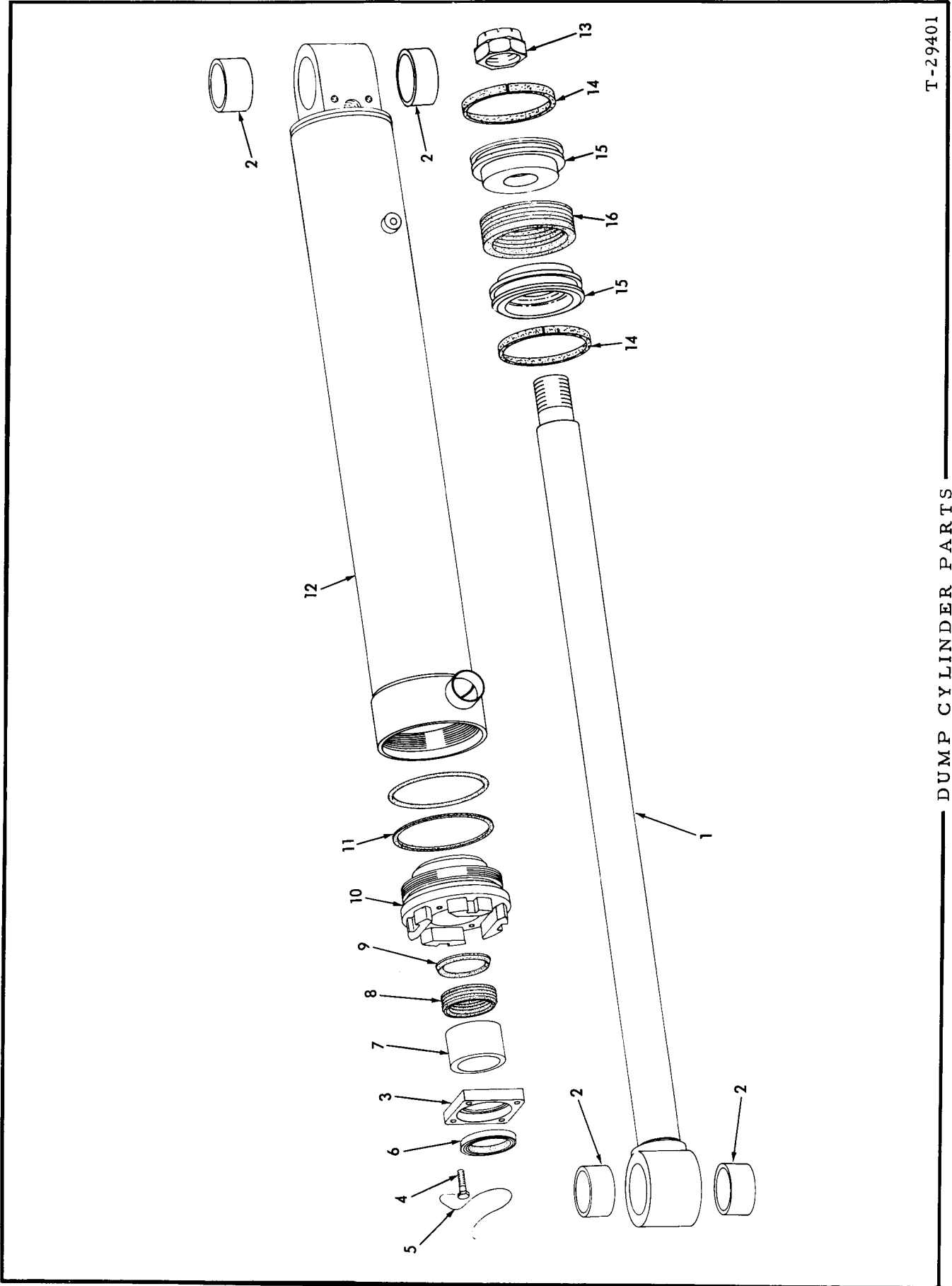


T-39639

HYDRAULIC CYLINDER AND PIPING

HYDRAULIC CYLINDER AND PIPING

ITEM	PART NO.	QTY.	DESCRIPTION
1	3029143	1	CYLINDER ASSEMBLY, dump, left (See page 225 for parts)
	3029144	1	CYLINDER ASSEMBLY, dump, right (See page 225 for parts)
2	3029012	2	TUBE ASSEMBLY (Includes hose)
	921911	4	CLAMP, hose (11/16" to 1-1/4")
	920686	2	ELBOW, 90°, flare type, 1" tube, 1" NPT
3	3001131	2	CLIP, tube
	916381	2	CAPSCREW, 3/8" NF x 3/4"
	904206	2	LOCKWASHER, 3/8"
4	923649	4	O-RING, sealing
5	3042293	2	HOSE ASSEMBLY, bucket retract line (Crimped type) (Serviced only as a unit)
6	3042323	2	HOSE ASSEMBLY, bucket dump line (Crimped type) (Serviced only as a unit)
	921116	4	FLANGE, split (half) (2-5/16")
	915228	8	CAPSCREW, 3/8" NF x 1-1/4"
	904206	8	LOCKWASHER, 3/8"
7	3021607	8	ELBOW ASSEMBLY, swivel (Serviced only as a unit)
8	3042324	2	HOSE ASSEMBLY, bucket raise line (Crimped type) (Serviced only as a unit)
	921116	4	FLANGE, split (half) (2-5/16")
	915228	8	CAPSCREW, 3/8" NF x 1-1/4"
	904206	8	LOCKWASHER, 3/8"
9	3042292	2	HOSE ASSEMBLY, left and right, bucket lowering line (Crimped type) (Serviced only as a unit)
10	3001131	2	CLIP, tube
	916381	2	CAPSCREW, 3/8" NF x 3/4"
	904206	2	LOCKWASHER, 3/8"
11	3029013	1	TUBE ASSEMBLY, left
	3029014	1	TUBE ASSEMBLY, right
	920686	2	ELBOW, 90°, flare type, 1" tube, 1" NPT
12	3029147	1	CYLINDER ASSEMBLY, lift, left side (See page 227 for parts)
	3029148	1	CYLINDER ASSEMBLY, lift, right side (See page 227 for parts)



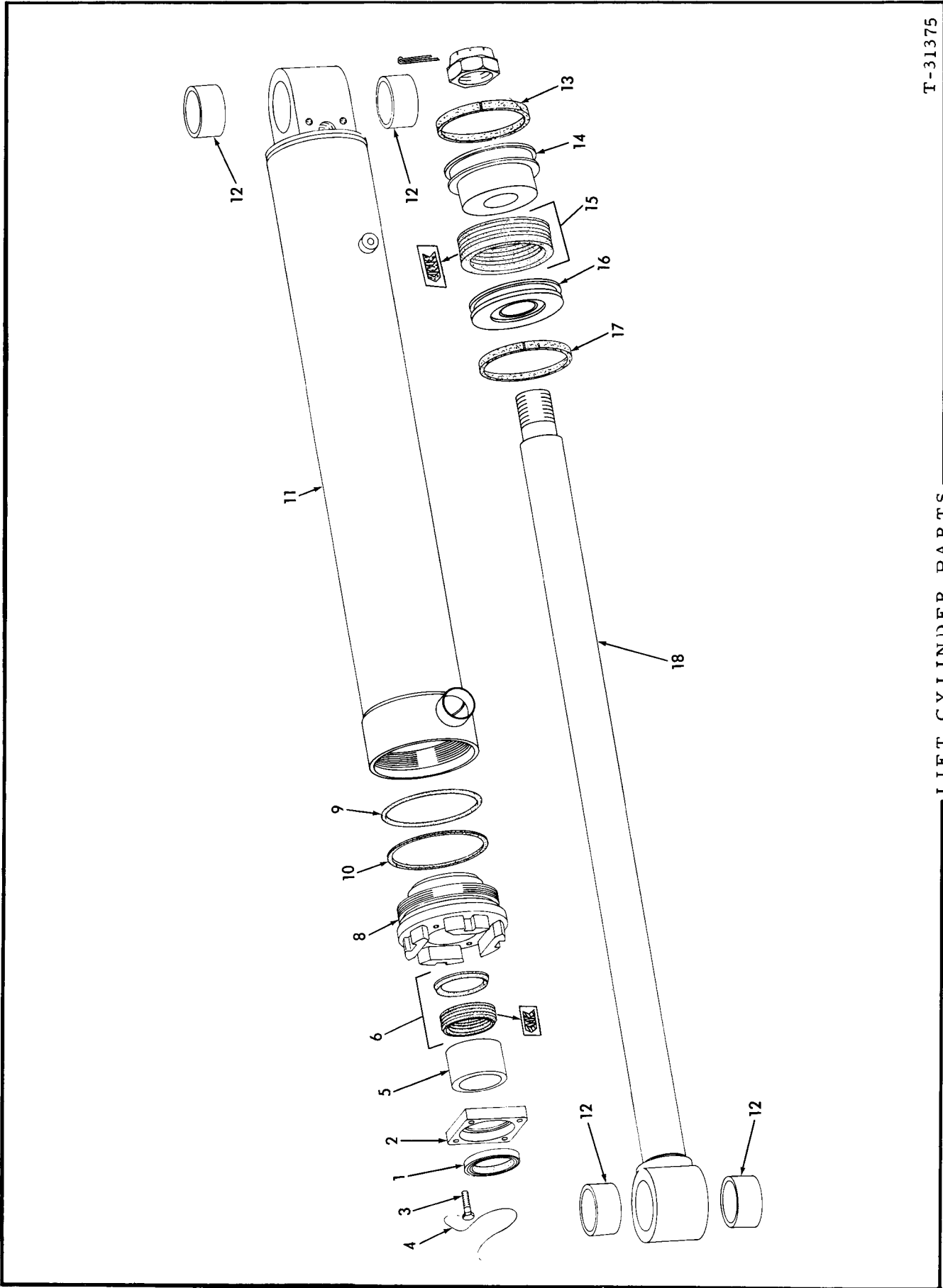
T-29401

DUMP CYLINDER PARTS

DUMP CYLINDER PARTS

USAGE: * 3029143 CYLINDER ASSEMBLY, left
 ** 3029144 CYLINDER ASSEMBLY, right

ITEM	PART NO.	QTY. * **	DESCRIPTION
			NOTE: See page 223 for parts. Quantities indicated are for one (1) Cylinder only.
1	3029146	1 1	ROD ASSEMBLY, piston (Includes 2 BUSHING 3001119)
2	3001119	4 4	BUSHING, piston rod and tube assembly
3	3016405	1 1	PLATE, end
4	3007904	4 4	CAPSCREW, drilled-hd., 3/8" NC x 1-1/2"
5	3001085	2 2	WIRE, locking, 16 Ga. x 17" long
6	3001538	1 1	SEAL, piston rod wiping
7	3016601	1 1	BEARING, rod packing
8	3017249	1 1	PACKING SET, rod
9	3001532	1 1	RING, adapter, male
10	3016272	1 1	HEAD, cylinder
	923593	1 1	O-RING, sealing
11	3016189	1 1	RING, back-up
12	{ 3029141	1 -	CYLINDER ASSEMBLY (Includes 2 BUSHING 3001119)
	{ 3029142	- 1	CYLINDER ASSEMBLY (Includes 2 BUSHING 3001119)
13	3017556	1 1	NUT, safety
14	3001482	2 2	RING, bearing
15	3019973	2 2	PISTON
16	3001476	1 1	PACKING SET, piston
-	3003160	- -	SHIM, piston (.0359" thick. Use as req'd)
-	3038846	1 1	REPAIR KIT, cylinder (Consists of 1 O-RING 923593 and items 4 thru 9, 11, 14 and 16)



T-31375

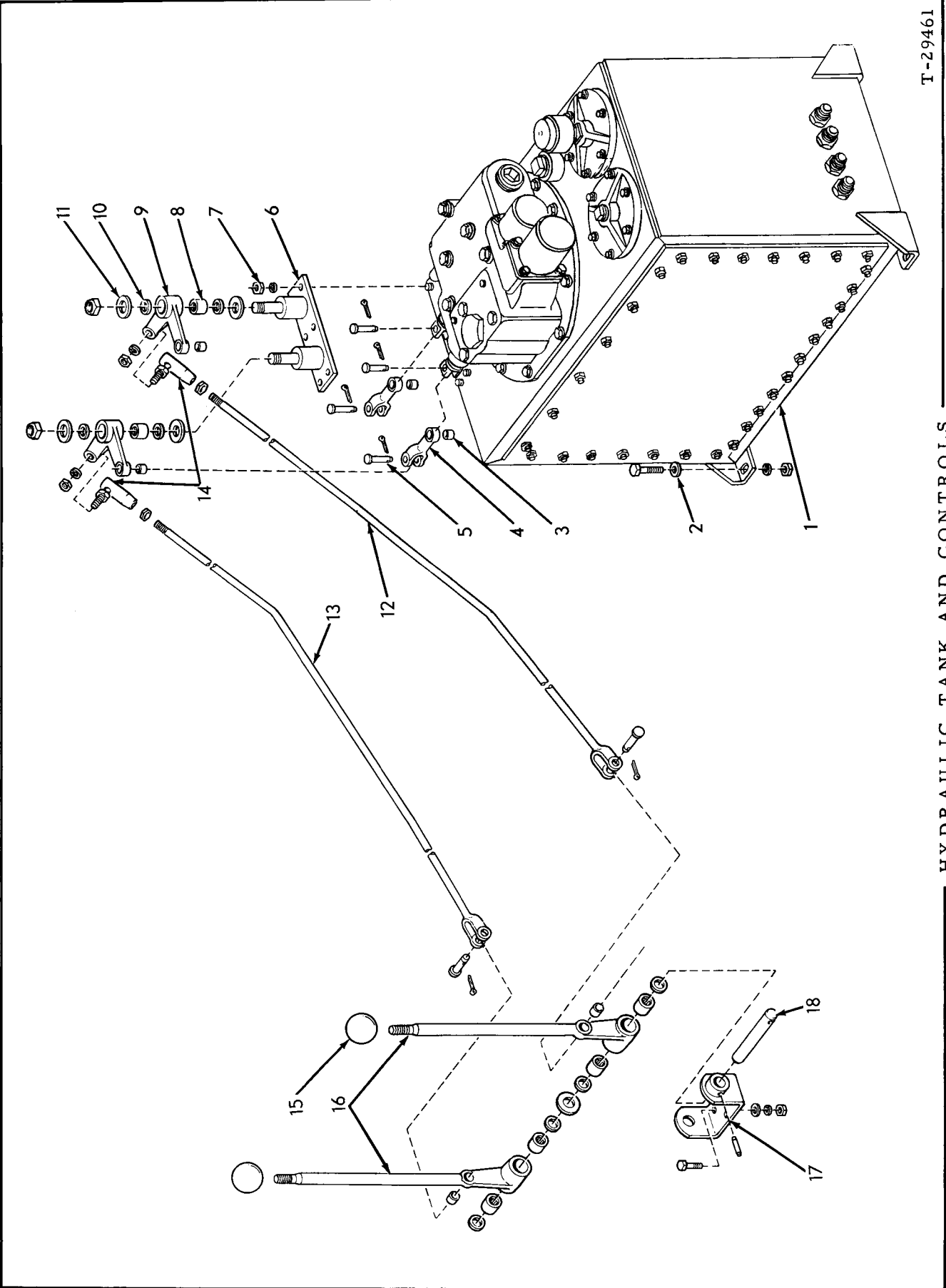
LIFT CYLINDER PARTS

LIFT CYLINDER PARTS

USAGE: * 3029147 CYLINDER ASSEMBLY, left
 ** 3029148 CYLINDER ASSEMBLY, right

ITEM	PART NO.	QTY. * **	DESCRIPTION
			NOTE: See page 223 for listing of complete Assembly. Quantities indicated are for one (1) Cylinder only.
1	3008139	1 1	SEAL, piston rod wiping
2	3019937	1 1	PLATE, end
3	3001090	4 4	CAPSCREW, drilled-hd., 1/2" NC x 1-3/4"
4	3001085	2 2	WIRE, locking, 16 Ga. x 17"
5	3019891	1 1	BEARING, rod packing
6	3021362	1 1	PACKING SET, rod
8	3019970	1 1	HEAD, cylinder
9	923595	1 1	O-RING, sealing
10	3019967	1 1	RING, back-up
11	3029406	1 -	TUBE ASSEMBLY, cylinder, left (Includes 2 BUSHING 3001119)
	3029407	- 1	TUBE ASSEMBLY, cylinder, right (Includes 2 BUSHING 3001119)
12	3001119	4 4	BUSHING, cylinder pivot
13	3004878	1 1	RING, bearing, rear piston
14	3007996	1 1	PISTON, rear
15	3004549	1 1	PACKING SET, piston
16	3007995	1 1	PISTON, front
17	3001850	1 1	RING, bearing, piston
18	3019969	1 1	ROD ASSEMBLY, piston (Includes 2 BUSHING 3001119)
	914465	1 1	FITTING, lubricating, straight, 1/8" NPT
	3017556	1 1	NUT, safety
19	3007809	- -	SHIM, spacing (1/32" thick. Use as req'd) (Not Illustrated)
-	3021367	1 1	REPAIR KIT (Consist of items 1, 3 thru 6, 9, 10, 13, 15 and 17)

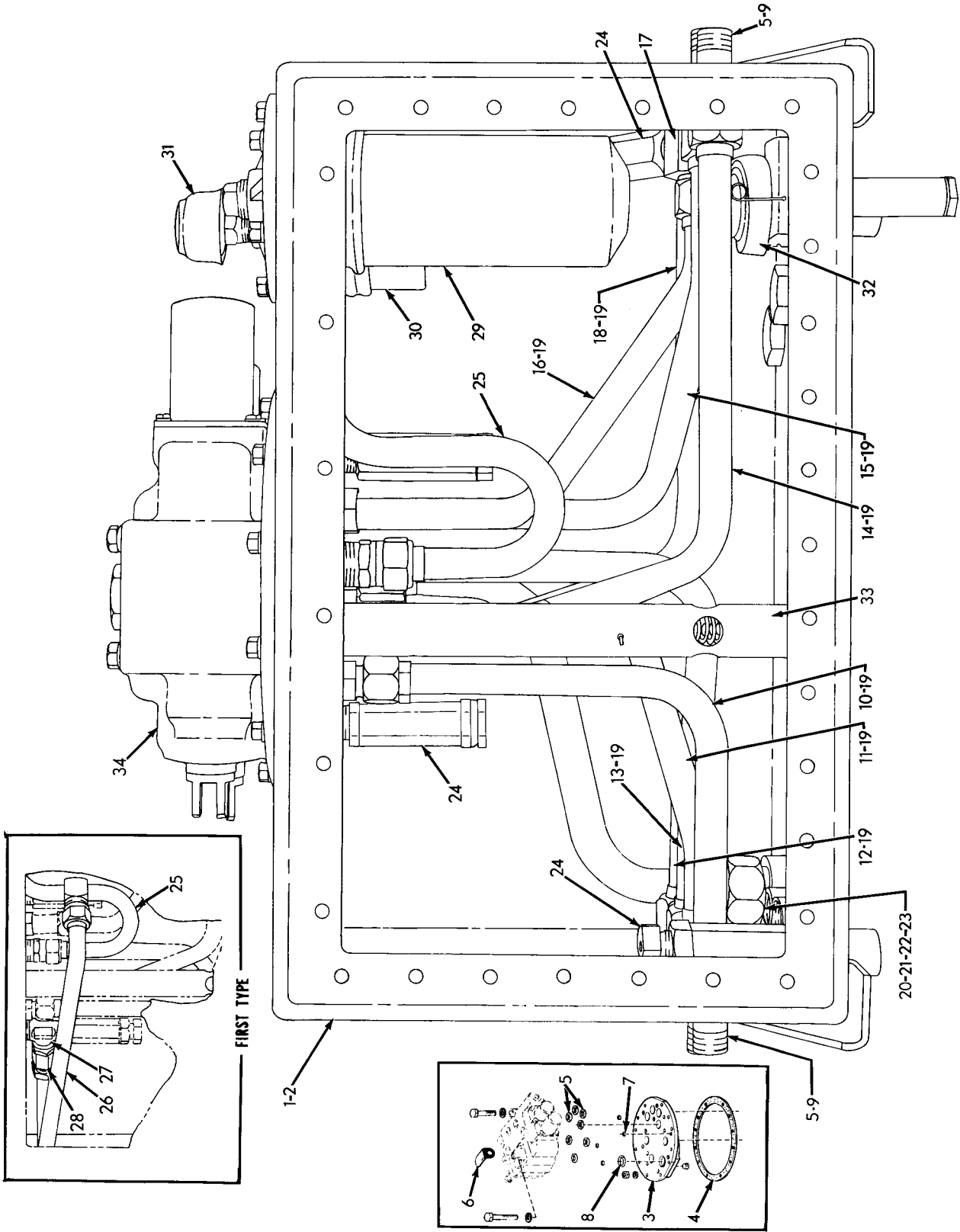
HYDRAULIC TANK AND CONTROLS



HYDRAULIC TANK AND CONTROLS

ITEM	PART NO.	QTY.	DESCRIPTION
1	3032091	1	TANK AND VALVE ASSEMBLY, hydraulic (See page 231 for parts)
	913105	4	CAPSCREW, 1/2" NF x 1-1/2"
2	3011243	4	WASHER, plain, 1/2"
	904208	4	LOCKWASHER, 1/2"
	911043	4	NUT, 1/2" NF
3	3013909	2	BUSHING
4	3032529	2	LINK ASSEMBLY (Includes 1 BUSHING 3013909)
5	3001565	4	PIN, link
	900806	4	PIN, cotter, 1/8" x 1"
6	3020988	1	BRACKET, mounting, bell crank
	904206	6	LOCKWASHER, 3/8"
7	3019683	6	NUT, 3/8" NC (Aluminum)
8	3005955	6	BEARING (Lettered end must face pressing tool)
9	3020839	2	CRANK ASSEMBLY, bell (Includes 1 BUSHING 3013909, 1 BEARING 3005955 and 2 SEAL 3005957)
	910255	2	WASHER, plain, SAE std., 3/4"
10	3005957	8	SEAL (Install with lips toward outside)
11	3017086	2	WASHER
	921138	2	NUT, locking, 3/4" NF
12	3031178	1	ROD, bucket control
	913177	2	NUT, jam, 1/2" NF
13	3031179	1	ROD, boom control
	913177	2	NUT, jam, 1/2" NF
14	3039764	4	JOINT, ball
	904208	4	LOCKWASHER, 1/2"
	913177	4	NUT, jam, 1/2" NF
15	3001171	2	KNOB, control lever
16	3021260	2	LEVER ASSEMBLY, control (Includes 2 BEARING 3005955 and 2 SEAL 3005957)
17	3017118	1	BRACKET, support, control lever
	915228	3	CAPSCREW, 3/8" NF x 1-1/4"
	911115	3	WASHER, plain, SAE std., 3/8"
	904206	3	LOCKWASHER, 3/8"
	911041	3	NUT, 3/8" NF
18	3017119	1	SHAFT
	910255	1	WASHER, plain, SAE std., 3/4"
	916937	1	PIN, roll, 1/4" x 1-1/4"

HYDRAULIC TANK AND VALVE ASSEMBLY 3032091



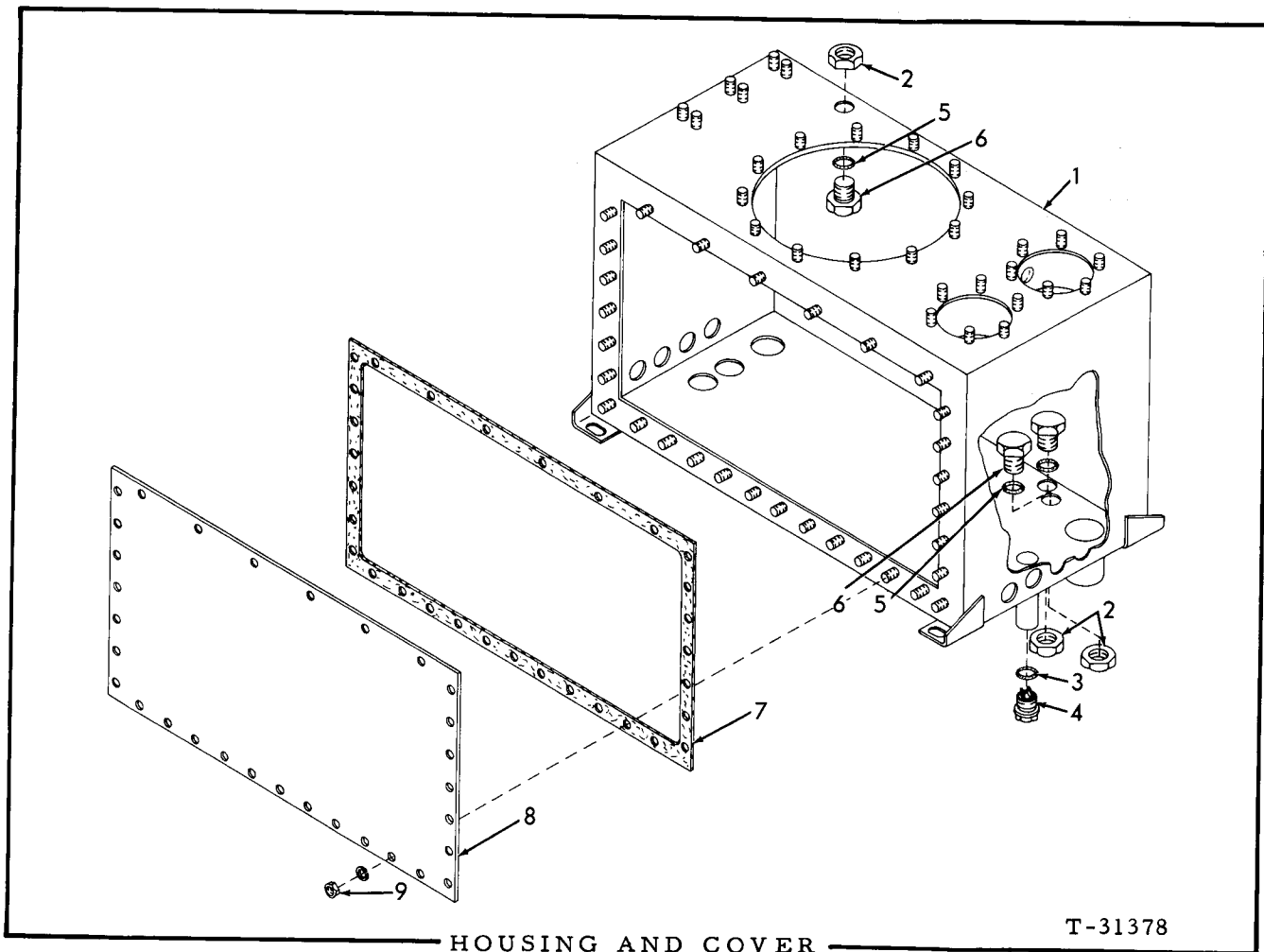
HYDRAULIC TANK AND VALVE ASSEMBLY 3032091

ITEM	PART NO.	QTY.	DESCRIPTION
			NOTE: See page 229 for listing of complete Assembly.
1	3033506	1	TANK ASSEMBLY, hydraulic oil (less valve) (Includes items 2 thru 4, 9 thru 33 and 11 O-RING 4252855)
2	-----	1	HOUSING, tank, hydraulic (See page 233 for parts)
3	3032522	1	PLATE, mounting, manifold and valve
	904206	12	LOCKWASHER, 3/8"
	3019683	12	NUT, 3/8" NC (aluminum)
	907856	1	PLUG, pipe, ctsk., 3/8" NPT
4	3016281	1	GASKET, mounting plate
5	923664	13	O-RING, sealing, control valve and union
6	3027059	1	PLATE, caution, relief valve
7	923663	4	O-RING, sealing, control valve
8	923577	1	O-RING, sealing, control valve
9	3031951	7	UNION, bulkhead, hose attaching
	919621	7	NUT, 1-5/16" NF
10	3032050	1	TUBE ASSEMBLY, boom lowering, right cylinder (Includes nuts)
11	3032056	1	TUBE ASSEMBLY, bucket return, right cylinder (Includes nuts)
12	3032058	1	TUBE ASSEMBLY, boom raise, right cylinder (Includes nuts)
13	3032055	1	TUBE ASSEMBLY, bucket dump, right cylinder (Includes nuts)
14	3032051	1	TUBE ASSEMBLY, boom lowering, left cylinder (Includes nuts)
15	3032101	1	TUBE ASSEMBLY, bucket return, left cylinder (Includes nuts)
16	3032062	1	TUBE ASSEMBLY, boom raise, left cylinder (Includes nuts)
17	3031953	1	TEE, bulkhead, raise line, right cylinder
	919621	1	NUT, 1-5/16" NF
18	3032052	1	TUBE ASSEMBLY, bucket dump, left cylinder (Includes nuts)
19	3028627	4	CONNECTOR, tube attaching (short)
	3028701	4	CONNECTOR, tube attaching (long)
20	3031952	1	UNION, bulkhead, hose attaching
	922548	1	NUT, locking, 1-5/8"
21	923578	1	O-RING, bulkhead union
22	3032064	1	TUBE ASSEMBLY, oil filter
23	3028703	1	CONNECTOR, tube attaching

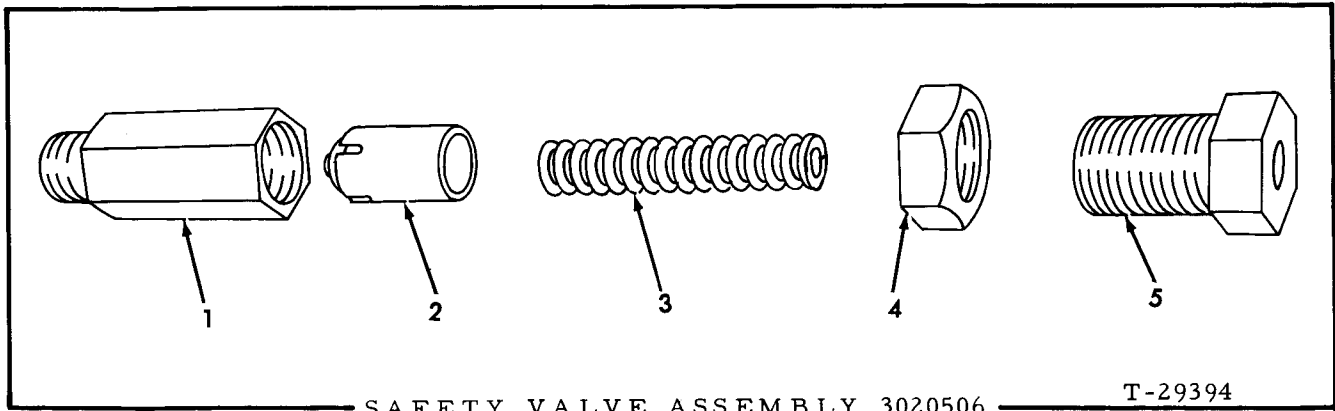
(Continued)

HYDRAULIC TANK AND VALVE ASSEMBLY 3032091 (Continued)

ITEM	PART NO.	QTY.	DESCRIPTION
24	3020506	4	VALVE ASSEMBLY, safety (See page 234 for parts)
25	3027023	1	TUBE ASSEMBLY, oil filter (Used prior to loader #717)
	3020442 919064	1 1	TUBE ASSEMBLY, oil filter (Effective with loader #717) CONNECTOR, flare type, 1" tube x 1" NPT
26	3027024	1	TUBE ASSEMBLY, filter (Used prior to loader #717)
27	3026967	1	TEE, pipe (Used prior to loader #717)
28	3026989	1	VALVE ASSEMBLY, check, compensator (See page 234 for parts) (Used prior to loader #717)
29	-----	1	FILTER AND COVER, hydraulic oil (See page 237 for parts)
30	-----	1	FILTER AND COVER, air (See page 237 for parts)
31	-----	1	BREATHER ASSEMBLY, air (See page 237 for parts)
32	-----	1	STRAINER AND MAGNET (Suction line) (See page 235 for parts)
33	3031814	1	TUBE ASSEMBLY, discharge, oil (See page 235 for parts)
34	3026347	1	VALVE ASSEMBLY, control (2 plunger type) (Used prior to loader #717) (See page 239 for parts)
	3038119	1	VALVE ASSEMBLY, control (2 plunger type) Standard (Effective with loader #717) (See page 243 for parts)
34	916426	2	CAPSCREW, 1/2" NF x 4-1/4"
	919177	5	CAPSCREW, 1/2" NF x 4-1/2"
	916428	2	CAPSCREW, 1/2" NF x 4-1/2"
	904208	7	LOCKWASHER, 1/2"
	3037224	1	VALVE ASSEMBLY, control (3 plunger type. Optional. For operation of auxiliary equipment) (First type. Used prior to approximately 10-63) (See page 239 for parts)
	3038117	1	VALVE ASSEMBLY, control (3 plunger type. Optional. For operation of auxiliary equipment) (Second type. Effective approximately 10-63) (See page 243 for parts)
	916428	2	CAPSCREW, 1/2" NF x 5"
	920602	1	CAPSCREW, 1/2" NF x 6"
	923118	4	CAPSCREW, 1/2" NF x 8-1/4"
	904208	7	LOCKWASHER, 1/2"

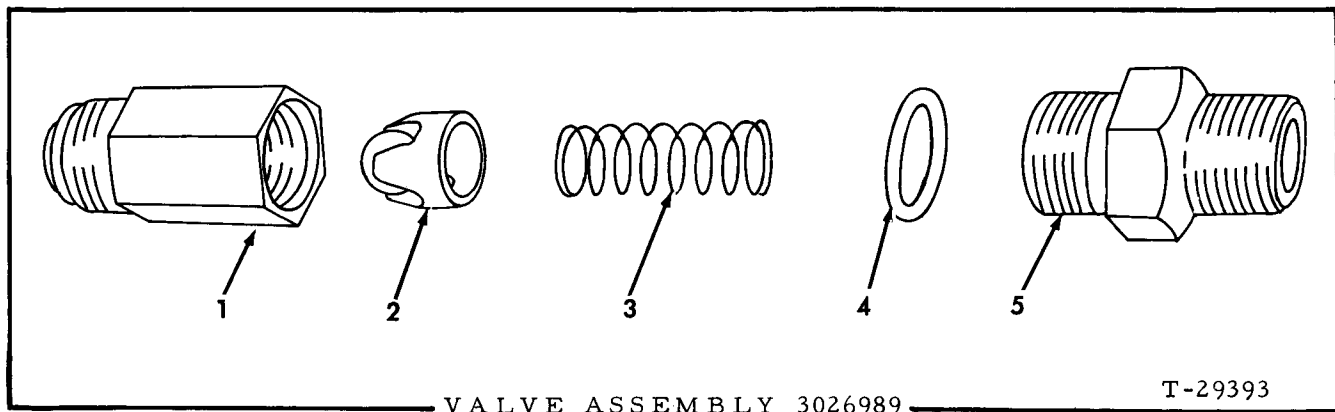


ITEM	PART NO.	QTY.	DESCRIPTION
1	3032088	1	TANK, hydraulic oil
2	3016404	3	NUT, 1-1/16"
3	3010158	1	GASKET
4	3010159	1	PLUG ASSEMBLY, magnetic drain (Includes item 3)
5	923649	3	O-RING, sealing
6	3016093	3	PLUG
7	3039902	1	GASKET, cover plate
8	3039900	1	COVER, plate
9	3019683	31	NUT, 3/8" NC (aluminum)
	904206	31	LOCKWASHER, 3/8"



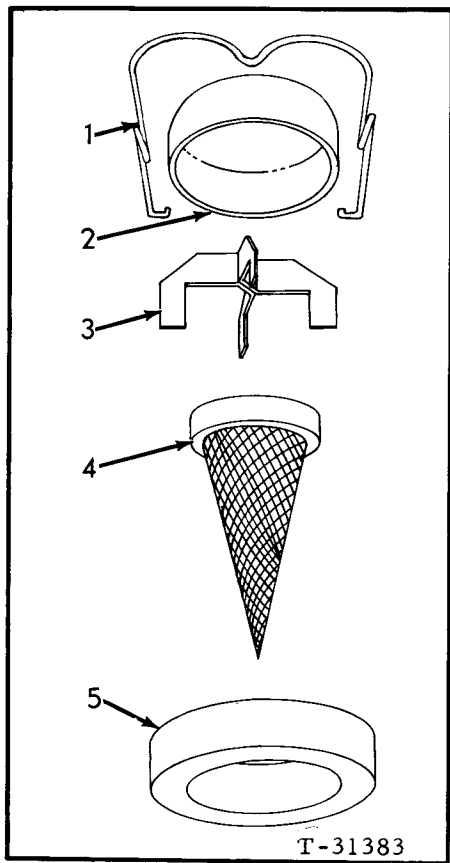
SAFETY VALVE ASSEMBLY 3020506 T-29394

ITEM	PART NO.	QTY.	DESCRIPTION
NOTE: See page 232 for listing of complete Assembly.			
1	3019598	1	BODY, valve
2	3019977	1	PLUNGER ASSEMBLY (Includes ball) (Serviced only as a unit)
3	3016277	1	SPRING, valve
4	3020521	1	NUT, jam, adjusting cap
5	3016278	1	CAP, adjusting, valve body



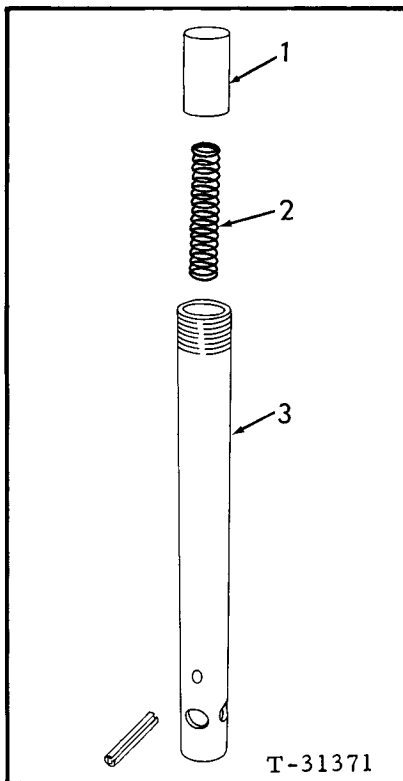
VALVE ASSEMBLY 3026989 T-29393

ITEM	PART NO.	QTY.	DESCRIPTION
NOTE: See page 232 for listing of complete Assembly.			
1	3026985	1	BODY, valve
2	3026988	1	PLUNGER ASSEMBLY (Includes ball) (Serviced only as a unit)
3	3026983	1	SPRING, plunger
4	923575	1	O-RING, sealing
5	3026986	1	CAP, valve



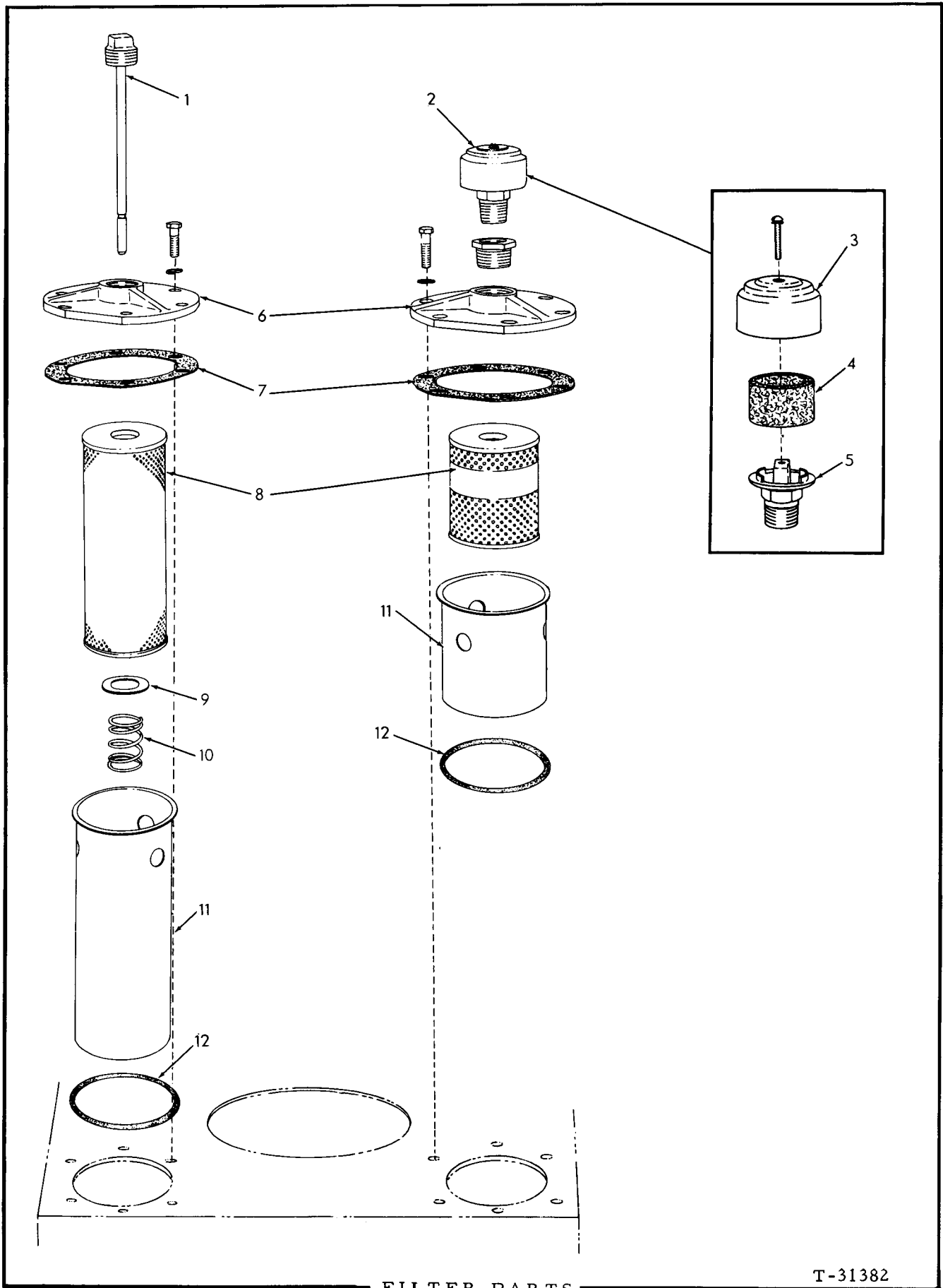
OIL STRAINER AND MAGNET

ITEM	PART NO.	QTY.	DESCRIPTION
1	3013848	1	BAIL, baffle locking
2	3013852	1	BAFFLE, suction line
3	3013847	1	SUPPORT, baffle
4	3010653	1	STRAINER, oil, suction line
5	3013850	1	MAGNET, oil filter



DISCHARGE TUBE ASSEMBLY 3031814

ITEM	PART NO.	QTY.	DESCRIPTION
NOTE: See page 232 for listing of complete Assembly.			
1	3016398	1	PLUNGER, oil discharge
2	3020394	1	SPRING, plunger
3	3016395 3028542	1 1	PIPE, oil discharge WIRE, 3/16" x 1-3/4"



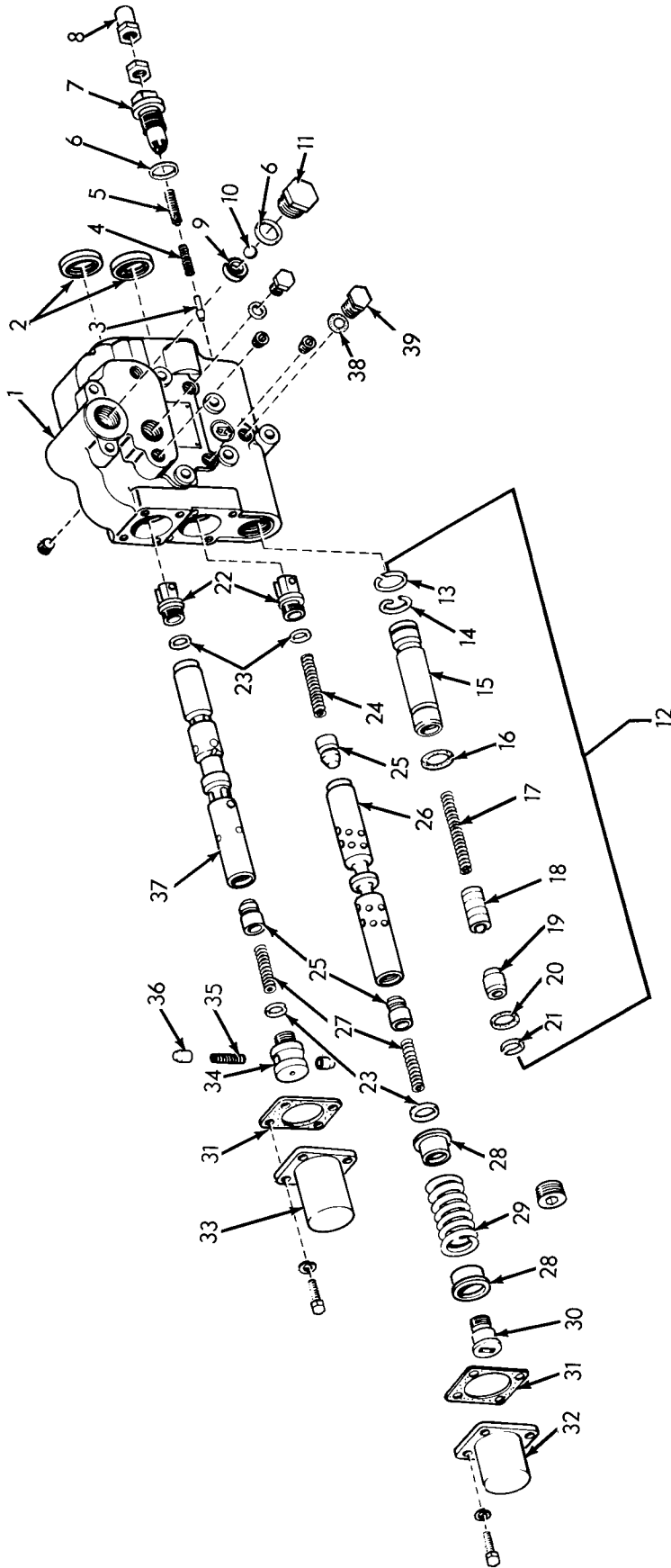
FILTER PARTS

T-31382

FILTER PARTS

USAGE: * Oil Filter
 ** Air Filter

ITEM	PART NO.	QTY.		DESCRIPTION
		*	**	
1	3016703	1	-	STICK, dip, oil
2	3002766	-	1	BREATHER ASSEMBLY (Includes item 3 thru 5)
	901829	-	1	BUSHING, pipe, reducing, 1" NPT to 3/4" NPT
3	3002768	-	1	CAP, air breather
	914172	-	1	SCREW, machine, #10 NF x 1-1/4"
	904203	-	1	LOCKWASHER, #10
4	-----	-	1	ELEMENT, air breather
5	3002767	-	1	BASE, air breather
6	3016078	1	1	COVER, filter
	3019683	6	6	NUT, aluminum, 3/8" NC
	904206	6	6	LOCKWASHER, 3/8"
7	3039899	1	1	GASKET, filter
8	-----	1	1	ELEMENT, oil and air filter
9	3016403	1	-	WASHER, spring, oil filter
10	3016399	1	-	SPRING, oil filter
11	3016079	1	-	CASE, oil filter
	3016080	-	1	CASE, air filter
12	923600	1	1	O-RING, sealing
-	3019695	1	1	ELEMENT KIT (Consist of items 4, 7, and 8)



CONTROL VALVE PARTS

CONTROL VALVE PARTS

USAGE: Used prior to loader #717
 * 3026347 Control Valve -2 plunger type (standard)
 ** 3037224 Control Valve -3 plunger type (optional)

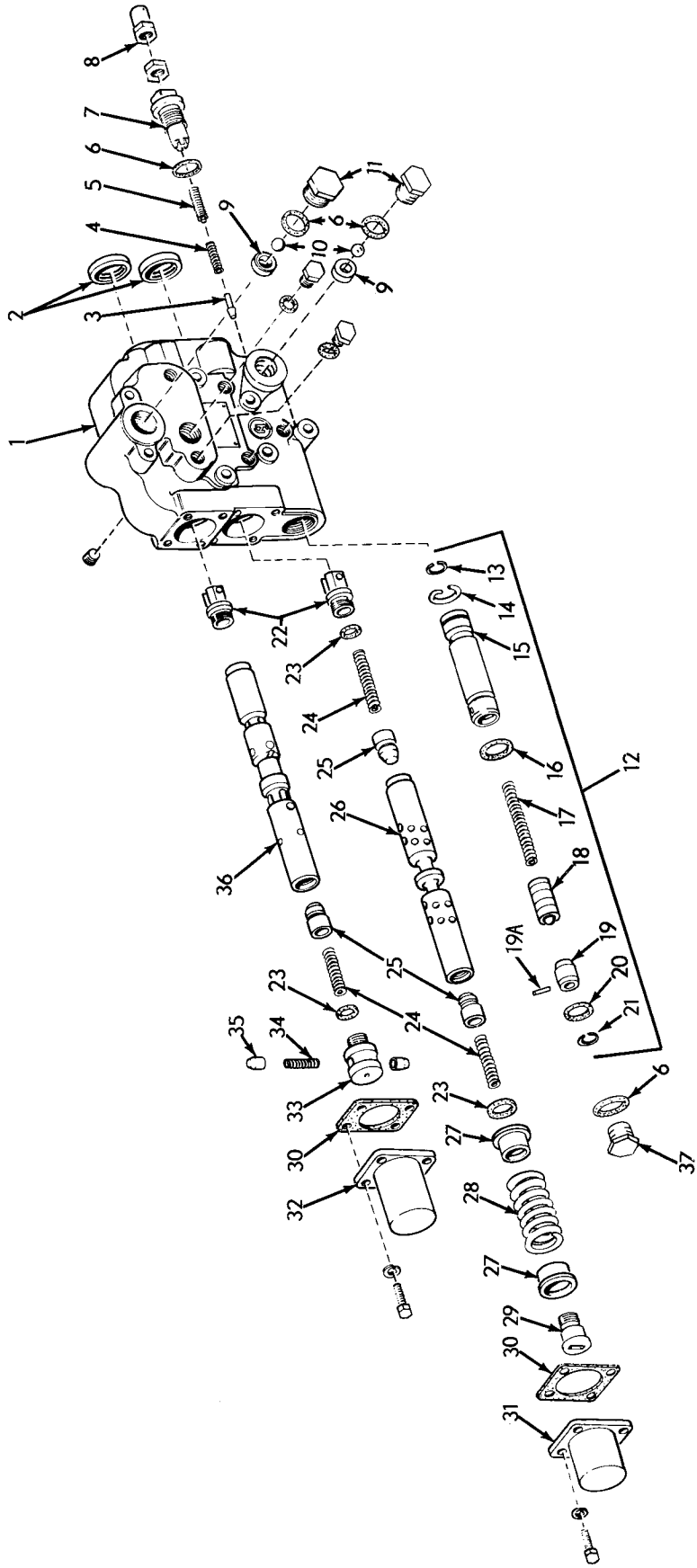
ITEM	PART NO.	QTY. * **	DESCRIPTION	
			NOTE: See page 232 for listing of complete Assembly.	
1	-----	1 1	HOUSING (Not serviced separately)	
	907859	4 3	PLUG, pipe, countersunk, 1/4" NPT	
	907856	1 1	PLUG, pipe, countersunk, 3/8" NPT	
	918697	1 1	PLUG, pipe, countersunk, 1-1/4" NPT	
	921206	1 1	O-RING, sealing	
	921204	1 1	PLUG, flare type, 3/4" tube, 1-1/16" straight thread (Includes 1 O-RING 921886)	
	921886	1 1	O-RING, sealing	
2	3001719	2 3	SEAL, plunger	
3	3027397	1 1	POPPET	
4	3027401	1 1	SPRING	
5	3027399	1 1	SCREW, adjusting	
	913177	1 1	NUT, 1/2" NF	
6	923649	2 2	O-RING, sealing	
7	3027398	1 1	CAP, adjusting	
8	3033939	1 1	NUT, acorn	
9	3016929	1 1	SEAT, check	
10	3020876	1 1	BALL	
11	3016931	1 1	CAP	
12	-----	1 1	VALVE ASSEMBLY, relief (Includes items 13 thru 21) (For service, order Valve Assembly 3041951)	
13	3027414	1 1	RING, snap	
14	3027407	1 1	WIRE, orifice	
15	-----	1 1	SLEEVE, relief valve (Not serviced, order 3041951)	
16	923564	1 1	O-RING, sealing (external)	
17	{	3027406	1 1	SPRING
		3010857	1 1	SPRING (Used with relief valve 3041951)
18	-----	1 1	PLUNGER ASSEMBLY (Not serviced, order 3041951)	
19	{	-----	1 1	SEAT, relief valve (Not serviced, order 3041951)
		3042421	1 1	PIN, roll (Used with relief valve 3041951)

(Continued)

CONTROL VALVE PARTS (Continued)

ITEM	PART NO.	QTY.		DESCRIPTION
		*	**	
20	923563	1	1	O-RING, sealing
	923562	1	1	O-RING, sealing (Used with relief valve 3041951)
21	3027410	1	1	RING, snap
22	3001721	2	3	EYE, plunger
23	923810	4	6	O-RING, plunger eye
24	3010857	1	2	SPRING, plunger
25	3001717	3	5	PLUNGER, check valve
26	-----	1	2	PLUNGER, double action (Not serviced separately)
27	3001716	2	3	SPRING, plunger
28	3016925	2	4	RETAINER, spring
29	3027405	1	2	SPRING
30	3016926	1	2	CAP, plunger
31	3016912	2	3	GASKET, detent cap
32	3016923	1	2	COVER, spring
	915809	4	8	CAPSCREW, 5/16" NC x 3/4"
	904205	4	8	LOCKWASHER, 5/16"
33	3016911	1	1	COVER, spring
	915809	4	4	CAPSCREW, 5/16" NC x 3/4"
	904205	4	4	LOCKWASHER, 5/16"
34	3016932	1	1	CAP, detent
35	3016928	1	1	SPRING, detent
36	3016927	2	2	PLUNGER, detent poppet
37	-----	1	1	PLUNGER, float (Not serviced separately)
38	3002746	1	1	O-RING, sealing
39	3028743	1	1	CAP

MEMO



T-37799

CONTROL VALVE PARTS

CONTROL VALVE PARTS

USAGE: Effective with loader #717.

* 3038119 Control Valve (2 plunger type) (Std.)
 ** 3038117 Control Valve (3 plunger type) (Optional,
 special equipment)

ITEM	PART NO.	QTY.	DESCRIPTION	
		* **		
NOTE: See page 232 for listing of complete Assembly.				
1	{	-----	1 - HOUSING (Not serviced, order 3038119)	
		-----	- 1 HOUSING (Not serviced, order 3038117)	
		922577	4 2	PLUG, 3/8" tube, 9/16" straight thread (Includes o-ring)
		921204	1 1	PLUG, 3/4" tube, 1-1/16" straight thread (Includes o-ring)
2	{	3039011	2 - SEAL, plunger	
		3038675	- 4 SEAL, plunger	
3	3027397	1 1	POPPET	
4	3027401	1 1	SPRING	
5		3027399	1 1 SCREW, adjusting	
		913830	1 1 NUT, jam, 1/2" NF	
6	923649	4 4	O-RING, sealing	
7	186399	1 1	CAP, adjusting	
8		3033939	1 1 NUT, acorn	
	8a	191995	1 1 WASHER, sealing	
9	3016929	2 2	SEAT, check	
10	3020876	2 2	BALL	
11	3016931	2 2	CAP	
12	3041951	1 1	VALVE ASSEMBLY, relief (Includes items 13 thru 21)	
13	3027414	1 1	RING, snap	
14	3027407	1 1	WIRE, orifice	
15	-----	1 1	SLEEVE, relief valve (Not serviced, order 3041951)	
16	923564	1 1	O-RING, sealing (external)	
17	{	3027406	1 1 SPRING (Used prior to loader #785)	
		3010857	1 1 SPRING (Effective with loader #785)	
18	-----	1 1	PLUNGER ASSEMBLY (Not serviced, order 3041951)	
19	-----	1 1	SEAT, relief valve (Not serviced, order 3041951)	
19a	3042421	1 1	PIN, roll (special) (Effective with loader #785)	

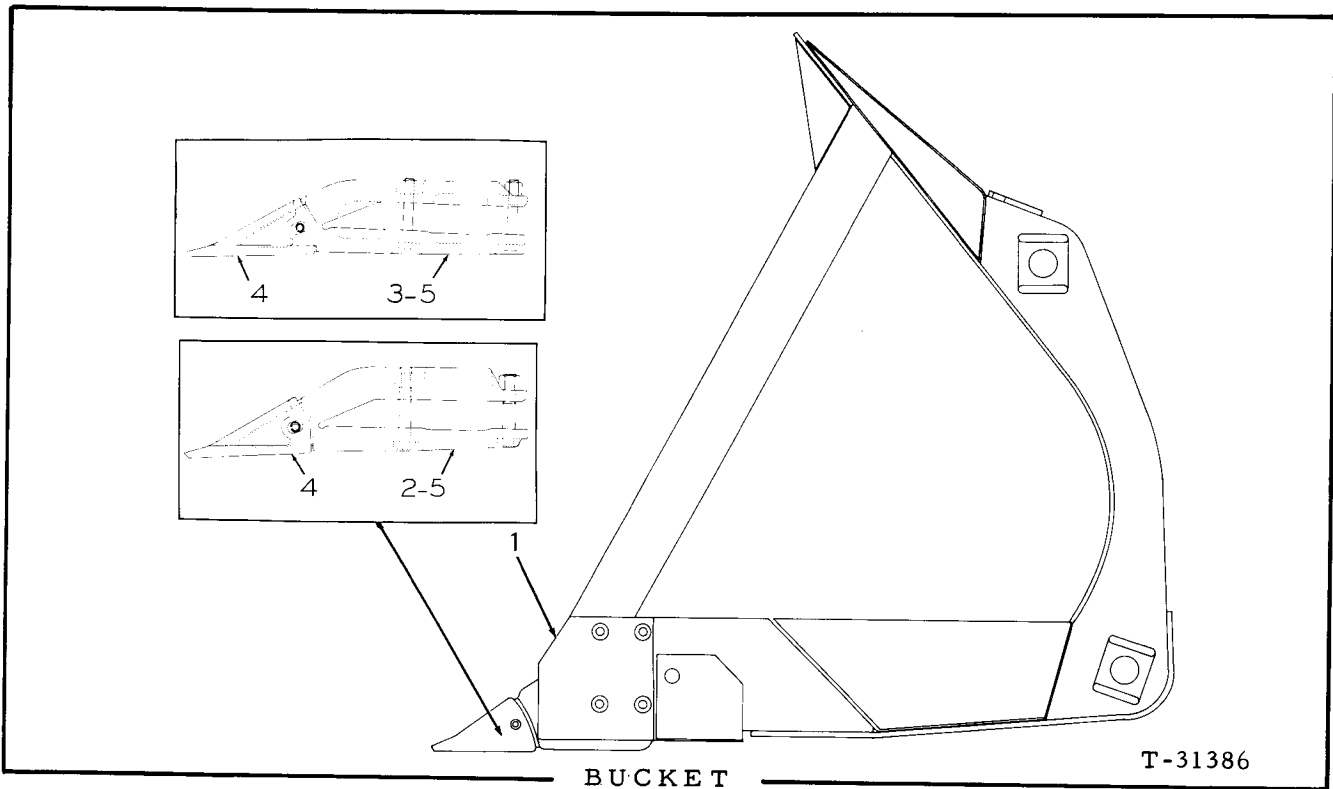
(Continued)

CONTROL VALVE PARTS (Continued)

ITEM	PART NO.	QTY.		DESCRIPTION
		*	**	
20	{ 923563	1	1	O-RING, sealing, internal (Used prior to loader #785)
		1	1	
21	3027410	1	1	O-RING, sealing, internal (Effective with loader #785) RING, snap
22	{ 3039203	2	-	EYE, plunger
		3004708	-	
23	{ 3039206	3	-	O-RING, sealing
		3038686	-	
24	{ 3001716	3	-	SPRING, plunger
		184609	-	
25	{ 3001717	3	-	PLUNGER, check valve
		3004706	-	
26	{ -----	1	-	PLUNGER, double action (Not serviced, order 3038119)
		-----	-	
27	{ 3039201	2	-	RETAINER, spring
		184604	-	
28	3041564	1	1	SPRING
29	{ 3039202	1	-	CAP, plunger
		184610	-	
30	3038673	2	3	GASKET, detent cap
31	3039015	1	2	COVER, spring
	915406	4	8	CAPSCREW, 1/4" NC x 3/4"
	904204	4	8	LOCKWASHER, 1/4"
32	3038674	1	1	HOUSING, detent
	915406	4	4	CAPSCREW, 1/4" NC x 3/4"
	904204	4	4	LOCKWASHER, 1/4"
33	{ 3039208	1	-	CAP, detent
		3038677	-	
34	3038678	1	1	SPRING, detent
35	3016927	2	2	PLUNGER, detent poppet
36	{ -----	1	-	PLUNGER, float (Not serviced, order 3038119)
		-----	-	
37	183890	1	1	CAP

PAINTING AND MARKING
(Not Illustrated)

ITEM	PART NO.	QTY.	DESCRIPTION
1	921543	-	ENAMEL, persian orange, quart can
	921285	-	ENAMEL, A-C yellow (old) quart can
	922983	-	ENAMEL, A-C yellow (new) quart can
	921398	-	ENAMEL, black, quart can
2	921544	-	ENAMEL, persian orange, gallon can
	921286	-	ENAMEL, A-C yellow (old) gallon can
	922984	-	ENAMEL, A-C yellow (new) gallon can
3	921354	-	ENAMEL, A-C yellow (old) 5 gallon can
	922985	-	ENAMEL, A-C yellow (new) 5 gallon can
4	921092	-	ENAMEL, persian orange, 12 oz. pressurized spray-type can
	921097	-	ENAMEL, cream, 12 oz. pressurized spray-type can
	921289	-	ENAMEL, A-C yellow (old) 12 oz. pressurized spray-type can
	922982	-	ENAMEL, A-C yellow (new) 12 oz. pressurized spray-type can
5	182123	1	EMBLEM (A-C) (Attached to instrument panel)
	918698	4	SCREW, self-tapping, #8 x 1/2"
6	3024401	1	STICKER, name (Trans.) (Applied to instrument panel)
7	3024400	1	STICKER, name (Engine) (Applied to instrument panel)
8	233854	2	PLATE, name (A-C) (Attached to hood)
	234173	14	RIVET
	234172	14	CLIP (Tubular)
9	3032812	2	EMBLEM, model designation (TL30) (Applied to radiator support)
10	3023171	1	STICKER, clutch release (Applied to floor plate support)
11	3024429	1	STICKER, engine stopping (Applied to instrument panel)
12	3019603	1	STICKER, instruction (Care of hydraulic oil filters)
13	3024409	1	STICKER, instruction, control (Shift diagram)
14	3021837	1	STICKER, transmission instruction
15	3032668	1	EMBLEM, decorative, left
16	3032669	1	EMBLEM, decorative, right
17	3032261	1	STICKER (Battery auxiliary lights)
18	3034654	1	STICKER (Air brakes)
-	3034655	1	KIT, name plate and decal (Consists of items 5 thru 18)



SAE Rated Capacity Cu. Yds.	Qty. Teeth Req.	Cutting Edge Used	Cutting Edge Outside Width (Inches)	Cutting Edge Inside Width (Inches)	Cutting Edge Thickness (Inches)	Qty. Rivets used w/each Cutting Edge
6	*NR	△3032540 □3039382	110"	108-1/2"	3/4"	8 - 921247 28 - 911575
5	*NR	△3032540 □3039382	110"	108-1/2"	3/4"	8 - 921247 28 - 911575
4	7	△3032540 □3039382	110"	108-1/2"	3/4"	8 - 911576 28 - 921247
3-1/2	7	△3032540 □3039382	110"	108-1/2"	3/4"	8 - 911576 28 - 921247
**3	7	△3032540 □3039382	110"	108-1/2"	3/4"	36 - 911576
3	7	△3032540 □3039382	110"	108-1/2"	3/4"	8 - 911576 28 - 921247
2-1/2	7	△3029914 □3039383	105"	103-1/2"	3/4"	32 - 911576

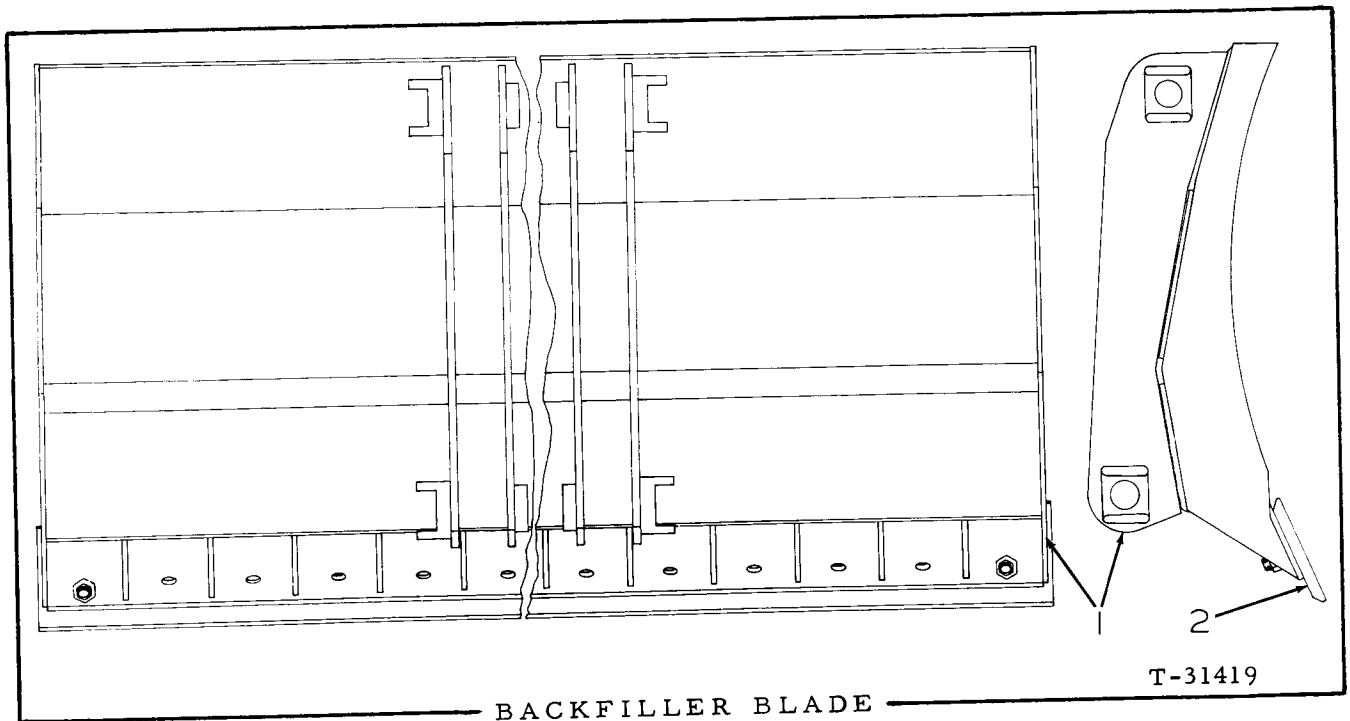
*Not Recommended **Heavy Duty Bucket △Standard Edge □Heat treated Edge

ITEM	PART NUMBER	QTY.	DESCRIPTION	PACKAGE NUMBER
1	-----	-	EDGE, cutting	} See Chart above for qty. required
	911575	-	RIVET, ctsk.-hd., 1/2" x 2"	
	911576	-	RIVET, ctsk.-hd., 1/2" x 2-1/4"	
	921247	-	RIVET, ctsk.-hd., 1/2" x 2-1/8"	

(Continued)

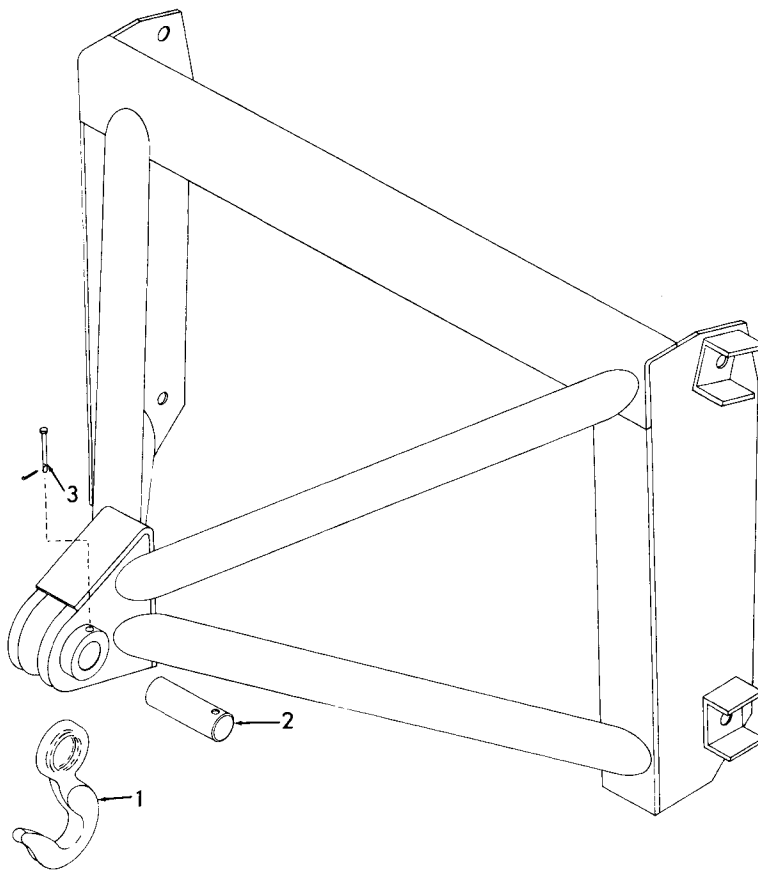
BUCKET (Continued)

ITEM	PART NO.	QTY.	DESCRIPTION
2	3032628	-	BUCKET TOOTH ASSEMBLY, general purpose type (Includes item 4, 1 SHANK 3032200 and hardware indented below)
	3033513	2	CAPSCREW, 5/8"NF x 3-1/2"
	3033441	2	NUT, high, 5/8"NF
3	3031821	-	BUCKET TOOTH ASSEMBLY, heavy duty type (Includes item 4, 1 SHANK 3031198 and hardware indented below)
	3033513	1	CAPSCREW, 5/8"NF x 3-1/2"
	3033514	1	CAPSCREW, 5/8"NF x 3-3/4"
	3033441	2	NUT, high, 5/8"NF
4	3020853	1	POINT
	921200	1	PIN, roll
5	{ 3032200	1	SHANK, general purpose
	{ 3031198	1	SHANK, heavy duty



BACKFILLER BLADE
USAGE: Special equipment

ITEM	PART NO.	QTY.	DESCRIPTION
1	3033894	1	MOLDBOARD ASSEMBLY (Includes item 2)
2	606548	1	EDGE, cutting
	916449	18	BOLT, 3/4" NC x 2-1/2"
	904369	18	LOCKWASHER, 3/4"
	911030	18	NUT, 3/4"NC

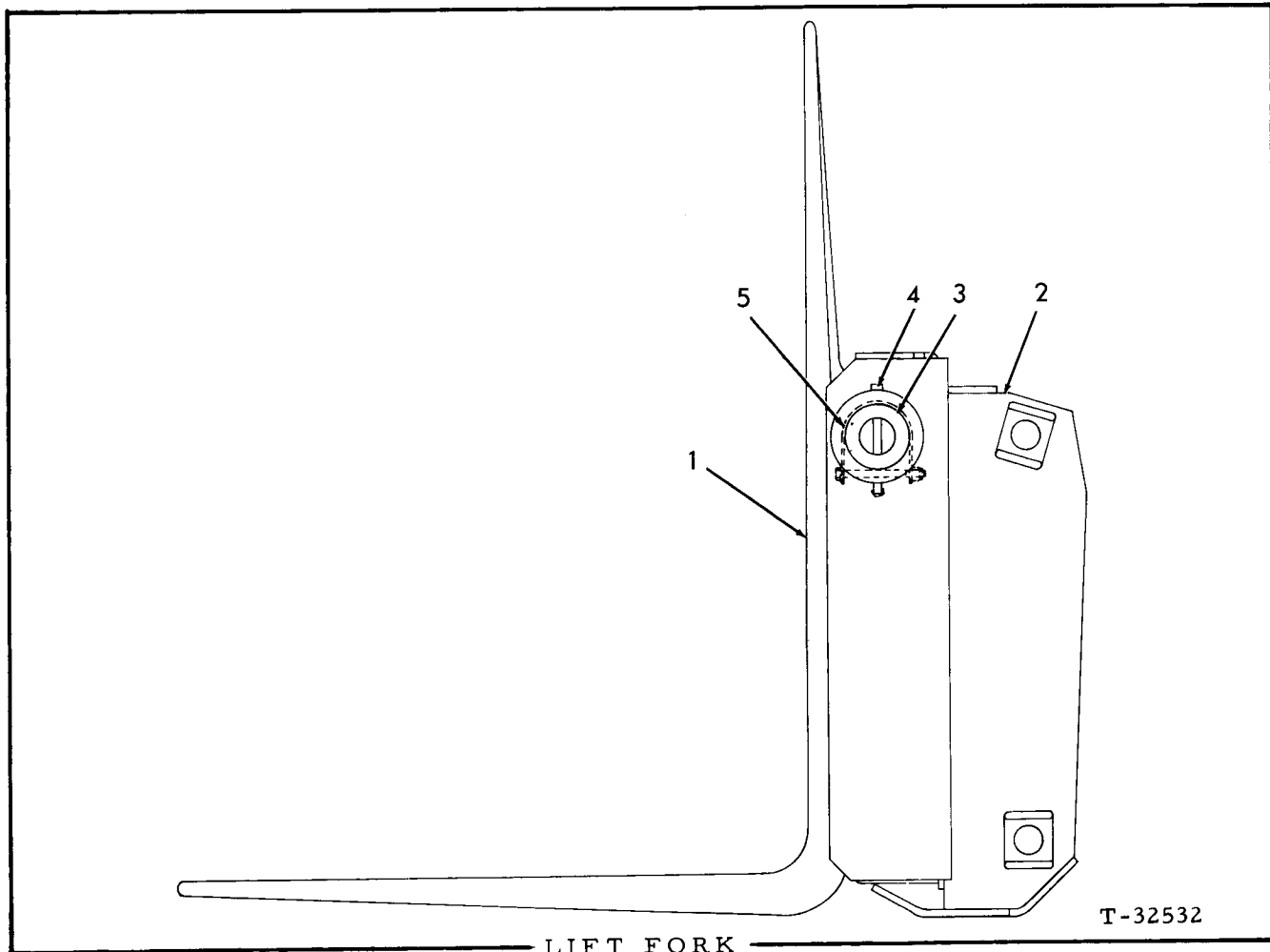


T-34439

CRANE HOOK

USAGE: Special equipment

ITEM	PART NO.	QTY.	DESCRIPTION
1	3009475	1	HOOK, lifting, crane
2	3009476	1	PIN, pivot, hook
3	3001622	1	PIN, retaining, pivot
	900806	1	PIN, cotter, 1/8" x 1"

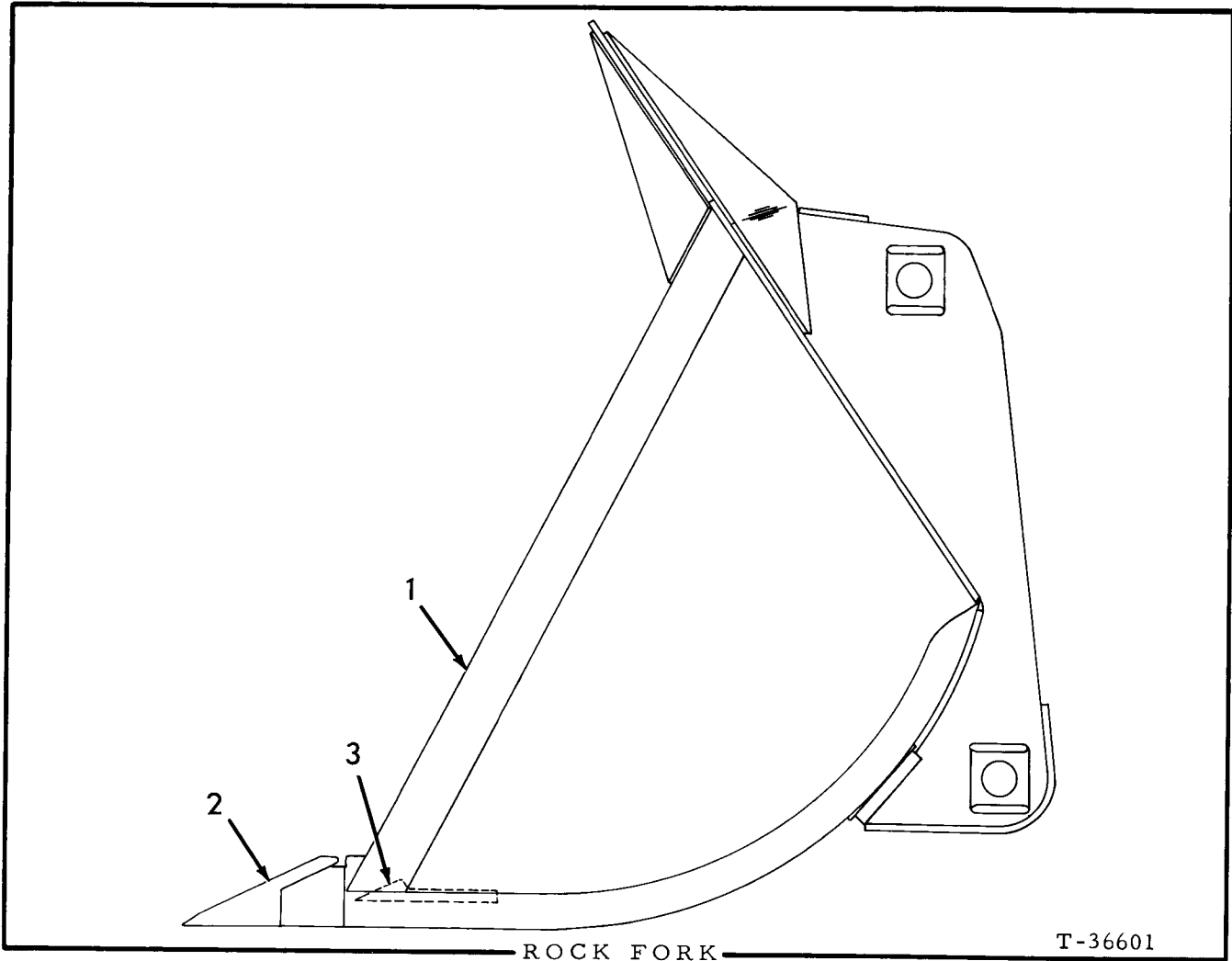


LIFT FORK

T-32532

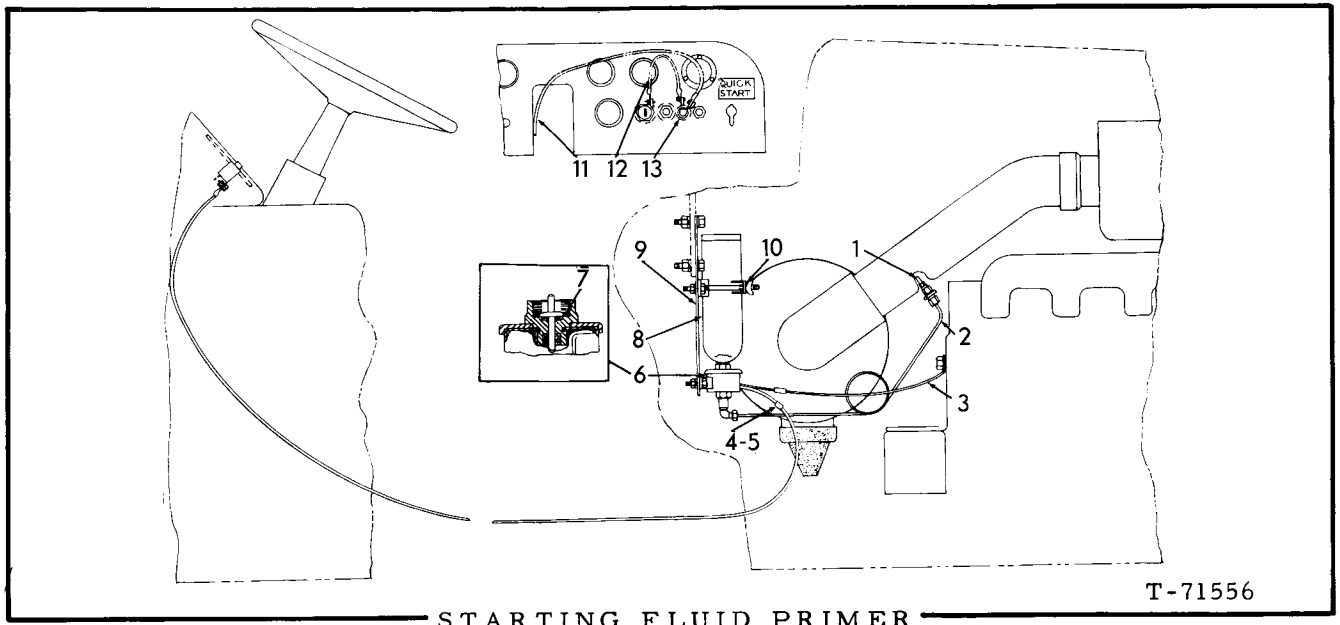
USAGE: Special Equipment

ITEM	PART NO.	QTY.	DESCRIPTION
1	3034287	2	FORK, lift
2	3034265	1	FRAME, lift fork
3	3034306	2	TUBE, fork adjusting
4	3031353	2	PIN, locking
	911440	2	PIN, cotter, 3/16" x 1-1/8"
5	3034304	4	PLATE, fork locking
	920602	4	CAPSCREW, 1/2" NF x 6"
	910244	4	WASHER, plain, SAE std., 1/2"
	914487	4	NUT, 1/2" NF



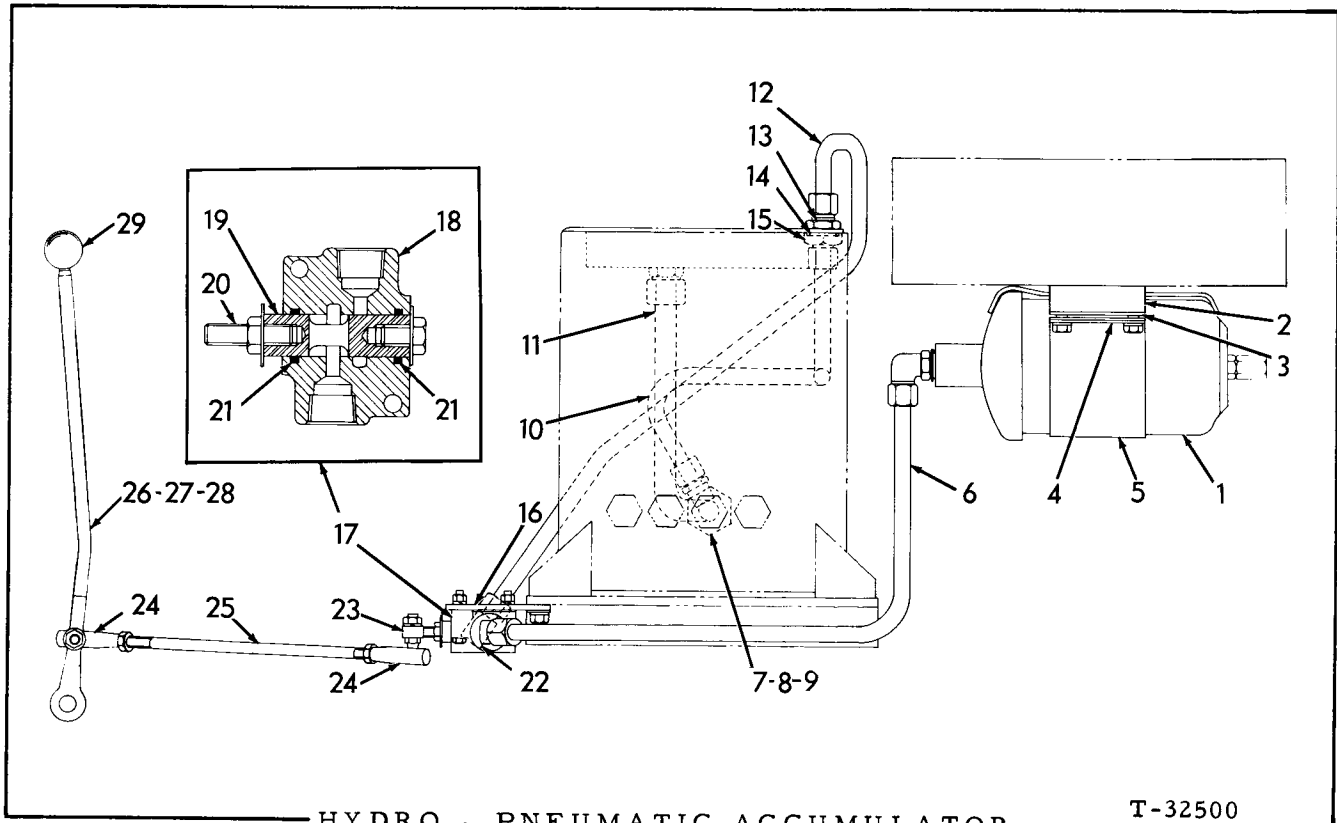
USAGE: Special Equipment

ITEM	PART NO.	QTY.	DESCRIPTION
1	3036790	1	ROCK FORK ASSEMBLY (4" spacing) (Includes items 2 and 3)
2	3010100	14	TOOTH, rock fork
	3010101	14	CAPSCREW, 3/4" NC x 2-1/2"
	904369	14	LOCKWASHER, 3/4"
	910923	14	NUT, 3/4" NC
3	3036820	13	SPACER (Requires welding to install)



USAGE: Special equipment

ITEM	PART NO.	QTY.	DESCRIPTION
1	3041824	1	FITTING, manifold
2	3017010	1	TUBE, solenoid to manifold
	911841	2	SLEEVE, ball
	912589	2	NUT, ball sleeve
	917310	1	ELBOW, 90°, 1/8" tube, 1/8" NPT male
3	3041864	1	WIRE ASSEMBLY, ground
4	3022476	2	CONNECTOR, wire
5	3041140	3	TERMINAL, male, bullet
6	3041823	1	VALVE ASSEMBLY, solenoid (Includes 1 O-RING 923558, 1 O-RING 923376, 1 O-RING 923649 and item 7)
	916401	2	CAPSCREW, 1/4" NF x 1"
	904204	2	LOCKWASHER, 1/4"
	911040	2	NUT, 1/4" NF
	923558	1	O-RING, sealing (1/4" I. D.)
	923376	1	O-RING, sealing (9/16" I. D.)
	923649	1	O-RING, sealing (1-1/4" I. D.)
7	3042010	1	GASKET, fuel cylinder
8	3041821	1	CYLINDER, fuel
9	3041818	1	PLATE, mounting
	915228	4	CAPSCREW, 3/8" NF x 1-1/4"
	904206	4	LOCKWASHER, 3/8"
	911041	4	NUT, 3/8" NF
10	3041822	1	CLAMP ASSEMBLY, fuel cylinder (Serviced only as a unit)
11	3041820	1	WIRE ASSEMBLY, switch to solenoid
12	3037904	1	WIRE ASSEMBLY, jumper
13	3041819	1	SWITCH, push button



HYDRO - PNEUMATIC ACCUMULATOR

T-32500

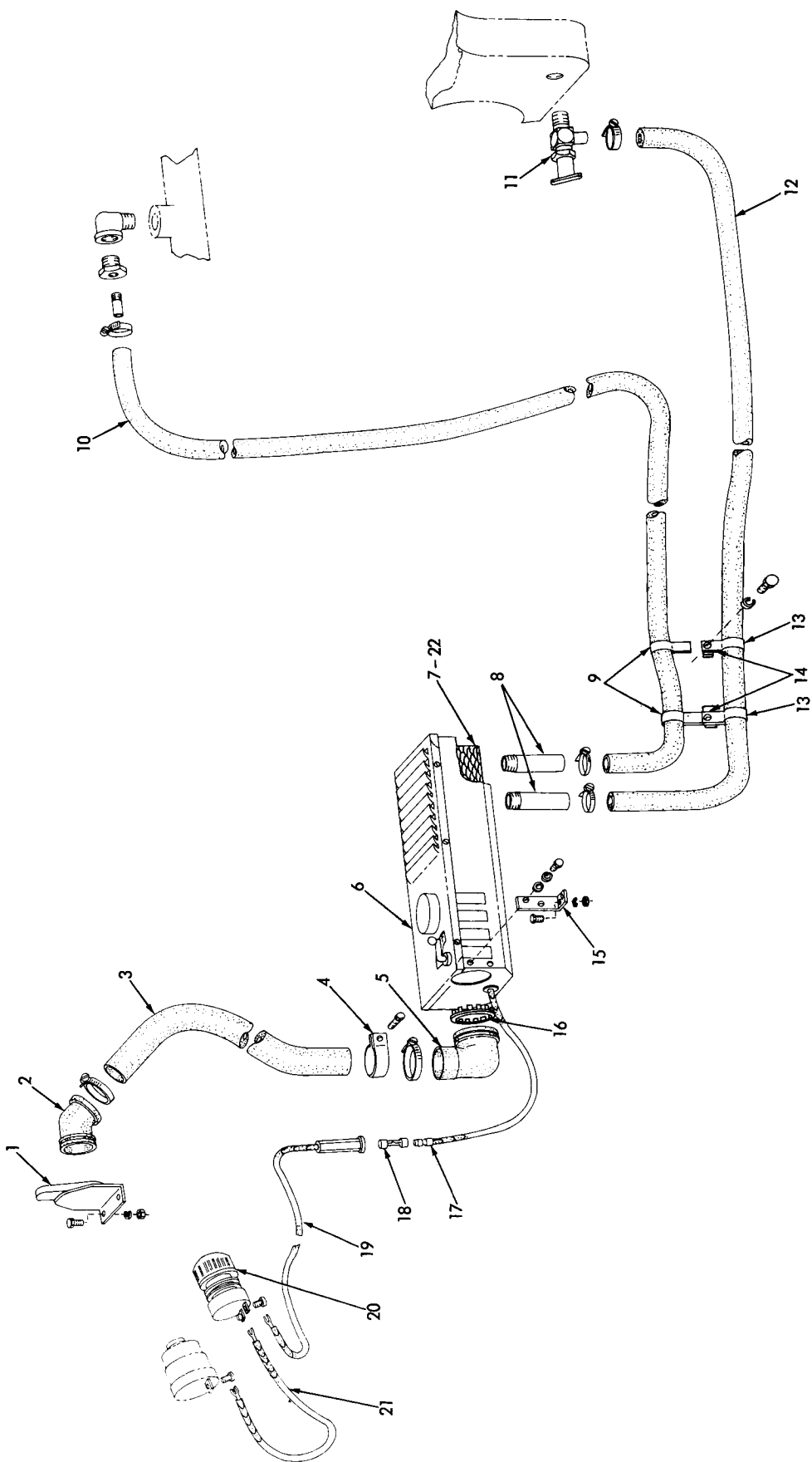
USAGE: Special equipment

ITEM	PART NO.	QTY.	DESCRIPTION
-	3033746	-	ACCUMULATOR KIT (Consist of items 1 thru 29)
1	3024088	1	ACCUMULATOR ASSEMBLY (Serviced only as a unit)
	921203	1	ELBOW, flare type, 3/4" tube, 1-1/16"NPT (w/O-Ring)
	921214	1	O-RING, sealing
2	3014753	2	BLOCK, bracket mounting (Requires welding to install)
3	3024087	1	BRACKET (top) tank supporting
4	3014754	2	SPACER, tank strap
5	3024089	1	STRIP, tank supporting
	913105	4	CAPSCREW, 1/2"NF x 1-1/2"
	904208	4	LOCKWASHER, 1/2"
6	3033667	1	TUBE ASSEMBLY. (Includes nuts)
	920692	1	ELBOW, 45°, flare type, 3/4" tube, 3/4"NPT
7	3031953	1	TEE, bulkhead (Replaces standard bulkhead UNION 3031951)
8	923664	1	O-RING
9	3016394	1	NUT, 1-5/16"NF

(Continued)

HYDRO - PNEUMATIC ACCUMULATOR - CONTINUED

ITEM	PART NO.	QTY.	DESCRIPTION
10	3033685	1	TUBE ASSEMBLY (Includes nuts)
	919342	1	CONNECTOR, flare type, 3/4" tube, 3/4"NPT
11	3033687	1	TUBE ASSEMBLY (Includes nuts)
12	3033663	1	TUBE ASSEMBLY (Includes nuts)
13	3016404	1	NUT (Special)
14	923649	1	O-RING
15	3016069	1	UNION, bulkhead
16	3033668	1	BRACKET, valve mounting
	916028	2	CAPSCREW, 1/2"NF x 1-3/4"
	910244	4	WASHER, plain, SAE std., 1/2"
	904208	2	LOCKWASHER, 1/2"
	911043	2	NUT, 1/2"NF
17	3027596	1	VALVE ASSEMBLY, selector (Consists of items 18 thru 21)
	916386	2	CAPSCREW, 3/8"NF x 2-1/4"
	911115	2	WASHER, plain, SAE std., 3/8"
	904206	2	LOCKWASHER, 3/8"
	911041	2	NUT, 3/8"NF
18	-----	1	HOUSING, valve (Not serviced separately)
19	-----	1	PLUNGER, valve (Not serviced separately)
	916419	1	CAPSCREW, 1/2"NF x 3/4"
	910244	1	WASHER, plain, SAE std., 1/2"
20	3023433	1	STUD, valve plunger (1/2" diam.)
	910244	1	WASHER, plain, SAE std., 1/2"
	911043	1	NUT, 1/2"NF
21	3023434	2	QUAD-RING, plunger sealing
22	3018164	1	ELBOW, flare type, 3/4"NPT, 3/4" tube
23	3023442	1	END, rod
24	916764	2	JOINT, ball
	904208	2	LOCKWASHER, 1/2"
	913177	4	NUT, 1/2"NF
25	3033670	1	ROD, selector valve
26	3025624	1	LEVER ASSEMBLY, control (Includes items 26 & 27)
27	3005955	2	BEARING, lever
28	3005957	2	SEAL, bearing
29	3001171	1	KNOB, lever



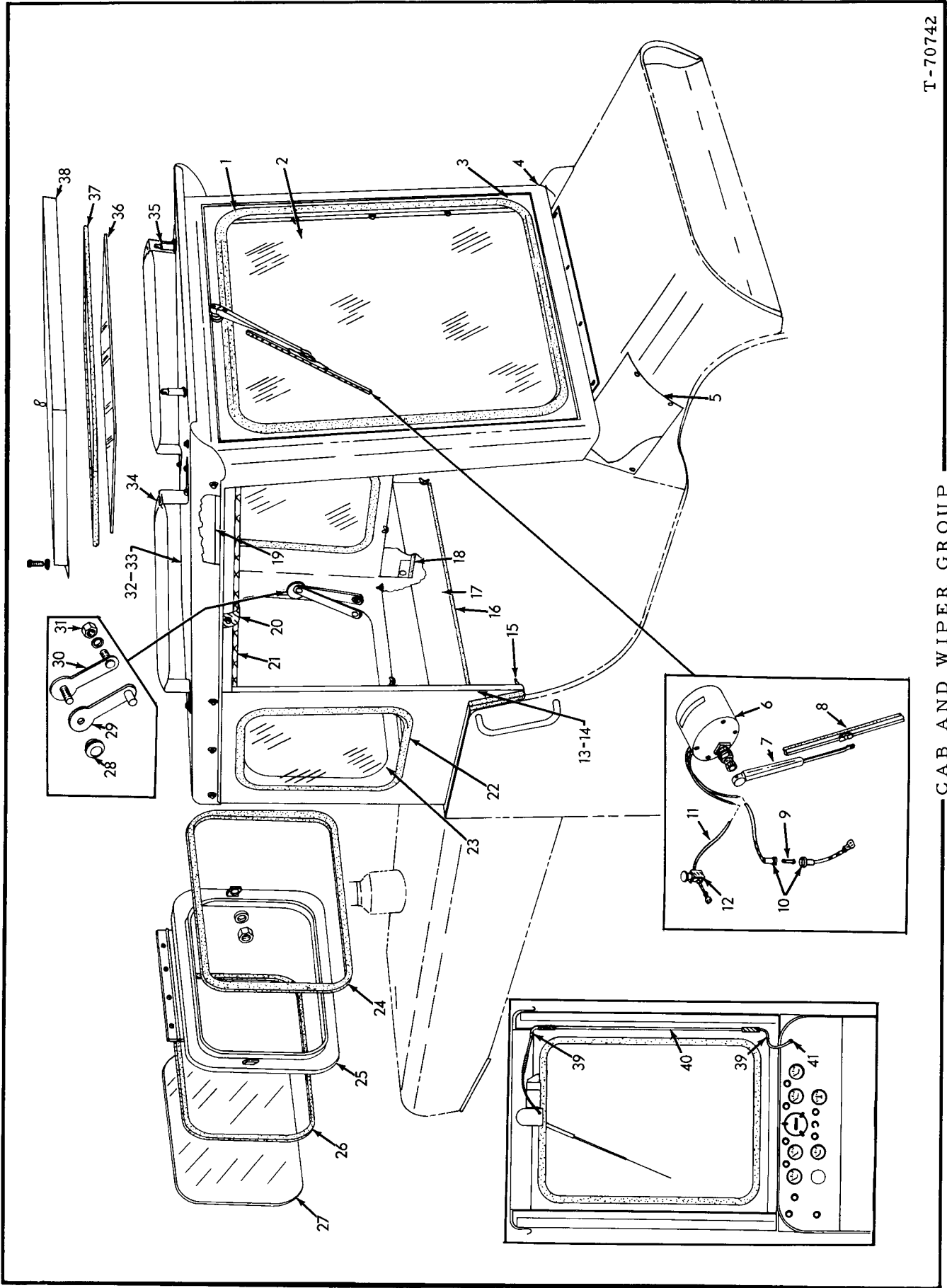
T-31418

HEATER AND DEFROSTER GROUP

HEATER AND DEFROSTER GROUP

USAGE: Special equipment

ITEM	PART NO.	QTY.	DESCRIPTION
1	3022355	1	DIFFUSER ASSEMBLY (Serviced only as a unit)
	916284	2	CAPSCREW, 1/4" NC x 1/2"
	904204	2	LOCKWASHER, 1/4"
	910880	2	NUT, 1/4" NC
2	3022356	1	GROMMET, diffuser
3	3021438	1	HOSE, defroster. 1-3/4" x 35"
	921912	2	CLAMP, adjustable, 1-1/16" thru 2"
4	3022351	1	CLIP, hose (See cowl and floor plates for fasteners)
5	3033909	1	GROMMET, heater
6	3024967	1	HEATER ASSEMBLY (Includes item 7 and 22)
7	3037026	1	CORE, heater
8	3023972	2	NIPPLE, 3/4" NPT x 4" (threaded one end)
9	3034109	2	CLIP, hose
10	3024873	1	HOSE, water inlet. 5/8" I. D. x 111" long
	921911	2	CLAMP, hose, adjustable, 11/16" thru 1-1/4"
	917328	1	BUSHING, reducing, 3/4" NPT to 3/8" NPT
	901725	1	ELBOW, street, 90°, 3/4" NPT
	917026	1	NIPPLE, 3/8" NPT x 1-1/2" (threaded one end)
11	3009722	1	VALVE, shut-off
	904271	1	BUSHING, reducing, 1/2" NPT to 3/8" NPT
12	3009721	1	HOSE, water outlet, 5/8" I. D. x 130" long
	921911	2	CLAMP, hose adjustable, 11/16" thru 1-1/4"
13	3011411	2	CLIP, hose
	916382	2	CAPSCREW, 3/8" NF x 7/8"
	904206	2	LOCKWASHER, 3/8"
14	3007679	2	BLOCK, tapped (requires welding to install)
15	3024875	2	BRACKET, heater
	915406	4	CAPSCREW, 1/4" NC x 3/4"
	904204	4	LOCKWASHER, 1/4"
	911114	4	WASHER, plain, SAE std., 1/4"
	916225	4	CAPSCREW, 3/8" NF x 1"
	904206	4	LOCKWASHER, 3/8"
	911041	4	NUT, 3/8" NF
16	3040139	1	BUTTON, plug, reducing
17	3013712	1	CONNECTOR, fuse
18	3023548	1	FUSE, heater (9 amp.) 1/4" x 7/8"
19	3024874	1	WIRE ASSEMBLY (Includes terminals)
20	3022444	1	SWITCH, heater (24 volt) (Includes mounting nuts)
21	3020738	1	WIRE ASSEMBLY (Includes terminals)
22	3039281	1	MOTOR, blower



T-70742

CAB AND WIPER GROUP

CAB AND WIPER GROUP

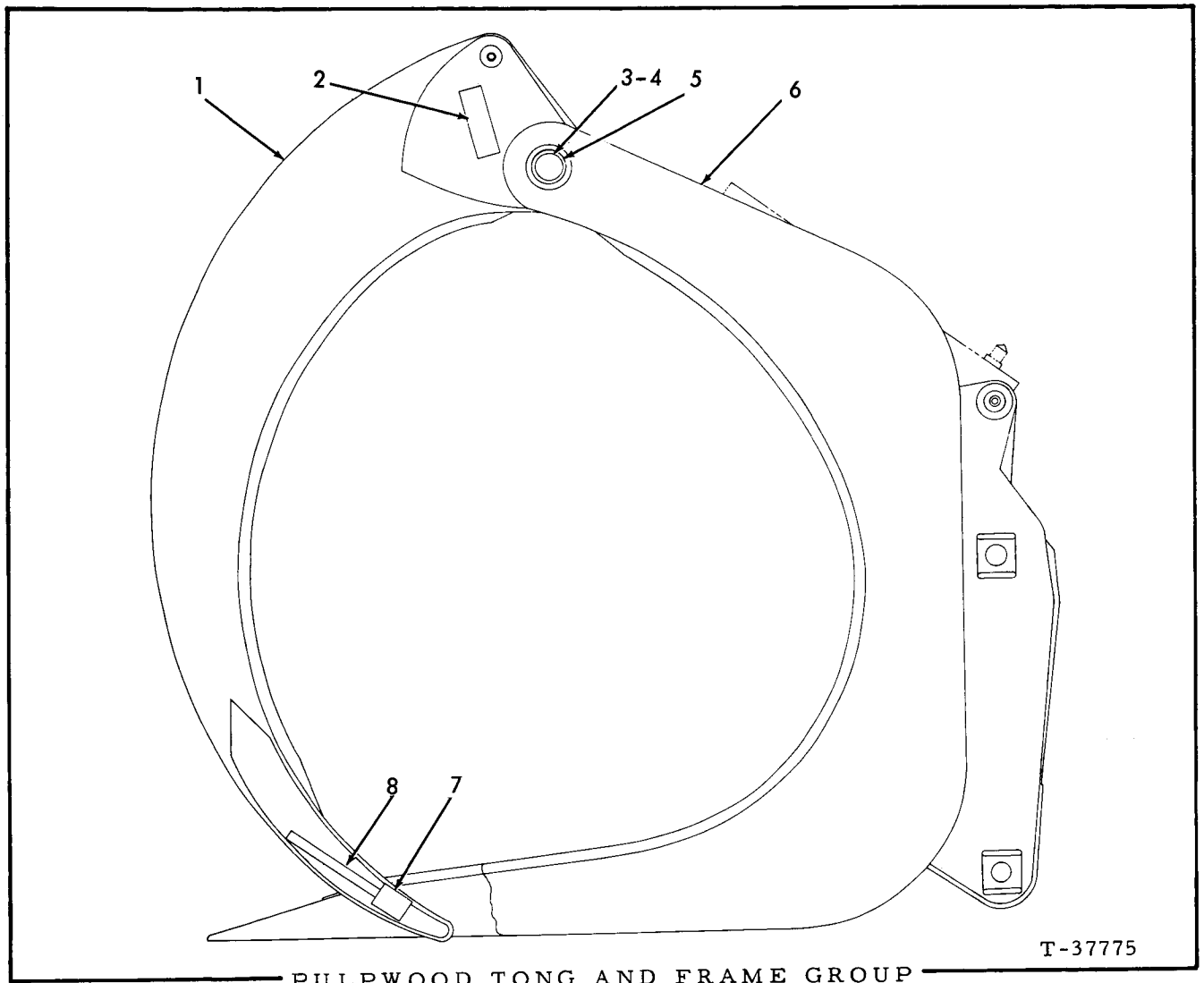
USAGE: Special Equipment

ITEM	PART NO.	QTY.	DESCRIPTION
-	3041588	1	CAB AND WIPER GROUP (See Machinery Manual)
1	3041657	1	STRIP, weather, windshield
2	3041656	1	GLASS, windshield
3	3041633	1	PANEL ASSEMBLY, front (Includes items 1 and 2)
	915809	14	CAPSCREW, 5/16" NC x 3/4"
	910335	28	WASHER, plain, SAE std., 5/16"
	904205	14	LOCKWASHER, 5/16"
	910323	14	NUT, 5/16" NC
4	3041634	1	PANEL, front
	915809	5	CAPSCREW, 5/16" NC x 3/4"
	910335	10	WASHER, plain, SAE std., 5/16"
	904205	5	LOCKWASHER, 5/16"
	910323	5	NUT, 5/16" NC
5	3041635	1	BRACKET, left
	3041636	1	BRACKET, right
	915809	6	CAPSCREW, 5/16" NC x 3/4"
	910335	12	WASHER, plain, SAE std., 5/16"
	904205	6	LOCKWASHER, 5/16"
	910323	6	NUT, 5/16" NC
6	3039947	1	MOTOR, wiper (24 volt)
7	3039948	1	ARM, wiper (14")
8	3041784	1	BLADE, wiper (10")
9	3040013	1	FUSE, wiper motor (3 amp.)
10	3040014	1	WIRE ASSEMBLY (Includes terminal)
11	3039919	1	WIRE ASSEMBLY (Includes terminal)
12	605411	1	SWITCH, wiper
13	3041627	1	PANEL ASSEMBLY, rear (Includes 1 WINDOW ASSEMBLY 3041631 and items 14, 16, 17, 22 and 23)
	915809	11	CAPSCREW, 5/16" NC x 3/4"
	910335	22	WASHER, plain, SAE std., 5/16"
	904205	11	LOCKWASHER, 5/16"
	910323	11	NUT, 5/16" NC
14	3041642	1	PANEL, rear
15	3039870	45	STUD, turn button
	904203	45	LOCKWASHER, #10
	910251	45	NUT, #10 NF
16	3041644	2	GASKET, mounting, cab
	3041645	2	GASKET, mounting, cab
17	3041643	1	COVER, hydraulic tank
	915017	5	NUT, wing, 3/8" NC
18	3041789	1	ANGLE, mounting, left
	3041788	1	ANGLE, mounting, right
19	3041628	1	HEADER, left
	3041629	1	HEADER, right

(Continued)

CAB AND WIPER GROUP (Continued)

ITEM	PART NO.	QTY.	DESCRIPTION
20	3039878	2	STRAP, door holder
	918156	2	SCREW, machine, 1/4" NC x 5/8"
	911114	2	WASHER, plain, SAE std., 1/4"
	904204	2	LOCKWASHER, 1/4"
21	{ 3039868	1	DOOR, canvas, left
	{ 3039869	1	DOOR, canvas, right
22	3039860	2	STRIP, weather, side window
23	3041632	2	GLASS, side, left and right
-	3041631	1	WINDOW ASSEMBLY, rear (Includes items 24 thru 30)
24	3041648	1	GASKET, rear window
25	3041646	1	FRAME, rear window
	916271	3	CAPSCREW, 3/8" NC x 1"
	911115	6	WASHER, plain, SAE std., 3/8"
	904206	3	LOCKWASHER, 3/8"
	910324	3	NUT, 3/8" NC
26	3041649	1	STRIP, weather
27	3041647	1	GLASS, rear window
28	3041782	2	KNOB
29	{ 3039852	1	ARM, female, right
	{ 3039858	1	ARM, female, left
30	3039853	2	ARM, male, left and right
31	3039856	4	NUT, flexloc, 3/8" NC
	911115	4	WASHER, plain, SAE std., 3/8"
32	3041630	1	ROOF ASSEMBLY (Includes 1 ROOF 3041652 and items 35 thru 38)
33	3041652	1	ROOF, cab
	915809	16	CAPSCREW, 5/16" NC x 3/4"
	910335	32	WASHER, plain, SAE std., 5/16"
	904205	16	LOCKWASHER, 5/16"
	910323	16	NUT, 5/16" NC
34	3039879	2	HANDLE, roof
	915809	8	CAPSCREW, 5/16" NC x 3/4"
	910335	16	WASHER, plain, SAE std., 5/16"
	904205	8	LOCKWASHER, 5/16"
	910323	8	NUT, 5/16" NC
35	3039867	2	HOSE, sealing, roof
36	3041653	1	GLASS, roof
37	3041649	1	STRIP, weather
38	3041654	1	FRAME, glass, top
	915809	4	CAPSCREW, 5/16" NC x 3/4"
	910335	4	WASHER, plain, SAE std., 5/16"
	904205	4	LOCKWASHER, 5/16"
	910323	4	NUT, 5/16" NC
39	3038845	2	CLIP, wire supporting
40	3024520	1	WIRE ASSEMBLY, to wiper motor
41	3029279	1	GROMMET, rubber



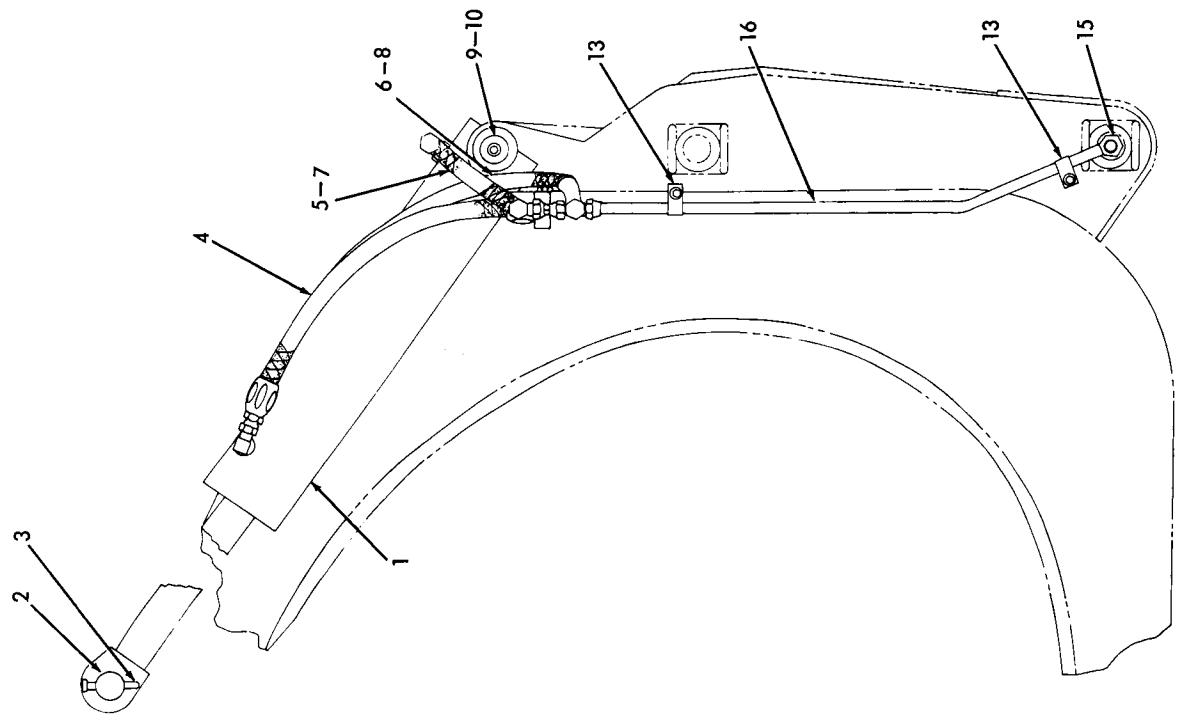
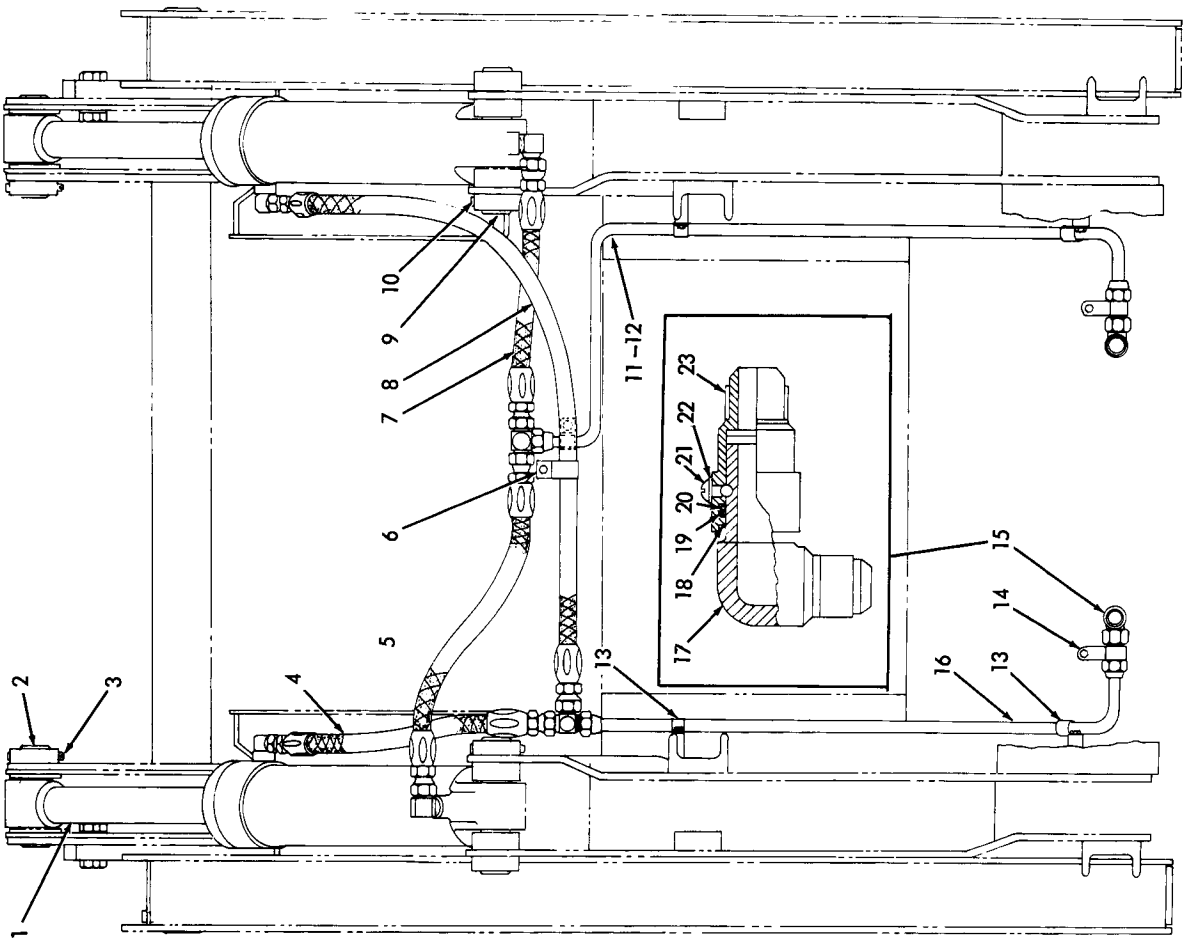
PULPWOOD TONG AND FRAME GROUP

T-37775

USAGE: Special equipment

ITEM	PART NO.	QTY.	DESCRIPTION
1	3030020	1	TONG ASSEMBLY (Includes item 5)
	914465	2	FITTING, lubricating, straight, 1/8" NPT
2	3023794	2	BAR (Requires welding to install)
3	3030046	1	SHAFT, pivot, tong
4	3013568	1	PIN, locking, shaft
	900810	1	PIN, cotter, 3/16" x 1-1/4"
5	3020677	2	BUSHING, tong assembly
6	3034698	1	FRAME, lift tong
7	3030072	2	BAR (Requires welding to install)
8	3030069	2	PLATE (Requires welding to install)

PULPWOOD CYLINDER AND PIPING GROUP



PULPWOOD CYLINDER AND PIPING GROUP

USAGE: Special equipment

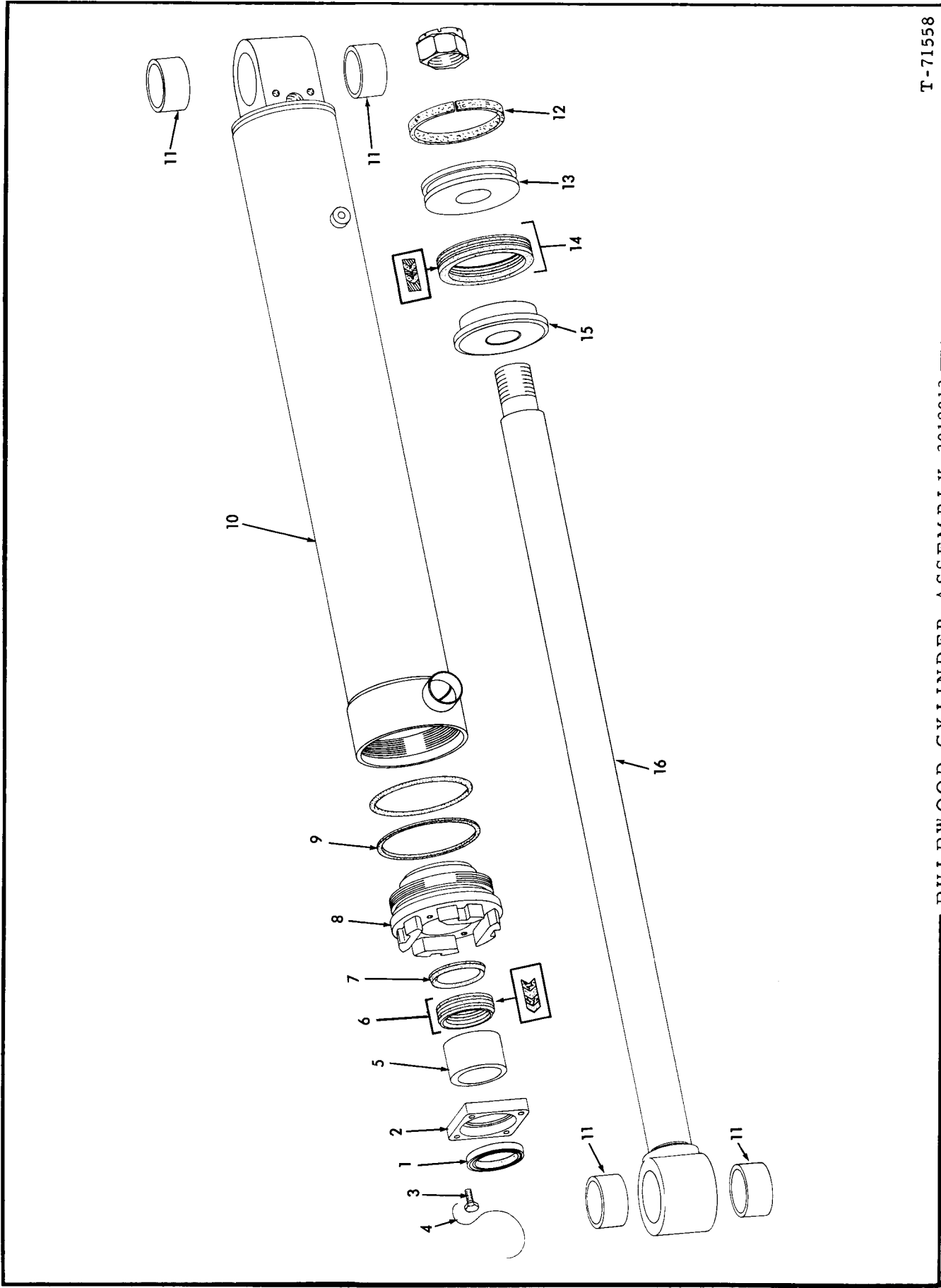
ITEM	PART NO.	QTY.	DESCRIPTION
1	3018012	2	CYLINDER ASSEMBLY (See page 263 for parts) ELBOW, flare type, 3/4" tube, 3/4" NPT male
	919269	4	
2	3030068	2	PIN, tong pivot FITTING, lubricating, straight, 1/8" NPT
	914465	2	
3	3001622	2	PIN, pivot lock PIN, cotter, 1/8" x 1"
	900806	2	
4	3034714	1	HOSE ASSEMBLY (Includes 2 NUT 920944 and 1 HOSE) NUT, swivel HOSE (26" of part no. 920794)
	920944	2	
	-----	1	
5	3034715	1	HOSE ASSEMBLY (Includes 2 NUT 920944 and 1 HOSE) NUT, swivel HOSE (21" of part no. 920794)
	920944	2	
	-----	1	
6	3021717	1	CLIP CAPSCREW, 1/2" NF x 1" LOCKWASHER, 1/2"
	914875	1	
	904208	1	
7	3034716	1	HOSE ASSEMBLY (Includes 2 NUT 920944 and 1 HOSE) NUT, swivel HOSE (14" of part no. 920794)
	920944	2	
	-----	1	
8	3034717	1	HOSE ASSEMBLY (Includes 2 NUT 920944 and 1 HOSE) NUT, swivel HOSE (56" of part no. 920794) TEE, flare type, 3/4" tube
	920944	2	
	-----	1	
	919520	1	
9	3030067	2	PIN, cylinder pivot
10	3001622	2	PIN, pivot lock PIN, cotter, 1/8" x 1"
	900806	2	
11	3034713	1	TUBE ASSEMBLY TEE, flare type, 3/4" tube
	919520	1	
12	3021950	1	CLIP CAPSCREW, 3/8" NF x 3/4" LOCKWASHER, 3/8"
	916381	1	
	904206	1	
13	3023535	4	CLIP CAPSCREW, 1/2" NF x 1" LOCKWASHER, 1/2"
	914875	4	
	904208	4	
14	3034718	2	CLIP CAPSCREW, 1/2" NF x 1" LOCKWASHER, 1/2"
	914875	2	
	904208	2	
15	3034711	2	SWIVEL ASSEMBLY (Includes items 17 thru 23)

(Continued)

PULPWOOD CYLINDER AND PIPING GROUP (Continued)

ITEM	PART NO.	QTY.	DESCRIPTION
16	3034712	1	TUBE ASSEMBLY
17	3034709	1	ADAPTER, swivel, male
	915906	16	BALL
18	3005895	1	SEAL, female adapter
19	3009450	1	WASHER, leather
20	923575	1	O-RING, sealing
21	3009451	1	SCREW, machine
22	3011236	1	WASHER, plain
23	3034710	1	ADAPTER, swivel, female

MEMO



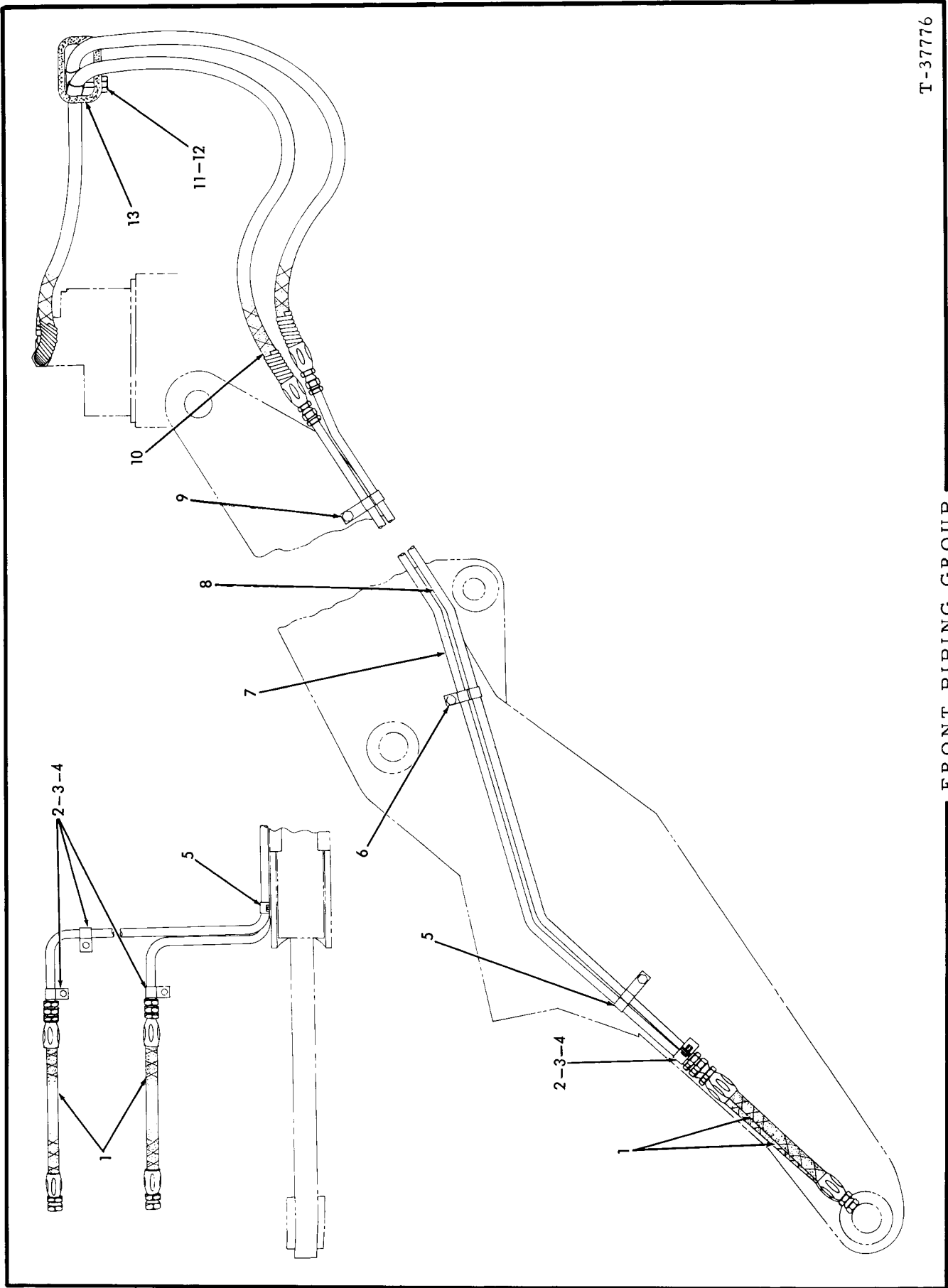
T-71558

PULPWOOD CYLINDER ASSEMBLY 3018012

PULPWOOD CYLINDER ASSEMBLY 3018012

USAGE: Special equipment

ITEM	PART NO.	QTY.	DESCRIPTION
			NOTE: See page 261 for listing of complete Assembly.
1	3001538	1	SEAL, oil (wiper)
2	3016405	1	PLATE, end, bearing retainer
3	3007904	4	CAPSCREW, drilled- hd., 3/8" NC x 1-1/2"
4	3001085	2	WIRE, locking, 16 Ga. x 17"
5	3016601	1	BEARING, packing gland
6	3017249	1	PACKING SET, rod
7	3001532	1	RING, adapter, rod
8	3017499	1	HEAD, cylinder
9	3013388	1	RING, back-up
	923592	1	O-RING, sealing
10	3035240	1	CYLINDER ASSEMBLY (Includes 2 BUSHING 3001066)
11	3001066	4	BUSHING, piston rod
12	3013392	1	RING, bearing, piston (lower)
13	3013391	1	PISTON, rear
-	3013376	-	SHIM, packing set, piston (1/32" thick. Use as req'd)
14	3013377	1	PACKING SET, piston
15	3013390	1	PISTON, front
16	3018011	1	ROD ASSEMBLY, piston (Includes 2 BUSHING 3001066)
	917778	1	NUT, safety, 1" NF
	914465	1	FITTING, lubricating, straight, 1/8" NPT
-	3019675	1	REPAIR KIT, cylinder (Consists of items 1, 3, 4 thru 7, 12 and 14)



T-37776

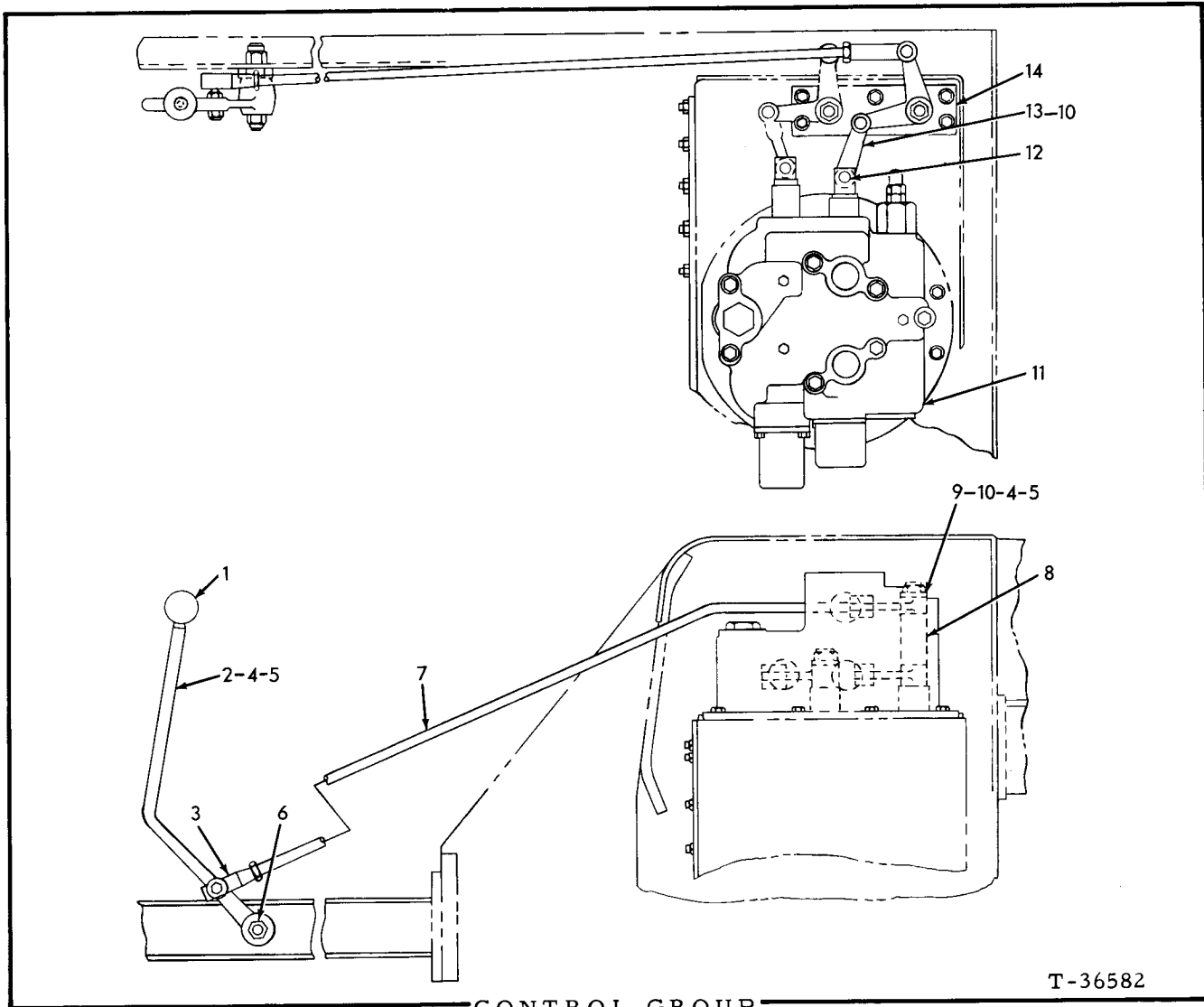
FRONT PIPING GROUP

FRONT PIPING GROUP

USAGE: Special equipment

ITEM	PART NO.	QTY.	DESCRIPTION
1	3034716	2	HOSE ASSEMBLY, lift tong to tube (Includes 2 SWIVEL ASSEMBLY 920944 and one HOSE)
	920944	2	
	-----	-	
			HOSE (14" of part no. 920794)
2	3007679	1	BLOCK, tapped (Requires welding to install)
3	3017316	3	BLOCK, tapped (Requires welding to install)
4	3023535	3	CLIP
	916381	3	CAPSCREW, 3/8" NF x 3/4"
	904206	3	LOCKWASHER, 3/8"
	911115	2	WASHER, plain, SAE std., 3/8"
5	3035140	1	CLIP
	916381	1	CAPSCREW, 3/8" NF x 3/4"
	904206	1	LOCKWASHER, 3/8"
6	3035140	1	CLIP
7	3035138	1	TUBE ASSEMBLY, to right cylinder
8	3035137	1	TUBE ASSEMBLY, to left cylinder
9	3035139	1	CLIP
10	3035136	2	HOSE ASSEMBLY, tube to valve (Includes 2 SWIVEL ASSEMBLY 920944, hose guard, and one hose)
	920944	2	
	-----	-	
	-----	-	
			HOSE (88" of part no 920794)
			GUARD, hose (85" of part no. 3036993)
11	3006902	1	BLOCK, drilled (Requires welding to install)
12	3015837	2	CLIP
	916386	1	CAPSCREW, 3/8" NF x 2-1/4"
13	-----	-	STRIP(rubber) hose protector (17" of part no 3035068) See note.

NOTE: The factory will furnish 25 foot rolls of rubber strip.
Dealer will furnish cut length or 25 foot rolls.



USAGE: Special equipment

ITEM	PART NO.	QTY.	DESCRIPTION
1	3001171	1	KNOB, control lever
2	3034102	1	LEVER ASSEMBLY, operating (Includes 2 BEARING 3005955 and 2 SEAL 3005957)
3	3039764	1	JOINT, ball
	904208	1	LOCKWASHER, 1/2"
	913177	1	NUT, jam, 1/2" NF
4	3005955	4	BEARING, operating lever
5	3005957	4	SEAL, operating lever

(Continued)

CONTROL GROUP (Continued)

ITEM	PART NO.	QTY.	DESCRIPTION
6	3022648	1	SHAFT, lever
	900818	1	WASHER, plain, USS, 1/2"
	914487	1	NUT, safety, 1/2" NF
	916591	1	NUT, safety, 3/4" NF
7	3033931	1	ROD, control valve
	913177	2	NUT, jam, 1/2" NF
	917666	1	YOKE, rod
8	3022963	1	SPACER, rod, control
9	3012505	1	CRANK ASSEMBLY, bell (Includes 2 BEARING 3005955, 2 SEAL 3005957, and 1 BUSHING 3013909)
	910255	1	WASHER, plain, SAE std., 3/4"
10	3013909	2	BUSHING, crank
11	3038117	1	VALVE ASSEMBLY, control (See page 243 for parts) (Also order 2 O-RING 923649, 5 O-RING 923664, 4 O-RING 923663 and 1 O-RING 923577)
	920602	1	CAPSCREW, 1/2" NF x 6"
	923118	4	CAPSCREW, 1/2" NF x 8-1/4"
	922632	2	ELBOW, flared type, 3/4" tube, 1-5/16" straight thread (Includes 1 O-RING 921235)
	921235	2	O-RING
12	3001565	3	PIN, yoke, link
	900806	3	PIN, cotter, 1/8" x 1"
13	3032529	1	LINK ASSEMBLY (Includes 1 BUSHING 3013909)
14	3022576	1	BRACKET, mounting, link (Replaces existing bracket)

NUMERICAL INDEX

Part No.	Page	Part No.	Page	Part No.	Page	Part No.	Page
042847...	97,100	901469...	212,216	906959...	161	911993...	190,198
042975...	112	901472...	212,216	906960...	188THRU 211	912069...	111
043130...	37	901478...	46	906963...	203,207	912105...	86
051513...	99	901480...	46	906964...	203,216	912307...	176
054073...	100	901502...	59,261	907070...	13,153,157	912415...	13THRU 53
059934...	145	901651...	45	907072...	138	912588...	165,166
065579...	37	901652...	65,73	907154...	216	912589...	251
065582...	37	901653...	47,63,70	907856...	231,239	912597...	32
065584...	37	901666...	159	907859...	239	912626...	171
065585...	37	901667...	138,148	908191...	121	912660...	89,119
076961...	134	901676...	212,216	908806...	269	912731...	204,207
078201...	183	901702...	212	910002...	27	912770...	114
078206...	183	901725...	255	910017...	13	912793...	166THRU 172
088561...	57	901726...	25	910123...	38,41,52	912799...	169
160425...	171	901763...	216	910161...	47,72	912840...	31
171778...	161	901783...	165	910195...	14THRU 59	912840...	175
171779...	161	901810...	171	910211...	25,52,77	913039...	27
171791...	161	901825...	212,216	910224...	31	913105...	48THRU 229
171792...	161	901829...	237	910225...	49	913177...	48 THRU 268
171793...	161	901844...	120	910230...	82	913223...	165
171794...	161	902214...	148	910231...	125	913230...	120
171796...	161	902871...	217	910233...	70	913249...	176,188,197
171797...	161	903630...	36	910244...	185THRU 253	913432...	56
177179...	166	903632...	51,52	910251...	257	913528...	185,186,171
177320...	167	903634...	52,59,61	910255...	229,269	913544...	79
177321...	167	903635...	29	910257...	17	913636...	116THRU 197
177322...	167	903638...	14,77	910292...	87,89	913827...	94
177323...	167	903641...	29	910323...	257,58	913828...	93
177324...	167	903730...	168	910324...	217,58	913830...	161THRU 243
182123...	245	903752...	20,207	910325...	36,50,148	913877...	91
182440...	133	903764...	87,89	910335...	21THRU 258	913938...	47
183890...	244	903771...	36	910543...	124	914029...	176
184604...	244	903772...	25,242	910545...	66,68	914113...	197
184609...	244	903774...	62	910847...	14,55	914172...	237
184610...	244	903780...	91	910876...	179	914330...	141
186399...	243	903782...	17	910880...	59,61,255	914463...	130
191995...	243	903835...	141,163	910910...	175	914465...	55 THRU 265
200130...	100	904001...	48	910916...	193	914487...	90,249,269
201671...	17	904002...	145	910919...	27	914488...	182
209359...	17	904003...	133	910923...	250	914499...	59,61
233854...	245	904004...	66,68	910980...	116	914627...	125,171
234172...	245	904006...	229	910981...	86	914628...	125
234173...	245	904020...	73	910986...	27,58,61	914630...	205,216
239517...	88	904203...	77THRU 257	911017...	125	914670...	42
604925...	12,165	904204...	21 THRU 258	911030...	247	914686...	37
605411...	257	904205...	11THRU 258	911040...	48 THRU 251	914773...	32
606360...	221	904206...	17 THRU 267	911041...	47 THRU 251	914847...	53,77,99
606383...	221	904207...	24 THRU 219	911043...	49 THRU 253	914875...	121,189,261
606548...	247	904208...	12 THRU 268	911044...	166	915016...	201
606896...	151	904209...	11THRU 163	911047...	193	915017...	257
639214...	37	904223...	151	911048...	116	915225...	189
639370...	37	904224...	134THRU 159	911049...	130,139	915228...	101THRU 229
900558...	47	904271...	255	911064...	57	915275...	129,158
900579...	89,119	904273...	216	911100...	175	915276...	127,128,175
900764...	191	904281...	52	911114...	91,255,258	915279...	165
900800...	73	904369...	179,247,250	911115...	87 THRU 267	915335...	192
900802...	32,117,163	904706...	217	911116...	176	915406...	244,255
900806...	15 THRU 165	904953...	209	911159...	123,176	915408...	98
900807...	31,59,61	905119...	183	911169...	79	915408...	142THRU 216
900808...	154THRU 176	905121...	55,183	911170...	119,124,197	915430...	116,119
900810...	259	905122...	124	911174...	56	915433...	37
900816...	197	905126...	26,123	911207...	175	915635...	17
900817...	217	905127...	18	911334...	24	915666...	14THRU 77
900818...	269	905261...	179	911435...	125,171	915779...	189,192
900942...	116	905263...	120	911437...	171	915788...	93,124
900970...	49	905564...	186	911440...	195,249	915809...	11THRU 258
901172...	77	905656...	59,61	911575...	246	915905...	113
901309...	203,207	906695...	53	911576...	246	915906...	262
901310...	77	906696...	51,52	911712...	123	915946...	56
901345...	129	906908...	179	911841...	251	915963...	218

NUMERICAL INDEX

Part No.	Page	Part No.	Page	Part No.	Page	Part No.	Page
915969...	17	917358...	73	919269...	119,261	921349...	186
915969...	56	917360...	146	919288...	37	921350...	186
915987...	217,219	917370...	166	919293...	29	921354...	245
915990...	56,99	917385...	203	919342...	119THRU 253	921365...	212
916009...	17	917391...	212,216	919481...	45	921398...	245
916021...	191	917412...	171	919498...	166	921446...	169
916024...	183	917415...	203,204	919503...	166,169,172	921500...	114
916028...	92,189,253	917441...	216	919511...	166,172	921543...	245
916034...	201	917495...	212	919520...	186,261	921544...	245
916169...	221	917503...	125,165,171	919621...	231	921558...	219
916191...	24	917511...	120	919766...	59,61	921886...	239
916197...	219	917546...	31	919767...	59,61	921911...	120,223,255
916206...	55	917554...	31	919791...	77,79,87	921912...	255
916222...	113	917560...	23	919797...	45	921913...	219
916225...	49,87,169	917579...	111	919800...	45	921914...	90,91
916227...	26	917581...	111	919840...	18THRU 114	921916...	87,89
916228...	189	917644...	49	919847...	185	921917...	89
916235...	46	917646...	116	920131...	55	922173...	161
916241...	163	917649...	165	920215...	216	922318...	120
916269...	17,79,124	917662...	49	920242...	45	922491...	204
916271...	29THRU 258	917663...	116	920333...	13THRU 71	922493...	204,207
916272...	77THRU 111	917664...	116	920340...	23	922548...	231
916273...	123	917666...	269	920416...	13	922577...	243
916274...	17,55,99	917673...	18THRU 75	920525...	29,51,53	922632...	269
916275...	53	917680...	55	920558...	192	922660...	185
916277...	17,26	917750...	46	920602...	232,249,269	922795...	139
916284...	21,255	917763...	211	920604...	221	922820...	96
916309...	216	917777...	193	920612...	190	922943...	43
916310...	217	917778...	129,265	920623...	127,128	922982...	245
916311...	11,21,219	917806...	45	920628...	193	922983...	245
916313...	11	917807...	79	920637...	211	922984...	245
916316...	18	917809...	45	920649...	103	922985...	245
916317...	56	917810...	79	920686...	223	923118...	232,269
916321...	11	917835...	195	920692...	252	923376...	251
916381...	46THRU 267	917869...	25	920700...	79	923558...	251
916382...	38,255	917885...	114	920944...	261,267	923559...	125
916383...	47	917970...	17	921073...	25	923562...	240,244
916385...	123,124	918156...	258	921092...	245	923563...	240,244
916386...	189,253,267	918210...	203	921097...	245	923564...	239,243
916387...	171	918308...	190	921104...	125,165	923574...	52
916393...	114	918374...	37,114	921113...	204,207	923575...	234,262
916400...	208,212,215	918627...	141,162	921116...	223	923577...	231
916401...	123,251	918697...	239	921117...	219	923578...	221,231
916402...	212,215	918698...	245	921129...	166	923580...	168
916405...	92	918778...	29	921138...	229	923582...	180
916409...	11	918851...	13	921139...	10,11,93	923584...	221
916413...	11	918887...	36,65	921181...	125	923585...	221
916414...	10	918888...	13	921183...	165	923587...	183
916419...	253	918951...	34	921184...	171	923590...	138
916421...	181,85	919015...	111,180	921185...	125,171	923592...	265
916426...	232	919040...	45	921186...	165THRU 172	923593...	225
916428...	232	919058...	221	921187...	165	923595...	227
916449...	247	919062...	37	921188...	166	923600...	237
916589...	191	919063...	58THRU 77	921189...	166,171,172	923649...	180THRU 253
916590...	91	919064...	232	921190...	165,166	923663...	231
916591...	269	919066...	77	921197...	86	923664...	219,231,252
916764...	253	919109...	176	921200...	247	923810...	240
916937...	124,229	919134...	13THRU 69	921203...	252	923813...	158
917008...	45,166	919171...	38	921204...	239,243	3001066...	195,265
917021...	21	919172...	37	921205...	186	3001085...	134THRU 265
917026...	255	919172...	37	921206...	239	3001090...	227
917101...	73	919177...	232	921235...	269	3001119...	225,227
917135...	59	919190...	165	921247...	246	3001131...	119,166,223
917258...	77	919206...	58THRU 86	921251...	59,61	3001171...	229,253,268
917310...	251	919216...	119	921285...	245	3001437...	119
917312...	171	919224...	33THRU 217	921286...	245	3001476...	225
917328...	255	919225...	17 THRU 265	921289...	245	3001482...	225
917330...	17,62,114	919228...	180	921299...	17	3001532...	225,265
917351...	171	919230...	33,79,113	921315...	168	3001538...	225,265
917352...	212,216	919249...	89	921327...	186	3001559...	195

NUMERICAL INDEX

Part No.	Page	Part No.	Page	Part No.	Page	Part No.	Page
3001565...	124, 229, 269	3006599...	179	3013390...	265	3016912...	240
3001621...	175	3006601...	179	3013391...	265	3016923...	240
3001622...	193, 248, 261	3006614...	179	3013392...	265	3016925...	240
3001716...	240, 244	3006816...	46, 172	3013568...	195, 259	3016926...	240
3001717...	240, 244	3006902...	267	3013712...	255	3016927...	240, 244
3001719...	239	3007145...	138, 148	3013807...	128	3016928...	240
3001721...	240	3007152...	137, 151, 157	3013847...	235	3016929...	239, 243
3001785...	123	3007198...	91	3013848...	235	3016931...	239, 243
3001850...	227	3007380...	134 THRU 159	3013850...	235	3016932...	240
3001916...	165	3007679...	255, 267	3013852...	235	3017010...	251
3002529...	216	3007775...	119	3013907...	186	3017048...	204
3002532...	193	3007809...	227	3013909...	123, 229, 269	3017076...	175
3002737...	46, 212	3007818...	165	3014226...	48	3017086...	229
3002746...	240	3007904...	225, 265	3014403...	145	3017118...	124, 229
3002766...	237	3007995...	227	3014456...	142	3017119...	124, 229
3002767...	237	3007996...	227	3014543...	145	3017249...	225, 265
3002768...	237	3008046...	198, 201	3014555...	148	3017316...	267
3003160...	225	3008130...	197	3014577...	154, 160	3017499...	265
3003438...	219	3008139...	227	3014578...	154, 159	3017556...	130, 225, 227
3003530...	47	3008317...	141	3014579...	154, 160	3018011...	265
3003609...	181	3008326...	141	3014580...	154, 160	3018012...	261
3003710...	181	3008327...	141, 162	3014581...	154, 159	3018142...	124
3003714...	181	3008330...	163	3014584...	154, 159	3018164...	253
3003715...	181	3008333...	141	3014597...	142	3018616...	195
3003716...	181	3008334...	141	3014602...	154	3018626...	47
3003717...	181	3008337...	141	3014602...	159	3018639...	204, 208
3003726...	181	3008338...	141	3014716...	89 THRU 215	3018643...	204, 207
3003727...	181	3008355...	141	3014753...	252	3019107...	203, 207
3003732...	181	3009450...	262	3014754...	252	3019598...	234
3003733...	181	3009451...	262	3014897...	166	3019603...	245
3003850...	176	3009475...	248	3015405...	119	3019683...	229 THRU 237
3003878...	120, 186	3009476...	248	3015533...	165	3019695...	237
3003882...	179	3009721...	255	3015649...	183	3019807...	130
3003883...	179	3009722...	255	3015650...	183	3019891...	227
3003884...	179	3009981...	212, 215	3015651...	183	3019937...	227
3003885...	179	3010100...	250	3015653...	183	3019967...	227
3003886...	179	3010101...	250	3015654...	183	3019969...	227
3003896...	179	3010158...	233	3015656...	183	3019970...	227
3003901...	179	3010159...	233	3015657...	183	3019973...	225
3003933...	179	3010241...	175	3015658...	183	3019977...	234
3004549...	227	3010242...	175	3015662...	183	3020124...	180
3004706...	244	3010303...	175	3015665...	183	3020125...	180
3004708...	244	3010478...	191	3015666...	183	3020172...	195
3004878...	227	3010489...	175	3015667...	183	3020175...	195
3004909...	207	3010653...	235	3015681...	141	3020178...	195
3005017...	175	3010857...	239, 240, 243	3015687...	142	3020179...	195
3005023...	175	3011219...	7	3015837...	267	3020293...	47
3005024...	175	3011236...	262	3015887...	183	3020394...	235
3005026...	175	3011243...	229	3016069...	253	3020410...	165
3005219...	175	3011248...	185	3016078...	237	3020442...	232
3005220...	175	3011411...	255	3016079...	237	3020446...	165
3005221...	175	3011625...	195	3016080...	237	3020476...	189
3005223...	175	3011632...	204 THRU 216	3016093...	233	3020483...	193
3005227...	47	3011651...	180	3016189...	225	3020506...	232
3005749...	123	3011654...	179	3016272...	225	3020518...	175
3005895...	123, 165, 262	3011659...	179	3016277...	234	3020519...	175
3005955...	49 THRU 268	3011664...	180	3016278...	234	3020521...	234
3005957...	49 THRU 223	3011842...	7	3016281...	231	3020579...	189
3006574...	176	3011860...	47	3016304...	186	3020580...	189
3006577...	180	3011878...	221	3016394...	252	3020591...	116
3006580...	179	3011884...	221	3016395...	235	3020627...	198
3006582...	179	3011905...	221	3016398...	235	3020674...	198
3006583...	179	3012089...	113	3016399...	237	3020677...	195, 259
3006585...	179	3012171...	124	3016403...	237	3020678...	195
3006586...	179	3012505...	124, 269	3016404...	233, 253	3020733...	198
3006589...	176	3012649...	165	3016405...	225, 265	3020733...	201
3006590...	176	3013046...	129	3016601...	225, 265	3020738...	255
3006592...	176	3013376...	265	3016703...	237	3020761...	204, 208
3006597...	179	3013377...	265	3016721...	180	3020768...	212, 215
3006598...	179	3013388...	265	3016911...	240	3020813...	130

NUMERICAL INDEX

Part No.	Page	Part No.	Page	Part No.	Page	Part No.	Page
3020825...	123	3021144...	99	3021664...	48	3022076...	137,153,157
3020833...	123	3021148...	114	3021682...	124	3022077...	137,153,157
3020839...	229	3021158...	95	3021696...	48	3022079...	137,153,157
3020841...	90	3021159...	113	3021717...	261	3022082...	154,157
3020847...	176	3021160...	98	3021728...	94,116	3022083...	153,157
3020848...	175	3021161...	95	3021811...	175	3022084...	153,157
3020851...	193	3021162...	95	3021812...	175	3022086...	153,157
3020853...	247	3021163...	95	3021813...	175	3022101...	146
3020874...	124	3021173...	113	3021814...	176	3022102...	146
3020876...	239,243	3021175...	109	3021815...	197	3022105...	146
3020886...	123	3021176...	109	3021816...	197	3022107...	135,147
3020955...	219	3021177...	101	3021817...	197	3022108...	135THRU 157
3020964...	123	3021178...	109	3021833...	138,148	3022109...	146
3020988...	229	3021179...	100	3021837...	245	3022110...	133THRU 157
3021006...	111	3021180...	113	3021840...	138,148	3022111...	134,146
3021011...	102,102	3021182...	107	3021851...	121	3022112...	134,146
3021034...	95	3021183...	109	3021861...	127,28	3022114...	138,148
3021035...	114	3021186...	107	3021862...	127,28	3022115...	138
3021036...	105,109	3021191...	105,109	3021863...	127,128	3022116...	137,151,157
3021038...	114	3021193...	107	3021864...	127,128	3022117...	137,153,157
3021041...	97	3021194...	103	3021867...	127,128	3022121...	137,151,157
3021048...	113	3021195...	109	3021920...	117	3022122...	137,154,157
3021049...	106	3021197...	113	3021921...	117	3022139...	189
3021051...	105,109	3021198...	109	3021922...	117	3022146...	190
3021053...	111,113	3021200...	112	3021923...	117	3022152...	115
3021055...	107,109	3021201...	113	3021924...	117	3022153...	115
3021057...	107	3021202...	113	3021925...	117	3022154...	115
3021058...	111	3021203...	100	3021926...	117	3022155...	115
3021060...	112	3021206...	95	3021927...	117	3022156...	115
3021062...	103	3021209...	113	3021928...	117	3022157...	115
3021065...	113	3021213...	106,109	3021929...	117	3022162...	146
3021068...	98	3021214...	105	3021942...	121	3022231...	191
3021069...	107	3021215...	105,107,109	3021944...	121	3022285...	151
3021071...	107	3021216...	105	3021948...	121	3022289...	152
3021072...	105,109	3021217...	105	3021950...	261	3022290...	152
3021073...	105,109	3021218...	105	3021999...	127,128	3022291...	152
3021074...	105,109	3021219...	113	3022001...	127,128	3022292...	152
3021079...	106	3021221...	97	3022002...	127,128	3022295...	151,158
3021080...	98	3021223...	97,106	3022024...	146	3022301...	153
3021081...	98	3021224...	100	3022028...	146	3022306...	153,158
3021087...	97	3021225...	107	3022029...	147	3022308...	154
3021088...	99	3021226...	113	3022030...	146	3022314...	134,147
3021089...	99	3021228...	113	3022031...	147	3022351...	255
3021092...	105	3021233...	100	3022032...	147	3022355...	255
3021093...	101	3021241...	103	3022034...	146	3022356...	255
3021093...	102	3021242...	105,109	3022036...	145	3022397...	146
3021094...	113	3021244...	100	3022037...	145	3022444...	255
3021095...	106	3021245...	100	3022038...	146	3022446...	145
3021097...	105	3021248...	111	3022040...	8	3022447...	145
3021098...	99	3021249...	105	3022041...	8	3022448...	145
3021100...	106	3021250...	105,109	3022042...	145	3022449...	145
3021102...	99	3021260...	229	3022043...	133,145	3022450...	145
3021103...	99	3021331...	204,208	3022045...	128,145	3022451...	145
3021104...	105	3021333...	215	3022047...	146	3022452...	145
3021105...	99	3021333...	204,208	3022048...	147	3022453...	145
3021108...	103	3021334...	203,207	3022049...	135,147	3022454...	145
3021111...	101,102	3021340...	195	3022050...	145	3022455...	145
3021113...	112	3021341...	7	3022051...	145	3022456...	145
3021114...	112	3021360...	48	3022052...	145	3022475...	204,208
3021115...	103	3021362...	227	3022053...	145	3022476...	204,208,251
3021117...	113	3021367...	227	3022054...	134,146	3022540...	192
3021119...	105	3021383...	191	3022055...	145	3022576...	269
3021121...	107,109	3021438...	255	3022056...	145	3022648...	269
3021123...	105	3021471...	124	3022061...	151,157	3022762...	195
3021124...	109	3021516...	125	3022064...	151,157	3022763...	195
3021125...	113	3021560...	113,127	3022069...	137,153,157	3022846...	124
3021126...	113	3021561...	113,128	3022070...	154,157	3022847...	123
3021127...	113	3021584...	191	3022071...	137,153,157	3022857...	124
3021129...	113	3021607...	223	3022072...	137	3022858...	123
3021142...	99	3021657...	48	3022074...	154,157	3022885...	198

NUMERICAL INDEX

Part No.	Page	Part No.	Page	Part No.	Page	Part No.	Page
3022963...	269	3026316...	188	3028413...	151, 159	3029702...	175
3022968...	165	3026317...	212, 215	3028417...	203, 207	3029728...	186
3023001...	176	3026347...	232	3028419...	203, 208	3029730...	186
3023033...	191	3026352...	91	3028520...	56	3029738...	185
3023171...	245	3026376...	211, 216	3028542...	235	3029742...	186
3023281...	195	3026415...	87	3028627...	231	3029743...	186
3023414...	212, 215	3026620...	11	3028653...	163	3029744...	186
3023433...	253	3026666...	198	3028701...	231	3029745...	185
3023434...	253	3026689...	128	3028703...	231	3029748...	185
3023442...	253	3026691...	126	3028743...	240	3029750...	185
3023445...	216	3026730...	11	3028828...	89, 189	3029752...	185
3023535...	261, 267	3026949...	11	3028858...	101	3029755...	193
3023545...	212	3026967...	232	3028950...	195	3029764...	191
3023548...	255	3026969...	11	3028982...	115	3029766...	175
3023794...	259	3026983...	234	3028991...	195	3029769...	49
3023846...	124	3026985...	234	3028992...	195	3029808...	209
3023858...	221	3026986...	234	3028993...	195	3029812...	120, 185
3023860...	221	3026988...	234	3028994...	195	3029817...	171
3023871...	221	3026989...	232	3028996...	195	3029819...	87
3023917...	219	3027010...	97	3029012...	223	3029821...	119
3023972...	255	3027011...	97	3029013...	223	3029822...	189
3024053...	47	3027012...	97	3029014...	223	3029826...	219
3024067...	47	3027014...	96	3029042...	182	3029834...	166
3024068...	47	3027016...	96	3029141...	225	3029835...	166
3024079...	188	3027023...	232	3029142...	225	3029841...	166
3024087...	252	3027024...	232	3029143...	223	3029843...	166
3024088...	252	3027059...	231	3029144...	223	3029847...	166
3024089...	252	3027090...	11	3029146...	225	3029849...	124
3024127...	173	3027106...	211	3029147...	223	3029851...	124
3024128...	173	3027107...	211	3029148...	223	3029854...	124
3024219...	135	3027108...	211	3029151...	130	3029862...	92
3024221...	134	3027198...	211, 213	3029162...	152	3029864...	166
3024346...	188	3027397...	239, 243	3029212...	153	3029866...	204, 207
3024347...	188	3027398...	239	3029214...	86, 89	3029867...	171
3024365...	93	3027399...	239, 243	3029216...	87, 89	3029872...	6, 172
3024366...	93	3027401...	239, 243	3029259...	171	3029873...	6, 172
3024375...	186	3027405...	240	3029273...	190	3029884...	203, 207
3024400...	245	3027406...	239, 243	3029279...	258	3029889...	46
3024401...	245	3027407...	239, 243	3029332...	175	3029892...	46
3024402...	123	3027410...	240, 244	3029370...	190	3029914...	246
3024409...	245	3027414...	239, 243	3029371...	190	3029930...	172
3024417...	221	3027549...	173	3029384...	181	3029938...	171
3024429...	245	3027596...	253	3029396...	186	3029941...	171
3024437...	204, 207	3027634...	146	3029406...	227	3029942...	172
3024438...	204, 207	3027646...	148, 151	3029407...	227	3029949...	98
3024520...	258	3027648...	151, 158	3029429...	190	3029951...	172
3024643...	151, 159	3027649...	151, 158	3029440...	191	3029958...	165
3024873...	255	3027653...	151	3029469...	181	3029962...	165
3024874...	255	3027655...	153	3029473...	176	3029966...	171
3024875...	255	3027656...	151, 159	3029485...	148, 181	3029968...	191
3024892...	138, 153, 158	3027657...	152, 159	3029494...	186	3029970...	173
3024932...	166 THRU 216	3027659...	153	3029496...	176	3029971...	173
3024943...	86	3027660...	152, 158	3029518...	176	3030020...	259
3024967...	255	3027661...	152, 158	3029519...	176	3030046...	259
3025378...	176	3027662...	152, 158	3029524...	92	3030067...	261
3025486...	176	3027664...	151	3029525...	92	3030068...	261
3025624...	253	3027665...	153	3029526...	6, 185	3030069...	259
3025687...	95	3027666...	153	3029544...	175	3030072...	259
3025970...	95	3027667...	153	3029570...	92	3031030...	119
3026059...	56	3027669...	153	3029590...	176	3031036...	165
3026068...	138, 153, 158	3027705...	173	3029598...	191	3031053...	120
3026069...	148	3027853...	11	3029601...	191	3031067...	92
3026072...	154	3027854...	11	3029603...	198	3031068...	152
3026076...	153, 157	3027987...	197	3029608...	11	3031157...	90
3026085...	153, 158	3027989...	197	3029615...	48	3031163...	46
3026086...	151, 159	3027990...	197	3029624...	198	3031167...	115
3026156...	100	3027991...	101, 102	3029625...	166	3031178...	229
3026170...	90	3027993...	197	3029671...	198	3031179...	229
3026190...	18	3028047...	138	3029698...	198	3031198...	247
3026289...	11, 93	3028397...	138	3029700...	186	3031219...	86

NUMERICAL INDEX

Part No.	Page	Part No.	Page	Part No.	Page	Part No.	Page
3031255...93		3032101...231		3032707...137		3032807...211	
3031353...249		3032178...120		3032708...138		3032808...211	
3031355...129		3032178...185		3032709...137		3032809...211	
3031356...129		3032198...198		3032710...137		3032812...245	
3031507...189		3032200...247		3032711...142		3032908...133	
3031509...189		3032206...171		3032712...141		3032909...135	
3031534...49		3032206...6		3032713...142		3032910...135	
3031536...21		3032207...171		3032714...141		3032911...135	
3031543...116		3032208...172		3032718...141		3032914...134	
3031544...212,215		3032233...176		3032719...141		3032916...133	
3031545...49		3032248...204,208		3032720...142		3032917...133	
3031566...127		3032261...245		3032721...142		3032918...133	
3031573...125		3032266...175		3032722...142		3032919...134	
3031582...138,153,157		3032286...190		3032723...141		3032920...134	
3031608...171		3032302...192		3032724...141		3032921...133	
3031609...171		3032377...127,128		3032725...142		3032922...133	
3031610...125		3032378...127,128		3032726...142		3032923...134	
3031615...90		3032445...163		3032728...141		3032924...133	
3031667...212,215		3032489...185		3032729...141		3032925...133	
3031668...212,216		3032491...168		3032730...142		3032926...133	
3031669...212,216		3032492...168		3032731...142		3032927...133	
3031711...77		3032494...168		3032733...141		3032928...133	
3031715...77		3032495...168		3032734...142		3032929...133	
3031733...198		3032496...168		3032738...148		3032930...133	
3031735...203,207		3032497...168		3032739...152,158		3032931...133	
3031737...218		3032498...168		3032740...152,159		3032932...133	
3031743...86		3032499...168		3032741...152,159		3032933...133	
3031744...86		3032500...168		3032742...152,158		3032934...133	
3031745...86		3032501...168		3032743...152		3032935...133	
3031767...123		3032502...168		3032744...151		3032936...134	
3031780...204,207		3032504...168		3032745...153,158		3032937...134	
3031781...204,208		3032505...168		3032746...152		3032938...134	
3031782...203,208		3032506...168		3032747...151,159		3032979...154,159,160	
3031783...203,208		3032515...168		3032748...154,160		3032981...105,109	
3031787...211,215		3032522...231		3032749...152,159		3032989...146	
3031788...212,216		3032523...159		3032750...152,159		3033029...146	
3031789...211,215		3032529...229,269		3032751...152		3033030...145	
3031790...212,216		3032540...246		3032752...152		3033042...192	
3031791...211		3032559...179		3032753...154		3033043...192	
3031814...232		3032560...180		3032754...163		3033044...97	
3031821...247		3032564...180		3032755...163		3033045...162	
3031843...189		3032565...180		3032756...154,160		3033048...97	
3031844...189		3032566...179		3032757...152,159,163		3033049...97	
3031846...111		3032595...180		3032758...163		3033050...97	
3031847...111		3032596...179		3032759...163		3033052...97	
3031877...197		3032599...183		3032760...162		3033053...97	
3031878...197		3032600...183		3032761...163		3033055...97	
3031881...193		3032601...183		3032763...162		3033056...97	
3031897...193		3032602...183		3032764...163		3033057...97	
3031937...189		3032603...183		3032766...163		3033058...97	
3031945...165		3032609...195		3032768...163		3033059...97	
3031946...165		3032628...247		3032769...163		3033060...97	
3031951...231		3032668...245		3032770...163		3033062...97	
3031952...231		3032669...245		3032771...163		3033063...97	
3031953...231,252		3032687...138		3032772...163		3033064...97	
3032004...212,216		3032688...138		3032773...163		3033065...97	
3032021...49		3032689...138		3032774...163		3033067...97	
3032029...48		3032690...138		3032775...163		3033069...105	
3032050...231		3032691...138		3032776...163		3033070...105	
3032051...231		3032692...137		3032782...127,133		3033072...107	
3032052...231		3032693...137		3032787...134		3033073...107	
3032053...182		3032694...137		3032789...133		3033074...109	
3032054...182		3032695...138		3032791...134		3033075...109	
3032055...231		3032698...138		3032792...134		3033076...109	
3032056...231		3032699...137		3032793...135		3033077...109	
3032058...231		3032700...138		3032794...133		3033078...109	
3032062...231		3032701...137		3032795...133		3033079...114	
3032064...231		3032704...137		3032803...211		3033080...114	
3032088...233		3032705...137		3032804...211		3033081...114	
3032091...229		3032706...137		3032805...211		3033082...114	

NUMERICAL INDEX

Part No.	Page	Part No.	Page	Part No.	Page	Part No.	Page
3033083...	114	3034287...	249	3036711...	134	3039039...	197
3033084...	114	3034304...	249	3036712...	133	3039052...	152
3033086...	112	3034306...	249	3036714...	134	3039077...	152
3033097...	102	3034502...	6, 171	3036722...	161	3039092...	152
3033167...	47	3034558...	205, 207	3036723...	161	3039097...	162
3033209...	47	3034565...	205, 208	3036728...	161	3039201...	244
3033310...	173	3034566...	207	3036729...	139	3039202...	244
3033334...	125	3034585...	211, 215	3036730...	139	3039203...	244
3033335...	125	3034589...	205, 207	3036731...	139	3039206...	244
3033336...	125	3034591...	101	3036732...	139	3039208...	244
3033337...	125	3034592...	102	3036733...	139	3039281...	255
3033338...	125	3034593...	102	3036734...	139	3039318...	92
3033339...	125	3034599...	102	3036736...	139	3039320...	100
3033340...	125	3034600...	102	3036751...	185	3039321...	100
3033342...	125	3034601...	102	3036790...	250	3039322...	100
3033353...	219	3034602...	102	3036800...	161	3039382...	246
3033355...	141	3034654...	245	3036820...	250	3039383...	246
3033356...	221	3034655...	245	3036835...	186	3039426...	98
3033357...	221	3034698...	259	3036937...	129	3039515...	139
3033358...	221	3034709...	262	3037026...	255	3039516...	139
3033360...	221	3034710...	262	3037089...	215	3039535...	195
3033361...	221	3034711...	261	3037091...	213	3039544...	195
3033364...	221	3034712...	262	3037092...	213	3039643...	209
3033365...	221	3034713...	261	3037174...	135, 147	3039671...	190
3033366...	221	3034714...	6, 261	3037183...	203, 207	3039681...	88
3033369...	221	3034715...	6, 261	3037213...	151, 157	3039683...	203, 208
3033370...	221	3034716...	261	3037214...	153, 158	3039684...	203, 208
3033393...	215	3034716...	6, 267	3037215...	152	3039686...	88
3033441...	247	3034717...	6, 261	3037224...	232	3039689...	89
3033506...	231	3034718...	261	3037232...	151	3039692...	89
3033513...	247	3034799...	47	3037429...	212, 216	3039718...	186
3033514...	247	3035067...	124	3037762...	212, 216	3039724...	119
3033596...	126	3035136...	6, 267	3037813...	142	3039742...	152
3033663...	253	3035137...	267	3037814...	141	3039764...	229
3033667...	252	3035138...	267	3037816...	141, 163	3039766...	123, 268
3033668...	253	3035139...	267	3037871...	49	3039852...	258
3033670...	253	3035140...	267	3037877...	204, 207	3039853...	258
3033682...	103	3035240...	265	3037901...	203, 207	3039856...	258
3033685...	253	3035498...	215	3037902...	203, 207	3039858...	258
3033687...	253	3035499...	215	3037904...	204, 208, 251	3039860...	258
3033689...	113	3035506...	129	3038003...	186	3039867...	258
3033691...	94	3035509...	146	3038117...	232, 269	3039868...	258
3033692...	111	3035861...	113	3038119...	232	3039869...	258
3033697...	8	3035862...	113	3038204...	134	3039870...	257
3033698...	98	3035863...	113	3038205...	134	3039878...	258
3033705...	97	3035864...	113	3038206...	134	3039879...	258
3033746...	252	3035885...	48	3038417...	183	3039881...	152, 159
3033862...	219	3036061...	124	3038419...	185	3039899...	237
3033894...	247	3036102...	198, 201	3038445...	119	3039900...	233
3033907...	125	3036232...	49	3038519...	89	3039902...	233
3033908...	125	3036239...	209	3038547...	89	3039919...	257
3033909...	255	3036240...	209	3038636...	120	3039938...	96
3033931...	269	3036241...	209	3038662...	89	3039947...	257
3033933...	221	3036242...	209	3038668...	6	3039948...	257
3033939...	239, 243	3036322...	114	3038668...	119, 120	3039951...	185
3034023...	163	3036323...	114	3038673...	244	3040005...	98
3034059...	138	3036482...	269	3038674...	244	3040013...	257
3034059...	153, 157	3036644...	97	3038675...	243	3040014...	257
3034102...	268	3036646...	111	3038677...	244	3040139...	255
3034109...	255	3036648...	100	3038678...	244	3040364...	137
3034217...	111	3036649...	111	3038683...	89	3040365...	137, 153, 157
3034218...	111	3036650...	111	3038684...	88	3040370...	182
3034219...	111	3036690...	163	3038686...	244	3040493...	153
3034220...	111	3036692...	137, 154, 157	3038845...	258	3040631...	88
3034221...	111	3036704...	129	3038846...	225	3040634...	88
3034222...	111	3036705...	134	3038856...	139	3040635...	88
3034223...	111	3036707...	134	3038871...	98	3040712...	6, 219
3034224...	111	3036708...	134	3039011...	243	3040740...	6
3034250...	205, 208	3036709...	134	3039015...	244	3040742...	6, 46
3034265...	249	3036710...	133	3039030...	197	3040785...	201

NUMERICAL INDEX

Part No.	Page	Part No.	Page	Part No.	Page	Part No.	Page
3040888...	186	3041822...	251	4040303...	70,71	4049256...	70
3040889...	185	3041823...	251	4040305...	58,69	4049258...	70
3040921...	159	3041824...	251	4040306...	66,68	4049259...	66
3040922...	159	3041850...	125	4040315...	71	4049261...	63
3040923...	159	3041864...	251	4040321...	64	4049262...	63
3040924...	158	3041877...	6,46	4040323...	68	4049264...	70
3040928...	158	3041879...	159	4040330...	63,65	4049265...	70
3040965...	6,166	3041951...	243	4040335...	63,65	4049282...	42
3040971...	119	3041971...	124	4040336...	63,65	4050453...	65
3041010...	158	3041977...	201	4040339...	65	4050454...	65
3041011...	158	3041978...	6,46	4040340...	63,65	4050462...	65
3041014...	6,186	3042010...	251	4040341...	65	4050463...	72
3041137...	91	3042042...	221	4040342...	71	4050464...	66,68,69
3041138...	212,216	3042043...	221	4040343...	71	4050466...	71
3041140...	251	3042074...	158	4040345...	73,75	4050467...	71
3041173...	158	3042138...	105,109	4040351...	68	4050468...	71
3041200...	211,216	3042146...	105,109	4040353...	72	4050516...	43
3041236...	158	3042147...	107	4040369...	81	4050519...	43
3041242...	158	3042290...	6,185	4040383...	57	4050520...	42
3041252...	158	3042291...	186	4040384...	57	4050523...	42
3041275...	148	3042292...	6,223	4040385...	57	4050685...	45
3041290...	211	3042293...	6,223	4040386...	57	4051038...	68
3041302...	93	3042298...	185	4040494...	63	4051304...	45
3041448...	20	3042299...	186	4040499...	66	4051483...	37
3041451...	6,119	3042323...	6,223	4040501...	63	4051485...	37
3041452...	6,119	3042324...	6,223	4040514...	66	4051839...	43
3041453...	96	3042327...	146	4040515...	66	4052124...	63,65
3041454...	96	3042328...	146	4040516...	66	4052239...	73
3041455...	96	3042331...	146	4040522...	70	4052555...	42
3041456...	96	3042421...	239,243	4040523...	70	4052556...	42
3041459...	96	3042511...	146	4040539...	66,69	4052714...	43
3041515...	185	3042581...	89	4040549...	66	4052715...	42
3041552...	120	3042683...	129	4040550...	66,69	4052939...	65
3041564...	244	3042684...	146	4040643...	69	4052940...	65
3041586...	201	3042688...	130	4040761...	72	4052974...	81
3041588...	257	3042711...	153	4040762...	73	4052975...	81
3041618...	89	3042790...	169	4040766...	73	4052977...	81
3041627...	257	3042794...	169	4040767...	72	4052979...	81
3041628...	257	3042801...	169	4040769...	73	4052987...	81
3041629...	257	3042812...	207	4040770...	72	4052988...	82
3041630...	258	3042816...	203	4040771...	73	4052989...	81
3041631...	258	3042875...	113	4040772...	73	4052990...	81
3041632...	258	3042876...	113	4040773...	73	4052991...	81
3041633...	257	3042877...	112	4040774...	73	4052992...	81
3041634...	257	3042878...	113	4040775...	73	4052994...	81
3041635...	257	3042943...	88	4040776...	72	4052997...	82
3041636...	257	3042959...	216	4040777...	73	4052999...	82
3041642...	257	3042960...	216	4040778...	72	4053000...	82
3041643...	257	3042966...	216	4040779...	73	4053003...	82
3041644...	257	3043001...	123	4040780...	73	4053005...	82
3041645...	257	3043369...	135	4040785...	73	4053006...	81
3041646...	258	3043851...	97	4040786...	72	4053007...	81
3041647...	258	3043852...	97	4040787...	73	4053008...	81
3041648...	258	3043854...	97	4040841...	73	4053009...	82
3041649...	258	3043902...	130	4040868...	72	4053010...	81
3041652...	258	3043938...	97	4040869...	73	4053032...	81
3041653...	258	3044118...	107	4040870...	73	4053156...	42
3041654...	258	3044124...	137	4041015...	45	4053191...	70
3041656...	257	3044125...	137	4041097...	55	4053193...	63
3041657...	257	3044614...	207	4041103...	35	4053195...	63
3041678...	105,109	3044617...	158	4041334...	73	4053197...	70
3041718...	203,208	3044863...	90	4041337...	73	4053198...	66
3041782...	258	3046183...	98	4041515...	65	4053235...	63
3041784...	257	4003490...	18	4042081...	57	4053295...	63
3041788...	257	4004054...	17	4044209...	55	4053298...	63,64
3041789...	257	4013450...	77	4044210...	55	4053356...	63,64
3041818...	251	4025391...	26	4044211...	55	4053357...	63
3041819...	251	4040299...	66,69	4044212...	55	4053358...	63
3041820...	251	4040300...	68	4047564...	69	4053412...	81
3041821...	251	4040302...	70,71	4049255...	70	4053413...	81

NUMERICAL INDEX

Part No.	Page	Part No.	Page	Part No.	Page	Part No.	Page
4053426...81		4056426...63		4335731...6THRU 177		4336602...23	
4053427...81		4113897...14		4335777...14		4336615...77	
4053428...81		4181061...85		4335782...14		4336620...77,79	
4053429...81		4250898...19		4335808...55		4336646...27	
4053431...82		4252241...56		4335809...55		4336687...45	
4053595...65		4252796...51,53		4335846...56		4336756...77,79,87	
4053597...81		4253106...14,33		4335897...6,37		4336758...24	
4053598...81		4253195...34		4335898...6,37		4336777...56	
4053599...82		4253270...50		4335935...6,37		4336778...21	
4053600...81		4253452...59,61		4336127...23		4336795...217	
4053601...81							
4053602...81		4253490...17		4336128...23		4336804...217	
4053744...82		4253751...34		4336129...24		4336873...217	
4053830...72		4253822...151,59		4336130...24		4336897...21	
4054000...73		4253862...57		4336131...24		4336919...77	
4054151...74		4253863...57		4336142...27		4337015...45	
4054434...71		4253922...29		4336143...27		4337019...45	
4054435...71		4254151...68		4336145...27		4337022...45	
4054437...65		4254363...27		4336148...24		4337023...45	
4054438...73		4254624...14,181		4336153...24		4337031...42	
		4254891...17		4336156...51,53		4337045...26	
4054439...65							
4055195...85		4254968...77,79		4336157...23		4337047...31	
4055272...74		4254991...77,179		4336174...59,61		4337059...31	
4055273...74		4255003...77,79		4336178...24		4337060...18	
4055274...74		4255012...53		4336182...51,53		4337061...38	
4055275...75		4255017...45		4336209...41		4337071...25	
4055276...75		4255020...45		4336234...27		4337078...10	
4055277...75		4255155...21		4336249...42		4337113...24	
4055278...74		4255343...20		4336250...42		4337114...77,79	
4055279...75		4255347...77,79		4336260...52		4337223...45	
		4255465...15		4336261...52		4337228...17	
4055280...75							
4055281...75		4300145...90		4336263...52,53		4337251...37	
4055282...75		4314562...53		4336264...52		4337281...17	
4055283...75		4317553...53		4336266...90		4337395...15	
4055284...74		4317554...53		4336267...52		4337474...76	
4055341...74		4320227...31		4336268...52		4337478...27	
4055526...68		4335022...14		4336345...17		4337479...27	
4055527...68		4335056...55		4336346...17		4337491...58	
4055528...68		4335067...17		4336381...32		4337538...91	
4055529...69		4335152...32		4336384...32		4337558...76	
		4335153...32		4336385...32		4337590...79	
4055556...69							
4055557...69		4335320...55		4336386...32		4337602...53	
4055558...68		4335335...33		4336406...25		4337683...19	
4055563...37		4335336...34		4336418...23		4337684...19	
4056068...57		4335352...35		4336419...23		4337685...19	
4056136...82		4335369...14		4336426...20		4337686...19	
4056232...57		4335371...17		4336427...21		4337687...19	
4056285...85		4335382...31		4336429...21		4337688...19	
4056286...85		4335451...91		4336432...13		4337689...19	
4056287...85		4335453...14		4336436...77,79		4337690...19	
		4335454...14		4336444...24		4337698...19	
4056288...85							
4056289...85		4335455...14		4336454...50		4337699...19	
4056290...85		4335456...14		4336491...17		4337700...19	
4056291...85		4335534...14		4336506...51,53		4337701...15	
4056292...85		4335547...27		4336512...15		4337702...15	
4056293...85		4335548...27		4336524...17		4337703...15	
4056294...85		4335550...17		4336530...42		4337704...15	
4056295...85		4335557...6,38		4336531...42		4337705...15	
4056296...85		4335566...6,33		4336532...42		4337710...18	
4056297...85		4335567...6,33		4336546...45		4337711...18	
		4335577...33		4336547...45		4337712...18	
4056298...85							
4056300...85		4335578...33		4336549...45		4337713...18	
4056301...85		4335623...50		4336558...76,79		4337714...18	
4056302...85		4335638...29		4336559...15		4337715...19	
4056303...85		4335639...29		4336566...41		4337716...19	
4056305...85		4335647...77		4336577...9		4337718...18	
4056306...85		4335649...77		4336586...23		4337723...26	
4056314...85		4335666...34		4336589...36		4337735...19	
4056353...65		4335668...29		4336592...24		4337736...19	
4056425...64		4335711...17		4336596...29		4337737...19	
		4335712...17		4336601...23		4337738...19	

NUMERICAL INDEX

Part No.	Page	Part No.	Page	Part No.	Page	Part No.	Page
4337739...	19	4339546...	23	4348107...	17	4371703...	57
4337764...	14	4339547...	23	4348126...	17	4371707...	55,57
4337805...	41	4339548...	23	4348129...	27	4372325...	34
4337806...	41	4339585...	77,79	4348130...	27	4372864...	24
4337807...	41	4339624...	23	4348136...	17	4373610...	34
4337808...	41	4339625...	23	4348184...	29	4373612...	34
4337809...	41	4339715...	21	4348185...	29	4373613...	34
4337810...	41	4339721...	79	4348215...	31	4373614...	34
4337888...	217	4339722...	79	4348218...	32	4373672...	31
4337971...	14	4339827...	79	4348268...	35	4374129...	32
4337972...	14	4339838...	79	4348269...	34	4374390...	18
4337975...	9	4339848...	23	4348270...	35	4374391...	18
4338091...	21	4343799...	24	4348303...	31	4374564...	32
4338143...	27	4346099...	13	4348310...	17	4374627...	217
4338151...	13	4346100...	13	4348440...	27	4374735...	35
4338174...	62	4346108...	13	4348502...	57	4375686...	55
4338219...	20	4346138...	50	4348682...	32	4375812...	32
4338222...	6,77	4346169...	32	4348683...	32	4375937...	24
4338223...	77	4346184...	14	4348684...	32	4376497...	24
4338242...	53	4346191...	13	4348691...	31,132	4376749...	24
4338243...	53	4346208...	50	4348692...	31	4378031...	43
4338266...	53	4346246...	17	4348757...	55	4378032...	43
4338284...	61	4346307...	26	4348769...	31	4378033...	43
4338299...	26	4346320...	218	4348825...	55	4378269...	52
4338311...	6,58	4346322...	13	4348829...	13	4378871...	119
4338312...	6,62	4346323...	13	4348830...	13	4379291...	14
4338313...	6,59,61	4346347...	38	4348831...	13	4379305...	27
4338314...	6,59,61	4346456...	90	4348857...	14	4379723...	77,79
4338388...	23	4346483...	31	4348858...	14	4379916...	52
4338389...	23	4346724...	59,61	4348859...	14	4380651...	43
4338428...	41	4346744...	55	4348883...	31	4380652...	43
4338429...	41	4347003...	90	4348885...	31	4380654...	41
4338430...	41	4347031...	52,53	4348891...	31	4380656...	43
4338431...	41	4347061...	14	4348894...	31	4380662...	43
4338432...	41	4347120...	17	4348900...	14	4380685...	43
4338433...	41	4347235...	15	4349011...	17	4385387...	76,79
4338445...	24	4347413...	13	4349037...	25	4385480...	27
4338463...	45	4347416...	13	4349117...	56	4386525...	32
4338507...	17	4347419...	13	4349157...	27	4386591...	79
4338511...	50	4347458...	15	4349193...	77,79	4386863...	14
4338558...	20	4347465...	14	4349257...	26	4387529...	218
4338662...	55	4347511...	27	4349375...	32	4387600...	218
4338663...	55	4347539...	29	4349378...	31	4389051...	36
4338674...	14	4347543...	25	4349629...	13	4389058...	14
4339017...	15	4347572...	32	4349630...	13	4389113...	37
4339036...	13	4347619...	24	4349631...	13	4389910...	13,24
4339037...	13	4347659...	31	4349632...	13	4500230...	14
4339038...	13	4347681...	59,61	4349953...	55	4500300...	21
4339103...	55	4347703...	61	4354175...	13	4501149...	42
4339193...	31	4347714...	59	4354179...	15	4502638...	217
4339195...	32	4347722...	59,61	4354180...	15	4504409...	42
4339204...	31	4347724...	59,61	4354181...	15	4505556...	45
4339207...	42	4347781...	56	4354210...	38	4506607...	25
4339212...	79	4347791...	37	4354291...	9	4506737...	29
4339459...	56	4347815...	18	4354294...	23	4506946...	14,27
4339464...	56	4347832...	27	4354295...	23	4507084...	55
4339481...	61	4347836...	38	4354395...	29	4507091...	55
4339497...	24	4347855...	58,61	4356232...	59,61	4507359...	42
4339498...	23	4347897...	18	4362338...	14	4509035...	31,32
4339499...	23	4347921...	59,62	4364422...	27	4511213...	43
4339505...	23	4347938...	31	4366461...	14	4511243...	43
4339511...	50	4347982...	217	4366780...	24	4513207...	215
4339516...	79	4347993...	59	4366781...	24	4514000...	24
4339520...	79	4347994...	59,61	4366782...	24	4613571...	217
4339521...	79	4347995...	59	4369110...	32	4640285...	59,61
4339523...	10	4347996...	59	4371021...	34,121	4640976...	57
4339527...	20	4348020...	31	4371036...	35	4640978...	57
4339532...	79	4348038...	31	4371107...	50	4660358...	14
4339533...	79	4348044...	31	4371443...	34	4660369...	27
4339535...	79	4348083...	31	4371503...	18	4875601...	31