

TANK AND COVERS

T-71929

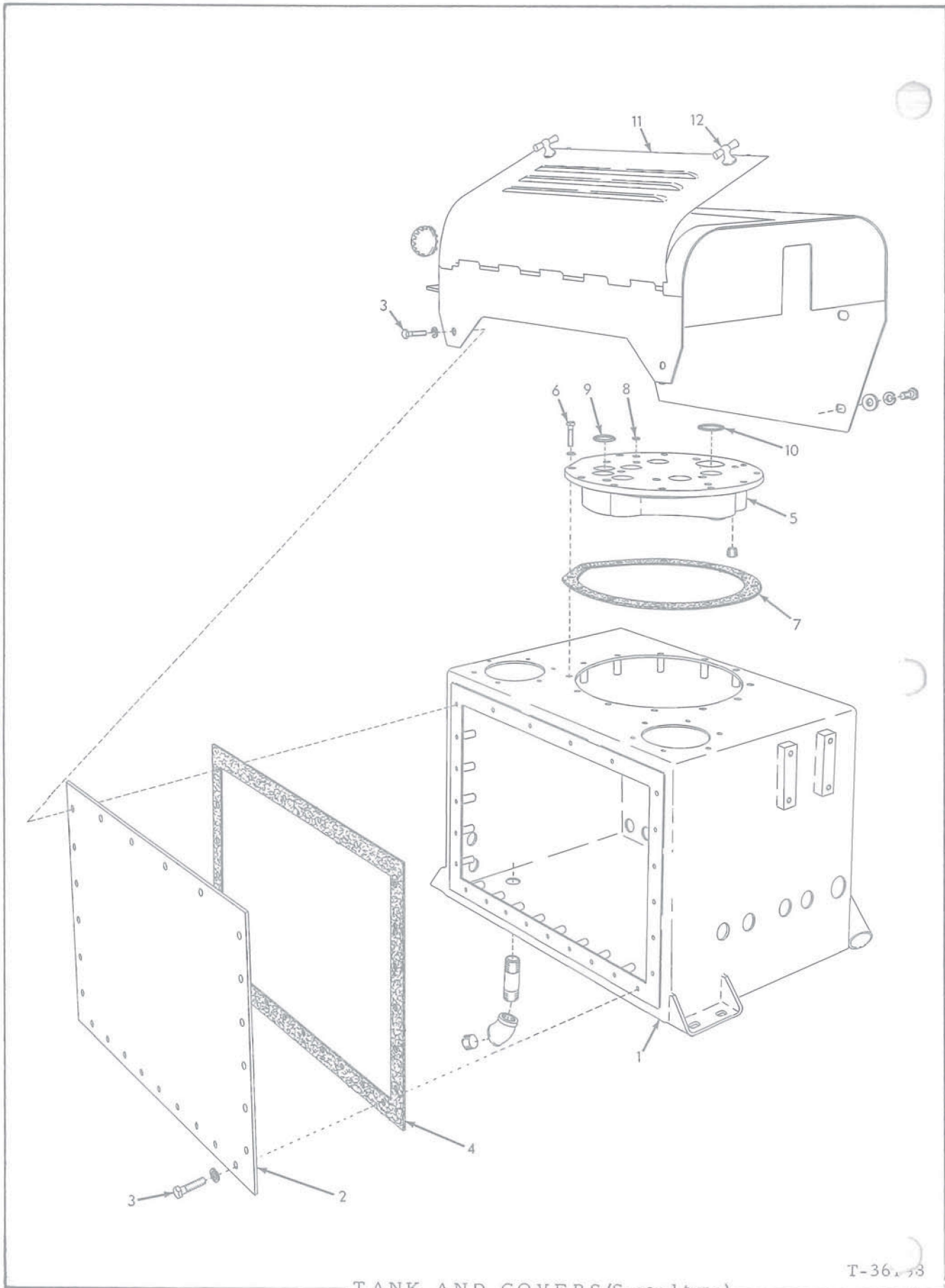
USAGE: Tractors prior to serial No. 11094

ITEM	PART NO.	QTY.	DESCRIPTION
1	3016169	1	TANK, hydraulic
	901513	1	NIPPLE, pipe, 3/4"NPT x 3"
	901694	1	ELBOW, pipe, 45°, 3/4"NPT
	904224	1	PLUG, pipe, ctsk-hd., 3/4"NPT
2	3016328	1	PLATE, hydraulic tank side
	904206	26	LOCKWASHER, 3/8"
	3019683	26	NUT, aluminum, 3/8"NC
3	3016280	1	GASKET, tank side plate

(Continued)

TANK AND COVERS (Continued)

ITEM	PART NO.	QTY.	DESCRIPTION
	3016100	1	PLATE, valve mounting
	907856	1	PLUG, pipe, ctsk., 3/8"NPT
	904206	12	LOCKWASHER, 3/8"
	3019683	12	NUT, aluminum, 3/8"NC
5	3016281	1	GASKET, valve mounting plate
6	923663	4	O-RING, control valve to mounting plate (3/8"I. D.)
7	923649	7	O-RING, control valve to mounting plate (1-1/4"I. D.)
8	923577	1	O-RING, control valve to mounting plate (1-3/4"I. D.)



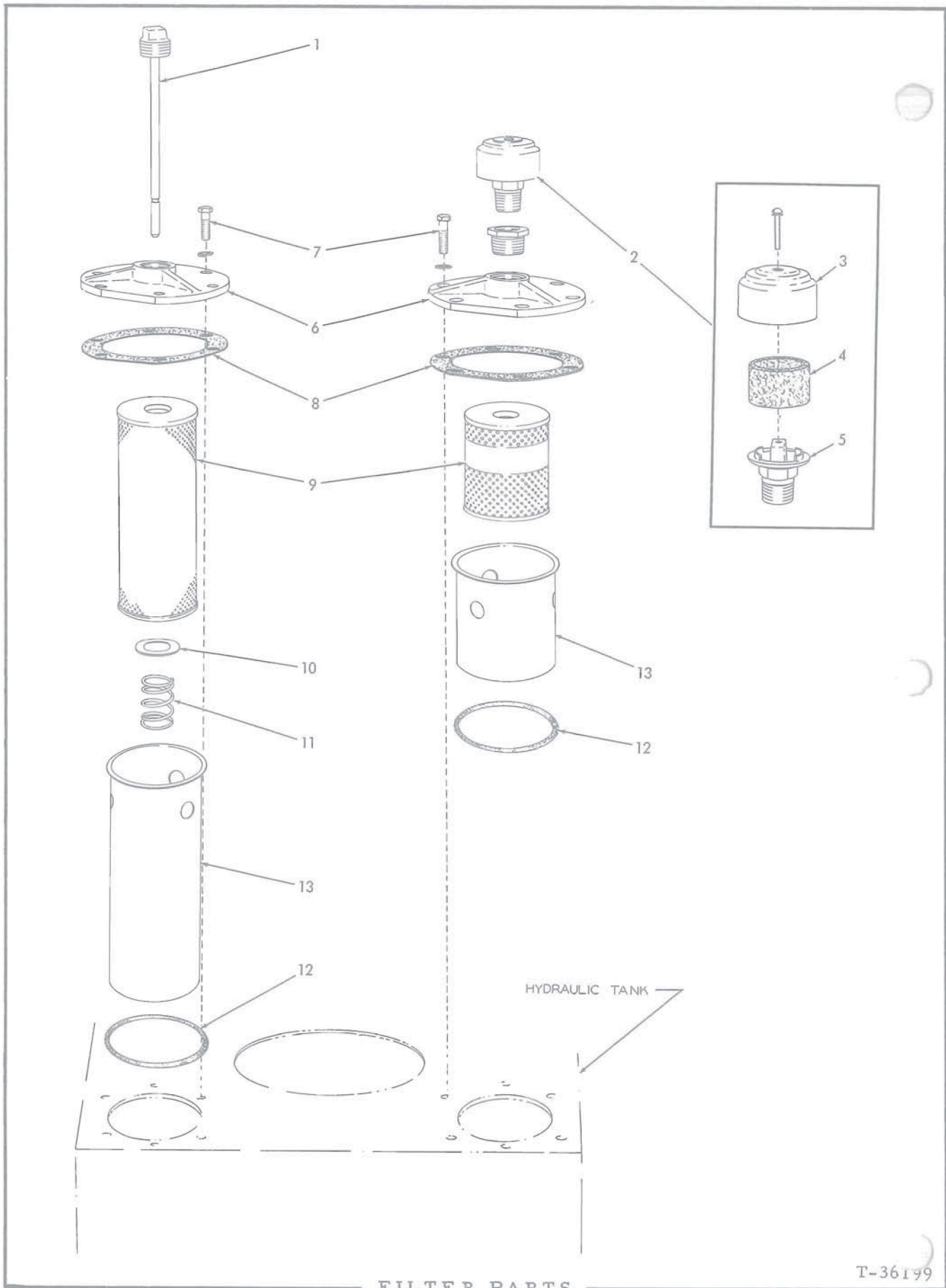
TANK AND COVERS (Second type)

T-36, 73

TANK AND COVERS

USAGE: Tractors serial No. 11094 and up

ITEM	PART NO.	QTY.	DESCRIPTION
1	625898	1	TANK, hydraulic
	901513	1	NIPPLE, pipe, 3/4"NPT x 3"
	901694	1	ELBOW, pipe, 45°, 3/4"NPT
	904224	1	PLUG, pipe, ctsk-hd., 3/4"NPT
2	625774	1	PLATE, hydraulic tank side
3	040382	25	CAPSCREW, 3/8"NC x 1-3/8"
	904206	25	LOCKWASHER, 3/8"
4	625775	1	GASKET, tank side plate
5	3016100	1	PLATE, valve mounting
	907856	1	PLUG, pipe, ctsk., 3/8"NPT
6	040382	12	CAPSCREW, 3/8"NC x 1-3/8"
	904206	12	LOCKWASHER, 3/8"
7	3016281	1	GASKET, valve mounting plate
8	923663	4	O-RING, control valve to mounting plate (3/8"I. D.)
9	923649	7	O-RING, control valve to mounting plate (1-1/4"I. D.)
10	923577	1	O-RING, control valve to mounting plate (1-3/4"I. D.)
11	625902	1	COVER ASSEMBLY, valve protecting (Includes item 12) (Not used with diverter or 3-spool valve)
	921446	1	PLUG, button, 2" diam. hole
	070467	4	CAPSCREW, 1/2"NF x 1"
	904208	4	LOCKWASHER, 1/2"
	910244	4	WASHER, plain, SAE std., 1/2"
12	3028780	2	LATCH ASSEMBLY (Serviced only as a unit)



FILTER PARTS

T-36199

FILTER PARTS

* Air Filter
 ** Oil Filter

II	PART NO.	QTY.		DESCRIPTION
		*	**	
	1 3016703	-	1	DIPSTICK, hydraulic oil
	2 3002766	1	-	BREATHER ASSEMBLY, tank (Consists of items 3 thru 5)
	901829	1	-	BUSHING, pipe reducing, 1"NPT to 3/4"NPT
	3 3002768	1	-	CAP, breather
	914172	1	-	SCREW, machine, #10NF x 1-1/4"
	904203	1	-	LOCKWASHER, #10
	4 -----	1	-	ELEMENT, filtering (Order item 14)
	5 3002767	1	-	BASE, breather
	6 3016078	1	1	COVER, filter
	7 { 3019683	6	6	NUT, aluminum, 3/8"NC (Used prior to tractor #11094)
	040382	6	6	CAPSCREW, 3/8"NC x 1-3/8" (Tractor #11094 and up)
	904206	6	6	LOCKWASHER, 3/8"
	8 3039899	1	1	GASKET, filter cover (See item 14)
	9 { -----	1	-	ELEMENT, air filter
	-----	-	1	ELEMENT, oil filter
				Order item 14
	10 3016403	-	1	WASHER, element spring
	11 3016399	-	1	SPRING, element
	923600	1	1	O-RING, filter case
	13 { 3016080	1	-	CASE, air filter
	3016079	-	1	CASE, oil filter
	14 3019695	x	x	ELEMENT KIT, filter (Consists of items 4, 8 and 9. One (1) kit re- quired per tractor)