

# HD-16DP

crawler tractor

## parts catalog

S/N 5937 thru 9550

S/N 64A09551-UP

Form 70662682 English



### WARNING

STUDY THE OPERATION AND MAINTENANCE  
INSTRUCTION MANUAL THROUGH BEFORE STARTING,  
OPERATING, MAINTAINING, FUELING OR SERVICING THIS  
MACHINE.

(

(

(

(

(

(

(

FOURTH PRINTING (1-79)

Includes all information as published in previous printing, including the following revisions which were given prior release as supplementary information on the dates indicated. Also includes all write-in changes as issued on Parts Bulletins thru TPSD-145, and changes issued on FICHE through January 1979.

Supplement No. 1     December 1967  
 Supplement No. 2     May 1969  
 Supplement No. 3     July 1970  
 Supplement No. 4     March 1972

PAGE	DATED	PAGE	DATED
7	Revised March 1972	140	Revised March 1972
8	Revised March 1972	141	Revised March 1972
19	Revised March 1972	163	Revised May 1969
20	Revised March 1972	163A	Added May 1969
21	Added June 1969	163B	Added May 1969
22	Revised June 1969	166	Revised May 1969
23	Revised June 1969	166A	Added May 1969
24	Revised June 1969	167	Revised July 1968
27	Revised March 1972	169	Revised October 1969
28	Revised March 1972	170	Revised October 1969
28A	Revised March 1972	172	Revised July 1968
28B	Revised March 1972	175	Revised March 1970
28C	Revised March 1972	176	Revised March 1970
29	Revised December 1970	177	Revised March 1972
31	Revised March 1969	178	Revised March 1970
32	Revised March 1969	179	Revised March 1972
33	Revised October 1968	180	Revised March 1972
34	Revised October 1968	226	Revised October 1969
35	Revised October 1968	227	Revised October 1969
49	Revised May 1969	231	Revised March 1972
49A	Added May 1969	232	Revised March 1972
49B	Added May 1969	233	Revised March 1972
50	Revised May 1969	234	Revised March 1972
53A	Added May 1969	235	Revised March 1972
53B	Added May 1969	236	Revised March 1972
56	Revised November 1969	237	Revised March 1972
57	Revised November 1969	237A	Revised March 1972
57A	Revised November 1969	239	Revised March 1972
60	Revised January 1969	240	Revised March 1972
61	Revised January 1969	241	Revised March 1972
61A	Added January 1969	242	Revised March 1972
61B	Added January 1969	243	Revised March 1972
63	Revised December 1970	244	Revised March 1972
64	Revised December 1970	245	Revised March 1972
65	Revised October 1970	246	Revised March 1972
74	Revised June 1970	247	Revised March 1972
74A	Added June 1970	248	Revised March 1972
74B	Added June 1970	249	Revised March 1972
74C	Added June 1970	251	Revised March 1972
74D	Added June 1970	254	Revised June 1970
74E	Added June 1970	255	Revised June 1970
74F	Added June 1970	256	Revised June 1970
75	Revised June 1970	269	Revised March 1972
76	Revised June 1970	270	Revised March 1972
76A	Added June 1970	271	Revised June 1970
76B	Added June 1970	272	Revised June 1970
82	Revised June 1970	273	Revised June 1970
83	Revised June 1970	274A	Added June 1970
83A	Revised June 1970	279A	Added June 1970
83B	Added June 1970	279B	Added June 1970
83C	Added June 1970	280	Added June 1970
83D	Added June 1970	280A	Added June 1970
83E	Added June 1970	280B	Added June 1970
83F	Added June 1970	283	Revised May 1969
94A	Added December 1968	283A	Revised May 1969
94B	Added December 1968	283B	Added June 1970
99	Revised March 1972	283C	Added June 1970
100	Revised March 1972	283D	Added March 1972
107	Revised March 1972	284	Revised May 1969
108	Revised March 1972	288	Revised May 1969
109	Revised March 1972	289	Revised May 1969
110	Revised March 1972	289A	Added May 1969
111	Revised March 1972	289B	Added May 1969
112	Revised March 1972	306B	Added March 1972

(

(

1

2

3

4

5

6





SUPPLEMENT NO.4

PARTS CATALOG FORM 0662682-4

HD-16DP

( 3-72 )

ATTENTION: Insert this sheet into the front of publication as record of receipt. Replace or add pages in the publication according to instructions below.

Additional copies of this supplement are available. Please direct your request to Allis-Chalmers, Technical Publications Department, Construction Machinery Division, Springfield, Illinois, 62708, U.S.A.

7 (Revised)	111 (Revised)	239 (Revised)
8 (Revised)	112 (Revised)	240 (Revised)
19 (Revised)	139 (No Change)	241 (Revised)
20 (Revised)	140 (Revised)	242 (Revised)
27 (Revised)	141 (Revised)	243 (Revised)
28 (Revised)	142 (No Change)	244 (Revised)
Blank	*175 (Revised March 1970)	245 (Revised)
28A (Revised)		246 (Revised)
28B (Revised)		247 (Revised)
28C (Revised)		248 (Revised)
*29 (Revised December 1970)		249 (Revised)
30 (No Change)		250 (No Change)
*63 (Revised December 1970)	231 (Revised)	251 (Revised)
*64 (Revised December 1970)	232 (Revised)	252 (No Change)
*65 (Revised December 1970)	233 (Revised)	269 (Revised)
66 (No Change)	234 (Revised)	270 (Revised)
99 (Revised)	235 (Revised)	283D (Added)
100 (Revised)	236 (Revised)	284 (No Change)
107 (Revised)	237 (Revised)	Blank
108 (Revised)	237A (Revised)	306A (Added)
109 (Revised)	Blank	306B (Added)
110 (Revised)	238 (No Change)	Blank

**NOTICE**  
THESE CHANGES ARE  
INCLUDED IN THIS COPY

\*Previously issued Supplement pages

(

(

(

(

(

(

(

(

(

8

# SUPPLEMENT No. 3

to

**PARTS CATALOG FORM 0662682-4 (5-67)**

## **HD-16DP CRAWLER TRACTOR**

NOTE: This supplement includes replacement pages providing additional data required to service tractors serial No. 64A09572 and up equipped with "Donaldson" air cleaner; also includes data required to service all units equipped with special turbocharger installation.

ATTENTION: Insert this sheet into the front of HD-16DP Parts Catalog 0662682-4 (5-67) to indicate receipt of this supplement. Original pages in the catalog must be removed and replaced with like-numbered pages included in this supplement.

Additional copies of this supplement are available. Please direct your request to Technical Publications Department, Construction Machinery Division, Springfield Plant.

### **NOTICE**

THESE CHANGES ARE  
INCLUDED IN THIS COPY



**CONSTRUCTION MACHINERY DIVISION  
SPRINGFIELD, ILLINOIS 62708, U.S.A.**

(

(

(

(

(

(

(

**NOTICE**  
THESE CHANGES ARE  
INCLUDED IN THIS COPY

**SUPPLEMENT No. 2**  
**TO**  
**PARTS CATALOG FORM 662682(5-67)**  
**HD-16DP CRAWLER TRACTOR**

NOTE: This supplement includes replacement pages providing additional data required to service tractors serial No. 8775 and up equipped with relocated transmission oil filter and improved battery arrangement.

Additional copies of this supplement are available. Please direct your request to Technical Publications Dept., Const. Machy. Div., Springfield Plant.



CONSTRUCTION MACHINERY DIVISION  
SPRINGFIELD, ILLINOIS 62705

(

(

(

(

(

(

(

**SUPPLEMENT No. 1**  
**TO**  
**PARTS CATALOG FORM 662682 (5-67)**  
**HD-16DP**  
**CRAWLER TRACTOR**

NOTE: This supplement includes additional data required to service tractors serial No. 8399 and up equipped with engines using a single heat exchanger for both transmission and torque converter oil cooling.



---

Milwaukee, Wisconsin, U.S.A.

ALPHABETICAL INDEX

Engine and Mounting ----- 2  
 Hose Parts ----- 2  
 Numerical Index ----- 12  
 Torque Converter ----- 3,7  
 Torque Converter Parts ----- 3  
 Torque Converter Valve Assy. 658517 ----- 8  
 Transmission ----- 3,11  
 Transmission Lube Oil Pressure Gauge ----- 3  
 Water Inlet Manifold and Heat Exchanger --- 3,5

HOSE PARTS

Add the following to the listings on page 8 of Catalog 662682

HOSE ASSY. NO (See NOTE)	BULK HOSE (25' roll)	HOSE LENGTH (inches)	NIPPLE (#1 end)			NIPPLE (#2 end)			SOCKET (both ends)	CRIMPED TYPE HOSE (See NOTE)
			Including SOCKET	NIPPLE only	Type	Including SOCKET	NIPPLE only	Type		
	919196	43	920855	919144	B	920869	919253	E	919143	644696
	919155	29-1/2	920849	920302	A	920879	919159	D	919075	648501
	920222	81-3/4	921033	921034	A	920868	920144	E	919282	659427
	920221	28-3/4	920852	920344	A	920852	920344	A	919281	659441

ENGINE AND MOUNTING

Parts are identical to those shown on pages 14 and 15 with the following exceptions:

Change:	1	4386318	1	1	ENGINE ASSEMBLY (Tractors prior to #8399)
Add:	1	4391062	-	1	ENGINE ASSEMBLY (Includes oil filter, oil cooler, water filter and fuel filter but does not include air cleaner, fan, generator or starter)(Tractors #8399 and up)

**NOTICE**  
 THESE CHANGES ARE  
 INCLUDED IN THIS COPY



WATER INLET MANIFOLD AND HEAT EXCHANGER

The design shown on pages 96, 97 and 98 is applicable only to tractors prior to serial No. 8399. See page 5 of this supplement for superseding design.

TORQUE CONVERTER

The design shown on pages 116 and 117 is applicable only to tractors prior to serial No. 8399. See page 7 of this supplement for superseding design.

TORQUE CONVERTER PARTS

Parts are identical to those shown on pages 118 thru 123 with the following exceptions:

Add to heading: 660065 CONVERTER ASSEMBLY (See page 7 of this supplement)

Change:	97	639625	1	GASKET ( <u>For VALVES 640719 and 642739 only</u> )
Add:	97	658556	1	GASKET, regulating valve ( <u>For VALVE 658517 only</u> )
Add:	98	658517	1	VALVE ASSEMBLY, pressure regulating (See page 8 of this supplement for parts)( <u>For CONVERTER ASSY. 660065 only</u> )
Change:	99	070960	2	CAPSCREW ( <u>1 less required for VALVE 658517</u> )
	100	058936	1	CAPSCREW ( <u>Not for VALVE 658517</u> )
	101	056320	2	CAPSCREW ( <u>Additional 1 required for VALVE 658517</u> )
	102	086238	2	CAPSCREW ( <u>Not for VALVE 658517</u> )

TRANSMISSION

The design shown on pages 128, 129 and 130 is applicable only to tractors prior to serial No. 8399. See page 11 of this supplement for superseding design.

TRANSMISSION LUBRICATION OIL PRESSURE GAUGE

Parts are identical to those shown on page 282 with the following exceptions:

Change:	5	643971	1	HOSE	} <u>Tractors prior to #8399</u>
		919140	1	CONNECTOR	
Add:	5	644696	1	HOSE (See HOSE PARTS)	} <u>Tractors #8399 and up</u>
		919546	1	ELBOW, flare type, 90°, 1/4" tube, 1/4"NPT male	

**NOTICE**  
THESE CHANGES ARE  
INCLUDED IN THIS COPY

(

(

(

(

(

(

(

ADDITIONAL PUBLICATIONS AVAILABLE  
FOR  
MODEL HD-16DP  
(See NOTE below)

(Available In Foreign Language As Indicated)

<u>DESCRIPTION</u>	<u>SERIAL NO.</u>	<u>FORM NO.</u>			
		ENGLISH	ESPAÑOL (Spanish)	FRANÇAIS (French)	PORTUGUÊS (Portuguese)
<u>Parts Catalogs</u>					
Cable Control Unit (75) - - - - - All		70626048	_____	_____	_____
Cable Control Unit (F100) - - - All		70626163	_____	_____	_____
Dozer - - - - - All		70670306	_____	_____	_____
Glass - - - - - All		70626019	_____	_____	_____
Independent Hyd. Sys. - - - - - All		70650367	_____	_____	_____
Injection - - - - - All		70645322	_____	_____	_____
Ripper (TR16) - - - - - All		70650366	_____	_____	_____
Ripper (16R) - - - - - All		70674408	_____	_____	_____
<u>Operating Instructions and Field Maintenance Manual</u>					
HD16DP - - - - - All		70667658	70645397	70645399	70645398
<u>Service Manuals</u>					
Dozer, F100 and 75 Cable Control Units - - - - - All		70644308	70647070	70647495	70671611
Engine (16000H, 19000, 21000H, 25000) - - - - - All		70643980	70645885	70645887	70645886
Engine Clutch, Torque Converter, Transmission, Bevel Gear, Drive Shaft U-Joint - - - - - All		70644549	70649505	70649507	70649506
Final Drive - - - - - All		70686969	70678536	70678363	70681812
Service Tools - - - - - All		70650850	_____	_____	_____
Steering Clutches and Brakes - All		70645549	70649443	70649445	70649444
Track Frames and Tracks - - - All		73121214	70650413	70650415	70650414

NOTE: Order from Local Fiat-Allis Dealer

(Revised January 1979)

## IMPORTANT

The terms "right" and "left" used throughout this parts list are determined by facing the direction of forward travel.

Attaching parts such as bolts, nuts, rivets, screws, washers, etc., are indented immediately following the parts which they attach.

Parts indicated with a square (□) are also available in packaged sets. Refer to section titled "PACKAGED PARTS."

### INSTRUCTIONS FOR ORDERING PARTS

ALWAYS GIVE THE MODEL AND ENGINE SERIAL NUMBER.

To obtain parts promptly, give part name and part number.

Give post office address, town, county and state where parts are to be shipped. Also specify whether material is to be shipped by freight, express or parcel post.

Order parts from the dealer covering the local territory.

Confirm all telephone or telegraph orders in writing.

Parts for standard motor accessories such as generators and starting motors should be ordered from authorized Service Stations maintained by manufacturers of these units throughout the country.

No credit will be allowed on parts unless they are returned to the dealer from whom they were purchased; from there they will be returned, at the customer's expense, to the factory for inspection.

Unless claims for shortages or errors are made immediately upon receipt of goods, they will not be considered.

When broken goods are received, a full description of the damage should be made by the carrier agent on the freight bill. If this description is insisted upon, full damage can always be collected from the transportation company.

No responsibility is assumed for delay or damage to merchandise while in transit. Our responsibility ceases upon delivery of shipment to the transportation company from whom a receipt is received showing that shipment was in good condition when delivered to them; therefore, claims (if any) should be filed with the transportation company.

The right is reserved to change the construction or material of any parts where it seems desirable to do so without incurring the obligation of installing such changes on units already delivered.

## MODEL IDENTIFICATION

The symbol listed below is stamped in front of the model serial number on each unit.

MODEL SYMBOL	ENGINE MODEL	DESCRIPTION
HD16DP	16000H	35, 700 pound, 2-speed power shift transmission, hydraulic torque converter drive, track - type tractor, powered with a 194 rated horsepower diesel engine.

### RECORD YOUR SERIAL NUMBERS BELOW

TRACTOR SERIAL NO. \_\_\_\_\_  
 ENGINE SERIAL NO. \_\_\_\_\_  
 \_\_\_\_\_  
 \_\_\_\_\_

### SERIAL NUMBER LOCATION

TRACTOR SERIAL NO. On steering clutch housing at the upper right hand corner of the rear face and vertically on right side of the rear edge. Also on small plate attached to the cowl.

ENGINE SERIAL NO. On plate attached to the left hand side of the cylinder block near the rear end and stamped directly on the upper right hand corner of the cylinder block. Also on small plate attached to the cowl.

### MODEL SERIAL NUMBER

NOTE: Effective in 1969, the model serial numbering system was changed. Under the prior system, models were numbered consecutively in numerals only. Thereafter, models are identified by an 8-character combination of letters and numerals.

\*SERIAL NUMBER, consisting of all 8 characters must always be submitted for positive identification of your machine. This Point Cannot Be Over-emphasized.

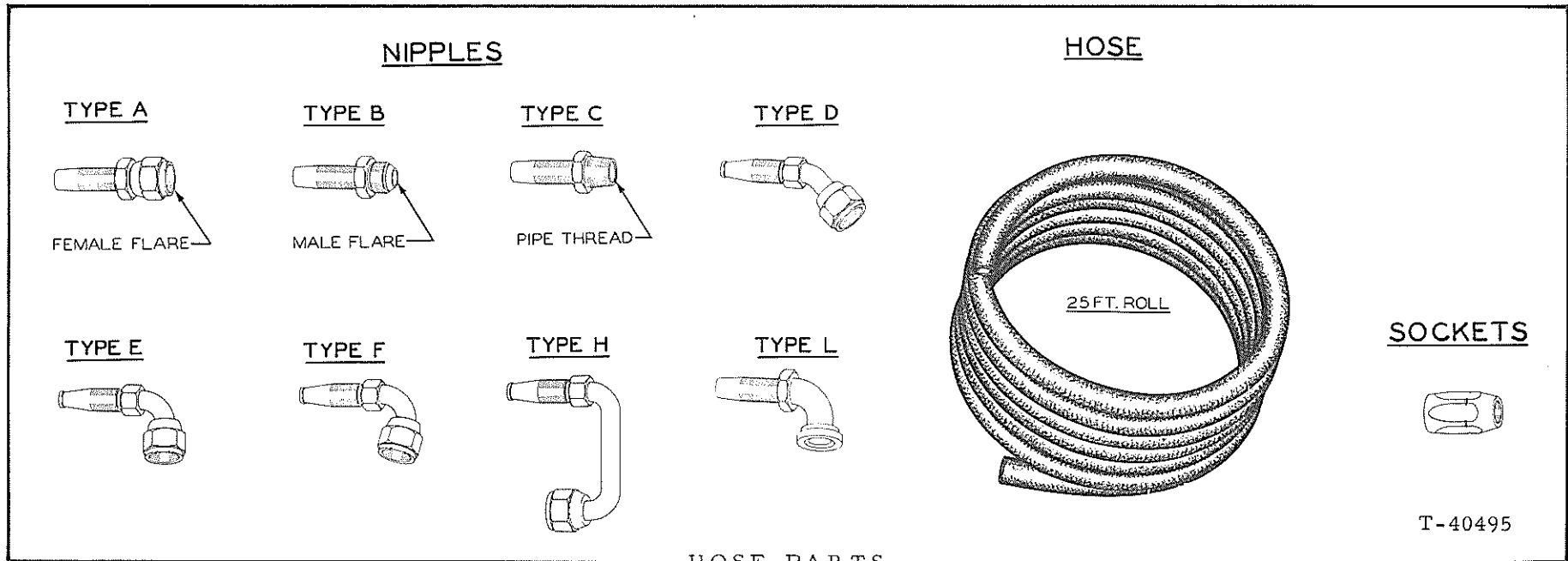
TRACTOR MODEL	* SERIAL NO.	
	PRODUCT CODE	UNIT NO.
HD16DP	6 4 A	0 9 5 5 1

ALPHABETICAL INDEX

Accessory Drive	33	Filters	
Air Cleaner	79, 83	Coolant	102, 104
Air Heater	87	Engine Oil	45, 47, 49
Air Intake Extension	84	Fuel	52, 54
Batteries and Cables	289	Heavy-Duty Fuel	52
Battery Box	291	Heavy-Duty Oil	49
Battery Box Lock	291, 293	Steering Oil	187, 196
Belt, Drive	93, 107	Transmission Oil	161, 163
Belt, Seat	259	Final Drive	
Bevel Gear and Shaft	167	Housing	169
Bottom Guards	217, 219	Intermediate Gears	172
Brake Control	211	Outboard Bearing and Seal	177
Brake Drum	173	Pinion Shaft	173
Brakes	207	Sprocket, Shaft and Gear	179
Camshaft	31	Floor	256
Connecting Rod	19	Flywheel	25
Conversion Tables	12	Flywheel Housing	24
Cowl	255	Front Fenders	252
Crankcase Guard	217, 219, 222	Front Pusher	297
Crankshaft	22	Fuel Lines	59
Cylinder Block	16	Fuel Tank	56
Cylinder Head	27	Fuel Tank and Seat Guard	306
Cylinder Sleeve	16	Gauges	
Drawbar	266, 268	Air Restriction Indicator	79, 83
Elements		Ammeter	278
Air Cleaner	79, 83	Bevel Gear Comp. Oil Level	169
Coolant Filter	102, 104	Engine Oil Level	16
Engine Oil Filter	45, 47	Engine Oil Pressure	281
Fuel Filter	54	Engine Temperature	278
Heavy-Duty Fuel Filter	50	Fuel Level	56
Heavy-Duty Oil Filter	50	Fuel Pressure	280
Steering Oil Filter	189, 190	Hour Meter	284
Transmission Breather	131	Track Wear	305
Transmission Oil Filter	166	Transmission Clutch Pressure	283
Engine Breather	29	Transmission Lube Oil Pressure	282
Engine Clutch Scavenging System	125	Transmission Oil Level	169
Engine Decelerator	69	Generator	287
Engine and Mounting	14	Generator Regulator	287
Engine Primer	90	Governor Control Linkage	71
Engine Side Screens	299	Grille Screen	294, 295, 296
Engine Shut-off Control	67	Ground Speed Governor	147
Equalizing Beam	223	Heat Exchanger	97
Equalizing Spring	225	Hood	254
Exhaust Extension	77	Hood Side Plates	301, 303
Exhaust Pipe	76	Hose Parts	6
Fan	107	Hour Meter	284
Fan Guard	111	Hydraulic Steering Control	185

ALPHABETICAL INDEX

Hydraulic Track Adjuster	237	Steering Clutches	175
Injection Nozzles and Lines	63	Steering Control	185
Injection Pump	61	Steering Control Valve and Lines	202
Instruments	278	Steering Levers and Linkage	181
Lights		Steering Pump and Filters	187, 196
Dash	278	Tail Light	276
Head	271	Thermostat	100
Rear Flood	275	Throttle Control	69
Tail	276	Timing Gear Housing	20
Lights and Wiring	271	Timing Gears	22, 31, 33
Main Frame	215	Tool Box	305
Manifolds		Tools	305
Exhaust	75	Torque Converter	115, 117
Intake	74	Track	239
Water Inlet	97	Track Frame	227
Water Outlet	100	Track Idler	241
Numerical Index	307	Track Release	237
Oil Cooler	42	Track Roller	233
Oil Pan	36	Track Roller Guards	229, 231
Oil Pumps	37	Track Supporting Roller	235
Packaged Parts	9	Transmission	
Painting and Marking	269	Assembly	129
Piston	19	Bevel Pinion Shaft	140
Pull Hook	215	Case and Covers	131
Pumps		Clutch Shafts	135
Air Heater	87	Input Shaft	136
Engine Oil	37	Transmission Guards	217, 219, 220
Engine Primer	90	Transmission Oil Pump and Filter	161, 163
Fuel Injection	61	Universal Joint	126
Push-Start	143	Valve Operating Mechanism	31
Transmission	161, 163	Valves	
Steering	187, 196	Air Heater Check	87
Water	93	Brake	207
Push-Start Pump	143	Clutch Modulating	151
Pusher	297	Engine Oil Pressure Regulating	16
Radiator Curtain	113	Exhaust	27
Radiator Guard	245, 247, 249	Fuel Injection Pressure Relief	61
Radiator and Mounting	111	Hyd. Track Relief	237
Raincap	79, 83, 84	Intake	27
Rear Fenders	264, 265	Pressure Oil Pump Relief	37
Rear Flood Light	275	Push-Start Diverting	143
Seat	259	Speed Control	151
Speed Control Linkage	155	Steering Control	202
Speed Control Piping	153	Torque Converter Pressure Regulating	119
Speed Control Valves	151	Water Inlet Manifold & Heat Exchanger	97
Starter	285	Water Outlet Manifold	100
Steering Clutch & Final Drive Housing	169	Water Pump	93



HOSE PARTS

T-40495

**NOTE:** Refer to right hand column for identity of interchangeable crimped-type hose (fittings not re-usable). Assembly number shown in left hand column indicates available replacement hose assembly with re-usable components; where no assembly number is listed, hose assembly is not available from factory but may be constructed in the field from data indicated.

HOSE ASSEMBLY NO. (See NOTE)	BULK HOSE (25' roll)	HOSE LENGTH (inches)	NIPPLE (#1 end)			NIPPLE (#2 end)			SOCKET (both ends)	NIPPLE FLANGE		CRIMPED-TYPE HOSE (See NOTE) Part No.
			Including SOCKET	NIPPLE only	Type	Including SOCKET	NIPPLE only	Type		Part No.	X Dim	
70632950	70919196	38	70920855	70919144	B	70920862	70919194	E	70919143			70646357
70633458	70919156	46-5/8	70920858	70919080	B	70920872	70919158	E	70919076			70646839
70633473	70919156	30	70920850	70920303	A	70920872	70919158	E	70919076			70646838
70638072	70919196	56-3/4	70920855	70919144	B	70920877	70919207	D	70919143			70646354
70639571	70919155	34-3/8	70920879	70919159	D	70920864	70919082	E	70919075			70645091
70639650	70920727	89	70920852	70920344	A	70920867	70919277	E	70919281			
70639896	70919155	37-1/2	70920849	70920302	A	70920879	70919159	D	70919075			70645090
70639897	70920222	79	70921033	70921034	A		70922505	L	70919282			
70639901	70920222	58-3/4	70921033	70921034	A		70922505	L	70919282			

6  
(Revised March 1972)



74386770	70920736	18		70922406	C		70920514	E	70920509			
74386771	70920736	22-1/8		70920512	E		70922207	H	70920509			
74386772	70919821	23-1/4		70920513	E		70922208	H	70919820			
74386773	70922045	11-3/4		70922044	E		70922044	E	70922042			
74386774	70919821	14-7/8		70922221	E		70922372	F	70919820			
74387969	70920721	33-1/4			A			A	None			
74387970	70920388	54-1/8			A			A	None			
	70919196	28	70920862	70919194	E	70920862	70919194	E	70919143			70638099
	70919196	48-1/8	70920847	70920301	A	70920862	70919194	E	70919143			70643723
	70919196	35	70920847	70920301	A	70920855	70919144	B	70919143			70643971
	70920732	22-1/4		70922141	short		70922151	Long	70920569			70644449
	70920732	36-3/4		70922141	L		70922141	L	70920569			70644450
	70920732	20-3/4		70921120	E		70921120	E	70920569			70644452
	70919156	9	70920865	70919081	E		70919175	F	70919076			70644603
	70919156	9	70920865	70919081	E		70919175	F	70919076			70644604
	70920222	158-1/4	70921033	70921034	A		70922505	L	70919282			70644617
	70919196	43	70920855	70919144	B	70920869	70919253	E	70919143			70644696
	70920222	82	70921033	70921034	A	70921033	70921034	A	70919282			70644759
	70920222	21-3/4	70921033	70921034	A			D	70919282			70644786
	70920222	15	70921033	70921034	A	70920978	70921495	D	70919282			70644841
	70920222	65	70920868	70920144	E		70922505	L	70919282			70644905
	70919196	14	70920847	70920301	A	70920877	70919207	D	70919143			70640575
	70919218	12	70920850	70920303	A	70920865	70919081	E	70919076			70645236
	70920221	16-1/8	70920867	70919277	short	70920874	70921042	Long	70919281			70645237
	70920221	127	70920852	70920344	A	70920867	70919277	E	70919281			70645238
	70920221	113-1/2	70920852	70920344	A	70920867	70919277	E	70919281			70645239
	70920222	38-3/8	70921033	70921034	A	70921033	70921034	A	70919282			70645245
	70920221	31-1/2	70920852	70920344	A	70920860	70919279	B	70919281			70645246
	70919218	62-1/4	70920850	70920303	A	70920865	70919081	E	70919076			70645248
	70919218	44	70920850	70920303	A	70920850	70920303	A	70919076			70645250
	70919218	55-3/4	70920850	70920303	A	70920865	70919081	E	70919076			70645251
	70920222	86-1/2	70921033	70921034	A	70921033	70921034	A	70919282			70645260

(Continued)

	70919196	46-1/4	70920855	70919144	B	70920869	70919253	E	70919143		70646230
	70919155	28-1/4	70920849	70920302	A	70920857	70919079	B	70919075		70646299
	70919156	23-7/8	70920850	70920303	A	70920858	70919080	B	70919076		70646300
	70919155	106-3/4	70920849	70920302	A	70920864	70919082	E	70919075		70646303
	70919155	93-1/4	70920849	70920302	A	70920864	70919082	E	70919075		70646322
	70919155	18	70920857	70919079	B	70920836	70919073	C	70919075		70646352
	70919156	14-5/8	70920850	70920303	A	70920858	70919080	B	70919076		70646353
	70920221	23	70920882	70919278	D	70920867	70919277	E	70919281		70647414
	70919155	16	70920857	70919079	B	70920879	70919159	D	70919075		70648231
	70919155	29-1/2	70920849	70920302	A	70920879	70919159	D	70919075		70648501
	70920222	23-1/8	70921033	70921034	A	70921033	70921034	A	70919282		70648792
	70920222	75-1/8	70921033	70921034	A	70921033	70921034	A	70919282		70653907
	70919155	71-3/8	70920864	70919082	E		70920457	H	70919075		70653908
	70919155	115-1/2	70920864	70919082	E	70920864	70919082	E	70919075		70653909
	70920720	113-7/8	70920855	70919144	B	70920869	70919253	E	70919143		70653910
	70919155	93-1/2	70920864	70919082	E	70920864	70919082	E	70919075		70653911
	70920222	71-3/8	70921033	70921034	A	70922808	70923011	B	70919282		70654081
	70919196	28-1/2	70920855	70919144	B	70920869	70919253	E	70919143		70658319
	70919196	33	70920862	70919194	E	70920869	70919253	E	70919143		70658321
	70919196	23-3/4	70920847	70920301	A	70920862	70919194	E	70919143		70658686
	70920222	81-3/4	70921033	70921034	A	70920868	70920144	E	70919282		70659427
	70920221	28-3/4	70920852	70920344	A	70920852	70920344	A	70919281		70659441
	70919196	87-3/4	70920855	70919144	B	70920869	70919253	E	70919143		70668966

PACKAGED PARTS

PACKAGED NO.	DESCRIPTION
70654544	BRACKET KIT, rear fender mounting (Required to adapt late type Final Drive Housing on tractors prior to #7753. See page 265)
2	70651963 BRACKET, angle (Requires welding to fender)
6	70023618 CAPSCREW, 5/8"NF x 2-1/2"
12	70064810 WASHER, plain
6	70904209 LOCKWASHER, 5/8"
6	70911044 NUT, 5/8"NF
1	S-4417 INSTRUCTIONS
-----	CLUTCH KIT, over running (See page 120)
74391360	CONVERSION KIT, crankshaft damper (For engines prior to #16-07405)
1	74388217 DAMPER, crankshaft pulley
1	74388253 PULLEY, water pump idler
1	74388342 BRACKET, water pump lube hose
1	74388339 BRACKET, water pump idler pulley
1	74390934 PULLEY, crankshaft
6	74391022 BOLT, crankshaft damper
1	74391230 KEY
1	74391351 BELT, water pump
1	74391593 PULLEY, water pump
1	74393587 CAPSCREW, crankshaft pulley
6	74752002 BOLT, water pump pulley
1	70919134 PLUG, pipe, idler pulley bracket
74394015	GASKET KIT, cylinder head
8	74254873 WASHER, rocker cover capscrew
8	74255956 SLEEVE, fuel line
1	74361551 GASKET, air inlet elbow
6	74376483 GASKET, water manifold
1	74376520 GASKET, thermostat cover
6	74378031 GASKET, injection nozzle
1	74386137 GASKET, water by-pass tube
14	74387697 GASKET, intake manifold
2	74389961 GASKET, rocker cover
2	74390170 GASKET ASSY., cylinder head
1	74391707 GASKET
1	74392279 GASKET, water manifold connecting
2	74393989 GASKET, cylinder head lower cover
74394034	GASKET KIT, intermediate, engine cylinder block (Does not include cylinder head or oil pan gaskets)
2	70667252 GASKET, oil drain plug
1	70923575 O-RING
8	70923645 O-RING, injection pump connectors
1	70923813 O-RING
5	70923934 O-RING
1	70923935 O-RING, water pump body
2	74113897 GASKET, regulating valve nut
4	74119937 GASKET, plugging capscrews
2	70923810 O-RING, flywheel housing dowel

(Continued)

PACKAGED PARTS

PACKAGED NO.	DESCRIPTION
74394034 (Continued)	GASKET KIT, intermediate, engine cylinder block (Does not include cylinder head or oil pan gaskets)
8	70923379 O-RING, water tubes
2	70923651 O-RING, bonnet tube
5	74255511 O-RING, heat exchanger and oil filter
2	74255513 O-RING, (Discard. Not for HD16)
12	74255631 O-RING, oil cooler to manifold
4	74255665 O-RING, injection pump bracket
2	74255781 O-RING
1	74255904 O-RING, flywheel housing
1	74255912 O-RING, flywheel to crankshaft
12	70925612 O-RING, water inlet manifold
1	74255898 O-RING
1	74310257 GASKET, oil filler pipe
1	74336897 RING, sealing, flywheel housing
1	74361740 GASKET, water pump idler support
1	74367090 GASKET, tachometer hole nut
1	74371027 GASKET, gear housing hole cover
2	74371160 GASKET, heat exchanger
1	74371289 GASKET, oil pan cover
3	74371345 GASKET, oil lines
1	74371742 GASKET, (Discard. Not for HD16)
1	74376398 GASKET, water pump
1	74376603 GASKET, accessory pump
1	74376609 GASKET, timing gear housing cover
7	74376749 WASHER, push rod cover capscrew
2	74377120 GASKET, push rod cover
2	74378112 GASKET, lower water by-pass elbow
1	74379070 SEAL, oil pan
1	74385317 GASKET
1	74385320 GASKET
1	74386223 GASKET, heat exchanger bonnet (Discard on HD16)
1	74386495 GASKET, water and oil manifold, lower
1	74386856 GASKET, heat exchanger (Discard on HD16)
1	74387525 GASKET
1	74388285 INSTRUCTION SHEET
1	74389291 GASKET, water and oil manifold, upper
1	74388289 INSTRUCTION SHEET
1	74389635 GASKET
1	74389676 GASKET, heat exchanger bonnet
1	74389678 GASKET, heat exchanger adaptor
3	74389782 GASKET
1	74394032 GASKET, timing hole cover
4	74393359 GASKET
1	74660423 GASKET, oil pump discharge tube
1	74660492 GASKET, timing gear housing

74390598 PISTON AND SLEEVE KIT

2	74253749	RETAINER, piston pin
1	74379178	O-RING, cylinder sleeve (black)
2	74385485	O-RING, cylinder sleeve (red)

(Continued)

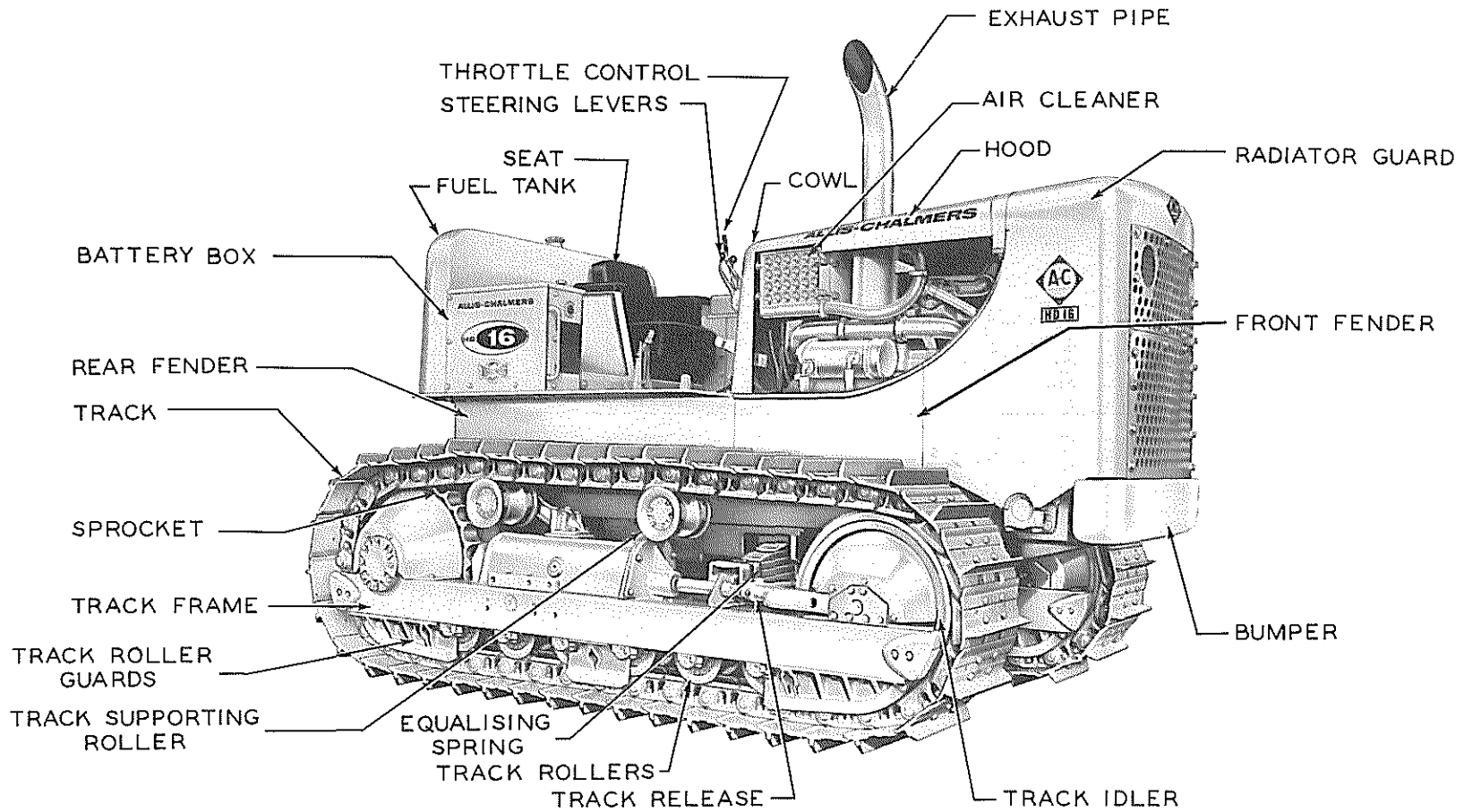
PACKAGED PARTS

PACKAGED NO.	DESCRIPTION
74390598 (Continued)	PISTON AND SLEEVE KIT
	1 74388375 PISTON
	1 74390175 *PIN, piston
	1 74390462 SLEEVE, cylinder
	1 74390599 RING SET, piston
	1 74385633 INSTRUCTION SHEET
	*When making single replacement, original pin 7437692 must be substituted to maintain dynamic balance.
74394971	1 OIL PUMP CONVERSION KIT (Includes "ACULOP" pump, piping, and oil pan)
	1 70035250 PLUG
	1 70667252 GASKET
	1 70902872 SETSCREW
	2 70911992 WASHER
	34 70912007 WASHER
	4 70914678 LOCKWASHER, 7/16"
	2 70916313 CAPSCREW, 1/2"NC x 1-3/4"
	8 70916543 LOCKWASHER, internal tooth, 3/8"
	4 70916871 NUT, elastic stop, 5/16"NC
	1 70918851 PLUG, pipe, 3/4"NPT
	1 70919822 NIPPLE, 1/2"NPT x 3-1/4"
	1 70921216 PLUG, 1-5/16"NF (Includes 70921214 O-Ring)
	2 70921569 CAPSCREW, 7/16"NC x 1-1/4"
	4 70922064 CAPSCREW, 12 pt. hd., 1/2"NC x 1"
	32 70922220 CAPSCREW, 12 pt. hd., 1/2"NC x 1-1/2"
	1 70922420 PLUG, pipe, csk., sq. hd., 1-1/2"NC
	6 70923193 CAPSCREW, 3/8"NF x 1-1/4"
	2 70924228 CAPSCREW, 3/8"NF x 1-1/2"
	1 70924636 PLUG, brass, hex. hd., 1/2"NPT
	2 70927044 O-RING
	2 70927583 CAPSCREW, 7/16"NC x 1-3/4"
	2 70928212 NUT, 7/16"NC
	1 74320597 VALVE
	1 74362338 PLUG
	1 74393341 BRACKET
	2 74393359 GASKET
	1 74393362 ELBOW
	1 74393364 TUBE
	2 74393397 CAPSCREW
	1 74393599 BRACKET
	2 74393600 U-BOLT
	2 74393601 SADDLE
	1 74393973 OIL LEVEL GAUGE
	1 74394200 ADAPTOR
	1 74394957 TUBE
	4 74395024 DOWEL
	1 74395053 BLOCK
	1 74395060 TUBE
	1 74395061 TUBE

(Continued)

PACKAGED PARTS

PACKAGED NO.	DESCRIPTION
74394971 (Continued)	OIL PUMP CONVERSION KIT (Includes "ACULOP" pump, piping, and oil pan)
	1 74395062 BRACKET
	1 74395235 OIL PAN
	1 74395803 GASKET SET
	1 74396041 OIL PUMP
-----	RING SET (See PISTON AND CONNECTION ROD)
-----	SEAL KITS (See FINAL DRIVE, TRACK IDLER, TRACK ROLLER and TRACK SUPPORTING ROLLER)
-----	TRANSFER KIT (See PAINTING AND MARKING)



MODEL HD-16DP TRACTOR

T-70508

# CONVERSION TABLES

## DECIMAL AND METRIC EQUIVALENTS OF FRACTIONS OF AN INCH

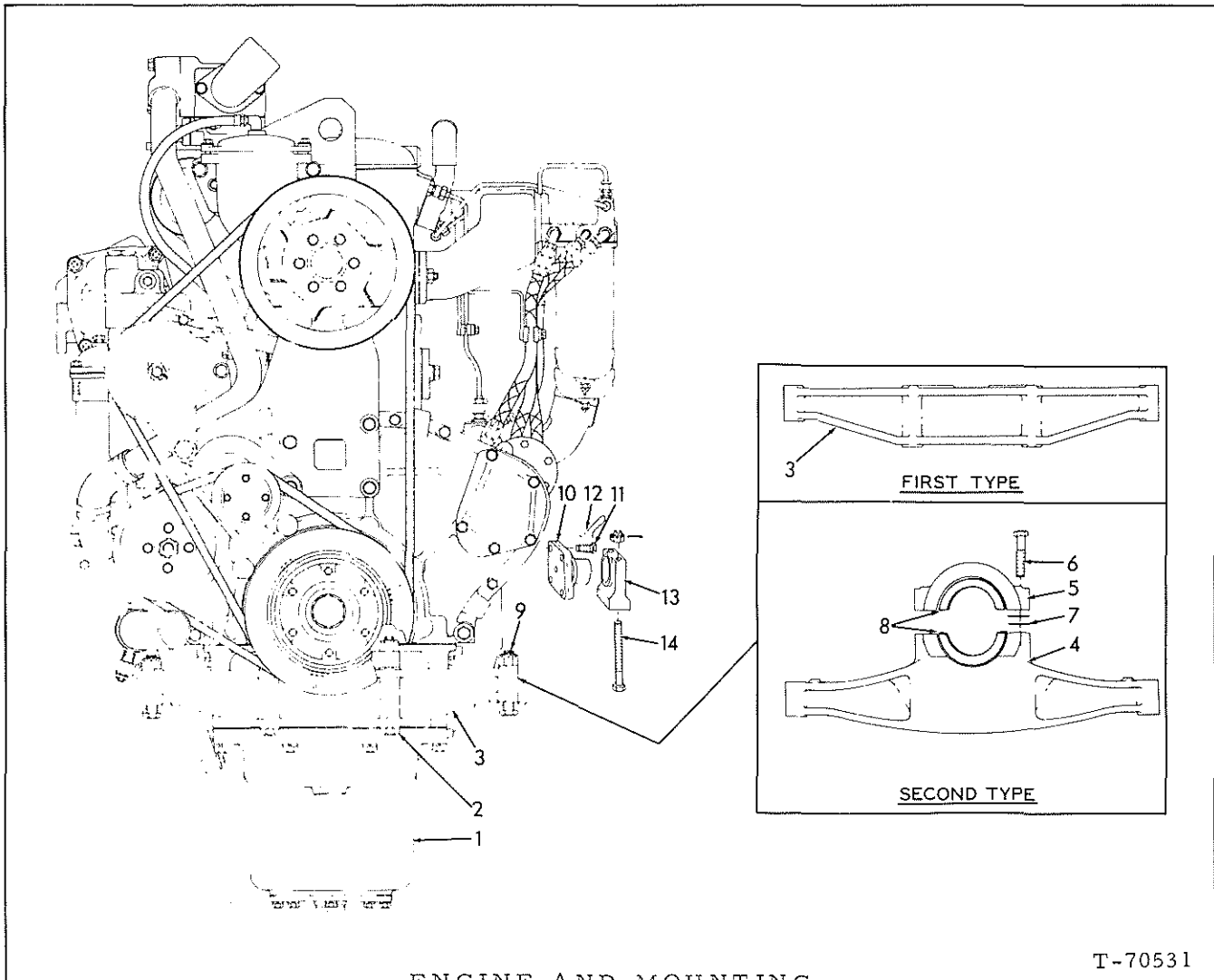
Inches		Milli- meters	Inches		Milli- meters
Fractions	Decimals		Fractions	Decimals	
1/64	.015625	.397	33/64	.515625	13.097
1/32	.03125	.794	17/32	.53125	13.494
3/64	.046875	1.191	35/64	.546875	13.891
1/16	.0625	1.588	9/16	.5625	14.288
5/64	.078125	1.984	37/64	.578125	14.684
3/32	.09375	2.381	19/32	.59375	15.081
7/64	.109375	2.778	39/64	.609375	15.478
1/8	.125	3.175	5/8	.625	15.875
9/64	.140625	3.572	41/64	.640625	16.272
5/32	.15625	3.969	21/32	.65625	16.669
11/64	.171875	4.366	43/64	.671875	17.066
3/16	.1875	4.763	11/16	.6875	17.463
13/64	.203125	5.159	45/64	.703125	17.859
7/32	.21875	5.556	23/32	.71875	18.256
15/64	.234375	5.953	47/64	.734375	18.653
1/4	.250	6.350	3/4	.750	19.050
17/64	.265625	6.747	49/64	.765625	19.447
9/32	.28125	7.144	25/32	.78125	19.844
19/64	.296875	7.541	51/64	.796875	20.241
5/16	.3125	7.938	13/16	.8125	20.638
21/64	.328125	8.334	53/64	.828125	21.034
11/32	.34375	8.731	27/32	.84375	21.431
23/64	.359375	9.128	55/64	.859375	21.828
3/8	.375	9.525	7/8	.875	22.225
25/64	.390625	9.922	57/64	.890625	22.622
13/32	.40625	10.319	29/32	.90625	23.019
27/64	.421875	10.716	59/64	.921875	23.416
7/16	.4375	11.113	15/16	.9375	23.813
29/64	.453125	11.509	61/64	.953125	24.209
15/32	.46875	11.906	31/32	.96875	24.606
31/64	.484375	12.303	63/64	.984375	25.003
1/2	.500	12.700	1	1.000	25.400

### VOLUME AND WEIGHT CONVERSION CONSTANTS — U.S. TO METRIC

Pints x .4732 = Liters  
 Quarts x .9463 = Liters  
 Gallons x 3.7853 = Liters  
 Pounds x .4536 = Kilograms



MEMO



ENGINE AND MOUNTING

T-70531

\* Tractors prior to No. 7928 excluding No. 7926  
 \*\* Tractors serial No. 7928 and up including No. 7926

ITEM	PART NO.	QTY.	DESCRIPTION	
		* **		
1	74386318	1	ENGINE ASSY. (Tractors prior to #8399) } Non-Turbocharged	
	74391062	- 1		
	74392212	1		ENGINE ASSY. (Turbocharged)(If for first replacement on tractors prior to #8399 also order Engine Installation kit 70666349)
2	70099061	2	CAPSCREW, engine mounting, front (5/8" NF x 5-3/4")	
	70913280	2		NUT, high, slotted, 5/8" NF
	70900806	2		PIN, cotter, 1/8" x 1"
	70070935	2		CAPSCREW, engine mounting front (5/8" NC x 5")(For service replacement bracket only)
	70070836	2		

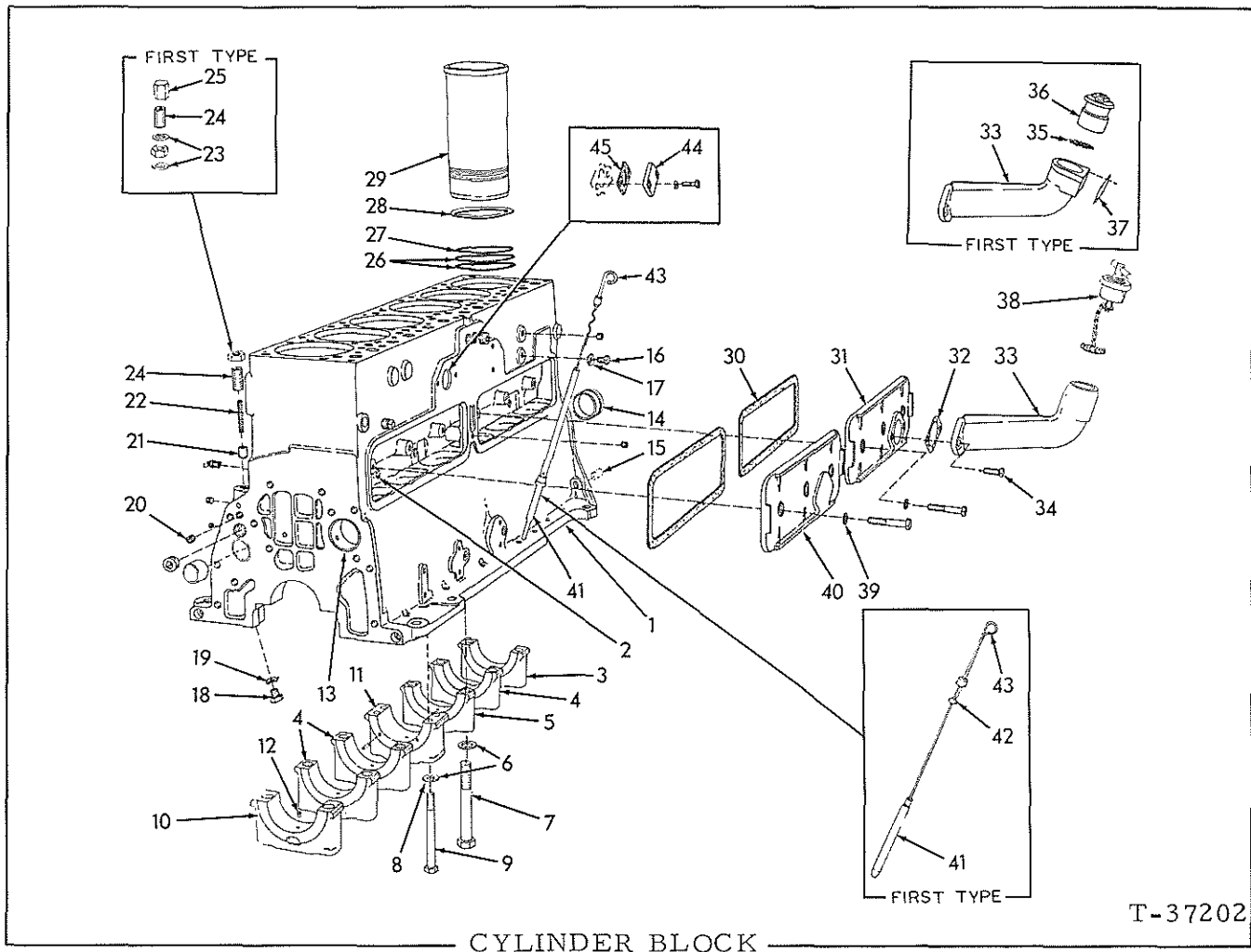
NOTE: Engines include oil filter, oil cooler, water filter and fuel filter, but do not include air cleaner, fan, generator or starter

(Continued)

(Revised May 1975)

ENGINE AND MOUNTING (Continued)

ITEM	PART NO.	QTY.	DESCRIPTION
		* **	
3	70083778	1 -	HANGER, engine supporting, front end
4	70655510	- 1	HANGER, engine supporting, front end (Includes item 5)
5	-----	- 1	CAP, engine hanger (Not serviced separately)
6	70924694	- 2	SCREW, flanged, hex-hd., 1/2"NC x 3"
7	70916009	- 14	WASHER, shimming (1/32" thick. Use as required)
8	74336491	- 2	LINER, engine supporting hanger
9	70099062	2 2	CAPSCREW, engine hanger (drilled-end, 5/8"NF x 4")
	70913280	2 2	NUT, high, slotted, 5/8"NF
	70900806	2 2	PIN, cotter, 1/8" x 1"
10	70670457	2 2	TRUNNION, rear mounting
11	70665891	8 8	CAPSCREW, drilled-hd., 5/8"NC x 1-1/4"
12	70023633	4 4	WIRE, locking, 1/16" x 12"
13	70631773	2 2	BRACKET, engine supporting, rear
14	70099435	4 4	CAPSCREW, drilled-end, 3/4"NF x 6-3/4"
	70910879	4 4	NUT, high, slotted, 3/4"NF
	70900808	4 4	PIN, cotter, 1/8" x 1-1/2"
15	70666349	1 -	INSTALLATION KIT, engine (See PACKAGED PARTS for details)(Not illustrated)



ITEM	PART NO.	QTY.	DESCRIPTION
1	74396088	1	BLOCK ASSEMBLY, cylinder (Includes items 2 thru 20 also hardware indented below)(For engines prior to #16-10242 also order 1 CAMSHAFT 74393399)
	70919134	1	PLUG, pipe, hex-hd., 1/8"NPT
	70919840	4	PLUG, pipe, hex-hd., 1/4"NPT
	70920333	1	PLUG, pipe, hex-hd., 3/8"NPT
	70920416	1	PLUG, pipe, hex-hd., 1/2"NPT
	70917673	2	PLUG, pipe, hex-socket, 1/8"NPT
	70918850	3	PLUG, pipe, hex-socket, 1/4"NPT
	70918851	2	PLUG, pipe, hex-socket, 3/4"NPT
	70904224	2	PLUG, pipe, hex-socket, 3/4"NPT
	70912415	1	COCK, drain, 1/4"NPT
2	-----	4	DOWEL, valve lifter bracket (See VALVE OPERATING MECHANISM)
3	74395099	1	*CAP, main bearing, rear
4	74395103	3	*CAP, main bearing, intermediate
			*Replacement bearing caps are semi-finished and must be linebored after installing

(Continued)

CYLINDER BLOCK (Continued)

ITEM	PART NO.	QTY.	DESCRIPTION
	74386513	1	*CAP, main bearing, intermediate (No. 5)(Used prior to engine #16-06272)
5	74395105	1	*CAP, main bearing, intermediate (No. 5)(Effective with engine #16-06272)
6	74389911	12	WASHER, plain, main bearing capscrew (Engines prior to #16-10437)
7	74393397	12	CAPSCREW, main bearing cap(7/8" diam.)(Order 2 per cap prior to engine #16-10437)
8	74391160	4	WASHER, plain, center main bearing capscrew
9	74391307	4	CAPSCREW, center main bearing cap (5/8" diam.)(Order 4 prior to engine #16-10437)
10	74395101	1	*CAP, main bearing, front
	74386516	1	*CAP, main bearing, center (Used prior to engine #16-06272)
11	74395108	1	*CAP, main bearing, center (Effective with engine #16-06272)
	-----	4	PIN, dowel, thrust flange (See CRANKSHAFT)
	70917554	7	PIN, dowel (For 1/4" cap hole and 1/4" bearing hole)
12	74389292	7	PIN, dowel (For 5/16"cap hole and 1/4" bearing hole)
	74395109	7	PIN, dowel (For 5/16"cap hole and 3/8" bearing hole)
	70919777	7	PIN, dowel (For 3/8" cap hole and 3/8" bearing hole)
13	74665306	1	BEARING, camshaft, front
	74393373	2	BEARING, camshaft, intermediate
14	74665306	1	BEARING, camshaft, rear
15	-----	2	PIN, dowel, flywheel housing (See FLYWHEEL HOUSING)
16	70919229	3	CAPSCREW, hole plugging (1/2"NC x 1/2")
17	74119937	3	<input type="checkbox"/> GASKET, plugging capscrew
18	70924822	6	CAPSCREW, pluggine, oil gallery (5/8"NC x 1/2")
19	74373619	6	LOCKWASHER
20	74389943	1	RESTRICTOR, oil by-pass
21	74500230	1	PISTON, oil pressure regulating valve
22	74660358	1	SPRING, oil pressure regulating valve
23	74113897	2	<input type="checkbox"/> GASKET, regulating valve nut (Used prior to engine #16-05422)
24	74389058	1	SCREW, oil pressure regulating valve
	70910847	1	NUT, jam, 3/4"NF
25	-----	1	NUT, cap, oil pressure regulating valve (Used prior to engine #16-05422. Order SCREW 74389058)
26	74385485	6	<input type="checkbox"/> O-RING, cylinder sleeve, lower groove (red)(12 used prior to engine #16-10346)
27	74379178	6	<input type="checkbox"/> O-RING, cylinder sleeve, upper groove (black) (Engines prior to #16-10346)
	74393426	12	O-RING, cylinder sleeve, upper groove (black and blue)(Engines #16-10346 and up)

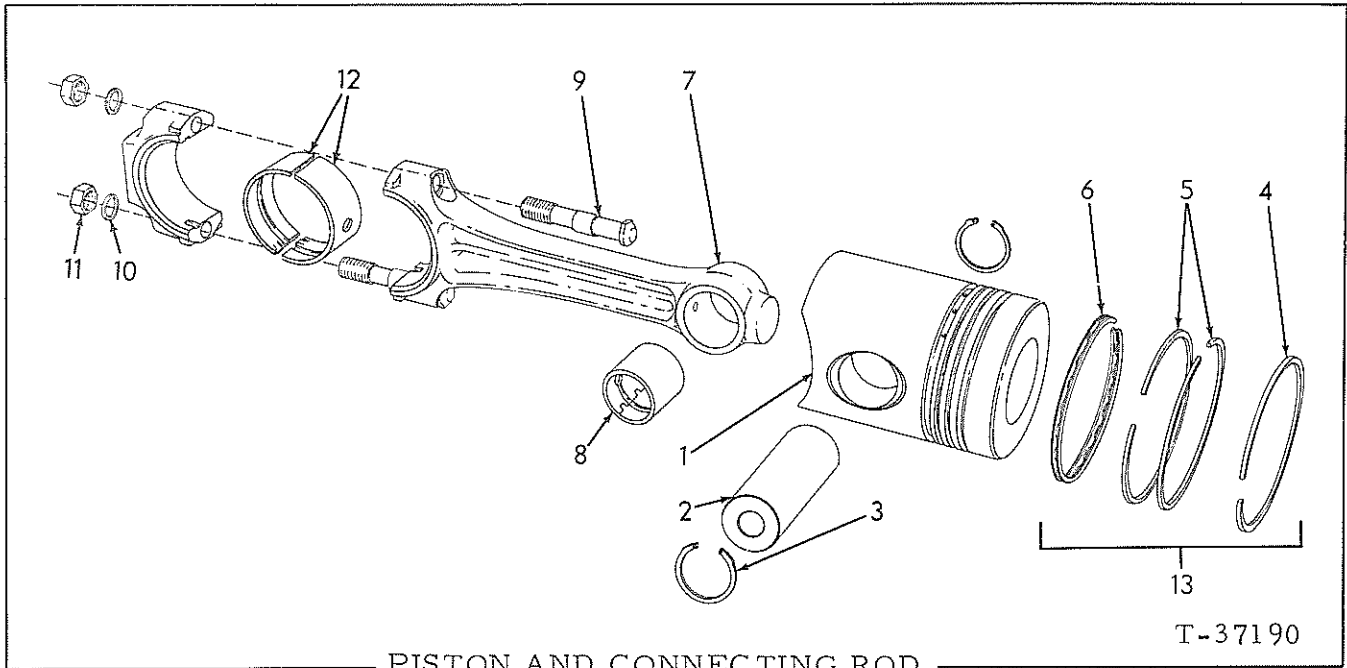
} Engines #16-09059 thru 16-10178

\* Replacement bearing caps are semi-finished and must be linebored after installing

(Continued)

CYLINDER BLOCK (Continued)

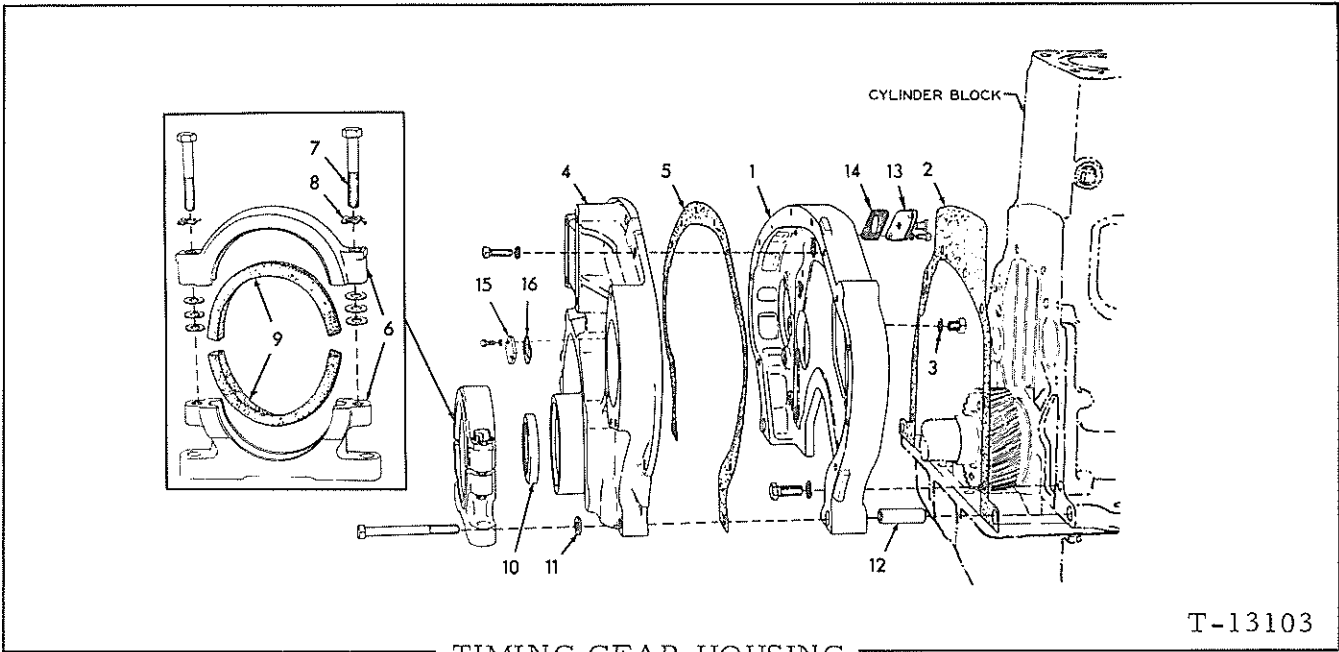
ITEM	PART NO.	QTY.	DESCRIPTION	
	74368204	-	SHIM, cylinder sleeve (.005"thick)	} Use as required when remaching block
28	74368205	-	SHIM, cylinder sleeve (.010"thick)	
	74368206	-	SHIM, cylinder sleeve (.015"thick)	
	74369002	-	SHIM, cylinder sleeve (.020"thick)	
29	74061528	6	<input type="checkbox"/> SLEEVE, cylinder (Includes items 26, 27 and instruction sheets)	
30	74377120	2	<input type="checkbox"/> GASKET, push rod cover	
31	74393854	1	COVER, push rod, rear	
	70916316	3	CAPSCREW, 1/2"NC x 2-1/2"	
32	74310257	1	<input type="checkbox"/> GASKET, oil filler pipe	
	-----	1	ELBOW ASSEMBLY, oil filler (Includes items 35 thru 37)(Used prior to engine #16-05369. Order ELBOW 74389040 and item 38)	
33				
	74394952	1	ELBOW, oil filler (Effective with engine #16-05369)	
34	74379198	2	CAPSCREW, Nylok, 1/2"NC x 1-3/8"	
35	74335022	1	STRAINER, oil filler	} Used prior to engine #16-05369
36	74366461	1	CAP ASSEMBLY, oil filler (Serviced only as a unit)	
37	74379141	1	PLATE, oil data	
	70904516	4	SCREW, drive #6 x 1/4"	
38	74354492	1	CLOSURE ASSEMBLY, oil filler (Serviced only as a unit)(Effective with engine #16-05369)	
39	74376749	7	<input type="checkbox"/> WASHER, push rod cover capscREW	
40	74393853	1	COVER, push rod, front	
	70916316	2	CAPSCREW, 1/2"NC x 2-1/2"	
	70916317	1	CAPSCREW, 1/2"NC x 2-3/4"	
	74371359	1	ADAPTER, oil level gauge (Used prior to engine #16-07912)	
41	74391378	1	ADAPTER, oil level gauge (Effective with engine #16-07912)	
42	74506607	1	SEAL, oil level gauge (Used prior to engine #16-07912)	
	74389547	1	GAUGE ASSEMBLY, oil level (Includes item 42) (Used prior to engine #16-07912)	
43	74391366	1	GAUGE ASSEMBLY, oil level (Effective with engine #16-07912)	
44	74331522	1	PLATE, cover, cylinder block	} Not used on Turbocharged engines
	70919230	2	CAPSCREW, 1/2"NC x 1-3/8"	
	70904208	2	LOCKWASHER, 1/2"	
45	74310257	1	GASKET, cover plate	



PISTON AND CONNECTING ROD

ITEM	PART NO.	QTY.	DESCRIPTION
	74386419	6	PISTON (Used prior to engine #16-07347. Order 74062037
1	74062037	6	PISTON (Includes items 2, 3, and 13)(Effective with engine #16-07347)
2	74376792	6	PIN, piston (1"hole)(Used prior to engine #16-10662) (Can use 74390175 in sets of six)
3	74390175	6	<input type="checkbox"/> PIN, piston (3/4" hole)(Effective with engine #16-10662)
3	74253749	12	<input type="checkbox"/> RETAINER, piston pin
4	-----	6	RING, compression (top groove)
5	-----	12	RING, compression (2nd and 3rd grooves)
6	-----	6	RING, oil control (4th groove)
	-----	6	ROD ASSEMBLY, connecting (Includes items 8 thru 11)(Engine #16-10379)(Order Rod 74394058)
7	74394058	6	ROD ASSEMBLY, connecting (Includes items 8 and 9)(Engine #16-10379 and up)
8	74376986	6	BUSHING, connecting rod
	74376804	12	BOLT, connecting rod (4-1/8" long)(Used prior to engine #16-07432)
9	74388142	12	BOLT, connecting rod (4-1/4" long)(Effective with engine #16-07432 thru #16-10378)
	74392024	12	CAPSCREW, connecting rod (Engine #16-10379 and up)
10	74388146	12	WASHER, connecting rod bolt (Effective with engine #16-07432)
11	74390011	12	NUT, connecting rod bolt
	74394172	12	BEARING, connecting rod (standard size)
	74394221	12	BEARING, connecting rod (.010" undersize)
12	74394222	12	BEARING, connecting rod (.020" undersize)
	74394223	12	BEARING, connecting rod (.030" undersize)
	74394224	12	BEARING, connecting rod (.040" undersize)
	74388359	6	RING SET (Consists of items 4 thru 6)(For stamped 74386419)
13	74394053	6	<input type="checkbox"/> RING SET (Consists of items 4 thru 6)(For stamped 74391487, 74391959, 74393043, or 74393303)

Order item 13



TIMING GEAR HOUSING

T-13103

ITEM	PART NO.	QTY.	DESCRIPTION
1	74389784	1	HOUSING
	70916311	8	CAPSCREW, 1/2"NC x 1-1/4"
	70904208	8	LOCKWASHER, 1/2"
2	74660492	1	<input type="checkbox"/> GASKET, gear housing
3	74119937	1	<input type="checkbox"/> GASKET, plugging capscrew
	70919229	1	CAPSCREW, 1/2"NC x 1/2"
4	74393552	1	COVER, timing gear housing (Engines prior to #16-09857)
	74391911	1	COVER, timing gear housing (Engines #16-09857 and up)
	70916321	2	CAPSCREW, 1/2"NC x 4-1/2"
	70919224	7	CAPSCREW, 3/8"NC x 1-1/8"
	70904206	7	LOCKWASHER, 3/8"
5	74376609	1	<input type="checkbox"/> GASKET, gear housing cover
6	74390503	1	BRACKET, engine mounting (Includes cap)(When making first replacement, also order 2 each CAPSCREW 70922510, CAPSCREW 70070935, and LOCK 70070836)
	70916009	10	WASHER, plain (1/32"thick. Use as req'd)
	74254891	2	CAPSCREW, 1/2"NC x 2-1/2" (Original equipment)
7	70922510	2	CAPSCREW, 1/2"NC x 2-3/4" (Service replacement)
8	74252682	2	LOCKWASHER
9	74336491	2	LINER, engine mounting bracket
10	74028922	1	SEAL, oil, crankshaft
11	74371445	2	WASHER, plain, housing cover capscrew (1/2"hole)
12	74371444	2	DOWEL, hollow, gear housing

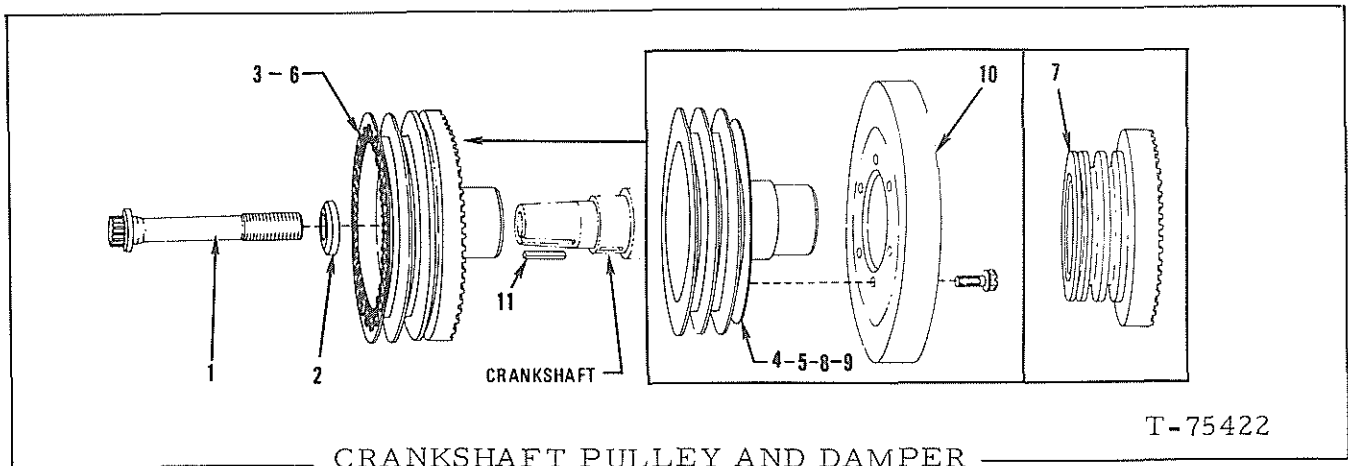
Used prior to tractor #7928, excluding #7926

(Continued)



TIMING GEAR HOUSING (Continued)

ITEM	PART NO.	QTY.	DESCRIPTION	
13	74390837	1	COVER, gear housing	} Engines #16-09529 and up
	70920333	1	PLUG, pipe, hex-hd., 3/8"NPT	
	70915408	2	CAPSCREW, 3/8"NC x 3/8"	
	70904206	2	LOCKWASHER, 3/8"	
14	74371027	1	□GASKET, housing cover	} Not original equipment See item 4
15	74392149	1	COVER, hour meter hole	
	74391914	2	SCREW (Nylon strip-lock)	
	70904204	2	LOCKWASHER, 1/4"	
16	74392150	1	GASKET, hour meter hole cover	



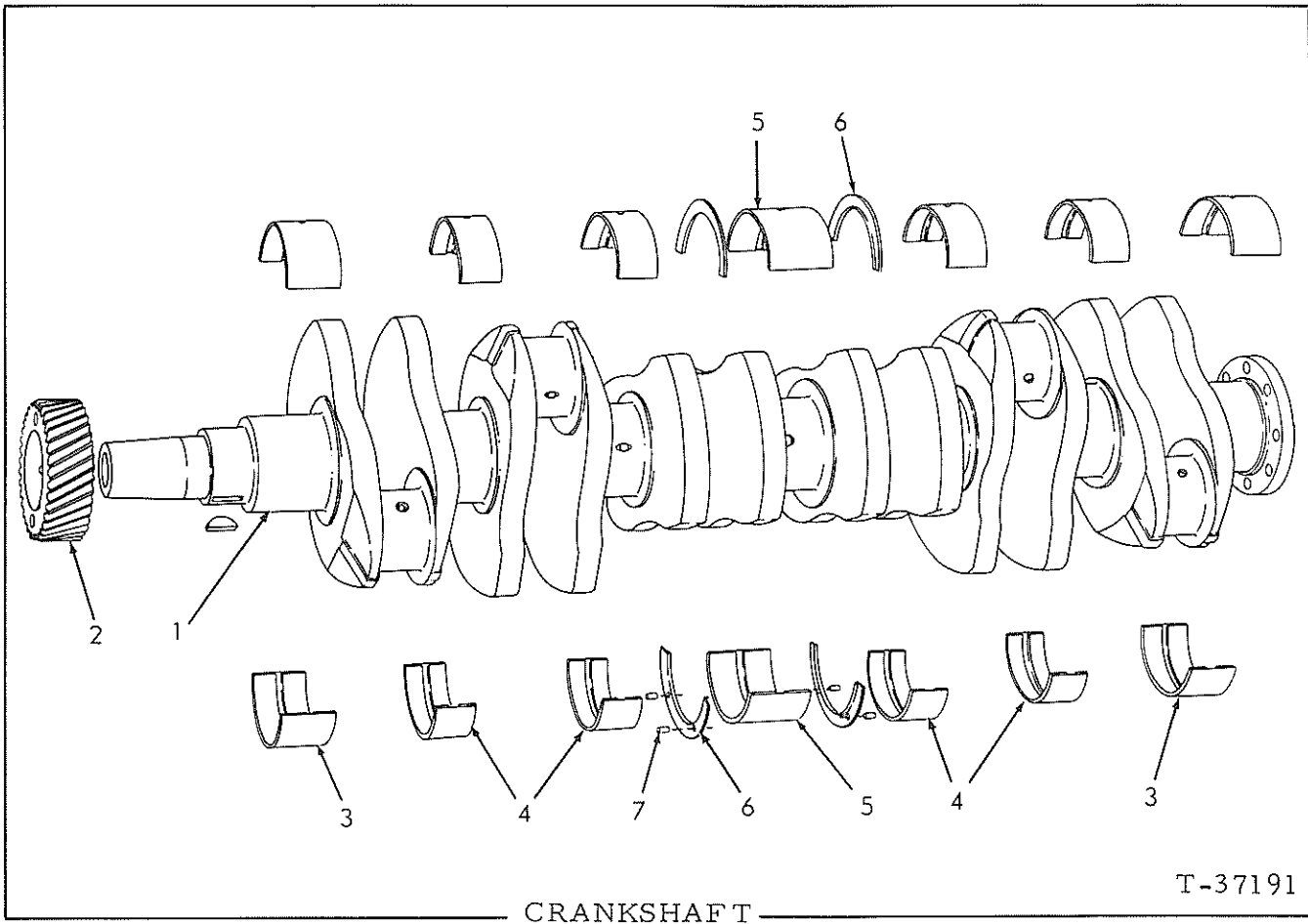
CRANKSHAFT PULLEY AND DAMPER

ITEM	PART NO.	QTY.	DESCRIPTION
1	74388254		CAPSCREW, crankshaft pulley (1-1/4"NF x 2-1/2") (Used prior to engine #16-08877)
	74393443		CAPSCREW, crankshaft pulley (3/4"NC x 7-1/4") (Effective with engine #16-08877)(If for replacement also order 1 WASHER 74393436)
2	74371503		WASHER, crankshaft pulley bolt (1-1/4" hole)(Used prior to engine #16-08877)
	74393436		WASHER, crankshaft pulley bolt (3/4" hole)(Effective with engine #16-08877)
3	-----		PULLEY, crankshaft (Includes integral damper; also grooves for 11/16" water pump drive belt)(Used prior to engine #16-07405. (Order viscons damper 74395634)
4	-----		<input type="checkbox"/> PULLEY, crankshaft (Has keyway; also groove for 1/2" water pump drive belt)(Used on engines #16-07405 thru #16-09113)(Order 74394264 or 74395631)
5	-----		PULLEY ASSY., crankshaft (Includes locating pin; also groove for 1/2" water pump drive belt. Not keywayed)(Used on engines #16-09114 thru #16-09653) (Order 74394264 or 74395631)
6	74394264		PULLEY, crankshaft (Original equipment)(Includes integral damper; also groove for 1/2" water pump drive belt)(Engines #16-09654 and up)(Can substitute viscons damper 74395631)
7	-----		PULLEY, crankshaft (Included integral damper; also groove for 11/16" water pump drive belt)(Used prior to June 1965. Order PULLEY 74395554 and 1 each DAMPER 74395767, PULLEY 74391539, PULLEY 74388253, CAPSCREW 74388254, BELT BRACKET 74388339, BRACKET 74388342, PLUG 70919134; 4 BOLTS 74751643 and 6 BOLTS 74391022)
8	-----		PULLEY, crankshaft (Has groove for 1/2" water pump drive belt)(Used June 1965 thru March 1968) (Order 74393413)

(Continued)

CRANKSHAFT PULLEY AND DAMPER (Continued)

ITEM	PART NO.	QTY.	DESCRIPTION
9	74395554		PULLEY ASSY., crankshaft (Includes locating pin, also groove for 1/2" water pump drive belt) (Effective April 1968)
10	74395767		<input type="checkbox"/> DAMPER, crankshaft (Effective with engine #16-07405)
	74391022		<input type="checkbox"/> BOLT, attaching
11	74362310		KEY, crankshaft pulley (Used prior to engine #16-09114)



CRANKSHAFT

T-37191

ITEM	PART NO.	QTY.	DESCRIPTION
1	74396002	1	CRANKSHAFT ASSY. (Service replacement)(Also order 1 Gear 74395185 and 1 Key 70905127)(For engines prior to #16-09078 order 8 Capscrew 74391666)(For engines prior to #16-08877 order 1 Capscrew 74393443 and 1 Washer 74393436)
2	70917673	6	PLUG, pipe, hex-socket, 1/8"NPT (early units)
	74395185	1	GEAR, crankshaft
	70911021	1	KEY, #25 woodruff, 5/16" x 1-1/2" (Engines prior to #16-4089)
	70905129	1	KEY, #D woodruff, 5/16" x 1-1/4" (Engines #16-4089 thru #16-08852)
	70905127	1	KEY, #B woodruff 5/16" x 1 (For crankshaft 74396002)

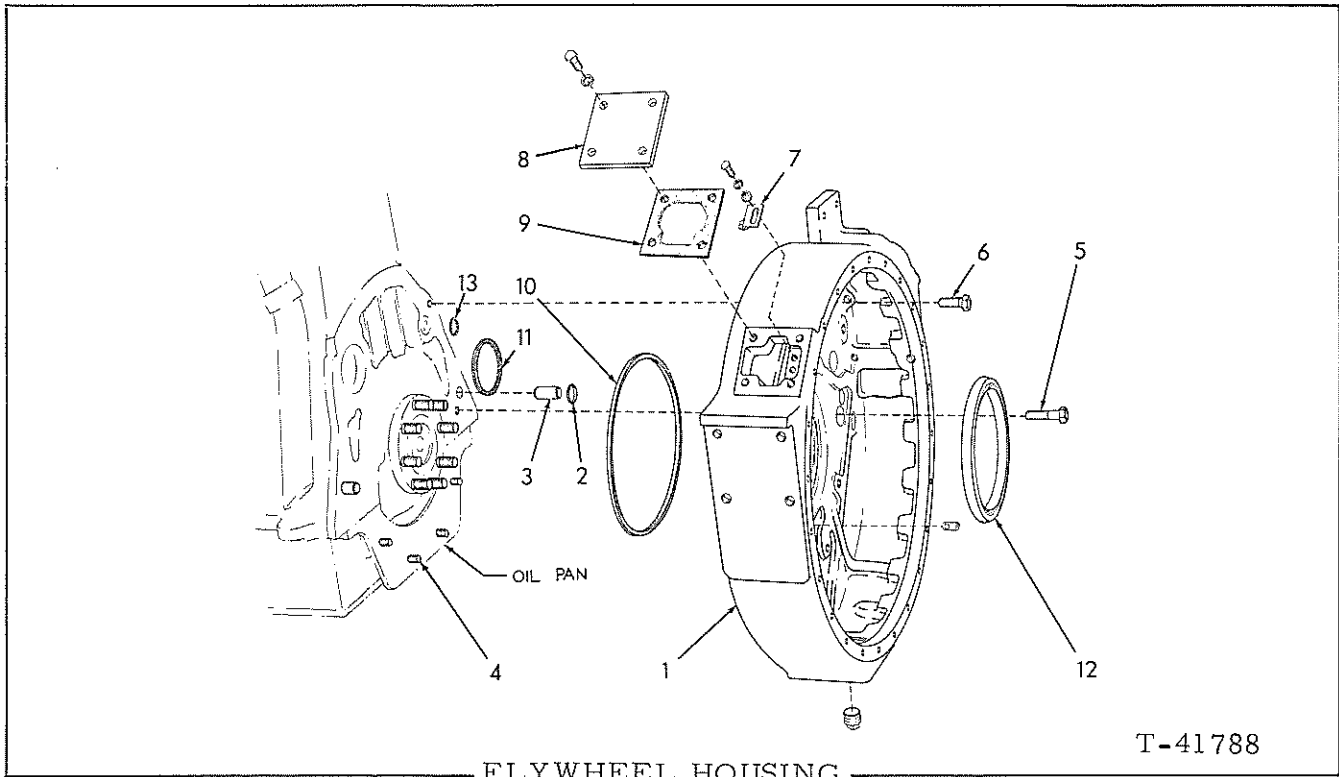
(Continued)

CRANKSHAFT (Continued)

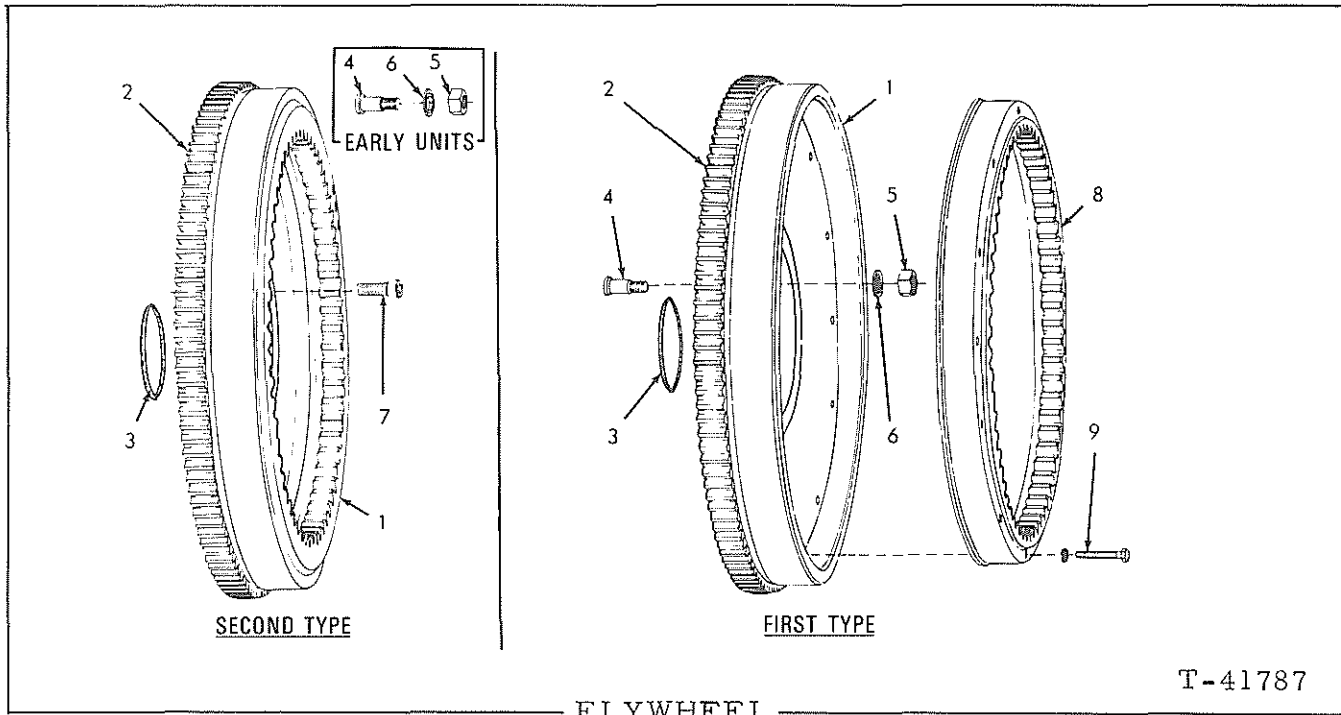
ITEM	PART NO.	QTY.	DESCRIPTION	
3	74395905	4	BEARING (standard size)	} 3/8" oil hole (If for first replacement on engine S/N 16-06272 and up order 1 Pin 74395109 per cap)
	74395908	4	BEARING (.010" undersize)	
	74395909	4	BEARING (.020" undersize)	
	74395910	4	BEARING (.030" undersize)	
	74395911	4	BEARING (.040" undersize)	
4	74395906	8	BEARING (standard size)	
	74395912	8	BEARING (.010" undersize)	
	74395913	8	BEARING (.020" undersize)	
	74395914	8	BEARING (.030" undersize)	
	74395915	8	BEARING (.040" undersize)	
5	74395907	2	BEARING (standard size)	
	74395916	2	BEARING (.010" undersize)	
	74395917	2	BEARING (.020" undersize)	
	74395918	2	BEARING (.030" undersize)	
	74395919	2	BEARING (.040" undersize)	
6	74386359	4	FLANGE (standard size)	
	74386453	4	FLANGE (.005" oversize)	
	74386454	4	FLANGE (.010" oversize)	
	74386455	4	FLANGE (.015" oversize)	
7	70919347	4	PIN	
8	74062039	1	KIT, bearing (standard size)	} 3/8" oil hole (For first replacement on engine S/N16-06272 and up order 1 Pin 74395109 per cap)
	74062040	1	KIT, bearing (.010" undersize)	
	74062041	1	KIT, bearing (.020" undersize)	
	74062042	1	KIT, bearing (.030" undersize)	
	74062043	1	KIT, bearing (.040" undersize)	
9	74064489	1	KIT, flange (Standard size)	
	74061490	1	KIT, flange (.005" undersize)	
	74061491	1	KIT, flange (.010" undersize)	
	74061492	1	KIT, flange (.015" undersize)	

NOTE: Each bearing kit listed above consists of bearings for complete crankshaft overhaul.

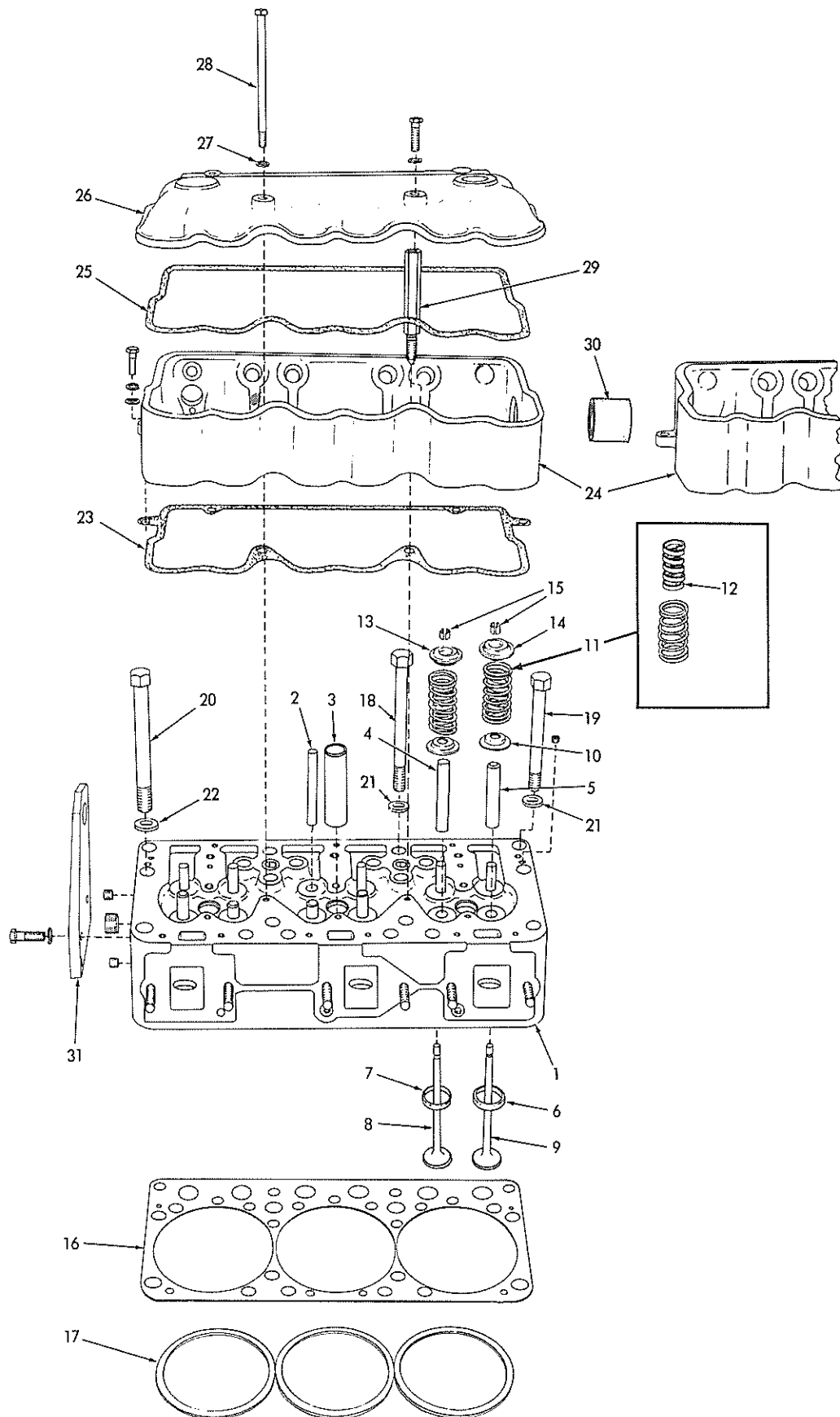
NOTE: Each flange kit listed above consists of upper and lower flanges and 4 pin 70919347.



ITEM	PART NO.	QTY.	DESCRIPTION
1	74388551	1	HOUSING, flywheel (Engines prior to #16-09034)
	74393568	1	HOUSING, flywheel (Engines #16-09034 and up)
	70922884	1	SETSCREW, hex-socket, cup-pt., Nylok, 7/16"NC x 1/2"
2	70923810	2	□ O-RING, housing dowel
3	74373716	2	DOWEL, housing to crankcase
	74379198	4	CAPSCREW, oil pan to housing (1/2"NC x 1-3/8", Nylok)(Engines prior to #16-09006)
4	70926717	4	CAPSCREW, oil pan to housing (1/2"NC x 7/8", 12 -pt. flanged head)(Engines #16-09006 and up)
	70912333	4	WASHER, plain
5	74255335	2	BOLT, housing to crankcase (self-locking, 1/2"NC x 2")
6	74255334	8	BOLT, housing to crankcase (self-locking, 1/2"NC x 1-3/8")
7	74386651	1	POINTER, timing
	70916284	2	CAPSCREW, 1/4"NC 1/2"
	70904204	2	LOCKWASHER, 1/4"
	70911114	2	WASHER, plain, SAE std., 1/4"
8	74386650	1	COVER, timing hole
	70915813	4	CAPSCREW, 5/16"NC x 7/8"
	70904205	4	LOCKWASHER, 5/16"
9	74390432	1	□ GASKET, timing hole cover
10	74336897	1	□ RING, sealing, housing to crankcase (For crankshaft hole)
11	74255904	1	□ RING, sealing, housing to crankcase (For camshaft hole)
12	74395770	1	SEAL, oil, crankshaft flange
13	74255898	1	RING, sealing, housing to crankcase (For oil gallery hole)(Effective with engine #16-09034)



ITEM	PART NO.	QTY.	DESCRIPTION
1	74386846	1	FLYWHEEL ASSY., (Includes item 2)(Used prior to engine #16-05237)
	74391231	1	FLYWHEEL ASSY., (Includes item 2)(Used with engine #16-05237)
2	74303694	1	GEAR, ring
3	74255912	1	□ O-RING, flywheel to crankshaft
4	74389201	8	BOLT, flywheel
5	74387026	8	NUT, flywheel bolt
6	74391160	8	□ WASHER, sealing
7	74391666	8	CAPSCREW, flywheel (Engines #16-09078 and up)
8	-----	1	RING, clutch driving (Used prior to engine #16-05237) (Order Flywheel Assy., 74391231)
9	70053616	12	CAPSCREW, 3/8"NC x 1-3/4"
	70904206	12	LOCKWASHER, 3/8"



CYLINDER HEAD (First Type)

T-37183



CYLINDER HEAD (First type)

USAGE: Engines prior to serial No. 16-09862 including Nos. 16-10140, 10141, 10142, 10146 thru 10155

\* Engines prior to serial No. 16-08657 including Nos. 16-09019 thru 09139  
 \*\* Engines effective 16-08657 and up excluding Nos. 16-09019 thru 09139

ITEM	PART NO.	QTY. * **	DESCRIPTION
1	-----	2 -	HEAD ASSY., cylinder (Order HEAD ASSY 74391712, 6 VALVE 74390677 and 6 ROTOCOIL 74389397 )
	74391712	- 2	HEAD ASSY., cylinder (Includes items 2 thru 7 and plugs indented below)
	70917673	8 8	PLUG, pipe, hex-socket, 1/8"NPT
	70907070	4 -	PLUG, pipe, ctsk-hd., 1/4"NPT (Early units only)
	70918887	- 6	PLUG, pipe, hex-socket, 3/8"NPT (Engines #16-09622 and up)
	70918851	8 8	PLUG, pipe, hex-socket, 3/4"NPT
2	74386413	12 12	PIN, guide, valve bridge
3	74376484	6 6	SLEEVE, injection nozzle
4	74390547	12 12	GUIDE, intake valve
5	74390548	12 12	GUIDE, exhaust valve
6	74386625	12 -	INSERT, exhaust valve seat (standard size)
	74391713	- 12	INSERT, exhaust valve seat (standard size)
	74386654	12 -	INSERT, exhaust valve seat (.005" oversize)
	74391714	- 12	INSERT, exhaust valve seat (.005" oversize)
7	74386628	12 12	INSERT, intake valve seat (standard size)
	74386653	12 12	INSERT, intake valve seat (.005" oversize)
8	74386790	12 12	VALVE, intake
9	74386791	12 -	VALVE, exhaust (45°)
	74390677	- 12	VALVE, exhaust (30°)
10	74389685	24 24	SEAT, valve spring
11	74389294	24 24	SPRING ASSY., valve (Includes item 12)(If for engines prior to #16-05316 also replace item 10)
12	74389293	24 24	DAMPER, valve spring
13	74389397	12 12	ROTOCOIL ASSY., intake valve (Serviced only as a unit)
14	74389397	12 -	ROTOCOIL ASSY., exhaust valve (Serviced only as a unit)
	-----	- 12	RETAINER, exhaust valve spring (Original equipment. order ROTOCOIL ASSY. 74389397 )
15	74376497	48 48	LOCK, valve stem
16	74390170	2 2	□ GASKET ASSY., cylinder head (Includes item 17)

(Continued)

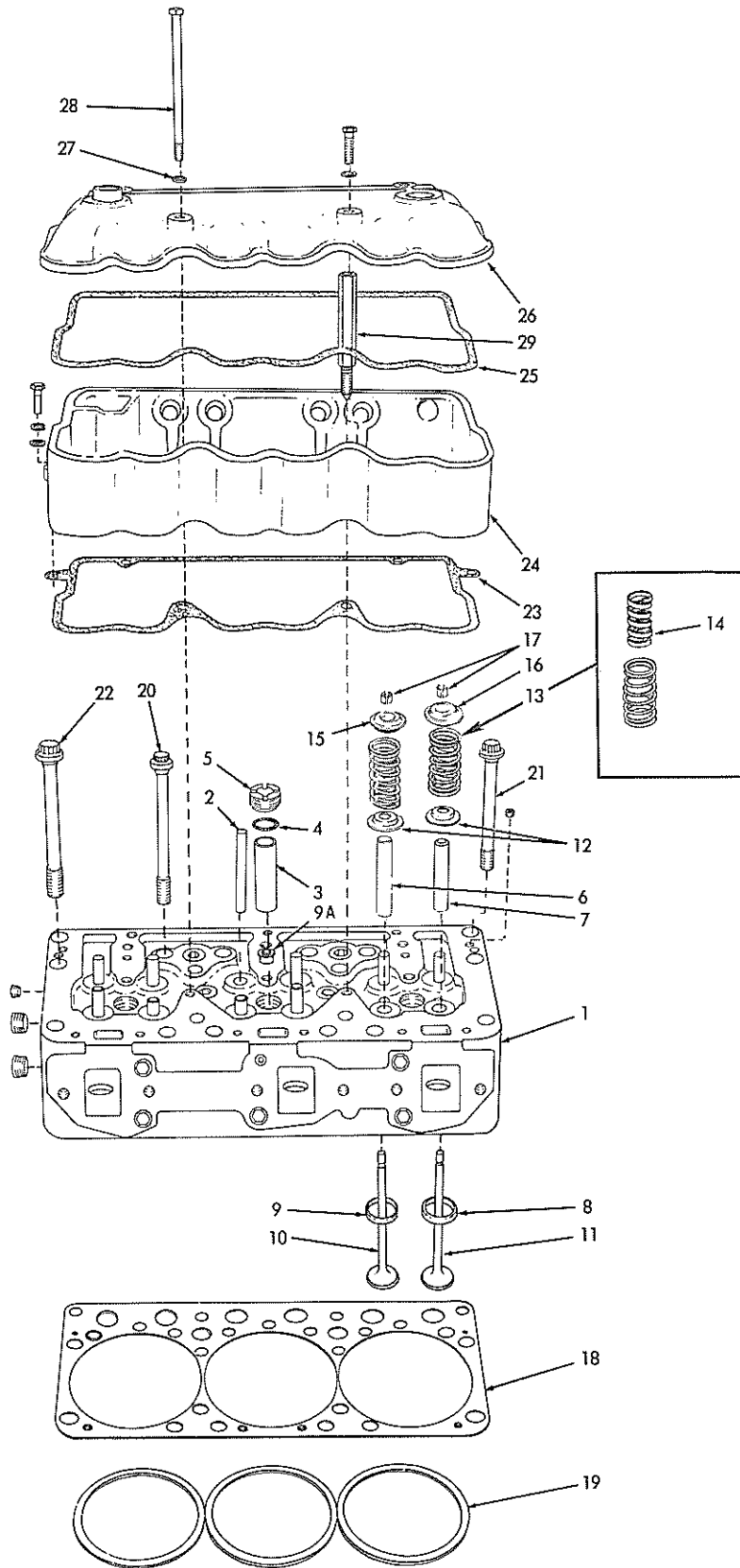
(Revised March 1972)

CYLINDER HEAD (Continued)

ITEM	PART NO.	QTY. * **	DESCRIPTION
17	74390043	6 6	□GASKET, cylinder sealing
18	74391306	30 30	CAPSCREW, cylinder head (5/8"NC x 7")
19	74388521	2 2	CAPSCREW, cylinder head (5/8"NC x 6")
20	74389821	8 8	CAPSCREW, cylinder head (3/4"NC x 7-1/4")
21	74391160	32 32	WASHER, cylinder head capscrow (5/8"hole)(Engines prior to #16-09086)
22	74391161	8 8	WASHER, cylinder head capscrow (3/4" hole)(Engines prior to #16-08997)
23	74389960	2 2	□GASKET, lower cover
24	74392059	1 1	COVER, lower section, front (If for engines prior to #16-09700, also order PLUG 70921507 for rear cover and discard item 30)
	74392063	1 1	
	70916272	4 4	CAPSCREW, 3/8"NC x 1-1/4"
	70904206	4 4	LOCKWASHER, 3/8"
	70913544	4 4	WASHER, plain
25	74389961	2 2	□GASKET, rocker cover
26	74386901	2 2	COVER, rocker CAPSCREW, 3/8"NC x 1-1/2" (rear cover only)
	70914847	1 1	
27	74254873	8 8	□WASHER, sealing, rocker cover capscrow
28	74386421	7 7	CAPSCREW, rocker cover (1 additional required for non-turbocharged engines)
29	74389965	1 1	BOLT, extension, rear lower cover (For turbocharged engines)
30	74386941	1 1	COUPLING, breather, cylinder head cover (Engines prior to #16-09700)
31	74387976	1 1	EYE, engine lifting, rear CAPSCREW, 1/2"NC x 1-1/4" (For engines without turbo-charger; also engines with turbocharger effective with tractor unit #09572)
	70916311	3 3	
	70916313	3 3	CAPSCREW, 1/2"NC x 1-1/2" (For engines equipped with turbocharger prior to tractor unit #09572)
	70904208	3 3	LOCKWASHER, 1/2"

(Revised March 1972)





CYLINDER HEAD (Second type)

T-37183

(Revised March 1972)

CYLINDER HEAD (Second type)

USAGE: Engines serial No. 16-09862 and up excluding Nos. 16-10140, 10141, 10142, 10146 thru 10155

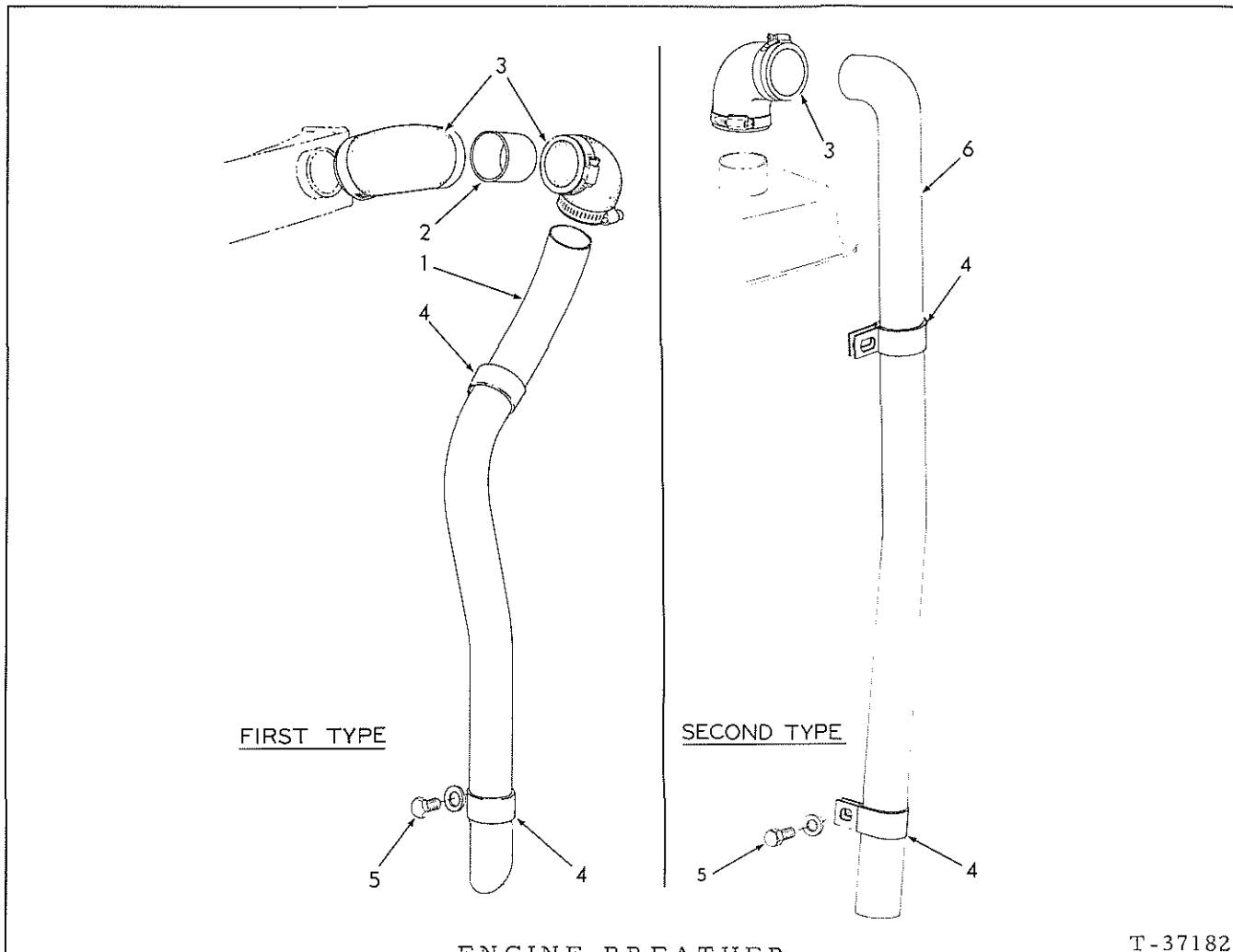
ITEM	PART NO.	QTY.	DESCRIPTION
1	74392110	2	HEAD ASSY., cylinder (Includes items 2 thru 9 and plugs indented below)(Used prior to engines #16-10156)
	74393924	2	HEAD ASSY., cylinder (Includes items 2 thru 9 and plugs indented below)(Engines #16-10156 and up)
	74255490	8	PLUG, pipe, hex-socket, 1/8"NPT
	74255491	1	PLUG, pipe, hex-socket, 1/4"NPT
	74255577	26	PLUG, pipe, hex-socket, 3/4"NPT
2	74386413	12	PIN, guide, valve bridge
3	74392051	6	SLEEVE, injection nozzle
4	70926672	6	O-RING, injection nozzle sleeve
5	74392052	6	NUT, injection nozzle sleeve
6	74390547	12	GUIDE, intake valve
7	74390548	12	GUIDE, exhaust valve
8	74392053	12	INSERT, exhaust valve seat (standard size)
	74392068	12	INSERT, exhaust valve seat (.005" oversize)
9	74386628	12	INSERT, intake valve seat (standard size)
	74386653	12	INSERT, intake valve seat (.005" oversize)
9A	74392576	6	INSERT, injection nozzle (Remove when installing replacement nozzle with .662" O.D. )
10	74386790	12	VALVE, intake
11	74392054	12	VALVE, exhaust
12	74389685	24	SEAT, valve spring
13	74389294	24	SPRING ASSY., valve (Includes item 14)
14	74389293	24	DAMPER, valve spring
15	74389397	12	ROTOCOIL ASSY., intake valve (Serviced only as a unit)
16	-----	12	RETAINER, exhaust valve spring (Original equipment. Order ROTOCOIL ASSY. 74389397 )
17	74376497	48	LOCK, valve stem
18	74390170	2	<input type="checkbox"/> GASKET ASSY., cylinder head (Includes item 19)
19	74390043	6	<input type="checkbox"/> GASKET, cylinder sealing
20	74391306	26	SCREW, cylinder head (5/8"NC x 7")
21	74391307	2	SCREW, cylinder head (5/8"NC x 6")

(Continued)

(Revised March 1972)

CYLINDER HEAD (Second type)(Continued)

ITEM	PART NO.	QTY.	DESCRIPTION
22	74393443	8	SCREW, cylinder head (3/4"NC x 7-1/4")
23	74389960	2	GASKET, lower cover
24	74392059	1	COVER, lower section, front
	74392063	1	COVER, lower section, rear (Engines prior to #16-10169)
	74392062	1	COVER, lower section, rear (Engines #16-10169 and up)
	70916272	4	CAPSCREW, 3/8"NC x 1-1/4"
	70904206	4	LOCKWASHER, 3/8"
	70913544	4	WASHER, plain
25	74389961	2	GASKET, rocker cover
26	74386901	1	COVER, rocker, front
	74386901	1	COVER, rocker, rear (Engines prior to #16-10169)
	74387726	1	COVER, rocker, rear (Engines #16-10169 and up)
	70914847	1	CAPSCREW, 3/8"NC x 1-1/2" (rear cover only)(For turbocharged engines only)
27	74254873	8	□ WASHER, sealing, rocker cover capscrew
28	74386421	8	CAPSCREW, rocker cover (1 less used on turbocharged engines)
29	74389965	1	BOLT, extension, rear lower cover (For turbocharged engines only)



T-37182

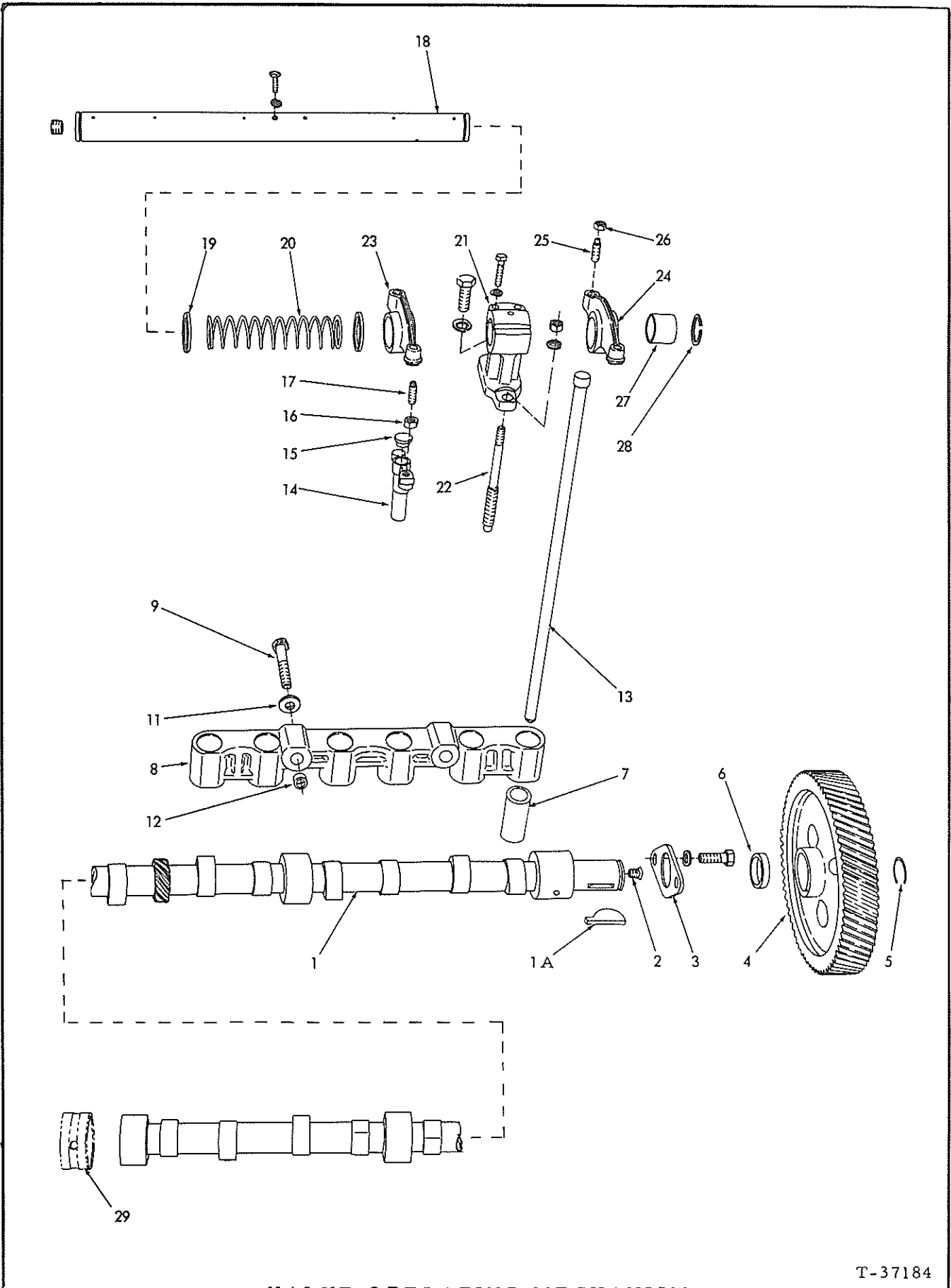
ENGINE BREATHER

ITEM PART NO.

\* Engines prior to Serial No. 16-10169  
 \*\* Engines Serial No. 16-10169 and up

ITEM	PART NO.	QTY.		DESCRIPTION
		*	**	
1	74387675	1	-	TUBE, breather
2	74387560	1	-	TUBE, elbow connecting
3	74255351	2	1	ELBOW, rubber CLAMP, hose, 1-9/16" to 2-9/16" diam.
	70922198	4	2	
4	74255361	2	2	CLAMP, tube supporting
5	70921865	1	1	CAPSCREW, Nylok, 1/2"NC x 1" WASHER, plain, SAE std., 1/2"
	70910244	1	1	
6	74390507	-	1	TUBE, breather

(Revised December 1970)



VALVE OPERATING MECHANISM

T-37184



VALVE OPERATING MECHANISM

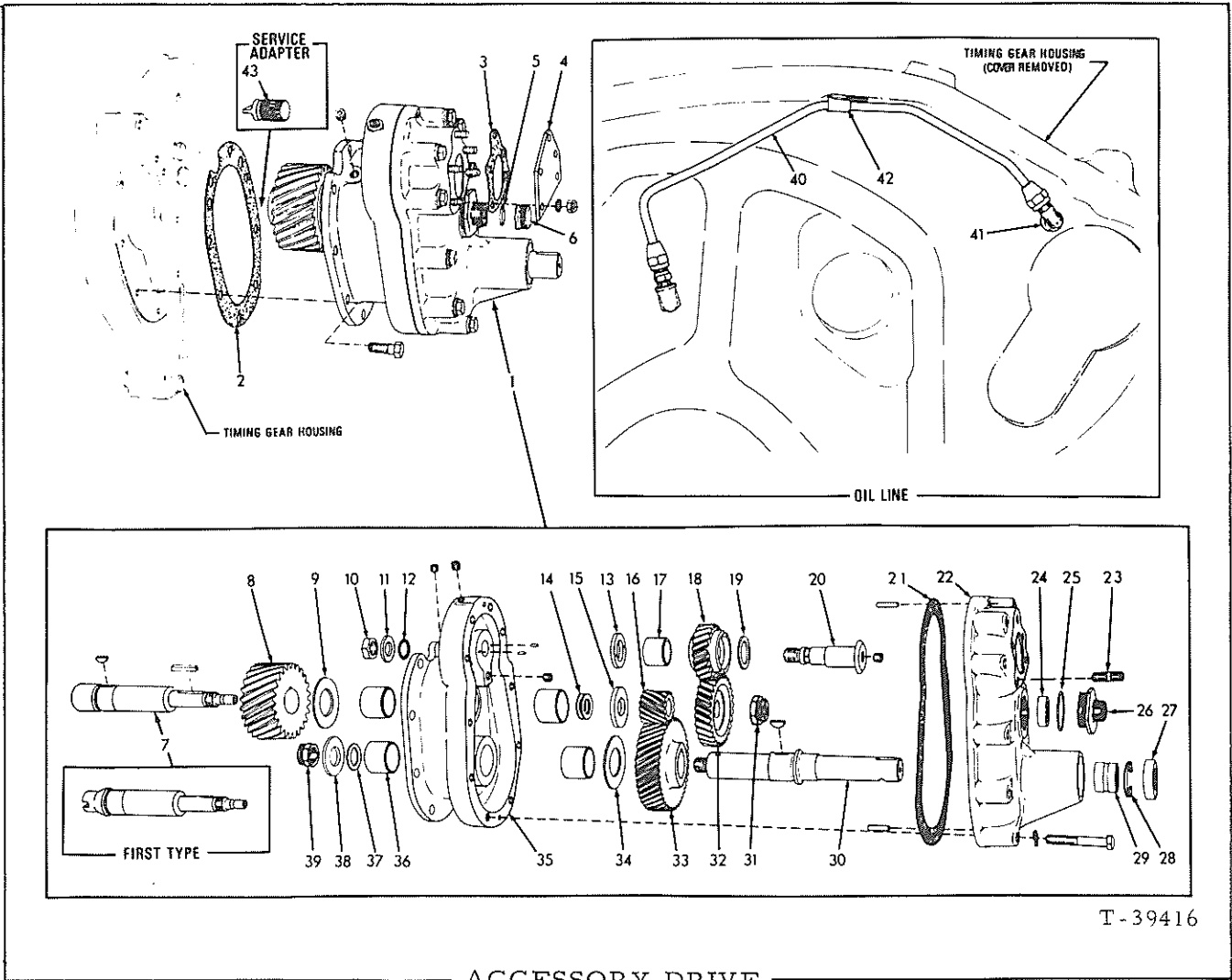
ITEM	PART NO.	QTY.	DESCRIPTION
1	74392182	1	CAMSHAFT (If for engines prior to #16-09507 also order 1 ELBOW 74391885)
1A	70923738	1	KEY, camshaft gear
2	74001318	1	PLUG, camshaft oil hole (Engines prior to #16-09591)
3	74386776	1	PLATE, thrust
	70916311	2	CAPSCREW, 1/2"NC x 1-1/4"
	70904208	2	LOCKWASHER, 1/2"
4	74392183	1	GEAR, camshaft (If for engines prior to #16-09507 also order 1 ELBOW 74391885)
5	74254295	1	RING, snap, gear retaining (Engines prior to #16-09591)
6	74387469	1	SPACER, camshaft gear (Used prior to engine #16-06899)
7	74389645	12	LIFTER, valve (Engines prior to #16-09622)
	74391845	12	LIFTER, valve (Engines #16-09622 and up)
8	74386787	1	BRACKET, valve lifter, front } Engines prior to #16-09622
	74386788	1	
	74391869	1	BRACKET, valve lifter, front } Engines #16-09622 and up
	74391870	1	
9	70915969	4	CAPSCREW, 1/2"NC x 3"
11	74376277	4	WASHER, valve lifter bracket capscrew
12	74303038	4	DOWEL, valve lifter bracket
13	74386414	12	ROD, push (20" long)(Engines prior to #16-09622)
	74391849	12	ROD, push (17" long)(Engines #16-09622 and up)
14	74390270	12	BRIDGE ASSEMBLY, valve (Includes items 15 thru 17)
15	74376538	12	INSERT, valve bridge
16	74348440	12	NUT, valve bridge adjustment screw
17	74390254	12	SCREW, valve bridge adjustment
18	74390117	2	SHAFT ASSEMBLY, rocker arm (Includes PLUGS indented below)
	70918887	4	PLUG, pipe, hex-socket, 3/8"NPT
	70915406	2	CAPSCREW, 1/4"NC x 3/4"
	70904204	2	LOCKWASHER, 1/4"
19	74386406	8	RETAINER, rocker arm
20	74386405	4	SPRING, rocker shaft
21	74389317	6	BRACKET, rocker shaft
	70916311	6	CAPSCREW, 1/2"NC x 1-1/4" (attaching)
	70904208	6	LOCKWASHER, 1/2"
	70915807	12	CAPSCREW, 5/16"NC x 1-1/4" (clamping)
	70904205	12	LOCKWASHER, 5/16"

(Continued)

VALVE OPERATING MECHANISM

ITEM	PART NO.	QTY.	DESCRIPTION
22	74377541	6	STUD, rocker shaft bracket (Also retains injection nozzle holder)
	70910325	6	NUT, 1/2"NC
	70904208	6	LOCKWASHER, 1/2"
23	{ 74386398	4	ARM ASSEMBLY, rocker, intake valve Nos. 1, 2, 4, 5
	{ 74386401	2	ARM ASSEMBLY, rocker, exhaust valve Nos. 3, 6
24	{ 74386392	4	ARM ASSEMBLY, rocker, exhaust valve Nos. 1, 2, 4, 5
	{ 74386395	2	ARM ASSEMBLY, rocker, intake valve Nos. 3, 6
<u>NOTE:</u> Each Arm Assembly listed above includes items 25 thru 27			
25	74336646	12	SCREW, valve lash adjustment
26	74348440	12	NUT, adjustment screw
27	74388428	12	BUSHING, rocker arm
28	74253190	4	RING, snap, rocker arm shaft
29	-----	--	BEARING, camshaft (See CYLINDER BLOCK)

(Revised March 1969)



T-39416

ACCESSORY DRIVE

\* Engines prior to serial No. 16-09368  
 \*\* Engines serial No. 16-09368

ITEM	PART NO.	QTY.		DESCRIPTION
		*	**	
1	-----	1	-	DRIVE ASSEMBLY (Order DRIVE ASSEMBLY 74391441. Include item 43 if for engines prior to #16-05531)
	74391441	-	1	DRIVE ASSEMBLY (Consists of items 7 thru 39)
	70921520	8	8	CAPSCREW, Nylok, 3/8"NC x 7/8"
2	74376603	1	1	GASKET, accessory drive to gear housing
3	74386826	1	1	GASKET, housing cover plate
4	-----	1	1	PLATE, housing cover
	70904206	5	5	LOCKWASHER, 3/8" } For shipping only
	70910123	5	5	NUT, 3/8"NC } For shipping only
5	74367090	1	1	GASKET, tachometer hole nut
6	74371118	1	1	NUT, cover, tachometer hole

(Continued)

## ACCESSORY DRIVE (Continued)

ITEM	PART NO.	QTY.	DESCRIPTION
		* **	
7	74371740	1 -	SHAFT, upper (Slotted end)(Used prior to engine #16-05531)
	74388889	1 -	SHAFT, upper (Splined end)(Effective with engine #16-05531)
	70917409	2 -	KEY, #9 woodruff, 3/16" x 3/4"
	70923280	1 -	KEY, hi-pro, 3/16" x 15/16"
	74391419	- 1	SHAFT, upper
	70917409	- 1	KEY, #9 woodruff, 3/16" x 3/4"
	70905850	- 1	KEY, straight, 3/16" x 1"
8	74389055	1 -	GEAR, accessory drive
	74391403	- 1	GEAR, accessory drive
9	74368154	1 -	WASHER, thrust, upper shaft, front
	70917014	2 -	PIN, dowel, 1/8" x 3/8"
	74391412	- 1	WASHER, thrust, upper shaft, front
10	74376671	1 1	NUT, auxiliary drive gear shaft
11	74389986	1 -	WASHER, auxiliary drive gear shaft (1/8" thick)
	70900703	- 1	WASHER, auxiliary drive gear shaft (3/16" thick)
12	70923574	1 1	O-RING, auxiliary drive gear shaft
13	74376598	1 1	WASHER, thrust, auxiliary drive gear
	70917014	2 2	PIN, dowel, 1/8" x 3/8"
14	74362726	2 -	SHIM, upper shaft, end-play adjustment (laminated)
15	74388154	1 -	WASHER, thrust, rear
	74391407	- 1	WASHER, thrust, rear
16	74364404	1 1	GEAR, upper shaft (14 teeth)
17	74376596	1 1	BUSHING, auxiliary drive gear
18	74377122	1 1	GEAR ASSEMBLY, auxiliary drive (Includes item 17)
19	74376599	1 -	PLATE, thrust, auxiliary drive gear
	74391411	- 1	PLATE, thrust, auxiliary drive gear
20	74376591	1 1	SHAFT ASSEMBLY, auxiliary drive (Includes PLUG indented below)
	70917673	1 1	PLUG, pipe, hex-socket, 1/8"NPT
21	74376604	1 1	GASKET, cover
22	74386711	1 1	COVER ASSY., housing (Includes item 29)
	70912069	10 10	CAPSCREW, 3/8"NC x 2-1/2"
	70904206	10 10	LOCKWASHER, 3/8"
	70917023	2 2	PIN, dowel, 1/4" x 1"
23	74389599	5 5	STUD, housing cover
24	74391019	1 1	SEAL, oil, upper shaft
25	74251601	1 1	GASKET, tachometer drive adapter
26	74365627	1 1	ADAPTER, tachometer drive
27	74386879	1 1	SEAL, oil, lower shaft
28	74254742	1 1	RING, snap, bushing retaining
29	74377278	1 1	BUSHING, housing cover
30	74376702	1 -	SHAFT, lower
	74391475	- 1	SHAFT, lower
	70917409	1 1	KEY, #9 woodruff, 3/16" x 3/4"
31	74369751	1 -	NUT, upper shaft
	70900808	1 -	PIN, cotter, 1/8" x 1-1/2"
	70918182	- 1	NUT, upper shaft (self-locking)
32	74376590	1 1	GEAR, driving, fuel transfer pump
33	74369712	1 -	GEAR, lower shaft (42 teeth)
	74391554	- 1	GEAR, lower shaft (42 teeth)

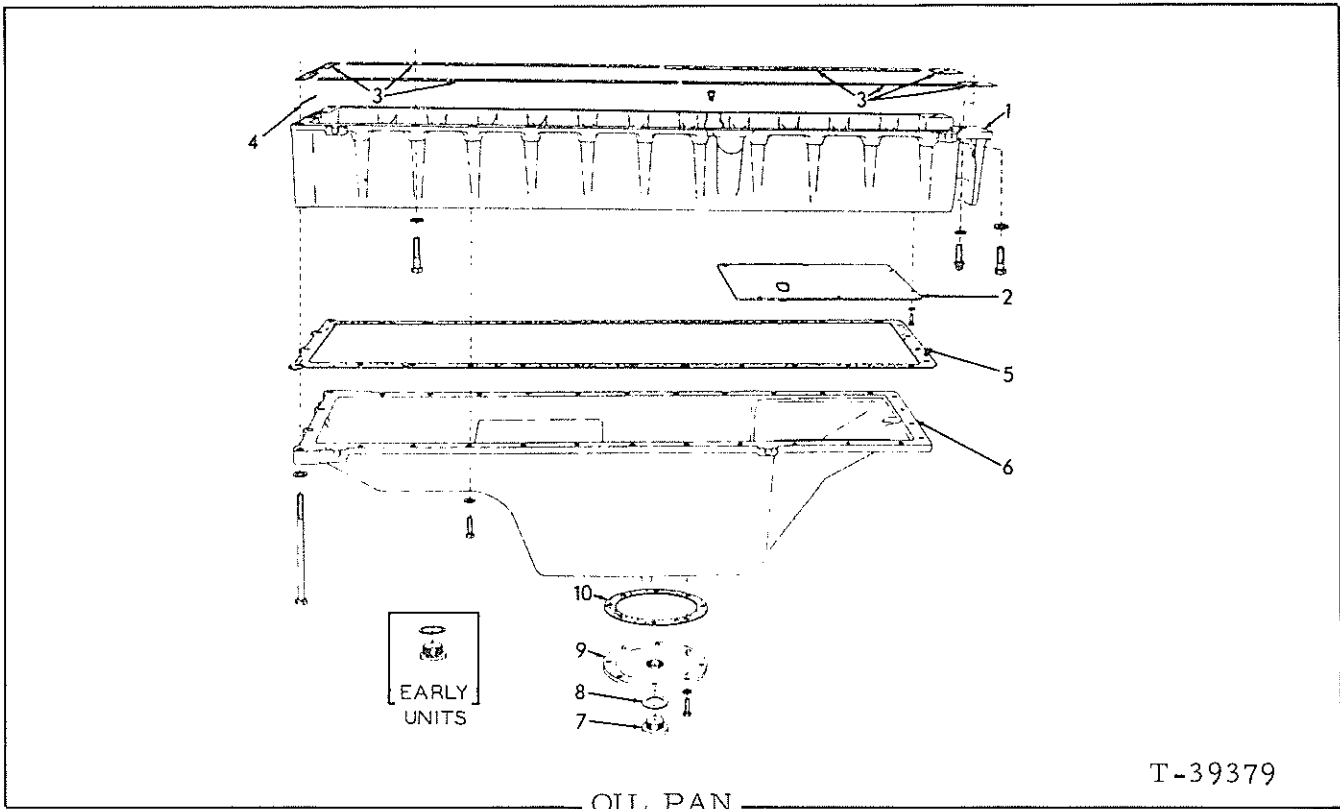
(Continued)

(Revised January 1979)

ACCESSORY DRIVE (Continued)

ITEM	PART NO.	QTY.	DESCRIPTION
		* **	
34	74368154	1 -	WASHER, thrust, lower shaft, rear
	70917014	2 -	PIN, dowel, 1/8" x 3/8"
	74391412	- 1	WASHER, thrust, lower shaft, rear
35	74376602	1 -	HOUSING ASSEMBLY (Includes item 36)
	74391408	- 1	HOUSING ASSEMBLY (Includes item 36)
	70917673	4 4	PLUG, pipe, hex-socket, 1/8"NPT
36	74369746	4 4	BUSHING, accessory drive housing
37	74362726	1 -	SHIM, lower shaft end-play adjustment (laminated)
38	74364166	1 1	WASHER, thrust, lower shaft, front
39	74371119	1 -	NUT, lower shaft
	70900808	1 -	PIN, cotter 1/8" x 1-1/2"
	70918182	- 1	NUT, lower shaft (self-locking)
40	74376627	1 1	TUBE ASSEMBLY, lubricating oil (Includes nuts)
	70910141	1 1	CONNECTOR, flare type, 1/4" tube, 1/8"NPT male
	70917013	1 1	ELBOW, street, brass, 90°, 1/8"NPT
41	70913475	1 1	ELBOW, oil tube (Prior to Engine #16-09507)
	74391885	- 1	ELBOW, oil tube (has drilled orifice)(Engine #16-09507 and up)
	70917841	1 1	NIPPLE, pipe, 1/8"NPT x 7/8"
42	74361829	1 1	CLIP, tube supporting
	74335669	1 1	CAPSCREW, drilled-hd., 1/4"NC x 1/2"
	70904204	1 1	LOCKWASHER, 1/4"
	74348691	1 1	WIRE, locking, #18 x 6"
43	74391710	1 -	ADAPTER, pump drive (Used to adapt SHAFT 74388889 as service substitute for SHAFT 74371740)

(Revised January 1979)



T-39379

ITEM	PART NO.	QTY.	DESCRIPTION
1	74391646	1	PAN, oil, upper section
	70919840	1	PLUG, pipe, hex-hd., 1/4"NPT
	70916314	23	CAPSCREW, 1/2"NC x 2"
	70915987	1	CAPSCREW, 1/2"NC x 1-1/2"
	70912333	26	WASHER, plain
	70922065	2	SCREW, 12-pt. head, 1/2"NC x 1-1/4"
2	74385796	1	PLATE, oil baffle
	70915343	6	CAPSCREW, 1/4"NC x 5/8"
	70904204	6	LOCKWASHER, 1/4"
3	74395803	1	GASKET SET, upper oil pan
4	74379070	1	<input type="checkbox"/> SEAL, oil
5	74385781	1	GASKET SET, lower oil pan
6	74389849	1	PAN, oil, lower section
	70914847	26	CAPSCREW, 3/8"NC x 1-1/2"
	70911423	26	WASHER, plain, SAE std., 3/8"
	70916326	4	CAPSCREW, 1/2"NC x 7-1/2"
	70912333	4	WASHER, plain
7	70035250	2	PLUG, oil drain
8	70677252	2	<input type="checkbox"/> GASKET, drain plug
9	74371255	1	PLATE, clean-out hole
	70919224	8	CAPSCREW, 3/8"NC x 1-1/8"
	70904206	8	LOCKWASHER, 3/8"
	10	74371289	1

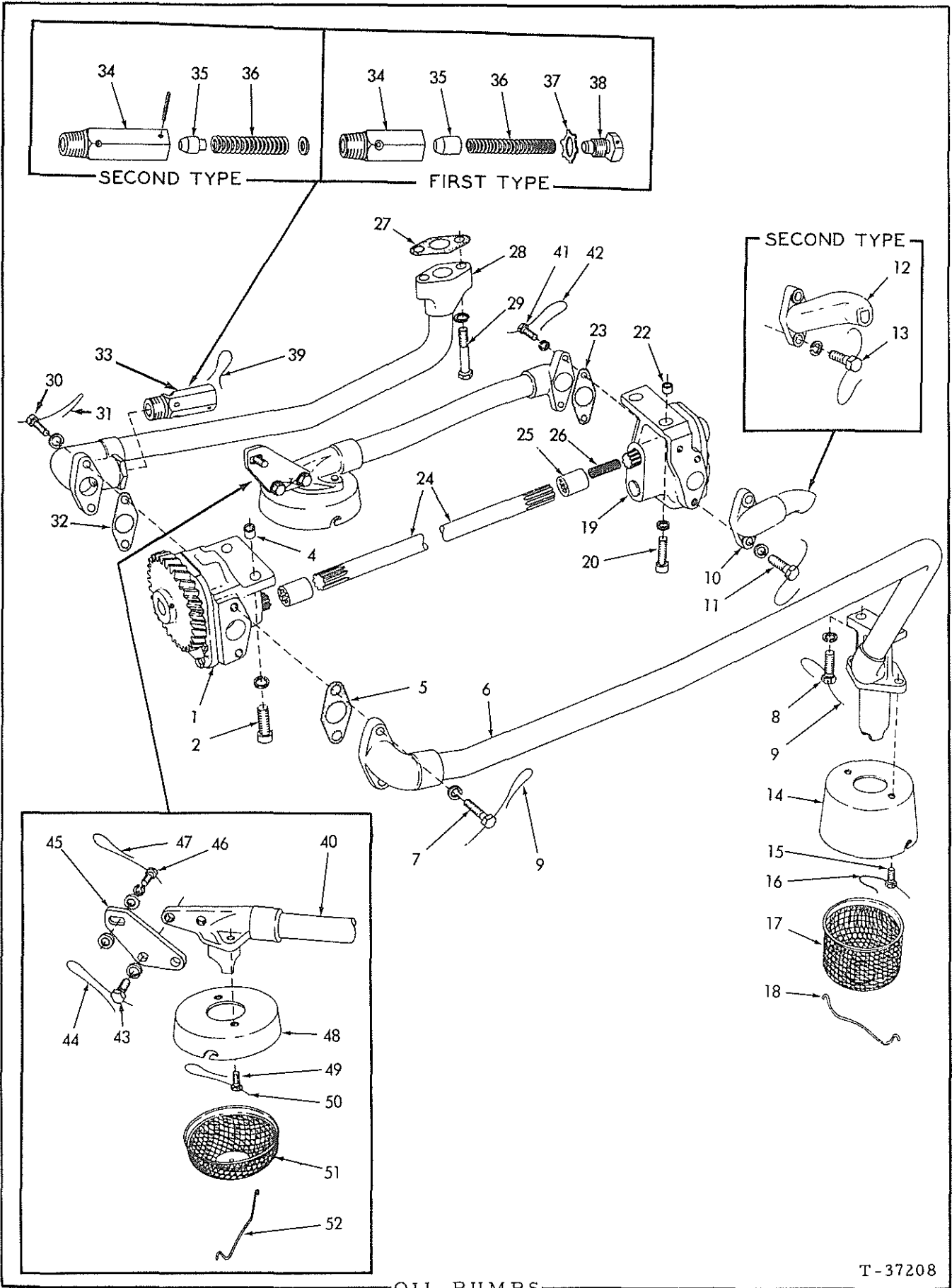
} 1 less used on engine  
#16-09003 and up

OIL PUMPS

ITEM	PART NO.	QTY.	DESCRIPTION
1	74390076	1	PUMP ASSEMBLY, pressure (see page 40)(See NOTE below)
2	70912274	2	CAPSCREW, socket-hd., 7/16"NC x 1-1/2"
	70904207	2	LOCKWASHER, 7/16"
4	74371253	2	DOWEL, hollow, pressure pump
5	74371345	1	<input type="checkbox"/> GASKET, pressure pump suction line
6	74385955	1	TUBE, suction, pressure pump
7	74378558	2	CAPSCREW, drilled-hd., 3/8"NC x 1-1/8"
	70904206	2	LOCKWASHER, 3/8"
8	74377201	2	CAPSCREW, drilled-hd., 7/16"NC x 1-1/4"
	70904207	2	LOCKWASHER, 7/16"
9	74509035	2	WIRE, locking, #18 x 10"
10	74390195	1	TUBE, discharge, scavenging pump (Engines prior to #16-08037)
11	74378558	2	CAPSCREW, drilled-hd., 3/8"NC x 1-1/8"
	70904206	2	LOCKWASHER, 3/8"
	74509035	1	WIRE, locking #18 x 10"
12	74388488	1	TUBE, discharge, scavenging pump (Engines #16-08037 and up)
13	74335610	2	CAPSCREW, drilled-hd., 3/8"NC x 1"
	70904206	2	LOCKWASHER, 3/8"
	74509035	1	WIRE, locking #18 x 10"
14	74389732	1	COVER, pressure pump oil screen
15	74374129	2	CAPSCREW, drilled-hd., 5/16" NC x 3/4" } Engines prior to #16-08890
16	74509035	1	WIRE, locking, #18 x 10" }
	70915813	2	CAPSCREW, 5/16"NC x 7/8" (Engines #16-08890 and up)
17	74374127	1	SCREEN, pressure oil pump
18	74376294	1	RETAINER, pressure oil pump screen
19	74388485	1	PUMP ASSEMBLY, scavenging (See page 41)(If for engines prior to #16-08037 also order TUBE 74388488 and 2 CAPSCREWS 74335610)(See NOTE below)
20	70912274	2	CAPSCREW, socket-hd., 7/16"NC x 1-1/2"
	70904207	2	LOCKWASHER, 7/16"
22	74371253	2	DOWEL, hollow, scavenging pump
23	74371345	1	<input type="checkbox"/> GASKET, scavenging pump suction line
24	74385537	1	SHAFT, scavenging pump drive
25	74385536	2	COUPLING, splined, scavenging pump drive
26	74385715	1	SPRING, pump drive shaft
27	74660423	1	<input type="checkbox"/> GASKET, discharge line to block

NOTE: Replacements for the original equipment pressure and scavenging pump assemblies (item 1 and 19) are no longer supplied. If replacement of either pump assembly is necessary, install Oil Pump Conversion Kit 74394971. See PACKAGED PARTS

(Continued)



OIL PUMPS

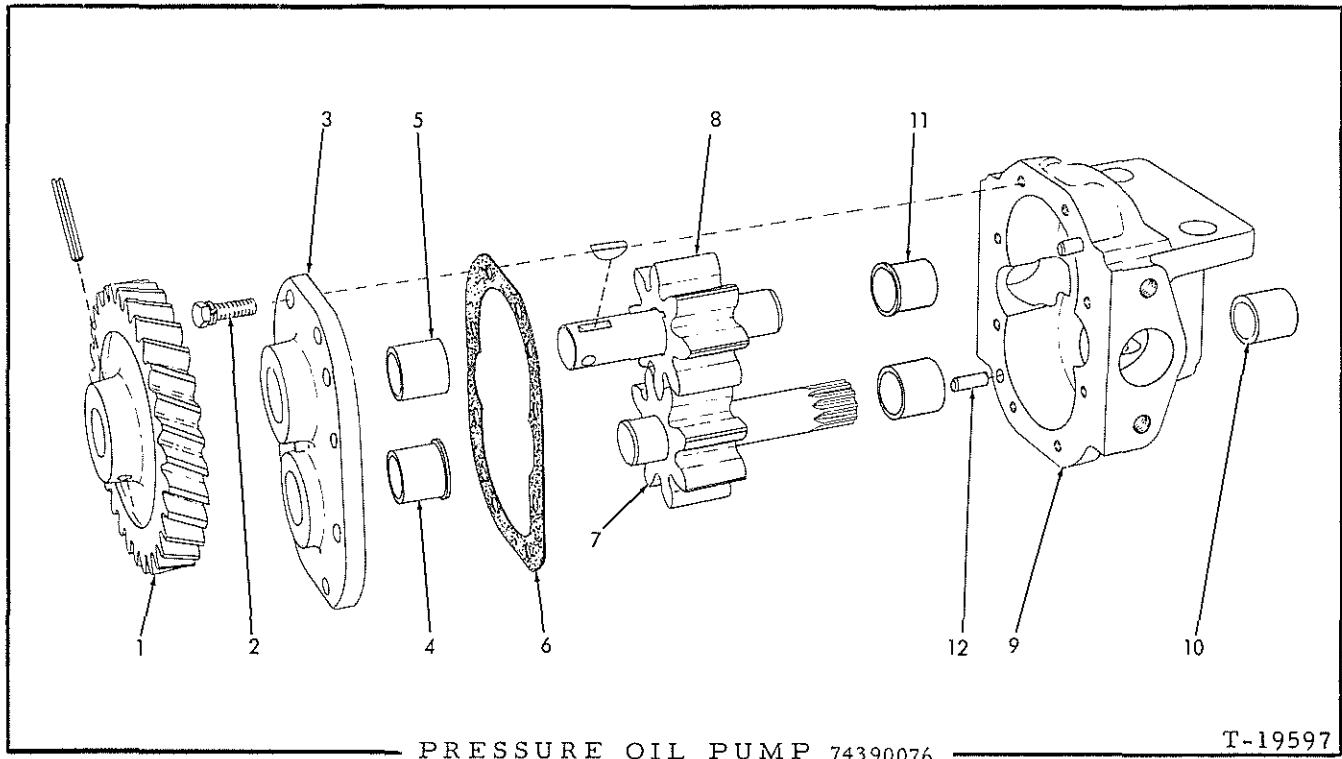
T-37208



OIL PUMPS (Continued)

ITEM	PART NO.	QTY.	DESCRIPTION
28	74388133	1	TUBE, pressure pump discharge
29	70916314	2	CAPSCREW, 1/2"NC x 2"
	70904208	2	LOCKWASHER, 1/2"
30	74378558	2	CAPSCREW, drilled-hd., 3/8"NC x 1-1/8"
	70904206	2	LOCKWASHER, 3/8"
31	74509035	1	WIRE, locking, #18 x 10"
32	74371345	1	□ GASKET, discharge line to pump
33	74354573	1	VALVE ASSEMBLY, pressure relief (Consists of items 34 thru 36)
34	-----	1	BODY, pressure relief valve
35	-----	1	PISTON, pressure relief valve
36	-----	1	SPRING, pressure relief valve (Used prior to engine #16-07422. Order item 33)
	74354568	1	SPRING, pressure relief valve (Effective with engine #16-07422)
	70913168	1	WASHER, plain
	70916001	1	PIN, spring, 3/16" x 1"
37	-----	1	WASHER, locking, relief valve cap
38	-----	1	CAP, relief valve
39	74509035	1	WIRE, locking, pressure relief valve
40	74385961	1	TUBE, suction, scavenging pump
41	74378558	2	CAPSCREW, drilled-hd., 3/8"NC x 1-1/8"
42	74509035	1	WIRE, locking, #18 x 10"
43	74335610	2	CAPSCREW, drilled-hd., 3/8"NC x 1"
44	74348691	1	WIRE, locking #18 x 6"
	70904206	4	LOCKWASHER, 3/8"
45	74385976	1	BRACKET, supporting, scavenging pump suction tube
46	74335600	1	CAPSCREW, drilled-hd., 5/16"NC x 7/8"
	70910335	2	WASHER, plain, SAE std., 5/16"
	70904205	1	LOCKWASHER, 5/16"
47	74348691	1	WIRE, locking #18 x 6"
48	74348684	1	COVER, scavenging pump screen
49	74374129	2	CAPSCREW, drilled-hd., 5/16"NC x 3/4"
50	74509035	1	WIRE, locking #18 x 10"
51	74348683	1	SCREEN, scavenging oil pump
52	74348682	1	RETAINER, scavenging oil pump screen

(Revised January 1979)

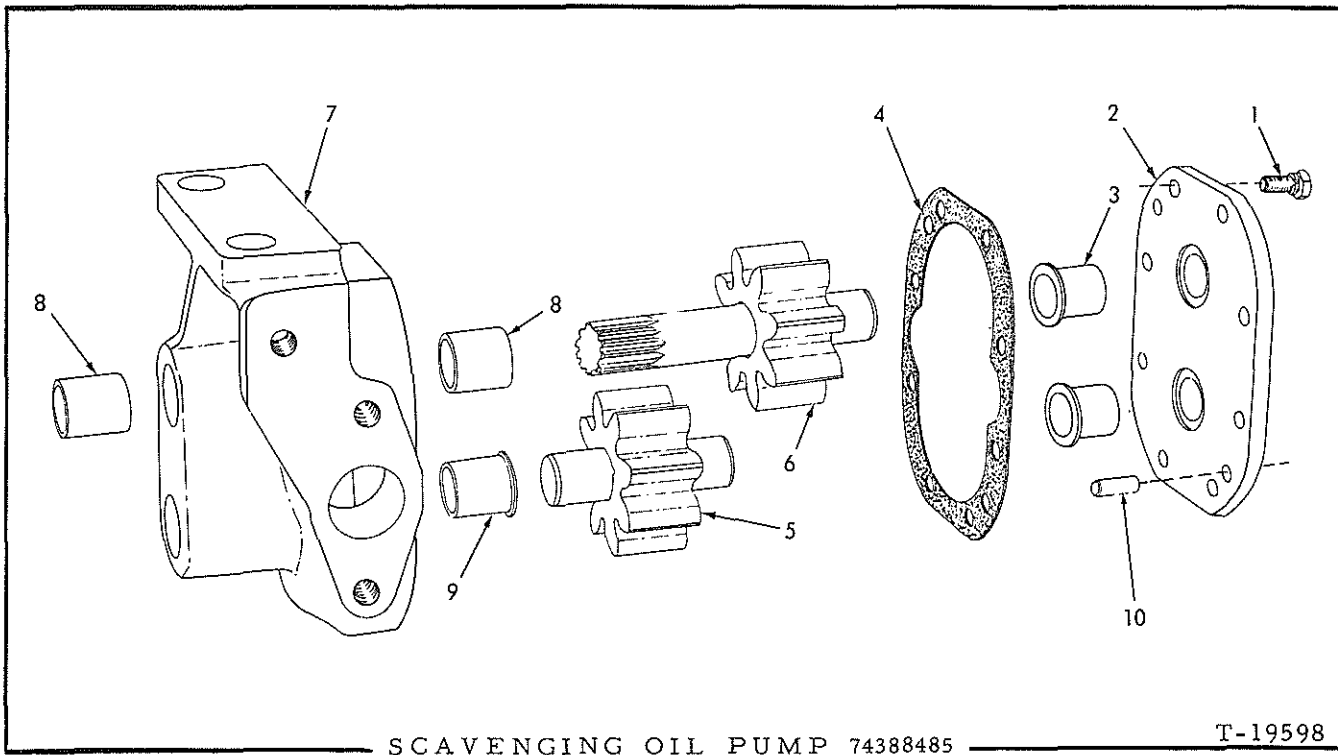


PRESSURE OIL PUMP 74390076

T-19597

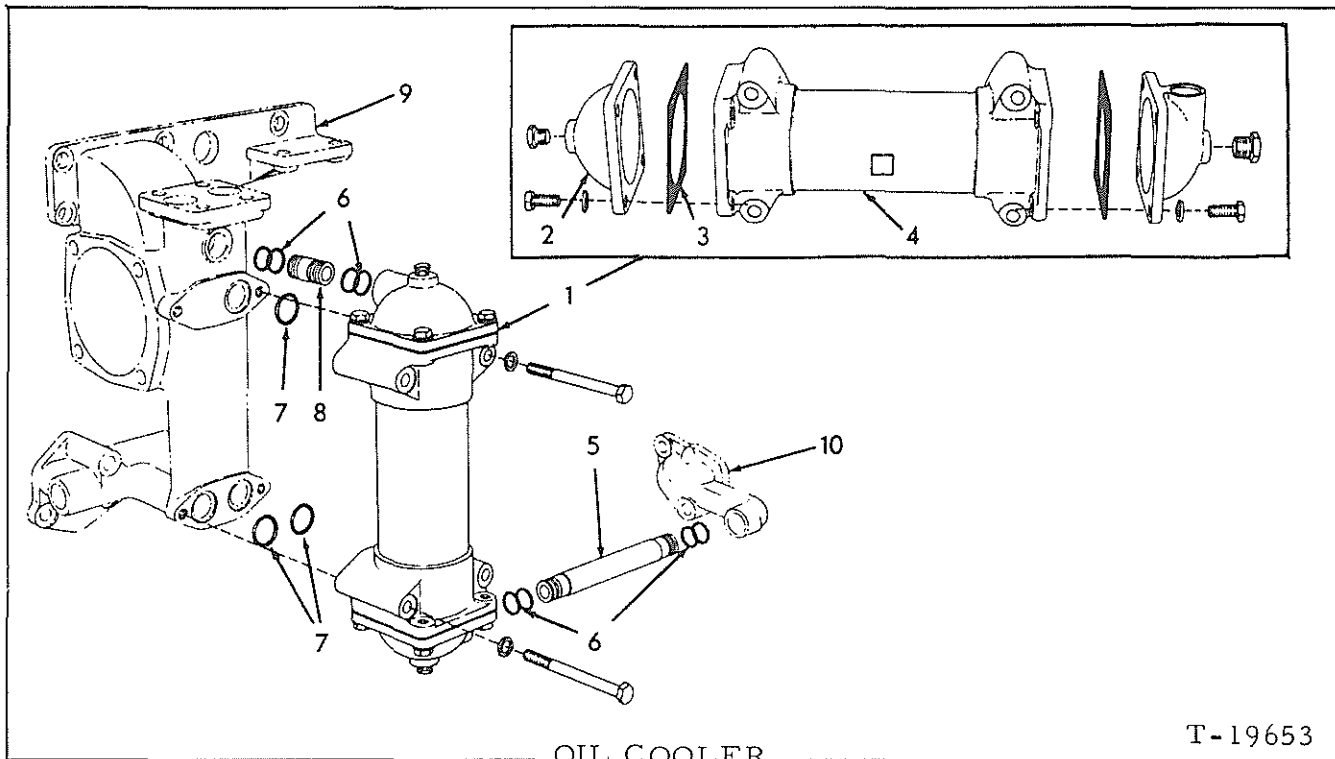
USAGE: See page 37

ITEM	PART NO.	QTY.	DESCRIPTION
1	74389054	1	GEAR, driving
	70915989	1	PIN, spring, 3/16" x 1-3/8"
	70910224	1	KEY, #6 woodruff, 5/32" x 5/8"
2	70923408	8	CAPSCREW, pump cover (Includes lockwasher)
3	74377037	1	COVER ASSEMBLY (Includes items 4 and 5)
4	74377038	1	BUSHING, pump cover (flanged)
5	74371270	1	BUSHING, pump cover (plain)
6	74371300	1	GASKET, cover
7	74379415	1	SHAFT AND GEAR ASSEMBLY, lower
8	74390078	1	SHAFT AND GEAR ASSEMBLY, upper
9	74390075	1	BODY ASSEMBLY (Includes items 10 thru 12)
10	74371270	2	BUSHING, pump body (plain)
11	74377039	1	BUSHING, pump body (flanged)
12	70917555	2	PIN, dowel, pump body



USAGE: See page 37

ITEM	PART NO.	QTY.	DESCRIPTION
1	70923408	8	CAPSCREW, pump cover (Includes lockwasher)
2	74377050	1	COVER ASSEMBLY (Includes item 3)
3	74377039	2	BUSHING, pump cover
4	74371300	1	GASKET, pump cover
5	74377054	1	SHAFT AND GEAR ASSEMBLY, lower
6	74379610	1	SHAFT AND GEAR ASSEMBLY, upper
7	74388486	1	BODY ASSEMBLY (Includes items 8 thru 10)
8	74371270	2	BUSHING, pump body (plain)
9	74377039	1	BUSHING, pump body (flanged)
10	70917555	2	PIN, dowel, pump body

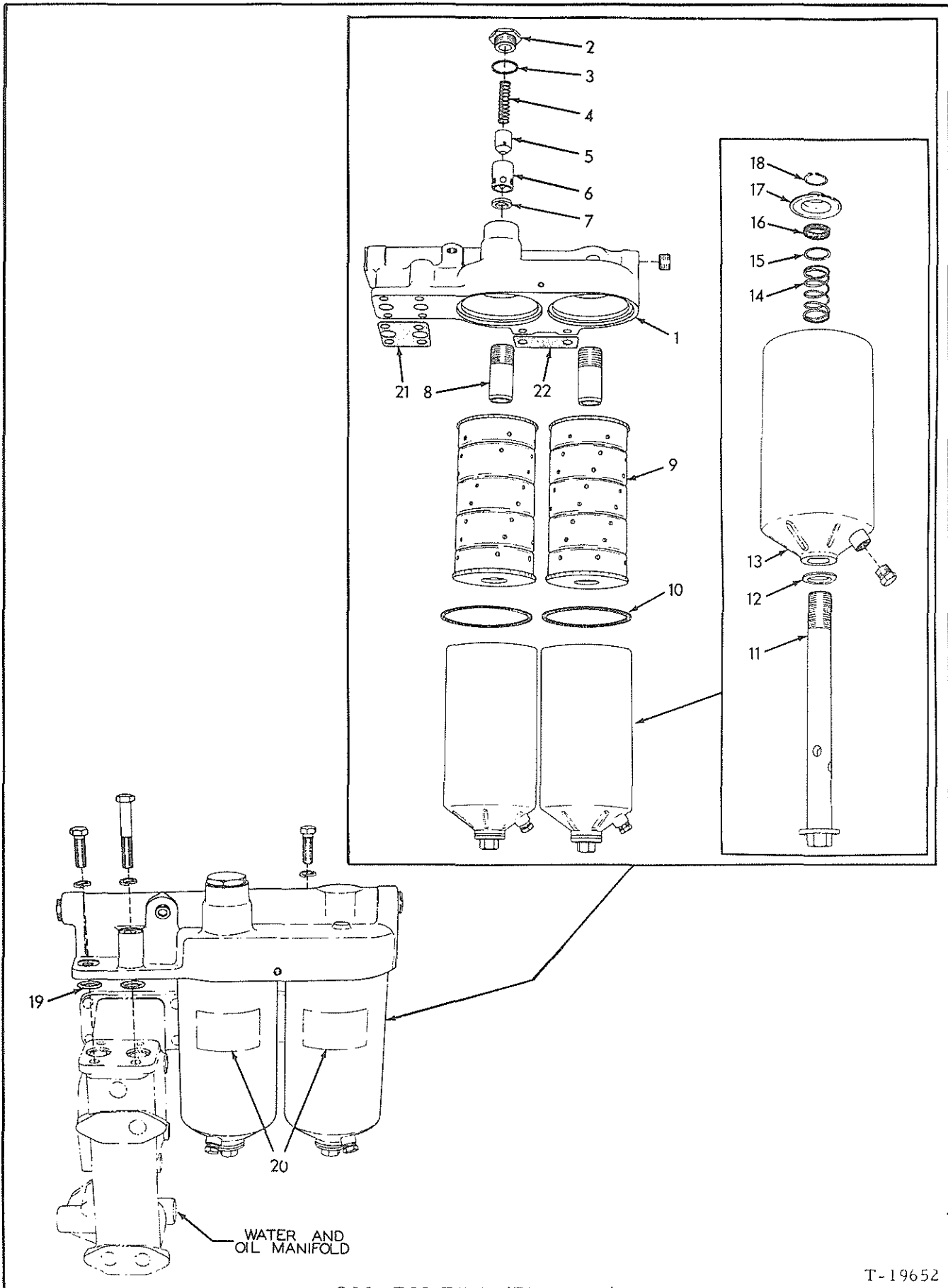


ITEM	PART NO.	QTY.	DESCRIPTION
1	74388395	1	EXCHANGER ASSEMBLY, heat, lubricating oil (Consists of items 2 thru 4)(If for engines prior to #16-07164 also order TUBE 74389841)
	70919801	4	CAPSCREW, 3/8"NC x 4"
	70904206	4	LOCKWASHER, 3/8"
2	74386642	1	BONNET, heat exchanger core, lower
	74386642	1	BONNET, heat exchanger core, upper (Engines prior to #16-07164)
	74388394	1	GONNET, heat exchanger core, upper (Engines #16-07164 and up)
	70919840	2	PLUG, pipe, hex-hd., 1/4"NPT
	70915408	8	CAPSCREW, 3/8"NC x 3/4"
	70904206	8	LOCKWASHER, 3/8"
3	74349984	2	GASKET, heat exchanger core
4	74376991	1	CORE, heat exchanger
5	74386864	1	TUBE, water, heat exchanger to by-pass tube
6	70923379	8	<input type="checkbox"/> O-RING, heat exchanger water tubes
7	74255511	3	<input type="checkbox"/> O-RING, heat exchanger to manifold (1-3/16" O. D.) (Used prior to engine #16-05686)
	74255631	2	<input type="checkbox"/> O-RING, heat exchanger to manifold (1-1/2" O. D.) (Effective with engine #16-05686)
8	74376813	1	TUBE, water, heat exchanger to manifold (1-5/8" long) (Used prior to engine #16-05686)
	74389129	1	TUBE, water, heat exchanger to manifold (1-7/16" long)(Effective with engine #16-05686)
	74389841	1	TUBE, water, heat exchanger to manifold (1-11/16" long)(Used for special service only. See item 1)

(Continued)

OIL COOLER (Continued)

ITEM	PART NO.	QTY.	DESCRIPTION
9	-----	-	MANIFOLD, water and oil (See WATER INLET MANIFOLD AND HEAT EXCHANGER)
10	-----	-	FLANGE, water pump (See WATER OUTLET MANIFOLD)



OIL FILTER (First type)

T-19652

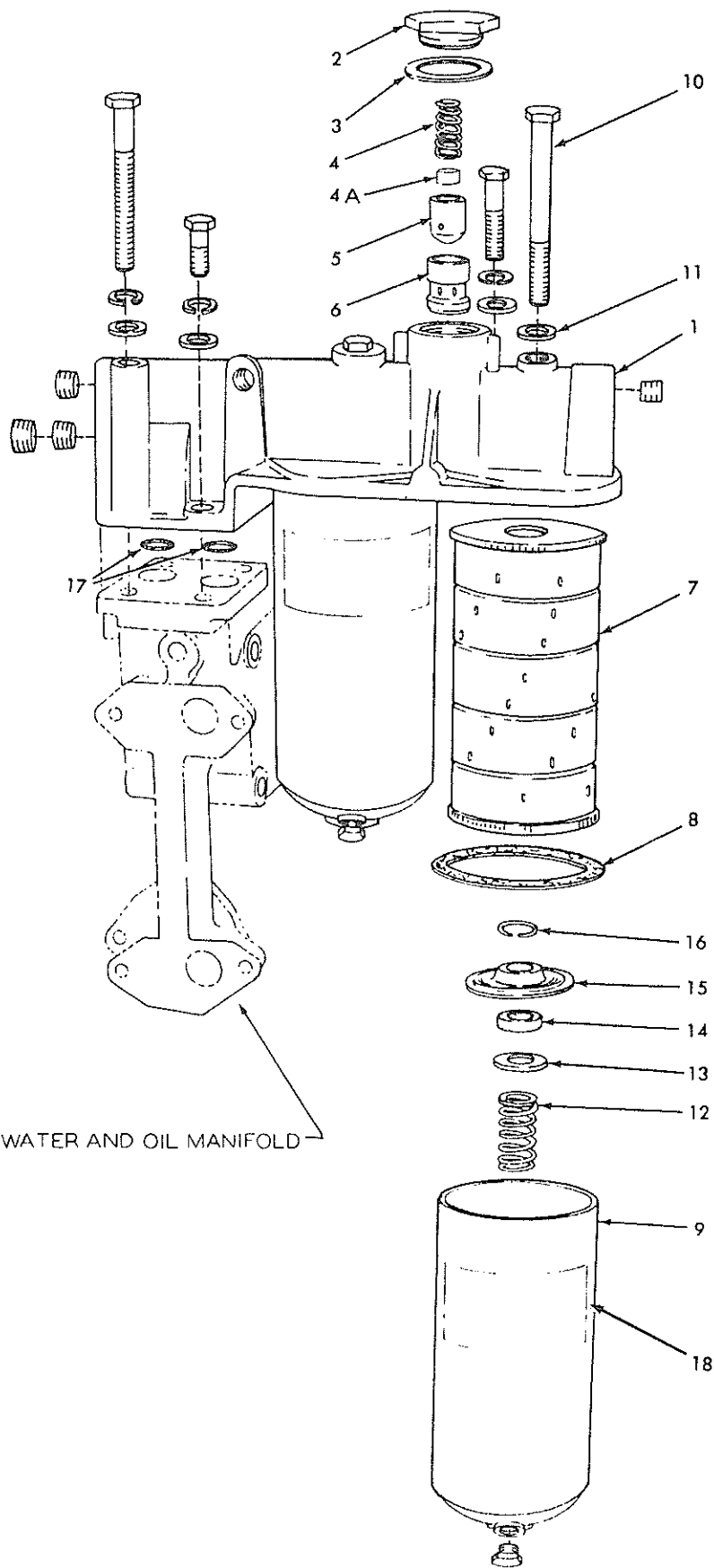
OIL FILTER  
(Full-flow type)

USAGE: Engines prior to serial No. 16-05788

ITEM	PART NO.	QTY.	DESCRIPTION
1	74385543	1	HEAD ASSEMBLY (Includes items 2 thru 8)
	70918851	2	PLUG, pipe, hex-socket, 3/4"NPT
	70918887	1	PLUG, pipe, hex-socket, 3/8"NPT
	70915987	4	CAPSCREW, 1/2"NC x 1-1/2"
	70915969	2	CAPSCREW, 1/2"NC x 3"
	70904208	6	LOCKWASHER, 1/2"
2	74373610	1	CAP, by-pass valve
3	74253751	1	GASKET, by-pass valve cap
4	74335666	1	SPRING, by-pass valve
5	74373413	1	PISTON, by-pass valve
6	74373612	1	SLEEVE, by-pass valve piston
7	74373614	1	SEAT, by-pass valve
8	74378307	2	ADAPTER, center bolt
9	74395889	2	ELEMENT KIT (Includes item 10)
10	74372325	2	GASKET, filter body
11	74374735	2	BOLT, center
12	74041103	2	GASKET, center bolt
13	74335352	2	BODY
	70918951	2	PLUG, pipe, hex-hd., 3/8"NPT
14	74371036	2	SPRING, element
15	74348268	2	WASHER, element seal
16	74348270	2	SEAL, element
17	74348269	2	ADAPTER, element
18	74253195	2	RING, snap, center bolt
19	74255511	2	<input type="checkbox"/> O-RING, filter to manifold
20	-----	-	TRANSFERS (See PAINTING AND MARKING)

NOTE: Following gaskets are used only when late type oil filter head is installed on older units. Not original equipment.

21	74388974	1	GASKET, filter head to water and oil manifold
22	74388975	1	GASKET, shimming, filter head to water and oil manifold



WATER AND OIL MANIFOLD

OIL FILTER (Second type)

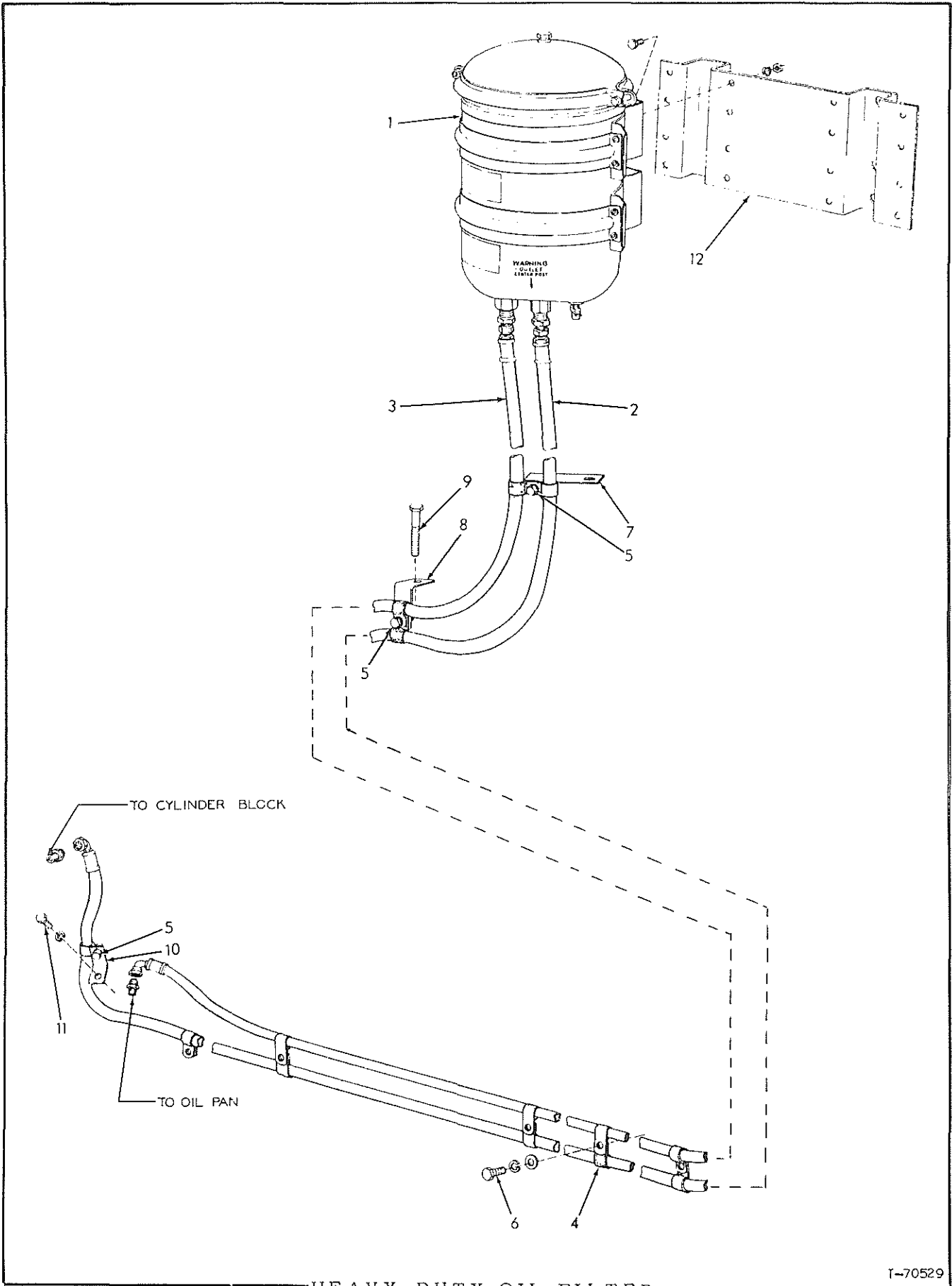
T-70444



OIL FILTER  
(Full-flow type)

USAGE: Engines serial No. 16-05788 and up

ITEM	PART NO.	QTY.	DESCRIPTION
1	74391146	1	HEAD ASSY. (Includes items 2 thru 6; also PLUGS indented below)
	70918888	3	PLUG, pipe, hex-socket, 1"
	70918697	1	PLUG, pipe, hex-socket, 1-1/4"
	70915987	2	CAPSCREW, 1/2"NC x 1-1/2"
	70916317	2	CAPSCREW, 1/2"NC x 2-3/4"
	70916323	2	CAPSCREW, 1/2"NC x 5-1/2"
	70912333	6	WASHER, plain
	70904208	6	LOCKWASHER, 1/2"
2	74388810	1	CAP, by-pass valve
3	74388848	1	GASKET, by-pass valve cap
4	74335666	1	SPRING, by-pass valve
4A	74391038	1	SPACER, by-pass valve
5	74373613	1	PISTON, by-pass valve
6	74388809	1	SLEEVE, by-pass valve piston
7	74395889	2	ELEMENT KIT (Includes item 8)
8	74372325	2	GASKET, filter body
9	74339021	2	BODY
	70918951	2	PLUG, pipe, hex-hd., 3/8"NPT
10	70916324	2	CAPSCREW, 1/2"NC x 6"
11	74376749	2	WASHER, sealing, body retaining capscrew
12	74379268	2	SPRING, element
13	74053410	2	WASHER, element seal
14	74053409	2	SEAL, element
15	74055971	2	ADAPTOR, element
16	74379269	2	RING, snap
17	74255631	2	O-RING, filter to manifold
18	-----	-	TRANSFER (See PAINTING AND MARKING)



HEAVY-DUTY OIL FILTER

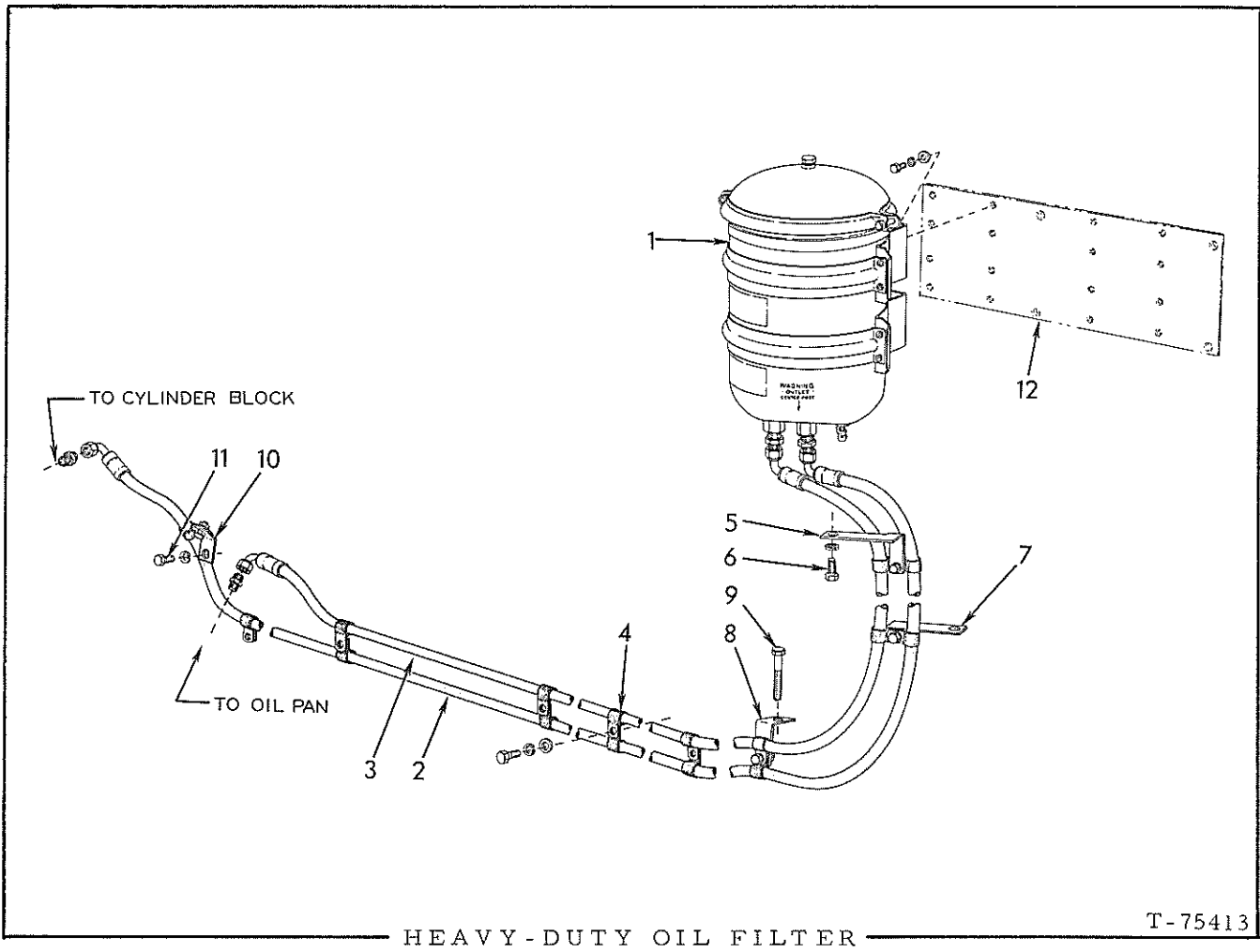
I-70529

HEAVY-DUTY OIL FILTER

USAGE: Special equipment. Supplements standard oil filter on tractors prior to serial No.8775.

ITEM	PART NO.	QTY.	DESCRIPTION
1	70082442	1	FILTER ASSEMBLY, lubricating oil (See page 50 for parts)
	70911168	8	CAPSCREW, 5/16"NF x 7/8"
	70904205	8	LOCKWASHER, 5/16"
	70913636	8	NUT, 5/16"NF
2	70646303	1	HOSE, filter supply (See HOSE PARTS)
	70919062	1	CONNECTOR, flare type, 3/8" tube, 1/4"NPT male
	70919127	1	CONNECTOR, flare type, 3/8" tube, 1/2"NPT male
3	70646322	1	HOSE, filter return (See HOSE PARTS)
	70919062	1	CONNECTOR, flare type, 3/8" tube, 1/4"NPT male
	70919127	1	CONNECTOR, flare type, 3/8" tube, 1/2"NPT male
4	70094422	14	CLIP, hose supporting (5/8" diam.)(Used prior to tractor #6965)
	70621304	14	CLIP, hose supporting (3/4" diam.)(Effective with tractor #6965)
5	70036034	3	CAPSCREW, 3/8"NF x 1"
	70904206	3	LOCKWASHER, 3/8"
	70911041	3	NUT, 3/8"NF
6	70035439	5	CAPSCREW, 3/8"NC x 1"
	70904206	5	LOCKWASHER, 3/8"
	70911115	5	WASHER, plain, SAE std., 3/8"
7	70633010	1	ANGLE, hose supporting, rear
8	70633453	1	ANGLE, hose supporting, intermediate
9	70035892	1	CAPSCREW, 1/2"NF x 2-1/2"(Also attaches brake lever bracket)
10	70096935	1	ANGLE, hose supporting, front
11	70035221	1	CAPSCREW, 1/2"NC x 1"
	70904208	1	LOCKWASHER, 1/2"
12	-----	-	BRACKET, filter mounting (See HEAVY-DUTY FUEL FILTER)

NOTE: See PAINTING AND MARKING for transfers applied to filter



T-75413

USAGE: Special equipment. Applicable to tractors serial No. 8775 and up.  
Supplements standard oil filter.

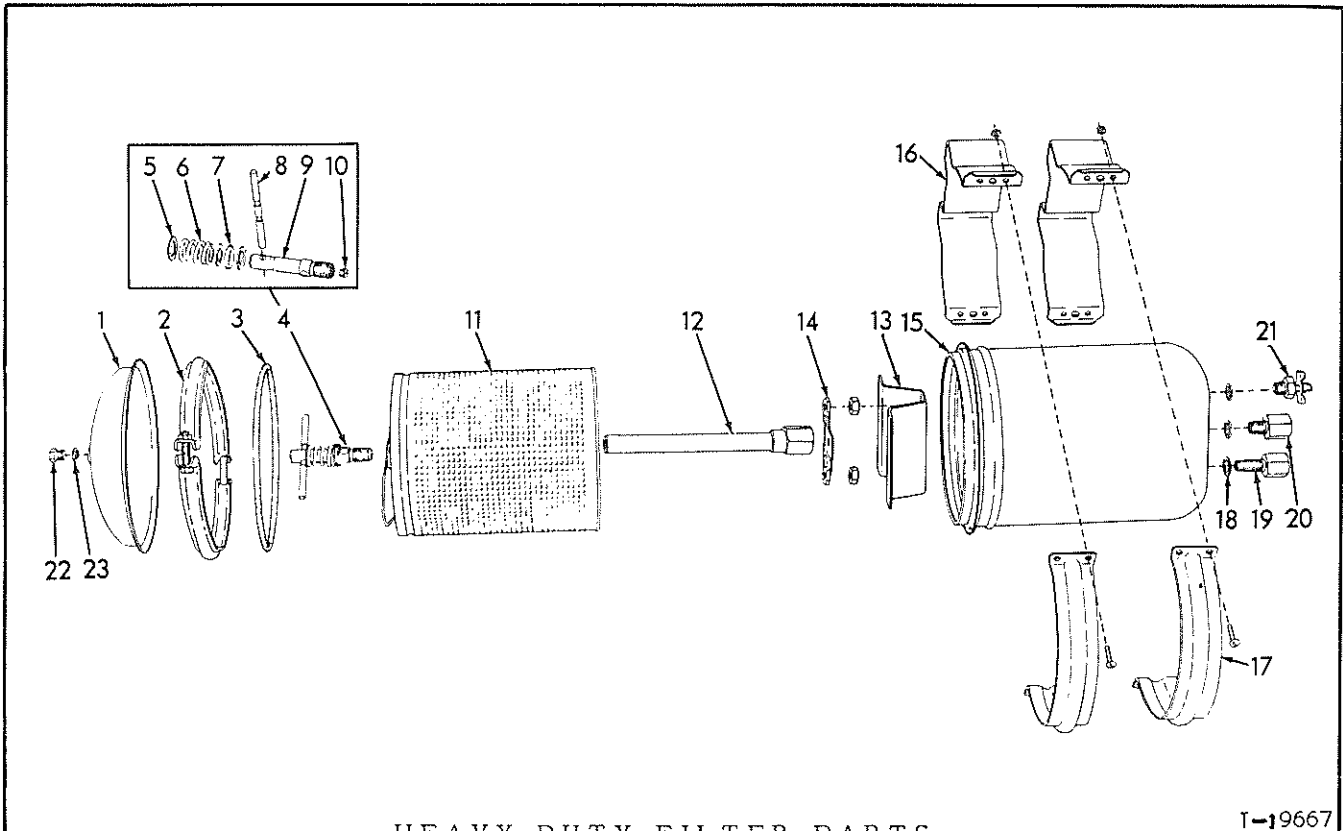
ITEM	PART NO.	QTY.	DESCRIPTION
1	70082442	1	FILTER ASSY., lubricating oil (See page 50 for parts)
	70034964	8	CAPSCREW, 1/4"NC x 3/4"
	70904204	8	LOCKWASHER, 1/4"
	70092635	8	WASHER, plain
2	70653909	1	HOSE, filter supply (See HOSE PARTS)
	70919062	1	CONNECTOR, flare type, 3/8" tube, 1/4"NPT male
	70919127	1	CONNECTOR, flare type, 3/8" tube, 1/2"NPT male
3	70653911	1	HOSE, filter return (See HOSE PARTS)
	70919062	1	CONNECTOR, flare type, 3/8" tube, 1/4"NPT male
	70919127	1	CONNECTOR, flare type, 3/8" tube, 1/2"NPT male
4	70621304	16	CLIP, hose supporting (3/4" diam., 17/32" bolt-hole)
5	70668968	1	ANGLE, hose supporting
6	70635718	1	CAPSCREW, 1/2"NC x 3/4"
	70904208	1	LOCKWASHER, 1/2"
7	70633010	1	ANGLE, hose supporting

(Continued)

HEAVY-DUTY OIL FILTER (Continued)

ITEM	PART NO.	QTY.	DESCRIPTION
8	70633453	1	ANGLE, hose supporting
9	70035892	1	CAPSCREW, 1/2"NF x 2-1/2" (Also attaches brake lever bracket)
10	70096935	1	ANGLE, hose supporting
11	70035221	1	CAPSCREW, 1/2"NC x 1"
	70904208	1	LOCKWASHER, 1/2"
12	-----	-	BRACKET, filter mounting (See HEAVY-DUTY FUEL FILTER)

NOTE: See PAINTING AND MARKING for transfers applied to filter.



HEAVY-DUTY FILTER PARTS

I-19667

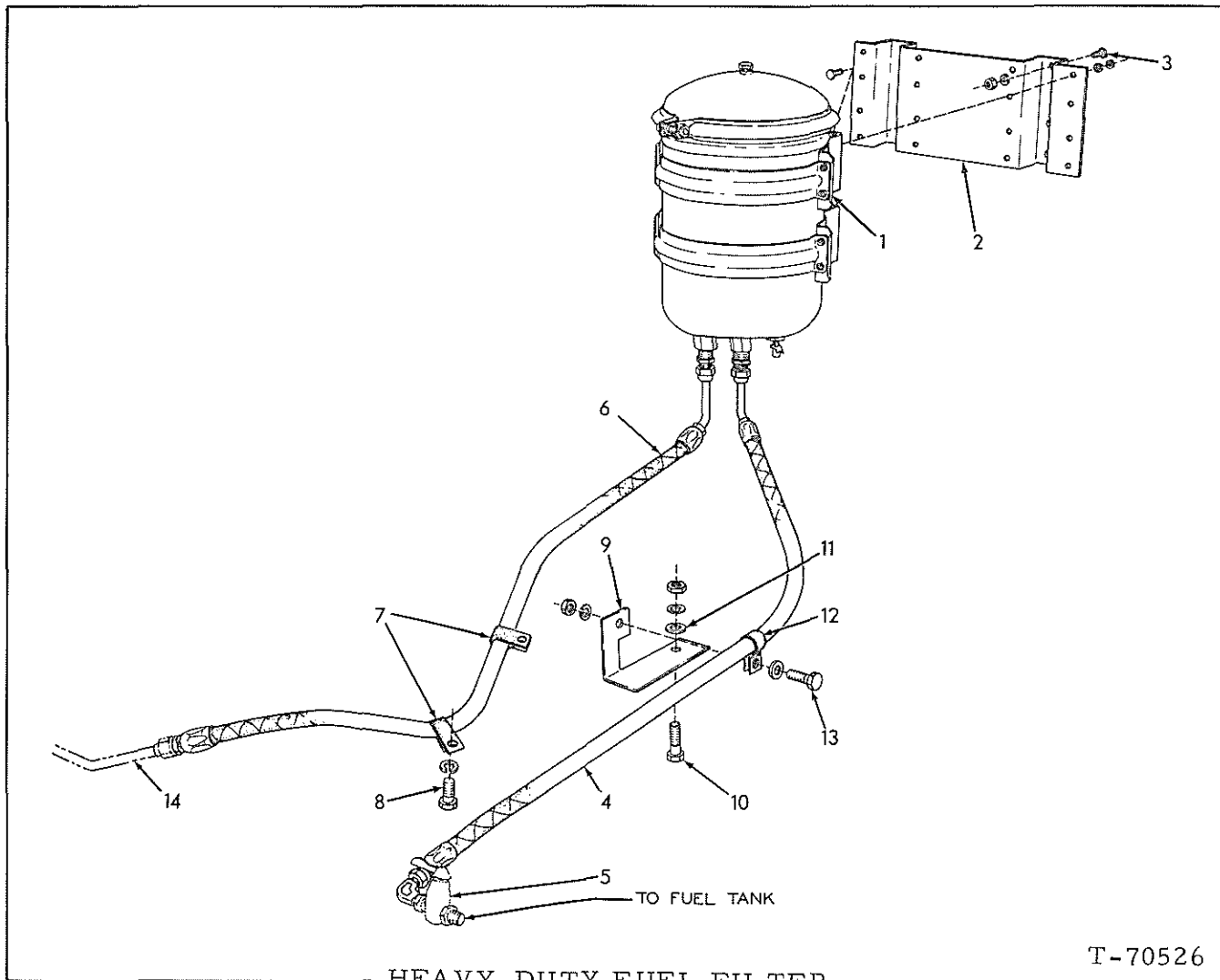
\*70082441 FILTER ASSEMBLY, fuel (See pages 52 and 53A)  
 \*\*70082442 FILTER ASSEMBLY, oil (See pages 49 and 49B)

ITEM	PART NO.	QTY.		DESCRIPTION
		*	**	
1	70082505	1	1	COVER
2	70630540	1	1	RING ASSEMBLY, cover retaining (Includes nut and bolt)
3	70082449	1	1	GASKET, cover
4	70082492	1	-	HOLD-DOWN ASSEMBLY, filter element (Includes items 5 thru 9)
	70082493	-	1	HOLD-DOWN ASSEMBLY, filter element (Includes items 5 thru 10)
5	70082489	3	3	WASHER, element hold-down
6	70082490	1	1	SPRING, element hold-down
7	70082487	1	1	SEAL, element hold-down
8	70082488	1	1	HANDLE, element hold-down
9	-----	1	1	STUD, element hold-down (Not serviced separately)
10	70082491	-	1	PLUG, orifice, element hold-down
11	70091540	1	1	ELEMENT, filtering (Original equipment)
	74059373	1	1	ELEMENT, filtering (Optional)

(Continued)

HEAVY -DUTY FILTER PARTS (Continued)

ITEM	PART NO.	QTY.		DESCRIPTION
		*	**	
12	70076668	1	1	TUBE ASSEMBLY, outlet (Includes nut)
13	70096816	1	1	SUPPORT, filter element
	70911049	2	2	NUT, jam, 5/8"NF
14	70096815	1	1	RETAINER, element support nut
15	-----	1	1	HOUSING (Not serviced separately)
16	70082444	2	2	BRACKET, mounting
17	70082443	2	2	BAND, mounting bracket
	70900576	8	8	SCREW, machine, 1/4"NC x 3/4"
	70911024	8	8	NUT, 1/4"NC
18	70063891	3	3	GASKET
19	70063890	-	1	VALVE ASSEMBLY, inlet check (Includes 1 spring, 1 ring, 1 cup. Serviced only as a unit)
	70063889	1	-	BOLT, hollow
20	70080758	-	1	VALVE ASSEMBLY, outlet check (Includes 1 spring, 1 ring, 1 cup. Serviced only as a unit)
	70063889	1	-	BOLT, hollow
21	70094167	1	1	COCK, drain
22	70084897	1	1	PLUG, venting
23	70084899	1	1	WASHER, venting plug



USAGE: Special equipment, applicable to tractors prior to serial no. 8775.  
Requires removal of standard first stage fuel filter element.

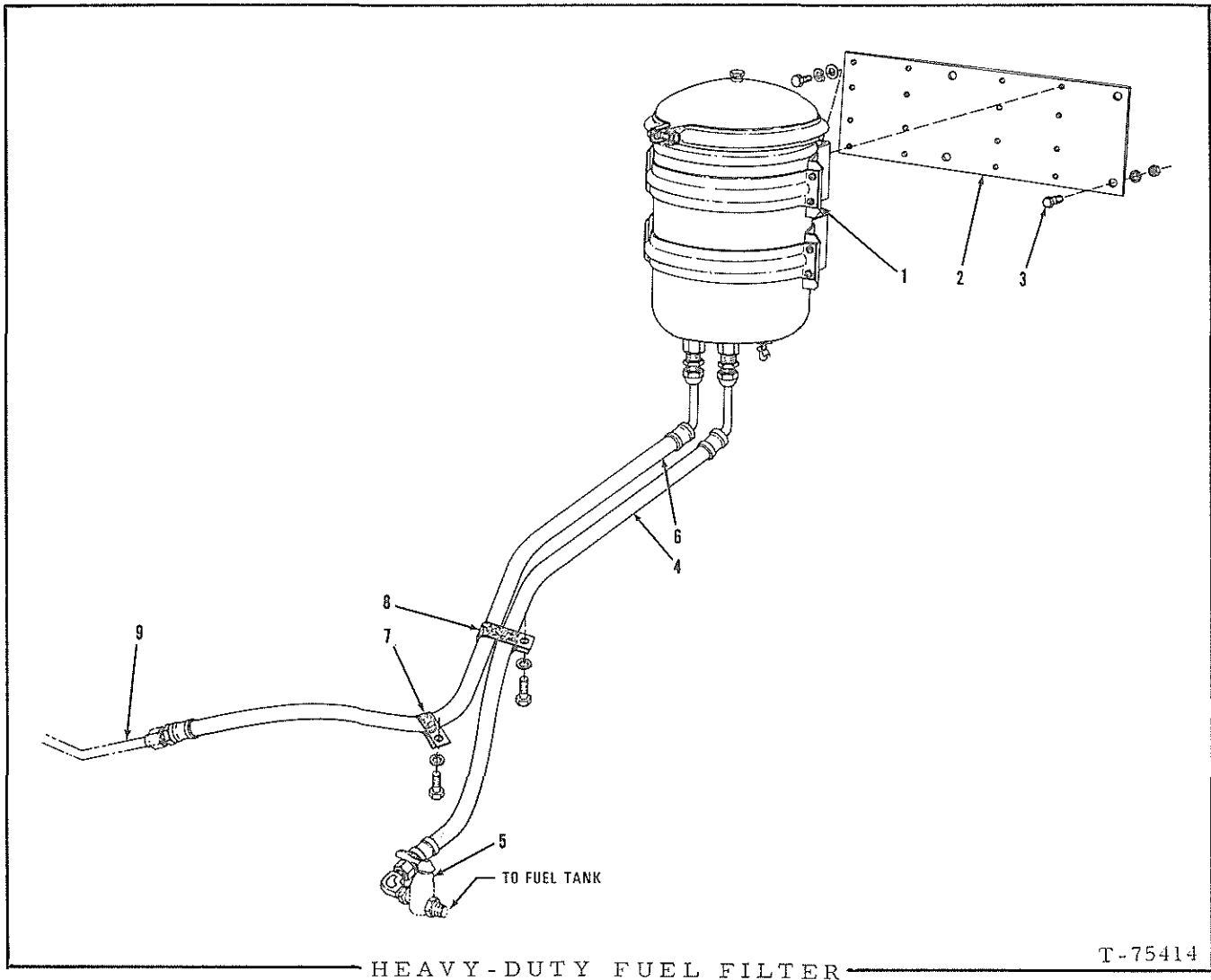
ITEM	PART NO.	QTY.	DESCRIPTION
1	70082441	1	FILTER ASSEMBLY, fuel (See page 50 for parts)
	70911168	8	CAPSCREW, 5/16"NF x 7/8"
	70904205	8	LOCKWASHER, 5/16"
	70913636	8	NUT, 5/16"NF
2	70080459	1	BRACKET, mounting (Also mounts Heavy-duty Oil Filter)
3	70070469	4	CAPSCREW, 1/2"NF x 1-1/4"
	70904208	4	LOCKWASHER, 1/2"
	70911043	4	NUT, 1/2"NF
4	70646838	1	HOSE, filter inlet (See HOSE PARTS)
	70919206	1	ELBOW, flare type, 1/2" tube, 3/8"NPT
	70919128	1	CONNECTOR, flare type, 1/2" tube, 1/2"NPT
5	-----	-	COCK (See FUEL SUPPLY LINES)
6	70646839	1	HOSE, filter outlet (See HOSE PARTS)
	70919128	1	CONNECTOR, flare type, 1/2" tube, 1/2"NPT male

(Continued)



HEAVY-DUTY FUEL FILTER (Continued)

ITEM	PART NO.	QTY.	DESCRIPTION
7	70621304	2	CLIP, outlet hose
8	70070467	1	CAPSCREW, 1/2"NF x 1"
	70904208	1	LOCKWASHER, 1/2"
9	70632122	1	BRACKET, hose supporting
10	70035248	1	CAPSCREW, 5/8"NF x 2-1/4"
	70904209	1	LOCKWASHER, 5/8"
	70911044	1	NUT, 5/8"
11	70064810	1	WASHER, plain
12	70094467	1	CLIP, inlet hose (3/4" diam.)(Used prior to tractor #6965)
	70644713	1	CLIP, inlet hose (7/8" diam.)(Effective with tractor #6965)
13	70036034	1	CAPSCREW, 3/8"NF x 1"
	70911115	1	WASHER, plain, SAE std., 3/8"
	70904206	1	LOCKWASHER, 3/8"
	70911041	1	NUT, 3/8"NF
14	-----	1	TUBE ASSEMBLY (See FUEL SUPPLY LINE)



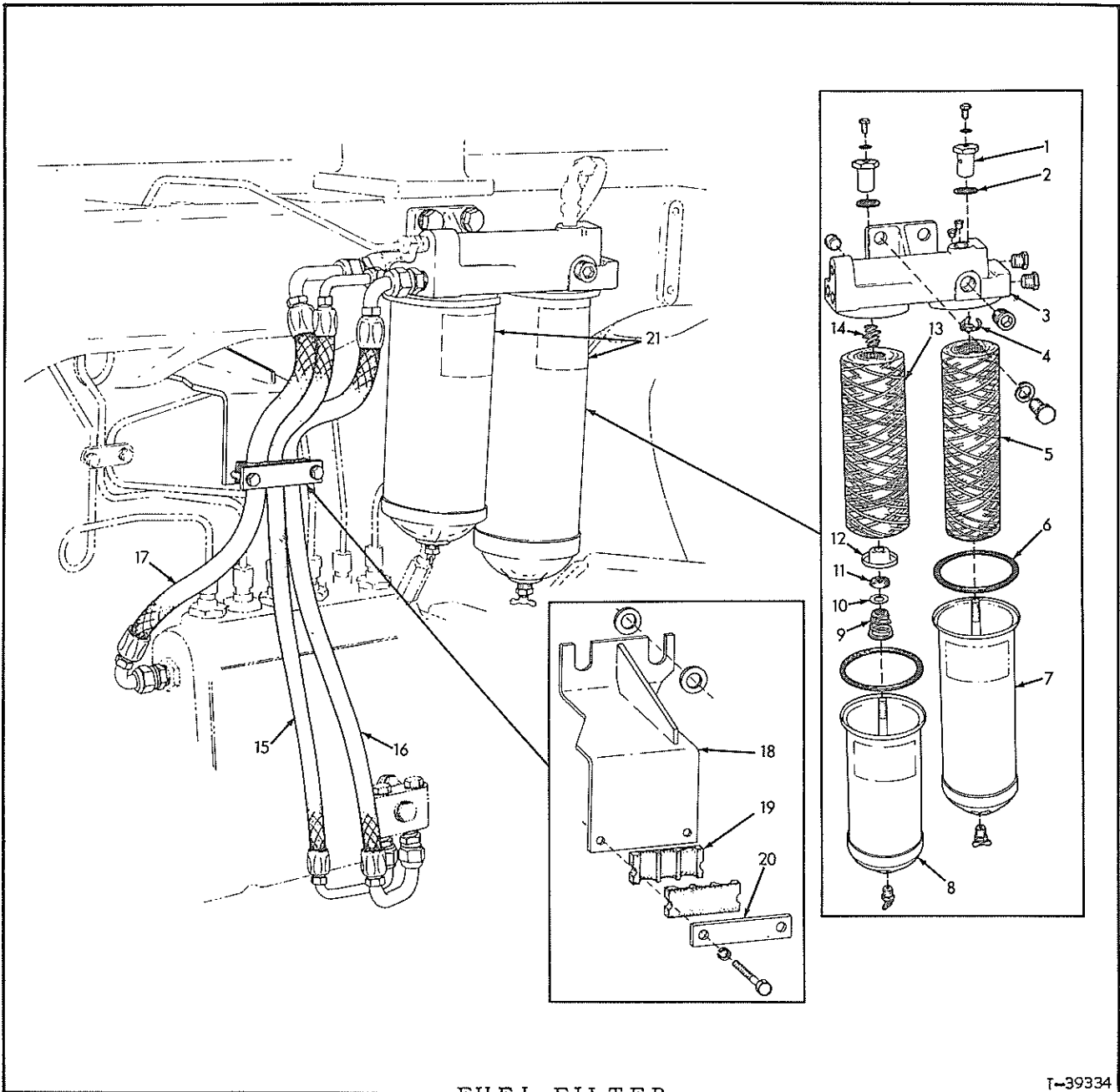
USAGE: Special equipment for tractors serial No. 8775 and up. Requires removal of standard first stage fuel filter element.

ITEM	PART NO.	QTY.	DESCRIPTION
1	70082441	1	FILTER ASSY., fuel (See page 50 for parts)
	70034964	8	CAPSCREW, 1/4"NC x 3/4"
	70904204	8	LOCKWASHER, 1/4"
2	70653781	1	BRACKET, mounting (Also mounts Heavy-duty Oil Filter)
3	70614478	4	CAPSCREW, 1/2"NF x 1-3/8"
	70904208	4	LOCKWASHER, 1/2"
	70911043	4	NUT, 1/2"NF
4	70646838	1	HOSE, filter inlet (See HOSE PARTS)
	70919206	1	ELBOW, flare type, 1/2" tube, 3/8"NPT
	70919128	1	CONNECTOR, flare type, 1/2" tube, 1/2"NPT male
5	-----	-	COCK (See FUEL SUPPLY LINES)
6	70646839	1	HOSE, filter outlet (See HOSE PARTS)
	70919128	1	CONNECTOR, flare type, 1/2" tube, 1/2"NPT male

(Continued)

## HEAVY - DUTY FUEL FILTER (Continued)

ITEM	PART NO.	QTY.	DESCRIPTION
7	70644713	1	CLIP, hose supporting (7/8" diam., 17/32" bolt-hole)
	70070467	1	CAPSCREW, 1/2"NF x 1"
	70904208	1	LOCKWASHER, 1/2"
8	70644708	1	CLIP, hose supporting (For two 7/8" diam. hoses, 17/32" bolt-hole)
	70070467	1	CAPSCREW, 1/2"NF x 1"
	70904208	1	LOCKWASHER, 1/2"
9	-----	1	TUBE ASSY., fuel supply (See FUEL LINES)



FUEL FILTER

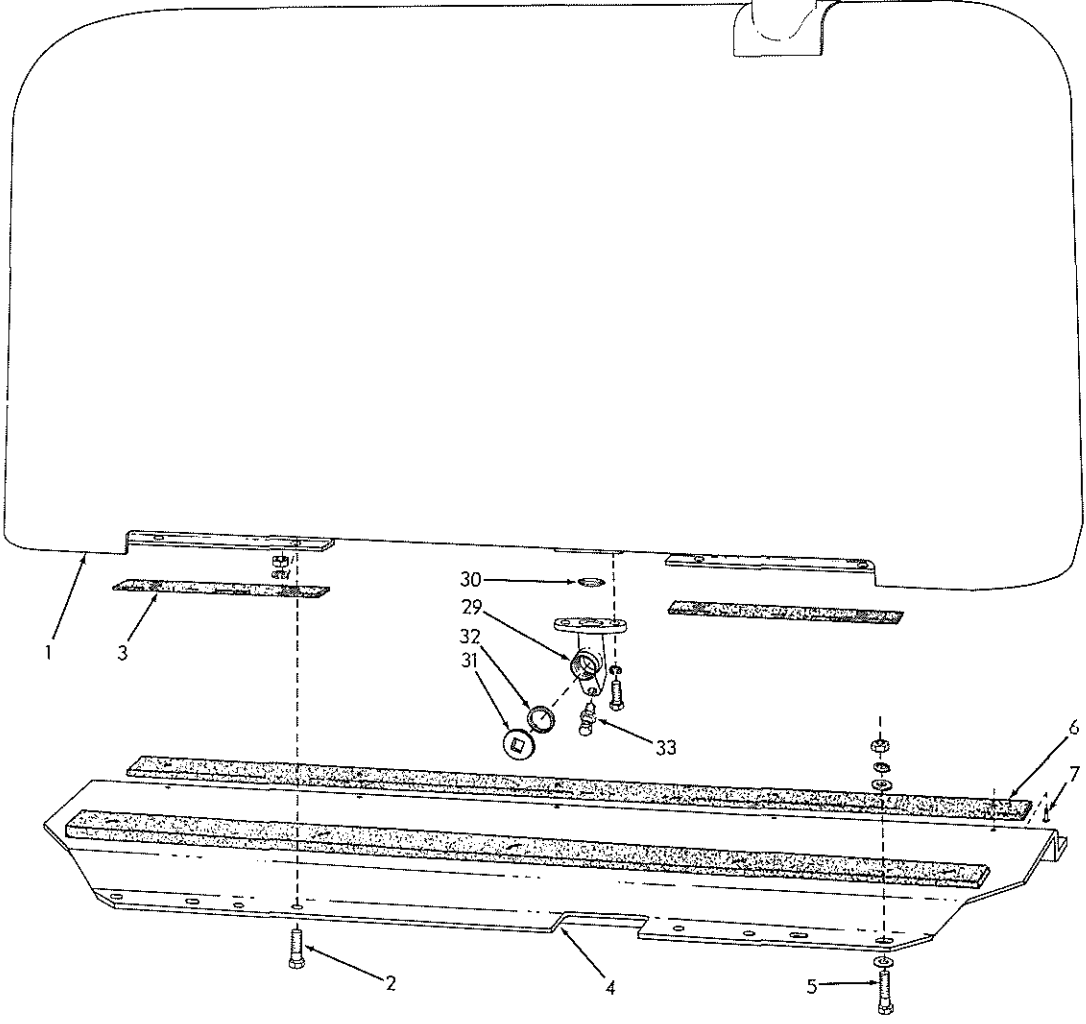
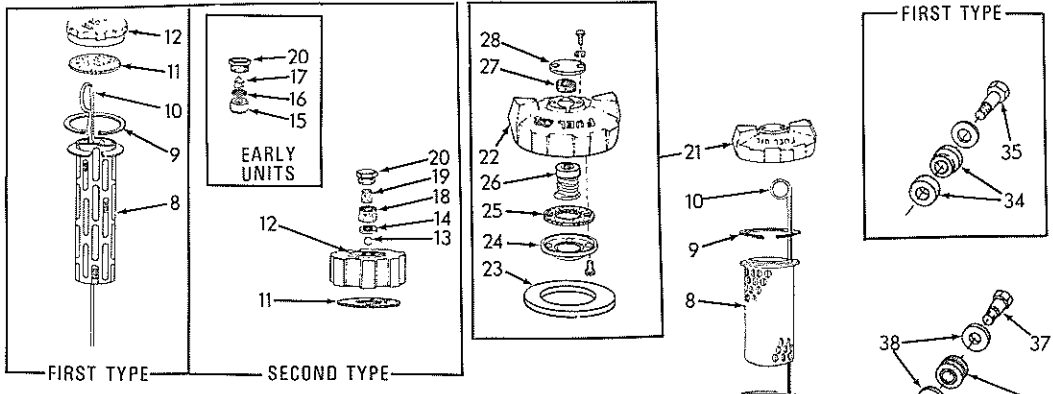
T-39334

ITEM	PART NO.	QTY.	DESCRIPTION
1	74051483	2	NUT, shell retaining (1-3/16" long) (Used prior to approx. engine #16-06228)
	74389113	2	NUT, shell retaining (1-9/16" long) (Effective with approx. engine #16-06228)
	70919288	2	CAPSCREW, 1/4"NC x 3/8" } Air bleed
	70914686	2	
2	74051484	2	GASKET, shell retaining nut

(Continued)

FUEL FILTER (Continued)

ITEM	PART NO.	QTY.	DESCRIPTION
3	74389051	1	HEAD ASSEMBLY (Includes PLUGS indented below)(If for engines prior to approx. #16-06228 also order 2 NUT 74389113 and 1 BUSHING 70901826)
	70919840	1	PLUG, pipe, hex-hd., 1/4"NPT (Used prior to approx. engine #16-06228)
	70919134	2	PLUG, pipe, hex-hd., 1/8"NPT
	70920333	2	PLUG, pipe, hex-hd., 3/8"NPT (1 less used prior to approx. engine #16-06228)
	70918887	2	PLUG, pipe, hex-socket, 3/8"NPT
	70916311	2	CAPSCREW, 1/2"NC x 1-1/4"
	70904208	2	LOCKWASHER, 1/2"
4	74051485	1	GUIDE, centering, first stage filter element
5	74055565	1	ELEMENT KIT, first stage filter (Includes item 6)(Not used when Heavy-Duty Filter is installed)
6	74040013	2	GASKET, filter shell
7	74389172	1	SHELL ASSEMBLY, first stage filter (Includes items 1,2,4,5,6 and COCK 70912415)
	70912415	1	COCK, drain, 1/4"NPT
8	74388109	1	SHELL ASSEMBLY, second stage filter (Includes items 1,2,6,9 thru 14 and COCK 70912415)
	70912415	1	COCK, drain, 1/4"NPT
9	74052174	1	SPRING, second stage filter
10	-----	1	WASHER, element plate gasket (Not serviced separately)
11	-----	1	GASKET, element plate (Not serviced separately)
12	74052173	1	PLATE, element seating, second stage filter
13	74056632	1	ELEMENT KIT, second stage filter (Includes items 6,10 and 11)
14	74055913	1	GUIDE, element centering, second stage filter
15	74386771	1	HOSE ASSEMBLY, transfer pump to second stage filter (See HOSE PARTS)
	70919062	1	CONNECTOR, flare type, 3/8" tube, 1/4"NPT male (1 additional used on filter end on engines prior to approx. #16-06228)
	70919172	1	CONNECTOR, flare type, 3/8" tube, 3/8"NPT male (At filter end. Effective with approx. engine #16-06228)
16	74386772	1	HOSE ASSEMBLY, first stage filter to transfer pump (See HOSE PARTS)
	70919205	1	CONNECTOR, flare type, 1/2" tube, 1/4"NPT male
	70919063	1	CONNECTOR, flare type, 1/2" tube, 3/8"NPT male
17	74386774	1	HOSE ASSEMBLY, second stage filter to injection pump (See HOSE PARTS)
	70919063	2	CONNECTOR, flare type, 1/2" tube, 3/8"NPT male
18	74387129	1	BRACKET, hose supporting
	70910244	4	WASHER, plain, SAE std., 1/2"
19	74377253	2	INSERT, hose clamping (rubber)
20	74387196	1	CLAMP, hose supporting
	70916286	2	CAPSCREW, 1/4"NC x 1-1/2"
	70904204	2	LOCKWASHER, 1/4"
21	-----	-	TRANSFER (See PAINTING AND MARKING)



FUEL TANK

T-70536

(Revised November 1969)

FUEL TANK

\*Tractors prior to serial No. 8528  
 \*\*Tractors serial No. 8528 thru 8935  
 Δ Tractors serial No. 8936 and up

ITEM	PART NO.	QTY.		Δ	DESCRIPTION
		*	**		
1	-----	1	-	-	TANK, fuel (Used prior to tractor #7381. Order TANK 70650228, STRAINER 70642749 and RING 70621775)
	70650228	1	-	-	TANK, fuel (Tractor #7381 thru 8527)
	70657753	-	1	1	TANK, fuel
2	70035014	8	7	7	CAPSCREW, 5/8"NF x 1-1/2"
	70023465	-	1	1	CAPSCREW, 5/8"NF x 1-3/4"
	70904209	8	8	8	LOCKWASHER, 5/8"
	70911044	8	8	8	NUT, 5/8"NF
3	70083917	4	4	4	PAD, tank mounting
4	70632099	1	1	1	CHANNEL ASSY., tank supporting (includes items 6 and 7)
	70035248	10	-	-	CAPSCREW, 5/8"NF x 2-1/4" (Early units)
	70023755	10	10	10	CAPSCREW, 5/8"NC x 2-1/4" (Late units)
	70064810	20	20	20	WASHER, plain (10 less used with heavy-duty fenders)
	70904209	10	10	10	LOCKWASHER, 5/8"
	70911044	10	-	-	NUT, 5/8"NF (Early units)
	70911029	10	10	10	NUT, 5/8"NC (Late units) } Not used with heavy-duty fenders
6	70632097	2	2	2	PAD, tank mounting
7	70083915	8	8	8	RIVET, split, 3/16" x 3/4" (Not original equipment)
8	70642749	1	-	-	STRAINER, fuel (Effective with tractor #7381)
	70650509	-	1	1	STRAINER, fuel
9	70621775	1	-	-	RING, snap, fuel strainer (Effective with tractor #7381)
	70654840	-	1	1	RING, snap, fuel strainer
10	70053100	1	1	1	GAUGE, fuel level
11	70065613	1	-	-	GASKET, fuel tank cap
	70655416	-	1	-	GASKET, fuel tank cap
12	70642744	1	-	-	CAP, fuel tank
	70652567	-	1	-	CAP ASSY., fuel tank (Includes items 12 thru 20)
13	70652586	-	1	-	BALL, check (aluminum)
14	70652587	-	1	-	WASHER, check ball
15	-----	-	1	-	SPACER, breather
16	-----	-	1	-	SCREEN, breather
17	-----	-	1	-	FILTER, breather
18	70664867	-	1	-	ELEMENT, breather (lower)
19	70664868	-	1	-	ELEMENT, breather (upper)

FIRST TYPE FILTER. Used prior to tractor #8598. Order items 18 and 19.

SECOND TYPE FILTER Effective with tractor #8578

(Continued)

FUEL TANK (Continued)

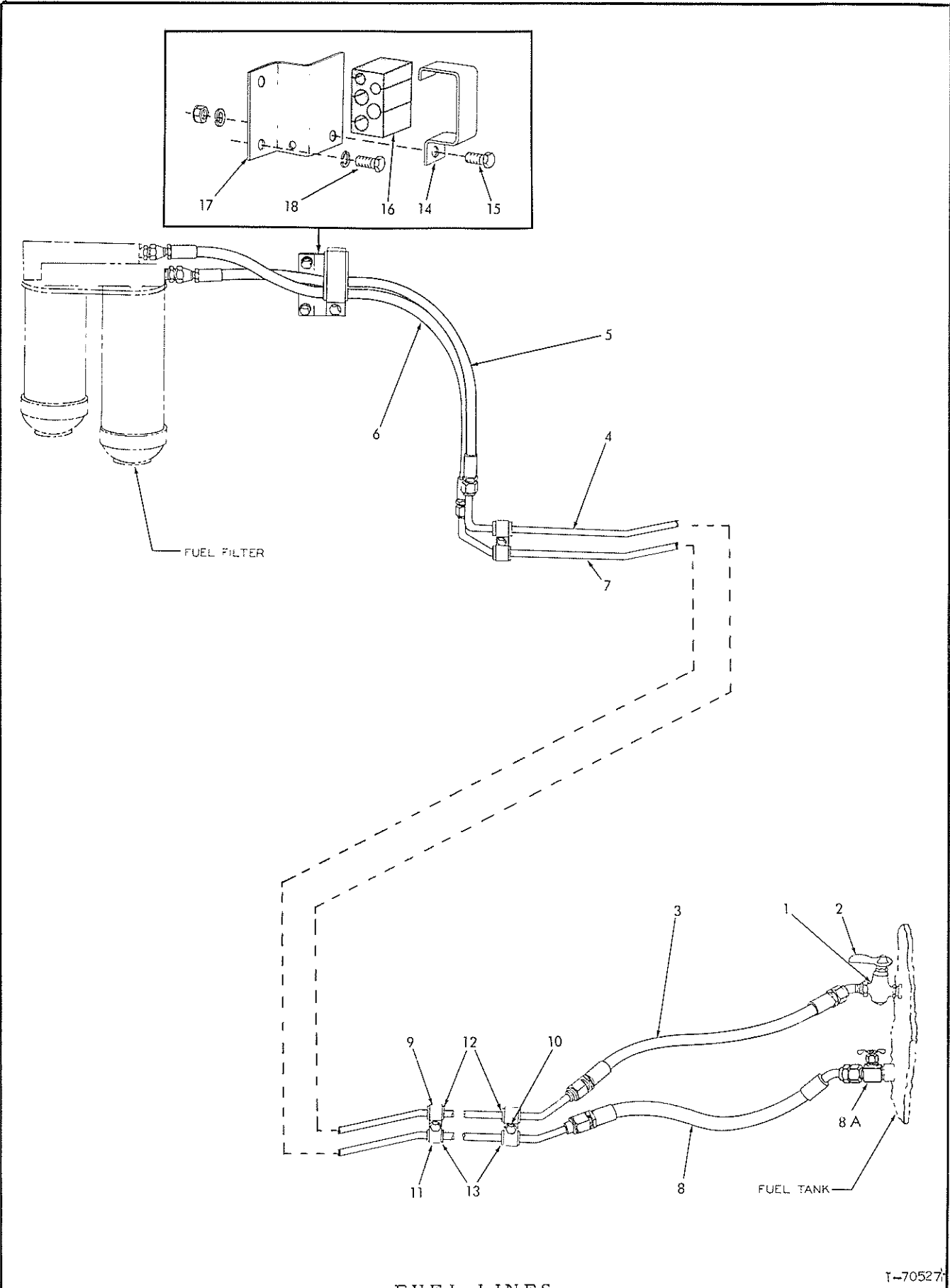
ITEM	PART NO.	QTY.		Δ	DESCRIPTION
		*	**		
20	70652590	-	1	-	BREATHER, fuel tank (Used prior to tractor #8598)
	70664866	-	1	-	BREATHER, fuel tank (Effective with tractor #8598)
21	70668252	-	-	1	CAP ASSY., fuel tank (Consists of items 22 thru 28)
22	-----	-	-	1	CAP, only (Not serviced separately)
23	70668263	-	-	1	GASKET, cap
24	70668806	-	-	1	SEAT, relief valve
	70926699	-	-	4	SCREW, fil-hd., brass, #10-24NC x 3/8"
25	70668804	-	-	1	GASKET, valve seat
26	70668805	-	-	1	VALVE ASSY., relief (Serviced only as a unit)
27	70664867	-	-	1	ELEMENT, air filter
28	70668262	-	-	1	COVER, tank cap
	70921181	-	-	2	SCREW ASSY., #10-24NC x 1/2" (Includes lockwashers)
29	70083955	1	1	1	ELBOW, fuel tank drain
	70070469	2	2	2	CAPSCREW, 1/2"NF x 1-1/4"
	70904208	2	2	2	LOCKWASHER, 1/2"
30	70923813	1	1	1	O-RING, fuel tank drain elbow
31	70050594	1	1	1	PLUG, drain elbow clean-out
32	70050595	1	1	1	GASKET, drain elbow clean-out plug
33	70633519	1	1	1	COCK, drain
34	-----	8	-	-	SNUBBER, vibration (Order items 26 thru 28)
35	70639699	4	-	-	CAPSCREW, vibration snubber
	70900819	4	-	-	WASHER, plain U.S. std. 5/8"
36	70642441	4	4	4	SNUBBER, vibration (Effective with tractor #6039, including #6033)
37	70035068	4	4	4	CAPSCREW, 1/2"NF x 2-1/4"
38	70092163	8	8	8	WASHER, plain

} Used prior to tractor #6039 excluding #6033

NOTE: See PAINTING AND MARKING for transfers applied to rear of tank



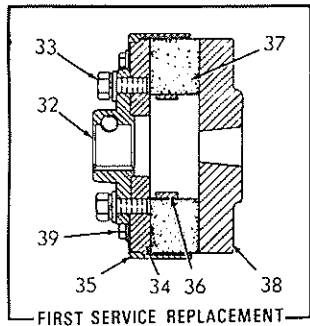




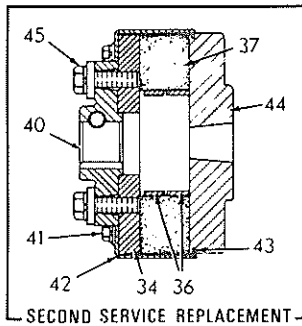
T-70527

FUEL LINES

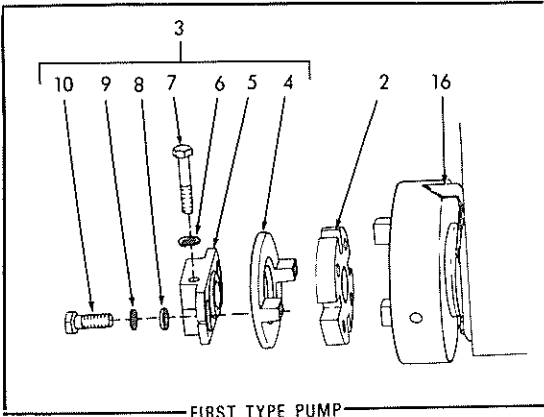
ITEM	PART NO.	QTY.	DESCRIPTION
1	70092727	1	COCK, fuel shut-off (Includes item 2)
2	70082189	1	HANDLE, fuel shut-off cock
3	70646353	1	HOSE, fuel supply, rear (See HOSE PARTS)(Not used with heavy-duty fuel filter)
	70920690	1	ELBOW, flare type, 45°, 1/2" tube, 3/8"NPT male
4	70643350	1	TUBE ASSEMBLY, fuel supply (Includes nuts)
5	70646299	1	HOSE, fuel supply, front (See HOSE PARTS)
	70919063	1	CONNECTOR, flare type, 1/2" tube, 3/8"NPT male
6	70646300	1	HOSE, fuel return, front (See HOSE PARTS)
	70919062	1	CONNECTOR, flare type, 3/8" tube, 1/4"NPT male
7	70632927	1	TUBE ASSEMBLY, fuel return (Includes nuts)(Used prior to tractor #6310)
	70643349	1	TUBE ASSEMBLY, fuel return (Includes nuts)(Effective with tractor #6310)
8	70646352	1	HOSE, fuel return, rear (See HOSE PARTS)(Used prior to tractor #7111)
	70648231	1	HOSE, fuel return, rear (See HOSE PARTS)(Effective with tractor #7111)
	70923178	1	CONNECTOR, flare type, 3/8" tube, 1/4"NPT female
8A	70914378	1	VALVE, shut-off, fuel return line (1/4"NPT ends)(Effective with tractor #7111)
9	70097534	3	CLIP, fuel supply tube
10	70035167	3	CAPSCREW, 3/8"NF x 7/8" (Early units)
	70903775	3	CAPSCREW, 3/8"NC x 7/8" (Late units)
	70904206	3	LOCKWASHER, 3/8"
	70911115	3	WASHER, plain, SAE std., 3/8"
11	70055234	3	CLIP, fuel return tube
12	70093752	3	BOOT, tube protecting (1/2" tube)
13	70093751	3	BOOT, tube protecting (3/8" tube)
14	70095980	1	CLAMP, hose attaching
15	70036034	1	CAPSCREW, 3/8"NF x 1"
	70904206	1	LOCKWASHER, 3/8"
	70911041	1	NUT, 3/8"NF
16	70096328	1	BLOCK, hose clamp (rubber)(Used prior to tractor #6965)
	70644530	1	BLOCK, hose clamp (rubber)(Effective with tractor #6965)
17	70096310	1	BRACKET, hose supporting
18	70035244	2	CAPSCREW, 3/8"NC x 3/4"
	70904206	2	LOCKWASHER, 3/8"



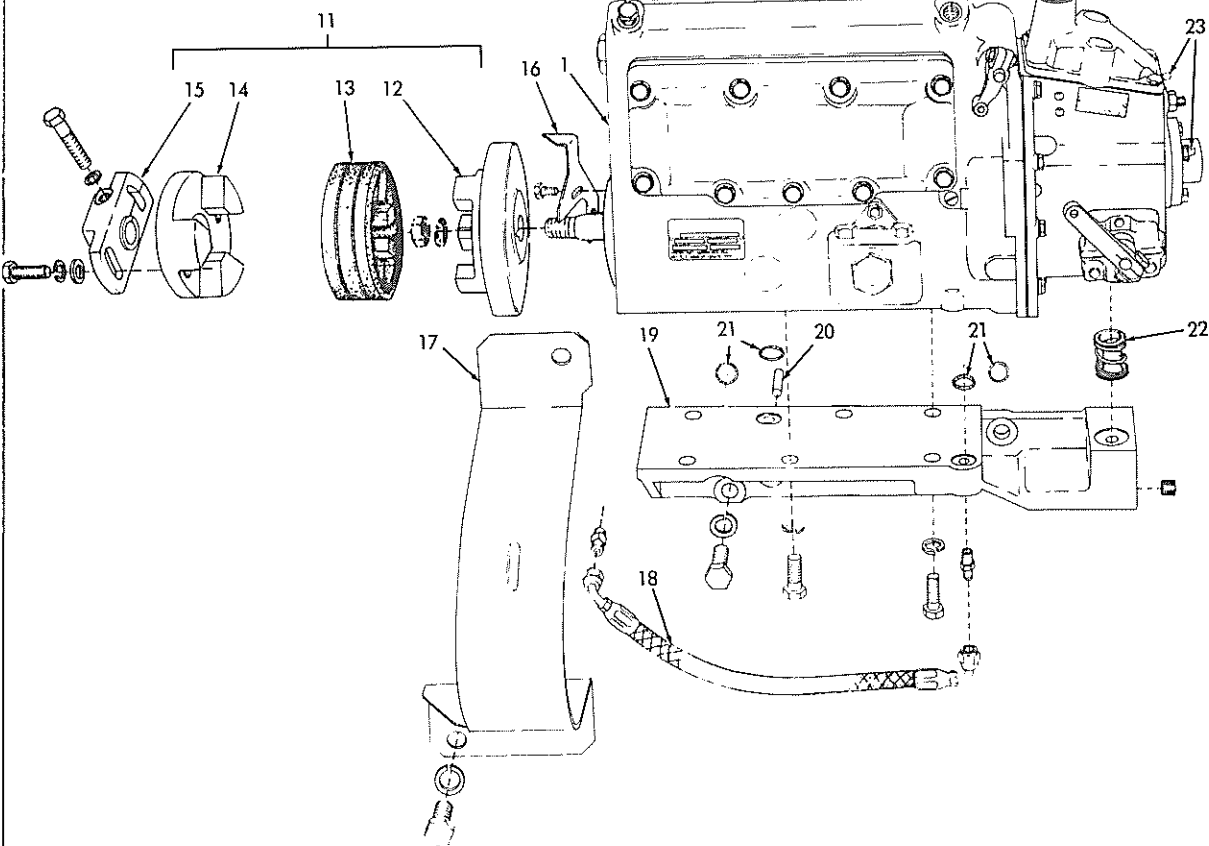
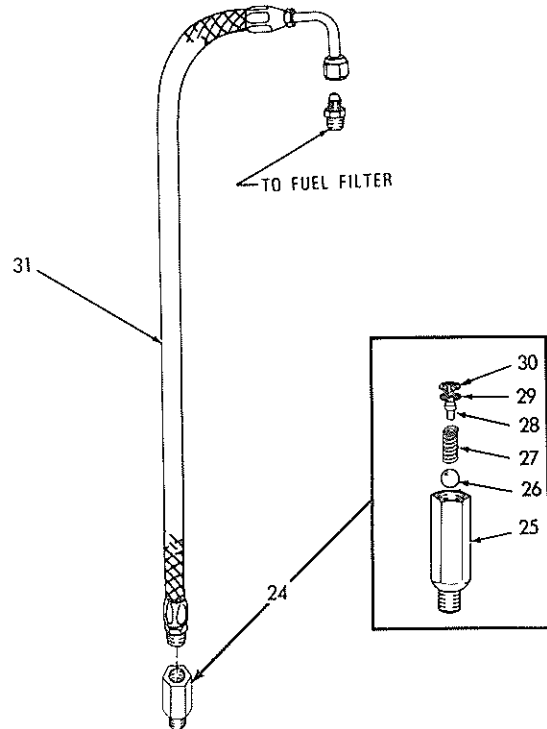
FIRST SERVICE REPLACEMENT



SECOND SERVICE REPLACEMENT



FIRST TYPE PUMP



FUEL INJECTION PUMP

T-37181

FUEL INJECTION PUMP

\* Engines prior to serial No. 16-09428  
 \*\* Engines serial No. 16-09428 and up

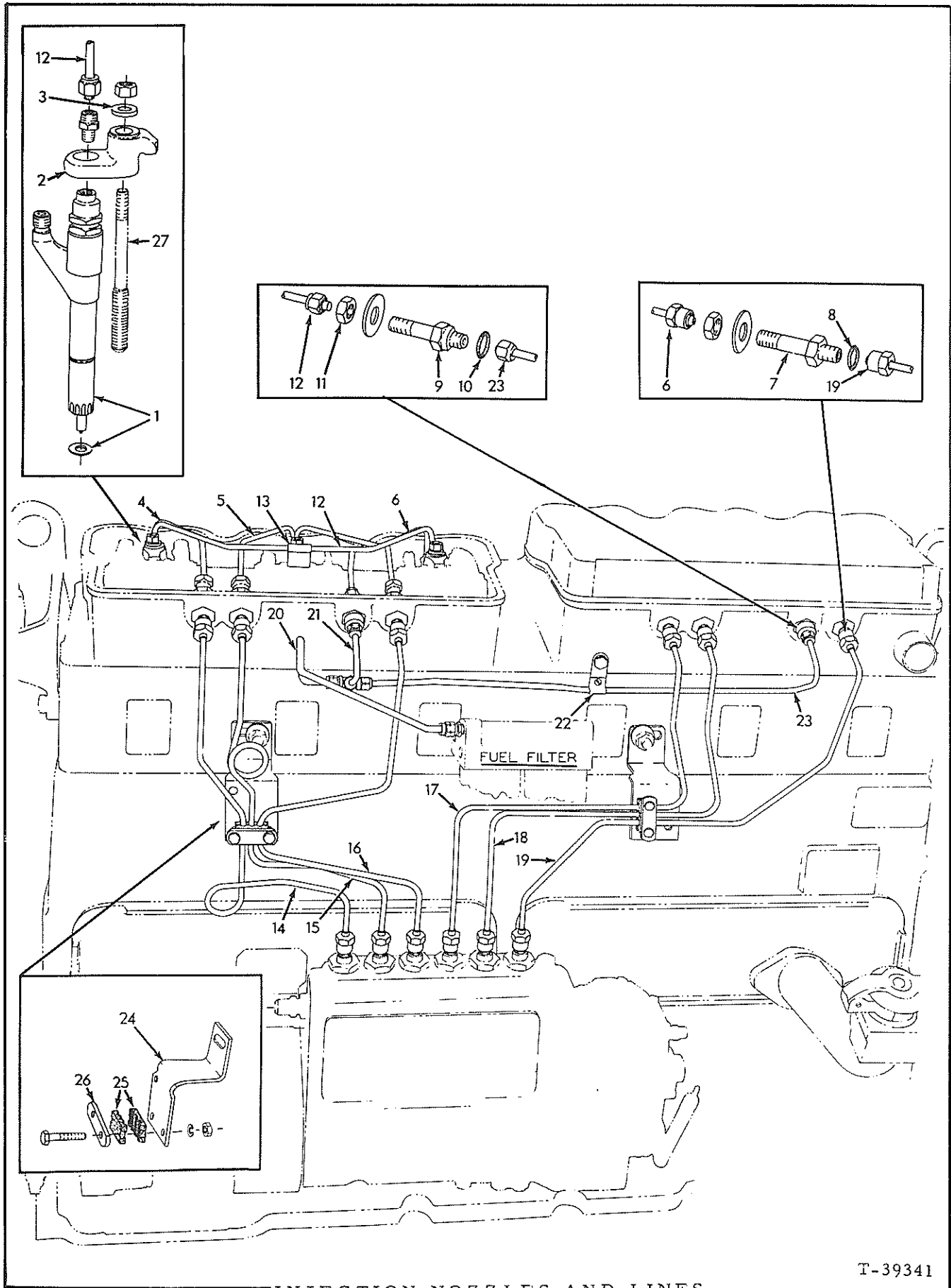
ITEM	PART NO.	QTY.	DESCRIPTION	
1	74389467	1	- PUMP ASSY., injection (Includes items 2, 3 and 16)	} Units without turbo-charger
	74391819	- 1	PUMP ASSY., injection (Includes items 11 and 16)	
	74392286	1	- PUMP ASSY., injection (Includes items 11 and 16) (Units with turbocharger)	
	70919228	4	4 CAPSCREW, 7/16"NC x 1-1/8"	
	70918801	2	2 CAPSCREW, 7/16"NC x 1-5/8"	
	70904207	6	6 LOCKWASHER, 7/16"	
2	74379813	1	- DISC, injection pump coupling	
3	74371714	1	- COUPLING ASSY., injection pump drive (Consists of items 4 thru 10)	
4	74371716	1	- FLANGE, injection pump drive coupling	
5	74371715	1	- HUB, injection pump drive coupling	
	70905845	1	- KEY, #A woodruff, 1/4" x 7/8"	
6	74371720	1	- LOCKWASHER, hub clamping screw	
7	74371719	1	- SCREW, clamping, coupling hub	
8	74371718	2	- WASHER, serrated, coupling capscrew	
9	74371721	2	- LOCKWASHER, hub clamping screw	
10	74371717	2	- CAPSCREW, injection pump drive coupling	
11	74390054	- 1	COUPLING ASSY., pump drive (Consists of items 12 thru 15)	
	74392350	- 1	COUPLING ASSY., pump drive (Service replacement) (First type)(Consists of items 32 thru 39)(Order 74394009)	
	74394009	- 1	COUPLING ASSY., pump drive (Service replacement) (Second type)(Consists of items 34, 36, 37 and 40 thru 45)	
12	74059012	- 1	HUB, coupling	
13	74059013	- 1	SPIDER, coupling (rubber)	
14	74059014	- 1	FLANGE, coupling	
15	74390055	- 1	CLAMP, coupling	
	70916385	- 1	CAPSCREW, 3/8"NF x 2" (clamping)	
	70916271	- 2	CAPSCREW, 3/8"NC x 1" (attaching)	
	70904206	- 3	LOCKWASHER, 3/8"	
	74059015	- 3	WASHER, plain	
16	74370977	1	1 POINTER, timing	
17	74370976	1	1 GUARD, pump flywheel	
	70916310	1	1 CAPSCREW, 1/2"NC x 1"	
	70904208	1	1 LOCKWASHER, 1/2"	
18	74386773	1	1 HOSE ASSY., oil supply (See HOSE PARTS)	
	70919778	1	1 CONNECTOR, flare type, 5/16" tube, 1/4"NPT male	
	70919766	1	1 CONNECTOR, flare type, 5/16" tube, 1/8"NPT male	

(Continued)

FUEL INJECTION PUMP (Continued)

ITEM	PART NO.	QTY.		DESCRIPTION	
		*	**		
19	74376529	1	1	BRACKET, pump mounting	
	70918850	1	1	PLUG, pipe, hex-socket, 1/4"NPT	
	70916311	4	4	CAPSCREW, 1/2"NC x 1-1/4"	
	70904208	4	4	LOCKWASHER, 1/2"	
20	74253286	2	2	PIN, dowel, mounting bracket	
21	74255665	4	4	O-RING, mounting bracket	
22	74379038	1	1	COUPLING, oil drain, pump to bracket	
23	74355843	3	3	SEAL, anti-tampering	
24	74337015	1	1	VALVE ASSEMBLY, pressure relief (Consists of items 25 thru 30)	
25	-----	1	1	BODY, relief valve (Not serviced separately)	
26	74337022	1	1	BALL, relief valve	
27	74337023	1	1	SPRING, relief valve	
28	74337019	1	1	STOP, relief valve	
29	74255017	1	1	E-RING, relief valve stop	
30	74255020	1	1	RING, snap, relief valve	
31	74386770	1	1	HOSE ASSEMBLY, fuel return (See HOSE PARTS)	
	70919062	1	1	CONNECTOR, flare type, 3/8" tube, 1/4"NPT male	
32	-----	-	1	CLAMP (Order items 40 and 41)	} Clamping
	70916385	-	1	CAPSCREW, 3/8"NF x 2"	
	74110730	-	1	LOCKWASHER, 3/8"	
33	70916271	-	2	CAPSCREW, 3/8"NC x 1"	
	74110730	-	2	LOCKWASHER, 3/8"	
	74059015	-	2	WASHER	
34	74060643	-	1	FLANGE	
35	-----	-	1	COVER (Order items 42, 43, and 44)	
36	74060645	-	1	INSERT	
37	74060646	-	6	INSERT (rubber)	
38	-----	-	1	HUB (Order items 42, 43, and 44)	
39	70916284	-	3	CAPSCREW, 1/4"NC x 1/2"	
	74060656	-	3	WASHER	
40	74394318		1	CLAMP	} Clamping
	70927322		1	CAPSCREW, 3/8"NF x 2"	
	70910287		1	LOCKWASHER, 3/8"	
41	70921076		2	CAPSCREW, 3/8"NC x 1-1/4"	
	70677006		2	WASHER, plain	
42	74061040		1	COVER	
43	74061042		1	SHIELD, dust	
44	74061041		1	HUB	
45	70915343		3	CAPSCREW, 1/4"NC x 5/8"	
	70904204		3	LOCKWASHER, 1/4"	
	70911114		3	WASHER, plain	

MEMO



INJECTION NOZZLES AND LINES

T-39341



INJECTION NOZZLES AND LINES

\* Engines prior to serial No. 16-08963

\*\* Engines serial No. 16-08963 and up

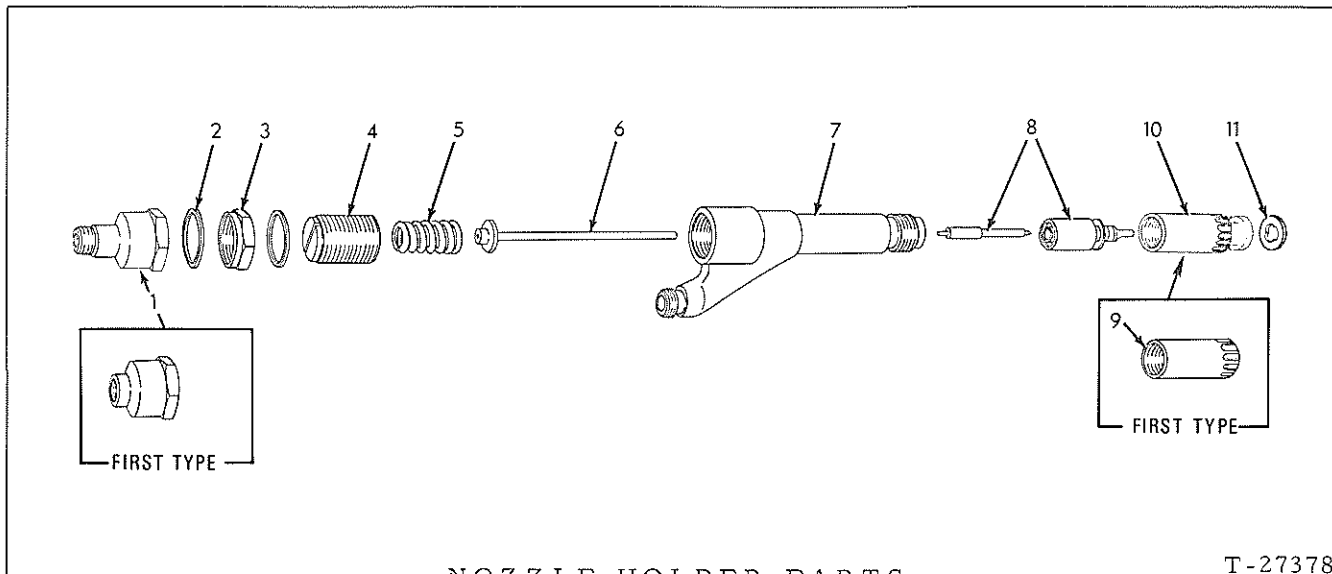
ITEM	PART NO.	QTY.		DESCRIPTION	
		*	**		
1	74378027	6	-	HOLDER ASSY., nozzle (Engines prior to #16-05069)	} See page 65 for parts
	74390625	6	-	HOLDER ASSY., nozzle (Engines #16-05069 and up)	
	74391957	-	6	HOLDER ASSY., nozzle (Engines prior to #16-09862)	
	74060861	-	6	HOLDER ASSY., nozzle (Engines #16-09862 and up)(Also order 1 NOZZLE 7439006)	
2	74387385	6	6	CLAMP, nozzle holder	
	74115287	6	6	NUT, 3/8"NF	
3	74020145	6	6	WASHER, nozzle holder clamp	
4	74386434	2	-	TUBE ASSY., fuel injection, internal	} #1 and #4 cylinders. Each includes nuts
	74390093	-	2	TUBE ASSY., fuel injection, internal	
5	74386435	2	-	TUBE ASSY., fuel injection, internal	} #2 and #5 cylinders. Each includes nuts.
	74390094	-	2	TUBE ASSY., fuel injection, internal	
6	74386436	2	-	TUBE ASSY., fuel injection, internal	} #3 and #6 cylinders. Each includes nuts.
	74390095	-	2	TUBE ASSY., fuel injection, internal	
7	74386601	6	6	CONNECTOR, injection line	
	70919303	6	6	NUT, jam, 9/16"NF	
	70914659	6	6	WASHER, plain, SAE std., 9/16"	
8	70923645	6	6	□O-RING, injection line connector	
9	74386602	2	2	CONNECTOR, fuel return line	
10	70923645	2	2	□O-RING, return line connector	
11	74377267	2	2	NUT, return line connector (1/2" - 24)	
	70914659	2	2	WASHER, plain, SAE std., 9/16"	
12	74386433	2	2	MANIFOLD ASSY., fuel return (Includes NUTS and SLEEVES indented below)	
	70917809	8	8	NUT, Imperial, 1/4" tube	
	74255956	8	8	SLEEVE, Imperial, 1/4" tube (rubber)	
	70919800	6	-	CONNECTOR, Imperial, 1/4" tube, 1/8"NPT male (Used prior to engine #16-07854)	
13	74255179	2	2	CLIP, manifold supporting	

(Continued)

INJECTION NOZZLES AND LINES (Continued)

ITEM	PART NO.	QTY.		DESCRIPTION	
		*	**		
14	74386546	1	-	TUBE ASSY., fuel injection, external	} #1 cylinder
	74390085	-	1	TUBE ASSY., fuel injection, external	
15	74386547	1	-	TUBE ASSY., fuel injection, external	} #2 cylinder
	74390086	-	1	TUBE ASSY., fuel injection, external	
16	74387647	1	-	TUBE ASSY., fuel injection, external	} #3 cylinder
	74390087	-	1	TUBE ASSY., fuel injection, external	
17	74386549	1	-	TUBE ASSY., fuel injection, external	} #4 cylinder
	74390088	-	1	TUBE ASSY., fuel injection, external	
18	74386550	1	-	TUBE ASSY., fuel injection, external	} #5 cylinder
	74390089	-	1	TUBE ASSY., fuel injection, external	
19	74386551	1	-	TUBE ASSY., fuel injection, external	} #6 cylinder
	74390090	-	1	TUBE ASSY., fuel injection, external	
20	74387301	1	1	TUBE ASSY., fuel return (Includes NUTS and SLEEVES indented below)	
	70917809	2	2	NUT, Imperial, 1/4" tube	
	70917806	2	2	SLEEVE, Imperial, 1/4" tube (rubber	
	70919797	1	1	TEE, Imperial, 1/4" tube	
	70920242	1	1	CONNECTOR, Imperial, 1/4" tube, 1/4"NPT male	
21	74376718	1	1	TUBE, fuel return, front	
	70917809	2	2	NUT, Imperial, 1/4" tube	
	70917806	2	2	SLEEVE, Imperial, 1/4" tube (rubber)	
22	74386617	1	1	CLIP, fuel return tube	
	70901171	1	1	SCREW, machine, #10-24NC x 3/8"	
	70904203	1	1	LOCKWASHER, #10	
	70901310	1	1	NUT, #10-24NC	
	70915408	1	1	CAPSCREW, 3/8"NC x 3/4"	
	70904206	1	1	LOCKWASHER, 3/8"	
	70911115	1	1	WASHER, plain, SAE std., 3/8"	
23	74379738	1	1	TUBE, fuel return, rear	
	70917809	2	2	NUT, Imperial, 1/4" tube	
	70917806	2	2	SLEEVE, Imperial, 1/4" tube (rubber)	
24	74388148	1	1	BRACKET, supporting, injection lines	
25	74507359	4	4	SPACER, injection lines (rubber	
26	74507415	2	2	PLATE, clamping, injection lines	
	70918794	4	4	CAPSCREW, 1/4"NC x 1-3/8"	
	70904204	4	4	LOCKWASHER, 1/4"	
	70910880	4	4	NUT, 1/4"NC	
27	-----	6	6	STUD, nozzle holder clamp (See VALVE OPERATING MECHANISM)	

(Revised December 1970)



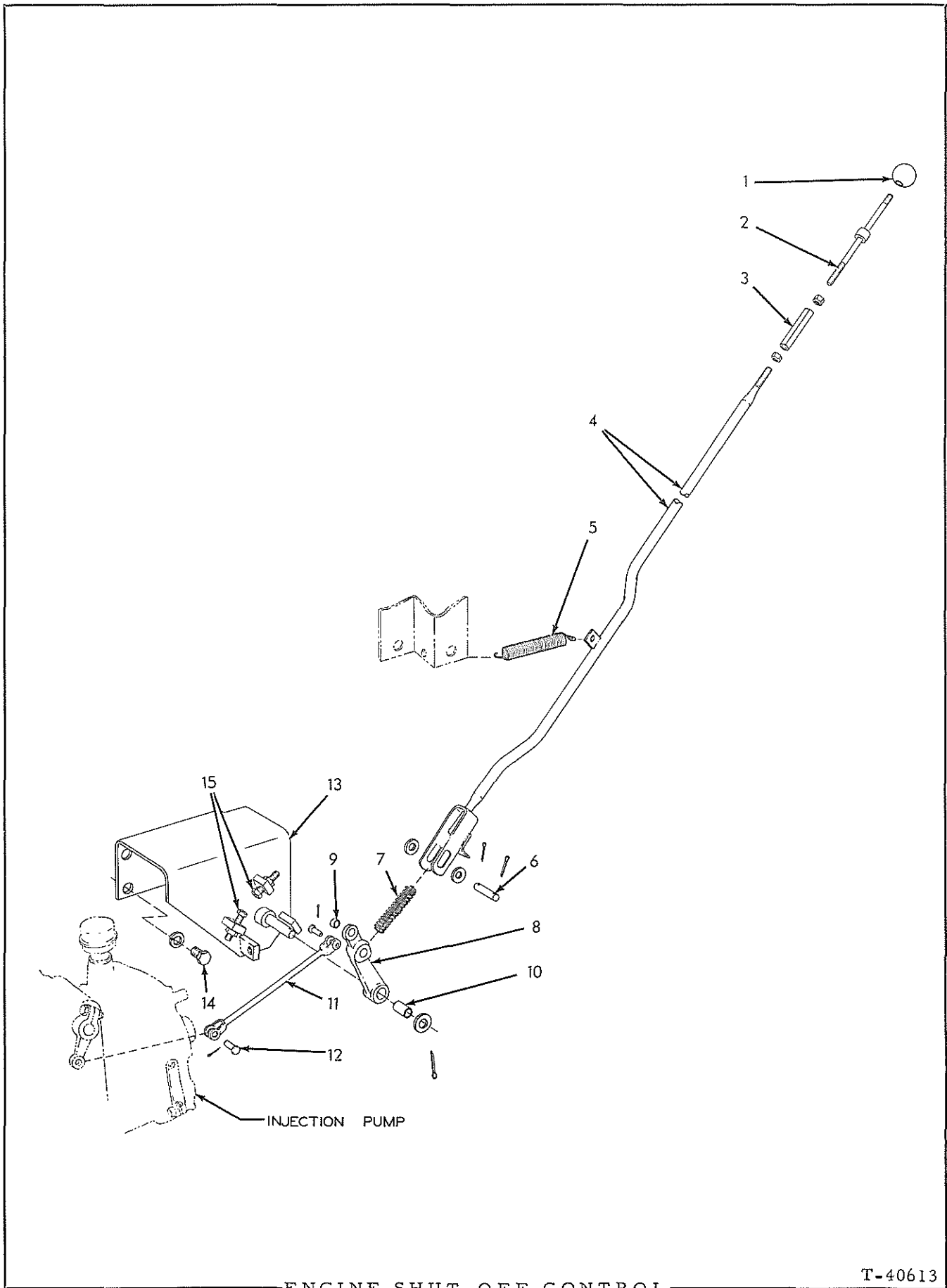
- \*74378027 HOLDER ASSEMBLY
- \*\*74390625 HOLDER ASSEMBLY
- Δ74391957 HOLDER ASSEMBLY
- ΔΔ74392121 HOLDER ASSEMBLY
- ΔΔΔ74392304 HOLDER ASSEMBLY

See page 63

ITEM	PART NO.	QUANTITY					DESCRIPTION
		*	**	Δ	ΔΔ	ΔΔΔ	
							<u>NOTE:</u> Quantities are for one (1) Holder Assembly only
1	74378032	-	1	1	-	-	CAP (Engines prior to #16-07854)
	74021227	1	-	1	1	1	CAP (Engines #16-07854 and up)
2	74511243	2	2	2	2	2	GASKET, cap nut
3	74511213	1	1	1	1	1	NUT, locking
4	74378033	1	1	1	1	1	SCREW, adjusting
5	74380652	1	1	1	1	1	SPRING
6	74391240	1	1	1	1	1	SPINDLE
7	-----	1	1	1	1	1	BODY (Not serviced separately)
8	74378020	-	1	-	-	-	NOZZLE ASSY.
	74386837	-	-	1	-	-	NOZZLE ASSY.
	74390006	-	-	-	1	1	NOZZLE ASSY. (.662" O. D.)
9	74390619	1	1	1	-	-	NUT, nozzle retaining
10	74392057	-	-	-	1	1	NUT, nozzle retaining
11	74378031	1	1	1	1	1	GASKET, nozzle

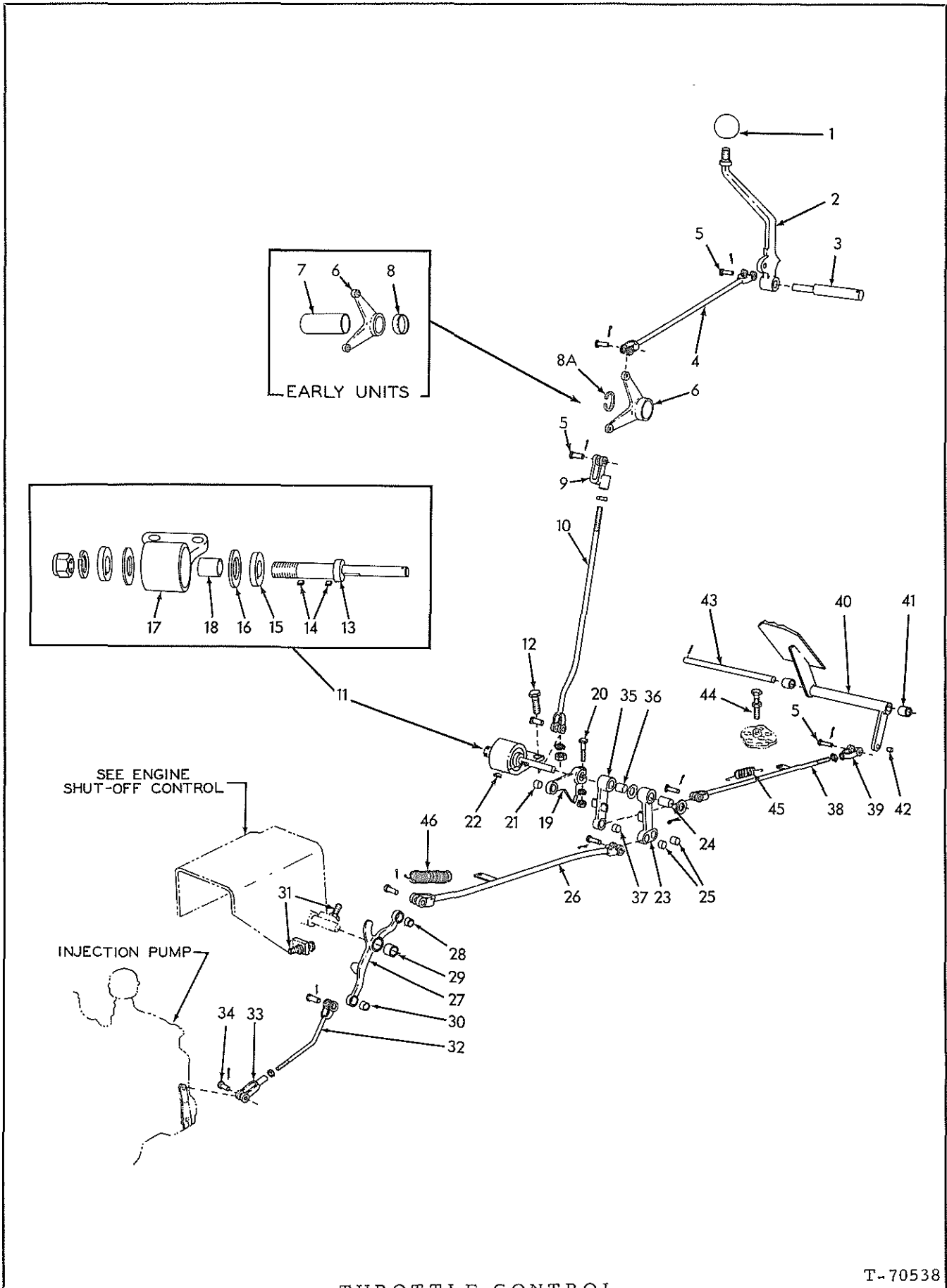
Each includes item 11

(Revised December 1970)



ENGINE SHUT-OFF CONTROL

ITEM	PART NO.	QTY.	DESCRIPTION
1	70659075	1	KNOB, shut-off rod
2	70631555	1	ROD, upper
	70919763	1	NUT, 3/8"NF (left-hand thread)
3	70095421	1	NUT, control adjustment
4	70650394	1	ROD, intermediate (Units without GROUND SPEED GOVERNOR prior to unit #09572)
	70631647	1	ROD, intermediate (Units with GROUND SPEED GOVERNOR prior to unit #09572)
	70668147	1	ROD, intermediate (Tractors unit #09572 and up)
	70911048	1	NUT, jam, 3/8"NF
5	70072438	1	SPRING, retracting
6	70631477	1	PIN, yoke, intermediate rod
	70911115	2	WASHER, plain, SAE std., 3/8"
	70900942	2	PIN, cotter, 3/32" x 5/8"
7	70630745	1	SPRING, intermediate rod (Units with GROUND SPEED GOVERNOR only prior to tractors unit #09572. Used on all tractors unit #09572 and up)
8	70631492	1	LEVER ASSY., intermediate rod (Includes items 9 and 10)
9	70624585	1	BUSHING, intermediate rod lever (small)
10	70631476	1	BUSHING, intermediate rod lever (large)
11	70630311	1	ROD, lower
12	70628738	2	PIN, yoke, lower rod
	70900970	2	PIN, cotter, 1/16" x 1/2"
13	70631425	1	BRACKET, supporting, control linkage
	70910244	1	WASHER, plain, SAE std., 1/2"
	70900806	1	PIN, cotter, 1/8" x 1"
14	70097494	3	CAPSCREW, Nylok, 1/2"NC x 1"
	70904208	3	LOCKWASHER, 1/2"
15	70634650	2	CAPSCREW, lever stop (3/8"NC x 1-1/2")
	70911034	2	NUT, jam, 3/8"NC



THROTTLE CONTROL

T-70538

THROTTLE CONTROL

ITEM	PART NO.	QTY.	DESCRIPTION
1	70090020	1	KNOB, operating lever
2	70631975	1	LEVER, operating
3	-----	1	SHAFT, operating lever (See STEERING LEVERS AND LINKAGE)
4	70632059	1	ROD, upper (15-1/8" long)(Used prior to tractor #6799)
	70631987	1	ROD, upper (14-5/8" long)(Effective with tractor #6799)
5	70078810	8	PIN, yoke, control rod
	70900942	8	PIN, cotter, 3/32" x 5/8"
6	70081094	1	BELLCRANK, upper rod
7	70096409	1	SPACER, bellcrank (4-3/16" long) (Used prior to tractor #7536)
8	70081132	1	SPACER, bellcrank (5/16" thick) (Used prior to tractor #7514)
8A	70052225	1	RING, snap, bellcrank retaining (Effective with tractor #7536)
9	70634074	1	YOKE, upper rod
10	70641733	1	ROD, intermediate, upper (14-1/8" long)(Used prior to tractor #6799)
	70645045	1	ROD, intermediate, upper (14-3/4" long)(Effective with tractor #6799)
	70911048	1	NUT, jam, 3/8"NF
11	70631683	1	FRICITION ASSEMBLY (Includes items 13 thru 18)
12	70614478	2	CAPSCREW, 1/2"NF x 1-3/8"
	70904208	2	LOCKWASHER, 1/2"
	70911043	2	NUT, 1/2"NF
	70910244	2	WASHER, plain, SAE std., 1/2"
	70900806	1	PIN, cotter, 1/8" x 1"
13	70631682	1	SHAFT, friction
	70904369	1	LOCKWASHER, 3/4"
	70916591	1	NUT, elastic stop, 3/4"NF
14	70632716	2	KEY, friction washer
15	70632710	2	WASHER, friction
16	70632747	2	DISC, friction
17	70632766	1	HOUSING ASSEMBLY, friction (Includes item 18)
18	70632752	1	BUSHING, friction housing
19	70631494	1	LEVER ASSEMBLY, friction shaft (Includes item 21)
20	70041981	1	CAPSCREW, 5/16"NF x 1-1/2"
	70904205	1	LOCKWASHER, 5/16"
	70913636	1	NUT, 5/16"NF
21	70624584	1	BUSHING, friction shaft lever
22	70632756	1	KEY, friction shaft lever
23	70631496	1	LEVER ASSEMBLY, intermediate lower rod (Includes items 24 and 25)

(Continued)

THROTTLE CONTROL (Continued)

ITEM	PART NO.	QTY.	DESCRIPTION
24	70631476	1	BUSHING, intermediate lower rod lever (large)
25	70624584	2	BUSHING, intermediate lower rod lever (small)
26	70631649	1	ROD, intermediate, lower
27	70642165	1	BELLCRANK ASSEMBLY, lower rod (Includes items 28, 29 and 30)
28	70624584	1	BUSHING, bellcrank (3/8" long)
29	70631476	1	BUSHING, bellcrank (7/8" long)
30	70624585	1	BUSHING, bellcrank (1/4" long)
31	70634650	2	CAPSCREW, lever stop (3/8"NC x 1-1/2")
	70911034	2	NUT, jam, 3/8"NC
32	70644633	1	ROD, lower
	70910267	1	NUT, jam, 1/4"NF
33	70628737	1	YOKE, lower rod
34	70628738	2	PIN, yoke, lower rod
	70900970	2	PIN, cotter, 1/16" x 1/2"
35	70631498	1	LEVER ASSEMBLY, decelerator rod (Includes items 36 and 37)
36	70631476	1	BUSHING, decelerator lever (large)
37	70624584	1	BUSHING, decelerator lever (small)
38	70631652	1	ROD, decelerator
	70911048	1	NUT, jam, 3/8"NF
39	70628736	1	YOKE, decelerator rod
40	70631643	1	PEDAL ASSEMBLY, decelerator (Includes items 41 and 42)
41	70063222	2	BUSHING, decelerator pedal (large)
42	70624584	1	BUSHING, decelerator pedal (small)
43	70631646	1	SHAFT, decelerator pedal
	70918111	1	PIN, spring, 1/8" x 1"
44	70916424	1	CAPSCREW, pedal stop (1/2"NF)(Early units)
	70913830	1	NUT, jam, 1/2"NF
	70916319	1	CAPSCREW, pedal stop (1/2"NC)(Late units)
	70911035	1	NUT, jam, 1/2"NC
45	70072438	1	SPRING, retracting, decelerator rod (For units with GROUND SPEED GOVERNOR)
46	70043881	1	SPRING, retracting, intermediate rod (For units without GROUND SPEED GOVERNOR)

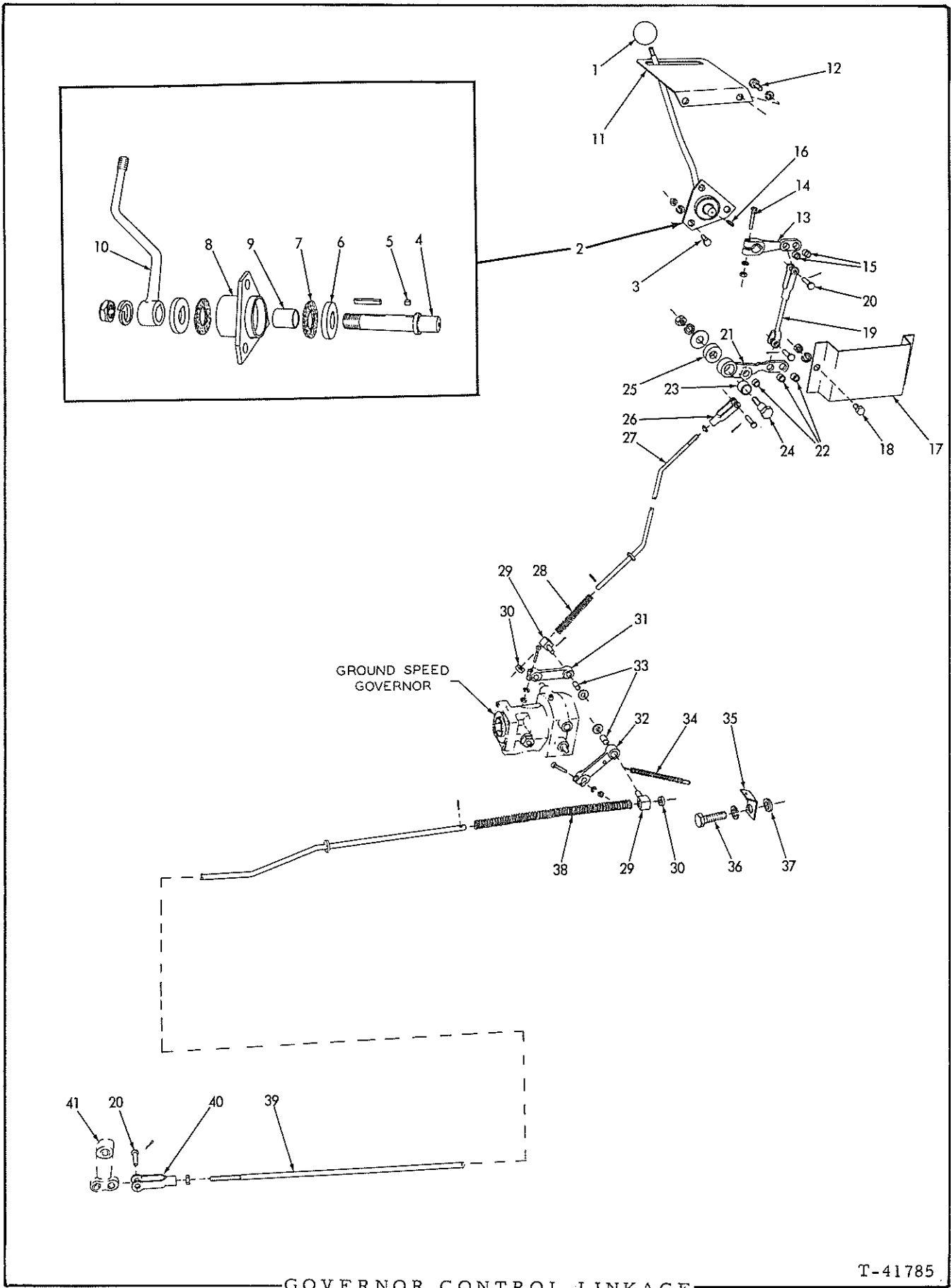


GOVERNOR CONTROL LINKAGE

USAGE: For units with GROUND SPEED GOVERNOR only

ITEM	PART NO.	QTY.	DESCRIPTION
1	70090020	1	KNOB, friction lever
2	70632178	1	FRICITION ASSEMBLY (Includes items 4 thru 10)
3	70035167	3	CAPSCREW, 3/8"NF x 7/8"
	70904206	3	LOCKWASHER, 3/8"
	70911041	3	NUT, 3/8"NF
4	70632162	1	SHAFT, friction
	70915569	1	KEY, straight, 3/16" x 3/16" x 1-1/8"
	70904369	1	LOCKWASHER, 3/4"
	70914452	1	NUT, elastic stop, 3/4"NF
5	70632716	1	KEY, friction washer
6	70632710	2	WASHER, friction
7	70632747	2	DISC, friction
8	70632771	1	HOUSING ASSEMBLY, friction (Includes item 9)
9	70632752	1	BUSHING, friction housing
10	70633216	1	LEVER, friction
11	70632177	1	GUIDE, friction lever
12	70916268	2	CAPSCREW, 3/8"NC x 5/8"
	70904206	2	LOCKWASHER, 3/8"
13	70640415	1	LEVER ASSEMBLY, upper rod (Includes item 15)
14	70041981	1	CAPSCREW, 5/16"NF x 1-1/2"
	70904205	1	LOCKWASHER, 5/16"
	70913636	1	NUT, 5/16"NF
15	70624584	2	BUSHING, upper rod lever
16	70632756	1	KEY, upper rod lever
17	70632175	1	SHIELD, protecting
18	70035979	2	CAPSCREW, 3/8"NF x 5/8"
	70904206	2	LOCKWASHER, 3/8"
	70911041	2	NUT, 3/8"NF
19	70640489	1	ROD, upper
20	70078810	4	PIN, control rod yoke
	70900942	4	PIN, cotter, 3/32" x 5/8"
21	70640378	1	LEVER ASSEMBLY, intermediate rod (Includes items 22 and 23)
22	70624584	3	BUSHING, intermediate rod lever (small)
23	70639785	1	BUSHING, intermediate rod lever (large)
24	70640367	1	CAPSCREW, pivot, intermediate rod lever
	70900818	1	WASHER, plain, U.S. std., 1/2"
	70904208	1	LOCKWASHER, 1/2"
	70911043	1	NUT, 1/2"NF

(Continued)

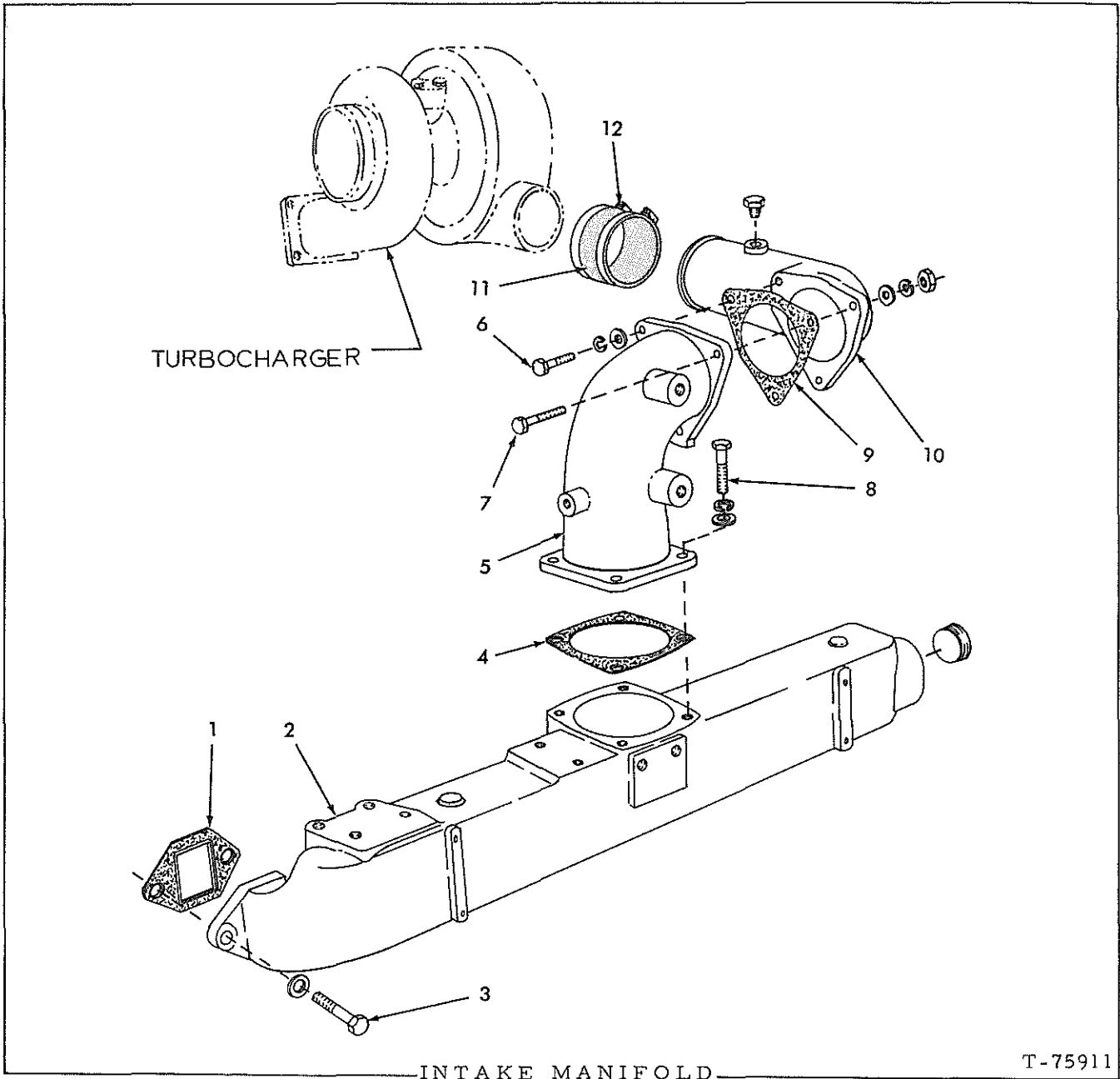


GOVERNOR CONTROL LINKAGE

T-41785

## GOVERNOR CONTROL LINKAGE (Continued)

ITEM	PART NO.	QTY.	DESCRIPTION
25	70091553	1	SPACER, intermediate rod lever
26	70628736	1	YOKE, intermediate rod
27	70640418	1	ROD, intermediate
	70911048	1	NUT, jam, 3/8"NF
	70916168	1	PIN, spring, 1/8" x 3/4"
28	70070212	1	SPRING, intermediate rod
29	70628116	2	EYE, swivel, governor lever
	70911115	2	WASHER, plain, SAE std., 3/8"
	70900942	2	PIN, cotter, 3/32" x 5/8"
30	70081672	2	SPACER, control rod
31	70624624	1	LEVER ASSEMBLY, governor inner (Includes item 33)
	70912177	1	CAPSCREW, 1/4"NF x 1-1/4"
	70904204	1	LOCKWASHER, 1/4"
	70911040	1	NUT, 1/4"NF
32	70630331	1	LEVER ASSEMBLY, governor, outer, (Includes item 33)
	70912177	1	CAPSCREW, 1/4"NF x 1-1/4"
	70904204	1	LOCKWASHER, 1/4"
	70911040	1	NUT, 1/4"NF
33	70628138	2	BUSHING, governor lever
34	70621614	1	SPRING, retracting governor lever
35	70631657	1	CLIP, spring retaining
36	70035073	1	CAPSCREW, 1/2"NF x 1-3/4"
	70904208	1	LOCKWASHER, 1/2"
37	70058614	1	WASHER, plain (For spacing)
38	70088491	1	SPRING, lower rod
39	70631654	1	ROD, lower
	70911048	1	NUT, jam, 3/8"NF
	70916168	1	PIN, spring, 1/8" x 3/4"
40	70628736	1	YOKE, lower rod
41	-----	1	LEVER (See THROTTLE CONTROL)



T-75911

\*Engines without turbocharger (Standard)  
 \*\*Engines with turbocharger (Optional)

ITEM	PART NO.	QTY.		DESCRIPTION
		*	**	
1	74387697	6	6	GASKET, intake manifold
2	74393547	1	1	MANIFOLD, air intake
	70922420	1	1	PLUG, pipe, ctsk-hd., 1-1/4"NPT

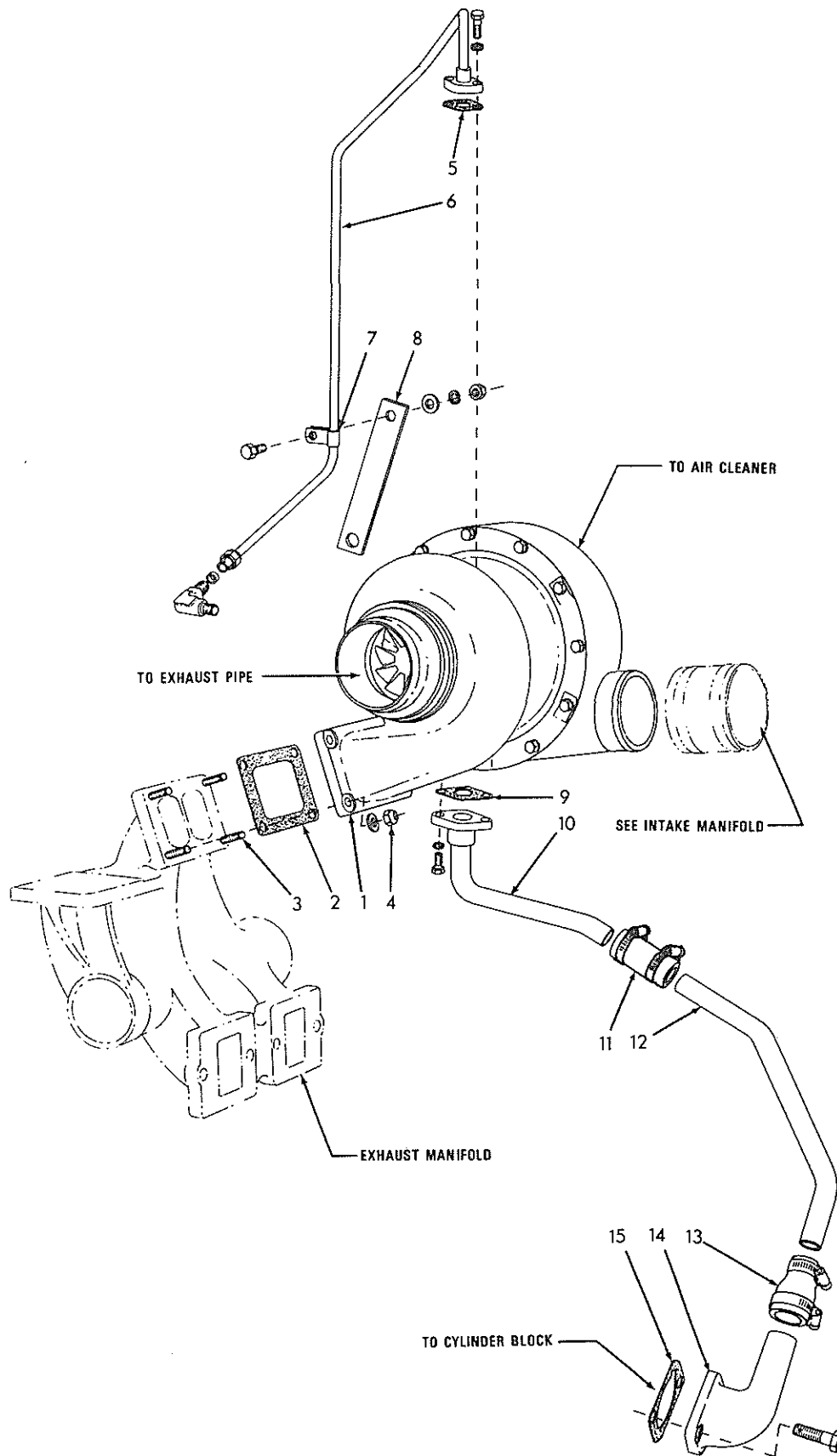
(Continued)

(Revised January 1979)

INTAKE MANIFOLD (Continued)

ITEM	PART NO.	QTY.		DESCRIPTION	
		*	**		
3	74367187	2	-	STUD (2" long)	} Used prior to engine #16-05386
	74386041	10	-	STUD (2-5/16" long)	
	70904208	12	-	LOCKWASHER, 1/2"	
	70910195	12	-	NUT, 1/2"NF	
	74255895	8	8	CAPSCREW, manifold attaching (1-1/4" long)	} Effective with Engine # 16-05386
74255914	4	4	CAPSCREW, manifold attaching (1-1/2" long)		
70910244	12	12	WASHER, plain SAE std., 1/2"		
4	74361551	-	1	GASKET, elbow to manifold	
5	74389334	-	1	ELBOW air intake (lower)	
	70919840	-	2	PLUG pipe, hex-hd., 1/4"NPT (Not used when engine air heater is installed)	
6	70916272	-	1	CAPSCREW, 3/8"NC x 1-1/4"	
7	70916273	-	2	CAPSCREW 3/8"NC x 1-1/2"	
	70911115	-	3	WASHER plain, SAE std., 3/8"	
8	70904206	-	3	LOCKWASHER, 3/8"	
	70910324	-	2	NUT, 3/8"NC	
	70915987	-	4	CAPSCREW, 1/2"NC x 1-1/2"	
	70904208	-	4	LOCKWASHER, 1/2"	
	70912333	-	4	WASHER, plain	
9	74374774	-	1	GASKET, lower elbow to upper elbow	
10	74379562	-	1	ELBOW, air intake (upper)	
	70919840	-	1	PLUG, pipe, hex-hd., 1/4"NPT (Not used when engine primer is installed)	
11	74388349	-	1	HOSE, elbow to turbocharger	
12	74255644	-	2	CLAMP, hose	

(Added June 1970)



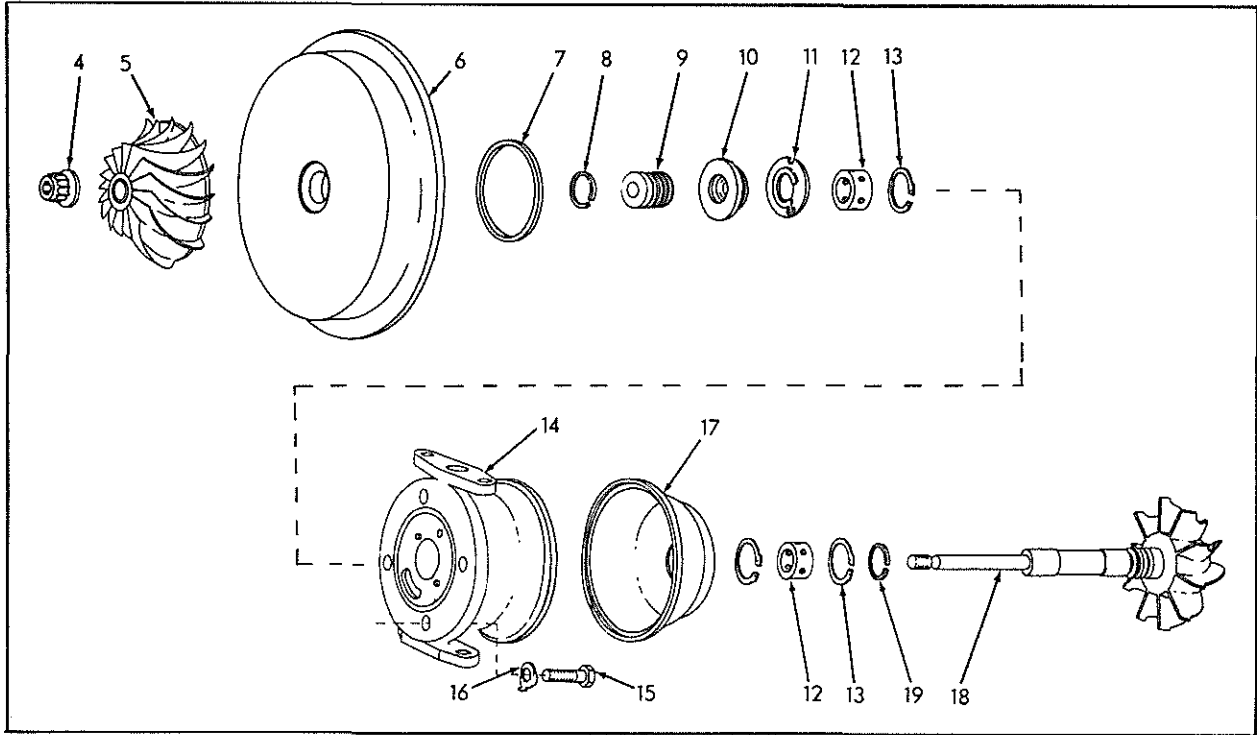
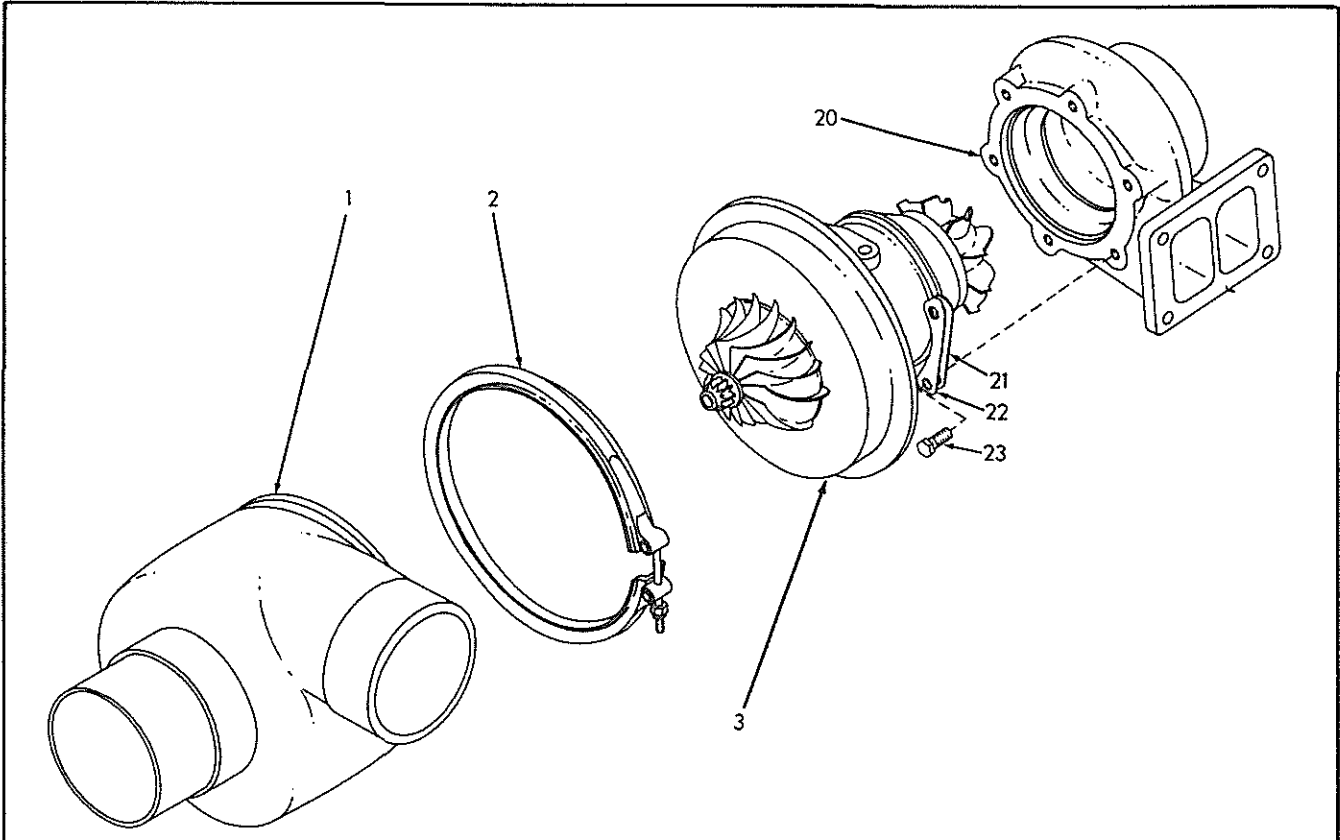
TURBOCHARGER CONNECTIONS

T-75822

TURBOCHARGER CONNECTIONS

USAGE: Special equipment

ITEM	PART NO.	QTY.	DESCRIPTION
1	-----	1	TURBOCHARGER ASSY. (See page 74E)
2	74336558	1	GASKET, turbocharger to manifold
3	74339535	4	STUD, turbocharger attaching
4	74255977	4	NUT
	70913544	4	WASHER, plain
5	74339533	1	GASKET, oil supply line flange
6	74391346	1	TUBE ASSY., oil supply line (Includes NUT and SLEEVE indented below)
	70917810	1	NUT, Imperial, 3/8" tube
	70917807	1	SLEEVE, Imperial, 3/8" tube
	70919005	1	ELBOW, Imperial, 90°, 3/8" tube, 3/8"NPT male
	70916269	2	CAPSCREW, 3/8"NC x 7/8"
	70904206	2	LOCKWASHER, 3/8"
7	74378298	1	CLAMP tube
	70915408	1	CAPSCREW, 3/8"NC x 3/4"
	70912007	1	WASHER, plain, 3/8"
	70904206	1	LOCKWASHER, 3/8"
	70910324	1	NUT, 3/8"NC
8	74391634	1	BRACKET, tube clamp
9	74339532	1	GASKET oil drain line, upper
10	74390202	1	TUBE, oil drain line, upper
	70916269	2	CAPSCREW, 3/8"NC x 7/8"
	70904206	2	LOCKWASHER, 3/8"
11	74387906	1	HOSE, oil drain line
	70921911	2	CLAMP, hose (11/16" to 1-1/4" diam)
12	74379913	1	TUBE oil drain line, lower
13	74379723	1	ADAPTER, oil drain line
	70921911	1	CLAMP hose (11/16" to 1-1/4" diam.)
	70921912	1	CLAMP hose (1-1/16" to 2" diam.)
14	74379672	1	ELBOW oil drain line
	70921865	2	CAPSCREW, Nylok, 1/2"NC x 1"
15	74310257	1	GASKET, oil drain line elbow



TURBOCHARGER ASSEMBLY

T-70408

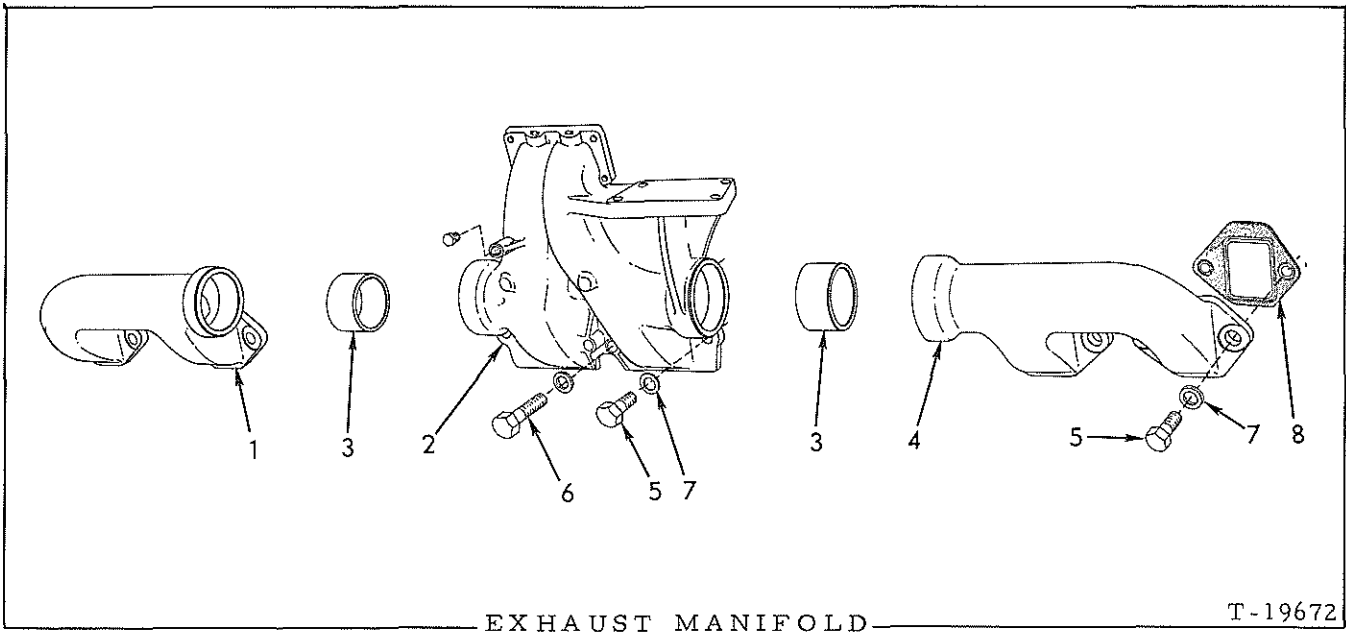


TURBOCHARGER ASSEMBLY

USAGE: See page 74C

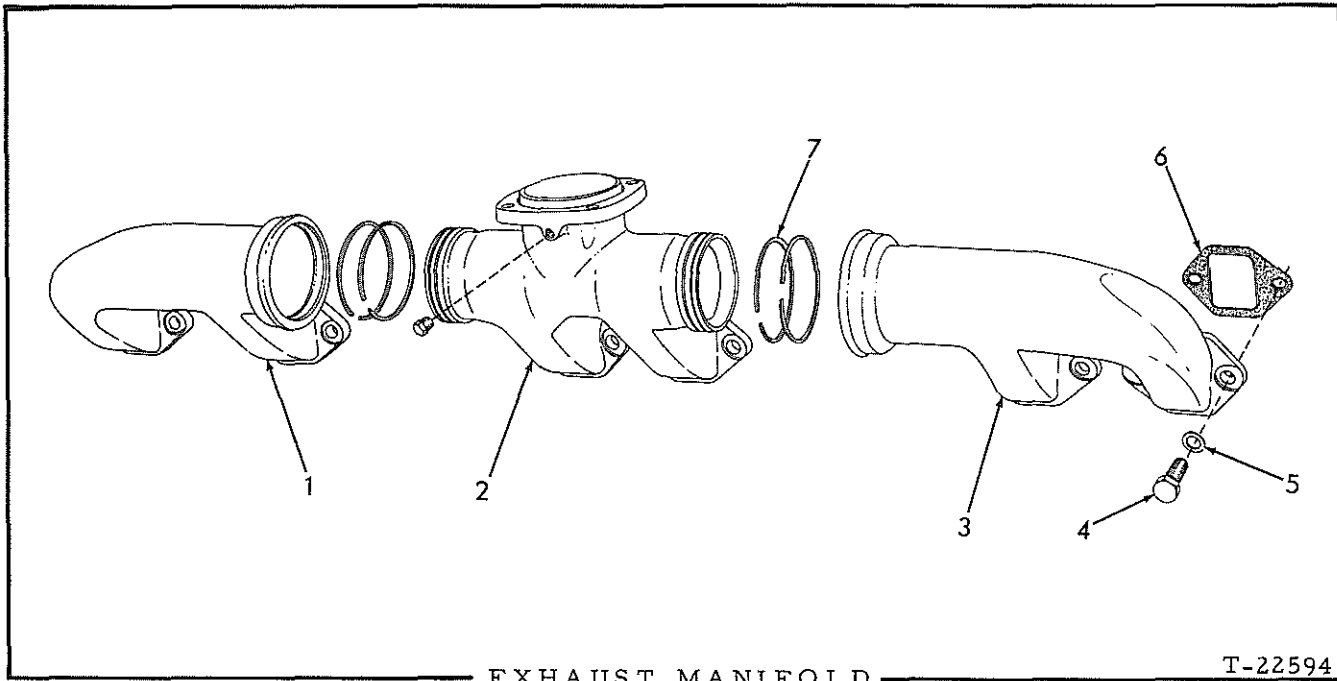
ITEM	PART NO.	QTY.	DESCRIPTION
-	74392272	1	TURBOCHARGER ASSY. (TE 0673)(Includes items 1 thru 23)
1	74060051	1	HOUSING ASSY., compressor (Includes impeller shroud and locating pin)
2	74060052	1	COUPLING, compressor housing
3	74060053	1	HOUSING ASSY. center (Consists of items 4 thru 19)
4	74056291	1	LOCKNUT, impeller retaining
5	74060056	1	IMPELLER, compressor
6	74059030	1	BACKPLATE ASSY. (Includes thrust washer and orifice pin)
7	74056300	1	RING, end plate sealing
8	74055195	1	RING, sealing, turbine wheel shaft, compressor end
9	74056289	1	SPACER, thrust
10	74059029	1	COLLAR, thrust
11	74056294	1	BEARING, thrust
12	74056295	2	BEARING, turbine wheel
13	74056296	3	RING, snap, bearing retaining
14	74060054	1	HOUSING ASSY., center (Includes dowels)
15	74181061	4	BOLT, backplate attaching
16	74056298	4	LOCKPLATE, back plate attaching bolt
17	74056293	1	SHROUD, heat, turbine end
18	74060055	1	WHEEL, turbine
19	74060057	1	RING, sealing, turbine wheel shaft, exhaust end
20	74059019	1	HOUSING, turbine
21	74056306	3	PLATE, clamp, center housing
22	74056305	3	LOCKPLATE, clamp plate bolt
23	74056314	6	BOLT, clamp plate (3/8"NC x 5/8")

(Added June 1970)



USAGE: For engines equipped with turbocharger

ITEM	PART NO.	QTY.	DESCRIPTION
1	74374694	1	MANIFOLD, rear section
2	74387014	1	MANIFOLD, exhaust, center section
	70917425	2	PLUG. pipe, hex-hd., brass, 1/4"NPT
3	74391425	2	SLEEVE. connecting
4	74374695	1	MANIFOLD, front section
5	70915987	10	CAPSCREW. manifold attaching (1-1/2" long)
6	70916317	2	CAPSCREW, manifold attaching (2-3/4" long)
7	74371107	12	WASHER, manifold stud nut
8	74387697	6	GASKET, manifold



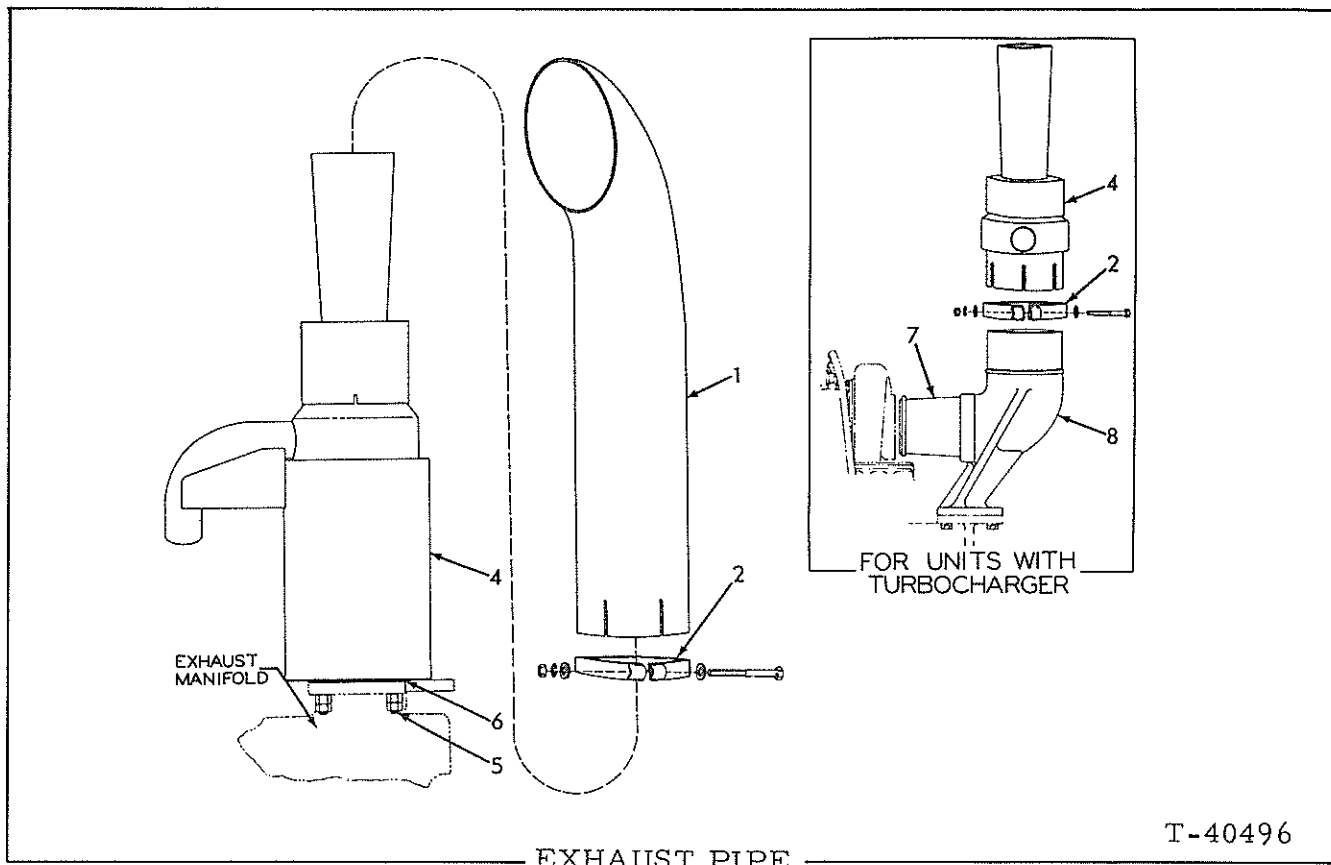
EXHAUST MANIFOLD

T-22594

USAGE: For engines without turbocharger

ITEM	PART NO.	QTY.	DESCRIPTION
1	74376892	1	MANIFOLD, rear section
2	74393544	1	MANIFOLD, center section
	70917425	1	PLUG, pipe, hex-hd., brass, 1/4"NPT
3	74376891	1	MANIFOLD, front section
4	74346208	12	STUD, exhaust manifold (2-1/8" long)(Used prior to engine #16-05386)
	74253270	12	
	70915987	12	CAPSCREW, exhaust manifold (1/2"NC x 1-1/2")(Effective with engine #16-05386)
5	74371107	12	WASHER, manifold capscrew and stud nut
6	74375865	6	OGASKET, exhaust manifold
7	74366243	4	RING, sealing

(Revised June 1970)



USAGE: Tractors serial No. 5937 thru 9550; also 64A09551 thru 64A09571

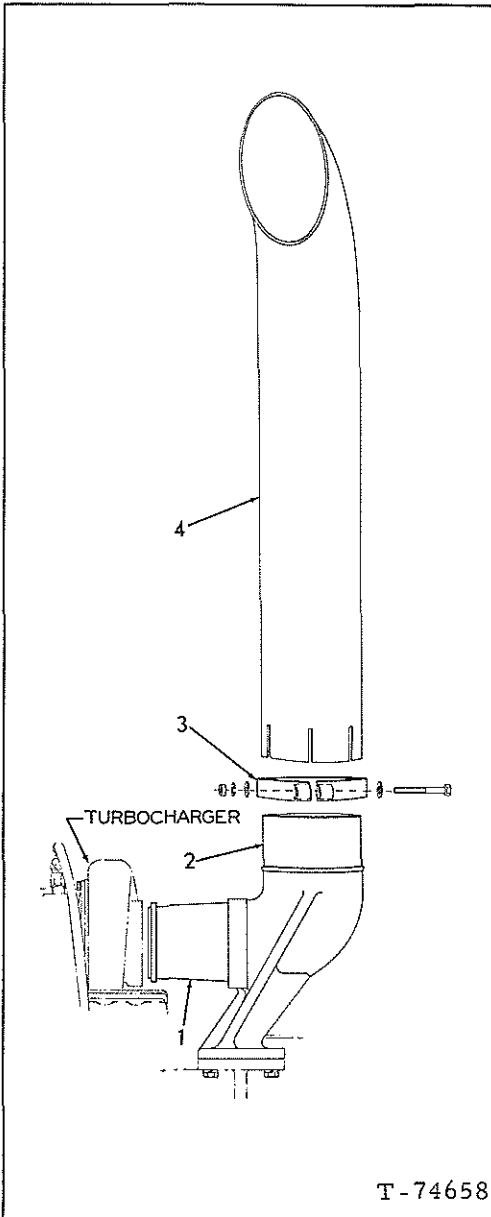
- \* For engines without turbocharger
- \*\* For engines with turbocharger

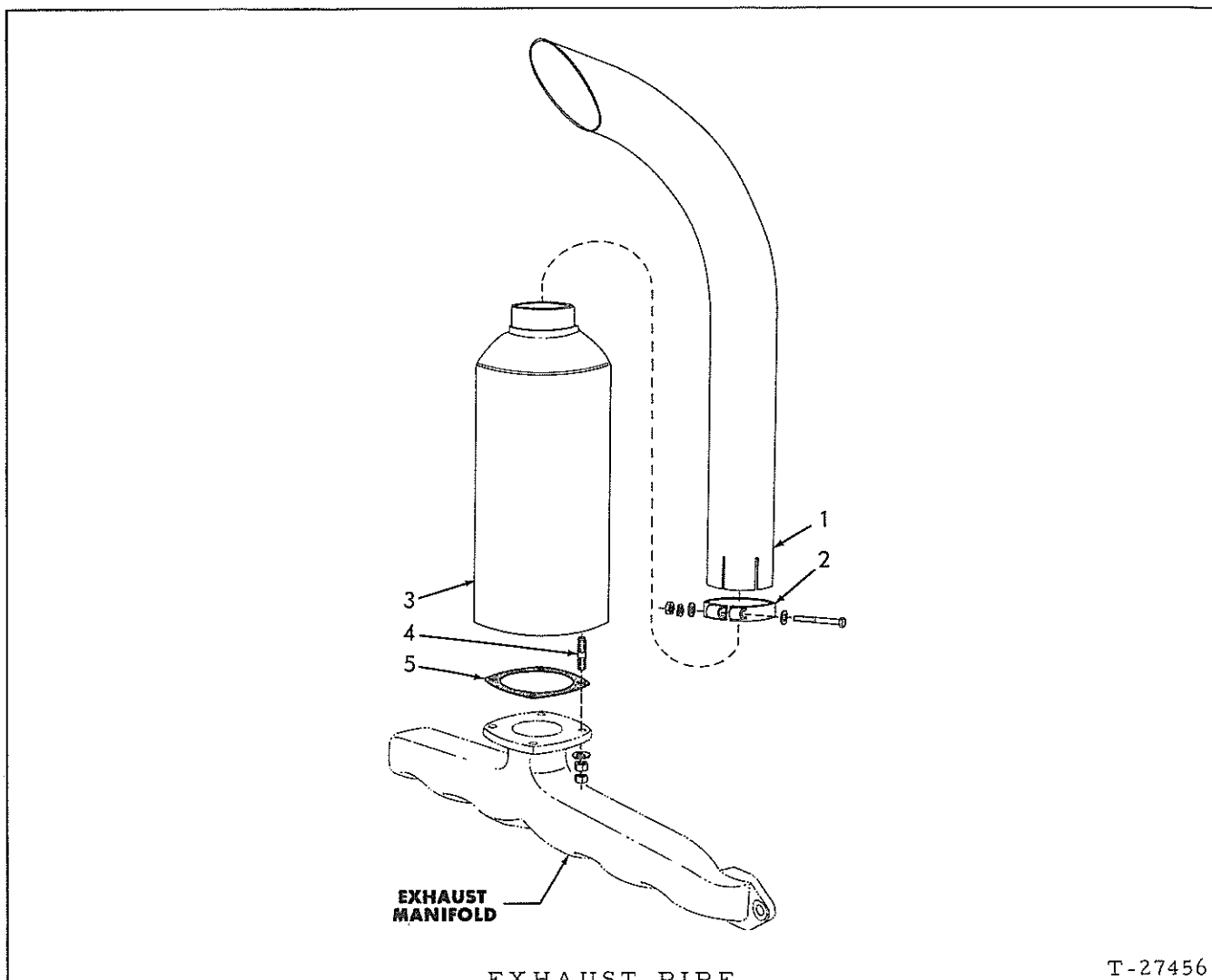
ITEM	PART NO.	QTY.		DESCRIPTION
		*	**	
<u>NOTE:</u> Also see page 77 for special EXHAUST EXTENSION				
1	70630158	1	1	PIPE exhaust
2	70629755	1	2	CLAMP ASSY. exhaust pipe (Includes hardware)
4	70640159	1	-	ASPIRATOR, air cleaner
	70644081	-	1	ASPIRATOR, air cleaner
5	74339378	4	-	STUD attaching
	70917260	8	-	NUT, brass, 1/2"NC
6	74366244	1	-	GASKET, exhaust flange
7	74390172	-	1	DIFFUSER, exhaust
8	74390080	-	1	ELBOW, exhaust
	70919230	-	4	CAPSCREW, 1/2"NC x 1-3/8"
	70904208	-	4	LOCKWASHER, 1/2"

## EXHAUST PIPE

USAGE: Tractors serial No. 64A09572 and up.  
For engines equipped with turbocharger.

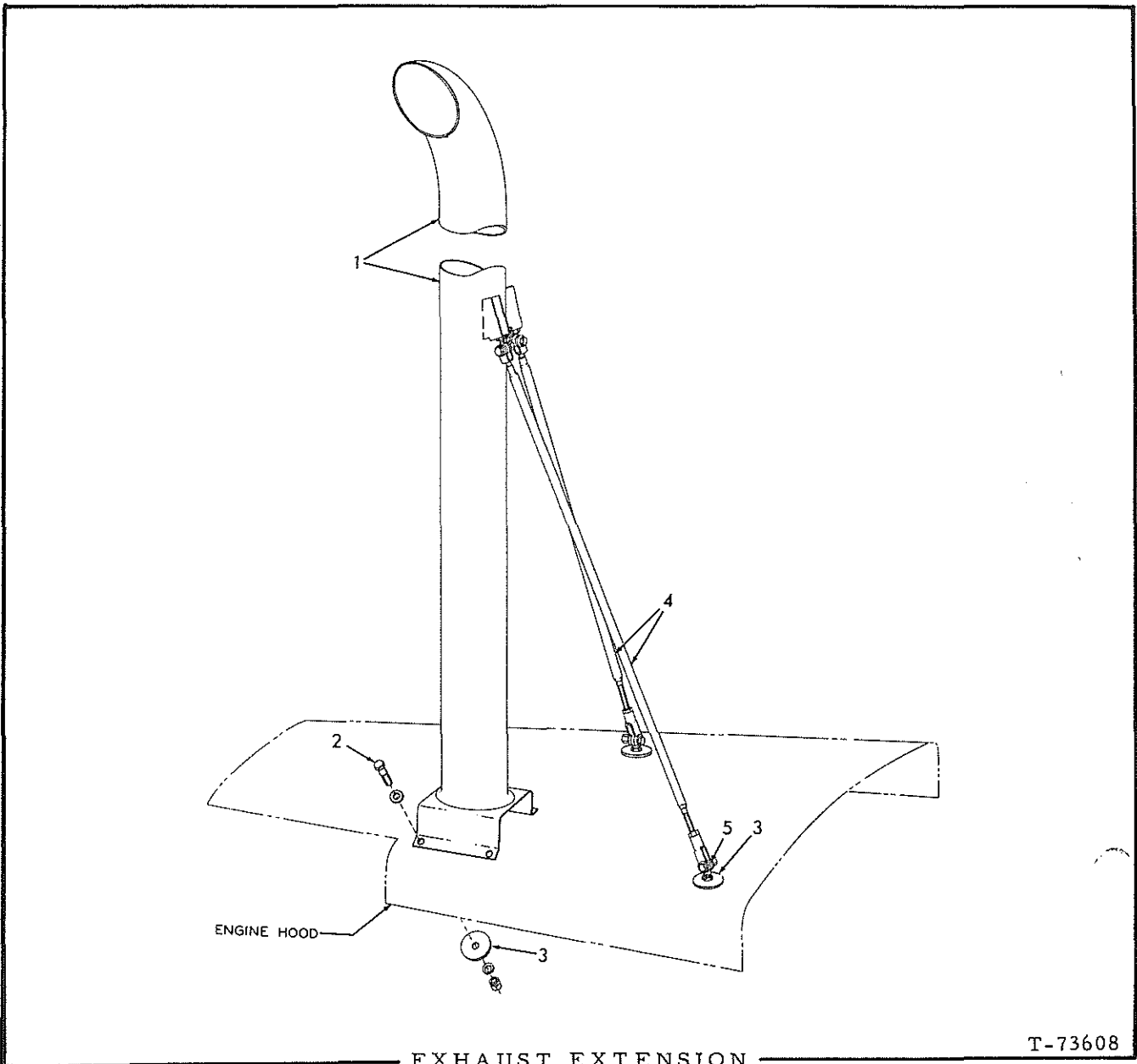
ITEM	PART NO.	QTY.	DESCRIPTION
1	74390172	1	DIFFUSER, exhaust
2	74390080	1	ELBOW, exhaust
	70919230	4	CAPSCREW, 1/2"NC x 1-3/8"
	70904208	4	LOCKWASHER, 1/2"
3	70629755	1	CLAMP ASSY, exhaust pipe
	70919227	1	(Includes hardware)
4	70096055	1	PIPE, exhaust





USAGE: Tractors serial No. 64A09572 and up. For engine without turbocharger.

ITEM	PART NO.	QTY.	DESCRIPTION
1	70662711	1	PIPE exhaust
2	70634091	1	CLAMP. exhaust pipe
	70919227	1	CAPSCREW, 3/8"NC x 3-1/4"
	70044973	2	WASHER, plain
	70904206	1	LOCKWASHER, 3/8"
	70911026	1	NUT, 3/8"NC
3	70086770	1	MUFFLER
4	74339378	4	STUD
	70917260	8	NUT, brass, 1/2"NC
5	74366244	1	GASKET. muffler to manifold



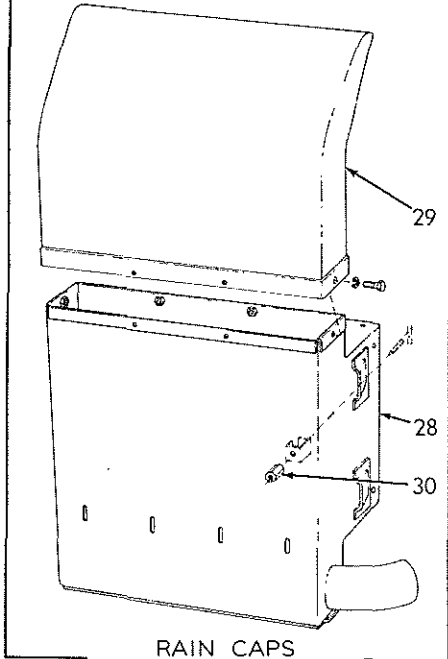
T-73608

EXHAUST EXTENSION

USAGE: Special equipment

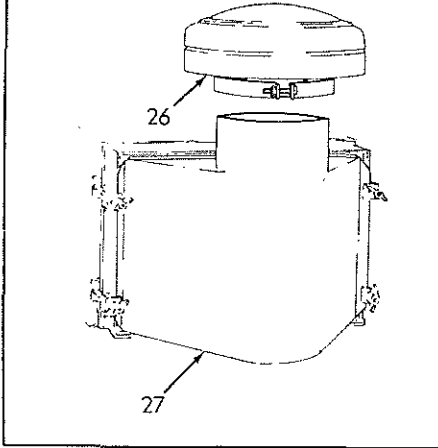
ITEM	PART NO.	QTY.	DESCRIPTION
1	70655108	1	TUBE, extension
2	70035236	4	CAPSCREW, 1/2"NC x 1-3/4"
	70064531	4	WASHER, plain
	70904208	4	LOCKWASHER, 1/2"
	70911028	4	NUT, 1/2"NC
	3	70085453	8
4	70655102	2	ROD, bracing
	70911043	2	NUT, 1/2"NF
	70917666	2	YOKE, rod end, adjustable, 1/2"NF
	70912192	4	CAPSCREW, 1/2"NF x 1-3/4"
	70038234	4	NUT, high, 1/2"NF
5	70067902	4	BOLT, eye
	70911043	8	NUT, 1/2"NF

SECOND TYPE

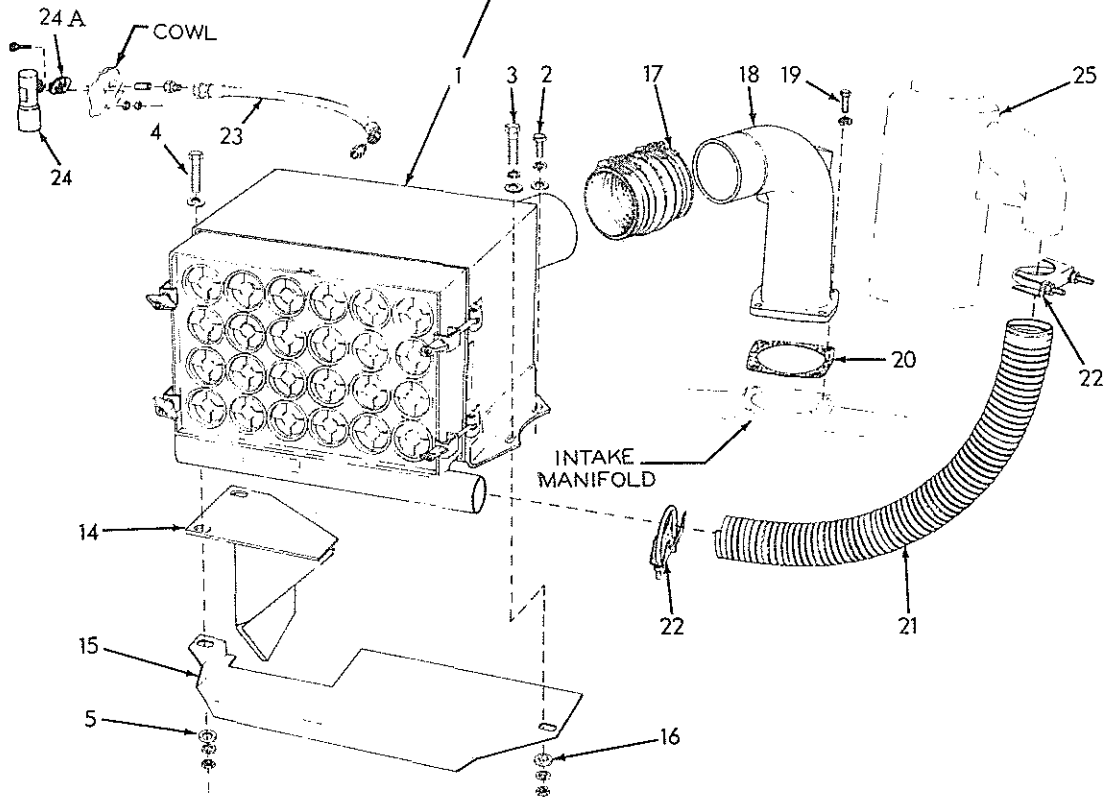
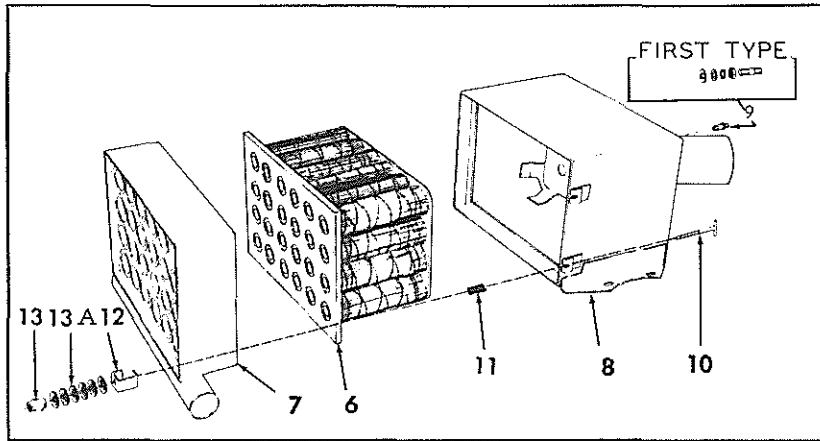


RAIN CAPS  
SPECIAL EQUIPMENT

FIRST TYPE



FIRST TYPE



AIR CLEANER (First type)

T-70517



AIR CLEANER

USAGE: Tractors prior to serial No. 7437. Units without turbocharger.

ITEM	PART NO.	QTY.	DESCRIPTION
1	70630160	1	CLEANER ASSEMBLY, air (Consists of items 6 thru 13A)
2	70035061	1	CAPSCREW, 1/2"NC x 1-1/4"
3	70036203	1	CAPSCREW, 1/2"NC x 1-3/4"
	70910244	1	WASHER, plain, SAE std., 1/2"
4	70035018	2	CAPSCREW, 1/2"NF x 1-1/2"
	70904208	3	LOCKWASHER, 1/2"
	70911043	2	NUT, 1/2"NF
5	70064531	5	WASHER, plain (heavy)
6	70634446	1	CARTRIDGE, air cleaner
7	70634443	1	PANEL, pre-cleaner
8	70634442	1	HOUSING ASSEMBLY, air cleaner (Includes items 9 thru 13)
	70650959	1	ADAPTER KIT, restriction indicator (Includes filter and items listed below)(Used prior to tractor #7296)
9	70911048	1	NUT, jam, 3/8"NF
	70904206	1	LOCKWASHER, 3/8"
	70900817	1	WASHER, plain, U.S. std., 3/8"
	70638727	1	GASKET, adapter
	70650302	1	ADAPTER, restriction indicator (1/8"NPT nipple. Includes filter) (Effective with tractor #7296)
10	70196663	4	T-BOLT, pre-cleaner panel
11	70650301	4	SPRING, pre-cleaner panel T-bolt
12	70196662	4	HOOK, pre-cleaner panel
13	70056863	4	NUT, wing, pre-cleaner panel bolt
13A	70659195	24	WASHER, spring, pre-cleaner panel bolt
14	70630154	1	BRACKET, supporting, air cleaner
15	70632673	1	SHIELD, heat
	70911035	1	NUT, jam, 1/2"NC
	70904208	1	LOCKWASHER, 1/2"
16	70064531	1	WASHER, plain
17	70081214	1	HOSE, air cleaner to inlet elbow
	70921916	4	CLAMP, hose, 3-13/16" to 4-3/4" diam.
18	70097486	1	ELBOW, air inlet
19	70035061	4	CAPSCREW, 1/2"NC x 1-1/4"
	70904208	4	LOCKWASHER, 1/2"
20	74361551	1	OGASKET, air inlet elbow
21	70630157	1	HOSE, aspirator
22	70185502	2	CLAMP ASSEMBLY, aspirator hose
23	70645075	1	HOSE, restriction indicator (See HOSE PARTS)
	70919174	2	CONNECTOR, flare type, 1/4" tube, 1/8"NPT female
	70904273	1	NIPPLE, pipe, 1/8"NPT x 1"

(Continued)

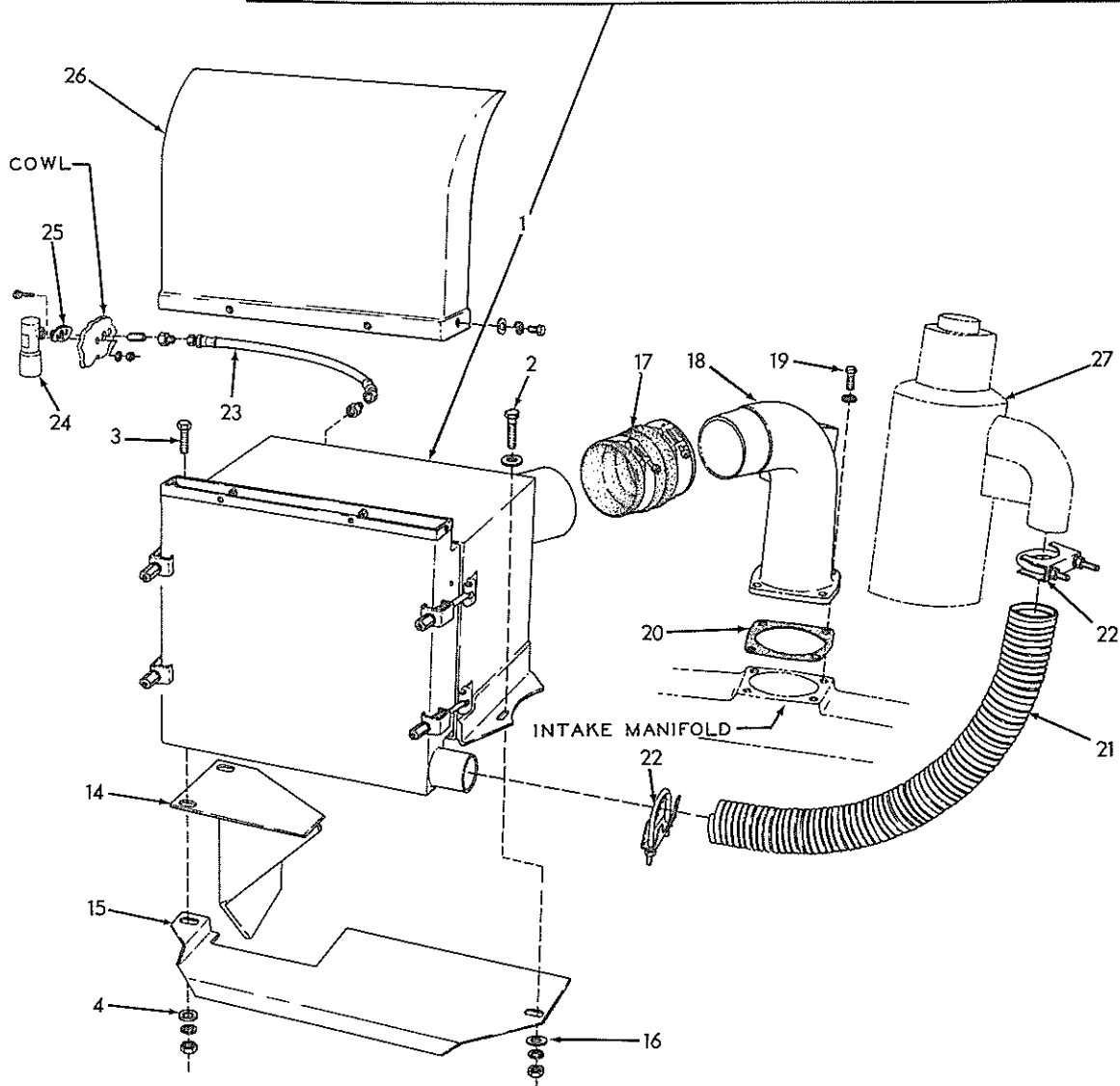
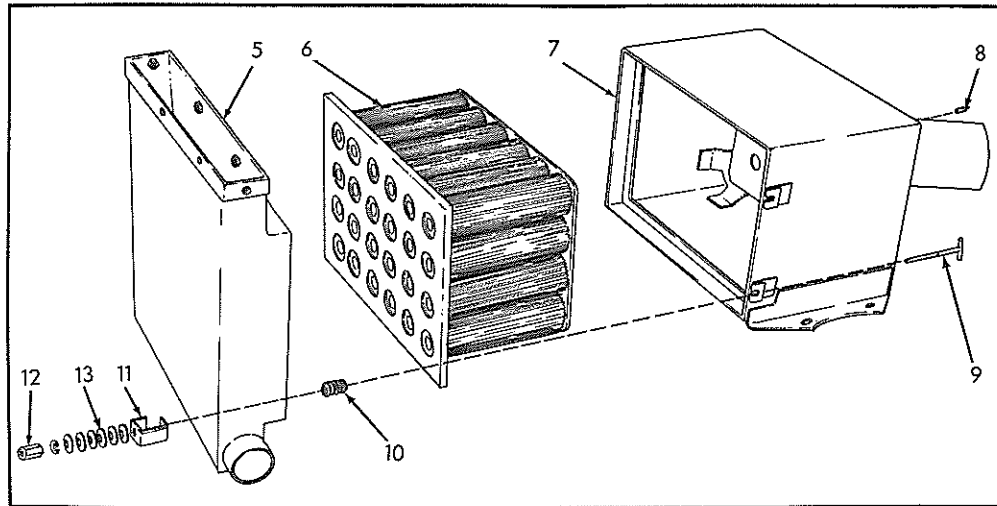
AIR CLEANER (Continued)

ITEM	PART NO.	QTY.	DESCRIPTION
24	74388648	1	INDICATOR, air restriction (Serviced only as a unit)
24A	73045531	1	FLANGE, mounting, air restriction indicator
	70912789	2	CAPSCREW, 1/4"NF x 3/4"
	70904204	2	LOCKWASHER, 1/4"
	70911040	2	NUT, 1/4"NF
25	-----	1	ASPIRATOR (See EXHAUST PIPE)
<u>NOTE:</u> Items listed below are special equipment			
26	70645028	1	RAINCAP (Includes mounting clamp
27	70645033	1	ADAPTOR, rain cap
28	70651042	1	PANEL, air intake (Replace standard PANEL 70634443)
29	70650886	1	ADAPTER, air intake
	70916248	6	CAPSCREW, 1/4"NC x 1/2"
	70904204	6	LOCKWASHER, 1/4"
30	70655140	4	NUT, air intake panel

} FIRST TYPE

} SECOND  
TYPE

MEMO



AIR CLEANER (Second type)(Units without turbocharger)

T-72029

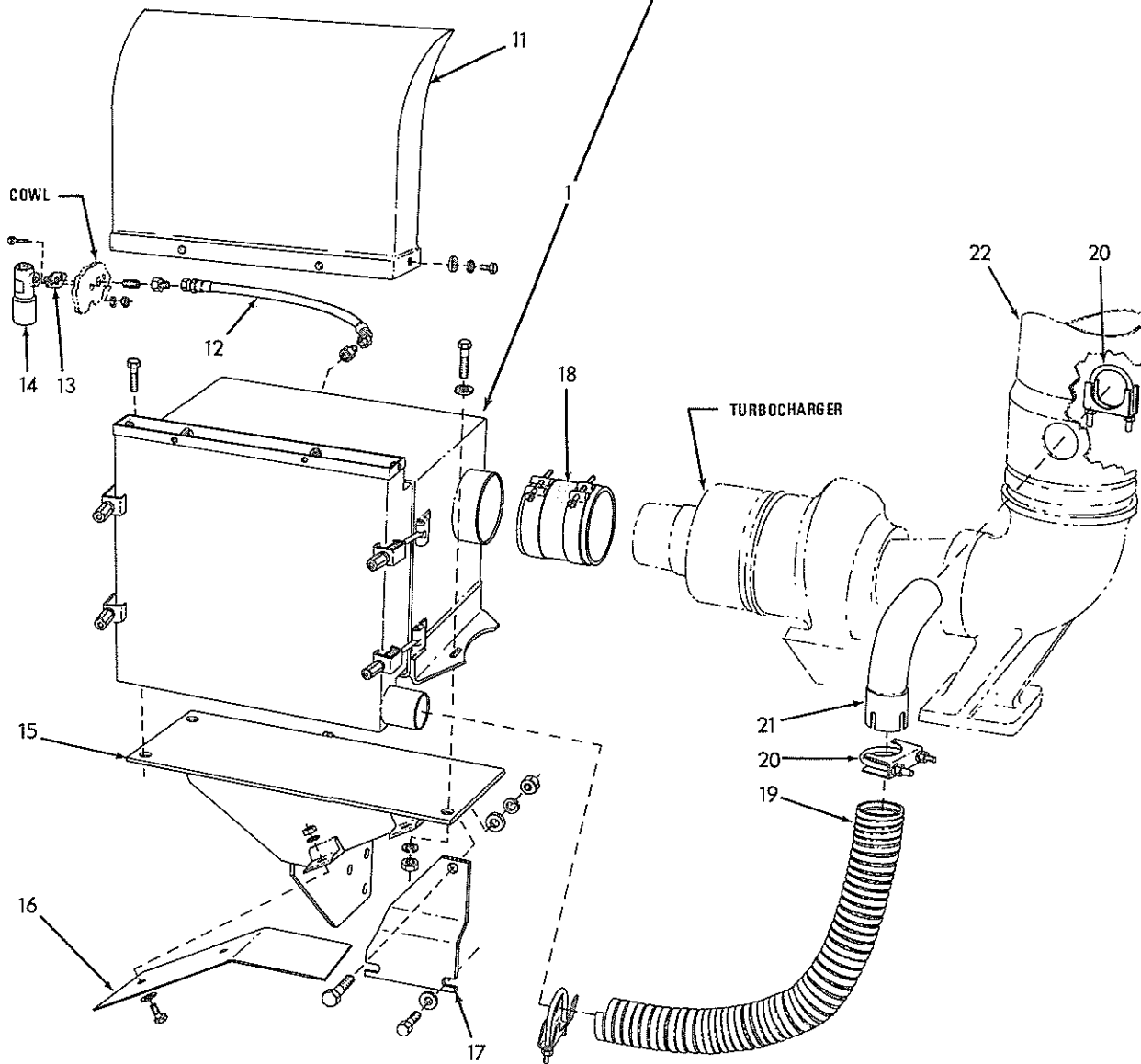
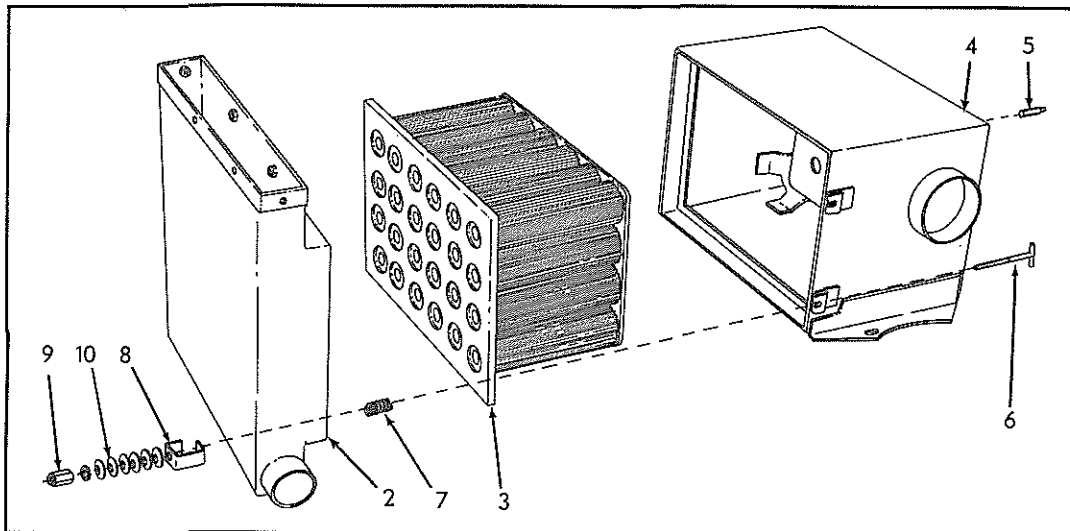
(Revised June 1970)

AIR CLEANER (Second type)(Units without turbocharger)

USAGE: Units without turbocharger. Tractors serial No. 7437 and up; also serial No. 64A09551 thru 64A09571.

ITEM	PART NO.	QTY.	DESCRIPTION
<u>NOTE:</u> Also see page 84 for special AIR INTAKE EXTENSION			
1	70650911	1	CLEANER ASSY., air (Consists of items 5 thru 13)
2	70036203	1	CAPSCREW, 1/2"NC x 1-3/4"
	70910244	1	WASHER, plain, SAE std., 1/2"
3	70035018	2	CAPSCREW, 1/2"NF x 1-1/2"
	70904208	2	LOCKWASHER, 1/2"
	70911043	2	NUT, 1/2"NF
4	70064531	4	WASHER, plain (heavy)
5	70650892	1	PRE-CLEANER
6	70634446	1	CARTRIDGE, air cleaner
7	70634442	1	HOUSING ASSY., air cleaner (Includes items 8 thru 12)
8	70650302	1	ADAPTER, restriction indicator (Includes filter)
9	70196663	4	T-BOLT, pre-cleaner
10	70650301	4	SPRING, pre-cleaner bolt
11	70196662	4	HOOK, pre-cleaner
12	70655140	4	NUT, pre-cleaner bolt
	70904205	4	LOCKWASHER 5/16"
13	70659195	24	WASHER, spring, pre-cleaner bolt
14	70630154	1	BRACKET, supporting, air cleaner
15	70632673	1	SHIELD, heat
	70911035	1	NUT, jam, 1/2"NC
	70904208	1	LOCKWASHER, 1/2"
16	70064531	1	WASHER, plain
17	70081214	1	HOSE, air cleaner to inlet elbow
	70193822	2	CLAMP, hose
18	70097486	1	ELBOW, air inlet
19	70035061	4	CAPSCREW, 1/2"NC x 1-1/4"
	70904208	4	LOCKWASHER, 1/2"
20	74361551	1	□GASKET, air inlet elbow
21	70630157	1	HOSE, aspirator
22	70185502	2	CLAMP ASSY., aspirator hose
23	70645075	1	HOSE, restriction indicator (See HOSE PARTS)
	70919174	2	CONNECTOR flare type, 1/4" tube, 1/8"NPT female
	70904273	1	NIPPLE, pipe, 1/8"NPT x 1"
24	70631564	1	INDICATOR, air restriction (Serviced only as a unit)(Tractor units prior to #9555)
	74388648	1	INDICATOR, air restriction (Serviced only as a unit)(Tractor #9555 and up)
25	73045531	1	FLANGE, mounting, air restriction indicator (Effective tractor unit #9555)
	70924956	2	CAPSCREW, 1/4"NF x 3/4"
	70904204	2	LOCKWASHER, 1/4"
	70911040	2	NUT, 1/4"NF
26	70650886	1	ADAPTER, air intake
	70047478	6	CAPSCREW, 1/4"NC x 5/8"
	70904204	6	LOCKWASHER, 1/4"
	70911114	6	WASHER, plain, SAE std., 1/4"
27	-----	1	ASPIRATOR (See EXHAUST PIPE)

(Revised January 1979)



AIR CLEANER ("Farr")(Turbocharged units)

T-76049

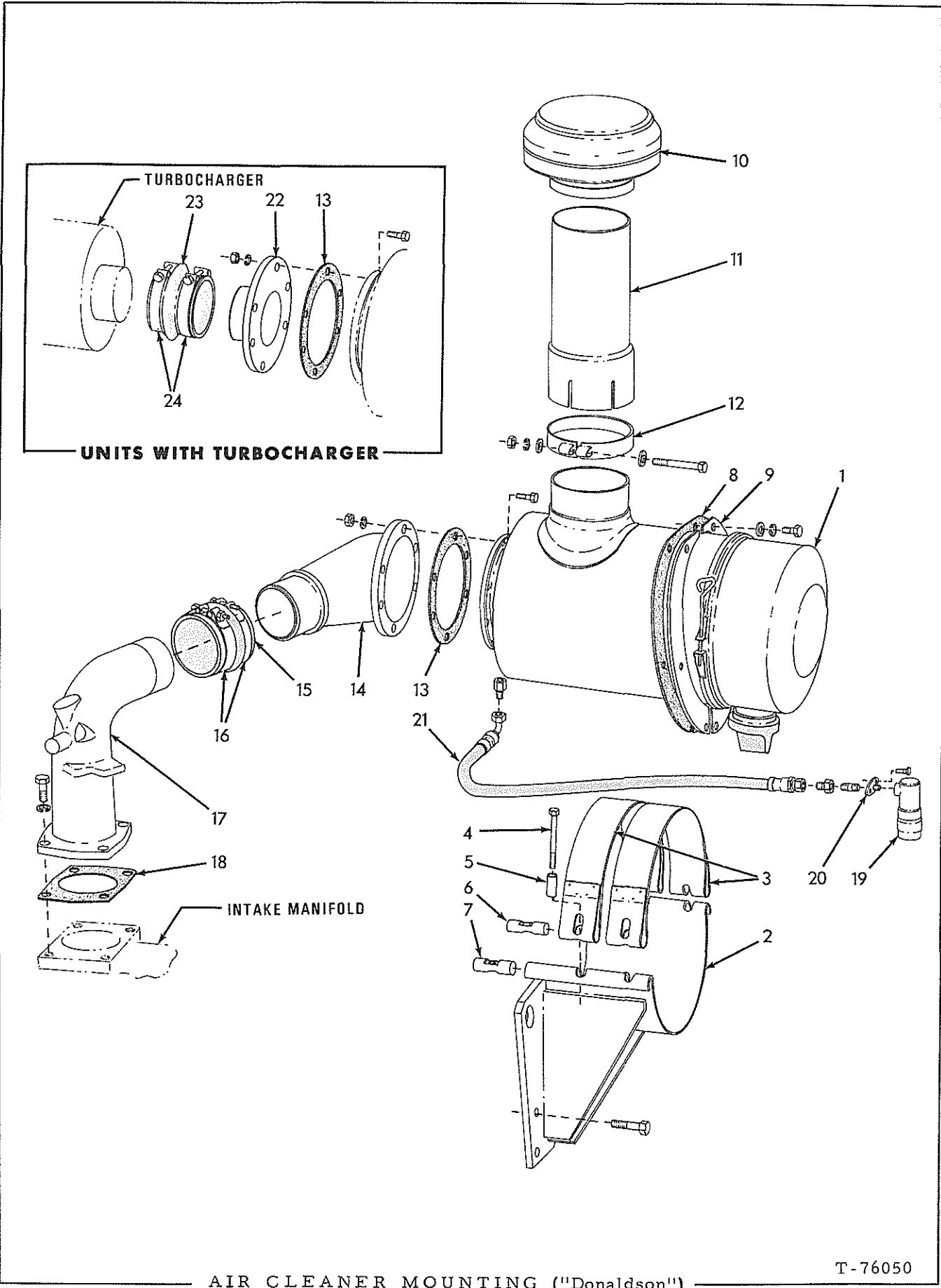
(Added June 1970)

AIR CLEANER ("Farr")(Turbocharged units)

USAGE: Units with turbocharger. Tractors serial No. 5937 and up; also No. 64A09551 thru No. 64A09571.

ITEM	PART NO.	QTY.	DESCRIPTION
1	70669794	1	CLEANER ASSY., air (Includes items 2 thru 10)
	70915987	3	CAPSCREW, 1/2"NC x 1-1/2"
	70064531	3	WASHER, plain
	70904208	3	LOCKWASHER, 1/2"
	70911028	3	NUT, 1/2"NC
2	70650892	1	PRE-CLEANER
3	70634446	1	CARTRIDGE, air cleaner
4	70669793	1	HOUSING ASSY., air cleaner (Includes items 9 thru 13)
5	70650302	1	ADAPTER, restriction indicator (Includes filter)
6	70196663	4	T-BOLT, pre-cleaner
7	70650301	4	SPRING, pre-cleaner bolt
8	70196662	4	HOOK, pre-cleaner
9	70655140	4	NUT, pre-cleaner bolt
	70904205	4	LOCKWASHER, 5/16"
10	70659195	24	WASHER, spring, pre-cleaner bolt
11	70650886	1	ADAPTER, air intake
	70047478	6	CAPSCREW, 1/4"NC x 5/8"
	70904204	6	LOCKWASHER, 1/4"
	70911114	6	WASHER, plain, SAE std., 1/4"
12	70645075	1	HOSE, restriction indicator (See HOSE PARTS)
	70919174	2	CONNECTOR, flare type, 1/4" tube, 1/8"NPT female
	70904273	1	NIPPLE, pipe, 1/8"NPT x 1"
13	73045531	1	FLANGE, mounting, air restriction indicator
	70924956	2	CAPSCREW, 1/4"NF x 3/4"
	70904204	2	LOCKWASHER, 1/4"
	70911040	2	NUT, 1/4"NF
14	74388648	1	INDICATOR, air restriction (Serviced only as a unit)
15	70662302	1	BRACKET, supporting, air cleaner
16	70670466	1	SHIELD, heat
	70915408	2	CAPSCREW, 3/8"NC x 3/4"
	70904206	2	LOCKWASHER, 3/8"
	70911115	2	WASHER, plain, SAE std., 3/8"
	70911026	2	NUT, 3/8"NC
17	70665542	1	ANGLE
	70916271	1	CAPSCREW, 3/8"NC x 1"
	70900817	1	WASHER, plain, U.S. std., 3/8"
	70904206	1	LOCKWASHER, 3/8"
	70911026	1	NUT, 3/8"NC
	70916313	2	CAPSCREW, 1/2"NC x 1-1/2"
	74371107	2	WASHER
18	70662301	1	HOSE, air cleaner to inlet elbow
	70658781	2	CLAMP
19	70662300	1	HOSE, aspirator
20	70185502	3	CLAMP ASSY.
21	70185370	1	ELBOW, aspirator
22	-----	1	ASPIRATOR (See EXHAUST PIPE)

(Added June 1970)



T-76050

AIR CLEANER MOUNTING ("Donaldson")

(Added June 1970)



AIR CLEANER MOUNTING  
("Donaldson" Dry-type)

USAGE: Tractors serial No. 64A09572 and up.

\* Units with turbocharger  
\*\* Units without turbocharger

ITEM	PART NO.	QTY.		DESCRIPTION
		*	**	
1	-----	1	1	CLEANER ASSY., air (See page 83F)
2	70668123	1	1	BRACKET, mounting
	70916311	3	3	CAPSCREW, 1/2"NC x 1-1/4"
3	70082206	2	2	BAND, mounting
4	70040570	4	4	CAPSCREW, mounting band
5	70053667	4	4	SPACER, mounting band capscrew
6	70056099	4	4	PIN, mounting band, upper
7	70056100	4	4	PIN, mounting band, lower
8	70663098	1	1	GASKET, cleaner sealing
9	70663099	2	2	PLATE, sealing gasket
	70921254	6	6	CAPSCREW, Nylok, 1/4"NC x 7/8"
	70900816	6	6	WASHER, plain, U.S. std., 1/4"
10	70645028	1	1	CAP, weather (Includes mounting clamp)
11	70645029	1	1	TUBE, air inlet
12	70629755	1	1	CLAMP, inlet tube
	70919227	1	1	CAPSCREW, 3/8"NC x 3-1/4"
	70044973	2	2	WASHER, plain
	70904206	1	1	LOCKWASHER, 3/8"
	70911026	1	1	NUT, 3/8"NC
13	70658759	1	1	GASKET, air intake elbow
14	70670348	-	1	ELBOW, air cleaner
	70919224	-	6	CAPSCREW, 3/8"NC x 1-1/8"
	70904206	-	6	LOCKWASHER, 3/8"
	70911026	-	6	NUT, 3/8"NC
15	70670353	-	1	HOSE, air inlet
16	74255349	-	2	CLAMP, air inlet hose
17	70097486	-	1	ELBOW, inlet manifold
	70035061	-	4	CAPSCREW, 1/2"NC x 1-1/4"
	70904208	-	4	LOCKWASHER, 1/2"
18	74361551	-	1	GASKET, inlet manifold elbow
19	74388648	1	1	INDICATOR, air restriction (Serviced only as a unit)
20	73045531	1	1	FLANGE, mounting, air restrictor indicator
	70924956	2	2	CAPSCREW, plated, 1/4"NF x 3/4"
	70904204	2	2	LOCKWASHER, 1/4"
	70911040	2	2	NUT, 1/4"NF

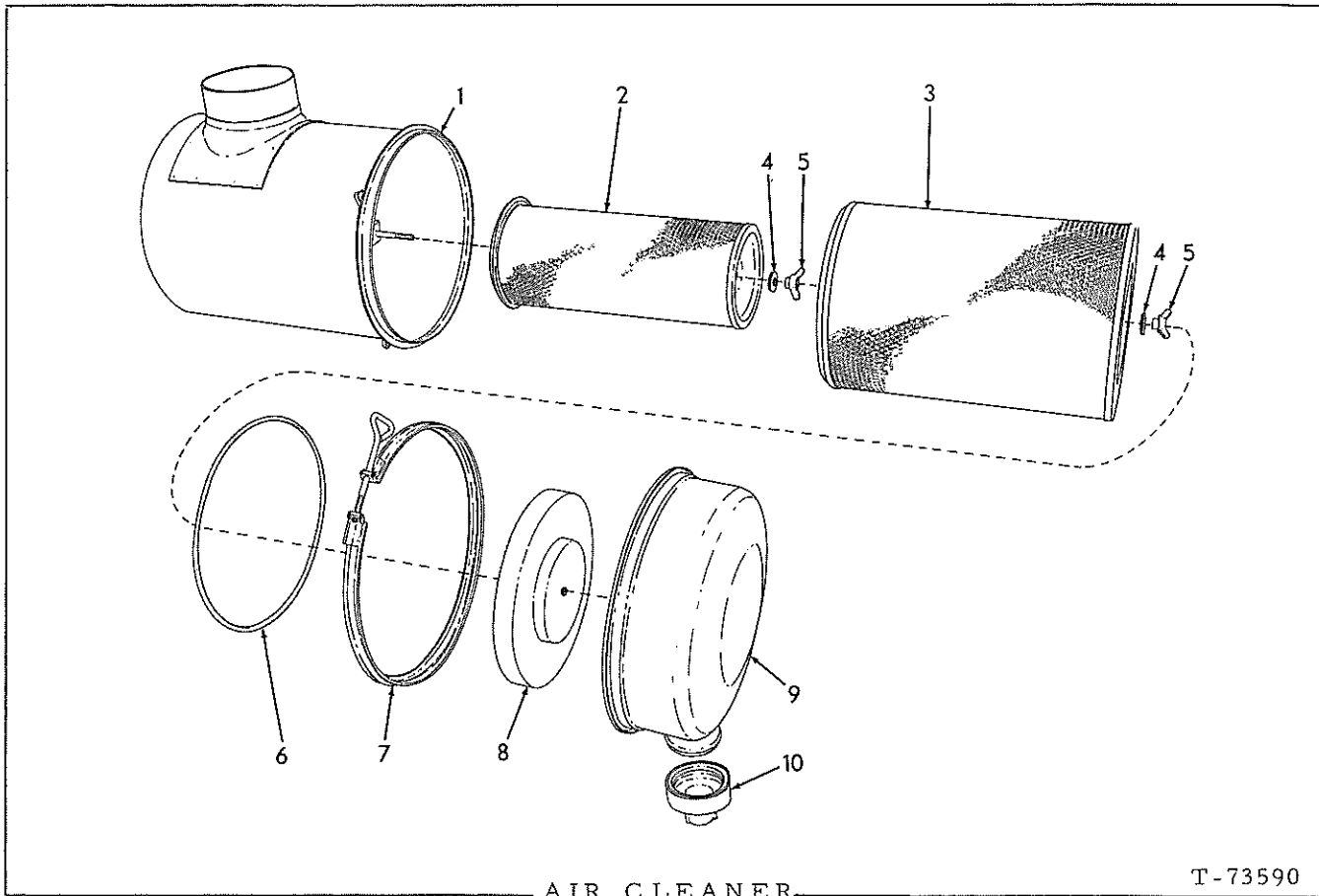
(Continued)

(Added June 1970)

AIR CLEANER MOUNTING (Continued)

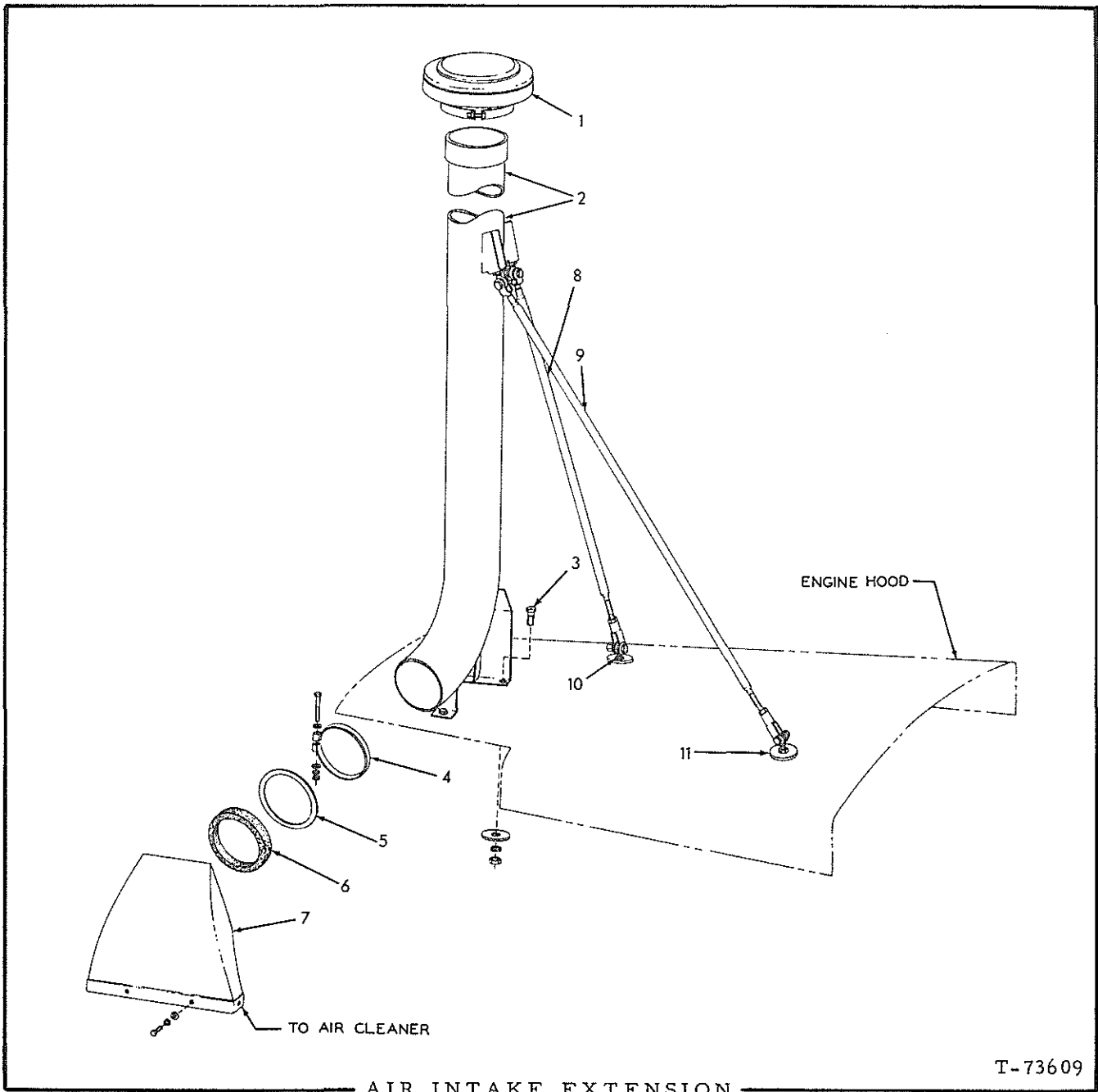
ITEM	PART NO.	QTY.		DESCRIPTION
		*	**	
21	70658686	1	1	HOSE, restriction indicator (See HOSE PARTS)
	70919174	2	2	CONNECTOR, flare type, 1/4" tube, 1/8"NPT female
	70904273	1	1	NIPPLE, pipe, 1/8"NPT x 1"
22	70663089	1	-	FLANGE, air cleaner
	70919224	6	-	CAPSCREW, 3/8"NC x 1-1/8"
	70904206	6	-	LOCKWASHER, 3/8"
	70911026	6	-	NUT, 3/8"NC
23	70659034	1	-	HOSE, air inlet
24	70658781	2	-	CLAMP, air inlet hose

(Added June 1970)



USAGE: Tractors serial No. 64A09572 and up. See page 83D

ITEM	PART NO.	QTY.	DESCRIPTION
-	70662618	1	CLEANER ASSY., air (Includes items 1 thru 10)
1	-----	1	BODY (Not serviced separately)
2	70662477	1	ELEMENT ASSY., safety (inner)
3	70659533	1	ELEMENT ASSY., filtering (outer)
4	-----	2	GASKET, element retaining nut
5	70239517	2	NUT ASSY., element retaining (Includes item 4)
6	70620721	1	O-RING, cup sealing
7	70621530	1	CLAMP ASSY. (Includes tightening screw)
8	70661162	1	BAFFLE ASSY. (Includes wing nut)
9	70661163	1	CUP, sediment
10	73042943	1	VALVE, unloading



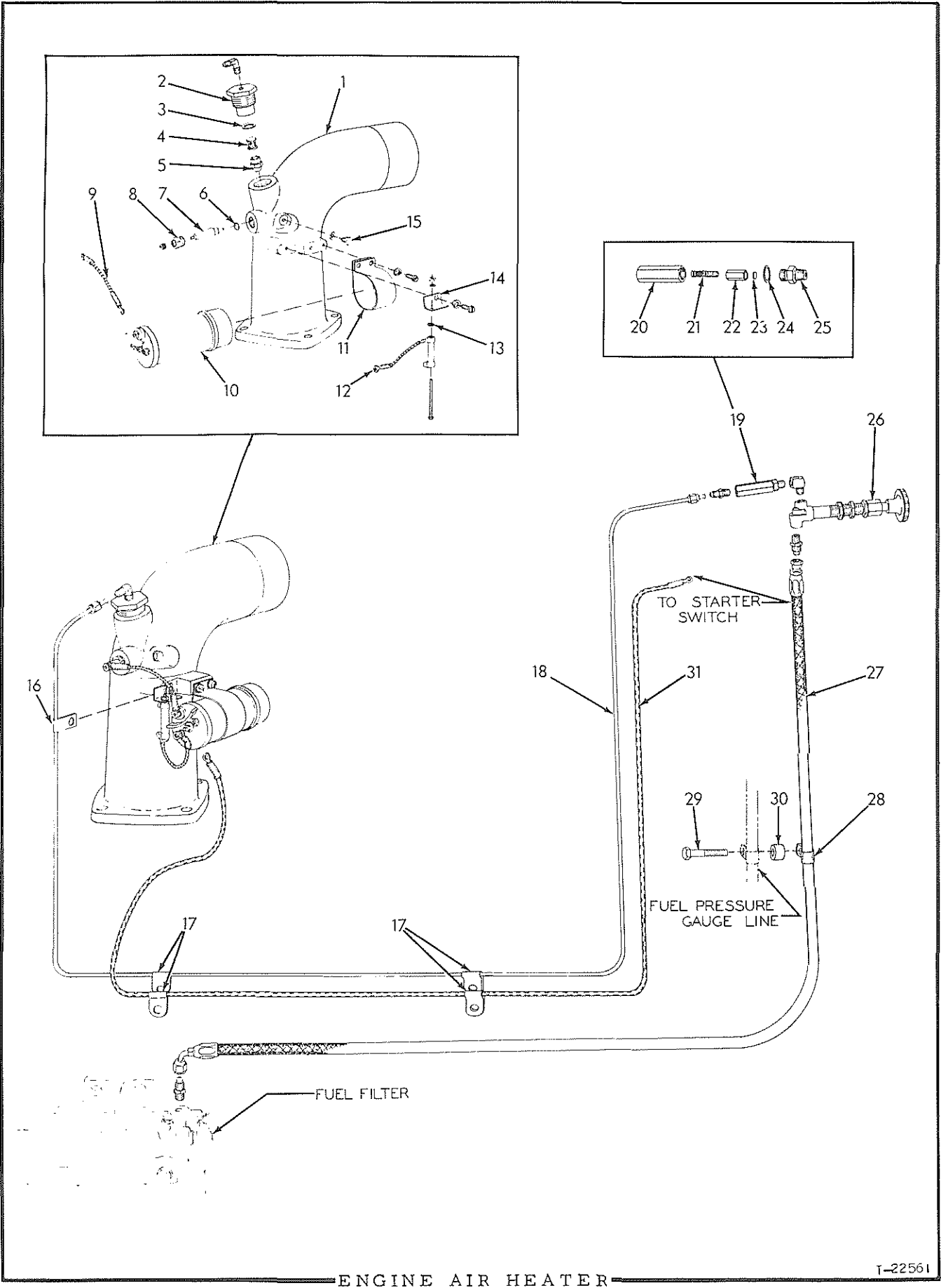
USAGE: Special equipment. For units with dry-type AIR CLEANER 70650911.

ITEM	PART NO.	QTY.	DESCRIPTION
1	70645028	1	RAINCAP (Includes clamp)
2	70655258	1	TUBE, extension
3	70035061	3	CAPSCREW, 1/2"NC x 1-1/4"
	70085453	3	WASHER, plain
	70904208	3	LOCKWASHER, 1/2"
	70911028	3	NUT, 1/2"NC
4	70655064	1	CLAMP, gasket
	70920613	1	CAPSCREW, 3/8"NF x 3"
	70900817	2	WASHER, plain, U.S. std., 3/8"
	70904206	1	LOCKWASHER, 3/8"
	70911041	1	NUT, 3/8"NF

(Continued)

AIR INTAKE EXTENSION (Continued)

ITEM	PART NO.	QTY.	DESCRIPTION
5	70655044	1	WASHER, extension pipe gasket
6	70655045	1	GASKET, extension pipe
7	70655139	1	ADAPTER, air intake (Replaces std. ADAPTER 70650886)
	70047478	6	CAPSCREW, 1/4"NC x 5/8"
	70904204	6	LOCKWASHER, 1/4"
	70911114	6	WASHER, plain, SAE std., 1/4"
8	70655253	1	ROD, bracing, right side
	70911043	1	NUT, 1/2"NF
	70917666	1	YOKE, rod end, adjustable, 1/2"NF
	70912192	2	CAPSCREW, 1/2"NF x 1-3/4"
	70038234	2	NUT, high, 1/2"NF
9	70655096	1	ROD, bracing, left side
	70911043	1	NUT, 1/2"NF
	70917666	1	YOKE, rod end, adjustable, 1/2"NF
	70912192	2	CAPSCREW, 1/2"NF x 1-3/4"
	70038234	2	NUT, high, 1/2"NF
10	70067902	4	BOLT, eye
	70911043	8	NUT, 1/2"NF
11	70085453	4	WASHER, hood reinforcing



ENGINE AIR HEATER

T-22561

ENGINE AIR HEATER

USAGE: Special equipment. For all units except those equipped with Engine Primer.

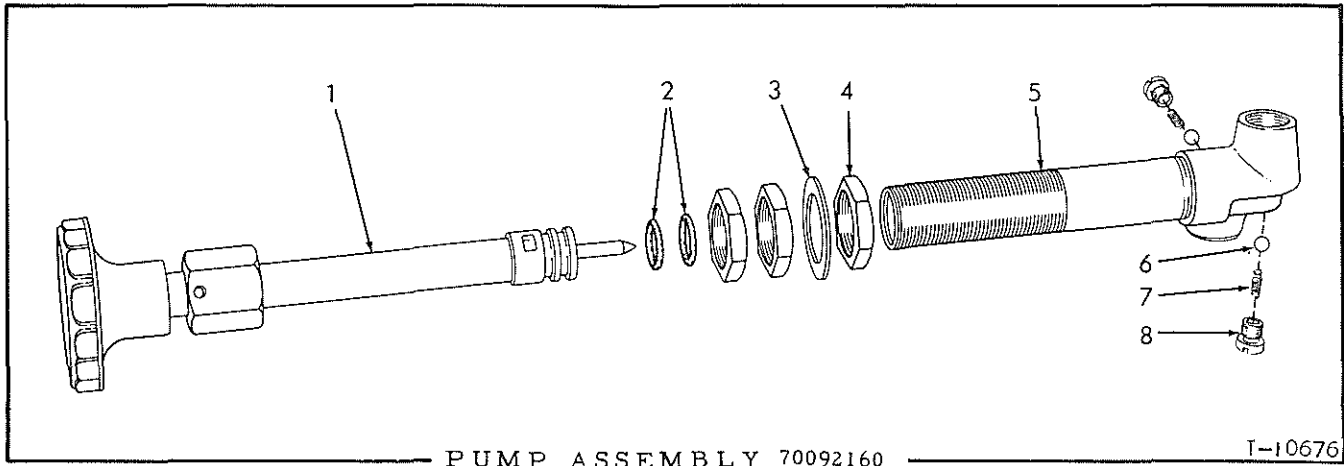
ITEM	PART NO.	QTY.	DESCRIPTION
1	70097512	1	ELBOW, air intake (Replaces standard ELBOW 70097486)
2	70088038	1	BUSHING, spray nozzle
3	70630787	1	WASHER, spray nozzle
4	70631225	1	STRAINER ASSEMBLY, spray nozzle (1 body and 1 screen)
5	70631224	1	NOZZLE ASSEMBLY, spray (Includes item 4)
6	70631566	1	GASKET, insulator
7	70631226	1	INSULATOR PACKAGE (Includes terminal nut and item 6)
8	70630828	1	NUT, insulator retaining
9	70051006	1	CABLE, coil to insulator
10	70097026	1	COIL, ignition (Serviced only as a unit)
11	70631199	1	BRACKET, ignition coil mounting
	70912226	2	SCREW, machine, fil-hd., 1/4"NC x 5/8"
	70904204	2	LOCKWASHER, 1/4"
12	70630830	1	RESISTOR
	70915922	1	SCREW, machine #8-32 x 2-1/4"
	70915923	1	LOCKWASHER, external teeth, #8
	70907154	1	NUT, #8-32
13	70631198	1	WASHER, insulating
14	70644133	1	BRACKET, resistor mounting
	70912226	1	SCREW, machine, fil-hd., 1/4"NC x 5/8"
	70904204	1	LOCKWASHER, 1/4"
15	70630827	1	SCREW ASSEMBLY, electrode (1 screw and 1 electrode)
	70904204	1	LOCKWASHER, 1/4"
16	70200479	1	CLIP, tube supporting (3/16" diam., 13/32" bolt-hole)
17	70223502	4	CLIP, supporting, tube and cable (3/16" diam., 17/32" bolt-hole)
18	70094665	1	TUBE ASSEMBLY, pump to nozzle (Includes nuts)
	70919204	1	ELBOW, flare type, 3/16" tube, 1/8"NPT male
	70919244	1	CONNECTOR, flare type, 3/16" tube, 1/8"NPT male
19	70094642	1	VALVE ASSEMBLY, check (Consists of items 20 thru 25)
20	70094890	1	BODY, check valve
21	70048603	1	SPRING, check valve
22	70048608	1	PLUNGER, check valve
23	70048606	1	DISC, check valve
24	70630713	1	WASHER, check valve

(Continued)

## ENGINE AIR HEATER (Continued)

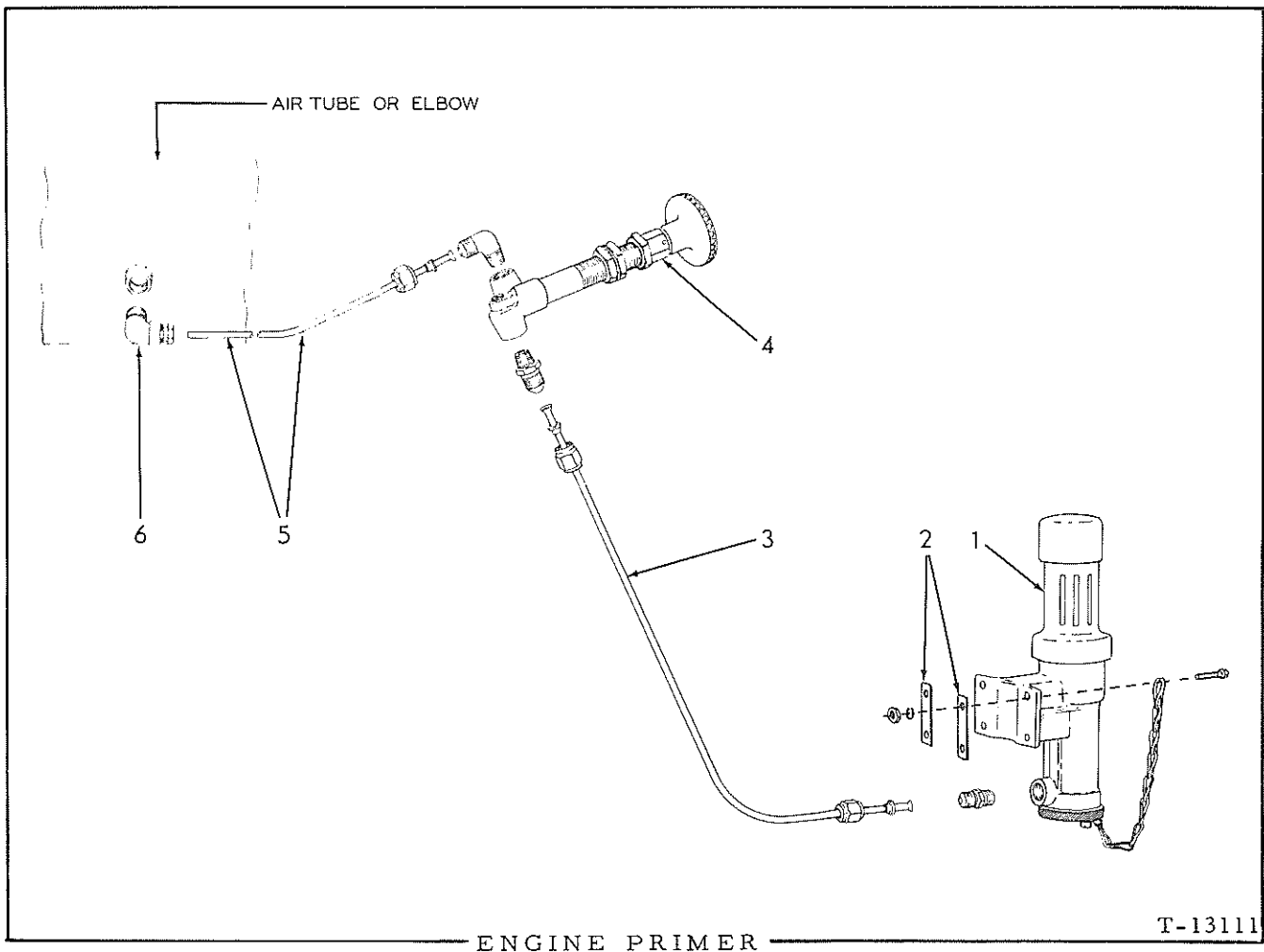
ITEM	PART NO.	QTY.	DESCRIPTION
25	70092793	1	CONNECTOR, check valve
26	70092160	1	PUMP ASSEMBLY (See page 89 for parts)
	70915399	1	ELBOW, street, 90°, brass, 1/8"NPT
27	70643723	1	HOSE, fuel filter to pump (See HOSE PARTS)
	70919171	2	CONNECTOR, flare type, 1/4" tube, 1/8"NPT male
28	70644006	1	CLIP, hose supporting
29	70046419	1	CAPSCREW, 3/8"NF x 2"
30	70619331	1	BLOCK, spacing, hose clip
31	70067177	1	CABLE, switch to coil





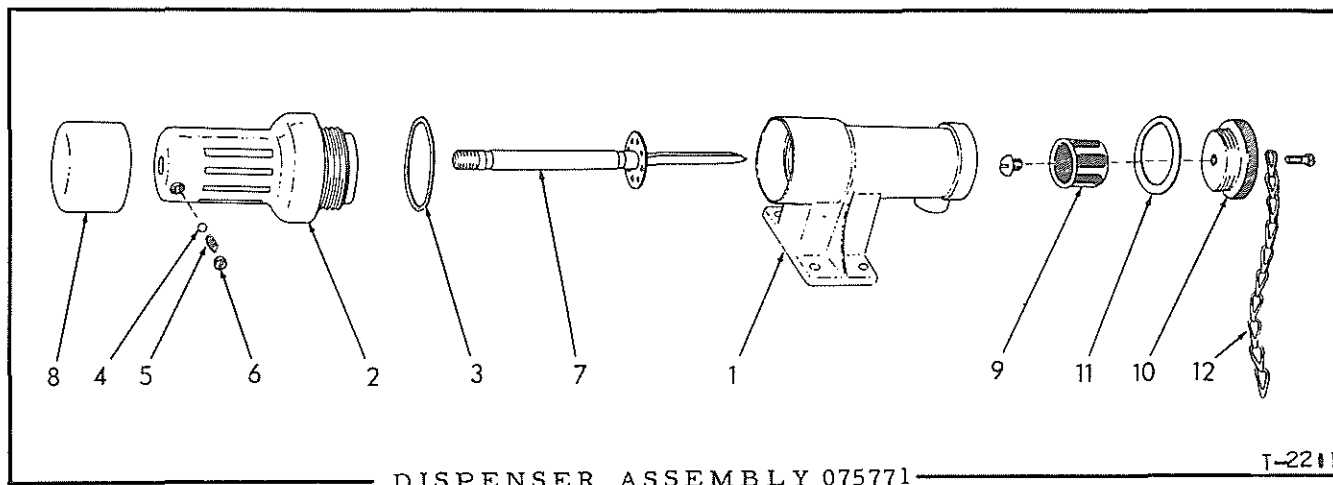
USAGE: See pages 87 and 90

ITEM	PART NO.	QTY.	DESCRIPTION
1	-----	1	PISTON ASSEMBLY (Not serviced separately)
2	70923560	2	O-RING, plunger
3	70066873	1	WASHER, mounting
4	70066872	3	NUT, mounting
5	-----	1	BARREL ASSEMBLY (Not serviced separately)
6	70066876	2	BALL, check valve (5/32" diam.)
7	70066875	2	SPRING, check valve
8	70066874	2	RETAINER, check valve



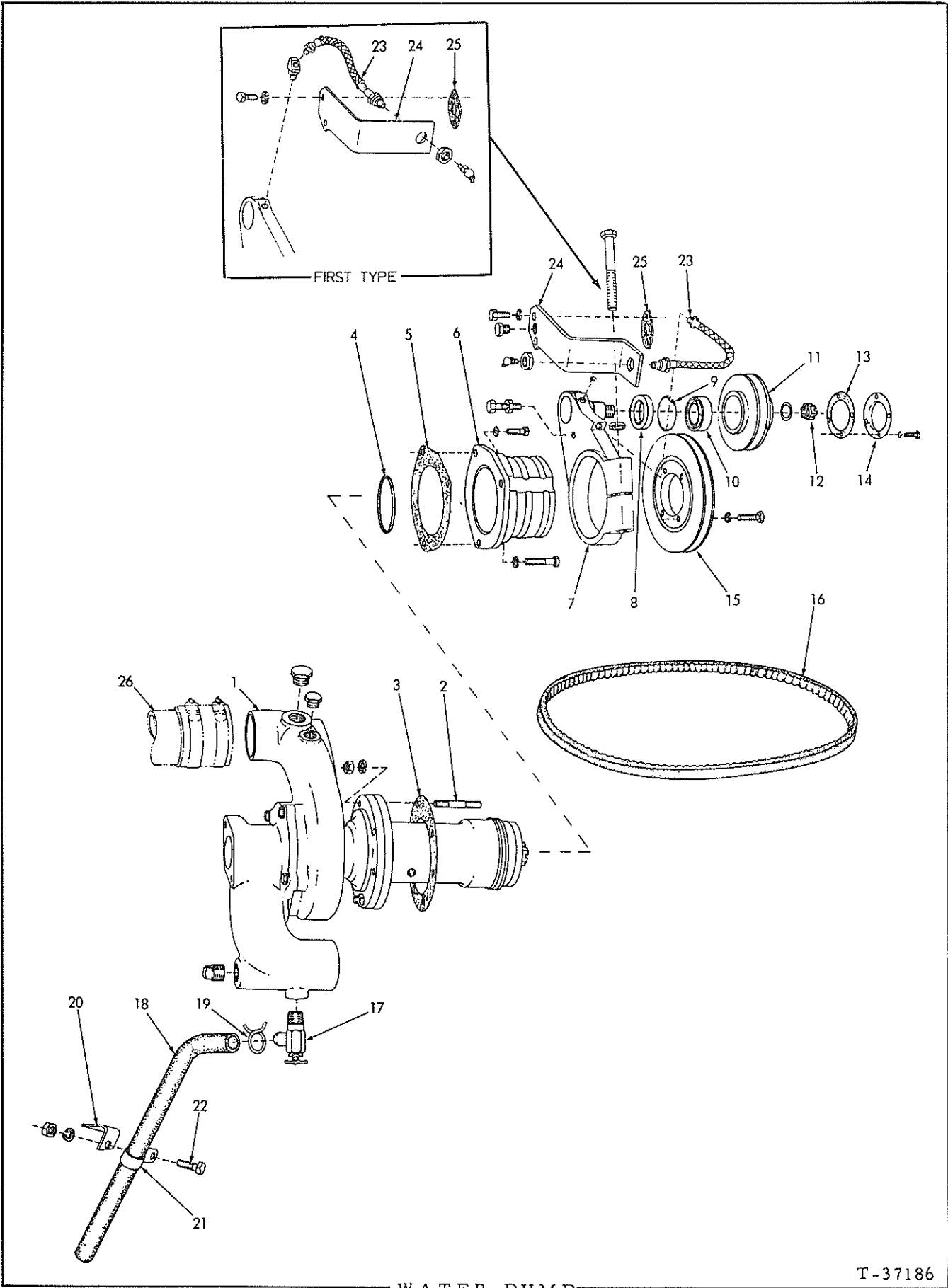
USAGE: Special equipment. For all units except those equipped with Air Heater

ITEM	PART NO.	QTY.	DESCRIPTION
1	70075771	1	DISPENSER ASSEMBLY, priming fuel (See page 91 for parts)
	70913706	4	CAPSCREW, #10-24NC x 1"
	70904203	4	LOCKWASHER, #10
	70901310	4	NUT, #10-24NC
2	70066261	6	GASKET, dispenser mounting
3	-----	1	TUBE, dispenser to pump (Order item 7)
	70915488	2	NUT, Sealastic, 1/8" tube
	70915486	2	RING, Sealastic, 1/8" tube (Includes ferrule)
	70915556	2	CONNECTOR, Sealastic, 1/8" tube, 1/8"NPT male
4	70092160	1	PUMP ASSEMBLY (See page 89 for parts)
5	-----	1	TUBE, pump discharge (Order item 7)
	70915488	1	NUT, Sealastic, 1/8" tube
	70915486	1	RING, Sealastic, 1/8" tube (Includes ferrule)
	70915557	1	ELBOW, Sealastic, 1/8" tube, 1/8"NPT male
6	70066517	1	ELBOW ASSEMBLY, fuel spray (Includes nozzle, nut and sleeve. Serviced only as a unit)
7	70066253	-	TUBING, copper, 1/8"O.D., 10ft. roll (Use as req'd)(Not Illustrated)



USAGE: See page 90

ITEM	PART NO.	QTY.	DESCRIPTION
1	70068878	1	BODY, fuel dispenser
2	70068879	1	CHAMBER, fuel dispenser
3	70069164	1	GASKET, fuel dispenser chamber
4	70905357	1	BALL, steel, 3/16" diam.
5	70066251	1	SPRING, plunger locking ball
6	70066252	1	PLUG, retaining, locking ball spring
7	70066255	1	PLUNGER, fuel dispenser
8	70068881	1	KNOB, fuel dispenser plunger
9	70068875	1	STRAINER, fuel dispenser
	70915432	1	SCREW, machine, 1/4"NC x 5/16"
10	70075770	1	PLUG, fuel dispenser strainer
11	70068876	1	GASKET, fuel dispenser strainer plug
12	70075769	1	CHAIN, strainer plug retaining
	70901781	1	SCREW, machine, fil-hd., #10-32NF x 1/2"



WATER PUMP

T-37186

4396371 4396166  
 → 6371

WATER PUMP

USAGE: Engines prior to serial no. 16-09529

74 3933 2 3 \* Engines prior to serial No. 16-07405 (11/16" belt)  
 \*\* Engines serial No. 16-07405 and up (1/2" belt)

ITEM	PART NO.	QTY.	* **	DESCRIPTION
1	74387607	1	1	PUMP ASSEMBLY (See page 95 for parts)
	70918887	1	1	PLUG, pipe, hex-socket, 3/8"NPT
	70920333	1	1	PLUG, pipe, hex-hd., 3/8"NPT
	70921073	1	1	PLUG, pipe, hex-hd., 1"NPT (Used prior to engine #16-07836)
2	74513810	5	5	STUD, attaching
	70904206	5	5	LOCKWASHER, 3/8"
	70910123	5	5	NUT, 3/8"NF
3	74376398	1	1	<input type="checkbox"/> GASKET, pump mounting
4	70923035	1	1	<input type="checkbox"/> O-RING, pump body
5	74361740	1	1	<input type="checkbox"/> GASKET, idler support
6	74386855	1	1	SUPPORT, belt tightening idler
	70919224	1	1	CAPSCREW, 3/8"NC x 1-1/8"
	70912069	2	2	CAPSCREW, 3/8"NC x 2-1/2"
	70904206	3	3	LOCKWASHER, 3/8"
7	74388518	1	-	BRACKET, idler pulley
	70915275	1	-	FITTING, lubricating, 65°, 1/8"NPT (Engines prior to #16-05014)
	74388339	-	1	<input type="checkbox"/> BRACKET, idler pulley
	70919134	-	1	<input type="checkbox"/> PLUG, pipe, hex-hd., 1/8"NPT
	70916320	1	1	CAPSCREW, 1/2"NC x 4" (clamp)
	70904208	1	1	LOCKWASHER, 1/2"
	70916314	1	1	CAPSCREW, 1/2"NC x 2" (adjustment)
	70910510	1	1	NUT, jam, 1/2"NC
8	74254670	1	1	SEAL, oil, idler pulley
9	74254100	1	1	RING, snap, idler pulley
10	74255031	1	1	BEARING, ball, idler pulley
11	74387294	1	-	PULLEY, idler
	74388253	-	1	<input type="checkbox"/> PULLEY, idler
12	70917626	1	1	NUT, self-locking, 3/4"NF
	70910819	1	1	WASHER, plain
13	74347752	1	1	GASKET, idler pulley cover
14	74347751	1	1	COVER, idler pulley
	70915343	4	4	CAPSCREW, 1/4"NC x 5/8"
	70904204	4	4	LOCKWASHER, 1/4"
15	74386824	1	-	PULLEY
	70916225	4	-	CAPSCREW, 3/8"NF x 1"
	70904206	4	-	LOCKWASHER, 3/8"
	74388240	-	1	<input type="checkbox"/> PULLEY
	74751643	-	4	<input type="checkbox"/> BOLT (self-locking, 3/8"NF x 1")(Early units)
	74252002	-	4	<input type="checkbox"/> BOLT (self-locking, 3/8"NF x 1/2")(Late units)
16	74388434	1	-	BELT, pump driving
	74391351	-	1	<input type="checkbox"/> BELT, pump driving
17	70089894	1	1	COCK, water drain
18	70643744	1	1	HOSE, water drain
19	70089107	1	1	CLAMP, hose, spring type, 15/16" diam.
20	70096208	1	1	ANGLE, supporting, water drain hose
21	70069657	1	1	CLIP, drain hose

(Continued)

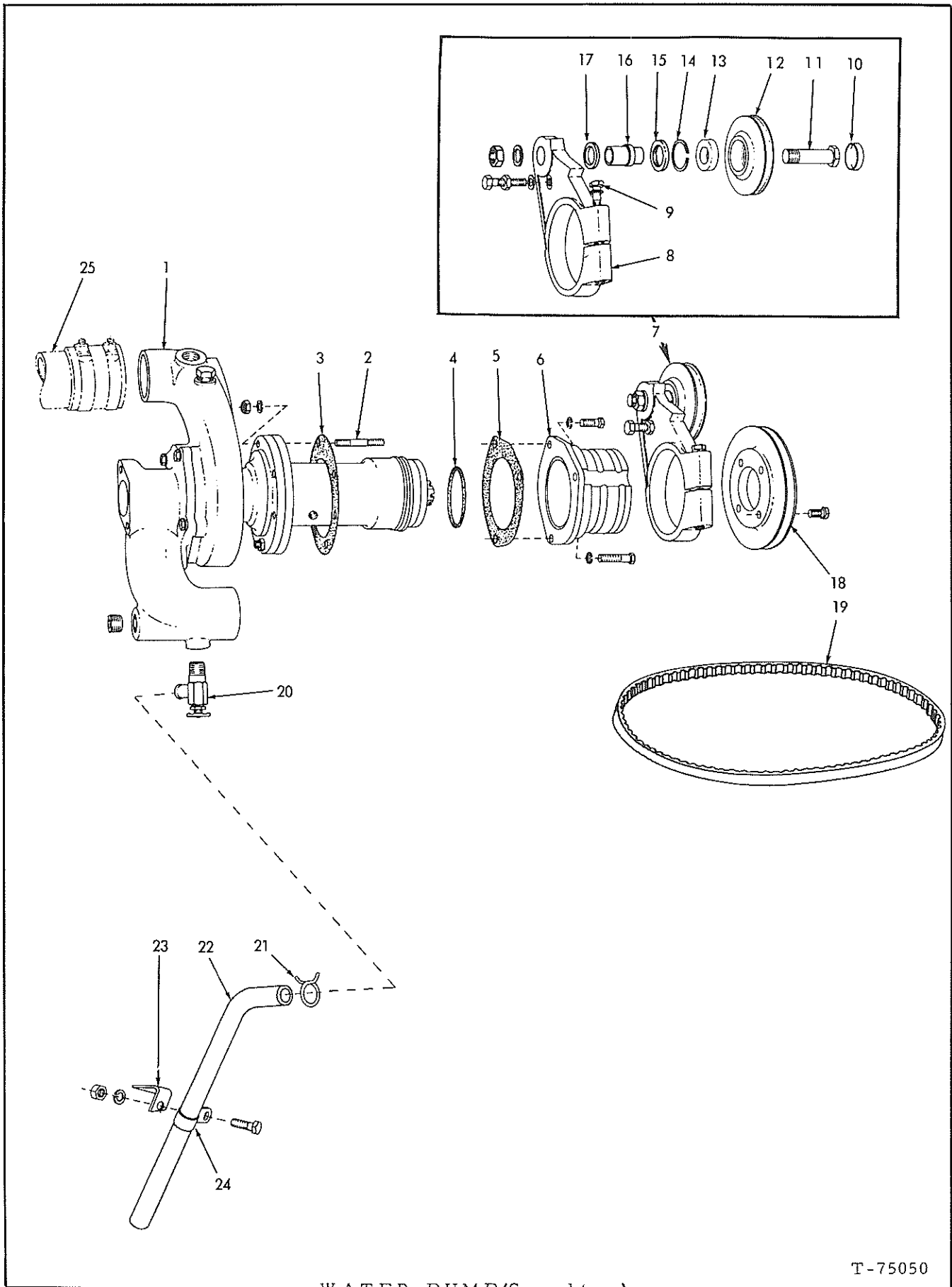
(Revised January 1979)

WATER PUMP (Continued)

ITEM	PART NO.	QTY.		DESCRIPTION
		*	**	
22	70035167	1	1	CAPSCREW, 3/8"NF x 7/8"
	70904206	1	1	LOCKWASHER, 3/8"
	70911041	1	1	NUT, 3/8"NF
23	70605782	1	1	HOSE, lubricating (Effective with engine #16-05014)
	70922194	1	1	ELBOW, adapting, 60°, 1/8"NPT male and female (Used prior to engine #16-07405)
	70915275	1	1	FITTING, lubricating, 65°, 1/8"NPT
	70903574	1	1	NUT, jam 5/8"NC
24	74387993	1	-	BRACKET, lubricating hose (Engines #16-05014 and up)
	74390887	-	1	<input type="checkbox"/> BRACKET, lubricating hose
	70920333	-	1	PLUG, pipe, hex-hd., 3/8"NPT
	70915408	2	2	CAPSCREW, 3/8"NC x 3/4"
	70904206	2	2	LOCKWASHER, 3/8"
25	74371027	1	1	<input type="checkbox"/> GASKET, lubricating hose bracket (Effective with engine #16-05014)
26	-----	1	1	HOSE (See WATER INLET MANIFOLD AND HEAT EXCHANGER)

(Revised January 1979)





WATER PUMP (Second type)

T-75050



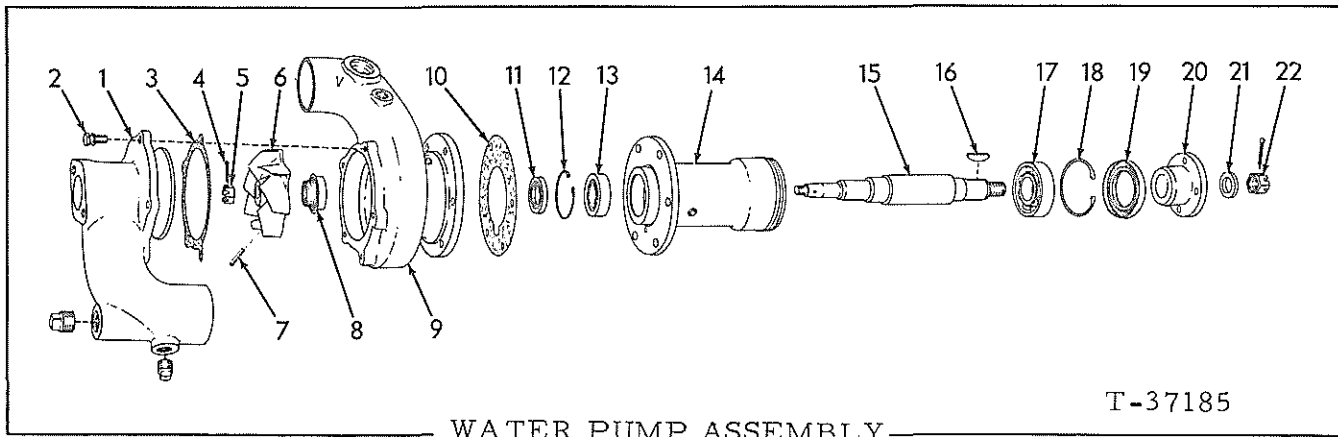
WATER PUMP

USAGE: Engines serial No. 16-09529 and up

ITEM	PART NO.	QTY.	DESCRIPTION
1	74387607	1	PUMP ASSEMBLY (See page 95 for parts)
	70918887	1	PLUG, pipe, hex-socket, 3/8"NPT
	70920333	1	PLUG, pipe, hex-hd., 3/8"NPT
2	74513810	5	STUD, attaching
	70904206	5	LOCKWASHER, 3/8"
	70910123	5	NUT, 3/8"NF
3	74376398	1	□GASKET, pump mounting
4	70923935	1	□O-RING, pump body
5	74361740	1	□GASKET idler support
6	74386855	1	SUPPORT, belt tightening idler
	70919224	1	CAPSCREW, 3/8"NC x 1-1/8"
	70912069	2	CAPSCREW, 3/8"NC x 2-1/2"
	70904206	3	LOCKWASHER, 3/8"
7	-----	1	IDLER ASSEMBLY, belt tightening (Consists of items 8 thru 17)
8	74390120	1	BRACKET, idler
	70916314	1	CAPSCREW, 1/2"NC x 2"
	70910510	1	NUT, jam, 1/2"NC
	70904208	1	LOCKWASHER 1/2"
9	70924863	1	SCREW, bracket clamping (1/2"NC x 3-3/4")
10	74255110	1	CAP, idler pulley
11	74390655	1	BOLT, idler pulley
	70910175	1	NUT, jam, 3/4"NF
	70927382	1	WASHER, plain
12	74391650	1	PULLEY, idler
13	74391154	1	BEARING, ball, idler pulley
14	74254100	1	RING, snap, idler pulley
15	74255839	1	SEAL, oil, idler pulley
16	74390992	1	SHAFT, idler pulley
17	74391687	1	SPACER, idler shaft
18	74391593	1	PULLEY, idler
	74752002	4	BOLT (self-locking, 3/8"NF x 1/2")
19	74391351	1	BELT, pump driving
20	70089894	1	COCK, water drain
21	70089107	1	CLAMP, hose, spring type, 15/16" diam.
22	70643744	1	HOSE, water drain
23	70096208	1	ANGLE, supporting, water drain hose
24	70069657	1	CLIP, drain hose
	70035167	1	CAPSCREW, 3/8"NF x 7/8"
	70904206	1	LOCKWASHER, 3/8"
	70911041	1	NUT, 3/8"NF
25	-----	1	HOSE (See WATER INLET MANIFOLD AND HEAT EXCHANGER)

(Added December 1968)



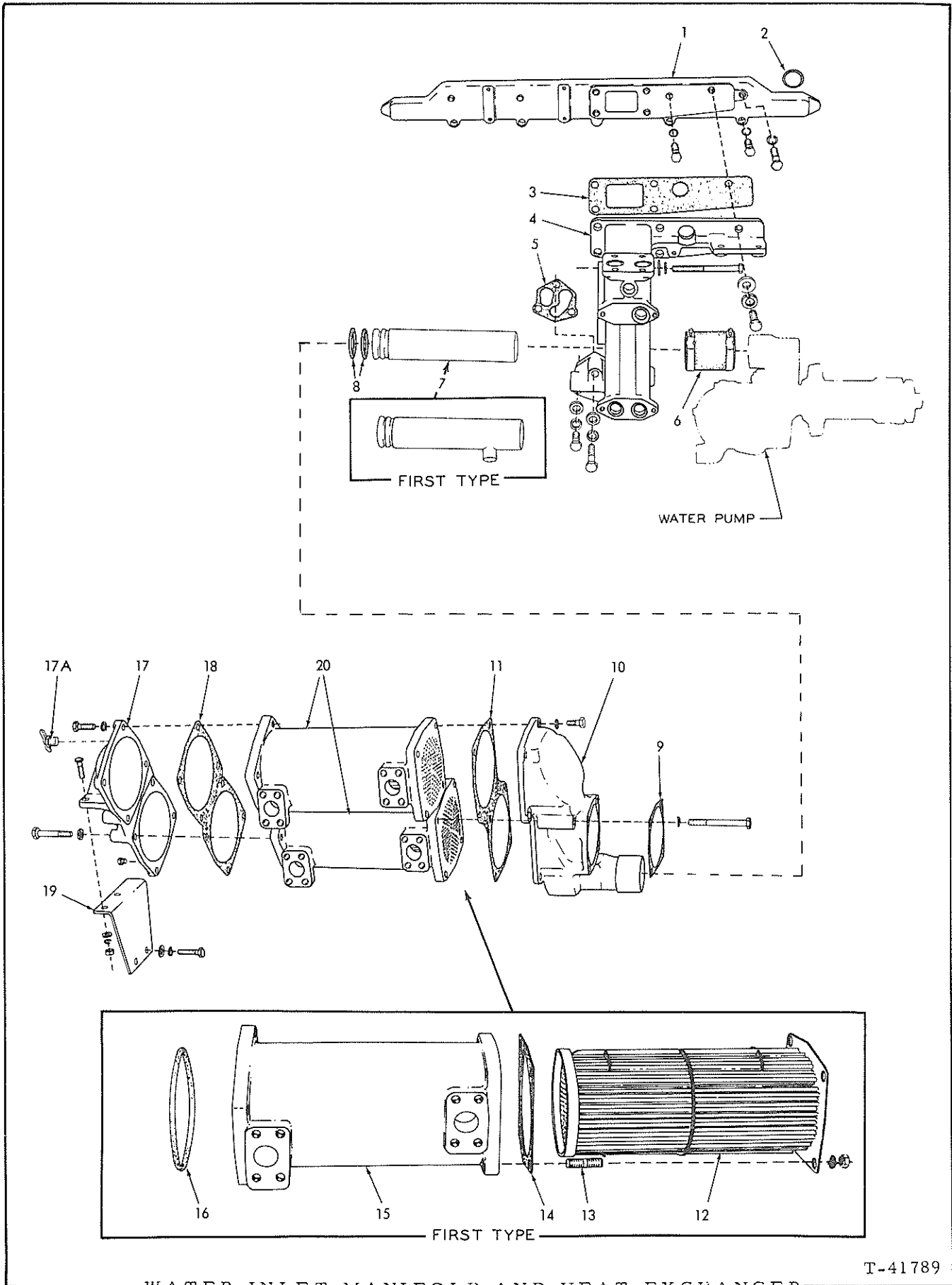


WATER PUMP ASSEMBLY

USAGE: See page 93.

\* Pump assembly 74387607 (Original equipment)  
 \*\* Pump assembly 74393323

ITEM	PART NO.	QTY.		DESCRIPTION
		*	**	
1	74375682	1	1	COVER, pump inlet
	-----	1	1	PLUG, pipe, 3/8"NPT (bottom)
	-----	1	1	PLUG, pipe, 1/2"NPT (rear)
2	74041092	4	4	CAPSCREW ASSY. (Includes lockwasher)
3	74372421	1	1	GASKET, pump inlet cover
4	74041097	1	-	PIN, cotter, impeller retaining nut
5	74375686	1	-	NUT, impeller retaining
6	74389359	1	-	IMPELLER ASSY.
	74393324	-	1	IMPELLER ASSY. (Includes ceramic insert)
7	74375694	1	-	PIN, impeller retaining
8	74386862	1	1	SEAL ASSY. (Serviced only as a unit)
9	74387609	1	1	BODY, pump
10	74387051	1	1	GASKET, pump body
11	74386927	1	-	SEAL, oil, rear end (1" shaft diam. )(Used prior to engine #16-05010)
	74387605	1	1	SEAL, oil, rear end (31/32" shaft diam. )(Effective with engine #16-05010)
12	74254100	1	1	RING, snap, rear bearing
13	74255338	1	1	BEARING, roller (rear)
14	74387050	1	1	SLEEVE, extension
15	74387606	1	-	SHAFT (If for engines prior to #16-05010 also order SEAL 74387605)
	74393325	-	1	SHAFT
16	74660677	1	1	KEY, pump shaft
17	74253871	1	1	BEARING, ball (front)
18	74253318	1	1	RING, snap, front bearing
19	74254948	1	1	SEAL, oil, front end
20	74386924	1	1	HUB, drive
21	74375691	1	1	WASHER, hub retaining
22	70912331	1	-	NUT, slatted, 3/4"NF
	70900808	1	-	PIN, cotter, 1/8" x 1-1/2"
	70918182	-	1	NUT, self-locking, 3/4"NF (plated)



WATER INLET MANIFOLD AND HEAT EXCHANGER

USAGE: Tractors prior to serial no. 8399. For superseding design, see page 98B  
 \* Engines prior to serial No. 16-07552  
 \*\* Engines serial No. 16-07552 and up

ITEM	PART NO.	QTY.		DESCRIPTION
		*	**	
1	74389289	1	1	MANIFOLD, water inlet
	70919231	4	4	CAPSCREW, 1/2"NC x 1-7/8"
	70916317	3	3	CAPSCREW, 1/2"NC x 2-3/4"
	70915969	1	1	CAPSCREW, 1/2"NC x 3" (Also attaches water filter hose bracket)
	70904208	8	8	LOCKWASHER, 1/2"
2	70923576	12	12	<input type="checkbox"/> O-RING, water inlet manifold
3	74389635	1	1	<input type="checkbox"/> GASKET, water and oil manifold
4	74377455	1	-	MANIFOLD ASSEMBLY, water and oil (Includes PLUGS 70904224)(Used prior to engine #16-05686)
	70904224	2	-	PLUG, pipe, ctsk-hd., 3/4"NPT
	-----	1	-	MANIFOLD, water and oil (Engines #16-05686 thru #16-07163. Order MANIFOLD 74388147 and BONNET 74389840)
	74388147	1	1	MANIFOLD, water and oil (Effective with engine #16-07164)
	70916311	5	5	CAPSCREW, 1/2"NC x 1-1/4"
	70915987	2	2	CAPSCREW, 1/2"NC x 1-1/2"
	70914399	1	-	CAPSCREW, 1/2"NC x 3-3/4" (Used prior to engine #16-05686)
	70916320	1	1	CAPSCREW, 1/2"NC x 4" (Effective with engine #16-05686)
	70904208	8	8	LOCKWASHER, 1/2"
	70912333	8	8	WASHER, plain
5	74386495	1	1	<input type="checkbox"/> GASKET, manifold to block
6	74662263	1	1	HOSE, heat exchanger to water pump
	70922199	2	2	CLAMP, hose, 2-9/16" to 3-9/16" diam.
7	74387510	1	1	TUBE, pump to bonnet (Used prior to engine #16-07836)
	74388185	-	1	TUBE, pump to bonnet (Effective with engine #16-07836)
8	70923651	2	2	<input type="checkbox"/> O-RING, bonnet tube
9	74371160	1	1	<input type="checkbox"/> GASKET, adaptor to manifold
10	74387418	1	1	ADAPTOR, heat exchanger
	70919294	2	2	CAPSCREW, 1/2"NC x 4-1/4" } To Exchanger
	70915987	-	6	CAPSCREW, 1/2"NC x 1-1/2" }
	70916322	4	4	CAPSCREW, 1/2"NC x 5" (To Manifold)
	70904208	6	12	LOCKWASHER, 1/2"
	70916009	4	4	WASHER, plain
	74371107	2	2	WASHER, plain (turbocharger supply line bracket)
11	74389678	1	1	<input type="checkbox"/> GASKET, heat exchanger adaptor
12	-----	2	-	TUBE-BUNDLE, heat exchanger (Order item 20)
13	74367187	6	-	STUD, heat exchanger housing
	70904208	6	-	NUT, 1/2"NF
				LOCKWASHER, 1/2"
14	74386856	2	-	<input type="checkbox"/> GASKET, heat exchanger
15	74387259	2	-	HOUSING, heat exchanger

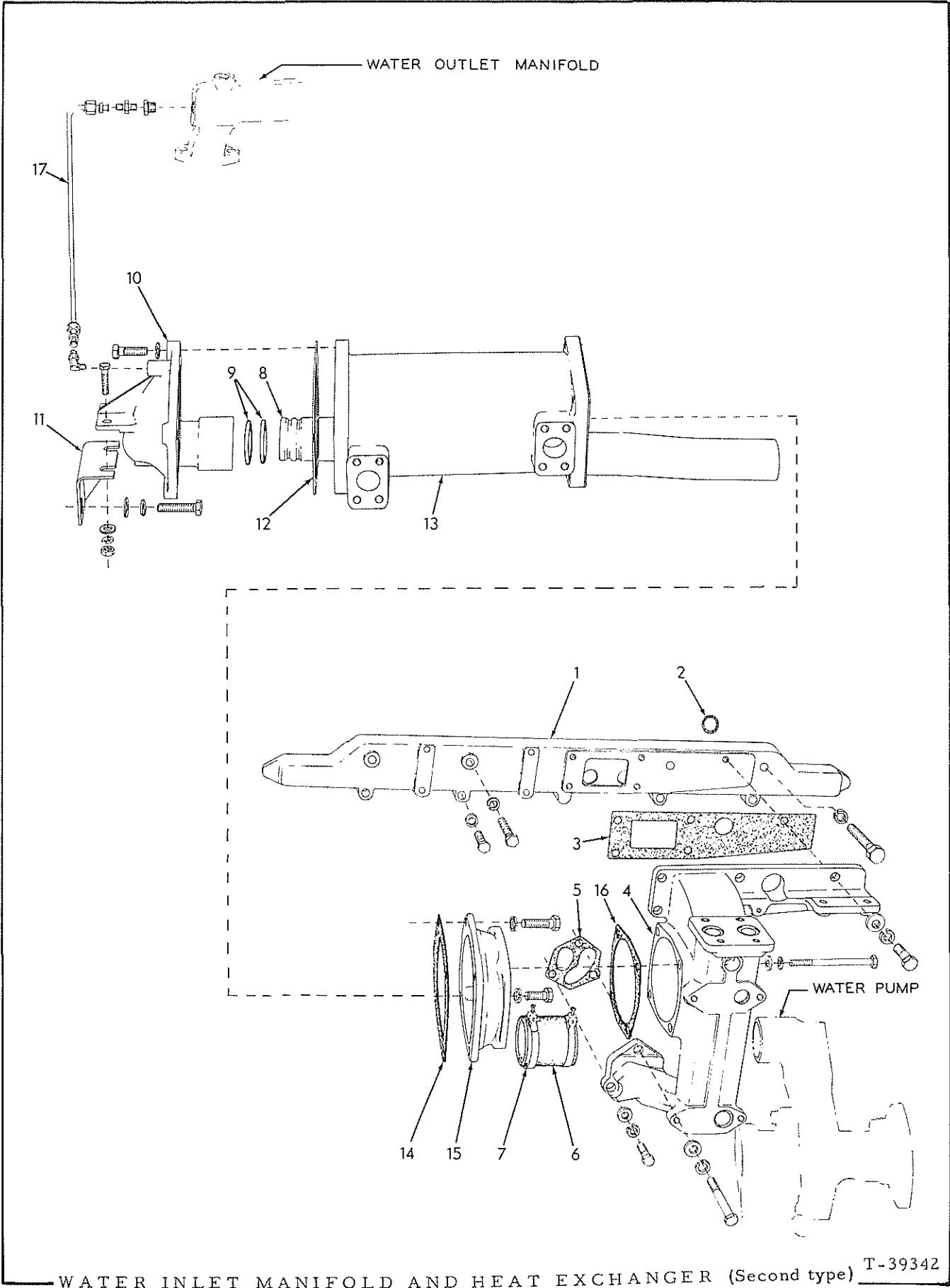
(Continued)

(Revised January 1979)

WATER INLET MANIFOLD AND HEAT EXCHANGER (Continued)

ITEM	PART NO.	QTY. * **	DESCRIPTION	
16	70923605	2 -	O-RING, heat exchanger	
17	74388465	1 1	BONNET, heat exchanger (If for engines prior to #16-07642 also order item 17A)	
	70919840	1 1	PLUG, pipe, hex-hd., 1/4"NPT	} To heat exchanger
	70915987	4 4	CAPSCREW, 1/2"NC x 1-1/2"	
	70915969	4 4	CAPSCREW, 1/2"NC x 3"	
	70904208	8 8	LOCKWASHER, 1/2"	
	70914847	2 2	CAPSCREW, 3/8"NC x 1-1/2"	} To supporting bracket
	70911115	2 2	WASHER, plain, SAE std., 3/8"	
	70904206	2 2	LOCKWASHER, 3/8"	
	70910324	2 2	NUT, 3/8"NF	
17A	74255363	- 1	COCK, vent,heat exchanger bonnet (Effective with engine #16-07642)	
18	74389676	1 1	GASKET, heat exchanger bonnet	
19	74387453	1 1	BRACKET, supporting, heat exchanger	
	70922290	2 2	CAPSCREW, 1/2"NC x 2"	
	70910244	2 2	WASHER, plain, SAE std., 1/2"	
	70904208	2 2	LOCKWASHER, 1/2"	
20	74389045	- 2	EXCHANGER, heat	







WATER INLET MANIFOLD AND HEAT EXCHANGER

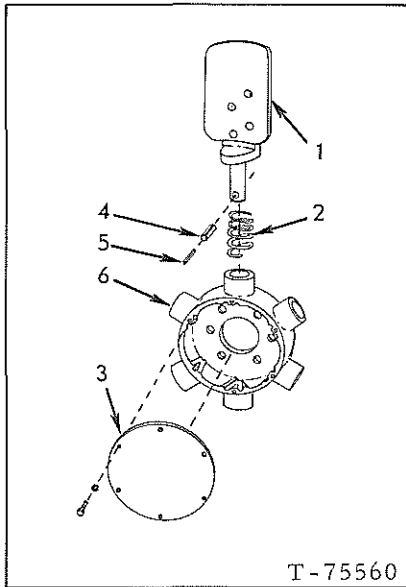
USAGE: Tractors serial No. 8399 and up

ITEM	PART NO.	QTY.	DESCRIPTION
1	74389289	1	MANIFOLD, water inlet
	70919231	4	CAPSCREW, 1/2"NC x 1-7/8"
	70916317	3	CAPSCREW, 1/2"NC x 2-3/4"
	70915969	1	CAPSCREW, 1/2"NC x 3" (Also attaches water filter hose bracket)
	70904208	8	LOCKWASHER, 1/2"
2	70923576	12	O-RING, water inlet manifold
3	74389291	1	GASKET, water and oil manifold
4	74388147	1	MANIFOLD, water and oil
	70916311	5	CAPSCREW, 1/2"NC x 1-1/4"
	70915987	2	CAPSCREW, 1/2"NC x 1-1/2"
	70916320	1	CAPSCREW, 1/2"NC x 4"
	70904208	8	LOCKWASHER, 1/2"
	70912333	8	WASHER, plain
5	74386495	1	GASKET, manifold to block
6	74662263	1	HOSE, heat exchanger to water pump
7	74253464	2	CLAMP, hose
8	74388501	1	TUBE, pump to bonnet
9	74254806	2	O-RING, bonnet tube
10	74388464	1	BONNET, heat exchanger
	70915987	4	CAPSCREW, 1/2"NC x 1-1/2"
	70904208	4	LOCKWASHER, 1/2"
	70914847	2	CAPSCREW, 3/8"NC x 1-1/2"
	70911115	2	WASHER, plain, SAE std., 3/8"
	70904206	2	LOCKWASHER, 3/8"
	70910324	2	NUT, 3/8"NC
11	74391325	1	BRACKET, supporting, heat exchanger
	70922290	2	CAPSCREW, 1/2"NC x 2"
	70910244	2	WASHER, plain, SAE std., 1/2"
	70904208	2	LOCKWASHER, 1/2"
12	74386223	1	GASKET, heat exchanger bonnet
13	74390506	1	EXCHANGER, heat
14	74386856	1	GASKET, heat exchanger to adaptor
15	74393546	1	ADAPTOR, heat exchanger
	70915987	3	CAPSCREW, 1/2"NC x 1-1/2" } to exchanger
	70916310	1	CAPSCREW, 1/2"NC x 1" }
	70916322	4	CAPSCREW, 1/2"NC x 5"(to manifold)
	70904208	8	LOCKWASHER, 1/2"
	70916009	4	WASHER, plain
16	74371160	1	GASKET, adaptor to manifold
17	74391998	1	TUBE, air bleed
	70917808	2	NUT, Imperial, 1/4" tube
	70917806	2	SLEEVE, Imperial, 1/4" tube
	70919481	1	ELBOW, Imperial, 1/4" tube, 1/4"NPT male
	70920242	1	CONNECTOR, Imperial, 1/4" tube, 1/4" NPT male
	70901839	1	BUCHING, pipe reducing, 1/2"NPT to 1/4"NPT



REVERSIBLE FAN PARTS  
("Huber")

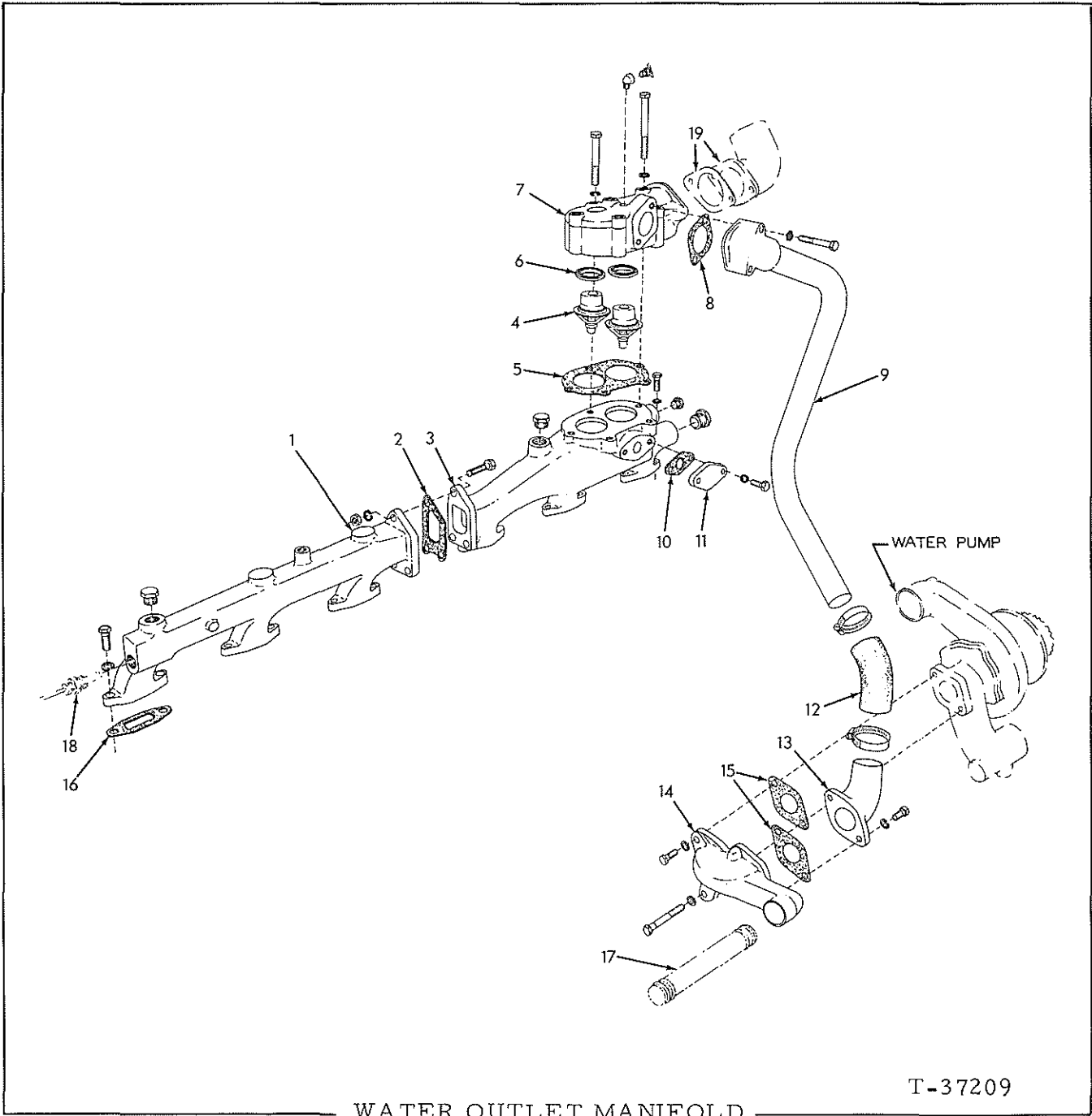
USAGE: See page 107



ITEM	PART NO.	QTY.	DESCRIPTION
1	-----	6	BLADE (See NOTE below)
2	70668595	6	SPRING
3	70668593	1	COVER, dust
	70926339	6	CAPSCREW, #10-24 x 5/16" (Includes lockwasher)
4	70921839	6	PIN, blade retaining, outer 5/16" O. D.)
5	70915989	6	PIN, blade retaining, inner (3/16" O. D.)
6	-----	1	HUB (See NOTE below)

NOTE: Blade and Hub replacements require precision balancing. Return complete fan to HUBER REVERSIBLE FAN CO., 2103 Hershey Rd., Erie, Pennsylvania 16509.

(Revised March 1972)



ITEM	PART NO.	QTY.	DESCRIPTION
1	74394959	1	MANIFOLD, rear (For engines prior to #16-10992 also order 2 PLUG 70924636)
	70920416	1	PLUG, pipe, hex-hd., 1/2"NPT
	70919224	6	CAPSCREW, 3/8"NC x 1-1/8"
	70919226	3	CAPSCREW, 3/8"NC x 1-5/8"
	70904206	9	LOCKWASHER, 3/8"
	70910324	3	NUT, 3/8"NC
	70924636	1	PLUG, hex-hd., brass, 1/2"NPT (Engines #16-10461 and up)

(Continued)

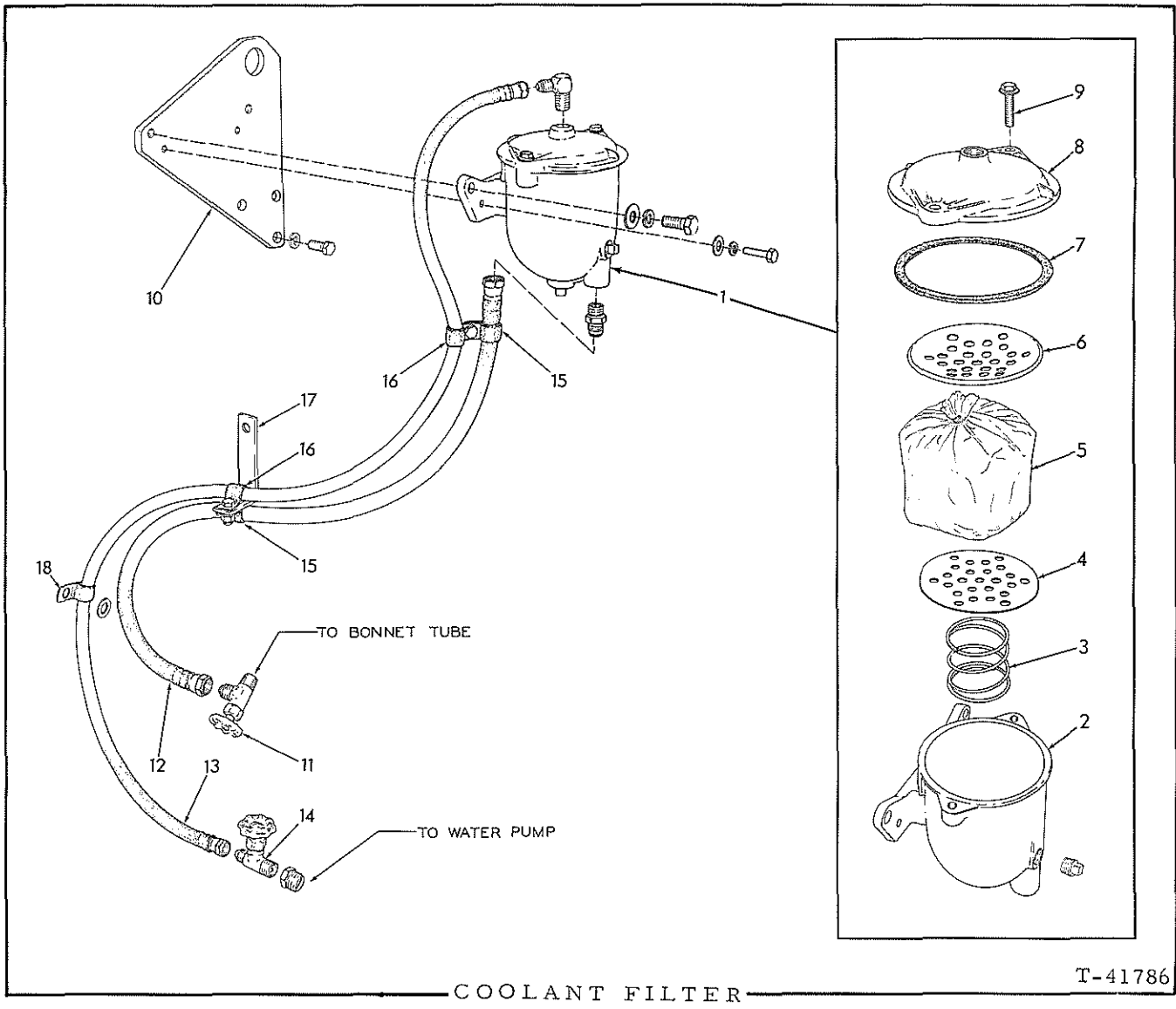
(Revised January 1979)

WATER OUTLET MANIFOLD (Continued)

ITEM	PART NO.	QTY.	DESCRIPTION
2	74392279	1	<input type="checkbox"/> GASKET, manifold connecting
3	-----	1	MANIFOLD, front (Engines prior to #16-07832)(Order 1 MANIFOLD 74394668, 1 PLUG 70920333, 1 BUSHING 70920774, 1 BUSHING 70920779, and 2 PLUG 70921073)
	74394668	1	MANIFOLD, front (Service replacement)(Engine #16-07832 and up)(Also order 2 LOCKWASHER 70904206, 2 CAPSCREW 70915408, 1 BUSHING 70920774, 1 BUSHING 70920779, 1 PLUG 70921073, 1 item 10, and 1 item 11)
	70919840	1	PLUG, pipe, hex-hd., 1/4"NPT
	70920416	1	PLUG, pipe, hex-hd., 1/2"NPT
	70920525	1	PLUG, pipe, hex-hd., 3/4"NPT
	70919224	6	CAPSCREW, 3/8"NC x 1-1/8"
	70904206	6	LOCKWASHER, 3/8"
	70920333	1	PLUG, pipe, hex-hd., 3/8"NPT
	70921073	2	PLUG, pipe, hex-hd., 1"NPT
	70920779	1	BUSHING, pipe, 3/8"NPT to 1/4"NPT
	70920774	1	BUSHING, pipe, 1"NPT to 3/8"NPT
	70915408	2	CAPSCREW, 3/8"NC x 3/4"
	70904206	2	LOCKWASHER, 3/8"
4	74354537	2	THERMOSTAT
5	74376520	1	<input type="checkbox"/> GASKET, thermostat cover
6	74317554	2	SEAL, thermostat
7	74389036	1	COVER ASSEMBLY, thermostat (Includes item 6)
	70918374	1	ELBOW, street, brass, 90°, 1/4"NPT
	70912415	1	COCK, T-handle, 1/4"NPT (For venting air)
	70918395	4	CAPSCREW, 7/16"NC x 3-1/4"
	70918740	1	CAPSCREW, 7/16"NC x 4"
	70904207	5	LOCKWASHER, 7/16"
8	74386137	1	<input type="checkbox"/> GASKET, water by-pass tube
9	74386891	1	TUBE, water by-pass
	70916274	2	CAPSCREW, 3/8"NC x 2-1/4"
	70904206	2	LOCKWASHER, 3/8"
10	74362458	1	<input type="checkbox"/> GASKET, manifold cover
11	74313015	1	COVER, front manifold
	70915408	2	CAPSCREW, 3/8"NC x 3/4"
	70904206	2	LOCKWASHER, 3/8"
12	74386894	1	ELBOW, water by-pass tube (rubber)
	70922198	2	CLAMP, hose, 1-9/16" to 2-9/16" diam.
13	74386881	1	ELBOW, water by-pass line
	70916271	2	CAPSCREW, 3/8"NC x 1"
	70904206	2	LOCKWASHER, 3/8"
14	74386779	1	FLANGE, water pump
	70916272	1	CAPSCREW, 3/8"NC x 1-1/4"
	70920275	1	CAPSCREW, 3/8"NC x 3"
	70904206	2	LOCKWASHER, 3/8"
15	74378112	2	<input type="checkbox"/> GASKET, water pump flange
16	74376483	6	<input type="checkbox"/> GASKET, manifold to head
17	-----	-	TUBE, water (See OIL COOLER)
18	-----	-	GAUGE, temperature (See INSTRUMENTS)
19	-----	-	ELBOW AND GASKET (See RADIATOR AND MOUNTING)

Not original equipment used with service replacement front manifold

Used prior to engine #16-07832



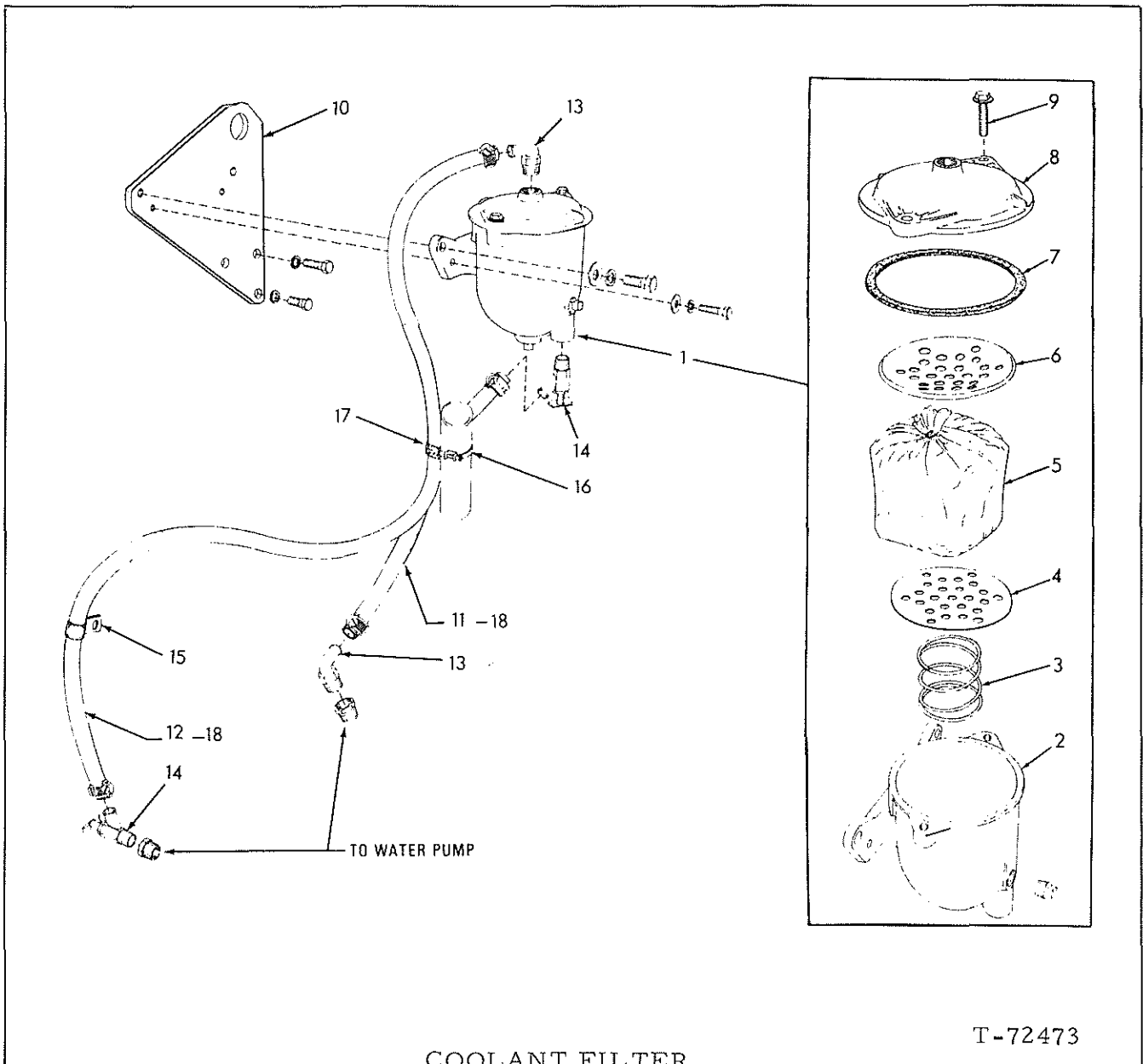
USAGE: Engines prior to serial No. 16-07836

ITEM	PART NO.	QTY.	DESCRIPTION
1	74359248	1	FILTER ASSEMBLY, water (Consists of items 2 thru 9. Has element for use with permanent anti-freeze)
	70916311	2	CAPSCREW, 1/2"NC x 1-1/4"
	70900818	2	WASHER, plain, U.S. std., 1/2"
	70904208	2	LOCKWASHER, 1/2"
	70914670	2	CAPSCREW, 5/16"NC x 1-1/8"
	70901165	2	WASHER, plain, U.S. std., 5/16"
	70904205	2	LOCKWASHER, 5/16"
2	74055031	1	BODY, filter
	70920131	2	PLUG, pipe, 3/8"NPT
3	74054569	1	SPRING, filter element
4	74054568	1	PLATE, filter element, lower
5	74058830	1	ELEMENT, filter (Cannot be used with permanent anti-freeze)
	74058831	1	ELEMENT, filter (Can be used with permanent anti-freeze)

(Continued)

COOLANT FILTER (Continued)

ITEM	PART NO.	QTY.	DESCRIPTION
6	74055034	1	PLATE, filter element, upper
7	74054566	1	GASKET, filter cover
8	74055032	1	COVER, filter
9	74055033	2	BOLT ASSY., filter cover (Includes washer)
10	74387925	1	BRACKET, filter mounting
	70916311	3	CAPSCREW, 1/2"NC x 1-1/4"
	70904208	3	LOCKWASHER, 1/2"
11	74255171	1	VALVE, water shut-off (1/2" tube, 3/8"NPT male)
12	74387969	1	HOSE ASSY., water line to filter
	70919063	1	CONNECTOR, flare type, 1/2" tube, 3/8"NPT male
13	74387970	1	HOSE ASSY., filter to water pump
	70919136	1	ELBOW, flare type, 90°, 3/8" tube, 3/8"NPT male
14	74255170	1	VALVE, water shut-off (3/8" tube, 3/8"NPT male)
	70901835	1	BUSHING, pipe reducing, brass, 1/2"NPT to 3/8"NPT)
15	74254580	2	CLAMP, water inlet hose
16	74255010	2	CLAMP, water outlet hose
	70916271	1	CAPSCREW, 3/8"NC x 1"
	70916269	1	CAPSCREW, 3/8"NC x 7/8"
	70911115	4	WASHER, plain, SAE std., 3/8"
	70904206	2	LOCKWASHER, 3/8"
	70911026	2	NUT, 3/8"NC
17	74387971	1	BRACKET, hose supporting
18	70637741	1	CLIP, water outlet hose
	70910244	1	WASHER, plain, SAE std., 1/2"



COOLANT FILTER

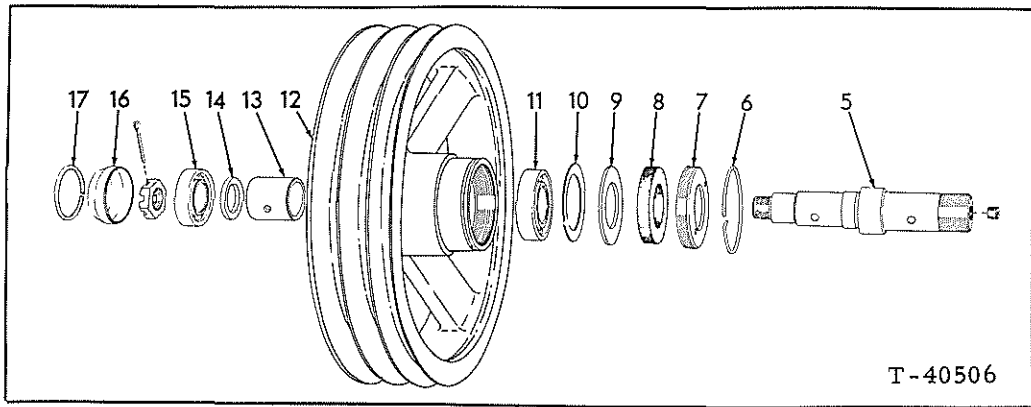
ITEM	PART NO.	QTY.	DESCRIPTION
1	74359248	1	FILTER ASSY., water (Consists of items 2 thru 9. Has All-purpose element)
	70920582	2	CAPSCREW, 1/2"NC x 1-1/4"
	70912441	2	LOCKWASHER, 1/2"
	70921422	2	CAPSCREW, 5/16"NC x 1-1/8"
	70901165	2	WASHER, plain, U.S. std., 5/16"
	70910286	2	LOCKWASHER, 5/16"
2	74055031	1	BODY, filter
	70920131	2	PLUG, pipe, 3/8"NPT
3	74054569	1	SPRING, filter element
4	74054568	1	PLATE, filter element, lower

(Continued)

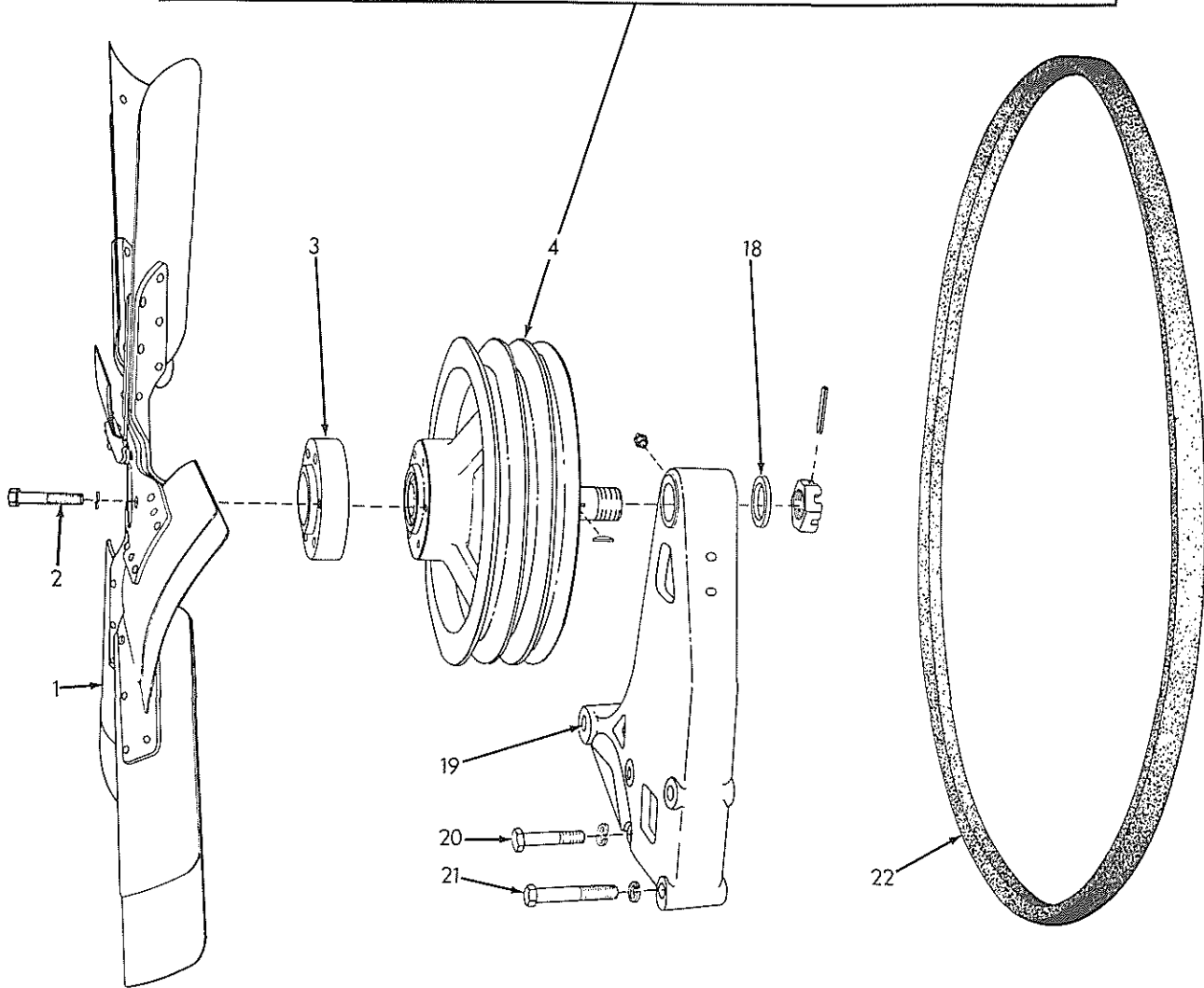


COOLANT FILTER (Continued)

ITEM	PART NO.	QTY.	DESCRIPTION
5	74059380	1	ELEMENT KIT, filter (Includes items 4, 6 and 7) (Chromate-type. For use with "Dowtherm" 209)
	74059979	1	ELEMENT KIT, filter (Includes items 4, 6 and 7) (Original equipment. All-purpose, recommended for use with plain water as well as most types of permanent and non-permanent anti-freeze except "Dowtherm" 209)
6	74055034	1	PLATE, filter element, upper
7	74054566	1	GASKET, filter cover
8	74055032	1	COVER, filter
9	74055033	2	BOLT ASSY., filter cover (Includes washer)
10	74392626	1	BRACKET, filter mounting
	70916311	3	CAPSCREW, 1/2"NC x 1-1/4"
	70904208	3	LOCKWASHER, 1/2"
11	-----	1	HOSE, water pump to filter (14-1/2" long. Order item 18)
	70921911	2	CLAMP, hose, 11/16" to 1-1/4" diam.
12	-----	1	HOSE, filter to water pump (56" long. Order item 18)
	70921911	2	CLAMP, hose, 11/16" to 1-1/4" diam.
13	74255286	2	ELBOW, water hose (90°, 5/8" nipple, 3/8"NPT)
	74142263	1	BUSHING, pipe reducing, 1"NPT to 3/8"NPT
14	74255287	2	VALVE, water shut-off (5/8" nipple 3/8"NPT)
	70904271	1	BUSHING, pipe, reducing, 1/2"NPT to 3/8NPT
15	74255770	1	CLAMP, water inlet hose
16	70919789	1	CLAMP, hose binding
17	74388574	1	SLEEVE, hose binding clamp (plastic)
18	70920722	1	HOSE, rubber 5/8" I. D., 25 ft. roll (Use as required)



T-40506



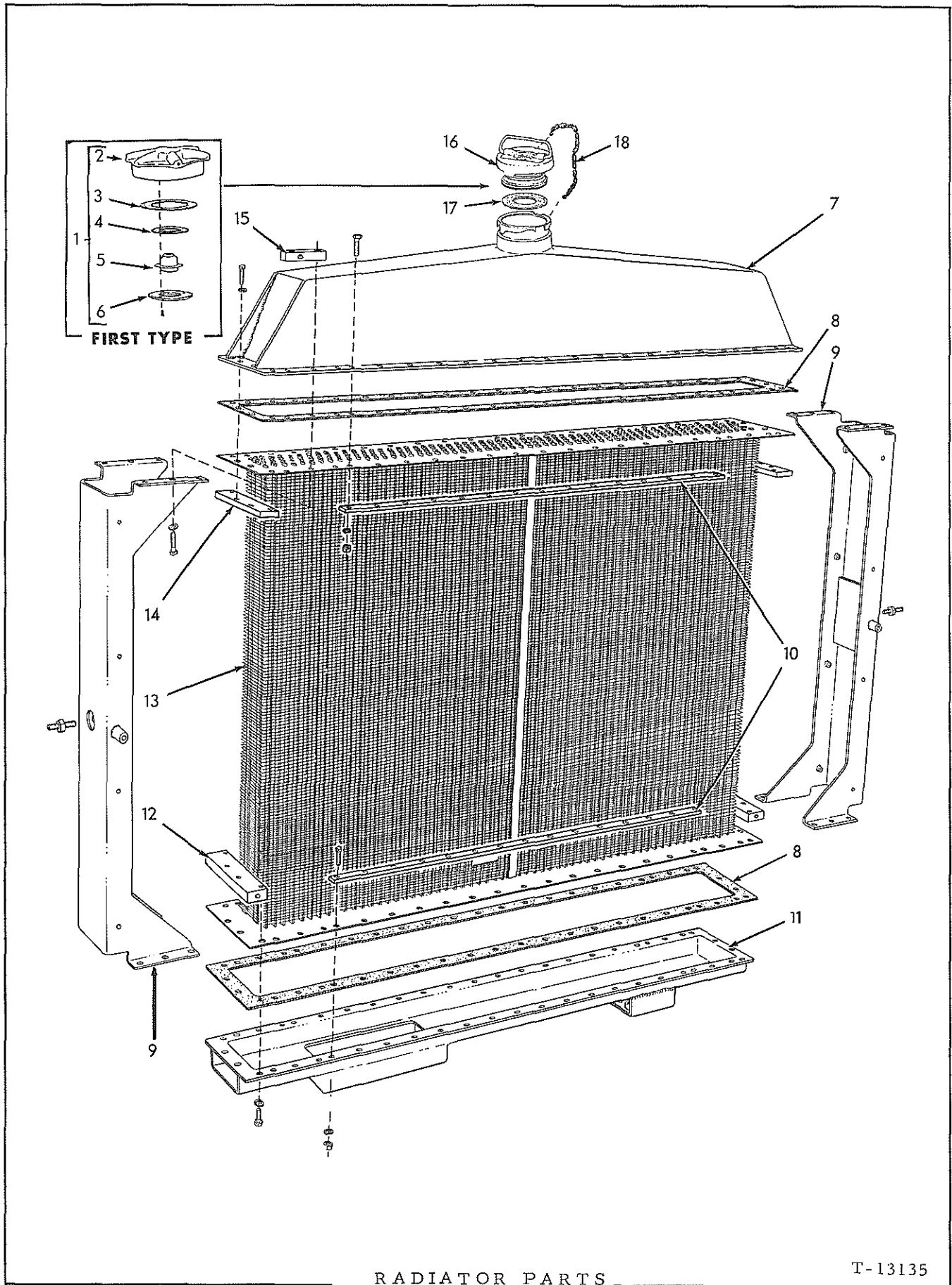
T-40497

FAN

FAN

ITEM	PART NO.	QTY.	DESCRIPTION
			NOTE: See RADIATOR AND MOUNTING for listing of Fan Guard
1	70083524	1	FAN (Push type)(Standard)
	70083658	1	FAN (Suction type)
	70666517	1	FAN ASSY., reversible (See page 99 for parts)
			} Optional
2	70013058	6	CAPSCREW, 3/8"NC x 1-1/4" (For FAN 70083524 only)
	70058793	6	CAPSCREW, 3/8"NC x 2-1/4" (For FAN 70083658 only)
	70916271	6	CAPSCREW, 3/8"NC x 1" (For FAN 70666517 only)
3	70083676	1	SPACER, fan (1" thick)(For use with suction fan only)
4	70662057	1	PULLEY ASSY., fan (Consists of items 5 thru 17)
	70913798	1	NUT, jam, slotted, 1-1/4"NF
	70915692	1	PIN, spring, 1/4" x 1-7/8"
	70905122	1	KEY, #7 woodruff, 1/8" x 3/4"
5	70082829	1	SPINDLE
	70910230	1	PLUG, pipe, slotted-hd., 1/8"NPT
	70915943	1	NUT, jam, slotted, 3/4"NF
	70900808	1	PIN, cotter, 1/8" x 1-1/2"
	70662038	1	SPINDLE
	70919108	1	NUT, self-locking, 7/8"NF
			} Tractors prior to #8788
			} Tractors #8788 and up
6	74371707	1	RING, snap, fan pulley
7	74640973	1	RETAINER, spindle sealing washer
8	70052106	1	WASHER, spindle sealing
9	74640975	1	WASHER, retaining, rear bearing
10	74640976	1	GASKET, bearing retaining washer (Tractors prior to #8788)
11	74253863	1	BEARING, ball, rear (unshielded)(Tractors prior to #8788)
	70075203	1	BEARING, ball, rear (shielded)(Tractors #8788 and up)
12	70639237	1	PULLEY
13	70051715	1	SLEEVE, spacing, spindle bearings
14	74640978	1	WASHER, spacing, front bearing
15	74253862	1	BEARING, ball, front
16	70088561	1	CAP, pulley
17	74042081	1	RING, snap, cap retaining
18	70067962	1	WASHER, plain
19	70666661	1	BRACKET, fan mounting
	70915274	1	FITTING, lubricating, 45°, 1/8"NPT (Tractors prior to #8788)
	70917673	1	PLUG, pipe, hex-socket, 1/8"NPT (Tractors #8788 and up)
	70035712	1	CAPSCREW, 1/2"NC x 2-1/4"
20	70041917	3	CAPSCREW, 1/2"NC x 3-1/4"
21	70904208	4	LOCKWASHER, 1/2"
22	70675228	1	BELT SET (Consists of 2 matched belts)

(Revised March 1972)



RADIATOR PARTS

T-13135

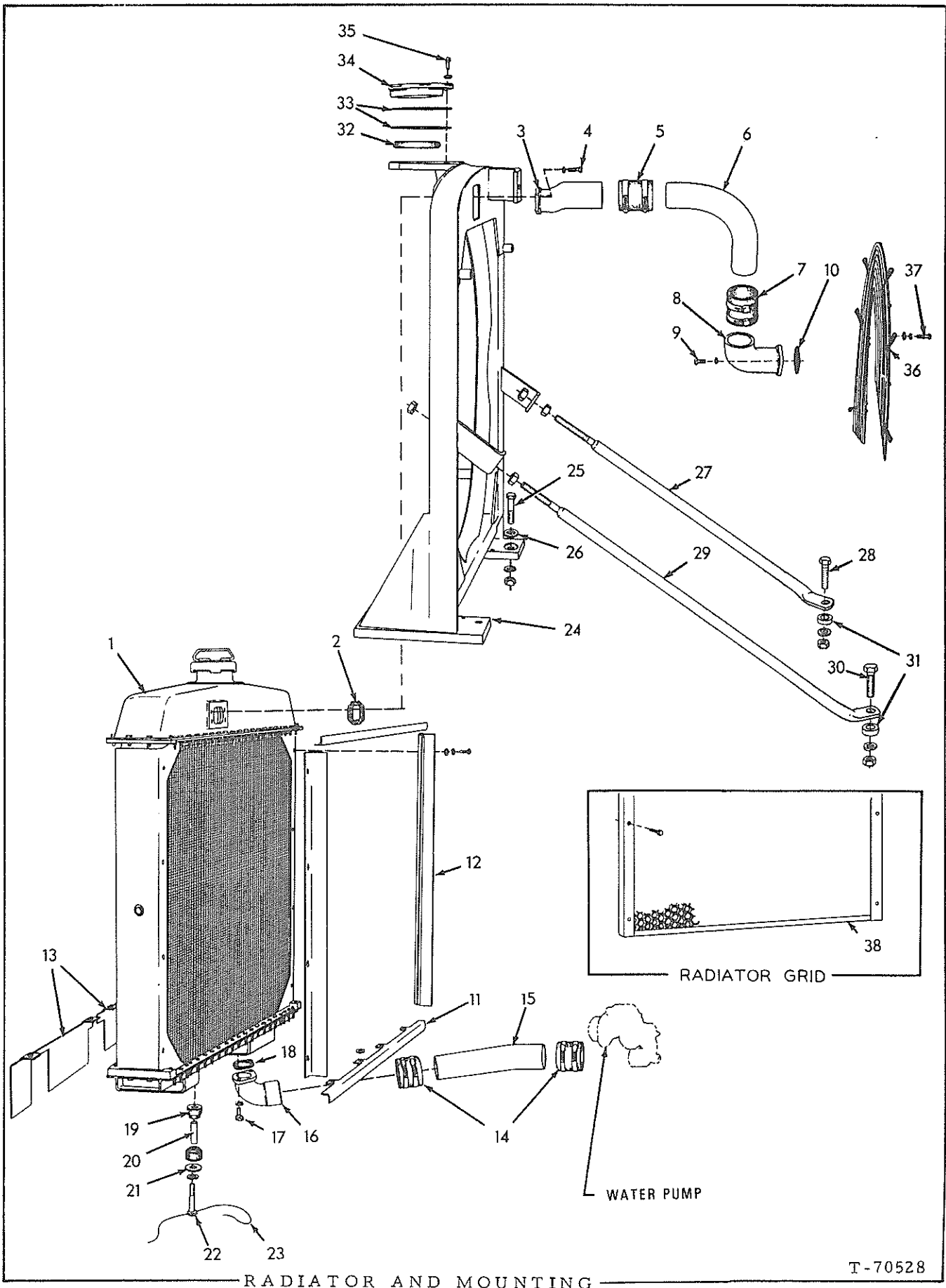
(Revised March 1972)

RADIATOR PARTS

\*70639216 RADIATOR ASSY. (Has armored type core)  
 \*\*70643397 RADIATOR ASSY. (Has standard type core)  
 \*\*70643473 RADIATOR ASSY. (Has armored type core)  
 \*\*70645539 RADIATOR ASSY. (Has in-line type core)  
 Δ70677053 RADIATOR ASSY. (Has standard type core)  
 Δ70667041 RADIATOR ASSY. (Has armored type core)  
 Δ70667040 RADIATOR ASSY. (Has in-line type core)

} See page 111

ITEM	PART NO.	QUANTITY			DESCRIPTION
		*	**	Δ	
1	70058730	1	1	-	CAP ASSY., water cooling radiator (Consists of items 2 thru 6)
2	-----	1	1	-	CAP, radiator (Furnished only as part of item 1)
3	70059242	1	1	-	GASKET, radiator cap
4	70059244	1	1	-	GASKET, pressure valve
5	70059245	1	1	-	VALVE, pressure
6	70059243	1	1	-	RING, pressure valve retaining
	70914782	3	3	-	SCREW, machine, rd-hd., brass, #5-40 x 3/8"
7	70085065	1	1	-	TANK, top
	70667039	-	-	1	TANK, top
	70903772	42	42	42	CAPSCREW, 5/16"NC x 1"
	70903773	4	4	4	CAPSCREW, 5/16"NC x 1-1/4"
	70904205	46	46	46	LOCKWASHER, 5/16"
	70911025	38	38	38	NUT, 5/16"NC
	8	70079763	2	2	2
9	70641547	2	2	2	SIDE
	70915888	2	2	2	SETSCREW slotted-hd., cup-pt., 3/8"NC x 1-3/4"
	70903584	2	2	2	NUT jam, 3/8"NC
10	70074679	4	4	4	CLAMP core flange, center
11	70085015	1	-	1	TANK, bottom
	70643404	-	1	-	TANK bottom
	70903772	38	38	38	CAPSCREW 5/16"NC x 1"
	70903773	4	4	4	CAPSCREW 5/16"NC x 1-1/4"
	70904205	42	42	42	LOCKWASHER, 5/16"
	70911025	42	42	42	NUT, 5/16"NC
12	70079678	2	2	2	CLAMP, core bottom flange, end
	70903772	8	8	8	CAPSCREW, 5/16"NC x 1"
	70904205	8	8	8	LOCKWASHER, 5/16"
13	70642881	-	1	1	CORE (Standard type)
	70665194	-	1	1	CORE (Heavy in-line type for severe-service applications)
	70641548	1	1	1	CORE (Armored type)
	70645541	-	1	1	CORE (In-line type)
	70675600	-	1	1	CORE (Staggered tube-copper fin)(For use in land clearing operations)
14	70079489	2	2	2	CLAMP, core top flange, end
15	70079762	2	2	2	BLOCK, tapped
	70903772	4	4	4	CAPSCREW, 5/16"NC x 1"
	70904205	4	4	4	LOCKWASHER, 5/16"
16	70654096	-	-	1	CAP ASSY. (Includes item 17)
17	70682843	-	-	1	GASKET, cap
18	70654098	-	-	1	CHAIN, filler cap



RADIATOR AND MOUNTING

ITEM	PART NO.	QTY.	DESCRIPTION
1	70639216	1	*RADIATOR ASSY. (Tractors prior to #6383 including #6384 and #6387)
	70643397	1	RADIATOR ASSY. (Tractors #6383 thru #9050 excluding #6384 and #6387. Standard)
	70667053	1	RADIATOR ASSY. (Tractors #9051 and up. Standard)
	70643473	1	*RADIATOR ASSY. (Tractors #6383 thru #9050 excluding #6384 and #6387. Special)
	70667041	1	*RADIATOR ASSY. (Tractors #9051 and up. Special)
	70645539	1	RADIATOR ASSY. (Special equipment on tractors prior to #9051. Has in-line tubes to minimize clogging)
	70667040	1	RADIATOR ASSY. (Special equipment on tractors #9051 and up. Has in-line tubes to minimize clogging)

NOTE: See page 109 for radiator parts.

2	70081614	1	GASKET, radiator inlet
3	70082608	1	INLET, radiator
4	70035439	4	CAPSCREW, 3/8"NC x 1"
	70904206	4	LOCKWASHER, 3/8"
5	70067884	1	HOSE, inlet tube to radiator
	70921914	2	CLAMP, hose, 2-5/16" to 3-1/4" diam.
6	70083540	1	TUBE, radiator inlet
7	70055604	1	HOSE, engine to inlet tube
	70921914	2	CLAMP, hose, 2-5/16" to 3-1/4" diam.
8	70083380	1	ELBOW, engine water outlet
9	70043886	2	CAPSCREW, 7/16"NC x 1"
	70904207	2	LOCKWASHER, 7/16"
10	74310257	1	GASKET, water outlet elbow
11	70083539	2	BAFFLE, air, upper and lower
	70092665	8	WASHER, plain
12	70083538	2	BAFFLE, air, side
	70911168	8	CAPSCREW, 5/16"NF x 7/8"
	70904205	8	LOCKWASHER, 5/16"
	70092665	8	WASHER, plain
13	70671773	1	BAFFLE, air, front lower (left)
	70671774	1	BAFFLE, air, front lower (right)
			} Tractor unit #9600 and up
14	70073539	2	HOSE, radiator, lower
	70921914	4	CLAMP, hose, 2-5/16" to 3-1/4" diam.
15	70633626	1	TUBE, engine water inlet
16	70633509	1	ELBOW, radiator outlet
17	70041250	2	CAPSCREW, 7/16"NC x 1-1/4"
	70904207	2	LOCKWASHER, 7/16"

\*Have armored tubes at rear of core to resist abrasion when used with push-type fan

(Continued)

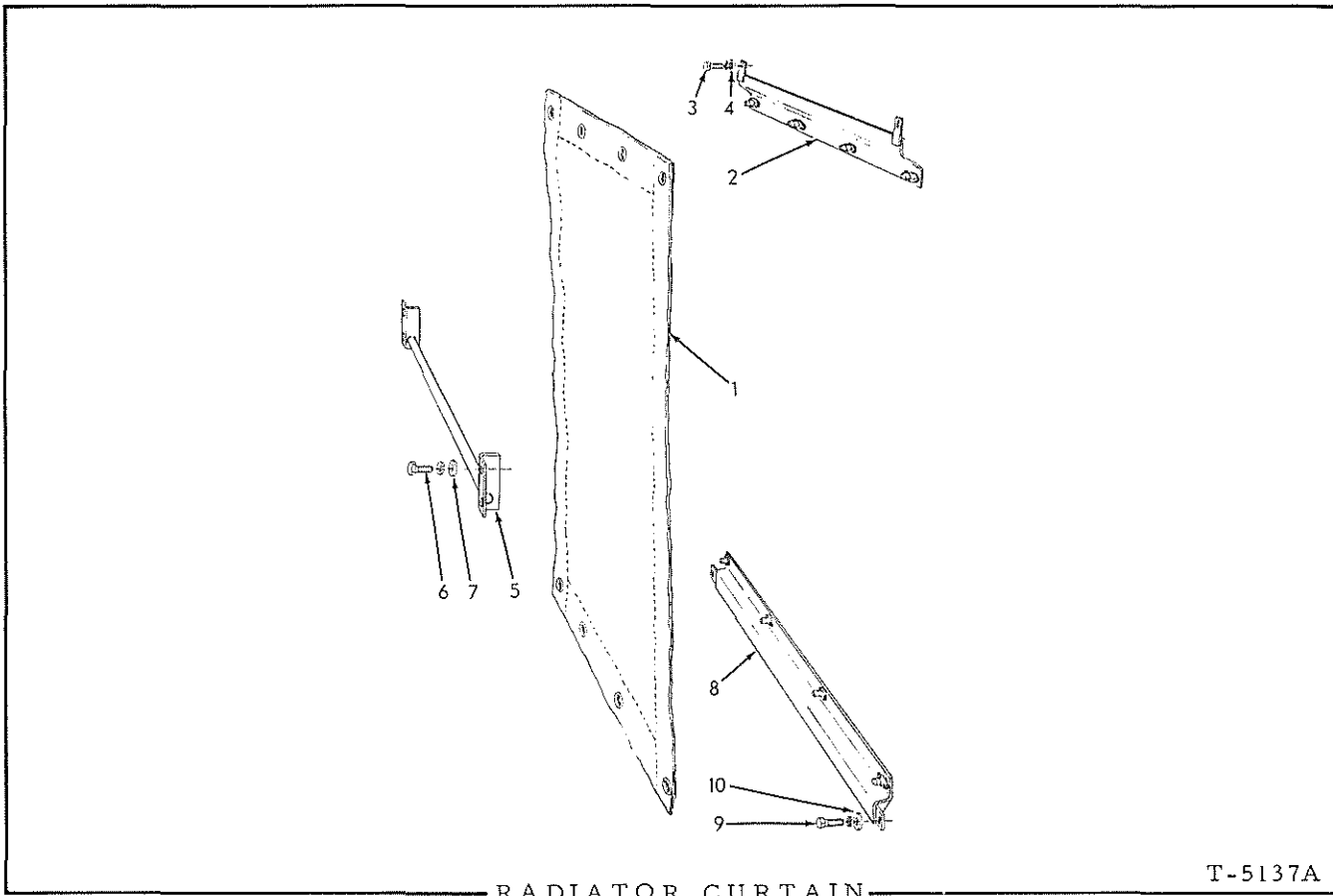
(Revised March 1972)

RADIATOR AND MOUNTING (Continued)

ITEM	PART NO.	QTY.	DESCRIPTION
18	70052021	1	GASKET, radiator outlet elbow
19	70061671	12	SNUBBER, vibration, radiator mounting
20	70082014	6	TUBE, spacing, vibration snubber
21	70061656	6	WASHER, radiator mounting
22	70656333	6	CAPSCREW, radiator mounting
	70904206	6	LOCKWASHER, 3/8"
23	70023633	2	WIRE, locking, 1/16" x 12"
24	70639152	1	SUPPORT, radiator, (Used prior to tractor #6390 excluding #6370, 76, 80, 83, 85, 86, 88, 89 but including #6436, 6442, 6529, 6544)
	70649197	1	SUPPORT, radiator, (Effective with tractor #6390 including #6370, 76, 80, 83, 85, 86, 88, 89 but excluding #6436, 6442, 6529, 6544)
25	70012526	4	CAPSCREW, 3/4"NF x 3-1/4"
	70904369	4	LOCKWASHER, 3/4"
	70911045	4	NUT, 3/4"NF
26	70061689	4	WASHER, radiator support capscrew
27	70630364	1	BRACE, radiator support, right side
	70911046	2	NUT, 7/8"NF
28	70070285	1	CAPSCREW, 3/4"NF x 3"
	70904369	1	LOCKWASHER, 3/4"
	70911045	1	NUT, 3/4"NF
29	70630363	1	BRACE, radiator support, left side
	70911046	2	NUT, 7/8"NF
30	70070285	1	CAPSCREW, 3/4"NF x 3"
	70904369	1	LOCKWASHER, 3/4"
	70911045	1	NUT, 3/4"NF
31	70060689	2	BOSS, spacing, radiator brace
32	70095575	1	RING, cushion, radiator neck
33	70076684	1	SHIM, radiator neck supporting ring (1/16" thick. Use as req'd)
	70076685	2	SHIM, radiator neck supporting ring (1/32" thick. Use as req'd)
34	70099137	1	RING, supporting, radiator neck
35	70036034	6	CAPSCREW, 3/8"NF x 1"
	70904206	6	LOCKWASHER, 3/8"
36	70642921	1	GUARD, fan
	70036034	6	CAPSCREW, 3/8"NF x 1" (Early units)
	70035439	6	CAPSCREW, 3/8"NC x 1" (Late units)
	70904206	6	LOCKWASHER, 3/8"
37	70044973	6	WASHER, plain
		6	
38	70672647	1	GRID, radiator protecting (For use in land clearing operations)
	70916393	8	CAPSCREW, 5/16"NF x 1-1/2"

(Revised March 1972)



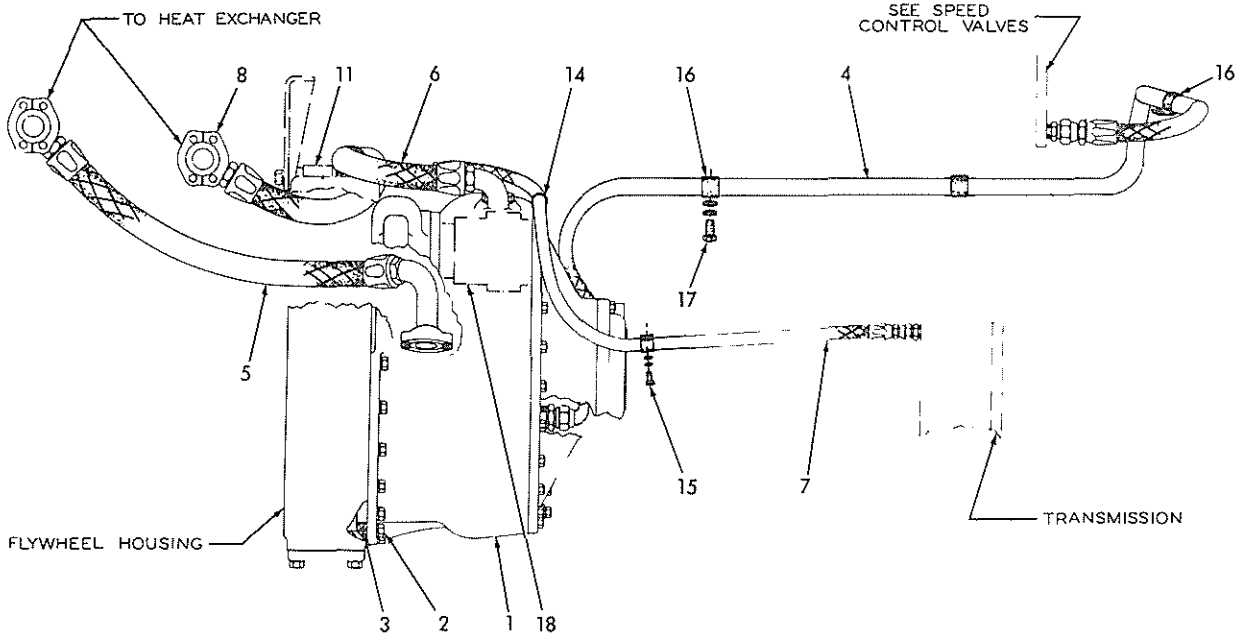


RADIATOR CURTAIN

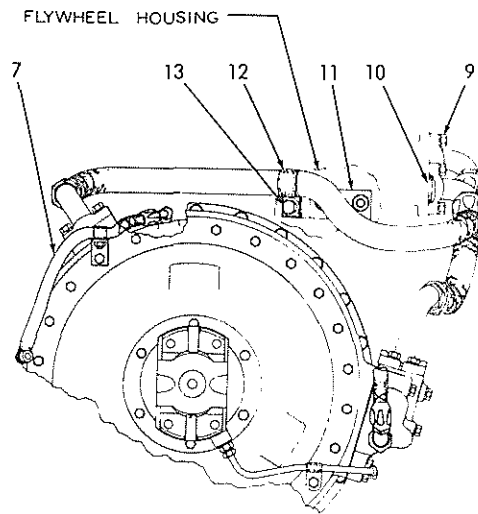
T-5137A

USAGE: Special equipment. Cannot be used on tractors with push-type fan.

ITEM	PART NO.	QTY.	DESCRIPTION
1	70084177	1	CURTAIN
2	70651155	1	BRACKET ASSEMBLY, curtain attaching, upper (Includes fasteners)
3	70012992	2	CAPSCREW, 3/8"NF x 1-1/4"
	70904206	2	LOCKWASHER, 3/8"
4	70044973	2	WASHER, plain
5	70085275	1	ROD, curtain supporting
6	70012992	2	CAPSCREW, 3/8"NF x 1-1/4"
	70904206	2	LOCKWASHER, 3/8"
7	70044973	2	WASHER, plain
8	70651158	1	BRACKET ASSEMBLY, curtain attaching, lower (Includes fasteners)
9	70012992	2	CAPSCREW, 3/8"NF x 1-1/4"
	70904206	2	LOCKWASHER, 3/8"
10	70044973	2	WASHER, plain



SIDE VIEW



END VIEW

TORQUE CONVERTER (First type)

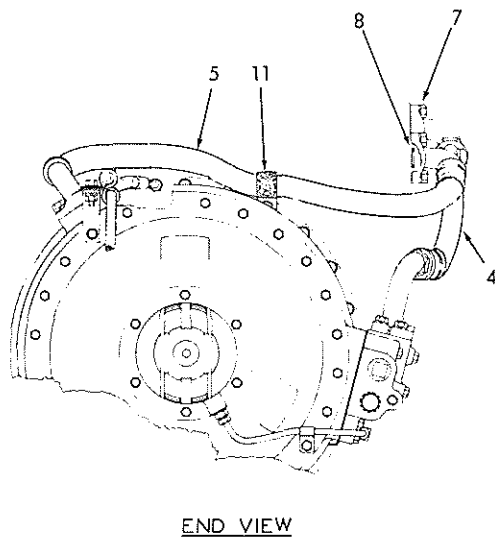
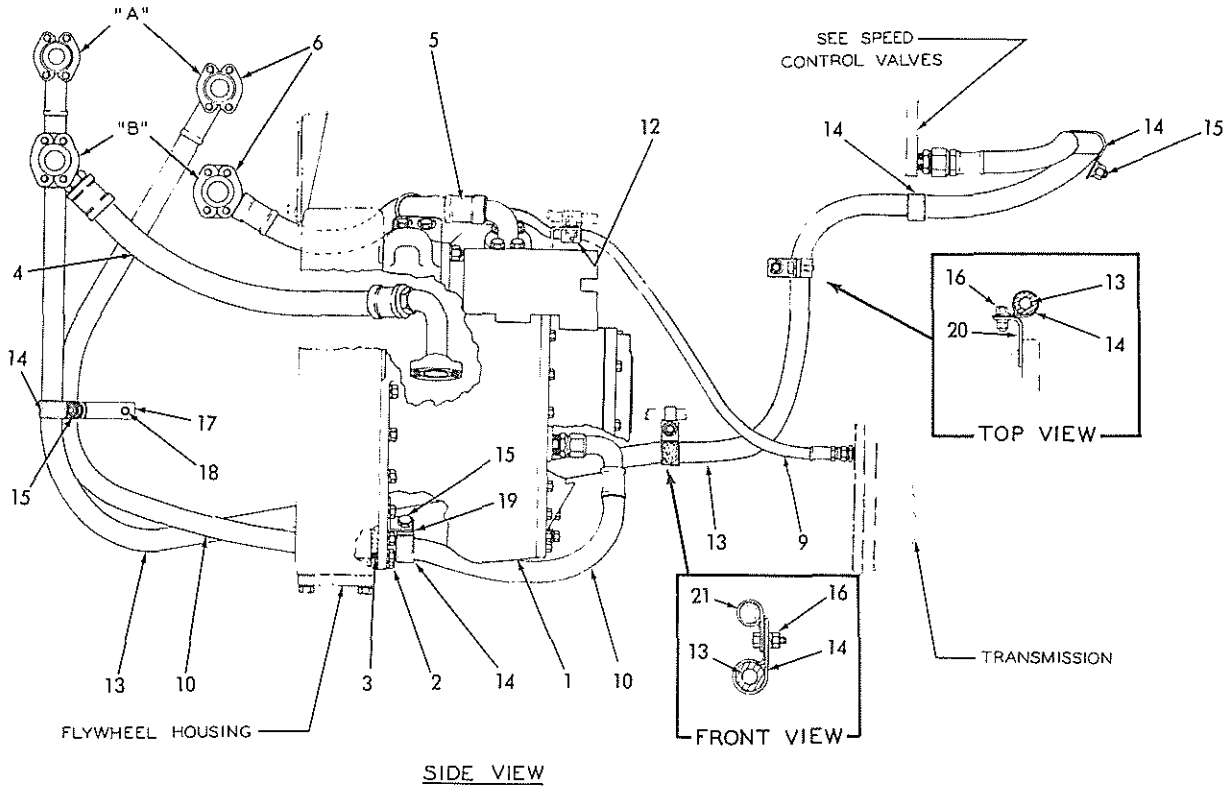
T-39349

TORQUE CONVERTER

USAGE: Tractors prior to serial No. 6785 excluding Nos. 6742, 52, 59, 63, 72, 73, 74, 82, 83

ITEM	PART NO.	QTY.	DESCRIPTION
1	70639561	1	CONVERTER ASSEMBLY, torque (See page 120 for parts. Includes engine clutch)(Used prior to tractor #5990. Required on all units equipped with transmission PUMP ASSEMBLY 70639503)
	70642741	1	CONVERTER ASSEMBLY, torque (See page 120 for parts. Includes engine clutch)(Used with transmission PUMP ASSEMBLY 70642227 only on tractors #5990 and up)
2	70919464	1	ELBOW, flare type, 45°, 1/4" tube, 1/8"NPT male } For pressure check
	70921467	1	
	70040011	20	
	70904207	20	
3	70924828	1	O-RING, torque converter to flywheel housing
4	70639650	1	HOSE ASSEMBLY, charging line (See HOSE PARTS)
	70919342	1	CONNECTOR, flare type, 3/4" tube, 3/4"NPT male
	70922683	1	CONNECTOR, flare type, 3/4" tube, 1"NPT male
5	70644449	1	HOSE, converter to heat exchanger (See HOSE PARTS)
6	70644450	1	HOSE, heat exchanger to converter (See HOSE PARTS)
7	70645090	1	HOSE, breather line (See HOSE PARTS) ELBOW, flare type, 3/8" tube, 3/8"NPT male
	70919136	1	
	70919172	1	
8	70921117	8	FLANGE, hose mounting (half only)
9	70041250	16	CAPSCREW, 7/16"NC x 1-1/4"
	70904207	16	LOCKWASHER, 7/16"
10	70923664	4	O-RING, hose flange
11	70639515	1	ANGLE, clip supporting
	70904208	2	LOCKWASHER, 1/2"
	70911035	2	NUT, jam, 1/2"NC
12	70644010	1	CLIP, supporting, heat exchanger hose (1-13/16" diam.)
13	70070467	1	CAPSCREW, 1/2"NF x 1"
	70910244	1	WASHER, plain, SAE std., 1/2"
	70904208	1	LOCKWASHER, 1/2"
	70911043	1	NUT, 1/2"NF
14	70621304	2	CLIP, supporting, breather line hose (3/4" diam.)
15	70036032	1	CAPSCREW, 3/8"NF x 3/4"
	70904206	1	LOCKWASHER, 3/8"
	70911115	1	WASHER, plain, SAE std., 3/8" (upper clip only)
16	70622916	3	CLIP, supporting, charging line hose (1-1/16" diam.)
17	70070467	1	CAPSCREW, 1/2"NF x 1"
	70910244	1	WASHER, plain, SAE std., 1/2"
	70904208	1	LOCKWASHER, 1/2"
18	-----	1	PUMP ASSEMBLY (See TRANSMISSION OIL PUMP AND FILTER)

"A" - TO TRANSMISSION HEAT EXCHANGER  
 "B" - TO TORQUE CONVERTER HEAT EXCHANGER



TORQUE CONVERTER (Second type)

T-70437

TORQUE CONVERTER

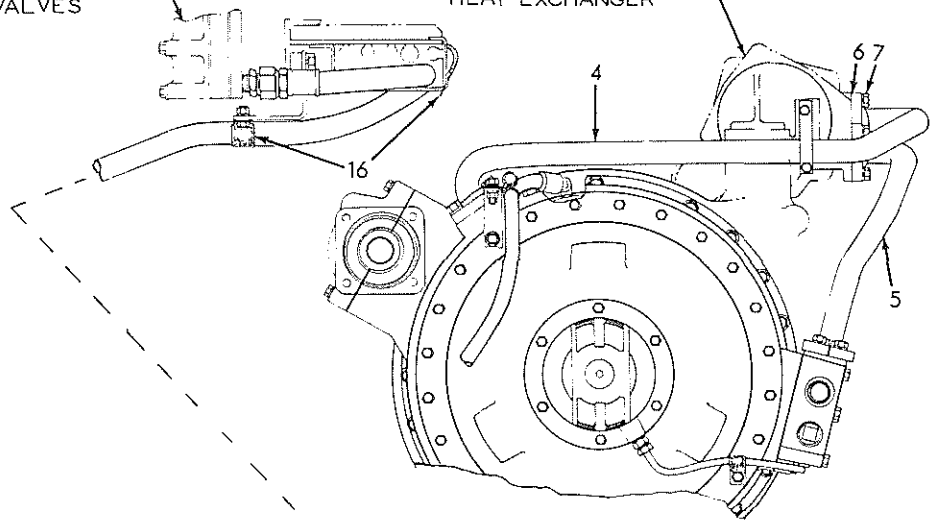
USAGE: Tractors serial No. 6785 thru 8398, including Nos. 6742, 52, 59, 63, 72, 73, 74, 82, 83.  
 For superseding design, see page 6 of Supplement No. 1

ITEM	PART NO.	QTY.	DESCRIPTION
1	70642741	1	CONVERTER ASSEMBLY, torque (See page 120 for parts)(Includes engine clutch)
	70919464	1	ELBOW, flare type, 45°, 1/4" tube, 1/8"NPT male
	70921467	1	CAP, flare type, 1/4" tube
2	70040011	20	CAPSCREW, 7/16"NC x 1-1/2"
	70904207	20	LOCKWASHER, 7/16"
3	70924828	1	O-RING, torque converter to flywheel housing
4	70644449	1	HOSE ASSEMBLY, converter to heat exchanger (See HOSE PARTS)
5	70644450	1	HOSE, heat exchanger to converter (See HOSE PARTS)
6	70921117	12	FLANGE, hose mounting (half only)
7	70041250	24	CAPSCREW, 7/16"NC x 1-1/4"
	70904207	24	LOCKWASHER, 7/16"
8	70923664	6	O-RING, hose flange
9	70648501	1	HOSE, breather line (See HOSE PARTS)
	70919136	1	ELBOW, flare type, 3/8" tube, 3/8"NPT male
	70919172	1	CONNECTOR, flare type, 3/8" tube, 3/8"NPT male
10	70644905	1	HOSE, charging line, heat exchanger to converter (See HOSE PARTS)
	70919064	1	CONNECTOR, flare type, 1" tube, 1"NPT male
11	70632547	1	CLIP, supporting, heat exchanger hose (1-1/2" diam.)(Used prior to tractor #6965)
	70644010	1	CLIP, supporting, heat exchanger hose (1-13/16" diam.)(Effective with tractor #6965)
	70912298	1	WASHER, plain, SAE std., 7/16"
12	70094422	2	CLIP, supporting, breather line hose (5/8" diam.)(Used prior to tractor #6965)
	70621304	2	CLIP, supporting, breather line hose (3/4" diam.)(Effective with tractor #6965)
13	70644617	1	HOSE, speed control valve to heat exchanger (See HOSE PARTS)
	70919246	1	CONNECTOR, flare type, 1" tube, 3/4"NPT male
14	70644457	7	CLIP, hose supporting (1-5/16" diam.)
15	70070467	3	CAPSCREW, 1/2"NF x 1"
	70910244	1	WASHER, plain, SAE std., 1/2"
	70904208	3	LOCKWASHER, 1/2"
	70911043	3	NUT, 1/2"NF
16	70035439	2	CAPSCREW, 3/8"NC x 1"
	70911115	2	WASHER, plain, SAE std., 3/8"
	70904206	2	LOCKWASHER, 3/8"
	70911026	2	NUT, 3/8"NC
17	70641355	1	BRACKET, hose supporting
18	70035221	1	CAPSCREW, 1/2"NC x 1"
	70904208	1	LOCKWASHER, 1/2"
19	70638397	1	ANGLE, supporting, charging line
20	70628243	1	ANGLE, hose supporting
21	70094467	1	CLIP, hose supporting (3/4" diam.)

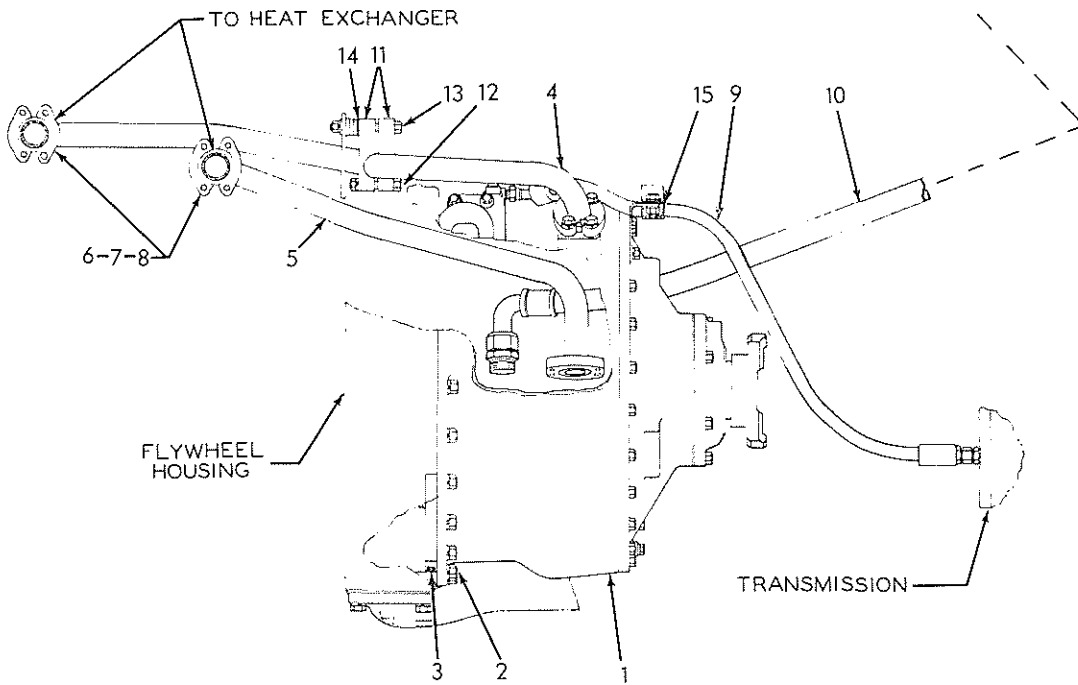
(Revised January 1979)

SEE SPEED  
CONTROL  
VALVES

HEAT EXCHANGER



END VIEW



SIDE VIEW

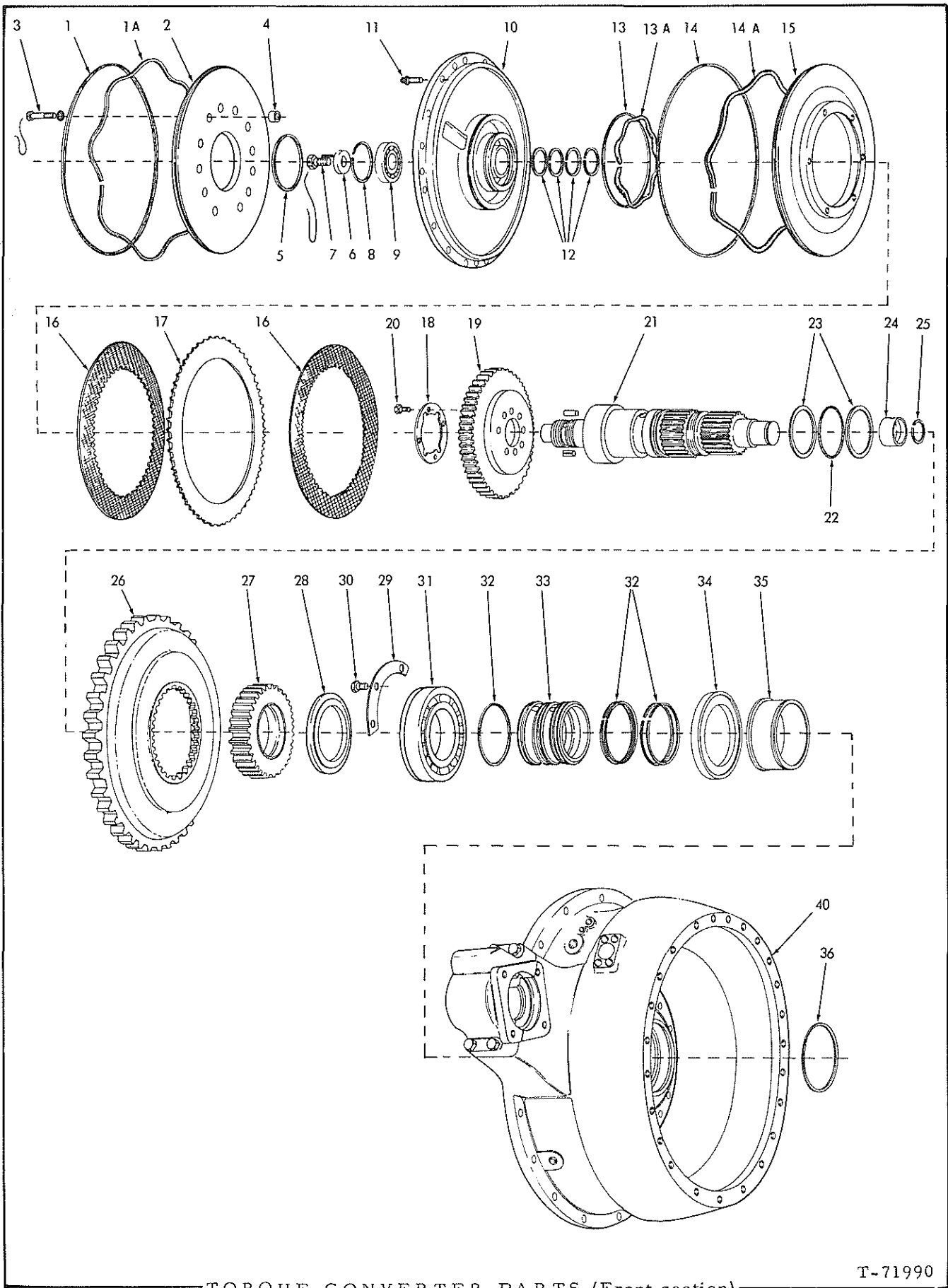
TORQUE CONVERTER (Third type)

T-73823

TORQUE CONVERTER

USAGE: Tractors serial No. 8399 and up

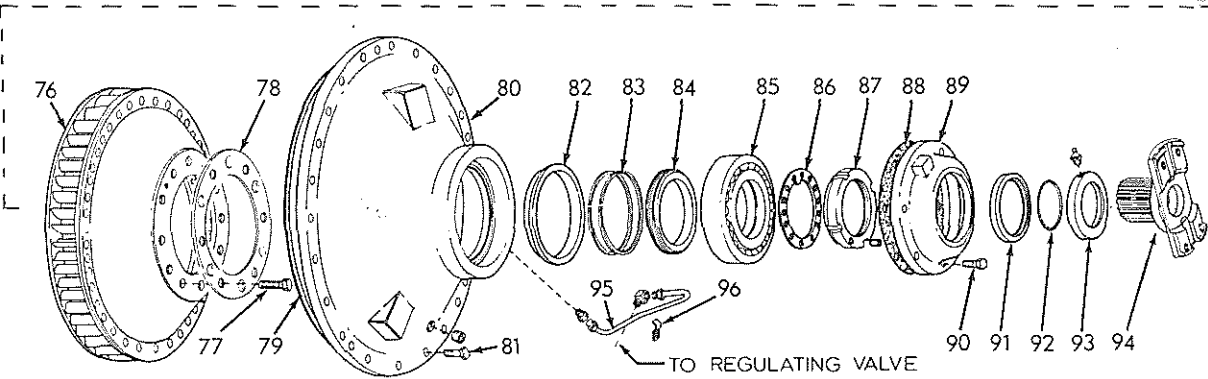
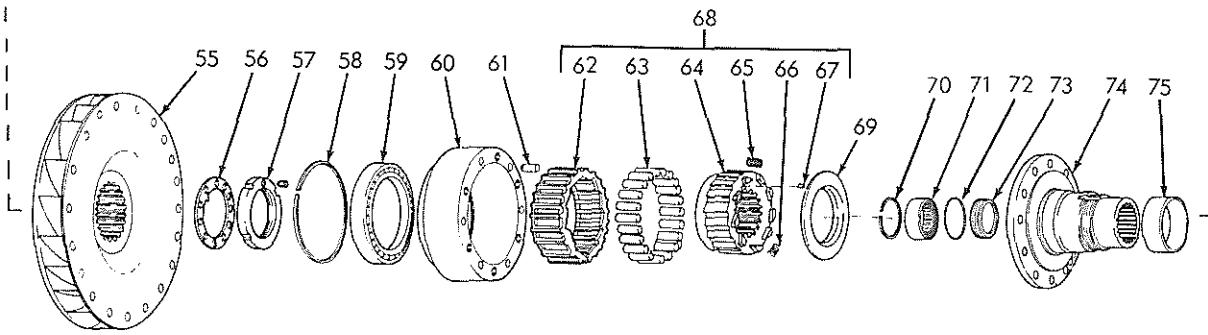
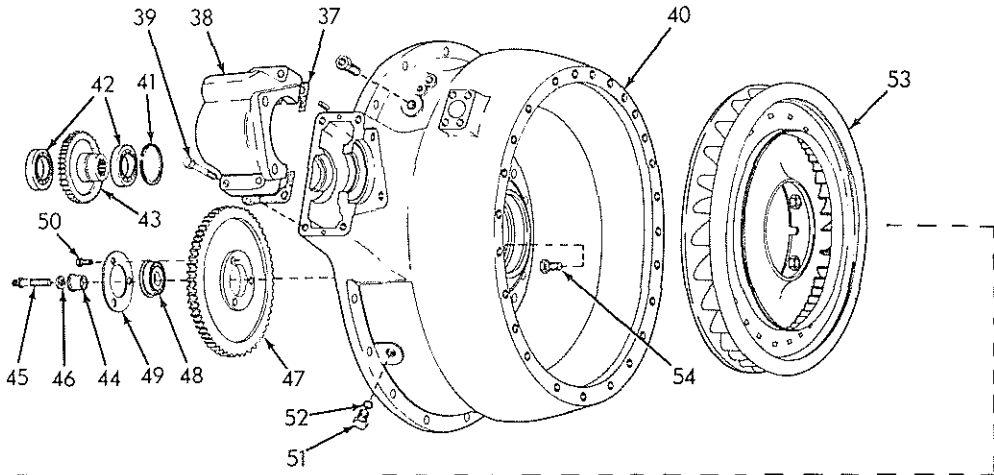
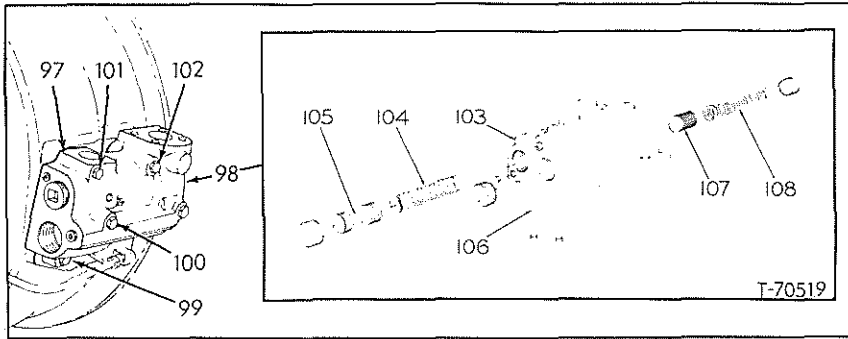
ITEM	PART NO.	QTY.	DESCRIPTION
1	70660065	1	CONVERTER ASSEMBLY, torque (See page 120 for parts. Includes engines clutch)
	70918850	1	PLUG, pipe, hex-socket, 1/4"NPT
2	70040011	20	CAPSCREW, 7/16"NC x 1-1/2"
	70904207	20	LOCKWASHER, 7/16"
3	70924828	1	O-RING, torque converter to flywheel housing
4	70659949	1	TUBE, converter to heat exchanger
5	70659948	1	TUBE, heat exchanger to converter
6	70921117	8	FLANGE, tube attaching (half only)
7	70041250	16	CAPSCREW, 7/16"NC x 1-1/4"
	70904207	16	LOCKWASHER, 7/16"
8	70923664	4	O-RING, tube attaching flange
9	70648501	1	HOSE, breather line (See HOSE PARTS)
	70919136	1	ELBOW, flare type, 3/8" tube, 3/8"NPT male
	70919172	1	CONNECTOR, flare type, 3/8" tube, 3/8"NPT male
10	70659427	1	HOSE, speed control valve to torque converter (See HOSE PARTS)
	70919246	1	CONNECTOR, flare type, 1" tube, 3/4"NPT male
	70921228	1	CONNECTOR, flare type, 1" tube, 1-5/16"NF (Includes O-RING 70921214)
11	70658514	2	BLOCK, tube supporting
12	70056721	1	CAPSCRFW, 3/8"NC x 2-1/2"
13	70041915	1	CAPSCRFW, 3/8"NC x 3-1/2"
	70044973	1	WASHER, plain
	70904206	2	LOCKWASHER, 3/8"
	70911026	2	NUT, 3/8"NC
	70044973	3	WASHER, block spacing (large)
14	70055914	2	WASHER, block spacing (small)
			} Use as req'd
15	70621304	1	CLIP, hose supporting (3/4" diam.)
16	70644457	2	CLIP, hose supporting (1-5/16" diam.)



TORQUE CONVERTER PARTS (Front section)

T-71990





TORQUE CONVERTER PARTS (Rear section)

T-71991

## TORQUE CONVERTER PARTS

70639561 Converter Assy. (See page 115)

70642741 Converter Assy. (See page 115 and 117)

70660065 Converter Assy. (See page 117B)

ITEM	PART NO.	QTY.	DESCRIPTION
1	70667988	1	RING, sealing, clutch disengaging piston (outer)
1A	70662993	1	EXPANDER, piston ring
2	70639563	1	PISTON, clutch disengaging
3	70927482	12	CAPSCREW, drilled-hd., 3/8"NC x 1-5/8"
	70911115	12	WASHER, plain, SAE std., 3/8"
	70023633	3	WIRE, locking, 1/16" x 12"
4	70639535	12	SPACER, clutch carrier
5	70639544	1	RING, sealing, clutch disengaging piston (inner)
6	70639536	1	WASHER, end, input shaft
	70919180	1	PIN, spring, 1/8" x 5/8"
7	70927475	1	CAPSCREW, drilled-hd., 1/2"NC x 1-1/2"
	70023633	1	WIRE, locking, 1/16" x 12"
8	73035105	1	RING, snap, bearing retaining
9	70097088	1	BEARING, ball, clutch carrier
10	70639615	1	CARRIER, engine clutch
11	70922051	16	SCREW, 12-pt. head, 3/8"NC x 1"
12	70642716	4	RING, sealing, input shaft
13	70662989	1	RING, sealing, clutch engaging piston (inner)
13A	70662991	1	EXPANDER, piston ring
14	70662990	1	RING, sealing, clutch engaging piston (outer)
14A	70662992	1	EXPANDER, piston ring
15	70640743	1	PISTON, clutch engaging
16	70682971	2	PLATE, friction (bi-metallic)
17	70639523	1	PLATE, friction (steel)
18	70640742	1	WASHER, retaining, clutch driving ring
19	70647404	1	RING, clutch driving
	70922524	4	PIN, spring, 1/2" x 1-1/2"
	74054570	4	PIN, dowel, 7/16" x 1"
20	70650399	4	CAPSCREW, self-locking, 3/8"NF x 7/8"
21	70646985	1	SHAFT, input
22	70632603	1	O-RING, input shaft
23	70640791	2	RING, backing, input shaft O-Ring
24	70632585	1	RACE, inner, shaft rear bearing
25	70632601	1	RING, snap shaft (rear end)
26	70639527	1	PLATE, back
27	70698911	1	GEAR ASSY., pump driving (Includes bushing)
28	70639543	1	SPACER, input shaft bearing
29	70632613	2	WASHER, bearing retaining (half only)
30	74254905	6	CAPSCREW, 3/8"NF x 3/4"
31	70645672	1	BEARING, ball, input shaft
32	70679753	5	RING, sealing
33	70639524	1	CARRIER, seal ring
34	70639520	1	RING, wear
35	70639522	1	SLEEVE, wear
36	70640784	1	RING, snap, wear sleeve retaining
37	70640783	1	GASKET, pump gear housing
38	-----	-	HOUSING, pump gears (Not serviced. Order item 40)
39	70053616	4	CAPSCREW, 3/8"NC x 1-3/4"

(Continued)

TORQUE CONVERTER PARTS (Continued)

ITEM	PART NO.	QTY.	DESCRIPTION
40	70640781	1	HOUSING ASSY. (Includes items 34 thru 39)
	70902071	1	BUSHING, pipe reducing, 1"NPT to 3/8"NPT
	70918887	1	PLUG, pipe, hex-socket, 3/8"NPT
	70909091	2	PLUG, pipe, hex-socket, 3/4"NPT
	73034915	2	PIN, dowel, 3/8" x 5/8"
41	74053627	1	RING, snap, bearing retaining
42	70067766	2	BEARING, ball, pump driving
43	70640778	1	GEAR, pump driving
44	70632604	1	SHAFT, idler gear
45	70922850	1	SCREW, 12-pt. head, 3/8"NC x 2"
46	70643763	1	WASHER, plain
47	70632630	1	GEAR, idler
48	70645269	1	BEARING, ball, idler gear
49	70628492	1	RETAINER, idler gear bearing
50	70639534	3	CAPSCREW, self-locking, 3/8"NF x 5/8"
51	70632615	1	PLUG, hole
52	70921884	1	O-RING, hole plug
53	70632624	1	WHEEL ASSY., guide (stationary)(Serviced only as a unit)
54	70923193	10	CAPSCREW, 3/8"NF x 1-1/4"
55	70639628	1	WHEEL, impeller
56	70632581	1	WASHER, locking, impeller retaining nut
57	70632582	1	NUT, impeller retaining
	70921401	1	SETSCREW, hex-skt., half-dog-pt., 5/16"NC x 3/4"
58	70632590	1	RING, snap, bearing retaining
59	70632584	1	BEARING, ball, over-running clutch cam
60	70632652	1	RACE, over-running clutch
61	70632600	6	PIN, dowel, over-running clutch race
62	-----	1	<input type="checkbox"/> CAGE, clutch rollers
63	-----	22	<input type="checkbox"/> ROLLER, over-running clutch
64	-----	1	<input type="checkbox"/> CAM, over-running clutch
65	-----	2	<input type="checkbox"/> SPRING, cage return
66	-----	9	<input type="checkbox"/> SPRING, bumper
67	70634342	1	<input type="checkbox"/> PIN, driving, thrust washer
68	70638352	1	CLUTCH KIT, over-running, torque converter (Consists of items 62 thru 67)
69	70632606	1	WASHER, thrust
70	70632588	1	RING, snap, bearing retaining
71	70632591	1	ROLLER ASSY., input shaft rear bearing
72	70923814	1	O-RING, turbine wheel flange
73	70632620	1	CARRIER, O-Ring
74	70632635	1	FLANGE, turbine wheel
75	70632589	1	SLEEVE, wear, turbine wheel flange
76	70632632	1	WHEEL, turbine
77	70923193	6	CAPSCREW, 3/8"NF x 1-1/4"
78	70632595	1	WASHER, dowel pin retaining
79	70632587	1	GASKET, end plate
80	70632623	1	PLATE ASSY., rear end (Includes item 82)
	70909091	1	PLUG, pipe, hex-socket, 3/4"NPT
81	70921076	24	CAPSCREW, 3/8"NC x 1-1/4"
82	70632592	1	SLEEVE, wear, rear end plate
83	70679752	2	RING, sealing

(Continued)

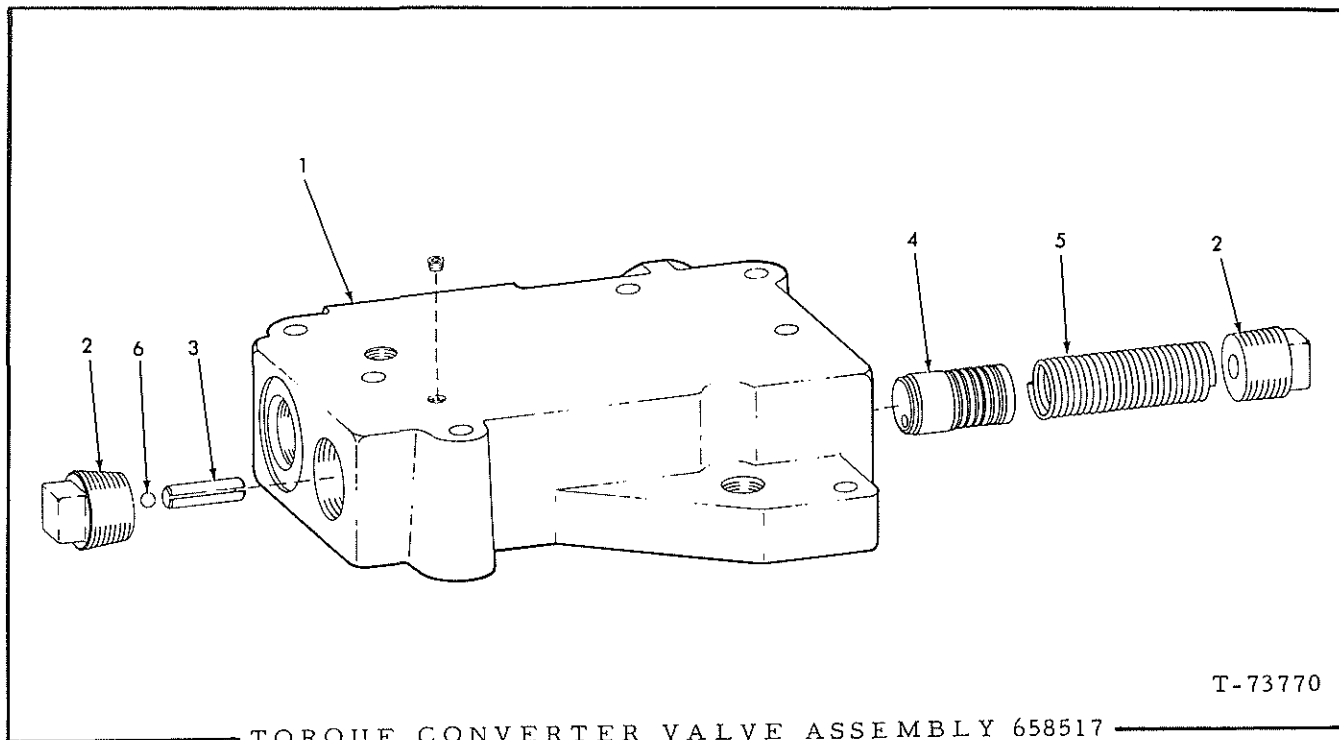
TORQUE CONVERTER PARTS (Continued)

ITEM	PART NO.	QTY.	DESCRIPTION
84	70640096	1	CARRIER, seal ring
85	70632583	1	BEARING, ball, turbine wheel flange
86	70624816	1	WASHER, locking, bearing retaining nut
87	70624815	1	NUT, bearing retaining
	70921401	1	SETSCREW, hex-socket, half-dog-pt., 5/16"NC x 3/4"
88	70052168	1	GASKET, rear bearing retainer
89	70632638	1	RETAINER, rear bearing
90	70921076	6	CAPSCREW, 3/8"NC x 1-1/4"
91	70693957	1	SEAL, oil, rear end
92	70923585	1	O-RING, drive shaft yoke
93	70632621	1	SLEEVE, drive shaft yoke
	70914465	1	FITTING, lubricating, straight, 1/8"NPT
94	70638848	1	YOKE ASSY., drive shaft (Includes item 93)
95	70640097	1	TUBE ASSY., rear seal drain (Includes nuts)
	70918116	1	CONNECTOR, inverted flare, 3/8" tube, 3/8"NPT male
	70918115	1	ELBOW, inverted flare, 90°, 3/8" tube, 3/8"NPT male
96	70639314	1	CLIP, tube supporting
97	70639625	1	GASKET, regulating valve (For Valves 70640719 and 70642739 only)
	70658556	1	GASKET, regulating valve (For Valve 70658517 only)
98	70640719	1	VALVE ASSY., pressure regulating (For Converter Assy., 70639561)
	70642739	1	VALVE ASSY., pressure regulating (For Converter Assy., 70642741)
	70658517	1	VALVE ASSY., pressure regulating (See page 123A for parts)(For Converter Assy. 70660065 only)
99	70921565	2	CAPSCREW, 3/8"NC x 1-1/2" (1 less re- quired for Valve 70658517)
100	70927218	1	CAPSCREW, 3/8"NC x 2-3/4" (Not for Valve 70658517)
101	70927446	2	CAPSCREW, 3/8"NC x 3" (Qty. six required for Valve 70658517)
102	70928394	2	CAPSCREW, 3/8"NC x 3-3/4" (Not for Valve 70658517)
103	70639627	1	HOUSING
	70910231	4	PLUG, pipe, hex-socket, 1/8"NPT
	70907859	2	PLUG, pipe, hex-socket, 1/4"NPT
	70901666	3	PLUG, pipe, sq-socket, 1"NPT
104	70639548	1	SPRING, lubricating valve (For Valve Assy., 70640719)
	70642734	1	SPRING, lubricating valve (For Valve Assy., 70642739)
105	70632636	1	PISTON, lubricating valve
106	70642094	2	PIN, stop (1/4" x 1-1/2")
107	70639533	1	PISTON, pressure valve
108	70639551	1	SPRING, pressure valve

Each con-  
sists of  
items 103  
thru 108

□Indicates components of item 68

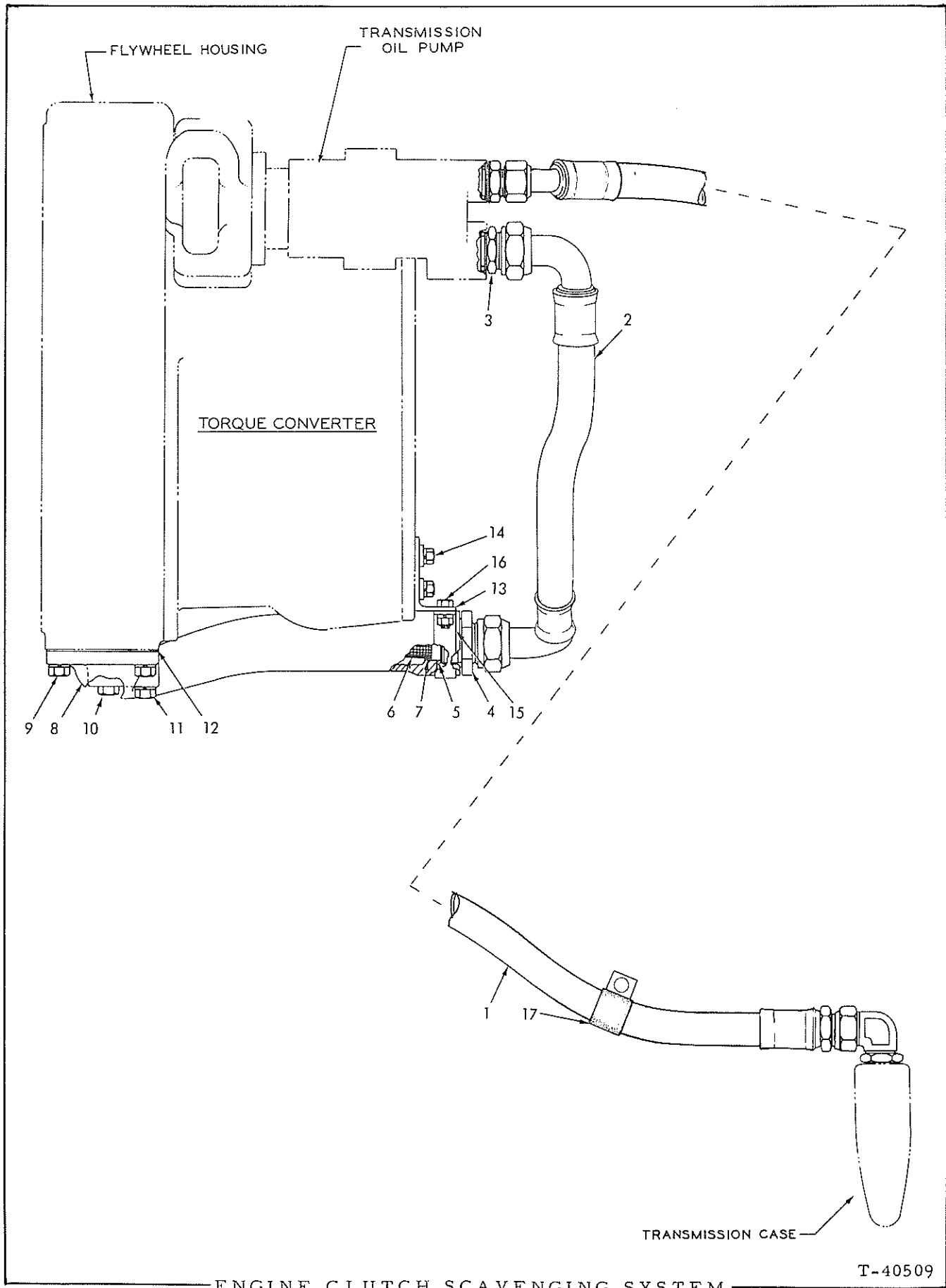
MEMO



USAGE: See page 120

ITEM	PART NO.	QTY.	DESCRIPTION
1	-----	1	HOUSING (Not serviced separately)
	70910231	1	PLUG, pipe, hex-socket, 1/8" NPT
2	70658746	2	PLUG,regulating valve
3	70918390	1	PIN, spring, 3/8" x 1-1/4" (piston stop)
4	70659774	1	PISTON, regulating valve
5	70639551	1	SPRING, regulating valve
6	70915904	1	BALL, steel, 5/16" diam. (Used selectively)

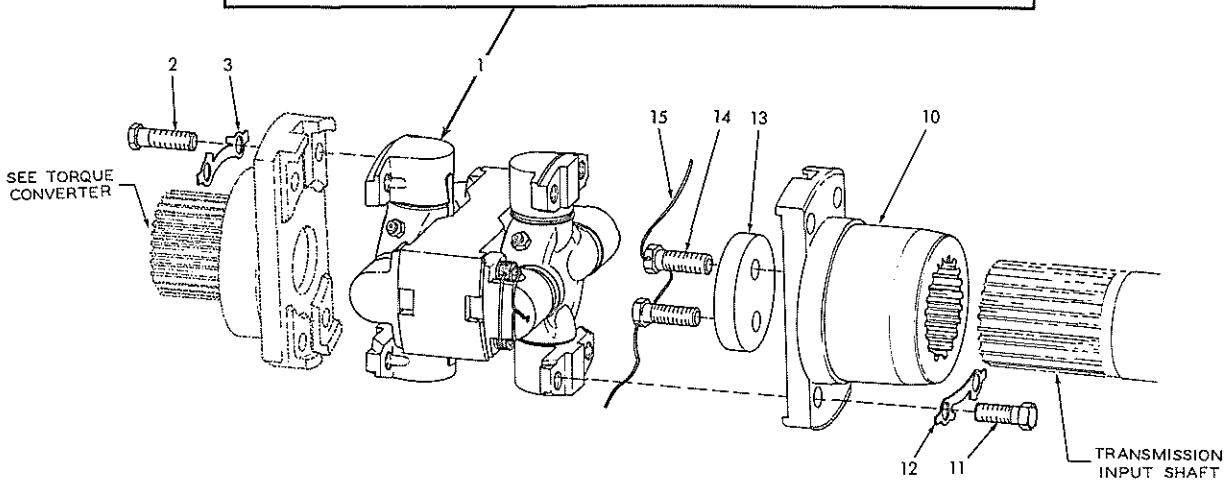
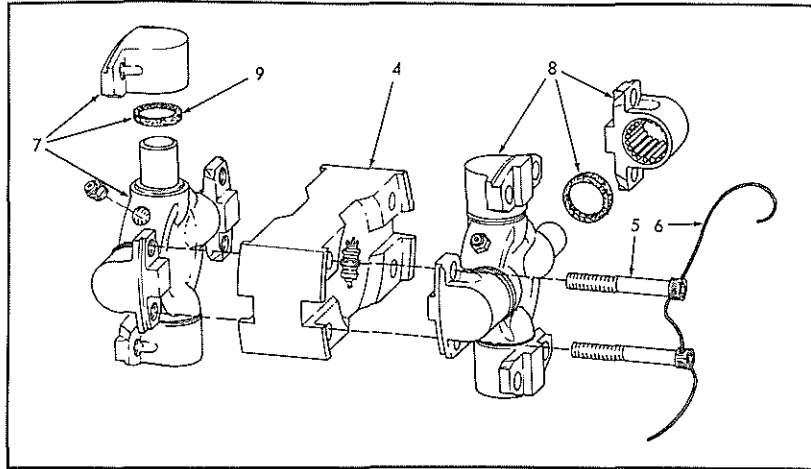






ENGINE CLUTCH SCAVENGING SYSTEM

ITEM	PART NO.	QTY.	DESCRIPTION
1	70648792	1	HOSE, oil return, pump to transmission (See Hose Parts)(Used prior to tractor #6476)
	70921215	1	ELBOW, flare type, 45°, 1" tube, 1-5/16"NF male end (Includes O-ring 70921214)
	70921227	1	ELBOW, adjustable, 90°, flare type, 1" tube, 1-5/16"NF male end (Includes washer, nut and O-ring 70921214)
	70644786	1	HOSE, oil return, pump to transmission (Effective with tractor #6476)
	70921228	1	CONNECTOR, flare type, 1" tube, 1-5/16"NF male end (Includes O-ring 70921214)
	70921227	1	ELBOW, adjustable, 90°, flare type, 1" tube, 1-5/16"NF male end (Includes washer, nut and O-ring 70921214)
2	70644452	1	HOSE, oil return, flywheel housing to pump (See Hose Parts)
3	70641134	1	CONNECTOR, flare type, 1-1/4", 1-5/16"NF (Includes O-ring 70921214)
	70921214	1	O-RING, sealing
4	70640575	1	ADAPTER, oil return hose
5	70641109	1	GASKET, oil return hose adapter
6	70641110	1	SCREEN, flywheel housing drain elbow
7	70640663	1	RING, sealing (rubber)
8	70641052	1	ELBOW, drain, flywheel housing
9	70035733	3	CAPSCREW, 1/2"NC x 1-3/8"
10	70659465	1	BOLT, self-locking, 1/2"NC x 1-7/8"
11	74255335	1	BOLT, self-locking, 1/2"NC x 2"
	70904208	3	LOCKWASHER, 1/2"
12	70640636	1	GASKET, flywheel housing drain elbow
13	70640667	1	BRACKET, supporting, drain elbow
14	70074145	2	CAPSCREW, 3/8"NC x 1-5/8"
	70904206	2	LOCKWASHER, 3/8"
	70044973	2	WASHER, plain
15	70640664	1	CLAMP, supporting, drain elbow
16	70035167	2	CAPSCREW, 3/8"NF x 7/8"
	70911115	1	WASHER, plain, SAE std., 3/8"
	70904206	2	LOCKWASHER, 3/8"
	70911041	2	NUT, 3/8"NF
17	70095869	1	CLIP, supporting, return hose (1-1/4" I.D.)(Used prior to tractor #6476)
	70644457	1	CLIP, supporting, return hose (1-5/16" I.D.)(Effective with tractor #6476)



UNIVERSAL JOINT

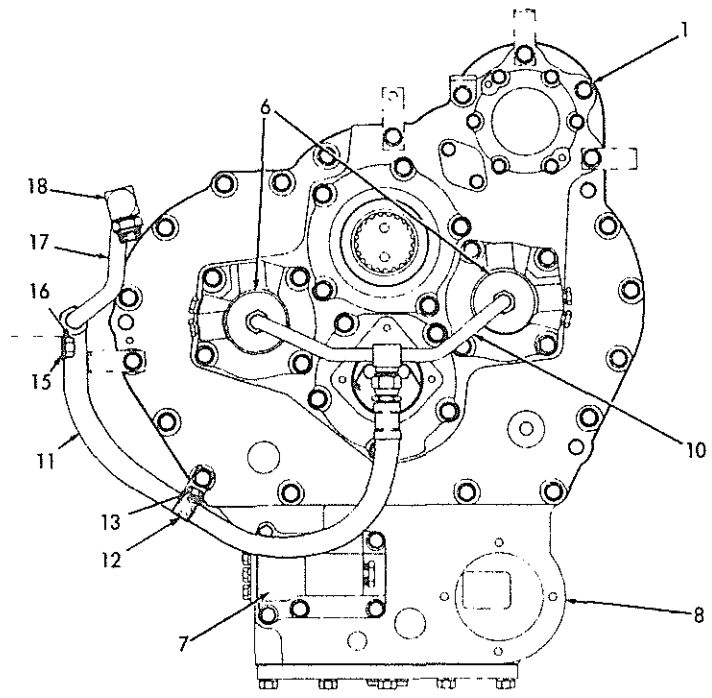
T-73662

ITEM	PART NO.	QTY.	DESCRIPTION
1	70627348	1	JOINT ASSEMBLY, universal (Consists of items 4 thru 9)
2	70916395	4	CAPSCREW, drilled-hd., 7/16"NF x 1-1/4"
3	70058741	2	LOCK, capscrew
4	70629946	1	COUPLING, center
5	70629945	4	CAPSCREW, coupling
6	70023633	2	WIRE, locking, 1/16" x 12"
7	70083616	1	SPIDER ASSEMBLY, front (Includes bearings, item 9 and FITTING indented below)(Serviced only as a unit)
	70914687	1	FITTING, lubricating, straight, 1/4"NF

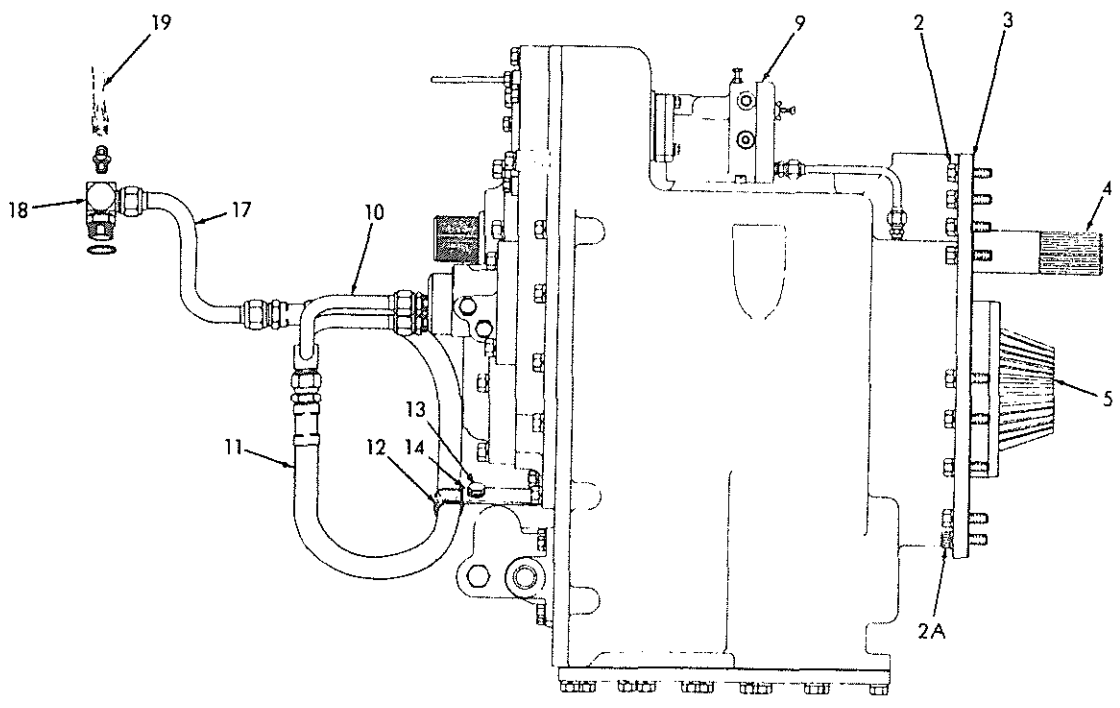
(Continued)

UNIVERSAL JOINT (Continued)

ITEM	PART NO.	QTY.	DESCRIPTION
8	70629943	1	SPIDER ASSEMBLY, rear (Includes bearings, item 9 and FITTING indented below)(Serviced only as a unit)
	70914687	1	FITTING, lubricating, straight, 1/4"NF
9	70084351	8	WASHER, sealing (cork)
10	70627350	1	YOKE, rear
11	70058739	4	CAPSCREW, 7/16"NF x 1-1/16"
12	70058741	2	LOCK, capscrew
13	70624140	1	PLATE, yoke retaining
14	70060833	2	CAPSCREW, drilled-hd., 1/2"NF x 1-1/4"
15	70023633	1	WIRE, locking 1/16" x 12"



FRONT VIEW



SIDE VIEW

TRANSMISSION (First type)

T-39335

TRANSMISSION

USAGE: Prior to Tractor serial no. 8399. For superseding design, see page 10 of Supplement no. 1

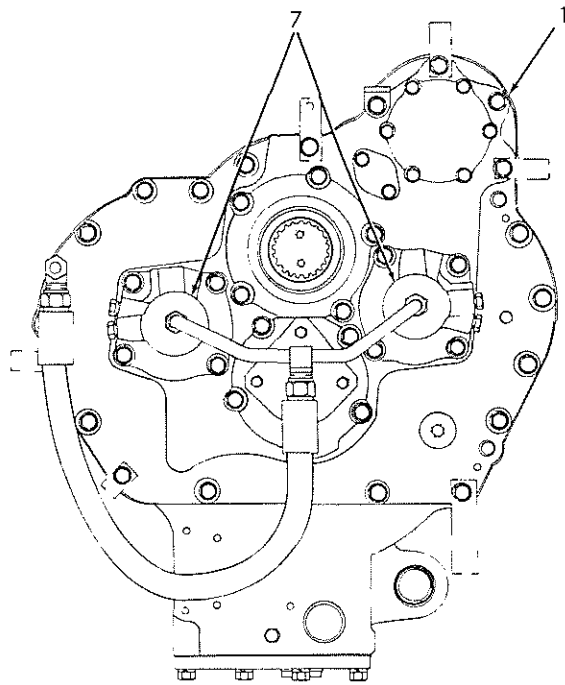
ITEM	PART NO.	QTY.	DESCRIPTION
1	70639581	1	TRANSMISSION ASSEMBLY (Includes items 4 thru 9)(Used prior to tractor #6053 excluding #6049)
	-----	1	TRANSMISSION ASSY. (Includes items 4 thru 9)(Used on tractors #6053 thru #6150 including #6049. Order TRANSMISSION ASSY. 70644800 and 1 each PLATE 70642891, TUBE 70641972, ADAPTER 70641963, WASHER 70632066, VALVE ASSY. 70628521, GASKET 70627347, CLIP 70623235, ANGLE 70620604, CAPSCREW 70070467, O-RING 70921887, NUT 70911043 and LOCKWASHER 70904208)
	-----	1	TRANSMISSION ASSY. (Includes items 4 thru 9)(Used on tractors #6151 thru #6785 excluding #6742, 52, 59, 63, 72, 73, 74, 82, 83. Order TRANSMISSION ASSY. 70644800 and 1 each PLATE 70642891, WASHER 70632066, VALVE ASSY. 70628521 and GASKET 70627347)
	70644800	1	TRANSMISSION ASSEMBLY (Includes items 4, 5, 6, 8, and 9) (Effective with tractor #6785 including #6742, 52, 59, 63, 72, 73, 74, 82, 83. Standard on tractors prior to #7109; special thereafter)
	70648333	1	TRANSMISSION ASSEMBLY (Includes items 4, 5, 6 and 8)(Standard on tractors #7109 and up)
2	70035018	16	CAPSCREW, 1/2"NF x 1-1/2"
2A	70647563	2	CAPSCREW, 12-point, 1/2"NF x 1-1/2"
	70904208	18	LOCKWASHER, 1/2"
3	70627422	1	GASKET, case to steering clutch housing (Used prior to tractor #7906)
	70654294	1	GASKET, case to steering clutch housing (Effective with tractor #7906)
4	-----	-	See TRANSMISSION INPUT SHAFT
5	-----	-	See TRANSMISSION BEVEL PINION SHAFT
6	-----	-	See CLUTCH SHAFTS
7	-----	-	See PUSH-START PUMP
8	-----	-	See TRANSMISSION CASE AND COVERS
9	-----	-	See GROUND SPEED GOVERNOR
10	70641144	1	TUBE ASSEMBLY, oil jumper (Includes nuts)
	70919472	2	CONNECTOR, flare type, 5/8" tube, 1/2"NPT male
11	70645246	1	HOSE, oil supply (See HOSE PARTS)
12	70621451	1	CLIP, hose supporting, lower (1-1/16" diam., 13/32" bolt-hole) (Used prior to tractor #6965)
	70644612	1	CLIP, hose supporting, lower (1-3/16" diam., 17/32" bolt-hole) (Effective with tractor #6965)
13	70036032	1	CAPSCREW, 3/8"NF x 3/4"
	70911115	1	WASHER, plain, SAE std., 3/8"
	70904206	1	LOCKWASHER, 3/8"
	70911041	1	NUT, 3/8"NF

(Continued)

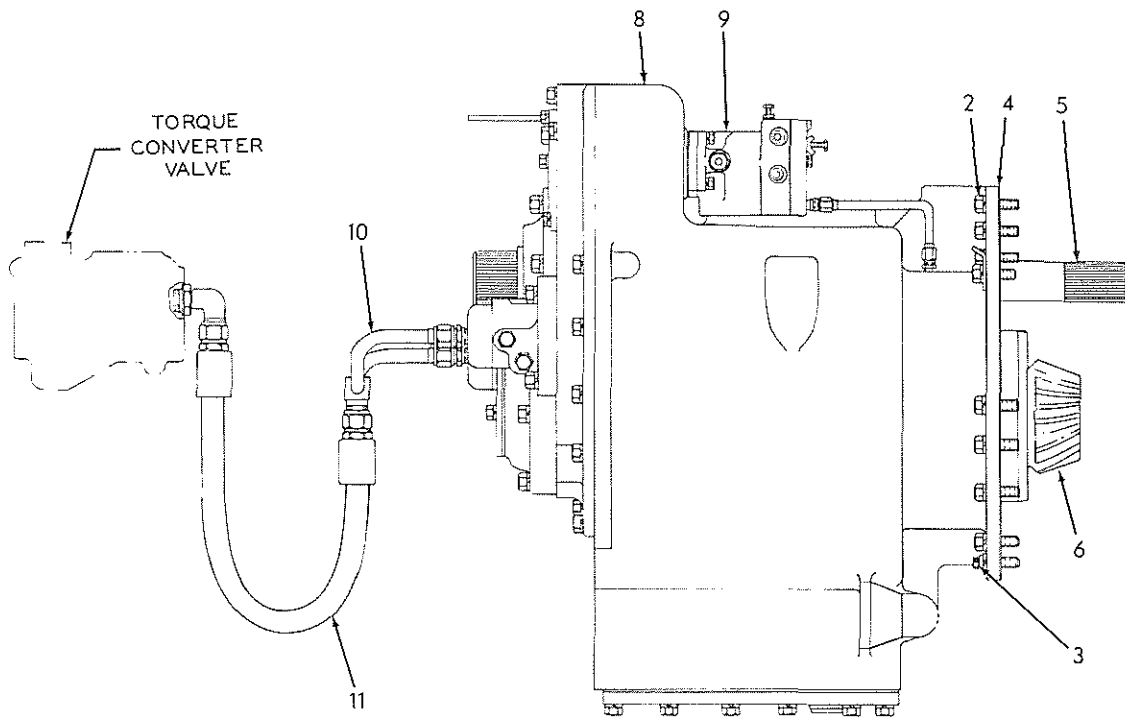
TRANSMISSION (Continued)

ITEM	PART NO.	QTY.	DESCRIPTION
14	70096164	1	ANGLE, hose supporting (Effective with tractor #6785 including #6742, 52, 59, 63, 72, 73, 74, 82, 83)
15	70622916	1	CLIP, hose supporting, upper (1-1/16" diam., 17/32" bolt-hole) (Used prior to tractor #6965)
	70644612	1	CLIP, hose supporting, upper (1-3/16" diam., 17/32" bolt-hole) (Effective with tractor #6965)
16	70070467	1	CAPSCREW, 1/2"NF x 1"
	70904208	1	LOCKWASHER, 1/2"
17	70641466	1	TUBE ASSEMBLY, oil supply (Includes nuts)
18	70641386	1	ELBOW, oil supply tube (Includes nut, washer and O-RING 70921206)
	70921206	1	O-RING, sealing
19	-----	-	HOSE (See TRANSMISSION LUBRICATING OIL PRESSURE GAUGE)





FRONT VIEW



SIDE VIEW

TRANSMISSION (Second type)

T-73829



TRANSMISSION

USAGE: Tractors serial No. 8399 and up

ITEM	PART NO.	QTY.	DESCRIPTION
	70648333	1	TRANSMISSION ASSEMBLY (Includes items 5 thru 8)(Standard)
1	70644800	1	TRANSMISSION ASSEMBLY (Includes items 5 thru 9)(Special)
2	70035018	16	CAPSCREW, 1/2"NF x 1-1/2"
3	70647563	2	CAPSCREW, 12-point, 1/2"NF x 1-1/2"
	70904208	18	LOCKWASHER, 1/2"
4	70654294	1	GASKET, case to steering clutch housing
5	-----	-	See TRANSMISSION INPUT SHAFT
6	-----	-	See TRANSMISSION BEVEL PINION SHAFT
7	-----	-	See TRANSMISSION CLUTCH SHAFTS
8	-----	-	See TRANSMISSION CASE AND COVERS
9	-----	-	See GROUND SPEED GOVERNOR
10	70659440	1	TUBE ASSEMBLY, oil jumper (Includes nuts)
	70919472	2	CONNECTOR, flare type, 5/8" tube, 1/2" NPT male
11	70659441	1	HOSE, oil supply (See HOSE PARTS)
	70921203	1	ELBOW, adjustable, 90°, flare type, 3/4" tube, 1-1/16" NF (Includes washer, nut and O-RING 70921206)

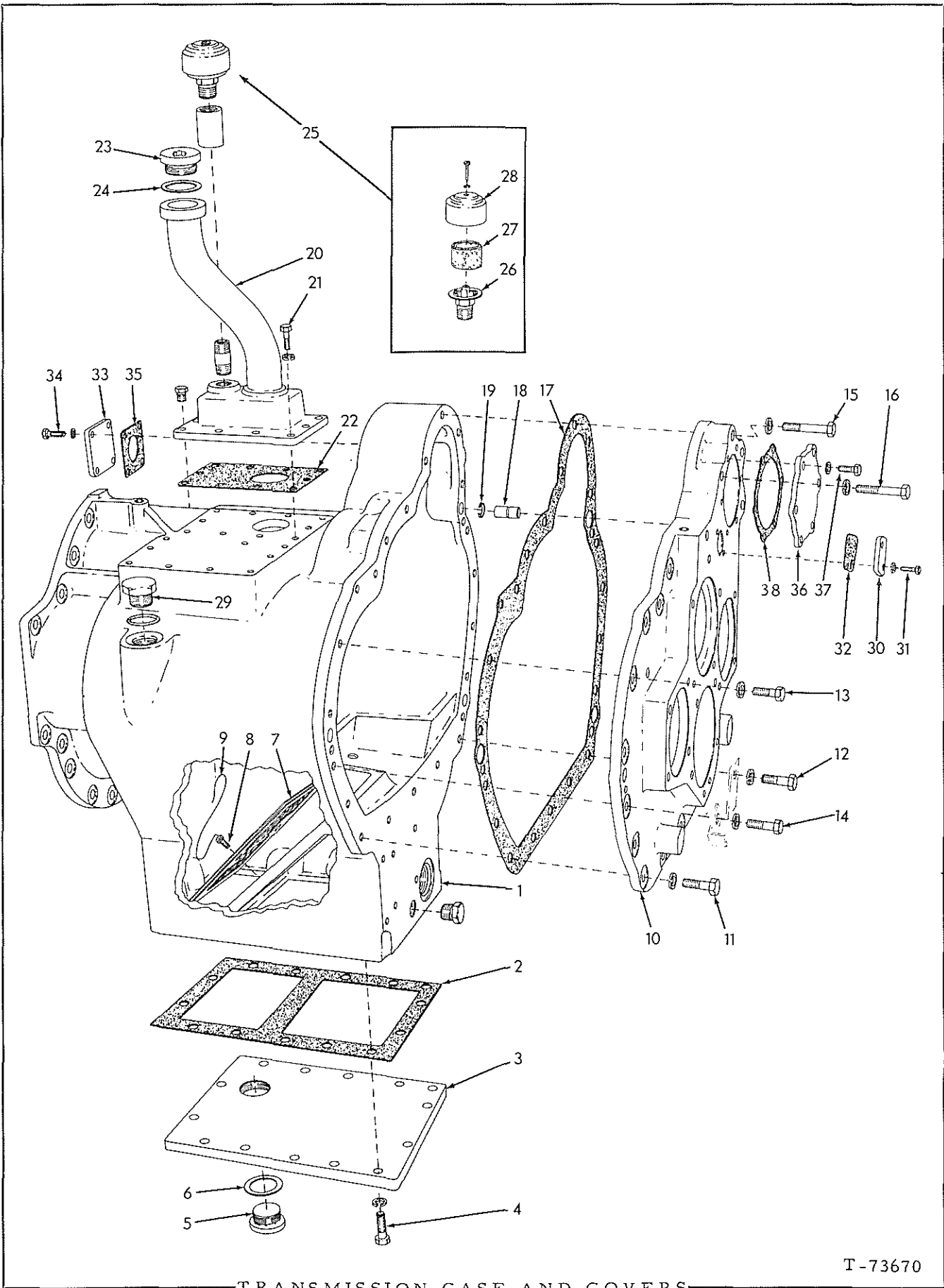


TRANSMISSION CASE AND COVERS

\* Tractors prior to serial No. 6151  
 \*\* Tractors serial No. 6151 and up

ITEM	PART NO.	QTY.		DESCRIPTION
		*	**	
1	70654310	1	1	CASE, transmission (If for tractors prior to #6500 also order RING 70638335 and PLUG 70921216; if for tractors prior to #6151 also include 1 each TUBE 70641972, ADAPTER 70641963, CLIP 70623235, ANGLE 70620604, CAPSCREW 70070467, O-RING 70921887, NUT 70911043 and LOCKWASHER 70904208)
	70920525	-	1	PLUG, pipe, hex-hd., 3/4"NPT (Not used when PUSH-START PUMP is installed)
	70919840	-	1	PLUG, pipe, hex-hd., 1/4"NPT (Not used when GROUND SPEED GOVERNOR is installed)
2	70627352	1	-	GASKET, bottom cover
	70642788	-	1	GASKET, bottom cover
3	70627354	1	-	COVER, bottom
	70642787	-	1	COVER, bottom
4	70035190	18	14	CAPSCREW, 1/2"NC x 1-1/2"
	70904208	18	14	LOCKWASHER, 1/2"
5	70035250	1	1	PLUG, drain
6	70667252	1	1	GASKET, drain plug
7	70632067	1	1	SCREEN, oil
8	70606858	2	2	CAPSCREW, drilled-hd., 3/8"NC x 3/4"
9	70023633	1	1	WIRE, locking, 1/16" x 12"
10	70627419	1	1	COVER, front
11	70035190	13	13	CAPSCREW, 1/2"NC x 1-1/2"
12	70035190	1	-	CAPSCREW, 1/2"NC x 1-1/2"
	70035236	-	1	CAPSCREW, 1/2"NC x 1-3/4"
13	70035236	1	1	CAPSCREW, 1/2"NC x 1-3/4"
14	70035190	1	-	CAPSCREW, 1/2"NC x 1-1/2"
	70035236	-	1	CAPSCREW, 1/2"NC x 1-3/4"
15	70041877	4	4	CAPSCREW, 1/2"NC x 3"
16	70041917	1	1	CAPSCREW, 1/2"NC x 3-1/4"
	70904208	21	21	LOCKWASHER, 1/2"
	70910244	3	3	WASHER, plain, SAE std., 1/2"
17	70654798	1	1	GASKET, front cover
18	70624695	3	3	PIN, dowel, front cover
19	70623804	3	3	RING, snap, dowel pin
20	70624520	1	1	FILLER, oil
21	70044249	10	10	CAPSCREW, 3/8"NC x 1-1/8"
	70904206	10	10	LOCKWASHER, 3/8"
22	70627346	1	1	GASKET, oil filler
23	70035250	1	1	PLUG, oil filler

(Continued)

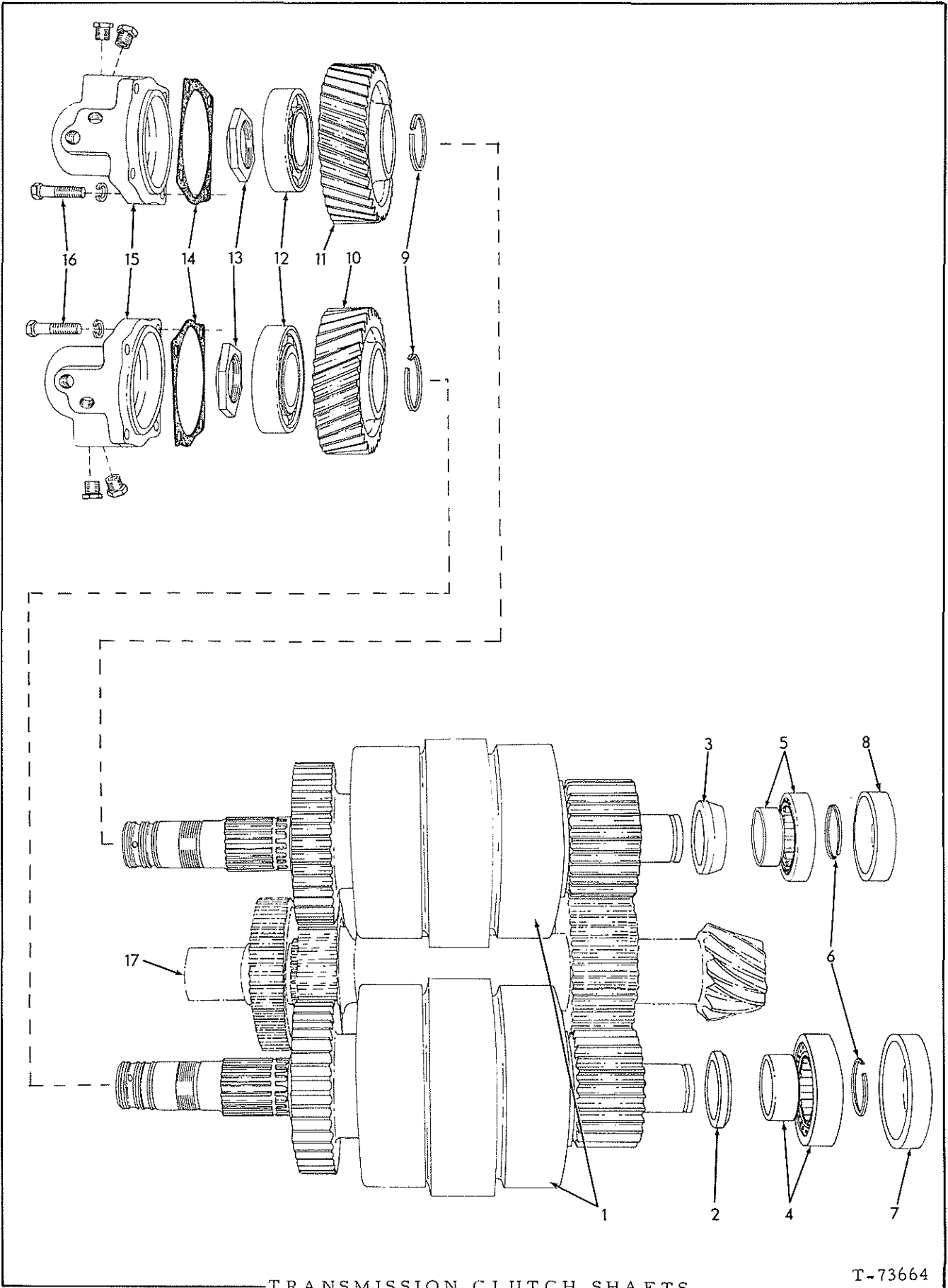


TRANSMISSION CASE AND COVERS

T-73670

TRANSMISSION CASE AND COVERS

ITEM	PART NO.	QTY.		DESCRIPTION	
		*	**		
24	70667252	1	1	GASKET, oil filler plug	
25	73002766	1	1	BREATHER ASSEMBLY (Consists of items 26 thru 28)	
	70901767	1	1	COUPLING, pipe, 3/4"NPT	
	70902170	1	1	NIPPLE, pipe, 3/4"NPT	
26	73002767	1	1	BASE, breather	
27	73002769	1	1	ELEMENT, breather	
28	73002768	1	1	CAP, breather	
	70914172	1	1	SCREW, machine, #10-24NF x 1-1/4"	
	70904203	1	1	LOCKWASHER, #10	
29	70921216	-	1	PLUG, closure (Includes O-RING 70921214)(Effective with tractor #6500)	
30	70631885	1	1	COVER, small hole	
31	70035439	2	2	CAPSCREW, 3/8"NC x 1"	
	70904206	2	2	LOCKWASHER	
32	70643810	1	1	GASKET, small hole cover	} Not used on transmissions equipped with GROUND SPEED GOVERNOR
33	70630584	-	1	COVER, governor mounting hole	
34	70045295	-	4	CAPSCREW, 5/16"NC x 1"	
	70904205	-	4	LOCKWASHER, 5/16"	
35	70624706	-	1	GASKET, governor mounting hole cover	
36	70643081	-	1	COVER, large hole	
37	70035439	-	6	CAPSCREW, 3/8"NC x 1"	
	70904206	-	6	LOCKWASHER, 3/8"	
38	70643080	-	1	GASKET, large hole cover	

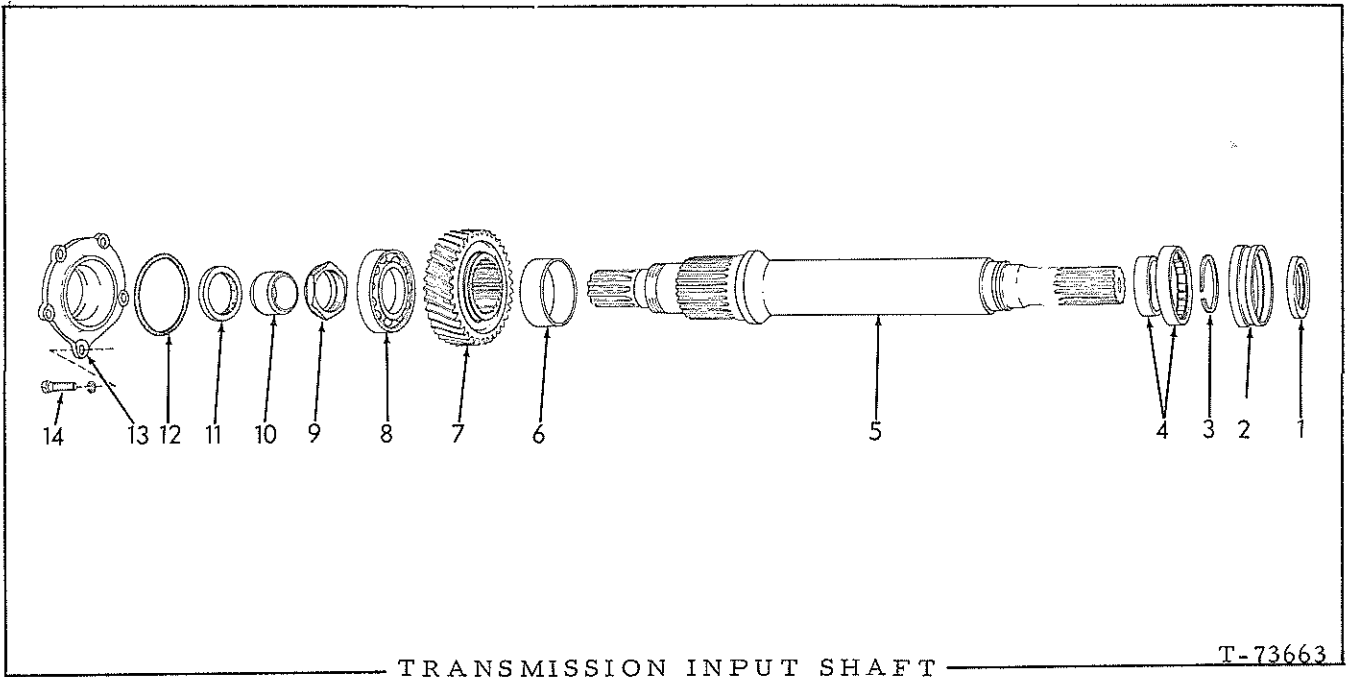


TRANSMISSION CLUTCH SHAFTS

T-73664

TRANSMISSION CLUTCH SHAFTS

ITEM	PART NO.	QTY.	DESCRIPTION
1	70643561	2	CLUTCH AND SHAFT ASSEMBLY (See page 137 for parts)
2	70639508	1	SPACER, rear bearing, left clutch
3	70639507	1	SPACER, rear bearing, right clutch
4	70623963	1	BEARING, roller, left clutch, rear
5	70091375	1	BEARING, roller, right clutch, rear
6	70050292	2	RING, snap, clutch bearings, rear
7	70632794	1	PLUG, cup, left clutch rear bearing (4-3/4" diam.)
8	70632793	1	PLUG, cup, right clutch rear bearing (4" diam.)
9	70623969	2	RING, snap, clutch shaft
10	70639505	1	GEAR, driving, left clutch (33 teeth)
11	70639504	1	GEAR, driving, right clutch (38 teeth)
12	70647972	2	BEARING, ball, front end
13	70639761	2	NUT, clutch shaft
14	70629223	2	GASKET, oil collector
15	70639502	2	COLLECTOR, oil
	70920333	4	PLUG, pipe, hex-hd., 3/8"NPT
16	70035236	8	CAPSCREW, 1/2"NC x 1-3/4"
	70904208	8	LOCKWASHER, 1/2"
17	-----	-	See TRANSMISSION BEVEL PINION SHAFT



ITEM	PART NO.	QTY.	DESCRIPTION
1	70638336	1	SEAL, oil, rear end
2	70638334	1	RETAINER, rear oil seal
3	70624783	1	RING, snap, shaft
4	70623974	1	BEARING, roller
5	70676213	1	SHAFT
6	70624174	1	SPACER, drive gear
7	70623999	1	GEAR, drive (36 teeth)
8	70623966	1	BEARING, ball
9	70623985	1	NUT, bearing retaining (Used prior to tractor #6014)
	70639762	1	NUT, bearing retaining (Elastic stop)(Effective with tractor #6014)
10	70624139	1	SLEEVE, wear, oil seal
11	70628940	1	SEAL, oil, front end
12	70629286	1	O-RING, sealing, retainer
13	70624177	1	RETAINER, front oil seal
14	70035236	5	CAPSCREW, 1/2"NC x 1-3/4"
	70904208	5	LOCKWASHER, 1/2"

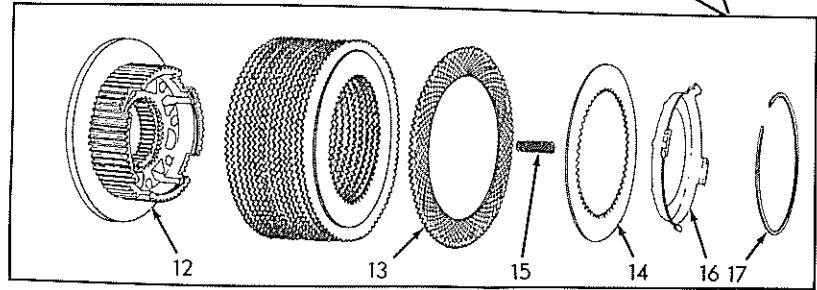
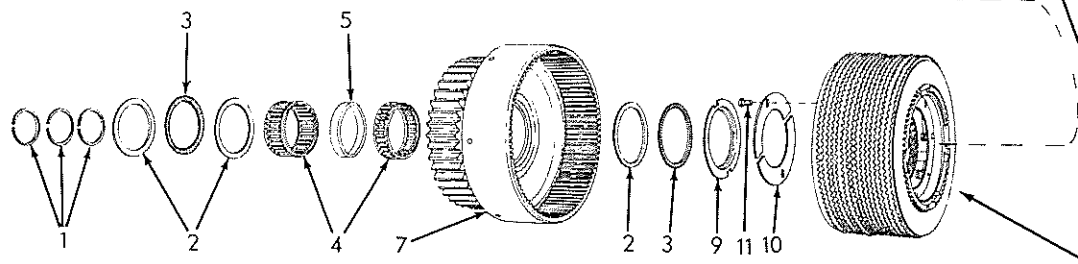
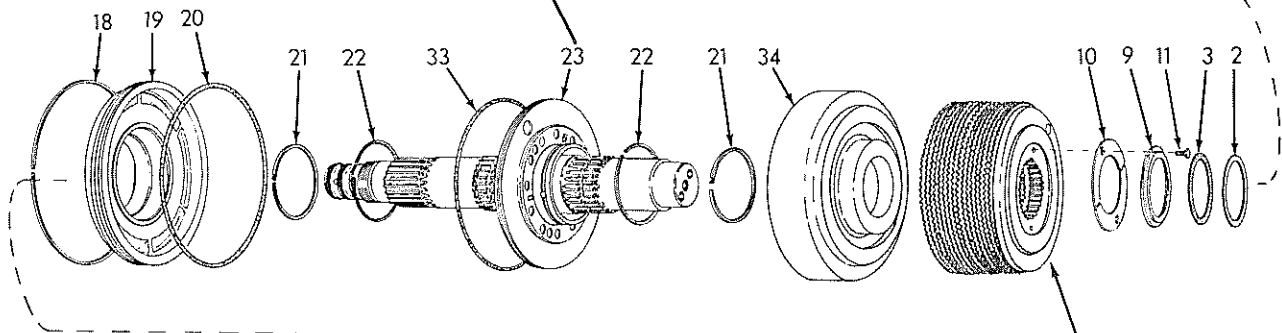
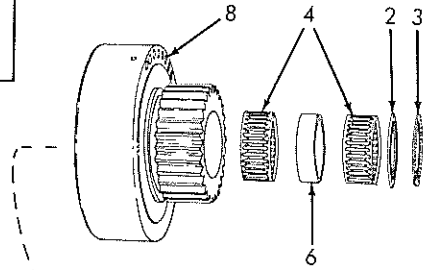
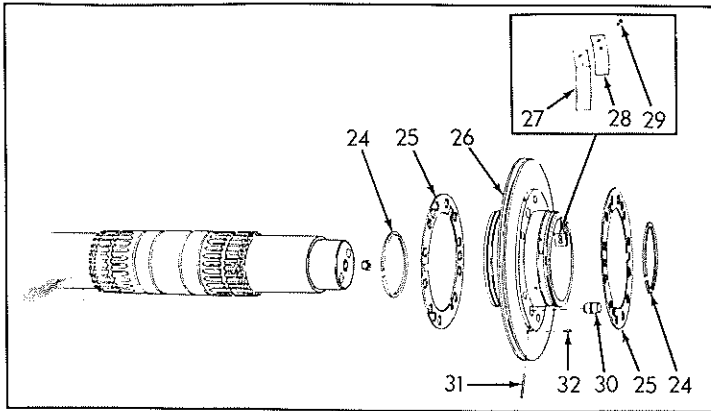


## CLUTCH AND SHAFT ASSEMBLY 643561

USAGE: See page 135

ITEM	PART NO.	QTY.	DESCRIPTION
<u>NOTE:</u> All quantities indicated are for one (1) assembly only.			
1	73037629	3	RING, shaft sealing, end
2	73037646	5	WASHER, thrust
3	73037645	4	BEARING, thrust
4	73037615	4	BEARING, roller, clutch gear
5	70639591	1	SPACER, bearing, high speed gear (7/16" wide)
6	70639594	1	SPACER, bearing, low speed gear (13/16" wide)
7	70639622	1	GEAR AND DRUM, high speed (41 teeth)
8	70639617	1	GEAR AND DRUM, low speed (26 teeth)
9	73037638	2	SPACER, clutch hub
10	70639596	4	RETAINER, clutch hub (half only)
11	73037641	4	CAPSCREW, thin-hd., 5/16"NF x 1/2"
12	70643571	2	HUB, clutch (If for tractors prior to #6163 also order RETAINER 70643572)
13	70642113	16	PLATE, friction, outer
14	70642146	16	PLATE, friction, inner
15	70189267	16	SPRING, clutch hub
16	70643572	2	RETAINER, clutch hub spring (If for tractors prior to #6163 rework HUB (item 12) per sketch S-3979)
17	70639572	2	RING, snap, spring retainer
18	70639584	1	RING, snap, actuating piston housing
19	70639597	1	PISTON, clutch actuating
20	70639567	1	SEAL, actuating piston
21	73037631	2	RING, shaft sealing, center
22	70639585	2	RING, carrier sealing
23	70642968	1	SHAFT ASSEMBLY (Includes items 24 thru 32)
	70907859	1	PLUG, pipe, hex-socket, 1/4"NPT
24	70052175	2	RING, snap, carrier retaining
25	70639609	2	PLATE, valve
26	70642148	1	CARRIER ASSEMBLY (Includes items 27 thru 29)
27	-----	2	PLATE, flapper valve (Used prior to tractor #5937. Order GUARD 70642329 and 3 RIVETS 70639578)
	70642329	2	GUARD, flapper valve (Effective with tractor #5937)
28	70639579	2	VALVE, flapper

(Continued)

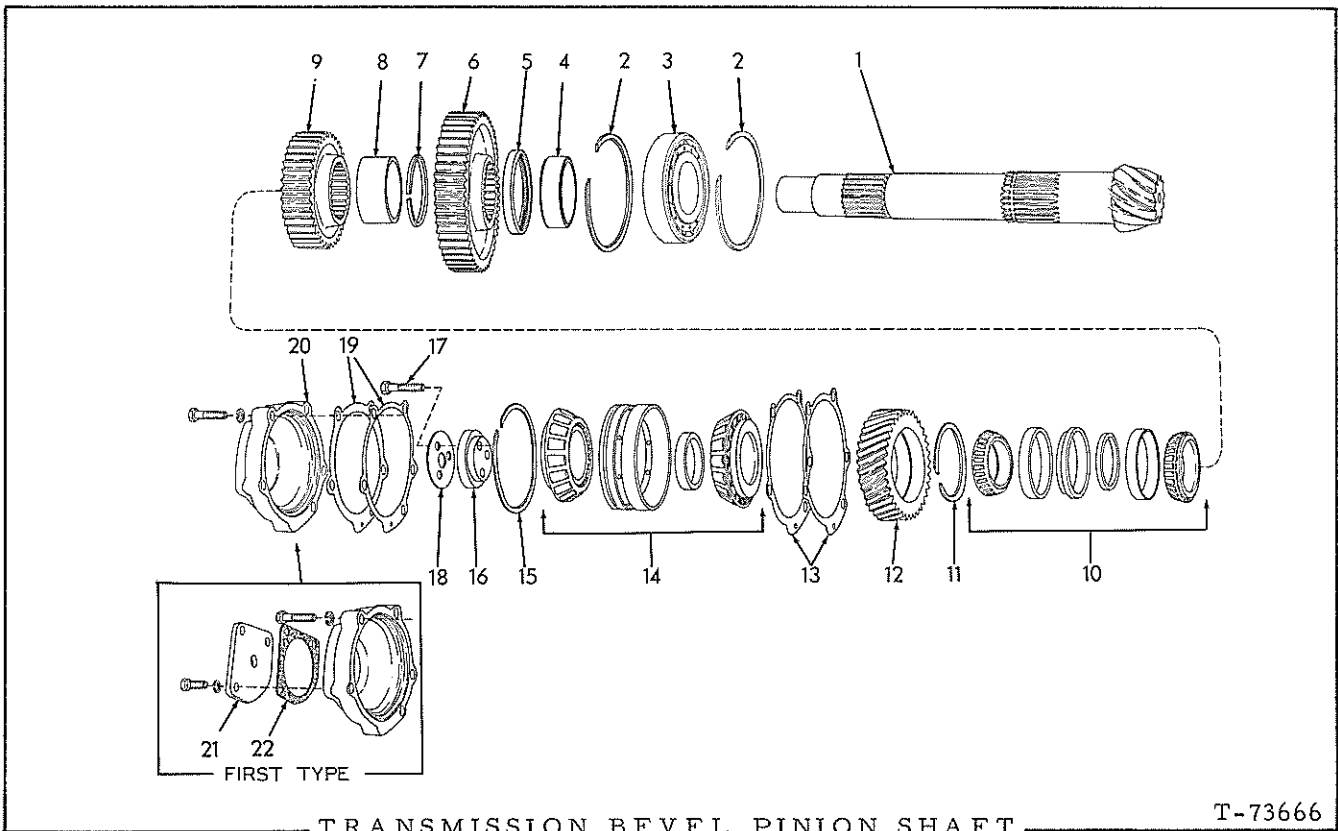


CLUTCH AND SHAFT ASSEMBLY 70643561

T-73665

## CLUTCH AND SHAFT ASSEMBLY 70643561 (Continued)

ITEM	PART NO.	QTY.	DESCRIPTION
29	70639578	6	RIVET, flapper valve guard (2 less used on tractors prior to #5937)
30	70639598	6	PISTON, valve actuating
31	73037768	6	PIN, piston stop
32	70922745	6	PIN, retaining, piston stop pin
33	70639576	1	O-RING, carrier
34	70639630	1	HOUSING, piston



TRANSMISSION BEVEL PINION SHAFT

T-73666

ITEM	PART NO.	QTY.	DESCRIPTION
1	70624129	1	PINION, bevel (12 teeth)
2	70638335	2	RING, snap, bearing retaining (1 less used on tractors prior to #6500)
3	70639655	1	BEARING, roller, rear end
4	70624137	1	SPACER, low speed gear
5	70623971	1	SEAL, oil
6	70624128	1	GEAR, low speed (54 teeth)
7	70623973	1	RING, snap, gear retaining
8	70624130	1	SPACER, high speed gear
9	70624142	1	GEAR, high speed (39 teeth)
10	70650724	1	BEARING, roller (Consists of 2 roller assemblies, 2 cups and 2 spacers. Serviced only as a unit)
11	70634670	1	RING, snap, idling gear
12	70623968	1	GEAR, idling (36 teeth)
13	70623953	3	SHIM, pinion adjustment (.005" thick)
	70623954	7	SHIM, pinion adjustment (.007" thick)
	70623955	10	SHIM, pinion adjustment (.010" thick)
			Use as req'd

(Continued)

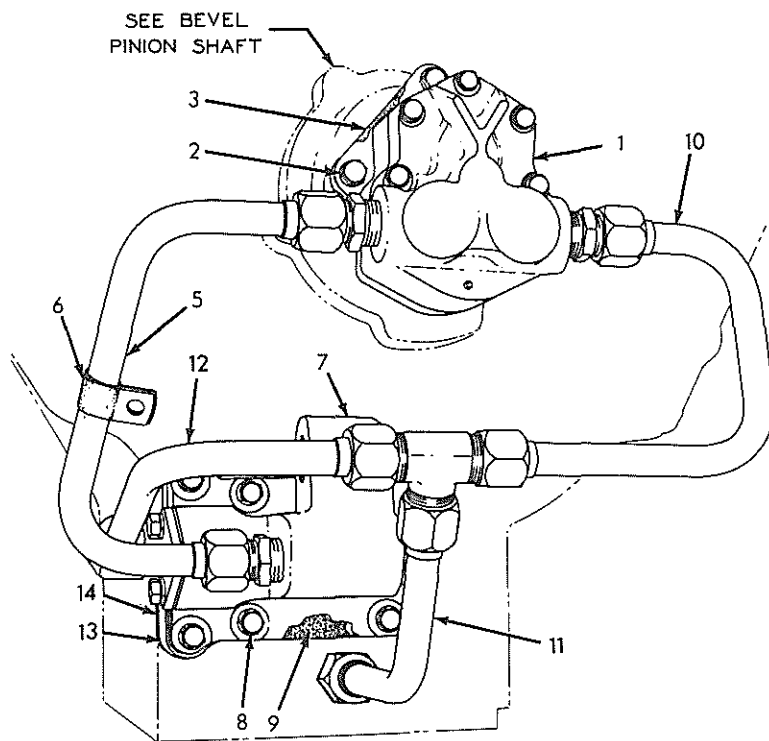
(Revised March 1972)

TRANSMISSION BEVEL PINION SHAFT (Continued)

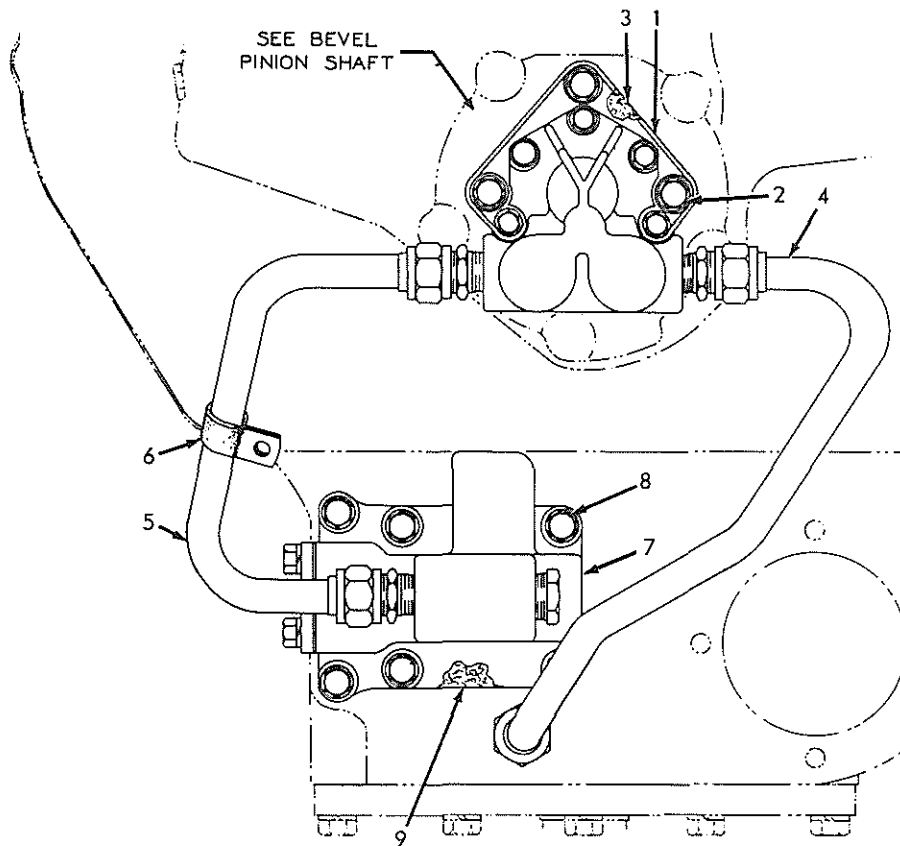
ITEM	PART NO.	QTY.	DESCRIPTION
14	70082343	1	BEARING, roller, front end (Consists of 2 roller assemblies, 1 cup and 1 spacer. Serviced only as a unit)
15	70048705	1	RING, snap, front bearing
16	70632066	1	WASHER, end (For units with PUSH-START PUMP)
	70643028	1	WASHER, end (For units without PUSH-START PUMP)
17	70035073	3	CAPSCREW, 1/2"NF x 1-3/4"
18	70632166	1	PLATE, capscrew locking
19	70623956	4	SHIM, bearing retainer (.005" thick.)
	70623957	3	SHIM, bearing retainer (.007" thick.)
20	70623959	1	RETAINER, front bearing (Tractors prior to unit #9623; also for all units equipped with PUSH-START PUMP)
	70667400	1	RETAINER, front bearing (Tractors unit #9623 and up. Not for for unit equipped with PUSH-START PUMP)
	70035712	5	CAPSCREW, 1/2"NC x 2-1/4"
	70904208	5	LOCKWASHER, 1/2"
21	70643027	1	COVER, front bearing retainer
	70035439	3	CAPSCREW, 3/8"NC x 1"
	70904206	3	LOCKWASHER, 3/8"
22	70632065	1	GASKET, cover

Use as req'd

For units without PUSH-START PUMP prior to unit # 9623



SECOND TYPE



FIRST TYPE

PUSH-START PUMP

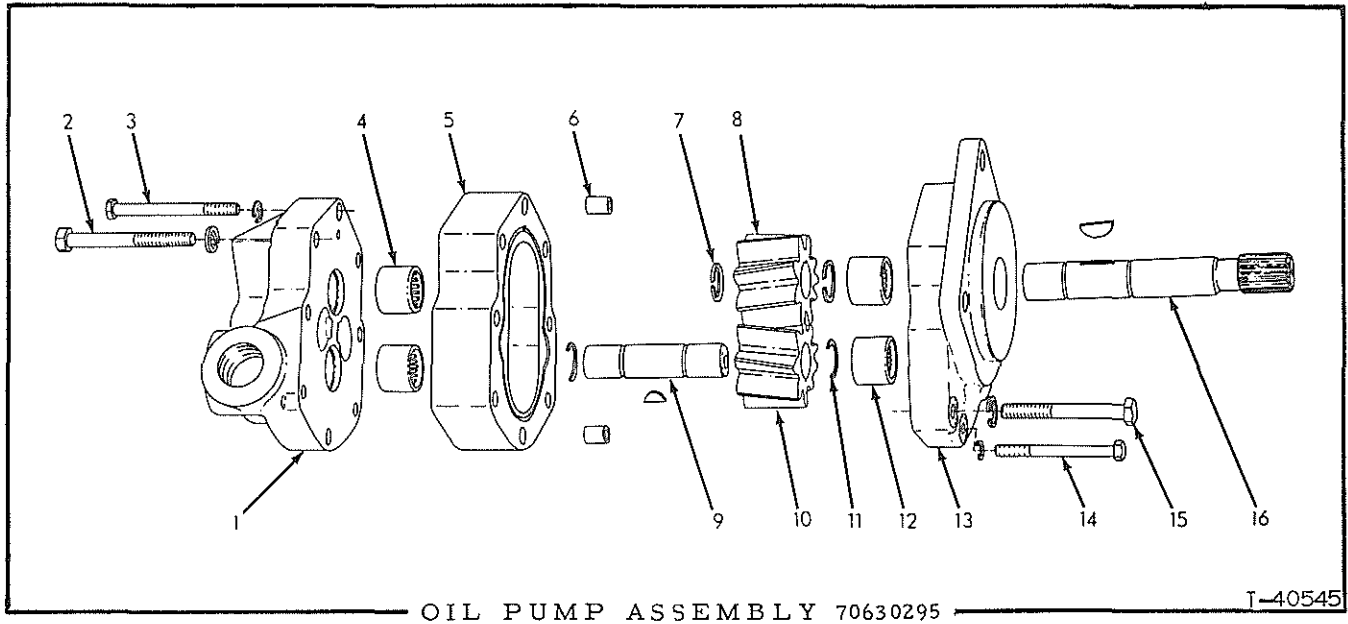
T-39397

PUSH - START PUMP

USAGE: Standard equipment on tractors prior to approximate serial No. 6785; special equipment thereafter.

\* Tractors prior to serial No. 6053, excluding #6049  
 \*\* Tractors serial No. 6053 and up, including #6049

ITEM	PART NO.	QTY.		DESCRIPTION
		*	**	
1	70630295	1	1	PUMP ASSEMBLY, oil (See page 144 for parts)
2	70044249	3	3	CAPSCREW, 3/8"NC x 1-1/8"
	70904206	3	3	LOCKWASHER, 3/8"
3	70632065	1	1	GASKET, pump mounting
4	70632151	1	-	TUBE ASSEMBLY, suction (Includes nuts)
	70919342	2	-	CONNECTOR, flare type, 3/4" tube, 3/4"NPT male
5	70632150	1	-	TUBE ASSEMBLY, discharge (Includes nuts)
	70642889	-	1	TUBE ASSEMBLY, discharge (Includes nuts)
	70919342	2	2	CONNECTOR, flare type, 3/4" tube, 3/4"NPT male
6	70094467	1	1	CLIP, discharge tube
7	70628521	1	1	VALVE ASSEMBLY, diverting (See page 145 for parts)
	70920525	1	1	PLUG, pipe, hex-hd., 3/4"NPT
8	70035439	6	-	CAPSCREW, 3/8"NC x 1"
	70912069	-	6	CAPSCREW, 3/8"NC x 2-1/2"
	70904206	6	6	LOCKWASHER, 3/8"
9	70627347	1	1	GASKET, diverting valve
10	70642887	-	1	TUBE ASSEMBLY, suction, pump to tee (Includes nuts)
	70919342	-	1	CONNECTOR, flare type, 3/4" tube, 3/4"NPT male
11	70642886	-	1	TUBE ASSEMBLY, suction, tee to sump (Includes nuts)
	70919342	-	1	CONNECTOR, flare type, 3/4" tube, 3/4"NPT male
	70919520	-	1	TEE, union, flare type, 3/4" tube
12	70642888	-	1	TUBE ASSEMBLY, suction, tee to spacing plate (Includes nuts)
	70921203	-	1	ELBOW, adjustable, 90°, flare type, 3/4" tube, 1-1/16"NF (Includes washer, nut and O-RING 70921206)
13	70642891	-	1	PLATE, valve spacing
14	70627347	-	1	GASKET, valve spacing plate (Used prior to tractor #6151)



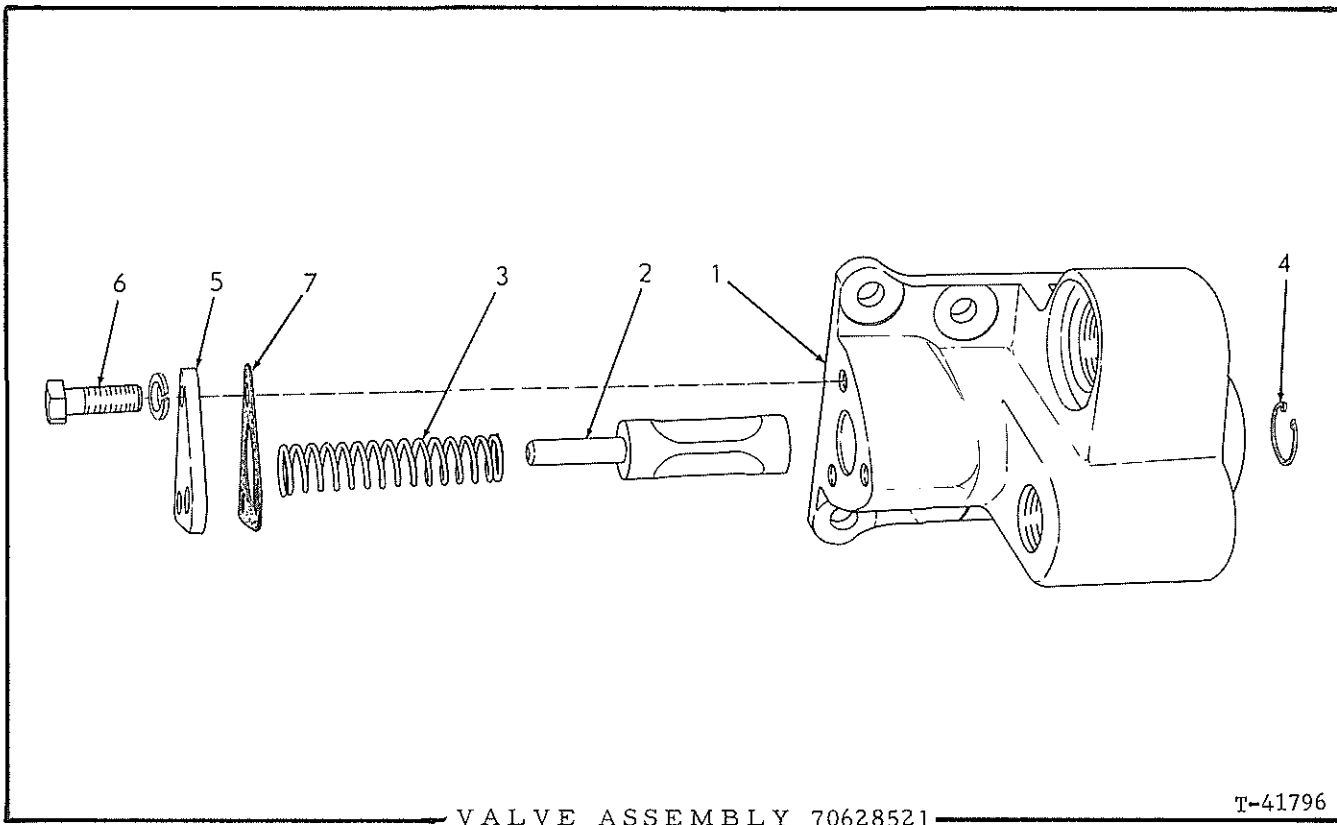
OIL PUMP ASSEMBLY 70630295

T-40545

USAGE: See page 197

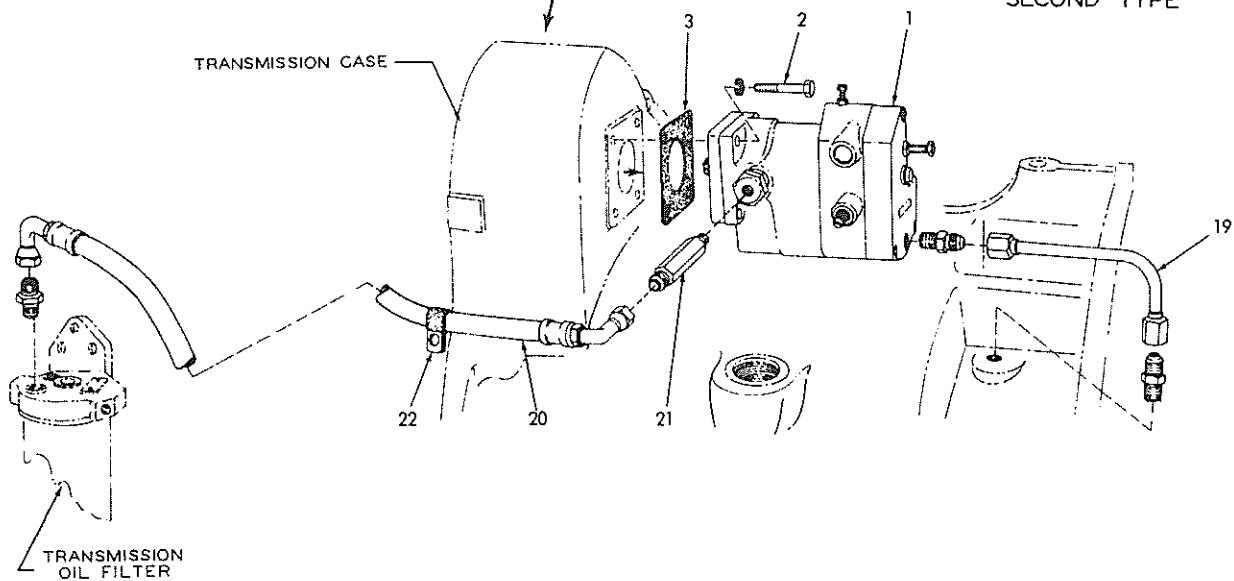
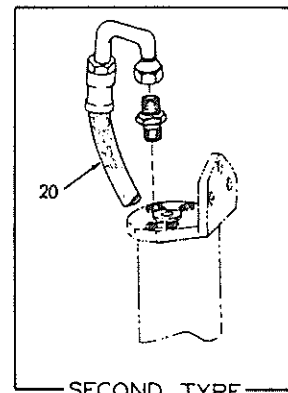
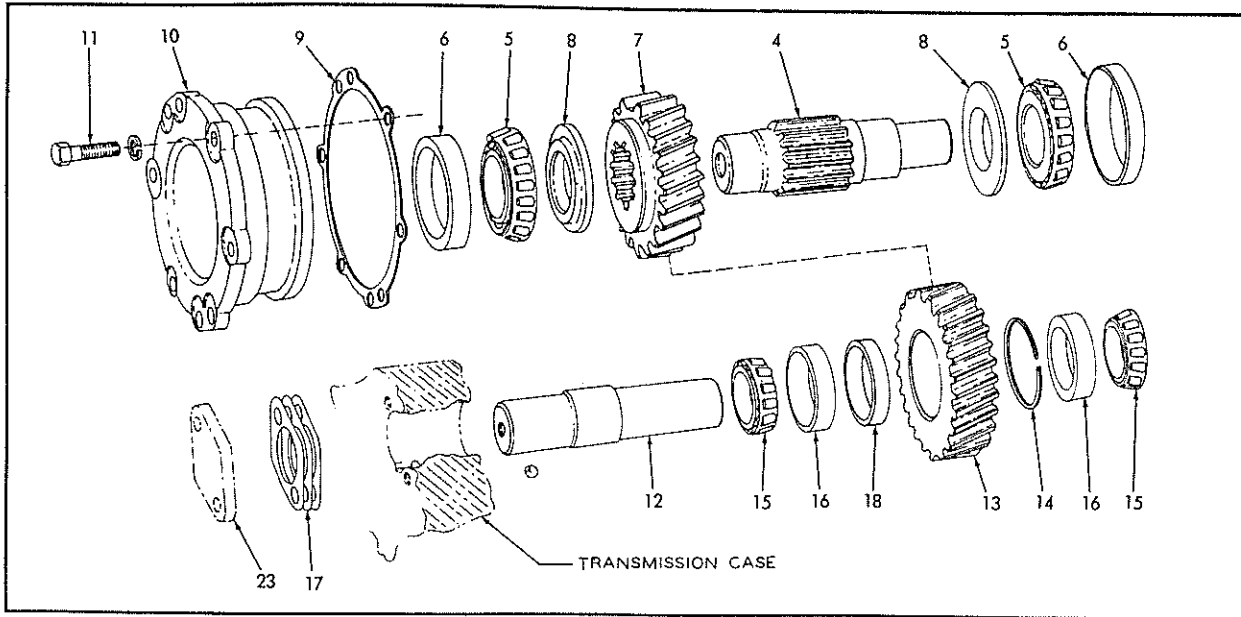
ITEM	PART NO.	QTY.	DESCRIPTION
1	70641854	1	COVER ASSEMBLY (Includes item 4)
2	70086546	4	CAPSCREW, 5/16"NC x 2-3/4"
	70904205	4	LOCKWASHER, 5/16"
3	70641564	1	CAPSCREW, 1/4"NC x 2-3/4"
	70904204	1	LOCKWASHER, 1/4"
4	70208253	2	BEARING, needle, rear end
5	73038935	1	PLATE, gear
6	73038937	2	PIN, dowel (hollow)
7	73038933	2	RING, snap, drive shaft
8	73038938	1	GEAR, drive shaft
9	70641839	1	SHAFT, idler gear
	70.921396	1	KEY, woodruff, 1/8" x 3/8"
10	70641841	1	GEAR, idler
11	73039013	2	RING, snap, idler shaft
12	70208253	2	BEARING, needle, drive end
13	70641855	1	BODY ASSEMBLY (Includes item 12)
14	70611975	1	CAPSCREW, 1/4"NC x 2-1/2"
	70904204	1	LOCKWASHER, 1/4"
15	70033751	2	CAPSCREW, 5/16"NC x 2-1/2"
	70904205	2	LOCKWASHER, 5/16"
16	70641840	1	SHAFT, drive
	70905122	1	KEY, woodruff, 1/8" x 3/4"





USAGE: See page 197

ITEM	PART NO.	QTY.	DESCRIPTION
1	70628065	1	HOUSING
2	70629391	1	SPOOL
3	70035337	1	SPRING
4	70075354	1	RING, snap
5	70629393	1	PLATE, cover
6	70035439	3	CAPSCREW, 3/8"NC x 1"
	70904206	3	LOCKWASHER, 3/8"
7	70629392	1	GASKET, cover plate



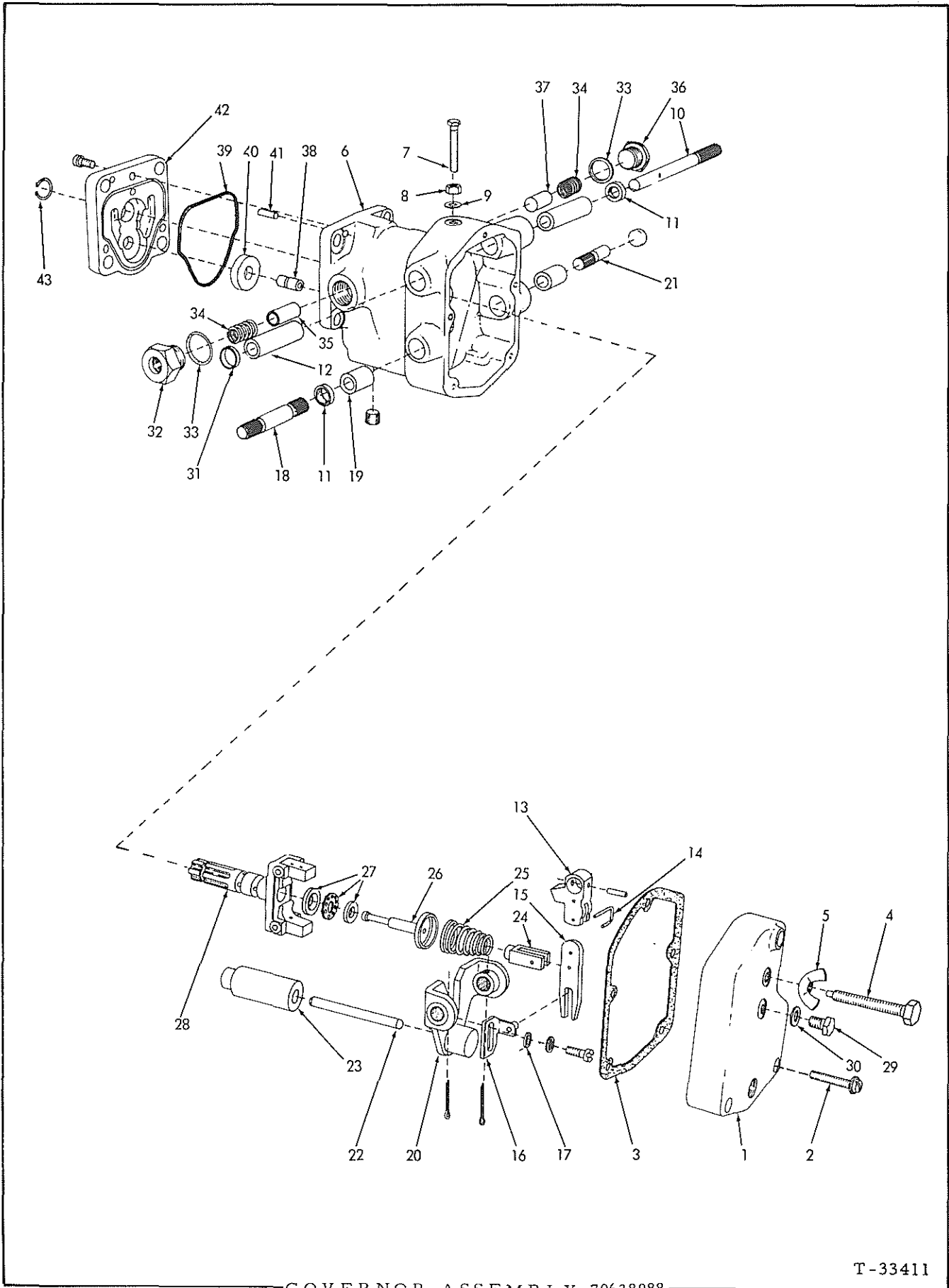
GROUND SPEED GOVERNOR

T-73667

GROUND SPEED GOVERNOR

USAGE: Standard equipment on tractors prior to serial No. 7109; special thereafter

ITEM	PART NO.	QTY.	DESCRIPTION	
1	70638088	1	GOVERNOR ASSEMBLY (See page 149 for parts)	
2	70046321	4	CAPSCREW, 5/16"NC x 1-1/2"	
	70904205	4	LOCKWASHER, 5/16"	
3	70624706	1	GASKET, governor mounting	
4	70628440	1	SHAFT, governor drive	
5	70628442	2	CONE ASSEMBLY, drive shaft bearing	
6	70209942	2	CUP, drive shaft bearing	
7	70628039	1	GEAR, drive (20 teeth)	
8	70628443	2	SPACER, drive shaft bearing	
9	70623989	5	SHIM, adjustment, drive shaft bearing (.005" thick)	} Use as req'd
	70623997	5	SHIM, adjustment, drive shaft bearing (.007" thick)	
	70623995	5	SHIM, adjustment, drive shaft bearing (.010" thick)	
10	70628441	1	RETAINER, drive shaft bearing	
11	70044249	6	CAPSCREW, 3/8"NC x 1-1/8"	
	70904206	6	LOCKWASHER, 3/8"	
12	70628768	1	SHAFT, idler gear	
	70905359	1	BALL, steel, 5/16" diam.	
13	70628038	1	GEAR, idler (21 teeth)	
14	70068173	1	RING, snap, idler gear	
15	70336917	2	CONE ASSEMBLY, idler gear shaft bearing	
16	70336916	2	CUP, idler gear shaft bearing	
17	70631888	2	SHIM, adjustment, idler gear shaft bearing (.005" thick)	} Use as req'd
	70631887	2	SHIM, adjustment, idler gear shaft bearing (.007" thick)	
	70631886	2	SHIM, adjustment, idler gear shaft bearing (.010" thick)	
18	70628799	1	SPACER, bearing	
19	70629312	1	TUBE ASSEMBLY, governor to transmission case (Includes nuts)	
	70919062	2	CONNECTOR, flare type, 3/8" tube, 1/4"NPT male	
20	70639571	1	HOSE ASSEMBLY, oil supply (see HOSE PARTS) (Tr. prior #8775)	
	70653908	1	HOSE, oil supply (See HOSE PARTS)(Tractors #8775 and up)	
21	70641314	1	CONNECTOR, flare type, 3/8" tube, 1/8"NPT male	
	70919062	1	CONNECTOR, flare type, 3/8"tube, 1/4"NPT male	
22	70621304	2	CLIP, hose supporting (1 additional used. Effective with tractor #8775)	
	70035221	1	CAPSCREW, 1/2"NC x 1"	
	70904208	1	LOCKWASHER, 1/2"	
23	-----	-	COVER, idler gear shaft hole (See TRANSMISSION CASE AND COVERS)	



GOVERNOR ASSEMBLY 70638088

T-33411

## GOVERNOR ASSEMBLY 70638088

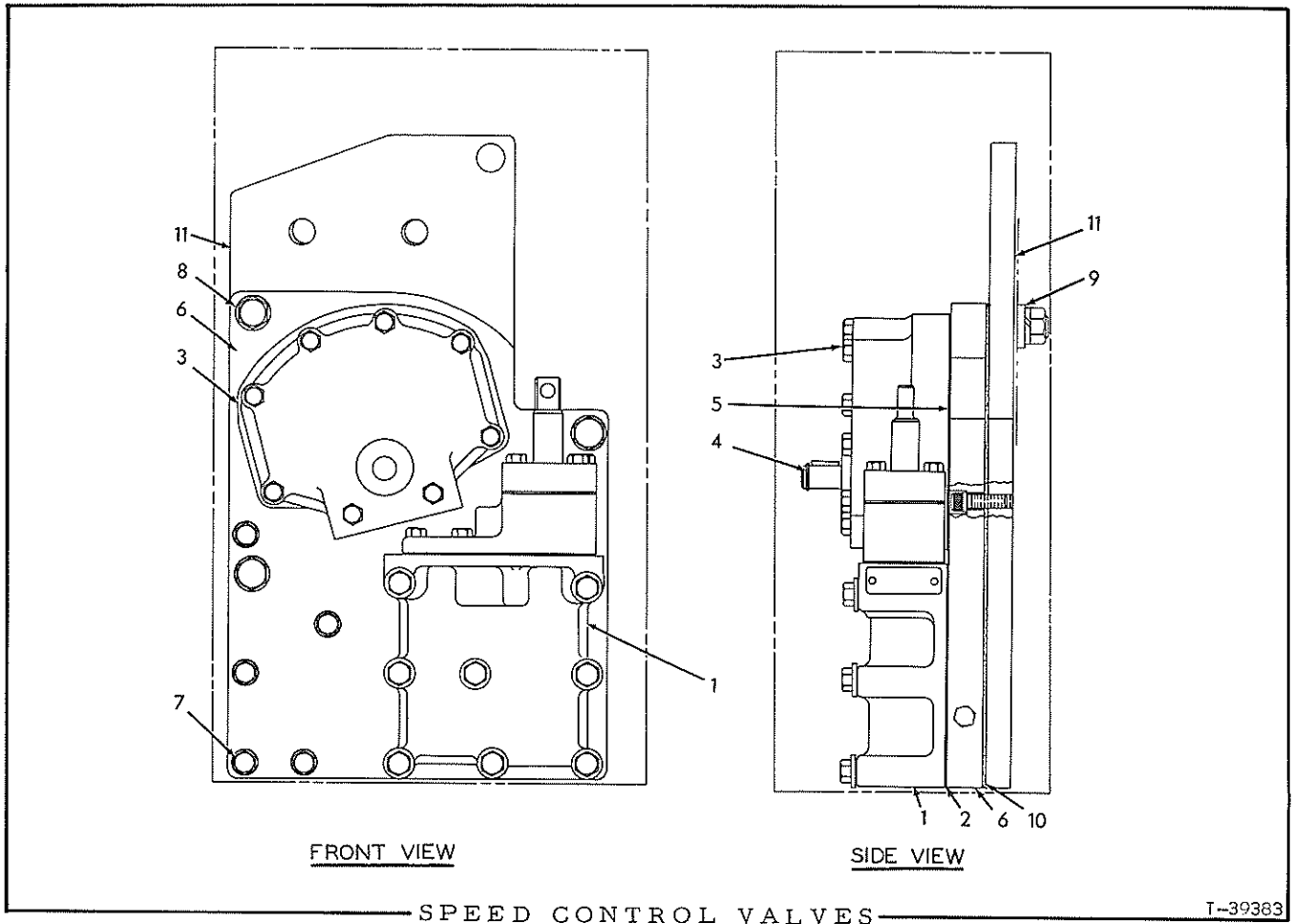
USAGE: See page 147

ITEM	PART NO.	QTY.	DESCRIPTION
1	70628401	1	COVER
2	70638236	3	SCREW ASSEMBLY (Includes lockwasher)
3	70628399	1	GASKET, cover to case
4	70629890	1	SCREW, low speed adjustment
5	70628378	1	NUT, wing, 1/4"NF
6	70629909	1	CASE ASSEMBLY (Includes items 12, 19 and 38)
	70910231	1	PLUG, pipe, hex-socket, 1/8"NPT
7	70628382	1	CAPSCREW, high speed adjustment
8	70628381	1	NUT, hex, #10-32NF
9	70631106	1	WASHER, high speed adjustment capscrew
10	70629887	1	SHAFT, speed control
11	70629898	2	SEAL, oil
12	70629900	2	BEARING, plain, speed control shaft
13	70629881	1	LEVER, speed control
	70919180	1	PIN, spring, 1/8" x 5/8"
14	70629879	1	PIN, speed control lever
15	70629882	1	LEVER, floating
16	70629895	1	BRACKET ASSEMBLY, speed droop adjustment (Includes pin)
	70901781	1	SCREW, machine, fil-hd., #10-32NF x 1/2"
	70909055	1	LOCKWASHER, int-tooth, #10
17	70629901	1	WASHER, plain
18	70629886	1	SHAFT, terminal
19	70629899	2	BEARING, plain, terminal shaft
20	70629894	1	LEVER, terminal shaft
	70900801	2	PIN, cotter, 3/32" x 3/4"
21	70629885	1	SHAFT, stub, terminal shaft lever
22	70629907	1	PIN, power piston
23	70629884	1	PISTON, power
24	70629897	1	FORK, ballhead spring
25	70638232	1	SPRING, ballhead
26	70629888	1	PLUNGER, ballhead
27	70628384	1	BEARING, thrust, ballhead plunger
28	70634427	1	BALLHEAD ASSEMBLY (Includes weights. Serviced only as a balanced unit)

(Continued)

GOVERNOR ASSEMBLY 70638088 (Continued)

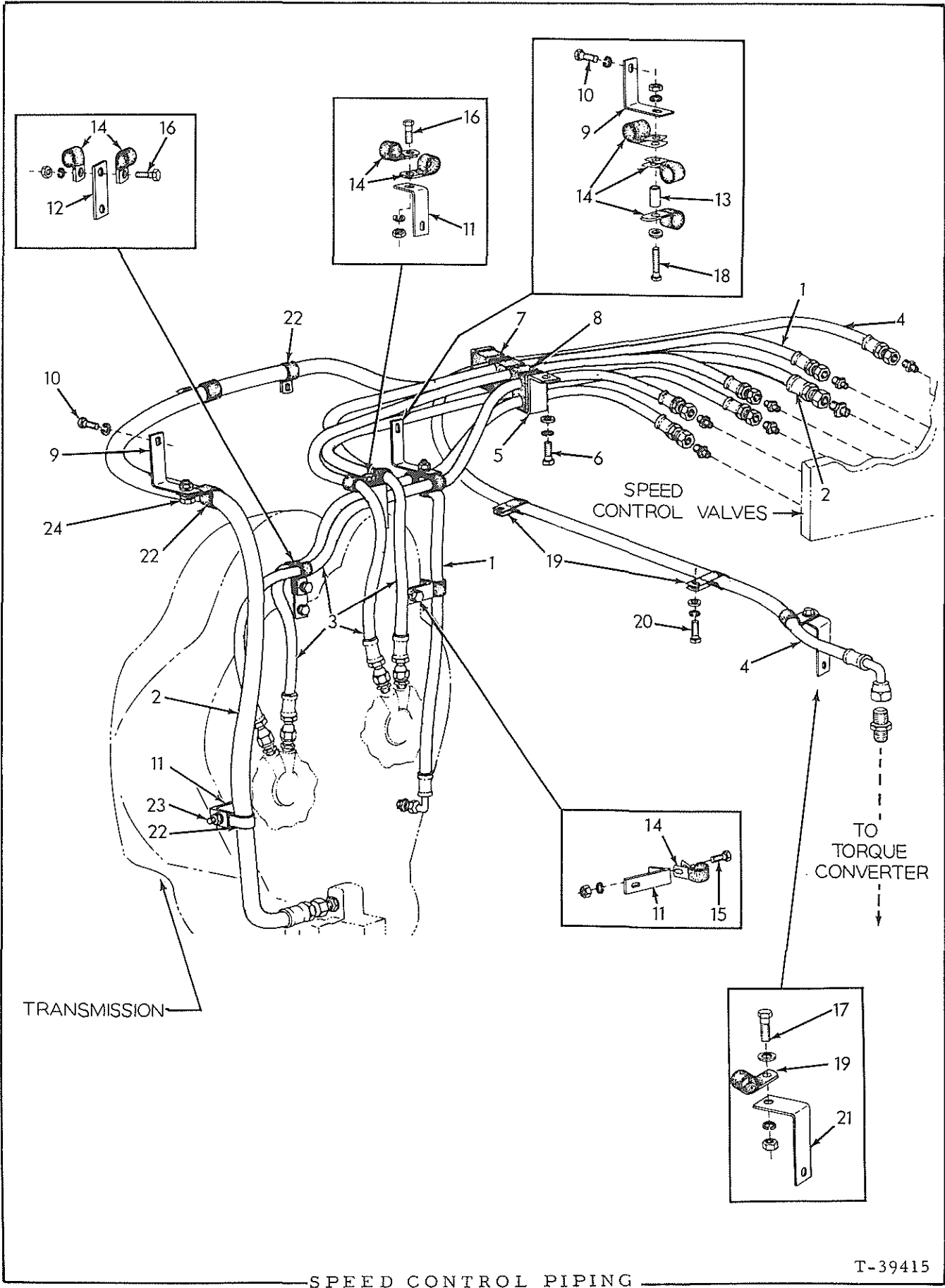
ITEM	PART NO.	QTY.	DESCRIPTION
29	70628403	1	CAPSCREW, vent
30	70628402	1	WASHER, vent capscrew
31	70629908	2	PLUG, cup, governor case
32	70629892	1	PLUG, oil inlet
33	70629902	2	WASHER, oil inlet plug
34	70629904	2	SPRING, oil inlet sleeve
35	70629891	1	SLEEVE, oil inlet
36	70629893	1	PLUG, governor case
37	70629889	1	PLUG, oil passage
38	-----	1	STUD, locating, base spacer (Not serviced)
39	70628392	1	RING, sealing, governor base
40	70628391	1	SPACER, governor base
41	70629906	2	PIN, dowel (Standard size)
	70630578	2	PIN, dowel (Oversize)
42	70628388	1	BASE
	70901223	3	SCREW, machine, fil-hd., #12-24NC x 1/2"
43	70628389	1	RING, snap, ballhead



SPEED CONTROL VALVES

T-39383

ITEM	PART NO.	QTY.	DESCRIPTION
1	70639614	1	VALVE ASSEMBLY, clutch modulating (See page 159 for parts)
	70919801	8	CAPSCREW, 3/8"NC x 4"
	70911115	8	WASHER, plain, SAE std., 3/8"
2	70639903	1	GASKET, modulating valve
3	70639646	1	VALVE ASSEMBLY, speed control (See page 157 for parts)
	70905123	1	KEY, #9 woodruff, 3/16" x 3/4"
	70919784	8	CAPSCREW, 5/16"NC x 4"
4	70639946	1	RING, snap, speed control valve
5	70639882	1	GASKET, speed control valve
6	70639642	1	PLATE, manifold, valve
	70651036	1	PLUG, pipe, hex-head, 1/4"NPT
7	70053616	5	CAPSCREW, 3/8"NC x 1-3/4"
	70911115	5	WASHER, plain, SAE std., 3/8"
8	70035278	3	CAPSCREW, 1/2"NF x 2-3/4"
9	70064531	3	WASHER, plain,
	70904208	3	LOCKWASHER, 1/2"
	70911043	3	NUT, 1/2"NF
10	70639950	1	GASKET, manifold plate
11	70639641	1	PLATE, mounting, manifold
	70912267	1	SCREW, hex-socket-hd., 3/8"NC x 1"



T-39415

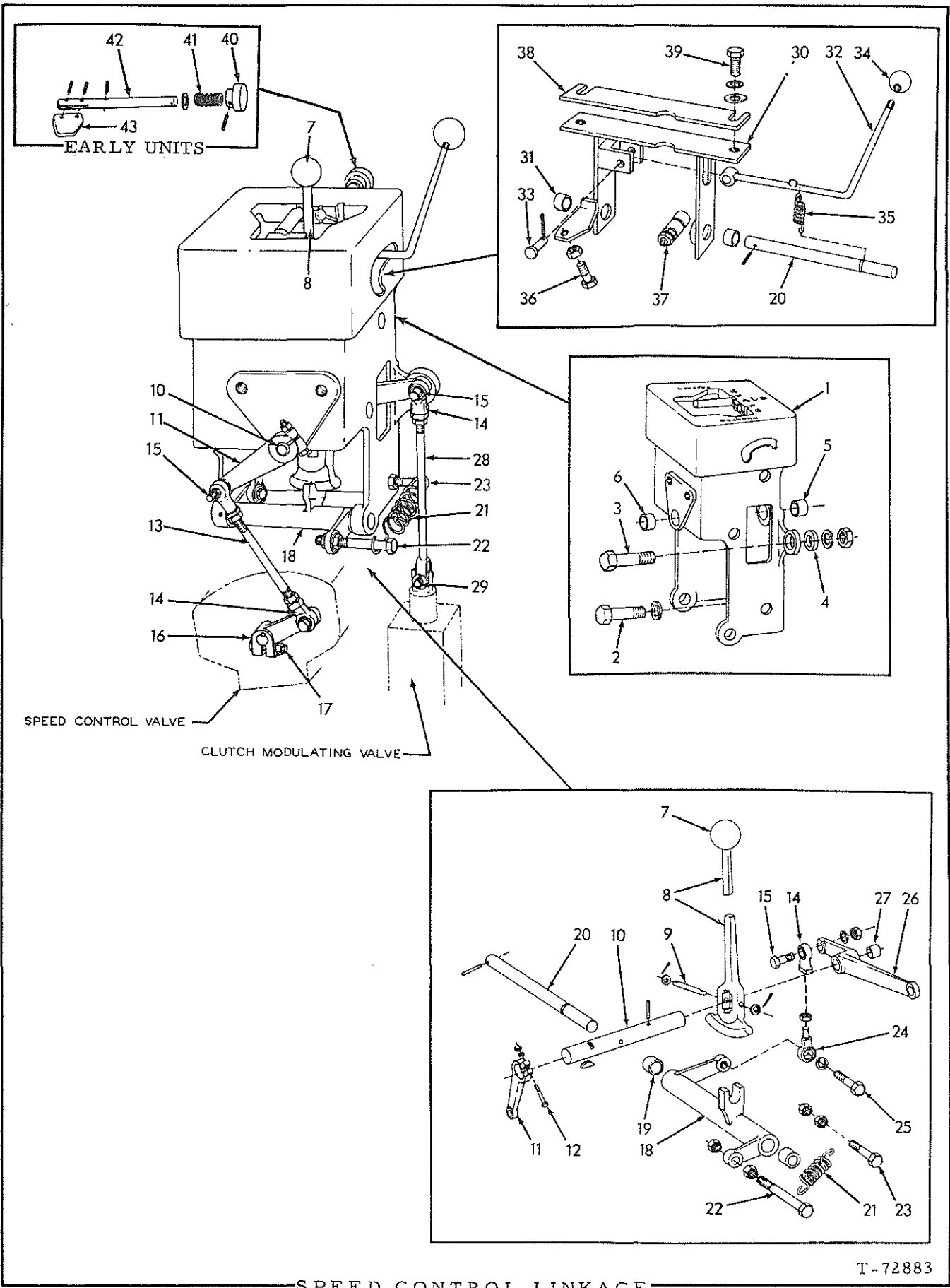


SPEED CONTROL PIPING

\* Units with Push-start Pump. Standard on tractors prior to approx. serial No. 6785. Special equipment thereafter.  
 \*\* Units without Push-start Pump. Standard on tractors approx. serial No. 6785 and up.

ITEM	PART NO.	QTY.		DESCRIPTION
		*	**	
1	70645251	1	1	HOSE, oil return (See HOSE PARTS)
	70919063	1	1	CONNECTOR, flare type, 1/2" tube, 3/8"NPT male
	70919128	1	1	CONNECTOR, flare type, 1/2" tube, 1/2"NPT male
2	70645260	1	-	HOSE, diverter valve to control valve (See HOSE PARTS)
	70921228	1	-	CONNECTOR, flare type, 1" tube, 1-5/16"NF (Includes O-RING, 921214)
	70919246	1	-	CONNECTOR, flare type, 1" tube, 3/4"NPT
3	70645250	4	4	HOSE, clutch control (See HOSE PARTS)
	70919063	8	8	CONNECTOR, flare type, 1/2" tube, 3/8"NPT male
4	70645248	1	1	HOSE, engine clutch oil supply (See HOSE PARTS)
	70919063	2	2	CONNECTOR, flare type, 1/2" tube, 3/8"NPT male
5	70639756	1	1	CLAMP, hose supporting
6	70035439	1	1	CAPSCREW, 3/8"NC x 1"
	70904206	1	1	LOCKWASHER, 3/8"
	70044973	1	1	WASHER, plain
7	70651774	1	1	BLOCK, hose supporting, rear (rubber)
8	70639620	1	1	BLOCK, hose supporting, front (rubber)
9	70631874	2	1	ANGLE, hose supporting
10	70035221	2	1	CAPSCREW, 1/2"NC x 1"
	70904208	2	1	LOCKWASHER, 1/2"
11	70628243	3	2	ANGLE, hose supporting
12	70638131	1	1	STRAP, hose supporting
13	70619331	1	1	BLOCK, clip spacing
14	70094467	8	8	CLIP, hose supporting (3/4" diam., 13/32" bolt-hole)
15	70035167	1	1	CAPSCREW, 3/8"NF x 7/8"
16	70036032	2	2	CAPSCREW, 3/8"NF x 3/4"
17	70036034	1	1	CAPSCREW, 3/8"NF x 1"
18	70099575	1	1	CAPSCREW, 3/8"NF x 2-1/4"
	70911115	2	2	WASHER, plain, SAE std., 3/8"
	70904206	5	5	LOCKWASHER, 3/8"
	70911041	5	5	NUT, 3/8"NF
19	70621304	3	3	CLIP, hose supporting (3/4" diam., 17/32" bolt-hole)
20	70070467	1	1	CAPSCREW, 1/2"NF x 1"
	70910244	1	1	WASHER, plain, SAE std., 1/2"
	70904208	1	1	LOCKWASHER, 1/2"
21	70642534	1	1	ANGLE, hose supporting
22	70644457	4	-	CLIP, oil supply hose (1-5/16" diam., 17/32" bolt-hole)
23	70916269	1	-	CAPSCREW, 3/8"NC x 7/8"
24	70036034	1	-	CAPSCREW, 3/8"NF x 1"
	70911115	1	-	WASHER, plain, SAE std., 3/8"
	70900817	1	-	WASHER, plain, U.S. std., 3/8"
	70904206	2	-	LOCKWASHER, 3/8"
	70911041	1	-	NUT, 3/8"NF
	70911026	1	-	NUT, 3/8"NC

(Revised May 1975)



SPEED CONTROL LINKAGE

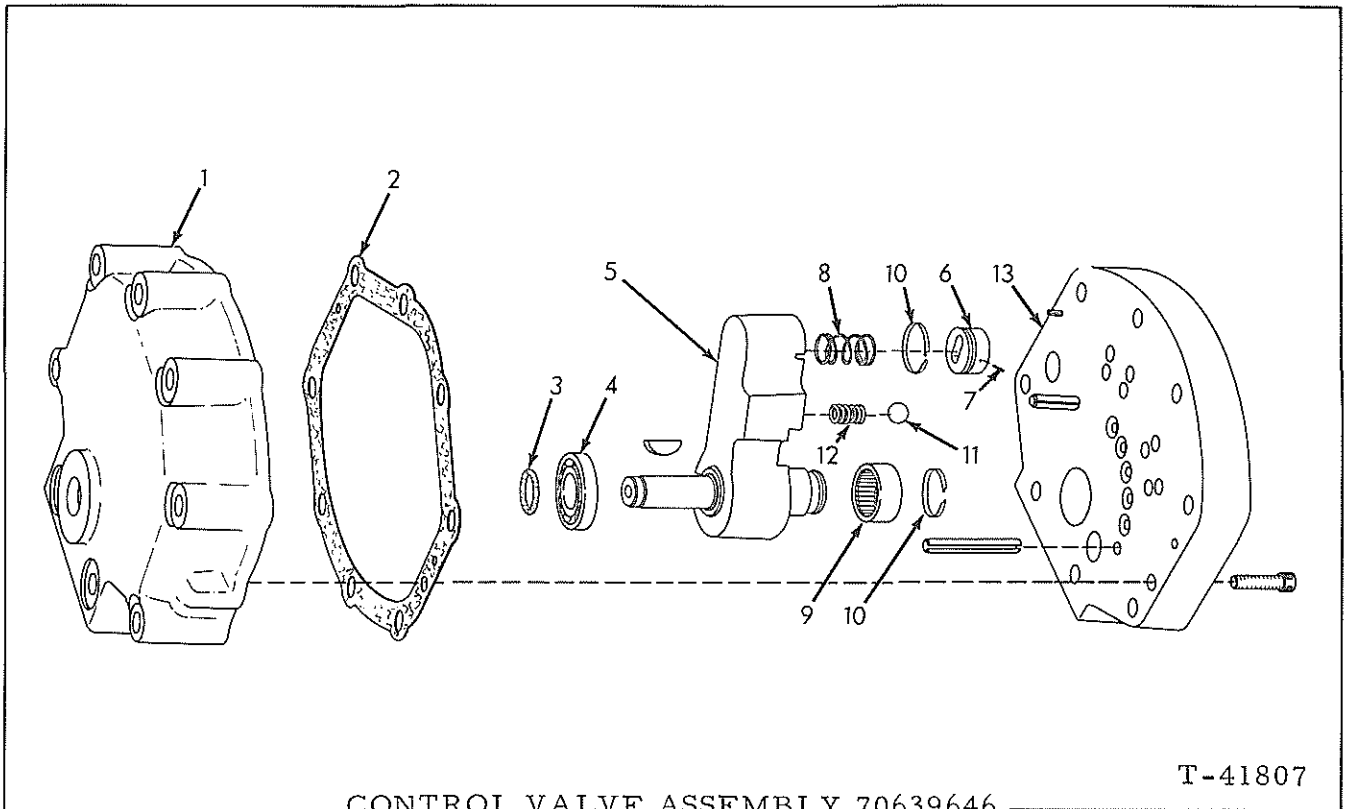
ITEM	PART NO.	QTY.	DESCRIPTION
1	-----	1	GUIDE ASSEMBLY, control (Includes items 5 and 6)(Used prior to tractor #8217. Order GUIDE ASSY, 70655777 and items 40 thru 43)
	70655777	1	GUIDE ASSEMBLY, control (Includes items 5 and 6)(Effective with tractor #8217)
2	70035061	2	CAPSCREW, 1/2"NC x 1-1/4"
3	70035068	1	CAPSCREW, 1/2"NF x 2-1/4"
4	70064531	1	WASHER, plain
	70904208	3	LOCKWASHER, 1/2"
	70911043	1	NUT, 1/2"NF
5	70639785	1	BUSHING, control guide, front
6	70628157	1	BUSHING, control guide, rear
7	70629709	1	KNOB, speed shift lever
8	70639766	1	LEVER, speed shift
9	70656155	1	PIN, lever pivot
	70911115	2	WASHER, plain
	70900806	2	PIN, cotter, 1/8" x 1"
10	70656159	1	SHAFT, speed shift lever
	70915989	1	PIN, spring, 3/16" x 1-3/8"
11	70639775	1	LEVER, control valve, upper
	70905123	1	KEY, #9 woodruff, 3/16" x 3/4"
12	70046419	1	CAPSCREW, 3/8"NF x 2"
	70904206	1	LOCKWASHER, 3/8"
	70911041	1	NUT, 3/8"NF
13	70639778	1	ROD, control valve
	70911048	2	NUT, jam, 3/8"NF
14	70617932	4	END, rod (female)
15	70036039	4	CAPSCREW, 3/8"NF x 1-3/8"
	70904206	4	LOCKWASHER, 3/8"
	70911041	4	NUT, 3/8"NF
16	70639753	1	LEVER, control valve, lower
17	70203188	1	CAPSCREW, 3/8"NF x 1-1/2"
	70904206	1	LOCKWASHER, 3/8"
	70911041	1	NUT, 3/8"NF
18	70644064	1	BELLCRANK ASSEMBLY, speed shift lever (Includes item 19)
19	70049988	2	BUSHING, bellcrank (.614 O. D.)(Used prior to tractor #6799)
	70637286	2	BUSHING, bellcrank (.593 O. D.)(Effective with tractor #6799)
20	70639790	2	SHAFT, pivot
	70919761	2	PIN, spring, 1/8" x 1-1/4"
21	70640637	1	SPRING, bellcrank
22	70099575	1	CAPSCREW, bellcrank spring (3/8"NF x 2-1/4")
	70911048	2	NUT, jam, 3/8"NF
23	70012992	1	CAPSCREW, bellcrank spring (3/8"NF x 1-1/4")
	70911048	2	NUT, jam, 3/8"NF

(Continued)

SPEED CONTROL LINKAGE (Continued)

ITEM	PART NO.	QTY.	DESCRIPTION
24	70639916	1	END, rod (male)
	70911048	1	NUT, jam, 3/8"NF
25	70012992	1	CAPSCREW, 3/8"NF x 1-1/4"
	70904206	1	LOCKWASHER, 3/8"
26	70639784	1	BELLCRANK ASSEMBLY, modulating valve rod (Includes item 27)
27	70628157	1	BUSHING, bellcrank
28	70639779	1	ROD, modulating valve
	70911048	1	NUT, jam, 3/8"NF
29	70078810	1	PIN, yoke, 3/8" diam.
	70900801	1	PIN, cotter, 3/32" x 3/4"
30	70644065	1	BRACKET ASSEMBLY, neutral lock (Includes item 31)
31	70049988	2	BUSHING, neutral lock bracket (.614 O. D.)(Used prior to tractor #6799)
	70637286	2	BUSHING, neutral lock bracket (.593 O. D.)(Effective with tractor #6799)
32	70639839	1	LEVER, neutral lock
33	70078810	1	PIN, yoke, 3/8" diam.
	70900801	1	PIN, cotter, 3/32" x 3/4"
34	70632038	1	KNOB, neutral lock lever
35	70641008	1	SPRING, neutral lock lever spring
36	70036034	1	CAPSCREW, neutral lock bracket (3/8"NF x 1")
	70911048	1	NUT, jam, 3/8"NF
37	70631844	1	SWITCH, safety (Includes mounting nuts)
38	70641979	1	BAR, adjustment, neutral lock bracket (Effective with tractor #6143)
39	70036032	2	CAPSCREW, 3/8"NF x 3/4"
	70911115	2	WASHER, plain, SAE std., 3/8"
40	70655666	1	KNOB, P. T. O. lockout rod
	70918111	1	PIN, spring, 1/8" x 1"
41	70653701	1	SPRING, P. T. O. lockout rod
42	70655779	1	ROD, P. T. O. lockout
	70916168	1	PIN, spring, 1/8" x 3/4"
	70910244	1	WASHER, plain, SAE std., 1/2"
43	70655663	1	PLATE, P. T. O. lockout
	70918547	2	PIN, spring, 1/8" x 1/2"

Effective with tractor #8217 thru #8462

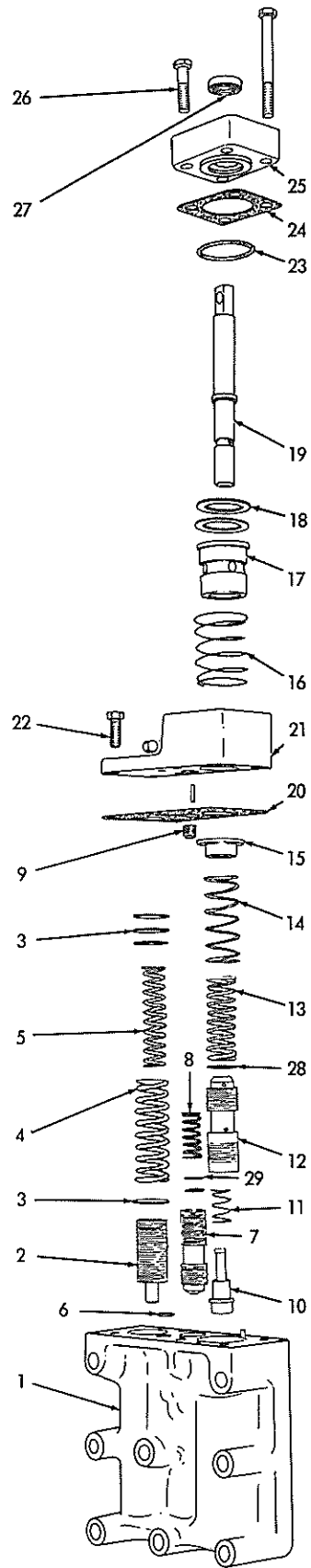


CONTROL VALVE ASSEMBLY 70639646

T-41807

USAGE: See page 151

ITEM	PART NO.	QTY.	DESCRIPTION
1	70644277	1	COVER
2	70644276	1	GASKET, cover
3	70186266	1	O-RING, valve shaft
4	70186668	1	BEARING, ball, valve cover
5	70639846	1	SHAFT ASSY. (Includes arm and pin)
6	70639919	1	WIPER
7	70639976	1	PIN, spring, wiper (1/16" x 1/4")
8	70639969	1	SPRING, wiper
9	70050442	1	BEARING, roller, adapter
10	70637623	2	RING, sealing, valve shaft and wiper
11	70915905	1	BALL, steel (3/8" diam.)
12	70642849	1	SPRING, detent ball
13	70644278	1	ADAPTER
	70918547	2	PIN, spring, 1/8" x 1/2" (dowel)
	70920449	2	PIN, spring, 1/4" x 2" (stop)
	70912262	1	CAPSCREW, hex-socket-hd., 1/4"NC x 1"



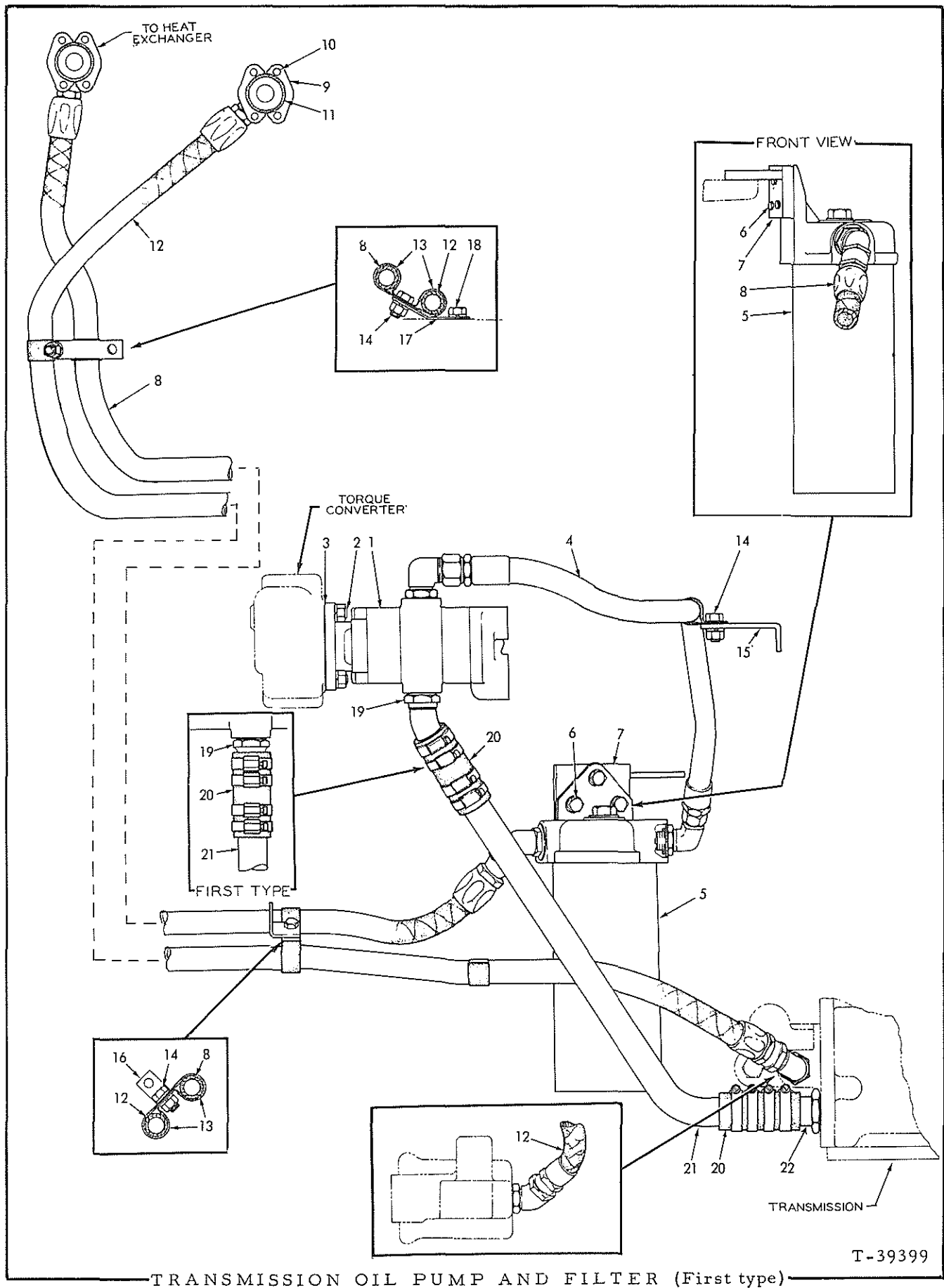
MODULATING VALVE ASSEMBLY 639614

I-4#806

MODULATING VALVE ASSEMBLY 70639614

USAGE: See page 151

ITEM	PART NO.	QTY.	DESCRIPTION
1	70639970	1	BODY
2	70639920	1	VALVE, pressure regulating, transmission clutches
3	73037730	4	SHIM, transmission clutch regulating valve
4	70639947	1	SPRING, transmission clutch regulating valve (outer)
5	70639948	1	SPRING, transmission clutch regulating valve (inner)
6	70639939	1	FILTER, oil
7	70639933	1	PISTON, flow sensing
8	70639949	1	SPRING, flow sensing piston
9	70640627	1	PLUG, orifice
10	70640121	1	PISTON, engine clutch regulating valve
11	70639969	1	SPRING, regulating valve piston
12	70639749	1	VALVE, pressure regulating, engine clutch
13	70644268	1	SPRING, engine clutch regulating valve
14	70640205	1	SPRING, operating plunger piston
15	70639921	1	PISTON, operating plunger
16	70640206	1	SPRING, variable stop sleeve
17	70639929	1	SLEEVE, variable stop
18	70639937	2	SHIM, variable stop sleeve (Use as required)
19	70639763	1	PLUNGER, operating
20	70639638	1	GASKET, lower cover
21	70639907	1	COVER, lower
	70910231	1	PLUG, pipe, 1/8"NPT
	70918547	2	PIN, spring, 1/8" x 1/2"
22	70054130	3	CAPSCREW, 5/16"NC x 7/8"
23	70186266	1	O-RING, upper cover
24	70639924	1	GASKET, upper cover
25	70639639	1	COVER, upper
	70918397	3	CAPSCREW, 5/16"NC x 3"
26	70046321	1	CAPSCREW, 5/16"NC x 1-1/2"
27	70640146	1	SEAL, oil, upper cover
28	70644265	-	SHIM, regulating valve spring (Use as required)
29	70644266	-	WASHER, flow sensing piston spring (Use as required)

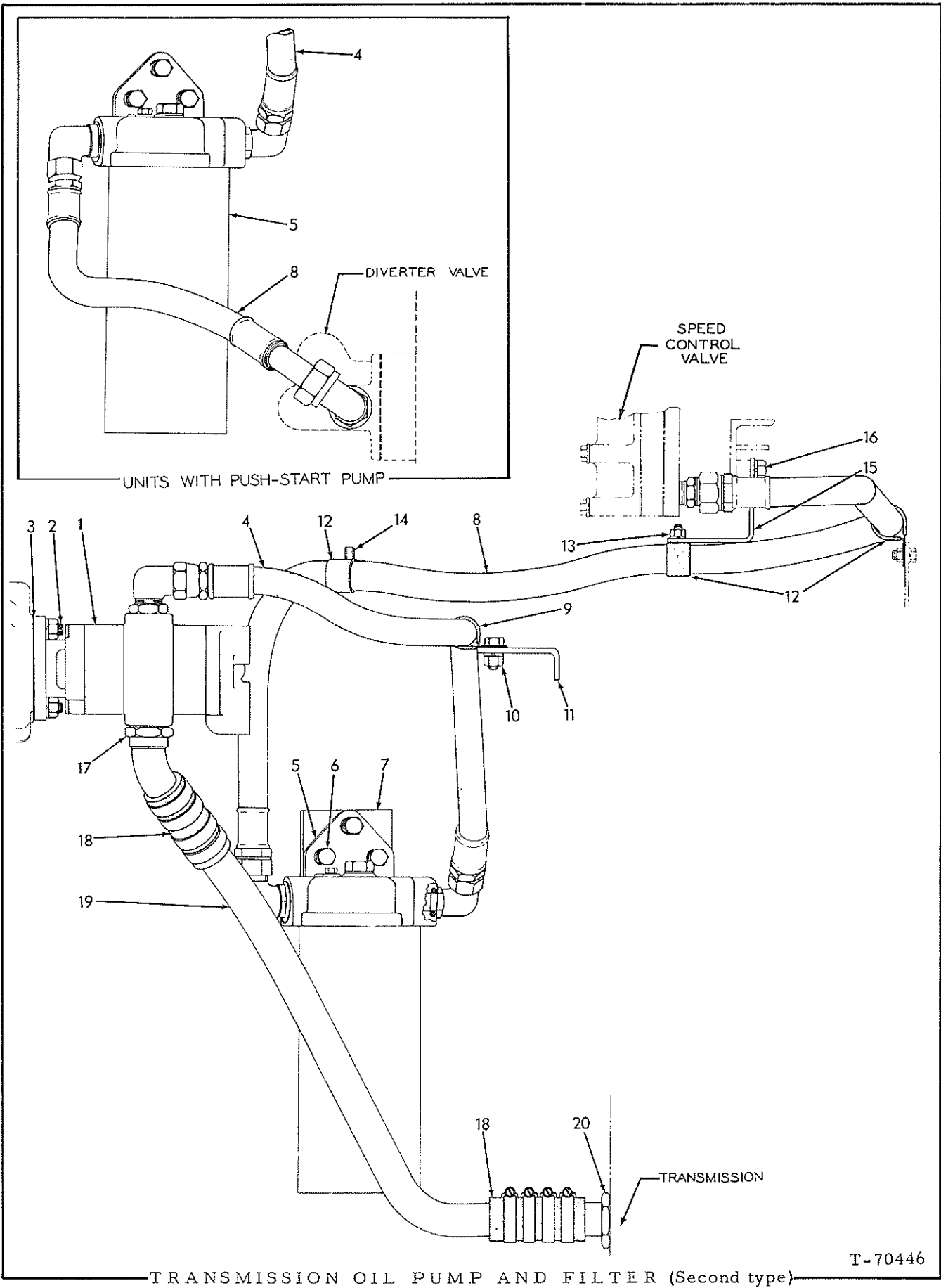




TRANSMISSION OIL PUMP AND FILTER

USAGE: Tractors prior to serial No. 6785 excluding Nos. 6742, 52, 59, 63, 72, 73, 74, 82, 83.

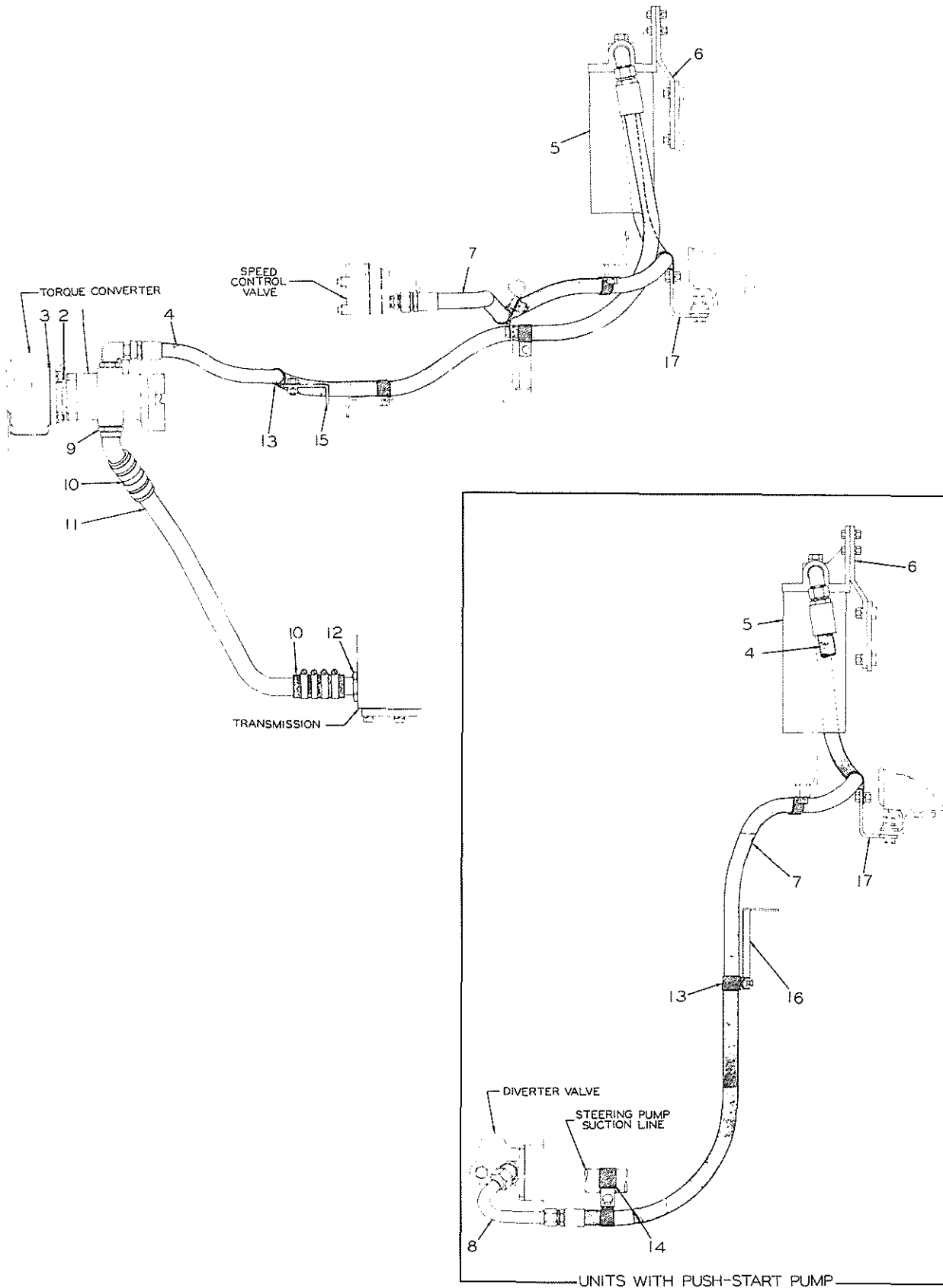
ITEM	PART NO.	QTY.	DESCRIPTION
1	70639503	1	PUMP ASSEMBLY, oil (See page 164 for parts)(Used prior to tractor #5990. Order PUMP ASSEMBLY 70642227
	70642227	1	PUMP ASSEMBLY, oil (See page 164 for parts)(Effective with tractor #5990)
2	70639637	4	STUD, pump
	70904208	4	LOCKWASHER, 1/2"
	70911043	4	NUT, 1/2"NF
3	70634271	1	GASKET, pump
4	70645245	1	HOSE, pump to filter (See HOSE PARTS)
	70921227	2	ELBOW, adjustable, 90°, flare type, 1" tube, 1-5/16"NF (Includes washer, nut and O-RING 70921214)
5	70637865	1	FILTER ASSEMBLY, oil (See page 166 for parts)(Order FILTER ASSEMBLY 70650397
6	70035018	3	CAPSCREW, 1/2"NF x 1-1/2"
	70904208	3	LOCKWASHER, 1/2"
7	70640788	1	BRACKET, filter mounting
8	70639901	1	HOSE ASSEMBLY, filter to heat exchanger (See HOSE PARTS)
	70921215	1	ELBOW, adjustable, 45°, flare type, 1" tube, 1-5/16"NF (Includes washer, nut and O-RING 921214)
9	70921117	4	FLANGE, hose mounting (half only)
10	70041250	8	CAPSCREW, 7/16"NC x 1-1/4"
	70904207	8	LOCKWASHER, 7/16"
11	70923664	2	O-RING, hose sealing
12	70639897	1	HOSE ASSEMBLY, heat exchanger to transmission (See HOSE PARTS)
	70921215	1	ELBOW, adjustable, 45°, flare type, 1" tube, 1-5/16"NF (Includes washer, nut and O-RING 70921214)
13	70095869	6	CLIP, hose supporting
14	70070467	3	CAPSCREW, 1/2"NF x 1"
	70904208	3	LOCKWASHER, 1/2"
	70911043	3	NUT, 1/2"NF
15	70635124	1	ANGLE, hose supporting
16	70638397	1	ANGLE, hose supporting
17	70641355	1	BRACKET, hose supporting
18	70035221	1	CAPSCREW, 1/2"NC x 1"
	70904208	1	LOCKWASHER, 1/2"
19	70632161	1	ADAPTER, suction line, upper (Includes O-RING 70921214)(Used prior to tractor #6077, excluding #6073)
	70642275	1	ELBOW, suction line, upper (Includes O-RING 70921214)(Effective with tractor #6077, including #6073)
	70921214	1	O-RING, adapter sealing
20	70631788	2	HOSE, suction line
	70921912	8	CLAMP, hose, 1-1/16" to 2" diam.
21	-----	1	TUBE, suction line (Tractors prior to #6077, excluding #6073. Order TUBE 70642276 and ELBOW 70642275)
	70642276	1	TUBE, suction line (Effective with tractor #6077, including #6073)
22	70641849	1	ADAPTER, suction line, lower (Includes O-RING 70921887)
	70921887	1	O-RING, adapter sealing



TRANSMISSION OIL PUMP AND FILTER

USAGE: Tractors serial No. 6785 thru No. 8774 including Nos. 6742, 52, 59, 63, 72, 73, 74, 82, 83.

ITEM	PART NO.	QTY.	DESCRIPTION
1	70642227	1	PUMP ASSEMBLY, oil (See page 164 for parts)
2	70639637	4	STUD, pump
	70904208	4	LOCKWASHER, 1/2"
	70911043	4	NUT, 1/2"NF
3	70634271	1	GASKET, pump
4	70645245	1	HOSE, pump to filter (See HOSE PARTS)
	70921227	2	ELBOW, adjustable, 90°, flare type, 1" tube, 1-5/16"NF (Includes washer, nut and O-RING 70921214)
5	70637865	1	FILTER ASSEMBLY, oil (See page 166 for parts)(Used prior to tractor #7522. Order FILTER ASSEMBLY 70659519)
	70650397	1	FILTER ASSEMBLY, oil (See page 166 for parts)(Used on tractors #7522 thru #8249. Order FILTER ASSY. 70659519)
	70659519	1	FILTER ASSEMBLY, oil (See page 166 for parts)(Effective with tractor #8250)
	70919840	1	PLUG, pipe, hex-hd., 1/4"NPT (Not used when GROUND SPEED GOVERNOR is installed)
6	70035018	3	CAPSCREW, 1/2"NF x 1-1/2"
	70904208	3	LOCKWASHER, 1/2"
7	70640788	1	BRACKET, filter mounting
8	70644759	1	HOSE, filter to speed control valve (See HOSE PARTS)(Not used when special PUSH-START PUMP is installed)
	70921227	1	ELBOW, adjustable, 90°, flare type, 1" tube, 1-5/16"NF (Includes washer, nut and O-RING 70921214)
	70919246	1	CONNECTOR, flare type, 1" tube, 3/4"NPT male
	70644841	1	HOSE, filter to diverter valve (See HOSE PARTS)(Used only when special PUSH-START PUMP is installed)
	70921227	2	ELBOW, adjustable, 90°, flare type, 1" tube, 1-5/16"NF (Includes washer, nut and O-RING 70921214)
9	70632547	1	CLIP, hose supporting (1-1/2" diam., 17/32" bolt-hole)
10	70070467	1	CAPSCREW, 1/2"NF x 1"
	70904208	1	LOCKWASHER, 1/2"
	70911043	1	NUT, 1/2"NF
11	70635124	1	ANGLE, hose supporting
12	70644457	4	CLIP, hose supporting (1-5/16" diam., 17/32" bolt-hole)
13	70035167	1	CAPSCREW, 3/8"NF x 7/8"
	70911115	1	WASHER, plain, SAE std., 3/8"
	70904206	1	LOCKWASHER, 3/8"
	70911041	1	NUT, 3/8"NF
14	70070467	1	CAPSCREW, 1/2"NF x 1"
	70904208	1	LOCKWASHER, 1/2"
15	70631874	1	ANGLE, hose supporting
16	70035221	1	CAPSCREW, 1/2"NC x 1"
	70904208	1	LOCKWASHER, 1/2"
17	70642275	1	ELBOW, suction line, upper (Includes O-RING 70921214)
	70921214	1	O-RING, adapter sealing
18	70631788	2	HOSE, suction line
	70921912	8	CLAMP, hose, 1-1/16" to 2" diam.
19	70642276	1	TUBE, suction line
20	70641849	1	ADAPTER, suction line, lower (Includes O-RING 70921887)
	70921887	1	O-RING, adapter sealing



TRANSMISSION OIL PUMP AND FILTER (Third type)

T-75421

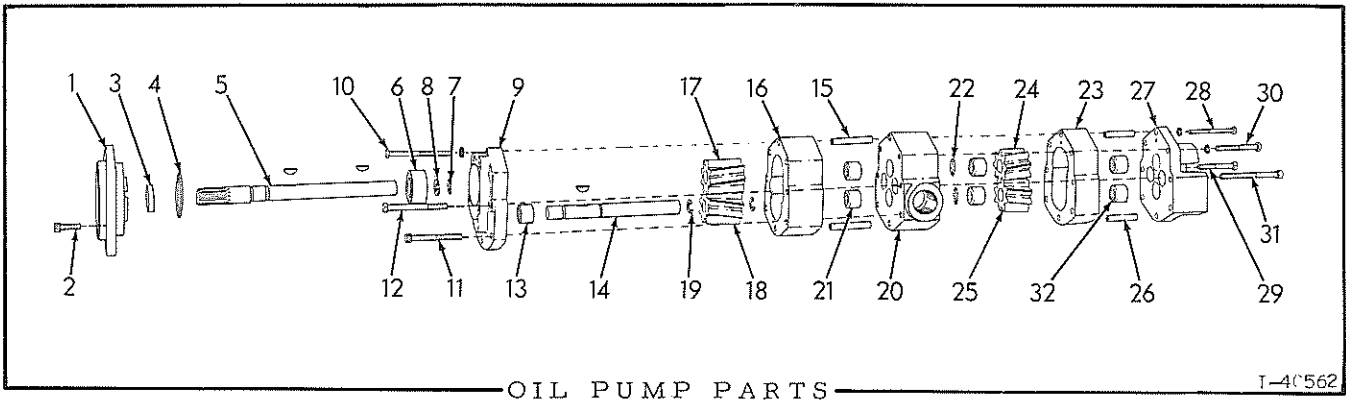
(Added May 1975)

TRANSMISSION OIL PUMP AND FILTER

USAGE: Tractors serial No. 8775 and up

\* Units without Push-start Pump (Standard).  
 \*\* Units with Push-start Pump (Special)

ITEM	PART NO.	QTY.		DESCRIPTION
		*	**	
1	70642227	1	1	PUMP ASSY., oil (See page 164 for parts)
2	70639637	4	4	STUD, pump
	70904208	4	4	LOCKWASHER, 1/2"
	70911043	4	4	NUT, 1/2"NF
3	70634271	1	1	GASKET, pump
4	70644759	1	1	HOSE, pump to filter (See HOSE PARTS)
	70921227	2	2	ELBOW, adjustable, 90°, flare type, 1" tube, 1-5/16"NF (Includes washer, nut and O-RING 70921214)
5	70659519	1	1	FILTER ASSY., oil (See page 166 for parts)
	70919840	1	1	PLUG, pipe, hex-hd., 1/4"NPT (Not used when GROUND SPEED GOVERNOR is installed)
	70614478	3	3	CAPSCREW, 1/2"NF x 1-3/8"
	70904208	3	3	LOCKWASHER, 1/2"
	70911043	3	3	NUT, 1/2"NF
6	70653774	1	1	BRACKET, filter mounting
	70035733	4	4	CAPSCREW, 1/2"NC x 1-3/8"
	70904208	4	4	LOCKWASHER, 1/2"
7	70653907	1	-	HOSE, filter to speed control valve (See HOSE PARTS)
	70921227	1	-	ELBOW, adjustable, 90°, flare type, 1" tube, 1-5/16"NF (Includes washer, nut and O-RING 70921214)
	70919246	1	-	CONNECTOR, flare type, 1" tube, 3/4"NPT male
	70654081	-	1	HOSE, filter to diverter valve (See HOSE PARTS)
	70921227	-	1	ELBOW, adjustable, 90°, flare type, 1" tube, 1-5/16"NF (Includes washer, nut and O-RING 70921214)
8	70653842	-	1	TUBE ASSY., filter to diverter valve (Includes nuts)
	70921215	-	1	ELBOW, adjustable, 45°, flare type, 1" tube, 1-5/16"NF (Includes washer, nut and O-RING 70921214)
9	70642275	1	1	ELBOW, suction line, upper (Includes O-RING 70921214)
	70921214	1	1	O-RING, adapter sealing
10	70631788	2	2	HOSE, suction line
	70921912	8	8	CLAMP, hose, 1-1/16" to 2" diam.
11	70642276	1	1	TUBE, suction line
12	70641849	1	1	ADAPTER, suction line, lower (Includes O-RING 70921887)
	70921887	1	1	O-RING, adapter sealing
13	70644457	7	7	CLIP, hose supporting
	70070467	3	2	CAPSCREW, 1/2"NF x 1"
	70916310	1	2	CAPSCREW, 1/2"NC x 1"
	70910244	1	1	WASHER, plain, SAE std., 1/2"
	70904208	4	4	LOCKWASHER, 1/2"
	70911043	3	2	NUT, 1/2"NF
	70911028	-	1	NUT, 1/2"NC
14	70623235	-	1	CLIP, hose supporting
	70916309	-	1	CAPSCREW, 1/2"NC x 3/4"
	70904208	-	1	LOCKWASHER, 1/2"
	70911028	-	1	NUT, 1/2"NC
15	70635124	1	1	ANGLE, hose supporting
16	70656494	-	1	ANGLE, hose supporting
17	70653776	1	1	BRACKET, hose supporting



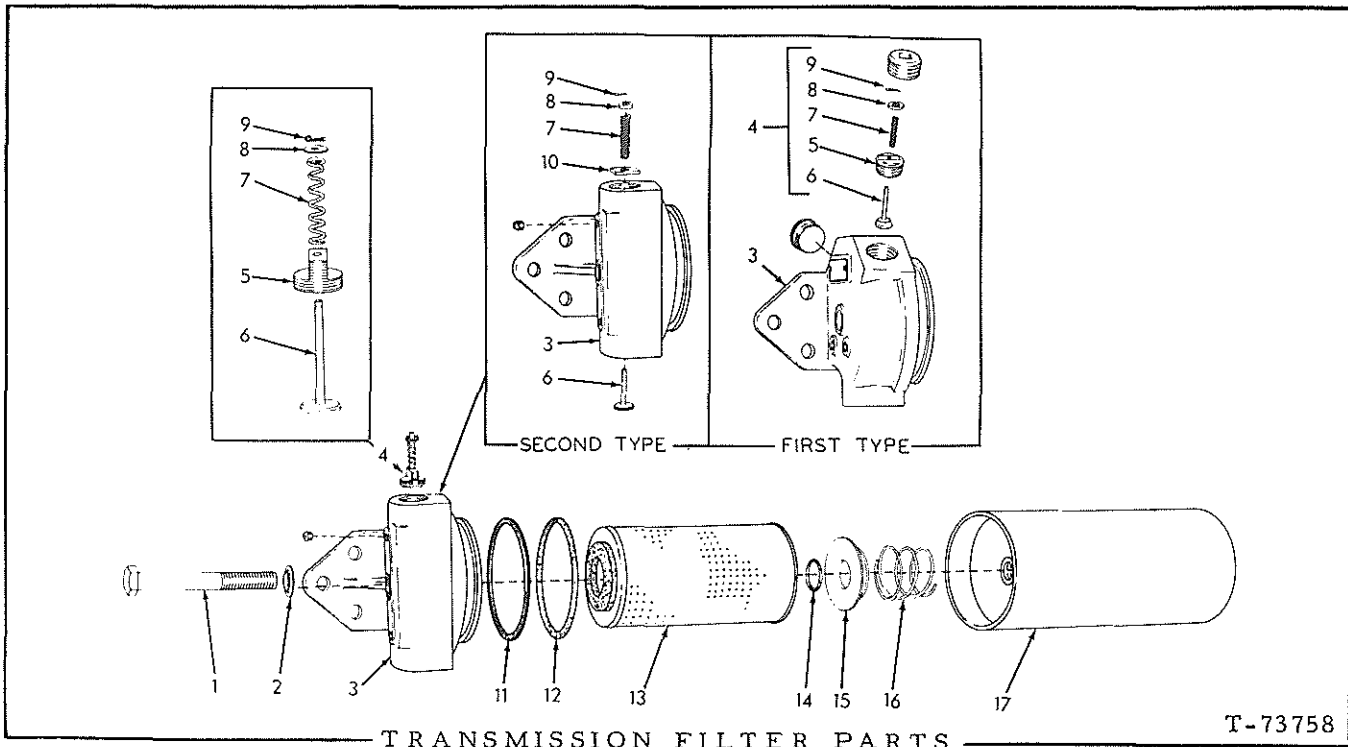
\* PUMP ASSEMBLY 70639503. See page 161  
 \*\* PUMP ASSEMBLY 70642227. See pages 161, 163 and 163B

ITEM	PART NO.	QTY.		DESCRIPTION
		*	**	
1	70639540	1	1	PLATE ASSEMBLY, adapting (Includes item 3)
2	70912264	4	4	CAPSCREW, hex-socket-hd., 5/16"NC x 1"
3	70643560	1	1	SEAL, adapting plate
4	73039053	1	1	O-RING, adapting plate
5	70640152	1	-	SHAFT, driving
	70642320	-	1	SHAFT, driving
	70905122	2	2	KEY, woodruff, 1/8" x 3/4"
6	73038936	1	1	BEARING, ball, drive shaft
7	73038940	1	1	WASHER, spacing
8	73038933	1	1	RING, bearing retaining
9	70639530	1	1	BODY ASSEMBLY (Includes item 13)
10	70641561	2	-	CAPSCREW, 1/4"NC x 3-1/4"
	70642327	-	2	CAPSCREW, 1/4"NC x 3-1/2"
	70904204	-	2	LOCKWASHER, 1/4"
11	70920979	2	2	CAPSCREW, hex-socket-hd., 5/16"NC x 2-3/4"
12	70918397	4	-	CAPSCREW, 5/16"NC x 3"
	70642328	-	4	CAPSCREW, 5/16"NC x 3-1/4"
13	70208253	1	1	BEARING, needle, pump body
14	70639938	1	-	SHAFT, idler
	70921396	1	-	KEY, woodruff, 1/8" x 3/8"
	70642319	-	1	SHAFT, idler
	70905122	-	1	KEY, woodruff, 1/8" x 3/4"
15	70640775	4	-	PIN, dowel (1/2" long)(Original equipment)
	70642310	2	-	PIN, dowel (2" long)(Service replacement)
	70642323	-	2	PIN, dowel (2-3/8" long)
16	70639942	1	-	PLATE, pump gears, front (When making first replacement) also order 2 PINS 70642310)
	70642322	-	1	PLATE, pump gears, front

(Continued)

## OIL PUMP PARTS (Continued)

ITEM	PART NO.	QTY.		DESCRIPTION
		*	**	
17	70641541	1	-	GEAR, drive shaft (1-3/4" wide)
	70642321	-	1	GEAR, drive shaft (2" wide)
18	70641542	1	-	GEAR, idler shaft (1-3/4" wide)
	70642318	-	1	GEAR, idler shaft (2" wide)
19	73039013	2	2	RING, retaining, idler shaft gear
20	70639447	1	1	PLATE ASSEMBLY, center (Includes items 21 and 22)
21	70208253	4	4	BEARING, needle, center plate
22	70052662	2	2	SEAL, center plate
23	70640739	1	1	PLATE, pump gears, rear (When making first replacement also order 2 PINS 70642310)
24	70641537	1	1	GEAR, drive shaft (1-1/2" wide)
25	70641538	1	1	GEAR, idler shaft (1-1/2" wide)
26	70640774	2	2	PIN, dowel (1-3/4" long)
27	70638613	1	1	COVER ASSEMBLY, rear (Includes item 32)
28	70641564	2	2	CAPSCREW, 1/4"NC x 2-3/4"
	70904204	-	2	LOCKWASHER, 1/4"
29	70921160	1	1	CAPSCREW, 5/16"NC x 2-1/4"
30	70033751	3	3	CAPSCREW, 5/16"NC x 2-1/2"
	70904205	-	3	LOCKWASHER, 5/16"
31	70639728	2	-	CAPSCREW, hex-socket-hd., 5/16"NC x 3-3/4"
	70642309	-	2	CAPSCREW, hex-socket-hd., 5/16"NC x 3-1/2"
32	70208253	2	2	BEARING, needle, rear cover



T-73758

\*70637865 FILTER ASSEMBLY (See pages 161 and 163)  
 \*\*70650397 FILTER ASSEMBLY (See page 163)  
 Δ70659519 FILTER ASSEMBLY (See pages 163 and 163B)

ITEM	PART NO.	QUANTITY			DESCRIPTION
		*	**	Δ	
1	70604930	1	-	-	CAPSCREW, tank retaining (3/4" NF x 5")
	70923438	-	1	1	CAPSCREW, tank retaining (3/4" NF x 5-1/2")
2	70641029	1	1	1	WASHER, tank retaining capscREW
3	70640744	1	-	-	HEAD
	70901666	2	-	-	PLUG, pipe, ctsk-hd., 1" NPT
	70650427	-	1	-	HEAD ASSEMBLY (Includes items 6 thru 10 and PLUGS indented below)
	70659514	-	-	1	HEAD
	70901652	-	2	2	PLUG, pipe, 1/4" NPT
4	70633995	2	-	-	VALVE ASSEMBLY, by-pass (Consists of items 5 thru 9)
	70661534	-	-	1	VALVE ASSEMBLY, by-pass (Consists of items 5 thru 9)
5	-----	2	-	1	HOUSING, by-pass valve (Not serviced separately)
6	-----	2	-	1	VALVE, by-pass (Not serviced separately)
	70650853	-	1	-	VALVE, by-pass
7	70631870	2	-	-	SPRING, by-pass valve
	70650430	-	1	-	SPRING, by-pass valve
	70661268	-	-	1	SPRING, by-pass valve

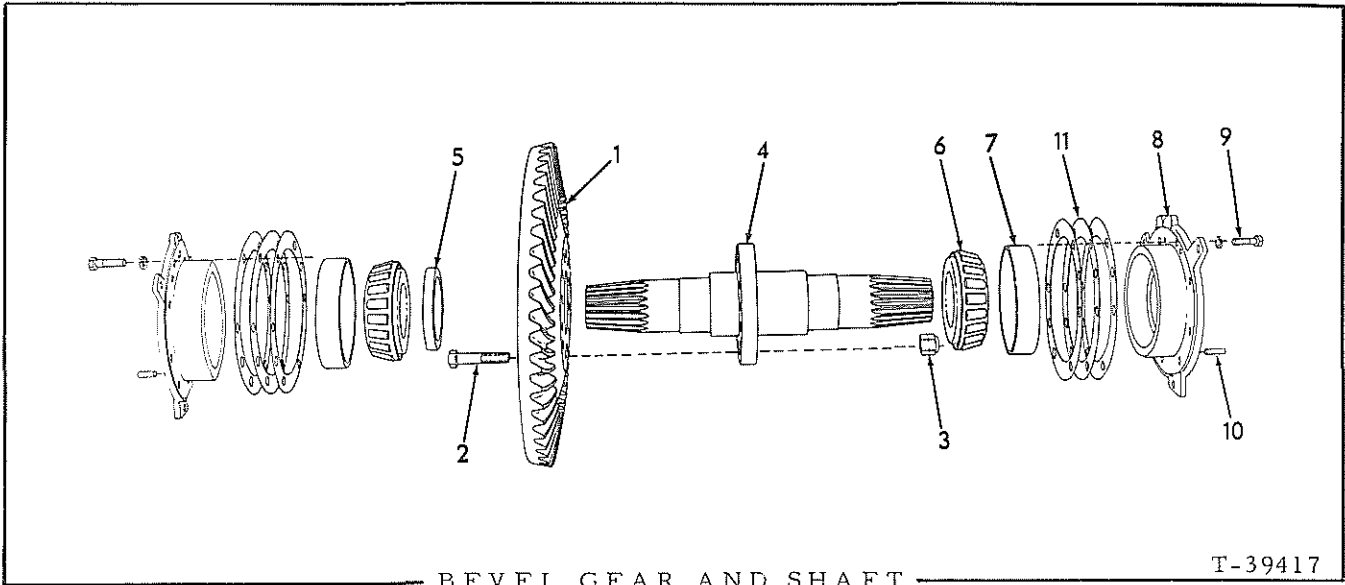
(Continued)



TRANSMISSION FILTER PARTS (Continued)

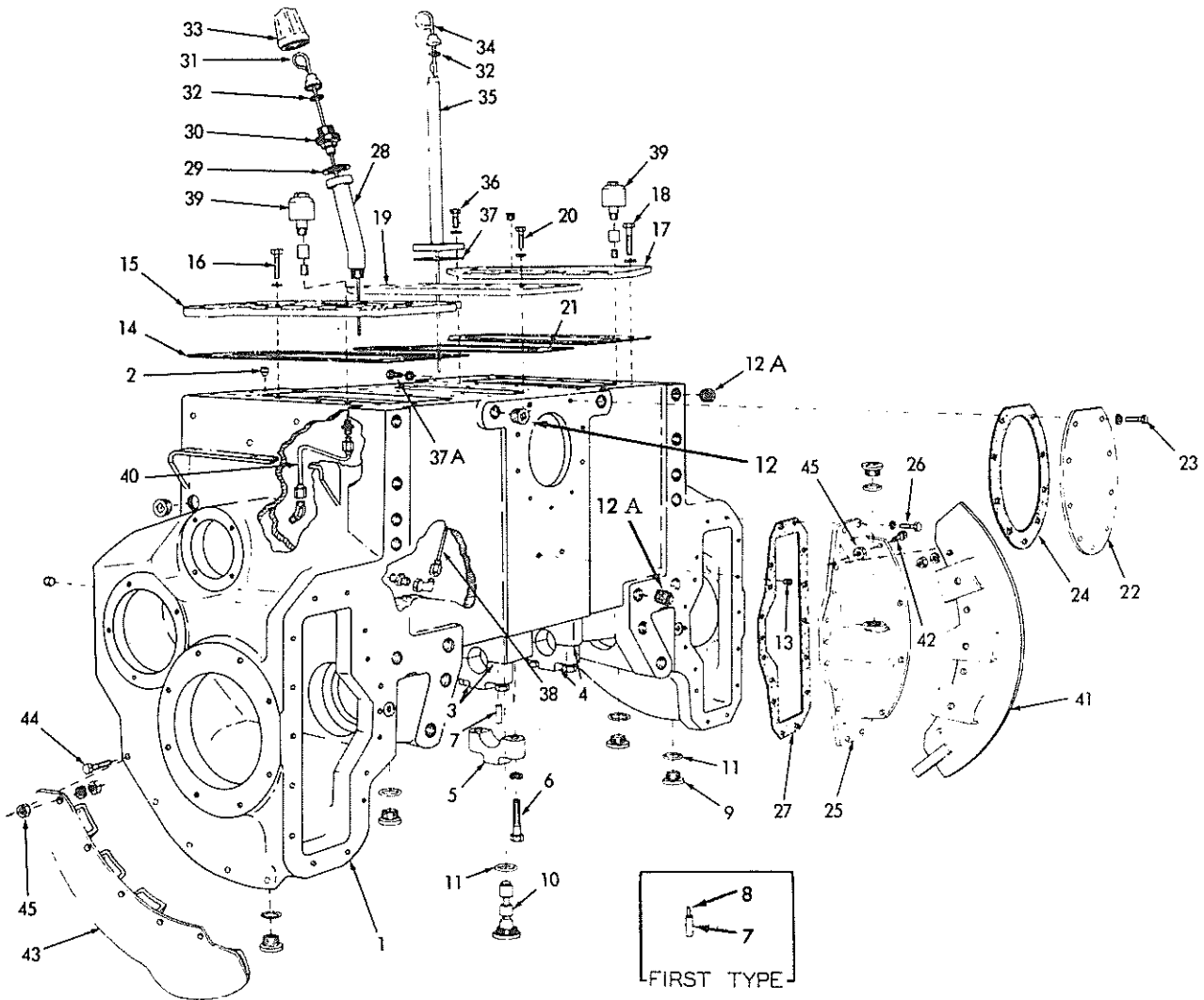
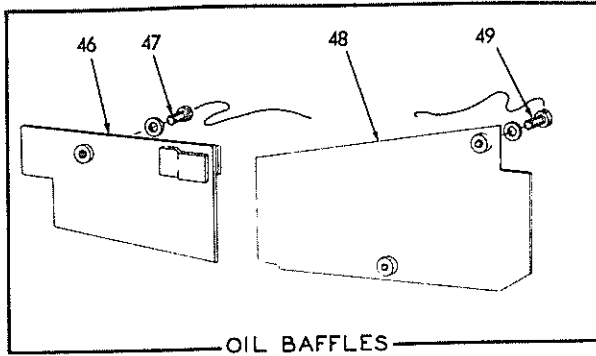
ITEM	PART NO.	QUANTITY			DESCRIPTION
		*	**	Δ	
8	70632060	2	1	1	WASHER, by-pass valve spring
9	70632061	2	-	-	RING, snap, by-pass valve (Early units)
	70900970	2	1	1	PIN, cotter, 1/16" x 1/2" (Late units)
10	70650431	-	1	-	SPANNER, by-pass valve spring
11	70646532	1	1	1	RING, back-up
12	70923836	1	1	1	O-RING, filter head
13	70640780	1	1	1	ELEMENT KIT (Includes items 2, 11 and 12)
14	70923649	1	1	1	O-RING, element seating plate
15	70641031	1	1	1	PLATE, element seating
16	70641027	1	1	1	SPRING, element seating plate
17	70650428	1	1	1	TANK





\* Tractors prior to serial No. 8548  
 \*\* Tractors serial No. 8548 and up

ITEM	PART NO.	QTY.		DESCRIPTION
		*	**	
1	70627353	1	-	GEAR, bevel (43 teeth, right hand spiral)(3-3/8" bore)
	70663509	-	1	GEAR, bevel (43 teeth, right hand spiral)(3-1/2" bore)
2	70067680	12	12	BOLT, 5/8"NF x 2-3/4"
3	70645320	12	12	NUT, elastic stop, 5/8"NF
4	70058916	1	-	SHAFT, bevel gear
	70674800	-	1	SHAFT, bevel gear
5	70067578	1	-	RING, locking, bevel gear bolts
	70663581	-	1	RING, locking, bevel gear bolts
6	70069579	2	-	CONE ASSEMBLY, shaft bearing (2-7/8" bore)
	70051630	-	2	CONE ASSEMBLY, shaft bearing (3" bore)
7	70050276	2	2	CUP, shaft bearing
8	70623930	2	2	CAGE ASSEMBLY, bearing (Includes item 10)
9	70035073	12	12	CAPSCREW, 1/2"NF x 1-3/4"
	70904208	12	12	LOCKWASHER, 1/2"
10	70623933	4	4	PIN, bearing cage
11	70059026	12	12	SHIM, bearing adjustment (.005" thick. Use as req'd)
	70059025	10	10	SHIM, bearing adjustment (.007" thick. Use as req'd)
	70059024	10	10	SHIM, bearing adjustment (.010" thick. Use as req'd)



STEERING CLUTCH AND FINAL DRIVE HOUSING.

T-73634

MAIN HOUSING

QTY.	DESCRIPTION
1	HOUSING ASSY. (Includes items 2 thru 8)(Used prior to tractor #7753. Order HOUSING ASSY. 70654435 and BRACKET KIT 70654544. If for tractors prior to #6361 excluding #6300, 6315, 17,23,33,35,37,39,41,43,45,47,49,51,55,57 and #6359; also order 1 each TUBE ASSY. 70642479, CONNECTOR 70919063, ELBOW 70921279)
1	HOUSING ASSY. (Includes items 2 thru 8)(Used on tractors #7753 thru #8916)
1	HOUSING ASSY. (Includes items 2 and 4 thru 8)(Tractors #8917 & up)
2	PLUG, pipe, ctsk.-hd., 1/2"NPT
2	PIN, dowel, clutch compartment covers
3	CAP ASSY., track frame pivot shaft, inner (Tractors prior to #8917 only)
4	CAP ASSY., track frame pivot shaft, outer
NOTE: Each cap assy. listed above includes items 5 and 6; also upper block which requires welding to housing	
4	CAP, track frame pivot shaft (Tractors prior to #8917)
2	CAP, track frame pivot shaft, inner
2	CAP, track frame pivot shaft, outer } (Tractors #8917 and up)
8	CAPSCREW, 7/8"NF x 3-1/4"
8	LOCKWASHER, 7/8"
2	WICK ASSY., pivot shaft lubricating (Consists of 1 pin and 1 WICK 70050357)(Also serves as dowel pin for pivot shaft)(Tractors prior to #8917)
2	DOWEL, pivot shaft inner cap (Tractors #8917 and up)
2	PLUG, main housing (steel, 5/8" diam. x 3/4")(Used to plug oiling wick hole when installing late type track frames on units prior to #8917)
2	WICK, pivot shaft lubricating (Tractors prior to #8917)
6	PLUG, filling and drain
1	PLUG, drain (magnetic)
7	GASKET, filling and drain plugs.
2	PLUG, thread protecting (socket-hd., 1-1/4"NF)
8	CORK, thread protecting (1-1/4" diam.)(Not illustrated)
2	CORK, thread protecting (5/8" diam.)
2	GASKET, clutch compartment covers
1	COVER, clutch compartment, left
9	CAPSCREW, 1/2"NF x 2-1/4"
9	LOCKWASHER, 1/2"
1	COVER, clutch compartment, right
9	CAPSCREW, 1/2"NF x 2-1/4"
9	LOCKWASHER, 1/2"

(Continued)

MAIN HOUSING (Continued)

ITEM	PART NO.	QTY.	DESCRIPTION
19	70622901	1	COVER, bevel gear compartment, top (Used prior to tractor #7550)
	70651409	1	COVER, bevel gear compartment, top (Effective with tractor #7550)
20	70922726	12	CAPSCREW, 1/2"NF x 1-1/2"
	70912441	12	LOCKWASHER, 1/2"
21	70622902	1	GASKET, top cover, bevel gear compartment
22	70052977	1	COVER, bevel gear compartment, rear (Removed when Power Take-Off is installed)
23	70927205	9	CAPSCREW, Nylok, 5/8"NC x 1-1/4"
	70912942	9	LOCKWASHER, 5/8"
24	70052976	1	GASKET, rear bevel gear compartment cover
25	70658711	1	COVER, final drive compartment, left side
	70658712	1	COVER, final drive compartment, right side
26	70922726	32	CAPSCREW, 1/2"NF x 1-1/2"
	70912441	32	LOCKWASHER, 1/2"
27	70059315	2	GASKET, final drive compartment covers
28	70630102	1	PIPE, oil filler
29	70034269	1	GASKET, oil filler pipe plug
30	70034268	1	PLUG, oil filler pipe
31	70648623	1	GAUGE ASSY., oil level, main housing (Includes item 32)
32	74506607	2	SEAL, oil level gauge
33	70034265	1	CAP, oil level gauge
34	70628716	1	GAUGE ASSY., oil level, transmission (Includes item 32)
35	70628950	1	GUIDE, transmission oil level gauge
36	70922763	2	CAPSCREW, 3/8"NF x 1"
	70910287	2	LOCKWASHER, 3/8"
37	70628951	1	GASKET, guide
37A	70035979	1	CAPSCREW, hole plugging (3/8"NF x 5/8")
	70904206	1	LOCKWASHER, 3/8"
38	70628949	1	TUBE ASSY., transmission oil level gauge (Includes nuts)(Used prior to tractor #6361 excluding 6300, 6315, 17, 23, 33, 35, 37, 39, 41, 43, 45, 47, 49, 51, 55, 57 and 6359)
	70921714	1	ELBOW, flare type, 1/2" tube, 3/8"NPT male
	70921713	1	NIPPLE, pipe, 3/8"NPT x 1-3/8"
	70642479	1	TUBE ASSY., transmission oil level gauge (Includes nuts)(Effective with tractor #6361 including 6300, 6315, 17, 23, 33, 35, 37, 39, 41, 43, 45, 47, 49, 51, 55, 57 and 6359)
	70919063	1	CONNECTOR, flare type, 1/2" tube, 3/8"NPT male
	70921279	1	ELBOW, flare type, swivel nut, 1/2" tube
39	70050748	2	BREATHER, final drive
	70901765	2	COUPLING, pipe, 3/8"NPT
	70901489	2	NIPPLE, pipe, 3/8"NPT x 1"
40	70623787	2	TUBE ASSY., final drive breather (Includes nuts)
	70919464	2	ELBOW, flare type, 45°, 1/4" tube x 1/8"NPT male
	70911171	2	CONNECTOR, flare type, 1/4" tube x 1/8"NPT male

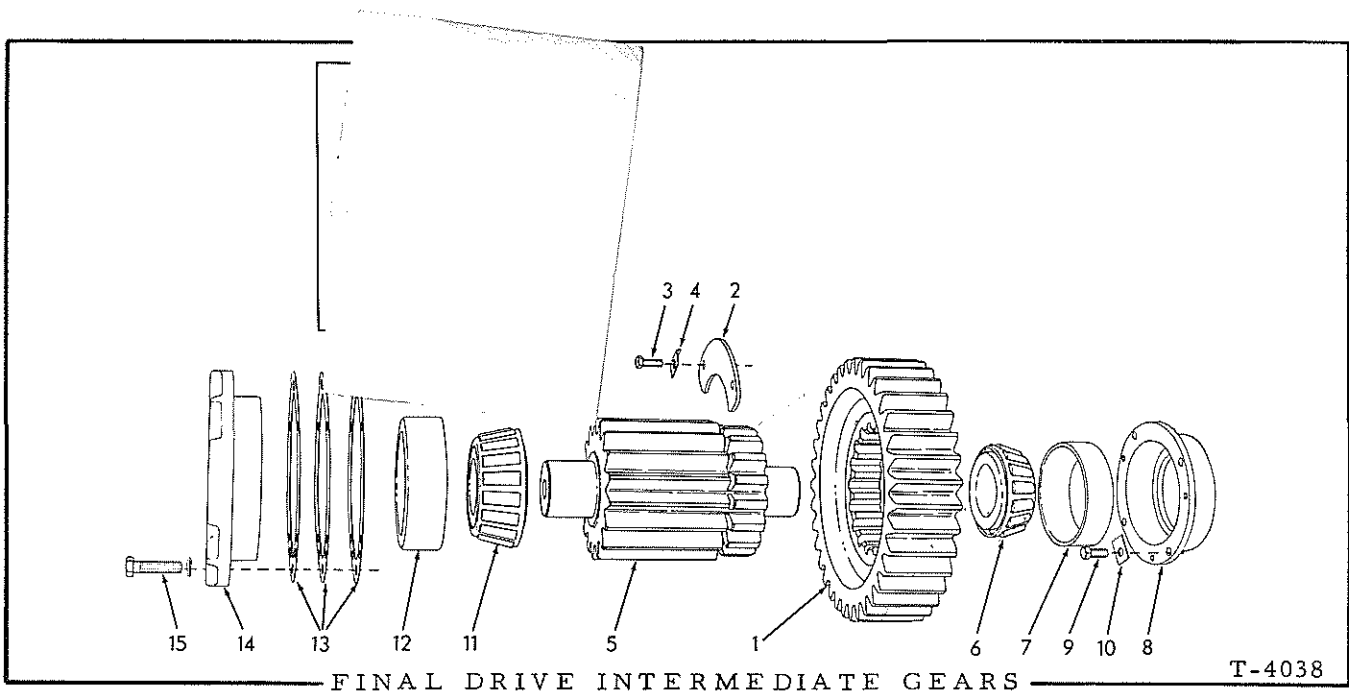
STEERING CLUTCH AND FINAL DRIVE HOUSING (Continued)

ITEM PART NO. QTY. DESCRIPTION

NOTE: Items 41 thru 45 are special equipment

41	{	70621501	1	GUARD, track sprocket, upper left	}	Light duty
		70621502	1	GUARD, track sprocket, upper right		
	{	70646091	1	GUARD, track sprocket, upper left	}	Heavy duty
		70646092	1	GUARD, track sprocket, upper right		
42		70916315	8	CAPSCREW, 1/2"NC x 2-1/4"		
		70904208	8	LOCKWASHER, 1/2"		
		70911028	8	NUT, 1/2"NC		
43	{	70639087	1	GUARD, track sprocket, lower left	}	Light duty
		70639088	1	GUARD, track sprocket, lower right		
	{	70646093	1	GUARD, track sprocket, lower left	}	Heavy duty
		70646094	1	GUARD, track sprocket, lower right		
44		70916316	10	CAPSCREW, 1/2"NC x 2-1/2"		
		70904208	10	LOCKWASHER, 1/2"		
		70911028	10	NUT, 1/2"NC		
45		70664414	18	SPACER, track sprocket guards		
46		70640083	1	BAFFLE, oil, front section		
47		70927483	1	CAPSCREW, drilled-hd., 3/8"NC x 2"		
		70023633	1	WIRE, locking, 1/16" x 12"		
		70044973	1	WASHER, plain		
48		70642305	1	BAFFLE, oil, rear section		
49		70927843	2	CAPSCREW, drilled-hd., 3/8"NC x 2"		
		70023633	1	WIRE, locking, 1/16" x 12"		
		70044973	2	WASHER, plain		

(Revised May 1975)



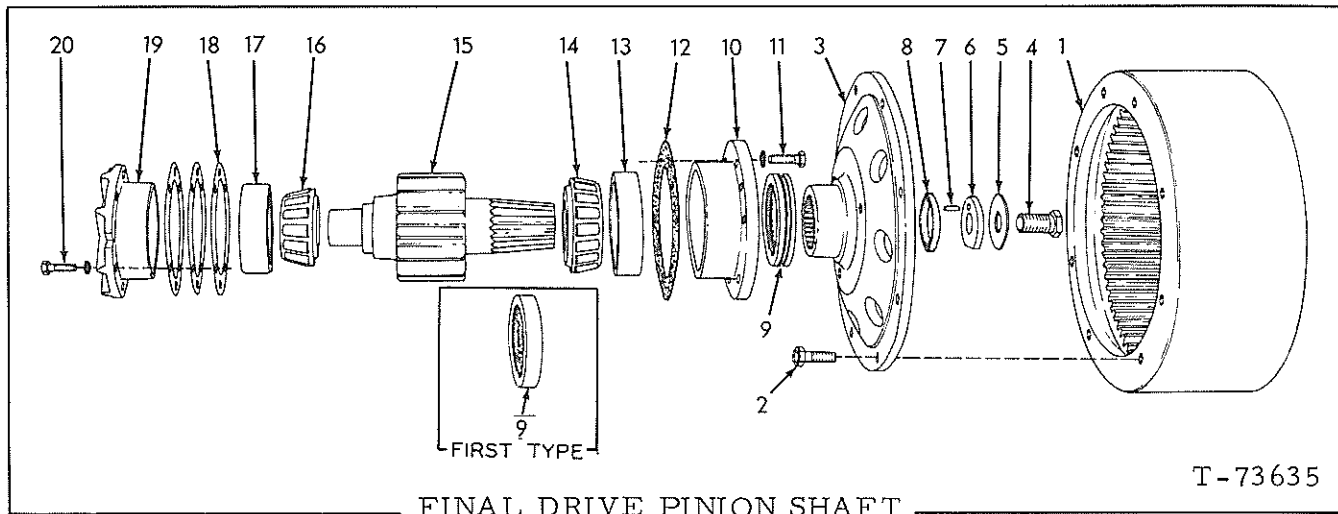
\* Tractors prior to serial No. 8545, excluding No. 8542  
 \*\* Tractors serial No. 8545 and up, including No. 8542

ITEM	PART NO.	QTY.		DESCRIPTION
		*	**	
1	70058572	2	2	GEAR (35 teeth)
2	70058825	4	4	LOCK, gear
3	70035439	8	8	CAPSCREW, 3/8"NC x 1"
4	70052444	8	8	LOCK, capscrew
5	70622806	2	2	PINION (17 teeth)
6	70052071	2	2	CONE ASSEMBLY, inner bearing
7	70052070	2	2	CUP, inner bearing
8	70067535	2	2	CAGE, inner bearing cup
9	70035439	8	8	CAPSCREW, 3/8"NC x 1"
10	70049936	8	8	LOCK, capscrew
11	70069327	2	2	CONE ASSEMBLY, outer bearing
12	70604398	2	2	CUP, outer bearing
13	70094116	4	-	SHIM, bearing adjustment (.005" thick. Use as req'd)
	70094117	4	-	SHIM, bearing adjustment (.007" thick. Use as req'd)
	70094118	30	-	SHIM, bearing adjustment (.010" thick. Use as req'd)
14	70094115	2	-	CAGE, outer bearing cup
15	70035229	10	-	CAPSCREW, 5/8"NF x 2"
	70904209	10	-	LOCKWASHER, 5/8"
16	70657771	-	2	CAGE, outer bearing cup
17	70657772	-	2	RETAINER, outer bearing
	70901666	-	2	PLUG, pipe, ctsk-hd., 1" NPT
18	70035248	-	10	CAPSCREW, 5/8"NF x 2-1/4"
	70904209	-	10	LOCKWASHER, 5/8"
19	70657768	-	4	SHIM, bearing (.005" thick)
	70657769	-	4	SHIM, bearing (.007" thick)
	70657770	-	12	SHIM, bearing (.010" thick)

Use as req'd

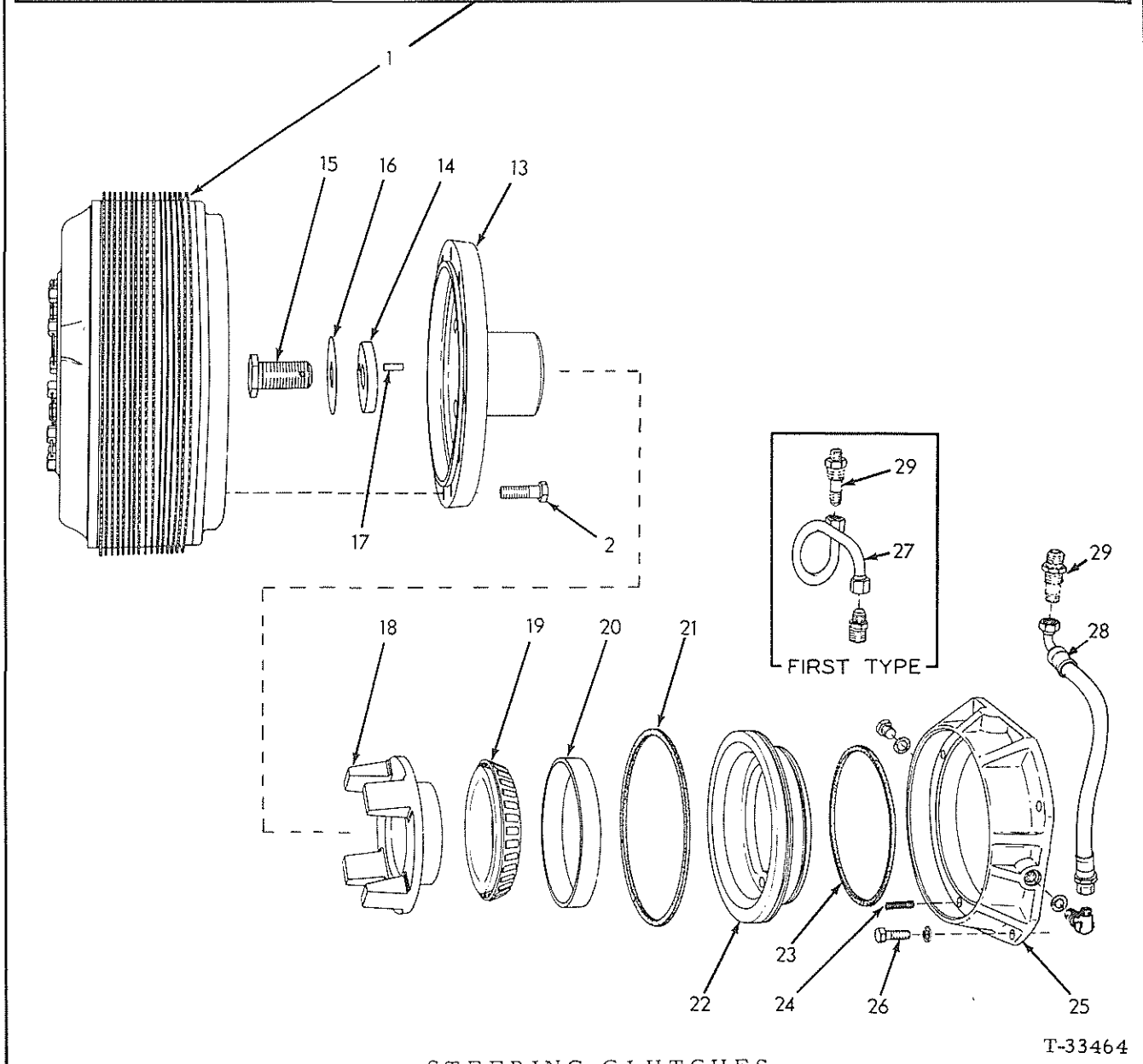
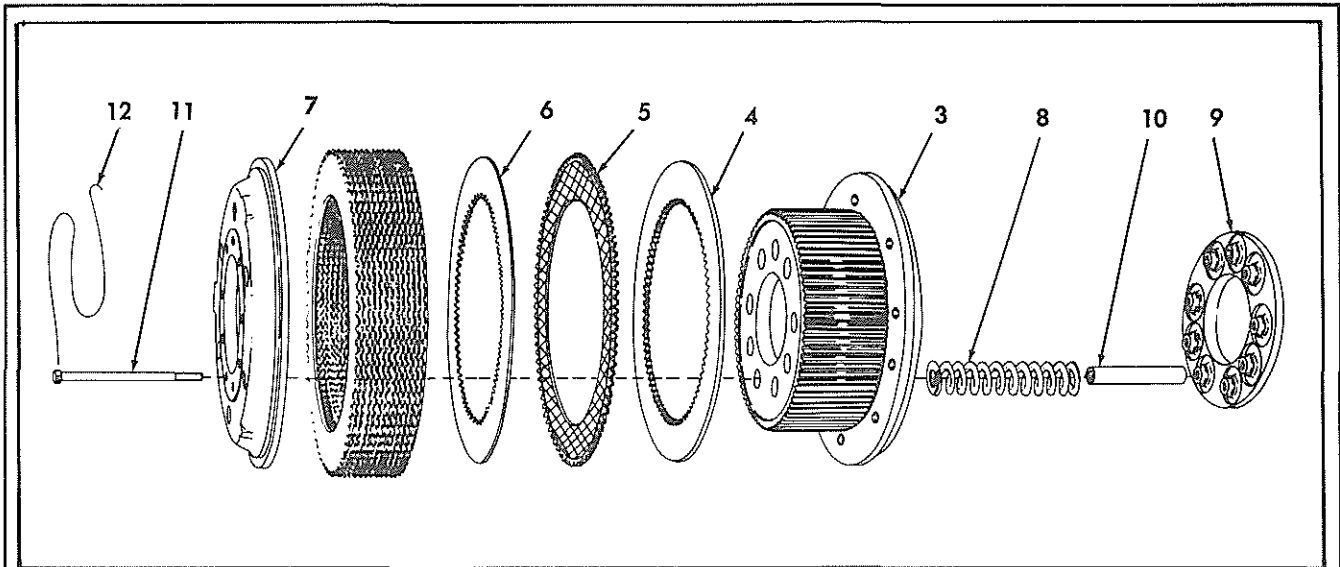
(Revised July 1968)





ITEM	PART NO.	QTY.	DESCRIPTION
1	70623928	2	DRUM, brake
2	70650811	16	BOLT, self-locking, 5/8"NC x 1-1/2"
3	70623781	2	HUB, brake drum
4	70630045	2	CAPSCREW, hub retaining (thin-hd., 1"NF x 1-3/4") (Tractors prior to #8803)
	70663117	2	CAPSCREW, hub retaining (self-locking)(Tractors #8803 and up)
5	70630052	2	LOCK, hub retaining cap screw (Tractors prior to #8803)
6	70623783	2	WASHER ASSY., hub retaining (Includes item 7) (Tractors prior to #8803)
	70663245	2	WASHER ASSY., hub retaining (Includes item 7) (Tractors #8803 and up)
7	70035793	2	PIN, hub retaining washer
8	70623786	2	SEAL, oil, pinion shaft (rubber)
9	70623784	2	SEAL, oil, brake drum hub (First type)
	70695217	4	SEAL, oil, brake drum hub (Second type)
10	70623782	2	CAGE, inner bearing cup
11	70035018	12	CAPSCREW, 1/2"NF x 1-1/2"
	70904208	12	LOCKWASHER, 1/2"
12	70058875	2	GASKET, bearing cage
13	70069328	2	CUP, inner bearing
14	70069441	2	CONE ASSY., inner bearing
15	70058707	2	PINION (14 teeth)
16	70643276	2	CONE ASSY., outer bearing
17	70643275	2	CUP, outer bearing
18	70058843	4	SHIM, bearing adjustment (.005" thick. Used as required)
	70058842	4	SHIM, bearing adjustment (.007" thick. Used as required)
	70058841	14	SHIM, bearing adjustment (.010" thick. Used as required)
19	70083792	2	CAGE, outer bearing cup
20	70035018	8	CAPSCREW, 1/2"NF x 1-1/2"
	70904208	8	LOCKWASHER, 1/2"

(Revised May 1975)

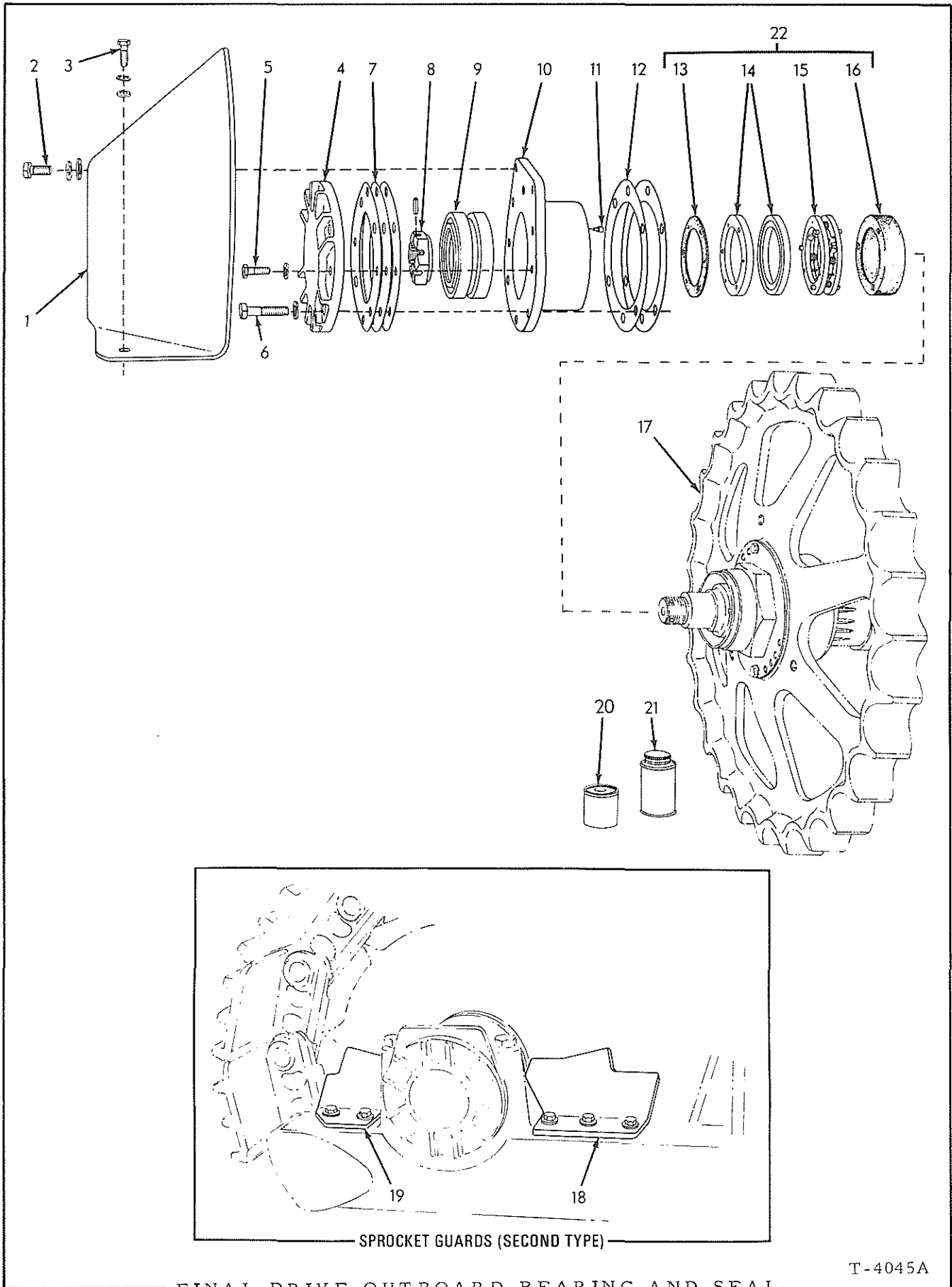


STEERING CLUTCHES

T-33464

STEERING CLUTCHES

ITEM	PART NO.	QTY.	DESCRIPTION
1	70623927	2	CLUTCH ASSEMBLY (Consists of items 3 thru 12)
2	70650813	20	BOLT, self-locking, 5/8"NC x 1-7/8"
3	-----	2	HUB, steering clutch (Used prior to tractor #7912. Order HUB 70650622 and discard item 4)
	70650622	2	HUB, steering clutch (Effective with tractor #7912)
4	70048209	2	PLATE, back (Used prior to tractor #7912).
5	70623877	30	DISC, friction (bimetallic) <i>36.59 / .55 = 14.65</i>
6	70623876	30	DISC, friction (steel)(Use as req'd) <i>18.05 / .55 = 7.25</i>
7	70059048	2	PLATE, pressure
8	70623878	18	SPRING, pressure
9	70059035	2	PLATE, throwout
10	70623879	18	SPACER, throwout plate
11	70052119	18	CAPSCREW, plate (drilled-hd., 1/2"NF x 6-1/2")
12	70023756	4	WIRE, locking, 1/16" x 26"
13	70623516	2	HUB, driving
14	70663245	2	WASHER ASSEMBLY, hub retaining (Includes item 17)
15	70663117	2	CAPSCREW, Nylok, 1"NF x 1-3/4"
16	70630052	2	LOCK, capscrew (Used prior to Tractor #8266)
17	70035793	2	PIN, hub retaining washer
18	70623932	2	SLEEVE, throwout
19	70623007	2	CONE ASSEMBLY, clutch throwout bearing
20	70623008	2	CUP, clutch throwout bearing
21	70623003	2	RING, sealing, actuating piston, outer
22	70623929	2	PISTON, actuating
23	70623004	2	RING, sealing, actuating piston, inner
24	70040475	6	SPRING, throwout bearing ring
25	-----	2	RING, collector (Used prior to tractor #6081 including #6082. Order 1 each RING 70642448, HOSE 70645236, PLUG 70921573, ELBOW 70921402)
	70642448	2	RING, collector (Effective with tractor #6081, excluding #6082)
	70921573	2	PLUG, hex-hd., 3/4"NF (Includes O-RING 70921349)
26	70035733	6	CAPSCREW, 1/2"NC x 1-3/8"
	70904208	6	LOCKWASHER, 1/2"
27	70623662	2	TUBE ASSEMBLY, oil pressure (Includes nuts)(Used prior to tractor #6081, including #6082)
	70919128	2	CONNECTOR, flare type, 1/2" tube, 1/2"NPT male
28	70645236	2	HOSE, oil pressure (See HOSE PARTS)(Effective with tractor #6081, excluding #6082)
	70921402	2	ELBOW, adjustable, 90°, flare type, 1/2" tube, 3/4"NF (Includes washer, nut and O-RING 70921349)
29	-----	2	UNION, bulkhead (See STEERING CONTROL VALVE AND LINES)



FINAL DRIVE OUTBOARD BEARING AND SEAL

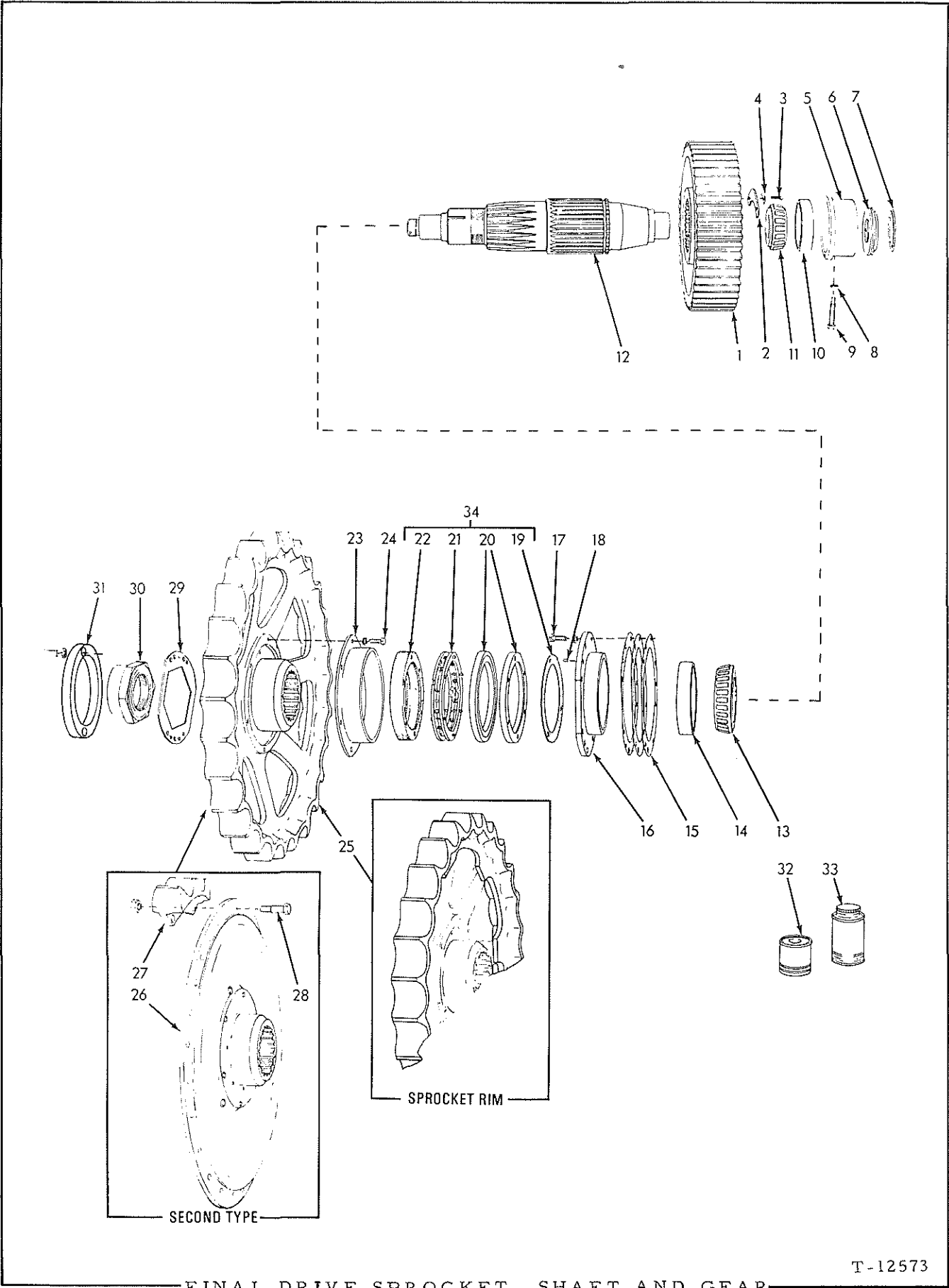
ITEM	PART NO.	QTY.	DESCRIPTION
1	70639027	2	GUARD, track sprocket (Special equipment on tractors prior to unit #9560)(Not for units equipped with segmented sprockets)
2	70035440	4	CAPSCREW, 5/8"NC x 1-1/4"
	70904209	4	LOCKWASHER, 5/8"
	70911100	4	WASHER, plain, SAE std., 5/8"
3	70035018	4	CAPSCREW, 1/2"NF x 1-1/2"
	70064531	4	WASHER, plain
	70904208	4	LOCKWASHER, 1/2"
4	70083505	2	COVER, outboard bearing
5	70035018	4	CAPSCREW, 1/2"NF x 1-1/2"
	70904208	4	LOCKWASHER, 1/2"
6	70070161	12	CAPSCREW, 5/8"NF x 2-3/4"
	70904209	12	LOCKWASHER, 5/8"
7	70083517	4	SHIM, bearing adjustment (.005" thick. Use as required)
	70083516	4	SHIM, bearing adjustment (.007" thick. Use as required)
	70083515	8	SHIM, bearing adjustment (.010" thick. Use as required)
8	70083501	2	NUT, retaining, outboard bearing
	70916227	2	PIN, spring, 1/4" x 1"
9	70083503	2	BEARING, roller, outboard (Each consists of 1 roller assembly and 2 cups. Serviced only as a unit)
10	70083511	2	CAGE, outboard bearing
11	70084432	6	PIN, locating, seal ring
12	70069072	12	SHIM, bearing cage spacing (.015" thick. Use as required)
13	70062098	2	<input type="checkbox"/> GASKET, outer seal ring
14	70080487	4	<input type="checkbox"/> RING, outer seal
15	70052543	2	<input type="checkbox"/> FOLLOWER ASSY., outer seal (Serviced only as a unit)
16	70052545	2	<input type="checkbox"/> BOOT, outer seal
17	-----	2	SPROCKET (See page 179)
18	70669989	1	PLATE, front closure, left side
	70669990	1	PLATE, front closure, right side
	70913828	5	CAPSCREW, 5/8"NC x 1-1/2"
	70064810	5	WASHER, plain
19	70669987	1	PLATE, rear closure, left side
	70669988	1	PLATE, rear closure, right side
	70913828	5	CAPSCREW, 5/8"NC x 1-1/2"
	70064810	5	WASHER, plain
20	70033288	-	CEMENT, neoprene, 1/2 pint can
21	70054890	-	SOLVENT, neoprene cement, 1/2 pint can
22	70073765	2	SEAL KIT, final drive (Includes items 13 thru 16)

Effective with Tractor units #9560 excluding #9565, 9566, 9568, 9570 and 9571

For cementing boots and gaskets

Indicates component of item 22

(Revised March 1972)



FINAL DRIVE SPROCKET, SHAFT AND GEAR

T-12573

FINAL DRIVE SPROCKET, SHAFT AND GEAR

ITEM	PART NO.	QTY.	DESCRIPTION
1	70622807	2	GEAR (52 teeth)
2	70052161	4	LOCK gear
3	70035439	8	CAPSCREW, 3/8"NC x 1"
4	70052444	8	LOCK, capscrew
5	70067534	2	CAGE, inner bearing
6	70091572	2	COVER, inner bearing
7	70923821	2	O-RING, inner bearing cover
8	70049918	2	WASHER, bearing cage setscrew (copper)
9	70067348	2	SETSCREW, bearing cage (hex-hd. dog-pt., 5/8"NF x 3")
10	70069328	2	CUP, inner bearing
11	70069441	2	CONE ASSY., inner bearing
12	70622136	2	SHAFT sprocket
13	70051998	2	CONE ASSY., intermediate bearing
14	70049487	2	CUP, intermediate bearing
15	70067518	4	SHIM, bearing adjustment (.005" thick. Use as required)
	70067519	4	SHIM, bearing adjustment (.007" thick. Use as required)
	70067520	26	SHIM, bearing adjustment (.010" thick. Use as required)
16	70083509	2	CAGE ASSY., intermediate bearing cup (Includes item 18)
17	70023465	16	CAPSCREW, 5/8"NF x 1-3/4"
	70904209	16	LOCKWASHER, 5/8"
18	70084432	6	PIN, locating, seal ring
19	70052408	2	<input type="checkbox"/> GASKET, inner seal ring
20	70080488	4	<input type="checkbox"/> RING, inner seal
21	70052611	2	<input type="checkbox"/> FOLLOWER ASSY., inner seal (Serviced only as a unit)
22	70052612	2	<input type="checkbox"/> BOOT, inner seal
23	70052426	2	GUARD, seal
24	70035440	8	CAPSCREW, 5/8"NC x 1-1/2"
	70904209	8	LOCKWASHER, 5/8"
25	70666187	2	SPROCKET, track driving (Standard)(Tractors prior to unit #9560 including #9565, 9566, 9568, 9570 and 9571)
	70633486	2	SPROCKET, track driving (Special. Has skeleton-tooth base to minimize packing of track)
	70633487	2	SPROCKET RIM (Standard type. Requires welding to install)

Indicates component of item 34

(Continued)

(Revised March 1972)

FINAL DRIVE SPROCKET, SHAFT AND GEAR (Continued)

ITEM	PART NO.	QTY.	DESCRIPTION	
26	70669356	2	HUB, sprocket segment	} Tractor units #9560 and up excluding #9565, 9566, 9568, 9570 and 9571
27	70669330	18	SEGMENT, sprocket	
28	70097324 70012767	54 54	BOLT, sprocket segment NUT, high, 3/4"NF	
29	70083518 70035221 70904208	2 4 4	LOCK, sprocket retaining nut CAPSCREW, 1/2"NC x 1" LOCKWASHER, 1/2"	} Tractors prior to unit #9560 including #9565, 9566, 9568, 9570 and 9571
30	70083507	2	NUT, sprocket retaining	
31	70669391 70915987 70904208	2 4 4	RING, nut protecting (Effective with tractor unit #9560 excluding #9565, 9566, 9568, 9570 and 9571) CAPSCREW, 1/2"NC x 1-1/2" LOCKWASHER, 1/2"	
32	70033288	-	CEMENT, neoprene, 1/2 pint can	} For cementing boots and gaskets
33	70054890	-	SOLVENT, neoprene cement, 1/2 pint can	
34	70073764	2	SEAL KIT, final drive (Includes items 19 thru 22)	

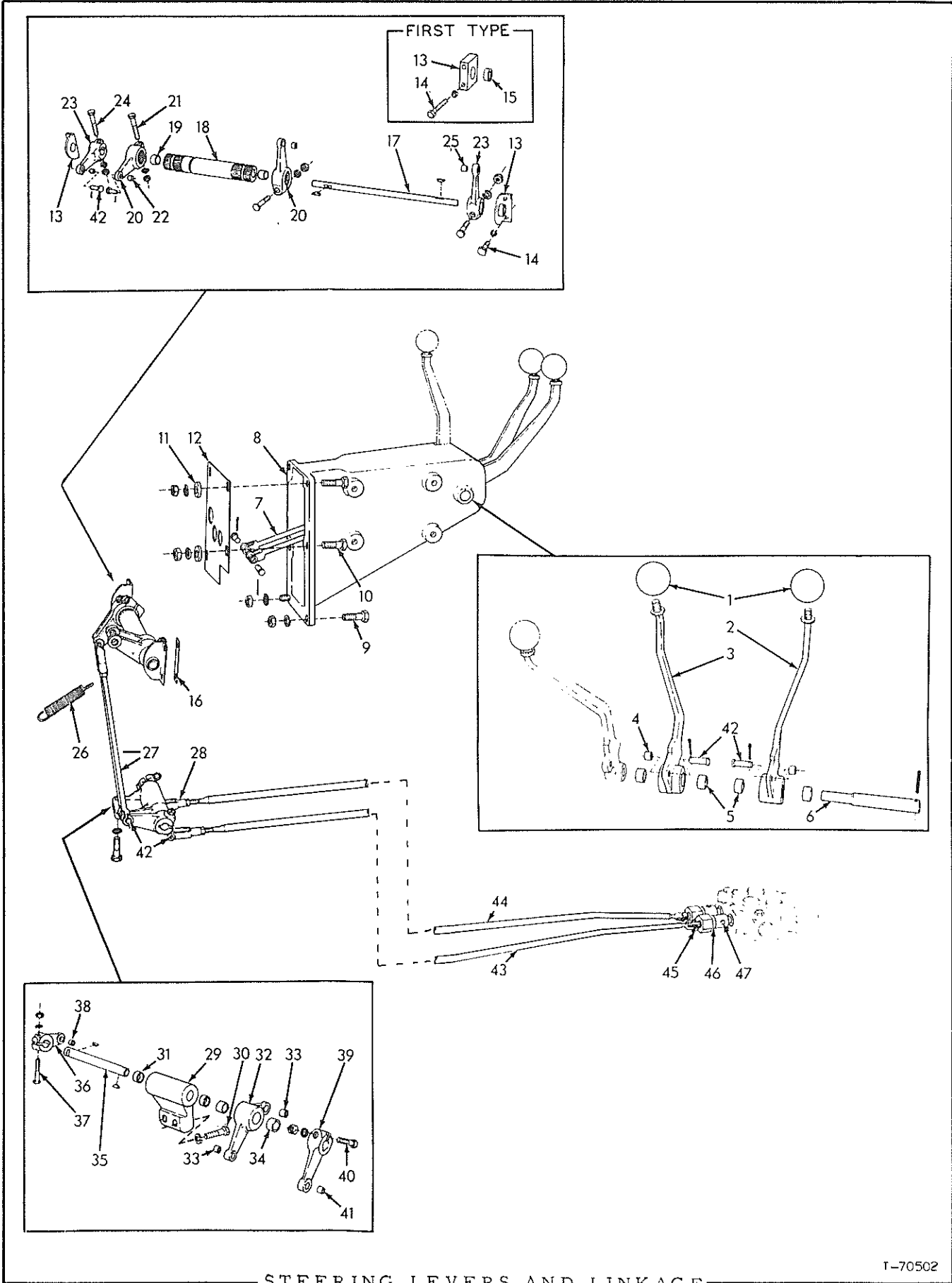


STEERING LEVERS AND LINKAGE

ITEM	PART NO.	QTY.	DESCRIPTION	
1	70090020	2	KNOB, steering lever	
2	70630811	1	LEVER ASSY., steering, left (Includes items 4 and 5)	
3	70630812	1	LEVER ASSY., steering, right (Includes items 4 and 5)	
4	70624584	2	BUSHING, steering lever (small)	
5	70630795	4	BUSHING, steering lever (large)	
6	70629716	1	SHAFT, steering lever	
	70915989	1	PIN spring, 3/16" x 1-3/8"	
7	70630838	2	ROD, control, upper	
8	70629262	1	BRACKET, steering lever (Used prior to tractor #7550 excluding #7548)	
	70651431	1		BRACKET, steering lever (Effective with tractor #7550 including #7548)
9	70070469	2	CAPSCREW, 1/2"NF x 1-1/4"	
10	70035018	4	CAPSCREW, 1/2"NF x 1-1/2"	
11	70064531	4	WASHER, plain	
	70904208	6	LOCKWASHER, 1/2"	
	70911043	6	NUT, 1/2"NF	
12	70631421	1	PLATE, air baffle (For units with suction-type or reversible cooling fans)	
13	70630849	2	BLOCK ASSY., pillow, cross shaft (Includes item 15)(Used prior to tractor #6287)	
	70643302	2		BLOCK ASSY., pillow, cross shaft (Includes item 15)(Used on tractors #6287 thru #8068)
	70654656	2		BEARING ASSY., cross shaft (Includes bushing)(Effective with tractor #8069)
14	70036034	4	CAPSCREW, 3/8"NF x 1" (Used prior to tractor #6287)	
	70045174	4		CAPSCREW, 3/8"NF x 2-1/2" (Used on tractors #6287 thru #8068)
	70036032	4		CAPSCREW, 3/8"NF x 3/4" (Effective with tractor #8069)
	70904206	4		LOCKWASHER, 3/8"
15	70628157	2	BUSHING, pillow block (Used prior to tractor #6287)	
	70643257	2		BUSHING, pillow block (Used on tractors #6287 thru #8068)
16	70061554	4	SHIM, aligning, upper cross shaft (Use as required)(Tractor prior to #0287)	
17	70629717	1	SHAFT, cross, upper	
	70905123	2	KEY, #9 woodruff, 3/16" x 3/4"	
18	-----	1	TUBE ASSY., upper cross shaft levers (Includes item 19) (Used prior to tractor #7536)(Order 70648956)	
	70648956	1		TUBE ASSY., upper cross shaft levers (Includes item 19) (Effective with tractor #7536)
19	70630795	2	BUSHING, upper cross shaft lever tube	
20	70630841	2	LEVER ASSY., upper cross shaft tube (Includes item 22)	
21	70046419	2	CAPSCREW, 3/8"NF x 2"	
	70904206	2	LOCKWASHER, 3/8"	
	70911041	2	NUT, 3/8"NF	

Tractors prior to unit #09572

(Continued)



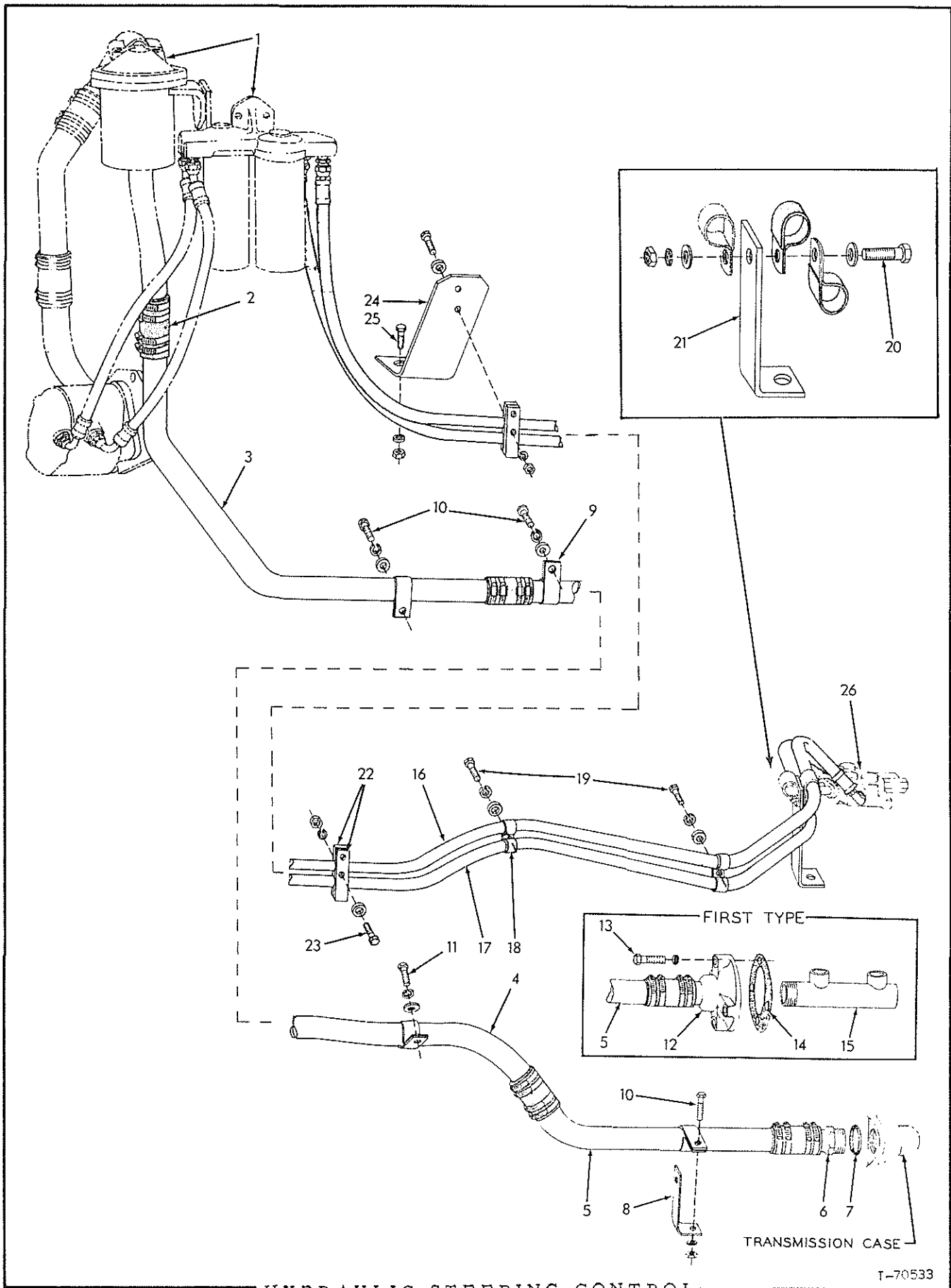
STEERING LEVERS AND LINKAGE

T-70502

(Revised May 1975)

STEERING LEVERS AND LINKAGE (Continued)

ITEM	PART NO.	QTY.	DESCRIPTION
22	70624584	2	BUSHING, upper cross shaft tube lever
23	70630837	2	LEVER ASSEMBLY, upper cross shaft (Includes item 25)
24	70046419	2	CAPSCREW, 3/8"NF x 2"
	70904206	2	LOCKWASHER, 3/8"
	70911041	2	NUT, 3/8"NF
25	70624584	2	BUSHING, upper cross shaft lever
26	70072438	2	SPRING, control rod retracting
27	70630856	2	ROD, control, vertical
	70911041	2	NUT, 3/8"NF
28	70628736	4	YOKE, control rods
29	70630850	1	BRACKET ASSEMBLY, lower cross shaft (Includes item 31)
	70035018	2	CAPSCREW, 1/2"NF x 1-1/2" (Early units)
30	70035190	2	CAPSCREW, 1/2"NC x 1-1/2" (Late units)
	70904208	2	LOCKWASHER, 1/2"
31	70630795	2	BUSHING, lower cross shaft bracket
32	70630852	1	BELLCRANK ASSEMBLY, lower cross shaft (Includes items 33 and 34)
33	70624584	2	BUSHING, lower cross shaft bellcrank (small)
34	70630795	2	BUSHING, lower cross shaft bellcrank (large)
35	70629454	1	SHAFT, cross, lower
	70905123	2	KEY, #9 woodruff, 3/16" x 3/4"
36	70630836	1	LEVER ASSEMBLY, lower cross shaft, right (Includes item 38)
37	70046419	1	CAPSCREW, 3/8"NF x 2"
	70904206	1	LOCKWASHER, 3/8"
	70911041	1	NUT, 3/8"NF
38	70624584	1	BUSHING, right lower cross shaft lever
39	70630837	1	LEVER ASSEMBLY, lower cross shaft, left (Includes item 41)
40	70046419	1	CAPSCREW, 3/8"NF x 2"
	70904206	1	LOCKWASHER, 3/8"
	70911041	1	NUT, 3/8"NF
41	70624584	1	BUSHING, left lower cross shaft lever
42	70078810	10	PIN, control linkage yokes
	70900801	10	PIN, cotter, 3/32" x 3/4"
43	70630381	1	ROD, control, lower left
	70911041	1	NUT, 3/8"NF
44	70630382	1	ROD, control, lower right
	70911041	1	NUT, 3/8"NF
45	70627451	2	PIN, yoke, lower control rods, rear section
	70900801	2	PIN, cotter, 3/32" x 3/4"
46	70656151	2	OVERTRAVEL ASSEMBLY (Serviced only as a unit)
47	70630833	2	PIN, overtravel
	70900801	2	PIN, cotter, 3/32" x 3/4"



HYDRAULIC STEERING CONTROL

T-70533

HYDRAULIC STEERING CONTROL

\* Tractors prior to serial No. 6151  
 \*\* Tractors serial No. 6151 and up

ITEM	PART NO.	QTY.		DESCRIPTION
		*	**	
1	-----	-	-	STEERING PUMP AND FILTERS (See pages 187 and 196 for details)
2	70623234	4	4	HOSE, suction line
	70921913	16	16	CLAMP, hose
3	70641772	1	1	TUBE, suction line, front section (Used prior to tractor #6906)
	70641776	-	1	TUBE, suction line, front section (Effective with tractor #6906)
4	70630282	1	1	TUBE, suction line, intermediate section
5	70639922	1	-	TUBE, suction line, rear section
	70641972	-	1	TUBE, suction line, rear section
6	70641963	-	1	ADAPTER, suction line
7	70921887	-	1	O-RING, suction line adapter
8	70620604	-	1	ANGLE, tube supporting
9	70623235	3	4	CLIP, suction tube supporting
10	70070467	3	3	CAPSCREW, 1/2"NF x 1"
11	70035221	-	1	CAPSCREW, 1/2"NC x 1"
	70904208	3	4	LOCKWASHER, 1/2"
	70910244	3	3	WASHER, plain, SAE std., 1/2"
	70911043	-	1	NUT, 1/2"NF
12	70631825	1	-	COVER, transmission sump
13	70035712	4	-	CAPSCREW, 1/2"NC x 2-1/4"
	70904208	4	-	LOCKWASHER, 1/2"
14	70623122	1	-	GASKET, transmission sump cover
15	70641756	1	-	PIPE, suction line
16	70645239	1	1	HOSE, filter to valve, top (See HOSE PARTS)
	70919342	1	1	CONNECTOR, flare type, 3/4" tube, 3/4"NPT male
	70919615	1	1	CONNECTOR, flare type, 3/4" tube, 1/2"NPT male (Used prior to tractor #7550)
	70922935	-	1	CONNECTOR, flare type, 3/4" tube, 3/4"NF male end (Includes O-RING 70921349){Effective with tractor #7550}
17	70645238	1	1	HOSE, filter to valve, bottom (See HOSE PARTS)
	70919342	1	1	CONNECTOR, flare type, 3/4" tube, 3/4"NPT male
	70919615	1	1	CONNECTOR, flare type, 3/4" tube, 1/2"NPT male (Used prior to tractor #7550)
	70922935	-	1	CONNECTOR, flare type, 3/4" tube, 3/4"NF male end (Includes O-RING 70921349){Effective with tractor #7550}

(Continued)

HYDRAULIC STEERING CONTROL (Continued)

ITEM	PART NO.	QTY.		DESCRIPTION
		*	**	
18	70621451	10	10	CLIP, hose supporting (1-1/6" diam.)(Used prior to tractor #6965)
	70644612	-	10	CLUP, hose supporting (1-3/16" diam.)(Effective with tractor #6965)
19	70035439	2	2	CAPSCREW, 3/8"NC x 1"
20	70919224	3	1	CAPSCREW, 3/8"NC x 1/8"
	70904206	5	3	LOCKWASHER, 3/8"
	70911115	6	4	WASHER, plain, SAE std., 3/8"
	70677006	2	2	WASHER, plain
	70911026	1	3	NUT, 3/8"NC
	70630280	1	1	ANGLE, hose supporting, rear
22	70623281	4	4	CLAMP, hose supporting (half-only)(Used prior to tractor #6965)
	70644611	-	4	CLAMP, hose supporting (half-only)(Effective with tractor #6965)
23	70620253	4	4	CAPSCREW, 3/8"NF x 2-3/4"
	70044973	4	4	WASHER, plain
	70904206	4	4	LOCKWASHER, 3/8"
	70911041	4	4	NUT, 3/8"NF
24	70642204	1	1	ANGLE, hose supporting, front (Used prior to tractor #6965)
	70646127	-	1	ANGLE, hose supporting, front (Effective with tractor #6965)
25	70035712	2	2	CAPSCREW, 1/2"NC x 2-1/4"
	70904208	2	2	LOCKWASHER, 1/2"
	70911028	2	2	NUT, 1/2"NC

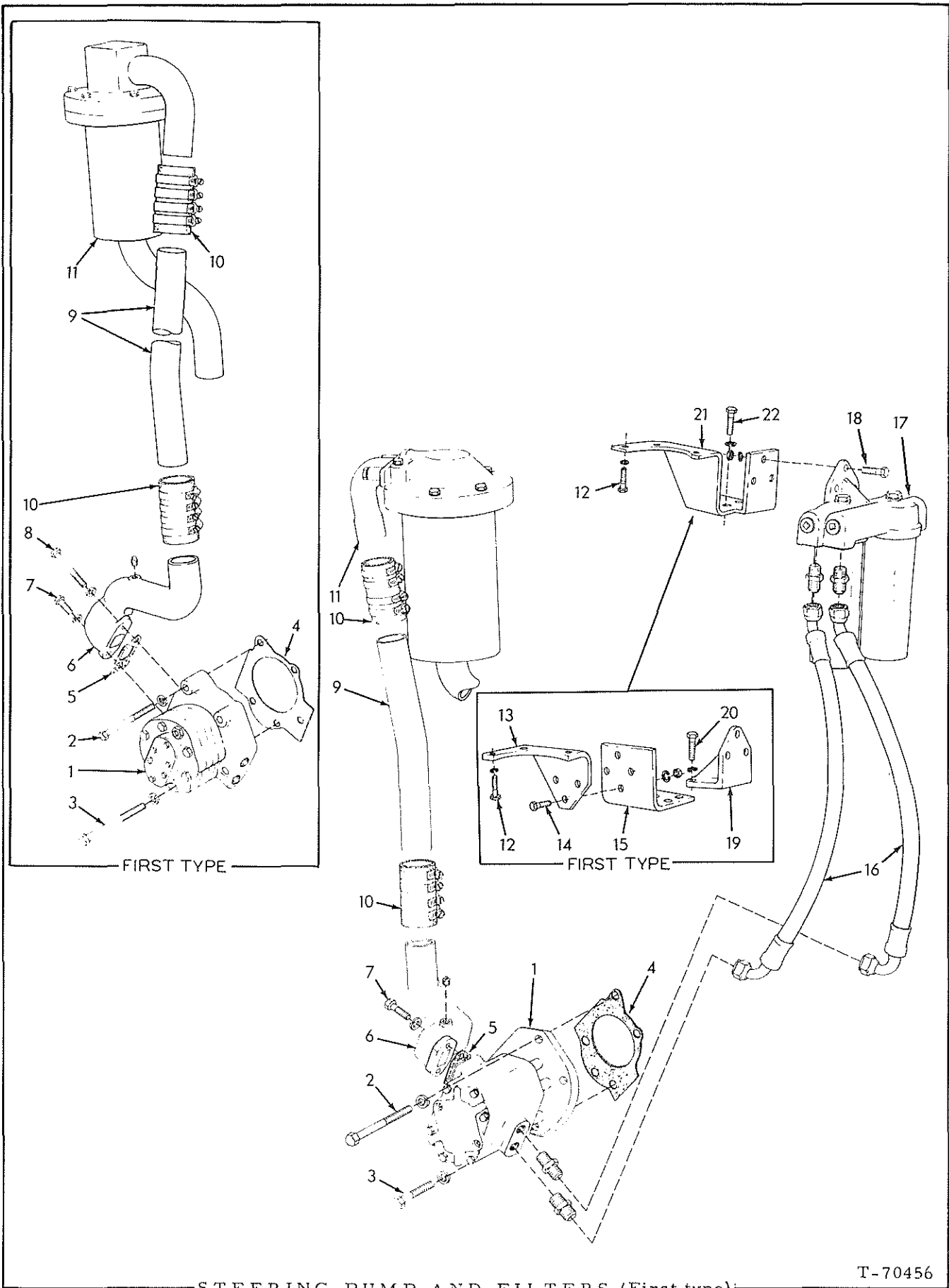
STEERING PUMP AND FILTERS

USAGE: Tractors prior to serial No. 7722

\*Used prior to engine serial No. 16-05531  
 \*\*Effective with engine serial No. 16-05531

ITEM	PART NO.	QTY.	DESCRIPTION
		* **	
1	70099915	1 -	PUMP ASSY., ("Roper." See page 191 for parts) (Can be replaced by Pump Assy. 70638911 or Pump Assy. 70654180, 3 Capscrews 70082013, 2 Capscrews 70041250 and 1 Tube 7064176)
	70641625	- 1	PUMP ASSY. ("Webster." See page 192 for parts) (Order Pump Assy. 70655782, Elbow 70655998, Gasket 70655999, 2 Capscrew 70044249, 2 Lock- washer 70904206 and 2 Connector 70922981)
	70638911	1 -	PUMP ASSY. ("Webster." See page 192 for parts) (Used as service replacement for Pump Assy. 70099915)
	706454180	1 -	PUMP ASSY. ("Cessna." See page 195 for parts) (Used as service replacement for Pump Assy. 70099915)
	70082937	3 -	CAPSCREW, 3/8"NC x 4-1/2"
	70082013	- 3	CAPSCREW, 3/8"NC x 3-1/4"
	70904206	3 3	LOCKWASHER, 3/8"
	70622781	2 -	CAPSCREW, 7/16"NC x 4-7/8"
	70041250	- 2	CAPSCREW, 7/16"NC x 1-1/4"
	70904207	2 2	LOCKWASHER, 7/16"
4	74371742	1 1	GASKET, pump mounting
5	70082811	1 1	GASKET, inlet elbow
6	70639850	1 1	ELBOW, pump inlet (Used prior to tractor #6906)
	70643570	- 1	ELBOW, pump inlet (Effective with tractor #6906)
7	70901651	1 1	PLUG, pipe, 1/8"NPT
	70041250	1 2	CAPSCREW, 7/16"NC x 1-1/4" (One (1) less used with Elbow 70639850)
8	70082905	1 1	CAPSCREW, 7/16"NC x 3-1/4" (Used prior to tractor #6906)
	70904207	2 2	LOCKWASHER, 7/16"
9	70641777	1 -	TUBE, pump inlet
	70641876	- 1	TUBE, pump inlet (Tractors prior to #6906)
	70643573	- 1	TUBE, pump inlet (Tractors #6906 and up)
10	70623234	2 2	HOSE, suction line
	70921913	8 8	CLAMP, hose, 1-13/16" to 2-3/4" diam.
11	70641722	1 1	FILTER ASSY., suction line (See page 190 for parts) Used prior to tractor #6906)
	70643606	- 1	FILTER ASSY., suction line (See page 190 for parts) (Effective with tractor #6906)
12	70070469	3 3	CAPSCREW, 1/2"NF x 1-1/4"
	70904208	3 3	LOCKWASHER, 1/2"

(Continued)



STEERING PUMP AND FILTERS (First type)

T-70456



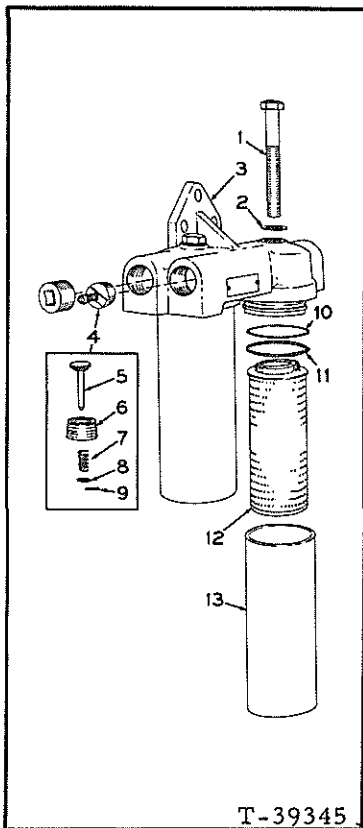
STEERING PUMP AND FILTERS (Continued)

ITEM	PART NO.	QTY.	DESCRIPTION
13	70641689	1	BRACKET, suction line filter, front (Used prior to tractor #6906)
14	70035073	3	CAPSCREW, 1/2" x 1-1/4"
	70904208	3	LOCKWASHER, 1/2"
	70911043	3	NUT, 1/2"NF
15	70641760	1	BRACKET, suction line filter, rear (Used prior to tractor #6906)
16	70647414	2	HOSE, pump to filter (See HOSE PARTS)
	70919615	2	CONNECTOR, flare type, 3/4" tube, 1/2"NPT male
	70919342	2	CONNECTOR, flare type, 3/4" tube, 3/4"NPT male
17	70633797	1	FILTER ASSEMBLY, pressure line (See page 189 for parts)
18	70035073	3	CAPSCREW, 1/2"NF x 1-3/4"
	70904208	3	LOCKWASHER, 1/2"
	70911043	3	NUT, 1/2"NF
19	70633385	1	BRACKET, filter mounting (Used prior to tractor #6906)
20	70035236	4	CAPSCREW, 1/2"NC x 1-3/4"
	70904208	4	LOCKWASHER, 1/2"
21	70645101	-	BRACKET, filter mounting (Effective with tractor #6906)
22	70035061	-	CAPSCREW, 1/2"NC x 1-1/4"
	70904208	-	LOCKWASHER, 1/2"

NOTE: See PAINTING AND MARKING for transfers

FILTER ASSEMBLY 70633797

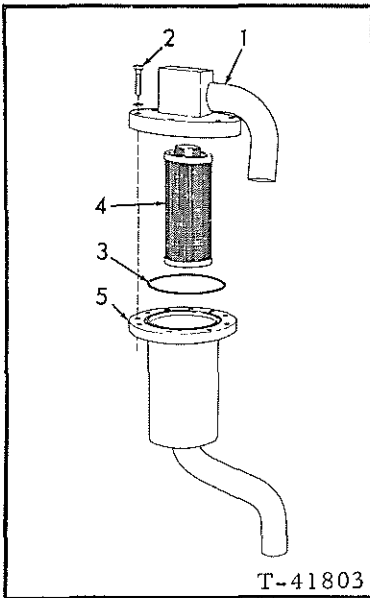
USAGE: See pages 187 and 196



ITEM	PART NO.	QTY.	DESCRIPTION
1	70638796	2	CAPSCREW, tank retaining (5/8"NF x 5")
2	70631869	2	WASHER, tank retaining capscrew
3	70633310	1	HEAD
	70901666	2	PLUG, pipe, ctsk-hd., 1"NPT
4	70633995	2	VALVE ASSEMBLY, by-pass (Consists of items 5 thru 9)
5	-----	2	VALVE, by-pass (Order item 4)
6	-----	2	HOUSING, by-pass valve (Order item 4)
7	70631870	2	SPRING, valve (1-1/4" long)(Early units)
	70661268	2	SPRING, valve (1-7/16" long)(Late units)
8	70632060	2	WASHER, by-pass valve spring
9	70632061	2	RING, snap, by-pass valve (Early units)
	70900970	2	PIN, cotter, 1/16" x 1/2" (Late units)
10	70632062	2	RING, back-up, filter head o-ring
11	70632063	2	O-RING, filter head
12	70631828	2	ELEMENT KIT (Includes items 2, 10 and 11)
13	70631872	2	TANK

FILTER ASSEMBLY 70641722

USAGE: See page 187

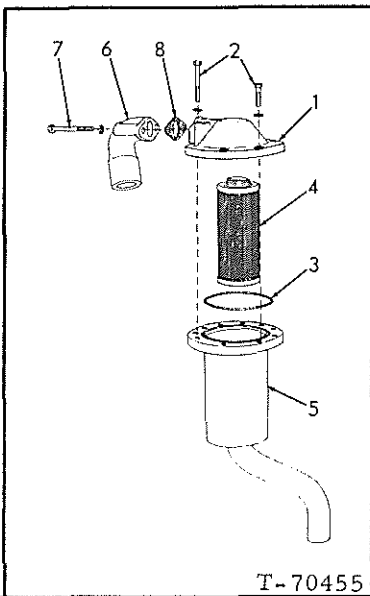


T-41803

ITEM	PART NO.	QTY.	DESCRIPTION
1	70641700	1	COVER
2	70035336	6	CAPSCREW, 3/8"NF x 1-3/4"
	70904206	6	LOCKWASHER, 3/8"
3	70923824	1	O-RING
4	70623268	1	SCREEN
5	70641758	1	HOUSING

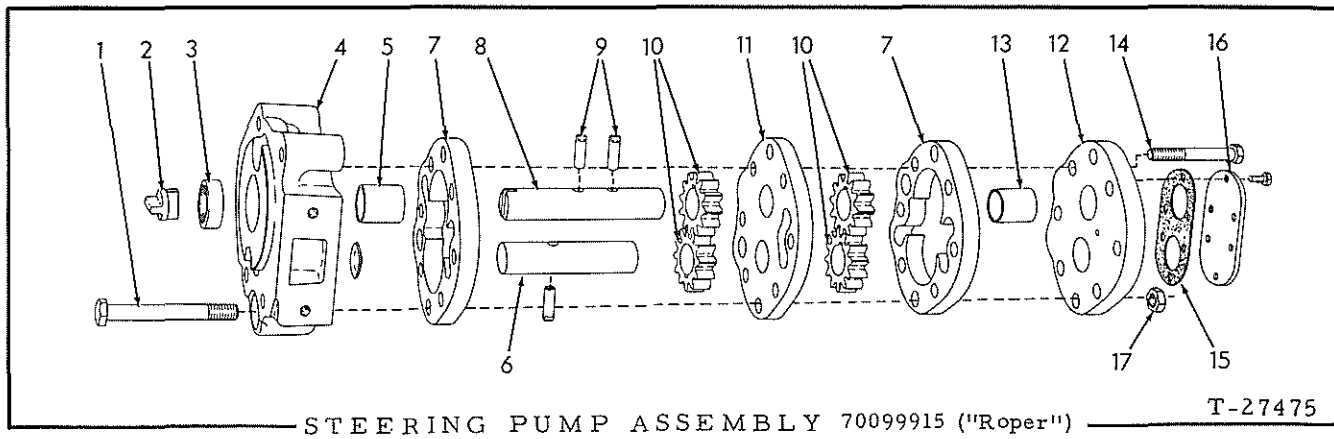
FILTER ASSEMBLY 70643606

USAGE: See pages 187 and 196



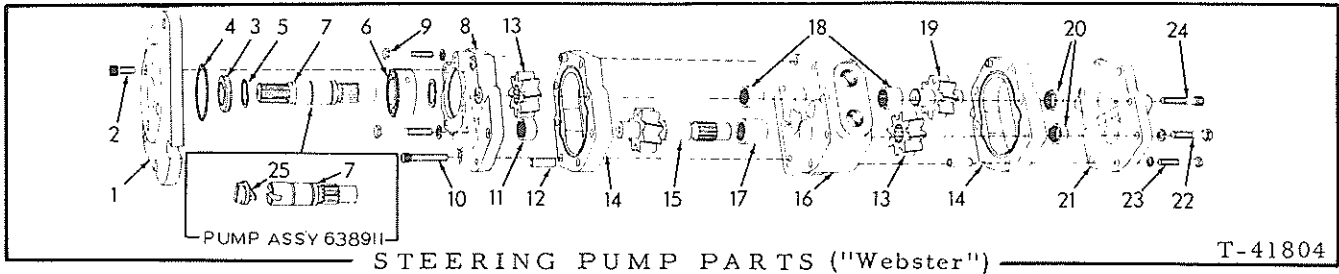
T-70455

ITEM	PART NO.	QTY.	DESCRIPTION
1	70644827	1	COVER
2	70012992	4	CAPSCREW, 3/8"NF x 1-1/4"
	70914339	2	CAPSCREW, 3/8"NF x 2-3/4"
	70904206	6	LOCKWASHER, 3/8"
3	70923824	1	O-RING
4	70623268	1	SCREEN
5	70641758	1	HOUSING
6	70644828	1	ELBOW, outlet
7	70058936	2	CAPSCREW, 3/8"NC x 2-3/4"
	70904206	2	LOCKWASHER, 3/8"
8	70644816	1	GASKET, outlet elbow



USAGE: See page 187

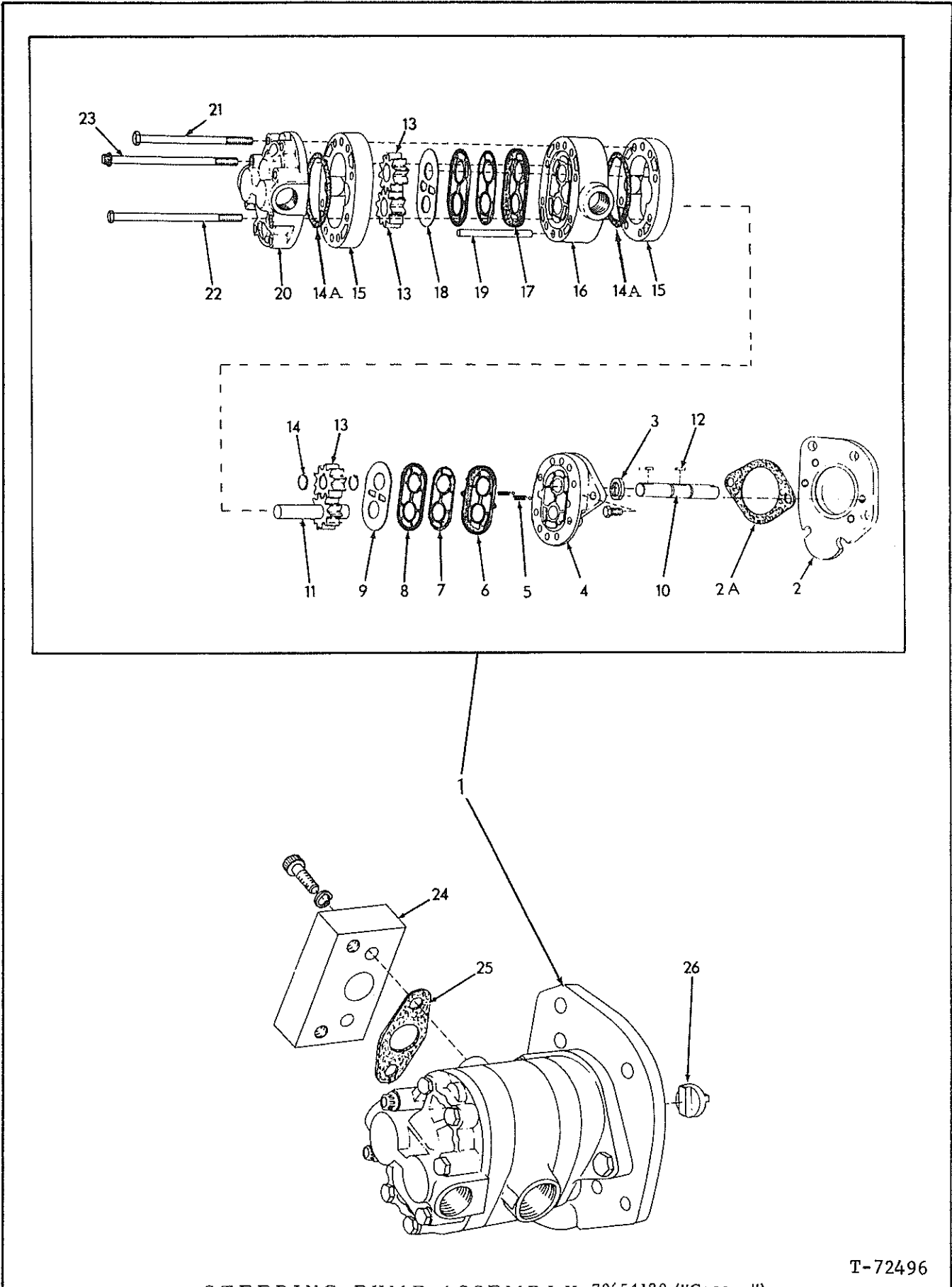
ITEM	PART NO.	QTY.	DESCRIPTION
1	70622789	2	CAPSCREW, 1/2"NC x 4-1/2"
2	70645109	1	COUPLING, driving shaft
3	70090655	1	SEAL, oil, driving shaft
4	70099914 70910005	1 1	PLATE ASSEMBLY, back (Includes item 5 and PLUG indented below) PLUG, expansion, 1-1/8" diam.
5	70059776	2	BEARING, back plate
6	70099912	1	SHAFT, idling gears
7	70099910	2	CASE
8	70099913	1	SHAFT, driving
9	70059782	3	PIN, gear driving
10	70099916	4	GEAR
11	70099911	1	SPACER
12	70099917	1	PLATE ASSEMBLY, front (Includes item 13)
13	70059776	2	BEARING, front plate
14	70088736	4	CAPSCREW (7/16"NC x 3")
15	70059778	1	GASKET, cover plate
16	70632112 70903625	1 6	PLATE, cover CAPSCREW, 1/4"NC x 3/4"
17	70622790	2	NUT, doweling capscREW (1/2"NC)



\*PUMP ASSEMBLY 70938911 (tang-drive)  
 \*\*PUMP ASSEMBLY 70641625 (spline-drive) } See page 187

ITEM	PART NO.	QTY.		DESCRIPTION
		*	**	
1	70643449	1	1	PLATE ASSEMBLY, adapting (Includes item 3)
2	70643551	4	4	CAPSCREW, socket-hd., 5/16"NC x 3/4"
3	70643438	1	1	SEAL, oil
4	73039053	1	1	O-RING, adapting plate
5	70628161	2	2	RING, snap, drive shaft
6	74255031	1	1	BEARING, ball
7	70644354	1	-	SHAFT, drive (slotted end)
	70644913	-	1	SHAFT, drive (splined end)
8	70643496	1	1	BODY ASSEMBLY (Includes item 11)
9	70921160	4	4	CAPSCREW, 5/16"NC x 2-1/4"
	70904205	4	4	LOCKWASHER, 5/16"
	70054305	2	2	CAPSCREW, 1/4"NC x 2"
10	70904204	2	2	LOCKWASHER, 1/4"
	70643553	2	2	CAPSCREW, socket-hd., 5/16"NC x 1-1/2"
11	70208253	1	1	BEARING, needle, driven shaft (short)
12	70643544	4	4	PIN, dowel (hollow)
13	70643545	2	2	GEAR (splined)
14	70643534	2	2	PLATE, gear housing
15	70644898	1	1	SHAFT ASSEMBLY, driven (Includes gear. Serviced only as a unit)
16	70643492	1	1	PLATE ASSEMBLY, center (Includes items 17 and 18)
17	70643494	1	1	BEARING, needle, driven shaft (long)
18	70208253	2	2	BEARING, needle
19	70644897	1	1	SHAFT ASSEMBLY, idler (Includes gear. Serviced only as a unit)
20	74254654	2	2	BEARING, needle, pump cover
21	70643491	1	1	COVER ASSEMBLY (Includes item 20)
22	70051473	4	4	CAPSCREW, 5/16"NC x 1-3/4"
	70904205	4	4	LOCKWASHER, 5/16"
23	70054305	2	2	CAPSCREW, 1/4"NC x 2"
	70904204	2	2	LOCKWASHER, 1/4"
24	70643552	2	2	CAPSCREW, socket-hd., 5/16"NC x 1-3/4"
25	70645109	1	-	COUPLING, drive

MEMO



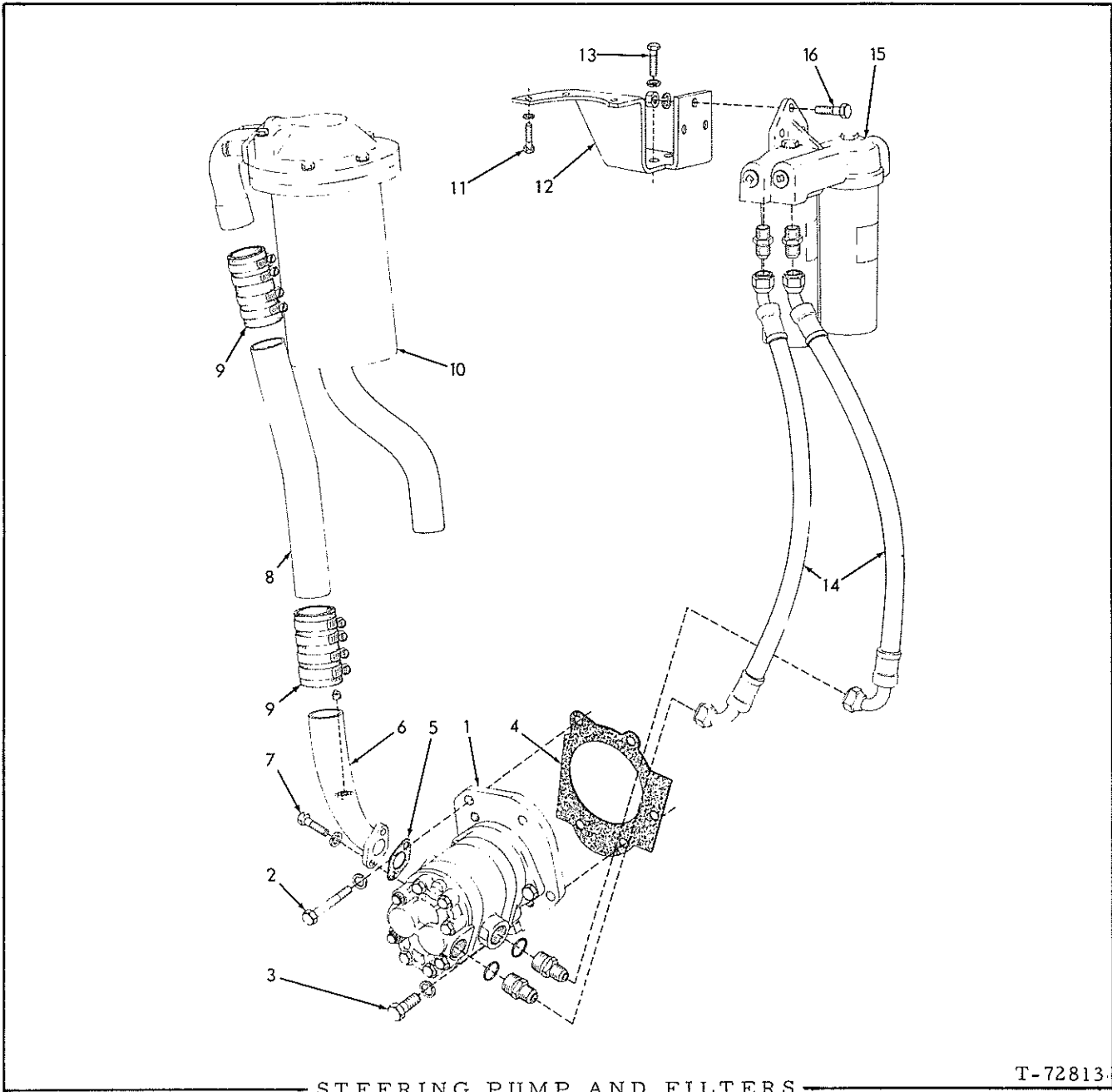
STEERING PUMP ASSEMBLY 70654180 ("Cessna")

T-72496

STEERING PUMP ASSEMBLY 70654180 ("Cessna")

USAGE: See page 187

ITEM	PART NO.	QTY.	DESCRIPTION
-	70654180	1	PUMP ASSEMBLY (Items 1 thru 26)
1	70668510	1	PUMP ASSEMBLY (Items 2 thru 23)
2	70653932	1	PLATE, adapting
	70916222	2	CAPSCREW, 7/16"NC x 7/8"
2A	70656179	1	GASKET, front plate
3	70650677	1	SEAL, oil
4	70653929	1	PLATE ASSEMBLY, front (Includes bushings)
5	70650679	2	SPRING, check valve
	70915903	2	BALL, steel, 7/32" diam.
6	70650673	1	SEAL, front diaphragm
7	70650676	2	GASKET, diaphragm (thin)
8	70650675	2	GASKET, diaphragm (thick)
9	70650674	1	DIAPHRAGM, sealing, front
10	70655564	1	SHAFT, drive
11	70653931	1	GEAR ASSEMBLY, idler (Includes shaft)
12	70650672	2	KEY, pump gear
13	70669351	3	GEAR, pump
14	70653936	2	RING, snap, pump gear
14A	70926216	2	O-RING, gear body
15	70650193	2	BODY, outer
16	70653934	1	BODY, center (Includes bushings)
17	70650678	1	SEAL, rear diaphragm
18	70827650	1	DIAPHRAGM, sealing, rear
19	70653937	2	PIN, dowel
20	70653930	1	PLATE, rear
21	70919223	4	CAPSCREW, 5/16"NC x 4-1/2"
22	70924226	2	CAPSCREW, 5/16"NC x 5"
23	70924227	2	SCREW, 12 pt.-hd., 5/16"NC x 5"
24	70654089	1	ADAPTER, inlet
	70912267	2	CAPSCREW, hex-socket-hd., 3/8"NC x 1"
	70904206	2	LOCKWASHER, 3/8"
25	70655999	1	GASKET, inlet adapter
26	70645109	1	COUPLING



USAGE: Tractors serial No. 7722 and up

ITEM	PART NO.	QTY.	DESCRIPTION
1	70655782	1	PUMP ASSEMBLY ("Cessna." See page 198 for parts)
2	70082013	3	CAPSCREW, 3/8"NC x 3-1/4"
	70904206	3	LOCKWASHER, 3/8"
3	70041250	2	CAPSCREW, 7/16"NC x 1-1/4"
	70904207	2	LOCKWASHER, 7/16"
4	74371742	1	GASKET, pump mounting
5	70655999	1	GASKET, inlet elbow

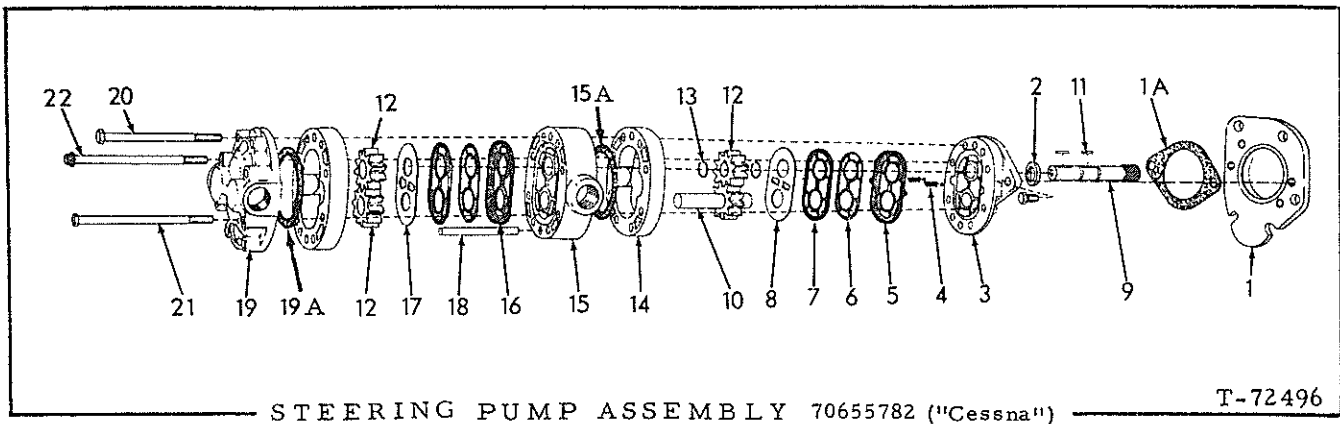
(Continued)



STEERING PUMP AND FILTERS (Continued)

ITEM	PART NO.	QTY.	DESCRIPTION
6	70655998	1	ELBOW, pump inlet
	70901651	1	PLUG, pipe, 1/8"NPT
7	70044249	2	CAPSCREW, 3/8"NC x 1-1/8"
	70904206	2	LOCKWASHER, 3/8"
8	70643573	1	TUBE, pump inlet
9	70623234	2	HOSE, suction line
	70921913	8	CLAMP, hose, 1-13/16" to 2-3/4" diam.
10	70643606	1	FILTER ASSEMBLY, suction line (See page 190 for parts)
11	70070469	3	CAPSCREW, 1/2"NF x 1-1/4"
	70904208	3	LOCKWASHER, 1/2"
12	70645101	1	BRACKET, filter mounting
13	70035061	4	CAPSCREW, 1/2"NC x 1-1/4"
	70904208	4	LOCKWASHER, 1/2"
14	70647414	2	HOSE, pump to filter (See HOSE PARTS)
	70919342	2	CONNECTOR, flare type, 3/4" tube, 3/4"NPT male
	70922981	2	CONNECTOR, flare type, 3/4" tube, 1-1/16" straight male thread (Includes O-RING 70921205)
15	70633797	1	FILTER ASSEMBLY, pressure line (See page 189 for parts)
16	70035073	3	CAPSCREW, 1/2"NF x 1-3/4"
	70904208	3	LOCKWASHER, 1/2"
	70911043	3	NUT, 1/2"NF

NOTE: See PAINTING AND MARKING for transfers

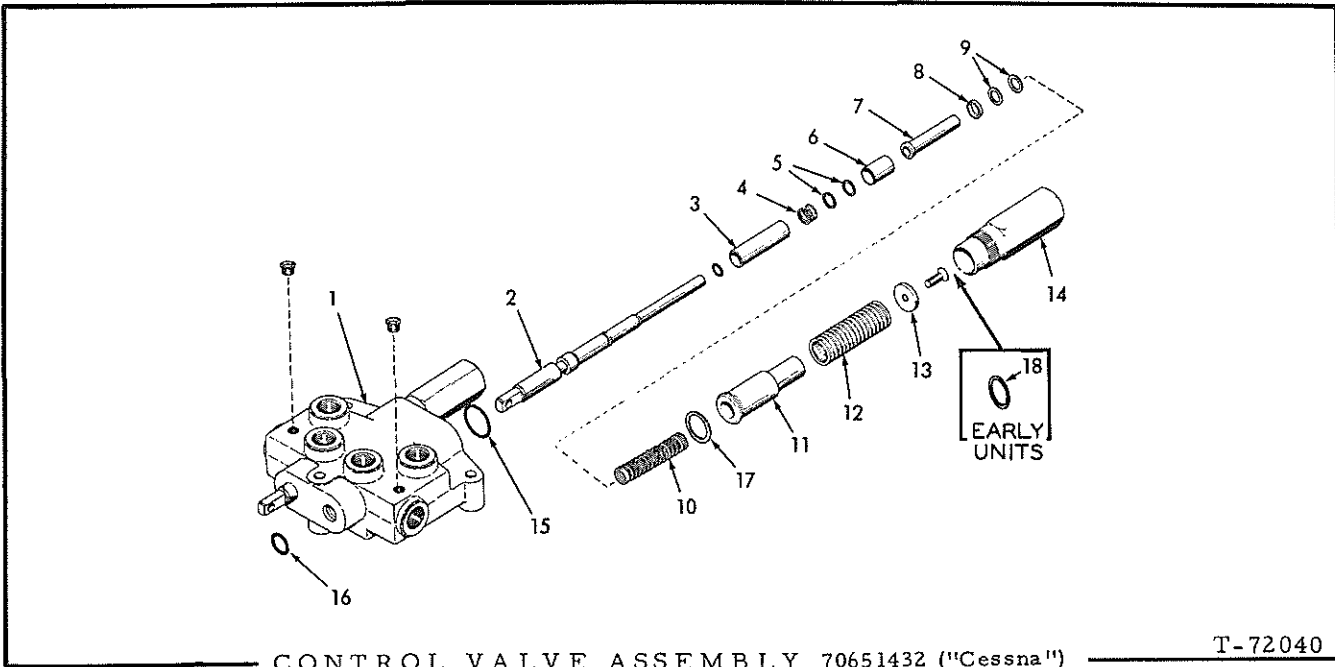


STEERING PUMP ASSEMBLY 70655782 ("Cessna")

T-72496

USAGE: See page 196

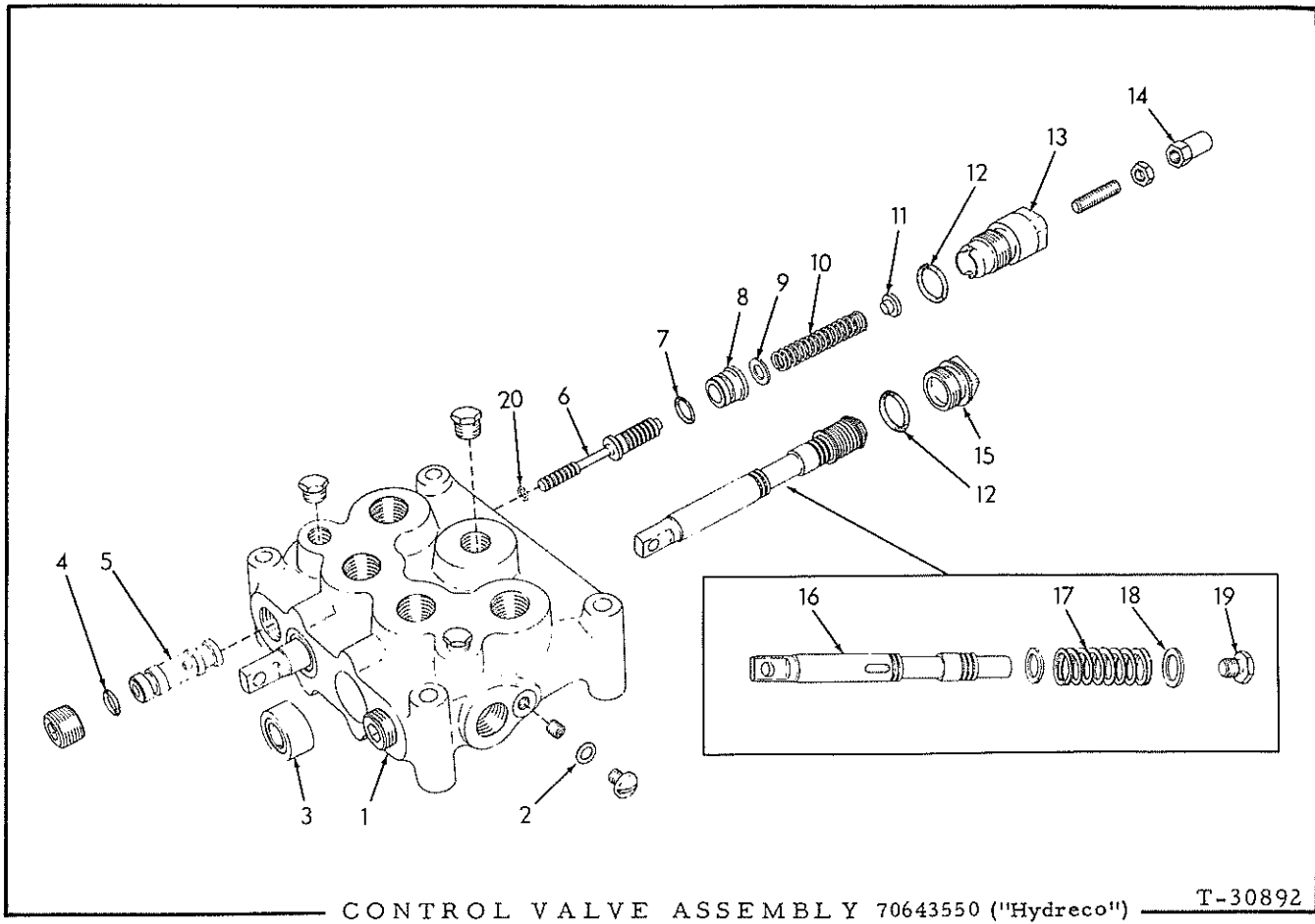
ITEM	PART NO.	QTY.	DESCRIPTION
1	70653932	1	PLATE, adapting
	70916222	2	CAPSCREW, 7/16"NC x 7/8"
1A	70656179	1	GASKET, front plate
2	70650677	1	SEAL, oil
3	70653929	1	PLATE ASSEMBLY, front (Includes bushings)
4	70650679	2	SPRING, check valve
	70915903	2	BALL, steel, 7/32" diam.
5	70650673	1	SEAL, front diaphragm
6	70650676	2	GASKET, diaphragm (thin)
7	70650675	2	GASKET, diaphragm (thick)
8	70650674	1	DIAPHRAGM, sealing, front
9	70653933	1	SHAFT, drive
10	70653931	1	GEAR ASSEMBLY, idler (Includes shaft)
11	70650672	2	KEY, pump gear
12	70669351	3	GEAR, pump
13	70653936	2	RING, snap, pump gear
14	70650193	2	BODY, gear
15	70653934	1	BODY, center (Includes bushings)
15A	70926216	1	O-RING, center body (Late pumps)
16	70650678	1	SEAL, rear diaphragm
17	70827650	1	DIAPHRAGM, sealing, rear
18	70653937	2	PIN, dowel
19	70653930	1	PLATE, rear
19A	70926216	1	O-RING, rear plate (Late pumps)
20	70919223	4	CAPSCREW, 5/16"NC x 4-1/2"
21	70924226	2	CAPSCREW, 5/16"NC x 5"
22	70924227	2	SCREW, 12 pt-hd., 5/16"NC x 5"



USAGE: See page 202

ITEM	PART NO.	QTY.	DESCRIPTION
1	-----	1	BODY (Not serviced separately)
	70919134	2	PLUG, pipe, hex-hd., 1/8"NPT
2	-----	2	PLUNGER (Not serviced separately)
3	70651564	2	PISTON, pressure regulating
4	70651569	2	SPRING, pressure regulating (short)
5	70651576	-	SHIM, pressure adjustment (.015" thick)
	70651577	-	SHIM, pressure adjustment (.005" thick)
6	70651571	2	SLEEVE, valve plunger (outer)
7	70651572	2	SLEEVE, valve plunger (inner)
8	70651573	2	WASHER, valve plunger
9	70651574	-	SHIM, pressure adjustment (.015" thick)
	70651575	-	SHIM, pressure adjustment (.005" thick)
10	70661676	2	SPRING, pressure regulating (long)
11	70651565	2	SLEEVE, plunger return spring
12	70651570	2	SPRING, plunger return
13	70651567	2	WASHER, end, valve plunger
	70924989	2	SCREW, machine, flat-hd., 1/4"NF x 7/8"
14	70651566	2	CAP, valve plunger
15	70924416	2	O-RING, valve body (large)
16	70923645	2	O-RING, valve body (small)
17	70663123	2	SHIM, plunger clearance (Late units)
18	70663124	2	SHIM, plunger clearance (Early units)

} Use as req'd



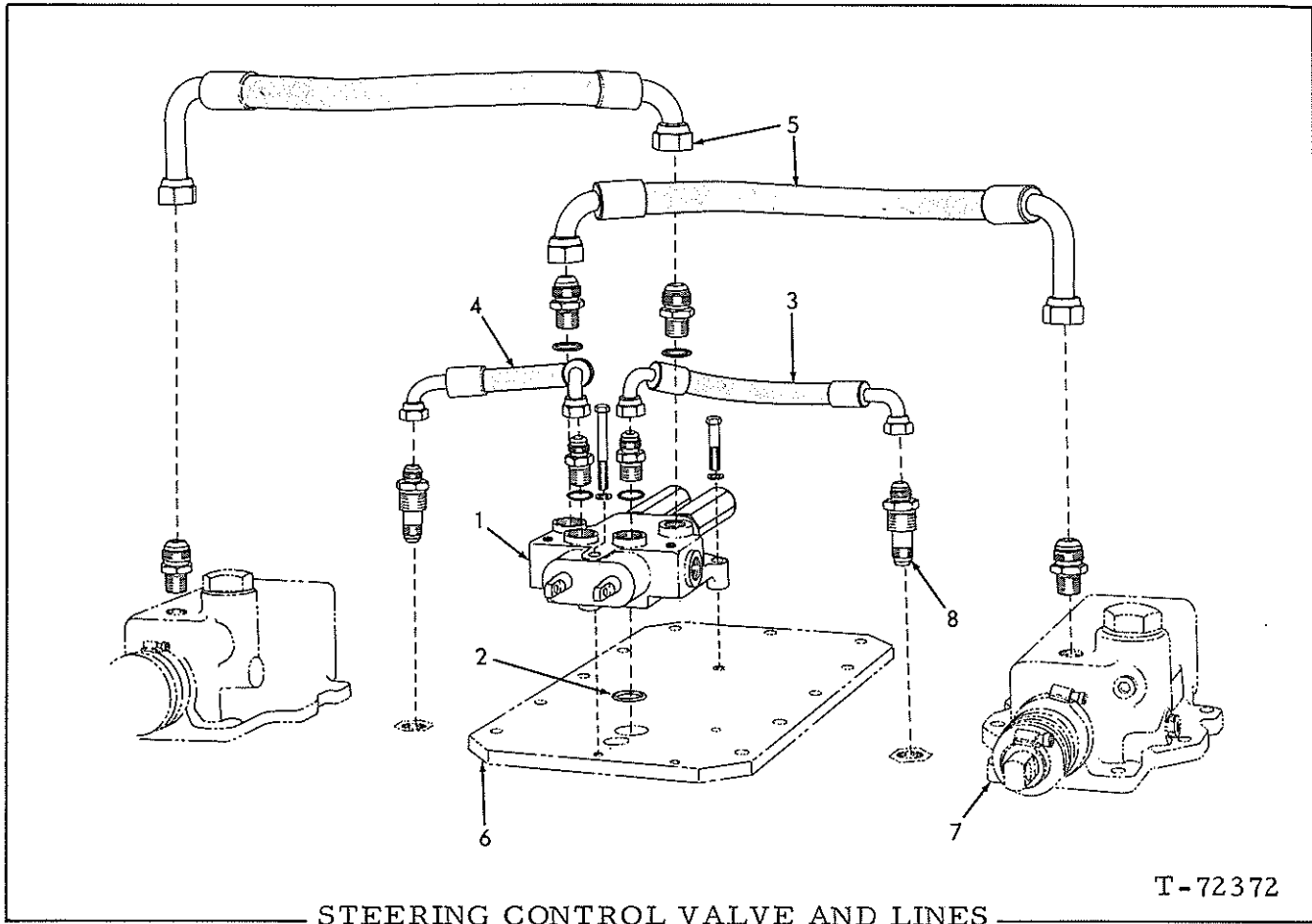
USAGE: See page 202

ITEM	PART NO.	QTY.	DESCRIPTION
1	-----	1	HOUSING (Not serviced separately)
	70919840	2	PLUG, pipe, hex-hd., 1/4"NPT
	70920333	1	PLUG, pipe, hex-hd., 3/8"NPT
	70908944	2	PLUG, pipe, hex-socket, 1/2"NPT
	70900585	2	SCREW, machine, 5/16"NC x 5/8"
2	73001737	2	GASKET, plugging screw
3	70623420	2	SEAL, oil, operating plunger
4	70923548	2	O-RING, relief valve front seat
5	73014007	2	SEAT, relief valve, front
	70905564	2	SETSCREW, hex-socket, cup-pt., 5/16"NC x 5/8"
6	70623431	2	PLUNGER, relief valve
7	70923376	2	O-RING, relief valve rear seat
8	70623430	2	SEAT, relief valve, rear
9	70631935	2	WASHER, relief valve plunger
10	70630528	2	SPRING, relief valve

(Continued)

CONTROL VALVE ASSEMBLY 70643550 ("Hydreco") (Continued)

ITEM	PART NO.	QTY.	DESCRIPTION
11	70623427	2	GUIDE, relief valve spring
12	70923574	4	O-RING, rear caps
13	70623428	2	CAP, relief valve adjustment
	70921303	2	SETSCREW, oval-pt., 3/8"NF x 1-1/2"
	70911048	2	NUT, jam, 3/8"NF
14	73002757	2	NUT, acorn, relief valve
15	70623429	2	CAP, operating plunger
16	-----	2	PLUNGER, operating (Not serviced separately)
17	70627378	2	SPRING, operating plunger
18	70627377	4	WASHER, operating plunger
19	70627380	2	CAP, operating plunger
20	70655743	2	O-RING, relief valve plunger



STEERING CONTROL VALVE AND LINES

T-72372

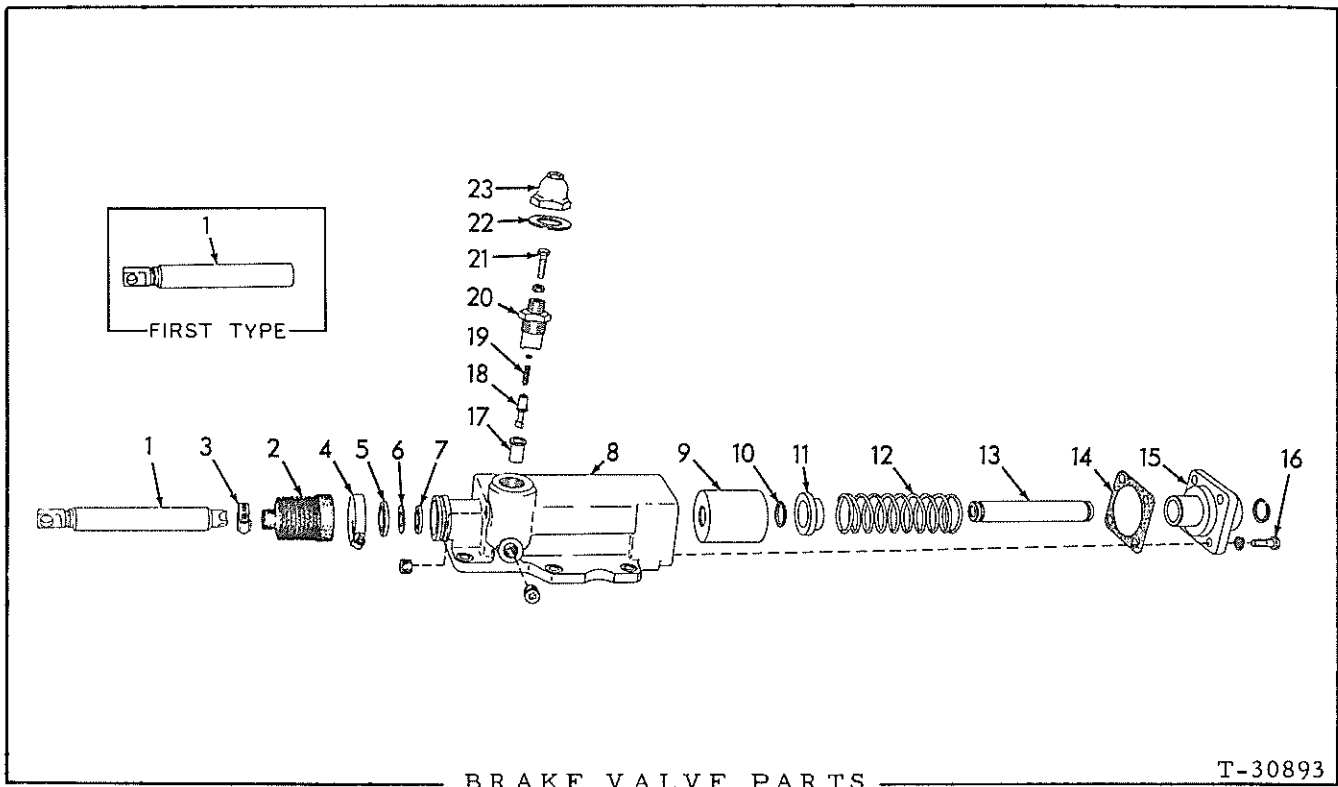
\*Tractors prior to serial No. 7550, excluding No. 7548  
 \*\*Tractors serial No. 7550 and up, including No. 7548

ITEM	PART NO.	QTY.	DESCRIPTION
		* **	
1	70643550	1 -	VALVE ASSY. ("Hydreco." See page 200 for parts) (Order Valve Assy. 70651432, 1 Capscrew 70620253, 2 Capscrew 70035336, 2 Connector 70921409, 4 Connector 70922935 and print of S-4430)
	70917151	4 -	CAPSCREW, 3/8"NF x 3-1/4"
	70904206	4 -	LOCKWASHER, 3/8"
	70651432	- 1	VALVE ASSY. ("Cessna." See page 199 for parts)
	70620253	- 1	CAPSCREW, 3/8"NF x 2-3/4"
	70035336	- 2	CAPSCREW, 3/8"NF x 1-3/4"
	70904206	- 3	LOCKWASHER, 3/8"
2	70923575	1 -	O-RING, valve compartment cover
	70923947	- 1	O-RING, valve to compartment cover
3	70644604	1 1	HOSE, clutch control, left (See HOSE PARTS)
	70919128	1 -	CONNECTOR, flare type, 1/2" tube, 1/2"NPT male
	70921409	- 1	CONNECTOR, flare type, 1/2" tube, 3/4"NF male end (Includes O-Ring 70921349)
4	70644603	1 1	HOSE, clutch control, right (See HOSE PARTS)
	70919128	1 -	CONNECTOR, flare type, 1/2" tube, 1/2"NPT male
	70921409	- 1	CONNECTOR, flare type, 1/2" tube, 3/4"NF male end (Includes O-Ring 70921349)

(Continued)

STEERING CONTROL VALVE AND LINES (Continued)

ITEM	PART NO.	QTY.		DESCRIPTION
		*	**	
5	70645237	2	2	HOSE, brake control (See HOSE PARTS)
	70919615	4	2	CONNECTOR, flare type, 3/4" tube, 1/2"NPT male
	70922935	-	2	CONNECTOR, flare type, 3/4" tube, 3/4"NF male end (Includes O-RING 70921349)
6	-----	1	1	COVER, bevel gear compartment (See STEERING CLUTCH AND FINAL DRIVE HOUSING)
7	-----	2	2	VALVE ASSEMBLY (See BRAKES)
8	70628458	2	2	UNION, bulkhead



BRAKE VALVE PARTS

T-30893

\*70638600 VALVE ASSEMBLY  
 \*\*70644136 VALVE ASSEMBLY  
 \*\*\*70651467 VALVE ASSEMBLY } See page 207

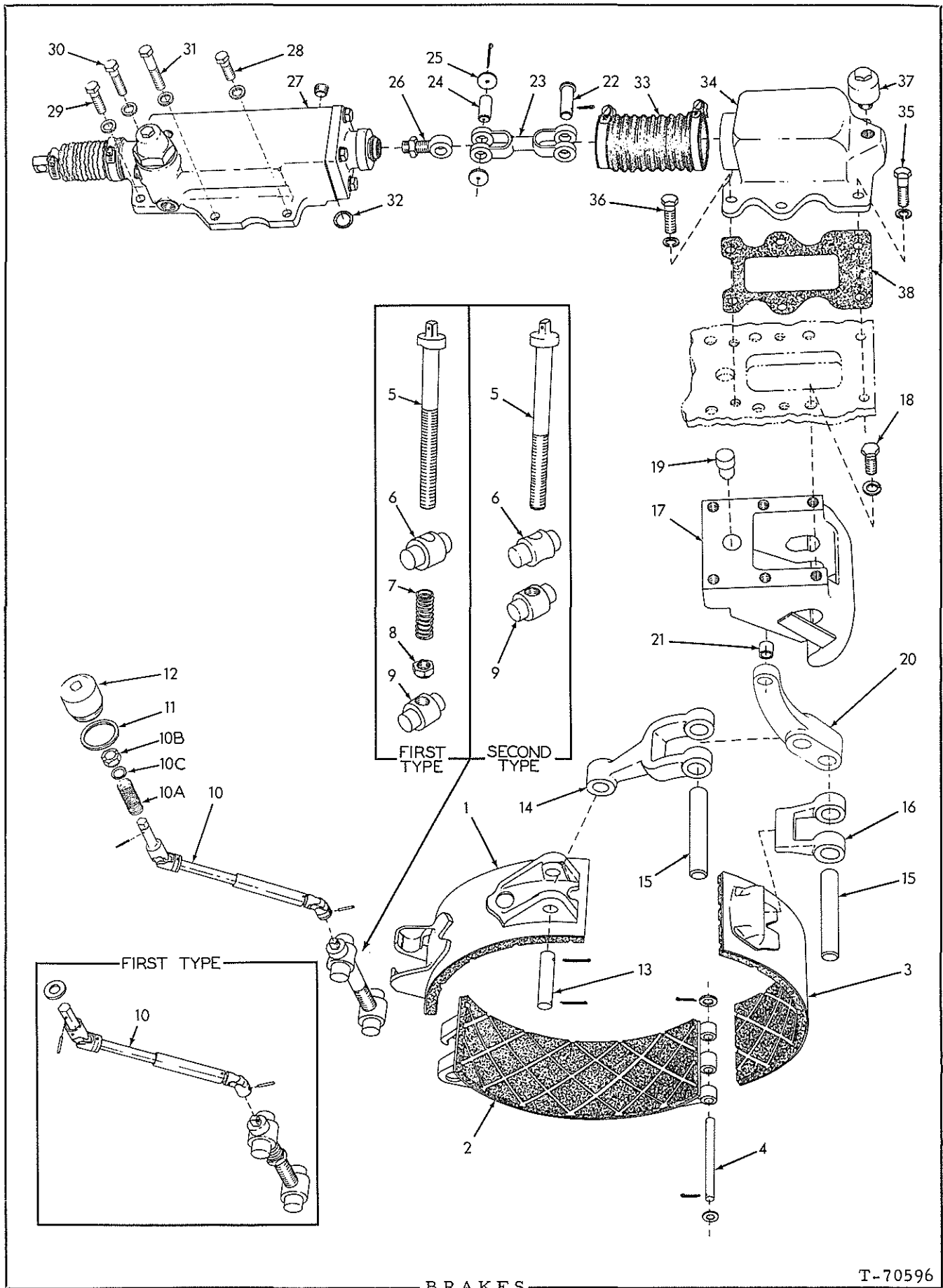
ITEM	PART NO.	QUANTITY			DESCRIPTION
		*	**	***	
<u>NOTE:</u> All quantities are for one (1) Valve Assembly only					
1	70623194	1	1	-	SPOOL, valve
	70651451	-	-	1	SPOOL, valve
2	70623195	1	1	1	BOOT, valve spool
3	70921912	1	1	1	CLAMP, hose, 1-1/16" to 2" diam.
4	70921913	1	1	1	CLAMP, hose, 1-13/16" to 2-3/4" diam.
5	70623197	1	1	1	SEAL, outer
6	70623489	1	1	1	WASHER, back-up, inner seal (vellumoid)
7	70623198	1	1	1	SEAL, inner
8	70623202	1	1	1	HOUSING
	70908944	2	2	2	PLUG, pipe, hex-socket-hd., 1/2"NPT
9	70623201	1	1	-	PISTON ASSEMBLY (Includes fulcrum pin)
	70651464	-	-	1	PISTON ASSEMBLY (Includes fulcrum pin)
10	70623206	2	2	2	RING, snap, actuating rod
11	70623203	1	1	1	RETAINER, actuating rod spring
12	70623204	1	1	1	SPRING, actuating rod

(Continued)



BRAKE VALVE PARTS (Continued)

ITEM	PART NO.	QUANTITY			DESCRIPTION
		*	**	***	
13	70623207	1	1	1	ROD, actuating
14	70623196	1	1	1	GASKET, actuating rod retainer
15	70623205	1	1	1	RETAINER, actuating rod
16	70614478	4	4	4	CAPSCREW, 1/2"NF x 1-3/8"
	70904208	4	4	4	LOCKWASHER, 1/2"
17	70623211	1	1	1	SEAT, relief valve
18	70628019	1	1	1	VALVE, relief
19	70623210	1	-	1	SPRING, relief valve
	70068911	-	1	-	SPRING, relief valve
	70911982	1	1	1	WASHER, plain
20	70638563	1	1	1	CAP, relief valve spring
21	70638561	1	1	1	CAPSCREW, pressure adjustment
	70911048	1	1	1	NUT, jam, 3/8"NF
22	70641148	1	1	1	GASKET, cap
23	70638562	1	1	1	CAP, pressure adjustment screw



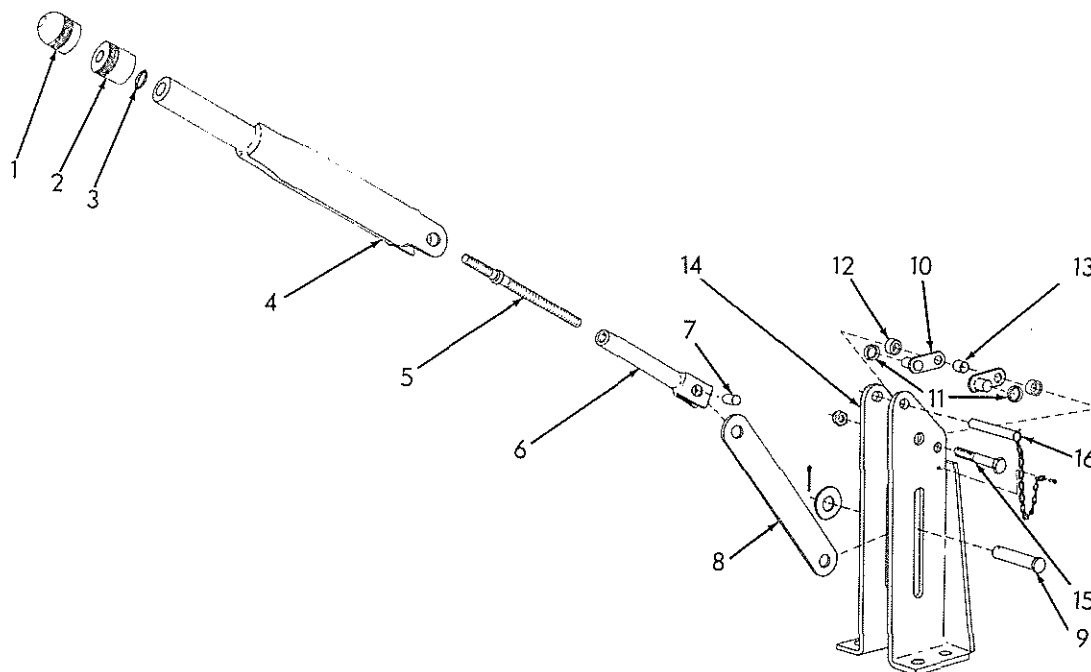
B R A K E S

ITEM	PART NO.	QTY.	DESCRIPTION
1	70638026	2	BAND ASSEMBLY, top section (Includes bonded lining)
2	70638028	2	BAND ASSEMBLY, bottom section (Includes bonded lining)
3	70638027	2	BAND ASSEMBLY, rear section (Includes bonded lining)
4	70623130	2	PIN, band hinge
	70912900	4	WASHER, plain
	70900806	4	PIN, cotter, 1/8" x 1"
5	70623168	2	SCREW, band adjusting (Tractors prior to #7820)
	70650276	2	SCREW, band adjusting (Tractors #7820 and up)
6	-----	2	PIN, adjusting screw, upper band (Tractors prior to #7820) (Order 70650275)
	70650275	2	PIN, adjusting screw, upper band (Tractors #7820 and up)
7	70623180	2	SPRING, band adjusting screw
8	70623179	2	NUT, band adjusting screw
9	70623153	2	PIN, adjusting screw, bottom band
10	70623560	2	DRIVE ASSEMBLY, universal, band adjustment (Serviced only as a unit)(Tractors prior to #7820)
	70921330	2	PIN, spring, 7/32" x 1-1/8" (lower)
	70920335	2	PIN, spring, 5/32" x 1-1/8" (upper)
	70624076	2	WASHER, plain
	70650273	2	DRIVE ASSEMBLY, universal, band adjustment (Serviced only as a unit)(Tractors #7820 and up)
	70921330	2	PIN, spring, 7/32" x 1-1/8" (lower)
	70921469	2	PIN, spring, 7/32" x 1" (upper)
10A	70624193	2	SPRING, band adjustment
10B	70650274	2	SLEEVE, band adjustment
10C	70656679	2	SPACER, band adjustment sleeve
11	70623144	2	GASKET, brake adjustment hole plug
12	70653773	2	PLUG, brake adjustment hole
13	70623132	2	PIN, top band
	70900808	4	PIN, cotter, 1/8" x 1-1/2"
14	70623133	2	YOKE, brake band, upper
15	70623131	4	PIN, band yoke
16	70623157	2	YOKE, brake band, lower (Used prior to tractor #6244)
	70623158	2	YOKE, brake band, lower (Effective with tractor #6244)

(Continued)

BRAKES (Continued)

ITEM	PART NO.	QTY.	DESCRIPTION
17	70623637	2	BRACKET ASSEMBLY, band lever (Includes item 19)(Used prior to tractor #6244)
	70642880	2	BRACKET ASSEMBLY, band lever (Includes item 19)(Effective with tractor #6244)
18	70023465	12	CAPSCREW, 5/8"NF x 1-3/4"
	70904209	12	LOCKWASHER, 5/8"
19	70643740	2	PIN, dowel, band lever bracket
20	70623774	2	LEVER ASSEMBLY, band operating (Includes item 21)(Used prior to tractor #6244)
	70643138	2	LEVER ASSEMBLY, band operating (Includes item 21)(Effective with tractor #6244)
21	70623164	2	BUSHING, band operating lever
22	70623139	2	PIN, connecting rod, rear
	70910302	2	PIN, cotter, 5/32" x 1-1/4"
23	70623140	2	ROD, connecting
24	70637729	2	PIN, connecting rod, front
	70904003	2	PIN, cotter, 1/8" x 2-1/4"
25	70637730	4	WASHER, plain
26	70638818	2	EYE, connecting
	70910847	2	NUT, jam, 3/4"NF
27	70638600	2	VALVE ASSEMBLY, brake operating (See page 204 for parts)(Used prior to tractor #6244)
	70644136	2	VALVE ASSEMBLY, brake operating (See page 204 for parts)(Used on tractor #6244 thru #7549 excluding #7548)
	70651467	2	VALVE ASSEMBLY, brake operating (See page 204 for parts) (Effective with tractor #7550, including #7548)
	70908944	1	PLUG, pipe, hex-socket, 1/2"NPT
28	70614478	4	CAPSCREW, 1/2"NF x 1-3/8"
29	70035073	3	CAPSCREW, 1/2"NF x 1-3/4" (1 less used on right valve effective with Tractor #8775)
	70035068	1	CAPSCREW, 1/2"NF x 2-1/4" (For right valve only on Tractor #8775 and up)
30	70035067	1	CAPSCREW, 1/2"NF x 2" (left valve only)
31	70070403	4	CAPSCREW, 1/2"NF x 3"
	70904208	12	LOCKWASHER, 1/2"
32	70923575	2	O-RING, valve discharge port
33	70623138	2	BOOT, connecting
	70921914	4	CLAMP, hose, 2-5/16" to 3-1/4" diam.
34	70623137	2	COVER, band linkage
35	70035278	4	CAPSCREW, 1/2"NF x 2-3/4"
36	70070469	8	CAPSCREW, 1/2"NF x 1-1/4"
	70904208	12	LOCKWASHER, 1/2"
37	70622207	2	BREATHER, clutch compartment
38	70623136	2	GASKET, band linkage cover

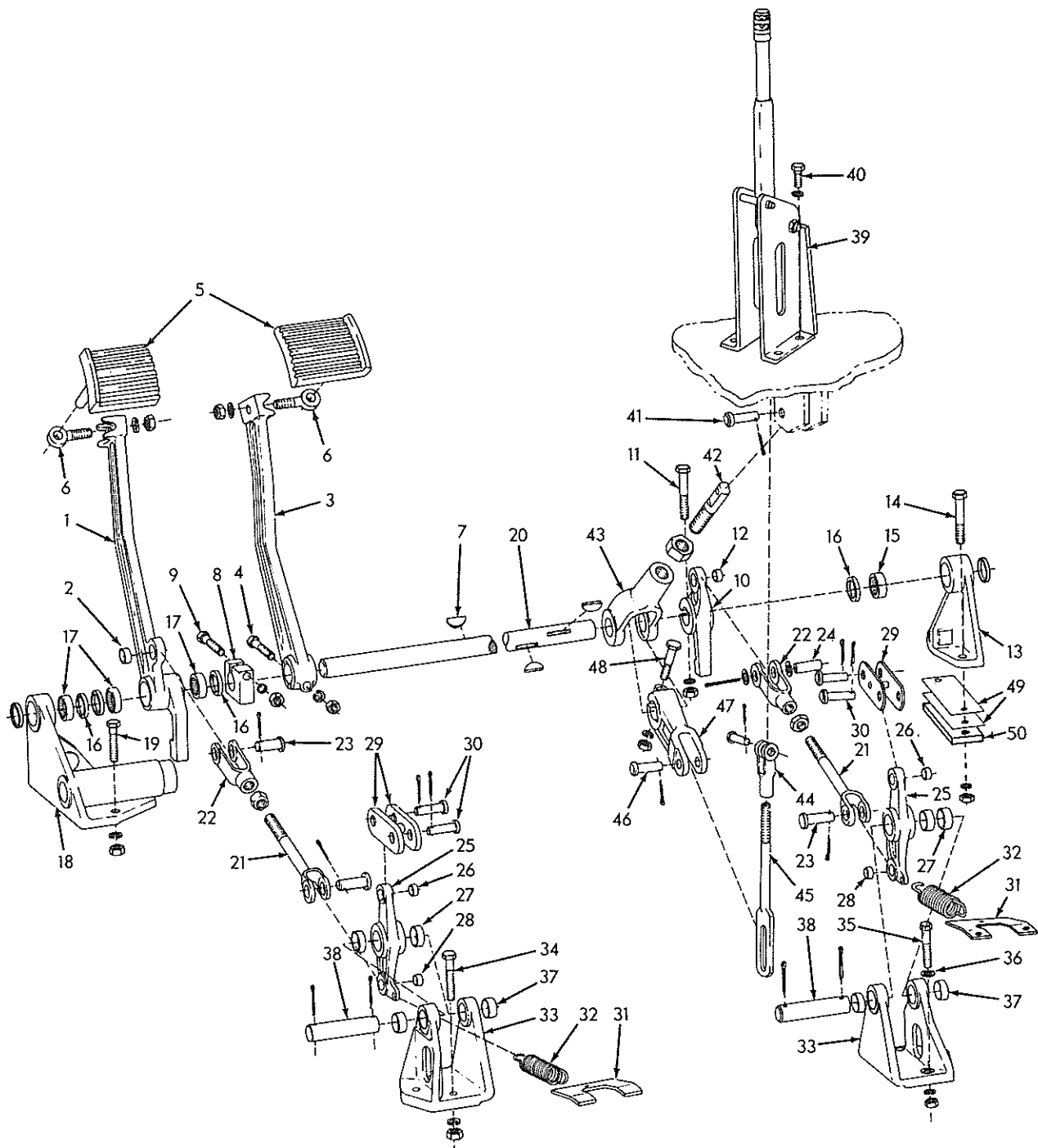


PARKING BRAKE LEVER ASSEMBLY 70631981

T-37196

USAGE: See page 211

ITEM	PART NO.	QTY.	DESCRIPTION
1	70637801	1	CAP, adjusting stud
2	70637802	1	NUT, cap locking
3	70923548	1	O-RING, adjusting stud knob
4	70637803	1	LEVER, operating
5	70637818	1	STUD, lever adjusting
6	70637804	1	TUBE, adjusting stud
7	70637819	1	PIN, connecting link
8	70637805	1	LINK, connecting
9	70637811	1	PIN, clevis
	70900818	1	WASHER, plain, U.S. std., 1/2"
	70900806	1	PIN, cotter, 1/8" x 1"
10	70637808	2	BRACKET, pivot
11	70637806	2	SPACER, pivot bracket (3/4" O. D.)
12	70637809	2	SPACER, pivot bracket (5/8" O. D.)
13	70637810	1	SPACER, pivot bracket (1/2" O. D.)
14	-----	1	BRACKET, supporting (Not serviced separately)
	70637817	1	BOLT, pivot bracket (drilled-hd. )(Early units)
15	70099575	1	CAPSCREW, pivot bracket (Late units)
	70919219	1	NUT, elastic stop, thin, 3/8"NF
16	70637820	1	PIN, lever locking (Includes chain)
	70913533	1	SCREW, thread-cutting, #4 x 1/4" (Early units)
	70648406	1	PIN, drive (Late units)



BRAKE CONTROL

T-73638

BRAKE CONTROL

\* Tractors prior to serial No. 6244  
 \*\* Tractor serial No. 6244 and up

ITEM	PART NO.	QTY.		DESCRIPTION
		*	**	
1	70629542	1	-	LEVER ASSEMBLY, pedal, left (Includes item 2)
	70643053	-	1	LEVER ASSEMBLY, pedal, left (Includes item 2)
2	70623164	1	1	BUSHING, left pedal lever
3	70638958	1	-	LEVER, pedal, right
	70643032	-	1	LEVER, pedal, right
4	70035278	1	1	CAPSCREW, 1/2"NF x 2-3/4"
	70904208	1	1	LOCKWASHER, 1/2"
	70911043	1	1	NUT, 1/2"NF
5	70623151	2	2	PAD, pedal lever
6	70050433	2	2	BOLT, eye, pedal lever pad
	70904209	2	2	LOCKWASHER, 5/8"
	70911044	2	2	NUT, 5/8"NF
7	70631883	3	3	KEY, pedal lever shaft
8	70052639	1	1	COLLAR, retaining, left pedal lever
9	70035278	1	1	CAPSCREW, 1/2"NF x 2-3/4"
	70904208	1	1	LOCKWASHER, 1/2"
	70911043	1	1	NUT, 1/2"NF
10	70629510	1	-	LEVER ASSEMBLY, pedal shaft, right end (Includes item 12)
	70643019	-	1	LEVER ASSEMBLY, pedal shaft, right end (Includes item 12)
11	70042430	1	1	CAPSCREW, 1/2"NF x 3-1/4"
	70904208	1	1	LOCKWASHER, 1/2"
	70911043	1	1	NUT, 1/2"NF
12	70623164	1	1	BUSHING, shaft lever
13	70629253	1	1	BRACKET, pedal shaft, right
14	70070403	2	2	CAPSCREW, 1/2"NF x 3"
	70904208	2	2	LOCKWASHER, 1/2"
	70911043	2	2	NUT, 1/2"NF
15	70052642	1	1	BEARING, needle, pedal shaft (3/4" wide)
16	70053243	6	6	SEAL, pedal shaft, dust
17	70053244	3	3	BEARING, needle, pedal shaft (1/2" wide)
18	70649038	1	1	BRACKET, pedal shaft, left
19	70035068	3	3	CAPSCREW, 1/2"NF x 2-1/4"
	70904208	3	3	LOCKWASHER, 1/2"
	70911043	3	3	NUT, 1/2"NF
20	70629548	1	1	SHAFT, pedal

(Continued)

BRAKE CONTROL (Continued)

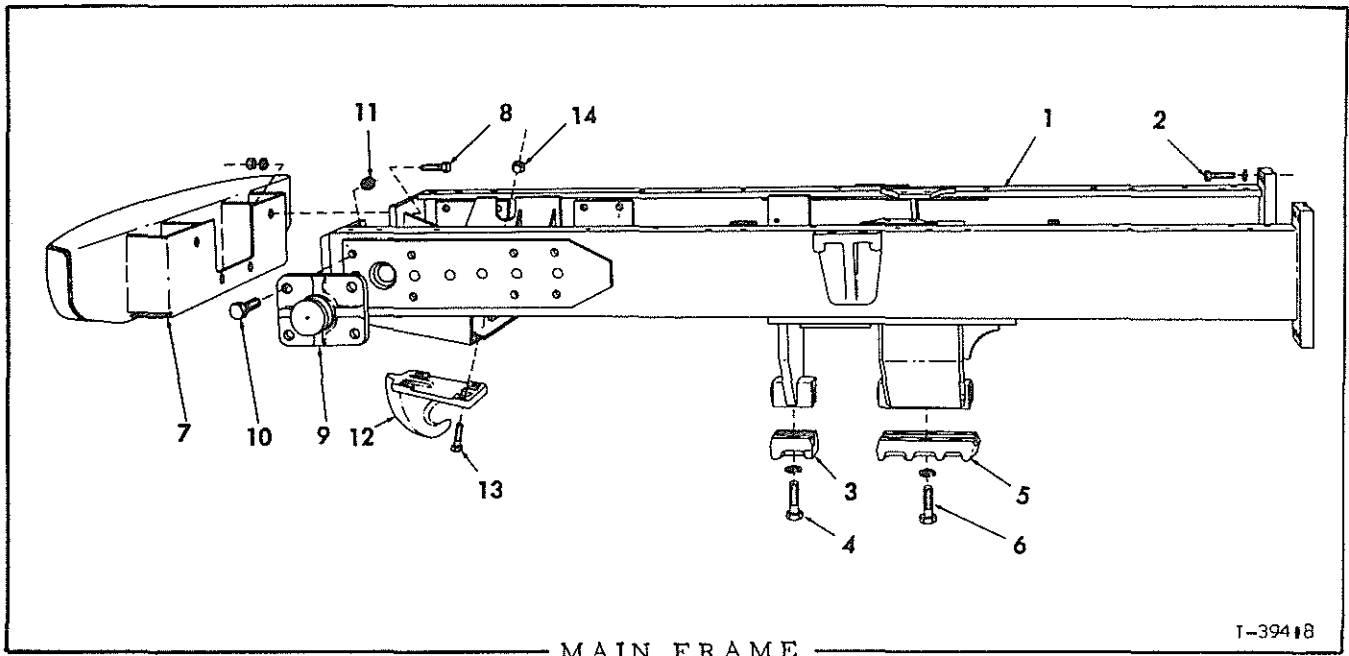
ITEM	PART NO.	QTY. * **	DESCRIPTION
21	70628536	2 -	ROD, front
	70643007	- 2	ROD, front
	70910847	2 2	NUT, jam, 3/4"NF
22	70628535	2 2	YOKE, front rod
23	70623139	3 3	PIN, front rod
	70910302	3 3	PIN, cotter, 5/32" x 1-1/4"
24	70623139	1 -	PIN, front rod, right side
	70910302	1 -	PIN, cotter, 5/32" x 1-1/4"
	70637729	- 1	PIN, front rod yoke, right side
	70637730	- 2	WASHER, plain
25	70904003	- 1	PIN, cotter, 1/8" x 2-1/4"
	70629544	2 -	LEVER ASSEMBLY, rocker (Includes items 26 thru 28)
	70643024	- 2	LEVER ASSEMBLY, rocker (Includes items 26 thru 28)
26	70052669	2 2	BUSHING, lever, upper end (3/4"O.D.)
27	70631882	4 4	BUSHING, lever, center (1-1/8"O.D.)
28	70623164	2 2	BUSHING, lever, lower end (7/8"O.D.)
29	70623758	2 -	ROD, rear
	70643274	- 2	YOKE, rear
30	70052671	4 4	PIN, rear rods
	70900806	4 4	PIN, cotter, 1/8" x 1"
31	70629543	2 2	CLIP, attaching, rod spring
32	70658737	2 2	SPRING, retracting
33	70629545	2 2	BRACKET ASSEMBLY, rocker lever (Includes item 37)(Used prior to tractor #6247)
	70644463	- 2	BRACKET ASSEMBLY, rocker lever (Includes item 37)(Effective with tractor #6247)
34	70035068	5 5	CAPSCREW, 1/2"NF x 2-1/4"
35	70035892	1 1	CAPSCREW, 1/2"NF x 2-1/2" (Right side only)
36	70058614	1 1	WASHER, plain
	70904208	6 6	LOCKWASHER, 1/2"
	70911043	6 6	NUT, 1/2"NF
37	70631882	4 4	BUSHING, rocker lever bracket
38	70639459	2 2	PIN, rocker lever bracket
	70910320	4 4	PIN, cotter, 5/32" x 1-1/2"
39	70631981	1 1	LEVER ASSEMBLY, operating, parking brake (See page 209 for parts)
40	70918493	4 4	CAPSCREW, 1/2"NF x 7/8"
	70904208	4 4	LOCKWASHER, 1/2"

(Continued)



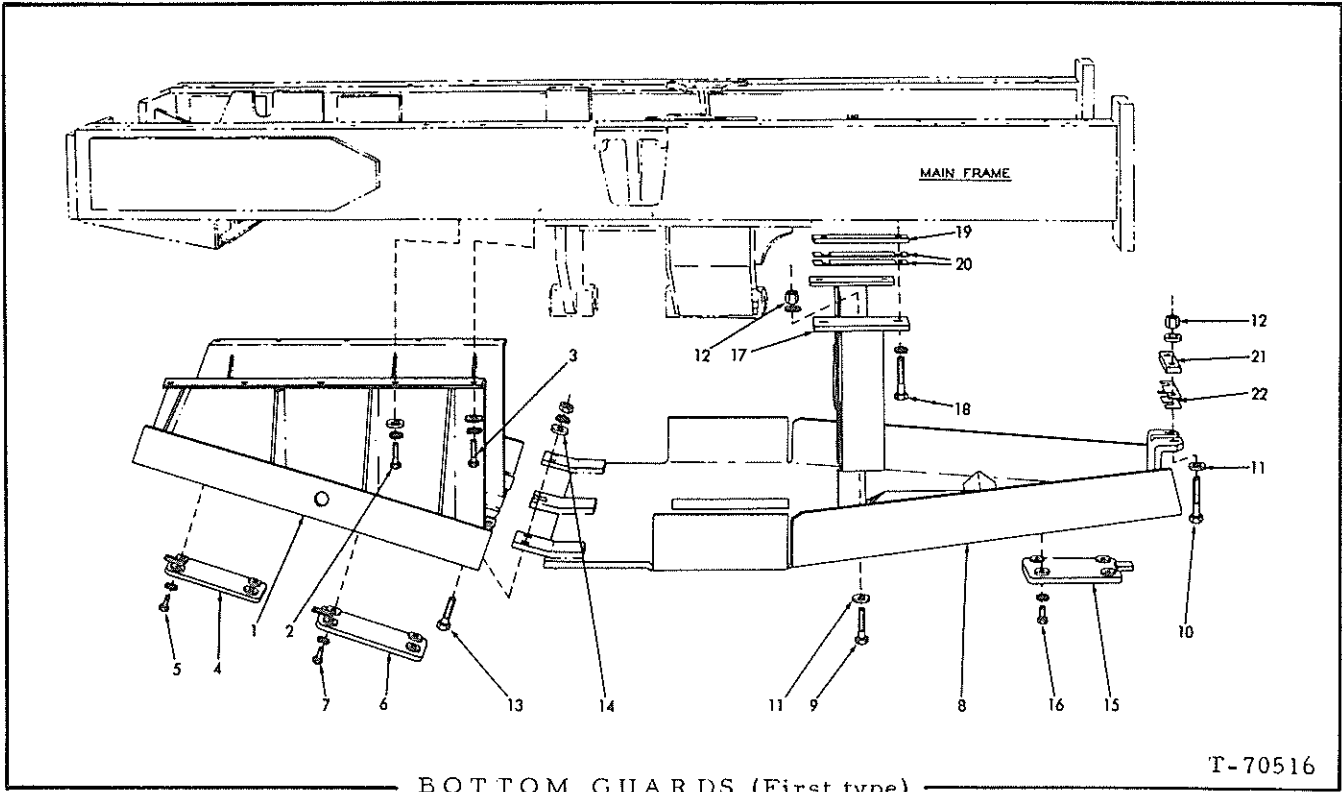
BRAKE CONTROL (Continued)

ITEM	PART NO.	QTY.		DESCRIPTION
		*	**	
41	70052671	1	1	PIN, bracing yoke eye
	70900806	1	1	PIN, cotter, 1/8" x 1"
42	70638338	1	1	EYE, shaft bracing yoke
	70911051	1	1	NUT, jam, 1"NF
43	70633610	1	1	YOKE, shaft bracing
44	70068389	1	1	YOKE, parking brake rod
45	70632159	1	1	ROD, connecting, parking brake lever
46	70052671	1	1	PIN, parking brake lever
	70900806	1	1	PIN, cotter, 1/8" x 1"
47	70632451	1	1	LEVER, parking brake
48	70035278	1	1	CAPSCREW, 1/2"NF x 2-3/4"
	70904208	1	1	LOCKWASHER, 1/2"
	70911043	1	1	NUT, 1/2"NF
49	70629515	2	2	SHIM, pedal shaft bracket, right (Use as required)
50	70629616	-	1	PLATE, spacing, pedal shaft right bracket (Effective with Tractor #8775)



MAIN FRAME

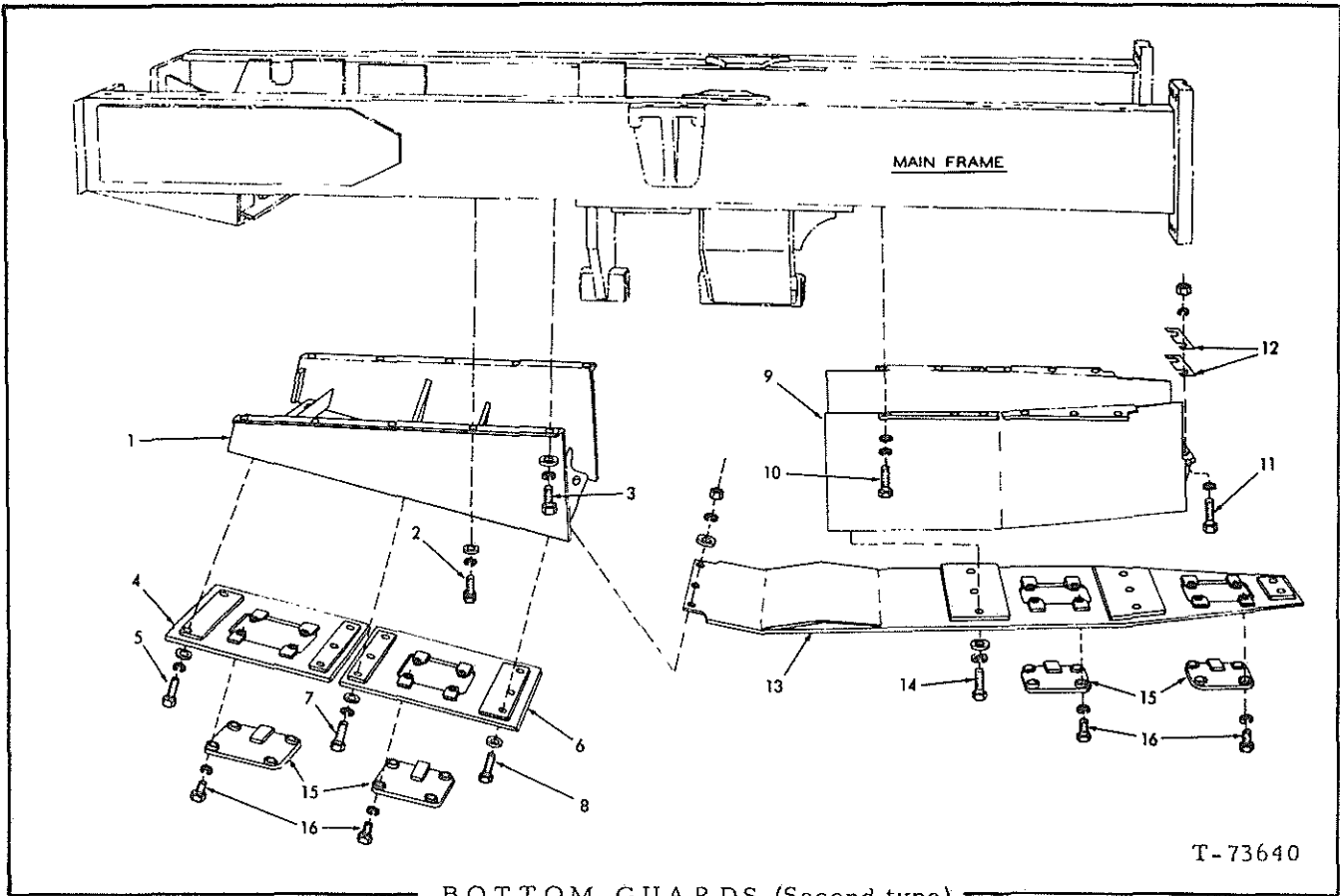
ITEM	PART NO.	QTY.	DESCRIPTION
1	70649155	1	FRAME ASSEMBLY, main (Includes items 3 thru 6)
2	70070272	12	CAPSCREW, 1"NF x 3"
	70914728	12	LOCKWASHER, 1"
3	70638968	1	CAP, spring pivot, front
4	70012586	2	CAPSCREW, 1"NF x 3-1/2"
	70910916	2	LOCKWASHER, 1"
5	70642767	1	CAP, spring pivot, rear
6	70012586	6	CAPSCREW, 1"NF x 3-1/2"
	70910916	6	LOCKWASHER, 1"
7	70641427	1	BUMPER, front (36" long)(Standard)
	70097964	1	BUMPER, front (67" long)(Special)
			} Not used with front-mounted allied equipment
8	70073468	4	CAPSCREW, 1"NF x 2-1/2"(For BUMPER 70641427)
	70070272	4	CAPSCREW, 1"NF x 3" (For BUMPER 70097964
	70910916	4	LOCKWASHER, 1"
	70911047	4	NUT, 1"NF
9	70084643	2	TRUNNION, radiator guard mounting
10	70073424	8	CAPSCREW, 1"NF x 4"
11	70600236	8	NUT, high, 1"NF
12	70040503	1	HOOK, front pull (Special equipment)
13	70013006	4	CAPSCREW, 7/8"NF x 3-3/4"
14	70070400	4	NUT, high, 7/8"NF



BOTTOM GUARDS

USAGE: Special equipment. For tractors engaged in logging operations. Used prior to August 1967.

ITEM	PART NO.	QTY.	DESCRIPTION
1	70632208	1	GUARD ASSEMBLY, front section (Includes items 4 thru 7)
2	70035229	8	CAPSCREW, 5/8"NF x 2-1/2"
3	70013467	2	CAPSCREW, 5/8"NF x 3"
	70064810	10	WASHER, plain
	70904209	10	LOCKWASHER, 5/8"
4	70091765	1	COVER, water drain hole (10-1/4" long)
5	70035221	4	CAPSCREW, 1/2"NC x 1"
	70904208	4	LOCKWASHER, 1/2"
6	70091759	1	COVER, crankcase oil drain hole (12" long)
7	70035221	4	CAPSCREW, 1/2"NC x 1"
	70904208	4	LOCKWASHER, 1/2"
8	70632201	1	GUARD ASSEMBLY, rear section (Includes items 15 and 16)
9	70070285	2	CAPSCREW, 3/4"NF x 3"
10	70035422	2	CAPSCREW, 3/4"NF x 4"
11	70061689	8	WASHER, plain
12	70012767	4	NUT, high, 3/4"NF
13	70035248	5	CAPSCREW, 5/8"NF x 2-1/4"
14	70064810	5	WASHER, plain
	70904209	5	LOCKWASHER, 5/8"
	70911044	5	NUT, 5/8"NF
15	70091765	1	COVER, transmission oil drain
16	70035221	4	CAPSCREW, 1/2"NC x 1"
	70904208	4	LOCKWASHER, 1/2"
17	70645534	1	CHANNEL, supporting, rear guard
18	70035541	4	CAPSCREW, 5/8"NF x 3-3/4"
	70904209	4	LOCKWASHER, 5/8"
19	70632209	2	PLATE, spacing, guard supporting channel (Used prior to April 1964)
	70632190	4	SHIM, channel spacing (1/16" thick. Use as required)
20	70632191	4	SHIM, channel spacing (1/8" thick. Use as required)
21	70641481	1	PLATE, spacing, rear guard (Used prior to April 1964)
	70631959	1	SHIM, rear guard (1/16" thick. Use as required)
22	70631960	2	SHIM, rear guard (1/8" thick. Use as required)

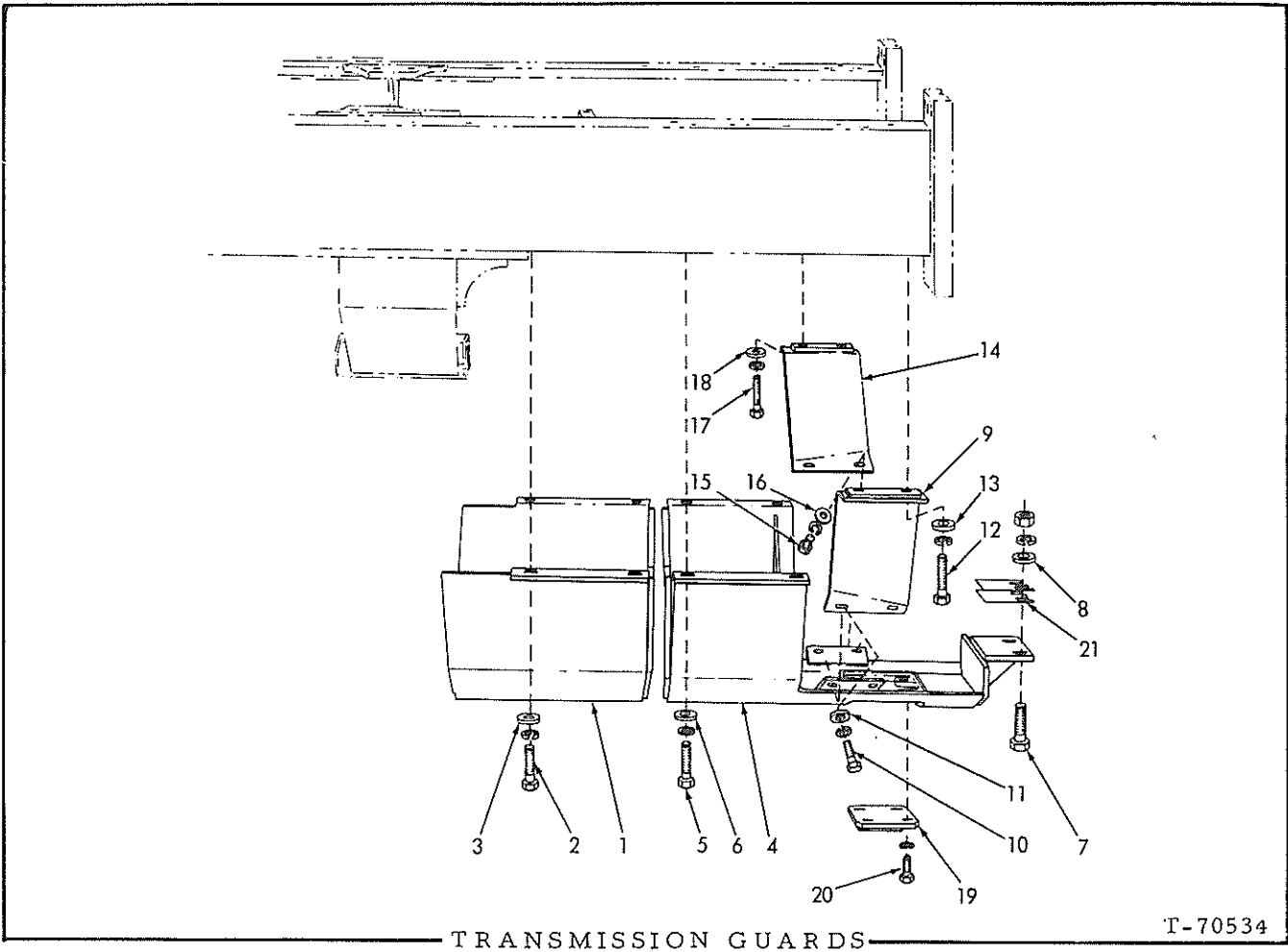


BOTTOM GUARDS (Second type)

BOTTOM GUARDS

USAGE: Special equipment. For tractors engaged in logging operations. Effective August 1967.

ITEM	PART NO.	QTY.	DESCRIPTION
1	70646192	1	FRAME, front
2	70035229	8	CAPSCREW, 5/8"NF x 2-1/2"
3	70013467	2	CAPSCREW, 5/8"NF x 3"
	70904209	10	LOCKWASHER, 5/8"
	70064810	10	WASHER, plain
4	70646162	1	PLATE ASSEMBLY, bottom, front section (Includes items 15 and 16)
5	70012742	6	CAPSCREW, 3/4"NF x 2-1/4"
	70904369	6	LOCKWASHER, 3/4"
	70900820	6	WASHER, plain, USS std., 3/4"
6	70646155	1	PLATE ASSEMBLY, bottom, center section (Includes items 15 and 16)
7	70012742	3	CAPSCREW, 3/4"NF x 2-1/4"
	70904369	3	LOCKWASHER, 3/4"
	70900820	3	WASHER, plain, USS std., 3/4"
8	70012526	3	CAPSCREW, 3/4"NF x 3-1/4"
	70061689	3	WASHER, plain (heavy)
	70900820	3	WASHER, plain, USS std., 3/4"
	70904369	3	LOCKWASHER, 3/4"
	70911045	3	NUT, 3/4"NF
9	70646157	1	FRAME, rear
10	70035306	12	CAPSCREW, 5/8"NF x 3-1/4"
	70904209	12	LOCKWASHER, 5/8"
	70064810	12	WASHER, plain
11	70070285	2	CAPSCREW, 3/4"NF x 3"
	70061689	2	WASHER, plain
	70904369	2	LOCKWASHER, 3/4"
	70911045	2	NUT, 3/4"NF
	70631959	3	SHIM, rear frame (1/16" thick)
12	70631960	2	SHIM, rear frame (1/8" thick)
			} Use as req'd
13	70646140	1	PLATE ASSEMBLY, bottom, rear section (Includes items 15 and 16)
14	70012742	8	CAPSCREW, 3/4"NF x 2-1/4"
	70904369	8	LOCKWASHER, 3/4"
	70900820	8	WASHER, plain, U.S. std., 3/4"
15	70646108	4	COVER, access holes
16	70035221	16	CAPSCREW, 1/2"NC x 1"
	70904208	16	LOCKWASHER, 1/2"



USAGE: Special equipment. For tractors prior to

\* Medium-duty. Used prior to May 1964  
 \*\* Heavy-duty. Effective May 1964

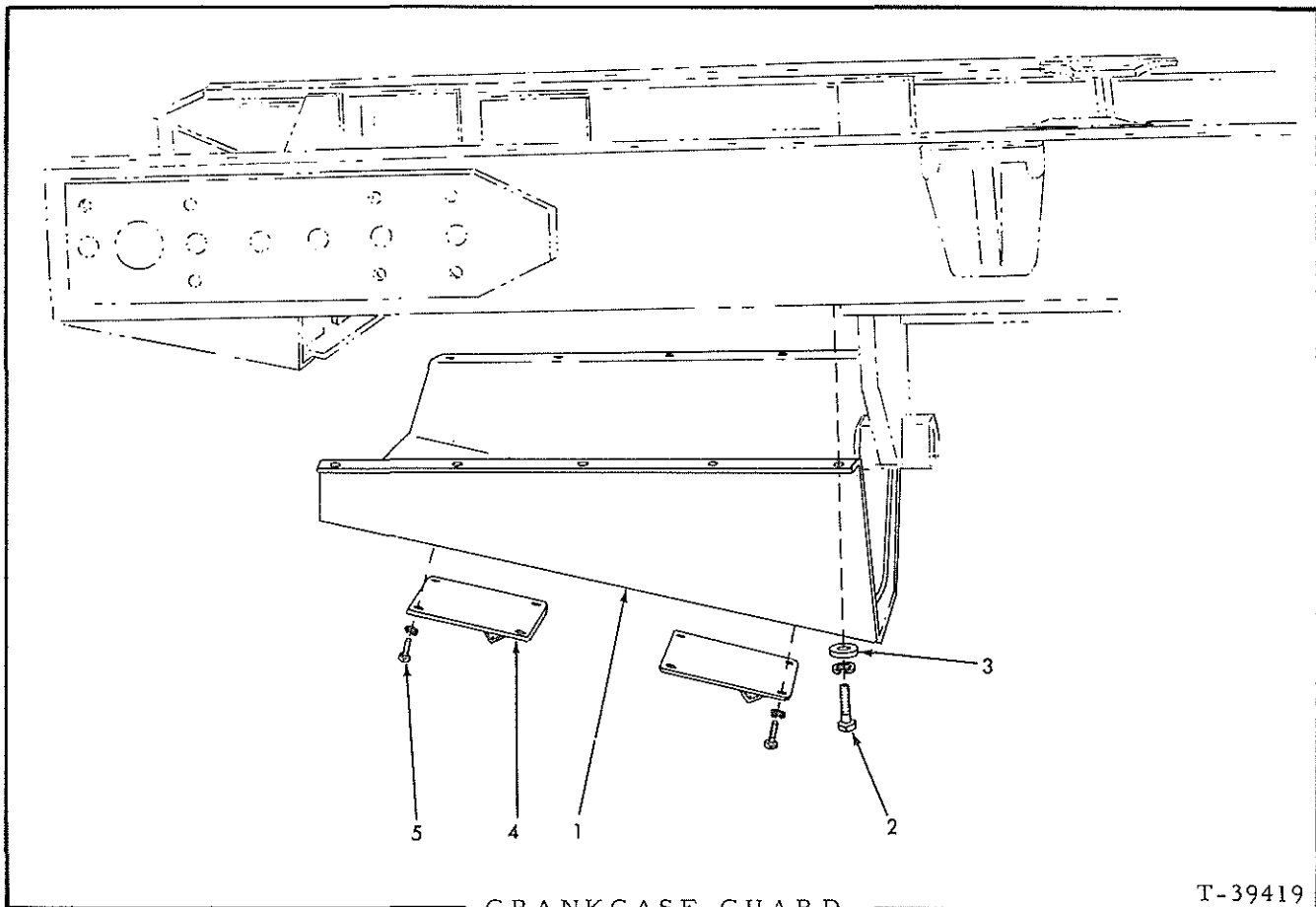
ITEM	PART NO.	QTY.		DESCRIPTION
		*	**	
1	-----	1	-	GUARD, transmission, front section (Order GUARD 70642709)
	70642709	-	1	GUARD, transmission, front section
2	70013467	4	-	CAPSCREW, 5/8"NF x 3"
	70035306	-	4	CAPSCREW, 5/8"NF x 3-1/4"
	70904209	4	4	LOCKWASHER, 5/8"
3	70064810	4	4	WASHER, plain
	-----	1	-	GUARD, transmission, rear section (Order 1 each GUARD 70642705, GUARD 70642719, GUARD 70642720)
4	70642705	-	1	GUARD, transmission, rear section
	5	70034440	4	-
70035306		-	4	CAPSCREW, 5/8"NF x 3-1/4"
70904209		4	4	LOCKWASHER, 5/8"
6	70064810	4	4	WASHER, plain
	7	70070285	2	-
70013465		-	2	CAPSCREW, 3/4"NF x 2-1/2"
8	70061689	2	2	WASHER, plain
	70904369	2	2	LOCKWASHER, 3/4"
	70911045	2	2	NUT, 3/4"NF

(Continued)



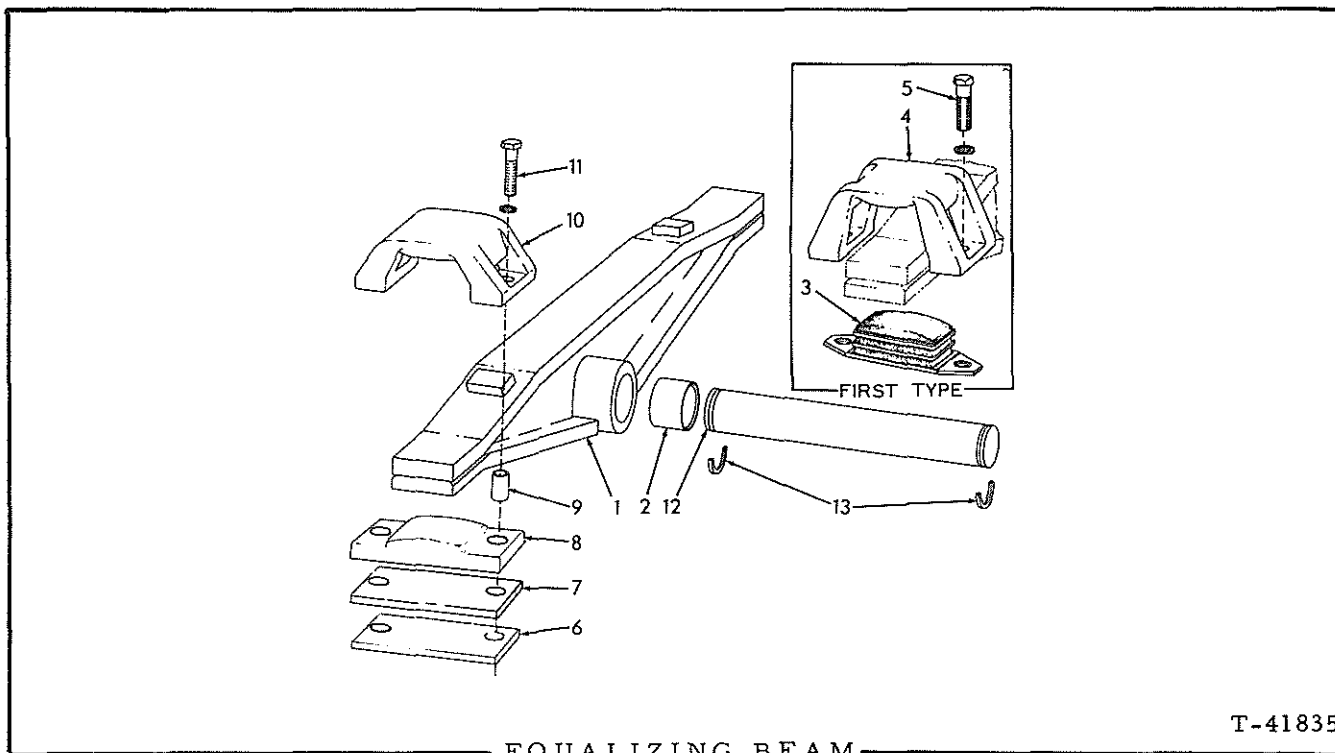
TRANSMISSION GUARDS (Continued)

ITEM	PART NO.	QTY.		DESCRIPTION
		*	**	
9	70642589	1	-	GUARD, transmission, left side
	70642719	-	1	GUARD, transmission, left side
10	70614478	2	2	CAPSCREW, 1/2"NF x 1-3/8"
11	70064531	2	2	WASHER, plain
12	70904208	2	2	LOCKWASHER, 1/2"
	70034440	2	-	CAPSCREW, 5/8"NF x 3-1/2"
	70035306	-	2	CAPSCREW, 5/8"NF x 3-1/4"
	70904209	2	2	LOCKWASHER, 5/8"
13	70064810	2	2	WASHER, plain
14	70642590	1	-	GUARD, transmission, right side
	70642720	-	1	GUARD, transmission, right side
15	70614478	2	2	CAPSCREW, 1/2"NF x 1-3/8"
16	70064531	2	2	WASHER, plain
17	70904208	2	2	LOCKWASHER, 1/2"
	70034440	2	-	CAPSCREW, 5/8"NF x 3-1/2"
	70035306	-	2	CAPSCREW, 5/8"NF x 3-1/4"
	70904209	2	2	LOCKWASHER, 5/8"
18	70064810	2	2	WASHER, plain
19	70633717	1	1	COVER, transmission oil drain
20	70035061	4	4	CAPSCREW, 1/2"NC x 1-1/4"
	70904208	4	4	LOCKWASHER, 1/2"
21	70631959	2	1	SHIM, rear guard (1/16" thick. Use as required)
	70631960	4	2	SHIM, rear guard (1/8" thick. Use as required)



USAGE: Special equipment. For tractors prior to

ITEM	PART NO.	QTY.	DESCRIPTION
1	70642713	1	GUARD ASSEMBLY, crankcase (Includes items 4 and 5)
2	70035248	8	CAPSCREW, 5/8"NF x 2-1/4"
	70035306	2	CAPSCREW, 5/8"NF x 3-1/4" ( rear position)
3	70064810	10	WASHER, plain
	70904209	10	LOCKWASHER, 5/8"
4	70642743	2	COVER, drain hole
5	70070469	8	CAPSCREW, 1/2"NF x 1-1/4"
	70904208	8	LOCKWASHER, 1/2"

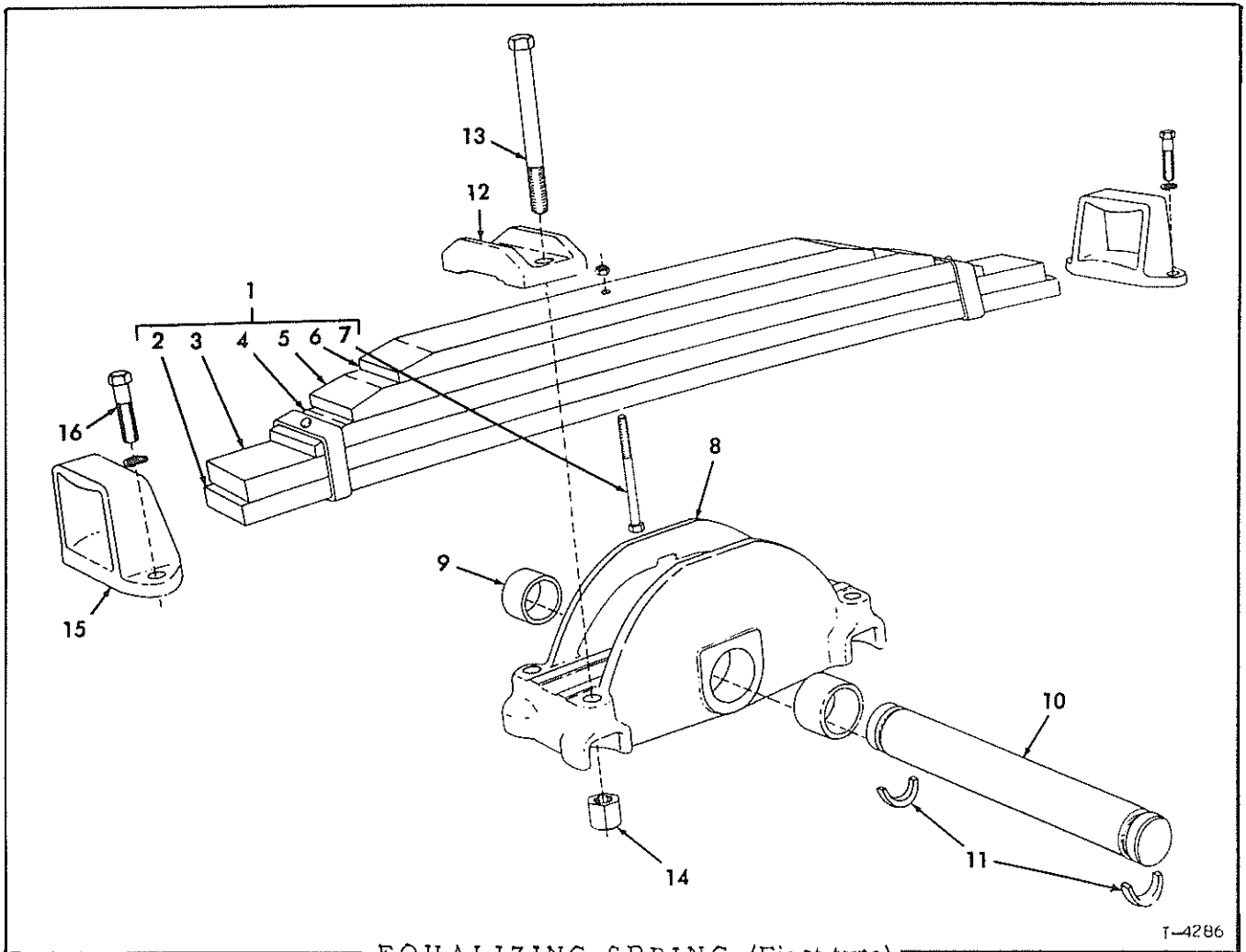


USAGE: Tractors serial No. 6331 and up, including No. 6329

\* Tractors prior to serial No. 7759

\*\* Tractors serial No. 7759 and up

ITEM	PART NO.	QTY.		DESCRIPTION
		*	**	
1	70642938	1	1	BEAM ASSEMBLY (Includes item 2)
2	70056166	2	2	BUSHING, beam pivot
3	-----	2	-	PAD, shock (rubber sandwich)(Used prior to tractor #7437. Order items 6 thru 11)
	70651342	2	-	PAD, shock (solid steel)(Effective with tractor #7437)
4	-----	2	-	BRACKET, shock pad (Order items 6 thru 11)
5	70013006	4	-	CAPSCREW, 7/8"NF x 3-3/4"
	70905347	4	-	LOCKWASHER, 7/8"
6	70650754	-	2	PLATE, shock pad (steel)(3/8" thick. Original Equipment)
	70666424	-	2	PLATE, spacing, 1" thick (Optional. Use in place of Plate 70650754 and Pad 70650755 for severe service applications)
7	70650755	-	2	PAD, shock (rubber)
8	70650758	-	2	PAD, beam seating
9	70650756	-	4	BUSHING, bracket spacing
10	70650757	-	2	BRACKET, shock pad
11	70650759	-	4	CAPSCREW, 7/8"NF x 6"
	70905347	-	4	LOCKWASHER, 7/8"
12	70630502	1	1	PIN, beam pivot
13	70630503	2	1	RING, retaining, pivot pin



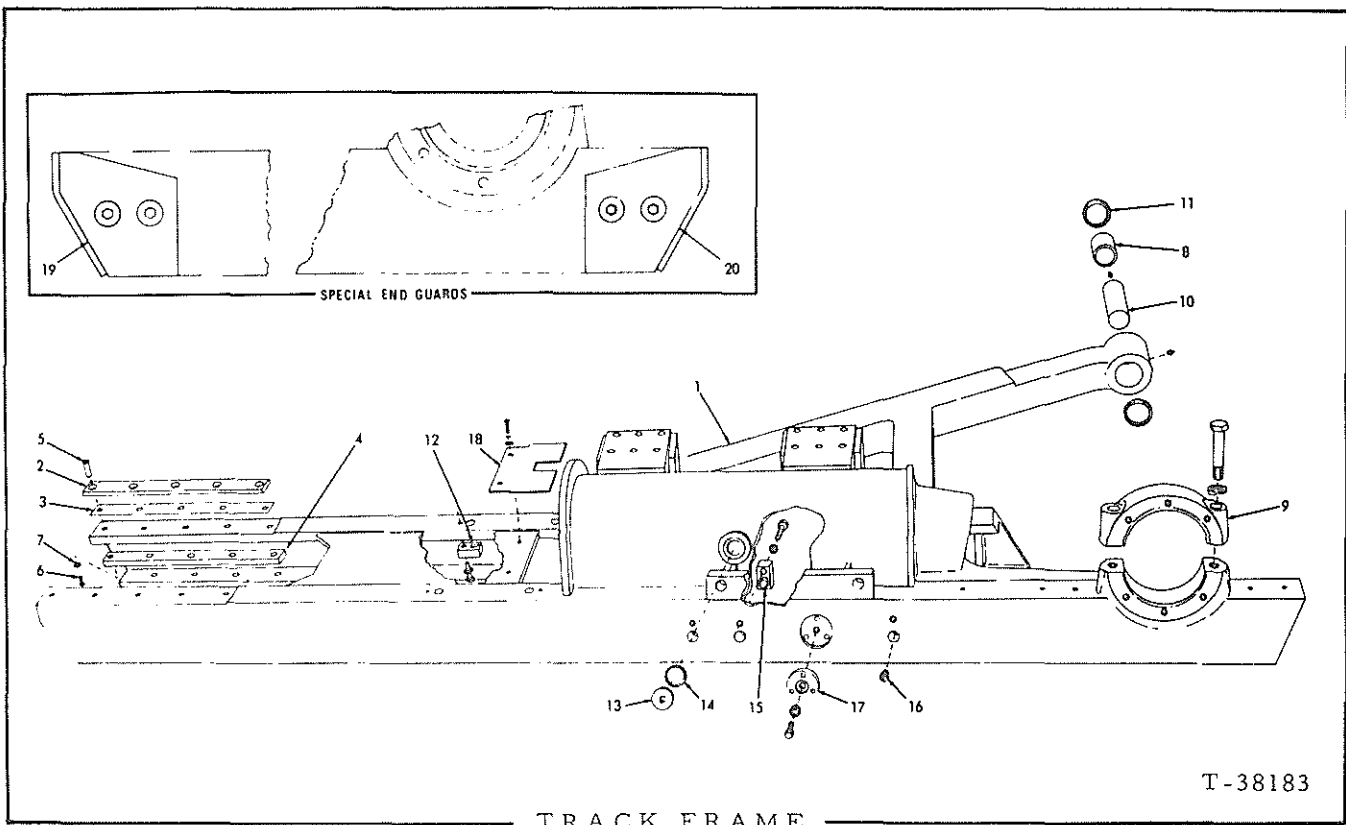
EQUALIZING SPRING (First type)

T-4286

EQUALIZING SPRING

USAGE: Tractors prior to serial No. 6331 excluding No. 6329

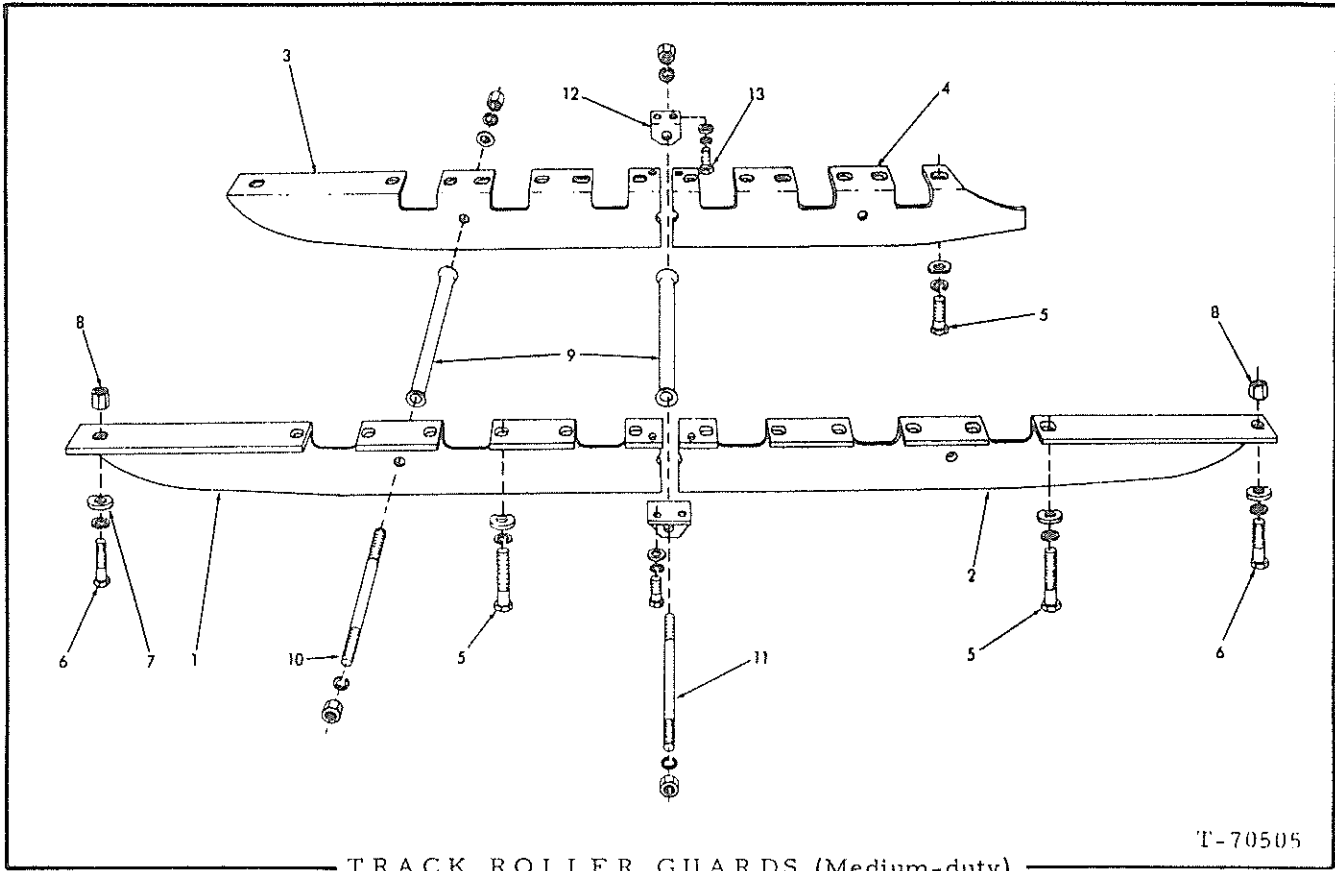
ITEM	PART NO.	QTY.	DESCRIPTION
1	70099303	1	SPRING ASSEMBLY (Consists of items 2 thru 7)
2	70099298	1	LEAF, main (65-1/2" long)
3	70099299	1	LEAF, second (64-1/2" long)
4	70099300	1	LEAF ASSEMBLY, third (55-1/2" long) (Includes riveted rebound bands. Serviced only as a unit)
5	70099301	1	LEAF, fourth (45-1/2" long)
6	70099302	1	LEAF, fifth (35-1/2" long)
7	70052253	1	BOLT, center (5/8"NF x 7-3/4". Includes NUT 70911044)
	70911044	1	NUT, 5/8"NF
8	70083408	1	SADDLE ASSEMBLY (Includes item 9)
9	70056166	2	BUSHING, saddle
10	70630502	1	PIN, spring pivot
11	70630503	2	RING, retaining, pivot pin
12	70059403	2	SADDLE, spring
13	70926241	4	CAPSCREW, spring saddle (1-1/4"NF x 12-1/4")
14	70083390	4	NUT, high, 1-1/4"NF
15	70630546	2	SEAT, spring
16	70012762	4	CAPSCREW, 7/8"NF x 3-1/4"
	70905347	4	LOCKWASHER, 7/8"



TRACK FRAME

\* Tractors prior to serial No. 8917  
 \*\* Tractors serial No. 8917 and up

ITEM	PART NO.	QTY.		DESCRIPTION	
		*	**		
1	70658055	1	-	FRAME ASSY., left side	} each included items 8 and 9
	70664627	-	1	FRAME ASSY., left side	
	70914465	-	1	FITTING, lubricating, straight, 1/8"NPT	
	70658056	1	-	FRAME ASSY., right side	
	70664628	-	1	FRAME ASSY., right side	
	70914465	-	1	FITTING, lubricating, straight, 1/8"NPT	
2	70639021	4	4	BAR, slide, track idler, upper	
3	70637701	4	4	SHIM, slide bar (.014" thick. Use as required)	
	70632580	8	8	SHIM, slide bar (.028" thick. Use as required)	
4	70631031	4	4	BAR, slide, track idler, lower	
5	70631034	20	20	DOWEL, tapped, slide bar retaining	
6	70646045	20	20	CAPSCREW, Nylok, 3/8"NF x 1"	
7	70647080	20	20	WASHER, plain	
8	70059699	2	-	BUSHING, pivot shaft (5" long)	
	70664512	-	2	BUSHING, pivot shaft (5-3/8" long)	
9	70059587	2	2	CAP, sprocket shaft bearing	
	70012561	4	4	CAPSCREW, 1"NF x 5-1/4"	
	70910916	4	4	LOCKWASHER, 1"	
10	70059701	2	-	SHAFT, pivot	
	70907070	2	-	PLUG, pipe, ctsk-hd., 1/4"NPT	
	70664509	-	2	SHAFT, pivot	
11	70623643	4	-	SEAL, oil, pivot shaft (1/2" wide)	
	70664511	-	4	SEAL, grease, pivot shaft (1/4" wide)	
12	70631033	4	4	BLOCK, equalizing beam seat (7/8" tapped hole)	
	70035068	4	4	CAPSCREW, 1/2"NF x 2-1/4"	
	70904208	4	4	LOCKWASHER, 1/2"	
13	70035250	2	2	PLUG, filling hole	
14	70667252	2	2	GASKET, filling hole plug	
15	70066941	6	6	BLOCK, tapped (For mounting dozing equipment)	
	70035073	6	6	CAPSCREW, 1/2"NF x 1-3/4"	
	70904208	6	6	LOCKWASHER, 1/2"	
16	70664850	6	6	CORK, thread protecting (1" diam.)(For protecting dozer mounting holes)	
17	70059705	2	2	COVER (Special. Not used when mounting dozing equipment)	
	70903630	2	2	CAPSCREW, 3/8"NC x 1"	
	70904206	2	2	LOCKWASHER, 3/8"	
18	70097507	2	2	PLATE, closure	
	70012992	4	4	CAPSCREW, 3/8"NF x 1-1/4"	
	70904206	4	4	LOCKWASHER, 3/8"	
	70044973	4	4	WASHER, plain	
NOTE: Items listed below are Special Equipment					
19	70656749	3	3	GUARD, end, left hand	
	70023465	6	6	CAPSCREW, 5/8"NF x 1-3/4"	
	70904209	6	6	LOCKWASHER, 5/8"	
	70911044	6	6	NUT, 5/8"NF	
20	70656750	3	3	GUARD, end, right hand	
	70023465	6	6	CAPSCREW, 5/8"NF x 1-3/4"	
	70904209	6	6	LOCKWASHER, 5/8"	
	70911044	6	6	NUT, 5/8"NF	



TRACK ROLLER GUARDS (Medium-duty)

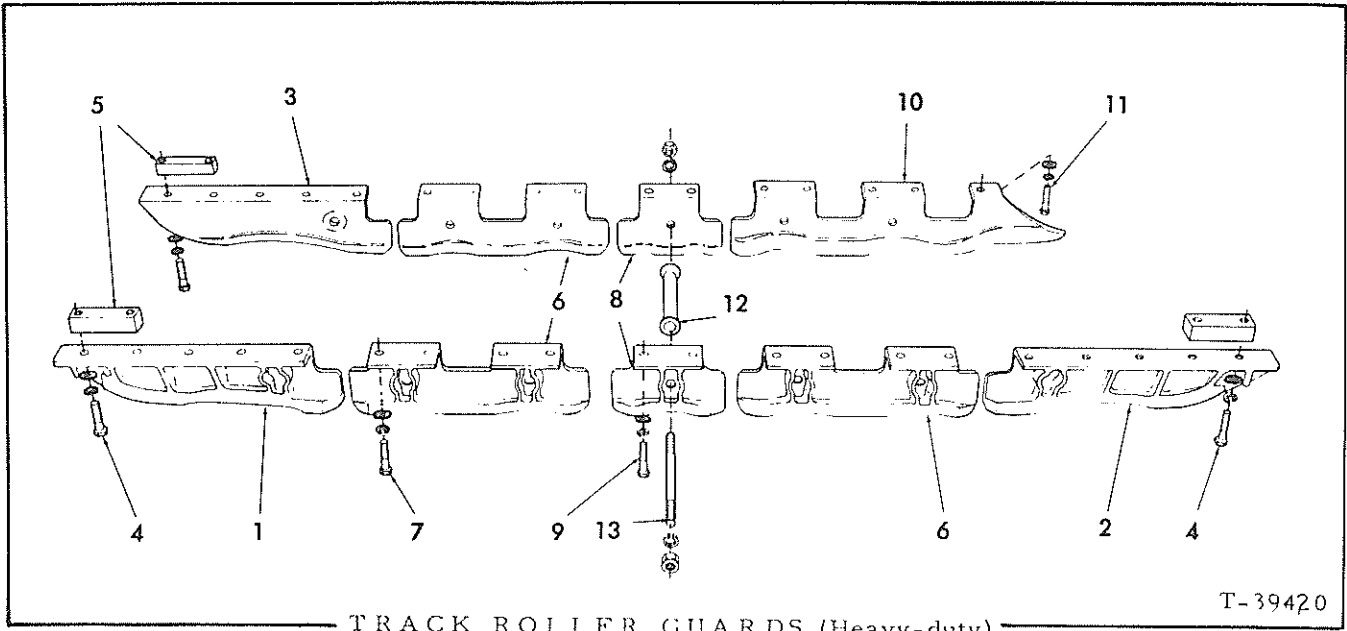
T-70505



TRACK ROLLER GUARDS (Medium-duty)

USAGE: Special equipment

ITEM	PART NO.	QTY.	DESCRIPTION
1	70642031	1	GUARD, outer, front section, left side
	70642032	1	GUARD, outer, front section, right side
2	70642032	1	GUARD, outer, rear section, left side
	70642031	1	GUARD, outer, rear section, right side
3	70642032	1	GUARD, inner, front section, left side
	70642031	1	GUARD, inner, front section, right side
4	70649315	1	GUARD, inner, rear section, left side
	70649316	1	GUARD, inner, rear section, right side
5	70052527	48	CAPSCREW, guard attaching (3/4"NF x 3-1/2")
	70904369	48	LOCKWASHER, 3/4"
6	70012984	6	CAPSCREW, guard attaching (3/4"NF x 2-3/4")
	70904369	6	LOCKWASHER, 3/4"
7	70641133	54	WASHER, guard attaching capscREW
8	70012767	6	NUT, guard attaching capscREW (3/4"NF)
9	70082915	6	SPACER, guard bracing
10	-----	4	CAPSCREW, guard bracing, end (7/8"NF x 13-1/2")(Used prior to September 1966. Order ROD 650848, LOCKWASHER 70905347 and NUT 70911046)
	70900821	8	WASHER, plain, U. S. std., 7/8"
	70905347	4	LOCKWASHER, 7/8"
	70070400	4	NUT, high, 7/8"NF
	70650848	4	ROD, guard bracing, end (7/8"NF x 14-1/4")(Effective September 1966)
	70900821	8	WASHER, plain, U. S. std., 7/8"
	70905347	8	LOCKWASHER, 7/8"
	70911046	8	NUT, 7/8"NF
11	-----	2	CAPSCREW, guard bracing, center (7/8"NF x 13-7/8")(Used prior to September 1966. Order ROD 70650841, LOCKWASHER 70905347 and NUT 70911046)
	70905347	2	LOCKWASHER, 7/8"
	70070400	2	NUT, high, 7/8"NF
	70650841	2	ROD, guard bracing, center (7/8"NF x 14-3/4")(Effective Sept. 1966)
	70905347	4	LOCKWASHER, 7/8"
	70911046	4	NUT, 7/8"NF
12	70642035	4	BRACKET, guard bracing
13	70035018	8	CAPSCREW, 1/2"NF x 1-1/2 (Early units)
	70035190	8	CAPSCREW, 1/2"NC x 1-1/2" (Late units)
	70904208	8	LOCKWASHER, 1/2"
	70064531	8	WASHER, plain



TRACK ROLLER GUARDS (Heavy-duty)

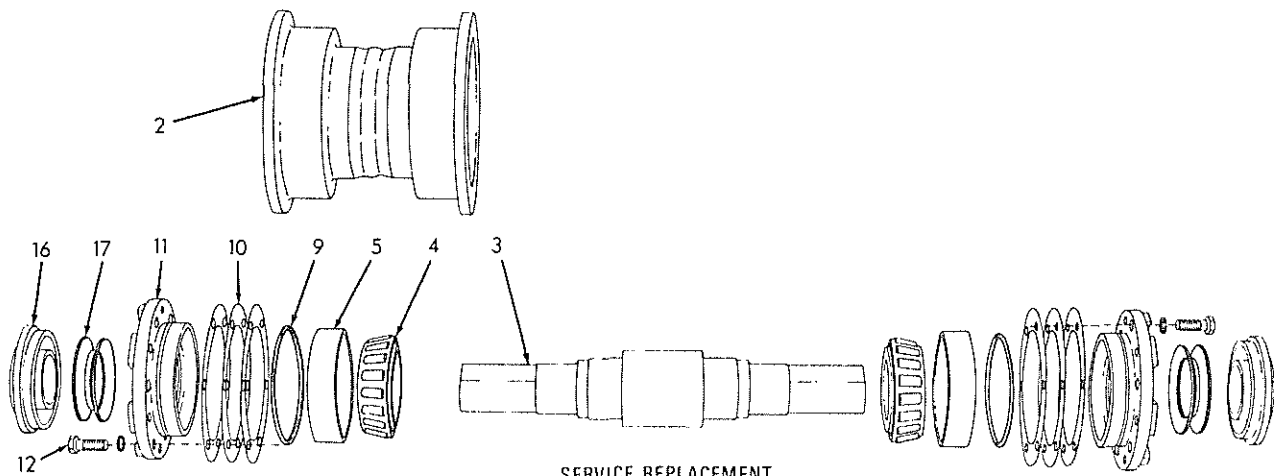
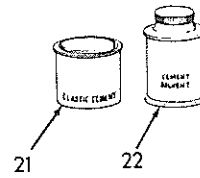
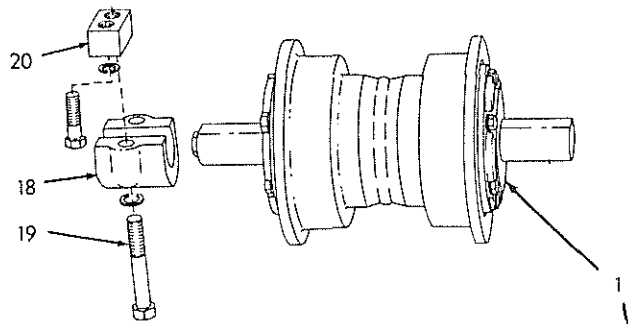
T-39420

TRACK ROLLER GUARD (Heavy-duty)

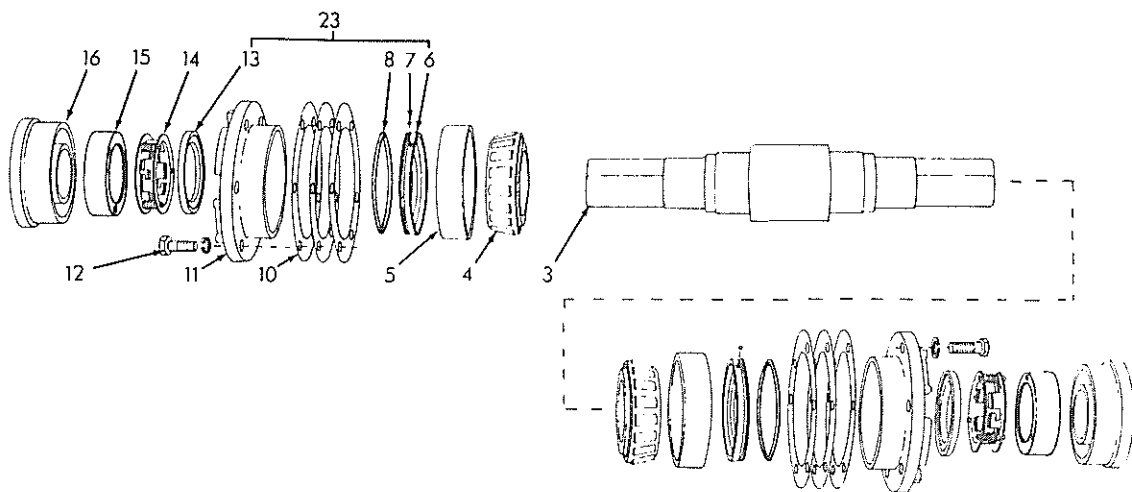
USAGE: Special equipment

\* Partial guarding  
 \*\* Full guarding

ITEM	PART NO.	QTY.		DESCRIPTION
		*	**	
1	70649107	1	1	GUARD, outer, front section, left side
	70649108	1	1	GUARD, outer, front section, right side
2	70649108	1	1	GUARD, outer, rear section, left side
	70649107	1	1	GUARD, outer, rear section, right side
3	70649108	1	1	GUARD, inner, front section, left side
	70649107	1	1	GUARD, inner, front section, right side
4	70915563	30	30	CAPSCREW, guard attaching (3/4"NF x 3-1/2")
	70904369	30	30	LOCKWASHER, 3/4"
	70061689	30	30	WASHER, plain
5	70632323	12	12	BLOCK, tapped, end guard attachment
6	70647900	-	6	GUARD, intermediate section
7	70915563	-	24	CAPSCREW, 3/4"NF x 3-1/2"
	70904369	-	24	LOCKWASHER, 3/4"
	70061689	-	24	WASHER, plain
8	70647899	4	4	GUARD, center section
9	70915563	8	8	CAPSCREW, 3/4"NF x 3-1/2"
	70904369	8	8	LOCKWASHER, 3/4"
	70061689	8	8	WASHER, plain
10	70647893	-	1	GUARD, rear inner section, left side
	70647894	-	1	GUARD, rear inner section, right side
11	70915563	-	10	CAPSCREW, 3/4"NF x 3-1/2"
	70904369	-	10	LOCKWASHER, 3/4"
	70061689	-	10	WASHER, plain
12	70082915	4	12	SPACER, guard bracing
13	-----	4	12	CAPSCREW, guard bracing (7/8"NF x 13-1/2")(Used prior to September 1966. Order ROD 70655193 , LOCKWASHER 70905347 and NUT 70911046 )
	70905347	4	12	LOCKWASHER, 7/8"
	70070400	4	12	NUT, high, 7/8"NF
	70655193	4	12	ROD, guard bracing (7/8"NF x 14-3/8")(Effective September 1966)
	70905347	8	24	LOCKWASHER, 7/8"
	70911046	8	24	NUT, 7/8"NF



SERVICE REPLACEMENT



ORIGINAL EQUIPMENT

TRACK ROLLER

T-76885

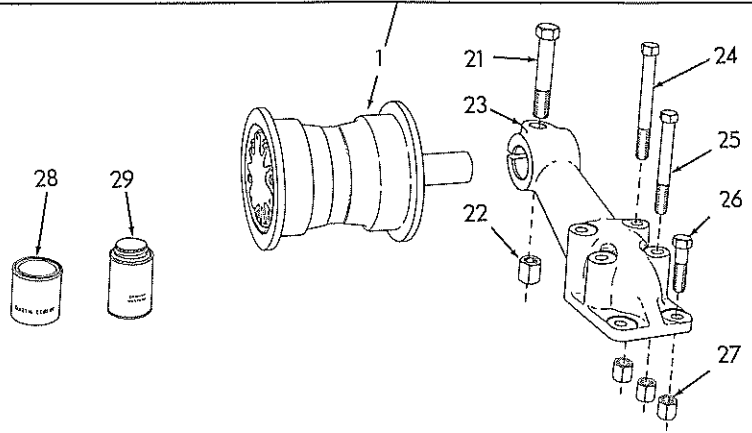
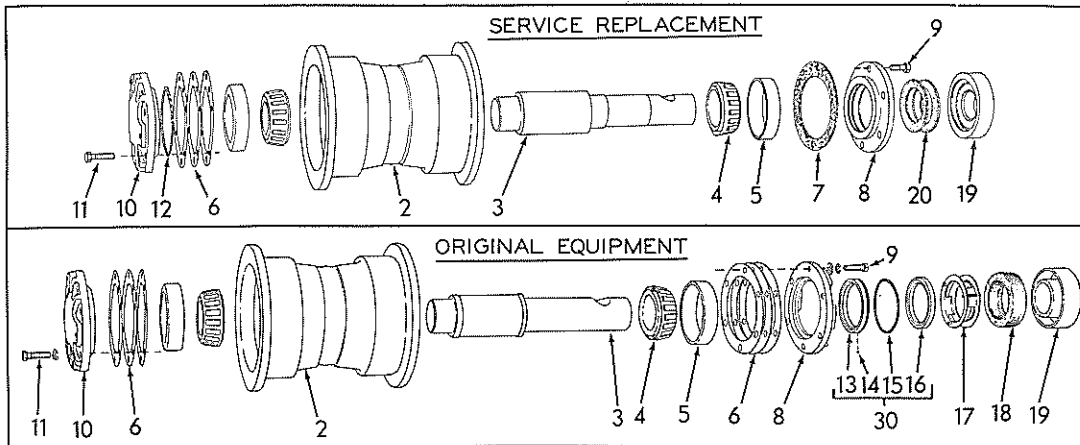
TRACK ROLLER

\* Original equipment  
 \*\* Service replacement

ITEM	PART NO.	QTY.	DESCRIPTION
		* **	
1	70632983	1 -	ROLLER ASSY., single flange (Consists of items 2 thru 8 and 10 thru 16)
	70675323	- 1	ROLLER ASSY., single flange (Consists of items 2 thru 5, 9 thru 12, 16 and 17)
2	70632982	1 -	ROLLER, single flange
	70675322	- 1	ROLLER, single flange
3	70622002	1 1	SHAFT
4	70087027	2 -	CONE ASSY., bearing
	70673415	- 2	CONE ASSY., bearing
5	70680631	2 2	CUP, bearing
6	70645976	2 -	□RING, seal, inner
7	70905357	2 -	□BALL, steel, 3/16" diam.
8	70923818	2 -	□O-RING, seal packing
9	70924772	- 2	O-RING, retainer (.210" wide)(First type)
	70923820	- 2	O-RING, retainer (.139" wide)(Second type)
10	70655464	4 4	SHIM, bearing adjustment (.003" thick)
	70077287	4 4	SHIM, bearing adjustment (.007" thick)
	70077286	4 4	SHIM, bearing adjustment (.010" thick)
	70077285	2 2	SHIM, bearing adjustment (.032" thick)
			} Use as required
11	70665815	2 -	RETAINER, bearing
	70670074	- 2	RETAINER, bearing (1/4" wide o-ring groove)(First type)
	70679613	- 2	RETAINER, bearing (3/16" wide o-ring groove)(Second type)
12	70922155	12 12	CAPSCREW, 1/2"NF x 1-1/4"
	70912441	12 12	LOCKWASHER, 1/2"
13	70051124	2 -	□RING, seal, outer
14	70051121	2 -	SPRING ASSY., seal (Serviced only as a unit)
15	70051112	2 -	BOOT, seal spring
16	70074487	2 -	RETAINER, seal
	70670073	- 2	RETAINER, seal
17	70670071	- 2	SEAL ASSY. (Consists of 2 seals. Serviced only as a unit)
18	70066692	2 2	BRACKET, attaching
19	70925947	4 4	CAPSCREW, 3/4"NF x 4-1/4"
	70914726	4 4	LOCKWASHER, 3/4"
20	70631290	4 4	BLOCK, attaching capscrews
	70916333	4 4	CAPSCREW, 3/4"NF x 2-3/4"
	70914726	4 4	LOCKWASHER, 3/4"
			} Not used when Track Roller Guards are installed
21	70033288	- -	CEMENT, neoprene, 1/2 pint can
22	70054890	- -	SOLVENT, neoprene cement, 1/2 pint can
			} For cementing seal boots
23	70083212	1 -	SEAL KIT (Includes parts for one (1) roller only; items 6, 7, 8 and 13)

□ Indicates component of item 23

NOTE: All quantities indicated above are for one (1) roller only.  
 The number of rollers used is 12.



TRACK CARRIER ROLLER

T-4288

\* Original equipment  
 \*\* Service replacement

ITEM	PART NO.	QTY.		DESCRIPTION
		*	**	
1	70633269	4	-	ROLLER ASSY., track carrier (Consists of items 2 thru 6, 8 thru 11 and 13 thru 19)
	70671163	-	4	
2	70633268	4	4	ROLLER
3	70640070	4	-	SHAFT
	70671162	-	4	
4	70043491	8	8	CONE ASSY., bearing
5	70074740	8	8	CUP, bearing
6	70655497	16	8	SHIM, bearing adjustment (.003" thick)
	70059618	24	12	
	70059619	20	12	
	70059617	8	4	

Use as required

(Continued)

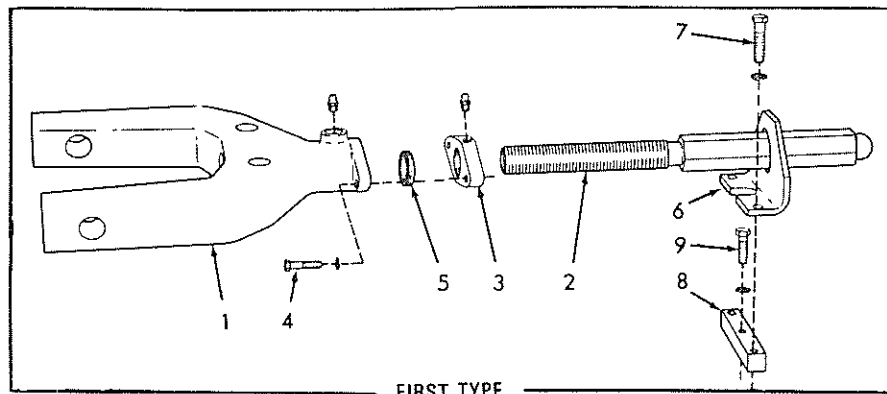
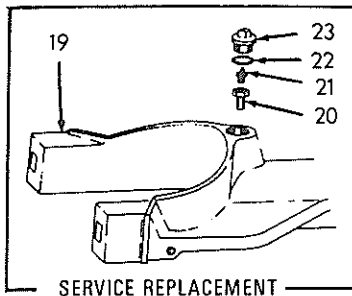
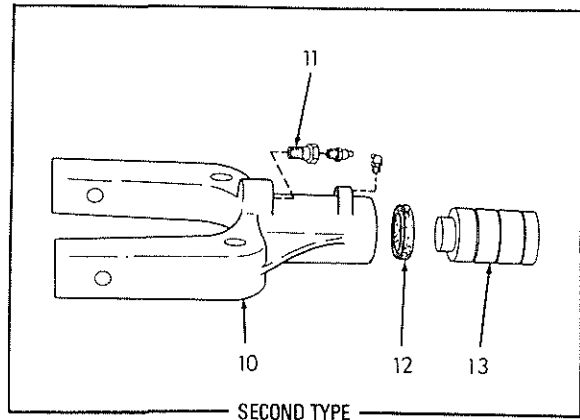
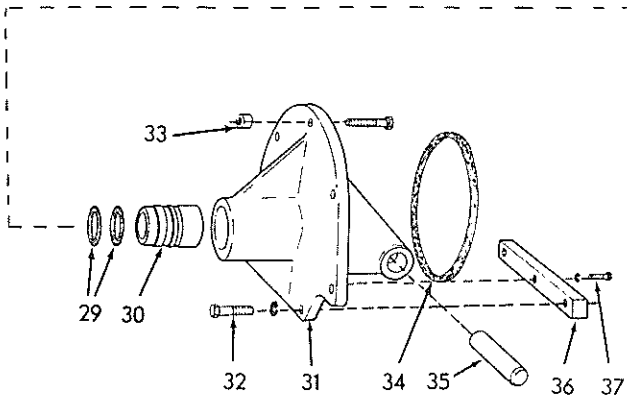
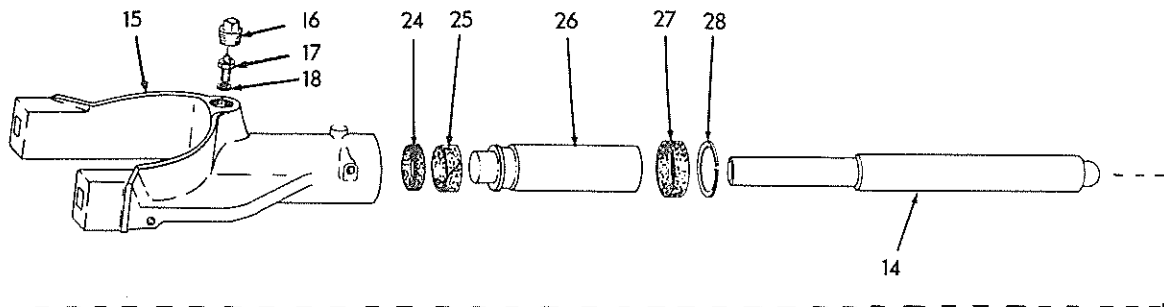
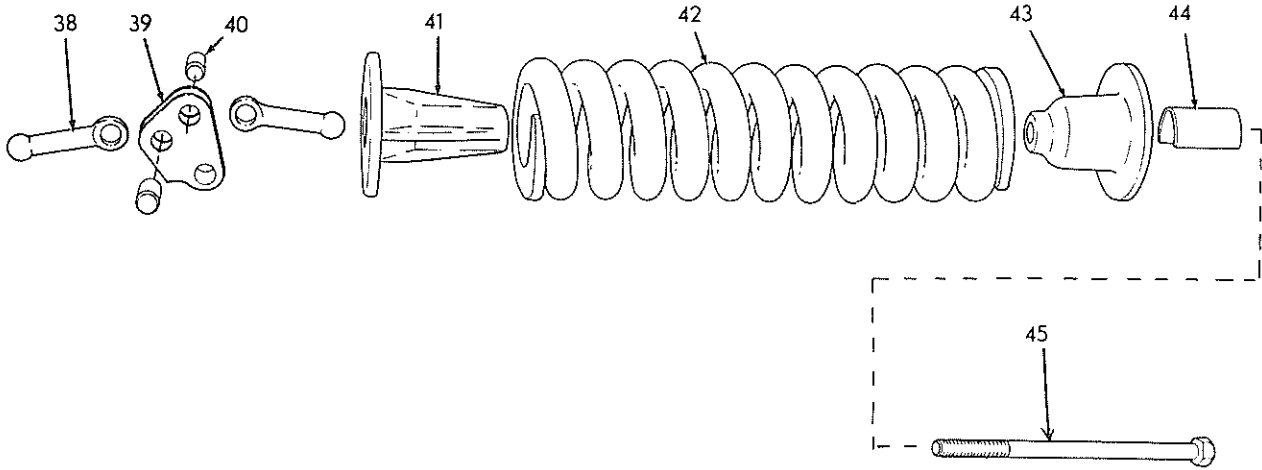
TRACK CARRIER ROLLER (Continued)

ITEM	PART NO.	QTY.	DESCRIPTION
		* **	
7	70671157	- 4	GASKET, retainer
8	70622753	4 -	RETAINER, inner bearing
	70671161	- 4	RETAINER, inner bearing
9	70923193	24 24	CAPSCREW, 3/8"NF x 1-1/4"
	70904206	24 —	LOCKWASHER, 3/8"
10	70622195	4 -	RETAINER, outer bearing
	70677276	- 4	RETAINER, outer bearing (First type)
	70678716	- 4	RETAINER, outer bearing (Second type)
11	70923193	24 24	CAPSCREW, 3/8"NF x 1-1/4"
	70904206	24 —	LOCKWASHER, 3/8"
12	70923586	- 4	O-RING, retainer (3-3/4"O. D.)(First type)
	70923931	- 4	O-RING, retainer (3-7/8"O. D.)(Second type)
13	70067253	4 -	□RING, seal, inner
14	70905357	4 -	□BALL, steel. 3/16" diam.
15	70923585	4 -	□O-RING, seal ring
16	70067251	4 -	□RING, seal, outer
17	70048681	4 -	SPRING ASSY., seal (Serviced only as a unit)
18	70048679	4 -	BOOT, seal spring
19	70622751	4 -	RETAINER, seal
	70671160	- 4	RETAINER, seal
20	70671158	- 4	SEAL ASSY. (Serviced only as a unit)
21	70012561	4 4	CAPSCREW, bracket clamping (1"NF x 5-1/4")
22	70600236	4 4	NUT, high, 1"NF
23	70084593	4 4	BRACKET
24	70075567	8 8	CAPSCREW, 3/4"NF x 6-1/2"
25	70051634	8 8	CAPSCREW, 3/4"NF x 5-3/4"
26	70012984	8 8	CAPSCREW, 3/4"NF x 2-3/4"
27	70012767	24 24	NUT, high, 3/4"NF
28	70033288	- -	CEMENT, neoprene, 1/2 pint can
29	70054890	- -	SOLVENT, neoprene cement, 1/2 pint can
30	70073169	4 -	SEAL KIT (Includes parts for one (1) roller assembly only; items 13 thru 16)

} For cementing seal boots

□ Indicates component of item 30

(Revised March 1972)



TRACK RELEASE

T-72957



TRACK RELEASE

\* Mechanical adjustment. Standard on tractors prior to serial No. 7983 including serial No. 8825, 8827, 8828 and 8829.  
 \*\* Hydraulic adjustment. Standard on tractors serial No. 7983 thru 8666.  
 △ Hydraulic adjustment. Tractors serial No. 8667 and up excluding serial No. 8825, 8827, 8828 and 8829.

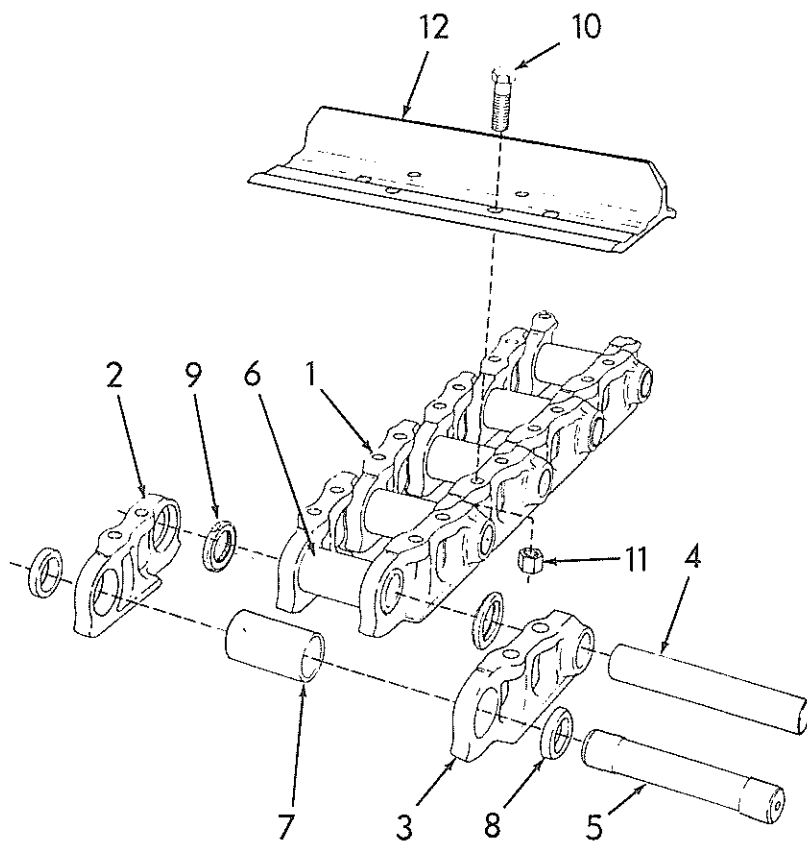
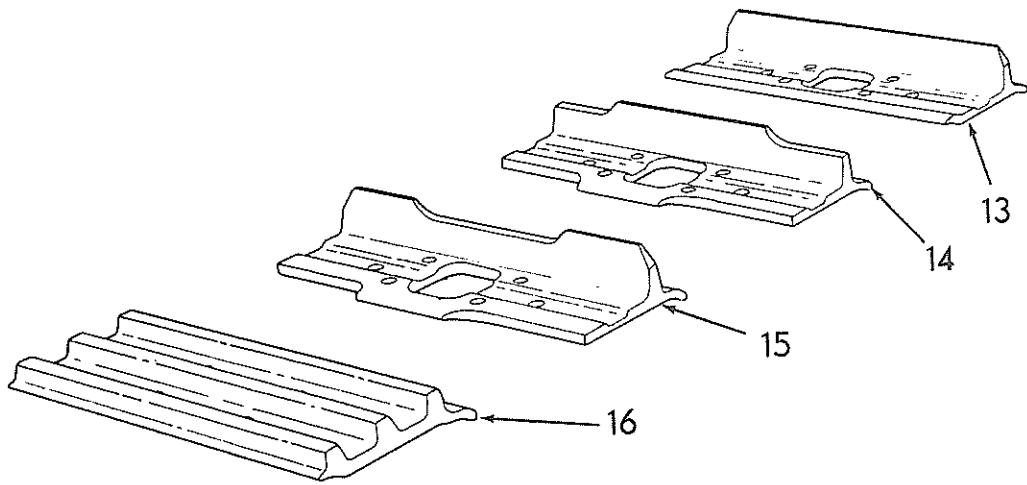
ITEM	PART NO.	QUANTITY			DESCRIPTION
		*	**	△	
1	70059735	2	-	-	YOKE
	70914465	2	-	-	FITTING, lubricating, straight, 1/8"NPT
2	70079660	2	-	-	SCREW, adjustment
3	70056614	2	-	-	LOCK, adjustment screw
	70914465	2	-	-	FITTING, lubricating, straight, 1/8"NPT
4	70035067	4	-	-	CAPSCREW, 1/2"NF x 2"
	70904208	4	-	-	LOCKWASHER, 1/2"
5	70066068	2	-	-	SEAL, protecting, adjustment screw threads (rubber)
6	70096630	2	-	-	BRACKET, supporting, adjustment screw
7	70023618	4	-	-	CAPSCREW, 5/8"NF x 2-1/2"
	70904209	4	-	-	LOCKWASHER, 5/8"
8	70093431	2	-	-	BLOCK, mounting, adjustment screw bracket
9	70035229	2	-	-	CAPSCREW, 5/8"NF x 2"
	70904209	2	-	-	LOCKWASHER, 5/8"
10	-----	-	2	-	YOKE ASSY. (Includes items 11 thru 13 and FITTING indented below)(Original equipment. Order YOKE 70675246 and BAR 70667080)
	70915275	-	2	-	FITTING, lubricating, 65°, 1/8"NPT
11	70628915	-	2	-	VALVE ASSY., relief (Serviced only as a unit)
	70912808	-	2	-	FITTING, straight, 1/4" tapered thread (pressurizing)
12	70628937	-	2	-	SEAL, piston
13	70628936	-	2	-	PISTON, adjusting
14	70644382	-	2	-	} Original equipment
	70664626	-	-	2	
	70667080	-	2	2	
15	-----	-	-	2	YOKE ASSY. (Includes items 16 thru 18 and 24 thru 28) (Original equipment. Order YOKE 70675246 and BAR 70677080 )
16	70665040	-	-	2	} Original equipment
17	70644330	-	-	2	
18	70908191	-	-	2	
19	70675246	-	2	2	YOKE ASSY. (Includes items 20 thru 28)(Service replacement)
20	70676455	-	2	2	} For use in YOKE 70675246
21	70676456	-	2	2	
22	70623144	-	2	2	
23	70644255	-	2	2	

(Continued)

TRACK RELEASE (Continued)

ITEM	PART NO.	QUANTITY			DESCRIPTION
		*	**	△	
24	70628937	-	-	2	SEAL, piston (Original equipment)
	70670648	-	2	2	SEAL, piston (For use in YOKE 70675246 )
25	70664171	-	-	2	RING, wear, adjusting piston
26	70664169	-	-	2	PISTON, adjusting (8-3/4" bore-depth)(Original equipment)
	70667104	-	2	2	PISTON, adjusting (4" bore-depth)(For use in YOKE 70675246)
27	70664170	-	-	2	RING, wear, release yoke
28	70065513	-	-	2	RING, snap
29	70923827	4	4	4	O-RING, crosshead
30	70621299	2	2	2	CROSSHEAD
31	-----	2	-	-	GUIDE, crosshead (Used prior to tractor #7336 including #7338. Order GUIDE 70649679 and BELLCRANK 70649678 )
	70649679	2	2	2	GUIDE, crosshead (Effective with tractor #7336 excluding #7338)
32	70023618	14	14	14	CAPSCREW, 5/8"NF x 2-1/2"
	70904209	4	4	4	LOCKWASHER, 5/8"
33	70072366	10	10	10	NUT, high, 5/8"NF
34	70059742	2	2	2	GASKET, crosshead guide
35	70059737	2	2	2	PIN, bellcrank pivot
36	70059599	2	2	2	BLOCK, mounting, crosshead guide
37	70035073	2	2	2	CAPSCREW, 1/2"NF x 1-3/4"
	70904208	2	2	2	LOCKWASHER, 1/2"
38	70059731	4	4	4	ROD, push
39	70649678	2	2	2	BELLCRANK
40	70051798	4	4	4	PIN, push rod
41	70059740	2	2	2	PLUNGER, spring
42	70664879	2	2	2	SPRING
43	-----	2	2	-	SEAT, spring (Tractors prior to #8617)(Order SEAT 70664813 and LOCK 70664843)
	70664813	-	2	2	SEAT, spring (Tractors #8617 and up)
44	70059738	2	2	-	LOCK, spring adjustment capscrew (4-5/8" long) (Tractors prior to #8617)
	70664843	-	2	2	LOCK, spring adjustment capscrew (5-1/8" long) (Tractors #8617 and up)
45	70059739	2	2	2	CAPSCREW, spring adjustment





TRACK

T-10684

Martin Berling 079548  
TRACK

Su #5901

\* Original equipment on tractors prior to serial No. 7172 (Unsealed)  
 \*\* Original equipment on tractors serial No. 7172 and up; also  
 tractor serial No. 64A09551 and up)(Sealed type)  
 \*\*\* Service option (Unsealed type)

ITEM	PART NO.	QUANTITY			DESCRIPTION
		*	**	***	
1	-----	2	-	-	CHAIN ASSY. (41 links)(Consists of items 2 thru 8)(For unsealed track order CHAIN ASSY. 70679815 )
	70677560	-	2	-	CHAIN ASSY. (41 links)(Consists of items 2 thru 7 and 9)
	70679815	-	-	2	CHAIN ASSY. (41 links)(Consists of items 2 thru 8)
2	70632975	82	-	-	LINK, left
	70676871	-	80	80	LINK, left
	70664957	-	2	-	LINK, master, left
	70677491	-	-	2	LINK, master, left
3	70664956	82	80	-	LINK, right
	70676872	-	-	80	LINK, right
	70645934	-	2	-	LINK, master, right
	70677492	-	-	2	LINK, master, right
4	70633365	80	80	80	PIN (10-1/4" long)
5	70665383	2	2	2	PIN, master (10-1/4" long)
6	70633364	80	-	80	BUSHING (7-3/4" long)
	70645920	-	80	-	BUSHING (6-15/16" long)
7	70645947	2	2	2	BUSHING, master (6-3/4" long)
8	70633266	4	-	-	SPACER, master bushing (1/2" thick)
	70679734	-	-	4	SPACER, master bushing (3/8" thick)
9	70645784	-	164	-	SEAL
10	70097324	328	328	328	BOLT, track shoe (3/4"NF x 2-1/2")
	70655820	-	328	328	BOLT, track shoe (3/4"NF x 2-5/8")(For severe-service shoes only)
11	70083617	328	328	328	NUT, high, 3/4"NF

(Continued)

TRACK (Continued)

ITEM	PART NO.	QUANTITY			DESCRIPTION	COMPLETE TRACK ASSEMBLIES WITH SHOES (2 Required)		
		*	**	***		*	**	***
12	70633380	82	82	82	SHOE, grouser, 18"	-----	.70677518	.70682033
	70633270	82	82	82	SHOE, grouser, 20"	-----	.70664963	.70679816
	70655822	-	82	82	SHOE, grouser, 20" (Severe service)	-----	.70665007	.70679817
	70633355	82	82	82	SHOE, grouser, 22"	-----	.70647215	.70682034
	70659763	-	82	82	SHOE, grouser, 22" (Severe service)	-----	.70677509	.70682035
	70633390	82	82	82	SHOE, grouser, 24"	-----	.70647209	.70682036
	70669193	-	82	82	SHOE, grouser, 24" (Severe service)	-----	.70669175	.70682037
	70650155	-	41	-	SHOE, grouser, left side, 26" (offset)	-----	.70677523	. . . . .
	70650156	-	41	-	SHOE, grouser, right side, 26" (offset)	-----	.70677524	. . . . .
	70633454	82	82	82	SHOE, grouser, 28"	-----	.70679160	.70682038
13	70633337	82	82	-	SHOE, grouser, open center, 18"	-----	.70677510	. . . . .
	70633356	82	82	-	SHOE, grouser, open center, 22"	-----		
	70633375	82	82	-	SHOE, grouser, open center, 24"	-----		
14	70633345	40	40	-	SHOE, grouser, snow and ice, single calk, open center, 20"			
15	70633346	42	42	-	SHOE, grouser, snow and ice, double calk, open center, 20"			
16	70650154	82	82	-	SHOE, semi-grouser, 24"	-----	.70677512	. . . . .
	70633446	82	82	-	SHOE, semi-grouser, open center, 22"	-----	.70677517	. . . . .

NOTE: Complete TRACK ASSEMBLIES with SHOES are furnished only in sizes and types as listed. Assemblies other than those listed, may be made up in the field by ordering the various components.

TRACK IDLER

\* Tractors prior to serial No. 8019 excluding Nos. 8003, 8008, 8011, 8017  
 \*\* Tractors serial No. 8019 and up, including Nos. 8003, 8008, 8011, 8017  
 \*\*\* Service replacement

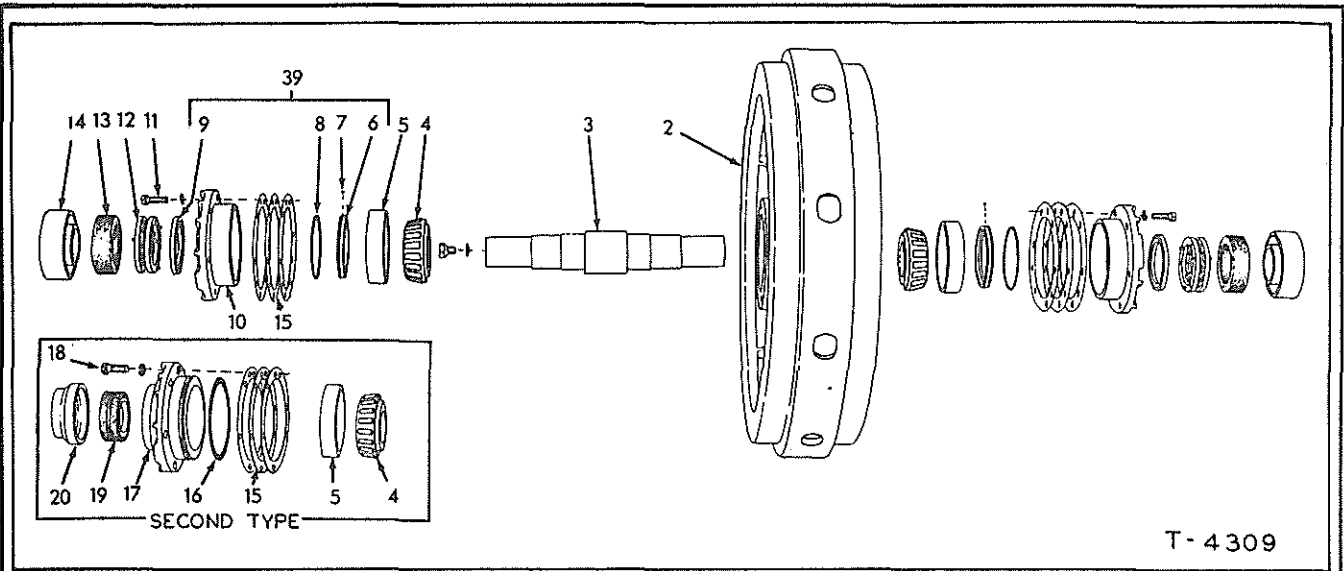
ITEM	PART NO.	QUANTITY			DESCRIPTION
		*	**	***	
1	-----	2	2	-	IDLER ASSY., track (Spoke-type. Order IDLER 70665317, 6 SHIMS 70669302, 6 SHIMS 70669303, 2 PLATES 70669298 and 2 CAPSCREWS 70926566 )(Includes items 2 thru 15)
	70665317	-	-	2	IDLER ASSY., track (Solid-type)(Includes items 2 thru 20)
2	70655987	2	2	-	IDLER
	70669703	-	-	2	IDLER
3	70622001	2	2	-	SHAFT
	70676364	-	-	2	SHAFT
4	70042873	4	4	-	CONE ASSY., bearing (Tractors prior to unit #09644)
	70669786	-	4	4	CONE ASSY., bearing (Tractor unit #09644 and up)
5	70042898	4	4	-	CUP, bearing (Tractors prior to unit #09644)
	70069328	-	4	4	CUP, bearing (Tractor unit #09644 and up)
6	70067139	4	4	-	□RING, seal, inner (Tractors prior to unit #09644)
	70670623	-	4	4	□RING, seal, inner (Tractor unit #09644 and up)
7	70905357	4	4	4	□BALL, steel, 3/16" diam.
8	70067137	4	4	4	□O-RING, seal ring
9	70051623	4	4	4	□RING, seal, outer
10	70067141	4	4	4	RETAINER, bearing
11	70035018	24	24	24	CAPSCREW, 1/2"NF x 1-1/2"
	70904208	24	24	24	LOCKWASHER, 1/2"
12	70051959	4	4	4	SPRING ASSY., seal (Serviced only as a unit)
13	70051629	4	4	4	BOOT, seal
14	70099506	4	4	4	RETAINER, seal
15	70655528	8	8	4	SHIM, bearing adjustment (.003" thick)
	70059387	8	8	8	SHIM, bearing adjustment (.007" thick)
	70059386	12	12	12	SHIM, bearing adjustment (.010" thick)
	70059385	4	4	4	SHIM, bearing adjustment (.032" thick)

} First type

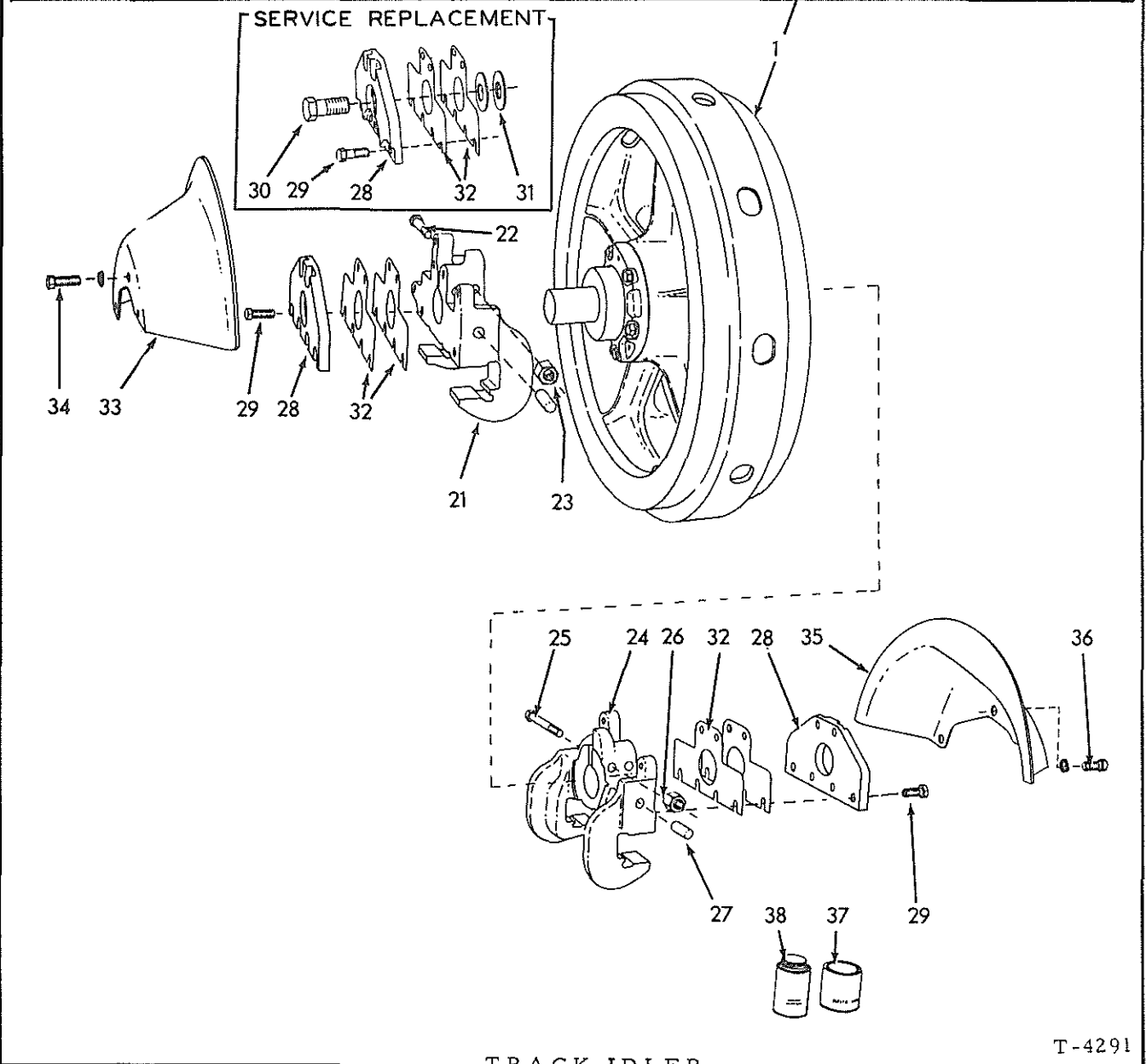
} Use as required

□ Indicates component of item 39

(Continued)



T-4309



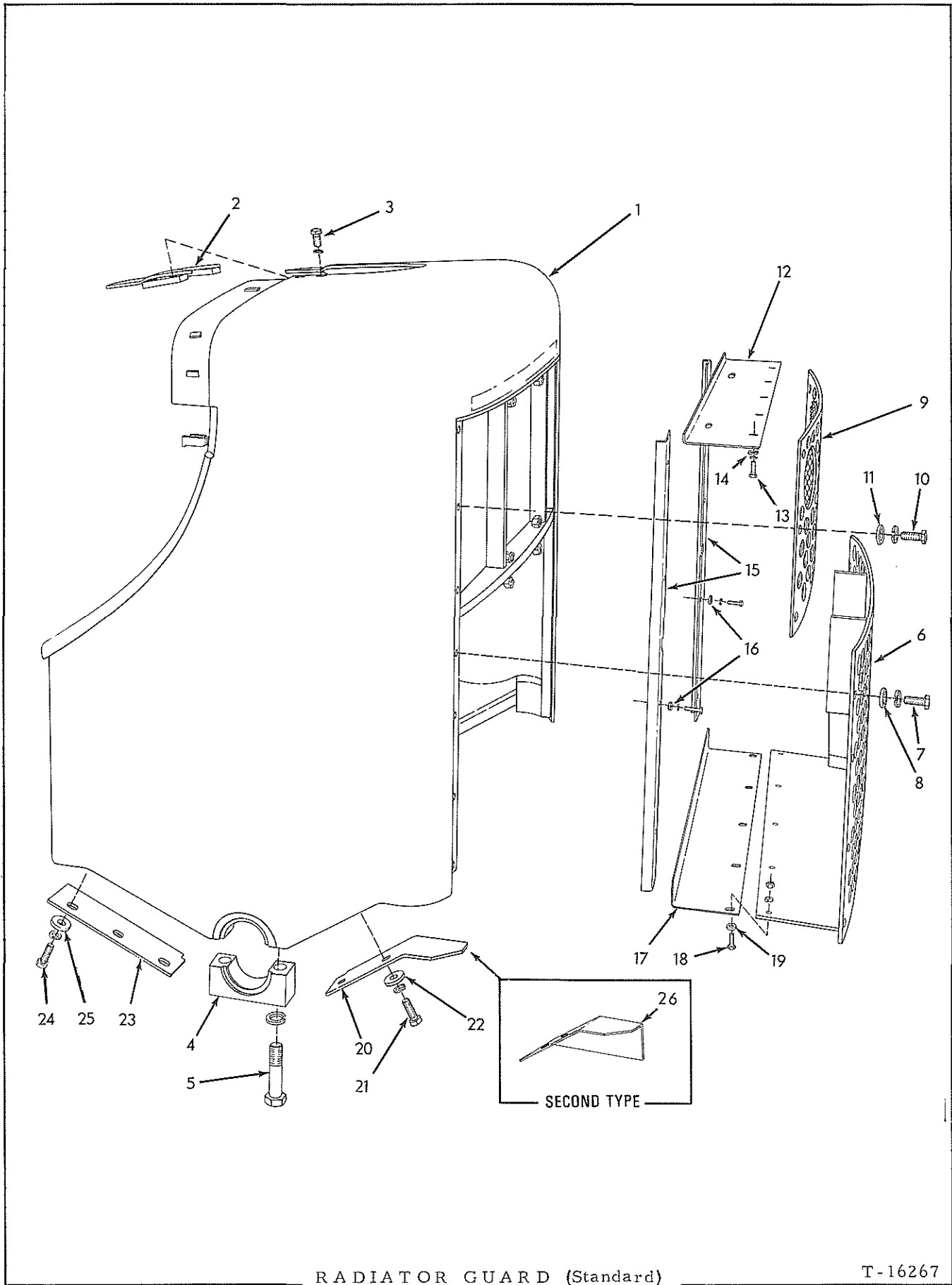
TRACK IDLER

T-4291



TRACK IDLER (Continued)

ITEM	PART NO.	QUANTITY			DESCRIPTION	
		*	**	***		
16	70924138	-	-	4	O-RING, retainer	} Second type
17	70677694	-	-	4	RETAINER, bearing	
18	70922726	-	-	24	CAPSCREW, 1/2"NF x 1-1/2"	
	70912441	-	-	24	LOCKWASHER, 1/2"	
19	70670071	-	-	4	SEAL ASSY. (Serviced only as a unit)	
20	70677696	-	-	4	RETAINER, seal	
21	{ 70639025	2	-	-	BRACKET ASSY., left (Includes item 27)	
	{ 70655993	-	2	2	BRACKET ASSY., left (Includes item 27)	
22	70638796	4	4	4	CAPSCREW, 5/8"NF x 5"	
23	70072366	4	4	4	NUT, high, 5/8"NF	
24	{ 70639026	2	-	-	BRACKET ASSY., right (Includes item 27)	
	{ 70655994	-	2	2	BRACKET ASSY., right (Includes item 27)	
25	70638796	4	4	4	CAPSCREW, 5/8"NF x 5"	
26	70072366	4	4	4	NUT, high, 5/8"NF	
27	70056585	4	4	4	PIN, dowel, idler bracket to release yoke	
28	{ 70638957	4	-	-	PLATE, guide	
	{ 70655995	-	4	-	PLATE, guide	
	{ 70669298	-	-	4	PLATE, guide	
29	70035014	24	24	24	CAPSCREW, 5/8"NF x 1-1/2"	
30	70926566	-	-	4	CAPSCREW, idler adjustment (1"NF x 2")	
31	{ 70669302	-	-	12	SHIM, idler adjustment (1/16" thick)	} Use as required
	{ 70669303	-	-	12	SHIM, idler adjustment (1/32" thick)	
32	{ 70639058	8	-	-	SHIM, guide plate (1/32" thick)	} Use as required
	{ 70655990	-	8	8	SHIM, guide plate (1/32" thick)	
	{ 70638956	4	-	-	SHIM, guide plate (1/16" thick)	
	{ 70655989	-	4	4	SHIM, guide plate (1/16" thick)	
33	{ 70638997	2	-	-	GUARD, left	} Special equipment
	{ 70081405	-	2	2	GUARD, left	
34	70916405	6	6	6	CAPSCREW, 5/8"NF x 1-1/2"	
	70904209	6	6	6	LOCKWASHER, 5/8"	
35	{ 70638998	2	-	-	GUARD, right	
	{ 70081406	-	2	2	GUARD, right	
36	70916405	6	6	6	CAPSCREW, 5/8"NF x 1-1/2"	
	70904209	6	6	6	LOCKWASHER, 5/8"	
37	70033288	-	-	-	CEMENT, neoprene, 1/2 pint can	} For cementing seal boots
38	70054890	-	-	-	SOLVENT, neoprene cement, 1/2 pint can	
39	70083209	2	2	-	SEAL KIT (Includes parts for one (1) idler only; items 6 thru 9)	



RADIATOR GUARD (Standard)

T-16267

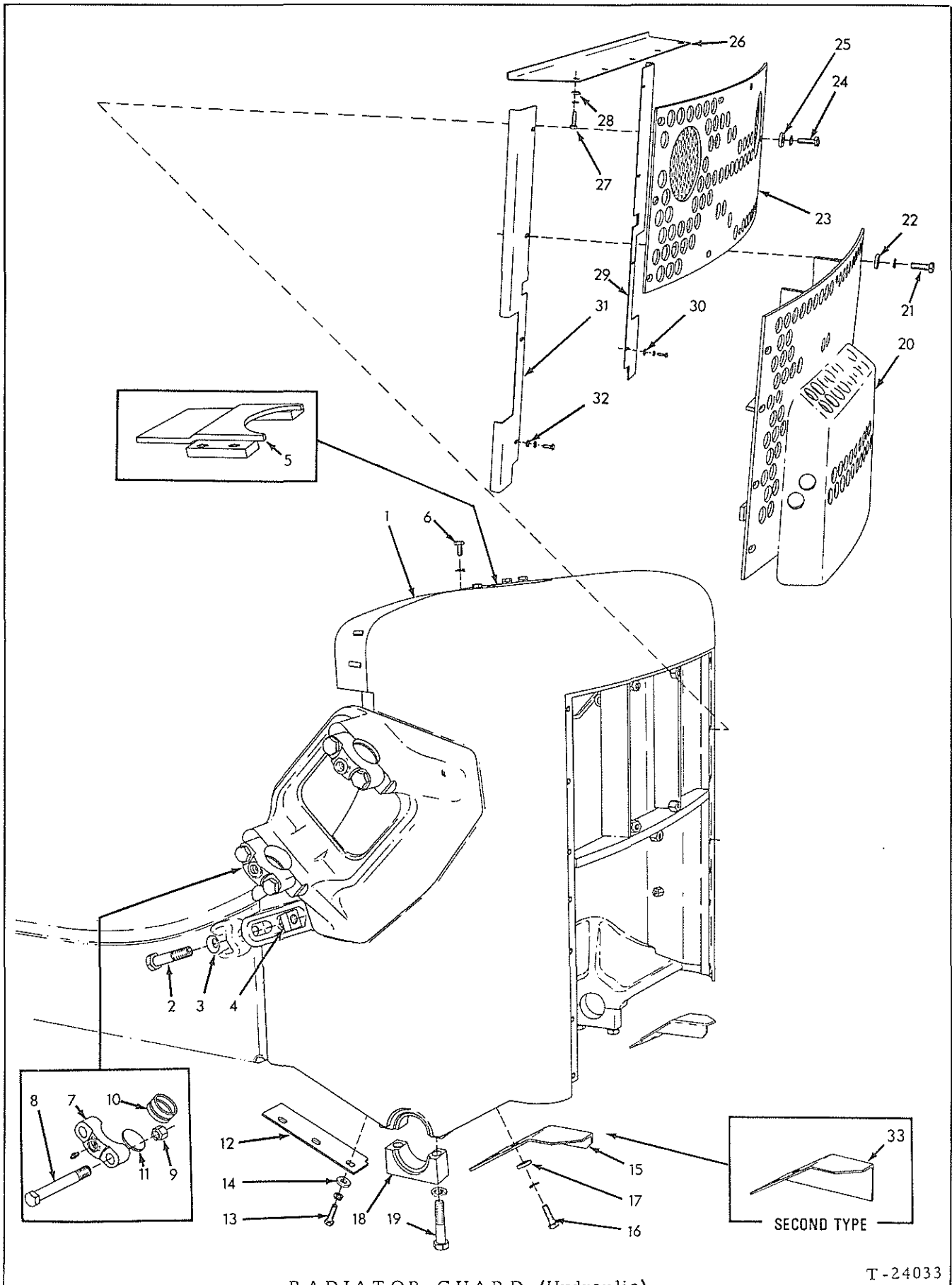
(Revised March 1972)

RADIATOR GUARD

USAGE: Standard equipment. See following pages for optional designs

ITEM	PART NO.	QTY.	DESCRIPTION	
1	70093198	1	GUARD ASSEMBLY, radiator (Includes items 2 thru 5)	
2	70084413	1	PLATE, top closure	
3	70070590	4	CAPSCREW, 5/8"NF x 1-1/8"	
	70904209	4	LOCKWASHER, 5/8"	
4	70649455	2	CAP, guard pivot	
5	70038203	4	CAPSCREW, 1"NF x 4-1/2"	
	70910916	4	LOCKWASHER, 1"	
6	70093178	1	PLATE, front closure, lower	
7	70036707	10	CAPSCREW, 5/8"NC x 1-3/4"	
	70904209	10	LOCKWASHER, 5/8"	
8	70064810	10	WASHER, plain	
9	70093183	1	PLATE, front closure, upper	
10	70036707	10	CAPSCREW, 5/8"NC x 1-3/4"	
	70904209	10	LOCKWASHER, 5/8"	
11	70064810	10	WASHER, plain	
12	70093224	1	BAFFLE, air, upper	
13	70012992	5	CAPSCREW, 3/8"NF x 1-1/4"	
	70904206	5	LOCKWASHER, 3/8"	
14	70044973	5	WASHER, plain	
15	70084655	2	BAFFLE, air, side (Attached to radiator)	
	70911168	8	CAPSCREW, 5/16"NF x 7/8"	
	70904205	8	LOCKWASHER, 5/16"	
16	70092665	8	WASHER, plain	
17	70088044	1	BAFFLE, air, lower	
18	70012992	5	CAPSCREW, 3/8"NF x 1-1/4"	
19	70044973	5	WASHER, plain	
	70904206	5	LOCKWASHER, 3/8"	
	70911041	5	NUT, 3/8"NF	
	70098097	1	PLATE, bottom closure, left front	} Used prior to tractor #7801
20	70098098	1	PLATE, bottom closure, right front	
	70035229	4	CAPSCREW, 5/8"NF x 2"	
	70904209	4	LOCKWASHER, 5/8"	
22	70064810	4	WASHER, plain	
	70084979	2	PLATE, bottom closure, rear	
24	70035229	6	CAPSCREW, 5/8"NF x 2"	
	70904209	6	LOCKWASHER, 5/8"	
25	70064810	6	WASHER, plain	
	70665295	1	PLATE, bottom closure, left side	} Tractors #8775 and up
26	70665296	1	PLATE, bottom closure, right side	
	70916314	4	CAPSCREW, 1/2"NC x 2"	
	70064531	3	WASHER, plain	
	70904208	4	LOCKWASHER, 1/2"	
	70911028	4	NUT, 1/2"	

NOTE: See PAINTING AND MARKING for transfer



RADIATOR GUARD (Hydraulic)

T-24033

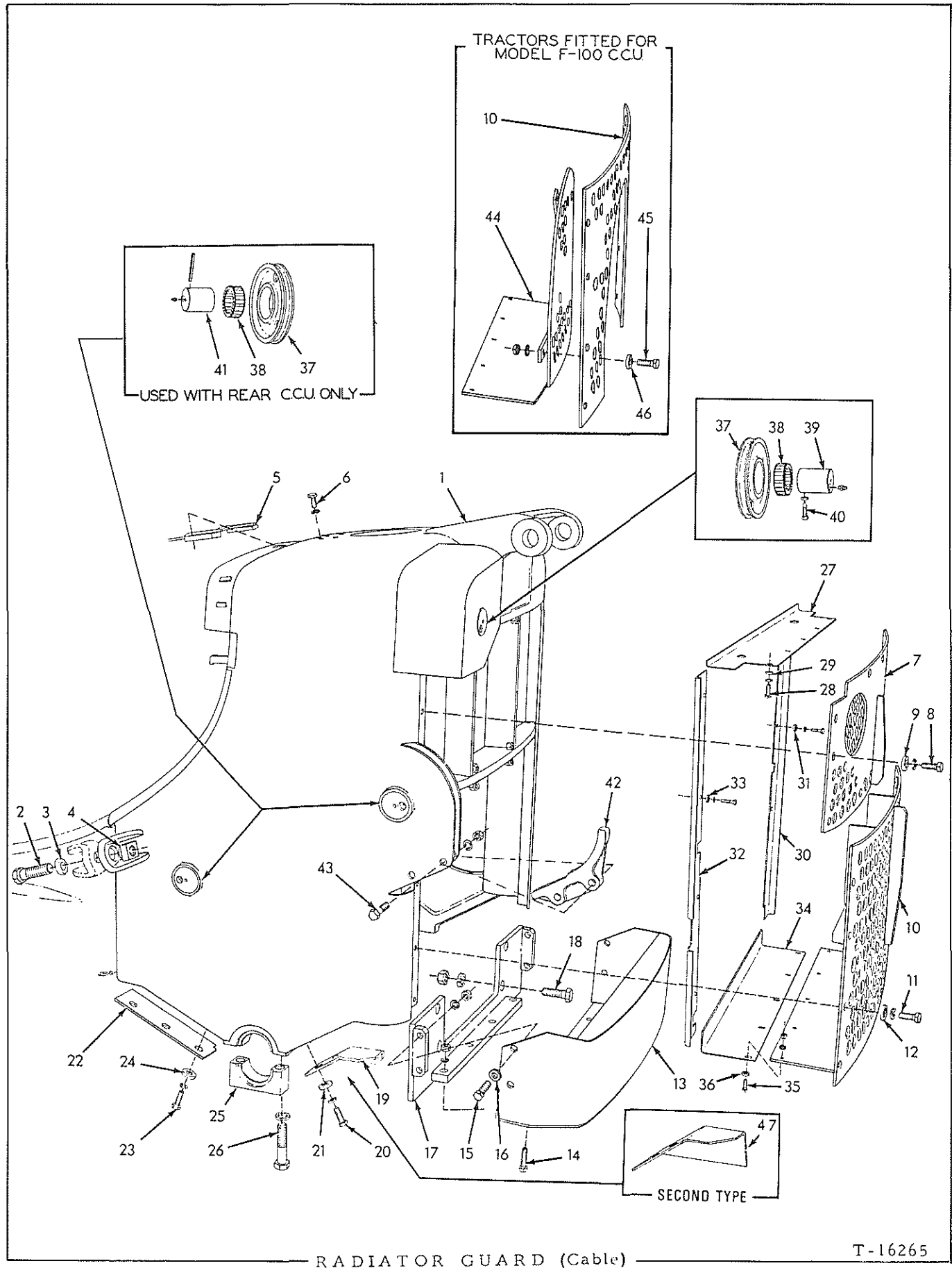
RADIATOR GUARD (Hydraulic)

USAGE: Tractors equipped with hydraulic dozer

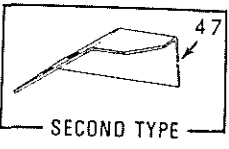
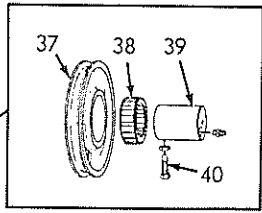
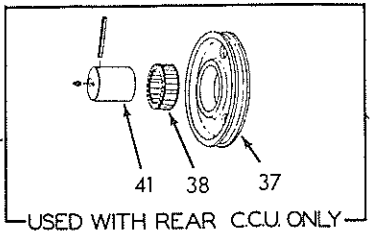
ITEM	PART NO.	QTY.	DESCRIPTION
	-----	1	GUARD ASSEMBLY, radiator (Includes items 5 thru 9, 18, 19, 21 and 24)(Used prior to June 15, 1965. For dozer cylinders with 37-1/2" stroke)(Order GUARD ASSY. 70650380)
1	70650380	1	GUARD ASSEMBLY, radiator (Includes 5 thru 9, 18 and 19)(Effective June 15, 1965. For dozer cylinders with 43" stroke)
2	70089231	2	CAPSCREW, guard supporting
3	70089229	2	WASHER, spherical
4	70089230	2	NUT, spherical
5	70084413	1	PLATE, top closure
6	70070590	4	CAPSCREW, 5/8"NF x 1-1/8"
	70904209	4	LOCKWASHER, 5/8"
7	70085140	4	CAP, trunnion
	70914465	4	FITTING, lubricating, straight, 1/8"NPT
8	70070861	8	CAPSCREW, 1"NF x 10-1/2"
9	70600236	8	NUT, high, 1"NF
10	70084581	4	BUSHING, trunnion
11	70084612	4	PLATE, retaining, trunnion bushing
12	70084979	2	PLATE, bottom closure, rear
13	70035229	6	CAPSCREW, 5/8"NF x 2"
	70904209	6	LOCKWASHER, 5/8"
14	70064810	6	WASHER, plain
15	70098095	1	PLATE, bottom closure, left front
	70098096	1	PLATE, bottom closure, right front
16	70035229	4	CAPSCREW, 5/8"NF x 2"
	70904209	4	LOCKWASHER, 5/8"
17	70064810	4	WASHER, plain
18	70649455	2	CAP, guard pivot
19	70038203	4	CAPSCREW, 1"NF x 4-1/2"
	70910916	4	LOCKWASHER, 1"
	70664758	1	PLATE, front closure, lower
20	70093178	1	PLATE, front closure, lower (Permits use of front bumper when hydraulic pump is not installed)
21	70036707	9	CAPSCREW, 5/8"NC x 1-3/4"
	70904209	9	LOCKWASHER, 5/8"
22	70064810	9	WASHER, plain
23	70093183	1	PLATE, front closure, upper
24	70036707	10	CAPSCREW, 5/8"NC x 1-3/4"
	70904209	10	LOCKWASHER, 5/8"
25	70064810	10	WASHER, plain
26	70093225	1	BAFFLE, air, upper
27	70012992	5	CAPSCREW, 3/8"NF x 1-1/4"
	70904206	5	LOCKWASHER, 3/8"
28	70044973	5	WASHER, plain
29	70093191	1	BAFFLE, air, left side
	70911168	4	CAPSCREW, 5/16"NF x 7/8"
	70904205	4	LOCKWASHER, 5/16"
30	70092665	4	WASHER, plain

Used prior to September 1966

(Continued)



TRACTORS FITTED FOR  
MODEL F-100 CCU



RADIATOR GUARD (Cable)

T-16265

RADIATOR GUARD (Hydraulic)(Continued)

ITEM	PART NO.	QTY.	DESCRIPTION
31	70093192	1	BAFFLE, air, right side
	70626497	1	BAFFLE, air, right side (For tractors with Ripper)
	70911168	4	CAPSCREW, 5/16"NF x 7/8"
32	70904205	4	LOCKWASHER, 5/16"
	70092665	4	WASHER, plain
<u>NOTE:</u> See PAINTING AND MARKING for transfer			
33	70665295	1	PLATE, bottom closure, left side
	70665296	1	PLATE, bottom closure, right side
	70916314	4	CAPSCREW, 1/2"NC x 2"
	70064531	8	WASHER, plain
	70904208	4	LOCKWASHER, 1/2"
	70911028	4	NUT, 1/2"NC

} Tractors #8775  
and up

RADIATOR GUARD (Cable)

USAGE: Tractors equipped with cable dozer

\* Used with rear-mounted cable control  
\*\* Used with front-mounted cable control

ITEM	PART NO.	QTY.	DESCRIPTION
		* **	
1	70093273	1 1	GUARD ASSY., radiator (Includes items 5, 6, 25 and 26)
2	70089231	2 2	CAPSCREW, guard supporting
3	70089229	2 2	WASHER, spherical
4	70089230	2 2	NUT, spherical
5	70084413	1 1	PLATE, top closure
6	70070590	4 4	CAPSCREW, 5/8"NF x 1-1/8"
	70904209	4 4	LOCKWASHER, 5/8"
7	70093260	1 1	PLATE, front closure, upper
8	70036707	10 10	CAPSCREW, 5/8"NC x 1-3/4"
	70904209	10 10	LOCKWASHER, 5/8"
9	70064810	10 10	WASHER, plain
10	70093098	1 -	PLATE, front closure, lower
	70099803	- 1	PLATE, front closure, lower
11	70036707	10 6	CAPSCREW, 5/8"NC x 1-3/4"
	70904209	10 6	LOCKWASHER, 5/8"
12	70064810	10 6	WASHER, plain
13	70609674	1 -	GUARD, lower section
14	70023755	4 -	CAPSCREW, 5/8"NC x 2-1/4"
15	70037573	4 -	CAPSCREW, 5/8"NC x 2-3/4"
16	70064810	4 -	WASHER, plain
	70904209	8 -	LOCKWASHER, 5/8"
	70911029	8 -	NUT, 5/8"NC
17	70609470	1 -	BRACKET, lower section guard
18	70070272	4 -	CAPSCREW, 1"NF x 3"
	70910916	4 -	LOCKWASHER, 1"
	70911047	4 -	NUT, 1"NF

(Continued)

RADIATOR GUARD (Cable)(Continued)

ITEM	PART NO.	QTY. * **	DESCRIPTION	
19	70098097	1	- PLATE, bottom closure, left front	} Used prior to September 1966
	70098098	1	- PLATE, bottom closure, right front	
	70098095	- 1	PLATE, bottom closure, left front	
	70098096	- 1	PLATE, bottom closure, right front	
20	70035229	4 4	CAPSCREW, 5/8"NF x 2"	
	70904209	4 4	LOCKWASHER, 5/8"	
21	70064810	4 4	WASHER, plain	
22	70084979	2 2	PLATE, bottom closure, rear	
23	70035229	6 6	CAPSCREW, 5/8"NF x 2"	
	70904209	6 6	LOCKWASHER, 5/8"	
24	70064810	6 6	WASHER, plain	
25	70649455	2 2	CAP, guard pivot	
26	70038203	4 4	CAPSCREW, 1"NF x 4-1/2"	
	70910916	4 4	LOCKWASHER, 1"	
27	70093241	1 1	BAFFLE, air, upper	
28	70012992	5 5	CAPSCREW, 3/8"NF x 1-1/4"	
	70904206	5 5	LOCKWASHER, 3/8"	
29	70044973	5 5	WASHER, plain	
30	70084655	1 1	BAFFLE, air, left side	
	70911168	4 4	CAPSCREW, 5/16"NF x 7/8"	
	70904205	4 4	LOCKWASHER, 5/16"	
31	70092665	4 4	WASHER, plain	
32	70085087	1 1	BAFFLE, air, right side	
	70911168	4 4	CAPSCREW, 5/16"NF x 7/8"	
	70904205	4 4	LOCKWASHER, 5/16"	
33	70092665	4 4	WASHER, plain	
34	70088044	1 -	BAFFLE, air, lower	
35	70012992	5 -	CAPSCREW, 3/8"NF x 1-1/4"	
36	70044973	5 -	WASHER, plain	
	70904206	5 -	LOCKWASHER, 3/8"	
	70911041	5 -	NUT, 3/8"NF	
37	70084758	3 1	SHEAVE, control cable	
38	70044875	3 1	BEARING, roller, cable sheave	
39	70084757	1 1	SHAFT, front sheave	
	70914465	1 1	FITTING, lubricating, straight, 1/8"NPT	
40	70035188	1 1	SETSCREW, shaft retaining	
	70911035	1 1	NUT, jam, 1/2"NC	
41	70084384	2 -	SHAFT, side sheaves	
	70914465	2 -	FITTING, lubricating, straight, 1/8"NPT	
	70917936	2 -	PIN, spring, 3/8" x 3-1/2"	
	70093043	- 2	CUP, hole closure	
	70917936	- 2	PIN, spring, 3/8" x 3-1/2"	

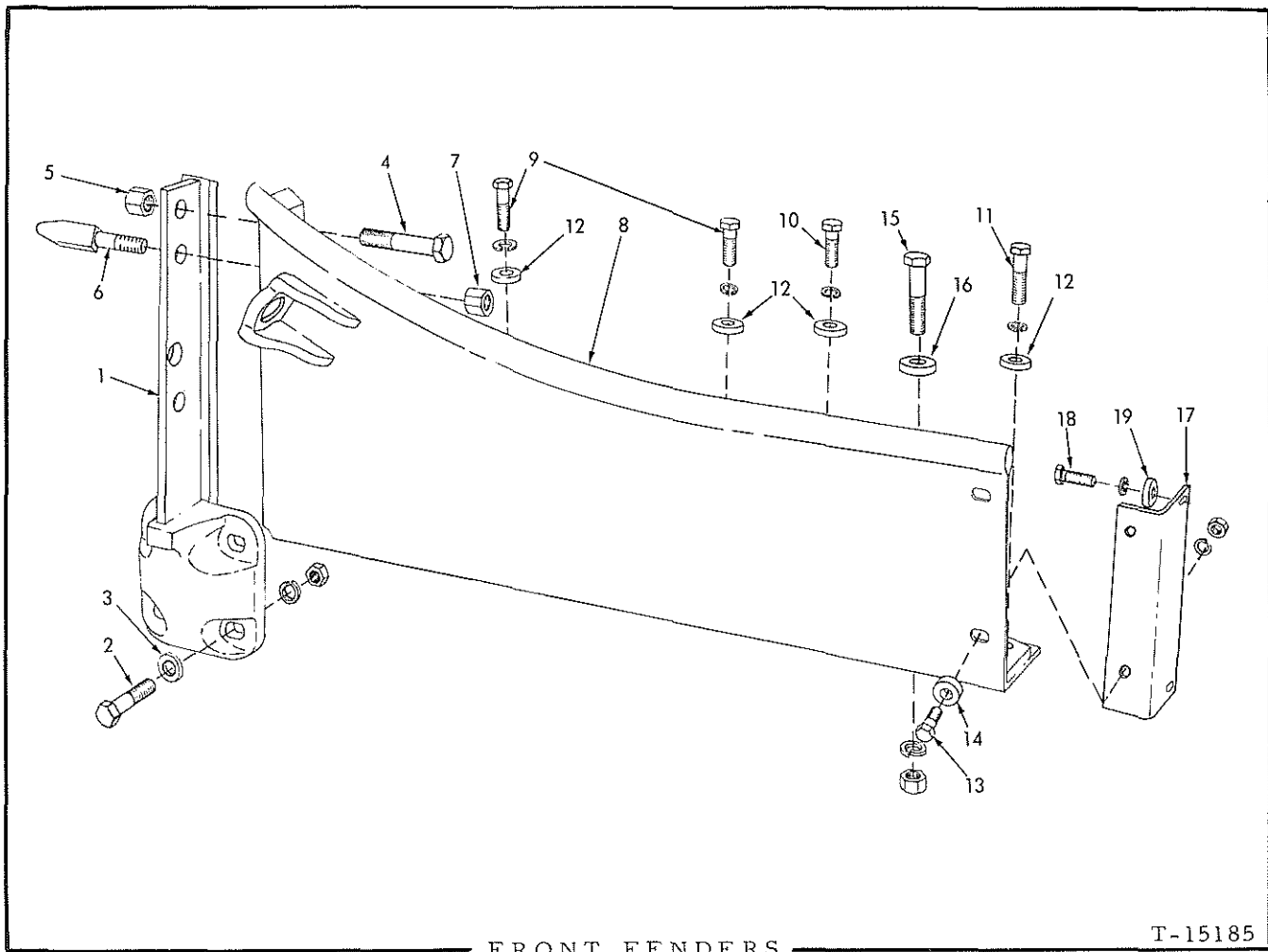
(Continued)



RADIATOR GUARD (Cable)(Continued)

ITEM	PART NO.	QTY.	DESCRIPTION
		* **	
42	70084694	1 -	GUIDE, cable
	70085058	- 1	GUIDE, false (Serves as sheave compartment dirt closure)
43	70035306	2 2	CAPSCREW, 5/8"NF x 3-1/4"
	70904209	2 2	LOCKWASHER, 5/8"
	70911044	2 -	NUT, 5/8"NF
	70094455	- 1	BLOCK, tapped
44	70620859	- 1	PLATE, closure (For use only when F-100 Cable Control Unit is removed)
45	70036707	- 4	CAPSCREW, 5/8"NC x 1-3/4"
46	70086961	- 4	WASHER, plain
	70904209	- 4	LOCKWASHER, 5/8"
	70911029	- 4	NUT, 5/8"NC
47	70665295	1 -	PLATE, bottom closure, left side
	70665296	1 -	PLATE, bottom closure, right side
	70916314	4 -	CAPSCREW, 1/2"NC x 2"
	70064531	8 -	WASHER, plain
	70904208	4 -	LOCKWASHER, 1/2"
	70911028	4 -	NUT, 1/2"NC

Tractors #8775 and up



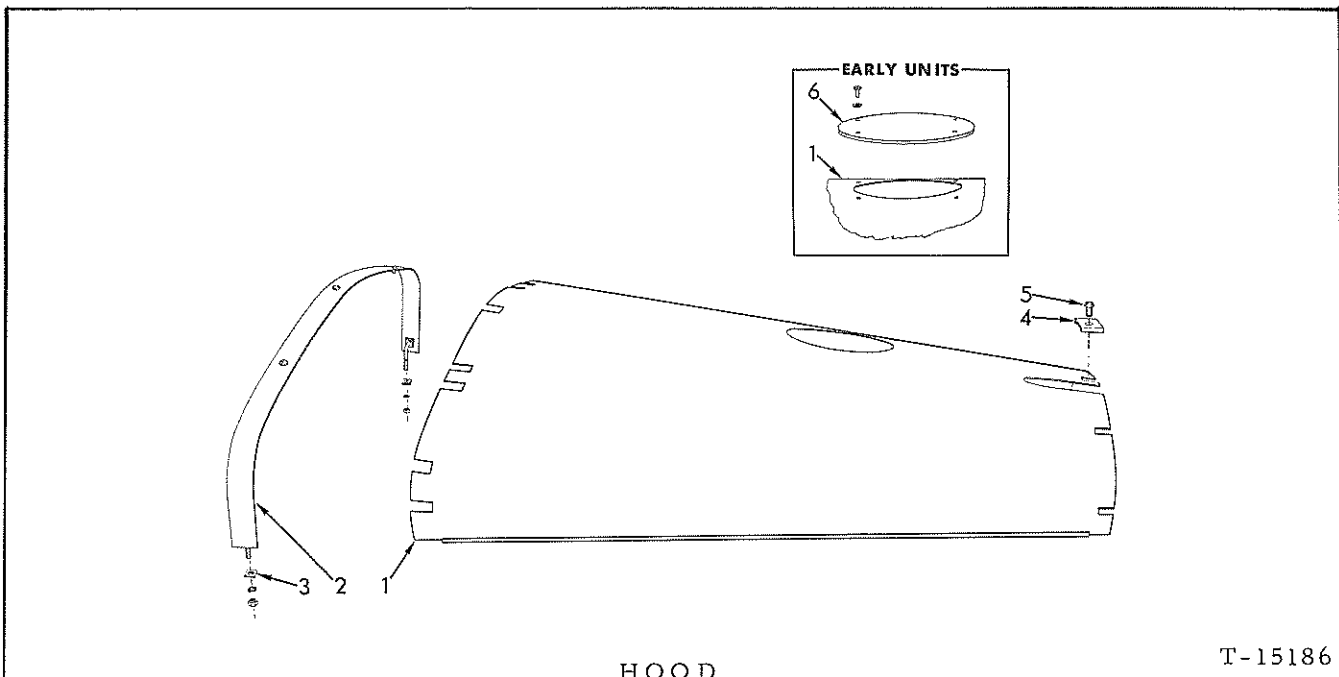
\* Units with Standard Radiator Guard  
 \*\* Units with Hydraulic or Cable Radiator Guards

ITEM	PART NO.	QTY.		DESCRIPTION
		*	**	
1	70084773	2	2	BRACKET, fender attachment
2	70052527	8	8	CAPSCREW, 3/4"NF x 3-1/2"
3	70085957	8	8	WASHER, plain
	70904369	8	8	LOCKWASHER, 3/4"
	70911045	8	8	NUT, 3/4"NF
4	70085026	4	4	CAPSCREW, fender attachment (7/8"NF x 4-1/2")
5	70070400	4	4	NUT, high, 7/8"NF
6	-----	2	2	PIN, guide, radiator guard (Discontinued. Not needed)
7	70012767	2	2	NUT, high, 3/4"NF

(Continued)

FRONT FENDERS (Continued)

ITEM	PART NO.	QTY.		DESCRIPTION
		*	**	
8	70630115	1	-	FENDER, left side
	70630116	1	-	FENDER, right side
	70630117	-	1	FENDER, left side
	70630118	-	1	FENDER, right side (For all tractors except those equipped with cable dozer using rear-mounted cable control unit)
	70630119	-	1	FENDER, right side (For tractors equipped with cable dozer using rear-mounted cable control unit)
9	70631795	6	6	CAPSCREW, Nylok, 5/8"NF x 1-3/4"
10	70658574	2	2	CAPSCREW, Nylok, 5/8"NF x 2-3/4"
11	70658573	2	2	CAPSCREW, Nylok, 5/8"NF x 3-1/2"
12	70064810	10	10	WASHER, plain
	70904209	10	10	LOCKWASHER, 5/8"
13	70035073	4	4	CAPSCREW, 1/2"NF x 1-3/4"
14	70064531	4	4	WASHER, plain
	70904208	4	4	LOCKWASHER, 1/2"
	70911043	4	4	NUT, 1/2"NF
15	70658572	4	4	CAPSCREW, Nylok, 3/4"NF x 3-1/4"
16	70061689	4	4	WASHER, plain
	70904369	4	4	LOCKWASHER, 3/4"
	70911045	4	4	NUT, 3/4"NF
17	70632257	1	1	ANGLE, attachment, left fender
	70632258	1	1	ANGLE, attachment, right fender
18	70035067	4	4	CAPSCREW, 1/2"NF x 2" (Early units)
	70921556	4	4	CAPSCREW, 1/2"NC x 2" (Late units)
	70904208	4	4	LOCKWASHER, 1/2"
19	70064531	4	4	WASHER, plain

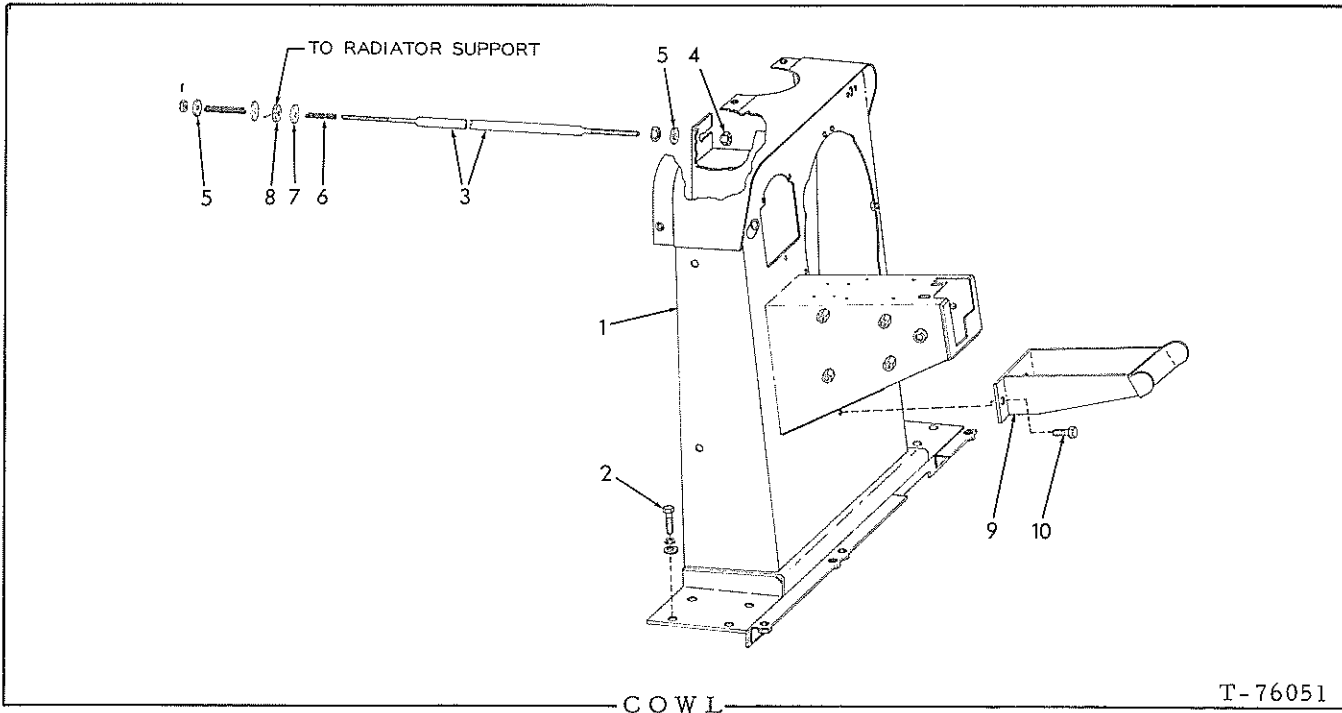


\* Units with turbocharger. Tractors prior to serial No. 9550;  
 also Nos. 64A09551 thru 64A09571.  
 \*\* Units without turbocharger. Tractors prior to serial No. 9550;  
 also Nos. 64A09551 thru 64A09571.  
 Δ Units with turbocharger. Tractors serial No. 64A09572 and up.  
 ΔΔ Units without turbocharger. Tractors serial No. 64A09572 and up.

ITEM	PART NO.	QUANTITY				DESCRIPTION
		*	**	Δ	ΔΔ	
1	70669832	1	-	-	-	HOOD, engine
	70630151	-	1	-	-	HOOD, engine (Tractors prior to #7437)
	70650982	-	1	-	-	HOOD, engine (Tractors #7437 and up)
	70655244	-	1	-	-	HOOD, engine (Units with special air and exhaust extension stacks. Tractors #7437 and up)
	70668129	-	-	1	-	HOOD, engine
	70670367	-	-	-	1	HOOD, engine
2	70090870	1	1	1	1	STRAP, hold-down, front
	70904206	2	2	2	2	LOCKWASHER, 3/8"
	70911026	2	2	2	2	NUT, 3/8"NC
3	70052505	2	2	2	2	BLOCK, front strap
4	70624416	4	4	4	4	CLIP, hood retaining
	70623820	-	4	-	-	CAPSCREW, Nylok, 1/2"NF x 1" (Early units)
5	70648294	4	4	4	4	CAPSCREW, Nylok, 1/2"NC x 1" (Late units)
6	70658501	1	-	-	-	COVER (Early units only)
	70914629	4	-	-	-	CAPSCREW, thd-cutting, #14 x 1/2"
	70911114	4	-	-	-	WASHER, plain, SAE std., 1/4"

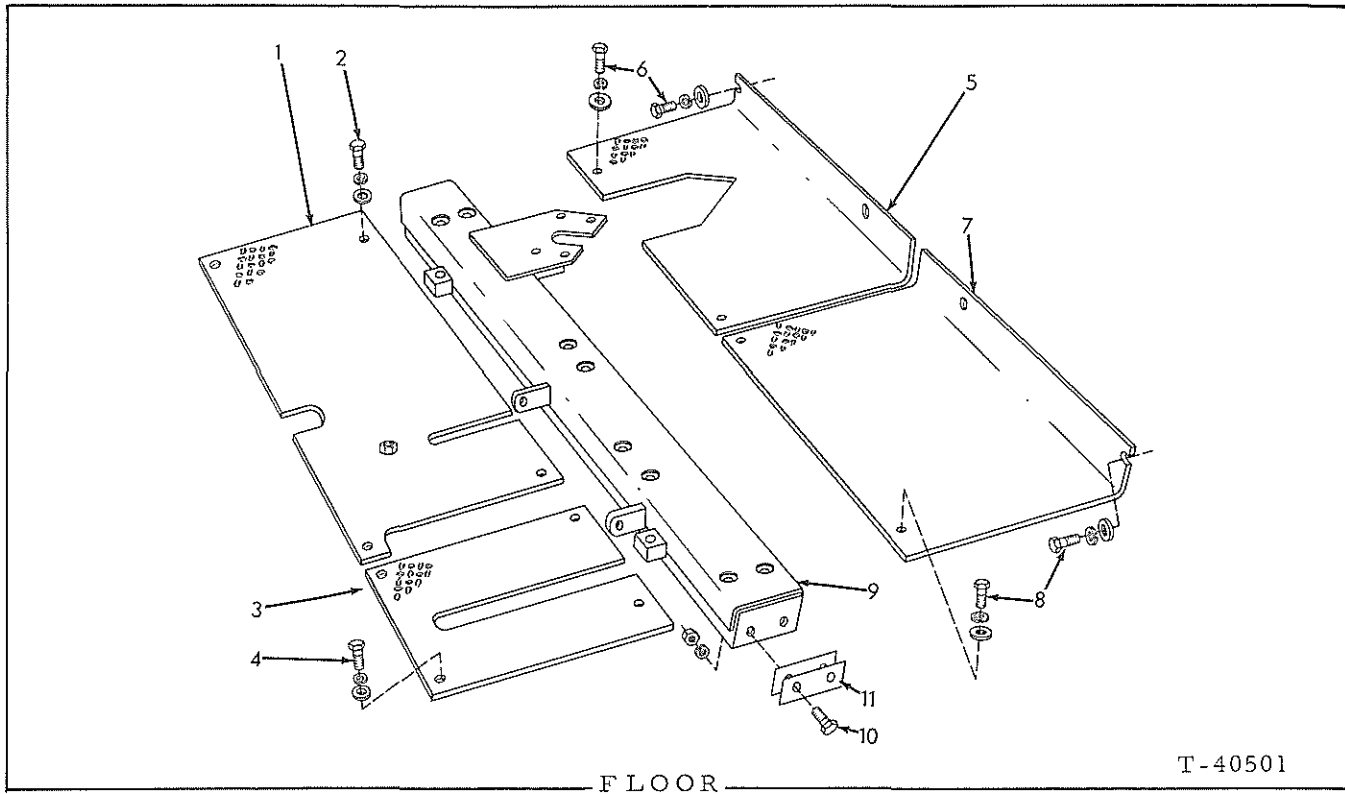
} 1 additional required on units prior to #7437

NOTE: See PAINTING AND MARKING for transfers



ITEM	PART NO.	QTY.	DESCRIPTION	
1	70648970	1	COWL (Tractors prior to #7437)	} Standard
	70650956	1	COWL (Tractors #7437 thru unit #09571)	
	70668115	1	COWL (Tractor unit #9572 and up)	
	70669823	1	COWL (Special)(Tractors equipped with turbocharger prior to unit #09572)	
2	70035018	8	CAPSCREW, 1/2"NF x 1-1/2" (Early units)	
	70035190	8	CAPSCREW, 1/2"NC x 1-1/2" (Late units)	
	70904208	8	LOCKWASHER, 1/2"	
	70064531	8	WASHER, plain	
3	70083838	1	ROD, cowl bracing	
	70911043	1	NUT, regular, 1/2"NF (rear end)	
	70910867	1	NUT, slotted, 1/2"NF (front end)	
	70900806	1	PIN, cotter, 1/8" x 1"	
4	70082884	1	NUT, shoulder, cowl bracing rod	
5	70064531	2	WASHER, cowl bracing rod (1-1/8"O. D.)	
6	70074960	2	SPRING, cowl bracing rod	
7	70092163	2	WASHER, cowl bracing rod (1-3/4"O. D.)	
8	70082885	1	NUT, cowl bracing rod	
	70915797	1	PIN, spring, 3/16" x 1-1/4"	
9	70633787	1	REST, right foot (Tractors prior to unit #09572)	
	70663097	1	REST, right foot (Tractors unit #9572 and up)	
10	70070467	2	CAPSCREW, 1/2"NF x 1"	
	70904208	2	LOCKWASHER, 1/2"	
	70911043	2	NUT, 1/2"NF	

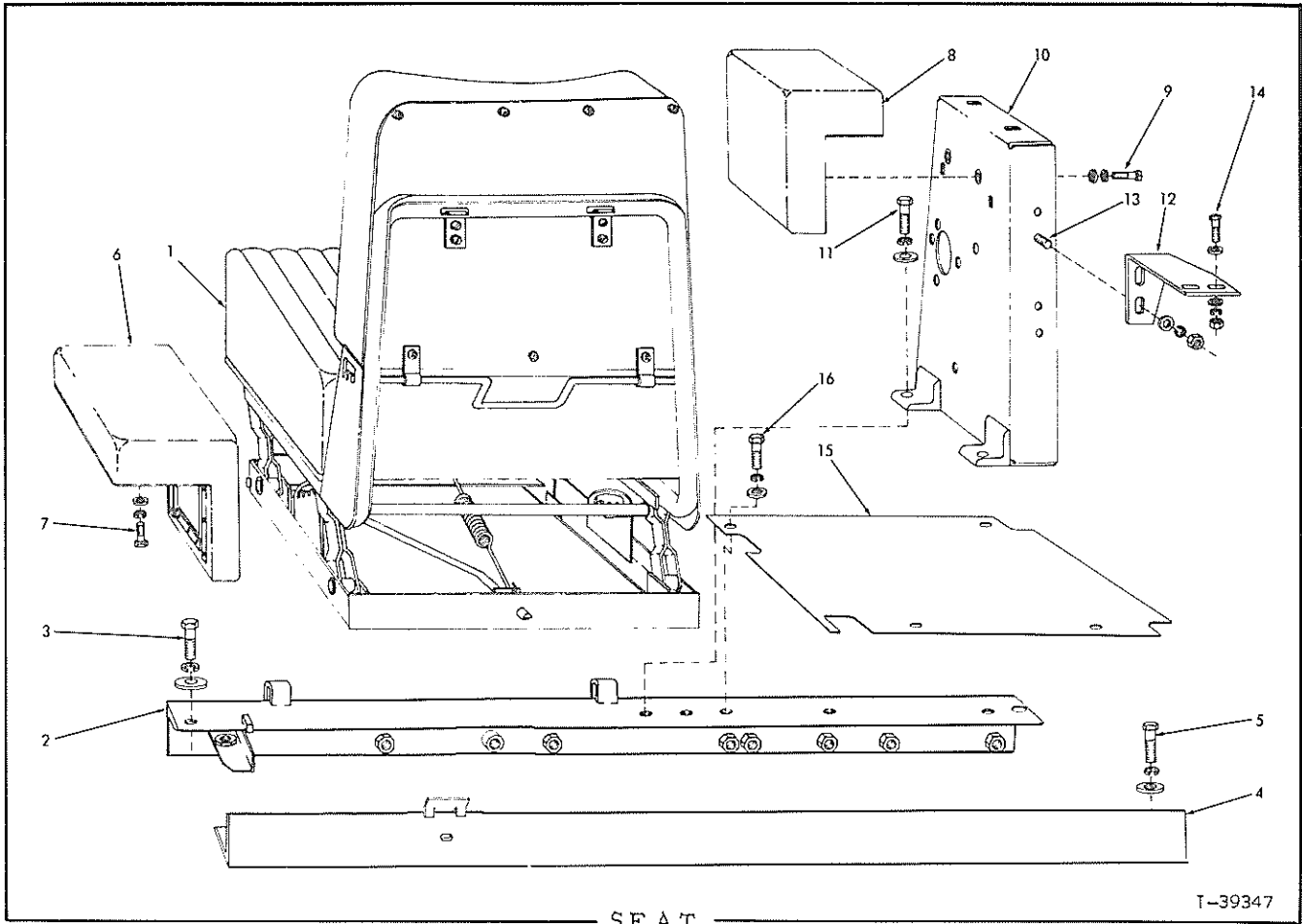
**NOTE:** See PAINTING AND MARKING for instruction Plates and Transfers.



T-40501

ITEM	PART NO.	QTY.	DESCRIPTION
1	70649151	1	PLATE, front section, right (Tractors prior to unit #09572)
	70668983	1	PLATE, front section, right (Tractor unit #09572 and up)
2	70035190	4	CAPSCREW, 1/2"NC x 1-1/2"
	70904208	4	LOCKWASHER, 1/2"
	70064531	4	WASHER, plain
3	70630629	1	PLATE, front section, left (Tractors prior to unit #09572)
	70668101	1	PLATE, front section, left (Tractor unit #09572 and up)
4	70035190	4	CAPSCREW, 1/2"NC x 1-1/2"
	70904208	4	LOCKWASHER, 1/2"
	70064531	4	WASHER, plain
5	70630628	1	PLATE, rear section, right
6	70035190	4	CAPSCREW, 1/2"NC x 1-1/2"
	70904208	4	LOCKWASHER, 1/2"
	70092163	4	WASHER, plain
7	70630625	1	PLATE, rear section, left
8	70035190	4	CAPSCREW, 1/2"NC x 1-1/2"
	70904208	4	LOCKWASHER, 1/2"
	70092163	4	WASHER, plain
9	70633262	1	CHANNEL, floor supporting (Not for tractors with Ripper)
	70649226	1	CHANNEL, floor supporting (For tractors with TR16 Ripper)
	70657639	1	CHANNEL, floor supporting (For tractors with 16R Ripper)
10	70614478	4	CAPSCREW, 1/2"NF x 1-3/8"
	70035190	4	CAPSCREW, 1/2"NC x 1-1/2" (Units with heavy-duty fenders)
	70904208	4	LOCKWASHER, 1/2"
	70911043	4	NUT, 1/2"NF (Not used with heavy-duty fenders)
11	70087741	1	SHIM, channel spacing (1/32" thick. Use as required)
	70087742	1	SHIM, channel spacing (1/8" thick. Use as required)

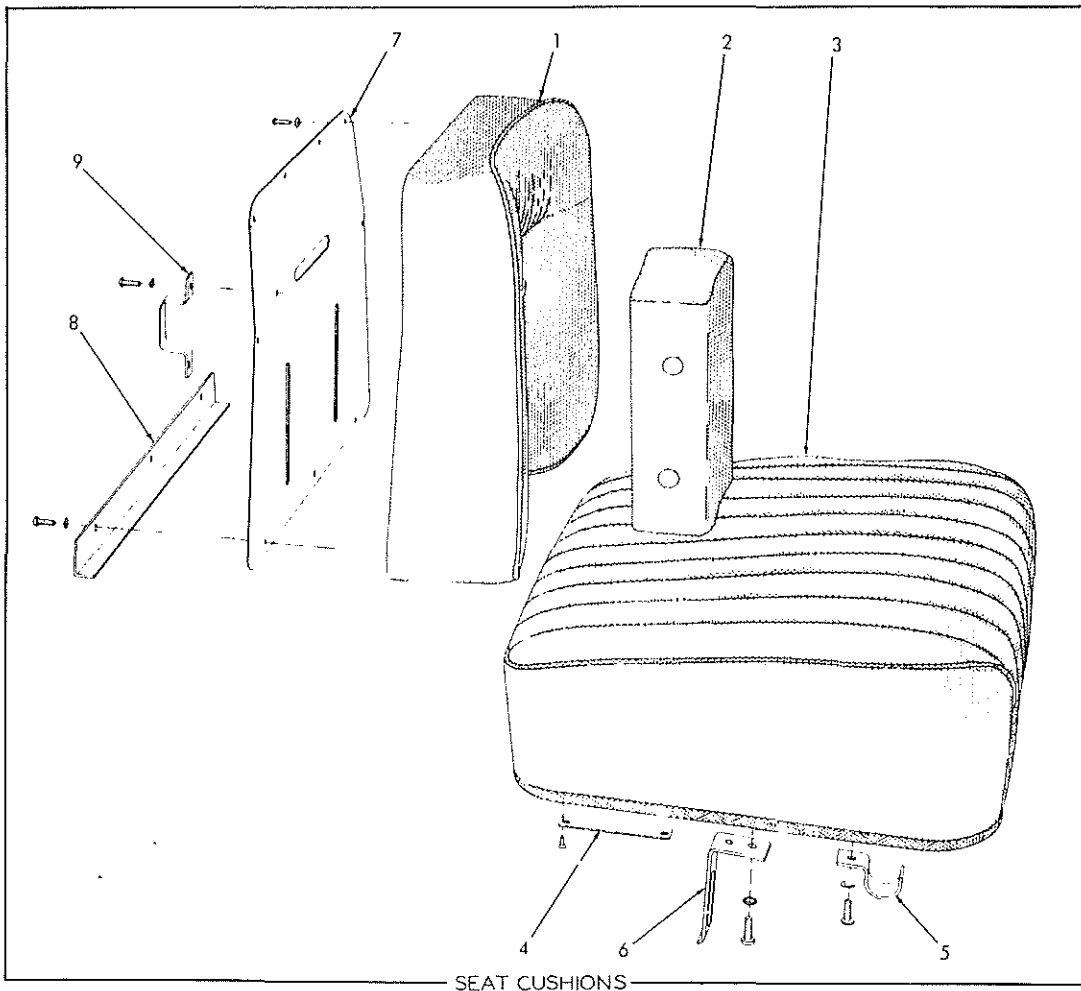
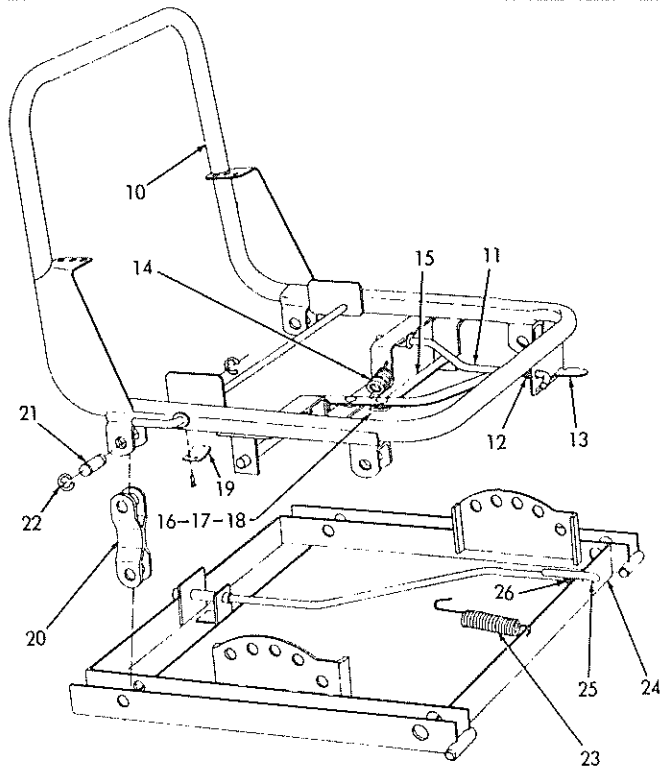
MEMO





SEAT

ITEM	PART NO.	QTY.	DESCRIPTION
1	70632053	1	SEAT ASSEMBLY (See page 261 for parts)(Used prior to September 1965. Order SEAT ASSEMBLY 70659093)
	70659093	1	SEAT ASSEMBLY (See page 263 for parts)(Effective September 1965)
2	70649130	1	ANGLE, seat supporting, front (Tractors #8775 and up)
	70654077	1	ANGLE, seat supporting, front (Tractors #8775 and up)
3	70035073	2	CAPSCREW, 1/2"NF x 1-3/4"
	70064531	2	WASHER, plain
	70904208	2	LOCKWASHER, 1/2"
4	639818	1	ANGLE, seat supporting, rear (Tractors prior to #8775)
	653963	1	ANGLE, seat supporting, rear (Tractors #8775 and up)
5	70035073	2	CAPSCREW, 1/2"NF x 1-3/4"
	70064531	2	WASHER, plain
	70904208	2	LOCKWASHER, 1/2"
6	70632179	1	CUSHION, arm rest, left side
7	70919331	4	CAPSCREW, 3/8"NF x 1"
	70916965	4	LOCKWASHER, 3/8"
	70920743	4	WASHER, plain
			} Plated
8	70632188	1	CUSHION, arm rest, right side
9	70919331	4	CAPSCREW, 3/8"NF x 1"
	70916965	4	LOCKWASHER, 3/8"
	70920743	4	WASHER, plain
			} Plated
10	70649115	1	SUPPORT, right arm rest cushion
11	70035190	4	CAPSCREW, 1/2"NC x 1-1/2"
	70904208	4	LOCKWASHER, 1/2"
	70064531	4	WASHER, plain
12	70632274	1	ANGLE, bracing, right arm rest support
13	70036034	2	CAPSCREW, 3/8"NF x 1"
14	70036039	2	CAPSCREW, 3/8"NF x 1-3/8"
	70044973	6	WASHER, plain
	70904206	4	LOCKWASHER, 3/8"
	70911041	4	NUT, 3/8"NF
15	70631404	1	PLATE, floor (Not used with special heavy-duty filters)
	70633481	1	PLATE, floor (Used with special heavy-duty filters only)
16	70035190	4	CAPSCREW, 1/2"NC x 1-1/2"
	70904208	4	LOCKWASHER, 1/2"
	70064531	4	WASHER, plain
17	70680080	1	BELT, safety (Special equipment. Not illustrated)



SEAT CUSHIONS

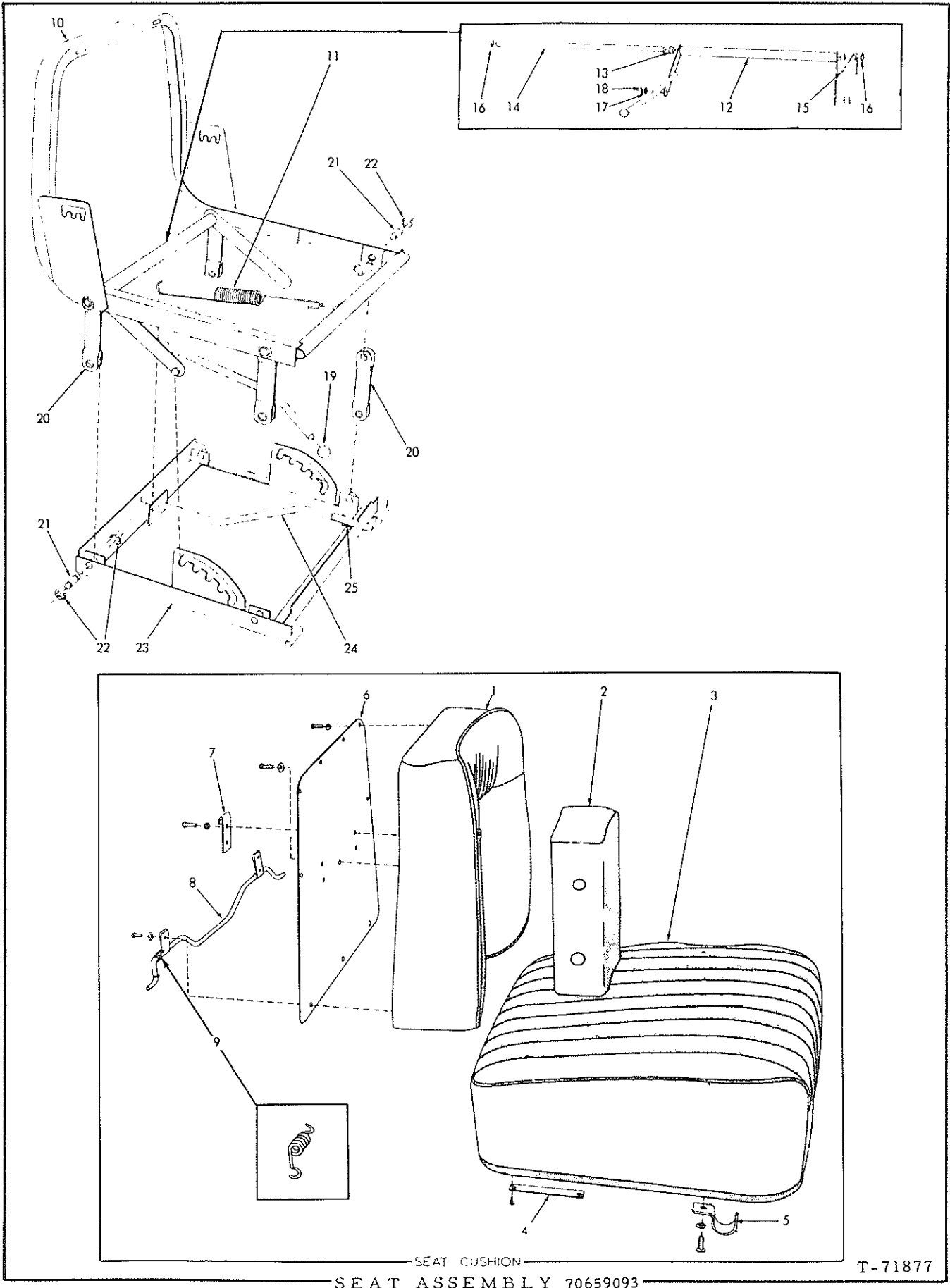
SEAT ASSEMBLY 70632053

T-39321

## SEAT ASSEMBLY 70632053

USAGE: See page 259

ITEM	PART NO.	QTY.	DESCRIPTION
1	70638422	1	CUSHION, back (outside section)
	70642499	1	COVER, slip, back cushion (Includes fastenings) (Not original equipment)
2	70659102	1	CUSHION, back (center section)
	70642498	1	COVER, slip, back cushion (Includes fastenings) (Not original equipment)
3	70638420	1	CUSHION ASSEMBLY, seat (Includes item 4)
	70642500	1	COVER, slip, seat cushion (Includes fastenings) (Not original equipment)
4	70638431	2	PLATE, bearing, seat cushion
	-----	4	SCREW, wood, fl-hd., #8 x 1/2" (Procure locally)
5	70638432	2	BRACKET, pivot, seat cushion
	70916532	2	SCREW, machine, rd-hd., 1/4"NC x 3/4"
	70914105	2	LOCKWASHER, ext-tooth, 1/4"
6	70638369	1	STOP, seat cushion locking rod
	70916532	2	SCREW, machine, rd-hd., 1/4"NC x 3/4"
	70914105	2	LOCKWASHER, ext-tooth, 1/4"
7	-----	1	PLATE, reinforcing, back cushion (Not serviced separately)
	70916532	7	SCREW, machine, rd-hd., 1/4"NC x 3/4"
	70914105	7	LOCKWASHER, ext-tooth, 1/4"
8	70638427	1	SUPPORT, back cushion
	70916532	3	SCREW, machine, rd-hd., 1/4"NC x 3/4"
	70914105	3	LOCKWASHER, ext-tooth, 1/4"
9	70638435	2	BRACKET, retaining, back cushion
	70916532	4	SCREW, machine, rd-hd., 1/4"NC x 3/4"
	70914105	4	LOCKWASHER, ext-tooth, 1/4"
10	70638468	1	FRAME ASSEMBLY, seat (Includes items 11 thru 19)
11	70638425	1	ROD, locking, seat cushion
	70911115	2	WASHER, plain, SAE std., 3/8"
	70900801	2	PIN, cotter, 3/32" x 3/4"
12	70638429	1	SPRING, seat cushion locking rod
13	70638363	1	STRAP, operating, seat position
14	70638428	2	SPRING, seat position operating strap
15	70638426	2	ROD, locking, seat position
16	70638430	3	PIN, seat position locking rod
17	70628001	3	WASHER, spacing, seat position rod
18	70638354	3	WASHER, retaining, seat position rod pin
19	70638433	1	SPRING, cushion height adjuster
	70914197	2	SCREW, thd-cutting, rd-hd., #6 x 3/8"
20	70638423	4	LINK, suspension, seat frame
21	70638434	8	PIN, seat frame suspension link
22	70638351	16	RING, locking, suspension link pin
23	70638424	1	SPRING, retracting, seat frame
24	70638371	1	FRAME ASSEMBLY, base (Includes items 25 and 26)
25	70639975	1	ROD, seat release
	70910335	1	WASHER, plain, SAE std., 5/16"
	70900801	2	PIN, cotter, 3/32" x 3/4"
26	70638429	1	SPRING, seat release rod



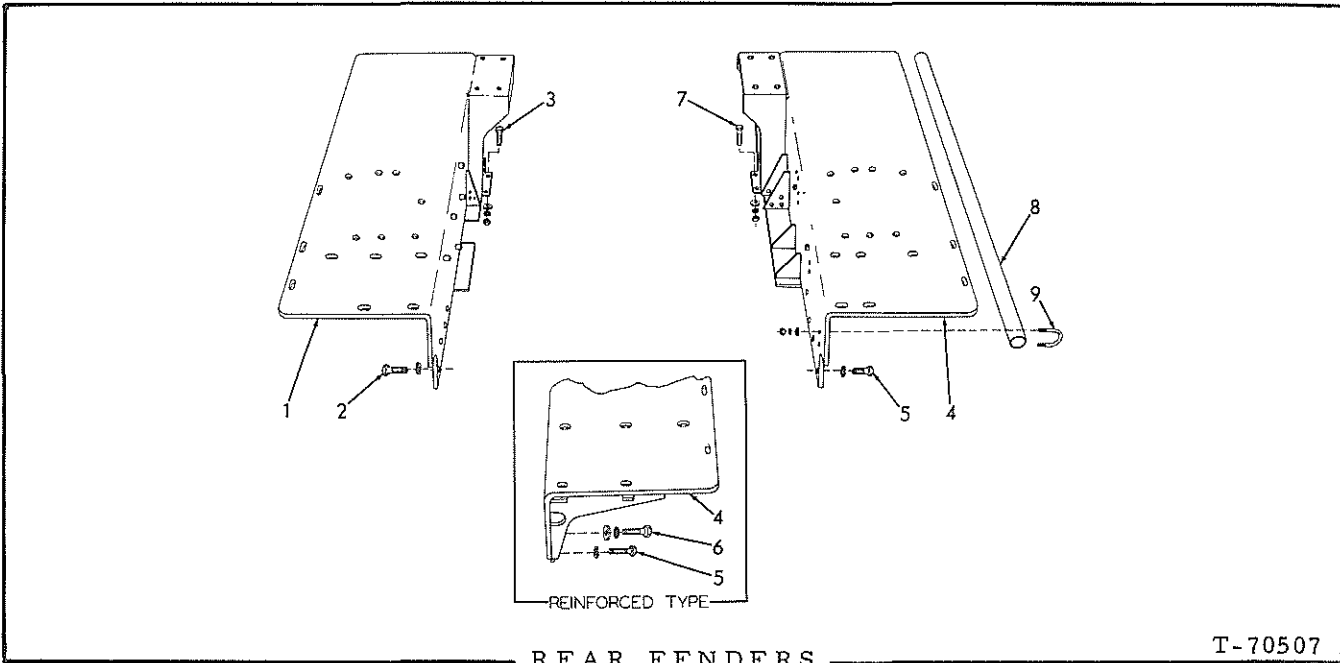
SEAT CUSHION  
SEAT ASSEMBLY 70659093

T-71877

## SEAT ASSEMBLY 70659093

USAGE: See page 259

ITEM	PART NO.	QTY.	DESCRIPTION
1	70638422	1	CUSHION, back (outside section)
	70642499	1	COVER, slip, back cushion (Includes fastenings) (Not original equipment)
2	70638421	1	CUSHION, back (center section)
	70916532	2	SCREW, machine, rd-hd., 1/4"NC x 3/4"
	70914105	2	LOCKWASHER, ext-tooth, 1/4"
	70642498	1	COVER, slip, back cushion (Includes fastenings) (Not original equipment)
3	70659102	1	CUSHION ASSEMBLY, seat (Includes item 4)
	70642500	1	COVER, slip, seat cushion (Includes fastenings) (Not original equipment)
4	70638431	2	PLATE, bearing, seat cushion
	-----	4	SCREW, wood, fl-hd., #8 x 1/2" (Procure locally)
5	70638432	2	BRACKET, pivot, seat cushion
	70916532	2	SCREW, machine, rd-hd., 1/4"NC x 3/4"
	70914105	2	LOCKWASHER, ext-tooth, 1/4"
6	70650143	1	PLATE, reinforcing, back cushion
	70916532	6	SCREW, machine, rd-hd., 1/4"NC x 3/4"
	70914105	6	LOCKWASHER, ext-tooth, 1/4"
7	70650132	2	BRACKET, retaining, back cushion
	70916532	4	SCREW, machine, rd-hd., 1/4"NC x 3/4"
	70914105	4	LOCKWASHER, ext-tooth, 1/4"
8	70650141	1	ROD ASSEMBLY, back cushion adjustment (Includes mounting clips)
	70916532	2	SCREW, machine, rd-hd., 1/4"NC x 3/4"
	70914105	2	LOCKWASHER, ext-tooth, 1/4"
9	70650137	1	SPRING, back cushion adjustment rod
10	70650144	1	FRAME, seat
11	70650138	1	SPRING, retracting, seat frame
12	70650142	1	LATCH, seat adjustment
13	70650146	2	BEARING, seat adjustment latch
14	70650136	1	SHAFT, seat adjustment latch
15	70650135	1	SPRING, seat adjustment latch
16	70638351	2	RING, snap, seat adjustment latch shaft
17	70188436	2	WASHER, seat adjustment latch
18	70650147	2	RING, snap, seat adjustment latch
19	70650133	1	KNOB, seat adjustment latch
20	70650139	4	LINK, suspension, seat frame
21	70650131	6	PIN, seat frame suspension link
22	70638351	12	RING, snap, suspension link pin
23	70650145	1	FRAME ASSEMBLY, base (Includes items 24 and 25)
24	70650140	1	ROD, seat release
	70188436	1	WASHER, plain
	70924169	2	PIN, groove, 1/8" x 1"
25	70650134	1	SPRING, seat release rod



REAR FENDERS

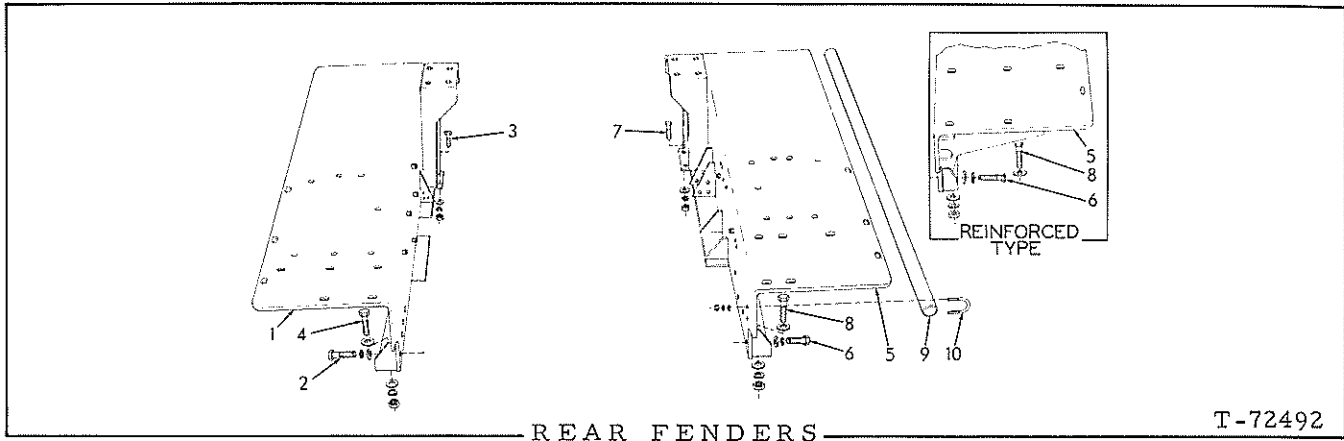
T-70507

USAGE: Tractors prior to serial No. 7753

\* Standard equipment

\*\* Special equipment. Reinforced type for logging tractors

ITEM	PART NO.	QTY.		DESCRIPTION
		*	**	
1	70629531	1	-	FENDER, left
	70632391	-	1	FENDER, left
2	70648716	4	2	CAPSCREW, Nylok, 3/4"NF x 1-3/4"
	70012742	-	2	CAPSCREW, 3/4"NF x 2-1/4"
	70904369	4	4	LOCKWASHER, 3/4"
	70064810	-	2	WASHER, plain
3	70042430	2	2	CAPSCREW, 1/2"NF x 3-1/2"
	70064531	2	2	WASHER, plain
	70904208	2	2	LOCKWASHER, 1/2"
	70911043	2	2	NUT, 1/2"NF
4	70649120	1	-	FENDER, right
	70649210	-	1	FENDER, right
5	70648716	4	2	CAPSCREW, Nylok, 3/4"NF x 1-3/4"
	70012742	-	2	CAPSCREW, 3/4"NF x 2-1/4"
	70904369	4	4	LOCKWASHER, 3/4"
	70064810	-	2	WASHER, plain
7	70042430	2	2	CAPSCREW, 1/2"NF x 3-1/2"
	70064531	2	2	WASHER, plain
	70904208	2	2	LOCKWASHER, 1/2"
	70911043	2	2	NUT, 1/2"NF
8	70638981	1	-	PIPE, cable conducting (For tractors equipped with cable dozer using rear-mounted control unit)
9	70641474	4	-	U-BOLT, supporting, cable conducting pipe
	70911041	8	-	NUT, 3/8"NF
	70904206	8	-	LOCKWASHER, 3/8"
	70911115	8	-	WASHER, plain, SAE std., 3/8"

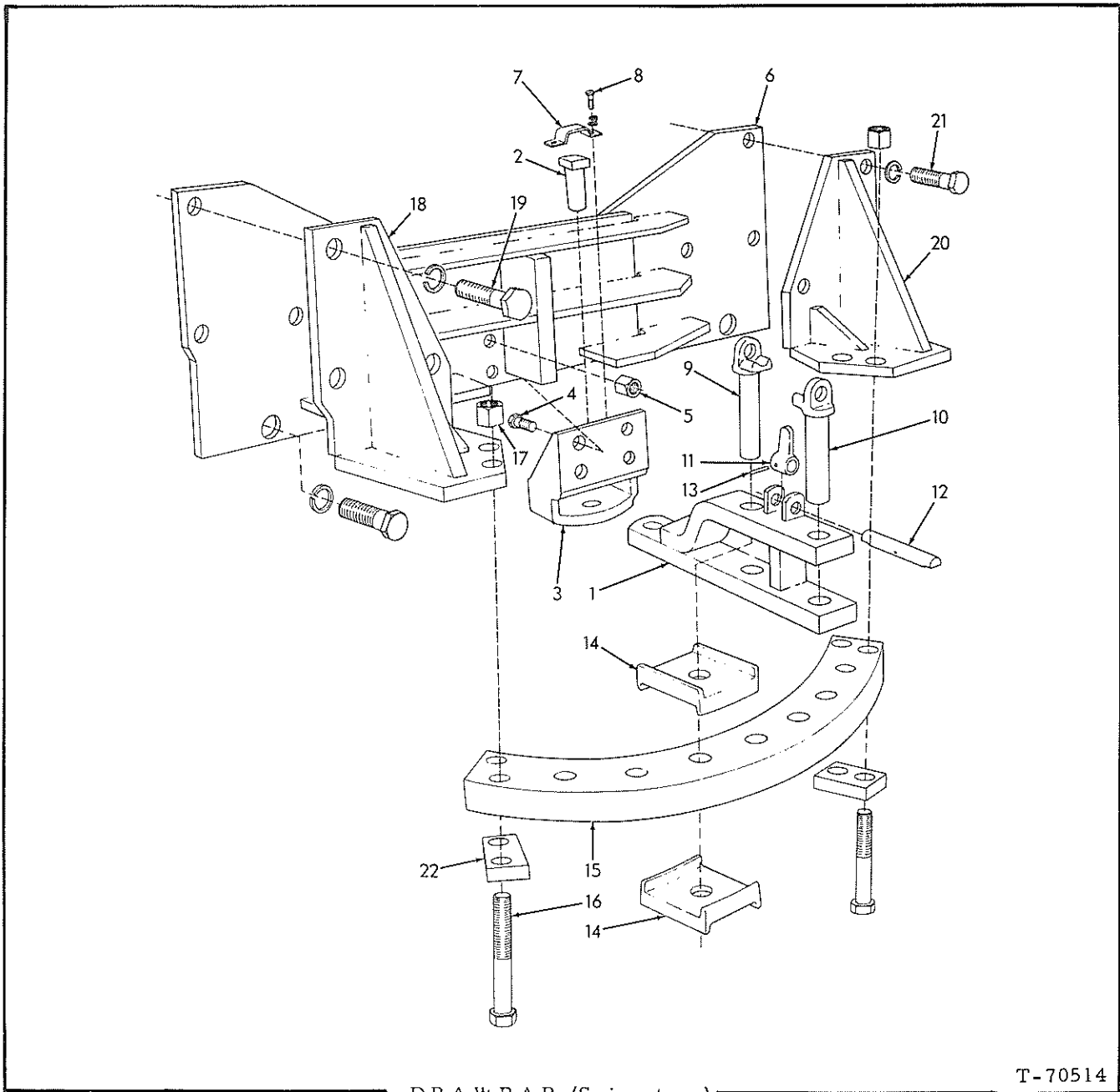


USAGE: Tractors serial No. 7753 and up

\* Standard equipment

\*\* Special equipment. Reinforced type for logging tractors.

ITEM	PART NO.	QTY.	DESCRIPTION
		* **	
1	70654479	1 -	FENDER, left (Tractors prior to unit #09572)
	70669027	1 -	FENDER, left (Tractors unit #09572 and up)
	70654483	- 1	FENDER, left
2	70648717	2 2	CAPSCREW, Nylok, 3/4"NF x 2-1/4"
	70904369	2 2	LOCKWASHER, 3/4"
	70061689	2 2	WASHER, plain
3	70042430	2 2	CAPSCREW, 1/2"NF x 3-1/2"
	70064531	2 2	WASHER, plain
	70904208	2 2	LOCKWASHER, 1/2"
4	70911043	2 2	NUT, 1/2"NF
	70023618	3 3	CAPSCREW, 5/8"NF x 2-1/2"
	70064810	6 6	WASHER, plain
	70904209	3 3	LOCKWASHER, 5/8"
	70911044	3 3	NUT, 5/8"NF
5	70654480	1 -	FENDER, right (Tractors prior to #8145)
	70657636	1 -	FENDER, right (Tractors #8145 thru unit #09571. Required to install Model 16R Ripper)
	70668998	1 -	FENDER, right (Tractors unit #09572 and up)
	70654484	- 1	FENDER, right (For units with TR16 Ripper)
	70658324	- 1	FENDER, right (For units with 16R Ripper)
6	70648717	2 2	CAPSCREW, Nylok, 3/4"NF x 2-1/4"
	70904369	2 2	LOCKWASHER, 3/4"
	70061689	2 2	WASHER, plain
7	70042430	2 2	CAPSCREW, 1/4"NF x 3-1/2"
	70064531	2 2	WASHER, plain
	70904208	2 2	LOCKWASHER, 1/2"
8	70911043	2 2	NUT, 1/2"NF
	70023618	3 3	CAPSCREW, 5/8"NF x 2-1/2"
	70064810	6 6	WASHER, plain
9	70904209	3 3	LOCKWASHER, 5/8"
	70911044	3 3	NUT, 5/8"NF
	70638981	1 -	PIPE, cable conducting (For tractors equipped with cable dozer using rear-mounted control unit)
10	70641474	4 -	U-BOLT, supporting, cable conducting pipe
	70911041	8 -	NUT, 3/8"NF
	70904206	8 -	LOCKWASHER, 3/8"
	70911115	8 -	WASHER, plain, SAE std., 3/8"



USAGE: Special equipment

\* Used prior to June 15, 1965

\*\* Effective June 15, 1965

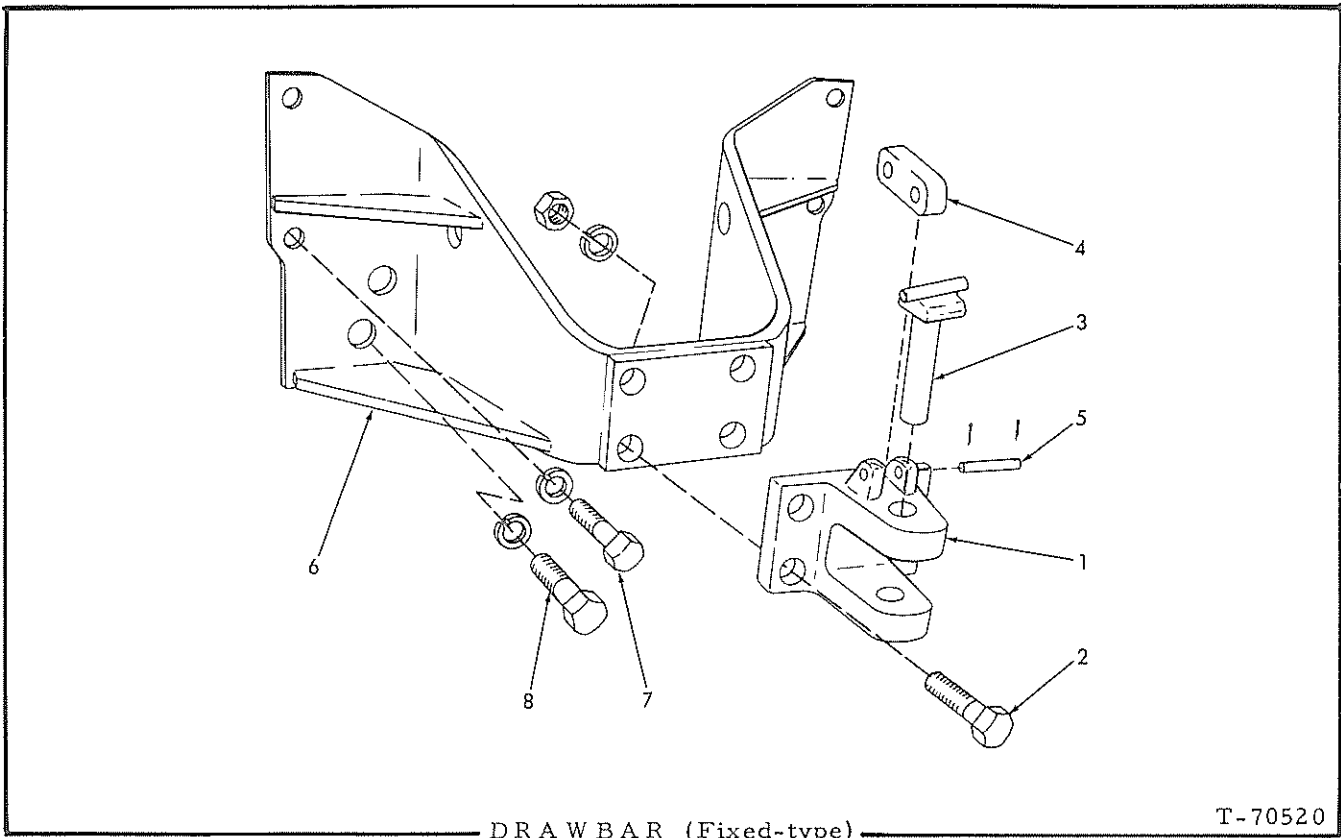
ITEM	PART NO.	QTY.		DESCRIPTION
		*	**	
1	70643844	1	1	DRAWBAR
2	70080669	1	1	PIN, hinge
3	70059017	1	1	BRACKET, hinge pin (Requires welding to install on later units)
4	70012586	4	-	CAPSCREW, 1"NF x 3-1/2"
5	70600236	4	-	NUT, high, 1"NF

(Continued)



DRAWBAR (Swing-type)(Continued)

ITEM	PART NO.	QTY.		DESCRIPTION
		*	**	
6	70643868	1	1	BRACKET, rear (Includes item 3) (For tractors prior to #8917)
	70664793	-	1	BRACKET, rear (Includes item 3) (For Tractors #8917 and up)
	70625383	2	2	CAPSCREW, 1-1/2"NF x 4"
	70913077	2	2	LOCKWASHER, 1-1/2"
7	70050447	1	1	PLATE, hinge pin retaining
8	70913249	2	2	CAPSCREW, 1/2"NF x 1-1/4"
	70904208	2	2	LOCKWASHER, 1/2"
	70910244	2	2	WASHER, plain, SAE std., 1/2"
9	70059010	1	1	PIN, drawbar locking
10	70059007	1	1	PIN, drawbar coupling
11	70051352	1	1	ARM, locking, drawbar pins
12	70078866	1	1	SHAFT, drawbar pin locking arm
13	70915504	1	1	PIN, spring, 5/16" x 1-3/4"
14	70643832	2	2	SHOE, wear
	70643882	1	-	PLATE, supporting
15	70648996	-	1	PLATE, supporting
	70625970	4	-	CAPSCREW, 1"NF x 6"
16	70648954	-	4	CAPSCREW, 1-1/4"NF x 7-1/2"
	70600236	4	-	NUT, high, 1"NF
17	70028847	-	4	NUT, high, 1-1/4"NF
	70644415	1	-	BRACKET, supporting plate, left
18	70648997	-	1	BRACKET, supporting plate, left
	70053251	3	3	CAPSCREW, 1-1/4"NF x 4-1/2"
	70904210	3	3	LOCKWASHER, 1-1/4"
	70644416	1	-	BRACKET, supporting plate, right
20	70648998	-	1	BRACKET, supporting plate, right
	70053251	3	3	CAPSCREW, 1-1/4"NF x 4-1/2"
	70904210	3	3	LOCKWASHER, 1-1/4"
22	70648943	-	2	BLOCK, drawbar stop



DRAWBAR (Fixed-type)

T-70520

USAGE: Standard equipment

ITEM PART NO. QTY. DESCRIPTION

NOTE: Cannot be used with special Rear Pusher or Ripper

1	70633729	1	BRACKET, coupling
2	70633733	4	CAPSCREW, 1-1/2"NF x 5-1/2"
	70913077	4	LOCKWASHER, 1-1/2"
	70916555	4	NUT, 1-1/2"NF
3	70633730	1	PIN, drawbar
4	70629697	1	BLOCK, retaining, drawbar pin
5	70629698	1	PIN, retaining block
	70900806	2	PIN, cotter, 1/8" x 1"
6	70633720	1	BRACKET, supporting
7	70648338	4	CAPSCREW, 1-1/4"NF x 3-1/2"
	70904210	4	LOCKWASHER, 1-1/4"
8	70625383	4	CAPSCREW, 1-1/2"NF x 4"
	70913077	4	LOCKWASHER, 1-1/2"

PAINTING AND MARKING  
(Not Illustrated)

ITEM	PART NO.	QTY.	DESCRIPTION
			<u>NOTE:</u> Approximately 5-1/2 gallons paint required for spraying
1	70925109	-	ENAMEL, yellow, quart gallon
2	70925110	-	ENAMEL, yellow, gallon can
3	70925108	-	ENAMEL, yellow, 12 oz. pressurized spray-type can
			<u>NOTE:</u> All plates and transfers listed below are English language printings unless otherwise indicated.
4	70633533	1	PLATE, lubrication and service guide (7" x 10")(Attached to front of right battery box)(Tractors prior to #8917)
	70673820	1	PLATE, lubrication and service guide (7" x 10")(Attached to front of right battery box)(Tractors #8917 and up)
	70633650	1	PLATE, lubrication and service guide (multi-language, 7" x 12-7/8")(Attached to front of right battery box)(Tractors prior to #8917)
	70674049	1	PLATE, lubrication and service guide (multi-language, 7" x 12-7/8")(Attached to front of right battery box)(Tractors #8917 and up)
	70034076	4	SCREW, thd.-cutting, cross-recessed-hd., #8 x 1/2" (2 additional required for multi-language plates)
5	70621357	1	TRANSFER, lubrication certification (3-7/8" x 6-3/4")(Applied to left battery box)
6	70665147	1	TRANSFER, instructions, coolant filter (2-3/4" x 3-1/2") (Applied to filter)
7	70666497	1	TRANSFER, instruction, engine operation (2-1/4" x 4-1/2") (Applied to dash)
8	70629205	1	TRANSFER, warning, power steering and brakes (1-3/4" x 3-1/2") (Applied to dash)
9	70644616	1	TRANSFER, instruction, 1st stage fuel filter (1-3/4" x 2-1/4") (Applied to filter)
10	70644619	1	TRANSFER, instruction, 2nd stage fuel filter (1-3/4" x 2-1/4") (Applied to filter)
11	70621343	2	TRANSFER, instruction, oil filter (2-5/16" x 3-1/4")(Applied to engine oil filter)
12	70621399	1	TRANSFER, warning, special heavy-duty oil filter (Includes Portuguese translation, 2" x 10")(Applied to filter)
	70621400	1	TRANSFER, warning, special heavy-duty oil filter (French and Spanish translations, 2" x 10")(Applied to filter)
13	70632226	2	TRANSFER, instruction, steering pressure line oil filter (1-3/4" x 2-1/4")(Applied to filters)
14	70644534	1	TRANSFER, instruction, transmission oil filter (1-3/4" x 2-1/4")(Applied to filter)
15	70621342	1	TRANSFER, instruction, engine primer (1-3/4" x 6") (Applied to dash)

(Continued)

PAINTING AND MARKING (Continued)

ITEM	PART NO.	QTY.	DESCRIPTION
16	70633384	1	TRANSFER, instruction, air heater operation (2" x 6")(Applied to dash
17	70641128	1	TRANSFER, instruction, air cleaner (4" x 4") (Applied to dash
18	70651894	1	TRANSFER, instruction, air cleaner cartridge replacement (1-5/16" x 2-7/16")(Applied to air restriction indicator on early units only)
19	70924550	2	TRANSFER, "ALLIS-CHALMERS" (1-7/8" x 30") (Applied to sides of hood)
20	70924548	2	TRANSFER, "ALLIS-CHALMERS" (1-1/4" x 20") (Applied to sides of battery boxes on early units)
21	70924551	1	TRANSFER, "ALLIS-CHALMERS" (2-3/16" x 36") (Applied to front of radiator guards)
22	70924554	1	TRANSFER, "ALLIS-CHALMERS" (3-1/16" x 50") (Applied to rear of fuel tank)
23	70924320	1	TRANSFER, trademark (6-3/4", black and orange)
	70924541	1	TRANSFER, trademark (6-3/4", white (Optional)
24	70924306	2	TRANSFER, trademark (7-3/4", black and orange)
	70924463	2	TRANSFER, trademark (7-3/4", white) (Optional)
25	70623501	3	TRANSFER, "HD16" (elliptical)(Applied to side of battery boxes and rear of fuel tank)(Early units)
	70661226	3	TRANSFER, "HD16" (Applied to sides of battery boxes and rear of fuel tank, 6"x17")(Late units)
26	70632261	2	TRANSFER, "TORQUE CONVERTER-POWER SHIFT" design (Applied to side of battery boxes)
27	70651923	1	TRANSFER KIT (Includes one each TRANSFERS 70924320, 70924551, 70924554, 70621342, 70621357, 70629205, 70633384, 70641128, 70644534, 70644616, 70644619; 2 each TRANSFERS 70924306, 70924548, 70924550, 70632226, 70632261; 3 TRANSFERS 70661226)

} Applied to rear of fuel tank

} Applied to sides of radiator guards

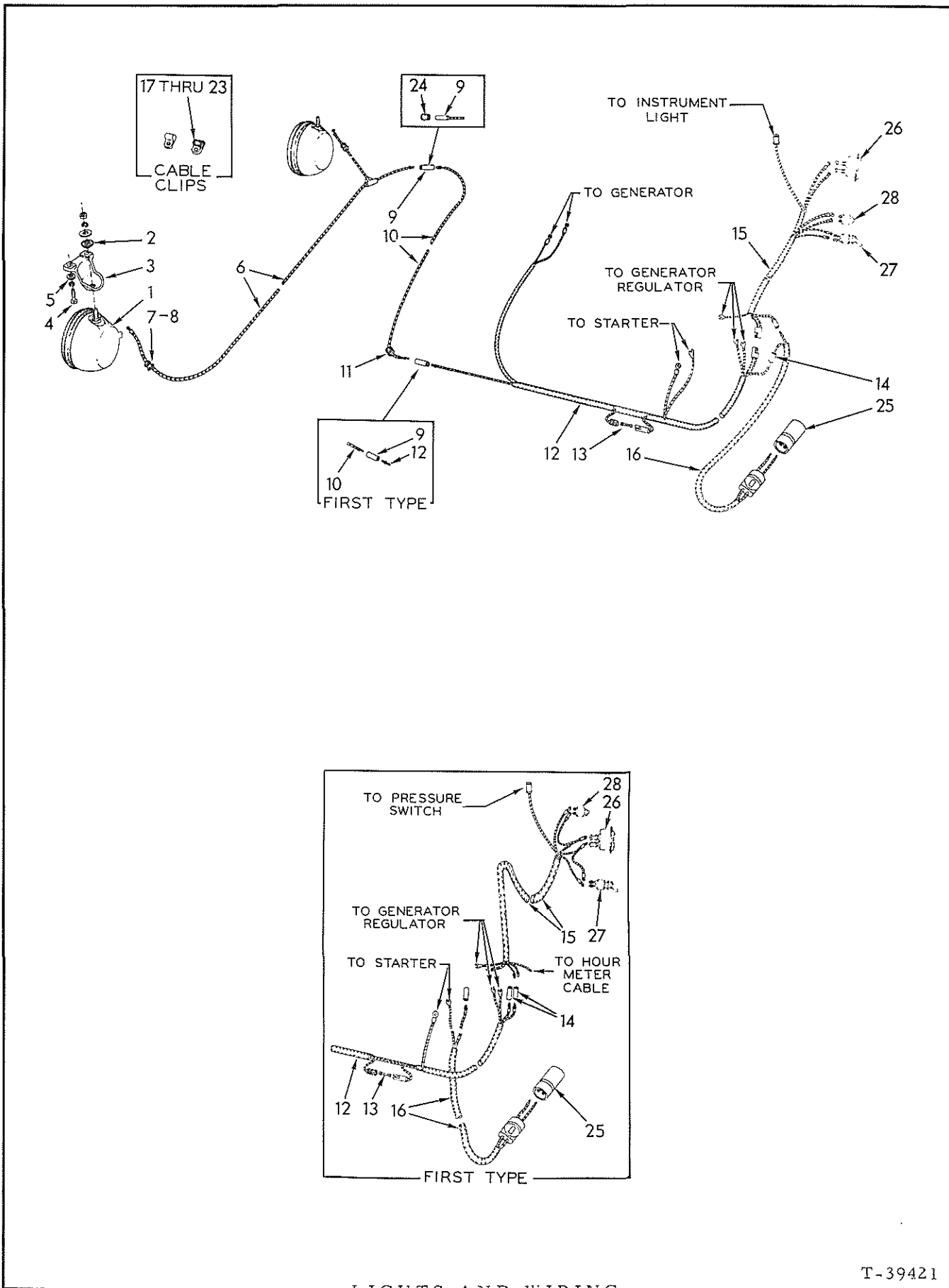
LIGHTS AND WIRING

\* Tractors serial No. 5937 and up; also No. 64A09551 thru 64A09571  
 \*\* Tractors serial No. 64A09572 and up

ITEM	PART NO.	QTY. * **	DESCRIPTION
1	70638283	2 -	*LIGHT ASSY., head (See page 274 for parts)(Early units)
	70621429	2 2	*LIGHT ASSY., head (See page 274A for parts)(Late units)
	70900818	2 2	*WASHER, plain, U.S. std., 1/2"
	70904208	2 2	*LOCKWASHER, 1/2"
	70911043	2 2	*NUT, 1/2"NF
2	70075535	2 2	*WASHER, head light mounting
3	70093195	2 2	*BRACKET, head light mounting
4	70035336	4 4	*CAPSCREW, 3/8"NF x 1-3/4" (For inside mounting)
	70053616	4 4	*CAPSCREW, 3/8"NC x 1-3/4" (For outside mounting)
	70904206	4 4	*LOCKWASHER, 3/8"
5	70044973	4 4	*WASHER, plain
6	70093196	1 1	*CABLE, head light, upper section
7	70083683	2 2	*GROMMET, head light cable (1/2" hole)
8	70044810	2 2	*GROMMET, head light cable (3/8" hole)
<u>NOTE:</u> Items 7 and 8 are required only when head lights are optionally mounted on top of the radiator guard.			
9	70048142	2 1	CONNECTOR, head light cables
10	70639067	1 1	CABLE, head light, lower section
11	70044810	1 1	GROMMET, head light cable (3/8" hole)(Early units only)
12	70630179	1 -	HARNESS, wiring, front section
	70668117	- 1	HARNESS, wiring, front section (Includes item 13)
13	70208960	1 1	FUSE, cartridge type, 1/4" x 1-1/4", 20 amperes
14	70048142	3 -	CONNECTOR, wiring harness (1-line)
15	70640710	1 -	HARNESS, wiring, rear section
	70668116	- 1	HARNESS, wiring, rear section
16	70629979	1 -	HARNESS, wiring, safety switch
	70668165	- 1	HARNESS, wiring, safety switch
17	70640677	6 6	CLIP, head light cables (1/4" diam., 13/32" bolt-hole)(4 additional used with head lights)
	70903628	2 2	CAPSCREW, 3/8"NC x 5/8"
	70904206	2 2	LOCKWASHER, 3/8"
18	70632313	1 1	CLIP, safety switch harness (5/16" diam., 9/32" bolt-hole)

\*Special Equipment

(Continued)

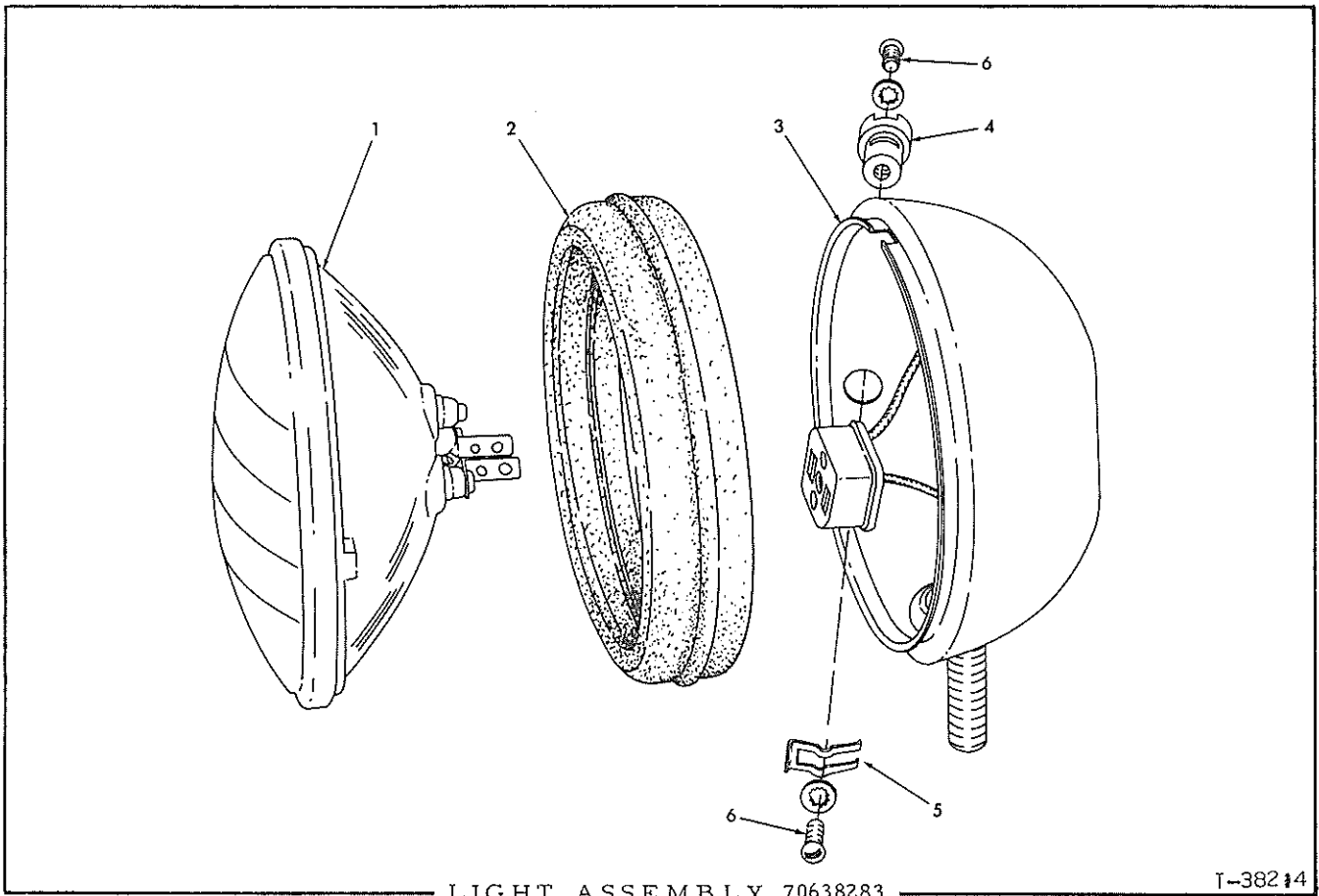


LIGHTS AND WIRING

T-39421

LIGHTS AND WIRING (Continued)

ITEM	PART NO.	QTY.		DESCRIPTION
		*	**	
19	70639314	4	2	CLIP, wiring harness (3/8" diam., 13/32" bolt-hole)
	70035167	1	-	CAPSCREW, 3/8"NF x 7/8"
	70903775	1	-	CAPSCREW, 3/8"NC x 7/8"
	70904206	2	-	LOCKWASHER, 3/8"
	70911041	1	-	NUT, 3/8"NF
20	70640676	1	2	CLIP, front wiring harness (5/16" diam., 13/32" bolt-hole)
	70916268	-	1	CAPSCREW, 3/8"NC x 5/8"
	70904206	-	1	LOCKWASHER, 3/8"
	70911115	-	1	WASHER, plain, SAE std., 3/8"
21	70640675	2	1	CLIP, front wiring harness (3/8" diam., 17/32" bolt-hole)
	70035221	2	1	CAPSCREW, 1/2"NC x 1"
	70904208	2	1	LOCKWASHER, 1/2"
22	70624508	-	1	CLIP, wiring harness
	70035221	-	1	CAPSCREW, 1/2"NC x 1"
	70904208	-	1	LOCKWASHER, 1/2"
23	70094527	-	4	CLIP, wiring harness
	70916268	-	2	CAPSCREW, 3/8"NC x 5/8"
	70915408	-	2	CAPSCREW, 3/8"NC x 3/4"
	70911115	-	4	WASHER, plain, SAE std., 3/8"
	70904206	-	4	LOCKWASHER, 3/8"
	70911026	-	2	NUT, 3/8"NC
24	70638243	1	1	TIP, cable socket (rubber)(Used only on units without head lights)
25	-----	-	-	SWITCH, safety (See SPEED CONTROL LINKAGE)
26	-----	-	-	AMMETER (See INSTRUMENTS)
27	-----	-	-	SWITCH, lights (See INSTRUMENTS)
28	-----	-	-	SWITCH, starter (See INSTRUMENTS)



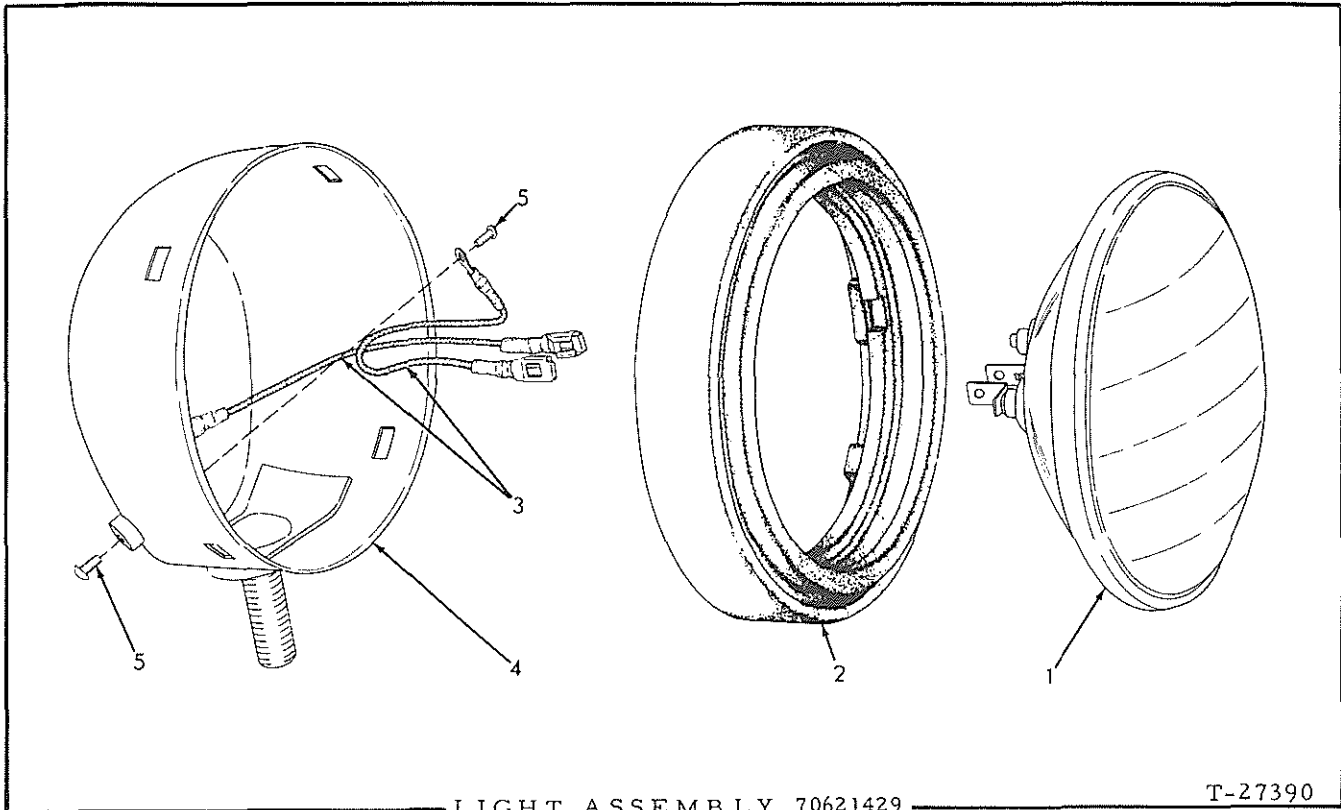
USAGE: See pages 271 and 275

ITEM PART NO. QTY. DESCRIPTION

NOTE: Quantities indicated below are for one (1) light only

1	70182763	1	SEALED BEAM (24 volt)
2	70638282	1	RING, retaining (rubber)
3	-----	1	BODY ASSEMBLY (Includes wiring. Not serviced separately)
4	70055589	1	TERMINAL KIT (Includes items 5 and 6)
5	70048922	1	SPRING, retaining, terminal bushing
6	70912731	2	SCREW, terminal (#8-32 NC x 5/16")
	70912739	2	LOCKWASHER, internal teeth, #8





LIGHT ASSEMBLY 70621429

T-27390

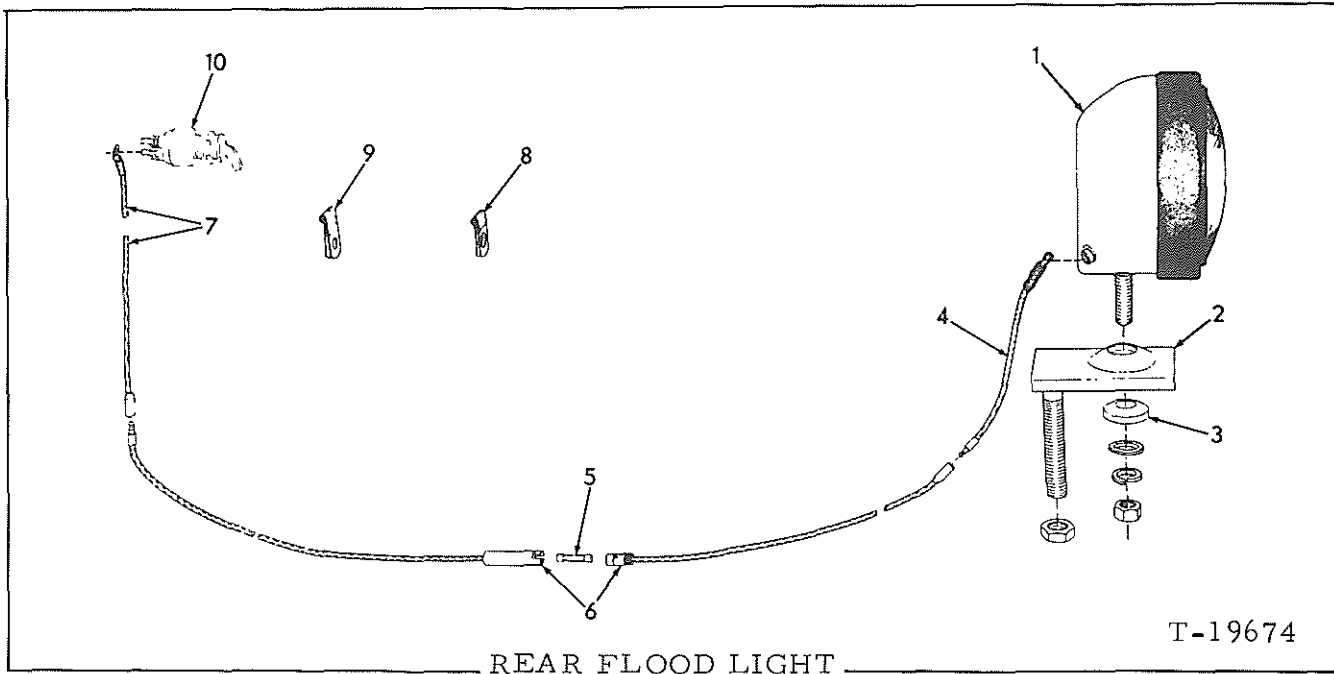
USAGE: See page 271

ITEM PART NO. QTY. DESCRIPTION

NOTE: Quantities indicated are for one (1) light only

1	70182763	1	SEALED BEAM (24 volt)
2	70621428	1	RETAINER (rubber)
3	70621724	2	CABLE, sealed beam (Includes terminals)
4	-----	1	BODY ASSEMBLY (Not serviced separately)
5	70912731	2	SCREW, terminal (#8-32 NC x 5/16")



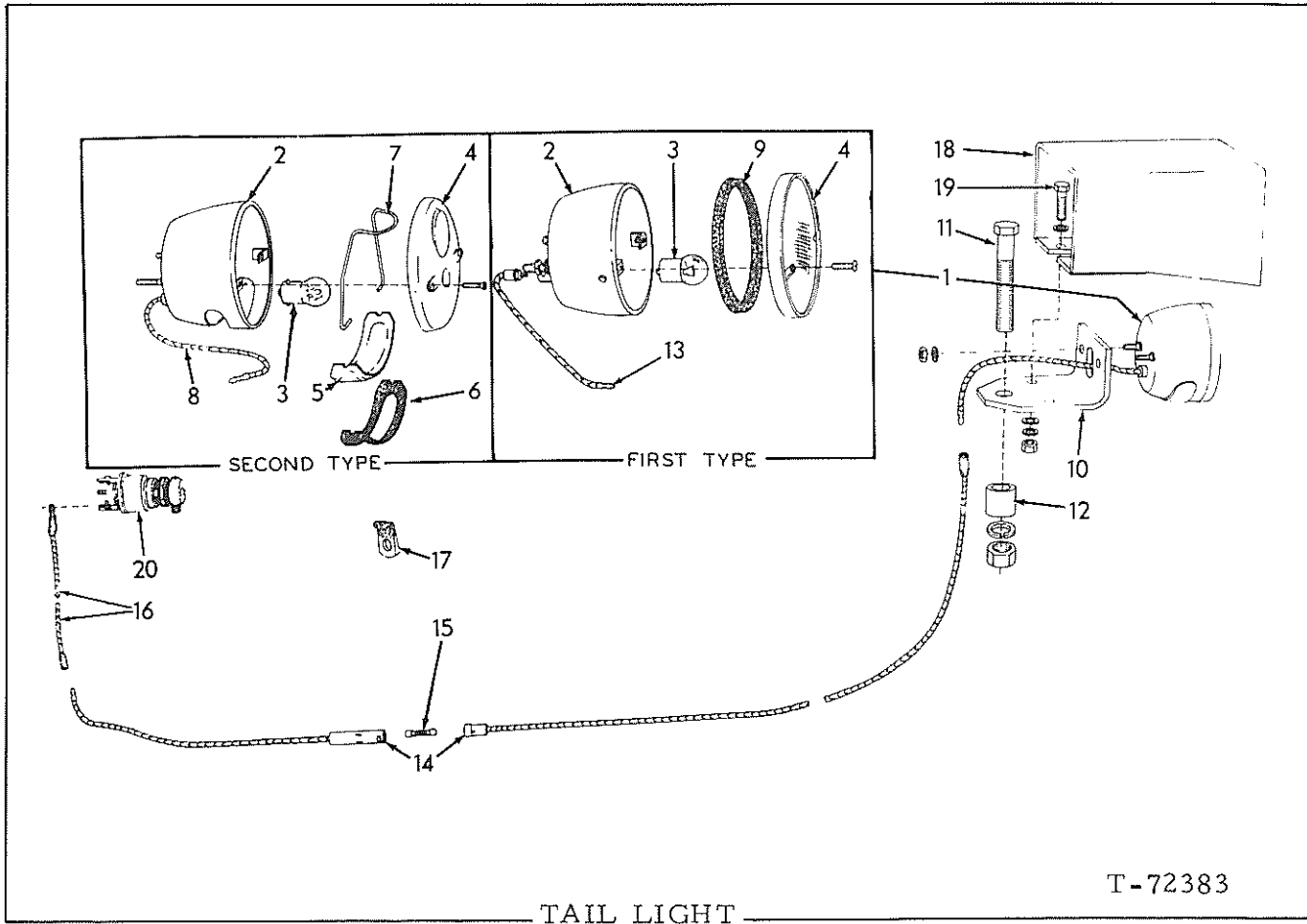


REAR FLOOD LIGHT

T-19674

USAGE: Special equipment.

ITEM	PART NO.	QTY.	DESCRIPTION
1	70638283	1	LIGHT ASSY. (See page 274)(Early units)
	70621429	1	LIGHT ASSY. (See 274A)(Late units)
	70900818	1	WASHER, plain, U.S. std., 1/2"
	70904208	1	LOCKWASHER, 1/2"
	70911043	1	NUT, 1/2"NF
2	70094630	1	BRACKET, mounting
	70911044	1	NUT, 5/8"NF
3	70075535	1	WASHER, mounting
4	70068367	1	CABLE, rear section (9" long)
5	70208960	1	FUSE, cartridge type (1/4", 20 amperes)
6	70655485	1	CABLE, intermediate section (107" long)(Includes item #5)
7	70655484	1	CABLE, front section (44" long)
8	70640704	3	CLIP, cable (1/8" diam., 17/32" bolt-hole)
9	70639388	3	CLIP, cable (1/8" diam., 13/32" bolt-hole)
	70035244	4	CAPSCREW, 3/8"NC x 3/4"
	70904206	4	LOCKWASHER, 3/8"
	70911115	4	WASHER, plain, SAE std., 3/8"
10	-----	1	SWITCH, lights (See INSTRUMENTS)



USAGE: Special equipment.

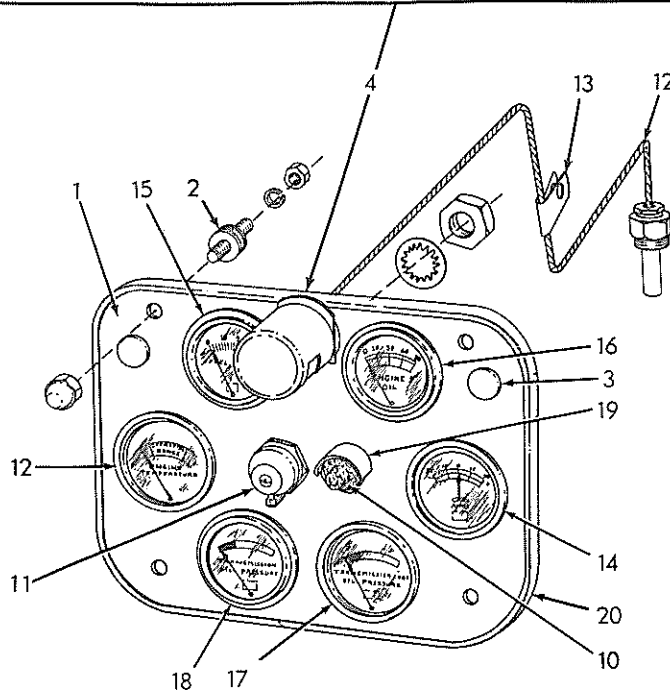
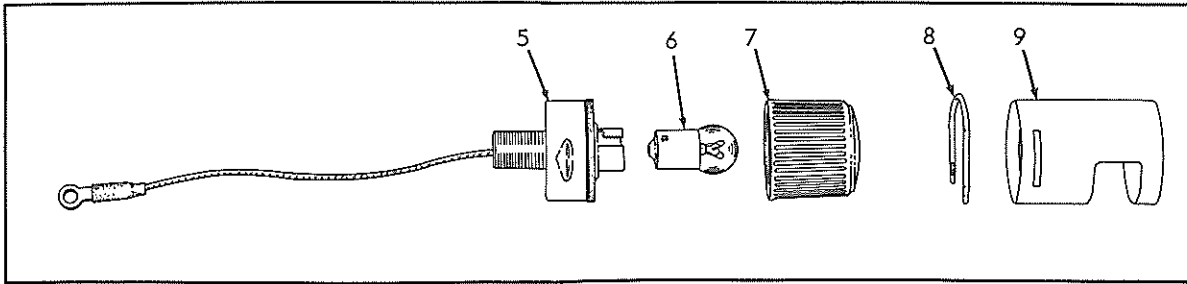
\* Used prior to January 1967  
 \*\* Effective January 1967

ITEM	PART NO.	QTY.		DESCRIPTION
		*	**	
1	-----	1	-	LIGHT ASSY., tail (Order LIGHT ASSEMBLY 70654652)
	70654652	-	1	LIGHT ASSY., tail (Consists of items 2 thru 8)
	70904204	2	2	LOCKWASHER, 1/4"
	70911024	2	2	NUT, 1/4"NC
2	-----	1	1	BODY ASSY. (Not serviced separately)
3	70074452	1	1	BULB, incandescent, single contact, 6 c. p., 24 volt
4	-----	1	-	LENS, tail light (Discontinued)
	70917883	2	-	SCREW, thread-cutting, rd-hd., #8 X 5/8"
	70654991	-	1	LENS, tail light (red)
	70654990	-	2	SCREW, retaining
5	70654988	-	1	LENS-SEGMENT, tail light (clear)
6	70654989	-	1	GASKET, lens-segment
7	70654987	-	1	CLIP, lens-segment retaining
8	70654986	-	1	WIRE ASSY., tail light (Includes insulating bushing)
9	70629189	1	-	GASKET, tail light lens

(Continued)

TAIL LIGHT (Continued)

ITEM	PART NO.	QTY.		DESCRIPTION
		*	**	
10	70067110	1	1	BRACKET, tail light mounting
11	70066862	1	1	CAPSCREW, 5/8"NF x 4"
	70904209	1	1	LOCKWASHER, 5/8"
	70911044	1	1	NUT, 5/8"NF
12	70067112	1	1	BLOCK, spacing, mounting bracket
13	-----	1	-	CABLE ASSY., rear section (Includes plug)(Dis-continued)
14	70655485	1	1	CABLE, rear intermediate section (107" long, includes item 15)
15	70208960	1	1	FUSE, cartridge type (1/4" x 1-1/4", 20 amperes)
16	70655484	1	1	CABLE, front section (44" long)
17	70620704	3	3	CLIP, cable (1/8" diam., 17/32" bolt-hole)
	70639388	4	4	CLIP, cable (1/8" diam., 13/32" bolt-hole)
	70916268	4	4	CAPSCREW, 3/8"NC x 5/8"
	70904206	4	4	LOCKWASHER, 3/8"
18	70647139	1	1	GUARD, tail light
19	70012992	2	2	CAPSCREW, 3/8"NF x 1-1/4"
	70044973	4	4	WASHER, plain
	70904206	2	2	LOCKWASHER, 3/8"
	70911041	2	2	NUT, 3/8"NF



T-39351

INSTRUMENTS

USAGE: Tractors serial No. 5937 and up; also No. 64A09551 thru 64A09571

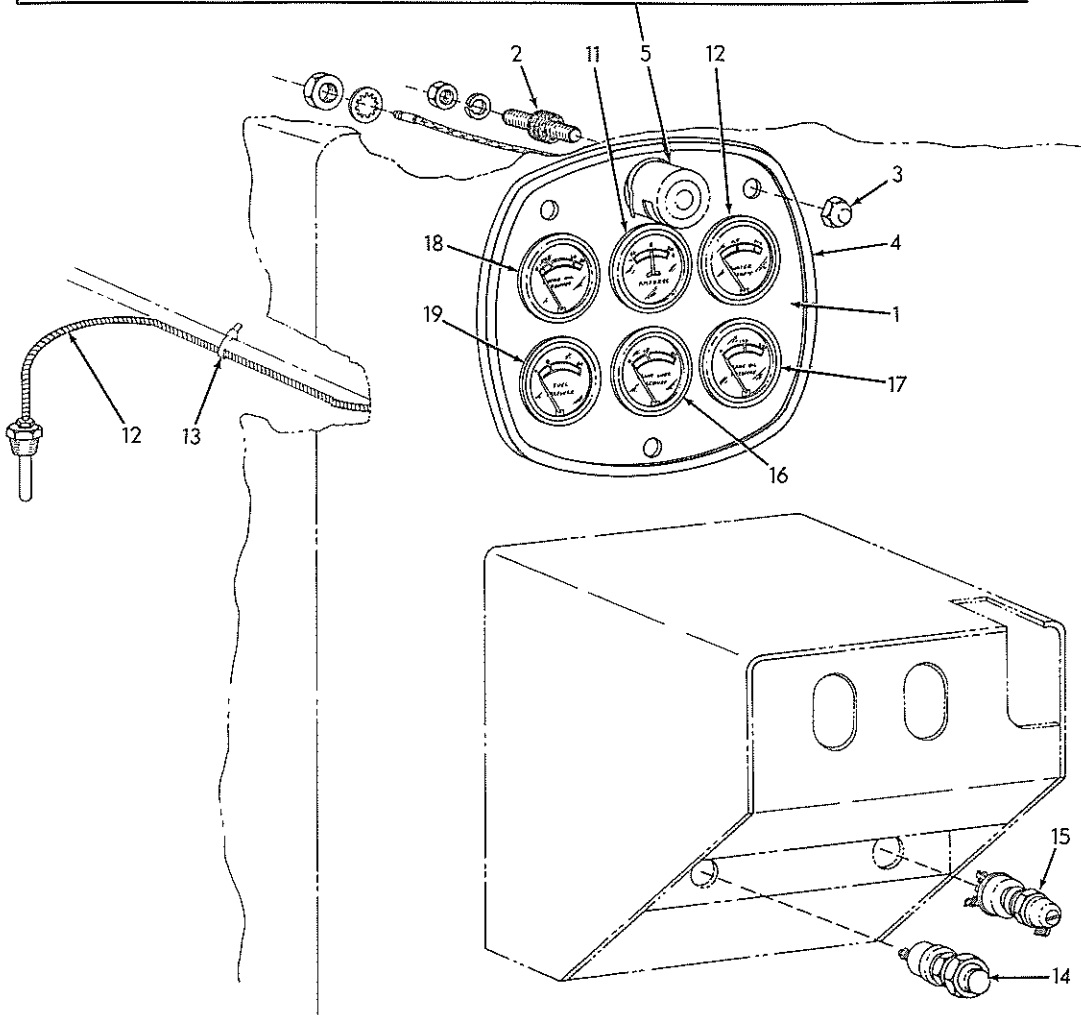
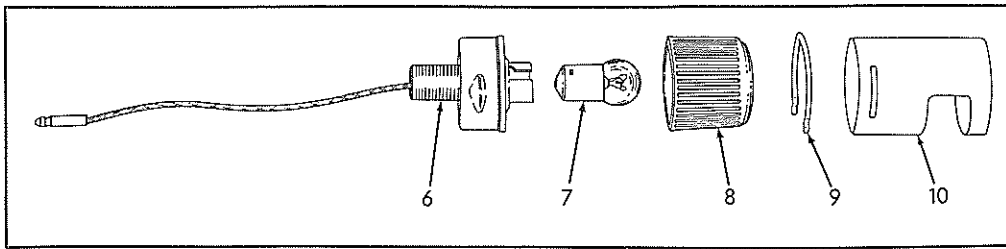
ITEM PART NO. QTY. DESCRIPTION

1	70630207	1	PLATE, instrument mounting
	70036032	4	CAPSCREW, 3/8"NF x 3/4" (Used prior to tractor #7539)
	70642746	4	CUSHION, resilient
2	70924950	4	NUT, cap, 3/8"NF
	70904206	4	LOCKWASHER, 3/8"
	70911041	4	NUT, 3/8"NF
			} Effective with tractor #7539
3	70921113	2	PLUG, instrument plate (11/16" switch holes)
4	70659003	1	LIGHT ASSEMBLY, instrument panel (Consists of items 5 thru 9)
	70911049	1	NUT, jam, 5/8"NF
	70910334	1	LOCKWASHER, int-tooth, 5/8"
	70924959	1	WASHER, spacing
5	-----	1	BASE ASSEMBLY (Not serviced separately)
6	70074452	1	BULB, instrument light (single contact, 6 c. p., 24 volts)
7	70095267	1	LENS, instrument light
8	70095265	1	SPRING, retaining, instrument light cover
9	70659002	1	COVER, instrument light

(Continued)

INSTRUMENTS (Continued)

ITEM	PART NO.	QTY.	DESCRIPTION
10	70240962	1	SWITCH ASSY., starter (Includes mounting nut)
11	70651630	1	SWITCH ASSY., lights (Includes mounting nuts)
12	{ 70658423	1	GAUGE, engine temperature (Includes mounting clamp) (Used prior to tractor #8399)
	{ 70658620	1	
13	{ 70073809	1	CLIP, temperature gauge tube (3/16" diam., 13/32" bolt-hole) (Used prior to Tractor #8399)
	{ 70238726	2	
14	70658348	1	AMMETER (Includes mounting clamp)
15	-----	1	GAUGE, fuel pressure (See page 280)
16	-----	1	GAUGE, engine oil pressure (See page 281)
17	-----	1	GAUGE, transmission lubrication oil pressure (See page 282)
18	-----	1	GAUGE, transmission clutch pressure (See page {283)
19	70634677	1	GUARD, starter switch
20	70642972	1	SEAL, weather, instrument panel (Effective with tractor #7539)



INSTRUMENTS

T-74647

USAGE: Tractors serial No. 64A09572 and up

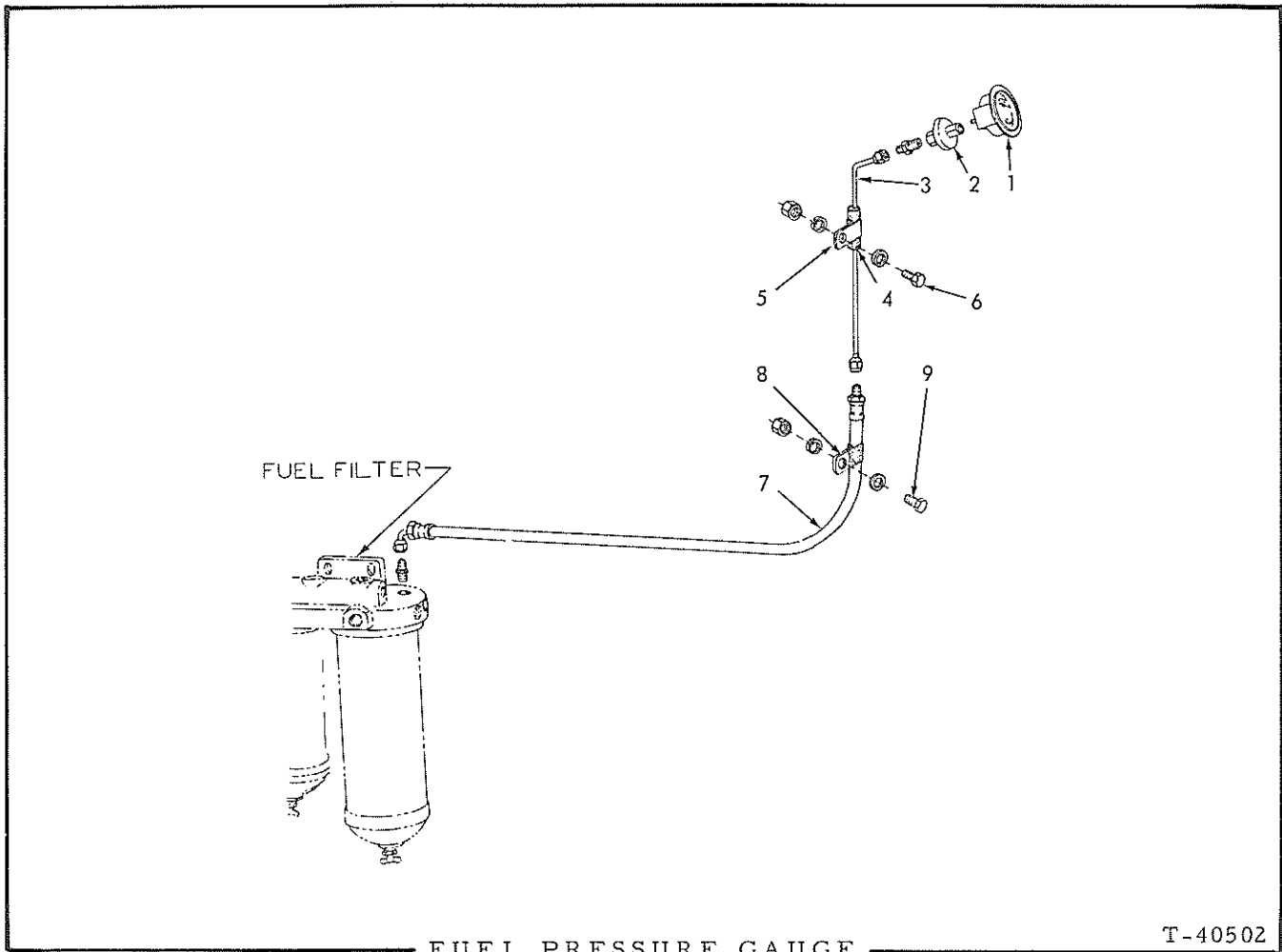
ITEM	PART NO.	QTY.	DESCRIPTION
1	70656905	1	PLATE, instrument mounting
2	70642746	3	CUSHION, instrument mounting plate
	70904206	3	LOCKWASHER, 3/8"
	70911041	3	NUT, 3/8"NF
3	70924950	3	NUT, instrument mounting plate
4	70656923	1	SEAL, weather, instrument mounting plate

(Continued)



INSTRUMENTS (Continued)

ITEM	PART NO.	QTY.	DESCRIPTION
5	70658641	1	LIGHT ASSY., instrument panel (Consists of items 6 thru 10)
	70924959	1	WASHER, spacing
	70911049	1	NUT, jam, 5/8"NF
	70910334	1	LOCKWASHER, int-tooth, 5/8"
6	-----	1	BASE ASSY. (Not serviced separately)
7	70074452	1	BULB, instrument light (single contact, 6 C. P., 24 volts)
8	70095267	1	LENS instrument light
9	70095265	1	SPRING, retaining, instrument light cover
10	70659002	1	COVER, instrument light
11	70658348	1	AMMETER (Includes mounting clamp)
12	70658620	1	GAUGE, engine temperature (Includes mounting clamp)
13	70239726	2	TIE, temperature gauge tube
14	70240962	1	SWITCH ASSY., starter (Includes mounting nut)
15	70661345	1	SWITCH ASSY., lights (Includes mounting nut)
16	-----	1	GAUGE, transmission lubricating oil pressure (See page 283B)
17	-----	1	GAUGE, transmission hydraulic pressure (See page 283B)
18	-----	1	GAUGE, engine oil pressure (See page 280B)
19	-----	1	GAUGE, fuel oil pressure (See page 280A)

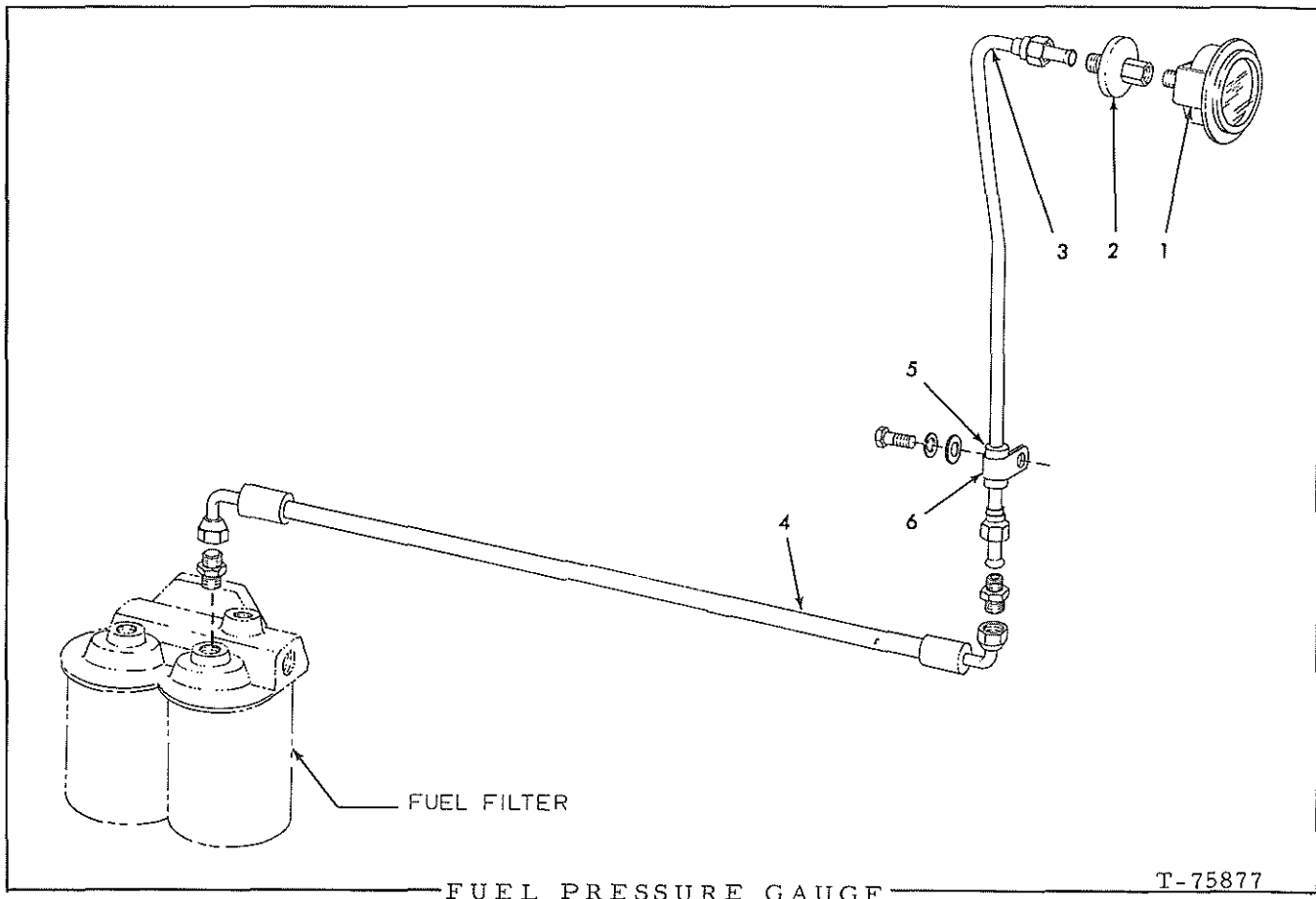


FUEL PRESSURE GAUGE

T-40502

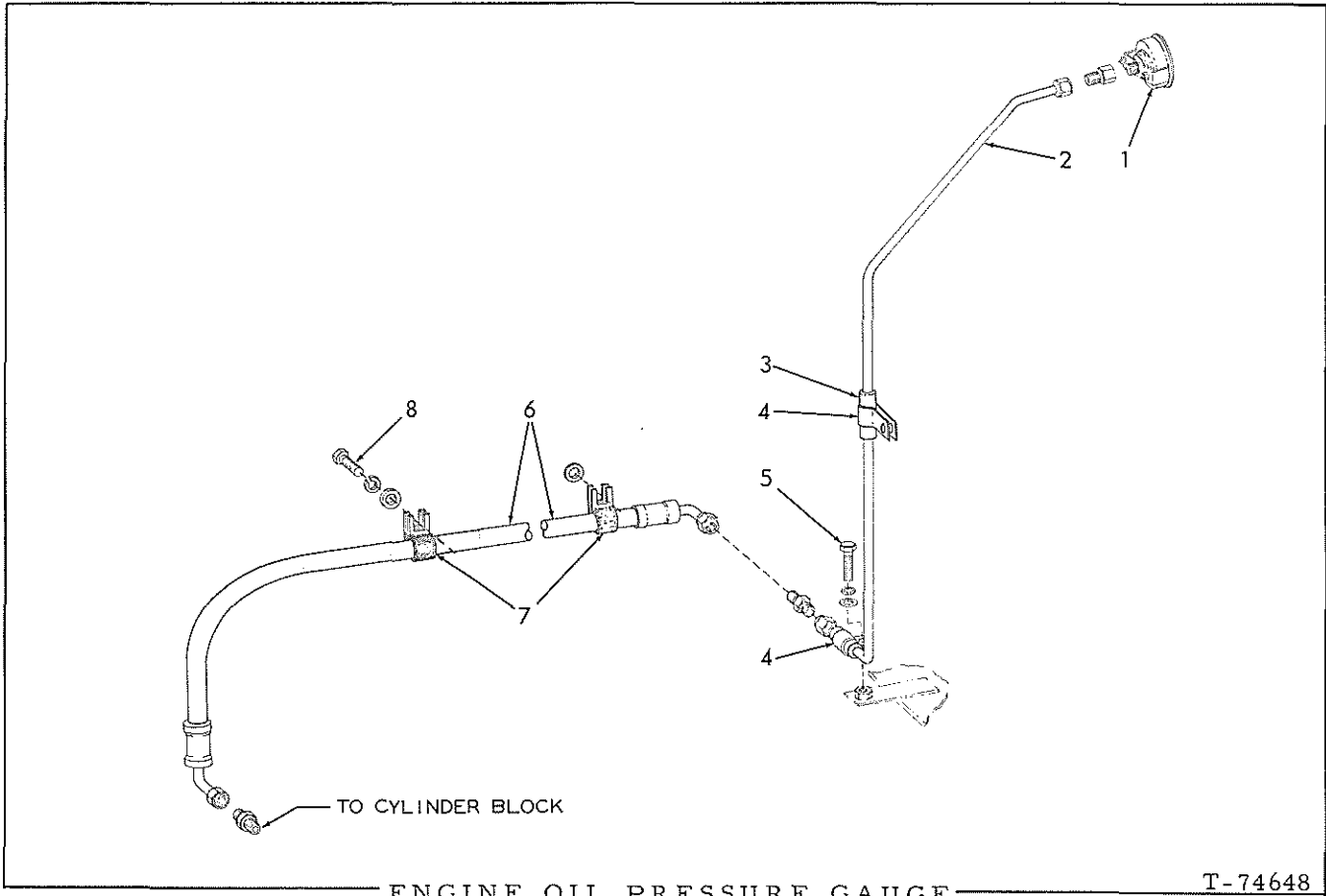
USAGE: Tractor serial No. 5937 and up; also No. 64A09551 thru 64A09571

ITEM	PART NO.	QTY.	DESCRIPTION
1	70658349	1	GAUGE (Includes mounting clamp)
2	70069674	1	RESTRICTOR
3	70655693	1	TUBE ASSY. (Includes nuts)
	70919140	1	CONNECTOR, flare type, 1/4" tube, 1/4"NPT male
4	70093972	1	BOOT, tube protecting (rubber)
5	70047381	1	CLIP, tube supporting
6	70036034	1	CAPSCREW, 3/8"NF x 1"
	70911115	1	WASHER, plain, SAE std., 3/8"
	70904206	1	LOCKWASHER, 3/8"
	70911041	1	NUT, 3/8"NF
7	70646357	1	HOSE (See HOSE PARTS)
	70919171	1	CONNECTOR, flare type, 1/4" tube, 1/8"NPT male
8	70094527	1	CLIP, hose supporting (1/2" diam.)(Used prior to tractor #6965)
	70644006	1	CLIP, hose supporting (9/16" diam.)(Used prior to tractor #6965)
9	70036034	1	CAPSCREW, 3/8"NF x 1"
	70911115	1	WASHER, plain, SAE std., 3/8"
	70904206	1	LOCKWASHER, 3/8"
	70911041	1	NUT, 3/8"NF



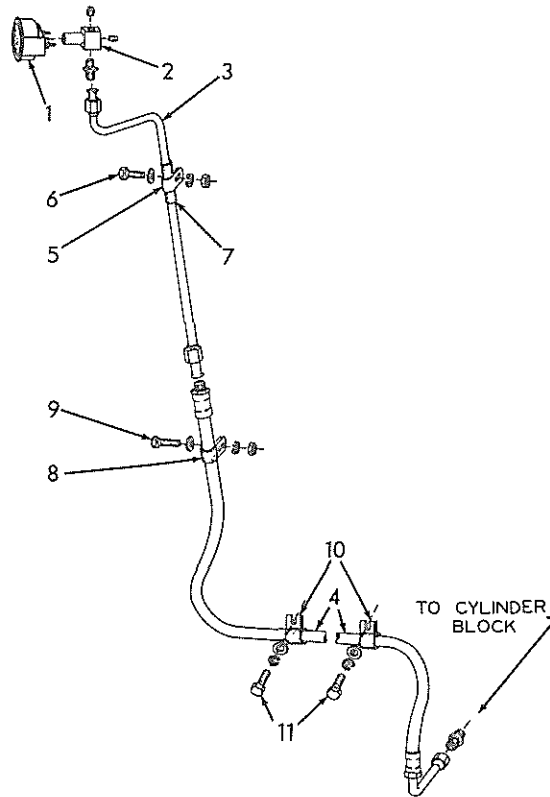
USAGE: Tractors serial No. 64A09572 and up

ITEM	PART NO.	QTY.	DESCRIPTION
1	70658349	1	GAUGE (Includes mounting clamp)
2	70088534	1	RESTRICTOR
3	70668113	1	TUBE ASSY. (Includes nuts)
	70919214	1	UNION, flare type, 1/4" tube
4	70638099	1	HOSE (See HOSE PARTS)
	70919171	1	CONNECTOR, flare type, 1/4" tube, 1/8"NPT female
5	70093972	1	BOOT, tube protecting (rubber)
6	70047381	1	CLIP, tube supporting
	70916271	1	CAPSCREW, 3/8"NC x 1"
	70904206	1	LOCKWASHER, 3/8"
	70911115	1	WASHER, plain, SAE std., 3/8"



USAGE: Tractors serial No. 64A09572 and up

ITEM	PART NO.	QTY.	DESCRIPTION
1	70658293	1	GAUGE, oil pressure (Includes mounting clamp)
2	70668112	1	TUBE ASSY., oil pressure gauge (Includes nuts)
	70919174	1	CONNECTOR, flare type, 1/4" tube, 1/8"NPT female
	70919214	1	UNION, flare type, 1/4" tube
3	70093972	2	BOOT, tube protecting (rubber)
4	70047381	2	CLIP, tube supporting (5/8" diam., 13/32" bolt-hole)
5	70916271	1	CAPSCREW, 3/8"NC x 1"
	70904206	1	LOCKWASHER, 3/8"
	70911115	1	WASHER, plain, SAE std., 3/8"
6	70658321	1	HOSE, oil pressure line (See HOSE PARTS)
	70919140	1	CONNECTOR, flare type, 1/4" tube, 1/4"NPT male
7	70620035	2	CLIP, hose supporting (1/2" diam., 13/32" bolt-hole)
8	70035244	1	CAPSCREW, 3/8"NC x 3/4"
	70911115	2	WASHER, plain, SAE std., 3/8"
	70904206	1	LOCKWASHER, 3/8"



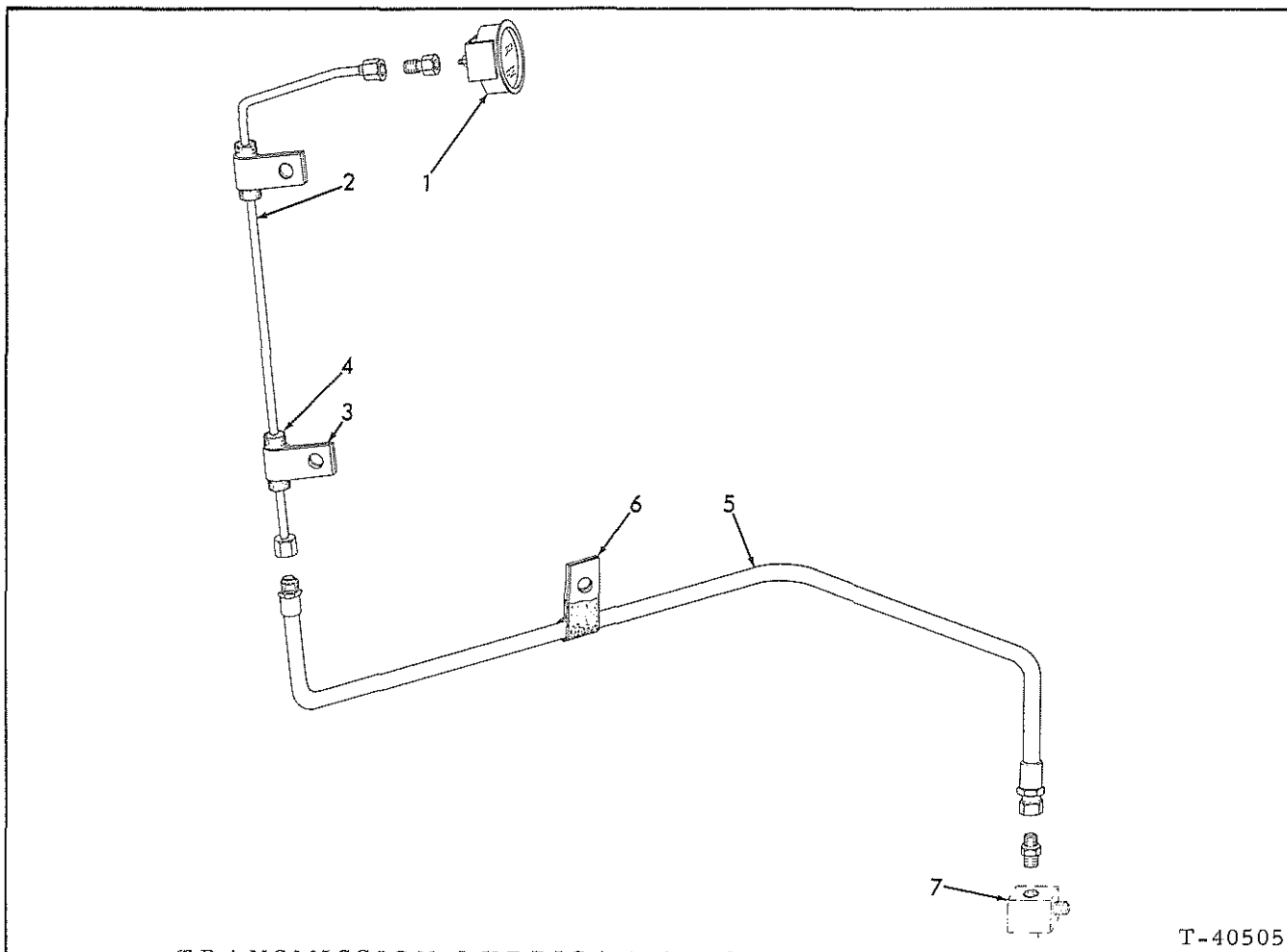
T-40503

ENGINE OIL PRESSURE GAUGE

USAGE: Tractors serial No. 5937 and up; also No. 64A09551 thru 64A09571

ITEM	PART NO.	QTY.	DESCRIPTION
1	70658293	1	GAUGE, oil pressure (Includes mounting clamp)
2	70094450	1	TEE, gauge connection
	70901651	1	PLUG, pipe, 1/8"NPT
	70901652	1	PLUG, pipe, 1/4"NPT (Not used when Hour Meter is installed)
3	70655692	1	TUBE ASSEMBLY (Includes nuts)
	70919171	1	CONNECTOR, flare type, 1/4" tube, 1/8"NPT male
4	70646230	1	HOSE (See HOSE PARTS)
	70919140	1	CONNECTOR, flare type, 1/4" tube, 1/4"NPT male
5	70047381	1	CLIP, tube supporting, (5/8" diam., 13/32" bolt-hole)
6	70036034	1	CAPSCREW, 3/8"NF x 1"
	70911115	1	WASHER, plain, SAE std., 3/8"
	70904206	1	LOCKWASHER, 3/8"
	70911041	1	NUT, 3/8"NF
7	70093972	1	BOOT, tube protecting (rubber)
8	70094527	1	CLIP, hose supporting (1/2" diam., 13/32" bolt-hole)(Used prior to tractor #6965)
	70644006	1	CLIP, hose supporting (9/16" diam., 17/32" bolt-hole)(Effective with tractor #6965)
9	70036034	1	CAPSCREW, 3/8"NF x 1"
	70911115	1	WASHER, plain, SAE std., 3/8"
	70904206	1	LOCKWASHER, 3/8"
	70911041	1	NUT, 3/8"NF
10	70620035	2	CLIP, hose supporting (1/2" diam., 13/32" bolt-slot)
11	70035244	2	CAPSCREW, 3/8"NC x 3/4"
	70911115	2	WASHER, plain, SAE std., 3/8"
	70904206	2	LOCKWASHER, 3/8"

(Revised May 1975)



TRANSMISSION LUBRICATION OIL PRESSURE GAUGE

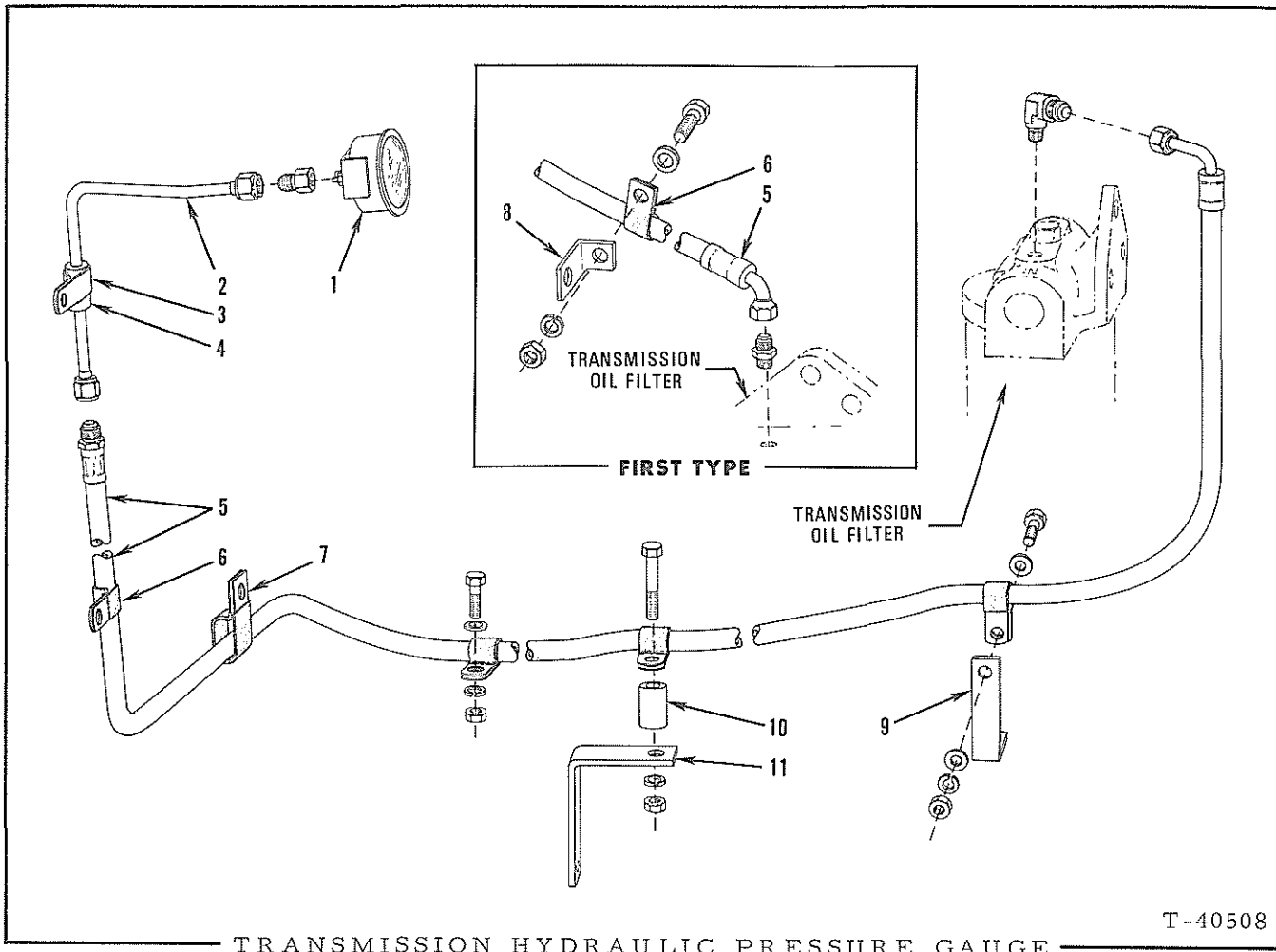
T-40505

USAGE: Tractors serial No. 5937 and up; also No. 64A09551 thru 64A09571

ITEM PART NO. QTY. DESCRIPTION

1	70658313	1	GAUGE (Includes mounting clamp)	
2	70655691	1	TUBE ASSEMBLY (Includes nuts)	
	70919174	1	CONNECTOR, flare type, 1/4" tube, 1/8"NPT female	
3	70047381	2	CLIP, tube supporting	
4	70093972	2	BOOT, tube protecting (rubber)	
5	70643971	1	HOSE (See HOSE PARTS)	} Tractors prior to #8399
	70919140	1	CONNECTOR, flare type, 1/4" tube, 1/4"NPT male	
5	70644696	1	HOSE, (See HOSE PARTS)	} Tractors #8399 and up
	70919546	1	ELBOW, flare type, 90°, 1/4" tube, 1/4"NPT male	
6	70094527	1	CLIP, hose supporting (Used prior to tractor #6965)	
7	-----	1	ELBOW (See TRANSMISSION)	

(Revised May 1975)



TRANSMISSION HYDRAULIC PRESSURE GAUGE

T-40508

\* Tractors prior to serial No. 8775  
 \*\* Tractors serial No. 8775 and up; also No. 64A09551  
 thru 64A09571

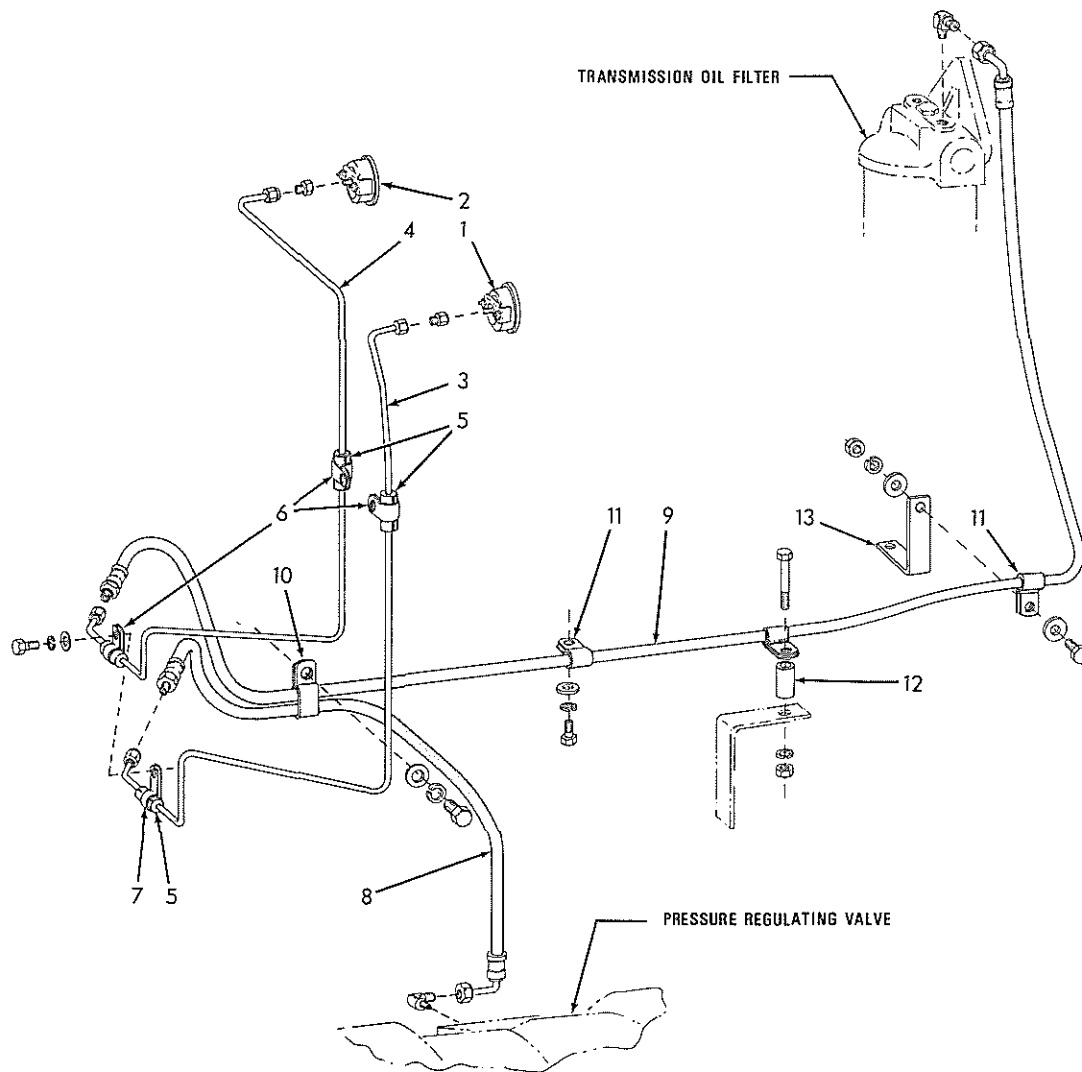
ITEM	PART NO.	QTY.		DESCRIPTION
		*	**	
1	70658277	1	1	GAUGE (Includes mounting clamp)
2	70655694	1	1	TUBE ASSY. (Includes nuts)
	70919174	1	1	CONNECTOR, flare type, 1/4" tube, 1/8"NPT female
3	70047381	1	1	CLIP, tube supporting
4	70093972	1	1	BOOT, tube protecting (rubber)
5	70646354	1	-	HOSE (See HOSE PARTS)
	70919140	1	-	CONNECTOR, flare type, 1/4" tube, 1/4"NPT male
	70653910	-	1	HOSE (See HOSE PARTS)
	70919546	-	1	ELBOW, flare type, 90°, 1/4" tube, 1/4"NPT male

(Continued)

TRANSMISSION HYDRAULIC PRESSURE GAUGE (Continued)

ITEM	PART NO.	QTY.		DESCRIPTION
		*	**	
6	70094527	2	-	CLIP, hose supporting (1/2" diam.)(Used prior to tractor #6965)
	70644006	2	4	CLIP, hose supporting (9/16" diam.)(Effective with tractor #6965)
	70036032	1	1	CAPSCREW, 3/8"NF x 3/4"
	70036034	-	1	CAPSCREW, 3/8"NF x 1"
	70045174	-	1	CAPSCREW, 3/8"NF x 2-1/2"
	70911115	1	3	WASHER, plain, SAE std., 3/8"
	70904206	1	3	LOCKWASHER, 3/8"
	70911041	1	3	NUT, 3/8"NF
7	70622161	1	-	CLIP, hose supporting (1/2" diam.)(Used prior to tractor #6965)
	70644908	1	1	CLIP, hose supporting (For two 9/16" diam. lines)(Eff. with tractor #6965)
8	70094867	1	-	ANGLE, clip attaching
9	70631874	-	1	BRACKET, clip attaching
10	70613231	-	1	BLOCK, hose spacing
11	70635126	-	1	ANGLE, clip attaching





TRANSMISSION PRESSURE GAUGES

T-75878

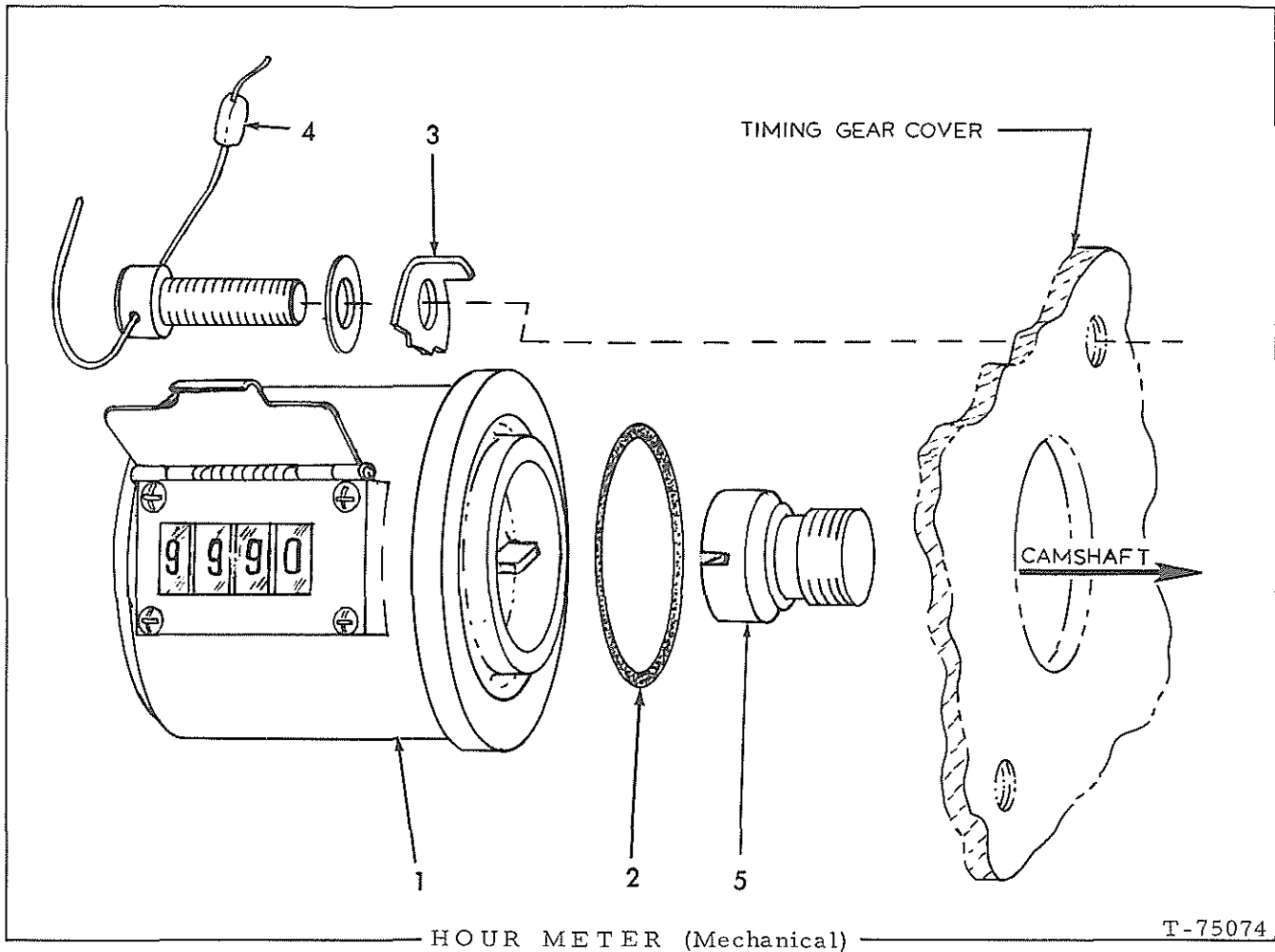
USAGE: Tractors serial No. 64A09572 and up

ITEM	PART NO.	QTY.	DESCRIPTION
1	70658313	1	GAUGE, lubricating oil (Includes mounting clamp)
2	70666185	1	GAUGE, hydraulic pressure (Includes mounting clamp)
3	70668111	1	TUBE ASSY., lube oil gauge (Includes nuts)
	70919174	1	CONNECTOR, flare type, 1/4" tube, 1/8"NPT female
4	70668110	1	TUBE ASSY., hydraulic pressure gauge (Includes nuts)
	70919174	1	CONNECTOR, flare type, 1/4" tube, 1/8"NPT female
5	70093972	4	BOOT, tube protecting (rubber)
6	70047381	3	CLIP, tube supporting (short)
	70916271	1	CAPSCREW, 3/8"NC x 3/4"
	70904206	1	LOCKWASHER, 3/8"
	70911115	1	WASHER, plain, SAE std., 3/8"

(Continued)

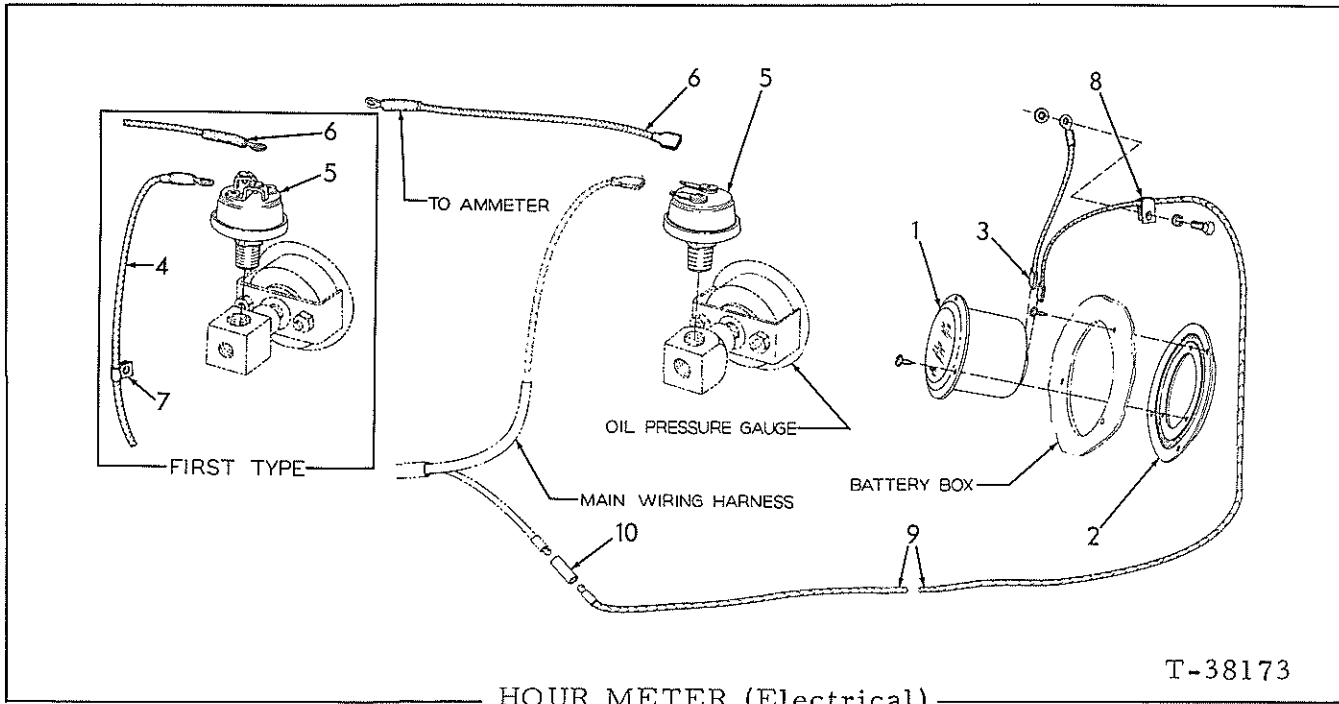
TRANSMISSION PRESSURE GAUGES (Continued)

ITEM	PART NO.	QTY.	DESCRIPTION
7	70668919	1	CLIP, tube supporting (long)
8	70658319	1	HOSE, lube oil gauge (See HOSE PARTS)
	70919546	1	ELBOW, flare type, 90°, 1/4"NPT male
9	70668966	1	HOSE, hydraulic pressure gauge (See HOSE PARTS)
	70919546	1	ELBOW, flare type, 90°, 1/4" tube, 1/4"NPT male
10	70644908	1	CLIP, hose supporting
	70916310	1	CAPSCREW, 1/2"NC x 3/4"
	70904208	1	LOCKWASHER, 1/2"
	70910244	1	WASHER, plain, SAE std., 1/2"
11	70644006	3	CLIP, hose supporting (9/16" diam.)
	70036034	1	CAPSCREW, 3/8"NF x 1"
	70045174	1	CAPSCREW, 3/8"NF x 2-1/2"
	70916271	1	CAPSCREW, 3/8"NC x 3/4"
	70911115	3	WASHER, plain, SAE std., 3/8"
	70904206	3	LOCKWASHER, 3/8"
	70911041	2	NUT, 3/8"NF
12	70613231	1	BLOCK, spacing
13	70631874	1	BRACKET, supporting



USAGE: Standard equipment, effective with engine serial No. 16-07832

ITEM	PART NO.	QTY.	DESCRIPTION
1	74392190	1	METER ASSY. (Serviced only as a unit)
2	70924137	1	O-RING, meter mounting
3	74359293	2	CLAMP, meter mounting
	74391914	2	SCREW, hex-socket-hd.. 1/4"NF x 3/4"
	70904204	2	LOCKWASHER, 1/4"
4	74355843	1	SEAL, anti-tampering
5	74391912	1	PLUG, camshaft (meter driving)



HOUR METER (Electrical)

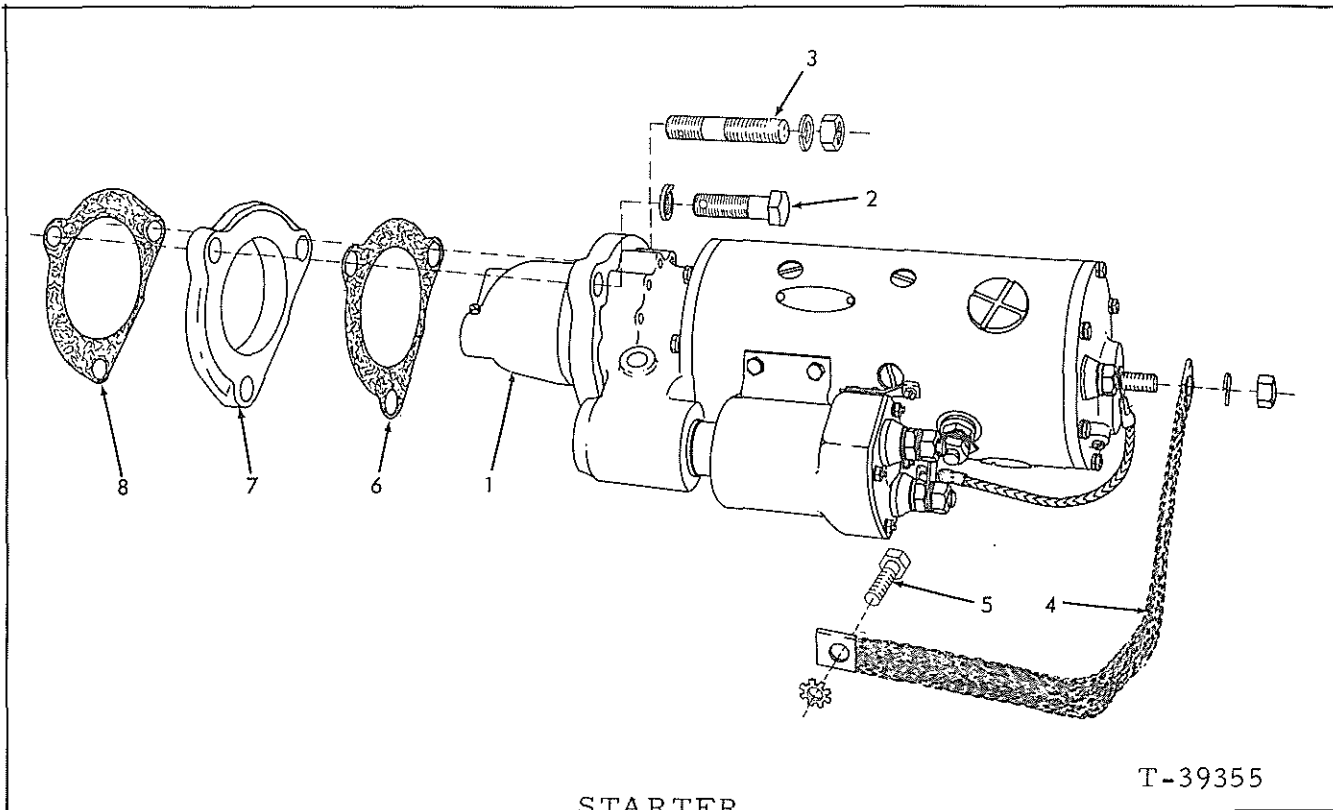
T-38173

USAGE: Special equipment. Used on early units.

\* Tractors prior to serial No. 6184

\*\* Tractors serial No. 6184 and up

ITEM	PART NO.	QTY.		DESCRIPTION
		*	**	
1	70650299	1	1	METER, hour (24 volt)
	70918210	3	3	SCREW, thread-cutting, #6 x 1/2" (Includes lockwasher)
2	70066467	1	1	DAMPER, vibration
	70918210	3	3	SCREW, thread-cutting, #6 x 1/2" (Includes lockwasher)
3	70630917	1	1	CABLE, meter to ground (8" long)
4	70633629	1	-	CABLE, meter to pressure switch (160" long)
5	70050288	1	-	SWITCH, pressure (screw terminals)
	70640727	-	1	SWITCH, pressure (spade terminals)
6	70605808	1	-	CABLE, pressure switch to ammeter (10" long, screw terminal)
	70630917	-	1	CABLE, pressure switch to ammeter (8" long, spade terminal)
7	70639388	4	-	CLIP, cable supporting (13/32" bolt-hole)
8	70640707	2	2	CLIP, cable supporting (9/32" bolt-hole)
	70905655	2	2	CAPSCREW, 1/4"NC x 2"
	70904204	2	2	LOCKWASHER, regular, 1/4"
	70909367	1	1	LOCKWASHER, internal teeth, 1/4" (grounding)
9	70640706	-	1	CABLE, meter to main harness (115" long)
10	70048142	-	1	CONNECTOR, cable

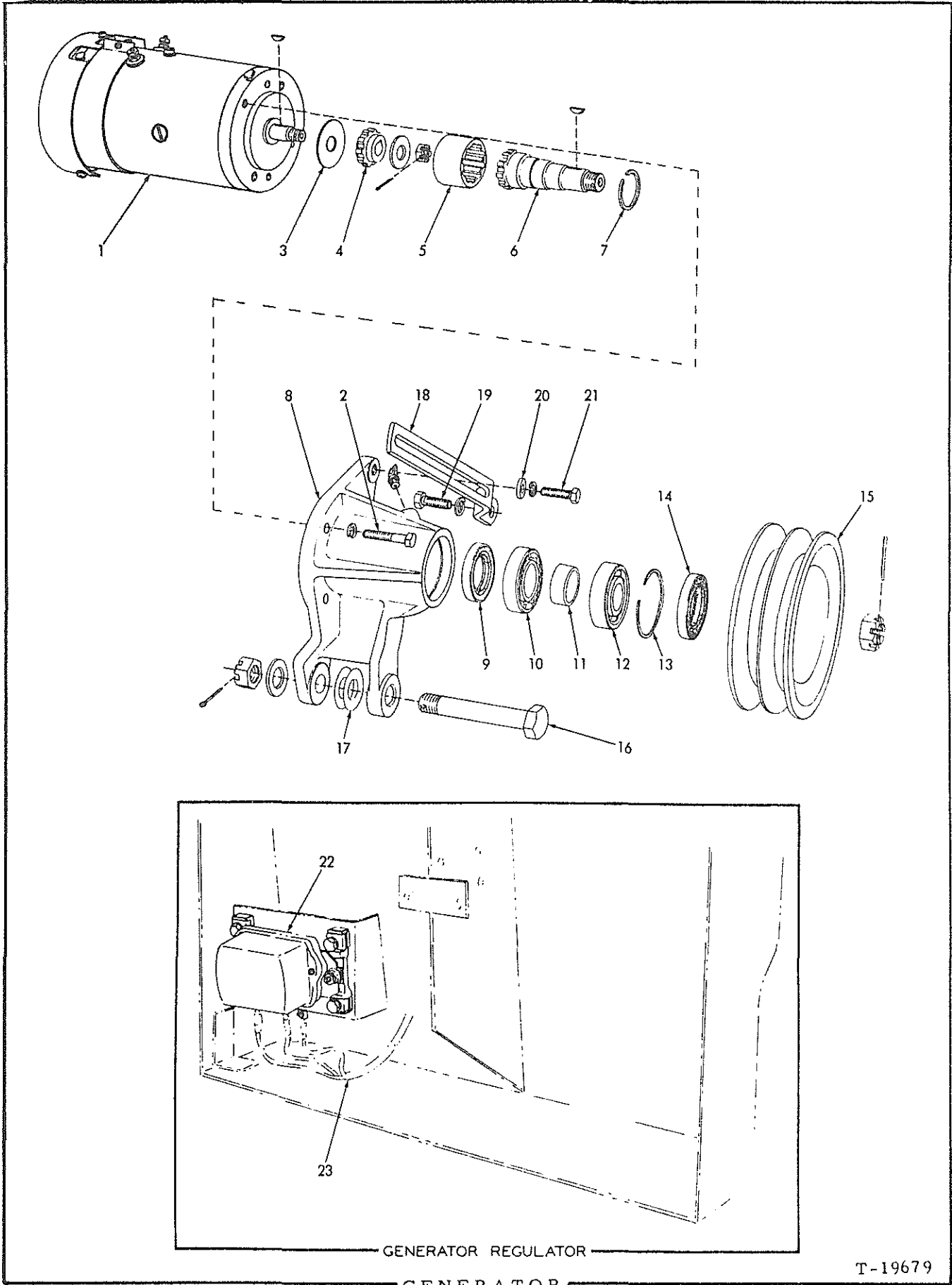


STARTER

T-39355

ITEM	PART NO.	QTY.	DESCRIPTION
1	74387529	1	MOTOR, starting ("Delco-Remy" #1113898)(Standard-duty)
	70620350	1	MOTOR, starting ("Delco-Remy" #1109986)(Heavy-duty)
2	70631571	2	CAPSCREW, Nylok, 5/8"NC x 2-1/4"
3	70648262	1	STUD, Nylok, 5/8"NF x 3-1/8"
	70911044	1	NUT, 5/8"NF
	70904209	3	LOCKWASHER, 5/8"
4	70630199	1	STRAP, starter to ground
5	70914875	1	CAPSCREW, 1/2"NF x 1"
	70910210	2	LOCKWASHER, ext-tooth, 1/2"
6	70631573	1	GASKET, starting motor
7	70631574	1	ADAPTER, starting motor
8	70631572	1	GASKET, starting motor adapter

} Order parts from local "United Motors" Service agency



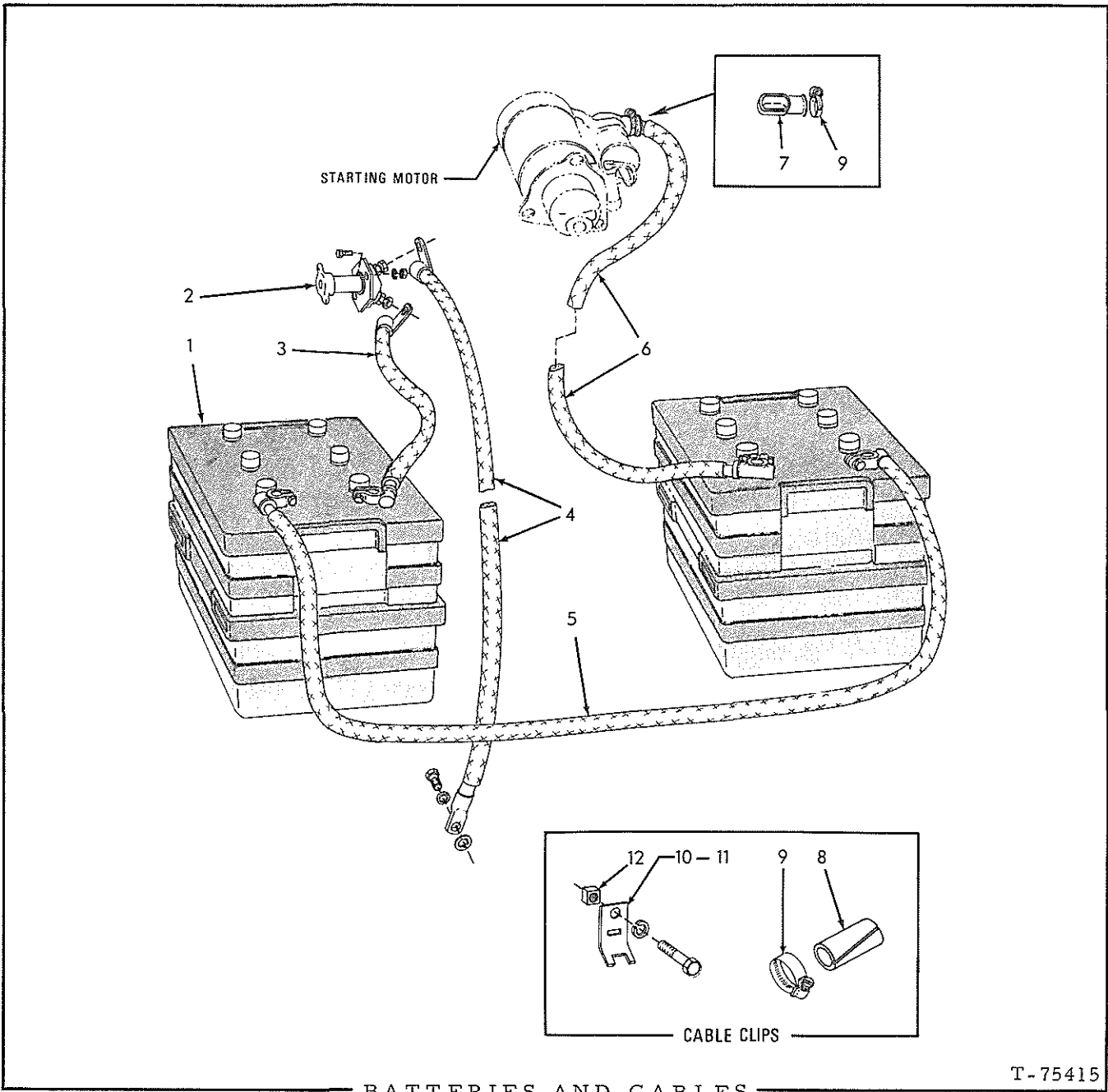
GENERATOR REGULATOR

GENERATOR

T-19679

GENERATOR

ITEM	PART NO.	QTY.	DESCRIPTION
			<u>NOTE:</u> See FAN for driving belts
1	70094625	1	GENERATOR (Includes KEY 70905121)("Delco-Remy" #1105997. Order parts from local "United Motors" Service agency)
	70905121	1	KEY, #5 woodruff, 1/8" x 5/8"
2	70013058	4	CAPSCREW, 3/8"NC x 1-1/4"
	70904206	4	LOCKWASHER, 3/8"
3	70067924	1	WASHER, generator shaft
4	70067923	1	PINION, generator shaft
	70910244	1	WASHER, plain, SAE std., 1/2"
	70913471	1	NUT, jam, slotted, 1/2"NF
	70900801	1	PIN, cotter, 3/32" x 3/4"
5	70096056	1	SLEEVE, coupling
6	70096092	1	SHAFT, generator drive
	70913472	1	NUT, jam, slotted, 3/4"NF
	70900807	1	PIN, cotter, 1/8" x 1-1/4"
	70905121	1	KEY, #5 woodruff, 1/8" x 5/8"
7	70052225	1	RING, snap, generator drive shaft
8	70096071	1	HOUSING, generator drive
	70915274	1	FITTING, lubricating, 45°, 1/8"NPT
9	70067914	1	SEAL, grease, rear
10	74253863	1	BEARING, ball, rear
11	70096046	1	SLEEVE, bearing spacing
12	70067916	1	BEARING, ball, front
13	70050291	1	RING, snap, bearing retaining
14	70067913	1	SEAL, grease, front
15	70096093	1	PULLEY
16	70076522	1	CAPSCREW, generator drive housing
	70912331	1	NUT, slotted, 3/4"NF
	70900808	1	PIN, cotter, 1/8" x 1-1/2"
	70910255	1	WASHER, plain, SAE std., 3/4"
17	70083710	4	SHIM, housing mounting (Use as req'd)
18	70083399	1	STRAP, generator adjustment
19	70041250	1	CAPSCREW, generator strap (7/16"NC x 1-1/4")
	70904207	1	LOCKWASHER, 7/16"
20	70044973	1	WASHER, plain, generator strap
21	70013058	1	CAPSCREW, generator strap (3/8"NC x 1-1/4")
	70904206	1	LOCKWASHER, 3/8"
22	70185984	1	REGULATOR, voltage and current (Order parts from local "United Motors" Service agency)
	70041981	4	CAPSCREW, 5/16"NF x 1-1/2" } Used prior to tractor #6166
	70904205	4	LOCKWASHER, 5/16" } Effective with tractor #6166
	70912178	4	CAPSCREW, 1/4"NF x 1-1/2" }
	70904204	4	LOCKWASHER, 1/4" }
	70911040	4	NUT, 1/4"NF }
23	-----	-	HARNESS, wiring (See LIGHTS AND WIRING)



T-75415

ITEM	PART NO.	QTY.	DESCRIPTION
1	-----	2	BATTERY, storage, 12 volts, 25 plates ("Prestolite" type D-6. Order from local dealer)(Tractors prior to serial No. 8775)
	70695471	2	BATTERY, storage, 12 volts, dry-charged (Each requires 14 qts. electrolyte)(Tractors serial No. 8775 and up)
1A	70243526	1	ELECTROLYTE ("Z" pack- 6.1 quarts)
	70243527	1	ELECTROLYTE ("F" pack- 5 gallons)
1B	70243528	1	HOSE, electrolyte dispensing (For use with 5-gallon pack)

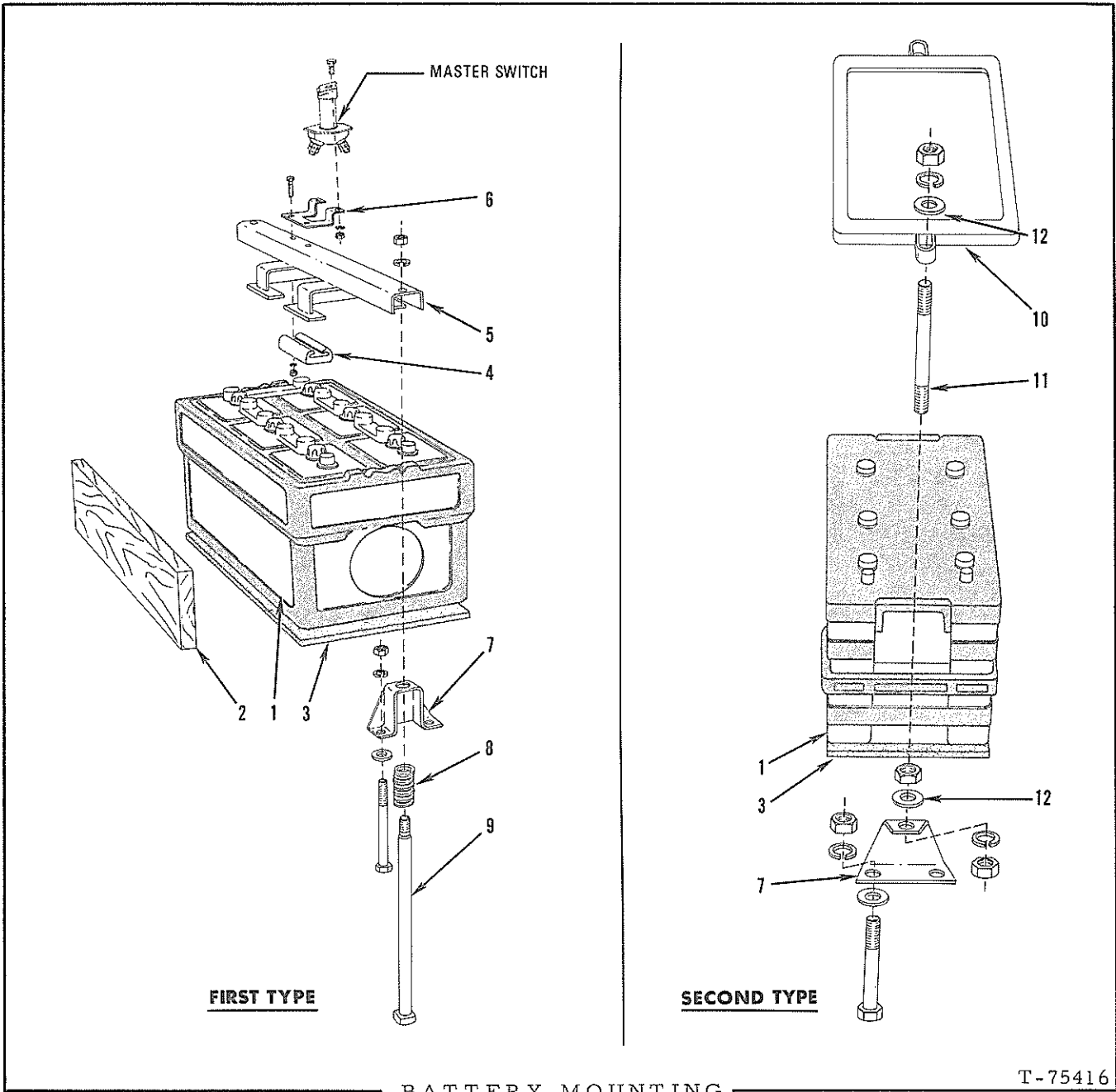
Not illustrated

(Continued)



BATTERIES AND CABLES (Continued)

ITEM	PART NO.	QTY.	DESCRIPTION
2	70096908	1	SWITCH ASSY., master (Serviced only as a unit)
	70915406	2	CAPSCREW, 1/4"NC x 3/4"
	70904204	2	LOCKWASHER, 1/4"
	70911024	2	NUT, 1/4"NC
3	70096918	1	CABLE, battery to master switch (15-1/2" long)
4	70627428	1	CABLE, master switch to ground (58" long)
	70035167	1	CAPSCREW, 3/8"NF x 7/8"
	70904206	1	LOCKWASHER, 3/8"
	70906960	1	LOCKWASHER, internal teeth, 3/8"
5	70632971	1	CABLE, battery connecting (72" long)
6	70623880	1	CABLE, battery to starter (102" long)
7	70076572	1	BOOT, protecting, starter terminal
8	70076469	11	BOOT, cable protecting
9	70921912	12	CLAMP, cable boot (1-1/16" to 2" diam.)
10	70633653	4	CLIP, cable supporting (7/16" bolt-hole)
	70035167	1	CAPSCREW, 3/8"NF x 7/8"
	70903775	3	CAPSCREW, 3/8"NC x 7/8"
	70904206	4	LOCKWASHER, 3/8"
11	70084895	3	CLIP, cable supporting (9/16" bolt-hole)
	70035221	2	CAPSCREW, 1/2"NC x 1"
	70904208	2	LOCKWASHER, 1/2"
12	70055235	1	BLOCK, cable supporting clip (Early units only)



BATTERY MOUNTING

T-75416

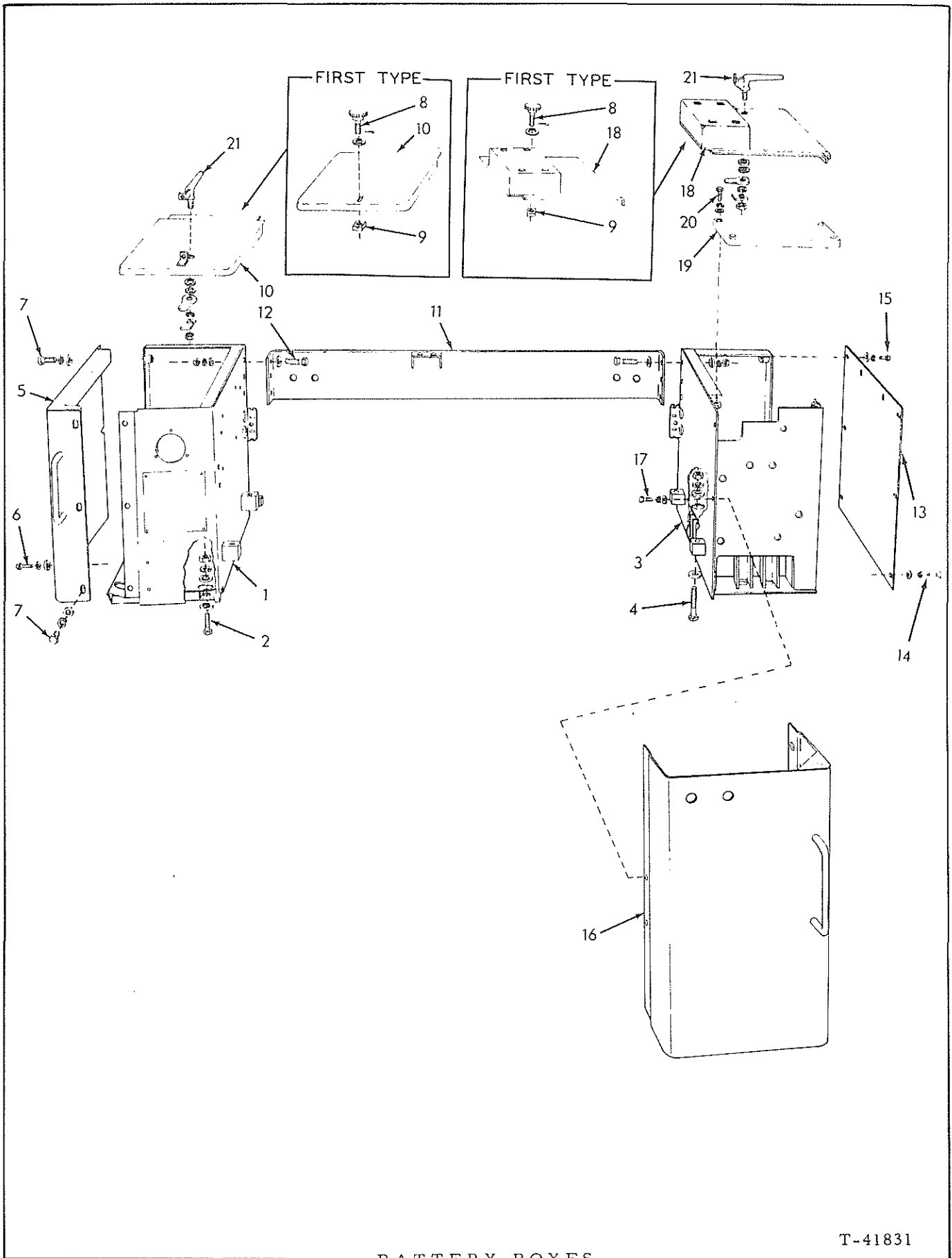
\* Tractors prior to serial No. 8775  
 \*\* Tractors serial No. 8775 and up

ITEM	PART NO.	QTY.		DESCRIPTION
		*	**	
1	-----	2	2	BATTERY, (See BATTERIES AND CABLES)
2	-----	1	-	BOARD, battery spacing (Procure locally as req'd)
3	70085680	2	2	PAD, battery bottom
4	70052791	8	-	BLOCK, hold-down (rubber)
5	70052782	2	-	HOLD-DOWN, battery

(Continued)

BATTERY MOUNTING (Continued)

ITEM	PART NO.	QTY.		DESCRIPTION
		*	**	
6	70637580	1	-	BRACKET, master switch
	70912789	2	-	CAPSCREW, 1/4"NF x 3/4"
	70904204	2	-	LOCKWASHER, 1/4"
	70911040	2	-	NUT, 1/4"NF
7	70081867	4	-	BRACKET, hold-down bolt
	70662745	-	4	BRACKET, hold-down rod
	70916323	4	4	CAPSCREW, 1/2"NC x 5-1/2" (Left side)
	70915969	4	4	CAPSCREW, 1/2"NC x 3" (Right side)
	70064531	8	8	WASHER, plain
	70904208	8	8	LOCKWASHER, 1/2"
	70911028	8	8	NUT, 1/2"NC
8	70081404	4	-	SPRING, hold-down bolt
9	70087313	4	-	BOLT, hold-down
	70904208	4	-	LOCKWASHER, 1/2"
	70911043	4	-	NUT, 1/2"NF
10	70662760	-	2	HOLD-DOWN, battery
11	70619814	-	4	ROD, hold-down
	70904208	-	8	LOCKWASHER, 1/2"
	70911043	-	12	NUT, 1/2"NF
12	70064531	-	8	WASHER, battery hold-down rod



BATTERY BOXES

T-41831

BATTERY BOXES

\* Tractors prior to serial No. 7906 excluding 7892  
 \*\* Tractors serial No. 7906 and up including 7892

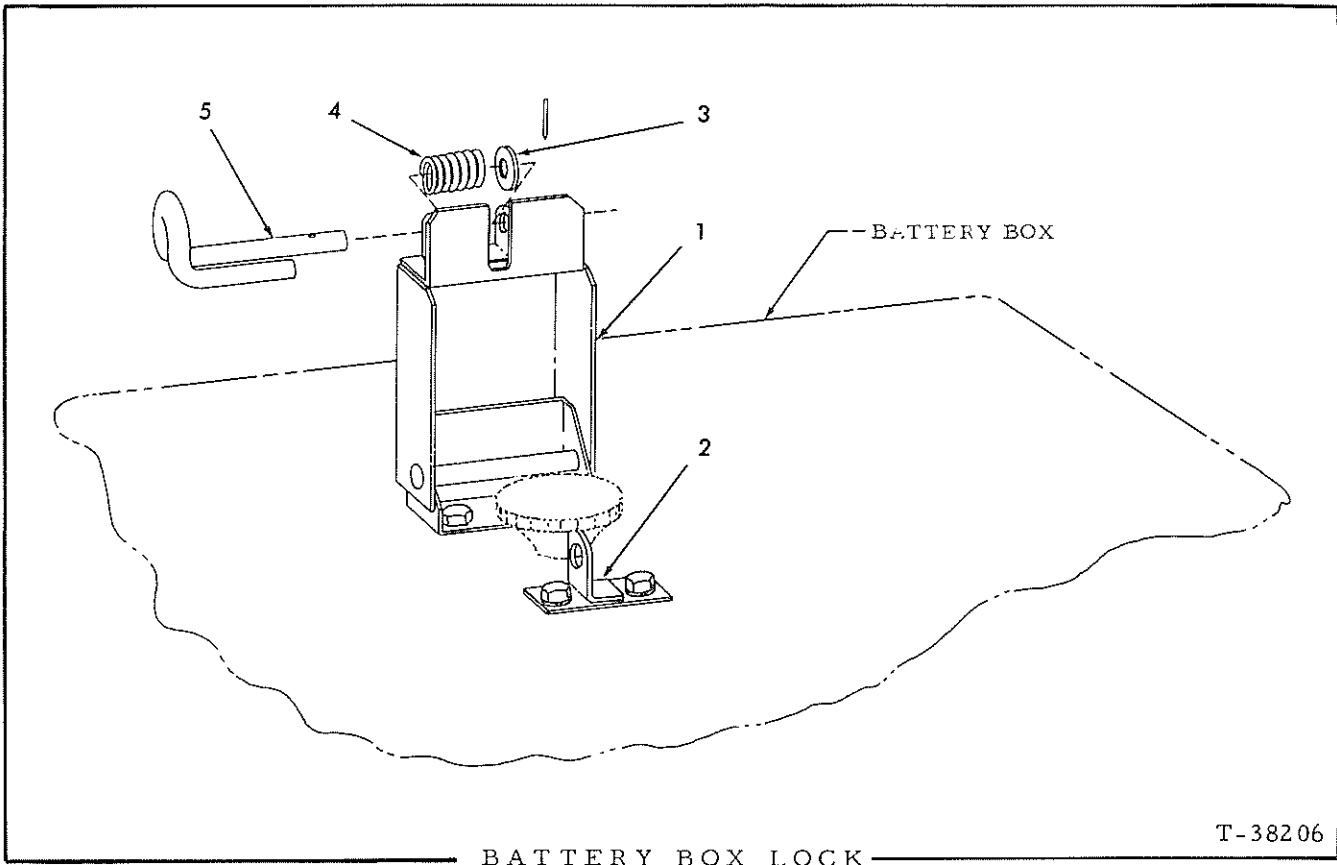
ITEM	PART NO.	QTY. * **	DESCRIPTION
1	-----	1 -	BOX, right battery (Order BOX 70650916, COVER 70650918 and item 24)
	70650916	- 1	BOX, right battery (Tractors prior to #8775)
2	70663911	- 1	BOX, right battery (Tractors #8775 and up
	70035067	3 -	CAPSCREW, 1/2"NF x 2" (Early units)
	70921556	3 3	CAPSCREW, 1/2"NC x 2" (Late units)
	70064531	6 6	WASHER, plain
	70904208	3 3	LOCKWASHER, 1/2"
	70911043	3 -	NUT, 1/2"NF (Early units) } Not used with
	70911028	3 3	NUT, 1/2"NC (Late units) } heavy-duty fenders
3	-----	1 -	BOX, left battery (Order BOX 70650914, COVER 70654930 and item 24)
	70650914	- 1	BOX, left battery (Tractors prior to #8775)
4	70663878	- 1	BOX, left battery (Tractors #8775 and up)
	70031671	2 -	CAPSCREW, 1/2"NF x 4-1/2" (Early units)
	70045252	2 2	CAPSCREW, 1/2"NC x 4-1/2" (Late units)
	70064531	4 4	WASHER, plain
	70904208	2 2	LOCKWASHER, 1/2"
	70911043	2 -	NUT, 1/2"NF (Early units) } Not used with
	70911028	2 2	NUT, 1/2"NC (Late units) } heavy-duty fenders
5	70639905	1 1	COVER, side, right battery box
6	70614478	2 2	CAPSCREW, 1/2"NF x 1-3/8"
7	70614478	6 -	CAPSCREW, 1/2"NF x 1-3/8" (Early units)
	70035733	6 6	CAPSCREW, 1/2"NC x 1-3/8" (Late units)
	70904208	8 8	LOCKWASHER, 1/2"
	70064531	8 8	WASHER, plain
8	70091976	2 -	KNOB, retaining, battery box cover
	70910244	2 -	WASHER, plain, SAE std., 1/2"
	70900802	2 -	PIN, cotter, 3/32" x 1"
9	70624488	2 -	BLOCK, tapped
10	70641499	1 -	COVER, top, right battery box
	70650918	- 1	COVER, top, right battery box
11	70639828	1 1	SUPPORT, battery box (Tractors prior to #8775)
	70653766	- 1	SUPPORT, battery box (Tractors #8775 and up)
12	70035073	6 6	CAPSCREW, 1/2"NF x 1-3/4"
	70047063	12 12	WASHER, plain
	70904208	6 6	LOCKWASHER, 1/2"
	70911043	6 6	NUT, 1/2"NF
13	70637532	1 1	COVER, side, left battery box
14	70070467	1 -	CAPSCREW, 1/2"NF x 1" (Early units)
	70035221	1 1	CAPSCREW, 1/2"NC x 1" (Late units)
15	70614478	7 -	CAPSCREW, 1/2"NF x 1-3/8" (Early units)
	70035733	7 7	CAPSCREW, 1/2"NC x 1-3/8" (Late units)
	70904208	8 8	LOCKWASHER, 1/2"
	70064531	8 8	WASHER, plain

(Continued)

BATTERY BOXES (Continued)

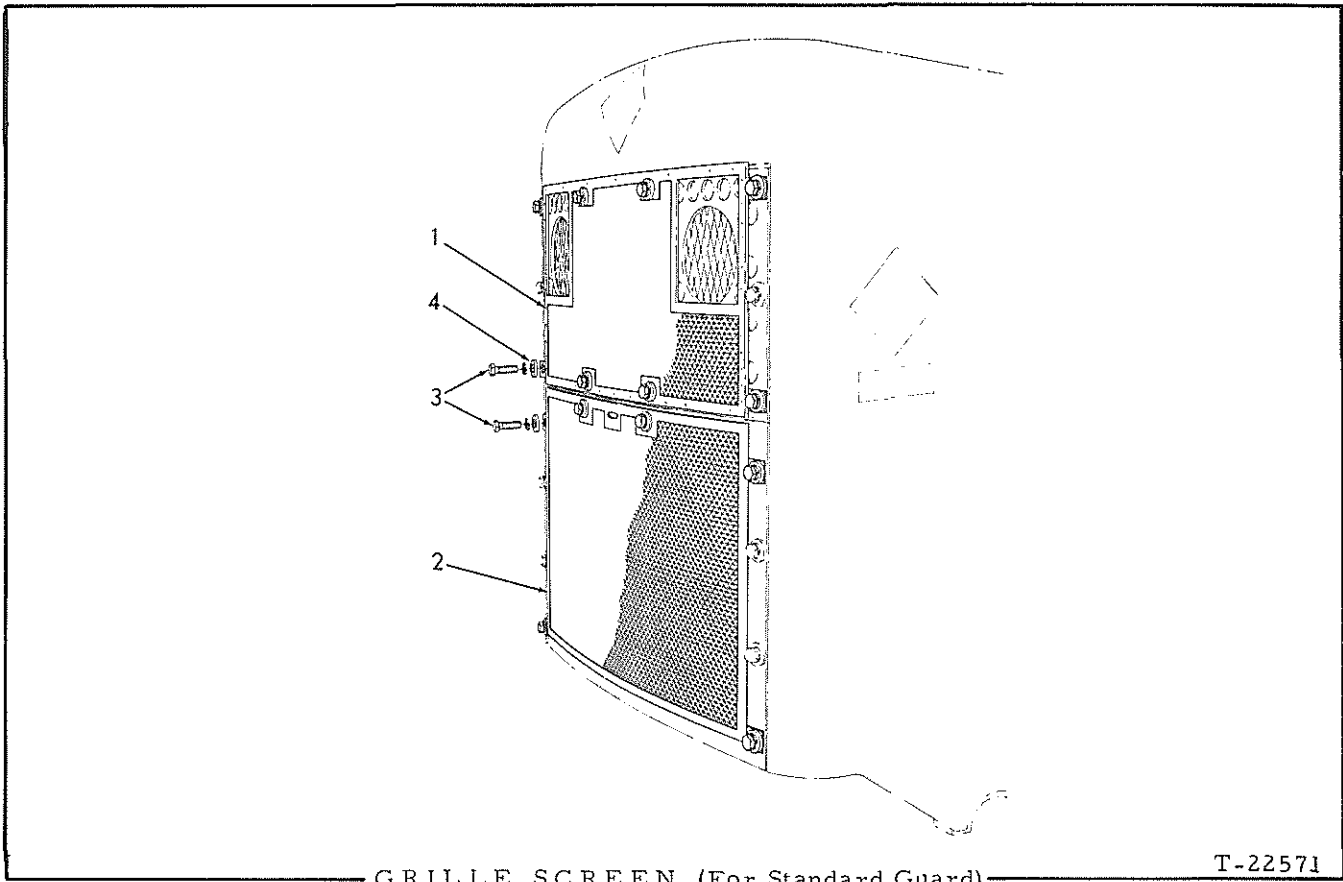
ITEM	PART NO.	QTY.		DESCRIPTION
		*	**	
16	70649123	1	1	COVER, end, left battery box
17	70035525	2	-	CAPSCREW, 1/2"NF x 1-1/8" (Early units)
	70035220	2	2	CAPSCREW, 1/2"NC x 1-1/8" (Late units)
	70904208	2	2	LOCKWASHER, 1/2"
	70064531	2	2	WASHER, plain
18	70639862	1	-	COVER, top, left battery box, rear section
	70654930	-	1	COVER, top, left battery box, rear section
19	70639874	1	-	COVER, top, left battery box, front section
	70639873	-	1	COVER, top, left battery box, front section
20	70036034	1	-	CAPSCREW, 3/8"NF x 1" (Early units)
	70035439	1	1	CAPSCREW, 3/8"NC x 1" (Late units)
	70904206	1	1	LOCKWASHER, 3/8"
	70044973	1	1	WASHER, plain
21	70639870	1	1	GUARD, speed shift lever
22	70012992	2	-	CAPSCREW, 3/8"NF x 1-1/4" (Early units)
	70013058	2	2	CAPSCREW, 3/8"NC x 1-1/4" (Late units)
23	70070960	2	2	CAPSCREW, 3/8"NC x 1-1/2"
	70904206	4	4	LOCKWASHER, 3/8"
	70044973	4	4	WASHER, plain
24	70650901	-	2	LOCK ASSEMBLY, battery box cover (Serviced only as a unit)
	70911115	-	4	WASHER, plain, SAE std., 3/8"

NOTE: See PAINTING AND MARKING for instruction plates and transfers



USAGE: Special equipment for tractors prior to serial No. 7906 excluding No. 7892. Padlock is required to complete the installation

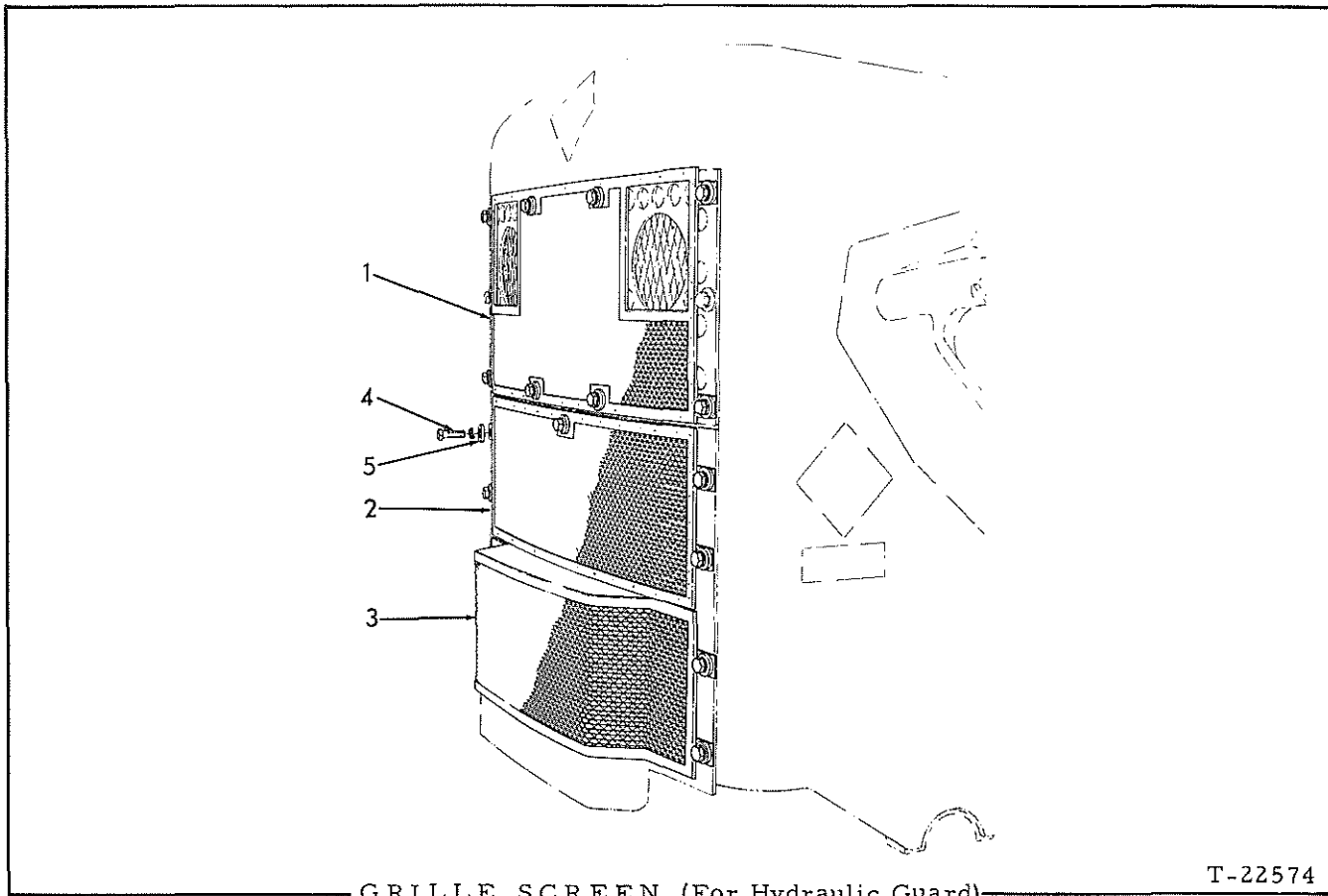
ITEM	PART NO.	QTY.	DESCRIPTION
1	70620474	1	COVER, retaining knob
	70914330	2	CAPSCREW, 1/4"NF x 5/8"
	70904204	2	LOCKWASHER, 1/4"
	70911040	2	NUT, 1/4"NF
2	70620472	1	PLATE, latching, retaining knob cover
	70914330	2	CAPSCREW, 1/4"NF x 5/8"
	70904204	2	LOCKWASHER, 1/4"
	70911040	2	NUT, 1/4"NF
3	70607414	1	WASHER, latching spring
4	70035916	1	SPRING, latching rod
5	70621201	1	ROD, latching
	70916146	1	PIN, spring, 3/32" x 1/2"



USAGE: Special equipment. Applicable to tractors equipped with Standard Wrap-around Radiator Guard. See pages 295 and 296 for other units.

ITEM	PART NO.	QTY.	DESCRIPTION
1	70093414	1	SCREEN, upper section
2	70087897	1	SCREEN, lower section
3	70071113	14	CAPSCREW, screen attaching (5/8"NC x 2")
	70904209	14	LOCKWASHER, 5/8"
4	70064810	14	WASHER, plain



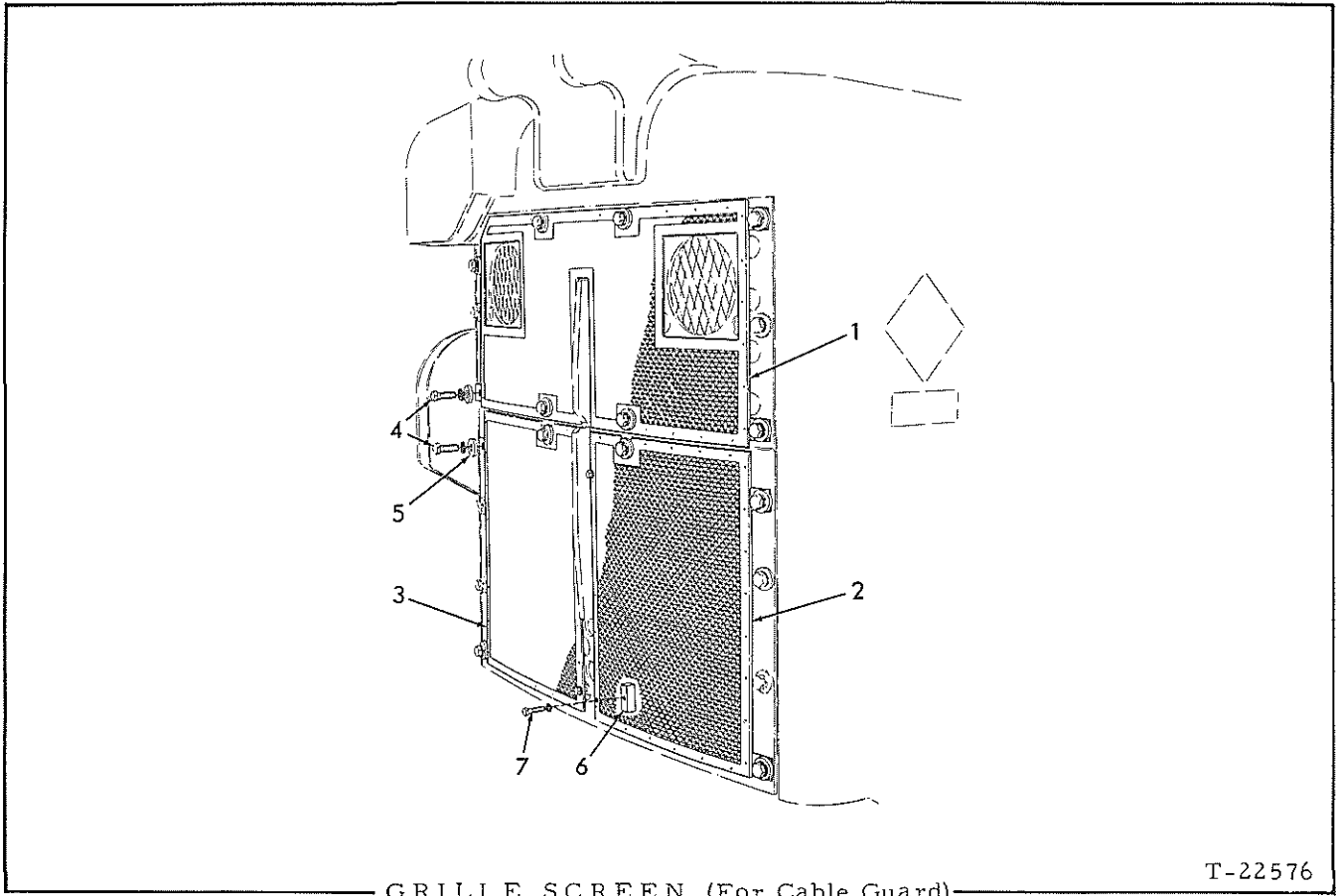


GRILLE SCREEN (For Hydraulic Guard)

T-22574

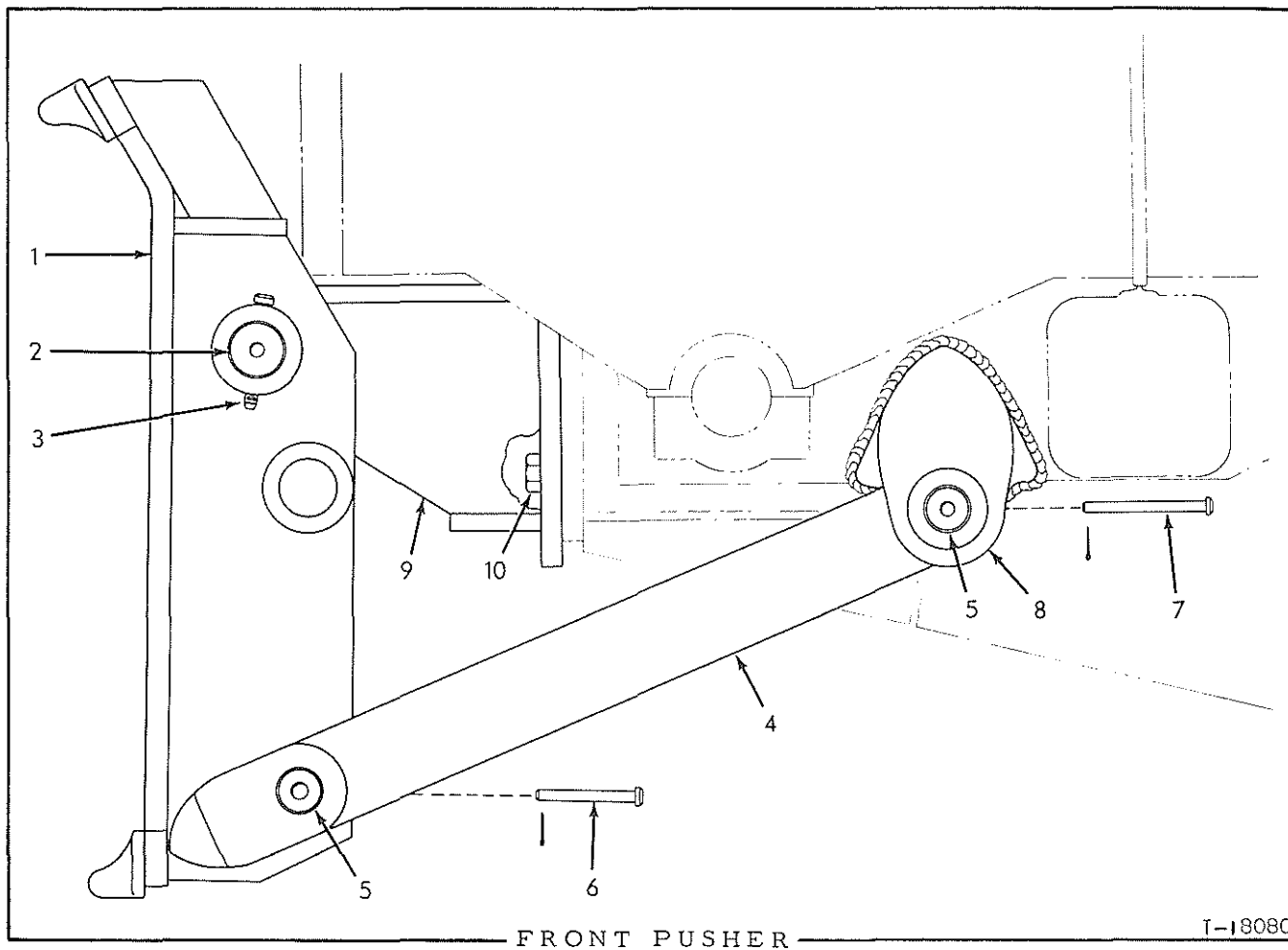
USAGE: Special equipment. Applicable to tractors equipped with Hydraulic Wrap-around Radiator Guard. Production discontinued. See pages 294 and 296 for other units.

ITEM	PART NO.	QTY.	DESCRIPTION
1	70093414	1	SCREEN, upper section
2	70095105	1	SCREEN, lower section, upper half
3	70095100	1	SCREEN, lower section, lower half
4	70071113	17	CAPSCREW, screen attaching (5/8"NC x 2")
	70904209	17	LOCKWASHER, 5/8"
5	70064810	17	WASHER, plain



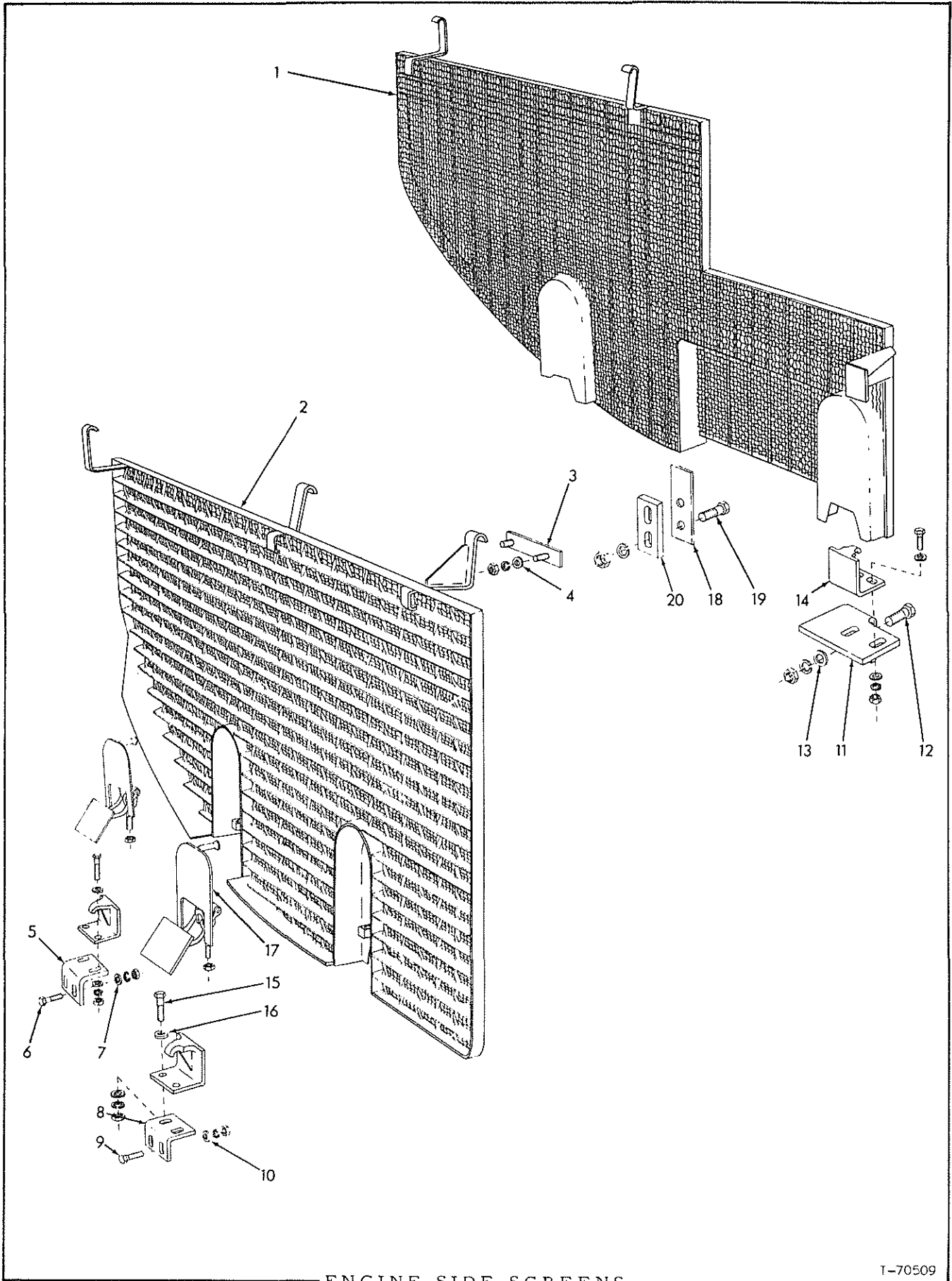
USAGE: Special equipment. Applicable to tractors equipped with Cable Wrap-around Radiator Guard and rear-mounted Cable Control Unit. See pages 294 and 295 for other units.

ITEM	PART NO.	QTY.	DESCRIPTION
1	70093616	1	SCREEN, upper section
2	70088115	1	SCREEN, lower section, left
3	70088116	1	SCREEN, lower section, right
4	70071113	14	CAPSCREW, screen attaching (5/8"NC x 2")
	70904209	14	LOCKWASHER, 5/8"
5	70064810	14	WASHER, plain
6	70087849	4	BLOCK, screen attaching cap screw (3/8"NF thread)
7	70203188	4	CAPSCREW, screen attaching (3/8"NF x 1-1/2")
	70904206	4	LOCKWASHER, 3/8"



USAGE: Special Equipment.

ITEM	PART NO.	QTY.	DESCRIPTION
1	70080052	1	PUSHER
2	70078497	2	PIN, pusher mounting
3	70078508	2	PIN, retaining, pusher mounting pin
	70900806	2	PIN, cotter, 1/8" x 1"
4	70085658	2	STRUT, pusher bracing
5	70080043	4	PIN, bracing strut
6	70080952	2	PIN, retaining, bracing strut pin, front
	70900806	2	PIN, cotter, 1/8" x 1"
7	70085657	2	PIN, retaining, bracing strut pin, rear
	70900806	2	PIN, cotter, 1/8" x 1"
8	70085659	2	LUG, strut attachment (Requires welding to main frame)
9	70084142	1	BRACKET, mounting
10	70031055	6	CAPSCREW, 1"NF x 3-3/4"
	70910916	6	LOCKWASHER, 1"
	70911047	6	NUT, 1"NF



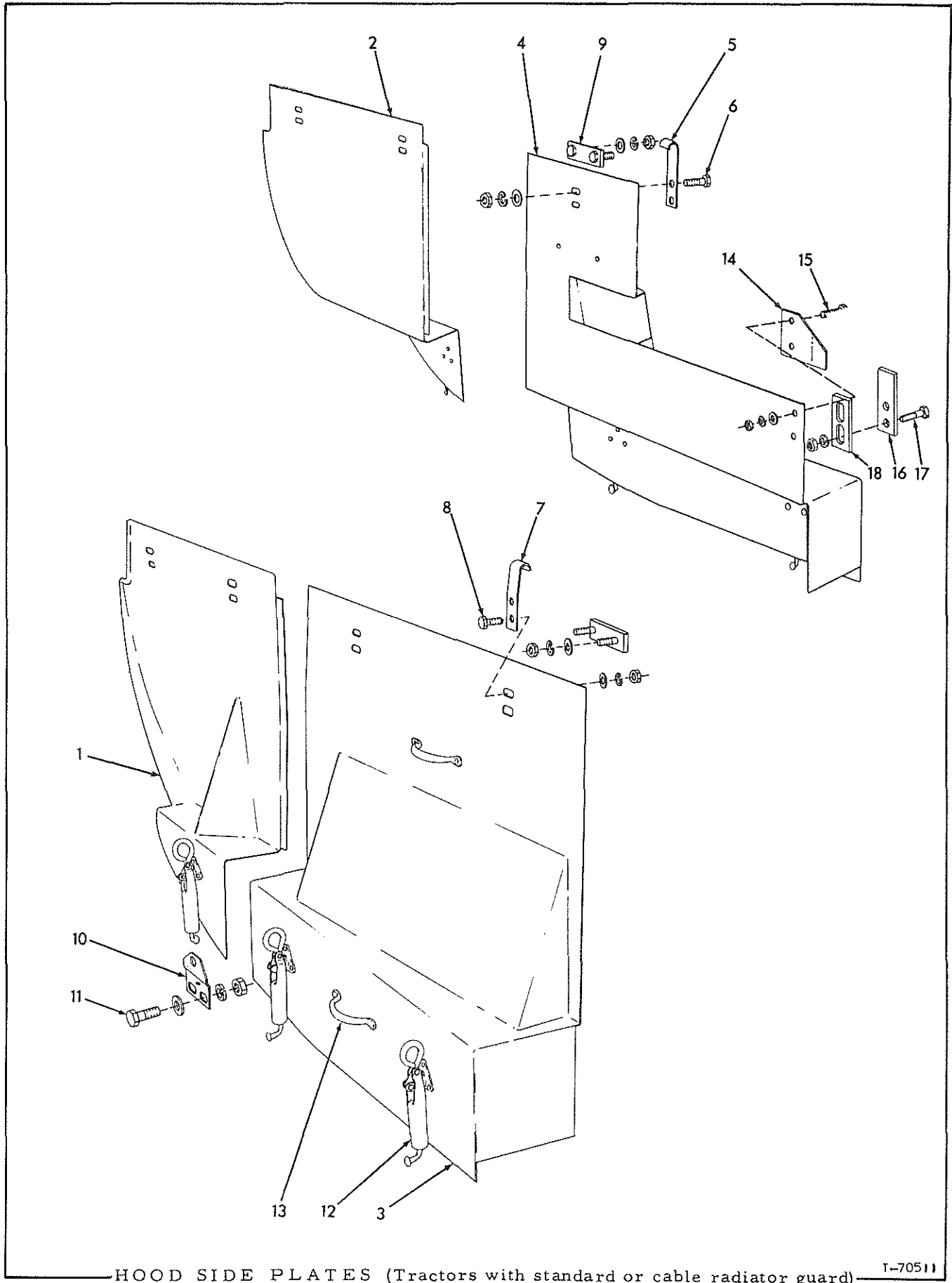
ENGINE SIDE SCREENS

T-70509

ENGINE SIDE SCREENS

USAGE: Special equipment

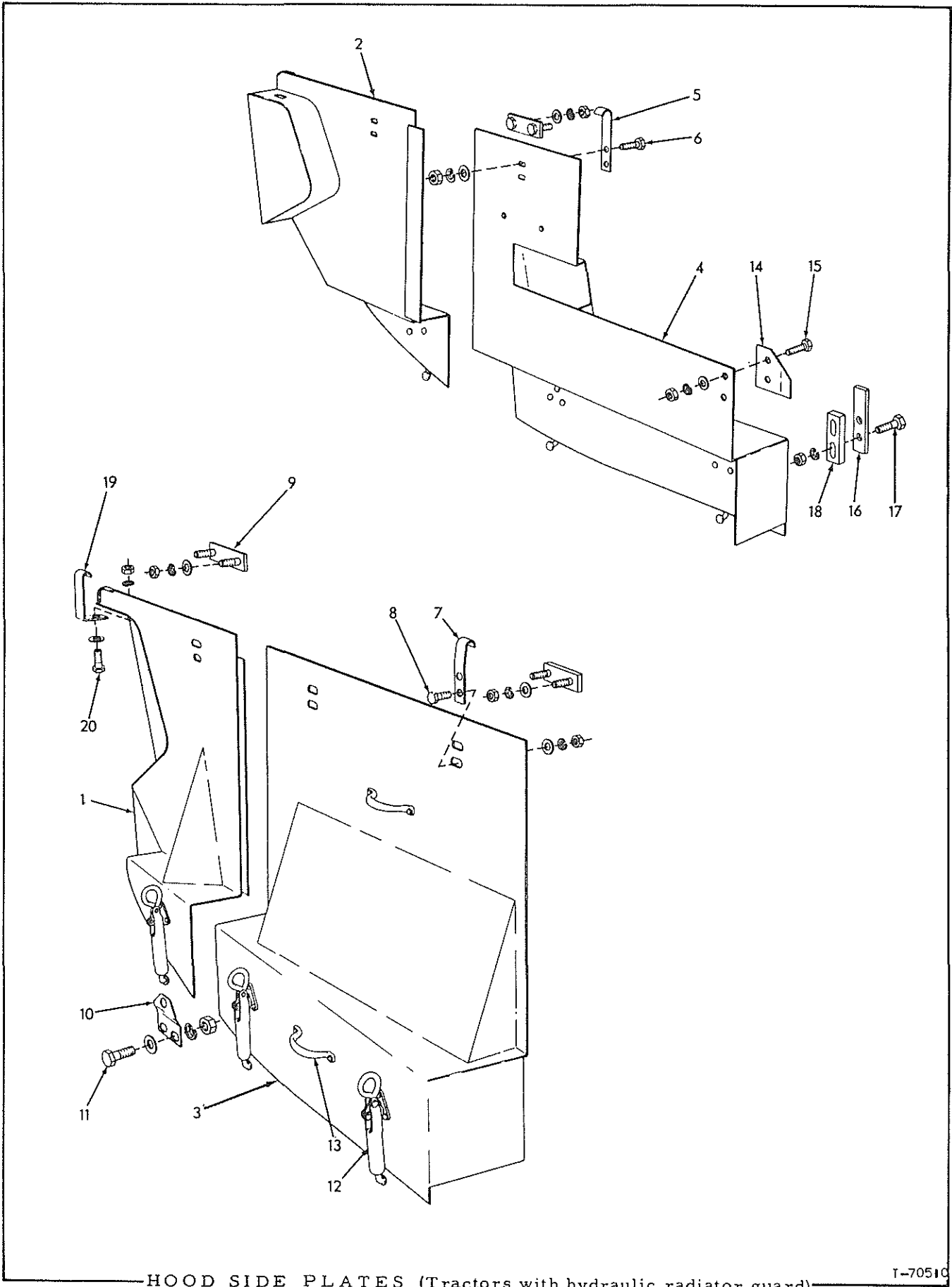
ITEM	PART NO.	QTY.	DESCRIPTION
1	70642234	1	SCREEN, right side
	70644023	1	SCREEN, right side (Includes fine-mesh screen)
2	70634905	1	SCREEN, left side
	70644022	1	SCREEN, left side (Includes fine-mesh screen)
3	70631426	5	PLATE, suspension
4	70044973	10	WASHER, plain
	70904206	10	LOCKWASHER, 3/8"
	70911041	10	NUT, 3/8"NF
5	70634928	2	ANGLE, front latch supporting
6	70035073	4	CAPSCREW, 1/2"NF x 1-3/4"
7	70064531	4	WASHER, plain
	70904208	4	LOCKWASHER, 1/2"
	70911043	4	NUT, 1/2"NF
8	70634929	1	ANGLE, rear latch supporting, left side
9	70035073	2	CAPSCREW, 1/2"NF x 1-3/4"
10	70064531	2	WASHER, plain
	70904208	2	LOCKWASHER, 1/2"
	70911043	2	NUT, 1/2"NF
11	70642240	1	ANGLE, rear latch supporting, right side
12	70035073	2	CAPSCREW, 1/2"NF x 1-3/4"
13	70064531	2	WASHER, plain
	70904208	2	LOCKWASHER, 1/2"
	70911043	2	NUT, 1/2"NF
14	70091063	4	BRACKET, latching
15	70203188	8	CAPSCREW, 3/8"NF x 1-1/2"
16	70044973	16	WASHER, plain
	70904206	8	LOCKWASHER, 3/8"
	70911041	8	NUT, 3/8"NF
17	70093401	4	LATCH ASSEMBLY (Serviced only as a unit)
	70911041	8	NUT, 3/8"NF
18	70634256	1	PLATE, retaining (right side only)
19	70012992	2	CAPSCREW, 3/8"NF x 1-1/4"
	70904206	2	LOCKWASHER, 3/8"
	70911041	2	NUT, 3/8"NF
20	70634257	1	PLATE, spacing (right side only)



HOOD SIDE PLATES

USAGE: Special equipment. For tractors with standard or cable radiator guards.

ITEM	PART NO.	QTY.	DESCRIPTION
1	70633013	1	PLATE ASSEMBLY, front, left side (Includes item 12)
2	70633014	1	PLATE ASSEMBLY, front, right side (Includes item 12)
3	70634262	1	PLATE ASSEMBLY, rear, left side (Includes items 12 and 13)
4	70642289	1	PLATE ASSEMBLY, rear, right side (Includes items 12 and 13)
5	70631514	6	STRAP, suspension
6	70035167	12	CAPSCREW, 3/8"NF x 7/8"
	70044973	12	WASHER, plain
	70904206	12	LOCKWASHER, 3/8"
	70911041	12	NUT, 3/8"NF
7	70631513	1	STRAP, suspension, left rear
8	70035167	2	CAPSCREW, 3/8"NF x 7/8"
	70044973	2	WASHER, plain
	70904206	2	LOCKWASHER, 3/8"
	70911041	2	NUT, 3/8"NF
9	70631426	7	PLATE, suspension strap
	70044973	14	WASHER, plain
	70904206	14	LOCKWASHER, 3/8"
	70911041	14	NUT, 3/8"NF
10	70091805	6	BRACKET, latching
11	70614478	12	CAPSCREW, 1/2"NF x 1-3/8"
	70064531	12	WASHER, plain
	70904208	12	LOCKWASHER, 1/2"
	70911043	12	NUT, 1/2"NF
12	70033060	6	FASTENER
	70900764	18	RIVET, fl-hd., 3/16" x 1/2"
13	70032834	4	HANDLE, lifting
	70900764	8	RIVET, fl-hd., 3/16" x 1/2"
14	70634255	1	PLATE, latching
15	70035167	2	CAPSCREW, 3/8"NF x 7/8"
	70044973	2	WASHER, plain
	70904206	2	LOCKWASHER, 3/8"
	70911041	2	NUT, 3/8"NF
16	70634256	1	PLATE, retaining
17	70012992	2	CAPSCREW, 3/8"NF x 1-1/4"
	70904206	2	LOCKWASHER, 3/8"
	70911041	2	NUT, 3/8"NF
18	70634257	1	PLATE, spacing



HOOD SIDE PLATES (Tractors with hydraulic radiator guard)

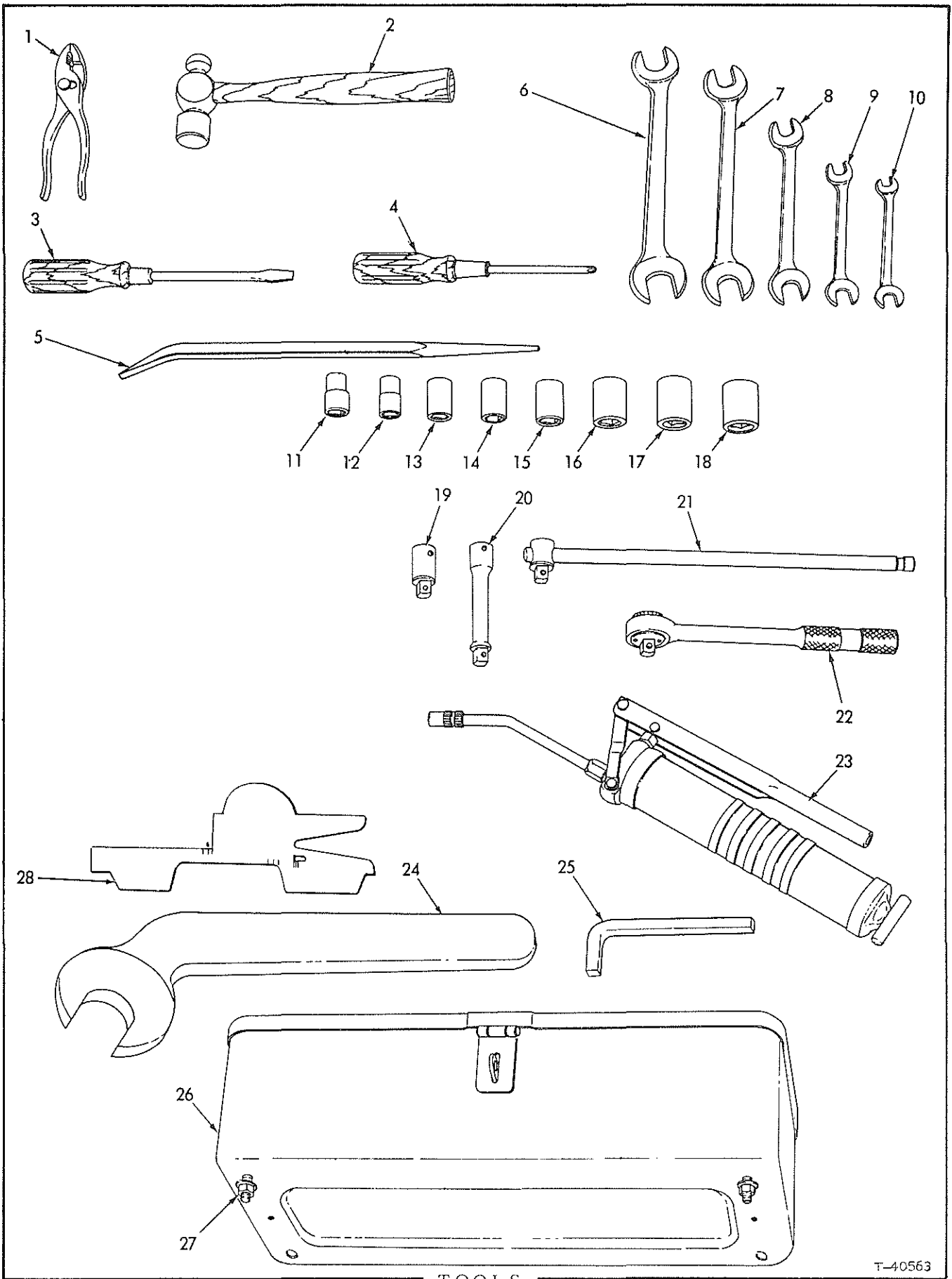
I-7051C



## HOOD SIDE PLATES

USAGE: Special equipment. For tractors with hydraulic radiator guard

ITEM	PART NO.	QTY.	DESCRIPTION
1	70633023	1	PLATE ASSEMBLY, front, left side (Includes item 12)
2	70633024	1	PLATE ASSEMBLY, front, right side (Includes item 12)
3	70634262	1	PLATE ASSEMBLY, rear, left side (Includes items 12 and 13)
4	70642289	1	PLATE ASSEMBLY, rear, right side (Includes items 12 and 13)
5	70631514	4	STRAP, suspension, intermediate
6	70035167	8	CAPSCREW, 3/8"NF x 7/8"
	70044973	8	WASHER, plain
	70904206	8	LOCKWASHER, 3/8"
	70911041	8	NUT, 3/8"NF
7	70631513	1	STRAP, suspension, left rear
8	70035167	2	CAPSCREW, 3/8"NF x 7/8"
	70044973	2	WASHER, plain
	70904206	2	LOCKWASHER, 3/8"
	70911041	2	NUT, 3/8"NF
9	70631426	7	PLATE, suspension strap
	70044973	14	WASHER, plain
	70904206	14	LOCKWASHER, 3/8"
	70911041	14	NUT, 3/8"NF
10	70091805	6	BRACKET, latching
11	70614478	12	CAPSCREW, 1/2"NF x 1-3/8"
	70064531	12	WASHER, plain
	70904208	12	LOCKWASHER, 1/2"
	70911043	12	NUT, 1/2"NF
12	70033060	6	FASTENER
	70900764	18	RIVET, fl-hd., 3/16" x 1/2"
13	70032834	4	HANDLE, lifting
	70900764	8	RIVET, fl-hd., 3/16" x 1/2"
14	70634255	1	PLATE, latching, right rear
15	70035167	2	CAPSCREW, 3/8"NF x 7/8"
	70044973	2	WASHER, plain
	70904206	2	LOCKWASHER, 3/8"
	70911041	2	NUT, 3/8"NF
16	70634256	1	PLATE, retaining
17	70012992	2	CAPSCREW, 3/8"NF x 1-1/4"
	70904206	2	LOCKWASHER, 3/8"
	70911041	2	NUT, 3/8"NF
18	70634257	1	PLATE, spacing, right rear latching plate
19	70633025	2	STRAP, suspension, front
20	70035167	2	CAPSCREW, 3/8"NF x 7/8"
	70044973	2	WASHER, plain
	70904206	2	LOCKWASHER, 3/8"
	70911041	2	NUT, 3/8"NF



TOOLS

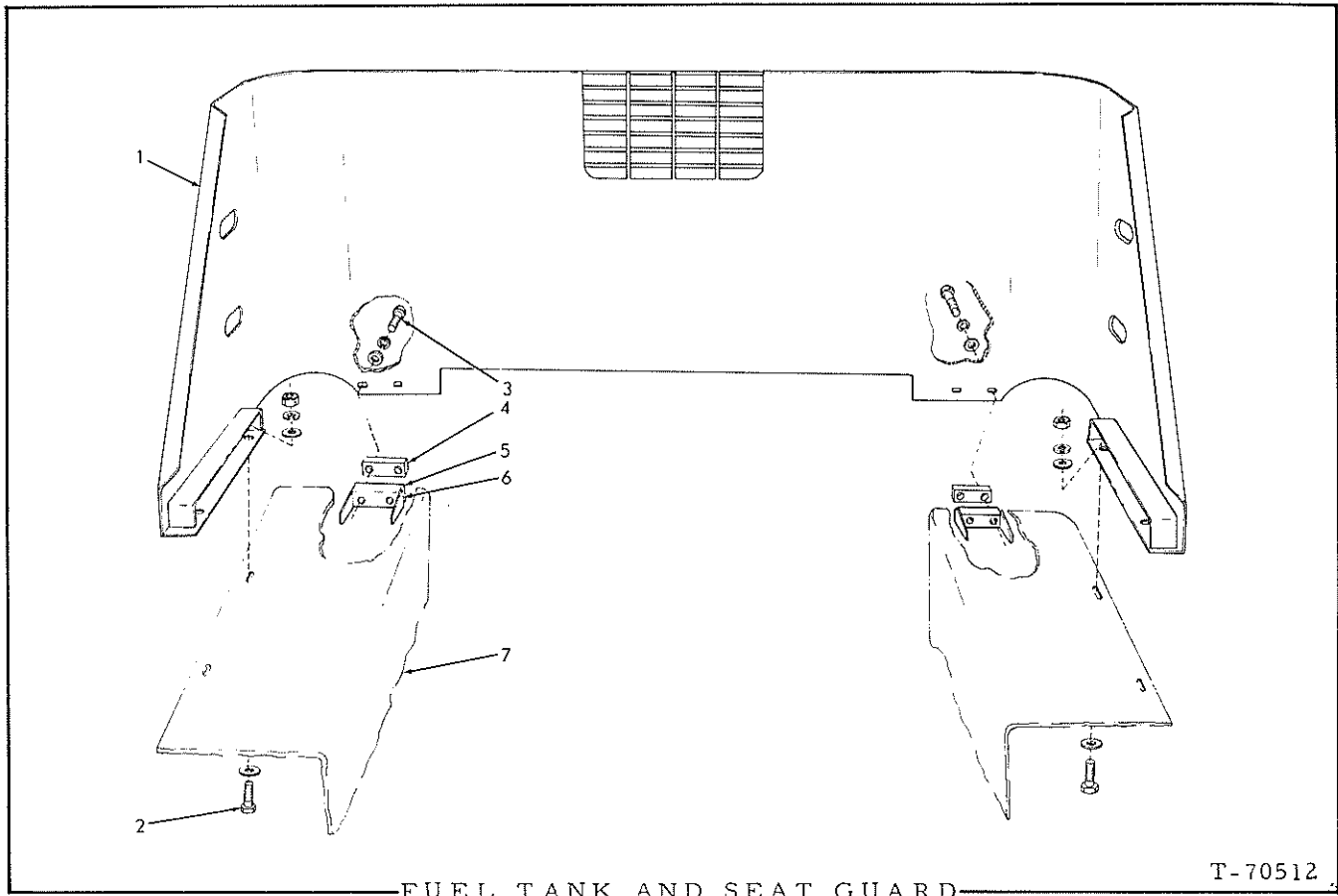
T-40563

TOOLS

ITEM PART NO. QTY. DESCRIPTION

NOTE: For other recommended service tools, see Service Tool Manual Form 70650850

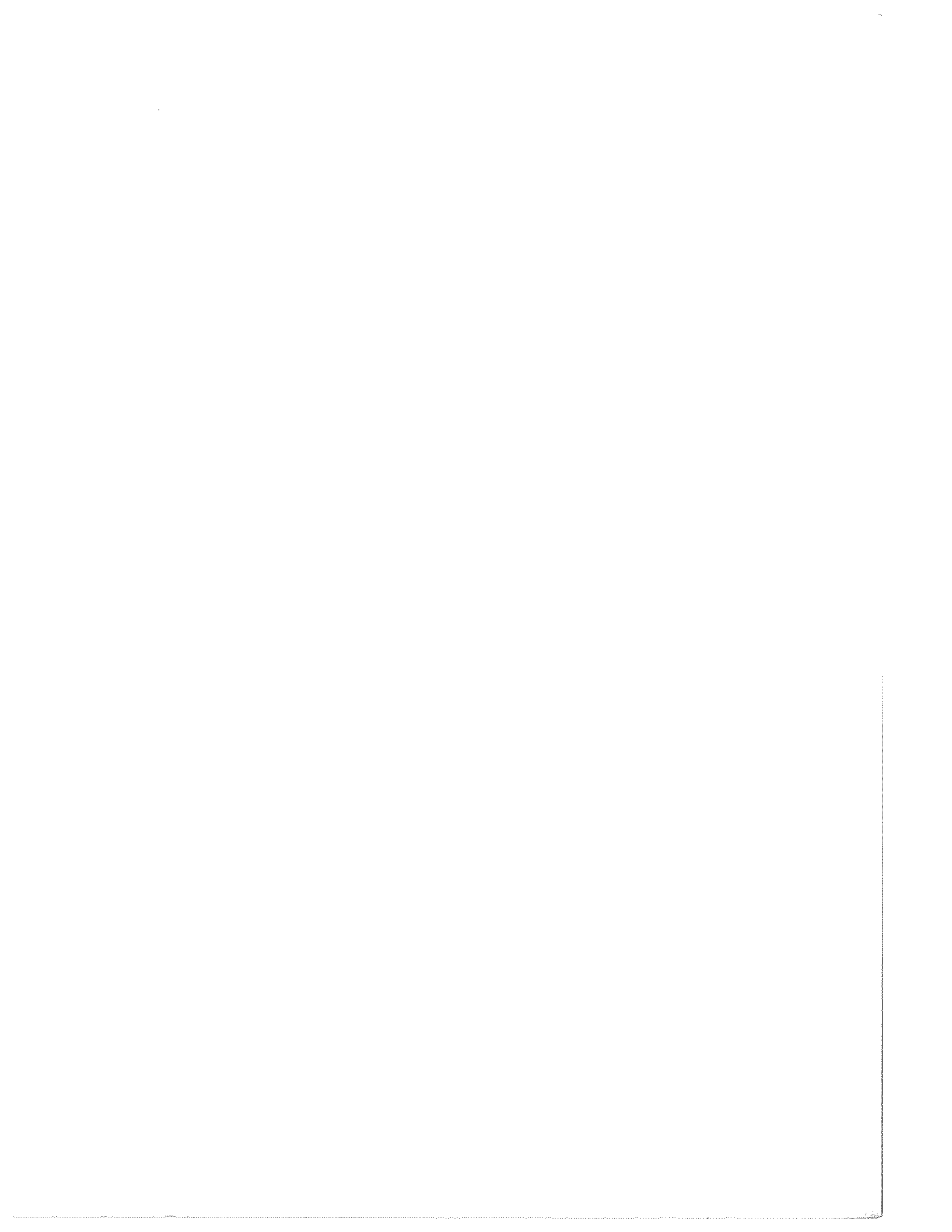
1	70012389	1	PLIERS, slip joint, 6"
2	70012387	1	HAMMER, ball peen, 1 lb.
3	70036268	1	SCREWDRIVER, 9-3/4" long
4	70914732	1	SCREWDRIVER, Phillips #2
5	70052371	1	BAR, pinch, 16" long
6	70050611	1	WRENCH, open end, double head, 15 <sup>o</sup> , 15/16" and 1-1/16"
7	70050610	1	WRENCH, open end, double head, 15 <sup>o</sup> , 3/4" and 7/8"
8	70050609	1	WRENCH, open end, double head, 15 <sup>o</sup> , 5/8" and 3/4"
9	70050608	1	WRENCH, open end, double head, 15 <sup>o</sup> , 1/2" and 9/16"
10	70050607	1	WRENCH, open end, double head, 15 <sup>o</sup> , 5/16" and 3/8"
11	70914709	1	SOCKET, 1/2" square drive, 1/2"hex
12	70914710	1	SOCKET, 1/2" square drive, 9/16" hex
13	70914711	1	SOCKET, 1/2" square drive, 5/8" hex
14	70914712	1	SOCKET, 1/2" square drive, 11/16" hex
15	70914713	1	SOCKET, 1/2" square drive, 3/4" hex
16	70914714	1	SOCKET, 1/2" square drive, 7/8" hex
17	70914715	1	SOCKET, 1/2" square drive, 15/16" hex
18	70914716	1	SOCKET, 1/2" square drive, 1" hex
19	70914717	1	BAR, extension, socket, 1/2" drive, 2" long
20	70914718	1	BAR, extension, socket, 1/2" drive, 5" long
21	70050612	1	HANDLE, socket, sliding T, 1/2" square drive, 15" long
22	70914719	1	HANDLE, socket, ratchet, 1/2" square drive
23	70073735	1	GUN, grease (Serviced only as a unit)
24	70095120	1	WRENCH, track release adjustment (2-1/8" opening)
25	70043769	1	WRENCH, drain and filling plugs (90 <sup>o</sup> , 1/2" square)
26	70604943	1	BOX, tool
27	70012992	4	CAPSCREW, 3/8"NF x 1-1/4"
	70630753	4	WASHER, plain (heavy)
	70911115	4	WASHER, plain SAE std., 3/8"
	70904206	4	LOCKWASHER, 3/8"
	70911041	4	NUT, 3/8"NF
28	70644381	1	GAUGE, wear (Provides maximum wear tolerances for track, grouser shoes, sprockets, idlers and track rollers)

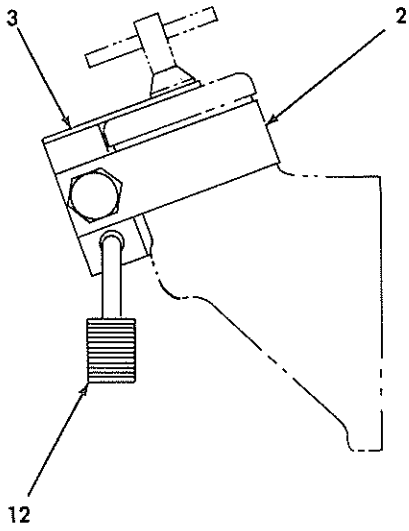


USAGE: Special equipment.

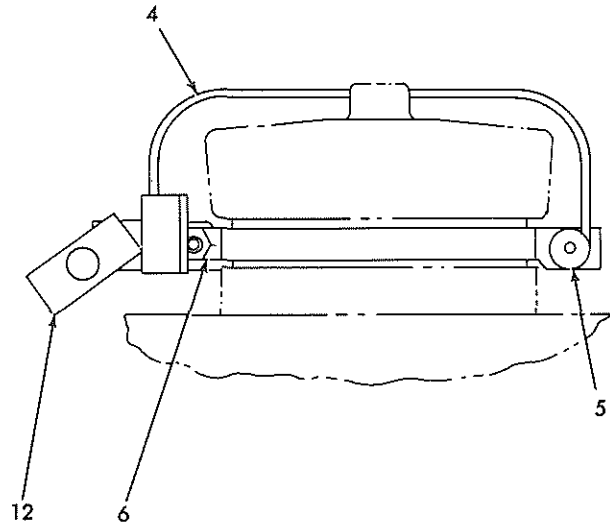
\* Use prior to tractor serial No. 6310 excluding #6298  
 \*\* Effective with tractor serial No. 6310 including #6298

ITEM	PART NO.	QTY.		DESCRIPTION
		*	**	
1	70632412	1	-	GUARD
	70643586	-	1	GUARD
2	70035248	6	4	CAPSCREW, 5/8"NF x 2-1/4"
3	70023465	-	4	CAPSCREW, 5/8"NF x 1-3/4"
	70064810	12	12	WASHER, plain
	70904209	6	8	LOCKWASHER, 5/8"
	70911044	6	4	NUT, 5/8"NF
4	70651185	-	2	SPACER
5	70651184	-	2	BLOCK, tapped (Requires welding to fender)
6	70085315	-	4	GUSSET, bracing, tapped block (Requires welding to tapped block) (Not required on units equipped with special Heavy-duty Fenders)
7	-----	-	-	FENDER (See REAR FENDERS)

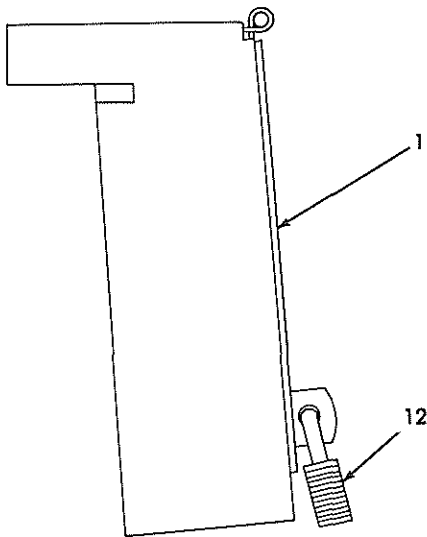




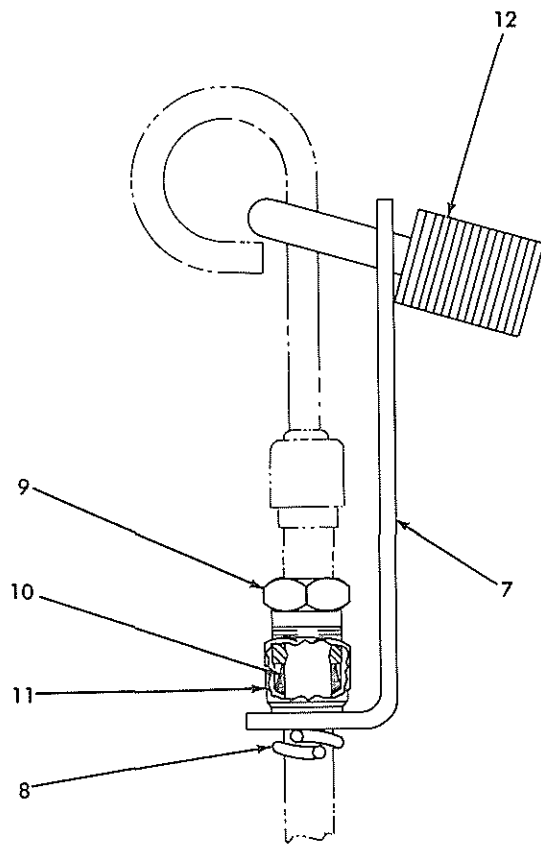
ENGINE OIL FILLER TUBE



FUEL TANK



INSTRUMENT PANEL



ENGINE OIL DIPSTICK

VANDALISM PREVENTION PARTS

USAGE: Special equipment

ITEM	PART NO.	QTY.	DESCRIPTION	
1	70657694	1	GUARD, instrument panel (Units equipped with "Farr" air cleaner)	} Requires welding to cowl
	70673778	1	GUARD, instrument panel (Units equipped with "Donaldson" air cleaner)	
2	70660070	1	COLLAR, engine oil filler elbow	
	70921565	1	CAPSCREW, 3/8"NC x 1-1/8"	
	70910287	1	LOCKWASHER, 3/8"	
	70044973	1	WASHER, plain	
3	70659112	1	BRACKET, engine oil filler closure	
4	70657358	1	COVER fuel tank cap (Tractors prior to #8528)	
	70657553	1	COVER, fuel tank cap (Tractors #8528 and up)	
5	70924838	1	RIVET, fuel tank cap cover	
6	70659259	1	CLAMP, fuel tank filler neck (Tractors prior to #8528)	
	70657556	1	CLAMP, fuel tank filler neck (Tractors #8528 and up)	
	70927401	1	CAPSCREW, 1/4"NC x 1"	
	70910285	1	LOCKWASHER, 1/4"	
	70911024	1	NUT, 1/4"NC	
7	70659175	1	ANGLE, locking, engine oil level gauge	
8	74254980	1	CLAMP, supporting, locking angle	
9	70650178	1	NUT, locking, engine oil level gauge (upper)	
10	70925164	1	FERRULE, locking nut	
11	70925162	1	NUT, locking, engine oil level gauge (lower)	
12	70928052	4	PADLOCK	





NUMERICAL INDEX 0070662682

PART NO.	PAGE	PART NO.	PAGE	PART NO.	PAGE	PART NO.	PAGE	PART NO.	PAGE
00639818.....	259	70033288.....	177	70035167.....	948	70035439.....	145	70041250.....	117
00653963.....	259	70033288.....	180	70035188.....	250	70035439.....	153	70041250.....	117B
70012387.....	305	70033288.....	233	70035190.....	131	70035439.....	172	70041250.....	161
70012389.....	305	70033288.....	235	70035190.....	183	70035439.....	179	70041250.....	187
70012526.....	112	70033288.....	243	70035190.....	229	70035439.....	186	70041250.....	196
70012526.....	219	70033751.....	144	70035190.....	255	70035439.....	292	70041250.....	287
70012561.....	227	70033751.....	165	70035190.....	256	70035439.....	49	70041877.....	131
70012561.....	235	70034076.....	269	70035190.....	259	70035440.....	177	70041915.....	117B
70012586.....	215	70034265.....	170	70035220.....	292	70035440.....	179	70041917.....	107
70012586.....	266	70034268.....	170	70035221.....	117	70035525.....	292	70041917.....	131
70012742.....	219	70034269.....	170	70035221.....	147	70035541.....	217	70041981.....	287
70012742.....	264	70034440.....	220	70035221.....	153	70035712.....	107	70041981.....	69
70012762.....	169	70034440.....	221	70035221.....	161	70035712.....	141	70041981.....	71
70012762.....	225	70034964.....	49A	70035221.....	163	70035712.....	185	70042430.....	211
70012767.....	180	70034964.....	53A	70035221.....	180	70035712.....	186	70042430.....	264
70012767.....	217	70035014.....	243	70035221.....	185	70035733.....	125	70042430.....	265
70012767.....	229	70035014.....	57	70035221.....	217	70035733.....	163B	70042873.....	241
70012767.....	235	70035018.....	129	70035221.....	219	70035733.....	175	70042898.....	241
70012767.....	252	70035018.....	130B	70035221.....	273	70035733.....	291	70043491.....	234
70012984.....	229	70035018.....	161	70035221.....	289	70035793.....	173	70043769.....	305
70012984.....	235	70035018.....	163	70035221.....	291	70035793.....	175	70043881.....	70
70012992.....	113	70035018.....	173	70035221.....	49	70035892.....	212	70043886.....	111
70012992.....	155	70035018.....	177	70035221.....	498	70035892.....	49	70044249.....	131
70012992.....	156	70035018.....	181	70035229.....	172	70035892.....	498	70044249.....	143
70012992.....	190	70035018.....	183	70035229.....	217	70035916.....	293	70044249.....	147
70012992.....	227	70035018.....	229	70035229.....	219	70035979.....	170	70044249.....	197
70012992.....	245	70035018.....	241	70035229.....	237	70035979.....	71	70044810.....	271
70012992.....	247	70035018.....	255	70035229.....	245	70036032.....	115	70044875.....	250
70012992.....	250	70035018.....	79	70035229.....	247	70036032.....	129	70044973.....	112
70012992.....	277	70035018.....	83	70035229.....	250	70036032.....	153	70044973.....	113
70012992.....	292	70035061.....	155	70035236.....	131	70036032.....	156	70044973.....	117B
70012992.....	299	70035061.....	189	70035236.....	135	70036032.....	181	70044973.....	125
70012992.....	301	70035061.....	197	70035236.....	136	70036032.....	278	70044973.....	153
70012992.....	303	70035061.....	221	70035236.....	189	70036032.....	283A	70044973.....	171
70012992.....	305	70035061.....	79	70035236.....	77	70036034.....	112	70044973.....	186
70013006.....	215	70035061.....	83	70035244.....	275	70036034.....	153	70044973.....	227
70013006.....	223	70035061.....	83D	70035244.....	280B	70036034.....	156	70044973.....	245
70013058.....	107	70035061.....	84	70035244.....	281	70036034.....	181	70044973.....	247
70013058.....	287	70035067.....	208	70035244.....	59	70036034.....	259	70044973.....	250
70013058.....	292	70035067.....	237	70035248.....	172	70036034.....	280	70044973.....	259
70013465.....	220	70035067.....	253	70035248.....	217	70036034.....	281	70044973.....	271
70013467.....	217	70035067.....	291	70035248.....	222	70036034.....	283A	70044973.....	277
70013467.....	219	70035068.....	155	70035248.....	306	70036034.....	283C	70044973.....	287
70013467.....	220	70035068.....	208	70035248.....	53	70036034.....	292	70044973.....	292
70023465.....	179	70035068.....	211	70035248.....	57	70036034.....	49	70044973.....	299
70023465.....	208	70035068.....	212	70035250.....	10A	70036034.....	53	70044973.....	301
70023465.....	227	70035068.....	227	70035250.....	131	70036034.....	59	70044973.....	303
70023465.....	306	70035068.....	57A	70035250.....	169	70036039.....	155	70044973.....	306B
70023465.....	57	70035073.....	141	70035250.....	227	70036039.....	259	70044973.....	768
70023618.....	237	70035073.....	167	70035250.....	36	70036203.....	79	70044973.....	83D
70023618.....	237A	70035073.....	189	70035278.....	151	70036203.....	83	70045174.....	181
70023618.....	265	70035073.....	197	70035278.....	208	70036268.....	305	70045174.....	283A
70023618.....	9	70035073.....	208	70035278.....	211	70036707.....	245	70045174.....	283C
70023633.....	112	70035073.....	227	70035278.....	213	70036707.....	247	70045252.....	291
70023633.....	120	70035073.....	237A	70035306.....	219	70036707.....	249	70045295.....	133
70023633.....	126	70035073.....	253	70035306.....	220	70036707.....	251	70046321.....	147
70023633.....	127	70035073.....	259	70035306.....	221	70037573.....	249	70046321.....	159
70023633.....	131	70035073.....	291	70035306.....	222	70038203.....	245	70046419.....	155
70023633.....	15	70035073.....	299	70035306.....	251	70038203.....	247	70046419.....	181
70023633.....	171	70035073.....	73	70035336.....	190	70038203.....	250	70046419.....	183
70023755.....	249	70035167.....	125	70035336.....	202	70038234.....	77	70046419.....	88
70023755.....	57	70035167.....	153	70035336.....	271	70038234.....	85	70047063.....	291
70023756.....	175	70035167.....	163	70035337.....	145	70040011.....	115	70047381.....	280
70028847.....	267	70035167.....	273	70035422.....	217	70040011.....	117	70047381.....	280A
70031055.....	297	70035167.....	289	70035439.....	111	70040011.....	117B	70047381.....	280B
70031671.....	291	70035167.....	301	70035439.....	112	70040475.....	175	70047381.....	281
70032834.....	301	70035167.....	303	70035439.....	117	70040503.....	215	70047381.....	282
70032834.....	303	70035167.....	59	70035439.....	133	70040570.....	83D	70047381.....	283
70033060.....	301	70035167.....	71	70035439.....	141	70041250.....	111	70047381.....	283B
70033060.....	303	70035167.....	94	70035439.....	143	70041250.....	115	70047478.....	83

NUMERICAL INDEX 0070662682

PART NO.	PAGE	PART NO.	PAGE	PART NO.	PAGE	PART NO.	PAGE	PART NO.	PAGE
70047478.....	83B	70052612.....	179	70059385.....	241	70064810.....	222	70069164.....	91
70047478.....	85	70052639.....	211	70059386.....	241	70064810.....	245	70069327.....	172
70048142.....	271	70052642.....	211	70059387.....	241	70064810.....	247	70069328.....	173
70048142.....	284	70052662.....	165	70059403.....	225	70064810.....	249	70069328.....	179
70048209.....	175	70052669.....	212	70059587.....	227	70064810.....	250	70069328.....	241
70048603.....	87	70052671.....	212	70059599.....	237A	70064810.....	253	70069441.....	173
70048606.....	87	70052671.....	213	70059617.....	234	70064810.....	264	70069441.....	179
70048608.....	87	70052782.....	289A	70059618.....	234	70064810.....	265	70069579.....	167
70048679.....	235	70052791.....	289A	70059619.....	234	70064810.....	294	70069657.....	93
70048681.....	235	70052976.....	170	70059699.....	227	70064810.....	295	70069657.....	94B
70048705.....	141	70052977.....	170	70059701.....	227	70064810.....	296	70069674.....	280
70048922.....	274	70052979.....	169	70059705.....	227	70064810.....	306	70070161.....	177
70049487.....	179	70053100.....	57	70059731.....	237A	70064810.....	53	70070212.....	73
70049918.....	179	70053243.....	211	70059735.....	237	70064810.....	57	70070272.....	215
70049936.....	172	70053244.....	211	70059737.....	237A	70064810.....	9	70070272.....	249
70049988.....	155	70053251.....	267	70059738.....	237A	70065513.....	237A	70070285.....	112
70049988.....	156	70053616.....	120	70059739.....	237A	70065613.....	57	70070285.....	217
70050276.....	167	70053616.....	151	70059740.....	237A	70066068.....	237	70070285.....	219
70050288.....	284	70053616.....	25	70059742.....	237A	70066251.....	91	70070285.....	220
70050291.....	287	70053616.....	271	70059776.....	191	70066252.....	91	70070400.....	215
70050292.....	135	70053667.....	83D	70059778.....	191	70066253.....	90	70070400.....	229
70050357.....	169	70054130.....	159	70059782.....	191	70066255.....	91	70070400.....	231
70050433.....	211	70054305.....	192	70059783.....	169	70066261.....	90	70070400.....	252
70050442.....	157	70054890.....	177	70060689.....	112	70066467.....	284	70070403.....	208
70050447.....	267	70054890.....	180	70060833.....	127	70066517.....	90	70070403.....	211
70050594.....	57A	70054890.....	233	70061554.....	181	70066692.....	233	70070467.....	115
70050595.....	57A	70054890.....	235	70061656.....	112	70066862.....	277	70070467.....	117
70050607.....	305	70054890.....	243	70061671.....	112	70066872.....	89	70070467.....	130
70050608.....	305	70055234.....	59	70061689.....	112	70066873.....	89	70070467.....	153
70050609.....	305	70055235.....	289	70061689.....	217	70066874.....	89	70070467.....	161
70050610.....	305	70055589.....	274	70061689.....	219	70066875.....	89	70070467.....	163
70050611.....	305	70055604.....	111	70061689.....	220	70066876.....	89	70070467.....	163B
70050612.....	305	70055914.....	117B	70061689.....	231	70066941.....	227	70070467.....	185
70050748.....	170	70056099.....	83D	70061689.....	253	70067110.....	277	70070467.....	255
70051006.....	87	70056100.....	83D	70061689.....	265	70067112.....	277	70070467.....	291
70051112.....	233	70056166.....	223	70062098.....	177	70067137.....	241	70070467.....	53
70051121.....	233	70056166.....	225	70063222.....	70	70067139.....	241	70070467.....	53B
70051124.....	233	70056585.....	243	70063889.....	51	70067141.....	241	70070469.....	181
70051352.....	267	70056614.....	237	70063890.....	51	70067177.....	88	70070469.....	187
70051473.....	192	70056721.....	117B	70063891.....	51	70067251.....	235	70070469.....	197
70051623.....	241	70056863.....	79	70064531.....	151	70067253.....	235	70070469.....	208
70051629.....	241	70058572.....	172	70064531.....	155	70067348.....	179	70070469.....	222
70051630.....	167	70058614.....	212	70064531.....	177	70067518.....	179	70070469.....	52
70051634.....	235	70058614.....	73	70064531.....	181	70067519.....	179	70070469.....	57A
70051715.....	107	70058707.....	173	70064531.....	221	70067520.....	179	70070590.....	245
70051798.....	237A	70058730.....	109	70064531.....	229	70067534.....	179	70070590.....	247
70051959.....	241	70058739.....	127	70064531.....	245	70067535.....	172	70070590.....	249
70051998.....	179	70058741.....	126	70064531.....	249	70067543.....	169	70070836.....	14
70052021.....	112	70058741.....	127	70064531.....	251	70067578.....	167	70070861.....	247
70052070.....	172	70058793.....	107	70064531.....	253	70067680.....	167	70070935.....	14
70052071.....	172	70058825.....	172	70064531.....	255	70067766.....	121	70070960.....	292
70052106.....	107	70058841.....	173	70064531.....	256	70067884.....	111	70071113.....	294
70052119.....	175	70058842.....	173	70064531.....	259	70067902.....	77	70071113.....	295
70052161.....	179	70058843.....	173	70064531.....	264	70067902.....	85	70071113.....	296
70052168.....	122	70058875.....	173	70064531.....	265	70067913.....	287	70072366.....	237A
70052175.....	137	70058916.....	167	70064531.....	289B	70067914.....	287	70072366.....	243
70052225.....	287	70058936.....	190	70064531.....	291	70067916.....	287	70072438.....	183
70052225.....	69	70059007.....	267	70064531.....	292	70067923.....	287	70072438.....	67
70052253.....	225	70059010.....	267	70064531.....	299	70067924.....	287	70072438.....	70
70052371.....	305	70059017.....	266	70064531.....	301	70067962.....	107	70073169.....	235
70052408.....	179	70059024.....	167	70064531.....	303	70068173.....	147	70073424.....	215
70052426.....	179	70059025.....	167	70064531.....	77	70068367.....	275	70073468.....	215
70052444.....	172	70059026.....	167	70064531.....	79	70068389.....	213	70073539.....	111
70052444.....	179	70059035.....	175	70064531.....	83	70068875.....	91	70073735.....	305
70052505.....	254	70059048.....	175	70064531.....	83B	70068876.....	91	70073764.....	180
70052527.....	229	70059242.....	109	70064810.....	177	70068878.....	91	70073765.....	177
70052527.....	252	70059243.....	109	70064810.....	217	70068879.....	91	70073809.....	279
70052543.....	177	70059244.....	109	70064810.....	219	70068881.....	91	70074145.....	125
70052545.....	177	70059245.....	109	70064810.....	220	70068911.....	205	70074452.....	276
70052611.....	179	70059315.....	170	70064810.....	221	70069072.....	177	70074452.....	278

NUMERICAL INDEX 0070662682

PART NO.	PAGE	PART NO.	PAGE	PART NO.	PAGE	PART NO.	PAGE	PART NO.	PAGE
70074452.....	279B	70082491.....	50	70085015.....	109	70092727.....	59	70096056.....	287
70074487.....	233	70082492.....	50	70085026.....	252	70092793.....	88	70096071.....	287
70074679.....	109	70082493.....	50	70085058.....	251	70093043.....	250	70096092.....	287
70074740.....	234	70082505.....	50	70085065.....	109	70093098.....	249	70096093.....	287
70074960.....	255	70082608.....	111	70085087.....	250	70093178.....	245	70096164.....	130
70075203.....	107	70082811.....	187	70085140.....	247	70093178.....	247	70096208.....	93
70075354.....	145	70082829.....	107	70085275.....	113	70093183.....	245	70096208.....	94B
70075535.....	271	70082884.....	255	70085315.....	306	70093183.....	247	70096211.....	169
70075567.....	235	70082885.....	255	70085453.....	77	70093191.....	247	70096212.....	169
		70082905.....	187	70085453.....	84	70093192.....	249	70096310.....	59
70075769.....	91	70082915.....	229	70085453.....	85	70093195.....	271	70096328.....	59
70075770.....	91	70082915.....	231	70085657.....	297	70093196.....	271	70096409.....	69
70075771.....	90	70082937.....	187	70085658.....	297	70093198.....	245	70096630.....	237
70076469.....	289	70083209.....	243	70085659.....	297	70093224.....	245	70096815.....	51
70076522.....	287	70083212.....	233	70085680.....	289A	70093225.....	247	70096816.....	51
70076572.....	289	70083380.....	111	70085957.....	252	70093241.....	250	70096908.....	289
70076668.....	51	70083390.....	225	70086546.....	144	70093260.....	249	70096918.....	289
70076684.....	112	70083399.....	287	70086770.....	76B	70093273.....	249	70096935.....	49
70076685.....	112	70083408.....	225	70086961.....	251	70093401.....	299	70096935.....	49B
70076726.....	169	70083501.....	177	70087027.....	233	70093414.....	294	70097026.....	87
70077285.....	233	70083503.....	177	70087313.....	289B	70093414.....	295	70097088.....	120
70077286.....	233	70083505.....	177	70087741.....	256	70093431.....	237	70097324.....	180
70077287.....	233	70083507.....	180	70087742.....	256	70093616.....	296	70097324.....	239
70078497.....	297	70083509.....	179	70087849.....	296	70093751.....	59	70097486.....	79
70078508.....	297	70083511.....	177	70087897.....	294	70093752.....	59	70097486.....	83
70078810.....	156	70083515.....	177	70088038.....	87	70093972.....	280	70097486.....	83D
70078810.....	183	70083516.....	177	70088044.....	245	70093972.....	280A	70097494.....	67
70078810.....	69	70083517.....	177	70088044.....	250	70093972.....	280B	70097507.....	227
70078810.....	71	70083518.....	180	70088115.....	296	70093972.....	281	70097512.....	87
70078866.....	267	70083524.....	107	70088116.....	296	70093972.....	282	70097534.....	59
70079489.....	109	70083538.....	111	70088491.....	73	70093972.....	283	70097964.....	215
70079660.....	237	70083539.....	111	70088534.....	280A	70093972.....	283B	70098095.....	247
70079678.....	109	70083540.....	111	70088561.....	107	70094115.....	172	70098095.....	250
70079762.....	109	70083616.....	126	70088736.....	191	70094116.....	172	70098096.....	247
70079763.....	109	70083617.....	239	700889107.....	93	70094117.....	172	70098096.....	250
70080043.....	297	70083658.....	107	70089107.....	94B	70094118.....	172	70098097.....	245
70080052.....	297	70083676.....	107	70089229.....	247	70094167.....	51	70098097.....	250
70080459.....	52	70083683.....	271	70089229.....	249	70094422.....	117	70098098.....	245
70080487.....	177	70083710.....	287	70089230.....	247	70094422.....	49	70098098.....	250
70080488.....	179	70083778.....	15	70089230.....	249	70094450.....	281	70099061.....	14
70080669.....	266	70083792.....	173	70089231.....	247	70094455.....	251	70099062.....	15
70080758.....	51	70083838.....	255	70089231.....	249	70094467.....	117	70099137.....	112
70080952.....	297	70083915.....	57	70089894.....	93	70094467.....	143	70099298.....	225
70081094.....	69	70083917.....	57	70089894.....	94B	70094467.....	153	70099299.....	225
70081132.....	69	70083955.....	57A	70090020.....	181	70094467.....	53	70099300.....	225
70081214.....	79	70084142.....	297	70090020.....	69	70094527.....	273	70099301.....	225
70081214.....	83	70084177.....	113	70090020.....	71	70094527.....	280	70099302.....	225
70081404.....	289B	70084351.....	127	70090655.....	191	70094527.....	281	70099303.....	225
70081405.....	243	70084384.....	250	70090870.....	254	70094527.....	282	70099435.....	15
70081406.....	243	70084413.....	245	70091063.....	299	70094527.....	283A	70099506.....	241
70081614.....	111	70084413.....	247	70091375.....	135	70094625.....	287	70099575.....	153
70081672.....	73	70084413.....	249	70091540.....	50	70094630.....	275	70099575.....	155
70081867.....	289B	70084432.....	177	70091553.....	73	70094642.....	87	70099575.....	209
70082013.....	187	70084432.....	179	70091572.....	179	70094665.....	87	70099803.....	249
70082013.....	196	70084581.....	247	70091759.....	217	70094867.....	283A	70099910.....	191
70082014.....	112	70084593.....	235	70091765.....	217	70094890.....	87	70099911.....	191
70082189.....	59	70084612.....	247	70091805.....	301	70095100.....	295	70099912.....	191
70082206.....	83D	70084643.....	215	70091805.....	303	70095105.....	295	70099913.....	191
70082343.....	141	70084655.....	245	70091976.....	291	70095120.....	305	70099914.....	191
70082441.....	52	70084655.....	250	70092160.....	88	70095265.....	278	70099915.....	187
70082441.....	53A	70084694.....	251	70092160.....	90	70095265.....	279B	70099916.....	191
70082442.....	49	70084757.....	250	70092163.....	255	70095267.....	278	70099917.....	191
70082442.....	49A	70084758.....	250	70092163.....	256	70095267.....	279B	70182763.....	274
70082443.....	51	70084773.....	252	70092163.....	57A	70095421.....	67	70182763.....	274A
70082444.....	51	70084895.....	289	70092635.....	49A	70095575.....	112	70185370.....	83B
70082449.....	50	70084897.....	51	70092665.....	111	70095869.....	125	70185502.....	79
70082487.....	50	70084899.....	51	70092665.....	245	70095869.....	161	70185502.....	83
70082488.....	50	70084979.....	245	70092665.....	247	70095980.....	59	70185502.....	83B
70082489.....	50	70084979.....	247	70092665.....	249	70096046.....	287	70185984.....	287
70082490.....	50	70084979.....	250	70092665.....	250	70096055.....	76A	70186266.....	157

## NUMERICAL INDEX 0070662682

PART NO.	PAGE	PART NO.	PAGE	PART NO.	PAGE	PART NO.	PAGE	PART NO.	PAGE
70186266.....	159	70620472.....	293	70623164.....	208	70623963.....	135	70628157.....	156
70186668.....	157	70620474.....	293	70623164.....	211	70623966.....	136	70628157.....	181
70188436.....	263	70620604.....	185	70623164.....	212	70623968.....	140	70628161.....	192
70189267.....	137	70620704.....	277	70623168.....	207	70623969.....	135	70628243.....	117
70193822.....	83	70620721.....	83F	70623179.....	207	70623971.....	140	70628243.....	153
70196662.....	79	70620859.....	251	70623180.....	207	70623973.....	140	70628378.....	149
70196662.....	83	70621201.....	293	70623194.....	204	70623974.....	136	70628381.....	149
70196662.....	83B	70621299.....	237A	70623195.....	204	70623985.....	136	70628382.....	149
70196663.....	79	70621304.....	115	70623196.....	205	70623989.....	147	70628384.....	149
70196663.....	83	70621304.....	117	70623197.....	204	70623995.....	147	70628388.....	150
70196663.....	83B	70621304.....	117B	70623198.....	204	70623997.....	147	70628389.....	150
70200479.....	87	70621304.....	147	70623201.....	204	70623999.....	136	70628391.....	150
70203188.....	155	70621304.....	153	70623202.....	204	70624076.....	207	70628392.....	150
70203188.....	296	70621304.....	49	70623203.....	204	70624128.....	140	70628399.....	149
70203188.....	299	70621304.....	49A	70623204.....	204	70624129.....	140	70628401.....	149
70208253.....	144	70621304.....	53	70623205.....	205	70624130.....	140	70628402.....	150
70208253.....	164	70621342.....	269	70623206.....	204	70624137.....	140	70628403.....	150
70208253.....	165	70621343.....	269	70623207.....	205	70624139.....	136	70628440.....	147
70208253.....	192	70621357.....	269	70623210.....	205	70624140.....	127	70628441.....	147
70208960.....	271	70621399.....	269	70623211.....	205	70624142.....	140	70628442.....	147
70208960.....	275	70621400.....	269	70623234.....	185	70624174.....	136	70628443.....	147
70208960.....	277	70621428.....	274A	70623234.....	187	70624177.....	136	70628458.....	203
70209942.....	147	70621429.....	271	70623234.....	197	70624193.....	207	70628492.....	121
70223502.....	87	70621429.....	275	70623235.....	163B	70624416.....	254	70628521.....	143
70238726.....	279	70621451.....	129	70623235.....	185	70624488.....	291	70628535.....	212
70239517.....	83F	70621451.....	186	70623268.....	190	70624508.....	273	70628536.....	212
70239726.....	279B	70621501.....	171	70623281.....	186	70624520.....	131	70628716.....	170
70240962.....	279	70621502.....	171	70623420.....	200	70624584.....	181	70628736.....	183
70240962.....	279B	70621530.....	83F	70623427.....	201	70624584.....	183	70628736.....	70
70243526.....	288	70621614.....	73	70623428.....	201	70624584.....	69	70628736.....	73
70243527.....	288	70621724.....	274A	70623429.....	201	70624584.....	70	70628737.....	70
70243528.....	288	70621775.....	57	70623430.....	200	70624584.....	71	70628738.....	67
70336916.....	147	70622001.....	241	70623431.....	200	70624585.....	67	70628738.....	70
70336917.....	147	70622002.....	233	70623489.....	204	70624585.....	70	70628768.....	147
70600236.....	215	70622136.....	179	70623501.....	270	70624624.....	73	70628799.....	147
70600236.....	235	70622161.....	283A	70623516.....	175	70624695.....	131	70628915.....	237
70600236.....	247	70622195.....	235	70623547.....	169	70624706.....	133	70628936.....	237
70600236.....	266	70622207.....	208	70623548.....	169	70624706.....	147	70628937.....	237
70600236.....	267	70622751.....	235	70623560.....	207	70624783.....	136	70628937.....	237A
70604398.....	172	70622753.....	235	70623636.....	169	70624815.....	122	70628940.....	136
70604930.....	166	70622781.....	187	70623637.....	208	70624816.....	122	70628949.....	170
70604943.....	305	70622789.....	191	70623643.....	227	70625383.....	267	70628950.....	170
70605782.....	94	70622790.....	191	70623662.....	175	70625383.....	268	70628951.....	170
70605808.....	284	70622806.....	172	70623758.....	212	70625970.....	267	70629189.....	276
70606858.....	131	70622807.....	179	70623774.....	208	70626019.....	1	70629205.....	269
70607414.....	293	70622901.....	170	70623781.....	173	70626048.....	1	70629223.....	135
70609470.....	249	70622902.....	170	70623782.....	173	70626163.....	1	70629253.....	211
70609674.....	249	70622916.....	115	70623783.....	173	70626497.....	249	70629262.....	181
70611975.....	144	70622916.....	130	70623784.....	173	70627346.....	131	70629286.....	136
70613231.....	283A	70623003.....	175	70623786.....	173	70627347.....	143	70629312.....	147
70613231.....	283C	70623004.....	175	70623787.....	170	70627348.....	126	70629391.....	145
70614478.....	163B	70623007.....	175	70623804.....	131	70627350.....	127	70629392.....	145
70614478.....	205	70623008.....	175	70623820.....	254	70627352.....	131	70629393.....	145
70614478.....	208	70623122.....	185	70623876.....	175	70627353.....	167	70629454.....	183
70614478.....	221	70623130.....	207	70623877.....	175	70627354.....	131	70629510.....	211
70614478.....	256	70623131.....	207	70623878.....	175	70627377.....	201	70629515.....	213
70614478.....	291	70623132.....	207	70623879.....	175	70627378.....	201	70629531.....	264
70614478.....	301	70623133.....	207	70623880.....	289	70627380.....	201	70629542.....	211
70614478.....	303	70623136.....	208	70623927.....	175	70627419.....	131	70629543.....	212
70614478.....	53A	70623137.....	208	70623928.....	173	70627422.....	129	70629544.....	212
70614478.....	69	70623138.....	208	70623929.....	175	70627428.....	289	70629545.....	212
70617932.....	155	70623139.....	208	70623930.....	167	70627451.....	183	70629548.....	211
70619331.....	153	70623139.....	212	70623932.....	175	70628001.....	261	70629561.....	213
70619331.....	88	70623140.....	208	70623933.....	167	70628019.....	205	70629697.....	268
70619814.....	289B	70623144.....	207	70623953.....	140	70628038.....	147	70629698.....	268
70620035.....	280B	70623144.....	237	70623954.....	140	70628039.....	147	70629709.....	155
70620035.....	281	70623151.....	211	70623955.....	140	70628065.....	145	70629716.....	181
70620253.....	186	70623153.....	207	70623956.....	141	70628116.....	73	70629717.....	181
70620253.....	202	70623157.....	207	70623957.....	141	70628138.....	73	70629755.....	76
70620350.....	285	70623158.....	207	70623959.....	141	70628157.....	155	70629755.....	76A

NUMERICAL INDEX 0070662682

PART NO.	PAGE	PART NO.	PAGE	PART NO.	PAGE	PART NO.	PAGE	PART NO.	PAGE
70629755.....	83D	70630629.....	256	70631825.....	185	70632547.....	117	70633346.....	240
70629879.....	149	70630713.....	87	70631828.....	189	70632547.....	163	70633355.....	240
70629881.....	149	70630745.....	67	70631844.....	156	70632580.....	227	70633356.....	240
70629882.....	149	70630753.....	305	70631869.....	189	70632581.....	121	70633364.....	239
70629884.....	149	70630787.....	87	70631870.....	166	70632582.....	121	70633365.....	239
70629885.....	149	70630795.....	181	70631870.....	189	70632583.....	122	70633375.....	240
70629886.....	149	70630795.....	183	70631872.....	189	70632584.....	121	70633380.....	240
70629887.....	149	70630811.....	181	70631874.....	153	70632585.....	120	70633384.....	270
70629888.....	149	70630812.....	181	70631874.....	163	70632587.....	121	70633385.....	189
70629889.....	150	70630827.....	87	70631874.....	283A	70632588.....	121	70633390.....	240
70629890.....	149	70630828.....	87	70631874.....	283C	70632589.....	121	70633446.....	240
70629891.....	150	70630830.....	87	70631882.....	212	70632590.....	121	70633453.....	49
70629892.....	150	70630833.....	183	70631883.....	211	70632591.....	121	70633453.....	49B
70629893.....	150	70630836.....	183	70631885.....	133	70632592.....	121	70633454.....	240
70629894.....	149	70630837.....	183	70631886.....	147	70632595.....	121	70633458.....	6
70629895.....	149	70630838.....	181	70631887.....	147	70632600.....	121	70633473.....	6
70629897.....	149	70630841.....	181	70631888.....	147	70632601.....	120	70633481.....	259
70629898.....	149	70630849.....	181	70631935.....	200	70632603.....	120	70633486.....	179
70629899.....	149	70630850.....	183	70631959.....	217	70632604.....	121	70633487.....	179
70629900.....	149	70630852.....	183	70631959.....	219	70632606.....	121	70633509.....	111
70629901.....	149	70630856.....	183	70631959.....	221	70632613.....	120	70633519.....	57A
70629902.....	150	70630917.....	284	70631960.....	217	70632615.....	121	70633533.....	269
70629904.....	150	70631031.....	227	70631960.....	219	70632620.....	121	70633610.....	213
70629906.....	150	70631033.....	227	70631960.....	221	70632621.....	122	70633626.....	111
70629907.....	149	70631034.....	227	70631975.....	69	70632623.....	121	70633629.....	284
70629908.....	150	70631106.....	149	70631981.....	212	70632624.....	121	70633650.....	269
70629909.....	149	70631198.....	87	70631987.....	69	70632630.....	121	70633653.....	289
70629943.....	127	70631199.....	87	70632038.....	156	70632632.....	121	70633717.....	221
70629945.....	126	70631224.....	87	70632053.....	259	70632635.....	121	70633720.....	268
70629946.....	126	70631225.....	87	70632059.....	69	70632636.....	122	70633729.....	268
70629979.....	271	70631226.....	87	70632060.....	166A	70632638.....	122	70633730.....	268
70630045.....	173	70631290.....	233	70632060.....	189	70632652.....	121	70633733.....	268
70630052.....	173	70631404.....	259	70632061.....	166A	70632673.....	79	70633787.....	255
70630052.....	175	70631421.....	181	70632061.....	189	70632673.....	83	70633797.....	189
70630102.....	170	70631425.....	67	70632062.....	189	70632710.....	69	70633797.....	197
70630115.....	253	70631426.....	299	70632063.....	189	70632710.....	71	70633995.....	166
70630116.....	253	70631426.....	301	70632065.....	141	70632716.....	69	70633995.....	189
70630117.....	253	70631426.....	303	70632065.....	143	70632716.....	71	70634074.....	69
70630118.....	253	70631476.....	67	70632066.....	141	70632747.....	69	70634091.....	768
70630119.....	253	70631476.....	70	70632067.....	131	70632747.....	71	70634255.....	301
70630151.....	254	70631477.....	67	70632097.....	57	70632752.....	69	70634255.....	303
70630154.....	79	70631492.....	67	70632099.....	57	70632752.....	71	70634256.....	299
70630154.....	83	70631494.....	69	70632112.....	191	70632756.....	69	70634256.....	301
70630157.....	79	70631496.....	69	70632122.....	53	70632756.....	71	70634256.....	303
70630157.....	83	70631498.....	70	70632150.....	143	70632766.....	69	70634257.....	299
70630158.....	76	70631513.....	301	70632151.....	143	70632771.....	71	70634257.....	301
70630160.....	79	70631513.....	303	70632159.....	213	70632793.....	135	70634257.....	303
70630179.....	271	70631514.....	301	70632161.....	161	70632794.....	135	70634262.....	301
70630199.....	285	70631514.....	303	70632162.....	71	70632927.....	59	70634262.....	303
70630207.....	278	70631555.....	67	70632166.....	141	70632950.....	6	70634271.....	161
70630280.....	186	70631564.....	83	70632175.....	71	70632971.....	289	70634271.....	163
70630282.....	185	70631566.....	87	70632177.....	71	70632975.....	239	70634271.....	163B
70630295.....	143	70631571.....	285	70632178.....	71	70632982.....	233	70634342.....	121
70630311.....	67	70631572.....	285	70632179.....	259	70632983.....	233	70634427.....	149
70630331.....	73	70631573.....	285	70632188.....	259	70633010.....	49	70634442.....	79
70630363.....	112	70631574.....	285	70632190.....	217	70633010.....	49A	70634442.....	83
70630364.....	112	70631643.....	70	70632191.....	217	70633013.....	301	70634443.....	79
70630381.....	183	70631646.....	70	70632201.....	217	70633014.....	301	70634446.....	79
70630382.....	183	70631647.....	67	70632208.....	217	70633023.....	303	70634446.....	83
70630502.....	223	70631649.....	70	70632209.....	217	70633024.....	303	70634446.....	83B
70630502.....	225	70631652.....	70	70632226.....	269	70633025.....	303	70634650.....	67
70630503.....	223	70631654.....	73	70632257.....	253	70633216.....	71	70634650.....	70
70630503.....	225	70631657.....	73	70632258.....	253	70633262.....	256	70634670.....	140
70630528.....	200	70631682.....	69	70632261.....	270	70633266.....	239	70634677.....	279
70630540.....	50	70631683.....	69	70632274.....	259	70633268.....	234	70634905.....	299
70630546.....	225	70631773.....	15	70632313.....	271	70633269.....	234	70634928.....	299
70630578.....	150	70631788.....	161	70632323.....	231	70633270.....	240	70634929.....	299
70630584.....	133	70631788.....	163	70632391.....	264	70633310.....	189	70635124.....	161
70630625.....	256	70631788.....	163B	70632412.....	306	70633337.....	240	70635124.....	163
70630628.....	256	70631795.....	253	70632451.....	213	70633345.....	240	70635124.....	163B

NUMERICAL INDEX 0070662682

PART NO.	PAGE	PART NO.	PAGE	PART NO.	PAGE	PART NO.	PAGE	PART NO.	PAGE
70635126.....283A		70638432.....261		70639567.....137		70639919.....157		70641031.....166A	
70635718.....49A		70638432.....263		70639571.....147		70639920.....159		70641052.....125	
70637286.....155		70638433.....261		70639571.....6		70639921.....159		70641109.....125	
70637286.....156		70638434.....261		70639572.....137		70639922.....185		70641110.....125	
70637532.....291		70638435.....261		70639576.....139		70639924.....159		70641128.....270	
70637580.....289B		70638468.....261		70639578.....139		70639929.....159		70641133.....229	
70637623.....157		70638561.....205		70639579.....137		70639933.....159		70641134.....125	
70637701.....227		70638562.....205		70639581.....129		70639937.....159		70641144.....129	
70637729.....208		70638563.....205		70639584.....137		70639938.....164		70641148.....205	
70637729.....212		70638600.....208		70639585.....137		70639939.....159		70641314.....147	
70637730.....208		70638613.....165		70639591.....137		70639942.....164		70641355.....117	
70637730.....212		70638727.....79		70639594.....137		70639946.....151		70641355.....161	
70637741.....103		70638796.....189		70639596.....137		70639947.....159		70641386.....130	
70637801.....209		70638796.....243		70639597.....137		70639948.....159		70641427.....215	
70637802.....209		70638818.....208		70639598.....139		70639949.....159		70641466.....130	
70637803.....209		70638848.....122		70639609.....137		70639950.....151		70641474.....264	
70637804.....209		70638911.....187		70639614.....151		70639969.....157		70641474.....265	
70637805.....209		70638956.....243		70639615.....120		70639969.....159		70641481.....217	
70637806.....209		70638957.....243		70639617.....137		70639970.....159		70641499.....291	
70637808.....209		70638958.....211		70639620.....153		70639975.....261		70641537.....165	
70637809.....209		70638968.....215		70639622.....137		70639976.....157		70641538.....165	
70637810.....209		70638981.....264		70639625.....122		70640070.....234		70641541.....165	
70637811.....209		70638981.....265		70639627.....122		70640083.....171		70641542.....165	
70637817.....209		70638997.....243		70639628.....121		70640096.....122		70641547.....109	
70637818.....209		70638998.....243		70639630.....139		70640097.....122		70641548.....109	
70637819.....209		70639021.....227		70639637.....161		70640121.....159		70641561.....164	
70637820.....209		70639025.....243		70639637.....163		70640146.....159		70641564.....144	
70637865.....161		70639026.....243		70639637.....163B		70640152.....164		70641564.....165	
70637865.....163		70639027.....177		70639638.....159		70640159.....76		70641625.....187	
70638026.....207		70639058.....243		70639639.....159		70640205.....159		70641689.....189	
70638027.....207		70639067.....271		70639641.....151		70640206.....159		70641700.....190	
70638028.....207		70639087.....171		70639642.....151		70640367.....71		70641722.....187	
70638072.....6		70639088.....171		70639646.....151		70640378.....71		70641733.....69	
70638088.....147		70639152.....112		70639650.....115		70640415.....71		70641756.....185	
70638099.....280A		70639216.....109		70639650.....6		70640418.....73		70641758.....190	
70638099.....7		70639216.....111		70639655.....140		70640489.....71		70641760.....189	
70638131.....153		70639237.....107		70639699.....57A		70640575.....125		70641772.....185	
70638232.....149		70639314.....122		70639728.....165		70640575.....7		70641776.....185	
70638236.....149		70639314.....273		70639749.....159		70640627.....159		70641777.....187	
70638243.....273		70639388.....275		70639753.....155		70640636.....125		70641839.....144	
70638282.....274		70639388.....277		70639756.....153		70640637.....155		70641840.....144	
70638283.....271		70639388.....284		70639761.....135		70640663.....125		70641841.....144	
70638283.....275		70639447.....165		70639762.....136		70640664.....125		70641849.....161	
70638334.....136		70639459.....212		70639763.....159		70640667.....125		70641849.....163	
70638335.....140		70639502.....135		70639766.....155		70640675.....273		70641849.....163B	
70638336.....136		70639503.....161		70639775.....155		70640676.....273		70641854.....144	
70638338.....213		70639504.....135		70639778.....155		70640677.....271		70641855.....144	
70638351.....261		70639505.....135		70639779.....156		70640704.....275		70641876.....187	
70638351.....263		70639507.....135		70639784.....156		70640706.....284		70641963.....185	
70638352.....121		70639508.....135		70639785.....155		70640707.....284		70641972.....185	
70638354.....261		70639515.....115		70639785.....71		70640710.....271		70641979.....156	
70638363.....261		70639520.....120		70639790.....155		70640719.....122		70642031.....229	
70638369.....261		70639522.....120		70639828.....291		70640727.....284		70642032.....229	
70638371.....261		70639523.....120		70639839.....156		70640739.....165		70642035.....229	
70638397.....117		70639524.....120		70639846.....157		70640742.....120		70642094.....122	
70638397.....161		70639527.....120		70639850.....187		70640743.....120		70642113.....137	
70638420.....261		70639530.....164		70639862.....292		70640744.....166		70642146.....137	
70638421.....263		70639533.....122		70639870.....292		70640774.....165		70642148.....137	
70638422.....261		70639534.....121		70639873.....292		70640775.....164		70642165.....70	
70638422.....263		70639535.....120		70639874.....292		70640778.....121		70642204.....186	
70638423.....261		70639536.....120		70639882.....151		70640780.....166A		70642227.....161	
70638424.....261		70639540.....164		70639886.....6		70640781.....121		70642227.....163	
70638425.....261		70639543.....120		70639887.....161		70640783.....120		70642227.....163B	
70638426.....261		70639544.....120		70639897.....6		70640784.....120		70642234.....299	
70638427.....261		70639548.....122		70639901.....161		70640788.....161		70642240.....299	
70638428.....261		70639551.....122		70639901.....6		70640788.....163		70642275.....161	
70638429.....261		70639551.....123A		70639903.....151		70640791.....120		70642275.....163	
70638430.....261		70639561.....115		70639905.....291		70641008.....156		70642275.....163B	
70638431.....261		70639561.....120		70639907.....159		70641027.....166A		70642276.....161	
70638431.....263		70639563.....120		70639916.....156		70641029.....166		70642276.....163	

NUMERICAL INDEX 0070662682

PART NO.	PAGE	PART NO.	PAGE	PART NO.	PAGE	PART NO.	PAGE	PART NO.	PAGE
70642276.....163B		70643275.....173		70644330.....237		70645090.....115		70646354.....6	
70642289.....301		70643276.....173		70644354.....192		70645090.....6		70646357.....280	
70642289.....303		70643302.....181		70644381.....305		70645091.....6		70646357.....6	
70642305.....171		70643349.....59		70644382.....237		70645101.....189		70646532.....166A	
70642309.....165		70643350.....59		70644415.....267		70645101.....197		70646838.....52	
70642310.....164		70643397.....109		70644416.....267		70645109.....191		70646838.....53A	
70642318.....165		70643397.....111		70644449.....115		70645109.....192		70646838.....6	
70642319.....164		70643404.....109		70644449.....117		70645109.....195		70646839.....52	
70642320.....164		70643438.....192		70644449.....7		70645236.....175		70646839.....53A	
70642321.....165		70643449.....192		70644450.....115		70645236.....7		70646839.....6	
70642322.....164		70643473.....109		70644450.....117		70645237.....203		70646985.....120	
70642323.....164		70643473.....111		70644450.....7		70645237.....7		70647080.....227	
70642327.....164		70643491.....192		70644452.....125		70645238.....185		70647139.....277	
70642328.....164		70643492.....192		70644452.....7		70645238.....7		70647209.....240	
70642329.....137		70643494.....192		70644457.....117		70645239.....185		70647215.....240	
70642441.....57A		70643496.....192		70644457.....117B		70645239.....7		70647404.....120	
70642448.....175		70643534.....192		70644457.....125		70645245.....161		70647414.....189	
70642479.....170		70643544.....192		70644457.....153		70645245.....163		70647414.....197	
70642498.....261		70643545.....192		70644457.....163		70645245.....7		70647414.....8	
70642498.....263		70643550.....202		70644457.....163B		70645246.....129		70647563.....129	
70642499.....261		70643551.....192		70644463.....212		70645246.....7		70647563.....130B	
70642499.....263		70643552.....192		70644530.....59		70645248.....153		70647893.....231	
70642500.....261		70643553.....192		70644534.....269		70645248.....7		70647894.....231	
70642500.....263		70643560.....164		70644549.....1		70645250.....153		70647899.....231	
70642534.....153		70643561.....135		70644603.....202		70645250.....7		70647900.....231	
70642589.....221		70643570.....187		70644603.....7		70645251.....153		70647972.....135	
70642590.....221		70643571.....137		70644604.....202		70645251.....7		70648231.....59	
70642705.....220		70643572.....137		70644604.....7		70645260.....153		70648231.....8	
70642709.....220		70643573.....187		70644611.....186		70645260.....7		70648262.....285	
70642713.....222		70643573.....197		70644612.....129		70645269.....121		70648294.....254	
70642716.....120		70643586.....306		70644612.....130		70645320.....167		70648333.....129	
70642719.....221		70643606.....187		70644612.....186		70645322.....1		70648333.....130B	
70642720.....221		70643606.....197		70644616.....269		70645534.....217		70648338.....268	
70642734.....122		70643723.....7		70644617.....117		70645539.....109		70648406.....209	
70642739.....122		70643723.....88		70644617.....7		70645539.....111		70648501.....117	
70642741.....115		70643740.....169		70644619.....269		70645541.....109		70648501.....117B	
70642741.....117		70643740.....208		70644633.....70		70645549.....1		70648501.....8	
70642741.....120		70643744.....93		70644696.....282		70645672.....120		70648623.....170	
70642743.....222		70643744.....94B		70644696.....7		70645784.....239		70648716.....264	
70642744.....57		70643763.....121		70644708.....53B		70645920.....239		70648717.....265	
70642746.....278		70643810.....133		70644713.....53		70645934.....239		70648792.....125	
70642746.....279A		70643832.....267		70644713.....53B		70645947.....239		70648792.....8	
70642749.....57		70643844.....266		70644759.....163		70645976.....233		70648943.....267	
70642767.....215		70643868.....267		70644759.....163B		70646045.....227		70648954.....267	
70642787.....131		70643882.....267		70644759.....7		70646091.....171		70648956.....181	
70642788.....131		70643971.....282		70644786.....125		70646092.....171		70648970.....255	
70642849.....157		70643971.....7		70644786.....7		70646093.....171		70648996.....267	
70642880.....208		70643980.....1		70644800.....129		70646094.....171		70648997.....267	
70642881.....109		70644006.....280		70644800.....130B		70646108.....219		70648998.....267	
70642886.....143		70644006.....281		70644816.....190		70646127.....186		70649038.....211	
70642887.....143		70644006.....283A		70644827.....190		70646140.....219		70649107.....231	
70642888.....143		70644006.....283C		70644828.....190		70646155.....219		70649108.....231	
70642889.....143		70644006.....88		70644841.....163		70646157.....219		70649115.....259	
70642891.....143		70644010.....115		70644841.....7		70646162.....219		70649120.....264	
70642921.....112		70644010.....117		70644897.....192		70646192.....219		70649123.....292	
70642938.....223		70644022.....299		70644898.....192		70646230.....281		70649130.....259	
70642968.....137		70644023.....299		70644905.....117		70646230.....8		70649151.....256	
70642972.....279		70644064.....155		70644905.....7		70646299.....59		70649155.....215	
70643007.....212		70644065.....156		70644908.....283A		70646299.....8		70649197.....112	
70643019.....211		70644081.....76		70644908.....283C		70646300.....59		70649210.....264	
70643024.....212		70644133.....87		70644913.....192		70646300.....8		70649226.....256	
70643027.....141		70644136.....208		70645028.....80		70646303.....49		70649315.....229	
70643028.....141		70644255.....237		70645028.....83D		70646303.....8		70649316.....229	
70643032.....211		70644265.....159		70645028.....84		70646322.....49		70649455.....245	
70643053.....211		70644266.....159		70645029.....830		70646322.....8		70649455.....247	
70643080.....133		70644268.....159		70645033.....80		70646352.....59		70649455.....250	
70643081.....133		70644276.....157		70645045.....69		70646352.....8		70649678.....237A	
70643138.....208		70644277.....157		70645075.....79		70646353.....59		70649679.....237A	
70643257.....181		70644278.....157		70645075.....83		70646353.....8		70650131.....263	
70643274.....212		70644308.....1		70645075.....83B		70646354.....283		70650132.....263	



NUMERICAL INDEX 0070662682

PART NO.	PAGE	PART NO.	PAGE	PART NO.	PAGE	PART NO.	PAGE	PART NO.	PAGE
70650133.....	263	70650841.....	229	70653929.....	198	70655693.....	280	70658711.....	170
70650134.....	263	70650848.....	229	70653930.....	195	70655694.....	283	70658712.....	170
70650135.....	263	70650850.....	1	70653931.....	198	70655743.....	201	70658737.....	212
70650136.....	263	70650853.....	166	70653932.....	195	70655777.....	155	70658746.....	123A
70650137.....	263	70650886.....	80	70653933.....	198	70655779.....	156	70658759.....	830
70650138.....	263	70650886.....	83	70653932.....	195	70655782.....	196	70658781.....	83B
70650139.....	263	70650886.....	83B	70653932.....	198	70655820.....	239	70658781.....	83E
70650140.....	263	70650892.....	83	70653933.....	198	70655822.....	240	70659002.....	278
70650141.....	263	70650892.....	83B	70653934.....	195	70655987.....	241	70659002.....	279B
70650142.....	263	70650901.....	292	70653934.....	198	70655989.....	243	70659003.....	278
70650143.....	263	70650911.....	83	70653936.....	195	70655990.....	243	70659034.....	83E
70650144.....	263	70650914.....	291	70653936.....	198	70655993.....	243	70659075.....	67
70650145.....	263	70650916.....	291	70653937.....	195	70655994.....	243	70659093.....	259
70650146.....	263	70650918.....	291	70653937.....	198	70655995.....	243	70659102.....	261
70650147.....	263	70650956.....	255	70654077.....	259	70655998.....	197	70659102.....	263
70650154.....	240	70650959.....	79	70654081.....	163B	70655999.....	195	70659112.....	306B
70650155.....	240	70650982.....	254	70654081.....	8	70655999.....	196	70659175.....	306B
70650156.....	240	70651036.....	151	70654089.....	195	70656151.....	183	70659195.....	79
70650178.....	306B	70651042.....	80	70654096.....	109	70656155.....	155	70659195.....	83
70650193.....	195	70651155.....	113	70654098.....	109	70656159.....	155	70659195.....	83B
70650193.....	198	70651158.....	113	70654180.....	187	70656179.....	195	70659259.....	306B
70650228.....	57	70651184.....	306	70654180.....	195	70656179.....	198	70659427.....	117B
70650273.....	207	70651185.....	306	70654294.....	129	70656333.....	112	70659427.....	8
70650274.....	207	70651342.....	223	70654294.....	130B	70656494.....	163B	70659440.....	130B
70650275.....	207	70651409.....	170	70654310.....	131	70656679.....	207	70659441.....	130B
70650276.....	207	70651431.....	181	70654435.....	169	70656749.....	227	70659441.....	8
70650299.....	284	70651432.....	202	70654479.....	265	70656750.....	227	70659465.....	125
70650301.....	79	70651451.....	204	70654480.....	265	70656905.....	279A	70659514.....	166
70650301.....	83	70651464.....	204	70654483.....	265	70656923.....	279A	70659519.....	163
70650301.....	83B	70651467.....	208	70654484.....	265	70657358.....	306B	70659519.....	163B
70650302.....	79	70651564.....	199	70654544.....	9	70657553.....	306B	70659533.....	83F
70650302.....	83	70651565.....	199	70654652.....	276	70657556.....	306B	70659763.....	240
70650302.....	83B	70651566.....	199	70654656.....	181	70657636.....	265	70659774.....	123A
70650366.....	1	70651567.....	199	70654798.....	131	70657639.....	256	70659948.....	117B
70650367.....	1	70651569.....	199	70654840.....	57	70657694.....	306B	70659949.....	117B
70650380.....	247	70651570.....	199	70654930.....	292	70657753.....	57	70660065.....	117B
70650394.....	67	70651571.....	199	70654986.....	276	70657768.....	172	70660065.....	120
70650397.....	163	70651572.....	199	70654987.....	276	70657769.....	172	70660070.....	306B
70650399.....	120	70651573.....	199	70654988.....	276	70657770.....	172	70661162.....	83F
70650427.....	166	70651574.....	199	70654989.....	276	70657771.....	172	70661163.....	83F
70650428.....	166A	70651575.....	199	70654990.....	276	70657772.....	172	70661226.....	270
70650430.....	166	70651576.....	199	70654991.....	276	70658055.....	227	70661268.....	166
70650431.....	166A	70651577.....	199	70655044.....	85	70658056.....	227	70661268.....	189
70650509.....	57	70651630.....	279	70655045.....	85	70658277.....	283	70661345.....	279B
70650622.....	175	70651774.....	153	70655064.....	84	70658293.....	280B	70661534.....	166
70650672.....	195	70651894.....	270	70655096.....	85	70658293.....	281	70661676.....	199
70650672.....	198	70651923.....	270	70655102.....	77	70658313.....	282	70662038.....	107
70650673.....	195	70651963.....	9	70655108.....	77	70658313.....	283B	70662057.....	107
70650673.....	198	70652567.....	57	70655139.....	85	70658319.....	283C	70662300.....	83B
70650674.....	195	70652586.....	57	70655140.....	80	70658319.....	8	70662301.....	83B
70650674.....	198	70652587.....	57	70655140.....	83	70658321.....	280B	70662302.....	83B
70650675.....	195	70652590.....	57A	70655140.....	83B	70658321.....	8	70662477.....	83F
70650675.....	198	70653701.....	156	70655193.....	231	70658324.....	265	70662618.....	83F
70650676.....	195	70653766.....	291	70655244.....	254	70658348.....	279	70662711.....	76B
70650676.....	198	70653773.....	207	70655253.....	85	70658348.....	279B	70662745.....	289B
70650677.....	195	70653774.....	163B	70655258.....	84	70658349.....	280	70662760.....	289B
70650677.....	198	70653776.....	163B	70655416.....	57	70658349.....	280A	70662989.....	120
70650678.....	195	70653781.....	53A	70655464.....	233	70658423.....	279	70662990.....	120
70650678.....	198	70653842.....	163B	70655484.....	275	70658501.....	254	70662991.....	120
70650679.....	195	70653907.....	163B	70655484.....	277	70658514.....	117B	70662992.....	120
70650679.....	198	70653907.....	8	70655485.....	275	70658517.....	122	70662993.....	120
70650724.....	140	70653908.....	147	70655485.....	277	70658556.....	122	70663089.....	83E
70650754.....	223	70653908.....	8	70655497.....	234	70658572.....	253	70663097.....	255
70650755.....	223	70653909.....	49A	70655510.....	15	70658573.....	253	70663098.....	830
70650756.....	223	70653909.....	8	70655528.....	241	70658574.....	253	70663099.....	830
70650757.....	223	70653910.....	283	70655564.....	195	70658620.....	279	70663117.....	173
70650758.....	223	70653910.....	8	70655566.....	156	70658620.....	279B	70663117.....	175
70650759.....	223	70653911.....	49A	70655666.....	156	70658641.....	279B	70663123.....	199
70650811.....	173	70653911.....	8	70655691.....	282	70658686.....	8	70663124.....	199
70650813.....	175	70653929.....	195	70655692.....	281	70658686.....	83E	70663245.....	173



NUMERICAL INDEX 0070662682

PART NO.	PAGE	PART NO.	PAGE	PART NO.	PAGE	PART NO.	PAGE	PART NO.	PAGE
70663245.....175		70667400.....141		70671774.....111		70900801.....287		70903625.....191	
70663509.....167		70667658.....1		70672647.....112		70900802.....291		70903628.....271	
70663581.....167		70667988.....120		70673415.....233		70900806.....14		70903630.....227	
70663878.....291		70668101.....256		70673778.....306B		70900806.....15		70903772.....109	
70663911.....291		70668110.....283B		70673820.....269		70900806.....155		70903773.....109	
70664169.....237A		70668111.....283B		70674049.....269		70900806.....207		70903775.....273	
70664170.....237A		70668112.....280B		70674408.....1		70900806.....209		70903775.....289	
70664171.....237A		70668113.....280A		70674800.....167		70900806.....212		70903775.....59	
70664270.....169		70668115.....255		70675228.....107		70900806.....213		70904003.....208	
70664414.....171		70668116.....271		70675246.....237		70900806.....255		70904003.....212	
70664506.....169		70668117.....271		70675322.....233		70900806.....268		70904203.....133	
70664509.....227		70668123.....83D		70675323.....233		70900806.....297		70904203.....64	
70664511.....227		70668129.....254		70675600.....109		70900806.....67		70904203.....90	
70664512.....227		70668147.....67		70676213.....136		70900806.....69		70904204.....144	
70664556.....169		70668165.....271		70676364.....241		70900807.....287		70904204.....164	
70664626.....237		70668252.....57A		70676455.....237		70900808.....107		70904204.....165	
70664627.....227		70668262.....57A		70676456.....237		70900808.....15		70904204.....192	
70664628.....227		70668263.....57A		70676871.....239		70900808.....207		70904204.....20A	
70664758.....247		70668510.....195		70676872.....239		70900808.....287		70904204.....24	
70664793.....267		70668593.....99		70677006.....186		70900808.....34		70904204.....276	
70664813.....237A		70668595.....99		70677006.....61A		70900808.....35		70904204.....283D	
70664843.....237A		70668804.....57A		70677052.....109		70900808.....95		70904204.....284	
70664850.....227		70668805.....57A		70677253.....36		70900816.....83D		70904204.....287	
70664851.....169		70668806.....57A		70677276.....235		70900817.....153		70904204.....289	
70664852.....169		70668919.....283C		70677491.....239		70900817.....79		70904204.....289B	
70664866.....57A		70668966.....283C		70677492.....239		70900817.....83B		70904204.....293	
70664867.....57		70668966.....8		70677509.....240		70900817.....84		70904204.....31	
70664867.....57A		70668968.....49A		70677510.....240		70900818.....102		70904204.....35	
70664868.....57		70668983.....256		70677512.....240		70900818.....209		70904204.....36	
70664879.....237A		70668998.....265		70677517.....240		70900818.....271		70904204.....49A	
70664956.....239		70669027.....265		70677518.....240		70900818.....275		70904204.....53A	
70664957.....239		70669175.....240		70677523.....240		70900818.....71		70904204.....55	
70664963.....240		70669193.....240		70677524.....240		70900819.....57A		70904204.....61A	
70665007.....240		70669298.....243		70677560.....239		70900820.....219		70904204.....64	
70665040.....237		70669302.....243		70677694.....243		70900821.....229		70904204.....73	
70665147.....269		70669303.....243		70677696.....243		70900942.....67		70904204.....80	
70665194.....109		70669330.....180		70678716.....235		70900942.....69		70904204.....83	
70665295.....245		70669351.....195		70679160.....240		70900942.....71		70904204.....83B	
70665295.....249		70669351.....198		70679613.....233		70900942.....73		70904204.....83D	
70665295.....251		70669356.....180		70679734.....239		70900970.....166A		70904204.....85	
70665296.....245		70669391.....180		70679752.....121		70900970.....189		70904204.....87	
70665296.....249		70669703.....241		70679753.....120		70900970.....67		70904204.....93	
70665296.....251		70669786.....241		70679815.....239		70900970.....70		70904205.....102	
70665317.....241		70669793.....83B		70679816.....240		70901165.....102		70904205.....109	
70665383.....239		70669794.....83B		70679817.....240		70901165.....104		70904205.....111	
70665542.....83B		70669823.....255		70680080.....259		70901171.....64		70904205.....133	
70665667.....169		70669832.....254		70680631.....233		70901223.....150		70904205.....144	
70665815.....233		70669987.....177		70682033.....240		70901310.....64		70904205.....147	
70665891.....15		70669988.....177		70682034.....240		70901310.....90		70904205.....165	
70666185.....283B		70669989.....177		70682035.....240		70901489.....170		70904205.....192	
70666187.....179		70669990.....177		70682036.....240		70901651.....187		70904205.....24	
70666349.....15		70670071.....233		70682037.....240		70901651.....197		70904205.....245	
70666424.....223		70670073.....243		70682038.....240		70901651.....281		70904205.....247	
70666497.....269		70670073.....233		70682843.....109		70901652.....166		70904205.....249	
70666517.....107		70670074.....233		70682971.....120		70901652.....281		70904205.....250	
70666661.....107		70670306.....1		70686969.....1		70901666.....122		70904205.....287	
70667039.....109		70670348.....83D		70693957.....122		70901666.....166		70904205.....31	
70667040.....109		70670353.....83D		70695217.....173		70901666.....172		70904205.....39	
70667040.....111		70670367.....254		70695471.....288		70901666.....189		70904205.....49	
70667041.....109		70670457.....15		70698911.....120		70901765.....170		70904205.....52	
70667041.....111		70670466.....83B		70827650.....195		70901767.....133		70904205.....69	
70667053.....111		70670623.....241		70827650.....198		70901781.....149		70904205.....71	
70667080.....237		70670648.....237A		70900576.....51		70901781.....91		70904205.....83	
70667104.....237A		70671157.....235		70900585.....200		70901835.....103		70904205.....83B	
70667252.....10A		70671158.....235		70900703.....34		70901839.....98B		70904206.....100	
70667252.....131		70671160.....235		70900764.....301		70902071.....121		70904206.....101	
70667252.....133		70671161.....235		70900801.....149		70902170.....133		70904206.....103	
70667252.....169		70671162.....234		70900801.....156		70902872.....10A		70904206.....111	
70667252.....227		70671163.....234		70900801.....183		70903574.....94		70904206.....112	
70667252.....9		70671773.....111		70900801.....261		70903584.....109		70904206.....113	

NUMERICAL INDEX 0070662682

PART NO.	PAGE	PART NO.	PAGE	PART NO.	PAGE	PART NO.	PAGE	PART NO.	PAGE
70904206.....115		70904206.....64		70904208.....222		70904209.....221		70907070.....27	
70904206.....117		70904206.....71		70904208.....227		70904209.....222		70907154.....87	
70904206.....117B		70904206.....74A		70904208.....229		70904209.....227		70907859.....122	
70904206.....125		70904206.....74C		70904208.....237		70904209.....237		70907859.....137	
70904206.....129		70904206.....76B		70904208.....237A		70904209.....237A		70908191.....237	
70904206.....131		70904206.....79		70904208.....241		70904209.....243		70908944.....200	
70904206.....133		70904206.....83B		70904208.....245		70904209.....245		70908944.....204	
70904206.....141		70904206.....83D		70904208.....249		70904209.....247		70908944.....208	
70904206.....143		70904206.....83E		70904208.....251		70904209.....249		70909055.....149	
70904206.....145		70904206.....84		70904208.....253		70904209.....250		70909091.....121	
70904206.....147		70904206.....93		70904208.....255		70904209.....251		70909367.....284	
70904206.....153		70904206.....94		70904208.....256		70904209.....253		70910005.....191	
70904206.....155		70904206.....94B		70904208.....259		70904209.....265		70910123.....33	
70904206.....156		70904206.....98		70904208.....264		70904209.....277		70910123.....93	
70904206.....163		70904206.....98B		70904208.....265		70904209.....285		70910123.....94B	
70904206.....170		70904207.....101		70904208.....267		70904209.....294		70910141.....35	
70904206.....181		70904207.....111		70904208.....271		70904209.....295		70910175.....94B	
70904206.....183		70904207.....115		70904208.....273		70904209.....296		70910195.....74A	
70904206.....186		70904207.....117		70904208.....275		70904209.....306		70910210.....285	
70904206.....187		70904207.....117B		70904208.....28		70904209.....53		70910224.....40	
70904206.....190		70904207.....161		70904208.....283C		70904209.....57		70910230.....107	
70904206.....195		70904207.....187		70904208.....289		70904209.....9		70910231.....122	
70904206.....196		70904207.....196		70904208.....289B		70904210.....267		70910231.....123A	
70904206.....197		70904207.....287		70904208.....291		70904210.....268		70910231.....149	
70904206.....20		70904207.....37		70904208.....292		70904223.....169		70910231.....159	
70904206.....20A		70904207.....61		70904208.....299		70904224.....16		70910244.....103	
70904206.....202		70904208.....102		70904208.....301		70904224.....97		70910244.....115	
70904206.....227		70904208.....103		70904208.....303		70904271.....105		70910244.....117	
70904206.....235		70904208.....105		70904208.....31		70904273.....79		70910244.....131	
70904206.....245		70904208.....107		70904208.....32		70904273.....83		70910244.....153	
70904206.....247		70904208.....115		70904208.....39		70904273.....83B		70910244.....156	
70904206.....25		70904208.....117		70904208.....45		70904273.....83E		70910244.....163B	
70904206.....250		70904208.....125		70904208.....47		70904369.....112		70910244.....185	
70904206.....254		70904208.....129		70904208.....49		70904369.....219		70910244.....267	
70904206.....259		70904208.....130		70904208.....49A		70904369.....220		70910244.....283C	
70904206.....264		70904208.....130B		70904208.....49B		70904369.....229		70910244.....287	
70904206.....265		70904208.....131		70904208.....52		70904369.....231		70910244.....29	
70904206.....271		70904208.....135		70904208.....53		70904369.....252		70910244.....291	
70904206.....273		70904208.....136		70904208.....53A		70904369.....253		70910244.....55	
70904206.....275		70904208.....141		70904208.....53B		70904369.....264		70910244.....67	
70904206.....277		70904208.....147		70904208.....55		70904369.....265		70910244.....69	
70904206.....278		70904208.....151		70904208.....57A		70904369.....69		70910244.....74A	
70904206.....279A		70904208.....153		70904208.....61		70904369.....71		70910244.....79	
70904206.....28		70904208.....155		70904208.....61A		70904516.....18		70910244.....83	
70904206.....28C		70904208.....161		70904208.....67		70905121.....287		70910244.....98	
70904206.....280		70904208.....163		70904208.....69		70905122.....107		70910244.....98B	
70904206.....280A		70904208.....163B		70904208.....71		70905122.....144		70910255.....287	
70904206.....280B		70904208.....167		70904208.....73		70905122.....164		70910267.....70	
70904206.....281		70904208.....171		70904208.....74A		70905123.....151		70910285.....306B	
70904206.....283A		70904208.....173		70904208.....76		70905123.....155		70910286.....104	
70904206.....283B		70904208.....175		70904208.....76A		70905123.....181		70910287.....170	
70904206.....283C		70904208.....177		70904208.....77		70905123.....183		70910287.....306B	
70904206.....287		70904208.....18		70904208.....79		70905127.....22		70910287.....61A	
70904206.....289		70904208.....180		70904208.....83		70905129.....22		70910302.....208	
70904206.....292		70904208.....181		70904208.....83B		70905347.....169		70910302.....212	
70904206.....296		70904208.....183		70904208.....83D		70905347.....223		70910320.....212	
70904206.....299		70904208.....185		70904208.....84		70905347.....225		70910324.....100	
70904206.....301		70904208.....186		70904208.....93		70905347.....229		70910324.....74A	
70904206.....303		70904208.....187		70904208.....94B		70905347.....231		70910324.....74C	
70904206.....305		70904208.....189		70904208.....97		70905357.....233		70910324.....98	
70904206.....33		70904208.....197		70904208.....98		70905357.....235		70910324.....98B	
70904206.....34		70904208.....20		70904208.....98B		70905357.....241		70910325.....32	
70904206.....36		70904208.....205		70904209.....172		70905357.....91		70910334.....278	
70904206.....37		70904208.....208		70904209.....177		70905359.....147		70910334.....279B	
70904206.....39		70904208.....211		70904209.....179		70905564.....200		70910335.....261	
70904206.....42		70904208.....212		70904209.....208		70905655.....284		70910335.....39	
70904206.....49		70904208.....213		70904209.....211		70905845.....61		70910510.....93	
70904206.....53		70904208.....217		70904209.....217		70905850.....34		70910510.....94B	
70904206.....59		70904208.....219		70904209.....219		70906960.....289		70910819.....93	
70904206.....61		70904208.....221		70904209.....220		70907070.....227		70910847.....17	

## NUMERICAL INDEX 0070662682

PART NO.	PAGE	PART NO.	PAGE	PART NO.	PAGE	PART NO.	PAGE	PART NO.	PAGE
70910847.....208		70911041.....265		70911045.....252		70911168.....52		70914330.....293	
70910847.....212		70911041.....273		70911045.....253		70911171.....170		70914339.....190	
70910867.....255		70911041.....277		70911046.....112		70911423.....36		70914378.....59	
70910879.....15		70911041.....278		70911046.....229		70911982.....205		70914399.....97	
70910880.....64		70911041.....279A		70911046.....231		70911992.....10A		70914452.....71	
70910916.....215		70911041.....280		70911047.....215		70912007.....10A		70914465.....122	
70910916.....227		70911041.....281		70911047.....249		70912007.....74C		70914465.....227	
70910916.....245		70911041.....283A		70911047.....297		70912069.....143		70914465.....237	
70910916.....247		70911041.....283C		70911048.....155		70912069.....34		70914465.....247	
70910916.....249		70911041.....299		70911048.....156		70912069.....93		70914465.....250	
70910916.....250		70911041.....301		70911048.....201		70912069.....94B		70914629.....254	
70910916.....297		70911041.....303		70911048.....205		70912177.....73		70914659.....63	
70911021.....22		70911041.....305		70911048.....67		70912178.....287		70914670.....102	
70911024.....276		70911041.....49		70911048.....69		70912192.....77		70914678.....10A	
70911024.....289		70911041.....53		70911048.....70		70912192.....85		70914686.....54	
70911024.....306B		70911041.....59		70911048.....73		70912226.....87		70914687.....126	
70911024.....51		70911041.....71		70911048.....79		70912262.....157		70914687.....127	
70911025.....109		70911041.....84		70911049.....278		70912264.....164		70914709.....305	
70911026.....103		70911041.....94		70911049.....279B		70912267.....151		70914710.....305	
70911026.....117		70911041.....94B		70911049.....51		70912267.....195		70914711.....305	
70911026.....117B		70911043.....115		70911051.....213		70912274.....37		70914712.....305	
70911026.....153		70911043.....117		70911100.....177		70912298.....117		70914713.....305	
70911026.....186		70911043.....151		70911114.....24		70912331.....287		70914714.....305	
70911026.....254		70911043.....155		70911114.....254		70912331.....95		70914715.....305	
70911026.....273		70911043.....161		70911114.....61A		70912333.....24		70914716.....305	
70911026.....76B		70911043.....163		70911114.....83		70912333.....36		70914717.....305	
70911026.....83B		70911043.....163B		70911114.....83B		70912333.....47		70914718.....305	
70911026.....83D		70911043.....181		70911114.....85		70912333.....74A		70914719.....305	
70911026.....83E		70911043.....185		70911115.....103		70912333.....97		70914726.....233	
70911028.....163B		70911043.....189		70911115.....115		70912333.....98B		70914728.....215	
70911028.....171		70911043.....197		70911115.....117		70912415.....101		70914732.....305	
70911028.....186		70911043.....211		70911115.....120		70912415.....16		70914782.....109	
70911028.....245		70911043.....212		70911115.....125		70912415.....55		70914847.....28	
70911028.....249		70911043.....213		70911115.....129		70912441.....104		70914847.....28C	
70911028.....251		70911043.....253		70911115.....151		70912441.....170		70914847.....36	
70911028.....289B		70911043.....255		70911115.....153		70912441.....233		70914847.....98	
70911028.....291		70911043.....256		70911115.....155		70912441.....243		70914847.....98B	
70911028.....77		70911043.....264		70911115.....156		70912731.....274		70914875.....285	
70911028.....83B		70911043.....265		70911115.....163		70912731.....274A		70915274.....107	
70911028.....84		70911043.....271		70911115.....186		70912739.....274		70915274.....287	
70911029.....249		70911043.....275		70911115.....261		70912789.....289B		70915275.....237	
70911029.....251		70911043.....289B		70911115.....264		70912789.....80		70915275.....93	
70911029.....57		70911043.....291		70911115.....265		70912808.....237		70915275.....94	
70911034.....67		70911043.....299		70911115.....273		70912900.....207		70915343.....36	
70911034.....70		70911043.....301		70911115.....275		70912942.....170		70915343.....61A	
70911035.....115		70911043.....303		70911115.....280		70913077.....267		70915343.....93	
70911035.....250		70911043.....52		70911115.....280A		70913077.....268		70915399.....88	
70911035.....70		70911043.....53A		70911115.....280B		70913168.....39		70915406.....289	
70911035.....79		70911043.....69		70911115.....281		70913249.....267		70915406.....31	
70911035.....83		70911043.....71		70911115.....283A		70913280.....14		70915408.....101	
70911040.....287		70911043.....77		70911115.....283B		70913280.....15		70915408.....20A	
70911040.....289B		70911043.....79		70911115.....283C		70913471.....287		70915408.....273	
70911040.....293		70911043.....83		70911115.....292		70913472.....287		70915408.....42	
70911040.....73		70911043.....85		70911115.....305		70913475.....35		70915408.....64	
70911040.....80		70911044.....211		70911115.....49		70913533.....209		70915408.....74C	
70911040.....83		70911044.....217		70911115.....53		70913544.....28		70915408.....83B	
70911040.....83B		70911044.....225		70911115.....59		70913544.....28C		70915408.....94	
70911040.....83D		70911044.....227		70911115.....64		70913544.....74C		70915432.....91	
70911041.....125		70911044.....251		70911115.....67		70913636.....49		70915486.....90	
70911041.....129		70911044.....265		70911115.....73		70913636.....52		70915488.....90	
70911041.....153		70911044.....275		70911115.....74A		70913636.....69		70915504.....267	
70911041.....155		70911044.....277		70911115.....83B		70913636.....71		70915556.....90	
70911041.....163		70911044.....285		70911115.....98		70913706.....90		70915557.....90	
70911041.....181		70911044.....306		70911115.....98B		70913798.....107		70915563.....231	
70911041.....183		70911044.....53		70911168.....111		70913828.....177		70915569.....71	
70911041.....186		70911044.....57		70911168.....245		70913830.....70		70915692.....107	
70911041.....245		70911044.....9		70911168.....247		70914105.....261		70915797.....255	
70911041.....250		70911045.....112		70911168.....249		70914105.....263		70915807.....31	
70911041.....259		70911045.....219		70911168.....250		70914172.....133		70915813.....24	
70911041.....264		70911045.....220		70911168.....49		70914197.....261		70915813.....37	

NUMERICAL INDEX 0070662682

PART NO.	PAGE	PART NO.	PAGE	PART NO.	PAGE	PART NO.	PAGE	PART NO.	PAGE
70915888.....109		70916310.....61		70917666.....77		70919075.....6		70919196.....7	
70915903.....195		70916310.....988		70917666.....85		70919075.....8		70919196.....8	
70915903.....198		70916311.....102		70917673.....107		70919076.....6		70919204.....87	
70915904.....123A		70916311.....103		70917673.....16		70919076.....7		70919205.....55	
70915905.....157		70916311.....105		70917673.....22		70919076.....8		70919206.....52	
70915922.....87		70916311.....20		70917673.....27		70919079.....8		70919206.....53A	
70915923.....87		70916311.....28		70917673.....34		70919080.....6		70919207.....6	
70915943.....107		70916311.....31		70917673.....35		70919080.....8		70919207.....7	
70915969.....289B		70916311.....55		70917806.....64		70919081.....7		70919214.....280A	
70915969.....31		70916311.....61A		70917806.....98B		70919082.....6		70919214.....280B	
70915969.....45		70916311.....83D		70917807.....74C		70919082.....8		70919218.....7	
70915969.....97		70916311.....97		70917808.....988		70919108.....107		70919219.....209	
70915969.....98		70916311.....98B		70917809.....63		70919127.....49		70919223.....195	
70915969.....98B		70916313.....10A		70917809.....64		70919127.....49A		70919223.....198	
70915987.....180		70916313.....28		70917810.....74C		70919128.....153		70919224.....100	
70915987.....36		70916313.....83B		70917841.....35		70919128.....175		70919224.....101	
70915987.....45		70916314.....245		70917883.....276		70919128.....202		70919224.....186	
70915987.....47		70916314.....249		70917936.....250		70919128.....52		70919224.....20	
70915987.....74A		70916314.....251		70918111.....156		70919128.....53A		70919224.....36	
70915987.....74F		70916314.....36		70918111.....70		70919134.....16		70919224.....83D	
70915987.....75		70916314.....39		70918115.....122		70919134.....199		70919224.....83E	
70915987.....83B		70916314.....93		70918116.....122		70919134.....55		70919224.....93	
70915987.....97		70916314.....94B		70918182.....34		70919134.....9		70919224.....94B	
70915987.....98		70916315.....171		70918182.....35		70919134.....93		70919226.....100	
70915987.....98B		70916316.....171		70918182.....95		70919136.....103		70919227.....76A	
70915989.....155		70916316.....18		70918210.....284		70919136.....115		70919227.....76B	
70915989.....181		70916317.....18		70918374.....101		70919136.....117		70919227.....83D	
70915989.....40		70916317.....47		70918390.....123A		70919136.....117B		70919228.....61	
70915989.....99		70916317.....74F		70918395.....101		70919140.....280		70919229.....17	
70916001.....39		70916317.....97		70918397.....159		70919140.....280B		70919229.....20	
70916009.....15		70916317.....98B		70918397.....164		70919140.....281		70919230.....18	
70916009.....20		70916319.....70		70918493.....212		70919140.....282		70919230.....76	
70916009.....97		70916320.....93		70918547.....156		70919140.....283		70919230.....76A	
70916009.....98B		70916320.....97		70918547.....157		70919143.....6		70919231.....97	
70916146.....293		70916320.....98B		70918547.....159		70919143.....7		70919231.....98B	
70916168.....156		70916321.....20		70918697.....47		70919143.....8		70919244.....87	
70916168.....73		70916322.....97		70918740.....101		70919144.....6		70919246.....117	
70916222.....195		70916322.....98B		70918794.....64		70919144.....7		70919246.....117B	
70916222.....198		70916323.....289B		70918801.....61		70919144.....8		70919246.....153	
70916225.....93		70916323.....47		70918850.....117B		70919155.....6		70919246.....163	
70916227.....177		70916324.....47		70918850.....16		70919155.....8		70919246.....163B	
70916248.....80		70916326.....36		70918850.....61A		70919156.....6		70919253.....7	
70916268.....273		70916333.....233		70918851.....10A		70919156.....7		70919253.....8	
70916268.....277		70916385.....61		70918851.....16		70919156.....8		70919277.....6	
70916268.....71		70916385.....61A		70918851.....27		70919158.....6		70919277.....7	
70916269.....103		70916393.....112		70918851.....45		70919159.....6		70919277.....8	
70916269.....153		70916395.....126		70918887.....121		70919159.....8		70919278.....8	
70916269.....74C		70916405.....243		70918887.....27		70919171.....280		70919279.....7	
70916271.....101		70916424.....70		70918887.....31		70919171.....280A		70919281.....6	
70916271.....103		70916532.....261		70918887.....45		70919171.....281		70919281.....7	
70916271.....107		70916532.....263		70918887.....55		70919171.....88		70919281.....8	
70916271.....280A		70916543.....10A		70918887.....93		70919172.....115		70919282.....6	
70916271.....280B		70916555.....268		70918887.....94B		70919172.....117		70919282.....7	
70916271.....283B		70916591.....69		70918888.....47		70919172.....117B		70919282.....8	
70916271.....283C		70916871.....10A		70918951.....45		70919172.....55		70919288.....54	
70916271.....61		70916965.....259		70918951.....47		70919174.....280B		70919294.....97	
70916271.....61A		70917013.....35		70919005.....74C		70919174.....282		70919303.....63	
70916271.....83B		70917014.....34		70919062.....147		70919174.....283		70919331.....259	
70916272.....101		70917014.....35		70919062.....49		70919174.....283B		70919342.....115	
70916272.....28		70917023.....34		70919062.....49A		70919174.....79		70919342.....143	
70916272.....28C		70917151.....202		70919062.....55		70919174.....83		70919342.....185	
70916272.....74A		70917260.....76		70919062.....59		70919174.....83B		70919342.....189	
70916273.....74A		70917260.....76B		70919062.....61A		70919174.....83E		70919342.....197	
70916274.....101		70917409.....34		70919063.....103		70919175.....7		70919347.....23	
70916284.....24		70917425.....74F		70919063.....153		70919180.....120		70919464.....115	
70916284.....61A		70917425.....75		70919063.....170		70919180.....149		70919464.....117	
70916286.....55		70917554.....17		70919063.....55		70919194.....6		70919464.....170	
70916309.....163B		70917555.....40		70919063.....59		70919194.....7		70919472.....129	
70916310.....163B		70917555.....41		70919064.....117		70919194.....8		70919472.....130B	
70916310.....283C		70917626.....93		70919073.....8		70919196.....6		70919481.....98B	