

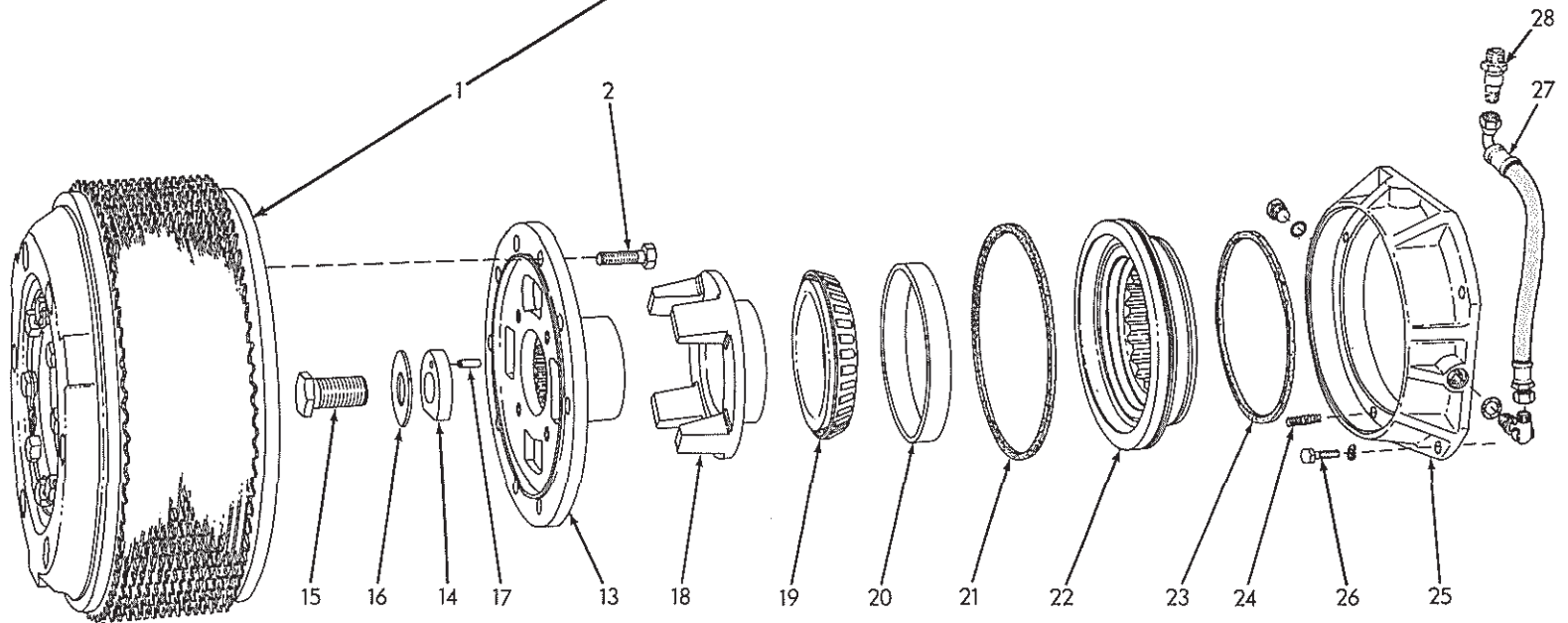
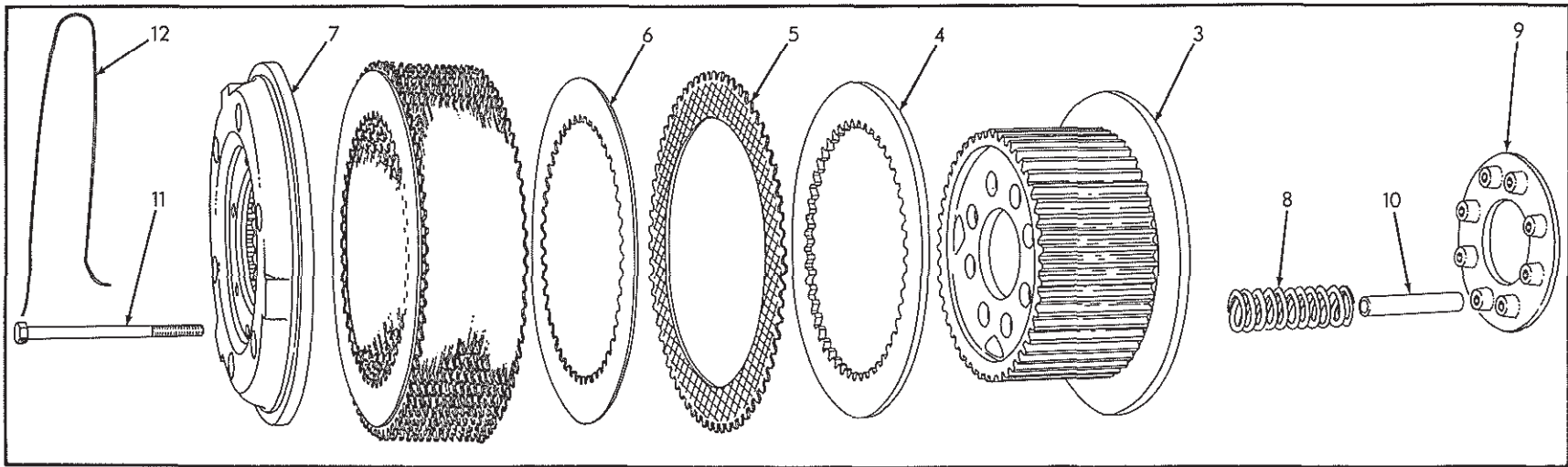
STEERING CLUTCHES (First type)

T-5113

STEERING CLUTCHES

USAGE: All units except Model HD11E, EC tractors serial No. 10001 and up

ITEM	PART NO.	QTY.	DESCRIPTION
1	056790	2	CLUTCH ASSEMBLY, steering (Consists of items 3 thru 13)
2	090767	20	CAPSCREW, drilled-hd., 1/2"NC x 1-3/16"
	023633	10	WIRE, locking, 1/16" x 12"
3	056791	2	HUB, clutch
4	057375	30	DISC, friction (bi-metallic)
	093996	4	DISC, friction (bi-metallic, tapered thickness)
5	624562	34	DISC, friction (steel)(Use as req'd)
6	056792	2	PLATE, back
7	056793	2	PLATE, pressure
8	087958	16	SPRING, pressure
9	034300	16	WASHER, spring insulating
10	050214	2	PLATE, throwout
11	056817	16	CAPSCREW, throwout plate (1/2"NC x 6")
12	023756	4	WIRE, locking, 1/16" x 26"
13	056794	16	SPACER, throwout plate
14	069220	2	HUB, driving
15	637932	2	WASHER ASSEMBLY, hub retaining (Includes item 18)
16	630045	2	CAPSCREW, thin-hd., 1"NF x 1-3/4"
17	651745	2	WASHER, locking
18	035793	2	PIN, hub retaining washer
19	082262	2	SLEEVE, throwout
20	050440	2	BEARING, ball, throwout sleeve
21	050249	2	CAGE ASSEMBLY, throwout bearing (Includes item 22)
	901652	2	PLUG, pipe, 1/4"NPT
22	050227	4	BUSHING, pivot, throwout bearing (steel)
	082785	2	HOSE, lubricating, throwout bearing (9-3/4" long) (Used prior to tractor #6821)
	901722	2	ELBOW, pipe, street, 90°, 1/4"NPT
	907058	2	ELBOW, pipe, street, 45°, 1/4"NPT
23	061133	2	HOSE, lubricating, throwout bearing (16" long) (Effective with tractor #6821)
	901722	2	ELBOW, pipe, street, 90°, 1/4"NPT
	901825	2	BUSHING, pipe reducing, 1/4"NPT to 1/8"NPT
	911100	2	WASHER, plain, SAE std., 5/8"
	910543	2	LOCKWASHER, ext-tooth, 5/8"
	911049	2	NUT, jam, 5/8"NF
	914465	2	FITTING, lubricating, straight, 1/8"NPT
24	042538	2	ELBOW, throwout bearing hose (90°, 1/4"NPT male and female, long type) (Used prior to tractor #6821)
25	620712	2	YOKE ASSEMBLY, clutch throwout (Includes items 26 and 27)
26	035878	2	BALL, throwout yoke
27	050220	2	PIN, wear, throwout yoke
28	050222	4	PIN, trunnion
29	050221	4	BLOCK, trunnion pin locking
30	047478	4	CAPSCREW, 1/4"NC x 5/8"
	904204	4	LOCKWASHER, 1/4"



STEERING CLUTCHES (Second type Models HD11 E EC)

T-41894

STEERING CLUTCHES

USAGE: Model HD11E, EC tractors serial No. 10001 and up.

ITEM	PART NO.	QTY.	DESCRIPTION
1	633838	2	CLUTCH ASSEMBLY (Consists of items 3 thru 12)
2	650828	20	BOLT, self-locking, 1/2"NC x 1-3/8" → 661595
3	631386	2	HUB, steering clutch
4	056792	2	PLATE, back
5	624561	32	DISC, friction (bi-metallic)
6	624562	32	DISC, friction (steel)(Use as required)
7	056793	2	PLATE, pressure
8	633919	16	SPRING, pressure
9	050214	2	PLATE, throwout
10	631305	16	SPACER, throwout plate
11	631300	16	CAPSCREW, plate (drilled-hd., 1/2"NC x 5-3/4")
12	023756	4	WIRE, locking, 1/16" x 26"
13	069220	2	HUB, driving
14	637932	2	WASHER ASSEMBLY, hub retaining (Includes item 17)
15	630045	2	CAPSCREW, thin-hd., 1"NF x 1-3/4"
16	651745	2	WASHER, locking
17	035793	2	PIN, hub retaining washer
18	631545	2	SLEEVE, throwout
19	624642	2	CONE ASSEMBLY, clutch throwout bearing
20	624641	2	CUP, clutch throwout bearing
21	624673	2	RING, sealing, actuating piston, outer
22	631510	2	PISTON, actuating
23	624674	2	RING, sealing, actuating piston, inner
24	040475	6	SPRING, throwout bearing ring
25	631575	2	RING, collector
26	921573	2	PLUG, hex-hd., 3/4"NF (Includes O-RING 921349)
	013058	6	CAPSCREW, 3/8"NC x 1-1/4"
	904206	6	LOCKWASHER, 3/8"
27	641125	2	HOSE, oil pressure (See page 6)
	921402	2	ELBOW, adjustable, 90°, flare type, 1/2" tube, 3/4"NF (Includes washer, nut and O-RING 921349)
28	-----	2	UNION (See CONTROL VALVE AND LINES)