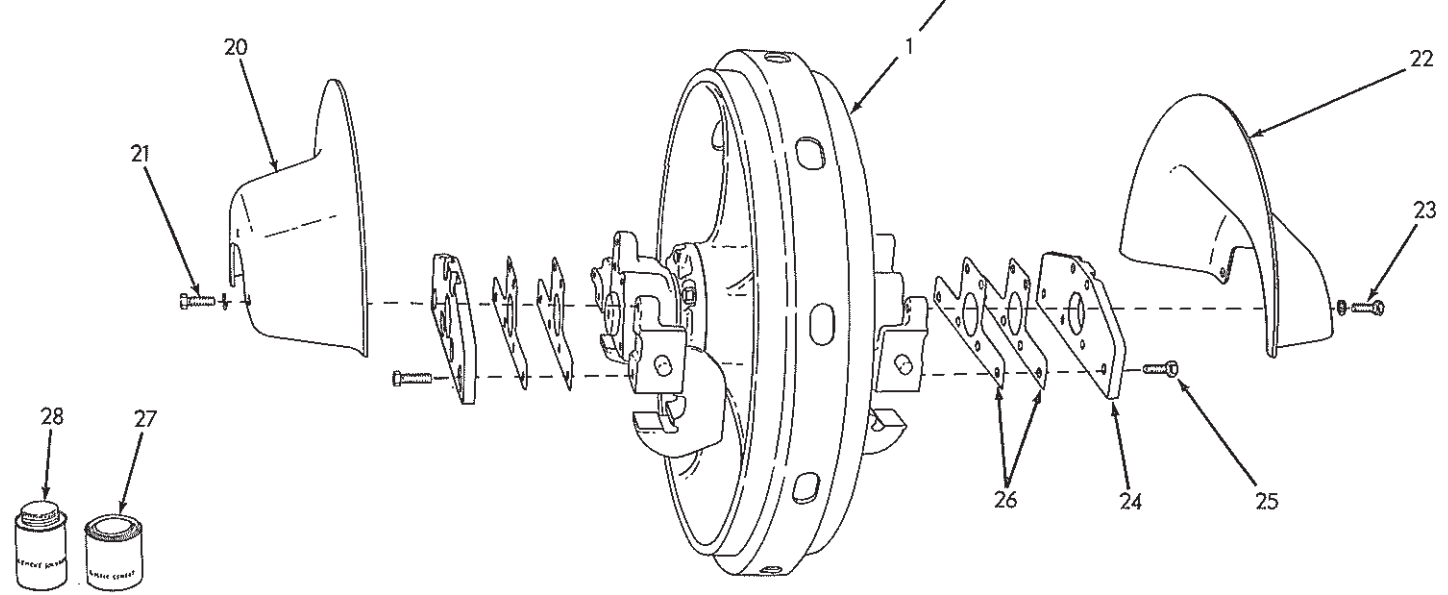


*10/20/65  
073165*



TRACK IDLER (First type)

TRACK IDLER

USAGE: Tractors prior to serial No. 6473

\* Standard type. Original equipment on Models HD11B,S  
 \*\* Heavy-duty type. Original equipment on Models HD11E,ES,F.  
 Optional for Models HD11B,S

ITEM	PART NO.	QTY.	DESCRIPTION
1	077729	2 -	IDLER ASSEMBLY (Used prior to tractor #5467)
	622846	2 -	IDLER ASSEMBLY (Effective with tractor #5467)
	081471	2 -	IDLER ASSEMBLY (Used prior to tractor #4312)
	-----	2 -	IDLER ASSEMBLY (Effective with tractor #4312) (Order 1 each IDLER ASSEMBLY 622851, BRACKET ASSEMBLY 637763, BRACKET ASSEMBLY 637764; 2 each slide BAR 622848, CAPSCREW 071987, LOCKWASHER 904209, NUT 911044; and 10 SHIM 622849)
	644068	2 -	IDLER ASSEMBLY (Not original equipment. Used with extreme-duty service replacement track only)
	621825	2 -	IDLER
	621812	2 -	IDLER
	644067	2 -	IDLER (Not original equipment. Used with extreme-duty service replacement track only)
	622669	2 2	SHAFT
	034043	2 2	GASKET, shaft oil hole plug
	034042	2 2	PLUG, shaft oil hole
	073112	4 4	CONE ASSEMBLY, bearing
	073111	4 4	CUP, bearing
	066693	4 4	RING, idler seal, inner
905357	4 4	BALL, steel, 3/16" diam.	
923585	4 4	O-RING, seal ring	
049110	4 4	RING, idler seal, outer	
049111	4 4	SPRING ASSEMBLY, seal (Serviced only as a unit)	
049109	4 4	BOOT, seal spring	
4	655524	8 8	SHIM, bearing adjustment (.003" thick)
	073160	6 6	SHIM, bearing adjustment (.007" thick)
	073161	6 6	SHIM, bearing adjustment (.010" thick)
14	073162	6 6	SHIM, bearing adjustment (.032" thick)

Each consists of  
 items 2 thru 19

See item 29

Use as required

(Continued)

TRACK IDLER (Continued)

ITEM	PART NO.	QTY. * **	DESCRIPTION
15	073165	4	RETAINER, bearing
16	035018	24	CAPSCREW, 1/2"NF x 1-1/2"
	904208	24	LOCKWASHER, 1/2"
17	077727	2	BRACKET ASSEMBLY, left (Includes item 19)(Used on HD11B,S tractors prior to #5467; also HD11F tractors prior to #4312)
	094983	2	BRACKET ASSEMBLY, left (Includes item 19)(Effective on all Models HD11E,ES; Models HD11B,S after #5466; Model HD11F after #4312)
18	077728	2	BRACKET ASSEMBLY, right (Includes item 19)(Used on HD11B,S tractors prior to #5467; also HD11F tractors prior to #4312)
	094984	2	BRACKET ASSEMBLY, right (Includes item 19)(Effective on all Models HD11E,ES; Models HD11B,S after #5466; Model HD11F after #4312)
19	056585	4	PIN, dowel, idler bracket to release yoke
<u>NOTE:</u> Guards listed below are standard equipment on all tractors except Models HD11S,ES			
20	073175	2	GUARD, left
	081407	2	GUARD, left
21	070469	6	CAPSCREW, 1/2"NF x 1-1/4"
	904208	6	LOCKWASHER, 1/2"
22	073176	2	GUARD, right
	081408	2	GUARD, right
23	070469	6	CAPSCREW, 1/2"NF x 1-1/4"
	904208	6	LOCKWASHER, 1/2"
24	643840	4	PLATE, guide
25	035014	24	CAPSCREW, 5/8"NF x 1-1/2"
26	078981	20	SHIM, guide adjusting (Use as required)
27	033288	-	CEMENT, neoprene, 1/2 pint can
28	054890	-	SOLVENT, neoprene cement, 1/2 pint can
29	083208	2	SEAL KIT (Includes parts for one (1) idler only; items 8 thru 11)

} For cementing boots