



PARTS CATALOG

Crawler Tractors

Models

650 Series Tractors

652-653 Dozer

655 Loader

650 Series Backhoe

FOREWORD**ALPHABETICAL INDEX**

The complete alphabetical index appears at the beginning of this publication. It is used to locate major groups, assemblies and components.

NUMERICAL INDEX

The numerical index of this publication follows the Alphabetical Index at the beginning of the publication and indicates at which grid location and page number a part number appears.

ILLUSTRATIONS

All illustrations are located on the left hand page with the text on the right. Except for some common hardware, all parts are identified with an item number which corresponds to the "item" column on the text page. This is followed by the part number, quantity and description.

HARDWARE

Common hardware not identified such as bolts, nuts, cotter pins and lube fittings, are listed indented in the text beneath the item to which they attach or fit. Common hardware listed indented beneath an item is NOT included unless specified. Example: (Incl. BOLT, LOCKWASHER AND NUT).

ORDERING PARTS

Be sure to refer to both the text and the illustration to assure ordering the correct part.

RECOMMENDED DEALER STOCK

A recommended dealer stock listing appears at the end of this publication.



AGRICULTURAL EQUIPMENT SECTOR
BOX 512, MILWAUKEE, WI 53201

INDEX

AIR INTAKE & EXHAUST	
Air Cleaner	51
Air Cleaner Hoses & Air Heater	51
Cable, Heater Switch	51
Switch, Magnetic	51
Extension, Exhaust	105
Manifolds	
Exhaust	49
Intake	49
Muffler	105
ATTACHMENTS	
Buckets	
Backhoe	285
Loader	279
4 In 1	279
Drawbar	271
Moldboards	
Dozer	277
4 In 1	281
Pull Hook	271
Ripper - Dozer	283
Universal Carrier w/Tie Braces - Dozer	275
Universal Carrier w/Tie Braces - Loader	275
Weight Bracket Group	273
Weight Carrier Group w/Universal Carrier	273
BACKHOE	
Boom Group	265
Control Valve Group	269
Dipperstick Group	267
Main Frame	261
Swing Frame	263
BRAKE	
Band & Arm	171
Linkage & Clutch Shifter	173
Pedals & Linkage	169
COOLING SYSTEM	
Fan Drive Shaft	
Belt	57
Blade Asy.	57
Hub	57
Pulley	57
Radiator Hoses & Support	59
Thermostat & Housing	55
Water Pump	
Belt	53
Hub	53
Impeller	53
Pulley	53

INDEX

DOZERS

Anchors & Moldboard Mounting	
Frame Asy.	255
Bumper	
Outside Push Beam	253
C-Frame Angling & Lift Arms	
Inside Push Beam	251
Outside Push Beam	249
Grading Shoe	253

DRIVE TRAIN

Conversion Kit	
Power Steering to Foot Control	155
Decelerator	123
Drive Shaft & Ring Gear	145
Final Drive Housing	143
Final Shaft & Housing Winch Drive	133
Hollow Clutch Shaft	127
Idler Shaft & Gear	129
Idler Shaft & Gears (With Winch) ..?	129
Intermediate Shift & Gear	131
Pinion Shaft	141
Power Shuttle Clutch Transmission	127
Power Steering Foot Control Group	153
Power Steering Group	157
Rear Winch Drive Shaft	135
Steering Clutch	149
Steering Clutch Controls	151
Support Roller	159
Sprocket & Axle - Final Drive	147
Transmission	
Gear Shift	141
Housing	137
Main Shaft	137
Pinion Shaft	139
Torque Connector	119
Torque Housing	121
Turbine Input Shaft	125
Track	165
Track Idler, Front	161
Track Idler, Front - Installation	161
Track Release	167
Truck Wheel	163
Truck Wheel - Installation	163
Winch Shifter	131

ELECTRICAL SYSTEM	
Battery Group	87
Battery	87
Cables	87
Generator	99
Generator Asy.	97
Belt	97
Fan	97
Pulley	97
Head Lamps	101
Hourmeter	101
Instrument Panel	89
Cable Control	91
Circuit Breakers	89
Cowl	91
Gauges	89
Harness	91
Hourmeter	89, 91
Light Asy., Engine Oil	89
Switch, Lighting	89
Switch Asy.	89
Switch, Push Button	89
Wires	91
Starting Motor	93
Wiring Group	85
ENGINES	
Crankshaft	27
Pulley	27
Cylinder Block	21
Cylinder Head	25
Cover	25
Exhaust Valves	25
Intake Valves	25
Engine Asy.	23
Flywheel & Adapter Plate	29
Hydraulic Housing & Gear	45
Idler Gear Asy.	37
Idler Pulley	47
Oil Filter	43
Oil Pan	41
Oil Pump	39
Piston & Connecting Rod	31
Timing Gear Cover	35
Valve Operating Mechanism	33
Camshaft	33
Rocker Arm	33
Valve Lifter	33
FUEL SYSTEMS	
Ether Starting System	79
Fuel Filter	75
Hand Primer Pump	75, 77
Fuel Injection Pump	63
Gear, Pump Drive	63
Injection Pump Components	
Housing & Drive	65
Transfer Pump, Head & Rotor	69
Fuel Tank	81
Fuel Filter	81
Gauge	81
Fuel Tank Filter	83
Nozzle Holder & Injection Lines	71
Holder Asy.	73

INDEX

HYDRAULICS	
Boom Lines - 4 In 1 Bucket	229
Control Valve Asy. Groups	203
Control Valve - Backhoe	241
Control Valve - Dozer	207
Control Valve - Loader	205
Cylinder Asy.	
Boom - Backhoe	237
Bucket - Backhoe	239
Dipperstick - Backhoe	237
Dozer	219, 231
Dump - Loader	223, 225
4 In 1 Bucket	227
Lift - Loader	225
Lift - Ripper	229, 231
Power Steering	175
Rotary - Backhoe	235
Stabilizer - Backhoe	239
Front Hydraulic Oil Filter	199
Hydraulic Plumbing	
Dozer	211
Loader	209
Hydraulic Pump	193, 195
Hydraulic System	
Dozer	215
Loader	221
Tractor	191
In Line Relief Valve	233
Oil Cooler & Piping Group	
650 Backhoe to 650 Tractor	243
650 Backhoe to HD4 Tractor	245
Position Indicator - 4 In 1 Bucket	227
Rear Pump & Manifold	199
Rear Pump Asy. & Manifold	197
Reservoir Filter	201
Reservoir Hydraulic Oil	201
Shuttle Clutch	
Clutch & Sump Lines	179
Internal Lines	183
Oil Cooler Lines	185
Valve	189
Spool Valve Group	247
Three-Way Bar Lever Control	213
Valve Asy. - Power Steering	177
LOADER	
Boom & Linkage	259
Frame	257
NUMERICAL INDEX	8
RECOMMENDED DEALER STOCK	286
SHEET METAL, FRAME & SEAT	
Console Shell & Shuttle Clutch Control	107
Hood, Shell, Grille, Muffler & Extension	105
Main Frame & Engine Support	109
Operator's Seat	103
Platform	111
Rear Bottom Pan	117
Rocker Bottom Pan Guards	115
Truck Frame	109

NUMERICAL INDEX

Part	Page	Grid	Part	Page	Grid	Part	Page	Grid	Part	Page	Grid
0033288-2	159	1-G16	0225265-8	107	1-E12	0230361-8	149	1-G 6	0235837-2	95	1-D24
0033288-2	161	1-G18	0225389-6	133	1-F14	0230380-8	149	1-G 6	0235884-4	51	1-C 4
0033288-2	163	1-G20	0225400-1	139	1-F20	0230423-6	149	1-G 6	0235896-8	103	1-E 8
0042887-0	125	1-F 6	0225441-5	137	1-F18	0231240-3	95	1-D24	0235926-3	165	1-G22
0042887-0	159	1-G16	0225608-9	129	1-F10	0231258-5	95	1-D24	0235948-7	143	1-F24
0042887-0	161	1-G18	0225948-9	139	1-F20	0231260-1	95	1-D24	0236297-8	121	1-F 2
0042887-0	163	1-G20	0225954-7	125	1-F 6	0231288-2	95	1-D24	0236299-4	133	1-F14
0042888-8	159	1-G16	0226012-3	23	1-A24	0231319-5	93	1-D22	0236386-9	93	1-D22
0042888-8	161	1-G18	0226012-3	35	1-B12	0231320-3	93	1-D22	0236514-6	125	1-F 6
0042888-8	163	1-G20	0226012-3	41	1-B18	0231328-6	95	1-D24	0236515-3	125	1-F 6
0043591-7	165	1-G22	0226012-3	133	1-F14	0231329-4	95	1-D24	0236516-1	125	1-F 6
0043593-3	165	1-G22	0226012-3	137	1-F18	0231393-0	99	1-E 4	0236517-9	125	1-F 6
0044129-5	165	1-G22	0226408-3	35	1-B12	0231485-4	221	1-J 6	0236518-7	125	1-F 6
0044130-3	165	1-G22	0226408-3	41	1-B18	0231697-4	271	1-L 8	0236519-5	125	1-F 6
0044131-1	165	1-G22	0226408-3	53	1-C 6	0231995-2	91	1-D20	0236520-3	125	1-F 6
0044132-9	165	1-G22	0226926-4	51	1-C 4	0232192-5	141	1-F22	0236521-1	125	1-F 6
0047151-6	159	1-G16	0227195-5	89	1-D18	0232248-5	139	1-F20	0236522-9	125	1-F 6
0047151-6	161	1-G18	0227500-6	125	1-F 6	0232249-3	139	1-F20	0236523-7	125	1-F 6
0047151-6	163	1-G20	0227525-3	143	1-F24	0232431-7	39	1-B16	0236524-5	125	1-F 6
0047581-4	159	1-G16	0227598-0	141	1-F22	0232484-6	131	1-F12	0236525-2	125	1-F 6
0047581-4	161	1-G18	0227598-0	147	1-G 4	0233097-5	141	1-F22	0236526-0	125	1-F 6
0047581-4	163	1-G20	0227666-5	137	1-F18	0233244-3	121	1-F 2	0236529-6	179	1-H12
0047605-1	159	1-G16	0227678-0	141	1-F22	0233244-3	185	1-H18	0236750-6	185	1-H18
0047605-1	161	1-G18	0227679-8	135	1-F16	0233245-0	183	1-H16	0236874-4	173	1-H 6
0047605-1	163	1-G20	0227682-2	131	1-F12	0233246-8	137	1-F18	0236877-7	173	1-H 6
0049877-4	159	1-G16	0227684-8	137	1-F18	0233249-2	133	1-F14	0236878-5	173	1-H 6
0050543-8	271	1-L 8	0227700-2	153	1-G10	0233565-1	181	1-H14	0236881-9	173	1-H 6
0051431-5	161	1-G18	0227700-2	155	1-G12	0233727-7	147	1-G 4	0236882-7	173	1-H 6
0051431-5	163	1-G20	0227701-0	113	1-E18	0233744-2	109	1-E14	0237006-2	99	1-E 4
0051432-3	161	1-G18	0227731-7	107	1-E12	0233770-7	107	1-E12	0237047-6	147	1-G 4
0051432-3	163	1-G20	0227827-3	129	1-F10	0233807-7	171	1-H 4	0237048-4	53	1-C 6
0051433-1	161	1-G18	0227827-3	137	1-F18	0233810-1	171	1-H 4	0237194-6	201	1-I10
0051433-1	163	1-G20	0227927-1	129	1-F10	0233812-7	171	1-H 4	0237246-4	145	1-G 2
0051478-6	159	1-G16	0227927-1	139	1-F20	0233813-5	171	1-H 4	0237395-9	51	1-C 4
0051482-8	159	1-G16	0227976-8	261	1-K22	0233815-0	171	1-H 4	0237620-0	51	1-C 4
0051483-6	159	1-G16	0228307-5	141	1-F22	0233816-8	171	1-H 4	0237818-0	59	1-C12
0051484-4	159	1-G16	0228373-7	91	1-D20	0233817-6	173	1-H 6	0237929-5	141	1-F22
0054890-9	159	1-G16	0228465-1	179	1-H12	0233818-4	173	1-H 6	0237929-5	147	1-G 4
0054890-9	161	1-G18	0228465-1	185	1-H18	0233819-2	173	1-H 6	0237946-9	83	1-D12
0054890-9	163	1-G20	0228748-0	133	1-F14	0233882-0	129	1-F10	0237947-7	83	1-D12
0065613-2	81	1-D10	0228749-8	133	1-F14	0233882-0	149	1-G 6	0239238-9	147	1-G 4
0083536-3	159	1-G16	0228750-6	133	1-F14	0233884-6	149	1-G 6	0239384-1	133	1-F14
0084971-1	165	1-G22	0228751-4	133	1-F14	0233885-3	149	1-G 6	0239385-8	133	1-F14
0090185-0	159	1-G16	0228752-2	133	1-F14	0233886-1	149	1-G 6	0239386-6	133	1-F14
0098029-2	105	1-E10	0228753-0	133	1-F14	0233889-5	149	1-G 6	0239387-4	133	1-F14
0202329-9	135	1-F16	0228754-8	133	1-F14	0233892-9	145	1-G 2	0239388-2	133	1-F14
0202532-8	121	1-F 2	0228755-5	133	1-F14	0233893-7	145	1-G 2	0239389-0	133	1-F14
0202584-9	147	1-G 4	0228756-3	133	1-F14	0233896-0	173	1-H 6	0239390-8	133	1-F14
0202864-5	141	1-F22	0228757-1	133	1-F14	0233897-8	173	1-H 6	0239415-3	125	1-F 6
0202865-2	187	1-H20	0228758-9	133	1-F14	0233900-0	173	1-H 6	0239416-1	125	1-F 6
0202875-1	141	1-F22	0229113-6	147	1-G 4	0233901-8	173	1-H 6	0239417-9	125	1-F 6
0203465-0	141	1-F22	0229210-0	61	1-C14	0233902-6	173	1-H 6	0239418-7	125	1-F 6
0204085-5	137	1-F18	0229278-7	125	1-F 6	0233907-5	173	1-H 6	0239419-5	125	1-F 6
0206579-5	145	1-G 2	0229279-5	125	1-F 6	0233944-8	143	1-F24	0239420-3	125	1-F 6
0207152-0	127	1-F 8	0229285-2	149	1-G 6	0234010-7	145	1-G 2	0239421-1	125	1-F 6
0207772-5	141	1-F22	0229310-8	133	1-F14	0234011-5	145	1-G 2	0239422-9	125	1-F 6
0208137-0	83	1-D12	0229425-4	127	1-F 8	0234012-3	145	1-G 2	0239532-5	123	1-F 4
0208292-3	107	1-E12	0229447-8	127	1-F 8	0234018-0	137	1-F18	0239726-3	181	1-H14
0208325-1	83	1-D12	0229456-9	125	1-F 6	0234073-5	149	1-G 6	0239726-3	187	1-H20
0209099-1	61	1-C14	0229456-9	133	1-F14	0234409-1	89	1-D18	0239925-1	127	1-F 8
0209890-3	125	1-F 6	0229523-6	127	1-F 8	0234539-5	143	1-F24	0240191-7	147	1-G 4
0209897-8	141	1-F22	0229524-4	127	1-F 8	0234692-2	193	1-I 2	0240356-6	173	1-H 6
0209899-4	125	1-F 6	0229525-1	127	1-F 8	0234692-2	195	1-I 4	0240439-0	143	1-F24
0211169-8	127	1-F 8	0229526-9	127	1-F 8	0234857-1	191	1-H24	0240837-5	89	1-D18
0211999-8	125	1-F 6	0229527-7	127	1-F 8	0234946-2	165	1-G22	0240838-3	89	1-D18
0212004-6	33	1-B10	0229601-0	149	1-G 6	0234964-5	143	1-F24	0241032-2	147	1-G 4
0212037-6	127	1-F 8	0229603-6	149	1-G 6	0234976-9	191	1-H24	0241033-0	147	1-G 4
0212785-0	141	1-F22	0229748-9	181	1-H14	0234993-4	191	1-H24	0241125-4	193	1-I 2
0217264-1	83	1-D12	0229814-9	149	1-G 6	0235328-2	169	1-H 2	0241125-4	195	1-I 4
0222214-9	141	1-F22	0229856-0	125	1-F 6	0235403-3	173	1-H 6	0241138-7	193	1-I 2
0222455-8	135	1-F16	0230170-3	89	1-D18	0235439-7	147	1-G 4	0241138-7	195	1-I 4
0223248-6	83	1-D12	0230232-1	101	1-E 6	0235440-5	147	1-G 4	0241139-5	193	1-I 2
0223255-1	83	1-D12	0230240-4	89	1-D18	0235448-8	51	1-C 4	0241139-5	195	1-I 4
0223395-5	127	1-F 8	0230320-4	133	1-F14	0235619-4	165	1-G22	0241335-9	93	1-D22
0224925-8	141	1-F22	0230322-0	121	1-F 2	0235677-2	127	1-F 8	0241369-8	93	1-D22

NUMERICAL INDEX

Part	Page	Grid	Part	Page	Grid	Part	Page	Grid	Part	Page	Grid
0241380-5	129	1-F10	0243473-6	87	1-D16	0244961-9	133	1-F14	0245655-6	111	1-E16
0241779-8	135	1-F16	0243513-9	87	1-D16	0244962-7	135	1-F16	0245669-7	271	1-L 8
0241965-3	89	1-D18	0243541-0	107	1-E12	0244963-5	135	1-F16	0245685-3	193	1-L 2
0241977-8	89	1-D18	0243614-5	197	1-I 6	0244963-5	137	1-F18	0245747-1	59	1-C12
0242095-8	51	1-C 4	0243621-0	193	1-I 2	0244966-8	151	1-G 8	0245748-9	57	1-C10
0242137-8	87	1-D16	0243621-0	195	1-I 4	0244967-6	151	1-G 8	0245751-3	59	1-C12
0242146-9	87	1-D16	0243788-7	99	1-E 4	0244975-9	123	1-F 4	0245752-1	59	1-C12
0242148-5	167	1-G24	0243791-1	99	1-E 4	0244975-9	151	1-G 8	0245777-8	103	1-E 8
0242149-3	167	1-G24	0243792-9	99	1-E 4	0244975-9	169	1-H 2	0245821-4	141	1-F22
0242398-6	89	1-D18	0243842-2	93	1-D22	0245063-3	273	1-L10	0245824-8	101	1-E 6
0242564-3	179	1-H12	0243844-8	95	1-D24	0245079-9	103	1-E 8	0245835-4	201	1-I10
0242583-3	103	1-E 8	0243845-5	93	1-D22	0245081-5	273	1-L10	0245839-6	51	1-C 4
0242811-8	99	1-E 4	0243846-3	93	1-D22	0245091-4	57	1-C10	0245840-4	51	1-C 4
0242812-6	99	1-E 4	0243847-1	93	1-D22	0245092-2	103	1-E 8	0245860-2	51	1-C 4
0242813-4	99	1-E 4	0243848-9	93	1-D22	0245101-1	61	1-C14	0245883-4	279	1-L16
0242818-3	99	1-E 4	0243849-7	93	1-D22	0245103-7	59	1-C12	0245917-0	57	1-C10
0242822-5	99	1-E 4	0243854-7	93	1-D22	0245105-2	59	1-C12	0245930-3	121	1-F 2
0242823-3	99	1-E 4	0243855-4	95	1-D24	0245113-6	57	1-C10	0245991-5	97	1-E 2
0242825-8	99	1-E 4	0243857-0	93	1-D22	0245114-4	57	1-C10	0245992-3	129	1-F10
0242826-6	99	1-E 4	0243986-7	97	1-E 2	0245115-1	57	1-C10	0246043-4	99	1-E 4
0242828-2	99	1-E 4	0243987-5	97	1-E 2	0245117-7	57	1-C10	0246044-2	99	1-E 4
0242829-0	99	1-E 4	0243999-0	137	1-F18	0245120-1	57	1-C10	0246072-3	95	1-D24
0242831-6	99	1-E 4	0244308-3	129	1-F10	0245126-8	257	1-K18	0246073-1	95	1-D24
0242835-7	99	1-E 4	0244340-6	257	1-K18	0245126-8	275	1-L12	0246074-9	93	1-D22
0242838-1	99	1-E 4	0244345-5	259	1-K20	0245129-2	273	1-L10	0246075-6	93	1-D22
0242839-9	99	1-E 4	0244351-3	223	1-J 8	0245129-2	283	1-L20	0246076-4	93	1-D22
0242840-7	99	1-E 4	0244354-7	223	1-J 8	0245132-6	273	1-L10	0246077-2	93	1-D22
0242842-3	99	1-E 4	0244354-7	227	1-J12	0245132-6	283	1-L20	0246078-0	93	1-D22
0242845-6	99	1-E 4	0244356-2	223	1-J 8	0245163-1	51	1-C 4	0246079-8	95	1-D24
0242874-6	131	1-F12	0244360-4	223	1-J 8	0245164-9	121	1-F 2	0246085-5	199	1-I 8
0242875-3	131	1-F12	0244360-4	225	1-J10	0245169-8	81	1-D10	0246100-2	95	1-D24
0242877-9	131	1-F12	0244360-4	259	1-K20	0245203-5	283	1-L20	0246103-6	199	1-I 8
0242878-7	131	1-F12	0244361-2	223	1-J 8	0245211-8	283	1-L20	0246105-1	199	1-I 8
0242879-5	131	1-F12	0244370-3	223	1-J 8	0245213-4	283	1-L20	0246106-9	199	1-I 8
0242880-3	131	1-F12	0244374-5	223	1-J 8	0245253-0	127	1-F 8	0246107-7	199	1-I 8
0242881-1	131	1-F12	0244375-2	223	1-J 8	0245308-2	283	1-L20	0246126-7	101	1-E 6
0242882-9	131	1-F12	0244413-1	105	1-E10	0245309-0	283	1-L20	0246128-3	79	1-D 8
0242883-7	131	1-F12	0244686-2	109	1-E14	0245310-8	283	1-L20	0246132-5	81	1-D10
0242884-5	131	1-F12	0244689-6	109	1-E14	0245311-6	283	1-L20	0246134-1	179	1-H12
0242885-2	131	1-F12	0244787-8	147	1-G 4	0245312-4	283	1-L20	0246168-9	191	1-H24
0242886-0	131	1-F12	0244808-2	201	1-I10	0245338-9	221	1-J 6	0246270-3	59	1-C12
0242887-8	131	1-F12	0244809-0	201	1-I10	0245339-7	221	1-J 6	0246271-1	59	1-C12
0242888-6	131	1-F12	0244812-4	201	1-I10	0245342-1	221	1-J 6	0246272-9	59	1-C12
0242889-4	131	1-F12	0244813-2	201	1-I10	0245345-4	259	1-K20	0246274-5	59	1-C12
0242890-2	131	1-F12	0244834-8	191	1-H24	0245392-6	259	1-K20	0246275-2	59	1-C12
0242891-0	131	1-F12	0244837-1	191	1-H24	0245393-4	259	1-K20	0246276-0	59	1-C12
0242892-8	131	1-F12	0244846-2	167	1-G24	0245394-2	259	1-K20	0246282-8	89	1-D18
0242900-9	129	1-F10	0244881-9	51	1-C 4	0245395-9	259	1-K20	0246304-0	59	1-C12
0242902-5	133	1-F14	0244885-0	125	1-F 6	0245403-1	229	1-J14	0246305-7	137	1-F18
0242903-3	133	1-F14	0244886-8	125	1-F 6	0245406-4	283	1-L20	0246319-8	187	1-H20
0242904-1	133	1-F14	0244889-2	125	1-F 6	0245407-2	283	1-L20	0246320-6	187	1-H20
0242905-8	133	1-F14	0244889-2	129	1-F10	0245446-0	105	1-E10	0246321-4	187	1-H20
0242906-6	133	1-F14	0244890-0	125	1-F 6	0245453-6	259	1-K20	0246324-8	185	1-H18
0242910-8	133	1-F14	0244891-8	131	1-F12	0245458-5	107	1-E12	0246325-5	185	1-H18
0242911-6	133	1-F14	0244892-6	129	1-F10	0245461-9	107	1-E12	0246326-3	185	1-H18
0243059-3	131	1-F12	0244893-4	129	1-F10	0245480-9	107	1-E12	0246340-4	121	1-F 2
0243061-9	121	1-F 2	0244894-2	129	1-F10	0245481-7	271	1-L 8	0246427-9	137	1-F18
0243093-2	129	1-F10	0244895-9	129	1-F10	0245483-3	271	1-L 8	0246467-5	185	1-H18
0243094-0	133	1-F14	0244896-7	129	1-F10	0245485-8	271	1-L 8	0246611-8	185	1-H18
0243116-1	133	1-F14	0244897-5	129	1-F10	0245486-6	271	1-L 8	0246612-6	185	1-H18
0243117-9	133	1-F14	0244898-3	129	1-F10	0245489-0	271	1-L 8	0246613-4	185	1-H18
0243124-5	87	1-D16	0244899-1	129	1-F10	0245496-5	169	1-H 2	0246637-3	135	1-F16
0243157-5	51	1-C 4	0244900-7	129	1-F10	0245502-0	107	1-E12	0246818-9	103	1-E 8
0243207-8	229	1-J14	0244901-5	129	1-F10	0245506-1	109	1-E14	0246819-7	103	1-E 8
0243210-2	107	1-E12	0244902-3	129	1-F10	0245517-8	107	1-E12	0246860-1	103	1-E 8
0243216-9	127	1-F 8	0244903-1	129	1-F10	0245533-5	131	1-F12	0246908-8	117	1-E22
0243219-3	127	1-F 8	0244904-9	129	1-F10	0245558-2	181	1-H14	0246909-6	117	1-E22
0243220-1	127	1-F 8	0244905-6	129	1-F10	0245579-8	87	1-D16	0246910-4	117	1-E22
0243224-3	127	1-F 8	0244906-4	129	1-F10	0245580-6	87	1-D16	0246918-7	137	1-F18
0243225-0	127	1-F 8	0244907-2	129	1-F10	0245640-8	113	1-E18	0246919-5	137	1-F18
0243226-8	127	1-F 8	0244908-0	129	1-F10	0245643-2	273	1-L10	0246920-3	137	1-F18
0243360-5	171	1-H 4	0244910-6	121	1-F 2	0245644-0	273	1-L10	0246922-9	137	1-F18
0243416-5	141	1-F22	0244957-7	129	1-F10	0245647-3	111	1-E16	0246923-7	137	1-F18
0243416-5	203	1-I12	0244958-5	133	1-F14	0245648-1	113	1-E18	0246924-5	137	1-F18
0243416-5	247	1-K 8	0244960-1	133	1-F14	0245654-9	111	1-E16	0246925-2	137	1-F18

NUMERICAL INDEX

Part	Page	Grid	Part	Page	Grid	Part	Page	Grid	Part	Page	Grid
0246926-0	137	1-F18	0248430-1	51	1-C 4	0252871-9	199	1- I 8	0253964-1	189	1-H22
0246927-8	137	1-F18	0248468-1	109	1-E14	0252872-7	197	1- I 6	0253965-8	189	1-H22
0246930-2	139	1-F20	0248485-5	61	1-C14	0252872-7	199	1- I 8	0253966-6	189	1-H22
0246932-8	139	1-F20	0248486-3	61	1-C14	0252873-5	199	1- I 8	0253967-4	189	1-H22
0246933-6	139	1-F20	0248490-5	145	1-G 2	0253023-6	279	1-L16	0253968-2	189	1-H22
0246934-4	139	1-F20	0248491-3	121	1-F 2	0253025-1	279	1-L16	0253969-0	189	1-H22
0246935-1	139	1-F20	0248674-4	87	1-D16	0253026-9	279	1-L16	0253970-8	189	1-H22
0246936-9	139	1-F20	0248678-5	87	1-D16	0253027-7	281	1-L18	0254036-7	191	1-H24
0246937-7	139	1-F20	0248682-7	243	1-K 4	0253028-5	279	1-L16	0254037-5	81	1-D10
0246938-5	139	1-F20	0248682-7	245	1-K 6	0253029-3	279	1-L16	0254139-9	179	1-H12
0246939-3	139	1-F20	0248687-6	113	1-E18	0253030-1	281	1-L18	0254219-9	145	1-G 2
0246940-1	139	1-F20	0248699-1	185	1-H18	0253031-9	279	1-L16	0254281-9	107	1-E12
0246941-9	139	1-F20	0248703-1	123	1-F 4	0253032-7	227	1-J12	0254286-8	107	1-E12
0246942-7	139	1-F20	0248852-6	179	1-H12	0253033-5	227	1-J12	0254289-2	107	1-E12
0246944-3	139	1-F20	0249282-5	165	1-G22	0253035-0	227	1-J12	0254290-0	107	1-E12
0246945-0	141	1-F22	0249677-6	103	1-E 8	0253036-8	227	1-J12	0254330-4	185	1-H18
0246947-6	141	1-F22	0249708-9	185	1-H18	0253037-6	227	1-J12	0254331-2	185	1-H18
0246948-4	141	1-F22	0249785-7	283	1-L20	0253038-4	227	1-J12	0254332-0	179	1-H12
0246949-2	141	1-F22	0249795-6	179	1-H12	0253039-2	227	1-J12	0254333-8	179	1-H12
0246950-0	141	1-F22	0249803-8	59	1-C12	0253040-0	227	1-J12	0254334-6	179	1-H12
0246979-9	137	1-F18	0249894-7	123	1-F 4	0253041-8	227	1-J12	0254335-3	181	1-H14
0246980-7	137	1-F18	0249899-6	105	1-E10	0253042-6	227	1-J12	0254336-1	181	1-H14
0246981-5	137	1-F18	0249934-1	179	1-H12	0253047-5	281	1-L18	0254337-9	107	1-E12
0246982-3	137	1-F18	0249942-4	179	1-H12	0253048-3	281	1-L18	0254536-6	143	1-F24
0247188-6	71	1-C24	0249951-5	179	1-H12	0253049-1	281	1-L18	0254537-4	143	1-F24
0247191-0	179	1-H12	0249953-1	179	1-H12	0253051-7	279	1-L16	0254684-4	149	1-G 6
0247225-6	191	1-H24	0250018-3	71	1-C24	0253052-5	227	1-J12	0254891-5	59	1-C12
0247235-5	197	1- I 6	0250054-4	221	1-J 6	0253053-3	227	1-J12	0255590-2	79	1-D 8
0247235-5	199	1- I 8	0250056-9	221	1-J 6	0253054-1	279	1-L16	0255596-9	79	1-D 8
0247241-3	193	1- I 2	0250057-7	221	1-J 6	0253095-4	281	1-L18	0255705-6	79	1-D 8
0247241-3	195	1- I 4	0250058-5	221	1-J 6	0253096-2	281	1-L18	0255944-1	195	1- I 4
0247243-9	193	1- I 2	0250059-3	221	1-J 6	0253098-8	227	1-J12	0255945-8	195	1- I 4
0247243-9	195	1- I 4	0250133-6	183	1-H16	0253103-6	165	1-G22	0255946-6	195	1- I 4
0247245-4	193	1- I 2	0250135-1	183	1-H16	0253109-3	165	1-G22	0255947-4	193	1- I 2
0247245-4	195	1- I 4	0250136-9	183	1-H16	0253137-4	275	1-L12	0255949-0	79	1-D 8
0247247-0	193	1- I 2	0250137-7	183	1-H16	0253207-5	165	1-G22	0256649-5	189	1-H22
0247247-0	195	1- I 4	0250151-8	147	1-G 4	0253221-6	165	1-G22	0256650-3	99	1-E 4
0247249-6	193	1- I 2	0250152-6	147	1-G 4	0253274-5	125	1-F 6	0257224-6	127	1-F 8
0247249-6	195	1- I 4	0250219-3	61	1-C14	0253308-1	79	1-D 8	0257504-1	127	1-F 8
0247250-4	193	1- I 2	0250279-7	193	1- I 2	0253320-6	89	1-D18	0257507-4	127	1-F 8
0247251-2	139	1-F20	0250530-3	135	1-F16	0253321-4	89	1-D18	0257517-3	121	1-F 2
0247251-2	145	1-G 2	0250586-5	179	1-H12	0253322-2	89	1-D18	0257672-6	127	1-F 8
0247254-5	193	1- I 2	0250609-5	179	1-H12	0253331-3	123	1-F 4	0257767-4	113	1-E18
0247254-6	195	1- I 4	0250931-3	59	1-C12	0253333-9	123	1-F 4	0257913-4	127	1-F 8
0247258-7	193	1- I 2	0250933-9	59	1-C12	0253334-7	123	1-F 4	0258627-9	195	1- I 4
0247258-7	195	1- I 4	0251556-7	151	1-G 8	0253335-4	123	1-F 4	0259585-8	107	1-E12
0247260-3	193	1- I 2	0251773-8	221	1-J 6	0253336-2	123	1-F 4	0268014-8	79	1-D 8
0247260-3	195	1- I 4	0251837-1	91	1-D20	0253340-4	123	1-F 4	0268404-1	103	1-E 8
0247263-7	183	1-H16	0251886-8	79	1-D 8	0253355-2	185	1-H18	0270059-9	193	1- I 2
0247288-4	25	1-B 2	0251887-6	79	1-D 8	0253371-9	185	1-H18	0271736-1	141	1-F22
0247289-2	61	1-C14	0252042-7	93	1-D22	0253374-3	183	1-H16	0286757-0	79	1-D 8
0247296-7	271	1-L 8	0252427-0	119	1-E24	0253564-9	129	1-F10	0286913-9	271	1-L 8
0247298-3	257	1-K18	0252436-1	125	1-F 6	0253565-6	129	1-F10	0289157-0	57	1-C10
0247299-1	257	1-K18	0252463-5	105	1-E10	0253690-2	185	1-H18	0289157-0	61	1-C14
0247406-2	143	1-F24	0252467-6	105	1-E10	0253903-9	189	1-H22	0323297-2	129	1-F10
0247407-0	143	1-F24	0252477-5	127	1-F 8	0253904-7	189	1-H22	0336916-2	133	1-F14
0247408-8	143	1-F24	0252499-9	109	1-E14	0253934-4	227	1-J12	0339785-8	283	1-L20
0247411-2	125	1-F 6	0252507-9	109	1-E14	0253943-5	189	1-H22	0341230-1	133	1-F14
0247412-0	131	1-F12	0252546-7	149	1-G 6	0253946-8	189	1-H22	0349937-3	205	1- I14
0247413-8	129	1-F10	0252548-3	149	1-G 6	0253947-6	189	1-H22	0349937-3	207	1- I16
0247421-1	109	1-E14	0252549-1	149	1-G 6	0253948-4	189	1-H22	0349937-3	241	1-K 2
0247422-9	109	1-E14	0252551-7	149	1-G 6	0253949-2	189	1-H22	0401196-1	219	1-J 4
0247425-2	185	1-H18	0252552-5	149	1-G 6	0253950-0	189	1-H22	0410583-9	215	1- I24
0247519-2	139	1-F20	0252554-1	109	1-E14	0253951-8	189	1-H22	0410624-1	219	1-J 4
0247521-8	139	1-F20	0252653-1	145	1-G 2	0253953-4	189	1-H22	0410790-0	217	1-J 2
0247622-4	103	1-E 8	0252671-3	167	1-G24	0253954-2	189	1-H22	0410798-3	217	1-J 2
0247874-1	143	1-F24	0252861-0	197	1- I 6	0253955-9	189	1-H22	0410832-0	253	1-K14
0247990-5	185	1-H18	0252861-0	199	1- I 8	0253956-7	189	1-H22	0411405-4	215	1- I24
0247991-3	185	1-H18	0252863-6	199	1- I 8	0253957-5	189	1-H22	0412176-0	219	1-J 4
0248039-0	127	1-F 8	0252865-1	197	1- I 6	0253958-3	189	1-H22	0412181-0	219	1-J 4
0248046-5	127	1-F 8	0252865-1	199	1- I 8	0253959-1	189	1-H22	0606897-7	141	1-F22
0248085-3	121	1-F 2	0252867-7	197	1- I 6	0253960-9	189	1-H22	0612679-1	277	1-L14
0248164-6	135	1-F16	0252867-7	199	1- I 8	0253961-7	189	1-H22	0612680-9	277	1-L14
0248405-3	121	1-F 2	0252869-3	199	1- I 8	0253962-5	189	1-H22	0621821-8	101	1-E 6
0248405-3	131	1-F12	0252870-1	199	1- I 8	0253963-3	189	1-H22	0622612-0	159	1-G16

NUMERICAL INDEX

Part	Page	Grid	Part	Page	Grid	Part	Page	Grid	Part	Page	Grid
0623114-6	161	1-G18	0912272-2	193	1-I 2	0917372-5	57	1-C10	0919392-1	209	1-I18
0623114-6	163	1-G20	0912280-5	235	1-J20	0917373-3	109	1-E14	0919423-4	115	1-E20
0623124-5	161	1-G18	0912301-9	125	1-F 6	0917377-4	177	1-H10	0919426-7	249	1-K10
0623124-5	163	1-G20	0912369-6	47	1-B24	0917378-2	215	1-I24	0919431-7	259	1-K20
0627310-6	269	1-L 6	0912415-7	21	1-A22	0917379-0	59	1-C12	0919438-2	107	1-E12
0642744-7	81	1-D10	0912430-6	271	1-L 8	0917384-0	79	1-D 8	0919439-0	81	1-D10
0642749-6	81	1-D10	0912808-3	227	1-J12	0917385-7	93	1-D22	0919443-2	127	1-F 8
0643560-6	193	1-I 2	0913105-3	261	1-K22	0917395-6	93	1-D22	0919472-1	187	1-H20
0643560-6	195	1-I 4	0913160-8	273	1-L10	0917421-0	93	1-D22	0919547-0	183	1-H16
0650299-1	101	1-E 6	0913470-1	213	1-I22	0917425-1	49	1-C 2	0919620-5	209	1-I18
0653253-5	279	1-L16	0913536-9	33	1-B10	0917441-8	99	1-E 4	0919624-7	209	1-I18
0654125-4	281	1-L18	0913662-3	259	1-K20	0917443-4	99	1-E 4	0919625-4	245	1-K 6
0654127-0	279	1-L16	0913744-9	151	1-G 8	0917452-5	107	1-E12	0919840-9	21	1-A22
0654250-0	279	1-L16	0913842-1	183	1-H16	0917472-3	109	1-E14	0920161-7	95	1-D24
0655372-1	161	1-G18	0913958-5	175	1-H 8	0917479-8	101	1-E 6	0920240-9	89	1-D18
0655372-1	163	1-G20	0913974-2	275	1-L12	0917497-0	179	1-H12	0920241-7	107	1-E12
0663047-9	161	1-G18	0914198-7	193	1-I 2	0917535-7	35	1-B12	0920316-7	75	1-D 4
0663047-9	163	1-G20	0914355-3	223	1-J 8	0917547-2	21	1-A22	0920328-2	59	1-C12
0800449-1	131	1-F12	0914465-0	167	1-G24	0917642-1	107	1-E12	0920352-2	159	1-G16
0900369-0	165	1-G22	0914498-1	43	1-B20	0917648-8	151	1-G 8	0920397-7	87	1-D16
0900818-6	263	1-K24	0914626-7	33	1-B10	0917666-0	151	1-G 8	0920415-7	23	1-A24
0900824-4	255	1-K16	0914659-8	213	1-I22	0917686-8	143	1-F24	0920416-5	179	1-H12
0900840-0	251	1-K12	0914678-8	49	1-C 2	0917776-7	239	1-J24	0920435-5	123	1-F 4
0900996-0	89	1-D18	0914929-5	261	1-K22	0917806-2	71	1-C24	0920438-9	203	1-I12
0901226-1	93	1-D22	0915262-0	223	1-J 8	0917809-6	71	1-C24	0920504-8	85	1-D14
0901349-1	251	1-K12	0915274-5	239	1-J24	0917835-1	265	1-L 2	0920613-7	261	1-K22
0901401-0	253	1-K14	0915275-2	251	1-K12	0917947-4	141	1-F22	0920622-8	229	1-J14
0901651-0	51	1-C 4	0915276-0	239	1-J24	0917970-6	21	1-A22	0920655-8	67	1-C20
0901655-1	201	1-I10	0915315-6	261	1-K22	0918062-1	149	1-G 6	0920662-4	185	1-H18
0904020-5	91	1-D20	0915399-0	21	1-A22	0918162-9	149	1-G 6	0920676-4	71	1-C24
0904210-2	275	1-L12	0915607-6	151	1-G 8	0918199-1	43	1-B20	0920677-2	43	1-B20
0904516-2	23	1-A24	0915652-2	145	1-G 2	0918213-0	181	1-H14	0920686-3	243	1-K 4
0905125-1	173	1-H 6	0915724-9	111	1-E16	0918228-8	105	1-E10	0920787-9	107	1-E12
0905358-8	167	1-G24	0915726-4	115	1-E20	0918264-3	87	1-D16	0920990-9	167	1-G24
0905360-4	131	1-F12	0915771-0	127	1-F 8	0918265-0	57	1-C10	0921013-9	157	1-G14
0905845-4	27	1-B 4	0915813-0	35	1-B12	0918266-8	103	1-E 8	0921140-0	257	1-K18
0905850-4	151	1-G 8	0915906-2	161	1-G18	0918403-7	107	1-E12	0921141-8	283	1-L20
0906748-9	171	1-H 4	0916022-7	263	1-K24	0918431-8	251	1-K12	0921160-8	179	1-H12
0906905-5	47	1-B24	0916028-4	115	1-E20	0918448-2	123	1-F 4	0921168-1	141	1-F22
0906907-1	213	1-I22	0916080-5	79	1-D 8	0918452-4	107	1-E12	0921170-7	109	1-E14
0906909-7	265	1-L 2	0916081-3	105	1-E10	0918458-1	157	1-G14	0921176-4	103	1-E 8
0906957-6	67	1-C20	0916195-1	203	1-I12	0918463-1	249	1-K10	0921205-1	179	1-H12
0907058-2	61	1-C14	0916259-5	249	1-K10	0918466-4	255	1-K16	0921206-9	261	1-K22
0907675-3	237	1-J22	0916302-3	249	1-K10	0918829-3	193	1-I 2	0921210-1	35	1-B12
0907893-2	89	1-D18	0916330-4	109	1-E14	0918850-9	21	1-A22	0921212-7	145	1-G 2
0909055-6	93	1-D22	0916332-0	249	1-K10	0918851-7	25	1-B 2	0921214-3	181	1-H14
0910017-3	137	1-F18	0916346-0	257	1-K18	0918877-1	121	1-F 2	0921215-0	243	1-K 4
0910098-3	173	1-H 6	0916393-2	127	1-F 8	0919062-0	153	1-G10	0921216-8	205	1-I14
0910140-3	81	1-D10	0916400-5	103	1-E 8	0919064-6	243	1-K 4	0921217-6	209	1-I18
0910141-1	81	1-D10	0916420-3	115	1-E20	0919066-1	179	1-H12	0921227-5	191	1-H24
0910175-9	59	1-C12	0916450-0	279	1-L16	0919072-9	183	1-H16	0921228-3	243	1-K 4
0910210-4	117	1-E22	0916554-9	255	1-K16	0919088-5	183	1-H16	0921244-0	191	1-H24
0910224-5	65	1-C18	0916601-8	263	1-K24	0919089-3	115	1-E20	0921259-8	61	1-C14
0910231-0	177	1-H10	0916602-6	45	1-B22	0919134-7	21	1-A22	0921279-6	157	1-G14
0910243-5	111	1-E16	0916621-6	75	1-D 4	0919135-4	75	1-D 4	0921298-6	157	1-G14
0910251-8	111	1-E16	0916622-4	51	1-C 4	0919136-2	75	1-D 4	0921325-7	283	1-L20
0910279-9	75	1-D 4	0916768-5	45	1-B22	0919177-6	265	1-L 2	0921326-5	265	1-L 2
0910374-8	269	1-L 6	0916803-0	61	1-C14	0919205-5	153	1-G10	0921331-5	39	1-B16
0910543-8	89	1-D18	0916872-5	107	1-E12	0919206-3	181	1-H14	0921332-3	21	1-A22
0910876-2	149	1-G 6	0916880-8	89	1-D18	0919225-3	35	1-B12	0921333-1	41	1-B18
0910968-7	75	1-D 4	0916937-6	171	1-H 4	0919228-7	55	1-C 8	0921343-0	231	1-J16
0911006-5	141	1-F22	0916950-9	51	1-C 4	0919230-3	29	1-B 6	0921349-7	181	1-H14
0911072-7	185	1-H18	0916951-7	59	1-C12	0919231-1	137	1-F18	0921350-5	179	1-H12
0911111-3	167	1-G24	0916954-1	101	1-E 6	0919236-0	115	1-E20	0921355-4	61	1-C14
0911114-7	107	1-E12	0916956-6	35	1-B12	0919262-6	151	1-G 8	0921364-6	181	1-H14
0911115-4	57	1-C10	0916963-2	157	1-G14	0919318-6	203	1-I12	0921373-7	171	1-H 4
0911325-9	225	1-J10	0916964-0	39	1-B16	0919319-4	61	1-C14	0921402-4	181	1-H14
0911381-2	243	1-K 4	0916965-7	23	1-A24	0919326-9	61	1-C14	0921409-9	215	1-I24
0911435-6	33	1-B10	0916966-5	29	1-B 6	0919327-7	167	1-G24	0921463-6	117	1-E22
0911437-2	33	1-B10	0917021-8	29	1-B 6	0919332-7	59	1-C12	0921469-3	213	1-I22
0911987-6	49	1-C 2	0917127-3	121	1-F 2	0919382-2	47	1-B24	0921472-7	153	1-G10
0912007-2	173	1-H 6	0917332-9	81	1-D10	0919383-0	105	1-E10	0921493-3	55	1-C 8
0912235-9	225	1-J10	0917356-8	21	1-A22	0919388-9	115	1-E20	0921534-4	81	1-D10
0912243-3	153	1-G10	0917362-6	203	1-I12	0919389-7	167	1-G24	0921595-5	185	1-H18
0912262-3	189	1-H22	0917365-9	75	1-D 4	0919390-5	261	1-K22	0921625-0	191	1-H24

NUMERICAL INDEX

Part	Page	Grid	Part	Page	Grid	Part	Page	Grid	Part	Page	Grid
0921863-7	115	1-E20	0923292-7	255	1-K16	0924168-8	181	1-H14	0926696-6	149	1-G 6
0921871-0	129	1-F10	0923325-5	25	1-B 2	0924187-8	219	1-J 4	0926922-6	243	1-K 4
0921885-0	153	1-G10	0923341-2	39	1-B16	0924198-5	215	1-124	0927059-6	209	1-118
0921887-6	175	1-H 8	0923350-3	273	1-L10	0924243-9	103	1-E 8	0927062-0	209	1-118
0921893-4	173	1-H 6	0923352-9	105	1-E10	0924276-9	103	1-E 8	0927063-8	209	1-118
0921898-3	279	1-L16	0923360-2	107	1-E12	0924292-6	101	1-E 6	0927064-6	211	1-120
0921908-0	191	1-H24	0923376-8	131	1-F12	0924296-7	211	1-120	0927094-3	213	1-122
0921910-6	59	1-C12	0923390-9	133	1-F14	0924353-6	91	1-D20	0927111-5	35	1-B12
0921911-4	51	1-C 4	0923391-7	133	1-F14	0924356-9	61	1-C14	0927163-6	213	1-122
0921912-2	191	1-H24	0923412-1	211	1-120	0924361-9	167	1-G24	0927245-1	211	1-120
0921913-0	51	1-C 4	0923415-4	81	1-D10	0924382-5	275	1-L12	0927246-9	211	1-120
0921914-8	51	1-C 4	0923421-2	113	1-E18	0924402-1	61	1-C14	0927247-7	211	1-120
0921920-5	185	1-H18	0923427-9	169	1-H 2	0924405-4	105	1-E10	0927261-8	211	1-120
0921934-6	87	1-D16	0923473-3	137	1-F18	0924410-4	105	1-E10	0927342-6	53	1-C 6
0921958-5	145	1-G 2	0923485-7	133	1-F14	0924411-2	257	1-K18	0927407-7	105	1-E10
0921959-3	97	1-E 2	0923494-9	121	1-F 2	0924517-6	217	1-J 2	0927450-7	71	1-G24
0921960-1	157	1-G14	0923561-5	189	1-H22	0924622-4	189	1-H22	0927469-7	279	1-L16
0921961-9	71	1-C24	0923565-6	183	1-H16	0924648-9	85	1-D14	0927504-1	277	1-L14
0921962-7	157	1-G14	0923566-4	205	1-114	0924718-0	229	1-J14	0927590-0	243	1-K 4
0921963-5	153	1-G10	0923571-4	193	1-1 2	0924739-6	271	1-L 8	0927606-4	109	1-E14
0921965-0	35	1-B12	0923575-5	227	1-J12	0924744-6	109	1-E14	0927710-4	81	1-D10
0921966-8	35	1-B12	0923581-3	133	1-F14	0924746-1	37	1-B14	0927785-6	175	1-H 8
0921967-6	33	1-B10	0923584-7	141	1-F22	0924763-6	249	1-K10	0927974-6	183	1-H16
0921969-2	59	1-C12	0923586-2	199	1-1 8	0924820-4	201	1-110	0928049-6	73	1-D 2
0921971-8	35	1-B12	0923588-8	223	1-J 8	0924853-5	147	1-G 4	0928179-1	259	1-K20
0921972-6	53	1-C 6	0923600-1	201	1-110	0924855-0	127	1-F 8	0928219-5	269	1-L 6
0921977-5	97	1-E 2	0923607-6	223	1-J 8	0924856-8	191	1-H24	0928241-9	241	1-K 2
0921984-1	51	1-C 4	0923641-5	185	1-H18	0924883-2	275	1-L12	0929033-9	257	1-K18
0922002-1	151	1-G 8	0923649-8	175	1-H 8	0924891-5	43	1-B20	0929331-7	109	1-E14
0922020-3	249	1-K10	0923650-6	175	1-H 8	0924895-6	135	1-F16	0929906-6	93	1-D22
0922095-5	151	1-G 8	0923663-9	183	1-H16	0925003-6	91	1-D20	0929980-1	61	1-C14
0922127-6	71	1-C24	0923664-7	225	1-J10	0925052-3	221	1-J 6	0929981-9	25	1-B 2
0922130-0	53	1-C 6	0923684-5	23	1-A24	0925094-5	75	1-D 4	0929982-7	25	1-B 2
0922186-2	209	1-118	0923701-7	53	1-C 6	0925100-0	127	1-F 8	0929993-4	249	1-K10
0922190-4	273	1-L10	0923717-3	181	1-H14	0925155-4	211	1-120	0930262-1	175	1-H 8
0922198-7	59	1-C12	0923719-9	241	1-K 2	0925200-8	127	1-F 8	0930765-3	225	1-J10
0922249-8	113	1-E18	0923814-8	231	1-J16	0925257-8	237	1-J22	0930815-6	139	1-F20
0922293-6	131	1-F12	0923815-5	161	1-G18	0925387-3	273	1-L10	0930871-9	85	1-D14
0922304-1	101	1-E 6	0923816-3	23	1-A24	0925459-0	265	1-L 2	0930873-5	235	1-J20
0922405-6	49	1-C 2	0923817-1	23	1-A24	0925602-5	117	1-E22	0930875-0	49	1-C 2
0922464-3	23	1-A24	0923822-1	23	1-A24	0925688-4	177	1-H10	0931894-0	231	1-J16
0922466-8	203	1-112	0923826-2	133	1-F14	0925697-5	181	1-H14	0933435-0	177	1-H10
0922489-0	185	1-H18	0923830-4	219	1-J 4	0925705-6	255	1-K16	0934894-7	205	1-114
0922510-3	235	1-J20	0923845-2	127	1-F 8	0925707-2	277	1-L14	1000065-1	237	1-J22
0922523-6	153	1-G10	0923848-6	219	1-J 4	0925718-9	203	1-112	1000075-0	237	1-J22
0922530-1	261	1-K22	0923849-4	205	1-114	0925719-7	33	1-B10	1000085-9	239	1-J24
0922586-3	59	1-C12	0923854-4	225	1-J10	0925821-1	33	1-B10	1000090-9	239	1-J24
0922605-1	141	1-F22	0923881-7	273	1-L10	0925872-4	271	1-L 8	1000094-1	239	1-J24
0922612-7	109	1-E14	0923903-9	107	1-E12	0925896-3	223	1-J 8	1000107-1	239	1-J24
0922659-8	249	1-K10	0923906-2	99	1-E 4	0925954-0	109	1-E14	1000116-2	239	1-J24
0922660-6	59	1-C12	0923934-4	75	1-D 4	0925964-9	181	1-H14	1000127-9	239	1-J24
0922664-8	191	1-H24	0923938-5	251	1-K12	0925993-8	231	1-J16	1000143-6	237	1-J22
0922706-7	111	1-E16	0923945-0	205	1-114	0925998-7	237	1-J22	1000144-4	237	1-J22
0922714-1	107	1-E12	0923946-8	167	1-G24	0926007-6	279	1-L16	1000146-9	225	1-J10
0922728-1	179	1-H12	0923981-5	71	1-C24	0926036-5	59	1-C12	1000152-7	237	1-J22
0922781-0	75	1-D 4	0923987-2	205	1-114	0926040-7	255	1-K16	1000153-5	237	1-J22
0922872-7	187	1-H20	0923988-0	205	1-114	0926101-7	117	1-E22	1000157-6	237	1-J22
0922887-5	255	1-K16	0923989-8	189	1-H22	0926115-7	167	1-G24	1000171-7	237	1-J22
0922917-0	219	1-J 4	0924008-6	143	1-F24	0926125-6	143	1-F24	1000172-5	265	1-L 2
0922918-8	35	1-B12	0924022-7	179	1-H12	0926127-2	111	1-E16	1000176-6	239	1-J24
0922928-7	101	1-E 6	0924023-5	209	1-118	0926148-8	229	1-J14	1000177-4	239	1-J24
0922996-4	197	1-1 6	0924026-8	245	1-K 6	0926153-8	149	1-G 6	1000191-5	261	1-K22
0923077-2	263	1-K24	0924038-3	199	1-1 8	0926156-1	235	1-J20	1000203-8	241	1-K 2
0923087-1	269	1-L 6	0924054-0	221	1-J 6	0926162-9	215	1-124	1000234-3	265	1-L 2
0923112-7	219	1-J 4	0924093-8	237	1-J22	0926167-8	109	1-E14	1000249-1	205	1-114
0923113-5	117	1-E22	0924097-9	273	1-L10	0926168-6	275	1-L12	1000249-1	207	1-116
0923114-3	51	1-C 4	0924135-7	225	1-J10	0926340-1	189	1-H22	1000249-1	241	1-K 2
0923137-4	263	1-K24	0924143-1	235	1-J20	0926609-9	233	1-J18	1000257-4	205	1-114
0923151-5	111	1-E16	0924149-8	271	1-L 8	0926612-3	205	1-114	1000257-4	207	1-116
0923152-3	273	1-L10	0924150-6	283	1-L20	0926618-0	175	1-H 8	1000259-0	205	1-114
0923154-9	137	1-F18	0924151-4	283	1-L20	0926623-0	231	1-J16	1000259-0	207	1-116
0923162-2	271	1-L 8	0924152-2	283	1-L20	0926627-1	225	1-J10	1000375-4	269	1-L 6
0923174-7	245	1-K 6	0924155-5	279	1-L16	0926629-7	225	1-J10	1000376-2	261	1-K22
0923232-3	81	1-D10	0924165-4	273	1-L10	0926638-8	175	1-H 8	1000376-2	269	1-L 6
0923240-6	161	1-G18	0924167-0	191	1-H24	0926641-2	239	1-J24	1000377-0	269	1-L 6

NUMERICAL INDEX

Part	Page	Grid	Part	Page	Grid	Part	Page	Grid	Part	Page	Grid
1000390-3	265	1-L 2	1000973-6	231	1-J16	1002981-7	263	1-K24	1003200-1	161	1-G18
1000391-1	265	1-L 2	1000974-4	231	1-J16	1003002-1	129	1-F10	1003201-9	161	1-G18
1000392-9	265	1-L 2	1000999-1	225	1-J10	1003006-2	51	1-C 4	1003202-7	161	1-G18
1000425-7	265	1-L 2	1001402-5	285	1-L22	1003010-4	165	1-G22	1003203-5	161	1-G18
1000426-5	265	1-L 2	1001405-8	285	1-L22	1003013-8	279	1-L16	1003204-3	161	1-G18
1000471-1	269	1-L 6	1001525-3	263	1-K24	1003027-8	109	1-E14	1003205-0	81	1-D10
1000472-9	269	1-L 6	1001559-2	205	1-I14	1003043-5	203	1-I12	1003217-5	109	1-E14
1000485-1	231	1-J16	1001565-9	205	1-I14	1003044-3	203	1-I12	1003218-3	109	1-E14
1000486-9	225	1-J10	1001565-9	207	1-I16	1003048-4	203	1-I12	1003219-1	109	1-E14
1000495-0	231	1-J16	1001566-7	205	1-I14	1003049-2	203	1-I12	1003221-7	159	1-G16
1000620-3	237	1-J22	1001566-7	207	1-I16	1003050-0	203	1-I12	1003224-1	167	1-G24
1000621-1	237	1-J22	1001570-9	205	1-I14	1003051-8	203	1-I12	1003225-8	167	1-G24
1000622-9	237	1-J22	1001570-9	207	1-I16	1003052-6	203	1-I12	1003226-6	167	1-G24
1000720-1	265	1-L 2	1001571-7	241	1-K 2	1003053-4	203	1-I12	1003229-0	167	1-G24
1000752-4	207	1-I16	1001573-3	205	1-I14	1003054-2	203	1-I12	1003230-8	167	1-G24
1000759-9	205	1-I14	1001573-3	207	1-I16	1003055-9	203	1-I12	1003231-6	167	1-G24
1000759-9	207	1-I16	1001577-4	205	1-I14	1003056-7	203	1-I12	1003232-4	167	1-G24
1000759-9	241	1-K 2	1001577-4	207	1-I16	1003057-5	203	1-I12	1003233-2	167	1-G24
1000760-7	241	1-K 2	1001597-2	241	1-K 2	1003058-3	203	1-I12	1003234-0	167	1-G24
1000761-5	205	1-I14	1001608-7	247	1-K 8	1003059-1	203	1-I12	1003235-7	167	1-G24
1000761-5	207	1-I16	1001627-7	205	1-I14	1003059-1	247	1-K 8	1003236-5	167	1-G24
1000761-5	241	1-K 2	1001627-7	207	1-I16	1003060-9	203	1-I12	1003240-7	91	1-D20
1000762-3	205	1-I14	1001634-3	205	1-I14	1003061-7	203	1-I12	1003256-3	91	1-D20
1000762-3	207	1-I16	1001733-3	241	1-K 2	1003062-5	203	1-I12	1003258-9	89	1-D18
1000762-3	241	1-K 2	1001734-1	205	1-I14	1003063-3	203	1-I12	1003260-5	91	1-D20
1000764-9	205	1-I14	1001734-1	207	1-I16	1003063-3	247	1-K 8	1003261-3	169	1-H 2
1000764-9	207	1-I16	1001734-1	241	1-K 2	1003076-5	161	1-G18	1003263-9	113	1-E18
1000764-9	241	1-K 2	1001734-1	247	1-K 8	1003084-9	167	1-G24	1003266-2	123	1-F 4
1000765-6	205	1-I14	1001735-8	241	1-K 2	1003085-6	167	1-G24	1003279-5	113	1-E18
1000765-6	207	1-I16	1001736-6	241	1-K 2	1003087-2	171	1-H 4	1003286-0	89	1-D18
1000765-6	241	1-K 2	1001756-4	239	1-J24	1003090-6	187	1-H20	1003288-6	89	1-D18
1000767-2	205	1-I14	1001757-2	239	1-J24	1003091-4	51	1-C 4	1003289-4	105	1-E10
1000767-2	207	1-I16	1001759-8	239	1-J24	1003099-7	191	1-H24	1003291-0	105	1-E10
1000767-2	241	1-K 2	1001780-4	241	1-K 2	1003104-5	161	1-G18	1003293-6	59	1-C12
1000785-4	261	1-K22	1001818-2	261	1-K22	1003107-8	191	1-H24	1003294-4	89	1-D18
1000806-8	205	1-I14	1001854-7	263	1-K24	1003108-6	191	1-H24	1003305-8	89	1-D18
1000806-8	241	1-K 2	1001855-4	263	1-K24	1003109-4	191	1-H24	1003309-0	105	1-E10
1000807-6	207	1-I16	1001870-3	269	1-L 6	1003110-2	191	1-H24	1003311-6	59	1-C12
1000807-6	241	1-K 2	1001886-9	269	1-L 6	1003111-0	191	1-H24	1003313-2	123	1-F 4
1000807-6	247	1-K 8	1001893-5	269	1-L 6	1003112-8	191	1-H24	1003319-9	123	1-F 4
1000812-6	241	1-K 2	1001896-8	205	1-I14	1003113-6	103	1-E 8	1003324-9	123	1-F 4
1000813-4	241	1-K 2	1001896-8	207	1-I16	1003114-4	209	1-I18	1003325-6	123	1-F 4
1000814-2	241	1-K 2	1001899-2	269	1-L 6	1003115-1	209	1-I18	1003326-4	123	1-F 4
1000815-9	241	1-K 2	1001900-8	269	1-L 6	1003116-9	209	1-I18	1003327-2	91	1-D20
1000817-5	205	1-I14	1001901-6	261	1-K22	1003118-5	209	1-I18	1003329-8	107	1-E12
1000817-5	207	1-I16	1001907-3	205	1-I14	1003119-3	201	1-I10	1003331-4	107	1-E12
1000817-5	241	1-K 2	1001907-3	207	1-I16	1003120-1	201	1-I10	1003335-5	211	1-I20
1000818-3	205	1-I14	1001907-3	241	1-K 2	1003121-9	201	1-I10	1003337-1	211	1-I20
1000818-3	207	1-I16	1001912-3	261	1-K22	1003122-7	191	1-H24	1003348-8	145	1-G 2
1000818-3	241	1-K 2	1001915-6	261	1-K22	1003123-5	191	1-H24	1003350-4	211	1-I20
1000819-1	205	1-I14	1001916-4	261	1-K22	1003124-3	201	1-I10	1003352-0	275	1-L12
1000819-1	207	1-I16	1001984-2	233	1-J18	1003136-7	211	1-I20	1003353-8	275	1-L12
1000819-1	241	1-K 2	1002003-0	269	1-L 6	1003137-5	211	1-I20	1003354-6	275	1-L12
1000820-9	241	1-K 2	1002153-3	241	1-K 2	1003138-3	211	1-I20	1003355-3	275	1-L12
1000821-7	241	1-K 2	1002154-1	241	1-K 2	1003139-1	81	1-D10	1003363-7	167	1-G24
1000844-9	205	1-I14	1002162-4	235	1-J20	1003139-1	201	1-I10	1003364-5	131	1-F12
1000844-9	241	1-K 2	1002167-3	235	1-J20	1003141-7	81	1-D10	1003365-2	213	1-I22
1000858-9	269	1-L 6	1002207-7	225	1-J10	1003141-7	201	1-I10	1003367-8	209	1-I18
1000891-0	205	1-I14	1002229-1	205	1-I14	1003156-5	121	1-F 2	1003368-6	81	1-D10
1000891-0	207	1-I16	1002229-1	207	1-I16	1003163-1	161	1-G18	1003373-6	103	1-E 8
1000913-2	225	1-J10	1002301-8	241	1-K 2	1003170-6	115	1-E20	1003374-4	101	1-E 6
1000913-2	239	1-J24	1002368-7	235	1-J20	1003171-4	115	1-E20	1003375-1	91	1-D20
1000926-4	225	1-J10	1002479-2	205	1-I14	1003182-1	115	1-E20	1003376-9	91	1-D20
1000935-5	225	1-J10	1002479-2	207	1-I16	1003187-0	163	1-G20	1003377-7	103	1-E 8
1000936-3	225	1-J10	1002479-2	241	1-K 2	1003189-6	115	1-E20	1003380-1	191	1-H24
1000937-1	225	1-J10	1002524-5	245	1-K 6	1003189-6	163	1-G20	1003382-7	213	1-I22
1000940-5	225	1-J10	1002526-0	245	1-K 6	1003190-4	81	1-D10	1003383-5	213	1-I22
1000941-3	225	1-J10	1002527-8	245	1-K 6	1003190-4	191	1-H24	1003384-3	213	1-I22
1000942-1	225	1-J10	1002580-7	205	1-I14	1003191-2	161	1-G18	1003385-0	213	1-I22
1000943-9	225	1-J10	1002580-7	207	1-I16	1003192-0	109	1-E14	1003386-8	213	1-I22
1000944-7	225	1-J10	1002580-7	241	1-K 2	1003193-8	109	1-E14	1003387-6	59	1-C12
1000945-4	231	1-J16	1002628-4	243	1-K 4	1003194-6	109	1-E14	1003388-4	209	1-I18
1000970-2	231	1-J16	1002628-4	245	1-K 6	1003195-3	109	1-E14	1003389-2	169	1-H 2
1000971-0	231	1-J16	1002663-1	241	1-K 2	1003196-1	109	1-E14	1003396-7	185	1-H18
1000972-8	231	1-J16	1002663-1	247	1-K 8	1003199-5	161	1-G18	1003397-5	181	1-H14

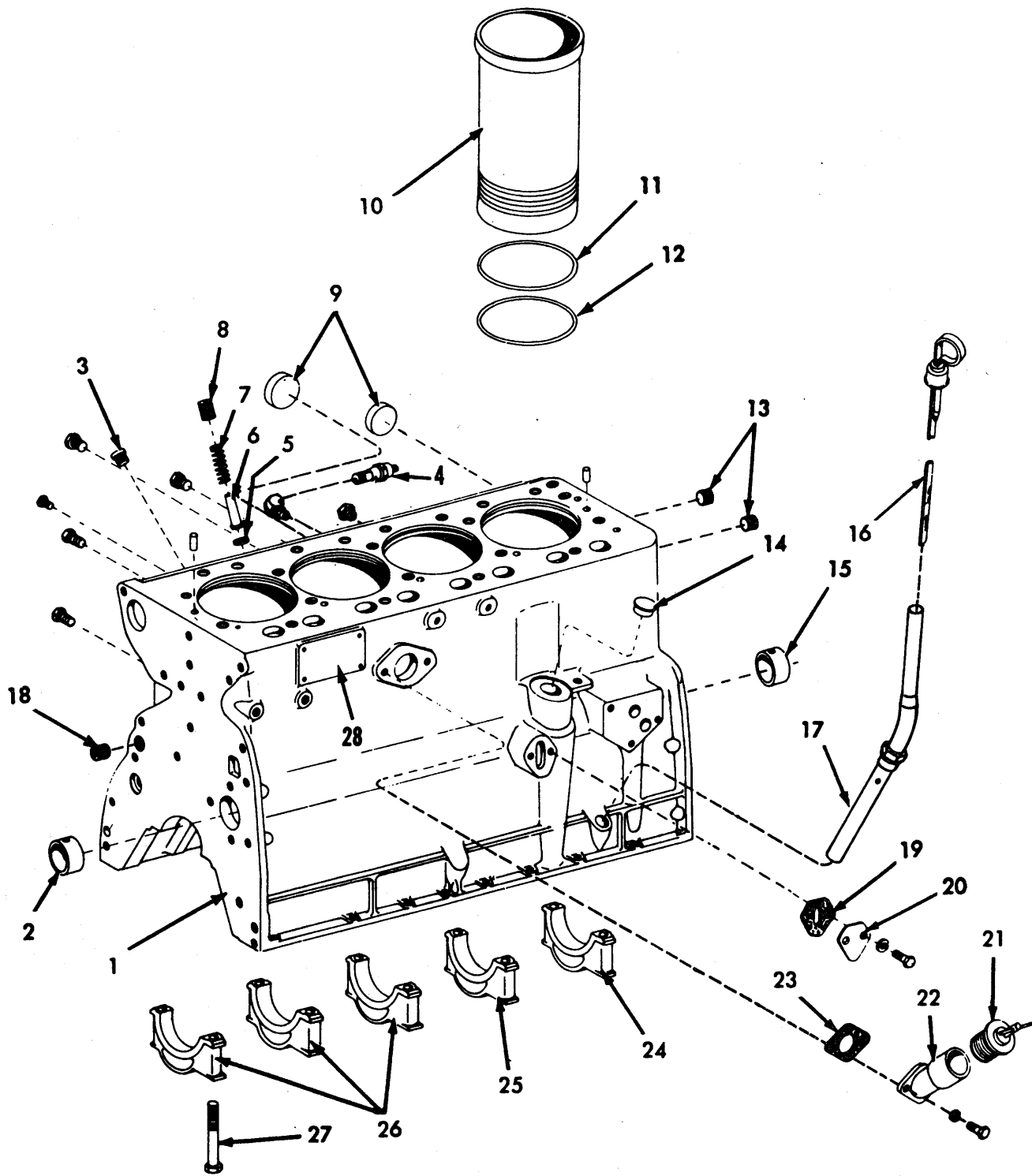
NUMERICAL INDEX

Part	Page	Grid	Part	Page	Grid	Part	Page	Grid	Part	Page	Grid
1003398-3	185	1-H18	1003659-8	245	1-K 6	1003850-3	177	1-H10	1010282-0	243	1-K 4
1003403-1	165	1-G22	1003660-6	243	1-K 4	1003851-1	177	1-H10	1010283-8	243	1-K 4
1003404-9	165	1-G22	1003660-6	245	1-K 6	1003852-9	177	1-H10	1010399-2	155	1-G12
1003406-4	81	1-D10	1003661-4	243	1-K 4	1003853-7	177	1-H10	1010410-7	177	1-H10
1003407-2	141	1-F22	1003661-4	245	1-K 6	1003855-2	157	1-G14	1010411-5	153	1-G10
1003407-2	147	1-G 4	1003662-2	243	1-K 4	1003868-5	157	1-G14	1010411-5	157	1-G14
1003409-8	89	1-D18	1003662-2	245	1-K 6	1003875-0	157	1-G14	1010411-5	177	1-H10
1003410-6	143	1-F24	1003663-0	243	1-K 4	1003885-9	171	1-H 4	1010415-6	153	1-G10
1003412-2	147	1-G 4	1003663-0	245	1-K 6	1003893-3	195	1- I 4	1010415-6	155	1-G12
1003417-1	105	1-E10	1003664-8	243	1-K 4	1003894-1	195	1- I 4	1010415-6	177	1-H10
1003420-5	111	1-E16	1003664-8	245	1-K 6	1003901-4	275	1-L12	1010417-2	111	1-E16
1003421-3	111	1-E16	1003665-5	243	1-K 4	1003903-0	191	1-H24	1010466-9	191	1-H24
1003422-1	111	1-E16	1003665-5	245	1-K 6	1004100-2	261	1-K22	1010499-0	215	1- I24
1003425-4	111	1-E16	1003669-7	243	1-K 4	1004100-2	265	1-L 2	1010521-1	153	1-G10
1003426-2	111	1-E16	1003669-7	245	1-K 6	1004100-2	267	1-L 4	1010521-1	169	1-H 2
1003429-6	91	1-D20	1003670-5	205	1- I14	1007501-8	201	1- I10	1010522-9	153	1-G10
1003435-3	257	1-K18	1003672-1	93	1-D22	1007725-3	91	1-D20	1010522-9	169	1-H 2
1003440-3	101	1-E 6	1003676-2	167	1-G24	1008372-3	231	1-J16	1010590-6	277	1-L14
1003441-1	101	1-E 6	1003687-9	223	1-J 8	1008729-4	231	1-J16	1010591-4	277	1-L14
1003446-0	111	1-E16	1003687-9	227	1-J12	1008898-7	217	1-J 2	1010592-2	277	1-L14
1003448-6	247	1-K 8	1003699-4	141	1-F22	1008898-7	231	1-J16	1010632-6	219	1-J 4
1003451-0	113	1-E18	1003700-0	147	1-G 4	1008899-5	217	1-J 2	1010632-6	231	1-J16
1003453-6	105	1-E10	1003704-2	211	1- I20	1008899-5	231	1-J16	1010651-6	249	1-K10
1003459-3	151	1-G 8	1003705-9	211	1- I20	1008902-7	219	1-J 4	1010651-6	251	1-K12
1003469-2	221	1-J 6	1003713-3	167	1-G24	1008902-7	231	1-J16	1010681-3	215	1- I24
1003470-0	221	1-J 6	1003717-4	167	1-G24	1008904-3	219	1-J 4	1010691-2	255	1-K16
1003471-8	221	1-J 6	1003720-8	141	1-F22	1008904-3	231	1-J16	1010692-0	255	1-K16
1003472-6	221	1-J 6	1003722-4	141	1-F22	1008906-8	231	1-J16	1010693-8	255	1-K16
1003473-4	221	1-J 6	1003724-0	149	1-G 6	1008907-6	219	1-J 4	1010694-6	255	1-K16
1003474-2	221	1-J 6	1003730-7	115	1-E20	1008911-8	231	1-J16	1010768-8	277	1-L14
1003475-9	221	1-J 6	1003732-3	115	1-E20	1008912-6	219	1-J 4	1010769-6	277	1-L14
1003476-7	221	1-J 6	1003733-1	115	1-E20	1008915-9	231	1-J16	1010770-4	277	1-L14
1003478-3	221	1-J 6	1003734-9	115	1-E20	1008916-7	219	1-J 4	1010771-2	249	1-K10
1003479-1	221	1-J 6	1003735-6	115	1-E20	1008916-7	231	1-J16	1010772-0	249	1-K10
1003483-3	261	1-K22	1003742-2	143	1-F24	1009264-1	249	1-K10	1010775-3	249	1-K10
1003488-2	211	1- I20	1003743-0	143	1-F24	1009363-1	249	1-K10	1010815-7	249	1-K10
1003489-0	213	1- I22	1003754-7	275	1-L12	1009372-2	249	1-K10	1010816-5	249	1-K10
1003490-8	213	1- I22	1003760-4	275	1-L12	1009373-0	249	1-K10	1010821-5	249	1-K10
1003495-7	141	1-F22	1003761-2	275	1-L12	1009424-1	195	1- I 4	1010822-3	255	1-K16
1003495-7	147	1-G 4	1003764-6	275	1-L12	1009530-5	229	1-J14	1010834-8	255	1-K16
1003497-3	137	1-F18	1003769-5	275	1-L12	1010150-9	257	1-K18	1010849-6	255	1-K16
1003512-9	103	1-E 8	1003785-1	91	1-D20	1010151-7	279	1-L16	1010850-4	255	1-K16
1003513-7	81	1-D10	1003790-1	109	1-E14	1010193-9	111	1-E16	1010854-6	255	1-K16
1003513-7	201	1- I10	1003796-8	159	1-G16	1010237-4	153	1-G10	1010860-3	277	1-L14
1003521-0	247	1-K 8	1003798-4	163	1-G20	1010237-4	155	1-G12	1010861-1	277	1-L14
1003527-7	211	1- I20	1003799-2	161	1-G18	1010239-0	151	1-G 8	1010866-0	215	1- I24
1003528-5	277	1-L14	1003799-2	163	1-G20	1010239-0	153	1-G10	1010882-7	251	1-K12
1003529-3	281	1-L18	1003806-5	163	1-G20	1010241-6	175	1-H 8	1010882-7	277	1-L14
1003530-1	281	1-L18	1003810-7	213	1- I22	1010243-2	175	1-H 8	1010891-8	255	1-K16
1003531-9	281	1-L18	1003811-5	213	1- I22	1010244-0	153	1-G10	1010892-6	255	1-K16
1003532-7	281	1-L18	1003812-3	213	1- I22	1010244-0	157	1-G14	1010893-4	249	1-K10
1003533-5	229	1-J14	1003813-1	213	1- I22	1010244-0	175	1-H 8	1010894-2	249	1-K10
1003534-3	281	1-L18	1003815-6	93	1-D22	1010245-7	175	1-H 8	1010897-5	277	1-L14
1003537-6	145	1-G 2	1003818-0	165	1-G22	1010246-5	175	1-H 8	1010898-3	277	1-L14
1003542-6	165	1-G22	1003819-8	165	1-G22	1010248-1	153	1-G10	1010901-5	251	1-K12
1003543-4	229	1-J14	1003820-6	165	1-G22	1010248-1	155	1-G12	1010902-3	251	1-K12
1003544-2	145	1-G 2	1003823-0	99	1-E 4	1010249-9	153	1-G10	1010903-1	251	1-K12
1003549-1	211	1- I20	1003824-8	157	1-G14	1010249-9	155	1-G12	1010964-3	149	1-G 6
1003613-5	105	1-E10	1003826-3	157	1-G14	1010253-1	153	1-G10	1010970-0	175	1-H 8
1003614-3	105	1-E10	1003827-1	153	1-G10	1010253-1	155	1-G12	1010971-8	175	1-H 8
1003615-0	105	1-E10	1003827-1	157	1-G14	1010260-6	153	1-G10	1010973-4	175	1-H 8
1003616-8	105	1-E10	1003828-9	157	1-G14	1010260-6	155	1-G12	1010993-2	277	1-L14
1003620-0	125	1-F 6	1003829-7	157	1-G14	1010261-4	153	1-G10	1010998-1	277	1-L14
1003648-1	211	1- I20	1003831-3	157	1-G14	1010261-4	155	1-G12	1011083-1	231	1-J16
1003649-9	211	1- I20	1003833-9	157	1-G14	1010264-8	155	1-G12	1011088-0	231	1-J16
1003654-9	243	1-K 4	1003834-7	157	1-G14	1010265-5	155	1-G12	1011102-9	255	1-K16
1003654-9	245	1-K 6	1003837-0	175	1-H 8	1010266-3	153	1-G10	1011223-3	249	1-K10
1003655-6	243	1-K 4	1003838-8	175	1-H 8	1010266-3	155	1-G12	1011223-3	251	1-K12
1003655-6	245	1-K 6	1003839-6	175	1-H 8	1010270-5	153	1-G10	1011223-3	255	1-K16
1003656-4	243	1-K 4	1003840-4	175	1-H 8	1010270-5	155	1-G12	1011251-4	279	1-L16
1003657-2	243	1-K 4	1003845-3	177	1-H10	1010271-3	153	1-G10	1011376-9	249	1-K10
1003657-2	245	1-K 6	1003846-1	177	1-H10	1010271-3	155	1-G12	1011377-7	253	1-K14
1003658-0	243	1-K 4	1003847-9	177	1-H10	1010274-7	113	1-E18	1011382-7	253	1-K14
1003658-0	245	1-K 6	1003848-7	177	1-H10	1010276-2	111	1-E16	1011384-3	255	1-K16
1003659-8	243	1-K 4	1003849-5	177	1-H10	1010276-2	113	1-E18	1011385-0	255	1-K16

NUMERICAL INDEX

Part	Page	Grid	Part	Page	Grid	Part	Page	Grid	Part	Page	Grid
4021498-3	23	1-A24	4023567-3	23	1-A24	4026549-8	35	1-B12	4053267-3	69	1-C22
4021525-3	27	1-B 4	4023567-3	35	1-B12	4026549-8	45	1-B22	4053362-2	69	1-C22
4021612-9	21	1-A22	4023570-7	73	1-D 2	4026699-1	33	1-B10	4053375-4	63	1-C16
4021616-0	21	1-A22	4023571-5	73	1-D 2	4026887-2	53	1-C 6	4053375-4	65	1-C18
4021689-7	97	1-E 2	4023579-8	71	1-C24	4027748-5	69	1-C22	4053385-3	69	1-C22
4021711-9	21	1-A22	4023581-4	71	1-C24	4027979-6	43	1-B20	4053589-0	67	1-C20
4021803-4	49	1-C 2	4023788-5	23	1-A24	4028945-6	75	1-D 4	4053590-8	69	1-C22
4021823-2	29	1-B 6	4023788-5	29	1-B 6	4029143-7	75	1-D 4	4054540-2	77	1-D 6
4021827-3	29	1-B 6	4023788-5	35	1-B12	4035186-8	25	1-B 2	4054579-0	67	1-C20
4022080-8	25	1-B 2	4023788-5	41	1-B18	4035388-0	25	1-B 2	4054582-4	67	1-C20
4022083-2	27	1-B 4	4023788-5	43	1-B20	4035389-8	25	1-B 2	4054583-2	67	1-C20
4022084-0	27	1-B 4	4023788-5	45	1-B22	4035849-1	53	1-C 6	4054585-7	65	1-C18
4022085-7	27	1-B 4	4023788-5	53	1-C 6	4036044-8	73	1-D 2	4054589-9	65	1-C18
4022086-5	27	1-B 4	4023811-5	31	1-B 8	4042832-8	99	1-E 4	4054594-9	65	1-C18
4022087-3	27	1-B 4	4023827-1	21	1-A22	4044355-8	95	1-D24	4054758-0	95	1-D24
4022088-1	27	1-B 4	4023827-1	31	1-B 8	4048596-3	63	1-C16	4054799-4	99	1-E 4
4022089-9	31	1-B 8	4023857-8	35	1-B12	4048596-3	65	1-C18	4054825-7	93	1-D22
4022094-9	27	1-B 4	4023858-6	35	1-B12	4048597-1	65	1-C18	4055687-0	65	1-C18
4022095-6	27	1-B 4	4023859-4	35	1-B12	4048598-9	65	1-C18	4055869-4	95	1-D24
4022096-4	27	1-B 4	4023887-5	23	1-A24	4048600-3	65	1-C18	4055892-6	69	1-C22
4022098-0	27	1-B 4	4023889-1	23	1-A24	4048603-7	65	1-C18	4055958-5	69	1-C22
4022099-8	27	1-B 4	4023913-9	25	1-B 2	4048604-5	63	1-C16	4055959-3	69	1-C22
4022100-4	27	1-B 4	4023926-1	31	1-B 8	4048604-5	65	1-C18	4055960-1	69	1-C22
4022101-2	27	1-B 4	4023970-9	31	1-B 8	4048605-2	65	1-C18	4055961-9	69	1-C22
4022103-8	27	1-B 4	4024090-5	25	1-B 2	4048620-1	69	1-C22	4055962-7	63	1-C16
4022104-6	27	1-B 4	4024463-4	31	1-B 8	4048624-3	67	1-C20	4055962-7	69	1-C22
4022105-3	27	1-B 4	4024534-2	31	1-B 8	4048627-6	67	1-C20	4055965-0	69	1-C22
4022106-1	27	1-B 4	4024535-9	31	1-B 8	4048630-0	63	1-C16	4055966-8	63	1-C16
4022108-7	27	1-B 4	4024536-7	31	1-B 8	4048630-0	67	1-C20	4055966-8	69	1-C22
4022109-5	27	1-B 4	4024554-0	51	1-C 4	4048632-6	65	1-C18	4056484-1	65	1-C18
4022110-3	27	1-B 4	4024561-5	35	1-B12	4048632-6	67	1-C20	4056486-6	65	1-C18
4022111-1	27	1-B 4	4024562-3	29	1-B 6	4048635-9	67	1-C20	4056487-4	65	1-C18
4022113-7	27	1-B 4	4024792-6	79	1-D 8	4048636-7	65	1-C18	4056488-2	65	1-C18
4022114-5	27	1-B 4	4025019-3	21	1-A22	4048639-1	67	1-C20	4056490-8	67	1-C20
4022115-2	27	1-B 4	4025019-3	23	1-A24	4048642-5	65	1-C18	4056590-5	69	1-C22
4022116-0	27	1-B 4	4025021-9	23	1-A24	4048649-0	77	1-D 6	4058950-9	65	1-C18
4022118-6	27	1-B 4	4025025-0	21	1-A22	4048650-8	63	1-C16	4058951-7	65	1-C18
4022119-4	27	1-B 4	4025059-9	53	1-C 6	4048650-8	67	1-C20	4058951-7	67	1-C20
4022120-2	27	1-B 4	4025067-2	53	1-C 6	4049532-7	67	1-C20	4058962-4	197	1- I 6
4022121-0	27	1-B 4	4025079-7	35	1-B12	4049533-5	67	1-C20	4058962-4	199	1- I 8
4022123-6	27	1-B 4	4025079-7	45	1-B22	4050068-8	93	1-D22	4059061-4	65	1-C18
4022129-3	21	1-A22	4025082-1	37	1-B14	4050179-3	67	1-C20	4059064-8	67	1-C20
4022228-3	27	1-B 4	4025101-9	25	1-B 2	4050417-7	63	1-C16	4059066-3	65	1-C18
4022230-9	37	1-B14	4025101-9	55	1-C 8	4050417-7	69	1-C22	4059067-1	65	1-C18
4022285-3	27	1-B 4	4025103-5	55	1-C 8	4050637-0	77	1-D 6	4059134-9	63	1-C16
4022292-9	33	1-B10	4025106-8	23	1-A24	4050638-8	77	1-D 6	4059134-9	69	1-C22
4022324-0	63	1-C16	4025106-8	53	1-C 6	4050645-3	77	1-D 6	4059221-4	69	1-C22
4022339-8	33	1-B10	4025119-1	43	1-B20	4050646-1	77	1-D 6	4059237-0	67	1-C20
4022430-5	33	1-B10	4025120-9	23	1-A24	4050910-1	63	1-C16	4059239-6	65	1-C18
4022458-6	33	1-B10	4025120-9	43	1-B20	4050910-1	65	1-C18	4059267-7	65	1-C18
4022581-5	39	1-B16	4025146-4	73	1-D 2	4050912-7	69	1-C22	4059269-3	69	1-C22
4022582-3	39	1-B16	4025148-0	73	1-D 2	4050913-5	65	1-C18	4059395-6	67	1-C20
4022593-0	39	1-B16	4025149-8	73	1-D 2	4051002-6	67	1-C20	4059396-4	67	1-C20
4022595-5	25	1-B 2	4025150-6	25	1-B 2	4051281-6	93	1-D22	4059397-2	67	1-C20
4022597-1	39	1-B16	4025150-6	73	1-D 2	4051376-4	69	1-C22	4059541-5	65	1-C18
4022631-8	71	1-C24	4025165-4	25	1-B 2	4051378-0	67	1-C20	4059620-7	77	1-D 6
4022736-5	39	1-B16	4025188-6	33	1-B10	4051379-8	69	1-C22	4059662-9	65	1-C18
4022744-9	39	1-B16	4025191-0	33	1-B10	4051385-5	69	1-C22	4059667-8	67	1-C20
4022784-5	45	1-B22	4025193-6	33	1-B10	4051386-3	69	1-C22	4060192-4	93	1-D22
4022897-5	25	1-B 2	4025194-4	33	1-B10	4051412-7	65	1-C18	4060217-9	69	1-C22
4023031-0	23	1-A24	4025229-8	75	1-D 4	4051413-5	65	1-C18	4060218-7	69	1-C22
4023052-6	45	1-B22	4025238-9	21	1-A22	4051495-2	69	1-C22	4060695-6	77	1-D 6
4023061-7	21	1-A22	4025258-7	21	1-A22	4051502-5	67	1-C20	4060731-9	67	1-C20
4023089-8	75	1-D 4	4025259-5	21	1-A22	4051833-4	65	1-C18	4060745-9	63	1-C16
4023090-6	75	1-D 4	4025385-8	25	1-B 2	4052156-9	67	1-C20	4060745-9	67	1-C20
4023091-4	55	1-C 8	4025385-8	71	1-C24	4052538-8	69	1-C22	4060745-9	69	1-C22
4023092-2	75	1-D 4	4025392-4	21	1-A22	4052540-4	63	1-C16	4060859-8	71	1-C24
4023200-1	63	1-C16	4025441-9	47	1-B24	4052540-4	65	1-C18	4060859-8	73	1-D 2
4023200-1	65	1-C18	4025461-7	37	1-B14	4052915-8	67	1-C20	4061128-7	67	1-C20
4023236-5	45	1-B22	4025491-4	25	1-B 2	4052917-4	67	1-C20	4061522-1	21	1-A22
4023312-4	47	1-B24	4025710-7	53	1-C 6	4053035-4	77	1-D 6	4061522-1	23	1-A24
4023378-5	25	1-B 2	4026382-4	21	1-A22	4053036-2	77	1-D 6	4061522-1	31	1-B 8
4023379-3	25	1-B 2	4026460-8	35	1-B12	4053037-0	77	1-D 6	4061569-2	69	1-C22
4023380-1	25	1-B 2	4026514-2	39	1-B16	4053266-5	67	1-C20	4061581-7	65	1-C18
4023384-3	25	1-B 2	4026549-8	23	1-A24	4053267-3	67	1-C20	4061587-4	69	1-C22

CYLINDER BLOCK



650 SERIES TRACTORS
ENGINES

CYLINDER BLOCK

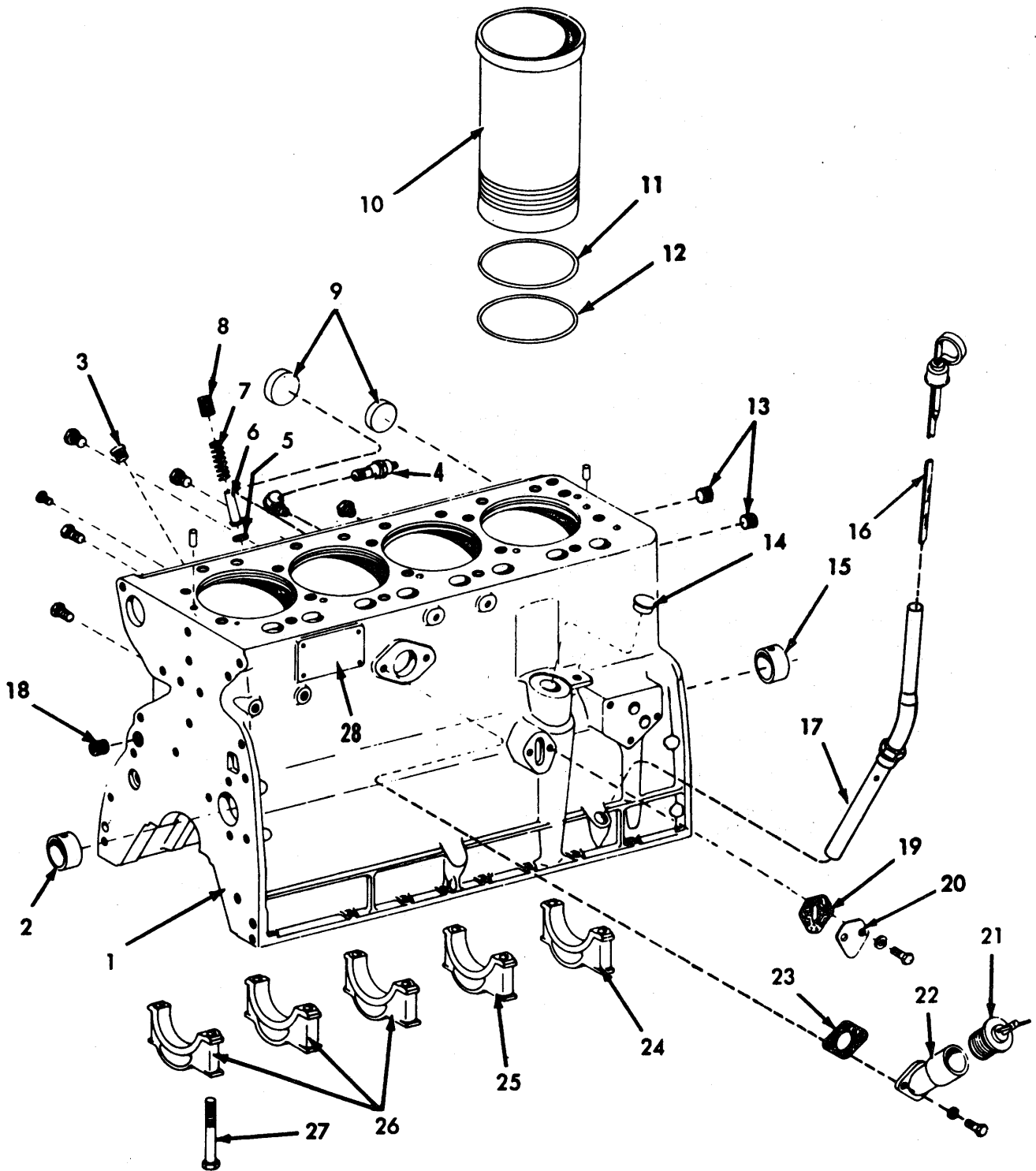
ITEM	NUMBER	QTY.	DESCRIPTION
1	4023061-7	1	BLOCK ASY., cyl. (Incl. Items 2, 3, 5, 9, 13 thru 15, 18, 24 thru 28 & HARDWARE below) (Use 4008858)
	4008321-4	1	BLOCK ASY., cyl. (Incl. Items 2 thru 5, 9, 13 thru 15, 18, 24 thru 28 & HARDWARE below) (Use 4008858)
	0919134-7	2	PLUG, pipe, 1/8
	0917970-6	1	PLUG, pipe, 1/2
	0919840-9	1	PLUG, pipe, 1/4
	0918850-9	1	PLUG, pipe, 1/4
	0912415-7	1	COCK, drain, 1/4
	0917547-2	2	PIN, dowel, 3/8 x 3/4
	0915399-0	1	ELBOW, 90°, 1/8
2	4025025-0	1	BEARING, camshaft, front (Std.)
	4025259-5	1	BEARING, camshaft, front (.010" u/s)
3	4362338-8	1PL	G, oil level gauge hole
4	4021445-4	1	SWITCH, oil pressure
5	4507673-4	1	INSERT, oil pressure relief valve
6	4507374-9	1	PISTON, relief valve
7	4500231-8	1	SPRING, relief valve
8	4022129-3	1	SCREW, regulating valve
9	4255107-7	2	PLUG, pipe
10	4061522-1	4	SLEEVE, cylinder
11	4020537-9	*	SHIM, cylinder sleeve (.005" thick) (See NOTE*)
	4020538-7	*	SHIM, cylinder sleeve (.010" thick) (See NOTE*)
	4020539-5	*	SHIM, cylinder sleeve (.015" thick) (See NOTE*)
	4020540-3	*	SHIM, cylinder sleeve (.020" thick) (See NOTE*)
12	4020032-1	4	O-RING, cyl. sleeve (lower) (Prior S/N 2D-65738)
	4023827-1	4	O-RING, cyl. sleeve (lower) (Eff. S/N 2D-65738 & Up)
13	4255492-3	2	PLUG, pipe
14	4254452-8	1	PLUG, expansion (For diesel only)
15	4025238-9	2	BEARING, camshaft, center & rear (Std.)
	4025258-7	2	BEARING, camshaft, center & rear (.010" u/s)
16	4021612-9	1	GAUGE, oil level
17	4021616-0	1	ADAPTER ASY., oil level gauge
18	4025392-4	1	PLUG, 1/2 pipe, 1/16 hole
19	4025019-3	1	GASKET, cover plate (See NOTE**)
20	4026382-4	1	PLATE, fuel pump hole cover (See NOTE**)
	0921332-3	2	CAPSCREW, 5/16NC x 3/4, Gr. 5
	0917356-8	2	LOCKWASHER, 5/16
21	4021711-9	1	PLUG, oil filter

*NOTE: Use as required when remachining cylinder block.

**NOTE: These parts, Items 19 & 20, & HARDWARE not required when tractor is equipped with fuel pump.

Continued

CYLINDER BLOCK
(CONTINUED)



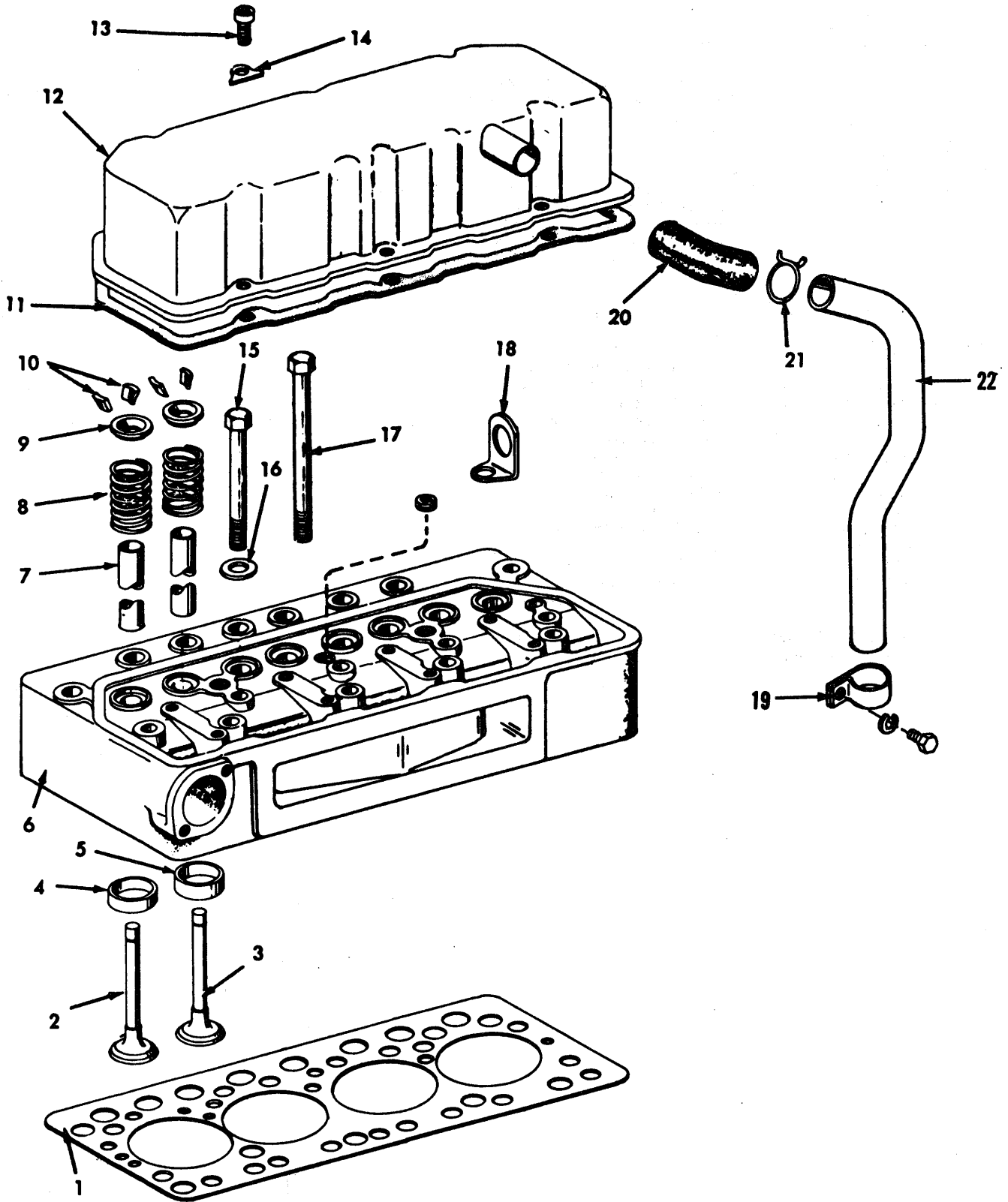
650 SERIES TRACTORS
ENGINES

CYLINDER BLOCK
(CONTINUED)

ITEM	NUMBER	QTY.	DESCRIPTION
22	4021498-3	1	ELBOW, oil filter
	0920415-7	2	CAPSCREW, 3/8NC x 1-1/4
	0916965-7	2	LOCKWASHER, 5/16
	0922464-3	2	WASHER
23	4025021-9	1	GASKET, elbow
24	4023889-1	1	CAP, main bearing, rear (See NOTE*)
25	4007781-0	1	CAP, main bearing, intermediate (See NOTE*)
26	4023887-5	3	CAP, main bearing, front, intermediate & center (See NOTE*)
27	4020135-2	10	CAPSCREW, main bearing cap
28	-----	1	PLATE, name (Not serviced)
	0904516-2	4	PIN, drive
-	4023031-0	1	ENGINE ASY., replacement, diesel (NOTE: Replacement engines do not include fans, generator, start- ing motor, air cleaner, clutch, carburetor, carburetor linkage, engine supports, crankshaft pulley, or flywheel.)
-	4007528-5	-	BLOCK, short
-	4061522-1	-	SLEEVE KIT (Incl. Items 10 & 12)
-	4023788-5	-	GASKET KIT, intermediate (Diesel) (Incls. the following:)
	0226012-3	1	GASKET, drain plug
	0923816-3	1	O-RING, injection pump adapter
	0923817-1	1	O-RING, hydraulic pump drive
	0923822-1	1	O-RING, water pump mtg.
	0923684-5	1	O-RING, water pump volute
	4020016-4	1	O-RING, rear plate
	4020098-2	1	GASKET, plate to block
	4023567-3	1	GASKET, gear cover
	4020104-8	1	GASKET, inspection plate
	4020879-5	1	O-RING, rear plate
	4025019-3	1	GASKET, fuel pump cover
	4025021-9	1	GASKET, filler elbow
	4025106-8	1	GASKET, water inlet pipe
	4025120-9	1	GASKET, filter base
	4026549-8	2	GASKET, hydraulic pump cover

*NOTE: Replacement bearing caps are semi-finished and must be
line-bored after installing.

CYLINDER HEAD



650 SERIES TRACTORS
ENGINES

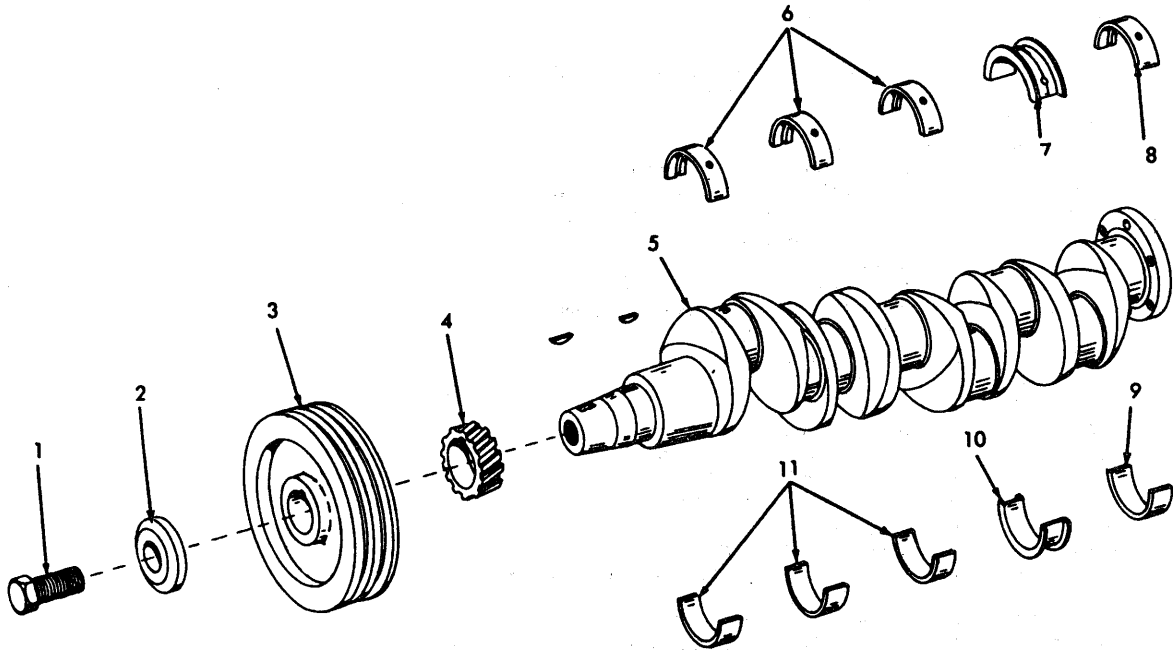
25

CYLINDER HEAD

ITEM	NUMBER	QTY.	DESCRIPTION
1	4022897-5	1	GASKET, cylinder head
2	4023378-5	4	VALVE, intake
3	4023379-3	4	VALVE, exhaust
4	4020147-7	*	INSERT, intake valve (1.6105" to 1.6115" O.D.) (See *NOTE)
5	4023380-1	*	INSERT, exhaust valve (1.4825" to 1.4835" O.D.) (See *NOTE)
	4023384-3	*	INSERT, exhaust valve (1.4875" to 1.4885" O.D.) (See *NOTE)
6	4008088-9	1	HEAD ASY., cylinder (Incl. Items 4, 5, 7 & PLUGS) (w/ 4-4007224 & 4-4024011)
	0918851-7	3	PLUG, pipe, 3/4NPTF
7	4022595-5	8	GUIDE, valve, intake & exhaust
8	4035186-8	8	SPRING, valve, intake & exhaust
9	4020408-3	8	RETAINER, spring, intake & exhaust valve
10	4376497-6	16	LOCK, half, valve spring retainer
11	4008073-1	1	GASKET, cylinder head cover
12	4022080-8	1	COVER, cylinder head
13	4153776-2	6	CAPSCREW, cover, cylinder head
14	4025491-4	6	WASHER, capscrew, cylinder head cover
15	4035388-0	15	CAPSCREW, cylinder head (short)
16	4025165-4	4	WASHER, capscrew
17	4035389-8	4	CAPSCREW, cylinder head (long)
18	4023913-9	2	EYE, lifting
19	0929981-9	1	BRACKET, trail tube
	0923325-5	1	CAPSCREW, 5/16NC x7/8
	0917356-8	1	LOCKWASHER, 5/16
20	4024090-5	1	ELBOW, trailer tube (Use w/ 1 of 921911)
21	0929982-7	1	CLAMP, elbow
22	0247288-4	1	TUBE, breather trailer
-	4009142-3	-	GASKET KIT, cylinder head (Diesel) (Incls. the following:)
	4020090-9	2	GASKET, exhaust manifold
	4008073-1	1	GASKET, cylinder head cover
	4020309-3	1	GASKET, thermostat hsg.
	4021339-9	1	GASKET, intake manifold
	4022897-5	1	GASKET, cylinder
	4025101-9	2	GASKET, outlet flange
	4025150-6	4	GASKET, injection nozzle
	4025385-8	8	SHIELD, dust

*NOTE: Intake and exhaust valve seat inserts are not original equipment; requires machining of cylinder head. Use as required.

CRANKSHAFT

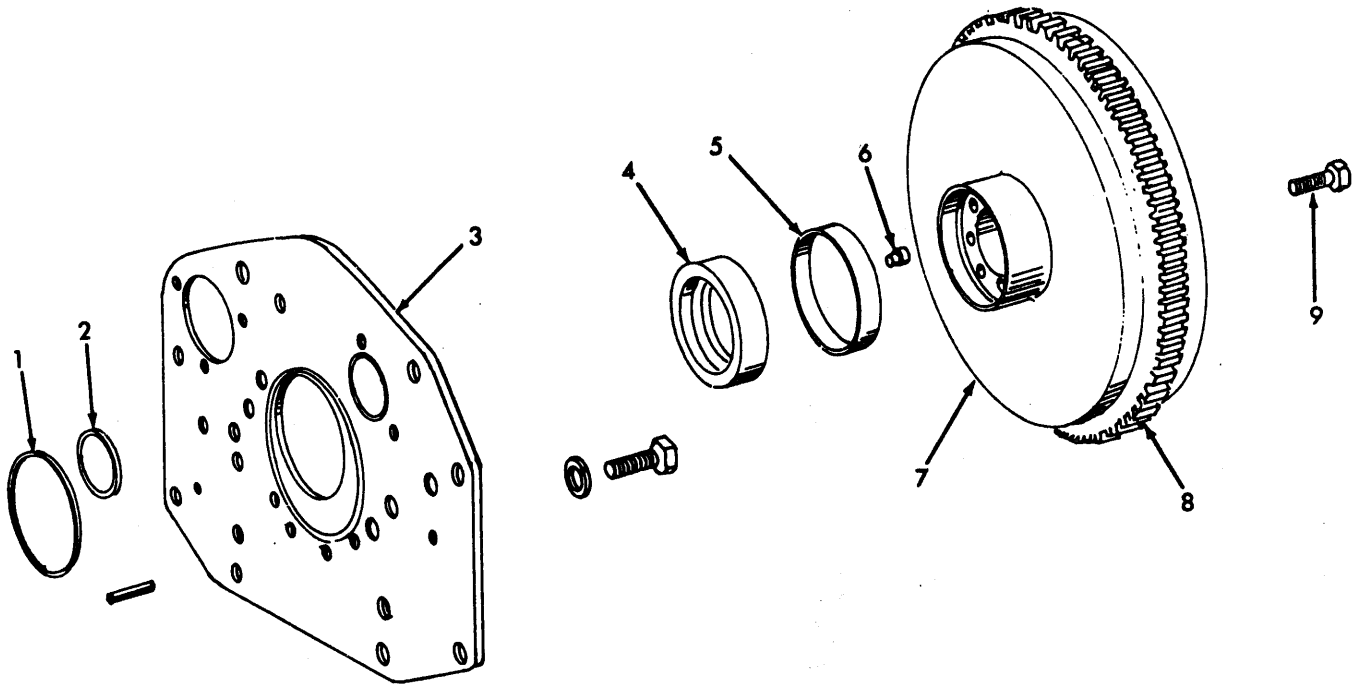


650 SERIES TRACTORS
ENGINES

CRANKSHAFT

ITEM	NUMBER	QTY.	DESCRIPTION
1	4021525-3	1	CAPSCREW
2	4020149-3	1	WASHER, capscrow
3	4020246-7	1	PULLEY
	0905845-4	1	KEY, woodruff, 1/4 x 7/8
4	4022228-3	1	GEAR, crankshaft
	0905845-4	1	KEY, woodruff, 1/4 x 7/8
5	4022285-3	1	CRANKSHAFT
6	4022083-2	3	BEARING, front, intermediate, upper (Std.)
	4022094-9	3	BEARING, front, intermediate, upper (.002")
	4022095-6	3	BEARING, front, intermediate, upper (.010")
	4022096-4	3	BEARING, front, intermediate, upper (.020")
	4022098-0	3	BEARING, front, intermediate, upper (.040")
	4022087-3	3	BEARING, center, upper (Std.)
	4022114-5	1	BEARING, center, upper (.002")
	4022115-2	1	BEARING, center, upper (.010")
	4022116-0	1	BEARING, center, upper (.020")
	4022118-6	1	BEARING, center, upper (.040")
8	4022085-7	1	BEARING, rear, upper (Std.)
	4022104-6	1	BEARING, rear, upper (.002")
	4022105-3	1	BEARING, rear, upper (.010")
	4022106-1	1	BEARING, rear, upper (.020")
	4022108-7	1	BEARING, rear, upper (.040")
9	4022086-5	1	BEARING, rear, lower (Std.)
	4022109-5	1	BEARING, rear, lower (.002")
	4022110-3	1	BEARING, rear, lower (.010")
	4022111-1	1	BEARING, rear, lower (.020")
	4022113-7	1	BEARING, rear, lower (.040")
10	4022088-1	1	BEARING, center, lower (Std.)
	4022119-4	1	BEARING, center, lower (.002")
	4022120-2	1	BEARING, center, lower (.010")
	4022121-0	1	BEARING, center, lower (.020")
	4022123-6	1	BEARING, center, lower (.040")
11	4022084-0	3	BEARING, front, intermediate (lower) (Std.)
	4022099-8	3	BEARING, front, intermediate (lower) (.002")
	4022100-4	3	BEARING, front, intermediate (lower) (.010")
	4022101-2	3	BEARING, front, intermediate (lower) (.020")
	4022103-8	3	BEARING, front, intermediate (lower) (.040")

FLYWHEEL & ADAPTER PLATE



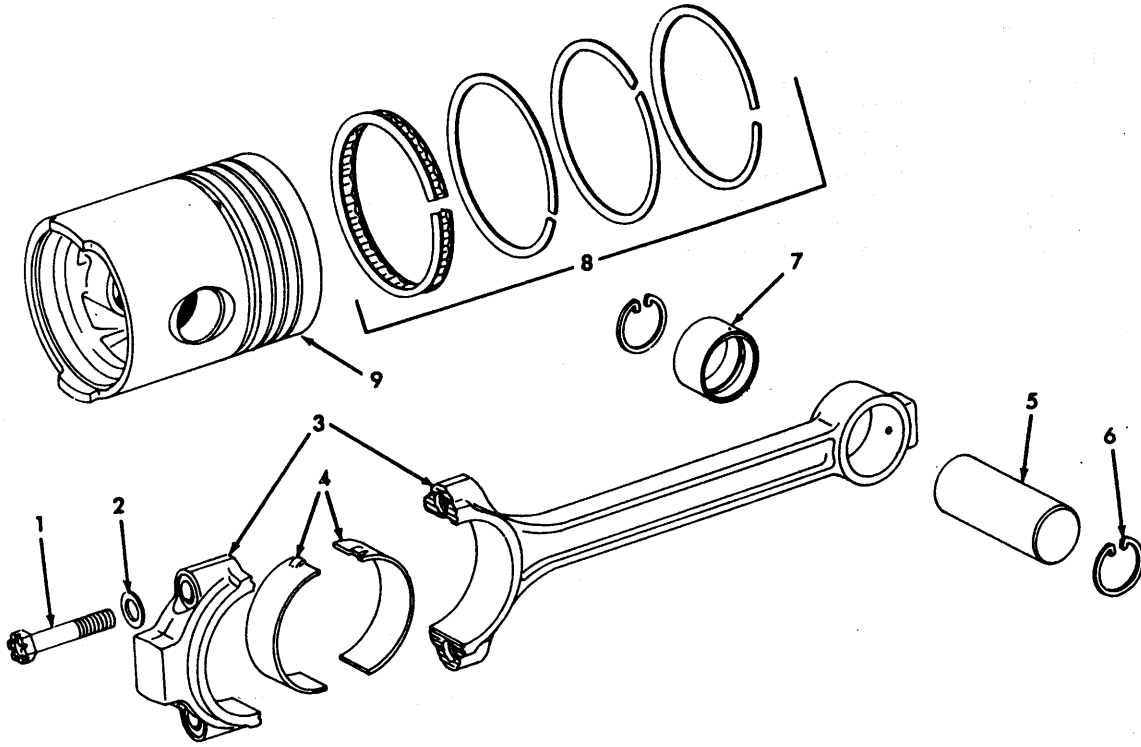
650 SERIES TRACTORS
ENGINES

29

FLYWHEEL & ADAPTER PLATE

ITEM	NUMBER	QTY.	DESCRIPTION
1	4020016-4	1	O-RING, flywheel, plate (8-1/2 I.D.)
2	4020879-5	1	O-RING, flywheel, plate (2-1/4 I.D.)
3	4021827-3	1	PLATE, adapter, flywheel
	0917021-8	2	PIN, dowel, 1/2 x 1
	0919230-3	7	CAPSCREW, 1/2NC x 1-3/8
	0916966-5	7	LOCKWASHER, 1/2
4	4024562-3	1	SEAL, oil, rear
5	4008103-6	1	SLEEVE, oil seal
6	4500300-1	2	DOWEL, flywheel
7	4021823-2	1	FLYWHEEL ASY., (Incl. Item 8)
8	4020812-6	1	RING, gear
9	4254594-7	4	CAPSCREW, flywheel
-	4023788-5	-	GASKETKIT (Incl. Items 1 & 2)

PISTON & CONNECTING ROD



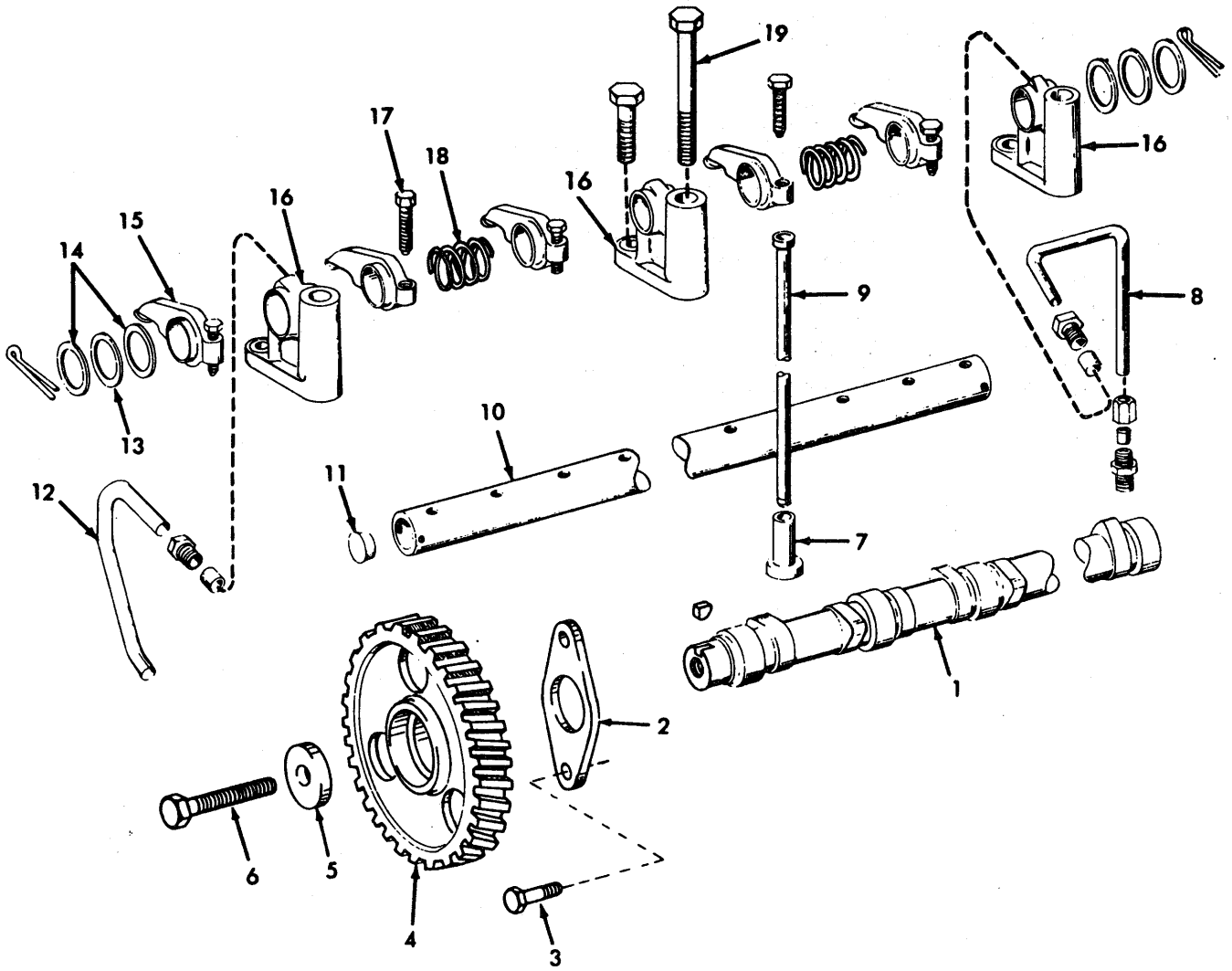
650 SERIES TRACTORS
ENGINES

31

PISTON & CONNECTING ROD

ITEM	NUMBER	QTY.	DESCRIPTION
1	4020142-8	8	CAPSCREW, connecting rod
2	4020145-1	8	WASHER, flat, capscrow
3	4007975-8	4	ROD ASY., connecting (Incl. Items 1, 2, & 7)
4	4024463-4	8	BEARING, connecting rod (Std.)
	4022089-9	8	BEARING, connecting rod (.002")
	4007740-6	8	BEARING, connecting rod (.010")
	4024534-2	8	BEARING, connecting rod (.020")
	4024535-9	8	BEARING, connecting rod (.030")
	4024536-7	8	BEARING, connecting rod (.040")
5	4023970-9	4	PIN, piston
6	4253059-2	8	RETAINER, piston pin
7	4020049-5	4	BUSHING, connecting rod
8	4062157-5	4	RING SET, piston (Incl. 1 TOP RING; 2 RINGS 2nd & 3rd; & one 3-piece OIL CONTROL RING)
9	4023926-1	4	PISTON
-	4062355-5	-	PISTON KIT
-	4061522-1	-	SLEEVE KIT, cylinder (Incl. Piston for 1 cylinder) (Diesel) (Incls. the following:)
	4023827-1	2	O-RING, sleeve
	4023970-9	1	PIN, piston
	4062157-5	1	RING SET, piston
	4023926-1	1	PISTON
	4023811-5	1	SLEEVE, cylinder (Use KIT 4061522)
	4253059-2	2	RETAINER, piston pin

VALVE OPERATING MECHANISM

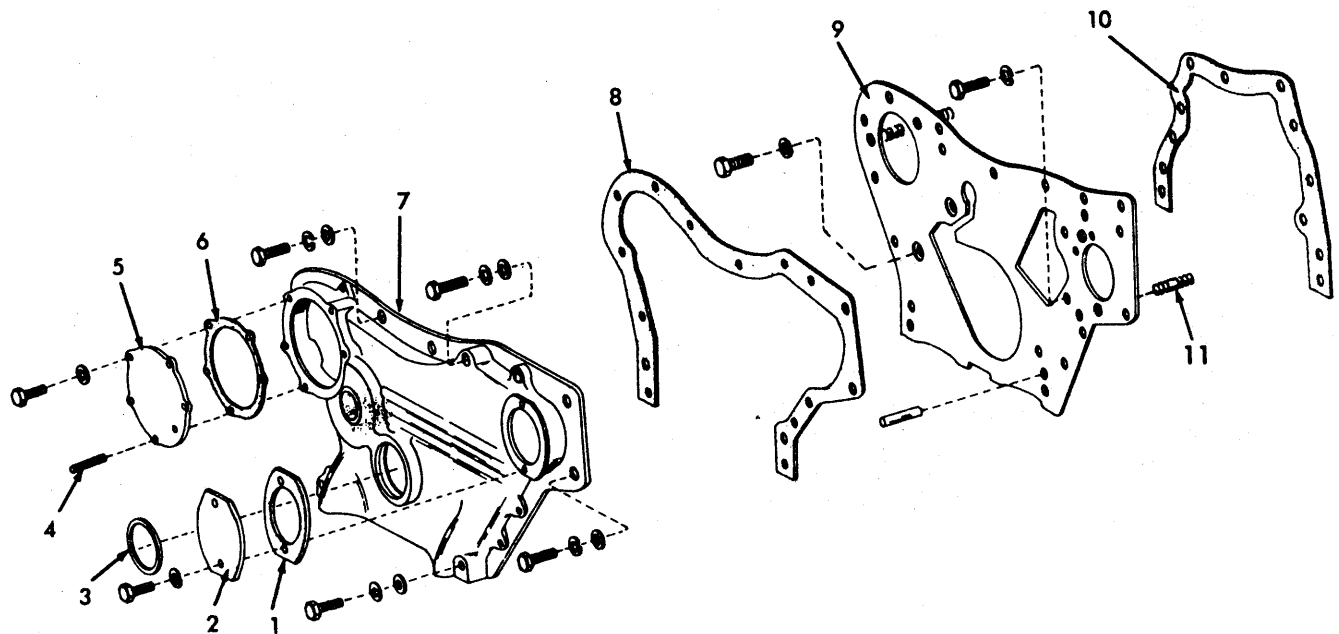


650 SERIES TRACTORS
ENGINES

VALVE OPERATING MECHANISM

ITEM	NUMBER	QTY.	DESCRIPTION
1	4022458-6	1	CAMSHAFT KIT
2	4021454-6	1	PLATE, thrust
3	4254864-4	2	BOLT, place
4	4022292-9	1	GEAR, camshaft
	4022430-5	1	KEY
5	4022339-8	1	WASHER
6	0925821-1	1	CAPSCREW, 7/16 x 4
7	4026699-1	8	LIFTER, valve
8	4020683-1	1	TUBE, oil feed
	0911435-6	2	SLEEVE, 1/4
	0913536-9	1	NUT, inverted flared, 1/4
	0914626-7	1	CONNECTOR, male, 1/4 x 1/8
	0911437-2	1	NUT, inverted flared, 1/4
9	4020185-7	8	ROD, push
10	4009187-8	1	SHAFT, rocker arm
	0925719-7	2	PIN, cotter, 1/8 x 1-3/8
11	0212004-6	2	PLUG, shaft, rocker arm
12	4008354-5	1	TUBE, oil drain
	0913536-9	1	NUT, inverted flared, 1/4
	0911435-6	1	SLEEVE, 1/4
13	4025193-6	2	WASHER, spring (end)
14	4025194-4	4	WASHER, spacer (end)
15	4025188-6	8	ARM ASY., rocker (Incl. Item 17)
16	4020143-6	4	BRACKET, rocker arm (end)
	0921967-6	4	CAPSCREW, 3/8NC x 1-1/8
	0916965-7	4	LOCKWASHER, 3/8
17	4513206-5	8	SCREW, adjusting, rocker arm
18	4025191-0	3	SPRING, rocker arm, spacing
19	-----	4	CAPSCREW, bracket (Refer to CYLINDER HEAD group)

TIMING GEAR COVER



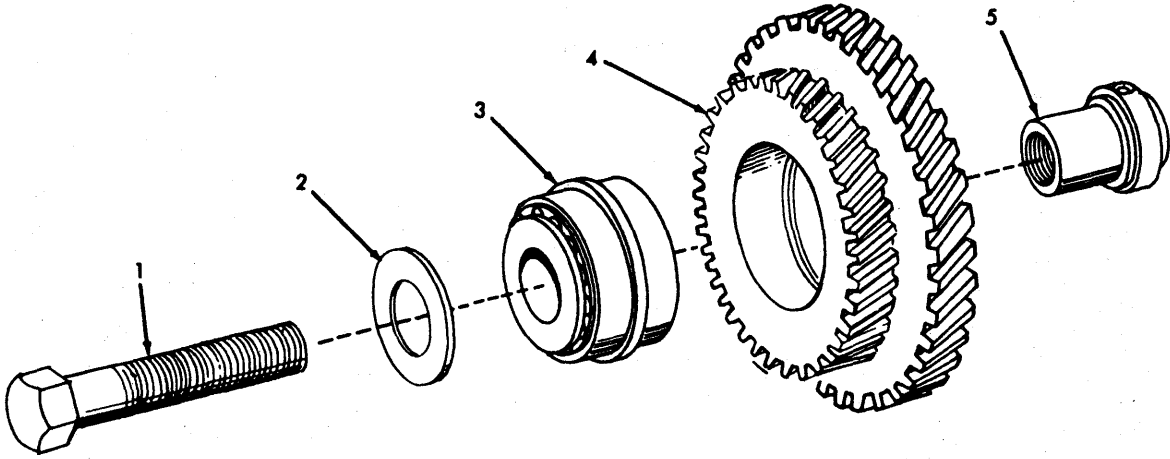
650 SERIES TRACTORS
ENGINES

35

TIMING GEAR COVER

ITEM	NUMBER	QTY.	DESCRIPTION
1	4026549-8	1	GASKET, hydraulic pump cover
2	4025079-7	1	COVER, plate, hydraulic pump
	0921210-1	1	CAPSCREW, 3/8NC x 1
	0921965-0	1	CAPSCREW, 3/8NC x 3/4
	0916965-7	2	LOCKWASHER, 3/8
3	4024561-5	1	SEAL, oil front
4	4020698-9	1	STUD, inspection plate (Also mounts idler pulley bracket)
5	4023857-8	1	PLATE, front inspection
	0915813-0	4	CAPSCREW, 5/16NC x 3/4
	0917356-8	4	LOCKWASHER, 5/16
	0921966-8	1	CAPSCREW, 3/8NC x 7/8, Gr. 5
6	4023859-4	1	GASKET, inspection plate
7	4023858-6	1	COVER, gear
	0922918-8	2	CAPSCREW, 3/8NC x 3-1/4
	0927111-5	1	CAPSCREW, 3/8NC x 2-1/2
	0919225-3	2	CAPSCREW, 3/8NC x 1-3/8
	0921967-6	4	CAPSCREW, 3/8NC x 1-1/8
	0921210-1	3	CAPSCREW, 3/8NC x 1
	0916956-6	3	WASHER, plain, 13/32 x 3/4 x No. 16
	0916965-7	12	LOCKWASHER, 3/8
	0226408-3	1	PLUG
	0226012-3	1	GASKET
	4330051-6	1	STUD
	0921971-8	1	CAPSCREW
8	4023567-3	1	GASKET, gear cover
9	4021324-1	1	PLATE ASY., front
	0921966-8	3	CAPSCREW, 3/8NC x 7/8
	0921967-6	2	CAPSCREW, 3/8NC x 1-1/8
	0916965-7	5	LOCKWASHER, 3/8
	0917535-7	1	DOWEL, 1/2 x 1-1/4
10	4020098-2	1	GASKET, plate to block
11	4026460-8	5	STUD
-	4023788-5	-	GASKET KIT (Incl. Items 1, 6, 8 & 10)

IDLER GEAR ASY.



650 SERIES TRACTORS
ENGINES

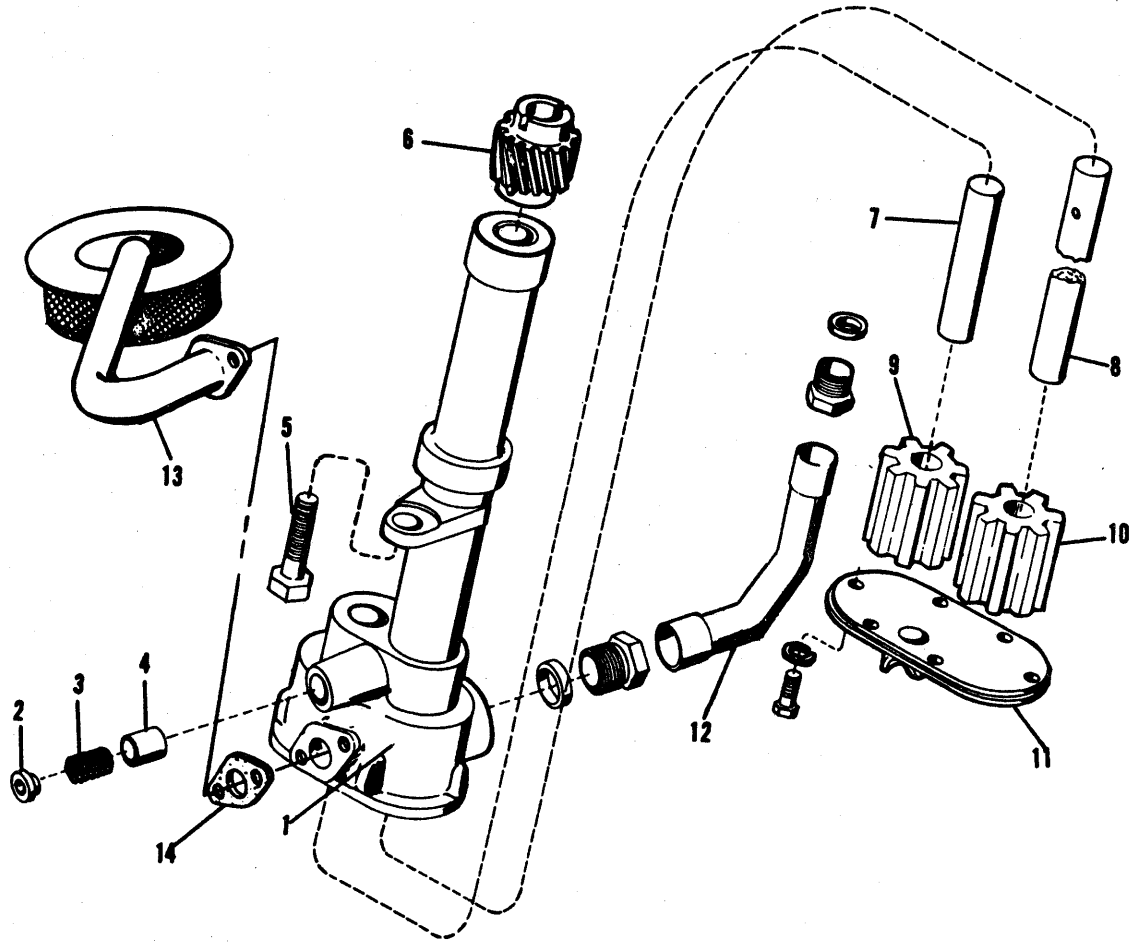
37

IDLER GEAR ASY.

ITEM	NUMBER	QTY.	DESCRIPTION
1	0924746-1	1	CAPSCREW, retaining, idler gear, 1/2NC x 3-1/2, Gr. 8
2	4025461-7	1	WASHER, idler gear capscrow
3	4025082-1	1	BEARING ASY., idler gear
4	4022230-9	1	GEAR ASY., idler
5	4007230-8	1	SHAFT, idler gear

650 SERIES TRACTORS
ENGINES

OIL PUMP



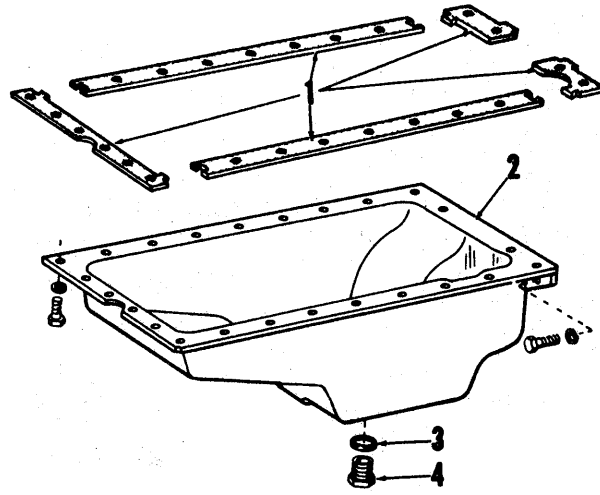
650 SERIES TRACTORS
ENGINES

OIL PUMP

ITEM	NUMBER	QTY.	DESCRIPTION
—	4022581-5	1	PUMP ASY., oil (Incl. Items 1 thru 4, & 6 thru 11)
1	-----	1	BODY, oil pump (Not serviced)
2	4022736-5	1	RETAINER, spring, relief valve
3	4022597-1	1	SPRING, relief valve
4	0232431-7	1	PISTON, relief valve
5	4255364-4	1	BOLT, oil pump
6	4026514-2	1	GEAR, pump drive
7	4020059-4	1	SHAFT, idler gear
8	4020063-6	1	SHAFT, oil pump drive
9	4020061-0	1	GEAR, idler
10	4020064-4	1	GEAR, driver
11	4022582-3	1	COVER, oil pump body
	0923341-2	6	CAPSCREW, 1/4NC x 3/4, Gr. 5
	0916964-0	6	LOCKWASHER, 1/4
12	4020056-0	1	TUBE, oil discharge
	0921331-5	2	NUT, 3/4NC
13	4022744-9	1	TUBE ASY., suction
	0923341-2	2	CAPSCREW, 1/4NC x 3/4, Gr. 5
	0916964-0	2	LOCKWASHER, 1/4
14	4022593-0	1	GASKET

650 SERIES TRACTORS
ENGINES

OIL PAN

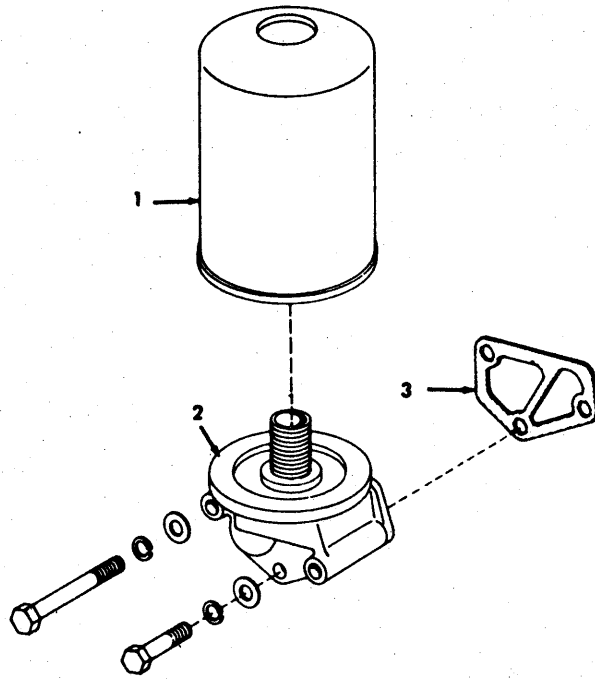


650 SERIES TRACTORS
ENGINES

OIL PAN

ITEM	NUMBER	QTY.	DESCRIPTION
1	4021021-3	1	GASKET SET, oil pan
2	4020231-9	1	OIL PAN
	0915813-0	18	CAPSCREW, 5/16NC x 7/8, Gr. 5
	0921332-3	4	CAPSCREW, 5/16NC x 3/4, Gr. 5
	0921333-1	6	CAPSCREW, 5/16NC x 1
	0917356-8	22	LOCKWASHER, 5/16
3	0226012-3	1	GASKET, drain plug
4	0226408-3	1	PLUG, drain
-	4023788-5	-	GASKET KIT (Incl. Item 3)

OIL FILTER



650 SERIES TRACTORS
ENGINES

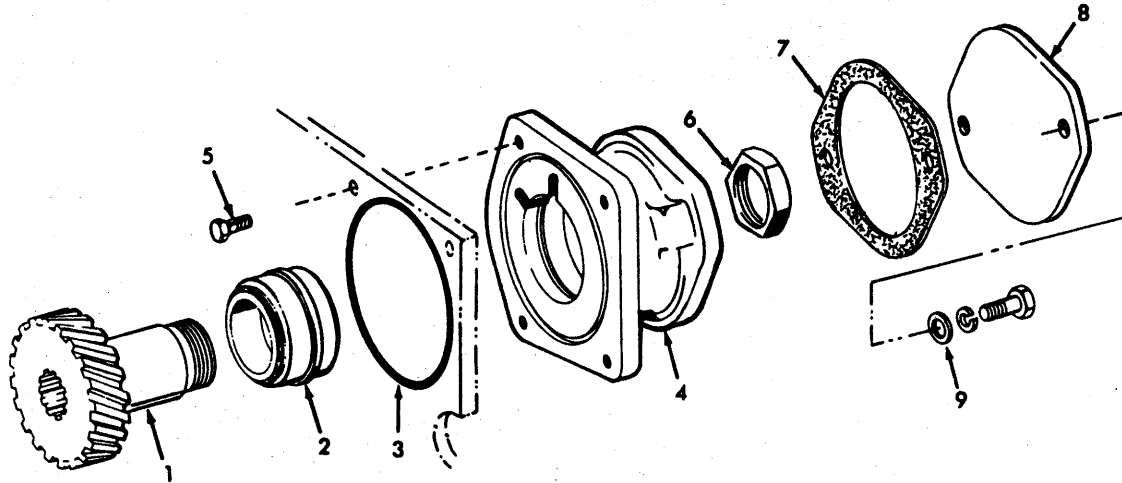
43

OIL FILTER

ITEM	NUMBER	QTY.	DESCRIPTION
1	4027979-6	1	FILTER, lube oil
	-----	1	DECAL, instructions, service
2	4025119-1	1	BASE, oil filter
	4513414-5	1	NIPPLE
	0924891-5	2	CAPSCREW, 7/16NC x3-1/4, Gr. 5
	0920677-2	1	CAPSCREW, 7/16NC x1-1/4, Gr. 5
	0918199-1	3	LOCKWASHER, 7/16
	0914498-1	3	WASHER, plain, 15/32 x3/4 x No. 20
3	4025120-9	1	GASKET, base
-	4023788-5	-	GASKETKIT (Incl. Item3)

650 SERIES TRACTORS
ENGINES

HYDRAULIC HOUSING & GEAR



650 SERIES TRACTORS
ENGINES

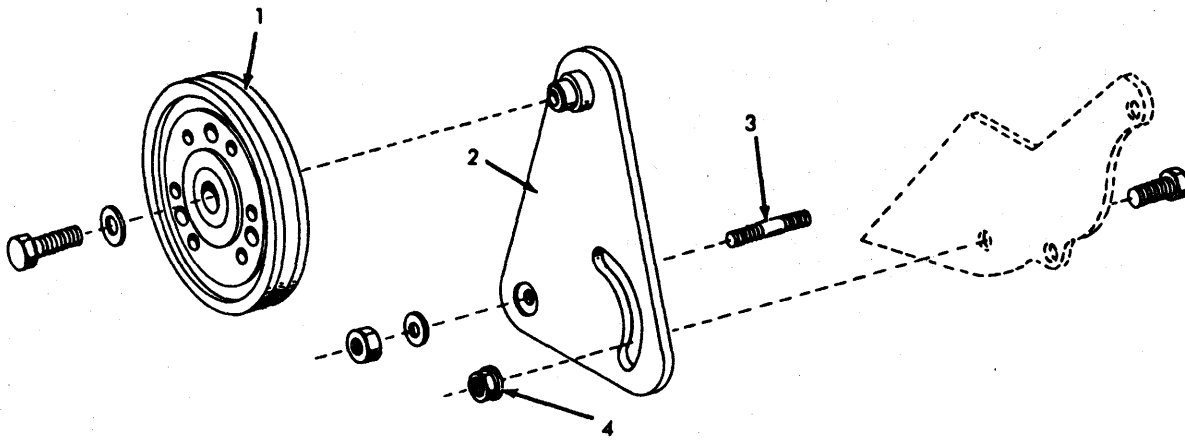
45

HYDRAULIC HOUSING & GEAR

ITEM	NUMBER	QTY.	DESCRIPTION
1	4022784-5	1	GEAR, hydraulic pump drive
2	4357289-0	1	BEARING SET, drive gear
3	0923817-1	1	O-RING, housing to block
4	4023236-5	1	HOUSING, hydraulic pump drive
5	0916768-5	2	CAPSCREW
	0916965-7	4	LOCKWASHER, 3/8
	0916602-6	4	NUT, 3/8NF
6	4023052-6	1	NUT, shaft, retainer (S/N 2D-41434)
7	4026549-8	1	GASKET, cover
8	4025079-7	1	COVER, hydraulic pump housing
	0921210-1	2	CAPSCREW, 3/8NC x 1, Gr. 5
	0916965-7	2	LOCKWASHER, 3/8
9	0916956-6	2	WASHER, dynaseal, 13/32 x 3/4 x No. 16
-	4023788-5	-	GASKET KIT (Incl. Items 3 & 7)

650 SERIES TRACTORS
ENGINES

IDLER PULLEY



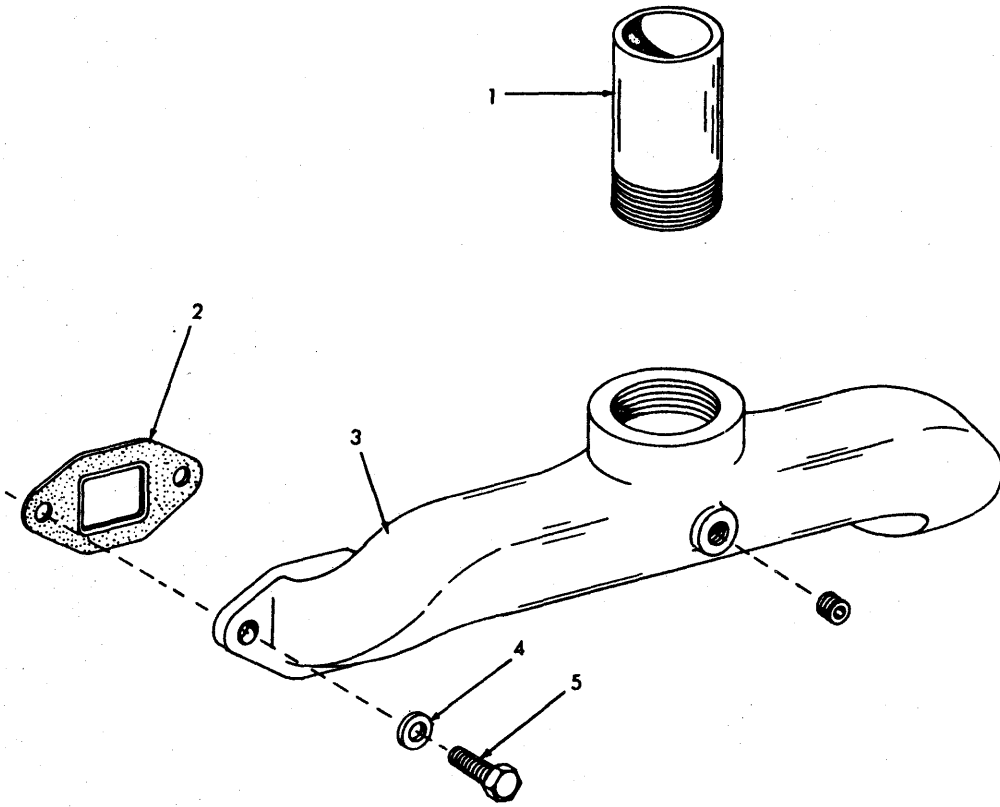
650 SERIES TRACTORS
ENGINES

IDLER PULLEY

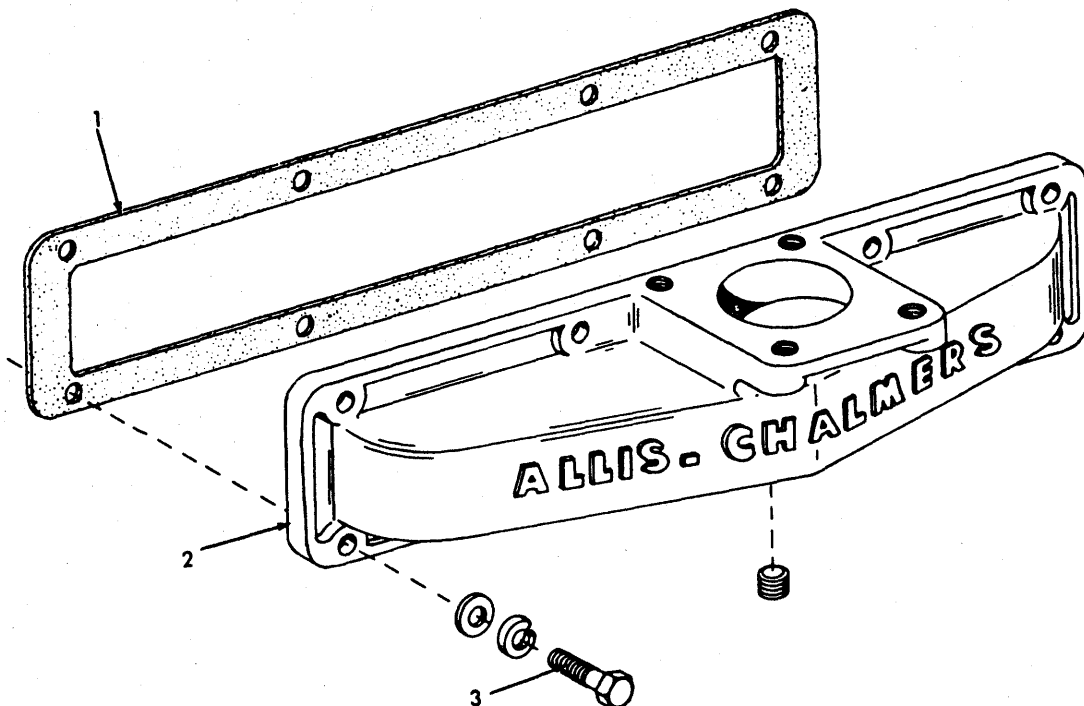
ITEM	NUMBER	QTY.	DESCRIPTION
1	4020570-0	1	PULLEY, idler
	0921967-6	1	CAPSCREW, 3/8NC x 1-1/8, Gr. 5
	0919382-2	1	WASHER, plain, 3/8 x 1 x No. 12
2	4023312-4	1	BRACKET ASY., idler pulley
3	-----	1	STUD, bracket mounting (Refer to FRONT PLATE & GEAR COVER)
	0912369-6	1	WASHER, plain, 21/64 x 5/8 x No. 20
	0906905-5	1	NUT, 5/16NF
4	4025441-9	1	NUT, whiz lock
	0921966-8	1	CAPSCREW, 3/8NC x 7/8, Gr. 5

650 SERIES TRACTORS
AIR INTAKE & EXHAUST

EXHAUST MANIFOLD



INTAKE MANIFOLD



650 SERIES TRACTORS
AIR INTAKE & EXHAUST

49

EXHAUST MANIFOLD

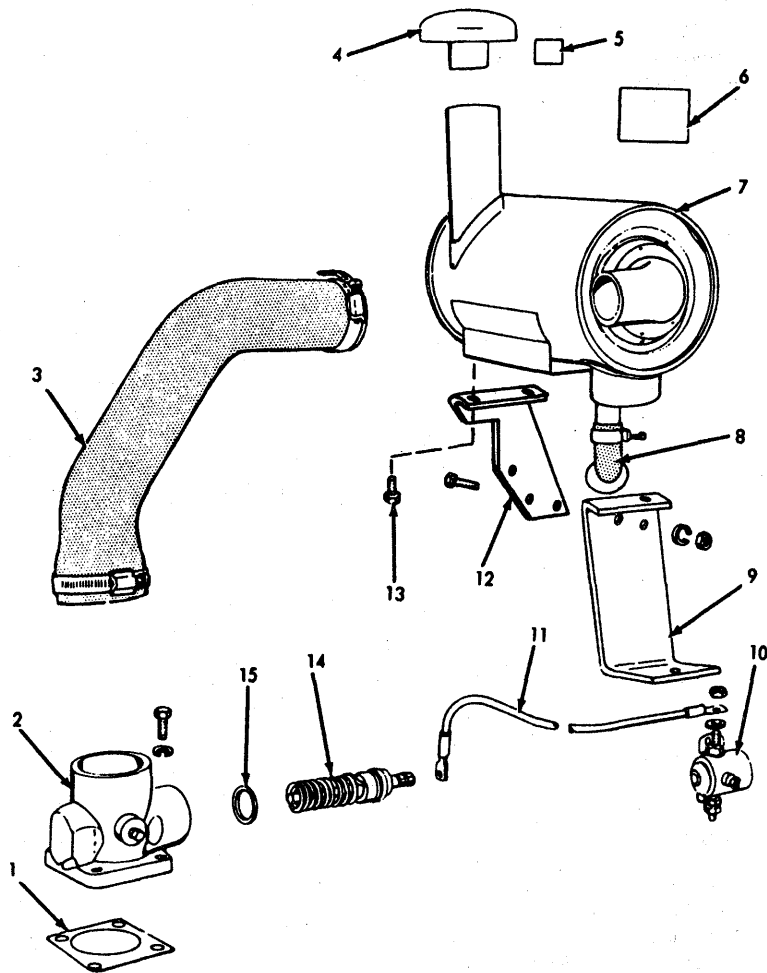
ITEM	NUMBER	QTY.	DESCRIPTION
1	4255694-4	1	NIPPLE, exhaust
2	4020090-9	2	GASKET, manifold
3	4020227-7	1	MANIFOLD, exhaust
	0917425-1	1	PLUG, pipe, 1/4
4	0914678-8	4	WASHER, manifold capscrow
5	4021803-4	4	CAPSCREWS
-	4009142-3	-	GASKET KIT (Incl. Item 2)

INTAKE MANIFOLD

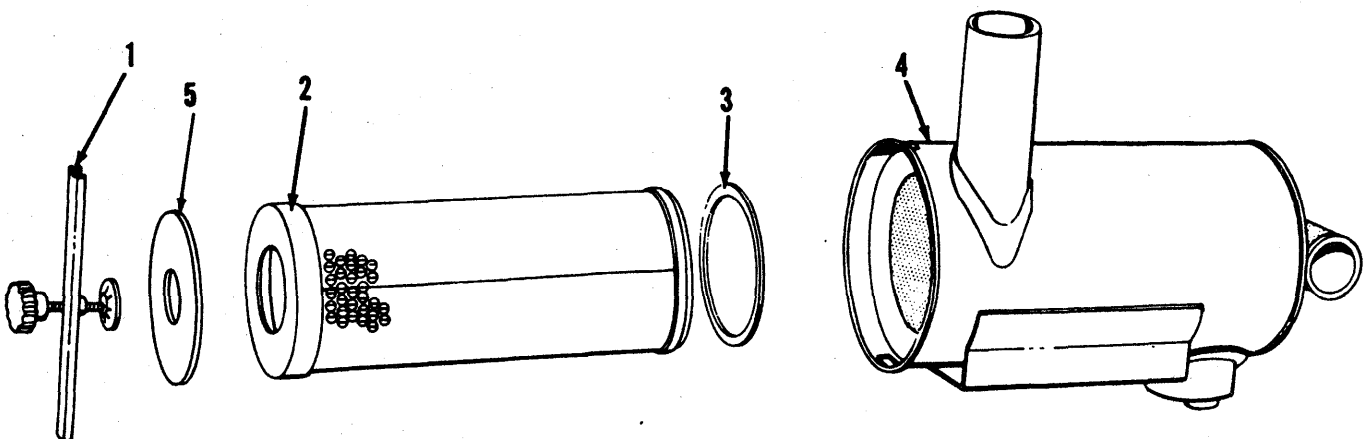
ITEM	NUMBER	QTY.	DESCRIPTION
1	4021339-9	1	GASKET, intake manifold
2	4020224-4	1	MANIFOLD, intake
	0919134-7	1	PLUG, pipe, 1/8
3	0922405-6	8	CAPSCREW, intake manifold
	0930875-0	8	WASHER
	0911987-6	8	WASHER, plain, 3/8
	0917356-8	8	LOCKWASHER, 5/16
-	4009142-3	-	GASKET KIT (Incl. Item 1)

650 SERIES TRACTORS
AIR INTAKE & EXHAUST

AIR CLEANER HOSES & AIR HEATER



AIR CLEANER



650 SERIES TRACTORS
AIR INTAKE & EXHAUST

AIR CLEANER HOSES & AIR HEATER

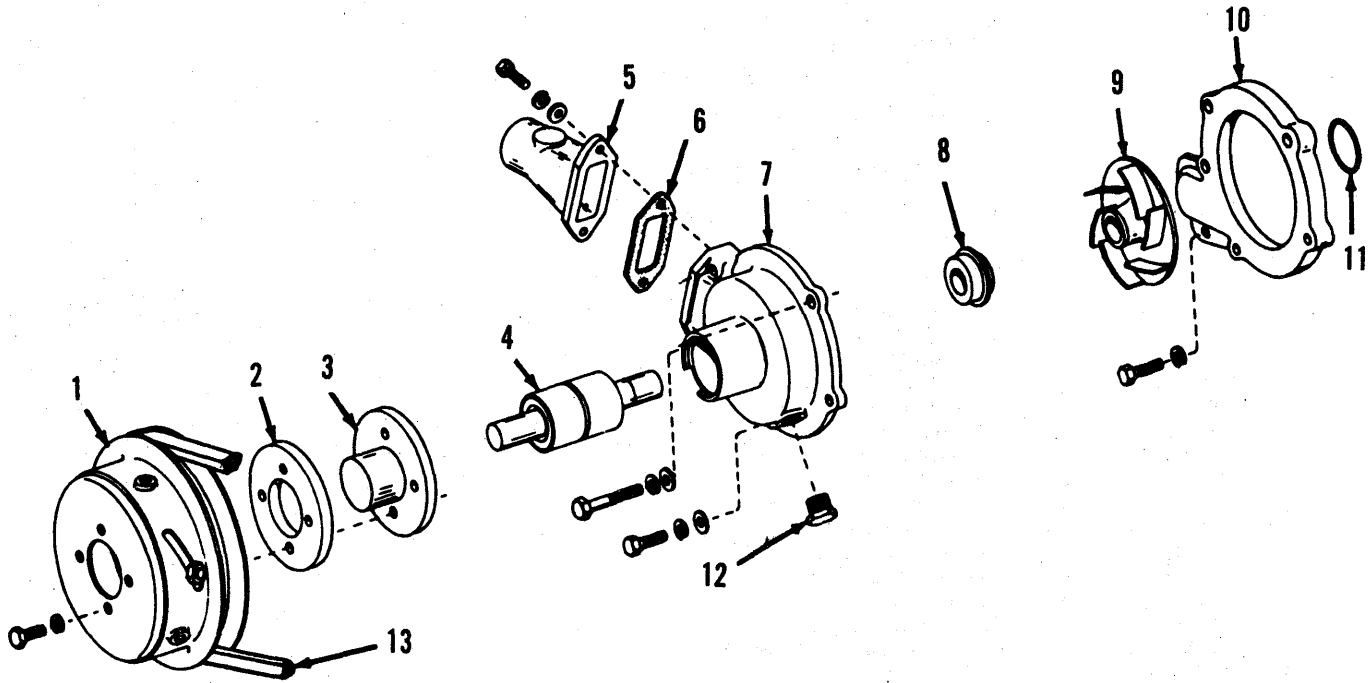
ITEM	NUMBER	QTY.	DESCRIPTION
1	0242095-8	1	GASKET, air heater to manifold
2	0248430-1	1	HOUSING, air heater
	0921333-1	4	CAPSCREW, 5/16NC x 1, Gr. 5
	0917356-8	4	LOCKWASHER, 5/16
	0901651-0	1	PLUG, pipe, 1/8
3	0245163-1	1	HOSE, air cleaner to heater housing
	0921914-8	1	CLAMP, hose (Heater) 1-5/16 to 3-1/4
	0921913-0	1	CAPSCREW, hose (Cleaner) 1-13/16 to 2-3/4
4	0226926-4	1	CAP, air cleaner
5	-----	1	DECAL, ether primer instruction (Service Instructions)
6	-----	1	DECAL, air cleaner instruction (Service Instructions)
7	-----	1	CLEANER ASY., air (Refer to AIR CLEANER group for components)
8	0235884-4	1	UNLOADER, dust
	0921911-4	1	CLAMP, hose, 11/16 to 1-1/4
9	0245839-6	1	SUPPORT, fan shaft, rear, L.H.
	0245840-4	1	SUPPORT, fan shaft, rear, R.H.
	0923114-3	2	CAPSCREW, 1/2NC x 1
	0916966-5	2	LOCKWASHER, 1/2
10	1023320-3	1	SWITCH, magnetic
	0921984-1	2	CAPSCREW, pltd., 1/4NC x 5/8
	0916964-0	2	LOCKWASHER, pltd., 1/4
	0916622-4	2	NUT, pltd., 1/4NC
11	0244881-9	1	CABLE, heater switch to element
12	1003006-2	2	SUPPORT, air cleaner
	0921967-6	4	CAPSCREW, 3/8NC x 1
	0916965-7	4	LOCKWASHER, 3/8
	0916950-9	4	NUT, 3/8NC
13	0243157-5	4	CAPSCREW, special, cleaner to support
14	4516760-8	1	ELEMENT, air heater (Incl. Item 15)
15	4024554-0	1	GASKET, element

AIR CLEANER

ITEM	NUMBER	QTY.	DESCRIPTION
-	0245860-2	1	CLEANER ASY., air (Incl. Items 2 thru 4)
1	0235448-8	1	BAR ASY., retainer
2	0237395-9	1	ELEMENT ASY., filter (Incl. Item 3)
3	0237620-0	1	GASKET, element
4	-----	1	BODY ASY., air cleaner (Serviced only in ASY.)
4	-----	1	BODY ASY., air cleaner (Serviced only in ASY.)
5	1003091-4	1	SEAL, end (Not serviced with cleaner asy.)

650 SERIES TRACTORS
COOLING SYSTEM

WATER PUMP



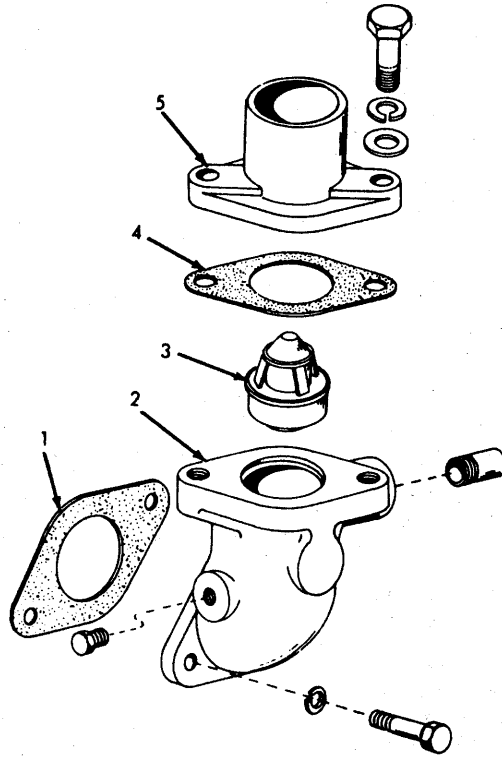
650 SERIES TRACTORS
COOLING SYSTEM

WATER PUMP

ITEM	NUMBER	QTY.	DESCRIPTION
-	4007554-1	1	PUMP ASY., water (Incl. Items 3 thru 5, 8, & 10 thru 12)
	0922130-0	2	CAPSCREW, 3/8NC x 2-1/4, Gr. 5
	0921972-6	1	CAPSCREW, 3/8NC x 2-1/2, Gr. 5
	0923701-7	1	CAPSCREW, 3/8NC x 2, Gr. 5
	0921967-6	1	CAPSCREW, 3/8NC x 1-1/8, Gr. 5
	0916965-7	5	LOCKWASHER, 3/8
1	4021186-4	1	PULLEY, water
	0927342-6	4	CAPSCREW, 3/8NF x 1-1/8, Gr. 5
	0916965-7	4	LOCKWASHER, 3/8
2	4020722-7	4	SPACER, pump pulley
3	4035849-1	1	HUB, pulley
4	-----	1	SHAFT & BEARING ASY.
5	4020260-8	1	PIPE, water inlet
	0921210-1	2	CAPSCREW, 3/8NC x 1, Gr. 5
	0916965-7	2	LOCKWASHER, 3/8
	0916956-6	2	WASHER, plain, 13/32 x 3/4 x No. 16
6	4025106-8	1	GASKET, inlet pipe
7	-----	1	BODY, water pump
8	4025710-7	1	SEAL ASY., water pump
9	4025067-2	1	IMPELLER ASY.
10	4025059-9	1	VOLUTE, water outlet housing
	0921967-6	3	CAPSCREW, 3/8NC x 1-1/8, Gr. 5
	0916965-7	3	LOCKWASHER, 3/8
11	0923684-5	1	O-RING
12	0226408-3	1	PLUG, bypass (Use w/ 1 of 226012)
13	0237048-4	1	BELT, water pump drive
-	4023788-5	-	GASKET KIT (Incl. Items 7, 9 & 14)
-	4026887-2	1	GASKET (Not illustrated)
-	4008124-2	-	REPAIR KIT, water pump (Incls. the following:)
	-----	1	SHAFT & BEARING ASY.
	0923822-1	1	O-RING, pump to volute
	4025067-2	1	IMPELLER ASY.
	4025710-7	1	SEAL ASY., water pump
	4254608-5	1	RING, snap

650 SERIES TRACTORS
COOLING SYSTEM

THERMOSTAT & HOUSING



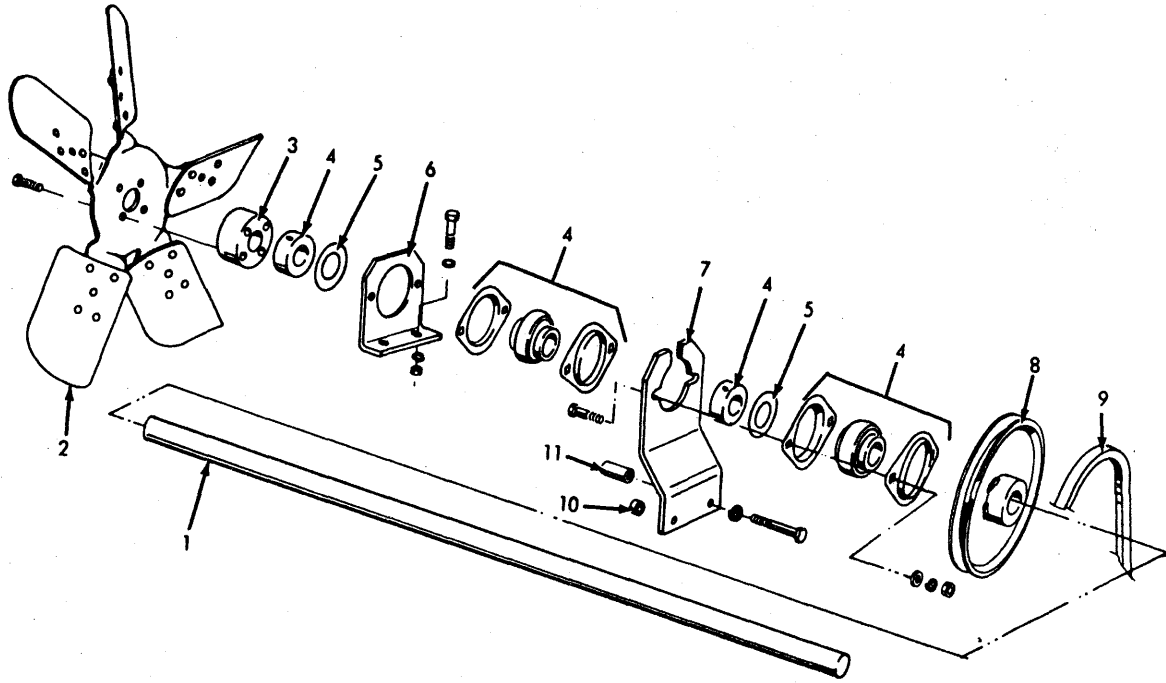
650 SERIES TRACTORS
COOLING SYSTEM

THERMOSTAT & HOUSING

ITEM	NUMBER	QTY.	DESCRIPTION
1	4025101-9	1	GASKET, housing, thermostat
2	4023091-4	1	HOUSING, thermostat
	0919228-7	2	CAPSCREW, 7/16NC x 1-1/8, Gr. 5
	0918199-1	2	LOCKWASHER, 7/16
	0921493-3	1	NIPPLE, 1/2 x 1-1/2
3	4025103-5	1	THERMOSTAT
4	4025101-9	1	GASKET, flange
5	4008129-1	1	FLANGE, water outlet
	0920677-2	2	CAPSCREW, 7/16NC x 1-1/4, Gr. 5
	0918199-1	2	LOCKWASHER, 7/16
	0914498-1	2	WASHER, plain, 15/32 x 3/4 x #20
-	4009142-3	-	GASKET KIT (Incl. Items 1 & 4)

650 SERIES TRACTORS
COOLING SYSTEM

FAN DRIVE SHAFT



650 SERIES TRACTORS
COOLING SYSTEM

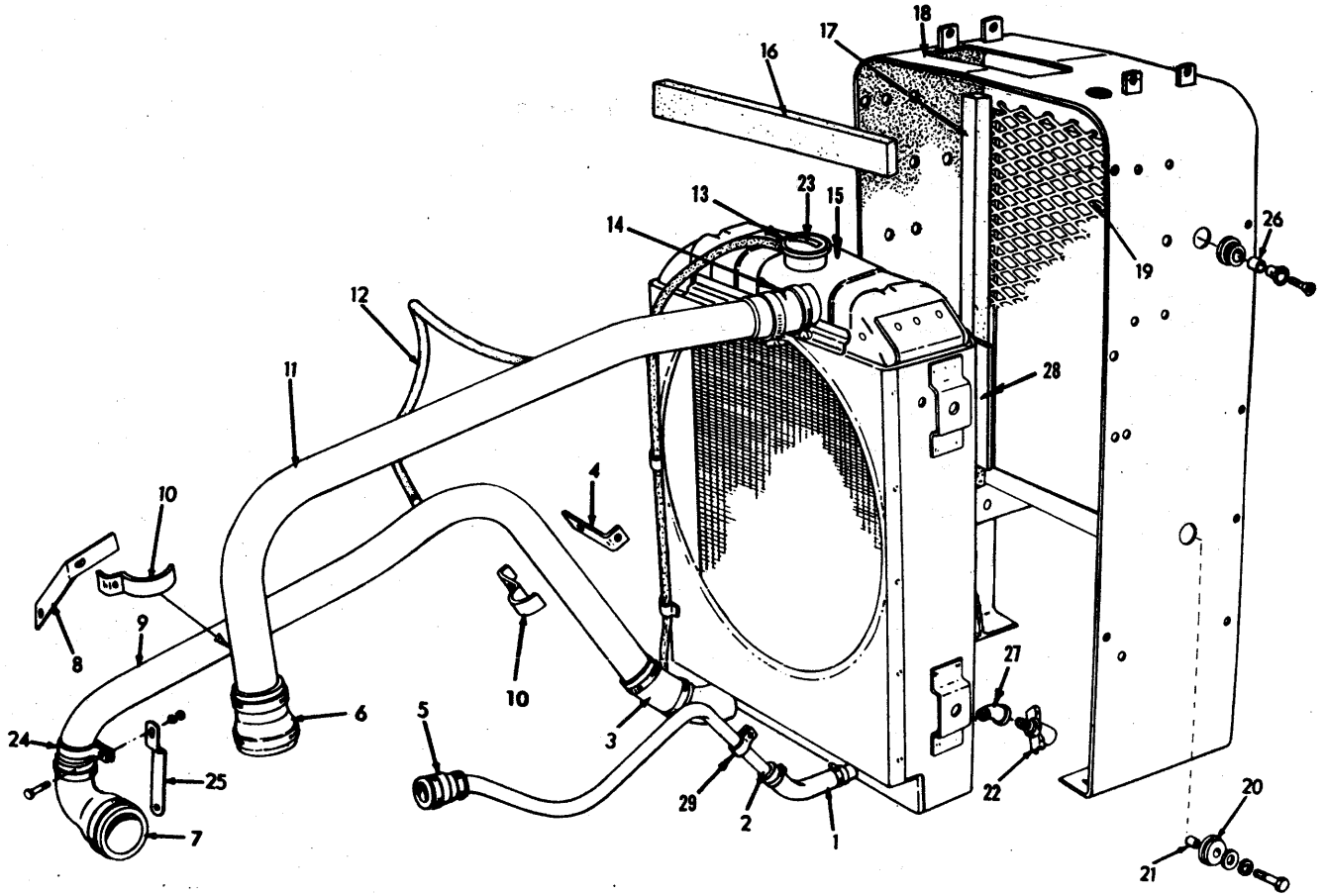
57

FAN DRIVE SHAFT

ITEM	NUMBER	QTY.	DESCRIPTION
-	0245917-0	1	SHAFT ASY., fan drive (Incl. Items 1, 3 thru 5, & 8)
1	0245115-1	1	SHAFT, fan drive
2	1013990-5	1	BLADE ASY., fan pusher
	1012505-2	1	BLADE ASY., fan
	0921332-3	4	CAPSCREW, 5/16NC x3/4
	0917356-8	4	LOCKWASHER, 5/16
3	0245117-7	1	HUB, fan
4	0245114-4	2	BEARING ASY., fan shaft (Incl. 2 FLANGES, BEARINGS, COLLAR, & SETSCREWS)
	0921333-1	4	CAPSCREW, 5/16NC x1
	0918265-0	4	WASHER, plain, 11/32 x 11/16 x 1/16
	0917356-8	4	LOCKWASHER, 5/16
	0917372-5	4	NUT, 5/16NC
5	0245748-9	2	WASHER, dust slinger
6	0245113-6	1	BRACKET, fan bearing, rear
	0921210-1	2	CAPSCREW, 3/8NC x1
	0911115-4	2	WASHER, plain, 13/32 x 13/16 x 1/16
	0916965-7	2	LOCKWASHER, 3/8
	0916950-9	2	NUT, 3/8NC
7	0245091-4	1	BRACKET, fan shaft support
8	1014246-1	1	PULLEY, fan drive
9	0245120-1	1	BELT, alternator & fan drive
10	4021016-3	1	SPACER, bracket
11	4021015-5	1	SPACER, bracket
-	0289157-0	-	FAN KIT, pusher

650 SERIES TRACTORS
COOLING SYSTEM

RADIATOR, HOSES & SUPPORT



650 SERIES TRACTORS
COOLING SYSTEM

59

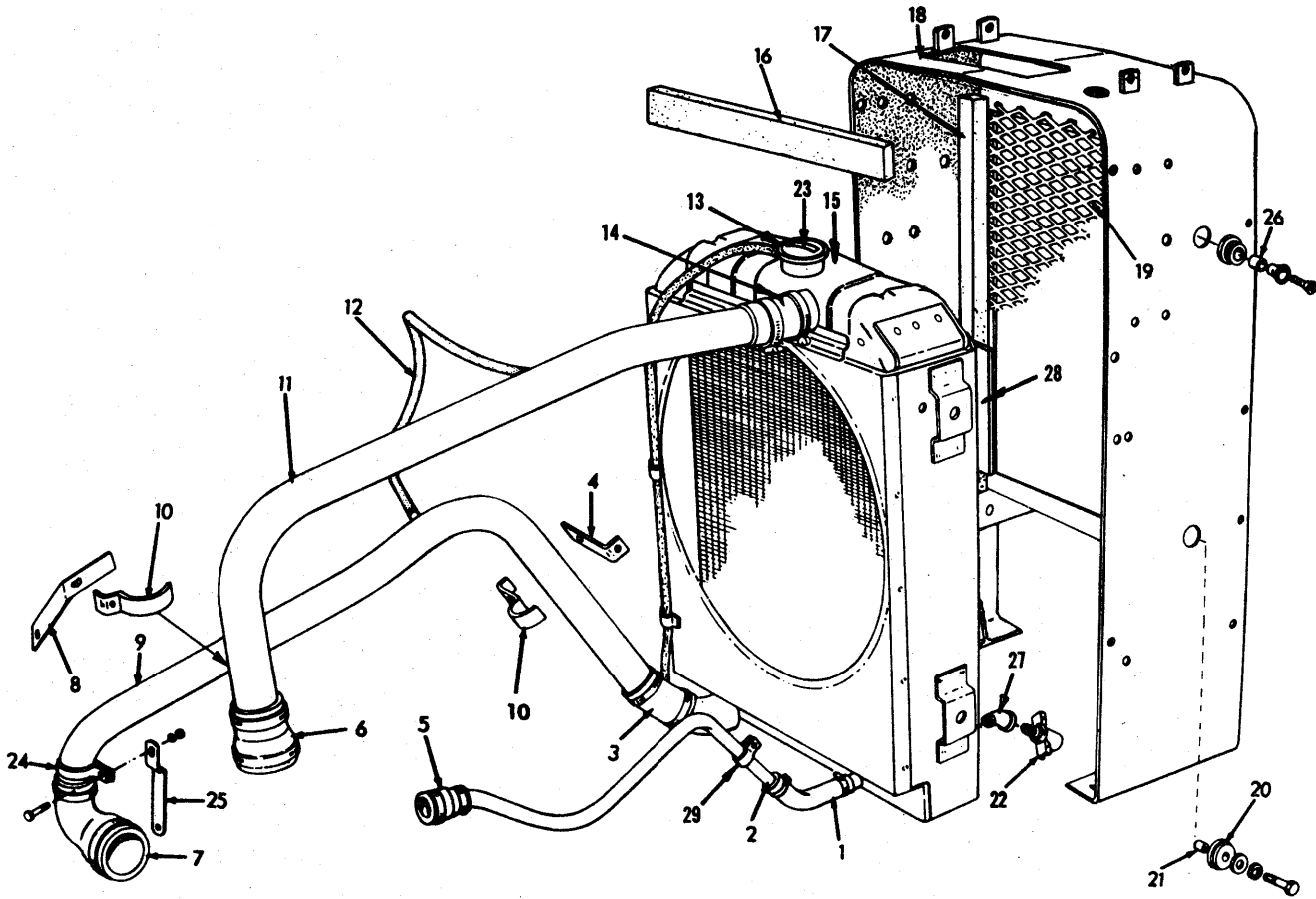
RADIATOR, HOSES & SUPPORT

ITEM	NUMBER	QTY.	DESCRIPTION
1	0250933-9	1	HOSE, thermostat bypass to radiator
	0921911-4	2	CLAMP, 11/16 to 1-1/4
2	0250931-3	1	TUBE, bypass thermostat housing to radiator
3	0246271-1	1	HOSE, radiator bottom
	0922198-7	2	CLAMP, hose,
4	0246275-2	1	BRACKET, tube
	0921332-3	1	CAPSCREW, 5/16NC x 3/4
	0917356-8	1	LOCKWASHER, 5/16
	0917372-5	1	NUT, 5/16NC
5	0245747-1	1	HOSE, tube to thermostat housing
	0922660-6	1	CLAMP, hose, 13/16 to 1-1/2
	0921911-4	1	CLAMP, hose, 11/16 to 1-1/4
6	0245105-2	1	HOSE, thermostat housing
	0921913-0	1	CLAMP, hose, 1-13/16 to 2-3/4
	0922198-7	1	CLAMP, hose
7	0249803-8	1	HOSE, water pump inlet
	0921913-0	1	CLAMP, hose, 1-13/16 to 2-3/4
	0922198-7	1	CLAMP, hose
8	0246274-5	1	BRACKET, tube
9	0246272-9	1	TUBE, radiator to pump
10	0246304-0	2	CLAMP, tube
	0921969-2	2	CAPSCREW, 3/8NC x 1-1/2
	0911115-4	2	WASHER, plain, 13/32 x 13/16 x 1/16
	0916965-7	2	LOCKWASHER, 3/8
	0916950-9	2	NUT, 3/8NC
11	0246270-3	1	TUBE, radiator to thermostat housing
12	0246276-0	1	HOSE, breather
	0921910-6	2	CLAMP, hose, 7/16 to 25/32
13	0254891-5	1	CAP, pressure
14	0245103-7	1	HOSE, radiator, top
	0921913-0	1	CLAMP, hose
	0922198-7	1	CLAMP, hose
15	1003311-6	1	RADIATOR ASY., (Incl. CAP & Item 13)
16	0245751-3	1	PAD, sealing, top
17	0245752-1	2	PAD, sealing, side
18	1003293-6	1	SUPPORT ASY., radiator
	0926036-5	4	CAPSCREW, 3/4NF x 1-3/4, Gr. 5
	0919332-7	4	LOCKWASHER, 3/4
	0910175-9	4	NUT, 3/4NF
	0920328-2	4	CAPSCREW, 1/2NC x 1-1/2
	0916966-5	4	LOCKWASHER, 1/2
	0916951-7	4	NUT, 1/2NC
	0917379-0	4	WASHER, plain, 17/32 x 1-1/16 x 3/32
19	1003387-6	1	GRILLE, radiator
	0922586-3	4	CAPSCREW, pltd., 3/8NC x 5/8
	0916965-7	4	LOCKWASHER, 3/8
20	0237818-0	4	GROMMET

Continued

650 SERIES TRACTORS
COOLING SYSTEM

RADIATOR, HOSES & SUPPORT
(CONTINUED)



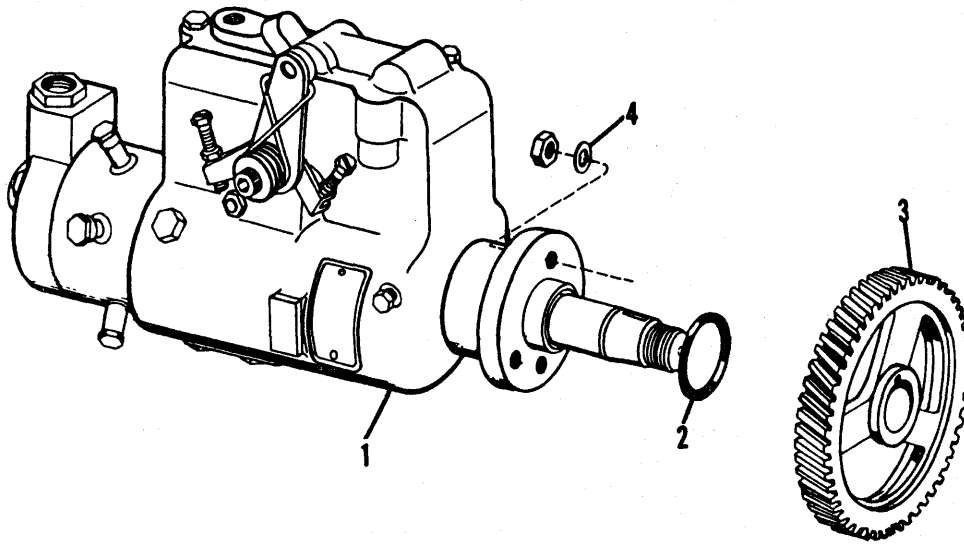
650 SERIES TRACTORS
COOLING SYSTEM

RADIATOR, HOSES & SUPPORT
(CONTINUED)

ITEM	NUMBER	QTY.	DESCRIPTION
21	0245101-1	2	SPACER
	0924356-9	2	WASHER, plain, 13/32 x 1-1/2 x No. 11
	0921969-2	2	CAPSCREW, 3/8NC x 1-1/2
	0916803-0	2	LOCKWASHER, 3/8
22	0229210-0	1	COCK, drain
23	-----	1	DECAL, radiator cap (Service only in KIT)
24	0248486-3	1	CLAMP
25	0248485-5	1	BRACKET, radiator tube to water manifold
	0919319-4	1	SCREW, 5/16NC x 7/8
	0918265-0	1	WASHER, 5/16
	0917372-5	1	NUT, 5/16NC
26	0247289-2	2	SPACER
	0924402-1	2	CAPSCREW, 3/8NC x 1-1/2
	0209099-1	2	VALVE, spring retainer
27	0907058-2	1	ELBOW, street, 45°
28	0250219-3	1	BAFFLE, radiator
	0921259-8	4	CAPSCREW, pltd., 5/16NC x 1/2
	0917356-8	4	LOCKWASHER, pltd., 5/16
	0921355-4	4	NUT, speed, 5/16
	0919326-9	4	WASHER, 11/32
29	0929980-1	1	CLIP, bypass tube
	0923325-5	1	CAPSCREW, 5/16NC x 7/8
	0917356-8	1	LOCKWASHER, 5/16
-	0289157-0	-	FAN KIT, pusher (Incls. 1 ea. of BLADE 250218 & BAFFLE 250219; and 4 ea. of CAPSCREW 920787, LOCKWASHER 917356, NUT 921355 & WASHER 919326)

650 SERIES TRACTORS
FUEL SYSTEMS

FUEL INJECTION PUMP



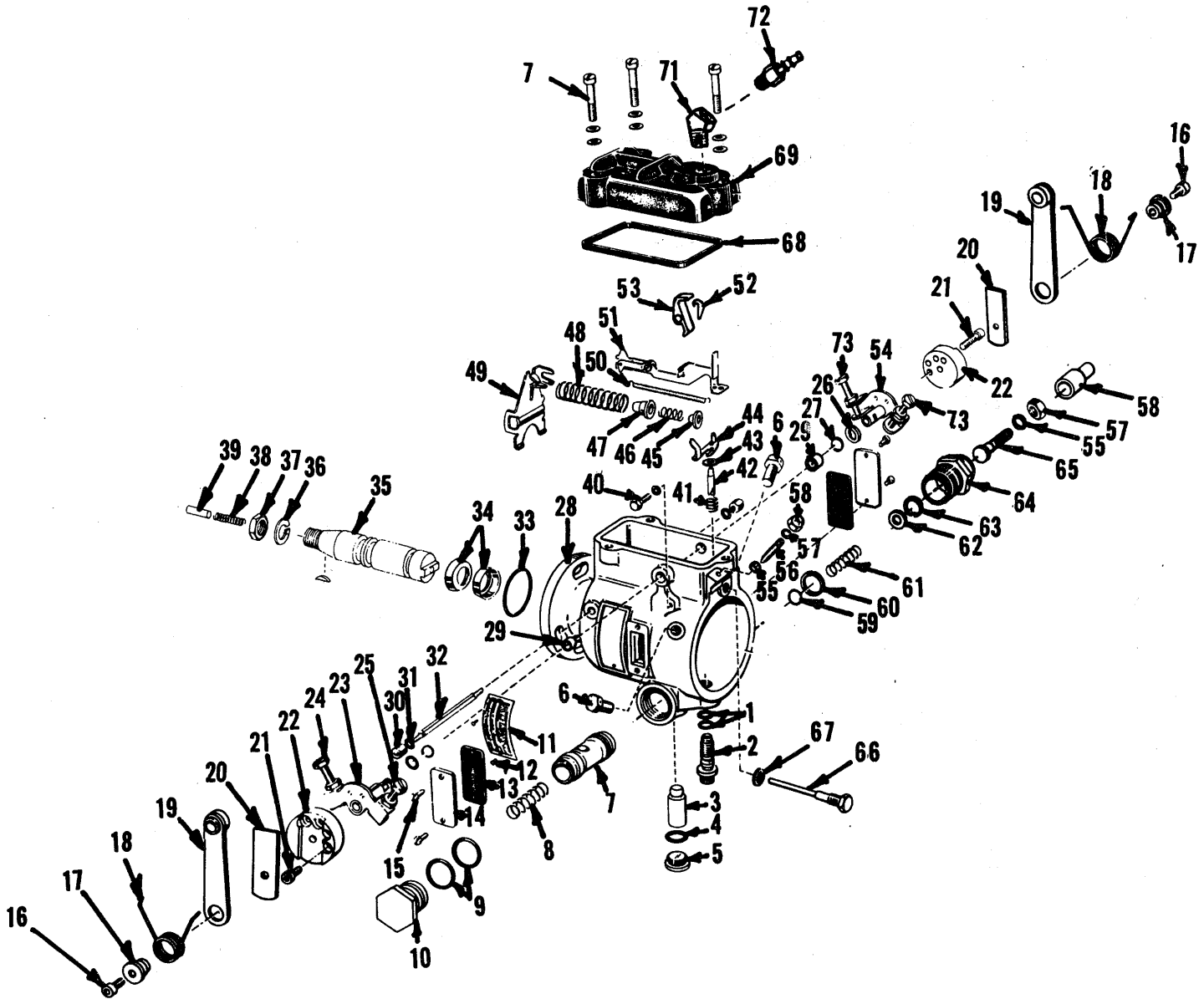
650 SERIES TRACTORS
FUEL SYSTEMS

FUEL INJECTION PUMP

ITEM	NUMBER	QTY.	DESCRIPTION
1	4023200-1	1	PUMP ASY., injection (Refer to INJECTION PUMP for component parts)
2	4048596-3	1	SEAL, pilot
3	4022324-0	1	GEAR, pump drive
4	4371718-0	2	WASHER, pump stud
	0917372-5	2	NUT, pltd., 3/8NF
-	4060745-9	-	GASKET KIT, fuel injection pump (Incls. the following):
	4369595-6	2	SEAL, head locating screw
	4048604-5	2	GASKET, timing line cover
	4369878-6	3	SEAL, throttle & shut-off shaft
	4053375-4	2	WASHER, throttle & shut-off shaft
	4050910-1	2	SEAL, pivot shaft
	4052540-4	2	SEAL, drive shaft
	4048596-3	1	SEAL, pilot
	4369432-2	1	WASHER, torque hole screw
	4048630-0	1	GASKET, control cover
	4048650-8	1	WASHER, stud guide
	4369444-7	1	SEAL, hydraulic head
	4055966-8	1	PLUG, end plate pipe
	4050417-7	1	SEAL, transfer pump
	4369599-8	1	SEAL, end plate sleeve
	4055962-7	1	SEAL, element
	4059134-9	1	SEAL, regulating piston

650 SERIES TRACTORS
FUEL SYSTEMS

INJECTION PUMP COMPONENTS
HOUSING & DRIVE



650 SERIES TRACTORS
FUEL SYSTEMS

68

INJECTION PUMP COMPONENTS
HOUSING & DRIVE

ITEM	NUMBER	QTY.	DESCRIPTION
—	4023200-1	1	PUMP ASY., fuel injection
1	4369595-6	2	*SCREW, head locating
2	4059066-3	1	SCREW ASY., head locating
3	4055687-0	1	PIN, advance
4	4054585-7	1	SEAL, advance screw hole plug
5	4059067-1	1	PLUG, advance screw hole
6	4062050-2	2	SCREW, head locating
7	4059541-5	1	PISTON, advance
8	4059662-9	1	SPRING, advance
9	4054589-9	4	SEAL, piston hole plug
10	4059061-4	1	PLUG, piston hole
11	4369428-0	1	PLATE, name
12	4369429-8	2	SCREW, name plate
13	4048604-5	2	*GASKET, timing line cover
14	4048603-7	2	COVER, timing line
15	4048605-2	4	SCREW, timing line cover
16	4056487-4	2	SCREW, throttle lever spring
17	4051412-7	2	RETAINER, throttle lever spring
18	4051413-5	2	SPRING, throttle lever
19	4054594-9	2	LEVER ASY., throttle
20	4056486-6	2	ARM, adjusting spacer
21	4050913-5	2	SCREW, throttle lever positioning
22	4056484-1	2	SPACER, throttle lever adjusting
23	4056488-2	1	SHAFT ASY., throttle
24	4048632-6	1	SCREW, low idle adjusting & shut-off
	4058951-7	1	NUT, low idle
25	4058950-9	1	SCREW, high idle adjusting
	4058951-7	1	NUT, high idle
26	4053375-4	2	*WASHER, throttle & shut-off shaft
27	4369878-6	2	*SEAL, throttle & shut-off shaft
28	4059267-7	1	HOUSING ASY. (Incl. Item 29)
29	4059239-6	2	BUSHING, throttle & shut-off shaft
30	4048642-5	2	NUT, pivot shaft
31	4050910-1	2	*SEAL, pivot shaft
32	4048636-7	1	SHAFT, governor arm pivot
33	4048596-3	1	*SEAL, pivot tube
34	4052540-4	2	*SEAL, drive shaft
35	4061581-7	1	SHAFT, drive
	0910224-5	1	KEY, woodruff, 5/32 x 5/8
36	4048598-9	1	WASHER, lock
37	4048597-1	1	NUT, drive shaft
38	4048600-3	1	SPRING, thrust button
39	4062347-2	1	BUTTON, thrust
40	4051833-4	1	PLUG, torque hole
	4369432-2	1	*WASHER, torque hole

*Included in GASKET KIT 4060745.

Continued

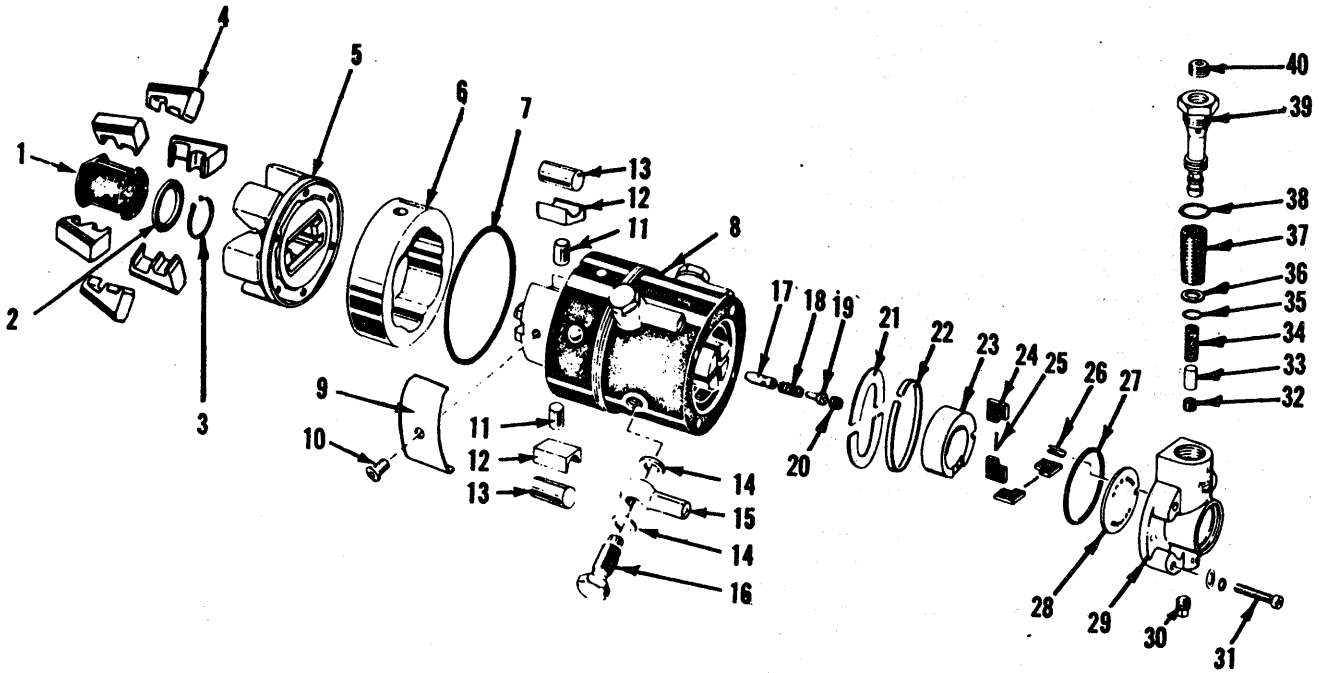
650 SERIES TRACTORS
FUEL SYSTEMS

67

INJECTION PUMP COMPONENTS
HOUSING & DRIVE
(CONTINUED)

ITEM	NUMBER	QTY.	DESCRIPTION
41	4051502-5	1	SPRING, metering valve
42	4061793-8	1	VALVE, metering
43	4052915-8	1	SHIM, metering
44	4054579-0	1	ARM ASY., metering valve
45	4048627-6	1	GUIDE, idling spring
46	4049533-5	1	SPRING, idling
47	4048635-9	1	RETAINER, spring
48	4050179-3	1	SPRING, governor control
49	4053589-0	1	ARM, governor
50	4048624-3	1	SPRING, governor linkage
51	4052156-9	1	HOOK ASY., governor linkage
52	4048639-1	1	CAM, shut-off
53	4049532-7	1	LEVER, throttle shaft
54	4056490-8	1	SHAFT ASY., shut-off
55	4369878-6	2	*SEAL, torque & trimmer screw
56	4054582-4	1	SCREW, torque
57	4054583-2	2	NUT, torque & trimmer screw
58	4052917-4	2	CAP, torque & advance screw
59	4059064-8	1	SEAL, adv. piston ring
60	4061128-7	1	RING, adv. power ring
61	4059667-8	1	SPRING, advance trimmer
62	4059396-4	1	WASHER, advance spring
63	4059397-2	1	RING, adv. spring retainer
64	4060731-9	1	PLUG, piston hole power
65	4059395-6	1	SCREW, adv. adjusting
66	4051378-0	1	STUD, guide
67	4048650-8	1	*WASHER, guide stud
68	4048630-0	1	*GASKET, control cover
69	4051002-6	1	COVER, governor control
70	4053266-5	3	SCREW, hold-down cover
	0906957-6	3	LOCKWASHER, No. 10
	4053267-3	3	WASHER, control cover
71	0920655-8	1	ELBOW, return line, 45°
72	4059237-0	1	CONNECTOR, return line
73	4048632-6	2	SCREW, shut-off adjusting
	4058951-7	2	NUT, shut-off
-	4060745-9	-	GASKET KIT (Incl. Items marked *)

INJECTION PUMP COMPONENTS
TRANSFER PUMP, HEAD & ROTOR



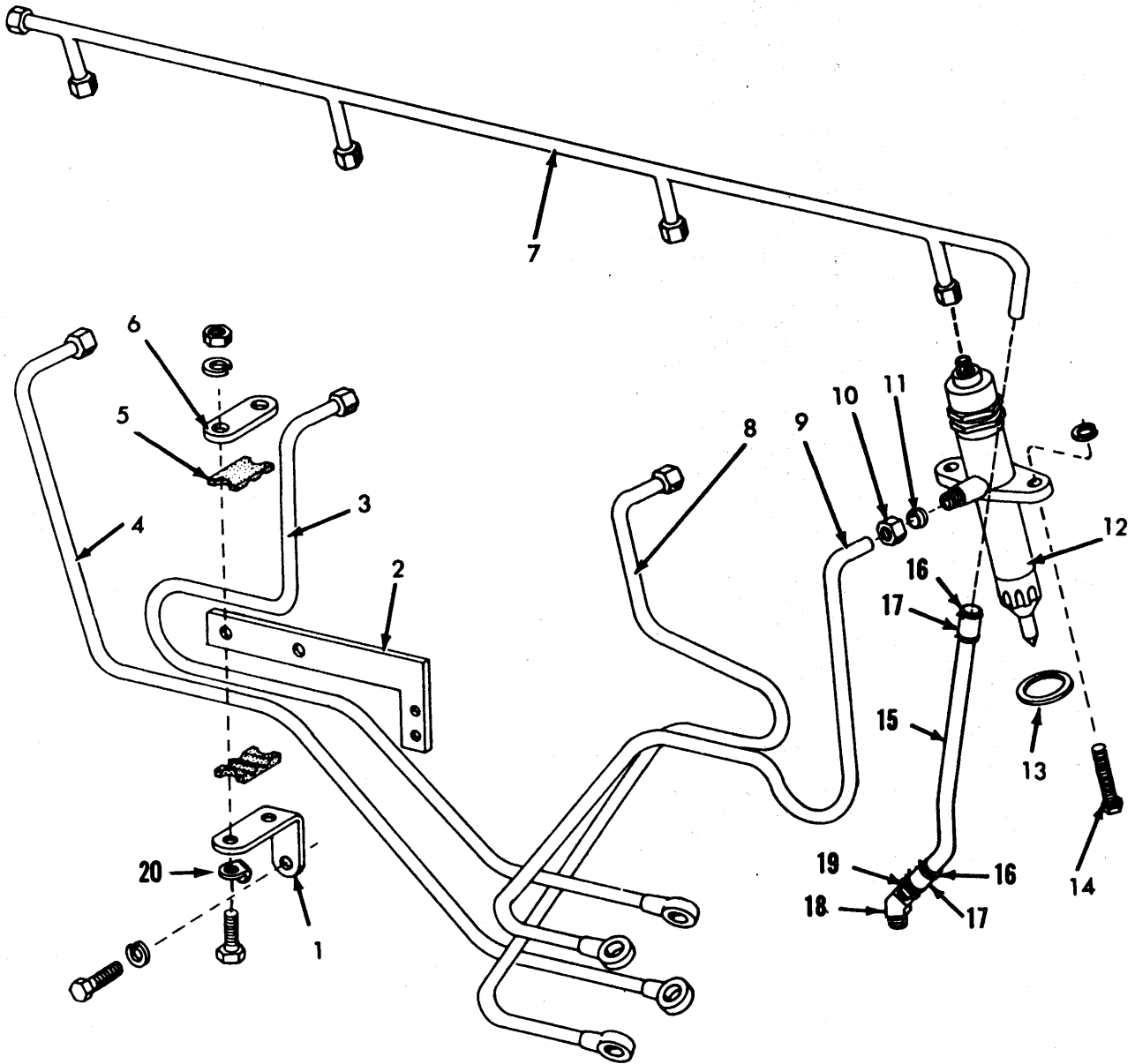
650 SERIES TRACTORS
FUEL SYSTEMS

69

INJECTION PUMP COMPONENTS
TRANSFER PUMP, HEAD & ROTOR

ITEM	NUMBER	QTY.	DESCRIPTION
1	4053590-8	1	SLEEVE, governor thrust
2	4048620-1	1	WASHER, thrust sleeve
3	4253433-9	1	RING, gov. cage retaining
4	4053385-3	6	WEIGHT, governor
5	4061611-2	1	RETAINER ASY., gov. weight
6	4060218-7	1	CAM RING
7	4369444-7	1	*SEAL, hydraulic head
8	4060217-9	1	HEAD & ROTOR ASY., hydraulic
9	4051495-2	1	SPRING, leaf
10	4053362-2	1	SCREW, leaf spring adj.
11	-----	2	PLUNGER, rotor
12	4061569-2	2	SHOE, cam roller
13	4369436-3	2	ROLLER, cam
14	4027748-5	8	WASHER, fuel line connect
15	-----	4	CONNECTOR, fuel line
16	4369451-2	4	SCREW, fuel line connector
17	4059269-3	1	VALVE, delivery
18	4051379-8	1	SPRING, delivery valve
19	4056590-5	1	STOP, delivery valve
20	4052538-8	1	SCREW, delivery valve ret.
21	4051385-5	2	RETAINER, rotor
22	4051386-3	1	RING, rotor retainer
23	4051376-4	1	LINER, transfer pump
24	4061587-4	4	BLADE, transfer pump
25	4055958-5	2	SPRING, transfer pump blade
26	4369592-3	1	PIN, roll end plate
27	4050417-7	1	*SEAL, transfer pump
28	4055959-3	1	PLATE, thrust
29	4055965-0	1	PLATE, end
30	4055966-8	1	*PLUG, end plate pipe
31	4050912-7	4	SCREW, end plate
	4053267-3	4	WASHER, plain
	0906957-6	4	LOCKWASHER, No. 10
32	4059134-9	1	*SEAL, regulating piston
33	4369596-4	1	PISTON, regulating
34	4055892-6	1	SPRING, regulating
35	4369595-6	1	*RING, sleeve seal
36	4055962-7	1	*SEAL, element
37	4055961-9	1	ELEMENT, filter
38	4369599-8	1	*SEAL, end plate sleeve
39	4059221-4	1	SLEEVE, end plate
40	4055960-1	1	PLUG ASY., end plate adj.
-	4060745-9	1	GASKET KIT (Incl. Items marked*)

NOZZLE HOLDER & INJECTION LINES



650 SERIES TRACTORS
FUEL SYSTEMS

71

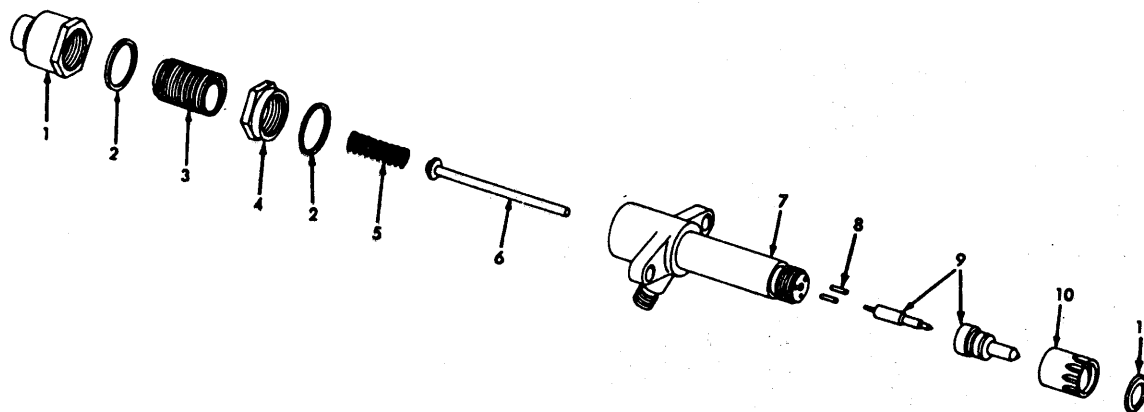
NOZZLE HOLDER & INJECTION LINES

ITEM	NUMBER	QTY.	DESCRIPTION
1	4020525-4	2	BRACKET, injection line support
	0921965-0	2	CAPSCREW, pltd., 3/8NC x 3/4, Gr. 5
	0916965-7	2	LOCKWASHER, pltd., 3/8
2	0250016-3	1	BRACKET, tube support
	0920676-4	1	CAPSCREW, pltd., 7/16NC x 1, Gr. 5
	0918199-1	1	LOCKWASHER, pltd., 7/16
	0923981-5	1	WASHER, plain, 15/32 x 1 x No. 10
3	4011342-5	1	TUBE ASY., injection (#3 Cylinder)
4	4021343-1	1	TUBE ASY., injection (#4 Cylinder)
5	4507358-2	4	SPACER, line clamp
6	4507414-3	2	CLAMP, line bracket
	0921961-9	8	CAPSCREW, pltd., 1/4NC x 1-1/4, Gr. 5
	0916964-0	8	LOCKWASHER, pltd., 1/4
	0916622-4	8	NUT, pltd., 1/4NC
7	4022631-8	1	TUBE, drip manifold (Incl. NUTS & SLEEVES) (Prior S/N 2D-51527)
	4023581-4	1	TUBE, drip manifold (Incl. NUTS & SLEEVES) (Eff. S/N 2D-51527 & Up)
	0917809-6	5	NUT, 1/4
	0917806-2	5	SLEEVE, 1/4
8	4021341-5	1	TUBE ASY., injection (#2 Cylinder)
9	4021340-7	1	TUBE ASY., injection (#1 Cylinder)
10	4504409-6	4	NUT, injection line
11	4501149-1	4	SLEEVE, injection line
12	4060859-8	4	HOLDER ASY., injection nozzle (Refer to HOLDER ASY. for component parts)
13	4025385-8	8	SHIELD, dust
14	0922127-6	8	CAPSCREW, pltd., nozzle holder, 5/16NC x 1-3/4
	0917356-8	16	LOCKWASHER, pltd., 5/16
15	4021385-2	1	TUBE ASY., fuel return (Prior S/N 2D-51527)
	4023579-8	1	TUBE ASY., fuel return (Eff. S/N 2D-51527 & Up)
16	0927450-7	4	CLAMP
17	4514780-8	2	HOSE
18	0920655-8	1	ELBOW, st., 45°
19	0916602-6	1	NUT, 3/8NC
20	0247188-6	1	CLAMP, cable
-	4009142-3	-	GASKET KIT (Incl. Item 13)

NOTE: Quantities listed below are for one holder assembly only.

650 SERIES TRACTORS
FUEL SYSTEMS

NOZZLE HOLDER ASY.



650 SERIES TRACTORS
FUEL SYSTEMS

73

NOZZLE HOLDER ASY.

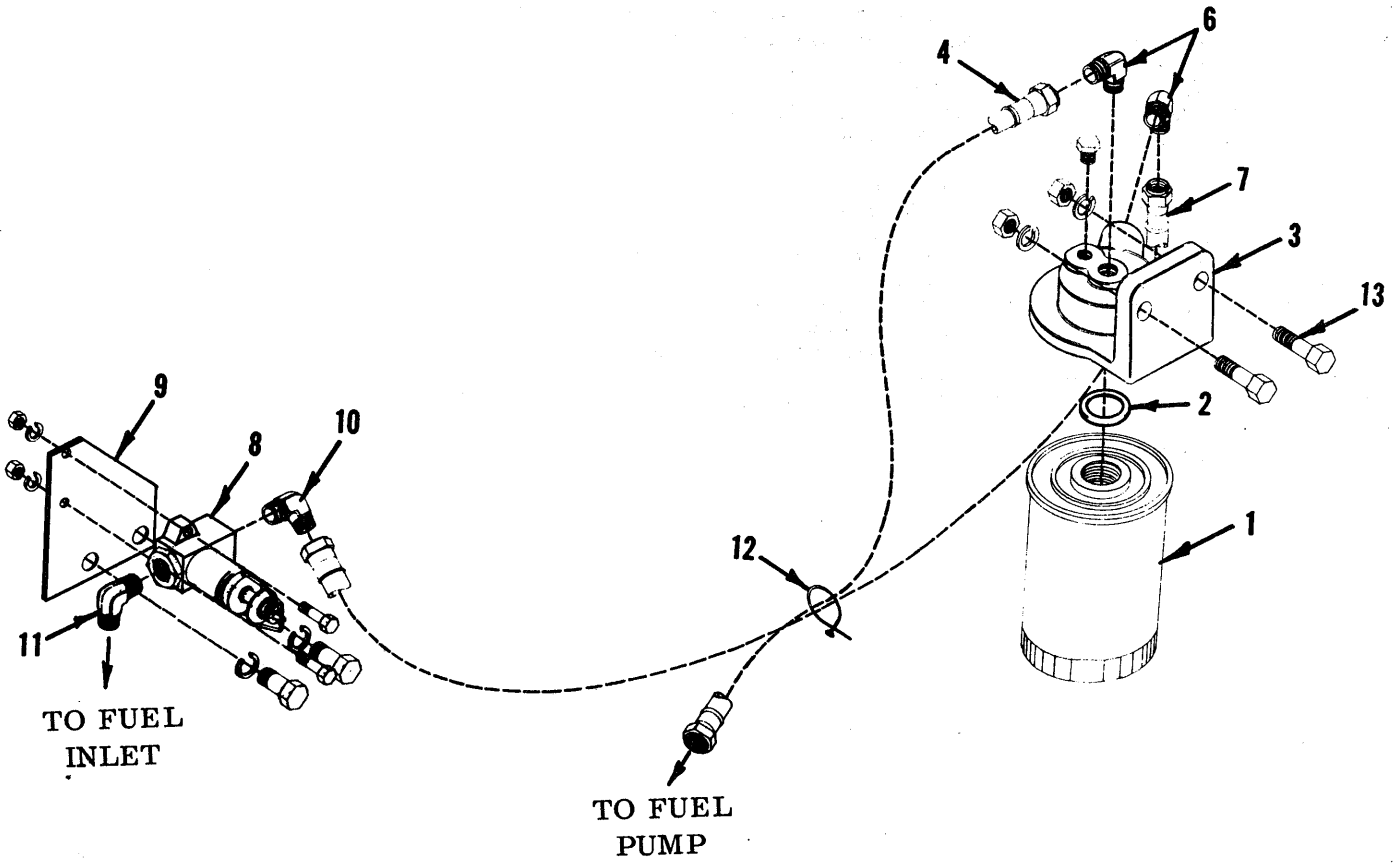
NOTE: Quantities listed below are for one holder assembly only.

ITEM	NUMBER	QTY.	QTY.	DESCRIPTION
		*	**	
-	-----	1	0	HOLDER ASY., nozzle (Incl. Items 1 thru 10)
-	4060859-8	0	1	HOLDER ASY., nozzle (Incl. Items 1 thru 10)
1	4396054-1	1	0	NUT, cap
2	4511243-0	2	0	GASKET, capnut
3	4378033-7	1	0	SCREW, pressure adjusting
	4023570-7	0	1	SCREW, adjusting
4	4517266-5	1	1	NUT, lock
5	4380652-0	1	1	SPRING, pressure adjusting
	4023571-5	0	1	WASHER, spring
6	4025148-0	1	1	ROD, spindle
7	-----	1	1	BODY, nozzle holder (Not serviced separately)
8	4025149-8	2	2	PIN, dowel
9	4036044-8	1	1	NOZZLE ASY. (Incl. Item 11)
10	4025146-4	1	1	NUT, nozzle retaining
11	4025150-6	1	1	GASKET, nozzle holder to cylinder head
	0928049-6	0	1	O-RING
-	4009142-3	-	-	GASKET KIT (Incl. Item 11)

*Prior S/N 2D-51527

**Eff. S/N 2D-51527 & Up

FUEL FILTER

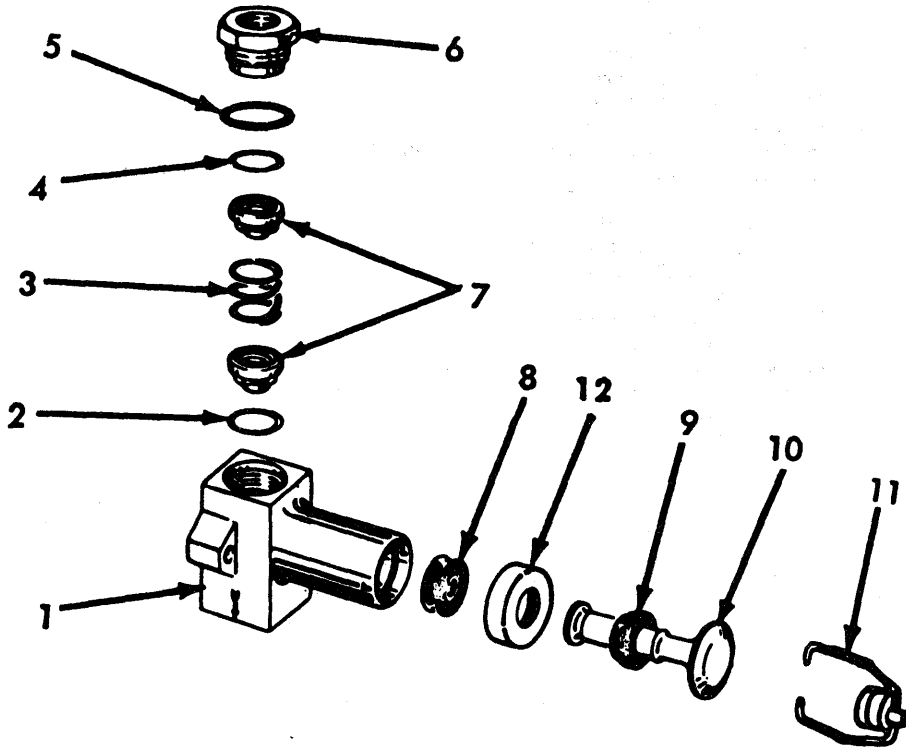


**650 SERIES TRACTORS
FUEL SYSTEMS**

FUEL FILTER

ITEM	NUMBER	QTY.	DESCRIPTION
1	4028945-6	1	ELEMENT, fuel filter (Incl. Item 2)
	4029143-7	1	DECAL
2	0923934-4	1	O-RING, filter
3	4025229-8	1	BASE ASY., fuel filter
	0919134-7	1	PLUG, pipe, 1/8
4	4023090-6	1	HOSE ASY., filter to pump
5	0920316-7	1	ELBOW, 3/8, 45° (At Pump)
6	0919136-2	2	ELBOW, 3/8, 90° (At filter)
7	4023089-8	1	HOSE ASY., primary to filter
8	-----	1	PRIMARY PUMP, hand (Refer to PRIMER PUMP ASY.)
9	4023092-2	1	BRACKET, mounting
	0922781-0	2	CAPSCREW, 7/16NC x 7/8
	0918199-1	2	LOCKWASHER, 7/16
	0910968-7	2	CAPSCREW, No. 10-24 x 1
	0917365-9	2	LOCKWASHER, No. 10
	0916621-6	2	NUT, No. 10-24
10	0919135-4	1	ELBOW, 90° (Outlet to filter)
11	0910279-9	1	ELBOW, (Primer pump inlet)
12	0925094-5	1	TIE, harness
13	0921967-6	2	CAPSCREW, 3/8 x 1-1/4
	0916965-7	2	LOCKWASHER, 3/8
	0916950-9	2	NUT, 3/8NC

HAND PRIMER PUMP ASY.



650 SERIES TRACTORS
FUEL SYSTEMS

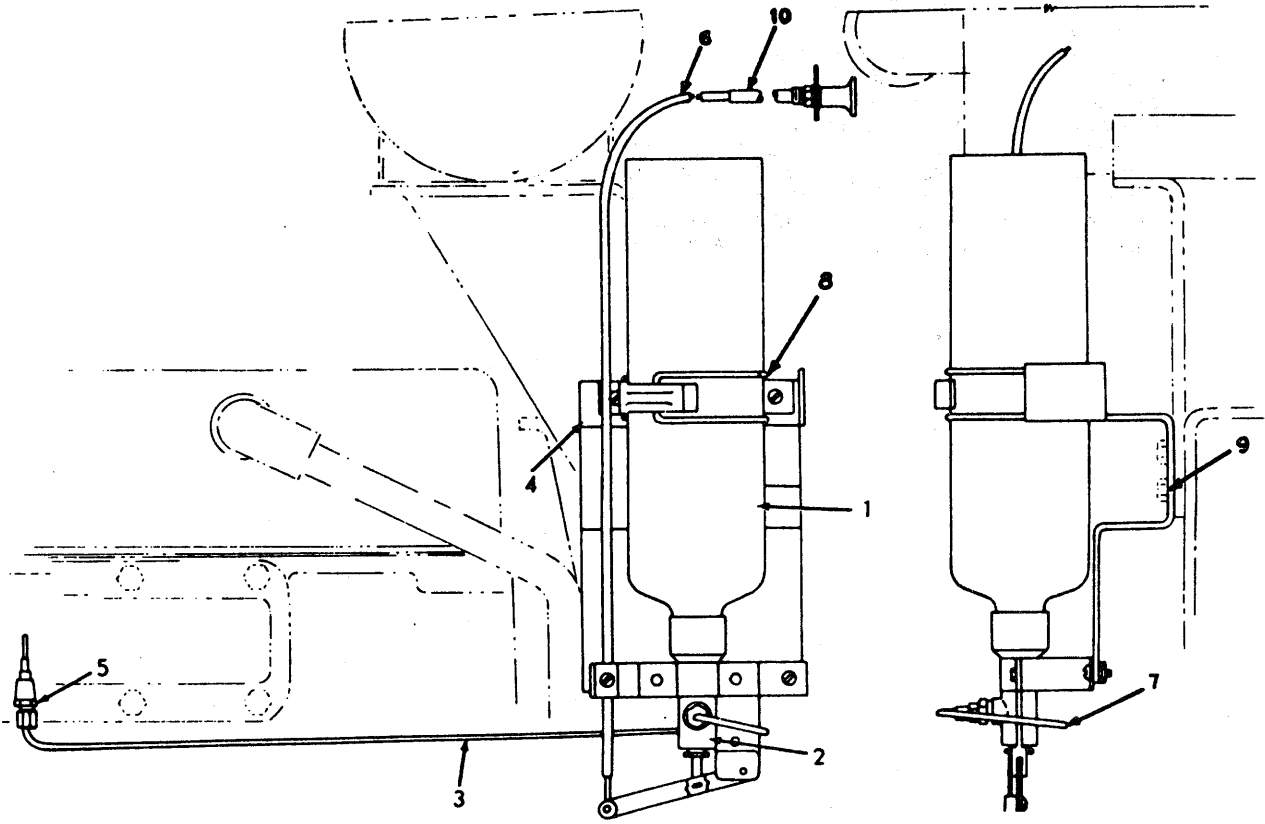
77

HAND PRIMER PUMP ASY.

ITEM	NUMBER	QTY.	DESCRIPTION
—	4009409-6	1	PUMP ASY., hand primer
1	-----	1	BODY, pump (Not serviced separately) (Order 4368977 ASY.)
2	4060695-6	1	GASKET, valve
3	4050638-8	1	SPRING, valve retainer
4	4048649-0	1	SEAL, valve nut (inner)
5	4050645-3	1	RING, seal, valve nut
6	4054540-2	1	NUT, valve
7	4050637-0	2	VALVE, primer pump
8	4053035-4	1	SEAL, piston (Use 4063231 PLUNGER)
9	4053037-0	2	GUIDE, plunger (Use 4063231 PLUNGER)
10	4053036-2	1	PLUNGER, pump (Use 4063231 PLUNGER)
11	4050646-1	1	CLAMP ASY. (Incl. SCREW & WIRE)
12	4059620-7	1	CAP, plunger guide (Use 4063231 PLUNGER)

650 SERIES TRACTORS
FUEL SYSTEMS

ETHER STARTING SYSTEM



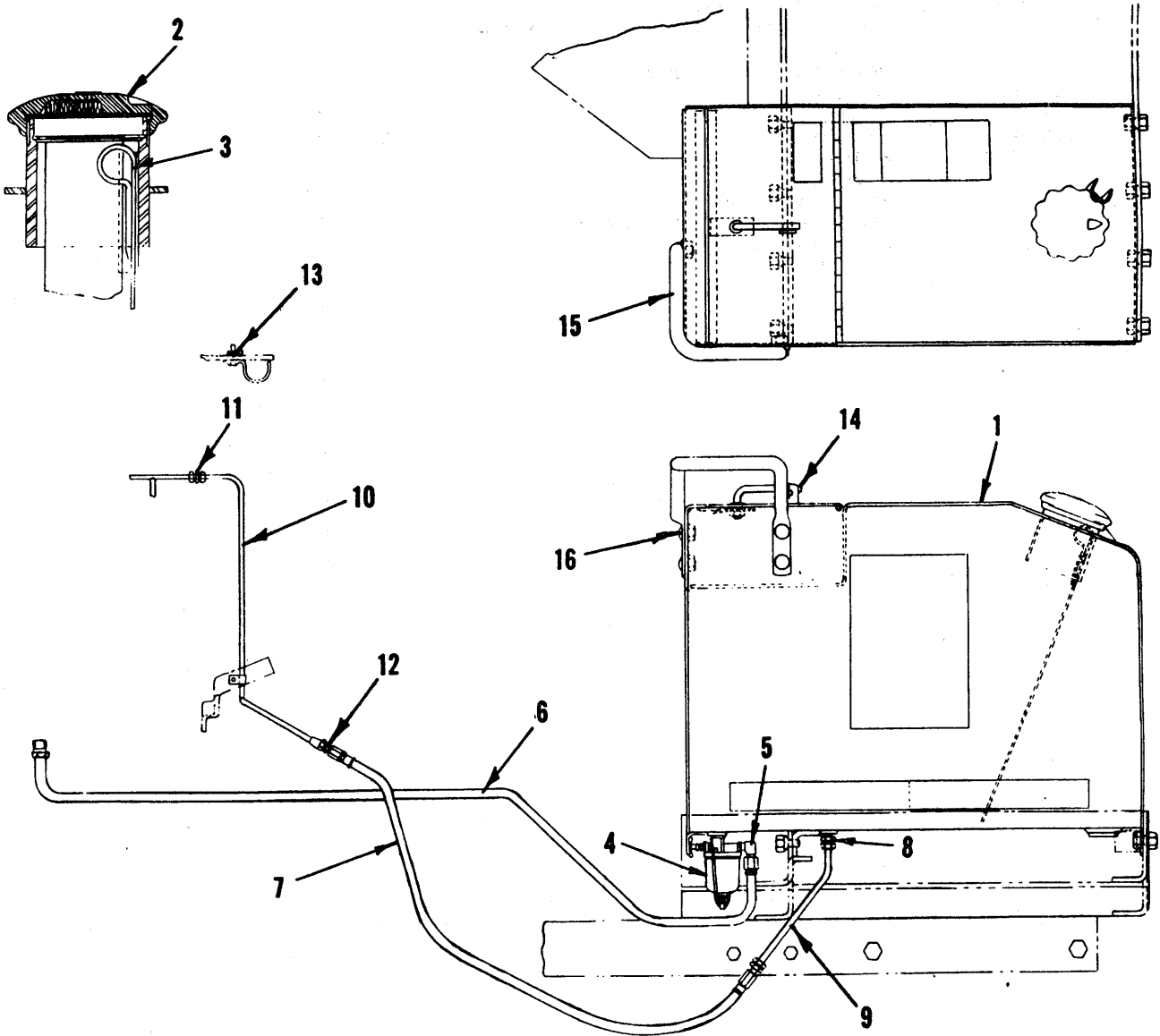
650 SERIES TRACTORS
FUEL SYSTEMS

79

ETHER STARTING SYSTEM

ITEM	NUMBER	QTY.	DESCRIPTION
—	0286757-0	1	ETHER STARTING GROUP
1	4024792-6	1	CARTRIDGE, fuel cylinder replacement
	0916080-5	4	SCREW, pltd., No. 10NC x 1/2
	0917365-9	4	LOCKWASHER, pltd., No. 10
	0916621-6	4	NUT, pltd., No. 10NC
2	0255949-0	1	REPAIR KIT, metering valve
3	-----	1	TUBE, CYLINDER TO MANIFOLD (Not serviced; obtain locally)
4	0246128-3	1	BRACKET ASY., fuel cylinder mounting
5	0255590-2	1	FITTING ASY., manifold
	0268014-8	1	ATOMIZER
6	0255596-9	1	CABLE ASY.
7	0251886-8	1	BODY ASY.
8	0255705-6	1	TUBE, coiled
9	0251887-6	1	BRACKET ASY., clamp
10	0246128-3	1	BRACKET ASY., fuel cylinder mounting
11	0253308-1	1	STOP, cable control
	0917384-0	1	SCREW

FUEL TANK



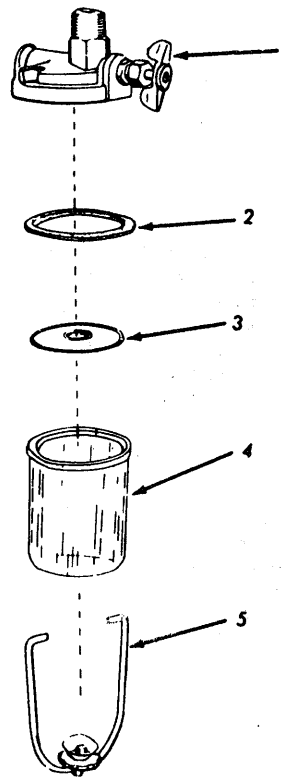
650 SERIES TRACTORS
FUEL SYSTEMS

81

FUEL TANK

ITEM	NUMBER	QTY.	DESCRIPTION
1	1003205-0	1	TANK ASY., fuel
	-----	1	DECAL (Service only in KIT)
	-----	1	DECAL (Service only in KIT)
	-----	1	DECAL (Service only in KIT)
	-----	1	DECAL (Model Designation)
	1003513-7	8	BOLT
2	0642744-7	1	CAP, filler
	0065613-2	1	GASKET
	0927710-4	1	RING, snap
	0642749-6	1	STRAINER ASY.
3	1003406-4	1	GAUGE, fuel
4	-----	1	FILTER, fuel (Refer to FUEL FILTER group)
5	0910140-3	1	ELBOW, male, 5/16 tube x 1/8, brass
6	0245169-8	1	HOSE ASY., fuel line
7	0246132-5	1	HOSE ASY., drip line
8	0910141-1	1	CONNECTOR, male, 1/4 tube x 1/8, brass
9	1003368-6	1	TUBE ASY., drip line, rear
10	0254037-5	1	TUBE ASY., drip line, front
11	0921534-4	1	UNION, 1/4 tube
12	0917332-9	1	UNION, 3/16 tube
13	0923415-4	1	CLIP, closed, No. 4 x 1/4 I.D.
14	1003139-1	1	HANDLE, cover, tool box
	1003141-7	1	LATCH, tool box
	0919382-2	2	WASHER, plain
	0919439-0	1	NUT, ESNA 3/8NC
15	1003190-4	1	HANDLE, boarding
16	0923232-3	4	BOLT, cge. 3/8NC x 1
	0919439-0	4	NUT, ESNA 3/8NC

FUEL TANK FILTER



650 SERIES TRACTORS
FUEL SYSTEMS

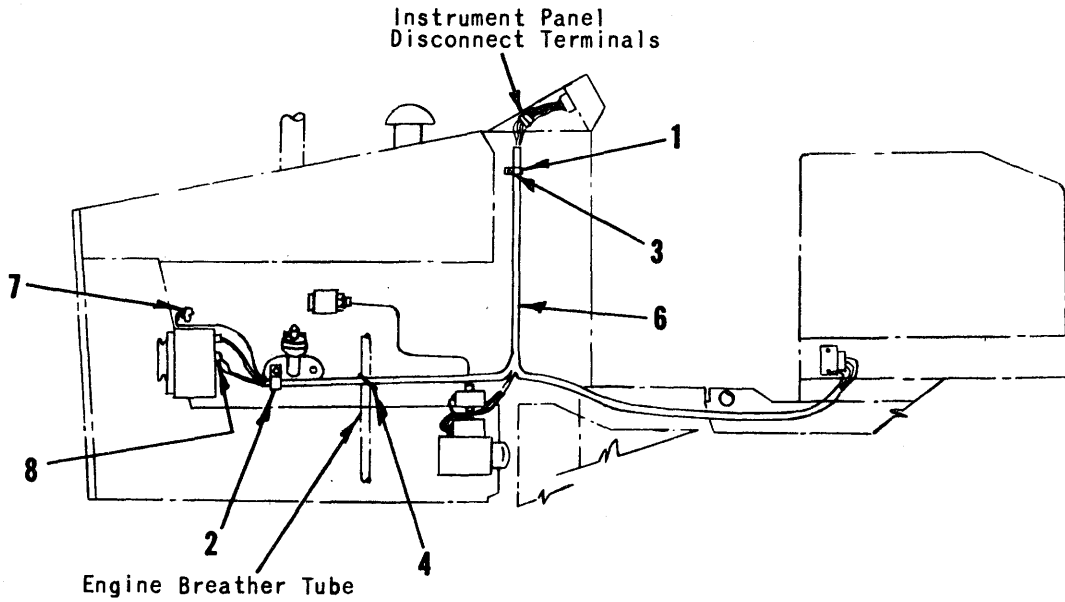
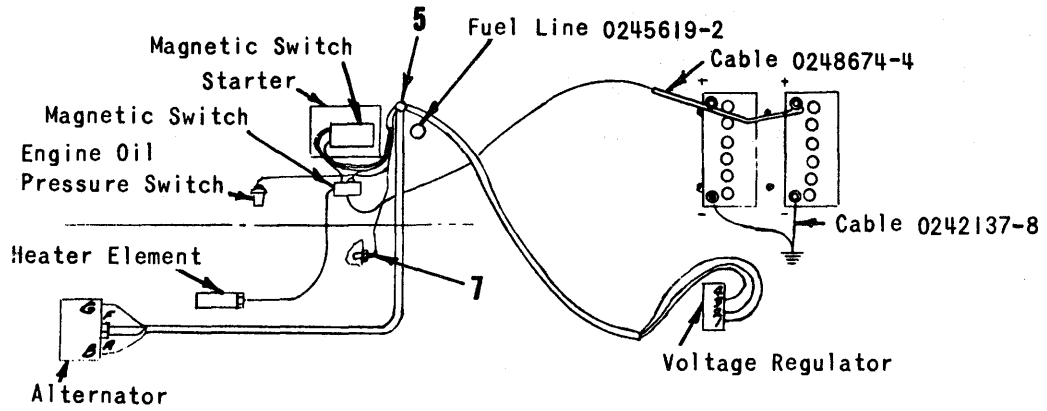
83

FUEL TANK FILTER

ITEM	NUMBER	QTY.	DESCRIPTION
—	0237946-9	1	FILTER ASY., fuel (Incl. Items 1 thru 5)
1	0223255-1	1	VALVE ASY., fuel
2	0208137-0	1	GASKET, filter
3	0208325-1	1	SCREEN, filter
4	0237947-7	1	BOWL, glass (Fire resistant)
	0217264-1	1	BOWL, metal
5	0223248-6	1	BAIL ASY., fuel bowl

650 SERIES TRACTORS
ELECTRICAL SYSTEM

WIRING GROUP



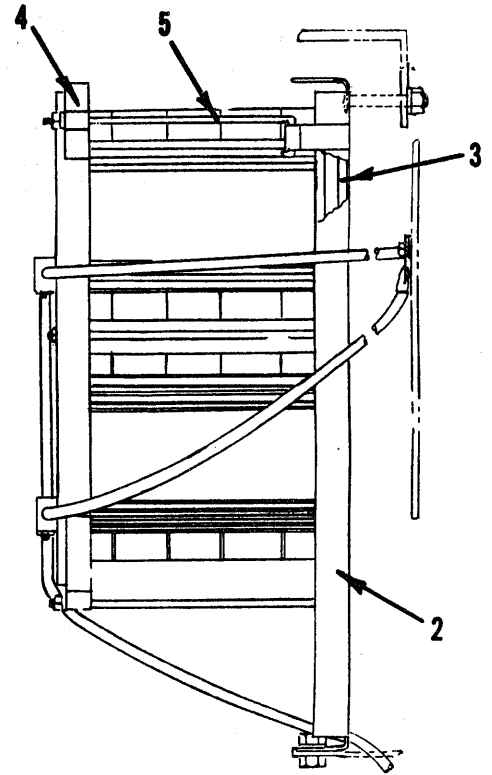
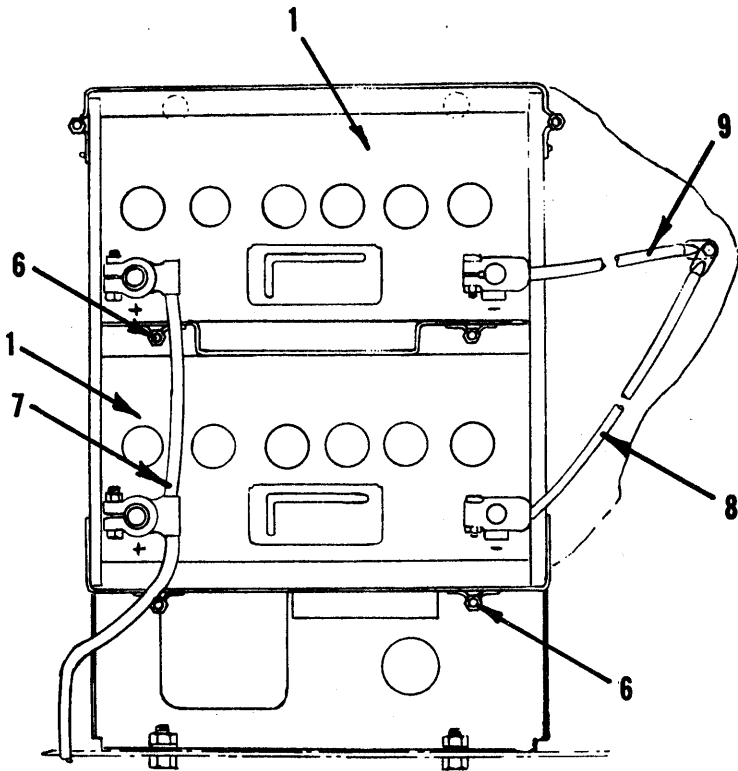
650 SERIES TRACTORS
ELECTRICAL SYSTEM

85

WIRING GROUP

ITEM	NUMBER	QTY.	DESCRIPTION
1	0924648-9	1	CLIP
2	0920504-8	1	CLIP
3	0921966-8	1	CAPSCREW, 3/8NC x 1
	0916965-7	1	LOCKWASHER, 3/8
	0916950-9	1	NUT, 3/8NC
4	0925094-5	1	TIE
5	0930871-9	1	TIE
6	1012797-5	1	HARNESS, wiring, primary
7	4760149-7	2	SENDING UNIT, temperature
8	2022459-8	1	COVER, terminal, Delcotron

BATTERY GROUP



650 SERIES TRACTORS
ELECTRICAL SYSTEM

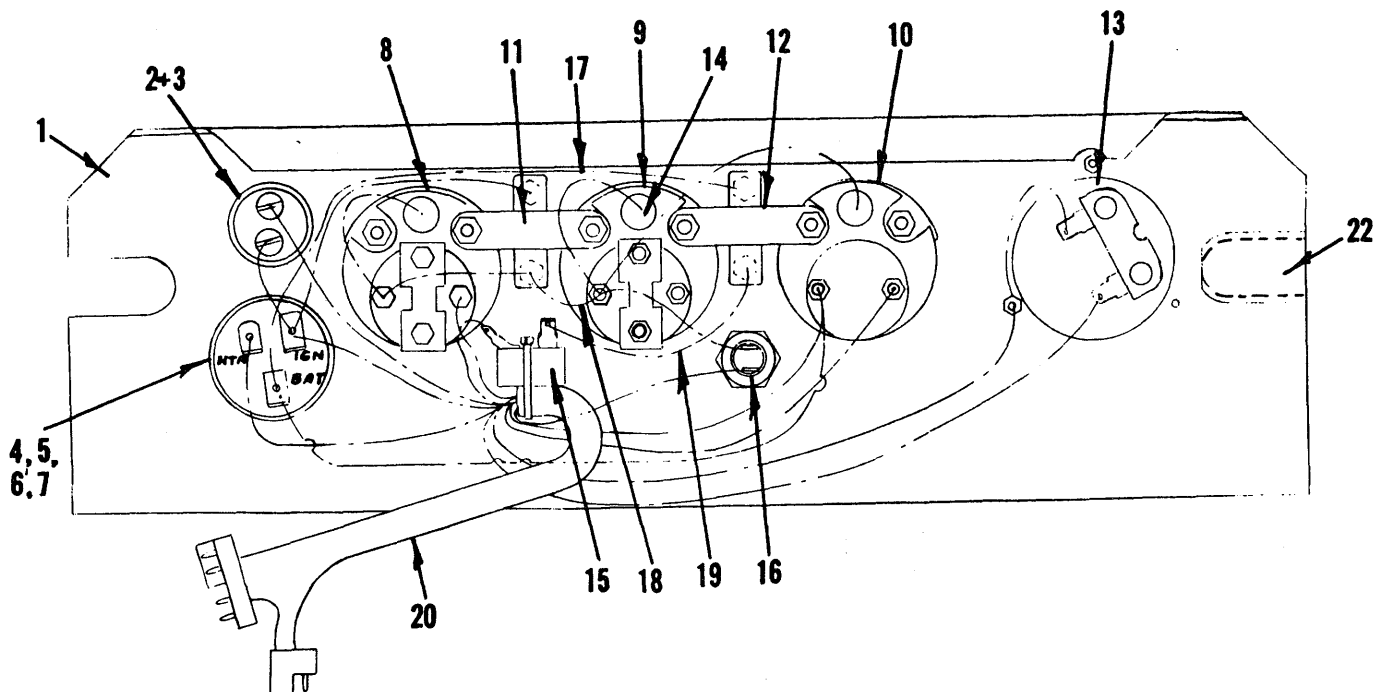
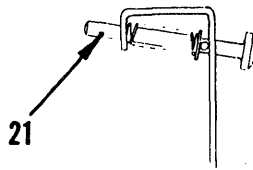
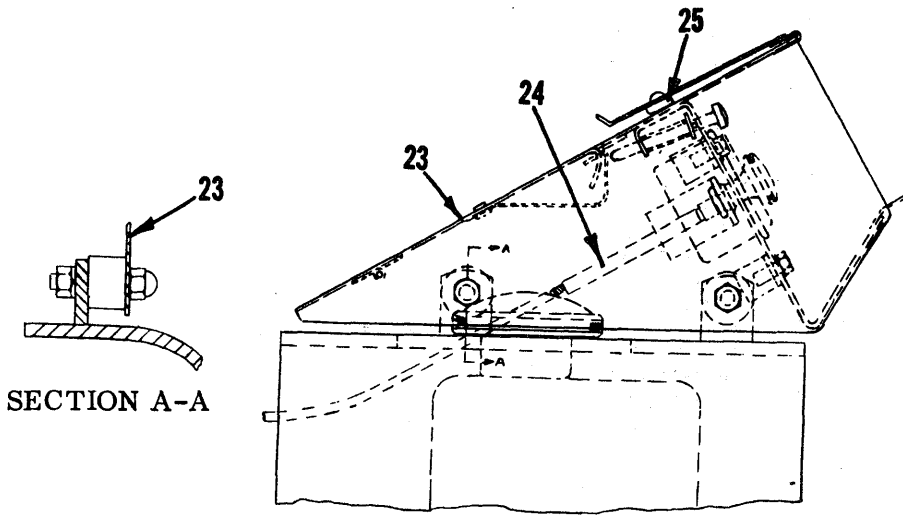
87

BATTERY GROUP

ITEM	NUMBER	QTY.	DESCRIPTION
1	0243473-6	2	BATTERY (12 volt)
2	0248678-5	1	TRAY ASY., battery
	0921934-6	2	BOLT, cge., 3/8NC x 1-1/4
	0921966-8	2	CAPSCREW, 3/8NC x 7/8
	0916965-7	4	LOCKWASHER, 3/8
	0916950-9	4	NUT, 3/8NC
3	0245580-6	2	INSULATOR
4	0245579-8	1	RETAINER ASY., battery
5	0243513-9	2	ROD, battery hold-down
	0918264-3	2	WASHER
	0920397-7	2	NUT, lock, 1/4NC
6	0243124-5	4	ROD, battery hold-down
	0918264-3	4	WASHER
	0920397-7	4	NUT, lock, 1/4NC
7	0248674-4	1	CABLE, battery to heater magnetic switch to starter magnetic switch
8	0242146-9	1	CABLE, battery to ground
9	0242137-8	1	CABLE, battery to ground

650 SERIES TRACTORS
ELECTRICAL SYSTEM

INSTRUMENT PANEL



650 SERIES TRACTORS
ELECTRICAL SYSTEM

89

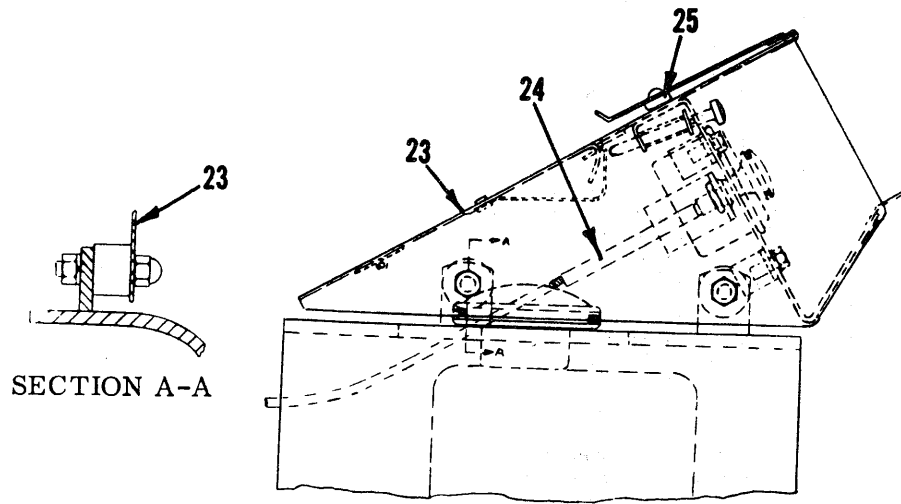
INSTRUMENT PANEL

ITEM	NUMBER	QTY.	DESCRIPTION
1	1003286-0	1	PANEL, instrument
2	0253322-2	1	SWITCH ASY., push button, starting
	0253320-6	1	SWITCH
3	0253321-4	1	RUBBER CAP & NUT ASY.
	0910543-8	1	LOCKWASHER, ext. tooth, 5/8
4	0241965-3	1	SWITCH ASY. (Incl. Items 5 & 6)
	0227195-5	1	WASHER, plain
5	0246282-8	1	NUT, lock
6	0241977-8	1	KEY
7	0242398-6	1	PLATE, instruction, key switch
8	1003305-8	1	GAUGE, converter, oil temperature
	0906957-6	2	LOCKWASHER, 3/16
	0916880-8	2	NUT, No. 10-32
	0920240-9	2	LOCKWASHER, 1/8
	0900996-0	2	NUT, No. 6-32
9	4818262-0	1	GAUGE, water temperature
	0906957-6	2	LOCKWASHER, 3/16
	0916880-8	2	NUT, No. 10-32
	0920240-9	2	LOCKWASHER, 1/8
	0900996-0	2	NUT, No. 6-32
10	4818263-8	1	AMMETER ASY. (Incl. CLAMP)
	0906957-6	2	LOCKWASHER, int. tooth, 3/16
	0916880-8	2	NUT, brass, No. 10NF
	0920240-9	2	LOCKWASHER, 1/8
	0900996-0	2	NUT, No. 6-32
11	1003258-9	1	BREAKER, circuit, 15 amp
	0906957-6	2	LOCKWASHER, 3/16
	0916880-8	2	NUT, No. 10-32
12	1003409-8	1	BREAKER, circuit, 20 amp
	0906957-6	2	LOCKWASHER, 3/16
	0916880-8	2	NUT, No. 10-32
13	----	1	HOURMETER (Refer to HOURMETER group)
14	1003288-6	3	SOCKET ASY., gauge light
	1003294-4	3	BULB, gauge light
15	0234409-1	1	SWITCH, lighting (Incls. 4 TERMINALS & ADAPTERS, & 3 SLEEVES)
	0230240-4	4	TERMINAL, female
	0230170-3	1	TERMINAL, adapter
16	0240837-5	1	LIGHT ASY., engine oil pressure (Incls. BULB & LENS)
	0907893-2	2	SCREW, self-tap, slotted, No. 4 x 1/4
	0240838-3	1	LENS
	----	1	BULB, 14 volt (Obtain locally)

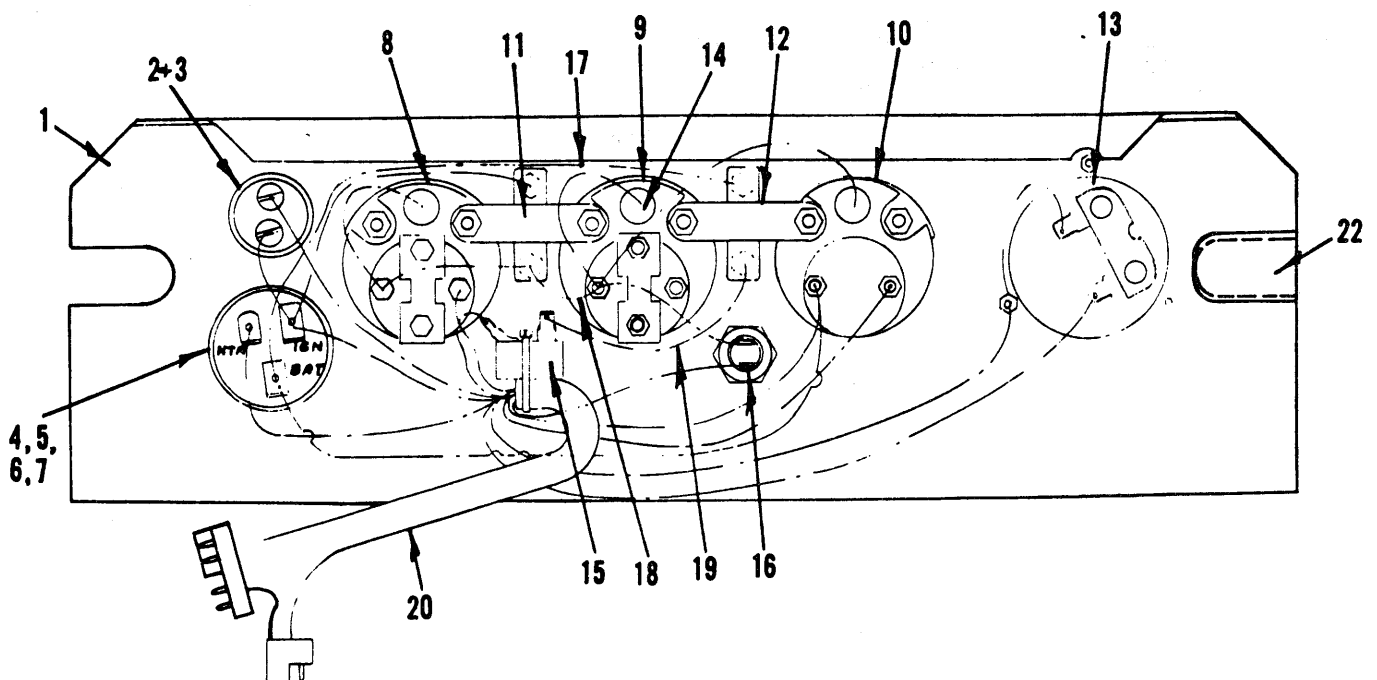
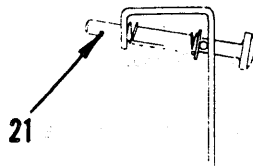
Continued

650 SERIES TRACTORS
ELECTRICAL SYSTEM

INSTRUMENT PANEL
(CONTINUED)



SECTION A-A



650 SERIES TRACTORS
ELECTRICAL SYSTEM

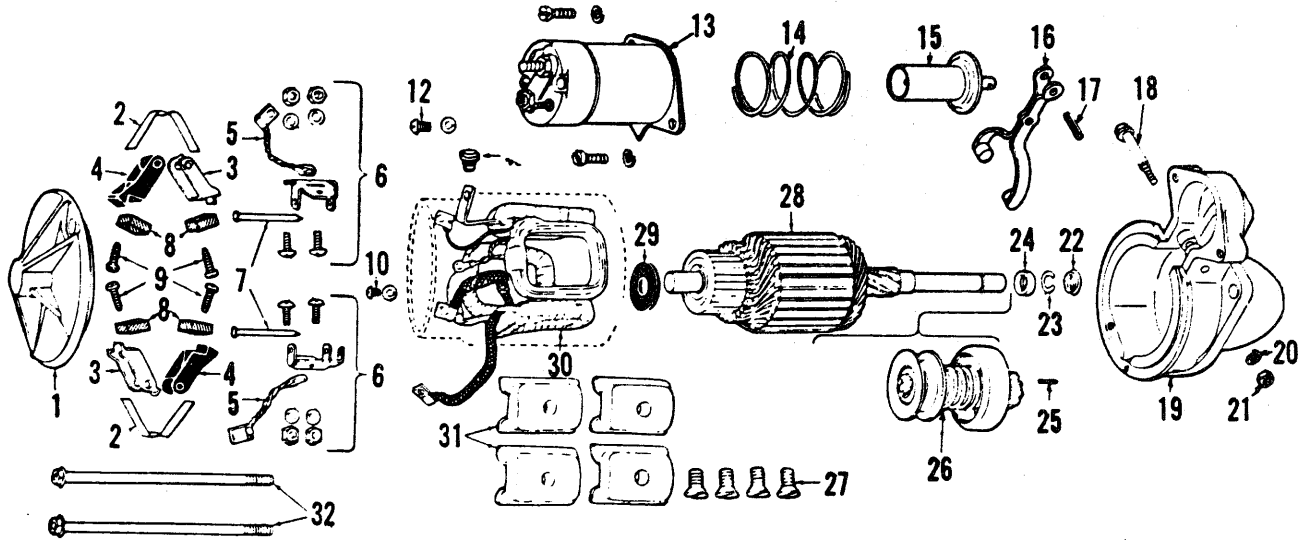
91

INSTRUMENT PANEL
(CONTINUED)

ITEM	NUMBER	QTY.	DESCRIPTION
17	1003375-1	1	WIRE, ignition switch to 20 amp circuit breaker
18	1003376-9	1	WIRE ASY., oil temperature
19	0231995-2	2	WIRE, ignition switch to 15 amp. circuit breaker
20	1003260-5	1	HARNESS, wiring, primary
21	1003785-1	1	PIN, push
	0924353-6	1	WASHER, plain
	1003327-2	1	SPRING, comp.
	0904020-5	1	PIN, cotter
22	1003429-6	1	PLUG, slot
23	1003240-7	1	COWL ASY.
	1007725-3	4	CUSHION, connector
	0925003-6	4	SCREW, self-tap, 1/4NC x 1/2
	0917356-8	8	LOCKWASHER, 5/16
	0917372-5	8	NUT, 5/16NC
24	0251837-1	1	CABLE, control
	0228373-7	1	CLIP
	0921332-3	1	CAPSCREW, 5/16NC x 3/4
	0917356-8	1	LOCKWASHER, 5/16
	0917372-5	1	NUT, 5/16NC
25	1003256-3	2	GROMMET
-	0925094-5	1	TIE, harness

650 SERIES TRACTORS
ELECTRICAL SYSTEM

STARTING MOTOR



650 SERIES TRACTORS
ELECTRICAL SYSTEM

93

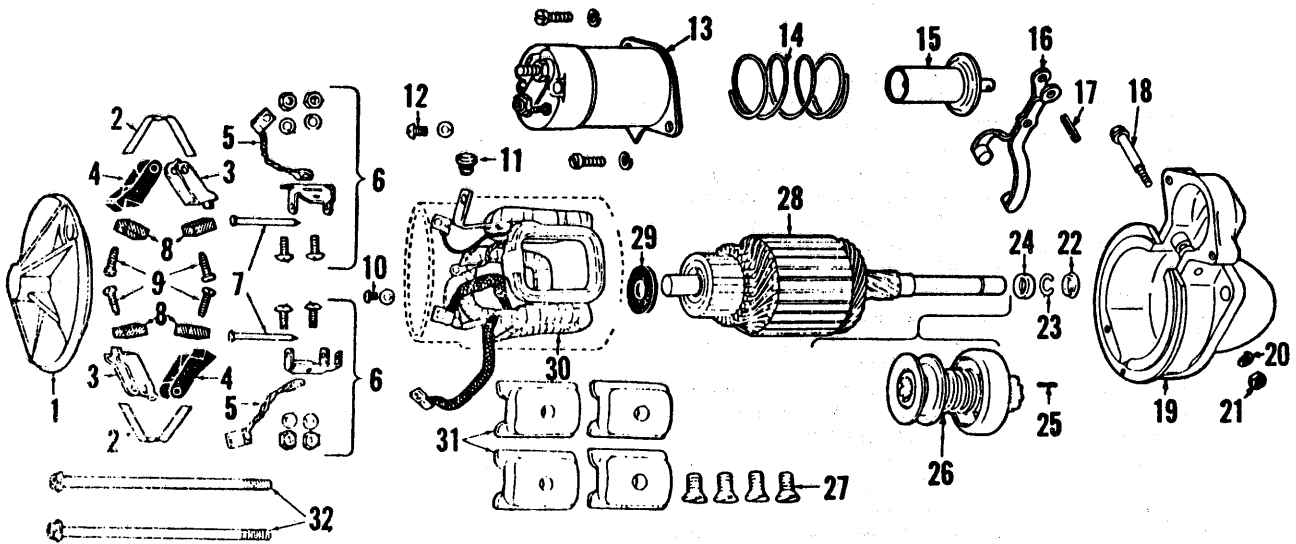
STARTING MOTOR

ITEM	NUMBER	QTY.	DESCRIPTION
--	1003815-6	1	MOTOR ASY., starting (Incl. Items 1 thru 33) (Delco-Remy #1109144)
	0916080-5	4	SCREW, rd. hd., pltd., No. 10NC x 1/2
	0917365-9	4	LOCKWASHER, pltd., No. 10
	0916621-6	4	NUT, pltd., No. 10NC
	0921966-8	3	CAPSCREW, 3/8NC x 7/8
	0916965-7	3	LOCKWASHER, 3/8
1	0236386-9	1	FRAME ASY., C.E. (Incl. BUSHING, PLUGS & WICK)
	4050068-8	1	PLUG, pipe, C.E.
	0246076-4	1	WICK
2	0231320-3	4	SPRING, brush
3	4999079-9	2	HOLDER, brush ground
4	0231319-5	2	HOLDER, brush insulated
5	4060192-4	2	LEAD, brush ground
6	4051281-6	2	SUPPORT ASY., brush holder (Incl. Items 5 & 7)
7	0252042-7	2	PIN, support attaching
8	1003672-1	4	BRUSH
9	0929906-6	2	SCREW, ground brush attaching
	0241369-8	2	SCREW, insulated brush attaching
10	0243842-2	1	SCREW, field lead attaching
	0909055-6	1	LOCKWASHER, pltd., No. 10
11	0246074-9	1	CONNECTOR, field
	0246075-6	1	GROMMET, field frame
12	4054825-7	1	SCREW, connector
	0917365-9	1	LOCKWASHER, pltd., No. 10
13	0243857-0	1	SWITCH, solenoid
	0901226-1	2	SCREW, fil. hd., pltd., 1/4NC x 1/2
	0916964-0	2	LOCKWASHER, pltd., 1/4
	0916965-7	1	LOCKWASHER, 3/8
	0917421-0	1	NUT, 3/8
	0917395-6	1	LOCKWASHER, No. 8
	0917385-7	1	NUT, No. 8
	0243854-7	1	GASKET (Between switch & housing)
14	0243849-7	1	SPRING, plunger return
15	0246077-2	1	PLUNGER
16	0243847-1	1	LEVER, shift
17	0246078-0	1	PIN, lever to plunger
18	0243848-9	1	STUD, shift lever
19	0243845-5	1	HOUSING ASY., drive (Incl. PLUG, BUSHING & WICK)
	4050068-8	1	PLUG, pipe
	0243846-3	1	BUSHING, drive end
	0241335-9	1	WICK, drive end
20	0917356-8	1	LOCKWASHER, pltd., shift lever stud, 5/16

Continued

650 SERIES TRACTORS ELECTRICAL SYSTEM

STARTING MOTOR (CONTINUED)



650 SERIES TRACTORS
ELECTRICAL SYSTEM

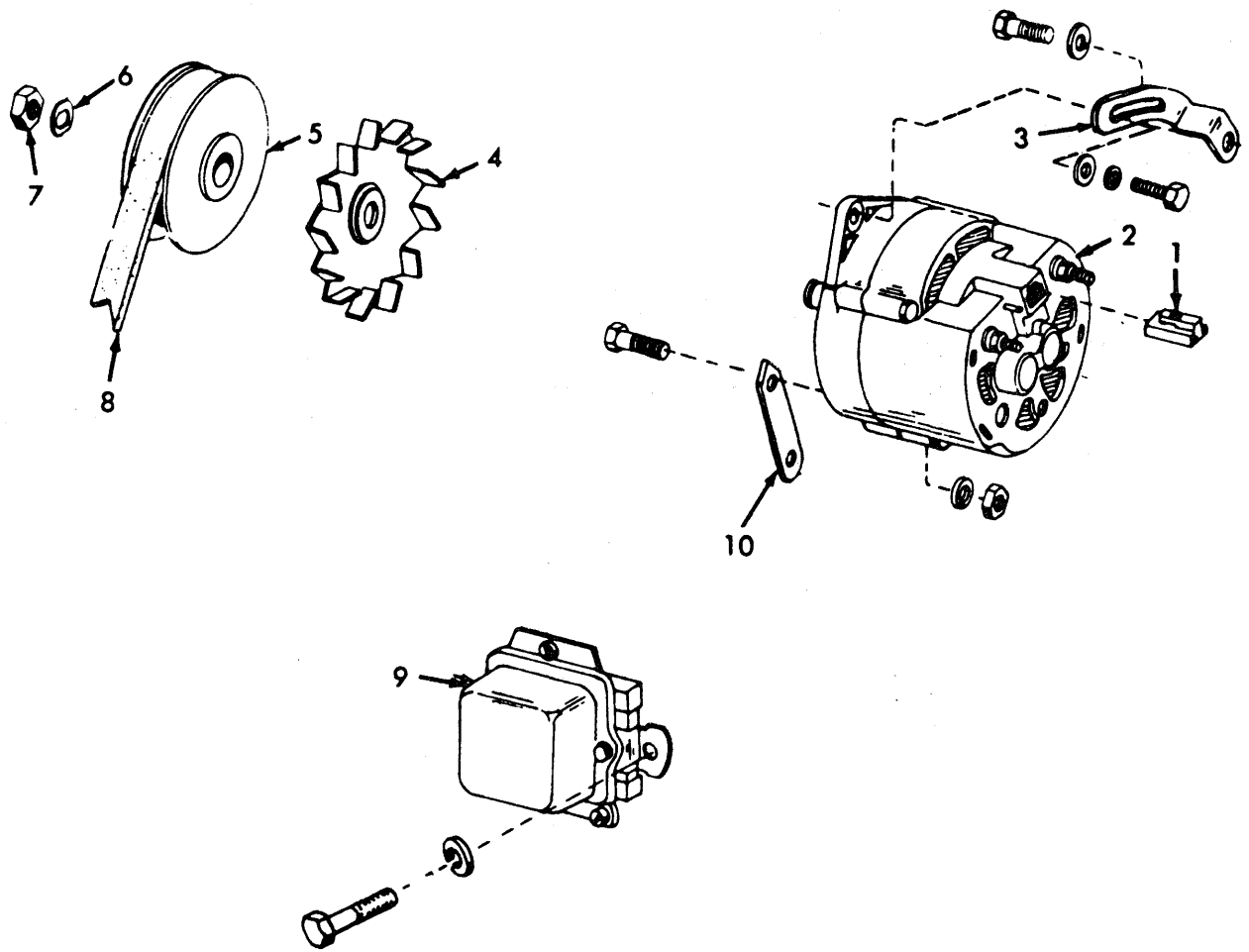
STARTING MOTOR
(CONTINUED)

ITEM	NUMBER	QTY.	DESCRIPTION
21	0920161-7	1	NUT, pltd., shift lever stud, 5/16NC
22	0243855-4	1	COLLAR, thrust
23	0231329-4	1	RING, retainer
24	0231328-6	1	COLLAR, stop
25	0231240-3	1	PIN, dowel
26	0246079-8	1	DRIVE ASY., motor
27	4054758-0	4	SCREW, pole shoe
28	0246072-3	1	ARMATURE
29	4055869-4	1	WASHER, brake, C.E.
30	0246073-1	1	COIL ASY., field
31	0235837-2	4	POLE, shoe
32	0246100-2	2	BOLT, thru
	0231258-5	1	*PLATE, center bearing (Incl. BUSHING)
	4044355-8	1	*BUSHING, center bearing, plate
	0231288-2	2	*SCREW, center bearing attachment
	0243844-8	2	*WASHER, lock, center bearing screw
	0231260-1	1	*WASHER (Between center bearing & motor drive)

*Not illustrated

650 SERIES TRACTORS
ELECTRICAL SYSTEM

GENERATOR ASY.



650 SERIES TRACTORS
ELECTRICAL SYSTEM

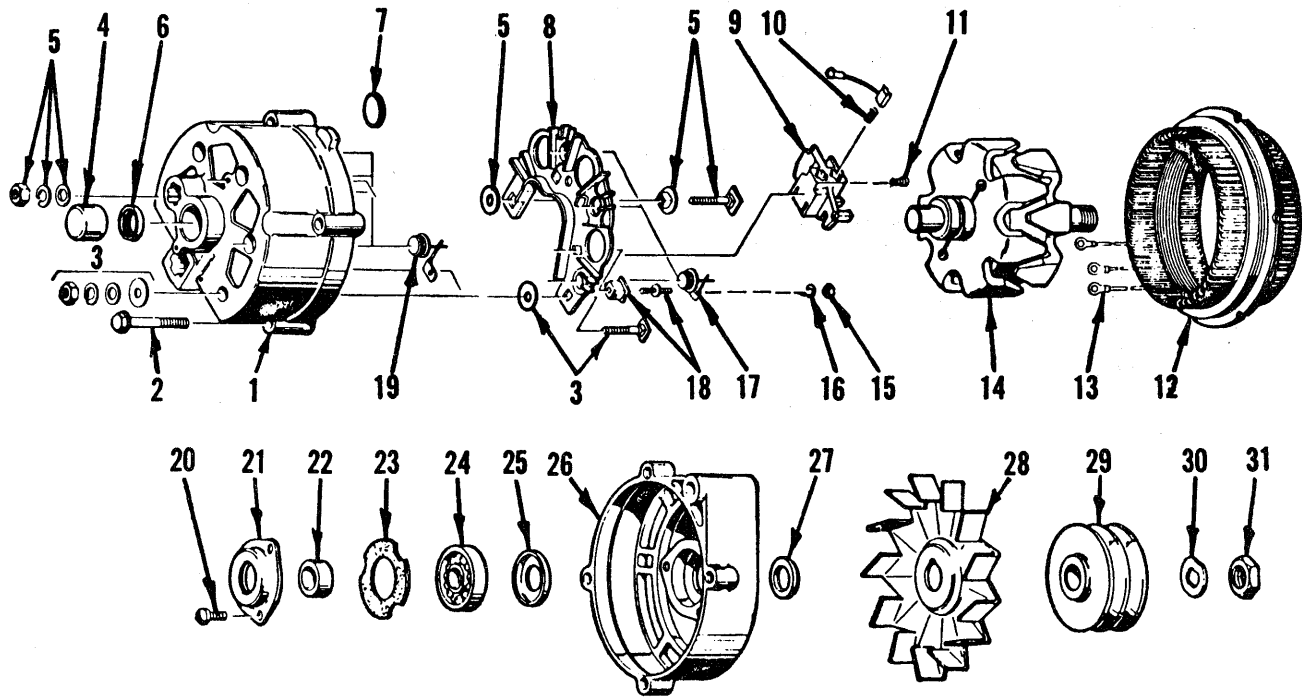
97

GENERATOR ASY.

ITEM	NUMBER	QTY.	DESCRIPTION
1	4255545-8	1	CONNECTOR, generator
2	-----	1	GENERATOR, Delcotron (Refer to GENERATOR group for components)
3	0245991-5	1	BRACKET, generator
	0921966-8	1	CAPSCREW, 3/8NC x 7/8, Gr. 5
	0916965-7	1	LOCKWASHER, 3/8
	0921977-5	1	CAPSCREW, 5/16NC x 1-1/8, Gr. 5
	0918265-0	1	WASHER, plain, 11/32 x 11/16 x 1/16
	0917356-8	1	LOCKWASHER, 5/16
4	-----	1	FAN, generator (Refer to GENERATOR group)
5	-----	1	PULLEY, generator (Refer to GENERATOR group)
6	-----	1	WASHER, lock, shaft nut (Refer to GENERATOR group)
7	-----	1	NUT, shaft (Refer to GENERATOR group)
8	-----	1	BELT, alternator & fan drive (Refer to FAN DRIVE SHAFT)
9	0243986-7	1	REGULATOR, voltage
	0243987-5	1	MOUNTING KIT, voltage regulator shock
	0921959-3	2	CAPSCREW, 1/4NC x 5/8
	0916964-0	2	LOCKWASHER, 1/4
	0916622-4	2	NUT, 1/4NC
10	4021689-7	1	BRACKET, alternator
	0922918-8	1	CAPSCREW, pltd., 3/8NC x 3-1/4
	0916965-7	1	LOCKWASHER, 3/8
	0916950-9	1	NUT, 3/8NC

650 SERIES TRACTORS
ELECTRICAL SYSTEM

GENERATOR



650 SERIES TRACTORS
ELECTRICAL SYSTEM

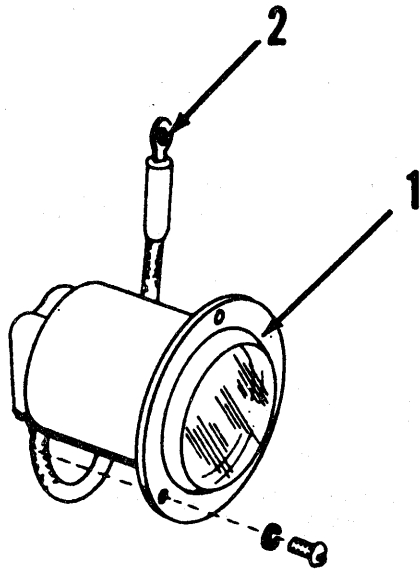
GENERATOR

ITEM	NUMBER	QTY.	DESCRIPTION
-	1138530-9	1	GENERATOR ASY. (Incl. Items 1 thru 27, 30 & 31) (Delco-Remy #1100805)
1	1142668-1	1	END FRAME KIT, slip ring (Incl. Items 4, 6, 7 & 19)
	0242842-3	1	INSULATOR
	0242831-6	1	WASHER
2	0242838-1	4	BOLT, thru
3	0242822-5	1	TERMINAL KIT, battery (Incl. STUD, 2 WASHERS, INSULATOR, 2 LOCKWASHERS, 2 NUTS & INSTRUCTION SHEET)
4	1142670-7	1	BEARING, slip ring end frame
5	0242823-3	1	TERMINAL KIT, ground (Incl. TERMINAL STUD, INSULATOR, 2 ea. WASHERS, LOCKWASHERS & NUTS)
6	1142677-2	1	SEAL ASY., bearing (Incl. 2 WASHERS & 1 CUP)
7	0242845-6	1	RETAINER
8	0242813-4	1	HEAT SINK KIT (Incl. Items 15 thru 18)
	0242842-3	1	INSULATOR
	0242831-6	1	WASHER
9	0243791-1	1	HOLDER ASY., brush (Incl. BRUSHES & Item 11)
10	0242818-3	2	SPRING, brush
11	0242835-7	2	SCREW, brush holder attaching
	0242831-6	2	LOCKWASHER
12	0242811-8	1	STATOR ASY. (Incl. Item 13)
13	0242840-7	3	CLIP, stator lead terminal
14	0243788-7	1	ROTOR ASY. (Incl. SHAFT, SHIP RING, TERMINAL, INSULATORS, SEGMENTS & COIL ASY.)
15	0917385-7	3	NUT
16	0242831-6	6	LOCKWASHER
17	4908261-3	2	DIODE KIT, positive silicon rectifier (Incl. Instructions)
18	0242825-8	1	DIODE KIT, negative silicon rectifier
19	4999694-5	3	DIODE KIT, negative silicon rectifier
20	0243792-9	1	SCREW, bearing, retainer
21	0242826-6	1	RETAINER ASY., bearing (Incl. FELT WASHER)
22	0242828-2	1	COLLAR, shaft (inside)
23	4042832-8	1	GASKET
24	0231393-0	1	BEARING, drive end
25	0242839-9	1	CAPACITOR
26	0242812-6	1	FRAME, drive end
27	0242829-0	1	COLLAR, shaft (outside)
28	0256650-3	1	FAN, generator
29	1003823-0	1	PULLEY, generator
30	0237006-2	1	LOCKWASHER, shaft nut
31	4054799-4	1	NUT, shaft, drive end
32	0917443-4	1	SCREW, capacitor terminal
	0923906-2	1	WASHER, plain
	0242831-6	1	LOCKWASHER
-	0246043-4	1	*COVER, generator end
	0917441-8	3	*SCREW, rd. hd., pltd., No. 8NC x 1/2
	0917395-6	3	*LOCKWASHER, pltd., 1/8
-	0246044-2	1	*GASKET, end cover

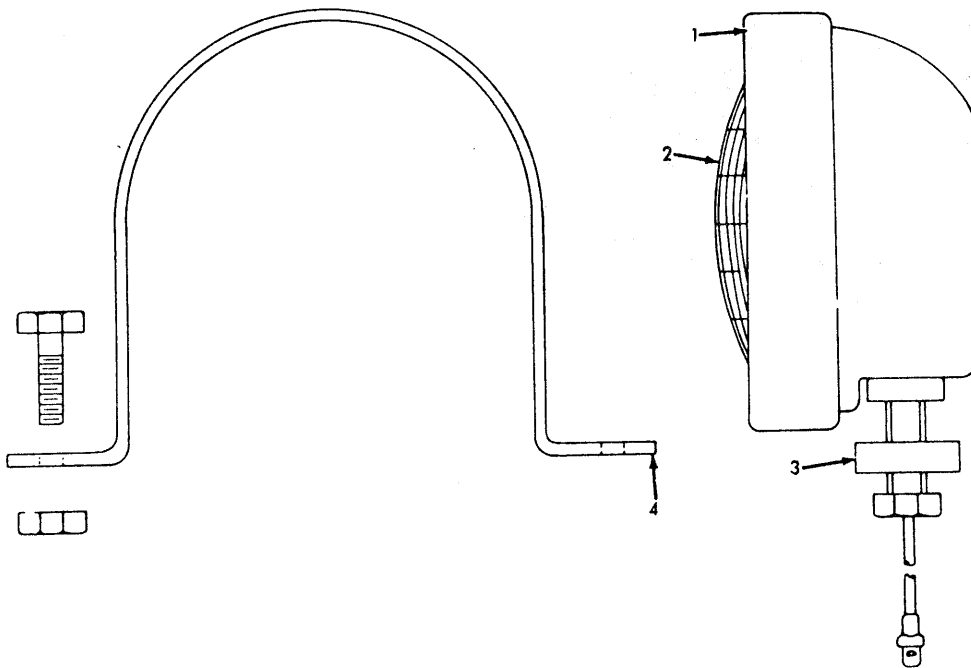
*Not illustrated

650 SERIES TRACTORS
ELECTRICAL SYSTEM

HOURMETER



HEAD LAMPS



650 SERIES TRACTORS
ELECTRICAL SYSTEM

101

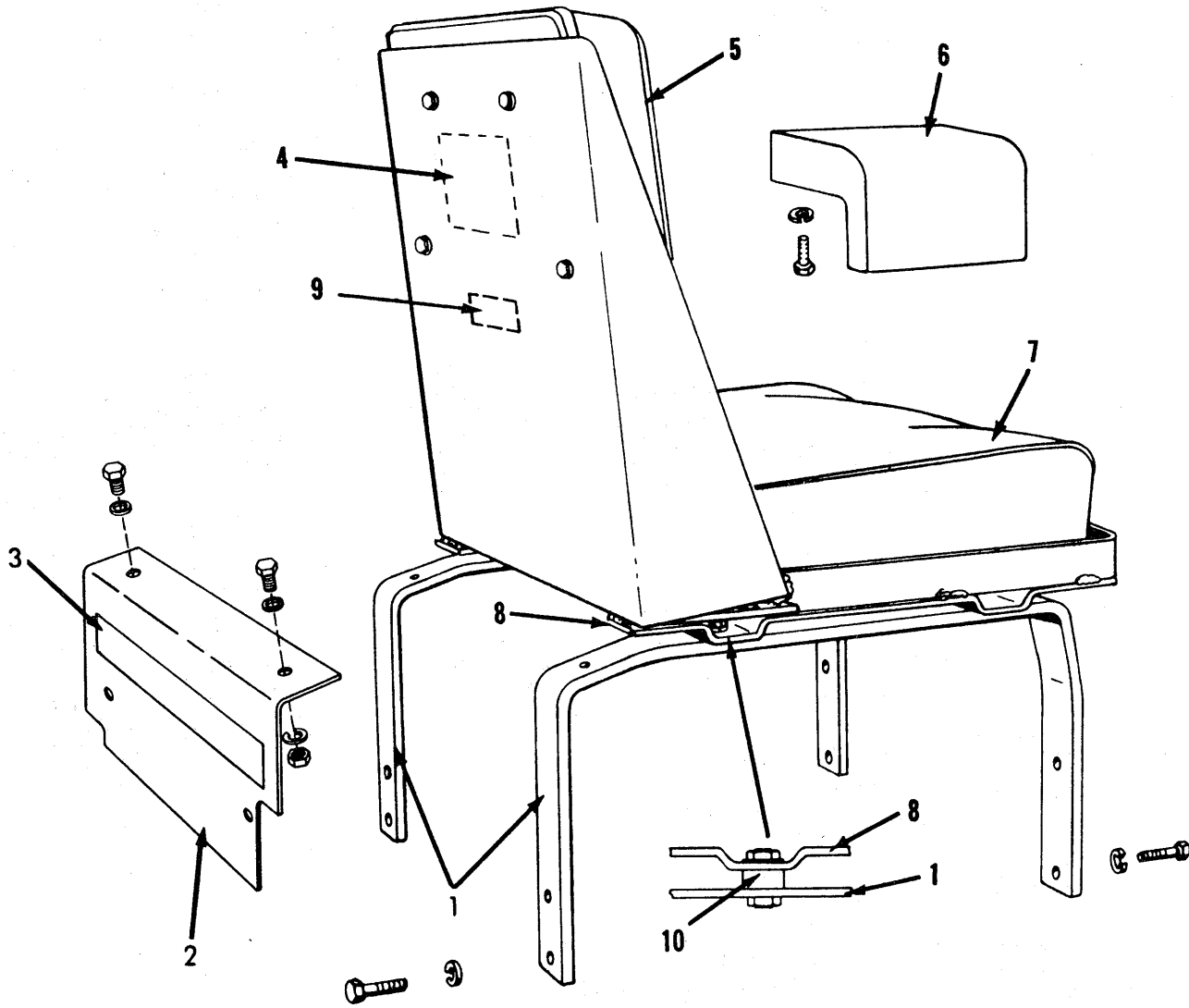
HOURMETER

ITEM	NUMBER	QTY.	DESCRIPTION
1	0650299-1	1	METER ASY., hour
	0922928-7	3	SCREW, rd. hd., No. 6NC x 1/2
	0920240-9	3	LOCKWASHER, int. tooth, No. 6
	0917479-8	3	NUT, No. 6NC
2	1003374-4	1	CABLE, meter to ground

HEAD LAMPS

ITEM	NUMBER	QTY.	DESCRIPTION
-	1095074-9	-	HEAD LAMP GROUP
-	0246126-7	2	LAMP ASY., head (Incl. Items 1 & 2)
	0922304-1	2	NUT, lock, 1/2NC
1	0621821-8	2	RETAINER, sealed unit
2	0230232-1	2	UNIT ASY., sealed
3	1003440-3	2	SPACER
4	0245824-8	2	GUARD, lamp
	0921210-1	8	CAPSCREW, 3/8NC x 1
	0916954-1	8	NUT, pltd., 3/8NC
5	1003441-1	1	WIRE ASY., head lamps (Not illustrated)
	0924292-6	4	GROMMET

OPERATOR'S SEAT

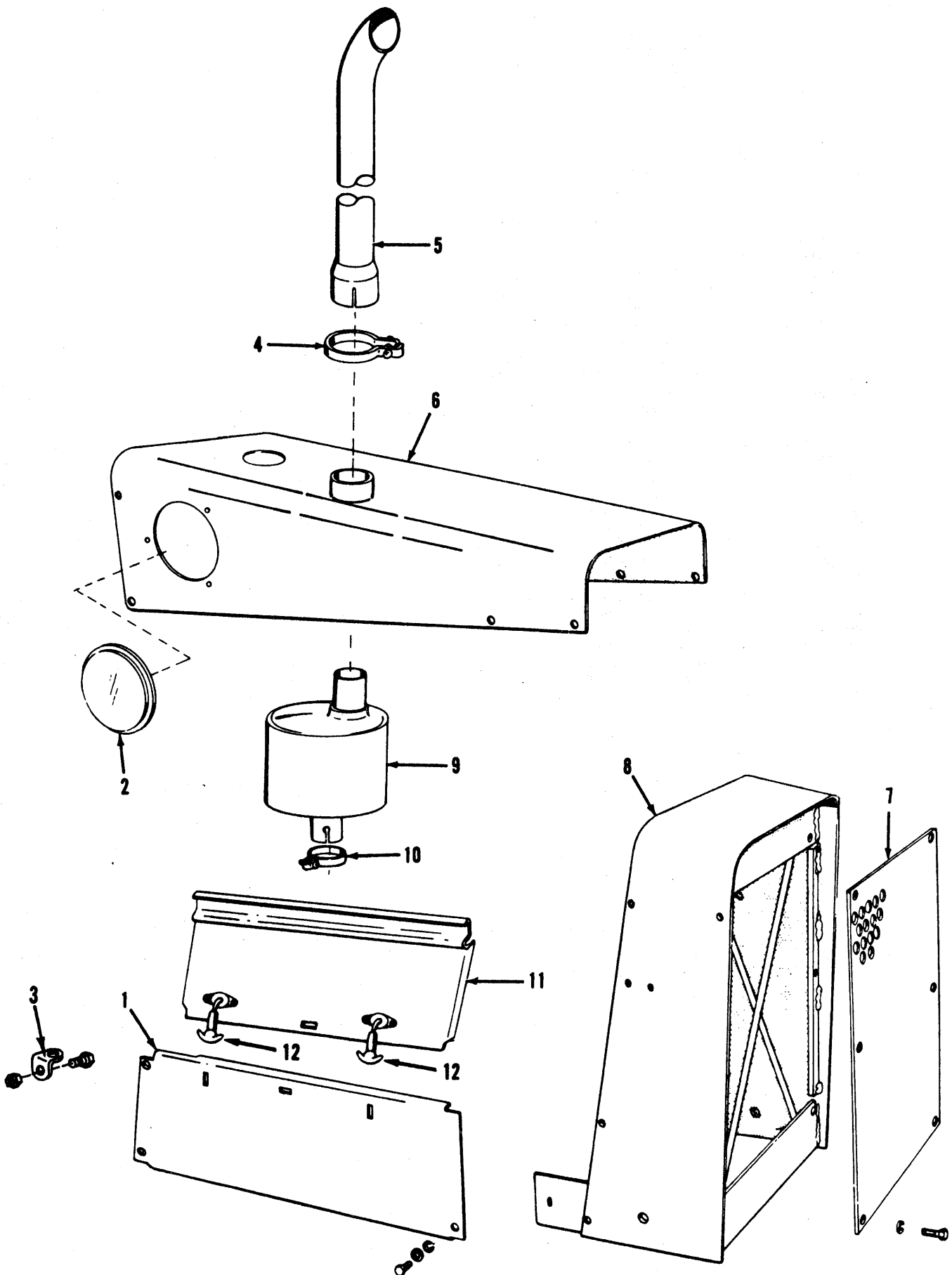


650 SERIES TRACTORS
SHEET METAL, FRAME & SEAT

OPERATOR'S SEAT

ITEM	NUMBER	QTY.	DESCRIPTION
1	0245079-9	2	BRACKET, seat support
	0921176-4	6	CAPSCREW, 1/2NC x 1-1/4
	0920328-2	2	CAPSCREW, 1/2NC x 1-1/2
	0916966-5	8	LOCKWASHER, 1/2
	0917379-0	16	WASHER, plain
2	1003373-6	1	COVER, battery, rear
	0921210-1	2	CAPSCREW, 3/8NC x 1
	0916965-7	2	LOCKWASHER, 3/8
	0916950-9	2	NUT, 3/8NC
	0918266-8	2	WASHER, pltd.
3	-----	1	DECAL (Service only in KIT)
4	-----	1	DECAL, trademark (Service only in KIT)
5	0246860-1	1	CUSHION, back
	0916400-5	4	CAPSCREW, pltd., 1/4NF x 3/4
	0916964-0	4	LOCKWASHER, pltd., 1/4
6	0246818-9	1	PAD, arm, R.H.
	0246819-7	1	PAD, arm, L.H.
	0916400-5	2	CAPSCREW, pltd., 1/4NF x 3/4
	0916964-0	2	LOCKWASHER, pltd., 1/4
7	1003377-7	1	CUSHION, seat
8	0245092-2	1	FRAME ASY., seat (Std. - incl. Back)
	0916965-7	4	LOCKWASHER, 3/8
9	-----	1	DECAL, Seller's Name (Canadian only) (Service only in KIT)
10	1003512-9	4	MOUNTING, flex. bolt
-	1015393-0	-	DECAL SET (650)
	0268404-1	1	DECAL, patent
	0235896-8	1	DECAL, air cleaner
	0245777-8	1	DECAL, control pattern
	-----	2	DECAL (650) (Not serviced)
	-----	3	DECAL, Allis-Chalmers (Not serviced)
	0242583-3	1	DECAL, instructions
	0247622-4	1	DECAL, radiator cap
	0249677-6	1	DECAL, caution, shuttle clutch
	0924243-9	1	DECAL, A-C trademark
	0924276-9	1	DECAL, trademark
	1003113-6	1	DECAL, service instruction
	-----	2	DECAL (Model 650) (Not serviced)
	-----	2	DECAL (Model 653) (Not serviced)
	-----	2	DECAL (Model 655) (Not serviced)

HOOD, SHELL, GRILLE, MUFFLER & EXTENSION



650 SERIES TRACTORS
SHEET METAL, FRAME & SEAT

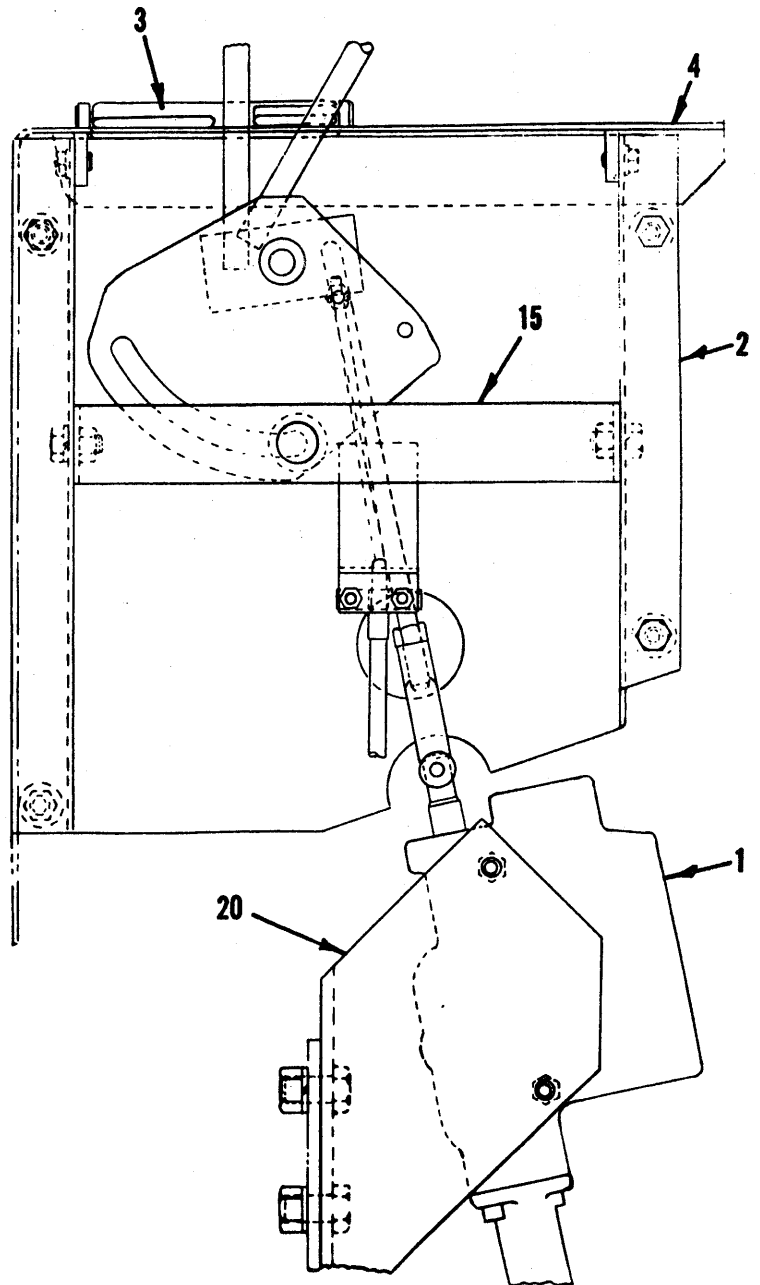
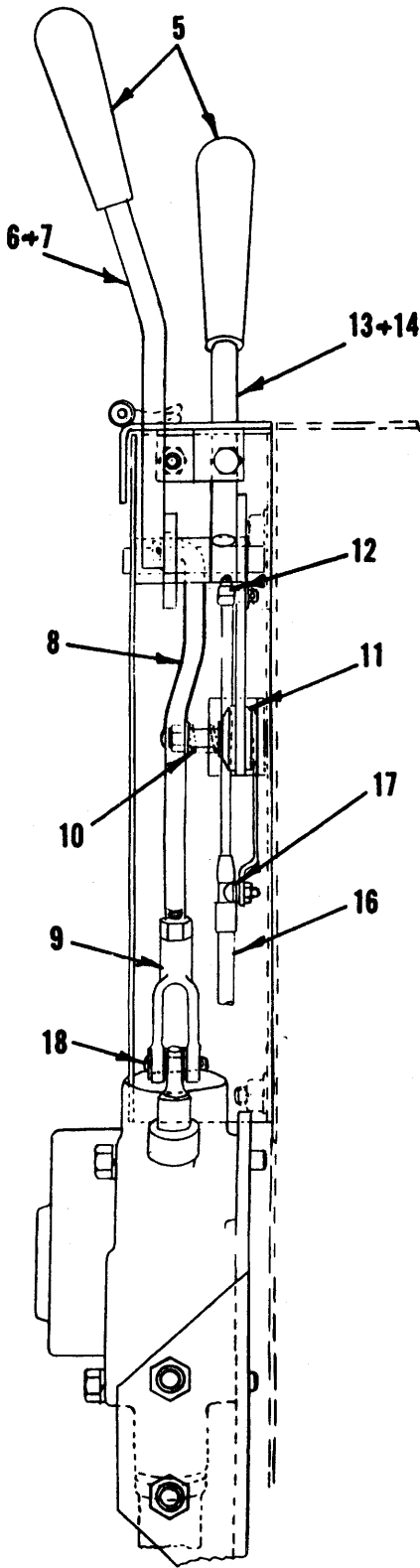
105

HOOD, SHELL, GRILLE, MUFFLER & EXTENSION

ITEM	NUMBER	QTY.	DESCRIPTION
1	1003613-5	1	SKIRT ASY., L.H.
	1003614-3	1	SKIRT ASY., R.H.
	0918228-8	3	CAPSCREW, 3/8NC x 5/8
	0911115-4	3	WASHER, plain, 13/32 x 13/16 x 1/16
	0916965-7	3	LOCKWASHER, 3/8
2	0244413-1	1	COVER, hood air cleaner opening
3	1003417-1	2	LOCK, hasp
	0921966-8	2	CAPSCREW, 3/8NC x 7/8
	0919439-0	2	NUT, 3/8NC
4	0252467-6	1	CLAMP ASY., muffler
5	0252463-5	1	EXTENSION, exhaust
6	1003309-0	1	HOOD ASY.
	0924410-4	6	CAPSCREW, 1/2NC x 1
	0923352-9	6	NUT, lock, pltd., 1/2NC
	0924405-4	2	CAPSCREW, 3/8NC x 1
	0919383-0	2	WASHER, 3/8
	0919439-0	2	NUT, pltd., 3/8
7	1003291-0	1	GRILLE, front
	0927407-7	6	CAPSCREW, 1/2NC x 7/8
	0916966-5	6	LOCKWASHER, 1/2
8	1003289-4	1	SHELL ASY., front grille
	0926036-5	4	CAPSCREW, 3/4NF x 1-3/4, Gr. 5
	0919332-7	4	LOCKWASHER, 3/4
	0910175-9	4	NUT, 3/4NF
9	0245446-0	1	MUFFLER, exhaust
10	0249899-6	1	CLAMP ASY., muffler
11	1003615-0	1	PANEL ASY., L.H.
	1003616-8	1	PANEL ASY., R.H.
12	0098029-2	4	LATCH, hood
	0916081-3	8	CAPSCREW, rd. hd., 1/4NF x 1/2
	0916964-0	8	LOCKWASHER, 1/4
	0916622-4	8	NUT, 1/4NC
	-----	1	*STRIP, packing
	-----	2	*STRIP, packing
	-----	2	*STRIP, packing
	-----	2	*STRIP, packing
	1003453-6	4	*STRIP, packing

*Not illustrated

CONSOLE SHELL & SHUTTLE CLUTCH CONTROL



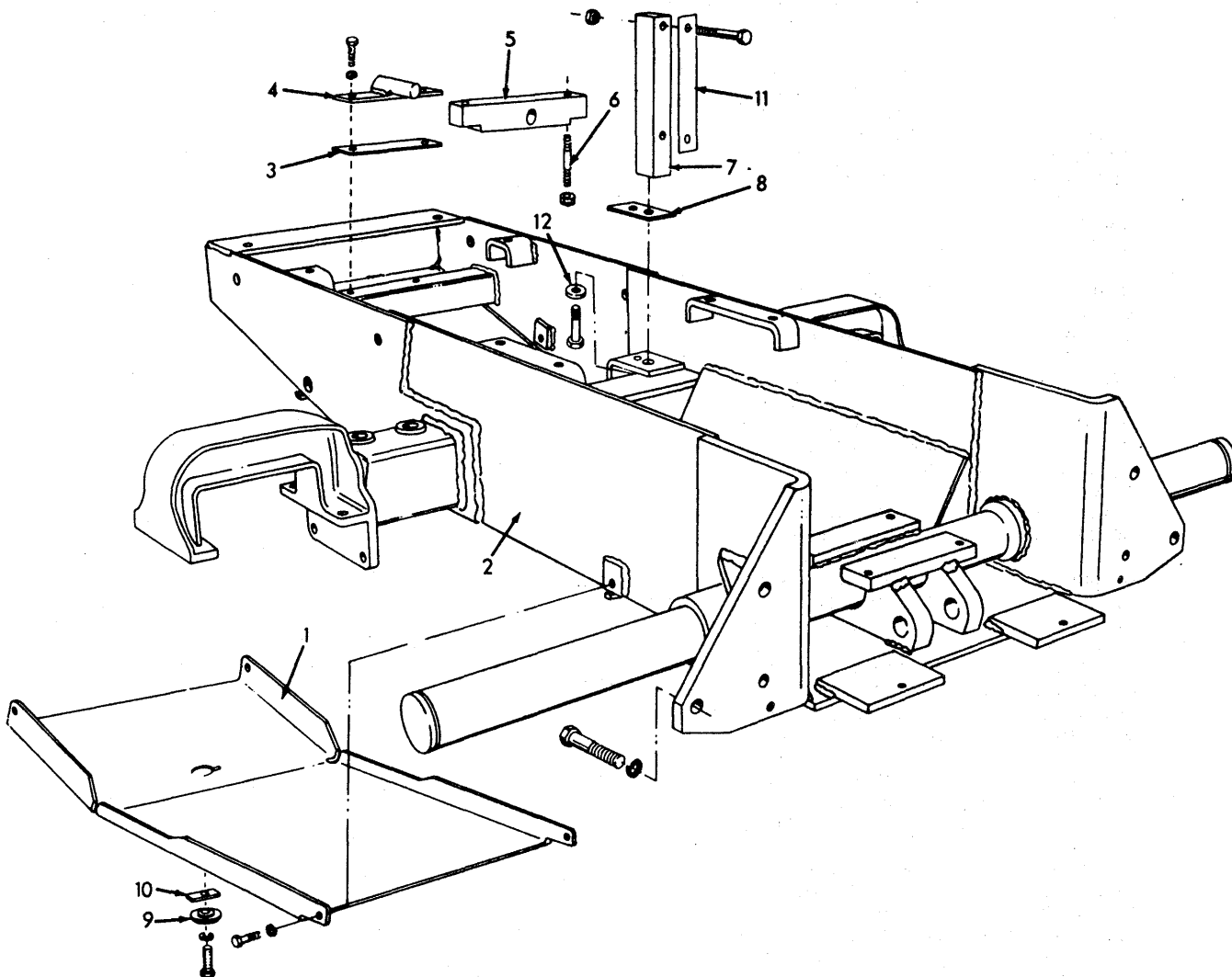
650 SERIES TRACTORS
SHEET METAL, FRAME & SEAT

CONSOLE SHELL & SHUTTLE CLUTCH CONTROL

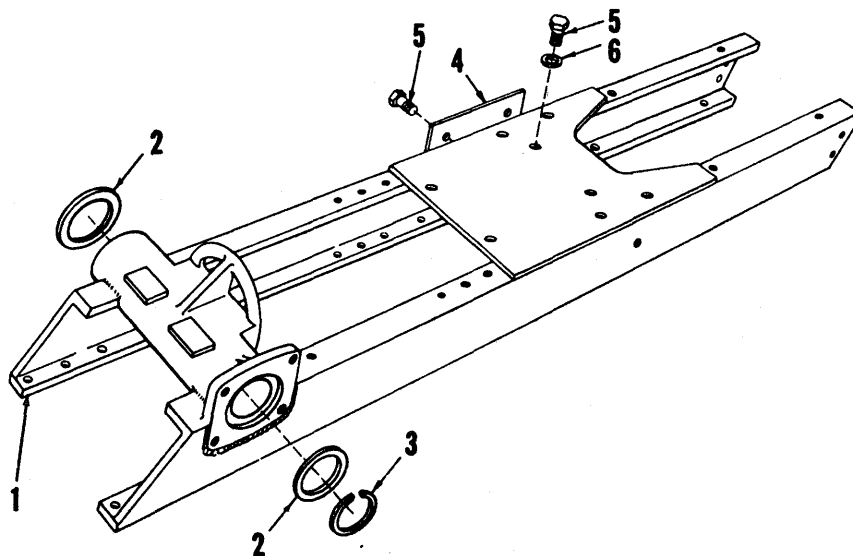
ITEM	NUMBER	QTY.	DESCRIPTION
1	-----	1	VALVE ASY. (Refer to SHUTTLE VALVE ASY.)
	0923903-9	2	CAPSCREW, 3/8NC x3
	0916965-7	2	LOCKWASHER, 3/8
2	1003331-4	1	SHELL ASY., console
	0911115-4	4	WASHER, plain
	0916954-1	1	NUT, lock, 3/8NC
3	0245517-8	1	LOCK, neutral, S.C.
	0916872-5	2	PIN, roll, 5/32 x 3/4
4	1003329-8	1	COVER ASY., console
	0920787-9	2	CAPSCREW, 5/16NC x 1/2
	0917356-8	2	LOCKWASHER, 5/16
5	0233770-7	2	KNOB, hand
6	0254286-8	1	LEVER ASY., shuttle clutch (Incls. Item 7)
7	0245480-9	1	BUSHING, lever
8	0254289-2	1	ROD ASY., valve control
	0917642-1	1	WASHER, plain
	0918452-4	1	PIN, cotter, 1/8 x 3/4
9	0254290-0	1	YOKE, control rod
	0918403-7	1	NUT, jam, 5/16NF
	0254281-9	2	BUSHING, valve control
10	0227731-7	1	SPRING, friction block
11	0225265-8	2	WASHER, friction
	0918265-0	4	WASHER, plain
	0919438-2	2	NUT, lock, 5/16NC
12	0259585-8	1	PIN, swivel, control cable
	0911114-7	1	WASHER, plain
	0923360-2	1	PIN, cotter, 1/16 x 1/2
13	0245458-5	1	LEVER ASY., throttle (Incls. Item 14)
14	0245461-9	1	BUSHING, throttle lever
15	0245502-0	1	BRACKET ASY., friction block
	0921965-0	2	CAPSCREW, 3/8NC x 3/4
	0916965-7	2	LOCKWASHER, 3/8
16	1013931-9	1	CABLE ASY., throttle control
17	0243210-2	2	CLAMP, cable (2-piece)
	0917452-5	4	SCREW, No. 10NF x 1/2
	0922714-1	4	NUT, lock, No. 10NF
18	0208292-3	1	PIN, yoke pivot
	0923360-2	1	PIN, cotter, 1/16 x 1/2
19	0243541-0	1	*PIN, cable clamp
	0923360-2	1	PIN, cotter, 1/16 x 1/2
	0918264-3	1	WASHER, plain
	0920241-7	1	SCREW, 3/32NC x 3/8
20	0254337-9	1	BRACKET, mtg., S.C valve
	0923114-3	2	CAPSCREW, 1/2NC x 1
	0916966-5	2	LOCKWASHER, 1/2
	0916951-7	2	NUT, 1/2NC

*Not illustrated

MAIN FRAME & ENGINE SUPPORT



TRUCK FRAME
(R.H. SHOWN)



650 SERIES TRACTORS
SHEET METAL, FRAME & SEAT

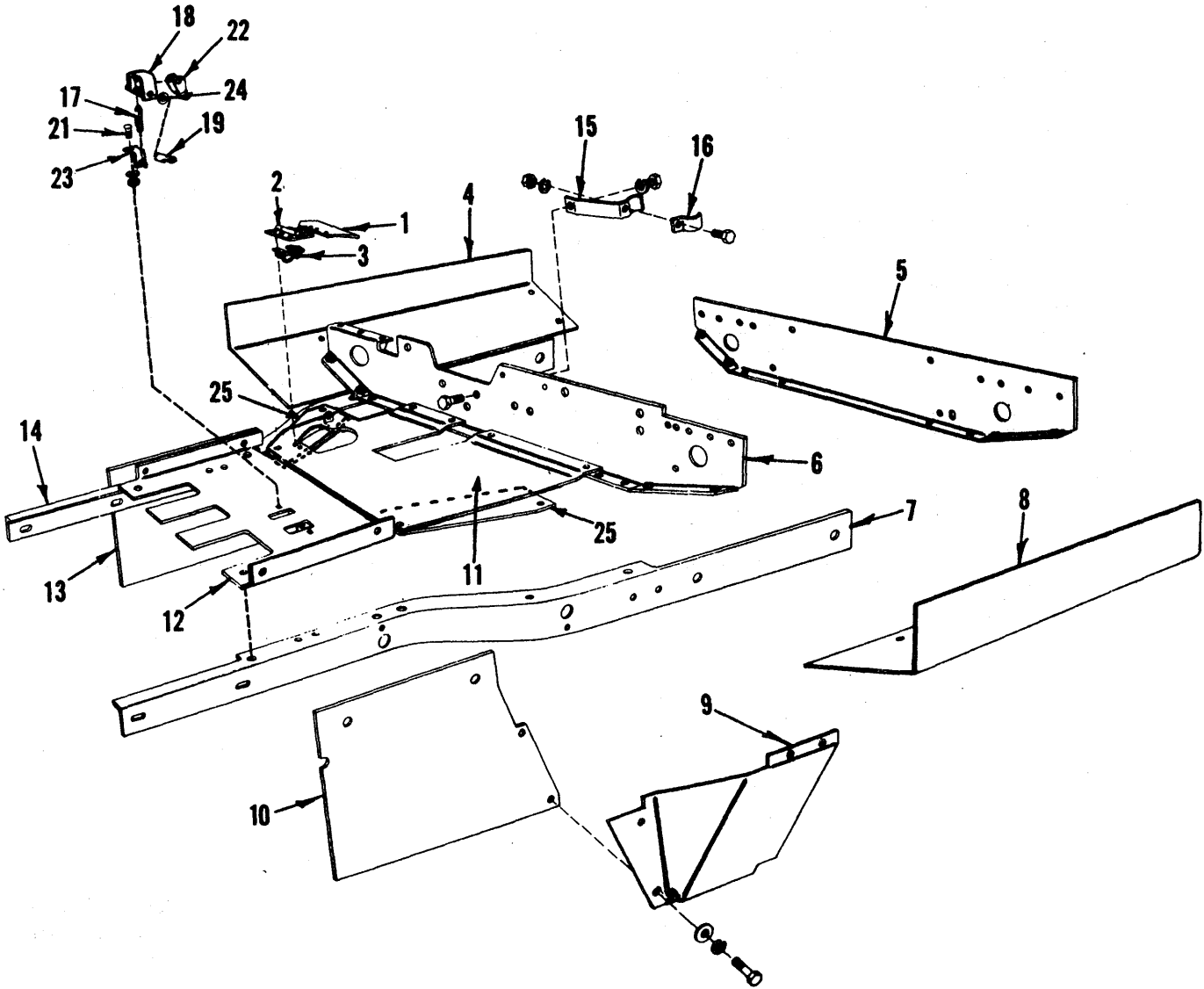
MAIN FRAME & ENGINE SUPPORT

ITEM	NUMBER	QTY.	DESCRIPTION
1	0247422-9	1	COVER, lower
	0924744-6	4	CAPSCREW, 5/8NC x 1-1/2, Gr. 8
	0917373-3	4	LOCKWASHER, 5/8
2	1003790-1	1	FRAME ASY., main (Incl. FRONT BEAM & PIVOT AXLE)
	1003027-8	2	ARM
	0926167-8	6	CAPSCREW, 3/4NF x 2-1/4, Gr. 8
	0922612-7	4	CAPSCREW, 3/4NC x 1-7/8
	0919332-7	10	LOCKWASHER, 3/4
3	1003192-0	*	SHIM, engine support (*Use as req'd)
4	0244686-2	1	SUPPORT ASY., engine pivot
	0920328-2	2	CAPSCREW, 1/2NF x 1-1/2, Gr. 5
	0916966-5	2	LOCKWASHER, 1/2
5	0244689-6	1	BLOCK, engine pivot
6	0245506-1	2	STUD, engine pivot
	0929331-7	4	NUT, 7/16NF
7	0252499-9	2	BRACKET, bump stop
	0925954-0	4	CAPSCREW, 3/4NF x 4, Gr. 8
	0927606-4	4	NUT, 3/4NF, Gr. 8
8	1003196-1	*	SHIM, bump stop bracket (.1196") (*Use as req'd)
	1003195-3	*	SHIM, bump stop bracket (.0890") (*Use as req'd)
	1003194-6	*	SHIM, bump stop bracket (.0598") (*Use as req'd)
	1003193-8	*	SHIM, bump stop bracket (.0150") (*Use as req'd)
	0917472-3	2	CAPSCREW, 1/2NF x 1
	0916966-5	2	LOCKWASHER, 1/2
9	0248468-1	1	COVER (Service drain)
10	0247421-1	1	BAR (Service drain)
	0921176-4	1	CAPSCREW, 1/2NC x 1-1/4
	0916966-5	1	LOCKWASHER, 1/2
11	0252507-9	2	SPACER, rectangle
12	0252554-1	2	WASHER
	0921170-7	2	CAPSCREW, 3/4NF x 2-1/2

TRUCK FRAME
(R.H. SHOWN)

ITEM	NUMBER	QTY.	DESCRIPTION
1	1013457-5	1	FRAME ASY., truck, L.H.
	1013458-3	1	FRAME ASY., truck, R.H.
2	1003217-5	*	SHIM, pivot base (*Use as req'd)
3	0233744-2	2	RING, snap
4	1003218-3	*	SHIM, front beam
5	0916330-4	12	CAPSCREW, 3/4NF x 2
6	1003219-1	8	WASHER

PLATFORM



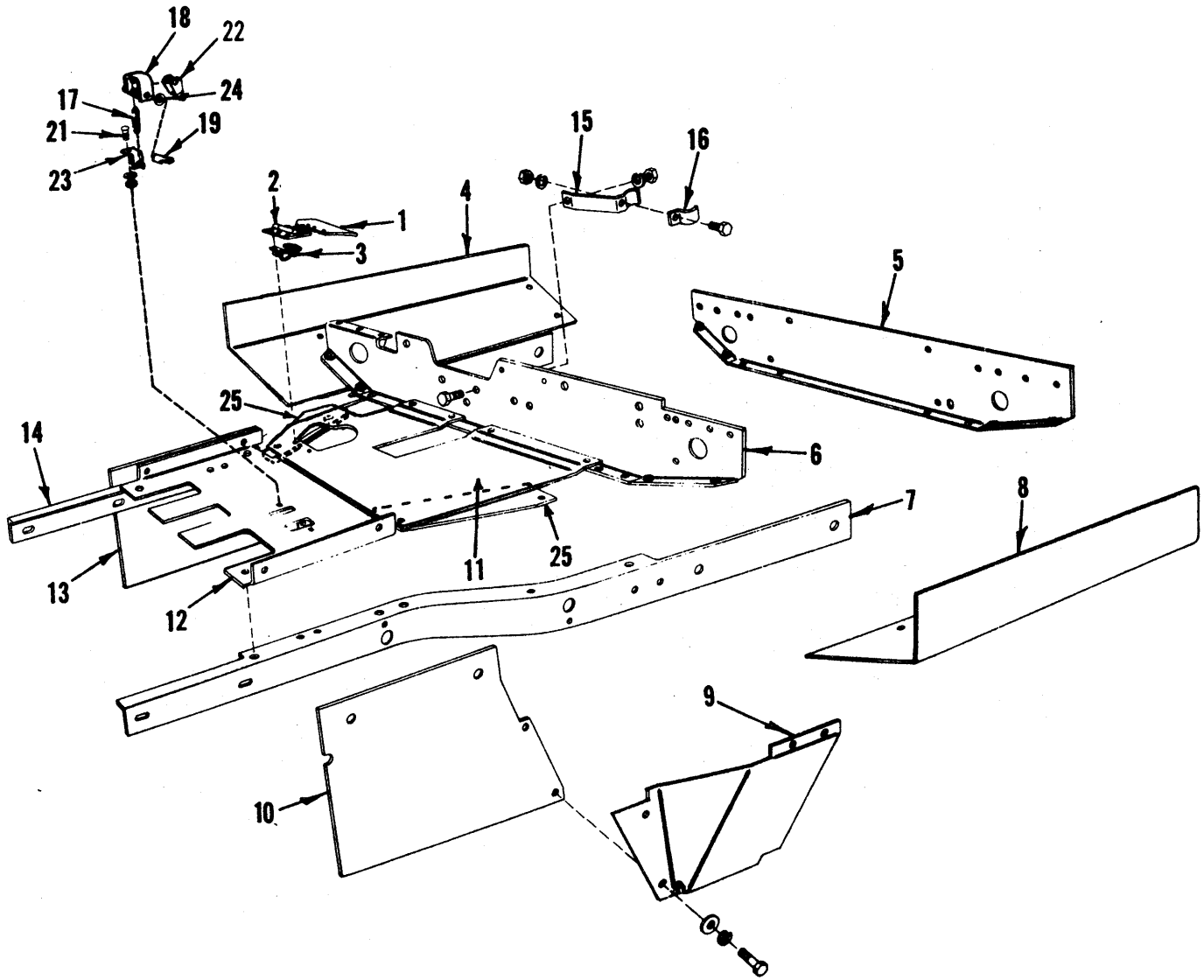
650 SERIES TRACTORS
SHEET METAL, FRAME & SEAT

PLATFORM

ITEM	NUMBER	QTY.	DESCRIPTION
1	1003446-0	1	COVER, rear foot plate
2	1003425-4	1	HINGE, butt cover
3	1003426-2	1	SPRING, door retaining
	0922706-7	6	SCREW, mach., No. 10NF x 1/2
	0917365-9	6	LOCKWASHER, No. 10
	0910251-8	6	NUT, No. 10NF
	0910243-5	6	WASHER, No. 10
4	1003422-1	1	FENDER ASY., R.H.
	0921176-4	4	CAPSCREW, 1/2NC x 1-1/4
	0916966-5	4	LOCKWASHER, 1/2
5	1010193-9	1	ANGLE, rear tank & front support
	0921176-4	2	CAPSCREW, 1/2NC x 1-1/4
	0916966-5	2	LOCKWASHER, 1/2
	0916951-7	2	NUT, 1/2NC
	0923151-5	4	CAPSCREW, 5/8NC x 1-1/4 (Not req'd for Wt. Carrier)
	0917373-3	4	LOCKWASHER, 5/8 (Not req'd for Wt. Carrier)
6	1003420-5	1	ANGLE, front tank & front support
7	1014177-8	1	ANGLE, platform support, L.H.
	0926127-2	2	CAPSCREW, 3/4NC x 1-3/4
	0919332-7	2	LOCKWASHER, 3/4
8	1003421-3	1	FENDER ASY., L.H.
	0921176-4	4	CAPSCREW, 1/2NC x 1-1/4
	0916966-5	4	LOCKWASHER, 1/2
9	0245655-6	1	SKIRT, platform rear, L.H.
	0915724-9	1	CAPSCREW, 3/8NC x 1-3/4
	0920415-7	2	CAPSCREW, 3/8NC x 1-1/4
	0921966-8	1	CAPSCREW, 3/8NC x 7/8
	0916965-7	4	LOCKWASHER, 3/8
	0245654-9	1	SKIRT, platform rear, R.H.
	0920415-7	2	CAPSCREW, 3/8NC x 1-1/4
	0921966-8	2	CAPSCREW, 3/8NC x 7/8
	0916965-7	4	LOCKWASHER, 3/8
10	0245647-3	1	SKIRT ASY., L.H.
	0921966-8	2	CAPSCREW, 3/8NC x 7/8
	0916965-7	2	LOCKWASHER, 3/8
	0916950-9	2	NUT, 3/8NC
11	1010417-2	1	PLATE, rear foot
	0921210-1	6	CAPSCREW, 3/8NC x 1
	0916965-7	6	LOCKWASHER, 3/8
	0918266-8	4	WASHER, plain
	1010276-2	1	PLATE, shim

Continued

PLATFORM
(CONTINUED)



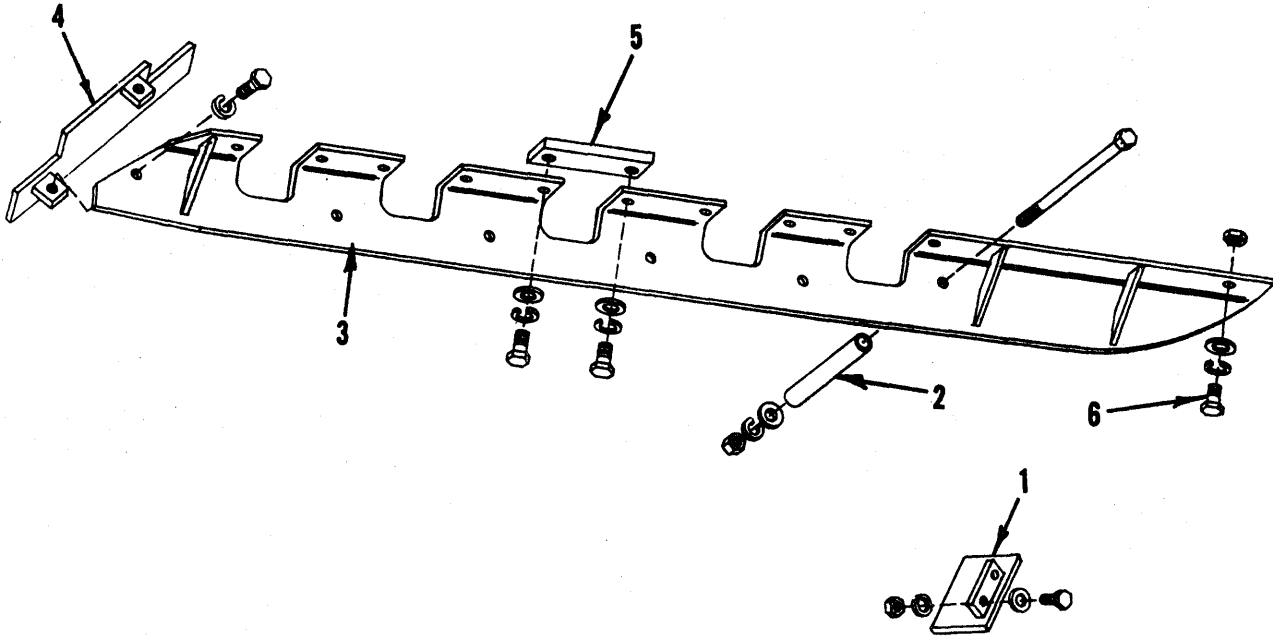
650 SERIES TRACTORS
SHEET METAL, FRAME & SEAT

113

PLATFORM
(CONTINUED)

ITEM	NUMBER	QTY.	DESCRIPTION
12	1010274-7	1	PLATE, foot, front
	0921965-0	4	CAPSCREW, 3/8NC x3/4
	0916965-7	4	LOCKWASHER, 3/8
	0918266-8	4	WASHER, plain
13	0245648-1	1	SKIRT ASY., R.H.
	0921966-8	2	CAPSCREW, 3/8NC x7/8
	0916965-7	2	LOCKWASHER, 3/8
	0916950-9	2	NUT, 3/8NC
14	1014176-0	1	ANGLE, platform support, R.H.
	0926127-2	2	CAPSCREW, 3/4NC x1-3/4
	0919332-7	2	LOCKWASHER, 3/4
15	0245640-8	1	CLAMP, filler tube
16	0248687-6	1	CLAMP, filler tube
	0921210-1	2	CAPSCREW, 3/8NC x1
	0916965-7	2	LOCKWASHER, 3/8
	0916950-9	2	NUT, 3/8NC
17	1003279-5	1	SPRING, brake latch
18	1003263-9	1	LEVER ASY., brake latch
19	0227701-0	2	PIN, pivot
21	0922249-8	2	BOLT, rd. hd., sq. nk., 3/8NC x3/4
	0916965-7	2	LOCKWASHER, 3/8
	0916950-9	2	NUT, 3/8NC
22	0257767-4	1	LEVER, w/ pawl
23	1003451-0	1	BRACKET ASY., brake latch
24	0923421-2	2	WASHER, plain
25	1010276-2	2	PLATE
	0921210-1	2	CAPSCREW, 3/8NC x1
	0916965-7	2	LOCKWASHER, 3/8
	0918266-8	2	WASHER, plain

ROCK & BOTTOM PAN GUARDS



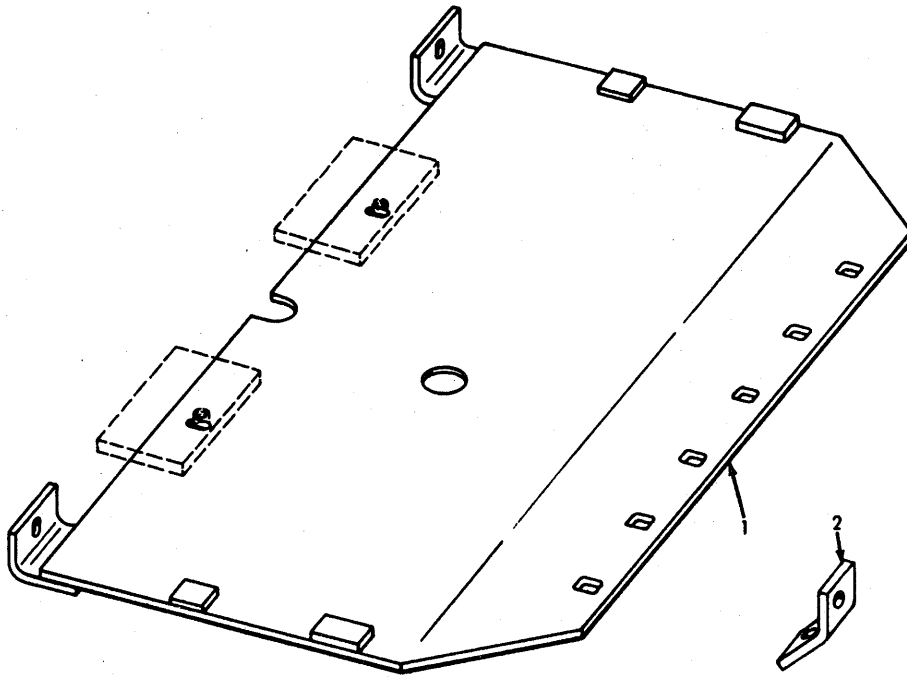
650 SERIES TRACTORS
SHEET METAL, FRAME & SEAT

115

ROCK & BOTTOM PAN GUARDS

ITEM	NUMBER	QTY.	DESCRIPTION
1	1003171-4	2	GUARD, idler, front, L.H.
	1003170-6	2	GUARD, idler, front, R.H.
	0919089-3	4	CAPSCREW, 1/2NC x1-3/4, Gr. 5
	0916966-5	4	LOCKWASHER, 1/2
	0917379-0	4	WASHER, plain
2	1003182-1	10	SPACER, guard
	0921863-7	10	BOLT, 5/8NC x8-3/4
	0917373-3	10	LOCKWASHER, 5/8
	0915726-4	10	NUT, 5/8NC
	0919388-9	*	WASHER, 11/16 x1-1/2 x No. 10 (*Use as req'd)
3	1003735-6	2	GUARD, truck frame, long track, L.H.
	1003734-9	2	GUARD, truck frame, long track, R.H.
	0916420-3	10	CAPSCREW, 1/2NF x2-1/4
	0916966-5	10	LOCKWASHER, 1/2
4	0917379-0	10	WASHER, plain
	1003733-1	2	CLOSURE ASY., L.H. rear
	1003732-3	2	CLOSURE ASY., R.H. rear
	0921176-4	4	CAPSCREW, 1/2NC x1-1/4
5	0916966-5	4	LOCKWASHER, 1/2
	1003189-6	20	BLOCK, tapping
	0919236-0	40	CAPSCREW, 1/2NF x4
	0916966-5	40	LOCKWASHER, 1/2
6	0917379-0	40	WASHER, plain
	0916028-4	4	CAPSCREW, 1/2NF x1-3/4
	0916966-5	4	LOCKWASHER, 1/2
	0917379-0	4	WASHER, plain
	0919423-4	4	NUT, 1/2NF
-	1003730-7	4	TAPPING BLOCK, weld-on truck frame

REAR BOTTOM PAN



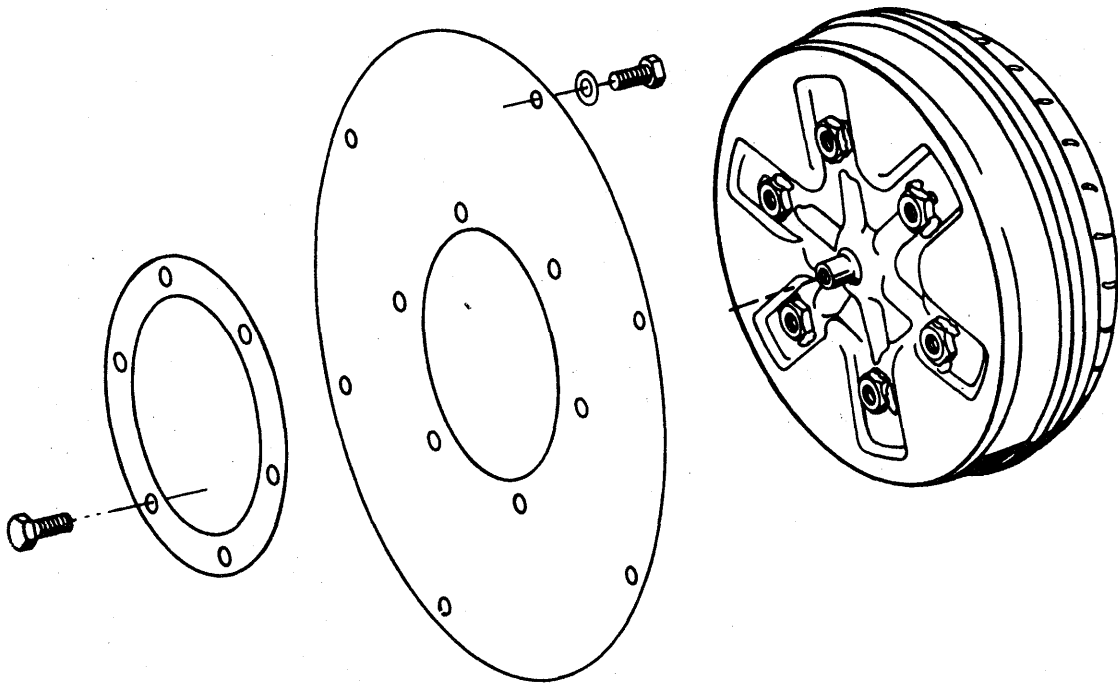
650 SERIES TRACTORS
SHEET METAL, FRAME & SEAT

117

REAR BOTTOM PAN

ITEM	NUMBER	QTY.	DESCRIPTION
1	1014244-6	1	PAN ASY, bottom (Used w/o Winch)
	0921176-4	2	CAPSCREW, 1/2NC x 1-1/4
	0910210-4	2	LOCKWASHER, ext. tooth, 1/2
	0923113-5	2	CAPSCREW, 5/8NC x 1
	0910543-8	2	LOCKWASHER, ext. tooth, 5/8
	0926101-7	2	BOLT, sq. nk., 5/8NC x 3
	0917373-3	2	LOCKWASHER, med., 5/8
	0915726-4	2	NUT, 5/8NC
	0246908-8	1	PAN ASY., bottom (Used w/ Winch)
	0921176-4	2	CAPSCREW, 1/2NC x 1-1/4
	0910210-4	2	LOCKWASHER, ext. tooth, 1/2
2	0923113-5	2	CAPSCREW, 5/8NC x 1
	0910543-8	2	LOCKWASHER, ext. tooth, 5/8
	0246909-6	1	BRACKET, L.H. (Used w/ Winch only)
	0246910-4	1	BRACKET, R.H. (Used w/ Winch only)
	0925602-5	2	CAPSCREW, 3/4NC x 3-1/4
	0921463-6	2	BOLT, sq. nk., 5/8NC x 1-3/4, pltd.
	0917373-3	2	LOCKWASHER, med., 5/8
	0915726-4	2	NUT, 5/8NC

TORQUE CONVERTER



650 SERIES TRACTORS
DRIVE TRAIN

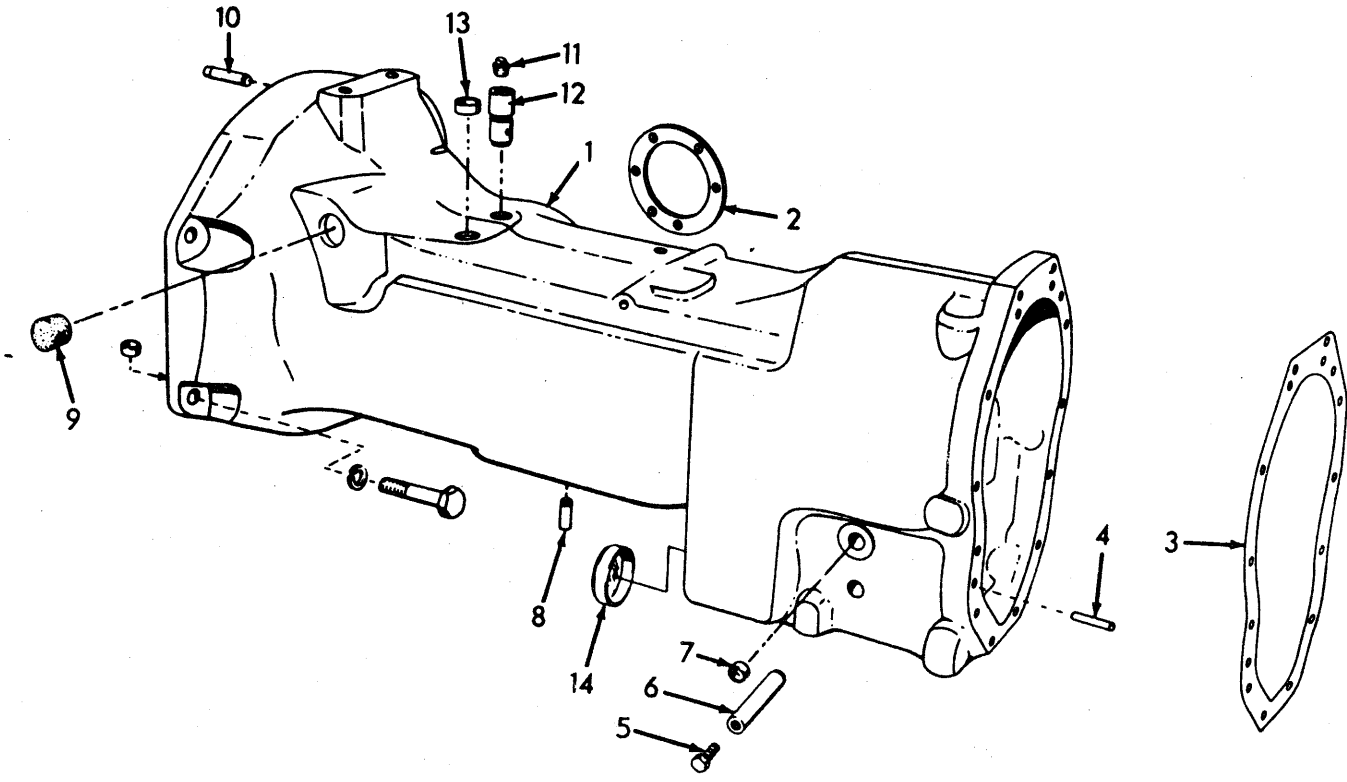
119

TORQUE CONVERTER

ITEM	NUMBER	QTY.	DESCRIPTION
-	1019097-3	1	CONVERTER ASY., torque (Incl. CONVERTER & Item 1)
1	0252427-0	1	REPAIR KIT, drive plate (Incl. DRIVE PLATE, REIN- FORCEMENT PLATE, PLACE BOLTS, & DRIVE PLATE WASHERS)

650 SERIES TRACTORS
DRIVE TRAIN

TORQUE HOUSING



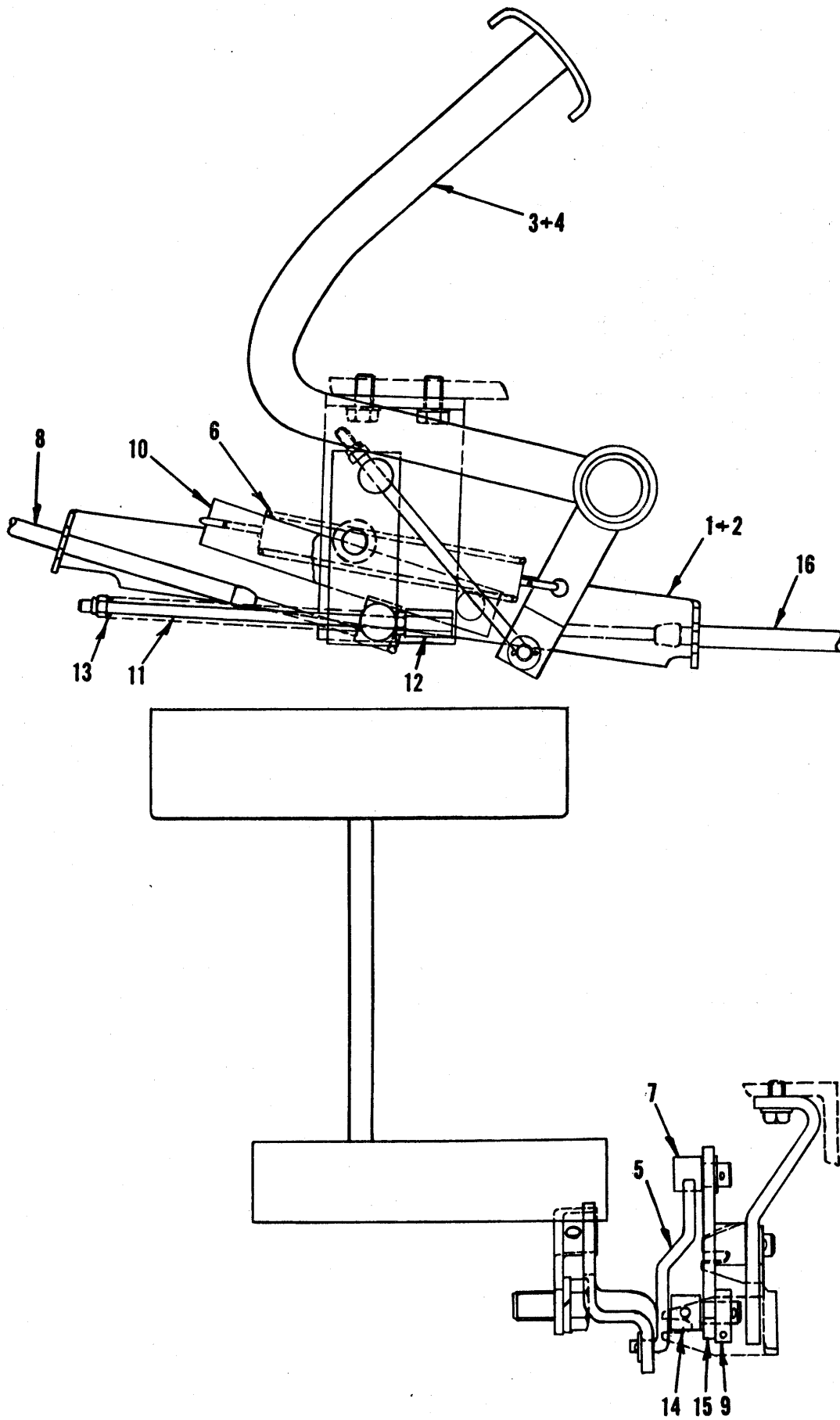
650 SERIES TRACTORS
DRIVE TRAIN

121

TORQUE HOUSING

ITEM	NUMBER	QTY.	DESCRIPTION
1	0257517-3	1	HOUSING ASY. (Incl. Items 4 thru 13)
	0923494-9	3	CAPSCREW, 1/2NC x 1-3/8, Gr. 8
	0918887-1	1	PLUG, pipe, 3/8
	0243061-9	1	BUSHING, power shift
2	0233244-3	1	GASKET
3	1003156-5	1	GASKET, torque hsg. to transmission
4	0202532-8	4	PIN, dowel
5	0917127-3	1	CAPSCREW, 1/2NF x 5/8
6	0248405-3	1	RETAINER, spring, w/ winch
	0248491-3	1	PLUG, w/o winch
7	0230322-0	1	PLUG
8	0245164-9	2	PIN, dowel
9	0245930-3	1	PLUG
10	0248085-3	1	PIN, dowel
11	0901651-0	1	PLUG, pipe, solid, 1/8
12	0246340-4	1	RETAINER, detent, w/ winch
	0244910-6	1	PLUG, w/o winch
13	0230322-0	1	PLUG
14	0236297-8	1	PLUG, w/o winch

DECELERATOR



650 SERIES TRACTORS
DRIVE TRAIN

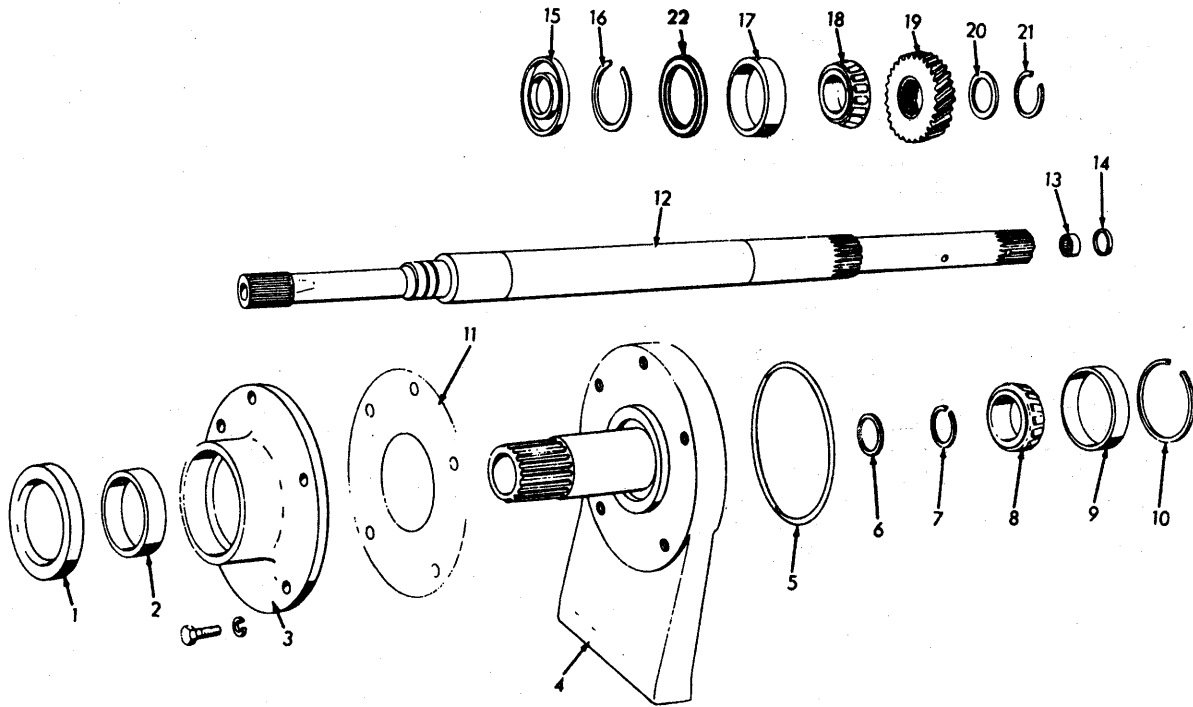
123

DECELERATOR

ITEM	NUMBER	QTY.	DESCRIPTION
1	1003313-2	1	BRACKET ASY. (Incls. Item 2)
	0921965-0	2	CAPSCREW, 3/8NC x 3/4
	0916965-7	2	LOCKWASHER, 3/8
2	0239532-5	1	BUSHING
3	1003319-9	1	PEDAL ASY. (Incls. Item 4)
4	0244975-9	2	BUSHING
5	1003324-9	1	ROD, pedal
	0911114-7	1	WASHER, SAE, 1/4
	0923360-2	1	PIN, cotter, 1/16 x 1/2
	0920397-7	1	NUT, 1/4NC
6	1003325-6	1	SPRING, pedal return
7	0253340-4	1	PIN, rod pedal
	0917379-0	1	WASHER, SAE, 1/2
	0918448-2	1	PIN, cotter, 3/32 x 1
8	0248703-1	1	CABLE ASY., front
9	0253331-3	1	END, cable
	0918448-2	1	PIN, cotter, 3/32 x 1
10	1003326-4	1	BRACKET, spring
	0923151-5	1	CAPSCREW, 5/8NC x 1-1/4
	0917373-3	1	LOCKWASHER, 5/8
11	0253333-9	1	ROD, spring
	0920435-5	1	NUT, jam, 1/4NC
	0920397-7	1	NUT, 1/4NC
12	0253334-7	1	COUPLING, rod end
13	0253335-4	1	SPRING
14	0253336-2	1	PIN, pivot
15	1003266-2	1	LEVER ASY., actuating
	0917379-0	1	WASHER, SAE, 1/2
	0918448-2	1	PIN, cotter, 3/32 x 1
16	0249894-7	1	CABLE ASY., console

650 SERIES TRACTORS
DRIVE TRAIN

TURBINE INPUT SHAFT



650 SERIES TRACTORS
DRIVE TRAIN

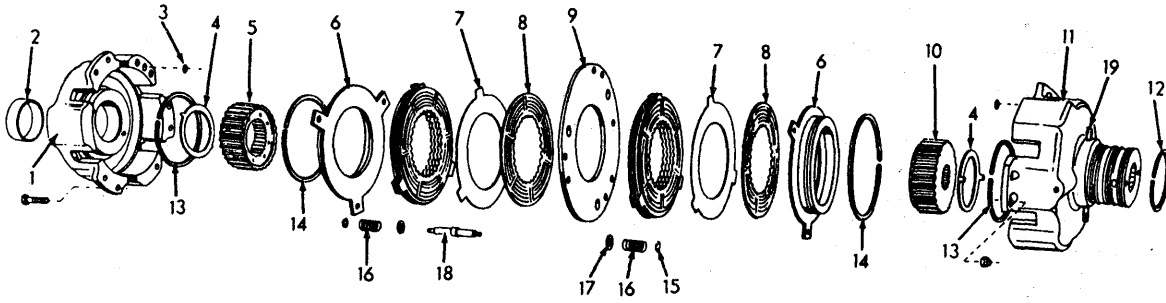
TURBINE INPUT SHAFT

ITEM	NUMBER	QTY.	DESCRIPTION
1	4254152-4	1	SEAL, oil
2	-----	1	BUSHING, retainer (Not serviced separately)
3	0244885-0	1	RETAINER ASY., stator support (Incl. Item 2)
	0921971-8	4	CAPSCREW, 3/8NC x 1-3/4, Gr. 5
	0912301-9	4	LOCKWASHER, 3/8
4	0253274-5	1	SUPPORT, stator
	0921966-8	4	CAPSCREW, 3/8NC x 7/8, Gr. 5
	0912301-9	4	LOCKWASHER, 3/8
5	0227500-6	1	O-RING
6	4987617-0	1	RING, sealing
7	0229456-9	1	RING, snap
8	0211999-8	1	CONE, bearing
9	0209890-3	1	CUP, bearing
10	0225954-7	1	RING, snap
11	0244886-8	1	GASKET, retainer
12	0252436-1	1	SHAFT ASY., turbine output (Incl. Items 13 & 14)
13	0229278-7	1	BEARING, turbine shaft
14	0229279-5	1	SLEEVE, turbine shaft
15	0247411-2	1	SEAL, oil
16	0229856-0	1	RING, snap
17	0042887-0	1	CUP, bearing
18	0209899-4	1	CONE, bearing
19	0244889-2	1	GEAR, drive
20	0244890-0	-	*WASHER, spacer
	0236514-6	-	*WASHER, spacer
21	0236515-3	-	**RING, snap, drive gear (.093")
	0236516-1	-	**RING, snap, drive gear (.097")
	0236517-9	-	**RING, snap, drive gear (.101")
	0236518-7	-	**RING, snap, drive gear (.105")
	0236519-5	-	**RING, snap, drive gear (.109")
	0236520-3	-	**RING, snap, drive gear (.113")
	0236521-1	-	**RING, snap, drive gear (.117")
	0236522-9	-	**RING, snap, drive gear (.121")
	0236523-7	-	**RING, snap, drive gear (.125")
	0236524-5	-	**RING, snap, drive gear (.129")
	0236525-2	-	**RING, snap, drive gear (.133")
	0236526-0	-	**RING, snap, drive gear (.137")
	0239415-3	-	**RING, snap, drive gear (.107")
	0239416-1	-	**RING, snap, drive gear (.111")
	0239417-9	-	**RING, snap, drive gear (.115")
	0239418-7	-	**RING, snap, drive gear (.119")
	0239419-5	-	**RING, snap, drive gear (.123")
	0239420-3	-	**RING, snap, drive gear (.127")
	0239421-1	-	**RING, snap, drive gear (.131")
	0239422-9	-	**RING, snap, drive gear (.135")
22	1003620-0	1	SPACER

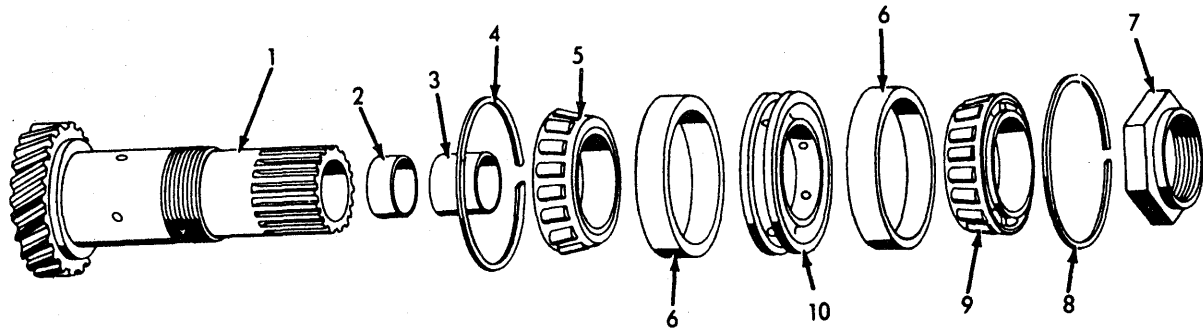
*Select one

**Select fit

POWER SHUTTLE CLUTCH TRANSMISSION



HOLLOW CLUTCH SHAFT



650 SERIES TRACTORS
DRIVE TRAIN

127

POWER SHUTTLE CLUTCH TRANSMISSION

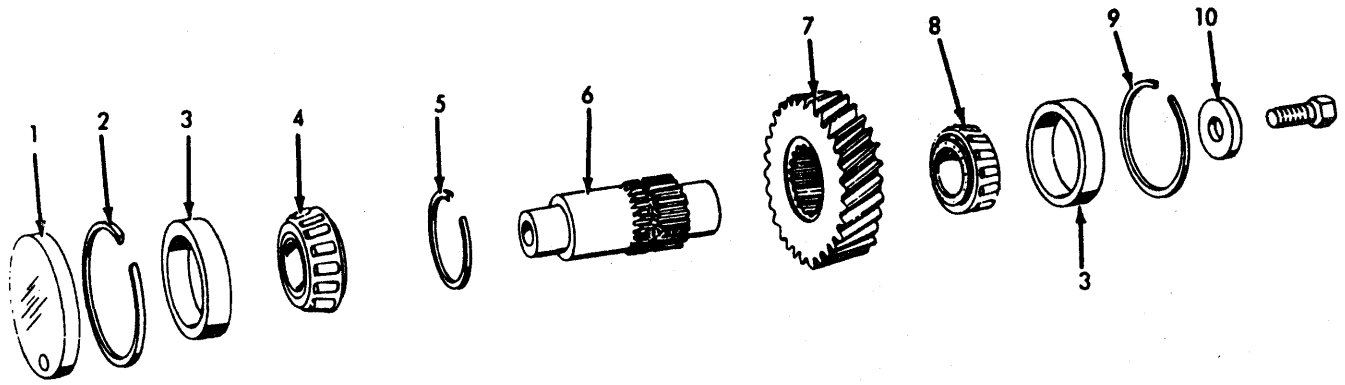
ITEM	NUMBER	QTY.	DESCRIPTION
-	-----	1	CLUTCH ASY., transmission (Order components only)
1	0248039-0	1	HOUSING ASY., front (Incl. Item 2 & BALL)
	0924855-0	1	BALL, No. 3, steel, 3/8
	0916393-2	6	CAPSCREW, 5/16NF x 1-1/2, Gr. 5
	0919443-2	6	NUT, lock, pltd., 5/16NF
2	0243216-9	1	BUSHING, front housing
3	0923845-2	2	O-RING
4	0243224-3	2	WASHER, thrust
5	0229447-8	1	HUB, front
6	0257507-4	2	PISTON, clutch actuating
	0257504-1	2	PLATE, backup
7	0257913-4	6	PLATE, driven
8	0257672-6	8	PLATE ASY., driving
9	0243225-0	1	PLATE, center
10	0235677-2	1	HUB, rear
11	0257224-6	1	HOUSING ASY., rear (Incl. 2 BALLS) (Also use 1 ea. of 257507, 257505, 243219 & 243220)
	0924855-0	2	BALL, No. 3, steel, No. 3/8
12	0243226-8	3	RING, sealing, clutch hub
13	0243219-3	2	RING, sealing, clutch piston, inner
14	0243220-1	2	RING, sealing, clutch piston, outer
15	0223395-5	6	RING, snap
16	0248046-5	6	SPRING, return
17	0207152-0	6	WASHER, plain
18	0245253-0	3	PIN, connecting, pressure plate
19	0925200-8	2	SETSCREW, w/ nylok, 5/16NC
	0915771-0	2	BALL, 1/4", Gr. 3

HOLLOW CLUTCH SHAFT

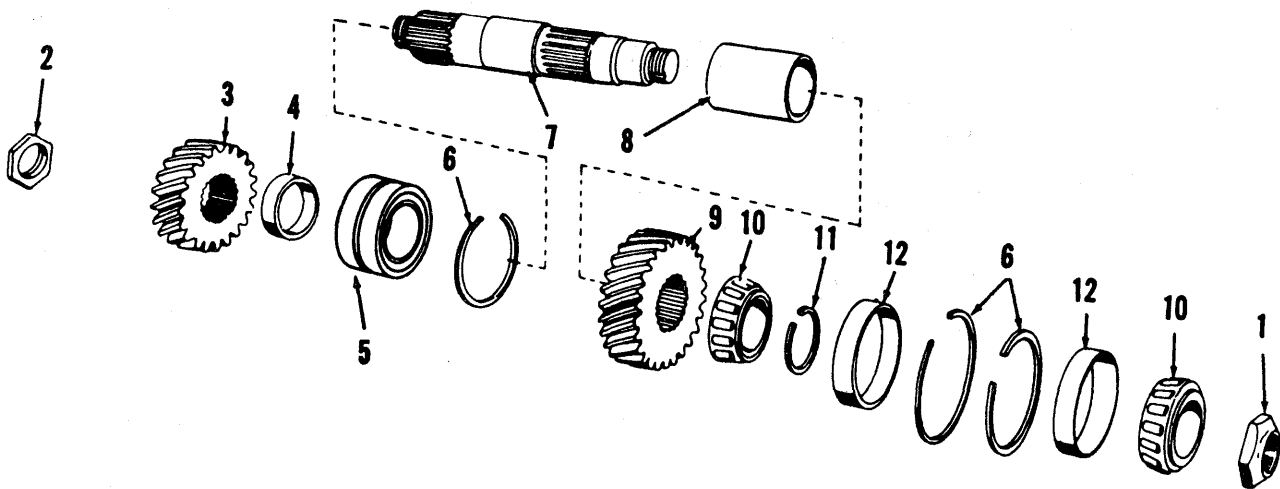
ITEM	NUMBER	QTY.	DESCRIPTION
1	0252477-5	1	SHAFT ASY., clutch, hollow (Incl. Items 2 & 3)
2	-----	1	BUSHING, shaft, 1/2" long (Order Item 1)
3	-----	1	BUSHING, shaft, 1" long (Order Item 1)
4	0229425-4	1	RING, snap
5	0211169-8	1	CONE, bearing
6	0212037-6	2	CUP, bearing
7	0925100-0	1	NUT, lock, 2-1/4NF
8	0229425-4	*	RING, snap, shaft bearing (.094")
	0229526-9	*	RING, snap, shaft bearing (.097")
	0229527-7	*	RING, snap, shaft bearing (.100")
	0229523-6	*	RING, snap, shaft bearing (.103")
	0229524-4	*	RING, snap, shaft bearing (.106")
	0229525-1	*	RING, snap, shaft bearing (.109")
9	0211169-8	1	CONE, bearing
10	0239925-1	1	SPACER, bearing

*Select fit

IDLER SHAFT & GEAR



IDLER SHAFT & GEARS
(WITH WINCH)



650 SERIES TRACTORS
DRIVE TRAIN

129

IDLER SHAFT & GEAR

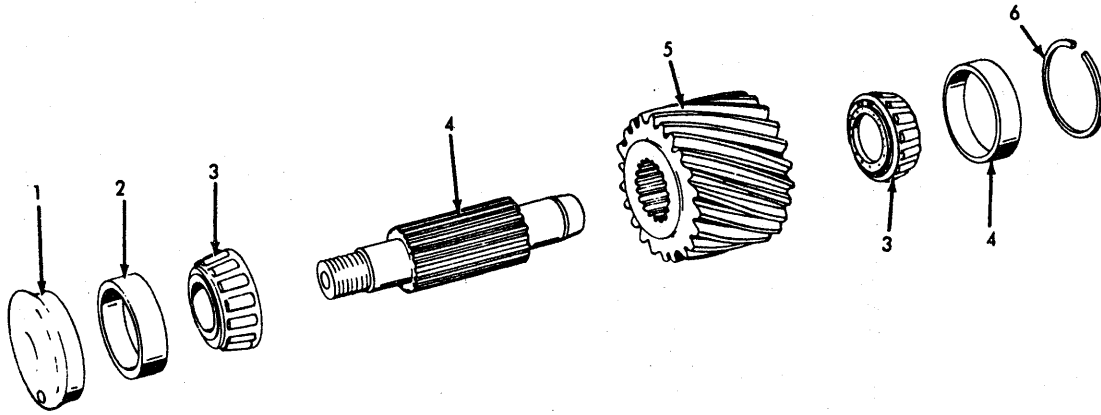
ITEM	NUMBER	QTY.	DESCRIPTION
1	0247413-8	1	PLUG, idler shaft
2	0244896-7	1	RING, snap
3	0241380-5	2	CUP, bearing
4	0225608-9	1	CONE, bearing
5	0227827-3	1	RING, snap
6	0244892-6	1	SHAFT, idler
7	0244889-2	1	GEAR, idler shaft
8	0323297-2	1	CONE, bearing
9	0244894-2	*	RING, snap, idler shaft (.062")
	0244895-9	*	RING, snap, idler shaft (.065")
	0244896-7	*	RING, snap, idler shaft (.068")
	0244897-5	*	RING, snap, idler shaft (.071")
	0244898-3	*	RING, snap, idler shaft (.074")
	0244899-1	*	RING, snap, idler shaft (.077")
	0244900-7	*	RING, snap, idler shaft (.080")
	0244901-5	*	RING, snap, idler shaft (.083")
	0244902-3	*	RING, snap, idler shaft (.086")
	0244903-1	*	RING, snap, idler shaft (.089")
	0244904-9	*	RING, snap, idler shaft (.092")
	0244905-6	*	RING, snap, idler shaft (.095")
	0244906-4	*	RING, snap, idler shaft (.098")
	0244907-2	*	RING, snap, idler shaft (.101")
	0244908-0	*	RING, snap, idler shaft (.104")
10	0244893-4	1	WASHER, idler shaft
	0921871-0	1	CAPSCREW, 1/2NF x1-1/4, Gr. 5

*Select fit

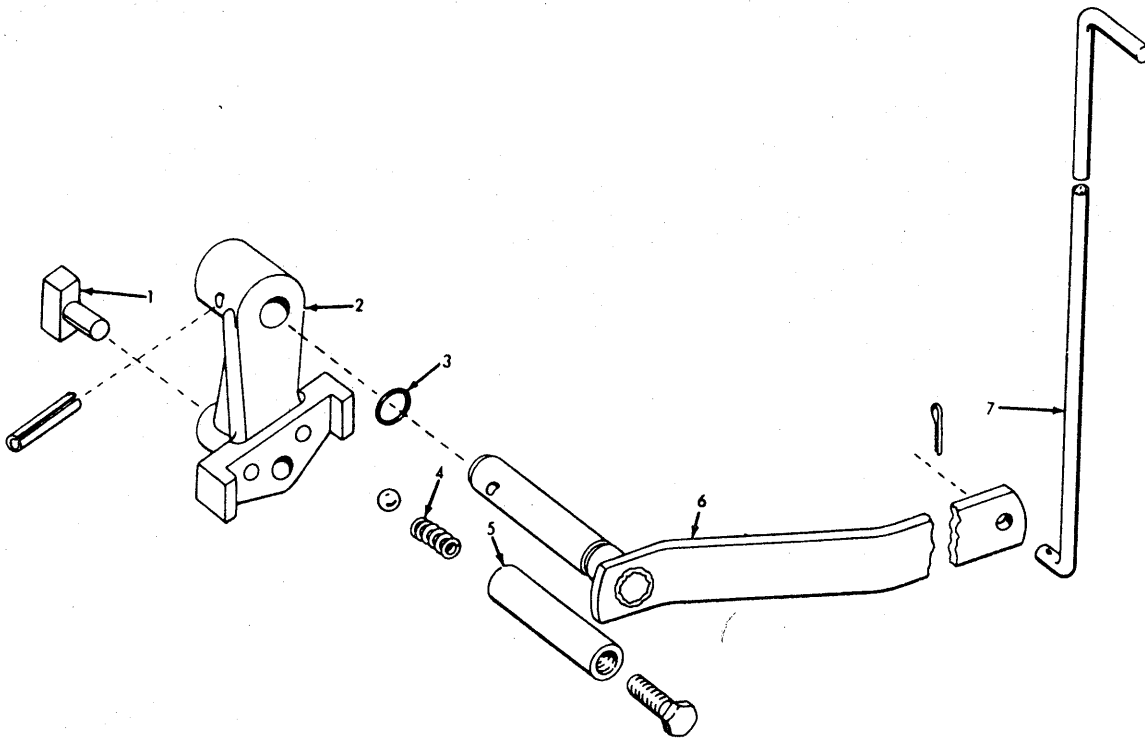
IDLER SHAFT & GEARS
(WITH WINCH)

ITEM	NUMBER	QTY.	DESCRIPTION
1	0227927-1	1	NUT, idler shaft
2	0253564-9	1	NUT, gear end
3	0243093-2	1	GEAR, driver
4	0245992-3	1	SPACER
5	1003002-1	1	BEARING ASY., roller
6	0233882-0	3	RING, snap
7	0253565-6	1	SHAFT, idler
8	0244957-7	1	SPACER
9	0244308-3	1	GEAR, driver
10	0323297-2	2	CONE, bearing
11	0242900-9	1	RING, snap
12	0241380-5	2	CUP, bearing

INTERMEDIATE SHAFT & GEAR



WINCH SHIFTER



650 SERIES TRACTORS
DRIVE TRAIN

131

INTERMEDIATE SHAFT & GEAR

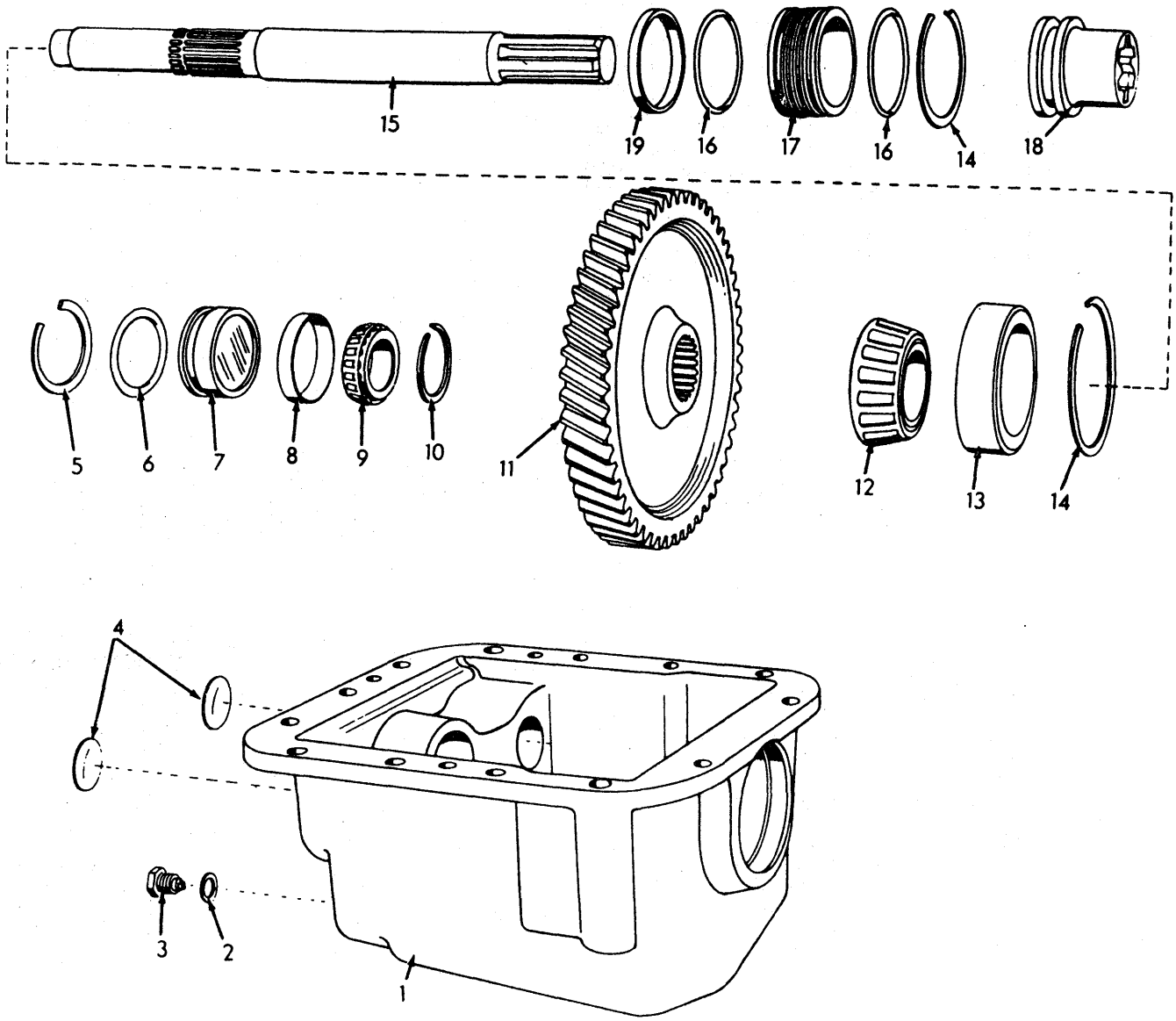
ITEM	NUMBER	QTY.	DESCRIPTION
1	0247412-0	1	PLUG, intermediate shaft
2	0242875-3	2	CUP, bearing
3	0800449-1	2	CONE, bearing
4	0242874-6	1	SHAFT, intermediate
5	0244891-8	1	GEAR, intermediate shaft
6	0242877-9	*	RING, snap, bearing adjusting (.080")
	0242878-7	*	RING, snap, bearing adjusting (.082")
	0242879-5	*	RING, snap, bearing adjusting (.084")
	0242880-3	*	RING, snap, bearing adjusting (.086")
	0242881-1	*	RING, snap, bearing adjusting (.088")
	0242882-9	*	RING, snap, bearing adjusting (.090")
	0242883-7	*	RING, snap, bearing adjusting (.092")
	0242884-5	*	RING, snap, bearing adjusting (.094")
	0242885-2	*	RING, snap, bearing adjusting (.096")
	0242886-0	*	RING, snap, bearing adjusting (.098")
	0242887-8	*	RING, snap, bearing adjusting (.100")
	0242888-6	*	RING, snap, bearing adjusting (.102")
	0242889-4	*	RING, snap, bearing adjusting (.104")
	0242890-2	*	RING, snap, bearing adjusting (.106")
	0242891-0	*	RING, snap, bearing adjusting (.108")
	0242892-8	*	RING, snap, bearing adjusting (.110")

*Select fit

WINCH SHIFTER

ITEM	NUMBER	QTY.	DESCRIPTION
1	0227682-2	1	INSERT, shifter fork
2	0232484-6	1	ARM, shifter
	0922293-6	1	PIN, groove, 5/16 x 1-1/2
3	0923376-8	1	O-RING, shifter lever
4	0243059-3	1	SPRING, detent
	0905360-4	1	BALL, 3/8
5	0248405-3	1	RETAINER, detent spring
	0917127-3	1	CAPSCREW, 1/2NF x 5/8
6	0245533-5	1	LEVER ASY., shifter
7	1003364-5	1	ROD, shifter
	0918452-4	1	PIN, cotter, 1/8 x 1

FRONT SHAFT & HOUSING — WINCH DRIVE



650 SERIES TRACTORS
DRIVE TRAIN

133

FRONT SHAFT & HOUSING — WINCH DRIVE

ITEM	NUMBER	QTY.	DESCRIPTION
1	0243116-1	1	HOUSING ASY., winch drive
	0923390-9	4	SCREW, 12 pt., 3/8NC x 7/8, Gr. 8
	0923391-7	2	SCREW, 12 pt., 3/8NC x 4, Gr. 8
	0923485-7	5	CAPSCREW, 3/8NC x 7/8, Gr. 8
	0921966-8	1	CAPSCREW, 3/8NC x 7/8, Gr. 5
	0912301-9	1	LOCKWASHER, 3/8
2	0226012-3	1	GASKET, drain plug
3	0225389-6	1	PLUG, drain
4	0243117-9	2	PLUG, core hole
5	0228748-0	*	RING, snap, bearing, idler shaft (.069")
	0242902-5	*	RING, snap, bearing, idler shaft (.071")
	0228749-8	*	RING, snap, bearing, idler shaft (.073")
	0242903-3	*	RING, snap, bearing, idler shaft (.075")
	0228750-6	*	RING, snap, bearing, idler shaft (.077")
	0242904-1	*	RING, snap, bearing, idler shaft (.079")
	0228751-4	*	RING, snap, bearing, idler shaft (.081")
	0239384-1	*	RING, snap, bearing, idler shaft (.083")
	0228752-2	*	RING, snap, bearing, idler shaft (.085")
	0239385-8	*	RING, snap, bearing, idler shaft (.087")
	0228753-0	*	RING, snap, bearing, idler shaft (.089")
	0239386-6	*	RING, snap, bearing, idler shaft (.091")
	0228754-8	*	RING, snap, bearing, idler shaft (.093")
	0239387-4	*	RING, snap, bearing, idler shaft (.095")
	0228755-5	*	RING, snap, bearing, idler shaft (.097")
	0239388-2	*	RING, snap, bearing, idler shaft (.099")
	0228756-3	*	RING, snap, bearing, idler shaft (.101")
	0239389-0	*	RING, snap, bearing, idler shaft (.103")
	0228757-1	*	RING, snap, bearing, idler shaft (.105")
	0239390-8	*	RING, snap, bearing, idler shaft (.107")
	0228758-9	*	RING, snap, bearing, idler shaft (.109")
	0242905-8	*	RING, snap, bearing, idler shaft (.111")
6	0923826-2	1	O-RING
7	0242906-6	1	RETAINER
8	0336916-2	1	CUP, bearing
9	0341230-1	1	CONE, bearing
10	0229456-9	1	RING, snap
11	0243094-0	1	GEAR, driven
12	0242911-6	1	CONE, bearing
13	0242910-8	1	CUP, bearing
14	0236299-4	2	RING, snap
15	0244958-5	1	SHAFT, front
16	0923581-3	2	O-RING
17	0244960-1	1	SLEEVE
18	0229310-8	1	COUPLING
19	0244961-9	1	SEAL, oil

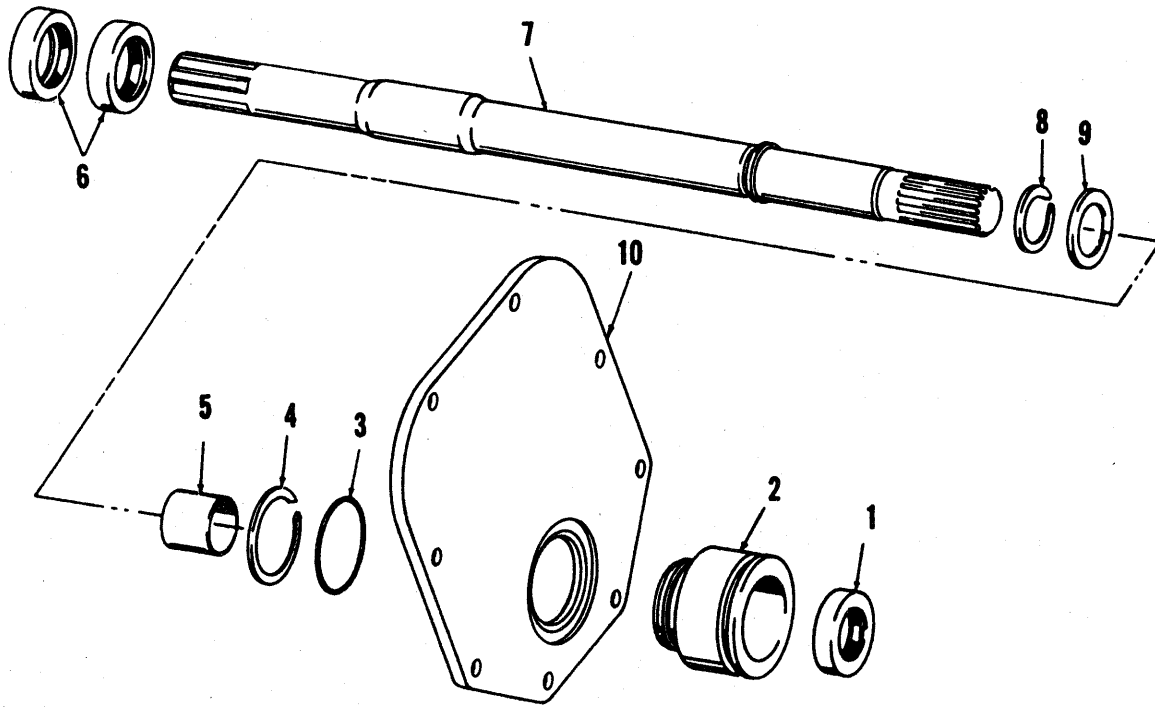
NOTE: When Tractor is not equipped with WINCH DRIVE, the following is used:

20	0230320-4	1	COVER, sump (Not illustrated)
	0921966-8	12	CAPSCREW, 3/8NC x 7/8, Gr. 5
	0921210-1	1	CAPSCREW, 3/8NC x 1, Gr. 5
	0912301-9	13	LOCKWASHER, 3/8
21	0233249-2	1	GASKET (Not illustrated)
22	0225389-6	1	PLUG (Not illustrated)
23	0226012-3	1	GASKET (Not illustrated)

*Select fit

650 SERIES TRACTORS
DRIVE TRAIN

REAR WINCH DRIVE SHAFT



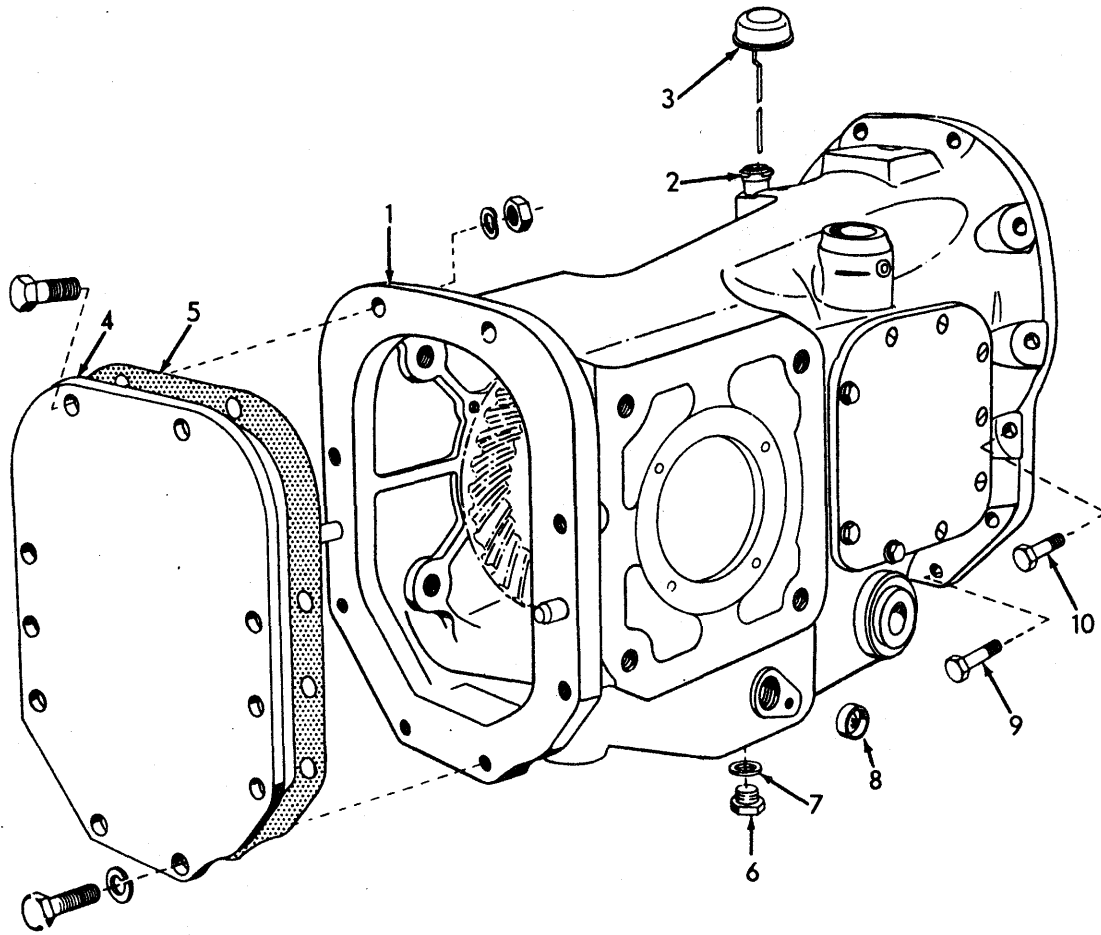
650 SERIES TRACTORS
DRIVE TRAIN

135

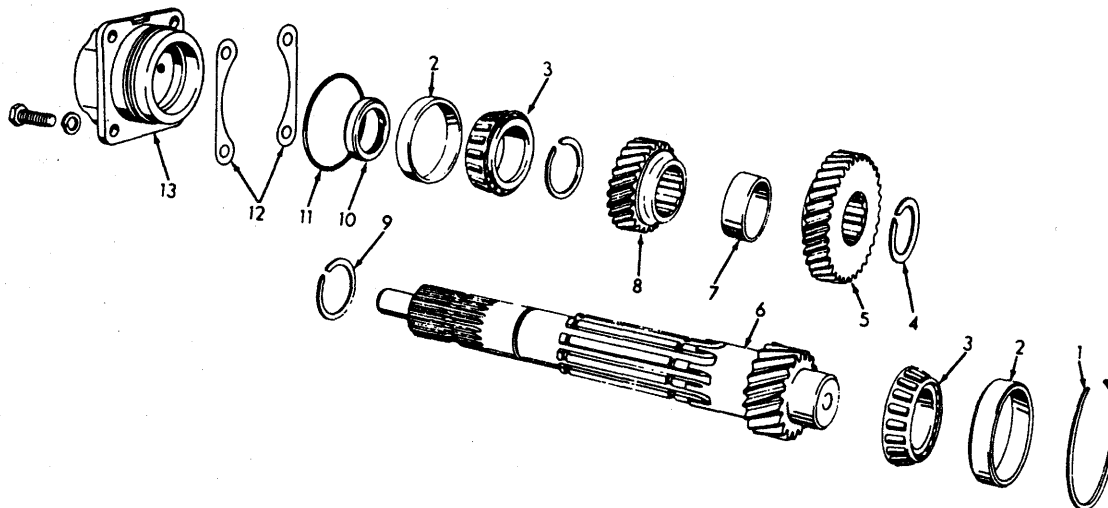
REAR WINCH DRIVE SHAFT

ITEM	NUMBER	QTY.	DESCRIPTION
1	0241779-8	1	SEAL, oil
2	0250530-3	1	RETAINER ASY. (Incl. Item 5)
3	0924895-6	1	O-RING
4	0222455-8	1	RING, snap
5	0248164-6	1	BUSHING (Incl'd in Item 2)
6	0227679-8	2	SEAL, oil
7	0244962-7	1	SHAFT, winch drive
8	0202329-9	1	RING, snap
9	0246637-3	1	WASHER, thrust
10	0244963-5	1	COVER, transmission, rear

TRANSMISSION HOUSING



TRANSMISSION MAIN SHAFT



650 SERIES TRACTORS
DRIVE TRAIN

137

TRANSMISSION HOUSING

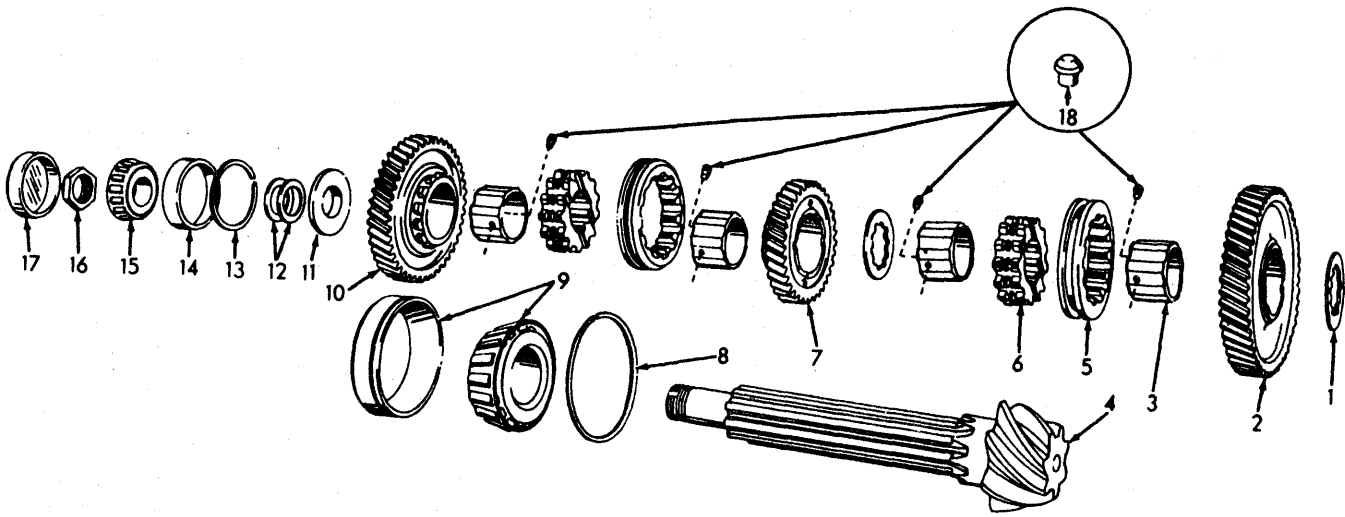
ITEM	NUMBER	QTY.	DESCRIPTION
-	1003497-3	1	TRANSMISSION ASY. (Not serviced)
1	0246918-7	1	HOUSING ASY., transmission & differential (Incl. WINCH DRIVE BUSHING)
	0910017-3	1	PLUG, expansion (w/o Winch Drive)
	0227684-8	1	BUSHING
2	0246427-9	1	TUBE ASY., oil filter
3	0246305-7	1	CAP ASY., w/ dipstick
4	0234018-0	1	COVER, transmission, rear (w/o Winch Drive)
	0244963-5	1	COVER, transmission, rear (w/ Winch Drive)
	0921176-4	6	CAPSCREW, 1/2NC x 1-1/4, Gr. 5
	0919231-1	2	CAPSCREW, 1/2NC x 1-7/8, Gr. 5
	0916966-5	8	LOCKWASHER, 1/2
	0916951-7	2	NUT, 1/2NC
5	0233246-8	1	GASKET, transmission, rear cover
6	0225441-5	1	PLUG, drain
7	0226012-3	1	GASKET, drain plug
8	0243999-0	1	PLUG
9	0923154-9	10	CAPSCREW, 1/2NC x 1-1/2, Gr. 8 (Use w/ Loc-Tite)
10	0923473-3	2	CAPSCREW, 1/2NC x 1-1/4, Gr. 8 (Use w/ Loc-Tite)

TRANSMISSION MAIN SHAFT

ITEM	NUMBER	QTY.	DESCRIPTION
1	0246920-3	1	RING, snap
2	0227666-5	2	CUP, bearing
3	0246922-9	2	CONE, bearing
4	0227827-3	2	RING, snap
5	0246923-7	1	GEAR, 3rd, main shaft
6	0246919-5	1	MAIN SHAFT, w/ gear
7	0246924-5	1	SPACER, 2nd & 3rd gear, main shaft
8	0246925-2	1	GEAR, 2nd, main shaft
9	0204085-5	1	RING, snap
10	0246926-0	1	SEAL, oil
11	0923816-3	1	O-RING
12	0246979-9	*	SHIM (.004") (*Use as req'd)
	0246980-7	*	SHIM (.007") (*Use as req'd)
	0246981-5	*	SHIM (.010") (*Use as req'd)
	0246982-3	*	SHIM (.020") (*Use as req'd)
13	0246927-8	1	CAP, bearing, main shaft
	0919228-7	4	CAPSCREW, hex. hd., 7/16NC x 1-1/8, Gr. 5
	0918199-1	4	LOCKWASHER, 7/16

*Use as required

TRANSMISSION PINION SHAFT



650 SERIES TRACTORS
DRIVE TRAIN

139

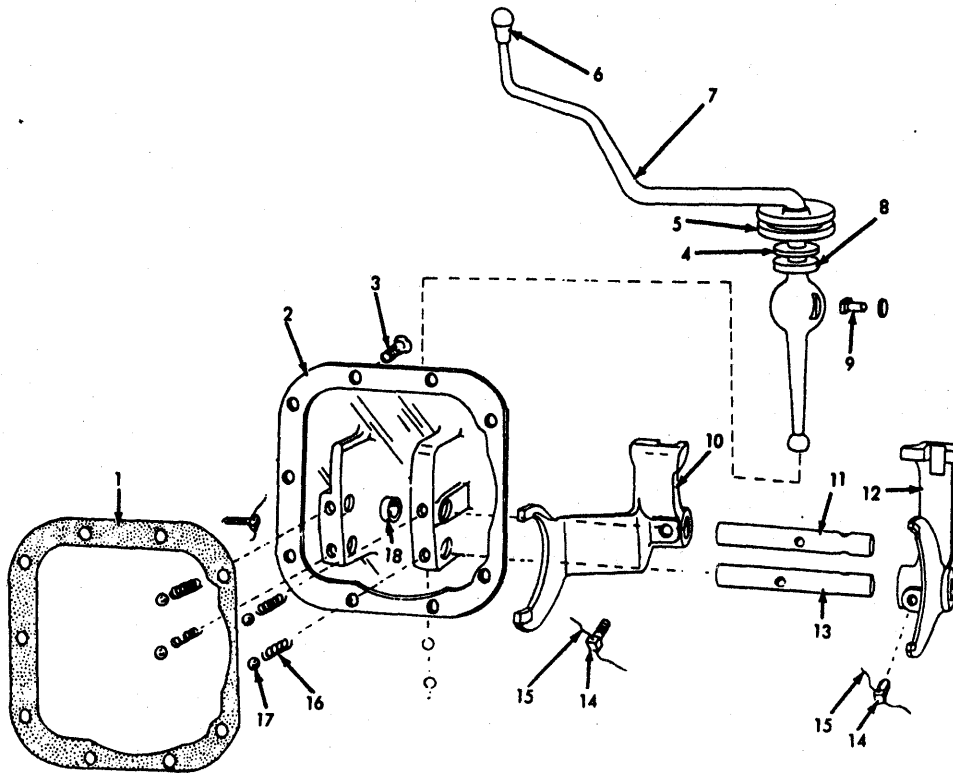
TRANSMISSION PINION SHAFT

ITEM	NUMBER	QTY.	DESCRIPTION
1	0246932-8	2	WASHER, thrust
2	0246933-6	1	GEAR, 1st, pinion shaft
3	0246936-9	4	BUSHING, fluted
4	-----	1	SHAFT, pinion
5	0246938-5	2	COUPLING, pinion shaft
6	0246937-7	2	COLLAR, shift, pinion shaft
7	0246934-4	1	GEAR, 3rd, pinion shaft
8	0247519-2	*	RING, snap (.109")
	0930815-6	*	RING, snap (.106")
	0247521-8	*	RING, snap (.103")
9	0246930-2	1	BEARING ASY. (Incl. CUP & CONE)
10	0246935-1	1	GEAR, 2nd, pinion shaft
11	0246939-3	1	WASHER, retaining, 2nd gear
12	0225400-1	*	SHIM (.005")
	0232248-5	*	SHIM (.006")
	0232249-3	*	SHIM (.008")
	0225400-1	*	SHIM (.010")
13	0246942-7	1	RING, snap
14	0246940-1	1	CUP, bearing
15	0246941-9	1	CONE, bearing
16	0227927-1	1	NUT
17	0246944-3	1	PLUG, pinion shaft
18	0225948-9	4	PIN, lock
-	0247251-2	-	PINION SHAFT & RING GEAR SET (Incl. 1 ea. of PINION SHAFT & RING GEAR)

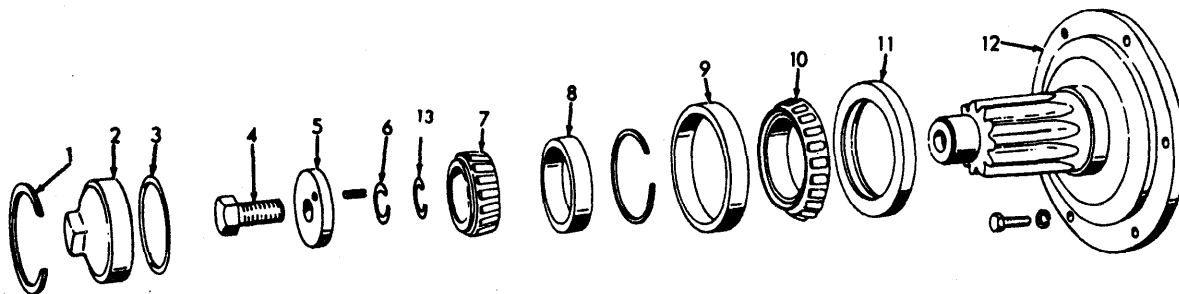
*Use as required

650 SERIES TRACTORS
DRIVE TRAIN

TRANSMISSION GEAR SHIFT



PINION SHAFT



650 SERIES TRACTORS
DRIVE TRAIN

TRANSMISSION GEAR SHIFT

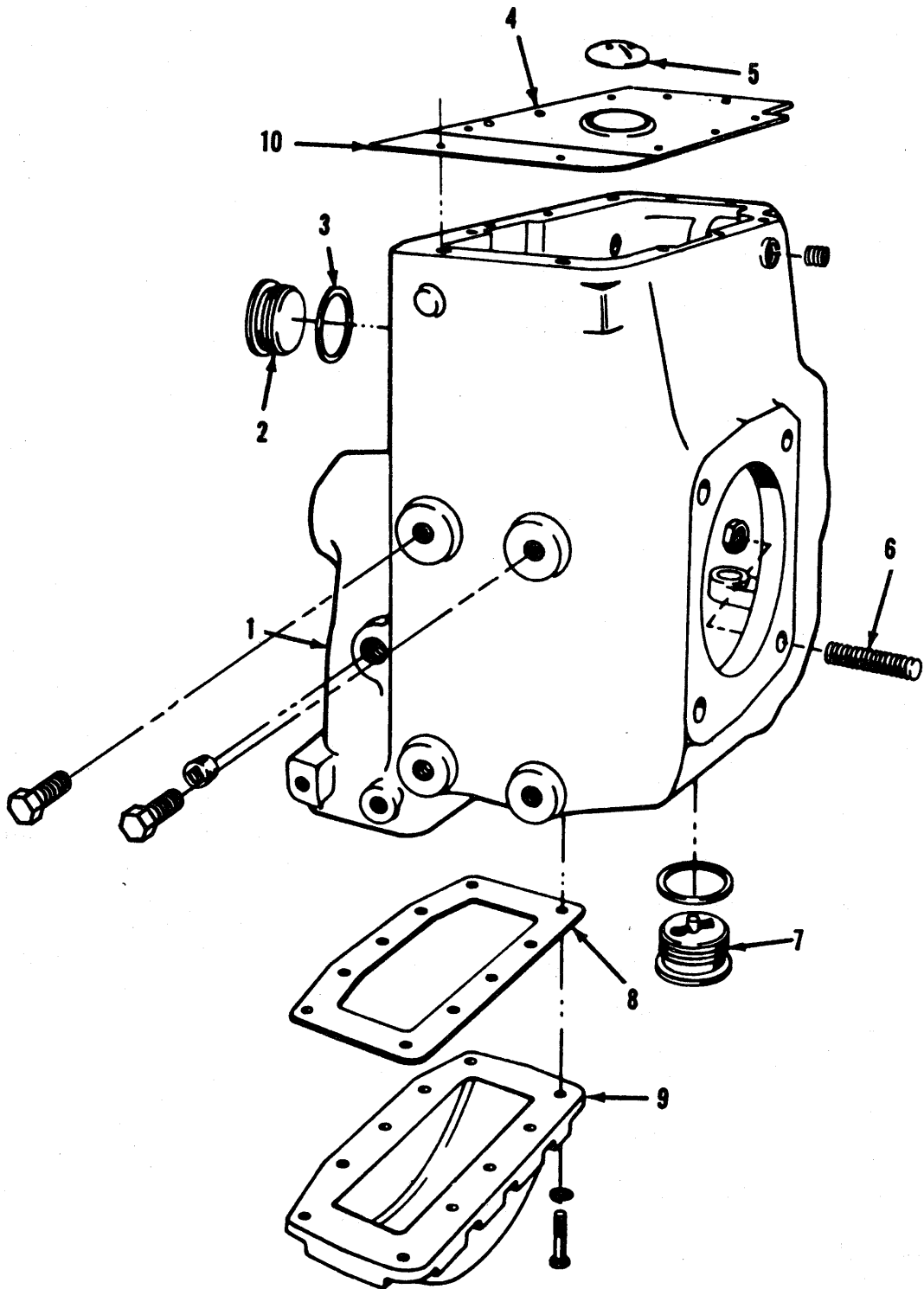
ITEM	NUMBER	QTY.	DESCRIPTION
1	0228307-5	1	GASKET, control cover
2	0246945-0	1	COVER, control
3	0212785-0	1	SCREW, control cover
	0233097-5	9	SCREW, control cover
4	0202875-1	1	RING, snap, shift lever pivot washer
5	0232192-5	1	COVER, dust, shift lever socket
6	0243416-5	1	KNOB, shift lever
7	0245821-4	1	LEVER, gear shift
8	0207772-5	1	WASHER, shift lever
9	0203465-0	2	PIN, pivot, shift lever
	0911006-5	2	PLUG, expansion, 5/16
10	0246949-2	1	FORK, shift, 2nd & 3rd
11	0271736-1	1	ROD, shift, 2nd & 3rd
12	0246950-0	1	FORK, shift, 1st
13	0246947-6	1	ROD, shift, 1st
14	0202864-5	2	SETSCREW, 2nd & 3rd fork
15	-----	2	WIRE, lock, shift fork (Use 18" of 910815 for ea.)
16	0224925-8	4	SPRING, detent, shift rod
17	0905360-4	6	BALL, detent, shift rod, steel, 3/8
18	0246948-4	1	WASHER, stop

PINION SHAFT

ITEM	NUMBER	QTY.	DESCRIPTION
1	0227598-0	4	RING, snap
2	1003495-7	2	PLUG, final drive
3	0923584-7	2	O-RING
4	0921168-1	2	CAPSCREW, 5/8NF x 2, Gr. 5 (Use w/ Loc-tite & Gr. T Primer)
5	1003407-2	2	WASHER ASY. (Incl. ROLL PIN)
	0917947-4	2	PIN, roll, 3/16 x 1/2
6	0237929-5	*	SHIM (*Use as req'd)
7	0222214-9	2	CONE, bearing
8	0227678-0	2	CUP, bearing
9	0209897-8	2	CUP, bearing
10	0606897-7	2	CONE, bearing
11	0271736-1	2	SEAL, oil
12	-----	2	SHAFT, pinion (Use SHAFT 1003722 w/ BOLT 1003720)
	1003722-4	2	SHAFT, pinion
	0922605-1	12	CAPSCREW, hex. hd., pltd., 3/8NF x 1-1/4, Gr. 8 (Prior S/N 7277)
	0916965-7	12	LOCKWASHER, 3/8 (Prior S/N 7277)
	1003720-8	12	BOLT, place (Eff. S/N 7277 & Up)
13	0237929-5	*	SHIM (*Use as req'd)
-	1003699-4	-	INSTALLING TOOL, pinion shaft seal

650 SERIES TRACTORS
DRIVE TRAIN

FINAL DRIVE HOUSING



650 SERIES TRACTORS
DRIVE TRAIN

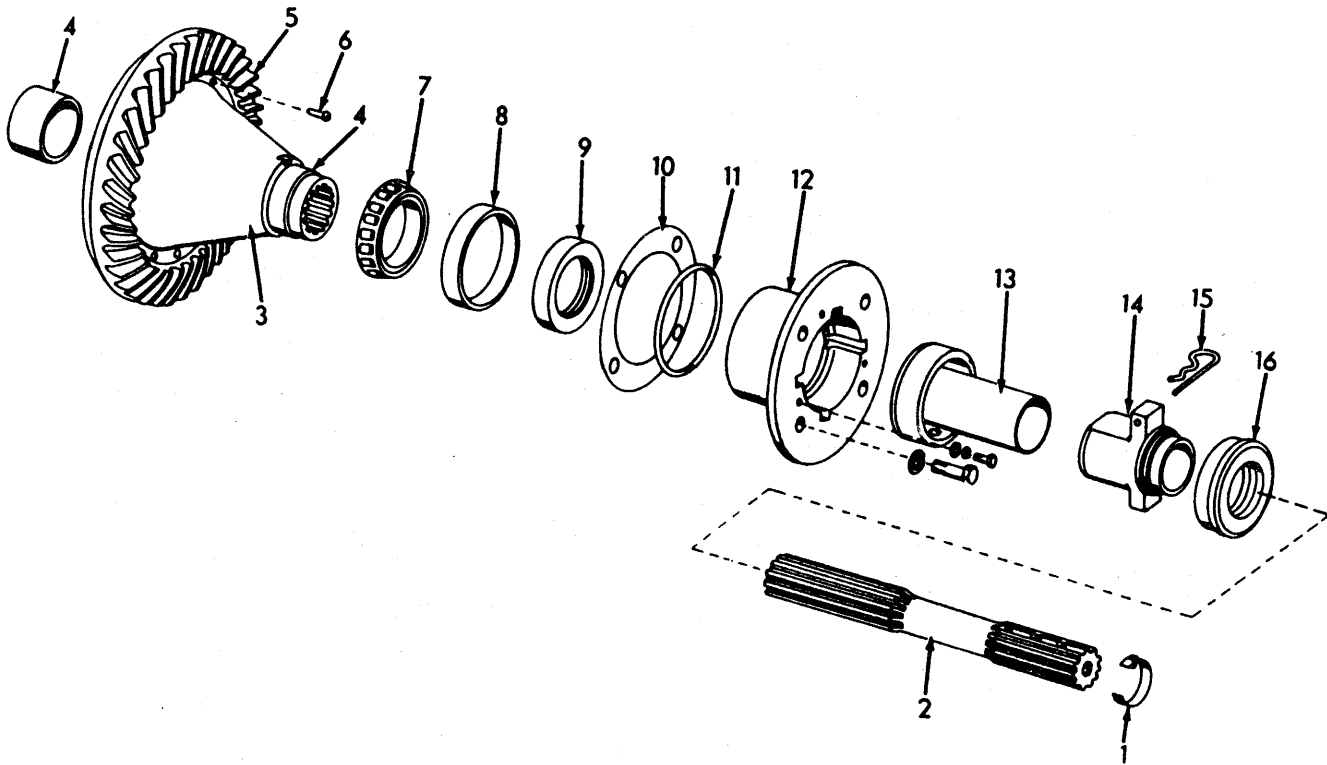
143

FINAL DRIVE HOUSING

ITEM	NUMBER	QTY.	DESCRIPTION
-	1003742-2	1	HOUSING ASY., final drive, R.H. (Incl. all Parts listed below)
-	1003743-0	1	HOUSING ASY., final drive, L.H. (Incl. all Parts listed below) (Use component parts)
1	0254536-6	1	HOUSING, final drive, R.H.
	0254537-4	1	HOUSING, final drive, L.H.
	0926125-6	2	CAPSCREW, hex. hd., 3/4NC x 1
	0917686-8	1	PLUG, pipe, ctr'sunk, sq. sckt., 3/4
	1003410-6	1	PLUG
2	0234539-5	2	PLUG, drain (Incl. Item 3)
3	0235948-7	4	GASKET, plug
4	0247406-2	1	COVER, rear, R.H. (Steering clutch)
	0247407-0	1	COVER, rear, L.H. (Steering clutch)
	0921965-0	7	CAPSCREW, pltd., 3/8NC x 3/4, Gr. 5
	0916965-7	7	LOCKWASHER, pltd., 3/8
	0923114-3	2	CAPSCREW, pltd., 1/2NC x 1, Gr. 5
	0916966-5	2	LOCKWASHER, pltd., 1/2
5	0233944-8	2	COVER ASY., brake
6	0227525-3	8	STUD
	0924008-6	8	NUT, lock, 3/4NC
7	0234964-5	2	PLUG ASY. (Incl. RIVET, PIN & Item 3)
	0234539-5	2	PLUG ASY. (Used when conditions are muddy)
	0918448-2	2	PIN, cotter, 3/32 x 1
8	0247874-1	1	GASKET, pan
9	0240439-0	1	PAN, final drive
	0921966-8	10	CAPSCREW, 3/8NC x 7/8, Gr. 5
	0916965-7	10	LOCKWASHER, 3/8
10	0247408-8	2	COVER, front, R.H. (Steering clutch)
	0921965-0	14	CAPSCREW, pltd., 3/8NC x 3/4, Gr. 5
	0916965-7	14	LOCKWASHER, pltd., 3/8
	0923114-3	4	CAPSCREW, pltd., 1/2NC x 1, Gr. 5
	0916966-5	4	LOCKWASHER, pltd., 1/2

650 SERIES TRACTORS
DRIVE TRAIN

DRIVE SHAFT & RING GEAR
R.H. SIDE SHOWN



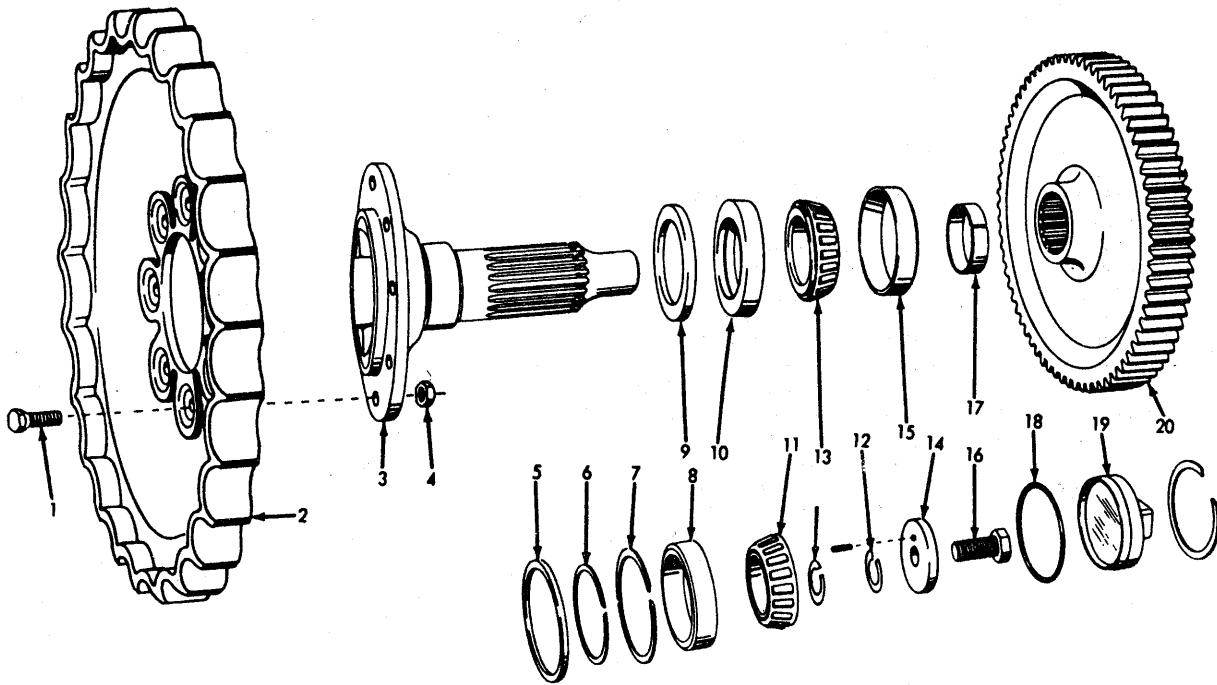
650 SERIES TRACTORS
DRIVE TRAIN

145

DRIVE SHAFT & RING GEAR
R.H. SIDE SHOWN

ITEM	NUMBER	QTY.	DESCRIPTION
—	-----	1	HOUSING ASY. (Incl. Items 3 thru 5 & SHAFT KIT) (Service by components)
1	1003348-8	2	RETAINER ASY., drive shaft
2	0252653-1	2	SHAFT, drive
3	0254219-9	1	HOUSING ASY., differential (Incl. Item 4)
4	0237246-4	2	SLEEVE, wear
5	-----	1	GEAR, ring
6	-----	1	BOLT, ring gear (w/o Nut)
	0915652-2	1	NUT, lock, pltd., 7/16NF
7	0234011-5	2	CONE, bearing
8	0234010-7	2	CUP, bearing
9	1003537-6	2	SEAL, oil
10	0206579-5	*	SHIM, retainer, bearing carrier (*Use as req'd)
11	0923817-1	2	O-RING
12	0234012-3	2	RETAINER, carrier bearing
	0921212-7	16	CAPSCREW, 7/16NC x 1-1/2, Gr. 5
	0918199-1	16	LOCKWASHER, 7/16
13	1003544-2	2	SLEEVE ASY., clutch shifter
	0921958-5	6	CAPSCREW, 1/4NC x 1/2, Gr. 5
	0916964-0	6	LOCKWASHER, 1/4
	0911114-7	6	WASHER, plain, 9/32 x 5/8 x 1/16
14	0233892-9	2	CARRIER, bearing, clutch release
15	9002803-6	2	CLIP, hair pln (Pkg. of 3)
16	0233893-7	2	BEARING, clutch release
—	0247251-2	—	PINION SHAFT KIT (Incl. Item 5)
—	0248490-5	—	BOLT KIT, diff. ring gear (Incl. 12 ea. of CAPSCREW 248489 & NUT 915652)

SPROCKET & AXLE
FINAL DRIVE



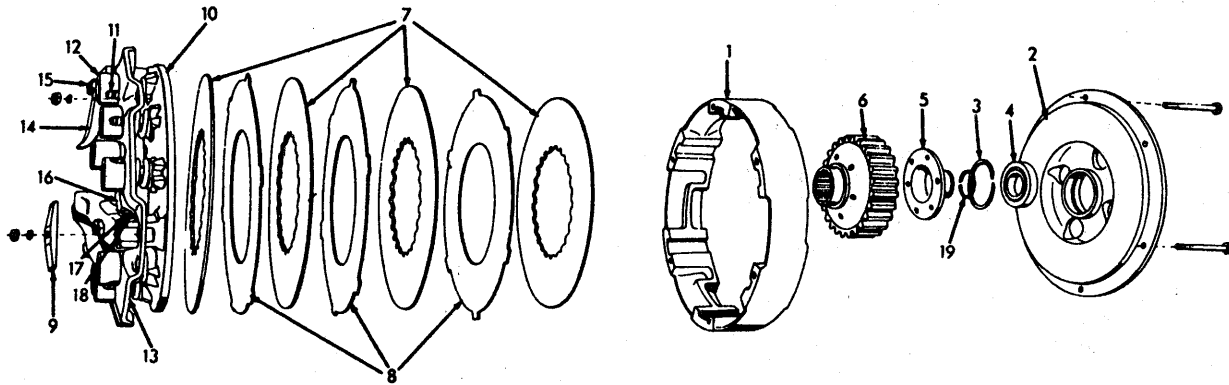
650 SERIES TRACTORS
DRIVE TRAIN

147

SPROCKET & AXLE
FINAL DRIVE

ITEM	NUMBER	QTY.	DESCRIPTION
1	0241032-2	8	CAPSCREW
2	0250151-8	1	SPROCKET (skeleton)
	0250152-6	1	SPROCKET (full)
3	0240191-7	1	AXLE
4	0241033-0	8	NUT, lock
5	0233727-7	1	SPACER
6	0229113-6	1	RING, snap, external
7	0227598-0	2	RING, snap, internal
8	0235440-5	1	CUP, bearing
9	0237047-6	1	RING, seal, protector
10	0239238-9	1	SEAL, oil
11	0235439-7	1	CONE, bearing
12	0237929-5	*	SHIM (*Use as req'd)
13	4251113-9	1	CONE, bearing
14	1003407-2	1	WASHER ASY. (Incl. ROLL PIN)
	0917947-4	1	PIN, roll, 3/16 x 1/2
15	0202584-9	1	CUP, bearing
16	0924853-5	1	CAPSCREW, 5/8NF x 1-3/4, Gr. 8 (Use w/ Loc-Tite & Gr. T Primer)
17	0244787-8	1	SPACER, final drive gear
18	0923584-7	1	O-RING
19	1003495-7	1	PLUG, final drive
20	1003412-2	1	GEAR, final drive
21	0237929-5	*	SHIM (*Use as req'd)
-	1003700-0	-	INSTALLING TOOL, axle seal

STEERING CLUTCH



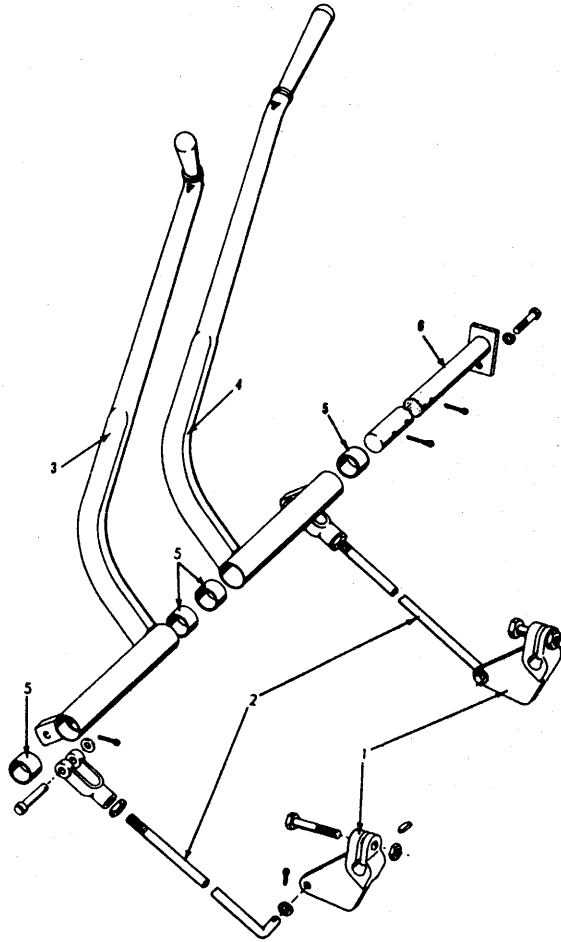
650 SERIES TRACTORS
DRIVE TRAIN

149

STEERING CLUTCH

ITEM	NUMBER	QTY.	DESCRIPTION
-	1013566-3	4	CLUTCH ASY., steering (Also use 1003722 & 6 of 1003720)
1	0252552-5	2	DRUM, brake
2	0252551-7	2	FLYWHEEL, clutch (Prior S/N 7277)
	1003724-0	2	FLYWHEEL, clutch (Eff. S/N 7277 & Up)
	0918162-9	6	CAPSCREW, 3/8NC x 3-1/2
	0926153-8	6	CAPSCREW, 3/8NC x 4-1/2, Gr. 8
	0926696-6	6	NUT, lock, pltd., 3/8NC
3	0233882-0	2	RING, snap
4	0254684-4	2	BEARING, pilot
5	0233884-6	2	PILOT, bearing
	0915813-0	12	CAPSCREW, 5/16NC x 7/8, Gr. 5
	0917356-8	12	LOCKWASHER, 5/16
6	0233885-3	2	HUB, driving disk
7	1010964-3	8	DISK, driving
8	0233886-1	6	DISK, driven
9	0252546-7	6	CLAMP, pressure plate
	0918062-1	6	CAPSCREW, 3/8NC x 3-1/2, Gr. 8
	0926696-6	6	NUT, lock, pltd., 3/8NC
10	0230423-6	2	PLATE, pressure
	0252548-3	2	PLATE ASY., pressure (Incl. Items 11 thru 18 & SEAT & CLIP)
11	0233889-5	18	SPRING, pressure
12	0234073-5	18	CUP, spring
13	0252549-1	2	PLATE ASY., back (Incl. SEAT)
14	0230380-8	6	LEVER, release
15	0229601-0	6	SCREW, adjusting
	0910876-2	18	NUT, jam, 7/16NF
16	0230361-8	6	SPRING, lever
17	0229603-6	6	PIN, lever
	0918448-2	18	PIN, cotter, 3/32 x 5/8
18	0229814-9	6	WASHER, spring
19	0229285-2	2	RING, snap, pilot bearing

STEERING CLUTCH CONTROLS



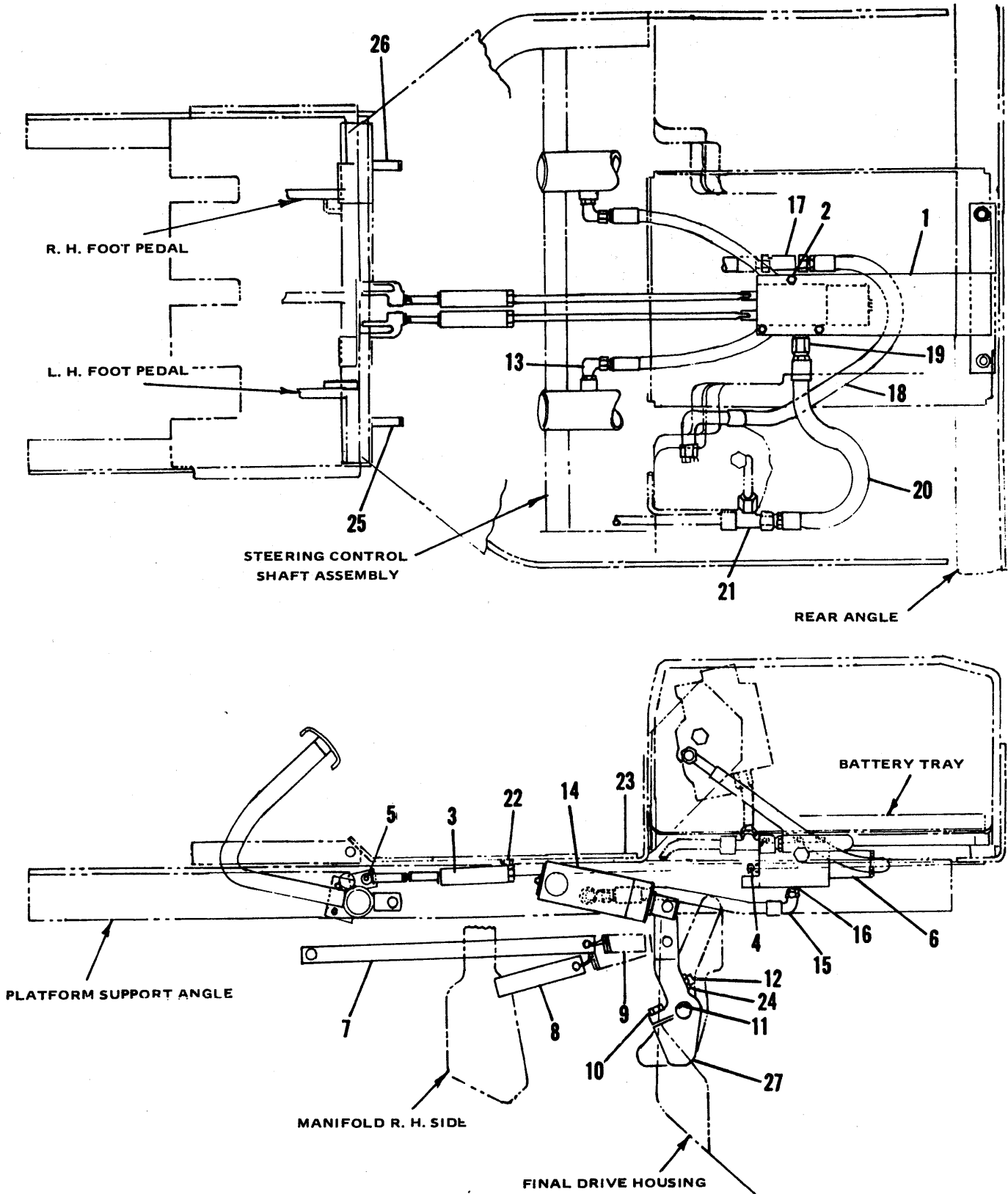
650 SERIES TRACTORS
DRIVE TRAIN

151

STEERING CLUTCH CONTROLS

ITEM	NUMBER	QTY.	DESCRIPTION
1	1010239-0	2	LEVER, steering clutch
	0905850-4	2	KEY, sq., 3/16 x 3/16 x 1
	0915607-6	2	CAPSCREW, top, 1/2NC x 2
	0913744-9	2	NUT, jam, 1/2NC
2	0251556-7	2	ROD ASY., steering clutch
	0917666-0	2	YOKE, adj., 1/2NF
	0917648-8	2	PIN, yoke, 1/2
	0922095-5	*	WASHER, plain (*Use as req'd)
	0917379-0	2	WASHER, plain
	0918452-4	4	PIN, cotter, 1/8 x 1
	0919262-6	2	NUT, 1/2NF
3	0244967-6	1	LEVER ASY., steering clutch, L.H. (Incl. 2 of Item 5)
4	0244966-8	1	LEVER ASY., steering clutch, R.H. (Incl. 2 of Item 5)
5	0244975-9	4	BUSHING, lever shaft
6	1003459-3	1	SHAFT ASY., lever
	0921210-1	1	CAPSCREW, 3/8NC x 1
	0916965-7	1	LOCKWASHER, 3/8
	0922095-5	*	WASHER, plain (*Use as req'd)
	0922002-1	2	PIN, cotter, 3/16 x 2

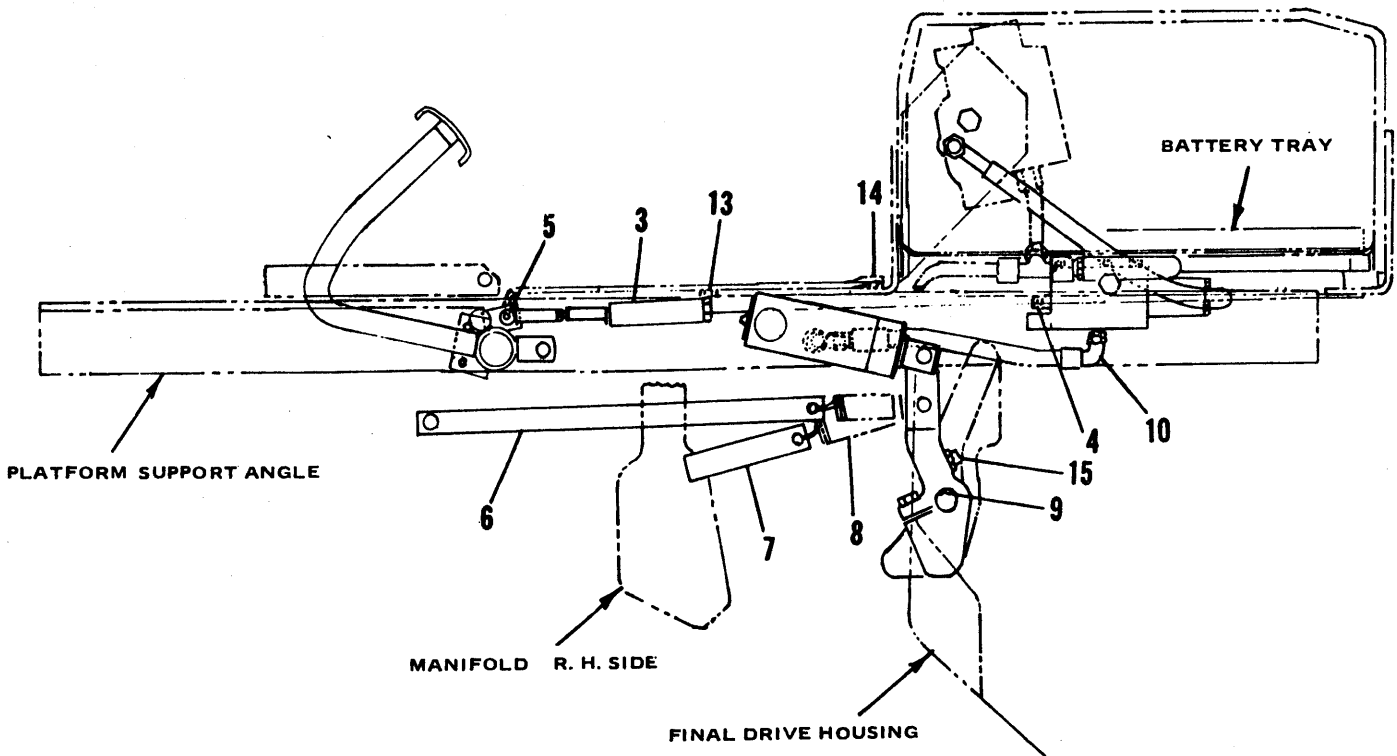
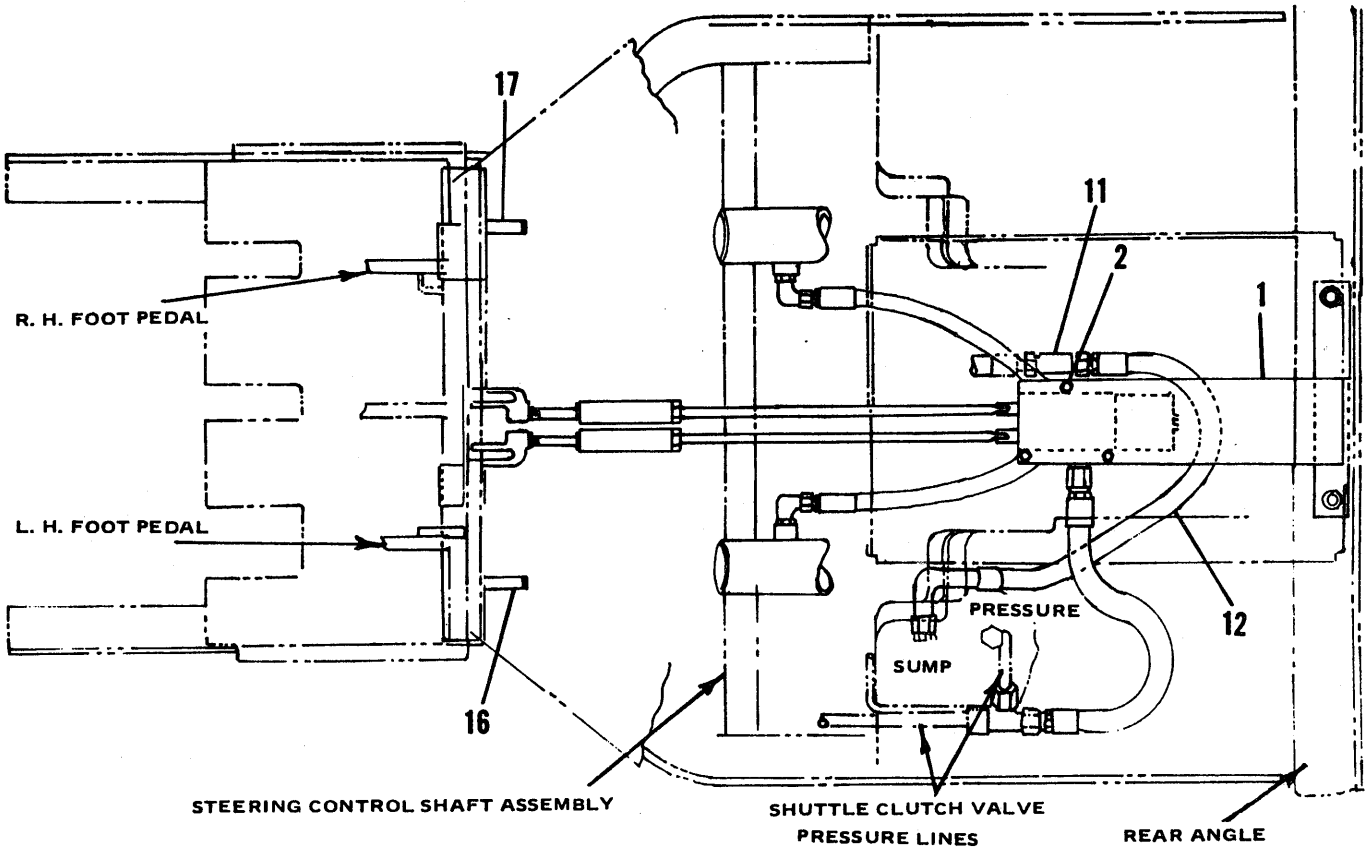
POWER STEERING FOOT CONTROL GROUP
(FIELD INSTALLATION)



POWER STEERING FOOT CONTROL GROUP
(FIELD INSTALLATION)

ITEM	NUMBER	QTY.	DESCRIPTION
-	1095623-3	1	POWER STEERING KIT
1	1010249-9	1	BRACKET ASY., valve
2	0921963-5	3	CAPSCREW
	0916964-0	3	LOCKWASHER, 1/4
	0916622-4	3	NUT, 1/4NC
3	1010266-3	2	PULL ROD ASY.
4	1010415-6	2	PIN, pull rod
	0923360-2	2	PIN, cotter
5	0917648-8	2	PIN, yoke
	0918452-4	2	PIN, cotter
6	1010411-5	1	VALVE ASY., power steering
7	1010270-5	1	BRACKET, spring, L.H.
8	1010271-3	1	BRACKET, spring, R.H.
9	0227700-2	2	SPRING
10	0920328-2	2	CAPSCREW
	0916966-5	2	LOCKWASHER, 1/2
11	0905850-4	2	KEY, square
12	0912243-3	2	SETSCREW
	0913744-9	2	NUT, jam
13	0922523-6	2	ELBOW, adjustable (Incl O-RING)
	0921885-0	2	O-RING
14	1010244-0	2	CYLINDER ASY.
15	1010237-4	2	HOSE ASY.
16	0919062-0	2	CONNECTOR
17	1010248-1	1	TEE
18	1010261-4	1	HOSE ASY.
19	0919205-5	1	CONNECTOR
20	1003827-1	1	HOSE ASY., sump
21	0921472-7	1	TEE, union
22	0921210-1	4	CAPSCREW, 3/8NC x 1
	0918266-8	4	WASHER, plain
	0916965-7	4	LOCKWASHER, 3/8
23	0920415-7	4	CAPSCREW
	0918266-8	4	WASHER, plain
	0916965-7	4	LOCKWASHER, 3/8
24	0913744-9	8	NUT, jam
25	1010260-6	1	BRACKET ASY. (L.H. brake pedal)
26	1010253-1	1	BRACKET ASY. (R.H. brake pedal)
27	1010239-0	2	LEVER
-	1010521-1	1	PEDAL ASY.
-	1010522-9	1	PEDAL ASY.

CONVERSION KIT (FIELD INSTALLATION)
POWER STEERING TO FOOT CONTROL



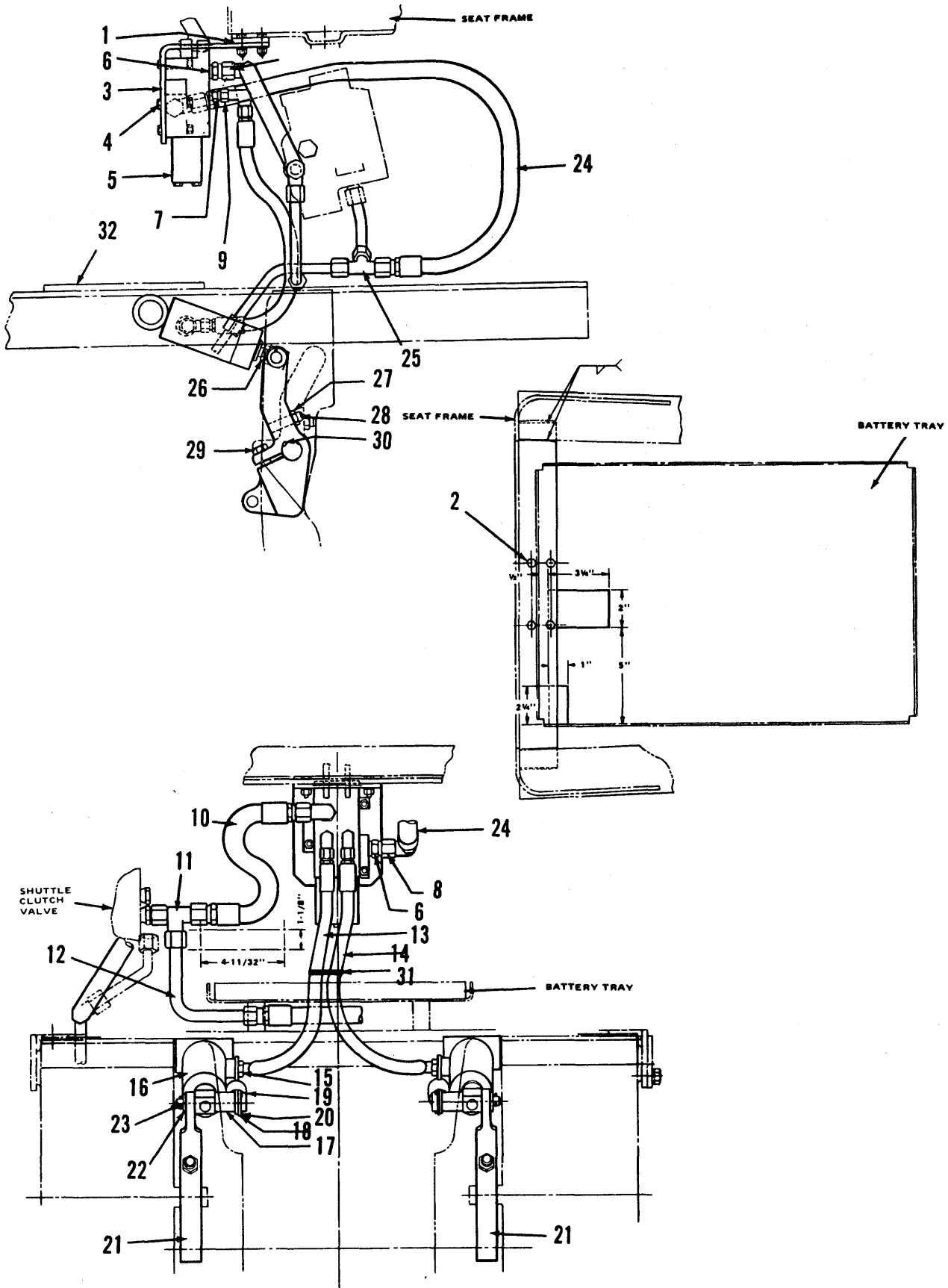
650 SERIES TRACTORS
DRIVE TRAIN

155

CONVERSION KIT (FIELD INSTALLATION)
POWER STEERING TO FOOT CONTROL

ITEM	NUMBER	QTY.	DESCRIPTION
—	1095666-2	—	CONVERSION KIT
1	1010249-9	1	BRACKET ASY., valve
2	0921963-5	3	CAPSCREW
	0916964-0	3	LOCKWASHER, 1/4
	0916622-4	3	NUT, 1/4NC
3	1010266-3	2	PULL ROD ASY.
	1010264-8	1	ROD ASY.
	1013889-9	1	HOUSING
	1010265-5	1	YOKE, offset
	1010399-2	1	SPRING
4	1010415-6	2	PIN, pull rod
	0923360-2	2	PIN, cotter
5	0917648-8	2	PIN, yoke
	0918452-4	2	PIN, cotter
6	1010270-5	1	BRACKET, spring, L.H.
7	1010271-3	1	BRACKET, spring, R.H.
8	0227700-2	2	SPRING
9	0905850-4	2	KEY, square
10	1010237-4	2	HOSE ASY.
11	1010248-1	1	TEE
12	1010261-4	1	HOSE ASY.
13	0921210-1	4	CAPSCREW
	0918266-8	4	WASHER, plain
	0916965-7	4	LOCKWASHER, 3/8
14	0920415-7	4	CAPSCREW
	0918266-8	4	WASHER, plain
	0916965-7	4	LOCKWASHER, 3/8
15	0913744-9	8	NUT, jam
16	1010260-6	1	BRACKET ASY. (L.H. brake pedal)
17	1010253-1	1	BRACKET ASY. (R.H. brake pedal)

POWER STEERING GROUP (FIELD INSTALLATION)



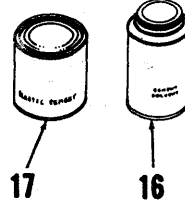
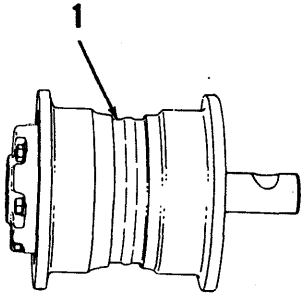
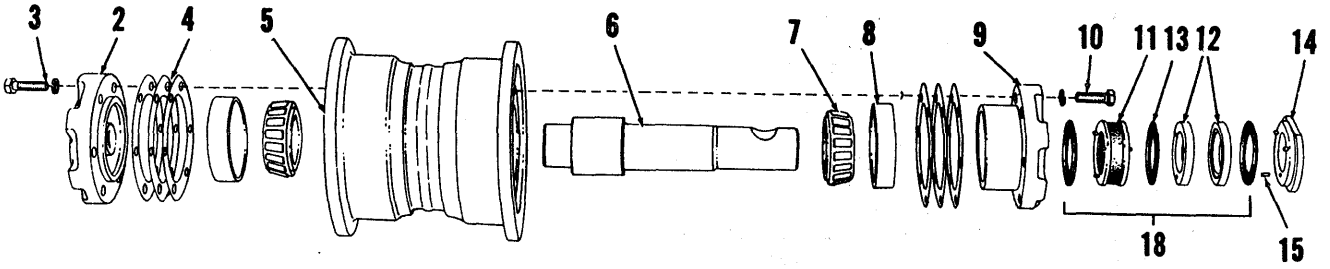
650 SERIES TRACTORS
DRIVE TRAIN

157

POWER STEERING GROUP (FIELD INSTALLATION)

ITEM	NUMBER	QTY.	DESCRIPTION
1	1003824-8	1	BAR, seat
2	0921960-1	4	CAPSCREW
	0916964-0	4	LOCKWASHER, 1/4
	0916622-4	4	NUT, 1/4NC
3	1003833-9	1	BRACKET, valve mounting
4	0921962-7	3	CAPSCREW
	0916964-0	3	LOCKWASHER, 1/4
	0916622-4	3	NUT, 1/4NC
5	1010411-5	1	VALVE ASY., power steering
6	0919205-5	2	CONNECTOR
7	0919062-0	2	CONNECTOR
8	0921279-6	2	ELBOW, swivel nut
9	0921013-9	2	ELBOW, swivel nut
10	1003827-1	1	HOSE ASY., sump
11	0921298-6	1	TEE, swivel nut, on run
12	1003834-7	1	TUBE ASY., shuttle clutch valve sump
13	1003829-7	1	HOSE ASY., L.H. cylinder
14	1003828-9	1	HOSE ASY., R.H. cylinder
15	0922523-6	2	ELBOW, adjustable (Incl. O-RING)
	0921885-0	2	O-RING
16	1010244-0	2	CYLINDER ASY.
17	1003831-3	2	BLOCK, pivot
18	0916963-2	2	WASHER
19	1003868-5	2	SPRING
20	0922002-1	2	PIN, cotter
21	1003875-0	2	LEVER, steering clutch
22	0917379-0	2	WASHER
23	0918458-1	2	PIN, cotter
24	1003826-3	1	HOSE ASY., pressure
25	0921472-7	1	TEE, union
26	0919262-6	2	NUT, jam
27	0913744-9	2	NUT, jam
28	0912243-3	2	SETSCREW, socket cup pt.
29	0920328-2	2	CAPSCREW
30	0905850-4	2	KEY, square
31	0925094-5	1	WRAP, tie
32	1003855-2	1	PLATE, platform (Clutch lever opening)

SUPPORT ROLLER



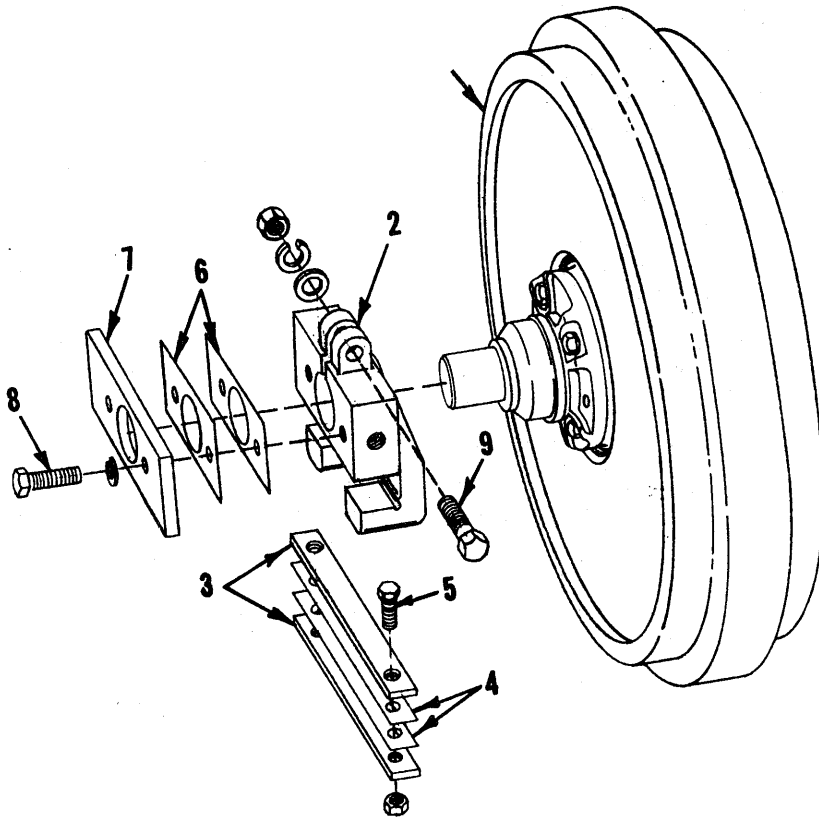
650 SERIES TRACTORS
DRIVE TRAIN

159

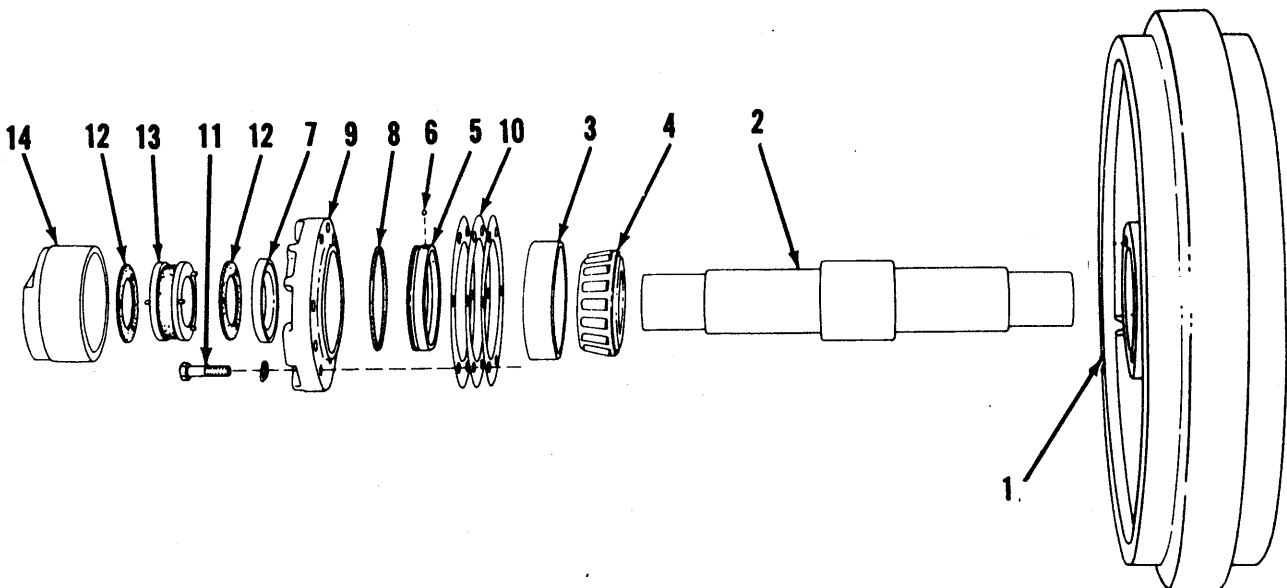
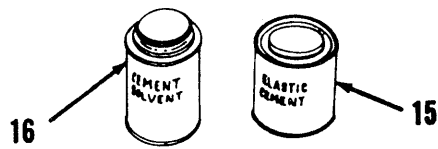
SUPPORT ROLLER

ITEM	NUMBER	QTY.	DESCRIPTION
1	1003796-8	2	ROLLER ASY., support
2	0622612-0	2	RETAINER, outer bearing
3	0920352-2	12	CAPSCREW, 3/8BNF x 1-1/4
	0916965-7	12	LOCKWASHER, 3/8
4	0051482-8	*	SHIM (.032") (*Use as req'd)
	0051483-6	*	SHIM (.010") (*Use as req'd)
	0051484-4	*	SHIM (.007") (*Use as req'd)
5	1015390-6	2	SUPPORT, roller
6	1003221-7	2	SHAFT
7	0042888-8	4	CONE ASY., bearing
8	0042887-0	4	CUP, bearing
9	0051478-6	2	RETAINER, inner bearing
10	0920352-2	12	CAPSCREW, 3/8BNF x 1-1/4
	0916965-7	12	LOCKWASHER, 3/8
11	0047581-4	2	SPRING ASY., seal (Serviced only as a unit)
12	0047151-6	4	RING, seal
13	0047605-1	6	GASKET, seal ring
14	0090185-0	2	GUARD, seal
15	0049877-4	6	PIN
16	0054890-9	—	SOLVENT, neoprene cement (1/2 pt. can)
17	0033288-2	—	CEMENT, neoprene (1/2 pt. can)
18	0083536-3	—	SEAL KIT, support roller (Incl. 2 of SPRING ASY. 047581, 4 of RING 047151, & 6 of GASKET 047605)

TRACK IDLER, FRONT
INSTALLATION



TRACK IDLER, FRONT



**650 SERIES TRACTORS
DRIVE TRAIN**

161

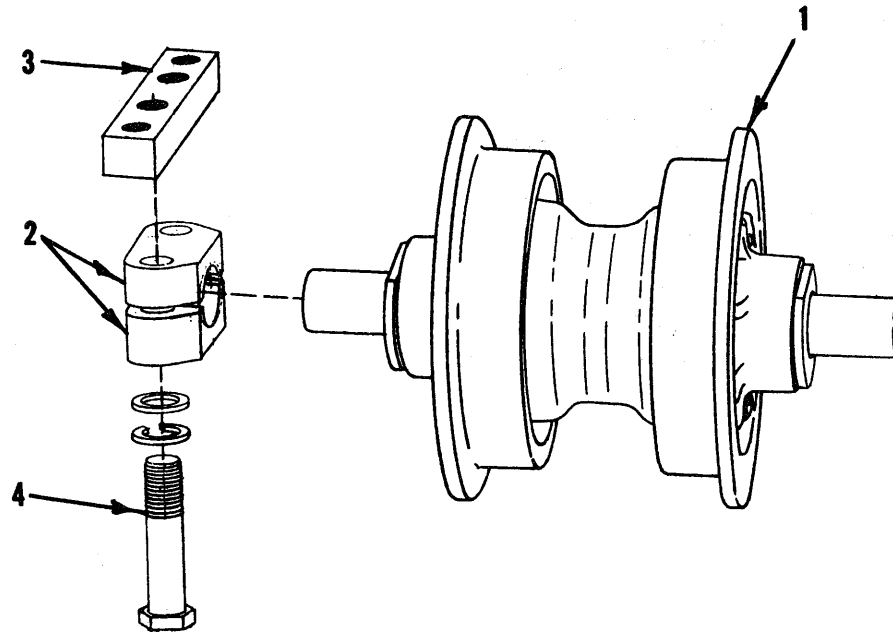
**TRACK IDLER, FRONT
INSTALLATION**

ITEM	NUMBER	QTY.	DESCRIPTION
1	----	2	IDLER ASY., track (Refer to TRACK IDLER ASY. for parts)
2	1003163-1	4	BRACKET, mtg., idler
3	1003199-5	8	PLATE, wear
4	1003200-1	*	SHIM (.0329) (*Use as req'd)
5	1003201-9	8	BOLT, wear plate
	1003202-7	8	NUT, special
6	1003204-3	*	SHIM (.0329) (*Use as req'd)
7	1003203-5	4	PLATE, idler
8	0920328-2	8	CAPSCREW, 1/2NC x1-1/2
	0916966-5	8	LOCKWASHER, 1/2
9	0923240-6	4	CAPSCREW, 1/2NC x2-3/4
	0917379-0	4	WASHER, plain
	0916966-5	4	LOCKWASHER, 1/2
	0916951-7	4	NUT, 1/2NC

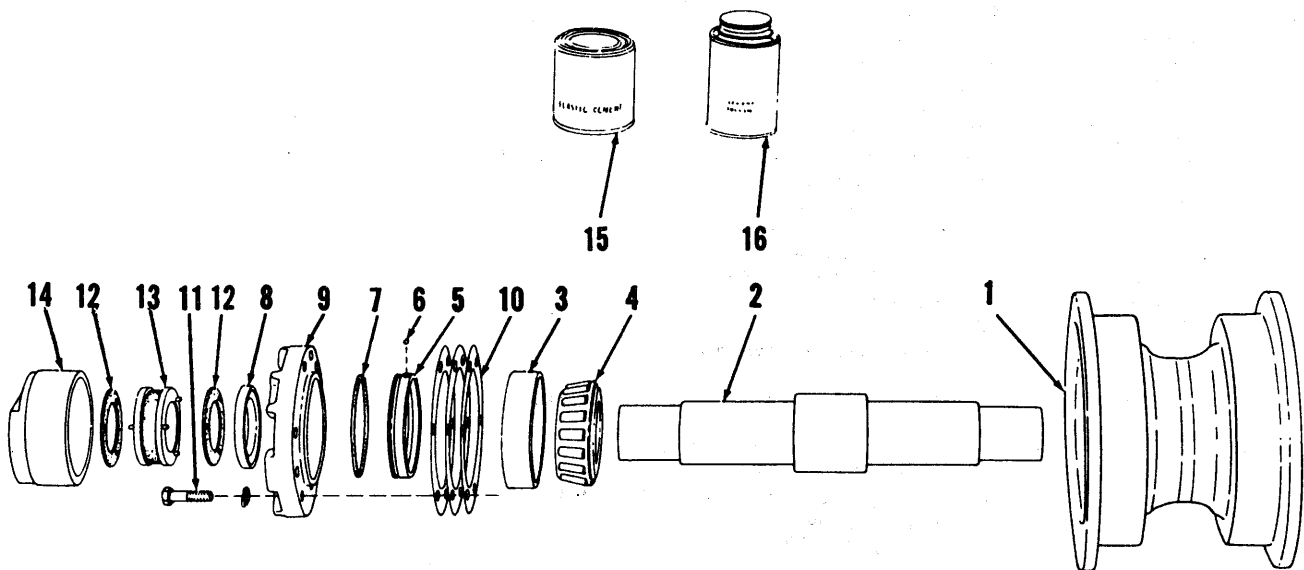
TRACK IDLER, FRONT

ITEM	NUMBER	QTY.	DESCRIPTION
—	1003104-5	1	IDLER ASY., track
1	1003076-5	1	IDLER
2	1003191-2	1	SHAFT, idler wheel
3	0042887-0	2	CUP, bearing
4	0042888-8	2	CONE, bearing
5	0623114-6	2	RING, seal, inner
6	0915906-2	2	BALL, steel, 3/16
7	0047151-6	2	RING, seal
8	0923815-5	2	O-RING, seal ring, inner
9	0663047-9	2	RETAINER, bearing
10	0051432-3	*	SHIM (.007) (*Use as req'd)
	0051433-1	*	SHIM (.010) (*Use as req'd)
	0051431-5	*	SHIM (.031) (*Use as req'd)
	0655372-1	*	SHIM (.003) (*Use as req'd)
11	0920352-2	12	CAPSCREW, 3/8NF x1-1/4, Gr. 5
	0916965-7	12	LOCKWASHER, 3/8
12	0047605-1	4	GASKET, seal ring
13	0047581-4	2	SPRING ASY., seal (Serviced only as a unit)
14	1003799-2	2	RETAINER, seal
15	0033288-2	—	CEMENT, neoprene (1/2 pt. can) (For cementing Seal Boots)
16	0054890-9	—	SOLVENT, neoprene cement (1/2 pt. can) (For cementing Seal Boots)
—	0623124-5	—	SEAL KIT, wheel asy. (Incl. 2 ea. of RINGS 623114 & 047151, BALL 905357, & O-RING 923815; & 4 of GASKET 047605)

TRUCK WHEEL
INSTALLATION



TRUCK WHEEL



650 SERIES TRACTORS
DRIVE TRAIN

163

TRUCK WHEEL
INSTALLATION

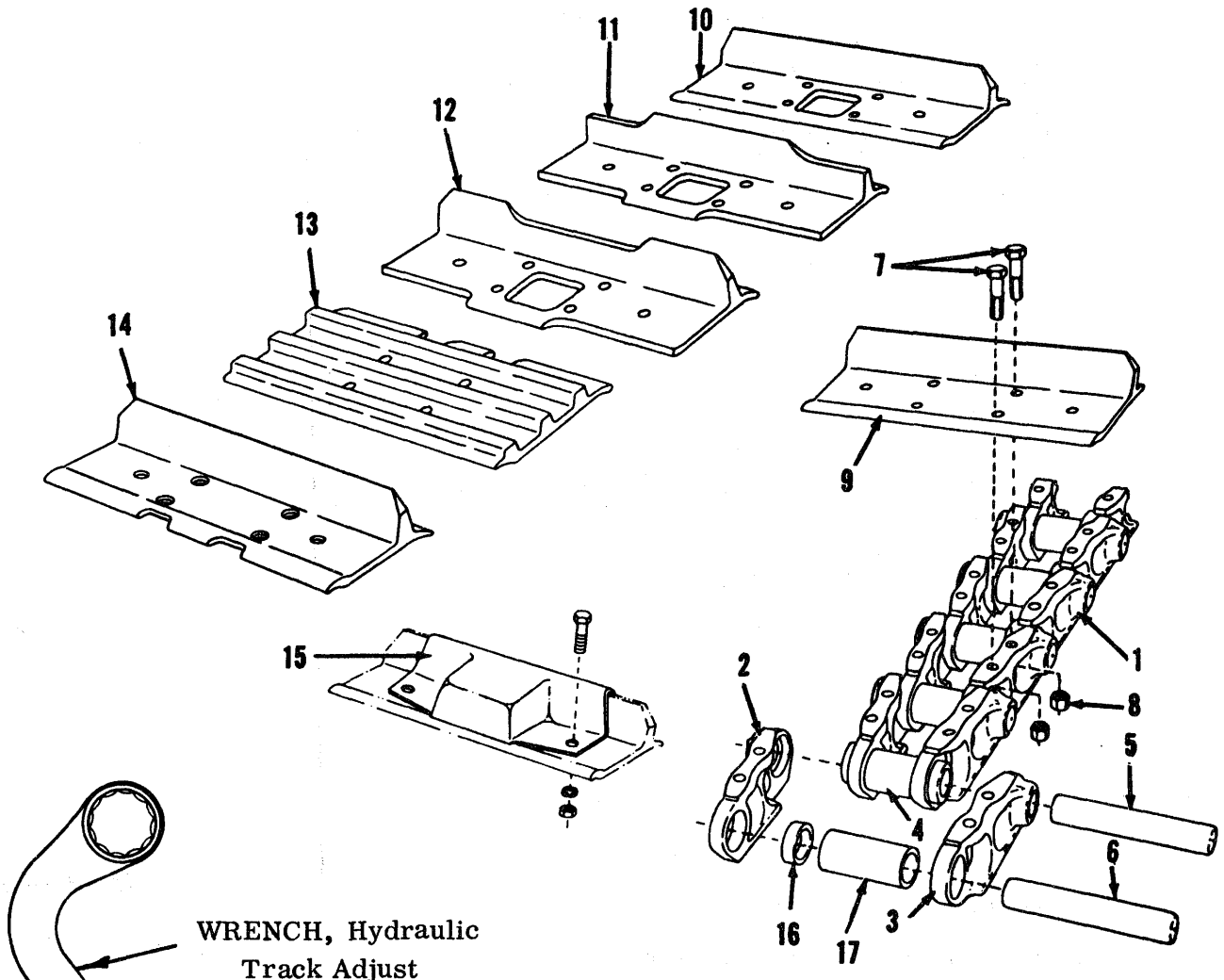
ITEM	NUMBER	QTY.	DESCRIPTION
1	-----	10	WHEEL ASY., truck (Refer to TRUCK WHEEL ASY. for parts)
2	1003187-0	40	BRACKET, mounting
3	1003189-6	20	BLOCK, tapping
4	0919236-0	40	CAPSCREW, 1/2NF x 4
	0916966-5	40	LOCKWASHER, 1/2
	0917379-0	40	WASHER, plain

TRUCK WHEEL

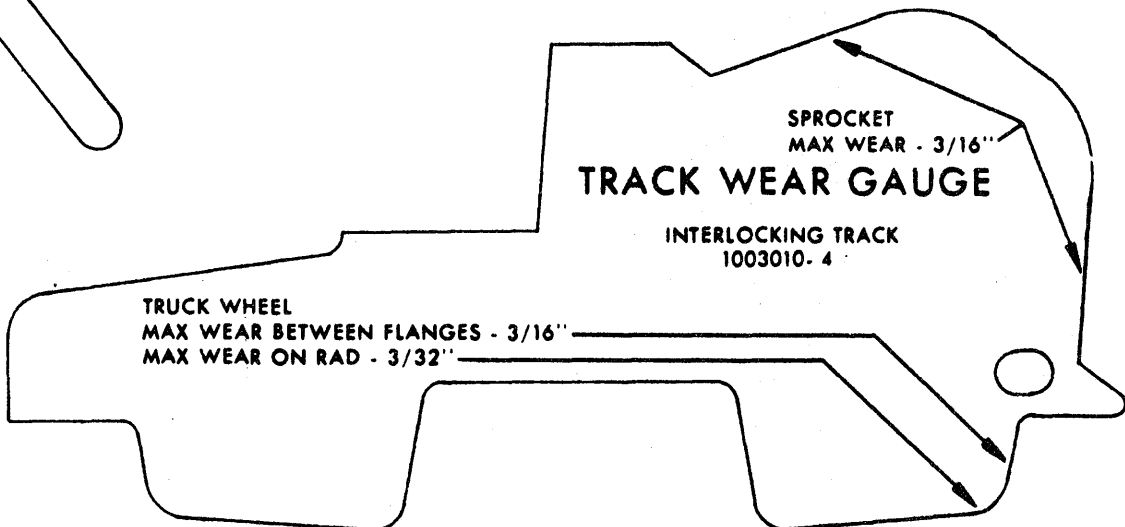
ITEM	NUMBER	QTY.	DESCRIPTION
—	1003798-4	10	WHEEL ASY., truck (Use 1 of 1003800)
1	1015311-2	1	WHEEL, truck
2	1003806-5	1	SHAFT, truck wheel
3	0042887-0	2	CUP, bearing
4	0042888-8	2	CONE, bearing
5	0623114-6	2	RING, seal, inner
6	0915906-2	2	BALL, steel, 3/16
7	0923815-5	2	O-RING, seal ring, inner
8	0047151-6	2	RING, seal
9	0663047-9	2	RETAINER, bearing
10	0655372-1	*	SHIM (.003) (*Use as req'd)
	0051432-3	*	SHIM (.007) (*Use as req'd)
	0051433-1	*	SHIM (.010) (*Use as req'd)
	0051431-5	*	SHIM (.032) (*Use as req'd)
11	0920352-2	12	CAPSCREW, 3/8NF x 1-1/4, Gr. 5
	0916965-7	1	LOCKWASHER, 1/2
12	0047605-1	4	GASKET, seal ring
13	0047581-4	2	SPRING ASY., seal (Serviced only as a unit)
14	1003799-2	2	RETAINER, seal
15	0033288-2	—	CEMENT, neoprene (1/2 pt. can) (For cementing Seal Boots)
16	0054890-9	—	SOLVENT, neoprene cement (1/2 pt. can) (For cementing Seal Boots)
—	0623124-5	—	SEAL KIT

650 SERIES TRACTORS
DRIVE TRAIN

TRACK



WRENCH, Hydraulic
Track Adjust

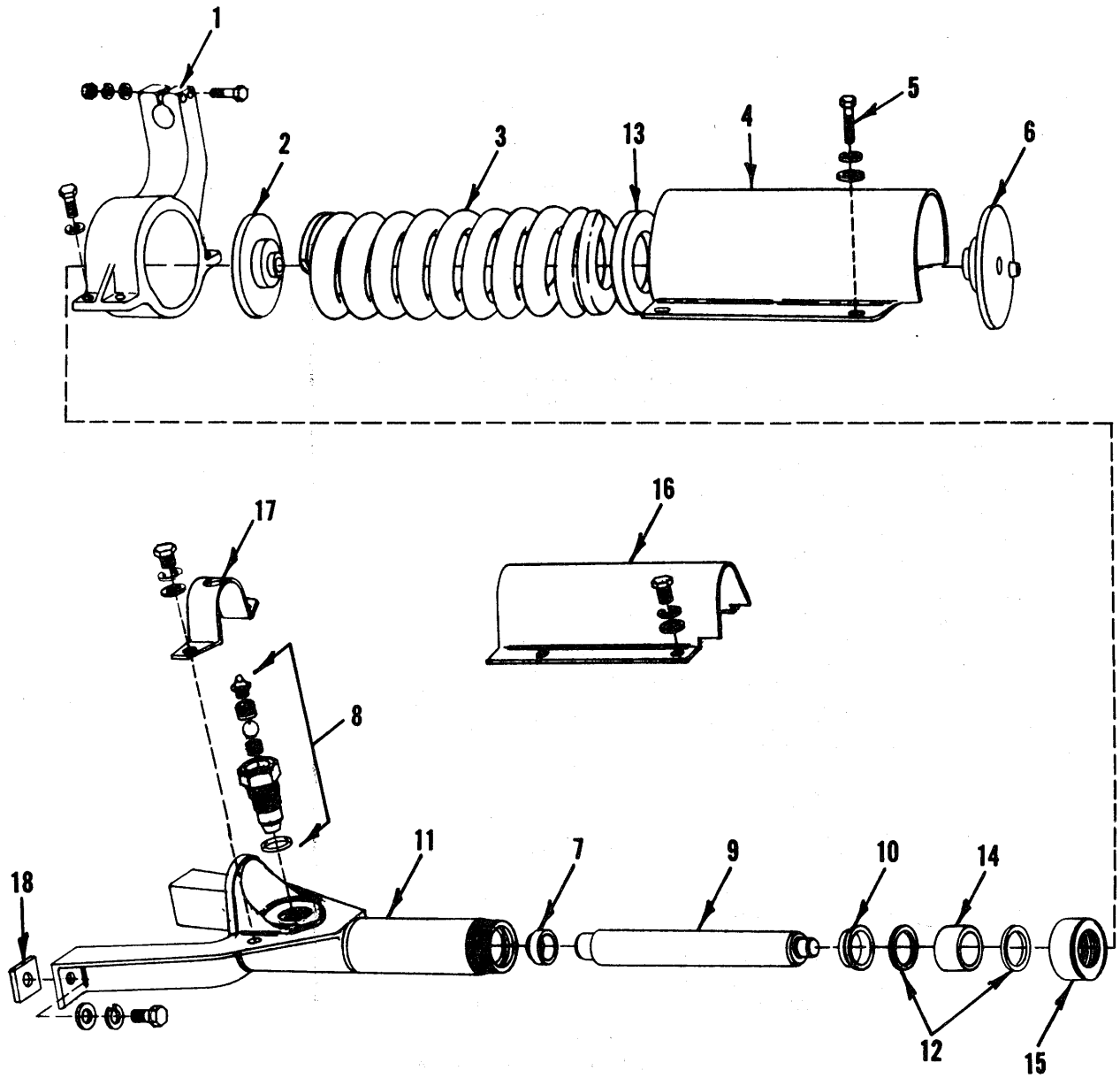


650 SERIES TRACTORS
DRIVE TRAIN

TRACK

ITEM	NUMBER	QTY.	DESCRIPTION
-	-----	2	TRACK ASY. (12" Std.) (Incl. Items 1, & 7 thru 9)
-	-----	2	TRACK ASY. (14" Std.) (Incl. Items 1, & 7 thru 9)
-	-----	2	TRACK ASY. (12" Semi-grouser w/ cutout) (Incl. Items 1, 7, 8 & 13)
-	-----	2	TRACK ASY. (14" Semi-grouser w/ cutout) (Incl. Items 1, 7, 8 & 13)
-	-----	2	TRACK ASY. (12" Semi-grouser) (Incl. Items 1, 7, 8 & 13)
-	-----	2	TRACK ASY. (14" Semi-grouser) (Incl. Items 1, 7, 8 & 13)
-	-----	2	TRACK ASY. (12" w/ cutout) (Incl. Items 1, 7, 8 & 10)
-	-----	2	TRACK ASY. (14" w/ cutout) (Incl. Items 1, 7, 8 & 10)
-	-----	2	TRACK ASY. (snow & ice, single & double caulk) (Incl. Items 1, 7, 8, 11 & 12)
-	-----	1	TRACK ASY., L.H. (18" offset full-grouser) (Incl. Items 1, 7, 8 & 14)
-	-----	1	TRACK ASY., R.H. (18" offset full-grouser) (Incl. Items 1, 7, 8 & 14) (Order component parts)
1	1003820-6	2	RAIL ASY., track (Incl. Items 2 thru 6, & 16 & 17)
2	1003818-0	72	BAR, side, L.H.
3	1003819-8	72	BAR, side, R.H.
4	0044129-5	70	BUSHING
5	0044132-9	70	PIN, track
6	0044130-3	2	PIN, master
7	0043591-7	288	BOLT, track, shoe
8	0084971-1	288	NUT, track, shoe
9	1003403-1	72	SHOE, grouser (12" Std.)
	1003404-9	72	SHOE, grouser (14" Std.)
10	0235619-4	72	SHOE, grouser (12" w/ cutout)
	0234946-2	72	SHOE, grouser (14" w/ cutout)
11	-----	36	SHOE, grouser (12" snow & ice) (Single caulk)
12	-----	36	SHOE, grouser (14" snow & ice) (Double caulk)
13	0253103-6	72	SHOE, semi-grouser (12")
	0253207-5	72	SHOE, semi-grouser (12" w/ cutout)
14	0253109-3	72	SHOE, semi-grouser (14")
	0253221-6	72	SHOE, semi-grouser (14" w/ cutout)
	-----	72	SHOE, semi-grouser (20")
	-----	36	SHOE, grouser, L.H.
	-----	36	SHOE, grouser, R.H.
15	0235926-3	72	PLATE, street (Use w/ 12" & 14" full-grouser track)
	0923473-3	144	CAPSCREW, 1/2NC x 1-1/4, Gr. 8
	0916966-5	144	LOCKWASHER, 1/2
	0900369-0	144	NUT, 1/2NC
16	0043593-3	4	SPACER (Use w/ Master Pin only)
17	0044131-1	2	BUSHING, master pin
-	1003010-4	-	GAUGE, track wear (For tractors w/ interlocking track)
-	0249282-5	-	PIN SET, track (Incls. 1 ea. of PIN 044130 & BUSHING 044131; 2 of SPACER 043593; and 35 ea. of BUSHING 044129 & PIN 044132)
-	1003542-6	-	WRENCH, hydraulic track adjust

TRACK RELEASE



650 SERIES TRACTORS
DRIVE TRAIN

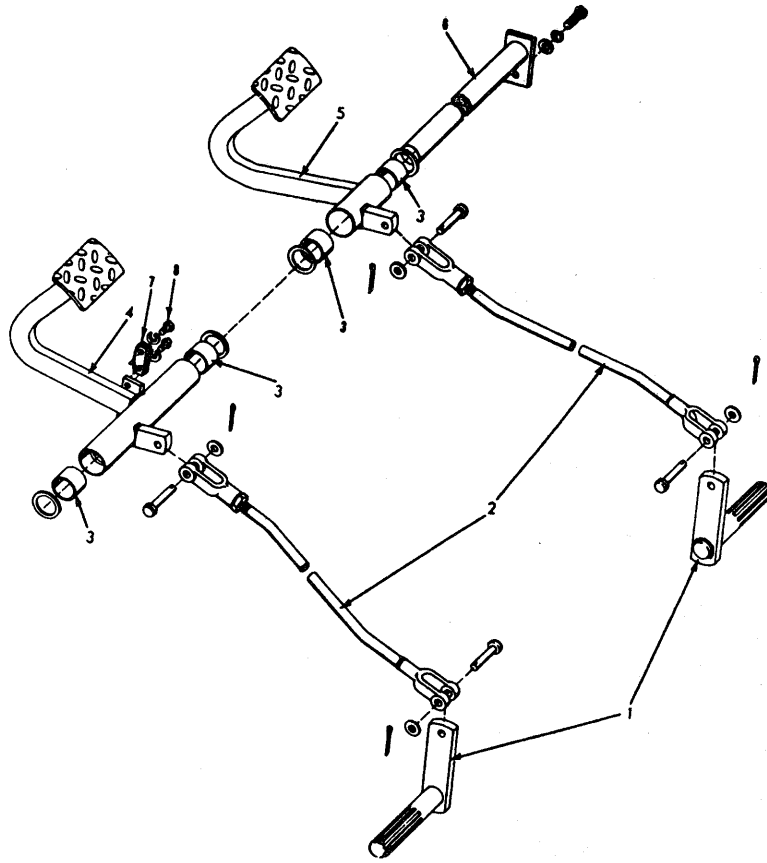
167

TRACK RELEASE

ITEM	NUMBER	QTY.	DESCRIPTION
1	1003084-9	1	HOUSING ASY., spring, R.H.
	1003085-6	1	HOUSING ASY., spring, L.H.
	0926036-5	4	CAPSCREW, 3/4NF x 1-3/4, Gr. 5
	0919332-7	4	LOCKWASHER, 3/4
	0919389-7	4	WASHER, plain
	0920990-9	4	CAPSCREW, 1/2NC x 3-1/2, Gr. 5
	0916966-5	4	LOCKWASHER, 1/2
	0916951-7	4	NUT, 1/2NC
	0924361-9	4	WASHER, plain
	2	0242148-5	2
3	0244846-2	2	SPRING
4	1003363-7	2	COVER, spring
5	0926115-7	8	CAPSCREW, 1/2NC x 3/4, Gr. 5
	0917379-0	8	WASHER, plain
	0916966-5	8	LOCKWASHER, 1/2
6	0242149-3	1	SEAT, spring, rear
7	1003231-6	2	SHU-SEAL
8	1003229-0	2	VALVE ASY., relief
	0923946-8	2	O-RING
	0914465-0	2	FITTING, grease
	0905358-8	2	BALL, steel, 1/4
	1003226-6	2	SPRING
	1003225-8	2	SCREW, check ball
	1003224-1	2	SCREW, relief
9	1003230-8	2	PISTON
10	1003232-4	2	RING, wiper
11	1003717-4	2	YOKE ASY.
	0921176-4	8	CAPSCREW, 1/2NC x 1-1/4, Gr. 5
	0919327-7	8	WASHER, plain
	0916966-5	8	LOCKWASHER, 1/2
12	1003234-0	4	WASHER, split, retaining
13	0252671-3	2	SPACER
14	1003235-7	2	WASHER, split, felt
15	1003233-2	2	CUP, retainer
16	1003236-5	2	COVER, track adj., rear
	0921210-1	8	CAPSCREW, 3/8NC x 1
	0911111-3	8	WASHER, 3/8
	0916965-7	8	LOCKWASHER, 3/8
17	1003713-3	2	COVER, track adj., front
	0921210-1	8	CAPSCREW, 3/8NC x 1
	0911111-3	8	WASHER, 3/8
	0916965-7	8	LOCKWASHER, 3/8
18	1003676-2	*	SHIM (* Use as req'd)

650 SERIES TRACTORS
BRAKE

BRAKE PEDALS & LINKAGE



650 SERIES TRACTORS
BRAKE

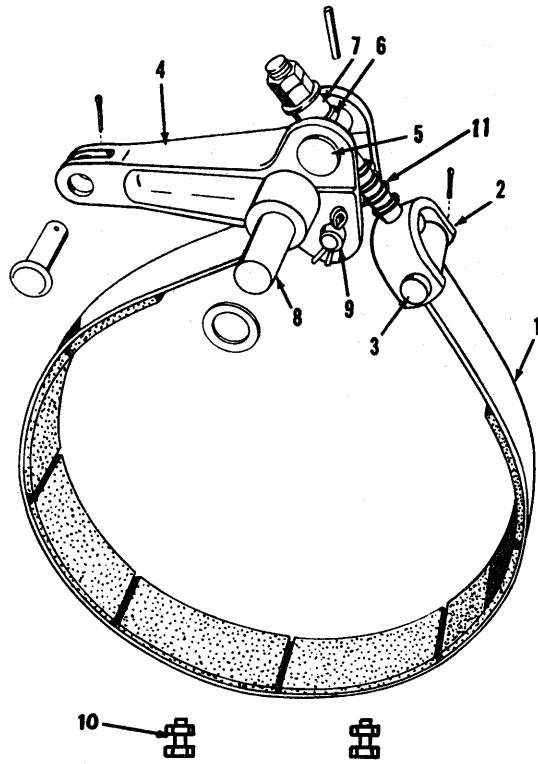
169

BRAKE PEDALS & LINKAGE

ITEM	NUMBER	QTY.	DESCRIPTION
1	1003389-2	2	SHAFT ASY., brake
2	1003261-3	2	ROD, brake
	0917666-0	4	YOKE, 1/2 to 20
	0919262-6	4	NUT, jam, 1/2NF
	0917648-8	4	PIN, yoke, 1/2
	0918452-4	4	PIN, cotter, 1/8 x 1
3	0244975-9	4	BUSHING, pedal shaft
4	1010521-1	1	PEDAL ASY., brake, L.H. (Incl. 2 of Item 3)
5	1010522-9	1	PEDAL ASY., brake, R.H. (Incl. 2 of Item 3)
6	0245496-5	1	SHAFT ASY., brake pedal
	0921210-1	1	CAPSCREW, 3/8NC x 1
	0916965-7	1	LOCKWASHER, 3/8
	0923427-9	*	WASHER, plain, 23/32 x 1-1/4 x No. 11 (*Use as req'd)
	0922095-5	*	WASHER, plain, 1-1/4 (*Use as req'd)
7	0235328-2	3	RATCHET, brake latch
8	0921965-0	2	CAPSCREW, 3/8NC x 3/4
	0916965-7	2	LOCKWASHER, 3/8

650 SERIES TRACTORS
BRAKE

BRAKE BAND & ARM



650 SERIES TRACTORS
BRAKE

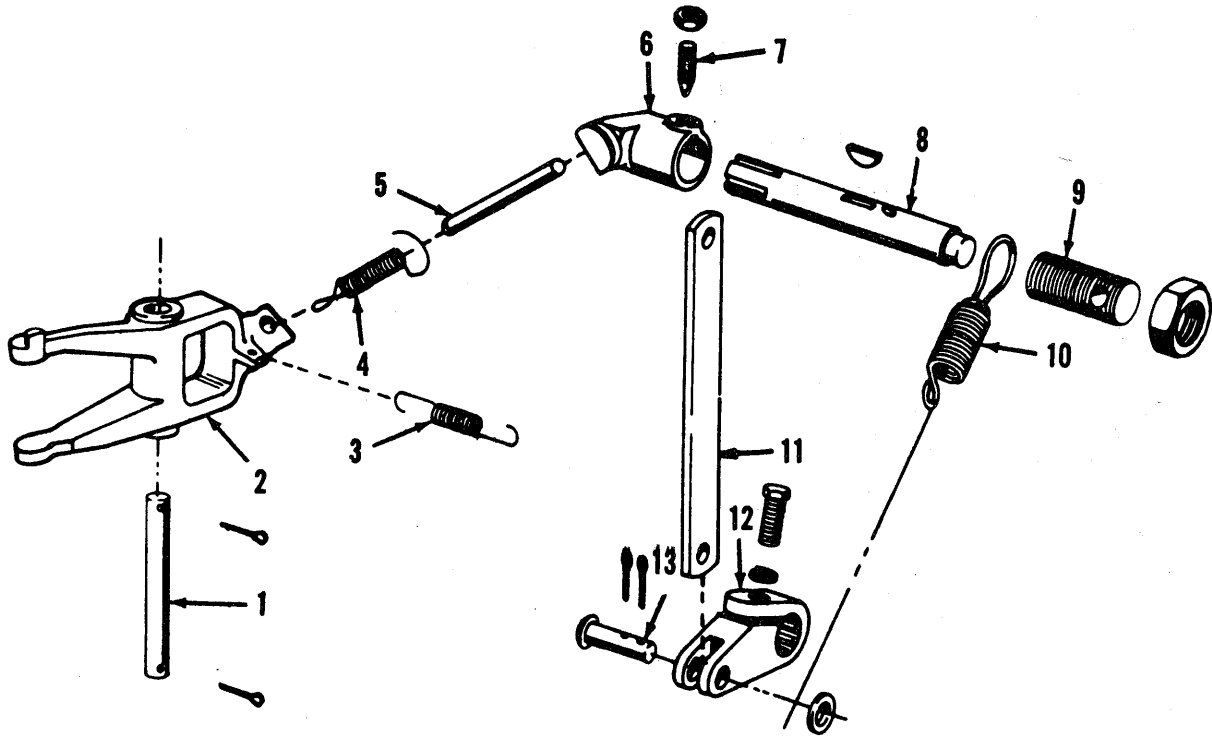
171

BRAKE BAND & ARM

ITEM	NUMBER	QTY.	DESCRIPTION
1	1015332-8	6	BAND ASY. (2-piece)
	1017114-8	1	LINING KIT
2	0233807-7	2	YOKE ASY. (Incl. BELT)
	0913744-9	2	NUT, jam, pltd., 1/2NC
	0916951-7	2	NUT, pltd., 1/2NC
	0917379-0	2	WASHER, plain, pltd., 17/32 x 1-1/16 x 3/32
3	0233810-1	2	PIN, yoke
	0918458-1	2	PIN, cotter, 3/16 x 1
4	1003087-2	2	ARM, brake
	0921373-7	2	PIN, link, pltd., 1/2 x 3/4
	0918458-1	2	PIN, cotter, 3/16 x 1
5	0233812-7	2	PIN, yoke, brake arm
6	0233813-5	2	PLATE, lock
7	0243360-5	2	HUB
8	0233815-0	2	SHAFT, brake anchor
	0923427-9	*	WASHER, plain, 23/32 x 1-1/4 x No. 11 (*Use as req'd)
	0916937-6	2	PIN, roll, 1/4 x 1-1/4
9	0233816-8	2	PIN, brake arm
	0918458-1	2	PIN, cotter, 3/16 x 1
10	0906748-9	4	SETSCREW
	0913744-9	4	NUT, jam
11	1003885-9	2	SPRING

650 SERIES TRACTORS
BRAKE

BRAKE LINKAGE & CLUTCH SHIFTER



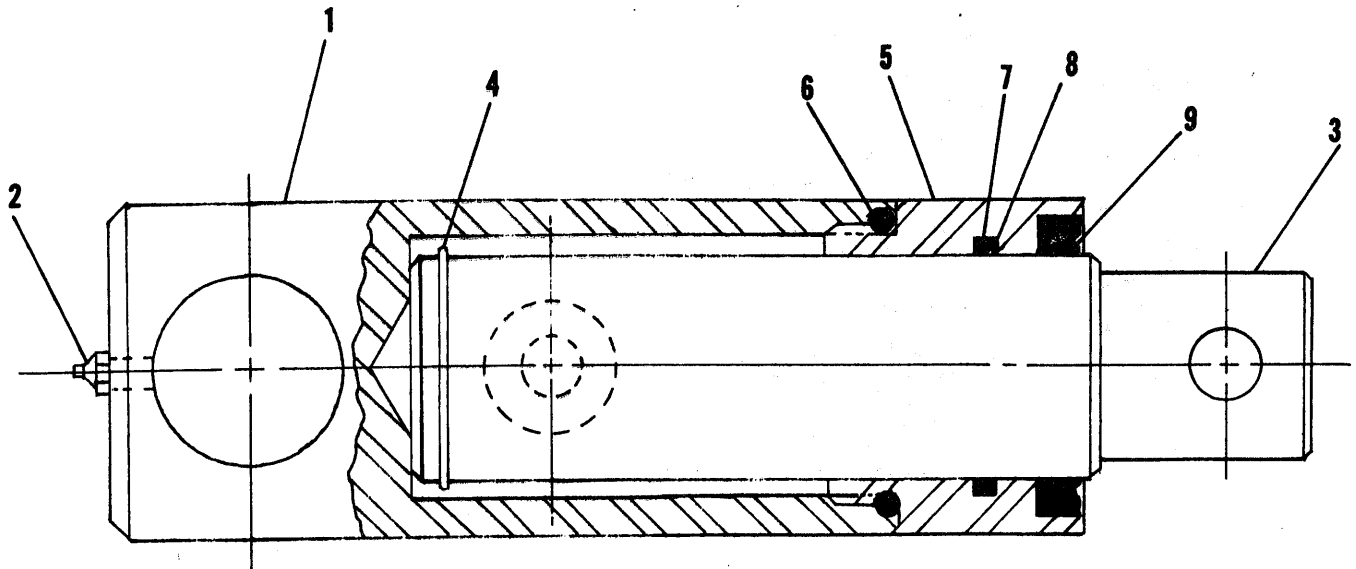
650 SERIES TRACTORS
BRAKE

173

BRAKE LINKAGE & CLUTCH SHIFTER

ITEM	NUMBER	QTY.	DESCRIPTION
1	0233896-0	1	PIN, pivot clutch, fork
	0925719-7	2	PIN, cotter, 1/8 x 1-1/4
2	0236882-7	1	FORK, clutch, R.H.
	0236874-4	1	INSERT
	0236881-9	1	FORK, clutch, L.H.
	0236874-4	1	INSERT
3	0233902-6	1	SPRING, fork return
4	0233901-8	1	SPRING, stilt
5	0233900-0	1	STILT, clutch shifter
6	0236877-7	1	LEVER, fork, L.H.
	0236874-4	1	INSERT
	0236878-5	1	LEVER, fork, R.H.
	0236874-4	1	INSERT
7	0235403-3	1	SETSCREW, fork lever
	0921893-4	1	NUT, jam, std. hvy., pltd., 7/16NC
8	0233897-8	1	SHAFT, hand lever
	0905125-1	1	KEY, woodruff, 3/16 x 1
9	0233907-5	1	SCREW, adjusting
	0910098-3	1	NUT, jam, 1-1/8NF
10	0240356-6	1	SPRING, brake return
11	0233817-6	1	LINK
12	0233818-4	1	LEVER, brake link
	0919089-9	1	CAPSCREW, 1/2NC x 1-3/4
	0916966-5	1	LOCKWASHER, 1/2
13	0233819-2	1	PIN, brake lever
	0918458-1	2	PIN, cotter, 3/16 x 1
	0912007-2	1	WASHER, plain, 17/32 x 7/8 x .148

CYLINDER ASY.
POWER STEERING



650 SERIES TRACTORS
HYDRAULICS

175

CYLINDER ASY.
POWER STEERING

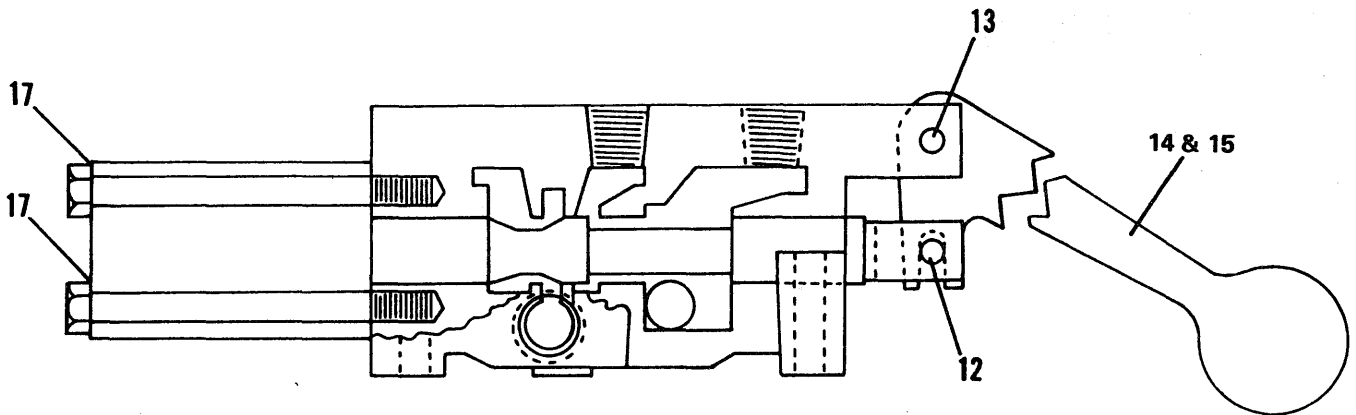
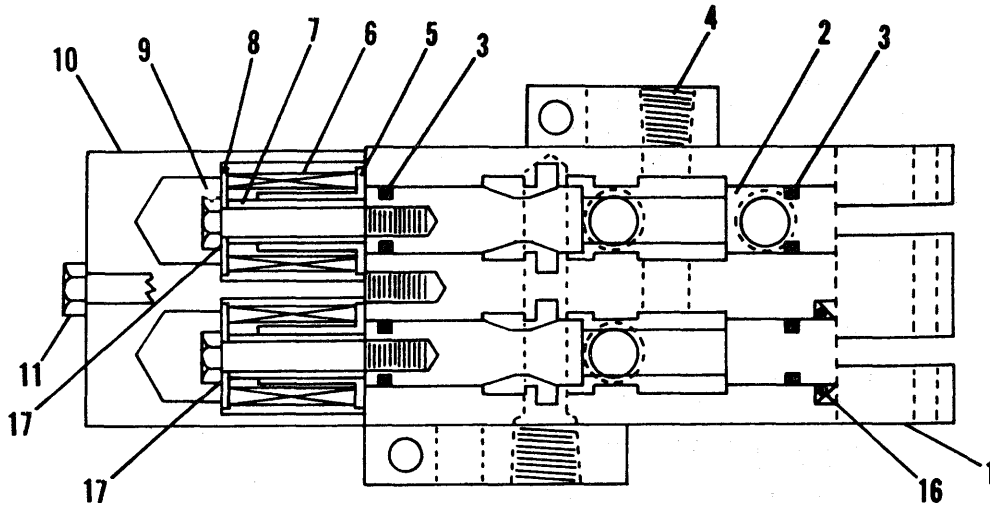
ITEM	NUMBER	QTY.	QTY.	DESCRIPTION
		*	**	
-	1010970-0	2	0	CYLINDER ASY.
-	1010244-0	0	2	CYLINDER ASY.
1	1003837-0	1	0	TUBE ASY.
	1010245-7	0	1	TUBE ASY.
2	0913958-5	0	1	FITTING, lube drive
3	1003839-6	1	0	ROD, piston (Used on 1003830 CYL. ASY.)
	1010971-8	1	0	ROD, piston (Used on 1010970 CYL. ASY.)
	1010241-6	0	1	ROD, piston
4	0927785-6	1	0	RING, retainer
	0930262-1	0	1	RING, retainer
5	1003838-8	1	0	HEAD
	1010243-2	0	1	HEAD
6	0921887-6	1	1	O-RING
7	0923649-8	1	0	O-RING
	0923650-6	0	1	O-RING
8	0926618-0	1	0	WASHER, backup
	0926638-8	0	1	WASHER, backup
9	-----	1	0	RING, wiper (Serviced only in KIT)
	2014684-1	0	1	RING, wiper
-	1003840-4	1	0	REPAIR KIT, seal (Incl. Items 6 to 9) (Used for 1007830)
	1010973-4	1	0	REPAIR KIT, seal (Incl. Items 6 to 9) (Used for 1010970)
	1010246-5	0	1	REPAIR KIT, seal (Incl. Items 6 to 9) (Used for 1010244)

*1010970 - 1st Cylinder

**1010244 - 2nd Cylinder

650 SERIES TRACTORS
HYDRAULICS

VALVE ASY.
POWER STEERING



650 SERIES TRACTORS
HYDRAULICS

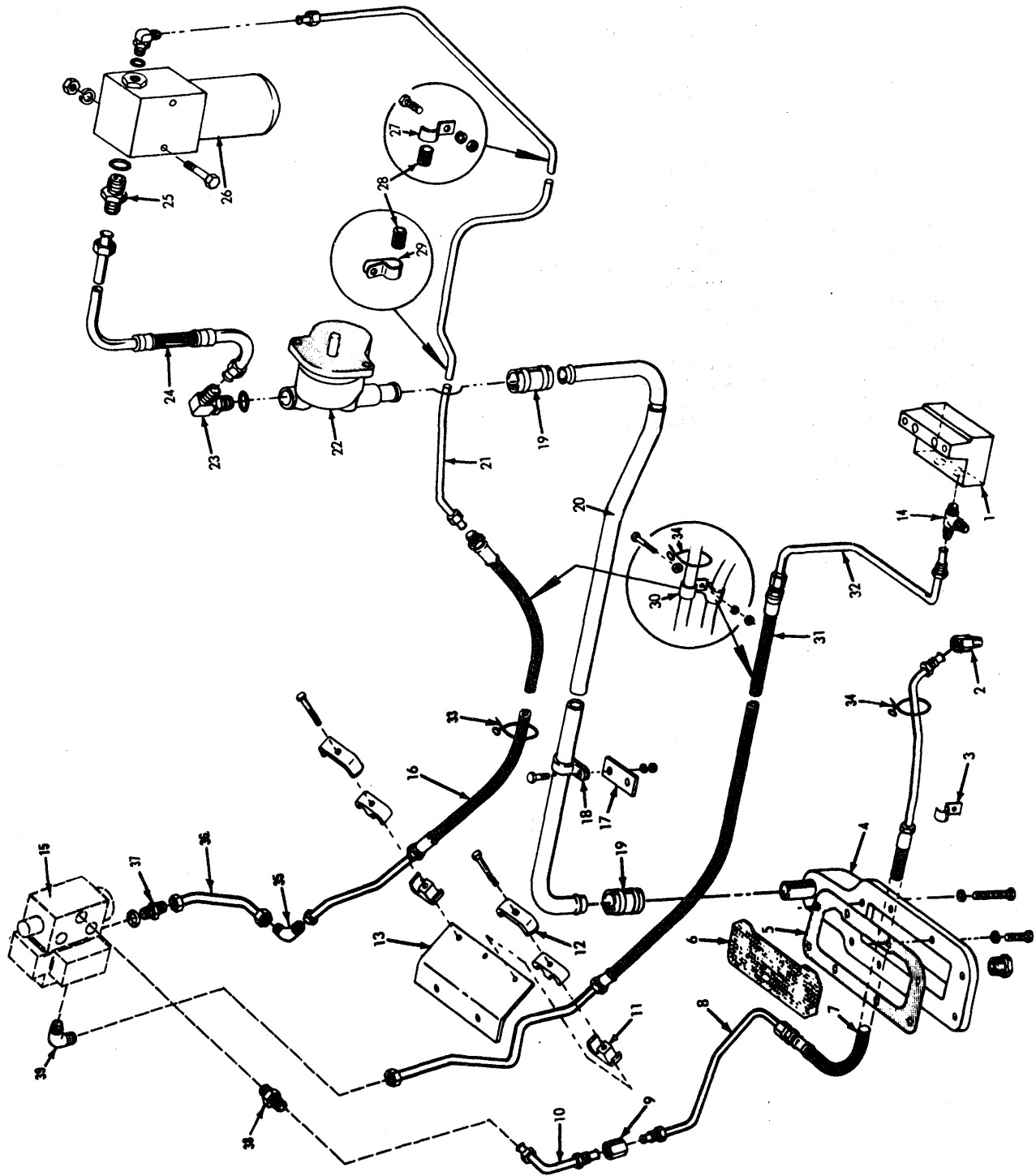
177

VALVE ASY.
POWER STEERING

ITEM	NUMBER	QTY.	QTY.	DESCRIPTION
		*	**	
—	1010411-5	1	1	VALVE ASY.
1	-----	1	1	VALVE SECTION
2	-----	2	2	SPOOL
3	0933435-0	4	4	O-RING
4	0910231-0	1	0	PLUG, pipe
	0918850-9	0	1	PLUG, pipe
5	1003845-3	2	0	WASHER
	0918266-8	0	2	WASHER
6	1003846-1	2	2	SPRING
7	1003847-9	2	2	SPACER
8	1003848-7	2	0	WASHER
	0917377-4	0	2	WASHER
9	0921962-7	2	2	CAPSCREW
10	1003849-5	1	1	HOUSING (Can use 1010411)
11	0925688-4	2	2	CAPSCREW
12	1003850-3	2	0	PIN
	1010415-6	0	2	PIN
13	1003851-1	1	0	PIN
14	1003853-7	1	0	HANDLE, L.H.
15	1003852-9	1	0	HANDLE, R.H.
16	1010410-7	2	2	SEAL, dust
17	0916964-0	4	4	LOCKWASHER

*1003825 - 1st Valve
**1010411 - 2nd Valve

SHUTTLE CLUTCH & SUMP LINES



650 SERIES TRACTORS
HYDRAULICS

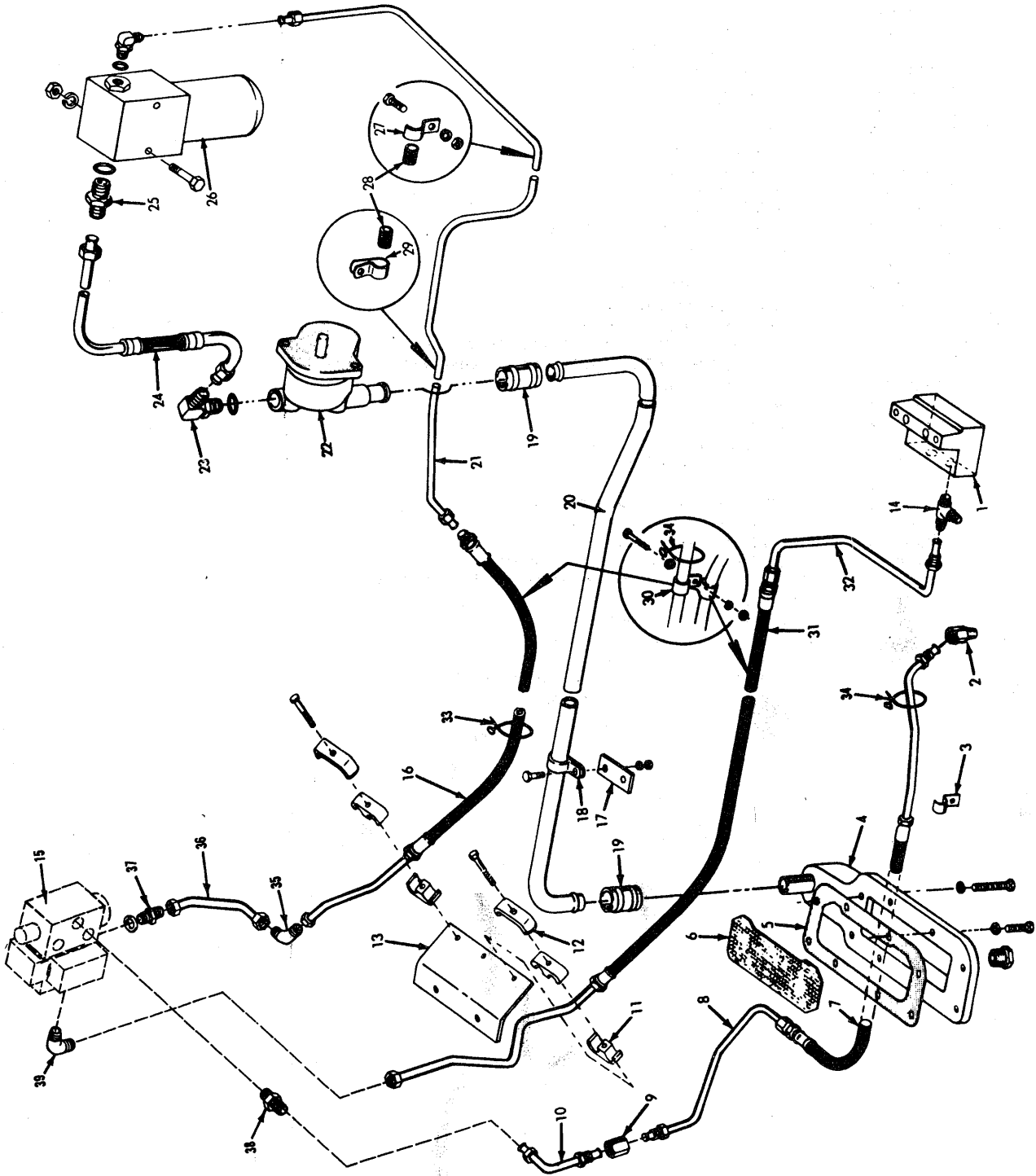
179

SHUTTLE CLUTCH & SUMP LINES

ITEM	NUMBER	QTY.	DESCRIPTION
1	-----	1	MANIFOLD ASY. (Refer to SHUTTLE CLUTCH & OIL COOLER LINES)
2	0917497-0	1	ELBOW, male, 45°, 1/2 x 3/8
3	0250609-5	1	CLAMP, "J"
4	0249942-4	1	COVER ASY.
	0921333-1	6	CAPSCREW, 5/16NC x 1
	0921160-8	2	CAPSCREW, 5/16NC x 2-1/4
	0917356-8	8	LOCKWASHER, 5/16
	0920416-5	1	PLUG, pipe, 1/2
5	0246134-1	1	GASKET
6	0249934-1	1	SCREEN, intake
7	0250586-5	1	TUBE ASY., sump
8	0254334-6	1	TUBE ASY., sump
9	0919066-1	1	UNION, flare, 1/2
10	0254332-0	1	TUBE ASY. (Valve to union sump)
11	0236750-6	4	CUSHION, tube
12	0228465-1	2	CLAMP
	0921962-7	2	CAPSCREW, 1/4NC x 1-3/4
13	0249795-6	1	PLATE ASY., clamp mount
14	0922728-1	1	TEE, run, 5/8 tube to 1/2
15	-----	1	SHUTTLE CLUTCH CONTROL VALVE (Refer to SHUTTLE CLUTCH CONTROL VALVE group for components)
16	0254333-8	1	TUBE ASY., pressure inlet
17	0249953-1	1	BRACKET
18	0248852-6	1	CLAMP
	0921210-1	1	CAPSCREW, 3/8NC x 1
	0916965-7	1	LOCKWASHER, 3/8
	0916950-9	1	NUT, 3/8NC
19	0242564-3	2	HOSE, strainer, tube to pump
	0922660-6	4	CLAMP, hose, 1-1/16 to 2
20	0249951-5	1	TUBE, strainer to pump
21	0247191-0	1	TUBE ASY., shuttle clutch (Filter to valve)
22	-----	1	HYDRAULIC PUMP (Refer to HYDRAULIC PUMP group for components)
23	0921350-5	1	ELBOW, adj., 5/8 x 7/8 (Incl. O-RING)
	0921205-1	1	O-RING, 3/4 I.D. x 3/32 wide
24	0254139-9	1	TUBE ASY., pump to filter
25	0924022-7	1	CONNECTOR, reducing 5/8 x 5/16 (Incl. O-RING)
	0921205-1	1	O-RING, 3/4 I.D. x 3/32 wide

Continued

SHUTTLE CLUTCH & SUMP LINES
(CONTINUED)



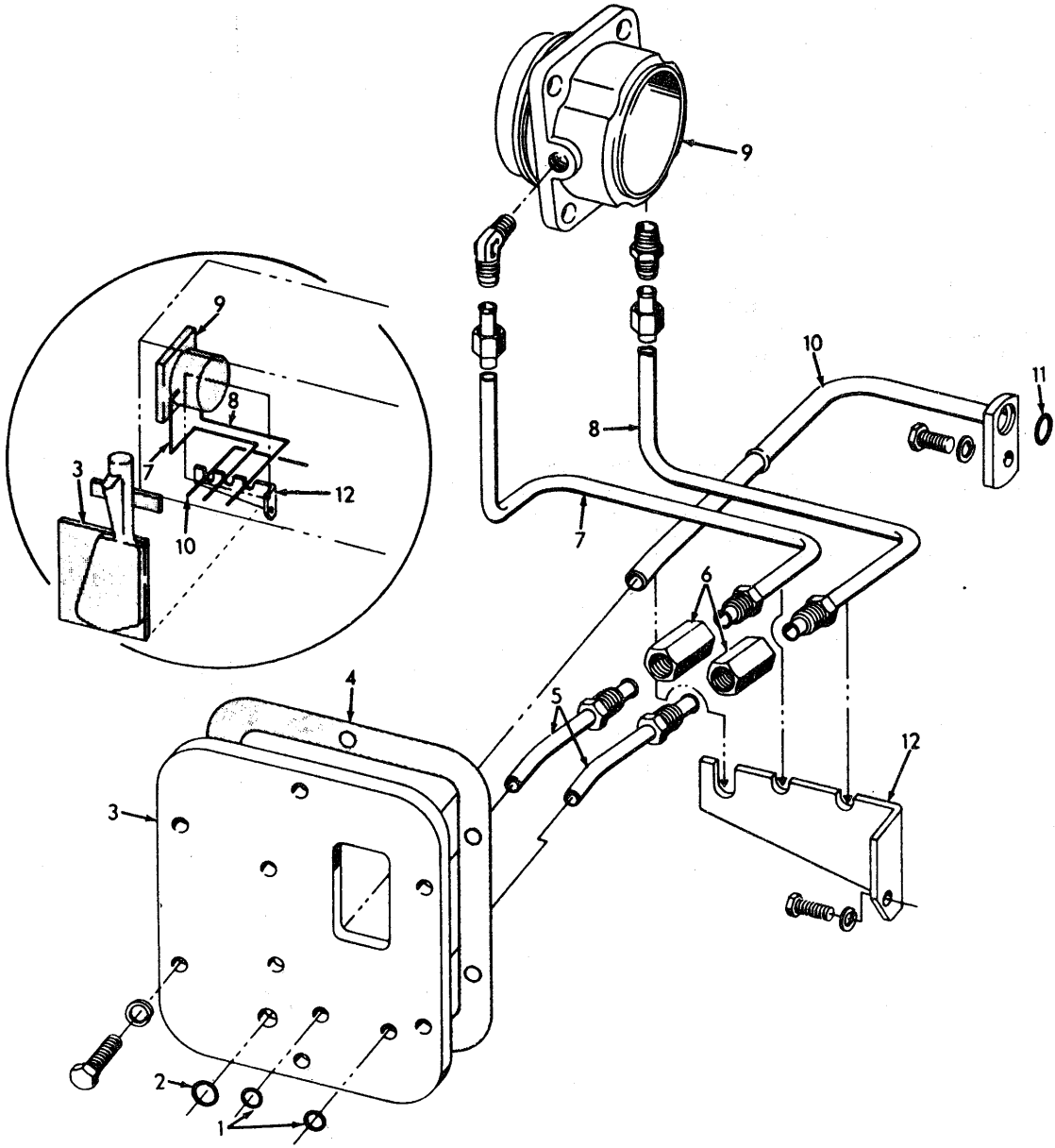
650 SERIES TRACTORS
HYDRAULICS

181

SHUTTLE CLUTCH & SUMP LINES
(CONTINUED)

ITEM	NUMBER	QTY.	DESCRIPTION
26	-----	1	FILTER ASY., hydraulic oil (Refer to HYDRAULIC OIL FILTER for components)
	0924168-8	1	REDUCER, 1 x 1/2 (Incl. O-RING)
	0921214-3	1	O-RING, 1-5/32 I.D. x 1/8 wide
	0921402-4	1	ELBOW, adj., 5/8 (Incl. O-RING)
	0921349-7	1	O-RING, 5/8 I.D. x 3/32 wide
	0925697-5	2	CAPSCREW, 7/16NC x 5
	0918199-1	2	LOCKWASHER, 7/16
	0918213-0	2	NUT, 7/16NC
27	0229748-9	1	CLAMP, tube
	0921333-1	1	CAPSCREW, 5/16NC x 1
	0917356-8	1	LOCKWASHER, 5/16
	0917372-5	1	NUT, 5/16NC
28	1013344-5	2	CUSHION
29	0233565-1	1	CLAMP, tube
30	0925964-9	2	CLAMP, tube
	0915724-9	2	CAPSCREW, 3/8NC x 1-3/4
	0919439-0	2	NUT, 3/8NC
31	0254335-3	1	TUBE ASY.
32	1003397-5	1	TUBE ASY.
33	0245558-2	1	TIE
34	0239726-3	2	TIE
35	0921364-6	1	ELBOW, union, 1/2 tube
36	0254336-1	1	TUBE ASY., pressure union to valve
37	0923717-3	1	CONNECTOR, 1/2 tube to 7/8-14 (Incl. O-RING)
	0921205-1	1	O-RING, 3/4 I.D. x 3/32 wide
38	0919205-5	1	CONNECTOR, 1/2 tube to 1/4
39	0919206-3	1	ELBOW, 1/2 tube to 3/8

SHUTTLE CLUTCH INTERNAL LINES



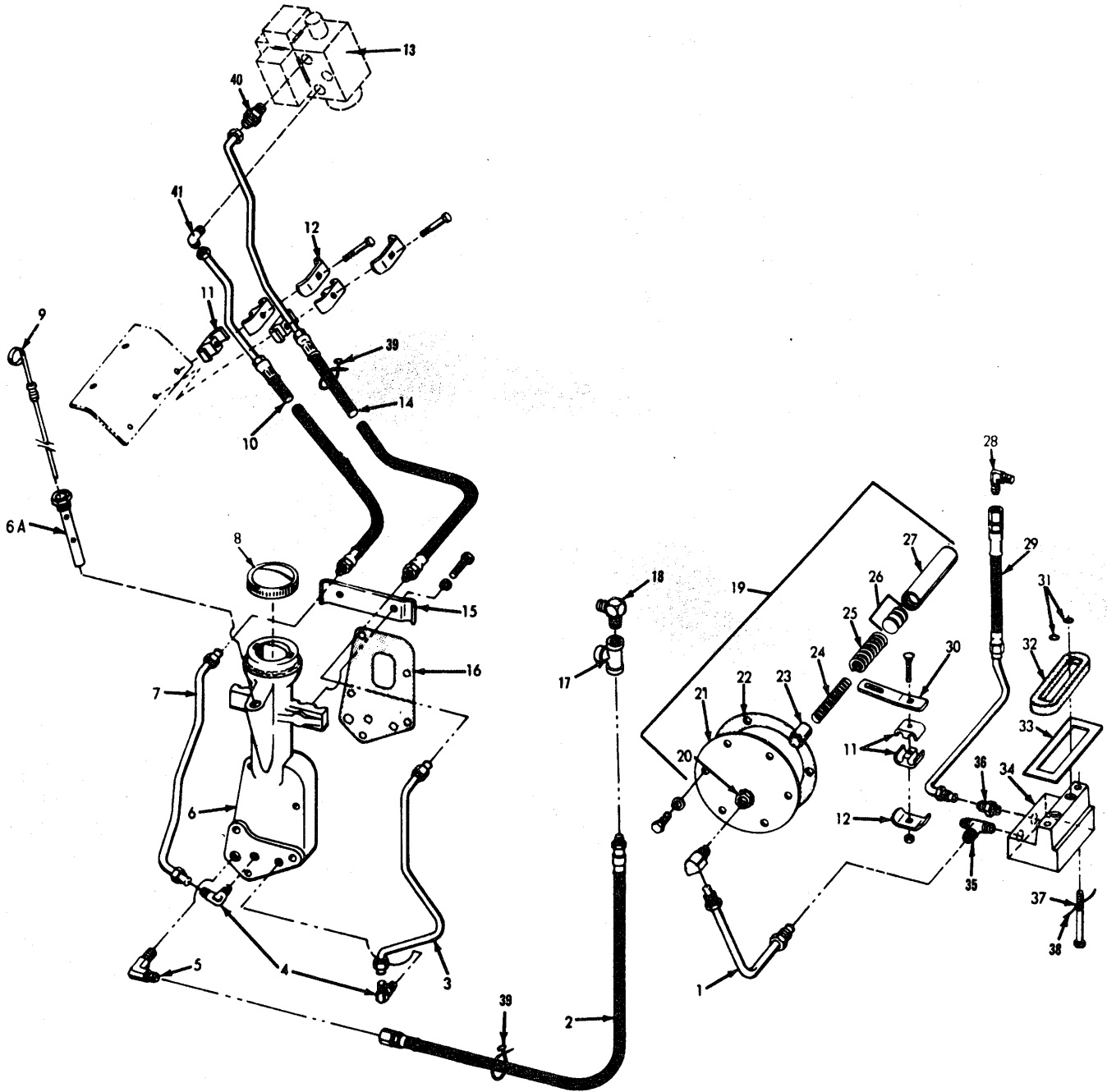
650 SERIES TRACTORS
HYDRAULICS

183

SHUTTLE CLUTCH INTERNAL LINES

ITEM	NUMBER	QTY.	DESCRIPTION
1	0923663-9	2	O-RING
2	0923565-6	1	O-RING, 1" I.D.
3	0253374-3	1	PLATE, adapter
	0921210-1	2	CAPSCREW, 3/8NC x 1
	0916965-7	2	LOCKWASHER, 3/8
4	0233245-0	1	GASKET, cover
5	0247263-7	2	TUBE, cover
	0913842-1	2	NUT, inverted, flared, 3/8
6	0919547-0	2	UNION, inverted, flared, 3/8
7	0250135-1	1	TUBE ASY.
	0919088-5	1	ELBOW, male, 3/8
8	0250133-6	1	TUBE ASY.
	0919072-9	1	CONNECTOR, male, 3/8
9	-----	1	CAP, bearing (Refer to TRANSMISSION group)
10	0250136-9	1	TUBE ASY.
11	0927974-6	1	O-RING
12	0250137-7	1	BRACKET
	0921966-8	2	CAPSCREW, 3/8NC x 7/8
	0916965-7	2	LOCKWASHER, 3/8

SHUTTLE CLUTCH & OIL COOLERS LINES



650 SERIES TRACTORS
HYDRAULICS

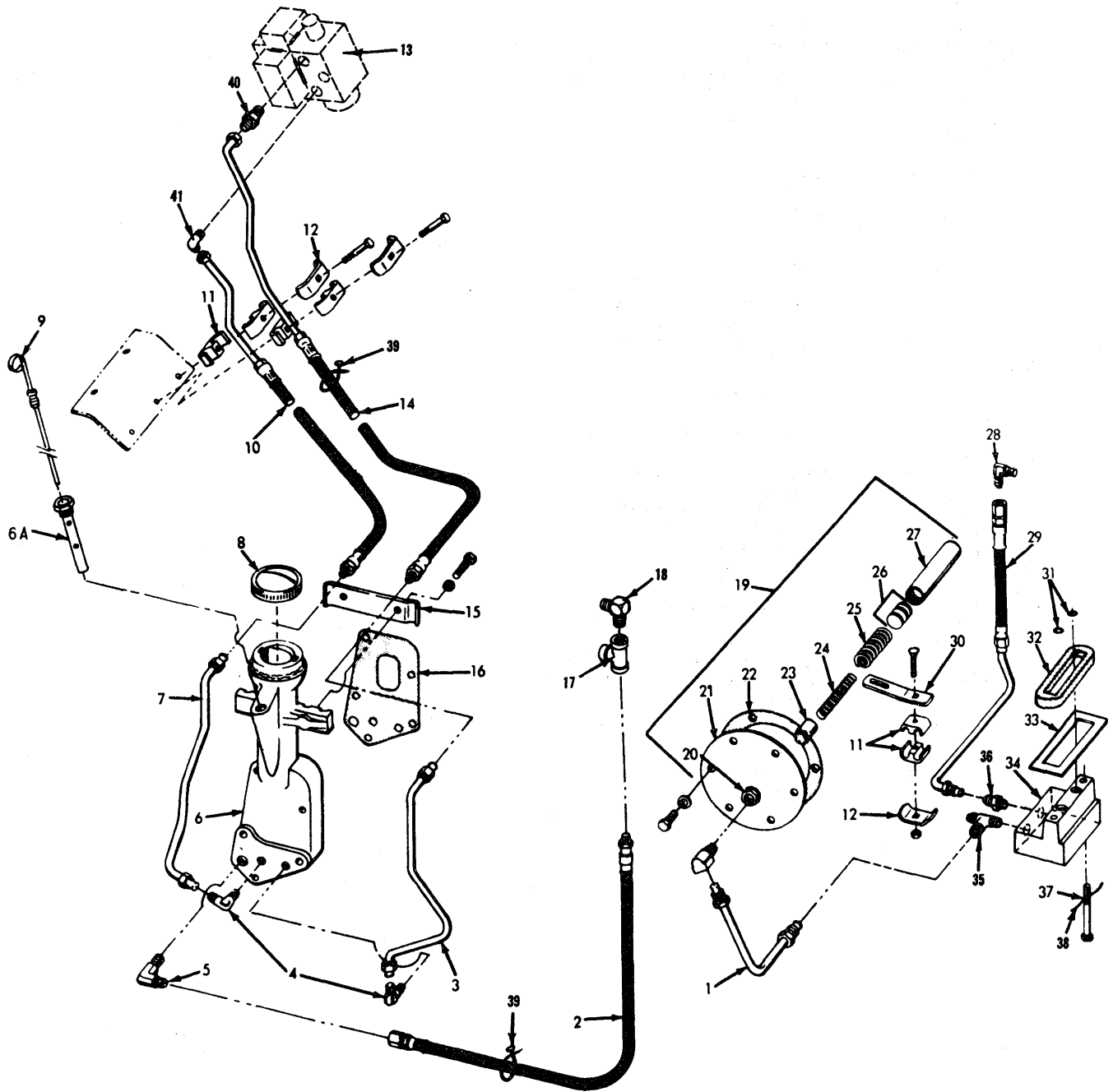
185

SHUTTLE CLUTCH & OIL COOLERS LINES

ITEM	NUMBER	QTY.	DESCRIPTION
1	1003396-7	1	TUBE ASY., manifold to sump
	0920662-4	1	ELBOW, male, 5/8 x 1/2
2	0248699-1	1	HOSE ASY.
3	0246612-6	1	TUBE ASY.
4	0919135-4	2	ELBOW, male, VIC, 3/8 x 1/4
5	0923641-5	1	ELBOW, 1/2 I.D. x 3/8 pipe
6	0253371-9	1	MANIFOLD
	0922130-0	2	CAPSCREW, 3/8NC x 2-1/4
	0923701-7	3	CAPSCREW, 3/8NC x 2
7	0253355-2	1	TUBE ASY.
	0246613-4	1	TUBE ASY.
8	0253690-2	1	CAP, filler
9	0247425-2	1	DIPSTICK
10	0254330-4	1	TUBE ASY., valve to manifold
11	0236750-6	6	CUSHION, tube
12	0228465-1	3	CLAMP
	0921962-7	3	CAPSCREW, 1/4 x 1-3/4
13	-----	1	SHUTTLE CLUTCH VALVE (Refer to SHUTTLE CLUTCH VALVE for components)
14	0254331-2	1	TUBE ASY., valve to manifold
15	0246611-8	1	BRACKET
	0923325-5	2	CAPSCREW, 5/16NC x 7/8
	0917356-8	2	LOCKWASHER, 5/16
16	0246467-5	1	GASKET
17	0922489-0	1	TEE, pipe, reducing, 1/2 x 3/8 x 3/8
18	0921595-5	1	ELBOW, male, 90° 3/8 pipe
19	0247991-3	1	RELIEF VALVE & COVER ASY. (Incl. Items 20 thru 27)
20	0911072-7	1	REDUCER
21	-----	1	COVER, side (Serviced in ASY. only)
	0926115-7	6	CAPSCREW, 1/2NC x 3/4
	0916966-5	6	LOCKWASHER, 1/2
22	0233244-3	1	GASKET
23	0247990-5	1	PLUNGER, relief valve
24	0246324-8	1	SPRING, compression (Inside)
25	0246325-5	1	SPRING, compression (Outside)
26	0246326-3	*	SHIM (Use as req'd)
27	-----	1	BODY, relief valve (Serviced in ASY. only)
28	0919206-3	1	ELBOW, male, 1/2 O.D. tube x 3/8 pipe
29	1003398-3	1	TUBE ASY.
30	0249708-9	1	BAR, clamp support
	0921920-5	1	BOLT, 1/4NC x 1-1/2
	0920397-7	1	NUT, 1/4NC
	0921967-6	1	CAPSCREW, 3/8NC x 1-1/8
	0916965-7	1	LOCKWASHER, 3/8

Continued

SHUTTLE CLUTCH & OIL COOLERS LINES
(CONTINUED)



650 SERIES TRACTORS
HYDRAULICS

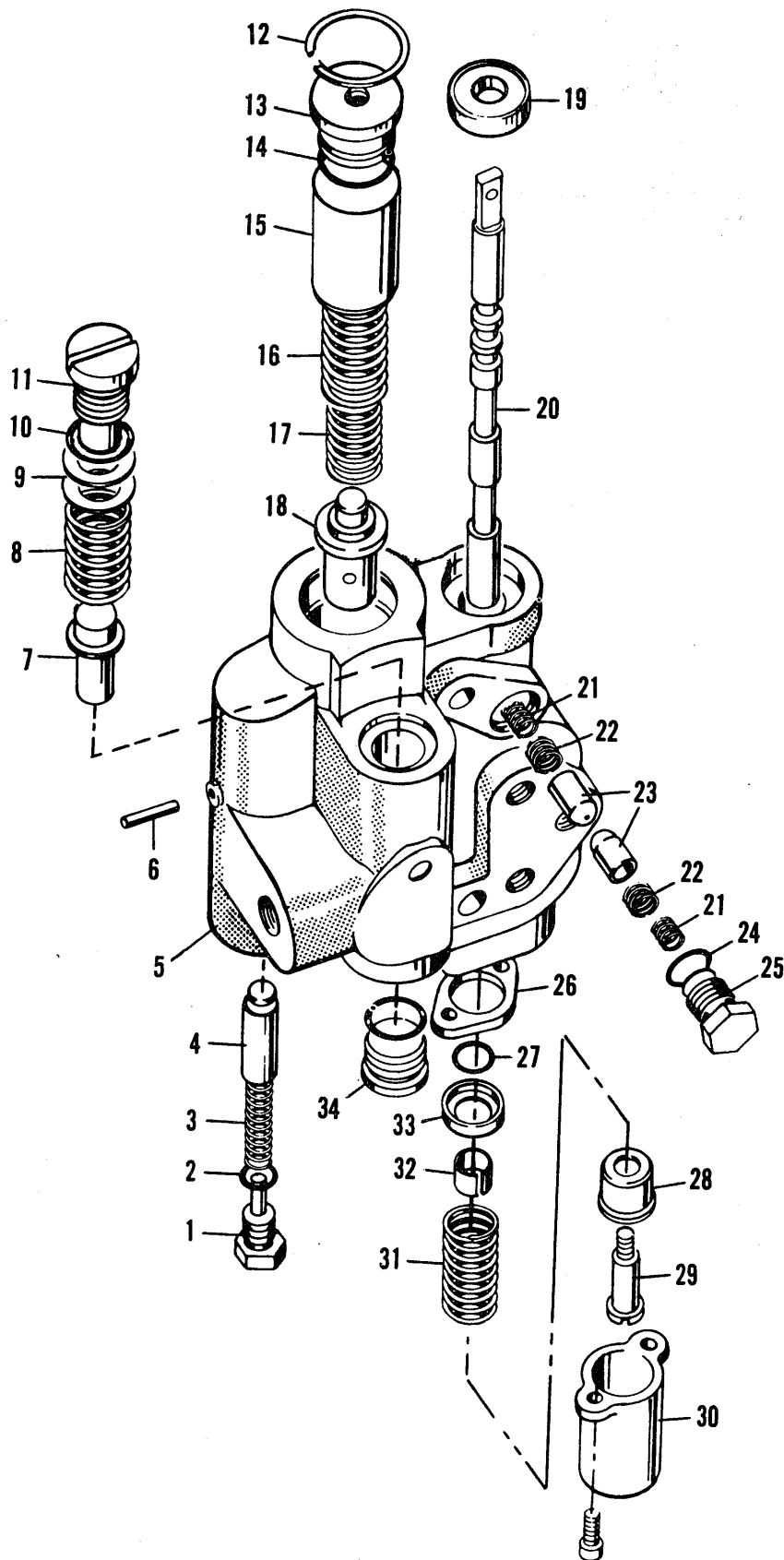
187

SHUTTLE CLUTCH & OIL COOLERS LINES
(CONTINUED)

ITEM	NUMBER	QTY.	DESCRIPTION
31	0927974-6	2	O-RING
32	0246320-6	1	SEAL
33	0246321-4	1	PLATE, seal
34	1003090-6	1	MANIFOLD ASY.
35	0922728-1	1	TEE, run, 5/8 to 1/2
36	0919472-1	1	CONNECTOR, 5/8 tube to 1/2
37	0246319-8	2	CAPSCREW
38	0202865-2	1	WIRE, lock
39	0239726-3	2	TIE
40	0919205-5	1	CONNECTOR, 1/2 tube to 1/4
41	0922872-7	1	ELBOW, 1/2 tube to 3/8

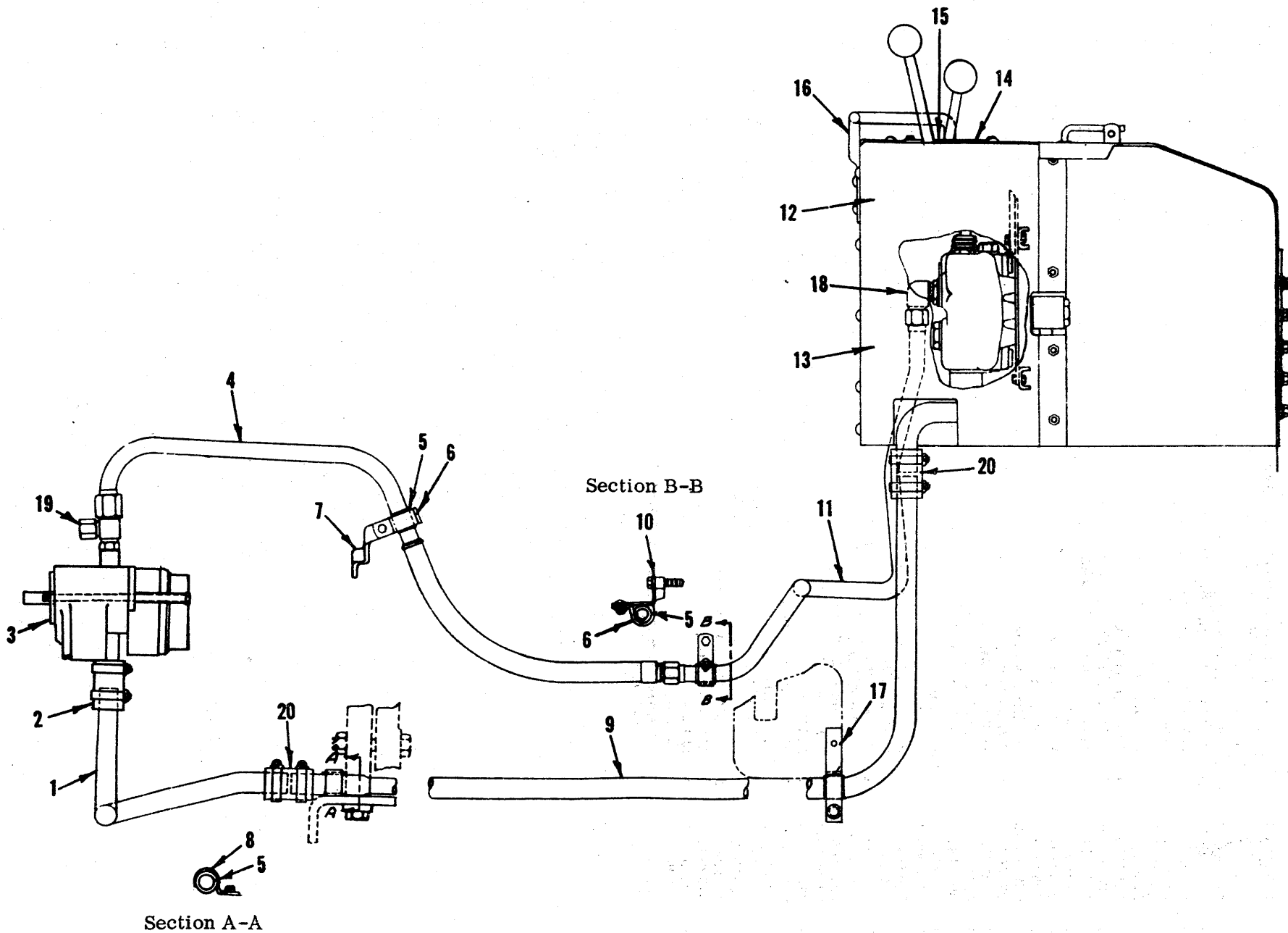
650 SERIES TRACTORS
HYDRAULICS

SHUTTLE CLUTCH VALVE



SHUTTLE CLUTCH VALVE

ITEM	NUMBER	QTY.	DESCRIPTION
-	0253943-5	1	VALVE ASY., clutch pressure control valve (incl. Items 1 thru 34)
1	0253957-5	1	PLUG, hex. hd.
2	0921885-0	1	O-RING, 5/32 x 5/64
3	0253956-7	1	SPRING, modulating valve
4	0253955-9	1	PISTON, modulating valve
5	0256649-5	1	BODY, valve
	0924855-0	1	BALL, 3/8
6	0926340-1	1	PIN, taper, 1/4 x 3/4
7	0253965-8	1	PISTON, relief valve
8	0253966-6	1	SPRING, relief valve
9	0253967-4	*	SHIM, regulating valve (As req'd)
10	0921205-1	1	O-RING, 5/8
11	0253904-7	1	PLUG, spring guide
12	0253964-1	1	RING, snap
13	0253963-3	1	PLUG, accumulator
14	0923989-8	1	O-RING, 1-7/16 x 5/64
15	0253962-5	1	PISTON, accumulator
16	0253961-7	1	SPRING, accumulator
17	0253960-9	1	SPRING, accumulator
18	0253959-1	1	PLUNGER
19	0253903-9	2	SEAL, oil
20	0253946-8	1	SPOOL, directional valve
21	0253968-2	2	SPRING, detent
22	0253969-0	2	SPRING, detent
23	0253970-8	2	PLUNGER, detent
24	0921885-0	1	O-RING, 5/32 x 5/64
25	0253958-3	1	CAP, detent
26	0253947-6	1	PLATE, seal
27	0923561-5	1	SEAL, o-ring, 5/8 x 1/16
28	0253949-2	1	SEAT, spring
29	0253951-8	1	CAPSCREW
30	0253950-0	1	CAP
	0912262-3	2	CAPSCREW, 1/4NC x 1
31	0253953-4	1	SPRING, centering
32	0253948-4	1	SPACER
33	0253954-2	1	SEAT, spring
34	0924622-4	1	PLUG, hex., hollow, 5/8 tube (incl. O-RING)
	0921205-1	1	O-RING, 5/8



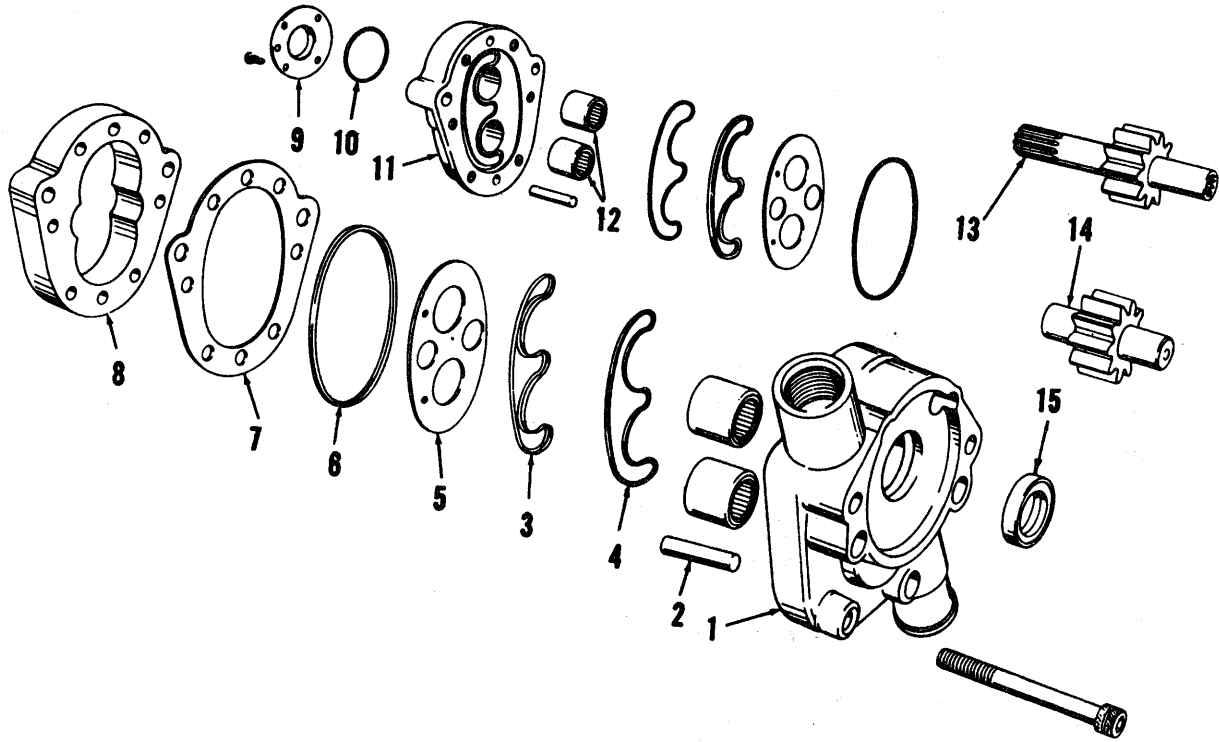
650 SERIES TRACTORS
HYDRAULICS

191

HYDRAULIC SYSTEM

ITEM	NUMBER	QTY.	DESCRIPTION
1	1003109-4	1	TUBE, pump, intake, front
2	0244834-8	1	HOSE
	0921912-2	2	CLAMP, hose, 1-1/16 to 2
3	-----	1	PUMP ASY., dual, 15 GPM & 8.5 GPM (Not serviced)
	0247225-6	2	STUD & NUT ASY.
	0916965-7	2	LOCKWASHER
	0916950-9	2	NUT
	1010466-9	2	SPACER
3	-----	1	PUMP ASY., 25 GPM & 8.5 GPM (Not serviced)
	0247225-6	2	STUD & NUT ASY.
	0916965-7	2	LOCKWASHER
	0916950-9	2	NUT
	1012551-6	2	SPACER
4	1003903-0	1	TUBE ASY., pump to valve, front (Also use 1 of 1003904)
	0924167-0	1	CONNECTOR, 1" O.D. x 13/16 I.D. (Incl. O-RING)
	0921214-3	1	O-RING, 1-5/32 I.D x 3/32 wide
5	0234976-9	3	CUSHION
6	0234993-4	2	CLAMP, tube
	0921961-9	2	CAPSCREW, 1/4NC x 1/4
	0916964-0	2	LOCKWASHER, 1/4
	0916622-4	2	NUT, 1/4NC
7	0254036-7	1	BRACKET, tube clamp
8	1003112-8	1	CLAMP, tube
	0921210-1	1	CAPSCREW, 3/8NC x 1
	0916965-7	1	LOCKWASHER, 3/8NC
9	1003107-8	1	TUBE, pump intake, rear
10	0244837-1	1	BRACKET
	0922664-8	1	CAPSCREW, 5/8NC x 2
	0917373-3	1	LOCKWASHER, 5/8
	0921908-0	1	BOLT, 1/4NC x 1
	0916964-0	1	LOCKWASHER, 1/4
	0916622-4	1	NUT, 1/4NC
	0234857-1	1	SPACER
11	1003110-2	1	TUBE ASY., pump to valve, rear
12	-----	1	RESERVOIR ASY. (Refer to RESERVOIR group for components)
13	1003122-7	1	COVER, side
	0916950-9	4	NUT, 3/8NC x 1-1/4
	-----	1	DECAL (Service only in KIT)
14	1003123-5	1	COVER ASY., front
	0921625-0	12	CAPSCREW, button hd., 3/8NC x 5/8
	-----	1	DECAL (Service only in KIT)
15	1003380-1	1	PLATE, cover
	0924856-8	2	SCREW, tapping, 5/16NC x 1/2
16	1003190-4	1	HANDLE, boarding
	0921210-1	2	CAPSCREW, 3/8NC x 1
	0916965-7	2	LOCKWASHER, 3/8
	0923232-3	2	BOLT, rd. hd., 3/8NC x 1
	0919439-0	2	NUT, lock, 3/8NC
17	0246168-9	1	CLAMP
	1003108-6	1	BRACKET
	0234976-9	1	CUSHION
	0923232-3	1	BOLT, 3/8NC x 1
	0916965-7	1	LOCKWASHER, 3/8
	0916950-9	1	NUT, 3/8NC
	0917642-1	1	WASHER, plain
18	0921227-5	1	ELBOW, adjustable (Incl. O-RING)
	0921214-3	1	O-RING
19	1003099-7	1	TEE, run, 1"
	0921244-0	1	CAP, 3/4 tube
20	1003111-0	2	HOSE
	0921912-2	2	CLAMP, hose, 1-1/16 to 2

HYDRAULIC PUMP



650 SERIES TRACTORS
HYDRAULICS

193

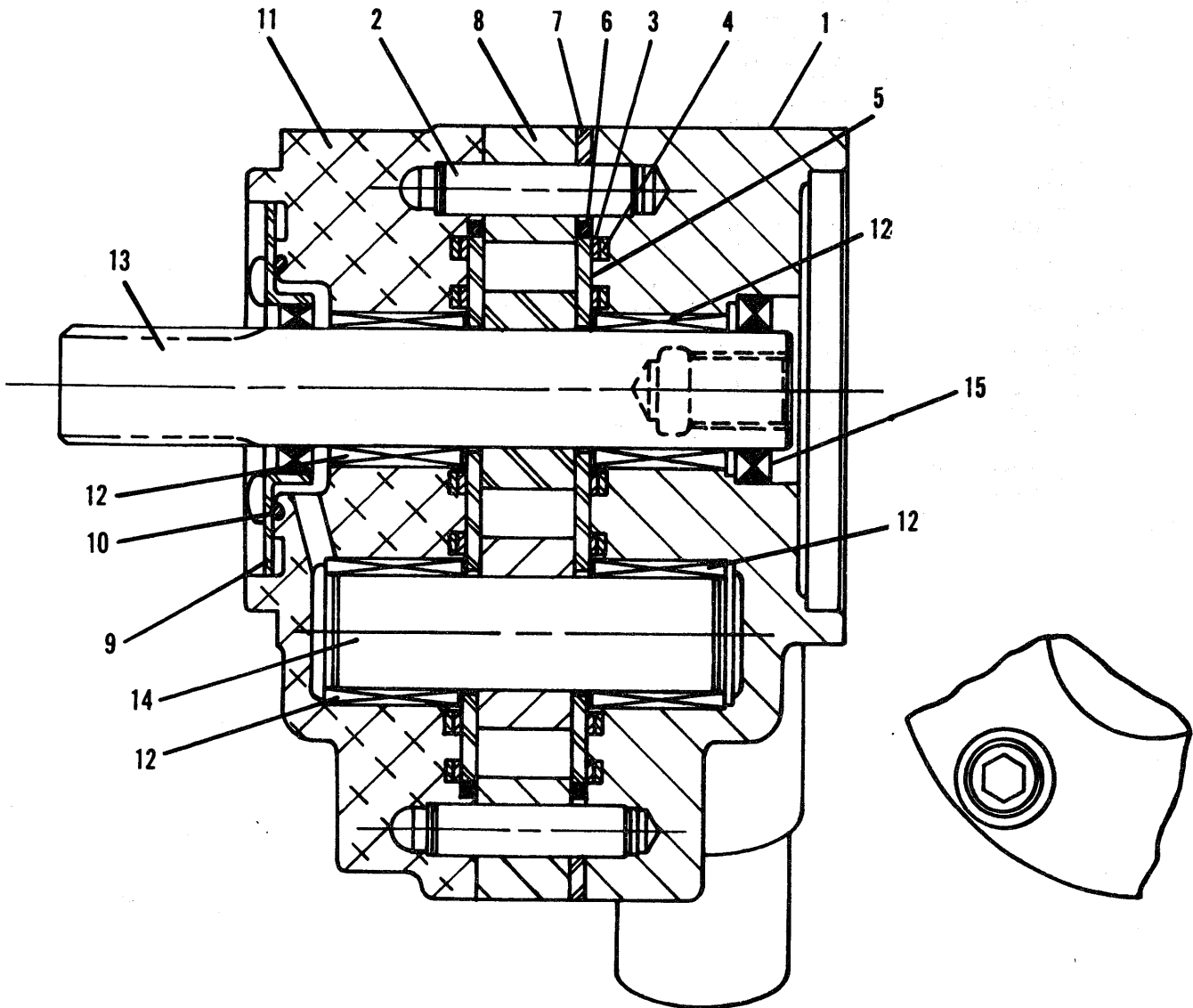
HYDRAULIC PUMP

ITEM	NUMBER	QTY.	QTY.	DESCRIPTION
-	-----	1	*	PUMP ASY., 15 GPM (Use 1003893)
-	-----	-	**	PUMP ASY., 25 GPM (Use 1003894)
1	0247243-9	1	1	COVER ASY., (Incl. 1 of Item 15 & 2 of Item 12)
	0918829-3	6	6	CAPSCREW, 3/8NC x3-1/4
	0912272-2	6	6	CAPSCREW, 3/8NC x3
2	0247249-6	2	-	PIN, dowel
	0247260-3	-	2	PIN, dowel
3	0255947-4	2	2	RING, backup
4	0250279-7	1	1	RING, sealing
5	0270059-9	2	2	PLATE, wear
6	0245685-3	2	2	SEAL, wear plate
7	0247250-4	1	1	PLATE, retaining
8	0241125-4	1	-	PLATE, gear
	0243621-0	-	1	PLATE, gear
9	0241138-7	1	1	RETAINER ASY., seal
	0241139-5	1	1	SEAL, oil
	0241138-7	1	1	RETAINER, seal
	0914198-7	3	3	SCREW, rd. hd., pltd., No. 10NC x3/8
10	0923571-4	1	1	O-RING
11	0247241-3	1	1	BODY ASY. (Incl. 2 of Item 12)
12	0234692-2	4	4	BEARING, needle (2 ea. incl. in Items 1 & 11)
13	0247245-4	1	-	SHAFT & GEAR ASY., drive
	0247254-6	-	1	SHAFT & GEAR ASY., drive
14	0247247-0	1	-	SHAFT & GEAR ASY., idler
	0247258-7	-	1	SHAFT & GEAR ASY., idler
15	0643560-6	1	1	SEAL, oil
-	0255947-4	1	1	SEAL KIT (Incl. Items 3, 4 & 6)

*15 GPM (652 - 653)

**25 GPM (655)

HYDRAULIC PUMP



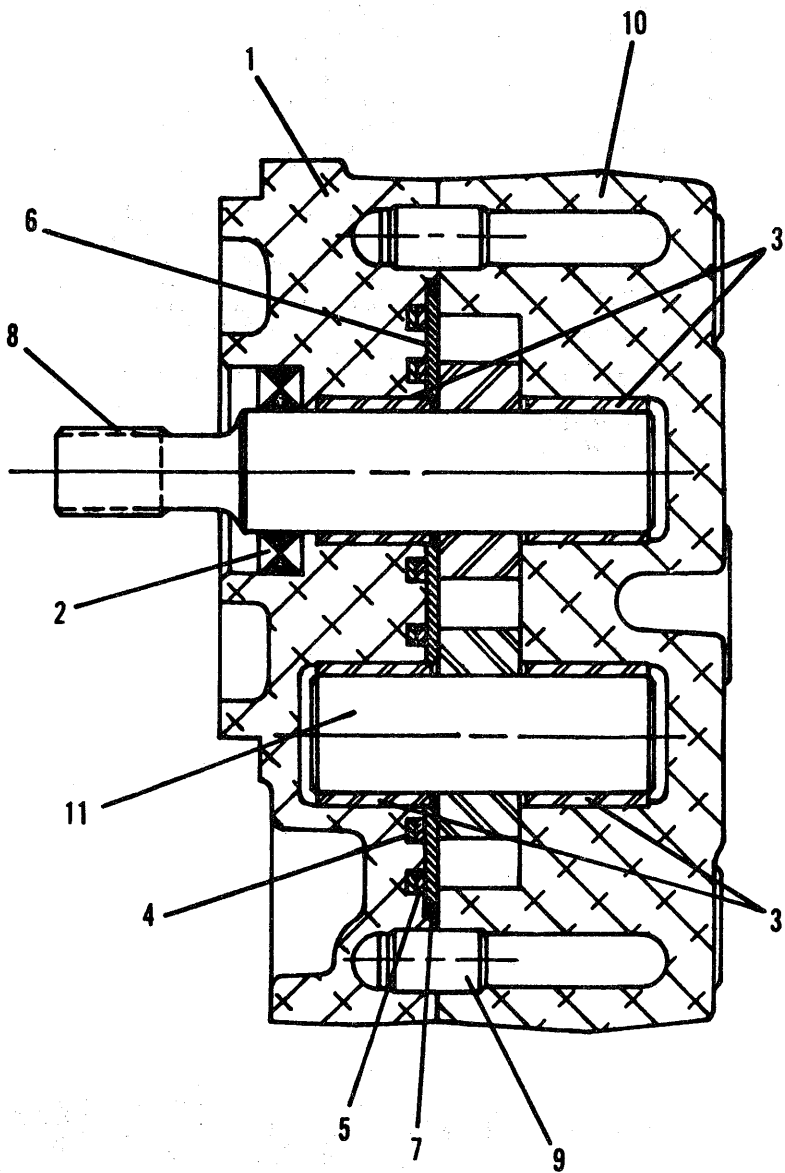
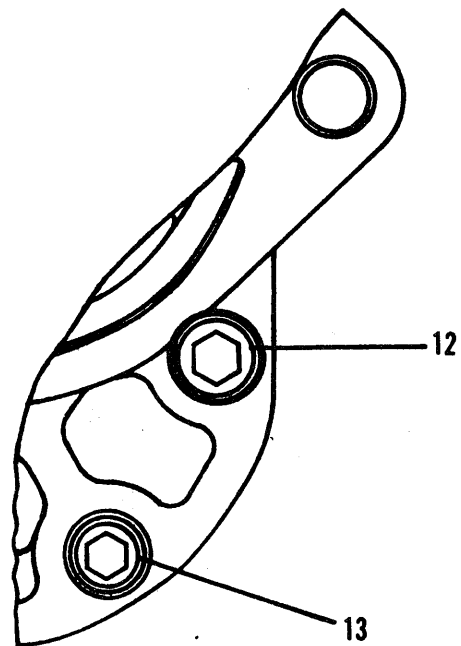
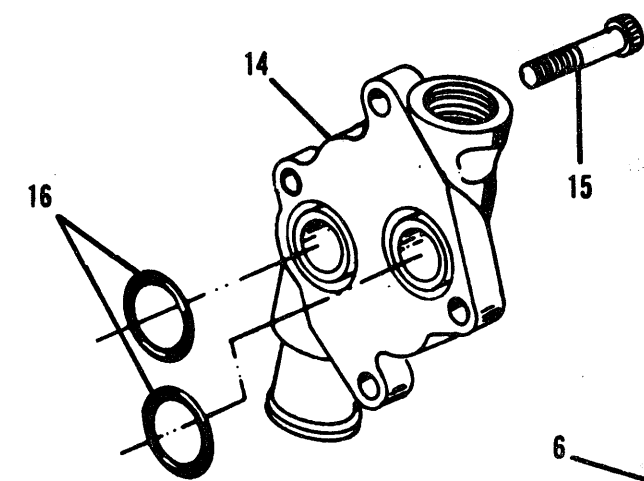
650 SERIES TRACTORS
HYDRAULICS

HYDRAULIC PUMP

ITEM	NUMBER	QTY.	QTY.	DESCRIPTION
		*	**	
-	1003893-3	1	0	PUMP ASY., 15 GPM
-	1003894-1	0	1	PUMP ASY., 25 GPM
1	0247243-9	1	1	COVER ASY., (Incl. 2 of Item 12 & 1 of Item 15)
	0918829-3	6	6	CAPSCREW, 25 GPM
	0912272-2	6	6	CAPSCREW, 15 GPM
2	0247249-6	2	0	PIN, dowel
	0247260-3	0	2	PIN, dowel
3	0255945-8	2	2	SEAL, load (Use SEAL KIT 255947)
4	0255944-1	2	2	SEAL, pre-load
5	0258627-9	2	2	PLATE, wear
6	0255946-6	2	2	SEAL, ring
7	1009424-1	1	1	PLATE, retaining
8	0241125-4	1	0	PLATE, gear
	0243621-0	0	1	PLATE, gear
9	0241138-7	1	1	RETAINER ASY., seal
	0241139-5	1	1	SEAL, oil
	0241138-7	1	1	RETAINER, seal
	0914198-7	4	4	SCREW, rd. hd., plated
10	0923571-4	1	1	O-RING
11	0247241-3	1	1	BODY ASY., (Incl. 2 of Item 12)
12	0234692-2	4	4	BEARING, needle (2 each incl. in Items 1 & 11)
13	0247245-4	1	0	SHAFT & GEAR ASY., drive
	0247254-6	0	1	SHAFT & GEAR ASY., drive
14	0247247-0	1	0	SHAFT & GEAR ASY., idler
	0247258-7	0	1	SHAFT & GEAR ASY., idler
15	0643560-6	1	1	SEAL, oil
-	1012547-4	1	1	SEAL KIT (Incl. Items 3, 4, 6 & 10)

*15 GPM (652 - 653)
**25 GPM (655)

REAR PUMP ASY. & MANIFOLD



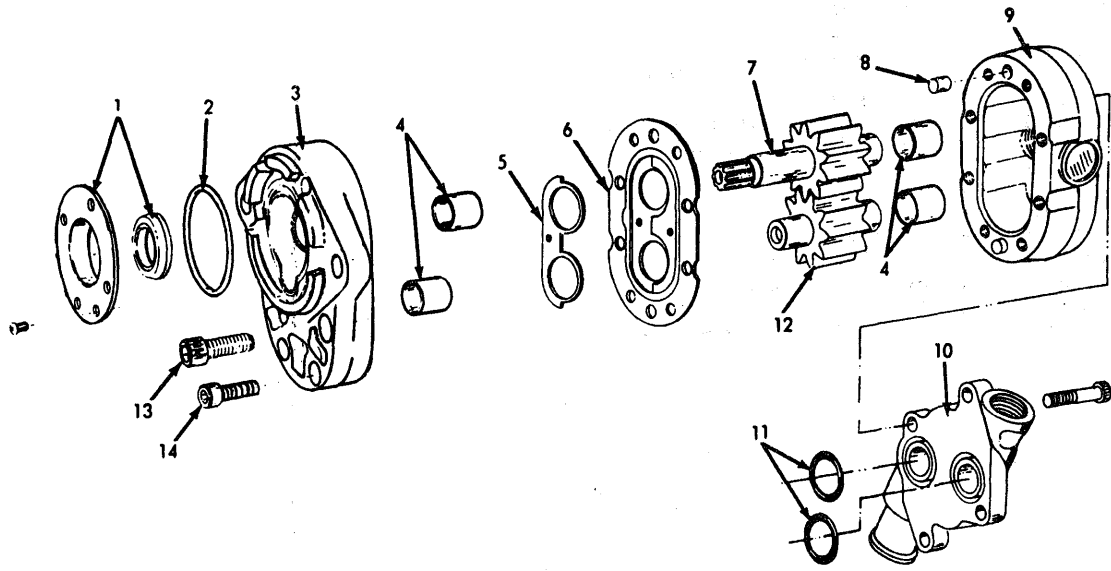
650 SERIES TRACTORS
HYDRAULICS

197

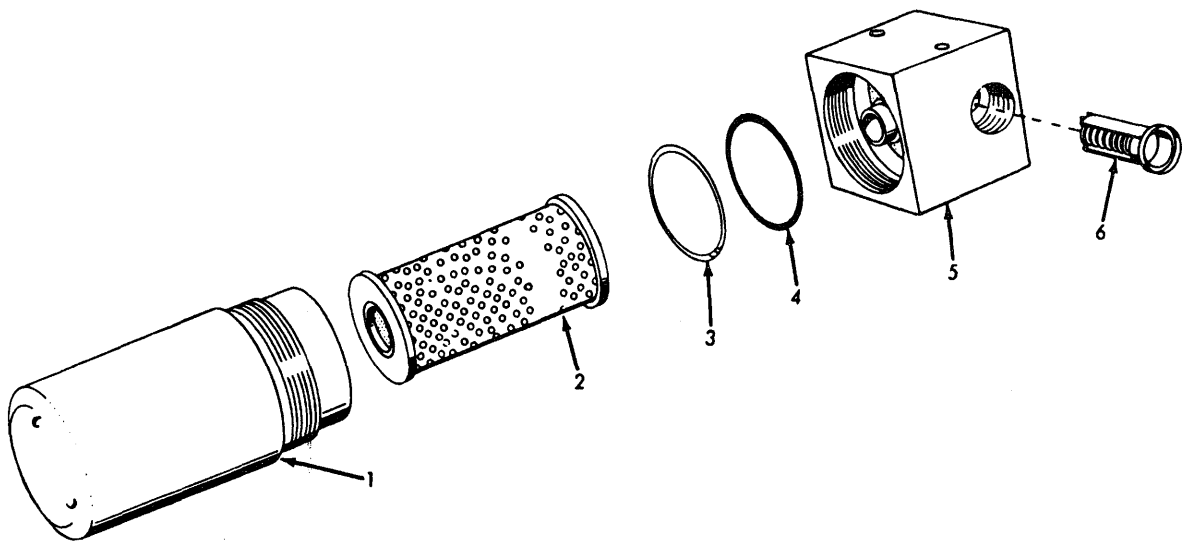
REAR PUMP ASY. & MANIFOLD

ITEM	NUMBER	QTY.	DESCRIPTION
—	1012536-7	1	PUMP ASY., rear, w/o manifold
1	1012533-4	1	BODY ASY. (Incl. Item 2, & 2 of Item 3)
2	0243614-5	1	SEAL, oil
3	-----	4	BEARING, needle
4	3059644-9	1	SEAL, pre-load
5	3059645-6	1	SEAL, load
6	3059643-1	1	PLATE, wear
7	3059646-4	1	RING, sealing
8	0252865-1	1	SHAFT ASY., drive (Incl. GEAR)
9	1012534-2	2	PIN, dowel
10	0252861-0	1	COVER ASY., pump (Incl. 2 of Item 3)
11	0252867-7	1	SHAFT ASY., idler (Incl. GEAR)
12	3044233-9	4	SCREW, sckt. hd.
	0917642-1	4	WASHER
13	0252872-7	4	SCREW, sckt. hd.
	0917377-4	4	WASHER
14	0247235-5	1	MANIFOLD, pump
15	0922996-4	4	SCREW, manifold to pump
16	4058962-4	2	O-RING
—	1012535-9	1	SEAL KIT (Incl. Items 2, 4, 5 & 7)

REAR PUMP & MANIFOLD



FRONT HYDRAULIC OIL FILTER



650 SERIES TRACTORS
HYDRAULICS

199

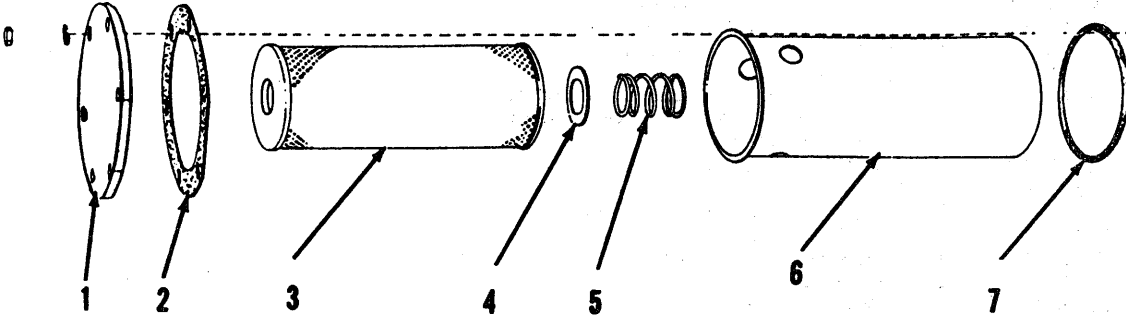
REAR PUMP & MANIFOLD

ITEM	NUMBER	QTY.	DESCRIPTION
-	-----	1	PUMP ASY., rear w/ manifold (Use 1012536)
-	-----	1	PUMP ASY., rear w/o manifold (Use 1012536)
1	3044223-0	1	RETAINER ASY., seal
	0914198-7	3	SCREW, pltd., No. 10NC x3/8
2	0924038-3	1	O-RING, 1-15/16 x 2-1/8 x 3/32
3	0252863-6	1	BODY ASY., pump (Incl. 2 of Item 4)
4	-----	4	BEARING, needle (Not serviced)
5	0252870-1	1	PLATE, backup
6	0252869-3	1	SEAL ASY., wear plate (Use 1 ea. of 1012533, 3059644, 3059645, 3059646, 3059643, & 2 of 1012534)
7	0252865-1	1	SHAFT ASY., drive (Incl. GEAR)
8	0252871-9	2	PIN, dowel
9	0252861-0	1	COVER ASY., pump (Incl. 2 of Item 4)
10	0247235-5	1	MANIFOLD, pump
	0922996-4	4	SCREW, manifold (to pump)
11	4058962-4	2	O-RING, manifold
12	0252867-7	1	SHAFT ASY., idler (Incl. GEAR)
13	0252873-5	4	SCREW, socket head
14	0252872-7	4	SCREW, socket head
-	-----	-	SEAL KIT (Use 1 ea. 1012533, 3059645, 3059644, 3059646, 3059643, 243614, 915569 & 2 of 1012534)

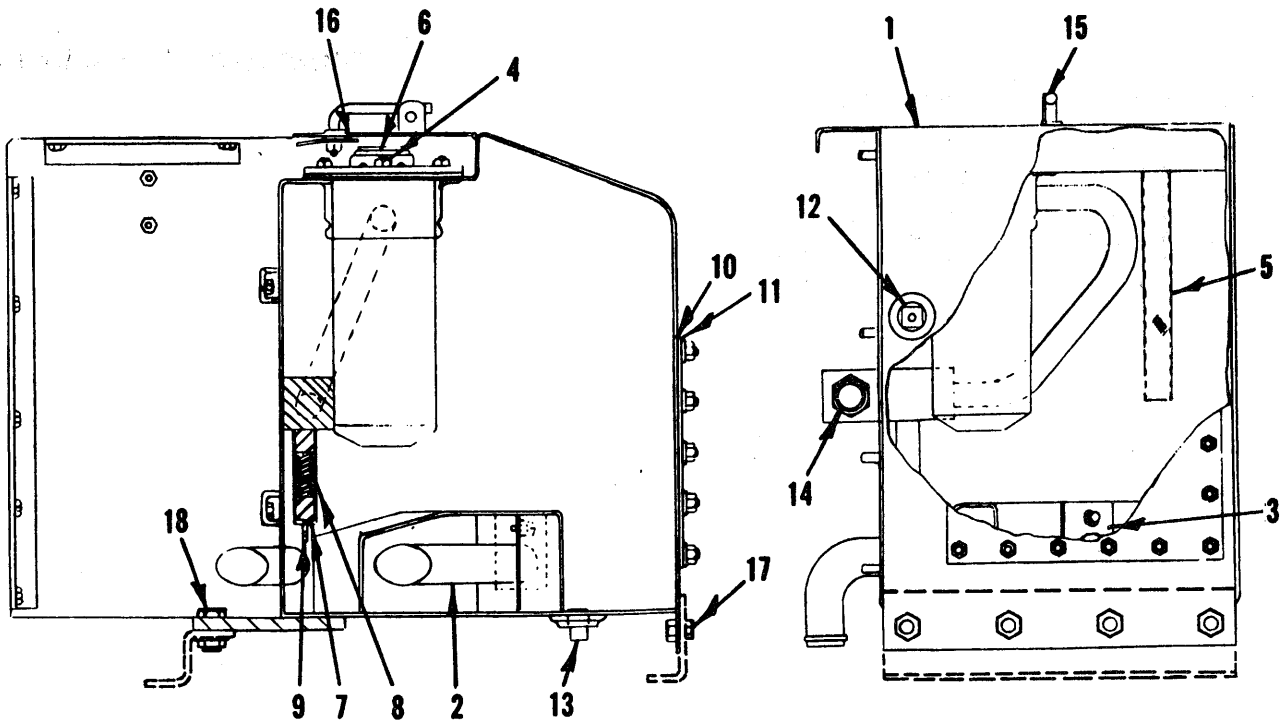
FRONT HYDRAULIC OIL FILTER

ITEM	NUMBER	QTY.	DESCRIPTION
-	-----	1	FILTER ASY., oil
1	0246107-7	1	CASE, filter
2	0246085-5	1	ELEMENT, filter
3	0246106-9	1	RING, backup
4	0923586-2	1	O-RING, 3-1/2 I.D.
5	0246103-6	1	HEAD ASY., filter (Incl. Item 6)
6	0246105-1	1	VALVE ASY., relief

RESERVOIR FILTER



RESERVOIR HYDRAULIC OIL



650 SERIES TRACTORS
HYDRAULICS

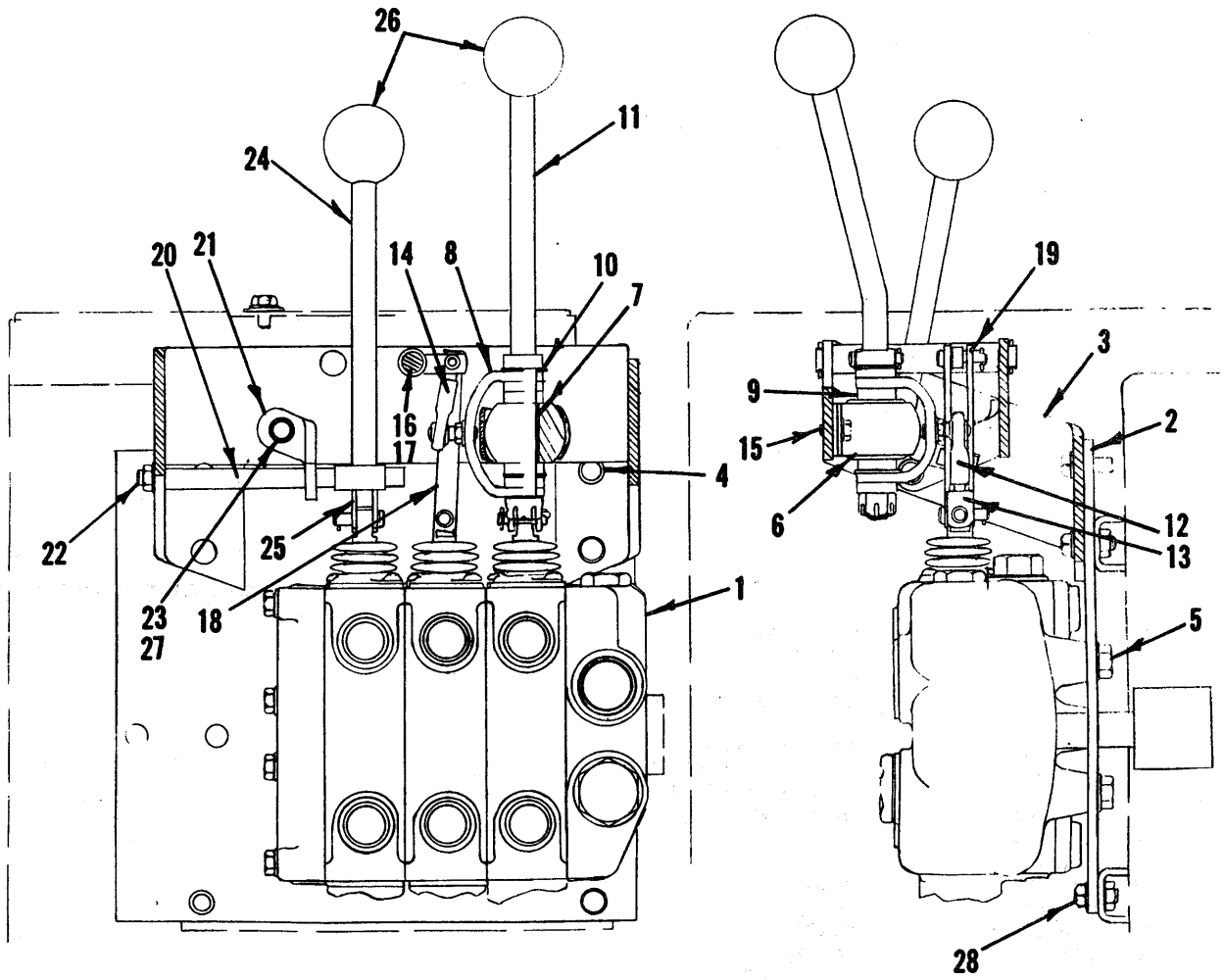
RESERVOIR FILTER

ITEM	NUMBER	QTY.	DESCRIPTION
1	0245835-4	1	COVER
	0916965-7	6	LOCKWASHER, 3/8
	0916950-9	6	NUT, 3/8NC
2	3016282-0	1	GASKET
3	3031996-6	1	ELEMENT ASY.
4	3016403-2	1	WASHER
5	3016399-2	1	SPRING
6	3016079-0	1	CASE, filter
7	0923600-1	1	O-RING

RESERVOIR HYDRAULIC OIL

ITEM	NUMBER	QTY.	DESCRIPTION
1	1003119-3	—	TANK ASY., reservoir
	-----	1	DECAL (Service only in KIT)
2	1003120-1	1	SCREEN
3	1003121-9	1	RETAINER ASY., screen
	0921332-3	1	CAPSCREW, 5/16NC x 3/4
	0917356-8	1	LOCKWASHER, 5/16
4	0916954-1	6	NUT, lock, 3/8NC
5	0237194-6	1	SCREEN
6	1003124-3	1	CAP, filler
7	0244808-2	2	PLUNGER
8	0244809-0	1	SPRING
9	9002803-6	1	PIN, quick hitch
10	0244812-4	1	GASKET, cover
11	0244813-2	1	COVER
	0916965-7	18	LOCKWASHER, 3/8
	0916950-9	18	NUT, 3/8NC
12	1007501-8	1	SIGHT PLUG, liquid level
13	0901655-1	1	PLUG, pipe, 3/4
14	0924820-4	1	PLUG, st. thrd., 7/8 tube x 1-3/16
15	1003139-1	1	HANDLE ASY.
16	1003141-7	1	LATCH
	0919382-2	1	WASHER, plain
	0919439-0	1	NUT, lock, 3/8NC
17	1003513-7	4	BOLT
18	0920328-2	3	CAPSCREW, 1/2NC x 1-1/2
	0916966-5	3	LOCKWASHER, 1/2
	0916951-7	3	NUT, 1/2NC

CONTROL VALVE ASY. GROUPS



650 SERIES TRACTORS
HYDRAULICS

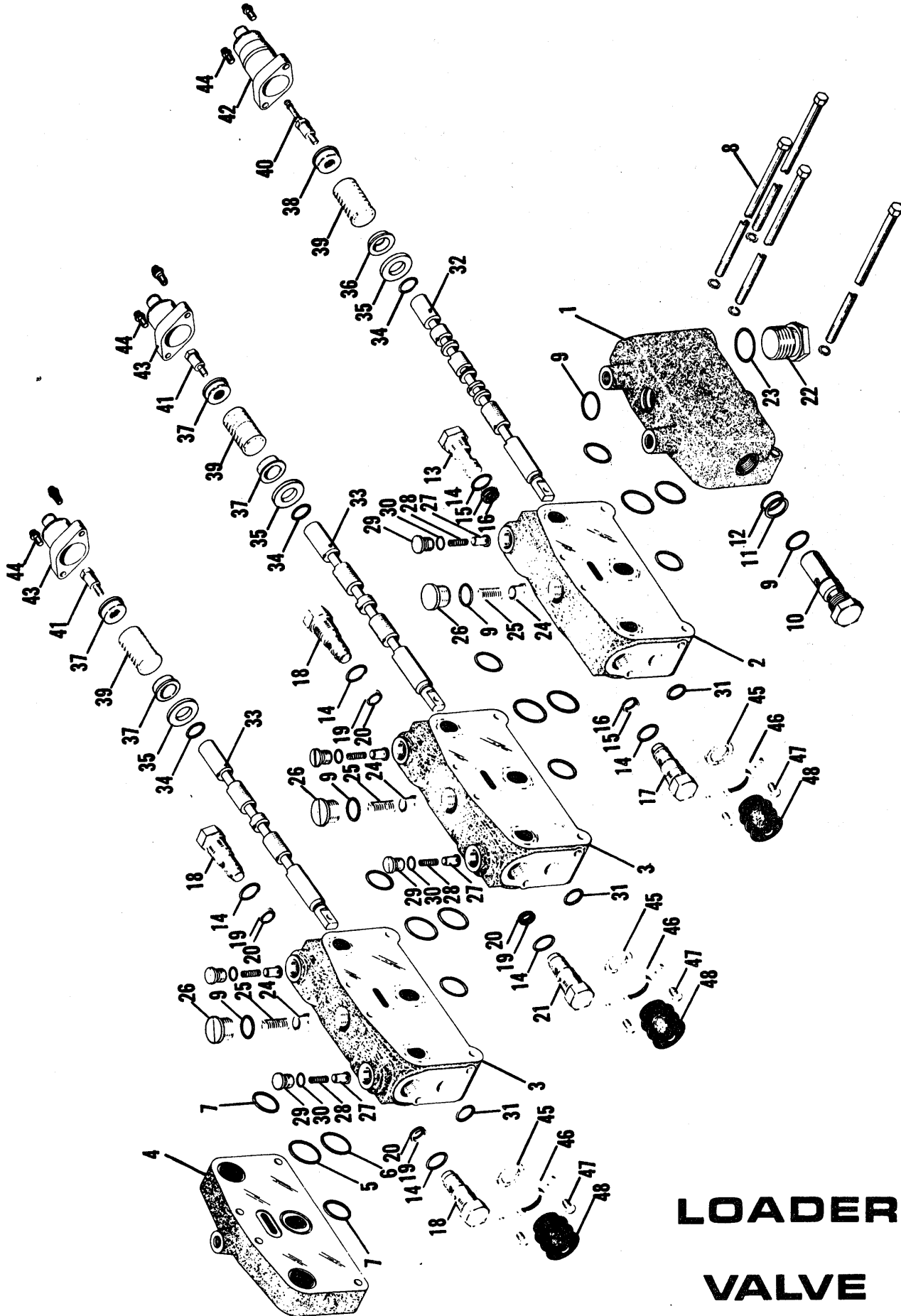
203

CONTROL VALVE ASY. GROUPS

NOTE: Valve Assemblies are serviced by sections only. The sections can be identified by the letters EC, FC, or VC stamped on the Valve Body. End sections are standard for both valve combinations.

ITEM	NUMBER	QTY.	DESCRIPTION
1	----	1	VALVE ASY., 3-spool, loader (Incl. END SECTIONS, FC SECTIONS & VC SECTION)
-	----	1	VALVE ASY., 3-spool, dozer (Incl. END SECTIONS, EC SECTIONS & VC SECTION)
2	1003043-5	1	PLATE, adapter
3	1003044-3	1	BRACKET ASY., control mount
4	0921210-1	4	CAPSCREW, 3/8NC x 1
	0916965-7	4	LOCKWASHER, 3/8
5	0923114-3	3	CAPSCREW, 1/2NC x 1
	0916966-5	3	LOCKWASHER, 1/2
6	1003048-4	1	BALL, pivot, w/ cast iron ball
7	1003049-2	2	BUSHING, ball pivot
8	1003050-0	1	DRIVE ASY.
9	1003051-8	2	SPACER, drive
10	0916195-1	4	WASHER, plain, shim
11	1003052-6	1	HANDLE ASY.
	0917362-6	1	NUT, castle
	0925718-9	1	PIN, cotter
12	1003053-4	2	ROD, end, stud
	0922466-8	2	WASHER, plain
13	1003054-2	1	YOKE, 1st spool
	0920438-9	1	NUT, jam, 5/16NF
14	1003055-9	1	ROD END, eye, 2nd spool
15	0919318-6	2	CAPSCREW, 5/16NC x 5/8
	0922466-8	2	WASHER
16	1003056-7	1	CRANK ASY., 2nd spool
17	1003057-5	1	SHAFT, pivot, 2nd spool
	0925718-9	1	PIN, cotter
18	1003058-3	2	LINK, 2nd spool
19	1003059-1	6	PIN, clevis
	0918448-2	6	PIN, cotter
20	1003060-9	1	SHAFT, pivot, 1-way
21	1003061-7	1	SUPPORT, pivot shaft
22	0916950-9	1	NUT, 3/8NF
	0916965-7	1	LOCKWASHER, 3/8
23	0921965-0	1	CAPSCREW, 3/8NC x 3/4
	0916965-7	1	LOCKWASHER, 3/8
24	1003062-5	1	LEVER ASY., 1-way
25	1003063-3	2	LINK, 1-way
26	0243416-5	2	KNOB, handle
27	0911115-4	4	WASHER, SAE, 3/8
28	0920415-7	2	CAPSCREW, 3/8NC x 1-1/4
	0916965-7	1	LOCKWASHER, 3/8

CONTROL VALVE – LOADER



**LOADER
VALVE**

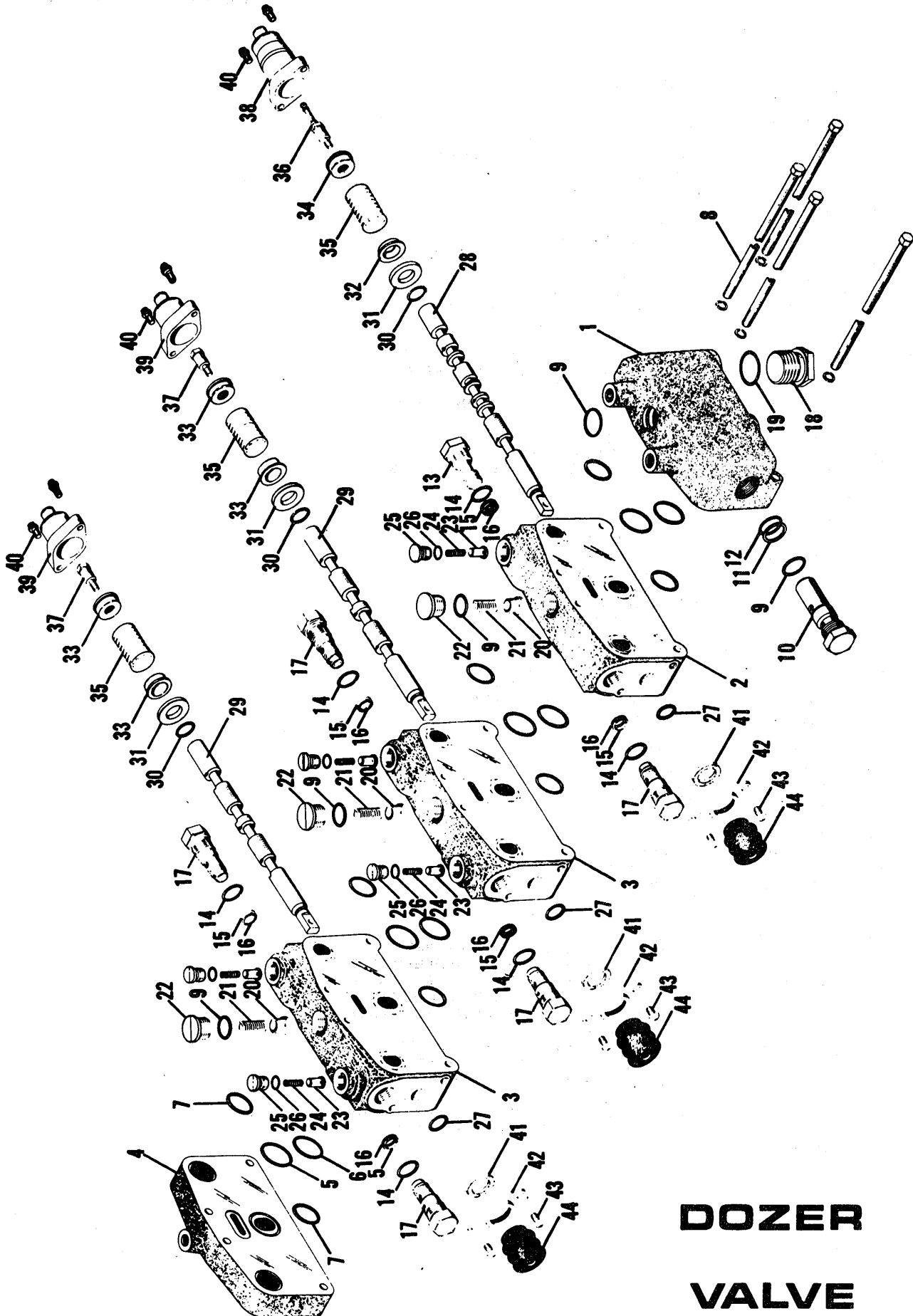
650 SERIES TRACTORS
HYDRAULICS

205

CONTROL VALVE — LOADER

ITEM	NUMBER	QTY.	DESCRIPTION
—	-----	1	VALVE ASY., loader
1	1001577-4	1	PLATE, port
2	1001896-8	1	SECTION, valve
3	1001734-1	2	SECTION, valve
4	1001573-3	1	PLATE, end
	1002229-1	1	PLATE, end (power beyond)
5	0923987-2	4	O-RING, 1-3/8 I.D. x 1/16 wide, 90 Duro.
6	-----	4	O-RING, 1-1/8 I.D. x 1/16 wide, 90 Duro.
7	0923989-8	8	O-RING, 1-1/8 I.D. x 1/16 wide
8	1000891-0	4	BOLT, tie, 3/8NC x 7-7/8, Gr. 5
	0916965-7	4	LOCKWASHER, 3/8
9	0923566-4	5	O-RING, 7/8 I.D. x 3/32 wide
10	1001559-2	1	VALVE ASY., relief (1625 PSI) (Incl. Item 9)
11	0926612-3	1	WASHER, backup
12	0923988-0	1	O-RING, 15/16 I.D. x 3/32 wide
13	1000759-9	1	PLUG ASY. (Incl. Items 14 thru 16)
14	0923849-4	6	O-RING, 13/16 I.D. x 5/32 wide
15	1135116-0	2	WASHER, backup
16	0923376-8	2	O-RING, 9/16 I.D. x 3/32 wide
17	1001634-3	1	VALVE ASY., relief (1750 PSI) (Incl. Items 14 thru 16)
18	1000806-8	3	VALVE ASY., relief (2000 PSI) (Incl. Items 14, 19 & 20)
19	1000844-9	4	WASHER, backup
20	0923945-0	4	O-RING, 5/8 I.D. x 1/16 wide
21	1003670-5	1	VALVE ASY., relief (800 PSI) (Incl. Items 14, 19 & 20)
22	0921216-8	1	PLUG ASY.
23	0921214-3	1	O-RING, 1-11/64 I.D. x 1/8 wide
24	1000765-6	3	PLUNGER, lift check
25	1000764-9	3	SPRING, lift check
26	1001907-3	3	PLUG ASY., lift check (Incl. Item 9)
27	1000818-3	5	PLUNGER, anti-cav.
28	4996404-2	5	SPRING, anti-cav.
29	4996409-1	5	PLUG ASY., anti-cav. (Incl. Item 30)
30	0923565-6	5	O-RING, 1/2 I.D. x 3/32 wide
31	0934894-7	3	O-RING, 3/4 I.D. x 1/8 wide, 50 Duro.
32	-----	1	SPOOL (Not serviced separately)
33	-----	2	SPOOL (Not serviced separately)
34	2017741-6	3	O-RING, 3/4 I.D. x 3/32 wide, 50 Duro.
35	1000762-3	3	RETAINER
36	1000259-0	1	WASHER
37	1000761-5	4	WASHER
38	1000257-4	1	WASHER
39	1000249-1	3	SPRING
40	1001565-9	1	SCREW
41	0349937-3	2	SCREW
42	1002479-2	1	CAP ASY.
43	1000817-5	2	CAP ASY.
44	1000767-2	5	CAPSCREW, 1/4NF x 7/8 lg., 12 pt.
45	-----	3	WASHER, breather
46	-----	3	RETAINER, dust seal
47	-----	6	SCREW, machine, 1/4NF x 5/8
48	-----	3	SEAL, dust
—	1001566-7	—	REPAIR KIT, port plate (Incl. 1 ea. of O-RINGS 921214, 923566 & 923988, and WASHER 926612)
—	1001627-7	—	REPAIR KIT, seal (For 1001896 & 1001622 SECTIONS) (Incl. 1 ea. of O-RINGS 923565, 923719, 929110 & 923566; 2 ea. of O-RINGS 923376 & 923849; and 2 of WASHER 1135116)
—	1000819-1	—	REPAIR KIT, major seal (Loader) (Use 2 for 1001734 SECTION) (Incl. 1 ea. REPAIR KITS 1001566 & 1001627, and SEAL KIT 1001570)
—	0918851-7	1	PLUG, countersunk socket (power beyond)
—	1001570-9	—	SEAL KIT (Between SECTIONS) (Incl. 4 ea. of O-RINGS 923987 & 1001568; and 8 of O-RING 923989)
—	1002580-7	3	BOOT KIT

CONTROL VALVE — DOZER



DOZER
VALVE

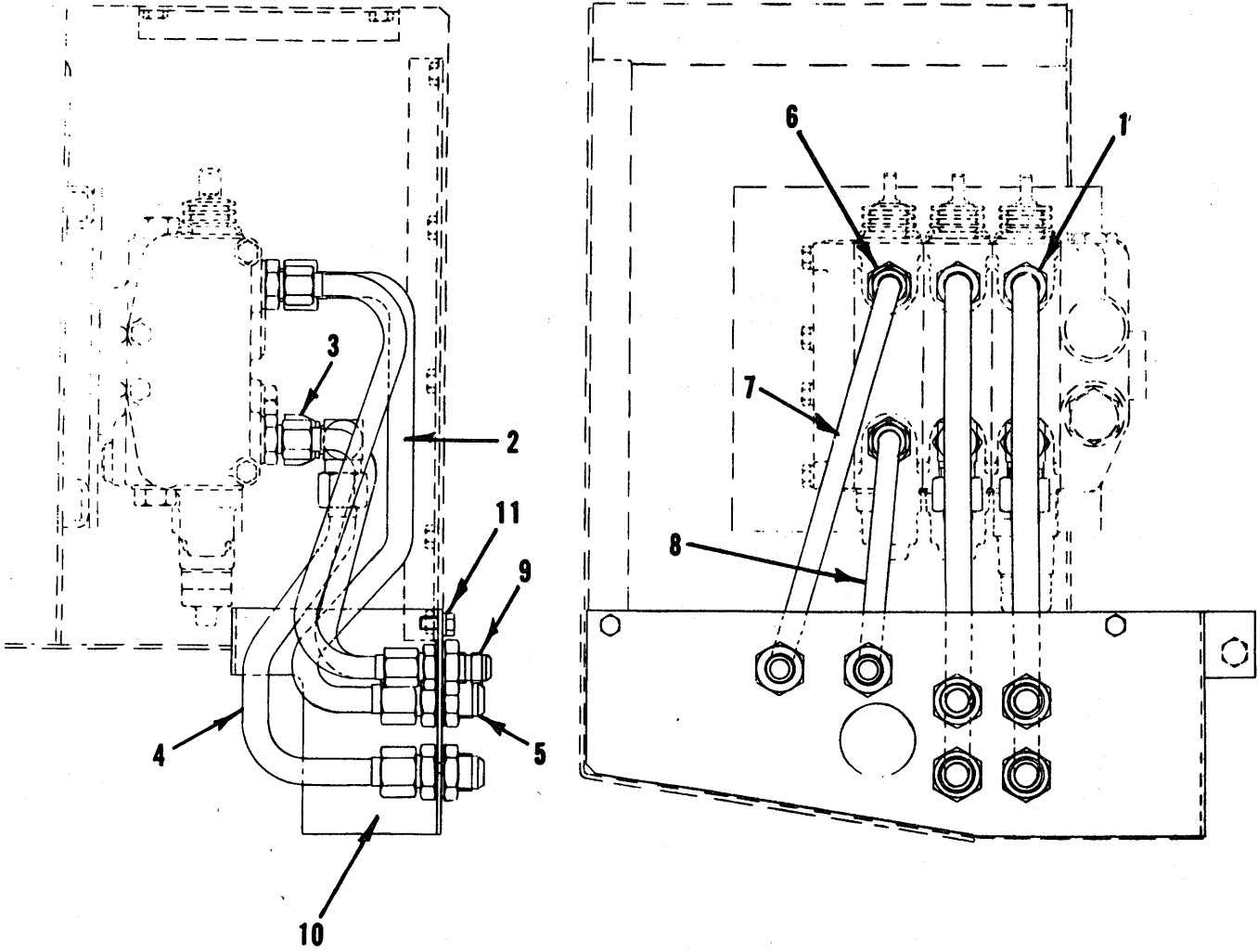
650 SERIES TRACTORS
HYDRAULICS

207

CONTROL VALVE — DOZER

ITEM	NUMBER	QTY.	DESCRIPTION
—	-----	1	VALVE ASY., dozer
1	1001577-4	1	PLATE, port
2	1001896-8	1	SECTION, valve
3	1001734-1	2	SECTION, valve
4	1001573-3	1	PLATE, end
	1002229-1	1	PLATE, end, power beyond
5	0923987-2	4	O-RING, 1-3/8 I.D. x 1/16 wide, 90 Duro.
6	-----	4	O-RING, 1-1/8 I.D. x 1/16 wide, 90 Duro.
7	0923989-8	8	O-RING, 1-1/8 I.D. x 1/16 wide
8	1000891-0	4	BOLT, tie, 3/8NC x 7-7/8, Gr. 5
	0916965-7	4	LOCKWASHER, 3/8
9	0923566-4	5	O-RING, 7/8 I.D. x 3/32 wide
10	2018584-9	1	VALVE ASY., relief (2000 PSI) (Incl. Item 9)
11	0926612-3	1	WASHER, backup
12	0923988-0	1	O-RING, 15/16 I.D. x 3/32 wide
13	1000759-9	1	PLUG ASY. (Incl. Items 14 thru 16)
14	0923849-4	6	O-RING, 13/16 I.D. x 5/32 wide
15	1135116-0	6	WASHER, backup
16	0923376-8	6	O-RING, 9/16 I.D. x 3/32 wide
17	1000807-6	5	VALVE ASY., relief (3000 PSI) (Incl. Items 14 thru 16)
18	0921216-8	1	PLUG ASY.
19	0921214-3	1	O-RING, 1-11/64 I.D. x 1/8 wide
20	1000765-6	3	PLUNGER, lift check
21	1000764-9	3	SPRING, lift check
22	1001907-3	3	PLUG ASY., lift check (Incl. Item 9)
23	1000818-3	5	PLUNGER, anti-cav.
24	4996404-2	5	SPRING, anti-cav.
25	4996409-1	5	PLUG ASY., anti-cav. (Incl. Item 26)
26	0923565-6	5	O-RING, 1/2 I.D. x 3/32 wide
27	0934894-7	3	O-RING, 3/4 I.D. x 1/8 wide, 50 Duro.
28	-----	1	SPOOL (Not serviced separately)
29	-----	2	SPOOL (Not serviced separately)
30	2017741-6	3	O-RING, 3/4 I.D. 3/32 wide, 50 Duro.
31	1000762-3	3	RETAINER
32	1000259-0	1	WASHER
33	1000761-5	4	WASHER
34	1000257-4	1	WASHER
35	1000249-1	3	SPRING
36	1001565-9	1	SCREW
37	0349937-3	2	SCREW
38	1002479-2	1	CAP ASY.
39	1000817-5	2	CAP ASY.
40	1000767-2	6	CAPSCREW, 1/4NF x 7/8 lg., 12 pt.
41	-----	3	WASHER, breather
42	-----	3	RETAINER, dust seal
43	-----	6	SCREW, machine, 1/4NF x 5/8
44	-----	3	SEAL, dust
—	1001566-7	—	REPAIR KIT, port plate
—	1000752-4	—	REPAIR KIT, major seal (Dozer) (Use 2 for 1001589 SECTION; also use 1 ea. of O-RINGS 923719, 934894, 923849 & 923566; and 2 ea. of O-RING 923376 & WASHER 1135116) (Also use 1 ea. of PLATE KIT 1001566, REPAIR KIT 1001627 & SEAL KIT 1001570)
—	1000819-1	—	REPAIR KIT, seal (For 1001734 SECTION)
—	1001627-7	—	REPAIR KIT, seal (For 1001896 SECTION)
—	1001570-9	—	SEAL KIT (Between SECTIONS)
—	0918851-7	1	PLUG, countersunk socket (power beyond)
—	1002580-7	3	BOOT KIT

HYDRAULIC PLUMBING — LOADER



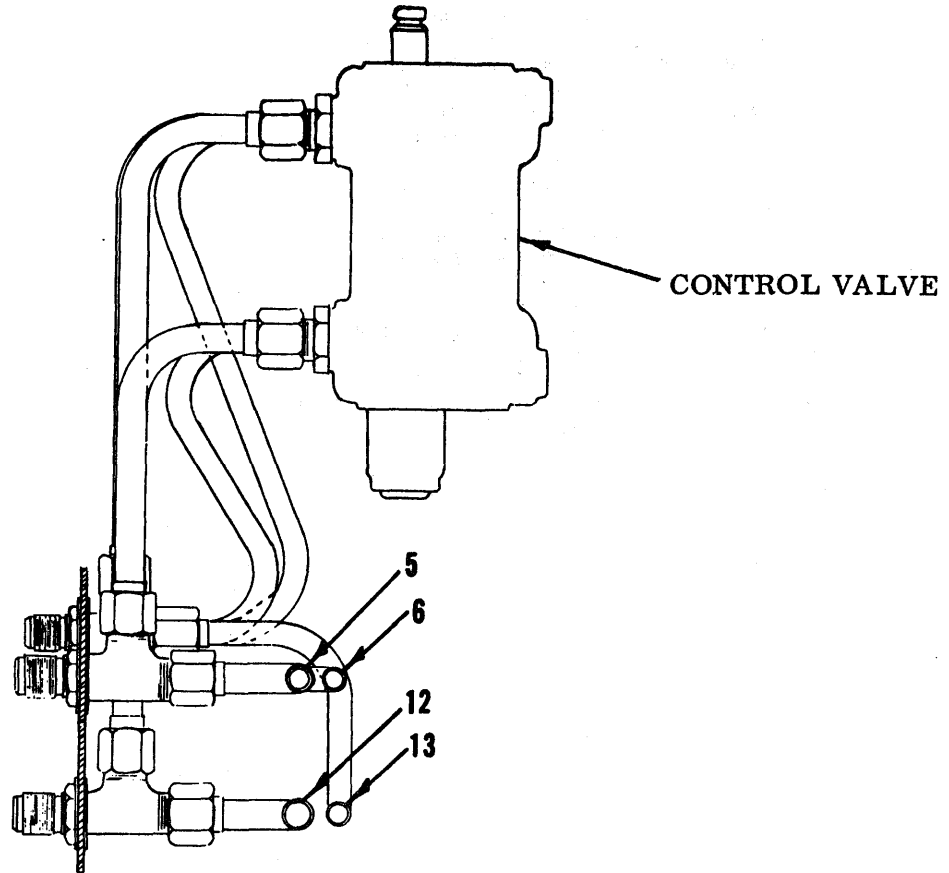
650 SERIES TRACTORS
HYDRAULICS

209

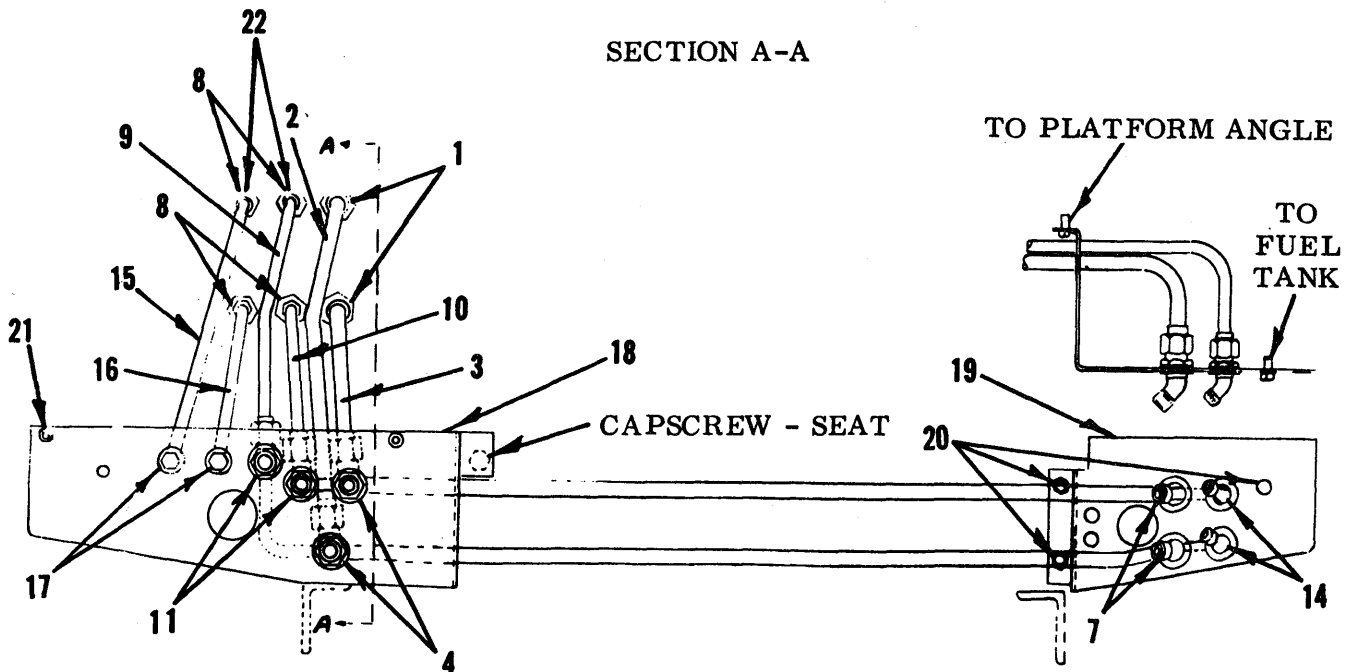
HYDRAULIC PLUMBING — LOADER

ITEM	NUMBER	QTY.	DESCRIPTION
1	0921217-6	4	CONNECTOR, 3/4 tube (Incl. O-RING)
	0921214-3	4	O-RING
2	1003115-1	2	TUBE ASY., 1st & 2nd spool, top port
3	0919624-7	2	ELBOW, 3/4 swivel tube
4	1003116-9	2	TUBE ASY., 1st & 2nd spool, lower port
5	0927063-8	4	UNION, bulkhead, 3/4 tube
	0927059-6	8	WASHER, plain, 16 Ga.
	0922186-2	4	NUT, lock, 1-1/16-12
6	0924023-5	2	CONNECTOR, reducing 5/8 tube x 1-1/16-12 (Incl. O-RING)
	0921205-1	2	O-RING
7	1003367-8	1	TUBE ASY., 3rd spool, top port
8	1003388-4	1	TUBE ASY., 3rd spool, lower port
9	0927062-0	2	UNION, bulkhead, 5/8 tube
	0919392-1	4	WASHER, plain, 16 Ga.
	0919620-5	2	NUT, lock, 7/8-14
10	1003118-5	1	PLATE, right platform, loader front
11	0921965-0	3	CAPSCREW, 3/8NC x 3/4
	0916965-7	3	LOCKWASHER, 3/8
—	1003114-4	1	PLATE, left platform, loader front (Not illustrated)

HYDRAULIC PLUMBING - DOZER



SECTION A-A

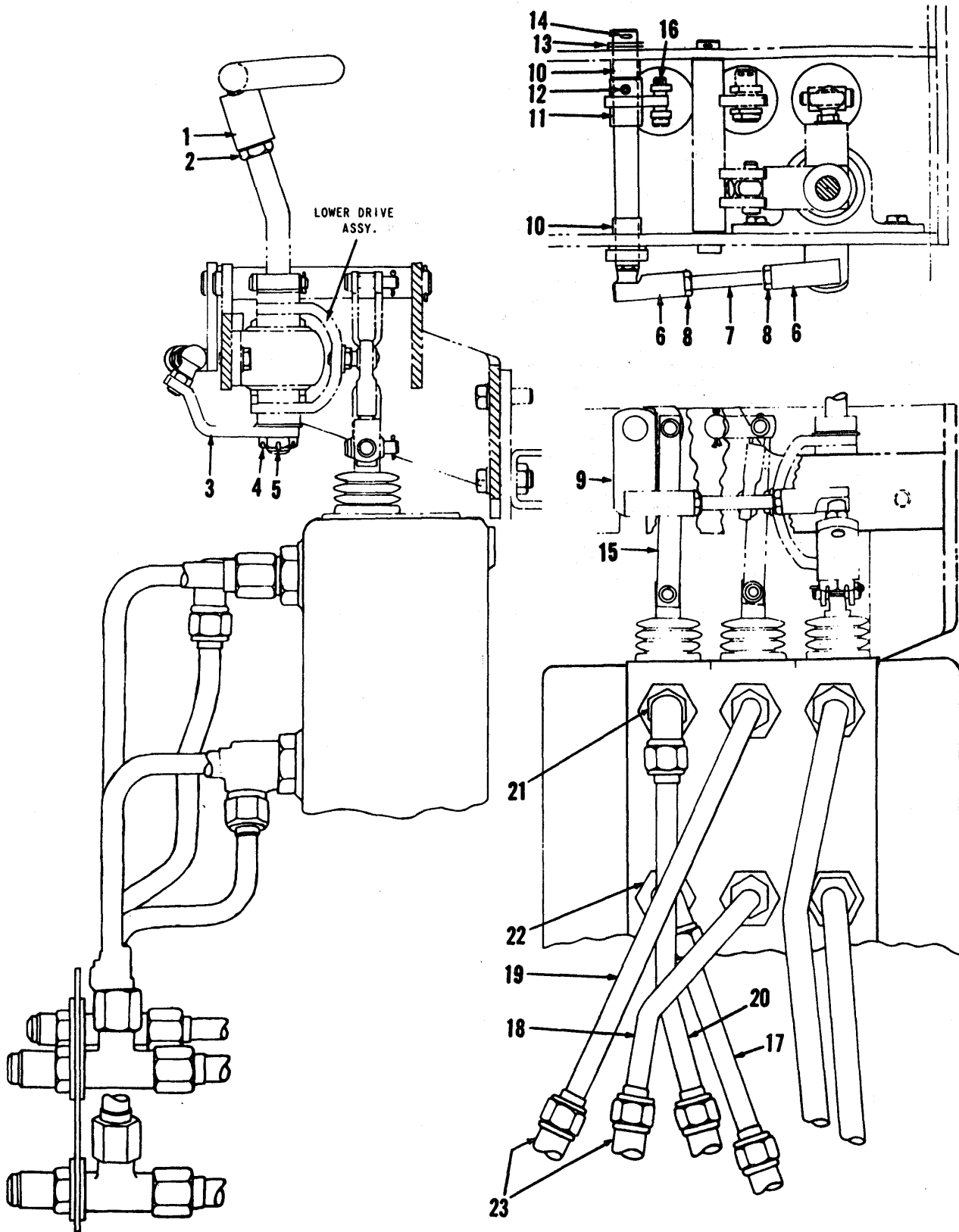


650 SERIES TRACTORS
HYDRAULICS

HYDRAULIC PLUMBING — DOZER

ITEM	NUMBER	QTY.	DESCRIPTION
1	0924023-5	2	CONNECTOR, reducing, 5/8 tube x 1-1/16-12 (Incl. O-RING)
	0921205-1	2	O-RING
2	1003704-2	1	TUBE ASY., 1st spool, top
3	1003136-7	1	TUBE ASY., 1st spool, bottom
4	0927064-6	2	TEE, bulkhead, 5/8 tube x 7/8-14
	0919392-1	4	WASHER, plain, 16 Ga.
	0919620-5	2	NUT, lock, 7/8-14
5	1003335-5	1	TUBE ASY., 1st spool, top crossover
6	1003337-1	1	TUBE ASY., 2nd spool, top crossover
7	0927246-9	2	ELBOW, bulkhead union, 45°, 5/8 tube
	0919392-1	4	WASHER, plain, 16 Ga.
	0919620-5	2	NUT, lock, 7/8-14
8	0924296-7	4	CONNECTOR, reducing, 1/2 tube x 1-1/16-12 (Incl. O-RING)
	0921349-7	4	O-RING
9	1003488-2	1	TUBE ASY., 2nd spool, top
10	1003527-7	1	TUBE ASY., 2nd spool, bottom
11	0927247-7	2	TEE, bulkhead, 1/2 tube x 3/4-16
	0925155-4	4	WASHER, plain, 12 Ga.
	0923412-1	2	NUT, lock, 3/4-16
12	1003649-9	1	TUBE ASY., 1st spool, bottom crossover
13	1003648-1	1	TUBE ASY., 2nd spool, bottom crossover
14	0927245-1	2	ELBOW, bulkhead union, 45° x 1/2 tube
	0925155-4	4	WASHER, plain, 12 Ga.
	0923412-1	2	NUT, lock, 3/4-16
15	1003137-5	1	TUBE ASY., 3rd spool, top
16	1003138-3	1	TUBE ASY., 3rd spool, bottom
17	0927261-8	2	UNION, bulkhead, 1/2 tube x 3/4-16
	0925155-4	4	WASHER, plain, 12 Ga.
	0923412-1	2	NUT, lock, 3/4-16
18	1003705-9	1	PLATE, front right hand
19	1003350-4	1	PLATE, front left hand
20	0921965-0	3	CAPSCREW, 3/8NC x 3/4
	0916965-7	3	LOCKWASHER, 3/8
21	0921625-0	2	CAPSCREW, bttn. hd. skt., 3/8NC x 5/8
22	1003549-1	2	PLATE, orifice

3-WAY BAR LEVER CONTROL



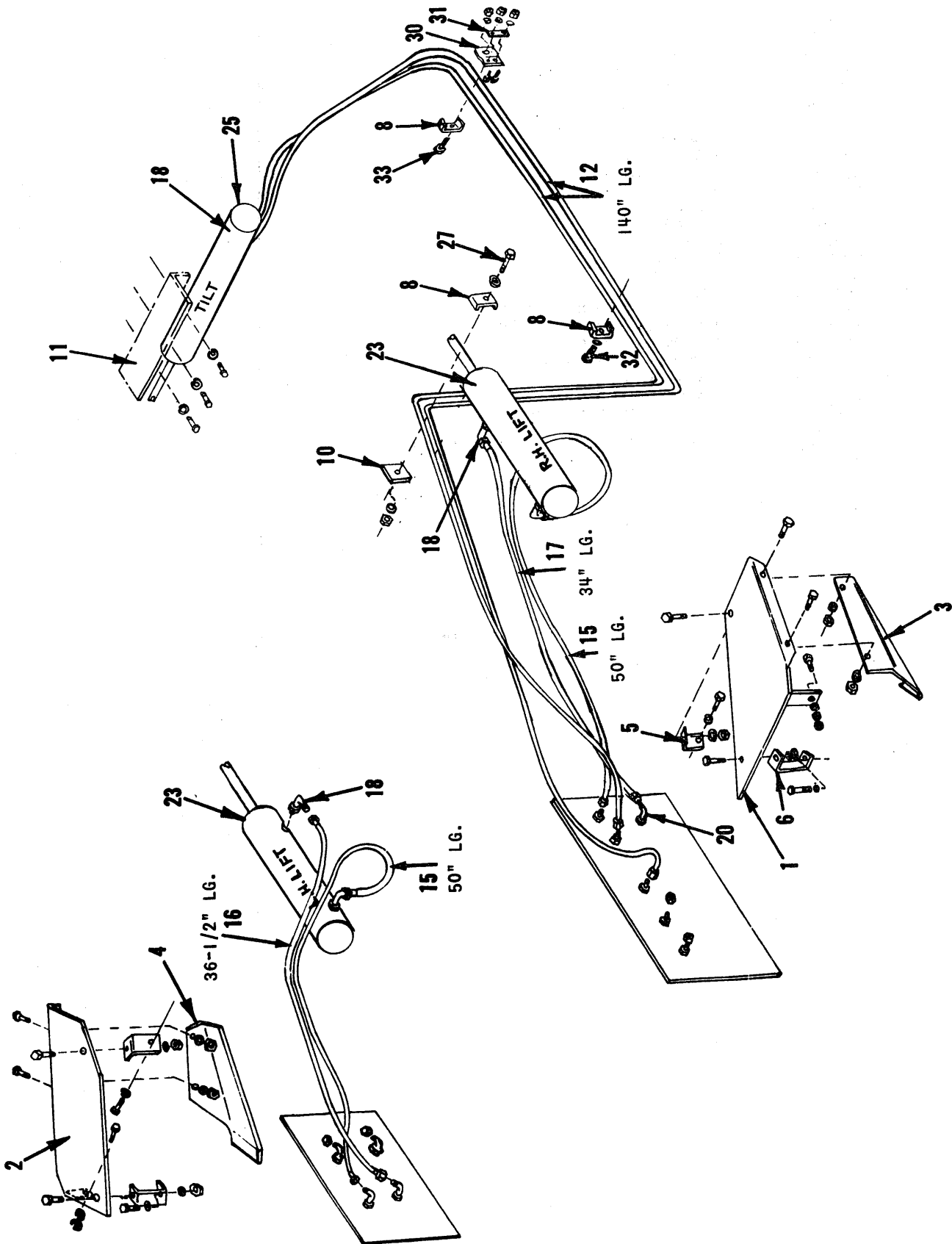
650 SERIES TRACTORS
HYDRAULICS

3-WAY BAR LEVER CONTROL

ITEM	NUMBER	QTY.	DESCRIPTION
—	—	—	CONVERSION KIT, single lever control
1	1003382-7	1	HANDLE ASY., tee
2	0906907-1	1	NUT, jam, 5/8NF
3	1003383-5	1	CRANK, driver, 3rd spool
4	0913470-1	1	NUT, slotted
5	0925718-9	1	PIN, cotter, 3/32 x 1-1/2
6	1003384-3	2	JOINT, ball
7	1003385-0	1	ROD, link
8	0920438-9	2	NUT, jam, 5/16NF
9	1003386-8	1	CRANK, driven
10	1003489-0	2	BUSHING
11	1003490-8	1	LUG, drive
12	0921469-3	1	PIN, spring
13	0914659-8	1	WASHER, plain
14	0925718-9	1	PIN, cotter
15	1003365-2	2	LINK, 3rd spool
16	0918448-2	2	PIN, cotter, 3/32 x 3/4
17	1003810-7	1	TUBE ASY., cylinder to valve bottom
18	1003811-5	1	TUBE ASY., cylinder to valve bottom
19	1003812-3	1	TUBE ASY., cylinder to valve top
20	1003813-1	1	TUBE ASY., cylinder to valve top
21	0921279-6	1	ELBOW, swivel nut
22	0927094-3	1	ELBOW, adjustable
23	0927163-6	2	ELBOW, 45 ⁰ , union bulkhead

NOTE: Balance of parts found in CONTROL VALVE ASY. group on Page 203.

HYDRAULIC SYSTEM



650 SERIES TRACTORS
HYDRAULICS

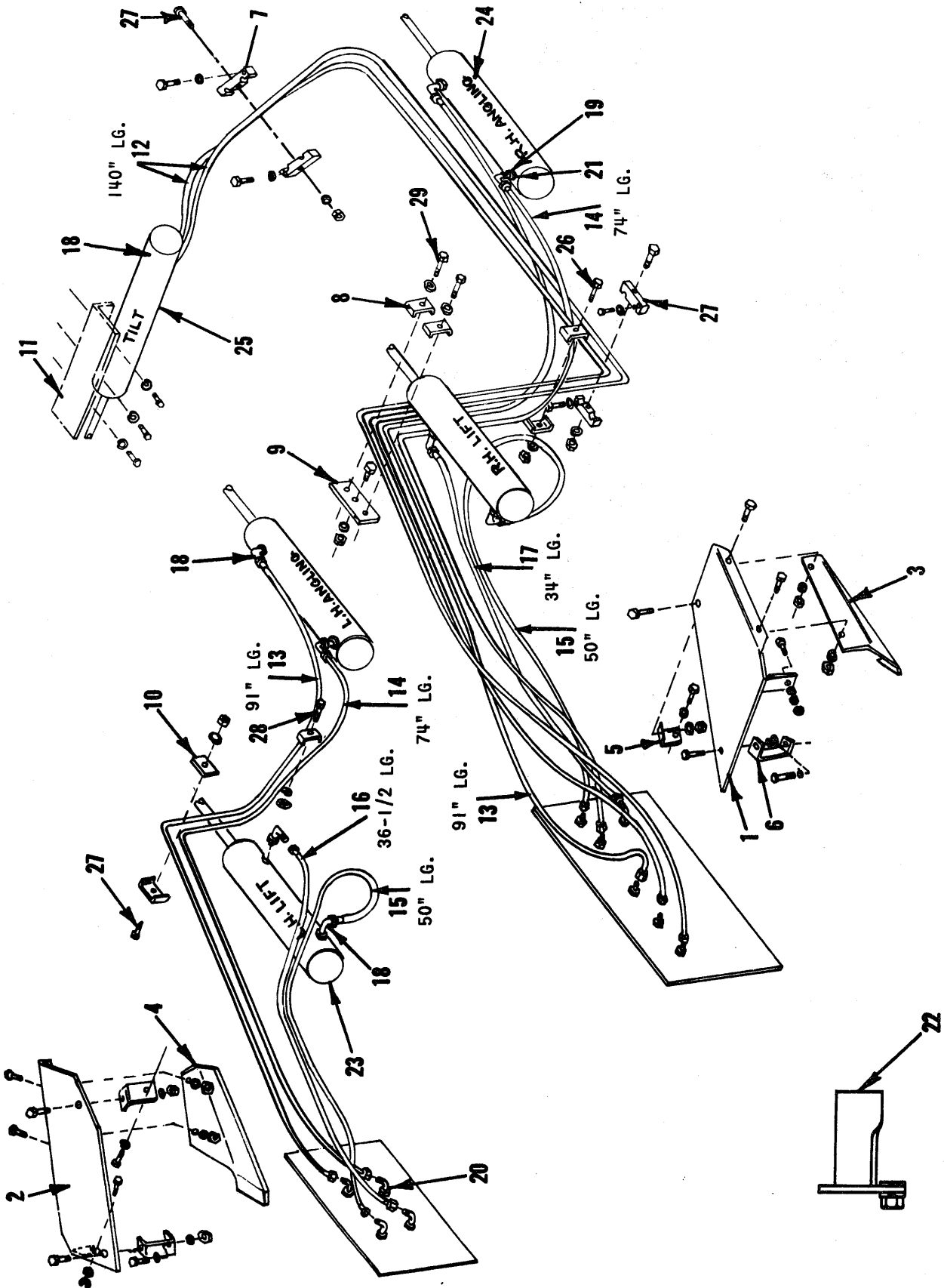
HYDRAULIC SYSTEM

ITEM	NUMBER	QTY.	QTY.	DESCRIPTION
		*	**	
1	1011416-3	1	1	SHIELD ASY., upper R.H.
	0921969-2	1	1	CAPSCREW, 3/8NC x 1-1/2, Gr. 5
	0921210-1	4	4	CAPSCREW, 3/8NC x 1, Gr. 5
	0916965-7	5	5	LOCKWASHER, 3/8
	0916950-9	5	5	NUT, 3/8NC
	0917378-2	2	2	WASHER, plain, 3/8
2	1011417-1	1	1	SHIELD ASY., upper L.H.
	0921969-2	1	1	CAPSCREW, 3/8NC x 1-1/2, Gr. 5
	0921210-1	4	4	CAPSCREW, 3/8NC x 1, Gr. 5
	0916965-7	4	4	LOCKWASHER, 3/8
	0916950-9	4	4	NUT, 3/8NC
3	1011402-3	1	1	SHIELD, lower R.H.
4	1011403-1	1	1	SHIELD, lower L.H.
5	1011404-9	2	2	BRACKET
	0921969-2	2	2	CAPSCREW, 3/8NC x 1-1/2, Gr. 5
	0916965-7	2	2	LOCKWASHER, 3/8
6	0411405-4	2	2	BRACKET
	0921969-2	2	2	CAPSCREW, 3/8NC x 1-1/2, Gr. 5
	0916965-7	2	2	LOCKWASHER, 3/8
7	1010499-0	4	0	CLAMP, hose
	0921969-2	4	0	CAPSCREW, 3/8NC x 1-1/2, Gr. 5
	0916965-7	4	0	LOCKWASHER, 3/8
8	1010681-3	6	3	CLAMP, hose
9	1011406-4	1	0	PLATE
	0921969-2	1	0	CAPSCREW, 3/8NC x 1-1/2, Gr. 5
	0916965-7	1	0	LOCKWASHER, 3/8
	0916950-9	1	0	NUT, 3/8NC
10	1018642-7	1	1	PLATE (Also use 1018643, 1018644, 1018645, 1018646 & 1018647)
11	0410583-9	1	1	SHIELD
	0923114-3	3	3	CAPSCREW, 1/2NC x 1, Gr. 5
	0916966-5	3	3	LOCKWASHER, 1/2
12	1010866-0	2	2	HOSE (140") (Tilt Ram)
13	1011399-1	2	0	HOSE (91") (Angling, rod end)
14	1011398-3	2	0	HOSE (74") (Angling, base end)
15	1011397-5	2	2	HOSE (50") (Lift, base end)
16	1011396-7	1	1	HOSE (36-1/2") (Lift L.H. rod end)
17	1011395-9	1	1	HOSE (34") (Lift, R.H. rod end)
18	0921402-4	8	6	ELBOW, adj., 90°, 3/4-16 JIC male
19	0921279-6	2	0	ELBOW, swivel, 90°, 3/4-16 JIC male
20	0924198-5	1	1	ELBOW, swivel, 45°
21	0921409-9	2	0	CONNECTOR, st.
22	1011428-8	2	0	SHIELD ASY.
	0926162-9	4	0	CAPSCREW, 5/8NC x 2-1/4, Gr. 8
	0917373-3	4	0	LOCKWASHER, 5/8

*Inside Dozer
**Outside Dozer

Continued

HYDRAULIC SYSTEM
(CONTINUED)



650 SERIES TRACTORS
HYDRAULICS

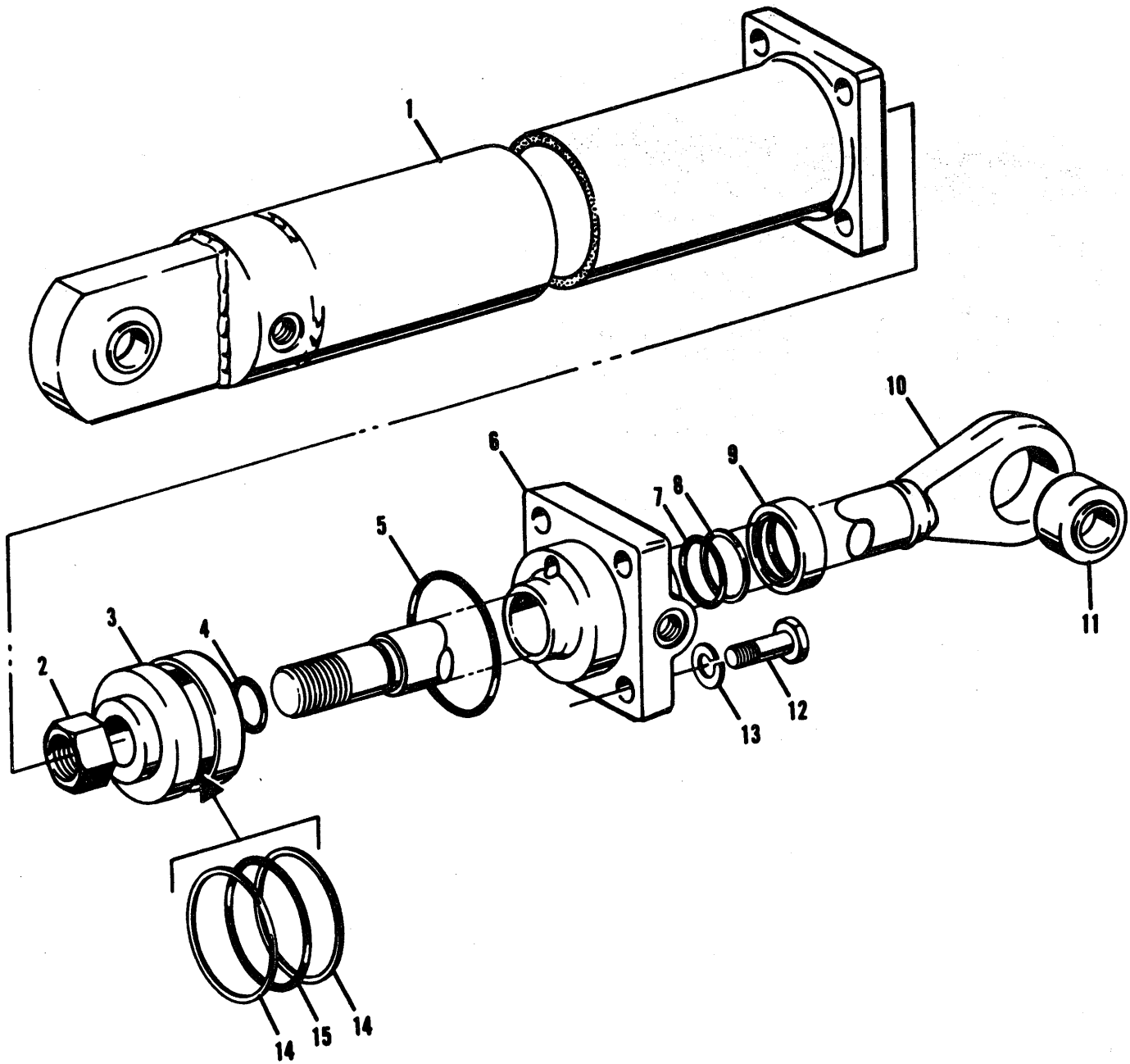
HYDRAULIC SYSTEM
(CONTINUED)

ITEM	NUMBER	QTY.	QTY.	DESCRIPTION
		*	**	
23	1012592-0	2	2	CYLINDER, lift (L.H. & R.H.)
24	1008899-5	2	0	CYLINDER, angling
25	1008898-7	1	1	CYLINDER, tilt
26	0923903-9	1	0	CAPSCREW, 3/8NC x3, Gr. 5
	0916965-7	1	0	LOCKWASHER, 3/8
	0916950-9	1	0	NUT, 3/8NC
27	0921972-6	3	1	CAPSCREW, 3/8NC x2-1/2, Gr. 5
	0916965-7	3	1	LOCKWASHER, 3/8
	0916950-9	3	1	NUT, lock, 3/8NC
28	0923701-7	1	0	CAPSCREW, 3/8NC x2, Gr. 5
	0916965-7	1	0	LOCKWASHER, 3/8
	0916950-9	1	0	NUT, 3/8NC
29	0921969-2	2	0	CAPSCREW, 3/8NC x1-1/2, Gr. 5
	0916965-7	2	0	LOCKWASHER, 3/8
30	0410798-3	0	1	BRACKET, clamp
	0921972-6	0	2	CAPSCREW, 3/8NC x2-1/2, Gr. 5
	0916965-7	0	2	LOCKWASHER, 5/8
	0916950-9	0	2	NUT, 3/8NC
31	0410790-0	0	1	STRAP
32	0919089-3	0	1	CAPSCREW, 1/2NC x1-3/4, Gr. 5
	0916966-5	0	1	LOCKWASHER, 1/2
33	0921971-8	0	1	CAPSCREW, 3/8NC x1-3/4, Gr. 5
	0916965-7	0	1	LOCKWASHER, 3/8
	0916950-9	0	1	NUT, 3/8NC
-	0924517-6	1	1	DECAL, Allis-Chalmers

*Inside Dozer

**Outside Dozer

CYLINDER
PRIOR S/N 7714 FOR 652
PRIOR S/N 7694 FOR 653



650 SERIES TRACTORS
HYDRAULICS

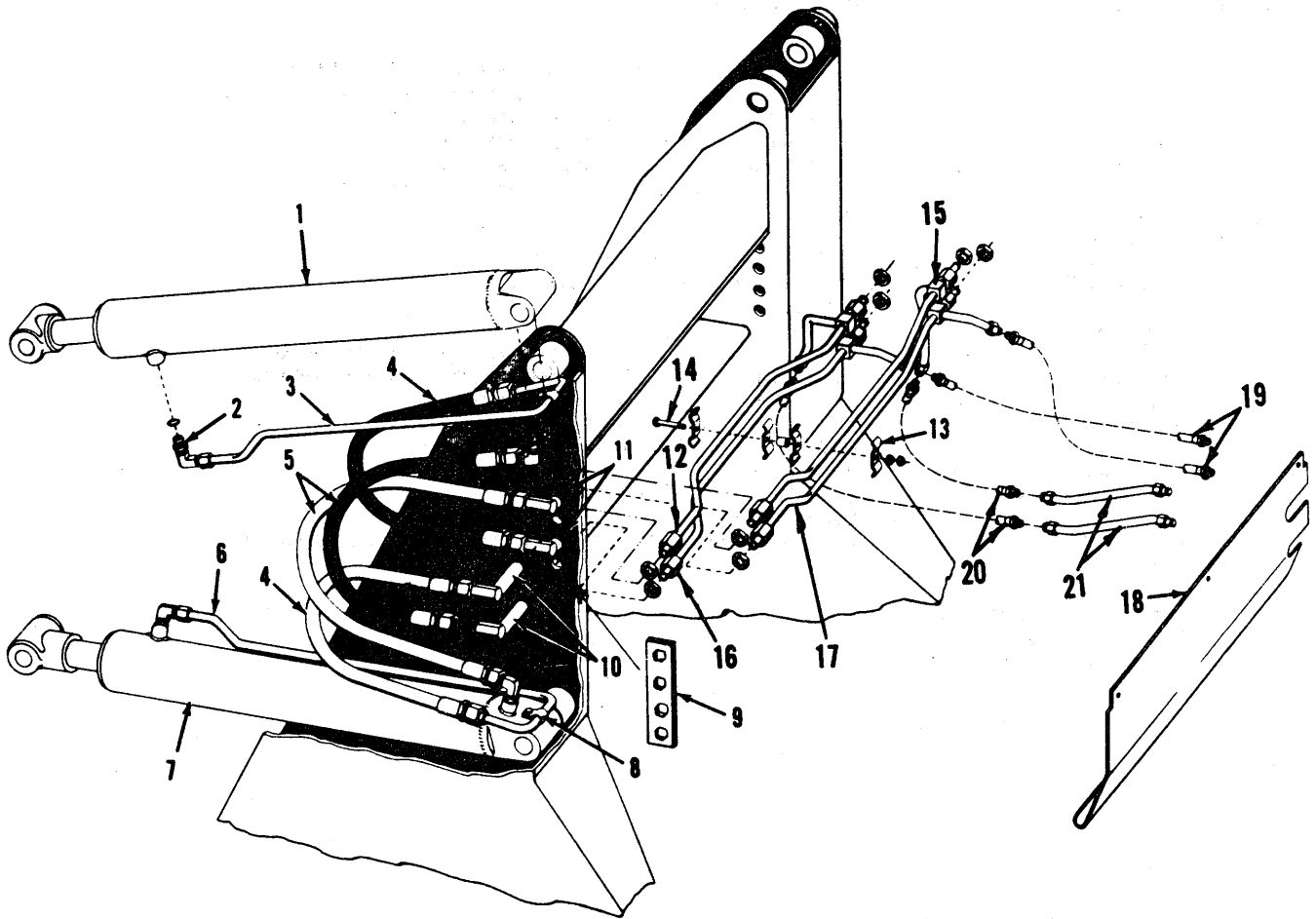
219

CYLINDER
PRIOR S/N 7714 FOR 652
PRIOR S/N 7694 FOR 653

ITEM	NUMBER	QTY.		DESCRIPTION	
		*	**	***	
-	-----	1	-	-	CYLINDER ASY., lift (Incl. Items 1 thru 15) (Use 1012593 & 1012592)
	-----	-	1	-	CYLINDER ASY., angle (Incl. Items 1 thru 15) (Use 1008899)
	-----	-	-	1	CYLINDER ASY., tilt (Incl. Items 1 thru 15) (Use 1008898)
1	1008916-7	1	-	-	CYLINDER ASY., welded (Incl. Item 11) (Also use 1008902)
	1008912-6	-	1	-	CYLINDER ASY., welded (Incl. Item 11) (Also use 1008902)
	1008907-6	-	-	1	CYLINDER ASY., welded (Incl. Item 11) (Also use 1008902)
2	0922917-0	1	1	1	NUT, lock, 1-1/8NF
3	0410624-1	1	1	1	PISTON
4	0923848-6	1	1	1	O-RING (Piston head - static)
5	0924187-8	1	1	1	O-RING (End cap - static) 3-31/64 I.D. x 7/64
6	1008902-7	1	1	1	CAP, cylinder end
7	0923650-6	1	1	1	O-RING (1-1/2 O.D. rod)
8	0412176-0	1	1	1	WASHER, backup (1-1/2 O.D. rod) (Order from Marvin Landplane Co.)
9	0401196-1	1	1	1	WIPER, piston rod (1-1/2 O.D. rod) (Order from Marvin Landplane Co.)
10	1008904-3	1	-	-	ROD, piston asy. (Incl. Item 11) (Also use 1008915)
	1008904-3	-	1	-	ROD, piston asy. (Incl. Item 11) (Also use 1008911)
	1008904-3	-	-	1	ROD, piston asy. (Incl. Item 11) (Also use 1008906)
11	1010632-6	2	2	2	BUSHING, swivel
12	0923112-7	4	4	4	CAPSCREW, 5/8NC x 1-3/4, Gr. 5
13	0917373-3	4	4	4	LOCKWASHER, 5/8
14	0412181-0	2	2	2	WASHER, backup (3-1/2 O.D. piston) (Order from Marvin Landplane Co.)
15	0923830-4	1	1	1	O-RING, 3-7/64 I.D. x 13/64

*Lift, Inside & Outside Dozer
**Angle, Inside Dozer
***Tilt, Inside & Outside Dozer

HYDRAULIC SYSTEM



650 SERIES TRACTORS
HYDRAULICS

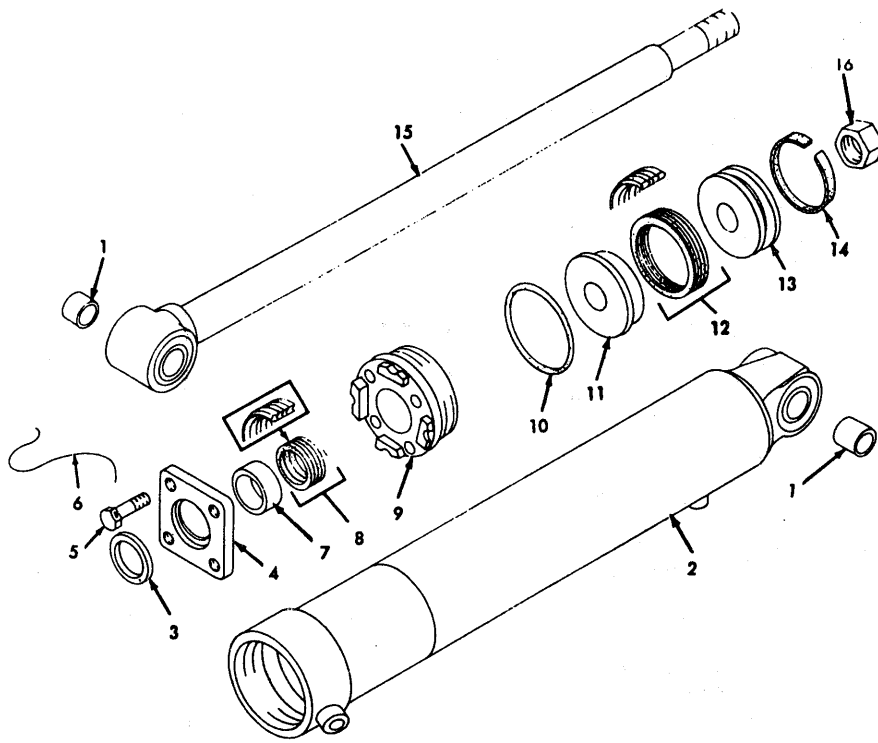
221

HYDRAULIC SYSTEM

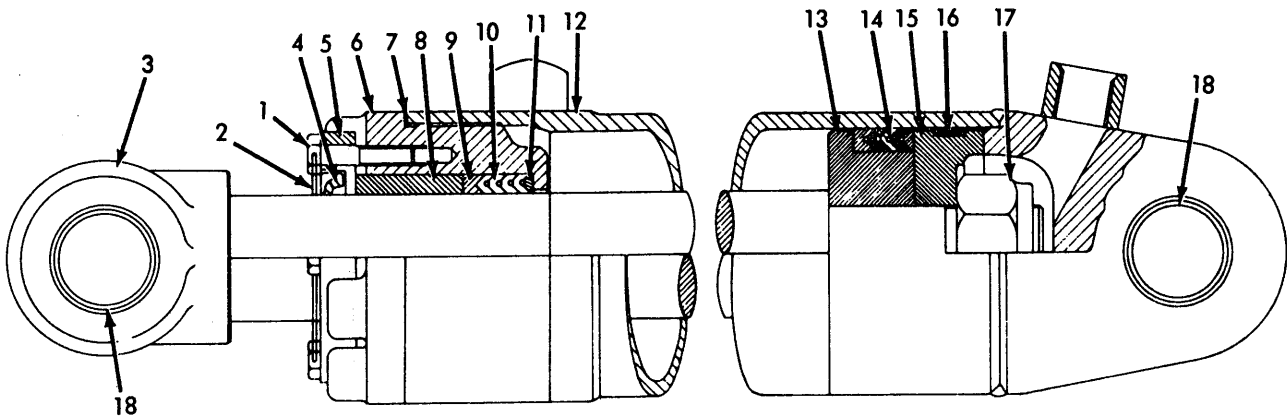
ITEM	NUMBER	QTY.	DESCRIPTION
1	-----	2	CYLINDER ASY., dump (Refer to DUMP CYLINDER group for components)
2	0924054-0	2	CONNECTOR, tube to cylinder (Incl. O-RING)
	0921205-1	2	O-RING
	0924198-5	2	FITTING
3	0250059-3	1	TUBE ASY., L.H.
	0250058-5	1	TUBE ASY., R.H.
4	1003478-3	4	HOSE ASY.
5	1003479-1	4	HOSE ASY.
6	0250057-7	1	TUBE ASY., L.H.
	0250056-9	1	TUBE ASY., R.H.
7	-----	1	CYLINDER ASY., lift, R.H. (Refer to LIFT CYLINDER group for components)
	-----	1	CYLINDER ASY., lift, L.H. (Refer to LIFT CYLINDER group for components)
8	0250054-4	4	CLAMP
	0921965-0	4	CAPSCREW, 3/8NC x 3/4, Gr. 5
	0911115-4	4	WASHER, plain, 3/8
	0916965-7	4	LOCKWASHER, 3/8
9	0251773-8	2	PLATE
10	0245339-7	4	ELBOW, bulkhead long
11	0245338-9	4	ELBOW, bulkhead short
12	1003471-8	1	TUBE ASY., dump
	0919620-5	2	NUT, lock, 5/8
13	0245342-1	4	CLAMP, tube
14	0923701-7	1	CAPSCREW, 3/8NC x 2
	0916965-7	1	LOCKWASHER, 3/8
	0916950-9	1	NUT, 3/8NC
	0231485-4	1	SPACER
15	1003469-2	1	TUBE ASY., lift
	0919620-5	2	NUT, lock, 5/8
16	1003472-6	1	TUBE ASY., dump
	0919620-5	2	NUT, lock, 5/8
17	1003470-0	1	TUBE ASY., lift
	0919620-5		NUT, lock, 5/8
18	1003476-7	1	COVER, tube
	0925052-3	3	SCREW, 3/8NC x 3/4
	0916965-7	3	LOCKWASHER, 3/8
19	1003475-9	2	HOSE ASY.
20	1003473-4	2	HOSE ASY.
21	1003474-2	2	TUBE ASY.

650 SERIES TRACTORS
HYDRAULICS

DUMP CYLINDER, LOADER
PRIOR S/N 7375



LIFT CYLINDER, LOADER
PRIOR S/N 7375



650 SERIES TRACTORS
HYDRAULICS

223

DUMP CYLINDER, LOADER
PRIOR S/N 7375

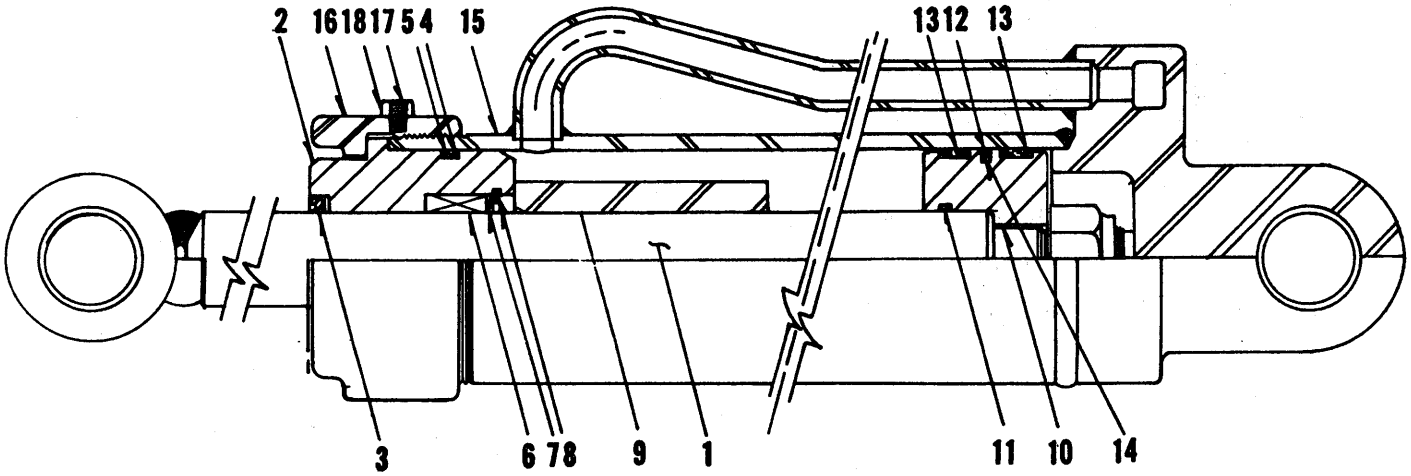
ITEM	NUMBER	QTY.	DESCRIPTION
—	-----	2	CYLINDER ASY., dump
1	0244360-4	2	BUSHING, rod end
2	0244361-2	1	CYLINDER ASY.
3	3003658-6	1	RING, wiper
4	3003659-4	1	PLATE, end
5	0914355-3	3	CAPSCREW, drilled head
6	-----	1	WIRE, locking (Use 10" of 910549)
7	3003660-2	1	BEARING, Oilite
8	3046829-2	1	PACKING SET, piston rod
9	3013395-3	1	HEAD
10	0923607-6	1	O-RING
11	3006418-2	1	PISTON
12	3006417-4	1	PACKING SET, piston
13	3006412-5	1	PISTON
14	3006411-7	1	RING, bearing
15	0244356-2	1	ROD ASY., piston
16	3015993-3	1	NUT, stop

LIFT CYLINDER, LOADER
PRIOR S/N 7375

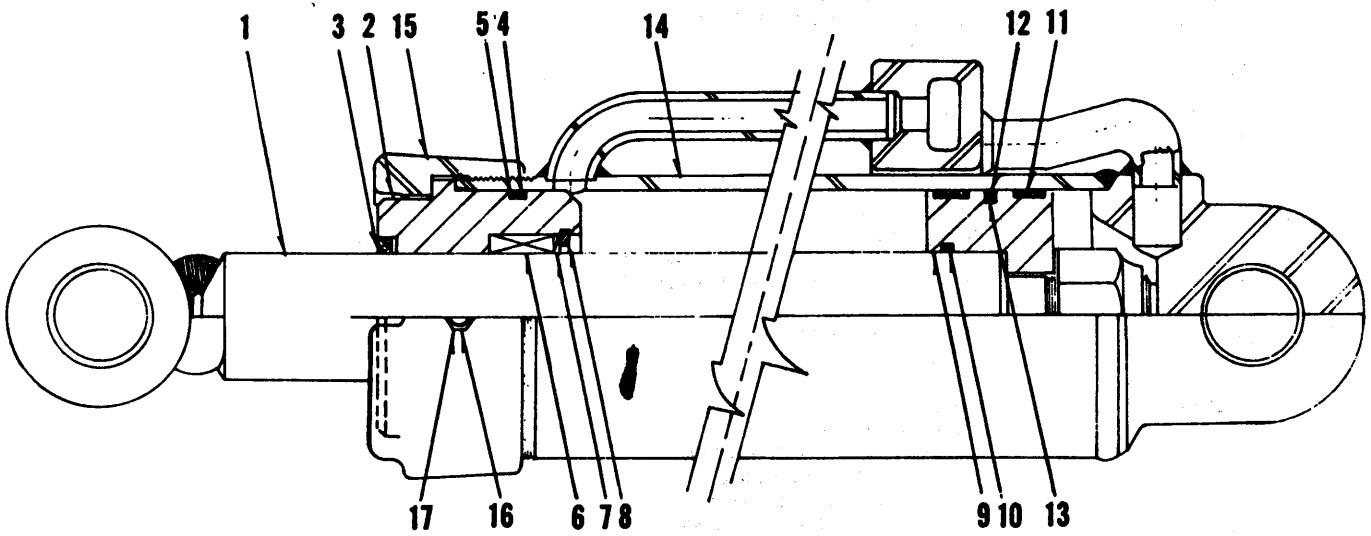
ITEM	NUMBER	QTY.	QTY.	DESCRIPTION
—	-----	1	—	CYLINDER ASY., lift, R.H.
—	-----	—	1	CYLINDER ASY., lift, L.H.
1	3031168-2	4	4	CAPSCREW, drilled head
2	3061917-5	1	1	WIRE, locking capscrow
3	0244370-3	1	1	ROD ASY., piston (Incl. 1 of Item 18)
4	3001088-8	1	1	SEAL, oil
5	3027471-6	1	1	PLATE, end
6	3027255-3	1	1	HEAD
7	0923588-8	1	1	O-RING
8	3004989-4	1	1	BEARING, Oilite
	3046829-2	1	1	PACKING SET
9	3004990-2	1	1	RING, adapter, top
10	3046828-4	4	4	RING, chevron
11	3046828-4	1	1	RING, adapter, bottom
12	0244374-5	1	—	CYLINDER ASY., L.H. (Incl. 1 of Item 18)
	0244375-2	1	—	CYLINDER ASY., R.H. (Incl. 1 of Item 18)
13	3027470-8	1	1	PISTON
14	3027468-2	1	1	PACKING SET, piston
15	3027469-0	1	1	PISTON
16	3027461-7	1	1	RING, bearing
17	0925896-3	1	1	NUT, lock
18	0244360-4	2	2	BUSHING, ram end
—	1003687-9	1	—	ROD ASY., weld (Not illustrated)
—	0244354-7	1	—	U-BOLT (Not illustrated)
	0915262-0	2	—	NUT, lock (Not illustrated)
—	0244351-3	1	—	TUBE ASY., weld (Not illustrated)
—	0921210-1	2	—	CAPSCREW (Not illustrated)
	0916965-7	2	—	LOCKWASHER (Not illustrated)
	0916950-9	2	—	NUT (Not illustrated)

650 SERIES TRACTORS
HYDRAULICS

DUMP CYLINDER, LOADER
EFF. S/N 7375 & UP



LIFT CYLINDER, LOADER
EFF. S/N 7375 & UP



650 SERIES TRACTORS
HYDRAULICS

225

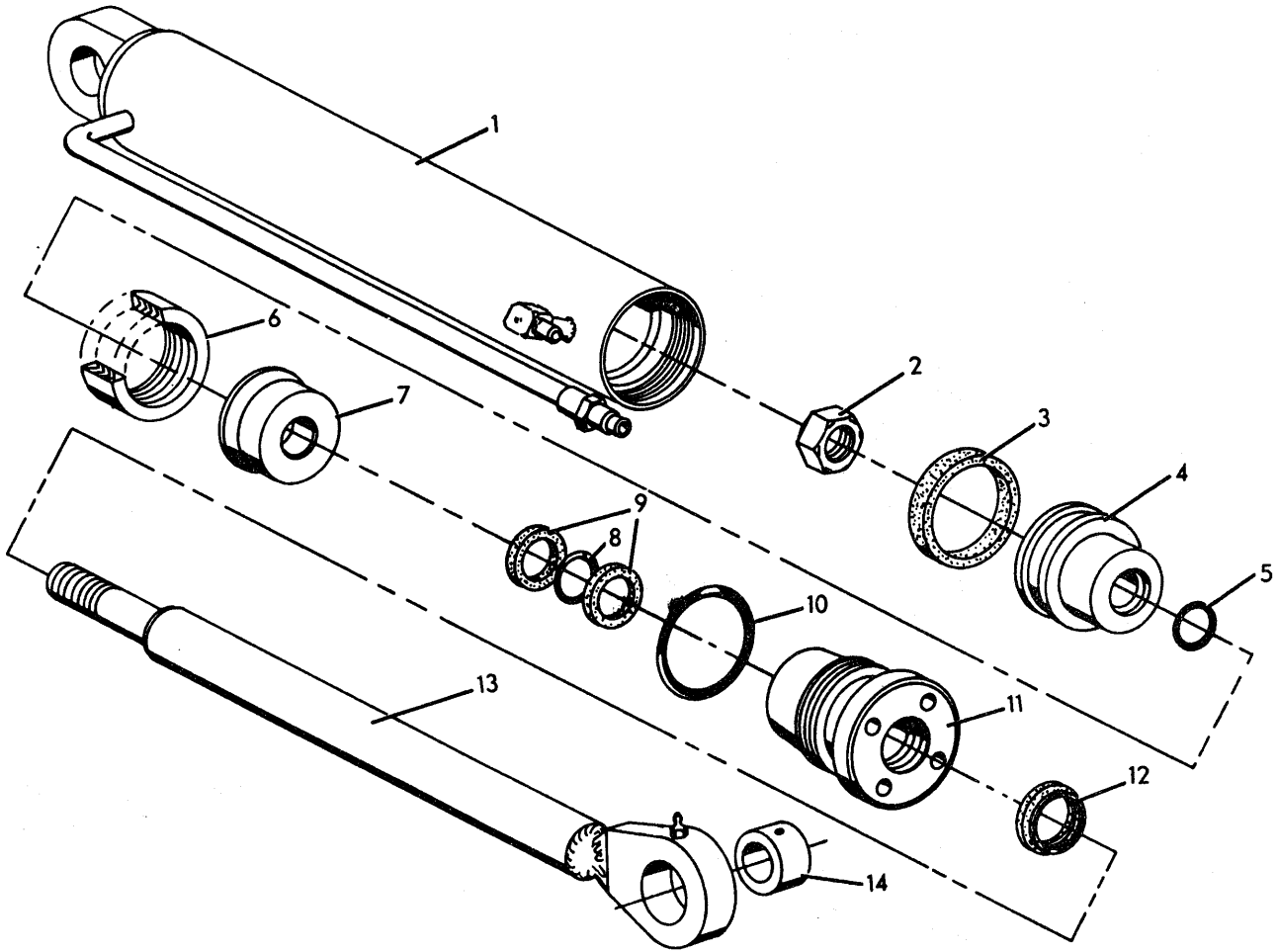
DUMP CYLINDER, LOADER
EFF. S/N 7375 & UP

ITEM	NUMBER	QTY.	DESCRIPTION
—	1000935-5	2	CYLINDER ASY., dump
	0924054-0	4	CONNECTOR, st.
	0924198-5	4	ELBOW, 45 ^o , swivel nut
1	1000936-3	1	ROD ASY.
	0244360-4	1	BUSHING
	0930765-3	1	NUT
2	1000146-9	1	HEAD
3	2014681-7	1	WIPER, rod
4	0923816-3	1	O-RING
5	0926627-1	1	WASHER, backup
6	2018636-7	1	VEE SET
7	1000486-9	1	WASHER, wave
8	2018635-9	1	RING, retainer
9	1000926-4	1	SPACER
10	1000941-3	1	PISTON
11	0923664-7	1	O-RING
12	0924135-7	1	O-RING
13	2017362-1	2	RING, wear
14	2017235-9	1	SEAL, piston
15	1000937-1	1	TUBE ASY.
	0244360-4	1	BUSHING
16	1000913-2	1	RING, flange
17	0912235-9	1	SETSCREW
18	0911325-9	1	NUT, jam
—	1000940-5	—	REPAIR KIT, major seal (Incl. Items 3 thru 6, & 11 thru 14)

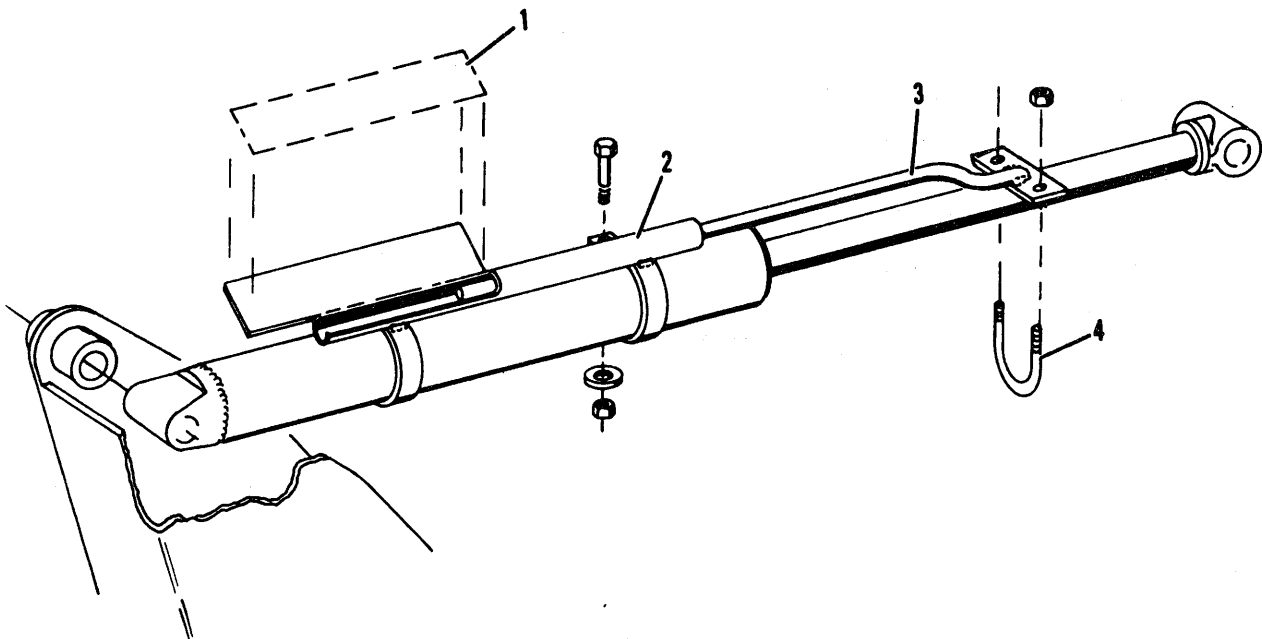
LIFT CYLINDER, LOADER
EFF. S/N 7375 & UP

ITEM	NUMBER	QTY.	DESCRIPTION
—	1000942-1	2	CYLINDER ASY., lift
1	1000944-7	1	ROD ASY.
	0244360-4	1	BUSHING
	0930765-3	1	NUT
2	2019977-4	1	HEAD
3	3053637-9	1	WIPER
4	0923817-1	1	O-RING
5	0926629-7	1	WASHER, backup
6	2018413-1	1	VEE SET
7	2018412-3	1	WASHER, wave
8	2018411-5	1	RING, retaining
9	1000999-1	1	PISTON
10	0923854-4	1	O-RING
11	2018092-3	2	RING, wear
12	2018095-6	1	SEAL, piston
13	0924187-8	1	O-RING
14	1000943-9	1	TUBE ASY.
	0244360-4	1	BUSHING
15	2019978-2	1	RING, flange
16	0912235-9	1	SETSCREW
17	0911325-9	1	NUT, jam
—	1002207-7	—	REPAIR KIT, major seal (Incl. Items 3 thru 6, & 10 thru 13)

CYLINDER
4-IN-1 BUCKET



POSITION INDICATOR
4-IN-1 BUCKET



650 SERIES TRACTORS
HYDRAULICS

227

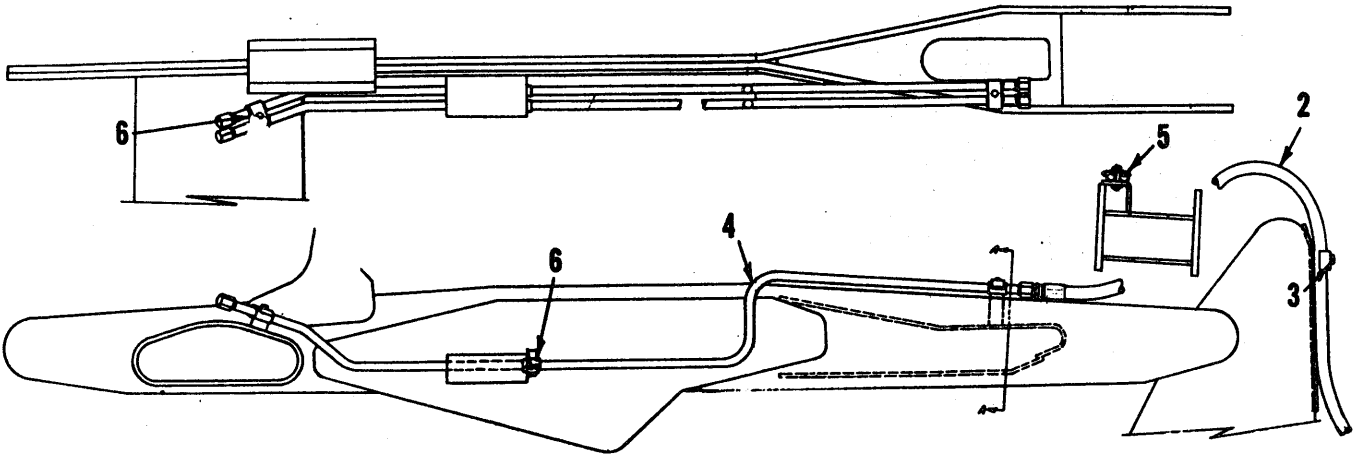
CYLINDER
4-IN-1 BUCKET

ITEM	NUMBER	QTY.	DESCRIPTION
—	0253032-7	1	CYLINDER ASY., bucket
1	0253037-6	1	TUBE ASY., cylinder
2	0930765-3	1	NUT, lock, 1"NF
3	0253934-4	1	RING, wear
4	0253033-5	1	PISTON, bolt
5	0923575-5	1	O-RING, 1" dia.
6	0253035-0	1	PACKING ASY., piston
7	0253036-8	1	PISTON, bolt
8	0253098-8	1	SEAL, o-ring
9	0253039-2	2	WASHER, backup
10	0923581-3	1	O-RING
11	0253041-8	1	RING, wiper
12	0253040-0	1	HEAD, cylinder
13	0253038-4	1	ROD ASY., piston
	0912808-3	1	FITTING, lube, 1/4
14	0253042-6	1	BUSHING

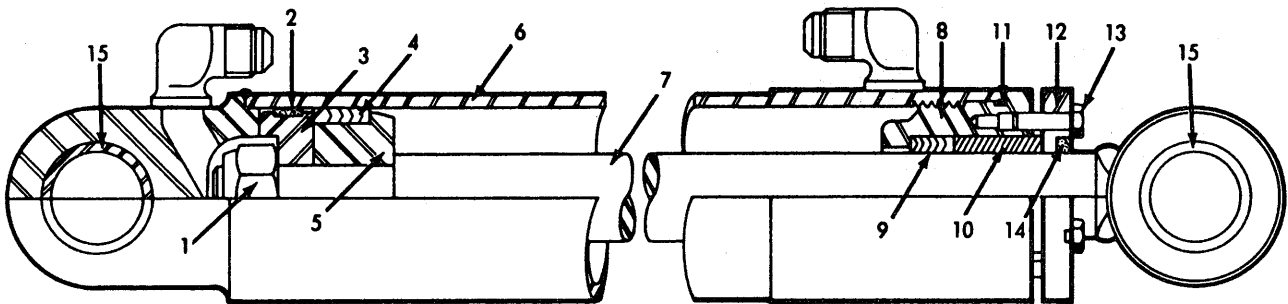
POSITION INDICATOR
4-IN-1 BUCKET

ITEM	NUMBER	QTY.	DESCRIPTION
1	0253052-5	1	PRODUCT, graphic
2	0253053-3	1	INDICATOR ASY.
	0920415-7	2	BOLT, 3/8NC x 1-1/4, Gr. 5
	0916965-7	2	LOCKWASHER, 3/8
	0916950-9	2	NUT, 3/8NC
3	1003687-9	1	ROD, indicator
	0915262-0	2	NUT, 5/16NF
4	0244354-7	1	U-BOLT

BOOM LINES
4-IN-1 BUCKET



LIFT CYLINDER
RIPPER



650 SERIES TRACTORS
HYDRAULICS

229

BOOM LINES
4-IN-1 BUCKET

ITEM	NUMBER	QTY.	DESCRIPTION
1	0924198-5	2	ELBOW, swivel (Not illustrated)
2	1003533-5	2	HOSE ASY., boom to valve
3	1009530-5	1	CLAMP
	0922130-0	1	CAPSCREW, 3/8NC x 2-1/4, Gr. 5
	0916965-7	1	LOCKWASHER, 3/8
	0916950-9	1	NUT, 3/8NC
4	1003543-4	2	TUBE ASY., boom
5	0243207-8	1	CLAMP
	1013344-5	2	CUSHION, clamp
	0926148-8	1	CAPSCREW, 1/4NC x 1-1/2
	0918264-3	1	WASHER
	0916964-0	1	LOCKWASHER, 1/4
	0916622-4	1	NUT, 1/4NC
6	0243207-8	2	CLAMP
	1013344-5	8	CUSHION, clamp
	0921961-9	4	CAPSCREW, 1/4NC x 1-1/4, Gr. 5
	0916964-0	4	LOCKWASHER, 1/4

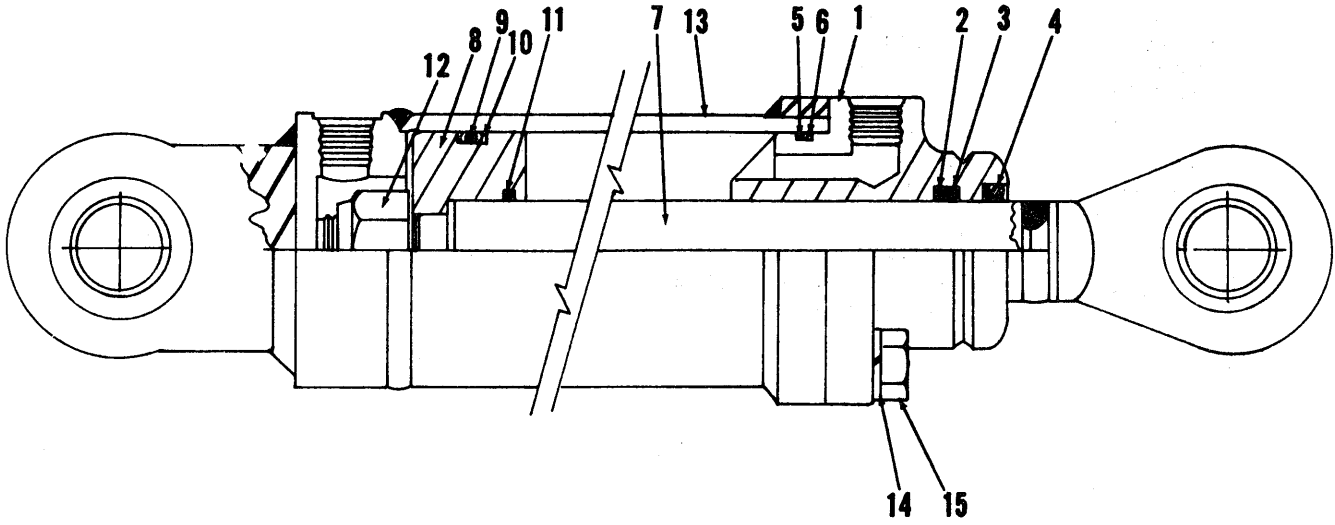
LIFT CYLINDER
RIPPER

ITEM	NUMBER	QTY.	DESCRIPTION
—	—	2	CYLINDER ASY., lift
1	0924718-0	1	NUT, lock
2	3003733-7	1	RING, bearing
3	3003732-9	1	PISTON
4	3003727-9	1	PACKING SET
5	3003726-1	1	PISTON
6	0245403-1	1	TUBE ASY., cylinder (Incl. 1 of Item 15)
7	3012245-1	1	ROD ASY., piston
8	3003717-0	1	HEAD, piston
9	3047561-0	1	PACKING SET
10	3003716-2	1	BEARING, piston rod
11	0923815-5	1	O-RING
12	3003715-4	1	PLATE, end
13	0920622-8	2	CAPSCREW, 5/16NF x 1, Gr. 5
	3003958-0	2	WASHER, lock, 5/16
14	3003714-7	1	RING, wiper
15	3001870-9	2	BUSHING, rod & tube ends

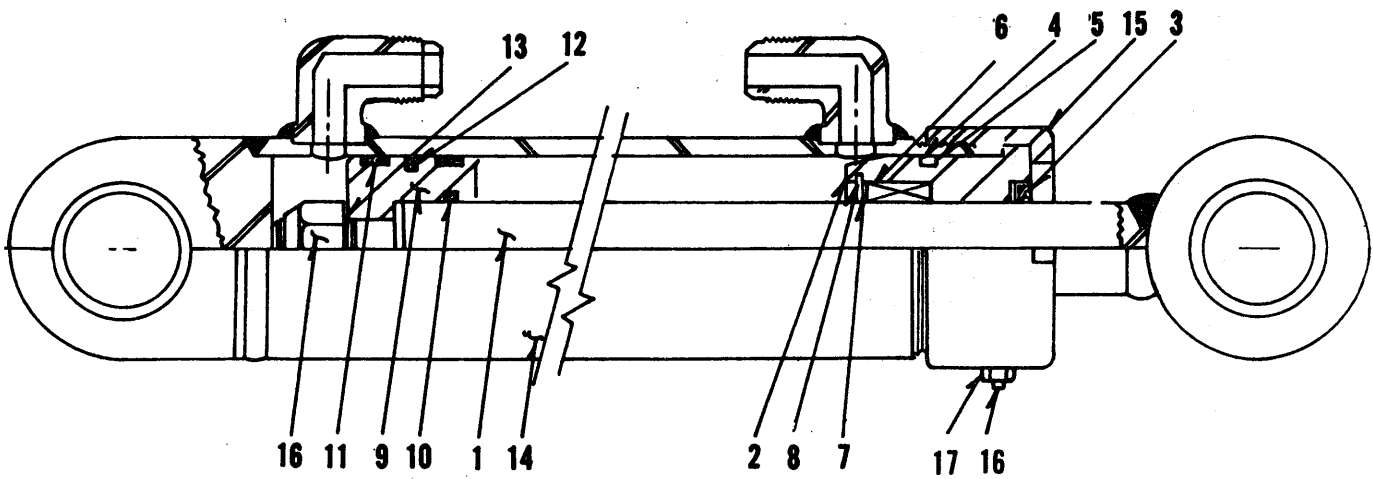
650 SERIES TRACTORS
HYDRAULICS

CYLINDERS

EFF. S/N 7714 & UP ON 652
EFF. S/N 7694 & UP ON 653



LIFT CYLINDER RIPPER



650 SERIES TRACTORS
HYDRAULICS

231

CYLINDERS
EFF. S/N 7714 & UP ON 652
EFF. S/N 7694 & UP ON 653

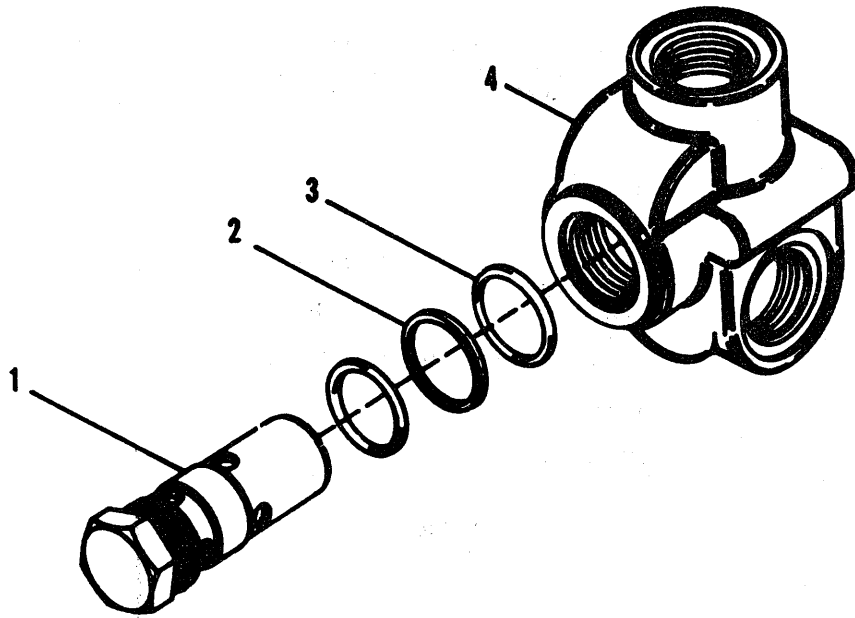
ITEM	NUMBER	QTY.			DESCRIPTION
		*	**	***	
-	1012592-0	1	0	0	CYLINDER ASY., lift (Incl. Items 1 to 15)
-	1008899-5	0	1	0	CYLINDER ASY., angle (Incl. Items 1 to 15)
-	1008898-7	0	0	1	CYLINDER ASY., tilt (Incl. Items 1 to 15)
1	1008902-7	1	1	1	HEAD
2	0923650-6	1	1	1	O-RING
3	1011083-1	1	1	1	RING, backup
4	1008729-4	1	1	1	RING, wiper
5	0923816-3	1	1	1	O-RING
6	0926627-1	1	1	1	RING, backup
7	1008915-9	1	0	0	ROD ASY., piston (Incl. Item 12 & BUSHING)
	1010632-6	1	0	0	BUSHING
	1008911-8	0	1	0	ROD ASY., piston (Incl. Item 12 & BUSHING)
	1010632-6	0	1	0	BUSHING
	1008906-8	0	0	1	ROD ASY., piston (Incl. Item 12 & BUSHING)
	1010632-6	0	0	1	BUSHING
8	1008904-3	1	1	1	PISTON
9	0923830-4	1	1	1	O-RING
10	1011088-0	2	2	2	RING, backup
11	0923664-7	1	1	1	O-RING
12	0930765-3	1	1	1	NUT
13	1008916-7	1	0	0	TUBE ASY. (Incl. BUSHING)

*Lift, Inside & Outside Dozer
**Angle, Inside Dozer
***Tilt, Inside & Outside Dozer

LIFT CYLINDER RIPPER

ITEM	NUMBER	QTY.	DESCRIPTION
-	1000945-4	2	CYLINDER ASY., lift
1	1000973-6	1	ROD ASY.
	3001870-9	1	BUSHING
	0921343-0	1	NUT
2	1000970-2	1	HEAD
3	-----	1	WIPER (Serviced only in KIT 1000974)
4	0923814-8	1	O-RING
5	0926623-0	1	WASHER, backup
6	1000495-0	1	VEE SET
7	1000485-1	1	WASHER, wave
8	0925993-8	1	RING, retainer
9	1000971-0	1	PISTON
10	0923649-8	1	O-RING
11	2017479-3	2	RING, wear
12	0923684-5	1	O-RING
13	0931894-0	1	SEAL, piston
14	1000972-8	1	TUBE ASY.
	3001870-9	1	BUSHING
15	1008372-3	1	RING, flange
16	0912235-9	1	SETSCREW
17	0911325-9	1	NUT, jam
-	1000974-4	-	REPAIR KIT, major seal (Incl. Items 3 thru 6, & 10 thru 13)

INLINE RELIEF VALVE



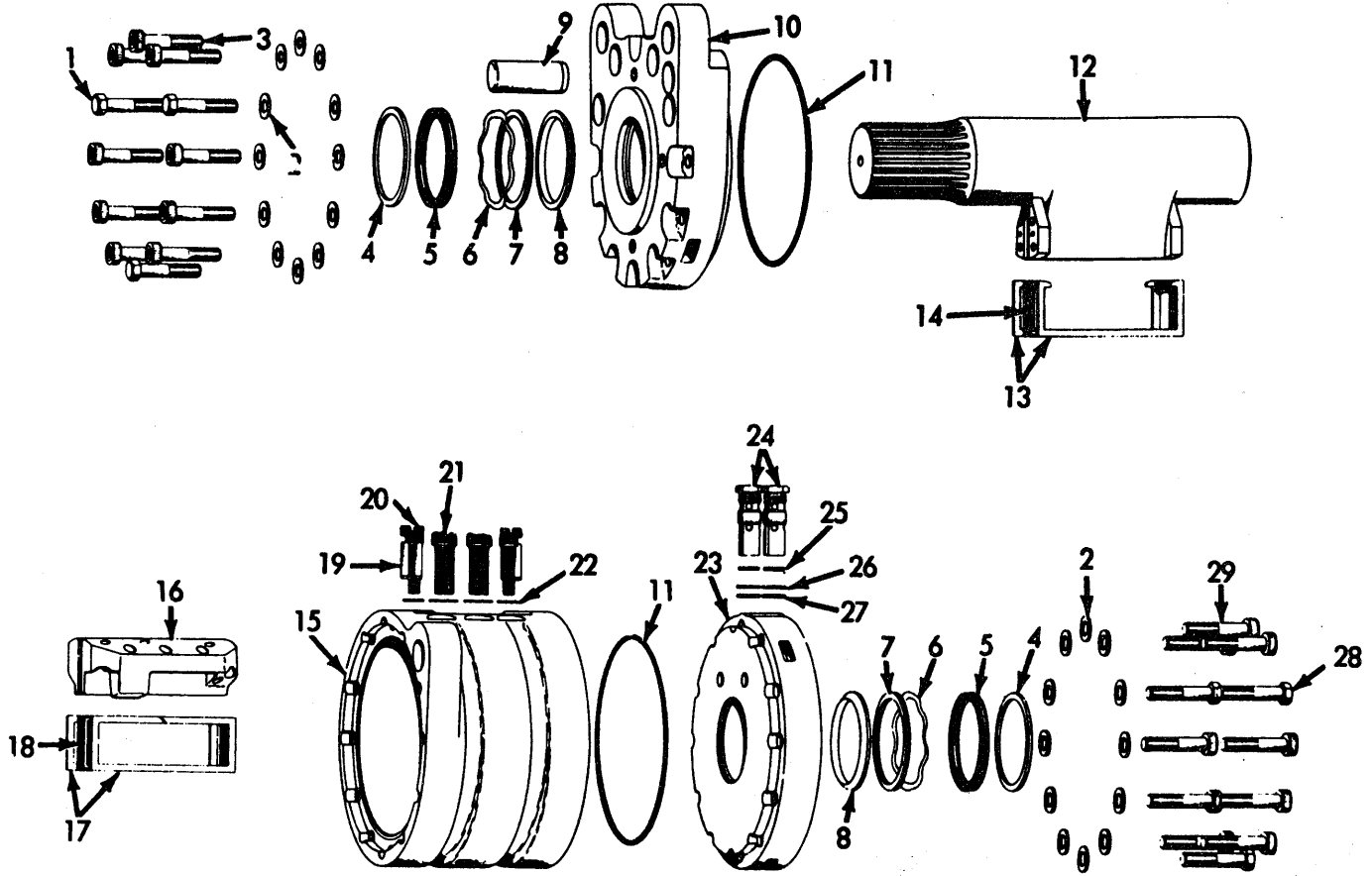
650 SERIES TRACTORS
HYDRAULICS

233

INLINE RELIEF VALVE

ITEM	NUMBER	QTY.	DESCRIPTION
-	1001984-2	1	VALVE ASY., relief
1	2018584-9	1	VALVE, relief (2000 PSI) (Incl. O-RING)
	0923566-4	1	O-RING, 3/8 I.D. x 3/32
2	0926609-9	1	WASHER, backup
3	0923988-0	1	O-RING, 15/16 I.D. x 3/32 wide
4	-----	1	BODY (Not serviced separately)

ROTARY CYLINDER



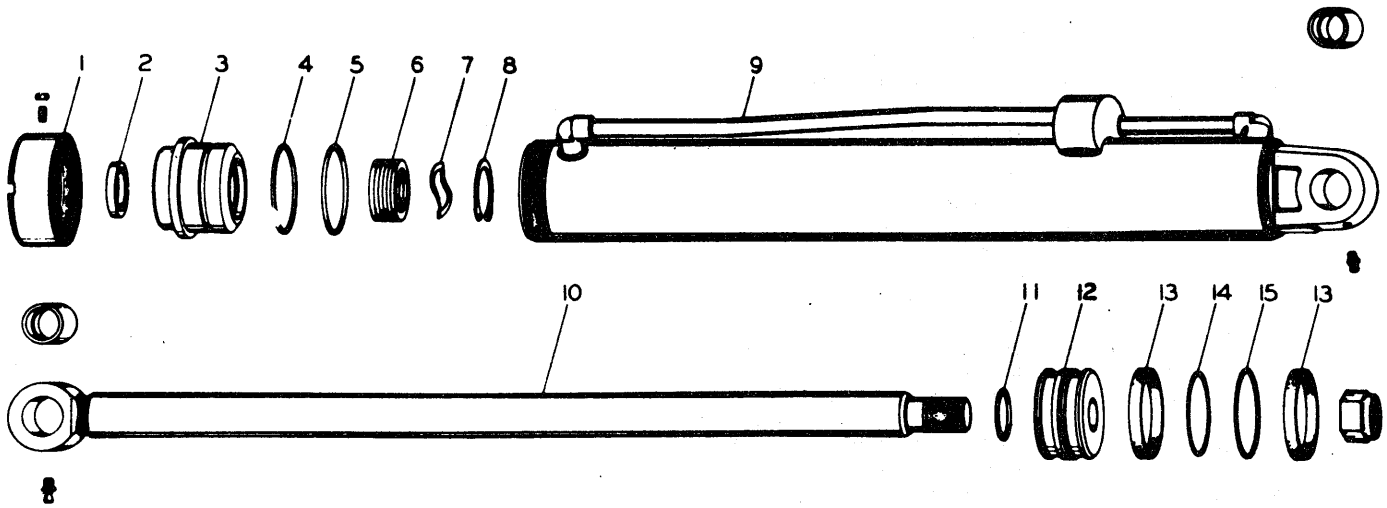
650 SERIES TRACTORS
HYDRAULICS

235

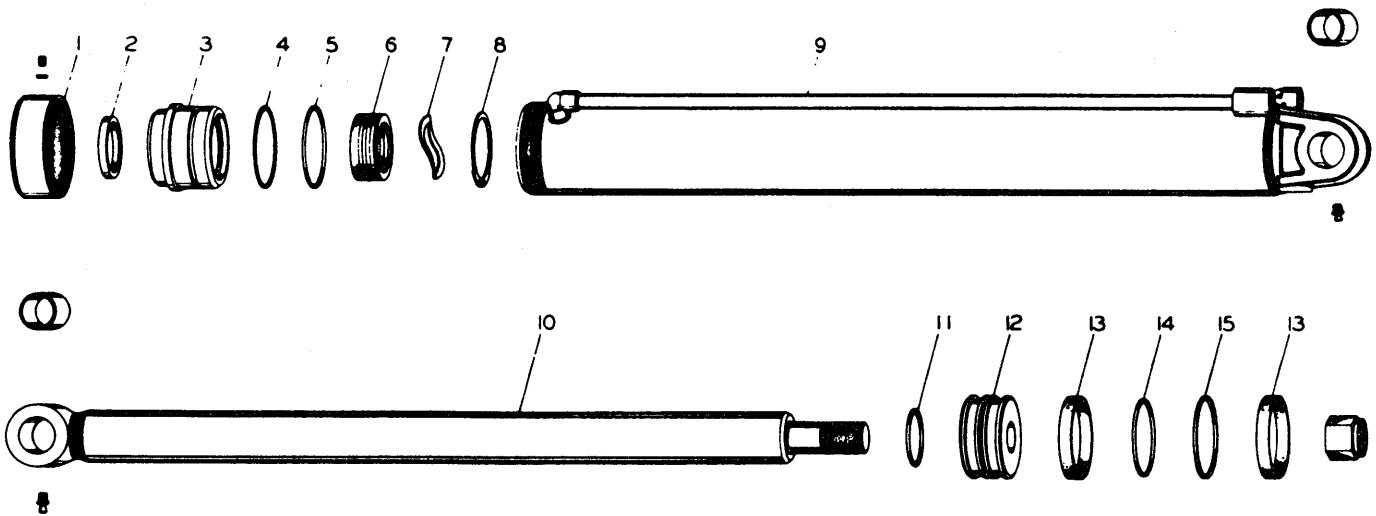
ROTARY CYLINDER

ITEM	NUMBER	QTY.	DESCRIPTION
—	2017979-2	1	CYLINDER ASY., swing (Incl. all Items in this group)
1	0922510-3	3	CAPSCREW, 1/2NC x 2-3/4
2	2016756-5	24	WASHER
3	0930873-5	9	CAPSCREW, socket head
4	2017155-9	2	WASHER, end plate backup
5	2017980-0	2	SEAL, rotary shaft
6	2017981-8	2	WASHER, wave
7	2017982-6	2	RING, retainer
8	2017983-4	2	SEAL, wedge
9	2016757-3	1	PIN, dowel
10	2017984-2	1	PLATE, end, bottom
11	0924143-1	2	O-RING
12	1002162-4	1	SHAFT ASY.
	-----	1	PLATE, rub (Use 1002162)
	1002167-3	1	CAPSCREW
13	2017986-7	2	WASHER, moving vane backup
14	2017987-5	1	SEAL, moving vane
15	2017988-3	1	BARREL ASY. (Incl. Items 16 & 21)
16	-----	1	VANE, stationary (Serviced only in ASY.)
17	2017989-1	2	WASHER, stationary vane backup
18	2017434-8	1	SEAL, stationary vane
19	1002368-7	6	PIN, dowel
20	0918850-9	6	PLUG, pipe, socket, 1/4NPTF
21	0912280-5	6	CAPSCREW, socket hd., 1/2NC x 2, Gr. 8
22	2014855-7	6	WASHER
23	2017991-7	1	PLATE, end top
24	2018313-3	2	VALVE ASY., relief (2000 PSI)
25	0923566-4	2	O-RING
26	0926612-3	2	WASHER, backup
27	0923988-0	2	O-RING
28	0926156-1	3	CAPSCREW
29	2017996-6	9	CAPSCREW, socket hd.
—	2017992-5	—	REPAIR KIT, seal (Incl. Items 4 thru 8, 11, 13, 14, 17, 18, 22, & 25 thru 27)

BOOM CYLINDER



DIPPERSTICK CYLINDER



650 SERIES TRACTORS
HYDRAULICS

237

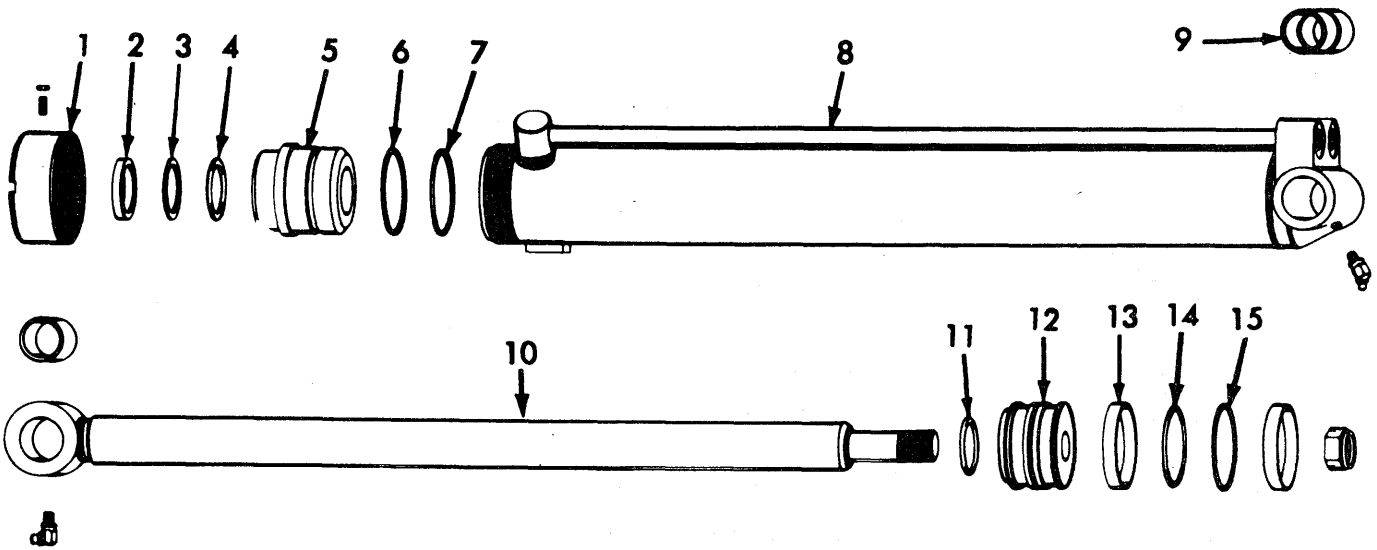
BOOM CYLINDER

ITEM	NUMBER	QTY.	DESCRIPTION
-	1000075-0	1	CYLINDER ASY., boom
1	2019978-2	1	RING, flange
	0907675-3	1	SETSCREW, socket, 1/4 x 1/2
	0911325-9	1	NUT, jam, 1/4
2	3053637-9	1	RING, wiper
3	2019977-4	1	HEAD, cylinder
4	0926629-7	1	WASHER, backup
5	0923817-1	1	O-RING, 3-3/4 I.D. x 4 O.D. x 1/8 wide
6	2018413-1	1	PACKING, vee
7	2018412-3	1	RING, wavy
8	2018411-5	1	RING, retainer
9	1000153-5	1	TUBE ASY., cylinder
	2018393-5	1	BUSHING, 1-1/2 x 2-1/2
	0914465-0	1	FITTING, lube, 1/8 st.
10	1000621-1	1	ROD ASY., piston
	2018393-5	1	BUSHING, 1-1/2 x 2-1/2
	0914465-0	1	FITTING, lube, 1/8 st.
	1000065-1	1	NUT, lock, 1-1/2NF
11	0925257-8	1	O-RING, 2 I.D. x 2-1/4 O.D. x 1/8 wide
12	1000620-3	1	PISTON
13	2018092-3	2	RING, bearing
14	0924187-8	1	O-RING, 3-1/2 I.D. x 3-11/16 O.D. x 3/32 wide
15	2018095-6	1	RING, piston
-	1000622-9	1	REPAIR KIT, major seal (Incl. Items 2, 4 thru 6, 11, & 13 thru 15)

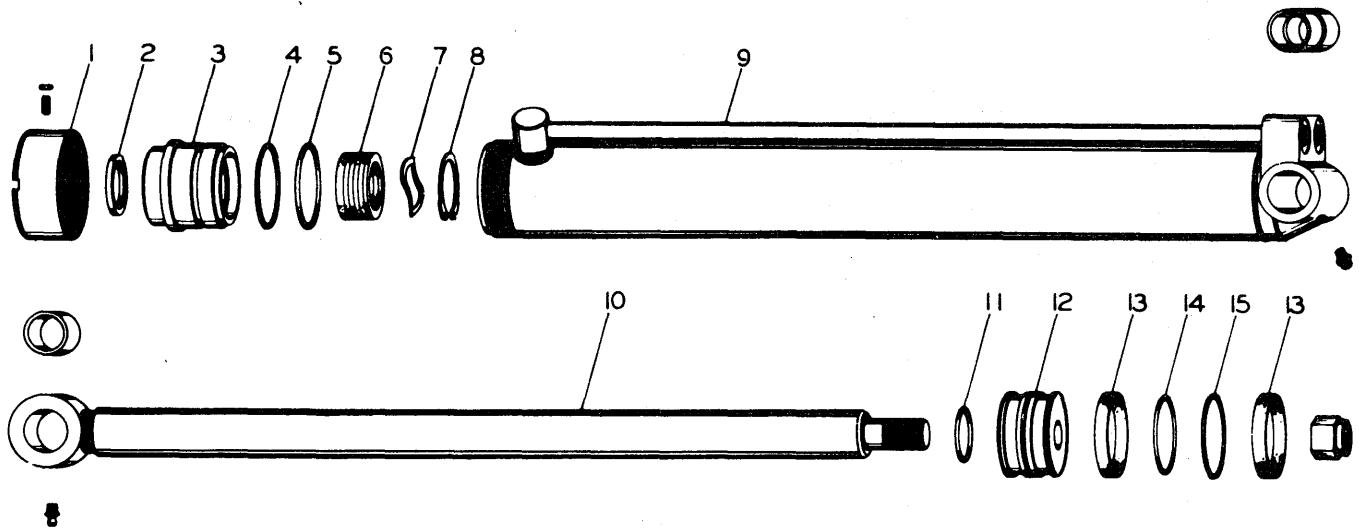
DIPPERSTICK CYLINDER

ITEM	NUMBER	QTY.	DESCRIPTION
-	1000143-6	1	CYLINDER ASY., dipperstick
1	2019978-2	1	RING, flange
	0912235-9	1	SETSCREW, socket, 1/4 x 1/2
	0911325-9	1	NUT, jam, 1/4
2	2018108-7	1	RING, wiper
3	1000171-7	1	HEAD, cylinder
4	0926629-7	1	WASHER, backup
5	0923817-1	1	O-RING, 3-3/4 I.D. x 4 O.D. x 1/8 wide
6	2018501-3	1	PACKING, vee
7	2018503-9	1	RING, wavy
8	0925998-7	1	RING, retainer
9	1017913-3	1	TUBE ASY., cylinder
	2018393-5	1	BUSHING, 1-1/2 x 2-1/2
	0914465-0	1	FITTING, lube, 1/8 st.
10	1000152-7	1	ROD ASY. piston
	2018393-5	1	BUSHING, 1-1/2 x 2-1/2
	0914465-0	1	FITTING, lube, 1/8 st.
	1000065-1	1	NUT, lock, 1-1/2NF
11	0924093-8	1	O-RING, 2-1/2 I.D. x 2-3/4 O.D. x 1/8 wide
12	1000157-6	1	PISTON
13	2018092-3	2	RING, bearing
14	0924187-8	1	O-RING, 3-1/2 I.D. x 3-11/16 O.D. x 3/32 wide
15	2018095-6	1	RING, piston
-	1000144-4	1	REPAIR KIT, major seal (Incl. Items 2, 4 thru 6, 11, & 13 thru 15)

STABILIZER CYLINDER



BUCKET CYLINDER



650 SERIES TRACTORS
HYDRAULICS

239

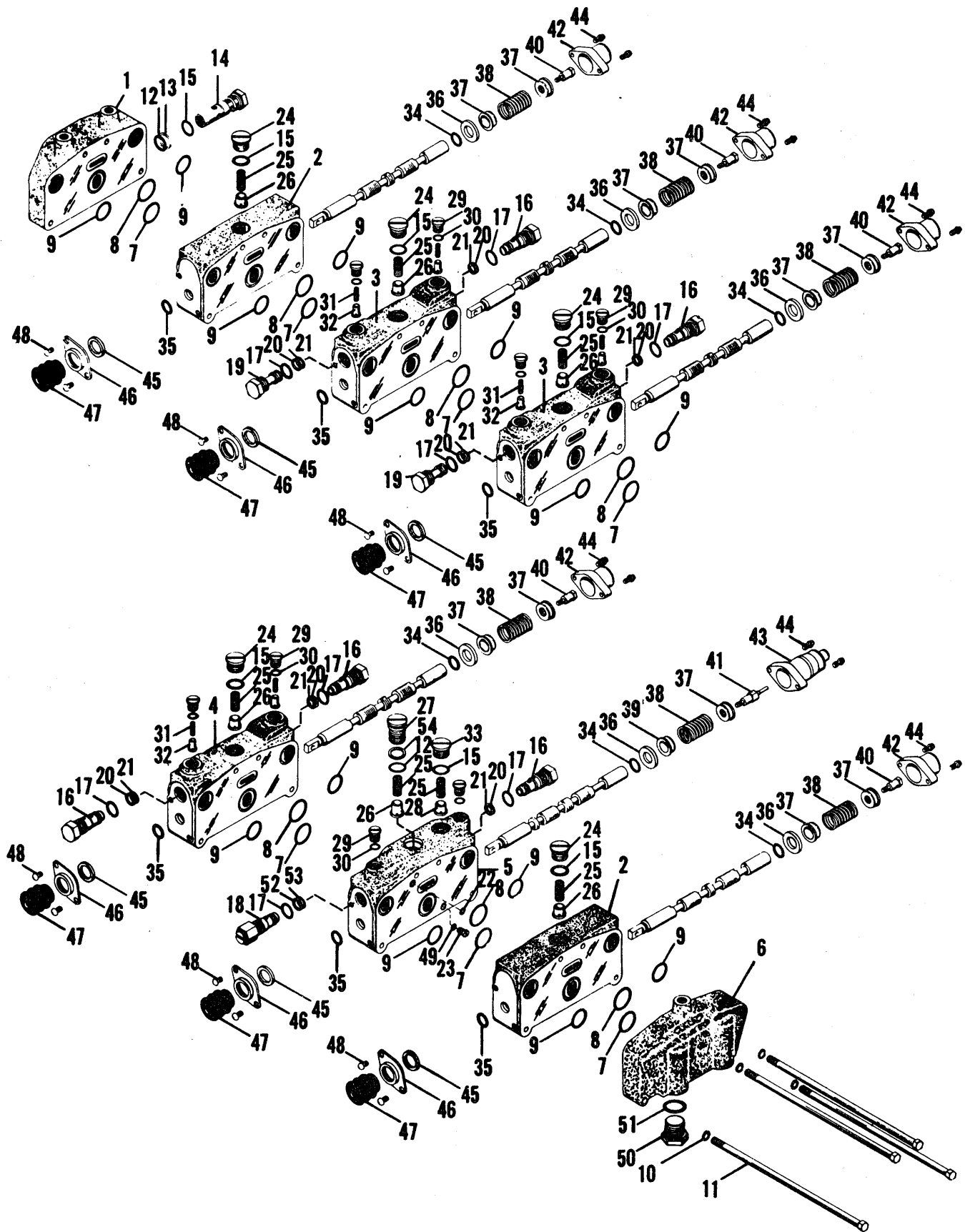
STABILIZER CYLINDER

ITEM	NUMBER	QTY.	DESCRIPTION
—	1001756-4	2	CYLINDER ASY., stabilizer
1	1000913-2	1	RING, flange
	0912235-9	1	SETSCREW, socket, 1/4 x 1/2
	0911325-9	1	NUT, jam, 1/4
2	3053637-9	1	RING, wiper
3	0926641-2	1	WASHER, backup
4	0923854-4	1	O-RING, 2"
5	1000116-2	1	HEAD, cylinder
6	0926627-1	1	WASHER, backup
7	0923816-3	1	O-RING, 3-1/4"
8	1001759-8	1	TUBE ASY., cylinder (Incl. FITTING & Item 9)
	0915274-5	1	FITTING, lube, 45°, 1/8
9	2018402-4	2	BUSHING, tube end
10	1001757-2	1	ROD ASY., piston (Incl. NUT, FITTING, PIN & BUSHING)
	0917776-7	1	NUT, 1-1/4NF
	0915276-0	1	FITTING, lube, 90°, 1/8
	2018402-4	1	BUSHING, rod end
11	0925257-8	1	O-RING, bearing, 1-1/4
12	1000107-1	1	PISTON
13	2017362-1	2	RING, bearing
14	0924135-7	1	O-RING
15	2017235-9	1	RING, piston
—	1000127-9	1	REPAIR KIT, major seal (Incl. Items 2 thru 4, 6, 7, 11, & 13 thru 15)

BUCKET CYLINDER

ITEM	NUMBER	QTY.	DESCRIPTION
—	1000085-9	1	CYLINDER ASY., bucket
1	1000913-2	1	RING, flange
	0912235-9	1	SETSCREW, socket, 1/4 x 1/2
	0911325-9	1	NUT, jam, 1/4
2	3053637-9	1	RING, wiper
3	1000090-9	1	HEAD, cylinder
4	0926627-1	1	WASHER, backup
5	0923816-3	1	O-RING, 3-1/4 I.D. x 3-1/2 O.D. x 1/8 wide
6	2018413-1	1	PACKING, vee
201	0412-2	1	RING, wavy
8	2018411-5	1	RING, retainer
9	1000177-4	1	TUBE ASY., cylinder
	2018402-4	2	BUSHING, 1-1/2 x 1-15/16
	0914465-0	1	FITTING, lube, 1/8 st.
10	1000176-6	1	ROD ASY., piston
	2018402-4	1	BUSHING, 1-1/2 x 1-15/16
	0914465-0	1	FITTING, lube, 1/8 st.
	0917776-7	1	NUT, lock, 1-1/4NF
11	0925257-8	1	O-RING, 2 I.D. 2-1/4 O.D. x 1/8 wide
12	1000107-1	1	PISTON
13	2017362-1	2	RING, bearing
14	0924135-7	1	O-RING, 3 I.D. x 3-3/16 O.D. x 3/32 wide
15	2017235-9	1	RING, piston
—	1000094-1	1	REPAIR KIT, major seal (Incl. Items 2, 4 thru 6, 11, & 13 thru 15)

BACKHOE CONTROL VALVE



650 SERIES TRACTORS
HYDRAULICS

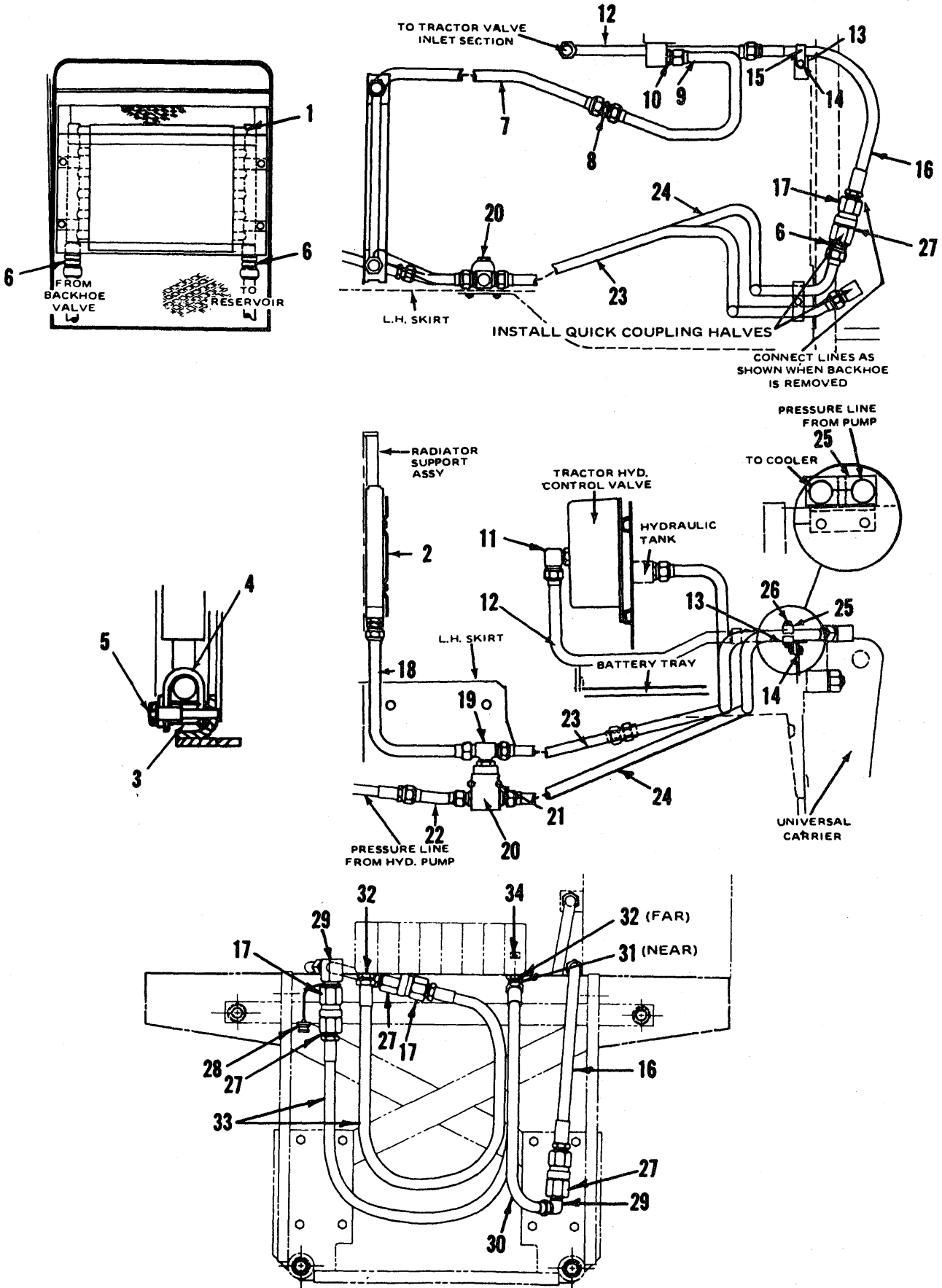
241

BACKHOE CONTROL VALVE

ITEM	NUMBER	QTY.	DESCRIPTION
—	-----	—	CONTROL VALVE ASY.
1	1000760-7	1	PLATE, port
2	1001733-3	2	SECTION, stabilizer valve
3	1001734-1	2	SECTION, dipper & bucket valve
4	1001735-8	1	SECTION, swing valve
5	1001736-6	1	SECTION, boom valve
6	1000203-8	1	PLATE, end
7	0923987-2	7	O-RING, 1-3/8 I.D. x 1/16 wide, 90 Duro.
8	1002663-1	7	O-RING, 1-1/8 I.D. x 1/16 wide, 90 Duro.
9	0923989-8	14	O-RING, 1-1/8 I.D. x 1/16 wide, 70 Duro.
10	0916965-7	4	LOCKWASHER, 3/8
11	1001571-7	4	BOLT, tie
12	0923988-0	1	O-RING, 15/16 I.D. x 3/32 wide, 70 Duro.
13	0926609-9	1	WASHER, backup
14	2017738-2	1	VALVE ASY., relief (2250 PSI)
15	0923566-4	7	O-RING, 7/8 I.D. x 3/32 wide, 70 Duro.
16	1000807-6	5	VALVE ASY., relief (3000 PSI)
17	0923849-4	8	O-RING, 15/16 I.D. x 3/32 wide, 70 Duro.
18	1000806-8	1	VALVE ASY., relief (2000 PSI)
19	1000759-9	2	PLUG ASY.
20	1135116-0	7	WASHER, backup
21	0923376-8	7	O-RING, 9/16 I.D. x 3/32 wide, 70 Duro
22	0928241-9	1	O-RING, 7/16 I.D. x 1/16 wide, 90 Duro
23	1002154-1	1	PLUG ASY.
24	1001907-3	5	PLUG ASY.
25	1000764-9	7	SPRING
26	1000765-6	6	PLUNGER
27	1000813-4	1	PLUG ASY.
28	1000812-6	1	PLUNGER
29	4996409-1	8	PLUG ASY.
30	0923565-6	8	O-RING, 1/2 I.D. x 3/32 wide, 70 Duro.
31	4996404-2	6	SPRING
32	1000818-3	6	PLUNGER
33	1002153-3	1	PLUG ASY.
34	0923719-9	6	O-RING, 3/4 I.D. x 3/32 wide, 70 Duro.
35	0934894-7	6	O-RING, 3/4 I.D. x 1/8 wide, 50 Duro.
36	1000762-3	6	RETAINER
37	1000761-5	11	WASHER
38	1000249-1	6	SPRING
39	1000814-2	1	WASHER, deep
40	0349937-3	5	SCREW
41	1000815-9	1	SCREW
42	1000817-5	5	CAP ASY.
43	1002479-2	1	CAP ASY.
44	1000767-2	12	SCREW, machine
—	1002580-7	—	BOOT KIT (Incl. Items 45 thru 48)
45	-----	6	WASHER, breather
46	-----	6	RETAINER
47	-----	6	DUST SEAL
48	-----	12	SCREW
49	0923663-9	1	O-RING, 3/8 I.D. x 3/32 wide, 70 Duro.
50	0921216-8	1	PLUG
51	0921214-3	1	O-RING, 1.171 I.D. x .116 wide
52	1000844-9	1	WASHER, backup
53	0923945-0	1	O-RING, 5/8 I.D. x 1/16 wide
54	0926612-3	1	WASHER, backup
—	1001780-4	—	REPAIR KIT, port plate
—	1000819-1	—	REPAIR KIT, seal (Incl. 1 ea. of O-RINGS 923566, 923719 & 934894; 2 ea. of O-RINGS 923565, 923376 & 923849; and 2 of WASHER 1131116)
—	1000820-9	—	REPAIR KIT, seal
—	1000821-7	—	REPAIR KIT, seal
—	1002301-8	—	REPAIR KIT (Between SECTIONS)
—	1001597-2	—	REPAIR KIT, major seal

650 SERIES TRACTORS HYDRAULICS

OIL COOLER & PIPING GROUP 650 BACKHOE TO 650 TRACTOR



650 SERIES TRACTORS
HYDRAULICS

243

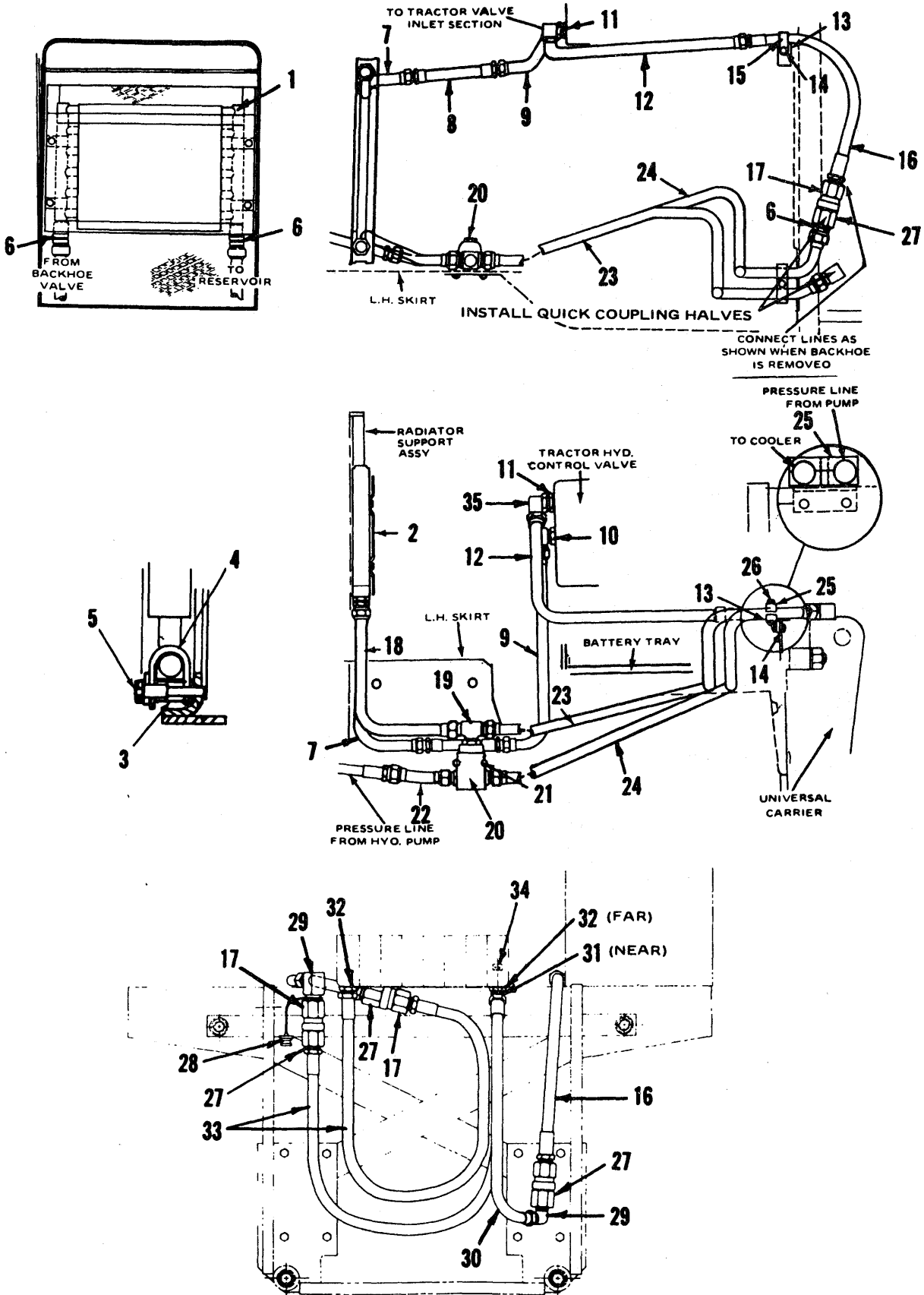
OIL COOLER & PIPING GROUP
650 BACKHOE TO 650 TRACTOR

ITEM	NUMBER	QTY.	DESCRIPTION
1	2020429-3	1	OIL COOLER, hydraulic
2	1003657-2	1	GRILLE
3	1003661-4	4	SPACER
4	1003665-5	4	CLAMP
5	0922130-0	4	CAPSCREW, 3/8NC x2-1/4
	0916965-7	4	LOCKWASHER, 3/8
	0911381-2	4	WASHER
6	0919064-6	3	CONNECTOR, st.
7	1010282-0	1	TUBE ASY., oil cooler to union (Also use 1010284)
8	1010283-8	1	UNION
9	1013302-3	1	TUBE ASY., oil cooler to reservoir w/ tube
10	0924167-0	1	CONNECTOR, st. (Incl. O-RING)
	0921214-3	1	O-RING, 1.171 I.D. x .116 wide
11	0921227-5	1	*ELBOW, adjustable (Incl. O-RING)
	0921214-3	1	O-RING 1.171 I.D. x .116 wide
12	1003656-4	1	TUBE ASY., pressure line tractor to valve
13	1003662-2	2	SUPPORT, tubing
14	0921210-1	5	CAPSCREW, 3/8NC x1
	0916965-7	5	LOCKWASHER, 3/8
	0916950-9	5	NUT, 3/8NC
15	0926922-6	1	CLAMP, hose
16	1003664-8	1	HOSE ASY.
17	0248682-7	3	COUPLING, half-coupler (Service with KIT 251609)
18	1003658-0	1	TUBE ASY., RV to cooler
19	0927590-0	1	TEE, adjustable st. thrd. (Incl. O-RING)
	0921214-3	1	O-RING, 1.171 I.D. x .116 wide
20	-----	1	VALVE, relief (Refer to RELIEF VALVE ASY. for components)
21	0923903-9	2	CAPSCREW, 3/8NC x3
	0916965-7	2	LOCKWASHER, 3/8
	0916950-9	2	NUT, 3/8NC
22	1003659-8	1	TUBE ASY., pump to RV
23	1003655-6	1	TUBE ASY., return line
24	1003654-9	1	TUBE ASY., pressure line RV to rear
25	2019911-3	2	BRACKET, tube
26	0921972-6	1	CAPSCREW, 3/8NC x2-1/2
	0916965-7	1	LOCKWASHER, 3/8
	0916950-9	1	NUT, 3/8NC
27	1002628-4	3	COUPLING, half-nipple
28	1003669-7	1	PLUG, dust
29	0920686-3	2	ELBOW, male, J.I.C.
30	1003660-6	1	HOSE ASY., 1 x24
31	0921215-0	1	ELBOW, 45° adjustable (Incl. O-RING)
	0921214-3	1	O-RING, 1.171 I.D. x .116 wide
32	0921228-3	2	CONNECTOR, st. thrd. (Incl. O-RING)
	0921214-3	2	O-RING, 1.171 I.D. x .116 wide
33	1003663-0	2	HOSE ASY., 1 x48
34	0918851-7	1	PLUG, 3/4NPTF socket (Power Beyond)

*Included with tractor Hydraulics.

650 SERIES TRACTORS HYDRAULICS

OIL COOLER & PIPING GROUP 650 BACKHOE TO HD4 TRACTOR



650 SERIES TRACTORS
HYDRAULICS

245

OIL COOLER & PIPING GROUP
650 BACKHOE TO HD4 TRACTOR

ITEM	NUMBER	QTY.	DESCRIPTION
1	2020429-3	1	OIL COOLER, hydraulic
2	1003657-2	1	GRILLE
3	1003661-4	4	SPACER
4	1003665-5	4	CLAMP
5	0922130-0	4	CAPSCREW, 3/8NC x 2-1/4
	0916965-7	4	LOCKWASHER, 3/8
	0911381-2	1	WASHER
6	0919064-6	3	CONNECTOR, st.
7	1002526-0	1	TUBE ASY., oil cooler to hose
8	1002526-0	1	HOSE ASY., cooler tube to reservoir
9	1002527-8	1	TUBE ASY., oil cooler to reservoir
10	0924026-8	1	ELBOW, adjus., st. thrd. (Incl. O-RING)
	0921214-3	1	O-RING, 1.171 I.D. x .116 wide
11	0923174-7	1	CONNECTOR, st. (Incl. O-RING)
	0921214-3	1	O-RING, 1.171 I.D. x .116 wide
12	1002524-5	1	TUBE ASY., pressure line
13	1003662-2	2	SUPPORT, tubing
14	0921210-1	5	CAPSCREW, 3/8NC x 1
	0916965-7	5	LOCKWASHER, 3/8
	0916950-9	5	NUT, 3/8NC
15	0926922-6	1	CLAMP, hose
16	1003664-8	1	HOSE ASY.
17	0248682-7	3	COUPLING, half-coupler (Service with KIT 251609)
18	1003658-0	1	TUBE ASY., RV to cooler
19	0927590-0	1	TEE, adjustable st. thrd. (Incl. O-RING)
	0921214-3	1	O-RING, 1.171 I.D. x .116 wide
20	-----	1	VALVE, relief (Refer to RELIEF VALVE ASY. for components)
21	0923903-9	2	CAPSCREW, 3/8NC x 3
	0916965-7	2	LOCKWASHER, 3/8
	0916950-9	2	NUT, 3/8NC
22	1003659-8	1	TUBE ASY., pump to RV
23	1003655-6	1	TUBE ASY., return line
24	1003654-9	1	TUBE ASY., pressure line RV to rear
25	2019911-3	2	BRACKET, tube
26	0921972-6	1	CAPSCREW, 3/8NC x 2-1/2
	0916965-7	2	LOCKWASHER, 3/8
	0916950-9	2	NUT, 3/8NC
27	1002628-4	3	COUPLING, half-nipple
28	1003669-7	1	PLUG, dust
29	0920686-3	2	ELBOW, male, J.I.C.
30	1003660-6	1	HOSE ASY., 1 x 24
31	0921215-0	1	ELBOW, 45° adjustable (Incl. O-RING)
	0921214-3	1	O-RING, 1.171 I.D. x .116 wide
32	0921228-3	2	CONNECTOR, st. thrd. (Incl. O-RING)
	0921214-3	2	O-RING, 1.171 I.D. x .116 wide
33	1003663-0	2	HOSE ASY., 1 x 48
34	0918851-7	1	PLUG, 3/4NPTF socket (Power Beyond)
35	0919625-4	1	ELBOW, swivel nut, 45°

SPOOL VALVE GROUP
FIELD INSTALLATION

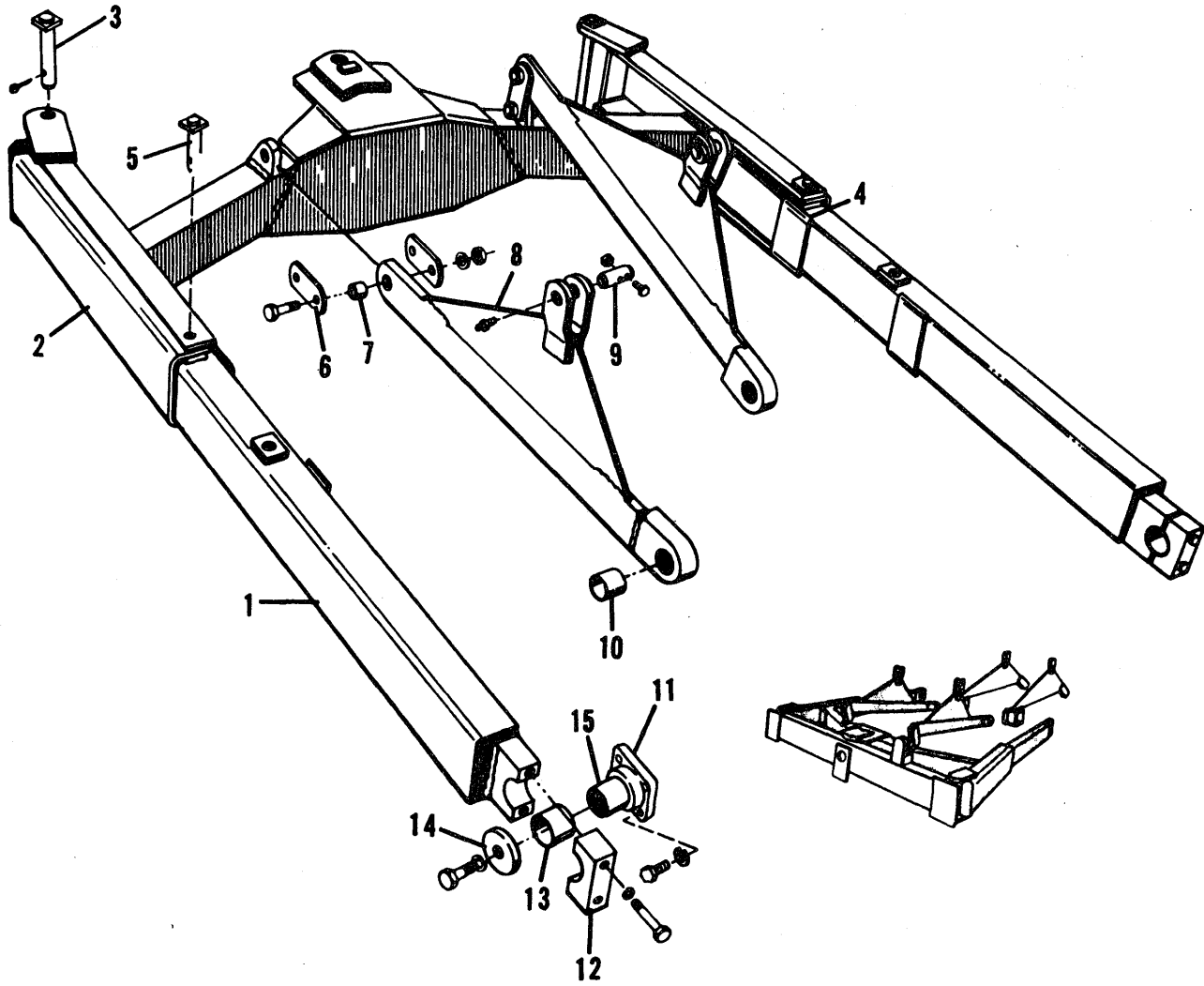
650 SERIES TRACTORS
HYDRAULICS

247

SPOOL VALVE GROUP
FIELD INSTALLATION

ITEM	NUMBER	QTY.	DESCRIPTION
—	1095058-2	—	VALVE KIT, spool
1	1001734-1	1	VALVE SECTION
2	1000807-6	2	VALVE ASY., relief (3000 PSI)
3	0923989-8	4	O-RING, 1-1/8 I.D. x 1/16 wide
4	1002663-1	2	O-RING, 1-1/8 I.D. x 1/16 wide, 90 Duro.
5	0923987-2	2	O-RING, 1-3/8 I.D. x 1/16 wide, 90 Duro.
6	1001608-7	4	BOLT, tie, 3/8NC x 9-7/8
	0916965-7	4	LOCKWASHER, 3/8
7	1003521-0	1	LEVER ASY., outside
8	1003063-3	2	LINK, 1-way
9	1003059-1	2	PIN, clevis
	0918448-2	2	PIN, cotter
10	0243416-5	1	KNOB
11	1003448-6	1	PIVOT SHAFT, short
	0916965-7	1	LOCKWASHER, 3/8
	0916950-9	1	NUT, 3/8NC

C-FRAME, ANGLING ARM & LIFT ARM
OUTSIDE PUSH BEAM ANGLE DOZER



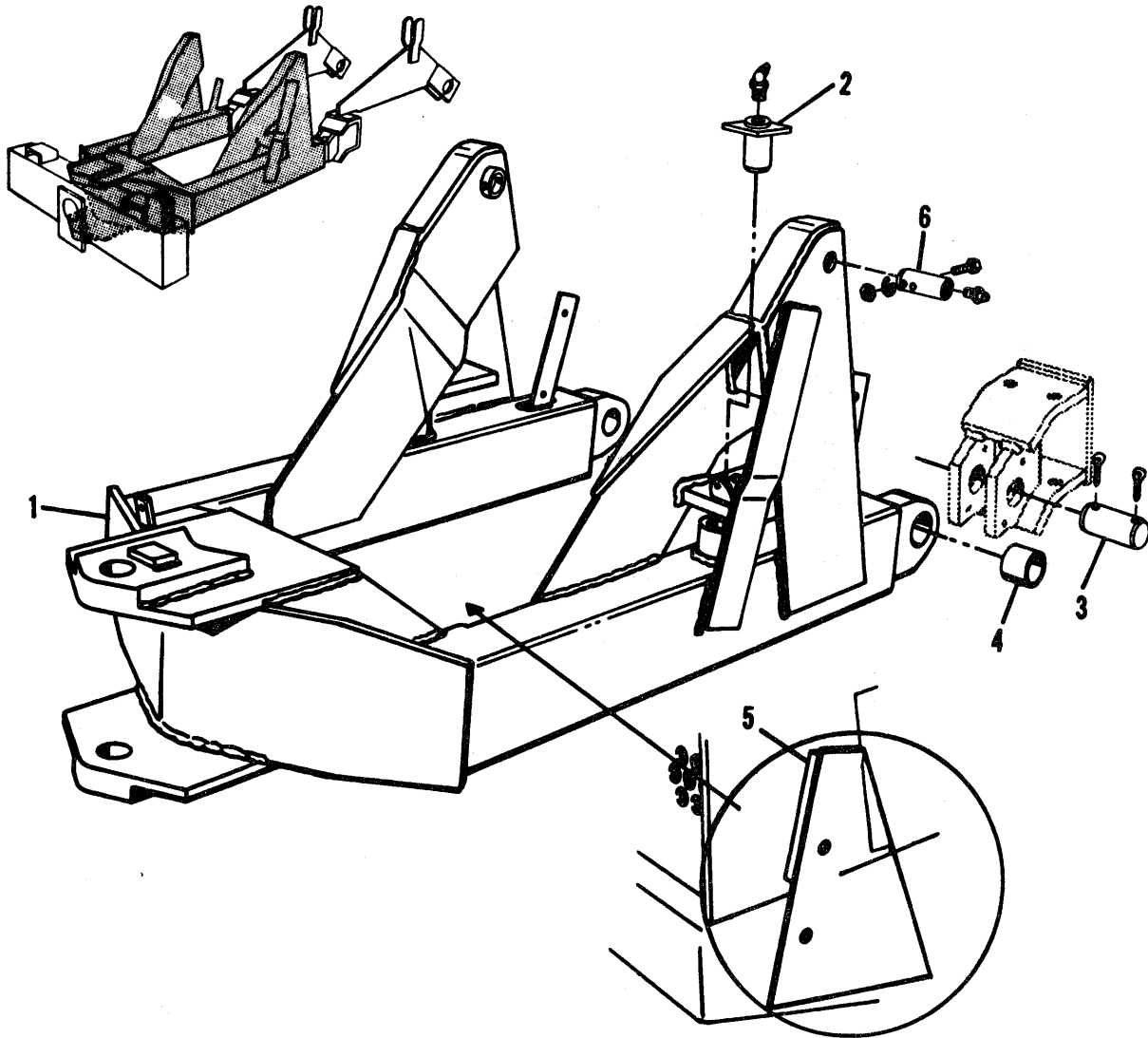
650 SERIES TRACTORS
DOZERS

249

C-FRAME, ANGLING ARM & LIFT ARM
OUTSIDE PUSH BEAM ANGLE DOZER

ITEM	NUMBER	QTY.	DESCRIPTION
1	1011376-9	1	C-FRAME (Incl. WEAR PLATES)
2	1010821-5	2	ARM, angling asy.
3	1010816-5	2	PIN ASY. (front)
	0918463-1	2	PIN, cotter
4	1009264-1	2	PLATE, wear (welded)
5	1010815-7	2	PIN ASY. (rear)
6	1009372-2	4	LINK
	0916302-3	4	CAPSCREW, 1"NC x3-1/2, Gr. 5
	0922020-3	4	LOCKWASHER, 1"
	0922659-8	4	NUT, 1"NC
	1009373-0	4	BUSHING
8	1010893-4	1	ARM, lift asy., L.H. (Incl. Item 10)
	1010894-2	1	ARM, lift asy., R.H. (Incl. Item 10)
9	1011223-3	2	PIN ASY.
	0921972-6	2	CAPSCREW, 3/8NC x2-1/2, Gr. 5
	0916965-7	2	LOCKWASHER, 3/8
	0916950-9	2	NUT, 3/8NC
	0914465-0	2	FITTING, grease
10	1010651-6	2	BUSHING
11	1011425-4	2	SPINDLE ASY. (Incl. INNER BUSHING 410772)
	0916259-5	2	CAPSCREW, 7/8NC x2, Gr. 5
	0919426-7	2	LOCKWASHER, pltd., 7/8
	0916332-0	8	CAPSCREW, 3/4NF x2-1/2
	0919332-7	8	LOCKWASHER, 3/4
12	1010775-3	2	CAP, bearing
	0924763-6	4	CAPSCREW, 3/4NC x3-1/2, Gr. 5
	0919332-7	4	LOCKWASHER, 3/4, pltd.
13	1010771-2	2	BUSHING, spindle (outer)
14	1009363-1	2	WASHER ASY. (Incl. PIN)
	0929993-4	2	PIN
15	1010772-0	2	BUSHING, inner (Not illustrated)

C-FRAME
INSIDE PUSH BEAM ANGLE DOZER



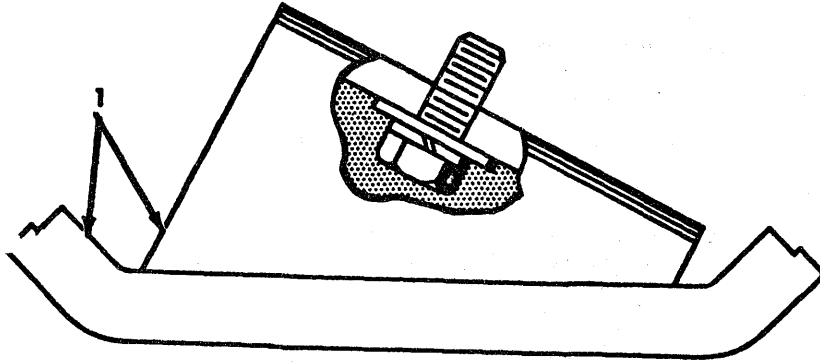
650 SERIES TRACTORS
DOZERS

251

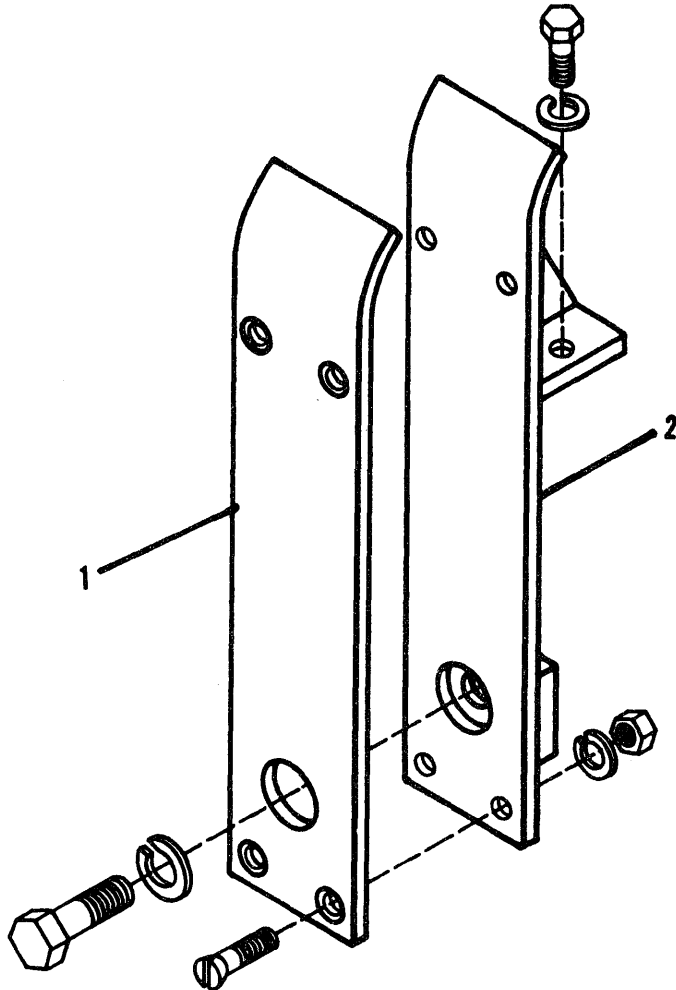
C-FRAME
INSIDE PUSH BEAM ANGLE DOZER

ITEM	NUMBER	QTY.	DESCRIPTION
1	1010903-1	1	C-FRAME (Incl. 2 of Item 4)
2	1010882-7	2	PIN ASY. (In angling cylinder)
	0923938-5	2	CAPSCREW, 3/8NC x 3-1/2, Gr. 5
	0916965-7	2	LOCKWASHER, 3/8
	0916950-9	2	NUT, 3/8NC
	0915275-2	2	FITTING, grease (Assembled in Angling Cyl. Pin)
3	1011423-9	2	PIN
	0901349-1	4	PIN, cotter
4	1010651-6	2	BUSHING
	1010901-5	1	BUMPER ASY., weld, L.H.
	0900840-0	2	CAPSCREW, flat hd., 1/2NC x 2, Gr. 2
	0918431-8	2	WASHER, plain, pltd., 1/2 (USS)
	0916966-5	2	LOCKWASHER, pltd., 1/2
	0916951-7	2	NUT, pltd., 1/2NC
5	1010902-3	1	BUMPER ASY., welded, R.H.
	0900840-0	2	CAPSCREW, flat hd., 1/2NC x 2, Gr. 2
	0918431-8	2	WASHER, plain, pltd., 1/2
	0916966-5	2	LOCKWASHER, pltd., 1/2
	0916951-7	2	NUT, pltd., 1/2NC
6	1011223-3	2	PIN ASY.
	0921972-6	2	CAPSCREW, 3/8NC x 2-1/2, Gr. 5
	0916965-7	2	LOCKWASHER, 3/8
	0916950-9	2	NUT, 3/8NC
	0914465-0	2	FITTING, grease

GRADING SHOE



BUMPER
OUTSIDE PUSH BEAM ANGLE DOZER



650 SERIES TRACTORS
DOZERS

253

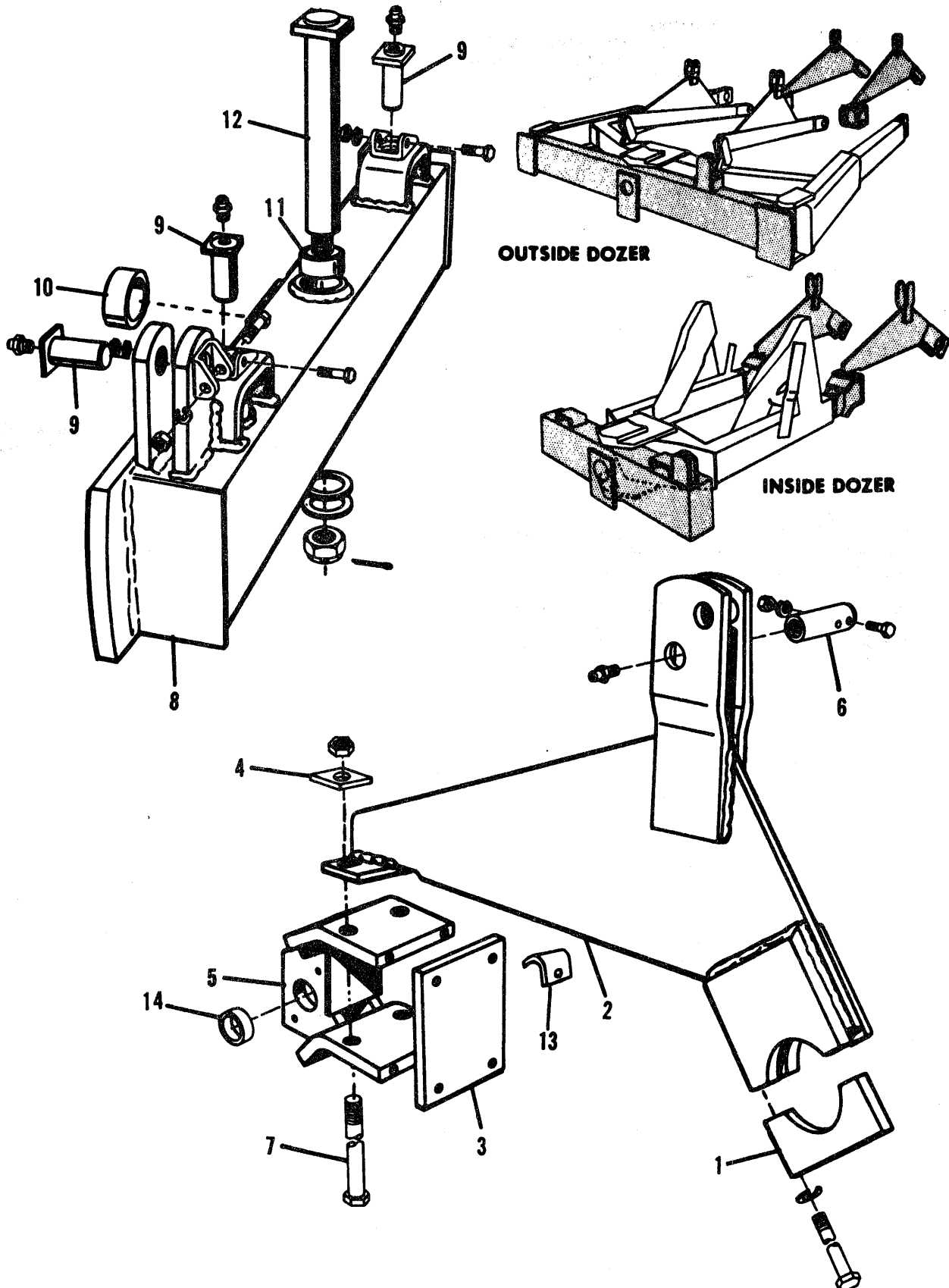
GRADING SHOE

ITEM	NUMBER	QTY.	DESCRIPTION
-	0410832-0	2	SHOE ASY.
1	1012852-8	2	SHOE, grading
	0923114-3	4	CAPSCREW, pltd., 1/2NC x 1, Gr. 5
	0918431-8	4	WASHER, plain, 9/16 x 1-3/8 x No. 12
	0916966-5	4	LOCKWASHER, 1/2

BUMPER
OUTSIDE PUSH BEAM ANGLE DOZER

ITEM	NUMBER	QTY.	DESCRIPTION
1	1011377-7	2	PLATE, wear
	0901401-0	8	CAPSCREW, flat hd., 1/2NC x 1-1/2
	0916966-5	8	LOCKWASHER, 1/2
	0916951-7	8	NUT, 1/2NC
2	1011382-7	2	BUMPER
	0921176-4	4	CAPSCREW, 1/2NC x 1-1/4, Gr. 5
	0916966-5	4	LOCKWASHER, 1/2
	0916332-0	2	CAPSCREW, 3/4NF x 1-1/2, Gr. 5
	0919332-7	2	LOCKWASHER, 3/4

ANCHORS & MOLDBOARD MOUNTING FRAME ASY.



650 SERIES TRACTORS
DOZERS

255

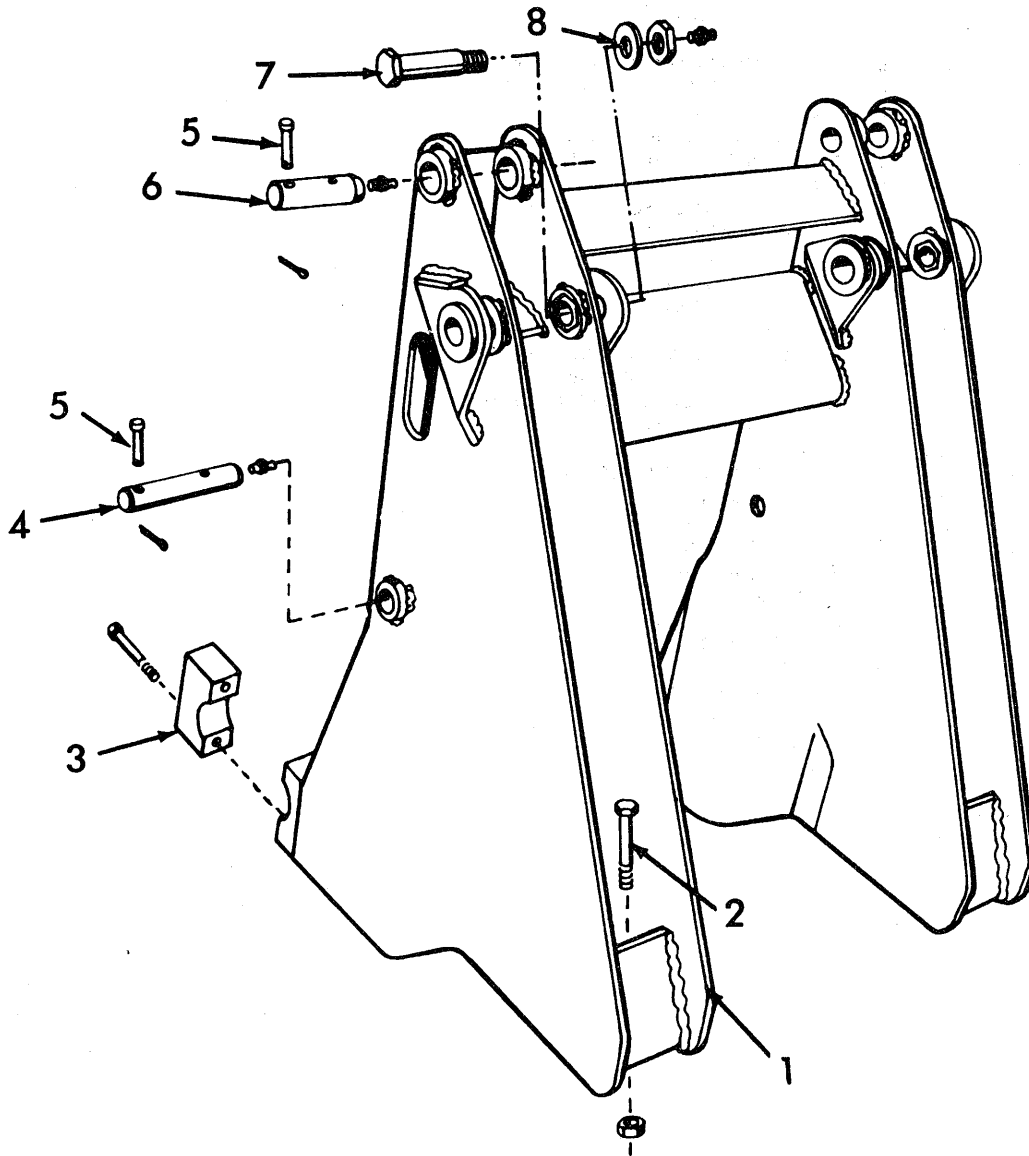
ANCHORS & MOLDBOARD MOUNTING FRAME ASY.

ITEM	NUMBER	QTY.	QTY.	DESCRIPTION
		*	**	
1	1010854-6	4	4	CLAMP, bottom
	0925705-6	8	8	CAPSCREW, pltd., 5/8NC x 5, Gr. 5
	0917373-3	8	8	LOCKWASHER, pltd., 5/8
2	1011385-0	1	1	ANCHOR ASY., ram L.H.
	1011384-3	1	1	ANCHOR ASY., ram R.H.
3	1010849-6	2	2	PLATE
	0923292-7	8	8	CAPSCREW, pltd., 3/4NC x 2, Gr. 5
	0919332-7	8	8	LOCKWASHER, pltd., 3/4
4	1010850-4	4	4	WASHER
5	1010691-2	1	1	ANCHOR ASY. L.H. (Incl. 2 of Item 14)
	1010692-0	1	1	ANCHOR ASY. R.H. (Incl. 2 of Item 14)
6	1011223-3	2	2	PIN ASY.
	0921972-6	2	2	CAPSCREW, 3/8NC x 2-1/2, Gr. 5
	0916965-7	2	2	LOCKWASHER, 3/8
	0916950-9	2	2	NUT, 3/8NC
	0914465-0	2	2	FITTING, grease
7	0926040-7	4	4	BOLT, 1"NC x 10, Gr. 5
	0922659-8	4	4	NUT, pltd., 1"NC
8	1010892-6	1	—	FRAME ASY., mounting, welded (Inside Push Beam) (Incl. 1 of Item 10) (Shown)
	1010891-8	—	1	FRAME ASY., mounting, welded (Outside Push Beam) (Incls. 2 of Item 11)
9	1010822-3	3	1	PIN ASY.
	0923938-5	3	1	CAPSCREW, 3/8NC x 3-1/2, Gr. 5
	0916950-9	3	1	LOCKWASHER, 3/8
	0916965-7	2	2	LOCKWASHER, 3/8
	0914465-0	3	1	FITTING, grease
10	1010694-6	1	1	BUSHING, moldboard pivot
11	1010693-8	2	2	BUSHING
12	1011102-9	1	1	PIN ASY., pivot (welded)
	0916554-9	1	1	NUT, slotted, 1-1/4NC
	0900824-4	2	2	WASHER, 1-1/4
	0918466-4	1	1	PIN, cotter, pltd., 5/16 x 2-1/2
	0922887-5	1	1	FITTING, grease
13	1010834-8	2	1	SKID, hose
14	1011421-3	2	2	BUSHING, for floating pin

*Inside Push Beam

**Outside Push Beam

LOADER FRAME



650 SERIES TRACTORS
LOADER

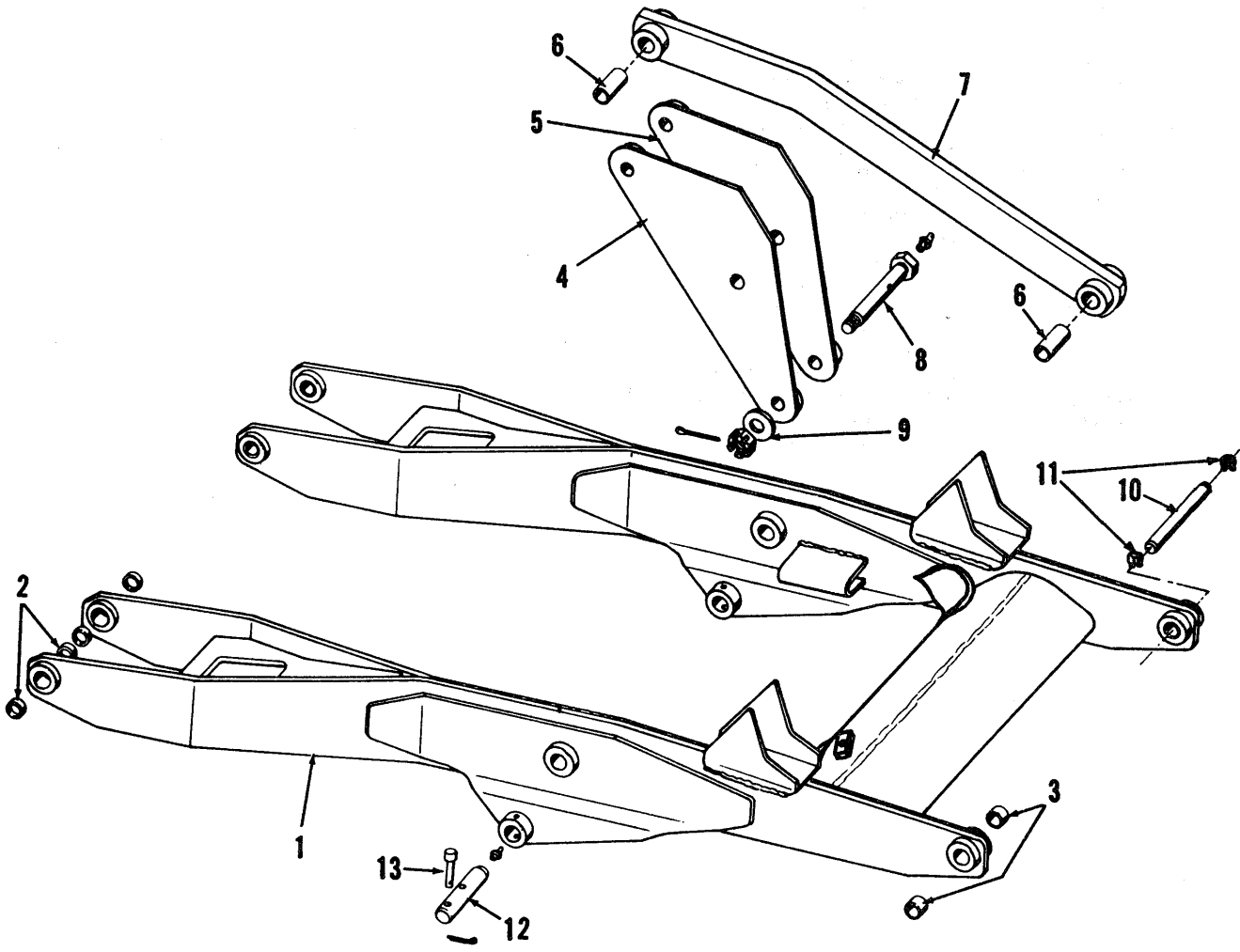
257

LOADER FRAME

ITEM	NUMBER	QTY.	DESCRIPTION
1	1010150-9	1	FRAME ASY., loader
2	0929033-9	4	CAPSCREW
	0922659-8	4	NUT, 1"NC
3	1003435-3	2	BLOCK, trunnion
	0916346-0	4	CAPSCREW, 3/4NC x 7-1/2, Gr. 5
	0910175-9	4	NUT, 3/4NF
4	0245126-8	2	PIN, 8-3/4, w/ carrier bracket
	0244340-6	2	PIN, 7-1/2, loader frame to lift cylinder
	0922887-5	2	FITTING, lube
5	3001621-6	4	PIN, lock
	0918452-4	4	PIN, cotter, 1/8 x 1
6	0244340-6	2	PIN
	0922887-5	2	FITTING, lube
7	1013282-7	4	PIN, rear, boom to loader frame
	0921140-0	4	NUT, Esna, 1-1/4NF
	0922887-5	4	FITTING, lube
8	3024182-2	4	WASHER, pin
	0247298-3	1	BAR, wear, loader, R.H. (Not illustrated)
	0247299-1	1	BAR, wear, loader, L.H. (Not illustrated)
	0924411-2	1	CAPSCREW, 1/2NC x 1-1/4
	0922304-1	1	NUT, lock, 1/2NC
	0917379-0	1	WASHER, plain

650 SERIES TRACTORS
LOADER

BOOM & LINKAGE



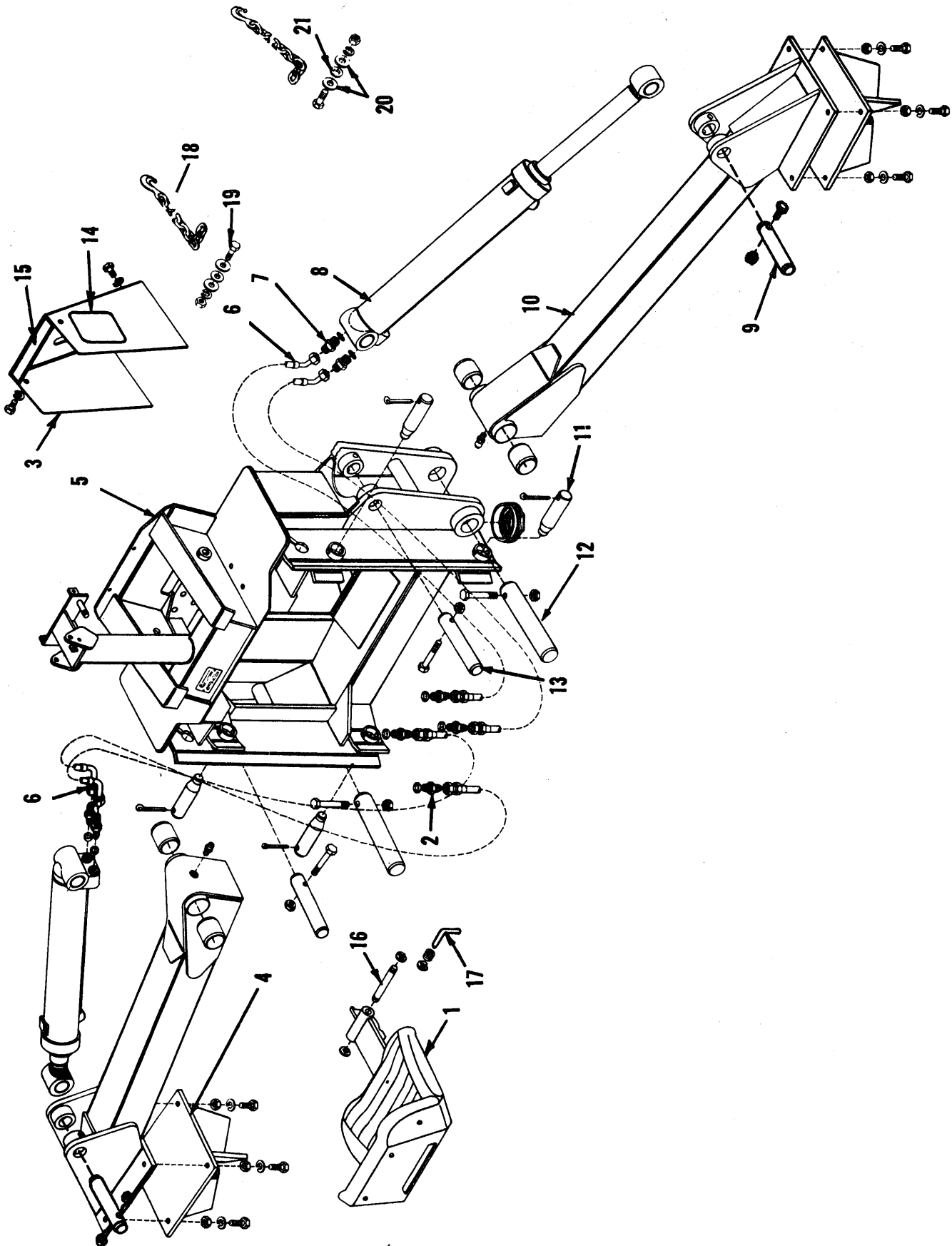
650 SERIES TRACTORS
LOADER

259

BOOM & LINKAGE

ITEM	NUMBER	QTY.	DESCRIPTION
1	1012832-0	1	BOOM ASY. (Incl. Items 2 & 3)
2	0245345-4	4	BUSHING
3	0244360-4	2	BUSHING
4	0245394-2	1	LINK ASY., cross inside, R.H.
	0245395-9	1	LINK ASY., cross inside, L.H.
5	0245392-6	1	LINK ASY., cross outside, R.H.
	0245393-4	1	LINK ASY., cross outside, L.H.
6	0244360-4	4	BUSHING
7	0245453-6	2	LINK ASY. dump (Incl. Item 6)
8	1013281-9	6	PIN, cross link (2 used w/ dump cylinder)
	0922887-5	1	FITTING, lube
	0913662-3	1	NUT, 1-1/4NF
	0919431-7	1	PIN, cotter, 3/16 x 2-1/4
9	3024182-2	6	WASHER, pin
10	1012550-8	2	PIN, bucket
11	0928179-1	4	RING, snap
12	0244345-5	2	PIN, lift cylinder
	0922887-5	1	FITTING, lube
13	3001621-6	2	PIN, lock
	0918452-4	1	PIN, cotter, 1/8 x 1

MAIN FRAME



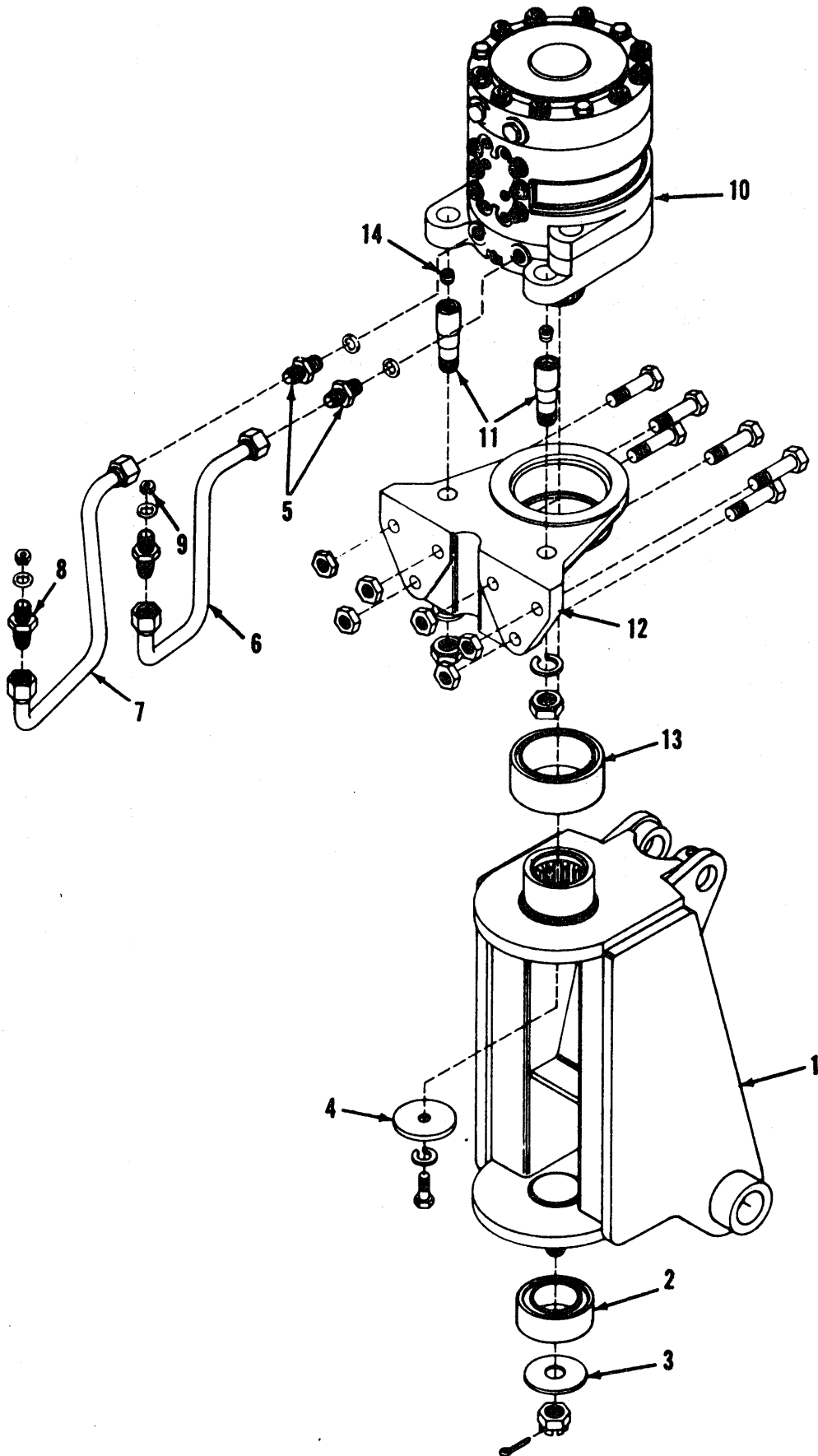
650 SERIES TRACTORS
BACKHOE

261

MAIN FRAME

ITEM	NUMBER	QTY.	DESCRIPTION
1	1001916-4	1	SEAT ASY.
	2017964-4	1	SEAT
	0919390-5	3	WASHER, plain
2	0924296-7	4	CONNECTOR (Incl. O-RING)
	0921206-9	1	O-RING, .924 I.D. x .116 wide
3	1001901-6	1	CONSOLE ASY.
	0921210-1	4	CAPSCREW, 3/8NC x 1, Gr. 5
	0916965-7	4	LOCKWASHER, 3/8
4	1000191-5	2	PAD, stabilizer
	0913105-3	8	CAPSCREW, 1/2NF x 1-1/2
	0916966-5	8	LOCKWASHER, 1/2
	0919423-4	8	NUT, 1/2NF
5	1001818-2	1	FRAME ASY., main sub.
	2014964-7	1	CAP, bearing
6	2019164-9	4	HOSE ASY., 24" (2 wire)
7	0923717-3	4	CONNECTOR (Incl. O-RING)
	0921205-1	4	O-RING, .755 I.D. x .097 wide
8	-----	2	CYLINDER, stabilizer (Refer to STABILIZER CYLINDER for components)
9	2018751-4	2	PIN, stab. cylinder, lower
	0920613-7	2	CAPSCREW, 3/8NF x 3
	0914929-5	2	NUT, 3/8NF
10	2018483-4	2	STABILIZER ASY.
	1004100-2	4	BUSHING
	0914465-0	2	FITTING, lube, 1/8
11	2018384-4	4	PIN, mounting
	0901349-1	4	PIN, cotter, 3/8 x 3
12	2017942-0	2	PIN, stab. mounting
	0919236-0	2	CAPSCREW, 1/2NF x 4
	0915315-6	2	NUT, 1/2NF
13	2018499-0	2	PIN, stab. cylinder, upper
	0920613-7	2	CAPSCREW, 3/8NF x 3
	0914929-5	2	NUT, 3/8NF
14	1003483-3	2	DECAL (650)
15	2020165-3	1	DECAL, control
16	1001912-3	1	PIN, seat
	1000376-2	2	E-RING, 3/4
17	1001915-6	1	PIN
	2017187-2	1	SPRING
	0227976-8	1	E-RING, 1/2
18	1000785-4	2	CHAIN, transport
19	0922664-8	2	CAPSCREW, 5/8NF x 2, Gr. 5
	0917373-3	2	LOCKWASHER, 5/8
	0915726-4	2	NUT, 5/8NF
20	0922530-1	4	WASHER, flat
21	2018267-1	2	WASHER, special

SWING FRAME



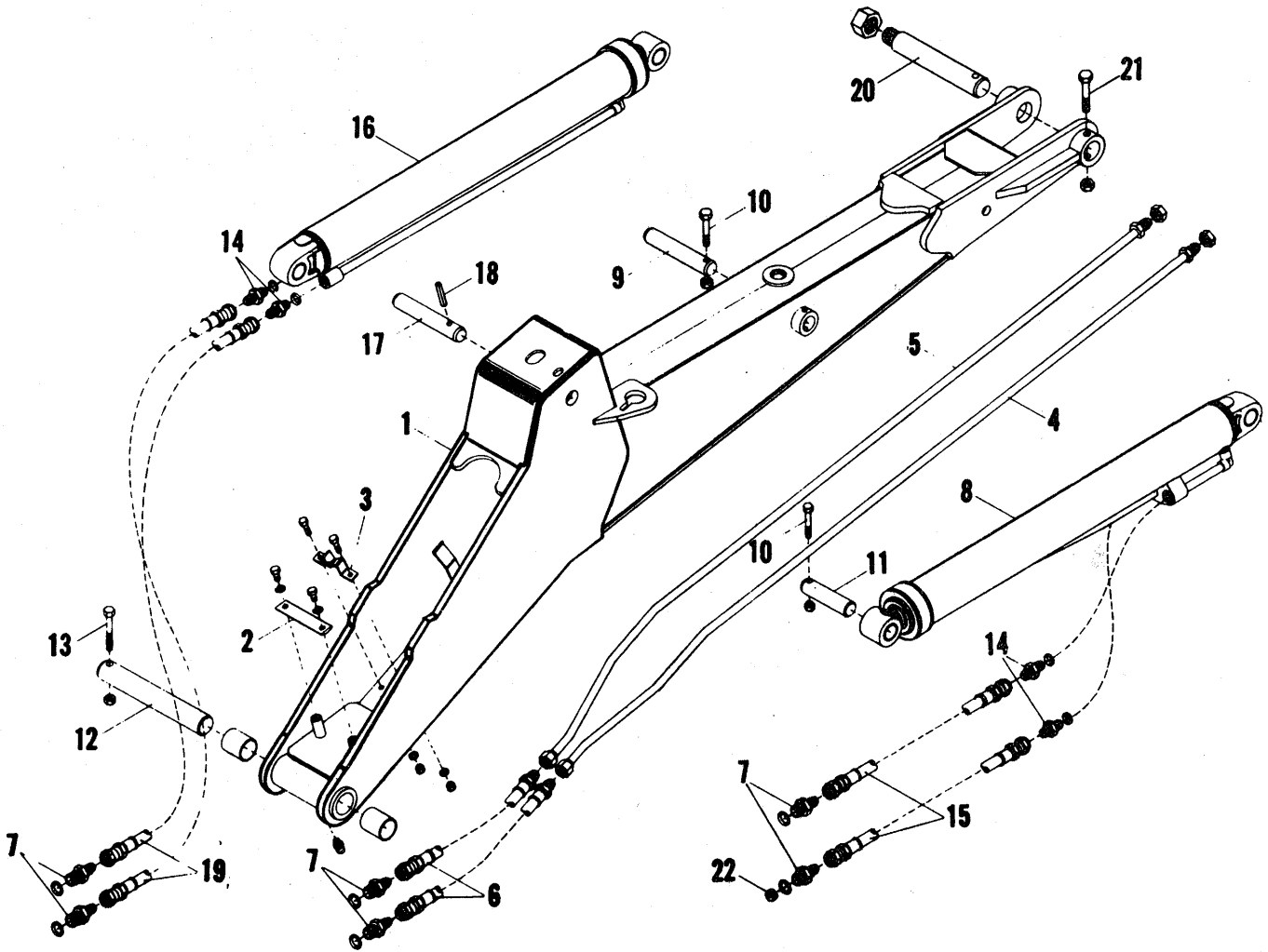
650 SERIES TRACTORS
BACKHOE

263

SWING FRAME

ITEM	NUMBER	QTY.	DESCRIPTION
1	2017894-3	1	FRAME ASY., swing
	0923077-2	1	NUT, 1"NF
	0922002-1	1	PIN, cotter, 3/16 x 2
2	2014889-6	1	BEARING ASY., lower
3	2014977-9	1	WASHER, retainer
4	2017902-4	1	WASHER, cylinder retainer
	0921176-4	1	CAPSCREW, 1/2NF x 1-1/4
	0916966-5	1	LOCKWASHER, 1/2
5	0921409-9	2	CONNECTOR (Incl. O-RING)
	0921205-1	2	O-RING, .755 I.D. x .097 wide
6	1001854-7	1	TUBE, R.H., swing
7	1001855-4	1	TUBE, L.H., swing
8	0924296-7	2	CONNECTOR (Incl. O-RING)
	0921206-9	2	O-RING, .924 I.D. x .116 wide
9	1001525-3	2	PLATE, orifice
10	-----	1	CYLINDER ASY., rotary swing (Refer to ROTARY SWING CYLINDER for components)
11	2019822-2	2	ANCHOR, swing cylinder
	0922020-3	2	LOCKWASHER, 1"
	0916601-8	2	NUT, jam, 1"NC
12	2017896-8	1	BRACKET, upper pivot
	1002981-7	2	SHIM (Use as req'd)
	0900818-6	1	WASHER, 1/2"
	0923137-4	6	CAPSCREW, 3/4NF x 3
	0916022-7	6	NUT, lock, 3/4NF
13	2017895-0	1	BEARING ASY., upper
14	0918887-1	2	PLUG, socket, 3/8NPT

BOOM GROUP



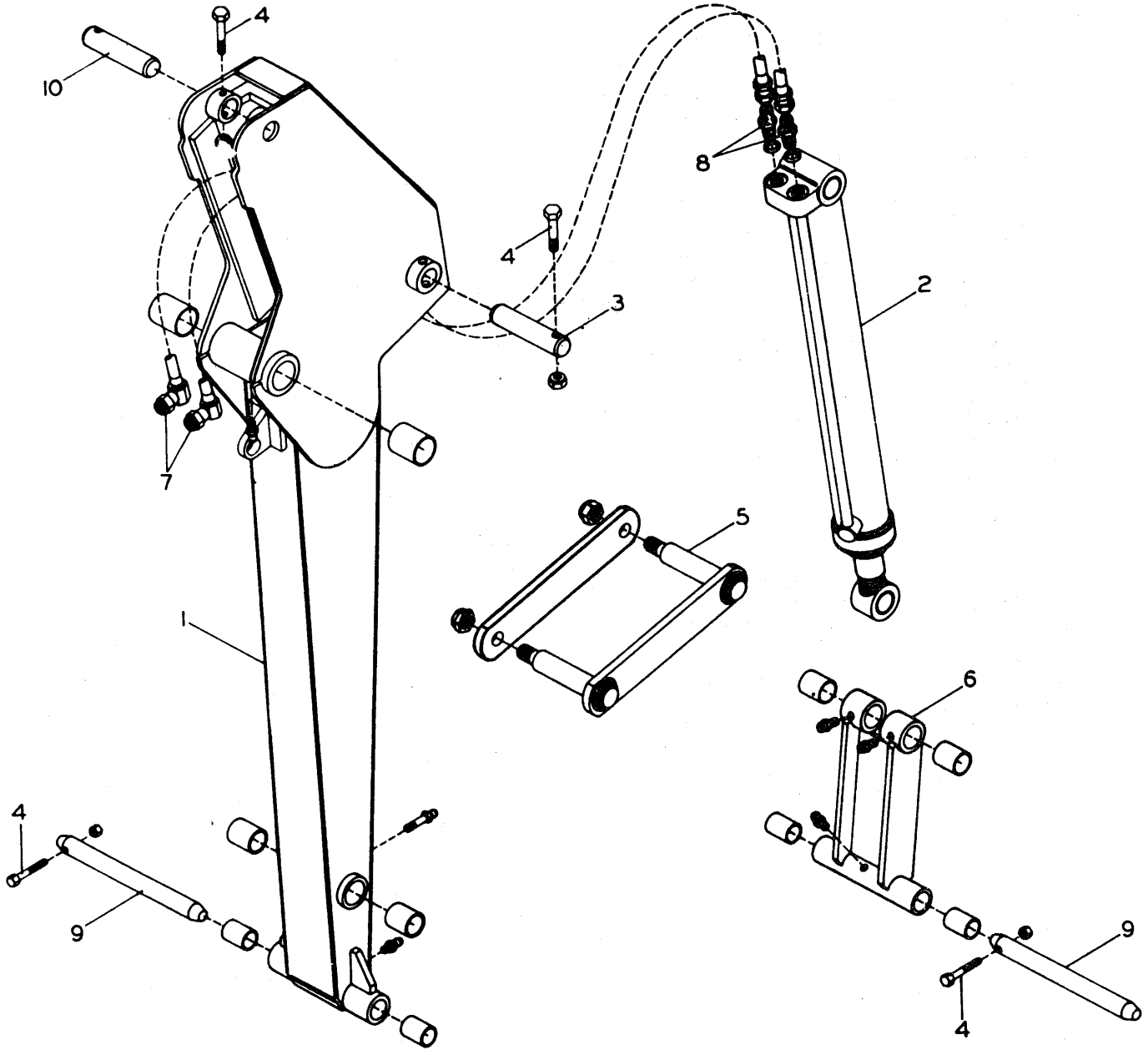
650 SERIES TRACTORS
BACKHOE

265

BOOM GROUP

ITEM	NUMBER	QTY.	DESCRIPTION
1	2018479-2	1	BOOM ASY. (Incl. Items 2 & 3, & FITTINGS & BUSHINGS)
	0914465-0	1	FITTING, lube, 1/8
	1004100-2	2	BUSHING, 2" I.D. x 2-1/2 lg.
2	1000172-5	1	BAR
	0921333-1	2	CAPSCREW, 5/16NC x 1, Gr. 5
	0917356-8	2	LOCKWASHER, 5/16
3	1000720-1	1	CLAMP, tube
	0926148-8	2	CAPSCREW, 1/4NC x 1-1/2, Gr. 5
	0916964-0	2	LOCKWASHER, 1/4
	0916622-4	2	NUT, 1/4NC
4	1000426-5	1	TUBE, bucket cylinder, right
	0906909-7	1	NUT, jam, 7/8NF
5	1000425-7	1	TUBING, bucket cylinder, left
	0906909-7	1	NUT, jam, 7/8NF
6	1000392-9	2	HOSE ASY., 1/2 x 54 (2 wire)
7	0924023-5	6	CONNECTOR, reducing (Incl. O-RING)
	0921206-9	6	O-RING, .924 I.D. x .116 wide
8	-----	1	CYLINDER ASY., boom (Refer to BOOM CYLINDER ASY. for components)
9	2018400-8	1	PIN, boom cylinder tail
10	0920613-7	2	CAPSCREW, 3/8NF x 3, Gr. 5
	0914929-5	2	NUT, 3/8NF
11	2019607-7	1	PIN, boom cylinder rod
12	2017944-6	1	PIN, boom
13	0919236-0	1	CAPSCREW, 1/2NF x 4, Gr. 5
	0915315-6	1	NUT, 1/2NF
14	0921326-5	4	CONNECTOR, st. (Incl. O-RING)
	0921205-1	4	O-RING, .755 I.D. x .097 wide
15	1000391-1	2	HOSE ASY., 1/2 x 98 (2 wire)
16	-----	1	CYLINDER ASY., dipper (Refer to DIPPER CYLINDER ASY. for components)
17	2018386-9	1	PIN, dipper cylinder
18	0925459-0	1	PIN, spirol, 3/8 x 2-1/2
19	1000390-3	2	HOSE ASY., 1/2 x 90 (2 wire)
20	1000234-3	1	PIN, dipper pivot
	0917835-1	1	NUT, 1-1/2NF
21	0919177-6	1	CAPSCREW, 1/2NF x 4-1/2, Gr. 5
	0915315-6	1	NUT, 1/2NF
22	2018964-3	1	PLATE, orifice, 1/4 hole

DIPPERSTICK GROUP



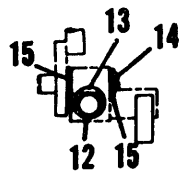
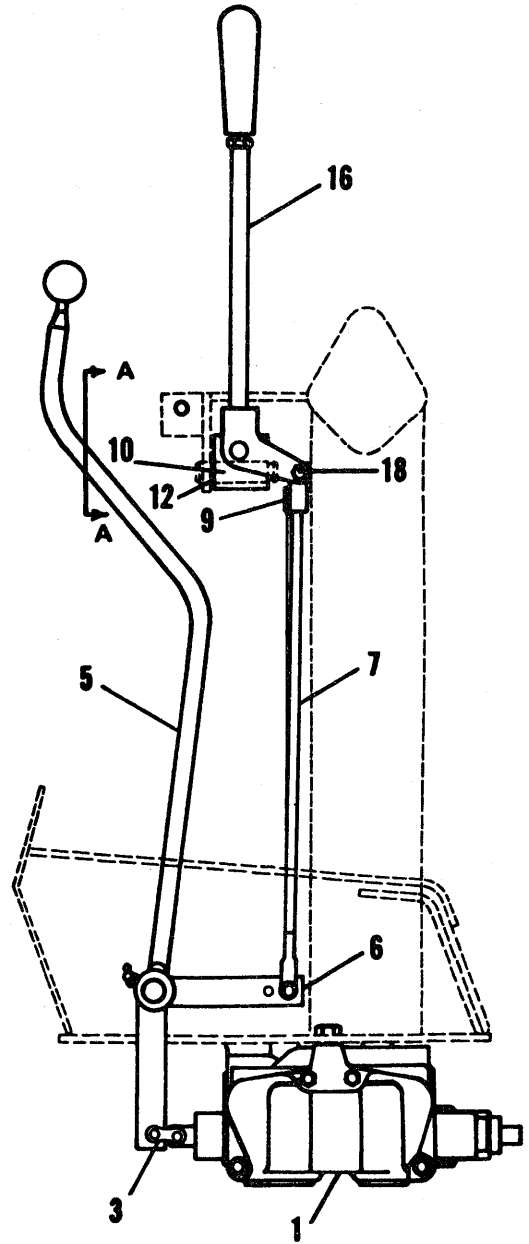
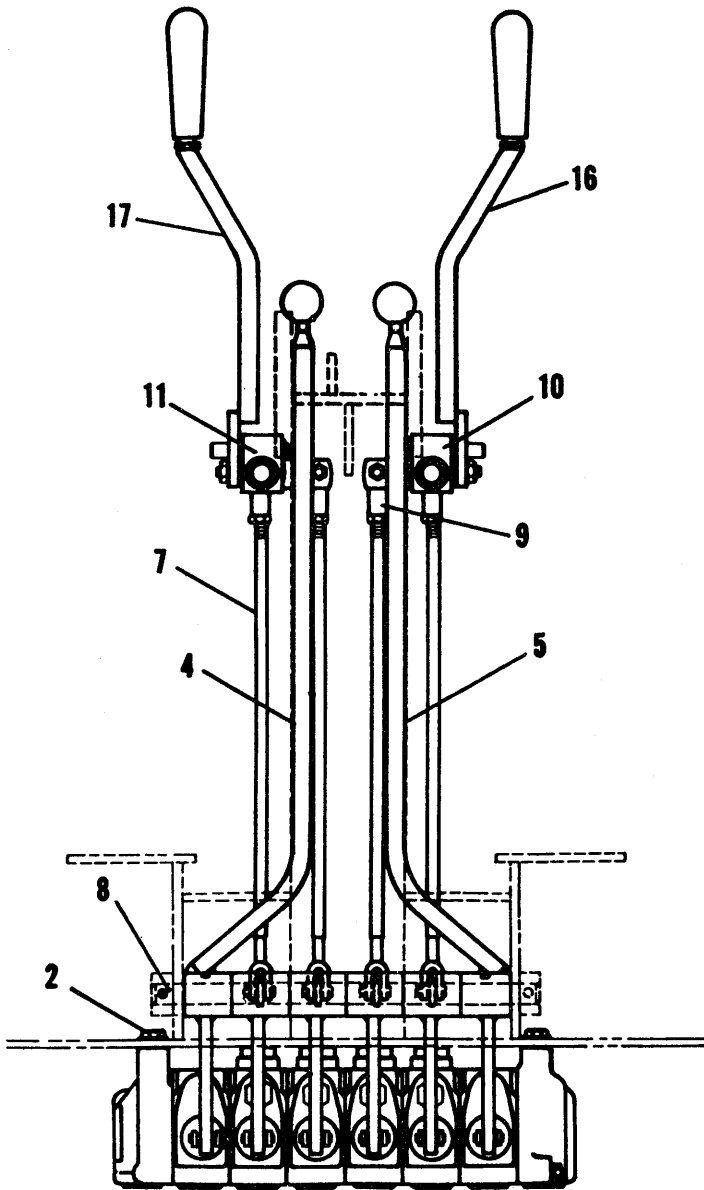
650 SERIES TRACTORS
BACKHOE

267

DIPPERSTICK GROUP

ITEM	NUMBER	QTY.	DESCRIPTION
1	2018480-0	1	DIPPERSTICK ASY.
	1041737-6	1	TUBE (bottom)
	1004100-2	2	BUSHING, 2" I.D. x 2-1/2 lg.
	2018393-5	2	BUSHING, 1-1/2 I.D. x 2-1/2 lg.
	2018394-3	2	BUSHING, 1-1/4 I.D. x 1-15/16 lg.
	0914465-0	3	FITTING, lube, 1/8
	1041737-6	1	TUBE, bucket
2	-----	1	CYLINDER ASY., bucket
3	2018508-8	1	PIN, bucket cylinder
4	0920613-7	4	CAPSCREW, 3/8NF x 3, Gr. 5
	0914929-5	4	NUT, lock, 3/8NF
5	2017939-6	1	ARM, bucket actuating
	0930765-3	2	NUT, 1"NF
6	2018481-8	1	LINK ASY., bucket actuating
	2018402-4	2	BUSHING, 1-1/2 I.D. x 1-15/16 lg.
	2018394-3	2	BUSHING, 1-1/4 I.D. x 1-15/16 lg.
	0914465-0	3	FITTING, lube, 1/8
7	2017948-7	2	HOSE ASY., bucket
8	0921326-5	2	CONNECTOR, st. (Incl. O-RING)
	0921205-1	2	O-RING, .755 I.D. x .097 wide
9	2017946-1	2	PIN, bucket
10	2018507-0	1	PIN, dipper cylinder

CONTROL VALVE GROUP



SECTION "A-A"

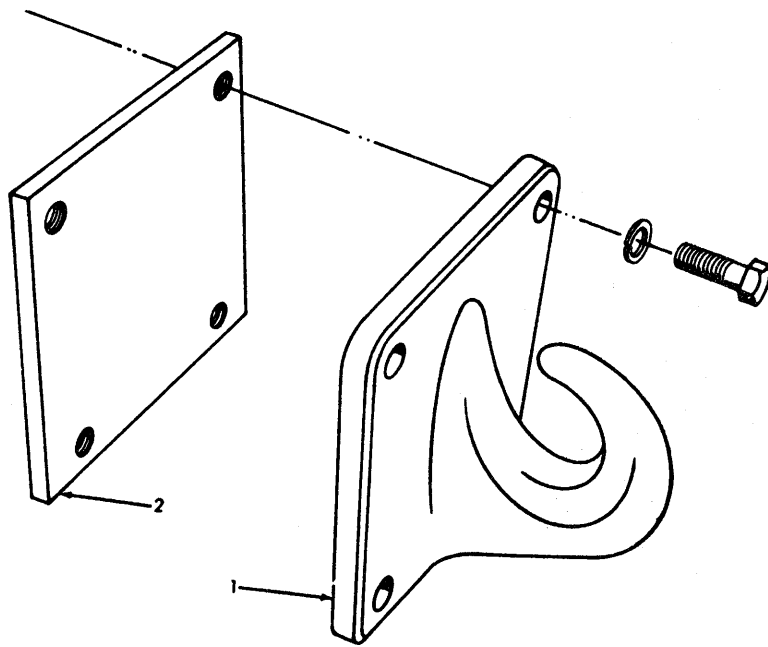
650 SERIES TRACTORS
BACKHOE

269

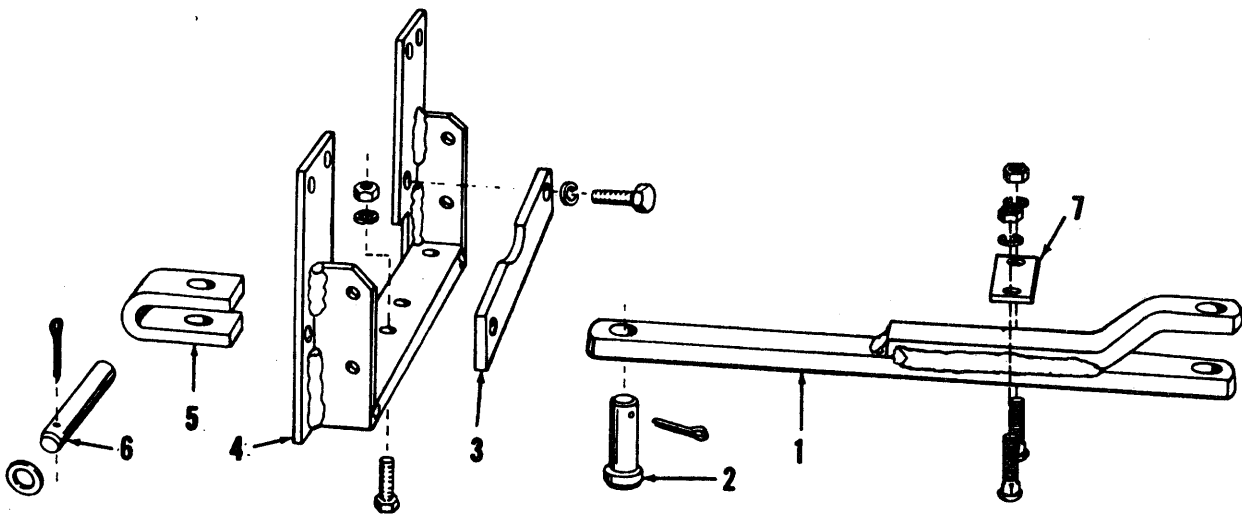
CONTROL VALVE GROUP

ITEM	NUMBER	QTY.	DESCRIPTION
1	-----	1	VALVE ASY., control (Refer to BACKHOE CONTROL VALVE ASY. for components)
2	0923114-3	3	CAPSCREW, 1/2NC x 1
	0916966-5	3	LOCKWASHER, 1/2
3	2019142-5	6	LINK
4	1001900-8	1	HANDLE ASY., R.H.
	2014647-8	1	KNOB, control handle
5	1001899-2	1	HANDLE ASY., L.H.
	2014647-8	1	KNOB, control handle
6	1001886-9	4	PIVOT ASY.
7	1001893-5	4	ROD ASY.
	0923087-1	4	PIN, clevis, 3/8
	0918448-2	4	PIN, cotter
	0918403-7	4	NUT, jam, 3/8
8	1002003-0	1	PIN
	0910374-8	1	PIN, groove
9	0928219-5	4	JOINTS, ball
10	1000858-9	1	BLOCK, pivot, L.H.
11	1001870-3	1	BLOCK, pivot, R.H.
12	1000375-4	4	WASHER, thrust
13	1000376-2	2	E-RING, 3/4
14	1000377-0	2	E-RING, 5/8
15	0627310-6	4	WASHER, thrust
16	1000471-1	1	HANDLE, control, L.H.
	2016374-7	1	KNOB, control handle
17	1000472-9	1	HANDLE, control, R.H.
	2016374-7	1	KNOB, control handle
18	0914929-5	4	NUT, lock, 3/8

PULL HOOK



DRAWBAR



650 SERIES TRACTORS
ATTACHMENTS

271

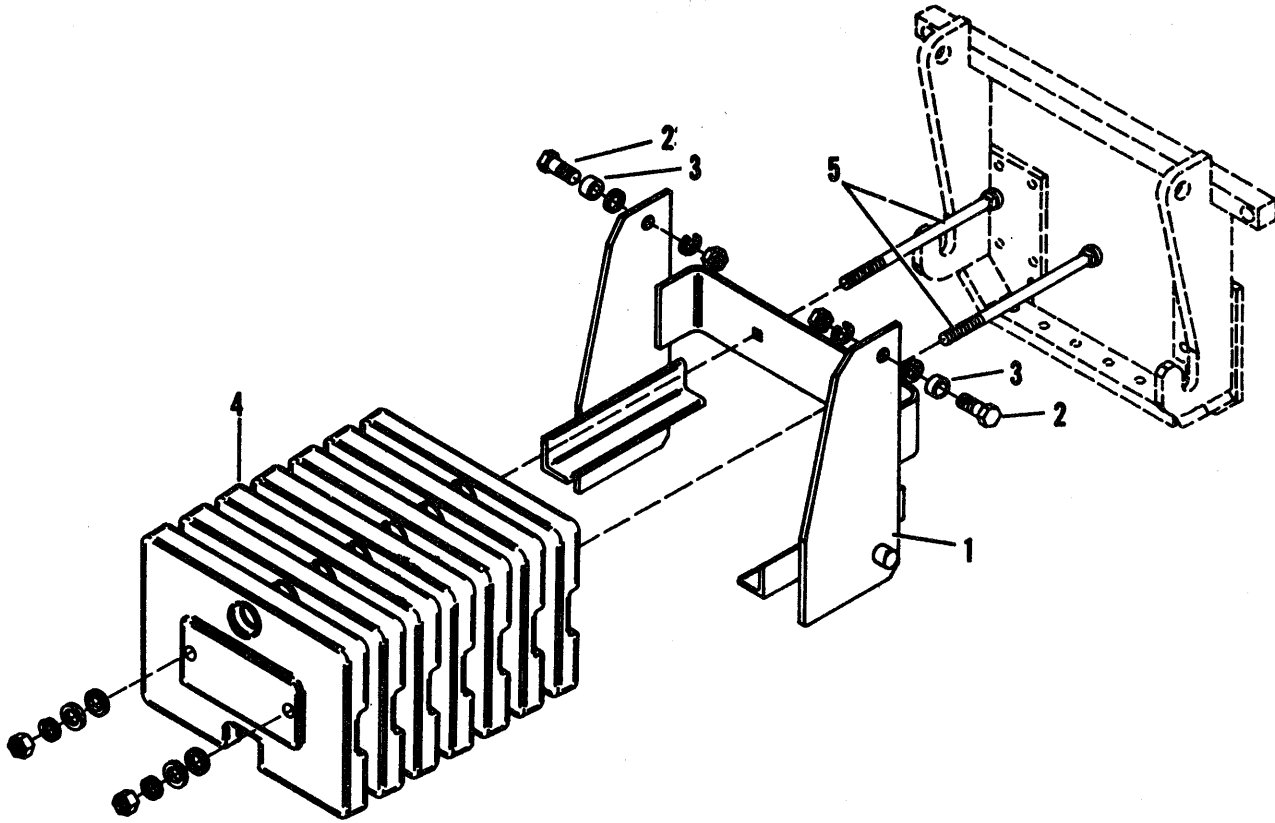
PULL HOOK

ITEM	NUMBER	QTY.	DESCRIPTION
-	0286913-9	1	HOOK KIT, pull
1	0050543-8	1	HOOK, pull
	0924149-8	4	CAPSCREW, 3/4NC x 2-1/4 x 16, Gr. 5
	0919332-7	4	LOCKWASHER, 3/4
2	0245669-7	1	PLATE, front hook support

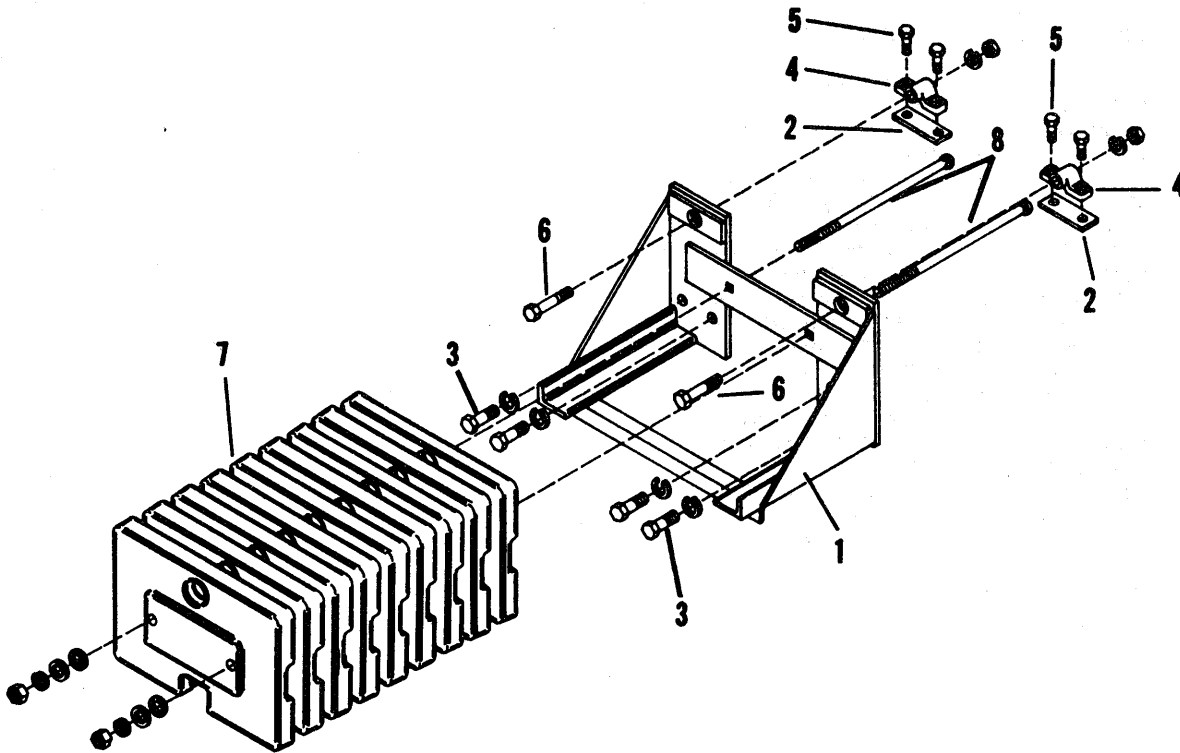
DRAWBAR

ITEM	NUMBER	QTY.	DESCRIPTION
1	0245486-6	1	DRAWBAR ASY.
2	0245483-3	1	PIN, drawbar
	0912430-6	1	PIN, cotter, 5/32 x 2
3	0247296-7	1	BRACE
	0924739-6	2	CAPSCREW, 3/4NC x 2-3/4
	0919332-7	2	LOCKWASHER, 3/4
4	0245489-0	1	SUPPORT ASY.
	0925872-4	6	CAPSCREW, 3/4NC x 2-1/4
	0919332-7	6	LOCKWASHER, 3/4
	0923162-2	2	BOLT, sq. nk., 5/8NC x 2-1/2
	0917373-3	2	LOCKWASHER, 5/8
	0915726-4	2	NUT, 5/8NC
5	0245481-7	1	CLEVIS
6	0231697-4	1	PIN
	0918463-1	1	PIN, cotter, 1/4 x 2
	0922095-5	*	WASHER (Use as req'd)
	0245485-8	1	BAR
	0923162-2	2	BOLT, rd. hd., 5/8NC x 2-1/2
	0917373-3	2	LOCKWASHER, 5/8
	0915726-4	2	NUT, 5/8NC

WEIGHT CARRIER GROUP
W/ UNIVERSAL CARRIER



WEIGHT BRACKET GROUP



650 SERIES TRACTORS
ATTACHMENTS

273

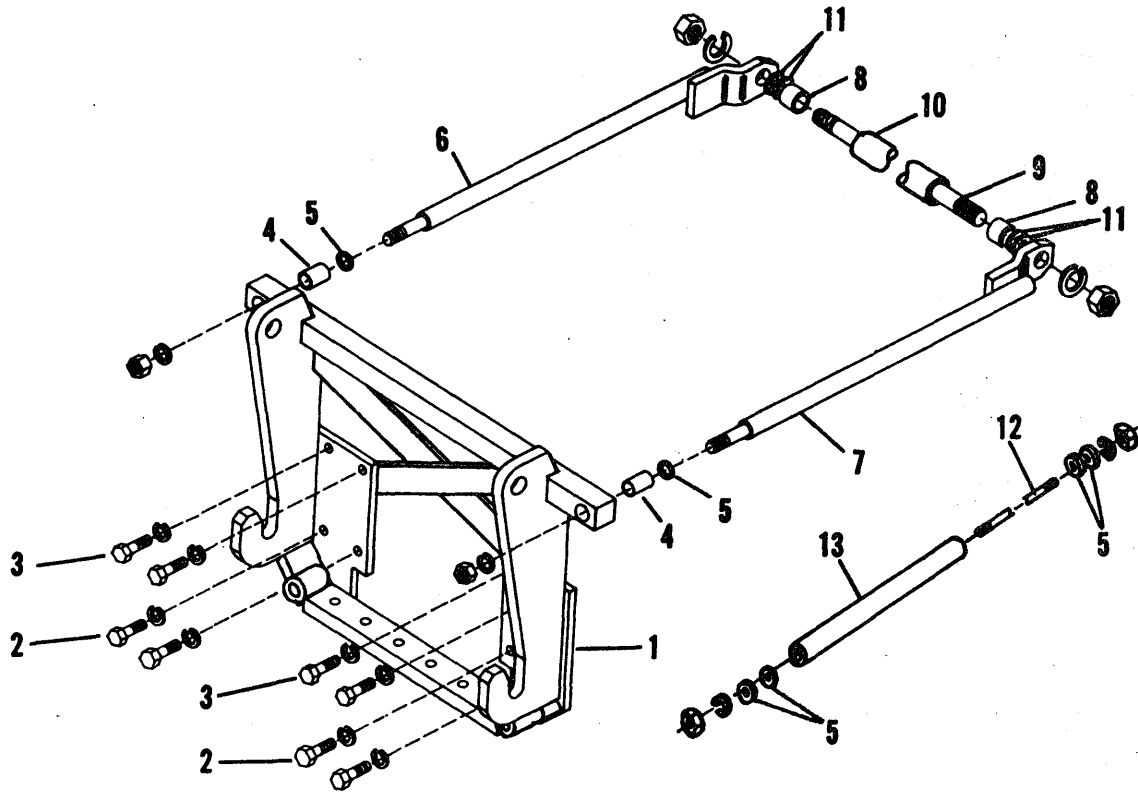
WEIGHT CARRIER GROUP
W/ UNIVERSAL CARRIER

ITEM	NUMBER	QTY.	DESCRIPTION
1	0245063-3	1	CARRIER ASY.
2	0923152-3	2	CAPSCREW, pltd., 1"NC x 2-3/4, Gr. 5
	0922020-3	2	LOCKWASHER, 1"
	0922659-8	2	NUT, 1"NC
	0922190-4	2	WASHER, No. 10 Ga.
3	0245132-6	2	SPACER
4	0245129-2	7	WEIGHT
5	0924097-9	2	BOLT, rd. hd., pltd., 5/8NC x 16-1/2
	0923350-3	4	WASHER, No. 10 Ga.
	0917373-3	2	LOCKWASHER, 5/8
	0915726-4	2	NUT, 5/8NC

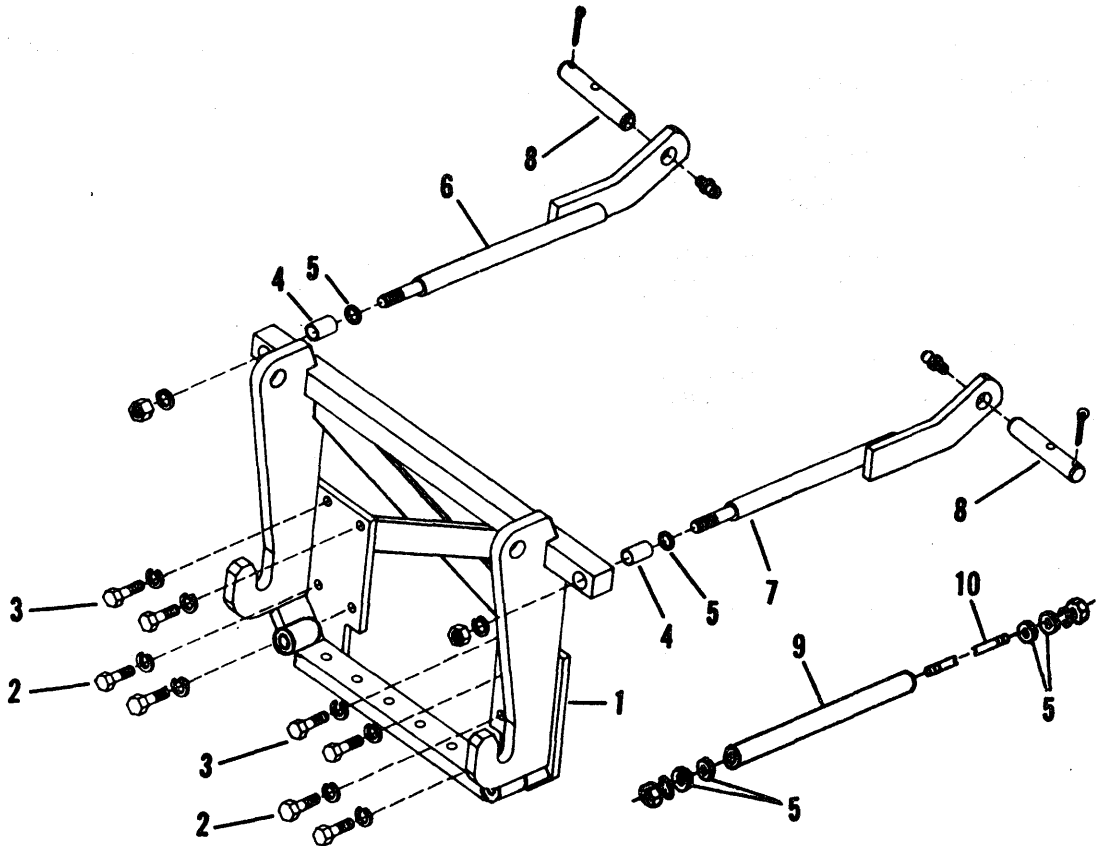
WEIGHT BRACKET GROUP

ITEM	NUMBER	QTY.	DESCRIPTION
1	0245081-5	1	BRACKET ASY.
2	0245643-2	2	SPACER
3	0924739-6	4	CAPSCREW, pltd., 3/4NC x 2-3/4, Gr. 5
	0919332-7	4	LOCKWASHER, pltd., 3/4
4	0245644-0	2	BRACKET
5	0923881-7	4	CAPSCREW, pltd., 5/8NC x 2, Gr. 8
6	0925387-3	2	CAPSCREW, pltd., 3/4NC x 4, Gr. 8
	0919332-7	2	LOCKWASHER, pltd., 3/4
	0913160-8	2	NUT, pltd., 3/4NC
7	0245129-2	9	WEIGHT
8	0924165-4	2	BOLT, pltd., 5/8NC x 20, Gr. 2
	0923350-3	4	WASHER, No. 10 Ga.
	0917373-3	2	LOCKWASHER, 5/8
	0915726-4	2	NUT, 5/8NC

UNIVERSAL CARRIER W/ TIE BRACES



UNIVERSAL CARRIER W/ TIE BRACES
LOADER



650 SERIES TRACTORS
ATTACHMENTS

275

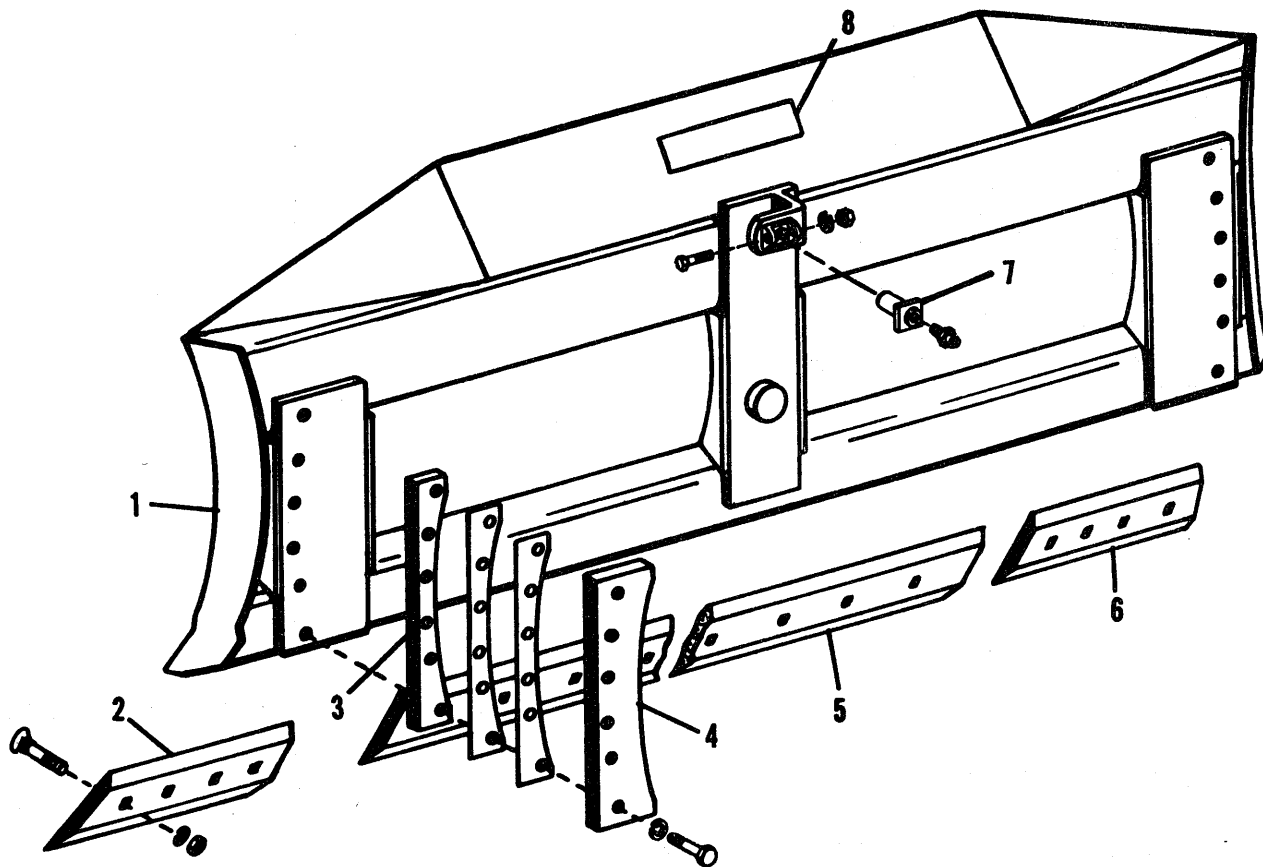
UNIVERSAL CARRIER W/ TIE BRACES

ITEM	NUMBER	QTY.	DESCRIPTION
1	1003764-6	1	BRACKET, carrier
2	0926168-6	6	CAPSCREW, pltd., 3/4NC x2-1/2, Gr. 8
	0919332-7	6	LOCKWASHER, pltd., 3/4
3	0924883-2	2	CAPSCREW, pltd., 3/4NC x3, Gr. 8
	0919332-7	2	LOCKWASHER, pltd., 3/4
4	1003355-3	2	SPACER
5	1003354-6	*	WASHER (*Use as req'd)
6	1003901-4	1	BRACE, tie
	0922020-3	3	LOCKWASHER, pltd., 1"
	0922659-8	3	NUT, pltd., 1"NC
7	1003901-4	1	BRACE, tie
	0922020-3	3	LOCKWASHER, pltd., 1"
	0922659-8	3	NUT, pltd., 1"NC
8	0253137-4	2	SPACER
9	1003760-4	1	BRACE BAR, cross
	0904210-2	2	LOCKWASHER, 1-1/4
	0913974-2	2	NUT, 1-1/4NC
10	1003761-2	1	SPACER, cross
11	0924382-5	*	WASHER (*As req'd)
12	1003754-7	2	BRACE, tie
	0922020-3	4	LOCKWASHER, pltd., 1"
	0922659-8	4	NUT, pltd., 1"NC
13	1003769-5	2	SPACER

UNIVERSAL CARRIER W/ TIE BRACES
LOADER

ITEM	NUMBER	QTY.	DESCRIPTION
1	1003764-6	1	BRACKET, carrier
2	0926168-6	6	CAPSCREW, pltd., 3/4NC x2-1/2, Gr. 8
	0919332-7	6	LOCKWASHER, pltd., 3/4
3	0924883-2	2	CAPSCREW, pltd., 3/4NC x3, Gr. 8
	0919332-7	2	LOCKWASHER, pltd., 3/4
4	1003355-3	2	SPACER
5	1003354-6	*	WASHER (*Use as req'd)
6	1003353-8	1	BRACE, tie, L.H.
	0922020-3	4	LOCKWASHER, pltd., 1"
	0922659-8	1	NUT, pltd., 1"NC
7	1003352-0	1	BRACE, tie, R.H.
	0922020-3	1	LOCKWASHER, pltd., 1"
	0922659-8	1	NUT, pltd., 1"NC
8	0245126-8	2	PIN, loader
	0918463-1	2	PIN, cotter, pltd., 1/4 x 2
	0914465-0	2	FITTING, grease
9	1003769-5	2	SPACER
10	1003754-7	2	BRACE, tie
	0922020-3	4	LOCKWASHER, pltd., 1"
	0922659-8	4	NUT, pltd., 1"NC

MOLDBOARD

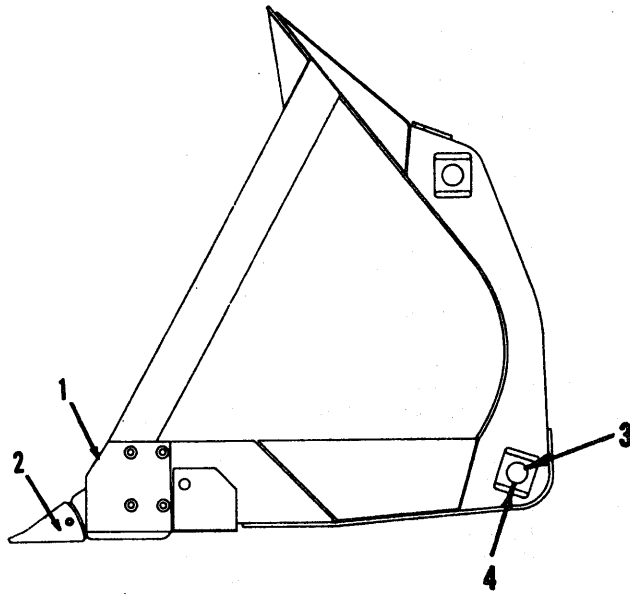


650 SERIES TRACTORS
ATTACHMENTS

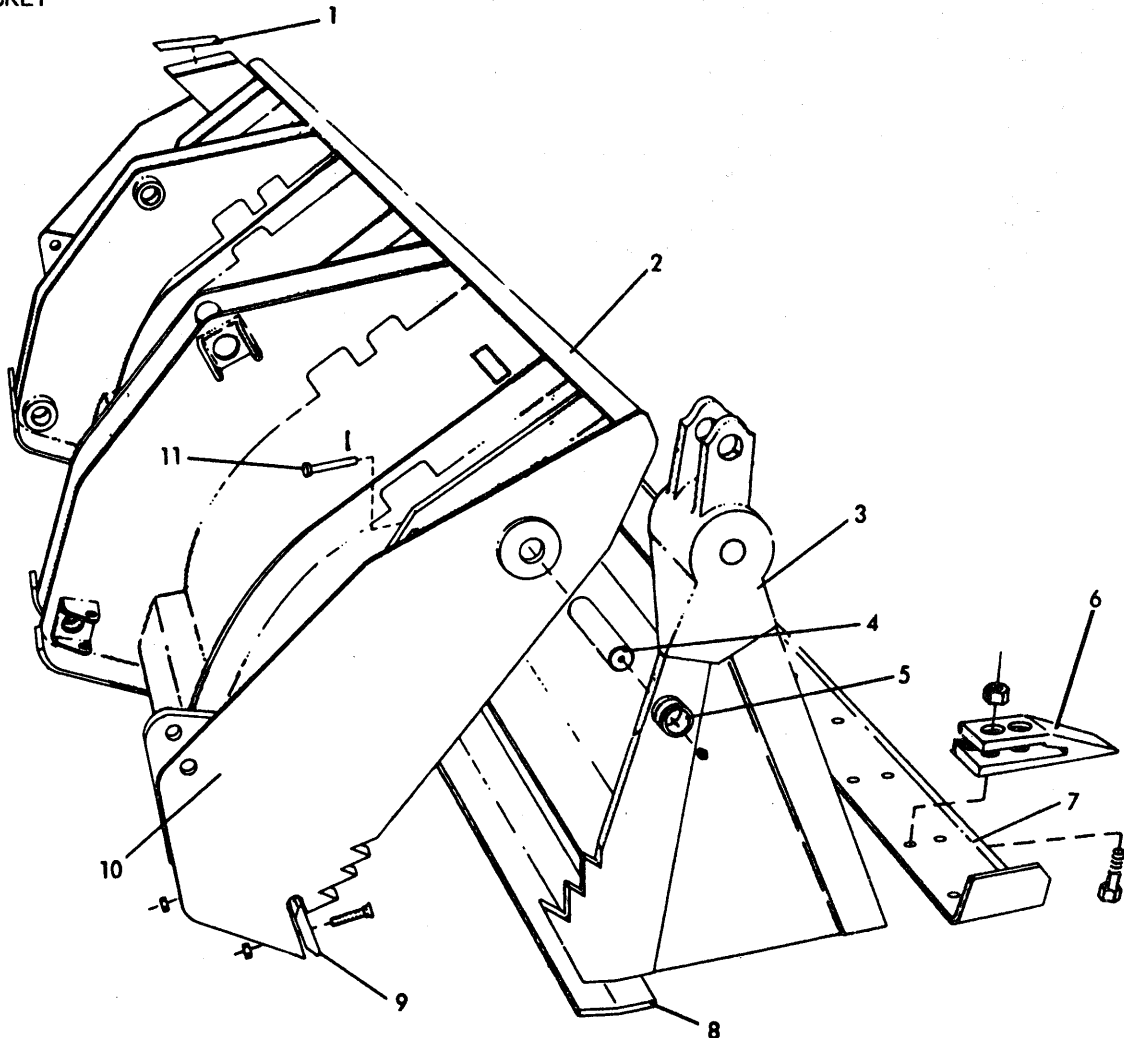
MOLDBOARD

ITEM	NUMBER	QTY.	QTY.	DESCRIPTION
		*	**	
1	1010898-3	1	—	MOLDBOARD ASY., welded (100")
	1010897-5	—	1	MOLDBOARD ASY., welded (93")
2	0612679-1	1	1	BIT, end, L.H. (3/4 x 6 x 15-11/16)
	0927504-1	4	4	BOLT, plow, 5/8NC x 2, Gr. 5
	0917373-3	4	—	LOCKWASHER, 5/8
	0915726-4	4	—	NUT, 5/8NC
3	1010768-8	2	—	BLOCK
	1010592-2	—	2	BLOCK
	1010769-6	2	—	PLATE, cover
	1010998-1	*	—	SHIM, 1/32 (*Use as req'd)
	1010770-4	*	—	SHIM, 1/16 (*Use as req'd)
	0925707-2	12	—	CAPSCREW, pltd., 3/4NC x 3, Gr. 5
	0919332-7	12	—	LOCKWASHER, 3/4
4	1010591-4	—	2	PLATE, cover
	1010993-2	—	**	SHIM (*Use as req'd)
	1010590-6	—	**	SHIM (*Use as req'd)
	0925707-2	—	10	CAPSCREW, pltd., 3/4NC x 3, Gr. 5
	0919332-7	—	10	LOCKWASHER, 3/4
	1010860-3	—	1	EDGE, cutting (center section) (5/8 x 6 x 61-13/32)
	0927504-1	—	10	BOLT, plow, 5/8NC x 2
	0917373-3	—	10	LOCKWASHER, 5/8
	0915726-4	—	10	NUT, 5/8NC
5	1010861-1	1	—	EDGE, cutting (center section) (5/8 x 6 x 68-13/32)
	0927504-1	11	—	BOLT, plow, 5/8NC x 2
	0917373-3	11	—	LOCKWASHER, 5/8
	0915726-4	11	—	NUT, 5/8NC
6	0612680-9	1	1	BIT, end, R.H. (3/4 x 6 x 15-11/16)
	0927504-1	4	4	BOLT, plow, 5/8NC x 2, Gr. 5
	0917373-3	4	4	LOCKWASHER, 5/8
	0915726-4	4	4	NUT, 5/8NC
7	1010882-7	1	1	PIN ASY.
	0923938-5	1	1	CAPSCREW, 3/8NC x 3-1/2, Gr. 5
	0916965-7	1	1	LOCKWASHER, 3/8
	0916950-9	1	1	NUT, 3/8NC
	0914465-0	1	1	FITTING, grease
8	1003528-5	1	1	DECAL, "Allis-Chalmers"

BUCKETS, LOADER



BUCKET ASY.
4-IN-1 BUCKET



**650 SERIES TRACTORS
ATTACHMENTS**

279

BUCKETS, LOADER

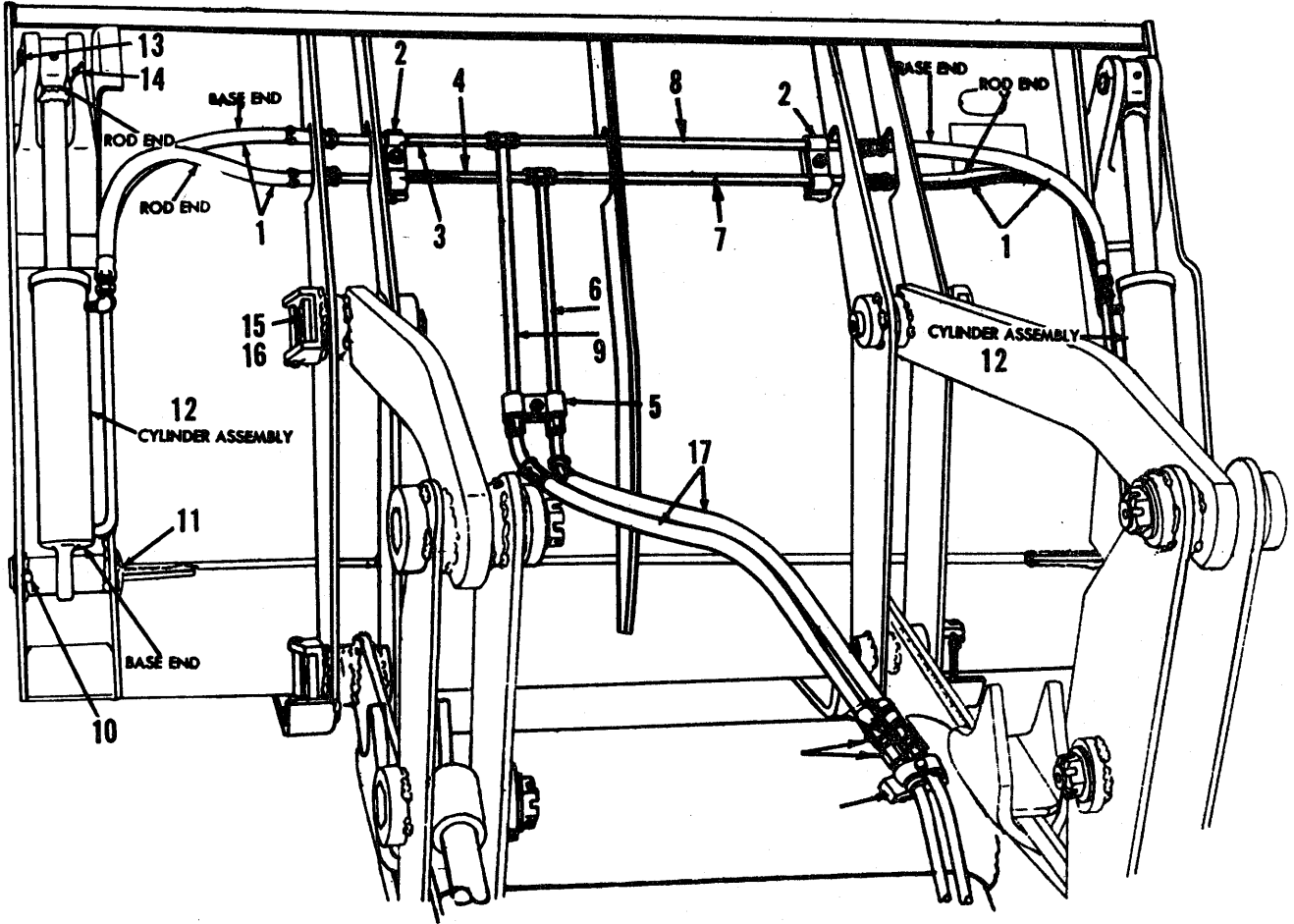
ITEM	NUMBER	QTY.	QTY.	DESCRIPTION
-	-----	1	*	BUCKET ASY., complete, 1 yd. (Refer to MACHINERY PRICE LIST)
-	-----	1	**	BUCKET ASY., complete, 1-1/4 yd. (Refer to MACHINERY PRICE LIST)
1	1011251-4	1	-	EDGE, cutting (1 yd. bucket)
	0924155-5	20	20	RIVET, 1/2 x 2
	0245883-4	-	1	EDGE, cutting (1-1/4 yd. Bucket Blade)
2	-----	7	-	TOOTH, bucket (Incl. PIN, SHANK & POINT) (Use 1010151 TOOTH ASY.)
	0916450-0	14	-	BOLT, plow, 1/2NC x 2-1/2, Gr. 5
	0922304-1	14	-	NUT, 1/2NC
	2017635-0	7	-	PIN, flex.
	1003013-8	7	-	SHANK (Use 1010151 TOOTH ASY.) (Use w/ 1 ea. of 923191 & 920990)
	-----	7	-	POINT (Use 1010151 TOOTH ASY.)
3	1012550-8	2	2	PIN, bucket
4	0928179-1	4	4	RING, snap
-	1010151-7	-	-	TOOTH ASY. (Incl. SHANK; 1 ea. of 1010152 & 2017635; 7 ea. of 916319 & 916318; and 14 of 916899)

*1 Yard Bucket
**1-1/4 Yard Bucket

**BUCKET ASY.
4-IN-1 BUCKET**

ITEM	NUMBER	QTY.	DESCRIPTION
1	0253051-7	1	PRODUCT, graphic
2	0253028-5	1	MOLDBOARD ASY
3	0253023-6	1	CLAM ASY.
4	0253031-9	2	PIN, clam to blade
	0914465-0	2	FITTING lube, 1/8
5	0653253-5	4	BUSHING
6	0253054-1	6	TOOTH ASY. (Incl. HARDWARE)
	0921898-3	6	CAPSCREW, 1/2NC x 1/2
	0927469-7	6	CAPSCREW, 1/2NC x 2-1/4
	0926007-6	12	NUT, 1/2NC
7	0253025-1	1	EDGE, cutting (bucket)
8	0253026-9	1	EDGE, clam
9	0253029-3	1	EDGE, moldboard
10	0654127-0	2	PRODUCT, graphic
11	0654250-0	2	PIN clevis
	0918452-4	2	PIN, cotter, 1/8 x 1

MOLDBOARD, REAR VIEW
4-IN-1 BUCKET



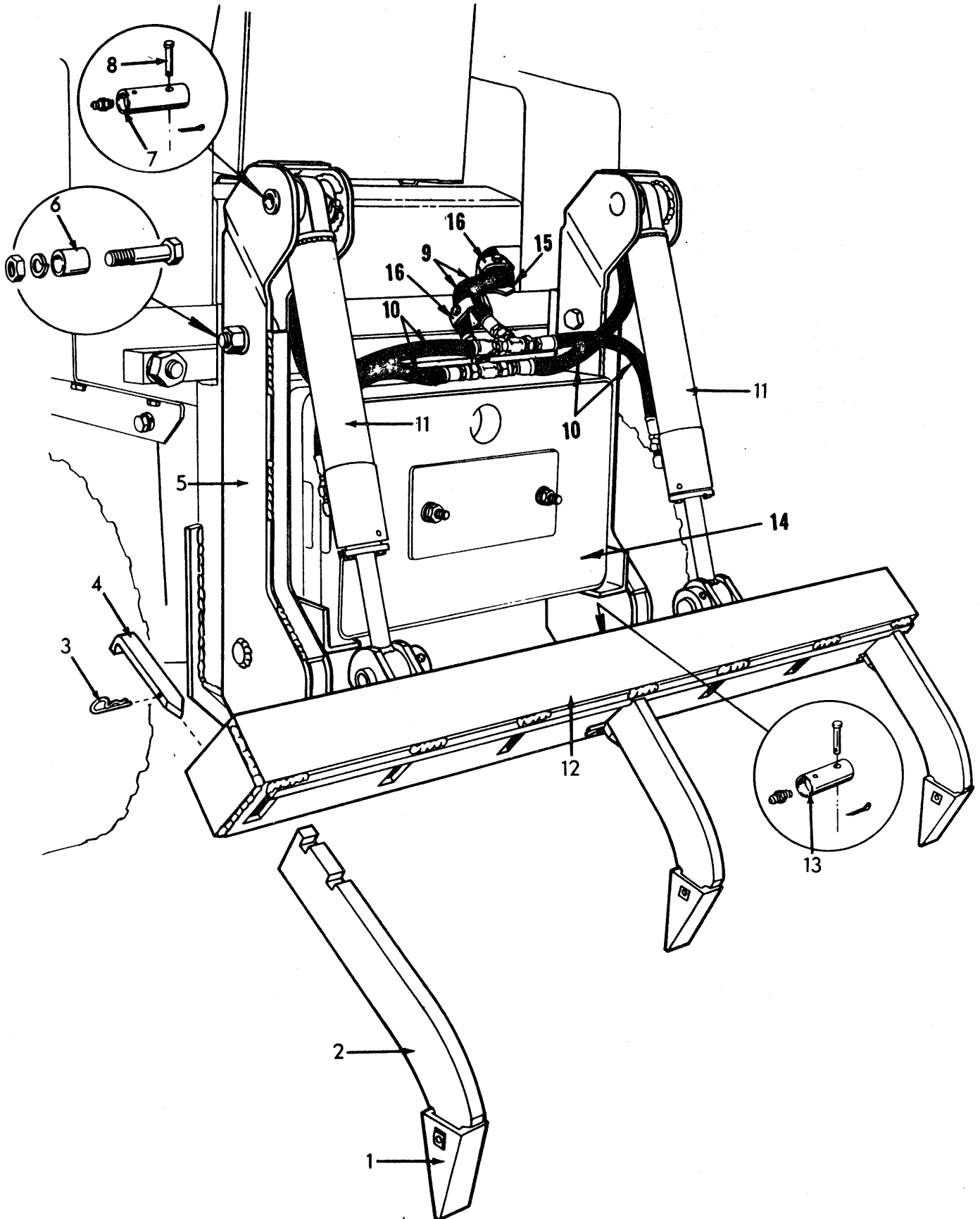
650 SERIES TRACTORS
ATTACHMENTS

281

MOLDBOARD, REAR VIEW
4-IN-1 BUCKET

ITEM	NUMBER	QTY.	DESCRIPTION
1	0253049-1	4	HOSE ASY.
2	0654125-4	2	CLAMP
	0916965-7	2	LOCKWASHER, 3/8
	0916950-9	2	NUT, 3/8NC
3	0253048-3	1	TUBE ASY.
4	1003532-7	1	TUBE ASY., lower
5	0654125-4	1	CLAMP
	0916965-7	1	LOCKWASHER, 3/8
	0916950-9	1	NUT, 3/8NC
6	1003530-1	1	TUBE ASY.
7	0253047-5	1	TUBE ASY.
8	1003531-9	1	TUBE ASY., upper
9	1003529-3	1	TUBE ASY.
10	0253096-2	2	PIN, clevis
	0918452-4	2	PIN, cotter, 1/8 x 1
11	0253030-1	2	PIN, cylinder base
12	-----	2	CYLINDER ASY.
13	0253027-7	2	PIN, cylinder to clam
14	0253095-4	2	PIN, clevis
	0918452-4	2	PIN, cotter, 1/8 x 1
15	3020114-9	4	PIN, bucket
	0922887-5	2	FITTING, lube
16	3020131-3	4	PIN, lock
	0918452-4	2	PIN, cotter, 1/8 x 1
17	1003534-3	2	HOSE ASY.

RIPPER



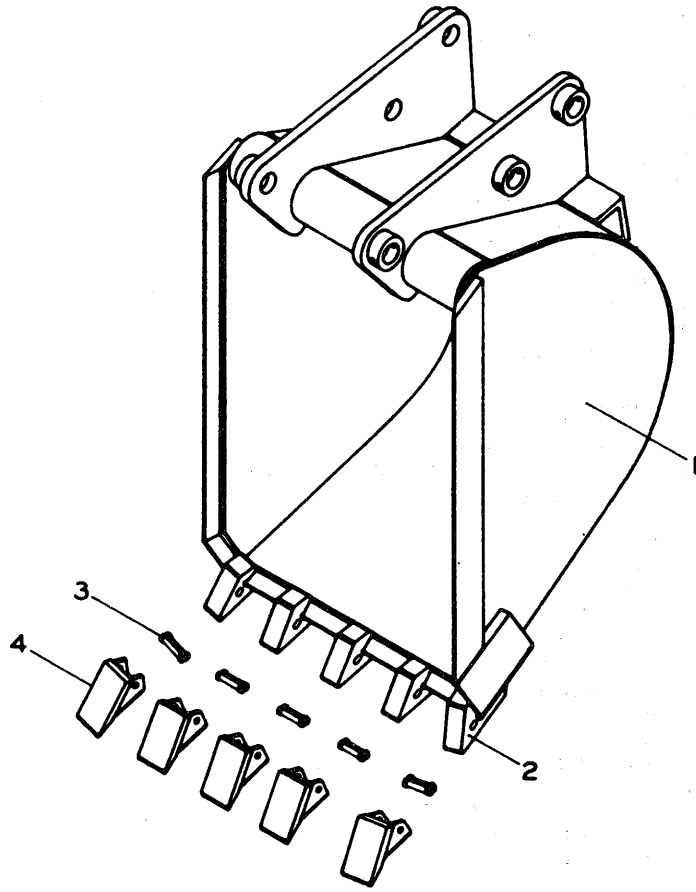
650 SERIES TRACTORS
ATTACHMENTS

283

RIPPER

ITEM	NUMBER	QTY.	DESCRIPTION
1	0245309-0	3	TOOTH
	0924152-2	3	CAPSCREW, 3/8NC x 1-3/8
	0916950-9	3	NUT, 3/8NC
2	0245308-2	3	SHANK
3	9002803-6	3	CLIP, hair pin
4	0245310-8	3	KEY, shank
5	0245211-8	1	FRAME ASY.
6	0245132-6	2	SPACER
	0924151-4	2	CAPSCREW, 1"NC x 3-1/4
	0922020-3	2	LOCKWASHER, 1"
	0922659-8	2	NUT, 1"NC
7	0245311-6	4	PIN, ram
	0914465-0	4	FITTING, lube
8	3001621-6	4	PIN, lock
	0918452-4	4	PIN, cotter, 1/8 x 1
9	0245406-4	2	HOSE ASY., reservoir
	0921325-7	2	ELBOW, 5/8
10	0245407-2	4	HOSE ASY., cylinder
	0921141-8	8	TEE, union, 5/8
11	-----	2	CYLINDER ASY., lift (Refer to CYLINDER ASY. group for components)
12	0245203-5	1	BEAM ASY.
	0245213-4	2	BUSHING
13	0245312-4	2	PIN, pull beam
	0914465-0	2	FITTING, lube
14	0245129-2	5	WEIGHT
	0924150-6	10	BOLT, 5/8NC x 12-1/2
	0923350-3	20	WASHER, 5/8
	0917373-3	10	LOCKWASHER, 5/8
	0915726-4	10	NUT, 5/8NC
15	0249785-7	1	SUPPORT
	0916951-7	1	NUT, 1/2NC
16	0339785-8	3	CLAMP
	0923701-7	3	CAPSCREW, 3/NC x 2, Gr. 5
	0916965-7	3	LOCKWASHER, 3/8
	0916950-9	3	NUT, 3/8NC

BACKHOE BUCKETS



BACKHOE BUCKETS

ITEM	NUMBER	QTY.	DESCRIPTION
-	-----	-	BUCKET, rock, 18" - complete
-	-----	-	BUCKET, rock, 24" - complete
-	-----	-	BUCKET, rock, 30" - complete
-	-----	-	BUCKET, 12" - complete
-	-----	-	BUCKET, 18" - complete
-	-----	-	BUCKET, 24" - complete
-	-----	-	BUCKET, 30" - complete
-	-----	-	BUCKET, 36" - complete
1	2017634-3	*	SHANK, tooth
2	2017635-0	*	PIN, flex.
3	2017636-8	*	POINT, tooth
-	1040632-0	-	EDGE, cutting (30")
-	1001402-5	-	EDGE, cutting (24")
-	1001405-8	-	EDGE, cutting (18")
-	1041090-0	-	EDGE, cutting (12")
-	1043401-7	-	EDGE, cutting (18")
-	1043402-5	-	EDGE, cutting (24")
-	1043404-1	-	EDGE, cutting (36")

*Use as bucket requires.

RECOMMENDED DEALER STOCK

NOTE: This parts stock list indicates those items recommended to service FIVE units.

QTY.	PART NO.	DESCRIPTION	QTY.	PART NO.	DESCRIPTION
1	0042887-0	CUP, bearing	1	1003798-4	WHEEL ASY.
15	0043591-7	BOLT	1	1010151-7	TOOTH ASY.
15	0084971-1	NUT	2	1010964-3	DISK ASY., clutch
1	0202875-1	RING, retaining	1	1015332-8	BAND ASY., brake
17	0208137-0	GASKET	1	1015393-0	TRANSFER SET
9	0208325-1	SCREEN	1	1017114-8	LINING, brake
5	0209899-4	CONE, bearing	2	2017635-0	PIN
1	0211169-8	CONE, bearing	3	2017636-8	POINT
1	0212037-6	CUP, bearing	2	2018402-4	BUSHING, split
3	0222214-9	CONE, bearing	1	3031996-6	ELEMENT
20	0223395-5	F'NG, retaining	2	4007554-1	PUMP, water kit
10	0225948-9	PIN	1	4007740-6	BEARING, rod
10	0227500-6	O-RING	12	4008103-6	SEAL, oil
10	0227666-5	CUP, bearing	10	4020032-1	O-RING
4	0227679-8	SEAL, oil	14	4020049-5	BUSHING
1	0228307-5	GASKET	12	4020090-9	GASKET
1	0229278-7	BEARING, needle	4	4020142-8	BOLT
1	0230232-1	UNIT, sealed	4	4020185-7	ROD ASY.
3	0232192-5	COVER	1	4021445-4	SWITCH
9	0233245-0	GASKET, control	1	4022083-2	BEARING, main
1	0233246-8	GASKET	1	4022084-0	BEARING, main
1	0233249-2	GASKET	20	4022595-5	GUIDE, valve
4	0233770-7	KNOB	5	4023378-5	VALVE, intake
1	0233893-7	BEARING, clutch	1	4023380-1	SEAT, exhaust valve
2	0235328-2	RATCHET	8	4023827-1	O-RING
1	0236297-8	PLUG	8	4024463-4	BEARING
10	0237395-9	ELEMENT, air	6	4024561-5	SEAL, oil
3	0237929-5	SHIM	9	4024562-3	SEAL, oil
1	0239238-9	SEAL, oil	12	4025101-9	GASKET
1	0241032-2	BOLT	12	4025103-5	THERMOSTAT
2	0241033-0	NUT	2	4025149-8	PIN
6	0241779-8	SEAL, oil	25	4025150-6	GASKET
6	0241965-3	SWITCH, ignition	8	4025188-6	ARM
8	0241977-8	KEY, ignition	14	4025238-9	BEARING
1	0242875-3	CUP, bearing	25	4025385-8	SHIELD
3	0243219-3	RING, sealing	8	4026699-1	TAPPET
3	0243220-1	RING, sealing	25	4027748-5	WASHER
11	0243226-8	RING	50	4027979-6	ELEMENT, oil
17	0243473-6	BATTERY, dry	50	4028945-6	ELEMENT, fuel
1	0243791-1	HOLDER	9	4035186-8	SPRING, valve
4	0243986-7	REGULATOR, new	20	4036044-8	NOZZLE ASY.
1	0245114-4	BEARING ASY.	8	4052540-4	SEAL
10	0246085-5	ELEMENT, hyd.	2	4053035-4	SEAL
2	0246134-1	GASKET	4	4053037-0	GUIDE
2	0247874-1	GASKET	1	4055961-9	ELEMENT
4	0253322-2	SWITCH	1	4060745-9	GASKET KIT
3	0253690-2	CAP, fuel tank	6	4061522-1	SLEEVE KIT
9	0255947-4	SEAL KIT, hyd.	6	4061587-4	BLADE
18	0257672-6	PLATE, purchase	12	4062157-5	RING SET
15	0257913-4	PLATE, circular	4	4062355-5	PISTON KIT
3	0258627-9	PLATE, purchase	2	4254152-4	SEAL, oil
3	0270059-9	PLATE, purchase	14	4376497-6	LOCK, valve
2	0271736-1	SEAL, oil	20	4501149-1	SLEEVE
1	1000622-9	REPAIR KIT	9	4504409-6	NUT
1	1003187-0	BRACKET	26	4511243-0	GASKET
1	1003200-1	SHIM	3	4760149-7	UNIT, sending
1	1003231-6	SEAL	1	4818263-8	AMMETER
1	1003232-4	RING, wiper	1	4987617-0	RING, piston
1	1003234-0	WASHER			
1	1003235-7	FELT			
1	1003403-1	SHOE, grouser			
1	1003404-9	SHOE, grouser			
1	1003412-2	GEAR			
1	1003512-9	BOLT, flex			
1	1003720-8	BOLT, place			
1	1003722-4	PINION			